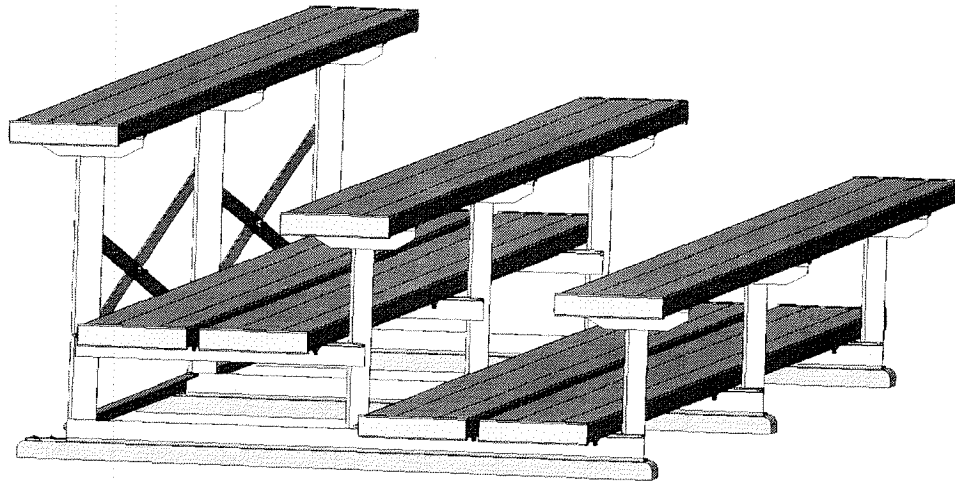


FIRST TEAM, INC.

FANSTAND OUTDOOR BLEACHER ASSEMBLY INSTRUCTIONS



NOTE: THE ILLUSTRATIONS ARE FOR REFERENCE ONLY. YOUR BLEACHER MAY BE DESIGNED WITH A DIFFERENT CONFIGURATION.

These instructions are to be use in the assembly of First Team Sports' FanStand Outdoor bleacher system. Fully read and follow each step of these instructions carefully. Assembly should only be done by skilled persons with at least a basic ability to use standard hand tools. **REMEMBER: Bleachers can be dangerous. Their use can result in bodily injury or death. Improper assembly could result in failure and/or bodily injury!**

If you have questions about assembly, contact First Team Sports, Inc. 1-888-884-6677

TOOLS YOU WILL NEED:

Bleacher assembly requires the use of basic tools. We recommend you have the following list of tools available.

- 3/8" socket wrench(s) & extension driver(s)
- 3/8", 1/2" and 9/16" socket(s)
- 3/8", 1/2" & 9/16" combination wrench(s)
- Phillips screw driver
- Framing Square
- Tape Measure

STEP 1: UNLOAD/UNPACK PRODUCT

Check over the parts to make sure nothing has been damaged in shipping. Notate any damage on the delivery receipt prior to truck driver leaving. Pay special attention to the aluminum planks. It may be necessary to remove planks from the truck one plank at a time. If you do not have manual labor available, renting a forklift to assist with unloading may be necessary depending on the size/quantity of your bleacher order.

Our bleacher components are designed to be interchangeable. Cross check the components list provided on your packing list to make sure all pieces/handling units were delivered and accounted for. Notate any shortages on delivery receipt before delivery driver leaves.

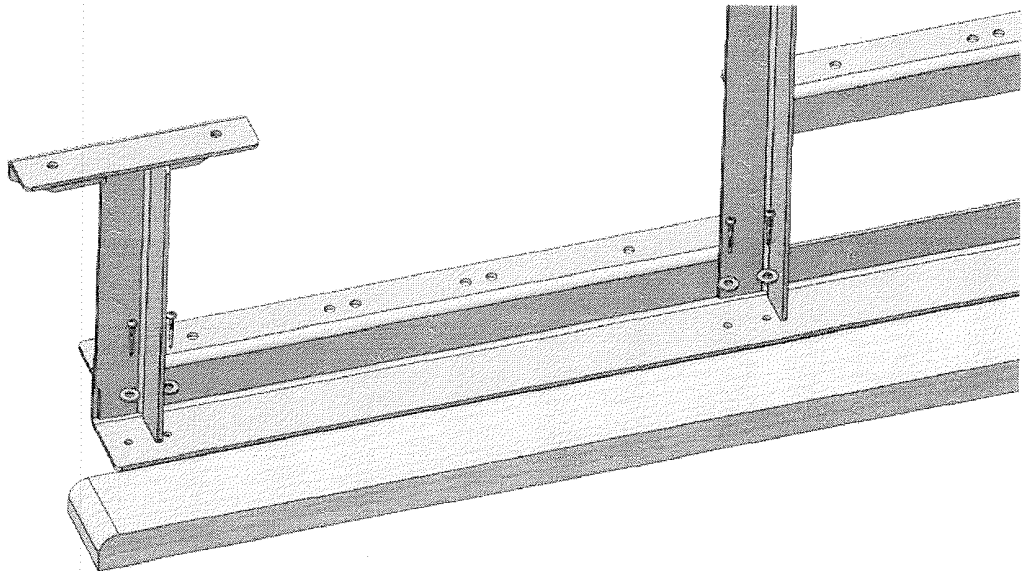
STEP 2: ASSEMBLY RULES

Follow these basic rules for proper bleacher assembly.

1. All fasteners must be Grade 5 or equivalent. Grade 5 fasteners have 3 opposing marks on the head of the bolt fastener.
2. Always use a lock washer on the nut side of each bolt fastener.
3. Bleacher should be assembled on a level surface. If floor damage is a concern, use protective covering/plywood or other protective materials under your work area.
4. Make sure parts are square and even before tightening bolts and nuts.
5. Constantly check squareness of assembly as you complete steps.

STEP 3: FRAME ASSEMBLY

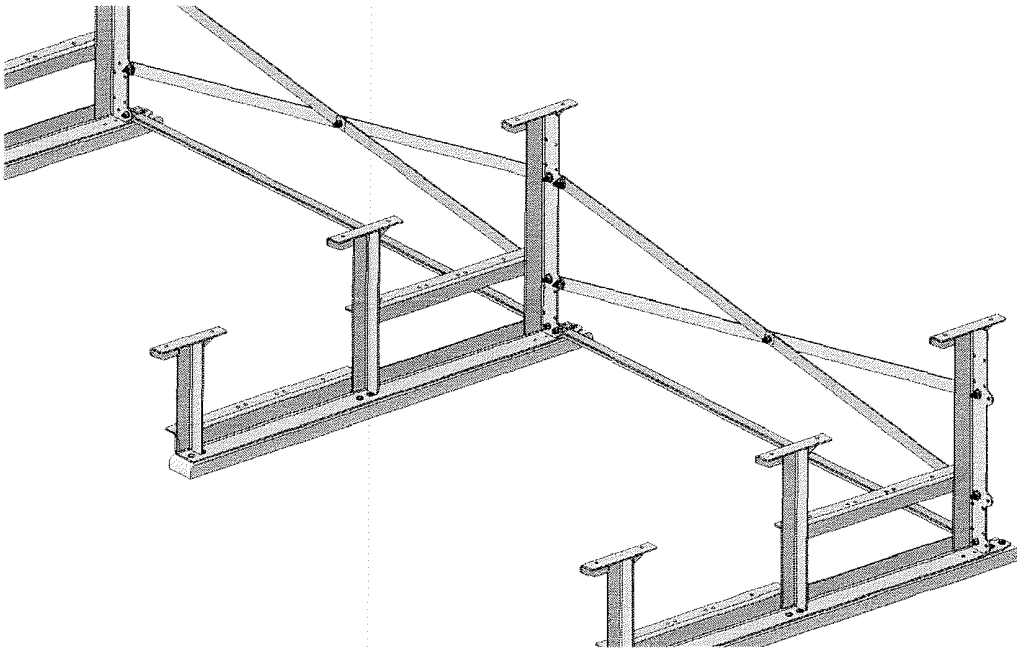
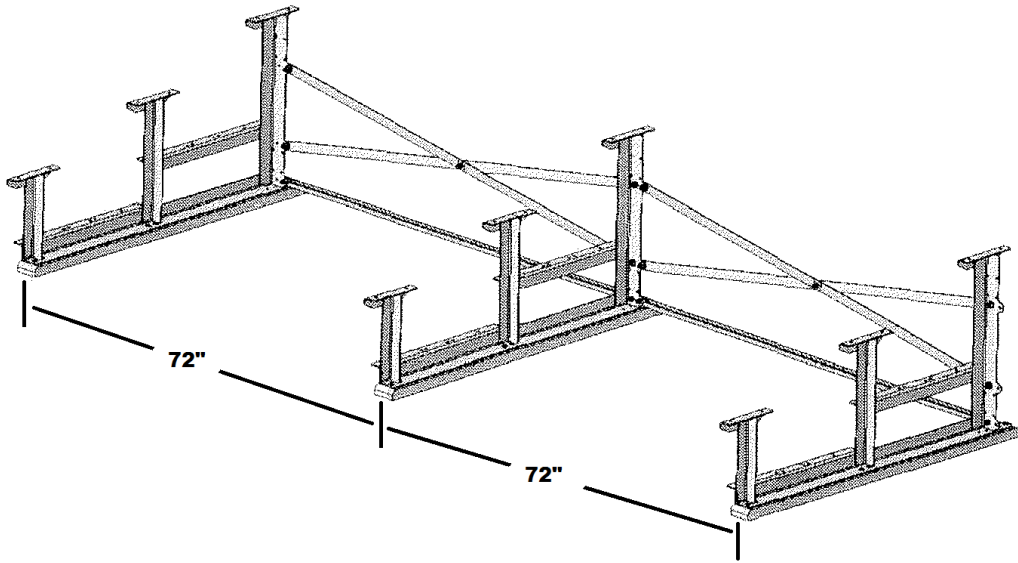
Attach a wood runner to the bottom of each frame. Note the direction of the bevel on the end of the wood runner. Using a provided #10 x 1 ½" Philips Wood Screw and ¼" flat washer, secure each wood runner to the bottom of each frame at every hole provided in the bottom of the frame as shown. Make sure none of the wood screws protrude out the bottom of the wood runner. If so, back off screw or file flat.



STEP 4: ATTACH CROSS BRACES

Space frames at 72" intervals (center to center). Attach the horizontal and cross braces using the provided hardware (3/8" x 1 1/4" hex bolts). Bolts should be inserted from the back side of the bracing toward the front. Use the appropriate hardware (3/8" hex nut & lock washer) to secure the bolt on the front side. **NOTE: Diagonal cross braces are made from flat steel. Horizontal brace has a bent angle lip.**

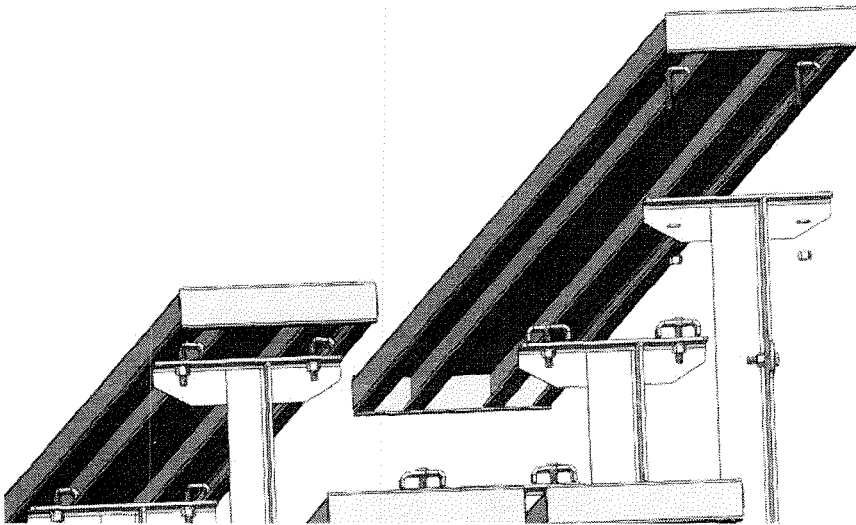
WARNING: TO AVOID FLOOR DAMAGE, BE CERTAIN TO BOLT HORIZONTAL BRACE WITH ARROW POINTING UP!



STEP 5: SEAT PLANK & FOOT PLANK ATTACHMENT

Position each seat plank onto the top of each seat support bracket. Adjust the position of each plank so it is positioned in the center of the bracket and so the plank extends beyond the center of each support frame the same at each end of the bleacher. Attach each seat plank to the seat support brackets using the provided pressure clamps and provided hardware (3/8"x2" carriage bolt). Use two clamps per plank attachment location. Make sure both sides of each pressure clamp lock down and over each plank rib. Use a 3/8" hex nut and lock washer to secure the carriage bolt.

If you are using a single walk plank use the center holes on the horizontal support as referenced in the above drawing to attach the plank. If using a double walk plank use the outermost holes in the horizontal support bracket. Adjust the foot planks to align with the ends of the seat planks. Use the same pressure clamps and hardware as used on the seat clamps, to secure the foot planks.



STEP 6: CHECK FOR LOOSE BOLTS AND SCREWS

The bleacher should now be fully assembled. Go back and recheck to make sure all bolts and screws are tight. Loose hardware is dangerous! Although this bleacher system requires very little maintenance, periodically check the condition of the bleacher. Check welds and tighten any loose hardware.

WARNING- WARNING-WARNING

Bleachers can be dangerous! The following must always be observed with the use of this equipment.

Place bleacher on hard level surface only.

Never allow children to use bleacher for climbing or horseplay.

Keep bleacher a safe distance away from hazards.

Maintain a safe distance from sporting activities to ensure safety of players and spectators

Do not allow use of bleacher when wet or slippery.

Make sure all assembly bolts are tight before use.

Do not stand or walk on seat planks for any reason

FIRST TEAM SPORTS, INC.

902 COREY ROAD

HUTCHINSON, KS 67501

800-649-3688

Firstteaminc.com