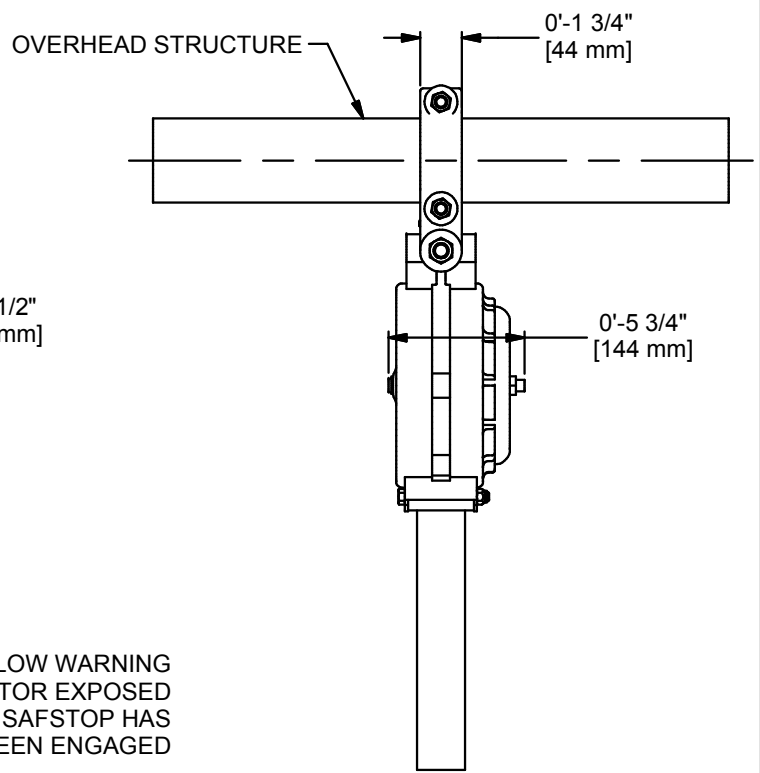
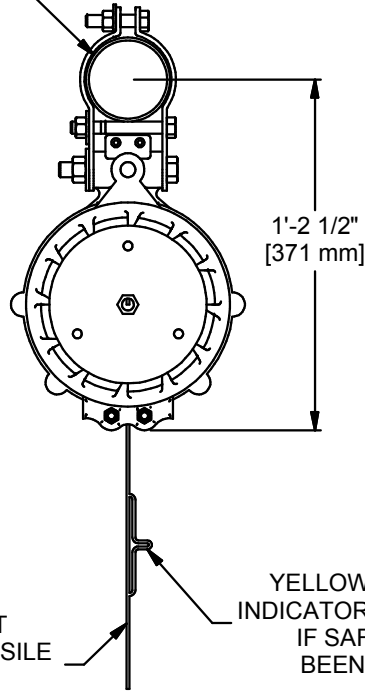
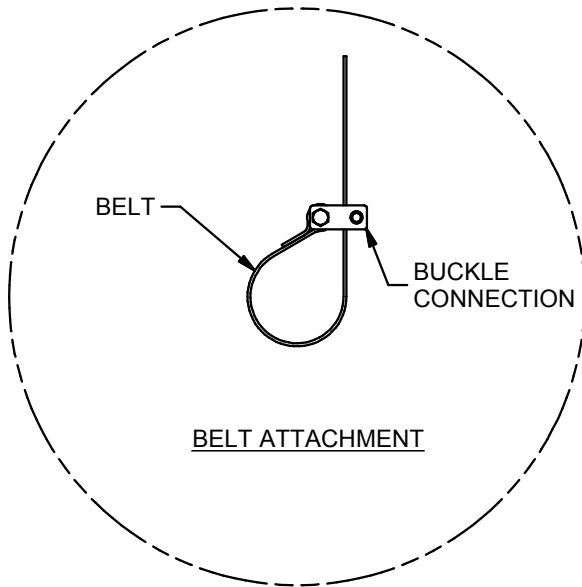


FITS 3.5" [90 mm] O.D. OR
4" [102 mm] O.D. OVERHEAD
TUBE STRUCTURE



2" [51 mm] WIDE NYLON BELT
WITH 6000 LBS [2722 kg] TENSILE
STRENGTH AND 35' [10.7 m]
MAXIMUM LENGTH

YELLOW WARNING
INDICATOR EXPOSED
IF SAFSTOP HAS
BEEN ENGAGED



BELT ATTACHMENT

⚠ CAUTION

LOCKING STRAP IS RATED TO CAPTURE A 1000 LB [454 m], FREE FALLING LOAD. THIS DOES NOT INSURE THAT COMPONENTS, SUCH AS BUILDING STRUCTURE, WILL WITHSTAND THIS LOAD.

D	JJC	02/07/18
C	DAM	02/24/12
B	REM	08/10/11
A	JJC	12/05/03
REV	BY	DATE

PSS
PERFORMANCE
SPORTS SYSTEMS

GARED

Gared Holdings, LLC
9200 E. 146th St. Noblesville, IN 46060

THIS DOCUMENT CONTAINS TRADE SECRET AND OTHER MATERIALS WHICH ARE PROTECTED BY CONFIDENTIALITY NOTICE AND AGREEMENT AND BY COPYRIGHT. ANY USE OR COPYING OF THIS DOCUMENT EXCEPT AS AUTHORIZED BY GARED HOLDINGS, LLC IS STRICTLY PROHIBITED.

SAFSTOP SAFETY LOCKING STRAP

DRAWN RYAN	DATE 8/11/2011	DATE ISSUED
APPROVED	DATE	
FILE LOC. Q:\Inventor Files\Specification Files\09_Accessories		
SIZE A	SCALE	SHT. NO. 1 OF 2
PART NO. 1100-R000		REV D



MODEL 1100

“SAFSTOP” BACKSTOP SAFETY LOCK

This unit is designed to prevent free-fall of backstops due to cable, pulley, support fitting, or winch failure. Any sudden surge of speed due to failure shall quickly lock "Safstop" and hold the backstop in any position. The Safstop shall be rated to capture a 1000 lb [454 kg], free falling load and shall be tested to capture a 1750 lb [794 kg] free falling load without structural or belt failure. This unit shall lock the backstop before the belt travels 3" [76 mm] in a free-fall. This unit is fully functional during storage, raising and lowering of backstops.

“Safstop” is attached to 3 1/2" [89 mm] or 4" [102 mm] O.D. overhead superstructure with a universal mounting-bracket that allows for tubing parallel or perpendicular to the unit. The 2" [51 mm] wide nylon belt has a tensile strength of 6000 lbs [2722 kg]. and can extend 35 feet [10.7 m]. The belt is attached to the backstop frame using a buckle connection.

“Safstop” has an automatic spring-loaded reset and does not require electricity in order to operate. “Safstop” locks by inertial force for immediate and positive setting, or centrifugal force for slower setting. Locking mechanism is contained within cast aluminum housing. "Safstop" is recommended for any backstop folded over seating.

“Safstop” is also available with different belt length.

MODEL 1100-45 “SAFSTOP” BACKSTOP SAFETY LOCK W/45’ STRAP

Used with taller backstops. Same specifications as the model 1100 except strap extends 45 ft [13.7 m] in length.

Subject to design change and current manufacturing practices.