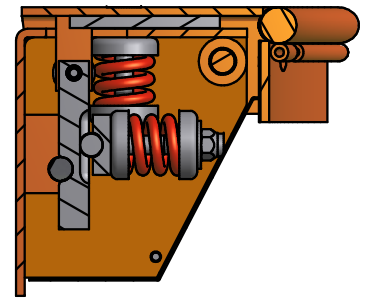
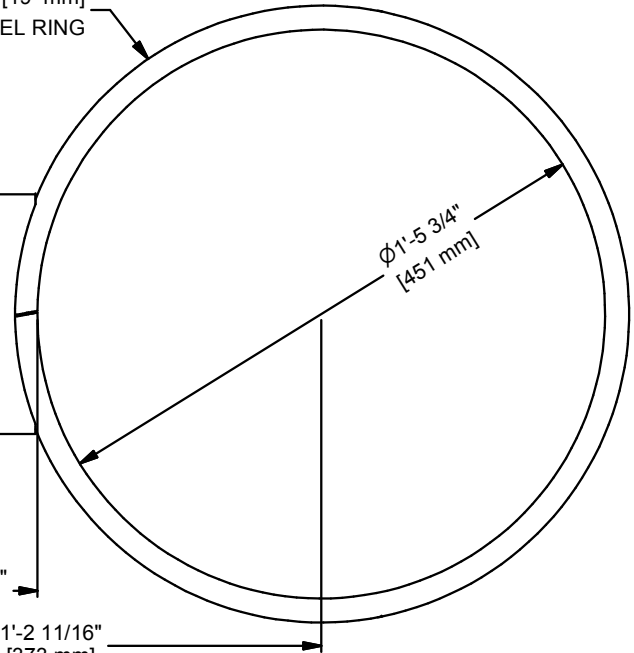


DUAL RETURN SPRINGS



POSITIVE LOCK
DETENT MECHANISM

Ø0.75 [19 mm]
CR STEEL RING



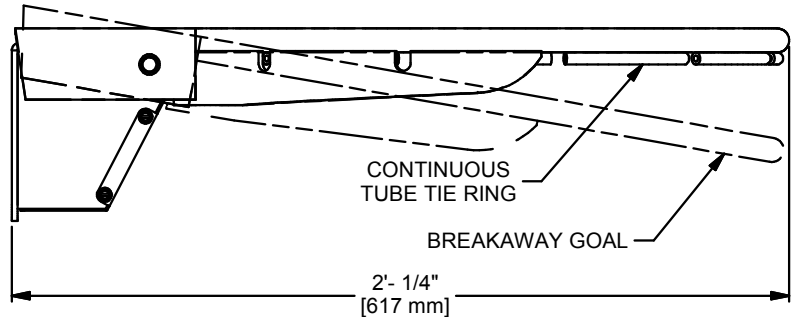
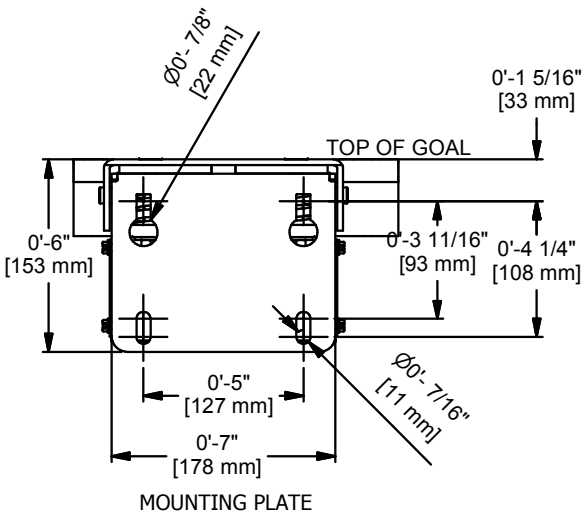
NOTES:

OFFICIAL ORANGE POWDER COAT FINISH.

GOAL IS SUPPLIED WITH ANTI-WHIP NYLON NET AND 3/8-16 MOUNTING HARDWARE.

GOAL IS FACTORY SET TO BREAKAWAY AT A 180-200 lb [82-91 kg] FORCE AND AUTOMATICALLY RETURNS WHEN LOAD IS RELEASE.

25 lbs [11.4 kg] SHIPPING WEIGHT.



A	WDC	05-10-15
REV	BY	DATE




Gared Holdings, LLC
9200 E. 146th St. Noblesville, IN 46060

THIS DOCUMENT CONTAINS TRADE SECRET AND OTHER MATERIALS WHICH ARE PROTECTED BY CONFIDENTIALITY NOTICE AND AGREEMENT AND BY COPYRIGHT. ANY USE OR COPYING OF THIS DOCUMENT EXCEPT AS AUTHORIZED BY GARED HOLDINGS, LLC IS STRICTLY PROHIBITED.

3500I INTERNATIONAL BREAKAWAY GOAL

DRAWN	CROSBY	DATE	6/10/2015	DATE ISSUED
APPROVED		DATE		

FILE LOC. Q:\Inventor Files\

SIZE	SCALE	SHT. NO.	PART NO.	REV
A		1 OF 2	3500I	A



MODEL 3500I

INTERNATIONAL POSITIVE LOCK BREAK-AWAY GOAL

The 3500I goal shall be constructed with an enclosed positive lock mechanism which will automatically return to the locked position after a trip. Goal shall be factory set to 180-200 lbs [82-91 kg] breakaway force. Goal shall be designed so that any possible entrapment areas have been eliminated. Goal shall have an official FIBA size 17.75" [451 mm] ring of 3/4" [19 mm] diameter steel with tube tie net attachment and a durable orange powder coated finish. Anti-whip net and hardware shall be included. Universal back plate shall accommodate most 42" and 48" rectangular and fan shape backboards. Goal shall meet FIBA specifications for Level 1 competition..

ACCESSORIES

BACKBOARDS

Compatible backboards are models LXP4200, AFRG42, ARG. See backboard section in specification manual.



Subject to design change and current manufacturing practices.
Revised June 10, 2003 ©2008 Gared Holdings, LLC