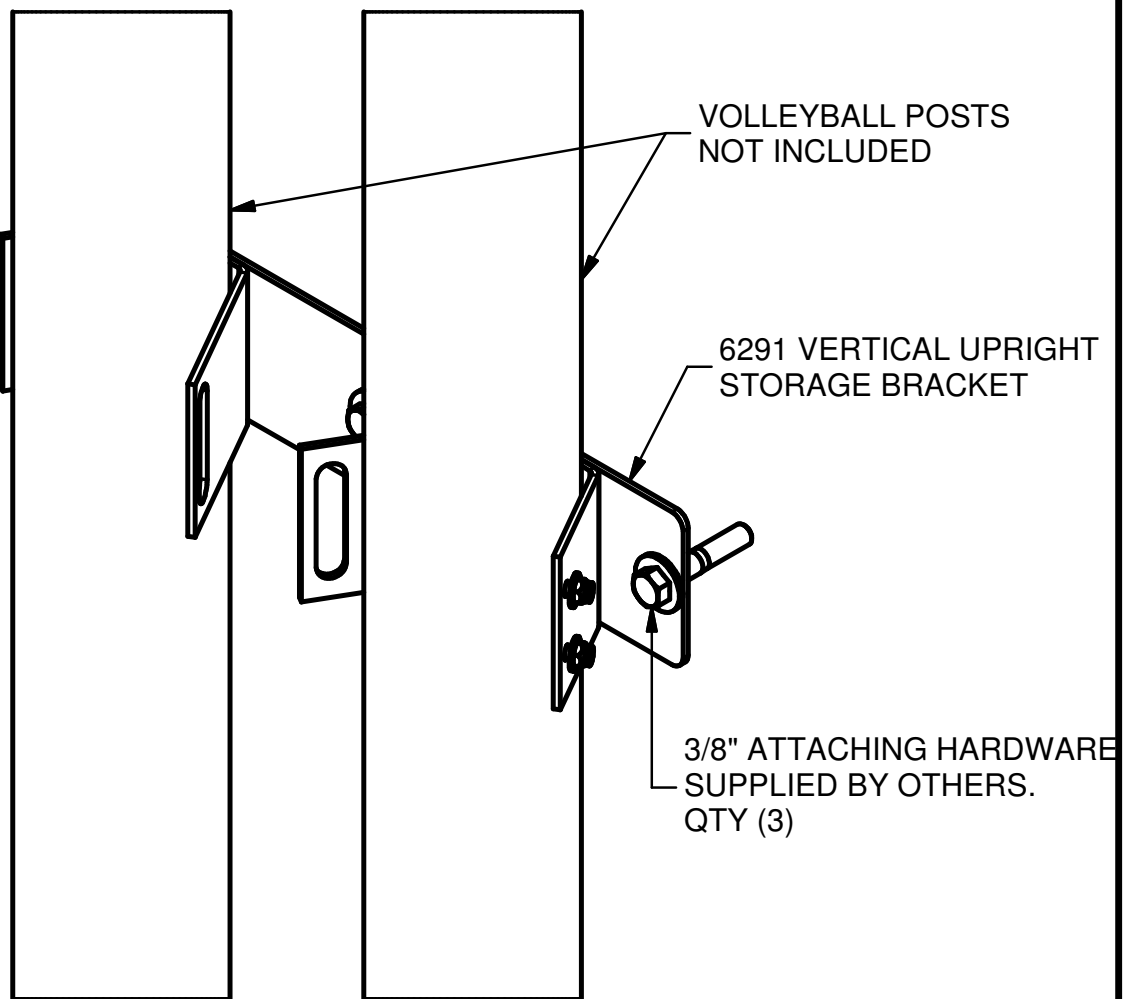




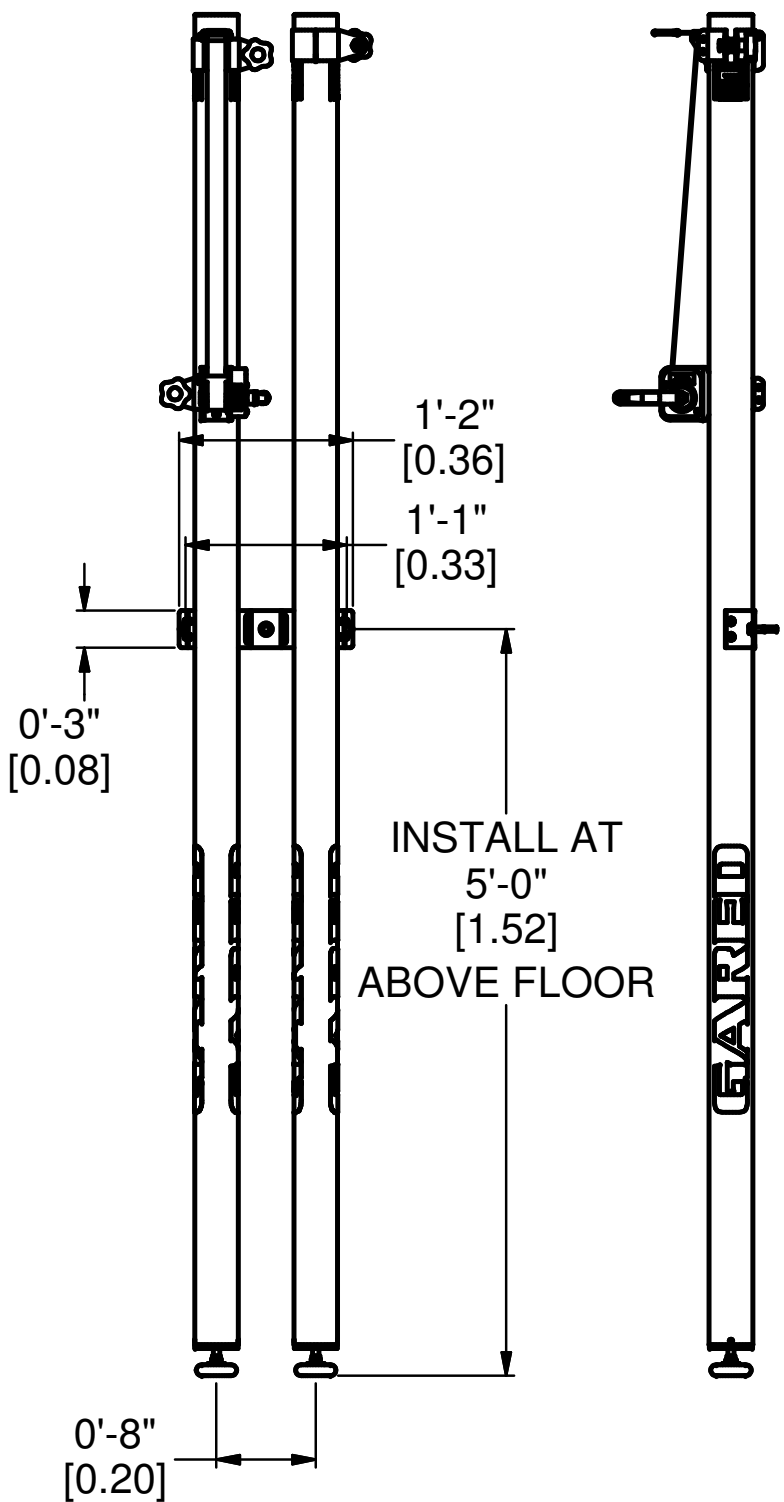
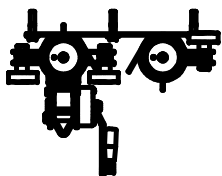
CLOSE VELCRO STRAP TO SECURE POST TO STORAGE BRACKET.



STORAGE BRACKETS SAVE VALUABLE FLOOR SPACE WHEN SYSTEM IS NOT IN USE. HOLDS ONE PAIR OF UPRIGHTS VERTICALLY ON ANY WALL.

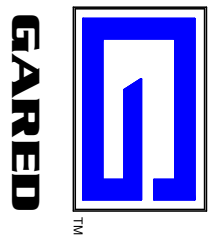
1 YEAR WARRANTY

WEIGHT: 3 LBS [1.36 KG]



INSTALL AT
5'-0"
[1.52]
ABOVE FLOOR

B	WDC	01-04-12
REV	BY	DATE



Gared Holdings, LLC
9200 E. 146th St.
Noblesville, IN 46060

THIS DOCUMENT CONTAINS TRADE SECRET AND OTHER MATERIALS WHICH ARE PROTECTED BY CONFIDENTIALITY NOTICE AND AGREEMENT AND BY COPYRIGHT. ANY USE OR COPYING OF THIS DOCUMENT EXCEPT AS AUTHORIZED BY GARED HOLDINGS, LLC IS STRICTLY PROHIBITED.			
VERTICAL UPRIGHT STORAGE BRKT			
DRAWN	CROSBY	DATE	1/4/2012
APPROVED		DATE	
FILE LOC. Q:\Inventor Files\		DATE ISSUED	
SIZE	SCALE	SHT. NO.	PART NO.
A		1 OF 1	6291
REV			
B			