



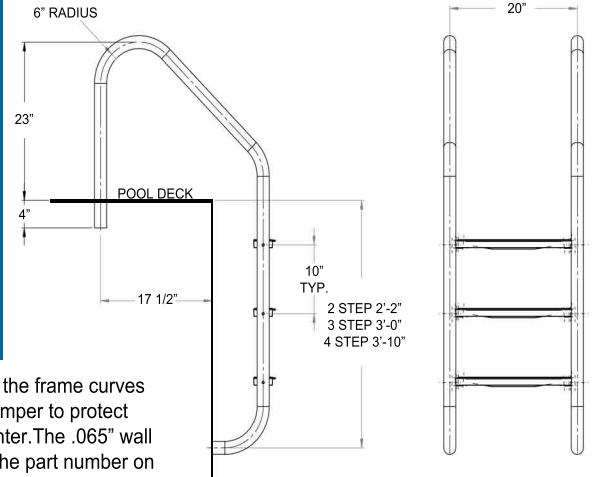
G GLOBAL

POOL PRODUCTS

"committed to engineering and manufacturing world class products in the pool industry"

CLASSIC LADDER

Part Number	Description
GPP-LD-C49-2ST-SS	CLASSIC 2 STEP LADDER POLISHED .049" WALL
GPP-LD-C49-3ST-SS	CLASSIC 3 STEP LADDER POLISHED .049" WALL
GPP-LD-C65-3ST-CV	CLASSIC 3 STEP LADDER COPPER VEIN .065" WALL
GPP-LD-C65-4ST-CV	CLASSIC 4 STEP LADDER COPPER VEIN .065" WALL
GPP-LD-C65-3ST-SS	CLASSIC 3 STEP LADDER POLISHED .065" WALL
GPP-LD-C65-4ST-SS	CLASSIC 4 STEP LADDER POLISHED .065" WALL
GPP-LD-C65-3ST-SV	CLASSIC 3 STEP LADDER SILVER VEIN .065" WALL
GPP-LD-C65-4ST-SV	CLASSIC 4 STEP LADDER SILVER VEIN .065" WALL
GPP-LD-C65-3ST-WH	CLASSIC 3 STEP LADDER WHITE .065" WALL
GPP-LD-C65-4ST-WH	CLASSIC 4 STEP LADDER WHITE .065" WALL
GPP-OTE-AHC20	4" ALUMINUM LADDER ANCHOR W/ 20" CHANNEL



Note: There is a spacing of 7" from the ladder frame to the pool wall where the frame curves in to brace against the pool wall. This point of contact will have a rubber bumper to protect the pool wall. The anchor placement for the ladder is 20" from center to center. The .065" wall option is also offered marine grade. When ordering add "-M" to the end of the part number on the .065" handrail. All ladders ship with white steps but can be upgraded. When upgrading to GRAY add "-G" or SAND "-S" to the end of the part number (Copper Vein is only avail. in Sand). The 2 step ladder is ONLY available in .049" wall thickness. The ladder constructed of .049" wall thickness ONLY available in polished finish. Anchor socket is 4" and constructed out of aluminum (GPP-OTE-AHC20). *Anchors are not included.*



Features

- 💧 Solid Step Technology*
- 💧 316 Stainless Steel Fasteners
- 💧 Exterior Bumper for Better Protection

Upgrade Combinations

- Polished Frame - Gray or Sand
- Silver Vein Frame - Gray or Sand
- Copper Vein Frame - Sand Only
- White Frame - Gray or Sand

- Silver Vein
- Copper Vein
- White
- Polished

*Gray and Sand Color Steps (Upgraded Colors)



Tread Color Options

