



**HAYWARD**

# 2016/2017 BUYER'S GUIDE



---

& PARTS PRICE LIST



# Table of Contents

## Effective January 1, 2016

Supersedes all price lists of prior dates. Please see Terms & Conditions at the back of the Buyers Guide.

### Section 1.

#### PUMPS

EcoStar .....	1
Super Pump VS .....	2
Super Pump VS 115V .....	3
MaxFlo VS .....	4
TriStar VS .....	5
TriStar .....	6-7
Super II .....	8
Super .....	9
Ultra-Pro & Ultra Max .....	10
Booster Pump .....	11
Hydraulics .....	12-18

#### FILTERS

DIATOMACEOUS EARTH	
ProGrid Vertical Grid D.E. ....	19-20
Perflex Extended Cycle D.E. ....	21
HIGH RATED SAND	
Pro Series Plus.....	22
Pro Series .....	23-25
CARTRIDGE	
SwimClear .....	26-27
StarClear Plus.....	28
Star-Clear.....	29
XStream Filtration Series .....	30
Replacement Cartridge Elements .....	31
Filtration Methods .....	32

#### HEATERS

HeatPumps .....	33
Universal H-Series Low NOx .....	34
Venting Fundamentals .....	35
Universal H-Series Venting Kits .....	36-37
H-Series .....	38-39
Heater Selection Guide/Technical Information .....	40-41

#### SANITATION & AUTOMATION

OmniLogic .....	42-43
ProLogic .....	44
Aqua Connect .....	45
Pick N' Mix Controls Configuration Guide .....	46-47
AquaPod & Pro Logic Remotes .....	48-49
ProLogic:	
Electronic Chlorination & Wired Wall Mount Display .....	50
Wired Spa Side Remote .....	51
Valve Actuator .....	52
AquaRite Pro .....	53
HydroRite .....	54
Genuine TurboCells .....	55
AquaRite 900 .....	56
AquaRite/AquaRite XL .....	57
Aqua Rite Low Salt .....	58
AquaTrol/AquaTrol Low Salt .....	59
OnCommand .....	60
Sense & Dispense .....	61

HCC2000/Universal pH & ORP Sensors .....	62
Facts/Procedures/Installation .....	63-65
Solar .....	66

#### CLEANERS

Navigator V-Flex .....	67
Navigator Pro .....	68
PooVac V-Flex .....	69
AquaNaut Series .....	70
AquaVac QC .....	71
AquaVac 500 .....	72
E.Vac Series .....	73
TriVac Series .....	74-75
DV5000, DV1000 .....	76
AquaBug, Scuba Steve, Wally the Whale .....	77
Accessories .....	78-79
Automatic Cleaner Technical Guide .....	80

#### LIGHTING

Universal ColorLogic .....	81
ColorLogic 320 .....	82
ColorLogic 80 & 40 .....	83
Universal CrystaLogic .....	84
CrystaLogic 320 .....	85
ColorLogic Light Controller .....	86
Lighting Niches .....	87-88
ProSeries .....	89
Replacement Lights/Accessories.....	90

#### GENERAL POOL/ SPA EQUIPMENT

Waterfalls .....	91
Chemical Feeders, Automatic .....	92-93
Automatic Skimmers/Skim Vacs .....	94-96
Suction Outlets .....	97-98
Stratum Vacuum Release System .....	99
Valves .....	100-101
Unions .....	102
Fittings & Accessories .....	103-105
Hydrotherapy Fittings .....	106-107
Pool Accessories .....	108
Cleaning Equipment .....	109

### Section 2.

#### REPLACEMENT PARTS

See separate table of contents .....	112
--------------------------------------	-----

The List Prices shown do not necessarily represent the prices that products are sold for to retail customers.

Abbreviations:

FIP -	Female Iron Pipe Size
SKT -	Socket (Solvent Weld - Female) Connection
MIP -	Male Iron Pipe Size
SLIP -	Male Pipe Stub (Solvent Weld - Male) Connection



### The most energy efficient pump at any speed!

The new Hayward® EcoStar pump is the industry's most energy efficient variable speed pump, thanks to a super-efficient permanent magnet, totally enclosed fan cooled (TEFC) motor and industry leading hydraulic design. Tests prove that EcoStar can save pool owners up to 70% on energy costs compared to ordinary single speed pumps. EcoStar can match pump flow to a pool's needs, versus running at full power 100% of the time.

EcoStar SVRS features an integrated Safety Vacuum Release System (SVRS) that helps prevent suction entrapment without additional devices, plumbing or wiring. It meets or exceeds all relevant ASME/ANSI standards as required by the Virginia Graeme Baker Pool and Spa Safety Act and similar provincial and local requirements.

### Applications

- In-ground pools of all types and sizes, pool/spa combinations
- Ideal for water features such as waterfalls and fountains

### Features

- Industry leading hydraulic design, super efficient permanent magnet motor saves up to \$1,500\* in energy costs year after year
- Revolutionary digital control interface rotates to 4 different positions on the pump or can be wall mounted
- Quiet by design
- California Title 20 compliant
- Fully programmable, self-contained 24-hour time clock with up to 8 custom speed and timer functions
- No additional controller or time clock needed
- SVRS model complies with ASME A112.19.17

\*Savings compared to a single speed pump running 12 hours per day, on a 20,000 gallon pool, at a national average electrical rate of \$0.15/kWh. Actual savings may vary based on comparison pump model, hours of operation, electrical rate and other hydraulic aspects such as plumbing size and length.



EcoStar Variable Speed Pump

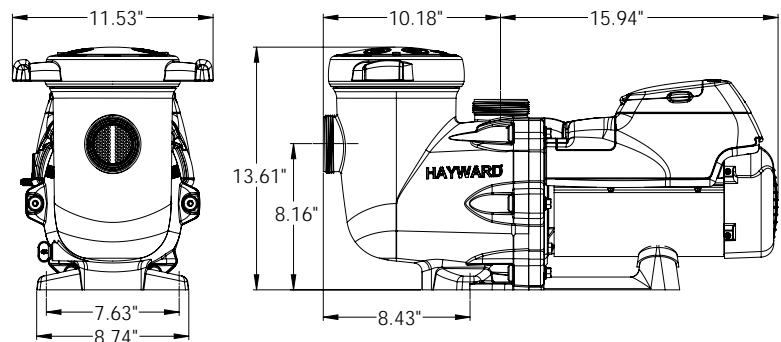
## EcoStar and EcoStar SVRS Buying Guide

Model Number	Description	Speed Range	Voltage	Union Connections
SP3400VSP	EcoStar	600–3450 RPM	230V Single Phase	2" x 2 1/2"
SP3400VSPVR	EcoStar SVRS	1000–3450 RPM	230V Single Phase	2" x 2 1/2"

### Performance Data

RPM	Percent Output	Pump Output (GPM) vs. Total Resistance to Flow (Feet of Head)							
		10	20	30	40	50	60	70	80
1375	40%	51	—	—	—	—	—	—	—
1725	50%	78	45	—	—	—	—	—	—
2075	60%	100	82	41	—	—	—	—	—
2425	70%	117	110	90	56	—	—	—	—
2750	80%	133	133	118	100	73	—	—	—
3100	90%	149	149	144	130	117	91	36	—
3450	100%	166	166	166	158	144	130	111	85

### Overall Dimensions

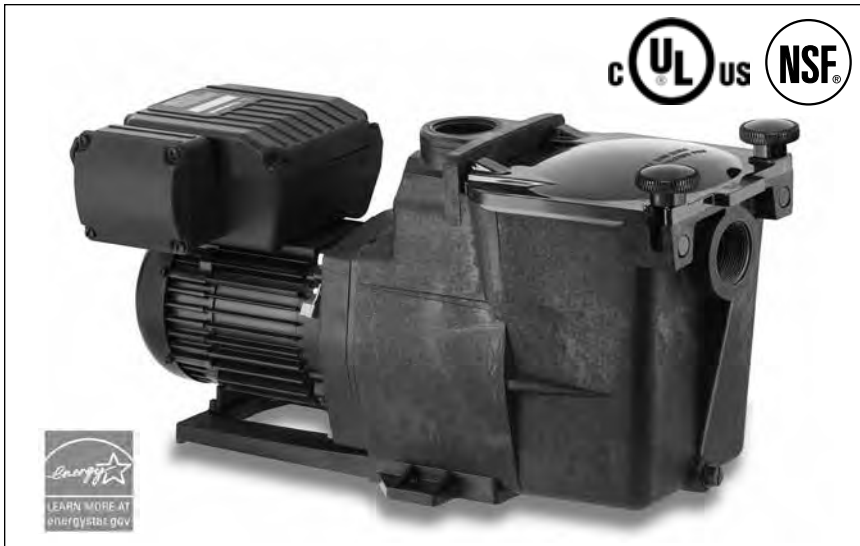




# Super Pump® VS

VARIABLE SPEED PUMPS

Pumps



Super Pump Variable Speed, SP2602VSP

Hayward's best-selling Super Pump® just got even better! Upgrading to the variable-speed Super Pump VS takes efficiency to the next level with up to 80% energy cost savings over traditional single-speed pumps.

Features include a built-in time-clock that makes programming even easier, two-way rotatable user interface, and an extra-large wiring compartment for quick and reliable installations.

Super Pump VS is the right size for most applications with 1.5" plumbing, paying for itself faster than larger, more expensive variable speed models.

## Super Pump VS Buying Guide

Model Number	Description	Total H.P.	Speed Range	Voltage	Port Size	Ctn. Qty.	Ctn. Weight
SP2602VSP	Super Pump VS	1.50	600–3000 RPM	230V Single Phase	1 1/2"	1	28 lbs.

## Performance Data

RPM	Percent Output	Pump Output (GPM) vs. Total Resistance to Flow (Feet of Water)					
		10 ft	20 ft	30 ft	40 ft	50 ft	60 ft
1200	40	10	—	—	—	—	—
1500	50	30	—	—	—	—	—
1800	60	43	24	—	—	—	—
2100	70	55	41	20	—	—	—
2400	80	66	55	42	21	—	—
2700	90	77	67	57	44	25	—
3000	100	87	79	70	60	48	33

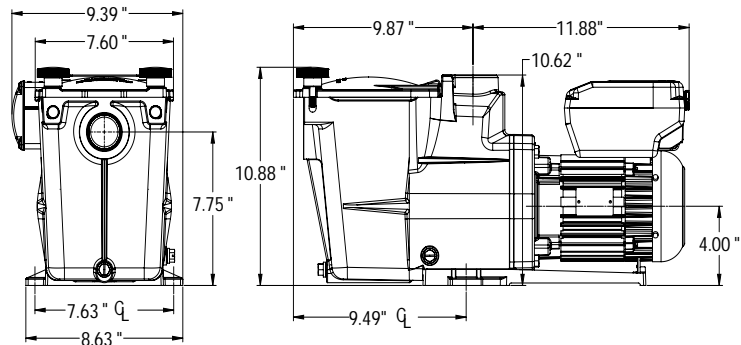
## Applications

- In-ground pools
- In-ground spas

## Features

- Pays for itself faster than larger, more expensive variable speed models
- Built-in time-clock makes programming even easier compared to basic countdown timers
- 2-way rotatable user interface so it's always easy to read and operate
- New wiring compartment for quick and reliable installations
- Permanent magnet, totally-enclosed fan cooled (TEFC) motor offers incredible energy efficiency and reliability
- ENERGY STAR approved and compliant with industry regulations such as Title 20 and APSP-15

## Overall Dimensions (inches)



For replacement parts see page 114



# Super Pump® VS 115V

VARIABLE SPEED PUMPS

Enjoy the energy efficiency of a variable-speed pump, even if the pool pad is only wired for 115V. The Super Pump VS 115V is specifically built to be an easy drop-in replacement for 115V single-speed pumps like the best-selling Super Pump, delivering incredible energy savings without extraneous features.

Super Pump VS 115V is the only 115V variable-speed pump with a permanent magnet motor, making it the most efficient model of its kind. Because it tailors pump speed to suit the pool's needs, it can provide up to 80% energy savings over ordinary single-speed pumps.

## Applications

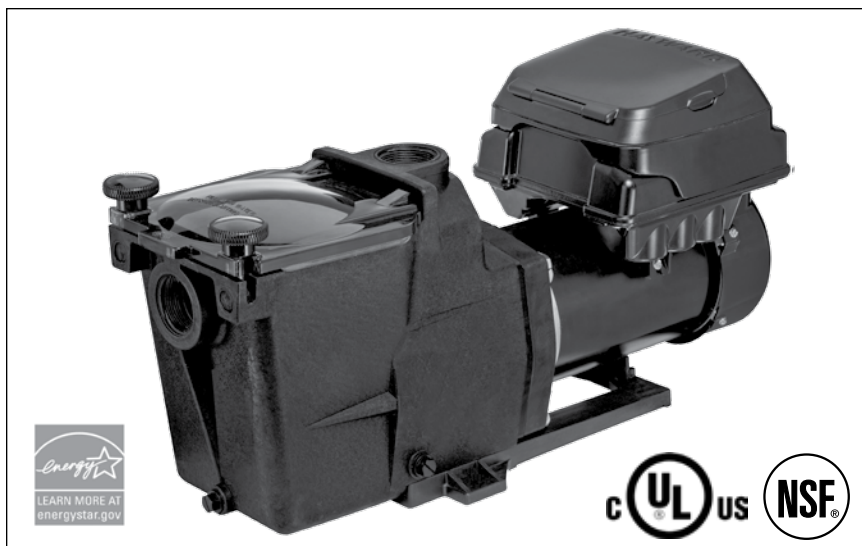
- In-ground pools
- Above-ground pools

## Features

- Designed to replace existing 115V single-speed pumps without the need for electrical upgrades
- Built with a permanent magnet motor for up to 80% energy savings over ordinary single-speed pumps
- Integrated, programmable, rotatable digital interface with 24-hour clock and up to 8 custom timer functions
- Optional wall-mount kit available to remotely locate the pump user interface
- Can be connected to any automation system using relay controls

## Performance Data

RPM	Percent Output	Pump Output (GPM) vs. Total Resistance to Flow (Feet of Head)				
		10 ft	20 ft	30 ft	40 ft	50 ft
1725	50	30	—	—	—	—
2075	60	45	20	—	—	—
2425	70	57	42	—	—	—
2750	80	68	56	40	—	—
3000	87	76	66	53	34	—
3450	100	77	66	55	46	36

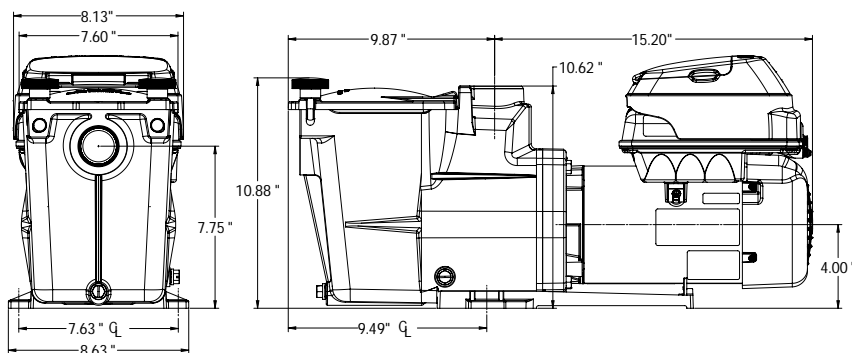


Super Pump VS 115V

## Super Pump VS 115V Buying Guide

Model Number	Description	Total H.P.	Speed Range	Port Size	Ctn. Qty.	Ctn. Weight
SP26115VSP	Super Pump VS 115V	0.85	600-3450 RPM	1 1/2"	1	42 lbs.

## Overall Dimensions (inches)



For replacement parts see page 115



# MaxFlo VS™

VARIABLE SPEED PUMPS

Pumps

Taking the first step in energy efficiency is simple with the variable-speed MaxFlo VS from Hayward.

Features include a built-in time-clock that makes programming even easier, two-way rotatable user interface, and an extra-large wiring compartment for quick and reliable installations.

MaxFlo VS is right-sized, particularly for installations with 1.5" or 2" plumbing, providing incredible energy savings while paying for itself faster than oversized variable speed pumps.

## Applications

- In-ground pools
- In-ground spas

## Features

- Pays for itself faster than larger, more expensive variable speed models
- Built-in time-clock makes programming even easier compared to basic countdown timers
- 2-way rotatable user interface so it's always easy to read and operate
- New wiring compartment for quick and reliable installations
- Permanent magnet, totally-enclosed fan cooled (TEFC) motor offers incredible energy efficiency and reliability
- ENERGY STAR approved and compliant with industry regulations such as Title 20 and APSP-15

## Performance Data

RPM	Percent Output	Pump Output (GPM) vs. Total Resistance to Flow (Feet of Head)				
		10 ft	20 ft	30 ft	40 ft	50 ft
1500	50	32	—	—	—	—
1800	60	51	—	—	—	—
2100	70	66	43	—	—	—
2400	80	80	64	34	—	—
2700	90	93	80	62	28	—
3000	100	106	95	82	63	28



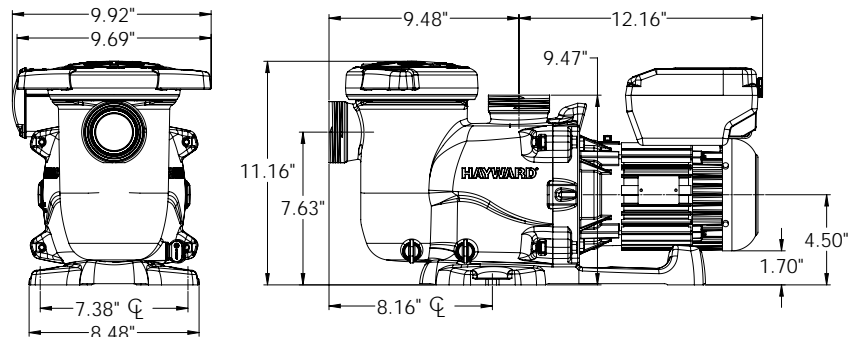
MaxFlo VS Pump

## MaxFlo VS Buying Guide

Model Number	Description	Total H.P.	Speed Range	Voltage	Union Connections	Ctn. Qty.	Ctn. Weight
SP2303VSP	Stand-Alone or Hayward Automation*	1.50	600–3000 RPM	230V Single Phase	1 ½" x 2"	1	45 lbs.
SP23115VSP	MaxFlo VS	0.85	600–3000 RPM	115V	1 ½"	1	45 lbs.

NOTE: \*Includes Pump User Interface

## Overall Dimensions (inches)



For replacement parts see page 117

TriStar VS is the variable-speed pump that's specifically designed to replace most 1.5 HP full-rate or 2.0 HP up-rate high performance pumps such as Pentair® WhisperFlo®, Sta-Rite® Max-E-Glas® and Dura-Glas®, as well as Hayward TriStar. Its permanent magnet motor, integrated electronic drive and industry-leading hydraulic design can save owners up to 90% a year on their pool-related energy costs. Even better, the TriStar VS will pay for itself faster than larger, more expensive variable-speed models.

## Applications

- In-ground pools
- In-ground spas

## Features

- Designed to replace most high performance pumps up to 1.5 HP full-rate or 2.0 HP up-rate
- Pays for itself faster than larger, more expensive variable-speed pumps
- ENERGY STAR approved and compliant with industry regulations such as Title 20 and APSP-15
- Advanced permanent magnet, totally enclosed fan-cooled (TEFC) motor offers incredible efficiency and reliability
- 2" x 2 1/2" unions connections make installation easy
- Programmable digital interface rotates to 4 different positions on the pump (SP3200VSP only)
- Second model (SP3202VSPND) connects directly with Hayward automation such as OmniLogic® and ProLogic® for total control of the equipment pad



TriStar Variable Speed Pumps

## TriStar VS Buying Guide

Model Number	Description	Total H.P.	Speed Range	Voltage	Union Connections	Ctn. Qty.	Ctn. Weight
SP3202VSP	Stand-Alone or Hayward Automation*	1.85	600–3450 RPM	230V Single Phase	2" x 2 1/2"	1	52 lbs.
SP3202VSPND	Controlled by Hayward Automation only	1.85	600–3450 RPM	230V Single Phase	2" x 2 1/2"	1	52 lbs.

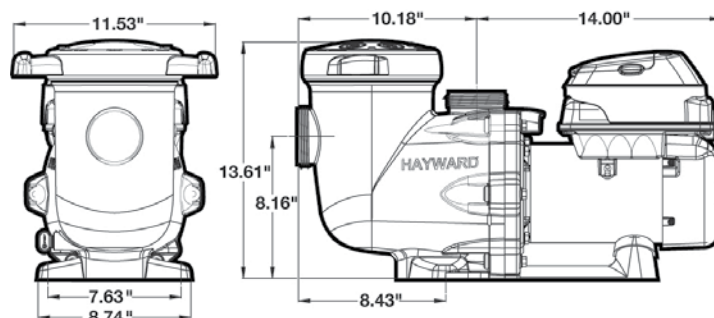
NOTE: \*Includes Pump User Interface

## Performance Data

RPM	Percent Output	Pump Output (GPM) vs. Total Resistance to Flow (Feet of Head)							
		10 ft	20 ft	30 ft	40 ft	50 ft	60 ft	70 ft	80 ft
1375	40%	29	—	—	—	—	—	—	—
1725	50%	55	—	—	—	—	—	—	—
2075	60%	76	52	—	—	—	—	—	—
2425	70%	94	77	54	—	—	—	—	—
2750	80%	111	97	80	58	—	—	—	—
3100	90%	128	116	103	87	67	34	—	—
3450	100%	145	134	123	110	96	78	54	84

NOTE: For complete pump performance curves see page 16.

## Overall Dimensions (inches)



For replacement parts see page 118



TriStar pump

The TriStar Pump from Hayward features heavy-duty, high-performance pump technology. Easy to install, service and maintain, TriStar outperforms the competition when it comes to flow, efficiency and value. It's the first to feature a large, no-rib strainer basket design that's quick and easy to clean. Tri-Star bases allow it to seamlessly retrofit into existing pool systems.

### Applications

- In-ground pools of all types and sizes (including in-floor cleaning systems, solar heating systems, water features)
- In-ground spas or in-ground pool/spa combinations
- Fountains

### Features

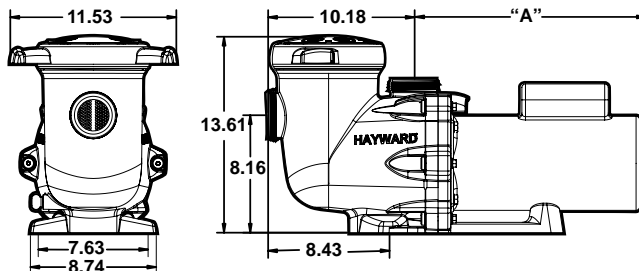
- Advanced hydraulic design delivers superior flow, energy efficiency and value
- Higher flow rates can allow for stepping down in pump horsepower
- 2" x 2 1/2" CPVC union connections make installation and servicing fast and easy
- No-rib design basket ensures easy debris removal. Extra leaf-holding capacity basket extends time between cleanings.
- Tri-Lock cam and ramp strainer cover design seals with less than a quarter turn.
- Crystal clear strainer cover lets you see when the basket needs cleaning.
- Pressure testable to 50 psi maximum
- Service-ease design: power-end assembly (motor/impeller/diffuser) can be removed without disturbing plumbing or mounting connections, simply by removing six bolts.
- Optional bases available to align TriStar with other pump models for easy retrofit
- Self-priming (suction lift up to 10' above water level)
- Save up to 70% on your energy costs with the combination of an advanced hydraulic design and

## TriStar Buying Guide

Model Number	Total H.P.	Rated H.P.	Service Factor	Voltage	Pipe Size	Dim. "A"	Ctn. Qty.	Ctn. Weight
<b>Energy Efficient Full Rated Single-Speed (60°C Desert Rated)</b>								
SP3205EE	.99	1/2	1.98	115/208/230	2" / 2 1/2"	13 5/8"	1	42 lbs.
SP3207EE	1.39	3/4	1.85	115/208/230	2" / 2 1/2"	13 7/8"	1	44 lbs.
SP3210EE	1.85	1	1.85	115/208/230	2" / 2 1/2"	14 3/8"	1	47 lbs.
SP3215EE	2.40	1 1/2	1.60	115/208/230	2" / 2 1/2"	14 7/8"	1	51 lbs.
SP3220EE	2.70	2	1.35	208/230	2" / 2 1/2"	14 7/8"	1	51 lbs.
SP3230EE	3.60	3	1.20	208/230	2" / 2 1/2"	17 1/8"	1	66 lbs.
SP3250EE	5.0	5	1.00	208/230	2" / 2 1/2"	17 1/8"	1	66 lbs.
<b>Energy Efficient Dual-Speed (60°C Desert Rated)</b>								
SP32102EE	1.85	1	1.85	208/230	2" / 2 1/2"	14 3/8"	1	48 lbs.
SP32152EE	2.40	1 1/2	1.60	208/230	2" / 2 1/2"	14 7/8"	1	52 lbs.
SP32202EE	2.70	2	1.35	208/230	2" / 2 1/2"	14 7/8"	1	52 lbs.
<b>Standard Efficient Max Rated Single-Speed</b>								
SP3205X7	0.94	3/4	1.25	115/230	2" / 2 1/2"	13 3/8"	1	42 lbs.
SP3207X10	1.25	1	1.25	115/230	2" / 2 1/2"	13 7/8"	1	44 lbs.
SP3210X15	1.65	1 1/2	1.10	115/230	2" / 2 1/2"	13 7/8"	1	47 lbs.

**TRISTAR 2-SPEED**  
 UP TO **70%**  
**SAVINGS**  
 ON YOUR ENERGY COSTS

### Overall Dimensions



### Performance Data

Model No.	Pump Output (GPM) vs. Total Resistance to Flow (Feet of Head)								
	20 ft	30 ft	40 ft	50 ft	60 ft	70 ft	80 ft	90 ft	100 ft
<b>Energy Efficient Full Rated</b>									
SP3205EE	87	76	62	44	14	—	—	—	—
SP3207EE	104	95	85	71	53	26	—	—	—
SP3210EE	131	122	110	97	82	60	16	—	—
SP3215EE	150	148	140	126	112	94	70	—	—
SP3220EE	170	170	162	148	130	110	80	26	—
SP3230EE	190	190	186	174	155	138	114	72	—
SP3250EE	200	200	200	193	182	167	150	126	75
<b>Standard Efficient Max Rated</b>									
SP3205X7	87	76	62	44	14	—	—	—	—
SP3207X10	104	95	85	71	53	26	—	—	—
SP3210X15	131	122	110	97	82	60	16	—	—

### Performance Data – Low Speed

Model No.	Model No.	Pump Output (GPM) vs. Total Resistance to Flow (Feet of Head)					
		5 ft	10 ft	15 ft	20 ft	25 ft	30 ft
SP32102EE	SP3210X152	65	54	45	10	—	—
SP32152EE	SP3215X202	80	70	56	34	—	—
SP32202EE	SP3220X252	90	85	71	51	—	—

For replacement parts see page 119





SP36075EE TriStar WaterFall Pump

The New TriStar 75 & 120 GPM Waterfall Pumps are specifically designed for waterfalls, spillways and negative-edge pool applications. These new pumps feature heavy-duty, high performance, energy efficient motor and pump technology. TriStar Waterfall pumps are easy to install, service and maintain.

### Applications

- In-ground waterfalls that require low head applications and 75 or 120 gallons per minute

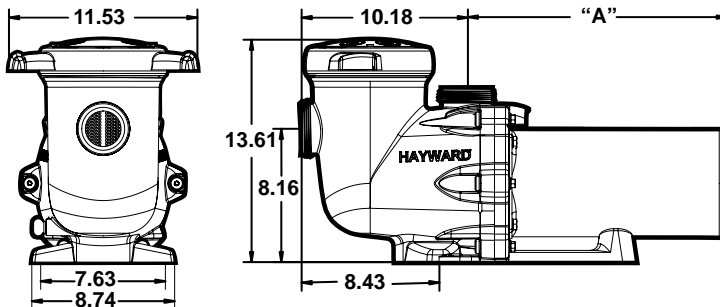
### Features

- 60% quieter and 60% less energy consumption than standard pool pumps
- Super-sized basket has extra leaf-holding capacity and extends time between cleanings. Smooth inside surface insures easy debris removal.
- Tri-Lock strainer cover makes removal easy. No tools required, no loose parts and no clamps.
- See-thru strainer cover lets you see when the basket needs cleaning. Test feature allows line pressure test to 50 PSI maximum.
- All components are molded of corrosion-proof reinforced thermoplastic for extra durability and long life.
- Heavy-duty, high-performance motor with air-flow ventilation for quieter, cooler operation. The motor is **Desert Rated** to 140°F.
- Tall mounting base provides dry, stable, stress-free support
- Heat resistant, industrial size ceramic seal
- Rugged one-piece housing, with 2" x 2 1/2" ports
- Service-ease design provides easy access to all internal parts.

## TriStar™ Buying Guide

Model Number	GPM	Voltage	Pipe Size	Dim. "A"	Ctn. Qty.	Ctn. Weight
<b>Energy Efficient Full Rated Single-Speed</b>						
SP36075EE	75	115/208/230	2" / 2 1/2"	13 7/8"	1	50 lbs.
SP36120EE	120	115/208/230	2" / 2 1/2"	13 7/8"	1	50 lbs.

### Overall Dimensions



### Performance Data

Model No. Max Rated	Pump Output (GPM) vs. Total Resistance to Flow (Feet of Head)				
	10 ft	15 ft	20 ft	25 ft	30 ft
SP36075EE	83	68	47	—	—
SP36120EE	110	97	79	41	—

**Note:** The New TriStar Waterfall pumps are low-head, high-flow pumps. The piping system should be designed such that the discharge of the waterfall, spillway or cascade is no more than (10) feet above the surface of the water in the pool.

# Super II™

HIGH PERFORMANCE PUMP SERIES

Pumps



SP3015X20A 2 H.P. Super II Pump

## Super II Pump Buying Guide

Model Number	Total H.P.	Rated H.P.	Service Factor	Voltage	Pipe Size	Dim. "A"	Ctn. Qty.	Ctn. Weight
<b>Standard Efficiency Max Rated Single-Speed</b>								
SP3005X7A	0.75	¾	1.00	115/230	2"	14 1/8"	1	35 lbs.
SP3007X10A	1.10	1	1.10	115/230	2"	14 1/2"	1	38 lbs.
SP3010X15A	1.50	1 1/2	1.00	115/230	2"	15 5/8"	1	43 lbs.
SP3015X20A	2.00	2	1.00	230	2"	16 5/8"	1	51 lbs.
SP3020X25A	2.5	2 1/2	1.00	230	2"	16 5/8"	1	57 lbs.
SP3025X30	3.45	3	1.15	230	2"	17 3/4"	1	64 lbs.

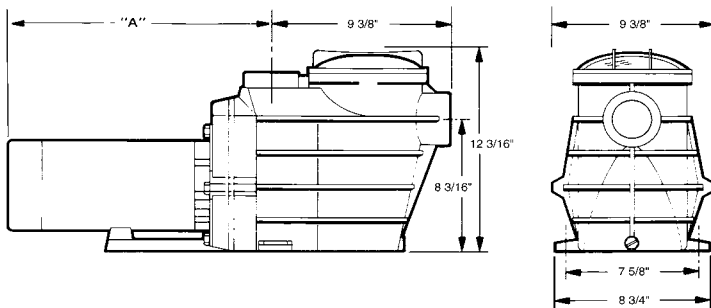
<b>Standard Efficiency Max Rated Dual-Speed</b>								
SP3007X102S	1,10	1	1,10	230	2"	14 1/2"	1	38 lbs.
SP3010X152S	1.50	1 1/2	1.00	230	2"	14"	1	46 lbs.

Model Number	Description	Ctn. Qty.	Ctn. Weight
--------------	-------------	-----------	-------------

### Accessories

RSX750PAK1C	Unions Pack (Set of 2)	1	2 lbs.
-------------	------------------------	---	--------

### Overall Dimensions



Designed for even the most demanding installations, Super II simply out-performs. Efficient, full-flow hydraulics produce more flow at equivalent horsepower, resulting in lower operating costs. Super II, when you want the very best.

### Applications

- In-ground pools of all types and sizes (including in-floor cleaning systems, solar heating systems, water features)
- In-ground spas or in-ground pool/spa combinations
- Fountains

### Features

- Self-priming (suction lift up to 8' above water level)
- Exclusive swing-aside hand knobs make strainer cover removal easy
- See-thru strainer cover lets you see when basket needs cleaning
- 155 cubic inch basket has extra leaf-holding capacity. Load-extender ribbing ensures free flowing operation
- All components molded of corrosion-proof reinforced thermoplastic for extra durability and long life
- Heavy-duty, high performance motor for quieter, cooler operation
- Service-ease design gives simple access to all internal parts
- Unions included

### Performance Data

Model No.	Max Rated	Pump Output (GPM) vs. Total Resistance to Flow (Feet of Head)					
		40 ft	50 ft	60 ft	70 ft	80 ft	90 ft
SP3005X7A		47	38	26	12	—	—
SP3007EECA	SP3007X10A	63	55	46	32	—	—
SP3010EEAZ	SP3010X15A	89	80	69	56	34	—
SP3015EEAZ	SP3015X20A	112	102	90	75	56	—
SP3020EEAZ	SP3020X25A	132	118	103	86	62	—
SP3025EEAZ	SP3025X30A	157	146	133	118	102	80
SP3036EEAZ		157	146	133	118	102	80

### Performance Data – Low Speed

Max Rated Model No.	Pump Output (GPM) vs. Total Resistance to Flow (Feet of Head)					
	5 ft	10 ft	15 ft	20 ft	25 ft	30 ft
SP3010X152S	56	46	34	13	—	—

For replacement parts see page 121

**Efficient. Dependable. Proven. The Super Pump has all the quality features you expect from Hayward. For replacement or new pool installations, the Super Pump sets the standard of excellence and value.**

### Applications

- In-ground pools of all types and sizes
- In-ground spas

### Features

- Self-priming (suction lift up to 8' above water level)
- Exclusive swing-aside hand knobs make strainer cover removal easy
- See-thru strainer cover lets you see when basket needs cleaning
- Super-size 110 cubic inch basket has extra leaf-holding capacity. Load-extender ribbing ensures free flowing operation
- All components molded of corrosion-proof thermoplastic for extra durability and long life
- Heavy-duty, high performance motor for quieter, cooler operation
- Service-ease design gives simple access to all internal parts

### Performance Data

Model No. Max Rated	Pump Output (GPM) vs. Total Resistance to Flow (Feet of Head)					
	20 ft	30 ft	40 ft	50 ft	60 ft	70 ft
SP2600X5A	48	38	23	—	—	—
SP2605X7A	61	52	41	25	—	—
SP2607X10A	74	65	54	40	9	—
SP2610X15A	83	75	65	53	36	—
SP2615X20A	122	111	98	84	66	38
SP2621X25A	117	107	97	86	74	58

### Performance Data – Low Speed

Model No. Max Rated	Pump Output (GPM) vs. Total Resistance to Flow (Feet of Head)					
	5 ft	10 ft	15 ft	20 ft	25 ft	30 ft
SP2607X102S	39	29	13	—	—	—
SP2610X152S	41	32	18	—	—	—



SP2610X15 1 1/2 H.P. Super Pump

## Super Pump Buying Guide

Model Number	Total H.P.	Rated H.P.	Service Factor	Voltage	Pipe Size	Dim. "A"	Ctn. Qty.	Ctn. Weight
--------------	------------	------------	----------------	---------	-----------	----------	-----------	-------------

### Standard Efficiency Max Rated Single-Speed

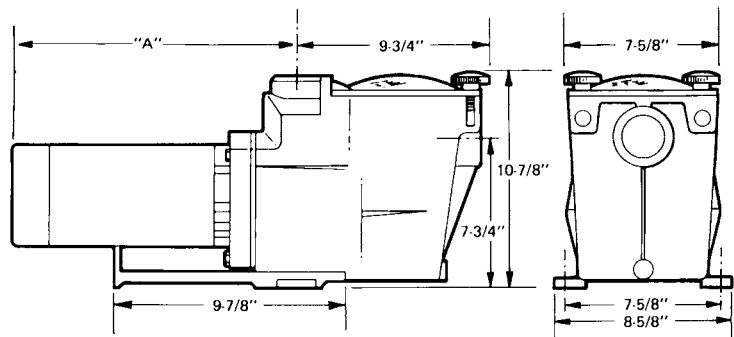
SP2600X5A	0.60	1/2	1.20	115	1 1/2"	13 1/4"	1	29 lbs.
SP2605X7A	0.75	3/4	1.00	115/230	1 1/2"	13 7/8"	1	32 lbs.
SP2607X10A	1.10	1	1.10	115/230	1 1/2"	14 1/4"	1	35 lbs.
SP2610X15A	1.50	1 1/2	1.00	115/230	1 1/2"	15 3/8"	1	40 lbs.
SP2615X20A	2	2	1.00	230	2"	15 7/8"	1	48 lbs.
SP2621X25A	2 1/2	2 1/2	1.00	230	2"	16 3/8"	1	54 lbs.

### Standard Efficiency Max Rated Dual-Speed

SP2607X102S	1	1	1.00	230	1 1/2"	13"	1	39 lbs.
SP2610X152S	1 1/2	1 1/2	1.00	230	1 1/2"	13 3/4"	1	43 lbs.

Dual-speed pumps with "S" designation are complete with "Hi/Lo" switch.

### Overall Dimensions

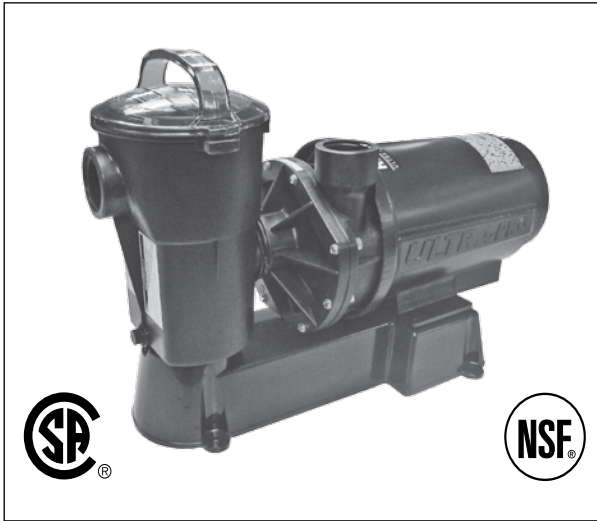




# Ultra Pro™ & Ultra Max™

ABOVE GROUND PUMP SERIES

Pumps



SP2290 1 H.P. Ultra-Pro Pump

The UltraPro pump has been quality-built and engineered to give you many years of efficient, dependable service. The non-conductive, corrosion-proof motor housing provides protection from the elements and insulates the electrical motor parts from outside contact.

The advanced design reduces operation and maintenance to simple, common-sense procedures.

## Ultra-Pro Pump Buying Guide

Model Number	H.P.	Voltage	Pipe Size	Cord Size	Ctn. Qty.	Ctn. Weight
<b>Max Rated Single-Speed</b>						
SP2290	1	115	1 ½"	25'	1	27 lbs.
SP2295	1 ½	115	1 ½"	25'	1	30 lbs.



SP2910 1 H.P. UltraMax Pump

UltraMax has been quality-built and engineered to give many years of efficient, dependable service. For above-ground and on-ground pools requiring quiet self-priming performance.

### Features

- Exclusive swing-aside hand knobs make strainer cover removal easy
- Lexan® see-thru strainer cover lets you see when basket needs cleaning
- Strainer basket is 50% larger and incorporates an integral non-corrosive handle. Load extender ribbing ensures free flowing operation
- All components molded of corrosion proof PermaGlass XLTM for extra durability and long life
- Heavy-duty, high performance motor for quieter, cooler operation
- Service-ease design gives simple access to all internal parts

## UltraMax Pump Buying Guide

Model Number	H.P.	Voltage	Pipe Size	Cord Size	Ctn. Qty.	Ctn. Weight
<b>Max Rated Single-Speed</b>						
SP2910	1	115	1 ½"	25'	1	29 lbs.
SP2915	1 ½	115	1 ½"	25'	1	30 lbs.

For replacement parts see page 130-131



Booster Pump

The Hayward Booster pump is a high performance, exceptionally quiet booster pump that uses either 1 1/2" unions or 3/4" fittings that makes installation and service easy while using up to 40% less electricity. This booster pump is an excellent replacement for any 3/4 HP booster pump and is equipped with a tall base for increased motor ventilation as well as protection from flooding.

### Features

- 1 1/2" plumbing union fittings improve performance and allows easy installation and removal.
- 3/4" hose barb union adapters allow for easy retrofit to existing installations using flexible hose for booster pump connections.
- Exceptionally quiet
- Uses up to 40% less electricity than other booster pumps
- Pump design allows for easy installation and service.
- Suitable for all pressure cleaners requiring a booster pump.
- Tall mounting base allows for increased motor ventilation as well as protection from flooding.
- Drain plug requires no tools for installation and removal.
- Volute may be re-oriented in the field for horizontal discharge.
- 1-year warranty

**NOTE:** Does NOT include optional 3/4" retrofit hose kit, P/N 6060HKIT

## Booster Pump Buying Guide

Model Number	Total		Rated		Motor Electric		Wire Size/Breaker		Ctn. Qty.	Ctn. Weight
	HP	(kW)	HP	(kW)	Voltage	Amps	AWG	Amps		
6060	1.25	(0.93)	0.75	(0.56)	208-230/115	6.9-6.8/13.3	14/12	10/20	1	31 lbs.

# Hydraulics

## THE BASICS OF PUMP/FILTER SIZING

Pumps

Hydraulics is the study and understanding of the behavior of liquids at rest and in motion. We are concerned with *water*, and the following characteristics of our application:

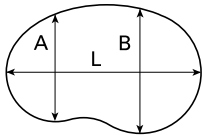
1. How much water do we have (Pool Capacity)?
2. How fast can we safely move the water (Turnover Rate and Water Velocity)?
3. How much resistance will this water meet while moving through the system (Friction Loss)?
4. How will we overcome this resistance (Pump/Filter Sizing)?

Following are step-by-step instructions to answer these four questions and ultimately determine the proper size pump or filter for virtually any installation. Below each step is a calculation based on the following example: 16 ft by 32 ft rectangular pool, 3 ft to 8 ft deep, 2" suction side and return side plumbing. Existing 1 H.P. pump; filter gauge reads 10 PSI (clean).

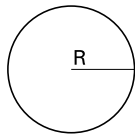
### 1. Pool Capacity

To determine total gallons, we must first calculate the surface area of the pool in square feet:

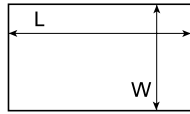
#### 1A. Surface Area



$$\text{Area} = (A+B) \times L \times .45$$



$$\text{Area} = R \times R \times 3.14$$



$$\text{Area} = L \times W$$

\_\_\_\_\_ ft<sup>2</sup>  
(surface area)

**Surface Area: 16 ft x 32 ft = 512 ft<sup>2</sup>**

Next, multiply the surface area by the average depth to determine the appropriate volume of the pool.

#### 1B. Average Depth

(\_\_\_\_\_ ft + \_\_\_\_\_ ft) ÷ 2 = \_\_\_\_\_ ft  
(depth, shallow end) (depth, deep end) (average depth)

**Average Depth = (3 ft + 8 ft) ÷ 2 = 5.5 ft**

#### 1C. Volume

\_\_\_\_\_ ft<sup>2</sup> x \_\_\_\_\_ ft = \_\_\_\_\_ ft<sup>3</sup>  
(surface area) (average depth) (volume)

**Volume = 512 ft<sup>2</sup> x 5.5 ft = 2,816 ft<sup>3</sup>**

Next, multiply the pool's volume in ft<sup>3</sup> by 7.5 to get the pool capacity in gallons:

### 1D. Pool Capacity

\_\_\_\_\_ ft<sup>3</sup> x 7.5 gallons/ft<sup>3</sup> = \_\_\_\_\_ gallons  
(volume) (pool capacity)

**Pool Capacity = 2,816 ft<sup>3</sup> x 7.5 gallons/ft<sup>3</sup> = 21,120 gallons**

Some of the more common pool sizes are:

Above-Ground Size	Gallons*
15 ft Round	5,293
18 ft Round	7,622
21 ft Round	10,374
24 ft Round	13,550
12 ft x 24 ft Rectangle	8,626
27 ft Round	17,149
*Average Depth: 4 ft	

In-Ground Size	Gallons*
12 ft x 24 ft Rectangle	11,861
16 ft x 32 ft Rectangle	21,086
18 ft x 36 ft Rectangle	26,687
20 ft x 40 ft Rectangle	32,947
*Average Depth: 5.5 ft	

### 2. Flow Rate

While the actual flow rate of a pump is based on the total resistance of the system as described below, the desired flow rate must be calculated to verify it will satisfy Turnover Rate and Water Velocity requirements.

#### 2A. Turnover Rate

The turnover rate for a swimming pool is the amount of time required to circulate the entire volume of water through the system once to meet reasonably clean, safe water standards. Check with local regulations for the minimum required turnover rate.

Based on the pool's capacity and the desired turnover rate, the minimum rate at which the water must be circulated in Gallons Per Minute (GPM) is calculated as follows:

#### A. Minimum Flow in Gallons per Hour (GPH)

\_\_\_\_\_ gallons ÷ \_\_\_\_\_ hours = \_\_\_\_\_ GPH  
(pool capacity) (desired turnover rate) (minimum flow, gallons per hour)

**Minimum Flow: 21,120 gallons ÷ 10 hours (assumed) = 2,112 gallons per hour**

#### B. Minimum Flow in Gallons per Minute (GPM)

\_\_\_\_\_ gallons per hour ÷ 60 minutes per hour = \_\_\_\_\_ GPM

(minimum flow, gallons per hour) (minimum flow, gallons per minute)

**Minimum Flow: 2,112 gallons per hour ÷ 60 minutes per hour = 35 gallons per minute**



### 2B. Water Velocity

The maximum recommended water velocity is six (6) or eight (8) feet per second for suction lines and ten (10) feet per second for return lines. Check with local regulations for the maximum water velocity for suction and return lines. The table below lists the maximum flow in GPM based on plumbing size and water velocity.

Pipe Size	Maximum Flow		
	6.0 ft/sec	8.0 ft/sec	10.0 ft/sec
1 1/2"	38 GPM	51 GPM	63 GPM
2"	63 GPM	84 GPM	105 GPM
2 1/2"	90 GPM	119 GPM	149 GPM
3"	138 GPM	184 GPM	230 GPM

**Maximum Flow: 2" suction side plumbing at 6.0 ft/sec = 63 gallons per minute**

### 2C. Desired Flow

The desired flow rate must be between the minimum flow based on the Turnover Rate and the maximum flow based on the Water Velocity. Note that if higher flow rates are needed, such as for water features, the maximum possible flow would have to be increased by using larger size plumbing (e.g. increase from 2" to 2 1/2" plumbing). The use of branch (parallel) plumbing can also be used to reduce the flow and therefore plumbing size. Check with local regulations for proper plumbing sizing.

It is recommended to select a flow that is higher than the minimum to account for decrease in flow that naturally occurs as the filter is loaded with dirt and debris.

**Minimum Flow (Turnover Rate): 35 GPM**

**Maximum Flow (Water Velocity): 63 GPM**

**Desired Flow: 50 GPM**

### 3. Friction Loss

Everything that the water must pass through within the circulation system — plumbing and equipment — creates resistance or Friction Loss. The friction loss for standard plumbing supplies such as pipe, elbows, fittings, etc. can be found using published reference tables. Friction loss for equipment such as filters, heaters, and chlorination systems can be found in charts and/or curves provided by the manufacturer. The sum of all the resistance is called Total Dynamic Head (TDH) and is typically measured in Feet of Water or Feet of Head.

A properly sized pump will have the ability to overcome the Total Dynamic Head of the system while, at the same time, providing flow that will satisfy Turnover Rate and Water Velocity requirements.

For new installations, it is possible to calculate TDH by using reference tables and manufacturer's data to determine the friction loss associated with every component in the circulation system.

For existing installations, we are often unable to determine the total amount of pipe and fittings . . . it's underground. Therefore, what follows is a simplified "rule-of-thumb" means of determining Total Dynamic Head.

We will need to add the resistance from the vacuum (suction) side of the existing pump to the resistance of the pressure side of the pump. Note this assumes the Static Suction Lift (i.e. vertical distance from the center of the pump's impeller to the surface of the water) is offset by the water returning to the pool.

### 3A. Friction Loss (Vacuum)

\_\_\_\_\_ inches of mercury x 1.13 ft of water = \_\_\_\_\_ ft of water  
(vacuum reading) (total resistance, vacuum)

Typically, however, a vacuum reading will not be available, therefore, the table below provides Common Head Loss Factors for today's high-efficiency pumps.

Pump Size	Head Loss Factor*
3/4 H.P.	4.5 to 5.5 ft of water
1 H.P.	7 to 9 ft of water
1 1/2 H.P.	10 to 12.5 ft of water
2 H.P.	13.5 to 16 ft of water

\*Assumes 2" suction line, not to exceed 40 ft long, minimal fittings, one (1) 2" valve and full-rated pumps.

**Total Resistance (Vacuum): 9 ft of water (existing 1 H.P. pump)**

### 3B. Friction Loss (Pressure)

\_\_\_\_\_ PSI x 2.31 ft of water / PSI = \_\_\_\_\_ ft of water  
(filter pressure, clean) (total resistance, pressure)

**Total Resistance (Pressure): 10 PSI x 2.31 ft of water / PSI = 23 ft of water**

### 3C. Total Dynamic Head

\_\_\_\_\_ ft of water + \_\_\_\_\_ ft of water = \_\_\_\_\_ ft of water  
(total resistance, vacuum) (total resistance, pressure) (total dynamic head)

**Total Dynamic Head: 9 ft of water + 23 ft of water = 32 ft of water**

### 4. Pump Sizing

We now have all the information necessary to select the proper size pump and/or filter and then proceed based on new vs. existing installations.

A pump's performance data is provided in GPM (output) vs. Feet of Head (resistance). The specific performance data for Hayward pumps can be found in the Pump Section of this Buyer's Guide.

#### 4A. Pump Sizing, New Installations

For new installations, use the desired flow rate and Total Dynamic Head calculated from tables and manufacturer's data:

Desired Flow = \_\_\_\_\_ GPM

Total Dynamic Head = \_\_\_\_\_ ft of water

Using Hayward Pump Performance Curves or Tables, identify which pump's performance comes closest to matching the point where the Desired Flow intersects with the Total Dynamic Head.

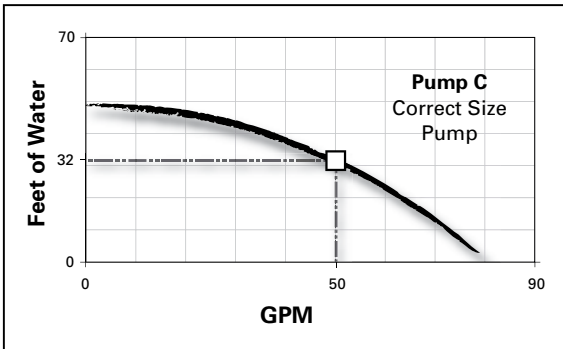
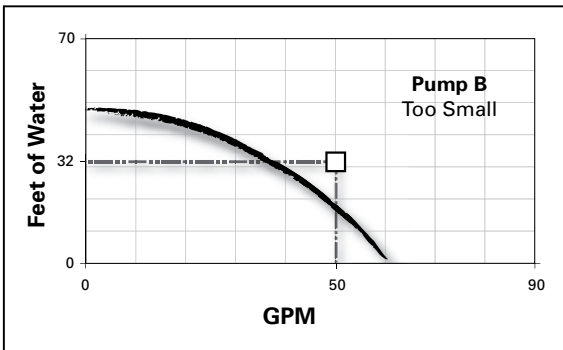
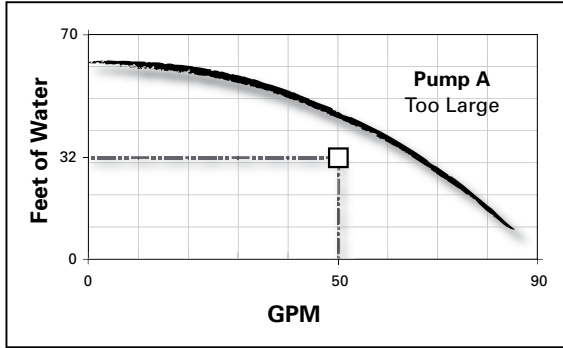
# Hydraulics

## THE BASICS OF PUMP/FILTER SIZING

Pumps

**Desired Flow: 50 GPM**

**Total Dynamic Head: 32 ft of water (assume to be the same as previously determined from Friction Loss calculations)**



### 4B. Pump Sizing, Existing Installations

For existing installations, use the Total Dynamic Head calculated from the Friction Loss on the Vacuum and Pressure side of the pump.

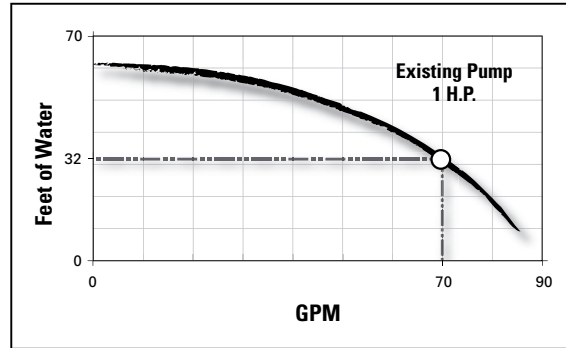
Total Dynamic Head = \_\_\_\_\_ ft of water

Using the manufacturer's performance curve for the existing pump, find the flow that corresponds to the Total Dynamic Head. This is the actual flow at which the pump is currently operating, which may or may not meet Turnover Rate and Water Velocity requirements. Verify the actual flow rate is between the minimum flow based on the Turnover Rate and the maximum flow based on the Water Velocity.

**Total Dynamic Head: 32 ft of water**

If the actual flow rate does not meet the Turnover Rate and Water Velocity requirements, you must either modify the system to add or remove restrictions (e.g. use less restrictive plumbing fittings and/or equipment) or vary the flow by changing size of the pump.

**In the example below, the flow (70 GPM) that corresponds to 32 ft of water for the given pump exceeds the maximum flow based on the water velocity. The pump should be re-sized.**



Important: if you increase or decrease the flow for any reason (e.g. change pump size), Friction Loss will increase or decrease respectively. You cannot read horizontally across the curve at the same Total Dynamic Head to choose another pump. You must create a system curve based on the following relationship:

$$\text{_____ ft of water} \times \left( \frac{\text{_____ GPM}}{\text{_____ GPM}} \right)^2 = \text{_____ ft of water}$$

(current friction loss)                      (new flow rate)                      (current flow rate)                      (new friction loss)

Choose the minimum and maximum flow rates based on Turnover Rate and Water Velocity and calculate the corresponding friction loss using the formula above. Plot each combination of friction loss and flow to create the system curve.

**Current Flow: 70 GPM (from chart for existing 1 H.P. pump shown above)**

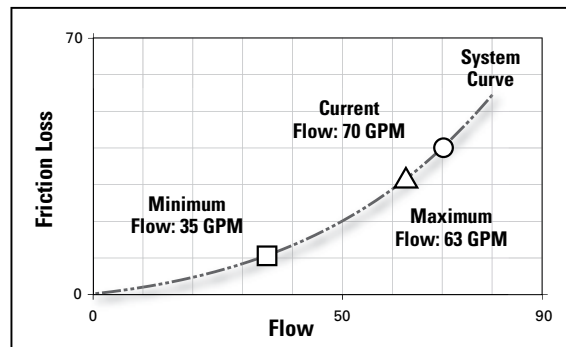
**Current Friction Loss: 32 ft of water**

**Flow Rate per Turnover Requirement = 35 GPM**

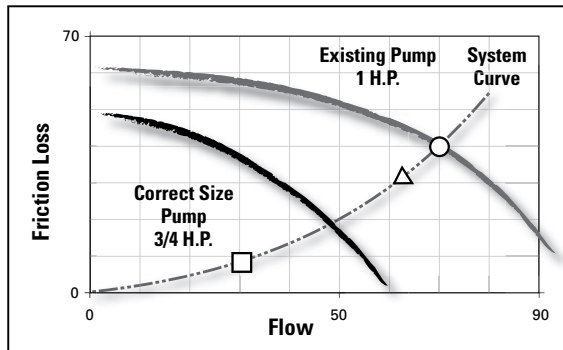
**Friction Loss = (32 ft of water) x (35 GPM ÷ 70 GPM)<sup>2</sup> = 8 ft of water**

**Flow Rate per Water Velocity Requirement = 63 GPM**

**Friction Loss = (32 ft of water) x (63 GPM ÷ 70 GPM)<sup>2</sup> = 26 ft of water**



The point where the performance curve for a particular pump intersects the system curve determines the flow and Total Dynamic Head where that pump will operate.



*In this example, the flow for the 3/4 H.P. pump is between the minimum and maximum flow and is therefore properly sized for the application.*

### Saving Money by Saving Energy

Depending upon utility rates, pool characteristics, and equipment selected, the energy and dollar savings from an energy efficient single, two, or variable speed pump compared to a standard single speed pump can be quite significant.

For example, a system featuring an energy efficient high performance pump drawing 5.34 amps at 230 volts where the local utility rate is \$0.12 per kWh will cost you approximately \$1.78 over a 12 hour period per day. A standard pump drawing 7.0 amps will cost you approximately \$2.32 per day or an extra \$197 annually!

Use this worksheet to help determine your energy savings:

A. Motor Amp Rating	A
B. Voltage (e.g. 115 volts or 230 volts)	B
C. Local Energy Rate (\$ per kWh)*	C
D. Approximate Power Usage (Watts) = A x B**	D
E. Kilowatts = D / 1000	E
F. \$ per hour = E x C	F
G. Hours of Operation	G
H. Cost per Day = F x G	H
J. Monthly Cost = H x 30	J
K. Yearly Cost = H x number of months pool is in operation	K

**NOTES:** \*Refer to your utility bill to determine locate rate

\*\*Estimated. It is recommended to use a wattmeter to determine the actual power consumption.

Please visit [Haywardpool.ca](http://Haywardpool.ca) for a more advanced Energy Calculator that can be used to estimate your savings using Hayward Energy Solutions products.



### 4B. Filter Sizing

A filter, be it DE, sand, or cartridge, has a Design Flow Rate in GPM as well as a Turnover Capacity in Gallons. See the table below for example. The specific performance data for Hayward filters is provided in the Filter Section of this Buyer's Guide.

Select a filter that meets or exceeds both the desired flow rate and turnover capacity in gallons.

Model Number	Effective Filtration Rate Area	Design Flow	Turnover Capacity (Gallons)	
			8 Hours	10 Hours
S180T	1.75 ft <sup>2</sup>	35 GPM	16,800	21,000
S210T	2.20 ft <sup>2</sup>	44 GPM	21,120	26,400
S220T	2.64 ft <sup>2</sup>	52 GPM	24,960	31,200
S244T	3.14 ft <sup>2</sup>	62 GPM	29,760	37,200
S270T	3.70 ft <sup>2</sup>	74 GPM	35,520	44,400
S310T	4.91 ft <sup>2</sup>	98 GPM	47,040	58,800
S360SX	6.50 ft <sup>2</sup>	130 GPM	62,400	78,000

**Desired Flow: 50 GPM**

**Turnover 21,120 gallons in 10 hours**

**Select S220T (minimum to meet Desired Flow and Turnover)**

One additional factor to consider in filter sizing is bather load. Busier pools require larger filters. Also, larger filters provide longer cycles, reducing everyday maintenance required by the consumer during the pool season.

### Summary

Using the information calculated above, you can properly size the pump, filter, and corresponding equipment, assuring you meet Turnover Rate and Water Velocity requirements while eliminating the electrical waste and potential damage to other system components associated with a needlessly oversized pump.

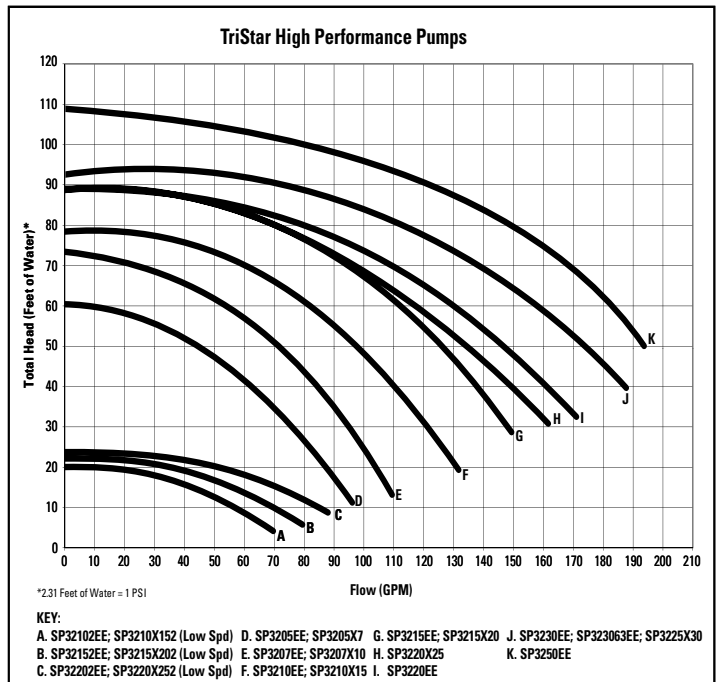
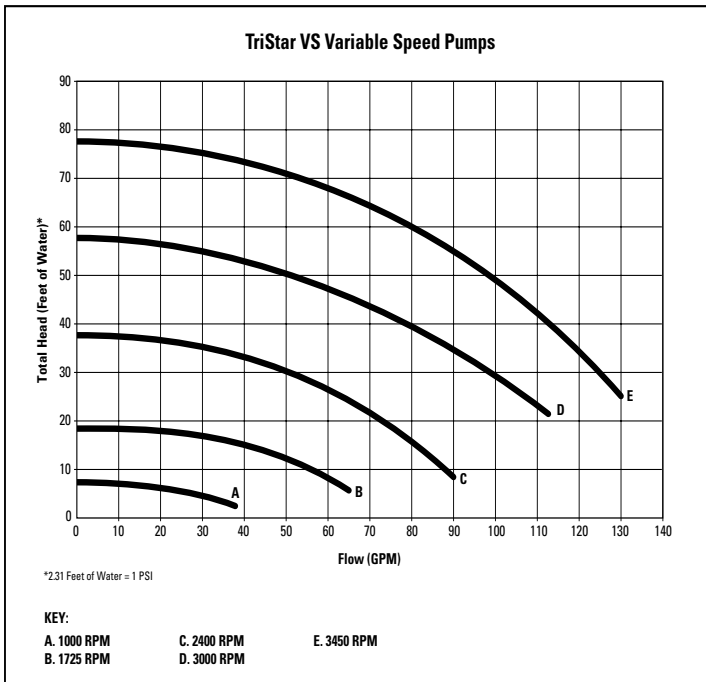
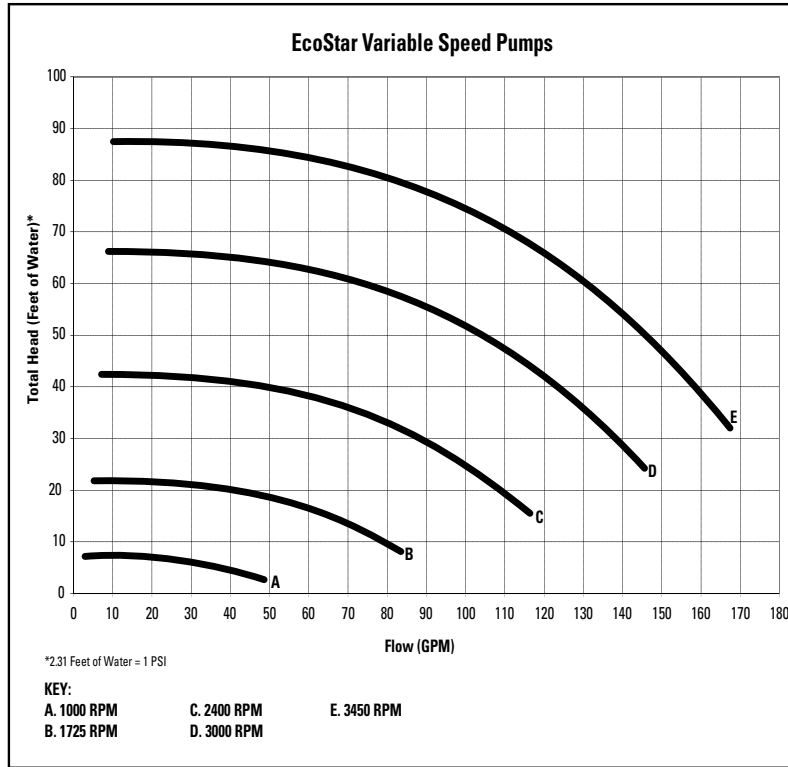


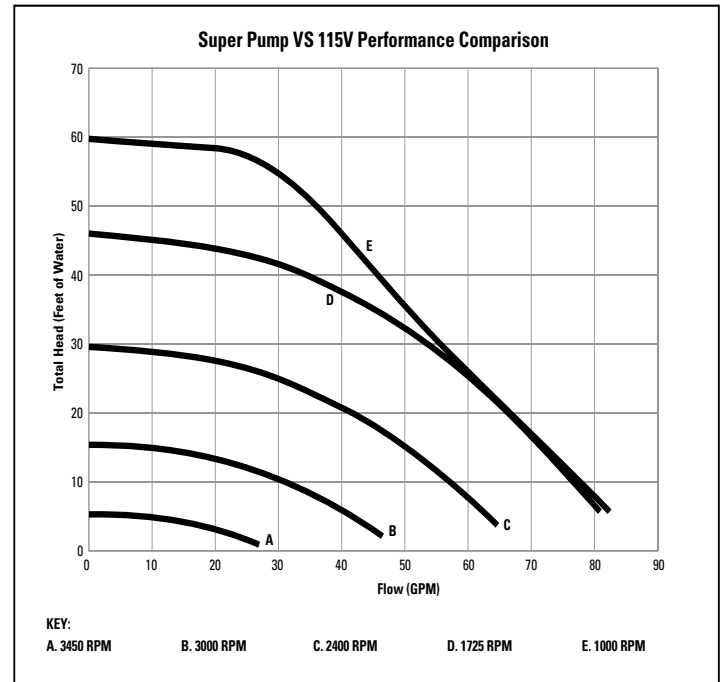
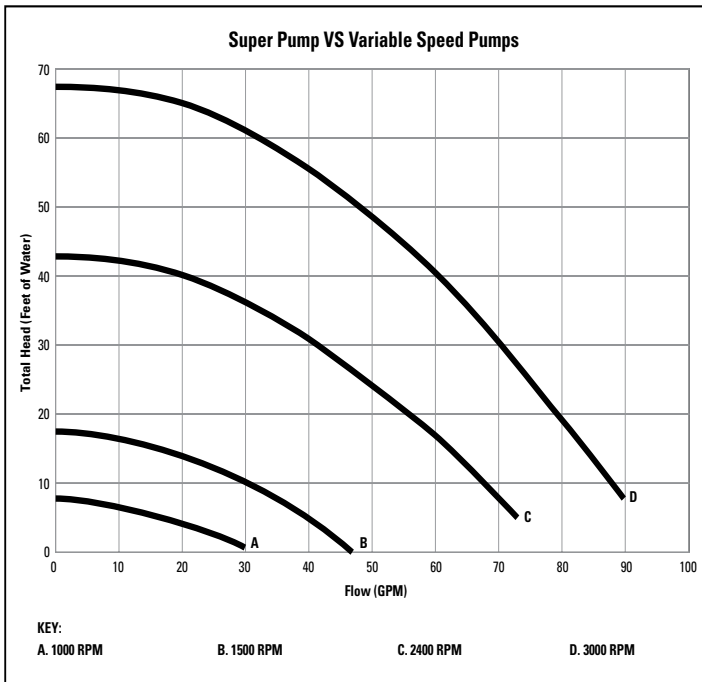
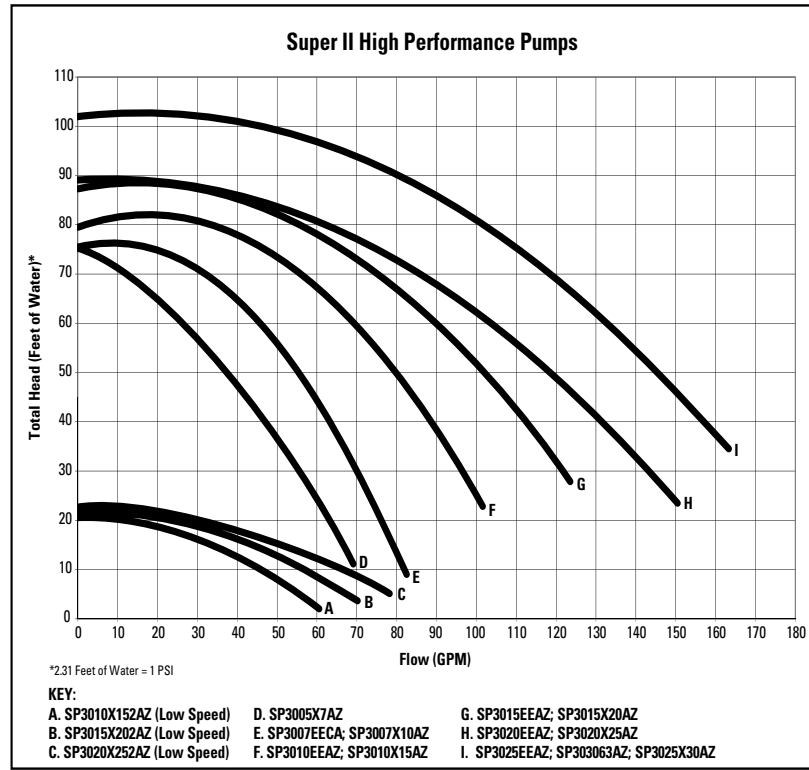
# Hydraulics

## PUMP PERFORMANCE CURVES

Below are the Performance Curves for Hayward In-Ground Pumps in Flow (measured in Gallons per Minute) and Total Dynamic Head (measured in Feet of Water). See "Pump Sizing" on p. 19 for tips to properly size pumps for both new and existing installations.

Pumps

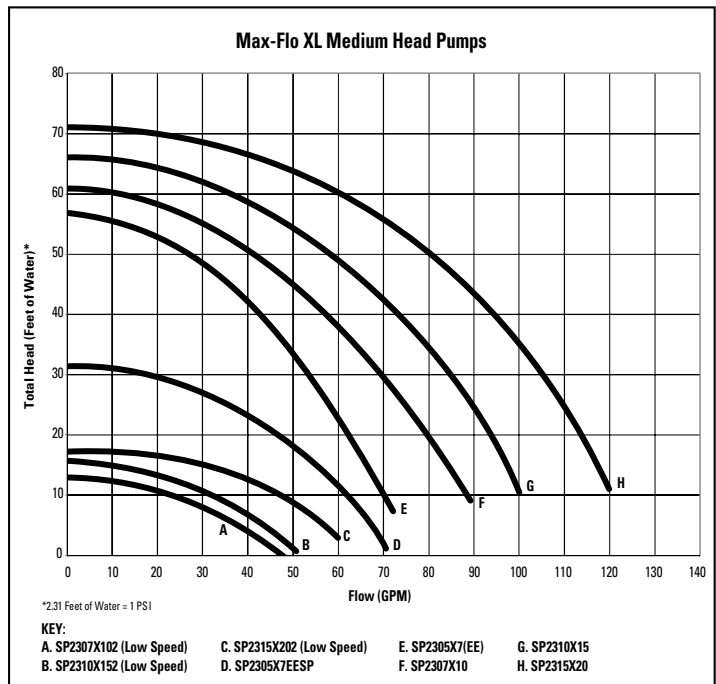
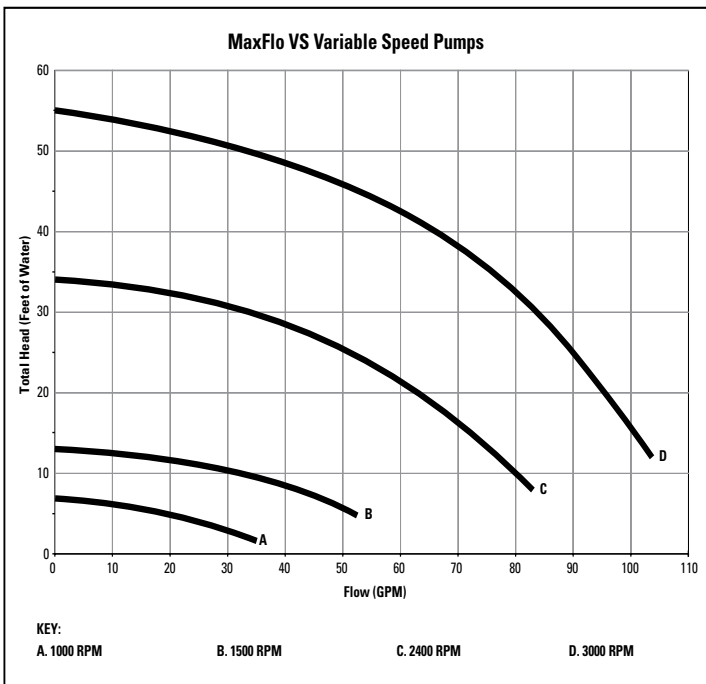
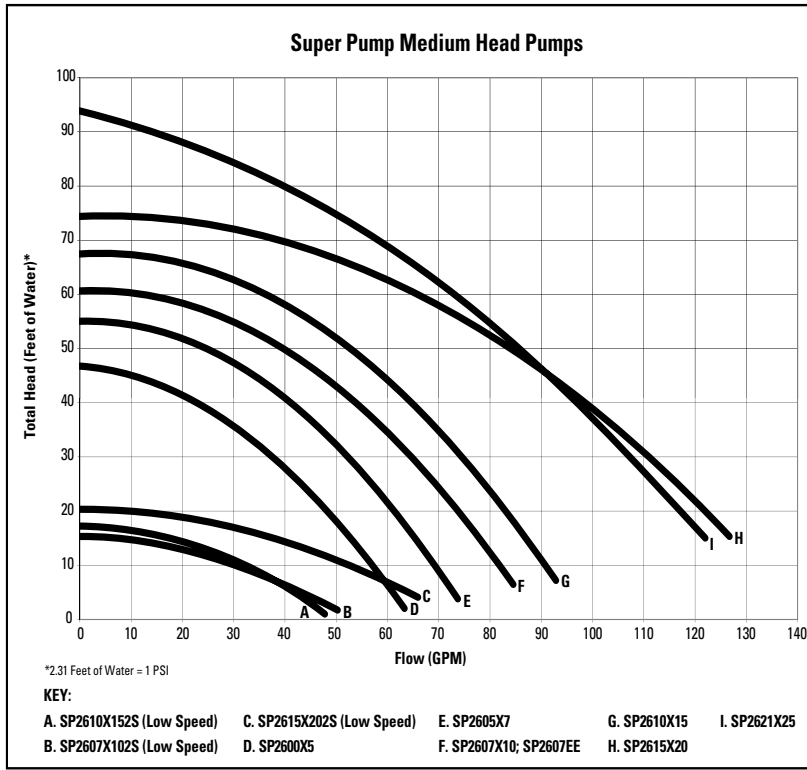




# Hydraulics

## PUMP PERFORMANCE CURVES (CONTINUED)

Pumps





DE7220 Pro-Grid filter with SP0740DE Selecta-Flo™ 4-position control valve



DE3620 Pro-Grid filter with 2-position slide valve

Pro-Grid™ vertical grid D.E. filters provide superior water clarity, efficient flow and large cleaning capacity for pools and spas of all types and sizes. Pro-Grid combines high-technology features and “service-ease” design for an unparalleled filtration value for both new pool and aftermarket installations.

### Applications

- In-ground pools
- In-ground spas or in-ground pool/spa combinations

### Features

- High capacity, rapid release manual air relief valve bleeds air with a quick quarter turn of the lever.
- Filter tanks made from durable glass reinforced copolymer to meet the demands of the toughest applications and environmental conditions, including in-floor cleaning systems.
- Self-aligned tank top and bottom make access to servicing the grid elements fast and simple
- Heavy-duty, tamper-proof, one piece flange clamp securely fastens tank top and bottom. Allows quick access to all internal components without disturbing piping or connections.
- High impact grid elements designed for up-flow filtration and top-down backwashing for maximum efficiency.
- Integral lift handles and uniform low-profile base make removal of grid nest fast and simple.
- Inlet diffuser elbow distributes flow of unfiltered water evenly to all filter elements and provides even distribution of D.E. to grids.
- Convenient valve and plumbing options allow for customized control.
- 2" full-flow internal piping and plumbing for less resistance to flow and maximum performance.
- 72 ft.<sup>2</sup> filter allows for both commercial and large residential applications and years of non-corrosive, trouble-free performance.

## Pro-Grid D.E. Filter Buying Guide

Model Number	Effective Filtration Area	D.E. Required	Dimensions		Ctn. Qty.	Ctn. Weight
			Width*	Height		
DE2420	24 ft. <sup>2</sup>	3 lbs.	24"	32 ½"	1	56 lbs.
DE3620	36 ft. <sup>2</sup>	4 ½" lbs.	24"	34 ½"	1	65 lbs.
DE4820	48 ft. <sup>2</sup>	6 lbs.	24"	40 ½"	1	74 lbs.
DE6020	60 ft. <sup>2</sup>	7 ½" lbs.	24"	46 ½"	1	84 lbs.
DE7220	72 ft. <sup>2</sup>	9 lbs.	24"	52 ½"	1	94 lbs.

All filters include pressure gauge, air relief valve and 1 ½" drain plug

\*Above dimensions are for filter only. Add 12" for 1 ½" and 14" for 2" multiport valves. Add 7" for 2" slide valve.

Model Number	Description	Pipe Size	Valve Positions	Ctn. Qty.	Ctn. Weight
--------------	-------------	-----------	-----------------	-----------	-------------

### Valve and Coupling Selections

SP0740DE	Selecta-Flo	2" SKT	4	1	9 lbs.
SP0710XR50	Vari-Flo	1 ½" FIP	6	1	6 lbs.
SP0715XR50	Vari-Flo	2" FIP	6	1	9 lbs.
SP0410X502S	Slide Valve	2" SKT	2	1	4 lbs.
DE2400PAK2CS	Coupling	1 ½" SKT x 2" SLIP	—	10	10 lbs.

### Performance Data – Filter

Model Number	Effective Filtration Area	Design* Flow Rate	Turnover (In Gallons)	
			8 Hours	10 Hours
DE2420	24 ft. <sup>2</sup>	48 GPM	23,040	28,800
DE3620	36 ft. <sup>2</sup>	72 GPM	34,560	43,200
DE4820	48 ft. <sup>2</sup>	96 GPM	46,080	57,600
DE6020	60 ft. <sup>2</sup>	120 GPM	57,600	72,000
DE7220	72 ft. <sup>2</sup>	144 GPM	69,120	86,400

\*Based on 2 GPM/ft.<sup>2</sup> (maximum allowable NSF rating).

### Performance Data – Valve Positions

Model Number	Filter	Back-wash	Waste	Recirculate	Rinse	Closed
SP0740DE	•	•	•	•	—	—
SP0710XR50	•	•	•	•	•	•
SP0715XR50	•	•	•	•	•	•
SP0410X502S	•	•	—	—	—	—
DE2400PAK2CS	•	—	—	—	—	—

For replacement parts see page 134-135

# Pro-Grid™

## VERTICAL GRID D.E. FILTER ACCESSORIES

Designed for vertical grid D.E. filters with up to 80 square feet of filtration area, Hayward D.E. separation tanks are ideal for water conservation and savings during backwashing by returning chemically treated backwash water to the pool. Hayward D.E. separation tanks hold up to 10 lbs. of used D.E. filter powder and compliment both new and existing vertical grid D.E. filter installations.

### Features

- For vertical grid D.E. filters with up to 80 ft.<sup>2</sup> of filtration area
- Rugged, reusable polypropylene containment bag holds up to 10 lbs. of used D.E. filter powder
- Comes complete with 2" FIP or 2" SKT connections for full-flow performance
- Single locking knob for easy access

### Pro-Grid D.E. Filter Accessories Buying Guide

Model Number	Pipe Size	Max. D.E. Holding Capacity	Ctn. Qty.	Ctn. Weight
--------------	-----------	----------------------------	-----------	-------------

#### D.E. Separation Tanks

C9002SEP	2" FIP/2" SKT	10 lbs.	1	22 lbs.
----------	---------------	---------	---	---------

Comes complete with 2" FIP or 2" SKT connections for full-flow performance

Model Number	Description	Ctn. Qty.	Ctn. Weight
--------------	-------------	-----------	-------------

#### Modular System Base Paks

S200PAK3	Molded platform base for pump and filter. Complete with rigid, clear Lexan® sweep union and hardware. Pre-drilled for Max-Flo™, Super® and Super II™ Pumps. Use 1 ½" Vari-Flo™ valve.	1	11 lbs.
----------	---	---	---------



C9002SEP separation tank with 2" FIP connections





EC75A Basic Perflex filter

Perflex Extended-Cycle D.E. filters clean pools fast, removing particles as small as one micron the first time through. Its patented Flex-Tube™ design gives longer cycles between cleaning because the same D.E. filter powder is used over and over. Plus, Perflex cleans without backwashing, saving hundreds of gallons of treated pool water. An exceptional value as a replacement filter or for new pool installations. For sparkling, clean pools, step up to Perflex.

### Applications

- In-ground pools of all types and sizes

### Features

- Exclusive bump handle activates the mechanism causing the Flex-Tubes to instantly and uniformly clean themselves of dirt and filter powder
- Self-venting design automatically expels any air that may be present in the system
- Proven, patented Flex-Tube filter elements efficiently reuse the filter powder and dirt mixture forming a fresh filtering surface
- Combination pressure gauge and threaded inspection/service port is easy to read and remove when filter needs cleaning
- Heavy-duty filter tank injection-molded of high-strength glass filled chemically coupled PPL for dependable, corrosion-free performance
- Integral check valve prevents system backflow whenever pump is off

## Perflex Extended-Cycle D.E. Filter Buying Guide

Model Number	1 1/2"	1 1/2"	Check Valve	D.E. Required	Dimensions		Ctn. Qty.	Ctn. Weight
	Drain Valve	Pressure Gauge/ Inspection Port			Width	Height		
EC65A	•	•	•	6 lbs.	21"	31"	1	44 lbs.
EC75A	•	•	•	7 lbs.	21"	31"	1	45 lbs.

### Performance Data

Model Number	Effective Filtration Area	Design* Flow Rate	Turnover (In Gallons)	
			8 Hours	10 Hours
EC65A	27 ft. <sup>2</sup>	54 GPM	25,920	32,400
EC75A	40 ft. <sup>2</sup>	80 GPM	38,400	48,000

\*Based on 2 GPM/ft.<sup>2</sup> (maximum allowable NSF rating).

# Pro™ Series Plus

## SIDE MOUNT SAND FILTERS



S311SXV Pro Series Plus 31" filter with 2" slide valve



S360SX Pro Series Plus 36" filter

Incorporating the many advanced features of Hayward's Pro™ Series side-mount sand filter, the Pro Series Plus satisfies the requirements of the most demanding installations, including pools installed with in-floor cleaning systems, spas, fountains or solar heating systems. Its spherical tank design evenly distributes the high pressure and stress associated with these applications, resulting in greater strength and longer life.

### Applications

- In-ground pools installed with in-floor cleaning systems, solar heating systems, water features
- In-ground spas or in-ground pool/spa combinations

### Features

- Durable, flanged inspection cover provides convenient access to top of filter
- Top diffuser ensures even distribution of water over the top of the sand media bed. All internal piping is 2" to give smooth, free-flowing performance
- Automatic air relief purges any trapped air during operation of the filter system
- Large pressure sand/water drain for rapid winterizing or servicing
- Unitized, corrosion-proof, spherical filter tank molded of rugged, colorfast polymeric material for maximum strength and longer life
- Optional valve and coupling selections for plumbing ease and versatility. Choose from 6-position Vari-Flo™ valve, 2-position slide valve or 1 1/2" SKT x 2" SLIP connectors for multiple (tandem) filter installations
- Precision engineered umbrella-fold self cleaning laterals for balanced flow and backwashing, plus easy serviceability

## Pro Series Plus Side-Mount Sand Filter Buying Guide

Model Number	Valve	Sand Required	Dimensions		Ctn. Qty.	Ctn. Weight
			Width**	Height		
S311SX	Not Included*	350 lbs.	31"	38 5/8"	1	74 lbs.
S311SXV	Slide Valve	350 lbs.	31"	38 5/8"	1	78 lbs.
S360SX	Not Included*	700 lbs.	36"	46"	1	95 lbs.

\*Order valve separately – See "Valve and Coupling Selections" Buying Guide below.

\*\*Above dimensions are for filter only. Add 12" for 1 1/2" and 14" for 2" multiport valves. Add 7" for 2" slide valve.

Model Number	Description	Pipe Size	Valve Positions	Ctn. Qty.	Ctn. Weight
<b>Valve and Coupling Selections</b>					
SP0710X62	Vari-Flo	1 1/2" FIP	6	1	6 lbs.
SP0715X62	Vari-Flo	2" FIP	6	1	9 lbs.
SP0410X602S	Slide Valve	2" SKT	2	1	4 lbs.
DE2400PAK2CS	Coupling (2)	1 1/2" SKT x 2" SLIP	—	10	12 lbs.

### Performance Data – Filter

Model Number	Effective Filtration Area	Design Flow Rate*	Turnover (In Gallons)	
			8 Hours	10 Hours
S311SXV	4.95 ft. <sup>2</sup>	99 GPM	47,520	59,400
S360SX	6.50 ft. <sup>2</sup>	130 GPM	62,400	78,000

\*Based on 20 GPM/ft.<sup>2</sup> (maximum allowable NSF rating).

### Performance Data – Valve Positions

Model Number	Filter	Back-wash	Waste	Recirc-ulate	Rinse	Closed
SP0710X62	•	•	•	•	•	•
SP0715X62	•	•	•	•	•	•
SP0410X602S	•	•	—	—	—	—
DE2400PAK2CS	•	—	—	—	—	—

For replacement parts see page 142-143



S180TC Pro Series 18" filter with Vari-Flo™ control valve.



S210TC Pro Series 21" filter with Vari-Flo™ control valve.

Pro Series sand filters are high performance, totally corrosion-proof filters that blend superior flow characteristics and features with ease of operation.

For multiple applications, the Pro Series represents the very latest in sand filter technology and will provide clear, sparkling water for years to come.

### Applications

- Above-ground/on-ground pools
- Small in-ground pools
- Aquariums (salt or fresh water)
- Ponds

### Features

- Durable, corrosion-proof filter tank molded of color-fast material for long-lasting, all-weather performance
- 7-position PermaGlass XL™ Vari-Flo valve provides maximum flow at lower pressure drop.
- Flange clamp design allows 360° rotation of valve for easy installation
- Integral top diffuser ensures even distribution of water over the entire sand bed for maximum use of the filtration area
- Efficient, multi-lateral underdrain assembly with precision engineered, self-cleaning laterals gives totally balanced flow and backwashing

## Pro Series Filter Buying Guide

Model Number	Filter Control Valve	Filter Base	Sand Required	Dimensions		Ctn. Qty.	Ctn. Weight
				Width	Height		
S180TC	SP0714T	•	175 lbs.	18 ½"	35"	1	32 lbs.
S210TC	SP0714T	•	225 lbs.	20 ½"	38"	1	37 lbs.

### Performance Data in U.S. gallons – Filter

Model Number	Effective Filtration Area	Design Flow Rate	Turnover (In Gallons)	
			8 Hours	10 Hours
S180TC	1.75 ft. <sup>2</sup>	35 GPM	16,800	21,000
S210TC	2.20 ft. <sup>2</sup>	44 GPM	21,120	26,400

### Performance Data – Valve Positions

Model Number	Filter	Back-wash	Waste	Recirc-ulate	Rinse	Closed	Winter
SP0714T	•	•	•	•	•	•	•

# Pro™ Series

TOP-MOUNT SAND FILTERS – S220TC, S244TC, S244T2, S270T2, S310T2 AND S360T2 MODELS

Pro Series high-rate sand filters are the very latest in pool filter technology. Molded of durable, corrosion-proof polymeric material, they feature attractive, unitized tank construction for years of trouble-free operation with only minimal care. Pro Series sets a new standard for performance, value and dependability.

## Applications

- In-ground pools of all types and sizes
- In-ground spas (residential or commercial)
- Water features (fish ponds, fountains, water gardens)

## Features

- Flange clamp design allows 360° rotation of valve to simplify plumbing
- Integral top diffuser ensures even distribution of water over the top of the sand media bed. Full-size internal piping provides smooth, free-flowing performance
- Large pressure sand/water drain for rapid winterizing or servicing
- Unitized, corrosion-proof filter tank molded of rugged, colorfast polymeric material for dependable, all-weather performance
- 6 or 7 position Hayward Vari-Flo™ control valve with easy-to-use lever-action handle lets you dial any of the valve/filter functions. Integral sight glass lets you see when backwash cycle is completed
- Precision engineered umbrella-fold self-cleaning laterals for balanced flow and backwashing, plus easy serviceability



S244TC Pro Series 24" filter with 1 ½" Vari-Flo™ control valve



S310T2 Pro Series 30" filter with 2" Vari-Flo™ control valve

## Pro Series Top-Mount Sand Filter Buying Guide

Model Number	Valve	Sand Required	Dimensions		Ctn. Qty.	Ctn. Weight
			Width	Height*		
S220TC**	1 ½" Vari-Flo	250 lbs.	22 ½"	41"	1	44 lbs.
S244TC**	1 ½" Vari-Flo	300 lbs.	24 ½"	42"	1	46 lbs.
S244T2	2" Vari-Flo	300 lbs.	24 ½"	42"	1	46 lbs.
S270T2	2" Vari-Flo	350 lbs.	27"	43"	1	56 lbs.
S310T2	2" Vari-Flo	500 lbs.	30 ½"	48"	1	68 lbs.
S360T2	2" Vari-Flo	700 lbs.	35 ¼"	53"	1	134 lbs.

\*Above dimensions are to top of valve \*\*With hose

## Performance Data – Filter

Model Number	Effective Filtration Area	Design Flow Rate*	Turnover (In Gallons)	
			8 Hours	10 Hours
S220TC	2.64 ft. <sup>2</sup>	52 GPM	24,960	31,200
S244T2	3.14 ft. <sup>2</sup>	62 GPM	29,760	33,000
S270T2	3.70 ft. <sup>2</sup>	74 GPM	35,520	44,400
S310T2	4.91 ft. <sup>2</sup>	98 GPM	47,040	58,800
S360T2	7.06 ft. <sup>2</sup>	141 GPM	67,680	84,600

\*Based on 20 GPM/ft.<sup>2</sup> (maximum allowable NSF rating).

## Performance Data – Valve Positions

Model Number	Filter	Back-wash	Waste	Recirc-ulate	Rinse	Closed	Winter
SP0714T	•	•	•	•	•	•	•
SP071621	•	•	•	•	•	•	–

Model Number	Description	Pipe Size	Valve Positions	Ctn. Qty.	Ctn. Weight
--------------	-------------	-----------	-----------------	-----------	-------------

### Valve Selections

SP0714T	1 ½" Vari-Flo	1 ½" FIP	7	1	5 lbs.
SP071621	2" Vari-Flo	2" FIP	6	1	8 lbs.

For replacement parts see page 145



S244S ProSeries 24" Filter with 1 1/2" Vari-Flo Control Valve

ProSeries high-rate sand filters are the very latest in pool filter technology. Molded of durable, corrosion-proof polymeric material, ProSeries filters feature an advanced, self-cleaning lateral underdrain system for smooth, efficient flow and totally balanced backwashing. For crystal clear water with minimal care, pool professionals choose ProSeries.

### Applications

- In-ground pools of all types and sizes
- In-ground spas (residential or commercial)
- Water features (fish ponds, fountains, water gardens)

### Features

- Durable, flanged inspection cover provides convenient access to top of filter
- Top diffuser ensures even distribution of water over the top of the sand media bed
- Automatic air relief purges any trapped air during operation of the filter system
- Unitized, corrosion-proof filter tank molded of rugged, colorfast polymeric material for dependable, all weather performance
- Large pressure sand/water drain for rapid winterizing or servicing
- 6-position Hayward Vari-Flo® control valve with easy-to-use lever-action handle lets you dial any of the 6 valve/filter functions. Integral sight glass lets you see when backwash cycle is completed
- Precision engineered umbrella-fold self cleaning laterals for balanced flow and backwashing, plus easy serviceability

## ProSeries Side-Mount Sand Filter Buying Guide

Model Number	Valve	Sand Required	Dimensions		Ctn. Qty.	Ctn. Weight
			Width**	Height		
S210S	1 1/2" Vari-Flo	200 lbs.	20 1/2"	32 1/8"	1	46 lbs.
S244S	1 1/2" Vari-Flo	300 lbs.	24 1/2"	36"	1	53 lbs.

### Performance Data – Filter

Model Number	Effective Filtration Area	Design Flow Rate*	Turnover (In Gallons)	
			8 Hours	10 Hours
S210S	2.20 ft. <sup>2</sup>	44 GPM	21,120	26,400
S244S	3.14 ft. <sup>2</sup>	62 GPM	29,760	37,200

\*Based on 20 GPM/ft.<sup>2</sup> (maximum allowable NSF rating).

### Performance Data – Valve Positions

Model Number	Filter	Back-wash	Waste	Recirc-ulate	Rinse	Closed
SP0710X62	•	•	•	•	•	•

Utilizing a cluster of reusable cartridge elements, SwimClear filters offer a choice of 225, 325, 425, 525 or 700 square feet of heavy-duty dirt-holding capacity for extra-long filter cycles, up to an entire season without cleaning. SwimClear filters will provide years of trouble-free operation and crystal clear, sparkling water.

### Applications

- In-ground pools
- In-ground pool/spa combinations
- In-ground spas (residential or commercial)

### Features

- High capacity, rapid release manual air relief valve bleeds air with a quick quarter turn of the lever.
- Filter tanks made from durable glass reinforced co-polymer to meet the demands of the toughest applications and environmental conditions, including in-floor cleaning systems.
- Heavy-duty, tamper-proof, one-piece clamp securely fastens tank top and bottom. Allows quick access to all internal components without disturbing piping or connections
- Top manifold configuration provides excellent filtration and hydraulic performance
- Non-corrosive top closure plate prevents elements from lifting and allowing unfiltered water to by-pass into pool or spa during operation
- Quad-Cluster of high-quality polyester cartridge elements provide 225, 325, 425, 525 or 700 square feet of filter area for extra dirt-holding capacity and long filter cycles
- 2" full-flow internal piping and plumbing for less resistance to flow and maximum performance.
- PVC union coupling connection accepts 2" or 2 1/2" piping for plumbing versatility and hydraulic efficiency.
- Full size 1 1/2" integral drain allows for fast, 100% clean-out and easier flushing of tank



C3030 SwimClear Filter



C5030 SwimClear Filter

## SwimClear Cartridge Filter Buying Guide

Model Number	Effective Filtration Area	2 1/2" SKT x 2 1/2" SLIP Couplings	Dimensions		Ctn. Qty.	Ctn. Weight
			Width	Height		
C2030	225 ft. <sup>2</sup>	•	24"	32 1/2"	1	50 lbs.
C3030	325 ft. <sup>2</sup>	•	24"	34 1/2"	1	60 lbs.
C4030	425 ft. <sup>2</sup>	•	24"	40 1/2"	1	69 lbs.
C5030	525 ft. <sup>2</sup>	•	24"	46 1/2"	1	79 lbs.
C7030	700 ft. <sup>2</sup>	•	24"	52 1/2"	1	85 lbs.

### Performance Data

Model Number	Effective Filtration Area	Public Design Flow Rate	Turnover (In Gallons)	
			8 Hours	10 Hours
C2030	225 ft. <sup>2</sup>	84 GPM	40,320	50,400
C3030	325 ft. <sup>2</sup>	122 GPM	58,560	73,200
C4030	425 ft. <sup>2</sup>	150 GPM	72,000	90,000
C5030	525 ft. <sup>2</sup>	150 GPM	72,000	90,000
C7030	700 ft. <sup>2</sup>	150 GPM	72,000	90,000

2" piping is recommended for flow rates above 90 GPM. Refer to "Friction Loss" in Hydraulics section, pages 12-15.





SwimClear Cartridge Filters

Hayward's newest addition to the SwimClear family is simply the most efficient single element cartridge filter ever produced. It captures more dirt for superior water clarity while the industry's lowest head loss can increase energy savings. SwimClear is the easiest to service: the Easy-Lok™ ring design, comfort grip handles, and lowest lift height provide fast element cleaning and replacement. For energy savings, reliable performance, and the ultimate in service ease, the choice is crystal clear: SwimClear.

### Applications

- In-ground pools
- In-ground pool/spa combinations

### Features

- Captures more dirt for superior water clarity without the need of any supplemental media
- Industry-leading hydraulic efficiency allows the pump to run at a lower speed or less time, which increases energy savings
- Easy-Lok ring design allows quick access to internal components for quick and simple maintenance
- Ergonomic grip handles provide multiple handling locations without touching fiberglass for easy installation and maintenance
- Lowest body height to lift elements for convenient and quick cleaning and replacement
- Recessed pressure gauge and manual air relief enables user to place head assembly upside down on pool pad, protecting the seal from contamination
- 2" x 2 1/2" union connections makes installation and servicing fast and easy

## SwimClear Cartridge Filter Buying Guide

Model Number	Effective Filtration Area	Union Connections	Dimensions		Ctn. Qty.	Ctn. Weight
			Width*	Height		
C100S	100 ft. <sup>2</sup>	2" x 2 1/2"	18 1/4"	30 1/2"	1	33 lbs.
C150S	150 ft. <sup>2</sup>	2" x 2 1/2"	18 1/4"	33 3/4"	1	37 lbs.
C200SC	200 ft. <sup>2</sup>	2" x 2 1/2"	18 1/4"	38 3/4"	1	40 lbs.

**NOTE:** \*Based on lock ring — width at base is 13".

### Performance Data – Residential

Model Number	Effective Filtration Area	Design Flow Rate	Turnover (In Gallons)	
			8 Hours	10 Hours
C100S	100 ft. <sup>2</sup>	100 GPM	48,000	60,000
C150S	150 ft. <sup>2</sup>	120 GPM	57,600	72,000
C200SC	200 ft. <sup>2</sup>	120 GPM	57,600	72,000

Residential Design Flow Rate based on 1 GPM/ft.<sup>2</sup>

### Performance Data – Public and APSP-15

Model Number	Effective Filtration Area	Design Flow Rate	Turnover (In Gallons)	
			8 Hours	10 Hours
C100S	100 ft. <sup>2</sup>	38 GPM	18,240	22,800
C150S	150 ft. <sup>2</sup>	56 GPM	26,880	33,600
C200SC	200 ft. <sup>2</sup>	75 GPM	36,000	45,000

Public and APSP-15 Design Flow Rate based on .375 GPM/ft.<sup>2</sup>

For replacement parts see page 154-155

# Star-Clear™ Plus

CARTRIDGE FILTERS

Filters



C900 Star-Clear Plus filter



C1200 Star-Clear Plus filter

Hayward's Star-Clear Plus filters offer added quality, value and convenience in cartridge filtration. Star-Clear Plus filters are the ideal choice for the most demanding applications and environmental conditions. Plus, with a larger filtration element, Star-Clear Plus filters have greater effective filtration area than similar sized and priced cartridge filters.

### Applications

- In-ground pools
- In-ground pool/spa combinations

### Features

- Filter tanks made from extra durable glass reinforced co-polymer material to meet the demands of the toughest applications and environmental conditions, including in-floor cleaning systems
- Single piece injection-molded base and body provides added strength for reliable, corrosion-free performance
- Single locking knob securely fastens head to filter tank, eliminating bolts or clamps
- Attractive, durable filter head may be rotated to conveniently position pressure gauge and manual air relief
- Extra-large cartridge element with new precision engineered extruded core provides extra-strength and maximum flow
- Elevated, filtered water collector and debris sump prevents accidental by-pass of heavy debris to pool when cartridge is removed for cleaning
- 1 1/2" or 2" FIP, or 2" SKT connections for plumbing versatility
- 1/2" FIP filter drain for fast draining. Also accepts standard spigot valve

## Star-Clear Plus Cartridge Filter Buying Guide

Model Number	Effective Filtration Area	Pipe Size	Dimensions		Ctn. Qty.	Ctn. Weight
			Width	Height		
C751	75 ft. <sup>2</sup>	1 1/2" FIP	13 3/8"	30"	1	26 lbs.
C7512	75 ft. <sup>2</sup>	2" FIP	13 3/8"	30"	1	26 lbs.
C900	90 ft. <sup>2</sup>	1 1/2" FIP	13 3/8"	30"	1	26 lbs.
C9002S*	90 ft. <sup>2</sup>	2" SKT*	13 3/8"	30"	1	26 lbs.
C1200	120 ft. <sup>2</sup>	1 1/2" FIP	13 3/8"	36"	1	29 lbs.
C12002	120 ft. <sup>2</sup>	2" FIP	13 3/8"	36"	1	29 lbs.
C17502	175 ft. <sup>2</sup>	2" FIP	13 3/8"	42"	1	32 lbs.

\*2" FIP x 2" SKT adapter included.

### Performance Data – Residential

Model Number	Effective Filtration Area	Design Flow Rate*	Turnover (In Gallons)	
			8 Hours	10 Hours
C751	75 ft. <sup>2</sup>	75 GPM	36,000	45,000
C900	90 ft. <sup>2</sup>	90 GPM	43,200	54,000
C1200	120 ft. <sup>2</sup>	120 GPM	57,600	72,000
C17502	175 ft. <sup>2</sup>	120 GPM	57,600	72,000

Residential Design Flow Rate based on 1 GPM/ft.<sup>2</sup>

### Performance Data – Public

Model Number	Effective Filtration Area	Design Flow Rate*	Turnover (In Gallons)	
			8 Hours	10 Hours
C751	75 ft. <sup>2</sup>	28 GPM	13,500	16,875
C900	90 ft. <sup>2</sup>	34 GPM	16,200	20,250
C1200	120 ft. <sup>2</sup>	45 GPM	21,600	27,000
C17502	175 ft. <sup>2</sup>	66 GPM	31,680	39,600

Public Design Flow Rate based on .375 GPM/ft.<sup>2</sup>

\*Determined by pump size and piping system hydraulics. 2" piping is recommended for flow rates above 90 GPM.

For replacement parts see page 158-159

Hayward Star-Clear cartridge filters provide crystal clear water and have extra cleaning capacity to accommodate pools and spas of all types and sizes. For replacement or new pool installations, Star-Clear sets the standard of excellence and value.

## Applications

- In-ground pools
- In-ground pool/spa combinations
- In-ground, in-deck or moveable spas
- Hot tubs
- Above-ground pools

## Features

- Single locking knob securely fastens head to filter tank, eliminating bolts or clamps
- Attractive, durable filter head may be rotated to conveniently position pressure gauge and manual air relief
- Injection-molded filter tank for dependable, corrosion-free performance
- Extra-large cartridge element with new precision engineered extruded core provides extra-strength and maximum flow.
- Elevated, filtered water collector and debris sump prevents accidental by-pass of heavy debris to pool or spa when cartridge is removed for cleaning
- 1 1/2" or 2" FIP, or 2" SKT connections for plumbing versatility
- 1/2" FIP filter drain for fast draining of elevated spas and tubs. Also accepts standard spigot valve



C250 Star-Clear filter



C500 Star-Clear filter

## Star-Clear Cartridge Filter Buying Guide

Model Number	Effective Filtration Area	Pipe Size	Dimensions		Ctn. Qty.	Ctn. Weight
			Width	Height		
<b>Star-Clear</b>						
C250	25 ft. <sup>2</sup>	1 1/2" FIP	10 1/2"	19 1/2"	1	13 lbs.
C500	50 ft. <sup>2</sup>	1 1/2" x FIP	10 1/2"	29 1/2"	1	17 lbs.
<b>Micro Star-Clear™ Cartridge Filters</b>						
Cartridge filters for in-line piping, including spas, hot tubs and above-ground pools.						
C225	25 ft. <sup>2</sup>	1 1/2" FIP	7 1/4"	17 7/8"	1	7 lbs.

## Performance Data – Residential

Model Number	Effective Filtration Area	Design Flow Rate*	Turnover (In Gallons)	
			8 Hours	10 Hours
C250	25 ft. <sup>2</sup>	25 GPM	12,000	15,000
C500	50 ft. <sup>2</sup>	50 GPM	24,000	30,000

## Performance Data – Public

Model Number	Effective Filtration Area	Design Flow Rate*	Turnover (In Gallons)	
			8 Hours	10 Hours
C250	25 ft. <sup>2</sup>	9 GPM	4,500	5,625
C500	50 ft. <sup>2</sup>	18 GPM	9,000	11,250

Public Design Flow Rate based on .375 GPM/ft.<sup>2</sup>

\*Determined by pump size and piping system hydraulics.  
2" piping is recommended for flow rates above 90 GPM.

For replacement parts see page 160-161

# XStream™ Filtration Series

ABOVE-GROUND FULL-FLO ELEMENT FILTER



CC150CAN XStream™ Filter

XStream size for an XStream Clean. Once you see the new XStream filtration from Hayward, you'll be hooked. Its massive size and incredible performance mean years of trouble-free filtration. It has an extra large capacity for dirt and debris and a quick-release, high-capacity air relief valve. But size isn't the only thing this filter's big on.

## Applications

- Above-ground pools/on-ground pools

## Features

- Designed specifically for the rigors of above-ground filtration
- Engineered for easy use with flexible or rigid plumbing
- Sleek, flush mounted pressure gauge
- Quick release, high capacity air relief valve
- Glass reinforced, non-corrosive Permaglass XL™ filter tank will provide years of trouble-free operation
- Easy-Lok™ ring design allows quick access to all internal components in a single turn
- Unique safety catch prevents over-tightening of the lid and efficiently secures the filter for high performance operation
- Longer, more efficient filtering life. Larger filter body ensures an equal distribution of dirt and debris throughout the filtering element

## Performance Data

Model Number	Effective Filtration Area	Design Flow Rate*	Turnover (In Gallons)	
			8 Hours	10 Hours
CC150CAN	150 ft. <sup>2</sup>	120 GPM	57,600	86,400

## XStream™ Filtration Full-Flo Element Filter System Buying Guide

Model Number	Dimensions		Ctn. Qty.	Ctn Weight
	Width	Height		
CC150CAN	21"	33 1/4"	1	25 lbs.

# Replacement Cartridge Filter Elements

Hayward replacement cartridges are manufactured with premium materials designed to meet NSF's high quality performance and durability standards. All Hayward cartridges provide maximum hydraulic efficiency, exceptional first pass debris removal, extended filtration cycles, reduced cleaning time and multi-season durability.

By offering two media weights, customers now have the opportunity to choose their desired level of filtration performance and cartridge life. Clearly, Hayward Genuine Replacement Cartridges are the only replacement cartridges that will maintain the original filter fit and performance in addition to providing the best overall value.

## Features

- Premium 4 oz. cartridges include NSF certification when used in Hayward filters providing original filtration quality and durability
- Hayward Blue Value 3 oz replacement cartridges provide original Hayward fit and performance at an economical price
- Precision engineered molded and extruded cores provide maximum hydraulic efficiency and overall structural stability
- Available in economical 4 pack configurations to accommodate multi-cartridge filters
- Individually packaged with Hayward name and part number molded into uniquely colored end caps for easy identification as a Hayward Genuine Part
- Compatible with all pool sanitizers



Genuine Replacement Cartridges

## Hayward Cartridge Elements Buying Guide

Premium 4 oz Material	Blue Value 3 oz Material	Hayward Replacement Cartridge Description	Dimensions O.D	Height	Ctn. Qty.
<b>StarClear &amp; StarClear™ Plus Replacement Cartridges</b>					
CX100RE	CX100REBVS	Replacement Cartridge – 100 sq ft	7"	29 7/16"	1
CX1100RE	CX1100REBVS	Replacement Cartridge – C1100-	8 ½"	23 5/16"	1
CX1200RE	CX1200REBVS	Replacement Cartridge – C1200-	8 15/16"	23 5/16"	1
CX1250RE	CX1250REBVS	Replacement Cartridge – C1250-	9 ¼"	19 5/8"	1
CX1520RE	CX1520REBVS	Replacement Cartridge – C1502-	8 15/16"	23 5/16"	1
CX1750RE	CX1750REBVS	Replacement Cartridge – C1750-	8 15/16"	28 3/16"	1
CX1900RE	CX1900REBVS	Replacement Cartridge – C1900-	8 15/16"	28 3/16"	1
CX2020RE	CX2020REBVS	Replacement Cartridge – C2002-	8 15/16"	28 3/16"	1
CX225RE	CX225REBVS	Replacement Cartridge – C225-	4 ¾"	11 13/16"	1
CX250RE	CX250REBVS	Replacement Cartridge – C250-	7"	9 13/16"	1
CX410RE	CX410REBVS	Replacement Cartridge – C400-	7"	14 13/16"	1
CX500RE	CX500REBVS	Replacement Cartridge – C500-	7"	19 5/8"	1
CX550RE	CX550REBVS	Replacement Cartridge – C550-	7"	19 5/8"	1
CX750RE	CX750REBVS	Replacement Cartridge – C750-	7"	29 7/16"	1
CX760RE	CX760REBVS	Replacement Cartridge – C751-	8 15/16"	17 3/8"	1
CX800RE	CX800REBVS	Replacement Cartridge – C800-	8 ½"	17 3/8"	1
CX850RE	CX850REBVS	Replacement Cartridge – C850-	9 ¼"	14 3/16"	1
CX900RE	CX900REBVS	Replacement Cartridge – C900-	8 15/16"	17 3/8"	1
<b>SwimClear™ Replacement Cartridges</b>					
CX100XRE	CX100XREBVS	Replacement Cartridge C100S			1
CX150XRE	CX150XREBVS	Replacement Cartridge C150S			1
CX200XRE	CX200XREBVS	Replacement Cartridge C200S			1
CX225XREM	CX200XREBVS	Replacement Cartridge C225S			1
CX1280XRE	CX1280XREBVS	Replacement Cartridge C5000/C5020/C5025/C5030			1
CX1280XREPAK4	CX1280XREBVS	Replacement Cartridges 525 sq ft SwimClear (4 pack)			1
CX1380XRE	CX1380XREBVS	Replacement Cartridge C5520-			1
CX1380XREPAK4	CX1380XREBVS	Replacement Cartridges 550 sq ft SwimClear (4 pack)			1
CX480XRE	CX480XREBVS	Replacement Cartridge C2000/C2020/C2025/C2030			1
CX480XREPAK4	CX480XREBVS	Replacement Cartridges 225 sq ft SwimClear (4 pack)			1
CX481XRE	CX481XREBVS	Replacement Cartridge C2030-			1
CX481XREPAK4	CX481XREBVS	Replacement Cartridges C2030 – SwimClear (4 pack)			1
CX580XRE	CX580XREBVS	Replacement Cartridge C3000/C3020/C3025/C3030			1
CX580XREPAK4	CX580XREBVS	Replacement Cartridges 325 sq ft SwimClear (4 pack)			1
CX590XRE	CX590XREBVS	Replacement Cartridge C7020-			1
CX590XREPAK4	CX590XREBVS	Replacement Cartridges 700 sq ft SwimClear (4 pack)			1
CX591XRE	CX591XREBVS	Replacement Cartridge Element – C7030-			1
CX591XREPAK4	CX591XREBVS	Replacement Cartridges C7030 – SwimClear (4 pack)			1
CX875XRE	CX875XREBVS	Replacement Cartridge C4520-			1
CX875XREPAK4	CX875XREBVS	Replacement Cartridges 450 sq ft SwimClear (4 pack)			1
CX880XRE	CX880XREBVS	Replacement Cartridge C4000/C4020/C4025/C4030			1
CX880XREPAK4	CX880XREBVS	Replacement Cartridges 425 sq ft SwimClear (4 pack)			1

# Filtration

## THREE METHODS OF FILTRATION

The importance of proper swimming pool or spa filtration can not be overstated. The reasons for filtration are obvious — clear water not only looks beautiful, but it is also necessary for health and safety reasons. Much of the material suspended in the water, derived from plant and animal sources, provides food for bacteria and algae. It is these materials that must be removed if a pool or spa is to be maintained in a safe and sanitary condition.

The three most popular types of filtration currently in use in residential pools and spas are high-rate sand, cartridge and diatomaceous earth (D.E.). Each method of filtration is explained below.

### High-Rate Sand

The oldest and most popular method of filtration is sand. Sand filters share two things in common: 1) When in the filtration mode, water always flows from top to bottom; 2) They all have some sort of lateral or underdrain with slots to hold back sand while allowing clean, filtered water to pass through.

High-rate sand filters use a special filter sand, normally .45 to .55 mm (also known as pool-grade #20 silica sand), because it has sharp edges that serve to separate particles, allowing filtration to take place. They operate on the basis of "depth" filtration; dirt is driven through the sand bed and trapped in the minute spaces between the particles of sand. Initially, a clean sand bed will remove larger particles, and then, as the bed starts to load up, it will remove finer particles.

Cleaning of the media, or sand bed, is accomplished through reversing the flow through the filter, to the "waste" line. This is known as backwashing.

### Cartridge

Cartridge filtration has been available for a relatively long time, but only recently has it begun to enjoy rapid growth and acceptance.

When water passes through a cartridge filter, dirt is screened out at the surface of the cartridge element. When clean, the element will trap larger particles, with finer particles being filtered out as the pores of the element become clogged by the larger debris.

The cartridge element can be removed and cleaned by pressure washing inside and out with a garden hose.

### Diatomaceous Earth (D.E.)



High-Rate Sand Filter



Cartridge Filter



Vertical Grid Diatomaceous Earth (D.E.) Filter

Many pool professionals consider D.E. filtration to be the finest, because it is capable of removing smaller particles than either sand or cartridge.

Diatomaceous earth is a porous powder with microscopic openings, that, when magnified, look like tiny sponges. Clear water can pass through these openings, but particles, as small as five microns, are trapped the first pass through the media.

All D.E. filters have internal elements that become coated with D.E. It is this "filter cake" that strains dirt, dust, algae and some forms of bacteria from the water.

Similar to sand filters, when a D.E. filter becomes dirty, it is cleaned either by backwashing the clogged D.E. to the "waste" line or regenerating and draining. To restore filtration, a fresh "charge" of D.E. is added to the filter.

### Water Chemistry

Whatever method of filtration is selected, it is important to remember that filtration alone does not keep water looking its best. Proper water chemistry must also be maintained for safe, clean water. Most pool owner complaints are directly related to water chemistry or improper sizing of filters and pumps rather than equipment failures.

### Technical Data – Filtration

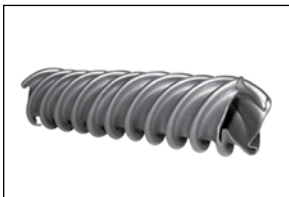
Filtration Method	Suggested Filtration Rate		Approximate Filtration Range (Microns)
	Residential (GPM/ft. <sup>2</sup> )	Commercial (GPM/ft. <sup>2</sup> )	
High-Rate Sand	20	15	20 to 40
Cartridge	1	.375	10 to 20
Diatomaceous Earth	2	2	5

Sources: (1) NSPI. Basic Pool & Spa Technology (2/88 Edition; Section 1.4: Filters)  
(2) Hayward Pool Products, Inc. Technical Bulletin TMF-12.



The Summit heat pump by Hayward provides an energy efficient solution to your pool heating options. With its Titanium Heat Exchanger and Hayward Quiet Technology, Summit heat pumps heat pool water more efficiently for a fraction of the cost of gas while maintaining a quiet relaxed backyard environment. Depending on individual use and application of your pool, a heat pump may be right for you.

### Titanium Heat Exchanger



Titanium counter-flow heat exchanger for unrivaled, uncompromising and trouble-free performance — even under the harshest conditions.

### Quiet Technology



Profiled fan blade design provides improved airflow and quiet operation.



Acoustic compressor cover further reduces compressor sound levels.

### High Performance Evaporator Coil and Union Connections

Ultra Gold corrosion resistant evaporator coil fin provides excellent durability near coastal and other corrosive environments.

### Digital L.E.D. Control Panel

Easy to read digital temperature display with electronic frost control and temperature lock-out capability.

### Footprint

2" x 2 1/2" Union  
Connections for high efficiency plumbing and easy installation and maintenance.

Compact footprint allows for easy installations, is ideal for retrofit replacements, and has integrated hurricane tie-downs to meet local codes without the need for accessory kits.



Summit SUM5TAC

## Specifications & Dimensions

Model Number	BTU	C.O.P.	Compressor	Voltage Hertz/Phase	Circuit Amps	Diameter Width x Depth	Height	Unit Weight
<b>Summit Heat Pumps with Hot Gas Bypass Valve</b>								
SUM3TAC	65,000	6.0	Scroll	240/60/1	30	30 x 34	37"	186 lbs.
SUM45TAC	95,000	6.2	Scroll	240/60/1	40	30 x 34	37"	205 lbs.
SUM5TAC	110,000	6.0	Scroll	240/60/1	50	30 x 34	37"	237 lbs.
<b>Summit Heat Pumps</b>								
SUM25TA	50,000	5.4	Rotary	240/60/1	30	30 x 34	29"	161 lbs.
SUM8TA	140,000	6.0	Scroll	240/60/1	60	30 x 34	44"	268 lbs.
<b>Hayward Heat Pumps with Reversing Valve Feature</b>								
HP40B	40,000	-	Rotary	208-230V	15	38 x 11	28"	144 lbs.
HP50B	50,000	-	Rotary	208-240V	20	38 x 14	28"	155 lbs.
HP65B	65,000	-	Rotary	208-240V	30	38 x 14	36"	194 lbs.



HP50B

For replacement parts see page 172-177

# Universal H-Series Low NOx

FOR IN-GROUND POOLS AND SPAS

Heating



H400FDN Universal H-Series Low NOx Heater

The Hayward Universal H-Series gas heater is the “universal” energy efficient remedy for any new or existing pool or spa. An industry leading hydraulic design reduces circulation pump run time to provide up to 84% efficiency when compared to less efficient competitors. The energy efficiency of the Universal H-Series gas heater combines with environmentally friendly low NOx emissions, a standard cupro nickel heat exchanger and ultimate installation flexibility on new or existing equipment pads to responsibly heat a pool or spa today and for years to come.

The forced draft system in the Universal H-Series constantly moves air through the combustion chamber at a precise flow rate eliminating outside weather variables that can affect heating performance. Wind conditions are eliminated and there is no need to install a high-wind stack.

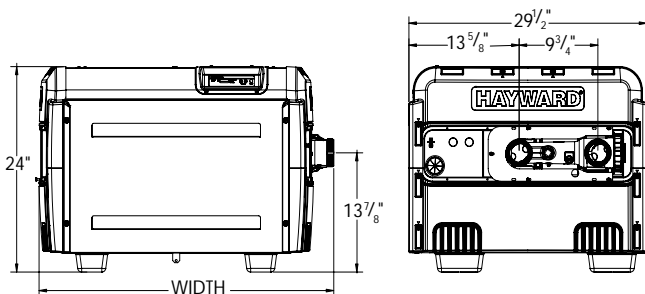
Note: Hayward Universal H-Series heaters meet the NOx emission standards set by the California South Coast Quality Air Management Commission for 2001 and the Texas Natural Resource Conservation Commission Code.

## Universal H-Series Low NOx Heater Buying Guide

### Silicon Nitride Hot Surface Electronic Ignition, Dual Thermostat

Model Number	BTU Input	Gas Type	Heater Width	Ctn. Qty.	Ctn. Weight
H150FDN	150,000	Natural	21 1/2"	1	141 lbs.
H150FDP	150,000	Propane	21 1/2"	1	141 lbs.
H200FDN	199,900	Natural	24 3/4"	1	154 lbs.
H200FDP	199,900	Propane	24 3/4"	1	154 lbs.
H250FDN	250,000	Natural	28"	1	165 lbs.
H250FDP	250,000	Propane	28"	1	165 lbs.
H300FDN	300,000	Natural	30"	1	180 lbs.
H300FDP	300,000	Propane	30"	1	180 lbs.
H350FDN	350,000	Natural	33 1/4"	1	195 lbs.
H350FDP	350,000	Propane	33 1/4"	1	195 lbs.
H400FDN	399,900	Natural	36 1/2"	1	197 lbs.
H400FDP	399,900	Propane	36 1/2"	1	197 lbs.
H500FDN	500,000	Natural	41"	1	223 lbs.
H500FDP	500,000	Propane	41"	1	223 lbs.

### Overall Dimensions



### FOR INDOOR/OUTDOOR USE

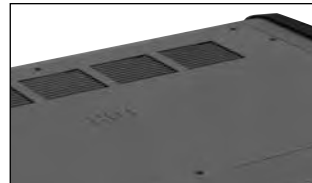
#### Superior Hydraulic Performance



New polymer header provides superior hydraulic performance to save energy and protect against the damaging effects of erosion from high flow conditions for improved reliability.

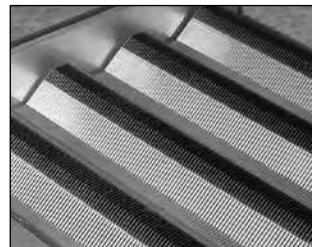
Designed for today's larger diameter plumbing systems with 2" x 2 1/2" CPVC unions.

#### Forced Draft System



Forced draft system constantly moves air through the combustion chamber at a precise flow rate, eliminating all outside weather variables that can effect the heating performance, such as high wind conditions — without a high wind stack.

#### State-of-the-Art Finn Plate Heat Exchanger with Cupro Nickel



Our patented single header “V” baffle design heat exchangers allow for long life, fast heating and virtually no condensation. All Hayward heat exchangers are now constructed with highly resilient Cupro Nickel for greater durability and longevity even in salt-based, high flow conditions.

#### L.E.D. Control Panel

Easy-to-read L.E.D. Control Panel provides digital temperature readout and diagnostics for quick identification of components that might need service.



For replacement parts see page 178-179

### Negative vs. Positive Vent Pressure

#### NEGATIVE vent pressure:

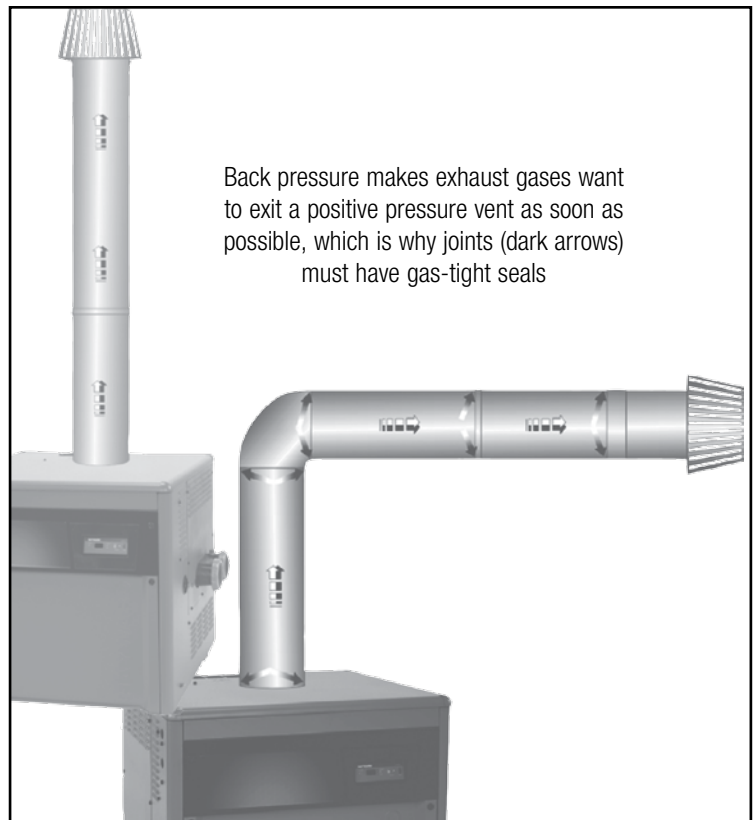
By definition, gases inside a negative pressure vent are under no pressure to escape and will simply exit upward (since hot air rises) through a properly designed, mostly vertical Negative Vent System.

**Vent joints in a negative pressure do NOT need to be gas-tight, but may need to be taped if required by local codes.**

#### POSITIVE vent pressure:

By definition, gases inside a positive pressure vent are under pressure to escape and will as soon as possible. However, allowing exhaust gases to escape through system leaks would be unacceptable and potentially fatal.

**Therefore, vent joints in a positive vent system must be gas-tight, which requires installation of special vent piping.**



### As a General Rule ...

A negative pressure system must be mostly vertical and must have vertical termination ...

... while a positive pressure system may be mostly horizontal and may utilize horizontal or vertical termination.

Vent Sizing	
Vents must be sized according to heater manufacturer specs. Below are general specifications for Negative and Positive venting of Hayward IDL, IDL2 and Universal H-Series heaters.	
Negative	Positive
50 ft. max vertical height	Positive venting solutions must be utilized any time negative vent criteria cannot be attained.
25 ft. max horizontal length	50 ft max with 1 elbow
Horizontal length cannot exceed 1/2 of vertical height	40 ft max with 2 elbows
3 elbows max.	30 ft max with 3 elbows
Single- or Double-Wall Galvanized <u>Non</u> -Sealed Vent Pipe.	Single- or Double-Wall Stainless Steel <u>Sealed</u> Vent Pipe.

# Universal H-Series Indoor Vent Kit Matrix

## INDOOR VENT ADAPTER KITS

### Indoor Vent Adapter Kit – Horizontal

#### Positive Pressure – Horizontal Venting

This Kit enables indoor installations where the exhaust vent pipe termination is horizontal with stainless steel vent pipe and vent terminals available from Hayward or special ordered from Heatfab Division of Selkirk Corporation. This Kit **DOES NOT** allow the use of galvanized, non-sealed pipe.

Universal H-Series Model No.	Indoor Vent Kit Part Number	Description	Vent Pipe Limitations	Vent Pipe Material	Vent Termination Requirement
H150FD	UHXPOSHZ11501	Indoor Vent Adapter Kit, Positive Pressure, Horizontal or Vertical Venting Applications	50 ft max with 1 elbow, 40 ft max with 2 elbows, or 30 ft max with 3 elbows (horizontal or vertical)	Single or Double Wall Stainless Steel Sealed Vent Pipe	Horizontal or Vertical, Termination Immediately Outside Wall of House/Building
H200FD	UHXPOSHZ12001				
H250FD	UHXPOSHZ12501 UHXPOSHZ12502				
H300FD	UHXPOSHZ13001				
H350FD	UHXPOSHZ13501				
H400FD	UHXPOSHZ14001 UHXPOSHZ14002				
H500FD	UHXPOSHZ15002				

Description	Part No.	
Horizontal Kits H150-H250	EZ-Vent	CI Plus
18" straight pipe	IDXLLEN1930*	UHXHD6PIPE18
24" straight pipe	IDXLLEN1931	UHXHD6PIPE24
36" straight pipe	--	UHXHD6PIPE36
90° elbow	IDXLELB1930	UHXHD6ELBOW
Term Straight Cap	IDXLCAP1930	UHXHD6STERM

Description	Part No.	
Horizontal Kits H300-H400	EZ-Vent	CI Plus
18" straight pipe	FDXLLEN1931	UHXHD8PIPE18
24" straight pipe	FDXLLEN1930	UHXHD8PIPE24
36" straight pipe	--	UHXHD8PIPE36
90° elbow	FDXLELB1930	UHXHD8ELBOW
Term Straight Cap	FDXLCAP1930	UHXHD8STERM

\*IDXLLEN1930 is adjustable from 6" to 19"

### Indoor Vent Adapter Kit – Vertical

#### Negative Pressure – Vertical Venting

This Kit enables indoor installations where the exhaust vent pipe termination is required to be vertically terminated a minimum of 3 feet above the roof and a minimum of 2 feet above any portion of a building within 10 feet horizontally. This Kit **DOES NOT** allow horizontal vent termination.

Universal H-Series Model No.	Indoor Vent Kit Part Number	Description	Vent Pipe Limitations	Vent Pipe Material	Vent Termination Requirement
H150FD	UHXNEGVT11501	Indoor Vent Adapter Kit, Negative Pressure, Vertical Venting Applications	50 ft max vertical height, 25 ft max horizontal length (horizontal length cannot exceed 1/2 of vertical height), 3 elbows max	Single or Double Wall Galvanized Non-Sealed Vent Pipe	Vertical Only, Termination Above Roof of House/Building
H200FD	UHXNEGVT12001				
H250FD	UHXNEGVT12501				
H300FD	UHXNEGVT13001				
H350FD	UHXNEGVT13501				
H400FD	UHXNEGVT14001				
H500FD	UHXNEGVT15001				

# Universal H-Series Indoor Vent Kit Matrix

INDOOR VENT ADAPTER KITS

## Vent Pipe and Terminal Specifications for Positive-Pressure Indoor Vent Kits

Heater Model	Hayward Kit Part Number	Maximum Installation Altitude	Nominal Vent Pipe Diameter	Appliance Adapter	Gas	Vent Type	Vent Pipe	Horizontal Vent Terminal	Vertical Vent Terminal
H150FD H200FD	UHXPOSHZ11501 UHXPOSHZ12001	10,100 ft	6 inch	Included in UHX Kit	NAT & LP	Single-Wall	Heatfab Saf-T Vent EZ Seal P/N 960x*	Heatfab P/N 9614TERM	Heatfab P/N 5600CI
						Double-Wall	Heatfab Saf-T Vent CI Plus P/N CCA06Lx**	Heatfab P/N 9614TERM	Heatfab P/N CCA06RC
H250FD	UHXPOSHZ12501	10,100 ft	6 inch	Included in UHX Kit	NAT & LP	Single-Wall	Heatfab Saf-T Vent EZ Seal P/N 960x*	Heatfab P/N 5690CI‡	Heatfab P/N 5600CI
						Double-Wall	Heatfab Saf-T Vent CI Plus P/N CCA06Lx**	Heatfab P/N CCE06WP‡	Heatfab P/N CCA06RC
H250FDN	UHXPOSHZ12502	2,000 ft	4 inch	DuraVent P/N 810003683 (Included in UHX Kit) or Heatfab P/N 1501329001	NAT ONLY	Single-Wall	DuraVent FasNSeal P/N FSVLx04† or Heatfab Saf-T Vent EZ Seal P/N 940x*	DuraVent P/N FSTT4 or Heatfab P/N 9414TERM	DuraVent P/N FSRC4 or Heatfab P/N5400CI
						Double-Wall	DuraVent FasNSeal W2 P/N W2-x04† or Heatfab Saf-T Vent CI Plus P/N CCA04Lx**	DuraVent P/N FSTT4 or Heatfab P/N 9414TERM	DuraVent P/N W2-RC4 or Heatfab P/N CCA04RC
H300FD H350FD H400FD	UHXPOSHZ13001 UHXPOSHZ13501 UHXPOSHZ14001	10,100 ft	8 inch	Included in UHX Kit	NAT & LP	Single-Wall	Heatfab Saf-T Vent EZ Seal P/N 980x*	Heatfab P/N 5890CI‡	Heatfab P/N 5800CI
						Double-Wall	Heatfab Saf-T Vent CI Plus P/N CCA08Lx**	Heatfab P/N CCE08WP‡	Heatfab P/N CCA08RC
H400FD H500FD	UHXPOSHZ14002 UHXPOSHZ15002	2,000 ft	6 inch	DuraVent P/N 810003725 (Included in UHX Kit) or Heatfab P/N 1501646501	NAT & LP	Single-Wall	DuraVent FasNSeal P/N FSVLx06† or Heatfab Saf-T Vent EZ Seal P/N 960x*	DuraVent P/N FSTT6 or Heatfab P/N 9614TERM	DuraVent P/N FSRC6 or Heatfab P/N 5600CI
						Double-Wall	DuraVent FasNSeal W2 P/N W2-x06† or Heatfab Saf-T Vent CI Plus P/N CCA06Lx**	DuraVent P/N FSTT6 or Heatfab P/N 9614TERM	DuraVent P/N W2-RC6 or Heatfab P/N CCA06RC

**NOTES:** †For DuraVent vent pipe section length, "x" should be: 6, 12, 18, 24, or 36, indicating the length of the vent pipe section in inches.

\*For Heatfab single-wall vent pipe section length, "x" should be: 1, 2, 4, 5, or 7, where 1=6 inches, 2=12 inches, 4=18 inches, 5=24 inches, and 7=36 inches.

\*\*For Heatfab double-wall vent pipe section length, "x" should be: 06, 09, 12, 18, 24, or 36, indicating the length of the vent pipe section in inches.

‡For these horizontal terminals, the wall penetration is included from the vent manufacturer. On all others, it must be ordered separately.

## Vent Pipe Diameters for Negative-Pressure Indoor Vent Kits

Heater Model	Indoor Vent Kit Part Number	Maximum Installation Altitude	Vent Pipe Diameter
H150FD H200FD H250FD	UHXNEGVT11501 UHXNEGVT12001 UHXNEGVT12501	10,100 ft	6 inch
H300FD H350FD H400FD	UHXNEGVT13001 UHXNEGVT13501 UHXNEGVT14001		8 inch
H500FD	UHXNEGVT15001	2,000 ft	6 inch



# H-Series

HEATERS FOR IN-GROUND POOLS AND SPAS

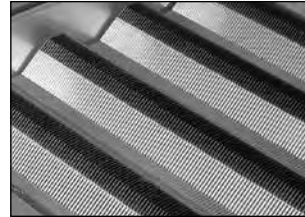


H250 H-Series Millivolt Heater

Heating

Features on all millivolt heaters include rust-resistant water path with polymer header assembly and a rapid-heat combustion chamber.

### State-of-the-Art Finn Plate Heat Exchanger with Cupro Nickel



All Hayward heat exchangers are constructed of highly resilient Cupro Nickel for greater durability and longevity. Our patented single

header "V" baffle design heat exchangers allow for long life and fast heating.

### Patented Rust-Resistant Water Path with CPVC Connection



Rust-resistant water path, with injection molded polymer header offers improved by-pass control and extended life by providing additional protection from

the damaging effects of erosion from high flow conditions.

### Burner System



Constructed of tough, durable stainless steel, H-Series burners can be removed individually or as a complete unit for easy maintenance and cleaning.

## H-Series Single Thermostat Buying Guide

Model Number	BTU Input	Gas Type	Ignition	Ctn. Qty.	Ship Weight
H1501C	150,000	Natural	Millivolt	1	165 lbs.
H150P1C	150,000	Propane	Millivolt	1	165 lbs.
H2001C	200,000	Natural	Millivolt	1	180 lbs.
H2501C	250,000	Natural	Millivolt	1	198 lbs.
H250P1C	250,000	Propane	Millivolt	1	198 lbs.

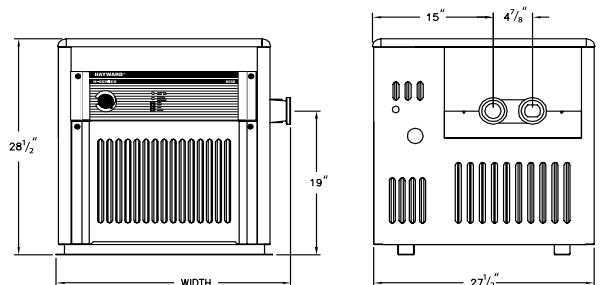
Model Number	BTU Input	Gas Type	Ignition	Ctn. Qty.	Ship Weight
<b>H-Series Electronic Dual Thermostat</b>					
H150ED2C	150,000	Natural	Electronic	1	155 lbs.
H150PED2C	150,000	Propane	Electronic	1	155 lbs.
H250ED2C	250,000	Natural	Electronic	1	198 lbs.
H250PED2C	250,000	Propane	Electronic	1	198 lbs.

Model Number	Type	Ctn. Qty.	Ship Weight
<b>Draft Hoods</b>			
DHI150	Indoor Draft Hood	1	15 lbs.
HWS150	High Wind Stack	1	15 lbs.
DHI200	Indoor Draft Hood	1	17 lbs.
HWS200	High Wind Stack	1	17 lbs.
DHI250	Indoor Draft Hood	1	19 lbs.
HWS250	High Wind Stack	1	19 lbs.

Outdoor draft hood is integral to heater. Indoor and High Wind Stack draft hoods must be ordered separately.

### Specifications and Dimensions

Series	BTU Input	Heater	Stack		
		Width	Outlet Diameter	DHI	HWS
H250	250,000	27"	7"	28 1/4"	17 3/4"
H200	200,000	24 1/4"	7"	28 1/4"	15 1/4"
H150	150,000	21 1/2"	6"	22 1/4"	14"



For replacement parts see page 180-185



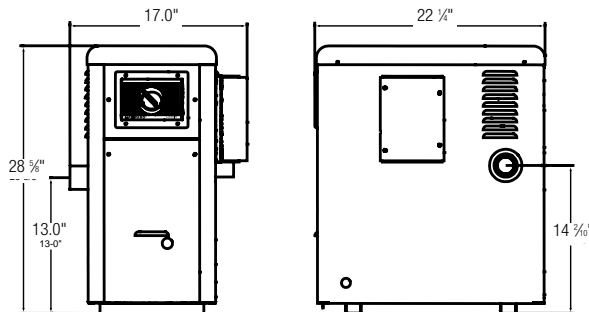


H100ID1 H-Series Induced Draft Heater

### H-Series Induced Draft Heater Buying Guide

Model Number	BTU Input	Gas Type	Ctn. Qty.	Ctn. Weight
H100ID1	100,000	Natural	1	75 lbs.
H100IDP1	100,000	Propane	1	75 lbs.

### Overall Dimensions



No Pilot Light  
No Hassle

Hayward's induced draft heater for above-ground pools and spas that combines state-of-the-art technology with ease of operation and superior performance.

Featuring an electronic, direct spark ignition system and an energy-efficient FireTile® lined combustion chamber, the Hayward heater provides 100,000 BTU input, while delivering 81% thermal efficiency and quick heating.

An integral induced draft system makes this heater completely impervious to any high wind situations. A one-piece copper header/heat exchanger provides for leak-free performance. And a simple plug-in 120 volt electric cord is provided for simple installation.

### Applications – Outdoor Use Only, 0-2000 Feet Only

- Above-ground pools
- Spas (above 70 G.P.M. an external bypass is recommended) 20 gallons per minute minimum

### Features

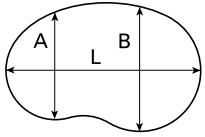
- 100,000 BTU input for above-ground pools and spas of all types and sizes
- Electronic, direct-spark ignition for total control and automatic operation
- Revolutionary induced draft technology ensures optimum heating and all-weather performance, even in high wind situations
- Reduced emissions design provides environment-friendly heating
- FireTile combustion chamber ensures quick heating
- Jet-ported stainless steel burners provide long life and easy maintenance
- One-piece copper header/heat exchanger for leak-free performance
- Cool-to-the-touch cabinet surface temperature ensures worry-free use
- Plug-in 120 volt electric cord for easy installation

# Heater Selection Guide

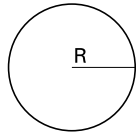
## SELECTING THE CORRECT SIZE HEATER FOR POOLS & SPAS

### Pool Sizing

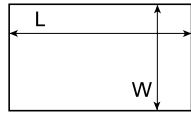
Determine your pool's surface area in square feet:



$$\text{Area} = (A+B) \times L \times .45$$



$$\text{Area} = R \times R \times 3.14$$



$$\text{Area} = L \times W$$

Locate in the desired table below, the surface area equal to or just greater than the pool's surface area, read to the left and select the appropriate heater.

For indoor pool installations divide the pool's surface area by 3.

Tables are based on a 30°F temperature rise, 3 1/2 MPH average wind velocity and elevation of up to 2,000 feet above sea level.

### Recommended Universal H-Series for Swimming Pools

Model	Surface Area
H500	1350
H400	1200
H350	1050
H300	900
H250	750
H200	600
H150	450

#### Example:

Rectangular pool: 20 feet x 30 feet:

$$20 \times 30 = 600 \text{ ft.}^2 \text{ Surface Area}$$

Recommended Universal H-Series Model Heater – H200

### Saving Money by Saving Energy

Selecting a high efficiency heater for your new installation, or replacing an older inefficient model can have a significant impact on your fuel bill. Here are some additional energy saving tips.

- Check your pool chemistry regularly to maintain top operating condition.
- Set your pool water's temperature between 78° to 82° for most applications
- Use a pool cover or thermal blanket on your pool when it's not in use. Evaporation accounts for 70% of heat loss from your pool.
- Add wind breaks to your pool. A 7-mph wind at the surface of a pool can increase energy consumption 300%!



### Recommended H100 Induced Draft Model for Above Ground Pools

H100 Induced Draft Heater will raise temperature of Above Ground Pool in 8 Hour period as follows:

Temperature Rise in 8 Hours		
Pool Size	Gallons	Avg. Temp Rise (f)
15' Round	5,300	15.2°
18' Round	7,600	10.4°
12' x 24' Rectangle	8,600	9.6°
21' Round	10,000	8.0°
24' Round	13,500	5.6°
27' Round	17,000	4.8°

We highly recommend that your Hayward Above Ground Pool heater be used in conjunction with a solar blanket to maximize your heating efficiency.

### Spa Sizing

Determine your spa capacity in gallons (Surface area x average depth x 7 1/2).

The reference tables list the time required in minutes to raise the temperature of the spa/hot tub by 30°F. Locate in the desired table below the spa/hot tub size in gallons equal to or just greater than the spa/hot tub size in gallons. Select the desired time to raise the spa/hot tub temperature 30°F, read to the left and select the appropriate heater.

This guide can be adjusted for other temperature rises. For example, if you desire a 15°F increase in temperature, simply divide the time for 30°F rise by the ratio of 30/15 = 2.

Note: Heat losses and/or heat absorbed by spa walls or other objects will add to heat-up time.

Spa sizing is based on an insulated and covered spa. Always cover your spa or hot tub when not in use to minimize heat loss and evaporation.

### Recommended Universal H-Series for Spas/Hot Tubs

Model	Spa/Tub Size in Gallons									
	200	300	400	500	600	700	800	900	1000	
	Time in minutes to Raise Spa/Tub Temperature 30°F									
H500	7	11	14	18	22	25	29	32	35	
H400	9	14	18	23	27	32	36	41	45	
H350	10	16	21	26	31	36	41	46	52	
H300	12	18	24	30	36	42	48	54	60	
H250	15	22	29	36	43	51	58	65	72	
H200	18	27	36	45	54	63	72	81	90	
H150	24	36	48	60	72	84	96	108	120	

### Recommended H100 Induced Draft Model for Spas

Model	Spa/Tub Size in Gallons									
	200	300	400	500	600	700	800	900	1000	
	Time in minutes to Raise Spa/Tub Temperature 30°F									
H100	38	56	74	94	112	132	150	168	188	

### Recommended CSPaXI Models

Model	Spa/Tub Size in Gallons									
	200	300	400	500	600	700	800	900	1000	
	Time in minutes to Raise Spa/Tub Temperature 30°F									
CSPaXI55	160	240	320	400	480	560	640	720	800	
CSPaXI11	80	120	160	200	240	280	320	360	400	

#### Example:

Want a 300 gallon spa to go from 70°F to 100°F in 120 minutes.

$$\begin{array}{r} 100^{\circ}\text{F} \\ \text{subtract} \rightarrow \quad 70^{\circ}\text{F} \\ \hline 30^{\circ}\text{F Requested Temperature Rise} \end{array}$$

Recommended CSPa Model Heater – CPaXI11

**Hayward heaters use a full gas fire design. To ensure adequate gas firing and proper performance, the following guidelines should be used to size gas piping.**

1. Make sure the 1st and 2nd stage regulators are large enough to handle the BTU listed for each model.
2. Reduction of the gas supply pipe or tubing to the inlet of the valve must be made at the valve only – Natural or Propane.
3. Do not use flexible connectors on any gas connections.
4. If more than one appliance is installed on the gas line, contact your local gas company or Hayward for proper pipe size.
5. If you have any question concerning the installation of the proper gas line size, call Hayward before you install the line.

**Low Pressure Natural Gas Pipe Sizing:** (Based upon an inlet gas pressure of 0.5 psig or less at a pressure drop of 0.5 in-wc)

Distance from gas meter to heater gas valve inlet	Model	H150	H200	H250	H300	H350	H400	H500
	BTU/hr input	150,000	200,000	250,000	300,000	350,000	400,000	500,000
	Line Material	Iron or Plastic Pipe	Iron or Plastic Pipe	Iron or Plastic Pipe	Iron or Plastic Pipe	Iron or Plastic Pipe	Iron or Plastic Pipe	Iron or Plastic Pipe
0 to 50 feet		3/4"	1"	1"	1 1/4"	1 1/4"	1 1/4"	1 1/4"
50 to 100 feet		1"	1"	1 1/4"	1 1/4"	1 1/4"	1 1/4"	1 1/2"
100 to 200 feet		1 1/4"	1 1/4"	1 1/4"	1 1/2"	1 1/2"	1 1/2"	2"
200 to 300 feet		1 1/4"	1 1/4"	1 1/2"	2"	2"	2"	2"

**Low Pressure Propane Gas Pipe Sizing:** (Based upon an inlet gas pressure of 11 in-wc at a pressure drop of 0.5 inch w.c.)

Distance from tank regulator outlet to heater gas valve inlet	Model	H150		H200		H250		H300		H350		H400		H500	
	BTU/hr input	150,000		200,000		250,000		300,000		350,000		400,000		500,000	
	Line Material	Iron Pipe	Tubing	Iron Pipe	Tubing	Iron Pipe	Tubing	Iron Pipe	Tubing	Iron Pipe	Tubing	Iron Pipe	Tubing	Iron Pipe	Tubing
0 to 50 feet		3/4"	7/8"	3/4"	7/8"	1"	1 1/8"	1"	1 1/8"	1"	1 1/8"	1"	—	1"	—
50 to 100 feet		3/4"	1 1/8"	1"	1 1/8"	1"	1 1/8"	1"	—	1 1/4"	—	1 1/4"	—	1 1/4"	—
100 to 200 feet		1"	1 1/8"	1"	—	1 1/4"	—	1 1/4"	—	1 1/4"	—	1 1/4"	—	1 1/4"	—
200 to 300 feet		1"	—	1 1/4"	—	1 1/4"	—	1 1/4"	—	1 1/4"	—	1 1/2"	—	1 1/2"	—

### High Pressure "2-Stage" Systems

**High Pressure Natural Gas Pipe Sizing "First Stage":** (Based upon an inlet gas pressure of 2 psig at a pressure drop of 1 psi)

Distance from outlet of 1st stage regulator to inlet of 2nd stage regulator	Model	H150	H200	H250	H300	H350	H400	H500
	BTU/hr input	150,000	200,000	250,000	300,000	350,000	400,000	500,000
	Line Material	Iron or Plastic Pipe	Iron or Plastic Pipe	Iron or Plastic Pipe	Iron or Plastic Pipe	Iron or Plastic Pipe	Iron or Plastic Pipe	Iron or Plastic Pipe
0 to 50 feet		1/2"	1/2"	1/2"	1/2"	1/2"	1/2"	1/2"
50 to 100 feet		1/2"	1/2"	1/2"	1/2"	3/4"	3/4"	3/4"
100 to 150 feet		1/2"	1/2"	1/2"	3/4"	3/4"	3/4"	3/4"

**Low Pressure Natural Gas Pipe Sizing "Second Stage":** (Based upon an inlet gas pressure of 10 in-wc at a pressure drop of 0.5 in-wc)

Distance from outlet of 2nd stage regulator to heater gas valve inlet	Model	H150	H200	H250	H300	H350	H400	H500
	BTU/hr input	150,000	200,000	250,000	300,000	350,000	400,000	500,000
	Line Material	Iron or Plastic Pipe	Iron or Plastic Pipe	Iron or Plastic Pipe	Iron or Plastic Pipe	Iron or Plastic Pipe	Iron or Plastic Pipe	Iron or Plastic Pipe
0 to 10 feet		3/4"	3/4"	3/4"	3/4"	3/4"	3/4"	1"

It is **VERY IMPORTANT** when installing a propane heater on a 2-stage regulation system to follow the gas line sizing chart below without exception.

**High Pressure Propane Gas Pipe "First Stage":** (Based upon an inlet gas pressure of 10 psig at a pressure drop of 1 psi)

Distance from tank regulator outlet to heater gas valve inlet	Model	H150		H200		H250		H300		H350		H400		H500	
	BTU/hr input	150,000		200,000		250,000		300,000		350,000		400,000		500,000	
	Line Material	Iron Pipe	Tubing	Iron Pipe	Tubing	Iron Pipe	Tubing	Iron Pipe	Tubing	Iron Pipe	Tubing	Iron Pipe	Tubing	Iron Pipe	Tubing
0 to 50 feet		1/2"	1/2"	1/2"	1/2"	1/2"	1/2"	1/2"	1/2"	1/2"	1/2"	1/2"	1/2"	1/2"	1/2"
50 to 100 feet		1/2"	1/2"	1/2"	1/2"	1/2"	1/2"	1/2"	1/2"	1/2"	5/8"	1/2"	5/8"	1/2"	5/8"
100 to 150 feet		1/2"	1/2"	1/2"	1/2"	1/2"	1/2"	1/2"	5/8"	1/2"	5/8"	1/2"	5/8"	1/2"	5/8"

**Low Pressure Natural Gas Pipe Sizing "Second Stage":** (Based upon an inlet gas pressure of 11 in-wc at a pressure drop of 0.5 in-wc)

Distance from outlet of 2nd stage regulator to heater gas valve inlet	Model	H150	H200	H250	H300	H350	H400	H500							
	BTU/hr input	150,000	200,000	250,000	300,000	350,000	400,000	500,000							
	Line Material	Iron Pipe	Tubing	Iron Pipe	Tubing	Iron Pipe	Tubing	Iron Pipe	Tubing	Iron Pipe	Tubing	Iron Pipe	Tubing		
0 to 10 feet		1/2"	5/8"	1/2"	5/8"	1/2"	3/4"	3/4"	3/4"	3/4"	7/8"	3/4"	7/8"	3/4"	1"

# OmniLogic

POOL, SPA AND BACKYARD AUTOMATION SYSTEM

**Introducing OmniLogic—the simplest, most intuitive backyard automation system ever. Designed to be easy for the pool owner to use, while decreasing the time you spend ordering, installing, programming, training, and supporting, OmniLogic meets the needs of both you and your customer.**

**With OmniLogic, you can expect to:**

- **Eliminate Complexity.** With the ability to easily install preconfigured programming, and an icon-based touchscreen directly on the base unit, OmniLogic can save you hours of complicated set-up time.
- **Easily Scale-up and Expand.** Easily expand all capacities and seamlessly add features— from heaters to pumps to lighting.
- **Stay Cutting Edge.** OmniLogic was designed and engineered to advance with automation technology. Our innovative system architecture allows you to easily propagate new capabilities, and install and restore configurations quickly and effortlessly.
- **Simply order and stock parts.** Modular configuration provides flexibility and ease of ordering. No other system makes it as simple for builders to order and stock parts that support any configuration.
- **Wow your Customer.** Modern, intuitive apps for iPhone®, iPad® and Android™ provide the look and feel of leading-edge consumer electronics. Adjustable favorites buttons and backyard theme functions allow your customer to not only customize, but personalize their backyard.

The performance, look and feel of an elite application is just as important as the technology behind it. OmniLogic combines the best in connectivity, versatility and energy-efficient functionality with an intuitive interface that makes the whole system simple to install, program, and use. When you choose OmniLogic, you choose the best—for you and your customer.

## Applications

- Any pool or pool/spa combination
- Single and dual equipment

## Standard Features

- Built-in touch display for easy configuration and programming
- Fully programmable, automatic control of every output
- 4 High-voltage relays upgradeable to 10
- 4 Valve Actuator relays upgradeable to 8
- Controls up to 16 EcoStar Pumps without using a relay
- Controls up to 5 heaters
- 125A Subpanel with 12 Breaker Slots
- 50 Configurable Favorites Buttons
- 25 Unique Programmable Themes
- Salt Chlorination Ready
- Built in Ethernet connectivity
- FREE website for backyard control from any desktop or internet device
- FREE Apps for iPhone, iPad, and Android



OmniLogic shown with free apps for iPhone and iPad, and optional Sense & Dispense, TurboCell and wireless waterproof handheld remote.

## OmniLogic Base System Buying Guide

Model Number	Description	Ctn. Qty.	Shipping Weight
HLBASE	OmniLogic 4 Relay Base	1	65 lbs.

## Options and Accessories Buying Guide

Model Number	Description	Ctn. Qty.	Shipping Weight
HLRELAYBANK	OmniLogic 4 Relay Module	1	5 lbs.
HLRELAY	OmniLogic 1 Relay Module	1	1 lb.
HLIOEXPAND	OmniLogic 4x4x4 Valves, Sensors, Inputs	1	1 lb.
HLEXPAND	OmniLogic Expansion Panel	1	63 lbs.
HLWLAN	OmniLogic Wireless Network Antenna	1	2 lbs.
HLWALLMOUNT	OmniLogic Wall-Mount Remote	1	3 lbs.
HLWIRELESS	OmniLogic Wireless Waterproof Remote	1	5 lbs.
GVA-24	Hayward Actuator, 24 Volt	1	3 lbs.
T-CELL-15-CUL	40,000 Gallon Salt Cell	1	4.3 lbs.
P-KIT	Hayward Salt Plumbing Kit	1	4.3 lbs.
HL-CHEM	OmniLogic Sense & Dispense	1	9 lbs.
AQL-CHEM4-120	pH Dispense, Acid Feed System, 120V	1	24 lbs.

For replacement parts see page 196

# OmniLogic 5-Step Modular Configuration Guide

CONFIGURATION GUIDE

OmniLogic's innovative system architecture makes it easier than ever to stock and order parts. This scalable automation system is made up of 5 Core SKUs and has a universal base unit that can meet the needs of virtually all pool/spa combinations.

## OmniLogic Configuration Guide

### 1. Order OmniLogic Base Panel

Model Number	Description	Ctn. Qty.	Shipping Weight
HLBASE	OmniLogic 4-Relay Base	1	63 lbs.

The OmniLogic base panel offers fully programmable, automatic control of every output including:

- 4 High-voltage relays
- 4 Valve Actuator relays
- Controls up to 16 EcoStar Pumps without using a relay
- Controls up to 5 heaters
- 125A Subpanel with 12 Breaker Slots
- Ethernet Connection

### 2. Identify power control and valve needs

Ability to add a relay bank and two individual relays for a total of 6 additional relays for further feature control.

Model Number	Description	Ctn. Qty.	Shipping Weight
HLRELAYBANK	OmniLogic 4 Relay Module	1	5 lbs.
HLRELAY	OmniLogic 1 Relay Module	1	1 lb.
GVA-24	Hayward Actuator, 24 Volt	1	3 lbs.

### 3. Optional OmniLogic System Expansion

I/O Expansion board plugs directly into base unit and provides 4 additional valve actuating relays, 4 additional low voltage relays, and 4 additional temperature sensors. The OmniLogic Expansion panel adds an additional system panel with the same capabilities as the base unit.\*

Model Number	Description	Ctn. Qty.	Shipping Weight
HLIOEXPAND	OmniLogic 4x4x4 Valves, Sensors, Inputs	1	1 lb.
HLEXPAND	OmniLogic Expansion Panel	1	63 lbs.

### 4. Choose Remote Control

If wired Ethernet is unavailable, choose the wireless bridge for web and app use. Optional remotes include a wired full-function touchscreen wall-mount display for indoor or protected outdoor use, or a wireless waterproof full function touchscreen remote for pool, spa or indoor use. FREE website and apps are available for use on iPhone®, iPad®, and Android™.

Model Number	Description	Ctn. Qty.	Shipping Weight
HLWLAN	OmniLogic Wireless Network Antenna	1	2 lbs.
HLWALLMOUNT	OmniLogic Wall-Mount Remote	1	3 lbs.
HLWIRELESS	OmniLogic Wireless Waterproof Remote	1	5 lbs.

### 5. Identify Sanitization Needs

OmniLogic comes Salt-Ready—choose TurboCell® based on pool size, see page 73 for full TurboCell sizing options. Sense & Dispense® also available for fully integrated chemistry automation.

Model Number	Description	Ctn. Qty.	Shipping Weight
T-CELL-X-CUL	TurboCell	1	4.3 lbs.
P-KIT	Hayward Salt Plumbing Kit	1	4.3 lbs.
HL-CHEM	OmniLogic Sense & Dispense	1	9 lbs.
AQL-CHEM4-ACID	pH Dispense, Acid Feed System, 120V	1	24 lbs.

# ProLogic® Total Pool Management®

POOL, SPA AND CHEMISTRY AUTOMATION

ProLogic is a Total Pool Management system that suits any backyard environment. It takes the work out of owning a pool and spa by automating all essential pool and spa functions, water chemistry with Sense and Dispense®, salt chlorination, custom light shows with Universal ColorLogic® LED lights and other backyard features like water features, lights and foggers. ProLogic gives pool owners the freedom to monitor and control their pool, spa and backyard functions using standard remotes, over their home network, or remotely using the AquaConnect app for iPhone®, iPad® and Android™. They can turn up the spa heater; adjust cleaning, filtration or lighting schedules or check out how the water's pH and sanitization levels look.

Automating variable speed and 2-speed pumps can save pool owners up to 70% on energy costs. Whether homeowners have basic pool functions or a more complex backyard, the ProLogic series offers the right level of control for any environment.

## Applications

- Any pool or pool/spa combination
- Single or dual equipment

## Standard Features

- Cost effective automation
- Digital display of time, day, temperature of pool/spa and ambient air
- Built-in 100A sub panel, standard
- Built-in keypad for complete operation and programming
- Controls up to 16 relays, 8 valves, 2 heaters and solar
- Fully programmable, automatic control of every output
- Programmable macros or group functions (PS Series)
- Variable speed pump control



ProLogic shown with optional TurboCell, Sense and Dispense, AquaPod 2.0 and AquaConnect Remote Pool Management

## ProLogic Base System Buying Guide

Model Number	Description	Ctn. Qty.	Shipping Weight
PL-P-4-CUL	4 relays, 3 valves, 1 heater, solar	1	37 lbs.
PL-PS-4-CUL	4 relays, 4 valves, 2 heaters, solar	1	37 lbs.
PL-PS-8-CUL	8 relays, 4 valves, 2 heaters, solar	1	37 lbs.
PL-PS-16-CUL	16 relays, 8 valves, 2 heaters, solar	2	74 lbs.

## Options and Accessories Buying Guide

Model Number	Description	Ctn. Qty.	Shipping Weight
AQL2-POD2	AquaPod® 2.0	1	1 lb.
AQL2-SS-RF	Wireless Spa Side	1	1 lb.
AQL2-BASE-RF	Wireless Antenna	1	1 lb.
AQL2-Tx-RF-P-4	P-4 Wireless Tabletop	1	2 lbs.
AQL2-Tx-RF-PS-4	PS-4 Wireless Tabletop	1	2 lbs.
AQL2-Tx-RF-PS-8	PS-8 Wireless Tabletop	1	2 lbs.
AQL2-Tx-RF-PS-16	PS-16 Wireless Tabletop	1	1.5 lbs.
AQL2-Wx-RF-PS-4	PS-4 Wireless Wall Mount	1	1.5 lbs.
AQL2-Wx-RF-PS-8	PS-8 Wireless Wall Mount	1	1.5 lbs.
AQL2-Wx-RF-PS16	PS-16 Wireless Wall Mount	1	1.5 lbs.
AQL-WW-P-4	P-4 White Wired Wall Mount	1	1 lb.
AQL2-Wx-PS-4	PS-4 Wired Wall Mount	1	1 lb.
AQL2-Wx-PS-8	PS-8 Wired Wall Mount	1	1 lb.
AQL2-Wx-PS16	PS-16 Wired Wall Mount AQL2 Remote Controls x = W (White), B (Black)	1	1 lb.
AQL-SS-6B-x	6 Function Wired Spa Side	1	3 lbs.
AQL-SS-6B-BOX	6 Function Mud Box for Cement Applications	1	3 lbs.
AQL-SS-D-x	8 Function Digital Spa Side	1	3 lbs.
AQL-SS-D-BOX	8 Function Mud Box for Cement Applications Remote Controls x = W (White), B (Black)	1	3 lbs.

NOTE: FOR OTHER ACCESSORY BUYING INFORMATION, REFER TO PICK N' MIX BUYING GUIDE ON PAGE 46.



Pick your controller, then your options.

## Optional Salt Chlorination TurboCell® Sizes

- TurboCells – 15,000, 25,000 and 40,000 gallons
- Cell sizes enable home owners to right-size their pools
- Generate up to 1.45 lbs. of chlorine per day

## Optional Sense and Dispense

- Sense and Dispense – fully integrated chemistry automation
- Continuously senses sanitization and pH levels and dynamically dispenses what the water needs
- Uses salt chlorination to deliver fresh chlorine when needed
- Dispense Carbon Dioxide (CO<sub>2</sub>) or Muriatic Acid to control pH

## Optional AquaConnect®

- AquaConnect offers four ways to manage pool, spa and backyard control functions: Apps, Wi-Fi, Web, and select Home Automation Serial Interfaces. Enjoy 24/7 access to the AquaConnect platform through all internet and mobile device portals, as well as a serial option for integration with existing home automation systems.

## Optional Remotes

- Full function, programmable, waterproof AquaPod® 2.0
- Wired or wireless full function wall-mount displays suitable for indoor or protected outdoor use
- Wireless, full function, rechargeable tabletop
- Wireless, floating spa side remote turns on/off all major pool, spa and auxiliary functions
- Wired 6 or 8 function spa side for exterior spa side mounting

Sanitization & Automation

### AquaConnect Apps

The AquaConnect App can be downloaded to the iPhone®, iPad®, or Android®. The intuitive App streamlines the pool and spa management process, adapting what users see when using smart devices. This makes settings and adjustments easier to use, and places more simple platform navigation at your fingertips.

### AquaConnect Home Network

Now pool owners and their servicers can monitor and adjust more than 100 pool functions from an office computer or over the web. AquaConnect can send automatic trouble alerts to a home Wi-Fi network or a web-enabled device Wi-Fi network or a web-enabled smart device. It's even available in a version that works with a home automation system.

### AquaConnect Home Automation

With AquaConnect, there is a serial option for integration with an existing home automation system, giving pool owners the opportunity to manage an entire household via one keypad or display panel. AquaConnect Home Automation provides a seamless connection for a simplified control solution. The serial interface is compatible with home automation platforms manufactured by Crestron, AMX, Savant, and Vantage. Available for ProLogic®.

### Features

- Monitor water quality and function continuously
- Monitor hundreds of sites simultaneously
- Get complete reporting and diagnostics
- Make adjustments without service calls
- Receive alerts by email and/or text message 24/7/365
- Extend the time between regularly scheduled maintenance

### Some everyday possibilities with AquaConnect

- Pool owners can use mobile devices to turn lights on and off while away from home.
- Pool owners can turn up pool and spa heaters before heading home from work.
- Check on second home's pool when away.
- Receive alerts when a function goes out of the predetermined acceptable range.
- Access easy to read graphs that display trends to evaluate parameters that are important in making adjustments.



AquaConnect

## AquaConnect Buying Guide

Model Number	Description	Ctn. Qty.	Ctn. Weight
AQ-CO-HOMENET	AquaConnect Home Network, Internet and Wi-Fi remote control. Minimum ProLogic 4.20 software required, minimum AquaRite Pro 1.20 software required.	1	2 lbs.
AQ-CO-SERIAL	AquaConnect Home Automation Serial Interface	1	1 lb.
AQL2-BASE-RF	Wireless antenna	1	1 lb.

### AquaConnect works with the following Hayward Automation Systems:

- ProLogic (4.20 software or later required)
- AquaRite Pro (1.20 software or later required)
- OnCommand (1.10 software or later required)\*

**NOTE:** \*OnCommand® and E-Command® 4 require AquaConnect with software 1.10 or later and AQL2-Base with software 4.10 or later.

**NOTE:** Go to [www.aquaconnectweb.com](http://www.aquaconnectweb.com) to activate your account. A wireless antenna is required for web access.

# ProLogic Pick N' Mix™

## CONTROLS CONFIGURATION GUIDE

Pick N' Mix ordering system is easy — pick your controls solution, then your options. ProLogic is a scalable, flexible line of Total Pool Management™ controls solutions that is easily customizable to suit any backyard environment — control that can be added to as the environment changes.

### 1. Pick your Controller

#### Pick N' Mix Controller Buying Guide

Model Number	Description	Ctn. Qty.	Shipping Weight
<b>Controller</b>			
PL-P-4-CUL	ProLogic P-4 4 relays, 3 valves, 1 heater and solar	1	37 lbs.
PL-PS-4-CUL	ProLogic PS-4 4 relays, 4 valves, 2 heaters and solar	1	37 lbs.
PL-PS-8-CUL	ProLogic PS-8 8 relays, 4 valves, 2 heaters and solar	1	37 lbs.
PL-PS-16-CUL	ProLogic PS-16 16 relays, 8 valves, 2 heaters and solar	2	74 lbs.

### 2. Pick your Options

#### Pick N' Mix Options Buying Guide

Model Number	Description	Ctn. Qty.	Shipping Weight
<b>Salt Chlorination</b>			
T-CELL-15-CUL	40,000 gallon TurboCell, 15' cable, 3 year warranty	1	4.3 lbs.
T-CELL-9-CUL*	25,000 gallon TurboCell, 15' cable, 3 year warranty	1	4.3 lbs.
T-CELL-3-CUL*	15,000 gallon TurboCell, 15' cable, 3 year warranty	1	4.3 lbs.
T-CELL-LS-CUL	30,000 gallon TruboCell, 15' cable, 3 year warranty	1	4.3 lbs.
P-KIT	Salt Chlorination Plumbing Kit (required with TurboCell for salt chlorination)	1	4.3 lbs.

\*New cells require minimum ProLogic software requirement of 4.10 or greater.

#### Chemistry Automation

AQL-CHEM	Sense and Dispense Chemistry Kit pH and ORP Sense, ORP Dispense	1	9 lbs.
AQL-CHEM2	Sense and Dispense Chemistry Kit pH Dispense Solenoid valve for CO <sub>2</sub> , 120V	1	2 lbs.
AQL-CHEM2-240	Sense and Dispense Chemistry Kit, pH Dispense Solenoid valve for CO <sub>2</sub> , 240V	1	2 lbs.
AQL-CHEM-UPG	Chemistry Chassis Retrofit Kit with board (Includes AQL-CHEM and communication board. Add AQL-CHEM2 for pH dispense)	1	15 lbs.
AQL-CHEM4-120	pH Dispense, Acid Feed System, 120V	1	27 lbs.

#### Wireless and Wired Remote Control

AQL2-POD2	AquaPod 2.0	1	1 lb.
AQ-CO-HOMENET	AquaConnect Home Network Interface	1	-
AQL2-SS-RF	Wireless Spa Side	1	1 lb.
AQL2-Tx-RF-P-4	P-4 Wireless Tabletop	1	2 lbs.
AQL2-Tx-RF-PS-4	PS-4 Wireless Tabletop	1	2 lbs.
AQL2-Tx-RF-PS-8	PS-8 Wireless Tabletop	1	2 lbs.
AQL2-Tx-RF-PS-16	PS-16 Wireless Tabletop	1	2 lbs.
AQL2-Wx-RF-PS-8	PS-8 Wireless Wall Mount	1	1 ½ lbs.
AQL2-Wx-RF-PS16	PS-16 Wireless Wall Mount	1	1 ½ lbs.
AQL2-BASE-RF	AQL2 Wireless Base Station (required with all AQL2 wireless remotes)	1	1 lb.
AQL-WW-P-4	P-4 White Wired Wall Mount	1	1 lb.
AQL2-Wx-PS-4	PS-4 Wired Wall Mount	1	1 lb.
AQL2-Wx-PS-8	PS-8 Wired Wall Mount	1	1 lb.
AQL2-Wx-PS16	PS-16 Wired Wall Mount	1	1 lb.
AQL-SS-6B-x	6 Function Wired Spa Side	1	3 lbs.
AQL-SS-6B-BOX	6 Function Mud Box for Cement Applications	1	3 lbs.
AQL-SS-D-x	8 Function Digital Spa Side	1	3 lbs.
AQL-SS-D-BOX	8 Function Mud Box for Cement Applications	1	3 lbs.
	Wireless and wired Remote colors X = W (White), B (Black)	1	3 lbs.

#### Remote Control via Home Automation

AQ-CO-SERIAL	AquaConnect HA Home Automation Interface	1	1 lb.
--------------	--	---	-------

#### LED Lighting

AQL-COLOR-MODHV	ColorLogic LED Communication Module, High Voltage 120V	1	4 lbs.
AQL-DC	Direct Connect, Submersible Luminaries	1	3 lbs.
LKBUN1000	Coupler	1	

#### Solar

AQ-SOL-KIT-1P	Actuator and 1 ½" 3-Port Valve and Sensor	1	1 lb.
AQ-SOL-KIT-2P	Actuator and 2" 3-Port Valve and Sensor	1	1 lb.



Use the chart below to select the ProLogic model that matches your system requirements.

Feature	P-4	PS-4	PS-8	PS-8-V	PS-16	PS-16-V	Comments
<b>Auxiliary relay outputs</b>	4	4	8	4	16**	8**	3HP, 120/240VAC (PS-16 in 2 enclosures)
<b>Gas heater/heat pump control</b>	1	2*	2*	2*	2*	2*	Dry contacts
<b>Valve control</b>	3	4*	4*	4*	8*,**	8*,**	24VAC, purchase GVA-24 valve actuators separately *Using 2nd heater disables 4th valve output **Valves 5-8 use same logic as aux 5-8 relays
Built-in subpanel	1	1	1	1	2	2	100 amps, 8 position, industry std.
Knockouts of optional GFI outlet	1	1	1	1	2	2	on side of enclosure, GFI outlet not included
Built-in display keypad	✓	✓	✓	✓	✓	✓	allows programming at pool equipment pad
Groups		✓	✓	✓	✓	✓	perform multiple functions with one button
Soft Keys				✓		✓	additional keys for assigning functions
Sense and dispense	✓	✓	✓	✓	✓	✓	Total Pool Chemistry Option
Aqua Connect	✓	✓	✓	✓	✓	✓	Home Automation Interface Option
Chlorinator option	✓	✓	✓	✓	✓	✓	order AQL-CL chlorinator kit separately (20K or 40K models)
Aqua Rite interface	✓	✓	✓	✓	✓	✓	controls 1 or more Aqua Rites for additional chlorination
Shared equipment for pool & spa	✓	✓	✓	✓	✓	✓	operates pool/spa suction and return valves, allows spillover
Dual equipment for pool & spa		✓	✓	✓	✓	✓	solar function not available with dual equipment
Dual equipment w/shared heater		✓	✓	✓	✓	✓	controls a single heater to heat both pool and spa
Filter pump timer							
1 speed filter pump	✓	✓	✓	✓	✓	✓	2 programmable on/off periods per day
2 speed filter pump	✓*	✓*	✓*	✓*	✓*	✓*	programmable high speed and low speed periods
Freeze protection	✓	✓	✓	✓	✓	✓	disable or enable with adjustable threshold 33-4°F *use 2 relay positions, no special 2-speed relay req'd
Spa timer							
Timeclock programmable	✓	✓	✓	✓	✓	✓	1 period per day, spa has priority over all other functions
Manual with countdown timer		✓	✓	✓	✓	✓	5-120 minutes
Auxiliary output functions							
programmable names		✓	✓	✓	✓	✓	examples: "spa jets", "blower", "water feature", etc.
manual on/off	✓	✓	✓	✓	✓	✓	
countdown timer (egg timer)	✓	✓	✓	✓	✓	✓	manual on, automatically turns off after programmed elapsed time
timeclock	✓	✓	✓	✓	✓	✓	24 hr timeclock, weekday/weekend capability
solar boost pump	✓	✓	✓	✓	✓	✓	turns on when solar heat is available
interlock function	✓	✓	✓	✓	✓	✓	enable/disable, output off when filter pump off or in spa-only mode
freeze protection	✓	✓	✓	✓	✓	✓	enable/disable for each output
Valve output functions							
manual on/off		✓	✓	✓	✓	✓	
countdown timer (egg timer)		✓	✓	✓	✓	✓	manual on, automatically turns off after programmed time
timeclock	✓	✓	✓	✓	✓	✓	24 hr timeclock, weekday/weekend capability
solar	✓	✓	✓	✓	✓	✓	turns on when solar heat is available
in-floor cleaner	✓	✓	✓	✓	✓	✓	30 minutes in one position, 30 minutes in the other
interlock function	✓	✓	✓	✓	✓	✓	enable/disable, output off when filter pump off or in spa-only mode
freeze protection	✓	✓	✓	✓	✓	✓	enable/disable for each output
Gas heater/heatpump control							
separate settings for pool & spa	✓	✓	✓	✓	✓	✓	65-104°F, with off position
heater cooldown	✓	✓	✓	✓	✓	✓	enable/disable, runs filter pump for 5 minutes after heater turns off
heater extend	✓	✓	✓	✓	✓	✓	enable/disable, extends normal filter time if pool is not up to temperature
manual off-automatic button		✓	✓	✓	✓	✓	
Solar control built in	✓	✓	✓	✓	✓	✓	enable/disable, 65-104°F, separate pool and spa settings
Optional Accessories							
Wireless wall remote display/keypad		✓	✓	✓	✓	✓	includes plug-in wall power supply
Wireless table top display/keypad		✓	✓	✓	✓	✓	rechargeable battery powered,
Wireless spaside remote	✓	✓	✓	✓	✓	✓	6 functions, waterproof, floats
Wireless Base	✓	✓	✓	✓	✓	✓	required to communicate with all wireless remotes
Wired wall remote display/keypad	✓	✓	✓	✓	✓	✓	max. 3 per system, 4 conductor cable up to 500 ft away
6 button spaside wired remote	✓	✓	✓	✓	✓	✓	control up to 6 outputs at the spa location
Digital spaside wired remote		✓	✓	✓	✓	✓	multi-function spaside remote with digital readout
Light dimmer "relay"		✓	✓	✓	✓	✓	off 20-40-60-80-100%

# AquaPod®

WATERPROOF, FULLY PROGRAMMABLE, WIRELESS REMOTE



AquaPod 2.0 Remote in Charger



Wireless Antenna

## Take Control Right into the Water

Thanks to its over-molded sealed design and fully rechargeable battery, AquaPod 2.0 isn't just water resistant, it's completely waterproof and totally programmable. When teamed with our ProLogic® or OnCommand® pool and spa automation and controls, it offers control over everything from Chemistry Automation to Universal ColorLogic® custom light shows. No matter where you are — in the house, by the pool or in the water.

AquaPod 2.0 floats horizontally and its large 4.3" touch screen display makes finding it and viewing pool and spa functions easy — even at night.

## Applications

- OnCommand Controller
- ProLogic revision 2.6 or higher software
- **Wireless Antenna AQL2-BASE-RF required**

## Features

- 100% Waterproof
- Built in rechargeable batteries (charging station included) can operate while charging
- Floats Horizontally
- Color LCD Display for Convenient Night-time Viewing
- Full Functional Control of Pool, Spa and Other Outdoor Features
- Multiple Heater and Chlorination Controls
- Program Macro/Group Functions
- Light Dimming Control when available
- Dual Equipment Capable
- Similar User Interface to ProLogic Controls (no learning of new interface)

## Wireless Antenna

Installs directly onto the side of the ProLogic or OnCommand main control unit at the equipment pad and communicates with all other wireless accessories.

## Applications

- Compatible with ProLogic and OnCommand systems
- Only 1 wireless base required per system.

## AquaPod Buying Guide

Model Number	Description	Ctn. Qty.	Shipping Weight
AQL2-POD2	AquaPod 2.0 touchscreen waterproof wireless remote	1	1 lb.

## Wireless Base Buying Guide

Model Number	Description	Ctn. Qty.	Shipping Weight
AQL2-BASE-RF	Wireless Antenna	1	1 lb.



Wireless Spa Remote



Wireless Antenna

All ProLogic® and OnCommand® wireless accessories use advanced radio communication technology to ensure reliable and secure operations over distances up to 500 ft. and up to 200 ft. through walls. In addition, each wireless base has a unique ID code to prevent any other wireless devices from operating a pool owner's system.

### Wireless Spa Side Remote

The ultimate convenience—pool owners can control their system operation while sitting in the spa.

### Applications

- Use with any ProLogic or OnCommand systems
- **Wireless Antenna AQL2-BASE-RF required**

### Features

- Waterproof, floats
- Factory installed battery provides years of use before replacement
- 6 functions
  - ✓ Filter Pump
  - ✓ Pool/Spa valves
  - ✓ Heater (on/off)
  - ✓ Lights
  - ✓ 2 Auxiliary outputs
- Allows override of heater setting
- LED to confirm communication

## Wireless Spa Side Remote Buying Guide

Model Number	Description	Ctn. Qty.	Shipping Weight
AQL2-SS-RF	6 function, waterproof, floats	1	1 lb.

## Wireless Antenna Buying Guide

Model Number	Description	Ctn. Qty.	Shipping Weight
AQL2-BASE-RF	Wireless Antenna	1	1 lb.

### Wireless Antenna

Installs directly onto the side of the ProLogic or OnCommand main control unit at the equipment pad and communicates with all other wireless accessories.

### Applications

- Compatible with ProLogic or OnCommand systems
- Only 1 wireless antenna required per system.

# ProLogic®

## WIRELESS TABLE TOP DISPLAY/KEYPAD & WIRELESS WALL MOUNT DISPLAY



Wireless Table Top Display



Wireless Wall Mount Display

### Wireless Table Top Display

This portable display/keypad with rechargeable batteries allows the homeowner to control and program ProLogic from anywhere around the pool area or inside the house. It operates for distances up to 500 ft. and up to 200 ft. through walls. Designed for indoor or outdoor use but must be protected from direct rain contact.

### Applications

- Use with ProLogic P-4, PS-4/8/16
- Order model to match system type
- Wireless Antenna AQL2-BASE-RF required

### Features

- Rechargeable batteries
- Available in Black or White
- Manual operation of all equipment
- LED indicators indicate on/off status of all equipment
- Complete programming of automatic functions
- System Off button turns all equipment off with a single button press
- Plug-in transformer for battery charging included

### Wireless Wall Mount Display/Keypad

Wireless wall mount display/keypad eliminates the expense and hassle of running a communication wire from the equipment pad into the house. It operates for distances up to 500 ft. and up to 200 ft. through walls. Uses plug-in wall transformer for power.

### Applications

- Use with ProLogic PS-4/8/16
- Order model to match system type
- Wireless Antenna AQL2-BASE-RF required

### Features

- Available in Black or White
- Manual operation of all equipment
- LED indicators indicate on/off status of all equipment
- Complete programming of automatic functions
- System Off button turns all equipment off with a single button press
- Plug-in transformer for power included

## Wireless Table Top Display Buying Guide

Model Number	Description	Ctn. Qty.	Shipping Weight
AQL2-TW-RF-P-4	White, for use with P-4 system, AquaPlus	1	2 lbs.
AQL2-TW-RF-PS-4	White, for use with PS-4 system	1	2 lbs.
AQL2-TW-RF-PS-8	White, for use with PS-8 system	1	2 lbs.
AQL2-TW-RF-PS-16	White, for use with PS-16 system	1	2 lbs.
AQL2-TB-RF-P-4	Black, for use with P-4 system, AquaPlus	1	2 lbs.
AQL2-TB-RF-PS-4	Black, for use with PS-4 system	1	2 lbs.
AQL2-TB-RF-PS-8	Black, for use with PS-8 system	1	2 lbs.
AQL2-TB-RF-PS-16	Black, for use with PS-16 system	1	2 lbs.

## Wireless Wall Mount Display Buying Guide

Model Number	Description	Ctn. Qty.	Shipping Weight
AQL2-WW-RF-PS-4	White, for use with PS-4 system	1	1.5 lbs.
AQL2-WW-RF-PS-8	White, for use with PS-8 system	1	1.5 lbs.
AQL2-WW-RF-PS-16	White, for use with PS-16 system	1	1.5 lbs.
AQL2-WB-RF-PS-4	Black, for use with PS-4 system	1	1.5 lbs.
AQL2-WB-RF-PS-8	Black, for use with PS-8 system	1	1.5 lbs.
AQL2-WB-RF-PS-16	Black, for use with PS-16 system	1	1.5 lbs.

## Wireless Antenna Buying Guide

Model Number	Description	Ctn. Qty.	Shipping Weight
AQL2-BASE-RF	Wireless Antenna	1	1 lb.

### Wired 6 Button Spa Side Remote Control

The AQL-SS-6B is a 6 button remote control for use with all ProLogic or AquaPlus Pool/Spa controls.

#### Applications

- Use with ProLogic
- Waterproof design intended to mount at spa location
- Offers configurable button functions on all P4 and PS systems (requires software version 2.4 or higher)

#### Features

- On/Off operation of heater and pool/spa equipment
- LED indicators show status of each function
- Allows override of heater setting
- Backlit Identification of each function – for day or night convenience
- 150 ft. cable length standard
- Can be vertically mounted on surface or flush

### Wired Digital Spa Side Remote Control with Display

The AQL-SS-D is an 8 function remote control with digital readout for use with ProLogic PS Pool/Spa controls. This digital remote allows the user to control 8 pool/spa functions, set the heater temperature, and view spa/air temperatures directly from the spa location.

#### Applications

- Use with ProLogic PS-4/8/16
- Waterproof design intended to mount at spa location
- Offers configurable button functions on all PS systems (requires software version 2.4 or higher)

#### Features

- Remote adjustment of heater temperature setting
- Digital readout of pool/spa and air temperatures
- ON/OFF operation of heater and pool/spa equipment
- LED indicators show status of each function
- Allows override of heater setting
- Backlit Identification of each function – for day or night convenience
- 150 ft. cable length standard
- Can be vertically mounted on surface or flush

### Wired Remote Display/Keypad

Allows control of all ProLogic system functions from inside the house. Up to 3 wired remotes can be installed on any ProLogic system.

#### Applications

- Use with ProLogic P-4, PS-4/8/16
- Order model to match system type

#### Features

- Manual operation of all equipment
- LED indicators indicate on/off status of all equipment
- Complete programming of automatic functions
- System Off button turns all equipment off with a single button press
- Install up to 500 ft. away from main control unit
- Uses industry standard 4 conductor cable



6 and 8 Button Wired Spa Side Remote Controls



Wired Remote Display/Keypad

### Wired 6 Button Spa Side Remote Control Buying Guide

Model Number	Description	Ctn. Qty.	Shipping Weight
<b>6 Function</b>			
AQL-SS-6B-W	6 function, White	1	3 lbs.
AQL-SS-6B-B	6 function, Black	1	3 lbs.
AQL-SS-6B-BOX	6 function mud box for cement applications	1	3 lbs.

### Wired Digital Spa Side Remote Control Buying Guide

Model Number	Description	Ctn. Qty.	Shipping Weight
<b>8 Function</b>			
AQL-SS-D-W	8 function wired digital spa side, White	1	3 lbs.
AQL-SS-D-B	8 function wired digital spa side, Black	1	3 lbs.
AQL-SS-D-BOX	8 function mud box for cement applications	1	3 lbs.

### Wired Remote Display/Keypad Buying Guide

Model Number	Description	Ctn. Qty.	Shipping Weight
AQL-WW-P-4	White, for use with P-4 system, AquaPlus	1	1 lb.
AQL2-WW-PS-4	White, for use with PS-4 system	1	1 lb.
AQL2-WW-PS-8	White, for use with PS-8 system	1	1 lb.
AQL2-WW-PS-16	White, for use with PS-16 system	1	1 lb.
AQL2-WB-PS-4	Black, for use with PS-4 system	1	1 lb.
AQL2-WB-PS-8	Black, for use with PS-8 system	1	1 lb.
AQL2-WB-PS-16	Black, for use with PS-16 system	1	1 lb.

# Controls

## VALVE ACTUATOR



Valve Actuator

### Valve Actuator Buying Guide

Model Number	Description	Ctn. Qty.	Shipping Weight
<b>Actuator</b>			
GVA-24	Valve actuator, 24V, .75A, 15 ft. cable	1	3 lbs.
<b>Valve and Actuator Kits</b>			
V&A-1P	Valve actuator + 3-port/1 1/2" valve	1	5 lbs.
V&A-2P	Valve actuator + 3-port/2" valve	1	5 lbs.
<b>Solar Kits</b>			
AQ-SOL-KIT-1P	Valve actuator + 3-port/1 1/2" valve + temp sensor	1	5 lbs.
AQ-SOL-KIT-2P	Valve actuator + 3-port/2" valve + temp sensor	1	5 lbs.

The GVA-24 Valve Actuator rotates 2-port and 3-port valves automatically. Use it with OmniLogic®, ProLogic® or OnCommand® to automate pool/spa operation, cleaner operation, water features, or a variety of other uses. The industry standard configuration of the GVA-24 means that it is compatible with all major manufacturer's valves and pool automation systems. The unique cam setting feature ensures a quick and easy installation with the precise control of water flow.

For the installers' convenience, kits that combine the GVA-24 valve actuator with 3-port valves are available. For solar heating installations, solar kits are available that combine a valve actuator, 3-port valve and temperature sensor.

### Applications

- Pool/Spa suction and return valves
- Water feature valves
- Cleaner valves
- Solar valves
- Any 2-port or 3-port valve

### Features

- Industry standard configuration, use with any valves
- Operates 2-port or 3-port valves
- Easy to adjust cams
  - ✓ Allows actuator to be in mounted in any position
  - ✓ Up to 180 degree rotation with 12.8 degree increments
- Manual Switch
  - ✓ Mounted underneath actuator to minimize tampering
  - ✓ ON1-OFF-ON2
- Allows manual rotation in the event of a power outage
- Highest torque rating available
- 15 ft. cable with industry standard plug
- UL and CUL Listed

Professional-grade AquaRite Pro takes pool and spa sanitization and chemistry automation to new levels building upon the industry leading salt chlorinator — AquaRite. This integrated solution automatically senses ORP and pH levels and dispenses a self-renewing supply of pure chlorine generated from salt, while controlling pH. Integrating chemistry automation with sanitization eliminates the need for an additional device on the pool pad and lowers installation costs. So now pool owners get the most consistent water quality possible, water that's brilliant, soft and silky-smooth, for the best possible pool experience ever.

### Optional Sense and Dispense™

This professional-grade ORP and pH sense and dispense technology was previously only available for commercial pools. Hayward offers an economical approach, with the same level of accuracy, for residential in-ground pools.

### TurboCell®

#### Right-sized salt chlorination

Turbo Cells come in three sizes — 40,000, 25,000 and 15,000 gallons. The new sizes enable you to right-size your pool for the most-efficient and cost-effective chlorination possible. These cells are based on the proven TurboCell technology. They automatically generate a self-renewing supply of fresh, pure chlorine — for water that's clean, clear and luxuriously soft.

### Applications

- Total Pool Chemistry Sense and Dispense ORP (Chlorine) and pH
- For in-ground pools up to 40,000, 25,000 or 15,000 gallons
- Use multiple units for larger pools

### Features

- Total Pool Chemistry Sense and Dispense ORP (Chlorine) and pH
- Simple homeowner operation
  - ✓ Adjust chlorine output from 1-100%
- The best water quality attainable
  - ✓ Always crystal clear and ready for swimming
  - ✓ Soft silky feel — no more red eyes or dry skin
- Microprocessor automates all functions
- Digital salt display and 8 diagnostic indicators
- Patented TurboCell for maximum efficiency and flow rates
- Super chlorinate function
- Automatically cleans the cell by periodically reversing polarity
- Quick, weatherproof connections inside control door
- Single unit for 120VAC/240VAC 50/60 Hz power input
- Locking weatherproof enclosure
- UL and CUL Listed, NSF certified



AquaRite Pro

### How to order Salt Chlorination

#### 1. Pick your Chlorinator

#### Chlorinator Buying Guide

Model Number	Description	Ctn. Qty.	Shipping Weight
AQR-PRO-CUL	AquaRite Pro	1	25 lbs.

#### 2. Pick your TurboCell

#### TurboCell Buying Guide

Model Number	Description	Ctn. Qty.	Shipping Weight
T-CELL-15-CUL	40k TurboCell, 15' Cable, 3 year warranty	1	4.3 lbs.
T-CELL-9-CUL*	25k TurboCell, 15' Cable, 3 year warranty	1	4.3 lbs.
T-CELL-3-CUL*	15k TurboCell, 15' Cable, 3 year warranty	1	4.3 lbs.

\*New cells require software revision: AquaRite Pro 1.10 or greater.

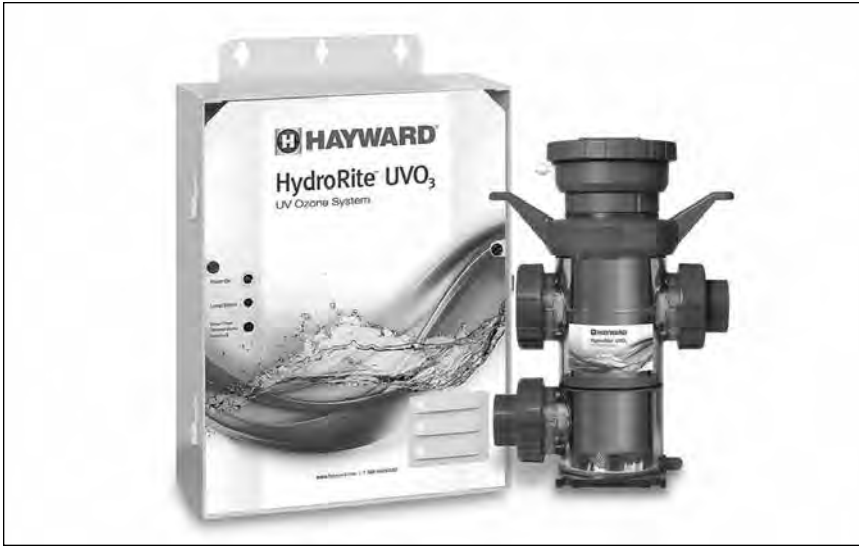
#### 3. Pick your Options

#### Options Buying Guide

Model Number	Description	Ctn. Qty.	Shipping Weight
AQL-CHEM	Chemistry Kit pH and ORP Sense, ORP Dispense	1	9 lbs.
AQL-CHEM2	Chemistry Kit pH Dispense Solenoid valve for CO <sub>2</sub> , 120V	1	2 lbs.
AQL-CHEM2-240	Chemistry Kit, pH Dispense Solenoid valve for CO <sub>2</sub> , 240V	1	2 lbs.
AQL-CHEM4-120	pH Dispense, Acid Feed System, 120V	1	27 lbs.

**NOTE:** AQL-CHEM, AQL-CHEM2 and AQL-CHEM4 chemistry kit options available only on AquaRite Pro and ProLogic products (see Controls).

\*Voltage of option must be the same as AquaRite Pro installation



HydroRite UVO<sub>3</sub> 2" Unit and Controller

HydroRite UVO<sub>3</sub> from Hayward® sets a new standard in water treatment. For residential new construction and aftermarket applications, Hayward's combined UV and Ozone system provides superior water quality, while lowering the usage of chlorine and other pool chemicals, and eliminating by-products to maximize swimmer protection and experience.

HydroRite delivers a powerful trio of treatments — UV, Ozone, and Advanced Oxidation — that work synergistically to provide the highest water quality available. HydroRite works alongside Hayward Salt Systems or other chlorine sanitizers to create an advanced solution that dramatically reduces chemical usage to reduce chlorine costs by 50% or more, and extend the life of salt chlorination cells.

### HydroRite UVO<sub>3</sub> Base System Buying Guide

Model Number	Description	Ctn. Qty.	Shipping Weight
HYD-UVO-CUL	HydroRite UVO <sub>3</sub> system for residential inground pools up to 60,000 gallons	1	63 lbs.

Sanitizer	Disinfectant	Oxidizer	Residual
UV	YES	NO	NO
Ozone	YES	YES	NEGLIGIBLE*
Advanced Oxidation	YES	YES	NO
Chlorine	YES**	YES	YES

**NOTES:** \*Ozone decays quickly in water and does not serve as an effective sanitizer residual

\*\*Does not readily inactivate all harmful microorganisms (such as cryptosporidium), and can create chloramines which cause bather skin and eye irritation and objectionable odors

### Applications

- Any pool or pool/spa combination

### Features

- Elite water treatment provides the best possible water quality for 100% peace of mind
- Reduces overall chemical usage and chlorine demand by 50% or more
- Extends the life of salt chlorination cells

For replacement parts see page 196



**TurboCells are the heart of Hayward's Salt Chlorine Generating Systems.**

**For water that's clean, clear and luxuriously soft, choose the world's #1 salt chlorination cell.**

### TurboCell Right-sized salt chlorination

Hayward TurboCells are available in three sizes—40,000, 25,000, and 15,000 gallons. The sizes will enable you to choose the TurboCell that gives you the most efficient and cost effective chlorination possible. Delivering reliable salt chlorination to pools for nearly two decades, Genuine Hayward TurboCells are NSF tested and proven to provide the softest, silkiest water possible. These cells automatically generate a self-renewing supply of fresh, pure chlorine to save customers more than 50% over conventional chlorine.

### Beware of Imitators

Other salt chlorination cells may talk a good game, but what they don't say will cost you. With other replacement cells, you get what you pay for: lower quality, shorter life, non-certification. Generic cells are not safety certified for use with Hayward salt chlorinators. Through independent tests by the leading authority in electrolytic cells, some generic cells have been shown to have 75% less operating life than a Genuine Hayward T-CELL-15.

### Hayward Automation Applications

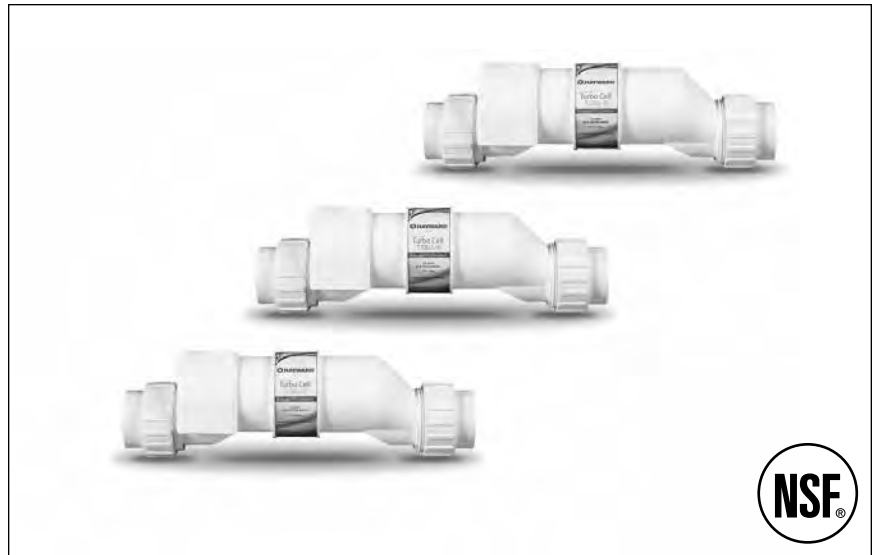
Hayward TurboCells are optional add-ons to Hayward OmniLogic and ProLogic Automation systems. Our TurboCells offer seamless plug-and-play salt chlorination for homeowners looking to further automate their yard and equipment.

### Live in an Arid or Tropical Climate?

You may need a larger cell. Consider using the next size up or multiple cells for challenging climates.

### Commercial Applications

Before using any Hayward Chlorinator for commercial pool or spa application, check local and state codes for requirements. Hayward TurboCells are NSF listed for chlorine output. Combining multiple units is possible to achieve the requisite chlorine delivery rate.



TurboCells

## TurboCells Buying Guide

Model Number	Description	Ctn. Qty.	Shipping Weight
<b>Salt Chlorinators</b>			
T-Cell-15-CUL	40K gallon Cell, 15' cable, 3 year warranty	1	4.3 lbs.
T-Cell-9-CUL	25K gallon Cell, 15' cable, 3 year warranty	1	4.3 lbs.
T-Cell-3-CUL	15K gallon Cell, 15' cable, 3 year warranty	1	4.3 lbs.
T-Cell-LS-CUL	30K gallon Cell, 15' cable, Low Salt	1	4.3 lbs.
GLX-CELL-5-CUL	20K gallon Cell, 15' cable, AquaTrol	1	4.3 lbs.

## Genuine Hayward TurboCells

Cell	Pool Size Rating	Total pounds of free Chlorine produced (as Trichlor)	Cost per pound of Chlorine
Hayward T-Cell-3	15,000 gallons	210 lbs.*	\$
Hayward T-Cell-9	25,000 gallons	385 lbs.*	\$
Hayward T-Cell-15	40,000 gallons	580 lbs.*	\$
Leading generic cell	40,000 gallons	145 lbs.	\$\$\$\$

\*Based on rating of chlorine delivery by NSF and Denora Tech.

# AquaRite® 900

SALT CHLORINATOR WITH EXTENDED LIFE TURBOCELL

## EXPERT LINE

As the global leader in salt chlorination, Hayward provides luxuriously soft water and the most convenient sanitization method on the market to millions of pool owners around the world. With the introduction of AquaRite 900, we're taking our industry-leading technology to the next level. AquaRite 900 is designed to provide the same superior salt chlorination you expect from Hayward, but with an Extended Life TurboCell, it produces 25% more chlorine over its lifetime than our leading AquaRite system. Plus, with an industry best 5-year warranty, you can relax in the comfort of your pool completely worry-free.

### Extended Life TurboCell

The Extended Life TurboCell produces 25% more chlorine over its lifetime than our leading AquaRite systems, cutting your annual chlorine costs by 50% or more to less than \$1 per pound.

### Applications

- For in-ground pools up to 40,000 gallons or 25,000 gallons
- Use multiple units for larger pools

### Features

- Best water quality available
  - ✓ Crystal clear water always ready for swimming
  - ✓ Soft, silky feel
  - ✓ No more red eyes or dry skin
- Simple homeowner operation
  - ✓ Adjust chlorine output from 0–100%
- Patented TurboCell for maximum efficiency and reliability
- NSF certified for chlorine delivery rates
- Easy to understand digital display
- Automatic cell cleaning using reverse polarity technology
- Superchlorinate function
- Single unit for 120VAC/240VAC 50/60Hz input
- Weatherproof enclosure and connections
- ETL safety certified



AquaRite 900 with Extended Life TurboCell

### AquaRite 900 Buying Guide

Model Number	Description	Ctn. Qty.	Shipping Weight
AQR940-CUL*	AquaRite 900 with 40,000 gallon Extended Life TurboCell	1	24 lbs.
AQR925-CUL*	AquaRite 900 with 25,000 gallon Extended Life TurboCell	1	24 lbs.

### Extended Life TurboCell Buying Guide

Model Number	Description	Ctn. Qty.	Shipping Weight
TCELL940-CUL*	Extended Life TurboCell for pools up to 40,000 gallons	1	4.3 lbs.
TCELL925-CUL*	Extended Life TurboCell for pools up to 25,000 gallons	1	4.3 lbs.

\*EXPERT LINE products are not available for online resale.

Cell	Pool Size Rating	Total pounds of free Chlorine produced (as Trichlor)
Extended Life Cell TCELL940	40,000 gallons	725 lbs.*
Hayward T-CELL-15	40,000 gallons	580 lbs.*
Extended Life Cell TCELL925	25,000 gallons	480 lbs.*
Hayward T-CELL-9	25,000 gallons	385 lbs.*

\*Based on rating of chlorine delivery by NSF and Denora Tech

For replacement parts see page 194-197

Hayward's AquaRite® is the #1 salt chlorinator in the world. It is the convenient alternative to conventional chlorine — delivering the very best in soft, silky water with no more red eyes, itchy skin, or harsh odors. It's remarkably convenient, too, automatically delivering chlorine for the ultimate swimming experience.

AquaRite is independently certified by the National Sanitation Foundation for consistent chlorine delivery rates and its reliability is backed by experienced technical and customer support teams.

With 50% or more savings over conventional chlorine, it is no wonder AquaRite is the most popular salt chlorinator on the market today.



AquaRite with TurboCell

### TurboCell

AquaRite products are pre-packaged with a TurboCell. TurboCells come in three sizes — 40,000, 25,000 and 15,000 gallons. The different sizes enable you to select the right AquaRite product for the most-efficient and cost-effective chlorination possible.

### Applications

- For in-ground pools up to 40,000 gallons
- Use multiple units for larger pools

### Features

- Best water quality available
  - ✓ Always crystal clear and ready for swimming
  - ✓ Soft, silky feel
  - ✓ No more red eyes or dry skin
- Simple homeowner operation
  - ✓ Adjust chlorine output from 0–100%
- Patented TurboCell for maximum efficiency and reliability
- NSF certified for chlorine delivery rates
- Easy to understand digital display
  - ✓ Salt display and 8-diagnostic indicators
- Automatic cell cleaning using reverse polarity technology
- Superchlorinate function
- Single unit for 120VAC/240VAC 50/60 Hz input
- Weatherproof enclosure and connections
- ETL safety certified

## Chlorinator Buying Guide

Model Number	Description	Ctn. Qty.	Shipping Weight
AQR3CUL	AquaRite w/15K TurboCell 120V/240V	1	24 lbs.
AQR9CUL	AquaRite w/25K TurboCell 120V/240V	1	24 lbs.
AQR15CUL	AquaRite w/40K TurboCell 120V/240V	1	24 lbs.
AQR3XLCUL	AquaRite XL w/15K TurboCell 120V only, w/cord	1	24 lbs.
AQR9XLCUL	AquaRite XL w/25K TurboCell 120V only, w/cord	1	24 lbs.
AQR15XLCUL	AquaRite XL w/40K TurboCell 120V only, w/cord	1	24 lbs.

### DIGITAL SALT METER

#### Applications

- Ideal for testing salinity levels in pools using electrolysis systems



GLX-SALTMETER

### Genuine Hayward TurboCells

Cell	Pool Size Rating	Total pounds of free Chlorine produced (as Trichlor)	Cost per pound of Chlorine
Hayward T-Cell-3	15,000 gallons	210 lbs.*	\$
Hayward T-Cell-9	25,000 gallons	385 lbs.*	\$
Hayward T-Cell-15	40,000 gallons	580 lbs.*	\$
Leading generic cell	40,000 gallons	145 lbs.	\$\$\$\$

\*Based on rating of chlorine delivery by NSF and Denora Tech.

# AquaRite® Low Salt

## SALT CHLORINATION

No more mixing, measuring and messing around with liquid or tablet chlorine. AquaRite Low Salt automatically turns common salt into a self-regenerating supply of pure chlorine. For pool and spa water that's clean, clear and luxuriously soft.

The key to AquaRite Low Salt chlorine generation is the TurboCell®, a specially-designed converter connected to the control unit by a simple plug-in cord, and plumbed into the filter pump's return line to the pool. As water is pushed through the TurboCell, an extremely safe low-voltage electrical charge turns the salt previously added to the water into fresh, sanitizing chlorine which is then dispersed evenly throughout the pool via the return jets.

The AquaRite Low Salt chlorinator has the ability to stop producing chlorine at 800 ppm and operates at just 1200 - 1800 ppm, lower salt levels reduce corrosion concerns and is safer for the environment.

### Applications

- For in-ground pools up to 30,000 gallons (113,500 L)
- Use multiple units for larger pools
- Perfect for new or existing pools
- Perfect for replacing existing salt units

### Features

- Soft, silky-smooth water
- No more red eyes, itchy skin
- Reduces handling and storage of toxic chemicals
- No chlorine odor or bleaching of toys and clothes
- Even, consistent chlorine dispersion; no more unhealthy highs and lows
- User-friendly monitor system with LED service alerts
- No need for additional plumbing or parts
- Easy to use - one dial adjusts chlorine output
- NSF and CUL approved, PMRA registered



AquaRite Low Salt

## Low Salt Chlorinator Buying Guide

Model Number	Description	Ctn. Qty.	Shipping Weight
AQR-LS-CUL	AquaRite Low Salt w/30K TurboCell, 120V/240V	1	25 lbs.

# AquaTrol® & AquaTrol® Low Salt

SALT CHLORINATION FOR ABOVE-GROUND POOLS

The AquaTrol Electronic Chlorine Generator (also known as a salt chlorinator) is designed specifically for above ground pools up to 20,000 gallons. The AquaTrol has all the same functions and features of the AquaRite but with a lower chlorine output. The savings on chlorine will have the AquaTrol paying for itself in just a few short years. The AquaTrol system typically installs in less than 30 minutes and is very easy to operate.

AquaTrol Low Salt offers the same luxuriously soft water and hassle-free sanitization that salt chlorine users expect, but now using much lower salt concentrations. A lower salt level in the pool is more environmentally friendly, eases concern over pool equipment corrosion and reduces the amount of salt necessary to purchase.

## Applications

- For all residential above-ground pools up to 20,000 gallons.
- Suitable for new above-ground pools or retrofit.

## Features

- Quick and Easy 30 minute installation
- The best water quality attainable
  - ✓ soft silky feel — no more red eyes or dry skin
  - ✓ always crystal clear and ready for swimming
- Digital salt display and 7 diagnostic indicators
- Super chlorinate function
- Microprocessor automates all functions
- Automatically cleans the cell by periodically reversing polarity
- Patented TurboCell for maximum efficiency and flow rate
- UL and CUL Listed

## Cell Mounting

- “RJ” models mount the cell directly to the return jet (on the outside of the pool)



AquaTrol Low Salt

## AquaTrol® Buying Guide

Model Number	Description	Ctn. Qty.	Shipping Weight
AQ-TROL-RJ-CUL	AquaTrol w/ Return Jet Fittings w/ 20K gal TurboCell	1	25 lbs.
AQTROL-RJLS-CUL	AquaTrol Low Salt w/ Return Jet Fittings, 18K gal TurboCell 1		25 lbs.

# OnCommand®

AUTOMATION FOR AFTERMARKET POOLS AND SPAS



OnCommand with AquaConnect Remote Pool Management

OnCommand re-defines automation for aftermarket pools and spas.

OnCommand is a new way to bring simple and cost-effective automation to existing pools and spas. Control pump, filter, heater, cleaner, lighting and more. Automate schedules to turn lights on at night or to manage energy-saving two-speed or variable speed pumps that can save pool owners up to 70% on energy costs. OnCommand can be set to run automatically or be controlled from an optional wireless, floating remote providing the ultimate in convenience and poolside enjoyment.

## Applications

- Controls single body of water—pool only, spa only and pool and spa combinations with shared equipment

## Features

- Cost-effective entry-level control and automation for new or existing pools
- Designed for fast and simple installation with large and easily accessible wiring area.
- Separate and easily accessible compartments for low and high voltage areas
- Manages energy saving 2-speed or variable speed pumps (California Title 20 compliant) and other backyard functions to maximize energy savings
- Intuitive programming and easy-to-read large digital display allows you to set up the controller in minutes
- Fully featured control equipped with:
  - ✓ 4 high voltage relays
  - ✓ support for 3 motorized valves
  - ✓ 3 temperature sensors (air, water and solar)
  - ✓ 1 group function
- On-board diagnostics and separate high voltage and low voltage compartments for easy and safe servicing
- Two different floating remote control devices enable operation up to 500 feet away
- Optional AquaConnect Web and Wifi Home Network Interface and Remote App Control

## AquaConnect Remote Pool Management

AquaConnect offers four ways to manage pool, spa and backyard control functions: Apps, Wi-Fi, Web, and select Home Automation Serial Interfaces. Customers can enjoy 24/7 access to the AquaConnect platform through all internet and mobile device portals, as well as a serial option for integration with existing home automation systems.

## OnCommand Buying Guide

Model Number	Description	Ctn. Qty.	Shipping Weight
ONCOM	OnCommand Base Controller	1	8 lbs.
ONCOM-ACT	OnCommand with 2 actuators	1	15 lbs.
ONCOM-RC	OnCommand with 6 button remote control and wireless antenna	1	10 lbs.
ONCOM-ACT-RC	OnCommand with 6 button remote control, 2 actuators and wireless antenna	1	17 lbs.
ONCOM-POD	OnCommand with AquaPod 2.0 remote and wireless antenna	1	10 lbs.
ONCOM-ACT-POD	OnCommand with AquaPod 2.0 remote, 2 actuators and wireless antenna	1	10 lbs.
ONCOM-AQC	OnCommand, Antenna, AquaConnect	1	10 lbs.
ONCOM-ACT-AQC	OnCommand, 2 Actuators, Antenna, Aquaconnect	1	17 lbs.

## Options and Accessories Buying Guide

Model Number	Description	Ctn. Qty.	Shipping Weight
AQL2-POD2	AquaPod® 2.0 Waterproof, Wireless, Touchscreen Remote	1	1 lb.
AQL2-SS-RF	6 Function Waterproof Remote	1	1 lb.
AQL2-BASE-RF	Wireless Antenna	1	1 lb.
AQ-CO-HOMENET	AquaConnect Web and Wi-fi home network interface	1	2 lbs.
GVA-24	Valve Actuator, 24V, 75A, 15 ft. Cable	1	3 lbs.
V&A-1P	Actuator and 1 ½" 3-port Valve	1	5 lbs.
V&A-2P	Actuator and 2" 3-port Valve	1	5 lbs.
AQL-DIM	Dimmer Kit	1	0.5 lb.
AQL-Relay-AC-KT	High Voltage Relay Kit	1	0.5 lb.

For replacement parts see page 195

This professional-grade ORP and pH Sense and Dispense technology was previously only available for commercial pools. Hayward offers an economical approach, with the same level of accuracy, for residential pools. Unlike others on the market, Sense and Dispense, uses a proportional feed algorithm that continuously tests the water, sampling pH and sanitizer activity, adjusting chemical feeding on a basis proportional to the demand. Other approaches don't sample the water often enough and release larger doses which, is far less effective and can create highs and lows similar to a manual approach.

Adding the Sense and Dispense option to OmniLogic®, ProLogic® or AquaRite® Pro is a fully integrated solution — not an additional box that resides on your pool pad — eliminating additional installation costs. It also provides a single source for status reporting and control.

Sense and Dispense can be used to manage chlorine and/or pH. One chemistry kit senses pH and ORP and dispenses chlorine via a salt chlorine generator or a liquid chlorine feed tank. pH dispense can be achieved using a second kit which connects to a CO2 tank or a peristaltic pump acid feed tank. Either method is effective at controlling the pH drift that naturally occurs with the use of salt chlorination.

### Applications

- OmniLogic or ProLogic revision 3.00 or higher
- AquaRite Pro revision 1.00 or higher

### Features

- Commercial grade sensors
- Fully integrated chemistry automation
- Continuously senses sanitization and pH levels
- Integrates with Hayward Acid Feed System to dynamically control pH
- Integrates with Hayward salt chlorination systems to dynamically control chlorine
- Integrates with Hayward Liquid Chlorine Dispense System to dynamically control chlorine



Sense & Dispense



Acid Feed or Liquid Chlorine Dispense Tank (Both SKU's come with Drip Tray)

## Sense and Dispense Chemistry Automation Buying Guide

Model Number	Description	Ctn. Qty.	Shipping Weight
HL-CHEM	ORP and pH Sense, ORP Dispense (Sense and Dispense)	1	9 lbs.
AQL-CHEM2	pH Dispense, 120V Solenoid Valve for CO <sub>2</sub>	1	2 lbs.
AQL-CHEM2-240	pH Dispense, 240V Solenoid Valve for CO <sub>2</sub>	1	2 lbs.
AQL-CHEM4-ACID	pH Dispense, Acid Feed System, 120V	1	24 lbs.
AQL-CHEM4-CHLOR	Liquid Chlorine Dispense System, 120V	1	24 lbs.
AQL-CHEM-UPG	ProLogic and AquaLogic Upgrade Kit. Kit includes AQL-CHEM and Main Board (add AQL-CHEM2 or AQL-CHEM4 for pH dispense).	1	15 lbs.

NOTE: HL-CHEM, AQL-CHEM2, AQL-CHEM4-ACID and AQL-CHEM4-CHLOR chemistry kit options available only on AquaRite Pro, OmniLogic, ProLogic and AquaPlus products (see Automation).

# HCC 2000™

AUTOMATION FOR AFTERMARKET POOLS AND SPAS

## Introducing the HCC2000 Automated Water Chemistry Controller

Perfect for swimming pools, spas and water features, the HCC 2000 is a powerful yet affordable microprocessor-based pH and ORP water chemistry controller. The controller features proportional feed to ensure precise water chemistry maintenance, and operates using the Oxidation-Reduction Potential (ORP) method of water analysis to ensure rapid deactivation of such waterborne pathogens as E.coli in swimming pool water.

The HCC 2000 provides the ultimate one stop shop experience, one unit pre-configured with everything required to make water chemistry management simple, convenient and affordable. This package includes the HCC 2000 controller, flow cell and flow sensor, all now pre-mounted on a PVC backboard. PH and ORP sensors are also included.

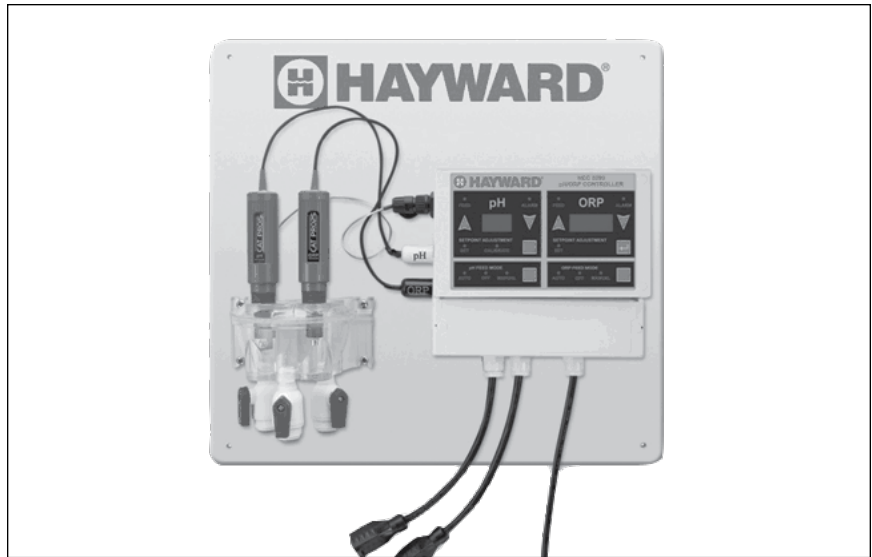
### Features

- Advanced microprocessor-based design technology
- Simple to operate user interface with easy to read LED display
- Complete package offers a total chemical automation system for easy installation and ultimate convenience

## Universal pH & ORP Sensors

Dependable and affordable commercial grade sensors for use with virtually all automated chemistry controllers.

The Hayward series of Universal Commercial grade sensors are the next generation in sensor technology. They incorporate a Poly-Pro™ solid polymer reference technology matched with a patented Teflon fluid junction for unparalleled performance and longevity.



## HCC 2000 Buying Guide

Model Number	Description	Ctn. Qty.	Shipping Weight
HCC2000	HCC 2000 Water Chemistry Controller for Fresh Water	1	11 lbs.
HCC2000-AU	HCC2000 Water Chemistry Controller for Salt Water	1	11 lbs.

## HCC 2000 Options

Model Number	Description	Ctn. Qty.
AQL-CHEM4-120	Acid or CL Feed, 120V	1
SV10075TE	Solenoid for C-250EXP/C500EXP	1

## Universal pH & ORP Sensor Buying Guide

Model Number	Description
HCX015	pH Sensor for Fresh Water Pool/Spa
HCX025	ORP Sensor for Fresh Water Pool/Spa
HCX025AU	ORP Sensor for Saltwater Pool/Spa

### Features

- Compatible with virtually all chemical controllers as a system upgrade
- Shielded BNC connectors for chemical resistance
- Low maintenance Porous Teflon fluid junction
- Superior protection against infusion and diffusion
- Poly-Pro solid polymer technology

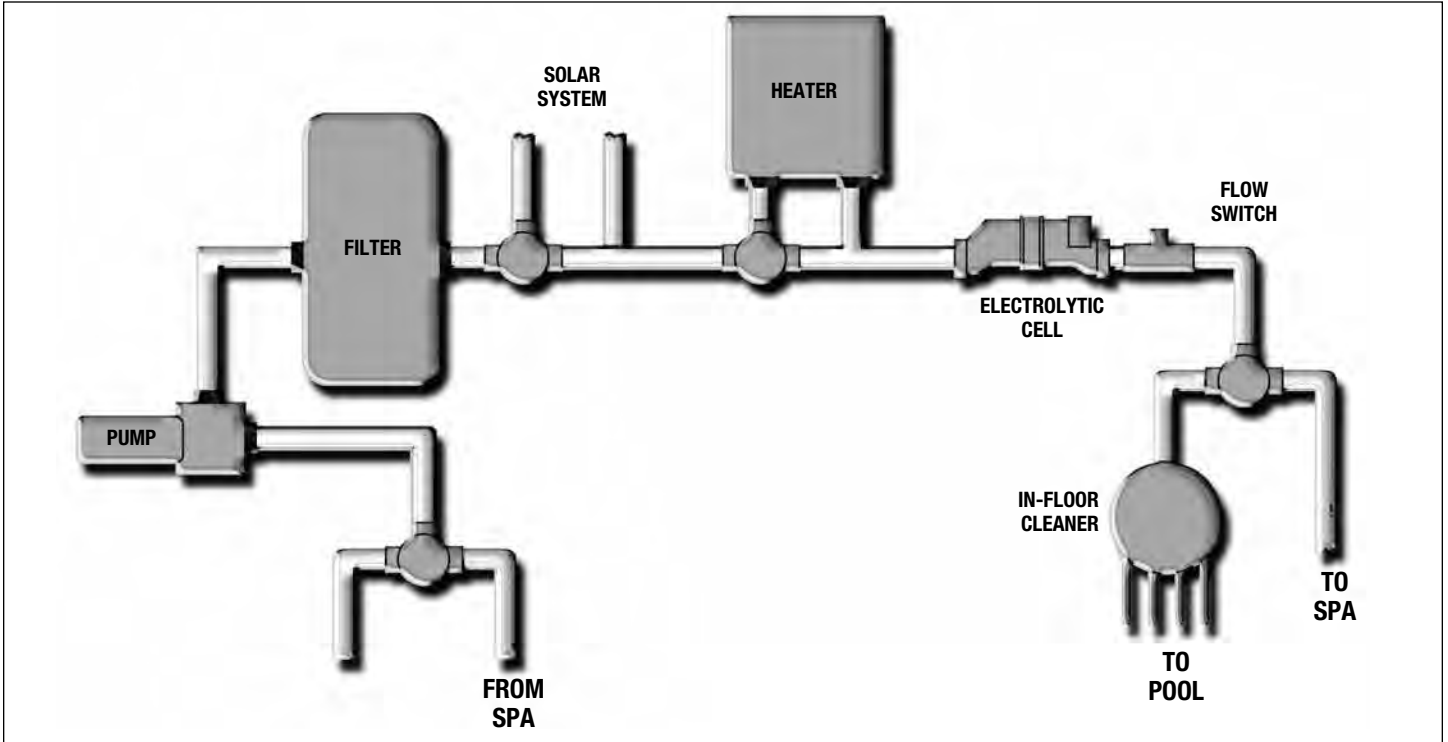




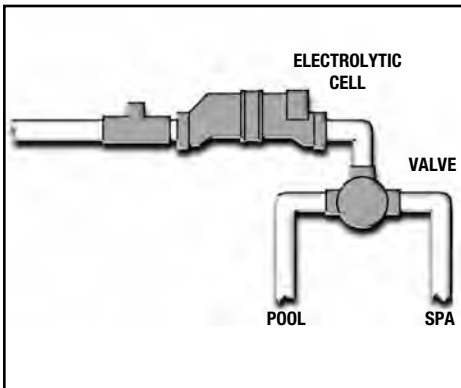
# Chlorinator Cell

## PLUMBING INSTALLATION

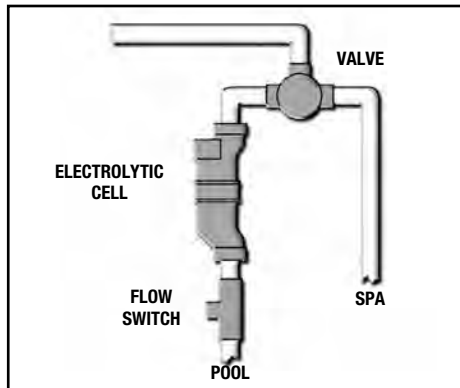
Install the cell and flow switch down stream of all existing equipment, but prior to the pool/spa return valve. The flow switch can be located immediately downstream from the cell (as shown) or can be installed with 12" of straight pipe directly before the mounting tee (option 1 below). For stand-alone installations on pool/spa systems, refer to options 2 or 3 in order to avoid possible over chlorination of the spa. For 2-speed or variable speed pumps and systems with low flow rates, refer to option 4 to ensure complete coverage of the cell electrodes during operation. Note that the chlorinator cell can be mounted in any orientation.



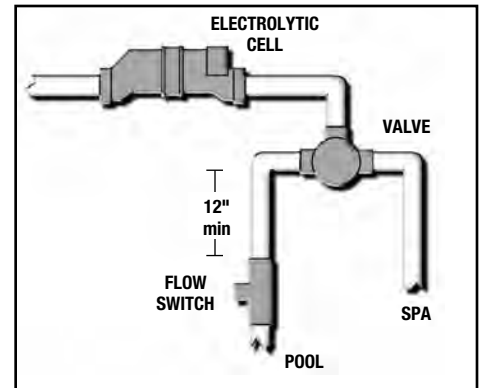
Chlorinator Cell



Optional Configuration #1

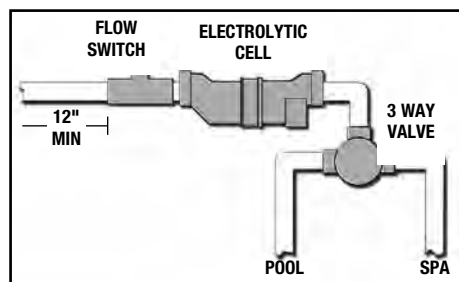


Optional Configuration #2



Optional Configuration #3

**PREFERRED INSTALLATION  
WITH 2-SPEED AND V.S. PUMPS  
AND SYSTEMS WITH  
LOW FLOW RATES**



# Salt Facts

## FOR SALT CHLORINE GENERATORS

Hayward Salt Chlorine Generators all produce their own chlorine from a low concentration of salt dissolved into the pool water to create 100% of the pool's sanitizing needs.

### Will the pool water taste salty?

No. The concentration of salt in the pool water is approximately 1/10 of the level in the ocean and is below the level of taste for most people. This level of salt is equivalent to 1 teaspoon of salt in a gallon of water. Encourage anybody who is concerned to do a "taste test".

### Types of salt

Salt chlorine generators use ordinary food grade, solar salt or water softener salt. Regardless of which type of salt you chose ensure that it is at least 99% pure salt (NaCl). Never use rock salt (ice melt) or salts that have more than 1% of "anti-caking agents", "yellow prussiate of soda", or "sodium ferrocyanide" added as these compounds may cause staining of the pool. Salt is available from most distributors in 40-80 pound bags.

### Amount of salt to add to the pool

Hayward and Goldline Controls-brand salt chlorine generation systems require salt levels between 2700 and 3400 ppm. This amount of salt is below the level of taste for most people and is the equivalent of 1 teaspoon of salt per gallon. Since all chlorine added to a pool eventually reverts to salt, it is very important to measure the salt level in existing pools before adding any salt.

### How to use this table

1. Locate current salt level (ex. 1400 ppm)
2. Locate pool size (ex. 24,000 gallons)
3. Find intersection of these two values to determine pounds of salt needed to raise water to 3200 ppm salt.

### How to add salt

After determining the amount of salt to add from the table below, hold 1 or 2 bags in reserve. Dump the remaining bags directly into the pool and brush the salt around to speed up the dissolving process. Do not allow the salt to sit in a pile at the bottom of the pool. Salt water is heavier than fresh water so the salt water will tend to accumulate at the deepest part of the pool. Run the filter system with the suction coming from the main drain for 24 hours to evenly distribute the salt throughout the pool. Note: For new plaster pools, consult with the applicator for the recommended cure time before adding salt.

### Salt Display

The salt display responds slowly to rapid changes in salt level. It takes up to 24 hours of circulation for the salt to be evenly distributed in the pool. Be patient and do not over-react by adding too much salt. If the salt level is still low after 24-48 hours, add the reserve bags (see "How to add salt" above) to the pool.

**Pounds of Salt Required for 3200 ppm**

Current Salt Level (ppm)	Pool Size – Gallons																
	8,000	10,000	12,000	14,000	16,000	18,000	20,000	22,000	24,000	26,000	28,000	30,000	32,000	34,000	36,000	38,000	40,000
0	213	267	320	373	427	480	533	587	<b>640</b>	693	747	800	853	907	960	1013	1067
200	200	250	300	350	400	450	500	550	<b>600</b>	650	700	750	800	850	900	950	1000
400	187	233	280	327	373	420	467	513	<b>560</b>	607	653	700	747	793	840	887	933
600	173	217	260	303	347	390	433	477	<b>520</b>	563	607	650	693	737	780	823	867
800	160	200	240	280	320	360	400	440	<b>480</b>	520	560	600	640	680	720	760	800
1000	147	183	220	257	293	330	367	403	<b>440</b>	477	513	550	587	623	660	697	733
1200	133	167	200	233	267	300	333	367	<b>400</b>	433	467	500	533	567	600	633	667
<b>1400</b>	<b>120</b>	<b>150</b>	<b>180</b>	<b>210</b>	<b>240</b>	<b>270</b>	<b>300</b>	<b>330</b>	<b>360</b>	390	420	450	480	510	540	570	600
1600	107	133	160	187	213	240	267	293	320	347	373	400	427	453	480	507	533
1800	93	117	140	163	187	210	233	257	280	303	327	350	373	397	420	443	467
2000	80	100	120	140	160	180	200	220	240	260	280	300	320	340	360	380	400
2200	67	83	100	117	133	150	167	183	200	217	233	250	267	283	300	317	333
2400	53	67	80	93	107	120	133	147	160	173	187	200	213	227	240	253	267
2600	40	50	60	70	80	90	100	110	120	130	140	150	160	170	180	190	200
2800	27	33	40	47	53	60	67	73	80	87	93	100	107	113	120	127	133
3000	13	17	20	23	27	30	33	37	40	43	47	50	53	57	60	63	67
3200	ideal	ideal	ideal	ideal	ideal	ideal	ideal	ideal	ideal	ideal	ideal	ideal	ideal	ideal	ideal	ideal	ideal
3400	ok	ok	ok	ok	ok	ok	ok	ok	ok	ok	ok	ok	ok	ok	ok	ok	ok

Sanitization & Automation

**It is important to maintain salt and stabilizer levels in order to prevent scaling and to maximize system effectiveness. Test the water periodically and use standard pool industry procedures to adjust levels.**

### Salt 2700 to 3400 ppm

Check monthly using an independent salt test. The higher end of the salt level range lets the salt chlorine generator produce more chlorine. The salt chlorine generator will indicate when the salt level drops below 2700 ppm and it will stop operating if the salt drops to 2300 ppm or below. On most pools, the salt level tends to slowly drift downward as fresh water is added to the pool (rain or makeup water for splash-out, back-washing etc.). A good procedure is to add enough salt to be near the top of the range. Add stabilizer (see below) at the same time.

### Stabilizer 30 to 50 ppm

Check monthly. Stabilizer is also known as conditioner, cyanuric acid, or isocyanuric acid. Refer to local codes regarding its use. Stabilizer helps maintain the chlorine residual in the pool by protecting it from the UV rays of the sun. Without stabilizer, the salt chlorine generator would have to produce much more chlorine in order to keep the desired residual level in the pool. This can reduce the life of the cell. Add enough stabilizer to be near the top end of the range at the same time you add salt.

### Chlorine

Ideally, all of the chlorine in the pool should be “free chlorine” and there should be zero “combined chlorine.” “Free chlorine” means that it is not attached to any contaminants in the pool and is ready to attack any algae or bacteria that it comes in contact with. Note that test kits using the OTO method (yellow color) only test total chlorine and can not differentiate between “free” and “combined”. DPD test kits (red color) do allow for the testing of both total chlorine and “free chlorine”.

### pH determines Chlorine effectiveness

The recommended pH range is 7.2 to 7.8. If the pool's pH rises above the top end of the range, the sanitizing effectiveness of the chlorine can be greatly reduced. For example: The chlorine in a pool with the pH at 7.2 is approximately ten times more effective than the same amount of chlorine in a pool with the pH at 8.2.

### Why is water chemistry important?

Continuous filtration, cleaning and sanitization are not enough — balancing pH (potential hydrogen) is vital. Chlorination should keep germs and algae at bay but when pH is unbalanced, it can't do its job. Let the pH drop too low and the water becomes acidic and attacks anything it touches. When pH drifts up, the water becomes alkaline and creates an environment where mineral deposits (scale)

can form. Furthermore, when pH is high, chlorine becomes less effective at its primary task — killing bacteria and algae.

ORP (oxidation reduction potential) measures the oxidizing capacity in water. It is a proven measurement and maintenance technology mandated for commercial pool sanitization. Unlike most home-test processes, ORP is not fooled by the effects of pH, TDS (total dissolved solids) and other factors. Most home-test kits and strips only report free chlorine and other less effective forms of chlorine. Only ORP can deliver further detailed analysis of the more important free chlorine. It differentiates free chlorine's components HOCl (hypochlorous acid) and OCl- (hypochlorite ion). OCl- is a slow-acting sanitizer, and HOCl is up to 300 times more effective. ORP targets HOCl, a more fine-tuned measurement of the effectiveness of chlorine and water quality.

Studies have reported on the relationship between ORP and chlorine's activity with germs and bacteria. They've concluded that ORP significantly predicts water bacterial quality better than other methods. As a result, in most states, the highly regulated commercial pool industry requires ORP testing.

### What is balanced water?

Water balance is composed of several key factors — pH, total alkalinity, calcium hardness and TDS. All of these factors are important, but none more so than pH. pH is a measurement of the concentration of hydrogen ions in water. It is measured using a logarithmic scale from 0 to 14, with pH 7 being neutral.

For pool water to be in balance, all factors must be in their proper range. That range may vary slightly depending on the finish of the pool and the average temperature of the pool water. The one value that never changes is pH. It must be maintained between 7.2 and 7.8 for a pool to be considered “balanced.”

### TurboCell

#### Right-sized salt chlorination

Hayward TurboCells come in three sizes – 40,000, 25,000 and 15,000 gallons. The new sizes enable you to right-size your pool for the most-efficient and cost-effective chlorination possible. These cells are based on the proven TurboCell technology. They automatically generate a self-renewing supply of fresh, pure chlorine — for water that's clean, clear and luxuriously soft.

### Live in an arid climate?

You may need a larger cell. Contact your local pool professional for more information on right-sizing pools in arid climates.

WATER QUALITY PARAMETER	IDEAL LEVELS
<b>Salt</b>	<b>2700 to 3400 ppm</b>
Free Chlorine	1.0 to 3.0 ppm
pH	7.2 to 7.8
<b>Cyanuric Acid (Stabilizer)</b>	<b>30 to 50 ppm*</b>
Total Alkalinity	80 to 120 ppm
Calcium Hardness	200 to 400 ppm
Metals	0 ppm
Saturation Index	-0.2 to 0.2 (optimal)

**NOTE:** \*Should be lower or even 0 for indoor pools. Follow guidance of a local pool professional.

# Solar

## TOTAL SOLAR CONTROL SYSTEMS

**Aqua Solar™** – Total solar control system with dual digital display of pool water, solar collector and auxiliary sensor temperatures plus full system diagnostic LEDs. Single-dial adjustment lets pool owners set desired pool temperature effortlessly. Other user-customizable features include selectable high limit (from 70°F to 140°F), programmable recirculation freeze protection and nocturnal cooling.

**Aqua Solar™ TC** – Aqua Solar Time Clock model provides all the capabilities of the Aqua Solar plus an integral time clock for 24-hour control of the pool's main pump and filtration system. The time clock is programmable in 15-minute increments and can have multiple on/off times. There's also an exclusive solar override feature that maximizes solar gain while minimizing electricity usage.

**GL-235** – America's best-selling solar control is designed for easy and dependable operation. Its microprocessor-based technology ensures reliable and accurate performance. Advanced features include differential temperature control, selectable high limit, programmable recirculation freeze protection, nocturnal cooling, and optional booster pump control.

### Features

- Automatically maximizes solar heat collection
- Precise, easy-to-read, calibrated temperature setting
- Electronics in UV-protected locking weatherproof enclosure
- LED indicators show status of system operations
- Automatic switching (selectable) from solar pool heating to nocturnal pool cooling
- Single-setting adjustment for desired pool/spa temperature
- Recirculation freeze protection
- Installer-programmable features for any-system adaptability
- UL-approved

### Benefits

- Quick, accurate, easy-to-set desired temperature controls
- Ensures protection from the elements; guards against tampering
- Easy to read, understand and operate
- One-control for just right automation
- Selectable option activates solar when ambient temperature nears 32°F
- Assurance of safety and performance



Aqua Solar TC



GLC-235



## Solar Buying Guide

Model Number	Description	Ctn. Qty.	Ctn. Weight
--------------	-------------	-----------	-------------

### Solar Pool Control Options

GL-235	Solar pool control, 12/24VAC and 120/240VAC output	1	8 lbs.
AQ-SOL-LV	Aqua Solar with LV output	1	25 lbs.
AQ-SOL-LV-TC	Aqua Solar with LV and HV output, timeclock and HV relay	1	25 lbs.
GLX-RELAY	(optional 3hp replay)		

### Sensors

GLX-PC-12-KIT	10K ohm @ 77°F/25°C (2 required)
---------------	----------------------------------

### Actuator

GVA-24	Valve Actuator 24V, .75A, 15ft cable
--------	--------------------------------------

### Valves

PSV3S	3 port 1½" - 2"
PSV3S2	3 port 2" - 2½"

### Combo (recommended)

**ASC-1P-A-LV** (AQ-SOL-LV/2 sensors/1 ½" - 2" 3 port valve/actuator)



Navigator V-Flex

Navigator® V-Flex™ suction cleaner features breakthrough new internal turbine, body and a-frame design, delivering more power, reliability and performance than ever. Equipped with patented V-Flex™ variable vane technology, it allows for larger debris pickup and maximizes suction power at lower flow, making it ideal for use with variable speed pumps. Patented SmartDrive® programmed steering determines the most efficient cleaning path affording unparalleled pool coverage.

### Applications

- In-ground residential pools – concrete and vinyl
- Cleans pool floor, walls and coves

## Navigator V-Flex Buying Guide

Model Number	Description	Ctn. Qty.	Ctn. Weight
HSC925CV*	Navigator V-Flex Suction Cleaner, Vinyl default (concrete optional)	1	20 lbs.

\*EXPERT LINE products are not available for online resale.

Product Specifications	
Pool Coverage**	Pool floor, walls, coves
Drive Sequence	SmartDrive programmed steering system
Traction System	Pod and shoes
Turbine Type	Patented V-Flex variable vane technology
Pool Size	up to 20' x 40'
Pool Surface***	Concrete, vinyl
Hose Length	40'

NOTES: \*\*Wall climbing capability and pool coverage may be affected by specific pool shapes and surfaces. The cleaner may not climb the wall under certain conditions.

### Features

#### Patented V-Flex technology

- Features self-adjusting variable vanes for easy handling of larger debris
- Energy-efficient design maximizes suction power at lower flow—ideal for use with variable-speed pumps

#### New body, A-frame and turbine assembly

- Enhances reliability and performance with less parts to service and maintain

#### Programmed cleaning

- Exclusive SmartDrive® steering system offers unparalleled pool coverage.

#### Efficient suction path

- Wide vacuum inlet, unique wing and skirt designed for constant suction power and to pickup more debris faster

#### Easy to use and install

- Connects in less than 10 minutes to skimmer or suction port, no tools required
- Powered by existing filtration system, does not require booster pump



Leaf Canister

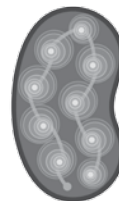


Skimmer Vacuum Plate



VacLock™ Safety Wall Fitting

What is SmartDrive programmed steering? Hayward's exclusive technology drives the Navigator V-Flex in an alternating series of right and left-hand turns to systematically clean pool surfaces and ensure the best coverage and most efficient cleaning path. It cleans faster and better than random-style cleaners and reduces the possibility of missed or over-visited zones in the pool.



# Navigator® Pro

## AUTOMATIC SUCTION CLEANER

Navigator® Pro's exclusive SmartDrive® programmed steering moves the cleaner silently in a predetermined series of turns for more thorough cleaning of pool floor, walls and coves. This automatic suction pool cleaner is powered by the existing filtration system where all debris are captured. In addition, pool owners don't have the expense of an energy-consuming booster pump. Getting that sparkling clean pool is easy and effortless with the Navigator Pro automatic suction pool cleaner.

### Applications

- In-ground residential pools – gunite, vinyl, fiberglass, pebble and tile
- Cleans pool floor, walls and coves

### Features

Engineered for performance

- Unmatched proven and reliable suction cleaner performance
- Turbine-driven system for smooth, silent operation

Programmed cleaning

- Exclusive SmartDrive® steering system offers complete pool coverage.
- Efficient suction path
- Wide vacuum inlet, unique wing and skirt designed for constant suction power and to pickup more debris faster

Easy to install and use

- Connects in less than 10 minutes to skimmer or suction port, no tools required
- Powered by existing filtration system, does not require booster pump

What is SmartDrive programmed steering? Hayward's exclusive technology drives the Navigator Pro in an alternating series of right and left-hand turns to systematically clean pool surfaces and ensure the best coverage and most efficient cleaning path. It cleans faster and better than random-style cleaners and reduces the possibility of missed or over-visited zones in the pool.



Navigator Pro

## Navigator Pro Buying Guide

Model Number	Description	Ctn. Qty.	Ctn. Weight
PC925ADC	Navigator Pro Suction Cleaner, Gunite	1	20 lbs.
PC925ADV	Navigator Pro Suction Cleaner, Vinyl	1	20 lbs.

### Product Specifications

Pool Coverage*	Pool floor, walls, coves
Drive Sequence	SmartDrive programmed steering system
Traction System	Pod and shoes
Turbine Type	Fixed vane technology
Pool Size	up to 20' x 40'
Pool Surface**	Gunite, vinyl, fiberglass, pebble and tile
Hose Length	40'

NOTES: \*Wall climbing capability and pool coverage may be affected by specific pool shapes and surfaces. The cleaner may not climb the wall under certain conditions.

\*\*Different shoe types available for different pool surfaces



Leaf Canister



Skimmer Vacuum Plate



VacLock™ Safety Wall Fitting

For replacement parts see page 200-201





PoolVac V-Flex

Featuring a breakthrough new internal turbine, body and a-frame design, PoolVac V-Flex™ is equipped with patented variable vane V-Flex™ technology delivering more power, reliability and performance than ever. It allows for larger debris pickup and maximizes suction power even at lower flow—making it the perfect partner for use with variable speed pumps. Its patented AquaPilot® programmed steering determines the most efficient cleaning path around any pool and assists with cleaner maneuverability for complete pool coverage.

### Applications

In-ground residential pools – concrete and vinyl  
Cleans pool floor, walls and coves

### Features

#### Patented V-Flex technology

- Features self-adjusting variable vanes for easy handling of larger debris
- Energy-efficient design maximizes suction power at lower flow—ideal for use with variable-speed pumps

#### New body, A-frame and turbine assembly

- Enhances reliability and performance with less parts to service and maintain

#### Programmed cleaning

- Exclusive AquaPilot steering system offers unparalleled pool coverage.

#### Efficient suction path

- Wide vacuum inlet, unique wing and skirt designed for constant suction power and to pickup more debris faster

#### Easy to use and install

- Connects in less than 10 minutes to skimmer or suction port, no tools required
- Powered by existing filtration system, does not require booster pump

## PoolVac V-Flex Buying Guide

Model Number	Description	Ctn. Qty.	Ctn. Weight
HSC2025CV*	PoolVac V-Flex Suction Cleaner, Vinyl default (concrete optional)	1	20 lbs.

\*EXPERT LINE products are not available for online resale.

### Product Specifications

Pool Coverage**	Pool floor, walls, coves
Drive Sequence	AquaPilot programmed steering system
Traction System	Pod and shoes
Turbine Type	Patented V-Flex variable vane technology
Pool Size	up to 20' x 40'
Pool Surface***	Gunite, vinyl, fiberglass, pebble and tile
Hose Length	40'

NOTES: \*\*Wall climbing capability and pool coverage may be affected by specific pool shapes and surfaces. The cleaner may not climb the wall under certain conditions.

\*\*\*Different shoe types available for different pool surfaces



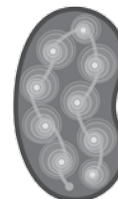
Leaf Canister



Skimmer Vacuum Plate



VacLock™ Safety Wall Fitting



What is AquaPilot programmed steering?  
Hayward's exclusive technology drives the PoolVac V-Flex in an alternating series of right and left-hand turns to systematically clean pool surfaces and ensure the best coverage and most efficient cleaning path. It cleans faster and better than random-style cleaners and reduces the possibility of missed or over-visited zones in the pool.

# AquaNaut® 200 & 400

AUTOMATIC SUCTION CLEANERS WITH V-FLEX TECHNOLOGY



AquaNaut 200 & 400

AquaNaut® 200 & 400 automatic suction pool cleaners are designed with unique patented technologies to deliver a thorough and reliable clean for pools of different shapes, sizes, flow rates and debris types. Available in two or four wheel drive models, AquaNaut features patented self-adjusting variable vanes known as V-Flex™ technology. Because the variable vanes automatically adjust to allow for large debris to pass through the cleaner, V-Flex technology delivers maximum power even at lower flow and provides the peace of mind of clog-free cleaning.

## Applications

- In-ground residential pools – concrete, gunite, vinyl, fiberglass, tile and pebble
- AquaNaut 200 is for pools up to 16' x 32'; AquaNaut 400 is for larger pools up to 20' x 40' or pools with deep ends.
- Cleans pool floor, walls and coves

## Features

### Handles large debris without clogging

- Patented V-Flex variable vane technology eliminates clogs and maximizes power at lower flow
- Perfect for use with variable-speed pool pumps

### Expertly navigates any surface

- Patented robust tire treads provide superior climbing power and obstacle maneuverability

### Maintains constant suction

- Patented adjustable roller skirt maintains optimal suction on uneven surfaces.

### End-to-end cleaning

- Multiple pre-programmed steering sequences ensure complete pool coverage

### Available in 4-wheel drive

- With its 4-wheels, AquaNaut 400 maintains power and balance in larger pools or pools with deep ends

### Optimal suction at virtually any flow

- Three easily interchangeable throats improve debris passage and suction performance, making it ideal for use variable-speed pool pumps

## AquaNaut 200 Buying Guide

Model Number	Description	Ctn. Qty.	Ctn. Weight
PHS21CSTC	2-Wheel Drive Suction Cleaner Super Hump Tire Tread	1	16 lbs.

## AquaNaut 400 Buying Guide **EXPERT LINE**

Model Number	Description	Ctn. Qty.	Ctn. Weight
PHS41CSTC	4-Wheel Drive Suction Cleaner Super Hump Tire Tread	1	19 lbs.

\*EXPERT LINE products are not available for online resale.

### Product Specifications

	AquaNaut 200	AquaNaut 400
Pool Coverage*	Pool floor, walls, coves	Pool floor, walls, coves
Drive Sequence	Turns every 8' to 10'	Turns every 11' to 14'
Traction System	2-wheel drive	4-wheel drive
Turbine Type	Patented V-Flex variable vane technology	Patented V-Flex variable vane technology
Pool Size	up to 16' x 32'	up to 20' x 40'
Pool Surface**	Gunite, vinyl, fiberglass, pebble and tile	Gunite, vinyl, fiberglass, pebble and tile
Hose Length	33'	40'

NOTES: \*Wall climbing capability and pool coverage may be affected by specific pool shapes and surfaces. The cleaner may not climb the wall under certain conditions.

\*\*Other tire threads available for different pool surfaces or configurations



Leaf Canister

Skimmer Vacuum Plate

VacLock™ Safety Wall Fitting

For replacement parts see page 206-209





AquaVac QC RC9730CTB

New for 2016, our AquaVac QC robotic cleaner features a new and contemporary design. Equipped with intelligent microprocessor-based technology, the AquaVac family is recognized for its superior performance in reliability and efficiency. AquaVac makes sure virtually every area of your pool gets that much cleaner, and fast! The AquaVac QC automatic robotic cleaner is no exception with a fast 90 minute Quick Clean cycle.

### Application

- In-ground residential pools – gunite, vinyl, fiberglass, pebble and tile
- Cleans pool floor, walls, coves and waterline

### Features

#### Efficient cleaning programs

- Standard 4-hour complete cleaning cycle for full floor, walls, coves and waterline or patented Quick Clean technology provides a fast 90 minute cycle.

#### Powerful vacuum strength

- On-board pump for intense vacuum power to suck up dirt and debris.
- Built with an efficient 24-volt motor designed to use less energy and lower cost.

#### Unique cartridge filter system

- Makes emptying easy, just open the cleaner, remove the cartridge and rinse with a hose.

#### Easy to use

- No extra hoses, hookups or pumps required.
- Runs separately from the pool's filtration system reducing the frequency of filter backwash cycles.

## AquaVac QC Buying Guide

Model Number	Description	Ctn. Qty.	Ctn. Weight
RC9730CTB	AquaVac QC	1	42 lbs.
RC99385	Premium Caddy Cart	1	17 lbs.
RCX70101PAK2	Replacement Filters (set of 2)	5	4 lbs.
RCX70103PAK2	Spring Clean-up Filters (set of 2)	5	2 lbs.

Product Specifications	
Remote Control	No
Pool Coverage	Pool floor, walls, coves, waterline
Cleaning Cycle	3 hours/90 minutes Quick Clean
Cleaning Schedule	Manual start
Pool Size	up to 20' x 40'
Pool Surface	Gunite, vinyl, fiberglass, pebble and tile**
Cord Length	55'
Filter Media Access	Bottom access – removable debris container

NOTE: \*\*Tile may require foam roller option



Optional Premium Caddy Cart – RC99385 (sold separately)



Spring Clean-up Filter Elements for heavier debris – RCX70103PAK2 (sold separately)

# AquaVac 500

AUTOMATIC ROBOTIC CLEANER

AquaVac 500 robotic pool cleaner comes equipped with a microprocessor-based program that determines the most efficient cleaning path possible where pool owners can simply select the cleaning frequency that best matches their pool debris load. Working independently of the pool filtration system, this robotic pool cleaner technology is the most energy efficient cleaning solution.

## Applications

- In-ground residential pools – gunite, vinyl, fiberglass, pebble and tile
- Cleans pool floor, walls, coves and waterline

## Features

### Dual traction system

- With two scrubbing brushes and four wheels it navigates virtually any obstacles, pool surfaces and easily climbs walls
- Brushes and loosens dirt, debris and algae for easy pickup

### Two cleaning programs

- Features Dual-Mode technology: fast 90 minute pool floor only or deep 3-hours pool floor, walls, coves and waterline cleaning

### Easy top-access to debris

- Top-access debris container and removable cartridge elements makes cleanup easy

### Integrated recurring timer

- Allows you to choose cleaning frequencies from a one-time clean to every 24, 48 or 72 hours

### Sensors

- Out-of-water sensor protects the motor by preventing cleaners from running out of the water
- Beach-entry sensor reverses direction when pool cleaner starts climbing out of the water

### Swivel

- 60 foot cord swivel to eliminate cord tangling

### Easy to use

- Requires no hoses or hookups nor additional pumps, just let it clean
- Runs separately from the pool's filtration system so there is less backwashing



AquaVac 500

## AquaVac 500 Buying Guide

Model Number	Description	Ctn. Qty.	Ctn. Weight
RC3431CTY	AquaVac 500 Robotic Cleaner with Premium Caddy Cart	1	56 lbs.
RCX70101PAK2	Replacement Filters (Set of 2)	5	4 lbs.
RCX70103PAK2	Spring Clean-up Filters (Pack of 2)	1	1 lb.

## Product Specifications

Pool Coverage	Pool floor, walls, coves, waterline
Cleaning Cycle	Fast 90 minutes pool floor only – deep 3 hours full pool coverage
Cleaning Schedule	Integrated recurring timer – clean 1 time or every 24, 48 or 72 hours
Pool Size	Up to 20' x 40'
Pool Surface	Gunite, vinyl, fiberglass, pebble and tile*
Cord	60' Kevlar reinforced with swivel
Filter Media Access	Top access – removable debris container

**NOTE:** \*Tile may require foam roller option



Caddy Cart – RC3400CC included



Spring Clean-up Filter Elements for heavier debris – RCX70103PAK2 (sold separately)

For replacement parts see page 214-215

New for 2016, our e.Vac series of robotic cleaners feature a new and contemporary design. Both e.Vac and e.Vac Pro™ by Hayward® are built with the highest-quality components and proven technology that create reliable, consistent results while maximizing energy efficiency. Whether you clean your pool floor and covers with e.Vac or cover the floor, walls, coves and waterline with e.Vac Pro, the cleaners' robust, low-profile design and top-access filters give them an added bite.

## Application

- In-ground residential pools – gunite, vinyl, fiberglass, pebble and tile
- Cleans pool floor and coves (e.Vac); cleans pool floor, walls, coves and waterline (e.Vac Pro)

## Features

### Efficient cleaning program

- Features a smart steering technology that provides an efficient cleaning pattern for complete pool coverage.

### Easy top-access to debris removal

- Top-access filter allows quick debris removal and easy cleanup.
- 2 fine porosity filter elements – just remove and rinse with garden hose.

### Easy to use

- Requires no hoses or hookups nor additional pumps – just let it clean.
- Runs separately from the pool's filtration system, reducing the frequency of filter backwash cycles saving both time and money.

### Sensors (e.Vac Pro only)

- Out-of-water sensor protects the motor by preventing cleaners from running out of the water.
- Beach-entry sensor reverses direction when pool cleaner starts climbing out of the water.



Caddy Cart – RC97385D included



Spring Clean-up Filter Elements for heavier debris – RCX70103PAK2 (sold separately)



e.Vac and e.Vac Pro

NEW LOOK

## e.Vac & e.Vac Pro Buying Guide

New Model Number*	Description	Ctn. Qty.	Ctn. Weight
<b>e.Vac</b>			
RC9738CTBY	e.Vac Robotic Cleaner with Caddy Cart	1	53 lbs.
<b>e.Vac Pro</b>			
RC9738WCCTBY	e.Vac Pro Robotic Cleaner with Caddy Cart	1	53 lbs.
<b>Accessories</b>			
RCX70101PAK2	Replacement Filters (set of 2)	5	4 lbs.
RCX70103PAK2	Spring Clean-up Filters (set of 2)	5	2 lbs.

## Product Specifications

	e.Vac by Hayward®	e.Vac Pro™ by Hayward®
Pool Coverage	Pool floor, coves	Pool floor, walls, coves, waterline
Cleaning Cycle	2 hours	3 hours
Cleaning Schedule	Manual start	
Pool Size	up to 20' x 40'	
Pool Surface	Gunite, vinyl, fiberglass, pebble and tile**	
Cord Length	50'	60'
Filter Media Access	Top access – removable debris container	

NOTE: \*\*Tile may require foam roller option

# TriVac™ 700

DUAL-MODE PRESSURE CLEANER

## EXPERT LINE

Forget the net, leave the skimming to us. Introducing the TriVac 700™ pressure cleaner—the only cleaner with Top and Bottom modes capable of skimming debris from the surface of the water in addition to vacuuming the pool floor, walls and coves. Versatile and one-of-a-kind, TriVac 700 features patented AquaDrive® Technology; powerful jets that propel the cleaners easily and efficiently around the pool. No matter the cleaning mode, AquaDrive helps TriVac get the job done faster and with less wear-and-tear.

### Applications

- In-ground residential pools – gunite, vinyl, fiberglass, pebble and tile
- Skims debris from the top surface of the water
- Cleans the pool floor, walls and coves

### Features

#### Unique skimming feature

- The only cleaner that captures debris on the top surface of the pool.

#### Easy access dial for mode selection

- Simple turn of dial allows choice between Skimming Top Mode or Bottom/Wall Mode.

#### Patented AquaDrive® technology

- Powerful jets propel cleaner easily and efficiently around the pool.
- Unique short back-up sequence helps reduce cleaning time.
- Low-friction wheels eliminate wear-and-tear on pool surfaces.
- Three high-pressure venturi jets and a wide vacuum inlet easily pick up larger debris.

#### Powerful sweep hose

- Improves coverage by stirring up debris in hard-to-reach areas.

#### Easy management of dirt and debris

- Patented extra-large debris bag with unique float carries more and requires less maintenance.



TriVac 700

### TriVac 700 Buying Guide

Model Number	Description	Ctn. Qty.	Ctn. Weight
TVP700C*	TriVac 700 Top Skimming and Bottom/Wall Pressure Cleaner	1	28 lbs.

\*EXPERT LINE products are not available for online resale.

#### Product Specifications

Pool Coverage	Top Skimming Mode (surface skimming); Bottom/Wall Mode (pool floor, walls and coves)
Pool Surface Skimming	Yes
Pool Size*	up to 20' x 40'
Hose Length	30'
Drive/Back-up System	Patented AquaDrive® technology
Cleaning to Backup Ratio	90% – 10%
Optimal Working Pressure	23 PSI

NOTE: \*Optional hose kit is available for larger pools or special configurations.

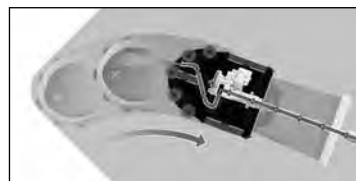
#### Top Skimming Mode



#### Bottom/Wall Mode



#### Unique Back-up Sequence



Hayward Booster Pump (Model 6060) is exceptionally quiet and uses up to 40% less electricity than other booster pumps (required for operation and sold separately).



TriVac 500

When skimming is not required, the TriVac™ 500 provides the perfect solution for superior coverage of the pool floor, walls and coves. Featuring patented AquaDrive® technology, its powerful jets propel the cleaner gently around the entire interior of the pool as its wide vacuum inlet scoops up more dirt and debris. A powerful sweep hose helps the cleaner cover corners and crevices, while a unique short back-up sequence helps it work faster. With an extra-large debris bag and unique float, TriVac 500 can carry that much more.

### Applications

- In-ground residential pools – gunite, vinyl, fiberglass, pebble and tile
- Cleans the pool floor, walls and coves

### Features

#### Patented AquaDrive technology

- Powerful jets propel cleaners easily and efficiently around the pool.
- Unique short back-up sequence helps reduce cleaning time.
- Low-friction wheels eliminate wear-and-tear on pool surfaces.
- Three high-pressure venturi jets and a wide vacuum inlet easily pick up larger debris.

#### Powerful sweep hose

- Improves coverage by stirring up debris in hard-to-reach areas.

#### Easy management of dirt and debris

- Patented extra-large debris bag with unique float carries more and requires less maintenance.

## TriVac 500 Buying Guide

Model Number	Description	Ctn. Qty.	Ctn. Weight
TVP500C	TriVac 500 Bottom/Wall Pressure Cleaner	1	28 lbs.

Product Specifications	
Pool Coverage	Pool floor, walls, coves
Pool Surface Skimming	No
Pool Size*	up to 20' x 40'
Hose Length	30'
Drive/Backup System	Patented AquaDrive technology
Cleaning to Backup Ratio	90% – 10%
Optimal Working Pressure	23 PSI

NOTE: \*Optional hose kit is available for larger pools or special configurations.

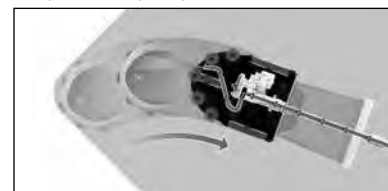


Hayward Booster Pump (Model 6060) is exceptionally quiet and uses up to 40% less electricity than other booster pumps (required for operation and sold separately).

A superior, faster clean.



Unique back-up sequence.



# DV5000, AquaRay®

## AUTOMATIC DISC SUCTION CLEANERS

### DV5000

Backed by the most trusted name in swimming pool equipment, the DV5000 scoops up dirt and debris in a single pass. The DV5000 has only one moving part that automatically propels it through the water picking up dirt, debris, twigs and pebbles. Its quiet and efficient operation ensures full coverage of the pool's floor and walls.

#### Applications

- In-ground residential pools
- Cleans pool floor, walls and coves

#### Features

- Diaphragm technology – quiet operation
- Cleans the pool's floor and walls
- One moving part
- Pulls in dirt from 3 intake ports
- Swivel foot pad for easy navigation out of tight corners
- Automatic regulator valve sets the ideal suction for peak performance

### AquaRay

AquaRay is an affordable, automatic suction cleaner with only one moving part for added reliability. Backed by the most trusted name in swimming pool equipment, AquaRay scoops up dirt and debris from three separate intake ports. Its gliding motion makes it an ideal choice for cleaning above-ground pools and is easily installed, without tools, in less than 10 minutes.

#### Applications

- Above-ground pools
- Cleans pool floor and coves

#### Features

- Flapper technology – only one moving part
- Installs in less than 10 minutes without tools
- Works with your existing filtration system; no extra energy-consuming booster pump is required
- Pulls in dirt from three intake ports
- Automatic regulator valve sets the ideal suction



DV5000



AquaRay

### DV5000 Buying Guide

Model Number	Description	Ctn. Qty.	Shipping Weight
DV5000	Diaphragm Disc Cleaner	1	15 lbs.

#### Product Specifications

Pool Coverage*	Pool floor, walls, coves
Drive Sequence	Random pattern
Propulsion System	Diaphragm
Pool Size	up to 20' x 40'
Pool Surface	Gunite, vinyl, fiberglass, pebble and tile
Hose Length	40'

**NOTE:** \*Wall climbing capability and pool coverage may be affected by specific pool shapes and surfaces. The cleaner may not climb the wall under certain conditions.

### AquaRay Buying Guide

Model Number	Description	Ctn. Qty.	Shipping Weight
DV1000	Flapper Disc Cleaner	1	12 lbs.

#### Product Specifications

Pool Coverage*	Pool floor, walls, coves
Drive Sequence	Random pattern
Propulsion System	Hammer
Pool Size	up to 16' x 32'
Pool Surface	Gunite, vinyl, fiberglass, pebble and tile
Hose Length	32'

**NOTE:** \*Wall climbing capability and pool coverage may be affected by specific pool shapes and surfaces. The cleaner may not climb the wall under certain conditions.



Leaf Canister

Skimmer Vacuum Plate

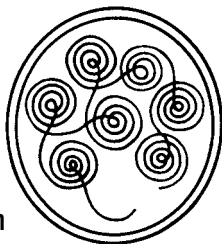
VacLock™ Safety Wall Fitting

For replacement parts see page 222-223

# AquaBug®, Scuba Dave™, Wally the Whale™

AUTOMATIC POOL CLEANERS FOR ABOVE-GROUND POOLS

In the tradition of the AquaBug, the new Hayward family of above-ground pool cleaners are designed to clean the bottom of all sizes and shapes of above-ground/on-ground pools – automatically. These attractive little fellows operate off the pool's existing filtration system and feature our exclusive SmartDrive® program steering so it won't miss a spot. Performance, price and stimulating 4-color cartons are sure to make these products one of your best sellers.



SmartDrive®  
cleaning pattern for  
above-ground pools.



PC500 AquaBug



PC900 Wally the Whale



PC700 Scuba Dave

## Applications

- Above-ground pools (flat or dished bottoms)
- On-ground pools

## Features

- Attractive 4-color unitized cartons create a professional presentation that will stimulate sales
- Patented SmartDrive programmed steering system ensures the entire bottom of the pool is cleaned quickly and completely
- Installs in less than 10 minutes, without tools
- Unique turbine/gearing system provides constant balanced water flow assuring quiet operation and gentle movement across the pool bottom
- Improves water circulation by pulling water from the pool bottom as it moves
- Advanced, contoured head design allows the steering pattern to be completed in minimal time
- Deluxe bumper ring minimizes friction for easy movement away from walls and resumption of the programmed steering pattern
- Slotted santropene shoes for quick turns
- 1 year warranty

## Tips on Hose Requirements

A simple rule of thumb is to measure from the skimmer (or dedicated suction line) to the farthest point in the pool then add three (3) extra hose lengths.

## AquaBug, Scuba Dave, Wally the Whale Buying Guide

Model Number	Description	32 ft. of Hose	Skimmer Cone	Installation Video	Ctn. Qty.	Ctn. Weight
<b>Unitized Packaging</b>						
PC500	AquaBug	✓	✓	✓	1	21 lbs.
PC700	Scuba Dave	✓	✓	✓	1	21 lbs.
PC900	Wally the Whale	✓	✓	✓	1	21 lbs.

Unitized packaging is a high gloss, professional point-of-sale package designed for the retail store environment. Pallet ordering (12 units per pallet). Mix of 4 units per personality or full pallet of a single character.



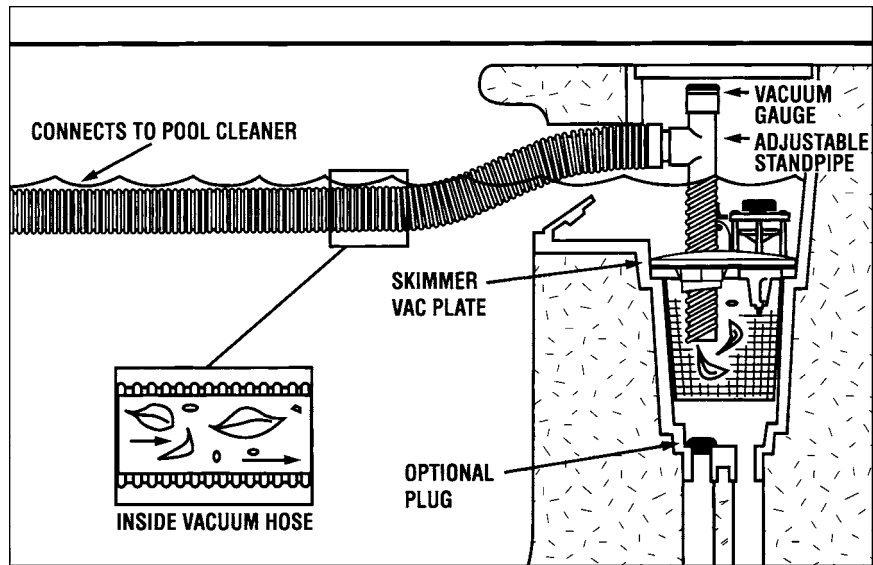
# Accessories

## SKIMMER VACUUM PLATES AND LEAF/DEBRIS CANISTERS

The Hayward Skimmer Vac Plate is a great accessory for achieving a pool cleaning balance that automatically alternates between skimming and vacuuming with each cycle of the filtration system's time clock. Features include a pressure relief valve for safety and reinforced ABS construction for strength and durability.

### Features

- Automatically alternates between vacuuming the pool and skimming the pool's surface
- Finger-tip dial control for superior skimming action and proper vacuum settings
- Back-mounted vacuum gauge conveniently located for simple and accurate vacuum measurements
- Adjustable standpipe for various skimmer depths
- Factory-set pressure relief valve for added safety
- Reinforced ABS construction for durability



Hayward's Skim Vac Plate is easily installed into the pool's skimmer and attaches directly to the pool vacuum hose line. Debris is deposited into the skimmer basket for easy clean-up.

### Skimmer Vacuum Plate Buying Guide

Model Number	Description	Ctn. Qty.	Ctn. Weight
W490R	Automatic skimmer vacuum plate (compatible with Hayward SP1082, SP1084, SP1085, Pac-Fab Skim Clean – not compatible with SP1086C)	12	46 lbs.
W491R	Automatic skimmer vacuum plate (compatible with Hayward SP1070, SP1071, SP1075, All Swim Quip U-3's, American Products, Pac-Fab Bermuda)	12	46 lbs.

### Debris/Leaf Canister Buying Guide

Model Number	Description	Ctn. Qty.	Ctn. Weight
W560	Leaf canister*	6	19 lbs.
W530	Large capacity leaf canister with mesh bag	6	26 lbs.
W550	1 1/2" adapter kit (for use with a W450 or W530 with manual vacuum cleaner)	10	1 lb.

NOTES: To utilize leaf canisters with hand vacuums, one of the above adapter kits will be necessary.

\*For use with any existing suction-side cleaner.

### VacLock Buying Guide

Model Number	Description	Ctn. Qty.	Ctn. Weight
W400BBKP	VacLock Safety Wall Fitting, Black	10	2 lbs.
W400BWHP	VacLock Safety Wall Fitting, White	10	2 lbs.
W400BLGP	VacLock Safety Wall Fitting, Lt. Gray	10	2 lbs.

Ruggedly built, Hayward leaf/debris canisters are designed with the pool professional in mind. Choose the appropriate canister that fits your individual vacuuming applications.

### Features

- Extra-large basket or bag traps leaves and debris before they reach the filter system
- Superior design ensures that water will always bypass debris and maintain proper water flow to pump
- Easy-open lid provides quick access to basket
- See-through body lets you see when basket needs cleaning



Leaf Canister



### Accessories Buying Guide

Part Number	Description	<b>EXPERT LINE</b>	
V-Flex™ Upgrade Kits	*EXPERT LINE products are not available for online resale.		
VX3000CKITBLK*	V-Flex Upgrade Kit – Concrete, Black		
VX3000CKITWH*	V-Flex Upgrade Kit – Concrete, White		
VX3000VKITWH*	V-Flex Upgrade Kit – Vinyl, White		
VX3000SCKITBK*	V-Flex Upgrade Servicer Kit – Concrete, Black		
VX3000SCKITWH*	V-Flex Upgrade Servicer Kit – Concrete, White		
VX3000SVKITWH*	V-Flex Upgrade Servicer Kit – Vinyl, White		
<b>V-Flex™ Upgrade Kit Content</b>			
<ul style="list-style-type: none"> <li>• V-Flex Turbine Kit</li> <li>• Bearing Free A-Frame Kit and Retainer</li> <li>• Replacement Shoes</li> </ul>		<ul style="list-style-type: none"> <li>• Replacement Wings</li> <li>• Suction Inlet (Throat)</li> </ul>	
<b>V-Flex™ Servicer Upgrade Kit Content</b>			
<ul style="list-style-type: none"> <li>• V-Flex Turbine Kit</li> <li>• Bearing Free A-Frame Kit and Retainer</li> <li>• Replacement Shoes</li> <li>• Replacement Wings</li> </ul>		<ul style="list-style-type: none"> <li>• Suction Inlet (Throat)</li> <li>• Pod Kit</li> <li>• Front and Rear Flaps</li> </ul>	

Model Number	Description	Ctn. Qty.	Ctn. Weight
V094P	In-line flow regulator valve	10	3 lbs.
V574P	In-line flow gauge	25	7 lbs.
V305P	PoolVac Classic™ and PoolVac Plus™ bumper (assists in steering clear of unusual objects)	25	4 lbs.
SP1048AVH	Suction outlet bumper. Keeps automatic cleaners from sticking to drain cover (for original Hayward 8" SP Series anti vortex drain covers only).	10	2 lbs.
AXW100	Ladder Guard	5	12 lbs.

#### Turbine Cleaner Tune-Up and Repair Kits

AXV414604WHP	Wing and shoe maintenance kit	50	9 lbs.
AXV621417WHP	A-frame turbine and pod tune up kit	10	10 lbs.
AXV622604WHP	Propulsion and wings rebuild kit	1	3 lbs.
AXW321	Tune-up Kit, PoolVac (vinyl, old style), White	10	5 lbs.
AXW350	Tune-up Kit, PoolVac Plus or Navigator (concrete), White	10	5 lbs.

NOTE: AXW series tune up kits include a set of wings, shoes and flaps, a screwdriver and a cleaning brush.

#### Hose Packages for PoolVac and Navigator®

V532*	Bulk leader hose package – 8 - 4 ft. lengths	1	7 lbs.
V130*	Standard hose package for in-ground cleaners only. (includes: one (1) leader hose, nine (9) connector hoses, one (1) skimmer adapter cone)	1	9 lbs.
V1032LG	32" Bulk connector hose package, Light Gray	1	15 lbs.
V109*	48" Bulk connector hose package	1	21 lbs.

#### Hose Packages for AquaNaut®

PVCHP1900GRP10	Bulk connector hose package – 10 - 40" lengths	10	8 lbs.
PVLHP1900GRP10	Bulk leader hose package – 10 - 40" lengths	10	8 lbs.
PVCHK1900GR	Complete hose package	9 connectors 1 leader hose	8 lbs.

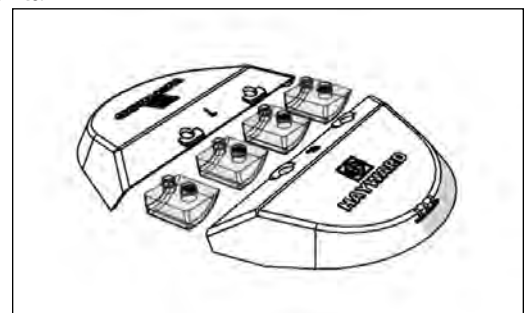
#### Hose Packages that work with all Hayward Automatic Cleaners

DC178PAK8	Bulk leader hose package – 8 - 32" lengths, Green	1	4 lbs.
DC176PAK24	Bulk connector hose package – 24 - 32" lengths, Green	1	12 lbs.
DC2072PAK24	Bulk connector hose package – 24 - 32" lengths, Silver	1	12 lbs.

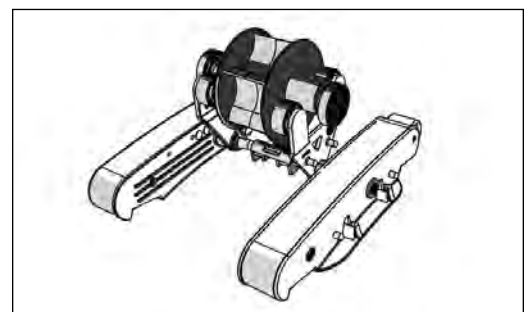
NOTES: \*When ordering, add the following suffix for desired color: LG = Light Gray BK = Black DV5000 and AquaRay® do not require a leader hose

Hayward has a variety of products designed to improve, enhance and maintain our automatic suction cleaner line. New for 2016, most existing PoolVac and Navigator® cleaner models can be easily updated with the new V-Flex™ upgrade kit. Once installed, the cleaners will be equipped with the latest patented internal turbine technology, V-Flex, along with a new body and A-frame design that delivers more power, reliability and performance than ever.

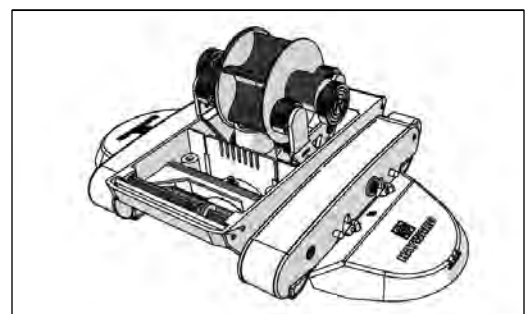
Patented V-Flex variable vane technology allows for larger debris pickup more than any other cleaner on the market and maximizes suction power at lower flow for energy-efficient results, perfect for use with variable speed pumps. All components within the upgrade kit improve the performance of debris handling, energy-efficiency, all with fewer moving parts to maintain.



Wing and Shoe Maintenance Kit



A-Frame Turbine and Pod Tune Up Kit



Propulsion and Wings Rebuild Kit

# Automatic Cleaner Technical Guide

## THE BASICS OF AUTOMATIC CLEANER SIZING AND INSTALLATION

### Cleaner Selection

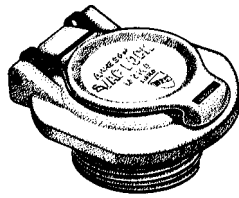
Hayward automatic cleaners are available for both in-ground and above-ground swimming pool applications, with in-ground models specifically designed for vinyl, gunite and fiberglass types. Selecting the proper model will ensure your automatic cleaner operates as efficiently as possible.

### Installation

Hayward automatic cleaners are “suction side” cleaners and can operate by simply removing the skimmer basket and connecting the cleaner hose direct to the suction line. For in-ground applications, alternate installation options are available.

### Dedicated Suction Line Applications

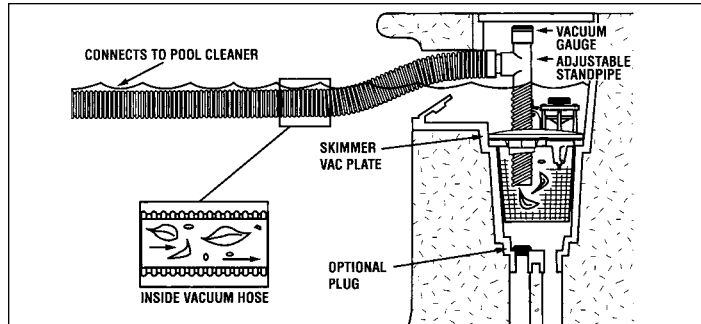
For applications where an in-wall suction line is desired, Hayward offers the Vac Lock™, listed by the International Association of Plumbing and Mechanical Officials. The Vac Lock is a safety mechanism designed with a spring action cover to hold the hose in place and to close the suction fitting automatically when not in use.



Vac Lock™ Safety Wall Fitting

### Automatic Skimming – Vacuuming Action

Hayward also offers a Skimmer Vacuum Plate that automatically alternates between skimming and vacuuming for greater pool cleaning balance. Skimmer Vacuum Plates allow the debris to be caught in the skimmer basket for easier clean-up.



Hayward Skimmer Vacuum Plate

### Optimal Cleaning Efficiency

For pools with heavy debris, Hayward leaf canisters are available. The large capacity canisters trap leaves and other large debris before reaching the pool's pump and filter system. The superior design allows the water to bypass the debris and maintain proper flow to the pump. See-thru body allows you to immediately know when emptying is necessary.



Navigator Pro

### Sizing Automatic Cleaner Hose Length/Tips on Vacuum Requirements

To correctly size Hayward automatic cleaners, measure from the skimmer or Vac Lock to the farthest point in the pool. Add two hose lengths to provide sufficient mobility for the cleaner.

Example: A 16' x 32' rectangular pool will normally require 8-10 lengths of hose depending on depth and skimmer placement.

After the correct hose length is selected and automatic cleaner installed, use the in-line vacuum gauge to check for proper water flow and adjust to satisfy the formula below.

Proper Vacuum = 1" of vacuum x # of hose lengths

Example: A pool using 8 hose lengths requires 8" of vacuum for proper operation.

If the vacuum level is too high, adjust the filter system valving accordingly. In the absence of sufficient valving, use the optional in-line regulator valve.

Improper vacuum levels can prevent the cleaner from climbing vertical walls in gunite/concrete pools or “sticking” at steps and corners. Maintaining proper vacuum also ensures efficient water flow through the throat for effective cleaning.

For complete installation information, refer to your Hayward automatic pool cleaner's installation manual.

### Saving Money by Saving Energy

The Navigator and Pool Vac suction cleaners use the existing filtration system and do not require a Booster Pump — thereby saving operating and maintenance costs.



Universal ColorLogic is the first color LED pool and spa light bright enough to illuminate the millions of pools with just one light. 100% brighter than any LED pool light available, these energy-efficient lights deliver spectacular color while replacing conventional incandescent lights.

These low-voltage lights can save up to 86% on energy costs and last 10 times longer than incandescent bulbs.

Pool owners can choose from 10 solid colors and 7 dynamic, color-changing light shows to set the perfect theme for any occasion. Plus, when integrated with a Hayward Automation System, ColorLogic networked LED lights expand to offer 101 colors and 11 light shows — all adjustable for speed, motion and brightness. Discover how Hayward's brilliant pool and spa lighting can transform any backyard environment into an oasis of color.

### Aftermarket

- 2x brighter than any color LED light available on the market
- Only LED pool light cUL Listed for safe installation in virtually any manufacturer's niche
- Lasts 10 times longer than incandescent bulbs
- Use 86% less energy than typical incandescent pool lights
- Color shows that match current ColorLogic® or Pentair® SAM™ light shows – so you only have to replace one light at a time

### New Construction

- Low Profile Niche doesn't require a bond, ground, GFCI breaker, rebar cage, extra dig or Scotchcast to install
- UCL Niche lowers installation costs by up to \$200 per light
- Easy Twist Lock no tool light installation
- Can be installed on the wall or in the floor in as little as 4 inches of water
- All plastic construction with no gaskets increases reliability

### Network Lights

Model Number	
LPCUN11100	Large, 100' cord
LSCUN11100	Small, 100' cord
AQL-COLOR-MODHV	Module
LKBUN1000	Coupler

### Universal ColorLogic® Buying Guide

Standard Switched Light	Hayward Automation Networked Lights	Pool or Spa	Voltage	Cord Length	Ctn. Qty.	Ctn. Weight
LPCUS11030		Pool	12	30'	1	7 lbs.
LPCUS11100	LPCUN11100	Pool	12	100'	1	14 lbs.
LSCUS11030		Spa	12	30'	1	4 lbs.
LSCUS11100	LSCUN11100	Spa	12	100'	1	11 lbs.

### Kits Buying Guide

Transformer Retrofit Kits	Description
SP3495	Deck Box
SP3495CDGR	Deck Box (Dark Gray)
LFVUY1000	UCL Jiffy Niche, vinyl/fiberglass
SPSUV1002	(2) small LED light kit, 100 ft. cord, deck box, 6" niche, transformer
SPPUV100	(1) large LED light kit, 100 ft. cord, deck box, 10" niche, transformer
SPPUV1002	Lamp LED Light System (2) large LED light kit, 100 ft. cord, deck box, 10" niche, transformer

### Transformer

Model Number	
LTBUY11300	300W Wall Mount Transformer

### Configurable Trim Rings Buying Guide

Model Number	Description	Ctn. Qty.	Ctn. Weight
LNBUY1000	Pool Trim Ring, Black	10	4 lb.
LNEUY1000	Pool Trim Ring, Beige	10	4 lb.
LNBUY1000	Pool Trim Ring, Blue	10	4 lb.
LNGUY1000	Pool Trim Ring, Dark Gray	10	4 lb.
LNVUY1000	Pool Trim Ring, White Burst	10	4 lb.
LQBUY1000	Spa Trim Ring, Black	5	1 lb.
LQEUY1000	Spa Trim Ring, Beige	5	1 lb.
LQFUY1000	Spa Trim Ring, Blue	5	1 lb.
LQGUY1000	Spa Trim Ring, Dark Gray	5	1 lb.
LQKUY1000	Spa Trim Ring, Faux Chrome	5	1 lb.
LQVUY1000	Spa Trim Ring, White Burst	5	1 lb.

# ColorLogic® 320

12V LED POOL, SPA AND BACKYARD LIGHTS



ColorLogic 320 1.5-inch LED Light

ColorLogic 320 & 160 1.5-inch LED lights are ideal for discreet pool and spa lighting, or highlighting water features, baja shelves, steps, landscaping and more. Available in two brightness levels and able to be installed in wet or dry environments, these versatile lights can meet the needs of any backyard application. Featuring the same 10 fixed colors and 7 color-changing shows as Universal ColorLogic, ColorLogic 320 & 160 lights offer total color coordination of all water environments. Plus, these low-voltage LED lights use far less energy than incandescent bulbs to save your customer's money, and last up to 10 times longer, virtually eliminating service calls to replace bulbs. With ColorLogic, you can expect to offer a striking, expertly coordinated environment for all your customer's backyard occasions.

## ColorLogic® 320 LED Light Buying Guide (Light only)

Model Number	Description	Type	Ctn. Qty.
<b>High Lumen ColorLogic 320 12V LED Lights</b>			
LACUS11050	1.5-inch LED Light, 50 ft. cord	Standard Switched	1
LACUS11100	1.5-inch LED Light, 100 ft. cord	Standard Switched	1
LACUN11050	1.5-inch LED Light, 50 ft. cord	Automation Networked	1
LACUN11100	1.5-inch LED Light, 100 ft. cord	Automation Networked	1

## Kits with Fitting Buying Guide

Kit	Description
<b>Standard Lumen ColorLogic 160 12V LED Lights</b>	
LYCCS11050	1.5-inch LED Light w/dark gray faceplate, return fitting, VINYL, 50ft.
LYCCS11100	1.5-inch LED Light w/dark gray faceplate, return fitting, VINYL, 100ft.
<b>High Lumen ColorLogic 320 12V LED Lights</b>	
LACCS11050	1.5-inch LED Light w/dark gray faceplate, return fitting, VINYL, 50ft.
LACCS11100	1.5-inch LED Light w/dark gray faceplate, return fitting, VINYL, 100ft.

## Wall Fitting (Includes retainer) Buying Guide

Model Number	Description	Ctn. Qty.
SP0536AF	Wall Fitting, Gunite, White	20
SP0536AFGR	Wall Fitting, Gunite, Gray	20
SP0536AFDGR	Wall Fitting, Gunite, Dark Gray	20
SP0536AFBLK	Wall Fitting, Gunite, Black	20
SP0537AF	Wall Fitting, Fiberglass, White	20
SP0537AFGR	Wall Fitting, Fiberglass, Gray	20
SP0537AFDGR	Wall Fitting, Fiberglass, Dark Gray	20
SP0537AFBLK	Wall Fitting, Fiberglass, Black	20
SP0538AF	Wall Fitting, Vinyl, White	20
SP0538AFGR	Wall Fitting, Vinyl, Gray	20
SP0538AFDGR	Wall Fitting, Vinyl, Dark Gray	20
SP0538AFBLK	Wall Fitting, Vinyl, Black	20
SP0536PR15	Gunite Seal Ring, Gray	20

## Applications

- Pool/Spa Lighting
- Water Feature Lighting
- Wet or Dry Backyard Lighting

## Features

- Easiest 1.5-inch lights to install at just 4 inches below the waterline and in as little as 8 inches\* of PVC Conduit
  - Ideal for lighting steps, water features, baja shelves, bubblers and more
  - Can be installed wet or dry
  - Lasts 10 times longer than incandescent lights
  - 10 fixed colors and 7 color-changing shows
  - 101 colors and 11 color-changing shows when networked with Hayward Automation Systems
  - Available in two brightness levels
  - cUL-listed for safe wall or floor installation
- \*Networked lights 10 inches in length

## Retainer Buying Guide

Model Number	Description
SP0536C	1.5-inch LED Light Retainer, White
SP0536CGR	1.5-inch LED Light Retainer, Gray
SP0536CDGR	1.5-inch LED Light Retainer, Dark Gray
SP0536CBLK	1.5-inch LED Light Retainer, Black

## Transformer

Model Number	Description
LTBUY11300	300W Wall Mount Transformer

## Installation Tool

Model Number	Description
SP0536CTOOL	ColorLogic and CrystaLogic 320 & 160 Tool (Retainer tightener)

# ColorLogic® 80 & 40

12V LED POOL, SPA AND BACKYARD LIGHTS

For a sophisticated, architectural way to accent water and landscape features, Hayward's ColorLogic 80 & 40 .5" LED lights deliver rich, colorful detail. These discreet lights are designed to brighten hard-to-illuminate areas such as steps, decking, water features and more—allowing backyard creativity to shine. Easy to install in wet or dry environments, these versatile lights install in ½" PVC conduit and last 10 times longer than incandescent bulbs. Plus, ColorLogic 80 & 40s sync seamlessly with all lights in Hayward's low-voltage ColorLogic family for an expertly coordinated backyard oasis.

## Applications

- Pool/Spa Lighting
- Water Feature Lighting
- Wet or Dry Backyard Lighting

## Features

- Illuminate hard to reach areas, such as steps, water features, landscaping, decking, sun shelves, sheer cascades, waterfalls and more.
- Discreet design lets you enjoy backyard ambience without seeing the source.
- Simple to sync with the 12V ColorLogic family of lights, offering 10 fixed colors and 7 dynamic color-changing shows to match your mood.
- Compression installation provides the industry's easiest and most flexible set-up.
- Install in wet or dry environments in ½ inch PVC conduit and installs at just 4 inches below the waterline.
- 86% more efficient than typical incandescent bulbs.
- Available in two brightness levels.

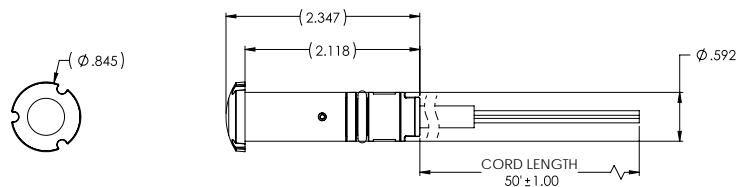


ColorLogic 80 & 40 .5 inch LED Lights

## ColorLogic 80 & 40 White LED Lights Buying Guide

Model Number	Description	Cord Length	Ctn. Qty.	Shipping Weight
LMCUS11050	ColorLogic 80* .5 inch LED Light – High Lumen	50 ft.	1	2.75 lbs.
LNCUS11050	ColorLogic 40*.5 inch LED Light – Standard Lumen	50 ft.	1	2.75 lbs.
LMCUSPS005	ColorLogic Controller, Switched Version	50 ft.	1	3.1 lbs.
LMCUNPS005	ColorLogic Controller, Networked Version	50 ft.	1	3.1 lbs.

## Overall Dimensions (inches)



# Universal CrystaLogic™

12V LED POOL AND SPA LIGHTS

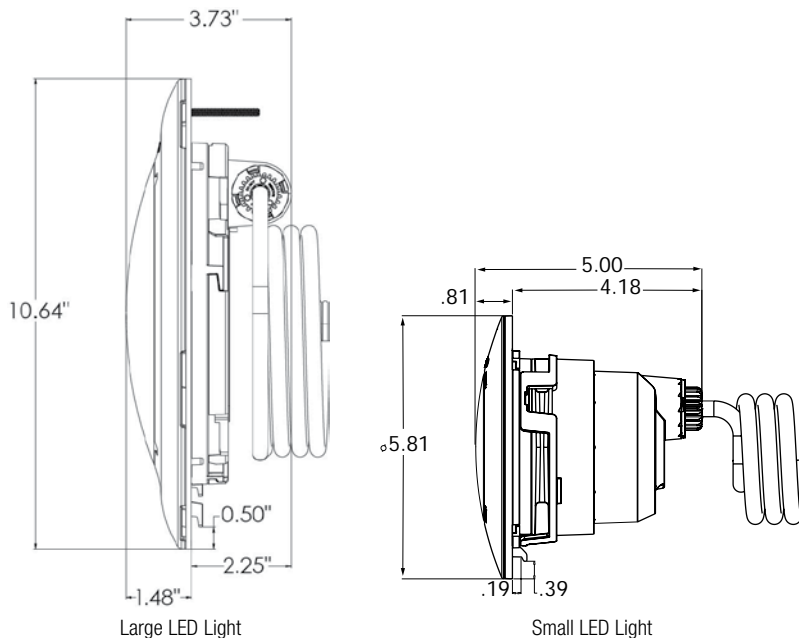


Universal CrystaLogic White LED Lights

## CrystaLogic LED White Light

Model	Large or Small	Cord Length	Volt
LPWUS11100	Large	100 ft.	12V (500 watt equivalent)
LPWUS11030	Large	30 ft.	12V
LSLUS11100	Small	100 ft.	12V
LSLUS11030	Small	30 ft.	12V (100 watt equivalent)

## Overall Dimensions



Universal CrystaLogic™ White LED Lighting represents a breakthrough technology for the illumination of any water feature or body of water. The optimized LED and optic design delivers both extraordinary lumen per watt energy efficiency and associated long lifetime cost. Our 300W pool equivalent delivers the same lumens as the leading competitor's claimed 500W equivalent and offers savings of 79% vs. incandescent equivalents.

CrystaLogic presents a compelling opportunity for any owner/operator to drastically cut operational cost while delivering game-changing performance. Its all-plastic construction is truly universal – it's UL listed to retrofit virtually any installed niches, allowing most lights to be upgraded. These 12V, 2-wire, all-plastic lights can be installed as close as 4 inches from the waterline, and even upward facing without a rock guard, opening a wide range of new applications.

## Features and Benefits

- Brightest 100W spa, 300W pool equivalent LED lights
- Uses up to 79% less energy than incandescent lights and lasts up to 10 times longer
- Energy and maintenance savings can deliver a payback in less than two years
- UL listed to retrofit into most manufacturers' installed niches makes CrystaLogic truly universal
- 12V, 2-wire, all-plastic construction with an unbreakable lens make these lights intrinsically safe and easy to install
- Can be installed as close as 4" from the waterline and upward facing without a rock guard, suitable for main pool/spa illumination, beach entries, steps, shelves, water features, etc.
- UCL Thin Niche provides incredible installation savings for new construction
- Multiple color trim rings available to match surface finish. Ships with white and silver luster starburst trim rings



CrystaLogic 320 White LED Light

CrystaLogic 320 1.5-inch white LED lights are ideal for discreet pool and spa lighting, or highlighting water features, baja shelves, steps, landscaping and more. Available in two brightness levels and able to be installed in wet or dry settings, these versatile lights can meet the needs of any backyard application. These low-voltage LED lights use far less energy than incandescent bulbs to save your customer's money, and last up to 10 times longer, virtually eliminating service calls to replace bulbs. With CrystaLogic, you can expect to offer the best in small white lighting for the pool and spa environment.

### CrystaLogic 320 White LED Lights Buying Guide

Model Number	Description	Cord Length	Ctn. Qty.	Shipping Weight
LAWUS11050	High Lumen CrystaLogic 320 12V LED Lights	50	1	5.2 lbs.
LAWUS11100	High Lumen CrystaLogic 320 12V LED Lights	100	1	8.2 lbs.
LAWUS11150	High Lumen CrystaLogic 320 12V LED Lights	150	1	11.2 lbs.

#### Applications

- Pool/Spa Lighting
- Water Feature Lighting
- Wet or Dry Backyard Lighting

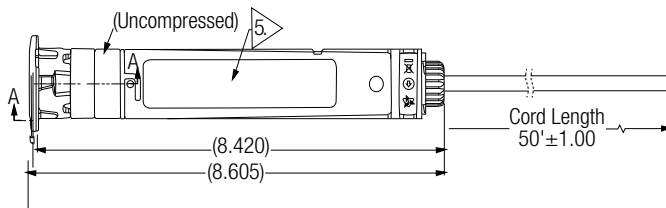
#### Features

- The easiest 1.5-inch lights to install at just 4 inches below the waterline and as little as 8 inches\* of PVC conduit
- Ideal for lighting steps, water features, baja shelves, bubblers and more
- Can be installed wet or dry
- Last 10 times longer than incandescent bulbs
- Available in two brightness levels and multiple cord lengths
- UL-listed for safe wall or floor installation

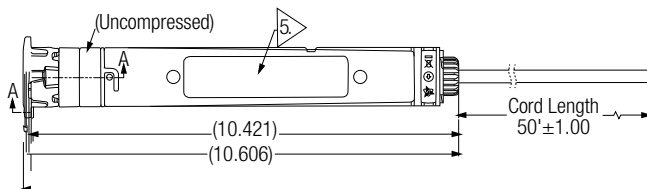
\*Networked lights are 10 inches in length

#### Overall Dimensions

##### Standard Switched Lights



##### Hayward Automation Networked Lights



# ColorLogic® Light Controller

12V LED POOL, SPA AND BACKYARD LIGHT WALL SWITCH

The ColorLogic Light Controller puts the power of colorful, customizable low-voltage ColorLogic LED lighting at your fingertips. Turn lights on or off with the push of a button, or set a countdown timer or schedule to do so automatically.

With the ColorLogic Light Controller's sleek, simple design, homeowners can instantly view and choose from 10 beautiful fixed colors and 7 color-changing light shows. When you select an option, the color or show displays in the innovative Preview window at the top of the controller so that you can see what it will look like, giving homeowners an additional level of control over their backyard ambiance.

The ColorLogic Light Controller is the only lighting controller that retrofits easily into an existing light switch, so it's easier to install than any other controller on the market. It's also compatible with Universal ColorLogic and ColorLogic 320, 160, 80 and 40 pool, spa and backyard lights, so you can completely coordinate an entire backyard.

## Applications

- Control of Pool, Spa and Backyard Lighting
- Indoor or protected outdoor use

## Features

- The only wall controller on the market that retrofits easily into an existing light switch.
- Innovative preview window that let's users view all ColorLogic colors and shows before choosing.
- Indicator LED lights illuminate to show the currently selected color or light show.
- Resync button allows you to easily resync lights in multiple-light installations.
- Schedule button allows you to input recurring light settings.
- Saves energy with internal lights that dim automatically.

This product ONLY WORKS WITH:

- Hayward Universal ColorLogic 12V LED Pool Light
- Hayward Universal ColorLogic 12V LED Spa Light
- Hayward ColorLogic 320, 160, 80, 40 12V LED Lights



ColorLogic Light Controller

## ColorLogic Light Controller Buying Guide

Model Number	Description	Ctn. Qty.	Shipping Weight
LKCUS1100	ColorLogic Light Controller, Standalone	6	3.6 lbs.
LKCUB1100	ColorLogic Light Controller, Bluetooth	6	3.6 lbs.

Voltage.....	120V
Amps.....	3A
Total Allowable Watts.....	300





Fixture Housing Niche

## Universal ColorLogic and CrystaLogic (UCL) Fixture Housing for new pool construction and renovations

UCL's new niches differentiate themselves from all other niches by providing incredible cost savings for new pool construction and simplicity for renovation projects.

### Features – Common to all models

- All plastic lighting system eliminates the need for bonding and grounding.
- Injection-molded PVC fixture housing for corrosion-free performance
- Socket conduit connection designed for quick and simple gluing to PVC pipe. Provides a clean, reliable seal
- U.L. approved sweep elbow fitting, coupling and reducer included with UCL pool and spa niches
- All 1" outlets can quickly be converted to 3/4" with a U.L. approved reducing adapter (included)
- Internally-threaded connection for pressure testing of conduit line

## Universal ColorLogic & CrystaLogic Housing Buying Guide

Model Number	Pool Type	Conduit Size	Conduit Outlet	Ctn. Qty.	Ctn. Weight
<b>Pool Light Fixture</b>					
LFGUY1000	Concrete	1" or 3/4" SKT	Rotatable at 90°	1	4 lbs.
LFVUY1000	Vinyl/Fiberglass	1" or 3/4" SKT	Rotatable at 90°	1	5 lbs.
<b>Spa Light Fixture</b>					
LGGUY1000	Concrete	1" or 3/4" SKT	45°, rear	1	2 lbs.

**NOTE:** UCL series niches accept the following light fixtures:

Universal ColorLogic and CrystaLogic Pool	LPCUS, LPCUN, LPLUS and LPWUS lights
Universal ColorLogic and CrystaLogic Spa	LSCUS, LSCUN and LPLUS lights

### Features – Pool Niche Concrete (LFGUY1000)

- UCL thin niche design can save you up to \$200 per light installation.
- Slim design eliminates the need for a re-bar light cage or secondary dig to install.
- All plastic lighting system eliminates the need for bonding, grounding, GFCI and potting per the NEC code.
- Quick and easy no tool twist lock light installation
- Deep and large plaster ledge makes it easier to get a great bond using any plaster.
- Guniting and plaster cover protect the niche and mounting area during guniting and plastering
- Unique mounting flanges make it simple to secure the niche anywhere in the re-bar during installation.
- Unique installation design, allows for cord exit to be configured at any 90 degree increment
- Easy sealing with included compression cord seal kit

### Features – Spa Niche Concrete (LGGUY1000)

- UCL spa niche design lowers installation cost for each light
- All plastic lighting system eliminates the need for bonding, grounding, GFCI and potting per the NEC code.
- 3/4" set-back plaster flange with tie-off holes to secure to re-bar and assure positioning during guniting.
- Unique 90 degree ledge at the flange bottom prevents "slumping" during plastering.
- Guniting and plaster cover protect the niche and mounting threads during guniting and plastering
- This spa niche has extra space for easy coiling and storage of the additional cord.

# Lighting Niches

FIXTURE HOUSING (NICHES)



**SP0600U DuraNiche for concrete pools (cover-up plate included – not shown)**



**SP0608U Jiffy Niche fixture housing and installation tool for Vinyl/Fiberglass spas**

**Jiffy Niche™ and DuraNiche™ fixture housings are injection-molded of PVC for superior performance, non-corrosive durability and plumbing versatility — plus the lowest installed cost. DuraNiche comes in for concrete/gunite pools, vinyl/fiberglass pools, or for concrete/gunite spas. When paired with Hayward's AstroLite™, ColorLogic 4.0, Universal ColorLogic® or Universal CrystaLogic™ lighting fixtures, you have the best quality and value in a lighting system available anywhere.**

### Features – Common to all models

- Injection-molded PVC fixture housing for corrosion-free performance
- Socket conduit connection designed for quick and simple gluing to PVC pipe. Provides a clean, reliable seal
- U.L. approved sweep elbow fitting, coupling and reducer, included in SP0600U, SP0607U and SP0601U, meet the highest standard and provide the most convenient installation
- All SP0600U and SP0607U niches have a 45° 1" outlet, which can be adjusted for top or rear conduit connection using the 45° U.L. approved sweep elbow (included). The SP0601U niche has a 1" rear outlet, which can be adjusted to 45°
- All 1" outlets can quickly be converted to 3/4" with a U.L. approved reducing adapter (included)
- All SP0600U and SP0607U have easily accessible connections for grounding/bonding
- Internally-threaded connection for pressure testing of conduit line
- UL Listed
- Complies with NEC 2002 with over 9 square inches of bonding surface area

### (SP0600U and SP0601U)

- 3/4" set-back plaster flange with tie-off holes to secure to re-bar and assure positioning during guniting
- Unique 90° ledge at the flange bottom prevents "slumping" during plastering
- Cover plate, included with each niche, protects the niche and mounting threads during guniting
- The SP0601 small diameter niche has extra space for easy coiling and storage of the relamping cord

### Features – Vinyl/Fiberglass (SP0607U)

- Attractive, injection-molded Duralon™ face rim assembly for corrosion-free performance
- Fits all standard punch designs, no tooling modifications are required
- Incorporates the dependability of Hayward's proven wall panel sealing method

### (SP0608U)

- Spacious, small niche
- Screw on mounting nut design. No screws required to mount through pool wall.
- Standard 6" hole size
- Comes with installation tool

## DuraNiche and Jiffy Niche Fixture Housings Buying Guide

Model Number	Pool Type	Conduit Size	Conduit Outlet	Ctn. Qty.	Ctn. Weight
SP0600U	Concrete	1" or 3/4" SKT	45°, top or rear	1	6 lbs.
SP0607U*	Vinyl/Fiberglass	1" or 3/4" SKT	45°, top or rear	1	7 lbs.

**NOTE:** Vinyl/Fiberglass model includes Duralon face plate, back-up ring (with drilled tabs), gaskets and screws.

\*Available in Dark Gray. Add suffix DGR for Dark Gray

Model Number	Spa Type	Conduit Size	Conduit Outlet	Ctn. Qty.	Ctn. Weight
SP0601U	Concrete	1" or 3/4" SKT	45°, rear	1	6 lbs.
SP0608U*	Vinyl/Fiberglass	1" or 3/4" SKT	45°, rear	1	4 lbs.

**NOTE:** \*Available in Dark Gray. Add suffix DGR for Dark Gray

**NOTE:** DuraNiche series niches accept the following light fixtures:

AstroLite	SP0580, SP0580S Series
AstroLite II	SP0590S, SP0590HS Series
ColorLogic 4.0	SP0527 and SP0535 Series
Universal ColorLogic	LPCUS, LPCUN, LSCUS, LSCUN
Universal CrystaLogic	LPLUS, LPWUS, LSLUS

# Underwater Lighting

PROSERIES™ LIGHT SP120, SP300 FOR INGROUND POOLS



SP240 Pro Series Light

Add a new dimension of beauty, enjoyment and safety to any pool or spa. Hayward Pro Series Lights offer a level of quality and versatility that you expect, at a price that gives you the value you deserve. Pro Series Lights feature an attractive European designed face with easy disassembly for simple relamping. Suitable for concrete or vinyl pools.

Pro Series 12volt lights will be available in a single lamp kit form with your choice of either 120 or 240 watt lamps. Also offered as a dual, 120 watt light. Kits contain: lamp(s), cord, niche(s) and installation decals.

## Pro Series™ 240 Watt Buying Guide

Model Number	Voltage	Wattage	Cord Length
SP240V100	120 volt/12 volt transformer	240	100'
SP240V100DGR	120 volt/12 volt transformer, dark gray	240	100'
SP240V100GR	120 volt/12 volt transformer, gray	240	100'

## Pro Series™ 120 Watt Buying Guide

Model Number	Voltage	Wattage	Lamps	Cord Length
SP120V100	120 volt/12 volt transformer	120	1	100'
SP120V2002	120 volt/12 volt transformer	120	2	200'
SP120V2002DGR	120 volt/12 volt transformer, dark gray	120	2	100'
SP120V2002GR	120 volt/12 volt transformer, gray	120	2	100'
SP3495C	Deck Box - white			
SP3495DGR	Deck Box - dark gray			

## Pro Series Faceplates

Model Number	Description
PRD240DGR	Faceplate, dark gray
PRD240GR	Faceplate, gray

## Pro Series™ 500 Watt Buying Guide

Model Number	Voltage	Wattage	Cord Length
SPPWV100	White Vinyl Light System	500W Eq.	100'
SPPWV030	White Vinyl Light System	500W eq.	30'

## Pro Series Colour LED Kit Buying Guide

Model Number	Description
SPLEDVKIT	LED IG light kit w/niche & transformer
SPLEDVKIT2	LED IG light kit w/niche & transformer (2 lights)

## Niches Buying Guide

Model Number	Pool Type	Ctn Qty.
SPX9470	Concrete	1
SPX9474	Vinyl	1

## Pro Series Colour LED Bulb Buying Guide

Model Number	Description
SPX050LED	Lamp and O-Ring, 12V
SPX9LED100	Lamp assembly, body, cord

## Transformer Buying Guide

Model Number	Voltage	Wattage
LTBCY11300	Wall mounted transformer	300

## AstroLite II Series Buying Guide

Model Number	Description
SP590KIT202	12 volt w/transformer & deck box kit
SP590KIT25	12 volt w/transformer & deck box kit

# Underwater Lighting

REPLACEMENT LIGHTS AND ACCESSORIES FOR ABOVE-GROUND POOLS



SP056525 (Installed)



SP056525T (Kit Components)

Hayward's Elite™ Underwater Quartz Halogen pool light is engineered for installation in all above-ground pools. The optical lens disburse the light for full pool coverage. The through-the-wall in-ground design can be installed anywhere around the pool for optimum lighting and doesn't interfere with the pool's filtration. The multi-colored lens kit adds an elegant touch to the pool's lighting, to create a special effect or enhance the mood. The light housing assembly and lens are constructed of a high grade chemical resistant acrylic material for durability. The light housing comes pre-wired with 25 feet of cord and 120v/12v transformer with on/off switch that can be installed in both storable and permanent above-ground pools. The Hayward Elite Underwater Quartz Halogen Flood Light is packed with features at a value price!

## Elite™ Quartz Halogen Flood Light Buying Guide

Model Number	Voltage	Wattage	Cord Length	Ctn. Qty.	Ctn. Weight
SP056525	120 volt/ 12 volt transformer	50 watts	25 ft.	6	48 lbs.

## Replacement Parts Buying Guide

Model Number	Description	Ctn. Qty.	Ctn. Weight
SPX0565Z1	Replacement 12 volt/50 watt halogen lamp with reflector	20	2 1/2 lbs.
SPX0565BL	Lens	1	1 lb.
SPX0565G	Gasket	10	1 lb.
SPX0565L	Color Filter Kit (3 lenses)	5 (sets of 3)	1 lb.

## Remote Buying Guide

Model Number	Description	Ctn. Qty.	Ctn. Weight
LPABGRMT	Remote for above-ground light	1	6 lbs.

### Features

- Efficient, low-voltage, 50 watt halogen light. Increases safety, fun, appearance and pool use!
- Position the light anywhere around the pool. Flexible 360°, wall positioning. Through-wall, in-ground design.
- Allows proper water circulation. Does not interfere with filtration.
- Mood enhancing color lens kit included.
- 10 minute, do-it-yourself installation. Kit includes: Light, pre-wired 12 volt transformer with on/off switch, 25 ft. cord, wall cutting tool and color lenses.



LPABGRMT



Hayward Waterfall Features

An attractive addition to any new, remodeled or existing pool or spa - the waterfalls create spectacular backyard water entertainment with stunning LED lighting effects.

Relax to the soothing sounds of steady, even flowing water and built-in waterproof LED lights (LED optional).

### Features

- Steady and even flow
- Built-in water-proof LEDs add colour to the water (optional)
- The LEDs can be operated through panel or remote control and 10 lighting patterns are available
- Different lengths of lips in different models can fit various brick sizes for installation
- Multiple water descents can share the same controller to work together
- Back Feed Inlet

## LED Waterfalls Buying Guide

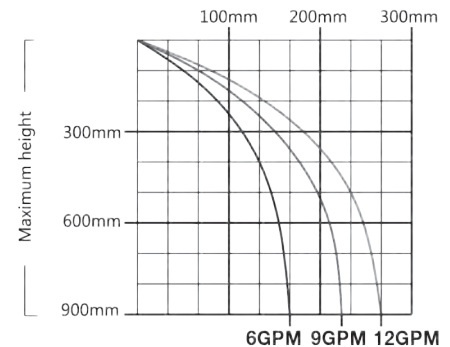
Model Number	Size	Description
WFSD126LED	1 ft. w/6" Lip	LED Waterfall w/ 30ft power cord
WFSD246LED	2 ft. w/6" Lip	LED Waterfall w/ 30ft power cord
WFSD366LED	3 ft. w/6" Lip	LED Waterfall w/ 30ft power cord
WFSD486LED	4 ft. w/6" Lip	LED Waterfall w/ 30ft power cord

## Non-LED Waterfalls Buying Guide

Model Number	Size	Description
WFSD126	1 ft. w/6" Lip	Non-LED Waterfall
WFSD246	2 ft. w/6" Lip	Non-LED Waterfall
WFSD366	3 ft. w/6" Lip	Non-LED Waterfall
WFSD486	4 ft. w/6" Lip	Non-LED Waterfall

## Waterfall Accessories Buying Guide

Model Number	Description
WFCTRMT	LED Controller/Remote for Waterfall
WFTR060	60W Power Supply for LED Waterfall
WFXSPT3	1 to 3 Way Splitter
WFSDPWRKIT	Power/Remote Kit for LED Waterfalls



APPROXIMATE PROJECTION OF SHEET OF WATER PER 300MM OF WATERFALL LENGTH

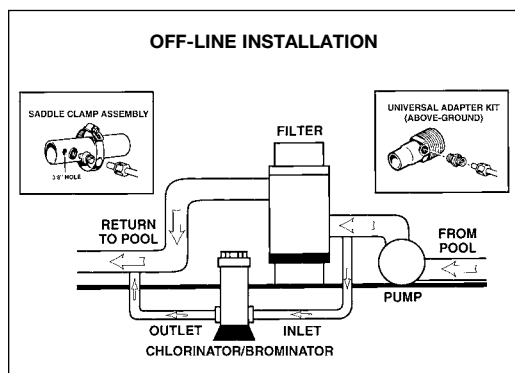
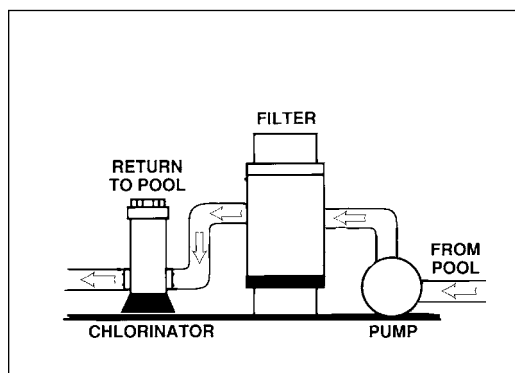
# Automatic Chemical Feeders

CHLORINATORS (SLOW DISSOLVE TRI-CHLOR ONLY) AND BROMINATORS

Efficient and maintenance-free, these durable, corrosion-proof automatic chlorinators and brominators are ideal for new or existing pools or spas and work automatically with your pump and filter system.

## Features

- Uses 3" diameter Trichloro S tablets
- Dial control valve lets you control and adjust the rate of feed
- Easy-Lok™ threaded cover for safe and convenient access to add tablets
- Unique finger-release catch provides extra security
- Simple installation for do-it-yourselfers



NOTE: Chemical feeders should always be installed after a pool heater.

CAUTION: Extreme care must be exercised when adding chemicals to your pool. Concentrated chemicals may react violently if they mix in the chemical feeder, causing a fire or explosion, which may result in PROPERTY DAMAGE, PERSONAL INJURY or DEATH.

CAUTION: Never use any petroleum based lubricants on cover O-Ring. Regular lubrication is necessary to allow for easy cover removal. Use non-petroleum based lubricants such as Jack's No. 327 lube.



CL200 In-Line Chlorinator (mounting base included)



CL220 Off-Line Chlorinator

## Automatic Chemical Feeder Buying Guide

Model Number	Pipe Size	Chemical Capacity	Feeder Width	Feeder Height	Ctn. Qty.	Ctn. Weight
<b>In-Line Chlorinators</b>						
CL100EF	1 1/2" FIP	4.2 lbs.	8 3/4"	15 1/4"	1	3 lbs.
CL200EF*	1 1/2" FIP	9 lbs.	9"	14 3/4"	10	45 lbs.
CL2002S**	2" SKT	9 lbs.	9"	14 3/4"	1	5 lbs.

\*Includes mounting base. \*\*Features 2" inlet and outlet for 50-90 GPM systems.

### Off-Line Chlorinators

CL110EF	—	4.2 lbs.	6 3/4"	13"	1	3 lbs.
CL220 EF	—	9 lbs.	8 1/4"	15 1/2"	10	46 lbs.

### Off-Line Chlorinators for Above Ground Pools

CL110ABGEF	—	4.2 lbs.	6 3/4"	13"	10	28 lbs.
CL220ABGEF	—	9 lbs.	8 1/4"	15 1/2"	10	51 lbs.

Packaged with a universal adapter kit for all Hayward above ground filter systems – Perflex®, sand or cartridge.

### Off-Line Brominators

CL220BR	—	9 lbs.	8 1/4"	15 1/2"	1	5 lbs.
---------	---	--------	--------	---------	---	--------

### Accessories

SP1500UNMPAK1	Flush Union Connector with 1 1/2" Male Nipple. For mounting in-line chlorine feeders.	50	24 lbs.
SP1500UNPAK2	Set of two Flush Union Connectors. Fits CL100 and CL200 Chlorinators inlet and outlet.	50	32 lbs.
SPX0327	Hayward Jack's Formula 327 Multilube - 1oz. Tube	50	4 lbs.

For replacement parts see page 250

# Automatic Chemical Feeders

CHLORINATORS (SLOW DISSOLVE TRI-CHLOR ONLY) AND BROMINATORS



C500EXP Automatic Chemical Feeder.

Hayward large capacity chemical feeders are designed to provide a reserve of chemicals (either chlorine or bromine) to meet the requirements of large residential and commercial pools and spas. For off-line installations these chemical feeders easily accommodate a variety of tablet or stick sizes.

### Features:

- Injection molded Duralon™ tank for durability and long life
- Easy access, thread-in one piece cover provides dependable sealing and access for adding tablets or sticks
- Ball check valve prevents system back flow
- Bottom-to-top water flow for efficient circulation of concentrated, sanitized water
- Dial control valve lets you easily adjust the rate of feed
- Drain plug allows for quick and easy winterizing or servicing

## Automatic Chemical Feeder Buying Guide

Model Number	Pipe Size	Feeder Width	Feeder Height	Ctn. Qty.	Ctn. Weight.
<b>Off-Line Large Capacity Chemical Feeders</b>					
C250EXP	¾" FIP	10 ½"	17 ½"	1	11 lbs.
C500EXP	¾" FIP	10 ½"	27 ½"	1	15 lbs.

Includes mounting base, drain, calibrated inlet control valve, outlet check valve and see-thru cover.

**Special Note:** Chemical feeders should not be used on pools with in-floor cleaning systems.

Accessory SV1007TE Solenoid to connect w/Sense and Dispense and HCC2000

### Chemical Feeder Installation Tips:

- Chemical feeders should always be installed downstream from pool heater outlet connections. Never install a chemical feeder upstream of the pool heater.
- Chemical feeders must be installed lower than the filter and heater inlets and outlets.
- If a heater is installed, the chemical feeder must be installed in a manner that will not permit concentrated chemical fumes or solutions to enter the heat exchanger. Refer to the heater instruction manual for specifics.
- Do not use any pressure-suction type of piping system if a heater is installed.
- Never install chemical feeders directly on any filter outlet, outlet control valve or heater outlet connection.
- **CAUTION: Extreme care must be exercised when adding chemicals to your pool. Concentrated chemicals may react violently if they mix in the chemical feeder, causing a fire or explosion, which may result in PROPERTY DAMAGE, PERSONAL INJURY or DEATH.**
- **CAUTION: Never use any petroleum based lubricants on cover O-Ring. Regular lubrication is necessary to allow for easy cover removal. Use non-petroleum based lubricants such as Jack's No. 327 lube or Ivory bar soap.**

### Performance Data in U.S. gallons – Slow Dissolve Tri-Chlor Chlorine

Model Number	Chemical Capacity (lbs)	Maximum Output (lbs./hr.)	Maximum Pool Size (gals)
C250EXP	16	0.35	70,000
C500EXP	30	0.65	140,000

### Performance Data in U.S. gallons – Bromine

Model Number	Chemical Capacity (lbs.)	Maximum Output (lbs./hr.)	Maximum Pool Size (gals)
C250EXP	16	0.39	20,000
C500EXP	30	0.72	40,000

For replacement parts see page 250

# Automatic Skimmers

SKIM-MASTER™, AUTO-SKIM™ SERIES FOR IN-GROUND CONCRETE OR GUNITE POOLS



Skim-Master Series (Inset Overflow Port)



SP1080 Auto-Skim Series

## In-Ground (Concrete) Skimmer Buying Guide

Model Number	Pipe Size	Cover Style	Throat Length	Ctn. Qty.	Ctn. Weight
--------------	-----------	-------------	---------------	-----------	-------------

### SP1070 Skim-Master Series

SP1070	1 1/2" FIP	Round	4 1/2"	1	8 lbs.
SP1070S	1 1/2" SKT	Round	4 1/2"	1	8 lbs.
SP10712**	2" FIP	Round	4 1/2"	1	8 lbs.
SP10712S**,**	2" SKT	Round	4 1/2"	1	8 lbs.
SP10712SDGR	2" SKT	Round	4 1/2"	1	8 lbs.
SP10712SBLK	2" SKT	Round	4 1/2"	1	8 lbs.

NOTES: \*Available in Gray, Dark Gray and Black. Add suffix GR for Gray, DGR for Dark Gray and BLK for Black.

\*\*Available with tan collar and cover. Add suffix 10 to model number. To package with float valve, add suffix FVA to model number.

### SP1070 NSF Skim Master Series Skimmer and NSF Accessories

WG10712SFVA	2" SKT	Round	4 1/2"	1	12 lbs.
-------------	--------	-------	--------	---	---------

Model Number	Description	Ctn. Qty.	Ctn. Weight
SP1070FVEKIT	Float valve and equalizer kit for SP1070 Series skimmers	10	12
SP1080FVEKIT	Float valve and equalizer kit for SP1080 Series skimmers	10	12
WGX1070C	NSF listed replacement cover for SP1070 Series skimmers	10	15
WGX1082E	NSF listed replacement cover for SP1080 Series skimmers	10	15

NOTE: For commercial applications, add appropriate float valve and equalizer kit with NSF approved cover to any Skim-Master skimmer or Auto-Skim model with a square cover.

### SP1080 Auto-Skim Series

SP10821	1 1/2" FIP	Square	5 1/4"	1	10 lbs.
SP10821R	1 1/2" FIP	Round	5 1/4"	1	10 lbs.
SP1082	2" FIP	Square	5 1/4"	1	10 lbs.
SP1082RC	2" FIP	Round	5 1/4"	1	10 lbs.

### SP1096 Auto-Skim PT and Economy Series

SP1096	1 1/2" FIP	Round	6"	1	6 lbs.
--------	------------	-------	----	---	--------

### Accessories

SP1070FV	Float valve assembly for SP1070 Series	24	25
SP1078	Equalizer valve for SP1070 and SP1080 Series	25	4
SP1070P	Extension collar for SP1070 Series	50	30
SP1070TPK	Pressure test plug kit for SP1070 Series	15	7
SP1082FV	Float valve assembly for SP1080 Series	24	36
SP1082GV	Skimmer-to suction outlet valve assembly for SP1080 Series	24	18
SP1084P1	Extension collar for SP1080 Series	50	38
SP1080EX	Stackable, notched extension collar for SP1080 Series	50	38

Skim-Master is a large capacity automatic surface skimmer featuring a round, tamper proof access cover, self adjusting 8" weir with a stainless steel spring, dual outlets and threaded internal connections to accommodate pressure testing. The optional float valve and bypass valve assemblies provide a suction outlet thru-skimmer system and an automatic bypass during low water conditions. The Skim-Master series skimmers also include a 3/4" knockout port that can be used as a pool water fill line or to guard against a pool overflow situation.

Auto-Skim features include an adjustable cover collar for round or square skimmer lids, snap-in weir assembly, large capacity basket, integral flow control slide plate and a choice of port sizes for plumbing versatility.

The float valve and equalizer kits provide maximum flexibility for all swimming pool applications. Any Skim-Master Series or Auto-Skim model with a square cover can be adapted to meet NSF commercial requirements by adding the appropriate float valve and equalizer kit in conjunction with the NSF listed cover.

### Applications

- In-ground concrete, gunite, residential and commercial pools and spas

### Features – Skim-Master

- 3/4" knockout fill/overflow port
- Durable unibody construction
- Color options available
- Adjustable deck collar
- Self-adjusting 8" weir with stainless steel spring
- Large and durable debris basket
- Optional float valve for thru skimmer suction outlet system

### Features – Auto-Skim

- 1.5" and 2" port sizes for plumbing versatility
- Cover collar allowing 1.5" vertical adjustment
- Integral Flo-Control slide plate
- Optional float valve for thru skimmer suction outlet system
- Optional extension collar allows 2.5" additional vertical height
- Optional stackable notched extension collar allows infinite vertical adjustment

For replacement parts see page 251-253



# Automatic Skimmers

AUTO-SKIM™ SERIES FOR IN-GROUND VINYL AND FIBERGLASS POOLS



SP1084 Auto-Skim



Wide Track Auto-Skim

SP1084 Auto-Skim™ Series Skimmers for vinyl and fiberglass pools are large capacity precision automatic skimming mechanisms for residential and commercial pools. Molded of rugged, non-corrosive ABS, it's non-corrosive, non-conductive and virtually indestructible in any climate.

The SP1085 Auto-Skim Wide Track Series Skimmers are molded of durable, non-corrosive ABS. A wide 15 1/2" skimmer face opening allows for maximum skimming action.

**NOTE: Dual mains provided to alleviate entrapment hazards**

## In-Ground (Vinyl/Fiberglass) Skimmer Buying Guide

All vinyl/fiberglass pool skimmers are packaged with face plate, gaskets and screws.

Model Number	Pipe Size	Cover Style	Throat Length	Ctn. Qty.	Ctn. Weight
<b>SP1080 Auto-Skim Small Mouth Series</b>					
SP108410MTE*	1 1/2" FIP	Square	8 1/2"	1	13 lbs.
*Skimmer package will include	1	SP108410M	outside mount skimmer		
	1	WG1048AVPAK2			
	1	SP1084P1	extension collar		
	2	SP1408	inlet fittings		
	2	SP1419D	inlet eyeballs		
	1	SP1084F	Face plate cover		
	1	SP1106	vac plate		

### Auto-Skim Wide Track Series

SP108520MTE	1 1/2" FIP	Square	9 1/4"	1	16 lbs.
*Skimmer package will include	1	SP108520M	outside mount skimmer		
	1	WG1048AVPAK2			
	1	SP1084P1	extension collar		
	2	SP1408	inlet fittings		
	2	SP1419D	inlet eyeballs		
	1	SP1085F	Face plate cover		
	1	SP1106	vac plate		

### Auto-Skim Wide Track Kit, Dark Gray

SP108520MTDGR	Wide Track Auto-Skim w/Main Drain and Fittings, Dark Gray Kit
SP108520MDGR	2" Fittings
SP108410MDGR	Narrow Mouth Skimmer, Dark Gray

### Recirculation Kits

SP1408WPAK3	Recirculation Kit: 1 skim vac, 3 returns, 1 wide cover plate
SP1408NPAK3	Recirculation Kit: 1 skim vac, 3 returns, 1 narrow cover plate

## In-Ground (Vinyl/Fiberglass) Skimmer Kits (No Drain)

SP108520MND	Wide mouth skimmer with inlet fittings,vac plate, collar, FP cover, 1.5" plug	17 lbs.
SP108520MNDGDR	Wide mouth skimmer with inlet fittings, vac plate, collar, FP cover, 1.5" plug	20 lbs.
SP108410MND	Narrow mouth with inlet fittings,vac plate, collar, FP cover, 1.5" plug	20 lbs.
SP108410MNDGDR	Narrow mouth skimmer with inlet fittings,vac plate, collar,FP cover, 1.5" plug	20 lbs.



Package Components

### Applications

- In-ground, vinyl, fiberglass, residential or commercial pools

### Features

- Cover collar allows 1 1/2" vertical adjustment
- Snap-in weir adjusts automatically to 4 1/2" variation in water level
- Optional extension collar allows 2 1/2" additional vertical height
- 1 1/2" or 2" FIP threads for piping versatility
- Integral Flo-Control Slide Plate
- Optional float/by-pass valve provides a main-drain thru skimmer system plus an automatic safety by-pass for low water conditions

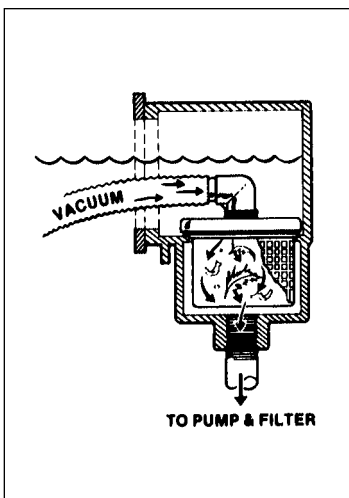
For replacement parts see page 251-253

# Automatic Skimmers/Skim Vacs

ABOVE-GROUND AND IN-GROUND POOLS



SP1091WM Wide Mouth Dyna Skim



Skim Vac Action

Hayward automatic skimmers have been an industry standard for more than 30 years. The Dyna-Skim skimmers have been redesigned to match the needs of today's above ground pools, while remaining applicable for use on existing pool models.

## Application – Dyna-Skim

- Above-ground pools

## Dyna-Skim Features

- Heavy duty UV resistant ABS construction
- Large debris collection basket
- Top and front basket access
- One piece body construction
- Snap-in and removable weir
- 1 1/2" female straight pipe threads
- Quick disconnect pipe connection
- Compatible with wide top seat pools

## Above-Ground Skimmer Buying Guide

Model Number	Front/Top Basket Access	Low Profile	Hydrosweep Recirculation Pkg.	Pipe Size	Ctn. Qty.	Ctn. Weight
SP1089	•	—	1	1 1/2" FPT	1	9 lbs.
SP1091WM*	•	Wide-Mouth	2	1 1/2" FPT	6	42 lbs.
SP1092***	Front Only	•	—	1 1/2" FPT	1	5 lbs.
SP1091LX**	•	•	2	1 1/2" FPT	6	39 lbs.
SP1094WF	•	—	3	1 1/2" FPT	1	4 lbs.

\*Replaces SP1090WM \*\*Replaces SP1090, SP1091ES and SP1095ES \*\*\*3/4" Setback for wood walls

1—Includes SP11071 Skim Vac.  
 2—Includes SP1023, SP1419D, (2) 1 1/2" x 1 1/2" hose adapters, and SP11041 Skim Vac.  
 3—Includes SP1094D Skim Vac.

Skim-Vacs have revolutionized the process of vacuuming pools. By utilizing the skimmer basket instead of the pump strainer basket, the need to turn the pump on and off (possibly having to re-prime vacuum hose) has been eliminated. Simply attach the appropriate Skim-Vac to the vacuum hose located over the skimmer basket and begin vacuuming.

## Application – Skim-Vac

- In-ground pools
- Above-ground pools

## Skim Vac Buying Guide

Model Number	Front/Top Basket Access	Low Profile	Hydrosweep Recirculation Pkg.	Pipe Size	Ctn. Qty.	Ctn. Weight
<b>Above-Ground</b>						
SP1094D	SP1094,SP1095		1 1/4"/1 1/2" Elbow	No	20	6 lbs.
SP11041	SP1090,1091,1092		1 1/4"/1 1/2" Elbow	No	50	27 lbs.
SP11051	SP1090,1091,1096, 1097 and 1098		1 1/2" Straight Barb	Yes	50	28 lbs.
SP11052	SP1090,1091, 1092		1 1/4" Elbow	Yes	50	28 lbs.
SP11054	SP1090,1091,1092		1 1/4"/1 1/2" Combo Adapter	Yes	50	27 lbs.

Model Number	Front/Top Basket Access	Low Profile	Hydrosweep Recirculation Pkg.	Pipe Size	Ctn. Qty.	Ctn. Weight
<b>In-Ground</b>						
SP1106	SP1082,1084, 1085, 1075		1 1/2" Straight	Yes	20	15 lbs.
SP11063	SP1070		1 1/2" Straight	No	20	16 lbs.
SP1107	SP1082,1084,1085, 1070 and 1075		1 1/2" Straight	No	20	11 lbs.
SP11071	SP1089		1 1/4"/1 1/2" Elbow	No	20	14 lbs.

For replacement parts see page 251-253

# Suction Outlets

ROUND SUMPS, COVERS, FRAMES AND ACCESSORIES



WG1153AV



WG1051AV

For concrete, vinyl and fiberglass pools, Hayward round suction outlets are available in a wide range of plumbing configurations, plaster collar options and colors. Whether installing frames and covers or sump-type outlets for new construction or replacement covers on existing applications, Hayward suction outlets set the standard for quality and value.

All Hayward WG Series suction outlets and replacement covers are VGB compliant and are tested to ASME A112 19.8b-2009 and ANSI/APSP-16 standards as well as meeting CPSC requirements.

## Applications

- Residential and commercial pools
- Concrete, vinyl and fiberglass surfaces
- New construction and replacement covers
- All Hayward drain covers can be used as a single replacement cover when installed on the same suction line as an EcoStar® SVRS or a Stratum® SVRS

## Features

- Sumps accommodate the use of SP1056 hydrostatic relief valve
- Replacement covers retrofit to existing Hayward frames
- 7 year life
- 1 year limited warranty

## Suction Outlet Buying Guide

Model Number	Size	Cover Open Area Sq. Inch	Approved Flow GPM Floor (Horizontal)	Approved Flow GPM Wall (Vertical)	Side Outlet Pipe Size	Bottom Outlet Pipe Size	Ctn. Qty.	Ctn. Weight
<b>Concrete</b>								
<b>Cover and frame (2 pack)</b>								
WG1030AVPAK2*	8" dia.	8.10	125	72	—	—	24	46 lbs.
<b>Replacement cover for floor or wall</b>								
WG1048E*	8" dia.	8.10	125	72	—	—	10	5 lbs.
<b>Outlet-dual suction (2 pack)</b>								
WG1051AVPAK2	8" dia.	8.10	125	72	1 ½" FIP	1 ½" FIP	6	35 lbs.
WG1052AVPAK2	8" dia.	8.10	125	72	2" FIP	1 ½" FIP	6	35 lbs.
WG1053AVPAK2	8" dia.	8.10	125	72	1 ½" FIP	2" FIP	6	35 lbs.
WG1054AVPAK2	8" dia.	8.10	125	72	2" FIP	2" FIP	6	35 lbs.
<b>Outlet-dual suction with adjustable plaster collar (2 pack)</b>								
WG1153AVPAK2	8" dia.	8.10	125	72	1 ½" FIP	2" FIP	6	35 lbs.
WG1154AVPAK2**	8" dia.	8.10	125	72	2" FIP	2" FIP	6	35 lbs.
<b>(Vinyl/Fiberglass)</b>								
WG1048AVDGRPAK2*	8" dia.	8.10	125	72	1 ½" FIP	—	—	—
WG1048AVPAK2**	8" dia.	8.10	125	72	1 ½" FIP	1 ½" FIP	6	37 lbs.
WG1049AVPAK2	8" dia.	8.10	125	72	2" FIP	1 ½" FIP	6	37 lbs.

NOTES: \*Available in Gray, Dark Gray and Black. Add suffix GR for Gray, DGR for Dark Gray and BLK for Black after the AV in the model number.

\*\*Also available in Dark Gray. Add suffix DGR for Dark Gray after the AV in the model number.

Model Number	Description	Ctn. Qty.	Shipping Weight
<b>Accessories</b>			
WG1048EKIT	Brass insert and screw kit – Available for all covers	10	4 lbs.
WG1051X	Adjustable plaster collar (1") for concrete	10	4 lbs.
WG1153B	Extension collar with inserts	10	5 lbs.
SP1055PAK2	1 ½"/2" FIP collector (pebble) tube. 12" long – slotted	25	9 lbs.
SP1056	1 ½" MIP hydrostatic relief valve, spring loaded	25	6 lbs.
SP1056T	Installation and removal tool for SP1056	20	36 lbs.
SP1419DDGR	CYC Hydrostream 3/4" - dark gray		
SP1084FDGR	Face Plate Cover - Dark Gray		

For replacement parts see page 254

# Suction Outlets

## DRAIN COVERS AND FRAMES

For residential and commercial concrete pools, Hayward square drain covers are available in a wide range of sizes and flow designs to satisfy any installation requirement. Whether the application demands frames and covers for new construction or replacement cover assemblies for existing installations, Hayward suction outlets set the standard for quality and value.

Hayward's new Low Velocity suction outlets are specifically designed for applications with requirements limiting the maximum flow velocity to 1.5 feet per second. In addition, Hayward's High Flow covers have some of the industry's highest ASME approved flow rates. Each size and flow design cover retrofit to existing Hayward frames and are designed for an extensive 7 year life span. All Hayward WG Series suction outlets and replacement covers are VGB compliant and are tested to ASME A112 19.8b-2009 and ANSI/APSP-16 standards as well as meeting CPSC requirements.

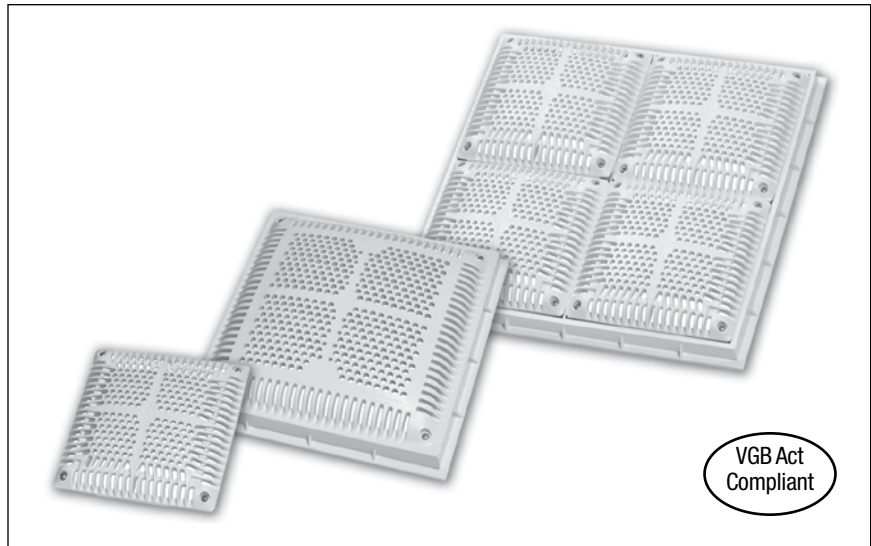
Installation of anything other than the recommended Hayward drain cover on a Hayward frame or Hayward sump may not be ASME A112 19.8b-2009 and ANSI/APSP-16 compliant. Likewise, the installation of a Hayward drain cover on a non-Hayward frame may not be compliant.

### Applications

- Meets various flow category requirements
- Installations in concrete, residential and commercial pools
- All Hayward drain covers can be used as a single replacement cover when installed on the same suction line as an EcoStar® SVRS or a Stratum® SVRS

### Features

- Certified to ASME A112.19b-2009, ANSI/APSP-16 and CPSC requirements
- ASME approved flow rates
- Retrofits to all Hayward existing frames
- 7 year life
- 1 year limited warranty



9", 12" and 18" Drain Covers and Frames

## Drain Covers & Frames Buying Guide

Model Number	Size	Cover Open Area Sq. Inch	1.5 ft/sec. Flow Rate GPM	Approved Flow GPM Floor (Horizontal)	Approved Flow GPM Wall (Vertical)	Ctn. Qty.	Ctn. Weight
<b>Low Velocity</b>							
<b>Replacement cover and inner frame</b>							
WX1031BLV2	9" x 9"	45.80	190	190	108	10	12 lbs.
WX1032BLV2	12" x 12"	83.40	390	392	260	10	18 lbs.
WX1033BLV2	18" x 18"	183.20	520	520	520	10	39 lbs.
<b>Cover, inner frame and outer frame (2 pack)</b>							
WG1031LV2PAK2	9" x 9"	45.80	190	190	108	4	18 lbs.
WG1032LV2PAK2	12" x 12"	83.40	390	392	260	4	30 lbs.
WG1033LV2PAK2	18" x 18"	183.20	520	520	520	2	31 lbs.
<b>3" suction outlet sump with cover (2 pack)</b>							
WG1061LV2PAK2	9" x 9"	45.80	190	190	108	1	6 lbs.
<b>High Flow</b>							
<b>Replacement cover and inner frame</b>							
WX1031BHF2	9" x 9"	23.96	112	264	224	10	12 lbs.
WX1032BHF2	12" x 12"	41.07	192	515	308	10	18 lbs.
WX1033BHF2	18" x 18"	124.10	580	812	732	10	39 lbs.
<b>Cover, inner frame and outer frame (2 pack)</b>							
WG1031HF2PAK2	9" x 9"	23.96	112	264	224	4	18 lbs.
WG1032HF2PAK2	12" x 12"	41.07	192	515	308	4	30 lbs.
WG1033HF2PAK2	18" x 18"	124.10	580	812	732	2	31 lbs.
<b>3" suction outlet sump with cover (2 pack)</b>							
WG1061HF2PAK2	9" x 9"	23.96	112	264	224	1	6 lbs.

For replacement parts see page 254



VR1000

## Stratum Buying Guide

Model Number	Ctn. Qty.	Ctn. Weight
VR1000	1	15 lbs.
VRXPCBA, Circuit Board	1	3 lbs.

Stratum is a vacuum release system that monitors and measures pressure in suction lines in swimming pools and spas. It is designed to provide an additional layer of protection against body suction entrapment. Stratum VRS can be used in both residential and commercial pools and spas.

### Features:

- Turns off power to the pump and vents the suction line to atmosphere
- Automatic restart after certain activations
- Capable of monitoring suction lines for single speed or two speed pumps, with or without a booster pump, that share a common suction line
- Complete internal system test during every start-up prior to the monitoring phase
- During each start-up, Stratum VRS adjusts to current operational parameters of the system
- Designed for use with single phase pumps up to 3HP. Larger or 3-phase pumps require additional motor control equipment, for use with VR1000
- For use in suction lift or in flooded suction
- Seven-day programmable timer
- Complies with ASTM F2387-04 and ASME 112.19.17

# Valves

## VARI FLO™ CONTROL VALVES, IN-LINE SIGHT GLASSES

Hayward's Vari-Flo™ XL multiport control valve, is engineered for maximum flow at lower pressure drops and is the choice in multiport valves.

All Vari-Flo control valves feature an easy-to-use lever action handle that lets you "dial" up to seven valve/filter functions: filter, backwash, waste, rinse, closed, winter or recirculate. Complete with an integral sight glass that lets you see when the backwashing cycle is completed, our wide selection of valve configurations allows you to match the right Vari-Flo valve to the proper application; residential, commercial, top-mount or side mount.

### Vari-Flo™ Control Valve Functions

**FILTER** – For normal filtering and regular vacuuming.

**BACKWASH** – For cleaning filter sand bed of accumulated debris.

**RINSE** – Use after completing backwash cycle to ensure all dirty water is rinsed out of the filter to waste.

**WASTE** – By-passes the filter for draining or lowering pool water level and for vacuuming heavy debris directly to waste line.

**RECIRCULATE** – Water is recirculated through the valve, by-passing the filter.

**CLOSED** – Shuts off the flow from the pump to the filter.

**Winter** – For winterizing (SP0714T only).



SP0710XALL Vari-Flo control valve



SP0714T Vari-Flo XL control valve

## Vari-Flo Valve Buying Guide

Model Number	Valve Positions	Pipe Size	Body Color	Mounting Location	Closure Design	Ctn. Qty.	Ctn. Weight
SP0710XALL <sup>(1)</sup>	6	1 ½" FIP	White	Side	—	10	50 lbs.
SP071621	6	2" FIP	Black	Top	Clamp	1	8 lbs.
SP07121 <sup>(2)</sup>	6	1 ½" FIP	Black	Top	Thread	1	5 lbs.
SP07122 <sup>(3)</sup>	6	1 ½" FIP	Black	Top	Thread	1	5 lbs.
SP0714T	7	1 ½" FIP	Black	Top	Clamp	1	5 lbs.
SP0715ALL <sup>(4)</sup>	6	2" FIP	White	Side	—	10	70 lbs.

(1) Includes two 1 ½" pipe plugs

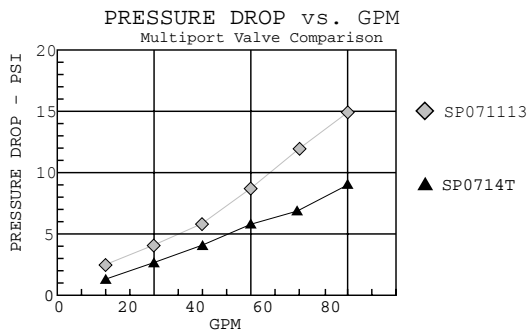
(2) S160T style with built-in diffuser

(3) Pac-Fab style with built-in diffuser

(4) Includes two 2" pipe plugs

**NOTE:** SP0704 Replacement Valve: SP0714T

### SP0714T vs. SP071113 MULTIPORT VALVE



Model Number	Pipe Size	Description	Ctn. Qty.	Ctn. Weight
<b>Sight Glasses, Inline</b>				
SP1072S	1 ½" SKT	ABS, Horizontal in-line style	50	28 lbs.
SP1074S	2" SKT	ABS, Horizontal in-line style	50	39 lbs.



2-way PSV Valve



3-way PSV Valve

The 2-way and 3-way full-flow PSV diverter valves make water flow management simple and easy. The full-flow valves are available with either a 1 1/2" or 2" internal fit. Sturdy CPVC construction ensures a long life and resistance to higher temperatures. The handle is removable without tools and allows for quick and easy port customization.

The PSV3SM features three externally threaded ports for use with SP1500UNPAK1, which is included with the valve.

### PSV Diverter Valve Buying Guide

Model Number	Description	Pipe Size	Material	Ctn. Qty.	Ctn. Weight
PSV2S	2-way	1 1/2" – 2"	CPVC	20	40 lbs.
PSV2S2	2-way	2" – 2 1/2"	CPVC	20	40 lbs.
PSV3S	3-way	1 1/2" – 2"	CPVC	20	40 lbs.
PSV3S2	3-way	2" – 2 1/2"	CPVC	20	40 lbs.
PSV3SM	3-way	External Union Thread	CPVC	20	40 lbs.
PSV2SDGR	2-way	1 1/2" – 2"	PVC	20	40 lbs.
PSV2S2DGR	2-way	2" – 2 1/2"	PVC	20	40 lbs.
PSV3SDGR	3-way	1 1/2" – 2"	PVC	20	40 lbs.
PSV3S2DGR	3-way	2" – 2 1/2"	PVC	20	40 lbs.
PSV3SMDGR	3-way	External Union Thread	PVC	20	40 lbs.
PSCV2SDGR	Check Valve	1 1/2" x 2"	PVC	20	40 lbs.
PSCV2S2DGR	Check Valve	2" x 2 1/2"	PVC	20	40 lbs.

### Ball Valve Buying Guide

Model Number	Description	Pipe Size	Material	Ctn. Qty.	Ctn. Weight
<b>Deluxe</b>					
SP0727	3-way	1 1/2" MIP	ABS	20	19 lbs.
SP0730	3-way	1 1/2" FIP	ABS	20	32 lbs.
SP0735	4-way	1 1/2" FIP	ABS	20	33 lbs.
SP0735S	4-way	1 1/2" SKT	ABS	20	33 lbs.
<b>Trimline</b>					
SP0722	2-way	1 1/2" FIP	ABS	24	21 lbs.
SP0722S	2-way	1 1/2" SKT	PVC	24	21 lbs.
SP0722PAK (12 PAK)	2-way	1 1/2" FIP	ABS	1	10 lbs.
SP0722SPAK (12 PAK)	2-way	1 1/2" SKT	PVC	1	10 lbs.
SP0723	2-way	1 1/2" MIP x 1 1/2" FIP	ABS	24	23 lbs.
SP0723S	2-way	1 1/2" MIP x 1 1/2" SKT	ABS	24	23 lbs.
<b>Trimline Deluxe</b>					
SP0724S	2-way	2" SKT	ABS	20	27 lbs.
<b>Econoline</b>					
SP0729	2-way	1 1/2" MIP x 1 1/2" / 1 1/4" Hose Adpt.	ABS	24	11 lbs.
<b>Accessories</b>					
SP1500UNPAK2	Flush Union Connector with female SKT	1 1/2" SKT	ABS	50	12 lbs.
SP1500UNMPAK1	Flush Union Connector with male nipple	1 1/2" MIP	ABS	50	24 lbs.

Hayward ball valves are non-corrosive, durable valves designed for maximum flow efficiencies with pressure ratings up to 50 psi. They feature a dial handle for easy flow regulation and visual indication of valve setting, plus teflon seats for dependable sealing. A union end connector accurately aligns the ball and provides simple disassembly of piping connections.



SP0722S Trimline ball valve

# Unions

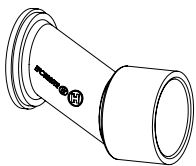
MULTI-PURPOSE NON-INTERFERING CONNECTIONS



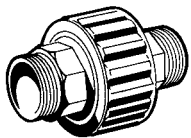
EFC3220SW



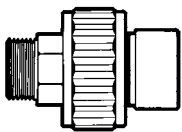
EFC3225SW



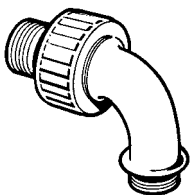
EFC3220TR



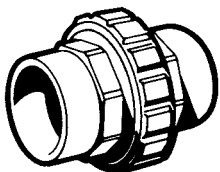
SP1480BLK



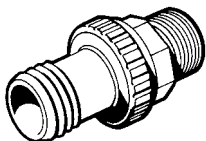
SP1484



SP1485



SP14982S



SP1493

## Union Buying Guide

Model Number	Pipe Size	Description	Material	Ctn. Qty.	Ctn. Weight
<b>EcoFlo Fittings</b>					
EFC3220SW	2" SKT x 2"	EcoStar®/TriStar® Sweep	PVC	20	10 lbs.
EFC3225SW	2 1/2" SKT x 2 1/2" SKT	EcoStar/TriStar Sweep	PVC	10	10 lbs.
EFC3220TR	2" SKT	Heater Transition	CPVC	30	10 lbs.
<b>Full-Flo Self-Aligning Unions</b>					
SP1480BLK	1 1/2" MIP	Self-Aligning Double Male End Union, Black	ABS	50	36 lbs.
SP1481	1 1/2" SLIP	Self-Aligning Slip Union	ABS	24	37 lbs.
SP1482	1 1/2" MIP x 1 1/2" SLIP	Self-Aligning Male/Slip Union	ABS	50	37 lbs.
SP1484	1 1/2" MIP x 1 1/2" SKT	Self-Aligning Male/Female Union	ABS	50	37 lbs.
SP1485	1 1/2" MIP	Self-Aligning Double Male End Union End Sweep 90°, short	ABS	20	27 lbs.
SP1486	1 1/2" MIP	Clear, Self-Aligning Double Male End Union and Compression Fitting-90° Sweep, 10" long	ABS/LEXAN	20	34 lbs.
<b>Flush Unions</b>					
SP14952	1 1/2" FIP	Flush Female Union	ABS	50	32 lbs.
SP14952S	1 1/2" SKT(ID) or 2" SLIP(OD)	Flush Female Socket Union	ABS	50	29 lbs.
SP14952S50	1 1/2" SKT(ID) or 2" SLIP(OD)	Bulk Pack of 50 SP14952S	ABS	1	26 lbs.
SP14953S	1 1/2" MIP x 1 1/2" SKT(ID) or 2" SLIP(OD)	Flush Male/Female Socket Union	ABS	50	29 lbs.
SP14982S	2" SKT	Flush Female Socket Union	PVC	50	40 lbs.
SP14983S	2" MIP x 2" SKT	Flush Male/Female Socket Union	PVC	50	40 lbs.
<b>Econo-Unions</b>					
SP1493	1 1/2" MIP	Quick Disconnect – 1 1/2" hose (barb)	ABS	50	15 lbs.
<b>Union Check Valves</b>					
SP1091CV	1 1/2" MIP	In-Line Combo 1 1/2" x 1 1/4" Hose Adapter and Check Valve	ABS	40	9 lbs.
SP1445S	1 1/2" SKT	In-Line Check Valve	PVC	50	15 lbs.
SP14461S	1 1/2" SKT	Union Check Valve	ABS	50	37 lbs.
<b>Union Connectors</b>					
SP1500UNPAK2	1 1/2" SKT	Flush Union Connector Set (2 pack) 1.5" SKT	ABS	50	12 lbs.
SP1500UNMPAK1	1 1/2" MIP	Flush Union Connector Set (1 Adapter, Nut, O-Ring) 1.5" MIP	ABS	50	24 lbs.

White Goods

For replacement parts see page 260



## Fitting Buying Guide

Model Number	Pipe Size	Description	Ctn. Qty.	Ctn. Weight
<b>Directional Flow Inlet Fittings – Standard (Return to Pool)</b>				
SP1419A*	1 1/2" MIP	Hydrosweep slotted opening	50	7 lbs.
SP1419B*	1 1/2" MIP	Hydrostream 3/8" opening	50	7 lbs.
SP1419C*	1 1/2" MIP	Hydrostream 1/2" opening	50	7 lbs.
SP1419D*	1 1/2" MIP	Hydrostream 3/4" opening	50	7 lbs.
SP1419E*	1 1/2" MIP	Hydrostream 1" opening	50	7 lbs.
SP1420	1 1/2" MIP	Hydrostream, 1" rubber nozzle	25	5 lbs.
SP1421D*	1 1/2" SLIP	Hydrostream Insider Fitting – 3/4" opening	25	5 lbs.
SP1421E	1 1/2" SLIP	Hydrostream Insider Fitting – 1" opening	25	5 lbs.
SP1419T	—	Seat Removal Tool for Hydrosweep/Hydrostreams	100	5 lbs.

**NOTE:** \*Available in Gray, Dark Gray and Black. Add suffix GR for Gray, DGR for Dark Gray and BLK for Black.

### Directional Flow Inlet Fittings – Extended Flange

SP1418D*	1 1/2" MIP	Hydrostream, large – 3/4" opening	50	10 lbs.
SP1422D	1 1/2" SLIP	Hydrostream Insider – 3/4" opening	50	12 lbs.
SP1422E	1 1/2" SLIP	Hydrostream Insider – 1" opening	50	11 lbs.

The following fittings all have 1 1/2" internal threads for use with directional fittings, plugs, grate inserts, outlet covers and Jet-Air hydrotherapy fittings. Choose the appropriate fittings for concrete, vinyl or fiberglass applications.

### Inlet Receptacles & Vacuum Fittings – Concrete Pools

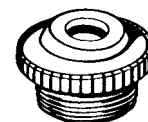
SP1022*	1 1/2" FIP	1.5" Threaded Return Fitting	50	11 lbs.
SP1022S*	1 1/2" SKT	1.5" Socket Return Fitting	50	11 lbs.
SP1022S2*	2" SKT	2" Socket PVC Return Fitting	50	15 lbs.
SP1022INS	1 1/2" INS	Fitting (1 1/2" FIP face x 1 1/2" SLIP stub end)	50	11 lbs.
SP1022B**	1 1/2" MIP	Flush Plug with Gasket	100	5 lbs.
SP1022C**	1 1/2" MIP	All Purpose Plug with O-Ring	100	6 lbs.
SP1022C2BLK	2" MIP	All Purpose Plug With O-Ring	50	5 lbs.
SP1044*	1 1/2" SKT(ID) or 2" SLIP (OD)	Flush Return Fitting with PVC Body – 3/4" opening and mud cover	50	25 lbs.
SP1044INS*	1 1/2" INS	Insider Flush Return Fitting with PVC Body – 3/4" opening and mud cover	50	25 lbs.

**NOTES:** \*Available in Gray, Dark Gray and Black. Add suffix GR for Gray, DGR for Dark Gray and BLK for Black.

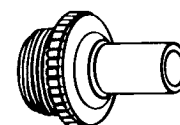
\*\*Available in Gray and Black. Add suffix GR for Gray and BLK for Black.

### Vac Lock Safety Wall Fitting

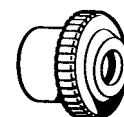
W400BWHP		Vac Lock Safety Wall Fitting, White	10	2.5 lbs.
W400BBKP		Vac Lock Safety Wall Fitting, Black	10	2.5 lbs.
W400BDGR		Vac Lock Safety Wall Fitting, Dark Gray	10	2.5 lbs.
W400BLGP		Vac Lock Safety Wall Fitting, Lt. Gray	10	2.5 lbs.



SP1419D



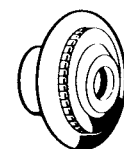
SP1420



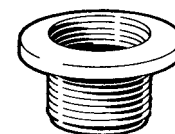
SP1421D



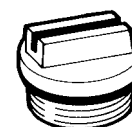
SP1418D



SP1422D



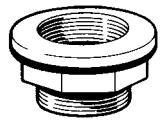
SP1022



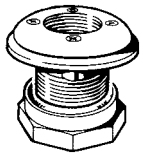
SP1022C

# Fittings & Accessories

## Fittings & Accessories Buying Guide



SP1023



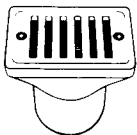
SP1408



SP1026



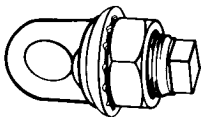
SP1425



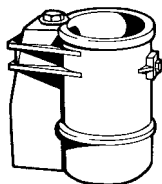
SP1019



SP1040



SP0404



SP1392



SP1042

Model Number	Pipe Size	Description	Ctn. Qty.	Ctn. Weight
<b>Inlet Fittings – Vinyl/Fiberglass Pools, Spas, Hot Tubs</b>				
SP1022S2	2"	Fitting receptacle		
SP1023*	1 ½" FIP	Fitting with locknut and gaskets	50	17 lbs.
SP1023S*	1 ½" SKT	Fitting with locknut and gaskets	50	17 lbs.
SP1023S2	2"	Fitting with locknut		
SP1023G	1 ½" FIP	Same as SP1023, but with "sandwich" wall gasket – ABG pools	50	19 lbs.
SP1026*	1 ½" MIP	Grate Insert – for pool wall inlets	50	4 lbs.
SP1408*	1 ½" x 1 ½" FIP	Same as SP1411, but with combo locknut/spacer and with face thread in body	50	28 lbs.
SP1408S2	2"	Inlet/Outlet Fitting		
SP1411	1 ½" x 1 ½" FIP	Fitting and face plate, with gaskets and screws	50	27 lbs.
<b>Wall/Floor Inlet Fittings – Concrete Pools</b>				
SP1424	1 ½" FIP x 2" MIP	Adjustable Inlet	50	26 lbs.
SP1424S	1 ½" SKT x 2" MIP	Adjustable Inlet	50	26 lbs.
SP1425	1 ½" FIP x 2" MIP	Adjustable Floor Inlet	50	27 lbs.
SP1425S	1 ½" SKT x 2" MIP	Adjustable Floor Inlet	50	26 lbs.
<b>Flush Fittings</b>				
SP1044*	1.5"	Flush Fitting		
SP1044INS*	1.5"	Insider Flush Fitting		
<b>Deck Drains</b>				
SP1019**	1 ½" FIP + 2" COUP	Socket/Deck Drain	50	25 lbs.
SP1019BA	—	Rectangular Grate, with screws	100	7 lbs.
<b>Lane Marker Anchors</b>				
SP1040		Bar Type Anchor, ABS (concrete pools)	50	23 lbs.
SP0404		Eyebolt Assembly, ABS – with locknut and gasket (vinyl, fiberglass pools)	50	18 lbs.
<b>Anchor Sockets</b>				
SP1392	1 ½"	Anchor Socket, ABS, heavy-duty	50	26 lbs.
<b>Escutcheons</b>				
SP1041	1 ½"	Escutcheon Plate, ABS	50	10 lbs.
SP1041100	1 ½"	Bulk pack of 100 SP1041	1	13 lbs.
SP1042	1 ½"	Escutcheon Plate, ABS, Chrome Plated	50	10 lbs.

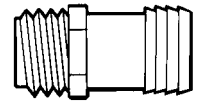
**NOTES:** \*Available in Gray, Dark Gray and Black. Add suffix GR for Gray, DGR for Dark Gray and BLK for Black.

\*\*Also available in Gray and Black. Add suffix GR for Gray and BLK for Black.

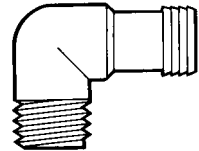
For replacement parts see page 261

## Miscellaneous Accessories Buying Guide

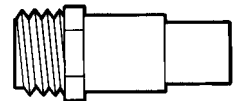
Model Number	Description	Ctn. Qty.	Ctn. Weight
<b>Hose Kit and Hose Adapters</b>			
EC1155	1 1/2" Hose Kit with Adapters and Clamps	1	4 lbs.
SPX1091Z2PAK2	1 1/2" MIP x 1 1/2" Hose Barb Adapter (Set of 2)	10	3 lbs.
SPX1105Z4	1 1/2" MIP x 1 1/2" Hose – Combination Insert Elbow	50	13 lbs.
SPX1082Z3	2" MIP x 1 1/2" Hose – Male (Smooth) Red. Adapter	50	8 lbs.
SPX1091Z1	1 1/2" MIP x 1 1/4" Hose – Male (Smooth) Red. Adapter	50	5 lbs.
SPX1105Z2	1 1/2" MIP x 1 1/4" Hose – Male (Smooth) Red. Elbow Adapter	50	8 lbs.
SPX1105Z3	1 1/2" MIP x 1 1/2" Hose – Combination (Smooth) Elbow	50	8 lbs.
SPX1091Z4	1 1/2" MIP x 1 1/2" Hose – Male (Smooth) Adapter	50	5 lbs.
SPX1091Z7PAK2	1 1/2" MIP x 1 1/2" and 1 1/4" Hose Adapter (Set of 2)	25	12 lbs.
SPX1091Z9	1 1/2" MIP x 1 1/2" FIP – Threaded Extension Coupling	100	12 lbs.
<b>Pipe Plugs</b>			
SPX1600V	1/4" – Pipe Plug	100	1 lb.
SPX1051Z1	1 1/2" – Pipe Plug	100	8 lbs.
SP1022CBLK	1 1/2" – Threaded Plug With O-Ring – Black	100	7 lbs.
SPX1053Z1	2" – Pipe Plug	100	11 lbs.
SP1022C2BLK	2" – Threaded Plug With O-Ring – Black	100	9 lbs.
<b>Hose Clamps and Pressure Gauges</b>			
SPX1091Z3	Double Wire Hose Clamp – 1 1/4" Hose	50	2 lbs.
SPX1091Z6	Double Wire Hose Clamp – 1 1/2" Hose	50	3 lbs.
ECX18028	Stainless Steel Strap Clamp – 1 1/2" Hose	50	13 lbs.
ECX270861	1/4" Side Mount Pressure Gauge	100	26 lbs.
ECX271261	1/4" Side Mount Pressure Gauge with Indicators	50	15 lbs.
ECX27091	1/4" Back Mount Pressure Gauge	25	8 lbs.
ECX2712B1	1/4" Back Mount Pressure Gauge with Indicators	50	15 lbs.
<b>Miscellaneous</b>			
EC10SC50	1 lb. DE Scoop (Case of 50)	1	12 lbs.
EC2024	Jet Action Cleaning Wand	10	4 lbs.
SPX0327	Jack's Formula 327 Multilube – 1 oz. Tube	50	4 lbs.
SPX1090Z4	Teflon Tape – 60" Roll	10	1 lb.
SP022310	10" Bobby Disposable Filter	20	13 lbs.
SP022320	20" Bobby Disposable Filter	20	20 lbs.



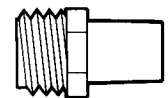
SPX1091Z2



SPX1105Z4



SPX1091Z9



SPX1091Z1

# Hydrotherapy Fittings

JET-AIR® III SERIES SPA FITTINGS

Hayward's Jet-Air III and Adjustable Jet-Air III systems offer interchangeable jet nozzles, allowing for multiple configuration options to achieve the type of hydro-massage action you want, where you want it. And with Hayward's Adjustable Jet-Air III system, you can control the water and air flow right at the jet face.

## Features

- Nozzle interchangeability allows custom jet placement
- Balanced hydraulics lets user mix and match jet nozzles without affecting performance of the system (all jet nozzles operate at the same flow, i.e. 10 GPM)
- Universal retrofitability allows dealer to sell replacement jet nozzles to new or previous spa customers
- Modular packaging: A – Bodies/Bulkheads; B – Jet nozzles; C – Adjuster insert

Jet-Air III: A + B

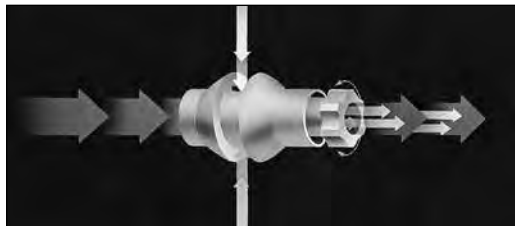
Adjustable Jet-Air III: A + B + C



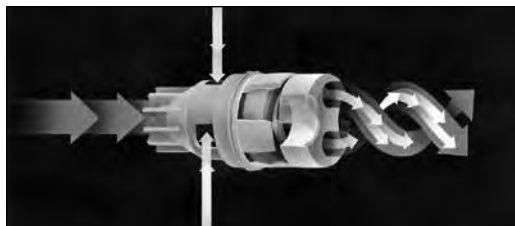
SP1437 Whirl-Flo Jet



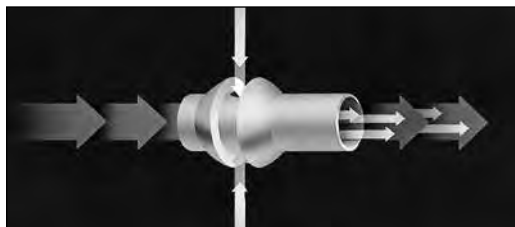
SP1434 Vari-Flo Jet



SP1434 Vari-Flo™ – Fully adjustable and directional  
NOTE: Not for use with the adjustable Jet-Air III system.



SP1436 Pulse-Flo™ – Pulsation and rotation for the ultimate hydro-massage action



SP1437 Whirl-Flo™ – Powerful, fully directional whirlpool jet provides 10-30 GPM range

## Hydrotherapy Fitting Buying Guide

Model Number	Description	Ctn. Qty.	Ctn. Weight
<b>Jet-Air III Common Body Assembly</b>			
Includes combo air/water connection body, bulkhead fitting and gasket. All connections are socket.			
SP1434PAKA**	1 1/2" air x 1 1/2" water	25	26 lbs.
SP14341PAKA	1" air x 1" water	25	25 lbs.
SP14343PAKA	1" air x 1 1/2" water	25	25 lbs.
OEM bulk paks also available.			

Model Number	Description	Ctn. Qty.	Ctn. Weight
<b>Jet-Air III Nozzle Assembly</b>			
Fits both Jet-Air III and Adjustable Jet-Air III Systems			
SP1434PAKB**	Vari-Flo Nozzle Assembly – Adjustable	25	6 lbs.
SP1436PAKB	Pulse-Flo Nozzle Assembly – Rotating	25	3 1/2 lbs.
SP1437PAKB	Whirl-Flo Nozzle Assembly – Whirlpool	25	3 lbs.

NOTE: All nozzle assemblies will retrofit previously installed SP1434 Series Jet-Air III fittings. OEM Bulk Paks also available. PAK A body with 3/8" barbed air connection also available.

### Accessories

SP1434T	Combination Tool for Bulkhead and Nozzle	50	20 lbs.
SP1434TP	Test Plug Tool	20	13 lbs.

\*Also available in Light Gray, add GR

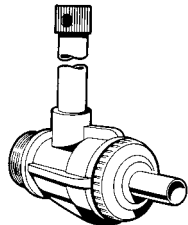
\*\*Also available in Dark Gray, add DGR

For replacement parts see page 262

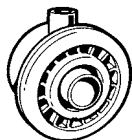
## Hydrotherapy Fitting Buying Guide

Model Number	Pipe Size	Description	Ctn. Qty.	Ctn. Weight
<b>Jet-Air® Hydrotherapy Fittings</b>				
SP1430	1 1/2" FIP x 1 1/2" MIP	Jet-Air Fitting, for permanent installation. Fits any 1 1/2" FIP hub	50	20 lbs.
SP1430S	1 1/2" SKT x 1 1/2" MIP	Jet-Air Fitting, for permanent installation. Fits any 1 1/2" FIP hub	50	20 lbs.
SP1433	1 1/2" FIP	Jet-Air Fitting Package, includes: SP1430 Jet-Air Fitting, SP1022 Receptacle, SP1420 Nozzle	50	34 lbs.
SP1433S	1 1/2" SKT	Same as SP1433, except includes SP1430S	50	34 lbs.
SP14311	1 1/2" MIP x 1 1/2" FIP	Jet-Air Fitting. For in-pool installation. Removable 18" air supply tube with cap and SP1420	25	25 lbs.
SP1430T	—	Jet-Air Nozzle Removal Tool	25	11 lbs.
SP144PAKBDGR	2" SKT	Fiting Receptacle		
SP1434PAKADGR	2"	Locknut Fitting		
SP1434PAKBDGR		Jet-Air Var-Flo Nozzle Assembly, Dark Gray		
<b>Turbo-Boost Jets</b>				
SP1450T	1 1/2" SKT	Turbo-Boost Spa Jet Fitting. Includes body with high flow directional nozzle, bulkhead fitting, gasket and 1 1/2" sweep elbow	20	36 lbs.
SP1450WP2	—	Winterizing Plug with O-ring. For SP1450T Series	10	5 lbs.
<b>Surface Skimmers</b>				
SP1099S	1 1/2" SKT x 2" SLIP	Front Access Spa Skimmer with gasket, 1 1/4" screws, washers, nuts and face cover plate (white)	1	3 lbs.

OEM Bulk Paks also available (Less Face Cover Plate – order separately).



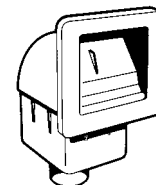
SP14311



SP1450T



SP1450WP2



SP1099S

# Pool Accessories



Hayward's exciting Color-Box Program: Eye-catching consumer packaging for new pool "add-on" and aftermarket sales opportunities.

## Hayward Accessories Buying Guide

Model Number	Description	Ctn. Qty.	Ctn. Weight
SP0727	Replaces the SP1480 union on Perflex, <sup>®</sup> ReGenX <sup>™</sup> or cartridge above-ground systems to allow direct vacuuming-to-waste (filter by-pass)	20	30 lbs.
SP0729	1 1/2" MIP x 1 1/2"/1 1/4" Combination Hose Adapter	24	11 lbs.
EC2024*	Jet-Action Cleaning Wand. Attaches to garden hose to quickly clean FlexTubes, <sup>™</sup> vertical grids and cartridge elements with minor disassembly.	20	7 lbs.

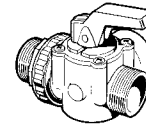
\*NOTE: Available in multiples of 20 only.  
Supplied in a professional Point-of-Sale Package.

## Hayward Accessories Buying Guide

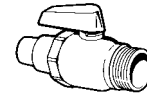
Model Number	Description	Ctn. Qty.	Ctn. Weight
SP022310	Bobby <sup>™</sup> – Disposable filter for fill hose. Prevents particle staining when filling the pool. 10" length.	20	13 lbs.
SP7410*	FunSpray <sup>™</sup> – 1 1/2" MIP Multi-Spray Adjustable Fountain fits 1 1/2" FIP wall fitting and telescopes to accommodate up to 3" variance in fitting location. Includes bi-directional eyeball fitting and locking ring for easy installation in above-ground or in-ground pools.	10	10 lbs.
EC1155	1 1/2" Suction and Discharge Hose Package Includes: two (2) each 1 1/2" x 6 ft. hoses, 1 1/2" hose adapters, 1 1/2" hose clamps.	1	3 1/2 lbs.
EC1326LK	Filter-To-Pump Connecting Kit – Fits Perflex, Star-Clear <sup>™</sup> , Star-Clear II <sup>™</sup> with any choice of pump. Includes: sweep union, adjustable connecting loop, elbow adapter, and hardware.	20	39 lbs.

\*Supplied in a professional Point-of-Sale Package.

Increase your new pool and aftermarket accessory sales with Hayward's Point-of-Sale, Color-Box Program. Designed with the consumer in mind, Hayward color-boxes communicate the product features and benefits in an appealing visual presentation – making the decision to purchase an easy one.



SP0727



SP0729

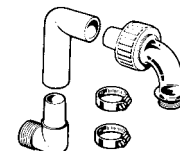


EC2024

Hayward accessories are a combination of useful maintenance items and water movement products designed to increase the enjoyment of owning a pool. Ranging from the 1 lb. Pre-Measure D.E. Scoop to the exciting FunSpray<sup>™</sup>, the Hayward line of accessories is priced to attract the value-conscious consumer.



SP7410



EC1326LK

For replacement parts see page 114



SP1068 Super-Vac



SP1067 Power-Vac

The Hayward Power-Vac™ and Super-Vac™ family of vacuum cleaning heads are molded of tough, durable Dural™ and are engineered to handle all types and sizes of swimming pools. The 360° swivel hose connector allows you to easily maneuver the vac head in the pool, while the “see-thru” head lets you view the bottom while cleaning. These deluxe vac heads are the industry standard.

### Applications

- In-ground pools
- Above-ground pools

### Features

- “See-thru” design for fast and easy cleaning
- Long-wearing brushes quickly loosen tough algae spots
- Contoured shape provides for easy corner and step cleaning
- 360° swivel connector ends aggravating hose tangling
- Optional weight package for extra vacuuming convenience
- Supplied in professional point-of-sale packaging

## Vacuum Cleaner Head Buying Guide

Model Number	Description	Ctn. Qty.	Ctn. Weight
<b>Vinyl, Fiberglass Pools</b>			
SP1067	12" Circular Vacuum Head. Wrap-around brush (1-piece). 1 ½" hose connection. Quick-snap handle connector.	5	16 lbs.
SP1068	See-thru Triangular Vacuum Head with 3 brushes. 1 ¼" and 1 ½" swivel hose connections included. Optional weights. Quick-snap handle connector. For in-ground and above-ground applications.	10	33 lbs.
SP1068DL	Deluxe Vacuum Head that includes the SP1068 package and three (3) ½ lb. weights	10	43 lbs.





# 2016 | REPLACEMENT PARTS



Supersedes all price lists of prior dates. Please see Terms & Conditions of Sale, inside back cover.

PUMPS	
EcoStar .....	113
Super Pump VS .....	114
Super Pump VS 115V .....	115
TriStar VS .....	116
MaxFlo VS .....	117
NorthStar .....	118
TriStar .....	119-120
Super II .....	121
Super Pump .....	122
E-Z Flo Pump .....	123
Max-Flo .....	124
Max-Flo II .....	125
Max-Flo XL .....	126
Booster Pump .....	127-128
Matrix Pump .....	129
Ultra Pro .....	130
Ultra Max .....	131
Turbo Injection .....	132
Turbo Flo II .....	133

FILTERS	
ProGrid .....	134-135
Micro-Clear .....	136-137
Perflex .....	138-139
ReGenX .....	140-141
Pro Series Plus .....	142-143
SwimPro .....	144
Pro Series .....	145-148
XStream .....	149
SwimClear .....	150-155
Super Star-Clear .....	156-157
Star Clear Plus .....	158-159
Star-Clear .....	160-161
Star-Clear II .....	162-163
Easy Clear .....	164
Micro Star-Clear .....	165
ASL Filter Series .....	166-167

HEATERS	
HeatPro .....	168-171
HP50A .....	172
HP65A .....	173
HP40B, HP50B, HP65B .....	174-175
Summit / HeatMaster .....	176-177
Universal H-Series Low NOx.....	178-179
H-Series Low NOx .....	180-181
H-Series - Electronic (ED2 Style) .....	182-183
H-Series - Millivolt/Electronic (ED1 Style) .....	184-185
H-Series Above Ground .....	186-187
Heater Replacement Parts .....	188-193

AUTOMATION & SANITIZATION	
Automation & Sanitization .....	194-197

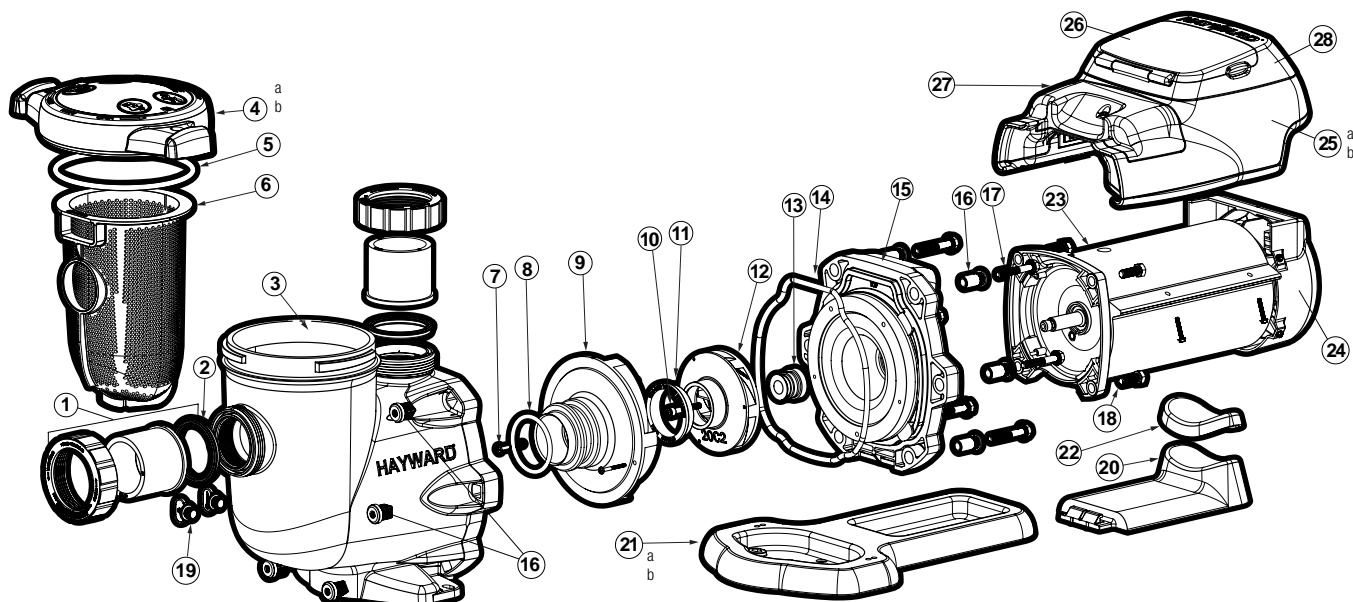
CLEANERS	
Navigator V-Flex .....	198-199
Navigator Pro .....	200-201
PoolVac V-Flex .....	202-203
PoolVac XL .....	204-205
AquaNaut Series .....	206-209
AquaVac Series.....	210-215
TigerShark Series.....	216-219
eVac Series.....	220-227
TriVac Series .....	228-231
DV5000/KingRay .....	232
DV1000/AquaRay/SunRay .....	233
Phantom & Phantom Turbo .....	234-235
Viper .....	236-237
AquaBug .....	238-239
Scuba Dave/Wally Whale .....	240-241
AquaBug/Scuba Dave/Wally the Whale .....	242-243
Pool Vac (Plus, Ultra) & Navigator .....	244-245

LIGHTING	
Underwater Lighting ProSeries Light .....	246-248

GENERAL POOL/ SPA EQUIPMENT	
Leaf Canisters .....	249
Chlorine & Bromine Feeders .....	250
Automatic Skimmers .....	251-253
Suction Outlets .....	254
PSV Series Valves .....	255
Multiport Valves .....	256-258
Ball Valves .....	259
Unions .....	260
Fittings .....	261
Hydrotherapy Fittings .....	262

NOTE: The number that appears in the "CTN. QTY." (Carton Quantity) is the pre-packaged, recommended ordering quantity for a part. The List Prices shown do not necessarily represent the prices that products are sold for to retail customers.

### Parts for Pump Models: SP3400VSP, SP3400VSPVR

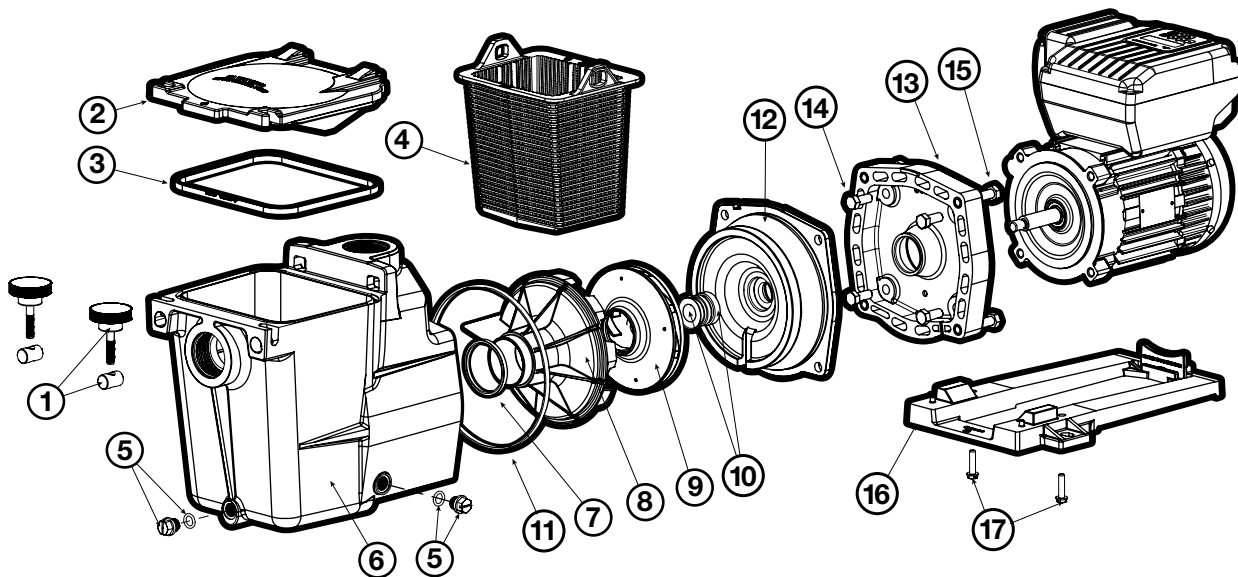


Ref. No.	Part No.	Description	Ctn. Qty.	Qty Req'd
1	SPX3200UNKIT	Union Connector Kit (Includes Union Nut, Union Connector, Union Gasket – 2 ea.)	10	1
2	SPX3200UG	Union Gasket (set of 2)	100	1
3	SPX3200A	Pump Strainer Housing, 2" x 2 1/2" with Drain Plugs, Threaded Style	1	1
4a	SPX3200DLS	Strainer Cover Kit (Includes Strainer Cover, Lock Ring, O-Ring)	10	1
4b	SPX3200DLSB	Strainer Cover Kit (Biguanide Sanitizer Applications Only; NOT Pressure Testable)	10	1
5	SPX3200S	Strainer Cover O-Ring	50	1
6	SPX3200M	Strainer Basket	2	1
7	SPX3200Z8	Diffuser Screw	50	1
8	SPX4000Z1	Diffuser O-Ring	50	1
9	SPX3200B3	Diffuser (includes impeller ring)	5	1
10	SPX3200Z1	Impeller Screw	50	1
11	SPX3021R	Impeller Ring	50	1
12	SPX3220C	Impeller with Impeller Screw	10	1
13	SPX3200SA	Shaft Seal Assembly	10	1
14	SPX3200T	Housing O-Ring	50	1
15	SPX3200E	Seal Plate	5	1
16	SPX3200Z211	Housing Insert/Seal Plate Spacer Kit	50	6
17	SPX3200Z3	Housing Bolt	50	6
18	SPX3200Z5	Motor Bolt	50	4
19	SPX4000FG	Drain Plug with O-Ring	100	2
20	SPX3200GA	Bracket, Motor Support	5	1
21a	SPX3200WF	Riser Base Aligns with Pentair® WhisperFlo® Ports	1	1
21b	SPX3200SR	Riser Base Aligns with Sta-Rite® Max-E-Pro™, Max-E-Glas®, Dura-Glas® and Dura-Glass II® Ports	1	1
22	SPX3200Q	Adapter-Motor Support	100	1
23	SPX3400Z1ECM	Motor Assembly	1	1
24	SPX3400FAN	Motor Fan Shroud	5	1
25a	SPX3400DR	Motor Drive (Includes Digital Control Interface) - for SP3400VSP	1	1
25b	SPX3400DRVR	Motor Drive, SVRS (Includes Digital Control Interface) - for SP3400VSPVR	1	1
26	SPX3400DR4	Motor Drive Display Cover	5	1
27	SPX3400DR2	Motor Drive Wiring Cover	5	1
28	SPX3400LCD	Digital Control Interface Assembly	1	1
—	SPX3400DRKIT	Wall Mount Kit for Digital Control Interface	5	1
—	SPX3400DRCBL	Wall Mount Display Cable - 15 feet of wire (optional)	5	1
—	SPXHKIT100	H-KIT Quick Pump Repair for TriStar (Includes items 5, 8, 13, 14 and Jack's Lube)	10	1

# Super Pump® VS

## SP2600VSP PUMP SERIES REPLACEMENT PARTS

Parts for SP2600VSP, SP2602VSP



Ref. No.	Part No.	Description	Qty. Req'd
1	SPX1600PN	Swivel Nut & Hand Knob	2
2	SPX1600D	Strainer Cover	1
3	SPX1600S	Strainer Cover Gasket	1
4	SPX1600M	Basket	1
5	SPX1700FG	Drain Plug with Gasket	2
6	SPX1600AA	Pump/Strainer Housing with Gasket	1
7	SPX1600R	Diffuser Gasket	1
8	SPX1616B	Diffuser	1
9	SPX1621C	Impeller	1
10	SPX1600Z2	Shaft Seal Assembly	1
11	SPX1600T	Housing Gasket	1
12	SPX1611E5	Seal Plate	1
13	SPX1600F5	Motor Mounting Plate	1
14	SPX0125Z44	Motor Cap Screws (Set of 4)	1
15	SPX1600Z4	Housing Cap Screws	4
16	SPX2600G1	Mounting Foot (Includes Screws)	1
17	SPX1600Z52	Mounting Foot Screws (Set of 2)	1
	SPXHKIT3	Quick Fix Kit (Includes #3, 7, 10, 11 & Jack's Lube)	1

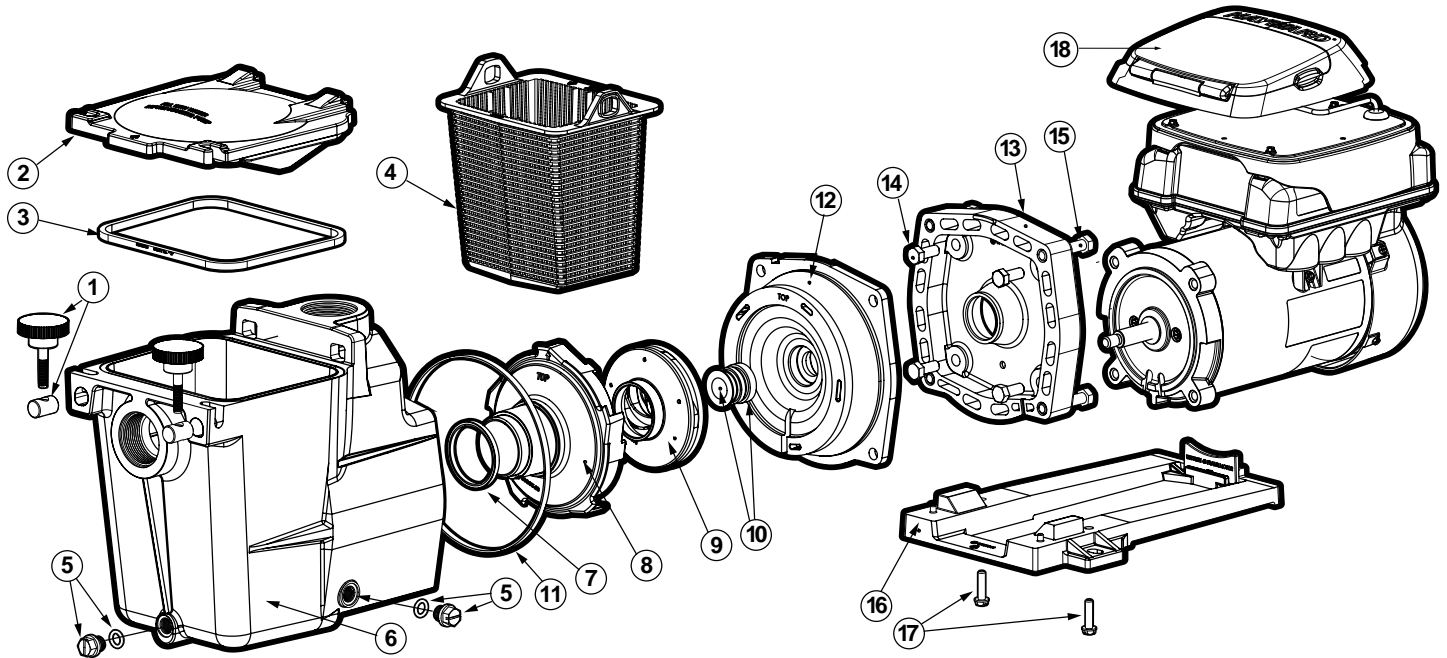
### POWER END

SPX2600Z1VSPE	Power End Assembly (Includes parts #7-14, motor and drive)	1
---------------	--	---

# Super Pump VS 115V

REPLACEMENT PARTS

Parts for Pump Models: SP26115VSP



Ref. No.	Part No.	Description	Ctn. Qty.	Qty Req'd
1	SPX1600PN	Swivel Nut and Hand Knob	100	2
2	SPX1600D	Strainer Cover	10	1
3	SPX1600S	Strainer Cover Gasket	100	1
4	SPX1600M	Basket	20	1
5	Spx1700FG	Drain Plug with Gasket	50	2
6	SPX1600AA	Pump/Strainer Housing with Gasket	1	1
7	SPX1600R	Diffuser Gasket	25	1
8	SPX2600B	Diffuser	10	1
9	SPX2607C	Impeller	10	1
10	SPX1600Z2	Shaft Seal Assembly	10	1
11	SPX1600T	Housing Gasket	50	1
12	SPX2600E5	Seal Plate	10	1
13	SPX1600F5	Motor Mounting Plate	10	1
14	SPX0125Z44	Motor Cap Screws (Set of 4)	100	1
15	SPX1600Z4	Housing Cap Screw	25	4
16	SPX2600G1	Mounting Foot (Includes Screws)	10	1
17	SPX1600Z52	Mounting Foot Screws (Set of 2)	100	1
18	SPX3400DR4	Motor Drive Display Cover (Cover only)	5	1
—	SPX3200LCD	Digital Control Interface Assembly	20	1
—	SPX3400DRKIT	Wall Mount Kit for digital control (optional)	5	1
—	SPXHKIT3	Quick Fix Kit (Includes #3, 7, 10, 11 and Jack's Lube)	10	1

**POWER END**

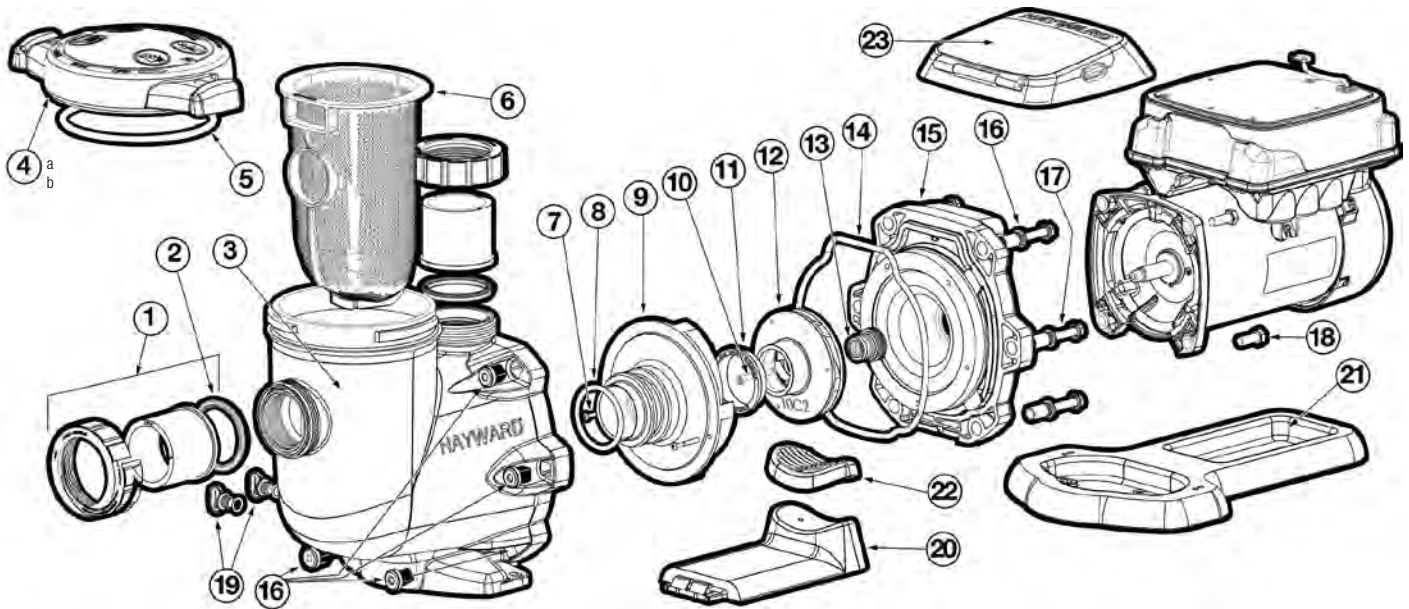
—	SPX26115Z1VSPE	Power End Assembly (Includes #7-14, motor and drive)	1	1
---	----------------	--	---	---



# TriStar VS

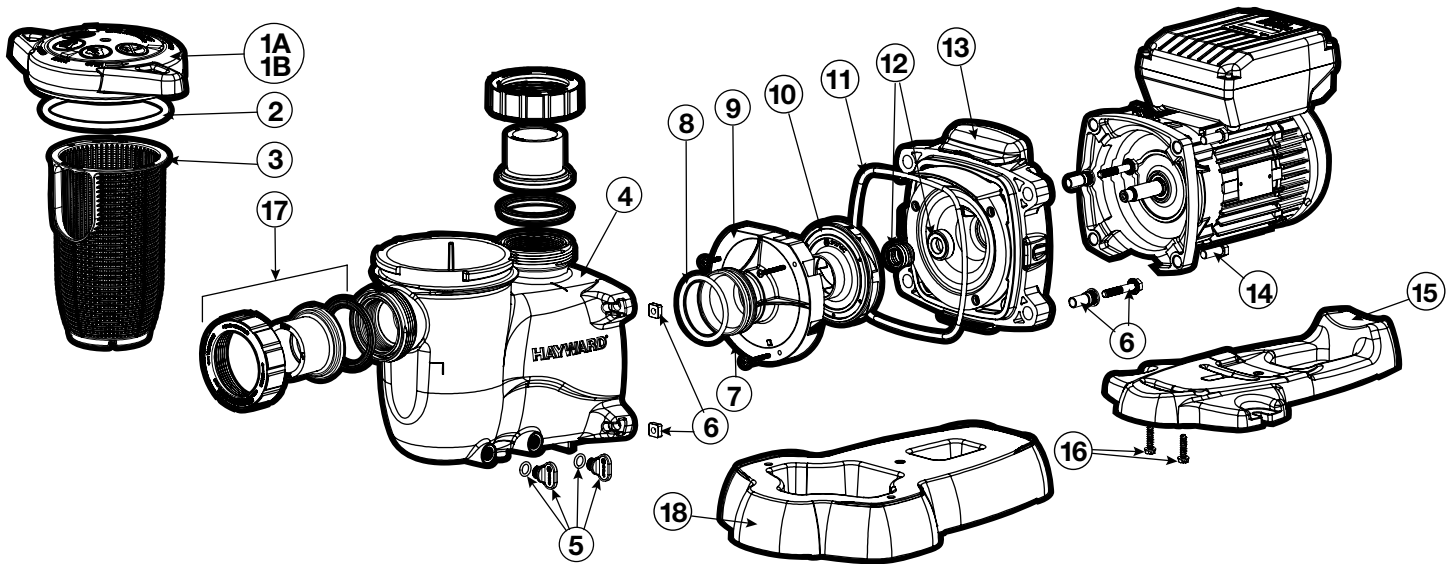
## VARIABLE SPEED PUMP REPLACEMENT PARTS

Parts for Pump Models: SP3200VSP, SP3200VSPND, SP3202VSP, SP3202VSPND



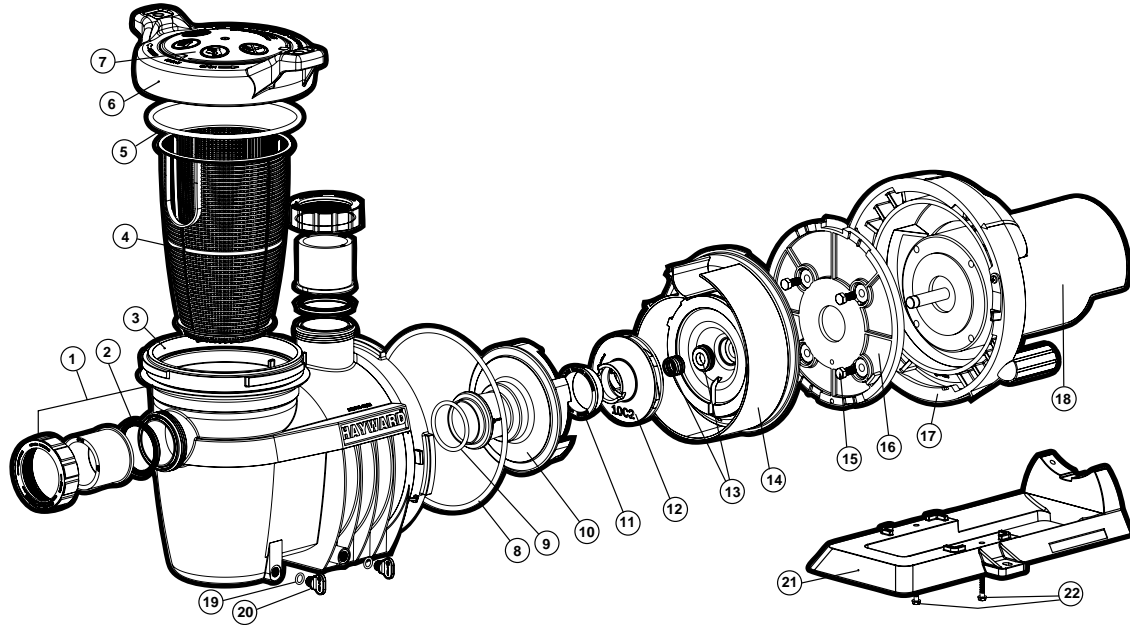
Ref. No.	Part No.	Description	Ctn. Qty.	Qty Req'd
1	SPX3200UNKIT	Union Connector Kit (Includes Union Nut, Union Connector, Union Gasket – 2 ea.)	10	1
2	SPX3200UG	Union Gasket (set of 2)	100	1
3	SPX3200A	Pump Strainer Housing, 2" x 2 1/2" with Drain Plugs, Threaded Style	1	1
4a	SPX3200DLS	Strainer Cover Kit (Includes Strainer Cover, Lock Ring, O-Ring)	10	1
4b	SPX3200DLSB	Strainer Cover Kit (Biguanide Sanitizer Applications Only; NOT Pressure Testable)	10	1
5	SPX3200S	Strainer Cover O-Ring	50	1
6	SPX3200M	Strainer Basket	2	1
7	SPX3200Z8	Diffuser Screw	50	1
8	SPX4000Z1	Diffuser O-Ring	50	1
9	SPX3200B3	Diffuser (includes impeller ring)	5	1
10	SPX3200Z1	Impeller Screw	50	1
11	SPX3021R	Impeller Ring	50	1
12	SPX3210C	Impeller with Impeller Screw	10	1
13	SPX3200SA	Shaft Seal Assembly	10	1
14	SPX3200T	Housing O-Ring	50	1
15	SPX3200E	Seal Plate	5	1
16	SPX3200Z211	Housing Insert/Seal Plate Spacer Kit	50	6
17	SPX3200Z3	Housing Bolt	50	6
18	SPX3200Z5	Motor Bolt	50	4
19	SPX4000FG	Drain Plug with O-Ring	100	2
20	SPX3200GA	Bracket, Motor Support	5	1
21	SPX3200WF	Riser Base Aligns with Inlet Port of Pentair® WhisperFlo® Pump	1	1
22	SPX3200Q2	Adapter-Motor Support	100	1
23	SPX3400DR4	Motor Drive Display Cover (Cover only) - for SP3200VSP, SP3202VSP	5	1
—	SPX3200LCD	Digital Control Interface Assembly - for SP3200VSP, SP3202VSP	20	1
—	SPX3400DRKIT	Wall Mount Kit for digital control interface (optional)	5	1
—	SPX3400DRCBL	Wall Mount Display Cable - 15' of wire (optional)	5	1
—	SPX3200Z1VSPE	Power End Assembly (Includes parts #7-15 and 18, Motor, Drive and Display)	1	1
—	SPX3200Z1VSNDP	Power End Assembly (no Display) (Includes parts #7-15 and 18, Motor and Drive)	1	1

Parts for Pump Model: SP2300VSP, SP2302VSP, SP2302VSPND



Ref. No.	Part No.	Description	Ctn. Qty.	Qty Req'd
1A	SPX2300DLS	Strainer Cover Kit (Includes Strainer Cover, Lock-Ring, O-Ring)	1	1
1B	SPX2300DLSB	Strainer Cover Kit for Biguanide Sanitizers (Includes Strainer Cover, Lock-Ring, O-Ring) <b>NOT</b> Pressure Testable	1	1
2	SPX2300Z4	Strainer Cover O-Ring	1	1
3	SPX2300M	Strainer Basket	1	1
4	SPX2300AA	Pump Strainer Housing with Drain Plugs	1	1
5	SPX4000FG	Drain Plug with O-Ring	2	2
6	SPX2700ZPAK	Hardware Pack (Includes 4 Housing Bolts, Seal-Plate Spacers and Square Nuts)	1	1
7	SPX2300Z3PAK3	Diffuser Screws (3 Pack)	1	1
8	SX220Z2	Diffuser O-Ring	1	1
9	SPX2300B	Diffuser	1	1
10	SPX2300CVS	Impeller	1	1
11	GMX600F	Housing O-Ring	1	1
12	SPX2700SA	Shaft Seal Assembly	1	1
13	SPX2300E	Seal Plate	1	1
14	SPX3200Z5	Motor Bolt	1	4
15	SPX2300G	Motor Support with Base Mount Screws	1	1
16	SPX1600Z52	Motor Support Base Mount Screws (set of 2)	1	1
17	SPX2700UNKIT	Union Connector Kit (Includes 2 Nuts, Connectors, Gaskets)	1	1
<b>OPTIONAL</b>				
18	SPX2300GR	Optional Riser Base Aligns with Sta-Rite® Dyna-Pro®	1	1
<b>POWER END</b>				
—	SPX2300Z1VSPE	Power End Assembly (Includes parts #7–14, Motor and Drive) for SP2300VSP and SP2302VSP	1	1
—	SPX2300Z1VSNPPE	Power end assembly (includes parts 7-14, motor and drive for SP2302VSPND)	1	1

Parts for Pump Models: SP4007X10NS, SP4010X15NS/2NS, SP4015X20NS/2NS, SP4020X25NS/2NS, SP4025X30NS



Ref. No.	Part No.	Description	Ctn. Qty.
1	SPX3200UNKIT	Union Connector Kit (incl. 2 ea. Union Nut, Connector, and Gasket) (2008 and later)	1
	SPX4000UNPAK1	Union Connector Kit (incl. 1 ea. Union Nut, Connector, and Gasket) (2007 and prior)	1
	SPX4000UNPAK2	Union Connector Kit (incl. 1 ea. Curved Union Connector, O-Ring and Nut) (2007 and prior)	1
2	SPX3200UG	Union Gasket (T-Seal), 50 Duro EPDM (2008 and later)	1
	SPX4000Z1	Union O-Ring (2007 and prior)	10
3	SPX4020TP	Pump Housing, Threaded Port (2008 and later)	1
	SPX4020AA	Pump Housing, Threaded Port (2007 and earlier)	1
4	SPX4000M	Strainer Basket	1
5	SPX4000T	Strainer Cover O-Ring (2008 and later)	10
	SPX4000TS	Strainer Cover T-Ring (2003-2007)	1
	CX400G	Strainer Cover O-Ring (prior to 2003)	1
	GMX600F	Pressure Test O-Ring (2007 and earlier)	1
6 & 7	SPX4000CLO	Strainer Cover Kit (incl. Strainer Cover, Lock Ring, and O-Ring) (2008 and later)	1
	SPX4000DLT	Strainer Cover Kit (incl. Strainer Cover, Lock Ring, and O-Ring) (2007 and prior)	1
8	SPX4000T	Seal Plate O-Ring	10
9	SPX4000Z1	Diffuser O-Ring	10
10	SPX4000B	Diffuser	1
11	SPX3021R	Impeller Ring	1
13	SPX4000SA2*	Seal Assembly	10
14	SPX4000E	Seal Plate	1
15	SPX0125Z44	Motor Bolt	1
16	SPX4000F	Motor Mounting Plate	1
17	SPX4000K	Motor Lock Ring	1
19 & 20	SPX4000FG	Drain Plug with O-Ring	10
21 & 22	SPX4000GA	Mounting Base with (2) Cap Screws	1
	SPX1600Z52	Mounting Base Cap Screws (set of 2)	1

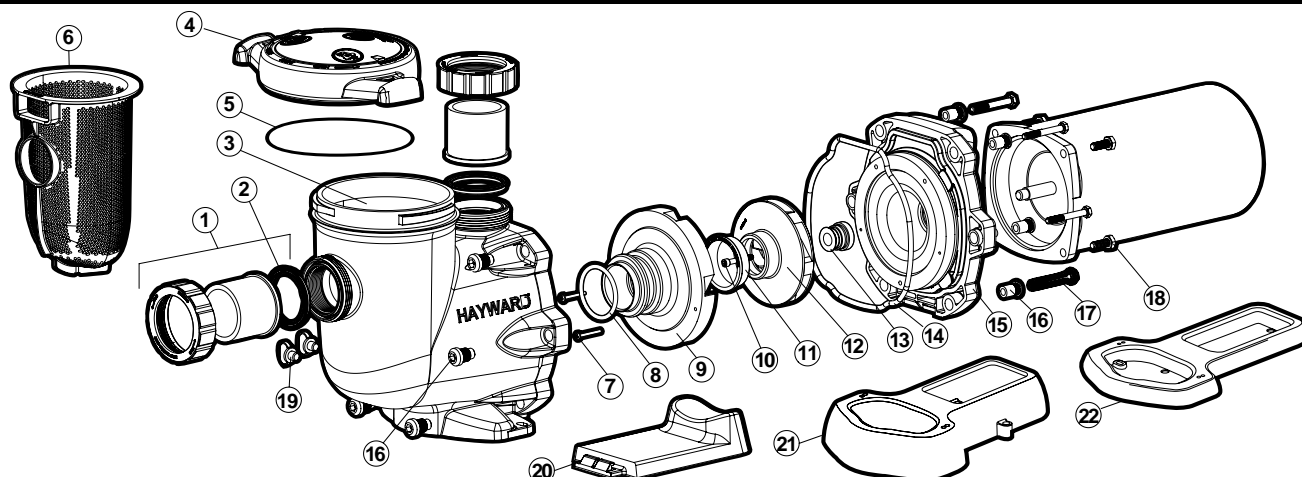
**Parts listed below must be ordered for specific model & H.P.**

12	SPX4007CKIT	Impeller for 1 HP with Impeller Ring and Seal Assembly	10
	SPX4010CKIT	Impeller for 1 1/2 HP with Impeller Ring and Seal Assembly	10
	SPX4015CKIT	Impeller for 2 HP with Impeller Ring and Seal Assembly	10
	SPX4020CKIT	Impeller for 2 1/2 HP with Impeller Ring and Seal Assembly	5
	SPX4025CKIT	Impeller for 3 HP with Impeller Ring and Seal Assembly	5
18	SPX1607Z1MNS	Motor, 1 H.P.	1
	SPX1610Z1MNS	Motor, 1 1/2 H.P.	1
	SPX1610Z2MNS	Motor, 1 1/2 H.P., 2-speed	1
	SPX1615Z1MNS	Motor, 2 H.P.	1
	SPX1615Z2MNS	Motor, 2 H.P., 2-speed	1
	SPX1620Z1MNS	Motor, 2 1/2 H.P.	1
	SPX1620Z2MNS	Motor, 2 1/2 H.P., 2-speed	1
	SPX1625Z1MNS	Motor, 3 H.P.	1

\*NOTE: For models prior to 2003, when replacing either the impeller or seal assembly, must purchase the impeller kit to replace both to ensure compatibility.



### Parts for SP3200EE Pump Series



Ref. No.	Part No.	Description	Ctn.	Qty.	Qty Req'd
1	SPX3200UNKIT	Union Connector Kit (includes Nut, Connector, Gasket) - (2 of each)	1		1
2	SPX3200UG	Union Gasket (T-seal), 50 duro EPDM (2 per pack)	1		1
3	SPX3200A	Pump Strainer Housing, 2" x 2" with Drain Plugs, threaded style	1		1
4a	SPX3200DLS	Strainer Cover Kit (includes Strainer Cover, Lock Ring, O-Ring)	10		1
4b	SPX3200DLSB	Strainer Cover Kit for Biguanide Sanitizers (includes: Strainer Cover, Lock Ring, T-Ring <b>NOT</b> Pressure Testable)	10		1
5	SPX3200S	Strainer Cover O-Ring		10	1
6	SPX3200M	Strainer Basket		15	1
7	SPX3200Z8	Diffuser Screws (Set of 2)		1	1
8	SPX4000Z1	Diffuser O-Ring		10	1
9	SPX3200B3	Diffuser		1	1
10	SPX3200Z1	Impeller Screw		1	1
11	SPX3021R	Impeller Ring		1	1
12	SPX3205C	Impeller for 1/2 H.P. with Impeller Screw		10	1
12	SPX3207C	Impeller for 3/4 H.P. with Impeller Screw		10	1
12	SPX3210C	Impeller for 1 H.P. with Impeller Screw		10	1
12	SPX3215C	Impeller for 1 1/2 H.P. with Impeller Screw		10	1
12	SPX3220C	Impeller for 2 H.P. with Impeller Screw		10	1
12	SPX3230C	Impeller for 3 H.P. with Impeller Screw		10	1
12	SPX3230C5	Impeller for 5 H.P. with Impeller Screw		10	1
13	SPX3200SA	Shaft Seal Assembly		10	1
14	SPX3200T	Housing O-Ring		10	1
15	SPX3200E	Seal Plate		1	1
16	SPX3200Z211	Housing Insert & Seal Plate Spacer Kit		1	6
17	SPX3200Z3	Housing Bolt		10	6
18	SPX3200Z5	Motor Bolt		1	4
19	SPX4000FG	Drain Plug with O-Ring		10	2
20	SPX3200GA	Bracket, Motor, Support		1	1
21	SPX3200WF	Base, Short Riser, TriStar (Optional)		1	1
22	SPX3200SR	Base, Tall Riser, TriStar (Optional)		1	1

#### Power Ends\*/Motor Part No.

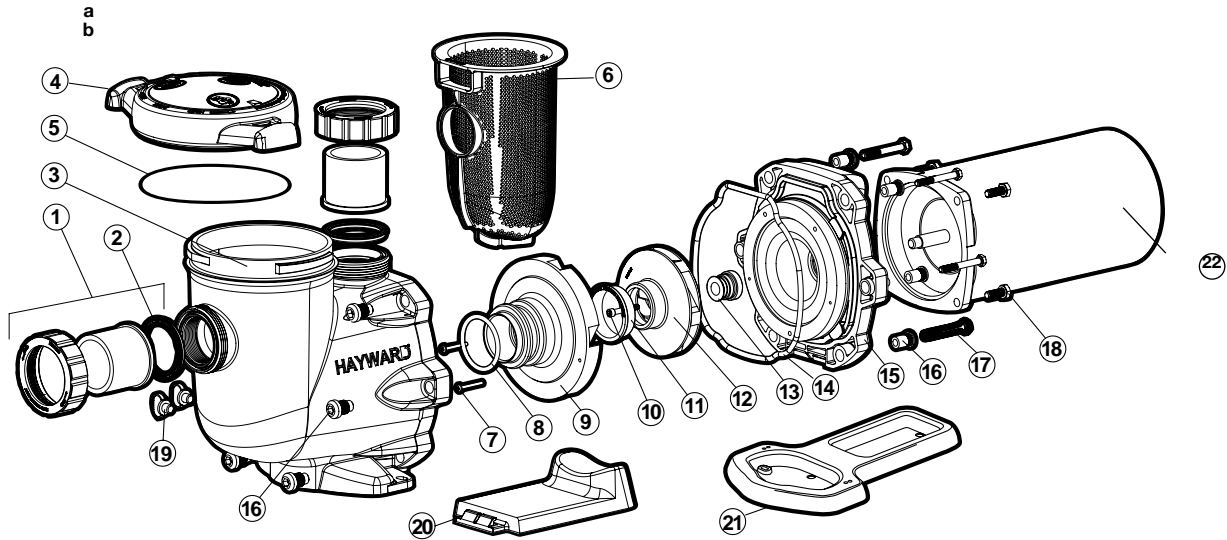
SPX3205Z1PE/SPX3205Z1BER	1/2 H.P. Energy Efficient Full Rate	1	1
SPX3207Z1PE/SPX3207Z1BER	3/4 H.P. Energy Efficient Full Rate	1	1
SPX3210Z1PE/SPX3210Z1BER	1 H.P. Energy Efficient Full Rate	1	1
SPX3215Z1PE/SPX3215Z1BER	1 1/2 H.P. Energy Efficient Full Rate	1	1
SPX3220Z1PE/SPX3220Z1BER	2 H.P. Energy Efficient Full Rate	1	1
SPX3230Z1PE/SPX3230Z1BER	3 H.P. Energy Efficient Full Rate	1	1
SPX3250Z1PE/SPX3240Z1MER	5 H.P. Energy Efficient Full Rate	1	1
SPX3210Z2PE/SPX3210Z2BER	1 H.P. 2 speed Energy Efficient Full Rate	1	1
SPX3215Z2PE/SPX3215Z2BER	1 1/2 H.P. 2 speed Energy Efficient Full Rate	1	1
SPX3220Z2PE/SPX3220Z2BER	2 H.P. 2 Speed Energy Efficient Full Rate	1	1
SPX3220Z1PE3V/SPX3220Z1DRV	2 H.P. 3 phase Energy Efficient Full Rate	1	1
SPX3230Z1PE3/SPX3230Z1DR	3 H.P. 3 phase Energy Efficient Full Rate	1	1

\*Power End includes Motor, Seal Plate, Seal Diffuser (includes Ref. #7-18 and Motor)

# Tristar™ Waterfall Pumps

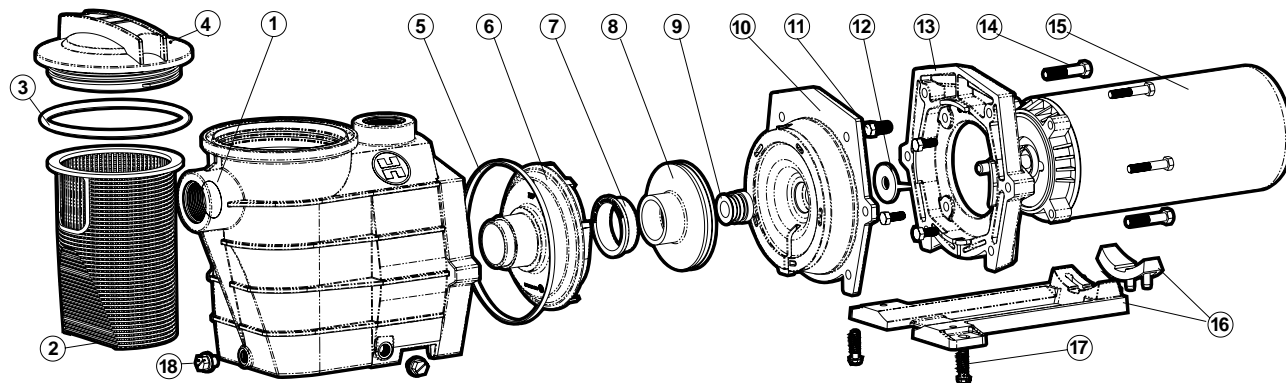
## SP3600 PUMP SERIES WATERFALL REPLACEMENT PARTS

Parts for Pump Models: SP36075EE, 36120EE



Ref. No.	Part No.	Description	Ctn. Qty.	Qty Req'd
1	SPX3200UNKIT	Union Connector Kit (Includes Nut, Connector, Gasket) - (2 of each)	1	1
2	SPX3200UG	Union Gasket (T-seal), 50 duro EPDM	1	1
3	SPX3200A	Pump Strainer Housing, 2" x 2" with Drain Plugs, threaded style	1	1
4a	SPX3200DLS	Strainer Cover Kit (Includes Strainer Cover, Lock Ring, O-Ring)	10	1
5	SPX3200S	Strainer Cover O-Ring	10	1
6	SPX3200M	Strainer Basket	15	1
7	SPX3200Z8	Diffuser Screws (Set of 2)	1	1
8	SPX4000Z1	Diffuser O-Ring	10	1
9	SPX3200B3	Diffuser	1	1
10	SPX3200Z1	Impeller Screw	1	1
11	SPX3021R	Impeller Ring	1	1
12	SPX3220C	Impeller for 75 GPM with Impeller Screw	10	1
12	SPX3230CU	Impeller for 120 GPM with Impeller Screw	10	1
13	SPX3200SA	Shaft Seal Assembly	10	1
14	SPX3200T	Housing O-Ring	10	1
15	SPX3200E	Seal Plate	1	6
16	SPX3200Z211	Housing Insert & Seal Plate Spacer Kit	1	6
17	SPX3200Z3	Housing Bolt	10	4
18	SPX3200Z5	Motor Bolt	1	2
19	SPX4000FG	Drain Plug with O-Ring	10	1
20	SPX3200GA	Bracket, Motor, Support	1	1
21	SPX3200SR	Base, Tall Riser (Optional)	1	1
22	SPX3605Z1BER	Motor – Waterfall, 75-120 GPM	1	1
	SPX3220VSCFAN	Fan, TriStar Variable Speed Control	1	1

Parts for Pump Models: SP3005X7, SP3007X10, SP3010X15, SP3015X20, SP3020X25, SP3025X30



Ref. No.	Part No.	Description	Ctn. Qty.	No. Req'd
1	SPX3000AA	Pump Housing/Strainer, 1 1/2" x 1 1/2". w/Drain Plugs (1987 and older)	1	1
1	RSX750A2	Pump Housing/Strainer, 2" x 2", w/Drain Plugs (1998 to current)	1	1
2	SPX3000M	Basket	15	1
3	SPX3000S	Strainer Cover O-Ring	10	1
4	SPX3000D	Strainer Cover, clear	1	1
5	SPX3000T	Housing Gasket	10	1
—	SPX1600R	Diffuser Gasket - Not Shown	10	1
—	SPX3000TRA	Seal Assembly Kit (includes Seal Assembly, Housing and Diffuser Gaskets) - Not Shown	10	1
6	SPX2600B	Diffuser, for 3/4 through 2 H.P. (1987 and prior)	1	1
6	SPX3000BN	Diffuser, for 3/4 through 1 1/2 H.P. (1988 and newer)	1	1
6	SPX3000B	Diffuser, for 2 1/2 and 3 H.P. (1989 and prior)	1	1
6	SPX3021B	Diffuser, for 2, 2 1/2 and 3 H.P. (1990 and newer)	1	1
7	SPX3005R	Impeller Ring – 3/4 through 2, 2 1/2 and 3 H.P. (SP3000 Series Impellers)	1	1
7	SPX3021R	Impeller Ring – 2, 2 1/2, 3 H.P. (SP3016C, SP3021C, 3026C)	1	1
9	SPX1600Z2	Seal Assembly	10	1
10	SPX3000E	Seal Plate, for SP2600 Series Impellers	1	1
10	SPX3020E	Seal Plate, for SP3000 Series Impellers	1	1
11	SPX0125Z44	Motor Cap Screw (Set of 4)	1	1
12	SPX0125F	Slinger	10	1
13	SPX3000F	Motor Mounting Plate	1	1
14	SPX1600Z4	Housing Cap Screw	10	6
—	SPX3000Z26	Washer, 3/8" – for cap screw (Set of 6) - Not Shown	1	1
16	SPX3000GA	Mounting Bracket w/Adapter and 2 Cap Screws	1	1
17	SPX1600Z52	Mounting Foot Cap Screw (Set of 2)	1	1
18	SPX1600V	1/4" Drain Plug (1991 and prior)	25	2
18	SPX1700FG	1/4" Drain Plug w/Gasket (1992 and newer)	10	2
	SPX1600PN	Hand Knob Kit (includes swivel nut and hand knob)	2	2

**Parts listed below must be ordered for specific model & H.P.:**

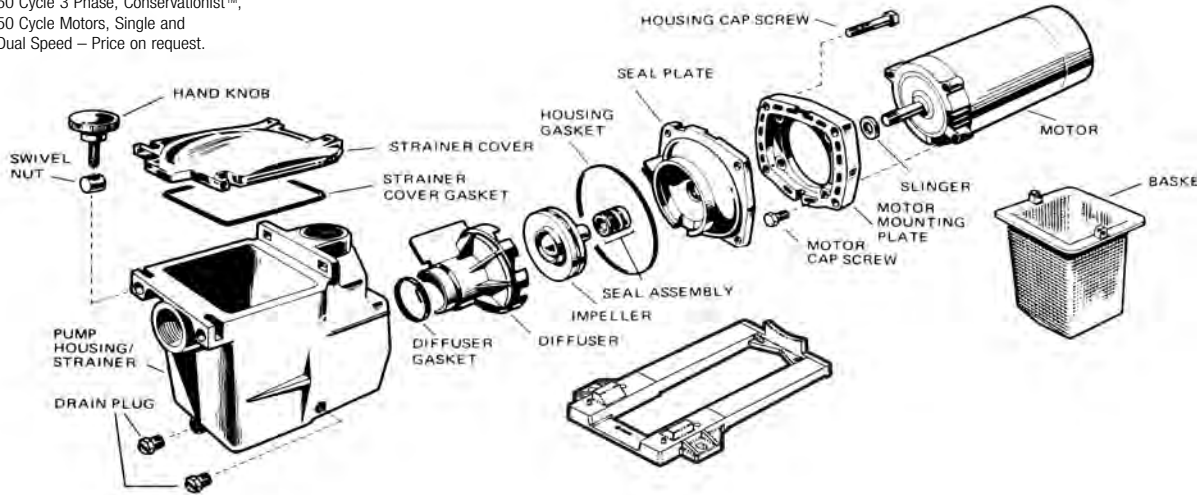
	1987	1988			
8	SPX2605C	SPX3005C	Impeller, for 3/4 H.P.	10	1
8	SPX2607C	SPX3007C	Impeller, for 1 H.P.	10	1
8	SPX2610C	SPX3010C	Impeller, for 1 1/2 H.P.	10	1
8	SPX2615C	—	Impeller, for 2 H.P.	1	1
	1989	1990			
8	—	SPX3016C	Impeller, for 2 H.P.	1	1
8	SPX3020CKIT	SPX3021C	Impeller, for 2 1/2 H.P.	1	1
8	SPX3025CKIT	SPX3026C	Impeller, for 3 H.P.	1	1
15	SPX1605Z1M		Motor, 3/4 H.P., Threaded Shaft (Single Phase, 60 Cycle 115/230V)	1	1
15	SPX1607Z1M		Motor, 1 H.P., Threaded Shaft (Single Phase, 60 Cycle 115/230V)	1	1
15	SPX1610Z1M		Motor, 1 1/2 H.P., Threaded Shaft (Single Phase, 60 Cycle 230V)	1	1
15	SP1615Z1M		Motor, 2 H.P., Threaded Shaft (Single Phase, 60 Cycle 230V)	1	1
15	SPX1620Z1M		Motor, 2 1/2 H.P., Threaded Shaft (Single Phase 60 Cycle 230V)	1	1
15	SPX1625Z1M		Motor, 3 H.P., Threaded Shaft (Single Phase 60 Cycle 230V)	1	1
Not	RS750KIT		Accessory Kit (elevated pump base + union kit)	1	1
Shown	RSX750N		O-Ring Gasket for union		

# Super Pump®

## SP2600X PUMP SERIES (MAX RATED) REPLACEMENT PARTS

Parts for Pump Models: SP2600X5, SP2605X7, SP2607X10, SP2610X15, SP2615X20, SP2621X25

NOTE: 60 Cycle 3 Phase, Conservationist™,  
50 Cycle Motors, Single and  
Dual Speed – Price on request.



Part No.	Description	Ctn. Qty.	Qty. Req'd
SPX1600AA	Pump Housing/Strainer, 1 1/2" x 1 1/2", w/Drain Plugs	1	1
SPX1620AA	Pump Housing/Strainer, 2" x 2", w/Drain Plugs	1	1
SP2607X10DE	Power End for 1 HP Pump	1	1
SP26010X15DE	Power End for 1.5 HP Pump	1	1
SPX1600T	Housing Gasket	10	1
SPX1600R	Diffuser Gasket	10	1
SPX1600TRA	Seal Assembly Kit (includes Seal Assembly, Housing and Diffuser Gaskets)	10	1
SPX1600D	Strainer Cover, clear	10	1
SPX1600S	Strainer Cover Gasket	20	1
SPX1600M	Basket	20	1
SPX1600PN	Hand Knob Kit (includes Swivel Nut and Hand Knob)	10	2
SPX1600V	1/4" Drain Plug (1991 and prior)	25	1
SPX1700FG	1/4" Drain Plug w/Gasket (1992 and later)	10	2
SPX2600G1	Mounting Foot w/Adapter and Screws	10	1
SPX1600Z52	Mounting Foot Cap Screw (Set of 2 – 1995 and prior, 2 sets required)	1	1
SPX1600Z2	Seal Assembly	10	1
SPX1600F5	Motor Mounting Plate	10	1
SPX1600Z4	Housing Cap Screw	10	4
SPX0125Z44	Motor Cap Screw (Set of 4)	1	1
SPX0125F	Slinger	10	1
SPX2600B	Diffuser, for 1/2 thru 2 H.P.	1	1
SPX1616B	Diffuser, for 2 1/2 H.P. only	1	1
SPX2600EF5	Seal Plate and Mounting Plate, 1/2 thru 2 H.P.	10	1
SPX1611E5	Seal Plate, for 2 1/2 H.P. only	10	1

### Parts listed below must be ordered for specific model & H.P.:

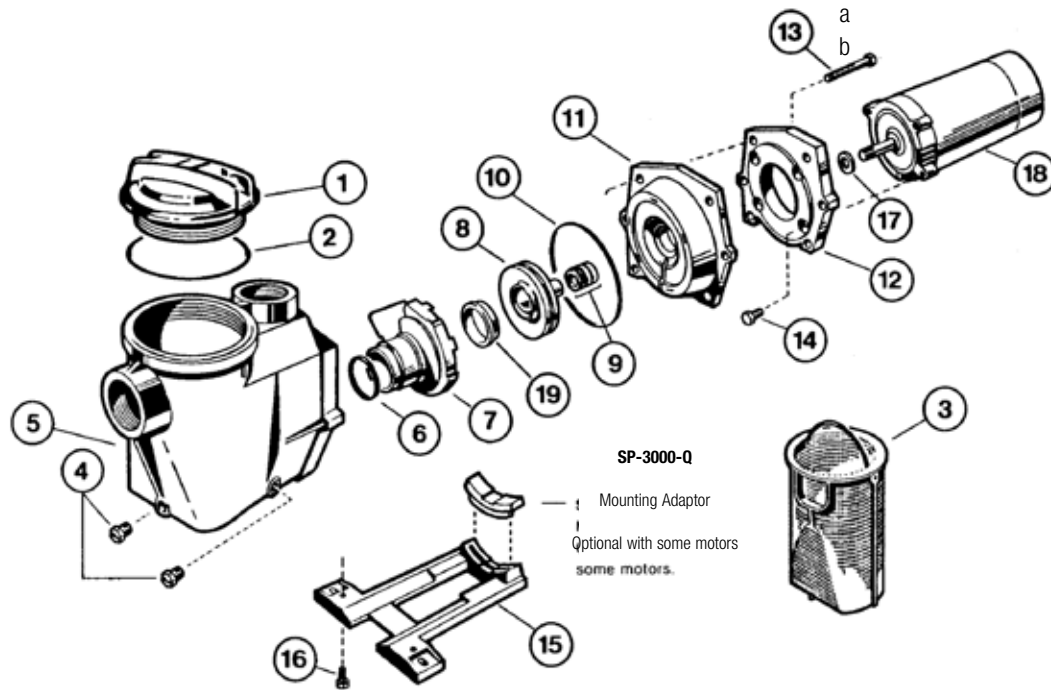
SPX2600C/SPX2600CKIT*	Impeller, for 1/2 H.P./ 1/2 H.P. Drive Train Upgrade	10/1	1
SPX2605C/SPX2605CKIT*	Impeller, for 3/4 H.P./ 3/4 H.P. Drive Train Upgrade	10/1	1
SPX2607C/SPX2607CKIT*	Impeller, for 1 H.P./ 1 H.P. Drive Train Upgrade	10/1	1
SPX2610C/SPX2610CKIT*	Impeller, for 1 1/2 H.P./ 1 1/2 H.P. Drive Train Upgrade	10/1	1
SPX2615C/SPX2615CKIT*	Impeller, for 2 H.P./ 2 H.P. Drive Train Upgrade	1	1
SPX1621C	Impeller, for 2 1/2 H.P.	1	1
SPX1600Z1M	Motor, 1/2 H.P., Threaded Shaft (Single Phase, 60 Cycle 115V)	1	1
SPX1605Z1M	Motor, 3/4 H.P., Threaded Shaft (Single Phase, 60 Cycle 115/230V)	1	1
SPX1607Z1M	Motor, 1 H.P., Threaded Shaft (Single Phase, 60 Cycle 115/230V)	1	1
SPX1607Z2MS	Motor, 1 H.P., Threaded Shaft (Single Phase, 60 cycle 230V, 2 speed)	1	1
SPX1610Z1M	Motor, 1 1/2 H.P., Threaded Shaft (Single Phase, 60 Cycle 115/230V)	1	1
SPX1610Z2MS	Motor, 1 1/2 H.P., Threaded Shaft (Single Phase, 60 Cycle 230V, 2 speed)	1	1
SPX1620Z1M	2 1/2" H.P., Max-Rate Motor	1	1
SPX1615Z1M	2 H.P. Motor, 60 Cycle, 1Phase	1	1

\*NOTE: For pumps with an "SP1600X" part number (manufactured before 1983), the use of these new kits (SPX2600CKIT - SPX2615CKIT) will upgrade the old pump to our current "SP2600X" series. This will improve GPM, reduce noise and provide slightly better energy efficiencies. All individual components included in the kits are not available.

# E-Z Flo Pump

## E-Z FLO PUMP REPLACEMENT PARTS

Parts for Models: SP3105X7, SP3107X10, SP3110X15, SP3115X20, SP3120X25

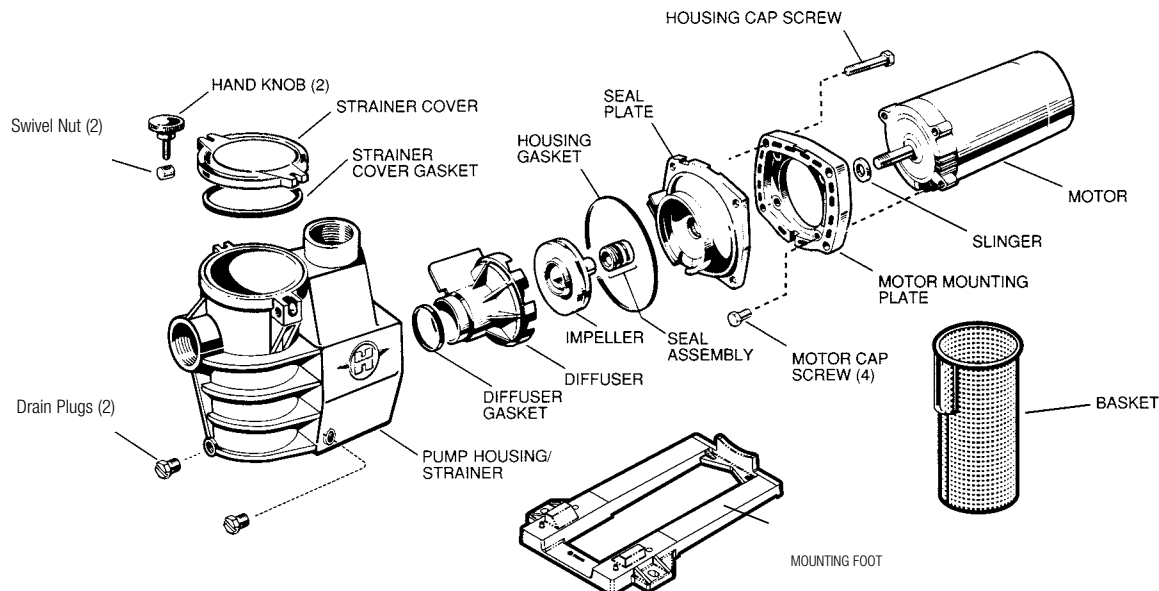


Ref. No.	Description	No. Req'd	Part Number				
			Model SP3105X7	Model SP3107X10	Model SP3110X15	Model SP3115X20	Model SP3120X25
1	Strainer Cover; Threaded	1	SPX3100D	SPX3100D	SPX3100D	SPX3100D	SPX3100D
2	Strainer Cover O-Ring	1	SPX3000S	SPX3000S	SPX3000S	SPX3000S	SPX3000S
3	Basket	1	SPX3000-M	SPX3000M	SPX3000M	SPX3000M	SPX3000M
4	Drain Plug w/o O-Ring	2	SPX1700FG	SPX1700FG	SPX1700FG	SPX1700FG	SPX1700FG
5	Pump Housing/Strainer Basket	1	SPX3100AA	SPX3100AA	SPX3100AA	SPX3120AA	SPX3120AA
6	Diffuser Gasket	1	SPX1600R	SPX1600R	SPX1600R	SPX1600R	SPX1600R
7	Diffuser	1	SPX3000BN	SPX3000BN	SPX3000BN	SPX3021B	SPX3021B
8	Impeller	1	SPX3005C	SPX3007C	SPX3010C	SPX3016C	SPX3021C
9	Seal Assembly	1	SPX1600Z2	SPX1600Z2	SPX1600Z2	SPX1600Z2	SPX1600Z2
10	Housing Gasket	1	SPX3000T	SPX3000T	SPX3000T	SPX3000T	SPX3000T
11	Seal Plate	1	SPX3020E	SPX3020E	SPX3020E	SPX3020E	SPX3020E
12	Motor Mounting Plate	1	SPX3000F	SPX3000F	SPX3000F	SPX3000F	SPX3000F
13a	Housing Cap Screw	6	SPX1600Z4	SPX1600Z4	SPX1600Z4	SPX1600Z4	SPX1600Z4
13	Housing Cap Screw	1	SPX3000Z26	SPX3000Z26	SPX3000Z26	SPX3000Z26	SPX3000Z26
14	Motor Cap Screw (Set of 4)	1	SPX0125Z44	SPX0125Z44	SPX0125Z44	SPX0125Z44	SPX0125Z44
15	Mounting Bracket w/screw	1	SPX3000GA	SPX3000GA	SPX3000GA	SPX3000GA	SPX3000GA
16	Mounting Bracket Screw (Set of 2)	1	SPX1600Z52	SPX1600Z52	SPX1600Z52	SPX1600Z52	SPX1600Z52
17	Slinger	1	SPX0125F	SPX0125F	SPX0125F	SPX0125F	SPX0125F
18	Motor-60 Cycle Single Phase	1	SPX1605Z1M	SPX1607Z1M	SPX1610Z1M	SPX1615Z1M	SPX1620Z1M
19	Impeller Ring	1	SPX3005R	SPX3005R	SPX3005R	SPX3021R	SPX3021R
	Strainer Cover Removal Tool	1	SPX3100T	SPX3100T	SPX3100T	SPX3100T	SPX3100T

# Max-Flo™

## SP2800X SERIES (MAX RATED) REPLACEMENT PARTS

Parts for Pump Models: SP2800X5, SP2805X7, SP2807X10, SP2810X15, SP2815X20



Part No.	Description	Ctn. Qty.	Qty. Req'd
SPX2800AA	Pump Housing/Strainer accepts Swing Away Knobs, 1 1/2" x 1 1/2", w/Drain Plugs (1995 and prior)	1	1
SPX1250LA	Strainer Cover, clear Lexan® w/Gasket (Fits All Models)	10	1
SPX0125T	Strainer Cover Gasket	10	1
SPX1250RA	Basket (1994 and prior)	10	1
SPX2800M	Basket (1995)	10	1
SPX1250Z4	Hand Knob, Three Pointed (1994 and prior)	10	2
SPX1600PN	Hand Knob Kit (1995, includes Swivel Nut and Hand Knob)	10	2
SPX1600T	Housing Gasket	10	1
SPX1600R	Diffuser Gasket	10	1
SPX1600TRA	Seal Assembly Kit (Includes Seal Assembly, Housing and Diffuser Gaskets)	10	1
SPX1600V	1/4" Drain Plug (1991 and prior)	25	2
SPX1700FG	1/4" Drain Plug w/Gasket	10	2
SPX2600G1	Mounting Foot w/Adapter and Screws	10	1
SPX1600Z52	Mounting Foot Cap Screw (Set of 2 – 1995 and prior, 2 sets required)	1	1 set
SPX1600Z2	Seal Assembly	10	1
SPX1600F5	Motor Mounting Plate	2	1
SPX1600Z4	Housing Cap Screw	10	4
SPX0125Z44	Motor Cap Screw (Set of 4)	1	1 set
SPX0125F	Slinger	10	1
SPX2800B	Diffuser, for all H.P.'s	1	1
SPX2600EF5	Seal Plate and Mounting Plate	5	1

### Housing Conversion Kit —To Swing Away Knob Style

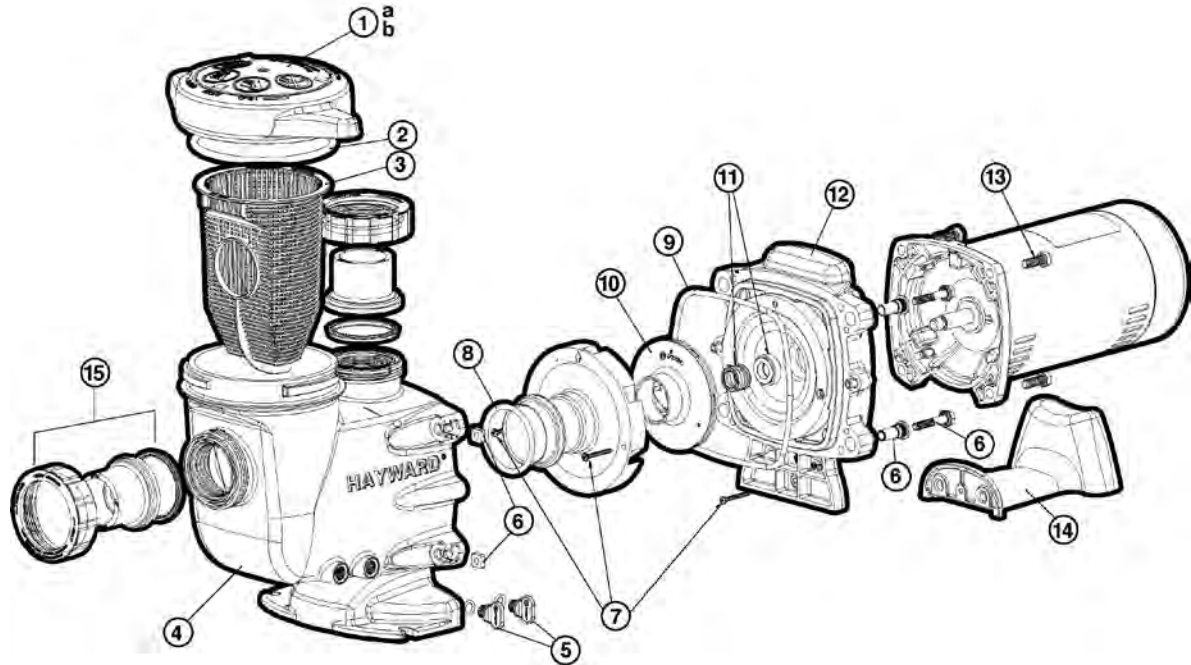
SPX2800AAC*	Complete Housing Conversion Kit. Includes housing, strainer cover and gasket, basket, round hand knobs (2), and swivel nuts (2).	1	
-------------	--	---	--

### Parts listed below must be ordered for specific model & H.P.:

SPX2600C	Impeller, for 1/2 H.P. Max Rated	10	1
SPX2605C	Impeller, for 3/4 H.P. Max Rated	10	1
SPX2607C	Impeller, for 1 H.P. Max Rated	10	1
SPX2610C	Impeller, for 1 1/2 H.P. Max Rated	10	1
SPX2615C	Impeller, for 2 H.P. Max Rated	1	1
SPX1600Z1M	Motor, 1/2 H.P., Threaded Shaft (Single Phase, 60 Cycle 115V)	1	1
SPX1605Z1M	Motor, 3/4 H.P., Threaded Shaft (Single Phase, 60 Cycle 115/230V)	1	1
SPX1607Z1M	Motor, 1 H.P., Threaded Shaft (Single Phase, 60 Cycle 115/230V)	1	1
SPX1610Z1M	Motor, 1 1/2 H.P., Threaded Shaft (Single Phase, 60 Cycle 115/230V)	1	1
SPX1615Z1M	Motor, 2 H.P., Threaded Shaft (Single Phase, 60 Cycle 230V)	1	1
SPX1610Z2MS	Motor, 1 1/2 H.P. Threaded Shaft, Two-speed (Single phase, 60 Cycle, 230V)	1	1
SP2800TG	Pressure Test Gasket	5	1



Parts for Pump Models: SP2705X7(E), SP2707X10(2), SP2710X15(2), SP2715X20(2)



Ref. No.	Part No.	Description	Ctn. Qty.
1a	SPX2700DLS	Strainer Cover Kit (Includes Strainer Cover, Lock-Ring, O-Ring)	10
1b	SPX2700DLSB	Strainer Cover Kit for Biguanide Sanitizers (Includes Strainer Cover, Lock-Ring, O-Ring) <b>NOT</b> Pressure Testable	10
2	SPX2700Z4	Strainer Cover O-Ring	50
3	SPX2700M	Strainer Basket	5
4	SPX2700AA	Pump Strainer Housing (Includes Strainer Cover Assembly, Basket and Drain Plugs)	1
5	SPX4000FG	Drain Plug with O-Ring	100
6	SPX2700ZPAK	Housing Hardware Kit (Includes 4 Housing Bolts, Spacers and Nuts)	10
7	SPX2700Z3	Diffuser Screw Kit (Pack of 5)	50
8	SX220Z2	Diffuser O-Ring	500
9	GMX600F	Housing O-Ring	100
11	SPX2700SA	Shaft Seal Assembly	10
12	SPX2700EKIT	Seal Plate and Diffuser Kit	1
13	SPX3200Z5	Motor Bolt	50
14	SPX2700G	Motor Support	5

### OPTIONAL

15	SPX2700UNKIT	Union Connector Kit (Includes 2 Nuts, Connectors, Gaskets)	10
—	SPX3200UG	Union Gasket (Pack of 2)	100

### Parts listed below must be ordered for specific model and H.P.

10	SPX2700C	Impeller for 3/4 H.P.	10
10	SPX2707CM	Impeller for 1 H.P.	10
10	SPX2710CM	Impeller for 1 1/2 H.P.	10
10	SPX2715CM	Impeller for 2 H.P.	10

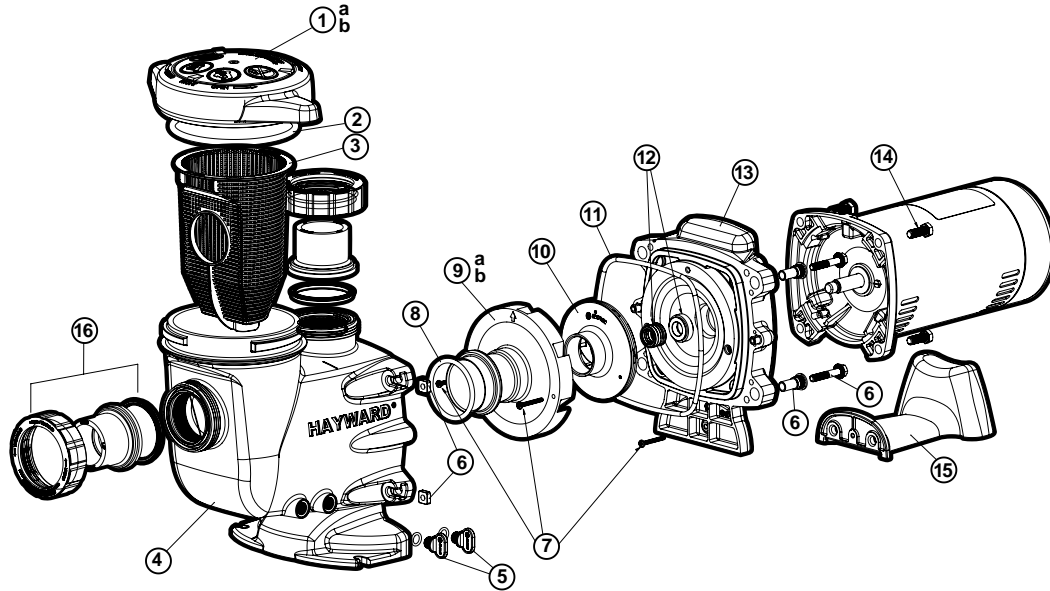
### MOTORS

	SPX2705Z1M	Motor, 3/4 H.P., Threaded Shaft (Single Phase, 60 Cycle, 115/208-230V)	1
	SPX2705Z1ME	Motor, 3/4 H.P. Energy Efficient, Threaded Shaft (Single Phase, 60 Cycle, 115/208-230V)	1
	SPX2707Z1M	Motor, 1 H.P., Threaded Shaft (Single Phase, 60 Cycle, 115/208-230V)	1
	SPX2710Z1M	Motor, 1 1/2 H.P., Threaded Shaft (Single Phase, 60 Cycle, 115/208-230V)	1
	SPX2715Z1M	Motor, 2 H.P., Threaded Shaft (Single Phase, 60 Cycle, 115/208-230V)	1
	SPX2707Z2M	Motor, 1 H.P., 2-Speed, Threaded Shaft (Single Phase, 60 Cycle, 230V)	1
	SPX2710Z2M	Motor, 1 1/2 H.P., 2-Speed, Threaded Shaft (Single Phase, 60 Cycle, 230V)	1
	SPX2715Z2M	Motor, 2 H.P., 2-Speed, Threaded Shaft (Single Phase, 60 Cycle, 230V)	1

# Max-Flo XL™

## SP2800X SERIES (MAX RATED) REPLACEMENT PARTS

Parts for Pump Models: SP2307X10, SP2310X15



Ref. No.	Part No.	Description	Ctn. Qty.
1a	SPX2300DLS	Strainer Cover Kit (Includes Strainer Cover, Lock-Ring, O-Ring)	1
1b	SPX2300DLSB	Strainer Cover Kit for Biguanide Sanitizers (Includes Strainer Cover, Lock-Ring, O-Ring) NOT Pressure Testable	1
2	SPX2300Z4	Strainer Cover O-Ring	1
3	SPX2300M	Strainer Basket	1
4	SPX2300AA	Pump Strainer Housing with Drain Plugs	1
5	SPX4000FG	Drain Plug with O-Ring	2
6	SPX2700ZPAK	Hardware Pack (Includes 4 Housing Bolts, Seal-Plate Spacers and Square Nuts)	1
7	SPX2300Z3PAK3	Diffuser Screws (Pack of 3)	1
8	SX220Z2	Diffuser O-Ring	1
9	SPX2300B	Diffuser	1
10	SPX2707CM	Impeller for 1 H.P. Max-Rate Pump	1
	SPX2710CM	Impeller for 1 1/2 H.P. Max-Rate Pump	1
11	GMX600F	Housing O-Ring	1
12	SPX2700SA	Shaft Seal Assembly	1
13	SPX2300E	Seal Plate	1
14	SPX3200Z5PAK4	Motor Bolt (Pack of 4)	1
15	SPX2300G	Motor Support with Base Mount Screws	1
16	SPX1600Z52	Motor Support Base Mount Screws	1
17	SPX2700UNKIT	Union Connector Kit (Includes 2 Nuts, Connectors, Gaskets)	1

### MOTORS

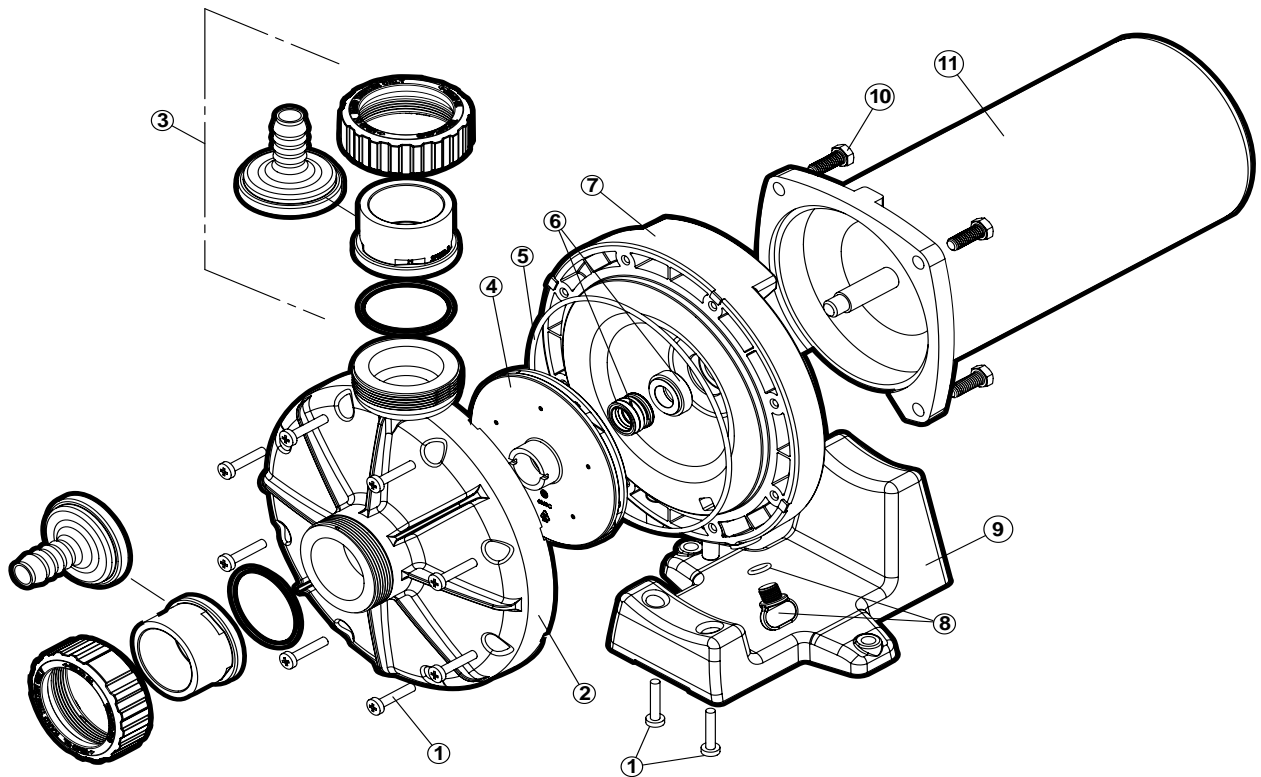
	SPX2707Z1M	Motor, 1 H.P., Threaded Shaft (Single Phase, 60 cycle 115/208-230V)	1
	SPX2710Z1M	Motor, 1 1/2 H.P., Threaded Shaft (Single Phas, 60 Cycle 115/208-230V)	1



# Booster Pump

6060 BOOSTER PUMP REPLACEMENT PARTS

## Parts for Booster Pump Model 6060

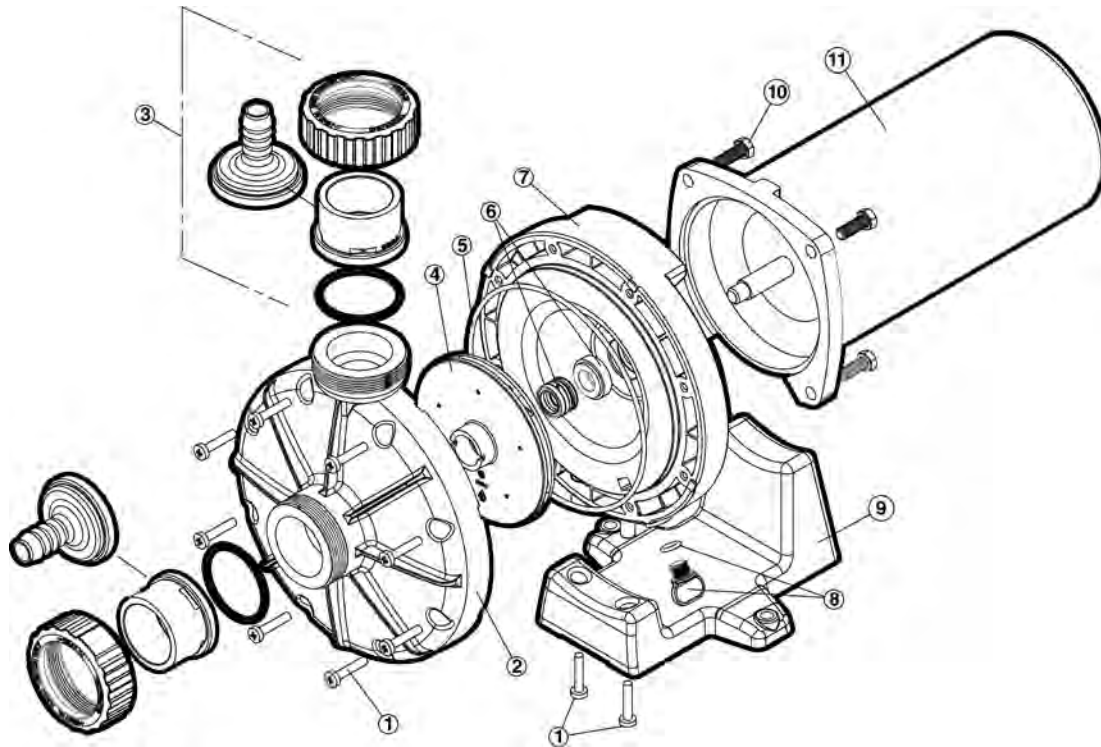


Ref. No.	Part No.	Description	Ctn. Qty.	Qty Req'd
1	AX6060Z1	Screws	50	10
2	AX6060A	Volute	1	1
3	AX6060UNPAK	Union Fittings Kit (2 Unions w/O-Rings)	5	1
4	AX6060C	Impeller Assembly	5	1
5	AX6060S	O-Ring	50	1
6	SPX2700SA	Seal Assembly	10	1
7	AX6060E	Seal Plate Assembly (Seal Plate w/drain plug and O-Ring)	1	1
8	SPX4000FG	Drain Plug w/O-Ring	200	1
9	AX6060G	Motor Support	1	1
10	SPX3200Z5	Motor Bolts	50	4
11	SPX2707Z1M	Motor (3/4 HP, 60 Cycles)	1	1

# Booster Pump

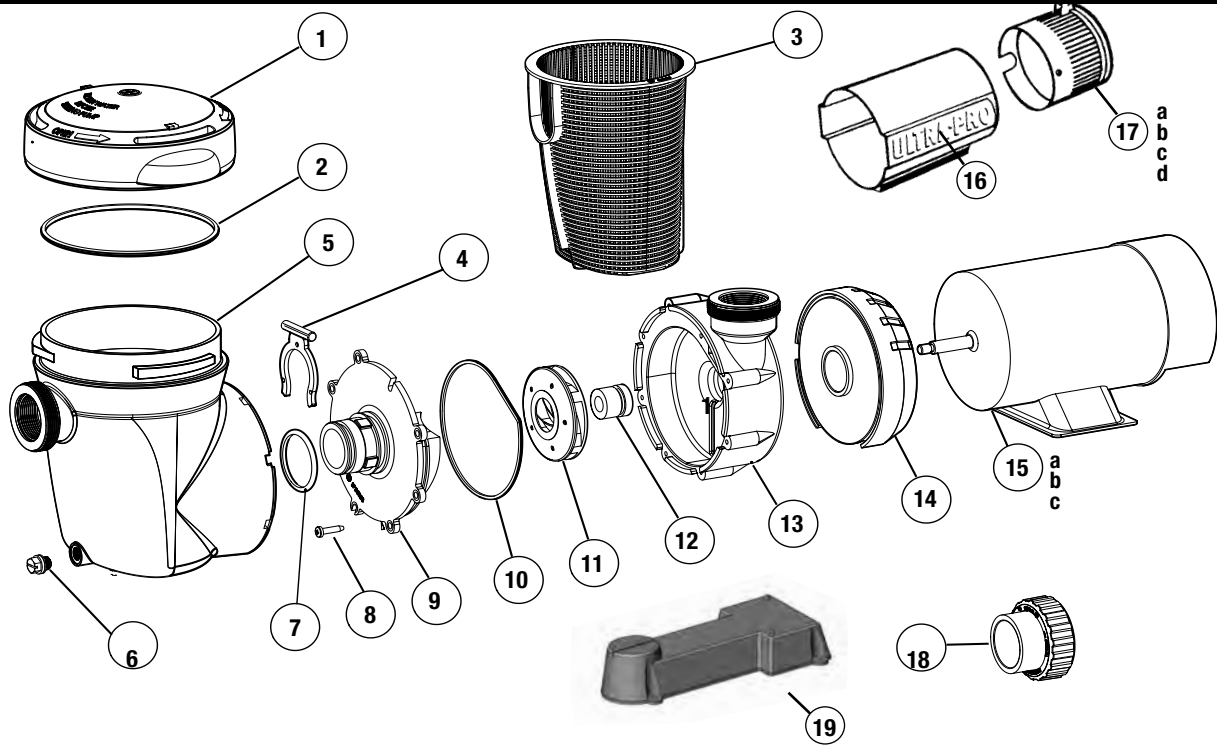
## 6060 BOOSTER PUMP REPLACEMENT PARTS

### Parts for Booster Pump Model 6060



Ref. No.	Part No.	Description	Ctn. Qty.
<b>Booster Pump Parts</b>			
1	AX6060Z1	Screws	10
2	AX6060A	Volute	1
3	AX6060UNPAK	Union Fittings Kit (2 Unions with O-Rings)	5
—	SPX1495Z1	Union O-Ring	50
4	AX6060C	Impeller Assembly	5
5	AX6060S	O-Ring	50
6	SPX2700SA	Seal Assembly	10
7	AX6060E	Seal Plate Assembly (Seal Plate with Drain Plug and O-Ring)	1
8	SPX4000FG	Drain Plug with O-Ring	100
9	AX6060G	Motor Support	1
10	SPX3200Z5	Motor Bolts	50
11	SPX2707Z1B	Motor (3/4 H.P., 60 Cycles)	1
—	6060HKIT	6060 Booster Pump Hose Kit	5

### Parts Diagram

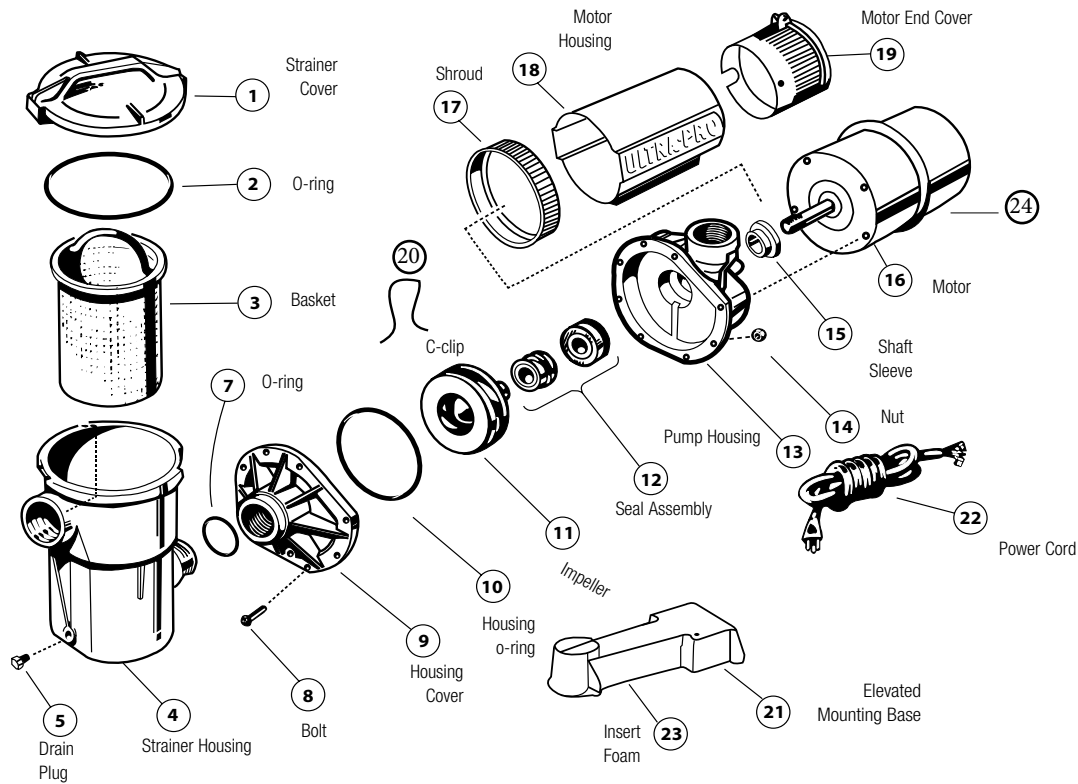


Ref. No.	Part No.	Description	Ctn. Qty.	No. Req'd
1	SPX5500D	Strainer Cover w/Lock Ring & 'O' Ring	10	1
2	SPX5500H	Strainer Cover 'O' Ring	10	1
3	SPX5500F	Strainer Basket	10	1
4	SPX5500G	Strainer Retainer/'C' Clip	10	1
5	SPX5500C	Strainer Housing with drain plug	1	1
6	SPX1700FG	Drain Plug w/Gasket	10	1
7	SPX5500K	Strainer 'O' Ring	10	1
8	SPX0714Z48	Screw, #14 x 1/4" Type B Pan Head (8 pack)	80	1
9	SPX5500B	Pump Cover	4	1
10	SPX0710XZ5	Housing 'O' Ring	10	1
11	SPX1591F	1 HP Impeller Assembly + 1 1/2 HP	10	1
12	SPX1500KA	Shaft Seal Assembly	10	1
13	SPX5500A	Pump Housing (includes pump cover)	4	1
14	SPX5500E1	Shroud Assembly	4	1
15a	SPX1509Z1UF	1 HP Motor, single speed	1	1
15b	SPX1514Z1UF	1 1/2 HP Motor, single speed	1	1
15c	SPX1514Z26F	1 1/2 HP motor, 2-speed	1	1
16	SPX2090A	Motor Housing	1	1
17a	SPX2090CAM	End Cover for Single Speed Pump	1	1
17b	SPX2090CETM	End Cover with Timer, Single Speed Pump	1	1
17c	SPX2090C2ET	End Cover for 2-speed pump with timer	1	1
17d	SPX2090C2	End Cover for Two Speed Pump	1	1
18	SP1500UNPAK2	Union Connector Assembly (set of 2 unions)	50	1
19	SPX5500M	Base (includes foam insert)	1	1
	ECX1325R	Switch Assembly - Single Speed		1
	ECX13252R	Switch Assembly - 2 speed or timer		1
	ECX1108A	Mounting Screw for Base		1
	SPX1550WA5	Power Cord		1
	SPX5500MFB	Foam insert for base	1	1
	SPX1500Q5	Shaft Sleeve for Motor	1	1
	SPX2000E	Heat Baffle for Motor	1	1

# Ultra Pro

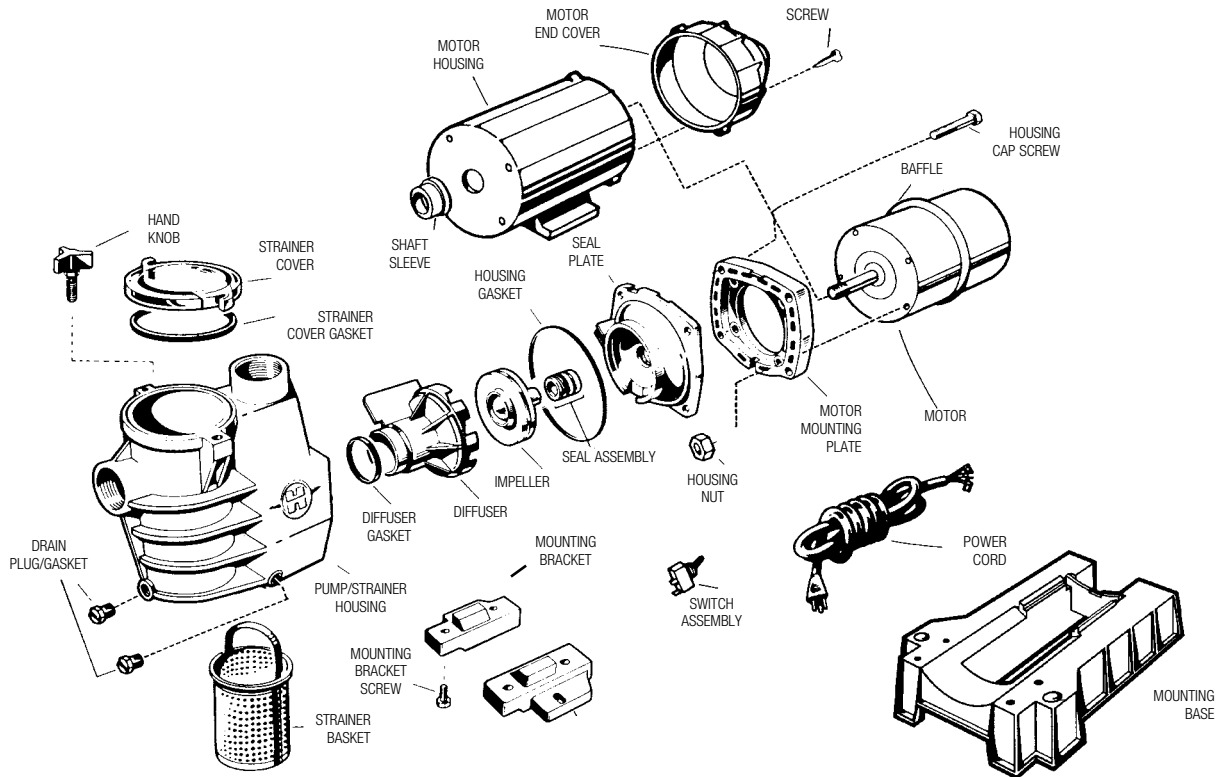
## SP2290 AND SP2295 PUMP SERIES REPLACEMENT PARTS

Parts for Pump Models: SP2290, SP2295, SP2290ET, SP2295ET



Ref #	Part No.	Description	Qty. Req'd
1	SPX1500D2A	Strainer Cover with O-Ring	1
2	SPX1500P	Strainer O-Ring	1
3	SPX1500LX	Basket	1
4	SPX1500CAP	Strainer Housing with Basket and Drain Plug	1
5	SPX1700FG	Drain Plug w/Gasket	1
7	SPX1500W	O-Ring	1
8	SPX1500N2	Bolt	8
9	SPX1580BP	Housing Cover	1
10	SPX1580Z1	Housing O-Ring	1
11	SPX1500E	Impeller for all models	1
12	SPX1500KA	Seal Assembly	1
13	SPX1580AAP	Pump Housing	1
14	SPX1500Y2	Nut	8
15	SPX1500Q5	Shaft Sleeve	1
16a	SPX1509Z1UF	1 H.P motor, single speed	1
16b	SPX1514Z2UF	1.5 H.P motor, 2 speed	1
16c	SPX1514Z1UF	1.5 HP Motor, single speed	1
17	SPX2090B	Shroud	1
18	SPX2090A	Motor Housing	1
19a	SPX2090C	Motor End Cover Assembly for single speed motor	1
19b	SPX2090CET	Motor End Cover (electronic timer, single speed)	1
19c	SPX2090C2ET	Motor End Cover, 2 Speed with Timer	1
-	ECX1325R	Switch Assembly (Single Speed) (not shown)	1
-	ECX13252R	Switch Assembly - timer or 2 speed (not shown)	1
20	SPX1515C	C-Clip	1
21	SPX5500M	Elevated Mounting Base	1
22	SPX1550WA5	Power Cord	1
23	SPX5500MFB	Foam Insert for Base	1
-	ECX1108A	Mounting Screw/Washer for base (not shown)	1
24	SPX2000E	Heat Baffle for motor	1

Parts for Pump Models: SP2910, SP2915, SP2910ET, SP2915ET

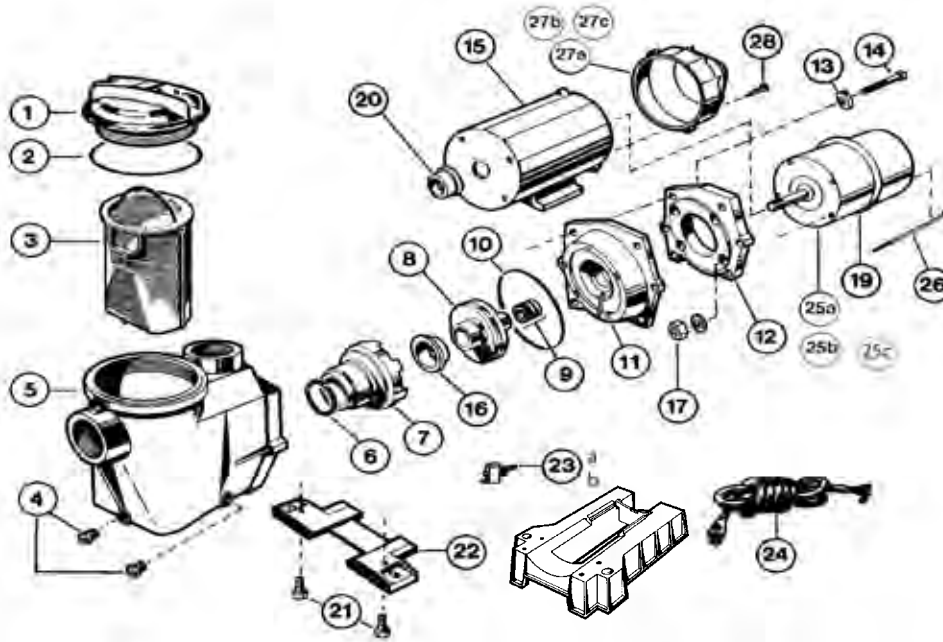


Part No.	Description	Ctn. Qty.	Qty. Req'd
SPX1250LA	Strainer Cover + Gasket	25	1
SPX0125T	Strainer Cover Gasket	100	1
SPX1600PN	Hand Knob + Swivel Nut	50	2
SPX1700FG	Drain Plug + Gasket	50	2
SPX2800AA	Pump/Strainer Housing - includes drain plugs + housing gasket	1	1
SPX1600R	Diffuser Gasket	500	1
SPX2800B	Diffuser	10	1
SPX2915CT	Impeller for all models	20	1
SPX1600Z2	Seal Assembly	50	1
SPX1600T	Housing Gasket	50	1
SPX2600E5	Seal Plate	10	1
SPX1600F3M	Motor Mounting Plate	25	1
SPX2800M	Strainer Basket	10	1
SPX1600Z4	Housing Cap Screw	500	4
SPX2000A3	Motor Housing	2	1
SPX1500Q4	Shaft Sleeve	200	1
SPX3300Z3	Housing Nut	10	4
SPX2000E	Heat Baffle	50	1
SPX1600Z52	Mounting Bracket Screw (Set of 2)	100	1
SPX2600G1	Mounting Bracket (Set of 2) and mounting screws	1	1
ECX1325R	Switch Assembly - Single Speed	200	1
ECX13252R	Switch Assembly - 2 Speed or Timer	200	1
SPX1550WA5	Power Cord	10	1
SPX2000C2	Motor End Cover only	5	1
SPX1411Z3	Screw for motor end cover	1000	3
SPX2601B	Base Pins (Pack of 2)	100	1
SPX2601AB	Mounting Base	1	1
SPX1509Z1TFS	1 HP Motor, single speed	1	1
SPX1514Z1TFS	1.5 HP Motor, single speed	1	1
SPX1514Z2TFS	1.5 HP Motor, 2 Speed	1	1
SPX2000CET	Motor End Cover Assy, single speed with timer	10	1
SPX2000C2ET	Motor End Cover Assy, 2 Speed with timer	10	1

# Turbo Injection

## SP-3310 AND SP-3315 (2) (ET) PUMP SERIES REPLACEMENT PARTS

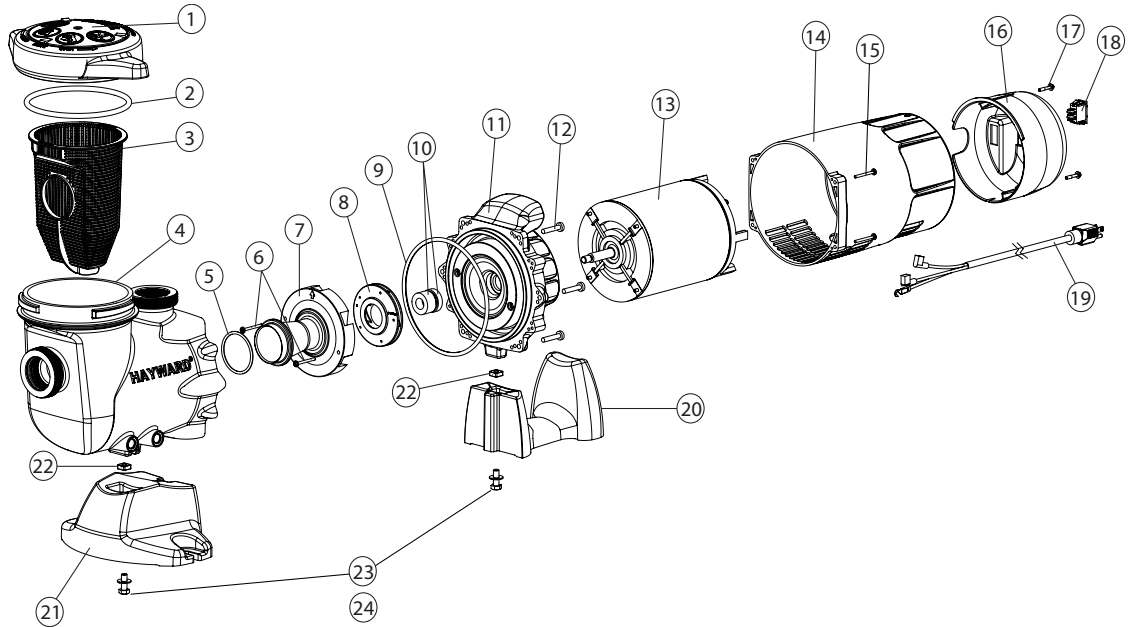
Parts for Pump Models: SP-3310, SP-3315 (2) (ET)



Ref. No.	Part No.	Description	Qty. Per
1	SPX3100D	Strainer Cover	1
2	SPX3000S	Strainer Cover O-Ring	1
3	SPX3000M	Strainer Basket	1
4	SPX1700FG	Drain Plug w/Gasket	2
5	SPX3100AAT	Pump/Strainer Housing with Basket	1
6	SPX1600R	Diffuser Gasket	1
7	SPX3000BN	Diffuser	1
8	SPX3015CT	Impeller	1
9	SPX1600Z2	Seal Assembly	1
10	SPX3000T	Housing Gasket	1
11	SPX3020E	Seal Plate	1
12	SPX3000F3M	Motor Mounting Plate	1
13	SPX3000Z26	Flat Washer (Pack of 6)	6
14	SPX1600Z4	Housing Cap Screw	6
15	SPX2000A3	Motor Housing	1
16	SPX3005R	Impeller Ring	1
17	SPX3300Z3	Housing Nut	4
19	SPX2000E	Baffle	1
20	SPX1500Q4	Shaft Sleeve	1
21	SPX1600Z52	Mounting Bracket Screw (Pack of 2)	2
22	SPX3000GA	Mounting Bracket with Hardware	1
23a	ECX1325R	Switch Assembly Single Speed	1
23b	ECX13252R	Switch Assembly for 2 Speed or Timer	1
24	SPX1550WA5	Power Cord	1
25a	SPX1509Z1TFS	Motor, Single Speed, 1 HP	1
25b	SPX1514Z2TFS	Motor-60 Cycle Single Phase 2 Speed (For SP-3315 (2) (ET)), 1.5 H.P	1
25c	SPX1514Z1TFS	Motor Securing Bolt, Single-Spee, 1.5 HP	1
27a	SPX2000C2	Motor End Cover	1
27b,c	SPX2000C2ET	Motor End Cover c/w 2 Speed Switch and Cord, for Timer	1
28	SPX-1411Z3	Screw	3
	SPX2601AB	Mounting Base	1
	SP3100T	Strainer Cover Removal Tool	1



### Parts Diagram

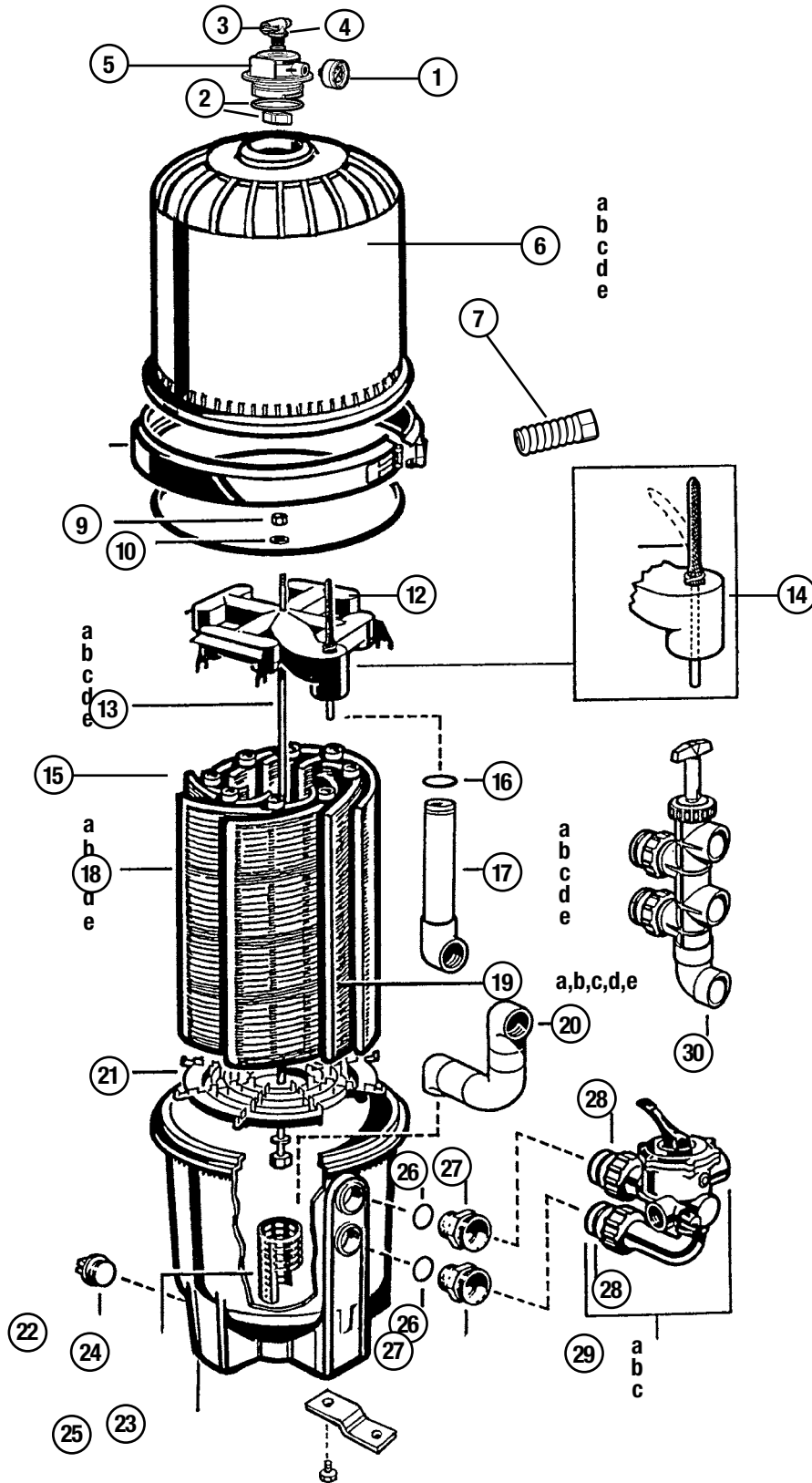


Ref. No.	Part No.	Description	Qty. Per
1& 2	SPX2700DLS	Strainer Cover/O-Ring	1
2	SPX2700Z4	O-Ring for Strainer Cover	1
3	SPX2700M	Strainer Basket	1
4	SPX5700AALL	Pump Housing Assembly, Less Label	1
5	SPX1495Z1	O-Ring	1
6	SPX2700Z3	Screw	2
7	SPX5700B	Diffuser	1
8	SPX1591FM	Impeller	1
9	SPX5500H	Strainer Housing O-Ring	1
10	SPX1500KA	Seal Assembly	1
11	SPX5700E	Seal Plate	1
12	6060Z1	Screw	6
13a	SPX1509Z1UF	1 HP Motor	1
13b	SPX1514Z1UF	1.5 HP Motor	1
13c	SPX1514Z2UF	1.5 HP 2SP Motor	1
14	SPX5700AM	Motor Housing	1
15	SPX2700Z3	Screw	4
16a	SPX5700CA	End Bell Assembly Single Speed	1
16b	SPX5700CA2	End Bell Assembly 2 Speed	1
17	SPX1500T2	Screw	2
18a	ECX1325R	Switch for Single Speed	1
18b	ECX13252R	Switch for 2 Speed	1
19	SPX1550WA5C	Cord Set	1
20	SPX5700G	Motor Support	1
21	SPX5700H	Main Base	1
22	SPX2700Z2	Housing Square Nut	2
23	SPX5700Z4	Bolt	2
24	ECX1109	Washer	2

# Pro-Grid™

## VERTICAL GRID D.E. FILTER SERIES REPLACEMENT PARTS

Parts Diagram and Parts Listing for Models: DE2420, DE3620, DE4820, DE6020, DE7220



Filters



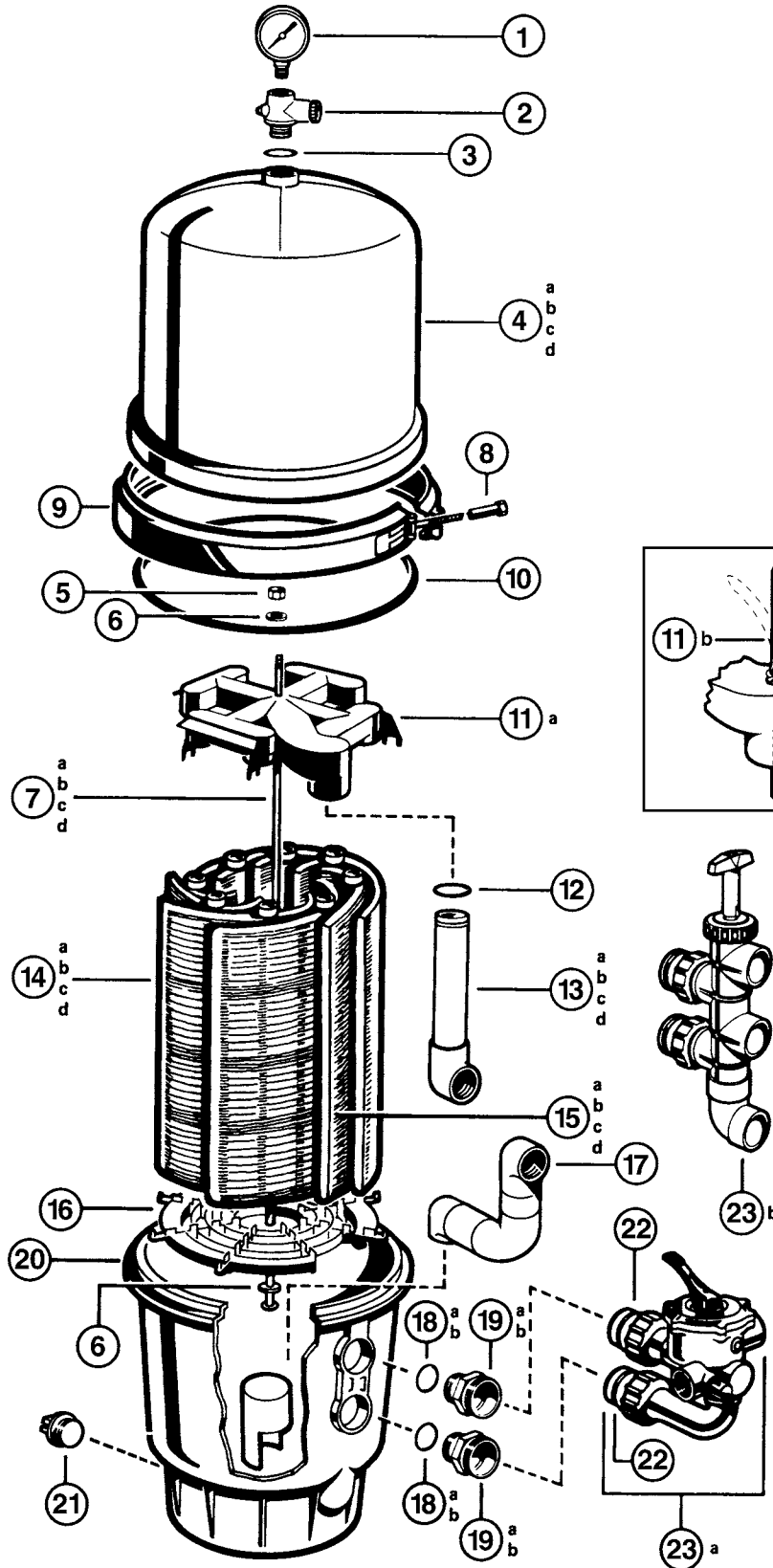
### Parts Diagram and Parts Listing for Models: DE2420, DE3620, DE4820, DE6020, DE7220

Ref. No.	Part No.	Description	Ctn. Qty.	No. Req'd
1	ECX2712B1	Pressure Gauge	10	1
2	DEX2420Z8A	O-Ring Kit (Set of 2)	10	1
3	CCX1000N	Manual Air Relief Valve Nut	10	1
4	CCX1000V	Manual Air Relief Valve	1	1
5	DEX2420MAR2	Manual Air Relief Assembly	1	1
6a	DEX2420BTC	Filter Head	1	1
6b	DEX3620BTC	Filter Head	1	1
6c	DEX4820BTC	Filter Head	1	1
6d	DEX6020BTC	Filter Head	1	1
6e	DEX7220BTC	Filter Head	1	1
7	DEX2400K	Clamp System: clamp, seal, hardware, labels	10	1
9	ECX176865	Retainer Nut, 5/16" – 18	25	1
10	ECX1109	Washer, 5/16"	10	2
12	DEX2400C	Top Collector Manifold w/Flex Air Relief Assembly	1	1
13a	DEX2400R	Retainer Rod	5	1
13b	DEX3600R	Retainer Rod	5	1
13c	DEX4800R	Retainer Rod	5	1
13d	DEX6000R	Retainer Rod	5	1
13e	DEX7200R	Retainer Rod	5	1
14	DEX2400CR	Flex Air Relief Assembly	5	1
15a	DEX2420DC	Filter Element Cluster Assembly – Complete set of elements, collector, locator, etc.	1	
15b	DEX3600DC	Filter Element Cluster Assembly – Complete as above	1	1
15c	DEX4800DC	Filter Element Cluster Assembly – Complete as above	1	1
15d	DEX6000DC	Filter Element Cluster Assembly – Complete as above	1	1
15e	DEX7200DC	Filter Element Cluster Assembly – Complete as above	1	1
16	DEX2400Z5	Outlet Elbow O-Ring	50	1
17a	DEX2420EA	Outlet Elbow Assembly w/O-Ring	5	1
17b	DEX3620EA	Outlet Elbow Assembly w/O-Ring	5	1
17c	DEX4820EA	Outlet Elbow Assembly w/O-Ring	5	1
17d	DEX6020EA	Outlet Elbow Assembly w/O-Ring	5	1
17e	DEX7220EA	Outlet Elbow Assembly w/O-Ring	5	1
18a	DEX2400DA	Filter Element	5	7
18b	DEX3600DA	Filter Element	5	7
18c	DEX4800DA	Filter Element	5	7
18d	DEX6000DA	Filter Element	5	7
18e	DEX7200DA	Filter Element	5	7
19a	DEX2400DS	Filter Element – Short	5	1
19b	DEX3600DS	Filter Element – Short	5	1
19c	DEX4800DS	Filter Element – Short	5	1
19d	DEX6000DS	Filter Element – Short	5	1
19e	DEX7200DS	Filter Element – Short	5	1
20	DEX2420GA	Inlet Elbow	5	1
21	DEX2400H	Filter Element Locator	5	1
22	SP1022C	1 1/2" Drain Plug w/O-Ring	100	1
23	DEX2420ATC	Filter Body – Taupe	1	1
24	DEX2420T	Element Spacer (DE2420 only)	5	1
25	DEX2420DCKIT	Strap Kit (includes: 2 straps, 2 screws, optional)	10	1
26	SX220Z2	Bulkhead O-Ring	10	2
27	DEX2420F	Bulkhead Fitting (Noryl®)	25	2
28	SX200Z4PAK2	O-Ring	10	1
29a	SP0740DE	Selecta-Flo Valve Assembly – 2" SKT	1	1
29b	SP0710XR50	Vari-Flo Valve Assembly – 1 1/2" NPT	1	1
29c	SP0715XR50	Vari-Flo Valve Assembly – 2" NPT	1	1
30	SP0410X502S	Slide Valve Assembly – 2" SKT	1	1

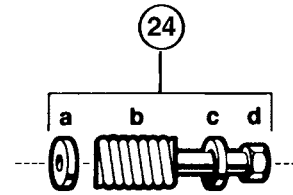
# Micro-Clear™

## VERTICAL GRID D.E. FILTER SERIES REPLACEMENT PARTS

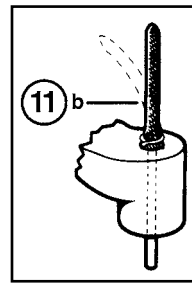
### Parts Diagram



### Clamp Spring Assembly



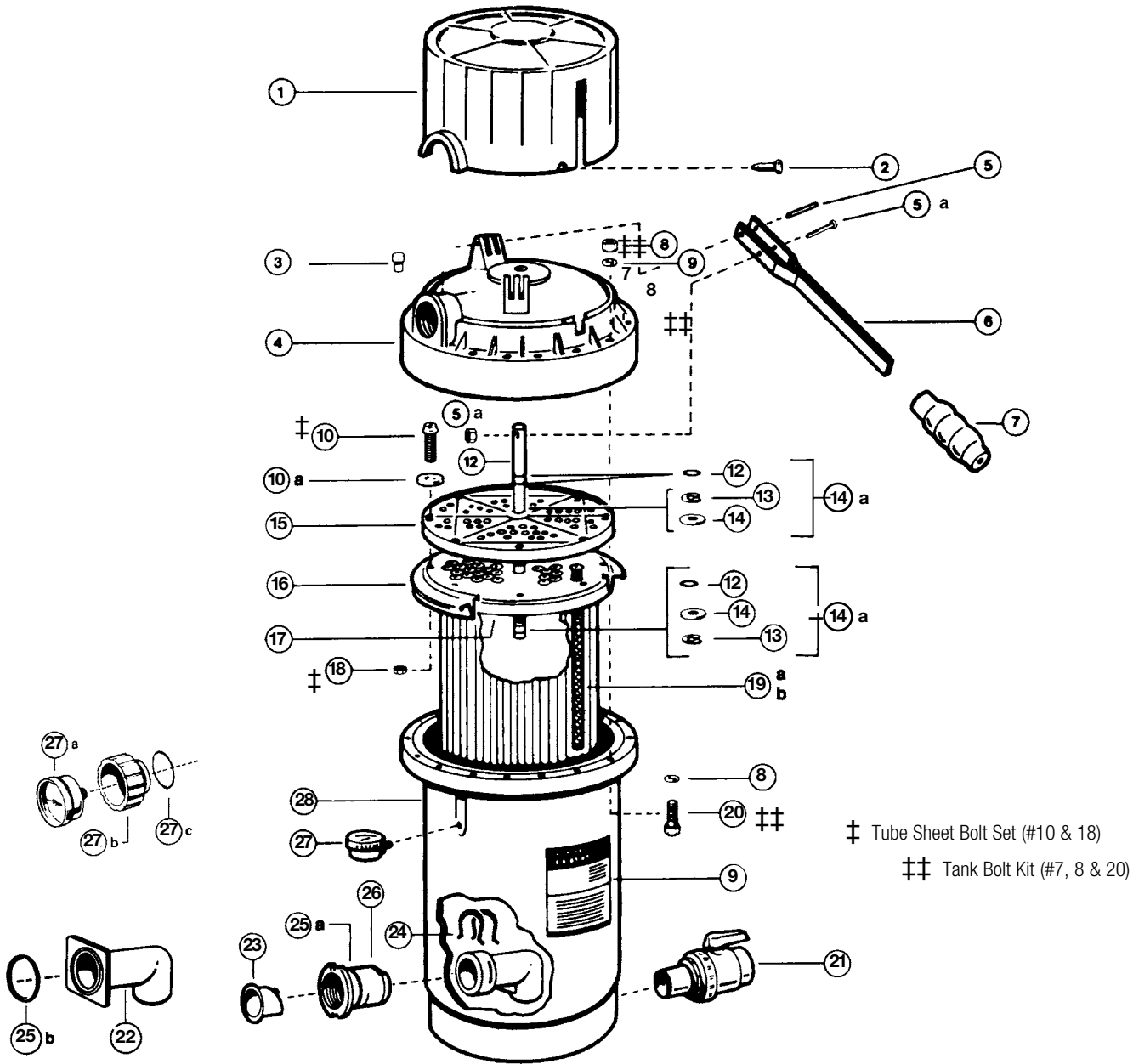
The sleeve nut assembly, which includes a spring, two washers (small and large hole) and a sleeve nut, provides a visual means of ensuring that the clamp is tight.



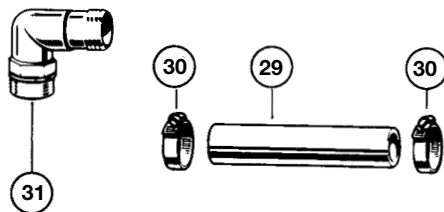
### Parts Listing

Ref. No.	Part No.	Description	Ctn. Qty.	No. Req'd
1	ECX270861	Pressure Gauge	10	1
2	DEX2400S	Relief Valve/Gauge Adapter Assembly	5	1
—	DEX2400Z3A	O-Ring for Relief Valve Stem (Set of 3)	10	1
3	SX200Z5	Relief Valve Assembly O-Ring	25	1
5	ECX176865	Retainer Nut, 5/16" – 18	25	1
6	ECX1109	Washer, 5/16"	10	2
7a	DEX2400R	Retainer Rod	5	1
7b	DEX3600R	Retainer Rod	5	1
7c	DEX4800R	Retainer Rod	5	1
7d	DEX6000R	Retainer Rod	5	1
11a	DEX2400C	Top Collector Manifold w/Flex Air Relief	1	1
11b	DEX2400CR	Flex Air Relief Assembly	5	1
12	DEX2400Z5	Outlet Elbow O-Ring	50	1
14a	DEX2400DA	Filter Element	5	7
14b	DEX3600DA	Filter Element	5	7
14c	DEX4800DA	Filter Element	5	7
14d	DEX6000DA	Filter Element	5	7
15a	DEX2400DS	Filter Element – Short	5	1
15b	DEX3600DS	Filter Element – Short	5	1
15c	DEX4800DS	Filter Element – Short	5	1
15d	DEX6000DS	Filter Element – Short	5	1
16	DEX2400H	Filter Element Locator	5	1
18a	SX200Z3	O-Ring (1995 and prior)	10	2
18b	SX360Z1	O-Ring (1996- )	10	2
21	SP1022C	1 1/2" Drain Plug w/O-Ring	100	1
22	SX200Z4PAK2	O-Ring	10	2
23a	SP0710XR50	Vari-Flo Valve Assembly 1 1/2" NPT	1	1
—	SP0715XR50	Vari-Flo Valve Assembly – 2" NPT	1	1
—	SP0740DE	Selecta-Flo Valve Assembly – 2" SKT	1	1
23b	SP0410X502S	Slide Valve Assembly – 2" SKT	1	1
—	DEX2400DC	Filter Element Cluster Assembly – Complete set of elements, collector, locator, etc.	1	
—	DEX3600DC	Filter Element Cluster Assembly – Complete as above	1	1
—	DEX4800DC	Filter Element Cluster Assembly – Complete as above	1	1
—	DEX6000DC	Filter Element Cluster Assembly – Complete as above	1	1
24	DEX2421JKIT	Clamp System: clamp, seal, hardware, labels		

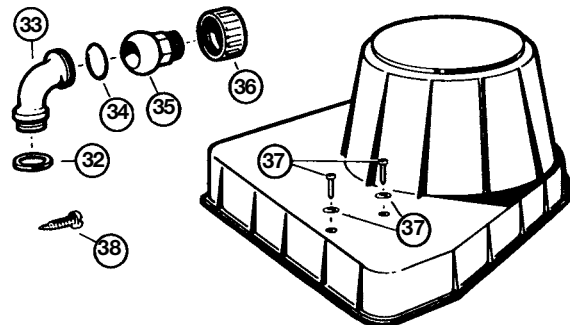
### Parts Diagram



#### SERIES EC65 – STANDARD



#### SERIES EC65 SYSTEM III



## Parts Listing

Ref. No.	Part No.	Description	Ctn. Qty.	No. Req'd
1	ECX11206	Bump Mechanism Cover	4	1
2	ECX1019	Cover Screw (1981 and prior) – Not Available	—	—
3	ECX1322A	Vent Valve (Threaded) w/O-Ring	25	1
4	ECX11194AT*	Filter Head w/New Vent Valve	1	1
5	ECX100Z9	Roll Pin	10	2
5a	ECX4236A	Bump Screw Kit	10	1
6	ECX1040	Bump Handle Ass'y. – incl. Pin, Shoulder Screw, Nut	5	1
—	ECX1037B	Bump Handle Grip	5	1
7	ECX1642A	Tank Bolt Set	25	15
8	ECX1077	1/4" x 1 1/16" O.D. Flat Washer	25	30
9	ECX1230	Decal – Operation	10	1
10	SPX1500N2	Tube Sheet Screw	25	16
10a	ECX1641125	No. 10 Flat Washer (1989 and prior) – Not Available	—	—
11	ECX1110	Bump Shaft	1	1
12	ECX9611246PAK3††	O-Ring	25	3
13	ECX1014PAK2††	Retainer	25	2
14	ECX1011††	Thrust Washer	10	2
14a	ECX1014A	Shaft Kit (includes # 12, 13 & 14)	10	1
15	ECX1104	Tube Sheet (Top)	10	1
16	ECX1105	Diaphragm Gasket	10	1
17	ECX1103	Tube Sheet (Bottom)	10	1
18	SPX1500Y2	Tube Sheet Nut	25	16
19a	ECX1031PAK5	Flex-Tube Assembly – 13 3/8" Long (EC65)	10	120
19b	ECX1032PAK10	Flex-Tube Assembly – 16 1/4" Long (EC75)	10	120
20	ECX1642215**	1/4" – 20 x 1 3/4" Hex. Head Bolt	10	15
21	SP0723	Ball-Type Drain Valve	24	1
22	ECX4220A	Elbow Assembly w/Check Valve	10	1
23	ECX4077B1	Check Valve	10	1
24	ECX4212A	Retainer (1989 and prior) – Not Available	—	—
25a	SPX1425Z6	O-Ring (1989 and prior) – Not Available	—	—
25b	SPX1500W	O-Ring (1990)	10	1
26	ECX4201CA	Inlet Fitting w/ECX4077B1 Check Valve (1989 and prior) – Not Available	—	—
27	ECX2712B1	Pressure Gauge	10	1
27a	ECX27091	Pressure Gauge, Back Mount	10	1
27b	ECX12866	Gauge/Port Adapter	5	1
27c	ECX1287	Adapter O-Ring	25	1
28	ECX11184AT*	Filter Body w/new Elbow Assembly	1	1
†	SPX1500NYA	Tube Sheet Bolt Set (includes # 10 & 18)	10	1
††	ECX1642A	Tank Bolt Kit (EC65, 75 – includes # 7, 8 & 20)	10	1
—	ECX1251	Flex-Tube Nest (EC65) – includes Items 10 thru 19	1	—
—	ECX125175	Flex-Tube Nest (EC75) – includes Items 10 thru 19	1	—
—	ECX1263	Platform Base	1	1

## Series EC65 – Standard

29	ECX27071	1 9/16" I.D. Clear Hose	5	1
30	ECX18028	Hose Clamp	10	2
31	SPX1105Z4	1 1/2" Elbow Hose Adapter	50	2

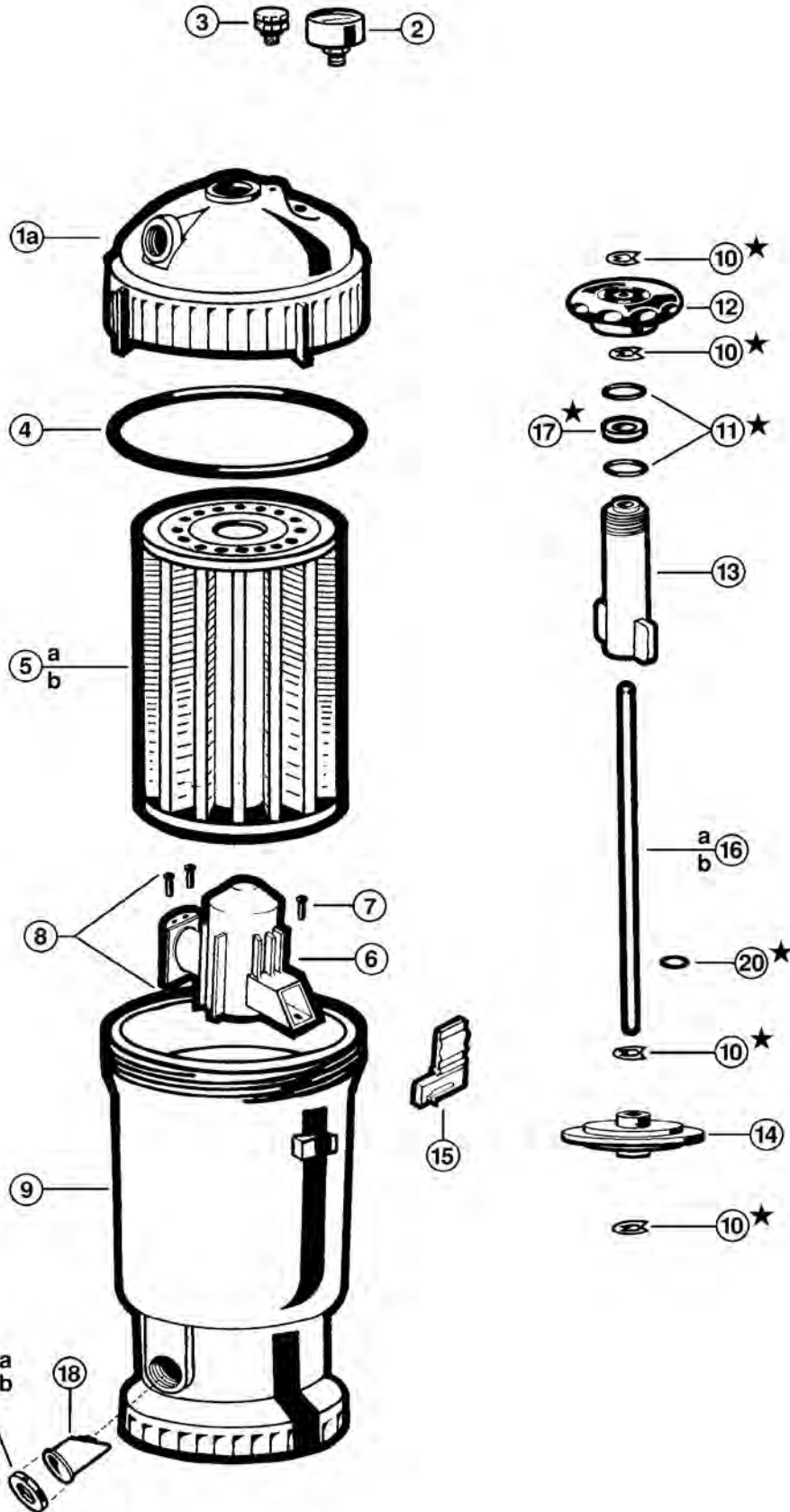
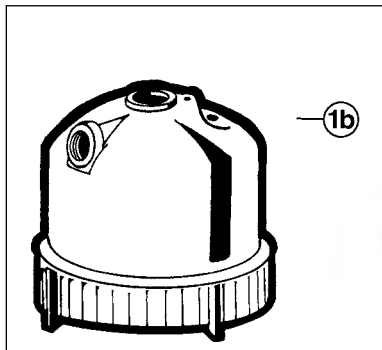
\*For Ivory color drop the "T"; Limited Quantity Available.

†Limited Quantity Available – Replace with SPX1500NYA.

\*\*Limited Quantity Available – Replace with ECX1642A.

††Limited Quantity Available – Replace with ECX1014A.

### Parts Diagram



\* Piston Kit (# 10, 11, 17 & 20)

### Parts Listing

Ref. No.	Part No.	Description	Ctn. Qty.	No. Req'd
1a	RGX45BC	Filter Head w/Locking Ring (RG450)	1	1
1b	RGX70BC	Filter Head w/Locking Ring (RG700, SC700)	1	1
2	ECX27091	Pressure Gauge	10	1
3	ECX1322A	Directional Vent Valve w/O-Ring	25	1
4	RGX45G	Filter Head O-Ring	2	1
5a	RGX55GE	Grid Element (RG450)	1	1
5b	RGX70GE	Grid Element (RG700, SC700)	1	1
6	RGX45D*	Diffuser	10	1
7	RGX45Z1*	Diffuser Screws	25	3
8	RGX45DA	Diffuser and Diffuser Screws (3) (includes # 6 & 7)	10	1
9	RGX45AA	Filter Body	1	1
10	RGX45R1**	Retainer Ring	50	4
11	SPX1082Z410**	Piston O-Ring (Pkg. of 10)	10	2
12	RGX45K	Piston Knob	10	1
13	RGX45J	Seal Locator	10	1
14	RGX55PA	Piston Mechanism	10	1
15	CX400D	Locking Ring Latch	25	1
16a	RGX45R	Piston Rod (RG450)	2	1
16b	RGX70R	Piston Rod (RG700)	2	1
17	RGX45F**	Polyethylene Washer	50	1
18	ECX4077B1	Check Valve	10	1
19a	ECX1055	Flow Controller (RG450, RG550)	25	1
19b	ECX1056	Flow Controller (RG700, SC700)	25	1
20	SPX3000Z26**	Washer (Set of 6)	50	1
□	RGX45RA	Piston Kit (# 10, 11, 17 & 20)	10	1

\*Limited Quantity Available – Replace with RGX45DA

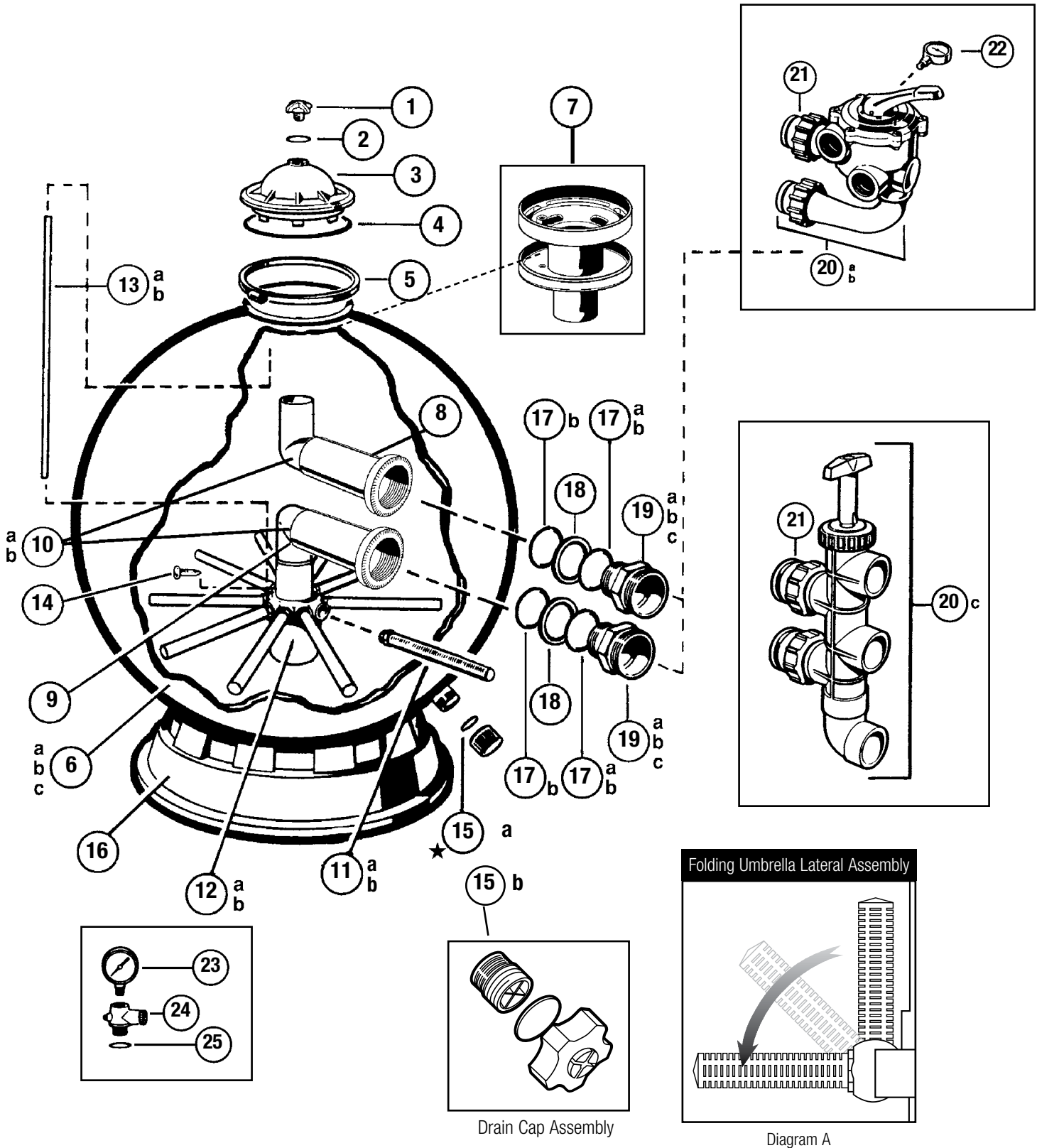
\*\*Limited Quantity Available – Replace with RGX45RA

Filters

# Pro™ Series Plus

S311SX, S311SXV, S360SX SAND FILTER SERIES REPLACEMENT PARTS

## Parts Diagram





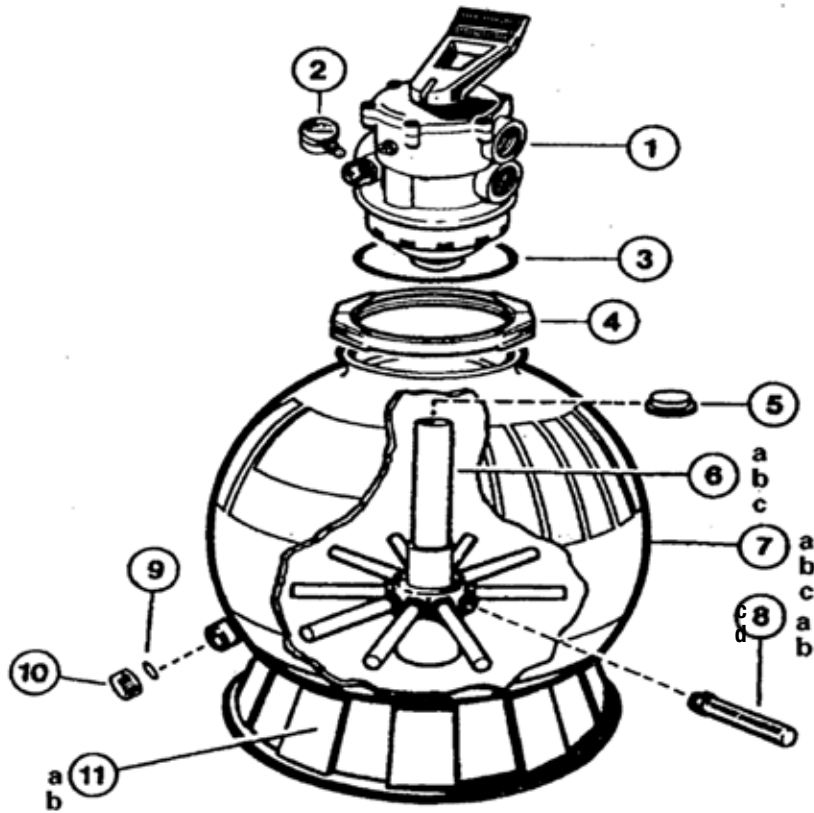
### Parts Listing

Ref. No.	Part No.	Description	Ctn. Qty.	No. Req'd
1	SX200G	Manual Air Relief Cap	10	1
2	SX200Z5	O-Ring, 1 <sup>3</sup> / <sub>16</sub> " O.D.	10	1
3	SX244K	Top Closure Dome, Noryl®	5	1
4	GMX600F	Valve/Tank O-Ring	5	1
5	SX310N	Flange Clamp (Valve/Tank)	5	1
6a	SX311AA2FW	Filter Tank (S311 – after 1996)	1	1
6b	SX360AA2FW	Filter Tank (S360 – after 1999)	1	1
7	SX244G	Top Diffuser Assembly	5	1
8	SX311CD1FW	Top Elbow Assembly (S311 – after 1996)	1	1
9	SX311CD2FW	Bottom Elbow Assembly (S311 – after 1996)	1	1
10a	SX360CD	Elbow Assembly, Top & Bottom (S360 – 1999 and prior)	1	2
10b	SX360CDFW	Elbow Assembly, Top & Bottom (S360 – after 1999)	1	2
11a	SX310HNPAK10	Lateral - 10 Pack	10	1
11b	SX310HAPAK10	Lateral (2005 and prior) - 10 Pack	10	1
12a	SX311DA	Folding Umbrella Lateral Holder Ass'y (S311 – 1997) – See Diag. A	5	1
12b	SX242MA3	Folding Umbrella Lateral Holder Assembly (S360) – See Diag. A	5	1
13a	CX1100Z4	Plastic Air Tube (S311)	5	1
13b	SX360Z2	Air Tube (S360)	5	1
14	SX200Z2	Air Tube Lock Screw	25	1
15a	SX180HG	Drain Cap Kit (2005 and prior)	25	1
15b	SX180LA	Drain Cap Assembly, Gasket Screen	25	1
16	SX310J	Filter Support Stand	1	1
17	SX360Z1	O-Ring (S311, S360 – after 1995)	20	4
18	SX360E	O-Ring Spacer (S311, S360 – after 1995)	10	2
19a	SX244P	Bulkhead Fitting (S311 – after 1996, S360 – after 1999)	10	2
19b	SX311F	Bulkhead Fitting (S360 – 1999 and prior)	5	2
20a	SP0710X62	Vari-Flo Valve Assembly – 1 1/2" FIP	1	1
20b	SP0715X62	Vari-Flo Valve Assembly – 2" FIP	1	1
20c	SP0410X602S	Slide Valve Assembly – 2" SKT	1	1
21	SX200Z4PAK2	O-Ring	10	2
22	ECX270861	Pressure Gauge	10	1

#### Optional (Supplied with Model S311SXV Slide Valve Unit Only)

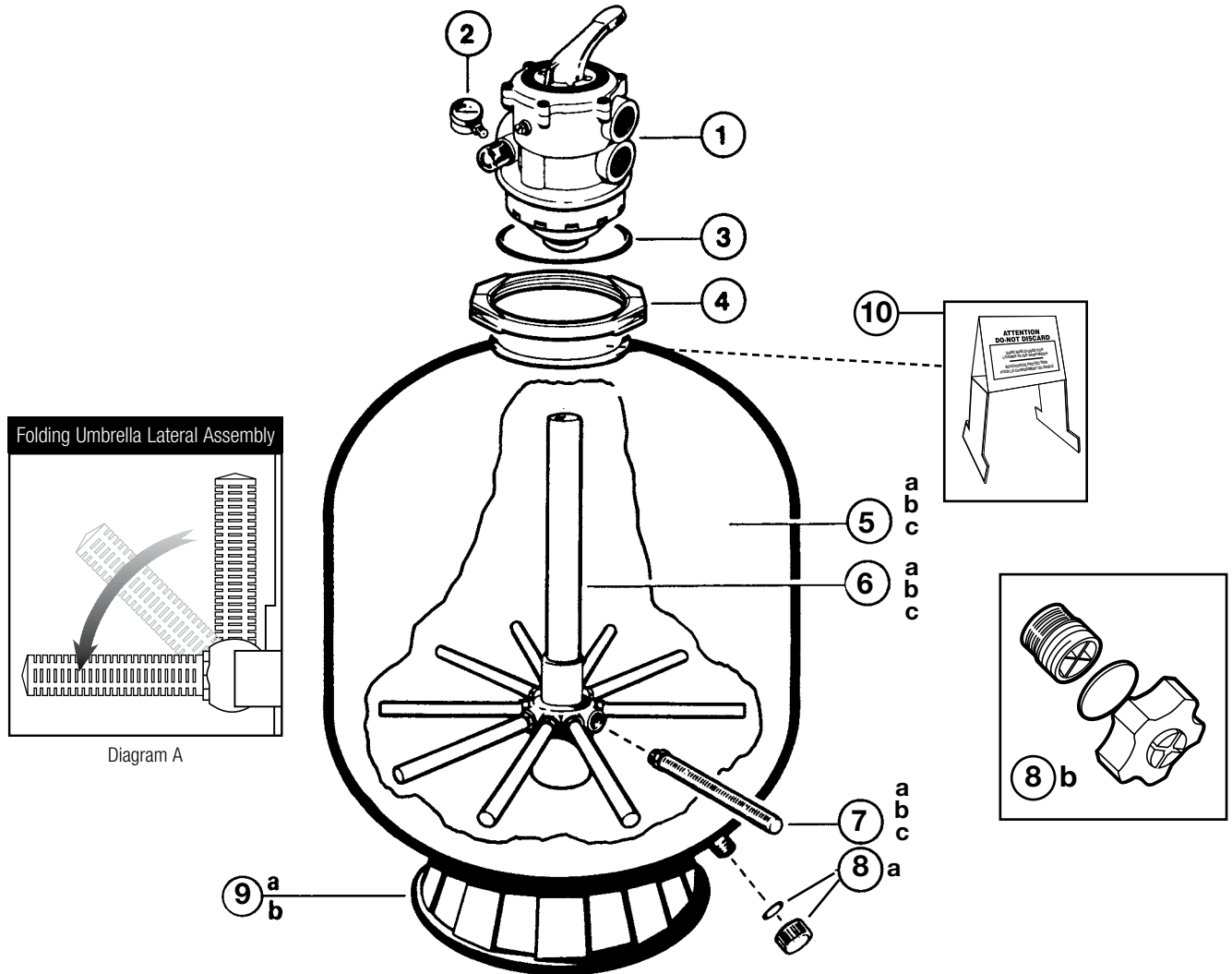
23	ECX270861	Pressure Gauge	10	1
24	DEX2400S	Relief Valve/Gauge Adapter Assembly	5	1
—	DEX2400Z3A	O-Ring for Relief Valve Stem (Set of 3)	10	1
25	SX200Z5	Relief Valve Assembly O-Ring	25	1

### Parts Diagram and Parts Listing for Models: SW-196T, SW-236T, SW-256T



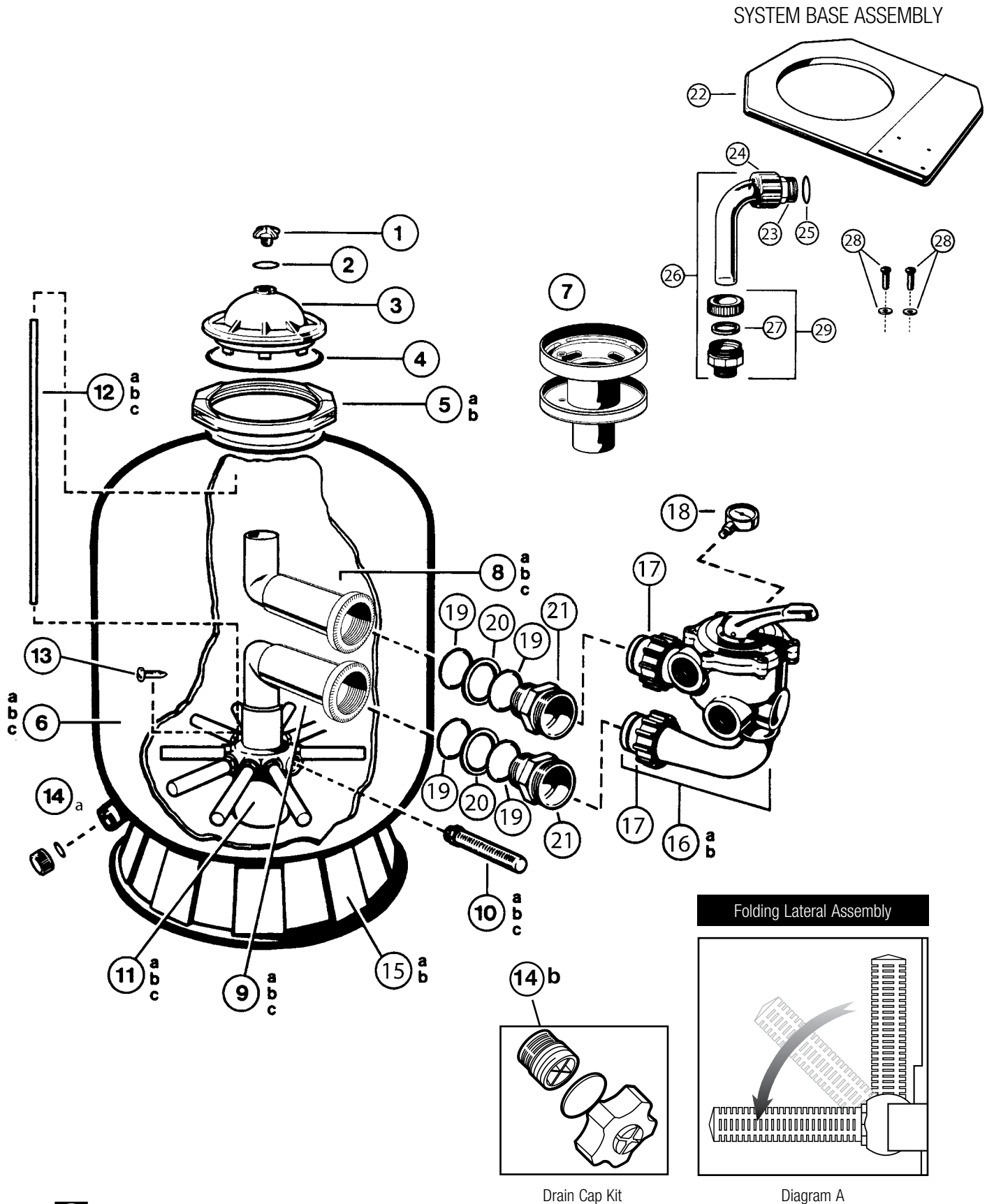
Ref. No.	Part No.	Description	No. Req'd
1	SP0714T	Multiport Control Valve Ass'y	1
2	ECX270861	Pressure Gauge	1
3	GMX600F	Valve/Tank O-Ring	1
4	GMX600NM	Flange Clamp (Valve-Tank)	1
5	SX2025	Sand Shield	1
6a	SWX196DA2	Lateral Assembly with Center Pipe (SW-196T)	1
6b	SWX236DA2	Lateral Assembly with Center Pipe (SW-236T)	1
6c	SWX256DA2	Lateral Assembly with Center Pipe (SW-256T)	1
7a	SWX196AA1	Filter Tank with Skirt and Lateral Assembly (SW-196T)	1
7b	SWX236AA1	Filter Tank with Skirt and Lateral Assembly (SW-236T)	1
7c	SWX256AA1	Filter Tank with Skirt and Lateral Assembly (SW-256T)	1
8a	SX200QPAK10	Lateral (SW-196T, SW-236T) - threaded - 10 pack	1
8b	SX240DPAK10	Lateral (SW-256T) - threaded - 10 pack	1
8c	SX200QNP10	Lateral (Ball Style) SW196T, SW236T - 10 pack	1
8d	SX240DNPAK10	Lateral (Ball Style) SW256T - 10 pack	1
9&10a	SX180HG	Gasket/Drain Cap (2005 and prior)	1
9&10b	SX180LA	Drain Cap Assembly - cap, gasket, screen	1
11a	SX164B	Filter Support Stand (SW-196T)	1
11b	SX200J	Filter Support Stand (SW-236T, SW-256T)	1

### Parts Diagram and Parts Listing: S270T2, S310T2, S360T2



Ref. No.	Part No.	Description	Ctn. Qty.	No. Req'd
1	SP071621	Vari-Flo Control Valve – 2" no clamp	1	1
2	ECX271261	Pressure Gauge Back Mount	10	1
3	GMX600F	Valve/Tank O-Ring	10	1
4	GMX600NM	Flange Clamp (Valve – Tank)	5	1
5a	SX270AA	27" Filter Tank w/Skirt, Drain and Lateral Assembly (S270T2)	1	1
5b	SX310AA1	31" Filter Tank w/Skirt, Drain and Lateral Assembly (S310T2)	1	1
5c	SX360AA2	36" Filter Tank w/Skirt, Drain and Lateral Assembly (S360T2)	1	1
6a	SX270DA2X	27" Folding Lateral Assembly w/Center Pipe (S270T2)	1	1
6b	SX310DA2	31" Folding Lateral Assembly w/Center Pipe (S310T2)	1	1
6c	SX360DA	36" Folding Lateral Assembly w/Center Pipe (S360T2)	1	1
7a	SX240DNPAK10	27" Lateral (One Piece) w/Hub (S270T2) - 10 pack	10	1
7b	SX310HAPAK10	31" & 36" Lateral (2004 and prior) (S310T2, S360T2) - 10 pack	10	1
7c	SX310HNPAK10	31" & 36" Lateral (One Piece) w/Hub (S310T2, S360T2) - 10 pack	10	1
8a	SX180HG	Drain Cap (2005 and prior)	25	1
8b	SX180LA	Drain Cap Assembly, Gasket, Screen	25	1
9a	SX200J	27" Filter Support Stand (S270T2)	2	1
9b	SX310J	Filter Support Stand – Large (S310T2, S360T2)	1	1
10	SX202S	Sand Shield	25	1
—	SPX0710MA	Sight Glass w/O-Ring	1	1

### Parts Diagram



Filters

## Parts Listing

Ref. No.	Part No.	Description	Ctn. Qty.	No. Req'd
1	SX200G	Manual Air Relief	10	1
2	SX200Z5	O-Ring	10	1
3	SX244K	Top Closure Dome	5	1
4	GMX600F	Tank O-Ring	10	1
5a	GMX600NM	Flange Clamp (S210S, S244S)	20	1
5b	SX310N	Flange Clamp (S310S)	5	1
6a	SX210AA2FW	Filter Tank (S210S)	1	1
6b	SX244AA2FW	Filter Tank (S244S)	1	1
6c	SX310AA2FW	Filter Tank (S310S)	1	1
7	SX244G	Top Diffuser Assembly	5	1
8a	SX210CD1FW	Top Elbow Assembly, S210S	5	1
8b	SX244CD1FW	Top Elbow Assembly, S244S	5	1
8c	SX310CD2FW	Top Elbow Assembly, S310S	5	1
9a	SX210CD2FW	Bottom Elbow Assembly, S210S	5	1
9b	SX244CD2FW	Bottom Elbow Assembly, S244S	5	1
9c	SX310CD2FW	Bottom Elbow Assembly, S310S	5	1
10a	SX200QNPAAK10	Lateral (S210S) - 10 pack	10	1
10b	SX240DNPAK10	Lateral (S244S) - 10 pack	10	1
10c	SX310HN	Lateral (S310S)	10	10
11a	SX242MA	Folding Umbrella Lateral Holder Assembly (S210S, 1997- ) See Diagram A	5	1
11b	SX242MA1	Folding Umbrella Lateral Holder Assembly (S244S, 1999- ) See Diagram A	5	1
11c	SX242MA2	Folding Umbrella Lateral Holder Assembly (S310S, 1999- ) See Diagram A	5	1
12a	CX3000Z2	Plastic Air Tube (S210S)	5	1
12b	CX1100Z4	Plastic Air Tube (S244S)	5	1
12c	SX200Z1	Plastic Air Tube (S310S)	5	1
13	SX200Z2	Air Tube Lock Screw	25	1
14a	SX180HG	Drain Cap Kit (2005 and Prior)	25	1
—	SX200H	Bottom Drain Screen (2005 and Prior)	10	1
14b	SX180LA	Drain Cap Kit (See Diagram)	25	1
15a	S210J	Filter Support Stand (S210S, S244S)	1	1
15b	SX310J	Filter Support Stand (S310S)	1	1
16a	SP0710X62	Vari-Flo Valve Assembly – 1 1/2" FIP	1	1
16b	SP0715X62	Vari-Flo Valve Assembly – 2" FIP	1	1
17	SX200Z4PAK2	O-Ring	10	2
18	ECX270861	Pressure Gauge	10	1
19	SX360Z1	O-Ring	20	4
20	SX360E	O-Ring Spacer (after 1995)	10	2
21	SX244P	Bulkhead Fitting (after 1996)	10	2

## S200PAK 3 System Base

22	ECX1291	Standard Pump/Filter Mounting Base	2	1
23	SPX1480A	Union Ball End	10	1
24	SPX1480C	Union Nut	10	1
25	SPX1425Z6	O-Ring	10	1
26	SPX1485B3	Union Elbow with Compression Assembly	5	1
27	SPX1485G	Compression Gasket	10	1
28	ECX1161Z2	Mounting Screw Set with Washers	10	2
29	SPX1485DA	Compression Fitting with Gasket	25	1

# Pro™ Series

S166T, S180TC, S210TC, S220TC, S244T2, S244TC, S270T SAND FILTER SERIES REPLACEMENT PARTS

## Parts Diagram

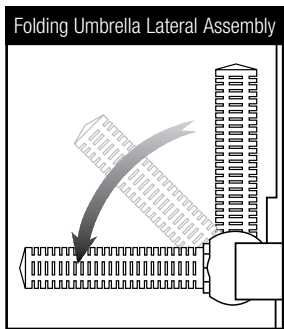
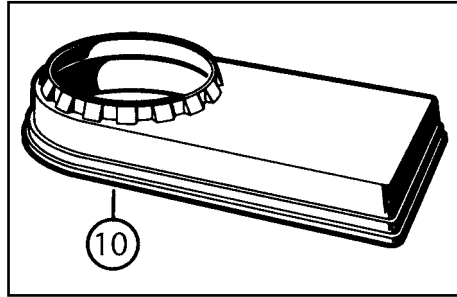
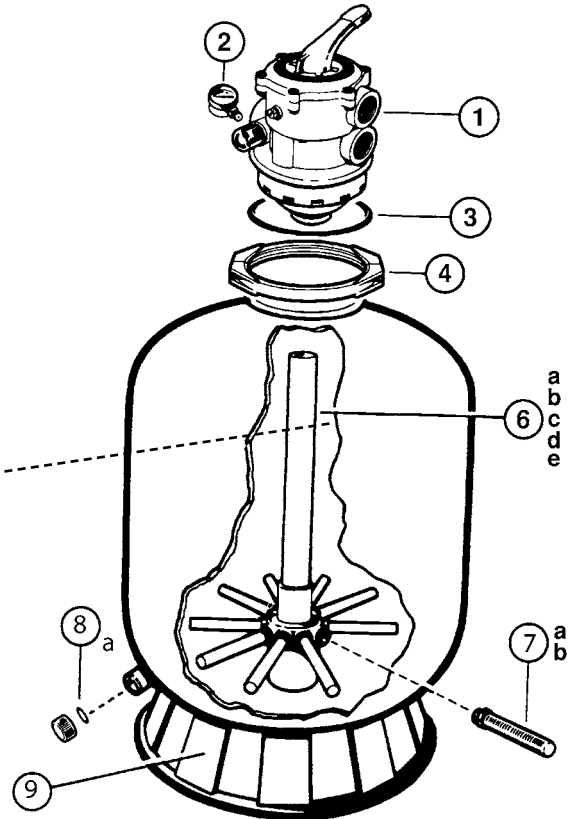
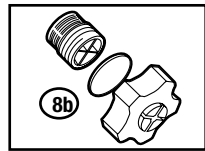
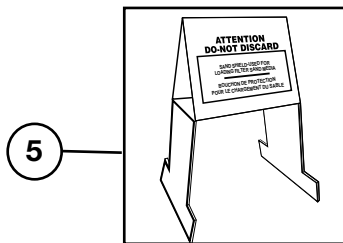


Diagram A



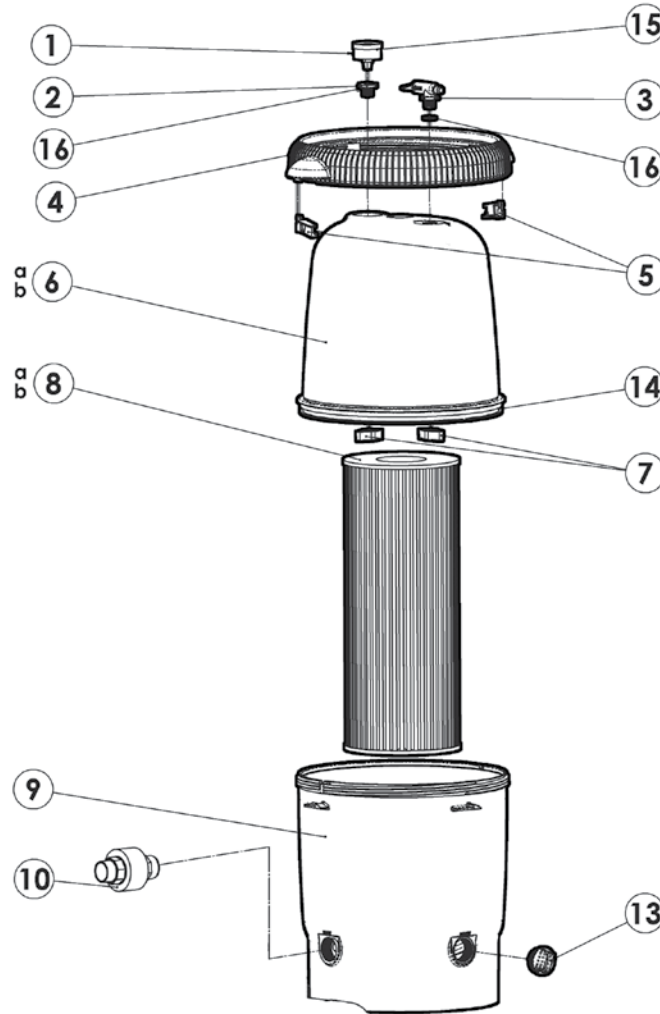
## Parts List

Ref. No.	Part No.	Description	Ctn. Qty.	No. Req'd
1a	SP0714T	Vari-Flo XL Control Valve – 1 1/2"	1	1
1b	SP071621	Vari-Flo XL Control Valve - 2"	1	1
2	ECX270861	Pressure Gauge	10	1
3	GMX600F	Valve/Tank O-Ring	10	1
4	GMX600NM	Flange Clamp, Noryl	5	1
5	SX202S	Sand Shield – 2004 Corrugated Design	25	1
	SX164DA	Lateral Assembly w/Center Pipe S166T	1	1
6a	SX180DA	Folding Umbrella Lateral Assembly w/Center Pipe (S180TC) (1997- )	1	1
6b	SX210DA	Folding Umbrella Lateral Assembly w/Center Pipe (S210TC) (1997- )	1	1
6c	SX220DA	Folding Umbrella Lateral Assembly w/Center Pipe (S220TC) (1997- )	1	1
6d	SX270DA2X	Folding Umbrella Lateral Assembly w/Center Pipe (S244T2) (2003- )	1	1
6e	SX244DA	Folding Umbrella Lateral Assembly w/Center Pipe (S244TC, S270T) (1997- )	1	1
7a	SX200QPAK10	Lateral (S180T) (2004 and Prior) - threaded - 10 pack	10	1
7b	SX240DPAK10	Lateral (S210T, S220T, S230T, S244T) (2004 and Prior) - threaded - 10 pack	10	1
7c	SX200QNP10	Lateral (One Piece) w/Hub See Diag. A (S166T, S180T only) - 10 pack	10	1
7d	SX240DNP10	Lateral (One Piece) w/Hub See Diag. A (all except S166T and S180T) - 10 pack	10	1
8a	SX180HG	Drain Cap Kit (2005 and prior)	25	1
8b	SX180LA	Drain Cap Assembly – Cap, Gasket, Screen	1	1
9	S210J	Filter Support Stand (Skirt) (all except S166T)	2	1
9	SX164B	Filter Support Stand (Skirt) - S166T only		1
10	SX180K	System Base – S180T Systems	2	1
—	SPX0710MA	Sight Glass w/O-Ring		

# XStream™ Filtration Series

## CARTRIDGE FILTER SERIES REPLACEMENT PARTS

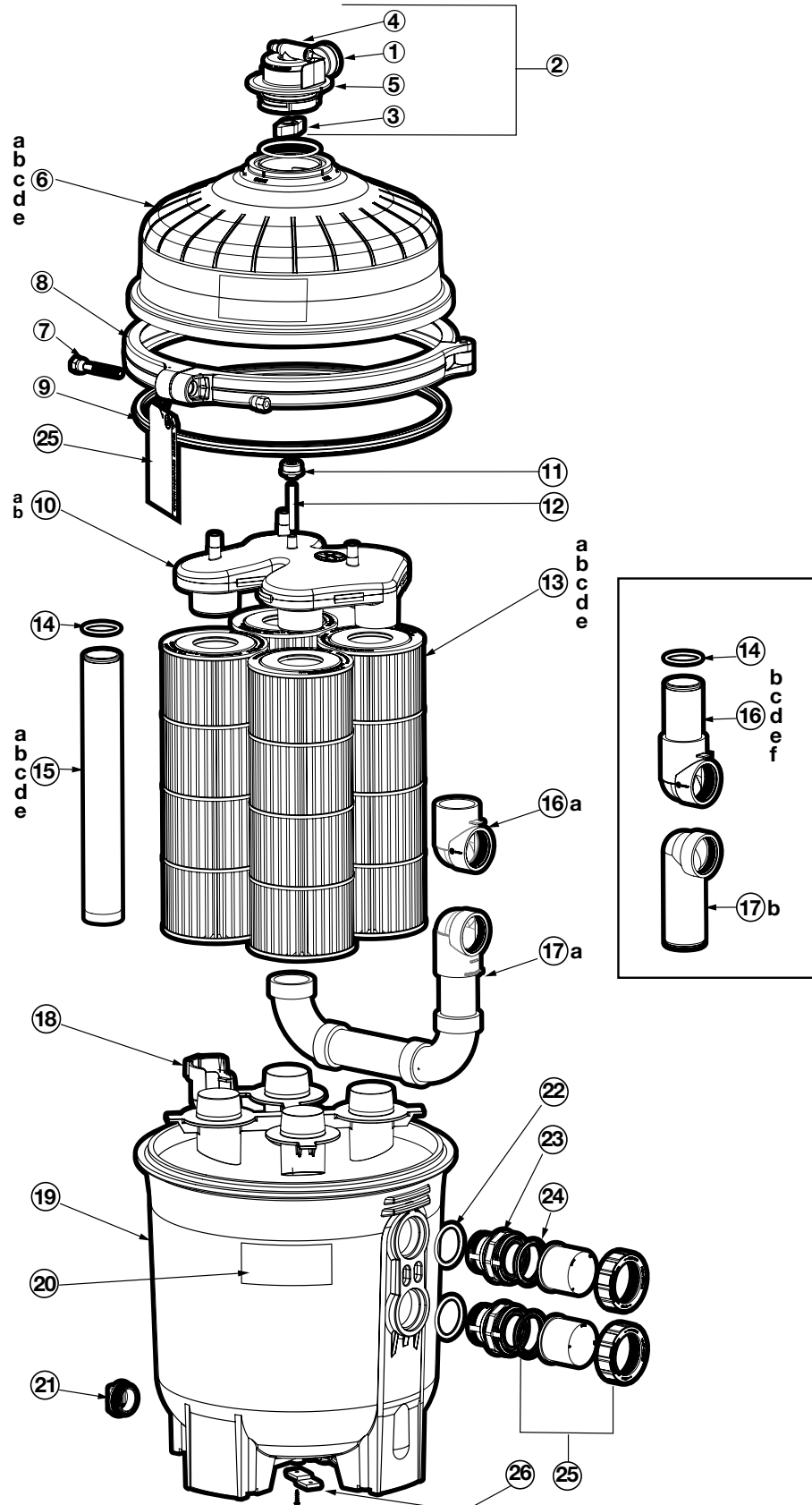
### Parts Diagram



### Parts Listing

Ref. No.	Part No.	Description	Ctn. Qty.	No. Req'd
1	ECX27091	Pressure Gauge	10	1
2	CCX1000L	Threaded Adapter for Pressure Gauge	10	1
3	CCX1000V	Air Relief Assembly w/O-Ring	10	1
4	CCX1000D	Lock Ring Assembly w/2 Safety Clips	1	1
5	CCX1000H	Safety Clips for Lock Ring (Pack of 2)	10	2
6a	CCX2000C	Filter Lid w/Lock Ring, 200 sq. ft. for CC200CAN	1	1
6b	CCX1500C	Filter Lid w/Lock Ring, 150 sq. ft. for CC150CAN	1	1
7	CCX1000N	Adapter Nut (Set of 2)	10	2
8a	CCX2000RE	Cartridge Element, 200 sq. ft. for CC200CAN	1	1
8b	CCX1500RE	Cartridge Element, 150 sq. ft. for CC150CAN	1	1
9	CCX1000B	Filter, Lower Body	1	1
10	SP1480BLK	Self Aligning Union, Black (optional)	50	1
13	SP1022CBLK	Drain Plug w/O-Ring, Threaded 1 1/2" (Black)	100	1
14	CCX1000G	Body O-Ring	2	1
15	SPX1500W	Pressure Gauge O-Ring	10	1
16	CCX1000Z5	O-Ring for Gauge Adapter and Air Relief	10	2

### Parts Diagram

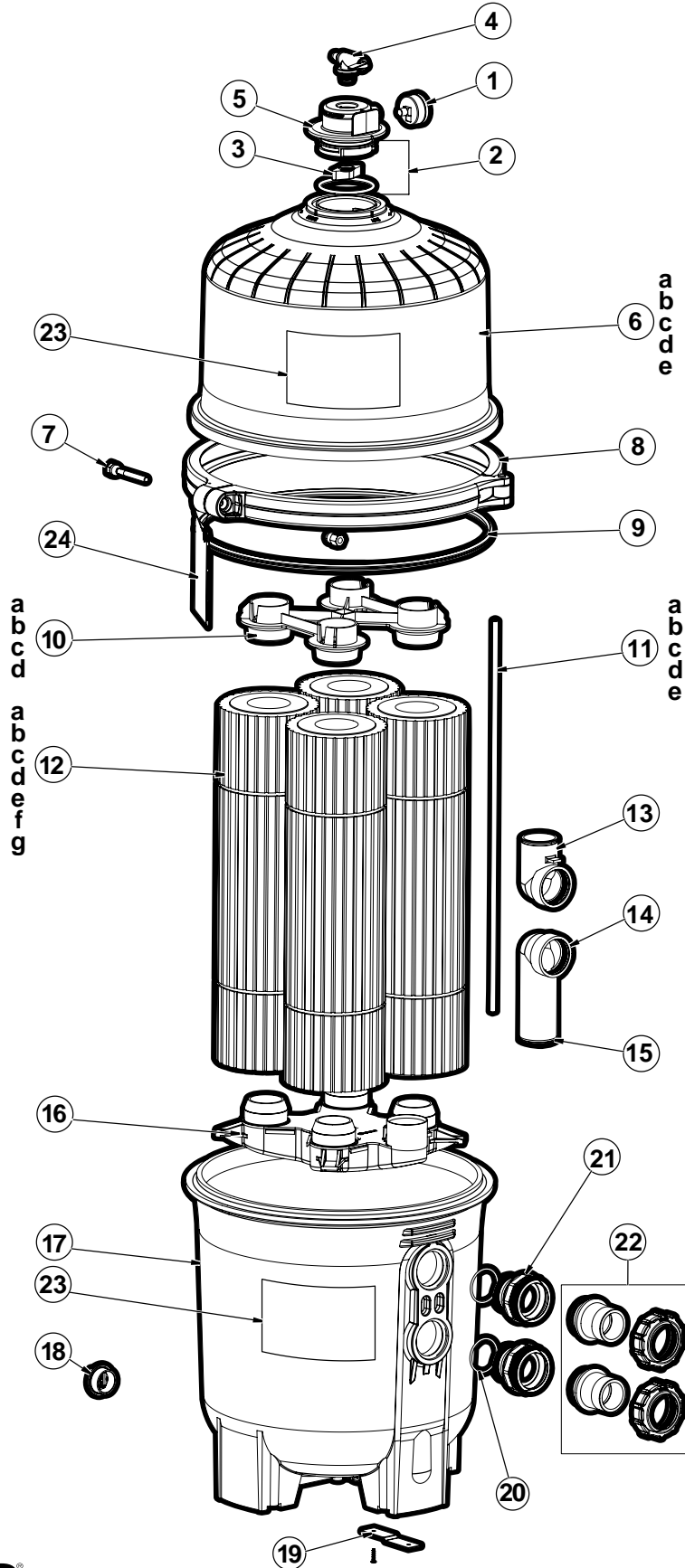




## Parts Listing

Ref. No.	Part No.	Description	Ctn. Qty.	No. Req'd
1	ECX2712B1	Pressure Gauge	10	1
2	DEX2420Z8A	O-Ring Kit (set of 2)	10	1
3	CCX1000N	Air Relief Valve Nut	10	1
4	CCX1000V	Manual Air Relief with O-Ring	1	1
5	DEX2420MAR2	Manual Air Relief Assembly	1	1
6a	DEX2420BTC	Upper Filter Body with Clamp C2030	1	1
6b	DEX3620BTC	Upper Filter Body with Clamp C3030	1	1
6c	DEX4820BTC	Upper Filter Body with Clamp C4030	1	1
6d	DEX6020BTC	Upper Filter Body with Clamp C5030	1	1
6e	DEX7220BTC	Upper Filter Body with Clamp C7030	1	1
7	DEX2421J2	Clamp Bolt and Nut	10	1
8	DEX2421JKIT	Clamp System (Includes Clamp, Clamp Nut and Bolt, Hang Tag, Metal Reinforced Seal, and Labels)	1	1
9	DEX2422Z2	Metal Reinforced Seal	10	1
10a	CX3030C	Top Manifold C2030, C3030, C4030	1	1
10b	CX5030C	Top Manifold C5030, C7030	1	1
11	CX3000J1	Air Relief Filter	100	1
12	CX2030Z3	Air Relief Tube	10	1
13a	CX481XRE	Cartridge Element C2030	1	4
	CX481XREPAK4	Cartridge Elements (4 Pack) C2030	1	1
13b	CX580XRE	Cartridge Element C3030	1	4
	CX580XREPAK4	Cartridge Elements (4 Pack) C3030	1	1
13c	CX880XRE	Cartridge Element C4030	1	4
	CX880XREPAK4	Cartridge Elements (4 Pack) C4030	1	1
13d	CX1280XRE	Cartridge Element C5030	1	4
	CX1280XREPAK4	Cartridge Elements (4 Pack) C5030	1	1
13e	CX591XRE	Cartridge Element C7030	1	8
	CX591XREPAK4	Cartridge Elements (4 Pack) C7030	1	2
	CX7020M	Mid plate Connector C7030	1	1
14	DEX2400Z5	Outlet Pipe O-Ring	500	1
15a	CX3031F6	Outlet Pipe C2030	1	1
15b	CX3031F7	Outlet Pipe C3030	1	1
15c	CX3031F8	Outlet Pipe C4030	1	1
15d	CX3031F9	Outlet Pipe C5030	1	1
15e	CX3031F10	Outlet Pipe C7030	1	1
16a	CX3030F	Inlet Elbow (after Sept. 2012)	5	1
16b	CX3031F1	Outlet Elbow with Pipe C2030 (prior to Sept. 2012)	5	1
16c	CX3031F2	Outlet Elbow with Pipe C3030 (prior to Sept. 2012)	5	1
16d	CX3031F3	Outlet Elbow with Pipe C4030 (prior to Sept. 2012)	5	1
16e	CX3031F4	Outlet Elbow with Pipe C5030 (prior to Sept. 2012)	5	1
16f	CX3031F5	Outlet Elbow with Pipe C7030 (prior to Sept. 2012)	5	1
17a	CX3030H	SwimClear Lower Piping Assembly (after Sept. 2012)	1	1
17b	CX3020FB	Outlet Elbow (prior to Sept. 2012)	5	1
18	CX3030D	Bottom Cartridge Mounting Plate	1	1
19	DEX2420ATC	Lower Filter Body With Clamp	1	1
20	DEX2420LA6PAK	Label Pack (Includes all Warning and Operation Labels, Hang Tag, Wire Tie, Owner's Manual)	10	1
21	SP1022CBLK	1 ½" Drain Plug with O-Ring (Black)	100	1
22	SX220Z2	Bulkhead O-Ring	500	2
23	CX3035F	Bulkhead Fitting	25	2
24	SPX3200UG	Union Gasket (set of 2)	100	1
25	SPX3200UNKIT	Union Connection Kit (2 each of nuts, connectors, gaskets)	10	1
26	DEX2420DCKIT	(Optional) Tie Down – Strap Kit (2 each of straps, screws)	25	1

### Parts Diagram

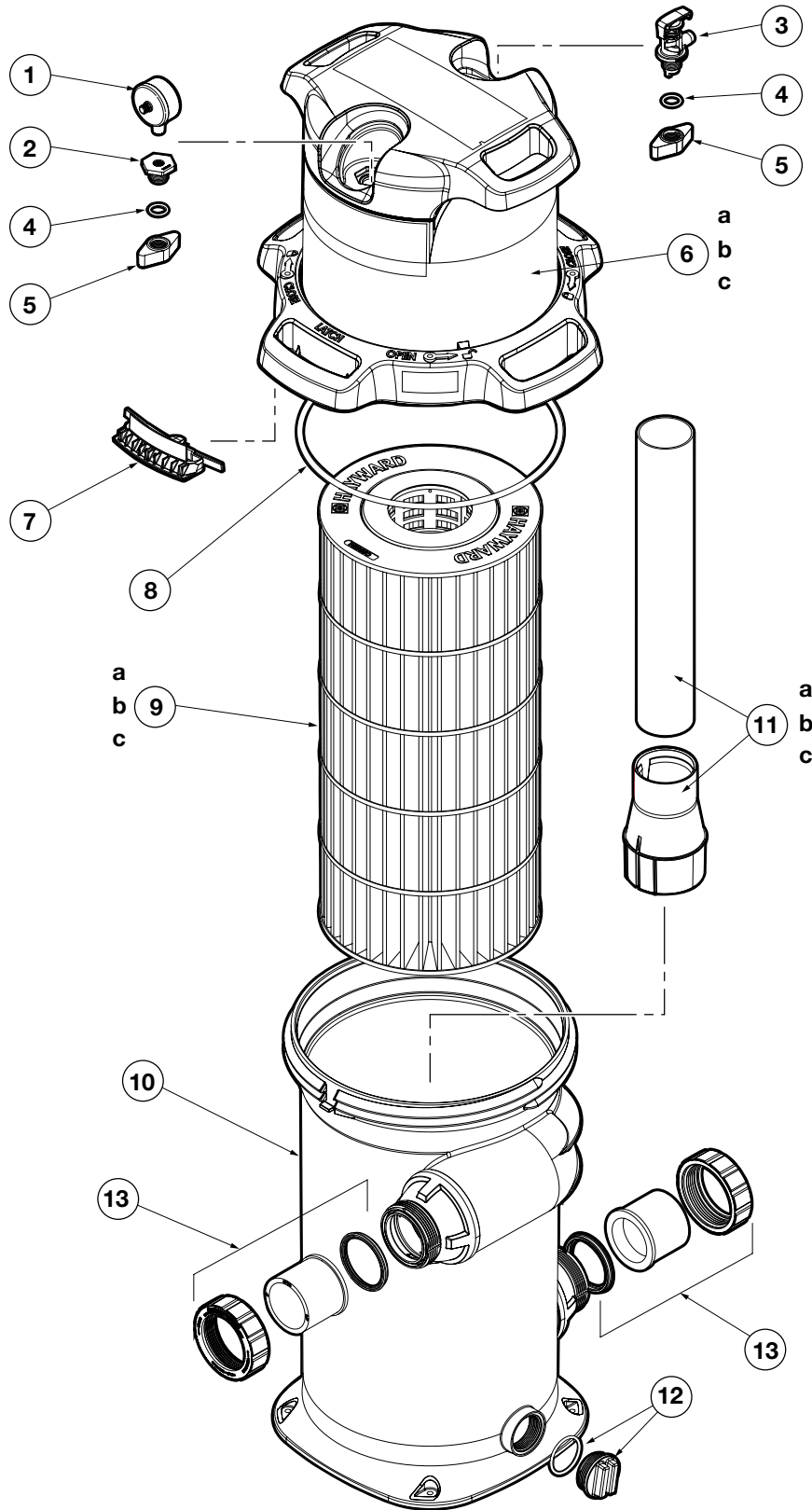


## Parts Listing

Ref. No.	Part No.	Description	Ctn. Qty.	No. Req'd
1	ECX2712B1	Pressure Gauge	10	1
2	DEX2420Z8A	O-Ring Kit (Set of 2)	10	1
3	CCX1000N	Manual Air Relief Valve Nut	10	1
4	CCX1000V	Manual Air Relief Valve with O-Ring	1	1
5	DEX2420MAR2	Manual Air Relief Assembly	1	1
6a	DEX2420BTC	Filter Head (C2020/C2025)	1	1
6b	DEX3620BTC	Filter Head (C3020/C3025)	1	1
6c	DEX4820BTC	Filter Head (C4020/C4025)	1	1
6d	DEX6020BTC	Filter Head (C5020/C5025)	1	1
6e	DEX7220BTC	Filter Head (C7000 Series)	1	1
7	DEX2421J2*	Clamp Bolt and Nut	10	1
8	DEX2421JKIT	Clamp Assembly (including Clamp, Clamp Nut and Bolt, Warning Hang Tag, Metal Reinforced Seal and Labels)	1	1
9	DEX2422Z2*	Metal Reinforced Seal	10	1
10a	CX2020DA	Top Closure Plate (C2020/C2025)	1	1
10b	CX3020DA	Top Closure Plate (C3020/C3025, C4020/C4025)	1	1
10c	CX5020DA	Top Closure Plate (C5020/C5025)	1	1
10d	CX3020D4	Top Closure Plate (C7000 Series)	1	1
11a	CX800Z4	Air Relief Tube Assembly (C2020/C2025)	2	1
11b	CX3000Z3	Air Relief Tube Assembly (C3020/C3025)	2	1
11c	CX4000Z3	Air Relief Tube Assembly (C4020/C4025)	2	1
11d	CX5000Z3	Air Relief Tube Assembly (C5020/C5025)	2	1
11e	CX7000Z3	Air Relief Tube Assembly (C7000 Series)	2	1
12a	CX480XRE	Replacement Element (C2020/C2025)	1	4
12b	CX580XRE	Replacement Element (C3020/C3025)	1	4
12c	CX880XRE	Replacement Element (C4020/C4025)	1	4
12d	CX875RE	Replacement Element (C4520 Series)	1	4
12e	CX1280XRE	Replacement Element (C5020/C5025)	1	4
12f	CX1380RE	Replacement Element (C5520 Series)	1	4
12g	CX590REM	Replacement Element (C7000 Series)	1	8
—	CX7020M	Mid-plate Connector (C7000 Series only)	1	1
13	CX3000F1B	Inlet Elbow	5	1
14	CX3020FB	Outlet Elbow	5	1
15	DEX360M	O-Ring	10	1
16	CX3000C	Bottom Collector Manifold	1	1
17	DEX2420ATC	Filter Body	1	1
18	SP1022C	1 ½" Drain Plug with O-Ring	100	1
19	DEX2420DCKIT	Strap Kit (Optional)	10	1
20	SX220Z2	O-Ring	10	2
21	DEX2420F	Bulkhead Fitting	25	2
22	DE2400PAK2CS	Plumbing Kit (includes 2 O-Rings, 2 Slip Connectors and 2 Locknuts)	10	1
23	DEX2420LA6PAK	Label Pack (includes all Warning and Operation Labels, Hang Tag (#24), Wire Tie and Owner's Manual)	10	1
24	DEX2420LA6PAK	Label Pack – Complete as above (DEX2420LA6PAK)	10	1

\*Compatible only with DEX2421JKIT clamp system for Hayward Pro-Grid D.E. and SwimClear cartridge filters.

### Parts Diagram



Filters

## Parts Listing

Ref. No.	Part No.	Description	Ctn. Qty.
1	ECX271261	Pressure Gauge	100
2	CCX1000L	Threaded Adapter for Pressure Gauge	50
3	CXRLV1001	Air Relief Assembly with O-Ring	20
4	CXGAR1001PAK2	O-Ring Kit (Set of 2)	20
5	CCX1000N	Adapter Nut (Set of 2)	50
6a	CX100B	Filter Head Assembly, C100S	1
6b	CX150B	Filter Head Assembly, C150S	1
6c	CX200B	Filter Head Assembly, C200SC	1
7	CXLRL1001	Latch for Lock Ring	10
8	CXFHR1001	O-Ring for Filter Head	10
9a	CX100XRE	Cartridge Element C100S	1
9b	CX150XRE	Cartridge Element C150S	1
9c	CX200XRE	Cartridge Element C200SC	1
10	CXFBA1001	Filter Body Assembly	1
11a	CXFDA100	Filter Diffuser Assembly C100S	1
11b	CXFDA150	Filter Diffuser Assembly C150S	1
11c	CXFDA200	Filter Diffuser Assembly C200S C	1
12	SP1022CBLK	Drain Plug with O-Ring	100
13	SPX3200UNKIT	Union Connection Kit (2 each of Nuts, Connectors and Gaskets)	10
<b>OPTIONAL</b>			
—	CX100XREBVS	Blue Value Cartridge Element C100S	1
—	CX150XREBVS	Blue Value Cartridge Element C150S	1
—	CX200XREBVS	Blue Value Cartridge Element C200SC	1
—	SPX1500JS	Union Connector 1.5" Socket	25
—	SPX1500JT	Union Connector 1.5" FIP	5



## Parts Listing

Ref. No.	Part No.	Description	Ctn. Qty.	No. Req'd
1	ECX270861	Pressure Gauge	10	1
2	DEX2400S	Relief Valve/Gauge Adapter Assembly	5	1
—	DEX2400Z3A	O-Ring for Relief Valve Stem (Set of 3)	10	1
3	SX200Z5	Relief Valve Assembly O-Ring	25	1
8a	CX3020DA	Top Closure Plate (C3000/4000)	1	1
8b	CX5020DX	Top Closure Plate (C5000)	1	1
9	CX3000F1B*	Buttress Thread Inlet Elbow Assembly w/O-Ring & Bulkhead Fitting (1997- )	5	1
11	DEX360M	O-Ring	10	1
12a	CX800Z4A	Air Relief Tube (C2000)	2	1
12b	CX3000Z3	Air Relief Tube (C3000)	2	1
12c	CX4000Z3	Air Relief Tube (C4000)	2	1
12d	CX5000Z3	Air Relief Tube (C5000)	2	1
13a	CX480XRE	Replacement Element (C2000)	1	4
13b	CX580XRE	Replacement Element (C3000)	1	4
13c	CX880XRE	Replacement Element (C4000)	1	4
13d	CX875RE	Replacement Element (C4500 Series)	1	4
13e	CX1280XRE	Replacement Element (C5000)	1	4
13f	CX1380RE	Replacement Element (C5500 Series)	1	4
14	CX3000C	Bottom Collector Manifold	1	1
16	SP1022C	1 1/2" Drain Plug w/O-Ring	100	1
17a	SX200Z3	O-Ring (1995 and prior)	10	2
17b	SX360Z1	O-Ring (after 1996)	10	2
19	SX200Z4	O-Ring	500	2
20	SX240F	1 1/2" SKT x 2" SLIP Connector	25	2
21	SX200R	Locknut	25	2
	CX3000J1	Air Tube Screen	—	1

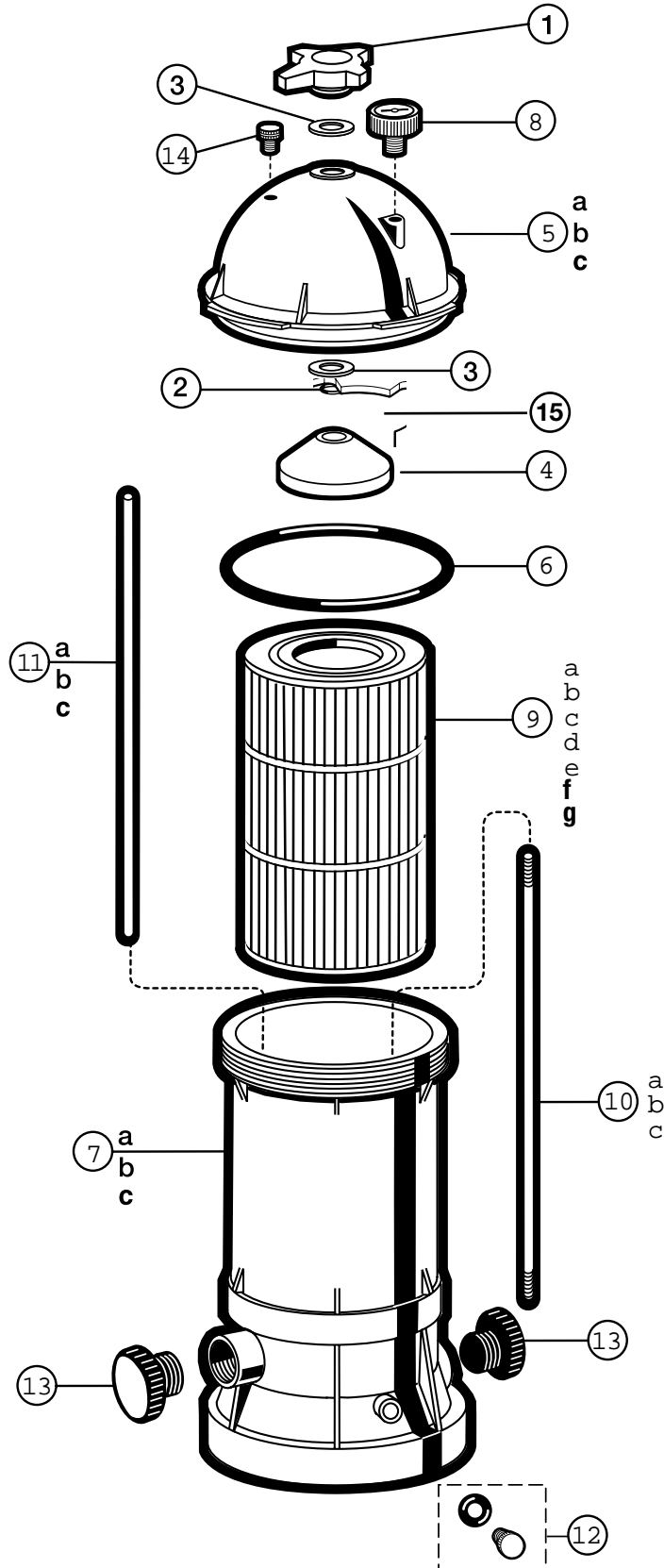
\*For 1997 and prior filters, when elbow replacement is required, use complete kit called out in 10 and 11.

\*\*For Ivory color, drop the "I".

# Star-Clear™ Plus

CARTRIDGE FILTER SERIES AND SEPARATION TANK REPLACEMENT PARTS

## Parts Diagram



Filters



### Parts Listing

Ref. No.	Part No.	Description	Ctn. Qty.	No. Req'd
1	CX900G	Locking Knob (C900, C1200 Series)	5	1
	CX1750G	Locking Knob (C1750 Series)	5	1
2	CX900H	O-Ring	10	1
3	CX900WPAK2	Washer	20	2
4	CX900D	Guide Cone	10	1
5a	CX900B	Filter Head w/Directional Vent Valve (C751, C900 Series)	10	1
5b	CX1200B	Filter Head w/Directional Vent Valve (C1200 Series)	1	1
5c	CX1750B	Filter Head w/Directional Vent Valve (C1750 Series)	1	1
6	CX900F	Filter Head O-Ring	10	1
7a	CX900AA	Filter Body – 1 1/2" FIP (C751, C900)	1	1
	CX900AA2	Filter Body – 2" FIP (C7512, C9002, C9002S)	1	1
7b	CX1200AA	Filter Body – 1 1/2" FIP (C1200)	1	1
	CX1200AA2	Filter Body – 2" FIP (C12002, C12002S)	1	1
7c	CX1750AA2	Filter Body – 2" FIP (C17502, C17502S)	1	1
8	ECX271261	Pressure Gauge	10	1
9a	CX760RE	Cartridge Element (C751 Series)	1	1
9b	CX900RE	Cartridge Element (C900 Series)	1	1
9c	CX1200RE	Cartridge Element (C1200 Series)	1	1
9d	CX1520RE	Cartridge Element (C1502 Series)	1	1
9e	CX2020RE	Cartridge Element (C2002 Series)	1	1
9f	CX1750RE	Cartridge Element (C1750 Series)	1	1
9g	CX1900RE	Cartridge Element (C1900 Series)	1	1
10a	CX800Z2	Tie Rod (C751, C900 Series)	1	1
10b	CX1100Z2	Tie Rod (C1200 Series)	1	1
10c	CX1750Z2	Tie Rod (C1750 Series)	1	1
11a	CX800Z4	Auto Air Relief Tube (C900 Series)	2	1
11b	CX1100Z4	Auto Air Relief Tube (C1200 Series)	2	1
11c	CX1750Z4	Auto Air Relief Tube (C1750 Series)	2	1
12	CX250Z14A	Drain Plug Kit (includes Plug & O-Ring)	10	1
13	CX900K	2" PVC Socket Connector (Set of 2)	5	2
14	ECX1322A	Directional Vent Valve w/O-Ring	25	1
15	CX900J	E-Ring	10	1

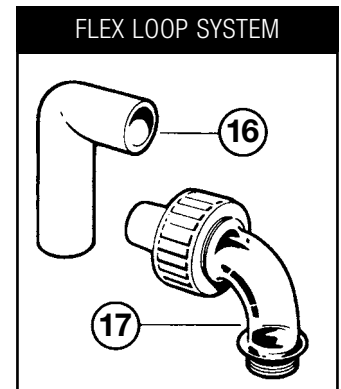
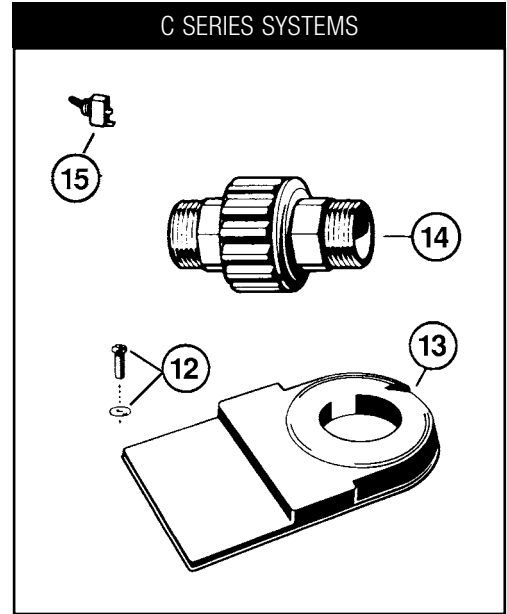
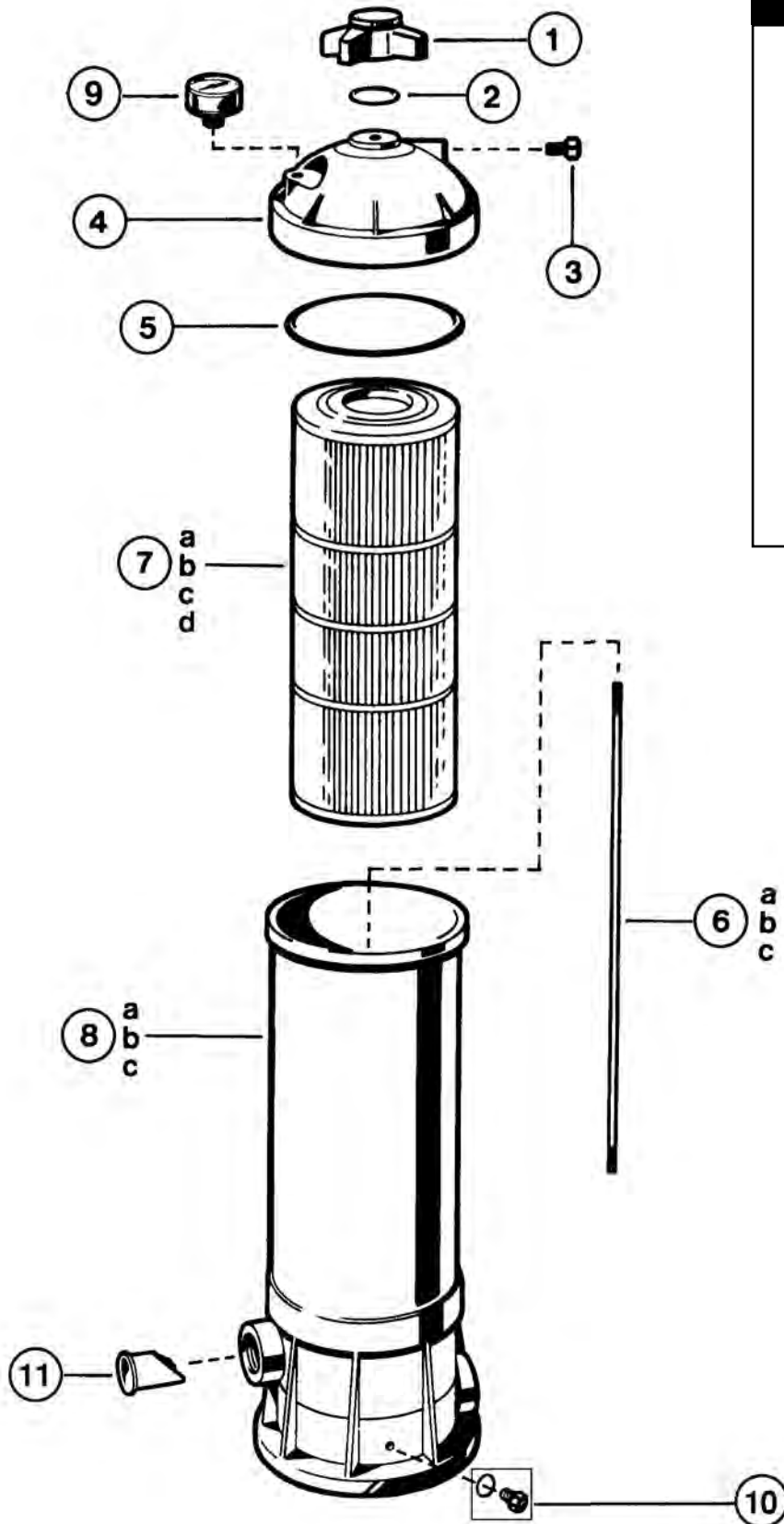
### D.E. SEPARATION TANK Parts same as C900 except as below:

—	CX900DB	D.E. Collector Bag Assembly (May 2004 and prior)	1	1
—	CX900DBA	D.E. Collector Bag Assembly (after May 2004)	1	1

# Star-Clear™

## CARTRIDGE FILTER SERIES REPLACEMENT PARTS

### Parts Diagram



### Parts Listing

Ref. No.	Part No.	Description	Ctn. Qty.	No. Req'd
1	CX250G	Locking Knob	5	1
2	CX250Z7	O-Ring	10	1
3	ECX1322A	Directional Vent Valve w/O-Ring	25	1
4	CX250C	Filter Head (Dome), w/Air Relief Valve	4	1
5	CX250F	Filter Head Gasket	10	1
6a	CX250Z2S	Tie Rod (C250), 18 9/32"	1	1
6b	CX500Z2S	Tie Rod (C500), 28 3/32"	1	1
6c	CX750Z2S	Tie Rod (C750, C100), 38 1/16"	1	1
7a	CX250RE	Cartridge Element (C250)	1	1
7b	CX500RE	Cartridge Element (C500)	1	1
7c	CX750RE	Cartridge Element (C750)	1	1
7d	CX1000RE	Cartridge Element (C100)	1	1
8a	CX250AA1	Filter Body w/Tie Rod Assembly (C250)	1	1
8b	CX500AA1	Filter Body w/Tie Rod Assembly (C500)	1	1
8c	CX750AA1	Filter Body w/Tie Rod Assembly (C750, C100)	1	1
9	ECX27091	Pressure Gauge, Back Mount	10	1
10	CX250Z14A	Drain Plug Kit	10	1
11	ECX4077B1	Check Valve (optional)	10	1

### C SERIES SYSTEMS

—	SPX1550WA5	25 ft. Cord Set – No. 14/3 AWG	5	1
—	ECX1248	Cord Strain Relief	5	1
12	ECX1108A	Pump Mounting Screw w/Washer	25	2
13	EC1161PAK	Platform Base w/Screws – Low Profile	2	1
14	SP1480BLK	1 1/2" Male Union	50	1
15	ECX1325	Switch Assembly	5	1

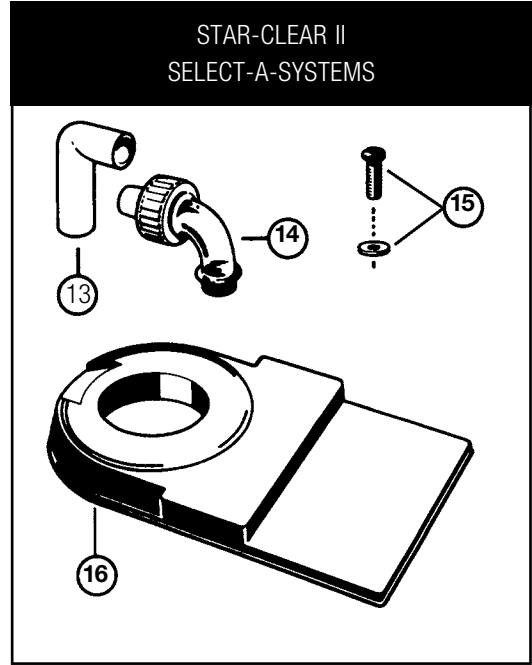
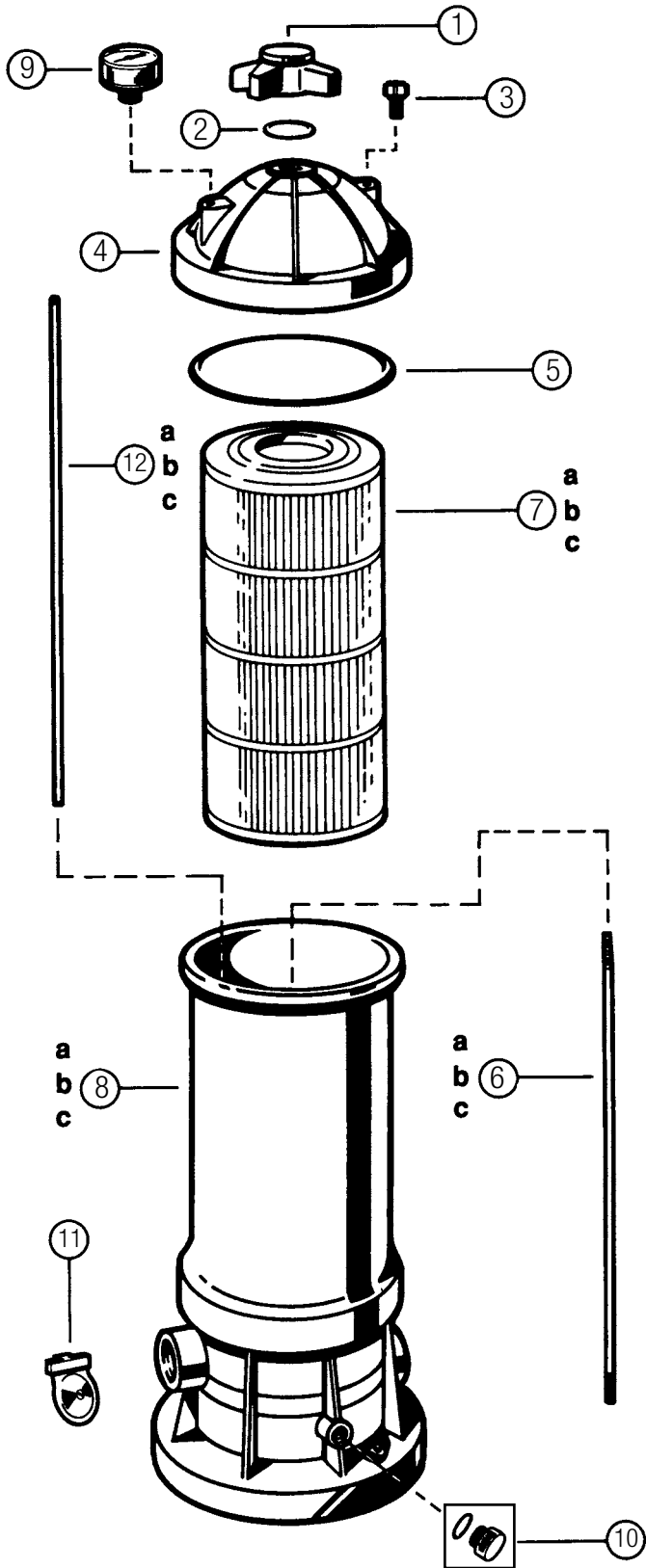
### MODULAR FLEX LOOP SYSTEMS

16	ECX1326A	Flex Loop Elbow	5	—
17	SPX14853	Sweep Elbow Union Assembly	5	—

# Star-Clear II™

CARTRIDGE FILTER SERIES AND SEPARATION TANK REPLACEMENT PARTS

## Parts Diagram



### Parts Listing

Ref. No.	Part No.	Description	Ctn. Qty.	No. Req'd
1	CX800G	Locking Knob	5	1
2	CX250Z7	O-Ring	10	1
3	ECX1322A	Directional Vent Valve w/O-Ring (1989)	25	1
4	CX800C	Filter Head (Cover) w/Air Relief Valve	2	1
5	CX800F	Filter Head O-Ring	10	1
6a	CX800Z2	Tie Rod (C800)	1	1
6b	CX1100Z2	Tie Rod (C1100)	1	1
7a	CX800RE	Cartridge Element (C800)	1	1
7b	CX1100RE	Cartridge Element (C1100)	1	1
7c	CX800RE	Cartridge Element – (C1500, 2 req'd)	1	2
—	CX1500C	Cartridge Joiner (To join two C800RE cartridges in C1500 Filter)	5	1
8a	CX800AA*	Filter Tank Body – 1 1/2" (C800)	1	1
8b	CX1500AA*	Filter Tank Body – 1 1/2" (C1500)	1	1
9	ECX27091	Pressure Gauge	10	1
10	CX250Z14A	Drain Plug Kit (includes Plug and O-Ring)	10	1
11	CX800HA	Check Valve Assembly (optional)	10	1
12a	CX800Z4	Auto Air Relief Tube (C800)	2	1
12b	CX1100Z4	Auto Air Relief Tube (C1100)	2	1

### Modular Selecta-Systems

13	ECX1326A	Flex Loop Elbow	5	—
14	SPX14853	Sweep Elbow Union Assembly	5	—
15	ECX1108A	5/16" x 3/4" Mounting Screws (2) and 5/16" Washers (2) Kit	25	1
16	EC1161PAK	Platform Base w/Screws – Low Profile	1	1

### D.E. SEPARATION TANK Parts same as C1100 except as below:

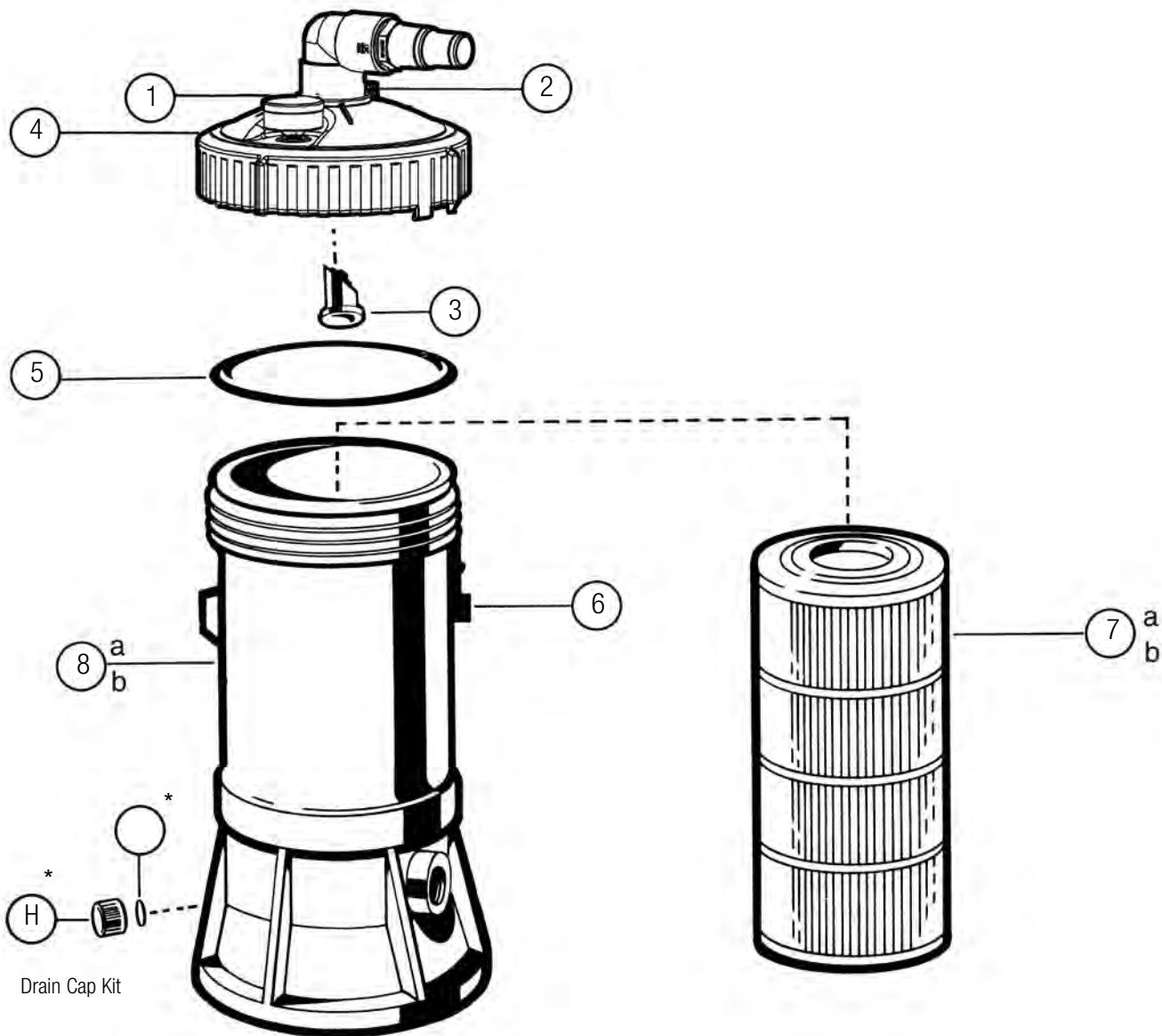
—	CX1100DB	D.E. Collector Bag Assembly	1	1
---	----------	-----------------------------	---	---

\*Standard 1 1/2" NPT. For 2" NPT, add "-2" to Part No. For socket connection, add "-2S".

# Easy-Clear™

## C400, 550 CARTRIDGE FILTER SERIES REPLACEMENT PARTS

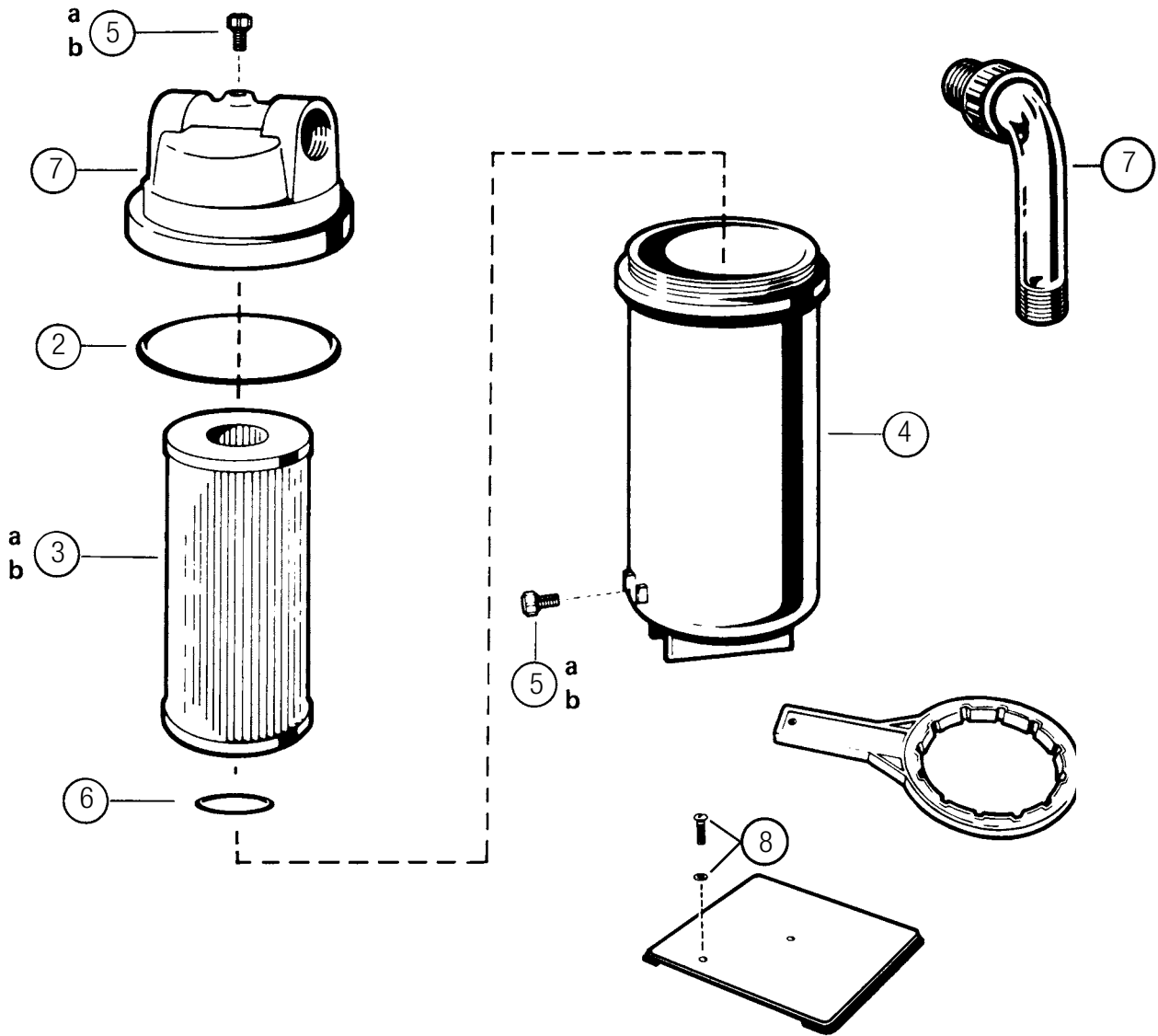
### Parts Diagram and Parts Listing



\* Drain Cap Kit

Ref. No.	Part No.	Description	Ctn. Qty.	No. Req'd
1	ECX27091	Gauge	10	1
2	ECX1322A	Vent Valve w/O-Ring	25	1
3	ECX4077B1	Check Valve	10	1
4	CX400BA	Filter Head (Cover) w/Check Valve and Locking Ring	1	1
5	CX400G	Filter Head (Cover) O-Ring	2	1
6	CX400D	Locking Ring Latch	10	1
7a	CX410RE	Filter Element (40 sq. ft.)	1	1
7b	CX500RE	Filter Element (55 sq. ft.)	1	1
8a	CX400AA	Filter Body (C400)	1	1
8b	CX550AA	Filter Body (C550)	1	1
9&10	SX200Z8A	Drain Cap/Gasket	10	1
□	SX200Z8A	Drain Cap Kit (includes # 9 & 10)	10	1

### Parts Diagram and Parts Listing



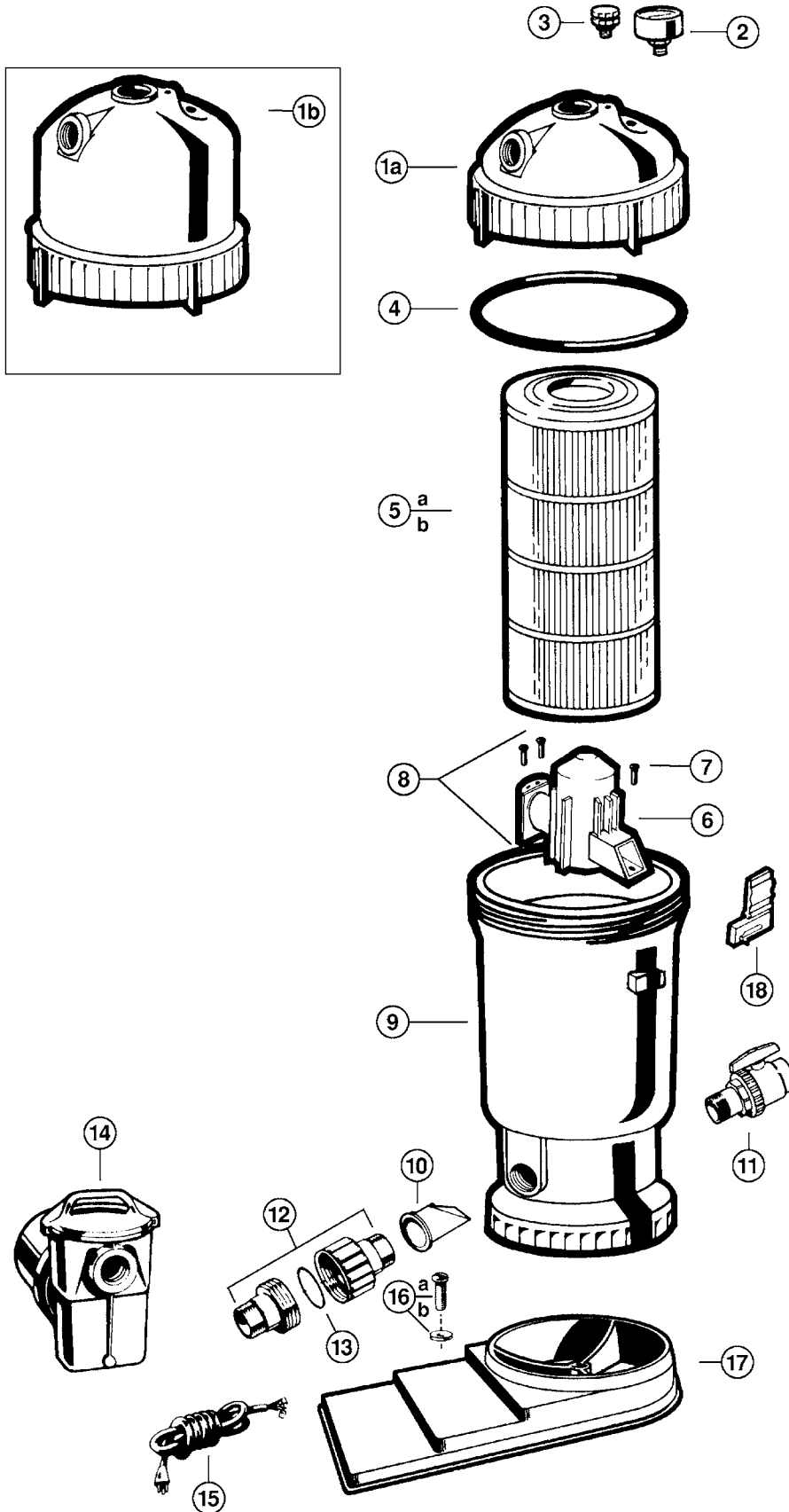
Ref. No.	Part No.	Description	Ctn. Qty.	No. Req'd
1	CX120AA	Filter Head w/Vent Valve – 1 1/2" NPT	1	1
2	CX120D	O-Ring	25	1
3	CX225RE	Cartridge Element – 25 sq. ft. (C225)	1	1
4	CX120B	Filter Body Housing	1	1
5b	ECX1322A	Directional Vent Valve w/O-Ring	25	1
—	CX250Z15	By-Pass Plug (Internal)	10	1
6	SPX1485C	Gasket	10	1
7	SPX1485BPAK	Threaded Elbow Union Assembly	—	1
—	S200KT	Wrench Tool for Body Housing (Optional)	—	—
8	ECX1108A	Pump Mounting Screw w/Washer	25	2

\*Limited Quantity Available – Replace with ECX1322A.

# ASL Filter Series

C850, C1250 CARTRIDGE FILTER SERIES REPLACEMENT PARTS

## Parts Diagram and Parts Listing



Filters



# ASL Filter Series

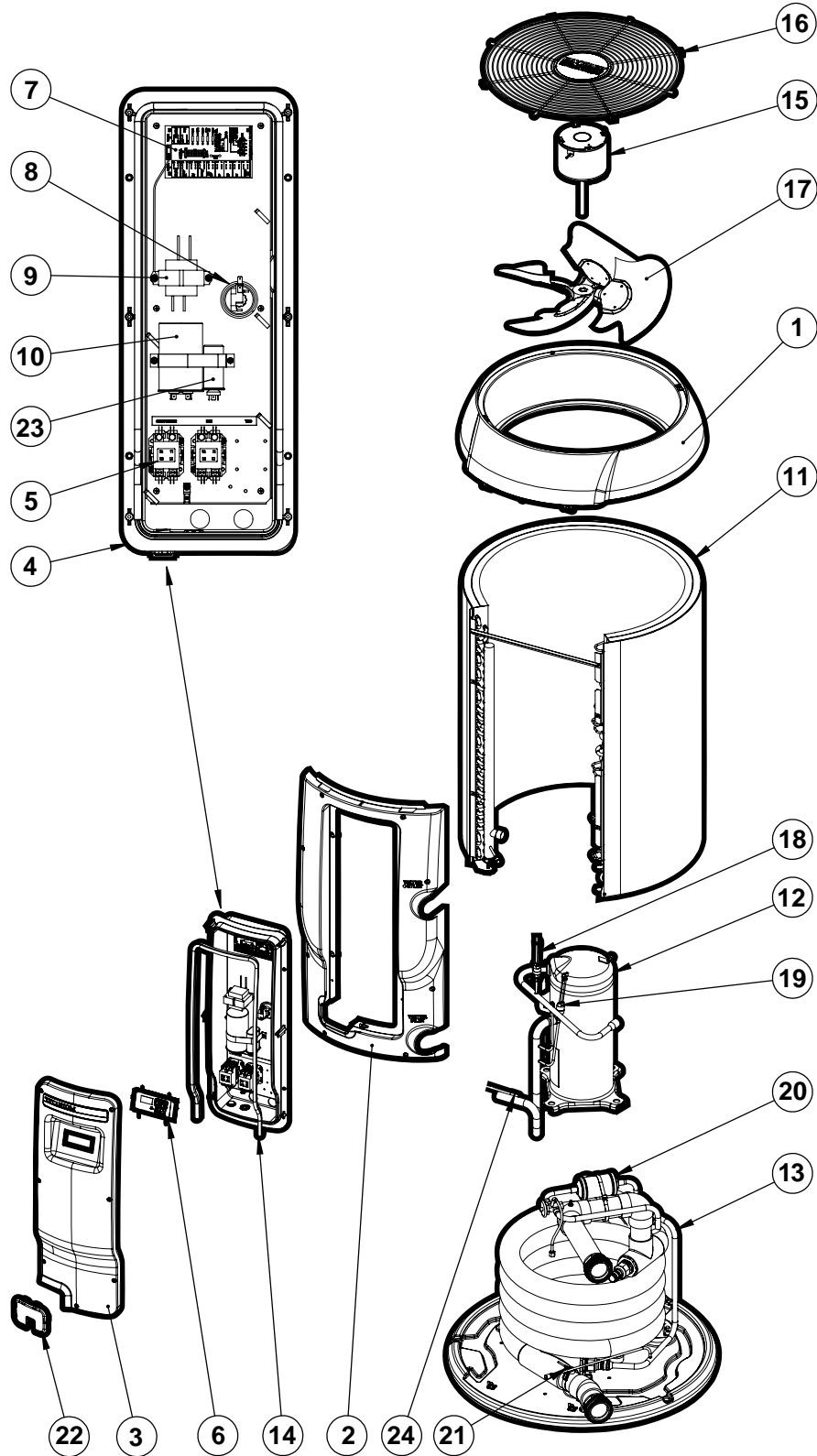
## C850, C1250 CARTRIDGE FILTER SERIES REPLACEMENT PARTS

### Parts Listing

Ref. No.	Part No.	Description	Ctn. Qty.	No. Req'd
1a	SCX45BC	C850 Lid w/Locking Ring	1	1
1b	SCX70BC	C1250 Lid w/Locking Ring	1	1
2	ECX27091	Pressure Gauge	10	1
3	ECX1322A	Directional Vent Valve w/O-Ring	25	1
4	RGX45G	Filter Head O-Ring	2	1
5a	CX850RE	Cartridge Element	1	1
5b	CX1250RE	Cartridge Element	1	1
6	RGX45D*	Diffuser	10	1
7	RGX45Z1*	Diffuser Screws	25	3
8	RGX45DA	Diffuser and Diffuser Screws (3) (includes # 6 & 7)	10	1
9	RGX45AA	Filter Body	1	1
10	ECX4077B1	Check Valve	10	1
11	SP0723	Ball Valve	24	1
12	SP1480BLK	1 1/2" Male Union	50	1
13	SPX1425Z6	O-Ring	25	1
14	— —	Power-Flo Pump	1	1
15	SPX1250WA	6 ft. Cord Set	10	4
16a	ECX1108A	Pump Mounting Screw w/Washer	25	4
16b	ECX1161Z2	Pump Mounting Screw Set w/Washer	25	4
17	EC1161PAK	Modular Platform Base	1	1
18	CX400D	Locking Ring Latch	25	1

\*Limited Quantity Available – Replace with RGX45DA.

Parts Diagram: HP20654TC, HP20854TC, HP21104TC



Heating

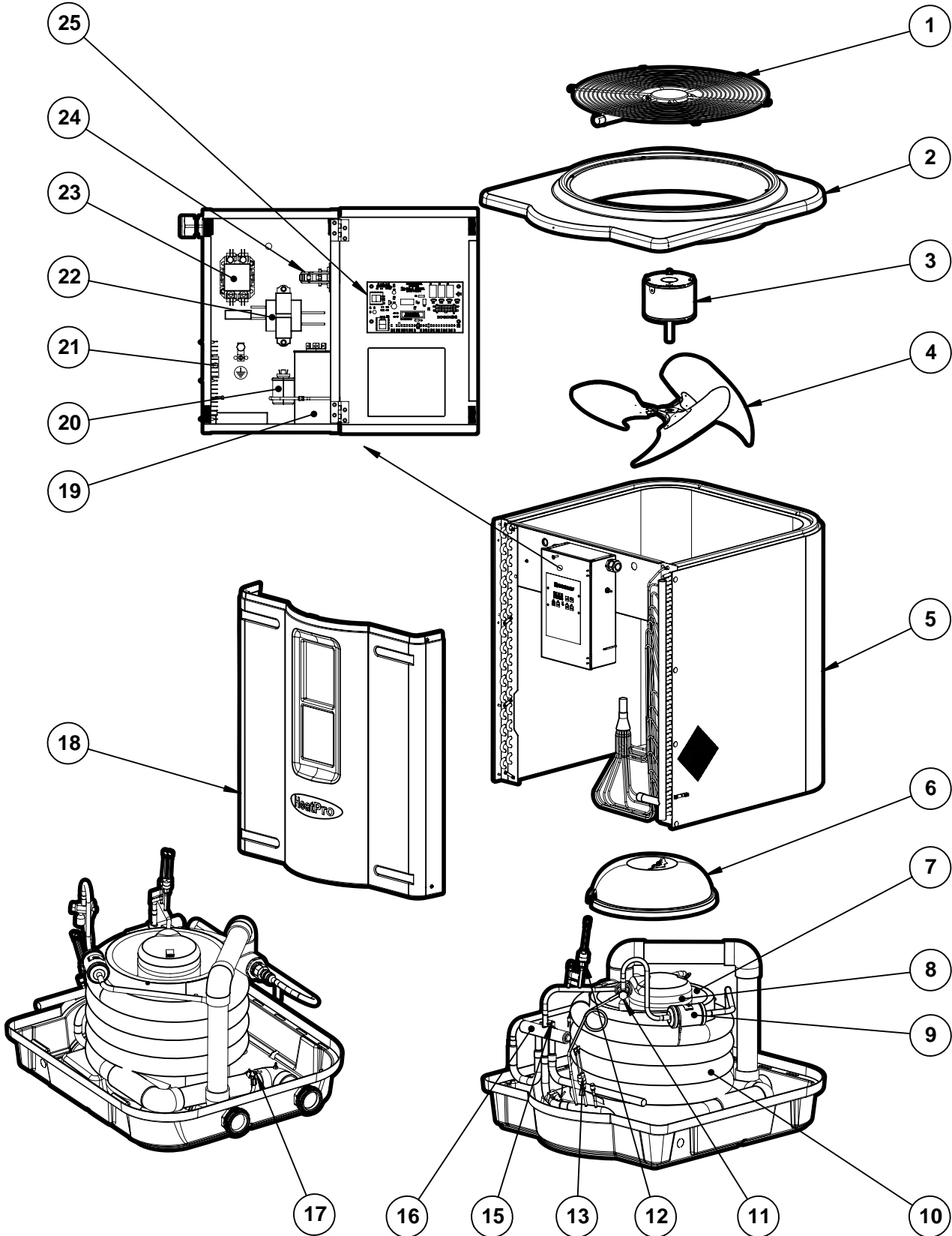
## Parts Listing: HP20654TC, HP20654BT, HP20854TC, HP20854BT, HP21104TC

Ref. No.	Part No.	Description
1	HPX01023502	Fan Top for HP20654T, HP20854T, HP21104T and HP21104TC
2	HPX01023503	Side Panel for HP20654T, HP20854T, HP21104T and HP21104TC
3	HPX01023504	Control Box Cover
4	HPX01023505	Control Box
5	HPX1985	Contactora
6	HPX26024139	Control Board Assembly
7	HPX11024130	Interface Board
8	HPX2181	Water Pressure Switch
9	HPX11023693	Transformer
10	HPX11024270	Compressor Run Capacitor for HP20654T and HP20654BT
10	HPX11024272	Compressor Run Capacitor for HP20854T and HP20854BT
10	SMX11022320	Compressor Run Capacitor for HP21104T and HP21104TC
11	HPX24024238	Bent Coil with Guard for HP20654T and HP20854T
11	HPX24024241	Bent Coil with Guard for HP21104T and HP21104TC
12	HPX11024257	Compressor for HP20654T and HP20654BT
12	HPX11024204	Compressor for HP20854T and HP20854BT
12	HPX11024203*	Compressor for HP21104T and HP21104TC
12	SMX11012753**	Compressor for HP21104T and HP21104TC
13	HPX24012850	Condenser for HP21104T and HP21104TC
13	HPX24012851	Condenser for HP21104TC
13	HPX24024712	Condenser for HP20654T, HP20854T, HP20654BT and HP20854BT
14	HPX05023549	Cover Gasket
15	HPX11023564	Fan Motor, 1/3 H.P.
16	HPX01023561	Fan Guard
17	HPX15024321	Fan Blade
18	HPX11024258	High Pressure Switch
19	HPX11024259	Low Pressure Switch
20	HPX15012844	Thermostatic Expansion Valve for HP20654T and HP20654BT
20	HPX15012843	Thermostatic Expansion Valve for HP20854T and HP20854BT
20	HPX15012842*	Thermostatic Expansion Valve for HP21104T and HP21104TC
20	HPX15012852**	Thermostatic Expansion Valve for HP21104T and HP21104TC
21	HPX2169	Temperature Sensor
22	HPX01023760	Electrical Entry Plug
23	HPX11024151	Fan Run Capacitor
24	HPX11024169	Defrost Sensor
25	HPX1462	Filter Drier
NOT PICTURED		
—	HPX10023517	HPC Cable
—	HPX02024108	Compressor Blanket
—	HPX0054	Compressor Mount Kit
—	HPX10024732	Compressor Electrical Plug for HP20654T and HP20654BT
—	HPX10024289*	Compressor Electrical Plug for HP20854T, HP21104T, HP20854BT and HP21104TC
—	HPX10024732**	Compressor Electrical Plug for HP21104T and HP21104TC
—	SMX15026191	Hot Gas Bypass Valve for HP21104TC

NOTES: \*Used on units prior to s/n 21131410102317001

\*\*Used on units after s/n 21131410102458001

Parts Diagram: HP21404T, HP21004TC, HP21254T



Heating

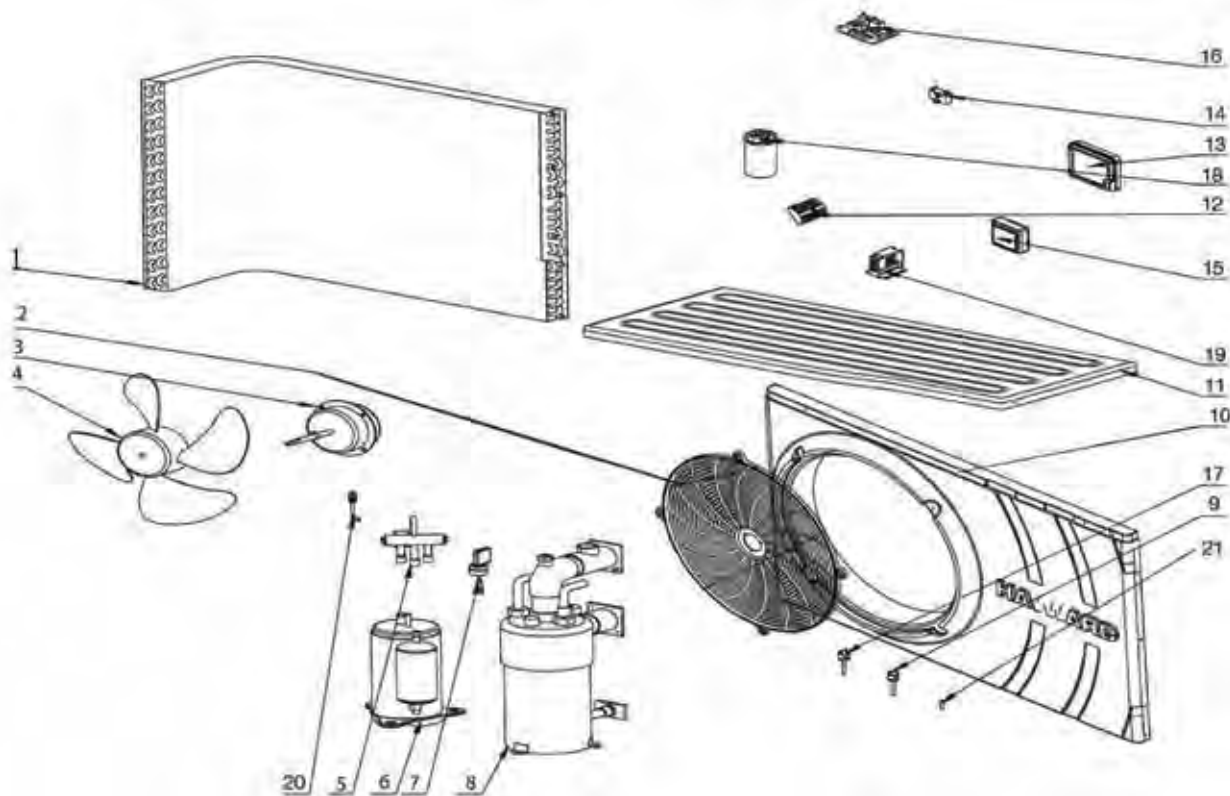
## Parts Listing: HP21404T, HP21004TC, HP21254T

Ref. No.	Part No.	Description
1	SMX305000004	Fan Guard
2	SMX309077011	Top Panel
3	SMX300055036	Fan Motor
4	SMX303140003	Fan Blade
5	SMX305099004	Evaporator for HP21404T
	SMX24024408	Evaporator for HP31154T, HP21254T, HP21124T and HP31204T
	SMX24024414	Evaporator for HP21004T
6	SMX01024512	Plastic Dome
7	SMX26024728	Acoustic Panel for HP21404T, HP21254T and HP31204T
	SMX26024537	Acoustic Panel for HP31154T, HP21004T and HP21124T
8	SMX11017204	Compressor for HP21004T prior to serial number 21131501105230001
	SMX11024201	Compressor for HP21254T prior to serial number 21131405101250001
	SMX11024201	Compressor for HP21404T prior to serial number 21131404105240001
	SMX11012751	Compressor for HP21004T after serial number 21131501105230001
	SMX11012755	Compressor for HP21254T after serial number 21131405101250001
	SMX11012755	Compressor for HP21404T after serial number 21131404105240001
	ISMX10024715	Compressor Plug (not shown) for HP21004T prior to serial number 21131501105230001
	SMX10024715	Compressor Plug (not shown) for HP21254T prior to serial number 21131405101250001
	SMX10024715	Compressor Plug (not shown) for HP21404T prior to serial number 21131404 105240001
	SMX10022329	Compressor Plug (not shown) for HP21004T after serial number 21131501105230001
	SMX10022329	Compressor Plug (not shown) for HP21124T after serial number 21131501102140001
	SMX10022329	Compressor Plug (not shown) for HP21254T after serial number 21131405101250001
	SMX10022329	Compressor Plug (not shown) for HP21404T after serial number 21131404105240001
9	HPX1462	Filter – Drier for all except HP31204T and HP31154T
10	SMX24024864	Heat-Exchanger for HP21404T
	SMX24022371	Heat Exchanger for HP21254T
	SMX24022372	Heat Exchanger for HP21004T
11	SMX15024595	Thermal Expansion Valve (TXV) for HP21004T prior to serial number 21131501105230001
	SMX15024595	Thermal Expansion Valve (TXV) for HP21124T prior to serial number 21131501102140001
	SMX15024907	Thermal Expansion Valve (TXV) for HP21254T prior to serial number 21131405101250001
	SMX15024907	Thermal Expansion Valve (TXV) for HP21404T prior to serial number 21131404105240001
	SMX15012865	Thermal Expansion Valve (TXV) for HP21004T after serial number 21131501105230001
	SMX15024595	Thermal Expansion Valve (TXV) for HP21254T after serial number 21131405101250001
	SMX15024916	Thermal Expansion Valve (TXV) for HP21404T after serial number 21131404105240001
12	HPX11024258	High Pressure Switch
13	HPX11024259	Low Pressure Switch
14	SMX306000023	Defrost Sensor
15	SMX15024966	Solenoid Coil for HP31154T
16	SMX15024941	Reversing Valve for HP31154T
	SMX15022313	Reversing Valve for HP31204T
17	SMX306000024	Water Temperature Sensor for HP21404T, HP21004T, HP21254T and HP21124T
18	SMX309099016	Front Panel for HP21404T
	SMX309099013	Front Panel for HP31154T and HP31204T
	SMX309099023	Front Panel for HP21004T, HP21254T and HP21124T
19	SMX11022320	Compressor Run Capacitor
20	HPX11024151	Fan Capacitor
21	HPX11023509	Interface Board for HP31154T and HP31204T
22	HPX11023693	Transformer
23	HPX1985	Contacteur
24	HPX2181	Water Pressure Switch
25	SMX306000016	Control Board for HP21404T, HP21004T, HP21124T and HP21254T
NOT PICTURED		
	SMX14024927	Consumer Kit
	SMX300055113	Cover-Winter

# HP50A

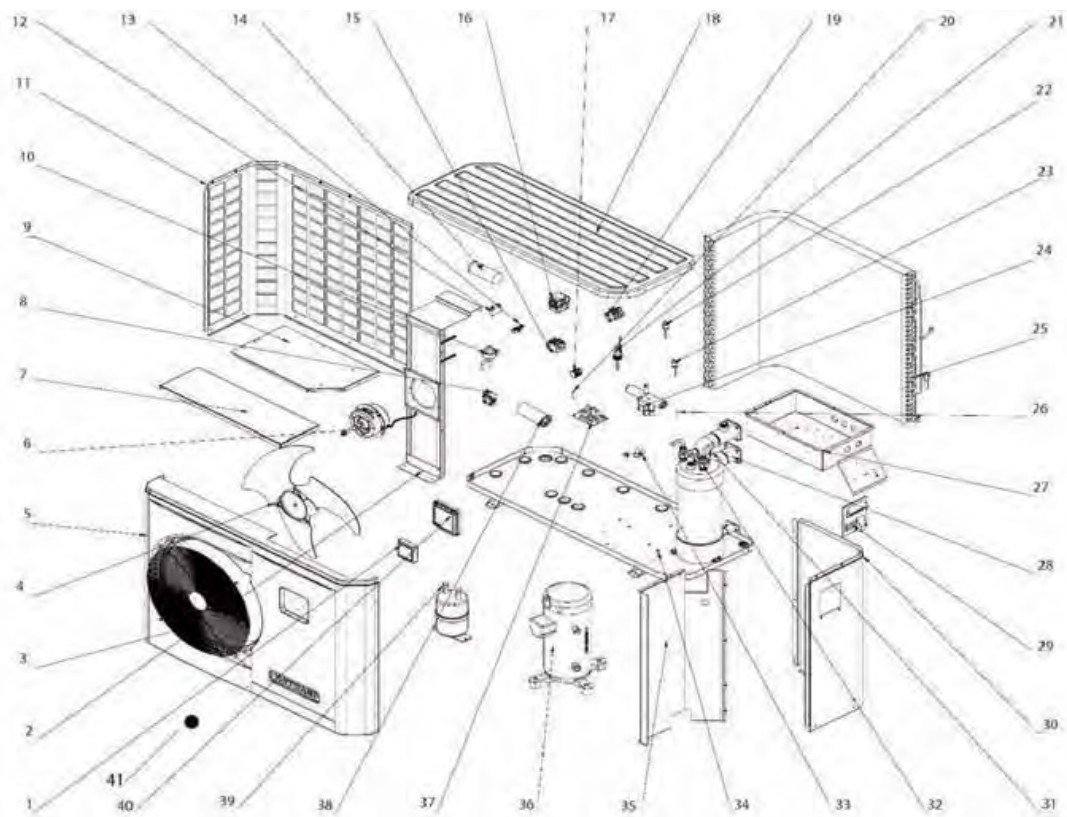
## HEAT PUMP REPLACEMENT PARTS

### Parts Listing: HP50A



Ref. No.	Part No.	Description
1	HPX32012-120020	Evaporator
2	HPX20000-220188	Fan Net
3	HPX20000-330124	Fan Motor
4	HPX3500-2701	Axis blower Fan
5	HPX2001-1418	4-Way Valve
6	HPX20000-110041	Compressor
7	HPX20000-360005	Water Flow Switch
8	HPX32012-120014	Titanium Tube Heat Exchanger
9	HPX2001-3605	High Pressure Switch
10	HPX32012-220044	Front Panel
11	HPX32012-220045	Cover
12	HPX2001-3907	Terminal
13	HPX2000-2111	Waterproof Cover
14	HPX2000-350012	Fan Capacitor
15	HPX95005-310188	LCD Controller
16	HPX35005-310145	Main Control Board
17	HPX2000-3603	Low Pressure Switch
18	HPX2000-3505	Compressor Capacitor
19	HPX20000-360006	AC Contactor
20	HPX20000-140153	Needle Valve
21	HPX2000-3242	Sensor, water, air

### Parts Listing: HP65A

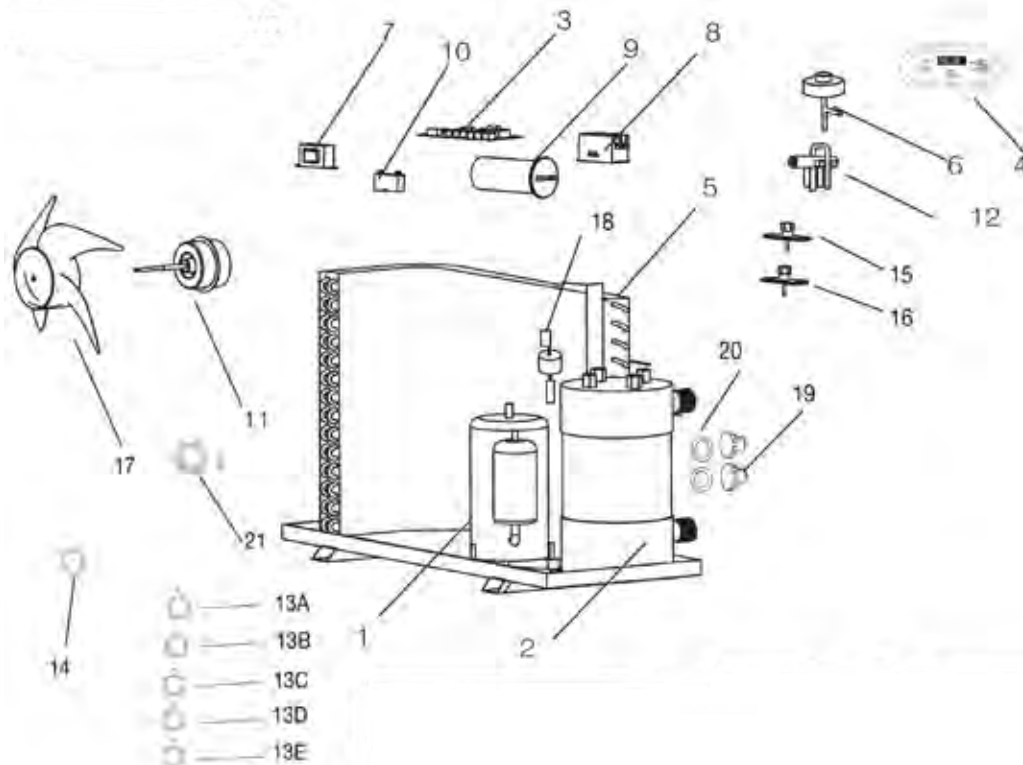


Ref. No.	Part No.	Description	Ref. No.	Part No.	Description
1	HPXLCD65	LCD Controller	23	HPX2000-3603	Low Pressure Switch
2	HPX320009-210092	Fan Motor Bracket	24	HPX2001-1491	4 Way Valve
4	HPX2000-2705	Fan Blade	25	HPX35012-120001	Fin Coil
6	HPX2001-3328	Fan Motor	26	HPX2000-3242	Air Temp. Sensor
7	—	Support Panel	27	—	Electrical Box Cover
8	HPX20000-370003	Transformer	28	HPX32009-120013	PVC-Titanium Condenser
9	—	Electrical Box Cover	29	—	Protection Cover
10	HPX20000-140151	Electronic Expansion Valve	30	—	Right Panel
11	—	Back Panel	31	HPX2000-3242	Water outlet Sensor
12	HPX2000-3508	Fan Motor Capacitor 40 uF / 450 VAC	32	HPX20000-3242	Water Inlet Sensor
13	—	Terminal Block 2 Connection	33	HPX2000-1345	Drain Plug
14	HPX2000-3524	Compressor Start Capacitor	34	—	Bottom Panel
15	HPCX20000-36035	Relay	35	—	Center Wall
16	HPX2000-360035	Compressor Contactor	36	HPX20000-110038	Compressor
17	—	Terminal Block 3 Connection	37	HPXMCB65	PCB Board
18	—	Top Cover	38	HPX2000-3510	Compressor Capacitor 60 uF / 450 VAC
19	—	Terminal Block 3 Connection	40	HPX20000-220068	Waterproof Cover
20	HPX2000-3242	Coil Temperature Sensor		HPX2000-3909	Terminal Block 2
21	HPX20000-360005	Flow Switch		HPX2001-3907	Terminal Block 5
22	HPX2001-3605	High Pressure Switch			

# HP40B, HP50B, HP65B

## HEAT PUMP REPLACEMENT PARTS

Parts Listing: HP40B, HP50B, HP65B



### HP40B

Ref. No.	Part No.	Description
1	HPXWS40CCC	Compressor
2	HPXWS40THE	Titanium Heat Exchanger
3	HPXWS40PCB	PC Board Fairland
4	HPXWS40IL	LCD Controller Fairland
5	HPXWS40E	Evaporator
6	—	—
7	HPXWS40T	Fairland Transformer
8	HPXWS40C	Fairland Contactor
9	HPXWS40CC	Compressor Capacitor
10	HPXWS40FMC	Fan Motor Capacitor
11	HPXWS40FM	Fan Electric Motor
12	HPXWS40FWV	4-Way Valve
13A	HPXWS40TMP	Pool Water Temp Sensor
13B	—	—
13C	HPXWS40TMP	Heating Coil Pipe Temp Sensor
13D	—	—
13E	HPXWS40ETS	Exhaust Temp Sensor
14	HPXWS40ATS	Air Temp Sensor
15	HPXWS40HPS	High Pressure Valve
16	HPXWS40LPS	Low Pressure Valve
17	HPXWS40F	Fan
18	HPXWS40WFW	Water Flow Switch
19	HPXWS40WN	Quick Connect
20	HPXWS40WNG	Union Kit
21	HPXWS40DTJ	Draining Tube & Black Joint



# HP40B, HP50B, HP65B

## HEAT PUMP REPLACEMENT PARTS

### HP50B

Ref. No.	Part No.	Description
1	HPXWS50CCC	Compressor
2	HPXWS50THE	Titanium Heat Exchanger
3	HPXWS56PCB	PC Board Fairland
4	HPXWS56IL	LCD Controller Fairland
5	HPXWS50E	Evaporator
6	HPXWS50EV	Expansion Valve
7	HPXWS56T	Fairland Transformer
8	HPXWS56C	Fairland Contactor
9	HPXWS56CC	Compressor Capacitor
10	HPXWS50FMC	Fan Motor Capacitor
11	HPXWS50FM	Fan Electric Motor
12	HPXWS56FWV	4-Way Valve
13A	HPXWS56TMP	Pool Water Temp Sensor
13B	HPXWS56TMP	Cooling Coil Pipe Temp Sensor
13C	HPXWS56TMP	Heating Coil Pipe Temp Sensor
13D	HPXWS56TMP	Gas Return Temp Sensor
13E	—	—
14	HPXWS56ATS	Air Temp Sensor
15	HPXWS56HPS	High Pressure Valve
16	HPXWS56LPS	Low Pressure Valve
17	HPXWS50F	Fan
18	HPXWS56WFW	Water Flow Switch
19	HPXWS56WN	Quick Connect
20	HPXWS56WNG	Union Kit
21	HPXWS56DTJ	Draining Tube & Black Joint

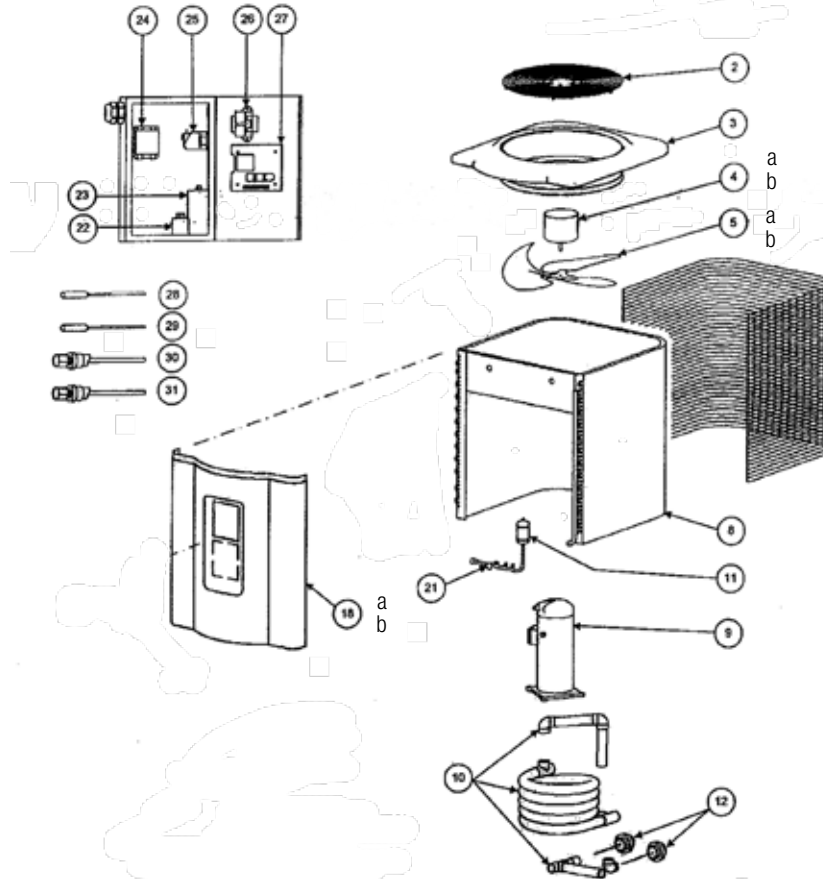
### HP65B

Ref. No.	Part No.	Description
1	HPXWS65CCC	Compressor
2	HPXWS65THE	Titanium Heat Exchanger
3	HPXWS56PCB	PC Board Fairland
4	HPXWS56IL	LCD Controller Fairland
5	HPXWS65E	Evaporator
6	HPXWS65EV	Expansion Valve
7	HPXWS56T	Fairland Transformer
8	HPXWS56C	Fairland Contactor
9	HPXWS56CC	Compressor Capacitor
10	HPXWS65FMC	Fan Motor Capacitor
11	HPXWS65FM	Fan Electric Motor
12	HPXWS56FWV	4-Way Valve
13A	HPXWS56TMP	Pool Water Temp Sensor
13B	HPXWS56TMP	Cooling Coil Pipe Temp Sensor
13C	HPXWS56TMP	Heating Coil Pipe Temp Sensor
13D	HPXWS56TMP	Gas Return Temp Sensor
13E	—	—
14	HPXWS56ATS	Air Temp Sensor
15	HPXWS56HPS	High Pressure Valve
16	HPXWS56LPS	Low Pressure Valve
17	HPXWS65F	Fan
18	HPXWS56WFW	Water Flow Switch
19	HPXWS56WN	Quick Connect
20	HPXWS56WNG	Union Kit
21	HPXWS56DTJ	Draining Tube & Black Joint

# Summit & HeatMaster

## HEAT PUMP REPLACEMENT PARTS

### Parts Listing: Summit, HeatMaster



### Parts Listing: SUM25T, SUM3T, SUM4T, SUM5T, SUM7T

Ref. No.	Part No.	Description
2	SMX305000004	Motor Support Grid
3a	SMX309077011	Top Panel - Tan
3b	SMX309077021	Top Panel - Black
4a	SMX303088001	Fan Motor (2.5T, 3T, 4T)
4b	SMX300055036	Fan Motor (5T, 7T)
5a	SMX303140002	Fan Blade (2.5T, 3T, 4T)
5b	SMX303140003	Fan Blade (5T, 7T)
8	SMX305099004	Coil
9	SMX301140003	Compressor
11	SMX300055034	Filter - Dryer
12	SMX300055073	Coupling
18a	SMX309077013	Front Panel (2.5T)
18b	SMX309099013	Front Panel (3T, 4T, 5T)
18c	SMX309099015	Front Panel (7T)
21a	SMX305077002	Expansion Valve (2.5T)
21b	SMX305040001	Expansion Valve (3T)
21c	SMX305050001	Expansion Valve (4T)
21d	SMX305055001	Expansion Valve (5T)
21e	SMX305099006	Expansion Valve (7T)
22	SMX306088001	Fan Run Capacitor 5 UF / 370 VAC
23	HPX11024270	Compressor Run Capacitor 45 UF / 370 VAC
26	SMX306000004	Transformer
27	SMX306000016	Electronic Board
28	SMX306000023	Air Temperature Probe
29	SMX306000024	Water Temperature Probe
30	SMX306000001	Low Pressure Switch
31	SMX306000002	High Pressure Switch
	SMX307000010	Check Valve

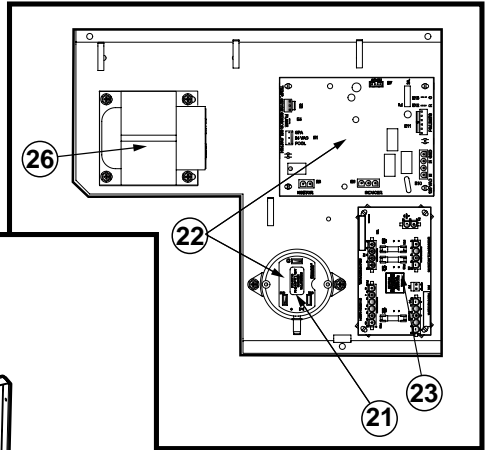
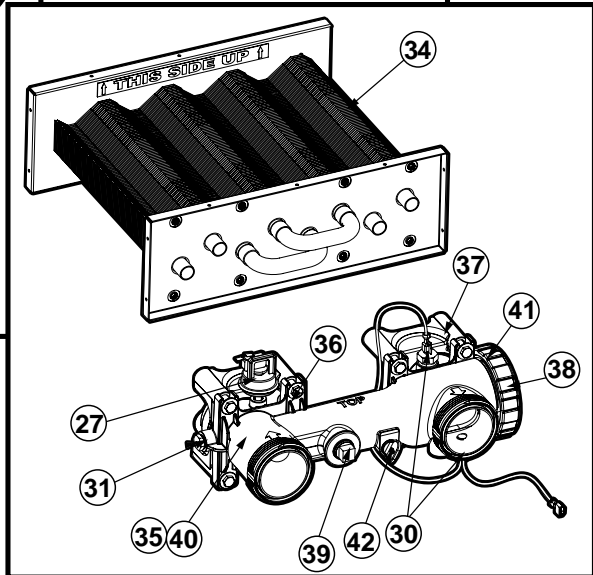
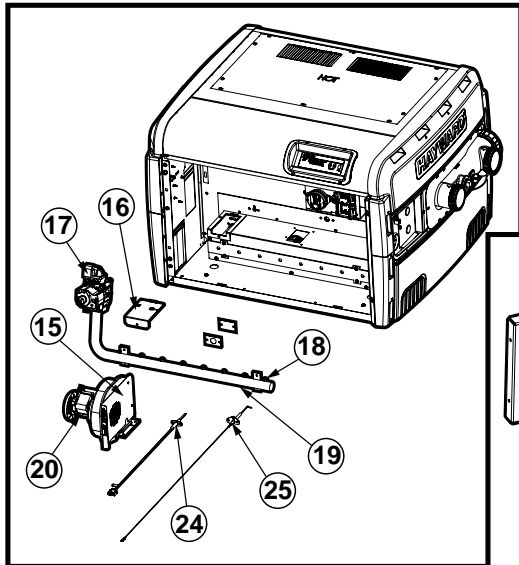
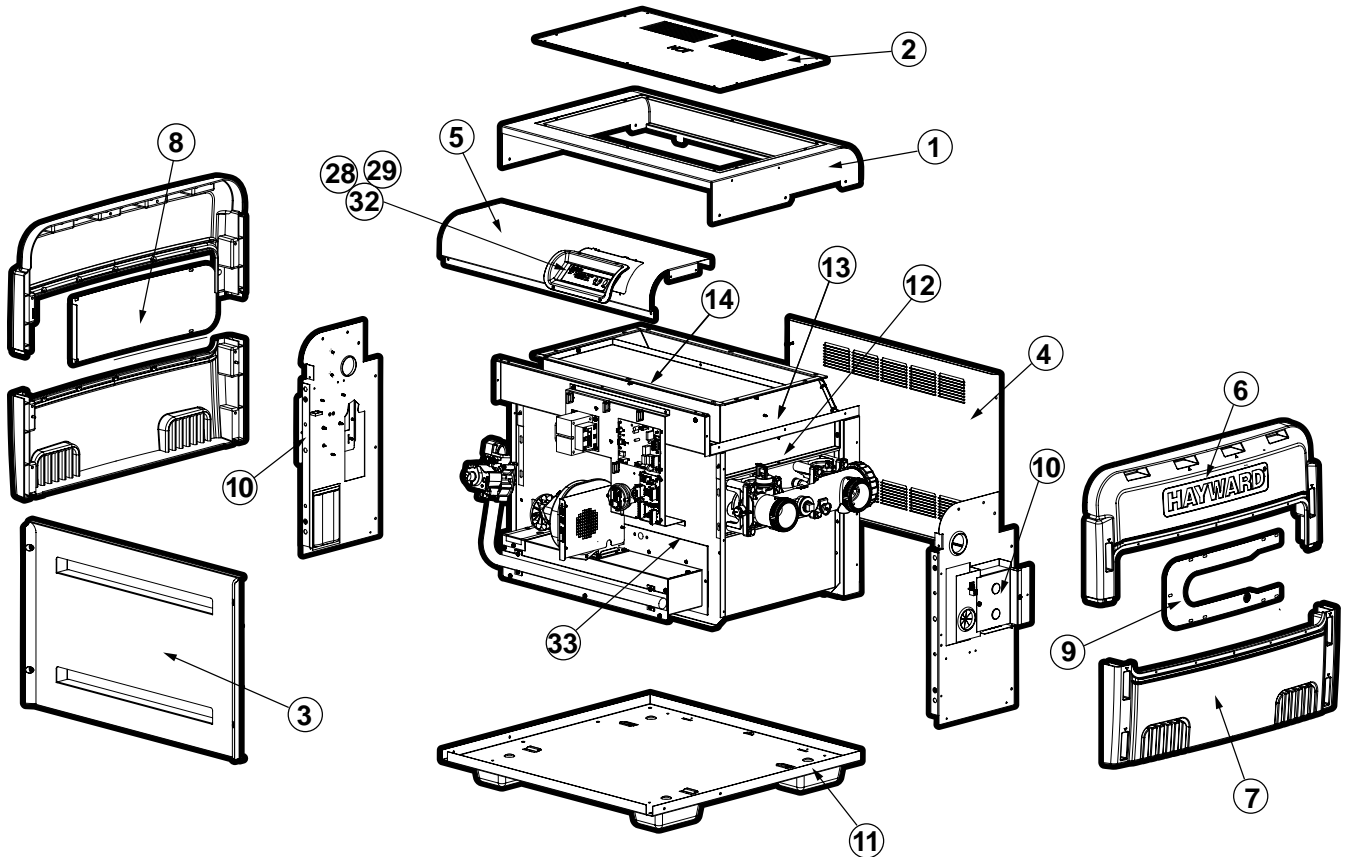
Parts Listing: SUM25TA, SUM3TAC, SUM45TAC, SUM5TAC, SUM8TA, HML50TA, HML65TA, HML80TA, HML110TA, HML125TA

Ref. No.	Part No.	Description
4a	SMX303088001	Fan Motor (2.5TA, 3TAC, 45TAC, HML50TA, HML65TA, HML80TA)
4b	SMX300055036	Fan Motor (5TAC, 8TA, HML110TA, HML125TA)
9	SMX11024624	Compressor (2.5TA, HML50TA)
9	SMX11024622	Compressor (3TAC, HML65TA)
9	SMX11024621	Compressor (45TAC) HML80TA
9	SMX301150010	Compressor (5TAC) HML110TA
9	SMX11024201	Compressor (8TA) HML125TA
10	SMX24024500	Condenser (2.5TA, HML50TA)
10	SMX24024804	Condenser (3TAC, 45TAC, HML65TA, HML80TA)
10	SMX24024804	Condenser (45TAC) HML80TA
10	SMX24024509	Condenser (5TAC) HML110TA
10	SMX24024864	Condenser (8TA)
10	SMX24024509	Condenser (HML80TA)
10	SMX24024510	Condenser (HML125TA)
11	HPX1462	Filter Dryer
12	SPX3200UNKIT	Coupling
21	SMX15024592	TXV Assembly (2.5TA, HML50TA)
21	SMX15024593	TXV Assembly (3TAC, HML65TA)
21	SMX15024594	TXV Assembly (45TAC, HML80TA)
21	SMX15024595	TXV Assembly (5TAC, HML110TA)
21	SMX15024907	TXV Assembly (8TA) HML125TA
22	SMX306088001	Fan Run Capacitor (2.5TA, 3TAC, 45TAC, HML50TA, HML65TA, HML80TA) 5uF / 370 VAC
22	HPX11024151	Fan Run Capacitor (5TAC, 8TA, HML110TA, HML125TA) 7.5uF / 370 VAC
23	SMX306150002	Compressor Capacitor (2.5TA, HML50TA) 50 uF / 440 VAC
23	HPX11024154	Compressor Capacitor (3TAC, HML65TA) 60 uF / 440 VAC
23	HPX11024272	Compressor Capacitor (45TAC, HML80TA) 70uF / 370 VAC
23	HPX11024743	Compressor Capacitor (5TAC, 8TA, HML110TA, HML125TA) 80 uF / 370 VAC
24	HPX1985	Contactora
25	HPX2181	Water Pressure Switch
26	HPX11023693	Transformer
27	SMX306000016	Control Board Assembly
28	SMX306000023	Defrost (Coil) Sensor
29	SMX306000024	Water Sensor
30	HPX11024259	LP Switch
31	HPX11024258	HP Switch
—	SMX306066002	Compressor Elect. Plug(NS)
—	SMX15026191	Hot Gas Bypass Valve
—	SMX26024729	Acoustic Cap, 50K BTU's
—	SMX26024728	Acoustic Cap, HML125BTA
—	SMX26024537	Acoustic Cap, 65K, 80K, 110K BTU's

# Universal H-Series Low NOx

## REPLACEMENT PARTS

Parts Diagram: H150FD, H200FD, H250FD, H300FD, H350FD, H400FD



Heating

# Universal H-Series Low NOx

## REPLACEMENT PARTS

### Parts Listing: H150FD, H200FD, H250FD, H300FD, H350FD, H400FD

Ref. No.	Part No.	Description	Ref. No.	Part No.	Description	Ref. No.	Part No.	Description
1	FDXLJKT1150	Jacket Top and Flue Cover – H150FD	14	FDXLHBP1500	Heat Barrier Panel – H500FD	—	FDXLGSK1930	Gasket Kit – Air Side (all models) includes:
1	FDXLJKT1200	Jacket Top and Flue Cover – H200FD	15	FDXLBBN1150	Blower Inlet Baffle – H150FD	—		Gasket, Blower Mounting
1	FDXLJKT1250	Jacket Top and Flue Cover – H250FD	15	FDXLBBN1200	Blower Inlet Baffle – H200FD	—		Gasket, Ignitor Cover
1	FDXLJKT1250A	Jacket Top, Gray, ASME – H250FD	15	FDXLBBN1250	Blower Inlet Baffle – H250FD	—		Gasket, Cover/Air Box Front
1	FDXLJKT1300	Jacket Top and Flue Cover – H300FD	15	FDXLBBN1300	Blower Inlet Baffle – H300FD	—		Gasket, Manifold/Air Box
1	FDXLJKT1350	Jacket Top and Flue Cover – H350FD	15	FDXLBBN1350	Blower Inlet Baffle – H350FD	—		Gasket Kit – Exhaust Side (all models) includes:
1	FDXLJKT1400	Jacket Top and Flue Cover – H400FD	15	FDXLBBN1400	Blower Inlet Baffle – H400FD	—	FDXLGSK1931	Gasket, Flue Collector Side
1	FDXLJKT1400A	Jacket Top, Gray, ASME – H400FD	15	FDXLBBN1500	Blower Inlet Baffle – H500FD	—		Gasket, Rain Guard Bottom Side
1	FDXLJKT1500	Jacket Top and Flue Cover – H500FD	16	FDXLJAC1930	Ignitor Access Cover	—		Gasket, Flue Collector Top
1	FDXLJKT1500A	Jacket Top, Gray, ASME – H500FD	17	FDXLGSV0001	Gas Valve Natural Gas – FD	—		Gasket, Rain Guard Front and Rear
2	FDXLTF1150	Top/Flue Cover – H150FD	17	FDXLGSV0002	Gas Valve Propane Gas – FD	—		Gasket, Rain Guard Bottom Front and Rear
2	FDXLTF1200	Top/Flue Cover – H200FD	17	FDXLGSV1500N	Gas Valve Natural Gas – H500FD Only	—		Insulation, Return Side Tube Sheet – FD
2	FDXLTF1250	Top/Flue Cover – H250FD	17	FDXLGSV1500P	Gas Valve Propane Only – H500FD Only	—		Conversion Kit, H150FD-H400FD High-Altitude, 2,000-10,100 ft.
2	FDXLTF1250A	Top/Flue Cover, Gray, ASME – H250FD	18	FDXLBN1930	Burner Orifice Kit Natural Gas – FD	—	FDXLGSK1933	1/8" NPT Brass Plug
2	FDXLTF1300	Top/Flue Cover – H300FD	18	FDXLBN1930	Burner Orifice Kit Propane Gas – FD	—		Tie-Down Kit – FD
2	FDXLTF1350	Top/Flue Cover – H350FD	18	FDXLBN1500	Burner Orifice Kit Natural Gas – H500FD Only	—	FDXLHAK1930	ASME Union Flange Kit (includes Flange Fittings, Bolts, Gaskets)
2	FDXLTF1400	Top/Flue Cover – H400FD	18	FDXLBN1500	Burner Orifice Kit Propane Gas – H500FD Only	—		Vent Pressure Switch, Indoor, 0-2,000 ft
2	FDXLTF1400A	Top/Flue Cover, Gray, ASME – H400FD	19	FDXLGCK1150NP	Conversion Kit, NA to LP, H150FD	—	FDXLPLG1930	Vent Pressure Switch, Indoor, 2,000-10,100 ft
2	FDXLTF1500	Top/Flue Cover – H500FD	19	FDXLGCK1150PN	Conversion Kit, LP to NA, H150FD	—	FDXLTDK1930	Voltage Selector Jumpers
2	FDXLTF1500A	Top/Flue Cover, Gray, ASME – H500FD	19	FDXLGCK1200NP	Conversion Kit, NA to LP, H200FD	—	FDXLUNK1930A	Wiring Harness Kit Complete – FD
3	FDXLFAD1150†	Front Access Door Assembly – H150FD	19	FDXLGCK1200PN	Conversion Kit, LP to NA, H200FD	—		Wiring Harness Kit Complete – FD
3	FDXLFAD1200‡	Front Access Door Assembly – H200FD	19	FDXLGCK1250NP	Conversion Kit, NA to LP, H250FD	—		Terminal Block – Remote Connection
3	FDXLFAD1250‡	Front Access Door Assembly – H250FD	19	FDXLGCK1250PN	Conversion Kit, LP to NA, H250FD	—		Water Flow Switch and Temp/Press Gauge Kit
3	FDXLFAD1250A‡	Front Door Assembly, Gray, ASME-H250FD	19	FDXLGCK1300NP	Conversion Kit, NA to LP, H300FD	—		Water Flow Switch Kit
3	FDXLFAD1300‡	Rear Access Door Assembly – H300FD	19	FDXLGCK1300PN	Conversion Kit, LP to NA, H300FD	—		Heatfab Stainless Vent Kit, 6" 90° Elbow
3	FDXLFAD1350‡	Front Access Door Assembly – H350FD	19	FDXLGCK1350NP	Conversion Kit, NA to LP, H350FD	—		Heatfab Stainless Vent Kit, 8" 90° Elbow
3	FDXLFAD1400‡	Front Access Door Assembly – H400FD	19	FDXLGCK1350PN	Conversion Kit, LP to NA, H350FD	—		Heatfab Stainless Vent Kit, 6" Horizontal Elbow Terminal
3	FDXLFAD1400A‡	Front Door Assembly, Gray, ASME H400FD	19	FDXLGCK1400NP	Conversion Kit, LP to NA, H400FD	—		Heatfab Stainless Vent Kit, 6" Vent Pipe, 18" Long
3	FDXLFAD1401‡	Rear Access Door Assembly – H150FD	19	FDXLGCK1400PN	Conversion Kit, LP to NA, H400FD	—		Heatfab Stainless Vent Kit, 6" Vent Pipe, 24" Long
3	FDXLFAD1500‡	Rear Access Door Assembly – H200FD	19	FDXLGCK1500NP	Gas Conversion Kit, NA to LP, H500FD	—		Heatfab Stainless Vent Kit, 8" Vent Pipe, 18" Long
3	FDXLFAD1500A‡	Rear Access Door Assembly – H250FD	19	FDXLGCK1500PN	Gas Conversion Kit, LP to NA, H500FD	—		Heatfab Stainless Vent Kit, 8" Vent Pipe, 36" Long
3	FDXLFAD1511‡	Rear Access Door Assembly – H300FD	20	FDXLBWR1930	Combustion Blower – FD	—		Straight Terminal
3	FDXLFAD1511‡	Rear Access Door Assembly – H350FD	20	FDXLBWR1930	Combustion Blower – H500FD Only	—		Heatfab Stainless Vent Kit, 8" Horizontal Elbow Terminal
3	FDXLFAD1511‡	Rear Access Door Assembly – H400FD	21	FDXLBWS1930	Blower Vacuum Switch	—		Heatfab Stainless Vent Kit, 6" Vent Pipe, 24" Long
3	FDXLFAD1511‡	Rear Access Door Assembly – H500FD	21	FDXLBWS1930	Blower Vacuum Switch	—		Heatfab Stainless Vent Kit, 6" Vent Pipe, 36" Long
3	FDXLFAD1511‡	Rear Access Door Assembly – H500FD	22	FDXLJCB1930	Integrated Control Board – FD	—		Heatfab Stainless Vent Kit, 8" Vent Pipe, 18" Long
3	FDXLFAD1500A	Front Access Door Assembly – H500FD	23	FDXLFWP1930	Field Wiring Panel – FD	—		Heatfab Stainless Vent Kit, 8" Vent Pipe, 24" Long
3	FDXLFAD1500A	Front Access Door Assembly – H300FD	24	FDXLIGN1930	Ignitor – FD	—		Heatfab Stainless Vent Kit, 8" Vent Pipe, 36" Long
4	FDXLRAD1150	Rear Access Door Assembly – H150FD	25	IDXLFLS1930	Flame Sensor	—		Heatfab Stainless Vent Kit, 6" Horizontal Elbow Terminal
4	FDXLRAD1200	Rear Access Door Assembly – H200FD	26	IDXL2TRF1930	Transformer	—		Heatfab Stainless Vent Kit, 8" Horizontal Elbow Terminal
4	FDXLRAD1250	Rear Access Door Assembly – H250FD	27	FDXLWPS1930	Water Pressure Switch	—		Control Bezel Lock-Out Kit
4	FDXLRAD1300	Rear Access Door Assembly – H300FD	28	IDXL2DB1930	Display Board Only	—		Indoor Vent Adapter Kit, H150FD, Negative-Pressure (Vertical)
4	FDXLRAD1350	Rear Access Door Assembly – H350FD	29	FDXLBKP1930	Bezel and Keypad Assembly, Taupe	—		Indoor Vent Adapter Kit, H200FD, Negative-Pressure (Vertical)
4	FDXLRAD1400	Rear Access Door Assembly – H400FD	29	FDXLBKP1931	Bezel and Keypad Assembly, Blue	—		Indoor Vent Adapter Kit, H300FD, Negative-Pressure (Vertical)
4	FDXLRAD1500	Rear Access Door Assembly – H500FD	30	FDXLHLI1930	High Limit Kit	—		Indoor Vent Adapter Kit, H350FD, Negative-Pressure (Vertical)
5	FDXLTFP1150†	Top and Front Panel – H150FD	31	FDXLTER1930	Thermistor	—		Indoor Vent Adapter Kit, H400FD, Negative-Pressure (Vertical)
5	FDXLTFP1151††	Top and Front Panel – H150FD	32	FDXLGSK1932	Gasket, Bezel/Top – FD	—		Indoor Vent Adapter Kit, H500FD, Positive-Pressure (Horizontal)
5	FDXLTFP1200†	Top and Front Panel – H200FD	32	FDXLHXA1500	Heat Exchanger Assembly – H500FD	—		Indoor Vent Adapter Kit, H150FD, Negative-Pressure (Vertical)
5	FDXLTFP1201††	Top and Front Panel – H200FD	32	FDXLHXA1500A	Heat Exchanger Assembly, ASME – H500FD	—		Indoor Vent Adapter Kit, H250FD, Negative-Pressure (Vertical)
5	FDXLTFP1250†	Top and Front Panel – H250FD	33	FDXLGSK1934	Gasket, CC Front/Air Box – FD All Models	—		Indoor Vent Adapter Kit, H300FD, Negative-Pressure (Vertical)
5	FDXLTFP1251††	Top and Front Panel – H250FD	34	FDXLHXA1150	Heat Exchanger Assembly – H150FD	—		Indoor Vent Adapter Kit, H350FD, Negative-Pressure (Vertical)
5	FDXLTFP1250A†	Top Front Panel, Gray, ASME – H250FD	34	FDXLHXA1200	Heat Exchanger Assembly – H200FD	—		Indoor Vent Adapter Kit, H400FD, Negative-Pressure (Vertical)
5	FDXLTFP1300†	Top and Front Panel – H300FD	34	FDXLHXA1250	Heat Exchanger Assembly – H250FD	—		Indoor Vent Adapter Kit, H500FD, Negative-Pressure (Vertical)
5	FDXLTFP1301††	Top and Front Panel – H300FD	34	FDXLHXA1250A	Heat Exchanger Assembly, ASME – H250FD	—		Indoor Vent Adapter Kit, H150FD, Positive-Pressure (Horizontal)
5	FDXLTFP1350†	Top and Front Panel – H350FD	34	FDXLHXA1300	Heat Exchanger Assembly – H300FD	—		Indoor Vent Adapter Kit, H200FD, Positive-Pressure (Horizontal)
5	FDXLTFP1351††	Top and Front Panel – H350FD	34	FDXLHXA1350	Heat Exchanger Assembly – H350FD	—		Indoor Vent Adapter Kit, H250FD, Positive-Pressure (Horizontal)
5	FDXLTFP1400†	Top and Front Panel – H400FD	34	FDXLHXA1400	Heat Exchanger Assembly – H400FD	—		Indoor Vent Adapter Kit, H300FD, Positive-Pressure (Horizontal)
5	FDXLTFP1400A†	Top Front Panel, Gray, ASME – H400FD	34	FDXLHXA1400A	Heat Exchanger Assembly, ASME – H400FD	—		Indoor Vent Adapter Kit, H350FD, Positive-Pressure (Horizontal)
5	FDXLTFP1500	Top and Front Panel – H500FD	35	FDXLHFA1930	Header Assembly	—		Indoor Vent Adapter Kit, H400FD, Positive-Pressure (Horizontal)
5	FDXLTFP1500A	Top Front Panel, Gray, ASME – H500FD	—	FDXLLEG1930	Exhaust Gas Temp Limit	—		Indoor Vent Adapter Kit, H400FD, Positive-Pressure (Horizontal)
6	FDXLEUC1930	Upper End Cap – FD	36	FDXLHDW1930	Header Hardware Kit	—		Indoor Vent Adapter Kit, H500FD, Positive-Pressure (Horizontal)
7	FDXLELC1930	Lower End Cap – FD	37	FDXLHMB1930	Header Mounting Base Kit	—		Indoor Vent Adapter Kit, H500FD, Positive-Pressure (Horizontal)
8	FDXLTP1930	Left Trim Panel Kit	38	FDXLBPK1930	Bypass Cartridge Kit	—		Indoor Vent Adapter Kit, H200FD, Positive-Pressure (Horizontal)
9	FDXLRT1930	Right Trim Panel Kit	39	CHXPLG1930	3/4" NPT Brass Plug	—		Indoor Vent Adapter Kit, H250FD, Positive-Pressure (Horizontal)
10	FDXLCB1930*	Left Connection Box – FD	40	FDXLHFA1930	Header Assembly	—		Indoor Vent Adapter Kit, H250FD, Positive-Pressure (Horizontal)
10	FDXLCB1930*	Right Connection Box – FD	41	FDXLCRN1930	Header Cartridge Retaining Nut	—		Indoor Vent Adapter Kit, H250FD, Positive-Pressure (Horizontal)
10	FDXLLJC1930‡‡	Junction Box Cover, Left	42	SPX400FG	Drain Plug with Gasket	—		Indoor Vent Adapter Kit, H250FD 4"
10	FDXLRJC1930‡‡	Junction Box Cover, Right	43	SPX3200UNKIT	Union Kit	—		Indoor Vent Adapter Kit, H300FD, Positive-Pressure (Horizontal)
10	FDXLPLC1930***	Polymer Junction Box Cover, Left and Right	44	SPX3200UG	Union Gasket (Pack of 2)	—		Indoor Vent Adapter Kit, H350FD, Positive-Pressure (Horizontal)
11	FDXLPBL1930	Base Leg – FD (4)	—	—	NOT SHOWN:	—		Indoor Vent Adapter Kit, H400FD, Positive-Pressure (Horizontal)
12	FDXLFCS1931	Flue Collector Side Panel with High Limit	—	FDXLBRN1930	Burner	—		Indoor Vent Adapter Kit, H400FD, Positive-Pressure (Horizontal)
13	FDXLRGK1151	Rain Guard Assembly – H150FD	—	FDXLCBC1930*	Control Box Cover Assembly	—		Indoor Vent Adapter Kit, H400FD, Positive-Pressure (Horizontal)
13	FDXLRGK1201	Rain Guard Assembly – H200FD	—	FDXLCKN0001	Conversion Kit – NA to LP	—		Indoor Vent Adapter Kit, H400FD 6"
13	FDXLRGK1251	Rain Guard Assembly – H250FD	—	FDXLCKN0002	Conversion Kit – LP to NA	—		
13	FDXLRGK1301	Rain Guard Assembly – H300FD	—	FDXLCKN0003	Conversion Kit – NA to LP, H500FD	—		
13	FDXLRGK1351	Rain Guard Assembly – H350FD	—	FDXLCKN0004	Conversion Kit – LP to NA, H500FD	—		
13	FDXLRGK1401†	Rain Guard Assembly – H400FD	—	FDXLDVR1930A	Drain Valve, ASME	—		
13	FDXLRGK1500	Rain Guard Assembly – H500FD	—	FDXLFSK1930	Fuse Service Kit – FD	—		
14	FDXLHBP1150	Heat Barrier Panel – H150FD	—	FDXLFSK30	Fuse Kit, 3.0A, for Integrated Control Board (Qty. 10)	—		
14	FDXLHBP1200	Heat Barrier Panel – H200FD	—	FDXLFSK15	Fuse Kit, 1.5A, for Field Wiring Panel (Qty. 10)	—		
14	FDXLHBP1250	Heat Barrier Panel – H250FD	—	FDXLFSK25	Fuse Kit, 2.5A, for Field Wiring Panel (Qty. 10)	—		
14	FDXLHBP1300	Heat Barrier Panel – H300FD	—	FDXLFSK30	Fuse Kit, 3.0A, for Field Wiring Panel (Qty. 10)	—		
14	FDXLHBP1350	Heat Barrier Panel – H350FD	—	FDXLGND1930	Heat Exchanger Bonding Kit	—		
14	FDXLHBP1400	Heat Barrier Panel – H400FD	—	—	—	—		

NOTES: \*Used only on Heaters made before 9/9/08, serial #21130809100177001 \*\*Used only on Heaters made after 9/9/08, serial #21130809100177001  
 †Used only on models after 10/14, serial #21131410102839001 ‡Used only on heaters made before 7/13, serial #21131307100333001 ††Used only on heaters made after 7/13, serial #21131307100333001 †††Used only on heaters made before 10/14, †††Used only on heaters made after 10/14, †††Used only on heaters made before 11/20/14, serial #21131411103613001. †††Used only on heaters made after 11/20/14, serial #21131411103613001.





# H-Series Low NOx

## INDUCED DRAFT HEATER REPLACEMENT PARTS

### Parts Listing H1501C, H150P1C, H2001C, H200P1C, H2501C, H250P1C

Ref. No.	Part No.	Description	Ref. No.	Part No.	Description
1	IDXLJKT1250 IDXLJKT1400	Top Jacket Assembly – H250IDL Top Jacket Assembly – H400IDL	17	IDXLWHM1930 **IDXL2WHM1930 IDXLWHM1931	Wire Harness Main – 240V Wire Harness Main – 240V Wire Harness Main – 120V
2	IDXLBWR1930 **IDXL2BWR1931 IDXLBWR1931	Combustion Blower – 240V Combustion Blower – 120V Combustion Blower – 120V	18	HAXWHA0006	Wire Harness Hi-Limits
3	IDXLHXA1250 IDXLHXA1400	Heat Exchanger Assembly – H250IDL Heat Exchanger Assembly – H400IDL	19	IDXLURA1930	Upper Right Access Cover
4	IHXTRF1930 **IDXL2TRF1930 IHXTRF1931	Transformer – 240V Transformer – 240V Transformer – 120V	20	IDXLLRA1930	Lower Right Access Cover
5	IDXLVPS1930 **IDXL2VPS1930	Vent Pressure Switch Vent Pressure Switch	21	IDXLLAC1930	Left Access Cover
6	IDXLBVS1930 **IDXL2BVS1930	Blower Vacuum Switch Blower Vacuum Switch	23	HAXFCT1930	Flow Control Thermostat
7	IDXLTMB1930 **IDXL2FSB1930	Terminal Block – 4 Pole Fuse Board	24	CHXPLG1930	3/4" NPT Brass Plug
8	HAXPSA1930	Pressure Switch Assembly	25	**HAXBPK1932	Bi-Pass Valve Kit
10	IDXLIGN1930 IDXLIGN1931 **IDXL2IGN1930	Ignitor – 240V Ignitor – 120V Ignitor – Silicone Nitride	26	HAXHLI1930	Hi-Limit 135°F
11	IDXLBRNK1930 **IDXL2BRNK1930	Burner Tube Burner Tube	27	HMXHLI2932	Hi-Limit 160°F
12	IDXLFLS1930	Flame Sensor	28	HAXDRV1930	Drain Valve Assembly
13	IDXLBON1930 IDXLBOP1930	Burner Orifice – Natural Gas Burner Orifice – Propane	29	CHXPSA1930	Pressure Switch Adapter
14	HAXMAN1250 HAXMAN1400	Gas Manifold – H250 Gas Manifold – H400	30	HAXTBW1930	Bulb Well
15	IHXILS1930 IHXILS1930 **IDXL2ICB1931	Interlock Switch – 240V Interlock Switch – 120V Integrated Control Board	31	HAXFHD1931	Front Header Only
16*	IDXLCPA1930 **IDXL2BKP1930 IDXL2DB1930 IDXLCPA1931 **IDXL2PBA1931	Control Bezel Assembly Control Bezel & Keyboard Assembly Display Board Only Control Bezel Assembly – H400IDL Control Bezel Assembly – H400IDL	32	HAXHOR1930	Header O-Ring
16*	IDXL2BKP1930 IDXL2BKP1931 IDXL2DB1930	Bezel and Keypad Assembly Bezel and Keypad Assembly – Californian Display Board Only	33	IDXLTER1930	Thermistor
			34	HAXCIA1930	Corner Piece Kit (4)
			35	IDXL2PBA1250	Control Panel Assembly – H250IDL
				IDXL2PBA1400	Control Panel Assembly – H400IDL
				IDXL2PBA1931	Control Panel Assembly – Californian
				IDXLCPA1401	Control Panel Assembly – H400EDLCAL
			36	IDXLFHA1930	Front Header Assembly
			—	IHXPHK1930	Plastic Hardware Kit (Not Pictured)
			—	HAXGSV0004	Gas Valve - LP
			—	HAXGSV0005	Gas Valve - Nat

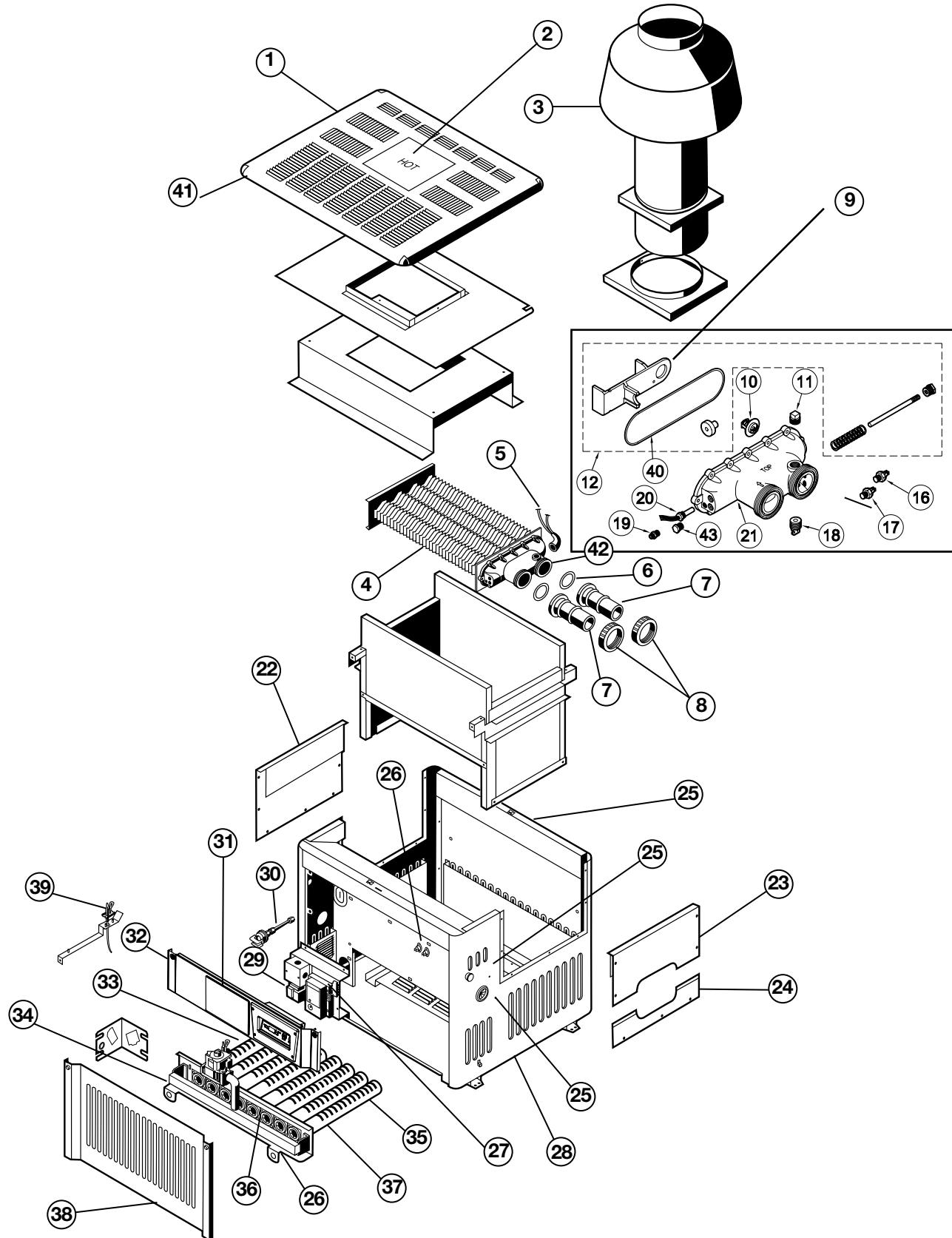
\*Can be used after 8/19/2002 production, starting SN #20840098.

\*\*Indicates new part incorporated on all IDL Heaters built after 9/20/04.

# H-Series – Electronic (ED2 Style)

HEATER REPLACEMENT PARTS

Parts Diagram H150ED2C, H150PED2C, H250ED2C, H250PED2C



Heating



# H-Series – Electronic (ED2 Style)

## HEATER REPLACEMENT PARTS

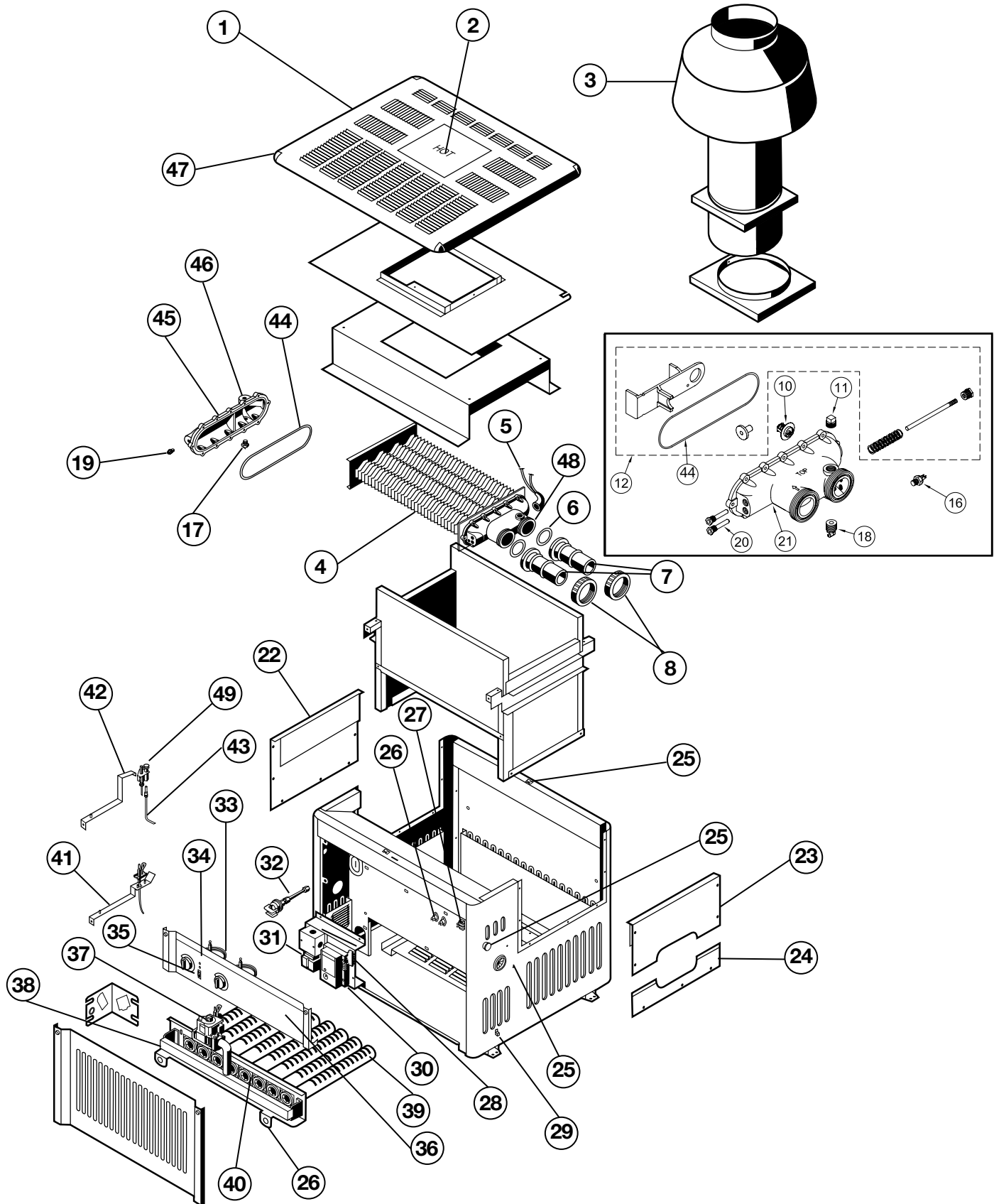
### Parts Listing H150ED2C, H150PED2C, H250ED2C, H250PED2C

Ref. No.	Part Number	Description	Ref. No.	Part Number	Description	Ref. No.	Part Number	Description
1	HAXJKT1150	Jacket Top Assembly – 150	12	HAXBPK1932	By-Pass Valve Kit	37	HAXBMA1154	Burner – Manifold Ass'y 150 DS LP
1	HAXJKT1200	Jacket Top Assembly – 200	16	HAXHL1930	Hi-Limit 135°F	37	HAXBMA1203	Burner – Manifold Ass'y 200 DS NA
1	HAXJKT1251	Jacket Top Assembly – 250	17	HMXHL2932	Hi-Limit 160°F	37	HAXBMA1204	Burner – Manifold Ass'y 200 DS LP
1	HAXJKT1301	Jacket Top Assembly – 300	18	HAXDRV1930	Drain Valve Assembly	37	HAXBMA1253	Burner – Manifold Ass'y 250 DS NA
1	HAXJKT1351	Jacket Top Assembly – 350	19	HAXPSA1930	Pressure Switch Adapter	37	HAXBMA1254	Burner – Manifold Ass'y 250 DS LP
1	HAXJKT1401	Jacket Top Assembly – 400	20	IDXLTER1930	Thermistor	37	HAXBMA1303	Burner – Manifold Ass'y 300 DS NA
2	HAXDHO1930	DHO Insert	21	HAXFHD1931	Front Header Only (after 10/00)	37	HAXBMA1304	Burner – Manifold Ass'y 300 DS LP
3	DHI150	Indoor Draffhood – 150		HAXFHD1930	Front Header Only (before 09/00)	37	HAXBMA1353	Burner – Manifold Ass'y 350 DS NA
3	DHI200	Indoor Draffhood – 200	22	HAXLAC1930	Left Access Cover	37	HAXBMA1354	Burner – Manifold Ass'y 350 DS LP
3	DHI250	Indoor Draffhood – 250	23	HAXURA1930	Upper Right Access Cover	37	HAXBMA1403	Burner – Manifold Ass'y 400 DS NA
3	DHI300	Indoor Draffhood – 300	24	HAXLRA1931	Lower Right Access Cover	37	HAXBMA1404	Burner – Manifold Ass'y 400 DS LP
3	DHI350	Indoor Draffhood – 350	25	HAXPHK1930	Plastic Hardware Kit	38	HAXFAD1150	Front Access Door Assembly – 150
3	DHI400	Indoor Draffhood – 400	26	HAXTLK1930	Temperature Limiters Kit (135°F and 160°F)	38	HAXFAD1200	Front Access Door Assembly – 200
3	HWS150	High Wind Stack – 150	27	IDXLTMB1931	6-Pole Terminal Block	38	HAXFAD1250	Front Access Door Assembly – 250
3	HWS200	High Wind Stack – 200	28	CHXGRL1930	TA-2 Ground Lug	38	HAXFAD1300	Front Access Door Assembly – 300
3	HWS250	High Wind Stack – 250	29	CHXTRF1930	Transformer	38	HAXFAD1350	Front Access Door Assembly – 350
3	HWS300	High Wind Stack – 300	30	HAXPSA1930	Pressure Switch Assembly	38	HAXFAD1400	Front Access Door Assembly – 400
3	HWS350	High Wind Stack – 350	31	HAXCPA1932	Control Bezel Assembly	39	HAXIGN1931	Ignitor Assembly
3	HWS400	High Wind Stack – 400	33	HAXGSV0004	Gas Valve, DS Propane	40	HAXHOR1930	Header O-Ring
4	HAXHXA1153	Heat Exchanger Assembly – 150	33	HAXGSV0005	Gas Valve, DS Natural Gas	41	HAXCIA1930	Corner Piece Kit (4)
4	HAXHXA1203	Heat Exchanger Assembly – 200	34	HAXMAN1150	Gas Manifold – 150	42	HAXFHA1930	Front Header Assembly (before 10/00)
4	HAXHXA1253	Heat Exchanger Assembly – 250	34	HAXMAN1200	Gas Manifold – 200		HAXFHA1931	Front Header Assembly (after 11/00)
4	HAXHXA1303	Heat Exchanger Assembly – 300	34	HAXMAN1250	Gas Manifold – 250	43	HAXPLG1931	3/8" Brass Plug
4	HAXHXA1353	Heat Exchanger Assembly – 350	34	HAXMAN1300	Gas Manifold – 300	—	HAXWHA0008	Main Wire Harness (not shown)
4	HAXHXA1403	Heat Exchanger Assembly – 400	34	HAXMAN1350	Gas Manifold – 350	—	IDXL2FSK1930	Complete Fuse Kit (not shown)
5	HAXWHA0007	Rear Wire Harness, DS	34	HAXMAN1400	Gas Manifold – 400	—	HAXTRK1930	Pilot Tube Kit
6	HAXFOR1930	O-Rings	35	HAXBRN1930	Burner Tube	—	HAXSCR1930	Door Screw
7	HAXNIP1930	Flange Pipe Nipples	36	HAXBON1930	Burner Orifice, Natural Gas	—	HAXNNO1930	ED1, Nipple/Nut/O-Ring Pack
8	HAXNUT1930	Union Nuts	36	HAXBON1931	Burner Orifice, Natural Gas HA	—	HAXNNO1931	ED2, Nipple/Nut/O-Ring Pack
9	HAXBPK1932	Bypass Kit (09/2004 or later)	36	HAXBOP1931	Burner Orifice, Propane HA			
10	HAXFCT1930	Flow Control Thermostat	36	HAXBOP1932	Burner Orifice, Propane			
11	CHXPLG1930	3/4" NPT Brass Plug	37	HAXBMA1153	Burner – Manifold Ass'y 150 DS NA			

# H-Series – Millivolt/Electronic (ED1 Style)

## HEATER REPLACEMENT PARTS

### Parts Diagram



Heating

# H-Series – Millivolt/Electronic (ED1 Style)

## HEATER REPLACEMENT PARTS

### Parts Listing

Ref. Part No.	Part Number	Description	Ref. Part No.	Part Number	Description	Ref. Part No.	Part Number	Description
1	HAXJKT1150	Jacket Top Assembly – 150	10	HAXFCT1930	Flow Control Thermostat	37	HAXGVS0005	Gas Valve, DS Natural Gas
1	HAXJKT1200	Jacket Top Assembly – 200	11	CHXPLG1930	3/4" NPT Brass Plug	38	HAXMAN1150	Gas Manifold – 150
1	HAXJKT1250	Jacket Top Assembly – 250	12	HAXBPK1931†††	By-Pass Valve Kit	38	HAXMAN1200	Gas Manifold – 200
1	HAXJKT1300	Jacket Top Assembly – 300		HAXBPK1932††	By-Pass Valve Kit	38	HAXMAN1250	Gas Manifold – 250
1	HAXJKT1350	Jacket Top Assembly – 350	16	HAXHLI1930	Hi-Limit 135° F	38	HAXMAN1300	Gas Manifold – 300
1	HAXJKT1400	Jacket Top Assembly – 400	17	HMXHLI2932	Hi-Limit 160° F	38	HAXMAN1350	Gas Manifold – 350
1	HAXJKT1251*	Jacket Top Assembly – 250	18	HAXDRV1930	Drain Valve Assembly	38	HAXMAN1400	Gas Manifold – 400
1	HAXJKT1301**	Jacket Top Assembly – 300	19	CHXPSA1930	Pressure Switch Adapter	39	HAXBRN1930	Burner Tube
1	HAXJKT1351***	Jacket Top Assembly – 350	20	CHXTBW1930	Bulb Well	40	HAXBON1930	Burner Orifice, Natural Gas
1	HAXJKT1401†	Jacket Top Assembly – 400		HAXTBW1930□	Bulb Well, Cothem	40	HAXBON1931	Burner Orifice, Natural Gas HA
2	HAXDHO1930	DHO Insert	21	HAXFHD1930	Front Header Only	40	HAXBOP1930	Burner Orifice, Propane
3	DHI150	Indoor Drafthood – 150		HAXFHD1931††	Front Header Only	40	HAXBOP1931	Burner Orifice, Propane HA
3	DHI200	Indoor Drafthood – 200	22	HAXLAC1930	Left Access Cover	41	HAXIGN1931	Ignitor Assembly
3	DHI250	Indoor Drafthood – 250	23	HAXURA1930	Upper Right Access Cover	42	HAXPLT1931	Pilot – Natural Gas
3	DHI300	Indoor Drafthood – 300	24	HAXLRA1931	Lower Right Access Cover	42	HAXPLT1932	Pilot – Propane
3	DHI350	Indoor Drafthood – 350	25	HAXPHK1930	Plastic Hardware Kit	43	HAXTRK1930	Pilot Tube Replacement Kit
3	DHI400	Indoor Drafthood – 400	26	HAXTLK1930	Temperature Limiters Kit	44	HAXHOR1930	Header O-Ring
3	HWS150	High Wind Stack – 150	27	HAXTBK1931	2-Pole Terminal Block	45	HAXRHD1930†††	Rear Header Only
3	HWS200	High Wind Stack – 200	28	HAXTBK1933	4-Pole Terminal Block	46	HAXPLG1930	1/4" NPT Brass Plug
3	HWS250	High Wind Stack – 250	29	CHXGRL1930	TA-2 Ground Lug	47	HAXCIA1930	Corner Piece Kit (4)
3	HWS300	High Wind Stack – 300	30	HAXMOD1930	Control Module (ED1 only)	48	HAXFHA1930†††	Front Header Assembly
3	HWS350	High Wind Stack – 350	31	CHXTRF1930	Transformer		HAXFHA1931	Front Header Assembly
3	HWS400	High Wind Stack – 400	32	HAXPSA1930	Pressure Switch Assembly	—	HAXWHA0005	Wire Harness, Main DS (not shown)
4	HAXHXA1153	Heat Exchanger Assembly – 150	33	HAXTST1930	Thermostat	—	HAXWHA0004	Wire Harness, Control Panel (not shown)
4	HAXHXA1203	Heat Exchanger Assembly – 200	34	HAXLDK1930	LED Kit	—	HAXWHA0001	Wire Harness, Main MV (not shown)
4	HAXHXA1253	Heat Exchanger Assembly – 250	35	CHXTSW1930	System Switch Single	—	HAXRFK1930	Retro Fit Kit (not shown)
4	HAXHXA1303	Heat Exchanger Assembly – 300	35	CHXTSW1931	System Switch Dual	—	HAXWFN1930	Header Mounting Nut Kit (Pack of 12)
4	HAXHXA1353	Heat Exchanger Assembly – 350	36	HAXCPA2150	Control Panel Assembly - 150 MV	—	CHXMSI1930	Manual Piezo Spark Ignitier
4	HAXHXA1403	Heat Exchanger Assembly – 400	36	HAXCPA2200	Control Panel Assembly - 200 MV	49	CHXGEN1930	Millivolt Pilot Generator
5	HAXWHA0002	Rear Wire Harness, MV	36	HAXCPA2250	Control Panel Assembly - 250 MV			
	HAXWHA0006††	Rear Wire Harness, MV	36	HAXCPA2300	Control Panel Assembly - 300 MV			
5	HAXWHA0003	Rear Wire Harness, DS	36	HAXCPA2350	Control Panel Assembly - 350 MV			
	HAXWHA0007††	Rear Wire Harness, DS	36	HAXCPA2400	Control Panel Assembly - 400 MV			
6	HAXFOR1930	O-Rings	37	HAXGVS0001	Gas Valve, MV Natural Gas			
7	HAXNIP1930	Flange Pipe Nipples	37	HAXGVS0003	Gas Valve, MV Propane			
8	HAXNUT1930	Union Nuts	37	HAXGVS0004	Gas Valve, DS Propane			

**NOTES:** \*Used, Started at Serial No. 00421078

\*\*Used, Started at Serial No. 0032018

\*\*\*Used, Started at Serial No. 00424651

†Used, Started at Serial No. 00424851

††Used on heaters made after 10/28/00

†††Used on heaters made before 10/28/00

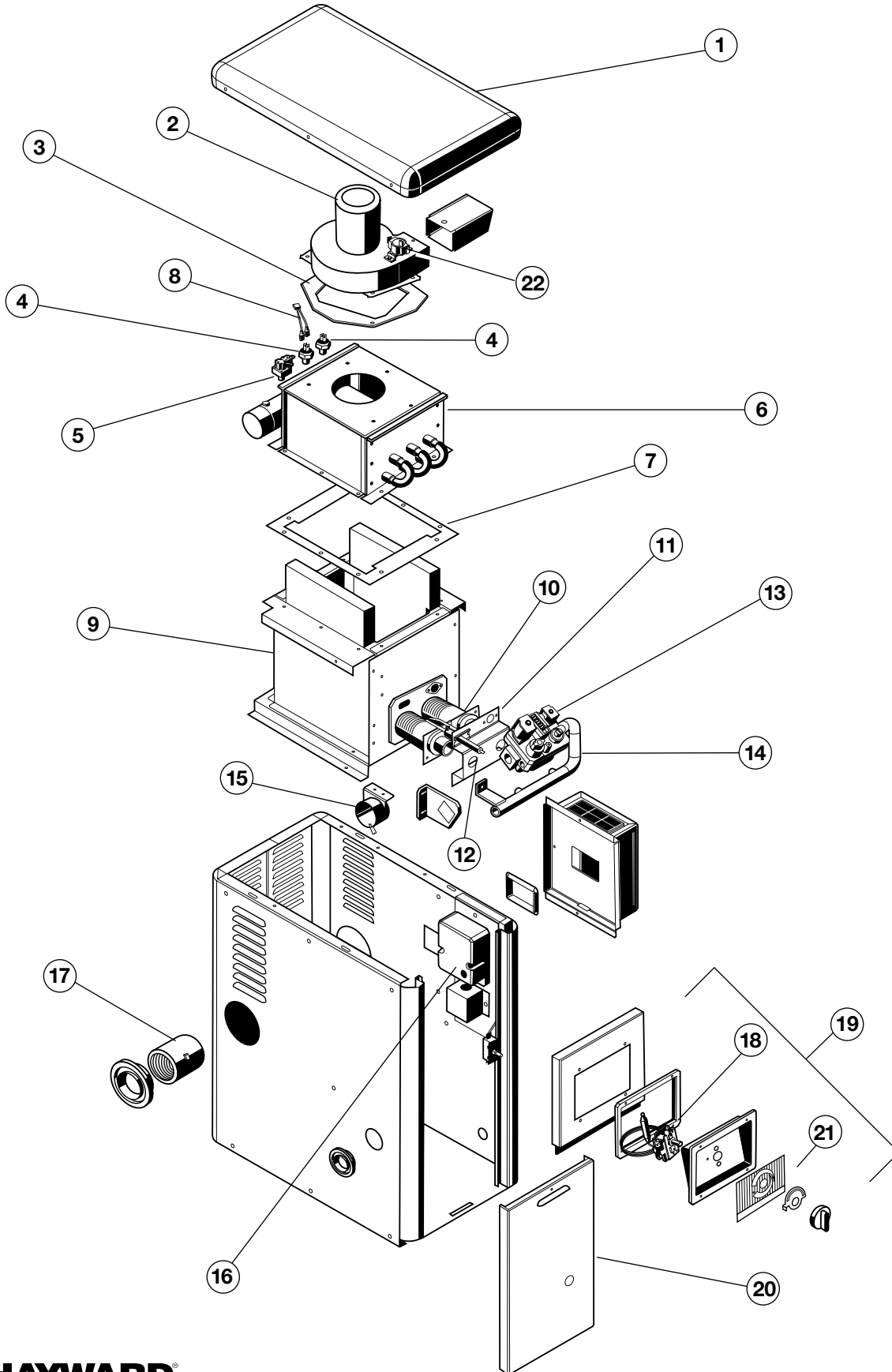
□Used on heaters made after 5/8/98

□Used on heaters made after 6/1/01

# H-Series

ABOVE-GROUND – INDUCED DRAFT HEATER REPLACEMENT PARTS

## Parts Diagram



Heating

### Parts Listing

Ref. No.	Part No.	Description	Ref. No.	Part No.	Description
1	IDXJKT1100	Jacket Top	12	IDXIGN1930	Ignitor
2	IDXBWR1935†	Combustion Blower	13	IDXVAL1931	Gas Valve
	IDXBWR1936††	Combustion Blower	14	IDXMAN1100	Gas Manifold
3	IDXBGL1930†	Blower Gasket	15	IDXAPS1930	Air Pressure Switch
	IDXBGL1931††	Blower Gasket	16	IDXMOD1930	Control Module with Ignitor
4	IDXHLL1930	Hi Limits, Kit	17	IDXCPG1931	Coupling
5	CZXPRS1105	Water Pressure Switch	18	IDXTST1930	Thermostat
6	IDXHXA1101†	Heat Exchanger Assembly	19	IDXCPA1100	Control Panel Assembly
	IDXHXA1102††	Heat Exchanger Assembly	20	IDXFAD1100*	Front Access Door
7	IDXGKT1930	Heat Exchanger Gasket		IDXFAD1101**	Front Access Door
8	IDXWHA1930*	Wire Harness	21	CHXTSW1930	On/Off Switch
	IDXWHA1931**	Wire Harness	22	IDXBLS1930†	Blower Switch
9	IDXBRG1930	Burner Gasket		IDXBLS1931††	Blower Switch
10	IDXBNR1930	Burner	—	IDXCST1930	Cordset (not shown)
11	IDXAGK1930	Burner Orifice and Air Orifice Bracket Kit – Natural			
	IDXAGK1931	Burner Orifice and Air Orifice Bracket Kit – Propane			

**NOTES:** \*Used only on heaters made before January 2000, S/N 20A01209.

\*\*Used only on heaters made after January 2000, S/N 20A01209.

†Used only on heaters made before April 16, 2013, S/N 21131304101440001.

††Used only on heaters made after April 16, 2013, S/N 21131304101440001.

# Heater Replacement Parts

Part Number	Part Description	Part Number	Part Description
CHXBSH1930	1/4"-3/4" Brass Bushing . . . . .	FDXLBON1500	Burner Orifice Kit Natural Gas – HS00FD Only . . . . .
CHXGEN1930	Pilot Generator All Millivolt . . . . .	FDXLBOP1500	Burner Orifice Kit Propane Gas – HS00FD Only . . . . .
CHXINF1930	Flue Sealing Material CZ & HM2 Series . . . . .	FDXLBON1930	Burner Orifice Kit Natural Gas – FD . . . . .
CHXMSI1930	Clicklite Manual Spark Ignitor H-Series, . . . . . CZ, HM2, CPS	FDXLBOP1930	Burner Orifice Kit Propane Gas – FD . . . . .
CHXPLG1930	3/4" Drain Plug CZ & HM2, H-Series . . . . .	FDXLBRN1930	Burner . . . . .
CHXPRS1931	Pressure Switch . . . . .	FDXLBVS1930	Blower Vacuum Switch . . . . .
CHXPSA1930	Pressure Switch . . . . .	FDXLBWR1500	Combustion Blower – HS00FD Only . . . . .
CHXRLV1930	Relief Valve . . . . .	FDXLBWR1930	Combustion Blower – FD . . . . .
CHXTBW1930	Thermostat Bulb Well, All Gas . . . . .	FDXLCBC1930	Control Box Cover Assembly . . . . .
CHXTRF1930	D/V Transformer CZ & HM2 Series . . . . .	FDXLCBC1930*	Control Box Cover Assembly . . . . .
CHXTSK1930	Thermostat Knob . . . . .	FDXLCNK0001	Conversion Kit – NA to LP . . . . .
CHXTST1930	Thermostat without Knob . . . . .	FDXLCNK0002	Conversion Kit – LP to NA . . . . .
CHXTSW1930	On/Off Switch . . . . .	FDXLCNK0003	Conversion Kit – NA to LP, H500FD . . . . .
CHXTSW1931	3-Way Toggle Switch CZ & HM2 Series . . . . .	FDXLCNK0004	Conversion Kit – LP to NA, H500FD . . . . .
CZXCON3645	Contactors CSPA XI 240 Volt Coil . . . . .	FDXLFAD1150‡	Front Access Door Assembly – H150FD . . . . .
CZXELE7623	Element 5500W 208/240V . . . . .	FDXLFAD1200‡	Front Access Door Assembly – H200FD . . . . .
CZXGKT7627	Element Gasket . . . . .	FDXLFAD1250‡	Front Access Door Assembly – H250FD . . . . .
CZXHLC3105	Hi Limit Spa XI CSPA XI . . . . .	FDXLFAD1250A‡	Front Door Assembly, Gray, ASME – H250FD . . . . .
CZXLIT3613	Power Ind. Lite Assembly 240V . . . . .	FDXLFAD1300‡	Front Access Door Assembly – H300FD . . . . .
CZXTDL0102	Thermostat Dial Lock . . . . .	FDXLFAD1350‡	Front Access Door Assembly – H350FD . . . . .
CZXTNK6607	Tank CSPA XI . . . . .	FDXLFAD1400‡	Front Access Door Assembly – H400FD . . . . .
CZXTSK2003	Thermostat Knob Slip On – Replace with CZK . . . . .	FDXLFAD1400A‡	Front Door Assembly, Gray, ASME – H400FD . . . . .
CZXTST3006	Thermostat Mears Electric . . . . .	FDXLFAD1151‡‡	Rear Access Door Assembly – H150FD . . . . .
FDXLBBN1150	Blower Inlet Baffle – H150FD . . . . .	FDXLFAD1201‡‡	Rear Access Door Assembly – H200FD . . . . .
FDXLBBN1200	Blower Inlet Baffle – H200FD . . . . .	FDXLFAD1251‡‡	Rear Access Door Assembly – H250FD . . . . .
FDXLBBN1250	Blower Inlet Baffle – H250FD . . . . .	FDXLFAD1251A‡‡	Rear Door Assembly, Gray, ASME – H250FD . . . . .
FDXLBBN1300	Blower Inlet Baffle – H300FD . . . . .	FDXLFAD1301‡‡	Rear Access Door Assembly – H300FD . . . . .
FDXLBBN1350	Blower Inlet Baffle – H350FD . . . . .	FDXLFAD1351‡‡	Rear Access Door Assembly – H350FD . . . . .
FDXLBBN1400	Blower Inlet Baffle – H400FD . . . . .	FDXLFAD1401‡‡	Rear Access Door Assembly – H400FD . . . . .
FDXLBBN1500	Blower Inlet Baffle – H500FD . . . . .	FDXLFAD1401A‡‡	Rear Door Assembly, Gray, ASME – H400FD . . . . .
FDXLBKP1930	Bezel & Keypad Assembly . . . . .	FDXLFAD1500	Front Access Door Assembly – HS00FD . . . . .
FDXLBKP1931	Bezel & Keypad Assembly – CAL . . . . .	FDXLFAD1500A	Front Door Assembly, Gray, ASME – H500FD . . . . .
		FDXLFC1930	Flue Collector Side Panel . . . . .

**NOTES:** If the part number you are looking for is not in this price book it is no longer available.

\*Used only on heaters made before 9/9/08, serial #21130809100177001.

‡Used on heaters made before 7/13, serial #21131307100333001.

‡‡Used on heaters made after 7/13, serial #21131307100333001.

# Heater Replacement Parts

Part Number	Part Description	Part Number	Part Description
FDXLFHA1930	Header Assembly . . . . .	FDXLHBP1200	Heat Barrier Panel – H200FD . . . . .
FDXLFOR1930	Header O-Ring Kit . . . . .	FDXLHBP1250	Heat Barrier Panel – H250FD . . . . .
FDXLFSK1930	Fuse Service Kit – FD . . . . .	FDXLHBP1300	Heat Barrier Panel – H300FD . . . . .
FDXLFSKC30	Fuse Kit, 3.0A, for Integrated Control Board (Qty. 10) . . . . .	FDXLHBP1350	Heat Barrier Panel – H350FD . . . . .
FDXLFSKF15	Fuse Kit, 1.5A, for Field Wiring Panel (Qty. 10) . . . . .	FDXLHBP1400	Heat Barrier Panel – H400FD . . . . .
FDXLFSKF25	Fuse Kit, 2.5A, for Field Wiring Panel (Qty. 10) . . . . .	FDXLHDW1930	Header Hardware Kit . . . . .
FDXLFSKF30	Fuse Kit, 3.0A, for Field Wiring Panel (Qty. 10) . . . . .	FDXLHLI1930	High Limit 135°F . . . . .
FDXLFWP1930	Field Wiring Panel – FD . . . . .	FDXLHMB1930	Header Mounting Base Kit . . . . .
FDXLGCK1150NP	Conversion Kit, NA to LP, Quick-Change – H150FD . . . . .	FDXLHXA1150	Heat Exchanger Assembly – H150FD . . . . .
FDXLGCK1150PN	Conversion Kit, LP to NA, Quick-Change – H150FD . . . . .	FDXLHXA1200	Heat Exchanger Assembly – H200FD . . . . .
FDXLGCK1200NP	Conversion Kit, NA to LP, Quick-Change – H200FD . . . . .	FDXLHXA1250	Heat Exchanger Assembly – H250FD . . . . .
FDXLGCK1200PN	Conversion Kit, LP to NA, Quick-Change – H200FD . . . . .	FDXLHXA1300	Heat Exchanger Assembly – H300FD . . . . .
FDXLGCK1250NP	Conversion Kit, NA to LP, Quick-Change – H250FD . . . . .	FDXLHXA1350	Heat Exchanger Assembly – H350FD . . . . .
FDXLGCK1250PN	Conversion Kit, LP to NA, Quick-Change – H250FD . . . . .	FDXLHXA1400	Heat Exchanger Assembly – H400FD . . . . .
FDXLGCK1300NP	Conversion Kit, NA to LP, Quick-Change – H300FD . . . . .	FDXLHXA1500	Heat Exchanger Assembly – HS00FD . . . . .
FDXLGCK1300PN	Conversion Kit, LP to NA, Quick-Change – H300FD . . . . .	FDXLHXA1500A	Heat Exchanger Assembly, ASME – HS00FD . . . . .
FDXLGCK1350NP	Conversion Kit, NA to LP, Quick-Change – H350FD . . . . .	FDXLIAC1930	Ignitor Access Cover. . . . .
FDXLGCK1350PN	Conversion Kit, LP to NA, Quick-Change – H350FD . . . . .	FDXLICB1930	Integrated Control Board – FD. . . . .
FDXLGCK1400NP	Conversion Kit, NA to LP, Quick-Change – H400FD . . . . .	FDXLIGN1930	Ignitor – FD . . . . .
FDXLGCK1500NP	Gas Conversion Kit, NA to LP, H500FD . . . . .	FDXLJKT1150	Jacket Top & Flue Cover – H150FD. . . . .
FDXLGCK1500PN	Gas Conversion Kit, LP to NA, H500FD . . . . .	FDXLJKT1200	Jacket Top & Flue Cover – H200FD. . . . .
FDXLGND1930	Heat Exchanger Bonding Kit . . . . .	FDXLJKT1250	Jacket Top & Flue Cover – H250FD. . . . .
FDXLGCK1400PN	Conversion Kit, LP to NA, Quick-Change – H400FD . . . . .	FDXLJKT1300	Jacket Top & Flue Cover – H300FD. . . . .
FDXLGSK1930	Gasket Kit – Air Side (All Models). . . . .	FDXLJKT1350	Jacket Top & Flue Cover – H350FD. . . . .
FDXLGSK1931	Gasket Kit – Exhaust Side (All Models). . . . .	FDXLJKT1400	Jacket Top & Flue Cover – H400FD. . . . .
FDXLGSK1932	Gasket, Bezel/Top – FD . . . . .	FDXLJKT1500	Jacket Top and Flue Cover – H500FD . . . . .
FDXLGSK1933	Insulation, Return Side Tube Sheet – FD . . . . .	FDXLJKT1500A	Jacket Top, Gray, ASME – H500FD . . . . .
FDXLGSK1934	Gasket, CC Front/Air Box – FD (All Models) . . . . .	FDXLLCB1930*	Left Connection Box – FD . . . . .
FDXLGSV0001	Gas Valve Natural Gas – FD . . . . .	FDXLLEC1930	Lower End Cap – FD. . . . .
FDXLGSV0002	Gas Valve Propane Gas – FD. . . . .	FDXLLJC1930	Junction Box Cover, Left. . . . .
FDXLGSV1500N	Gas Valve Natural Gas – HS00FD Only. . . . .	FDXLLTP1930	Left Trim Panel Kit . . . . .
FDXLGSV1500P	Gas Valve Propane Only – H500FD Only . . . . .	FDXLMAN1150	Gas Manifold – H150FD . . . . .
FDXLHBP1150	Heat Barrier Panel – H150FD . . . . .	FDXLMAN1200	Gas Manifold – H200FD . . . . .

**NOTES:** If the part number you are looking for is not in this price book it is no longer available.  
 \*Used only on heaters made before 9/9/08, serial #21130809100177001.

# Heater Replacement Parts

Part Number	Part Description	Part Number	Part Description
FDXLMAN1250	Gas Manifold – H250FD . . . . .	FDXLTFC1300	Top/Flue Cover – H300FD . . . . .
FDXLMAN1300	Gas Manifold – H300FD . . . . .	FDXLTFC1350	Top/Flue Cover – H350FD . . . . .
FDXLMAN1350	Gas Manifold – H350FD . . . . .	FDXLTFC1400	Top/Flue Cover – H400FD . . . . .
FDXLMAN1400	Gas Manifold – H400FD . . . . .	FDXLTFC1500	Top/Flue Cover – H500FD . . . . .
FDXLMAN1500	Gas Manifold – H500FD . . . . .	FDXLTFC1500A	Top/Flue Cover, Gray, ASME – H500FD . . . . .
FDXLPLC1930‡	Polymer Junction Box Cover, Left . . . . .	FDXLTFP1150	Top & Front Panel – H150FD . . . . .
FDXLPRC1930‡	Polymer Junction Box Cover, Right . . . . .	FDXLTFP1200	Top & Front Panel – H200FD . . . . .
FDXLPBL1930	Base Leg – FD . . . . .	FDXLTFP1250	Top & Front Panel – H250FD . . . . .
FDXLPLG1930	1/8" NPT Brass Plug . . . . .	FDXLTFP1300	Top & Front Panel – H300FD . . . . .
FDXLRAD1150	Rear Access Door Assembly – H150FD . . . . .	FDXLTFP1350	Top & Front Panel – H350FD . . . . .
FDXLRAD1200	Rear Access Door Assembly – H200FD . . . . .	FDXLTFP1400	Top & Front Panel – H400FD . . . . .
FDXLRAD1250	Rear Access Door Assembly – H250FD . . . . .	FDXLTFP1500	Top and Front Panel – H500FD . . . . .
FDXLRAD1300	Rear Access Door Assembly – H300FD . . . . .	FDXLTFP1500A	Top Front Panel, Gray, ASME – HS00FD . . . . .
FDXLRAD1350	Rear Access Door Assembly – H350FD . . . . .	FDXLUEC1930	Upper End Cap – FD . . . . .
FDXLRAD1400	Rear Access Door Assembly – H400FD . . . . .	FDXLVPS1930	Vent Pressure Switch, Indoor, 0–2,000 ft . . . . .
FDXLRAD1500	Rear Access Door Assembly – HS00FD . . . . .	FDXLVPS1931	Vent Pressure Switch, Indoor, 2,000–10,100 ft. . . . .
FDXLRAD1500A	Rear Door Assembly, Gray, ASME – H500FD . . . . .	FDXLWHA0001*	Wiring Harness Kit Complete – FD . . . . .
FDXLRCB1930*	Right Connection Box – FD . . . . .	FDXLWHA1930**	Wiring Harness Kit Complete – FD . . . . .
FDXLRGK1151**	Rain Guard Assembly – H150FD . . . . .	FDXLWPS1930	Water Pressure Switch . . . . .
FDXLRGK1201**	Rain Guard Assembly – H200FD . . . . .	HAXBON1930	Burner Orifice NA . . . . .
FDXLRGK1251**	Rain Guard Assembly – H250FD . . . . .	HAXBON1931	Burner Orifice NA HA . . . . .
FDXLRGK1301**	Rain Guard Assembly – H300FD . . . . .	HAXBON210	Burner Orifice, NA, H210 Only. . . . .
FDXLRGK1351**	Rain Guard Assembly – H350FD . . . . .	HAXBOP1930	Burner Orifice LP European & IDI . . . . .
FDXLRGK1401**	Rain Guard Assembly – H400FD . . . . .	HAXBOP1931	Burner Orifice LP HA . . . . .
FDXLRGK1500	Rain Guard Assembly – H500FD . . . . .	HAXBOP1932	Burner Orifice LP (2.15 mm) . . . . .
FDXLHBP1500	Heat Barrier Panel – H500FD . . . . .	HAXBOP210	Burner Orifice, LP, H210 Only . . . . .
FDXLRJC1930	Junction Box Cover, Right . . . . .	HAXBRN1930	Main Burner – H Series . . . . .
FDXLRTTP1930	Right Trim Panel Kit . . . . .	HAXCIA1930	Corner Insert Assembly. . . . .
FDXLTDK1930	Tie-Down Kit – FD . . . . .	HAXCNK0001	Conversion Kit 150-400 NA to LP . . . . .
FDXLTER1930	Thermistor. . . . .	HAXCNK0002	Conversion Kit 150-400 LP to NA . . . . .
FDXLTFC1150	Top/Flue Cover – H150FD . . . . .	HAXCNK0003	Conversion Kit 150-400 N to PHA 2000'-4500' . . . . .
FDXLTFC1200	Top/Flue Cover – H200FD . . . . .	HAXCNK0004	Conversion Kit 150-400 P to NHA 2000'-6500' . . . . .
FDXLTFC1250	Top/Flue Cover – H250FD . . . . .	HAXCNK0009	Conversion Kit 150E-400 N to P . . . . .

**NOTES:** If the part number you are looking for is not in this price book it is no longer available.  
 \*Used only on heaters made before 9/9/08, serial #21130809100177001.  
 \*\*Used only on heaters made after 9/9/08, serial #2113080910017701.  
 ‡Used only on models after 10/14.



# Heater Replacement Parts

Part Number	Part Description	Part Number	Part Description
HAXCNK0010	Conversion Kit 150E-400 P to N . . . . .	HAXHXA1403	Heat Exchanger Assembly – H400 . . . . .
HAXCNK0011	Conversion Kit 150E-400 N to PHA 2,000–4,500 ft . . . . .	HAXIGN1931	Ignitor . . . . .
HAXCNK0012	Conversion Kit 150E-400 P to NHA 2,000–6,500 ft . . . . .	HAXJKT1150	Jacket Top – 150 . . . . .
HAXCNK0017	Conversion Kit, N to NHA 8,500 ft . . . . .	HAXJKT1200	Jacket Top – 200 . . . . .
HAXCNK0019	Conversion Kit, N to NHA 9,500 ft . . . . .	HAXJKT1250	Jacket Top – 250 . . . . .
HAXCNK0020	Conversion Kit, N to NHA 10,500 ft . . . . .	HAXJKT1251	Jacket Top – 250 (after S/N00421078) . . . . .
HAXCPA1932	Control Bezel Assembly . . . . .	HAXJKT1301	Jacket Top – 300 (after S/N0032018) . . . . .
HAXCPA2150	Control Panel Assembly – 150 MV (after 5/98) . . . . .	HAXJKT1350	Jacket Top – 350 . . . . .
HAXCPA2200	Control Panel Assembly – 200 MV (after 5/98) . . . . .	HAXJKT1351	Jacket Top – 350 (after S/N00424651) . . . . .
HAXCPA2250	Control Panel Assembly – 250 MV (after 5/98) . . . . .	HAXJKT1400	Jacket Top – 400 . . . . .
HAXCPA2300	Control Panel Assembly – 300 MV (after 5/98) . . . . .	HAXJKT1401	Jacket Top – 400 (after S/N00424851) . . . . .
HAXCPA2350	Control Panel Assembly – 350 MV (after 5/98) . . . . .	HAXLAC1930	Left Access Cover . . . . .
HAXCPA2400	Control Panel Assembly – 400 MV (after 5/98) . . . . .	HAXLRA1931	Lower Right Access Cover . . . . .
HAXDHO1930	DHO Insert . . . . .	HAXMAN1150	Gas Manifold – 150 . . . . .
HAXDRV1930	Drain Valve Assembly . . . . .	HAXMAN1200	Gas Manifold – 200 . . . . .
HAXFCT1930	Flow Control Thermostat . . . . .	HAXMAN1250	Gas Manifold – 250 . . . . .
HAXFHA1931	Assembly, Front Header – H Series (after 10/28/00) . . . . .	HAXMAN1300	Gas Manifold – 300 . . . . .
HAXFHD1930	Front Header Only . . . . .	HAXMAN1400	Gas Manifold – 400 . . . . .
HAXFHD1931	Front Header Only (after 10/28/00) . . . . .	HAXMOD1930	Control Module . . . . .
HAXFOR1930	Flange O-Ring . . . . .	HAXNIP1930	Union Connector . . . . .
HAXGSV0001	Gas Valve 150 – 400 NA MV . . . . .	HAXNUT1930	Union Nut . . . . .
HAXGSV0003	Gas Valve 150 – 400 LP MV . . . . .	HAXPHK1930	Plastic Hardware Kit . . . . .
HAXGSV0004	Gas Valve 150 – 400 LP DS . . . . .	HAXPLG1930	1/4" NPT Brass Plug . . . . .
HAXGSV0005	Gas Valve 150 – 400 NA DS . . . . .	HAXPLG1931	3/8" Brass Plug . . . . .
HAXHLI1930	Hi-Limit 135°F . . . . .	HAXPLT1931	Pilot, NA MV PSE-NA15 . . . . .
HAXHOR1930	Header O-Ring . . . . .	HAXPLT1932	Pilot, LP MV PSE-LP15 . . . . .
HAXHRB1930	Bushing, Heyco Relief H . . . . .	HAXPNT1930	Touch-up Paint, H-Series . . . . .
HAXHXA1153	Heat Exchanger Assembly – H150 . . . . .		
HAXHXA1203	Heat Exchanger Assembly – H200 . . . . .		
HAXHXA1210	Heat Exchanger Assembly – H210 . . . . .		
HAXHXA1253	Heat Exchanger Assembly – H250 . . . . .		
HAXHXA1303	Heat Exchanger Assembly – H300 . . . . .		
HAXHXA1353	Heat Exchanger Assembly – H350 . . . . .		

**NOTE:** If the part number you are looking for is not in this price book it is no longer available.

# Heater Replacement Parts

Part Number	Part Description	Part Number	Part Description
HAXPSA1930	Pressure Switch Assembly Kit . . . . .	IDXILS1930	Interlock Switch . . . . .
HAXRHD1930	Rear Header Only . . . . .	IDXJKT1100	Jacket Top . . . . .
HAXRSA1930	Roll Out Switch Kit . . . . .	IDXKIT1930	Consumer Kit . . . . .
HAXSCR1930	Door Screw Kit . . . . .	IDXL2BVS1930	Blower Vacuum Switch . . . . .
HAXTBK1931	2-Pole Terminal Block . . . . .	IDXL2DB1930	Display Board Only – FD & IDL2 . . . . .
HAXTLK1930	Temperature Limiters Kit . . . . .	IDXL2FSB1930	Fuse Board . . . . .
HAXTRK1930	Pilot Tube Replacement Kit . . . . .	IDXL2FSK1930	Complete Set of Fuses . . . . .
HAXTST1930	Thermostat with Knob . . . . .	IDXL2ICB1931	Integrated Control Board . . . . .
HAXURA1930	Upper Right Access Cover . . . . .	IDXL2IGN1930	Silicone Nitride Ignitor . . . . .
HAXWFN1930	Nuts, Washer Face (HDR) H. . . . .	IDXL2JKT1250	Jacket Top Assembly – H250IDL2 . . . . .
HAXWHA0001	Wire Harness MV Front H . . . . .	IDXL2JKT1400	Jacket Top Assembly – H400IDL2 . . . . .
HAXWHA0002	Wire Harness MV Rear H, ID Series . . . . .	IDXL2PBA1250	Panel/Bezel Assembly – H250IDL2 . . . . .
HAXWHA0003	Wire Harness DS Rear H . . . . .	IDXL2PBA1400	Panel/Bezel Assembly – H400IDL2 . . . . .
HAXWHA0004	Wire Harness DS Front H . . . . .	IDXL2SNT1930	Silicon Tube 2.5 . . . . .
HAXWHA0005	Wire Harness (Electronic) . . . . .	IDXL2TRF1930	Transformer . . . . .
HAXWHA0006	Wire Harness Rear, ID Series (after 10/16/00) . . . . .	IDXL2VPS1930	Vent Pressure Switch . . . . .
HAXWHA0007	Rear Wire Harness . . . . .	IDXL2WHM1930	Wire Harness Main – 120V . . . . .
HAXWHA0008	Main Wire Harness . . . . .	IDXLBON1930	Burner Orifice – Natural Gas . . . . .
HMXHLI2932	Immersion Hi Limit Rear Header 160° HM . . . . .	IDXLBOP1930	Burner Orifice – Propane . . . . .
IDLIVT1400	Indoor Adapter Kit H400IDL . . . . .	IDXLBOP1932	LP H&R Lighting Kit #42 Orifice . . . . .
IDXAPS1930	Air Pressure Switch . . . . .	IDXLBVS1930	Blower Vacuum Hitch . . . . .
IDXBLG1930	Blower Gasket . . . . .	IDXLBWR1930	Combustion Blower – 240V . . . . .
IDXBNR1930	Burner, Natural or Propane . . . . .	IDXLBWR1931	Combustion Blower – 120V . . . . .
IDXBRG1930	Burner Gasket . . . . .	IDXLCPA1250	Control Panel Assembly – H250IDL . . . . .
IDXCNK1933	Conversion Kit, Natural to Propane, H100 . . . . .	IDXLCPA1400	Control Panel Assembly – H400IDL . . . . .
IDXCNK1934	Conversion Kit, Propane to Natural, H100 . . . . .	IDXLCPA1930	Control Panel Assembly . . . . .
IDXCPCG1931	Coupling – 2" . . . . .	IDXLFLS1930	Flame Sensor . . . . .
IDXCST1930	Cordset . . . . .	IDXLHXA1250	Heat Exchanger Assembly – H250IDL . . . . .
IDXFAD1100	Front Access Door . . . . .	IDXLHXA1400	Heat Exchanger Assembly – H400IDL . . . . .
IDXFAD1101	Front Access Door (after S/N 20A01209) . . . . .	IDXLIGN1930	Ignitor – 240V . . . . .
IDXHLLK1930	Hi-Limit Kit . . . . .	IDXLIVT1930	Horizontal Vent Kit . . . . .
IDXHXA1101†	Heat Exchanger Assembly . . . . .	IDXLLAC1930	Left Access Cover . . . . .
IDXHXA1102††	Heat Exchanger Assembly . . . . .	IDXLLRA1930	Lower Right Access Cover . . . . .
IDXIGN1930	Ignitor . . . . .	IDXLTER1930	Thermistor . . . . .

NOTE: If the part number you are looking for is not in this price book it is no longer available.

# Heater Replacement Parts

Part Number	Part Description
IDXLTMB1931	Terminal Block – 5 Pole . . . . .
IDXLURA1930	Upper Right Access Cover . . . . .
IDXLVPS1930	Vent Pressure Switch . . . . .
IDXLWHM1930	Wire Harness Main – 240V . . . . .
IDXLWHM1931	Wire Harness Main – 120V . . . . .
IDXMAN1100	Manifold . . . . .
IDXMOD1930	Ignition Module . . . . .
IDXWHA1930	Wire Harness . . . . .
IDXWHA1931	Wire Harness . . . . .
IHXAPS1930	Air Pressure Switch . . . . .
IHXBLG1930	Blower Gasket . . . . .
IHXILS1930	Interlock Switch – 240V . . . . .
IHXMOD1931	Control Module . . . . .
IHXTRF1930	Transformer – 240V . . . . .
UHXFSW1930	Water Flow Switch Kit . . . . .
UHXHD6ELBOW	Heatfab Stainless Vent Kit, 6" 90° Elbow . . . . .
UHXHD6PIPE18	Heatfab Stainless Vent Kit, 6" Vent Pipe, . . . . . 18" Long
UHXHD6PIPE24	Heatfab Stainless Vent Kit, 6" Vent Pipe, . . . . . 24" Long
UHXHD6PIPE36	Heatfab Stainless Vent Kit, 6" Vent Pipe, . . . . . 36" Long
UHXHD6STERM	Heatfab Stainless Vent Kit, . . . . . 6" Horizontal Straight Terminal
UHXHD8ELBOW	Heatfab Stainless Vent Kit, 8" 90° Elbow . . . . .
UHXHD8PIPE18	Heatfab Stainless Vent Kit, 8" Vent Pipe, . . . . . 18" Long
UHXHD8PIPE24	Heatfab Stainless Vent Kit, 8" Vent Pipe, . . . . . 24" Long
UHXHD8PIPE36	Heatfab Stainless Vent Kit, 8" Vent Pipe, . . . . . 36" Long
UHXHD8STERM	Heatfab Stainless Vent Kit, . . . . . 8" Horizontal Straight Terminal

Part Number	Part Description
UHXNEGVT11501	Indoor Vent Adapter Kit, H150FD, . . . . . Negative-Pressure (Vertical)
UHXNEGVT12001	Indoor Vent Adapter Kit, H200FD, . . . . . Negative-Pressure (Vertical)
UHXNEGVT12501	Indoor Vent Adapter Kit, H250FD, . . . . . Negative-Pressure (Vertical)
UHXNEGVT13001	Indoor Vent Adapter Kit, H300FD, . . . . . Negative-Pressure (Vertical)
UHXNEGVT13501	Indoor Vent Adapter Kit, H350FD, . . . . . Negative-Pressure (Vertical)
UHXNEGVT14001	Indoor Vent Adapter Kit, H400FD, . . . . . Negative-Pressure (Vertical)
UHXNEGVT15001	Indoor Vent Adapter Kit, H500FD, . . . . . Negative-Pressure (Vertical)
UHXPOSHZ11501	Indoor Vent Adapter Kit, H150FD, . . . . . Positive-Pressure (Horizontal)
UHXPOSHZ12001	Indoor Vent Adapter Kit, H200FD, . . . . . Positive-Pressure (Horizontal)
UHXPOSHZ12501	Indoor Vent Adapter Kit, H250FD, . . . . . Positive-Pressure (Horizontal)
UHXPOSHZ13001	Indoor Vent Adapter Kit, H300F, . . . . . Positive-Pressure (Horizontal)
UHXPOSHZ13501	Indoor Vent Adapter Kit, H350FD, . . . . . Positive-Pressure (Horizontal)
UHXPOSHZ14001	Indoor Vent Adapter Kit, H400FD, . . . . . Positive-Pressure (Horizontal)
UHXPOSHZ15001	Indoor Vent Adapter Kit, HS00FD, . . . . . Positive-Pressure (Horizontal)
UHXTFP1930	Water Flow Switch & Temp/ . . . . . Pressure Gauge Kit

Heating

**NOTE:** If the part number you are looking for is not in this price book it is no longer available.

# Automation & Sanitization

## REPLACEMENT PARTS

### PROLOGIC

Part No.	Description
GLX-PS-AQC	Main PCB ProLogic with AquaConnect Bundle
GLX-PCB-PRO*	Main PCB, ProLogic
GLX-PL-LOC-P-4	Display, Local, ProLogic, P-4
GLX-PL-LOC-PS4	Display, Local, ProLogic, PS-4
GLX-PL-LOC-PS8	Display, Local, ProLogic, PS-8
GLX-PL-LOC-PS16	Display, Local, ProLogic, PS-16
AQL2-TB-RF-P-4	Wireless Remote, Tabletop, P-4, Black
AQL2-TW-RF-P-4	Wireless Remote, Tabletop, P-4, White
AQL2-TB-RF-PS-4	Wireless Remote, Tabletop, PS-4, Black
AQL2-TW-RF-PS-4	Wireless Remote, Tabletop, PS-4, White
AQL2-TB-RF-PS-8	Wireless Remote, Tabletop, PS-8, Black
AQL2-TW-RF-PS-8	Wireless Remote, Tabletop, PS-8, White
AQL2-TB-RF-PS-16	Wireless Remote, Tabletop, PS-16, Black
AQL2-T-RF-PS-16	Wireless Remote, Tabletop, PS-16, White
AQL2-WW-PS-4	Wired Remote, Wall Mount, PS-4, White
AQL2-WW-PS-8	Wired Remote, Wall Mount, PS-8, White
AQL2-WW-PS-16	Wired Remote, Wall Mount, PS-16, White
AQL2-WW-RF-PS-4	Wireless Remote, Wall Mount, PS-4, White
AQL2-WW-RF-PS-8	Wireless Remote, Wall Mount, PS-8, White
AQL2-WW-RF-PS-16	Wireless Remote, Wall Mount, PS-16, White
GLX-STDOPPAK20	Display Standoff (Pack of 20)
GLX-ACT-CONN	Actuator Connector

### AQUARITE PRO

Part No.	Description
GLX-CTL-AR-PRO	Control Unit, AquaRite Pro
GLX-PCB-AR-PRO	Main PCB, AquaRite Pro
GLX-AR-PRO-MEM	Display, Membrane Key Pad, dead front

### AQUARITE, AQUARITE XL & AQUARITE LOW SALT

Part No.	Description
GLX-CTL-RITE	Control Unit, AquaRite
GLX-PCB-RITE	Main PCB, AquaRite
GLX-PCB-DSP	Display PCB, AquaRite
GLX-FLO-RPPAK10	Replacement Flow Switch (Pack of 10)
GLX-FLO-RP	Replacement Flow Switch – 15' cable (no tee)
GLX-FLO-RP-25	Replacement Flow Switch – 25' cable (no tee)
GLX-FLO-T	Flow Switch Tee
GLX-XFMR	Transformer
GLX-R-10PK	Rectifier (10 pack)
GLX-F20-10PK	20 Amp Glass Fuse (10 pack)
GLX-F20A-10PK	20 Amp Yellow Fuse (10 pack)
GLX-FUSE-20	Fuse Holder Kit
GLX-CELLSTAND	Salt Cell Cleaning Stand
GLX-CELL-UNION	Salt Cell Union – Tailpiece, Nut and O-Ring
GLX-CELL-PIPE	Salt Cell Placeholder
GLX-SALTMETER	Handheld Digital Salt Meter
GLX-PCB-XL-CUL	Replacement PCB for AquaRite XL
GLX-PCB-LS-CUL	Replacement PCB for AquaRite Low Salt
GLX-STDOPPAK20	Display Standoff (Pack of 20)

### AQUATROL

Part No.	Description
GLX-CTL-TR-RJ	Control Unit, AquaTrol – RJ, straight blade
GLX-CTL-TR-RJ-T	Control Unit, AquaTrol – RJ, twist lock
GLX-RJ-ELBOW	Fitting, Return Jet
GLX-TROL-TIMER	24 hour Timeclock Replacement, AquaTrol
GLX-PCB-RJ-CUL	Main PCB, AquaTrol RJ
GLX-CELL-5	TurboCell, 20K gallons, 1 year warranty
GLX-PCBRJLS-CUL	Replacement PCB for AquaTrol Low Salt

## SENSE AND DISPENSE

Part No.	Description
GLX-PROBE-ORP	Probe, ORP Replacement
GLX-PROBE-PH	Probe, pH Replacement
GLX-SD-ELEC-MOD	Sense and Dispense Electronics Module
GLX-SD-FLOW*	Flow Cell, Sense and Dispense only
GLX-WINTER-KIT	Kit-Replacement, Winterizing
GLX-SP-LP5TUBE	Replacement – Tube, Low Pressure, #5 (2 pack)
GLX-SP-UVTUBE	Replacement – Tube, UV (100' of tube)
GLX-SP-STRAINER	Replacement – Strainer
GLX-SP-CHEKV	Replacement – Check Valve
GLX-SP-FLO	Replacement – Flow Indicator
GLX-SP-DB	Replacement – Duck Bill (2 pack)
GLX-SP-ROLLER	Replacement – Roller Assembly
GLX-SADDLE	Replacement – Saddle Clamp
GLX-SP-PUMP-120	120V Peristaltic Pump
GLX-SP-PUMP-240	240V Peristaltic Pump

\*This SKU replaces GLX-FLOW-CELL

## CHLORINATOR CELLS

Part No.	Description
GLX-CELL-5	TurboCell, 3 year warranty (1 yr for AQ Trol), 20K gallons
GLX-CELL-PIPE	Straight Pipe Placeholder for TurboCell
GLX-CELL-UNION	Union, Nut and Tailpiece, 2 inch
T-CELL-15-CUL	TurboCell, 40K gallons, 3 year warranty
T-CELL-9-CUL	TurboCell, 25K gallons, 3 year warranty
T-CELL-3-CUL	TurboCell, 15K gallons, 3 year warranty
T-CELL-LS-CUL	TurboCell, 30K gallons, 3 year warranty, for AquaRite Low Salt

## SALT &amp; SWIM 3C

Part No.	Description
SAS-CELL-CUL	Salt & Swim Replacement Cell
GLX-CTL-DIY	Salt & Swim Control Box
GLX-DIY-CORD	Salt & Swim Replacement Power Cord
GLX-DIY-CABLE	Salt & Swim Replacement Cell Cable
GLX-DIY-DOOR	Salt & Swim Replacement Door
GLX-DIY-VESSEL	Salt & Swim Replacement Vessel
GLX-DIY-CCN15	1.5" Ring, Collar and Nut Set
GLX-DIY-CCN2	2" Ring, Collar and Nut Set
GLX-DIY-CUP	Cell Cleaning Cup
GLX-DIY-ORING	O-Ring for Salt Cell
GLX-DIY-UNION	Salt & Swim 3C Pro Union Kit

## ONCOMMAND

Part No.	Description
GLX-ONCOM-AQC	Main PCB OnCommand with
AquaConnect Bundle	
GLX-PCB-ONCOM	Main PCB, OnCommand
GLX-LOC-ONCOM	Display, Local, OnCommand
GLX-DOOR-ONCOM	Enclosure Door, OnCommand

# Automation & Sanitization

## REPLACEMENT PARTS

### HYDRORITE®

Part No.	Description
GLX-HYDCTLUVO	Controller, UV/Ozone
GLX-HYDVESUVO	Vessel Body, UV/Ozone with Unions
GLX-HYDCTLUV	Controller, UV
GLX-HYDVESUV	Vessel Body, UV with Unions
GLX-HYDXFMR	Power Transformer
GLX-HYDPCB	Interconnect PCB
GLX-HYDFUSE	PCB Fuse Kit (Quantity of 10)
GLX-HYDBALLAST	Ballast with Cable Harnesses
HYXSLACA	UV Lamp Cable
HYXSFANA	Fan Assembly
GLX-HYDSLEEVE	Stainless Steel Sleeve with O-Ring
GLX-HYDMAN	Ozone Manifold and Interlock Switch
HYX2DQSA	Quartz Sleeve Assembly
GLX-HYD-LAMPUVO	Residential Lamp, Ozone Producing
GLX-HYDVENKIT	Venturi Tube Kit
GLX-HYD-LAMPUV	Residential Lamp, NON-Ozone Producing
GLX-HYDVEN	2" Venturi, Residential
ECX12S	2" PVC Pipe Connector Socket
ECX12T	2" PVC Pipe Connector Threaded
TBX122	2" PVC Union Nut
BSX1CAP2	2" PVC Port Cap
BSX1PLUG2	PVC Vessel Drain Plug
SB2KIT	Vessel O-Ring Kit
GVA-24	Valve Actuator
PSV3S2	3-Port Diverter Valve

### AQUACONNECT®

Part No.	Description
GLX-HOMENET	Replacement Wireless Mini-server, Home Network
GLX-HOMENET-PS	Replacement Power Supply for AQ-CO-HOMENET

### SALT CHLORINATOR CELLS (for AquaRite®, AquaRite® Pro, ProLogic®)

Part No.	Description
GLX-CELL-PIPE	Straight Pipe Placeholder for TurboCell
GLX-CELL-UNION	2" Cell Union Kit (1 each of nut, tailpiece, O-Ring)
GLX-CELL-5	TurboCell, 20K gallons, 3 year warranty
GLX-CELL-15-25	TurboCell, 40K gallons, 3 year warranty, 25 ft. cord
GLX-CELLSTAND	Cleaning Stand for TurboCells
GLX-UNION-ORING	TurboCell Union O-Ring (pack of 12)

### OMNILOGIC®

Part No.	Description
HLX-DSP-MOUNT	Local Display Mounting Kit
HLX-LOC-DSP	Local Display
HLX-PCB-MAIN	Main Control Board
HLX-PCB-TCELL	T-Cell PCB Board
HLX-PSUPPLY	Power Supply Assembly
HLX-RELAY	OmniLogic Relay
HLX-TRNSFMR	OmniLogic Transformer

## COMMON REPLACEMENT PARTS

Part No.	Description
GLX-DRK	Rectifier Upgrade
GLX-FLO-RPPAK10	Replacement Flow Switch (Pack of 10)
GLX-FLO-RP	Flow Switch (15' cable, no tee)
GLX-FLO-RP-25	Flow Switch (25' cable, no tee)
GLX-FLO-T	Tee for Flow Switch
GLX-XFMR	Transformer
GLX-R-10PK	Rectifier (10 pack)
GLX-F20-10PK	Fuse Kit, 20A (10 pack) (for AquaRite/Trol before 11/04)
GLX-F20A-10PK	Fuse Kit, 20A/yellow (10 pack) (all AquaLogic/Rite/Trol after 11/04)
GLX-F3A-10PK	Fuse Kit, 3A/violet (10 pack) (AquaLogic only)
GLX-FUSE-20	Fuse Holder Kit (fuse holder and wires for Rite/Trol before 11/04)
GLX-PC-12-KIT	Temperature Sensor with 15' leads and hose clamp
GLX-RF-EXTEND	AQL2-BASE-RF extension 50'
GLX-RELAY	Relay, 3 H.P.
GLX-PWR-X	Power Supply, wall plug-in, for wireless remotes X = W (White), B (Black)
GLX-GVA-4SCR	Screws (4) for mounting GVA-24 Valve Actuator
GLX-FLO	Flow Switch (15' cable with tee)
GLX-FLO-25	Flow Switch (25' cable with tee)
GLX-TLOUTLET-20	120V/15 amp Twist Lock Pump Outlet
GLX-OUTLET-15A	120V/15 amp Pump Outlet
GLX-ELEC-KIT	Chlorinator Hook-up, line voltage
GLX-POD-CHGR	Battery Charger for AquaPod
GLX-CELLTST-STD	Stand for Cell Tester
GLX-CELL-TESTER	Tester for all TurboCell Electrolytic Cells
GLX-SS-RF	Wireless Spaside Remote Control
GLX-STDOFFPAK20	Display Standoff (Pack of 20)
GLX-ACT-CONN	Actuator Connector Plug Kit

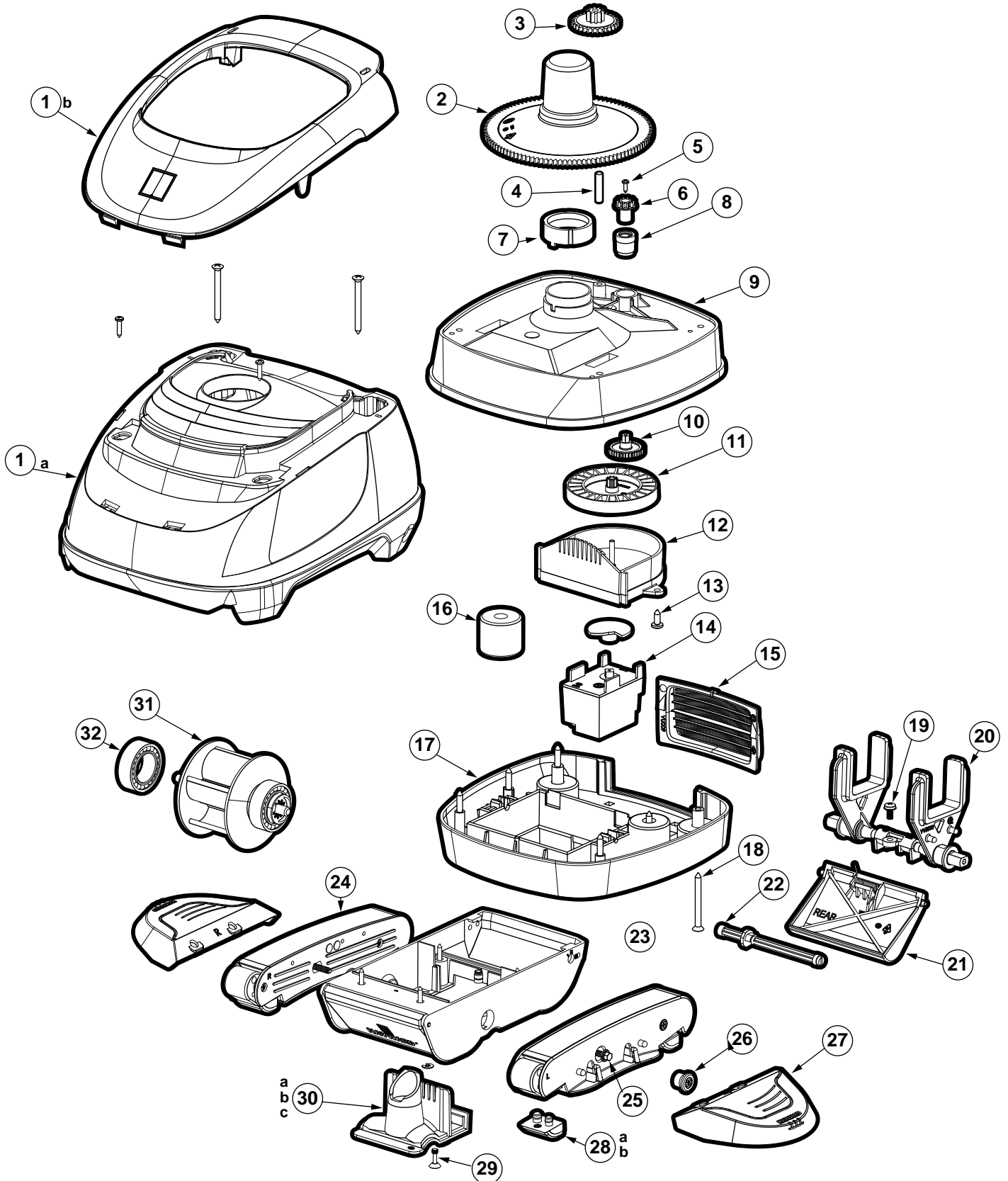
## ACCESSORIES

GLX-CAL-SOL	Calibration solution for Salt Meter, 3000ppm
GLX-FIELD-PROG2	Field Programmer for ProLogic®, and AquaRite® Pro

# Navigator® V-Flex™

## REPLACEMENT PARTS

### Parts Diagram



Cleaners



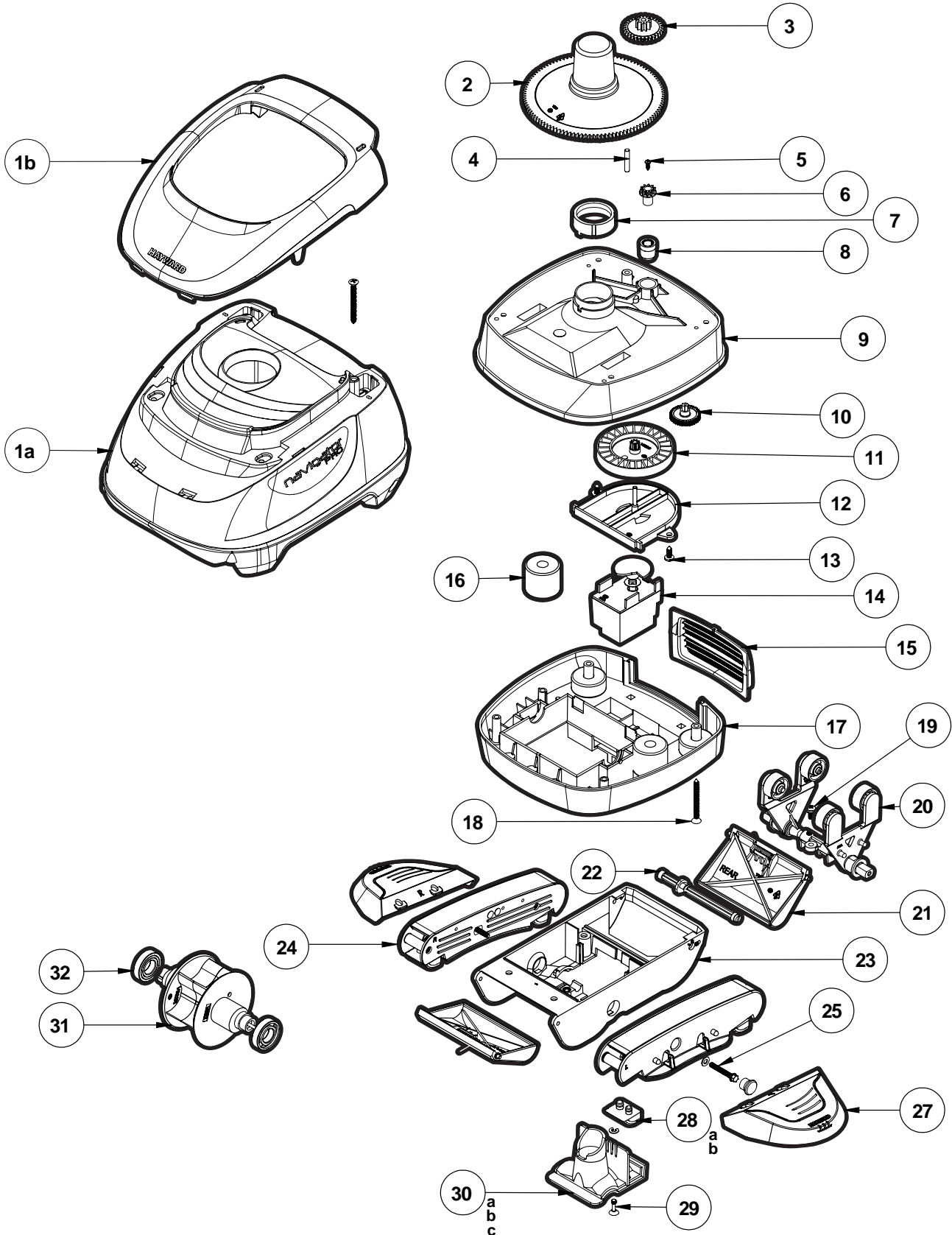
## Parts Listing

Ref. No.	Part No.	Description	Ctn. Qty.
1a	HSXV0906-237	Assembly, Navi Shell with Logo, Skirt	1
1b	HSXV008SA-234	Assembly, Handle-Navi V-Flex	1
2	AXV070	Cone Gear, Clear	10
3	AXV301	Inter Gear	25
4	AXV309	Inter Gear, Shaft	100
5	AXV068	Spindle Gear Screw	25
6	AXV303	Cone Spindle Gear	25
7	AXV306	Cone Gear Bushing	25
8	AXV066A	Cone Spindle Gear Bushing	25
9	HSXV007-237	Mid Body, Upper Housing	10
10	AXV064A	Medium Turbine Drive Gear	25
11	AXV062C	Medium Turbine	25
12	AXV009	Medium Turbine Case/Axle Assembly	25
13	AXV065P	Upper Body Screw	25
14	AXV408P	Gear Box Assembly	25
15	AXVU009-237	Screen Kit	50
16	AXV054FH	Float Kit	25
17	HSXV006-237	Lower Body, Housing	10
18	AXV057P	Middle Body, Screw (6 pack)	25
19	AXV313	Lower Body Screw	25
20	HSXV3010SA	Kit, Turbine/A-Frame 5 Vane	10
21	AXV434-237	Flap Kit (2 flaps, front and rear springs)	50
22	AXV031B	Flap Adjuster	25
23	AXV230D-237	Open Lower Body	10
24	AXV417-237	Pod Kit	25
25	AXSCR4008	Pod Screw Kit (2 screws and 2 washers)	25
26	AXV016-237	Pod Plug (6 pack)	50
27	AXV604-237	Wing Kit	50
28a	AXV414P	Shoes, Concrete (4 pack)	25
28b	AXV413P	Shoes, Vinyl (4 pack)	25
29	AXV314P	Captive Screw with Clip	25
30a	HSXV015SAC-237	Access Cover Assembly, Concrete	25
30b	HSXV015SAV-237	Access Cover Assembly, Vinyl	25
30c	HSXV015CLO-237	Access Cover Assembly, Concrete – Large Skids	25
31	HSXV3000SA	Turbine Kit (turbine and 2 turbine bearings)	25
32	HSXV3020	Turbine Bearing (2 pack)	50
—	AXV414604WHP-237	Shoe and Wing Maintenance Kit	50
—	AXV621417-237	A-Frame and Pod Tune Up Kit	10
—	AXV622604-237	Propulsion and Wing Concrete Rebuild Kit	1
—	AXV622605-237	Propulsion and Wing Vinyl Rebuild Kit	1

# Navigator® Pro

## REPLACEMENT PARTS

### Parts Diagram



## Parts Listing

Ref. No.	Part No.	Description	Ctn. Qty.	Qty Req'd
1a	AXVU016	Navigator Pro Skirt Assembly	1	1
1b	AXVU005	Navigator Pro Handle Assembly	1	1
2	AXV070	Cone Gear, Clear	1	1
3	AXV301	Inter Gear	1	1
4	AXV309	Inter Gear Shaft	1	1
5	AXV068	Spindle Gear Screw	1	1
6	AXV303	Cone Spindle Gear	1	1
7	AXV306	Cone Gear Bushing	1	1
8	AXV066A	Cone Spindle Gear Bushing	1	1
9	AXV060WH	Upper Middle Body	1	1
10	AXV064A	Medium Turbine Drive Gear	1	1
11	AXV062C	Medium Turbine	1	1
12	AXV009	Medium Turbine Case/Axle Assembly	1	1
13	AXV065P	Upper Body Screw (6 pack)	1	1
14	AXV408P	Gear Box Assembly	1	1
15	AXVU009*	Screen Kit	1	1
16	AXV054FH	Float Kit (Set of 2)	1	1
17	AXV050CWH	Lower Middle Body	1	1
18	AXV057P	Middle Body Screw (6 pack)	1	1
19	AXV313	Lower Body Screw	1	1
20	AXV621DAT	Kit-Universal, Turbine/A-Frame	1	1
21	AXV434WHP**	Flap Kit (2 flaps, front and rear springs)	1	1
22	AXV031B	Flap Adjuster	1	1
23	AXV230DWH	Open Lower Body	1	1
24	AXV417WHP**	Pod Kit	1	1
25	AXSCR4008	Pod Screw Kit (2 screws and 2 washers)	1	1
27	AXV604WHP**	Wing Kit	1	1
28a	AXV414P	Shoes, Concrete (4 pack)	1	1
28b	AXV413P	Shoes, Vinyl (4 pack)	1	1
29	AXV314P	Captive Screw with Clip	1	1
30a	AXV603	Access Cover Assembly, Concrete	1	1
30b	AXV603A	Access Cover Assembly, Vinyl	1	1
30c	AXV603CLO	Access Cover Assembly, Concrete w/outriggers (Optional), Large Throat	1	1
31	AXV602P	Turbine Kit (turbine and 2 turbine bearings)	1	1
32	AXV055P	Turbine Bearing (2 pack)	1	1
—	AXV414604WHP	Shoe and Wing Maintenance Kit	50	1
—	AXV621417WHP	A-Frame and Pod Tune Up Kit	10	1
—	AXV622604WHP	Propulsion and Wing Rebuild Kit	1	1

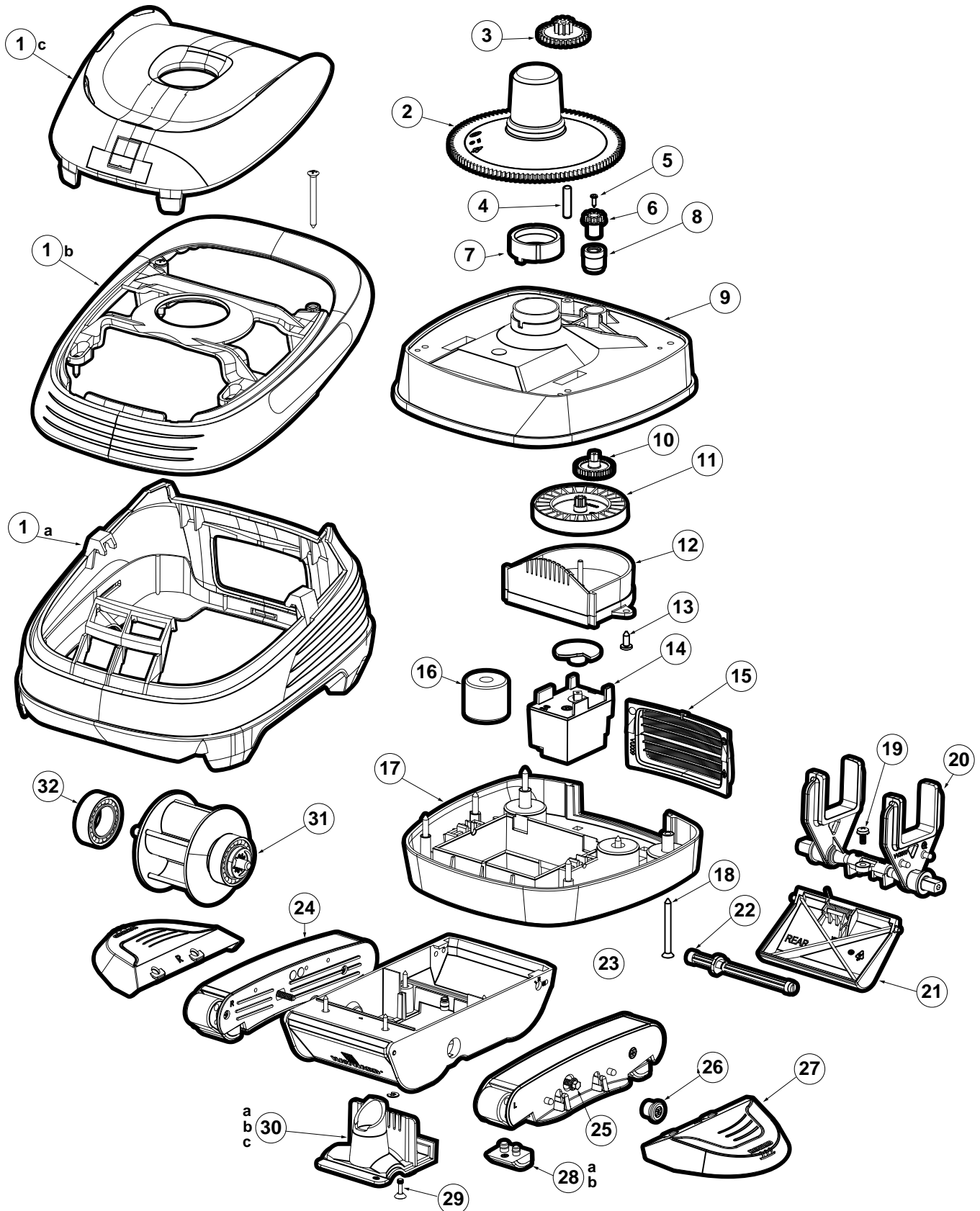
**NOTES:** \*Add BK to end of part number for Black.

\*\*Remove WHP from end of part number and replace with BLK for Black.

# PoolVac V-Flex™

## REPLACEMENT PARTS

### Parts Diagram



Cleaners

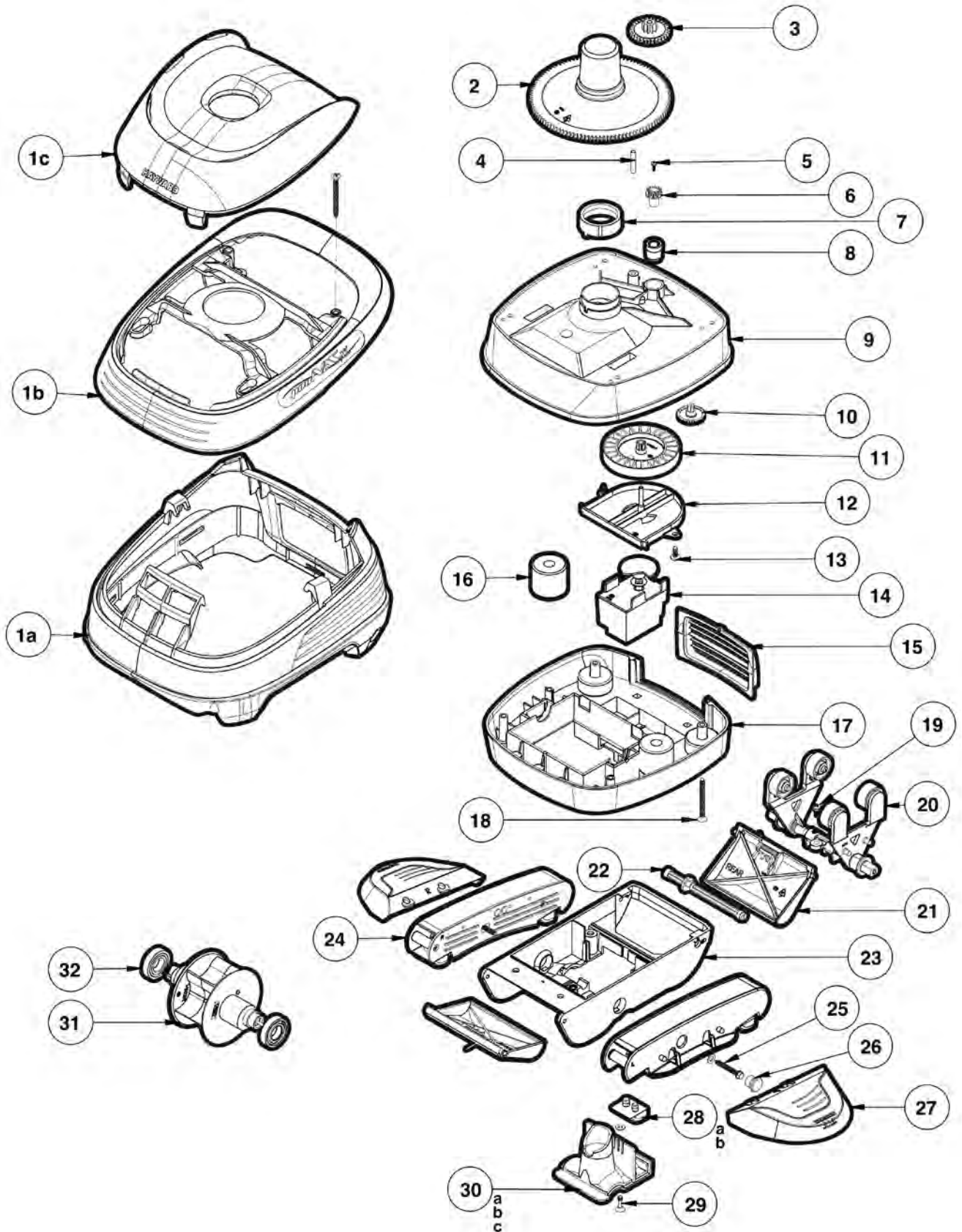
### Parts Listing

Ref. No.	Part No.	Description	Ctn. Qty.
1a	AXVU015-237	PoolVac V-Flex Shell and Skirt Assembly	1
1b	HSXV018SA-236	PoolVac V-Flex Handle Assembly	1
1c	HSXV017SA-237	PoolVac V-Flex Cover Assembly	1
2	AXV070	Cone Gear, Clear	10
3	AXV301	Inter Gear	25
4	AXV309	Inter Gear, Shaft	100
5	AXV068	Spindle Gear Screw	25
6	AXV303	Cone Spindle Gear	25
7	AXV306	Cone Gear Bushing	25
8	AXV066A	Cone Spindle Gear Bushing	25
9	HSXV007-237	Upper Middle Body	10
10	AXV064A	Medium Turbine Drive Gear	25
11	AXV062C	Medium Turbine	25
12	AXV009	Medium Turbine Case/Axle Assembly	25
13	AXV065P	Upper Body Screw	25
14	AXV408P	Gear Box Assembly	25
15	AXVU009-237	Screen Kit	50
16	AXV054FH	Float Kit	25
17	HSXV006-237	Lower Body, Housing	10
18	AXV057P	Middle Body, Screw (6 pack)	25
19	AXV313	Lower Body Screw	25
20	HSXV3010SA	V-Flex Turbine/A-Frame Kit	10
21	AXV434-237	Flap Kit (2 flaps, front and rear springs)	50
22	AXV031B	Flap Adjuster	25
23	AXV230D-237	Open Lower Body	10
24	AXV417-237	Pod Kit	25
25	AXSCR4008	Pod Screw Kit (2 screws and 2 washers)	25
26	AXV016-237	Pod Plug( 6 pack)	50
27	AXV604-237	Wing Kit	50
28a	AXV414P	Shoes, Concrete (4 pack)	25
28b	AXV413P	Shoes, Vinyl (4 pack)	25
29	AXV314P	Captive Screw with Clip	25
30a	HSXV015SAC-237	Access Cover Assembly, Concrete	25
30b	HSXV015SAC-237	Access Cover Assembly, Vinyl	25
30c	HSXV015CLO-237	Access Cover Assembly, Concrete – Large Skids	25
31	HSXV3000SA	V-Flex Turbine Kit (turbine and 2 turbine bearings)	25
32	HSXV3020	V-Flex Turbine Bearing (2 pack)	50
—	AXV414604-237	Shoe and Wing Maintenance Kit	50
—	AXV621417-237	V-Flex A-Frame and Pod Tune Up Kit	10
—	AXV622604-237	V-Flex Propulsion and Wing Concrete Rebuild Kit	1
—	AXV622605-237	V-Flex Propulsion and Wing Vinyl Rebuild Kit	1

# PoolVac XL™

REPLACEMENT PARTS

## Parts Diagram



Cleaners

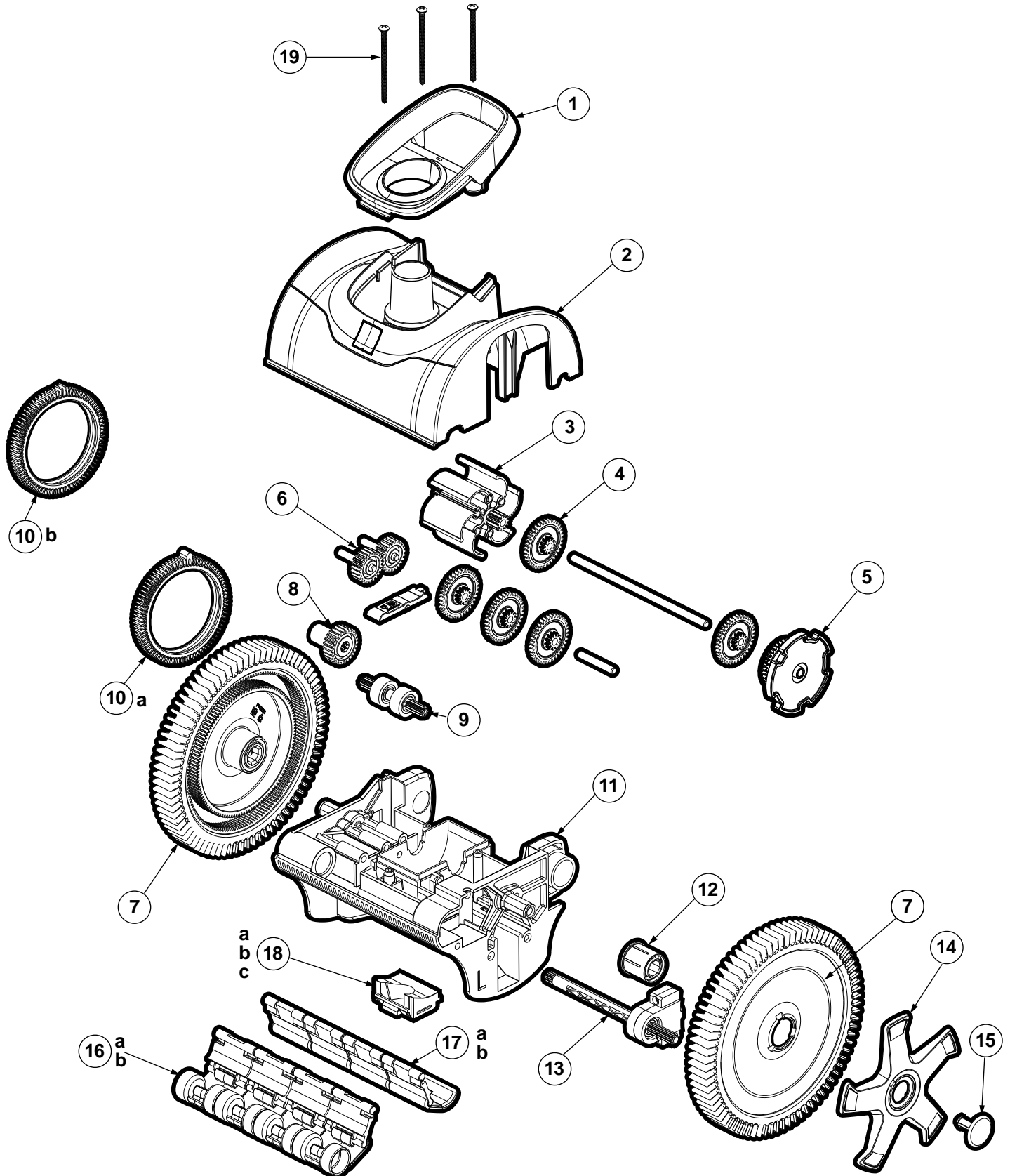
## Parts Listing

Ref. No.	Part No.	Description	Ctn. Qty.
1a	AXVU015	PoolVac XL Skirt Assembly	1
1b	AXVU019	PoolVac XL Handle Assembly	1
1c	AXVU018	PoolVac XL Cover Assembly	1
2	AXV070	Cone Gear, Clear	10
3	AXV301	Inter Gear	25
4	AXV309	Inter Gear Shaft	50
5	AXV068	Spindle Gear Screw	50
6	AXV303	Cone Spindle Gear	25
7	AXV306	Cone Gear Bushing	25
8	AXV066A	Cone Spindle Gear Bushing	25
9	AXV060WH	Upper Middle Body	10
10	AXV064A	Medium Turbine Drive Gear	25
11	AXV062C	Medium Turbine	25
12	AXV009	Medium Turbine Case/Axle Assembly	25
13	AXV065P	Upper Body Screw (6 pack)	25
14	AXV408P	Gear Box Assembly	25
15	AXVU009	Screen Kit	50
16	AXV054FH	Float Kit	25
17	AXV050CWH	Lower Body	10
18	AXV057P	Middle Body Screw (6 pack)	25
19	AXV313	Lower Body Screw	25
20	AXV621DAT	Kit-Universal, Turbine/A-Frame	10
21	AXV434WHP	Flap Kit (2 flaps, front and rear springs)	50
22	AXV031B	Flap Adjuster	25
23	AXV230DWH	Open Lower Body	10
24	AXV417WHP	Pod Screw Kit	25
25	AXSCR4008	Pod Screw Kit (2 screws and 2 washers)	10
26	AXV016P	Pod Plug (6 pack)	100
27	AXV604WHP	Wing Kit	50
28a	AXV414P	Shoes, Concrete (4 pack)	25
28b	AXV413P	Shoes Vinyl (4 pack)	25
29	AXV314P	Captive Screw with Clip	25
30a	AXV603	Access Cover Assembly, Concrete	25
30b	AXV603A	Access Cover Assembly, Vinyl	25
30c	AXV603CLO	Access Cover Assembly, Concrete – Large Skids	25
31	AXV602P	Turbine Kit (turbine and 2 turbine bearings)	25
32	AXV055P	Turbine Bearing (2 pack)	50
—	AXV414604WHP	Shoe and Wing Maintenance Kit	50
—	AXV621417WHP	A-Frame and Pod Tune Up Kit	10
—	AXV622604WHP	Propulsion and Wing Rebuild Kit	1

# AquaNaut® 200

## REPLACEMENT PARTS

### Parts Diagram



Cleaners



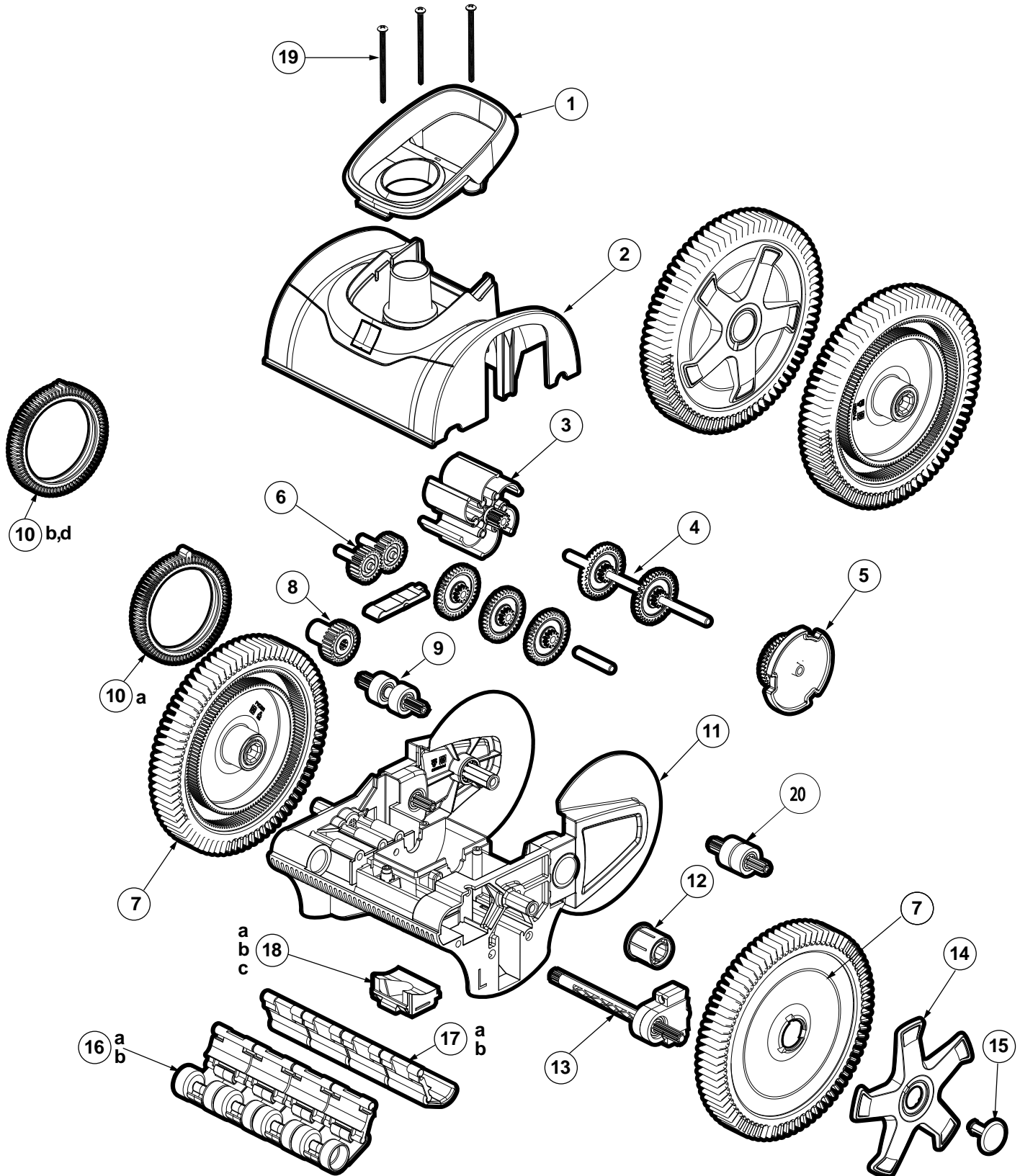
## Parts Listing

Ref. No.	Part No.	Description	Ctn. Qty.
1	PVXS0002-234-01	Handle, 200 Blue Printed	10
2	PVXS01SA-237-01	Upper Body, Blue Logo	1
3	PVXH038SA	Turbine, 6-Vane Kit	10
4	PVXH009PK5	Gear, Reduction (5 Pack)	20
5	PVXH036009	Steering Cam Gear 2x2	10
6	PVXH008PK2	Gear, Drive, Small (2 Pack)	20
7	PVX051-236	Wheel Hub, Black	20
8	PVXH007	Gear, Drive, Large	25
9	PVXH019SA	Shaft Bearing	25
10a	PVXS11PK2-234	Wheel Tread Super Hump, Blue (2 Pack)	10
10b	PVX075PK2-234	Wheel Tread, Finger Bump, Blue (2 pack)	10
11	PVX792SA-236	Lower Body, Black	1
12	PVX976PK2	Wheel Bearing (2 Pack)	50
13	PVXH011SA	Steering Bracket Roller	20
14	PVXS005PK2-237	Wheel Style, 5-Spoke Gray (2 Pack)	20
15	PVXS0006-237	Wheel Retainer, Gray	20
16a	PVX043042BKPK4	Roller Skirt, Black (4 Pack)	10
16b	PVXH014BKPK4	Bracket Skirt, Black (4 Pack)	10
17a	PVXH013BKPK4	Skirt Black (4 Pack)	10
17b	PVXH014BKPK4	Bracket Skirt Black (4 Pack)	10
18a	PVX990S-236	Inlet, Suction Small, Black	10
18b	PVX990M-236	Inlet, Suction Medium, Black	10
18c	PVX990L-236	Inlet, Suction Large, Black	10
19	SCRX4012PK3	Screw, #10 x 3 18-8 (3 Pack)	20
—	PVCHK1990GR	Hose package (9 connector hoses, 1 leader hose)	1
—	PVCHP1900GRP10	Bulk connector hose (10 pcs)	1
—	PVLHP1900GRP10	Bulk leader hose (10 pcs)	1

# AquaNaut® 400

## REPLACEMENT PARTS

### Parts Diagram



Cleaners

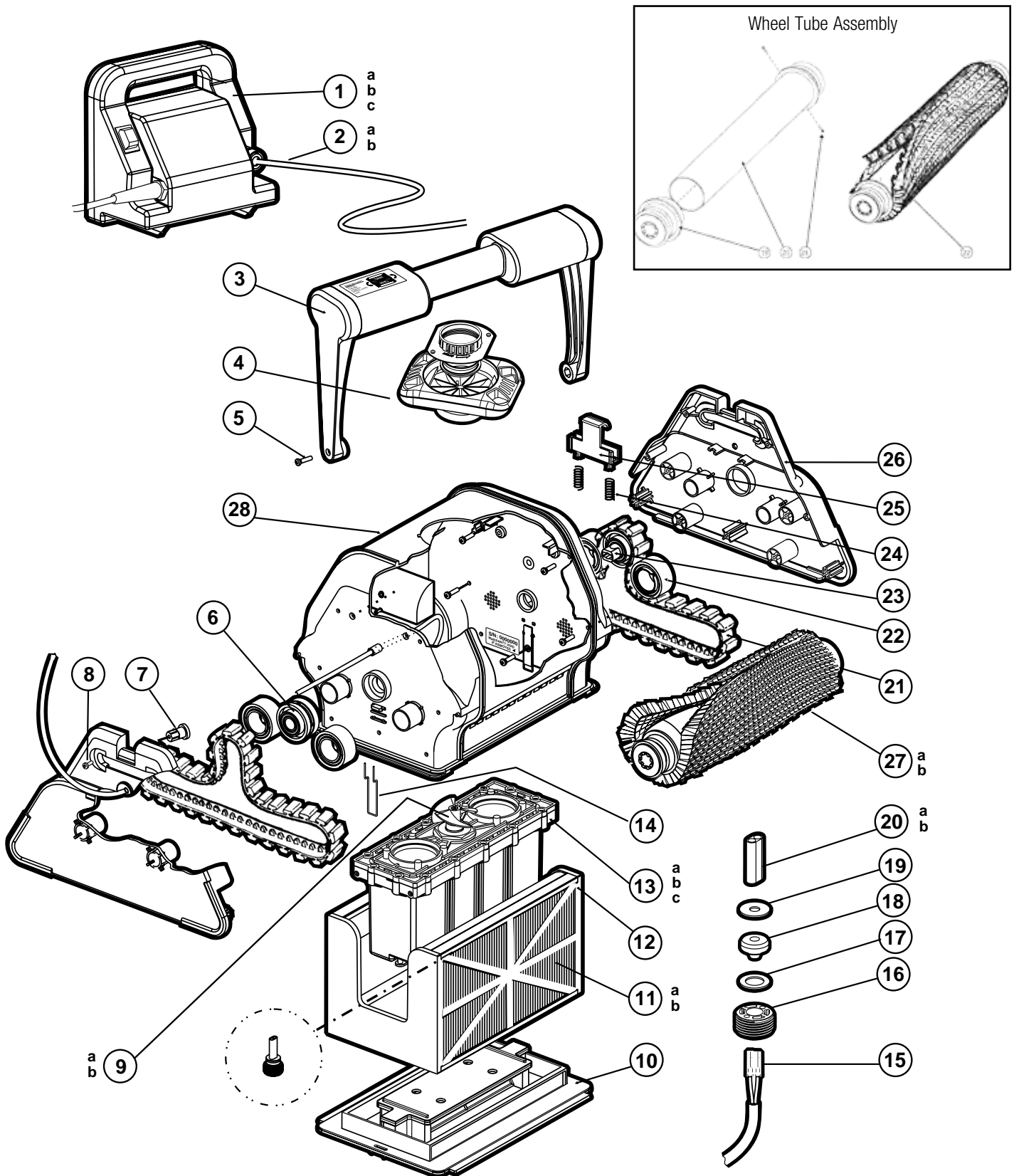
## Parts Listing

Ref. No.	Part No.	Description	Ctn. Qty.
1	PVXS0002-234-02	Handle, 400 Blue	10
2	PVXS01SA-237-01	Upper Body, Blue Logo	1
3	PVXH038SA	Turbine, 6-Vane Kit	10
4	PVXH009PK5	Gear, Reduction (5 Pack)	20
5	PVXH010009	Steering Cam Gear 4x4	10
6	PVXH008PK2	Gear, Drive, Small (2 Pack)	20
7	PVX051-236	Wheel Hub, Black	20
8	PVXH007	Gear, Drive, Large	25
9	PVXH019SA	Shaft Bearing	25
10a	PVXS11PK2-234	Wheel Tread Super Hump, Blue (2 Pack) - front tires	10
10b	PVXS16PK2-234	Wheel Tread, Blue (2 Pack) - rear tires	10
10d	PVX075PK2-234	Wheel Tread Finger Bump, Blue (2 Pack) - front tires	10
11	PVXS0009-236	Lower Body, 4-Wheel, Black	1
12	PVX976PK2	Wheel Bearing (2 Pack)	50
13	PVXH011SA	Steering Bracket Roller	20
14	PVXS005PK2-237	Wheel Style, 5-Spoke Gray (2 Pack)	20
15	PVXS0006-237	Wheel Retainer, Gray	20
16a	PVX043042BKPK4	Roller Skirt, Black (4 Pack)	10
16b	PVXH014BKPK4	Bracket Skirt, Black (4 Pack)	10
17a	PVXH013BKPK4	Skirt, Black (4 Pack)	10
17b	PVXH014BKPK4	Bracket Skirt, Black (4 Pack)	10
18a	PVX990S-236	Inlet, Suction Small, Black	10
18b	PVX990M-236	Inlet, Suction Medium, Black	10
18c	PVX990L-236	Inlet, Suction Large, Black	10
19	SCRX4012PK3	Screw, #10 x 3 18-8 (3 Pack)	20
20	PVXH020SA	Gear Shaft	25
—	PVCHP1900GRP10	Bulk connector hose (10 pcs)	1
—	PVLHP1900GRP10	Bulk leader hose (10 pcs)	1
—	PVCHK1900GR	Hose package (9 connector hoses, 1 leader hose)	1

# AquaVac, AquaVac QC, AquaVac Plus

## REPLACEMENT PARTS

Parts Diagram RC9726, RC9730BL, RC9728BL



Cleaners

# AquaVac, AquaVac QC, AquaVac Plus

REPLACEMENT PARTS

## Parts Listing RC9726, RC9730BL, RC9728BL

Ref. No.	Part No.	Description	Ctn. Qty.	Qty. Per
1a	RC97453QC	Power supply, 115 V for Quick Clean	1	1
1b	RCX97453	Power supply, 115 V for Standard AquaVac	1	1
1c	RCX30000RC	Power supply, 115V for AquaVac Plus	1	1
2a	RCX50061	Cord, power floating assembly – 55 ft.* for AquaVac and AquaVac QC	1	1
2b	RCX50070	Cord, Floating Assembly – 55 ft.* for AquaVac Plus	1	1
3a	RCX76015	Handle Assembly – Standard A.V (dark blue)	1	1
3b	RCX97007	Handle Assembly A.V (dark gray)	1	1
4	RCX11208	Venturi Assembly	1	1
5	RCX12011	Screw M5x20 T-20 (Pack of 5)	10	16
6	RCX26001	Bearing, Guide Roller	5	1
7	RCX14000	Handle Arm Slide	10	2
8	RCX12001	Screw M4x12 T-20 (Pack of 5)	10	4
9a	RCX11000	Impeller	10	1
9b	RCX12002	Screw M4x2 Flat Head T-15 (Pack of 5)	10	1
10	RCX75000	Bottom Lid Assembly	5	1
11a	RCX70101PAK2	Filter Cartridge Refill Set (1 set, 2 pcs)	5	1
11b	RCX70103PAK2	Filter Cartridge – Disposable (1 set, 2 pcs) For Spring Cleanup - Optional	5	1
12	RCX70100	Filter Cartridge Assembly, Frame with filters	1	1
13a	RCX43000*	110VAC Motor Unit, for AquaVac QC	1	1
13b	RCX40000DC*	Motor Unit, for AquaVac	1	1
13c	RCX40000RC*	Motor Unit, for AquaVac Plus	1	1
14	RCX11400	Clip, Lid (Pack of 2)	10	2
15	RCX59006	Connector Pin, Molex	1	2
16	RCX59004	Seal Plug	10	1
17	RCX12302	Washer, Plastic Connector, Large Hole	10	1
18	RCX59003	Compression Seal	10	1
19	RCX12301	Washer, Plastic Connector, Small Hole	10	1
20a	RCX59002	Connector Housing 2 pin for AquaVac and AquaVac QC	10	1
20b	RCX59008	Connector Housing 4 pin for AquaVac Plus	10	1
21	RCX23002	Drive Track, Soft Tread	5	2
22	RCX26000PAK2	Bearing, Idler Pulley (set of 2)	5	4
23	RCX26002	Bearing, Drive Pulley Assembly	5	1
24	RCX12100	Spring Handle Latch	10	4
25	RCX14100	Handle Latch	10	2
26a	RCX97200	Side Cover, dark blue	5	2
27a	RCX26008	Roller Brush	5	2
27b	RCX26011	Roller Foam, with tube (Optional)	5	2
28	RCX13007	Main Case	1	1
—	RCX17000	High Velocity Inlet	1	1
—	RCX79000*	Diagnostic Tool Kit	1	1
—	RCX40117	Drive Pin Assembly	1	1
—	RCX42000	Solenoid Assy for AquaVac Plus	1	1
—	RCX9716DBL	Solenoid cover for AquaVac Plus	1	1
—	RCX40215	Remote Control for AquaVac Plus	1	1
—	RCX31012A	Membrane cover for power supply switch	1	1
—	RCX31018	Power supply output connector	1	1
—		Bottom Lid Components		
—	RCX78005	Gasket for Bottom Lid	1	1
—	RCX75005	Inlet Flap	2	2

### Wheel Tube Assembly

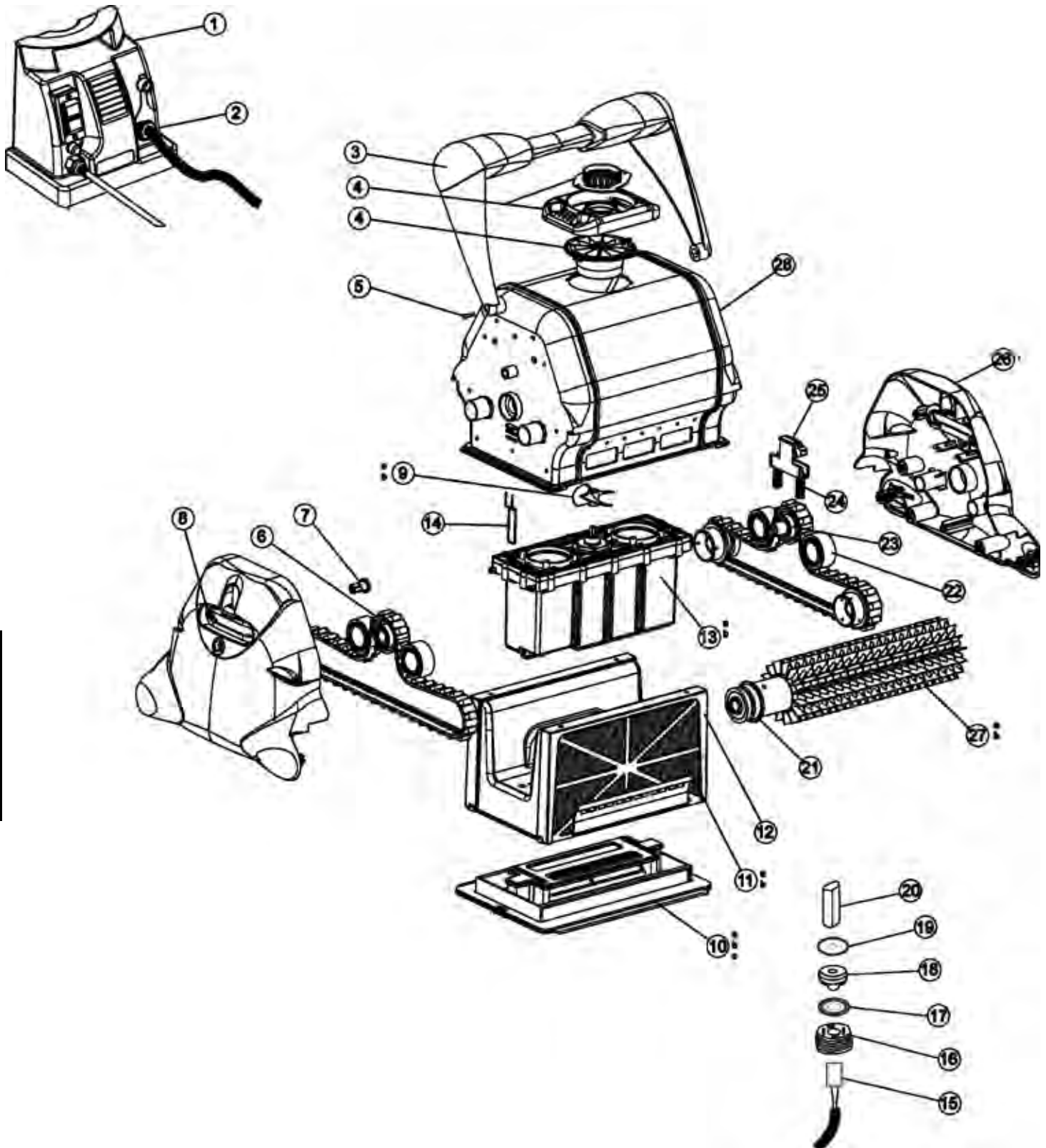
20	RCX26004	Wheel Tube	1	2
19	RCX26005S	Wheel Tube Ball Bearing Assembly	2	4
21	RCX3406	Wheel Bearing Screw (Pack of 10)	4	8
22	RCX26008	Brush	1	2

\*For service and repair centers only.

# AquaVac QC

REPLACEMENT PARTS

Parts Diagram RC9730CTB



Cleaners

## Parts Listing RC9730CTB

Ref. No.	Part No.	Description	Qty Per
1	RCX97453QC	Power Supply-110VAC, Quikclean	1
-	RCX31013A	Power Supply Circuit Breaker 3A	1
-	RCX31012	Power Supply Switch 16A	1
-	RCX31012A	Power Supply Switch Membrane Cover	1
-	RCX31018	Power Supply Output Connector	1
2	RCX50061	Floating Cord Assembly- 55 ft. (AV, AVQC)	1
3	RCX76008*	Handle Assembly - AV, AVQC	1
4	RCX11208*	Venturi Assembly	1
5	RCX12011	Screw, M5x20 T-20 (pack of 5)	4
6	RCX26001	Bearing, Guide Roller	1
7	RCX14000	Handle Arm Slide	2
8	RCX12001	Screw M4x12 T-20 (pack of 5)	1
9a	RCX11000	Impeller	1
9b	RCX12002	Screw M4x2 Flat Head T-15 (pack of 5)	1
10a	RCX75000*	Bottom Lid Assembly	1
10b	RCX78005	Bottom Lid Filter Gasket	1
10c	RCX75005	Inlet Flap	2
11a	RCX70101PAK2	Filter Cartridges (Set of 2)	1
11b	RCX70103PAK2	Spring Cleanup Filters (Set of 2)	1
12	RCX70100	Filter Cartridge Assembly, Frame and Filters	1
13a	RCX40000D	Motor Unit, Upgrade Kit for AC Units	1
13b	RCX43000	Motor Unit, 4 hr. for AquaVacQC	1
14	RCX11400	Clip Lid (set of 2)	1
15	RCX59006	Connector Socket, Molex	2
16	RCX59004	Seal Plug	1
17	RCX12302	Washer, Plastic Connector, Large Hole	1
18	RCX59003	Compression Plug	1
19	RCX12301	Washer, Plastic Connector, Small Hole	1
20	RCX59002	Connector Hosing	1
21	RCX23002	Drive Track, Soft Track	2
22	RCX26000PAK2	Pulley Bearing Kit (Set of 2)	2
23	RCX26002	Bearing, Drive Pulley Assembly (Includes RC260031 insert)	1
-	RCX40117	Drive Pin Assembly	1
24	RCX12100	Spring Handle Latch	4
25	RCX14100	Handle Latch	2
26	RCX13220TSQC*	Side Cover, AVQC	2
27a	RCX26008	Roller Brush	2
27b	RCX26011	Roller Foam with Tube	2

ADD BK TO END OF PART NUMBER FOR BLACK

ADD -234 TO END OF PART NUMBER FOR BLUE METALLIC

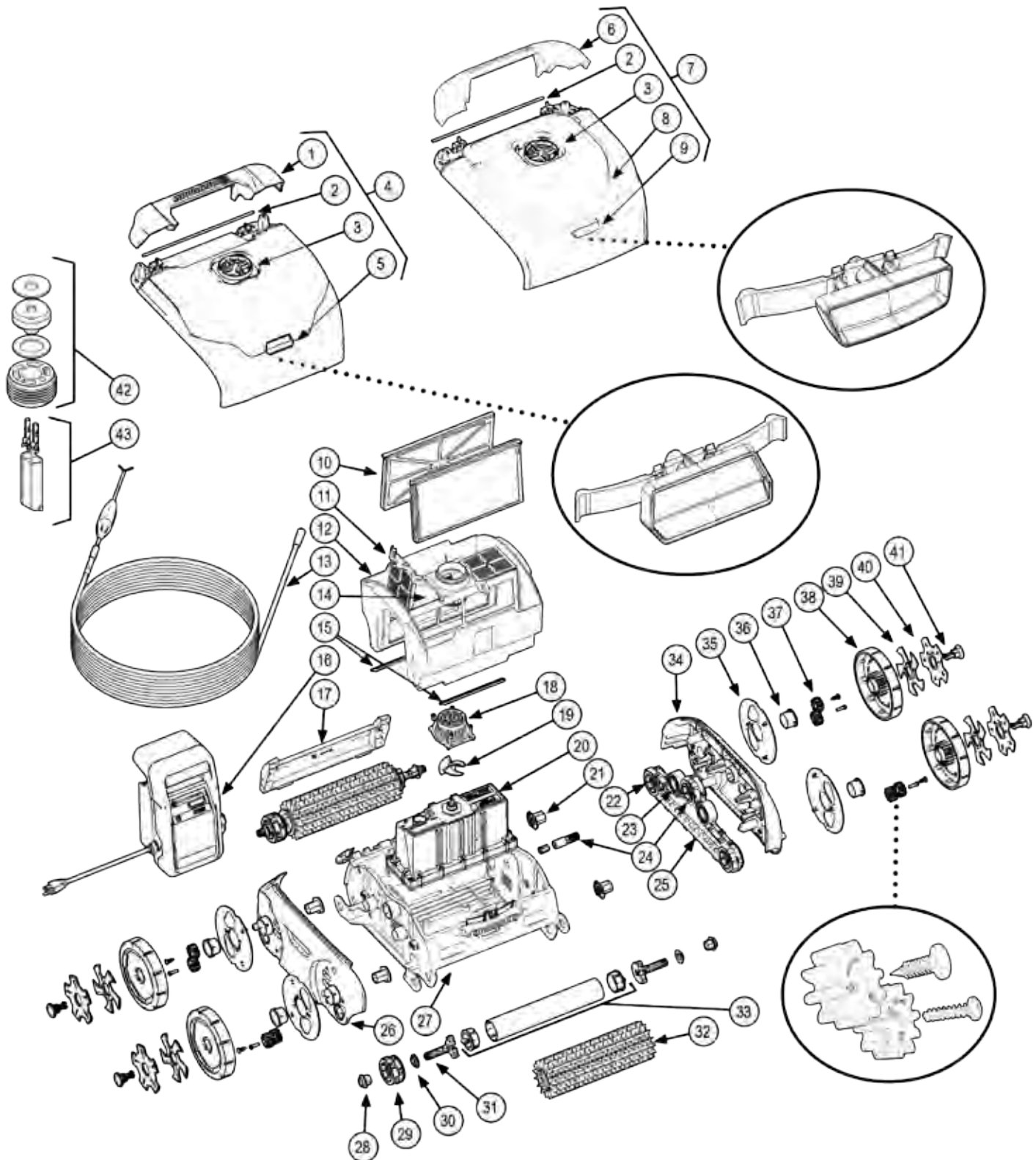
ADD -236 TO END OF PART NUMBER FOR BLACK METALLIC

ADD -237 TO END OF PART NUMBER FOR GRAY METALLIC

# AquaVac 500 Series

## REPLACEMENT PARTS

### Parts Diagram



Cleaners



# AquaVac 500 Series

## REPLACEMENT PARTS

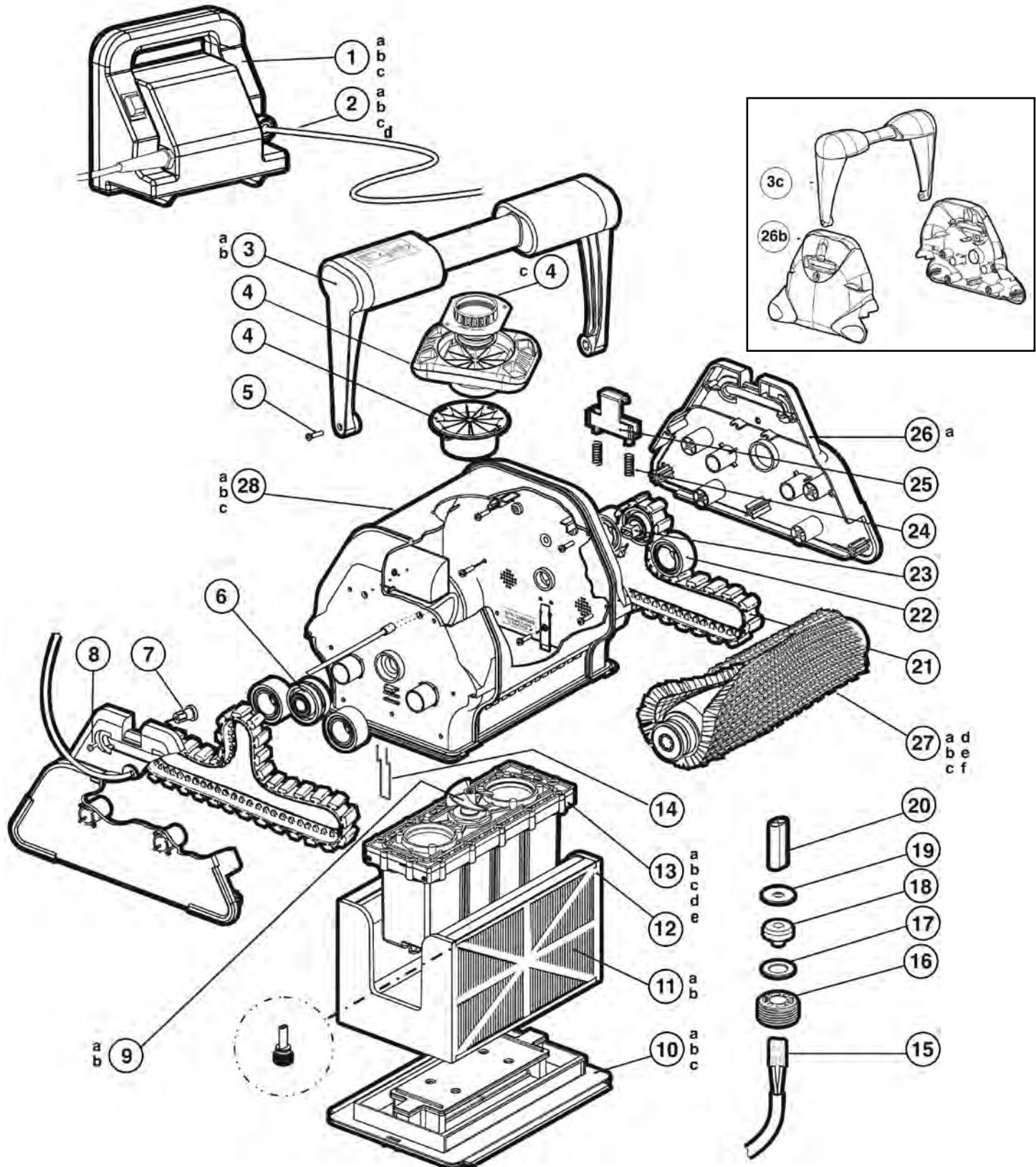
### Parts Listing

Ref. No.	Part No.	Description	Ctn. Qty.	Qty Req'd
1	RCX341203OR	Handle Assembly - Orange, for RC3432APY	1	1
2	RCX97429	Shaft, Hinge	1	1
3a	RCX341126GR2	Hood Exhaust Nozzle - Grey 2, for RC3411ATY, RC3432APY	5	1
3b	RCX341126GR3	Hood Exhaust Nozzle - Grey 3, for RC3411ETY	5	1
3c	RCX341126BK	Hood Exhaust Nozzle - Black, for RC3411CTY, RC3411HTY, RC3431CTY	5	1
4	RCXHD2ARC5	Hood Assembly - Grey, for RC3432APY	1	1
5	RCX3411205GR4	Button Assembly - Grey 4, for RC3432APY	5	1
6a	RCX341107WH	Handle Assembly - White, for RC3411ATY, RC3411HTY	1	1
6b	RCX341107BL	Handle Assembly - Blue, for RC3411CTY, RC3431CTY	1	1
6c	RCX341107GR3	Handle Assembly - Grey 3, for RC3411ETY	1	1
7a	RCXHD1AAV50S	Hood Assembly for RC3411ATY	1	1
7b	RCXHD1CAV500	Hood Assembly for RC3411CTY, RC3431CTY	1	1
7c	RCXHD1EAV500SW	Hood Assembly for RC3411ETY	1	1
7d	RCXHD1HAV500DS	Hood Assembly for RC3411HTY	1	1
8a	RCX341106RD	Hood Trim - Red, for RC3411ATY	5	1
8b	RCX341106GR3	Hood Trim - Grey 3, for RC3411ETY	5	1
8c	RCX341106BK	Hood Trim - Black, for RC3411CTY, RC3411HTY, RC3431CTY	5	1
9a	RCX341108RD	Button Assembly - Red, for RC3411ATY	5	1
9b	RCX341108BK	Button Assembly - Black, for RC3411CTY, RC3431CTY	5	1
9c	RCX341108GR3	Button Assembly - Grey 3, for RC3411ETY	5	1
9d	RCX341108TR	Button Assembly - Turquoise, for RC3411HTY	5	1
10a	RCX70101PAK2	Filter Cartridges (Set of 2)	10	1
10b	RCX70103PAK2	Spring Cleanup Filter Cartridges, Disposable (set of 2)	10	1
11	RCX97417	Filter Door	5	2
12	RCX97414	Filter Bucket Assembly (Includes items 11 and 15)	1	1
13	RCX341190A	Cord Assembly with Swivel, 60'	1	1
14	RCX97417SPAK2	Mesh Filter for Door (Set of 2)	10	1
15	RCX974057KIT	Drain Flap Kit (3 Flaps)	5	1
16	RCX341161A	Power Supply Assembly	1	1
17a	RCX341103TR	Rear Panel - Turquoise, for RC3411HTY	5	1
17b	RCX341103GR2	Rear Panel - Grey 2, for RC3411ATY	5	1
17c	RCX341103GR3	Rear Panel - Grey 3, for RC3411ETY	5	1
17d	RCX341103BK	Rear Panel - Black, for RC3411CTY, RC3431CTY	5	1
17e	RCX341103GR4	Rear Panel - Grey 4, for RC3432APY	5	1
18	RCX97455	Impeller Cover	10	1
19	RCX11000BK	Impeller, Black	10	1
20	RCX341195	Motor Assembly	1	1
21	RCX34111PAK2	Wheel Hub Kit (Set of 2)	5	2
22	RCX97505PAK2	Drive Track Wheel Kit (Set of 2)	5	1
23	RCX26000PAK2	Idler Bearing Kit (Set of 2)	5	1
24	RCX97502KIT	Drive Shaft and Bearing Kit	5	1
25	RCX97501GR	Drive Track Belt	5	1
26a	RCX341101TR L	Left Side Cover - Turquoise, for RC3411HTY	1	1
26b	RCX341101GR3	Left Side Cover - Grey 3, for RC3411ETY	1	1
26c	RCX341101GR2	Left Side Cover - Grey 2, for RC3411ATY	1	1
26d	RCX341101BK	Left Side Cover - Black, for RC3411CTY, RC3431CTY	1	1
26e	RCX341101GR4	Left Side Cover - Grey 4, for RC3432APY	1	1
27	RCX341142GR	Cleaner Base - Grey	1	1
28	RCX97506PAK2	Roller Brushing Kit (Set of 2)	5	2
29	RCX97509PAK2	Drive Wheel Kit (Set of 2)	5	1
30	RCX97435PAK2	Roller Shaft Brushing Kit (Set of 2)	5	2
31	RCX97507PAK2	Roller Wheel Shaft (Set of 2)	5	2
32a	RCX26008	Roller Brush	5	2
32b	RCX26011WCE	Foam Roller Assembly (Optional)	5	2
33	RCX97410	Wheel Tube with End Caps	5	2
34a	RCX341102TR	Right Side Cover - Turquoise, for RC3411HTY	1	1
34b	RCX341102GR3	Right Side Cover - Grey 3, for RC3411ETY	1	1
34c	RCX341102GR2	Right Side Cover - Grey 2, for RC3411ATY	1	1
34d	RCX341102BK	Right Side Cover - Black, for RC3411CTY, RC3431CTY	1	1
34e	RCX341102GR4	Right Side Cover - Grey 4, for RC3432APY	1	1
35a	RCX341127TR	Wheel Shield - Turquoise, for RC3411HTY	5	4
35b	RCX341127GR3	Wheel Shield - Grey 3, for RC3411ETY	5	4
35c	RCX341127GR2	Wheel Shield - Grey 2, for RC3411ATY	5	4
35d	RCX341127BK	Wheel Shield - Black, for RC3411CTY, RC3431CTY	5	4
35e	RCX341127GR4	Wheel Shield - Grey 4, for RC3432APY	5	4
36	RCX341109PAK2	Wheel Bushing Kit (Set of 2)	5	2
37	RCX341145KIT	Wheel Drive Gear Kit	5	4
38a	RCX34113WHBK	Wheel Rim and Tire - White/Black, for RC3411HTY, RC3411ETY	5	4
38b	RCX34113WHGR3	Wheel Rim and Tire - White/Grey 3, for RC3411ATY	5	4
38c	RCX34113BKBL	Wheel Rim and Tire - Blue/Black, for RC3411CTY, RC3431CTY	5	4
38d	RCX34113GR4BK	Wheel Rim and Tire - Black/Grey 4, for RC3432APY	5	4
39a	RCX341123GR4	Boots Wheel Style - Grey 4, for RC3411HTY	10	4
39b	RCX341123GR3	Boots Wheel Style - Grey 3, for RC3411ETY	10	4
39c	RCX341123RD	Boots Wheel Style - Red, for RC3411ATY	10	4
39d	RCX341123GR1	Boots Wheel Style - Grey 1, for RC3411CTY, RC3431CTY	10	4
40	RCX341206OR	Starfish Wheel Style - Orange, for RC3432APY	10	4
41a	RCX341112GR4	Wheel Axle Plug - Grey 4, for RC3411HTY (Set of 4)	10	1
41b	RCX341112GR3	Wheel Axle Plug - Grey 3, for RC3411ETY (Set of 4)	10	1
41c	RCX341112RD	Wheel Axle Plug - Red, for RC3411ATY (Set of 4)	10	1
41d	RCX341112GR1	Wheel Axle Plug - Grey 1, for RC3411CTY, RC3431CTY (Set of 4)	10	1
41e	RCX341112OR	Wheel Axle Plug - Orange, for RC3432APY (Set of 4)	10	1
42	RCX59004KIT	Motor Cord Seal Kit	5	1
43	RCX59002KIT	Motor Cord Connector Kit	5	1

# TigerShark®, TigerShark® QC, TigerShark® Plus, TigerShark 2

## REPLACEMENT PARTS

Parts Diagram RC9950GR, RC9955GR, RC9990GR, RC9956GR, RC9965GR



Cleaners

# TigerShark®, TigerShark® QC, TigerShark® Plus, TigerShark 2

REPLACEMENT PARTS

Parts Listing RC9950GR, RC9955GR, RC9990GR, RC9956GR, RC9965GR

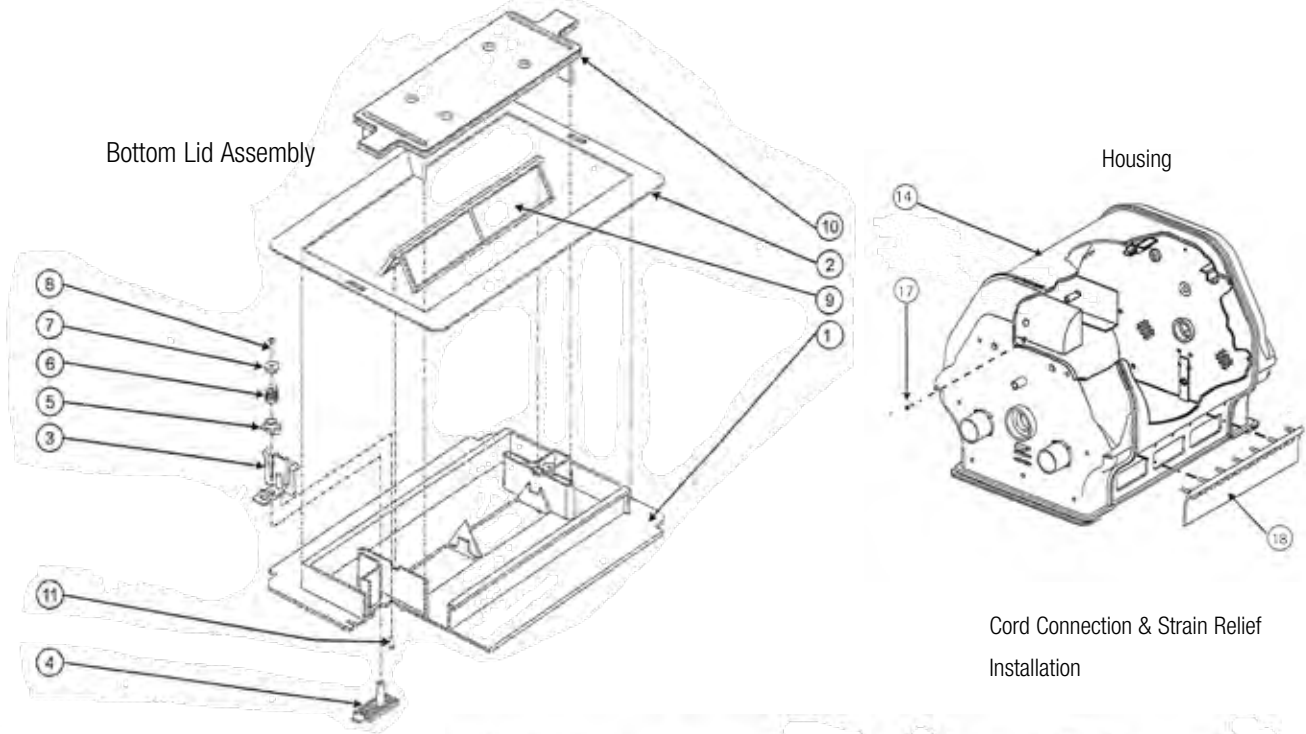
Ref. No.	Part No.	Description	Ctn. Qty.	Qty Req'd
1a	RCX97453	Power Supply, 115 V for Standard TigerShark, TigerShark 2	1	1
1b	RCX3000RC	Power Supply, 115 V for Standard TigerShark Plus, TigerShark 2 Plus	1	1
1c	RCX97453QC	Power Supply, 115 V for Quick Clean	1	1
—	RCX31013A	Power Supply Circuit Breaker 3A	50	1
—	RCX31012	Power Supply Switch 16A	50	1
—	RCX31012A	Power Supply Switch Membrane Cover	50	1
—	RCX31018	Power Supply Output Connector	50	1
2a	RCX50061	Floating Cord Assembly – 55 ft. (TS, TSQC)	1	1
2b	RCX50110	Floating Cord Assembly – 100 ft. (TS2)	1	1
2c	RCX50070	Floating Cord Assembly – 55 ft. (TS Plus)	1	1
3a	RCX76000	Handle Assembly – Quick Clean, Teal	5	1
3b	RCX76007	Handle Assembly – Blue	5	1
3c	RCX97007	Handle Assembly – Dark Gray	5	1
4	RCX11208	Venturi Assembly	10	1
5	RCX12011	Screw M5x20 T-20	10	16
6	RCX26001	Bearing, Guide Roller	10	1
7	RCX14000	Handle Arm Slide	10	2
8	RCX12001	Screw M4x12 T-20	10	4
9a	RCX11000	Impeller	10	1
9b	RCX12002	Screw M4x2 Flat Head T-15	10	1
10a	RCX75000	Bottom Lid Assembly	5	1
10b	RCX78005	Bottom Lid Filter Gasket	10	1
10c	RCX75005	Inlet Flap	10	2
11a	RCX70101PAK2	Filter Cartridges (Set of 2)	5	1
11b	RCX70103PAK2	Spring Cleanup Filters (Set of 2)	5	1
12	RCX70100	Filter Cartridge Assembly, Frame with Filters	1	1
13a	RCX41000DC	Motor Unit for TigerShark 2	1	1
13b	RCX40000DC	Motor Unit, 4 hr. for TigerShark	1	1
13c	RCX43000	Motor Unit, 4 hr. for TigerSharkQC	1	1
13d	RCX40000RC	Motor Unit, 4 hr. for TigerShark Plus	1	1
13e	RCX41000RC	Motor Unit for TigerShark 2 Plus	1	1
14	RCX11400	Clip, Lid	10	2
15	RCX59006	Connector Socket, Molex	50	2
16	RCX59004	Seal Plug	10	1
17	RCX12302	Washer, Plastic Connector, Large Hole	10	1
18	RCX59003	Compression Seal	10	1
19	RCX12301	Washer, Plastic Connector, Small Hole	10	1
20a	RCX59002	Connector Housing, 2 pin for TigerShark + TigerShark QC	10	1
20b	RCX59008	Connector Housing, 4 pin for Plus models	1	2
21	RCX23002	Drive Track, Soft Tread	5	2
22	RCX26000PAK2	Pulley Bearing Kit (Set of 2)	5	1
23	RCX26002	Bearing, Drive Pulley Assembly (Includes RC260031 insert)	10	1
—	RCX40117	Drive Pin Assembly	50	4
24	RCX12100	Spring Handle Latch	10	2
25	RCX14100	Handle Latch	1	2
26a	RCX13200	Side Cover, Light Gray (2010 + older)	10	2
26b	RCX97201	Side Cover, Dark Gray (2011 + newer)	1	1
28c	RCX13007	Main Case, TigerShark Plus	1	2
27a	RCX26008	Roller Brush	5	2
27b	RCX26011	Roller Foam with Tube (optional)	5	2
27c	RCX26003	Wheel Tube Assembly without Brush	5	2
27d	RCX26004	Wheel Tube	5	4
27e	RCX26005S	Wheel Tube Bearing	10	8
27f	RCX3406	Wheel Tube Screws (Pack of 10)	10	1
28a	RCX13001	Main Case, TigerShark	1	1
28b	RCX13004	Main Case, TigerSharkQC	1	1
—	RCX97500GR	Drive Train Upgrade Kit	1	1
—	RCX17000	High Velocity Inlet	10	1
—	RCX11206	Restrictor Plate Kit (old style)	10	1
—	RCX11207	New Style Restrictor Plate	5	1
—	RCX40209	Hand-held Wireless Remote (2007 and Prior) – 418 MHz	1	1

Cleaners

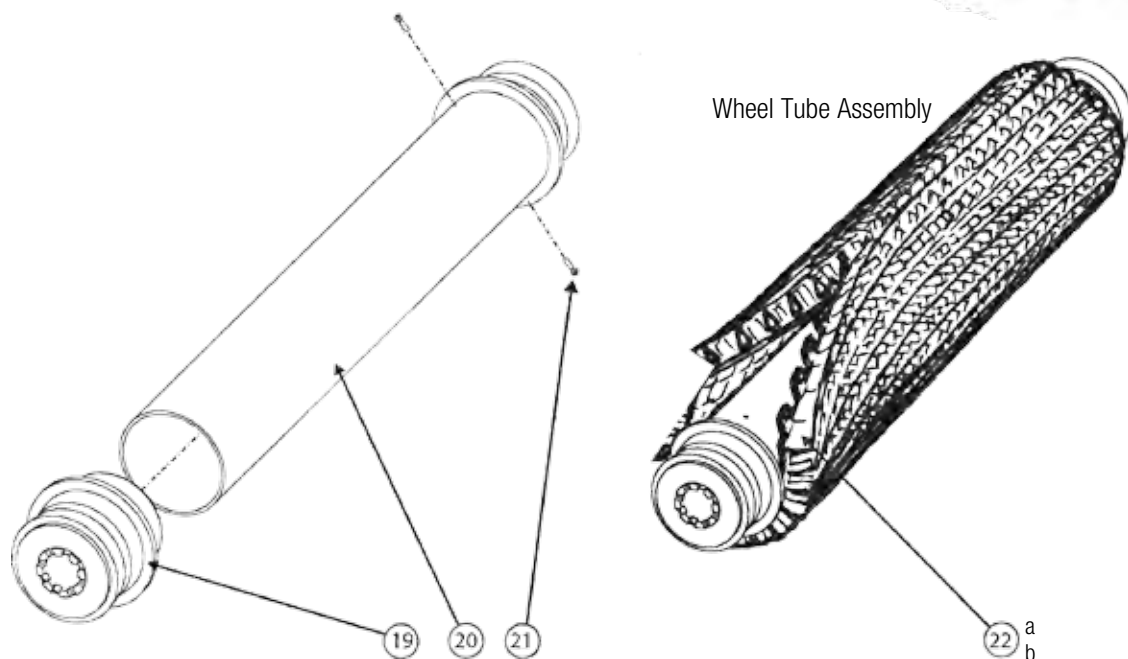
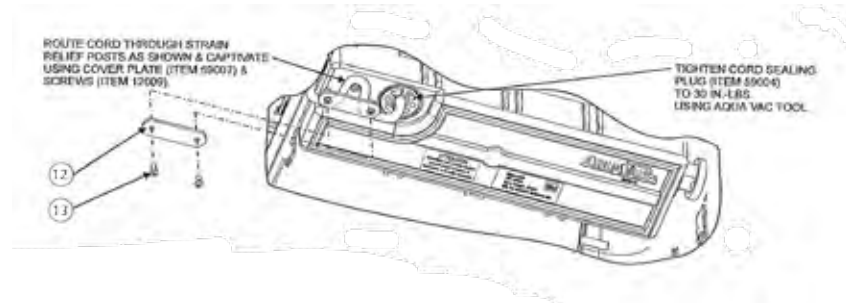
# TigerShark®, TigerShark® QC, TigerShark® Plus, TigerShark 2

## REPLACEMENT PARTS

Parts Diagram RC9950GR, RC9955GR, RC9990GR



Cord Connection & Strain Relief Installation



# TigerShark<sup>®</sup>, TigerShark<sup>®</sup> QC, TigerShark<sup>®</sup> Plus, TigerShark 2

REPLACEMENT PARTS

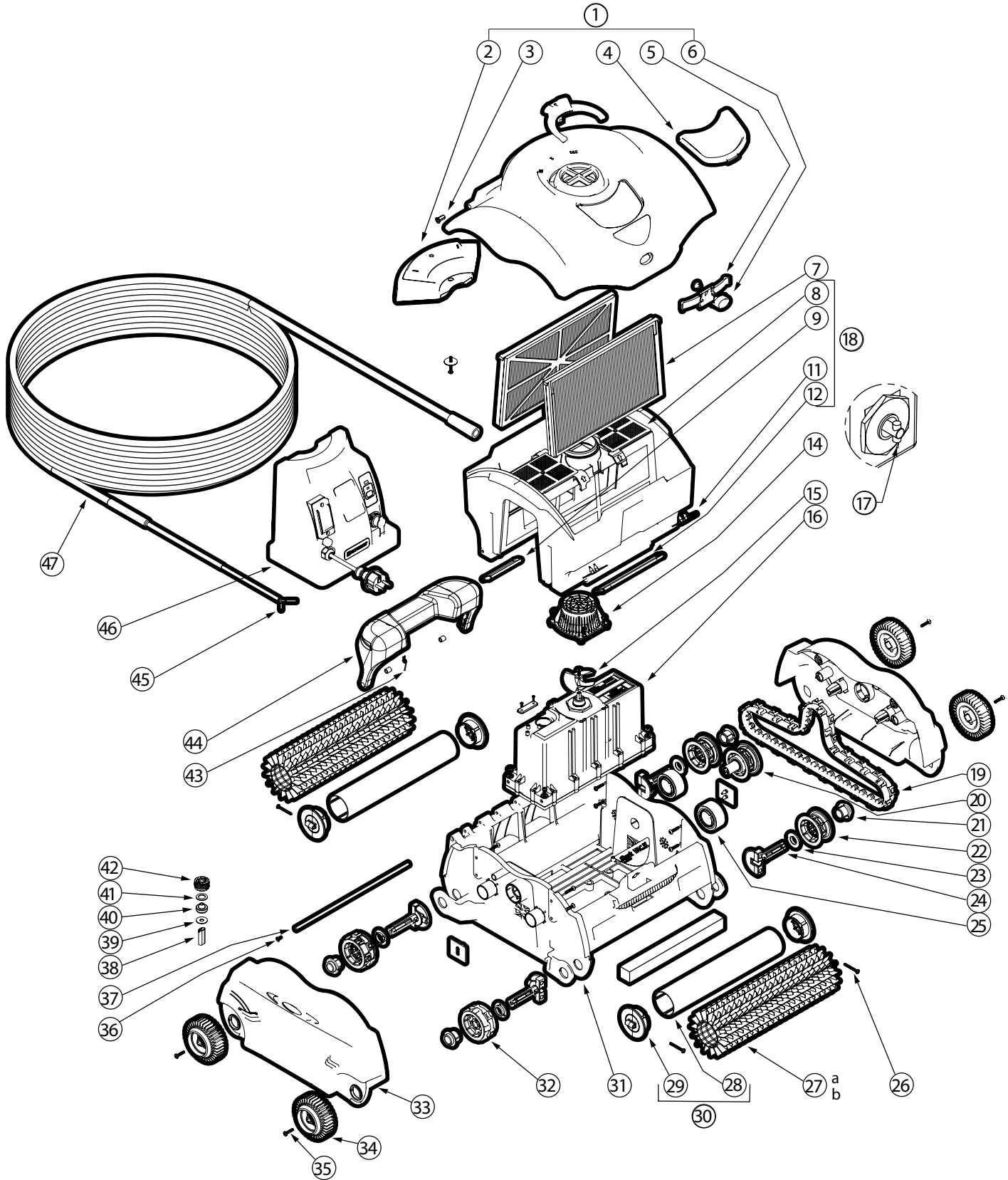
## Parts Listing RC9950GR, RC9955GR, RC9990GR

Ref. No.	Part No.	Description	Ctn. Qty.	Qty. Req'd
1	RCX75001	Bottom Lid	1	1
2	RCX78005	Gasket	1	1
3	RCX75002	Clip Support	2	2
4	RCX75003	Locking Plate	2	2
5	RCX75004	Clip Follower	2	2
6	RCX12101	Spring, compression	2	2
7	RCX12102	Retainer, Spring	2	2
8	RCX12008	Screw, PT KA 30 x 12 (Pack of 5)	2	2
9	RCX75005	Inlet Flap	2	2
10	RCX75006	Inlet Cover	1	1
11	RCX12000	Screw, 2.9mm x 13mm flat head (Pack of 5)	2	2
12	RCX59007	Cover Plate, Strain Relief, power cord	1	1
13	RCX12009	Screw, PT KA 30 x 8 (Pack of 5)	2	2
14	RCX13007	Main Case	1	1
17	RCX12000	Screw (Pack of 5)	2	2
18	RCX17100	Drain Flap (Pack of 2)	2	2
19	RCX26005S	Wheel Tube Ball Bearing Assembly	2	4
20	RCX26004	Wheel Tube	1	2
21	RCX3406	Wheel Bearing Screw (Pack of 10)	4	8
22a	RCX26008	Roller Brush	1	2
22b	RCX26011	Roller Foam with Tube (Optional)	1	2

# EVAC Pro™

## ROBOTIC POOL CLEANER REPLACEMENT PARTS

### Parts Diagram RC9738WC



Cleaners

## Parts Listing RC9738WC

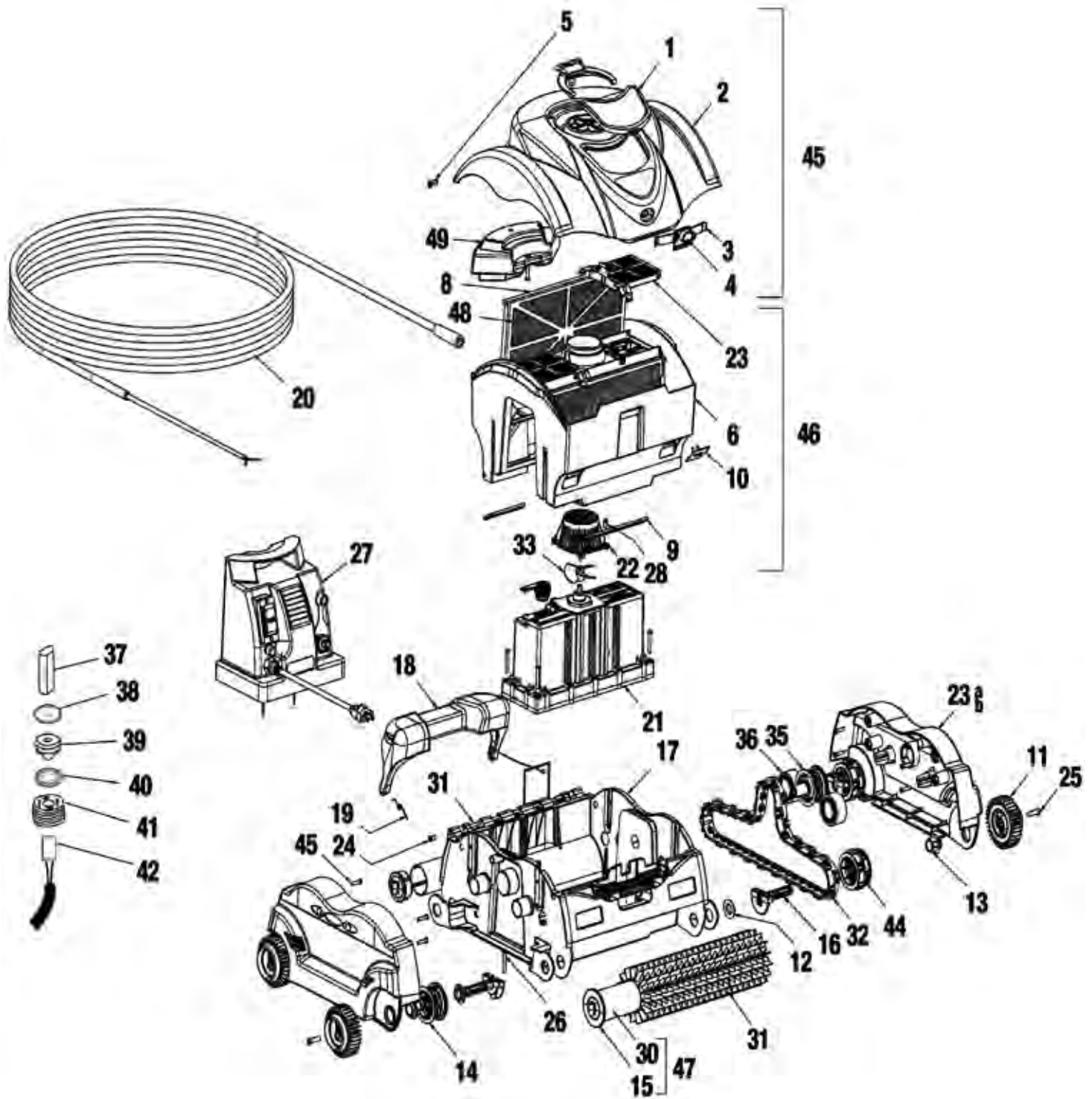
Ref. No.	Part No.	Description	Qtn. Req'd	Ctn. Qty.
1	RCX97471CY	Dome Assembly	1	1
2	RCX97477	Float Assembly	1	1
3	RCX97423	Bushing Done (Set of 2)	1	5
5	RCX97431	Spring, Flat	1	5
6	RCX97433	Button	1	1
7a	RCX70101PAK2	Filter Cartridge (Set of 2)	1	5
7b	RCX70103PAK2	Filter Cartridge, Disposable Sprin Cleanup (Set of 2)	1	5
8a	RCX97417	Door, Filter	2	1
8b	RCX974175PAK2	Mesh Filter for Door (Set of 2)	1	1
9	RCX97405	Flap, Drain Small	2	1
11	RCX97445	Flap, rubber	4	1
12	RCX97407	Flap, Drain Large	1	1
14	RCX97455	Tube, Vent	1	10
15	RCX11000	Impeller	1	10
16	RCX97490	Motor Assembly	1	1
17	RCX40117	Drive Pin Assembly	1	5
18	RCX97414	Filter Bucket Assembly	1	1
19	RCX97501GR	Belt-Drive Track	1	1
20	RCX97502GR	Drive Bearing Assembly	1	1
21	RCX97506PAK2	Bushing, 2W (Set of 2)	2	1
22	RCX97505GR	Wheel-Drive Belt	2	1
23	RCX97435PAK2	Bushing, 1W (Set of 2)	2	10
24	RCX97507GR	Shaft-Drive Wheel	4	1
25	RCX26000PAK2	Pulley-Bearing Idler (Set of 2)	1	10
26	RCX97461	Screw M5X35MM (Pack of 5)	1	10
27a	RCX26008	Brush-Roller	2	5
27b	RCX26011WCE	Roller Assembly - Foam (optional)	2	1
29	RCX97511GR	Cap-Roller End, Lt. Gray	4	1
30	RCX97410	Tube, Wheel Assembly, Lt. Gray	2	5
31	RCX97401GR	Base	1	1
32	RCX97509GR	Wheel-Drive with Rubber	2	1
33	RCX97403	Panel, Side	2	1
34	RCX97508GR	Overmolded Wheel Assembly	4	1
35	RCX12011	Screw-MSX20 (Set of 5)	1	10
36	RCX97459	SCREW-M7-3.14X10MM (Set of 5)	1	5
37	RCX97429	Shaft-Hinge	1	10
38	RCX59002	Connector Housing	1	10
39	RCX12301	Connector-Plastic Washer	1	10
40	RCX59003	Seal-Compression	1	10
41	RCX12302	Washer-Plastic Connector	1	10
42	RCX59004	Plug-Seal	1	10
43	RCX97427	Spring-Handle	1	25
44	RCX97480CY	Handle Assembly	1	1
45	RCX59006	Connector - Socket Molex	2	50
46	RCX97453	Power Supply, 110VAC	1	1
47	RCX50061	Power Cord Assembly, Floating, 55 ft.	1	1
—	RC973850	Caddy Cart	1	1
—	RC97387A	Plastic Handle for Caddy Cart	1	1
—	RCX31012A	Clear Plastic Membrane Cover for Power Supply Switch	1	10



# EVAC Pro™

## ROBOTIC POOL CLEANER REPLACEMENT PARTS

Parts Diagram RC9738WCCTBY



Cleaners



## Parts Listing RC9738WCCTBY

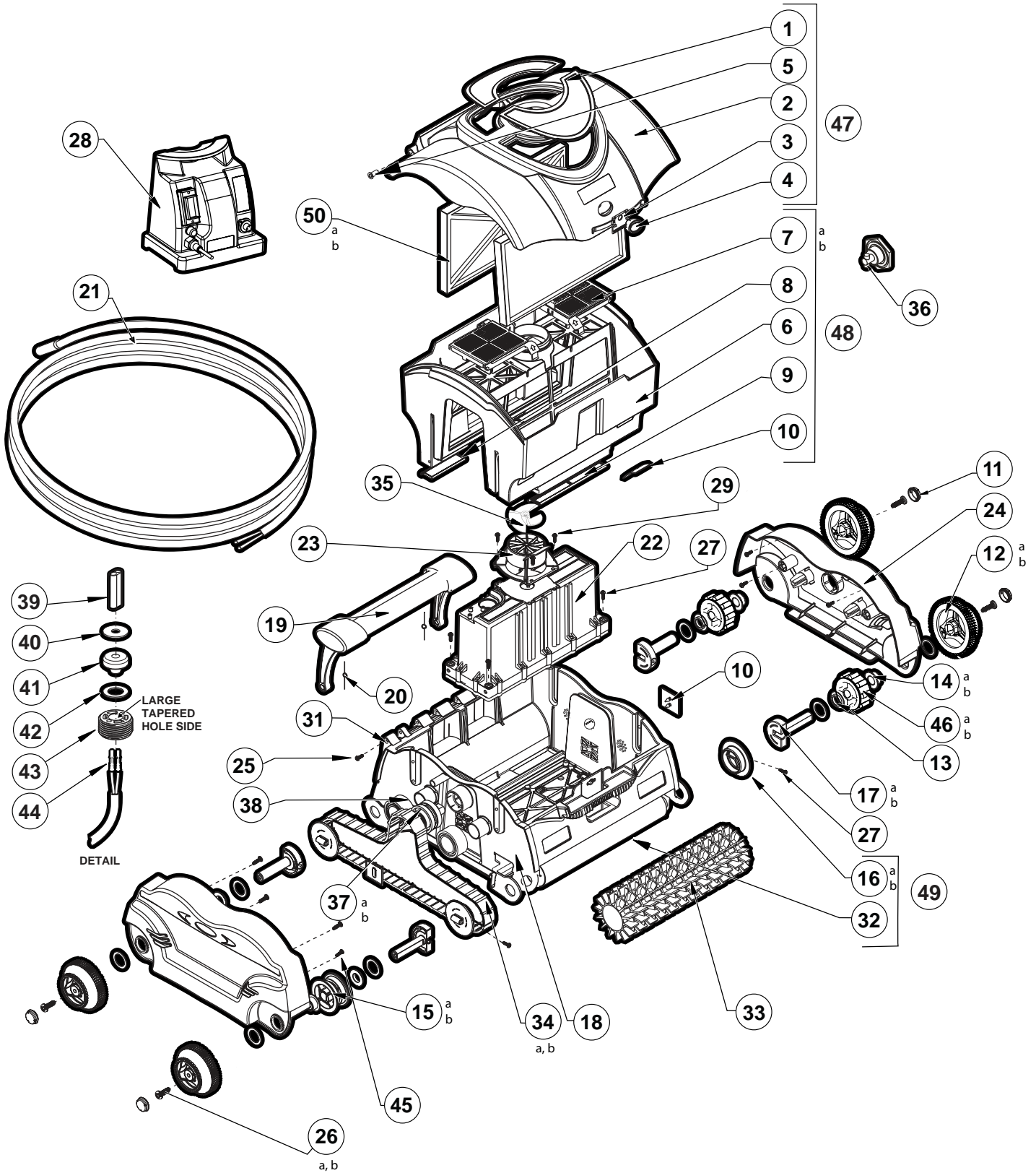
Ref. No.	Part No.	Description	Qty Per	Ctn. Qty.
1	RCX97472	Window, Dome Clear SV	1	5
2	RCX97470SB*	Dome, SV	1	1
3	RCX97431	Spring, Flat SV/EV	1	5
4	RCX97433*	Button SV	1	10
5	RCX97423	Bushing, Dome, SV (set of 2)	1	5
6	RCX97415	Housing, Filter Bucket	1	1
7a	RCX97417	Door, Filter	2	5
7b	RCX97417SPAK2	Door, Filter Element (Set of 2)	1	10
8	RCX97405	Flap, Drain Small SV	2	10
9	RCX97407	Flap, Drain Large SV	1	5
10	RCX97445	Flap, Rubber SV	4	10
11	RCX97508GR	Wheel Rim with Tire SV	4	5
12	RC97435PAK2	Roller Shaft Bushing Kit (Set of 2)	2	5
13	RCX97506PAK2	Bushing 2W SV (set of 2)	2	10
14	RCX97505GR	Ring, Drive SV	2	5
15	RCX97441	Roller End SV	4	10
16	RCX97507GR	Shaft SV	4	10
17	RCX341142*	Base SV	1	1
18	RCX97480SB*	Handle Assembly SV	1	1
19	RCX97427	Spring, Handle	1	5
20	RCX97413	Cord, Assembly 50' SV/EV	1	1
21	RCX97490	Motor Assembly SV/EV	1	1
22	RCX97455	Tube Vent	1	5
23a	RCX97403XL*	Panel, Side SV XL	2	1
23b	RCX97403P*	Panel, Side EV Pro	2	1
24	RCX97459	Screw M7X10MM Flat TORX (pack of 5)	1	10
25	RCX97457	Screw M7X25MM Flat TORX (pack of 5)	1	10
26	RCX97461	Screw M5X35MM PT (pack of 5)	1	10
27	RCX97453	Power Supply SV	1	1
-	RCX31013A	Power Supply Circuit Breaker 3A	1	10
-	RCX31012	Power Supply Switch 16A	1	10
-	RCX31012A	Power Supply Switch Membrane Cover	1	10
-	RCX31018	Power Supply Output Connector	1	10
28	RCX12010	Screw M5X12 Pan TORX HD T-20	1	10
29	RCX97429	Shaft, Hinge S.S. SV/EV	1	10
30	RCX97520ABK	Tube Wheel, Black, Sharkvac	2	5
31	RCX26008	Brush, Roller T/S Clear	2	5
32	RCX97501GR	Drive Track, Soft Tread	1	5
33	RCX11000	Impeller	1	5
34	RCX40117	Drive Pin Assembly	1	5
35	RCX97502GR	Bearing, Drive Assembly	1	5
36	RCX26000PAK2	Pulley Bearing Kit (Set of 2)	1	5
37	RCX59002	Connector Housing	1	5
38	RCX12301	Washer Plastic Connector	1	10
39	RCX97462	Compression Seal	1	10
40	RCX12302	Washer Plastic Connector	1	10
41	RCX59004	Seal Plug	1	10
42	RCX59006	Connector Socket Molex	1	10
43	RCX12011	Screw M5 X 20 Pan TORX HD T-20 (set of 2)	1	10
44	RCX97509PAK2	Ring, Drive with Rubber Assembly (set of 2)	1	5
45	RCX97471SB*	Dome Assembly SV	1	1
46	RCX97414	Filter Bucket Assembly SV/Ev (6, 7, 8, 9, 10)	1	1
47	RCX97410	Tube, Wheel Assembly SV	2	5
48	RCX70101PAK2	Filter Cartridges (Set of 2)	1	5
-	RCX70103PAK2	Spring Cleanup Filters (Set of 2)	1	10
49	RCX97477	Float Assembly SV/EV Wall Climb	1	1

\* ADD BK TO END OF PART NUMBER FOR BLACK

ADD -234 TO END OF PART NUMBER FOR BLUE METALLIC

ADD -236 TO END OF PART NUMBER FOR BLACK METALLIC ADD -237 TO END OF PART NUMBER FOR GRAY METALLIC

### Parts Diagram RC9738

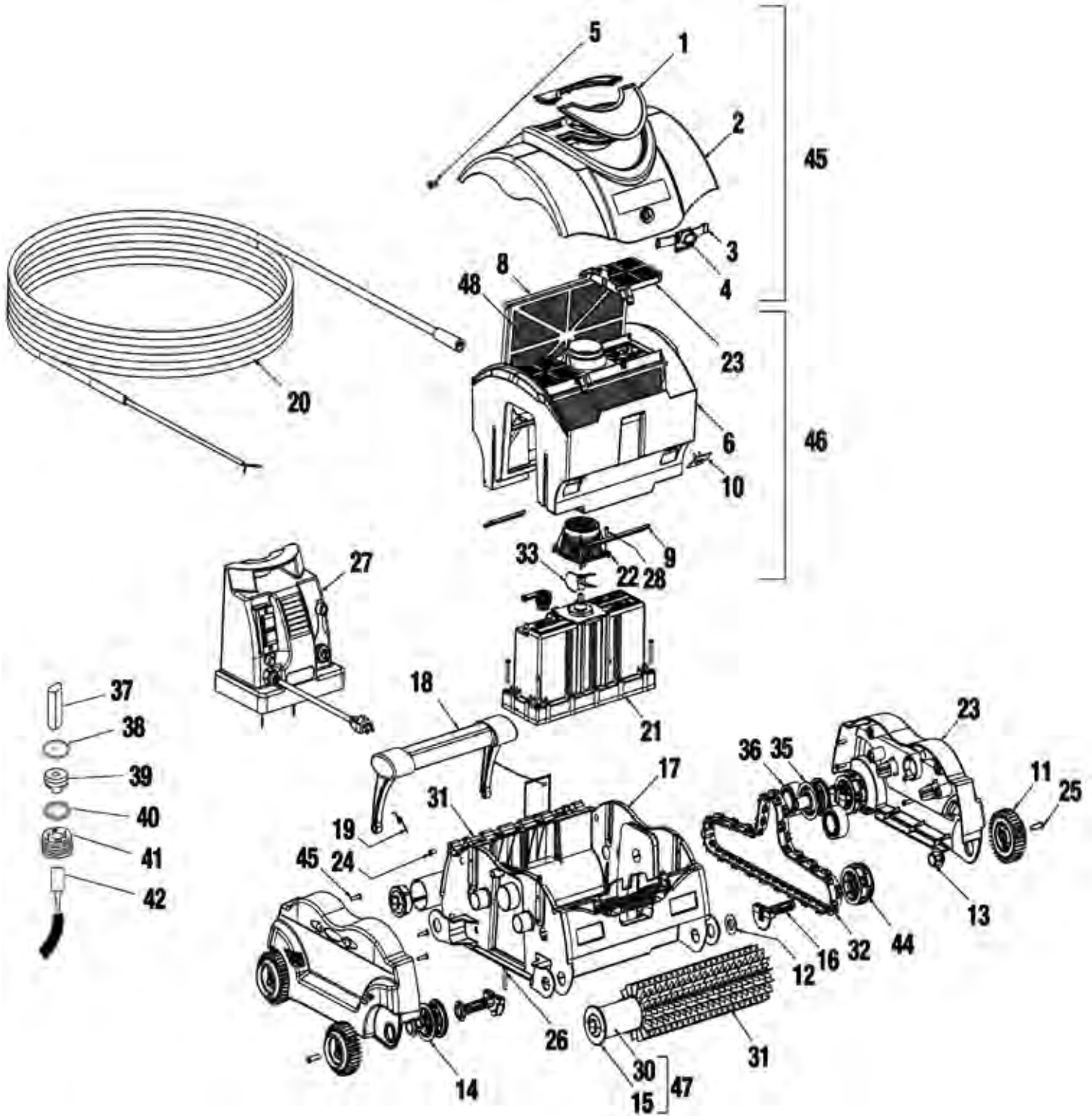


Cleaners

## Parts Listing RC9738

Ref. No.	Part No.	Description	Ctn. Qty.	Qty Req'd
1	RCX97421	Window, Dome Clear	5	2
3	RCX97431	Spring, Flat SV/EV	5	1
4	RCX97433	Button	10	1
5	RCX9743	Bushing Done (set of 2)	5	1
6	NLA	Housing, Filter Bucket - No longer available, use item 48	—	1
7a	RCX97417	Door, Filter	5	2
7b	RCX97417SPAK2	Mesh Filter for Door (set of 2)	1	1
8	RCX97405	Flap, Drain Small	10	2
9	RCX97407	Flap, Drain Large	5	1
10	RCX97445	Flap, Rubber	10	4
11	RCX97447	Cap, Wheel Rim (Set of 4) (for units made up to March 2013)	5	1
12a	RCX97449	Wheel Rim with Tire (for units made up to March 2013)	5	4
12b	RCX97508GR	Wheel Rim with Tire (for units made starting April 2013)	1	4
13	RCX97435PAK2	Bushing 1W (set of 2)	10	2
14a	RCX9737	Bushing 2W (set of 4) (for units made up to March 2013)	10	1
14b	RCX97506PAK2	Bushing 2W (set of 2) (for units made starting April 2013)	1	2
15a	RCX97439	Ring, Drive (for units made up to March 2013)	5	2
15b	RCX97505GR	Wheel - Drive Belt (for units made starting April 2013)	1	2
16a	RCX97441	Roller End (for units made up to March 2013)	10	4
16b	RCX97511GR	Cap, Roller End (for units made starting April 2013)	1	4
17a	RCX97443	Shaft (for units made up to March 2013)	10	4
17b	RCX97507GR	Shaft (for units made starting April 2013)	1	4
18	RCX97401	Base	1	1
19	RCX97425	Handle Assembly	1	1
20	RCX97427	Spring, Handle	5	1
21	RCX97413	Cord Assembly, 50' SV/EV	1	1
22	RCX97400	Motor Assembly SV/EV	1	1
23	RCX97455	Tube, Vent	5	1
24	RCX97403	Panel, Side	1	2
25	RCX97459	Screw M7 x 10mm flat Torx (pack of 5)	10	1
26a	RCX97457	Screw M7 x 25mm flat Torx (pack of 5) (for units made up to March 2013)	10	1
26b	RCX12011	Screw M5 x 20 (pack of 5) (for units made starting April 2013)	10	1
27	RCX97461	Screw M5 x 35mm (pack of 5)	10	2
28	RCX97453	Power Supply	1	1
29	RCX12010	Screw M5 x 12 pan Torx T-20 (pack of 10)	10	1
31	RCX97429	Shaft, Hinge	10	1
32	NLA	Tube, Wheel - No longer available, use item 49	—	2
33	RCX26008	Brush for Roller	5	1
34a	RCX23002	Drive Track (for units made up to March 2013)	5	1
34b	RCX97501GR	Drive Track (for units made starting April 2013)	1	1
35	RCX11000	Impeller	5	1
36	RCX40117	Drive Pin Assembly	5	1
37a	RCX97430	Drive Bearing Assembly (for units made up to March 2013)	5	1
37b	RCX97502GR	Drive Bearing Assembly (for units made starting April 2013)	1	1
38	RCX26000PAK2	Bearing, Idler Pulley (set of 2)	5	1
39	RCX59002	Connector Housing	5	1
40	RCX12301	Plastic Washer	10	1
41	RCX97462	Compression Seal	10	1
42	RCX12302	Plastic Washer	10	1
43	RCX59004	Seal Plug	10	1
44	RCX59006	Connector Socket Molex	10	2
45	RCX12011	Screw M5 x 20 Pan Torx (pack of 5)	10	2
46a	RCX97440	Drive Ring with Rubber Assembly (for units made up to March 2013)	5	2
46b	RCX97509GR	Drive Ring with Rubber Assembly (for units made starting April 2013)	1	2
47	RCX97418GN	Dome Assembly (includes items 1 thru 5)	1	1
48	RCX97414	Filter Bucket Assembly (includes items 6 thru 10)	1	1
49	RCX97410	Wheel Tube Assembly (includes items 16b and 32)	5	2
50a	RCX70101PAK2	Filter Cartridge Refill Set (1 set, 2 pcs)	5	1
50b	RCX70103PAK2	Filter Cartridge - Disposable Spring Cleanup (1 set, 2 pcs)	5	1
—	RC97385D	Caddy Cart	1	1
—	RC97387A	Plastic Handle for Caddy Cart	1	1
—	RCX31012A	Clear Plastic Membrane Cover for Power Supply Switch	10	1

### Parts Diagram RC9738CTBY



Cleaners

## Parts Listing RC9738CTBY

Ref. No.	Part No.	Description	Qty Per	Ctn. Qty.
1	RCX97421	Window, Dome Clear SV	2	5
2	RCX97419*	Dome, SV	1	1
3	RCX97431	Spring, Flat SV/EV	1	5
4	RCX97433*	Button SV	1	10
5	RCX97423	Bushing, Dome, SV	2	5
6	RCX97415	Housing, Filter Bucket	1	1
7a	RCX97417	Door, Filter	2	5
7b	RCX97417SPAK2	Door, Filter Element (Set of 2)	1	10
8	RCX97405	Flap, Drain Small SV	2	10
9	RCX97407	Flap, Drain Large SV	1	5
10	RCX97445	Flap, Rubber SV	4	10
11	RCX97508GR	Wheel Rim with Tire SV	4	5
12	RC97435PAK2	Roller Shaft Bushing Kit (Set of 2)	2	5
13	RCX97506PAK2	Bushing 2W SV	2	10
14	RCX97505GR	Ring, Drive SV	2	5
15	RCX97441	Roller End SV	4	10
16	RCX97507GR	Shaft SV	4	10
17	RCX341142*	Base SV	1	1
18	RCX97425*	Handle Assembly SV	1	1
19	RCX97427	Spring, Handle	1	5
20	RCX97413	Cord, Assembly 50' SV/EV	1	1
21	RCX97400	Motor Assembly SV/EV	1	1
22	RCX97455	Tube Vent	1	5
23	RCX97403E*	Panel, Side EV	2	1
24	RCX97459	Screw M7X10MM Flat TORX (pack of 5)	1	10
25	RCX97457	Screw M7X25MM Flat TORX (pack of 5)	1	10
26	RCX97461	Screw M5X35MM PT (pack of 5)	2	10
27	RCX97453	Power Supply SV	1	1
-	RCX31013A	Power Supply Circuit Breaker 3A	1	10
-	RCX31012	Power Supply Switch 16A	1	10
-	RCX31012A	Power Supply Switch Membrane Cover	1	10
-	RCX31018	Power Supply Output Connector	1	10
28	RCX12010	Screw M5X12 Pan TORX HD T-20 (pack of 10)	1	10
29	RCX97429	Shaft, Hinge S.S. SV/EV	1	10
30	RCX97520ABK	Tube Wheel, Black, Sharkvac	2	5
31	RCX26008	Brush, Roller T/S Clear	1	5
32	RCX97501GR	Drive Track, Soft Tread	1	5
33	RCX11000	Impeller	1	5
34	RCX40117	Drive Pin Assembly	1	5
35	RCX97502GR	Bearing, Drive Assembly	1	5
36	RCX26000PAK2	Pulley Bearing Kit (Set of 2)	1	5
37	RCX59002	Connector Housing	1	5
38	RCX12301	Washer Plastic Connector	1	10
39	RCX97462	Compression Seal	1	10
40	RCX12302	Washer Plastic Connector	1	10
41	RCX59004	Seal Plug	1	10
42	RCX59006	Connector Socket Molex	1	10
43	RCX12011	Screw M5 X 20 Pan TORX HD T-20 (pack of 5)	2	10
44	RCX97509PAK2	Ring, Drive with Rubber Assembly (pack of 2)	1	5
45	RCX97418*	Dome Assembly SV (1, 2, 3, 4, 5)	1	1
46	RCX97414	Filter Bucket Assembly SV/Ev (6, 7, 8, 9, 10)	1	1
47	RCX97410	Tube, Wheel Assembly SV	2	5
48	RCX70101PAK2	Filter Cartridges (Set of 2)	1	5
-	RCX70103PAK2	Spring Cleanup Filters (Set of 2)	1	10

\* ADD BK TO END OF PART NUMBER FOR BLACK

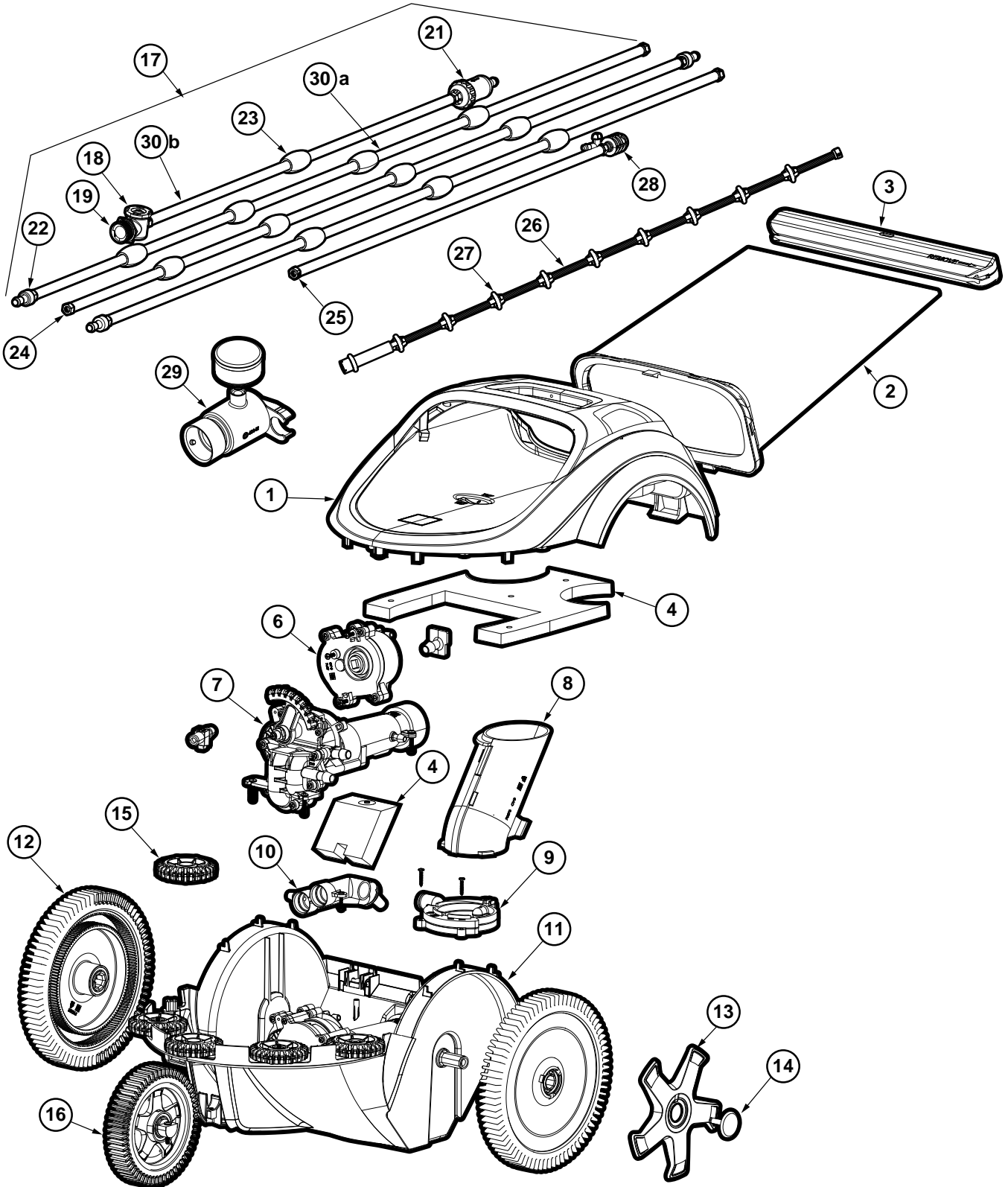
ADD -234 TO END OF PART NUMBER FOR BLUE METALLIC

ADD -236 TO END OF PART NUMBER FOR BLACK METALLIC ADD -237 TO END OF PART NUMBER FOR GRAY METALLIC

# TriVac™ 700

REPLACEMENT PARTS

## Parts Diagram



Cleaners

Parts Listing

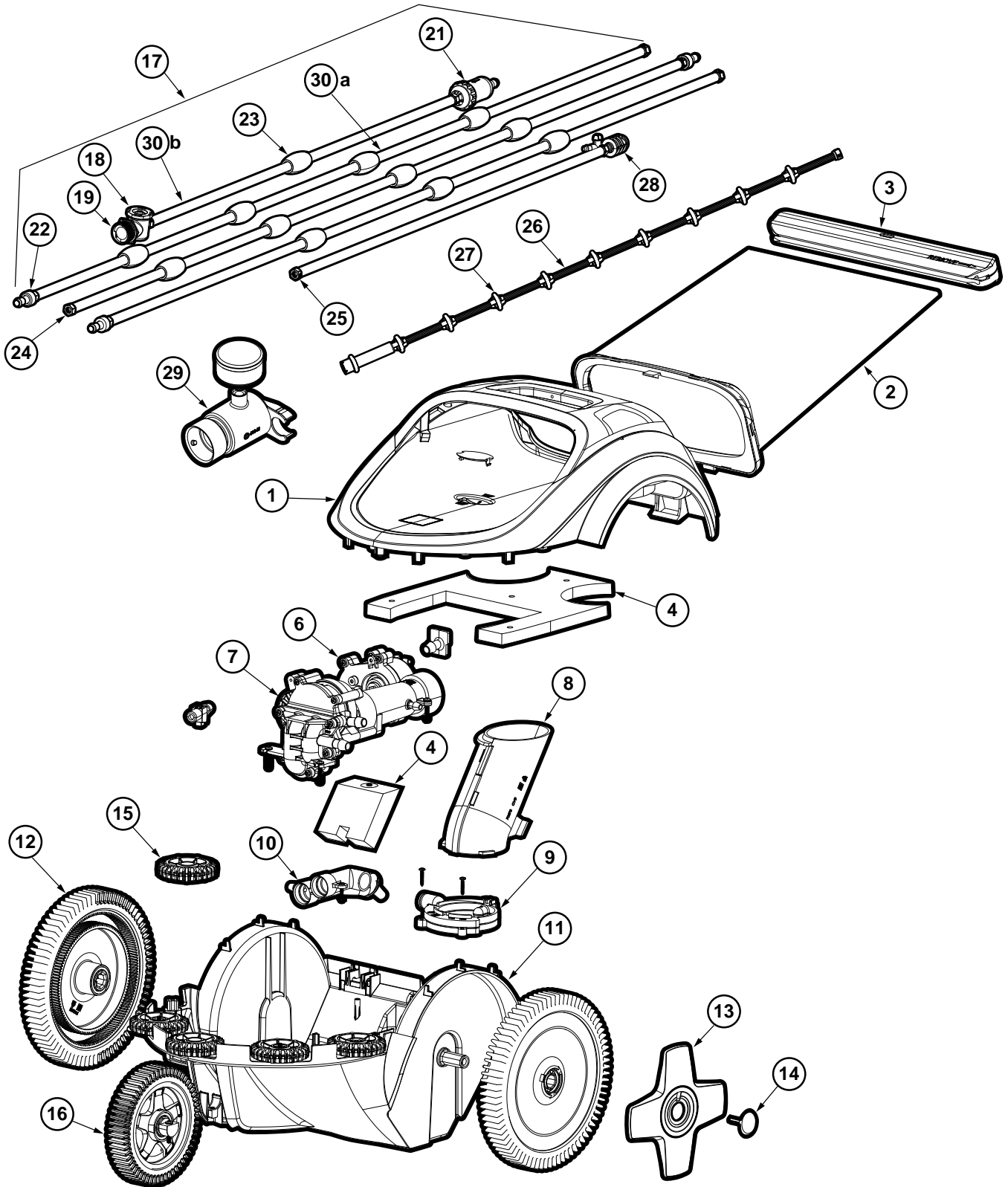
Ref. No.	Part No.	Description	Ctn. Qty.
1	TVX7000TA-01	Top Assembly Kit	1
2	TVX7000BA	Bag Kit (Float Included)	25
3	TVX6009EA	Float Debris Bag Kit	10
4	TVXFOAM	Foam Kit	5
5	TVX7000TV	Timer-Valve Kit	1
6	TVX7000TM	Timer Kit	1
7	TVX7000VA	Valve Kit	1
8	TVX7057-01	Assembly Vacuum Tube	5
9	TVX7000BM-01	Bottom Manifold Kit	10
10	TVX7000SM-01	Manifold Skim Thrust Kit	10
11	TVX7000LA-01	Lower Assembly Kit	1
12	TVX7000RW-01	Wheel Kit, Rear	10
13	PVXS005PK2-237	Wheel Styling 5 Spoke (Set of 2)	20
14	PVXS0006-237	Wheel Retainer Clip (Set of 2)	20
15	TVX7036-234	Roller Kit, Side	10
16	TVX7000FW-01	Wheel Kit, Front	10
17	TVX7000HA-01	Hose Kit	1
18	TVX7000HWA-01	Hose Wall Connection Kit	10
19	TVX7015-205	Universal Wall Fitting Kit	10
20	TVX7000WCA-01	Wall Connection Kit	10
21	TVX7000HFA-01	Hose Filter Kit	10
22	TVX7000SA-01	Swivel Kit	10
23	TVX7025PK3-205	Float Kit (Set of 3)	10
24	TVX7000MNP3	Mender Nut Kit, Gray (Set of 3)	10
25	TVX6000MNP3	Mender Nut Kit, White(Set of 3)	10
26	TVX7000HST-01	Sweep Tail Kit	10
27	TVX7081-01	Roller, Sweep Tail Kit	10
28	TVX7059-205	Unit Connector Kit	10
29	TVX6000PTA	Pressure Tester Kit	5
30a	TVX7027A-205	PVC Hose .50ID x .750D x 8 ft Kit	1
30b	TVX7027B-205	PVC Hose .50ID x .750D x 4 ft Kit	1
—	TVX7000TU	Tune Up Kit (2,12,15,16)	1
—	TVX7000CHA-01	Cleaner Head	1



# TriVac™ 500

REPLACEMENT PARTS

## Parts Diagram



Cleaners



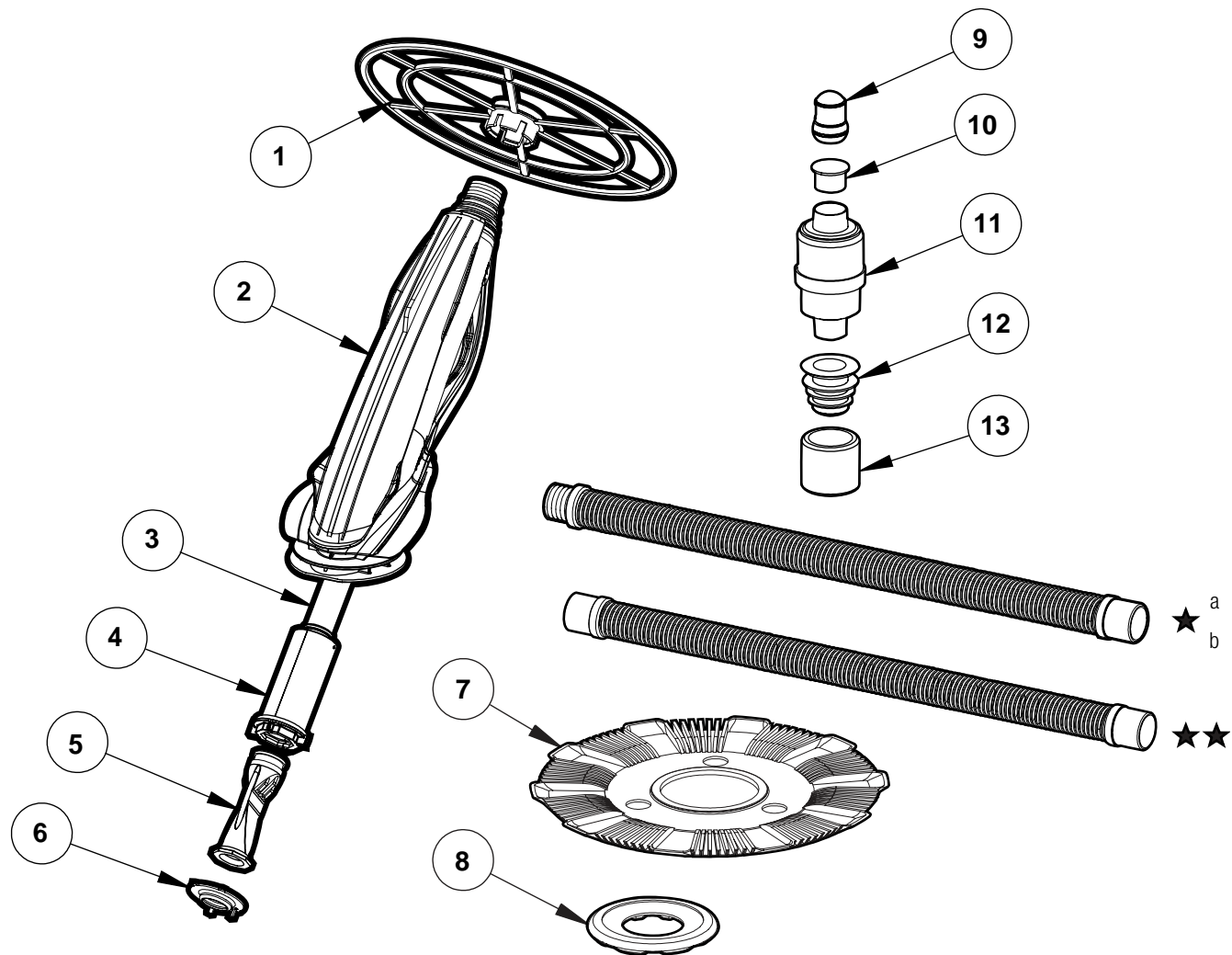
## Parts Listing

Ref. No.	Part No.	Description	Ctn. Qty.
1	TVX7000TA-02	Top Assembly Kit	1
2	TVX7000BA	Bag Kit (Float Included)	25
3	TVX6009EA	Float Debris Bag Kit	10
4	TVXFOAM	Foam Kit	5
5	TVX7500TV	Timer-Valve Kit	1
6	TVX7000TM	Timer Kit	1
7	TVX7500VA	Valve Kit	1
8	TVX7057-01	Assembly Vacuum Tube	5
9	TVX7000BM-01	Bottom Manifold Kit	10
10	TVX7000SM-01	Manifold Skim Thrust Kit	10
11	TVX7000LA-02	Lower Assembly Kit	1
12	TVX7000RW-01	Wheel Kit, Rear	10
13	PVXE003PK2-237	Wheel Styling 4 Spoke (Set of 2)	20
14	PVXS0006-237	Wheel Retainer Clip (Set of 2)	20
15	TVX7036-234	Roller Kit, Side	10
16	TVX7000FW-01	Wheel Kit, Front	10
17	TVX7500HA-01	Hose Kit	1
18	TVX7000HWA-01	Hose Wall Connection Kit	10
19	TVX7015-205	Universal Wall Fitting Kit	10
20	TVX7000WCA-01	Wall Connection Kit	10
21	TVX7000HFA-01	Hose Filter Kit	10
22	TVX7000SA-01	Swivel Kit	10
23	TVX7025PK3-205	Float Kit (Set of 3)	10
24	TVX7000MNP3	Mender Nut Kit, Gray (Set of 3)	10
25	TVX6000MNP3	Mender Nut Kit, White (Set of 3)	10
26	TVX7000HST-01	Sweep Tail Kit	10
27	TVX7081-01	Roller, Sweep Tail Kit	10
28	TVX7059-205	Unit Connector Kit	10
29	TVX6000PTA	Pressure Tester Kit	5
30a	TVX7027A-205	PVC Hose .50ID x .750D x 8 ft Kit	1
30b	TVX7027B-205	PVC Hose .50ID x .750D x 4 ft Kit	1
—	TVX7000TU	Tune Up Kit (2,12,15,16)	1
—	TVX7000CHA-02	Cleaner Head	1

# DV5000/KingRay®

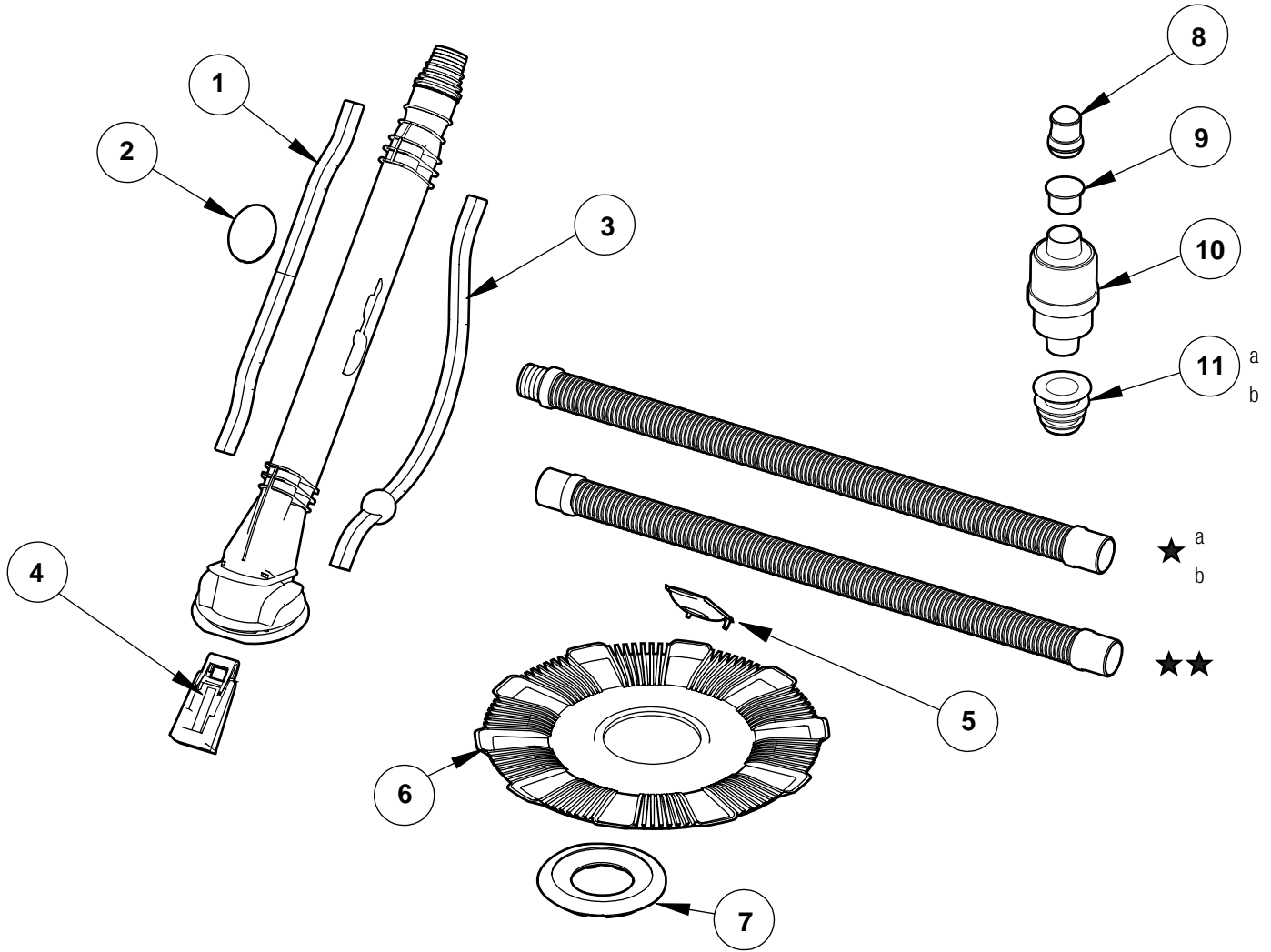
## REPLACEMENT PARTS

### Parts Diagram and Parts Listing



Ref. No.	Part No.	Description	Ctn. Qty.	Qty Req'd
1	DCX110	Halo	1	1
2a	DCX353	Body Halves, Right and Left and hardware (DV5000)	10	1
2b	DCX332	Body Top Cover (DV5000)	1	1
2c	DCX344	Body Set Screws and Plugs (DV5000)	10	1
3	DCX108	Tube, Internal	1	1
4	DCX105	Cassette Assembly (includes Diaphragm, Item 5)	1	1
5	DCX105C	Diaphragm	1	1
6	DCX106	Retainer, Cassette	1	1
7a	DCX152	Disc (Kingray) - blue	1	1
7b	DCX152SV	Disc (DV5000) - silver	1	1
8	DCX150	Foot Wear Ring	1	1
9	DCX170	Diverter, Eyeball	1	1
10	DCX182	Lid, Bypass	1	1
11	DCX180	Regulator, Flow (includes Bypass Lid, Item 10)	1	1
12	DCX172	Adapter	1	1
13	DCX174	Weight, Hose	1	1
*a	DC176PAK24	Hose, Connector, M/F – Bulk Pack of 24 - green, for KingRay	1	1
*b	DC2072PAK24	Connector Hose, M/F (DV5000) – Pack of 24 - silver	1	1
**	DC178PAK8	Hose, Leader, F/F – Bulk Pack of 8 - green, for KingRay	1	1

## Parts Diagram and Parts Listing

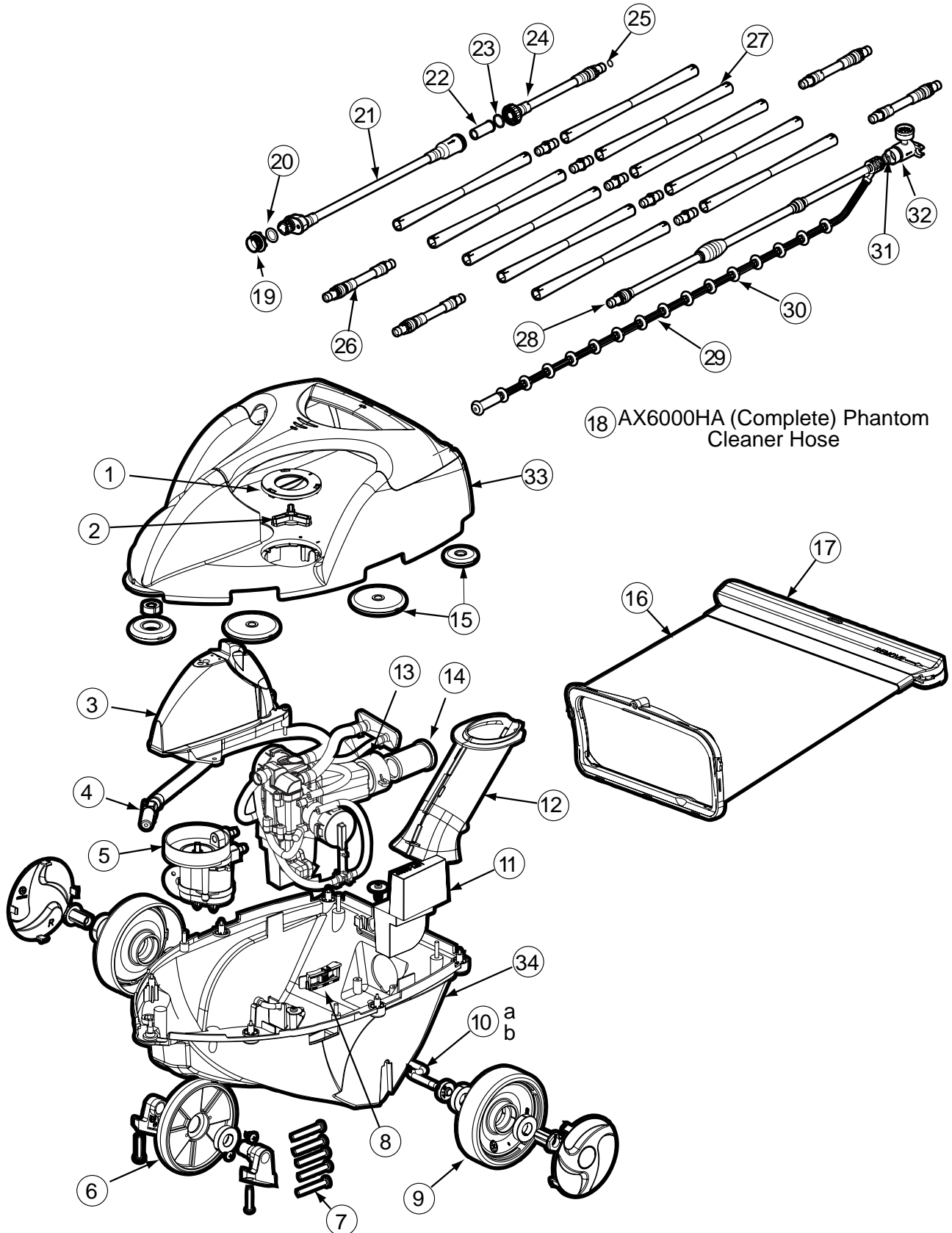


Ref. No.	Part No.	Description	Ctn. Qty.	Qty Req'd
	DCX212	Swivel Assy	1	1
	DCX220	Header "y"	1	1
	DCX235	Tube Cover, Blue (AquaRay)	10	1
	DCX230	Internal Tube, White (AquaRay)	10	1
1	DCX126	Handle, Float	10	1
2	DCX124	Float	10	1
3	DCX128	Deflector	1	1
4	DCX120	Hammer and Clip Assembly	10	1
5	DCX122	Retainer, Flapper	10	1
6	DCX162	Disc	1	1
7	DCX150	Wear Ring	10	1
8	DCX170	Diverter, Eyeball	10	1
9	DCX182	Lid, Bypass	10	1
10	DCX180	Regulator, Flow (includes Bypass Lid, Item 9)	1	1
11a	DCX172	Adapter	10	1
11b	DCX1091	Cone Style Adapter (Optional)	10	1
a	DC176PAK24	Hose, Connector, M/F – Bulk Pack of 24 - green, for SunRay	1	1
a	DC178PAK8	Hose, Leader, F/F – Bulk Pack of 8 - green, for SunRay	1	1
b	DC2072PAK24	Connector Hose for DV1000 - silver (pack of 24)	1	1

# Phantom™ and Phantom Turbo™

## REPLACEMENT PARTS

### Parts Diagram



Cleaners

# Phantom™ and Phantom Turbo™

## REPLACEMENT PARTS

### Parts Listing

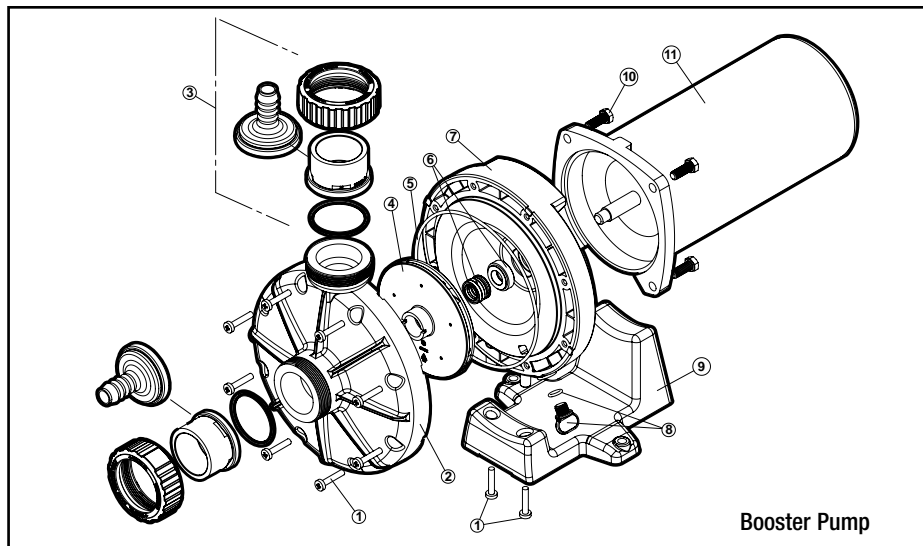
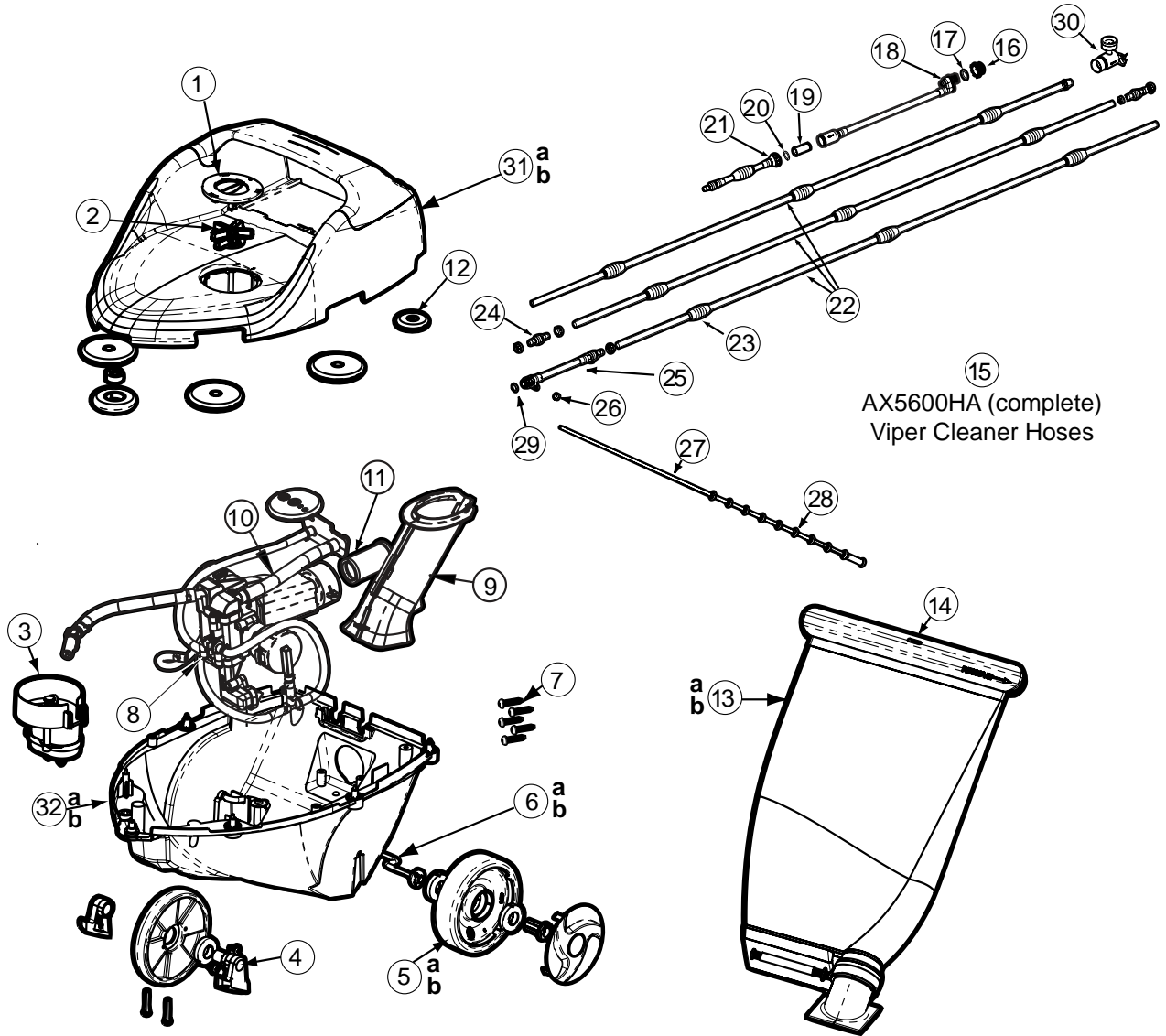
Ref. No.	Part No.	Description	Ctn. Qty.	No. Req'd
1	AX6001F	Cam Cap	10	1
2	AX5003M	Cams (3 pack)	10	1
3	AX6000TNKA	Nose Jet Tank	5	1
4	AX6008M	Front Spin-out Jet (w/Hose and Tie)	10	1
5	AX6000GA	Gearbox (w/Cams, Hose and Ties)	10	1
6	AX6009BF	Front Wheel (w/Retainer and Bearings)	10	1
7	AX5010D4	Screws (5 pack)	10	5
8	AX6000SWA	Top/Auto/Bot Switch	10	1
9	AX6009B	Rear Wheels w/Bearings, Nuts and Hubcaps	10	2
10a	AX5009E1	Split Rear Axle (for units manufactured after June 2006)	5	1
10b	AX5009E	One Piece Rear Axle	5	1
11	AX5500EF	Floats (Left & Right)	5	1
12	AX5000B	Vac Tube	5	1
13	AX6000MA3	Turbo Manifold Assembly	1	1
14	AX6004R1	Manifold Filter Screen (only for use in AX6000MA3 Manifold)	25	1
15	AX6000D	Soft Rollers (7 Pack w/Bearing)	10	7
16	AX6000BA	Large Capacity Debris Bag (Complete)	25	1
17	AX6000FC	Bag Closure	10	1
18	AX6000HAV	Rigid Pressure Hose (Complete)	1	1
19	AX5004L1	Universal Wall Fitting	10	1
20	AX5010G10	Wall Quick Connect O-Ring	100	1
21	AX6000HWA1	Wall Quick Connect Hose, Bottom In-Line Filter Assembly	10	1
22	AX6009S	In-Line Filter Screen	25	1
23	AX5010G19	In-Line Filter O-Ring	100	1
24	AX6000HWA2V	Pressure Hose and Top of In-Line Filter Cap Assembly	10	1
25	AX5010G20	Pipe Connector O-Ring (6 pack)	100	1
26	AX6000HFA	Hose Swivel Assembly	10	4
27	AX6000HE	Rigid Hose Pipe Section (2 Rigid Pipes & 1 Coupling)	100	1
28	AX6000HCA	Pressure Hose Cleaner End Assembly (w/o Sweep Hose)	1	1
29	AX5000RSA	Sweep Hose (w/Rollers and Mender Nut)	10	1
30	AX5006A	Wear Rollers (10 pack)	10	1
31	AX5010G18	Cleaner Connector O-Ring	100	1
32	AX6000PTA	Set up Pressure Gauge	5	1
33	AX6000TA	Deck (w/Wing & Cam Cap)	1	1
34	AX5000A2	Bottom Housing	1	1
—	AX6000MA3GA	Gearbox (w/Cams, Hose and Ties) Turbo Manifold Assembly	1	1

**NOTE:** When ordering replacement parts for black model add BK to end of part number.

# VIPER™

REPLACEMENT PARTS

## Parts Diagram



Booster Pump

Cleaners

## Parts Diagram

Ref. No.	Part No.	Description	Ctn. Qty.	No. Req'd
1	AX5501F	Cam Cap	10	1
2	AX5003M	Cams (3 pack)	10	1
3	AX5500GA	Gearbox (w/Cams, Hose and Ties)	10	1
4	AX6009BF	Front Wheel (w/Shaft and Bearings)	10	1
5a	AX6009B	Rear Wheels w/Bearings, Nuts and Hubcaps (for units manufactured after June 2006)	10	2
5b	AX5009A	Rear Wheels w/Bearings, Nuts and Hubcaps (for units manufactured before June 2006)	10	2
6a	AX5009E	Rear Axle (for units manufactured before June 2006)	5	1
6b	AX5009E1	Split Rear Axle (for units manufactured after June 2006)	5	1
7	AX5010D4	Screws (5 pack)	10	5
8	AX5000CVA	Check Valve (w/Hose and Ties)	10	1
9	AX5000B	Vac Tube	5	1
10	AX5500MA3V	Turbo Manifold Assembly	1	1
11	AX6004R1	Manifold Filter Screen (only for use in AX5500MA3)	25	1
12	AX6000D	Soft Rollers (7 Pack w/Bearing)	10	7
13a	AX5500BFA	Large Capacity Debris Bag (Complete)	10	1
13b	AX5500BFLA4	Large Capacity Debris Bag (Complete) White Attachment	10	1
14	AX6000FC	Bag Closure	10	1
15	AX6000HAV	Pressure Hose (Complete)	1	1
16	AX5004L1	Universal Wall Fitting	10	1
17	AX5010G10	Wall Quick Connect O-Ring	100	1
18	AX5600HWA1	Wall Quick Connect Hose, Bottom In-Line Filter Assembly	10	1
19	AX6009S	In-Line Filter Screen	25	1
20	AX5010G19	In-Line Filter O-Ring	100	1
21	AX5600HWA2	Pressure Hose and Top of In-Line Filter Cap Assembly	10	1
22	AX5010I1	Pressure Hose (10 Feet)	10	3
23	AXS038	Hose Floats (5 pack)	10	2
24	AX5000SA	Hose Swivels (3 pack)	10	2
25	AX5600HCA	Pressure Hose Cleaner End Assembly (w/o Sweep Hose)	10	1
26	AX5004B	Mender Nuts (4 pack)	20	1
27	AX5000RSHA	Sweep Hose (w/Rollers and Clamp)	10	1
28	AX5006A	Wear Rollers (10 pack)	10	1
29	AX5010G18	Cleaner Connector O-Ring	100	1
30	AX6000PTA	Set up Pressure Gauge	5	1
31a	AX5500TA	Deck (w/Wing and Cam Cap) – White	1	1
31b	AX5500TA4	Deck (w/Wing and Cam Cap) – Yellow	1	1
32a	AX5500A	Bottom Housing (w/Retainers) – Light Gray	1	1
32b	AX5500A4	Bottom Housing (w/Retainers) – Blue	1	1
—	AX5500A4	10 Foot Pressure Hose Extension (Complete) – Blue	1	1

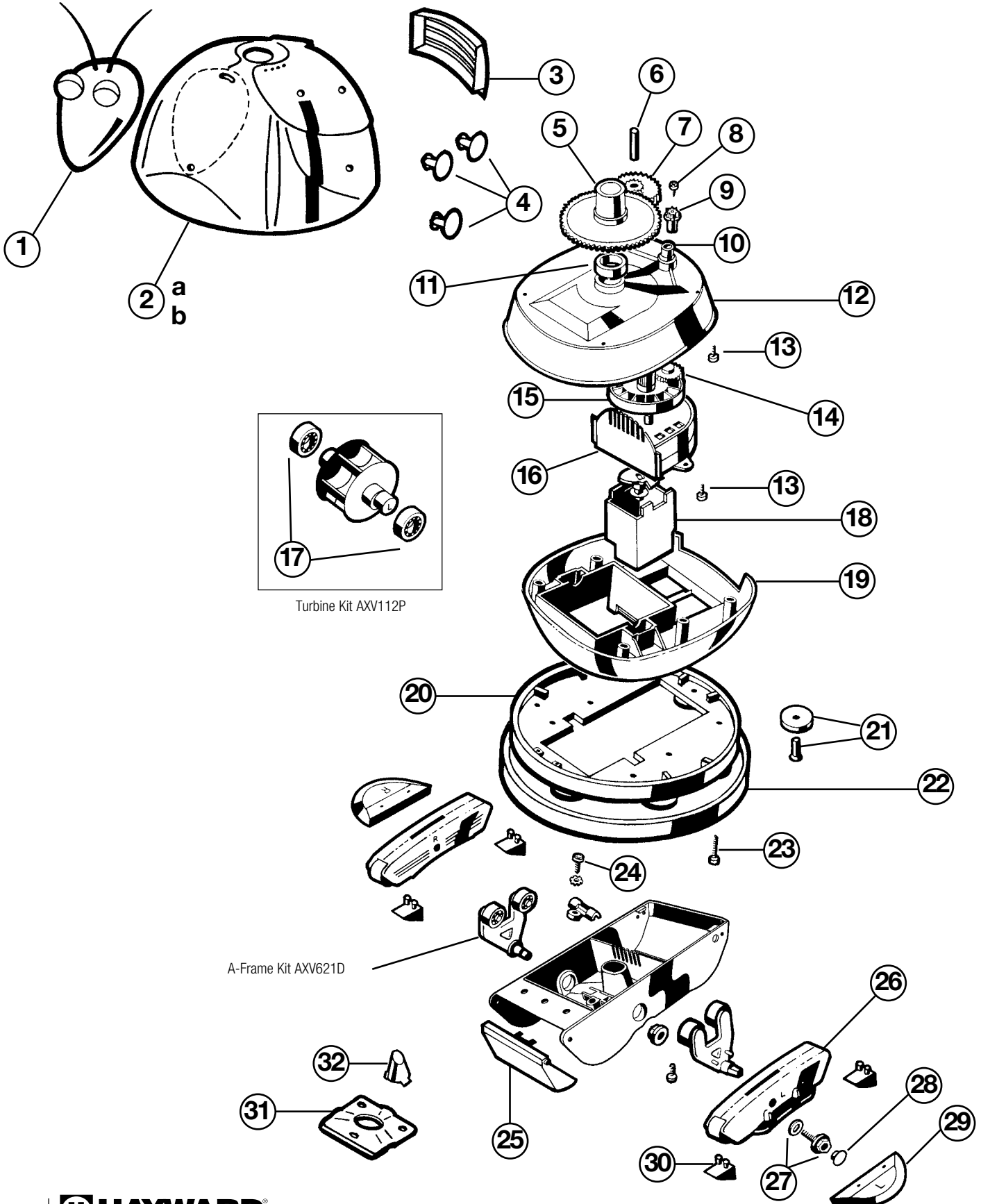
\*Manifold replacement in units manufactured prior to July 2004 require Bottom Housing (AX5000A), Split Rear Axle (AX5009E1) and Rear Wheels (A6009BGR).

**Note:** When ordering replacement parts for black model add BK to end of part number

## Booster Pump Parts

1	AX6060Z1	Screws	50	1
2	AX6060A	Volute	1	1
3	AX6060UNPAK	Union Fittings Kit (2 Unions w/O-Rings)	5	1
4	AX6060C	Impeller Assembly	5	1
5	AX6060S	O-Ring	50	1
6	SPX2700SA	Seal Assembly	10	1
7	AX6060E	Seal Plate Assembly (Seal Plate w/drain plug and O-Ring)	1	1
8	SPX4000FG	Drain Plug w/O-Ring	200	1
9	AX6060G	Motor Support	1	1
10	SPX3200Z5	Motor Bolts	50	1
11	SPX2707Z1M	Motor (3/4 HP, 60 Cycles)	1	1

### Parts Diagram



Cleaners



### Parts Listing

Ref. No.	Part No.	Description	Ctn. Qty.	No. Req'd
1	AXV464	Head Assembly, includes Head, Eyes & Antennae	10	1
2a	AXV457OR	Shell, Orange	*	1
2b	AXV457YL	Shell, Yellow	*	1
3	AXV513BK	AquaBug Screen, Black	10	1
4	AXV443	AquaBug Spots, 4 large & 2 small	10	1
5	AXV070	Cone Gear	*	1
6	AXV309	Intermediate Gear Shaft	*	1
7	AXV301	Intermediate Gear	25	1
8	AXV068	Spindle Gear Screw	*	1
9	AXV303	Spindle Gear	25	1
10	AXV066A	Spindle Gear Bushing	25	1
11	AXV306	Cone Gear Bushing	50	1
12	AXV060WH	Upper Middle Body	*	1
13	AXV065P	Lower/Upper Body Screw (6 pack)	*	1
14	AXV064A	Medium Turbine Drive Gear	25	1
15	AXV062C	Medium Turbine	25	1
16	AXV009	Medium Turbine Case w/Axle	25	1
17	AXV055P	Turbine Bearings (2)	50	1
18	AXV518P	Gear Box	10	1
19	AXV050CWH	Lower Middle Body	*	1
20	AXV525	Base Plate Assembly - NLA	5	1
21	AXV551P	Wheel Kit (6 wheels, axles)	25	1
22	AXV458	AquaBug Ring	5	1
23	AXV057P	Middle Body Screw (6 pack)	*	1
24	AXV313	Lower Body Screw	*	1
25	AXV442	Flap Kit, White (2 flaps, front & rear)	25	1
26	AXV417WHP	Pod Kit	25	1
27	AXSCR4008	Pod Screw Kit (2 hex head screws & 2 washers)	50	1
28	AXV016P	Pod Plug (6 pack) - NLA	50	1
29	AXV552WHP	Wing Kit, White	50	1
30	AXV014SP	Slotted Santoprene Shoes (4 pack)	50	1
31	AXV304A	Bottom Plate	25	1
32	AXV512A	Nozzle	*	1

\*Special order.



# Scuba Dave™ / Wally the Whale™

ABOVE-GROUND CLEANER REPLACEMENT PARTS

## Parts Listing

Ref. No.	Part No.	Description	Ctn. Qty.	No. Req'd
1	AXV457SD	Shell for Diver Dave	*	1
2a	AXV457W	Shell for Wanda the Whale w/Tail	*	1
2b	AXV443	Spots, 4 large, 2 small	*	1
3	AXV457WT	Tail Assembly for Wanda the Whale - NLA	*	1
4	AXV513BK	Screen, Black	10	1
5	AXV070	Cone Gear	*	1
6	AXV309	Intermediate Gear Shaft	*	1
7	AXV301	Intermediate Gear	25	1
8	AXV068	Spindle Gear Screw	*	1
9	AXV303	Spindle Gear	25	1
10	AXV066A	Spindle Gear Bushing	25	1
11	AXV306	Cone Gear Bushing	50	1
12	AXV060WH	Upper Middle Body	*	1
13	AXV065P	Lower/Upper Body Screw (6 pack)	*	1
14	AXV064A	Medium Turbine Drive Gear	25	1
15	AXV062C	Medium Turbine	25	1
16	AXV009	Medium Turbine Case w/Axle	25	1
17	AXV055P	Turbine Bearings (2)	50	1
18	AXV518P	Gear Box	10	1
19	AXV050CWH	Lower Middle Body	*	1
20	AXV525	Base Plate Assembly - NLA	5	1
21	AXV551P	Wheel Kit (6 wheels, axles)	25	1
22	AXV458	Ring, Black	5	1
23	AXV057P	Middle Body Screw (6 pack)	*	1
24	AXV313	Lower Body Screw	*	1
25	AXV442	Flap Kit, White (2 flaps, front & rear)	25	1
26	AXV417WHP	Pod Kit	25	1
27	AXSCR4008	Pod Screw Kit (2 hex head screws & 2 washers)	50	1
28	AXV016P	Pod Plug (6 pack) - NLA	50	1
29	AXV552WHP	Wing Kit, White	50	1
30	AXV014SP	Slotted Santoprene Shoes (4 pack)	50	1
31	AXV304A	Bottom Plate	25	1
32	AXV512A	Nozzle	*	1

\*Special order.

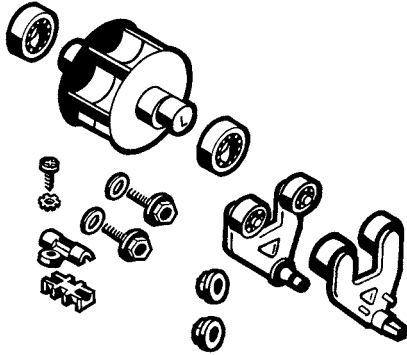
Cleaners

# AquaBug®, Scuba Dave® and Wally the Whale®

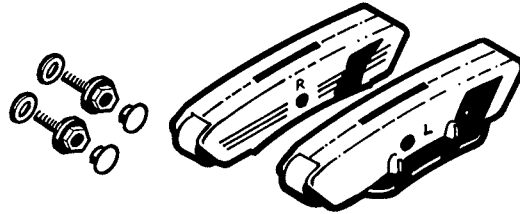
PARTS KITS AND ACCESSORIES FOR ABOVE-GROUND CLEANERS

## Parts Diagram

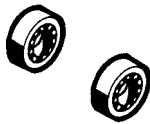
AXV621DAT Universal A-Frame/Turbine Kit



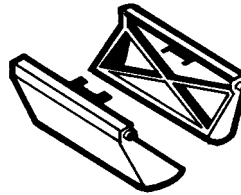
AXV417WHP Pod Kit, White



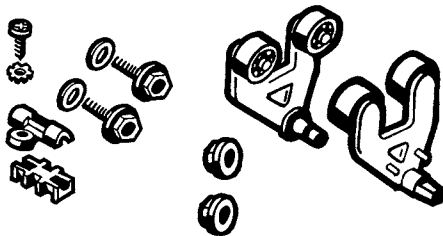
AXV055P Turbine Bearings



AXV434WHP Propulsion/Conversion Kit



AXV621D Universal A-Frame Kit



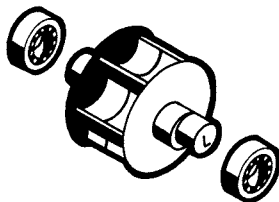
AXV151 90° Elbow



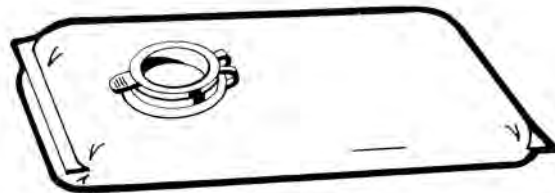
AXV093BP Skimmer Adapter Cone



AXV112P Turbine Kit Above Ground



AXW100 Ladder Guard



# AquaBug®, Scuba Dave® and Wally the Whale®

PARTS KITS FOR ABOVE-GROUND CLEANERS

## Parts Listing

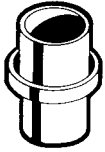
Part No.	Description	Ctn. Qty.	No. Req'd
AXV014SP	Pod shoes, fiberglass (4 pack)	50	1
AXV014FNP	Pod shoe kit, vinyl (4 pack)	50	1
AXSCR4008	Pod screw kit (includes two hex head pod screws and two washers)	*	1
AXV434WHP	Flap kit, white (includes front and rear flap assemblies)	25	1
AXV621DAT	A-frame/turbine kit (includes two A-frames and bushings, saddle, keeper, main turbine and bearings, hex head pod screws and pod screw washers)	10	1
AXV055P	Turbine bearing kit (2 pack)	50	1
AXV057P	Middle body screw kit (6 pack)	*	1
AXV065P	Upper body screw kit (6 pack)	*	1
AXV079VP	Medium turbine/spindle gear kit vinyl (medium turbine, drive gear, bushing, spindle gear, screw, medium turbine axle, intermediate gear, intermediate gear axle)	25	1
AXV621D	A-frame kit (includes two A-frames and bushings, saddle, keeper, two hex head pod screws and two pod screw washers)	25	1
AXV112P	Turbine kit, Above Ground (includes main turbine and two turbine bearings)	25	1
AXV417WHP	Pod kit, white (includes right and left pod assemblies)	25	1
AXV699P	A-frame bushing/saddle kit	25	1
AXV552WHP	Wing kit, white (includes left and right wings)	50	1

# Pool Vac® (Plus, Ultra) and Navigator®

PARTS KITS AND ACCESSORIES FOR CONCRETE, DESERT AND VINYL MODELS

## Parts Diagram

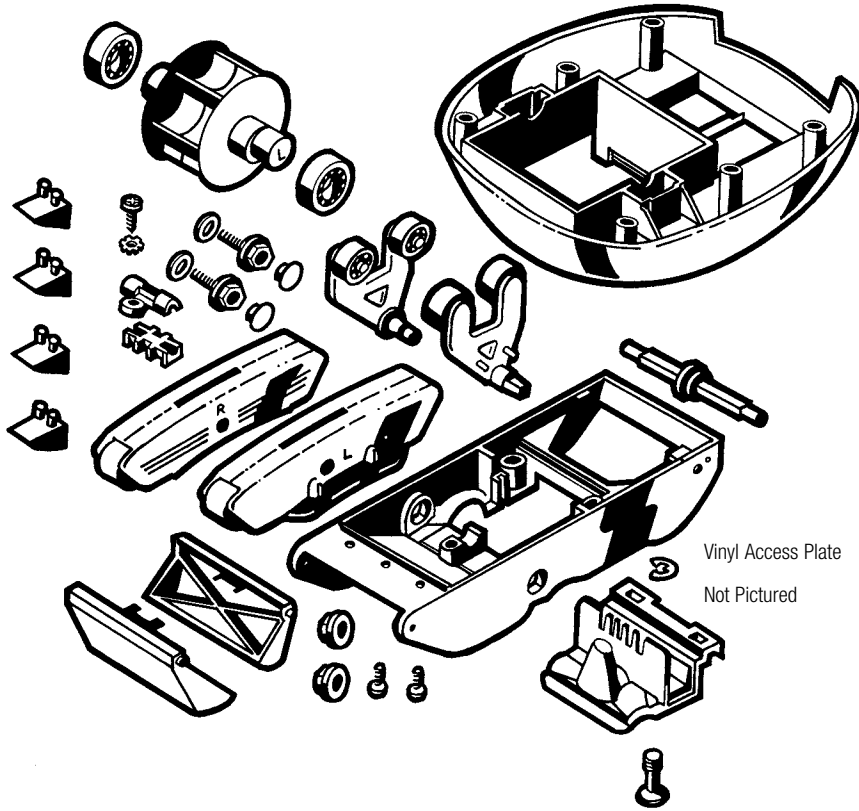
AXV092 Hose Connector



AXV098 Hose Adapter

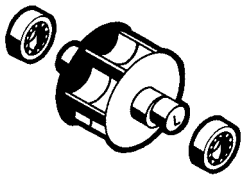


AXV622DPK Propulsion/Conversion Kit



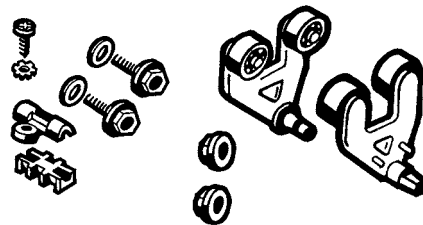
AXV112P Turbine Kit

AXV602P Turbine Kit

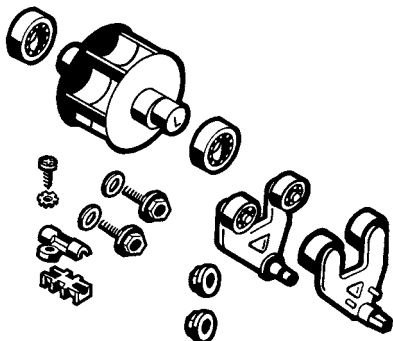


AXV621D Universal A-Frame Kit

(for Model #'s 925 & 2025)

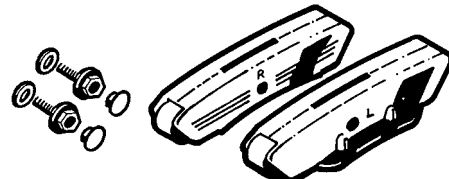


AXV621DAT Universal Model A-Frame/Turbine Kit



AXV417WHP, AXV417BKP,

AXV417LGP Pod Kit



**COLOR KEY:** WH = White, BK = Black, LG = Light Gray

Cleaners

# Pool Vac® (Plus, Ultra) and Navigator®

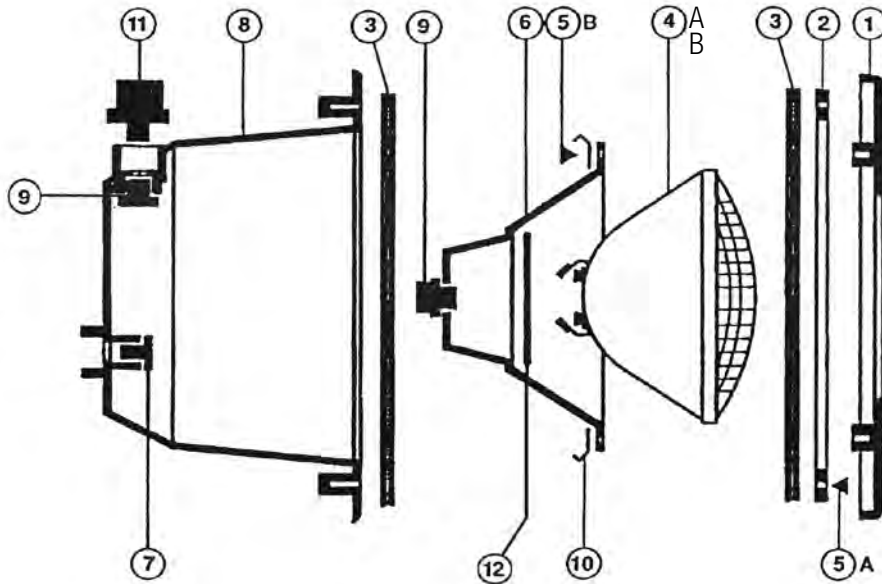
CONCRETE, DESERT AND VINYL MODELS PARTS KITS

## Parts Listing

Part No.	Black	Description	Ctn. Qty.	No. Req'd
AXV414604WHP	—	<b>Shoe and Wing Maintenance Kit</b> (Includes one set of concrete shoes and one set of wings)	50	1
AXV079VP	—	<b>Medium Turbine/Spindle Gear Kit</b> (Includes medium turbine, drive gear bushing, spindle gear, screw, medium turbine axle, intermediate gear, intermediate gear axle)	25	1
AXV621D	—	<b>Universal A-Frame Kit</b> (Includes two A-frames and bushings, saddle, keeper, two hex head pod screws and pod screw washers)	25	1
AXV602P	—	<b>Turbine Kit</b> (Includes main turbine and two turbine bearings)	25	1
AXV621417WHP	—	<b>A-Frame and Pod Tune Up Kit</b> (Includes two soft roller A-frames and bushings, saddle, keeper, main turbine and bearings, hex head pod screws, pod screw washers, right and left pods and pod plugs)	10	1
AXV621DAT	—	<b>Universal A-Frame/Turbine Kit</b> (Includes two soft roller A-frames and bushings, saddle, keeper, main turbine and bearings, hex head pod screws and pod screw washers)	10	1
AXV417WHP	AXV417BKP	<b>Pod Kit</b> (Includes right and left pods and pod plugs)	25	1
AXV699P	—	<b>A-Frame/Bushing/Saddle Kit</b> (Includes two bushings, saddle, keeper, screw and washer)	25	1
AXV622DPK	AXV622DPKBK	<b>Concrete Universal Propulsion/Conversion Kit</b> (Includes access cover assembly, lower body and screws, A-frames and bushings, saddle, keeper, screw and washer, pods, hex head pod screws and washers, flaps and springs, flap adjuster, turbine and bearings, shoes and lower middle body)	1	1
AXV622604WHP	—	<b>Propulsion and Wing Rebuild Kit</b> (Includes access cover assembly, lower body and screws, A-frames and bushings, saddle, keeper, screw and washer, pods, hex head pod screws and washers, flaps and springs, flap adjuster, turbine and bearings, shoes, lower middle body and wings)	1	1
AXV092	—	<b>Hose Connector</b>	25	1
AXV098	—	<b>Hose Adapter</b>	25	1
V574P	—	<b>Flow Gauge</b>	25	1

# Underwater Lighting ProSeries™ Light

SP120, SP300 REPLACEMENT PARTS



	Part No.	Description	No. Required
	1	PRXD240P Face Plate	1
	2	PRX9513 Niche Flange	1
	3	PRX20008 Niche Gasket set (2)/Joint d'étanchéité	2
	4b	SPX05012Z14* 120 Watt Lamp/Lumière 120 watt (4 Pack)	1
	4c	SPX050LED LED Bulb + O-Ring	1
	4d	SPX9LED100 Lamp Assy, Body Cord	1
	5A	ECX1901 Niche Screw Set (8)/Vis pour niche	8
	5B	ECX1900PAK Lamp Screw Pak/Vis pour lumière	1
	6	PRX9472 Lamp Bracket/Support	1
	7	PRX20021 Niche Plug/Bouchon de Niche	1
	8	SPX9470 Niche Concrete/Niche béton	1
		SPX9474 Niche Thin Wall/Niche pour mur mince	1
	9	ECX3219 Remke Conn. Liquid Tight	1
	10	PRX9120 Lamp Clip Set (4)	4
	11	SPX9400FPAK Light Conduit Fitting Kit	1
		SPX9400W Winterizing Kit	1
		SPX9400W10 Winterizing Kit (10 pak)	1
	12	PRX20007 O-Ring Seal	1
		SPX05024Z14* 240 watt lamp (4 pack)	1

\*Sold in Packs of 4 only

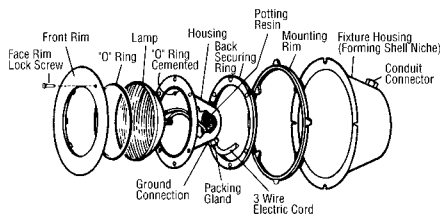
Cat. No. SPX9474

Part No.	Description
PR9474ABS	Vinyl Niche ABS
PR9513	Flange Ring Vinyl
PR20008	Self Adhesive Neo Gasket
EC1900PAK	Vinyl Niche Screw Pack
SP9400FPAK	Light Conduit Fitting Pack
PR20021	Niche Plug
SP9400W	Foam Winterizing Block

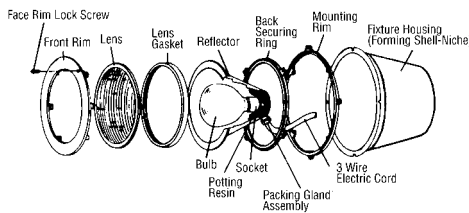


# Underwater Lights & Accessories

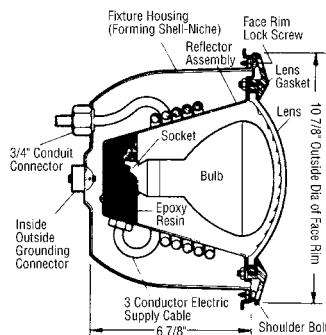
REPLACEMENT PARTS



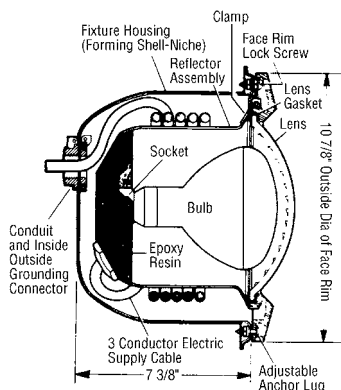
**SP0500, 0501, 0502**



**SP0503, 0504**



**SP0540, 0541, 0542, 0543**



**SP0560, 0570 SERIES**

## Cat. Nos. SP0500, 0501, 0502 Sealed Beam Series

Part No.	Description	Ctn. Qty.
SPX0503Z20A	Face Rim Lockscrew with Washer	100

## Cat. Nos. SP0503 (400W, 120V), SP0504 (500W, 110V)

Part No.	Description	Ctn. Qty.
SPX0503Z5	Bulb, 400W, 120V, G/FL	1
SPX0504Z4	Bulb, 500W, 120V, R-40 Mogul Base (1958-1970)	1
SPX0504Z7	Bulb, 500W, 120V, R-40 Medium Base	12
SPX0503Z2C	Lens Clear (Tempered), 8 3/8"	1
SPX0503W	Lens Gasket, Special Hi-Temp	50
SPX0503Z20A	Face Rim Lockscrew with Washer	100
SPX0503Z76	Securing Rim Screw (Set of 6)	100

## Cat. Nos. SP0540, 0541, 0542, 0543 (StarLite Series)

Part No.	Description	Ctn. Qty.
SPX0540A	Molded Face Rim with Studs	5
SPX0540Z1	Lens – Clear 7 9/16" Diameter (Tempered)	10
SPX0540Z2	Lens Gasket, Special Hi-Temp	100
SPX0540Z16A	Face Rim Lockscrew with Fastener	100
SPX0555Z2	Lower Mounting Screw	10
SPX0540Z4A	No. 10-24 Hex. Nut with Washer for Face Rim Studs	10
SPX1392G10	Washer – Pkg. of 10	10
SPX0510A	100W, 12V, Bulb R-30	1
SPX0541Z1	300W, 12V, Bulb R-40	12
SPX0542Z4	300W, 120V, Bulb R-40	1
SPX0504Z7	500W, 120V, Bulb R-40	12

## Cat. Nos. SP0560, 0570 (DuraLite Series)

Part No.	Description	Ctn. Qty.
SPX0540Z16A	Retainer Screw Set	100

## Cat. Nos. SP0580, 0580S (AstroLite Series)

Part No.	Description	Ctn. Qty.
SPX0580A	Molded Face Rim	4
SPX0580Z2	Lens Gasket	100
SPX0580Z3	Face Rim Lockscrew with Fastener – SP580S	20
SPX0580Z1	Face Rim Lockscrew with Fastener – SP580	100
SPX0584Z2	120V, 400W Bulb – Incandescent	12

**NOTE:** All other parts same as Starlite Series.

# Underwater Lights & Accessories

## REPLACEMENT PARTS (continued)

### Cat. Nos. SP0590S, 0590HS (AstroLite II Series)

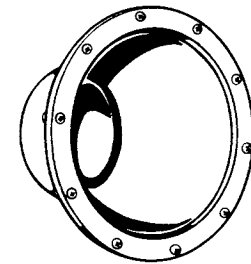
Part No.	Description	Ctn. Qty.
SPX0590A	Stainless Steel Face Rim	25
SPX0590E	Snap-on Plastic Face Rim	50
SPX0590Z1	Lens	10
SPX0590G	Lens Gasket	10
SPX0590Z2A	Face Rim Lockscrew with Fastener	10
SPX0550Z4	12V, 100W Bulb – Incandescent	12
SPX0551Z4	120V, 100W Bulb – Incandescent	1
SPX0608C	Face Ring Assembly	10
SPX0608G	Gasket	10
SPX0608CP	Card Seal Kit	10

### Cat. Nos. SP0520, 0530 (ColorLogic Series)

Part No.	Description	Ctn. Qty.
SPX0525AS	Stainless Steel Face Rim (Large)	10
SPX0533AS	Stainless Steel Face Rim (Small)	10
SPX0525Z1	Screw Set for Stainless Steel Face Rim (Large)	100
SPX0533Z1	Screw Set for Stainless Steel Face Rim (Small)	100

### Cat. Nos. SP0600, 0607, 0608U PVC Niches

Part No.	Description	Ctn. Qty.
SPX0600G	Grounding Bracket Assembly	100
SPX0555Z2	Bottom Mounting Screw (SP0600 and SP0607)	10
SPX0507A1	Front Frame, White (SP0607)	5
SPX0507A1DGR	Front Frame, Dark Gray (SP0607)	5
SPX0506D	Gasket (607)	10
SPX0507D	Back Retaining Ring (SP0607)	25
SPX0607Z1A	Screw Set	25
SPX0608C	Face Ring Assembly, White	10
SPX0608CDGR	Face Ring Assembly, Dark Gray	10
SPX0608G	Gasket	10
SPX0608CP	Cord Seal Kit	10



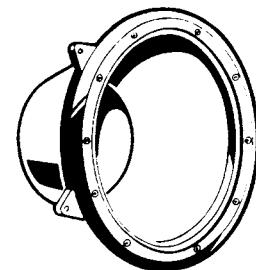
SP0506

### Cat. Nos. LFGUY1000 & LGGUY1000 PVC Niches

Part No.	Description	Ctn. Qty.
SPX0608CP	Cord Seal Kit	10
SPX0506D	Gasket	10
SPX0800Z1	UCL Pool Light Retainer Screw Kit	10

### Cat. No. SP0507 Shell Assemblies

Part No.	Description	Ctn. Qty.
SPX0507A1	Front Frame, ABS, White	5
SPX0506D	Gasket	10
SPX0507D	Back Retaining Rim	25



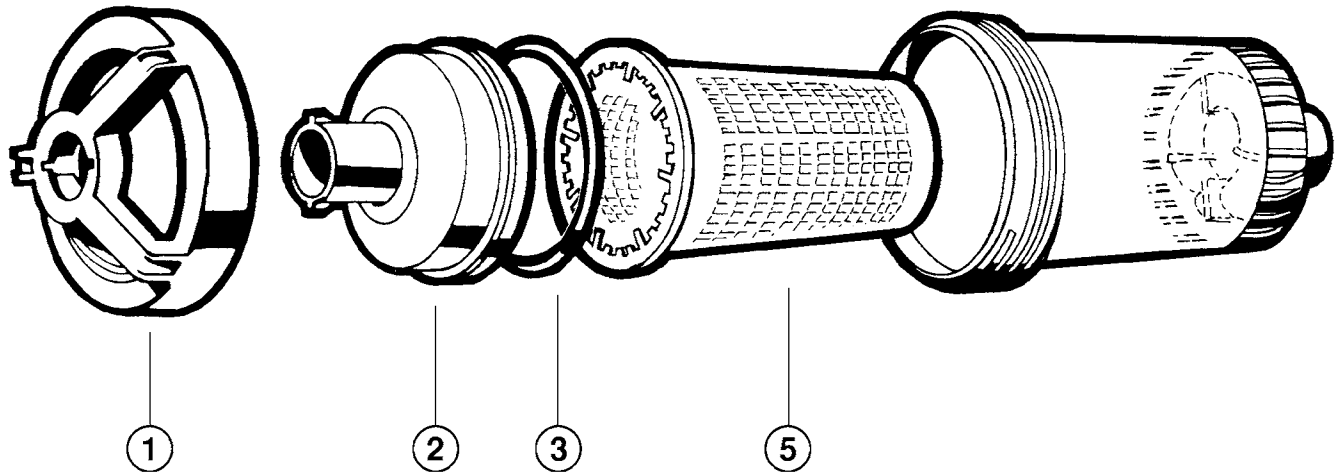
SP0507, 0607

# Leaf Canisters

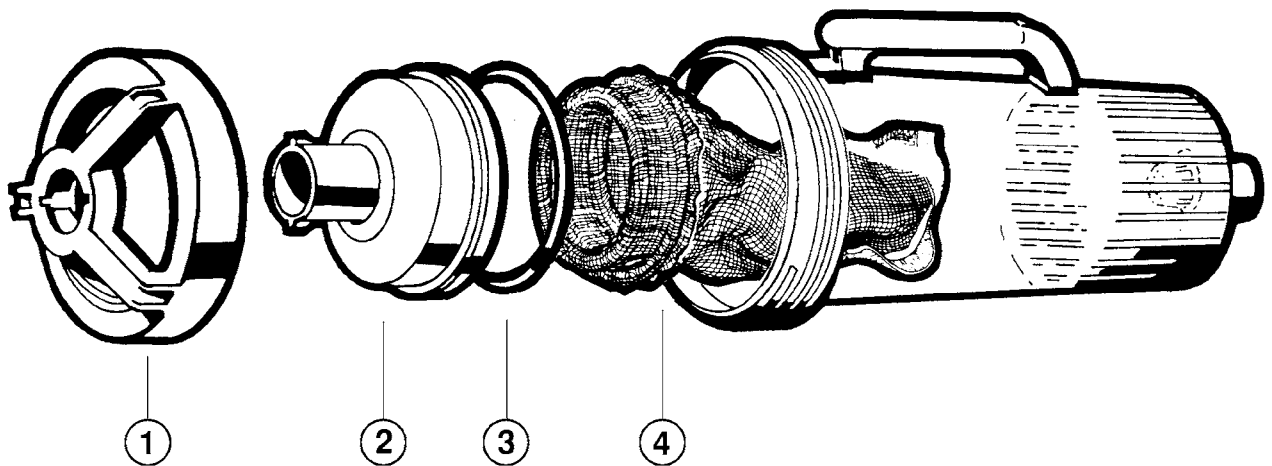
W530, 540, 560 SERIES REPLACEMENT PARTS

## Parts Diagram

W560 LEAF CANISTER Standard Capacity



W530 LEAF CANISTER Large Capacity

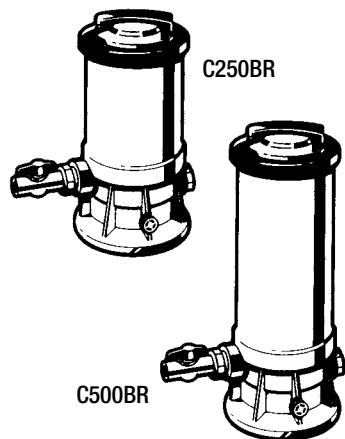
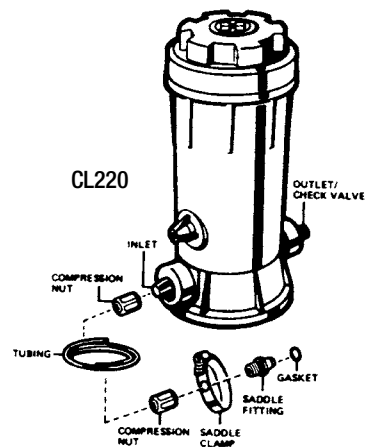
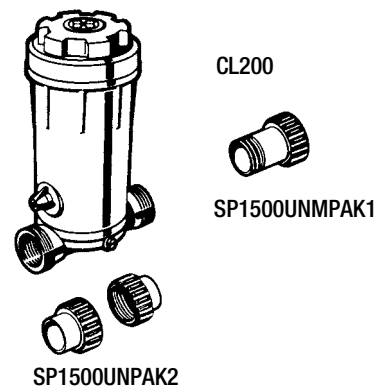
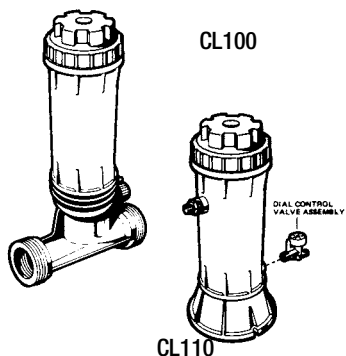


Part No.	Description	Ctn. Qty.	No. Req'd
1	AXW532 Lock Ring for W530 and W560	*	1
2	AXW533A Lid w/O-Ring Assembly	*	1
3	AXW542 Leaf Canister O-Ring for W530 and W560	25	1
4	AXW538 Permanent Bag for W530	5	1
5	AXW431A Leaf Basket for W430 and W560	50	1
—	AXV098 Hose Adapter for V096, W530 and W560	25	1

\*Special order.

# Chlorine and Bromine Feeders

## REPLACEMENT PARTS



### CL100 and CL110 Series Chlorine Feeders

Part No.	Description	Ctn. Qty.
CLX110C*	Cover	1
CLX110K	O-Ring, Special Composition Viton	10
CLX110DA	Dial Control Valve Assembly	1
CLX110FA	Control Knob Assembly (CL100)	1

**NOTES:** Fittings, tubing, clamps, drain plug and check valve are same as CL200 and CL220 Series.

\*For bromine feeders, add a "2" to the end of the part number.

### CL200 and CL220 Series Chlorine Feeders

Part No.	Description	Ctn. Qty.
CLX200EGA	Cover Retaining Screw with Slip Washers and Center Cap	10
CLX200C*	Cover Cap	5
CLX200CA	Cover and Cap Assembly (Includes O-Ring)	5
CLX200B*	Cover	5
CLX200K	O-Ring, Special Composition Viton	10
CLX200H	Feeder Tube	10
CLX200PA	Control Knob Assembly with O-Rings (Viton) – large (1989)	10
SPX1700FGV	Drain Plug with Gasket	10
CLX220B	Base (CL220)	5
CLX200BS	Base (CL200)	5
CLX220EA	Check Valve and Inlet Fitting Adapter Assembly	5
CLX220G	Saddle Fitting	10
CLX220GA	Saddle Fitting, Nut, Gasket, Saddle Clamp and 4 ft. Tubing	5
CLX220K	Saddle Clamp	10
CLX220J	8 ft. Length Chlorinator Tubing	5
CLX220HPAK4	Compression Nut	10
CLX220P	1/4" Adapter Fitting	10
SPX1091Z7TC	Combo Adapter with 1/4" Tap	10
SPX1105Z4TC	Elbow Adapter with 1/4" Tap	10
SPX1480BTC	Union End with 1/4" Tap	10
SP1500UNPAK2	Female Union End Connector Pak (Includes 2 each Socket Connector, Union Nut, O-Ring)	50
SP1500UNMPAK1	Male Union End Connector Pak (includes 1 each 1 1/2" MPT Nipple Connector, Union Nut, O-Ring)	50

**NOTE:** \*For bromine feeders, add a "2" to the end of the part number.

### C250CF, 500CF, 1100CF, 1800CF Chemical Feeders (see note)

Part No.	Description	Ctn. Qty.
SPX3100D	Cover	5
SP3100T	Cover Removal Tool	1
SPX3000SV	Cover O-Ring, Special Composition Viton	5
CX500J	Strainer	5
CX250Z14A	1/2" Drain Plug	10
SPX0605Z2V	Drain Plug O-Ring, Special Composition Viton	10
CX500BV	3/4" Control Valve with Dial Indicator (C250BR, 500BR)	5
CX500CV	3/4" Check Valve (C250BR, 500BR)	5
CX500P	Handle for Control Valve	5
CX1100BV	1 1/2" Control Valve with Dial Indicator	5
CX1100CV	1 1/2" Check Valve	5
CX1100P	Handle for Control Valve	5

**NOTE:** Formerly "BR" (Bromine) and "BRC" (Chlorine) feeders.

# Automatic Skimmers

## REPLACEMENT PARTS

### Cat. Nos. SP1090, SP1090WM, 1092

Part No.	Description	Ctn. Qty.
SPX1096CA	Basket, 5 1/8" O.D. x 3"	10
SPX1096B	Cover	10
SPX1096A2	Basket Support Ring	10
SPX1096K	Weir	10
SPX1090D	Face Plate	10
SPX1094GPAK2	Gasket	10
SPX1090GA	Throttle Plate with Screw	10
SPX1090Z1A	Face Plate Screw Set	10
SPX1030Z1C	Face Plate Screw Set – 1 1/4" long	25
SPX1090AA	Body with Basket Ring	1
SPX1092C	Access Plug	10

### Wide Mouth Skimmer Parts – No. SP1090WM:

SPX1090WMCV	Cover	10
SPX1090WMSB	Skimmer Basket	10
SPX1090WMW	Weir	10
SPX1090WMVA	Vacuum Adapter	10
SPX1090WMFP	Face Plate	20
SPX1090WMSG	Sealing Gasket (Set of 2)	50

### Turbo Skimmer Parts – No. SP1090T, 1091T:

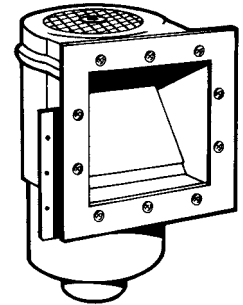
SPX0703GA	Turbo Boost Valve	1
-----------	-------------------	---

### Cat. Nos. SP1091LX, SP1091WM

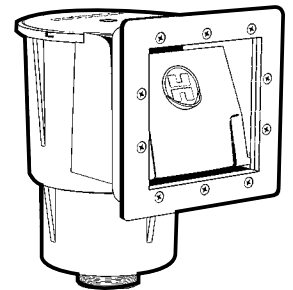
Part No.	Description	Ctn. Qty.
SPX1091B	Skimmer Cover	10
SPX1091C	Basket with Handle	12
SPX1091K1	Weir	10
SPX1091D	Face Plate Standard	10
SPX1091E	Widemouth Extension	1
SPX1091F	Face Plate Widemouth	10
SPX1091G	Gasket STD, Butterfly	5
SPX1091GW	Gasket Widemouth, Butterfly	5
SPX1090Z6A	Standard Screw Set	10
SPX1090Z7A	Widemouth Screw Set	10

### Cat. Nos. SP1094, 1094SPA, 1094H, 10950M

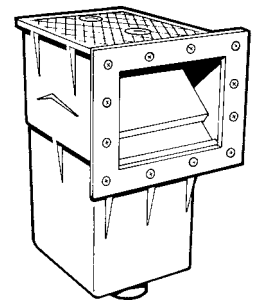
Part No.	Description	Ctn. Qty.
SPX1094FA	Basket – 4 3/4" O.D. x 3"	10
SPX1094C	Cover	10
SPX1094K	Weir	10
SPX1094B	Face Plate	10
SPX1094GPAK2	Gasket (SPX1090E for SP10940M)	10
SPX1030Z1C	Face Plate Screw Set – 1 1/4" (SP1094SPA)	10
SPX1094R	Face Plate Cover – Snap-On	10
SPX1090Z1A	Face Plate Screw Set	10



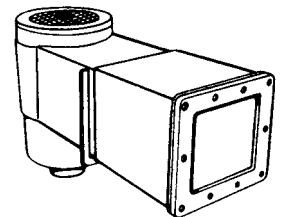
SP1092



SP1091LX



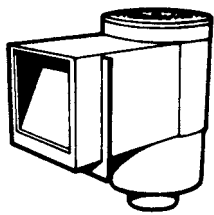
SP1089



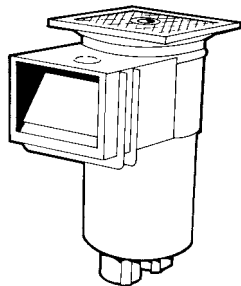
SP1097

# Automatic Skimmers

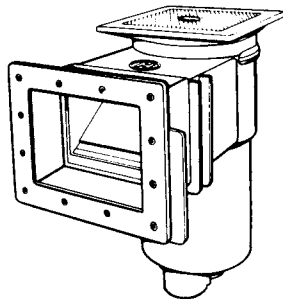
REPLACEMENT PARTS (continued)



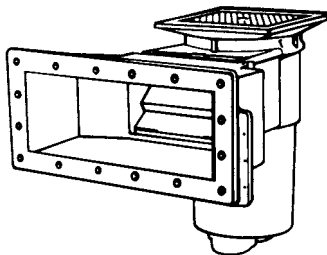
SP1096



SP1082



SP1084



SP10851

## Cat. No. SP1089

Part No.	Description	Ctn. Qty.
SPX1088B	Cover	10
SPX1088GA	Basket Assembly	10
SPX1089K	Weir	10
SPX1084L	Face Plate	5
SPX1084BPAK2	Gasket	10
SPX1084Z4A	Face Plate Screw Set	10

## Cat. Nos. SP1096, 1097, 1098

Part No.	Description	Ctn. Qty.
SPX1096B	Cover	10
SPX1096AX	Adjusting Collar	10
SPX1096CA	Basket, 5 1/8" O.D. x 3"	10
SPX1096A2	Basket Support Ring	10
SPX1096K	Weir	10
SPX1097D	Face Plate (SP1097, 1098)	10
SPX0097E	Gasket (SP1097, 1098)	10
SPX1090Z1A	Face Plate Screw Set	10

## Cat. Nos. SP1082, 1083, 1084, 1085, 1086

Part No.	Description	Ctn. Qty.
SPX1082E*	Cover, Square	10
SPX1082Z1	Cover Screw (Square Cover)	10
SPX1082F	Adjusting Collar, Square	5
SPX1082EFDGR	Square Collar and Cover Assembly - Dark Gray	4
SPX1084R	Cover, Round	10
SPX1084Z9	Cover Screw (Round Cover)	10
SPX1084P	Round Extension Collar	10
SPX1082CA	Basket with Handle, 6 1/2" O.D. x 5"	18
SPX1082N2	Handle for SPX1082CA Basket	10
SPX1082D	Basket Support Ring	10
SPX1082K**	Weir	10
SPX1082H1A	Slide Plate with Screw	10
SPX1082Z3	Vacuum Hose Adapter	10
SPX1053Z1	2" Pipe Plug	10
SPX1082Z2	2" x 1 1/2" Reducing Bushing	5
SPX1084L**	Face Plate (SP1084)	20
SPX1085B**	Face Plate (SP1085)	10
SPX1084B**	Gasket (SP1084)	10
SPX1085DPAK2	Gasket (SP1085)	10
SPX1084C	Spacer (SP1084)	10
SPX1085FDGR	FacePlate Cover (Dark Gray)	
SPX1084FDGR	Face Plate Cover (Dark Gray)	
SPX1084Z1A	Face Plate Screw Set (SP1084)	10
SPX1084Z4A	Face Plate Screw Set (Self-Tapping) (SP1084)	10
SPX1084Z4AM	Face Plate Screw Set - 1 1/4" long (Self-Tapping)	10
SPX1085Z1A	Face Plate Screw Set (Self-Tapping) (SP1085)	10
SPX1085Z1AM	Face Plate Screw Set - 1 1/4" long (Self-Tapping)	10
SPX1084B3PAK2	Gasket - SP1084OM	10
SPX1085D2PAK2	Gasket - SP1085OM	10
SPX1080EA	Basket with Sleeve	5
SPX1080AA	Flo-Selector Control with Valve	5
SPX1080D	Skimmer Throttling Plate	10
WGX1048BDGR	Ring - Vinyl with Insert (Drk Gray)	
WGX1082E	NSF listed replacement cover (Auto-Skim, Square)	10
SP1419DDGR	Hydrostream 3/4" (Dark Gray)	
SPX0507A1	Front Frame Ring (Dark Gray)	
SPX0608C	Assembly Face Ring (Dark Gray)	

## Turbo Skimmer Parts - Skimmer Nos. SP1082T, 1084T Series:

SPX1084KA	Turbo Boost Valve Assembly	1
-----------	----------------------------	---

NOTES: \*Available in Gray, Dark Gray and Black. Add suffix GR for Gray, DGR for Dark Gray and BLK for Black.

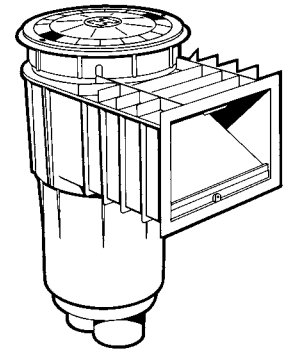
\*\*Also available in Dark Gray. Add suffix DGR for Dark Gray.

# Automatic Skimmers

REPLACEMENT PARTS (continued)

## Cat. Nos. SP1075, 1075T, 1076, 1077

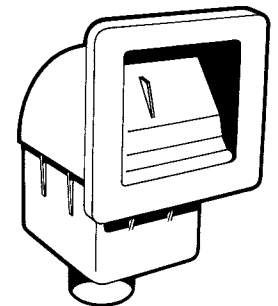
Part No.	Description	Ctn. Qty.
SPX1075C1	Cover, White	10
SPX1084Z9	Cover Screw	10
SPX1075B	Adjusting Collar	10
SPX1082K	Weir	10
SPX1082CA	Basket – 6 1/2" O.D. x 5"	18
SPX1082D	Basket Support Ring	5
SPX1075F	Flo-Control Slide Plate w/Screw	10
SPX1075L	Multi-Flo Valve Control (SP1075T)	1
SPX1084L	Face Plate (SP1076)	20
SPX1085B	Face Plate (SP1077)	10
SPX1084B	Gasket (SP1076)	10
SPX1085DPAK2	Gasket (SP1077)	10
SPX1084Z4A	Face Plate Screw Set (Self-Tapping) (SP1076)	10
SPX1084Z4AM	Face Plate Screw Set – 1 1/4" long (Self-Tapping)	10
SPX1085Z1A	Face Plate Screw Set (Self-Tapping) (SP1077)	10
SPX1085Z1AM	Face Plate Screw Set – 1 1/4" long (Self-Tapping)	10



SP1071

## Cat. No. SP1070, SP1071 Series Skim-Master

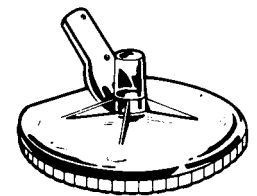
SPX1070Z3PAK2	Cover Retaining Screw	25
SPX1070C	Cover, White	10
SPX1070C10	Cover, Tan	10
SPX1070B	Adjusting Collar, White	10
SPX1070B10	Adjusting Collar, Tan	5
SPX1070E2	Basket Handle	10
ECX1019	Adjusting Collar Screw	25
SPX1070KHR	Weir Assembly w/Bumper Pad (for 1070 Series)	10
SPX1071K	Weir Assembly w/Bumper Pad (for 1071 Series)	10
SPX1070E	Basket – 8 1/4" O.D. x 5 1/4"	12
SPX1082H1B	Flo-Control Slide Plate w/Screw	10
SP1070FV	Float Valve Assembly	24
SPX1070FA	Flo-Control Trimmer Plate w/Screw	10
WGX1070C	NSF listed replacement cover (round)	10



SP1099S

## Cat. No. SP1099S Spa Skimmer

SPX1099B	Basket	10
SPX1099K	Weir	10
SPX1099C	Cover Plate, ABS	50
SPX1099E	Gasket	10
SPX1099FG	Air Relief Valve Kit	5



SP1067

## VACUUM CLEANER HEADS

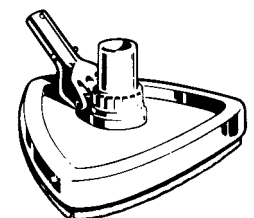
### Cat. No. SP1067 (Dural) / SP1067R (Rubber) Power-Vacs

Part Number	Description	Ctn. Qty.
SPX1067C	Brush Set	10
SPX1067QA	Quik-Snap Handle Connector with Spring	25
SPX0068Z1A	Bracket Bolt with Nut	10

### Cat. No. SP1068 / SP1068DL / 1069 / 1069DL Super-Vacs

SPX1068G3	Brush (Set of 3) – for SP1068	5
SPX1069B3	Brush (Set of 3) – for SP1069	5
SPX1068C	Knurled Locknut	10
SPX1068DE	Swivel Hose Connector Set, 1 1/4" and 1 1/2"	5
SP1068FA	Weight Pak (Set of 3)	25
SPX0068Z1A	Bracket Bolt with Nut	10
SPX1067QA	Quik-Snap Handle Connector with Spring	25
SPX1067S	Snap-Spring only	25
SPX1068A	Upper Body	10

Discont'd



SP1068  
SP1068DL  
SP1069

SP1069DL



# Suction Outlets

## REPLACEMENT PARTS



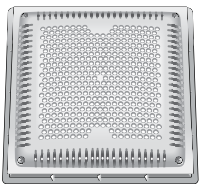
WG1051AV



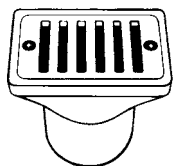
WG1153AV



WG1030AV



WGX1032HF2B



SP1019

### Suction Outlets

Part Number	Description	Ctn. Qty.
SPX1411Z5A	Grate Securing Screw (Set of 2) – replaces SPX1425Z32 for SP1048C	10
WGX1030AVPAK2	Frame, 7 3/4" O.D. (SP1058, 1059, SP1030) 2 Pack	5
SPX1058D	Gasket (SP1058, 9)	10
WGX1048B*	Vinyl Ring, 7 7/8" O.D. (SP1048, 1049)	10
SPX1048DPAK2	Gasket (SP1048, 1049)	10
SPX1039Z18	Vinyl Ring (Set of 8) (SP1048, 1049)	10
WGX1048E**	Cover, Dome Type (All Suction Outlets) – White	10
SPX1030Z1A	Screw for use with SPX1048E only (Set of 2) – SP1030, 1051, 1154	10
WGX1030Z1A	Screw for use with WGX1048E only and sumps/frames without metal inserts (Set of 2) – SP1030, 1051, 1154	10
WGX1030Z1AM	Screw for use with WGX1048E only and sumps/frames with metal inserts (Set of 2) – WG1030, 1051, 1154	10
SPX1030Z2A	Screw for use with SPX1048E only (Set of 2) – SP1048, 1049	10
WGX1030Z2A	Screw for use with WGX1048E only and sumps/frames without metal inserts (Set of 2) – SP1048, 1049	10
WGX1030Z2AM	Screw for use with WGX1048E only and sumps/frames with metal inserts (Set of 2) – WG1048, 1049	10
SPX1051Z1	1 1/2" Plastic Pipe Plug	10
SPX1053Z1	2" Plastic Pipe Plug	10
SPX1035B	Gasket (SP1035AV)	10
WGX1030Z3	Plate Screw for nonmetal inserts	25

\*Add suffix GR for gray and BLK for black.

\*\*Includes 4 Screw Sets (for sumps/frames with or without metal inserts).

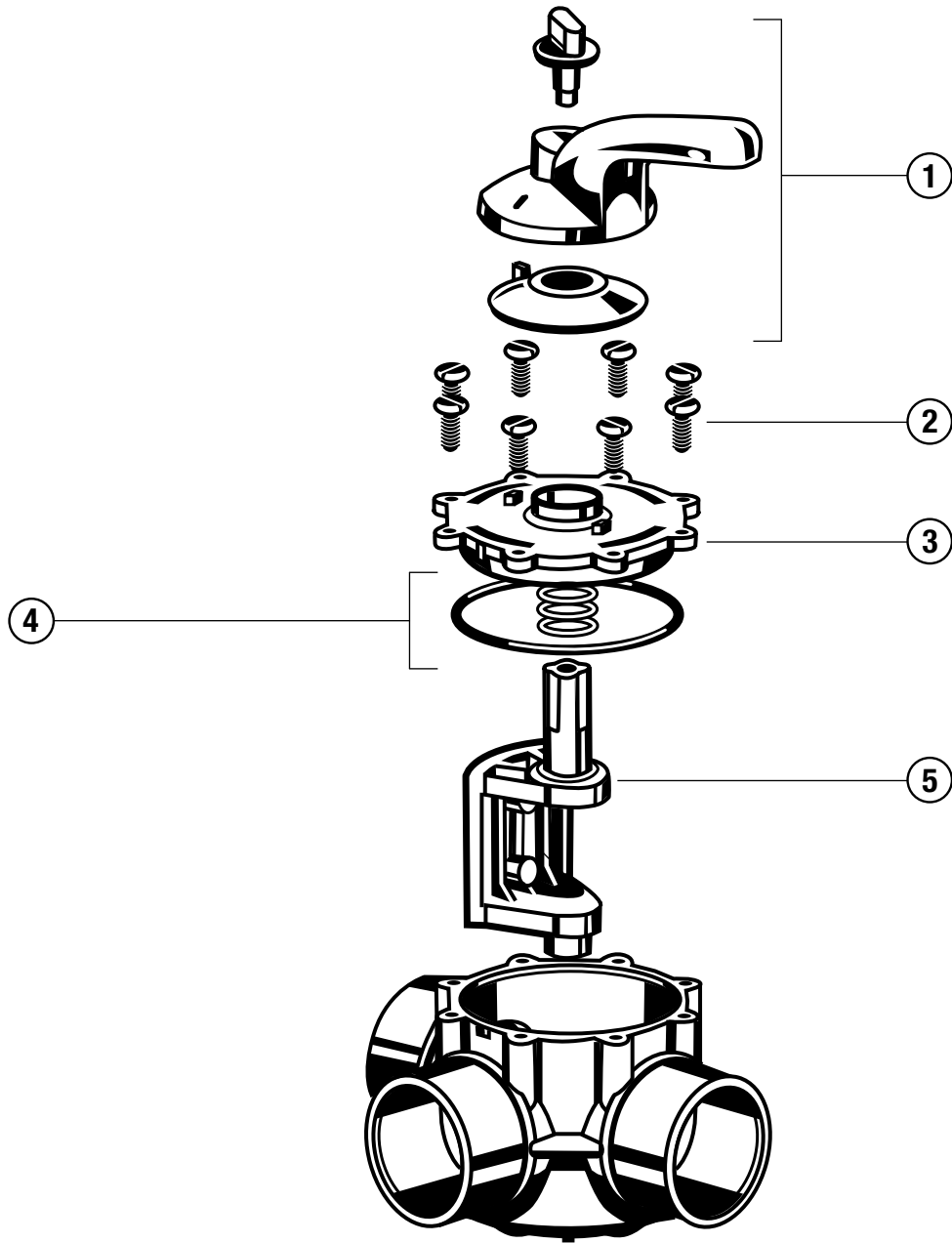
### Grate Drains

Part Number	Description	Ctn. Qty.
SP1019BA	Grate with screw set (SP1019)	100

### Vacuum Release System – VR1000

Part Number	Description	Ctn. Qty.
VRX100BF	5/16" Tube Bulkhead Fitting	1
VRX100E	Solenoid Valve	12
VRX100PAK	Tube Replacement Kit	5
VRX100H	Electrical Fuses (pack of 10)	5
VRX100F	Vent Filter	5
VRX100KIT2	Saddle Clamp Kit	105
CLX220J25	5/16" Tube x 25'	5
VRXPCBA	Circuit Board	1
VRXPCBANT	Circuit Board (without timer)	1



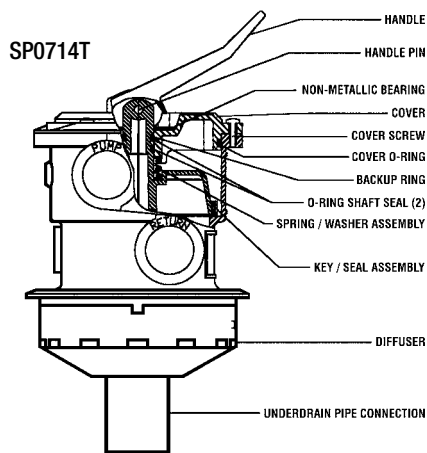


## Parts Listing

Ref. No.	Part No.	Description	Ctn. Qty.	No. Req'd
1	PSXVCA	Handle/Index Kit	1	1
2	PSXVZ1A	Screw Set (8 pcs.)	1	1
3	PSXVB	Cover	1	1
4	PSXVZ2A	Key and Cover O-Ring Kit	1	1
5	PSXVDE	Valve Key Assembly	1	1
—	PSXVBCA	Upper Valve Kit (Includes #'s 1-5)	1	1

# Multiport Valves

## REPLACEMENT PARTS

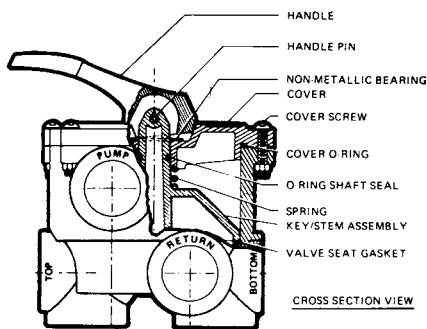


### Cat. No. SP0714T Vari-Flo™ XL Valve

Part No.	Description	Ctn. Qty.
SPX0710XF	Handle	10
SPX0710XZ7	Handle Pin	25
SPX0710Z16	Non-Metallic Bearing (1 Bag of 5)	25
SPX0714BA	Key, Cover and Handle Assembly	5
SPX0714Z1	Cover Screw (Set of 6)	10
SPX0714L	Cover O-Ring	10
SPX0735GA*	O-Ring Shaft Seal Assembly	10
SPX0710Z62	Washers for Springs (Set of 2)	25
SPX0714CA	Key/Seal Assembly	10
SPX0714D	Diffuser	1
SPX0714A	Valve Body w/Gasket and Sight Glass	1
SPX0714G11	Label	1

\*Two required for each valve.

### SP0710X SERIES (1977)

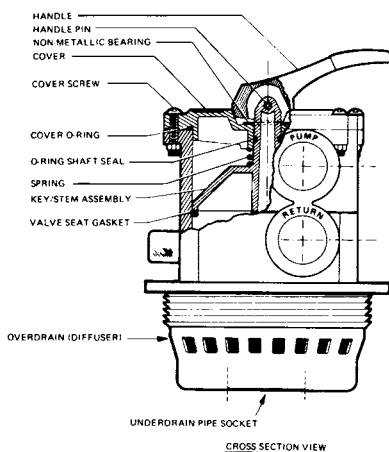


### Cat. Nos. SP0710, 0710X, 0711, 0712, 1 1/2" Vari-Flo Valves (1976- )

Part No.	Description	Ctn. Qty.
SPX0710G	Top Decal	—
SPX0710XF	Handle	10
SPX0710XZ7	Handle Pin	25
SPX0710Z16	Non-Metallic Bearing	25
SPX0710XZ3	Cover O-Ring	10
SPX0735GA	O-Ring/Teflon Shaft Seal	10
SPX0710Z1A	Cover Screw w/Nut (Set of 6 each)	10
SPX0603S	Spring w/Washer Assembly	5
SPX0710Z62	Spring Washers (Set of 2)	25
SPX0710K	1/4" Plastic Pipe Plug	25
SPX0710XD	Valve Seat Gasket, 5 Spoke – for "X" Valve Body	10
SPX0710XC	Key/Stem Assembly	10
SPX0710XBA	Key, Cover and Handle Assembly – White	5
SPX0710XBA17	Key, Cover and Handle Assembly – Black	5
SPX0710MA	Threaded Sight Glass w/Gasket	10
SPX0710XALLAA	Valve Body w/Gasket & Sight Glass – Style "ALL"	1
SPX0710XA3A	Valve Body w/Gasket & Sight Glass – Style 3	1
SPX0710X32AA	Valve Body w/Gasket & Sight Glass – w/Filter	1
SPX0710XR50AA	Tank Pipes and Locknuts – for S200, S240 <b>only</b>	1
SPX0710XR50AA	Valve Body w/Gasket & Sight Glass – w/Filter	1
SPX0710XR50AA	Tank Pipes and Locknuts. "Reverse" style – for DE Series <b>only</b>	1
SPX0710X62AA	Valve Body w/Gasket & Sight Glass – w/Filter	1
SPX0710X62AA	Tank Pipes and Locknuts – for Pro Series (Side Mount) <b>only</b>	1
SPX0712AA	Top Mount Threaded Valve Body w/Gasket, Sight Glass and Diffuser (for Hayward Filters)	1
SPX07122AA	Top Mounted Threaded Valve Body w/Gasket, Sight Glass and Diffuser (for Pac-Fab; 6" UNC)	1
SPX0710Z9	3M Adhesive, 5 oz. tube for Valve Seat Gasket	10

**NOTE:** Parts below are for SP0710 and 0711 Series (1969 -1975). These parts are NOT interchangeable with current production models.

### SP0712 SERIES



SPX0710Z7	Handle Pin	10
SPX0710Z3	Cover O-Ring	10
SPX0603Z2A	O-Ring/Teflon Shaft Seal	1
SPX0710D	Valve Seat Gasket, 6 Spoke	10
SPX0710XBA	Key, Cover and Handle Assembly – Replaces SPX0710B (cover) and SPX0710C	5

\*Limited Quantity Available.

# Multiport Valves

REPLACEMENT PARTS (continued)

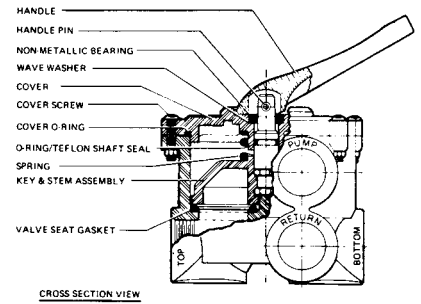
## Cat. Nos. SP0715, 0716, 2" Vari-Flo Valves

Part No.	Description	Ctn. Qty.
SPX0710FL	Handle, Large	10
SPX0715F	Handle, Standard	10
SPX0710XZ7	Handle Pin	25
SPX0710Z16	Non-Metallic Bearing (1 pk of 5)	25
SPX0710Z1A	Cover Screw w/Nut (Set of 6 each)	10
SPX0715Z1	Cover O-Ring	10
SPX0603S	Spring	5
SPX0710Z62	Spring Washers (Set of 2)	25
SPX0735GA	O-Ring/Teflon Shaft Seal	10
SPX0710K	1/4" Plastic Pipe Plug	25
SPX0715D	Valve Seat Gasket	10
SPX0715C	Key/Stem Assembly – Noryl	10
SPX0715BA	Key, Cover and Handle Assembly, White	1
SPX0715BA3	Key, Cover and Handle Assembly, Black	1
SPX0715ALLAA	Valve Body w/Gasket & Sight Glass – Style "ALL"	1
SPX0715XR50AA	Valve Body w/Gasket & Sight Glass – w/Filter	1
	Tank Pipes and Locknuts. "Reverse" style – for DE only	1
SPX0710MA	Threaded Sight Glass w/Gasket	10

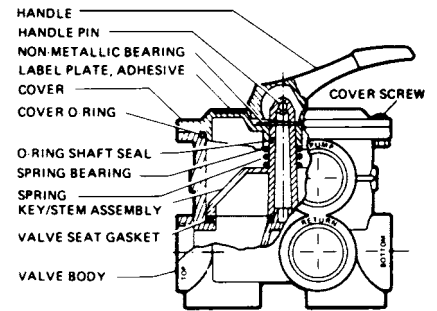
## Cat. No. SP0704, 1 1/2" Vari-Flo Valve – 4 Position

Part No.	Description	Ctn. Qty.
SPX0710XF	Handle	10
SPX0710XZ7	Handle Pin	25
SPX0710Z16	Non-Metallic Bearing (1 pk of 5)	25
SPX0704B2	Cover, Black	15
SPX0704F	Cover O-Ring	10
SPX0704HA	O-Ring/Teflon Shaft Seal	25
SPX0704Z1A	Cover Screw (Set of 6)	10
SPX0603S	Spring	5
SPX0710Z62	Spring Washers (Set of 2)	25
SPX0704D	Valve Key Gasket	10
SPX0704CA	Key and Gasket Assembly	10
SPX0704BA	Key, Cover, Gasket and Handle Assembly	5
SPX0704AA	Valve Body w/Diffuser	1

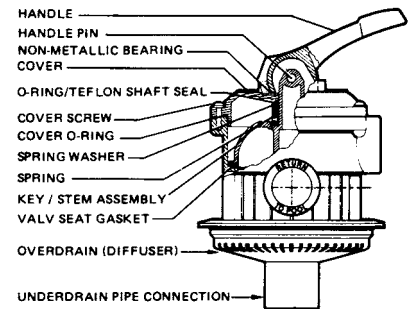
### SP0710 SERIES (1969-1975)



### SP0715 SERIES



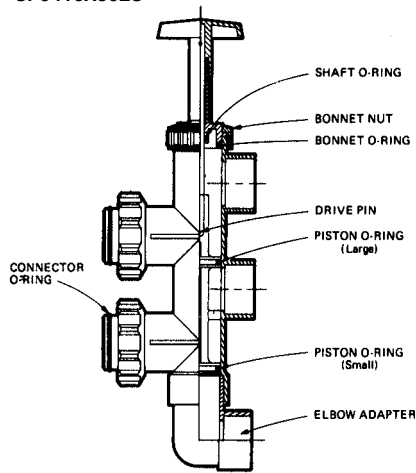
### SP0704 SERIES



# Multiport Valves

REPLACEMENT PARTS (continued)

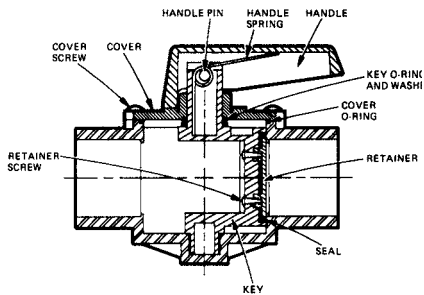
## SP0410X602S



### Cat. Nos. SP0410X Series Slide Valve

Part No.	Description	Ctn. Qty.
SPX0410BA	Handle and Piston Assembly	5
SPX0410BK	Piston only w/Pin	5
SPX0722D2	Bonnet Nut, Black	10
SPX0722D	Bonnet Nut	10
SPX0722GH	Bonnet O-Ring	10
ECX9611246PAK3	Shaft O-Ring (Set of 3)	25
SPX0410Z2	Piston O-Ring, Large	10
SPX0410K	Drive Pin	10
SPX0410Z1	Piston O-Ring, Small	10
SX200Z4	O-Ring	25

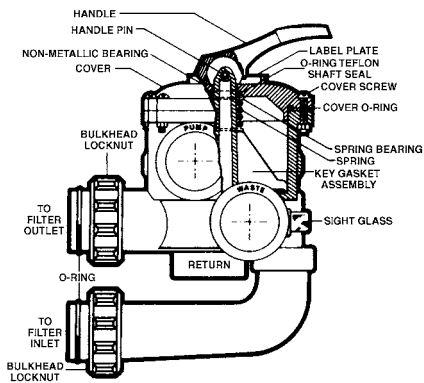
## SP0733S



### Cat. No. SP0732, 0733 Series Dial-A-Flo Valves

Part No.	Description	Ctn. Qty.
SPX0733D	Handle	10
SPX0733H	Handle Pin	10
SPX0733J	Handle Spring	10
SPX0733B	Cover (SP733, 3-Way) w/Label	10
SPX0733Z3A	Cover Screw (Set of 8)	10
SPX0733Z2A	O-Ring, Cover, Washer and Spacer Set	10
SPX0733Z1A	O-Ring, Key, w/Washer (Washer Req'd. - Pre 1988)	10
SPX0733E	Seal	10
ECX1019	Retainer Screw	20
SPX0733CA	Key and Seal Assembly w/O-Ring (3-Way)	5
SPX0733BA	Key, Seal, Cover and Handle Assembly (3-Way)	5

## SP0740DE



### Cat. No. SP0727 Perflex Diverter Valve (Not Illustrated)

Part No.	Description	Ctn. Qty.
SPX0727D	Handle	10
SPX0733H	Handle Pin	10
SPX0727J	Handle Spring	10
SPX0727K	O-Ring, Cover	10
SPX0733Z3A	Cover Screw (Pkg. of 8)	10
SPX0727H	Seal	10
SPX0733Z1	O-Ring (Key)	10
SPX1483C	O-Ring (Union)	10
SPX0727E	Union Nut	10

### Cat. No. SP0740DE 2" Selecta-Flo™ Valve

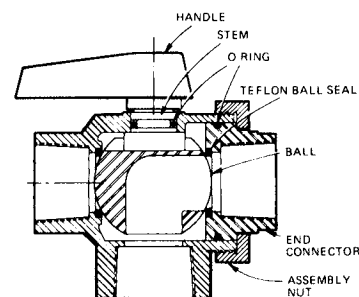
Part No.	Description	Ctn. Qty.
SPX0710FL	Handle, Large	10
SPX0710XZ7	Handle Pin	25
SPX0710Z16	Non-Metallic Bearing	25
SPX0740B	Cover	10
SPX0710Z1A	Cover Screw w/Nut (Set of 6 each)	10
SPX0715Z1	Cover O-Ring	10
SPX0603S	Spring	5
SPX0704HA	O-Ring/Teflon Shaft Seal	25
SPX0710Z62	Spring Washers (Set of 2)	25
SPX0740D	Valve Seat Gasket	10
SPX0740C	Key/Stem Assembly	10
SPX0740BA	Key, Cover, Handle Assembly	10
SPX0740AA	Valve Body w/Gasket & Sight Glass – w/Tank Pipes & Locknuts	1

# Ball Valves

## REPLACEMENT PARTS

### Cat. Nos. SP0720, 0730, 0735 Ball Valves

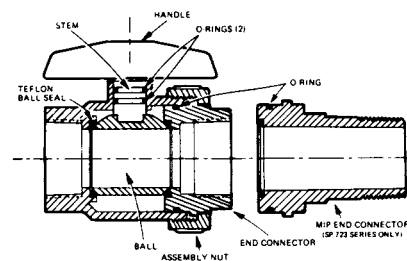
Part No.	Description	Ctn. Qty.
SPX0735D	Handle	10
SPX0735F	Stem	5
SPX0735GH	O-Ring, Stem and End Connector	10
SPX0735E	Assembly Nut	10
SPX0720P2	Teflon Ball Seal (Set of 2) (SP0720, 0730)	10
SPX0735P2	Teflon Ball Seal (Set of 2) (SP0735)	10
SPX0720B	End Connector – Threaded (SP0720, 0730)	10
SPX0735B	End Connector – Threaded (SP0735)	10
SPX0735C	Ball (SP0735)	5



SP0735

### Cat. Nos. SP0722, 0723 and UN, 1 1/2" Trimline Ball Valves

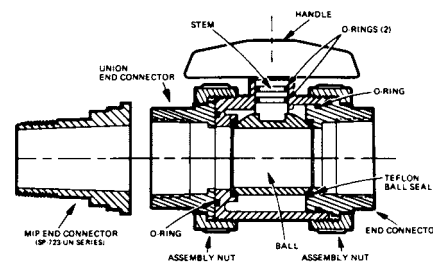
Part No.	Description	Ctn. Qty.
SPX0722F	Handle	10
SPX0722B7	Stem	10
SPX0720P2	Teflon Ball Seal (Set of 2) – 1976 and prior	10
SPX0722P2	Teflon Ball Seal (Set of 2)	10
SPX0722GH	O-Ring, Stem w/End Connector	10
SPX0722D	Assembly Nut	10
SPX0722C7	Ball	10
SPX0722ET7	End Connector – FIP	10
SPX0722ES7	End Connector – SKT	5
SPX0723ET7	End Connector – MIP	10
SPX0722UT	Union End Connector – FIP (UN)	10
SPX0722US	Union End Connector – SKT (UN)	10
SPX0723UT	Union End Connector – MIP (UN)	10
SPX1495Z1	O-Ring, Flush Union End (UN)	10



SP0722, 0723

### Cat. Nos. SP0729 1 1/2" 2-Way Ball Valves

Part No.	Description	Ctn. Qty.
SPX0728D	Handle	10
SPX0728H	O-Ring, End Connector	10



SP0722UN, 0723UN

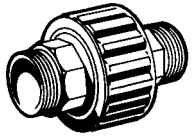
### Cat. Nos. SP0724, 0725, 0726, 2" Trimline Ball Valves

Part No.	Description	Ctn. Qty.
SPX0724J	Handle	5
SPX0724B	Stem	10
SPX0724GA	Teflon Ball Seal (Set of 2) w/O-Ring Stem and End Connector	10

White Goods

# Unions

## REPLACEMENT PARTS



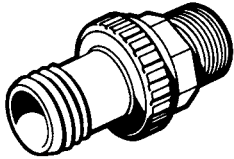
SP1480  
SERIES

### Cat. Nos. SP1480, 1482, 1484, 1485 Self-Align Unions

Part No.	Description	Ctn. Qty.
SPX1480C	Union Nut	10
SPX1425Z6	O-Ring	10
SPX1485C	Gasket	10

### Cat. Nos. SP1491, 1492, 1493 Econo-Unions

SPX1491B	O-Ring	10
SPX1068C	Union Nut	10



SP1493

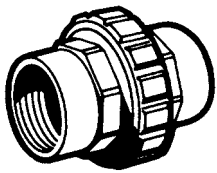
### Cat. Nos. SP1495 (1 1/2") and SP1498 (2") Flush Unions

SPX1495Z1	O-Ring	10
SPX1495C	Union Nut	10
SX200Z3	O-Ring (2")	10
SPX1498C	Union Nut (2")	10

## IN-LINE SIGHT GLASSES

### Cat. No. SP072 (1 1/2") – Limited Stock

SPX0072D	Cylinder, 2 1/2" O.D. x 2 3/8"	5
SPX0072Z4	O-Ring	5



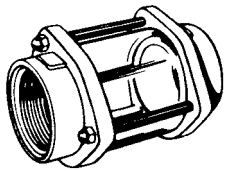
SP1495

### Cat. Nos. SP1072, 1074 (Cycloc)

SPX0072D	Cylinder, 2 1/2" O.D. x 2 3/8"	5
SPX107242	Gasket (Set of 2)	10
SPX10723A	Bolt w/Nut	1

## Miscellaneous

SPX0404A	Threaded Eyebolt – for SP0404	10
SPX0392BA	Brass Wedge, Bolt w/Washer – for SP392, 393	1
SPX1392CA	Wedge, Bolt w/Washer – for SP1392	1
SPX1090Z4	Teflon Tape – 60" Roll	10
SPX1022CZ2	O-Ring for SP1022C Plug	10
SPX1088H	Elbow for SPX11041, 11071	5
ECX1308	"Schmear" Compound for Field Repairs (White)	1
ECX1308IVY	"Schmear" Compound for Field Repairs (Ivory)	1
SP1600TAP	Housing Insert Installation Kit for Max-Flo and Super Pump	5
ECX2024H	Hose Shut OFF Valve (Wand)	10
SPX0010Z2	On/Off Trippers (Set of 2 Each) for SP10MTR Timer	10
SPX1500TZ2	On/Off Trippers (Set of 2 Each) for SP1500T Timer	10



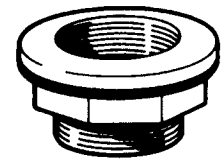
SP1072

# Fittings

REPLACEMENT PARTS

## Cat. Nos. SP1023, 1023G, 1024, 1025

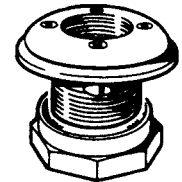
Part No.	Description	Ctn. Qty.
SPX1023B	Locknut, 2"	10
SPX1023Z3	Fiber Slip Washer	20
SPX0023Z12	Gasket (Set of 2)	10
SPX0023Z2	Gasket, double-sided	25
SPX1025Z12	Gasket (Set of 2) – (SP1025)	10
SPX1025Z3	Fiber Slip Washer – (SP1025)	10
SPX1407D1	Locknut, 2 1/2" – (SP1025)	10



SP1023

## Cat. Nos. SP1411, 14071, 1408

SPX1411B	Face Plate (SP1411, 14071)	25
SPX1408B*	Face Plate – White	25
SPX1411Z12PAK2	Gasket (Set of 2) (SP1411, 14071)	10
SPX1408C	Gasket	25
SPX1411Z1A	Face Plate Screw (Set)	10
SPX1407D	Locknut Spacer (SP14071, 1408, 1025) – 2 1/2"	75
SPX1039Z1A	Face Plate Screw (Set) (SP1408)	10

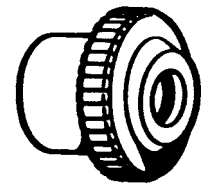


SP1408

\*Add suffix GR for Gray and BLK for black, DGR for dark gray

## Cat. Nos. SP1419, SP1420, SP1421 Series

SPX1419B1	Ball Seat	10
SPX1419C1, 2, 3, 4, 5	Ball, Slotted or 3/8", 1/2", 3/4", 1" Hole	10
SPX1419D1	Lock Ring	10
SPX1420A1	Rubber Flow Director	10



SP1421

## Cat. No. SP1039

SPX1039BA	Face Plate w/Gasket (2) and Screws (4)	5
-----------	--	---



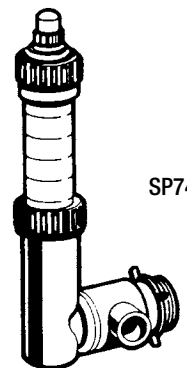
SP1425

## Cat. Nos. SP1423, 1424, 1425

SPX1425C	Face Plate Grate (SP1423, 1424)	10
SPX1425DA	Spinner Valve Assembly (SP1424, 1425)	10
SPX1425B	Top Diffuser Plate (SP1425)	10
SPX1425Z32	Face Plate Screw (Set of 2) (SP1423, 1424, 1425)	10
SPX1425Z6	O-Ring (SP1425)	10

## Cat. Nos. SP7400, 7410 Fountains

SPX7400V	3-Way Diverter Valve	5
----------	----------------------	---

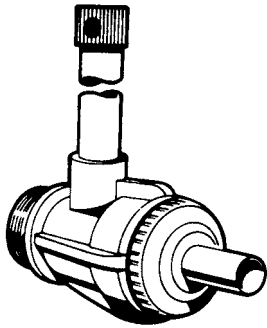


SP7410

White Goods

# Hydrotherapy Fittings

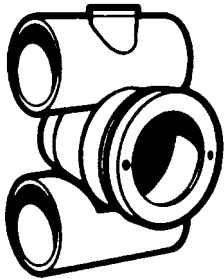
## REPLACEMENT PARTS



SP14311, 2

### Cat. Nos. SP1430, 1431, 1432 Jet-Air® Fittings

Part No.	Description	Ctn. Qty.
SPX1430B	Small Nozzle (for SP1430)	10
SPX14311S	1/2" x 18" Air Supply Tube (complete)	25
SPX14312S	1/2" x 24" Air Supply Tube (complete)	25
SPX1430Z1A	Air Tube Adjustment Cap w/Air Tube Bushing	5
SPX1430B1	SPA Insert Bushing	10



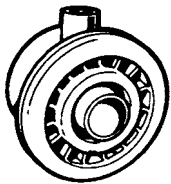
SP1434

### Cat. Nos. SP1434, 1436, 1437 Series Jet-Air III Fittings

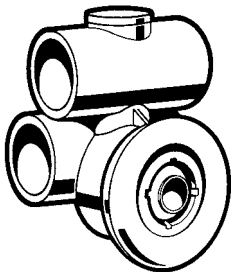
SPX1434EA	Bulkhead Fitting w/Gasket	25
SP1434PAKB	Vari-Flo Ball Jet/Nozzle – Adjustable	25
SPX1434DF	Lock Ring – for Ball Assembly w/Nozzle Retaining Clip	1
SPX1434JA	Seal Rings and O-Ring Kit	3
SPX0720PE2	Seal Ring (Set of 2)	2
SPX1434L	Gasket	

### Cat. No. SP1450T Turbo Boost Spa Jet

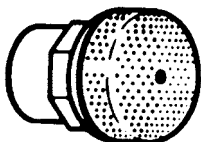
SPX1450BG	Bulkhead Fitting w/Gasket	1
-----------	---------------------------	---



SP1450T



SP1438



SP1444







# Terms & Conditions of Sale

---

## HAYWARD

ORDERING: To ensure prompt and proper shipment, please order by catalog number and description. Hayward reserves the right to consider each order, or addition, as separate and subject separately to the terms and conditions as herein outlined.

SHIPMENTS: All shipments are F.O.B., Oakville, ON, Elizabeth, NJ, Clemons, NC, Nashville, TN or Pomona, CA and based on new value to one destination within continental limits of Canada. Prices are net prices in Canadian currency and include Canadian customs duty and brokerage where applicable.

Prepaid shipments on booking orders \$20,000 or more: \$15,000 after July 1, 2016

Western Canada: Prepaid shipments on booking orders \$30,000 or more: \$25,000 after July 1, 2016

On net value orders of less than \$15,000:

- a) If qualifies for parcel service - shipped prepaid & charge
- b) All other - shipped LTL collect, by the carrier of our choice unless otherwise directed on the order.

CLAIMS: All claims must be made within ten days after receipt of merchandise. If any shipment is received in a damaged condition your claim must be filed with the delivering carrier and noted on the freight bill before you accept the merchandise.

LIMITED WARRANTY: To all original purchasers of its products, Hayward Pool Products Canada Inc., warrants its products free from defects in materials and workmanship for a period of one year from the date of purchase, unless otherwise specified on the individual product warranty. Products which fail or become defective during the warranty period, except as a result of freezing, accident, negligence, improper installation, use or care, shall be repaired or replaced at our option without charge, within 90 days of the receipt of defective product, barring unforeseen delays. Hayward shall not be responsible for cartage, removal and/or in obtaining warranty replacements.

RETURNS: All returns are subject to our written approval, and must be accompanied by a "Return Goods Authorization" form obtained from Hayward Pool Products Canada, Inc., prior to shipment. Unauthorized returns will not be accepted. Freight must be prepaid. Material returned for credit, if in original condition and resaleable, is subject to a 20% handling charge.

TERMS: Terms as quoted shall apply. Shipments will be billed at the prices in effect at the time of shipment. A 1½% per month (18% annual rate) service charge will be applied to all past due invoices.

TAXES: Any Federal or Provincial excise, sales use, consumption or similar tax for which we may be liable on any sale will be charged to and paid by the buyer. Buyer is responsible for furnishing proof of exemption.

MINIMUM BILLING CHARGES: \$150.00 NET

PRICES ARE EFFECTIVE UNTIL: SEPTEMBER 30th, 2016

**HAYWARD POOL PRODUCTS CANADA, INC.**

2880 PLYMOUTH DRIVE, OAKVILLE, ON, L6H 5R4, TEL: 888.238.7665 FAX: 905.829.3636

[Haywardpool.ca](http://Haywardpool.ca)

Prices and products are subject to change without notice.





To take a closer look at Hayward®,  
go to [haywardpool.ca](http://haywardpool.ca) or call 1-888-238-7665.

Total System: Pumps | Filters | Heating | Cleaners | Sanitization | Automation | Lighting | White Goods

Hayward and Hayward Energy Solutions are registered trademarks of Hayward Industries, Inc.  
© 2015 Hayward Industries, Inc. All other trademarks not owned by Hayward are the property of  
their respective owners. Hayward is not in any way affiliated with or endorsed by those third parties.



LITPLC16C