

Multiport Valves

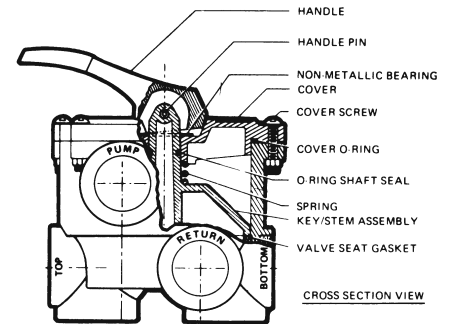
REPLACEMENT PARTS



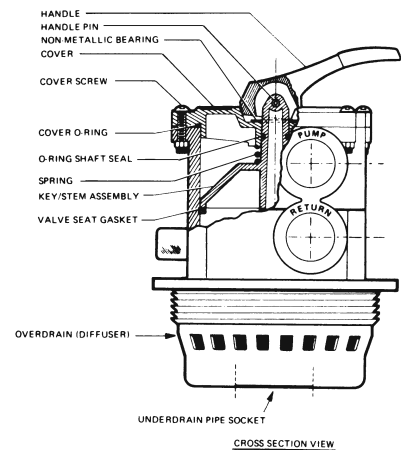
Cat. Nos. SP0710, 0710X, 0711, 0712, 1 1/2" Vari-Flo Valves (1976-)

Part No.	Description	Ctn. Qty.
SPX0710XF	Handle	10
SPX0710XZ7	Handle Pin	25
SPX0710Z16	Non-Metallic Bearing (Pack of 5)	50
SPX0710XZ3	Cover O-Ring	10
SPX0735GA	O-Ring/Teflon Shaft Seal	10
SPX0710G	Valve Position Label	200
SPX0710Z1A	Cover Screw with Nut (Set of 6 each)	10
SPX0603S	Spring	5
SPX0710Z62	Spring Washers (Set of 2)	25
SPX0710K	1/4" Plastic Pipe Plug	25
SPX0710XD	Valve Seat Gasket, 5 Spoke – for "X" Valve Body	10
SPX0710XC	Key/Stem Assembly	10
SPX0710XBA	Key, Cover and Handle Assembly, White	5
SPX0710XBA17	Key, Cover and Handle Assembly, Black	5
SPX0710MA	Threaded Sight Glass with Gasket	10
SX200Z9	Gasket for Threaded Sight Glass	25
SPX0710XALLAA	Valve Body with Gasket and Sight Glass – Style "ALL"	1
SPX0710XA3A	Valve Body with Gasket and Sight Glass – Style 3	1
SPX0710X32AA	Valve Body with Gasket and Sight Glass – with Filter	1
	Tank Pipes and Locknuts – for S200, S240 only	1
SPX0710XR50AA	Valve Body and Sight Glass – with Filter	1
	Tank Pipes and Locknuts. "Reverse" style – for DE Series only	1
SPX0710X62AA	Valve Body with Gasket and Sight Glass – with Filter	1
	Tank Pipes and Locknuts – for Pro Series (Side Mount) only	1
SPX0712AA	Top Mount <i>Threaded</i> Valve Body with Gasket, Sight Glass and Diffuser (for Hayward Filters)	1
SPX07122AA	Top Mounted <i>Threaded</i> Valve Body with Gasket, Sight Glass and Diffuser (for Pac-Fab; 6" UNC)	1
SPX0710Z9	3M Adhesive, 5 oz. tube for Valve Seat Gasket	10
NOTE: Parts below are for SP0710 and 0711 Series (1969–1975). These parts are <i>NOT</i> interchangeable with current production models.		
SPX0710Z7	Handle Pin	10
SPX0710Z3	Cover O-Ring	10
SPX0603Z2A	O-Ring/Teflon Shaft Seal	1
SPX0710D	Valve Seat Gasket, 6 Spoke	10
SPX0710XBA	Key, Cover and Handle Assembly – Replaces SPX0710B (cover) and SPX0710C	5

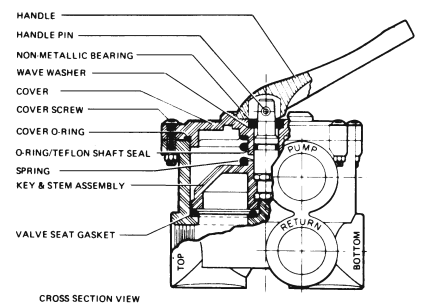
SP0710X SERIES (1977)



SP0712 SERIES



SP0710 SERIES (1969–1975)

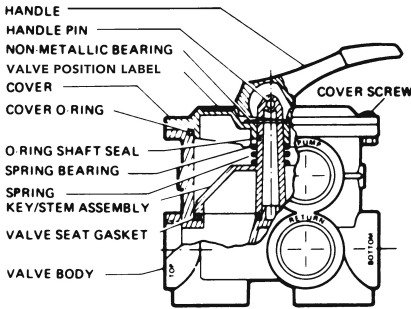




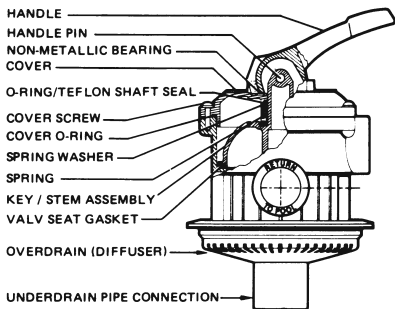
Multiport Valves

REPLACEMENT PARTS (continued)

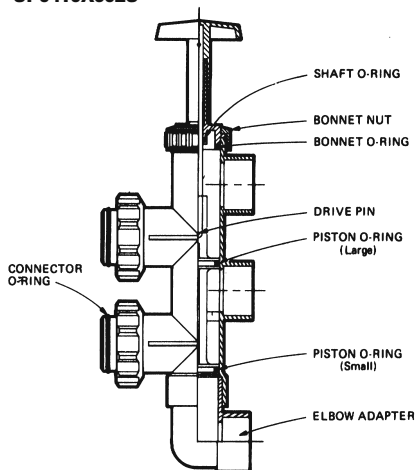
SP0715 SERIES



SP0704 SERIES



SP0410X602S



Cat. Nos. SP0715, 0716, 2" Vari-Flo Valves

Part No.	Description	Ctn. Qty.
SPX0710FL	Handle, Large	10
SPX0715F	Handle, Standard	10
SPX0710XZ7	Handle Pin	25
SPX0710Z16	Non-Metallic Bearing (Pack of 5)	50
SPX0715G	Valve Position Label	200
SPX0710Z1A	Cover Screw with Nut (Set of 6 each)	10
SPX0715Z1	Cover O-Ring	10
SPX0603S	Spring	5
SPX0710Z62	Spring Washers (Set of 2)	25
SPX0735GA	O-Ring/Teflon Shaft Seal	10
SPX0710K	1/4" Plastic Pipe Plug	25
SPX0715D	Valve Seat Gasket	10
SPX0715C	Key/Stem Assembly – Noryl	10
SPX0715BA	Key, Cover and Handle Assembly, White	1
SPX0715BA3	Key, Cover and Handle Assembly, Black	1
SPX0715ALLAA	Valve Body with Gasket and Sight Glass – Style "ALL"	1
SPX0715XR50AA	Valve Body with Gasket and Sight Glass – with Filter	1
	Tank Pipes and Locknuts. "Reverse" style – for DE only	1
SPX0710MA	Threaded Sight Glass with Gasket	10
SX200Z9	Gasket for Threaded Sight Glass	25

Cat. No. SP0704, 1 1/2" Vari-Flo Valve – 4 Position

Part No.	Description	Ctn. Qty.
SPX0710XF	Handle	10
SPX0710XZ7	Handle Pin	25
SPX0710Z16	Non-Metallic Bearing (Pack of 5)	50
SPX0704B2	Cover, Black	15
SPX0704F	Cover O-Ring	10
SPX0704HA	O-Ring/Teflon Shaft Seal	25
SPX0704Z1A	Cover Screw (Set of 6)	10
SPX0603S	Spring	5
SPX0710Z62	Spring Washers (Set of 2)	25
SPX0704D	Valve Key Gasket	10
SPX0704CA	Key and Gasket Assembly	10
SPX0704BA	Key, Cover, Gasket and Handle Assembly	5
SPX0704AA	Valve Body with Diffuser	1

Cat. Nos. SP0410X Series Slide Valve

Part No.	Description	Ctn. Qty.
SPX0410BA	Handle and Piston Assembly	5
SPX0410BK	Piston only with Pin	5
SPX0722D2	Bonnet Nut, Black	10
SPX0722GH	Bonnet O-Ring Kit	10
ECX9611246	Shaft O-Ring	25
SPX0410Z2	Piston O-Ring, Large	10
SPX0410K	Drive Pin	10
SPX0410Z1	Piston O-Ring, Small	10
SX200Z4	O-Ring	25

Multiport Valves

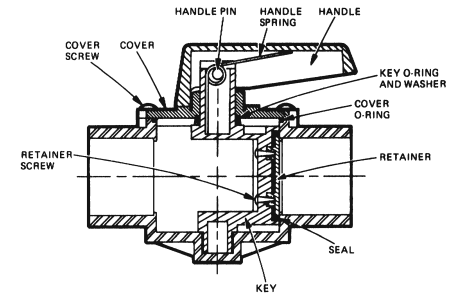
REPLACEMENT PARTS (continued)



Cat. No. SP0733 Series Dial-A-Flo Valves

Part No.	Description	Ctn. Qty.
SPX0733D	Handle	10
SPX0733H	Handle Pin	10
SPX0733J	Handle Spring	10
SPX0733B	Cover with Label	10
SPX0733Z3A	Cover Screw (Set of 8)	10
SPX0733Z2A	Cover O-Ring with Washer and Spacer	10
SPX0733Z1A	Key O-Ring with Washer and Spacer	10
SPX0733E	Seal	10
ECX1019	Retainer Screw	20
SPX0733CA	Key and Seal Assembly with O-Ring	5
SPX0733BA	Key, Seal, Cover and Handle Assembly	5

SP0733S



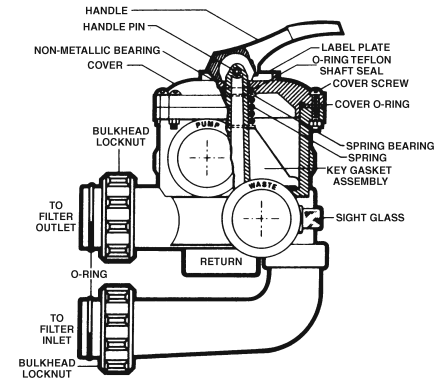
Cat. No. SP0727 Perflex Diverter Valve (Not Illustrated)

Part No.	Description	Ctn. Qty.
SPX0727D	Handle	10
SPX0733H	Handle Pin	10
SPX0727J	Handle Spring	10
SPX0727K	O-Ring, Cover	10
SPX0733Z3A	Cover Screw (Pkg. of 8)	10
SPX0727H	Seal	10
SPX0733Z1	O-Ring (Key)	10
SPX1483C	O-Ring (Union)	10
SPX0727E	Union Nut	10

Cat. No. SP0740DE 2" Selecta-Flo™ Valve

Part No.	Description	Ctn. Qty.
SPX0710FL	Handle, Large	10
SPX0710XZ7	Handle Pin	10
SPX0710Z16	Non-Metallic Bearing (Pack of 5)	50
SPX0740B	Cover	10
SPX0710Z1A	Cover Screw with Nut (Set of 6 each)	10
SPX0715Z1	Cover O-Ring	10
SPX0603S	Spring	5
SPX0704HA	O-Ring/Teflon Shaft Seal	25
SPX0710Z62	Spring Washers (Set of 2)	25
SPX0740D	Valve Seat Gasket	10
SPX0740C	Key/Stem Assembly	10
SPX0740BA	Key, Cover, Handle Assembly	10
SPX0740AA	Valve Body with Gasket and Sight Glass – with Tank Pipes and Locknuts	1
SX200Z4	O-Ring (Valve Horn)	10

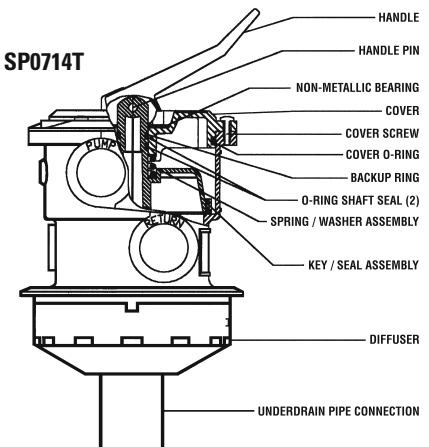
SP0740DE



Cat. No. SP0714T Vari-Flo™ XL Valve

Part No.	Description	Ctn. Qty.
SPX0710XF	Handle	10
SPX0710XZ7	Handle Pin	10
SPX0710Z16	Non-Metallic Bearing (Pack of 5)	50
SPX0714G	Valve Position Label	50
SPX0714BA	Key, Cover and Handle Assembly	5
SPX0714Z1	Cover Screw (Set of 6)	10
SPX0714L	Cover O-Ring	10
SPX0735GA*	O-Ring Shaft Seal Assembly	10
SPX0710Z62	Spring Washers (Set of 2)	25
SPX0714CA	Key/Seal Assembly	10
SPX0714D	Diffuser	1
SPX0714A	Valve Body with Gasket and Sight Glass	1

SP0714T



NOTE: *Two required for each valve.

HAYWARD