



# HAYWARD®

# Above-Ground Skimmers

Hayward above ground pool skimmers are the preferred choice of professional pool builders. Engineered for residential applications, these skimmers are manufactured to Hayward's rigorous quality standards. Their durable, unibody construction is molded of rugged ABS, and they've been designed without submerged joints. Hayward skimmers come with multiple plumbing connections for easier installations.

All Hayward skimmers are non-corrosive, non-conductive and virtually indestructible, no matter what Mother Nature dishes out.



SP1091WM

## Dyna-Skim™ Series

Hayward Dyna-Skim™ Automatic skimmers are non-corrosive skimmer packages designed for the gamut of above ground pool applications. A smooth, contoured body, combined with their advanced, patented weir, removes debris more completely and efficiently. The low profile design gives you the flexibility of maximum installation height on decks and ledges.

Model Number	Front/Top Basket Access	Low Profile	Hydrosweep Recirculation Pkg.	Pipe Size	Ctn. Qty.	Ctn. Weight	Product Descriptions
SP1089	•	-	1	1 1/2" FPT	1	9 lbs.	ABS Body, cover, basket, weir, face plate (white), gaskets and screws. Complete with SP11071 Elbow-Type Skim-Vac™.
SP1091WM*	•	Wide-Mouth	2	1 1/2" FPT	6	46 lbs.	ABS body, wide mouth cover, weir, basket. Face plate (white), gaskets and screws. Complete with Skim Vac and recirculation package.
SP1091LX**	•	•	2	1 1/2" FPT	6	32 lbs.	ABS Body, low profile, cover, weir, basket. Face plate, gaskets and screws, plus recirculation package.
SP1092	Front Only	•	-	1 1/2" FPT	1	5 lbs.	ABS Body, low profile, closed top, weir, basket. Face plate (white), gaskets, screws, and drilled mounting flange.
SP1094WF	•	-	3	1 1/2" FPT	1	4 lbs.	ABS Body, cover, basket, weir, face plate, gaskets and screws. Complete with 90° Skim-Vac for 1 1/2" and 1 1/4" vacuum hose.

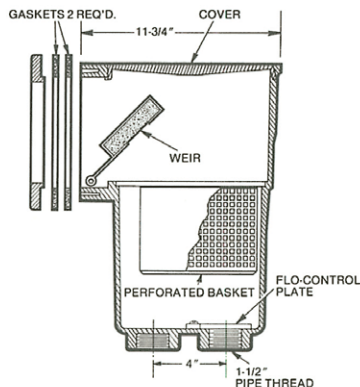
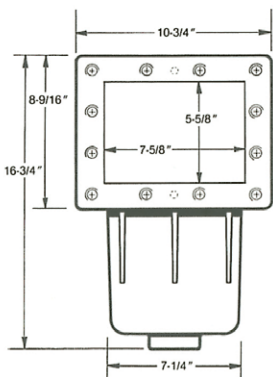
\*Replaces SP1090WM

\*\*Replaces SP1090, SP1091ES and SP1095ES

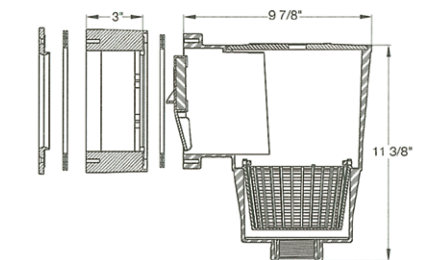
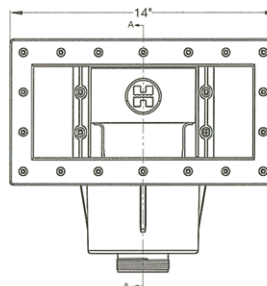
1-Includes SP11071 Skim Vac.

2-Includes SP1023, SP1419D, (2) 1 1/2" x 1 1/2" hose adapters, and SP11041 Skim Vac.

3-Includes SP1094D Skim Vac.



SP1089

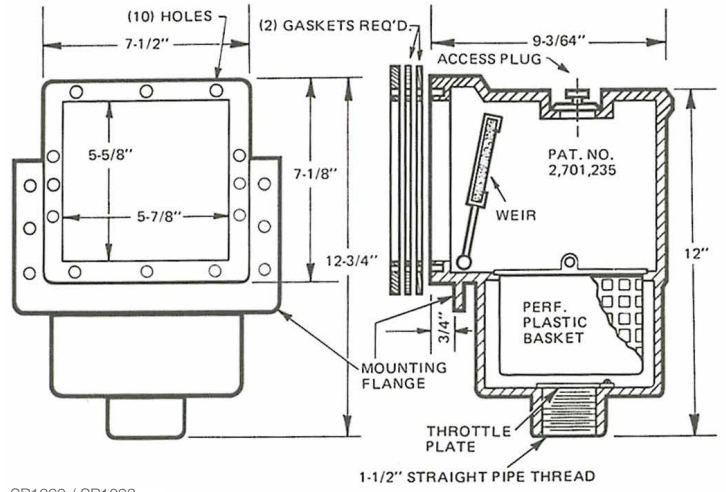


SP1091WM

Measurements are for reference only.



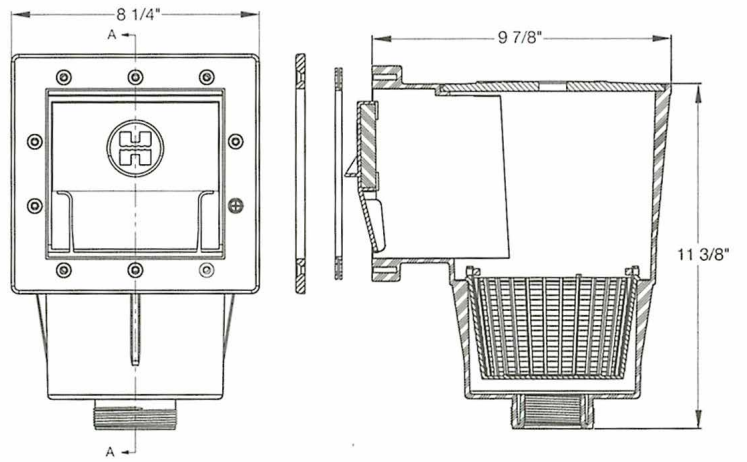
SP1092



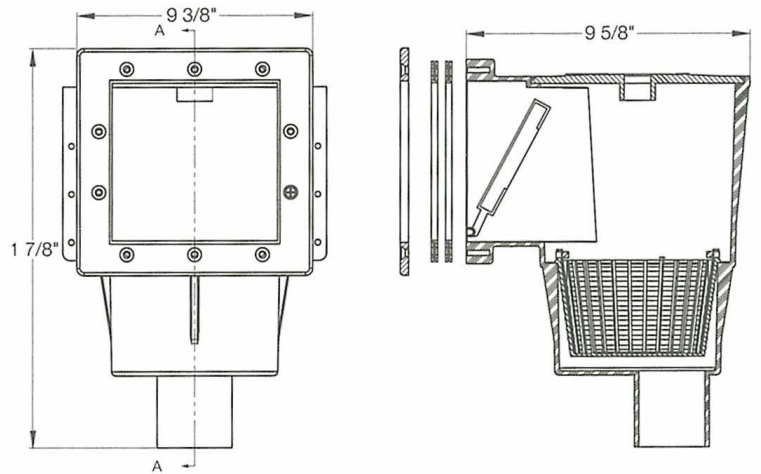
SP1090 / SP1092



SP1091LX



SP1091LX



SP1094WF

Measurements are for reference only.

To find out more information about Above-Ground Skimmers or other Hayward products, go to [hayward.com](http://hayward.com) or call 1-888-HAYWARD.



Hayward is a registered trademark and Dyna-Skim is a trademark of Hayward Industries, Inc. © 2015 Hayward Industries, Inc.

LITSKIMABG15