



INSTALLATION INSTRUCTIONS: MODEL SP1408 INLET FITTING

⚠ WARNING This is an INLET fitting. Suction in suction outlets and/or suction outlet covers which are, damaged, broken, cracked, missing, or unsecured can cause severe injury and/or death.

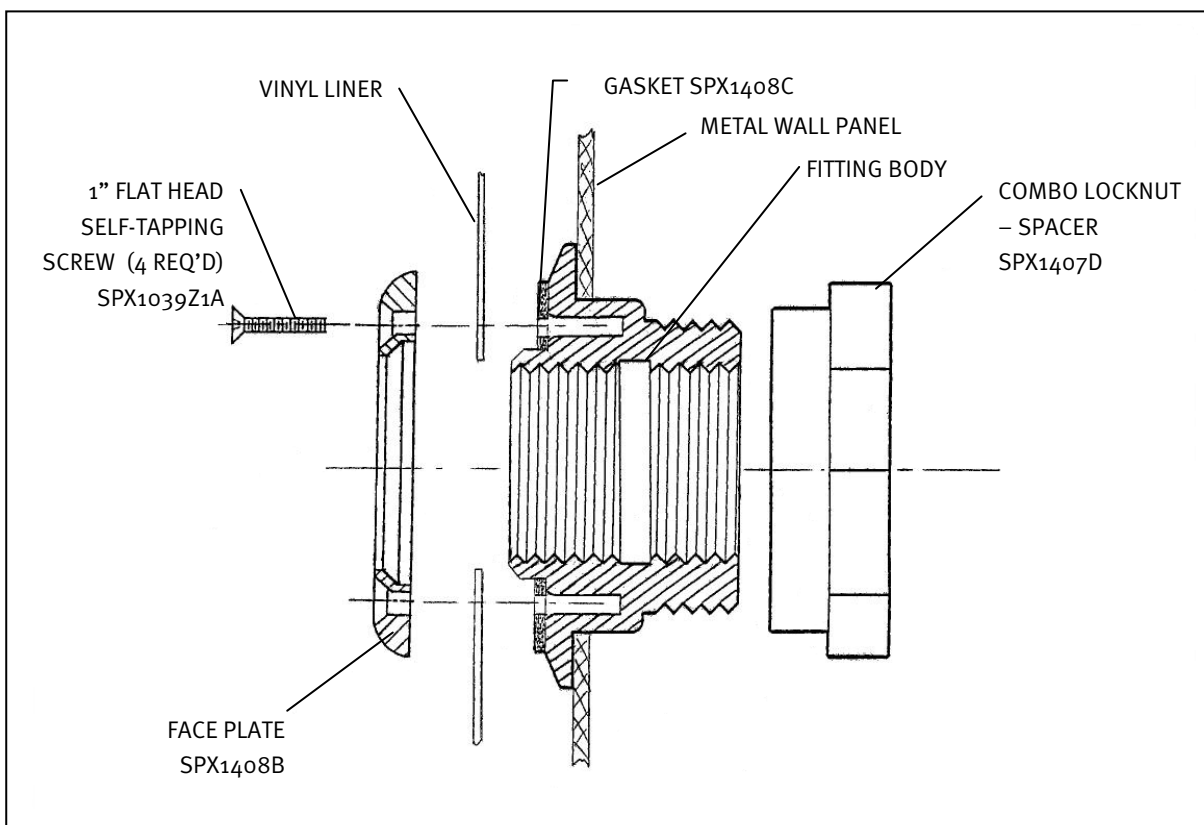
1. This fitting is intended to be used in a pool that has a vinyl liner. Pool wall thickness must be equal to or below 1/4" or between 5/8" and 1".
2. Make one circular cut-out in pool wall minimum 3" in diameter and maximum 3-1/16" in diameter.
3. Insert fitting body through the inside of the pool wall until the underside of the flange is flush against the wall. If pool wall is 1/4" or less in thickness, screw combo locknut-spacer onto fitting body with polygon side to rear (as shown below). To hold fitting in place against pool wall, tighten combo locknut-spacer firmly by hand—then turn 1/2 of a revolution with suitable channel locks (DO NOT OVERTIGHTEN). If pool wall is between 5/8" and 1" thick, reverse orientation of combo locknut spacer and screw on as described above.

4. Install the pool vinyl liner.
5. Place face plate on the inside wall of pool, making sure the holes in the face plate are lined up with the holes in the body of the fitting. Pierce the vinyl pool liner through face plate one hole at a time prior to inserting screws.
6. Fasten face plate to fitting body with the four (4) 1" screws provided. Screw through Face Plate, Vinyl Liner, and into Fitting Body.
7. Cut-out vinyl liner along inside edge of face plate.

⚠ CAUTION – Components such as the filtration system, pumps and heater must be positioned so as to prevent their being used as means of access to the pool by young children.

⚠ WARNING – Hazardous Pressure- Operate or testing the circulation system at more than 50 PSI can cause equipment damage or bodily harm. Do not test or operate circulation system at more than 50 PSI.

⚠ WARNING – Hazardous Pressure - Never change the filter control valve position while the pump is running. Changing filter control valve while the pump is running can cause equipment damage or bodily injury.



Hayward Pool Products
620 Division Street, Elizabeth, NJ 07207
Phone: (908) 351.5400
www.haywardpool.com

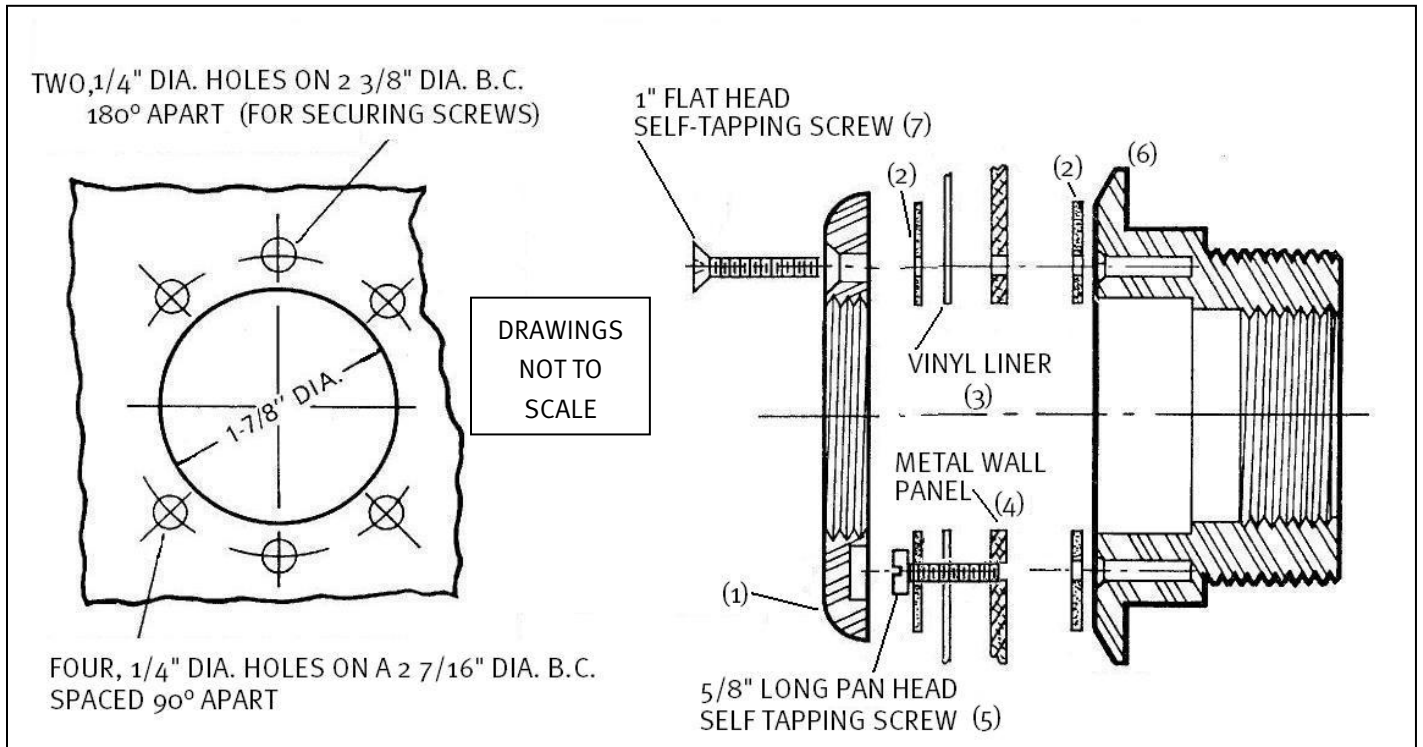


HAYWARD®

INSTALLATION INSTRUCTIONS: MODEL SP1411 INLET FITTING

⚠ WARNING This is an INLET fitting. Suction in suction outlets and/or suction outlet covers which are, damaged, broken, cracked, missing, or unsecured can cause severe injury and/or death.

1. Cut-out pool wall panel 2" maximum diameter, 1 7/8" minimum diameter.
2. Drill or punch 2 holes 1/4" diameter at the top and bottom on a 2 3/8" B.C.
3. Drill or punch 4 holes 1/4" diameter on a 2 3/8" B.C. spaced 90° from each other.
4. Place one gasket on the face of the fitting body, aligning screw holes in gasket with holes in fitting body (a very light application of adhesive cement will assist in holding gasket in place).
5. If vinyl liner pool, install liner.
6. Place second gasket on the inside wall of pool, making sure the holes in the face plate are lined up with the holes in the body of the fitting. If vinyl pool, pierce liner through face plate one at a time prior to inserting screws.
7. Align fitting (with gasket affixed) with drilled panel holes and fasten to outer wall panel, using the middle screw hole on each side of the fitting body, with the two 5/8" pan head securing screws.(5)
8. Fasten face plate and gasket to fitting body with the four 1" flat head screws (2) provided. Screw through Face Plate (1), Gasket (2), Vinyl Liner (3) (if applicable), Wall Panel (4), Gasket (2) and into Fitting Body (6).
9. If vinyl liner pool, cut-out liner along inside edge of face plate.



SPARE PARTS FOR SP1411			
ID	PART NUMBER	DESCRIPTION	QTY
1	SPX1411B	FACE PLATE	1
2	SPX1411Z12	GASKET (SET OF 2)	2
3		VINYL LINE (IF APPLICABLE) CUSTOMER SUPPLIED	
4		METAL WALL PANEL CUSTOMER SUPPLIED	
5	SPX1411Z1A	5/8" LONG PAN HEAD SCREW (2 INCLUDED IN SCREW KIT)	2
6		FITTING BODY NOT AVAILABLE AS A SPARE PART	1
7	SPX1411Z1A	1" LONG FLAT HEAD SELF TAPPING SCREW (4 INCLUDED IN SCREW KIT.)	4



Hayward is a registered trademark of Hayward Industries, Inc.

© 2012 Hayward Industries, Inc.

USE ONLY HAYWARD GENUINE REPLACEMENT PARTS