

10" ROUND ANTI-ENTRAPMENT SUCTION OUTLET COVER, SOLID RISER RING AND MUD FRAME



**VGB CERTIFIED
SPECIFICATIONS**

Floor Flow Rating
166 GPM at 4.8 fps

Wall Flow Rating
96 GPM at 2.8 fps

Sump Depth
3" minimum

Open Area
11.2 in²

FEATURES

All components meet or exceed ANSI/APSP 16-2011 and NSF/ANSI 50-2009a national standards and ASTM G154 UV testing exposure

Manufactured from superior UV-resistant engineered polymers

#316 stainless steel screws

Online product support including downloadable CAD files, General Certificate of Conformity, third-party certificate, installation instructions and more

Replace drain cover every five years from the date of installation

See next page for additional product configurations

8 per case



Part # 10AVRxxx

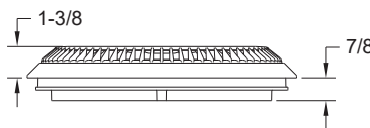
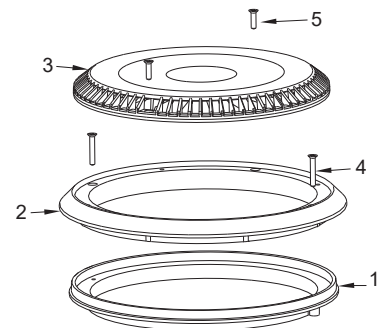
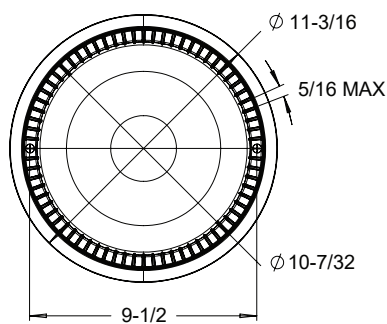
Fits: AquaStar standard 10" models and Color Match.
At least two mud frame screws must be used to secure the cover.

STANDARD COLORS

- 10AVR101 – White
- 10AVR102 – Black
- 10AVR103 – Light Gray
- 10AVR104 – Blue
- 10AVR105 – Dark Gray
- 10AVR108 – Tan

Also available as frame only
p/n 10FRxxx
24 per case

VGB 2008 Compliant



1. 10" Round Mud Frame
2. 10" Round Riser Ring
3. 10" Anti-Entrapment Suction Outlet Cover
4. 10 x 1-1/4" Flat-Head Phillips, 316 SS, Qty 2
5. 10 x 3/4" Flat-Head Phillips, 316 SS, Qty 2

P 877-768-2717 F 877-276-POOL Outside the US: P +1-949-336-1940 F +1-949-336-1940
info@aquastarpoolproducts.com www.aquastarpoolproducts.com

10" ROUND ANTI-ENTRAPMENT SUCTION OUTLET COVER WITH 6" SOCKET DEEP PVC SUMP



**VGB CERTIFIED
SPECIFICATIONS**

Floor Flow Rating
166 GPM at 4.8 fps

Wall Flow Rating
96 GPM at 2.8 fps

Sump Depth
3" minimum

Open Area
11.2 in²

FEATURES

All components meet or exceed ANSI/APSP 16-2011 and NSF/ANSI 50-2009a national standards and ASTM G154 UV testing exposure

Manufactured from superior UV-resistant engineered polymers

No transitional glue required

Comes with 6" tapered threaded pipe plug for easy pressure testing and winterization

#316 stainless steel screws

Online product support including downloadable CAD files, General Certificate of Conformity, third-party certificate, installation instructions and more

Replace drain cover every five years from the date of installation

1 per case

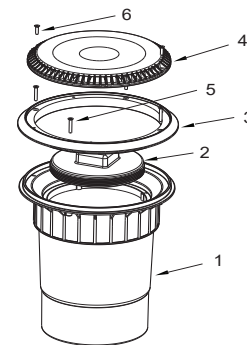
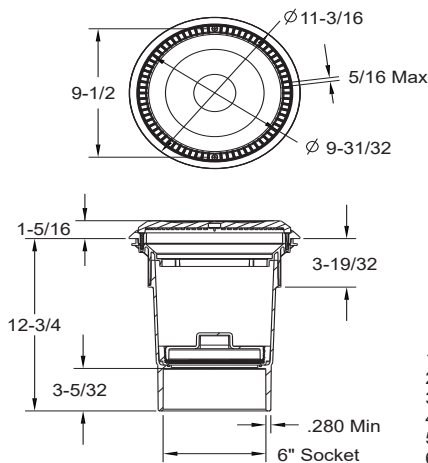


Part # 10AVRxxxF

STANDARD COLORS

- 10AVR101F – White
- 10AVR102F – Black
- 10AVR103F – Light Gray
- 10AVR104F – Blue
- 10AVR105F – Dark Gray
- 10AVR108F – Tan

VGB 2008 Compliant



1. 6" Socket Deep PVC Sump
2. 6" Tapered Threaded Pipe Plug
3. 10" Round Riser Ring
4. 10" Anti-Entrapment Suction Outlet Cover
5. 10 x 1-1/4" Flat Head Phillips, 316 SS, Qty 4
6. 10 x 3/4" Flat Head Phillips, 316 SS, Qty 2

P 877-768-2717 F 877-276-POOL Outside the US: P +1-949-336-1940 F +1-949-336-1940
info@aquastarpoolproducts.com www.aquastarpoolproducts.com