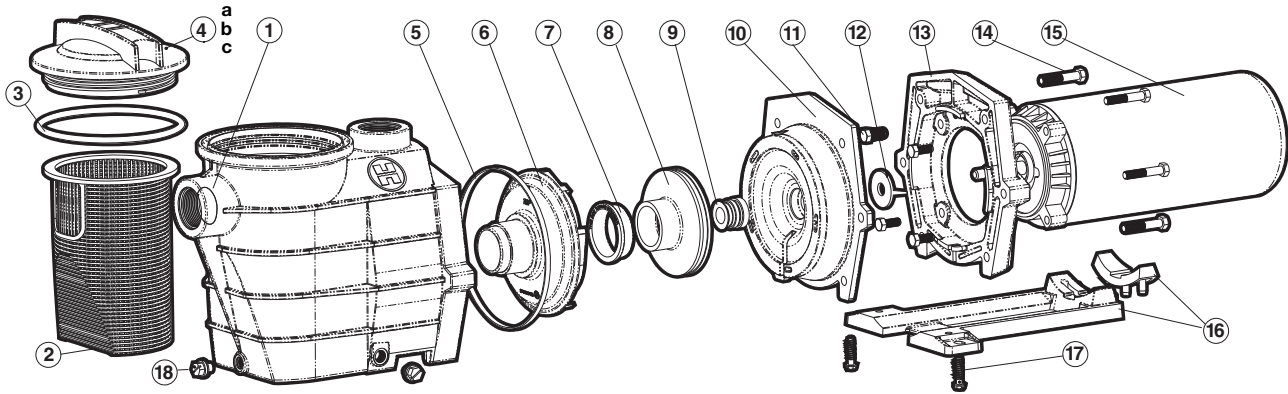




# Super II™

SP3000 PUMP SERIES (ENERGY EFFICIENT, FULL-RATED) REPLACEMENT PARTS

**Parts for Pump Models: SP3007(EEAZ) (EECA), SP3010(EEAZ), SP3015(EEAZ), SP3020(EEAZ), SP3025(EEAZ), SP3030(EEAZ)**



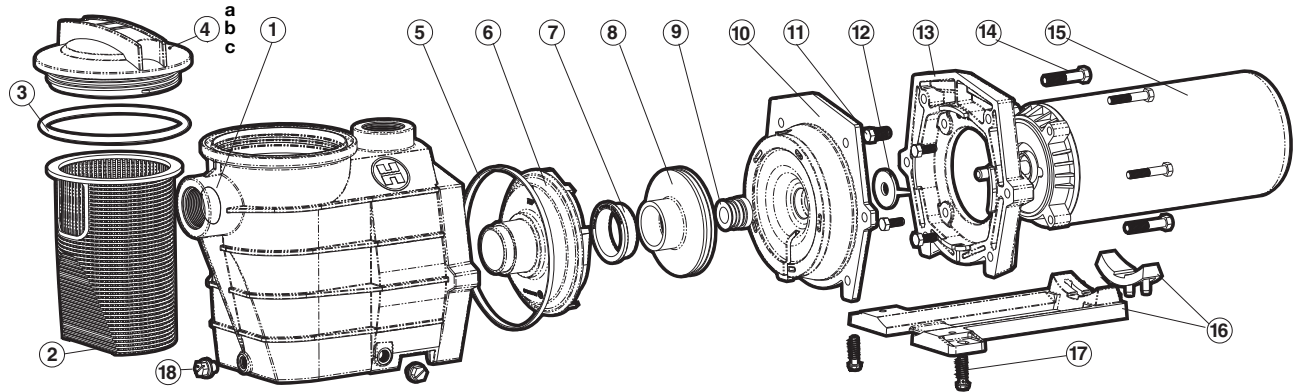
| Ref. No. | Part No.   | Description   | Ctn. Qty. | No. Req'd |
|----------|------------|---|-----------|-----------|
| 1        | SPX3000AA  | Pump Housing/Strainer, 1 1/2" x 1 1/2", with Drain Plugs                                | 1         | 1         |
| 1        | SPX3100AAZ | Pump Housing/Strainer, 1 1/2" x 1 1/2", with Drain Plugs, Threaded Style                | 1         | 1         |
| 1        | SPX3020AA  | Pump Housing/Strainer, 2" x 2", with Drain Plugs  | 1         | 1         |
| 1        | SPX3120AAZ | Pump Housing/Strainer, 2" x 2", with Drain Plugs, Threaded Style                        | 1         | 1         |
| 2        | SPX3000M   | Basket  | 15        | 1         |
| 3        | SPX3000S   | Strainer Cover O-Ring   | 10        | 1         |
| 4a       | SPX3000D   | Strainer Cover, Hand-Knob Style, Clear  | 10        | 1         |
| 4b       | SPX3100D   | Strainer Cover, Threaded Style  | 10        | 1         |
| 4c       | SPX3100DB  | Strainer Cover for Biguanide Sanitizers <b>NOT</b> Pressure Testable                    | 10        | 1         |
| —        | SP3100T    | Pump Lid Removal Tool   | 25        | 1         |
| 5        | SPX3000T   | Housing Gasket  | 10        | 1         |
| —        | SPX1600R   | Diffuser Gasket - Not Shown   | 10        | 1         |
| —        | SPXHKIT2   | H-KIT Quick Pump Repair for Super II (Includes items 3, 5, 9, SPX1600R and Jack's Lube) | 10        | 1         |
| 6        | SPX2600B   | Diffuser, for 3/4 through 2 H.P. (1987 and Prior)                                       | 1         | 1         |
| 6        | SPX3000BN  | Diffuser, for 3/4 through 1 1/2 H.P. (after 1988)                                       | 1         | 1         |
| 6        | SPX3000B   | Diffuser, for 2 1/2 and 3 H.P. (1989 and Prior)   | 1         | 1         |
| 6        | SPX3021B   | Diffuser, for 2, 2 1/2 and 3 H.P. (after 1990)  | 1         | 1         |
| 7        | SPX3005R   | Impeller Ring – 3/4 through 1 1/2 H.P. (3000 Series Impellers only)                     | 1         | 1         |
| 7        | SPX3021R   | Impeller Ring – 2 through 3 H.P. (3000 Series Impellers only)                           | 1         | 1         |
| 9        | SPX1600Z2  | Seal Assembly   | 10        | 1         |
| 10       | SPX3000E   | Seal Plate, for SP2600 Series Impellers   | 1         | 1         |
| 10       | SPX3020E   | Seal Plate, for SP3000 Series Impellers   | 1         | 1         |
| 11       | SPX0125Z44 | Motor Cap Screw (Set of 4)  | 1         | 4         |
| 12       | SPX0125F   | Slinger   | 10        | 1         |
| 13       | SPX3000F   | Motor Mounting Plate  | 1         | 1         |
| 14       | SPX1600Z4  | Housing Cap Screw   | 10        | 6         |
| —        | SPX3000Z26 | Washer, 3/8" – for cap screw (Set of 6) – Not Shown                                     | 1         | 6         |
| 16       | SPX3000GA  | Mounting Bracket with Adapter and 2 Cap Screws  | 1         | 1         |
| 17       | SPX1600Z52 | Mounting Foot Cap Screw (Set of 2)  | 1         | 2         |
| —        | SPX3000SR  | Riser Base Aligns with Sta-Rite® Dura-Glas® Port  | 1         | 1         |
| 18       | SPX1600V   | 1/4" Drain Plug (1991 and Prior)  | 25        | 2         |
| 18       | SPX1700FG  | 1/4" Drain Plug with Gasket   | 10        | 2         |

**Parts listed below must be ordered for specific model and H.P.:**

|    | 1987                  | 1988                  |   |    |   |
|----|-----------------------|-----------------------|---|----|---|
| 8  | SPX2607C              | SPX3007C              | Impeller, for 3/4 H.P.  | 10 | 1 |
| 8  | SPX2610C              | SPX3010C              | Impeller, for 1 H.P.  | 10 | 1 |
| 8  | SPX2615C              | SPX3015C              | Impeller, for 1 1/2 H.P.  | 1  | 1 |
|    | <b>1989 and prior</b> | <b>1990 and later</b> |   |    |   |
| 8  | —                     | SPX3016C              | Impeller, for 1 1/2 H.P.  | 1  | 1 |
| 8  | SPX3020CKIT           | SPX3021C              | Impeller, for 2 H.P.  | 1  | 1 |
| 8  | SPX3025CKIT           | SPX3026C              | Impeller, for 3 H.P.  | 1  | 1 |
| 15 | SPX1607Z1BE           |                       | Motor, 3/4 H.P., Threaded Shaft (Single Phase, 60 Cycle 115/230V)   | 1  | 1 |
| 15 | SPX1610Z1BEE          |                       | Motor, 1 H.P., Threaded Shaft (Single Phase, 60 Cycle 115/230V)     | 1  | 1 |
| 15 | SPX1615Z1BEE          |                       | Motor, 1 1/2 H.P., Threaded Shaft (Single Phase, 60 Cycle 115/230V) | 1  | 1 |
| 15 | SPX1620Z1BEE          |                       | Motor, 2 H.P., Threaded Shaft (Single Phase, 60 Cycle 230V)         | 1  | 1 |
| 15 | SPX1625Z1M            |                       | Motor, 3 H.P., Threaded Shaft (Single Phase, 60 Cycle 230V)         | 1  | 1 |
| 15 | SPX0160Z1D            |                       | Motor, 3 H.P., Threaded Shaft (Three Phase, 60 Cycle 230/460V)      | 1  | 1 |

Pumps

**Parts for Pump Models: SP3005X7(AZ), SP3007X10(AZ)(2), SP3010X15(2)(AZ), SP3015X20(2)(AZ), SP3020X25(2)(AZ), SP3025X30(AZ)**



| Ref. No. | Part No.   | Description   | Ctn. | Qty. | No. Req'd |
|----------|------------|---|------|------|-----------|
| 1        | SPX3000AA  | Pump Housing/Strainer, 1 1/2" x 1 1/2", with Drain Plugs                                | 1    |      | 1         |
| 1        | SPX3100AAZ | Pump Housing/Strainer, 1 1/2" x 1 1/2", with Drain Plugs, Threaded Style                | 1    |      | 1         |
| 1        | SPX3020AA  | Pump Housing/Strainer, 2" x 2", with Drain Plugs  | 1    |      | 1         |
| 1        | SPX3120AAZ | Pump Housing/Strainer, 2" x 2", with Drain Plugs, Threaded Style                        | 1    |      | 1         |
| 2        | SPX3000M   | Basket  | 15   |      | 1         |
| 3        | SPX3000S   | Strainer Cover O-Ring   | 10   |      | 1         |
| 4a       | SPX3000D   | Strainer Cover, Hand-Knob Style, Clear  | 10   |      | 1         |
| 4b       | SPX3100D   | Strainer Cover, Threaded Style  | 10   |      | 1         |
| 4c       | SPX3100DB  | Strainer Cover for Biguanide Sanitizers <b>NOT</b> Pressure Testable                    | 10   |      | 1         |
| —        | SP3100T    | Pump Lid Removal Tool   | 25   |      | 1         |
| 5        | SPX3000T   | Housing Gasket  | 10   |      | 1         |
| —        | SPX1600R   | Diffuser Gasket – Not Shown   | 10   |      | 1         |
| —        | SPXHKIT2   | H-KIT Quick Pump Repair for Super II (Includes items 3, 5, 9, SPX1600R and Jack's Lube) | 10   |      | 1         |
| 6        | SPX2600B   | Diffuser, for 3/4 through 2 H.P. (1987 and Prior)                                       | 1    |      | 1         |
| 6        | SPX3000BN  | Diffuser, for 3/4 through 1 1/2 H.P. (after 1988)                                       | 1    |      | 1         |
| 6        | SPX3000B   | Diffuser, for 2 1/2 and 3 H.P. (1989 and Prior)   | 1    |      | 1         |
| 6        | SPX3021B   | Diffuser, for 2, 2 1/2 and 3 H.P. (after 1990)  | 1    |      | 1         |
| 7        | SPX3005R   | Impeller Ring – 3/4 through 2 H.P. (3000 Series Impellers only)                         | 1    |      | 1         |
| 7        | SPX3021R   | Impeller Ring – 2 1/2 through 3 H.P. (3000 Series Impellers only)                       | 1    |      | 1         |
| 9        | SPX1600Z2  | Seal Assembly   | 10   |      | 1         |
| 10       | SPX3000E   | Seal Plate, for SP2600 Series Impellers   | 1    |      | 1         |
| 10       | SPX3020E   | Seal Plate, for SP3000 Series Impellers   | 1    |      | 1         |
| 11       | SPX0125Z44 | Motor Cap Screw (Set of 4)  | 1    |      | 4         |
| 12       | SPX0125F   | Slinger   | 10   |      | 1         |
| 13       | SPX3000F   | Motor Mounting Plate  | 1    |      | 1         |
| 14       | SPX1600Z4  | Housing Cap Screw   | 10   |      | 6         |
| —        | SPX3000Z26 | Washer, 3/8" – for cap screw (Set of 6) – Not Shown                                     | 1    |      | 6         |
| 16       | SPX3000GA  | Mounting Bracket with Adapter and 2 Cap Screws  | 1    |      | 1         |
| 17       | SPX1600Z52 | Mounting Foot Cap Screw (Set of 2)  | 1    |      | 2         |
| —        | SPX3000SR  | Riser Base Aligns with Sta-Rite® Dura-Glas® Port  | 1    |      | 1         |
| 18       | SPX1600V   | 1/4" Drain Plug (1991 and Prior)  | 25   |      | 2         |
| 18       | SPX1700FG  | 1/4" Drain Plug with Gasket   | 10   |      | 2         |

**Parts listed below must be ordered for specific model and H.P.:**

|    | 1987        | 1988     |  |    |   |
|----|-------------|----------|--|----|---|
| 8  | SPX2605C    | SPX3005C | Impeller, for 3/4 H.P.   | 10 | 1 |
| 8  | SPX2607C    | SPX3007C | Impeller, for 1 H.P.   | 10 | 1 |
| 8  | SPX2610C    | SPX3010C | Impeller, for 1 1/2 H.P.   | 10 | 1 |
| 8  | SPX2615C    | —        | Impeller, for 2 H.P.   | 1  | 1 |
|    | 1989        | 1990     |  |    |   |
| 8  | —           | SPX3016C | Impeller, for 2 H.P.   | 1  | 1 |
| 8  | SPX3020CKIT | SPX3021C | Impeller, for 2 1/2 H.P.   | 1  | 1 |
| 8  | SPX3025CKIT | SPX3026C | Impeller, for 3 H.P.   | 1  | 1 |
| 15 | SPX1605Z1M  |          | Motor, 3/4 H.P., Threaded Shaft (Single Phase, 60 Cycle 115/230V)        | 1  | 1 |
| 15 | SPX1607Z1M  |          | Motor, 1 H.P., Threaded Shaft (Single Phase, 60 Cycle 115/230V)          | 1  | 1 |
| 15 | SPX1607Z2M  |          | Motor, 1 H.P., Threaded Shaft, 2-speed (Single Phase, 60 Cycle 230V)     | 1  | 1 |
| 15 | SPX1610Z1M  |          | Motor, 1 1/2 H.P., Threaded Shaft (Single Phase, 60 Cycle 115/230V)      | 1  | 1 |
| 15 | SPX1615Z1M  |          | Motor, 2 H.P., Threaded Shaft (Single Phase, 60 Cycle 115/230V)          | 1  | 1 |
| 15 | SPX1620Z1M  |          | Motor, 2 1/2 H.P., Threaded Shaft (Single Phase, 60 Cycle 230V)          | 1  | 1 |
| 15 | SPX1625Z1M  |          | Motor, 3 H.P., Threaded Shaft (Single Phase, 60 Cycle 230V)              | 1  | 1 |
| 15 | SPX1610Z2M  |          | Motor, 1 1/2 H.P., Threaded Shaft, 2-speed (Single Phase, 60 Cycle 230V) | 1  | 1 |
| 15 | SPX1615Z2M  |          | Motor, 2 H.P., Threaded Shaft, 2-speed (Single Phase, 60 Cycle 230V)     | 1  | 1 |
| 15 | SPX1620Z2M  |          | Motor, 2 1/2 H.P., Threaded Shaft, 2-speed (Single Phase, 60 Cycle 230V) | 1  | 1 |