

Jandy®



2020 COMMERCIAL CATALOG

Contents

PUMPS

JCP Series Commercial Plastic (5-15 HP)	4
JCM Series Commercial Cast Iron (5-20 HP)	5
SHP Series (Stealth, ePump, WaterFall)	6
PHP Series (Plus HP, VS PlusHP, WaterFeature)	12

FILTERS

Horizontal Sand	17
Vertical Sand	18
Cartridge	19
Diatomaceous Earth	21
Backwash Valves	22

HEATERS

Gas Heat more than 400,000 BTU	23
Gas Heat less than 400,000 BTU	24
Heat Pumps	28

VALVES

Ball Valves	30
Butterfly Valves and Wafer Check Valves	31
Diverter Valves	32

LIGHTING

White LED, Niche	34
White Incandescent, Niche	35
White LED, Nicheless	36
Color LED, Nicheless	37
Niches	38

WATER SANITIZERS

Medium-Pressure UV Systems	40
Low-Pressure UV Systems	41
Salt Chlorine Generators	42
Erosion Feeders	43

DECK EQUIPMENT

Handrails and Ladders	44
-----------------------	----

CONTROLS

Electronic Water Leveling	47
---------------------------	----

AESTHETIC ACCESSORIES

Grand Effects	49
---------------	----

Jandy® Commercial Plastic Pumps

High Performance, Plastic pump with quiet, efficient operation. Easy Retrofit for Pentair C Series, CSP Series, and EQ Series Pumps. Available with or without strainers in a variety of motor options.



JCP Series Pumps

JCP Series Pumps – Coming 2020

- Self-priming, quiet pumps specifically designed for the commercial pool environment
- Durable, commercial grade polymer construction
- TEFC motors on most models
- ANSI-150 flange connections
- Available with or without strainer

JCP Pumps with Strainer

Part No.	Description	Voltage	Phase	HP	Type	Suction	Discharge	Strainer
SINGLE PHASE								
JCP05-IBD-S	JCP 5HP 230V 1 PH w/ strainer	230	1	5	ODP	6"	4"	Yes
JCP07-IBD-S	JCP 7.5HP 230V 1 PH w/ strainer	230	1	7.5	ODP	6"	4"	Yes
THREE PHASE								
JCP05-3AT-S	JCP 5HP 208-230V/460V 3 PH w/ strainer	208-230/460	3	5	TEFC	6"	4"	Yes
JCP07-3AT-S	JCP 7.5HP 208-230V/460V 3 PH w/ strainer	208-230/460	3	7.5	TEFC	6"	4"	Yes
JCP10-3AT-S	JCP 10HP 208-230V/460V 3 PH w/ strainer	208-230/460	3	10	TEFC	6"	4"	Yes
JCP15-3AT-S	JCP 15HP 208-230V/460V 3 PH w/ strainer	208-230/460	3	15	TEFC	6"	4"	Yes

JCP Pumps without Strainer

Part No.	Description	Voltage	Phase	HP	Type	Suction	Discharge	Strainer
SINGLE PHASE								
JCP05-IBD-N	JCP 5HP 230V 1 PH no strainer	230	1	5	ODP	6"	4"	No
JCP07-IBD-N	JCP 7.5HP 230V 1 PH no strainer	230	1	7.5	ODP	6"	4"	No
THREE PHASE								
JCP05-3AT-N	JCP 5HP 208-230V/460V 3 PH no strainer	208-230/460	3	5	TEFC	6"	4"	No
JCP07-3AT-N	JCP 7.5HP 208-230V/460V 3 PH no strainer	208-230/460	3	7.5	TEFC	6"	4"	No
JCP10-3AT-N	JCP 10HP 208-230V/460V 3 PH no strainer	208-230/460	3	10	TEFC	6"	4"	No
JCP15-3AT-N	JCP 15HP 208-230V/460V 3 PH no strainer	208-230/460	3	15	TEFC	6"	4"	No

JCP Strainer Only

Use with JCP Series Pumps or as a stand-alone, in-line strainer

Part No.	Description	Inlet	Outlet
JCPSO	JCP Strainer Pot w/ Basket	6"	6"

Jandy® Cast Iron Commercial Pumps

High performance pump for commercial and public pools applications. Rugged Cast Iron construction for long term reliability and durability. Readily available, standard catalog motor replacements. Easy retrofit for Marlow Series and Paco Pumps.



JCM Series Pumps

JCM Series Pumps - Coming Q4 2019

- Rugged cast iron construction
- High efficiency stainless steel impeller and multi-vane cast iron replaceable diffuser
- 6" suction and 4" discharge ANSI flange connections
- Easy-to-maintain back pull-out design
- 3450 and 1750 RPM models available for quiet, efficient operation
- NSF certified
- Models with or without strainer (Strainers feature a stainless steel basket)

JCM-3B Pumps Cast Iron Self-Priming with Strainer, Epoxy Coated

Part No.	Description	Voltage	Phase	HP	Type	Suction	Discharge	Strainer
SINGLE PHASE, 3450 RPM								
3BICA062J	JCM-3B 5HP 230V 1 Ph w/ strainer	230	1	5	ODP	4"	3"	Yes
3BICA058J	JCM-3B 7.5HP 230V 1 Ph w/ strainer	230	1	7.5	ODP	4"	3"	Yes
THREE PHASE, 3450 RPM								
3BICA023J	JCM-3B 5HP 208-230V/460V 3 Ph w/ strainer	208-230/460	3	5	ODP	4"	3"	Yes
3BICA026J	JCM-3B 7.5HP 208-230V/460V 3 Ph w/ strainer	208-230/460	3	7.5	ODP	4"	3"	Yes

JCM-4SPC Pumps Cast Iron Self-Priming with Strainer, Epoxy Coated

Part No.	Description	Voltage	Phase	HP	Type	Suction	Discharge	Strainer
SINGLE PHASE, 1750 RPM								
4SPCICA056J	JCM-4S 10HP 230V 1 Ph w/ strainer	230	1	10	ODP	6"	4"	Yes
THREE PHASE, 1750 RPM								
4SPCICA024J	JCM-4S 10HP 208-230V/460V 3 Ph w/ strainer	208-230/460	3	10	ODP	6"	4"	Yes
4SPCICA025J	JCM-4S 15HP 208-230V/460V 3 Ph w/ strainer	208-230/460	3	15	ODP	6"	4"	Yes
4SPCICA028J	JCM-4S 20HP 208-230V/460V 3 Ph w/ strainer	208-230/460	3	20	ODP	6"	4"	Yes

JCM-M Pumps Cast Iron Self-Priming with Strainer, Epoxy Coated

Part No.	Description	Voltage	Phase	HP	Type	Suction	Discharge	Strainer
THREE PHASE, 1750 RPM								
2.5LISCI801LFJ	JCM-M 5HP 208-230V/460V ODP 3 Ph no strainer	208-230/460	3	5	ODP	3"	2.5"	No
3LISCI802LFJ	JCM-M 7.5HP 208-230V/460V ODP 3 Ph no strainer	208-230/460	3	7.5	ODP	4"	3"	No
4LISCI804LFJ	JCM-M 7.5HP 208-230V/460V ODP 3 Ph no strainer	208-230/460	3	7.5	ODP	5"	4"	No
32LSCI803LFJ	JCM-M 10HP 208-230V/460V ODP 3 Ph no strainer	208-230/460	3	10	ODP	4"	3"	No
4LISCI805LFJ	JCM-M 10HP 208-230V/460V ODP 3 Ph no strainer	208-230/460	3	10	ODP	5"	4"	No
4L3SCI806LFJ	JCM-M 15HP 208-230V/460V ODP 3 Ph no strainer	208-230/460	3	15	ODP	5"	4"	No
5LISCI807LFJ	JCM-M 15HP 208-230V/460V ODP 3 Ph no strainer	208-230/460	3	15	ODP	6"	5"	No
5L2SCI808LFJ	JCM-M 20HP 208-230V/460V ODP 3 Ph no strainer	208-230/460	3	20	ODP	6"	5"	No

NOTE: For variable speed drives and controllers, see page 16

Jandy® SHP Series

Our large-sized SHP series pump comes in several different configurations for your water movement needs; Variable speed (ePump), single speed (Stealth), and high-flow low-head (WaterFall)



SHP Series Pumps

SHP Series Pumps

- “Quiet Technology” design controls flow dynamics within pump, resulting in less noise
- Large capacity basket fully maximizes hydraulic flow
- 2" x 2 1/2" (2 1/2" x 3" on 3HP and 5HP model) quick-connect unions

SHP High Head Pumps

Part No.	Description	Voltage	Phase	HP	Type	Suction	Discharge	Strainer
SINGLE PHASE, 3450 RPM								
SHPF.50	SHP .5HP Stealth High Head, 115/230V 1PH	115/230	1	0.5	ODP	2.5"	2"	Yes
SHPF.75	SHP .75HP Stealth High Head, 115/230V 1PH	115/230	1	0.75	ODP	2.5"	2"	Yes
SHPF1.0	SHP 1.0 Stealth High Head, 115/230V 1PH	115/230	1	1	ODP	2.5"	2"	Yes
SHPF1.5	SHP 1.5HP Stealth High Head, 230V 1PH	230	1	1.5	ODP	2.5"	2"	Yes
SHPF2.0	SHP 2.0 Stealth High Head, 230V 1PH	230	1	2	ODP	2.5"	2"	Yes
SHPF3.0	SHP 3.0 Stealth High Head, 230V 1PH	230	1	3	ODP	3"	2.5"	Yes
SHPF5.0	SHP 5.0 Stealth High Head, 230V 1 PH	230	1	5	ODP	3"	2.5"	Yes
THREE PHASE, 3450 RPM								
SHPF1.0-3PH	SHP 1.0 Stealth High Head, 115/230V 3PH	208-230/460	3	1	ODP	2.5"	2"	Yes
SHPF1.5-3PH	SHP 1.5HP Stealth High Head, 230V 3PH	208-230/460	3	1.5	ODP	2.5"	2"	Yes
SHPF2.0-3PH	SHP 2.0 Stealth High Head, 230V 3PH	208-230/460	3	2	ODP	2.5"	2"	Yes
SHPF3.0-3PH	SHP 3.0 Stealth High Head, 230V 3PH	208-230/460	3	3	ODP	3"	2.5"	Yes
SHPF5.0-3PH	SHP 5.0 Stealth High Head, 230V 3 PH	208-230/460	3	5	ODP	3"	2.5"	Yes

NOTE: TEFC motors also available

SHP Low Head Pumps for Waterfalls

Part No.	Description	Voltage	Phase	HP	Type	Suction	Discharge	Strainer
SINGLE PHASE, 3450 RPM								
SWF125	SHP 125GPM Stealth Low Head 115/230V 1 PH	115/230	1		ODP	3"	2.5"	Yes
SWF185	SHP 185GPM Stealth Low Head 115/230V 1 PH	115/230	1		ODP	3"	2.5"	Yes

SHP 2-Speed Pumps

Part No.	Description	Voltage	Phase	HP	Type	Suction	Discharge	Strainer
SINGLE PHASE, 1725-3450 RPM								
SHPF1.0-2	SHP 1.0 Stealth High Head 2-Spd, 230V 1PH	230	1	1	ODP	2.5"	2"	Yes
SHPF1.5-2	SHP 1.5HP Stealth High Head 2-Spd, 230V 1PH	230	1	1.5	ODP	2.5"	2"	Yes
SHPF2.0-2	SHP 2.0 Stealth High Head 2-Spd, 230V 1PH	230	1	2	ODP	2.5"	2"	Yes

SHP ePump Variable Speed Pumps

Part No.	Description	Voltage	Phase	HP	Type	Suction	Discharge	Strainer
SINGLE PHASE, 1725-3450 RPM								
VSSH220AUT	SHP 2.2THP ePump VS, 230V 1 PH	230	1	2.2	TEFC	2.5"	2"	Yes
VSSH270AUT	SHP 2.7THP ePump VS, 230V 1 PH	230	1	2.7	TEFC	2.5"	2"	Yes
JEP2.OSVRS	SHP 2.2THP ePump VS, 230V 1 PH, SVRS	230	1	2.7	TEFC	2.5"	2"	Yes

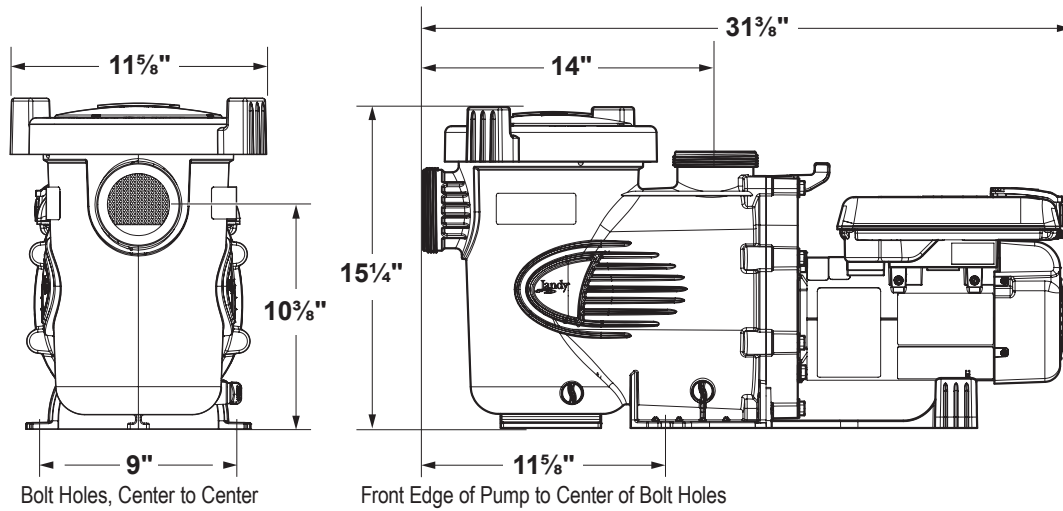
NOTE: For variable speed drives and controllers, see page 16

PUMPS

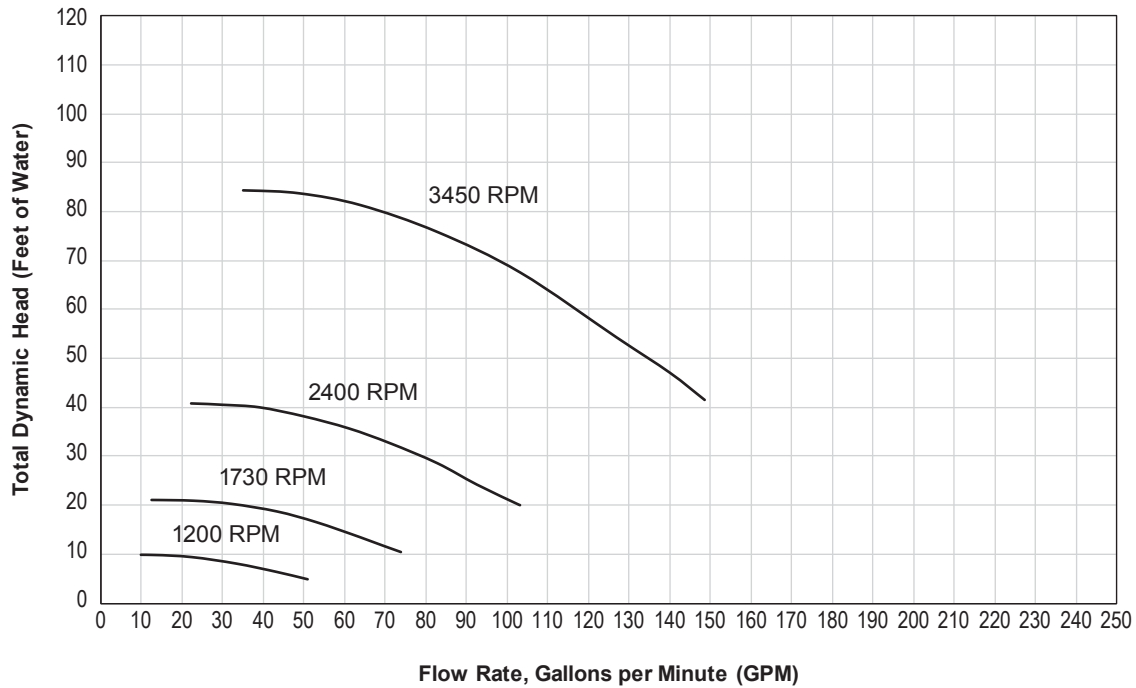
Specifications and Dimensions for ePump™ + SVRS Variable-Speed Pump

Full Rated Pumps									
Model No.	HP	Voltage	Watts	No. Aux. Relays	Auxiliary Relay Rating	Recommended Pipe Size	Carton Weight	Overall Length	
JEP2.OSVRS	2.7	230VAC	2,400 W	1	230V/11 AMP	2 - 3"	71.5 lbs.	31 3/8"	

When installing the pump, leave a minimum of 2 ft. of clearance above the pump for removal of strainer basket.



ePump + SVRS Pump Curves

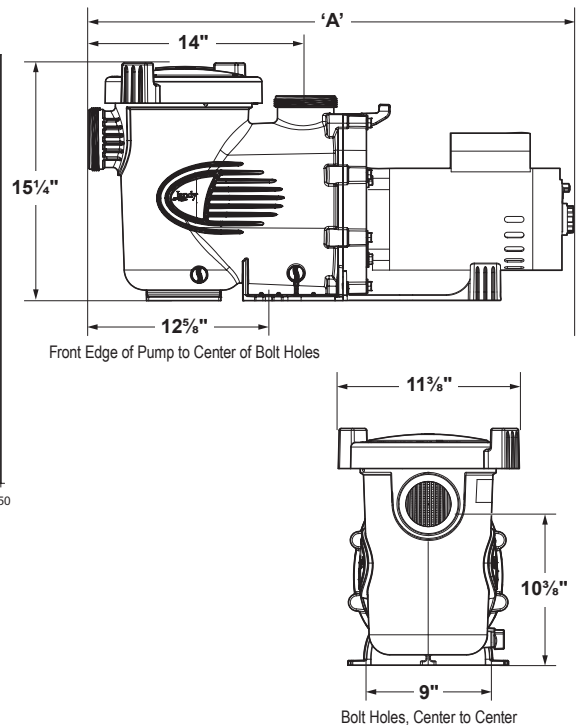
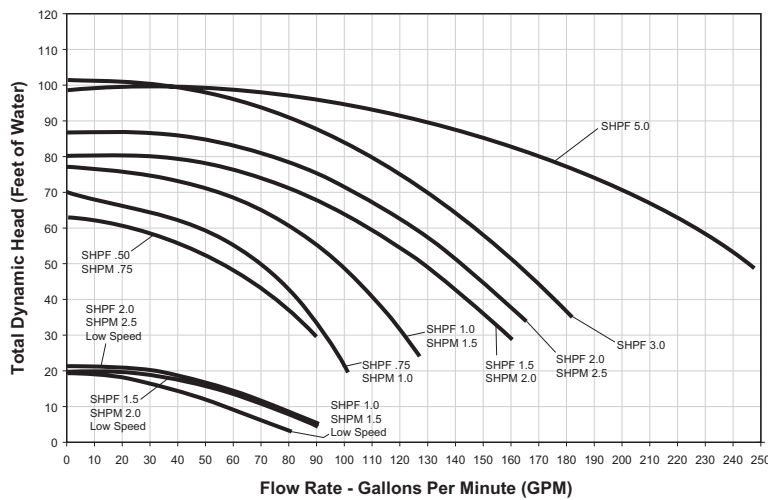


Specifications and Dimensions for Stealth™ (SHPF/SHPM) Pumps

Full Rated Pumps						
Model No.	HP	Voltage	Amps	Recommended Pipe Size	Carton Weight	Overall Length 'A'
SHPF.50	.50	208-230/115	4.4-4.5/8.8	2-2 1/2"	30 lbs.	29"
SHPF.75	.75	208-230/115	6.0-5.6/11.2	2-2 1/2"	43 lbs.	29 3/4"
SHPF1.0	1.0	208-230/115	7.8-7.4/14.8	2-2 1/2"	45 lbs.	30"
SHPF1.5	1.5	208-230	9.6-8.8	2-2 1/2"	50 lbs.	30 1/2"
SHPF2.0	2.0	208-230	11.0-10.0	2-2 1/2"	57 lbs.	31"
SHPF3.0	3.0	208-230	15.0-13.6	2 1/2-3"	62 lbs.	31"
SHPF5.0	5.0	208-230	17.0-19.0	4"	68 lbs.	31 1/2"
SHPF1.0-2	1.0	230	7.2/3.0	2-2 1/2"	50.4 lbs.	30"
SHPF1.5-2	1.5	230	10.0/3.5	2-2 1/2"	57 lbs.	30 1/2"
SHPF2.0-2	2.0	230	11.0/4.0	2-2 1/2"	64 lbs.	31"
3 Phase Pumps						
SHPF1.0-3PH	1.0	208-230/460	5.0-4.6/2.3	2-2 1/2"	55 lbs.	29 3/4"
SHPF1.5-3PH	1.5	208-230/460	6.4-5.8/2.9	2-2 1/2"	57 lbs.	30"
SHPF2.0-3PH	2.0	208-230/460	7.1-6.8/3.4	2-2 1/2"	64 lbs.	30 1/2"
SHPF3.0-3PH	3.0	208-230/460	9.0-8.6/4.3	2 1/2-3"	62 lbs.	31 1/2"
Maximum (Up) Rated Pumps						
SHPM.75	.75	208-230/115	4.4-4.5/8.8	2-2 1/2"	30 lbs.	29"
SHPM1.0	1.0	208-230/115	6.0-5.6/11.2	2-2 1/2"	43 lbs.	29 3/4"
SHPM1.5	1.5	208-230/115	7.8-7.4/14.8	2-2 1/2"	45 lbs.	30"
SHPM2.0	2.0	208-230	9.6-8.8	2-2 1/2"	50 lbs.	30 1/2"
SHPM2.5	2.5	208-230	11.0-10.0	2-2 1/2"	57 lbs.	31"
SHPM1.5-2	1.5	230	7.2/3.0	2-2 1/2"	52 lbs.	30"
SHPM2.0-2	2.0	230	10.0/3.5	2-2 1/2"	57 lbs.	30 1/2"
SHPM2.5-2	2.5	230	11.0/4.0	2-2 1/2"	64 lbs.	31"

When installing pump provide the following: 1) a minimum of 2 ft. of clearance above the pump for removal of strainer basket and 2) a minimum of 8" of clearance behind the motor for removal of motor.

Stealth (SHPF/SHPM) Pump Curves

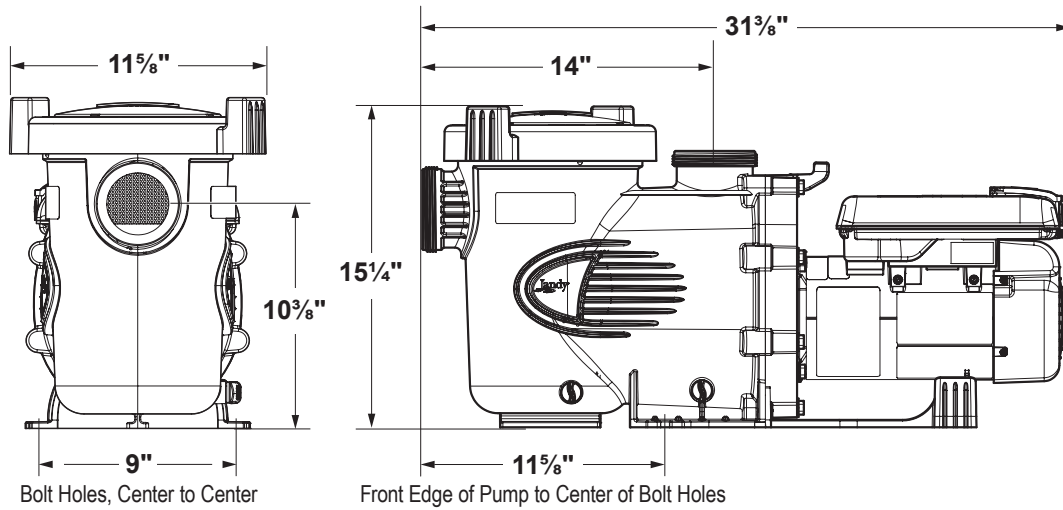


PUMPS

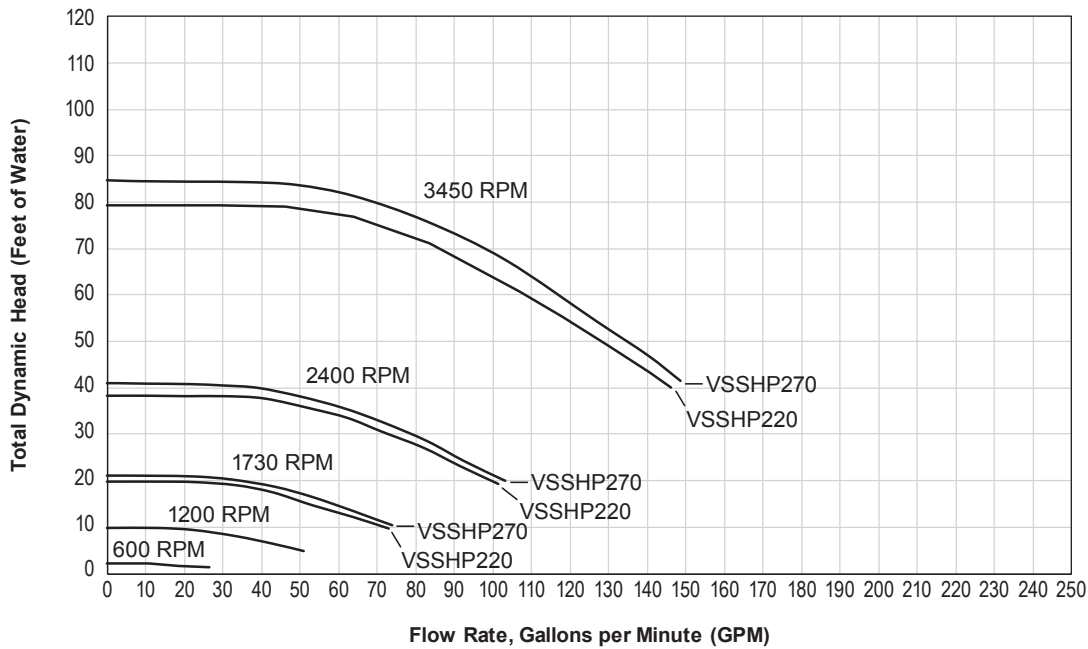
Specifications and Dimensions for ePump™ Pumps

Full Rated Pumps								
Model No.	HP	Voltage	Watts	No. Aux. Relays	Auxiliary Relay Rating	Recommended Pipe Size	Carton Weight	Overall Length
VSSH220AUT	2.7	230VAC	2,100 W	1	230V/11 AMP	2 1/2-3"	71.5 lbs.	31 3/8"
VSSH270AUT	2.7	230VAC	2,300 W	1	230V/11 AMP	2 1/2-3"	71.5 lbs.	31 3/8"

When installing the pump, leave a minimum of 2 ft. of clearance above the pump for removal of strainer basket.



ePump (VSSH) Pump Curves

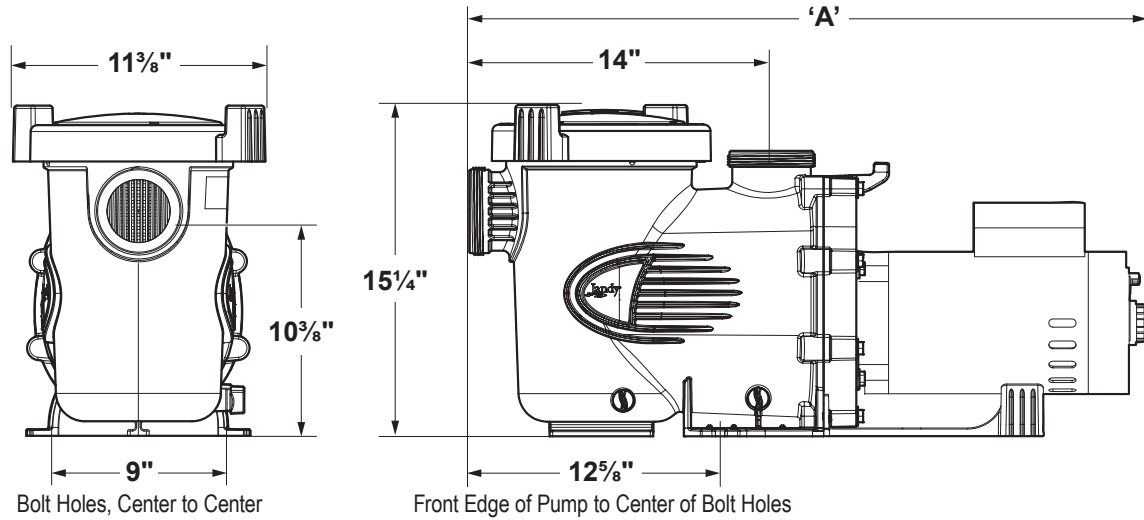


Specifications and Dimensions for WaterFall (SWF) Pumps

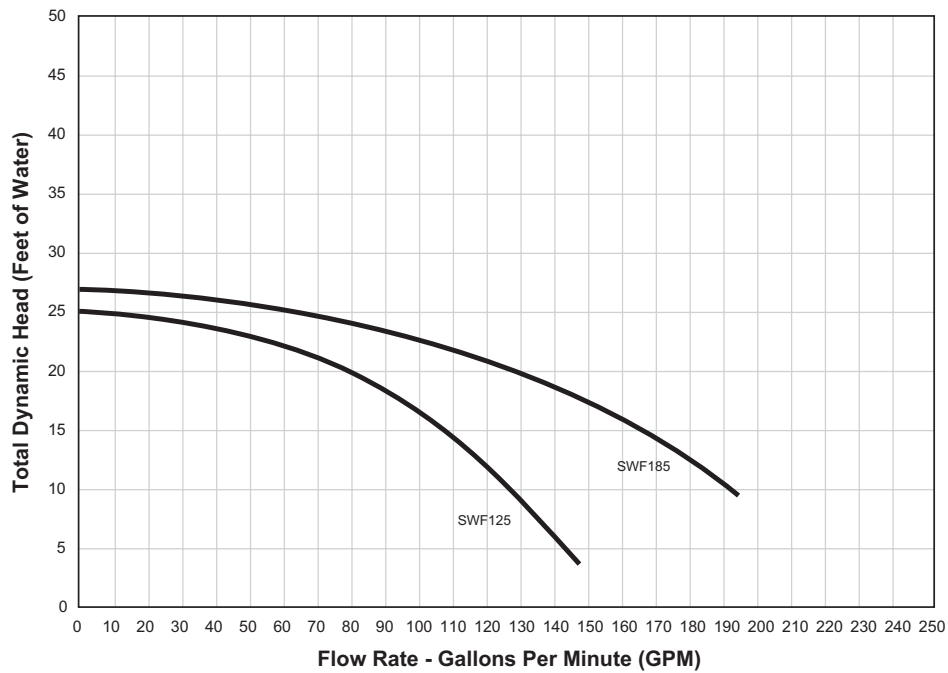
SWF Pump Specifications

Model No.	HP	Voltage	Amps	Recommended Pipe		Carton Weight	Overall Length 'A'
				Size			
SWF125	.75	230/115	4.8/9.6	2 1/2-3"		48 lbs.	30"
SWF185	1.0	230/115	6.0/12.0	2 1/2-3"		56 lbs.	31 1/4"

When installing the pump, leave a minimum of 2 ft. of clearance above the pump for removal of strainer basket.



WaterFall (SWF) Pump Curves



Jandy® PHP Series

Our mid-sized PHP series pumps come in a variety of configurations; Variable speed (VS PlusHP), single speed (PlusHP), and high-flow medium-head (WaterFeature).



PlusHP Series Pumps

PlusHP Series Pumps

- Powerful, efficient, compact high-head pump
- Large trap basket for increased debris holding capacity
- Ergonomic cam-lock lid with easy-to-read aligning indicators
- Comes complete with 2" × 2 1/2" quick-connect unions
- Ideal for in-floor cleaning, spa-jet boosters, and solar systems

PHP High Head Pumps

Part No.	Description	Voltage	Phase	HP	Type	Suction	Discharge	Strainer
SINGLE PHASE, 3450 RPM								
PHPF.50	PHP .5HP PlusHP High Head, 115/230V 1PH	115/230	1	0.5	ODP	2.5"	2"	Yes
PHPF.75	PHP .75HP PlusHP High Head, 115/230V 1PH	115/230	1	0.75	ODP	2.5"	2"	Yes
PHPF1.0	PHP 1.0 PlusHP High Head, 115/230V 1PH	115/230	1	1	ODP	2.5"	2"	Yes
PHPF1.5	PHP 1.5HP PlusHP High Head, 230V 1PH	230	1	1.5	ODP	2.5"	2"	Yes
PHPF2.0	PHP 2.0 PlusHP High Head, 230V 1PH	230	1	2	ODP	2.5"	2"	Yes
PHPF3.0	PHP 3.0 PlusHP High Head, 230V 1PH	230	1	3	ODP	3"	2.5"	Yes
PHPF5.0	PHP 5.0 PlusHP High Head, 230V 1 PH	230	1	5	ODP	3"	2.5"	Yes

PHP Medium Head Pumps

Part No.	Description	Voltage	Phase	HP	Type	Suction	Discharge	Strainer
SINGLE PHASE, 3450 RPM								
WFR80	PHP 80GPM PlusHP Medium Head 115/230V 1 PH	115/230	1		ODP	3"	2.5"	Yes
WFR120	PHP 120GPM PlusHP Medium Head 115/230V 1 PH	115/230	1		ODP	3"	2.5"	Yes
WFR160	PHP 160GPM PlusHP Medium Head 230V 1 PH	230	1		ODP	3"	2.5"	Yes

PHP 2-Speed Pumps

Part No.	Description	Voltage	Phase	HP	Type	Suction	Discharge	Strainer
SINGLE PHASE, 1725-3450 RPM								
PHPF1.0-2	PHP 1.0 PlusHP High Head 2-Spd, 230V 1PH	230	1	1	ODP	2.5"	2"	Yes
PHPF1.5-2	PHP 1.5HP PlusHP High Head 2-Spd, 230V 1PH	230	1	1.5	ODP	2.5"	2"	Yes
PHPF2.0-2	PHP 2.0 PlusHP High Head 2-Spd, 230V 1PH	230	1	2	ODP	2.5"	2"	Yes

PHP VS PlusHP Variable-Speed Pumps

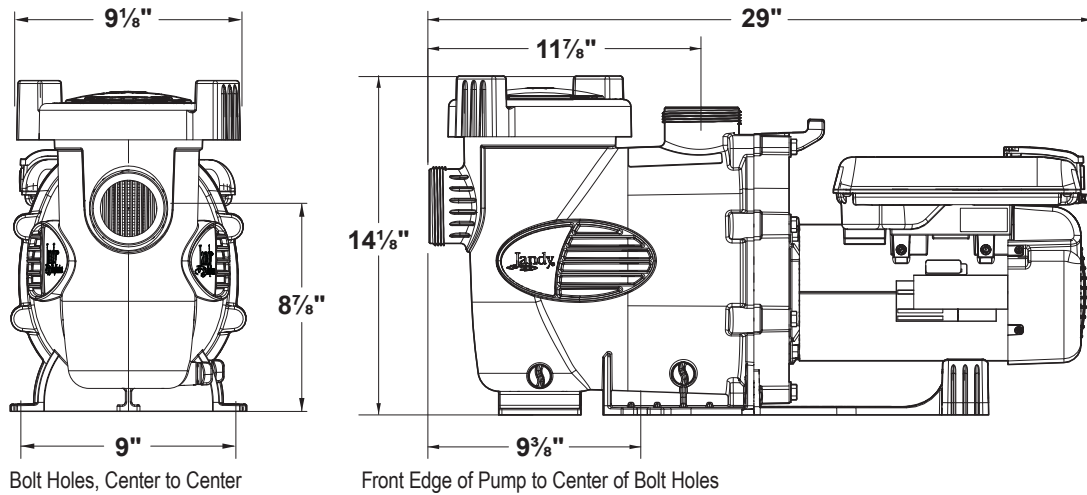
Part No.	Description	Voltage	Phase	HP	Type	Suction	Discharge	Strainer
SINGLE PHASE, VARIABLE SPEED RPM								
VSPHP270JEP	PHP 2.7THP VS PlusHP, 230V 1 PH w/ Controller	230	1	2.7	TEFC	2.5"	2"	Yes
VSPHP270AUT	PHP 2.7THP VS PlusHP, 230V 1 PH	230	1	2.7	TEFC	2.5"	2"	Yes

NOTE: For variable speed drives and controllers, see page 16

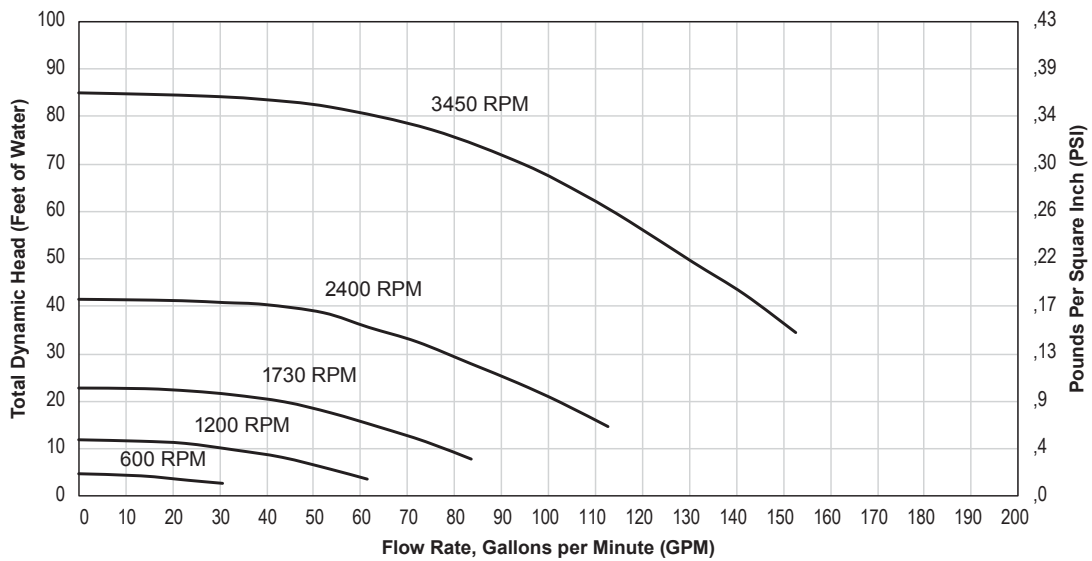
Specifications and Dimensions for VS PlusHP Pumps

Full Rated Pumps								
Model No.	HP	Voltage	Watts	No. Aux. Relays	Auxiliary Relay Rating	Recommended Pipe Size	Carton Weight	Overall Length
VSPHP270AUT VSPHP270JEP	2.7	230 VAC	2,250 W	1	230V/11 AMP	2 - 3"	50 lbs.	29"

When installing pump provide the following: 1) a minimum of 2 ft. of clearance above the pump for removal of strainer basket and 2) a minimum of 8" of clearance behind the motor for removal of motor.



VS PlusHP Pump Curves

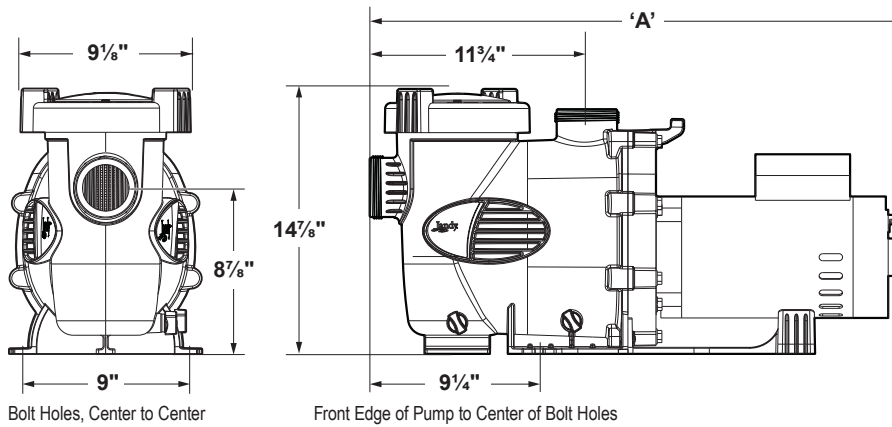


PUMPS

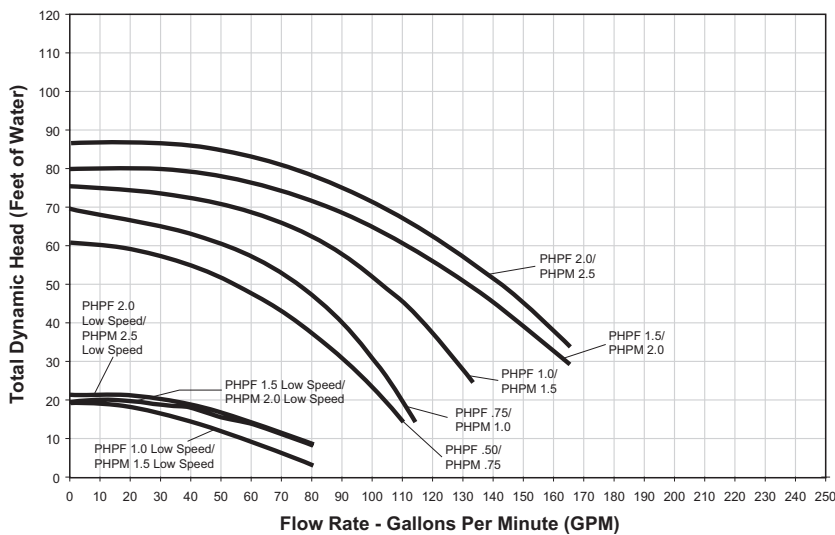
Specifications and Dimensions for PlusHP (PHPF/PHPM) Pumps

Full Rated Pumps						
Model No.	HP	Voltage	Amps	Recommended Pipe Size	Carton Weight	Overall Length 'A'
PHPF.50	.50	230/115	5.4/10.8	1 1/2"²	40.4 lbs.	26 1/2"²
PHPF.75	.75	230/115	7.1/14.2	2-2 1/2"²	41.8 lbs.	26 1/2"²
PHPF1.0	1.0	230/115	8.0/16.0	2-2 1/2"²	43.3 lbs.	26 7/8"²
PHPF1.5	1.5	230/115	11.2/22.4	2-2 1/2"²	54.6 lbs.	28 1/2"²
PHPF2.0	2.0	230	11.5	2-2 1/2"²	49.3 lbs.	27 1/2"²
PHPF1.0-2	1.0	230	7.2/3.0	2-2 1/2"²	48.7 lbs.	27 1/2"²
PHPF1.5-2	1.5	230	10.0/3.5	2-2 1/2"²	52.9 lbs.	28"²
PHPF2.0-2	2.0	230	11.0/4.0	2-2 1/2"²	62.3 lbs.	28 1/2"²
Maximum (Up) Rated Pumps						
PHPM.75	.75	230/115	5.4/10.8	1 1/2"²	40.4 lbs.	26 1/2"²
PHPM1.0	1.0	230/115	7.1/14.2	2-2 1/2"²	41.8 lbs.	26 1/2"²
PHPM1.5	1.5	230/115	8.0/16.0	2-2 1/2"²	43.3 lbs.	26 7/8"²
PHPM2.0	2.0	230/115	11.2/22.4	2-2 1/2"²	54.6 lbs.	28 1/2"²
PHPM2.5	2.5	230	11.5	2-2 1/2"²	49.3 lbs.	27 1/2"²
PHPM1.5-2	1.5	230	7.2/3.0	2-2 1/2"²	48.7 lbs.	27 1/2"²
PHPM2.0-2	2.0	230	10.0/3.5	2-2 1/2"²	52.9 lbs.	28"²
PHPM2.5-2	2.5	230	11.0/4.0	2-2 1/2"²	62.3 lbs.	28 1/2"²

When installing pump provide the following: 1) a minimum of 2 ft. of clearance above the pump for removal of strainer basket and 2) a minimum of 8" of clearance behind the motor for removal of motor.



PlusHP (PHPF/PHPM) Pump Curves

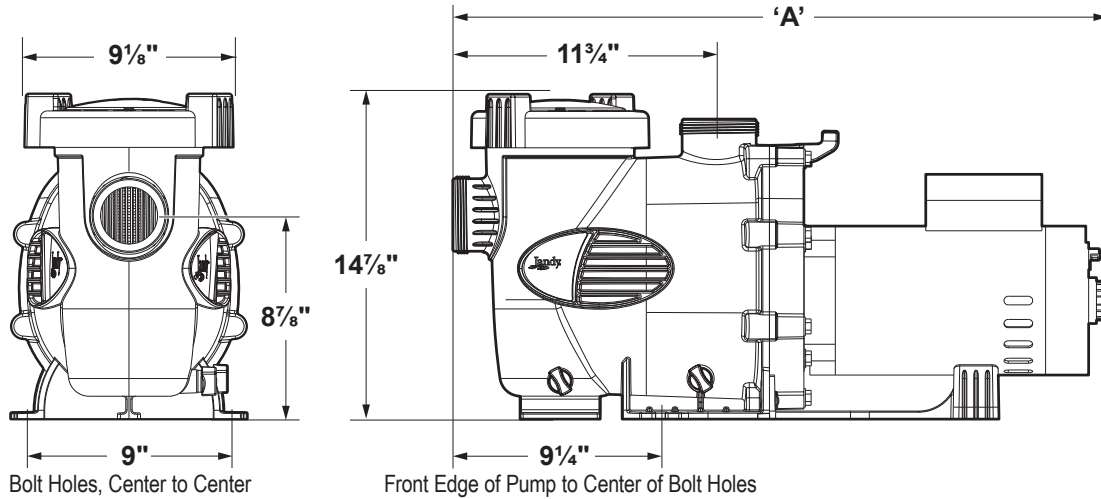


Specifications and Dimensions for WaterFeature (WFTR) Pumps

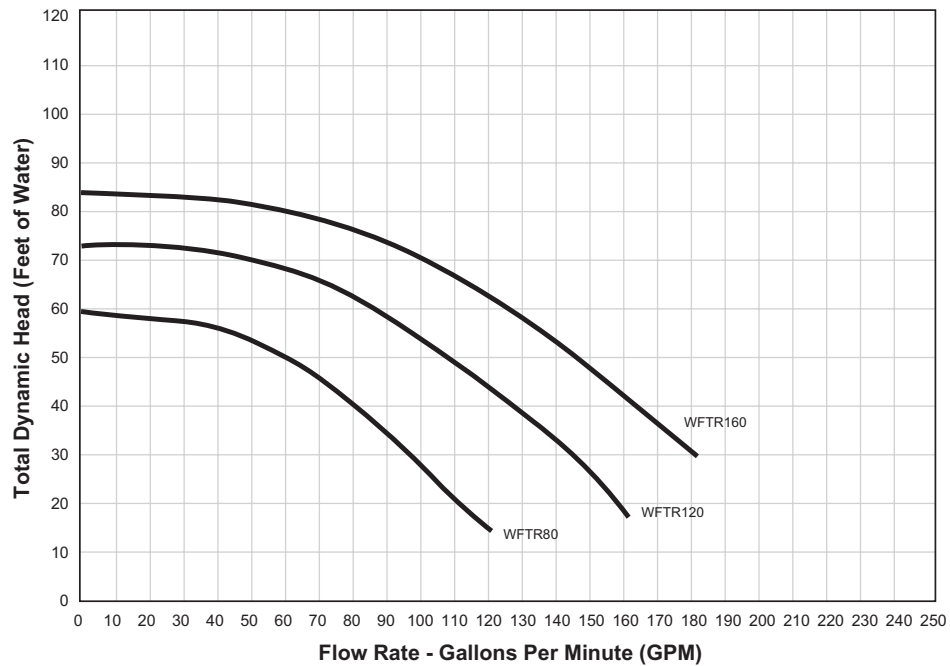
WFTR Pump Specifications

Model No.	GPM	Voltage	Amps	Recommended Pipe Size	Carton Weight	Overall Length 'A'
WFTR80	80 GPM	230/115	5.4/10.8	1 1/2"-2"	40.6 lbs.	26 1/2"
WFTR120	120 GPM	230/115	8.0/16	2-2 1/2"	42.6 lbs.	26 7/8"
WFTR160	160 GPM	230	11.5	2 1/2"-3"	48.6 lbs.	27 1/2"

When installing the pump, leave a minimum of 2 ft. of clearance above the pump for removal of strainer basket.



WaterFeature (WFTR) Pump Curves





iQPUMPO1 Variable-Speed Pump Controller

iQPUMPO1 App Controllable Variable-Speed Pump User Interface

- Fast setup and control using our free iAquaLink™ app
- Connects directly to smartphone via Wi-Fi for setup and programming
- Internet access not required for setup
- Anytime, anywhere remote control and remote programming*
- Up to ten (10) schedules, each with unique days, times, and RPMs
- Custom Speed allows fast and easy RPM adjustments in real time
- Quick Clean feature for pool cleaning with suction vacuums
- Timed Stop for temporary equipment servicing
- Timed Run override to ensure proper mixing of chemicals
- Automatic internet back-up of all schedules and settings*
- Invite Codes allow easy granting of permissions to family and service pros*
- Works with all current Android® and iOS devices
- Combine iQPUMPO1 with the Auxiliary Relay on select Jandy® variable-speed pumps for automated control of additional equipment like a Polaris® booster pump or Jandy TruClear® salt chlorinator

* These features require internet connectivity

Part No.	Description
iQPUMPO1	App Controllable Variable-Speed Pump User Interface



JEP-R Variable-Speed Pump Controller

JEP-R Variable-Speed Pump Controller

- Includes two (2) timers and eight (8) speeds that can be custom labeled
- LCD display and LED indicators
- Battery Backup ensures time and settings are stored during power outages
- Pump priming and freeze protection
- Dual password protect options
- Global RPM limiter
- Can be installed up to 200 ft. away from pump

Part No.	Description
JEP-R	Variable-Speed Pump Remote Controller

Astral Horizontal Sand Filters

High Rate Sand filters designed for the high demand of commercial and public pool applications.

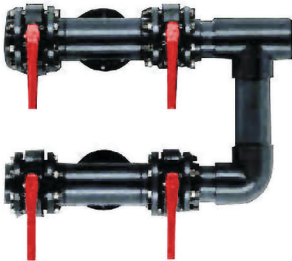


Horizontal Sand Filters

The AstralPool range of commercial products offers global solutions that ensure user comfort, safety and ease of maintenance. AstralPool provides 40+ years experience to help carry out even the most challenging swimming pool projects. Involving AstralPool in your swimming pool project means having the widest possible range of products, permanent investment in R&D, and an extensive worldwide commercial network. Our commercial pool equipment is specifically designed for community, municipal and competition pools, as well as swimming pools for hotels, resorts, water parks and sports centers.

Part No.	Description
ASP-05-2020	42" x 75" Filter w/ 4" Connections, 21 ft ²
ASP-05-2021	42" x 91" Filter w/ 6" Connections, 26 ft ²
ASP-05-2022	42" x 106" Filter w/ 6" Connections, 30 ft ²
ASP-05-2023	42" x 118" Filter w/ 6" Connections, 34 ft ²
ASP-05-2024	48" x 75" Filter w/ 6" Connections, 24 ft ²
ASP-05-2025	48" x 91" Filter w/ 6" Connections, 29 ft ²
ASP-05-2026	48" x 106" Filter w/ 6" Connections, 34 ft ²
ASP-05-2027	48" x 118" Filter w/ 6" Connections, 38 ft ²

NOTE: Also available in custom sizes and configurations



Pre-Plumbed Manifolds

Astral 4-Valve and 5-Valve manifolds are available for horizontal and vertical filters, single or dual and are constructed of Sch. 80 PVC. The manifolds include Astral Cepex butterfly valves, zinc-plated hardware and all PVC fittings necessary for installation. All valve manifolds are pre-assembled and knocked down for shipping.

Ask your sales representative for a complete listing of single or dual filter manifolds as well as manifold support kits. Special order manifolds are available for stacked horizontal filters as well as clean-water backwash and automatic backwash systems.

Jandy® Vertical Sand Filters

High Rate Sand filters designed for the high demand of commercial and public pool applications.



Side-Mount Sand Filter

Jandy SFSM Series Vertical Sand Filters – Coming 2020

- Heavy-duty laminated fiberglass, side-mount design
- Industry-standard 7.5" spread on inlet/outlet
- 35.5" model fits through 36" doors
- NSF listed for 50 PSI operating pressure
- Clean/dirty indicator on pressure gauge
- 24" model has Jandy 2 × 2 1/2" unions
- 30" and 35.5" model available with Jandy 2 × 2 1/2" unions or ANSI 3" flanges
- Backwash valves sold separately

Part No.	Description	Size
SFSM-60	24" SFSM Sand Filter 3.12 ft ² (Unions)	24"
SFSM-100	30" SFSM Sand Filter 4.84 ft ² (Unions)	30"
SFSM-100F	30" SFSM Sand Filter 4.84 ft ² (Flanges)	30"
SFSM-140	36" SFSM Sand Filter 6.57 ft ² (Unions)	35.5"
SFSM-140F	36" SFSM Sand Filter 6.57 ft ² (Flanges)	35.5"

NOTE: Also available in 42" and 48" diameters

SFSM series sand filters are designed and built for the demanding environment of a commercial pool. Each thickly-walled, laminated fiberglass unit is inspected, tested, and ready for duty. You can combine this filter with one of four backwash valve choices; our multi-port valve, our Jandy 2-1 Never-Lube valve, our slide valve, or one of our pre-plumbed manifolds for multi-filter applications.

Jandy® Cartridge Filters

Our CV and CL Series cartridge filters feature high impact, UV and corrosion-resistant thermoplastic tanks, and extra large drain ports.



CV Series Cartridge Filter

CV Series Cartridge Filters

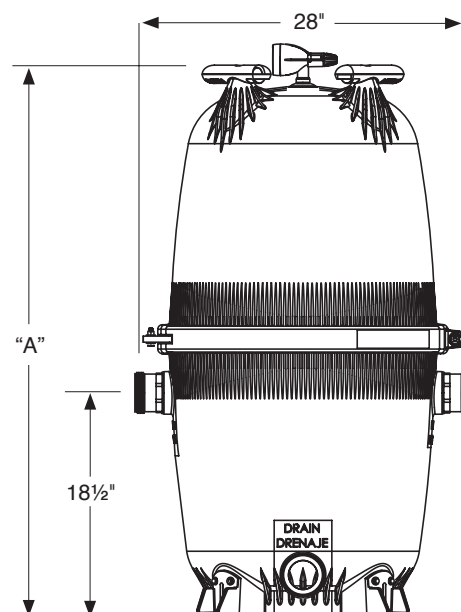
- Designed with our exclusive Versa Plumb® system to easily connect with other Zodiac® products
- Extra-large 2" drain port allows for easy cleaning of debris
- Clean/dirty indicator on pressure gauge
- Heavy duty, anti-corrosion tank clamp and easy-grip handles
- Corrosion- and UV-resistant, high impact extra large tank
- Includes 2" × 2 1/2" universal unions
- Includes a Sweep Elbow (SEFL1002) to easily connect with the pump

Part No.	Description	Size
CV340	CV Cartridge Filter	340 ft ²
CV460	CV Cartridge Filter	460 ft ²
CV580	CV Cartridge Filter	580 ft ²

CV Series cartridge filters are designed with the same great filtration as the CL Series large cartridge filters with additional features, making it our best filter yet. They are designed to work with our exclusive Versa Plumb® system to easily connect with the rest of your Jandy® equipment, while using minimal space on the equipment pad and maximizing hydraulic flow. The CV Series filters feature an extra large drain port allowing for easy cleaning of debris. Optional anchor brackets make it easy to secure the filter to the pad, while the easy-grip handles on the tank lid make installation and cleaning simple. The extra large capacity extends cleaning cycles. Our signature clean/dirty indicator on the pressure gauge allows you to conveniently assess filter condition. The CV tank is constructed of high impact, UV- and corrosion-resistant thermoplastic which provides optimum durability. The rigid, heavy duty tank clamp ensures safe operation. We offer a choice of 580-, 460- and 340-square-foot models.

Specifications and Dimensions, CV Series Filters

Model No.	CV340	CV460	CV580
Filter Area	340 ft ²	460 ft ²	580 ft ²
Design Flow Rate	.37 GPM/ft ²	.33 GPM/ft ²	.26 GPM/ft ²
Maximum Flow	127 GPM	150 GPM	150 GPM
Six (6) Hour Capacity	45,720 gallons	54,000 gallons	54,000 gallons
Eight (8) Hour Capacity	60,960 gallons	72,000 gallons	72,000 gallons
Maximum Working Pressure	50 PSI	50 PSI	50 PSI
Cartridges Required	4 (85 ft ² each)	4 (115 ft ² each)	4 (145 ft ² each)
Shipping Weight	106 lbs.	106 lbs.	112 lbs.
Height ("A")	41 inches	41 inches	47 inches
Footprint	25" diameter circle	25" diameter circle	25" diameter circle





**CL Series
Cartridge Filter**

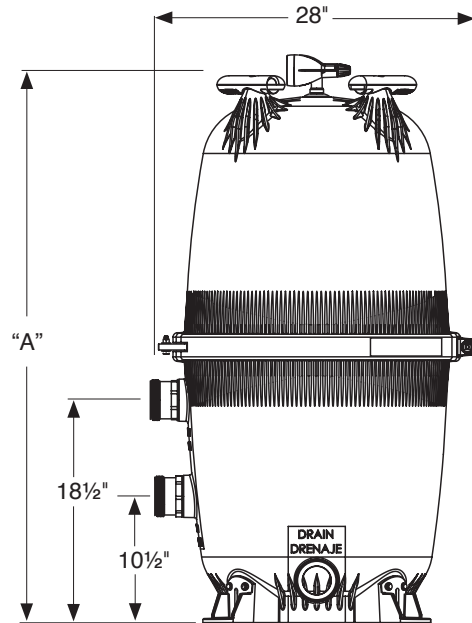
CL Series Cartridge Filters

- Textured, easy-grip handles
- Clean/dirty indicator on pressure gauge
- Extra-large 2" drain port allows for easy cleaning of debris
- Heavy duty, anti-corrosion tank clamp
- Corrosion- and UV-resistant, high impact tank
- Includes 2" × 2 1/2" universal unions

Part No.	Description	Size
CL340	CL Cartridge Filter	340 ft ²
CL460	CL Cartridge Filter	460 ft ²
CL580	CL Cartridge Filter	580 ft ²

Specifications and Dimensions, CL Series Filters

Model No.	CL340	CL460	CL580
Filter Area	340 ft ²	460 ft ²	580 ft ²
Design Flow Rate	.37 GPM/ft ²	.33 GPM/ft ²	.26 GPM/ft ²
Maximum Flow	127 GPM	150 GPM	150 GPM
Six (6) Hour Capacity	45,720 gallons	54,000 gallons	54,000 gallons
Eight (8) Hour Capacity	60,960 gallons	72,000 gallons	72,000 gallons
Maximum Working Pressure	50 PSI	50 PSI	50 PSI
Cartridges Required	4 (85 ft ² each)	4 (115 ft ² each)	4 (145 ft ² each)
Shipping Weight	93 lbs.	95 lbs.	101 lbs.
Height ("A")	41 inches	41 inches	47 inches
Footprint	25" diameter circle	25" diameter circle	25" diameter circle
Distance Between Inlet and Outlet	8"	8"	8"



Jandy® Diatomaceous Earth Filters

Featuring high impact, UV and corrosion-resistant thermoplastic tanks.



**DEV Series
Diatomaceous Earth Filter**

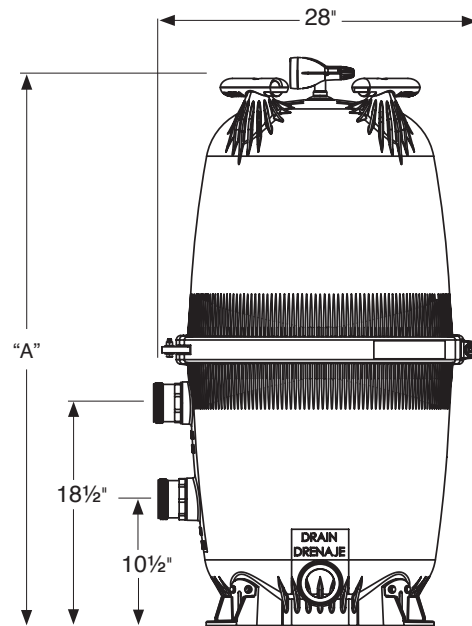
DEV Series Diatomaceous Earth Filters

- Extra-large 2" drain port allows for easy cleaning of debris
- Textured, easy-grip handles
- Clean/dirty indicator on pressure gauge
- Heavy duty, anti-corrosion band clamp
- Corrosion- and UV-resistant, high impact extra large tank
- Three Backwash Valve kit options: 2-in-1 Never Lube® Valve (BWVL-NVL), Slide Valve (BWVL-SLD), or Multi-Port Valve (BWVL-MPV-80)

Part No.	Description	Size
DEV48	DEV Diatomaceous Earth Filter	48 ft ²
DEV60	DEV Diatomaceous Earth Filter	60 ft ²

Specifications and Dimensions, DEV Filters

Model No.	DEV48	DEV60
Filter Area	48 ft ²	60 ft ²
Design Flow Rate	2.00 GPM/ft ²	2.00 GPM/ft ²
Maximum Flow	96 GPM	120 GPM
Six (6) Hour Capacity	34,560 gallons	43,200 gallons
Eight (8) Hour Capacity	46,080 gallons	57,600 gallons
Maximum Working Pressure	50 PSI	50 PSI
D.E. Required	5.0 lbs.	6.0 lbs.
Shipping Weight	95 lbs.	101 lbs.
Height ("A")	41 inches	47 inches
Footprint	25" diameter circle	25" diameter circle
Distance Between Inlet and Outlet	8"	8"



Jandy® Backwash Valves

All of our backwash valves are NSF listed and constructed from durable ABS or CPVC materials.



Side Mount Multi-Port Valve

BWVL-MPV-80 comes pre-plumbed for DEV60, DEV48, JS60-SM or JS100-SM filters

Multi-Port Valves

- 6-position valves with smooth lever action
- Durable, commercial grade ABS construction
- Five filter-side connection configurations with pre-installed unions
- Plumbing-side connection kit with three (3) unions

Part No.	Description
BWVL-MPV-75	Multi-Port Valve for Jandy SFSM, with unions
BWVL-MPV-80	Multi-Port Valve for Jandy DEV and JS, with unions
BWVL-MPV-P	Multi-Port Valve for Pentair TR, with unions
BWVL-MPV-H	Multi-Port Valve for Hayward, with unions
BWVL-MPV-U	Multi-Port Valve Universal, no unions



2-in-1 Backwash Valve

BWVL-NVL comes complete with pre-plumbed universal union kit for DEV48, DEV60, and JS60-SM, JS100-SM filters

2-in-1 Backwash Valves

- Never-Lube® technology and CPVC construction
- Optimal hydraulic flow with no “dead-head” position
- Pre-installed unions on filter-side connection
- 2" x 2 1/2" ports on the plumbing-side connection

Part No.	Description
BWVL-NVL-75	2-in-1 Valve for Jandy SFSM, with unions
BWVL-NVL	2-in-1 Valve for Jandy DEV and JS, with unions
8034J	2-in-1 Valve for Jandy DEL, with unions
8034	2-in-1 Valve Universal, no unions



Slide Valve Kit

BWVL-SLD connects directly to side ports for DEV60, DEV48, JS60-SM or JS100-SM filters

Slide Valves

- 2-position valves with ergonomic handle
- Durable CPVC construction
- Pre-installed unions on the filter-side connection
- 2" ports on the plumbing side connection

Part No.	Description
BWVL-SLD-75	Slide Valve for Jandy SFSM, with unions
BWVL-SLD	Slide Valve for Jandy DEV and JS, with unions
SVLV8	Slide Valve for Jandy DEL, with unions
SVLV2	Slide Valve Universal, no unions

Gas Heaters over 400,000 BTU

The trusted Jandy brand finally comes to the large commercial heater market! For industrial-level reliability in the 500-750,000 BTU range, we offer you the finest ASME certified heaters available today.



Jandy® CXi™ Series

The Jandy CXi series commercial heater delivers innovation and technology for an efficient, reliable installation. With features such as low NO_x operation and proportional firing, our CXi heaters set the standard for large commercial applications.

- ASME® "H" stamped, cupronickel heat exchangers
- Proportional firing to increase efficiency and reduce component fatigue
- All-bronze automatic pumped bypass
- Low NO_x operation
- Hot surface ignition, sealed combustion, and low gas pressure operation
- Digital control panel for maximum precision and control
- Many venting options

CXi ASME Certified Heater

Part No.	Description	Type	Headers	Exchanger	BTU	Efficiency
NATURAL GAS, CAST IRON HEADERS						
CX1500NN	CXi Heater 500 Natural Gas ASME, CuNi Exchanger	Natural Gas	Cast Iron	Cupronickel	500	85%
CX1650NN	CXi Heater 650 Natural Gas ASME, CuNi Exchanger	Natural Gas	Cast Iron	Cupronickel	650	85%
CX1750NN	CXi Heater 750 Natural Gas ASME, CuNi Exchanger	Natural Gas	Cast Iron	Cupronickel	750	85%
PROPANE, CAST IRON HEADERS						
CX1500PN	CXi Heater 500 Propane ASME, CuNi Exchanger	Propane	Cast Iron	Cupronickel	500	85%
CX1650PN	CXi Heater 650 Propane ASME, CuNi Exchanger	Propane	Cast Iron	Cupronickel	650	85%
CX1750PN	CXi Heater 750 Propane ASME, CuNi Exchanger	Propane	Cast Iron	Cupronickel	750	85%

NOTE: Copper heat exchangers available by special order. Call for details.

Gas Heaters under 400,000 BTU

You now have more choices in gas heat under 400,000 BTUs. Choose the ubiquitous, innovative JXi series heater, now available in ASME and non-ASME versions, or select the time-tested, 95% efficient Hi-E2®.



ASME Certified
JXi Heater

Jandy JXi™ Heater

The JXi heater sets the standard in pool and spa heating technology with its ultra-compact size, lightweight design, and installation flexibility, making it a top choice for pool professionals and pool owners everywhere.

JXi ASME Certified Models are now available and come with robust copper heat exchanger tubes and corrosion resistant bronze headers to meet the high stresses of commercial installations.

- Ultra-compact, 2' x 2' footprint for small space requirements and maximum installation flexibility*
- Lightweight design, weighs less than 126 pounds unpackaged, for easy maneuverability and transport
- Best retrofit option, no plumbing adjustments required for quick and easy replacement of Pentair® MasterTemp® and Sta-Rite® Max-E-Therm® heaters
- 84% thermal efficiency rating and low-NO_x design surpasses DOE energy-efficiency requirements**



JXi Heater with VersaFlo

VersaFlo™ Integrated Bypass technology for JXi available installed from the factory (select model) or as an easy retrofit to any JXi on site.

- Offers up to 20% additional energy savings***
- Automation actuation of flow bypass valve is based on call for heat
- Header integration means no external plumbing modifications are needed

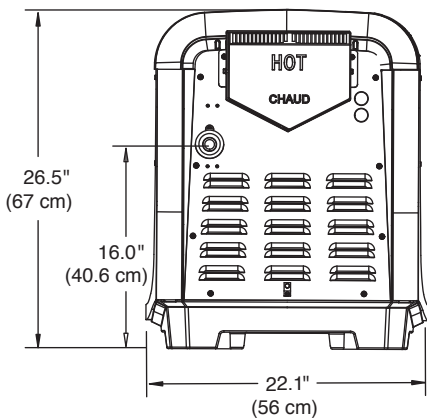
NOTE: JXi ASME Models are not available with VersaFlo Integrated Bypass technology.

* Refer to JXi Manual for proper heater clearances that may apply.

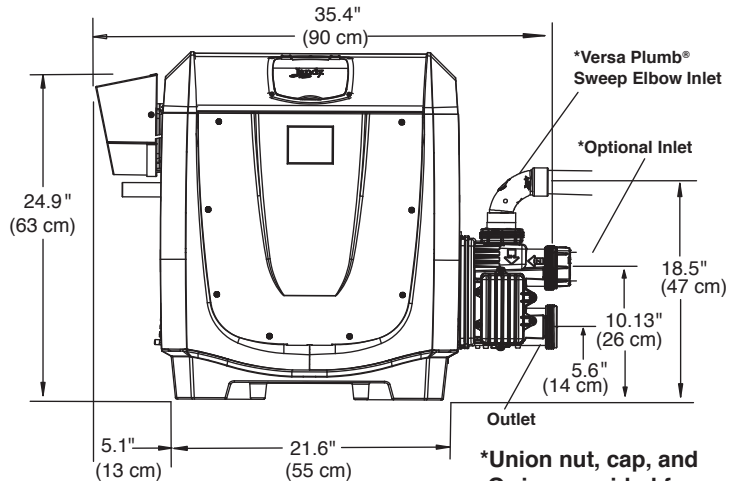
** 84% Thermal Efficiency applies to 260K and 400K BTU Models with Copper Heat Exchangers, 200K BTU and all models with Cupronickel heat exchangers are 83%.

*** Versus a similar system without VersaFlo.

EXHAUST SIDE



FRONT



*Union nut, cap, and O-ring provided for unused inlet. Sweep elbow also provided.

NOTE: Dimensions are identical for ALL heater models

JXi ASME Certified Heater

Part No.	Description	Type	Headers	Exchanger	BTU	Efficiency
NATURAL GAS, BRONZE HEADERS, WITHOUT VERSAFLO						
JXI260NC	JXi Heater 260 Natural Gas ASME	Natural Gas	Bronze	Copper	260	84%
JXI400NC	JXi Heater 400 Natural Gas ASME	Natural Gas	Bronze	Copper	399	84%
PROPANE, BRONZE HEADERS, WITHOUT VERSAFLO						
JXI260PC	JXi Heater 260 Propane ASME	Propane	Bronze	Copper	260	84%
JXI400PC	JXi Heater 400 Propane ASME	Propane	Bronze	Copper	399	84%

JXi Non-ASME Heater

Part No.	Description	Type	Headers	Exchanger	BTU	Efficiency
NATURAL GAS, WITH VERSAFLO						
JXI400NK	JXi Heater 400 Natural Gas, with VersaFlo	Natural Gas	Hi-Temp Poly	Copper	399	84%
NATURAL GAS, WITHOUT VERSAFLO						
JXI200N	JXi Heater 200 Natural Gas	Natural Gas	Hi-Temp Poly	Copper	200	84%
JXI260N	JXi Heater 260 Natural Gas	Natural Gas	Hi-Temp Poly	Copper	260	84%
JXI400N	JXi Heater 400 Natural Gas	Natural Gas	Hi-Temp Poly	Copper	399	84%
JXI400NN	JXi Heater 400 Natural Gas, CuNi Exchanger	Natural Gas	Hi-Temp Poly	Cupronickel	399	83%
PROPANE, WITHOUT VERSAFLO						
JXI200P	JXi Heater 200 Propane	Propane	Hi-Temp Poly	Copper	200	84%
JXI260P	JXi Heater 260 Propane	Propane	Hi-Temp Poly	Copper	260	84%
JXI400P	JXi Heater 400 Propane	Propane	Hi-Temp Poly	Copper	399	84%
JXI400PN	JXi Heater 400 Propane, CuNi Exchanger	Propane	Hi-Temp Poly	Cupronickel	399	83%

JXi VersaFlo Kit

Part No.	Description
JXIVFKIT	JXi VersaFlo Bypass Accessory Kit

Specifications and Dimensions, JXi Series Heaters

Model	Vent Diameter (Category I)		Vent Diameter (Category III)		Firing Rate	
	in.	cm	in.	cm	BTU/HR	kcal
200	6	15	4	10	200,000	50
260	7	18	4	10	260,000	66
400	8	20	4	10	399,000	101

HEATERS



Hi-E2 Heater

Hi-E2® ASME Rated Heater

The Hi-E2 sets the standard with a proven in-use record of over 20 years providing ultra-efficient heating with a 95% efficiency rating – cutting operating costs by 30% or more*. Small, lightweight and easy to install indoors, it features a low-maintenance design using our hot surface ignition system – requiring no pilot light.

- 33% smaller footprint, 42% smaller in volume and 34% lighter than the leading competitor
- Direct connection of PVC venting and intake air provides flexible indoor installation with no additional parts
- Up to 95%* heating efficiency rating which can reduce operating costs by 15% or more**
- Over 20 years of proven in-use performance

* 95% efficiency applies to certain models only. Other models have a 93% efficiency rating.

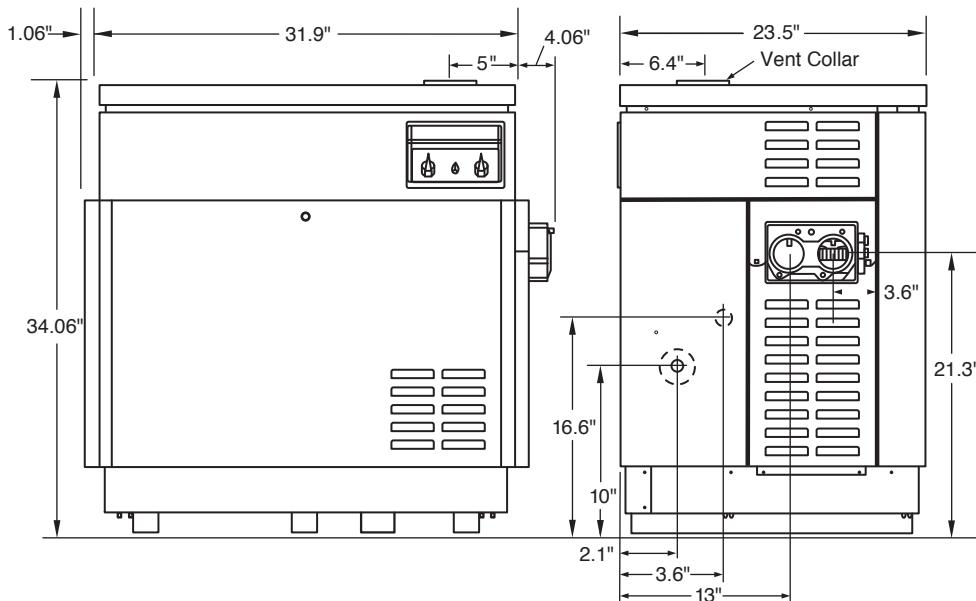
** Versus 399K BTU heater with minimum DOE efficiency of 82%

Hi-E2 ASME Certified Heater

Part No.	Description	Type	Headers	Exchanger	BTU	Efficiency
NATURAL GAS, BRONZE HEADERS						
EHE350NC	Hi-E2 Heater 350 Natural Gas ASME	Natural Gas	Bronze	Copper/CuNi	350	95%
EHE350NS	Hi-E2 Heater 350 Natural Gas ASME, for Salt Water	Natural Gas	Bronze	Cupronickel	350	93%
PROPANE, BRONZE HEADERS						
EHE350PC	Hi-E2 Heater 350 Propane ASME	Propane	Bronze	Copper/CuNi	350	95%
EHE350PS	Hi-E2 Heater 350 Propane ASME, for Salt Water	Propane	Bronze	Cupronickel	350	95%

Hi-E2 Non-ASME Heater

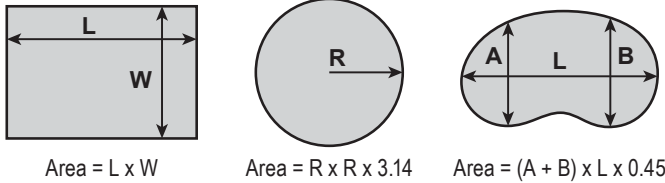
Part No.	Description	Type	Headers	Exchanger	BTU	Efficiency
NATURAL GAS, BRONZE HEADERS						
EHE350NB	Hi-E2 Heater 350 Natural Gas	Natural Gas	Bronze	Copper/CuNi	350	95%
PROPANE, BRONZE HEADERS						
EHE350PB	Hi-E2 Heater 350 Propane	Propane	Bronze	Copper/CuNi	350	95%



Heater Selection Guide

POOL SIZING

1. Calculate the pool's surface area in square feet.



- Calculate the design temperature difference.
(Round up to 5 degree increment)
(Typical Water Temp) – (Average Outdoor Temp while using heater)
- Locate the temperature difference in Pool Heater chart below.
- Move right to find the surface area that is equal to or slightly greater than the area calculated in step 1.
- Move up to find the recommended heater size based on pool size and temperature difference.

SPA SIZING

- Calculate the spa capacity in U.S. Gallons
(surface area) × (average depth) × 7.5.
- Locate the spa size in the spa heater chart below that is equal to or slightly greater than the capacity calculated in step 1.
- Move right to find the desired time required to raise the spa water 30°F.
- Move up to find the required heater size for the chosen time.

NOTE:
 This chart can be adjusted for other temperature rises. For example if you desire a 15°F increase in temperature, simply divide the times in the chart below by 2.
 Heat losses to air and/or heat absorbed by spa walls or other objects will affect and add to the heat-up times listed in this chart.
 Spa sizing times in chart below are based on insulated and covered spa. Always cover your spa when not in use to minimize heat loss and evaporation.

Heater Sizing Charts

Model	Pool Sizing						Hi-E2®	
	200		260		400		350	
	0 Wind	3.5 MPH	0 Wind	3.5 MPH	0 Wind	3.5 MPH	0 Wind	3.5 MPH
Temp Difference	Maximum Surface Area per Heater (Assumes 4.5' Avg Depth and 1°F per hour temp rise)							
15°F	580	480	760	630	1160	970	1160	970
20°F	560	440	730	580	1120	880	1120	880
25°F	530	400	690	530	1060	800	1060	800
30°F	490	360	640	480	990	730	990	730
35°F	450	330	600	430	910	660	910	660

Temp Difference is the difference between the water and air temperature (Water Temp - Air Temp)

Model	Spa Sizing			
	200	260	400	350
Spa Size	Time to Raise Temp 30°F (minutes)			
200 Gallons	18	14	9	9
400 Gallons	35	28	18	18
600 Gallons	53	41	27	27
800 Gallons	71	55	35	35
1000 Gallons	89	70	44	44

Natural Gas Pipe Size Requirements

Maximum Equivalent Pipe Length (Sch 40 Metallic Pipe)									
Natural Gas 1000BTU/FT ³ – 0.60 Specific Gravity @ 0.5 in. W.C. Pressure Drop									
Propane Gas 2500BTU/FT ³ – 1.53 Specific Gravity @ 0.5 in. W.C. Pressure Drop									
	3/4"		1"		1-1/4"		1-1/2"		
	NG	LP	NG	LP	NG	LP	NG	LP	
JXi200	25 ft	60 ft	90 ft	215 ft	360 ft				
JXi260	15 ft	35 ft	50 ft	125 ft	210 ft	480 ft	445 ft		
JXi400	*	15 ft	20 ft	55 ft	95 ft	225 ft	215 ft	480 ft	

* A 3/4" gas line can be used for up to 5 feet maximum length from the gas valve in addition to the sediment trap.

- NOTE:**
- Check supply pressure and local code requirements before proceeding with installation.
 - Consider pipe fittings when determining gas pipe sizing. For every elbow used add three (3) feet to straight pipe length.
 - Table shows the minimum supply gas pipe size required. Larger pipe size can be used if required by local code or if desired.
 - It is critical that the incoming gas supply pressure at the heater is within the maximum and minimum pressure requirements. If the range of acceptable supply pressure is not provided, the gas supply system to the heater must be modified to meet pressure requirements.

Heat Pumps

The Jandy JE Series heat pumps deliver maximum efficiency and reliability.



JE Heat Pump



Digital Controller



Jandy® JE Series Heat Pump

- Ultra-Efficient – Featuring a premium titanium heat exchanger, JE Series heat pumps provide superior hydraulic flow for maximum energy savings.
- Superior Control – Features advanced digital control to enable self diagnostics, multilingual capability. When used with AquaLink® RS control systems, an auto-heat feature maintains your pool's temperature automatically and efficiently 24 hours a day. Also features easy-to-operate dual thermostats (pool/spa).
- Heat or Cool – Optional chiller mode to cool your pool during the hot summer months (select models).
- Versa Plumb®-Ready – All JE heat pumps are Versa Plumb-ready for best-in-class efficiency. See Versa Plumb section for more information about the benefits of Versa Plumb.
- Includes 2 – 2.5" unions
- Environmentally-friendly R-410A Refrigerant

Part No.	Description
JE1500T	70,000 BTUs*, 5.4 COP Heater, 230V/60HZ, 1-Phase
JE2000T	96,000 BTUs*, 5.8 COP Heater, 230V/60HZ, 1-Phase
JE2500T	110,000 BTUs*, 5.8 COP Heater, 230V/60HZ, 1-Phase
JE2500T3	110,000 BTUs*, 5.8 COP Heater, 208/230V/60HZ, 3-Phase
JE3000T	132,000 BTUs*, 6.1 COP Heater, 230V/60HZ, 1-Phase
JE3000T3	132,000 BTUs*, 6.1 COP Heater, 208/230V/60HZ, 3-Phase
JE3000TR	130,000 BTUs*, 6.0 COP Heater/Chiller, 230V/60HZ, 1-Phase
JE3000TR3	130,000 BTUs*, 6.0 COP Heater/Chiller, 208/230V/60HZ, 3-Phase

* Test Conditions: 80°F Air, 80% RH, 80°F Water, Rated in accordance with AHRI Standard 1160

JE Heat Pump Technical Specifications

MODEL	JE1500T	JE2000T	JE2500T	JE2500T3	JE3000T	JE3000T3	JE3000TR	JE3000TR3
Voltage	230V/60HZ	230V/60HZ	230V/60HZ	208/230V /60HZ/3	230V/60HZ	208/230V /60HZ/3	230V/60HZ	208/230V /60HZ/3
Output (80/80/80)*	70,000 Btu	96,000 Btu	110,000 Btu		132,000 Btu		130,000 Btu	
Input (80/80/80)*	3.83 kW	5.03 kW	5.34 kW		6.34 kW		6.34 kW	
COP (80/80/80)*	5.4	5.8	5.8		6.1		6.0	
Output (80/63/80)**	67,000 Btu	92,000 Btu	106,000 Btu		127,000 Btu		127,000 Btu	
COP (80/63/80)**	5.2	5.7	5.6		6	6	5.9	5.9
Output (50/63/80)***	46,000 Btu	64,000 Btu	74,000 Btu		86,000 Btu		86,000 Btu	
COP (50/63/80)***	4	4	4		4.2	4.2	4	4
RLA (Running load amps)	23.72A	30.77A	32.05A	23.21A	32.05A	25.00A	32.05	25.00A
LRA (Locked rotor amps)	153A	178A	148A	164A	185A	164A	185A	164A
Minimum circuit ampacity	31.65A	40.21A	41.81A	30.76A	41.81A	33.00A	41.81A	33.00A
Max over current protection#	50A	60A	60A	45A	60A	50A	60A	50A
Heat exchanger	Titanium							
Compressor	Scroll							
Cabinet	ABS							
Refrigerant	52 oz, R410A	78 oz, R410A	78 oz, R410A	78 oz, R410A	118 oz, R410A	118 oz, R410A	126 oz, R410A	126 oz, R410A
Refrigerant high pressure alarm	600 PSI (reset to 445 PSI)							
Refrigerant low pressure alarm—heating units	35 PSI (reset to 60 PSI)							
Refrigerant low pressure alarm—reverse units	35 PSI (reset to 60 PSI)							
Low water flow alarm	20 GPM							
Maximum height below water level	10 feet below pool level							
Minimum height above water level	5 feet above pool level							
Optimal water flow	30 GPM	42 GPM	48 GPM	48 GPM	57 GPM			
Minimum water flow	20 GPM							
Maximum water flow	70 GPM							
Air flow	2100 CFM	3600 CFM						
Water temperature differential (delta t)	Adjustable between 1°F and 5°F							
Union size	2 by 2.5"							
Weight	175 lb	220 lb	223 lb	223 lb	228 lb	228 lb	230 lb	230 lb
Sound pressure per ISO 3741	58.9 dB							

* Rated in accordance with AHRI Standard 1160: Test Conditions: 80° F Air, 80% RH, 80° F Water

** Rated in accordance with AHRI Standard 1160: Test Conditions: 80° F Air, 63% RH, 80° F Water

*** Rated in accordance with AHRI Standard 1160: Test Conditions: 50° F Air, 63% RH, 80° F Water

Max Over Current Protection refers to the maximum breaker size allowed. If this value is not a standard breaker size, use the next smallest standard size breaker. The breaker size must not be smaller than the Minimum Circuit Ampacity value.

Jandy® Heavy Duty Ball Valves

Jandy Heavy Duty unionized PVC ball valves make repairing and replacing plumbing and equipment quick and easy.



HD Double Union Ball Valve

HD Double Union Ball Valve

- Double union design offers short take-out and easy replacement over glue-in HD Ball Valves
- Rated to 240 PSI (1/2" – 2" Valves)
- Rated to 150 PSI (2" – 4" Valves)
- Durable gray PVC body construction
- Threaded seal carrier for upstream maintenance without draining the system
- Handle built-in tool for easy adjustment of the threaded seal-carrier (and ball torque)
- “Antiblock” system that avoids ball blockage
- NSF 61

Part No.	Description
BVDU005	HD Ball Valve, Double Union, 1/2" PVC, Gray
BVDU008	HD Ball Valve, Double Union, 3/4" PVC, Gray
BVDU010	HD Ball Valve, Double Union, 1" PVC, Gray
BVDU015	HD Ball Valve, Double Union, 1.5" PVC, Gray
BVDU020	HD Ball Valve, Double Union, 2" PVC, Gray
BVDU025	HD Ball Valve, Double Union, 2.5" PVC, Gray
BVDU030	HD Ball Valve, Double Union, 3" PVC, Gray
BVDU040	HD Ball Valve, Double Union, 4" PVC, Gray



HD Single Union Ball Valve

HD Single Union Ball Valve

- Single union design
- Rated to 150 PSI
- Durable gray PVC body construction
- “Antiblock” system that avoids ball blockages
- Fast replacement of O-rings and ball seat without additional tools
- Ball seat made of heavy duty HDPE
- NSF 61

Part No.	Description
BVSU005	HD Ball Valve, Single Union, 1/2" PVC, Gray
BVSU008	HD Ball Valve, Single Union, 3/4" PVC, Gray
BVSU010	HD Ball Valve, Single Union, 1" PVC, Gray
BVSU015	HD Ball Valve, Single Union, 1.5" PVC, Gray
BVSU020	HD Ball Valve, Single Union, 2" PVC, Gray
BVSU025	HD Ball Valve, Single Union, 2.5" PVC, Gray
BVSU030	HD Ball Valve, Single Union, 3" PVC, Gray

Jandy® Heavy Duty Butterfly & Check Valves

Jandy Heavy Duty butterfly and check valves are made to exacting standards and specifically designed for the commercial pool environment.



HD Butterfly Valve

Heavy Duty Butterfly Valve

Jandy Heavy Duty PVC butterfly valves provide precise control of water flow and require minimal maintenance.

- Durable one-piece gray PVC body construction
- Rated to 150 PSI
- Non-wetted zinc-plated steel shaft
- Ideally suited for flow control using minimal piping space
- Regulated opening every 15 degrees
- Minimal pressure drop

Part No.	Description
BTFV030	HD Butterfly Valve, 3" PVC, Gray
BTFV040	HD Butterfly Valve, 4" PVC, Gray
BTFV060	HD Butterfly Valve, 6" PVC, Gray
BTFV080	HD Butterfly Valve, 8" PVC, Gray



HD Wafer Swing Check Valve

(Mounting Kit Not Shown)

Heavy Duty Wafer Swing Check Valve

Jandy Heavy Duty Wafer Swing Check Valves help protect the entire system from back flow and offer a durable design, minimal take-out and low pressure drop.

- Includes ANSI 150 flanged mounting kit with stainless steel hardware
- Durable gray PVC body construction
- Requires little space in piping systems
- Easy installation: wafer body slips between standard ANSI flanges
- Integrated flange seals means no loose gaskets
- Vertical or horizontal operation

Part No.	Description
WCV030	HD Check Valve, Wafer Swing 3" PVC, with mounting kit
WCV040	HD Check Valve, Wafer Swing 4" PVC, with mounting kit
WCV060	HD Check Valve, Wafer Swing 6" PVC, with mounting kit
WCV080	HD Check Valve, Wafer Swing 8" PVC, with mounting kit

Jandy® Diverter Valves

The venerable Jandy diverter valve and check valve are available in many configurations to suit your needs. Made from durable CPVC and featuring stainless steel screws and hardware.



**Never Lube Valve,
Large**

Never Lube® Valve, Large Diverter

- Adjustable stop feature that allows for flow adjustment
- Lifetime Guarantee
- Placards that label valve position
- Made from durable CPVC
- Proprietary Never Lube technology
- Designed for easy automation

Part No.	Description
4718	2 1/2"-3" Positive Seal, 2-Port Valve
4719	2 1/2"-3" Positive Seal, 3-Port Valve

(Case quantity available; 4/case)



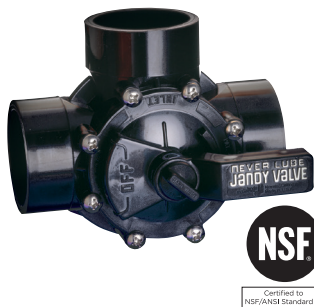
Placard



Index Tab

Never Lube Large Valve Accessory

Part No.	Description
R0465900	Placard (Set of 8) & Index Tab



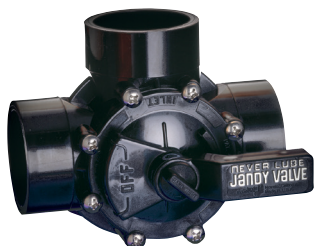
**Never Lube Valve,
Standard**

Never Lube Valve, Standard Diverter (NSF Certified)

- Made from durable CPVC
- Lifetime Guarantee
- Proprietary Never Lube technology
- Designed for easy automation

Part No.	Description
4715	1 1/2"-2" Positive Seal, 3-Port Valve
4716	2"-2 1/2" Positive Seal, 2-Port Valve
4717	2"-2 1/2" Positive Seal, 3-Port Valve
4724	1 1/2"-2" Positive Seal, 2-Port Valve

(Case quantity available; 12/case)



**Never Lube Valve,
Standard**

Never Lube Valve, Standard Diverter (w/ Internal Stops)

Features Internal and External stops

Part No.	Description
4944	2"-2 1/2" Positive Seal, 3-Port (internal & external stops) B23
4945	1 1/2"-2" Positive Seal, 3-Port (internal & external stops) B23

(Case quantity available; 12/case)



Space Saver Valve

Space Saver Valve, Diverter

- Shortened ports, ideal for tight plumbing situations
- Same flow capacity as Jandy Gray Valves
- Constructed of durable CPVC

Part No.	Description
3406	1 1/2"-2" Positive Seal, 3-Port Valve
3407	1 1/2"-2" Positive Seal, 2-Port Valve
3409	1 1/2"-2" Non-Positive Seal, 2-Port Valve

(Case quantity available; 24/case)

ⓘ - Limited Quantity. Available While Supplies Last.



Large Check Valve

Large Check Valve

- Large 2 1/2"-3" size designed for high flow rates
- Clear lid with red seal for easy inspection
- Unique swing/spring design
- Disassembles for clearing debris
- Constructed of durable CPVC

Part No.	Description
7307	2 1/2"-3" 180° Check Valve

(Case quantity available; 4/case)



Standard Check Valve

Standard Check Valve

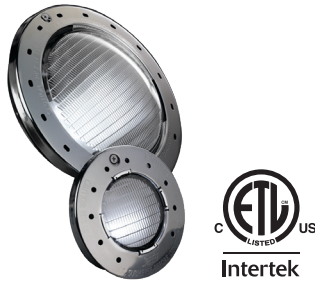
- Chemical-resistant superalloy spring for use with salt chlorinators and chemical dosing systems
- Clear lid with red seal for easy inspection
- Unique swing/spring design for both return and intake water
- Disassembles for clearing debris
- Constructed of durable CPVC

Part No.	Description
7235	1 1/2"-2" 180° Check Valve
7305	2"-2 1/2" 180° Check Valve
7511	1 1/2"-2" 90° Check Valve
7512	2"-2 1/2" 90° Check Valve

(Case quantity available; 12/case)

Jandy® White LED Lights, Niched

Traditional fit with modern LED technology.



White Pool and Spa LED Lights with Stainless Steel Face Ring

White Pool and Spa LED Lights

Jandy® White LED lights are available in two distinct color temperatures – Daylight or Warm White. Designed to last, these energy-efficient lights come in 120V or 12V versions and are compatible with most leading niches, making them easy to install or to replace incandescent lights without sacrificing brightness.

- Available in Daylight White (5000K) or Warm White (2700K) which complies with Dark Sky Community Requirements
- Multiple sizes use only 18 to 65 watts of power
- Provides equivalent brightness to 100W, 300W and 500W incandescent lights
- ETL listed for installation and compatible for use in all Jandy and most competitive niches

Large Pool Size White LED Lights

Part No.	Description	Total Lumens	Color Temp.	Voltage	Wattage Class*	Cable Length	Fixture Diameter	Fixture Thickness
120V								
WPHV5LS50	Large White LED Light, 120V, 5K, 50'	4282	5000K	120	65W	50 ft.	10"	3.25"
WPHV5LS100	Large White LED Light, 120V, 5K, 100'	4282	5000K	120	65W	100 ft.	10"	3.25"
WPHV5LS150	Large White LED Light, 120V, 5K, 150'	4282	5000K	120	65W	150 ft.	10"	3.25"
WPHV5LS250	Large White LED Light, 120V, 5K, 250'	4282	5000K	120	65W	250 ft.	10"	3.25"
WWPHV5LS150	Large Warm White LED Light, 120V, 2.7K, 150'	3990	2700K	120	65W	150 ft.	10"	3.25"
WPHV3LS50	Large White LED Light, 120V, 5K, 50'	2798	5000K	120	42W	50 ft.	10"	3.25"
WPHV3LS100	Large White LED Light, 120V, 5K, 100'	2798	5000K	120	42W	100 ft.	10"	3.25"
WPHV3LS150	Large White LED Light, 120V, 5K, 150'	2798	5000K	120	42W	150 ft.	10"	3.25"
WWPHV3LS150	Large Warm White LED Light, 120V, 2.7K, 150'	2494	2700K	120	42W	150 ft.	10"	3.25"
12V								
WPLV5LS50	Large White LED Light, 12V, 5K, 50'	4176	5000K	12	65W	50 ft.	10"	3.25"
WPLV5LS100	Large White LED Light, 12V, 5K, 100'	4176	5000K	12	65W	100 ft.	10"	3.25"
WPLV5LS150	Large White LED Light, 12V, 5K, 150'	4176	5000K	12	65W	150 ft.	10"	3.25"
WWPLV5LS150	Large Warm White LED Light, 12V, 2.7K, 150'	3875	2700K	12	65W	150 ft.	10"	3.25"
WPLV3LS50	Large White LED Light, 12V, 5K, 50'	2530	5000K	12	42W	50 ft.	10"	3.25"
WPLV3LS100	Large White LED Light, 12V, 5K, 100'	2530	5000K	12	42W	100 ft.	10"	3.25"
WPLV3LS150	Large White LED Light, 12V, 5K, 150'	2530	5000K	12	42W	150 ft.	10"	3.25"
WWPLV3LS150	Large Warm White LED Light, 12V, 2.7K, 150'	2265	2700K	12	42W	150 ft.	10"	3.25"

Small Spa Size White LED Lights

Part No.	Description	Total Lumens	Color Temp.	Voltage	Wattage Class*	Cable Length	Fixture Diameter	Fixture Thickness
120V								
WSHVILS50	Small White LED Light, 120V, 5K, 50'	805	5000K	120	18W	50 ft.	5.8"	3.25"
WSHVILS100	Small White LED Light, 120V, 5K, 100'	805	5000K	120	18W	100 ft.	5.8"	3.25"
WSHVILS150	Small White LED Light, 120V, 5K, 150'	805	5000K	120	18W	150 ft.	5.8"	3.25"
WSHVILS250	Small White LED Light, 120V, 5K, 250'	805	5000K	120	18W	250 ft.	5.8"	3.25"
WWSHVILS150	Small Warm White LED Light, 120V, 2.7K, 150'	766	2700K	120	18W	150 ft.	5.8"	3.25"
12V								
WSLVILS50	Small White LED Light, 12V, 5K, 50'	793	5000K	12	18W	50 ft.	5.8"	1.5"
WSLVILS100	Small White LED Light, 12V, 5K, 100'	793	5000K	12	18W	100 ft.	5.8"	1.5"
WSLVILS150	Small White LED Light, 12V, 5K, 150'	793	5000K	12	18W	150 ft.	5.8"	1.5"
WWSLVILS150	Small Warm White LED Light, 12V, 2.7K, 150'	753	2700K	12	18W	150 ft.	5.8"	1.5"

* Due to new energy efficiency standards, Zodiac Pool Systems LLC may substitute a lower wattage bulb with similar light output.

Jandy® White Incandescent Lights, Niched

Rugged, durable incandescent fixtures that fit a variety of pool niches.



**Incandescent White
Pool and Spa Lights**

Incandescent White Pool and Spa Lights

Underwater incandescent lights for pools and spas. White lights are ETL® classified to fit into some existing pool or spa niches, as well as ProNiches.

- Incandescent bulbs available in 100W, 300W or 500W models, high and low voltage
- Stainless steel housing for corrosion-free performance
- ETL listed to be installed in ProNiche or other manufacturers' niches

Large Pool Size White Incandescent Lights

Part No.	Description	Total Lumens	Color Temp.	Voltage	Wattage Class*	Cable Length	Fixture Diameter	Fixture Thickness
120V								
WPHV500WS30	Large White Light, 120V, 500W, 30'	3378	2700K	120	500W	30 ft.	10"	8"
WPHV500WS50	Large White Light, 120V, 500W, 50'	3378	2700K	120	500W	50 ft.	10"	8"
WPHV500WS100	Large White Light, 120V, 500W, 100'	3378	2700K	120	500W	100 ft.	10"	8"
WPHV500WS150	Large White Light, 120V, 500W, 150'	3378	2700K	120	500W	150 ft.	10"	8"
WPHV300WS30	Large White Light, 120V, 300W, 30'	2193	2700K	120	300W	30 ft.	10"	8"
WPHV300WS50	Large White Light, 120V, 300W, 50'	2193	2700K	120	300W	50 ft.	10"	8"
WPHV300WS100	Large White Light, 120V, 300W, 100'	2193	2700K	120	300W	100 ft.	10"	8"
WPHV300WS150	Large White Light, 120V, 300W, 150'	2193	2700K	120	300W	150 ft.	10"	8"
12V								
WPLV300WS30	Large White Light, 12V, 300W, 30'	2193	2700K	12	300W	30 ft.	10"	8"
WPLV300WS50	Large White Light, 12V, 300W, 50'	2193	2700K	12	300W	50 ft.	10"	8"
WPLV300WS100	Large White Light, 12V, 300W, 100'	2193	2700K	12	300W	100 ft.	10"	8"
WPLV100WS50	Large White Light, 12V, 100W, 50'	768	2700K	12	100W	50 ft.	10"	8"
WPLV100WS100	Large White Light, 12V, 100W, 100'	768	2700K	12	100W	100 ft.	10"	8"

Small Spa Size White Incandescent Lights

Part No.	Description	Total Lumens	Color Temp.	Voltage	Wattage Class*	Cable Length	Fixture Diameter	Fixture Thickness
120V								
WSHV100WS30	Small White Light, 120V, 100W, 30'	768	2700K	120	100W	30 ft.	5.8"	5"
WSHV100WS50	Small White Light, 120V, 100W, 50'	768	2700K	120	100W	50 ft.	5.8"	5"
WSHV100WS100	Small White Light, 120V, 100W, 100'	768	2700K	120	100W	100 ft.	5.8"	5"
WSHV100WS150	Small White Light, 120V, 100W, 150'	768	2700K	120	100W	150 ft.	5.8"	5"
12V								
WSLV100WS30	Small White Light, 12V, 100W, 30'	768	2700K	12	100W	30 ft.	5.8"	5"
WSLV100WS50	Small White Light, 12V, 100W, 50'	768	2700K	12	100W	50 ft.	5.8"	5"
WSLV100WS100	Small White Light, 12V, 100W, 100'	768	2700K	12	100W	100 ft.	5.8"	5"

* Due to new energy efficiency standards, Zodiac Pool Systems LLC may substitute a lower wattage bulb with similar light output.

Jandy® LED Lights, Nicheless

Our Jandy HydroCool lights don't need a niche; they fit into a standard 1 1/2" return fitting. Available in color or white light only.



**White Only
Nicheless LED Lights**

Jandy White Only Nicheless LED Lights with HydroCool™ Technology

- Thermally Conductive Plastic (TCP) exterior allows heat to escape
- Unibody construction eliminates common leak-paths
- Only 4 1/2" (6W) and 5 1/2" (12W/24W) long to fit into the narrowest walls
- Available in Daylight White (5000K) or Warm White (2700K) which complies with Dark Sky Community Requirements
- Three power levels for ultimate flexibility
- Low voltage (12VAC) and 100% non-metallic, no bonding required
- Mounts directly to 1 1/2" return fitting

Part No.	Description	Total Lumens	Color Temp.	Voltage	Max. Watts	Cable Length	Body Diameter	Body Length
JLUW24W50	Nicheless White Light, 24W, 5K, 12V, 50'	1200	5000K	12	24	50 ft.	1.5"	5.5"
JLUW24W100	Nicheless White Light, 24W, 5K, 12V, 100'	1200	5000K	12	24	100 ft.	1.5"	5.5"
JLUW24W150	Nicheless White Light, 24W, 5K, 12V, 150'	1200	5000K	12	24	150 ft.	1.5"	5.5"
JLUWW24W150	Nicheless White Light, 24W, 2.7K, 12V, 150'	840	2700K	12	24	150 ft.	1.5"	5.5"
JLUW12W50	Nicheless White Light, 12W, 5K, 12V, 50'	750	5000K	12	12	50 ft.	1.5"	5.5"
JLUW12W100	Nicheless White Light, 12W, 5K, 12V, 100'	750	5000K	12	12	100 ft.	1.5"	5.5"
JLUW12W150	Nicheless White Light, 12W, 5K, 12V, 150'	750	5000K	12	12	150 ft.	1.5"	5.5"
JLUWW12W150	Nicheless White Light, 12W, 2.7K, 12V, 150'	538	2700K	12	12	100 ft.	1.5"	5.5"
JLUW6W50	Nicheless White Light, 6W, 5K, 12V, 50'	403	5000K	12	6	50 ft.	1.5"	4.5"
JLUW6W100	Nicheless White Light, 6W, 5K, 12V, 100'	403	5000K	12	6	100 ft.	1.5"	4.5"
JLUW6W150	Nicheless White Light, 6W, 5K, 12V, 150'	403	5000K	12	6	150 ft.	1.5"	4.5"
JLUWW6W150	Nicheless White Light, 6W, 2.7K, 12V, 150'	288	2700K	12	6	150 ft.	1.5"	4.5"



**WaterColors
Nicheless LED Lights**

Jandy® WaterColors Nicheless LED Lights with HydroCool™ Technology

The Jandy WaterColors Nicheless LED Lights with NEW HydroCool™ technology feature an innovative, energy-efficient design that runs cooler and lasts longer* while providing unmatched illumination.

- Thermally Conductive Plastic (TCP) exterior allows heat to escape
- Unibody construction eliminates common leak-paths
- Only 4 1/2" (6W) and 5 1/2" (12W/24W) long to fit into the narrowest walls
- 9 vibrant colors and 5 light shows (RGBW WaterColors Lights)
- Three power levels for ultimate flexibility
- Low voltage (12VAC) and 100% non-metallic, no bonding required
- Mounts directly to 1 1/2" return fitting

* Based on internal testing.

Part No.*	Description	Max Lumens	Color Vari.	Voltage	Max. Watts	Cable Length	Body Diameter	Body Length
JLU4C24W50	Nicheless Color Light, 24W, 12V, 50'	479	RGBW	12	24	50'	1.5"	5.5"
JLU4C24W100	Nicheless Color Light, 24W, 12V, 100'	479	RGBW	12	24	100'	1.5"	5.5"
JLU4C24W150	Nicheless Color Light, 24W, 12V, 150'	479	RGBW	12	24	150'	1.5"	5.5"
JLU4C12W50	Nicheless Color Light, 12W, 12V, 50'	323	RGBW	12	12	50'	1.5"	5.5"
JLU4C12W100	Nicheless Color Light, 12W, 12V, 100'	323	RGBW	12	12	100'	1.5"	5.5"
JLU4C12W150	Nicheless Color Light, 12W, 12V, 150'	323	RGBW	12	12	150'	1.5"	5.5"
JLU4C6W50	Nicheless Color Light, 6W, 12V, 50'	165	RGBW	12	6	50'	1.5"	4.5"
JLU4C6W100	Nicheless Color Light, 6W, 12V, 100'	165	RGBW	12	6	100'	1.5"	4.5"
JLU4C6W150	Nicheless Color Light, 6W, 12V, 150'	165	RGBW	12	6	150'	1.5"	4.5"

* Add "S" to model number to match legacy Savi®-branded lights.
 Add "H" to model number to match legacy Hayward®-branded lights.
 Add "P" to model number to match legacy Pentair®-branded lights.



Plastic ProNiche

Plastic ProNiche

Plastic, large and small niches for gunite pools and spas.

- Injection molded of high strength PVC for corrosion-free performance
- 1" rear outlet with 45° sweep elbow fitting and 3/4" reducer
- 1" NPT internal plug for pressure testing conduit line
- Rebar tie-backs for simple installation
- Plastic plaster shield for protection during construction
- Internal and external bonding lugs

Part No.	Description	Dimensions
PLNCLRG	Large Plastic Gunite Niche	8.75" Depth, 9.85" Dia.
PLNICSM	Small Plastic Gunite Niche	7.23" Depth, 5.33" Dia.



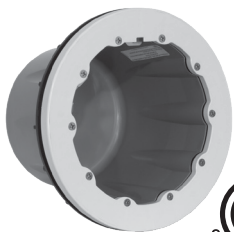
Stainless Steel ProNiches

Stainless Steel ProNiche

Stainless steel, large and small niches for all gunite pools and spas.

- Rear or side outlets in 1" with 1/2" and 3/4" reducers
- Internal and external bonding/grounding lugs for use with either metal or plastic conduit
- Room for 4' of coiled cable
- Plastic plaster shield for protection during construction

Part No.	Description	Dimensions
SSNICLRGIR	Large Stainless Steel Gunite Niche 1" Rear Outlet	7.75" Depth, 9.76" Dia.
SSNICLRGIS	Large Stainless Steel Gunite Niche 1" Side Outlet	7.75" Depth, 9.76" Dia.
SSNICSMIR	Small Stainless Steel Gunite Niche 1" Rear Outlet	6.97" Depth, 5.33" Dia.
SSNICSMIS	Small Stainless Steel Gunite Niche 1" Side Outlet	6.97" Depth, 5.33" Dia.



**Plastic ProNiche for Vinyl/
Fiberglass**

Plastic ProNiche for Vinyl/Fiberglass

Plastic, large niche for vinyl or fiberglass pools.

- Fits industry standard hole diameter of 10.625" to 10.75"
- 1" rear outlet with 45° sweep elbow fitting and 3/4" reducer
- Mounts and seals like vinyl inlet fittings with zero wall panel exposure
- Injection molded of high strength PVC for corrosion-free performance
- 1" NPT plug for pressure testing conduit line
- Internal and external bonding lugs

Replaces part number PLNICVFLRG

Part No.	Description	Dimensions
WT000002	Large Plastic Niche for Vinyl/Fiberglass pools	8.75" Depth, 10.75" Dia.

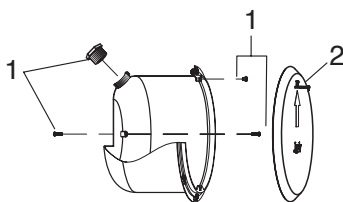
ETL® listed niches for use with Jandy® Watercolor LED and incandescent white lights.

Brand	Size	Part No.	Description	Notes
Zodiac® (Jandy)	Large	PLNICLRG	Gunite ProNiche, Large, Plastic, 1" Rear Hub	All Jandy Lights
		SSNICLRGIR	Gunite ProNiche, Large, Stainless Steel, 1" Rear Hub	All Jandy Lights
		SSNICLRGIS	Gunite ProNiche, Large, Stainless Steel, 1" Top Hub	All Jandy Lights
	Small	WT000002	Vinyl/Fib ProNiche, Large, Plastic, 1" Rear Hub Available in LIMITED Quantities	All Jandy Lights
		PLNICSM	Gunite ProNiche, Small, Plastic, 1" Rear Hub	All Jandy Lights
		SSNICSMIR	Gunite ProNiche, Small, Stainless Steel, 1" Rear Hub	All Jandy Lights
Pentair®	Large	SSNICSMIS	Gunite ProNiche, Small, Stainless Steel, 1" Top Hub	All Jandy Lights
		620004	Vinyl QuickNiche, Large, Plastic, 1" Rear Hub	All Jandy Lights
		78210200	Gunite Niche, Large, Stainless Steel, 1/2" Top Hub	All Jandy Lights
		78210300	Gunite Niche, Large, Stainless Steel, 1/2" Rear Hub	All Jandy Lights
		78210400	Gunite Niche, Large, Stainless Steel, 3/4" Top Hub	All Jandy Lights
		78210401	Gunite Niche, Large, Stainless Steel, 3/4" Top Hub CSA	All Jandy Lights
		78210500	Gunite Niche, Large, Stainless Steel, 1" Top Hub	All Jandy Lights
		78210600	Gunite Niche, Large, Stainless Steel, 1/2" Rear Hub	All Jandy Lights
		78210700	Gunite Niche, Large, Stainless Steel, 3/4" Rear Hub	All Jandy Lights
		Small	79206600	Gunite Niche, Small, Plastic, 1" Rear Hub
Hayward®	Large	SP0600U	Gunite DuraNiche, Large, Plastic, 1" Rear Hub	All Jandy Lights
	Small	SP060IU	Gunite DuraNiche, Small, Plastic, 1" Rear Hub	Jandy LED Only

ProNiche

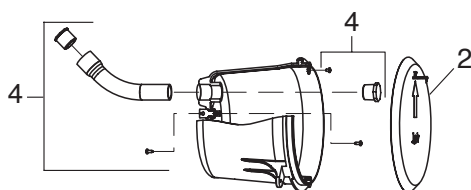
Key No.	Part No.	Description
1	RO460900	Niche Screw Kit, Stainless Steel, Pool and Spa
2	RO461000	Niche Cover, Pool (large)
N/S	RO461100	Niche Cover, Spa (small)
4	RO460800	Niche Screw Kit, Plastic, Pool and Spa
5	RO461200	Niche Screw Kit, Vinyl/Fiberglass, Pool
6	RO461300	Niche Top Clamp Kit, Vinyl, Pool
7	RO461400	Niche Bottom Clamp Kit, Vinyl, Pool

N/S-Not Shown ●-Limited Quantity. Available While Supplies Last. DISC-Discontinued



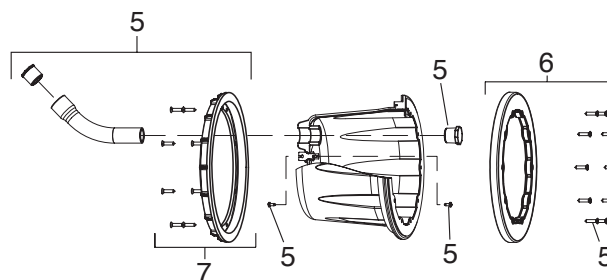
Stainless Steel ProNiche

Part# SSNICLRGIR, SSNICLRGIS, SSNICSMIR, SSNICSMIS



Plastic ProNiche

Part# LNICLRG, PLNICSM



Vinyl/Fiberglass Plastic ProNiche

Part# WT000002

Jandy® Medium-Pressure UV Systems

Our medium-pressure lamp UV systems deliver unparalleled killing power at both the 30mj and 60mj ranges. The field install-able automatic cleaning module gives you new levels of installation flexibility.



**Medium-Pressure
UV Systems**

Medium-Pressure UV Systems – Coming 2020

- Medium-pressure lamps with optional automatic cleaning
- 316 stainless steel bodies with ANSI-150 flanges
- Full-flow design with easy maintenance
- NSF, Crypto, and UL listed
- Sizes ranging from 220 to 1,320 GPM

Part No.	Description	GPM at 60mj	Body Material	Connections
JUV-MP-220	Medium-Pressure UV System, Stainless, 220 GPM	220	Stainless	6" ANSI
JUV-MP-350	Medium-Pressure UV System, Stainless, 350 GPM	350	Stainless	6" ANSI
JUV-MP-600	Medium-Pressure UV System, Stainless, 600 GPM	600	Stainless	6" ANSI
JUV-MP-1300	Medium-Pressure UV System, Stainless, 1320 GPM	1320	Stainless	8" ANSI
JUV-MP-AUTO	Automatic Cleaning Module for all JUV-MP Systems	–	–	–

Jandy® Low-Pressure UV Systems

Jandy low-pressure lamp UV systems offer cost-effective UV sanitation with a wide variety of sizes to suit your commercial or residential needs.



**Low-Pressure
UV Systems**

Low-Pressure UV Systems – Coming 2020

- Low pressure, long-life lamps
- Available in rugged polyethylene or stainless steel bodies
- Flow and temperature sensing
- UL Listed
- Sizes ranging from 23 to 420 GPM

Part No.	Description	GPM at 35mj	GPM at 60mj	Body Material	Connections
JUV-LPP-45	Low-Pressure UV System, Polymer, 23-45 GPM	45	23	Polyethylene	Jandy Unions
JUV-LPP-60	Low-Pressure UV System, Polymer, 30-60 GPM	60	30	Polyethylene	Jandy Unions
JUV-LPP-88	Low-Pressure UV System, Polymer, 44-88 GPM	88	44	Polyethylene	Jandy Unions
JUV-LPP-110	Low-Pressure UV System, Polymer, 55-110 GPM	110	55	Polyethylene	Jandy Unions



Part No.	Description	GPM at 35mj	GPM at 60mj	Body Material	Connections
JUV-LPS-45	Low-Pressure UV System, Stainless, 23-45 GPM	45	23	Stainless	Jandy Unions
JUV-LPS-60	Low-Pressure UV System, Stainless, 30-60 GPM	60	30	Stainless	Jandy Unions
JUV-LPS-88	Low-Pressure UV System, Stainless, 44-88 GPM	88	44	Stainless	Jandy Unions
JUV-LPS-110	Low-Pressure UV System, Stainless, 55-110 GPM	110	55	Stainless	Jandy Unions



Part No.	Description	GPM at 35mj	GPM at 60mj	Body Material	Connections
JUV-LPS-200	Low-Pressure UV System, Stainless, 100-200 GPM	200	100	Stainless	Jandy Unions
JUV-LPS-285	Low-Pressure UV System, Stainless, 135-285 GPM	285	135	Stainless	Jandy Unions
JUV-LPS-375	Low-Pressure UV System, Stainless, 165-375 GPM	375	165	Stainless	Jandy Unions
JUV-LPS-420	Low-Pressure UV System, Stainless, 195-420 GPM	420	195	Stainless	Jandy Unions

Jandy® Salt Water Chlorinating

The time-tested AquaPure salt water chlorinator delivers reliable, efficient sanitizing for residential or commercial pools.



AquaPure Power Pack

AquaPure® Salt Chlorinator

Our heavy-duty, electronic sanitizing system that uses ordinary salt to produce chlorine for pools. AquaPure power packs and cells are sold separately.

AquaPure Power Pack

- Field adaptable to power all PureLink and ClorMatic® cell kits
- 120V or 240V electrical connections
- LCD monitoring of chlorine production, cell modes, salinity, water temperature, water flow and diagnostics
- Precision output adjustments

Part No. **Description**

AQUAPURE POWER PACK

APUREM AquaPure power pack for PureLink™ cell kits

NOTE: Use with cell kits listed below to make a complete system.



PureLink Cell Kit

Works with AquaPure® Power Pack or PureLink Power Centers

PureLink™ Cell Kit

- 3-Port cell has 90° plumbing flexibility, durable housing, sensor integrated into third port and larger unions for easy installation
- Solid titanium plates manufactured with multiple coatings of precious metals to provide efficient chlorine production and enhanced cell life
- Automatic reversing cycle helps keep the cell free from calcium buildup

Part No. **Description**

PURELINK CELL KITS

PLC700 For pools up to 12,000 gal., 16' Cables, 2-2 1/2" Universal Unions, 3-Port Cell

PLC1400 For pools up to 40,000 gal., 16' Cables, 2-2 1/2" Universal Unions, 3-Port Cell

NOTE: PureLink Cell Kit must be used with AquaPure power pack (above) or PureLink power centers, sold separately. Tri-Sensor included.

Jandy® Erosion Feeders

Designed to maximize the use of 3" or 1" chlorine tablets, these erosion feeders are easy-to-install and have been rigorously tested to NSF standards.



Erosion Feeders

Erosion Feeders – Coming 2020

- Large chlorine tablet capacity with easy-open locking lid
- Durable ABS construction
- Models for in-line or off-line connection
- Installation parts kit included

Part No.	Description
PEF-IN	Erosion Feeder for chlorine tabs, in-line w/ Jandy 2" x 2 1/2" Unions
PEF-OFF	Erosion Feeder for chlorine tabs, off-line

Stair Rails



3-Bend Stair Rail

3-Bend Stair Rail

Part No.	Wall Thickness	Tubing Diameter	Material	Total Length	Height Off Deck	Flat Top Length
JSR348-049-304	.049"	1.9"	304	48"	32"	18"
JSR348-049-316	.049"	1.9"	316L	48"	32"	18"
JSR348-065-304	.065"	1.9"	304	48"	32"	18"
JSR348-065-316	.065"	1.9"	316L	48"	32"	18"
JSR348-065-ADA	.065"	1.9"	316L	48"	34"	20"
JSR360-049-304	.049"	1.9"	304	60"	32"	18"
JSR360-049-316	.049"	1.9"	316L	60"	32"	18"
JSR360-065-304	.065"	1.9"	304	60"	32"	18"
JSR360-065-316	.065"	1.9"	316L	60"	32"	18"
JSR360-065-ADA	.065"	1.9"	316L	60"	34"	20"
JSR372-049-304	.049"	1.9"	304	72"	32"	18"
JSR372-049-316	.049"	1.9"	316L	72"	32"	18"
JSR372-065-304	.065"	1.9"	304	72"	32"	18"
JSR372-065-316	.065"	1.9"	316L	72"	32"	18"
JSR372-065-ADA	.065"	1.9"	316L	72"	34"	20"
JSR396-049-304	.049"	1.9"	304	96"	32"	53"
JSR396-049-316	.049"	1.9"	316L	96"	32"	53"
JSR396-065-304	.065"	1.9"	304	96"	32"	53"
JSR396-065-316	.065"	1.9"	316L	96"	32"	53"
JSR396-065-ADA	.065"	1.9"	316L	96"	34"	53"



3-Bend Deck Return Stair Rail

3-Bend Deck Return Stair Rail

Part No.	Wall Thickness	Tubing Diameter	Material	Total Length	Height Off Deck
JGRB354-049-304	.049"	1.9"	304	54"	32"
JGRB354-049-316	.049"	1.9"	316L	54"	32"
JGRB354-065-304	.065"	1.9"	304	54"	32"
JGRB354-065-316	.065"	1.9"	316L	54"	32"

Grab Rails



4-Bend Grab Rail

4-Bend Grab Rail

Part No.	Wall Thickness	Tubing Diameter	Material	Total Length	Height Off Deck
JGRA448-049-304	.049"	1.9"	304	48"	32"
JGRA448-049-316	.049"	1.9"	316L	48"	32"
JGRA448-065-304	.065"	1.9"	304	48"	32"
JGRA448-065-316	.065"	1.9"	316L	48"	32"



3-Bend Grab Rail

3-Bend Grab Rail

Part No.	Wall Thickness	Tubing Diameter	Material	Total Length	Height Off Deck
JGRA351-049-304	.049"	1.9"	304	51"	32"
JGRA351-049-316	.049"	1.9"	316L	51"	32"
JGRA351-065-304	.065"	1.9"	304	51"	32"
JGRA351-065-316	.065"	1.9"	316L	51"	32"



Figure 4 Grab Rail Pair

Figure 4 Grab Rail Pair

Part No.	Wall Thickness	Tubing Diameter	Material	Total Length	Height Off Deck
JHR26-049-304	.049"	1.9"	304	26"	29"
JHR26-049-316	.049"	1.9"	316L	26"	29"
JHR30-065-304	.065"	1.9"	304	30"	32"
JHR30-065-316	.065"	1.9"	316L	30"	32"

Ladders



Pool Ladder

Pool Ladder

Part No.	Wall Thickness	Tubing Diameter	Material	Step Material	Setback	Total Height
JLAE3S-049-304	.049"	1.9"	304	304	23"	53"
JLAE3P-049-304	.049"	1.9"	304	Plastic	23"	53"
JLAE3S-049-316	.049"	1.9"	316L	316L	23"	53"
JLAS3S-065-304	.065"	1.9"	304	304	23"	59"
JLAS3S-065-316	.065"	1.9"	316L	316L	23"	59"
JLAC3S-065-304	.065"	1.9"	304	304	29"	66"
JLAC3S-065-316	.065"	1.9"	316L	316L	29"	66"
JLAC3S-109-316	.109"	1.9"	316L	316L	29"	66"

Florida Ladder with Welded Brace

Part No.	Wall Thickness	Tubing Diameter	Material	Step Material	Setback	Total Height
JLAF3S-109-316	.109"	1.9"	316L	316L	36"	67"



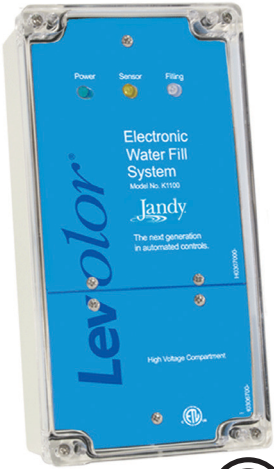
Half Ladder

Half Ladder

Part No.	Wall Thickness	Tubing Diameter	Material	Step Material
JHL3S-065-316	.065"	1.9"	316L	316L

Jandy® Electronic Water Leveling

Jandy has always set the standard for electronic water leveling with the innovative and reliable Levolor product line.



K1100 Fill Only

K1100 Series: Fill Only

Electronic fill device that detects low water conditions and automatically replaces water to a pre-set level. Can be used in any situation where a consistent water level is desired. Ideal for new or existing pool and spa systems.

Systems Include:

Controller (wall mount), sensors (dual style), and solenoid valve (where noted). Controls are pre-wired for 220V, but field adjustable to 110V.

K1100: Fill Only – 110/220V

Part No.	Sensor Lead	Sensor Style*	Valve
K1100A	50 ft.	Dual style	Not Included
K1100C	100 ft.	Dual style	Not Included
K1100G	200 ft.	Dual style	Not Included
K1100CKA	50 ft.	Dual style	1" valve
K1100CKC	100 ft.	Dual style	1" valve
K1100CKG	200 ft.	Dual style	1" valve
K1100CKK	300 ft.	Dual style	1" valve



K2000 Fill with High Level Switch

K2000 Series: Fill with High Level Switch

Electronic fill device used where a consistent water level is desired and a high level setting is detected. Ideal for vanishing edge and perimeter overflow pools or fountains. This model will automatically turn on the vanishing edge pump and fill the catch basin to test water level.

Systems Include:

Controller (wall mount), sensor (slip-18 style), and solenoid valve (where noted). Requires a relay (24VDC) suitable for operating a pump (ordered separately). Controls are pre-wired for 220V, but field selectable to 110V.

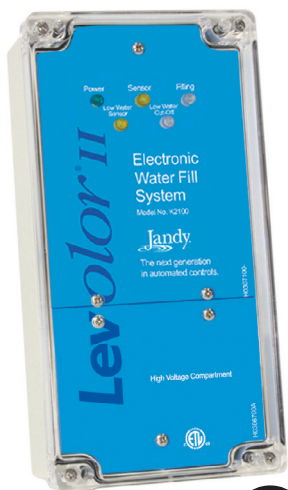
K2000: Fill w/ High Water Level Switch-On (24V relay required) – 110/220V

Part No.	Sensor Lead	Sensor Style*	Valve
K2000CKA	50 ft.	Slip - 18"	1" valve
K2000CKC	100 ft.	Slip - 18"	1" valve
K2000CKG	200 ft.	Slip - 18"	1" valve

*Sensor Styles

Slip style sensors are for use in a static pipe/standpipe application. Glue into a 1" PVC pipe with water height set by how much sensor tip is allowed to penetrate the depth of the pipe.

Dual style sensors come equipped with two sensor styles, a slip sensor on one end, and a half-moon sensor on the other end. The half-moon sensor is designed to fit the inside curvature of a skimmer.



K2100 Fill with Low Level Cut-off

K2100 Series: Fill with Low Level Cut-off

Electronic fill device that detects low water conditions and turns off a pump or light to protect equipment until optimum water levels are met. Can be used in any situation where a consistent water level is desired and a low level situation can be detected and acted upon. Ideal for fountains and ponds.

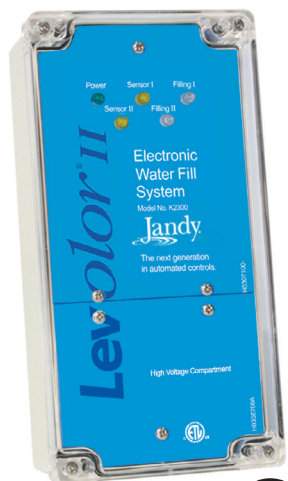
Systems Include:

Controller (wall mount), sensor (slip-3 style), and solenoid valve. Controls are pre-wired for 220V, but field selectable to 110V.

Requires a relay (24VDC) suitable for operating the pump and/or underwater lights (ordered separately).

K2100: Fill w/ Low-Level Cut-off (24V relay required) – 110/220V

Part No.	Sensor Lead	Sensor Style*	Valve
K2100CKA	50 ft.	Slip - 3"	1" valve
K2100CKC	100 ft.	Slip - 3"	1" valve



K2300 Dual Fill

K2300 Series: Dual Fill

Electronic fill device that maintains water levels in two bodies of water, such as a pool/spa with two separate sets of equipment. Can be used in any situation where a consistent water level is desired and acted upon. Ideal for pool and spa dual equipment systems.

Systems Include:

Controller (wall mount), two sensors (dual style), and two solenoid valves (where noted). Controls are pre-wired for 220V, but field selectable to 110V.

K2300: Fill Dual Body – 110/220V

Part No.	Sensor Lead	Sensor Style*	Valves
K2300CKA	50 ft.	(2) Dual style	(2) 1" valves
K2300CKC	100 ft.	(2) Dual style	(2) 1" valves
K2300CKG	200 ft.	(2) Dual style	(2) 1" valves

Grand Effects® – Designed to Inspire

Known for their beautifully crafted and high quality Fire and Water features, Grand Effects offers an inspiring product line designed to bring elegance and function to outdoor spaces. Each Fire and Water Feature incorporates either full automation or manual controls using safe and easy-to-install CSA certified burner systems with proprietary technology that is both proven and reliable.



Fire Bowls

Provide splendor and elegance to any job by choosing decorative pieces made from handcrafted copper, powder coated aluminum or concrete. With a large variety of beautiful shapes and colors your designs will stand apart from the rest with a custom look and feel.



Fire & Water Bowls

Bowls that combine fire and water provide splendor and elegance to any outdoor living space. They are available in a variety of sizes, shapes and finishes and are available with automated or manual operation.



Custom Fire Pit and Line Burners

Create an inviting backyard with a custom fire pit as your centerpiece. These fiery focal points provide a warm backdrop making them the ideal gathering place. Construct your own using our industry-best burner systems.



Fire Pit & Rock Inserts

All Fire Pit and Rock Inserts incorporate full automation or manual operation using a CSA certified burner system. The patented burner assembly is factory tested, safe and easy to install.



Linear Inserts

All Linear Inserts incorporate either full automation or manual operation using a CSA certified burner system. Available in 3' to 10' lengths. Custom lengths and shapes are available upon request.

NOTES



Jandy.com | 1.800.822.7933

©2020 Zodiac Pool Systems LLC. All rights reserved. ZODIAC® is a registered trademark of Zodiac International, S.A.S.U., used under license. All other trademarks are the property of their respective owners. 5025_SA