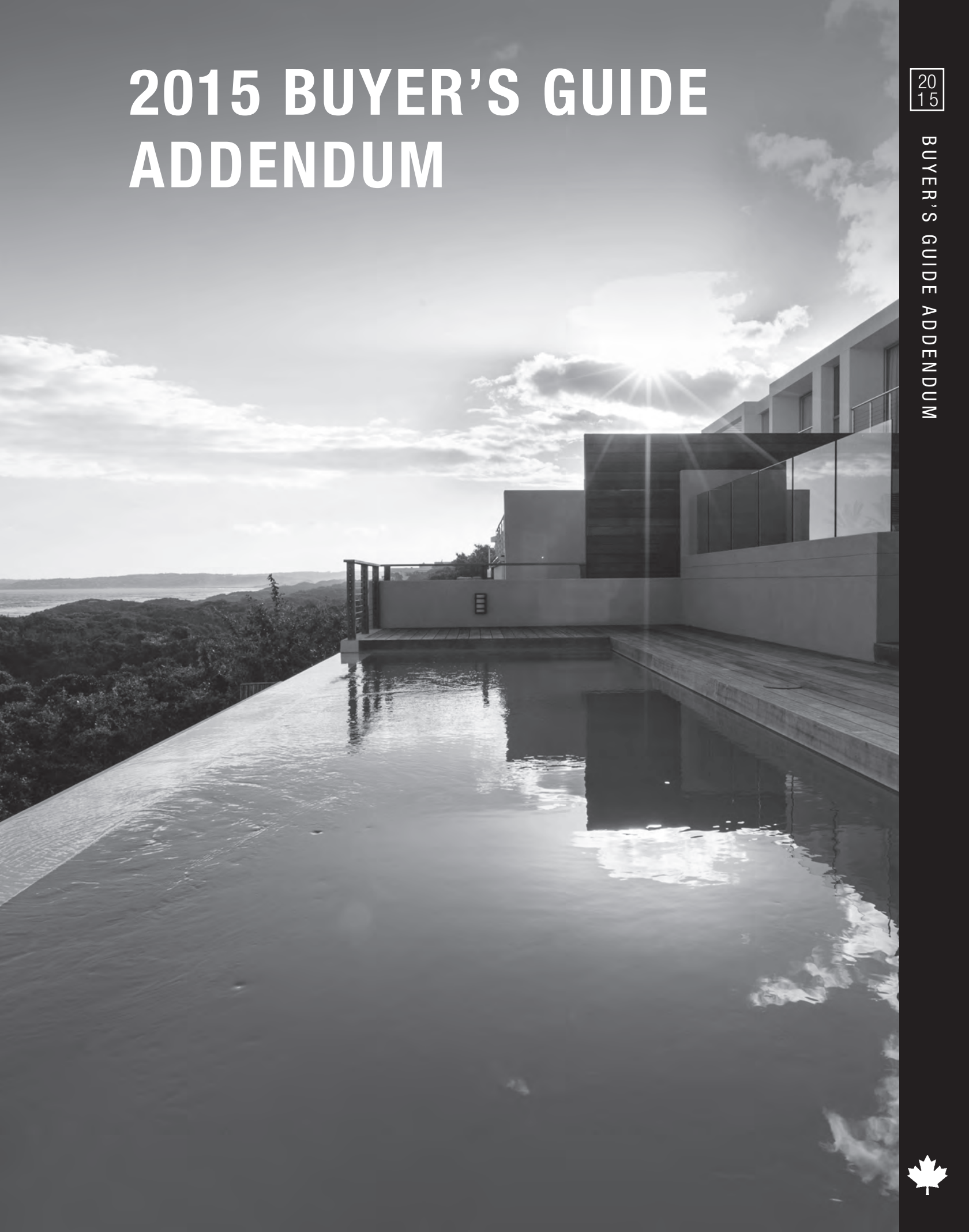


# 2015 BUYER'S GUIDE ADDENDUM

20  
15

BUYER'S GUIDE ADDENDUM



# Addendum Table of Contents

Effective January 1, 2015

Supersedes all price lists of prior dates. Please see Terms & Conditions at the back of the Buyers Guide.

---

## FINISHED GOODS

### PUMPS

EcoStar .....	2
Super Pump VS .....	3
TriStar VS .....	4

### FILTERS

Pro Series .....	5-6
SwimClear .....	7
StarClear Plus .....	8

### HEATERS

HeatPumps .....	9
Universal H-Series Low NOx .....	10
Venting Fundamentals .....	11
Universal H-Series Venting Kits .....	12

### SANITATION & AUTOMATION

OmniLogic .....	13
ProLogic .....	14

### CLEANERS

AquaVac 500 .....	15
AquaNaut 200 & 400 .....	16

### LIGHTING

Universal ColorLogic .....	17
ColorLogic 320 Return Light .....	18
Universal CrystaLogic .....	19
Lighting Niches .....	20
ProSeries .....	21
Replacement Lights/Accessories.....	22

### GENERAL POOL/ SPA EQUIPMENT

Waterfalls .....	23
Chemical Feeders, Automatic .....	24
Automatic Skimmers/Skim Vacs .....	25-26
Valves .....	27
Unions .....	28

---

## REPLACEMENT PARTS

### PUMPS

EcoStar .....	29
Super Pump VS .....	30
TriStar VS .....	31
MaxFlo VS .....	32
Booster Pump .....	33
Matrix Pump .....	34
Ultra Pro .....	35
Ultra Max .....	36

### FILTERS

Perflex .....	37-38
Pro Series Plus .....	39-40
SwimPro .....	41
Pro Series .....	42-45
XStream .....	46
SwimClear .....	47-48

### HEATERS

H-Series Above Ground .....	49-50
Automation & Sanitization .....	51-52

### CLEANERS

AquaNaut 200 & 400 .....	53-54
AquaVac 500 .....	55-56
eVac Pro .....	57-58
eVac .....	59-60

### GENERAL POOL/ SPA EQUIPMENT

Chlorine & Bromine Feeders .....	61
Automatic Skimmers .....	62-64
Suction Outlets .....	65

The List Prices shown do not necessarily represent the prices that products are sold for to retail customers.

Abbreviations:

FIP -	Female Iron Pipe Size
SKT -	Socket (Solvent Weld - Female) Connection
MIP -	Male Iron Pipe Size
SLIP -	Male Pipe Stub (Solvent Weld - Male) Connection



# EcoStar™ and EcoStar SVRS™

VARIABLE SPEED PUMPS



**The most energy efficient pump at any speed!**

The new Hayward® EcoStar pump is the industry's most energy efficient variable speed pump, thanks to a super-efficient permanent magnet, totally enclosed fan cooled (TEFC) motor and industry leading hydraulic design. Tests prove that EcoStar can save pool owners up to 70% on energy costs compared to ordinary single speed pumps. EcoStar can match pump flow to a pool's needs, versus running at full power 100% of the time.

EcoStar SVRS features an integrated Safety Vacuum Release System (SVRS) that helps prevent suction entrapment without additional devices, plumbing or wiring. It meets or exceeds all relevant ASME/ANSI standards as required by the Virginia Graeme Baker Pool and Spa Safety Act and similar provincial and local requirements.

### Applications

- In-ground pools of all types and sizes, pool/spa combinations
- Ideal for water features such as waterfalls and fountains

### Features

- Industry leading hydraulic design, super efficient permanent magnet motor saves up to \$1,500\* in energy costs year after year
- Revolutionary digital control interface rotates to 4 different positions on the pump or can be wall mounted
- Quiet by design
- California Title 20 compliant
- Fully programmable, self-contained 24-hour time clock with up to 8 custom speed and timer functions
- No additional controller or time clock needed
- SVRS model complies with ASME A112.19.17

\*Savings compared to a single speed pump running 12 hours per day, on a 20,000 gallon pool, at a national average electrical rate of \$0.15/kWh. Actual savings may vary based on comparison pump model, hours of operation, electrical rate and other hydraulic aspects such as plumbing size and length.



EcoStar Variable Speed Pump

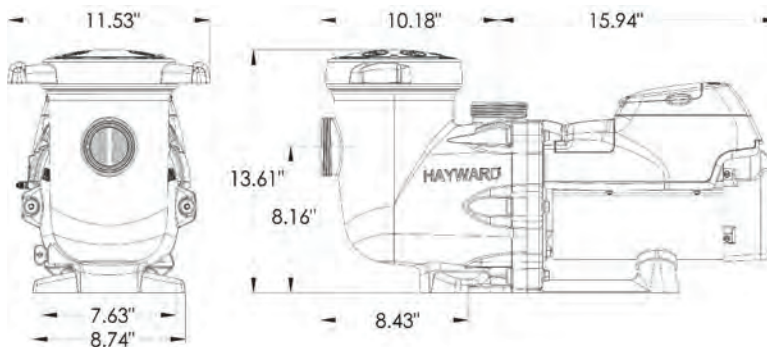
## EcoStar and EcoStar SVRS Buying Guide

Model Number	Description	Speed Range	Voltage	Union Connections
SP3400VSP	EcoStar	600–3450 RPM	230V Single Phase	2" x 2 1/2"
SP3400VSPVR	EcoStar SVRS	1000–3450 RPM	230V Single Phase	2" x 2 1/2"

### Performance Data

RPM	Percent Output	Pump Output (GPM) vs. Total Resistance to Flow (Feet of Head)							
		10	20	30	40	50	60	70	80
1375	40%	51	—	—	—	—	—	—	—
1725	50%	78	45	—	—	—	—	—	—
2075	60%	100	82	41	—	—	—	—	—
2425	70%	117	110	90	56	—	—	—	—
2750	80%	133	133	118	100	73	—	—	—
3100	90%	149	149	144	130	117	91	36	—
3450	100%	166	166	166	158	144	130	111	85

### Overall Dimensions





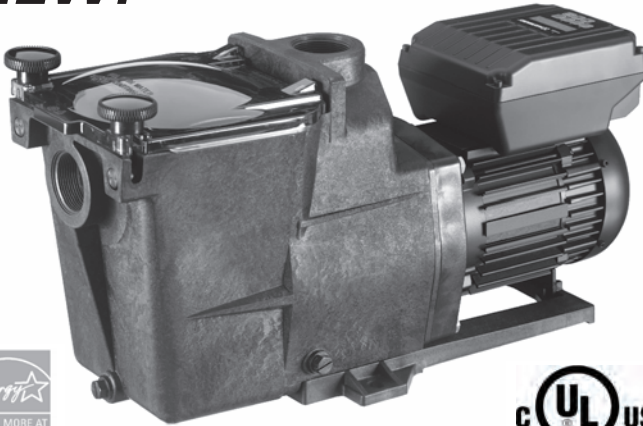
# Super Pump® VS

VARIABLE SPEED PUMPS



Pumps

## NEW!



### Energy Savings You Control!

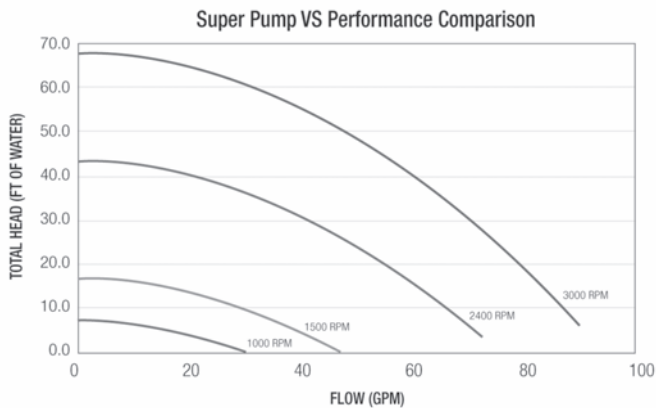
Hayward's best selling Super Pump just got even better! Upgrading to the new variable-speed Super Pump VS takes efficiency to the next level with up to 70% energy cost savings over traditional single-speed pumps. It features an integrated, adjustable variable speed drive as well as a permanent magnet, totally-enclosed motor for even greater energy efficiency and reliability. Super Pump VS is right-sized, particularly for applications with 1.5" plumbing, providing tremendous energy savings that can result in an even faster return on investment.

SP2600VSP Super Pump Variable Speed

## Super Pump VS Buying Guide

Model Number	Total HP	Speed Range	Voltage	Port Size
SP2600VSP	1.50	600-3000 RPM	230V Single Phase	1 1/2"

### Performance Data



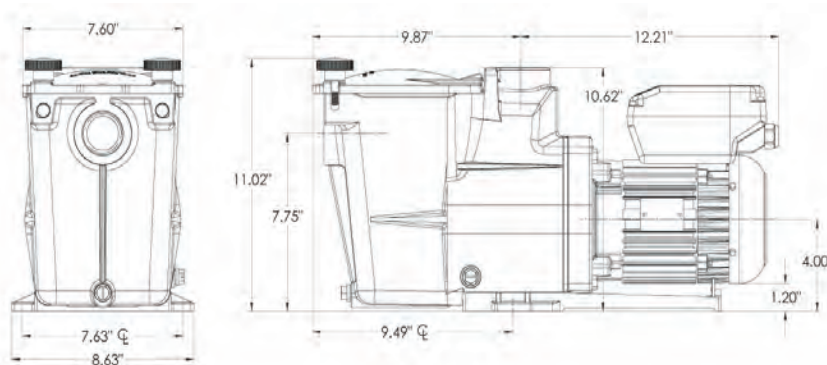
### Applications

- In-ground pools
- In-ground spas

### Features

- Right-sized, particularly for applications with 1.5" plumbing
- Can pay for itself faster than other oversized variable speed models
- Permanent magnet, totally-enclosed fan cooled (TEFC) motor offers incredible energy efficiency and reliability
- Integrated, programmable digital interface provides fully adjustable speed control
- ENERGY STAR approved and compliant with industry regulations such as Title 20 and APSP-15

### Overall Dimensions







# TriStar VS™

VARIABLE SPEED PUMPS



## Right-Fit Advanced Energy Efficiency.

TriStar VS fits just right. TriStar VS is the variable-speed pump that's specifically designed to replace most 1.5 full-rate HP high performance pumps such as Pentair® WhisperFlo®. With its permanent magnet motor, integrated electronic drive and industry-leading hydraulic design, TriStar VS can save owners up to 70% on their pool-related energy costs - and pay for itself faster than oversized variable-speed models. The right fit for you - and your wallet.

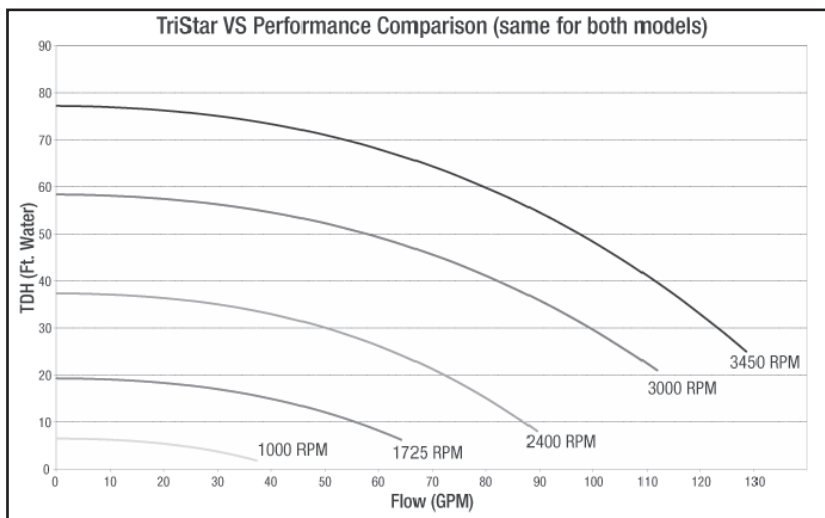
### Applications

- In-ground pools of all types and sizes (including in-floor cleaning systems, solar heating systems, water features)
- Ideal for water features such as waterfalls and fountains

### Features

- Designed to replace most full-rate high performance pumps up to 1.5 HP
- Can pay for itself faster than larger and more expensive variable-speed models
- Permanent magnet, totally enclosed fan cooled (TEFC) motor offers incredible efficiency and reliability
- Integrated, programmable digital interface with a 24-hour programmable clock and up to 8 custom timer functions (SP3200VSP only)
- 2" x 2.5" union connections make installation and servicing fast and easy
- Second base included to align TriStar VS with Pentair® WhisperFlo® for easy retrofit upgrades

### Performance Data



# NEW!



TriStar VS SP3200VSP Variable Speed Pump

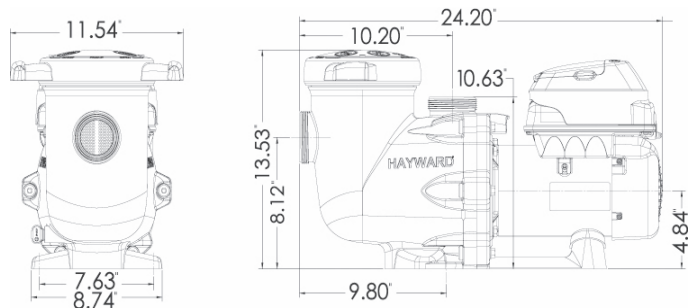
## TriStar VS Buying Guide

Model Number	Description	Speed Range	Voltage	Union Connections
SP3200VSP	TriStar VS <sup>1</sup>	600–3450 RPM	230V Single Phase	2" x 2 1/2"
SP3202VSPND	TriStar VS <sup>2</sup>	600–3450 RPM	230V Single Phase	2" x 2 1/2"

<sup>1</sup> Stand-Alone or Relay Control, includes Pump User Interface

<sup>2</sup> Controlled by Hayward Automation, does not require Pump User Interface

### Overall Dimensions





# Pro™ Series

TOP-MOUNT SAND FILTERS – S220TC, S244TC, S244T2, S270T2, S310T2 AND S360T2 MODELS

Filters

**Pro Series high-rate sand filters are the very latest in pool filter technology. Molded of durable, corrosion-proof polymeric material, they feature attractive, unitized tank construction for years of trouble-free operation with only minimal care. Pro Series sets a new standard for performance, value and dependability.**

### Applications

- In-ground pools of all types and sizes
- In-ground spas (residential or commercial)
- Water features (fish ponds, fountains, water gardens)

### Features

- Flange clamp design allows 360° rotation of valve to simplify plumbing
- Integral top diffuser ensures even distribution of water over the top of the sand media bed. Full-size internal piping provides smooth, free-flowing performance
- Large pressure sand/water drain for rapid winterizing or servicing
- Unitized, corrosion-proof filter tank molded of rugged, colorfast polymeric material for dependable, all-weather performance
- 7 position Hayward Vari-Flo™ control valve with easy-to-use lever-action handle lets you dial any of the valve/filter functions. Integral sight glass lets you see when backwash cycle is completed
- Precision engineered umbrella-fold self-cleaning laterals for balanced flow and backwashing, plus easy serviceability



**S244TC Pro Series 24" filter with 1 1/2" Vari-Flo™ control valve**



**S310T2 Pro Series 30" filter with 2" Vari-Flo™ control valve**

## Pro Series Top-Mount Sand Filter Buying Guide

Model Number	Valve	Sand Required	Dimensions		Ctn. Qty.	Ctn. Weight
			Width	Height*		
S220TC**	1 1/2" Vari-Flo	250 lbs.	22 1/2"	41"	1	44 lbs.
S244TC**	1 1/2" Vari-Flo	300 lbs.	24 1/2"	42"	1	46 lbs.
S244T2	2" Vari-Flo	300 lbs.	24 1/2"	42"	1	46 lbs.
S270T2	2" Vari-Flo	350 lbs.	27"	43"	1	56 lbs.
S310T2	2" Vari-Flo	500 lbs.	30 1/2"	48"	1	68 lbs.
S360T2	2" Vari-Flo	700 lbs.	35 1/4"	53"	1	134 lbs.

\*Above dimensions are to top of valve \*\* With hose

### Performance Data – Filter

Model Number	Effective Filtration Area	Design Flow Rate*	Turnover (In Gallons)	
			8 Hours	10 Hours
S220TC	2.64 ft. <sup>2</sup>	52 GPM	24,960	31,200
S244T2	3.14 ft. <sup>2</sup>	62 GPM	29,760	33,000
S270T2	3.70 ft. <sup>2</sup>	74 GPM	35,520	44,400
S310T2	4.91 ft. <sup>2</sup>	98 GPM	47,040	58,800
S360T2	7.06 ft. <sup>2</sup>	141 GPM	67,680	84,600

\*Based on 20 GPM/ft.<sup>2</sup> (maximum allowable NSF rating).

Model Number	Description	Pipe Size	Valve Positions	Ctn. Qty.	Ctn. Weight
--------------	-------------	-----------	-----------------	-----------	-------------

### Valve Selections

SP0714T	1 1/2" Vari-Flo	1 1/2" FIP	7	1	5 lbs.
SP071621	2" Vari-Flo	2" FIP	6	1	8 lbs.

### Performance Data – Valve Positions

Model Number	Filter	Back-wash	Waste	Recirc-ulate	Rinse	Closed	Winter
SP0714T	•	•	•	•	•	•	•
SP071621	•	•	•	•	•	•	—



**S244S ProSeries 24" Filter with 1 1/2" Vari-Flo Control Valve**

**ProSeries high-rate sand filters are the very latest in pool filter technology. Molded of durable, corrosion-proof polymeric material, ProSeries filters feature an advanced, self-cleaning lateral underdrain system for smooth, efficient flow and totally balanced backwashing. For crystal clear water with minimal care, pool professionals choose ProSeries.**

### Applications

- In-ground pools of all types and sizes
- In-ground spas (residential or commercial)
- Water features (fish ponds, fountains, water gardens)

### Features

- Durable, flanged inspection cover provides convenient access to top of filter
- Top diffuser ensures even distribution of water over the top of the sand media bed
- Automatic air relief purges any trapped air during operation of the filter system
- Unitized, corrosion-proof filter tank molded of rugged, colorfast polymeric material for dependable, all weather performance
- Large pressure sand/water drain for rapid winterizing or servicing
- 6-position Hayward Vari-Flo® control valve with easy-to-use lever-action handle lets you dial any of the 6 valve/filter functions. Integral sight glass lets you see when backwash cycle is completed
- Precision engineered umbrella-fold self cleaning laterals for balanced flow and backwashing, plus easy serviceability

## ProSeries Side-Mount Sand Filter Buying Guide

Model Number	Valve	Sand Required	Dimensions		Ctn. Qty.	Ctn. Weight
			Width**	Height		
S210S	1 1/2" Vari-Flo	200 lbs.	20 1/2"	32 1/8"	1	46 lbs.
S244S	1 1/2" Vari-Flo	300 lbs.	24 1/2"	36"	1	53 lbs.

### Performance Data – Filter

Model Number	Effective Filtration Area	Design Flow Rate*	Turnover (In Gallons)	
			8 Hours	10 Hours
S210S	2.20 ft. <sup>2</sup>	44 GPM	21,120	26,400
S244S	3.14 ft. <sup>2</sup>	62 GPM	29,760	37,200

\*Based on 20 GPM/ft.<sup>2</sup> (maximum allowable NSF rating).

### Performance Data – Valve Positions

Model Number	Filter	Back-wash	Waste	Recirc-ulate	Rinse	Closed
SP0710X62	•	•	•	•	•	•

Filters



# SwimClear™

LARGE CAPACITY CARTRIDGE FILTERS



Filters



C3030 SwimClear Filter

**NEW!**



C200S SwimClear Filter

Utilizing a cluster of reusable cartridge elements, SwimClear filters offer a choice of 200, 225, 325, 425, 525 or 700 square feet of heavy-duty dirt-holding capacity for extra-long filter cycles, up to an entire season without cleaning. SwimClear filters will provide years of trouble-free operation and crystal clear, sparkling water.

### Applications

- In-ground pools
- In-ground pool/spa combinations
- In-ground spas (residential or commercial)

### Features

- High capacity, rapid release manual air relief valve bleeds air with a quick quarter turn of the lever.
- Filter tanks made from durable glass reinforced co-polymer to meet the demands of the toughest applications and environmental conditions, including in-floor cleaning systems.
- Heavy-duty, tamper-proof, one-piece clamp securely fastens tank top and bottom. Allows quick access to all internal components without disturbing piping or connections
- Top manifold configuration provides excellent filtration and hydraulic performance
- Non-corrosive top closure plate prevents elements from lifting and allowing unfiltered water to by-pass into pool or spa during operation
- Quad-Cluster of high-quality polyester cartridge elements provide 225, 325, 425, 525 square feet of filter area for extra dirt-holding capacity and long filter cycles
- Single high-quality polyester cartridge elements provide 200 square feet of filter area. \* cartridges for 700 square feet.
- 2" full-flow internal piping and plumbing for less resistance to flow and maximum performance.
- PVC union coupling connection accepts 2" or 2 1/2" piping for plumbing versatility and hydraulic efficiency.
- Full size 1 1/2" integral drain allows for fast, 100% clean-out and easier flushing of tank

## SwimClear Cartridge Filter Buying Guide

Model Number	Effective Filtration Area	2 1/2" SKT x 2 1/2" SLIP Couplings	Dimensions		Ctn. Qty.	Ctn. Weight
			Width	Height		
C2030	225 ft. <sup>2</sup>	•	24"	32 1/2"	1	50 lbs.
C3030	325 ft. <sup>2</sup>	•	24"	34 1/2"	1	60 lbs.
C4030	425 ft. <sup>2</sup>	•	24"	40 1/2"	1	69 lbs.
C5030	525 ft. <sup>2</sup>	•	24"	46 1/2"	1	79 lbs.
C7030	700 ft. <sup>2</sup>	•	24"	52 1/2"	1	85 lbs.

## SwimClear Single Element Cartridge Filter Buying Guide

Model Number	Effective Filtration Area	2 1/2" SKT x 2 1/2" SLIP Couplings	Dimensions		Ctn. Qty.	Ctn. Weight
			Width	Height		
C200S	200 ft. <sup>2</sup>	•	24"	32 1/2"	1	50 lbs.

### Performance Data

Model Number	Effective Filtration Area	Public Design Flow Rate	Turnover (In Gallons)	
			8 Hours	10 Hours
C2030	225 ft. <sup>2</sup>	84 GPM	40,320	50,400
C3030	325 ft. <sup>2</sup>	122 GPM	58,560	73,200
C4030	425 ft. <sup>2</sup>	150 GPM	72,000	90,000
C5030	525 ft. <sup>2</sup>	150 GPM	72,000	90,000
C7030	700 ft. <sup>2</sup>	150 GPM	72,000	90,000

2" piping is recommended for flow rates above 90 GPM. Refer to "Friction Loss" in Hydraulics section, pages 19–22.

### Performance Data - Residential

Model Number	Effective Filtration Area	Public Design Flow Rate	Turnover (In Gallons)	
			8 Hours	10 Hours
C200S	200 ft. <sup>2</sup>	120 GPM	57,600	72,000

Residential Design Flow Rate based on 1 GPM/ft<sup>2</sup>

### Performance Data - Public and APSP-15

Model Number	Effective Filtration Area	Public Design Flow Rate	Turnover (In Gallons)	
			8 Hours	10 Hours
C200S	200 ft. <sup>2</sup>	75 GPM	36,000	45,000

Public and APSP-15 Design Flow Rate based on .375 GPM/ft<sup>2</sup>





C900 Star-Clear Plus filter



C1200 Star-Clear Plus filter

Hayward's Star-Clear Plus filters offer added quality, value and convenience in cartridge filtration. Star-Clear Plus filters are the ideal choice for the most demanding applications and environmental conditions. Plus, with a larger filtration element, Star-Clear Plus filters have greater effective filtration area than similar sized and priced cartridge filters.

### Applications

- In-ground pools
- In-ground pool/spa combinations

### Features

- Filter tanks made from extra durable glass reinforced co-polymer material to meet the demands of the toughest applications and environmental conditions, including in-floor cleaning systems
- Single piece injection-molded base and body provides added strength for reliable, corrosion-free performance
- Single locking knob securely fastens head to filter tank, eliminating bolts or clamps
- Attractive, durable filter head may be rotated to conveniently position pressure gauge and manual air relief
- Extra-large cartridge element with new precision engineered extruded core provides extra-strength and maximum flow
- Elevated, filtered water collector and debris sump prevents accidental by-pass of heavy debris to pool when cartridge is removed for cleaning
- 1 1/2" or 2" FIP, or 2" SKT connections for plumbing versatility
- 1/2" FIP filter drain for fast draining. Also accepts standard spigot valve

## Star-Clear Plus Cartridge Filter Buying Guide

Model Number	Effective Filtration Area	Pipe Size	Dimensions		Ctn. Qty.	Ctn. Weight
			Width	Height		
C751	75 ft. <sup>2</sup>	1 1/2" FIP	13 3/8"	30"	1	26 lbs.
C7512	75 ft. <sup>2</sup>	2" FIP	13 3/8"	30"	1	26 lbs.
C900	90 ft. <sup>2</sup>	1 1/2" FIP	13 3/8"	30"	1	26 lbs.
C9002	90 ft. <sup>2</sup>	2" FIP	13 3/8"	30"	1	26 lbs.
C9002S*	90 ft. <sup>2</sup>	2" SKT*	13 3/8"	30"	1	26 lbs.
C1200	120 ft. <sup>2</sup>	1 1/2" FIP	13 3/8"	36"	1	29 lbs.
C12002	120 ft. <sup>2</sup>	2" FIP	13 3/8"	36"	1	29 lbs.
C12002S*	120 ft. <sup>2</sup>	2" SKT*	13 3/8"	36"	1	29 lbs.
C17502	175 ft. <sup>2</sup>	2" FIP	13 3/8"	42"	1	32 lbs.
C1502	175 ft. <sup>2</sup>	2" FIP	13 3/8"	36"	1	29 lbs.
C17502S*	175 ft. <sup>2</sup>	2" SKT*	13 3/8"	42"	1	32 lbs.
C2002	200 ft. <sup>2</sup>	2" FIP	13 3/8"	42"	1	32 lbs.

\*2" FIP x 2" SKT adapter included.

### Performance Data – Residential

Model Number	Effective Filtration Area	Design Flow Rate*	Turnover (In Gallons)	
			8 Hours	10 Hours
C751	75 ft. <sup>2</sup>	75 GPM	36,000	45,000
C900	90 ft. <sup>2</sup>	90 GPM	43,200	54,000
C1200	120 ft. <sup>2</sup>	120 GPM	57,600	72,000
C17502	175 ft. <sup>2</sup>	120 GPM	57,600	72,000

Residential Design Flow Rate based on 1 GPM/ft.<sup>2</sup>

### Performance Data – Public

Model Number	Effective Filtration Area	Design Flow Rate*	Turnover (In Gallons)	
			8 Hours	10 Hours
C751	75 ft. <sup>2</sup>	28 GPM	13,500	16,875
C900	90 ft. <sup>2</sup>	34 GPM	16,200	20,250
C1200	120 ft. <sup>2</sup>	45 GPM	21,600	27,000
C17502	175 ft. <sup>2</sup>	66 GPM	31,680	39,600

Public Design Flow Rate based on .375 GPM/ft.<sup>2</sup>

\*Determined by pump size and piping system hydraulics. 2" piping is recommended for flow rates above 90 GPM. Refer to page 16, "Friction Loss".



# Summit® Heat Pumps

FOR POOLS AND SPAS



The Summit heat pump by Hayward provides an energy efficient solution to your pool heating options. With its Titanium Heat Exchanger and Hayward Quiet Technology, Summit heat pumps heat pool water more efficiently for a fraction of the cost of gas while maintaining a quiet relaxed backyard environment. Depending on individual use and application of your pool, a heat pump may be right for you.

Heating

### Titanium Heat Exchanger



Titanium counter-flow heat exchanger for unrivaled, uncompromising and trouble-free performance — even under the harshest conditions.

### Quiet Technology



Profiled fan blade design provides improved airflow and quiet operation.



Acoustic compressor cover further reduces compressor sound levels.

### High Performance Evaporator Coil and Union Connections

Ultra Gold corrosion resistant evaporator coil fin provides excellent durability near coastal and other corrosive environments.

### Digital L.E.D. Control Panel

Easy to read digital temperature display with electronic frost control and temperature lock-out capability.

### Footprint

2" x 2 1/2" Union Connections for high efficiency plumbing and easy installation and maintenance.

Compact footprint allows for easy installations, is ideal for retrofit replacements, and has integrated hurricane tie-downs to meet local codes without the need for accessory kits.



Summit SUM5TAC

## Specifications & Dimensions

Model Number	BTU	C.O.P.	Compressor	Voltage Hertz/Phase	Circuit Amps	Diameter Width x Depth	Unit Height	Unit Weight
<b>Heat Pumps with Hot Gas Bypass Valve</b>								
SUM3TAC	65,000	6.0	Scroll	240/60/1	30	30 x 34	37"	186 lbs.
SUM45TAC	95,000	6.2	Scroll	240/60/1	40	30 x 34	37"	205 lbs.
SUM5TAC	110,000	6.0	Scroll	240/60/1	50	30 x 34	37"	237 lbs.
<b>Heat Pumps</b>								
SUM25TA	50,000	5.4	Rotary	240/60/1	30	30 x 34	29"	161 lbs.
SUM8TA	140,000	6.0	Scroll	240/60/1	60	30 x 34	44"	268 lbs.
<b>Heat Pumps with Reversing Valve Feature</b>								
HP40B	40,000			208-230V				125 lbs.
HP50B	50,000			208-240V				150 lbs.
HP65B	65,000			208-240V				172 lbs.



HP50B



# Standard Cupro Nickel Heat Exchangers!

# Universal H-Series Low NOx

FOR IN-GROUND POOLS AND SPAS



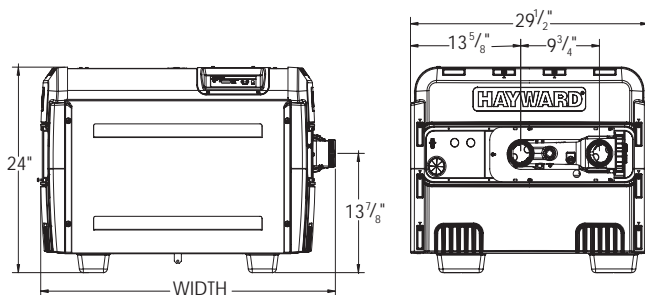
H400FDN Universal H-Series Low NOx Heater

## Universal H-Series Low NOx Heater Buying Guide

### Silicon Nitride Hot Surface Electronic Ignition, Dual Thermostat

Model Number	BTU Input	Gas Type	Heater Width	Ctn. Qty.	Ctn. Weight
H150FDN	150,000	Natural	21 1/2"	1	141 lbs.
H150FDP	150,000	Propane	21 1/2"	1	141 lbs.
H200FDN	199,900	Natural	24 3/4"	1	154 lbs.
H200FDP	199,900	Propane	24 3/4"	1	154 lbs.
H250FDN	250,000	Natural	28"	1	165 lbs.
H250FDP	250,000	Propane	28"	1	165 lbs.
H300FDN	300,000	Natural	30"	1	180 lbs.
H300FDP	300,000	Propane	30"	1	180 lbs.
H350FDN	350,000	Natural	33 1/4"	1	195 lbs.
H350FDP	350,000	Propane	33 1/4"	1	195 lbs.
H400FDN	399,900	Natural	36 1/2"	1	197 lbs.
H400FDP	399,900	Propane	36 1/2"	1	197 lbs.
H500FDN	500,000	Natural	41"	1	223 lbs.
H500FDP	500,000	Propane	41"	1	223 lbs.

### Overall Dimensions



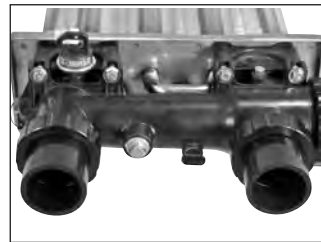
The Hayward Universal H-Series gas heater is the "universal" energy efficient remedy for any new or existing pool or spa. An industry leading hydraulic design reduces circulation pump run time to provide up to 84% efficiency when compared to less efficient competitors. The energy efficiency of the Universal H-Series gas heater combines with environmentally friendly low NOx emissions, a standard cupro nickel heat exchanger and ultimate installation flexibility on new or existing equipment pads to responsibly heat a pool or spa today and for years to come.

The forced draft system in the Universal H-Series constantly moves air through the combustion chamber at a precise flow rate eliminating outside weather variables that can affect heating performance. Wind conditions are eliminated and there is no need to install a high-wind stack.

Note: Hayward Universal H-Series heaters meet the NOx emission standards set by the California South Coast Quality Air Management Commission for 2001 and the Texas Natural Resource Conservation Commission Code.

### FOR INDOOR/OUTDOOR USE

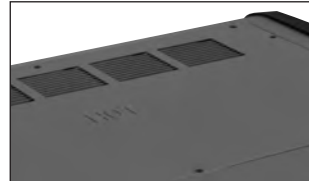
#### Superior Hydraulic Performance



New polymer header provides superior hydraulic performance to save energy and protect against the damaging effects of erosion from high flow conditions for improved reliability.

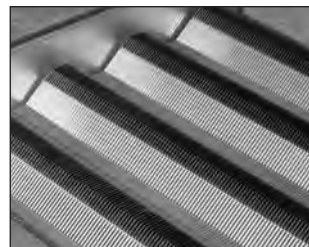
Designed for today's larger diameter plumbing systems with 2" x 2 1/2" CPVC unions.

#### Forced Draft System



Forced draft system constantly moves air through the combustion chamber at a precise flow rate, eliminating all outside weather variables that can effect the heating performance, such as high wind conditions — without a high wind stack.

#### State-of-the-Art Finn Plate Heat Exchanger with Cupro Nickel



Our patented single header "V" baffle design heat exchangers allow for long life, fast heating and virtually no condensation. All Hayward heat exchangers are now constructed with highly resilient Cupro Nickel for greater durability and longevity even in salt-based, high flow or aggressive water chemistry set ups.

#### L.E.D. Control Panel



Easy-to-read L.E.D. Control Panel provides digital temperature readout and diagnostics for quick identification of components that might need service.

Heating



# Low NOx Heaters & Venting

## VENTING FUNDAMENTALS



### Negative vs. Positive Vent Pressure

#### NEGATIVE vent pressure:

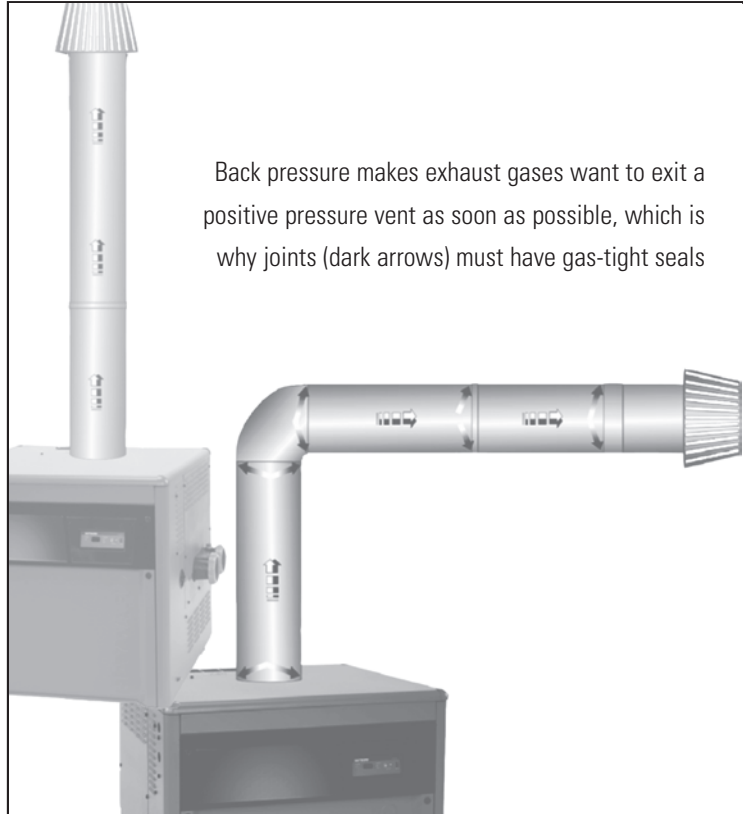
By definition, gases inside a negative pressure vent are under no pressure to escape and will simply exit upward (since hot air rises) through a properly designed, mostly vertical Negative Vent System.

**Vent joints in a negative pressure do NOT need to be gas-tight, but may need to be taped if required by local codes.**

#### POSITIVE vent pressure:

By definition, gases inside a positive pressure vent are under pressure to escape and will as soon as possible. However, allowing exhaust gases to escape through system leaks would be unacceptable and potentially fatal.

**Therefore, vent joints in a positive vent system must be gas-tight, which requires installation of special vent piping.**



Back pressure makes exhaust gases want to exit a positive pressure vent as soon as possible, which is why joints (dark arrows) must have gas-tight seals

Heating

### As a General Rule ...

**A negative pressure system must be mostly vertical and must have vertical termination ...**

**... while a positive pressure system may be mostly horizontal and may utilize horizontal or vertical termination.**

Vent Sizing	
Vents must be sized according to heater manufacturer specs. Below are general specifications for Negative and Positive venting of Hayward IDL, IDL2 and Universal H-Series heaters.	
Negative	Positive
50 ft. max vertical height	<i>Positive venting solutions must be utilized any time negative vent criteria cannot be attained.</i>
25ft. max horizontal length	50 ft max with 1 elbow
Horizontal length cannot exceed 1/2 of vertical height	40 ft max with 2 elbows
3 elbows max.	30 ft max with 3 elbows
Single- or Double-Wall Galvanized <u>Non</u> -Sealed Vent Pipe.	Single- or Double-Wall Stainless Steel <u>Sealed</u> Vent Pipe.



# Universal H-Series Indoor Vent Kit Matrix

INDOOR VENT ADAPTER KITS



## Indoor Vent Adapter Kit – Horizontal

### Positive Pressure – Horizontal Venting

This Kit enables indoor installations where the exhaust vent pipe termination is horizontal with stainless steel vent pipe and vent terminals available from Hayward or special ordered from Heatfab Division of Selkirk Corporation. This Kit **DOES NOT** allow the use of galvanized, non-sealed pipe.

Universal H-Series Model No.	Horizontal Venting Applications (Positive-Pressure)	Description	Vent Pipe Limitations	Vent Pipe Material	Vent Termination Requirement
H150FD	UHXPOSHZ11501	Indoor Vent Adapter Kit Positive Pressure, Horizontal or Vertical Venting Applications	a. 50 ft. maximum with (1) Elbow b. 40 ft. maximum with (2) Elbows c. 30 ft. maximum with (3) Elbows	Single or Double Wall Stainless Steel Sealed Vent Pipe	Horizontal or Vertical, Termination Immediately Outside Wall of House/Building
H200FD	UHXPOSHZ12001				
H250FD	UHXPOSHZ12501				
H300FD	UHXPOSHZ13001				
H350FD	UHXPOSHZ13501				
H400FD	UHXPOSHZ14001				
H500FD	UHXPOSHZ15001				

Heating

Description	Part No.	
	EZ-Vent	CI Plus
Horizontal Kits H150-H250		
18" straight pipe	IDXLLEN1930*	UHXHD6PIPE18
24" straight pipe	IDXLLEN1931	UHXHD6PIPE24
36" straight pipe	--	UHXHD6PIPE36
90° elbow	IDXLELB1930	UHXHD6ELBOW
Term Elbow Cap (150, 200)	IDXLCAP1929	UHXHD6ETERM
Term Straight Cap (250 only)	IDXLCAP1930	UHXHD6STERM

\*IDXLLEN1930 is adjustable from 6" to 19"

Description	Part No.	
	EZ-Vent	CI Plus
Horizontal Kits H300-H400		
18" straight pipe	FDXLLEN1931	UHXHD8PIPE18
24" straight pipe	FDXLLEN1930	UHXHD8PIPE24
36" straight pipe	--	UHXHD8PIPE36
90° elbow	FDXLELB1930	UHXHD8ELBOW
Term Straight Cap (250 only)	FDXLCAP1930	UHXHD8STERM

## Indoor Vent Adapter Kit – Vertical

### Negative Pressure – Vertical Venting

This Kit enables indoor installations where the exhaust vent pipe termination is required to be vertically terminated a minimum of 3 feet above the roof and a minimum of 2 feet above any portion of a building within 10 feet horizontally. This Kit **DOES NOT** allow horizontal vent termination.

Universal H-Series Model No.	Vertical Venting Applications (Negative-Pressure)	Vertical Description	Vent Pipe Limitations	Vent Pipe Material	Vent Termination Requirement
H150FD	UHXNEGVT11501	Indoor Vent Adapter Kit Negative Pressure, Vertical Venting Applications	a. 50 ft. maximum vertical height b. 25 ft. maximum horizontal length (Horizontal length <b>CANNOT</b> exceed 1/2 of the vertical height) c. (3) Elbows maximum	Single or Double Wall Galvanized Steel Non-Sealed Vent Pipe	Vertical ONLY, Termination Above Roof of House/ Building
H200FD	UHXNEGVT12001				
H250FD	UHXNEGVT12501				
H300FD	UHXNEGVT13001				
H350FD	UHXNEGVT13501				
H400FD	UHXNEGVT14001				
H500FD	UHXNEGVT15001				



# OmniLogic

POOL, SPA AND BACKYARD AUTOMATION SYSTEM



**Introducing OmniLogic—the simplest, most intuitive backyard automation system ever. Designed to be easy for the pool owner to use, while decreasing the time you spend ordering, installing, programming, training, and supporting, OmniLogic meets the needs of both you and your customer.**

**With OmniLogic, you can expect to:**

- **Eliminate Complexity.** With the ability to easily install pre-configured programming, and an icon-based touchscreen directly on the base unit, OmniLogic can save you hours of complicated set-up time.
- **Easily Scale-up and Expand.** Easily expand all capacities and seamlessly add features— from heaters to pumps to lighting.
- **Stay Cutting Edge.** OmniLogic was designed and engineered to advance with automation technology. Our innovative system architecture allows you to easily propagate new capabilities, and install and restore configurations quickly and effortlessly.
- **Simply order and stock parts.** Modular configuration provides flexibility and ease of ordering. No other system makes it as simple for builders to order and stock parts that support any configuration.
- **Wow your Customer.** Modern, intuitive apps for iPhone®, iPad® and Android™ provide the look and feel of leading-edge consumer electronics. Adjustable favorites buttons and backyard theme functions allow your customer to not only customize, but personalize their backyard.

The performance, look and feel of an elite application is just as important as the technology behind it. OmniLogic combines the best in connectivity, versatility and energy-efficient functionality with an intuitive interface that makes the whole system simple to install, program, and use. When you choose OmniLogic, you choose the best—for you and your customer.

### Applications

- Any pool or pool/spa combination
- Single and dual equipment\*

\*Dual Equipment available Spring 2015

### Standard Features

- Built-in touch display for easy configuration and programming
- Fully programmable, automatic control of every output
- 4 High-voltage relays upgradeable to 10
- 4 Valve Actuator relays upgradeable to 8
- Controls up to 16 EcoStar Pumps without using a relay
- Controls up to 5 heaters
- 125A Subpanel with 12 Breaker Slots
- 50 Configurable Favorites Buttons
- 25 Unique Programmable Themes
- Salt Chlorination Ready
- Built in Ethernet connectivity
- FREE website for backyard control from any desktop or internet device
- FREE Apps for iPhone, iPad, and Android

# NEW!



**OmniLogic shown with free apps for iPhone and iPad, and optional Sense & Dispense, TurboCell and wireless waterproof handheld remote.**

## OmniLogic Base System Buying Guide

Model Number	Description	Ctn. Qty.	Shipping Weight
HLBASE	OmniLogic 4 Relay Base	1	65 lbs.

## Options and Accessories Buying Guide

Model Number	Description	Ctn. Qty.	Shipping Weight
HLRELAYBANK	OmniLogic 4 Relay Module	1	5 lbs.
HLRELAY	OmniLogic 1 Relay Module	1	1 lb.
HLIOEXPAND	OmniLogic 4x4x4 Valves, Sensors, Inputs	1	1 lb.
HLEXPAND	OmniLogic Expansion Panel	1	63 lbs.
HLWLAN	OmniLogic Wireless Network Antenna	1	2 lbs.
HLWALLMOUNT	OmniLogic Wall Mount Remote	1	3 lbs.
HLWATERPROOF	OmniLogic Waterproof Remote	1	5 lbs.
GVA-24	Hayward Actuator 24 Volt	1	3 lbs.
T-CELL-15-CUL	40,000 Gallon Salt Cell	1	4.3 lbs.
P-KIT	Hayward Salt Plumbing Kit	1	4.3 lbs.
HL-CHEM	OmniLogic Sense & Dispense	1	9 lbs.



# ProLogic® Total Pool Management™

POOL, SPA AND CHEMISTRY AUTOMATION



ProLogic

ProLogic is a scalable, flexible line of Total Pool Management controls that suits any backyard environment. It takes the work out of owning a pool and spa by automating all essential pool and spa functions, water chemistry with Sense and Dispense®, salt chlorination, custom light shows with ColorLogic® LED lights and other backyard features like water features, lights and fire pits. ProLogic gives pool owners the freedom to monitor and control their pool, spa and backyard functions using their Home Automation system, their Home Network or even over the Web. They can turn up the spa heater; adjust cleaning, filtration or lighting schedules or check out how the water's pH and sanitization levels look. Pool owners can do this all and more when they add the AquaConnect HA option to their ProLogic.

Automating variable speed and 2-speed pumps can save pool owners up to 70% on energy costs. Whether homeowners have basic pool functions or an extensive backyard paradise, the ProLogic series offers the right level of control for any environment — control that can easily be added at any time.

## ProLogic Base System Buying Guide

Model Number	Description	Ctn. Qty.	Shipping Weight
PL-P-4-CUL	4 relays, 3 valves, 1 heater, solar (Low Salt Compatible)	1	37 lbs.
PL-PS-4-CUL	4 relays, 4 valves, 2 heaters, solar (Low Salt Compatible)	1	37 lbs.
PL-PS-8-CUL	8 relays, 4 valves, 2 heaters, solar (Low Salt Compatible)	1	37 lbs.
PL-PS-16-CUL	16 relays, 8 valves, 2 heaters, solar (Low Salt Compatible)	2	74 lbs.

## Options and Accessories Buying Guide

Model Number	Description	Ctn. Qty.	Shipping Weight
AQL2-POD	AquaPod	1	1 lb.
AQ-CO-HOMENET	AquaConnect Home Network, Internet & Wi-Fi remote control. Minimum Pro Logic 4.20 software required. Minimum Aqua Pro 1.20 software required.	1	1 lb.
AQL2-SS-RF	Wireless Spa Side	1	1 lb.
AQL2-BASE-RF	AQL2 Wireless Base Station	1	1 lb.
AQL2-Tx-RF-P-4	P-4 Wireless Tabletop	1	2 lbs.
AQL2-Tx-RF-PS-4	PS-4 Wireless Tabletop	1	2 lbs.
AQL2-Tx-RF-PS-8	PS-8 Wireless Tabletop	1	2 lbs.
AQL2-Tx-RF-PS-16	PS-16 Wireless Tabletop	1	1 1/2 lbs.
AQL2-Wx-RF-PS-4	PS-4 Wireless Wall Mount	1	1 1/2 lbs.
AQL-WW-P-4	P-4 White Wired Wall Mount	1	1 lb.
AQL2-Wx-PS-4	PS-4 Wired Wall Mount	1	1 lb.
	AQL2 Remotes X = W (White), B (Black)		
AQL-SS-6B-x	6 Function Wired Spa Side	1	3 lbs.
AQL-SS-6B-BOX	6 Function Mud Box for Cement Applications	1	3 lbs.
AQL-SS-D-x	8 Function Digital Spa Side	1	3 lbs.
AQL-SS-D-BOX	8 Function Mud Box for Cement Applications Remote Controls: X = W (White), B (Black)	1	3 lbs.

### Applications

- Any pool or pool/spa combination
- Single or dual equipment
- Low Salt Compatible

### Standard Features

- Truly user friendly and cost effective automation
- Digital display of time, day, temperature of pool/spa and ambient air
- Built-in 100A sub panel, standard
- Built-in keypad for complete operation and programming
- Controls up to 16 relays, 8 valves, 2 heaters and solar
- Fully programmable, automatic control of every output
- Programmable macros or group functions (PS Series)
- Variable speed pump control
- Low Salt Compatible

### Optional Electronic Chlorination TurboCell® Sizes

- TurboCells – 15,000, 25,000 and 40,000 gallons
- Cell sizes enable home owners to right-size their pools
- Generate up to 1.45 lbs. of chlorine per day

### Optional Total Pool Chemistry

- Sense and Dispense – fully integrated chemistry automation
- Continuously senses sanitization and pH levels and dynamically dispenses what the water needs
- Uses salt chlorination to deliver fresh chlorine when needed
- Dispense Carbon Dioxide (CO<sub>2</sub>) or Muriatic Acid to control pH

### Optional AquaConnect™

- AquaConnect offers four ways to manage pool, spa and backyard control functions: Apps, Wi-Fi, Web and select Home Automation Serial Interfaces. Enjoy 24/7 access to the AquaConnect platform through all internet and mobile device portals, as well as a serial option for integration with existing home automation systems.

### Optional Remotes

- Full function, programmable, waterproof AquaPod
- Wired or wireless full function wall-mount displays suitable for indoor or protected outdoor use
- Wireless, full function, rechargeable tabletop
- Wireless, floating spa side remote turns on/off all major pool, spa and auxiliary functions
- Wired 6 or 8 function spa side for exterior spa side mounting

Sanitization & Automation



# AquaVac 500 Series

ROBOTIC POOL CLEANER



## Less Energy. More Clean.

The new wall climbing AquaVac 500 robotic cleaner cleans pool floor *and* walls with computer efficiency. This feature-packed floor and wall cleaner delivers performance, high efficiency, and a robust design at an attractive price.

### Application

- In-ground residential pools/vinyl, gunite, fiberglass

### Features

- Cleans pool floors *and* walls
- Easy top access – no turning the cleaner over to empty, allows quick debris removal and easy cleanup
- 2 fine porosity filter elements – just remove and rinse with a garden hose
- Exclusive cord swivel prevents the cord from tangling. No monitoring necessary during the cleaning cycle.
- Saves you money. Uses up to 94% less electricity than pressure cleaners
- Out-of-water sensor (cleaner will not start if out of water and connected to a timer)
- Beach entry sensor (cleaner detects when it is climbing out of the water and reverses direction)
- Sleek design



AquaVac 500 Series

## AquaVac 500 Series Buying Guide

Model Number	Description	Ctn. Qty.	Ctn. Weight
RC3431CTY	Hayward AquaVac 500 and Caddy Cart, Timer and Swivel Cord	1	53 lbs.
RCX70101PAK2	Replacement Filters (set of 2)	5	4 lbs.
RCX70103PAK2	Spring Clean-up Filters (set of 2)	5	2 lbs.

Cleaners



AquaVac 500 with Premium Caddy Cart



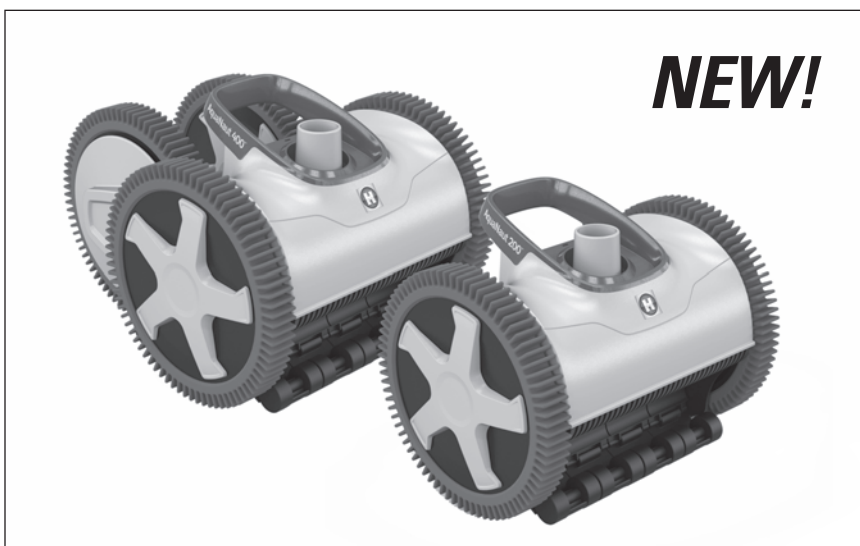
Exclusive cord swivel prevents the cord from tangling.





# AquaNaut 200 & 400

AUTOMATIC POOL CLEANERS



AquaNaut 200 & 400

## AquaNaut Buying Guide

Model Number	Description	Ctn. Qty.	Ctn. Weight
PHS21CST	AquaNaut 200	1	TBD
PHS41CST	AquaNaut 400	1	TBD



### Small Throat

For better suction with lower flow rate and smaller pump, use at lower variable-pump speeds



### Medium Throat

For almost all average pool filtration systems and installations



### Large Throat

Optimizes suction and water flow with higher flow and larger pump, can be used at higher variable-pump speeds

The AquaNaut is available in 2 or 4-wheel drive (models 200 and 400 respectively) to suit any pool size or shape. Patented features such as self-adjusting turbine vanes ensure maximum power at any flow and effortless debris management. Adjustable skirt and tire treads work in concert with programmed steering to ensure fast cleaning, obstacle management and maximized pool coverage while delivering the best surface clean.

### Application

- In-ground residential pools/vinyl, gunite, fiberglass

### Features

- **Self-Adjusting Turbine Vanes:** All of the AquaNaut models have patented self-adjusting turbine vanes. The flexible vanes ensure maximum power at any flow, their ability to move allows easy passage of large debris to ensure full cleaning with peace of mind.
- **Steering System:** The AquaNaut has multiple pre-programmed internal steering sequences, which cause the left wheel to periodically reverse, allowing the AquaNaut to turn and then move into another direction. This feature ensures full pool coverage and efficient cleaning.
- **Robust Tire Treads:** One look and you will see the patented tire treads give the AquaNaut enhanced climbing ability and obstacle maneuverability-especially with main drains. This makes the AquaNaut ideal for all pool surfaces and shapes.
- **Adjustable Skirt:** The AquaNaut has patented adjustable skirts that allow the cleaner to maintain optimal suction under the machine on uneven surfaces and when encountering obstacles.
- **Interchangeable Throats:** 3 interchangeable throats allow optimization of suction performance and debris passage irrespective of flow or debris size. As such, it is the ideal suction cleaner for use with variable speed pumps.



# Universal ColorLogic®

LED POOL LIGHTING



Finally! Hayward® Universal ColorLogic is the first automated color changing pool light that can spectacularly illuminate nearly any existing pool or spa with vibrant color. It is specifically designed to deliver beautiful, rich colors and exciting shows to pools limited by a single light.

New Hayward Universal ColorLogic is the only LED pool light designed to retrofit the vast majority of today's pools. They'll easily fit just about any lighting niche in just about any pool, no matter when or where it is installed. No hassle.

Universal ColorLogic has an LED design that's 2x brighter than any other LED lighting and its optimized TIR optic casts and keeps more light throughout the entire pool.\* It comes standard with 10 vibrant colors and 7 programmed light shows to choose from, more when used with Hayward Pro Logic® controls. Install these pool and spa lights as close as 4 inches from the waterline to light even the shallowest areas. Transform your backyard into an oasis of color by simply lighting your pool with Hayward's Universal ColorLogic LED lighting.

\*Based on test data at time of print.

## Universal ColorLogic® Buying Guide

Standard			Ctn.	Ctn.
Switched Light	Large or Small	Cord Length	Qty.	Weight
LPCUS11030	Large	30'	1	7 lbs.
LPCUS11100	Large	100'	1	14 lbs.
LSCUS11030	Small	30'	1	4 lbs.
LSCUS11100	Small	100'	1	11 lbs.

## Kits Buying Guide

Transformer	
Retrofit Kits	Description
LTBCY11300	300W wall mount transformer
SP3495CDGR	Deck Box (Dark Grey)
SPSUV1002	(2) small LED light kit, 100ft. cord, deck box, 6" niche, transformer
SPPUV100	(1) large LED light kit, 100ft. cord, deck box, 10" niche, transformer
SPPUV1002	Lamp LED Light System (2) large LED light kit, 100ft. cord, deck box, 10" niche, transformer

## Configurable Trim Rings Buying Guide

Model		Ctn.	Ctn.
Number	Description	Qty.	Weight
LNBUY1000	Pool Trim Ring, Black	1	.25 lb.
LNEUY1000	Pool Trim Ring, Beige	1	.25 lb.
LNFUY1000	Pool Trim Ring, Blue	1	.25 lb.
LNGUY1000	Pool Trim Ring, Dark Gray	1	.25 lb.
LNKUY1000	Pool Trim Ring, Faux Chrome	1	.25 lb.
LNVUY1000	Pool Trim Ring, White Burst	1	.25 lb.
LQBUY1000	Spa Trim Ring, Black	1	.25 lb.
LQEUY1000	Spa Trim Ring, Beige	1	.25 lb.
LQFUY1000	Spa Trim Ring, Blue	1	.25 lb.
LQGUY1000	Spa Trim Ring, Dark Gray	1	.25 lb.
LQKUY1000	Spa Trim Ring, Faux Chrome	1	.25 lb.
LQVUY1000	Spa Trim Ring, White Burst	1	.25 lb.

## Network Lights

Model Number	
LPCUN11100	Large, 100' cord
LSCUN11100	Small, 100' cord
AQL-COLOR-MODHV	Module
LKBUN1000	Coupler

# ColorLogic 320 Return Light

LED POOL LIGHTING



**NEW!**



ColorLogic 320 Return Light

ColorLogic 320 1.5-inch LED lights are ideal for discreet pool and spa lighting, or highlighting water features, baja shelves, steps, landscaping and more.

Able to be installed wet or dry, these versatile lights can meet the needs of any backyard application. Featuring the same 10 fixed colors and 7 color-changing shows as Universal ColorLogic, ColorLogic 320 lights offer total color coordination of all water environments.

Plus, these low-voltage LED lights use far less energy than incandescent bulbs to save you money, and last up to 10 times longer, virtually eliminating service calls to replace bulbs.

With ColorLogic, you can expect a striking, expertly coordinated environment for all backyard occasions.

Available in two brightness levels.

## ColorLogic® 320 Return Light Buying Guide (Light only)

Model Number	Description	Type		Ctn. Qty.
LACUS11050	ColorLogic 320 Return Light	Standalone, 12V	50ft	1
LACUS11100	ColorLogic 320 Return Light	Standalone, 12V	100ft	1
LACUN11050	ColorLogic 320 Return Light	Networked, 12V	50ft	1
LACUN11100	ColorLogic 320 Return Light	Networked, 12V	100ft	1

## Kits with Fitting Buying Guide

Kit	Description
LYCCS11050	ColorLogic 160 Return Light w/ dark grey faceplate, return fitting, VINYL, 50ft.
LYCCS11100	ColorLogic 160 Return Light w/ dark grey faceplate, return fitting, VINYL, 100ft.
LACCS11050	ColorLogic 320 Return Light w/ dark grey faceplate, return fitting, VINYL, 50ft.
LACCS11100	ColorLogic 320 Return Light w/ dark grey faceplate, return fitting, VINYL, 100ft.
LTBCY11300	300W wall mount transformer

## Fittings (Includes retainer) Buying Guide

Model Number	Description	Ctn. Qty.
SP0536AF	Wall Fiting, Gunite, White	1
SP0536AFGR	Wall Fitting, Gunite, Grey	1
SP0536AFDGR	Wall Fitting, Gunite, Dark Grey	1
SP0536AFBLK	Wall Fitting, Gunite, Black	1
SP0537AF	Wall Fitting, Fiberglass, White	1
SP0537AFGR	Wall Fitting, Fiberglass, Grey	1
SP0537AFDGR	Wall Fitting, Fiberglass, Dark Grey	1
SP0537AFBLK	Wall Fitting, Fiberglass, Black	1
SP0538AF	Wall Fitting, Vinyl, White	1
SP0538AFGR	Wall Fitting, Vinyl, Grey	1
SP0538AFDGR	Wall Fitting, Vinyl, Dark Grey	1
SP0538AFBLK	Wall Fitting, Vinyl, Black	1

## Performance

ColorLogic Pool, Spa and Backyard Lights last 10 times longer than incandescent bulbs.

## Low-Voltage

ColorLogic Pool, Spa and Backyard Lights are low-voltage and UL-listed for safe wall and floor installation.

## Energy Savings

Save money on energy costs by switching to LED lighting.

## Retainer Buying Guide

Model Number	
SP0536C	Return Light Retainer, White
SP0536CGR	Return Light Retainer, Grey
SP0536CDGR	Return Light Retainer, Dark Grey
SP0536CBLK	Return Light Retainer, Black

## Tool

Model Number	
SP0536C	Tool (Retainer tightener)



# Universal CrystaLogic™

WHITE LED LIGHTS



Universal CrystaLogic White LED Lights

**Universal CrystaLogic™ White LED Lighting** represents a breakthrough technology for the illumination of any water feature or body of water. The optimized LED and optic design delivers both extraordinary lumen per watt energy efficiency and associated long lifetime cost. Our 300W pool equivalent delivers the same lumens as the leading competitor's claimed 500W equivalent and offers savings of 79% vs. incandescent equivalents.

CrystaLogic presents a compelling opportunity for any owner/operator to drastically cut operational cost while delivering game-changing performance. Its all-plastic construction is truly universal – it's UL listed to retrofit virtually any installed niches, allowing most lights to be upgraded. These 12V, 2-wire, all-plastic lights can be installed as close as 4 inches from the waterline, and even upward facing without a rock guard, opening a wide range of new applications.

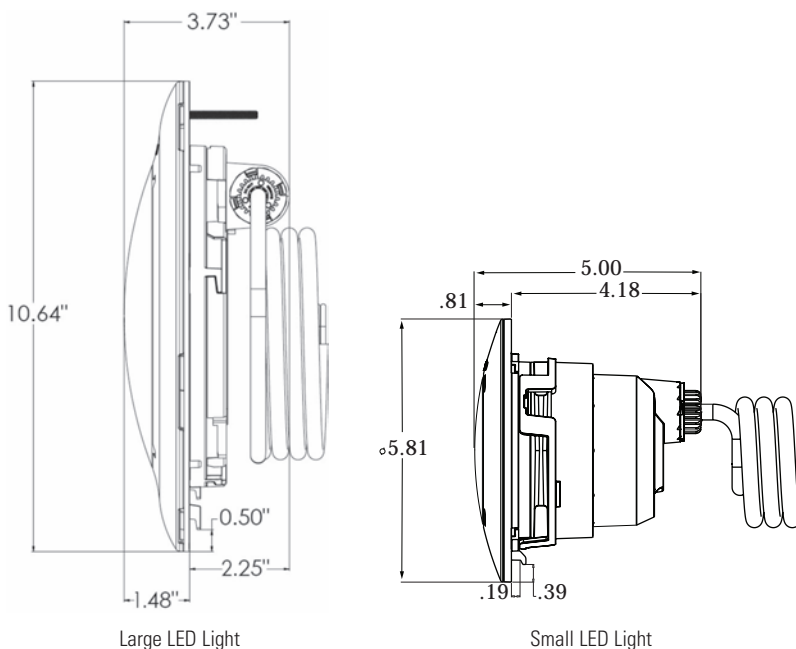
## Universal CrystaLogic White LED Buying Guide

Model	Large or Small	Cord Length	Volt
LPWUS11100	Large	100 ft.	12V (500 watt equivalent)
LPWUS11030	Large	30 ft.	12V
LSLUS11100	Small	100 ft.	12V
LSLUS11030	Small	30 ft.	12V (100 watt equivalent)

## CrystaLogic 320 Return Light Buying Guide

Model	Description	Cord Length	Volt
LAWUS11050	CrystaLogic 320 Return Light	50 ft.	12V
LAWUS11100	CrystaLogic 320 Return Light	100 ft.	12V

## Overall Dimensions



## Features and Benefits

- Brightest 100W spa, 300W pool equivalent LED lights
- Uses up to 79% less energy than incandescent lights and lasts up to 10 times longer
- Energy and maintenance savings can deliver a payback in less than two years
- UL listed to retrofit into most manufacturers' installed niches makes CrystaLogic truly universal
- 12V, 2-wire, all-plastic construction with an unbreakable lens make these lights intrinsically safe and easy to install
- Can be installed as close as 4" from the waterline and upward facing without a rock guard, suitable for main pool/spa illumination, beach entries, steps, shelves, water features, etc.
- UCL Thin Niche provides incredible installation savings for new construction
- Multiple color trim rings available to match surface finish. Ships with white and silver luster starburst trim rings

Lighting



**LFGUY1000** Shallow niche for concrete pools for Universal ColorLogic and CrystaLogic



**SP0600U** DuraNiche for concrete pools (cover-up plate included – not shown)



**SP0608U** Jiffy Niche and installation tool for Vinyl/Fiberglass pools and spas

**Jiffy Niche™ and DuraNiche™ niches are injection-molded of PVC for superior performance, non-corrosive durability and plumbing versatility — plus the lowest installed cost. DuraNiche comes in for concrete/gunite pools, vinyl/fiberglass pools, or for concrete/gunite spas. When paired with Hayward's ColorLogic®, CrystaLogic™, AstroLite™ or AstroLite II™ light fixture, you have the best quality and value in a lighting system available anywhere.**

### Features – Common to all models

- Injection-molded PVC fixture housing for corrosion-free performance
- Socket conduit connection designed for quick and simple gluing to PVC pipe. Provides a clean, reliable seal
- U.L. approved sweep elbow fitting, coupling and reducer, included in SP0600U, SP0607U and SP0601U, meet the highest standard and provide the most convenient installation
- All SP0600U, SP0607U and LFGUY1000 niches have a 45° 1" outlet, which can be adjusted for top or rear conduit connection using the 45° U.L. approved sweep elbow (included). The SP0601U niche has a 1" rear outlet, which can be adjusted to 45°
- All 1" outlets can quickly be converted to 3/4" with a U.L. approved reducing adapter (included)
- All SP0600U and SP0607U have easily accessible connections for grounding/bonding
- Internally-threaded connection for pressure testing of conduit line
- UL Listed
- Complies with NEC 2002 with over 9 square inches of bonding surface area

## DuraNiche Fixture Housings Buying Guide

Model Number	Pool Type (lrg)	Conduit Size	Conduit Outlet	Ctn. Qty.	Ctn. Weight
SP0600U	Concrete	1" or ¾" SKT	45°, top or rear	1	6 lbs.
SP0607U*	Vinyl/Fiberglass	1" or ¾" SKT	45°, top or rear	1	7 lbs.
LFGUY1000	Concrete	1" or ¾" SKT	Rotatable at 90°	1	4 lbs.

**NOTE:** Vinyl/Fiberglass model includes Duralon face plate, back-up ring (with drilled tabs), gaskets and screws.

\*Available in Dark Gray. Add suffix DGR for Dark Gray.

Model Number	Pool Type (sm)	Conduit Size	Conduit Outlet	Ctn. Qty.	Ctn. Weight
SP0601U	Concrete	1" or ¾" SKT	45°, rear	1	6 lbs.
SP0608U*	Vinyl/Fiberglass	1" or ¾" SKT	45°, rear	1	4 lbs.
LGGUY1000	Concrete	1" or ¾" SKT	45°, rear	1	6 lbs.

**NOTE:** \*Available in Dark Gray. Add suffix DGR for Dark Gray.

SPX0608CDGR	Assembly Face Ring, Dark Grey (Small Light)
SP0507A1DGR	Assembly Frame & Ring, Dark Grey (Large Light)
G1-041474A-1	Niche Screw

## Stainless Steel Fixture Housings Buying Guide

Model Number	Pool Type	Conduit Size	Ctn. Qty.	Ctn. Weight
SP0606	Concrete	¾" rear	1	4.3 lbs
SP0609C	Concrete	1/2" rear	1	6 lbs.

**NOTE:** DuraNiche series niches accept the following light fixtures:

AstroLite	SP0580, SP0580S Series
AstroLite II	SP0590S, SP0590HS Series
ColorLogic Pool	SP0520, SP0521, SP0522, SP0523 Series
ColorLogic Spa	SP0530, SP0531 Series
Universal ColorLogic and CrystaLogic Pool	LPCUS, LPCUN, LPWUS and LPLUS lights
Universal ColorLogic and CrystaLogic Spa	LSCUS, LSCUN, and LSLUS lights

### Features – Concrete

#### (LFGUY1000)

- Slim design eliminated the need for a re-bar light cage
- All plastic lighting system eliminates the need for bonding and grounding
- Deep and large plaster ledge makes it easier to get a great bond using any plaster.
- Gunite and plaster cover protect the niche and mounting during guniting and plastering
- Unique mounting flanges make it simple to secure the niche anywhere in the re-bar during installation

#### (SP0600U, SP0601U and LGGUY1000)

- 3/4" set-back plaster flange with tie-off holes to secure to re-bar and assure positioning during guniting
- Unique 90° ledge at the flange bottom prevents "slumping" during plastering
- Cover plate, included with each niche, protects the niche and mounting threads during guniting
- The SP0601 small diameter niche has extra space for easy coiling and storage of the relamping cord

### Features – Vinyl/Fiberglass

#### (SP0607U)

- Attractive, injection-molded Duralon™ face rim assembly for corrosion-free performance
- Fits all standard punch designs, no tooling modifications are required
- Incorporates the dependability of Hayward's proven wall panel sealing method

#### (SP0608U)

- Spacious, small niche
- Screw on mounting nut design. No screws required to mount through pool wall
- Standard 6" hole size
- Comes with installation tool





# Underwater Lighting

PROSERIES™ LIGHT SP120, SP300 FOR INGROUND POOLS



SP240 Pro Series Light

Add a new dimension of beauty, enjoyment and safety to any pool or spa. Hayward Pro Series Lights offer a level of quality and versatility that you expect, at a price that gives you the value you deserve. Pro Series Lights feature an attractive European designed face with easy disassembly for simple relamping. Suitable for concrete or vinyl pools.

Pro Series 12volt lights will be available in a single lamp kit form with your choice of either 120 or 240 watt lamps. Also offered as a dual, 120 watt light. Kits contain: lamp(s), cord, niche(s) and installation decals.

## Pro Series™ 240 Watt Buying Guide

Model Number	Voltage	Wattage	Cord Length
SP240V100	120 volt/12 volt transformer	240	100'
SP240V100DGR	120 volt/12 volt transformer, dark grey	240	100'
SP240V100GR	120 volt/12 volt transformer, grey	240	100'

## Pro Series™ 120 Watt Buying Guide

Model Number	Voltage	Wattage	Lamps	Cord Length
SP120V100	120 volt/12 volt transformer	120	1	100'
SP120V2002	120 volt/12 volt transformer	120	2	200'
SP120V2002DGR	120 volt/12 volt transformer, dark grey	120	2	100'
SP120V2002GR	120 volt/12 volt transformer, grey	120	2	100'
SP3495C	Deck Box - white			
SP3495DGR	Deck Box - dark grey			

## Pro Series Faceplates

Model Number	Description
PRD240DGR	Faceplate, dark grey
PRD240GR	Faceplate, grey

## Pro Series™ 500 Watt Buying Guide

Model Number	Voltage	Wattage	Cord Length
SPPWV100	White Vinyl Light System	500W Eq.	100'
SPPWV030	White Vinyl Light System	500W eq.	30'

## Pro Series Colour LED Kit Buying Guide

Model Number	Description
SPLEDVKIT	LED IG light kit w/ niche & transformer
SPLEDVKIT2	LED IG light kit w/ niche & transformer (2 lights)

## Niches Buying Guide

Model Number	Pool Type	Ctn Qty
SPX9470	Concrete	1
SPX9474	Vinyl	1

## Transformer Buying Guide

Model Number	Voltage	Wattage
LTBCY11300	Wall mounted transformer	300

## Pro Series Colour LED Bulb Buying Guide

Model Number	Description
SPX050LED	Lamp and O-Ring, 12V
SPX9LED100	Lamp assembly, body, cord

## AstroLite II Series Buying Guide

Model Number	Description
SP590KIT202	12 volt w/ transformer & deck box kit
SP590KIT25	12 volt w/ transformer & deck box kit

# Underwater Lighting

REPLACEMENT LIGHTS AND ACCESSORIES FOR ABOVE-GROUND POOLS



SP056525A (Installed)



SP056525 (Kit Components)

Hayward's Elite™ Underwater Quartz Halogen pool light is engineered for installation in all above-ground pools. The optical lens disburse the light for full pool coverage. The through-the-wall in-ground design can be installed anywhere around the pool for optimum lighting and doesn't interfere with the pool's filtration. The multi-colored lens kit adds an elegant touch to the pool's lighting, to create a special effect or enhance the mood. The light housing assembly and lens are constructed of a high grade chemical resistant acrylic material for durability. The light housing comes pre-wired with 25 feet of cord and 120v/12v transformer with on/off switch that can be installed in both storage and permanent above-ground pools. The Hayward Elite Underwater Quartz Halogen Flood Light is packed with features at a value price!

## Elite™ Quartz Halogen Flood Light Buying Guide

Model Number	Voltage	Wattage	Cord Length	Ctn. Qty.	Ctn. Weight
SP056525	120 volt/ 12 volt transformer	50 watts	25 ft.	6	48 lbs.

## Replacement Parts Buying Guide

Model Number	Description	Ctn. Qty.	Ctn. Weight
SPX0565Z1	Replacement 12 volt/50 watt halogen lamp with reflector	20	2 1/2 lbs.
SPX0565BL	Lens	1	1 lb.
SPX0565G	Gasket	10	1 lb.
SPX0565L	Color Filter Kit (3 lenses)	5	1 lb.

(sets of 3)

### Features

- Efficient, low-voltage, 50 watt halogen light. Increases safety, fun, appearance and pool use!
- Position the light anywhere around the pool. Flexible 360°, wall positioning. Through-wall, in-ground design.
- Allows proper water circulation. Does not interfere with filtration.
- Mood enhancing color lens kit included.
- 10 minute, do-it-yourself installation. Kit includes: Light, pre-wired 12 volt transformer with on/off switch, 25 ft. cord, wall cutting tool and color lenses.

Lighting



# Waterfalls

WATER FEATURES



Hayward Waterfall Features

An attractive addition to any new, remodeled or existing pool or spa - the waterfalls create spectacular backyard water entertainment with stunning LED lighting effects.

Relax to the soothing sounds of steady, even flowing water and built-in water-proof LED lights (LED optional).

### Features:

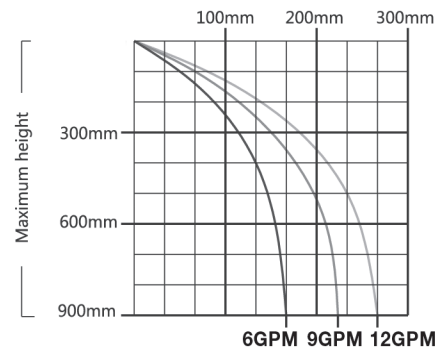
- Steady and even flow
- Built-in water-proof LEDs add colour to the water (optional)
- The LEDs can be operated through panel or remote control and 10 lighting patterns are available
- Different lengths of lips in different models can fit various brick sizes for installation
- Multiple water descents can share the same controller to work together
- Back Feed Inlet

## LED Waterfalls Buying Guide

Model Number	Size	Description
WFSD126LED	1ft. w/ 6" Lip	LED with remote and colour module
WFSD246LED	2ft. w/ 6" Lip	LED with remote and colour module
WFSD366LED	3ft. w/ 6" Lip	LED with remote and colour module
WFSD486LED	4ft. w/ 6" Lip	LED with remote and colour module

## Non-LED Waterfalls Buying Guide

Model Number	Size	Description
WFSD126	1ft. w/ 6" Lip	Non-LED
WFSD246	2ft. w/ 6" Lip	Non-LED
WFSD366	3ft. w/ 6" Lip	Non-LED
WFSD486	4ft. w/ 6" Lip	Non-LED



APPROXIMATE PROJECTION OF SHEET OF WATER PER 300MM OF WATERFALL LENGTH

# Automatic Chemical Feeders

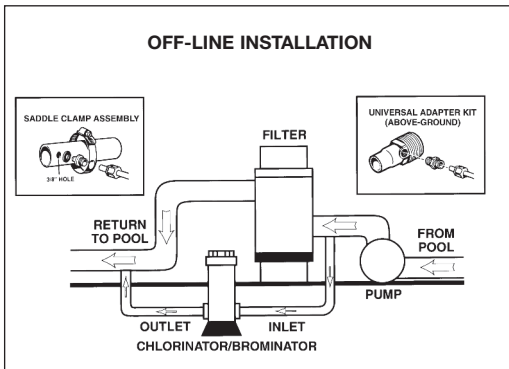
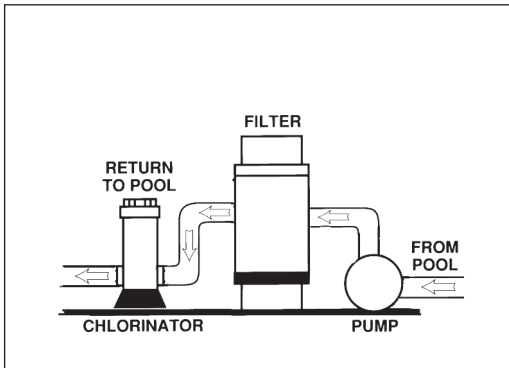
CHLORINATORS (SLOW DISSOLVE TRI-CHLOR ONLY) AND BROMINATORS



Efficient and maintenance-free, these durable, corrosion-proof automatic chlorinators and brominators are ideal for new or existing pools or spas and work automatically with your pump and filter system.

### Features:

- Uses 3" diameter Trichloro S tablets
- Dial control valve lets you control and adjust the rate of feed
- Easy-Lok™ threaded cover for safe and convenient access to add tablets
- Unique finger-release catch provides extra security
- Simple installation for do-it-yourselfers



**NOTE:** Chemical feeders should always be installed after a pool heater.

**CAUTION:** Extreme care must be exercised when adding chemicals to your pool. Concentrated chemicals may react violently if they mix in the chemical feeder, causing a fire or explosion, which may result in **PROPERTY DAMAGE, PERSONAL INJURY** or **DEATH**.

**CAUTION:** Never use any petroleum based lubricants on cover O-Ring. Regular lubrication is necessary to allow for easy cover removal. Use non-petroleum based lubricants such as Jack's No. 327 lube.



CL200 In-Line Chlorinator (mounting base included)



CL220 Off-Line Chlorinator

## Automatic Chemical Feeder Buying Guide

Model Number	Pipe Size	Chemical Capacity	Feeder Width	Feeder Height	Ctn. Qty.	Ctn. Weight
<b>In-Line Chlorinators</b>						
CL100EF	1 1/2" FIP	4.2 lbs.	8 1/4"	15 1/4"	1	3 lbs.
CL200EF*	1 1/2" FIP	9 lbs.	9"	14 3/4"	10	45 lbs.
CL2002S**	2" SKT	9 lbs.	9"	14 3/4"	1	5 lbs.

\*Includes mounting base. \*\*Features 2" inlet and outlet for 50-90 GPM systems.

### Off-Line Chlorinators

CL110EF	—	4.2 lbs.	6 3/4"	13"	1	3 lbs.
CL220 EF	—	9 lbs.	8 1/4"	15 1/2"	10	46 lbs.

### Off-Line Chlorinators for Above Ground Pools

CL110ABGEF	—	4.2 lbs.	6 3/4"	13"	10	28 lbs.
CL220ABGEF	—	9 lbs.	8 1/4"	15 1/2"	10	51 lbs.

Packaged with a universal adapter kit for all Hayward above ground filter systems – Perflex®, sand or cartridge.

### Off-Line Brominators

CL220BR	—	9 lbs.	8 1/4"	15 1/2"	1	5 lbs.
---------	---	--------	--------	---------	---	--------

### Accessories

SP1500UNMPAK1	Flush Union Connector with 1 1/2" Male Nipple. For mounting in-line chlorine feeders.	50	24 lbs.
SP1500UNPAK2	Set of two Flush Union Connectors. Fits CL100 and CL200 Chlorinators inlet and outlet.	50	32 lbs.
SPX0327	Hayward Jack's Formula 327 Multilube - 1oz. Tube	50	4 lbs.



# Automatic Skimmers

AUTO-SKIM™ SERIES FOR IN-GROUND VINYL AND FIBERGLASS POOLS



SP1084 Auto-Skim.



Wide Track Auto-Skim.



**SP1084 Auto-Skim™ Series Skimmers** for vinyl and fiberglass pools are large capacity precision automatic skimming mechanisms for residential and commercial pools. Molded of rugged, non-corrosive ABS, it's non-corrosive, non-conductive and virtually indestructible in any climate.

**The SP1085 Auto-Skim Wide Track Series Skimmers** are molded of durable, non-corrosive ABS. A wide 15 1/2" skimmer face opening allows for maximum skimming action.

**NOTE:** Dual mains provided to alleviate entrapment hazards

## In-Ground (Vinyl/Fiberglass) Skimmer Buying Guide

All vinyl/fiberglass pool skimmers are packaged with face plate, gaskets and screws.

Model Number	Pipe Size	Cover Style	Throat Length	Ctn. Qty.	Ctn. Weight
--------------	-----------	-------------	---------------	-----------	-------------

### SP1080 Auto-Skim Small Mouth Series

SP108410MTE*	1 1/2" FIP	Square	8 1/2"	1	13 lbs.
*Skimmer package will include	1	SP108410M	outside mount skimmer		
	1	WG1048AVPAK2			
	1	SP1084P1	extension collar		
	2	SP1408	inlet fittings		
	2	SP1419D	inlet eyeballs		
	1	SP1084F	Face plate cover		
	1	SP1106	vac plate		

### Auto-Skim Wide Track Series

SP108520MTE	1 1/2" FIP	Square	9 1/4"	1	16 lbs.
*Skimmer package will include	1	SP108520M	outside mount skimmer		
	1	WG1048AVPAK2			
	1	SP1084P1	extension collar		
	2	SP1408	inlet fittings		
	2	SP1419D	inlet eyeballs		
	1	SP1085F	Face plate cover		
	1	SP1106	vac plate		

### Auto-Skim Wide Track Kit, Dark Grey

SP108520MTEDGR	Wide Track Auto-Skim w/ Main Drain and Fittings, Dark Grey Kit
SP108520M	2" Fittings
SP108410MDGR	Dark Grey

### Recirculation Kits

SP1408WPAK3	Recirculation Kit: 1 skim vac, 3 returns, 1 wide cover plate
SP1408NPAK3	Recirculation Kit: 1 skim vac, 3 returns, 1 narrow cover plate

### Narrow Mouth Skimmer

SP108410MDGR	Grey Narrow Mouth Skimmer
--------------	---------------------------



Package Components

## Applications

- In-ground, vinyl, fiberglass, residential or commercial pools

## Features

- Cover collar allows 1 1/2" vertical adjustment
- Snap-in weir adjusts automatically to 4 1/2" variation in water level
- Optional extension collar allows 2 1/2" additional vertical height
- 1 1/2" or 2" FIP threads for piping versatility
- Integral Flo-Control Slide Plate
- Optional float/by-pass valve provides a main-drain thru skimmer system plus an automatic safety by-pass for low water conditions

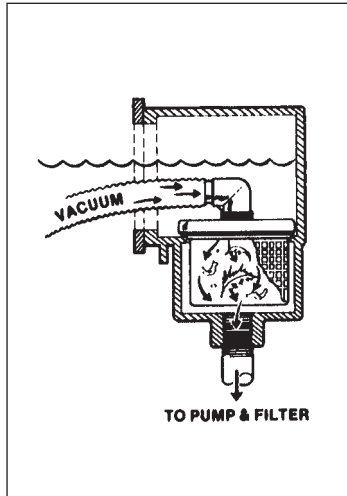


# Automatic Skimmers/Skim Vacs

ABOVE-GROUND AND IN-GROUND POOLS



SP1091WM Wide Mouth Dyna Skim



Skim Vac Action

Hayward automatic skimmers have been an industry standard for more than 30 years. The Dyna-Skim skimmers have been redesigned to match the needs of today's above ground pools, while remaining applicable for use on existing pool models.

## Application – Dyna-Skim

- Above-ground pools

## Dyna-Skim Features

- Heavy duty UV resistant ABS construction
- Large debris collection basket
- Top and front basket access
- One piece body construction
- Snap-in and removable weir
- 1 1/2" female straight pipe threads
- Quick disconnect pipe connection
- Compatible with wide top seat pools

## Above-Ground Skimmer Buying Guide

Model Number	Front/Top Basket Access	Low Profile	Hydrosweep Recirculation Pkg.	Pipe Size	Ctn. Qty.	Ctn. Weight
SP1089	•	—	1	1 1/2" FPT	1	9 lbs.
SP1091WM*	•	Wide-Mouth	2	1 1/2" FPT	6	42 lbs.
SP1092***	Front Only	•	—	1 1/2" FPT	1	5 lbs.
SP1091LX**	•	•	2	1 1/2" FPT	6	39 lbs.
SP1094WF	•	—	3	1 1/2" FPT	1	4 lbs.

\*Replaces SP1090WM \*\*Replaces SP1090, SP1091ES and SP1095ES \*\*\*3/4" Setback for wood walls

1—Includes SP11071 Skim Vac.

2—Includes SP1023, SP1419D, (2) 1 1/2" x 1 1/2" hose adapters, and SP11041 Skim Vac.

3—Includes SP1094D Skim Vac.

**Skim-Vacs have revolutionized the process of vacuuming pools. By utilizing the skimmer basket instead of the pump strainer basket, the need to turn the pump on and off (possibly having to re-prime vacuum hose) has been eliminated. Simply attach the appropriate Skim-Vac to the vacuum hose located over the skimmer basket and begin vacuuming.**

## Skim Vac Buying Guide

Model Number	Front/Top Basket Access	Low Profile	Hydrosweep Recirculation Pkg.	Pipe Size	Ctn. Qty.	Ctn. Weight
--------------	-------------------------	-------------	-------------------------------	-----------	-----------	-------------

### Above-Ground

SP1094D	SP1094, SP1095		1 1/4"/1 1/2" Elbow	No	20	6 lbs.
SP11041	SP1090, 1091, 1092		1 1/4"/1 1/2" Elbow	No	50	27 lbs.
SP11051	SP1090, 1091, 1096, 1097 and 1098		1 1/2" Straight Barb	Yes	50	28 lbs.
SP11052	SP1090, 1091, 1092		1 1/2" Elbow	Yes	50	28 lbs.
SP11054	SP1090, 1091, 1092		1 1/4"/1 1/2" Combo Adapter	Yes	50	27 lbs.

### In-Ground

SP1106	SP1082, 1084, 1085, 1075		1 1/2" Straight	Yes	20	15 lbs.
SP11063	SP1070		1 1/2" Straight	No	20	16 lbs.
SP1107	SP1082, 1084, 1085, 1070 and 1075		1 1/2" Straight	No	20	11 lbs.
SP11071	SP1089		1 1/4"/1 1/2" Elbow	No	20	14 lbs.

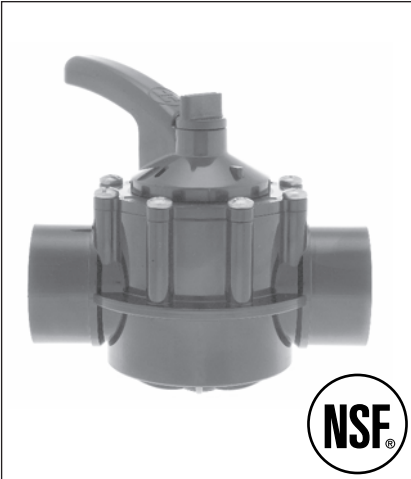
## Application – Skim-Vac

- In-ground pools
- Above-ground pools



# Valves

DIVERTER VALVES AND BALL VALVES



2-way PSV Valve



3-way PSV Valve



## PSV Diverter Valve Buying Guide

Model Number	Description	Pipe Size	Material	Ctn. Qty.	Ctn. Weight
PSV2S	2-way	1 1/2" - 2"	CPVC	20	40 lbs.
PSV2S2	2-way	2" - 2 1/2"	CPVC	20	40 lbs.
PSV3S	3-way	1 1/2" - 2"	CPVC	20	40 lbs.
PSV3S2	3-way	2" - 2 1/2"	CPVC	20	40 lbs.
PSV3SM	3-way	External Union Thread	CPVC	20	40 lbs.
PSV2SDGR	2-way	1 1/2" - 2"	PVC	20	40 lbs.
PSV2S2DGR	2-way	2" - 2 1/2"	PVC	20	40 lbs.
PSV3SDGR	3-way	1 1/2" - 2"	PVC	20	40 lbs.
PSV3S2DGR	3-way	2" - 2 1/2"	PVC	20	40 lbs.
PSV3SMDGR	3-way	External Union Thread	PVC	20	40 lbs.
PSCV2SDGR	Check Valve	1 1/2" x 2"	PVC	20	40 lbs.
PSCV2S2DGR	Check Valve	2" x 2 1/2"	PVC	20	40 lbs.

## Ball Valve Buying Guide

Model Number	Description	Pipe Size	Material	Ctn. Qty.	Ctn. Weight
<b>Deluxe</b>					
SP0727	3-way	1 1/2" MIP	ABS	20	19 lbs.
SP0730	3-way	1 1/2" FIP	ABS	20	32 lbs.
SP0735	4-way	1 1/2" FIP	ABS	20	33 lbs.
SP0735S	4-way	1 1/2" SKT	ABS	20	33 lbs.

### Trimline

SP0722	2-way	1 1/2" FIP	ABS	24	21 lbs.
SP0722S	2-way	1 1/2" SKT	PVC	24	21 lbs.
SP0722PAK (12 PAK)	2-way	1 1/2" FIP	ABS	1	10 lbs.
SP0722SPAK (12 PAK)	2-way	1 1/2" SKT	PVC	1	10 lbs.
SP0723	2-way	1 1/2" MIP x 1 1/2" FIP	ABS	24	23 lbs.
SP0723S	2-way	1 1/2" MIP x 1 1/2" SKT	ABS	24	23 lbs.

### Trimline Deluxe

SP0724S	2-way	2" SKT	ABS	20	27 lbs.
---------	-------	--------	-----	----	---------

### Econoline

SP0729	2-way	1 1/2" MIP x 1 1/2" / 1 1/4" Hose Adpt.	ABS	24	11 lbs.
--------	-------	--	-----	----	---------

### Accessories

SP1500UNPAK2	Flush Union Connector with female SKT	1 1/2" SKT	ABS	50	12 lbs.
SP1500UNMPAK1	Flush Union Connector with male nipple	1 1/2" MIP	ABS	50	24 lbs.

The 2-way and 3-way full-flow PSV diverter valves make water flow management simple and easy. The full-flow valves are available with either a 1 1/2" or 2" internal fit. Sturdy CPVC construction ensures a long life and resistance to higher temperatures. The handle is removable without tools and allows for quick and easy port customization.

The PSV3SM features three externally threaded ports for use with SP1500UNPAK1, which is included with the valve.

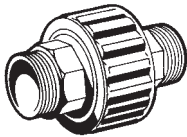
Hayward ball valves are non-corrosive, durable valves designed for maximum flow efficiencies with pressure ratings up to 50 psi. They feature a dial handle for easy flow regulation and visual indication of valve setting, plus teflon seats for dependable sealing. A union end connector accurately aligns the ball and provides simple disassembly of piping connections.



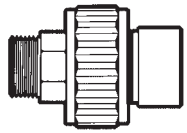
SP0722S Trimline ball valve



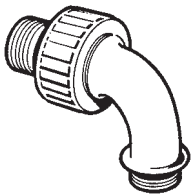
### Union Buying Guide



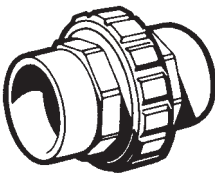
SP1480



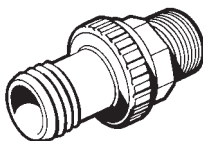
SP1484



SP1485



SP14982S



SP1493

Model Number	Pipe Size	Description	Material	Ctn. Qty.	Ctn. Weight
<b>Full-Flo™ Self-Aligning Unions</b>					
SP1480BLK	1 1/2" MIP	Self-Aligning Double Male End Union	ABS	50	36 lbs.
SP1481	1 1/2" SLIP	Self-Aligning Double Male End Union	ABS	24	37 lbs.
SP1482	1 1/2" MIP x 1 1/2" SLIP	Self-Aligning Double Male End Union	ABS	50	37 lbs.
SP1484	1 1/2" MIP x 1 1/2" SKT	Self-Aligning Double End Male/Female Union	ABS	50	37 lbs.
SP1485	1 1/2" MIP	Self-Aligning Double Male End Union End Sweep 90°, short	ABS	20	27 lbs.
SP1486	1 1/2" MIP	Clear, Self-Aligning Double Male End Union and Compression Fitting-90° Sweep, 10" long	ABS/LEXAN	20	34 lbs.
<b>Flush Unions</b>					
SP14952	1 1/2" FIP	Flush Female Union	ABS	50	32 lbs.
SP14952S	1 1/2" SKT (+2" SLIP)	Flush Female Socket Union	ABS	50	29 lbs.
SP14952S50	—	O.E.M. Bulk Pack of 50 SP14952S	ABS	1	26 lbs.
SP14982S	2" SKT	Flush Female Socket Union	PVC	50	40 lbs.
SP14953S	1 1/2" MIP x 1 1/2" SKT (+2" SLIP)	Flush Male/Female Socket Union	ABS	50	29 lbs.
SP14983S	2" MIP x 2" SKT	Flush Male/Female Socket Union	PVC	50	40 lbs.
<b>Econo-Unions</b>					
SP1493	1 1/2" MIP	Quick disconnect – 1 1/2" hose (barb)	ABS	50	15 lbs.
<b>Union Check Valves</b>					
SP1445S	1 1/2" SKT	In-Line Check Valve	PVC	50	15 lbs.
SP14461S	1 1/2" SKT	Union Check Valve	ABS	50	37 lbs.
SP1091CV	1 1/2" MIP	In-Line Combo 1 1/2" x 1 1/4" Hose Adapter and Check Valve	ABS	40	9 lbs.
PSCV2SDGR	1 1/2" x 2"	PVC			
PSCV2S2DGR	2 x 2 1/2"	PVC			

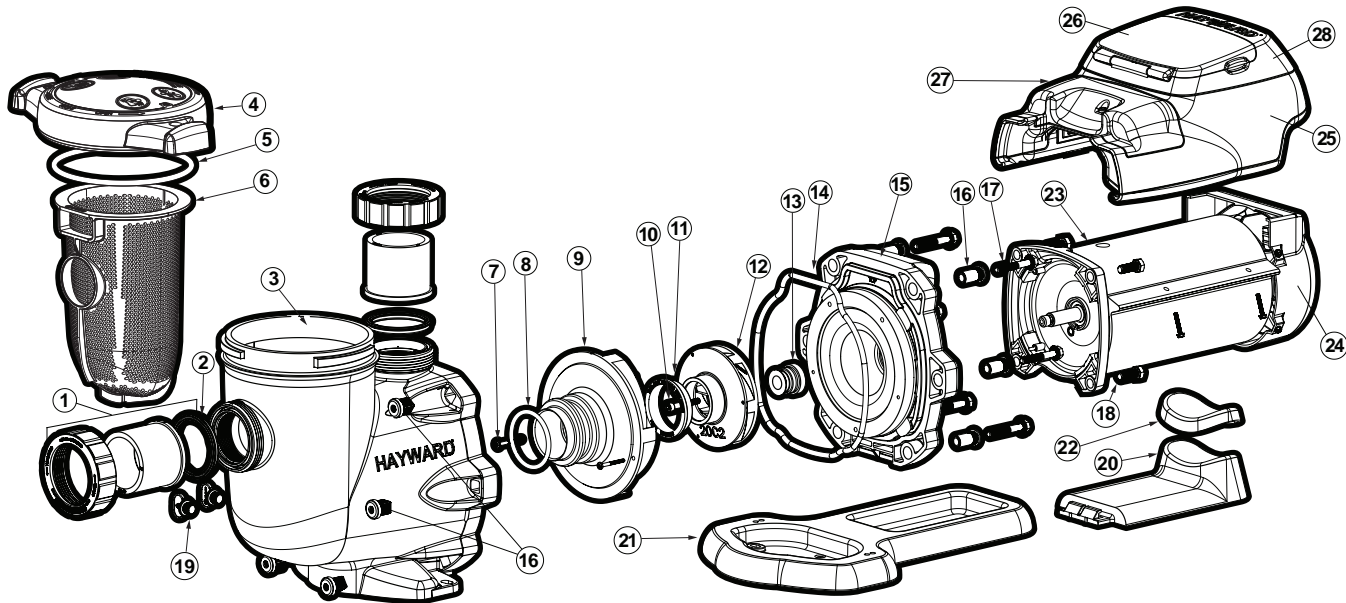


# EcoStar®

## SP3400VSP PUMP SERIES REPLACEMENT PARTS

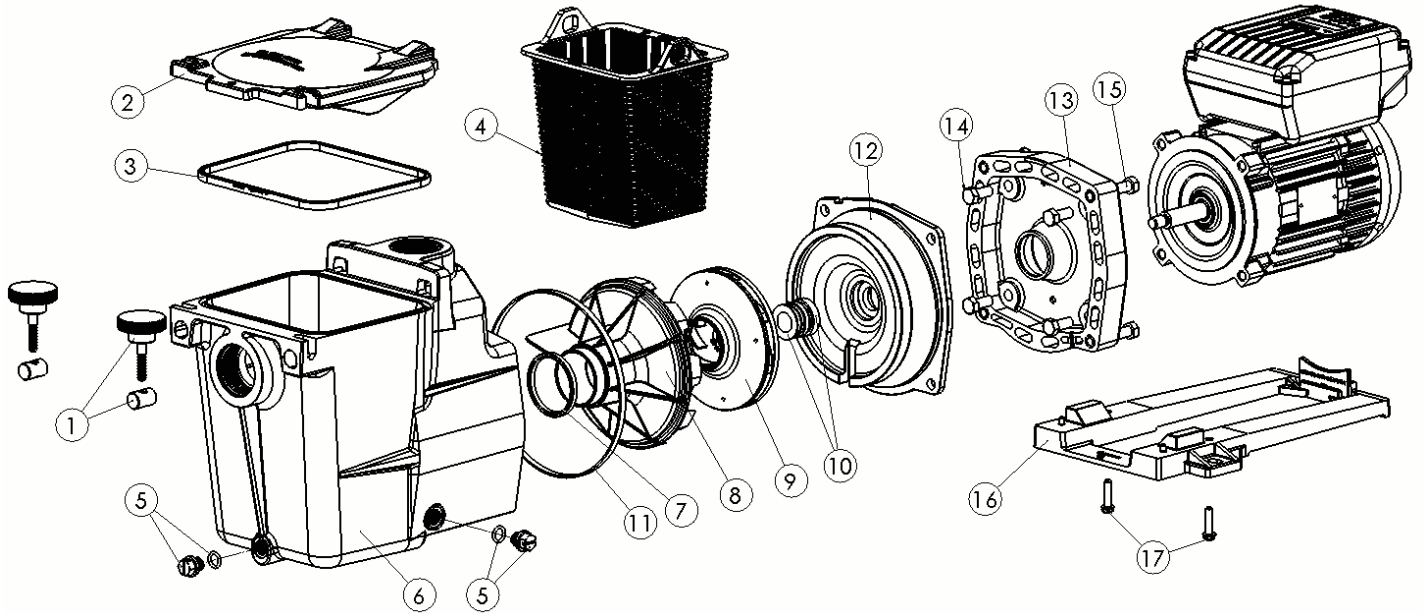
### Parts for Pump Models: SP3400VSP, SP3400VSPVR

Pumps



Ref. No.	Part No.	Description	Ctn. Qty.	Qty Req'd
1	SPX3200UNKIT	Union Connector Kit (Includes Union Nut, Union Connector, Union Gasket – 2 ea.)	1	1
2	SPX3200UG	Union Gasket (Set of 2)	1	1
3	SPX3200A	Pump Strainer Housing, 2" x 2 1/2" with Drain Plugs, threaded style	1	1
4	SPX3200DLS	Strainer Cover Kit (Includes Strainer Cover, Lock Ring, O-Ring)	10	1
	SPX3200DLSB	Strainer Cover Kit (Biguanide Sanitizer Applications Only; NOT Pressure Testable)	10	1
5	SPX3200S	Strainer Cover O-Ring	10	1
6	SPX3200M	Strainer Basket	15	1
7	SPX3200Z8	Diffuser Screw (Set of 2)	1	1
8	SPX4000Z1	Diffuser O-Ring	10	1
9	SPX3200B3	Diffuser	1	1
10	SPX3200Z1	Impeller Screw	1	1
11	SPX3021R	Impeller Ring	1	1
12	SPX3220C	Impeller with Impeller Screw	10	1
13	SPX3200SA	Shaft Seal Assembly	10	1
14	SPX3200T	Housing O-Ring	10	1
15	SPX3200E	Seal Plate	1	1
16	SPX3200Z211	Housing Insert/Seal Plate Spacer Kit	1	6
17	SPX3200Z3	Housing Bolt	10	6
18	SPX3200Z5PAK4	Motor Bolt	50	4
19	SPX4000FG	Drain Plug with O-Ring	10	2
20	SPX3200GA	Bracket, Motor Support	1	1
21	SPX3200WF	Riser Base (Optional)	1	1
22	SPX3200Q	Adapter-Motor Support	100	1
23	SPX3400Z1ECM	Motor Assembly	1	1
24	SPX3400FAN	Motor Fan Shroud	5	1
25	SPX3400DR	Motor Drive (Includes Digital Control Interface)	1	1
	SPX3400DRVR	Motor Drive, SVRS (Includes Digital Control Interface)	1	1
26	SPX3400DR4	Motor Drive Display Cover	5	1
27	SPX3400DR2	Motor Drive Wiring Cover	5	1
28	SPX3400LCD	Digital Control Interface Assembly	1	1
—	SPX3400DRKIT	Wall Mount Kit	5	1
—	SPX3400DRCBL	Cable - Display	5	1

## Parts for SP2600VSP Pump Series



Ref. No.	Part No.	Description	Qty. Req'd
1	SPX1600PN	Swivel Nut & Hand Knob	2
2	SPX1600D	Strainer Cover	1
3	SPX1600S	Strainer Cover Gasket	1
4	SPX1600M	Basket	1
5	SPX1700FG	Drain Plug with Gasket	2
6	SPX1600AA	Pump/Strainer Housing with Gasket	1
7	SPX1600R	Diffuser Gasket	1
8	SPX1616B	Diffuser	1
9	SPX1621C	Impeller	1
10	SPX1600Z2	Shaft Seal Assembly	1
11	SPX1600T	Housing Gasket	1
12	SPX1611E5	Seal Plate	1
13	SPX1600F5	Motor Mounting Plate	1
14	SPX0125Z44	Motor Cap Screws (Set of 4)	1
15	SPX1600Z4	Housing Cap Screws	4
16	SPX2600G1	Mounting Foot (Includes Screws)	1
17	SPX1600Z52	Mounting Foot Screws (Set of 2)	1
	SPXHKIT3	Quick Fix Kit (Includes #3, 7, 10, 11 & Jack's Lube)	1

### POWER END

SPX2600Z1VSPE	Power End Assembly (Includes parts #7-14, motor and drive)	1
---------------	--	---



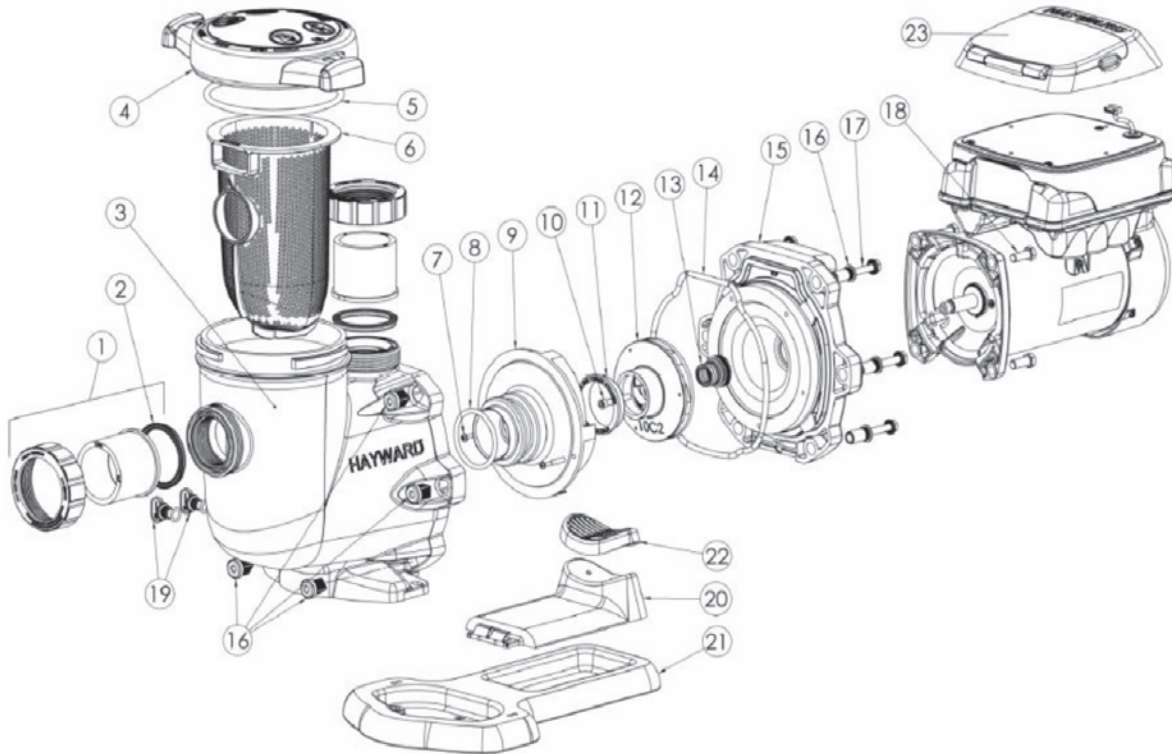


# TriStar VS

## VARIABLE SPEED PUMP REPLACEMENT PARTS

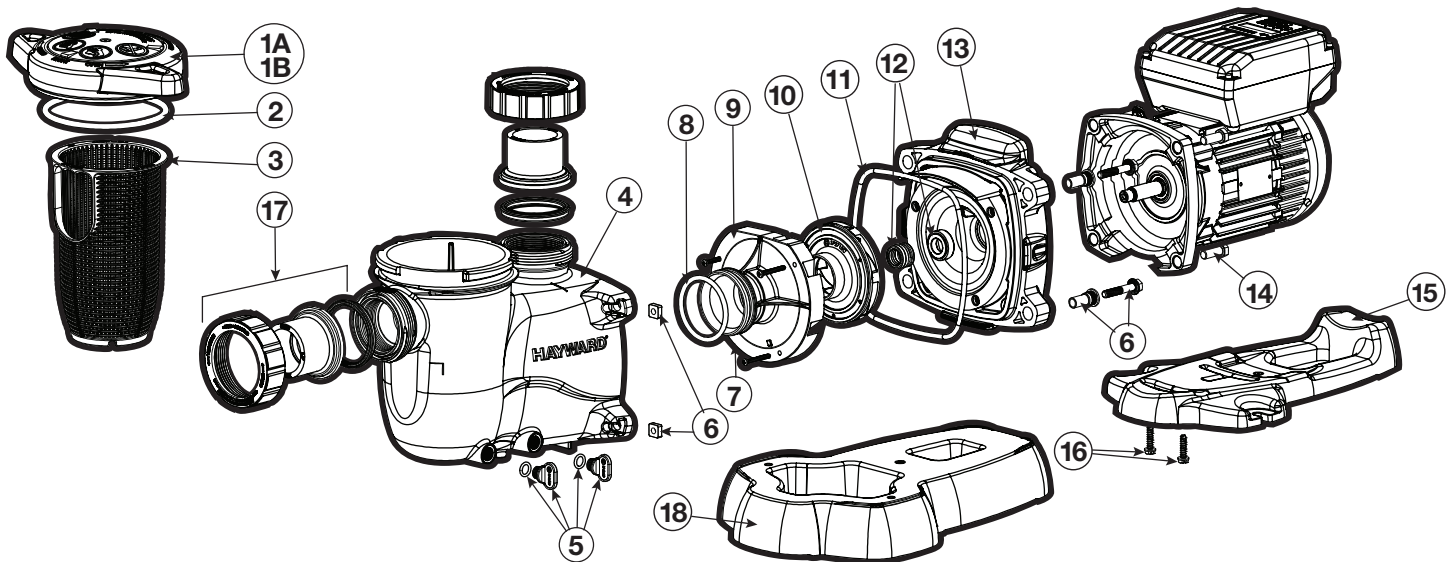
### Parts for Pump Models: SP3200VSP, SP3200VSPND

Pumps



Ref. No.	Part No.	Description	Ctn. Qty.	Qty Req'd
1	SPX3200UNKIT	Union Connector Kit (includes Union Nut, Union connector, Union Gasket - 2 ea.)	1	1
2	SPX3200UG	Union Gasket	1	1
3	SPX3200A	Pump Strainer Housing, 2" x 2 1/2" with Drain Plugs, threaded style	1	1
4	SPX3200DLS	Strainer Cover Kit (Includes Strainer Cover, Lock Ring, O-Ring)	10	1
4	SPX3200DLSB	Strainer Cover Kit (Biguanide Sanitizer Applications Only; NOT Pressure Testable)	10	1
5	SPX3200S	Strainer Cover O-Ring	10	1
6	SPX3200M	Strainer Basket	15	1
7	SPX3200Z8	Diffuser Screw	1	1
8	SPX4000Z1	Diffuser O-Ring	10	1
9	SPX3200B3	Diffuser	1	1
10	SPX3200Z1	Impeller Screw	1	1
11	SPX3021R	Impeller Ring	1	1
12	SPX3210C	Impeller with Impeller Screw	10	1
13	SPX3200SA	Shaft Seal Assembly	10	1
14	SPX3200T	Housing O-Ring	10	1
15	SPX3200E	Seal Plate	1	1
16	SPX3200Z211	Housing Insert/Seal Plate Spacer Kit	1	6
17	SPX3200Z3	Housing Bolt	10	6
18	SPX32005	Motor Bolt	1	4
19	SPX4000FG	Drain Plug with O-Ring	10	2
20	SPX3200GA	Bracket, Motor Support	1	1
21	SPX3200WF	Riser Base (To align with inlet port of Pentair WhisperFlo pump)	1	1
22	SPX3200Q2	Adapter-Motor Support	1	1
23	SPX3400DR4	Motor Drive Display Cover (Cover only)	1	1
-	SPX3200LCD	Digital Control Interface Assembly	1	1
-	SPX3400DRKIT	Wall Mount Kit	1	1
-	SPX3200Z1VSPE	Power End Assembly: Parts #7-15 & 18, Motor, Drive & Display	1	1
-	SPX3200Z1VSNDPPE	Power End Assembly (no Display): Parts #7-15 & 18, Motor & Drive	1	1

**Parts for Pump Model: SP2300VSP**



Ref. No.	Part No.	Description	Ctn. Qty.	Qty Req'd
1A	SPX2300DLS	Strainer Cover Kit (Includes Strainer Cover, Lock-Ring, O-Ring)	1	1
1B	SPX2300DLSB	Strainer Cover Kit for Biguanide Sanitizers (Includes Strainer Cover, Lock-Ring, O-Ring) <b>NOT</b> Pressure Testable	1	1
2	SPX2300Z4	Strainer Cover O-Ring	1	1
3	SPX2300M	Strainer Basket	1	1
4	SPX2300AA	Pump Strainer Housing with Drain Plugs	1	2
5	SPX4000FG	Drain Plug with O-Ring	2	1
6	SPX2700ZPAK	Hardware Pack (Includes 4 Housing Bolts, Seal-Plate Spacers and Square Nuts)	1	1
7	SPX2300Z3PAK3	Diffuser Screws (3 Pack)	1	1
8	SX220Z2	Diffuser O-Ring	1	1
9	SPX2300B	Diffuser	1	1
10	SPX2300CVS	Impeller	1	1
11	GMX600F	Housing O-Ring	1	1
12	SPX2700SA	Shaft Seal Assembly	1	1
13	SPX2300E	Seal Plate	1	1
14	SPX3200Z5PAK4	Motor Bolt (4 Pack)	1	1
15	SPX2300G	Motor Support with Base Mount Screws	1	1
16	SPX1600Z52	Motor Support Base Mount Screws	1	1
17	SPX2700UNKIT	Union Connector Kit (Includes 2 Nuts, Connectors, Gaskets)	1	1
<b>OPTIONAL</b>				
18	SPX2300GR	Optional Riser Base Aligns with Sta-Rite® Dyna-Pro®	1	1
<b>POWER END</b>				
—	SPX2300Z1VSPE	Power End Assembly (Includes parts #7–14, Motor and Drive)	1	1

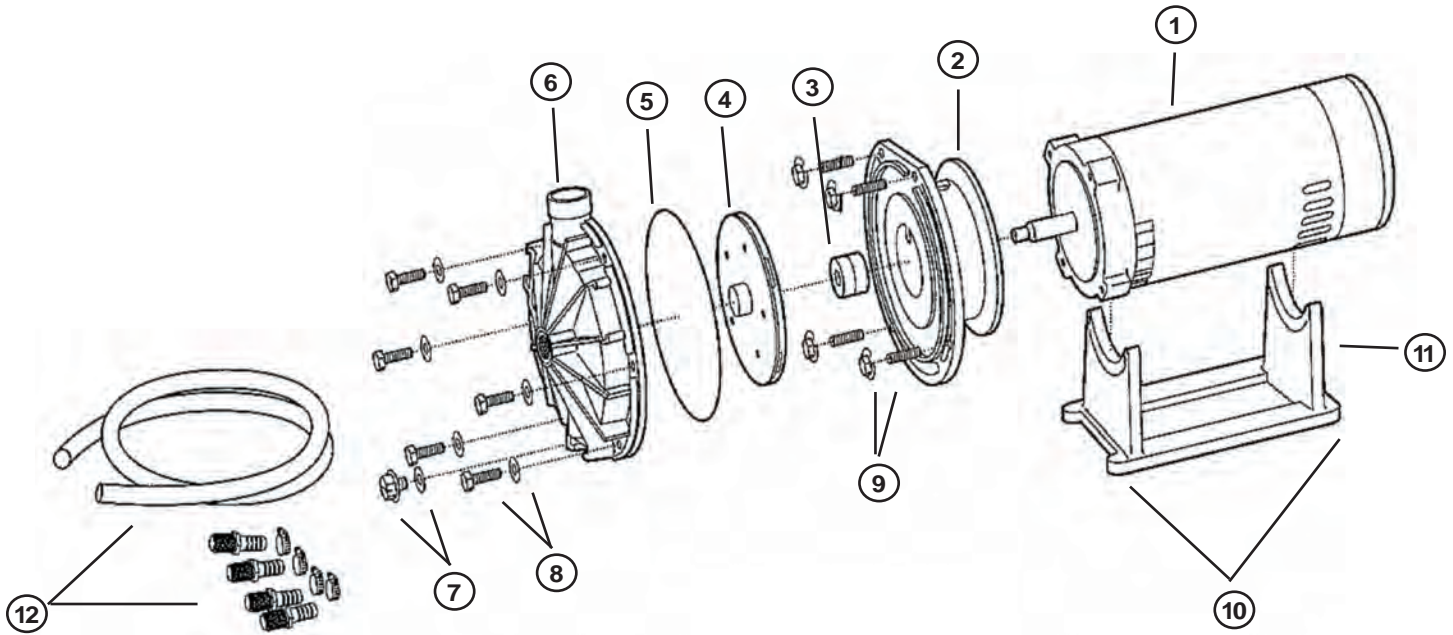


# Booster Pump

5060 BOOSTER PUMP REPLACEMENT PARTS

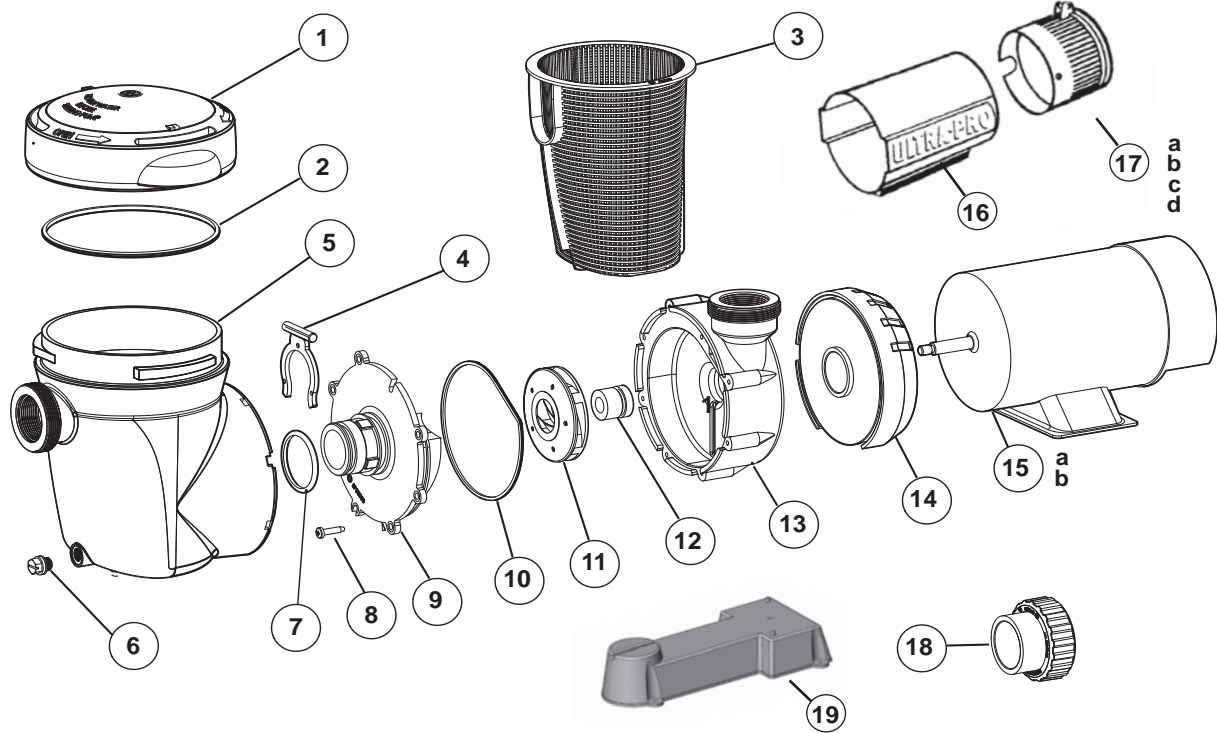
## Parts for Booster Pump Model 5060

Pumps



Ref. No.	Part No.	Description
1	AX5060M	Motor 3/4 HP Black
2	AX5060B2	Seal Plate (2004 - Present)
3	SPX1250Xz2	Spring Seal w/ Seat
4	AX5060C	Impeller Assy
5	AX5060GA	Gasket, Booster Pump
6	AX5060A	Volute - 3/4 NPT - F
7	SPX1700FG	Pipe Plug w/ Gasket
8	AX5060Z2A	Nut, Bolt & Washer Kit (6pk)
9	AX5060RSA	Stud & Washer Kit (4pk)
10	AX5060P	Stem Bumper
11	AX5060D	Base
12	AX5060HKIT	Booster Pump Hose Kit

### Parts Diagram



### Parts List

Ref. No.	Part No.	Description	Ctn. Qty.	No. Req'd
1	SPX5500D	Strainer Cover w/Lock Ring & 'O' Ring	10	1
2	SPX5500H	Strainer Cover 'O' Ring	10	1
3	SPX5500F	Strainer Basket	10	1
4	SPX5500G	Strainer Retainer/'C' Clip	10	1
5	SPX5500C	Strainer Housing	1	1
6	SPX1700FG	Drain Plug w/ Gasket	10	1
7	SPX5500K	Strainer 'O' Ring	10	1
8	SPX0714Z4	Screw, #14 x 1/4" Type B Pan Head	80	8
9	SPX5500B	Pump Cover	4	1
10	SPX0710XZ5	Housing 'O' Ring	10	1
11	SPX1591F	1 HP Impeller Assembly + 1 1/2 HP	10	1
12	SPX1500KA	Shaft Seal Assembly	10	1
13	SPX5500A	Pump Housing	4	1
14	SPX5500E1	Shroud Assembly	4	1
15a	SPX1509Z1UF	1 HP Motor	1	1
15b	SPX1514Z1UF	1 1/2 HP Motor	1	1
16	SPX2090A	Motor Housing	1	1
17a	SPX2090CAM	End Cover for Single Speed Pump	1	1
17b	SPX2090CETM	End Cover with Timer, Single Speed Pump	1	1
17c	SPX2090C2ET	2sp. Timer End Cover	1	1
17d	SPX2090C2	End Cover for Two Speed Pump	1	1
18	SP1500UNPAK2	Union Connector Assembly	50	2
19	SPX5500M	Base	1	1
	ECX1325R	Switch Assembly - Single Speed		1
	ECX1325R	Switch Assembly - 2speed or timer		1
	ECX1108A	Mounting Screw for Base		1
	SPX1550WA5	Power Cord		1
	SPX5500MFB	Foam insert for base	1	1

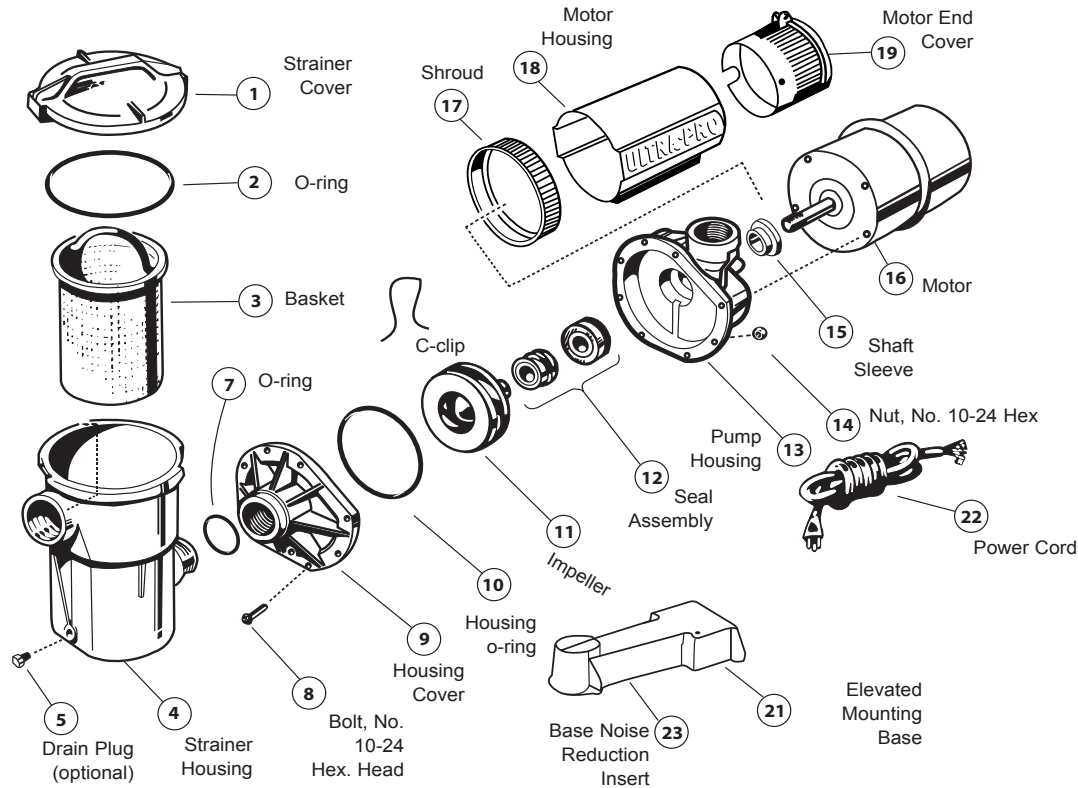


# Ultra Pro

## SP2290 AND SP2295 PUMP SERIES REPLACEMENT PARTS

### Parts for Pump Models: SP2290, SP2295, SP2290ET, SP2295ET

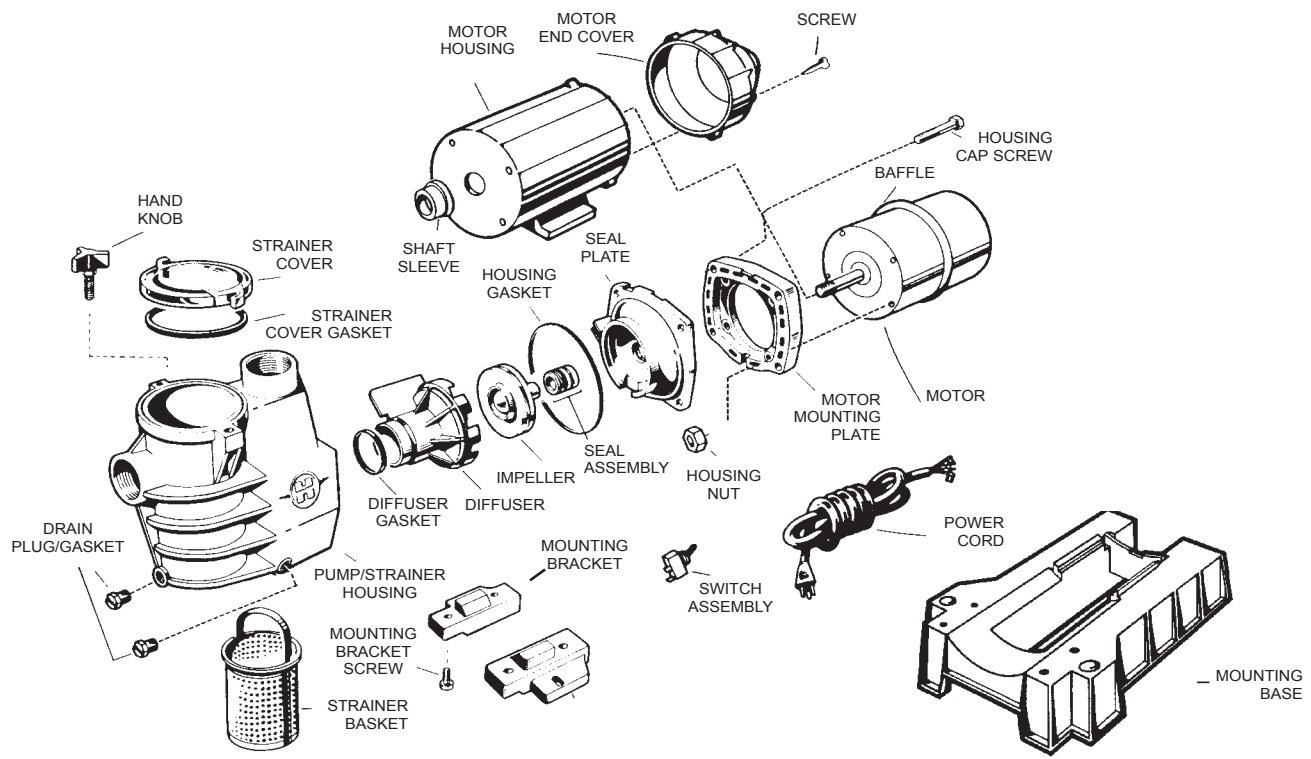
Pumps



Ref #	Part No.	Description	Qty. Req'd
1	SPX1500D2A	Strainer Cover with O-Ring	1
2	SPX1500P	Strainer O-Ring	1
3	SPX1500LX	Basket	1
4	SPX1500CAP	Strainer Housing with Basket	1
5	SPX1700FG	Drain Plug w/Gasket	1
7	SPX1500W	O-Ring	1
8	SPX1500N2	Bolt, No. 10-24 Hex. Head	8
9	SPX1580BP	Housing Cover	1
10	SPX1580Z1	Housing O-ring	1
11	SPX1500E	Impeller	1
12	SPX1500KA	Seal Assembly - (2005 SPX1250XZ2C)	1
13	SPX1580AAP	Pump Housing	1
14	SPX1500Y2	Nut, No. 10-24 Hex.	8
15	SPX1500Q5	Shaft Sleeve	1
16a	SPX1509Z1	Motor 1 H.P	1
16b	SPX1514Z2UF	1.5 H.P motor, 2 speed	1
16c	SPX1514Z1UF	1.5HP Motor	1
17	SPX2090B	Shroud	1
18	SPX2090A	Motor Housing	1
	SPX5500M	Elevated Mounting Base	-
19	SPX2090C	Motor End Cover (Single Speed)	1
	ECX1325R	Switch Assembly (Single Speed)	1
	ECX13252R	Switch Assembly - timer or 2 speed	1
19	SPX2090CET	Motor End Cover (electronic timer, single speed)	1
19	SPX2090C2ET	Motor End Cover, 2 Speed with Timer	1
	SPX1515C	C-Clip	1
22	SPX1550WA5	Power Cord	1
23	SPX5500MFB	Foam Insert for Base	1
	ECX1108A	Mounting Screw/Washer for base	1



**Parts for Pump Models: SP2910, SP2915, SP2910ET, SP2915ET**



Part No.	Description	Ctn. Qty.	Qty Req'd
SPX1250LA	Strainer Cover	10	1
SPX0125T	Strainer Cover Gasket	10	1
SPX1600PN	Hand Knob + Swivel Nut	10	2
SPX1700FG	Drain Plug/Gasket	10	2
SPX2800AA	Pump/Strainer Housing	1	1
SPX1600R	Diffuser Gasket	25	1
SPX2800B	Diffuser	1	1
SPX2915CT	Impeller	10	1
SPX1600Z2	Seal Assembly	10	1
SPX1600T	Housing Gasket	10	1
SPX2600EF5	Seal Plate and Motor Mounting Plate Assembly	1	1
SPX1600F3M	Motor Mounting Plate	1	1
SPX2800M	Strainer Basket	10	1
SPX1600Z4	Housing Cap Screw	10	4
SPX2000A3	Motor Housing	10	1
SPX1500Q4	Shaft Sleeve	10	1
SPX1510N9	Housing Nut	10	4
SPX2000E	Baffle	1	1
SPX1600Z52	Mounting Bracket Screw (Set of 2)	25	1
SPX2600G1	Mounting Bracket	1	1
ECX1325	Switch Assembly - Single Speed	5	1
ECX13252	Switch Assembly - 2 Speed or Timer		1
SPX1550WA5	Power Cord	5	1
SPX2000C2	Motor End Cover only	1	3
SPX1411Z3	Screw	25	1
SPX2601B	Base Pins (Pack of 2)		1
SPX2601AB	Mounting Base		1
SPX1509Z1TFS	1 HP Motor		1
SPX1514Z1TFS	1.5 HP Motor		1
SPX1514Z2TFS	1.5 HP Motor, 2 Speed		1

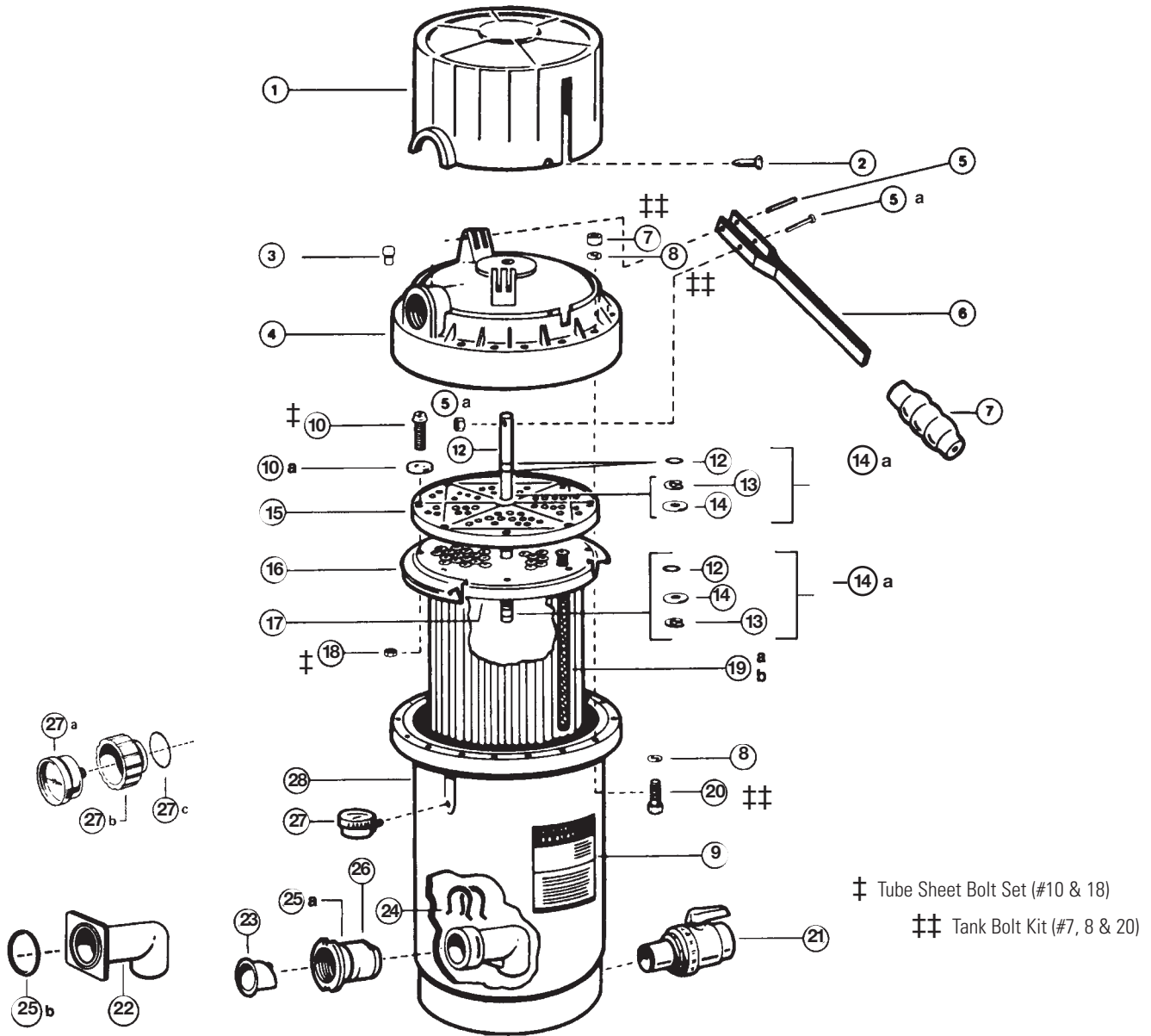


# Perflex<sup>®</sup>

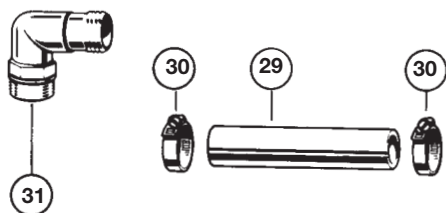
## EC65, EC65A, EC75 AND EC75A EXTENDED-CYCLE D.E. FILTER REPLACEMENT PARTS

### Parts Diagram

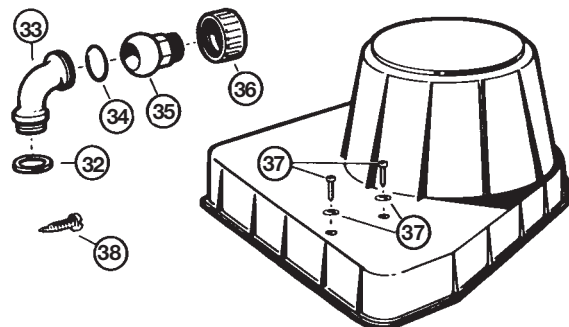
Filters



#### SERIES EC65 – STANDARD



#### SERIES EC65 SYSTEM III



**Parts Listing**

Ref. No.	Part No.	Description	Ctn. Qty.	No. Req'd
1	ECX11206	Bump Mechanism Cover	4	1
2	ECX1019	Cover Screw (1981 and prior) – Not Available	—	—
3	ECX1322A	Vent Valve (Threaded) w/O-Ring	25	1
4	ECX11194AT*	Filter Head w/New Vent Valve	1	1
5	ECX100Z9	Roll Pin	10	2
5a	ECX4236A	Bump Screw Kit	10	1
6	ECX1040	Bump Handle Ass'y. – incl. Pin, Shoulder Screw, Nut	5	1
—	ECX1037B	Bump Handle Grip	5	1
7	ECX1642A	Tank Bolt Set	25	15
8	ECX1077	1/4" x 1 1/16" O.D. Flat Washer	25	30
9	ECX1230	Decal – Operation	10	1
10	SPX1500N2	Tube Sheet Screw	25	16
10a	ECX1641125	No. 10 Flat Washer (1989 and prior) – Not Available	—	—
11	ECX1110	Bump Shaft	1	1
12	ECX9611246PAK3††	O-Ring	25	3
13	ECX1014PAK2††	Retainer	25	2
14	ECX1011††	Thrust Washer	10	2
14a	ECX1014A	Shaft Kit (includes # 12, 13 & 14)	10	1
15	ECX1104	Tube Sheet (Top)	10	1
16	ECX1105	Diaphragm Gasket	10	1
17	ECX1103	Tube Sheet (Bottom)	10	1
18	SPX1500Y2	Tube Sheet Nut	25	16
19a	ECX1031PAK5	Flex-Tube Assembly – 13 3/8" Long (EC65)	10	120
19b	ECX1032PAK10	Flex-Tube Assembly – 16 1/4" Long (EC75)	10	120
20	ECX1642215**	1/4" – 20 x 1 3/4" Hex. Head Bolt	10	15
21	SP0723	Ball-Type Drain Valve	24	1
22	ECX4220A	Elbow Assembly w/Check Valve	10	1
23	ECX4077B1	Check Valve	10	1
24	ECX4212A	Retainer (1989 and prior) – Not Available	—	—
25a	SPX1425Z6	O-Ring (1989 and prior) – Not Available	—	—
25b	SPX1500W	O-Ring (1990)	10	1
26	ECX4201CA	Inlet Fitting w/ECX4077B1 Check Valve (1989 and prior) – Not Available	—	—
27	ECX2712B1	Pressure Gauge	10	1
27a	ECX27091	Pressure Gauge, Back Mount	10	1
27b	ECX12866	Gauge/Port Adapter	5	1
27c	ECX1287	Adapter O-Ring	25	1
28	ECX11184AT*	Filter Body w/new Elbow Assembly	1	1
‡	SPX1500NYA	Tube Sheet Bolt Set (includes # 10 & 18)	10	1
‡‡	ECX1642A	Tank Bolt Kit (EC65, 75 – includes # 7, 8 & 20)	10	1
—	ECX1251	Flex-Tube Nest (EC65) – includes Items 10 thru 19	1	—
—	ECX125175	Flex-Tube Nest (EC75) – includes Items 10 thru 19	1	—
—	ECX1263	Platform Base	1	1

**Series EC65 – Standard**

29	ECX27071	1 9/16" I.D. Clear Hose	5	1
30	ECX18028	Hose Clamp	10	2
31	SPX1105Z4	1 1/2" Elbow Hose Adapter	50	2

\*For Ivory color drop the "T"; Limited Quantity Available.

\*\*Limited Quantity Available – Replace with ECX1642A.

†Limited Quantity Available – Replace with SPX1500NYA.

††Limited Quantity Available – Replace with ECX1014A.

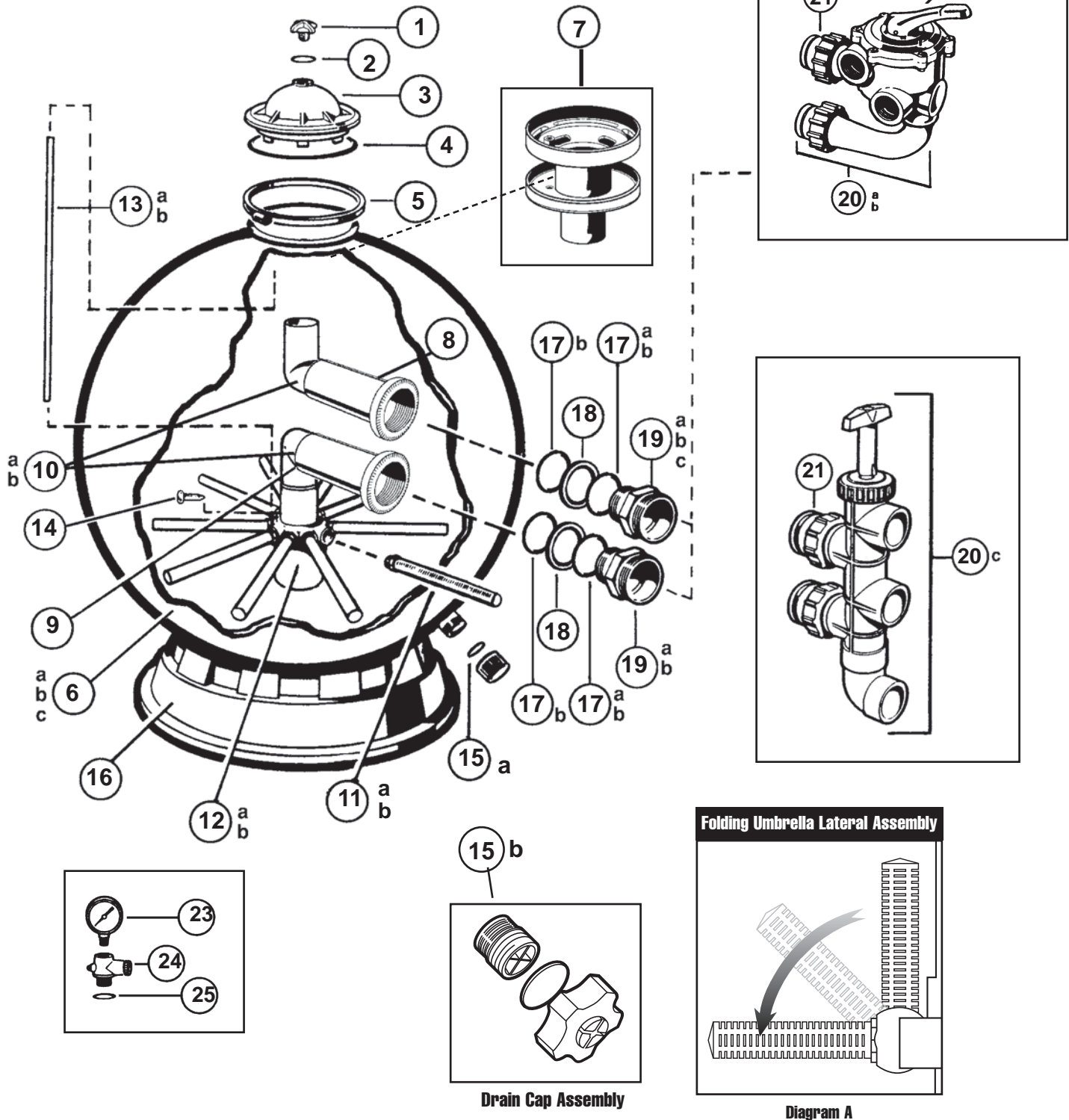


# Pro™ Series Plus

S311SX, S311SXV, S360SX SAND FILTER SERIES REPLACEMENT PARTS

## Parts Diagram

Filters



### Folding Umbrella Lateral Assembly

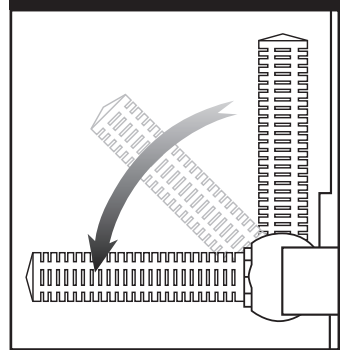


Diagram A

Drain Cap Assembly



Filters

### Parts Listing

Ref. No.	Part No.	Description	Ctn Qty.	No. Req'd
1	SX200G	Manual Air Relief Cap	10	1
2	SX200Z5	O-Ring, 13/16" O.D.	10	1
3	SX244K	Top Closure Dome, Noryl®	5	1
4	GMX600F	Valve/Tank O-Ring	5	1
5	SX310N	Flange Clamp (Valve/Tank)	5	1
6a	SX311AA2FW	Filter Tank (S311 – after 1996)	1	1
6b	SX360AA2FW	Filter Tank (S360 – after 1999)	1	1
7	SX244G	Top Diffuser Assembly	5	1
8	SX311CD1FW	Top Elbow Assembly (S311 – after 1996)	1	1
9	SX311CD2FW	Bottom Elbow Assembly (S311 – after 1996)	1	1
10a	SX360CD	Elbow Assembly, Top & Bottom (S360 – 1999 and prior)	1	2
10b	SX360CDFW	Elbow Assembly, Top & Bottom (S360 – after 1999)	1	2
11a	SX310HNPAK10	Lateral - 10 Pack	10	1
11b	SX310HAPAK10	Lateral (2005 and prior) - 10 Pack	10	1
12a	SX311DA	Folding Umbrella Lateral Holder Ass'y (S311 – 1997) – See Diag. A	5	1
12b	SX242MA3	Folding Umbrella Lateral Holder Assembly (S360) – See Diag. A	5	1
13a	CX1100Z4	Plastic Air Tube (S311)	5	1
13b	SX360Z2	Air Tube (S360)	5	1
14	SX200Z2	Air Tube Lock Screw	25	1
15a	SX180HG	Drain Cap Kit (2005 and prior)	25	1
15b	SX180LA	Drain Cap Assembly, Gasket Screen	25	1
16	SX310J	Filter Support Stand	1	1
17	SX360Z1	O-Ring (S311, S360 – after 1995)	20	4
18	SX360E	O-Ring Spacer (S311, S360 – after 1995)	10	2
19a	SX244P	Bulkhead Fitting (S311 – after 1996, S360 – after 1999)	10	2
19b	SX311F	Bulkhead Fitting (S360 – 1999 and prior)	5	2
20a	SP0710X62	Vari-Flo Valve Assembly – 1 1/2" FIP	1	1
20b	SP0715X62	Vari-Flo Valve Assembly – 2" FIP	1	1
20c	SP0410X602S	Slide Valve Assembly – 2" SKT	1	1
21	SX200Z4PAK2	O-Ring	10	2
22	ECX270861	Pressure Gauge	10	1

#### Optional (Supplied with Model S311SXV Slide Valve Unit Only)

23	ECX270861	Pressure Gauge	10	1
24	DEX2400S	Relief Valve/Gauge Adapter Assembly	5	1
—	DEX2400Z3A	O-Ring for Relief Valve Stem ( <i>Set of 3</i> )	10	1
25	SX200Z5	Relief Valve Assembly O-Ring	25	1

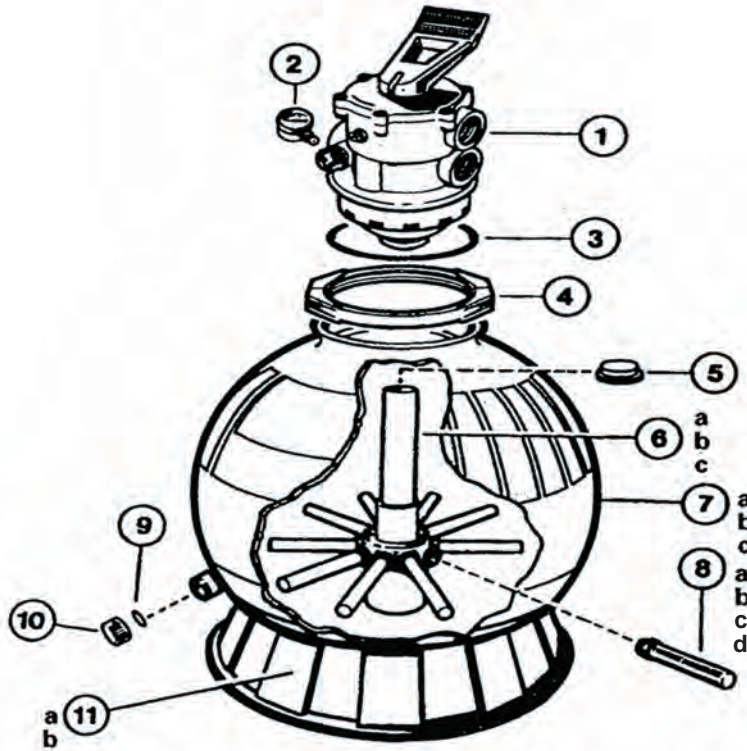




# SwimPro™

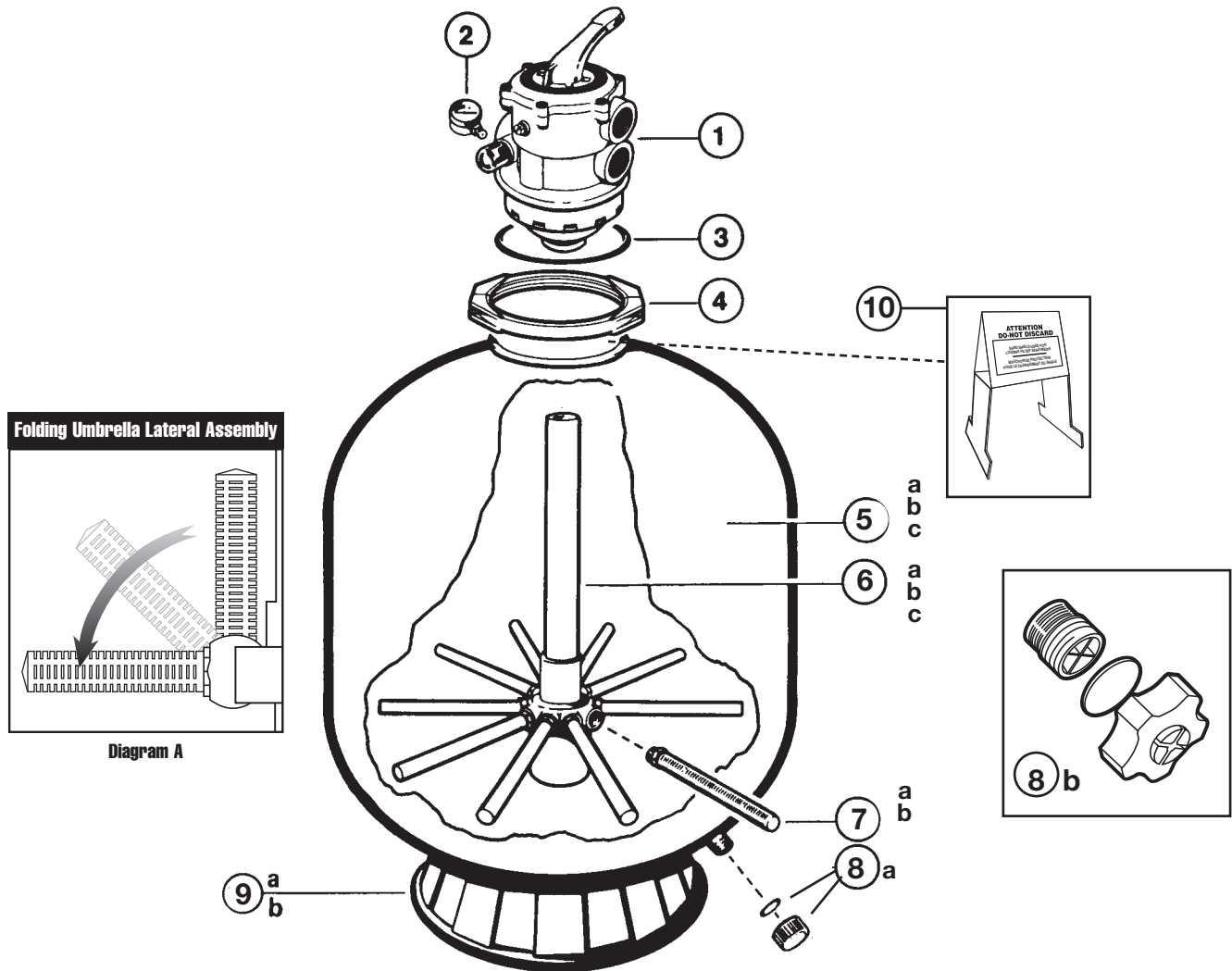
SW-196T, SW-236T, SW-256T SERIES REPLACEMENT PARTS

## Parts Diagram and Parts Listing for Models: SW-196T, SW-236T, SW-256T



Ref. No.	Part No.	Description	No. Req'd
1	SP0714T	Multiport Control Valve Ass'y	1
2	ECX270861	Pressure Gauge	1
3	GMX600F	Valve/Tank O-Ring	1
4	GMX600NM	Flange Clamp (Valve-Tank)	1
5	SX2025	Sand Shield	1
6a	SWX196DA2	Lateral Assembly with Center Pipe (SW-196T)	1
6b	SWX236DA2	Lateral Assembly with Center Pipe (SW-236T)	1
6c	SWX256DA2	Lateral Assembly with Center Pipe (SW-256T)	1
7a	SWX196AA1	Filter Tank with Skirt and Lateral Assembly (SW-196T)	1
7b	SWX236AA1	Filter Tank with Skirt and Lateral Assembly (SW-236T)	1
7c	SWX256AA1	Filter Tank with Skirt and Lateral Assembly (SW-256T)	1
8a	SX200QPAK10	Lateral (SW-196T, SW-236T) - threaded - 10 pack	1
8b	SX240DPAK10	Lateral (SW-256T) - threaded - 10 pack	1
8c	SX200QNPAAK10	Lateral (Ball Style) SW196T, SW236T - 10 pack	1
8d	SX240DNPAK10	Lateral (Ball Style) SW256T - 10 pack	1
9&10a	SX180HG	Gasket/Drain Cap (2005 and prior)	1
9&10b	SX180LA	Drain Cap Assembly - cap, gasket, screen	1
11a	SX164B	Filter Support Stand (SW-196T)	1
11b	SX200J	Filter Support Stand (SW-236T, SW-256T)	1

**Parts Diagram and Parts Listing: S270T2, S310T2, S360T2**



Ref. No.	Part No.	Description	Ctn. Qty.	No. Req'd
1	SP071621	Vari-Flo Control Valve – 2" no clamp	1	1
2	ECX271261	Pressure Gauge Back Mount	10	1
3	GMX600F	Valve/Tank O-Ring	10	1
4	GMX600NM	Flange Clamp (Valve – Tank)	5	1
5a	SX270AA	27" Filter Tank w/Skirt, Drain and Lateral Assembly (S270T2)	1	1
5b	SX310AA1	31" Filter Tank w/Skirt, Drain and Lateral Assembly (S310T2)	1	1
5c	SX360AA2	36" Filter Tank w/Skirt, Drain and Lateral Assembly (S360T2)	1	1
6a	SX270DA2X	27" Folding Lateral Assembly w/Center Pipe (S270T2)	1	1
6b	SX310DA2	31" Folding Lateral Assembly w/Center Pipe (S310T2)	1	1
6c	SX360DA	36" Folding Lateral Assembly w/Center Pipe (S360T2)	1	1
7a	SX240DNPAK10	27" Lateral (One Piece) w/Hub (S270T2) - 10 pack	10	1
7b	SX310HAPAK10	31" & 36" Lateral (2004 and prior) (S310T2, S360T2) - 10 pack	10	1
7c	SX310HNPAK10	31" & 36" Lateral (One Piece) w/Hub (S310T2, S360T2) - 10 pack	10	1
8a	SX180HG	Drain Cap (2005 and prior)	25	1
8b	SX180LA	Drain Cap Assembly, Gasket, Screen	25	1
9a	SX200J	27" Filter Support Stand (S270T2)	2	1
9b	SX310J	Filter Support Stand – Large (S310T2, S360T2)	1	1
10	SX202S	Sand Shield	25	1
-	SPX0710MA	Sight Glass w/ O-Ring	1	1

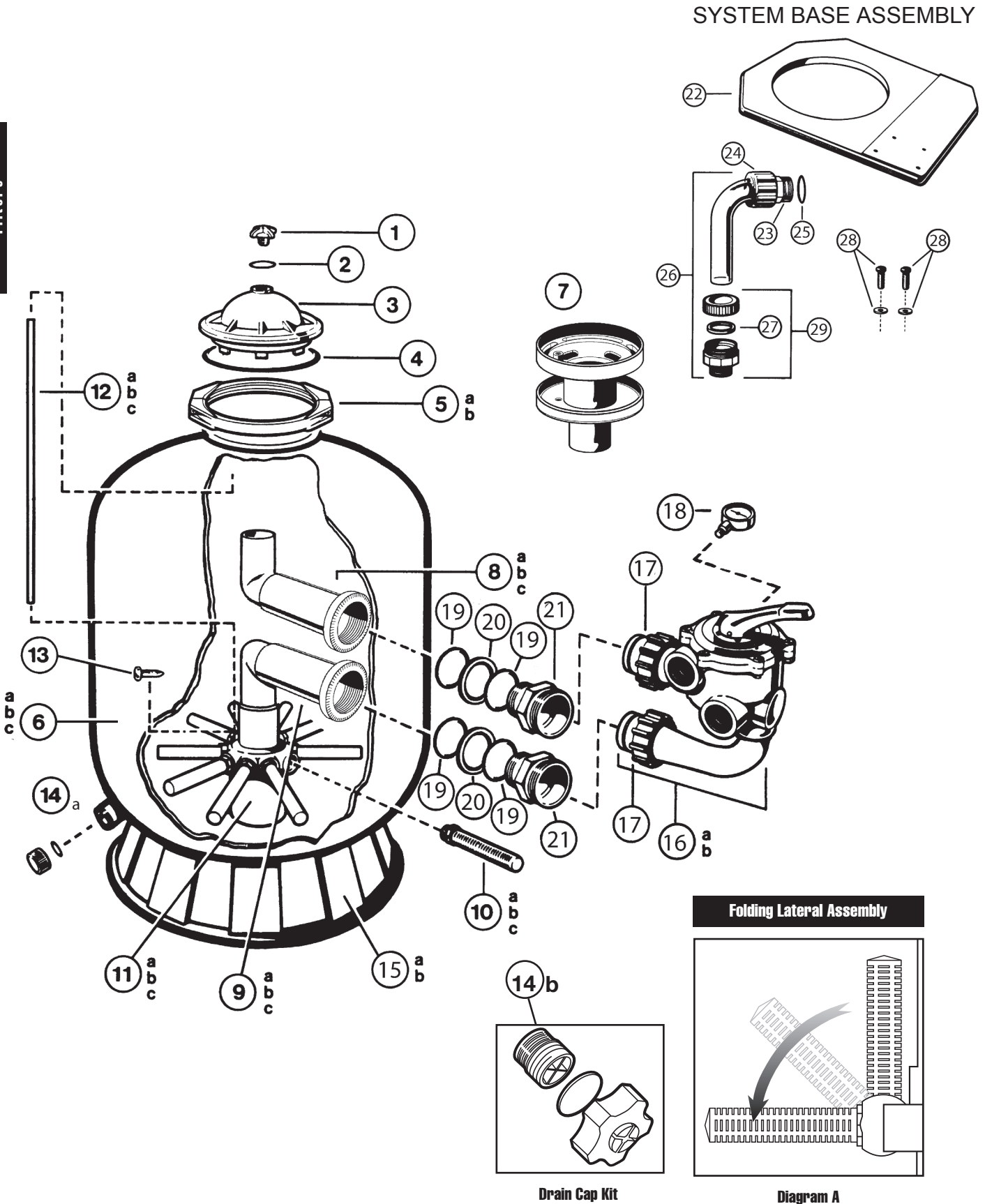


# ProSeries™

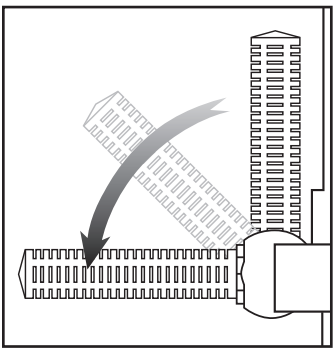
S210S, 244S, 310S SAND FILTER SERIES REPLACEMENT PARTS

## Parts Diagram

Filters



### Folding Lateral Assembly



Drain Cap Kit

Diagram A



Filters

### Parts Listing

Ref. No.	Part No.	Description	Ctn Qty.	No. Req'd
1	SX200G	Manual Air Relief	10	1
2	SX200Z5	O-Ring	10	1
3	SX244K	Top Closure Dome	5	1
4	GMX600F	Tank O-Ring	10	1
5a	GMX600NM	Flange Clamp (S210S, S244S)	20	1
5b	SX310N	Flange Clamp (S310S)	5	1
6a	SX210AA2FW	Filter Tank (S210S)	1	1
6b	SX244AA2FW	Filter Tank (S244S)	1	1
6c	SX310AA2FW	Filter Tank (S310S)	1	1
7	SX244G	Top Diffuser Assembly	5	1
8a	SX210CD1FW	Top Elbow Assembly, S210S	5	1
8b	SX244CD1FW	Top Elbow Assembly, S244S	5	1
8c	SX310CD2FW	Top Elbow Assembly, S310S	5	1
9a	SX210CD2FW	Bottom Elbow Assembly, S210S	5	1
9b	SX244CD2FW	Bottom Elbow Assembly, S244S	5	1
9c	SX310CD2FW	Bottom Elbow Assembly, S310S	5	1
10a	SX200QNPAAK10	Lateral (S210S) - 10 pack	10	1
10b	SX240DNPAK10	Lateral (S244S) - 10 pack	10	1
10c	SX310HN	Lateral (S310S)	10	10
11a	SX242MA	Folding Umbrella Lateral Holder Assembly (S210S, 1997- ) See Diagram A	5	1
11b	SX242MA1	Folding Umbrella Lateral Holder Assembly (S244S, 1999- ) See Diagram A	5	1
11c	SX242MA2	Folding Umbrella Lateral Holder Assembly (S310S, 1999- ) See Diagram A	5	1
12a	CX3000Z2	Plastic Air Tube (S210S)	5	1
12b	CX1100Z4	Plastic Air Tube (S244S)	5	1
12c	SX200Z1	Plastic Air Tube (S310S)	5	1
13	SX200Z2	Air Tube Lock Screw	25	1
14a	SX180HG	Drain Cap Kit (2005 and Prior)	25	1
—	SX200H	Bottom Drain Screen (2005 and Prior)	10	1
14b	SX180LA	Drain Cap Kit (See Diagram)	25	1
15a	SX200J	Filter Support Stand (S210S, S244S)	1	1
15b	SX310J	Filter Support Stand (S310S)	1	1
16a	SP0710X62	Vari-Flo Valve Assembly – 1 1/2" FIP	1	1
16b	SP0715X62	Vari-Flo Valve Assembly – 2" FIP	1	1
17	SX200Z4PAK2	O-Ring	10	2
18	ECX270861	Pressure Gauge	10	1
19	SX360Z1	O-Ring	20	4
20	SX360E	O-Ring Spacer (after 1995)	10	2
21	SX244P	Bulkhead Fitting (after 1996)	10	2

### S200PAK 3 System Base

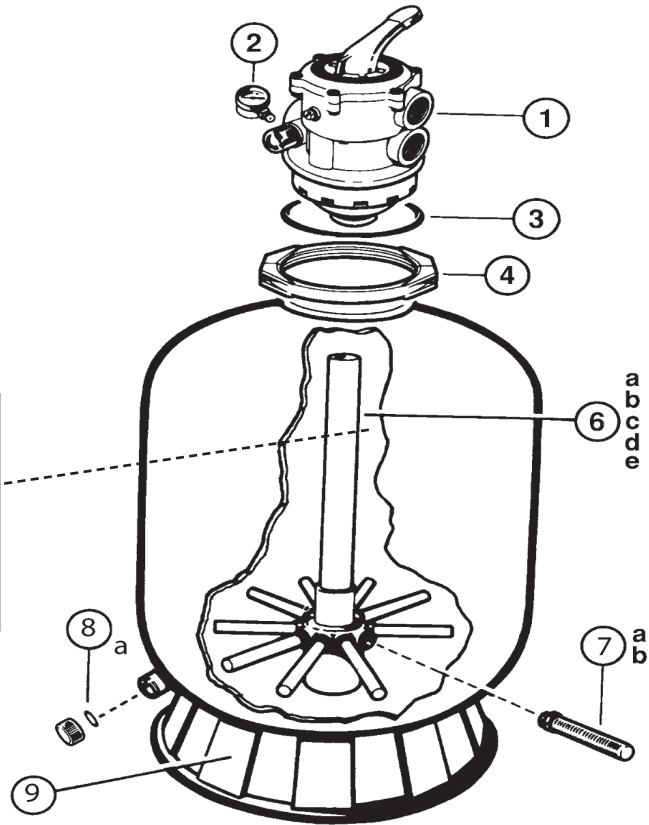
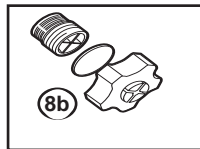
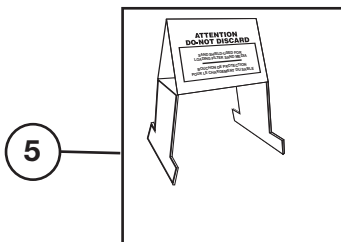
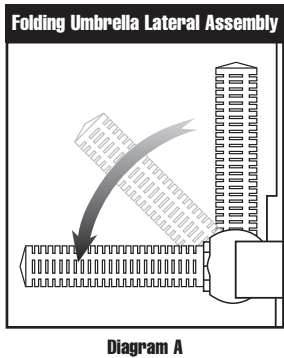
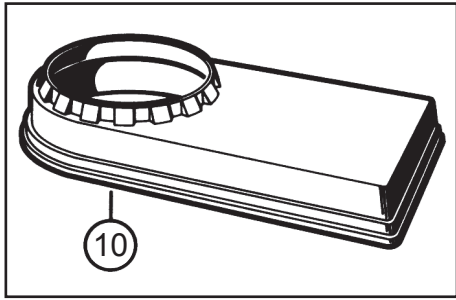
22	ECX1291	Standard Pump/Filter Mounting Base	2	1
23	SPX1480A	Union Ball End	10	1
24	SPX1480C	Union Nut	10	1
25	SPX1425Z6	O-Ring	10	1
26	SPX1485B3	Union Elbow with Compression Assembly	5	1
27	SPX1485G	Compression Gasket	10	1
28	ECX1161Z2	Mounting Screw Set with Washers	10	2
29	SPX1485DA	Compression Fitting with Gasket	25	1



# Pro™ Series

S166T, S180TC, 210TC, 220TC, 244T2, 244TC, S270T SAND FILTER SERIES REPLACEMENT PARTS

## Parts Diagram



## Parts List

Ref. No.	Part No.	Description	Ctn. Qty.	No. Req'd
1a	SP0714T	Vari-Flo XL Control Valve – 1 1/2"	1	1
1b	SP071621	Vari-Flo XL Control Valve - 2"	1	1
2	ECX270861	Pressure Gauge	10	1
3	GMX600F	Valve/Tank O-Ring	10	1
4	GMX600NM	Flange Clamp, Noryl	5	1
5	SX202S	Sand Shield – 2004 Corrugated Design	25	1
	SX164DA	Lateral Assembly w/ Center Pipe S166T	1	1
6a	SX180DA	Folding Umbrella Lateral Assembly w/Center Pipe (S180TC) (1997- )	1	1
6b	SX210DA	Folding Umbrella Lateral Assembly w/Center Pipe (S210TC) (1997- )	1	1
6c	SX220DA	Folding Umbrella Lateral Assembly w/Center Pipe (S220TC) (1997- )	1	1
6d	SX270DA2X	Folding Umbrella Lateral Assembly w/Center Pipe (S244T2) (2003- )	1	1
6e	SX244DA	Folding Umbrella Lateral Assembly w/Center Pipe (S244TC, S270T) (1997- )	1	1
7a	SX200QPAK10	Lateral (S180T) (2004 and Prior) - threaded - 10 pack	10	1
7b	SX240DPAK10	Lateral (S210T, S220T, S230T, S244T) (2004 and Prior) - threaded - 10 pack	10	1
7c	SX200QNPAK10	Lateral (One Piece) w/Hub See Diag. A (S166T, S180T only) - 10 pack	10	1
7d	SX240DNPAK10	Lateral (One Piece) w/Hub See Diag. A (all except S166T and S180T) - 10 pack	10	1
8a	SX180HG	Drain Cap Kit (2005 and prior)	25	1
8b	SX180LA	Drain Cap Assembly – Cap, Gasket, Screen	1	1
9	SX200J	Filter Support Stand (Skirt) (all except S166T)	2	1
9	SX164B	Filter Support Stand (Skirt) - S166T only		1
10	SX180K	System Base – S180T Systems	2	1
-	SPX0710MA	Sight Glass w/ O-Ring		1



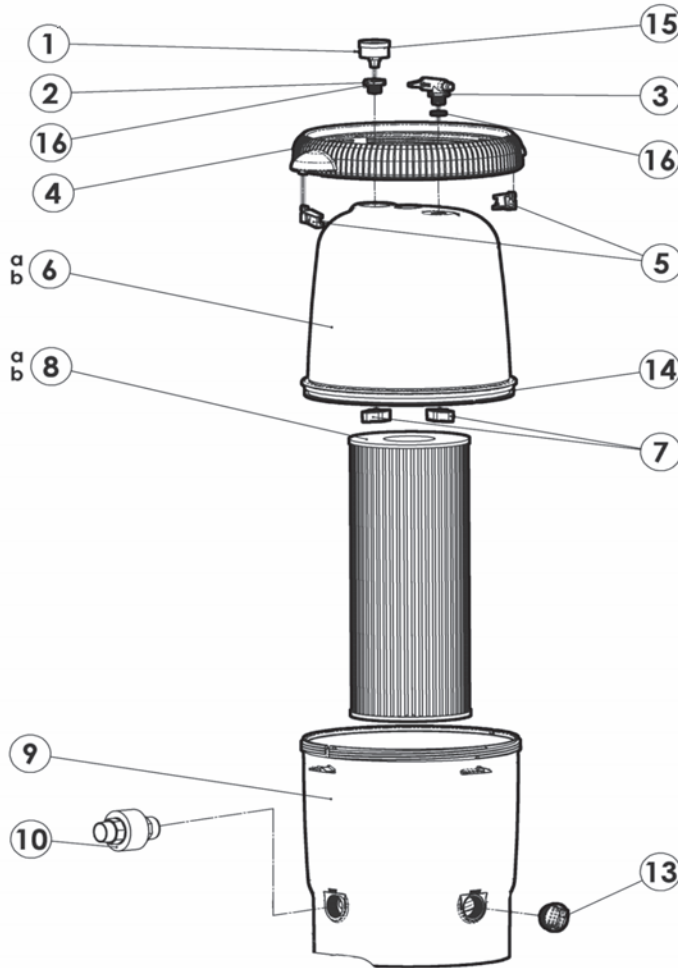
# XStream™ Filtration Series

CARTRIDGE FILTER SERIES REPLACEMENT PARTS



Filters

## Parts Diagram



## Parts Listing

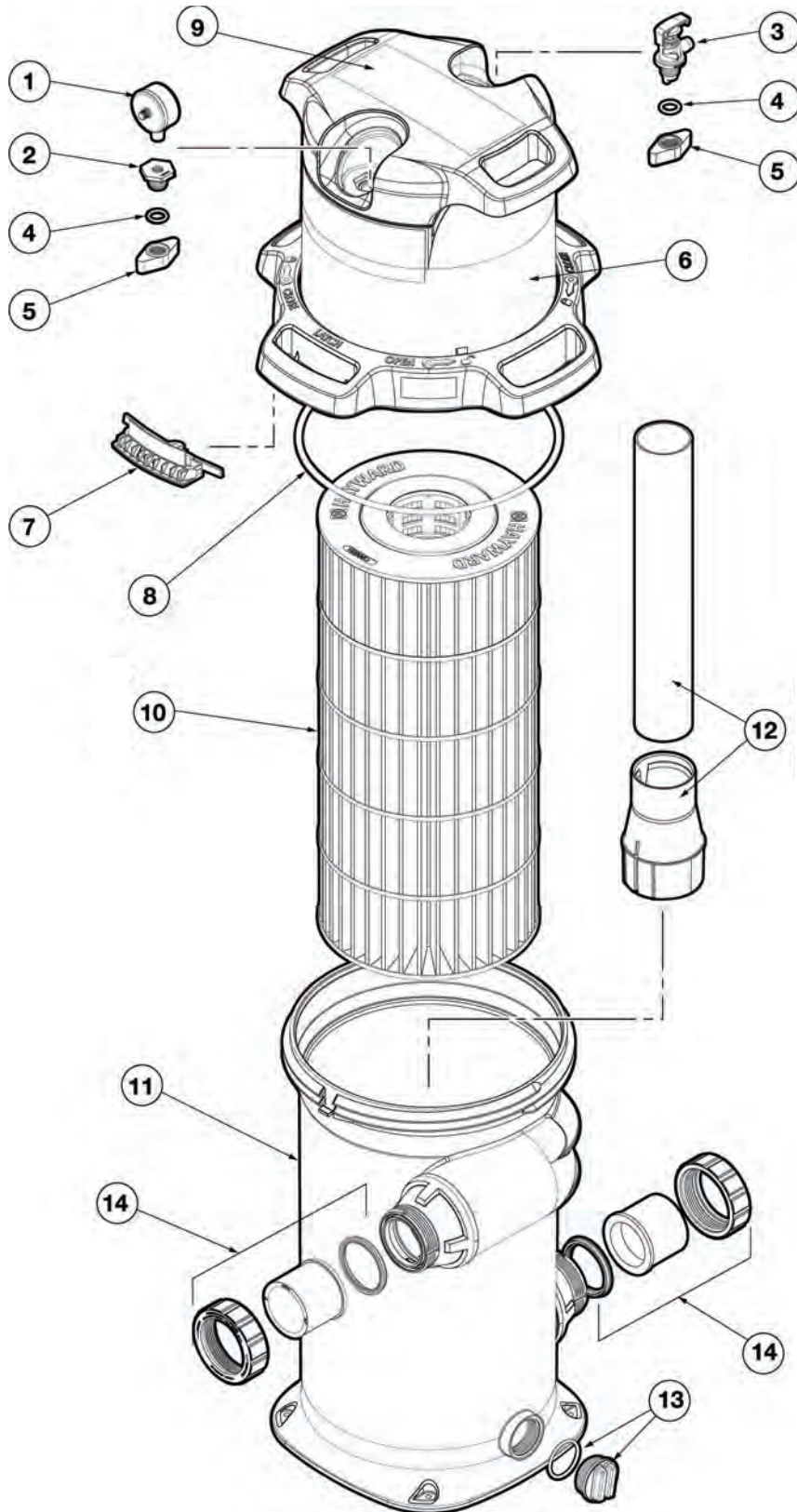
Ref. No.	Part No.	Description	Ctn. Qty.	No. Req'd
1	ECX27091	Pressure Gauge	10	1
2	CCX1000L	Threaded Adapter for Pressure Gauge	10	1
3	CCX1000V	Air Relief Assembly w/O-Ring	10	1
4	CCX1000D	Lock Ring Assembly w/2 Safety Clips	1	1
5	CCX1000H	Safety Clips for Lock Ring (Pack of 2)	10	2
6a	CCX2000C	Filter Lid w/Lock Ring, 200 sq. ft. for CC200CAN	1	1
6b	CCX1500C	Filter Lid w/Lock Ring, 150 sq. ft. for CC150CAN	1	1
7	CCX1000N	Adapter Nut (Set of 2)	10	2
8a	CCX2000RE	Cartridge Element, 200 sq. ft. for CC200CAN	1	1
8b	CCX1500RE	Cartridge Element, 150 sq. ft. for CC150CAN	1	1
9	CCX1000B	Filter, Lower Body	1	1
10	SP1480BLK	Self Aligning Union, Black (optional)	50	1
13	SP1022CBLK	Drain Plug w/O-Ring, Threaded 1 1/2" (Black)	100	1
14	CCX1000G	Body O-Ring	2	1
15	SPX1500W	Pressure Gauge O-Ring	10	1
16	CCX1000Z5	O-Ring for Gauge Adapter and Air Relief	10	2



# SwimClear™

## C200S CARTRIDGE FILTER SERIES REPLACEMENT PARTS

### Parts Diagram



Filters

**Parts Listing**

Ref. No.	Part No.	Description	No. Req'd
1	ECX271261	Pressure Gauge	1
2	CCX1000L	Threaded Adapter for Pressure Gauge	1
3	CXRLV1001	Air Relief Assembly with O-Ring	1
4	CXGAR1001PAK2	O-Ring for Gauge Adapter and Air Relief Assembly (set of 2)	2
5	CCX1000N	Adapter Nut (set of 2)	2
6	CX200B	Filter Head Assembly C200S	1
7	CXLR1001	Latch for Lock Ring	1
8	CXFHR1001	O-Ring for Filter Head	1
9	CXSLS1001	SwimClear Label Set	1
10	CX200XRE	Cartridge Element C200S	1
11	CXFBA1001	Filter Body Assembly	1
12	CXFDA200	Filter Diffuser Assembly C200S	1
13	SP1022CBLK	Drain Plug with O-Ring	1
14	SPX3200UNKIT	Union Connection Kit (2 each of nuts, connectors and gaskets)	1

**OPTIONAL**

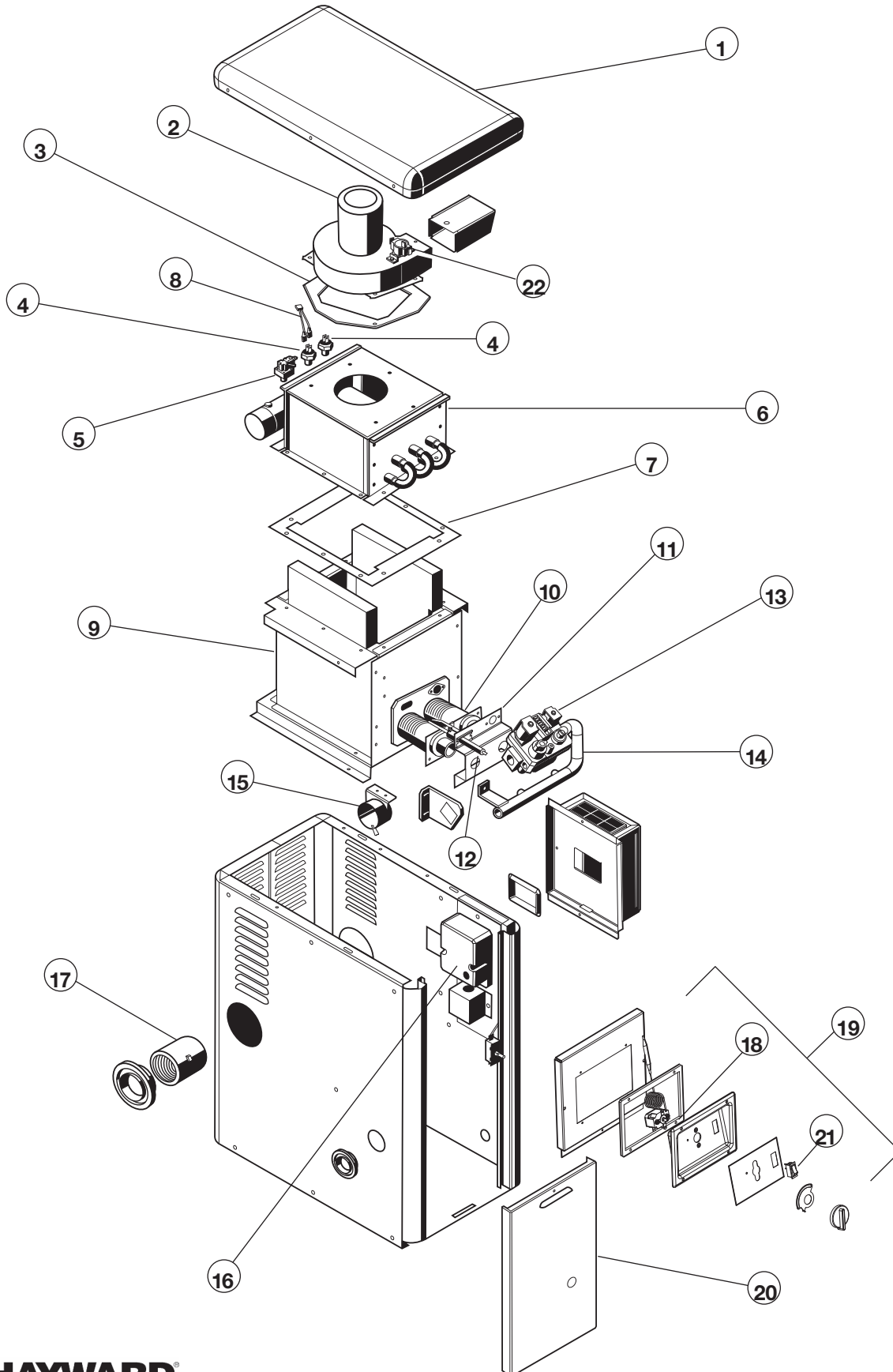
	CX200XREBVS	Blue Value Cartridge Element C200S	1
	SPX1500JS	Union Connector 1.5" Socket	1
	SPX1500JT	Union Connector 1.5" NPTF	1



# H-Series

ABOVE-GROUND – INDUCED DRAFT HEATER REPLACEMENT PARTS

## Parts Diagram



Heating



### Parts Listing

Ref. No.	Part No.	Description	Ref. No.	Part No.	Description
1	IDXJKT1100	Jacket Top	12	IDXIGN1930	Ignitor
2	IDXBWR1935 <sup>†</sup>	Combustion Blower	13	IDXVAL1931	Gas Valve
	IDXBWR1936 <sup>††</sup>	Combustion Blower	14	IDXMAN1100	Gas Manifold
3	IDXBGL1930 <sup>†</sup>	Blower Gasket	15	IDXAPS1930	Air Pressure Switch
	IDXBGL1931 <sup>††</sup>	Blower Gasket	16	IDXMOD1930	Control Module with Ignitor
4	IDXHLC1930	Hi Limits, Kit	17	IDXCPG1931	Coupling
5	CZXPRS1105	Water Pressure Switch	18	IDXTST1930	Thermostat
6	IDXHXA1101 <sup>†</sup>	Heat Exchanger Assembly	19	IDXCPA1100	Control Panel Assembly
	IDXHXA1102 <sup>††</sup>	Heat Exchanger Assembly	20	IDXFAD1100*	Front Access Door
7	IDXGKT1930	Heat Exchanger Gasket		IDXFAD1101**	Front Access Door
8	IDXWHA1930*	Wire Harness	21	CHXTSW1930	On/Off Switch
	IDXWHA1931**	Wire Harness	22	IDXBLS1930 <sup>†</sup>	Blower Switch
9	IDXBRG1930	Burner Gasket		IDXBLS1931 <sup>††</sup>	Blower Switch
10	IDXBNR1930	Burner	—	IDXCST1930	Cordset (not shown)
11	IDXAGK1930	Burner Orifice and Air Orifice Bracket Kit – Natural			
	IDXAGK1931	Burner Orifice and Air Orifice Bracket Kit – Propane			

**NOTES:** \*Used only on heaters made before January 2000, S/N 20A01209.

\*\*Used only on heaters made after January 2000, S/N 20A01209.

<sup>†</sup>Used only on heaters made before April 16, 2013, S/N 21131304101440001.

<sup>††</sup>Used only on heaters made after April 16, 2013, S/N 21131304101440001.





# Automation & Sanitization

## REPLACEMENT PARTS



**ProLogic**

### PROLOGIC

Part No.	Description
GLX-PCB-PRO	Main PCB, ProLogic, all versions, all date codes
GLX-PL-LOC-P-4	Display, Local, ProLogic, P-4
GLX-PL-LOC-PS4	Display, Local, ProLogic, PS-4
GLX-PL-LOC-PS8	Display, Local, ProLogic, PS-8
GLX-PL-LOC-PS16	Display, Local, ProLogic, PS-16
GLX-TB-RF-P-4	Wireless remote, Tabletop, P-4, Black
GLX-TW-RF-P-4	Wireless remote, Tabletop, P-4, White
GLX-TB-RF-PS-4	Wireless remote, Tabletop, PS-4, Black
GLX-TW-RF-PS-4	Wireless remote, Tabletop, PS-4, White
GLX-TB-RF-PS-8	Wireless remote, Tabletop, PS-8, Black
AQL2-TW-RF-PS-8	Wireless remote, Tabletop, PS-8, White
AQL2-TB-RF-PS-16	Wireless remote, Tabletop, PS-16, Black
AQL2-TW-RF-PS-16	Wireless remote, Tabletop, PS-16, White
AQL2-WW-PS-4	Wired remote, Wall Mount, PS-4, White
AQL2-WW-PS-8	Wired remote, Wall Mount, PS-8, White
AQL2-WW-PS-16	Wired remote, Wall Mount, PS-16, White
AQL2-WW-RF-PS-4	Wireless remote, Wall Mount, PS-4, White
AQL2-WW-RF-PS-8	Wireless remote, Wall Mount, PS-8, White
AQL2-WW-RF-PS-16	Wireless remote, Wall Mount, PS-16, White
GLX-ACT-CONN	Actuator Connector

### AQUARITE PRO

Part No.	Description
GLX-CTL-AR-PRO	Control Unit, AquaRite Pro
GLX-PCB-AR-PRO	Main PCB, AquaRite Pro
GLX-AR-PRO-MEM	Display, Membrane Key Pad, dead front

### AQUARITE, AQUARITE XL & AQUARITE LOW SALT

Part No.	Description
GLX-CTL-RITE	Control Unit, AquaRite
GLX-PCB-RITE	Main PCB, AquaRite
GLX-PCB-RPPAK	Display PCB, AquaRite
GLX-FLO-RSPAK10	Replacement Flow Switch ( <i>Pack of 10</i> )
GLX-FLO-RP	Replacement Flow Switch – 15' cable (no tee)
GLX-FLO-RP-25	Replacement Flow Switch – 25' cable (no tee)
GLX-FLO-T	Flow Switch Tee
GLX-XFMR	Transformer
GLX-R-10PK	Rectifier ( <i>10 pack</i> )
GLX-F20-10PK	20 Amp Glass Fuse ( <i>10 pack</i> )
GLX-F20A-10PK	20 Amp Yellow Fuse ( <i>10 pack</i> )
GLX-FUSE-20	Fuse Holder Kit
GLX-CELLSTAND	Salt Cell Cleaning Stand
GLX-CELL-UNION	Salt Cell Union – Tailpiece, Nut and O-Ring
GLX-CELL-PIPE	Salt Cell Placeholder
GLX-SALTMETER	Handheld Digital Salt Meter
GLX-PCB-XL-CUL	Replacement PCB for AquaRite XL
GLX-PCB-LS-CUL	Replacement PCB for AquaRite Low Salt



**AquaRite**

### AQUATROL

Part No.	Description
GLX-CTL-TR-RJ	Control Unit, AquaTrol – RJ, straight blade
GLX-CTL-TR-RJ-T	Control Unit, AquaTrol – RJ, twist lock
GLX-RJ-ELBOW	Fitting, Return Jet
GLX-TROL-TIMER	24 hour Timeclock Replacement, AquaTrol
GLX-PCB-RJ-CUL	Main PCB, AquaTrol RJ
GLX-CELL-5	TurboCell, 20K gallons, 1 year warranty
GLX-PCB-DSP	Display PCB

**NOTE:** TurboCell Replacements available – see pages 61,

### ACCESSORIES

GLX-CAL-SOL	Calibration solution for Salt Meter, 3200ppm
GLX-FIELD-PROG2	Field Programmer for ProLogic®, and AquaRite® Pro



### SENSE AND DISPENSE

Part No.	Description
GLX-PROBE-ORP	Probe, ORP Replacement
GLX-PROBE-PH	Probe, pH Replacement
GLX-SD-ELEC-MOD	Sense and Dispense Electronics Module
GLX-SD-FLOW*	Flow Cell, Sense and Dispense only
GLX-WINTER-KIT	Kit-Replacement, Winterizing
GLX-SP-1P5TUBE	Replacement – Tube, Low Pressure, #3
GLX-SP-UVTUBE	Replacement – Tube, UV
GLX-SP-STRAINER	Replacement – Strainer
GLX-SP-CHEKV	Replacement – Check Valve, Chem-3
GLX-SP-FLO	Replacement – Flow Indicator
GLX-SP-DB	Replacement – Duck Bill (2 pack)
GLX-SP-ROLLER	Replacement – Roller Assembly
GLX-SADDLE	Replacement – Saddle Clamp
GLX-SP-PUMP-120	120V Peristaltic Pump
GLX-SP-PUMP-240	240V Peristaltic Pump
CAX-20260	Shut off valve, AQL-CHEM

\*This SKU replaces GLX-FLOW-CELL

### CHLORINATOR CELLS

Part No.	Description
GLX-CELL-5	TurboCell, 3 year warranty (1 yr for AQ Trol), 20K gallons
GLX-CELL-PIPE	Straight Pipe Placeholder for TurboCell
GLX-CELL-UNION	Union, Nut and Tailpiece, 2 inch
T-CELL-15-CUL	TurboCell, 40K gallons, 3 year warranty
T-CELL-9-CUL	TurboCell, 25K gallons, 3 year warranty
T-CELL-3-CUL	TurboCell, 15K gallons, 3 year warranty
T-CELL-LS-CUL	TurboCell, 25K gallons, 3 year warranty

### COMMON REPLACEMENT PARTS

Part No.	Description
GLX-DRK	Rectifier Upgrade
GLX-FLO-RP	Flow Switch (15' cable, no tee)
GLX-FLO-T	Tee for Flow Switch
GLX-FLO	Flow switch (15' cable with tee)
GLX-XFMR	Transformer
GLX-CELL-UNION	Union, Nut And Tailpiece, 2"
GLX-R-10PK	Rectifier (10 pack)
GLX-F20-10PK	Fuse Kit, 20A (10 pack) (for Aqua Rite/Trol before 11/04)
GLX-F20A-10PK	Fuse Kit, 20A/yellow (10 pack) (all Aqua Logic/Rite/Trol after 11/04)
GLX-F3A-10PK	Fuse Kit, 3A/violet (10 pack) (Aqua Logic only)
GLX-FUSE-20	Fuse Holder Kit (fuse holder & wires for Rite/Trol before 11/04)
GLX-PC-12-KIT	Temperature Sensor w/15' leads & hose clamp
GLX-RF-EXTEND	AQL2-BASE-RF extension 50'
GLX-RELAY	Relay, 3 HP
GLX-PWR-X	Power Supply, wall plug-in, for wireless remotes X = W (White), B (Black)
GLX-GVA-2CAM	Cams for GVA Valve Actuator (Set of 2)
GLX-GVA-4SCR	Screws (4) for mounting GVA-24 Valve Actuator
GLX-OUTLET-15A	120V/15 amp Pump Outlet
GLX-POD-CHGR	Battery Charger for Aqua Pod
GLX-CELLTST-STD	Stand for Cell Tester
GLX-CELL-TESTER	Tester for all Turbo Cell Electrolytic Cells
GLX-SS-RF	Wireless Spaside Remote Control
SX200Z3	O-Ring
GLX-UNION-ORING	O-Ring Union 12 pack
GLX-ACT-CONN	Connector wires for GVA-24 actuator

### SALT & SWIM 3C

Part No.	Description
SAS-CELL-CUL	Salt & Swim Replacement Cell
GLX-CTL-DIY	Salt & Swim Control Box
GLX-DIY-CORD	Salt & Swim Replacement Power Cord
GLX-DIY-CABLE	Salt & Swim Replacement Cell Cable
GLX-DIY-DOOR	Salt & Swim Replacement Door
GLX-DIY-VESSEL	Salt & Swim Replacement Vessel
GLX-DIY-CCN15	1.5" Ring, Collar and Nut Set
GLX-DIY-CCN2	2" Ring, Collar and Nut Set
GLX-DIY-CUP	Cell Cleaning Cup
GLX-DIY-ORING	O-Ring for Salt Cell
GLX-DIY-UNION	Salt & Swim 3C Pro Union Kit

### OMNILOGIC

Part No.	Description
HLX-DSP-MOUNT	Local Display Mounting Kit
HLX-LOC-DSP	Local Display
HLX-PCB-MAIN	Main Control Board
HLX-PCB-TCELL	T-Cell PCB Board
HLX-PSUPPLY	Power Supply Assembly
HLX-RELAY	OmniLogic Relay
HLX-TRNSFMR	OmniLogic Transformer



OmniLogic

### ONCOMMAND

Part No.	Description
GLX-PCB-ONCOM	Main PCB, OnCommand
GLX-LOC-ONCOM	Display, Local, OnCommand only
GLX-DOOR-ONCOM	Door, OnCommand

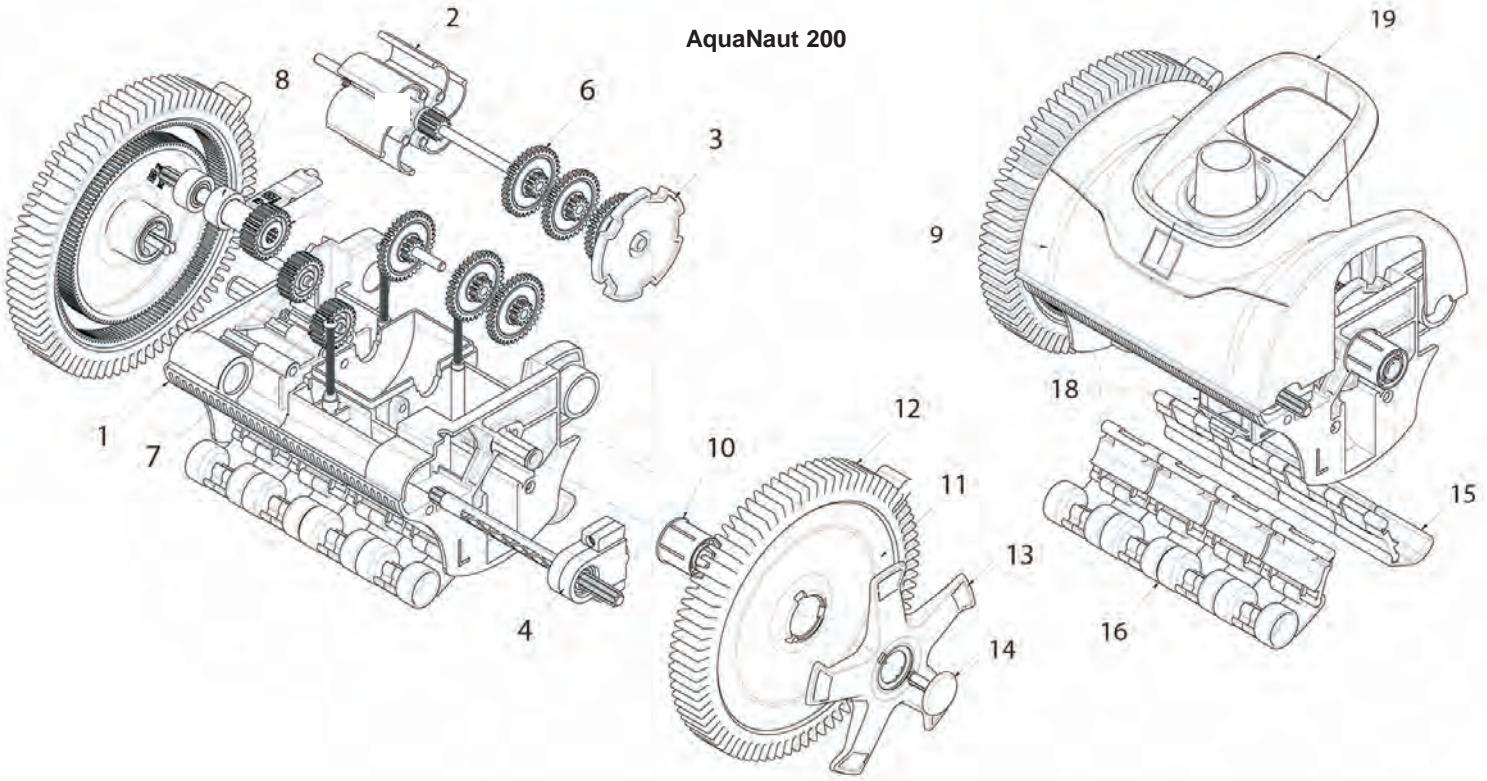


# AquaNaut 200 & 400

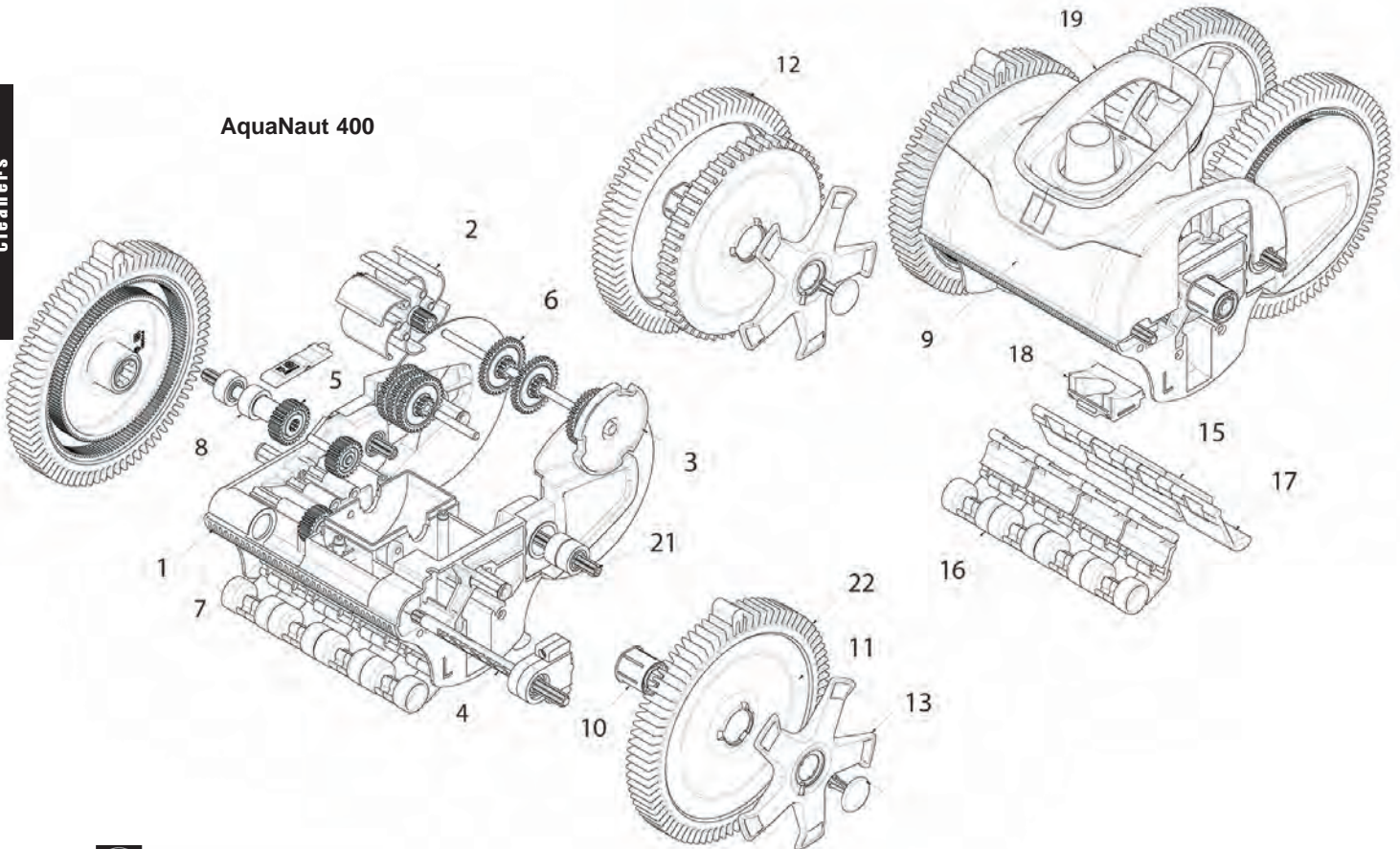
REPLACEMENT PARTS

## Parts Diagram

### AquaNaut 200



### AquaNaut 400



Cleaners



# AquaNaut 200 & 400

## REPLACEMENT PARTS



### Parts Listing

Ref. No.	Part No.	Description	Ctn. Qty.
<b>AquaNaut 200 - PHS21CST</b>			
1	PVX792SA-236	Assy - Lower Body	1
2	PVXH038SA	Assy - Turbine	1
3	PVXH036009	Assy, Steering Cam, Gear 2 x 2	1
4	PVXH011SA	Assy, Steering Bracket Roller	1
5	PVXH007	Gear, Drive, Large	1
6	PVXH009PK5	Gear, Reduction	5
7	PVXH008PK2	Gear, Drive, Small	2
8	PVXH019SA	Assy, Shaft, Bearing	1
9	PVXS01SA-237-01	Assy, Upper Body	1
10	PVX976	Bearing, Large	2
11	PVX051-236	Wheel Hub	2
12	PVXS11PK2-234	Wheel Tread Super	2
13	PVXS0005-237	Wheel Styling	2
14	PVXS0006-237	Wheel Retainer	4
15	PVXH013BKPK4	Assy, Skirt	4
	PVXH014BKPK4	Assy, Skirt	4
16	PVXH014BKPK4	Assy, Roller Skirt	4
	PVX043042BKPK4	Assy, Roller Skirt	4
18	PVX990M-236	Inlet, Suction Medium	1
19	PVXS0002-234-01	Handle	1
20	SCRX4012PK3	Screw #10 x 3 18-8 THD Form PH	3
<b>AquaNaut 400 - PHS41CST</b>			
1	PVXS0009-236	Assy, Lower Body	1
2	PVXH038SA	Assy, Turbine	1
3	PVXH010009	Assy, Steering Cam, Gear 4 x 4	1
4	PVXH011SA	Assy, Steering Bracket Roller	1
5	PVXH007	Drive Gear, Large	1
6	PVXH009PK5	Gear, Reduction	5
7	PVXH008PK2	Drive Gear, Small	2
9	PVXS01SA-237-01	Assy, Upper Body	1
10	PVX976	Bearing, Large	4
11	PVX051-236	Wheel Hub	4
12	PVXS16PK2-234	Wheel Tread	2
13	PVXS0005-237	Wheel Styling	4
14	PVXS0006-237	Wheel Retainer	4
15	PVXH013BKPK4	Assy, Skirt	2
	PVXH014BKPK4	Assy, Skirt	2
16	PVXH014BKPK4	Assy, Roller Skirt	4
	PVX043042BKPK4	Assy, Roller Skirt	4
17	PVX013028BK	Skirt 4 x 4	2
18	PVX990M-236	Inlet, Suction Medium	1
19	PVXS0002-234-01	Handle	1
20	SCRX4012PK3	Screw #10 x 3 18-8 THD Form PH	3
21	PVXH020SA	Assy, Gear Shaft	2
22	PVXS11PK2-234	Wheel Tread, Super	2

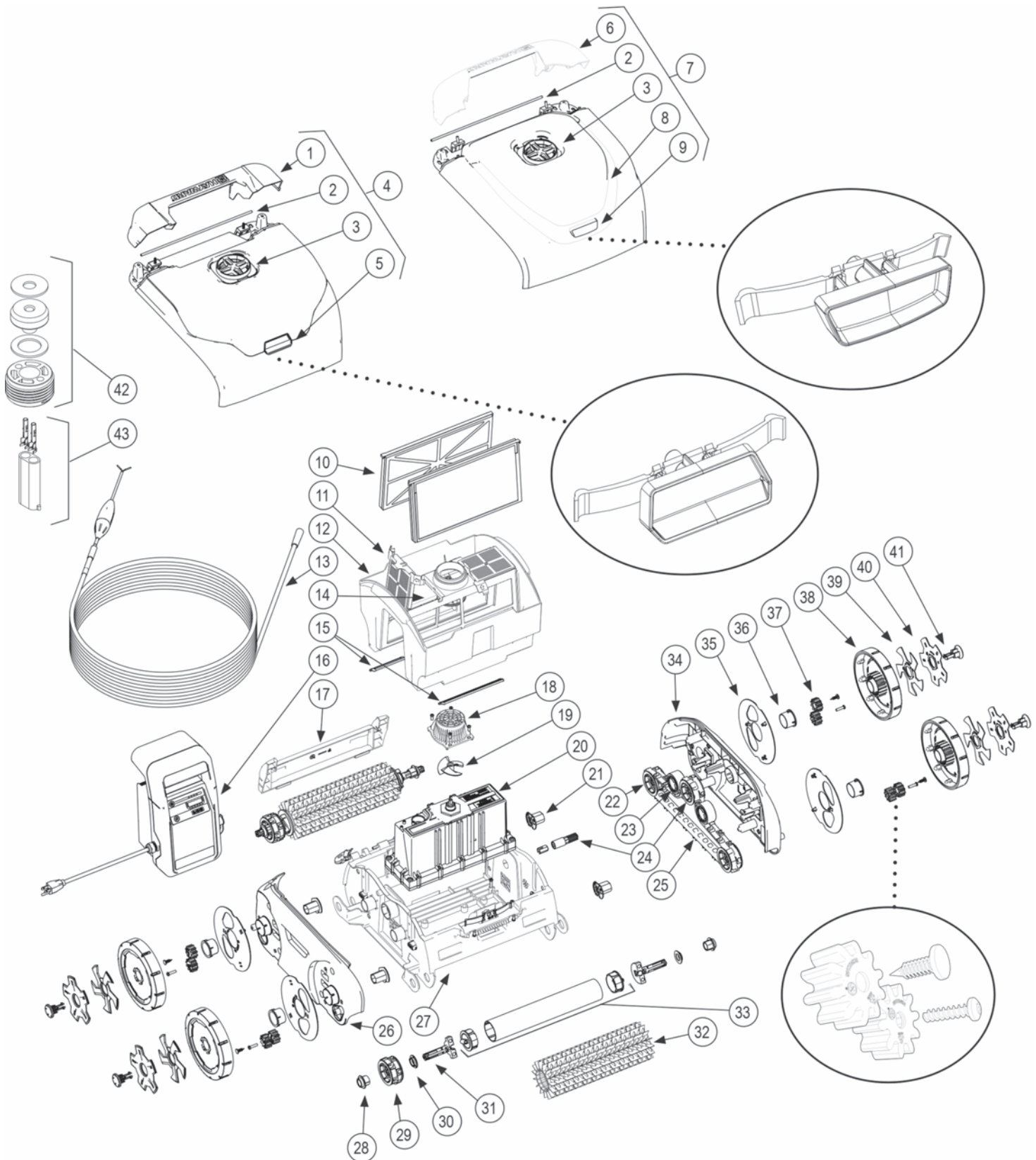
Cleaners



# AquaVac 500 Series

REPLACEMENT PARTS

## Parts Diagram



Cleaners



# AquaVac 500 Series

REPLACEMENT PARTS



## Parts Listing

Ref. No.	Part No.	Description	Ctn. Qty.	Qty. Per
1	RCX341203OR	Handle Assembly - Orange, for RC3432APY	1	1
2	RCX97429	Shaft, Hinge	1	1
3a	RCX341126GR2	Hood Exhaust Nozzle - Grey 2, for RC3411ATY, RC3432APY	5	1
3b	RCX341126GR3	Hood Exhaust Nozzle - Grey 3, for RC3411ETY	5	1
3c	RCX341126BK	Hood Exhaust Nozzle - Black, for RC3411CTY, RC3411HTY, RC3431CTY	5	1
4	RCXHD2ARC5	Hood Assembly - Grey, for RC3432APY	1	1
5	RCX3411205GR4	Button Assembly - Grey 4, for RC3432APY	5	1
6a	RCX341107WH	Handle Assembly - White, for RC3411ATY, RC3411HTY	1	1
6b	RCX341107BL	Handle Assembly - Blue, for RC3411CTY, RD3431CTY	1	1
6c	RCX341107GR3	Handle Assembly - Grey 3, for RC3411ETY	1	1
7a	RCXHD1AAV50S	Hood Assembly for RC3411ATY	1	1
7b	RCXHD1CAV500	Hood Assembly for RC3411CTY, RC3431CTY	1	1
7c	RCXHD1EAV500SW	Hood Assembly for RC3411ETY	1	1
7d	RCXHD1HAV500DS	Hood Assembly for RC3411HTY	1	1
8a	RCX341106RD	Hood Trim - Red, for RC3411ATY	5	1
8b	RCX341106GR3	Hood Trim - Grey 3, for RC3411ETY	5	1
8c	RCX341106BK	Hood Trim - Black, for RC3411CTY, RC3411HTY, RC3431CTY	5	1
9a	RCX341108RD	Button Assembly- Red, for RC3411ATY	5	1
9b	RCX341108BK	Button Assembly - Black, for RC3411CTY, RC3431CTY	5	1
9c	RCX341108GR3	Button Assembly - Grey 3, for RC3411ETY	5	1
9d	RCX341108TR	Button Assembly - Turquoise, for RC3411HTY	5	1
10a	RCX70101PAK2	Filter Cartridges (Set of 2)	10	1
10b	RCX70103PAK2	Spring Cleanup Filter Cartridges, Disposable (set of 2)	10	1
11	RCX97417	Filter Door	5	2
12	RCX97414	Filter Bucket Assembly (Includes items 11 and 15)	1	1
13	RCX341190A	Cord Assembly with Swivel, 60'	1	1
14	RCX97417SPAK2	Mesh Filter for Door (Set of 2)	10	1
15	RCX974057KIT	Drain Flap Kit (3 Flaps)	5	1
16	RCX341161A	Power Supply Assembly	1	1
17a	RCX341103TR	Rear Panel - Turquoise, for RC3411HTY	5	1
17b	RCX341103GR2	Rear Panel - Grey 2, for RC3411ATY	5	1
17c	RCX341103GR3	Rear Panel - Grey 3, for RC3411ETY	5	1
17d	RCX341103BK	Rear Panel - Black, for RC3411CTY, RC3431CTY	5	1
17e	RCX341103GR4	Rear Panel - Grey 4, for RC3432APY	5	1
18	RCX97455	Impeller Cover	10	1
19	RCX11000BK	Impeller, Black	10	1
20	RCX341195	Motor Assembly	1	1
21	RCX34111PAK2	Wheel Hub Kit (Set of 2)	5	2
22	RCX97505PAK2	Drive Track Wheel Kit (Set of 2)	5	1
23	RCX26000PAK2	Idler Bearing Kit (Set of 2)	5	1
24	RCX97502KIT	Drive Shaft and Bearing Kit	5	1
25	RCX97501GR	Drive Track Belt	5	1
26a	RCX341101TR	Left Side Cover - Turquoise, for RC3411HTY	1	1
26b	RCX341101GR3	Left Side Cover - Grey 3, for RC3411ETY	1	1
26c	RCX341101GR2	Left Side Cover - Grey 2, for RC3411ATY	1	1
26d	RCX341101BK	Left Side Cover - Black, for RC3411CTY, RC3431CTY	1	1
26e	RCX341101GR4	Left Side Cover - Grey 4, for RC3432APY	1	1
27	RCX341142GR	Cleaner Base - Grey	1	1
28	RCX97506PAK2	Roller Brushing Kit (Set of 2)	5	2
29	RCX97509PAK2	Drive Wheel Kit (Set of 2)	5	1
30	RCX97435PAK2	Roller Shaft Brushing Kit (Set of 2)	5	2
31	RCX97507PAK2	Roller Wheel Shaft (Set of 2)	5	2
32a	RCX26008	Roller Brush	5	2
32b	RCX26011WCE	Foam Roller Assembly (Optional)	5	2
33	RCX97410	Wheel Tube with End Caps	5	2
34a	RCX341102TR	Right Side Cover - Turquoise, for RC3411HTY	1	1
34b	RCX341102GR3	Right Side Cover - Grey 3, for RC3411ETY	1	1
34c	RCX341102GR2	Right Side Cover - Grey 2, for RC3411ATY	1	1
34d	RCX341102BK	Right Side Cover - Black, for RC3411CTY, RC3431CTY	1	1
34e	RCX341102GR4	Right Side Cover - Grey 4, for RC3432APY	1	1
35a	RCX341127TR	Wheel Shield - Turquoise, for RC3411HTY	5	4
35b	RCX341127GR3	Wheel Shield - Grey 3, for RC3411ETY	5	4
35c	RCX341127GR2	Wheel Shield - Grey 2, for RC3411ATY	5	4
35d	RCX341127BK	Wheel Shield - Black, for RC3411CTY, RC3431CTY	5	4
35e	RCX341127GR4	Wheel Shield - Grey 4, for RC3432APY	5	4
36	RCX341109PAK2	Wheel Bushing Kit (Set of 2)	5	2
37	RCX341145KIT	Wheel Drive Gear Kit	5	4
38a	RCX34113WHBK	Wheel Rim and Tire - White/Black, for RC3411HTY, RC3411ETY	5	4
38b	RCX34113WHGR3	Wheel Rim and Tire - White/Grey 3, for C3411ATY	5	4
38c	RCX34113BKBL	Wheel Rim and Tire - Blue/Black, for RC3411CTY, RC3431CTY	5	4
38d	RCX34113GR4BK	Wheel Rim and Tire - Black/Grey 4, for RC3432APY	5	4
39a	RCX341123GR4	Boots Wheel Style - Grey 4, for RC3411HTY	10	4
39b	RCX341123GR3	Boots Wheel Style - Grey 3, for RC3411ETY	10	4
39c	RCX341123RD	Boots Wheel Style - Red, for RC3411ATY	10	4
39d	RCX341123GR1	Boots Wheel Style - Grey 1, for RC3411CTY, RC3431CTY	10	4
40	RCX341206OR	Starfish Wheel Style - Orange, for RC3432APY	10	4
41a	RCX341112GR4	Wheel Axle Plug - Grey 4, for RC3411HTY (Set of 4)	10	1
41b	RCX341112GR3	Wheel Axle Plug - Grey 3, for RC3411ETY (Set of 4)	10	1
41c	RCX341112RD	Wheel Axle Plug - Red, for RC3411ATY (Set of 4)	10	1
41d	RCX341112GR1	Wheel Axle Plug - Grey 1, for RC3411CTY, RC3431CTY (Set of 4)	10	1
41e	RCX341112OR	Wheel Axle Plug - Orange, for RC3432APY (Set of 4)	10	1
42	RCX59004KIT	Motor Cord Seal Kit	5	1
43	RCX59002KIT	Motor Cord Connector Kit	5	1

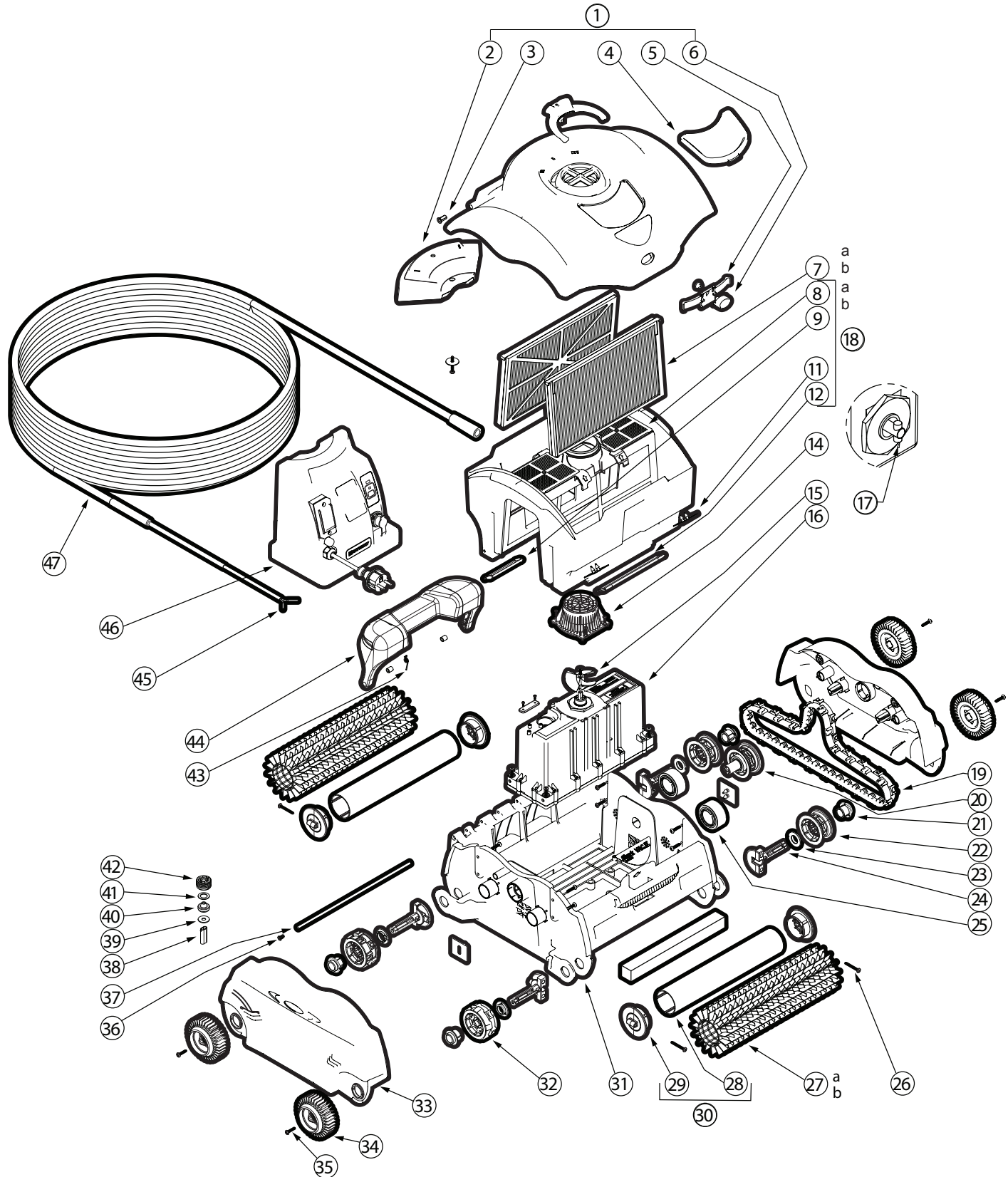
Cleaners



# EVAC Pro™

ROBOTIC POOL CLEANER REPLACEMENT PARTS

## Parts Diagram



Cleaners



## Parts Listing

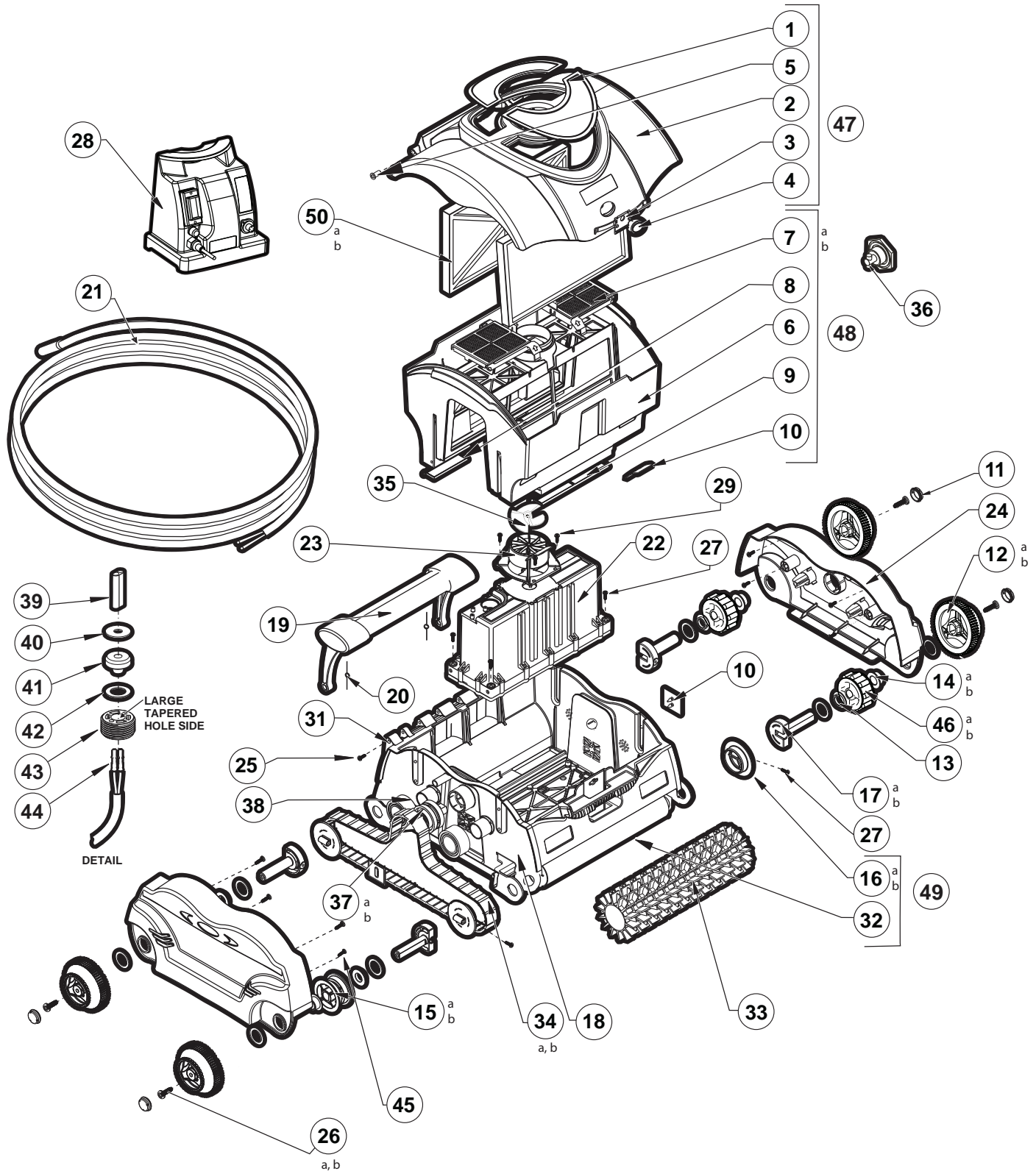
Ref. No.	Part No.	Description	Qtn. Req'd	Ctn. Qty.
1	RCX97471CY	Dome Assembly	1	1
2	RCX97477	Float Assembly	1	1
3	RCX97423	Bushing Done (Set of 2)	1	5
5	RCX97431	Spring, Flat	1	5
6	RCX97433	Button	1	1
7a	RCX70101PAK2	Filter Cartridge (Set of 2)	1	5
7b	RCX70103PAK2	Filter Cartridge, Disposable Sprin Cleanup (Set of 2)	1	5
8a	RCX97417	Door, Filter	2	1
8b	RCX974175PAK2	Mesh Filter for Door (Set of 2)	1	1
9	RCX97405	Flap, Drain Small	2	1
11	RCX97445	Flap, rubber	4	1
12	RCX97407	Flap, Drain Large	1	1
14	RCX97455	Tube, Vent	1	10
15	RCX11000	Impeller	1	10
16	RCX97490	Motor Assembly	1	1
17	RCX40117	Drive Pin Assembly	1	5
18	RCX97414	Filter Bucket Assembly	1	1
19	RCX97501GR	Belt-Drive Track	1	1
20	RCX97502GR	Drive Bearing Assembly	1	1
21	RCX97506PAK2	Bushing, 2W (Set of 2)	2	1
22	RCX97505GR	Wheel-Drive Belt	2	1
23	RCX97435PAK2	Bushing, 1W (Set of 2)	2	10
24	RCX97507GR	Shaft-Drive Wheel	4	1
25	RCX26000PAK2	Pulley-Bearing Idler (Set of 2)	1	10
26	RCX97461	Screw M5X35MM (Pack of 5)	1	10
27a	RCX26008	Brush-Roller	2	5
27b	RCX26011WCE	Roller Assembly - Foam (optional)	2	1
29	RCX97511GR	Cap-Roller End, Lt. Gray	4	1
30	RCX97410	Tube, Wheel Assembly, Lt. Gray	2	5
31	RCX97401	Base	1	1
32	RCX97509GR	Wheel-Drive with Rubber	2	1
33	RCX97403	Panel, Side	2	1
34	RCX97508GR	Overmolded Wheel Assembly	4	1
35	RCX12011	Screw-MSX20 (Set of 5)	1	10
36	RCX97459	SCREW-M7-3.14X10MM (Set of 5)	1	5
37	RCX97429	Shaft-Hinge	1	10
38	RCX59002	Connector Housing	1	10
39	RCX12301	Connector-Plastic Washer	1	10
40	RCX59003	Seal-Compression	1	10
41	RCX12302	Washer-Plastic Connector	1	10
42	RCX59004	Plug-Seal	1	10
43	RCX97427	Spring-Handle	1	25
44	RCX97480CY	Handle Assembly	1	1
45	RCX59006	Connector - Socket Molex	2	50
46	RCX97453	Power Supply, 110VAC	1	1
47	RCX50061	Power Cord Assembly, Floating, 55 ft.	1	1
-	RC973850	Caddy Cart	1	1
-	RC97387A	Plastic Handle for Caddy Cart	1	1
-	RCX31012A	Clear Plastic Membrane Cover for Power Supply Switch	1	10



# E.VAC™

REPLACEMENT PARTS

## Parts Diagram



Cleaners



**Parts Listing**

Ref. No.	Part No.	Description	Ctn. Qty.	Qty Req'd
1	RCX97421	Window, Dome Clear	5	2
3	RCX97431	Spring, Flat SV/EV	5	1
4	RCX97433	Button	10	1
5	RCX9743	Bushing Done (set of 2)	5	1
6	NLA	Housing, Filter Bucket - No longer available, use item 48	-	1
7a	RCX97417	Door, Filter	5	2
7b	RCX97417SPAK2	Mesh Filter for Door (set of 2)	1	1
8	RCX97405	Flap, Drain Small	10	2
9	RCX97407	Flap, Drain Large	5	1
10	RCX97445	Flap, Rubber	10	4
11	RCX97447	Cap, Wheel Rim (Set of 4) (for units made up to Mrch 2013)	5	1
12a	RCX97449	Wheel Rim with Tire (for units made up to March 2013)	5	4
12b	RCX97508GR	Wheel Rim with Tire (for units made starting April 2013)	1	4
13	RCX97435PAK2	Bushing 1W (set of 2)	10	2
14a	RCX9737	Bushing 2W (set of 4) (for units made up to March 2013)	10	1
14b	RCX97506PAK2	Bushing 2W (set of 2) (for units made starting April 2013)	1	2
15a	RCX97439	Ring, Drive (for units made up to March 2013)	5	2
15b	RCX97505GR	Wheel - Drive Belt (for units made starting April 2013)	1	2
16a	RCX97441	Roller End (for units made up to March 2013)	10	4
16b	RCX97511GR	Cap, Roller End (for units made starting April 2013)	1	4
17a	RCX97443	Shaft (for units made up to March 2013)	10	4
17b	RCX97507GR	Shaft (for units made starting April 2013)	1	4
18	RCX97401	Base	1	1
19	RCX97425	Handle Assembly	1	1
20	RCX97427	Spring, Handle	5	1
21	RCX97413	Cord Assembly, 50' SV/EV	1	1
22	RCX97400	Motor Assembly SV/EV	1	1
23	RCX97455	Tube, Vent	5	1
24	RCX97403	Panel, Side	1	2
25	RCX97459	Screw M7 x 10mm flat Torx (pack of 5)	10	1
26a	RCX97457	Screw M7 x 25mm flat Torx (pack of 5) (for units made up to March 2013)	10	1
26b	RCX12011	Screw M5 x 20 (pack of 5) (for units made starting April 2013)	10	1
27	RCX97461	Screw M5 x 35mm (pack of 5)	10	2
28	RCX97453	Power Supply	1	1
29	RCX12010	Screw M5 x 12 pan Torx T-20 (pack of 10)	10	1
31	RCX97429	Shaft, Hinge	10	1
32	NLA	Tube, Wheel - No longer available, use item 49	-	2
33	RCX26008	Brush for Roller	5	1
34a	RCX23002	Drive Track (for units made up to March 2013)	5	1
34b	RCX97501GR	Drive Track (for units made starting Aptil 2013)	1	1
35	RCX11000	Impeller	5	1
36	RCX40117	Drive Pin Assembly	5	1
37a	RCX97430	Drive Bearing Assembly (for units made up to March 2013)	5	1
37b	RCX97502GR	Drive Bearing Assembly (for units made starting April 2013)	1	1
38	RCX26000PAK2	Bearing, Idler Pulley (set of 2)	5	1
39	RCX59002	Connector Housing	5	1
40	RCX12301	Plastic Washer	10	1
41	RCX97462	Compression Seal	10	1
42	RCX12302	Plastic Washer	10	1
43	RCX59004	Seal Plug	10	1
44	RCX59006	Connector Socket Molex	10	2
45	RCX12011	Screw M5 x 20 Pan Torx (pack of 5)	10	2
46a	RCX97440	Drive Ring with Rubber Assembly (for units made up to March 2013)	5	2
46b	RCX97509GR	Drive Ring with Rubber Assembly (for units made starting April 2013)	1	2
47	RCX97418GN	Dome Assembly (includes items 1 thru 5)	1	1
48	RCX97414	Filter Bucket Assembly (includes items 6 thru 10)	1	1
49	RCX97410	Wheel Tube Assembly (includes items 16b and 32)	5	2
50a	RCX70101PAK2	Filter Cartridge Refill Set (1 set, 2 pcs)	5	1
50b	RCX70 03PAK2	Filter Cartridge - Disposable Spring Cleanup (1 set, 2 pcs)	5	1
-	RC97385D	Caddy Cart	1	1
-	RC97387A	Plastic Handle for Caddy Cart	1	1
-	RCX31012A	Clear Plastic Membrane Cover for Power Supply Switch	10	1

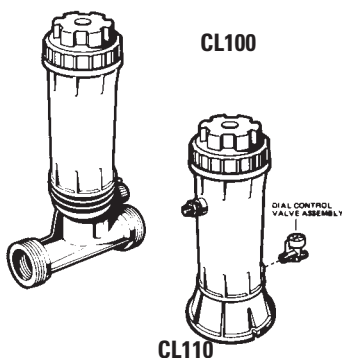
Cleaners





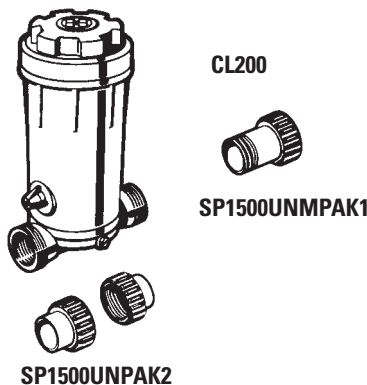
# Chlorine and Bromine Feeders

## REPLACEMENT PARTS



CL100

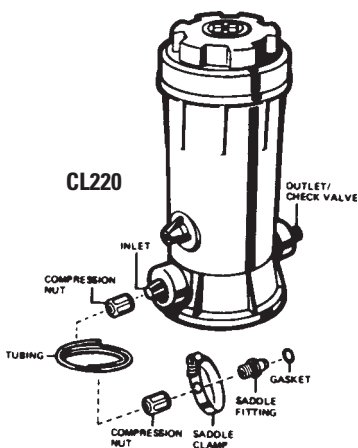
CL110



CL200

SP1500UNMPAK1

SP1500UNPAK2



CL220

### CL100 and CL110 Series Chlorine Feeders

Part No.	Description	Ctn. Qty.
CLX110C*	Cover	1
CLX110K	O-Ring, Special Composition Viton	10
CLX110DA	Dial Control Valve Assembly	1
CLX110FA	Control Knob Assembly (CL100)	1

**NOTES:** Fittings, tubing, clamps, drain plug and check valve are same as CL200 and CL220 Series.

\*For bromine feeders, add a "2" to the end of the part number.

### CL200 and CL220 Series Chlorine Feeders

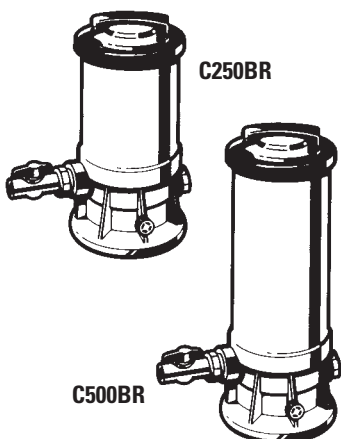
Part No.	Description	Ctn. Qty.
CLX200EGA	Cover Retaining Screw with Slip Washers and Center Cap	10
CLX200C*	Cover Cap	5
CLX200CA	Cover and Cap Assembly (Includes O-Ring)	5
CLX200B*	Cover	5
CLX200K	O-Ring, Special Composition Viton	10
CLX200H	Feeder Tube	10
CLX200PA	Control Knob Assembly with O-Rings (Viton) – large (1989)	10
SPX1700FGV	Drain Plug with Gasket	10
CLX220B	Base (CL220)	5
CLX200BS	Base (CL200)	5
CLX220EA	Check Valve and Inlet Fitting Adapter Assembly	5
CLX220G	Saddle Fitting	10
CLX220GA	Saddle Fitting, Nut, Gasket, Saddle Clamp and 4 ft. Tubing	5
CLX220K	Saddle Clamp	10
CLX220J	8 ft. Length Chlorinator Tubing	5
CLX220HPAK4	Compression Nut	10
CLX220P	1/4" Adapter Fitting	10
SPX1091Z7TC	Combo Adapter with 1/4" Tap	10
SPX1105Z4TC	Elbow Adapter with 1/4" Tap	10
SPX1480BTC	Union End with 1/4" Tap	10
SP1500UNPAK2	Female Union End Connector Pak (Includes 2 each Socket Connector, Union Nut, O-Ring)	50
SP1500UNMPAK1	Male Union End Connector Pak (includes 1 each 1 1/2" MPT Nipple Connector, Union Nut, O-Ring)	50

**NOTE:** \*For bromine feeders, add a "2" to the end of the part number.

### C250CF, 500CF, 1100CF, 1800CF Chemical Feeders (see note)

Part No.	Description	Ctn. Qty.
SPX3100D	Cover	5
SP3100T	Cover Removal Tool	1
SPX3000SV	Cover O-Ring, Special Composition Viton	5
CX500J	Strainer	5
CX250Z14A	1/2" Drain Plug	10
SPX0605Z2V	Drain Plug O-Ring, Special Composition Viton	10
CX500BV	3/4" Control Valve with Dial Indicator (C250BR, 500BR)	5
CX500CV	3/4" Check Valve (C250BR, 500BR)	5
CX500P	Handle for Control Valve	5
CX1100BV	1 1/2" Control Valve with Dial Indicator	5
CX1100CV	1 1/2" Check Valve	5
CX1100P	Handle for Control Valve	5

**NOTE:** Formerly "BR" (Bromine) and "BRC" (Chlorine) feeders.



C250BR

C500BR

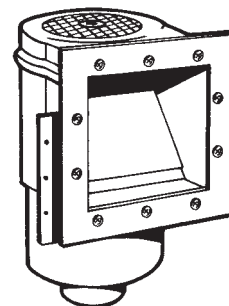
# Automatic Skimmers

REPLACEMENT PARTS



## Cat. Nos. SP1090, SP1090WM, 1092

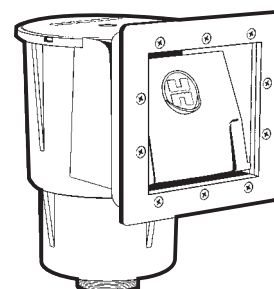
Part No.	Description	Ctn. Qty.
SPX1096CA	Basket, 5 1/8" O.D. x 3"	10
SPX1096B	Cover	10
SPX1096A2	Basket Support Ring	10
SPX1096K	Weir	10
SPX1090D	Face Plate	10
SPX1094GPAK2	Gasket	10
SPX1090GA	Throttle Plate with Screw	10
SPX1090Z1A	Face Plate Screw Set	10
SPX1030Z1C	Face Plate Screw Set – 1 1/4" long	25
SPX1090AA	Body with Basket Ring	1
SPX1092C	Access Plug	10



SP1092

## Wide Mouth Skimmer Parts – No. SP1090WM:

SPX1090WMCV	Cover	10
SPX1090WMSB	Skimmer Basket	10
SPX1090WMW	Weir	10
SPX1090WMA	Vacuum Adapter	10
SPX1090WMFP	Face Plate	20
SPX1090WMSG	Sealing Gasket (Set of 2)	50



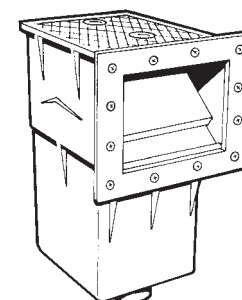
SP1091LX

## Turbo Skimmer Parts – No. SP1090T, 1091T:

SPX0703GA	Turbo Boost Valve	1
-----------	-------------------	---

## Cat. Nos. SP1091LX, SP1091WM

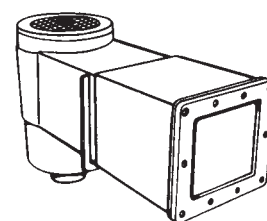
Part No.	Description	Ctn. Qty.
SPX1091B	Skimmer Cover	10
SPX1091C	Basket with Handle	12
SPX1091K1	Weir	10
SPX1091D	Face Plate Standard	10
SPX1091E	Widemouth Extension	1
SPX1091F	Face Plate Widemouth	10
SPX1091G	Gasket STD, Butterfly	5
SPX1091GW	Gasket Widemouth, Butterfly	5
SPX1090Z6A	Standard Screw Set	10
SPX1090Z7A	Widemouth Screw Set	10



SP1089

## Cat. Nos. SP1094, 1094SPA, 1094H, 10950M

Part No.	Description	Ctn. Qty.
SPX1094FA	Basket – 4 3/4" O.D. x 3"	10
SPX1094C	Cover	10
SPX1094K	Weir	10
SPX1094B	Face Plate	10
SPX1094GPAK2	Gasket (SPX1090E for SP10940M)	10
SPX1030Z1C	Face Plate Screw Set – 1 1/4" (SP1094SPA)	10
SPX1094R	Face Plate Cover – Snap-On	10
SPX1090Z1A	Face Plate Screw Set	10



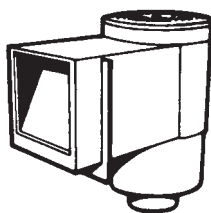
SP1097

White Goods



# Automatic Skimmers

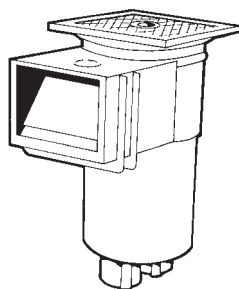
REPLACEMENT PARTS (continued)



SP1096

### Cat. No. SP1089

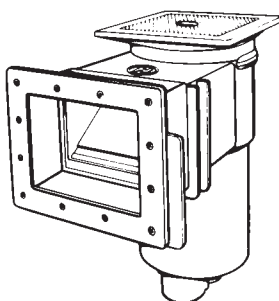
Part No.	Description	Ctn. Qty.
SPX1088B	Cover	10
SPX1088GA	Basket Assembly	10
SPX1089K	Weir	10
SPX1084L	Face Plate	5
SPX1084BPAK2	Gasket	10
SPX1084Z4A	Face Plate Screw Set	10



SP1082

### Cat. Nos. SP1096, 1097, 1098

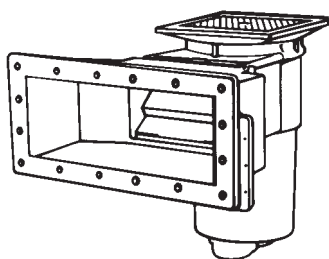
Part No.	Description	Ctn. Qty.
SPX1096B	Cover	10
SPX1096AX	Adjusting Collar	10
SPX1096CA	Basket, 5 1/8" O.D. x 3"	10
SPX1096A2	Basket Support Ring	10
SPX1096K	Weir	10
SPX1097D	Face Plate (SP1097, 1098)	10
SPX0097E	Gasket (SP1097, 1098)	10
SPX1090Z1A	Face Plate Screw Set	10



SP1084

### Cat. Nos. SP1082, 1083, 1084, 1085, 1086

Part No.	Description	Ctn. Qty.
SPX1082E*	Cover, Square	10
SPX1082Z1	Cover Screw (Square Cover)	10
SPX1082F	Adjusting Collar, Square	5
SPX1082EFDGR	Square Collar and Cover Assembly - Dark Gray	4
SPX1084R	Cover, Round	10
SPX1084Z9	Cover Screw (Round Cover)	10
SPX1084P	Round Extension Collar	10
SPX1082CA	Basket with Handle, 6 1/2" O.D. x 5"	18
SPX1082N2	Handle for SPX1082CA Basket	10
SPX1082D	Basket Support Ring	10
SPX1082K**	Weir	10
SPX1082H1A	Slide Plate with Screw	10
SPX1082Z3	Vacuum Hose Adapter	10
SPX1053Z1	2" Pipe Plug	10
SPX1082Z2	2" x 1 1/2" Reducing Bushing	5
SPX1084L**	Face Plate (SP1084)	20
SPX1085B**	Face Plate (SP1085)	10
SPX1084B**	Gasket (SP1084)	10
SPX1085DPAK2	Gasket (SP1085)	10
SPX1084C	Spacer (SP1084)	10
SPX1085FDGR	FacePlate Cover (Dark Gray)	
SPX1084FDGR	Face Plate Cover (Dark Gray)	
SPX1084Z1A	Face Plate Screw Set (SP1084)	10
SPX1084Z4A	Face Plate Screw Set (Self-Tapping) (SP1084)	10
SPX1084Z4AM	Face Plate Screw Set - 1 1/4" long (Self-Tapping)	10
SPX1085Z1A	Face Plate Screw Set (Self-Tapping) (SP1085)	10
SPX1085Z1AM	Face Plate Screw Set - 1 1/4" long (Self-Tapping)	10
SPX1084B3PAK2	Gasket - SP1084OM	10
SPX1085D2PAK2	Gasket - SP1085OM	10
SPX1080EA	Basket with Sleeve	5
SPX1080AA	Flo-Selector Control with Valve	5
SPX1080D	Skimmer Throttling Plate	10
WGX1048BDGR	Ring - Vinyl with Insert (Drk Gray)	
WGX1082E	NSF listed replacement cover (Auto-Skim, Square)	10
SP1419DDGR	Hydrostream 3/4" (Dark Gray)	
SPX0507A1	Front Frame Ring (Dark Gray)	
SPX0608C	Assembly Face Ring (Dark Gray)	



SP10851

### Turbo Skimmer Parts - Skimmer Nos. SP1082T, 1084T Series:

SPX1084KA	Turbo Boost Valve Assembly	1
-----------	----------------------------	---

NOTES: \*Available in Gray, Dark Gray and Black. Add suffix GR for Gray, DGR for Dark Gray and BLK for Black.

\*\*Also available in Dark Gray. Add suffix DGR for Dark Gray.

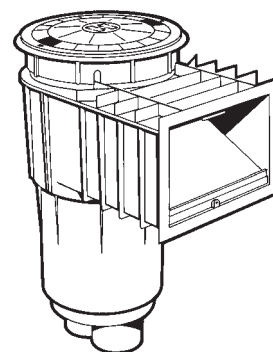
# Automatic Skimmers

REPLACEMENT PARTS (continued)



## Cat. Nos. SP1075, 1075T, 1076, 1077

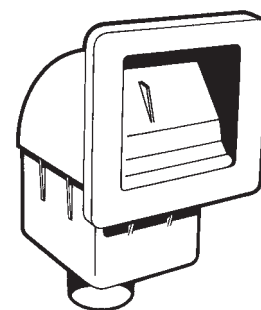
Part No.	Description	Ctn. Qty.
SPX1075C1	Cover, White	10
SPX1084Z9	Cover Screw	10
SPX1075B	Adjusting Collar	10
SPX1082K	Weir	10
SPX1082CA	Basket – 6 1/2" O.D. x 5"	18
SPX1082D	Basket Support Ring	5
SPX1075F	Flo-Control Slide Plate w/Screw	10
SPX1075L	Multi-Flo Valve Control (SP1075T)	1
SPX1084L	Face Plate (SP1076)	20
SPX1085B	Face Plate (SP1077)	10
SPX1084B	Gasket (SP1076)	10
SPX1085DPAK2	Gasket (SP1077)	10
SPX1084Z4A	Face Plate Screw Set (Self-Tapping) (SP1076)	10
SPX1084Z4AM	Face Plate Screw Set – 1 1/4" long (Self-Tapping)	10
SPX1085Z1A	Face Plate Screw Set (Self-Tapping) (SP1077)	10
SPX1085Z1AM	Face Plate Screw Set – 1 1/4" long (Self-Tapping)	10



SP1071

## Cat. No. SP1070, SP1071 Series Skim-Master

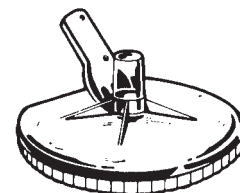
SPX1070Z3PAK2	Cover Retaining Screw	25
SPX1070C	Cover, White	10
SPX1070C10	Cover, Tan	10
SPX1070B	Adjusting Collar, White	10
SPX1070B10	Adjusting Collar, Tan	5
SPX1070E2	Basket Handle	10
ECX1019	Adjusting Collar Screw	25
SPX1070KHR	Weir Assembly w/Bumper Pad (for 1070 Series)	10
SPX1071K	Weir Assembly w/Bumper Pad (for 1071 Series)	10
SPX1070E	Basket – 8 1/4" O.D. x 5 1/4"	12
SPX1082H1B	Flo-Control Slide Plate w/Screw	10
SP1070FV	Float Valve Assembly	24
SPX1070FA	Flo-Control Trimmer Plate w/Screw	10
WGX1070C	NSF listed replacement cover (round)	10



SP1099S

## Cat. No. SP1099S Spa Skimmer

SPX1099B	Basket	10
SPX1099K	Weir	10
SPX1099C	Cover Plate, ABS	50
SPX1099E	Gasket	10
SPX1099FG	Air Relief Valve Kit	5



SP1067

## VACUUM CLEANER HEADS

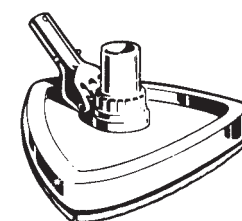
### Cat. No. SP1067 (Dural) / SP1067R (Rubber) Power-Vacs

Part Number	Description	Ctn. Qty.
SPX1067C	Brush Set	10
SPX1067QA	Quik-Snap Handle Connector with Spring	25
SPX0068Z1A	Bracket Bolt with Nut	10

### Cat. No. SP1068 / SP1068DL / 1069 /1069DL Super-Vacs

SPX1068G3	Brush (Set of 3) – for SP1068	5
SPX1069B3	Brush (Set of 3) – for SP1069	5
SPX1068C	Knurled Locknut	10
SPX1068DE	Swivel Hose Connector Set, 1 1/4" and 1 1/2"	5
SP1068FA	Weight Pak (Set of 3)	25
SPX0068Z1A	Bracket Bolt with Nut	10
SPX1067QA	Quik-Snap Handle Connector with Spring	25
SPX1067S	Snap-Spring only	25
SPX1068A	Upper Body	10

Discont'd



SP1068  
SP1068DL

SP1069  
SP1069DL

White Goods



# Suction Outlets

## REPLACEMENT PARTS

### Suction Outlets



**WG1051AV**



**WG1153AV**



**WG1030AV**

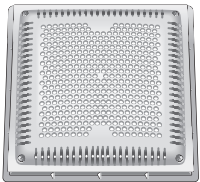
Part Number	Description	Ctn. Qty.
SPX1411Z5A	Grate Securing Screw ( <i>Set of 2</i> ) – replaces SPX1425Z32 for SP1048C	10
WGX1030AVPAK2	Frame, 7 3/4" O.D. (SP1058, 1059, SP1030) 2 Pack	5
SPX1058D	Gasket (SP1058, 9)	10
WGX1048B*	Vinyl Ring, 7 7/8" O.D. (SP1048, 1049)	10
SPX1048DPAK2	Gasket (SP1048, 1049)	10
SPX1039Z18	Vinyl Ring ( <i>Set of 8</i> ) (SP1048, 1049)	10
WGX1048E**	Cover, Dome Type (All Suction Outlets) – White	10
SPX1030Z1A	Screw for use with SPX1048E only ( <i>Set of 2</i> ) – SP1030, 1051, 1154	10
WGX1030Z1A	Screw for use with WGX1048E only and sumps/frames without metal inserts ( <i>Set of 2</i> ) – SP1030, 1051, 1154	10
WGX1030Z1AM	Screw for use with WGX1048E only and sumps/frames with metal inserts ( <i>Set of 2</i> ) – WG1030, 1051, 1154	10
SPX1030Z2A	Screw for use with SPX1048E only ( <i>Set of 2</i> ) – SP1048, 1049	10
WGX1030Z2A	Screw for use with WGX1048E only and sumps/frames without metal inserts ( <i>Set of 2</i> ) – SP1048, 1049	10
WGX1030Z2AM	Screw for use with WGX1048E only and sumps/frames with metal inserts ( <i>Set of 2</i> ) – WG1048, 1049	10
SPX1051Z1	1 1/2" Plastic Pipe Plug	10
SPX1053Z1	2" Plastic Pipe Plug	10
SPX1035B	Gasket (SP1035AV)	10
WGX1030Z3	Plate Screw for nonmetal inserts	25

\*Add suffix GR for gray and BLK for black.

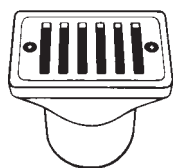
\*\*Includes 4 Screw Sets (for sumps/frames with or without metal inserts).

### Grate Drains

Part Number	Description	Ctn. Qty.
SP1019BA	Grate with screw set (SP1019)	100



**WGX1032HF2B**



**SP1019**

### Vacuum Release System – VR1000

Part Number	Description	Ctn. Qty.
VRX100BF	5/16" Tube Bulkhead Fitting	1
VRX100E	Solenoid Valve	12
VRX100PAK	Tube Replacement Kit	5
VRX100H	Electrical Fuses (pack of 10)	5
VRX100F	Vent Filter	5
VRX100KIT2	Saddle Clamp Kit	105
CLX220J25	5/16" Tube x 25'	5
VRXPCBA	Circuit Board	1
VRXPCBANT	Circuit Board (without timer)	1

White Goods



TO TAKE A CLOSER LOOK AT HAYWARD,  
GO TO HAYWARDPOOL.CA OR CALL 1.888.238.7665



2880 Plymouth Drive | Oakville, ON L6H 5R4

TOTAL SYSTEM: PUMPS | FILTERS | HEATING | CLEANERS | SANITIZATION | AUTOMATION | LIGHTING | SAFETY



Hayward and Hayward Energy Solutions are registered trademarks  
of Hayward Industries, Inc. © 2015 Hayward Industries, Inc.

LITPLC15C-2