

# Table of Contents *Effective January 1, 2014*

Supersedes all price lists of prior dates. Please see Terms & Conditions at the back of the Buyers Guide.

## Section 1.

<b>PUMPS</b>	
EcoStar .....	2
Super Pump VS .....	3
TriStar VS .....	4
TriStar .....	5-6
Super II .....	7
Super .....	8
MaxFlo XL .....	9
Booster Pump .....	10
Power-Flo Matrix .....	11
Ultra-Pro & Ultramax .....	12
Hydraulics .....	13-18

<b>FILTERS</b>	
<b>DIATOMACEOUS EARTH</b>	
ProGrid Vertical Grid D.E. ....	19-20
Perflex Extended Cycle D.E. ....	21
<b>HIGH RATED SAND</b>	
Pro Series Plus .....	22
Pro Series .....	23-24
<b>CARTRIDGE</b>	
SwimClear .....	25
StarClear Plus .....	26
Star-Clear .....	27
XStream Filtration Series .....	28
Replacement cartridge Elements .....	29
Filtration Methods .....	30

<b>HEATERS</b>	
HeatPro and Summit .....	31
Universal H-Series Low NOx .....	32
Venting Fundamentals .....	31
Universal H-Series Venting Kit Matrix .....	33-34
H-Series .....	35-36
Heater Selection Guide/Technical Information .....	37-38

<b>SANITATION &amp; AUTOMATION</b>	
ProLogic .....	39
OmniLogic .....	40
Aqua Connect .....	41
Pick N' Mix Controls Configuration Guide .....	42-43
AquaPod & Pro Logic Remotes .....	44
ProLogic:	
Electronic Chlorination & Wired Wall Mount Display .....	45
Wired Spa Side Remote .....	46
Valve Actuator .....	47
AquaRite Pro .....	48
AquaRite/AquaRite XL .....	49
Aqua Rite Low Salt .....	50
Sense & Dispense .....	51
HCC2000/Universal pH & ORP Sensors .....	52
AquaTrol .....	53
Salt & Swim 3C .....	54
On Command .....	55
Facts/Procedures/Installation .....	56-59
Solar .....	60

<b>CLEANERS</b>	
Navigator Pro .....	61
AquaVac 500 .....	62
E.Vac/AquaVac .....	63
E.Vac Pro .....	64
DV5000, DV1000 .....	65
AquaBug, Scuba Steve, Wally the Whale .....	66
Accessories .....	67-68
Automatic Cleaner Technical Guide .....	69

<b>LIGHTING</b>	
Universal ColorLogic/Accent Light .....	70
Universal CrystaLogic .....	71
Lighting Niches .....	72
ProSeries .....	73
Replacement Lights/Accessories .....	74

<b>GENERAL POOL/ SPA EQUIPMENT</b>	
Chemical Feeders, Automatic .....	75-76
Automatic Skimmers/Skim Vacs .....	77-79
Suction Outlets .....	80-81
Stratum Vacuum Release System .....	82
Valves .....	83-84
Unions .....	85
Fittings & Accessories .....	86-88
Hydrotherapy Fittings .....	89-90
Pool Accessories .....	91
Cleaning Equipment .....	92

## Section 2.

<b>REPLACEMENT PARTS</b>	
See separate table of contents .....	94

## Section 3.

<b>LOGO REFERENCE</b>	
Logos .....	222

The List Prices shown do not necessarily represent the prices that products are sold for to retail customers.

Abbreviations:

- FIP - Female Iron Pipe Size
- SKT - Socket (Solvent Weld - Female) Connection
- MIP - Male Iron Pipe Size
- SLIP - Male Pipe Stub (Solvent Weld - Male) Connection



# EcoStar™ and EcoStar SVRS™

VARIABLE SPEED PUMPS



**The most energy efficient pump at any speed!**

The new Hayward® EcoStar pump is the industry's most energy efficient variable speed pump, thanks to a super-efficient permanent magnet, totally enclosed fan cooled (TEFC) motor and industry leading hydraulic design. Tests prove that EcoStar can save pool owners up to 70% on energy costs compared to ordinary single speed pumps. EcoStar can match pump flow to a pool's needs, versus running at full power 100% of the time.

EcoStar SVRS features an integrated Safety Vacuum Release System (SVRS) that helps prevent suction entrapment without additional devices, plumbing or wiring. It meets or exceeds all relevant ASME/ANSI standards as required by the Virginia Graeme Baker Pool and Spa Safety Act and similar provincial and local requirements.

### Applications

- In-ground pools of all types and sizes, pool/spa combinations
- Ideal for water features such as waterfalls and fountains

### Features

- Industry leading hydraulic design, super efficient permanent magnet motor saves up to \$1,500\* in energy costs year after year
- Revolutionary digital control interface rotates to 4 different positions on the pump or can be wall mounted
- Quiet by design
- California Title 20 compliant
- Fully programmable, self-contained 24-hour time clock with up to 8 custom speed and timer functions
- No additional controller or time clock needed
- SVRS model complies with ASME A112.19.17

\*Savings compared to a single speed pump running 12 hours per day, on a 20,000 gallon pool, at a national average electrical rate of \$0.15/kWh. Actual savings may vary based on comparison pump model, hours of operation, electrical rate and other hydraulic aspects such as plumbing size and length.



EcoStar Variable Speed Pump

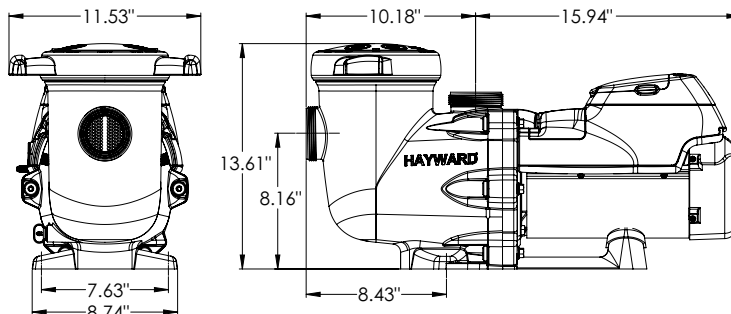
## EcoStar and EcoStar SVRS Buying Guide

Model Number	Description	Speed Range	Voltage	Union Connections
SP3400VSP	EcoStar	600–3450 RPM	230V Single Phase	2" x 2 1/2"
SP3400VSPVR	EcoStar SVRS	1000–3450 RPM	230V Single Phase	2" x 2 1/2"

### Performance Data

RPM	Percent Output	Pump Output (GPM) vs. Total Resistance to Flow (Feet of Head)							
		10	20	30	40	50	60	70	80
1375	40%	51	—	—	—	—	—	—	—
1725	50%	78	45	—	—	—	—	—	—
2075	60%	100	82	41	—	—	—	—	—
2425	70%	117	110	90	56	—	—	—	—
2750	80%	133	133	118	100	73	—	—	—
3100	90%	149	149	144	130	117	91	36	—
3450	100%	166	166	166	158	144	130	111	85

### Overall Dimensions



For replacement parts see page 96



# Super Pump® VS

VARIABLE SPEED PUMPS



Pumps

**NEW!**



SP2600VSP Super Pump Variable Speed

## Energy Savings You Control!

Hayward's best selling Super Pump just got even better! Upgrading to the new variable-speed Super Pump VS takes efficiency to the next level with up to 70% energy cost savings over traditional single-speed pumps. It features an integrated, adjustable variable speed drive as well as a permanent magnet, totally-enclosed motor for even greater energy efficiency and reliability. Super Pump VS is right-sized, particularly for applications with 1.5" plumbing, providing tremendous energy savings that can result in an even faster return on investment.

### Applications

- In-ground pools
- In-ground spas

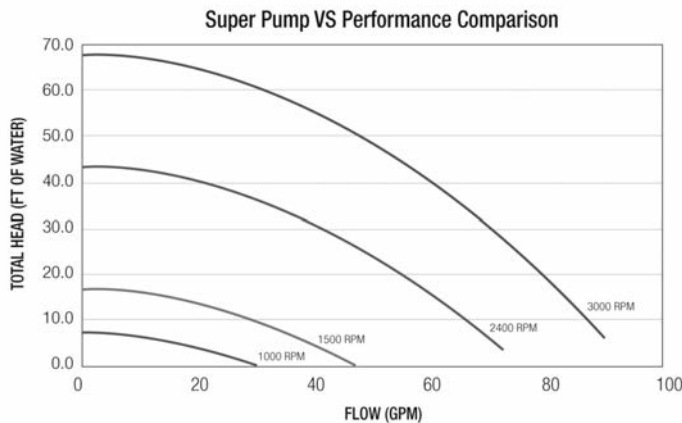
### Features

- Right-sized, particularly for applications with 1.5" plumbing
- Can pay for itself faster than other oversized variable speed models
- Permanent magnet, totally-enclosed fan cooled (TEFC) motor offers incredible energy efficiency and reliability
- Integrated, programmable digital interface provides fully adjustable speed control
- ENERGY STAR approved and compliant with industry regulations such as Title 20 and APSP-15

## Super Pump VS Buying Guide

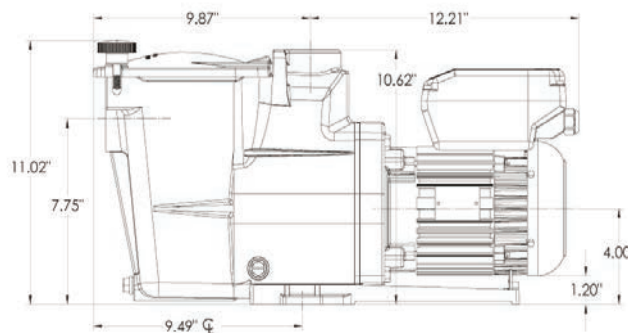
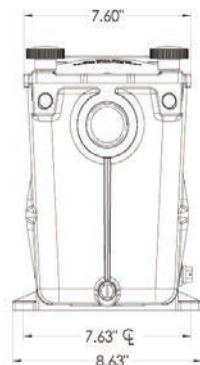
Model Number	Total HP	Speed Range	Voltage	Port Size
SP2602VSP	1.50	600-3000 RPM	230V Single Phase	1 1/2"

### Performance Data



For replacement parts see page 97

### Overall Dimensions







# TriStar VS™

VARIABLE SPEED PUMPS



## Right-Fit Advanced Energy Efficiency.

TriStar VS fits just right. TriStar VS is the variable-speed pump that's specifically designed to replace most 1.5 full-rate HP high performance pumps such as Pentair® WhisperFlo®. With its permanent magnet motor, integrated electronic drive and industry-leading hydraulic design, TriStar VS can save owners up to 70% on their pool-related energy costs - and pay for itself faster than oversized variable-speed models. The right fit for you - and your wallet.

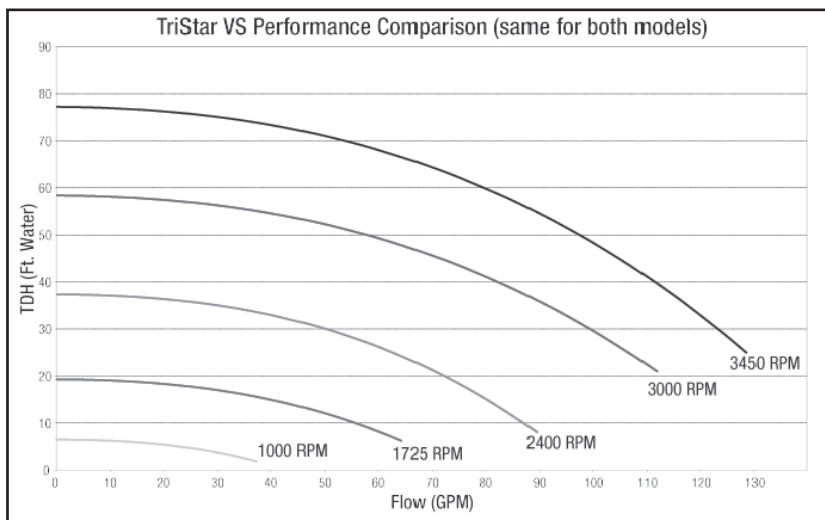
### Applications

- In-ground pools of all types and sizes (including in-floor cleaning systems, solar heating systems, water features)
- In-ground pools of all types and sizes, pool/spa combinations
- Ideal for water features such as waterfalls and fountains

### Features

- Designed to replace most full-rate high performance pumps up to 1.5 HP
- Can pay for itself faster than larger and more expensive variable-speed models
- Permanent magnet, totally enclosed fan cooled (TEFC) motor offers incredible efficiency and reliability
- Integrated, programmable digital interface with a 24-hour programmable clock and up to 8 custom timer functions (SP3200VSP only)
- 2" x 2.5" union connections make installation and servicing fast and easy
- Second base included to align TriStar VS with Pentair® WhisperFlo® for easy retrofit upgrades

### Performance Data



**NEW!**



TriStar VS Variable Speed Pump

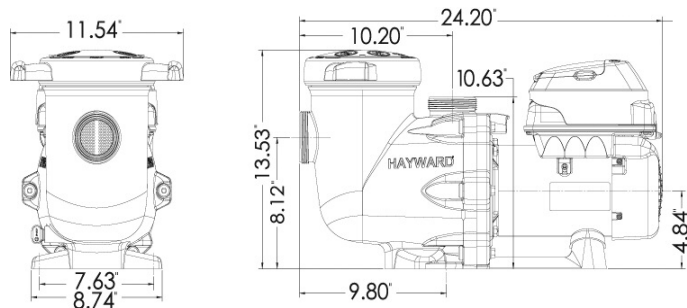
## EcoStar and EcoStar SVRS Buying Guide

Model Number	Description	Speed Range	Voltage	Union Connections
SP3200VSP	TriStar VS <sup>1</sup>	600–3450 RPM	230V Single Phase	2" x 2 1/2"
SP3200VSPND	TriStar VS <sup>2</sup>	600–3450 RPM	230V Single Phase	2" x 2 1/2"

<sup>1</sup> Stand-Alone or Relay Control, includes Pump User Interface

<sup>2</sup> Controlled by Hayward ProLogic, does not require Pump User Interface

### Overall Dimensions



For replacement parts see page 98





# TriStar™

HIGH PERFORMANCE PUMP SERIES



Pumps

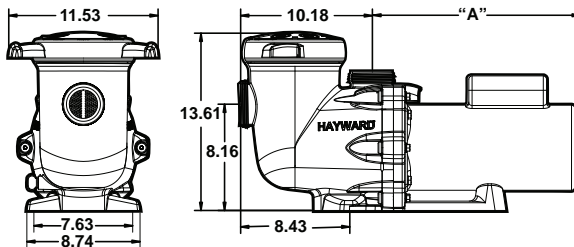


TriStar pump

## TriStar Buying Guide

Model Number	Total H.P.	Rated H.P.	Service Factor	Voltage	Pipe Size	Dim. "A"	Ctn. Qty.	Ctn. Weight
<b>Energy Efficient Full Rated Single-Speed (60°C Desert Rated)</b>								
SP3205EE	.99	1/2	1.98	115/208/230	2" / 2 1/2"	13 5/8"	1	42 lbs.
SP3207EE	1.39	3/4	1.85	115/208/230	2" / 2 1/2"	13 7/8"	1	44 lbs.
SP3210EE	1.85	1	1.85	115/208/230	2" / 2 1/2"	14 3/8"	1	47 lbs.
SP3215EE	2.40	1 1/2	1.60	115/208/230	2" / 2 1/2"	14 7/8"	1	51 lbs.
SP3220EE	2.70	2	1.35	208/230	2" / 2 1/2"	14 7/8"	1	51 lbs.
SP3230EE	3.60	3	1.20	208/230	2" / 2 1/2"	17 1/8"	1	66 lbs.
SP3250EE	5.0	5	1.00	208/230	2" / 2 1/2"	17 1/8"	1	66 lbs.
<b>Energy Efficient Dual-Speed (60°C Desert Rated)</b>								
SP32102EE	1.85	1	1.85	208/230	2" / 2 1/2"	14 3/8"	1	48 lbs.
SP32152EE	2.40	1 1/2	1.60	208/230	2" / 2 1/2"	14 7/8"	1	52 lbs.
SP32202EE	2.70	2	1.35	208/230	2" / 2 1/2"	14 7/8"	1	52 lbs.
<b>Standard Efficient Max Rated Single-Speed</b>								
SP3205X7	0.94	3/4	1.25	115/230	2" / 2 1/2"	13 3/8"	1	42 lbs.
SP3207X10	1.25	1	1.25	115/230	2" / 2 1/2"	13 7/8"	1	44 lbs.
SP3210X15	1.65	1 1/2	1.10	115/230	2" / 2 1/2"	13 7/8"	1	47 lbs.

**TRISTAR 2-SPEED**  
 UP TO **70% SAVINGS**  
 ON YOUR ENERGY COSTS



Overall Dimensions

For replacement parts see pages 100

The TriStar Pump from Hayward features heavy-duty, high-performance pump technology. Easy to install, service and maintain, TriStar outperforms the competition when it comes to flow, efficiency and value. It's the first to feature a large, no-rib strainer basket design that's quick and easy to clean. Tri-Star bases allow it to seamlessly retrofit into existing pool systems.

### Applications

- In-ground pools of all types and sizes (including in-floor cleaning systems, solar heating systems, water features)
- In-ground spas or in-ground pool/spa combinations
- Fountains

### Features

- Advanced hydraulic design delivers superior flow, energy efficiency and value
- Higher flow rates can allow for stepping down in pump horsepower
- 2" x 2 1/2" CPVC union connections make installation and servicing fast and easy
- No-rib design basket ensures easy debris removal. Extra leaf-holding capacity basket extends time between cleanings.
- Tri-Lock cam and ramp strainer cover design seals with less than a quarter turn.
- Crystal clear strainer cover lets you see when the basket needs cleaning.
- Pressure testable to 50 psi maximum
- Service-ease design: power-end assembly (motor/impeller/diffuser) can be removed without disturbing plumbing or mounting connections, simply by removing six bolts.
- Optional bases available to align TriStar with other pump models for easy retrofit
- Self-priming (suction lift up to 10' above water level)
- Save up to 70% on your energy costs with the combination of an advanced hydraulic design and proven two-speed motor technology.

### Performance Data

Model No.	Pump Output (GPM) vs. Total Resistance to Flow (Feet of Head)								
	20 ft	30 ft	40 ft	50 ft	60 ft	70 ft	80 ft	90 ft	100 ft
<b>Energy Efficient Full Rated</b>									
SP3205EE	87	76	62	44	14	—	—	—	—
SP3207EE	104	95	85	71	53	26	—	—	—
SP3210EE	131	122	110	97	82	60	16	—	—
SP3215EE	150	148	140	126	112	94	70	—	—
SP3220EE	170	170	162	148	130	110	80	26	—
SP3230EE	190	190	186	174	155	138	114	72	—
SP3250EE	200	200	200	193	182	167	150	126	75
<b>Standard Efficient Max Rated</b>									
SP3205X7	87	76	62	44	14	—	—	—	—
SP3207X10	104	95	85	71	53	26	—	—	—
SP3210X15	131	122	110	97	82	60	16	—	—

### Performance Data – Low Speed

Model No.	Model No.	Pump Output (GPM) vs. Total Resistance to Flow (Feet of Head)					
		5 ft	10 ft	15 ft	20 ft	25 ft	30 ft
SP32102EE	SP3210X152	65	54	45	10	—	—
SP32152EE	SP3215X202	80	70	56	34	—	—
SP32202EE	SP3220X252	90	85	71	51	—	—



SP36075EE TriStar WaterFall Pump

**The New TriStar 75 & 120 GPM Waterfall Pumps are specifically designed for waterfalls, spillways and negative-edge pool applications. These new pumps feature heavy-duty, high performance, energy efficient motor and pump technology. TriStar Waterfall pumps are easy to install, service and maintain.**

### Applications

- In-ground waterfalls that require low head applications and 75 or 120 gallons per minute

### Features

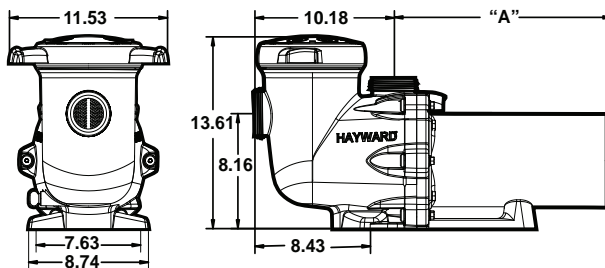
- 60% quieter and 60% less energy consumption than standard pool pumps
- Super-sized basket has extra leaf-holding capacity and extends time between cleanings. Smooth inside surface insures easy debris removal.
- Tri-Lock strainer cover makes removal easy. No tools required, no loose parts and no clamps.
- See-thru strainer cover lets you see when the basket needs cleaning. Test feature allows line pressure test to 50 PSI maximum.
- All components are molded of corrosion-proof reinforced thermoplastic for extra durability and long life.
- Heavy-duty, high-performance motor with air-flow ventilation for quieter, cooler operation. The motor is **Desert Rated** to 140°F.
- Tall mounting base provides dry, stable, stress-free support
- Heat resistant, industrial size ceramic seal
- Rugged one-piece housing, with 2" x 2 1/2" ports
- Service-ease design provides easy access to all internal parts.

**Note:** The New TriStar Waterfall pumps are low-head, high-flow pumps. The piping system should be designed such that the discharge of the waterfall, spillway or cascade is no more than (10) feet above the surface of the water in the pool.

## TriStar™ Buying Guide

Model Number	GPM	Voltage	Pipe Size	Dim. "A"	Ctn. Qty.	Ctn. Weight
<b>Energy Efficient Full Rated Single-Speed</b>						
SP36075EE	75	115/208/230	2" / 2 1/2"	13 7/8"	1	50 lbs.
SP36120EE	120	115/208/230	2" / 2 1/2"	13 7/8"	1	50 lbs.

### Overall Dimensions



### Performance Data

Model No.	Pump Output (GPM) vs. Total Resistance to Flow (Feet of Head)				
	10 ft	15 ft	20 ft	25 ft	30 ft
Max Rated					
SP36075EE	83	68	47	—	—
SP36120EE	110	97	79	41	—

For replacement parts see pages 101



# Super II™

HIGH PERFORMANCE PUMP SERIES

Pumps



Designed for even the most demanding installations, Super II simply out-performs. Efficient, full-flow hydraulics produce more flow at equivalent horsepower, resulting in lower operating costs. Super II, when you want the very best.

### Applications

- In-ground pools of all types and sizes (including in-floor cleaning systems, solar heating systems, water features)
- In-ground spas or in-ground pool/spa combinations
- Fountains

### Features

- Self-priming (suction lift up to 8' above water level)
- Exclusive swing-aside hand knobs make strainer cover removal easy
- See-thru strainer cover lets you see when basket needs cleaning
- 155 cubic inch basket has extra leaf-holding capacity. Load-extender ribbing ensures free flowing operation
- All components molded of corrosion-proof reinforced thermoplastic for extra durability and long life
- Heavy-duty, high performance motor for quieter, cooler operation
- Service-ease design gives simple access to all internal parts
- Unions included

### Performance Data

Model No.	Max Rated	Pump Output (GPM) vs. Total Resistance to Flow (Feet of Head)					
		40 ft	50 ft	60 ft	70 ft	80 ft	90 ft
SP3005X7A		47	38	26	12	—	—
SP3007EECA	SP3007X10A	63	55	46	32	—	—
SP3010EEAZ	SP3010X15A	89	80	69	56	34	—
SP3015EEAZ	SP3015X20A	112	102	90	75	56	—
SP3020EEAZ	SP3020X25A	132	118	103	86	62	—
SP3025EEAZ	SP3025X30A	157	146	133	118	102	80
SP3036EEAZ		157	146	133	118	102	80

### Performance Data – Low Speed

Max Rated Model No.	Pump Output (GPM) vs. Total Resistance to Flow (Feet of Head)					
	5 ft	10 ft	15 ft	20 ft	25 ft	30 ft
SP3010X152S	56	46	34	13	—	—
SP3007X102S						

SP3015X20A 2 H.P. Super II Pump

## Super II Pump Buying Guide

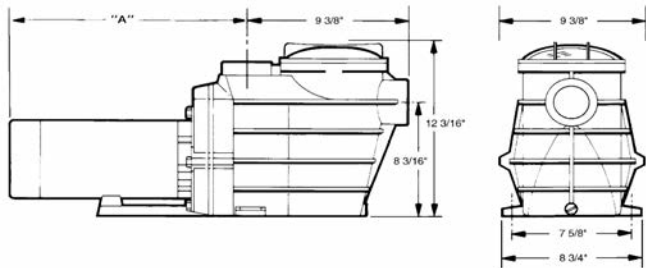
Model Number	Total H.P.	Rated H.P.	Service Factor	Voltage	Pipe Size	Dim. "A"	Ctn. Qty.	Ctn. Weight
<b>Standard Efficiency Max Rated Single-Speed</b>								
SP3005X7A	0.75	¾	1.00	115/230	2"	14 1/8"	1	35 lbs.
SP3007X10A	1.10	1	1.10	115/230	2"	14 1/2"	1	38 lbs.
SP3010X15A	1.50	1 1/2	1.00	115/230	2"	15 5/8"	1	43 lbs.
SP3015X20A	2.00	2	1.00	230	2"	16 5/8"	1	51 lbs.
SP3020X25A	2.5	2 1/2	1.00	230	2"	16 5/8"	1	57 lbs.
SP3025X30	3.45	3	1.15	230	2"	17 3/4"	1	64 lbs.

<b>Standard Efficiency Max Rated Dual-Speed</b>								
SP3007X102S	1,10	1	1,10	230	2"	14 1/2"	1	38lbs.
SP3010X152S	1.50	1 1/2	1.00	230	2"	14"	1	46 lbs.

Model Number	Description	Ctn. Qty.	Ctn. Weight
RSX750PAK1C	Unions Pack (Set of 2)	1	2 lbs.

### Accessories

### Overall Dimensions



For replacement parts see page 102



# Super Pump®

HIGH PERFORMANCE PUMP SERIES



**Efficient. Dependable. Proven. The Super Pump has all the quality features you expect from Hayward. For replacement or new pool installations, the Super Pump sets the standard of excellence and value.**

## Applications

- In-ground pools of all types and sizes
- In-ground spas

## Features

- Self-priming (suction lift up to 8' above water level)
- Exclusive swing-aside hand knobs make strainer cover removal easy
- See-thru strainer cover lets you see when basket needs cleaning
- Super-size 110 cubic inch basket has extra leaf-holding capacity. Load-extender ribbing ensures free flowing operation
- All components molded of corrosion-proof thermoplastic for extra durability and long life
- Heavy-duty, high performance motor for quieter, cooler operation
- Service-ease design gives simple access to all internal parts

## Performance Data

Model No. Max Rated	Pump Output (GPM) vs. Total Resistance to Flow (Feet of Head)					
	20 ft	30 ft	40 ft	50 ft	60 ft	70 ft
SP2600X5A	48	38	23	—	—	—
SP2605X7A	61	52	41	25	—	—
SP2607X10A	74	65	54	40	9	—
SP2610X15A	83	75	65	53	36	—
SP2615X20A	122	111	98	84	66	38
SP2621X25A	117	107	97	86	74	58

## Performance Data – low speed

Model No. Max Rated	Pump Output (GPM) vs. Total Resistance to Flow (Feet of Head)					
	5 ft	10 ft	15 ft	20 ft	25 ft	30 ft
SP2607X102S	39	29	13	—	—	—
SP2610X152S	41	32	18	—	—	—



**SP2610X15 1 1/2 H.P. Super Pump**

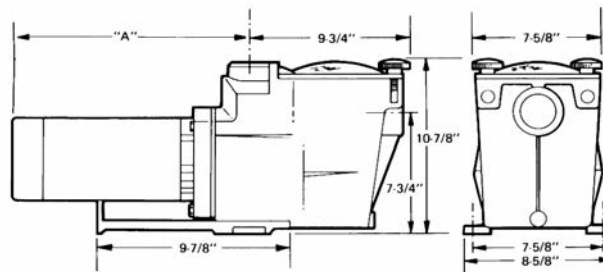
## Super Pump Buying Guide

Model Number	Total H.P.	Rated H.P.	Service Factor	Voltage	Pipe Size	Dim. "A"	Ctn. Qty.	Ctn. Weight
<b>Standard Efficiency Max Rated Single-Speed</b>								
SP2600X5A	0.60	1/2	1.20	115	1 1/2"	13 1/4"	1	29 lbs.
SP2605X7A	0.75	3/4	1.00	115/230	1 1/2"	13 7/8"	1	32 lbs.
SP2607X10A	1.10	1	1.10	115/230	1 1/2"	14 1/4"	1	35 lbs.
SP2610X15A	1.50	1 1/2	1.00	115/230	1 1/2"	15 3/8"	1	40 lbs.
SP2615X20A	2	2	1.00	230	2"	15 7/8"	1	48 lbs.
SP2621X25A	2 1/2	2 1/2	1.00	230	2"	16 3/8"	1	54 lbs.

<b>Standard Efficiency Max Rated Dual-Speed</b>								
SP2607X102S	1	1	1.00	230	1 1/2"	13"	1	39 lbs.
SP2610X152S	1 1/2	1 1/2	1.00	230	1 1/2"	13 3/4"	1	43 lbs.

Dual-speed pumps with "S" designation are complete with "Hi/Lo" switch.

## Overall Dimensions



For replacement parts see page 103



# MaxFlo XL™

MEDIUM HEAD PUMP SERIES

Pumps



**MaxFlo XL is the most energy efficient pump in its class, combining incredible economy and performance. MaxFlo XL physically aligns with the entire MaxFlo family of pumps for seamless retrofit installations. Features such as union connections and a variety of energy efficient single-speed models make MaxFlo XL an outstanding choice for both new pool and aftermarket installations.**

### Applications

- In-ground pools of all types and sizes
- In-ground spas

### Features

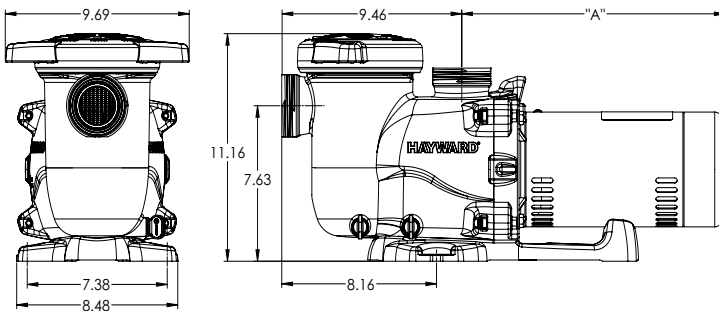
- Advanced hydraulics for increased efficiency and priming ability
- Aligns with the entire MaxFlo line for seamless retrofit installations
- All models include 1 1/2" x 2" union connections
- Extra leaf-holding capacity baskets extends time between cleaning
- See-through strainer cover lets you see when the basket needs cleaning
- Pressure testable to 50 psi maximum
- Self-priming (suction lift up to 8' above water level)

MaxFlo XL Pump

## MaxFlo XL Pump Buying Guide

Model Number	Total H.P.	Rated H.P.	Service Factor	Voltage	Pipe Size	Dim. "A"	Ctn. Qty.	Ctn. Weight
<b>Standard Efficient Max Rated Single-Speed</b>								
SP2307X10	1.25	1	1.25	115/208-230	1 1/2" x 2"	14 1/4"	1	37 lbs.
SP2310X15	1.65	1 1/2	1.1	115/208-230	1 1/2" x 2"	15 1/2"	1	42 lbs.

### Overall Dimensions



### Performance Data

Max Rated Model No.	Pump Output (GPM) vs. Total Resistance to Flow (Feet of Head)					
	20 ft	30 ft	40 ft	50 ft	60 ft	70 ft
SP2307X10	80	70	57	41	9	—
SP2310X15	92	81	70	55	35	—

For replacement parts see page 107

# Booster Pump

HIGH PERFORMANCE PUMP SERIES



Pumps



Booster Pump

## Booster Pump Buying Guide

Model Number	Total		Rated		Motor Electric		Wire Size/Breaker		Ctn. Qty.	Ctn. Weight
	HP	(kW)	HP	(kW)	Voltage	Amps	AWG	Amps		
6060	1.25	(0.93)	0.75	(0.56)	208-230/115	6.9-6.8/13.3	14/12	10/20	1	31 lbs.

The Hayward Booster pump is a high performance, exceptionally quiet booster pump that uses either 1 1/2" unions or 3/4" fittings that makes installation and service easy while using up to 40% less electricity. This booster pump is an excellent replacement for any 3/4 HP booster pump and is equipped with a tall base for increased motor ventilation as well as protection from flooding.

### Features

- 1 1/2" plumbing union fittings improve performance and allows easy installation and removal.
- 3/4" hose barb union adapters allow for easy retrofit to existing installations using flexible hose for booster pump connections.
- Exceptionally quiet
- Uses up to 40% less electricity than other booster pumps
- Pump design allows for *easy* installation and service.
- Suitable for all pressure cleaners requiring a booster pump.
- Tall mounting base allows for increased motor ventilation as well as protection from flooding.
- Drain plug requires no tools for installation and removal.
- Volute may be re-oriented in the field for horizontal discharge.
- 1-year warranty

**NOTE:** Does NOT include optional 3/4" retrofit hose kit, P/N 6060HKIT

For replacement parts see pages 108-109





# Power-Flo<sup>®</sup> Matrix<sup>™</sup>

ABOVE-GROUND PUMP SERIES

Pumps

The Power-Flo Matrix has been engineered as a uniquely superior above-ground pool pump. With a single push of a button, this truly versatile pump changes from a vertical to a horizontal discharge and back again.

It's large profile and integrated styling makes the Power-Flo Matrix a swimming pool pump like no other.

### Applications

- Above-ground/on-ground pools

### Pump Features

- On/Off switch
- The above-ground industry's largest strainer basket for large debris collection with minimal maintenance
- Horizontal/vertical discharge feature—simply converts from vertical to horizontal discharge orientation with the press of a button
- Quick disconnect intake and discharge pipe connection
- C-Clip Connector allows for easy disengagement of strainer housing in a matter of seconds for hassle-free maintenance
- Heavy-duty, high performance motor with integrated automatic thermal overload protector for years of operation
- High quality Noryl<sup>®</sup> impeller with wide openings to prevent clogging by leaves and debris
- Durable, corrosion-proof housing for years of dependable service and all-weather performance
- Heat-resistant, double-sized seal for long-lasting efficiency
- Energy-efficient, protected rear mounted switch
- Integral drain plug for easy winterization of pump
- Unions included



SP5610 1 H.P. Power-Flo Matrix pump (Inset: Horizontal/Vertical Discharge feature).

## Power-Flo<sup>®</sup> Matrix<sup>™</sup> Pump Buying Guide

### Power-Flo<sup>®</sup> Matrix<sup>™</sup> Series

Model Number	H.P.	Voltage	Pipe Size	Dim. "A"	Cord Size	Ctn. Qty.	Ctn. Weight
SP5610	1	115	1 1/2"	11 3/8"	25'	1	25 lbs.
SP5610ET**	1	115	1 1/2"	11 3/8"	25'	1	26 lbs.
SP5615	1 1/2	115	1 1/2"	12"	25'	1	26 lbs.
SP56152*	1 1/2	115	1 1/2"	12"	25'	1	26 lbs.

\* 2 Speed Pump\*

\*\* Electric Timer

### Optional Accessories

Model Number	Description	Ctn. Qty.	Ctn. Weight
SP1500UNPAK2	Set of two (2) quick connect unions	50	32 lbs.

### Performance Data in U.S. gallons

Model Number	Pump Output (GPM) vs. Total Resistance To Flow (Feet of Head)				
	10 ft	20 ft	30 ft	40 ft	50 ft
SP5610	86	86	75	58	27
SP5615	91	91	80	62	32

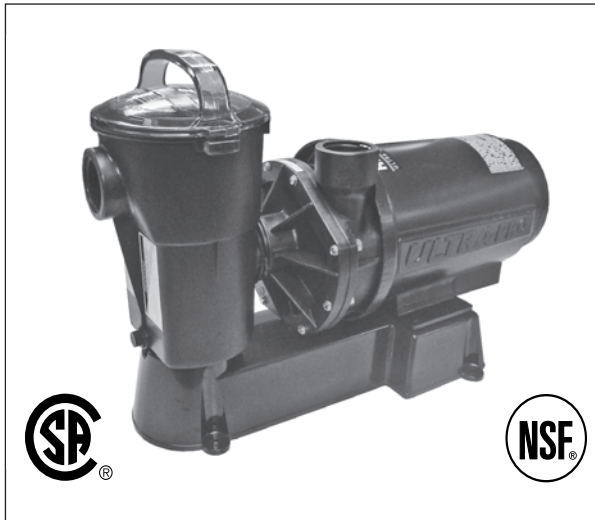
For replacement parts see pages 110

# Ultra-Pro™ & UltraMax™

ABOVE-GROUND PUMP SERIES



Pumps



SP2290 1 H.P. Ultra-Pro pump.

The Ultra-Pro pump has been quality-built and engineered to give you many years of efficient, dependable service. The non-conductive, corrosion-proof motor housing provides protection from the elements and insulates the electrical motor parts from outside contact.

The advanced design reduces operation and maintenance to simple, common-sense procedures.

## Ultra-Pro Pump Buying Guide

Model Number	H.P.	Voltage	Pipe Size	Cord Size	Ctn. Qty.	Ctn. Weight
<b>Max Rated Single-Speed</b>						
SP2290	1	115	1 1/2"	25'	1	27 lbs.
SP2295	1 1/2	115	1 1/2"	25'	1	30 lbs.



UltraMax pump.

UltraMax has been quality-built and engineered to give many years of efficient, dependable service. For above-ground and on-ground pools requiring quiet self-priming performance.

## Features

- Exclusive swing-aside hand knobs make strainer cover removal easy
- Lexan® see-thru strainer cover lets you see when basket needs cleaning
- Strainer basket is 50% larger and incorporates an integral non-corrosive handle. Load extender ribbing ensures free flowing operation
- All components molded of corrosion proof PermaGlass XL™ for extra durability and long life
- Heavy-duty, high performance motor for quieter, cooler operation
- Service-ease design gives simple access to all internal parts

## UltraMax Pump Buying Guide

Model Number	H.P.	Voltage	Pipe Size	Cord Size	Ctn. Qty.	Ctn. Weight
<b>Max Rated Single-Speed</b>						
SP2910	1	115	1 1/2"	25'	1	29 lbs.
SP2915	1 1/2	115	1 1/2"	25'	1	30 lbs.

For replacement parts see pages 111-112



# Hydraulics

## THE BASICS OF PUMP/FILTER SIZING

Hydraulics is the study and understanding of the behavior of liquids at rest and in motion. We are concerned with water, and the following characteristics of our application:

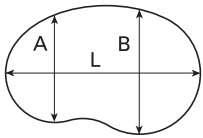
1. How much water do we have (Pool Capacity)?
2. How fast can we safely move the water (Turnover Rate and Water Velocity)?
3. How much resistance will this water meet while moving through the system (Friction Loss)?
4. How will we overcome this resistance (Pump/Filter Sizing)?

Following are step-by-step instructions to answer these four questions and ultimately determine the proper size pump or filter for virtually any installation. Below each step is a calculation based on the following example: 16 ft by 32 ft rectangular pool, 3 ft to 8 ft deep, 2" suction side and return side plumbing. Existing 1 H.P. pump; filter gauge reads 10 PSI (clean).

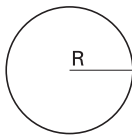
### 1. Pool Capacity

To determine total gallons, we must first calculate the surface area of the pool in square feet:

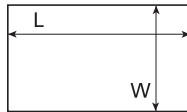
#### 1A. Surface Area



$$\text{Area} = (A+B) \times L \times .45$$



$$\text{Area} = R \times R \times 3.14$$



$$\text{Area} = L \times W$$

\_\_\_\_\_ ft<sup>2</sup>  
(surface area)

**Surface Area: 16 ft x 32 ft = 512 ft<sup>2</sup>**

Next, multiply the surface area by the *average depth* to determine the appropriate *volume* of the pool.

#### 1B. Average Depth

$$\left( \frac{\text{_____ ft} + \text{_____ ft}}{2} \right) = \text{_____ ft}$$

(depth, shallow end)      (depth, deep end)      (average depth)

**Average Depth = (3 ft + 8 ft) ÷ 2 = 5.5 ft**

#### 1C. Volume

$$\text{_____ ft}^2 \times \text{_____ ft} = \text{_____ ft}^3$$

(surface area)      (average depth)      (volume)

**Volume = 512 ft<sup>2</sup> x 5.5 ft = 2,816 ft<sup>3</sup>**

Next, multiply the pool's volume in ft<sup>3</sup> by 7.5 to get the pool capacity in gallons:

### 1D. Pool Capacity

$$\text{_____ ft}^3 \times 7.5 \text{ gallons/ft}^3 = \text{_____ gallons}$$

(volume)      (pool capacity)

**Pool Capacity = 2,816 ft<sup>3</sup> x 7.5 gallons/ft<sup>3</sup> = 21,120 gallons**

Some of the more common pool sizes are:

Above-Ground Size	Gallons*
15 ft Round	5,293
18 ft Round	7,622
21 ft Round	10,374
24 ft Round	13,550
12 ft x 24 ft Rectangle	8,626
27 ft Round	17,149

\*Average Depth: 4 ft

In-Ground Size	Gallons*
12 ft x 24 ft Rectangle	11,861
16 ft x 32 ft Rectangle	21,086
18 ft x 36 ft Rectangle	26,687
20 ft x 40 ft Rectangle	32,947

\*Average Depth: 5.5 ft

### 2. Flow Rate

While the actual flow rate of a pump is based on the total resistance of the system as described below, the desired flow rate must be calculated to verify it will satisfy Turnover Rate and Water Velocity requirements.

#### 2A. Turnover Rate

The turnover rate for a swimming pool is the amount of time required to circulate the entire volume of water through the system once to meet reasonably clean, safe water standards. Check with local regulations for the minimum required turnover rate.

Based on the pool's capacity and the desired turnover rate, the *minimum* rate at which the water must be circulated in Gallons Per Minute (GPM) is calculated as follows:

#### A. Minimum Flow in Gallons per Hour (GPH)

$$\frac{\text{_____ gallons}}{\text{(pool capacity)}} \div \frac{\text{_____ hours}}{\text{(desired turnover rate)}} = \text{_____ GPH}$$

(minimum flow, gallons per hour)

**Minimum Flow: 21,120 gallons ÷ 10 hours (assumed) = 2,112 gallons per hour**

#### B. Minimum Flow in Gallons per Minute (GPM)

$$\frac{\text{_____ gallons per hour}}{\text{(minimum flow, gallons per hour)}} \div 60 \text{ minutes per hour} = \text{_____ GPM}$$

(minimum flow, gallons per minute)

**Minimum Flow: 2,112 gallons per hour ÷ 60 minutes per hour = 35 gallons per minute**





### 2B. Water Velocity

The *maximum* recommended water velocity is six (6) or eight (8) feet per second for suction lines and ten (10) feet per second for return lines. Check with local regulations for the maximum water velocity for suction and return lines. The table below lists the *maximum* flow in GPM based on plumbing size and water velocity.

Pipe Size	Maximum Flow		
	6.0 ft/sec	8.0 ft/sec	10.0 ft/sec
1 ½"	38 GPM	51 GPM	63 GPM
2"	63 GPM	84 GPM	105 GPM
2 ½"	90 GPM	119 GPM	149 GPM
3"	138 GPM	184 GPM	230 GPM

**Maximum Flow: 2" suction side plumbing at 6.0 ft/sec = 63 gallons per minute**

### 2C. Desired Flow

The desired flow rate must be between the minimum flow based on the Turnover Rate and the maximum flow based on the Water Velocity. Note that if higher flow rates are needed, such as for water features, the maximum possible flow would have to be increased by using larger size plumbing (e.g. increase from 2" to 2 ½" plumbing). The use of branch (parallel) plumbing can also be used to reduce the flow and therefore plumbing size. Check with local regulations for proper plumbing sizing.

It is recommended to select a flow that is higher than the minimum to account for decrease in flow that naturally occurs as the filter is loaded with dirt and debris.

**Minimum Flow (Turnover Rate): 35 GPM**

**Maximum Flow (Water Velocity): 63 GPM**

**Desired Flow: 50 GPM**

### 3. Friction Loss

Everything that the water must pass through within the circulation system — plumbing and equipment — creates resistance or Friction Loss. The friction loss for standard plumbing supplies such as pipe, elbows, fittings, etc. can be found using published reference tables. Friction loss for equipment such as filters, heaters, and chlorination systems can be found in charts and/or curves provided by the manufacturer. The sum of all the resistance is called Total Dynamic Head (TDH) and is typically measured in Feet of Water or Feet of Head.

A properly sized pump will have the ability to overcome the Total Dynamic Head of the system while, at the same time, providing flow that will satisfy Turnover Rate and Water Velocity requirements.

For new installations, it is possible to calculate TDH by using reference tables and manufacturer's data to determine the friction loss associated with every component in the circulation system.

For existing installations, we are often unable to determine the total amount of pipe and fittings . . . it's underground. Therefore, what follows is a simplified "rule-of-thumb" means of determining Total Dynamic Head.

We will need to add the resistance from the vacuum (suction) side of the existing pump to the resistance of the pressure side of the pump. Note this assumes the Static Suction Lift (i.e. vertical distance from the center of the pump's impeller to the surface of the water) is offset by the water returning to the pool.

### 3A. Friction Loss (Vacuum)

$$\frac{\text{_____ inches of mercury} \times 1.13 \text{ ft of water}}{\text{(vacuum reading)}} = \frac{\text{_____ ft of water}}{\text{(total resistance, vacuum)}}$$

Typically, however, a vacuum reading will not be available, therefore, the table below provides Common Head Loss Factors for today's high-efficiency pumps.

Pump Size	Head Loss Factor*
¾ H.P.	4.5 to 5.5 ft of water
1 H.P.	7 to 9 ft of water
1 ½ H.P.	10 to 12.5 ft of water
2 H.P.	13.5 to 16 ft of water

\*Assumes 2" suction line, not to exceed 40 ft long, minimal fittings, one (1) 2" valve and full-rated pumps.

**Total Resistance (Vacuum): 9 ft of water (existing 1 H.P. pump)**

### 3B. Friction Loss (Pressure)

$$\frac{\text{_____ PSI} \times 2.31 \text{ ft of water}}{\text{(filter pressure, clean)}} / \text{PSI} = \frac{\text{_____ ft of water}}{\text{(total resistance, pressure)}}$$

**Total Resistance (Pressure): 10 PSI x 2.31 ft of water / PSI = 23 ft of water**

### 3C. Total Dynamic Head

$$\frac{\text{_____ ft of water}}{\text{(total resistance, vacuum)}} + \frac{\text{_____ ft of water}}{\text{(total resistance, pressure)}} = \frac{\text{_____ ft of water}}{\text{(total dynamic head)}}$$

**Total Dynamic Head: 9 ft of water + 23 ft of water = 32 ft of water**

### 4. Pump Sizing

We now have all the information necessary to select the proper size pump and/or filter and then proceed based on new vs. existing installations.

A pump's performance data is provided in GPM (output) vs. Feet of Head (resistance). The specific performance data for Hayward pumps can be found in the Pump Section of this Buyer's Guide.

#### 4A. Pump Sizing, New Installations

For new installations, use the desired flow rate and Total Dynamic Head calculated from tables and manufacturer's data:

Desired Flow = \_\_\_\_\_ GPM

Total Dynamic Head = \_\_\_\_\_ ft of water

Using Hayward Pump Performance Curves or Tables, identify which pump's performance comes closest to matching the point where the Desired Flow intersects with the Total Dynamic Head.



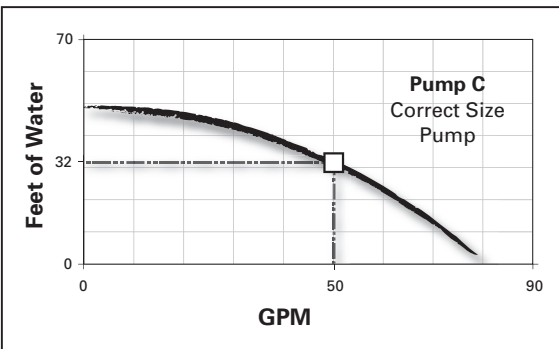
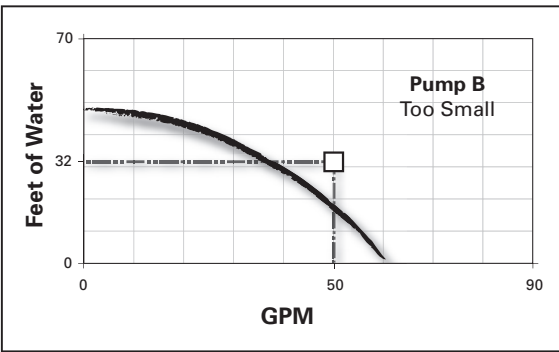
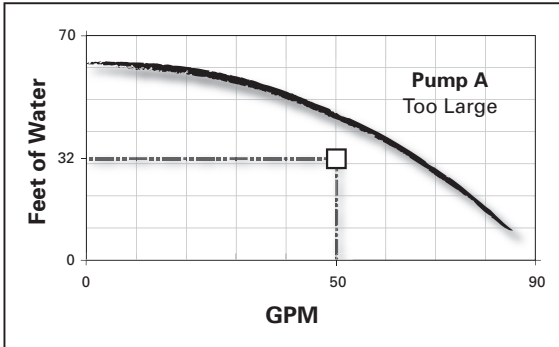
# Hydraulics

THE BASICS OF PUMP/FILTER SIZING

Pumps

**Desired Flow: 50 GPM**

**Total Dynamic Head: 32 ft of water (assume to be the same as previously determined from Friction Loss calculations)**



## 4B. Pump Sizing, Existing Installations

For existing installations, use the Total Dynamic Head calculated from the Friction Loss on the Vacuum and Pressure side of the pump.

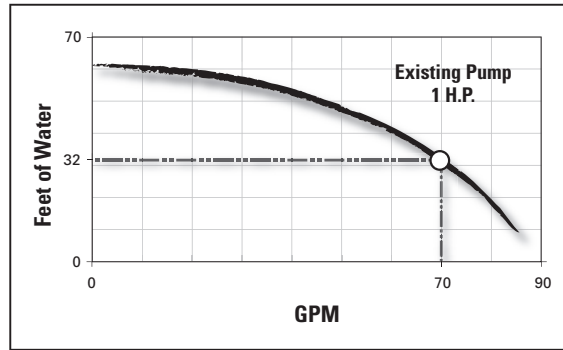
Total Dynamic Head = \_\_\_\_\_ ft of water

Using the manufacturer's performance curve for the existing pump, find the flow that corresponds to the Total Dynamic Head. This is the actual flow at which the pump is currently operating, which may or may not meet Turnover Rate and Water Velocity requirements. Verify the actual flow rate is between the minimum flow based on the Turnover Rate and the maximum flow based on the Water Velocity.

**Total Dynamic Head: 32 ft of water**

If the actual flow rate does not meet the Turnover Rate and Water Velocity requirements, you must either modify the system to add or remove restrictions (e.g. use less restrictive plumbing fittings and/or equipment) or vary the flow by changing size of the pump.

**In the example below, the flow (70 GPM) that corresponds to 32 ft of water for the given pump exceeds the maximum flow based on the water velocity. The pump should be re-sized.**



Important: if you increase or decrease the flow for any reason (e.g. change pump size), Friction Loss will increase or decrease respectively. *You cannot read horizontally across the curve at the same Total Dynamic Head to choose another pump.* You must create a system curve based on the following relationship:

$$\text{_____ ft of water (current friction loss)} \times \left( \frac{\text{_____ GPM (new flow rate)}}{\text{_____ GPM (current flow rate)}} \right)^2 = \text{_____ ft of water (new friction loss)}$$

Choose the minimum and maximum flow rates based on Turnover Rate and Water Velocity and calculate the corresponding friction loss using the formula above. Plot each combination of friction loss and flow to create the system curve.

**Current Flow: 70 GPM (from chart for existing 1 H.P. pump shown above)**

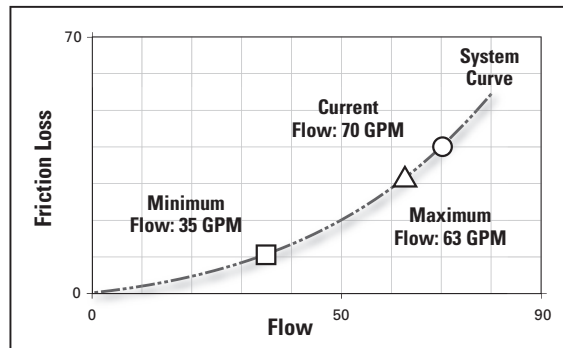
**Current Friction Loss: 32 ft of water**

**Flow Rate per Turnover Requirement = 35 GPM**

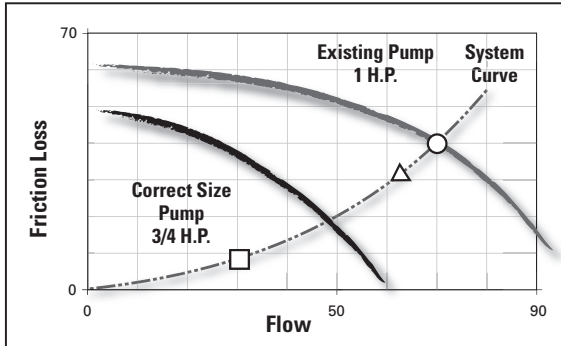
**Friction Loss = (32 ft of water) x (35 GPM ÷ 70 GPM)<sup>2</sup> = 8 ft of water**

**Flow Rate per Water Velocity Requirement = 63 GPM**

**Friction Loss = (32 ft of water) x (63 GPM ÷ 70 GPM)<sup>2</sup> = 26 ft of water**



The point where the performance curve for a particular pump intersects the system curve determines the flow and Total Dynamic Head where that pump will operate.



**In this example, the flow for the 3/4 H.P. pump is between the minimum and maximum flow and is therefore properly sized for the application.**

### Saving Money by Saving Energy

Depending upon utility rates, pool characteristics, and equipment selected, the energy and dollar savings from an energy efficient single, two, or variable speed pump compared to a standard single speed pump can be quite significant.

For example, a system featuring an energy efficient high performance pump drawing 5.34 amps at 230 volts where the local utility rate is \$0.12 per kWh will cost you approximately \$1.78 over a 12 hour period per day. A standard pump drawing 7.0 amps will cost you approximately \$2.32 per day or an extra \$197 annually!

Use this worksheet to help determine your energy savings:

A. Motor Amp Rating	A
B. Voltage (e.g. 115 volts or 230 volts)	B
C. Local Energy Rate (\$ per kWh)*	C
D. Approximate Power Usage (Watts) = A x B**	D
E. Kilowatts = D / 1000	E
F. \$ per hour = E x C	F
G. Hours of Operation	G
H. Cost per Day = F x G	H
J. Monthly Cost = H x 30	J
K. Yearly Cost = H x number of months pool is in operation	K

**NOTES:** \*Refer to your utility bill to determine locate rate

\*\*Estimated. It is recommended to use a wattmeter to determine the actual power consumption.

**Please visit [www.haywardpool.ca](http://www.haywardpool.ca) for a more advanced Energy Calculator that can be used to estimate your savings using Hayward Energy Solutions products.**



### 4B. Filter Sizing

A filter, be it DE, sand, or cartridge, has a Design Flow Rate in GPM as well as a Turnover Capacity in Gallons. See the table below for example. The specific performance data for Hayward filters is provided in the Filter Section of this Buyer's Guide.

Select a filter that meets or exceeds *both* the desired flow rate and turnover capacity in gallons.

Model Number	Effective Filtration Rate Area	Design Flow	Turnover Capacity (Gallons)	
			8 Hours	10 Hours
S180T	1.75 ft <sup>2</sup>	35 GPM	16,800	21,000
S210T	2.20 ft <sup>2</sup>	44 GPM	21,120	26,400
S220T	2.64 ft <sup>2</sup>	52 GPM	24,960	31,200
S244T	3.14 ft <sup>2</sup>	62 GPM	29,760	37,200
S270T	3.70 ft <sup>2</sup>	74 GPM	35,520	44,400
S310T	4.91 ft <sup>2</sup>	98 GPM	47,040	58,800
S360SX	6.50 ft <sup>2</sup>	130 GPM	62,400	78,000

**Desired Flow: 50 GPM**

**Turnover 21,120 gallons in 10 hours**

**Select S220T (minimum to meet Desired Flow and Turnover)**

One additional factor to consider in filter sizing is bather load. Busier pools require larger filters. Also, larger filters provide longer cycles, reducing everyday maintenance required by the consumer during the pool season.

### Summary

Using the information calculated above, you can properly size the pump, filter, and corresponding equipment, assuring you meet Turnover Rate and Water Velocity requirements while eliminating the electrical waste and potential damage to other system components associated with a needlessly oversized pump.



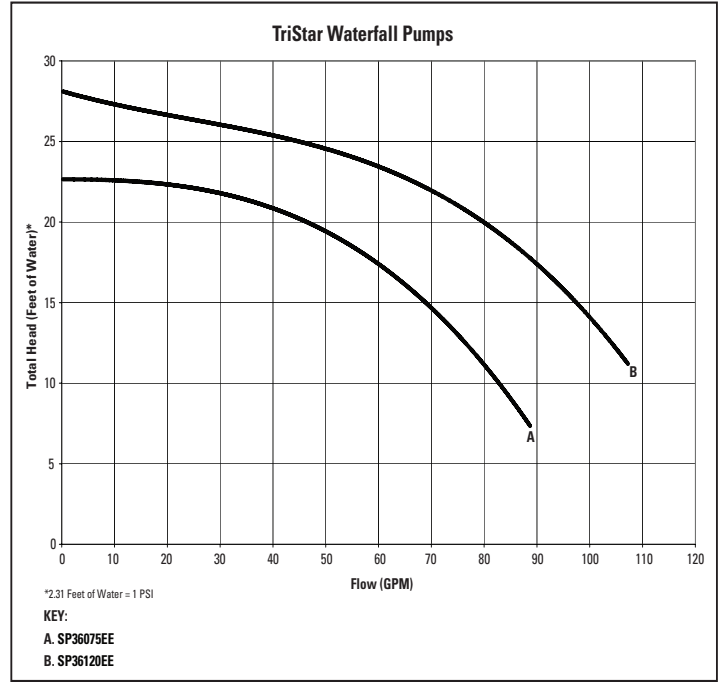
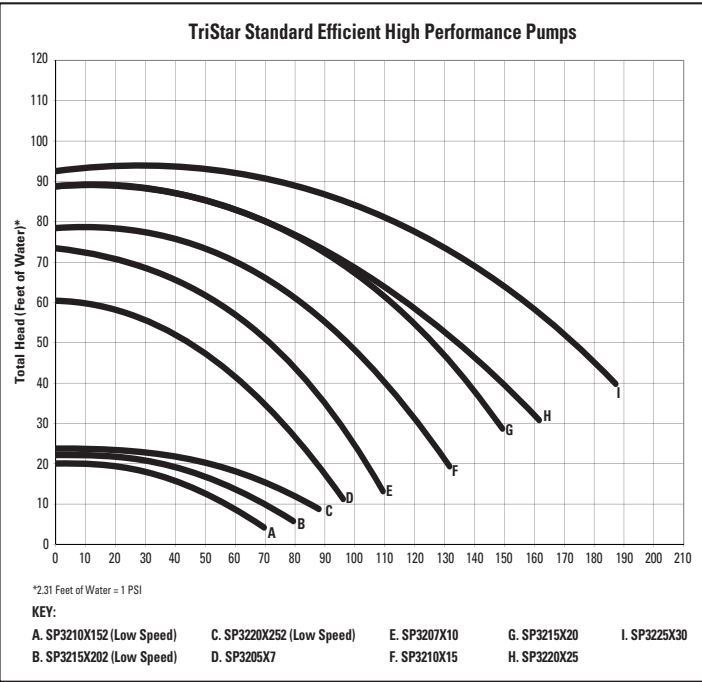
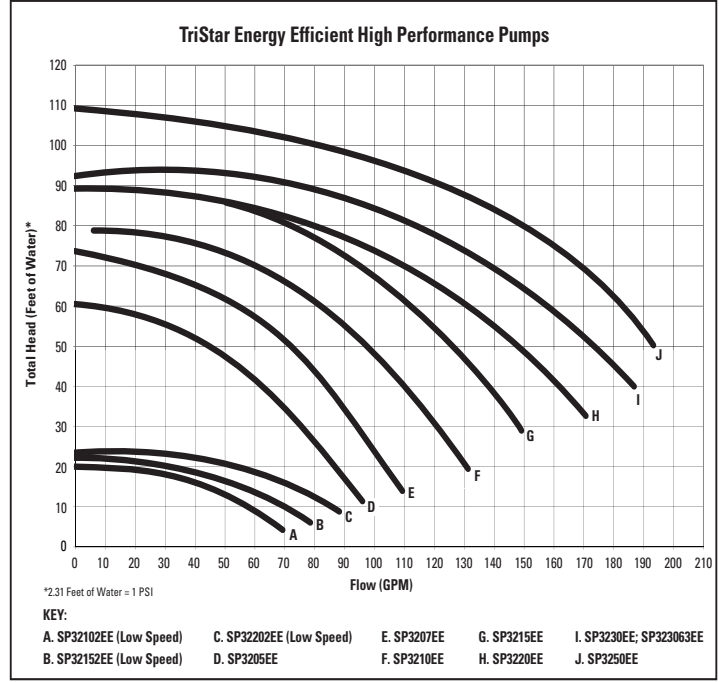
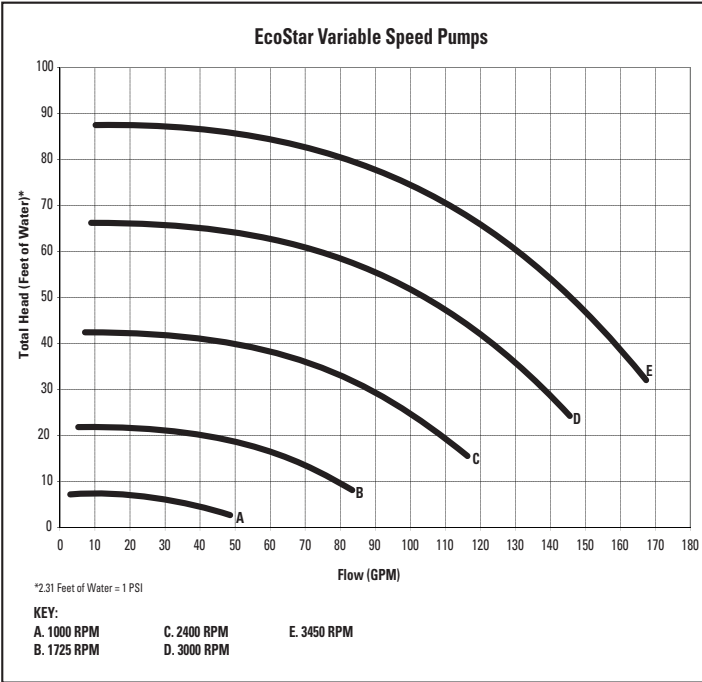


# Hydraulics

## PUMP PERFORMANCE CURVES

Pumps

Below are the Performance Curves for Hayward In-Ground Pumps in Flow (measured in Gallons per Minute) and Total Dynamic Head (measured in Feet of Water). See "Pump Sizing" on p. 19 for tips to properly size pumps for both new and existing installations.

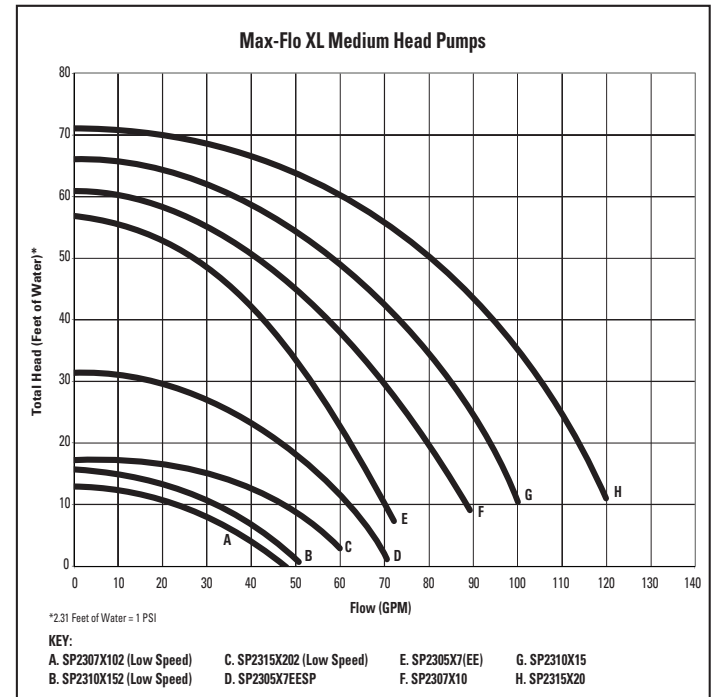
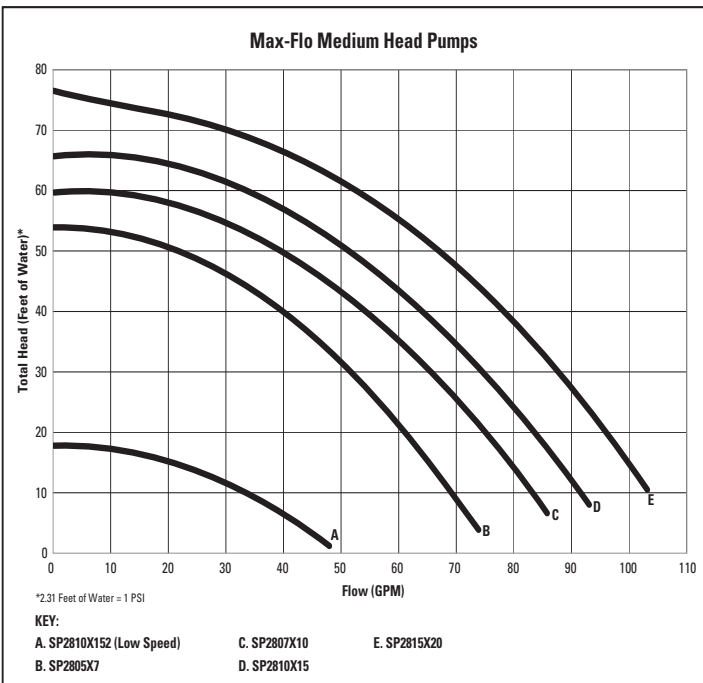
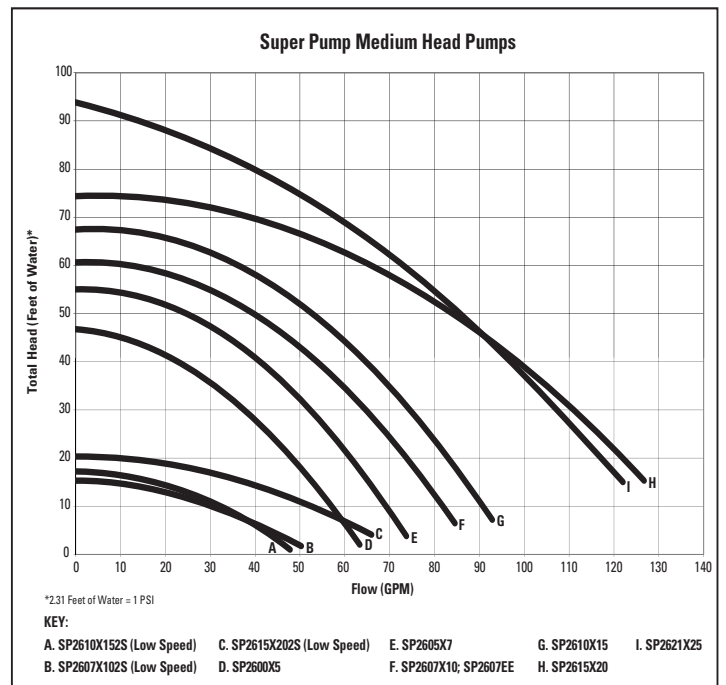
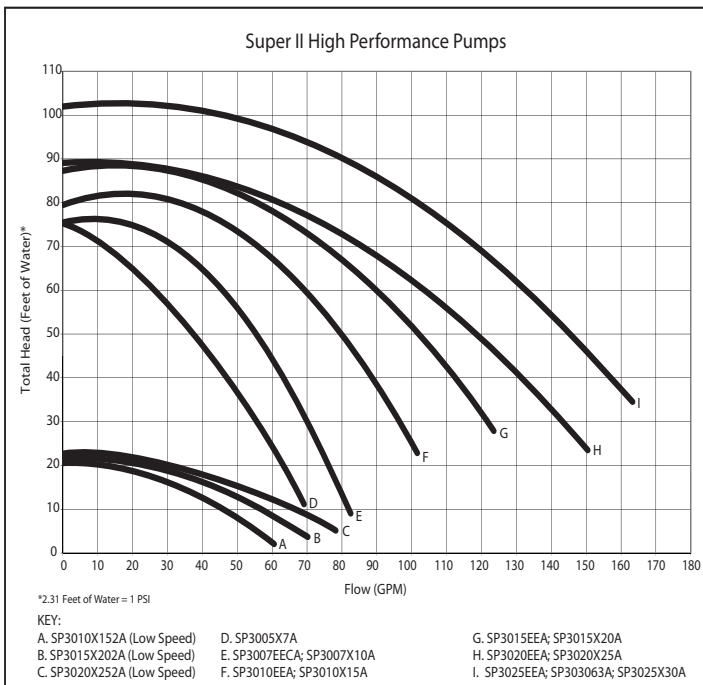


# Hydraulics

## PUMP PERFORMANCE CURVES (continued)



PUMPS





# Pro-Grid™

VERTICAL GRID D.E. FILTERS

Filter's



DE7220 Pro-Grid filter with SP0740DE Selecta-Flo™ 4-position control valve



DE3620 Pro-Grid filter with 2-position slide valve

Pro-Grid™ vertical grid D.E. filters provide superior water clarity, efficient flow and large cleaning capacity for pools and spas of all types and sizes. Pro-Grid combines high-technology features and “service-ease” design for an unparalleled filtration value for both new pool and aftermarket installations.

### Applications

- In-ground pools
- In-ground spas or in-ground pool/spa combinations

### Features

- High capacity, rapid release manual air relief valve bleeds air with a quick quarter turn of the lever.
- Filter tanks made from durable glass reinforced copolymer to meet the demands of the toughest applications and environmental conditions, including in-floor cleaning systems.
- Self-aligned tank top and bottom make access to servicing the grid elements fast and simple
- Heavy-duty, tamper-proof, one piece flange clamp securely fastens tank top and bottom. Allows quick access to all internal components without disturbing piping or connections.
- High impact grid elements designed for up-flow filtration and top-down backwashing for maximum efficiency.
- Integral lift handles and uniform low-profile base make removal of grid nest fast and simple.
- Inlet diffuser elbow distributes flow of unfiltered water evenly to all filter elements and provides even distribution of D.E. to grids.
- Convenient valve and plumbing options allow for customized control.
- 2" full-flow internal piping and plumbing for less resistance to flow and maximum performance.
- 72 ft.<sup>2</sup> filter allows for both commercial and large residential applications and years of non-corrosive, trouble-free performance.

## Pro-Grid D.E. Filter Buying Guide

Model Number	Effective Filtration Area	D.E. Required	Dimensions		Ctn. Qty.	Ctn. Weight
			Width*	Height		
DE2420	24 ft. <sup>2</sup>	3 lbs.	24"	32 ½"	1	56 lbs.
DE3620	36 ft. <sup>2</sup>	4 ½" lbs.	24"	34 ½"	1	65 lbs.
DE4820	48 ft. <sup>2</sup>	6 lbs.	24"	40 ½"	1	74 lbs.
DE6020	60 ft. <sup>2</sup>	7 ½" lbs.	24"	46 ½"	1	84 lbs.
DE7220	72 ft. <sup>2</sup>	9 lbs.	24"	52 ½"	1	94 lbs.

All filters include pressure gauge, air relief valve and 1 ½" drain plug

\*Above dimensions are for filter only. Add 12" for 1 ½" and 14" for 2" multiport valves. Add 7" for 2" slide valve.

Model Number	Description	Pipe Size	Valve Positions	Ctn. Qty.	Ctn. Weight
--------------	-------------	-----------	-----------------	-----------	-------------

### Valve and Coupling Selections

SP0740DE	Selecta-Flo	2" SKT	4	1	9 lbs.
SP0710XR50	Vari-Flo	1 ½" FIP	6	1	6 lbs.
SP0715XR50	Vari-Flo	2" FIP	6	1	9 lbs.
SP0410X502S	Slide Valve	2" SKT	2	1	4 lbs.
DE2400PAK2CS	Coupling	1 ½" SKT x 2" SLIP	—	10	10 lbs.

### Performance Data – Filter

Model Number	Effective Filtration Area	Design* Flow Rate	Turnover (In Gallons)	
			8 Hours	10 Hours
DE2420	24 ft. <sup>2</sup>	48 GPM	23,040	28,800
DE3620	36 ft. <sup>2</sup>	72 GPM	34,560	43,200
DE4820	48 ft. <sup>2</sup>	96 GPM	46,080	57,600
DE6020	60 ft. <sup>2</sup>	120 GPM	57,600	72,000
DE7220	72 ft. <sup>2</sup>	144 GPM	69,120	86,400

\*Based on 2 GPM/ft.<sup>2</sup> (maximum allowable NSF rating).

### Performance Data – Valve Positions

Model Number	Filter	Back-wash	Waste	Recirculate	Rinse	Closed
SP0740DE	•	•	•	•	—	—
SP0710XR50	•	•	•	•	•	•
SP0715XR50	•	•	•	•	•	•
SP0410X502S	•	•	—	—	—	—
DE2400PAK2CS	•	—	—	—	—	—

For replacement parts see pages 115-116

Designed for vertical grid D.E. filters with up to 80 square feet of filtration area, Hayward D.E. separation tanks are ideal for water conservation and savings during backwashing by returning chemically treated backwash water to the pool. Hayward D.E. separation tanks hold up to 10 lbs. of used D.E. filter powder and compliment both new and existing vertical grid D.E. filter installations.

### Features

- For vertical grid D.E. filters with up to 80 ft.<sup>2</sup> of filtration area
- Rugged, reusable polypropylene containment bag holds up to 10 lbs. of used D.E. filter powder
- Comes complete with 2" FIP or 2" SKT connections for full-flow performance
- Single locking knob for easy access



C9002SEP separation tank with 2" FIP connections

Filters

## Pro-Grid D.E. Filter Accessories Buying Guide

Model Number	Pipe Size	Max. D.E. Holding Capacity	Ctn. Qty.	Ctn. Weight
--------------	-----------	----------------------------	-----------	-------------

### D.E. Separation Tanks

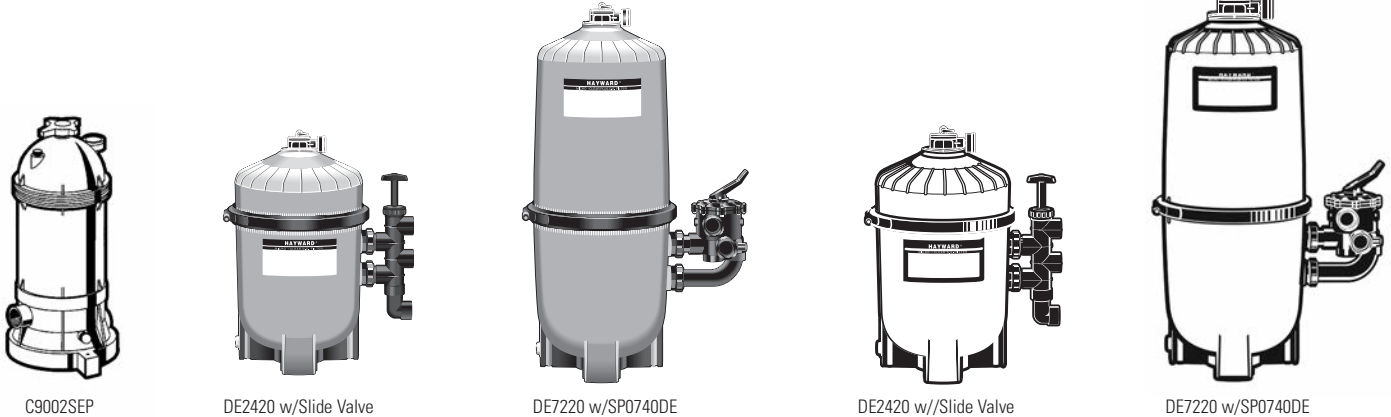
C9002SEP	2" FIP/2" SKT	10 lbs.	1	22 lbs.
----------	---------------	---------	---	---------

Comes complete with 2" FIP or 2" SKT connections for full-flow performance

Model Number	Description	Ctn. Qty.	Ctn. Weight
--------------	-------------	-----------	-------------

### Modular System Base Paks

S200PAK3	Molded platform base for pump and filter. Complete with rigid, clear Lexan® sweep union and hardware. Pre-drilled for Max-Flo™, Super® and Super II™ Pumps. Use 1 1/2" Vari-Flo™ valve.	1	11 lbs.
----------	---	---	---------



C9002SEP

DE2420 w/Slide Valve

DE7220 w/SP0740DE

DE2420 w/Slide Valve

DE7220 w/SP0740DE

For replacement parts see pages 115-116





# Perflex®

EXTENDED-CYCLE D.E. FILTERS – EC65A AND EC75A SERIES

Filters



EC75A Basic Perflex filter



**Perflex Extended-Cycle D.E. filters clean pools fast, removing particles as small as one micron the first time through. Its patented Flex-Tube™ design gives longer cycles between cleaning because the same D.E. filter powder is used over and over. Plus, Perflex cleans without backwashing, saving hundreds of gallons of treated pool water. An exceptional value as a replacement filter or for new pool installations. For sparkling, clean pools, step up to Perflex.**

### Applications

- In-ground pools of all types and sizes

### Features

- Exclusive bump handle activates the mechanism causing the Flex-Tubes to instantly and uniformly clean themselves of dirt and filter powder
- Self-venting design automatically expels any air that may be present in the system
- Proven, patented Flex-Tube filter elements efficiently reuse the filter powder and dirt mixture forming a fresh filtering surface
- Combination pressure gauge and threaded inspection/service port is easy to read and remove when filter needs cleaning
- Heavy-duty filter tank injection-molded of high-strength glass filled chemically coupled PPL for dependable, corrosion-free performance
- Integral check valve prevents system backflow whenever pump is off

## Perflex Extended-Cycle D.E. Filter Buying Guide

Model Number	1 ½"	1 ½"	Check Valve	D.E. Required	Dimensions		Ctn. Qty.	Ctn. Weight
	Drain Valve	Pressure Gauge/ Inspection Port			Width	Height		
EC65A	•	•	•	6 lbs.	21"	31"	1	44 lbs.
EC75A	•	•	•	7 lbs.	21"	31"	1	45 lbs.

### Performance Data

Model Number	Effective Filtration Area	Design* Flow Rate	Turnover (In Gallons)	
			8 Hours	10 Hours
EC65A	27 ft. <sup>2</sup>	54 GPM	25,920	32,400
EC75A	40 ft. <sup>2</sup>	80 GPM	38,400	48,000

\*Based on 2 GPM/ft.<sup>2</sup> (maximum allowable NSF rating).

For replacement parts see pages 119-120

# Pro™ Series Plus

SIDE MOUNT SAND FILTERS



**S311SXV Pro Series Plus 31" filter with 2" slide valve**



**S360SX Pro Series Plus 36" filter**

Incorporating the many advanced features of Hayward's Pro™ Series side-mount sand filter, the Pro Series Plus satisfies the requirements of the most demanding installations, including pools installed with in-floor cleaning systems, spas, fountains or solar heating systems. Its spherical tank design evenly distributes the high pressure and stress associated with these applications, resulting in greater strength and longer life.

## Applications

- In-ground pools installed with in-floor cleaning systems, solar heating systems, water features
- In-ground spas or in-ground pool/spa combinations

## Features

- Durable, flanged inspection cover provides convenient access to top of filter
- Top diffuser ensures even distribution of water over the top of the sand media bed. All internal piping is 2" to give smooth, free-flowing performance
- Automatic air relief purges any trapped air during operation of the filter system
- Large pressure sand/water drain for rapid winterizing or servicing
- Unitized, corrosion-proof, spherical filter tank molded of rugged, colorfast polymeric material for maximum strength and longer life
- Optional valve and coupling selections for plumbing ease and versatility. Choose from 6-position Vari-Flo™ valve, 2-position slide valve or 1 1/2" SKT x 2" SLIP connectors for multiple (tandem) filter installations
- Precision engineered umbrella-fold self cleaning laterals for balanced flow and backwashing, plus easy serviceability

## Pro Series Plus Side-Mount Sand Filter Buying Guide

Model Number	Valve	Sand Required	Dimensions		Ctn. Qty.	Ctn. Weight
			Width**	Height		
S311SX	Not Included*	350 lbs.	31"	38 5/8"	1	74 lbs.
S311SXV	Slide Valve	350 lbs.	31"	38 5/8"	1	78 lbs.
S360SX	Not Included*	700 lbs.	36"	46"	1	95 lbs.

\*Order valve separately – See "Valve and Coupling Selections" Buying Guide below.

\*\*Above dimensions are for filter only. Add 12" for 1 1/2" and 14" for 2" multiport valves. Add 7" for 2" slide valve.

Model Number	Description	Pipe Size	Valve Positions	Ctn. Qty.	Ctn. Weight
<b>Valve and Coupling Selections</b>					
SP0710X62	Vari-Flo	1 1/2" FIP	6	1	6 lbs.
SP0715X62	Vari-Flo	2" FIP	6	1	9 lbs.
SP0410X602S	Slide Valve	2" SKT	2	1	4 lbs.
DE2400PAK2CS	Coupling (2)	1 1/2" SKT x 2" SLIP	—	10	12 lbs.

For replacement parts see pages 123-124

## Performance Data – Filter

Model Number	Effective Filtration Area	Design Flow Rate*	Turnover (In Gallons)	
			8 Hours	10 Hours
S311SXV	4.95 ft. <sup>2</sup>	99 GPM	47,520	59,400
S360SX	6.50 ft. <sup>2</sup>	130 GPM	62,400	78,000

\*Based on 20 GPM/ft.<sup>2</sup> (maximum allowable NSF rating).

## Performance Data – Valve Positions

Model Number	Filter	Back-wash	Waste	Recirc-ulate	Rinse	Closed
SP0710X62	•	•	•	•	•	•
SP0715X62	•	•	•	•	•	•
SP0410X602S	•	•	—	—	—	—
DE2400PAK2CS	•	—	—	—	—	—



# Pro™ Series

TOP-MOUNT SAND FILTERS – S166T, S180TC AND S210TC MODELS

Filter's



S166T Pro Series 16" filter with Vari-Flo™ control valve



S180TC Pro Series 18" filter with Vari-Flo™ control valve.



S210TC Pro Series 21" filter with Vari-Flo™ control valve.

**Pro Series sand filters are high performance, totally corrosion-proof filters that blend superior flow characteristics and features with ease of operation. For multiple applications, the Pro Series represents the very latest in sand filter technology and will provide clear, sparkling water for years to come.**

### Features

- Durable, corrosion-proof filter tank molded of color-fast material for long-lasting, all-weather performance
- 7-position PermaGlass XL™ Vari-Flo valve provides maximum flow at lower pressure drop.
- Flange clamp design allows 360° rotation of valve for easy installation
- Integral top diffuser ensures even distribution of water over the entire sand bed for maximum use of the filtration area
- Efficient, multi-lateral underdrain assembly with precision engineered, self-cleaning laterals gives totally balanced flow and backwashing

### Performance Data in U.S. gallons – Filter

Model Number	Effective Filtration Area	Design Flow Rate	Turnover (In Gallons)	
			8 Hours	10 Hours
S180TC	1.75 ft. <sup>2</sup>	35 GPM	16,800	21,000
S210TC	2.20 ft. <sup>2</sup>	44 GPM	21,120	26,400
S166T2	1.40 ft. <sup>2</sup>	30 GPM	14,400	18,000

### Performance Data – Valve Positions

Model Number	Filter	Back-wash	Waste	Recirculate	Rinse	Closed	Winter
SP0714T	•	•	•	•	•	•	•

## Pro Series Filter Buying Guide

Model Number	Filter Control Valve	Filter Base	Sand Required	Dimensions		Ctn. Qty.	Weight
				Width	Ctn. Height		
S166T	SP0714T	•	100 lbs.	16 ½"	33"	1	25 lbs.
S180TC	SP0714T	•	175 lbs.	18 ½"	35"	1	32 lbs.
S210TC	SP0714T	•	225 lbs.	20 ½"	38"	1	37 lbs.

### Accessories

SWX240DA	Lateral Holder Assembly
----------	-------------------------

### Applications

- Above-ground/on-ground pools
- Small in-ground pools
- Aquariums (salt or fresh water)
- Ponds

For replacement parts see pages 126-127

**Pro Series high-rate sand filters are the very latest in pool filter technology. Molded of durable, corrosion-proof polymeric material, they feature attractive, unitized tank construction for years of trouble-free operation with only minimal care. Pro Series sets a new standard for performance, value and dependability.**

### Applications

- In-ground pools of all types and sizes
- In-ground spas (residential or commercial)
- Water features (fish ponds, fountains, water gardens)

### Features

- Flange clamp design allows 360° rotation of valve to simplify plumbing
- Integral top diffuser ensures even distribution of water over the top of the sand media bed. Full-size internal piping provides smooth, free-flowing performance
- Large pressure sand/water drain for rapid winterizing or servicing
- Unitized, corrosion-proof filter tank molded of rugged, colorfast polymeric material for dependable, all-weather performance
- 7 position Hayward Vari-Flo™ control valve with easy-to-use lever-action handle lets you dial any of the valve/filter functions. Integral sight glass lets you see when backwash cycle is completed
- Precision engineered umbrella-fold self-cleaning laterals for balanced flow and backwashing, plus easy serviceability



**S244TC Pro Series 24" filter with 1 ½" Vari-Flo™ control valve**



**S310T2 Pro Series 30" filter with 2" Vari-Flo™ control valve**

Filters

## Pro Series Top-Mount Sand Filter Buying Guide

Model Number	Valve	Sand Required	Dimensions		Ctn. Qty.	Ctn. Weight
			Width	Height*		
S220TC**	1 ½" Vari-Flo	250 lbs.	22 ½"	41"	1	44 lbs.
S244TC**	1 ½" Vari-Flo	300 lbs.	24 ½"	42"	1	46 lbs.
S244T2	2" Vari-Flo	300 lbs.	24 ½"	42"	1	46 lbs.
S270T2	2" Vari-Flo	350 lbs.	27"	43"	1	56 lbs.
S310T2	2" Vari-Flo	500 lbs.	30 ½"	48"	1	68 lbs.
S360T2	2" Vari-Flo	700 lbs.	35 ¼"	53"	1	134 lbs.

\*Above dimensions are to top of valve \*\* With hose

### Performance Data – Filter

Model Number	Effective Filtration Area	Design Flow Rate*	Turnover (In Gallons)	
			8 Hours	10 Hours
S220TC	2.64 ft. <sup>2</sup>	52 GPM	24,960	31,200
S244T2	3.14 ft. <sup>2</sup>	62 GPM	29,760	33,000
S270T2	3.70 ft. <sup>2</sup>	74 GPM	35,520	44,400
S310T2	4.91 ft. <sup>2</sup>	98 GPM	47,040	58,800
S360T2	7.06 ft. <sup>2</sup>	141 GPM	67,680	84,600

\*Based on 20 GPM/ft.<sup>2</sup> (maximum allowable NSF rating).

### Performance Data – Valve Positions

Model Number	Filter	Back-wash	Waste	Recirculate	Rinse	Closed	Winter
SP0714T	•	•	•	•	•	•	•
SP071621	•	•	•	•	•	•	–

Model Number	Description	Pipe Size	Valve Positions	Ctn. Qty.	Ctn. Weight
--------------	-------------	-----------	-----------------	-----------	-------------

#### Valve Selections

SP0714T	1 ½" Vari-Flo	1 ½" FIP	7	1	5 lbs.
SP071621	2" Vari-Flo	2" FIP	6	1	8 lbs.

For replacement parts see pages 126-127





# SwimClear™

LARGE CAPACITY CARTRIDGE FILTERS



Filter s



C3030 SwimClear Filter



C5030 SwimClear Filter

Utilizing a cluster of reusable cartridge elements, SwimClear filters offer a choice of 225, 325, 425, 525 or 700 square feet of heavy-duty dirt-holding capacity for extra-long filter cycles, up to an entire season without cleaning. SwimClear filters will provide years of trouble-free operation and crystal clear, sparkling water.

### Applications

- In-ground pools
- In-ground pool/spa combinations
- In-ground spas (residential or commercial)

### Features

- High capacity, rapid release manual air relief valve bleeds air with a quick quarter turn of the lever.
- Filter tanks made from durable glass reinforced co-polymer to meet the demands of the toughest applications and environmental conditions, including in-floor cleaning systems.
- Self-aligned tank top and bottom make access to serving the Quad-Cluster™ cartridge elements fast and simple
- Heavy-duty, tamper-proof, one-piece clamp securely fastens tank top and bottom. Allows quick access to all internal components without disturbing piping or connections
- Top manifold configuration provides excellent filtration and hydraulic performance
- Non-corrosive top closure plate prevents elements from lifting and allowing unfiltered water to by-pass into pool or spa during operation
- Quad-Cluster of high-quality polyester cartridge elements provide 225, 325, 425, 525 or 700 square feet of filter area for extra dirt-holding capacity and long filter cycles
- 2" full-flow internal piping and plumbing for less resistance to flow and maximum performance.
- PVC union coupling connection accepts 2" or 2 1/2" piping for plumbing versatility and hydraulic efficiency.
- Full size 1 1/2" integral drain allows for fast, 100% clean-out and easier flushing of tank

## SwimClear Cartridge Filter Buying Guide

Model Number	Effective Filtration Area	2 1/2" SKT x 2 1/2" SLIP Couplings	Dimensions		Ctn. Qty.	Ctn. Weight
			Width	Height		
C2030	225 ft. <sup>2</sup>	•	24"	32 1/2"	1	50 lbs.
C3030	325 ft. <sup>2</sup>	•	24"	34 1/2"	1	60 lbs.
C4030	425 ft. <sup>2</sup>	•	24"	40 1/2"	1	69 lbs.
C5030	525 ft. <sup>2</sup>	•	24"	46 1/2"	1	79 lbs.
C7030	700 ft. <sup>2</sup>	•	24"	52 1/2"	1	85 lbs.

### Performance Data

Model Number	Effective Filtration Area	Public Design Flow Rate	Turnover (In Gallons)	
			8 Hours	10 Hours
C2030	225 ft. <sup>2</sup>	84 GPM	40,320	50,400
C3030	325 ft. <sup>2</sup>	122 GPM	58,560	73,200
C4030	425 ft. <sup>2</sup>	150 GPM	72,000	90,000
C5030	525 ft. <sup>2</sup>	150 GPM	72,000	90,000
C7030	700 ft. <sup>2</sup>	150 GPM	72,000	90,000

2" piping is recommended for flow rates above 90 GPM. Refer to "Friction Loss" in Hydraulics section, pages 19–22.

For replacement parts see pages 129-132

# Star-Clear™ Plus

CARTRIDGE FILTERS



C900 Star-Clear Plus filter



C1200 Star-Clear Plus filter

Hayward's Star-Clear Plus filters offer added quality, value and convenience in cartridge filtration. Star-Clear Plus filters are the ideal choice for the most demanding applications and environmental conditions. Plus, with a larger filtration element, Star-Clear Plus filters have greater effective filtration area than similar sized and priced cartridge filters.

### Applications

- In-ground pools
- In-ground pool/spa combinations

### Features

- Filter tanks made from extra durable glass reinforced co-polymer material to meet the demands of the toughest applications and environmental conditions, including in-floor cleaning systems
- Single piece injection-molded base and body provides added strength for reliable, corrosion-free performance
- Single locking knob securely fastens head to filter tank, eliminating bolts or clamps
- Attractive, durable filter head may be rotated to conveniently position pressure gauge and manual air relief
- Extra-large cartridge element with new precision engineered extruded core provides extra-strength and maximum flow
- Elevated, filtered water collector and debris sump prevents accidental by-pass of heavy debris to pool when cartridge is removed for cleaning
- 1 1/2" or 2" FIP, or 2" SKT connections for plumbing versatility
- 1/2" FIP filter drain for fast draining. Also accepts standard spigot valve

## Star-Clear Plus Cartridge Filter Buying Guide

Model Number	Effective Filtration Area	Pipe Size	Dimensions		Ctn. Qty.	Ctn. Weight
			Width	Height		
C751	75 ft. <sup>2</sup>	1 1/2" FIP	13 3/8"	30"	1	26 lbs.
C7512	75 ft. <sup>2</sup>	2" FIP	13 3/8"	30"	1	26 lbs.
C900	90 ft. <sup>2</sup>	1 1/2" FIP	13 3/8"	30"	1	26 lbs.
C9002	90 ft. <sup>2</sup>	2" FIP	13 3/8"	30"	1	26 lbs.
C9002S*	90 ft. <sup>2</sup>	2" SKT*	13 3/8"	30"	1	26 lbs.
C1200	120 ft. <sup>2</sup>	1 1/2" FIP	13 3/8"	36"	1	29 lbs.
C12002	120 ft. <sup>2</sup>	2" FIP	13 3/8"	36"	1	29 lbs.
C12002S*	120 ft. <sup>2</sup>	2" SKT*	13 3/8"	36"	1	29 lbs.
C17502	175 ft. <sup>2</sup>	2" FIP	13 3/8"	42"	1	32 lbs.
C1502	175 ft. <sup>2</sup>	2" FIP	13 3/8"	36"	1	29 lbs.
C17502S*	175 ft. <sup>2</sup>	2" SKT*	13 3/8"	42"	1	32 lbs.
C2002	200 ft. <sup>2</sup>	2" FIP	13 3/8"	42"	1	32 lbs.

\*2" FIP x 2" SKT adapter included.

For replacement parts see pages 135-136

### Performance Data – Residential

Model Number	Effective Filtration Area	Design Flow Rate*	Turnover (In Gallons)	
			8 Hours	10 Hours
C751	75 ft. <sup>2</sup>	75 GPM	36,000	45,000
C900	90 ft. <sup>2</sup>	90 GPM	43,200	54,000
C1200	120 ft. <sup>2</sup>	120 GPM	57,600	72,000
C17502	175 ft. <sup>2</sup>	120 GPM	57,600	72,000

Residential Design Flow Rate based on 1 GPM/ft.<sup>2</sup>

### Performance Data – Public

Model Number	Effective Filtration Area	Design Flow Rate*	Turnover (In Gallons)	
			8 Hours	10 Hours
C751	75 ft. <sup>2</sup>	28 GPM	13,500	16,875
C900	90 ft. <sup>2</sup>	34 GPM	16,200	20,250
C1200	120 ft. <sup>2</sup>	45 GPM	21,600	27,000
C17502	175 ft. <sup>2</sup>	66 GPM	31,680	39,600

Public Design Flow Rate based on .375 GPM/ft.<sup>2</sup>

\*Determined by pump size and piping system hydraulics. 2" piping is recommended for flow rates above 90 GPM. Refer to page 16, "Friction Loss".



# Star-Clear™

CARTRIDGE FILTER

Filter s

Hayward Star-Clear cartridge filters provide crystal clear water and have extra cleaning capacity to accommodate pools and spas of all types and sizes. For replacement or new pool installations, Star-Clear sets the standard of excellence and value.

### Applications

- In-ground pools
- In-ground pool/spa combinations
- In-ground, in-deck or moveable spas
- Hot tubs
- Above-ground pools

### Features

- Single locking knob securely fastens head to filter tank, eliminating bolts or clamps
- Attractive, durable filter head may be rotated to conveniently position pressure gauge and manual air relief
- Injection-molded filter tank for dependable, corrosion-free performance
- Extra-large cartridge element with new precision engineered extruded core provides extra-strength and maximum flow.
- Elevated, filtered water collector and debris sump prevents accidental by-pass of heavy debris to pool or spa when cartridge is removed for cleaning
- 1 1/2" or 2" FIP, or 2" SKT connections for plumbing versatility
- 1/2" FIP filter drain for fast draining of elevated spas and tubs. Also accepts standard spigot valve



C250 Star-Clear filter



C500 Star-Clear filter

## Star-Clear Cartridge Filter Buying Guide

Model Number	Effective Filtration Area	Pipe Size	Dimensions		Ctn. Qty.	Ctn. Weight
			Width	Height		
<b>Star-Clear</b>						
C250	25 ft. <sup>2</sup>	1 1/2" FIP	10 1/2"	19 1/2"	1	13 lbs.
C500	50 ft. <sup>2</sup>	1 1/2" x FIP	10 1/2"	29 1/2"	1	17 lbs.
<b>Micro Star-Clear™ Cartridge Filters</b>						
Cartridge filters for in-line piping, including spas, hot tubs and above-ground pools.						
C225	25 ft. <sup>2</sup>	1 1/2" FIP	7 1/4"	17 7/8"	1	7 lbs.

### Performance Data – Residential

Model Number	Effective Filtration Area	Design Flow Rate*	Turnover (In Gallons)	
			8 Hours	10 Hours
C250	25 ft. <sup>2</sup>	25 GPM	12,000	15,000
C500	50 ft. <sup>2</sup>	50 GPM	24,000	30,000

### Performance Data – Public

Model Number	Effective Filtration Area	Design Flow Rate*	Turnover (In Gallons)	
			8 Hours	10 Hours
C250	25 ft. <sup>2</sup>	9 GPM	4,500	5,625
C500	50 ft. <sup>2</sup>	18 GPM	9,000	11,250

Public Design Flow Rate based on .375 GPM/ft.<sup>2</sup>

\*Determined by pump size and piping system hydraulics.  
2" piping is recommended for flow rates above 90 GPM.  
Refer to page 16, "Friction Loss".

For replacement parts see pages 137-138

# XStream™ Filtration Series

ABOVE-GROUND FULL-FLO ELEMENT FILTER



CC150CAN XStream™ Filter

**XStream size for an XStream Clean. Once you see the new XStream filtration from Hayward, you'll be hooked. Its massive size and incredible performance mean years of trouble-free filtration. It has an extra large capacity for dirt and debris and a quick-release, high-capacity air relief valve. But size isn't the only thing this filter's big on.**

## Applications

- Above-ground pools/on-ground pools

## Features

- Designed specifically for the rigors of above-ground filtration
- Engineered for easy use with flexible or rigid plumbing
- Sleek, flush mounted pressure gauge
- Quick release, high capacity air relief valve
- Glass reinforced, non-corrosive Permaglass XL™ filter tank will provide years of trouble-free operation
- Easy-Lok™ ring design allows quick access to all internal components in a single turn
- Unique safety catch prevents over-tightening of the lid and efficiently secures the filter for high performance operation
- Longer, more efficient filtering life. Larger filter body ensures an equal distribution of dirt and debris throughout the filtering element

## Performance Data

Model Number	Effective Filtration Area	Design Flow Rate	Turnover (In Gallons)	
			8 Hours	12 Hours
CC150CAN	150 ft. <sup>2</sup>	120 GPM	57,600	86,400

## XStream™ Filtration Full-Flo Element Filter System Buying Guide

Model Number	Dimensions		Ctn. Qty.	Ctn Weight
	Width	Height		
CC150CAN	21"	33¼"	1	25 lbs.

For replacement parts see pages 128

Filters





# Replacement Cartridge Filter Elements

Hayward cartridge filter elements are made with premium quality materials designed to meet NSF standards providing exceptional water clarity and extended cleaning cycles.

To maintain your original filtration performance, clarity and durability, Hayward genuine cartridge elements are the clear choice.

Filter s

## Features

- Original 4 oz. high-quality, reinforced polyester elements provide premium filtration quality and durability
- Precision-engineered extruded core provides overall stability and maximum hydraulic efficiency
- Individually packaged with Hayward name molded on end caps and protective plastic wrap to identify them as "Hayward Genuine Parts"
- Also available in economical 4 pack configuration to accommodate multi-cartridge SwimClear™ filters
- Compatible with all pool sanitizers



Genuine Replacement Cartridges

## Hayward Cartridge Elements Buying Guide

Model Number	Description	Dimensions		Ctn. Qty.	Ctn. Weight
		O.D.	Height		
CX225RE	25 ft. <sup>2</sup> – for C225 Series	4 3/4"	11 13/16"	1	2 lbs.
CX250RE	25 ft. <sup>2</sup> – for C250 Series	7"	9 13/16"	1	3 lbs.
CX410RE	40 ft. <sup>2</sup> – for C400 Series	7"	14 13/16"	1	3 lbs.
CX500RE	50 ft. <sup>2</sup> – for C500 Series	7"	19 5/8"	1	4 lbs.
CX550RE	55 ft. <sup>2</sup> – for C550 Series	7"	19 5/8"	1	4 lbs.
CX480XRE**	56.25 ft. <sup>2</sup> – for C2020, C2025, C2000 Series	7"	14 3/16"	1	4 lbs.
CX480XREPAK4	4 Pack Set for C2020, C2025, C2000 Series	7"	14 3/16"	1	16 lbs.
CX481XRE**	56.25 ft. <sup>2</sup> – for C2030 Series	7"	17 3/8"	1	4 lbs.
CX481XREPAK4	4 Pack Set – for C2030 Series	7"	17 3/8"	1	16 lbs.
CX580XRE**	81.25 ft. <sup>2</sup> – for C3020, C3025, C3030, C3000 Series	7"	19 5/8"	1	5 lbs.
CX580XREPAK4	4 Pack Set – for C3020, C3025, C3030, C3000 Series	7"	19 5/8"	1	20 lbs.
CX590RE***	87.5 ft. <sup>2</sup> – for C7000 Series	7"	19 5/8"	1	5 lbs.
CX590REPAK4	4 Pack Set – for C7000 Series	7"	19 5/8"	1	20 lbs.
CX591XRE***	87.5 ft. <sup>2</sup> – for C7030 Series	7"	19 1/8"	1	5 lbs.
CX591XREPAK4	4 Pack Set – for C7030 Series	7"	19 1/8"	1	20 lbs.
CX880XRE**	106.25 ft. <sup>2</sup> – for C4020, C4025, C4030, C4000 Series	7"	25 1/2"	1	6 lbs.
CX880XREPAK4	4 Pack Set – for C4020, C4025, C4030, C4000 Series	7"	25 1/2"	1	24 lbs.
CX875RE**	112.5 ft. <sup>2</sup> – for C4520, C4500 Series	7"	25 1/2"	1	6 lbs.
CX875XREPAK4	4 Pack Set – for C4520, C4500 Series	7"	25 1/2"	1	24 lbs.
CX1280XRE**	131.25 ft. <sup>2</sup> – for C5020, C5025, C5030, C5000 Series	7"	32 13/16"	1	8 lbs.
CX1280XREPAK4	4 Pack Set – for C5020, C5025, C5030, C5000 Series	7"	32 13/16"	1	32 lbs.
CX750RE	75 ft. <sup>2</sup> – for C750 Series	7"	29 7/16"	1	6 lbs.
CX760RE	75 ft. <sup>2</sup> – for C751 Series	8 15/16"	17 3/8"	1	8 lbs.
CX800RE*	75 ft. <sup>2</sup> – for C800, C1500 Series	8 1/2"	17 3/8"	1	7 lbs.
CX850RE	85 ft. <sup>2</sup> – for C850 Series	9 1/4"	14 3/16"	1	8 lbs.
CX900RE	90 ft. <sup>2</sup> – for C900 Series	8 15/16"	17 3/8"	1	7 lbs.
CX1000RE	100 ft. <sup>2</sup> – for C100 Series	7"	29 7/16"	1	8 lbs.
CCX1000RE	100 ft. <sup>2</sup> – for CC1000 Series	8 15/16"	17 3/8"	1	8 lbs.
CX1100RE	100 ft. <sup>2</sup> – for C1100 Series	8 1/2"	23 5/16"	1	8 lbs.
CX1200RE	120 ft. <sup>2</sup> – for C1200 Series	8 15/16"	23 5/16"	1	8 lbs.
CX1250RE	120 ft. <sup>2</sup> – for C1250 Series	9 1/4"	19 5/8"	1	8 lbs.
CX1380RE**	137.5 ft. <sup>2</sup> – for C5500 Series	7"	32 13/16"	1	8 lbs.
CX1380XREPAK4	4 Pack Set – for C5500 Series	7"	32 13/16"	1	32 lbs.
CCX1500RE	150 ft. <sup>2</sup> – for CC1500 Series	8 15/16"	23 5/16"	1	8 lbs.
CX1520RE	150 ft. <sup>2</sup> – for C1502	8 15/16"	23 5/16"	1	8 lbs.
CX1750RE	175 ft. <sup>2</sup> – for C1750 Series	8 15/16"	28 3/16"	1	10 lbs.
CX1900RE	190 ft. <sup>2</sup> – for C1900 Series	8 15/16"	28 3/16"	1	10 lbs.
CX2020RE	200 ft. <sup>2</sup> – for C2002	8 15/16"	28 3/16"	1	10 lbs.

NOTES: \*Requires 2 Cartridges for Model C1500; \*\*Requires 4 Cartridge for Use; \*\*\*Requires 8 Cartridges for Use

**The importance of proper swimming pool or spa filtration can not be overstated. The reasons for filtration are obvious — clear water not only looks beautiful, but it is also necessary for health and safety reasons. Much of the material suspended in the water, derived from plant and animal sources, provides food for bacteria and algae. It is these materials that must be removed if a pool or spa is to be maintained in a safe and sanitary condition.**

**The three most popular types of filtration currently in use in residential pools and spas are high-rate sand, cartridge and diatomaceous earth (D.E.). Each method of filtration is explained below.**

### High-Rate Sand

The oldest and most popular method of filtration is sand. Sand filters share two things in common: 1) When in the filtration mode, water always flows from top to bottom; 2) They all have some sort of lateral or underdrain with slots to hold back sand while allowing clean, filtered water to pass through.

High-rate sand filters use a special filter sand, normally .45 to .55 mm (also known as pool-grade #20 silica sand), because it has sharp edges that serve to separate particles, allowing filtration to take place. They operate on the basis of “depth” filtration; dirt is driven through the sand bed and trapped in the minute spaces between the particles of sand. Initially, a clean sand bed will remove larger particles, and then, as the bed starts to load up, it will remove finer particles.

Cleaning of the media, or sand bed, is accomplished through reversing the flow through the filter, to the “waste” line. This is known as backwashing.

### Cartridge

Cartridge filtration has been available for a relatively long time, but only recently has it begun to enjoy rapid growth and acceptance.

When water passes through a cartridge filter, dirt is screened out at the surface of the cartridge element. When clean, the element will trap larger particles, with finer particles being filtered out as the pores of the element become clogged by the larger debris.

The cartridge element can be removed and cleaned by pressure washing inside and out with a garden hose.

### Diatomaceous Earth (D.E.)

Many pool professionals consider D.E. filtration to be the finest, because it is capable of removing smaller particles than either sand or cartridge.

Diatomaceous earth is a porous powder with microscopic openings, that, when magnified, look like tiny sponges. Clear water can pass through these openings, but particles, as small as five microns, are trapped the first pass through the media.

All D.E. filters have internal elements that become coated with D.E. It is this “filter cake” that strains dirt, dust, algae and some forms of bacteria from the water.

Similar to sand filters, when a D.E. filter becomes dirty, it is cleaned either by backwashing the clogged D.E. to the “waste” line or regenerating and draining. To restore filtration, a fresh “charge” of D.E. is added to the filter.

### Water Chemistry

Whatever method of filtration is selected, it is important to remember that filtration alone does not keep water looking its best. Proper water chemistry must also be maintained for safe, clean water. Most pool owner complaints are directly related to water chemistry or improper sizing of filters and pumps rather than equipment failures.

### Technical Data – Filtration

Filtration Method	Suggested Filtration Rate		Approximate Filtration Range (Microns)
	Residential (GPM/ft. <sup>2</sup> )	Commercial (GPM/ft. <sup>2</sup> )	
High-Rate Sand	20	15	20 to 40
Cartridge	1	.375	10 to 20
Diatomaceous Earth	2	2	5

Sources: (1) NSPI. Basic Pool & Spa Technology (2/88 Edition; Section 1.4: Filters)  
(2) Hayward Pool Products, Inc. Technical Bulletin TMF-12.



High-Rate Sand Filter



Cartridge Filter



Vertical Grid Diatomaceous Earth (D.E.) Filter



# HeatPro® Heat Pumps

FOR IN-GROUND POOLS AND SPAS



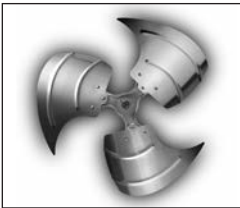
The Hayward Titanium HeatPro heat pump provides an energy efficient solution to your pool heating options. With its Titanium Heat Exchanger and Hayward Quiet Technology, HeatPro heat pumps heat pool water more efficiently for a fraction of the cost of gas while maintaining a quiet relaxed backyard environment. Depending on individual use and application of your pool, a heat pump may be right for you.

### Titanium Heat Exchanger



Titanium counter-flow heat exchanger for unrivaled, uncompromising and trouble-free performance — even under the harshest conditions.

### Quiet Technology



Profiled fan blade design provides improved airflow and quiet operation.



Acoustic compressor cover further reduces compressor sound levels.

### High Performance Evaporator Coil and Union Connections



Ultra Gold corrosion resistant evaporator coil fin provides excellent durability near coastal and other corrosive environments.

### Digital L.E.D. Control Panel



Easy to read digital temperature display with electronic frost control and temperature lock-out capability.

### Footprint



2" x 2 1/2" Union Connections for high efficiency plumbing and easy installation and maintenance.

Compact footprint allows for easy installations, is ideal for retrofit replacements, and has integrated hurricane tie-downs to meet local codes without the need for accessory kits.



HP21104TC HeatPro



HP21404T HeatPro

## Specifications & Dimensions

Model Number	BTU	C.O.P.	Compressor	Voltage Hertz/Phase	Circuit Amps	Diameter Width x Depth	Height	Unit Weight
<b>Heat Pumps with Hot Gas Defrost Feature</b>								
HP20654TC	65,000	6.6	Scroll	240/60/1	30	31 1/4"	40"	140 lbs.
HP20854TC	85,000	6.2	Scroll	240/60/1	40	31 1/4"	40"	160 lbs.
HP21104TC	110,000	5.8	Scroll	240/60/1	40	31 1/4"	40"	190 lbs.
HP21404T	140,000	6.0	Scroll	240/60/1	60	30 1/4" x 34"	44"	250 lbs.
SUM25TA	50,000	5.4	Rotary	240/60/1	30	30 x 34	29"	161 lbs.
SUM3TAC	65,000	6.0	Scroll	240/60/1	30	30 x 34	37"	186 lbs.
SUM45TAC	95,000	6.2	Scroll	240/60/1	40	30 x 34	37"	205 lbs.
SUM5TAC	110,000	6.0	Scroll	240/60/1	50	30 x 34	37"	237 lbs.
SUM8TA	140,000	6.0	Scroll	240/60/1	60	30 x 34	44"	268 lbs.
<b>Heat Pumps with Reversing Valve Feature</b>								
HP40B	40,000			208-230V				125 lbs.
HP50B	50,000			208-240V				150 lbs.
HP65B	65,000			208-240V				172 lbs.



HP40B

For replacement parts see pages 145-154, 157-158, 159-160



## Standard Cupro Nickel Heat Exchangers!

# Universal H-Series Low NOx

FOR IN-GROUND POOLS AND SPAS



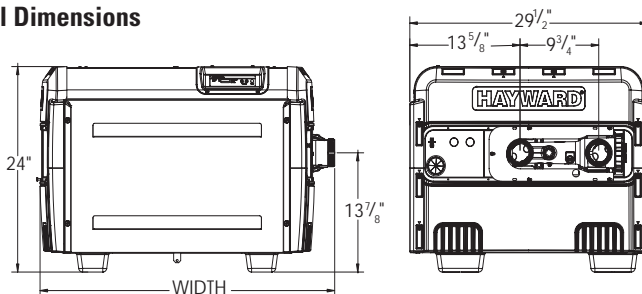
H400FDN Universal H-Series Low NOx Heater

### Universal H-Series Low NOx Heater Buying Guide

#### Silicon Nitride Hot Surface Electronic Ignition, Dual Thermostat

Model Number	BTU Input	Gas Type	Heater Width	Ctn. Qty.	Ctn. Weight
H150FDN	150,000	Natural	21 1/2"	1	141 lbs.
H150FDP	150,000	Propane	21 1/2"	1	141 lbs.
H200FDN	199,900	Natural	24 3/4"	1	154 lbs.
H200FDP	199,900	Propane	24 3/4"	1	154 lbs.
H250FDN	250,000	Natural	28"	1	165 lbs.
H250FDP	250,000	Propane	28"	1	165 lbs.
H300FDN	300,000	Natural	30"	1	180 lbs.
H300FDP	300,000	Propane	30"	1	180 lbs.
H350FDN	350,000	Natural	33 1/4"	1	195 lbs.
H350FDP	350,000	Propane	33 1/4"	1	195 lbs.
H400FDN	399,900	Natural	36 1/2"	1	197 lbs.
H400FDP	399,900	Propane	36 1/2"	1	197 lbs.

#### Overall Dimensions



For replacement parts see pages 161-162

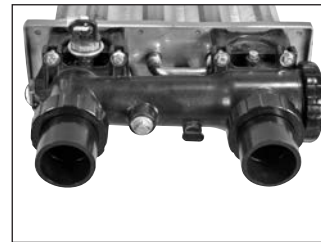
The Hayward Universal H-Series gas heater is the "universal" energy efficient remedy for any new or existing pool or spa. An industry leading hydraulic design reduces circulation pump run time to provide up to 84% efficiency when compared to less efficient competitors. The energy efficiency of the Universal H-Series gas heater combines with environmentally friendly low NOx emissions, a standard cupro nickel heat exchanger and ultimate installation flexibility on new or existing equipment pads to responsibly heat a pool or spa today and for years to come.

The forced draft system in the Universal H-Series constantly moves air through the combustion chamber at a precise flow rate eliminating outside weather variables that can affect heating performance. Wind conditions are eliminated and there is no need to install a high-wind stack.

Note: Hayward Universal H-Series heaters meet the NOx emission standards set by the California South Coast Quality Air Management Commission for 2001 and the Texas Natural Resource Conservation Commission Code.

#### FOR INDOOR/OUTDOOR USE

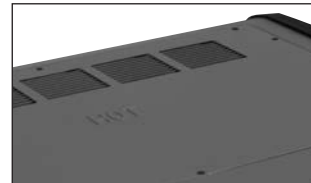
##### Superior Hydraulic Performance



New polymer header provides superior hydraulic performance to save energy and protect against the damaging effects of erosion from high flow conditions for improved reliability.

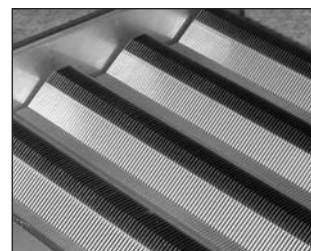
Designed for today's larger diameter plumbing systems with 2" x 2 1/2" CPVC unions.

##### Forced Draft System



Forced draft system constantly moves air through the combustion chamber at a precise flow rate, eliminating all outside weather variables that can effect the heating performance, such as high wind conditions — without a high wind stack.

##### State-of-the-Art Finn Plate Heat Exchanger with Cupro Nickel



Our patented single header "V" baffle design heat exchangers allow for long life, fast heating and virtually no condensation. All Hayward heat exchangers are now constructed with highly resilient Cupro Nickel for greater durability and longevity even in salt-based, high flow or aggressive water chemistry set ups.

##### L.E.D. Control Panel



Easy-to-read L.E.D. Control Panel provides digital temperature readout and diagnostics for quick identification of components that might need service.

Heaters



# Low NOx Heaters & Venting

## VENTING FUNDAMENTALS



### Negative vs. Positive Vent Pressure

#### NEGATIVE vent pressure:

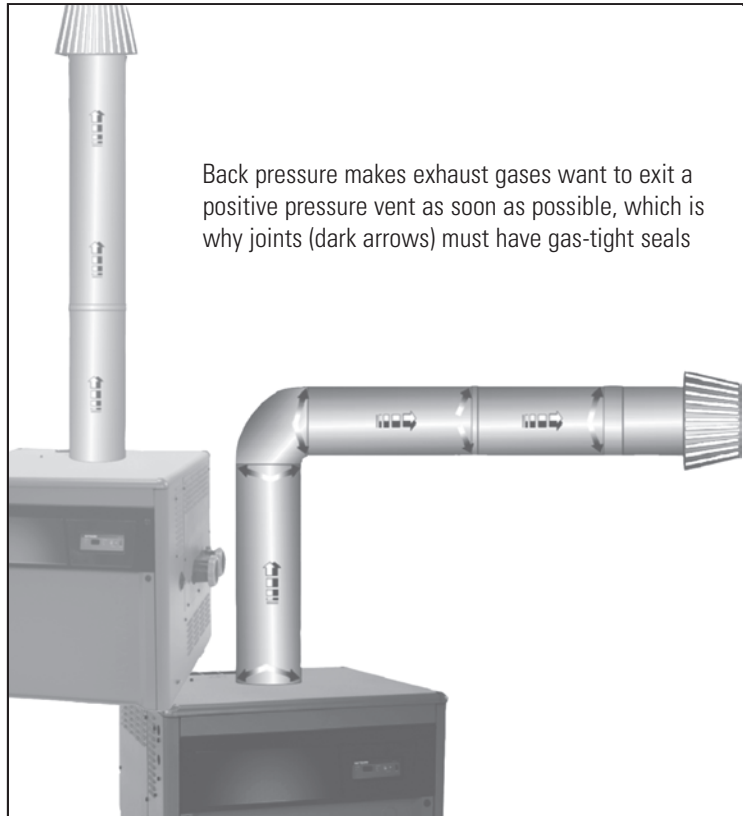
By definition, gases inside a negative pressure vent are under no pressure to escape and will simply exit upward (since hot air rises) through a properly designed, mostly vertical Negative Vent System.

**Vent joints in a negative pressure do NOT need to be gas-tight, but may need to be taped if required by local codes.**

#### POSITIVE vent pressure:

By definition, gases inside a positive pressure vent are under pressure to escape and will as soon as possible. However, allowing exhaust gases to escape through system leaks would be unacceptable and potentially fatal.

**Therefore, vent joints in a positive vent system must be gas-tight, which requires installation of special vent piping.**



Back pressure makes exhaust gases want to exit a positive pressure vent as soon as possible, which is why joints (dark arrows) must have gas-tight seals

Heating

### As a General Rule ...

**A negative pressure system must be mostly vertical and must have vertical termination ...**

**... while a positive pressure system may be mostly horizontal and may utilize horizontal or vertical termination.**

Vent Sizing	
Vents must be sized according to heater manufacturer specs. Below are general specifications for Negative and Positive venting of Hayward IDL, IDL2 and Universal H-Series heaters.	
Negative	Positive
50 ft. max vertical height	<i>Positive venting solutions must be utilized any time negative vent criteria cannot be attained.</i>
25ft. max horizontal length	50 ft max with 1 elbow
Horizontal length cannot exceed 1/2 of vertical height	40 ft max with 2 elbows
3 elbows max.	30 ft max with 3 elbows
Single- or Double-Wall Galvanized <u>Non</u> -Sealed Vent Pipe.	Single- or Double-Wall Stainless Steel <u>Sealed</u> Vent Pipe.



# Universal H-Series Indoor Vent Kit Matrix

INDOOR VENT ADAPTER KITS



## Indoor Vent Adapter Kit – Horizontal

### Positive Pressure – Horizontal Venting

This Kit enables indoor installations where the exhaust vent pipe termination is horizontal with stainless steel vent pipe and vent terminals available from Hayward or special ordered from Heatfab Division of Selkirk Corporation. This Kit **DOES NOT** allow the use of galvanized, non-sealed pipe.

Universal H-Series Model No.	Horizontal Venting Applications (Positive-Pressure)	Description	Vent Pipe Limitations	Vent Pipe Material	Vent Termination Requirement
H150FD	UHXPOSHZ11501	Indoor Vent Adapter Kit Positive Pressure, Horizontal or Vertical Venting Applications	a. 50 ft. maximum with (1) Elbow b. 40 ft. maximum with (2) Elbows c. 30 ft. maximum with (3) Elbows	Single or Double Wall Stainless Steel Sealed Vent Pipe	Horizontal or Vertical, Termination Immediately Outside Wall of House/Building
H200FD	UHXPOSHZ12001				
H250FD	UHXPOSHZ12501				
H300FD	UHXPOSHZ13001				
H350FD	UHXPOSHZ13501				
H400FD	UHXPOSHZ14001				

Part No.	Description
<b>Horizontal Adaptors</b>	
<b>H150-250</b>	
UHXPOSHZ1150	Horizontal Kit
UHXPOSHZ1200	Horizontal Kit
UHXPOSHZ1250	Horizontal Kit
<b>Horizontal Kits H150-250</b>	
IDXLELB1930	6" elbow
IDXLLEN1931	6" x 24" length
IDXLCAP1929 (150-200)	
IDXLCAP1930	6" termination cap (250 only)
IDXLLEN1930	6 x 18" length

Part No.	Description
<b>H300-400</b>	
UHXPOSHZ1300	Horizontal Kit
UHXPOSHZ1350	Horizontal Kit
UHXPOSHZ1400	Horizontal Kit
<b>Horizontal H300-400</b>	
FDXLELB1930	8" elbow
FDXLLEN1930	8" x 24" length
FDXLCAP1930	8" termination cap
FDXLLEN1931	8 x 18" length

## Indoor Vent Adapter Kit – Vertical

### Negative Pressure – Vertical Venting

This Kit enables indoor installations where the exhaust vent pipe termination is required to be vertically terminated a minimum of 3 feet above the roof and a minimum of 2 feet above any portion of a building within 10 feet horizontally. This Kit **DOES NOT** allow horizontal vent termination.

Universal H-Series Model No.	Vertical Venting Applications (Negative-Pressure)	Vertical Description	Vent Pipe Limitations	Vent Pipe Material	Vent Termination Requirement
H150FD	UHXNEGVT11501	Indoor Vent Adapter Kit Negative Pressure, Vertical Venting Applications	a. 50 ft. maximum vertical height b. 25 ft. maximum horizontal length (Horizontal length <b>CANNOT</b> exceed 1/2 of the vertical height) c. (3) Elbows maximum	Single or Double Wall Galvanized Steel Non-Sealed Vent Pipe	Vertical ONLY, Termination Above Roof of House/ Building
H200FD	UHXNEGVT12001				
H250FD	UHXNEGVT12501				
H300FD	UHXNEGVT13001				
H350FD	UHXNEGVT1350				
H400FD	UHXNEGVT14001				



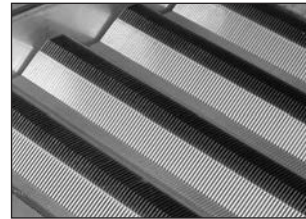
# H-Series

HEATERS FOR IN-GROUND POOLS AND SPAS

## Standard Cupro Nickel Heat Exchangers!

Features on all millivolt heaters include rust-resistant water path with polymer header assembly and a rapid-heat combustion chamber.

### State-of-the-Art Finn Plate Heat Exchanger with Cupro Nickel



All Hayward heat exchangers are constructed of highly resilient Cupro Nickel for greater durability and longevity. Our patented single

header "V" baffle design heat exchangers allow for long life and fast heating.

### Patented Rust-Resistant Water Path with CPVC Connection



Rust-resistant water path, with injection molded polymer header offers improved by-pass control and extended life by providing

additional protection from the damaging effects of erosion from high flow conditions.

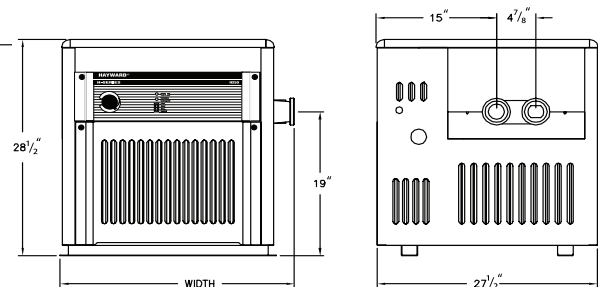
### Burner System



Constructed of tough, durable stainless steel, H-Series burners can be removed individually or as a complete unit for easy maintenance and cleaning.

### Specifications and Dimensions

Series	BTU Input	Heater Width	Stack Outlet Diameter	Stack Height	
		W	D	DHI	HWS
H250	250,000	27"	7"	28 1/4"	17 3/4"
H200	200,000	24 1/4"	7"	28 1/4"	15 1/4"
H150	150,000	21 1/2"	6"	22 1/4"	14"



H250 H-Series Millivolt Heater

## H-Series Single Thermostat Buying Guide

Model Number	BTU Input	Gas Type	Ignition	Ctn. Qty.	Ship Weight
H1501C	150,000	Natural	Millivolt	1	165 lbs.
H150P1C	150,000	Propane	Millivolt	1	165 lbs.
H2001C	200,000	Natural	Millivolt	1	180 lbs.
H200P1C	200,000	Propane	Millivolt	1	180 lbs.
H2501C	250,000	Natural	Millivolt	1	198 lbs.
H250P1C	250,000	Propane	Millivolt	1	198 lbs.
Model Number	BTU Input	Gas Type	Ignition	Ctn. Qty.	Ship Weight
H250ED2C	250,000	Natural	Electronic	1	198 lbs.
H250PED2CP	250,000	Propane	Electronic	1	198 lbs.

Model Number	Type	Ctn. Qty.	Ship Weight
<b>Draft Hoods</b>			
DH150	Indoor	1	15 lbs.
HWS150	High Wind Stack	1	15 lbs.
DH1200	Indoor	1	17 lbs.
HWS200	High Wind Stack	1	17 lbs.
DHI250	Indoor	1	19 lbs.
HWS250	High Wind Stack	1	19 lbs.

Outdoor draft hood is integral to heater. Indoor and High Wind Stack draft hoods must be ordered separately.

For replacement parts see pages 163-164, 165-166, 167-168

Heating

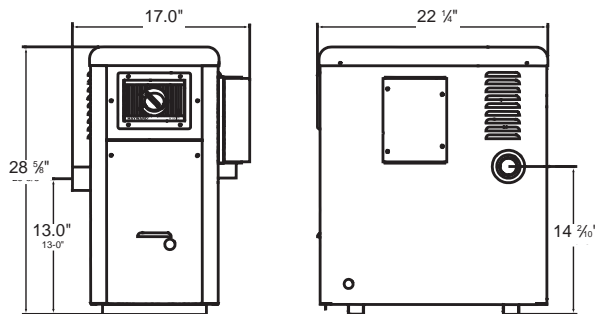


**H100ID1 H-Series Induced Draft Heater**

## H-Series Induced Draft Heater Buying Guide

Model Number	BTU Input	Gas Type	Ctn. Qty.	Ctn. Weight
H100ID1	100,000	Natural	1	75 lbs.
H100IDP1	100,000	Propane	1	75 lbs.

## Overall Dimensions



Hayward's induced draft heater for above-ground pools and spas that combines state-of-the-art technology with ease of operation and superior performance.

Featuring an electronic, direct spark ignition system and an energy-efficient FireTile® lined combustion chamber, the Hayward heater provides 100,000 BTU input, while delivering 81% thermal efficiency and quick heating.

An integral induced draft system makes this heater completely impervious to any high wind situations. A one-piece copper header/heat exchanger provides for leak-free performance. And a simple plug-in 120 volt electric cord is provided for simple installation.

### Applications – Outdoor Use Only, 0-2000 Feet Only

- Above-ground pools
- Spas (above 70 G.P.M. an external bypass is recommended)
- 20 gallons per minute minimum

### Features

- 100,000 BTU input for above-ground pools and spas of all types and sizes
- Electronic, direct-spark ignition for total control and automatic operation
- Revolutionary induced draft technology ensures optimum heating and all-weather performance, even in high wind situations
- Reduced emissions design provides environment-friendly heating
- FireTile combustion chamber ensures quick heating
- Jet-ported stainless steel burners provide long life and easy maintenance
- One-piece copper header/heat exchanger for leak-free performance
- Cool-to-the-touch cabinet surface temperature ensures worry-free use
- Plug-in 120 volt electric cord for easy installation

For replacement parts see pages 169-170



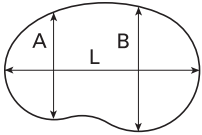
# Heater Selection Guide

SELECTING THE CORRECT SIZE HEATER FOR POOLS & SPAS

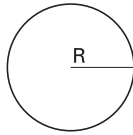


## Pool Sizing

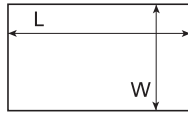
Determine your pool's surface area in square feet:



$$\text{Area} = (A+B) \times L \times .45$$



$$\text{Area} = R \times R \times 3.14$$



$$\text{Area} = L \times W$$

Locate in the desired table below, the surface area equal to or just greater than the pool's surface area, read to the left and select the appropriate heater.

For indoor pool installations divide the pool's surface area by 3.

Tables are based on a 30°F temperature rise, 3½ MPH average wind velocity and elevation of up to 2,000 feet above sea level.

## Recommended H-Series for Spas/Hot Tubs

Model	Spa/Tub Size in Gallons								
	200	300	400	500	600	700	800	900	1000
	Time in minutes to Raise Spa/Tub Temperature 30°F								
H400	9	14	19	23	28	33	37	42	47
H350	11	16	21	27	32	37	43	48	54
H300	12	19	25	31	37	44	50	56	62
H250	15	22	30	37	45	52	60	67	75
H200	19	28	37	47	56	66	75	84	94
H150	25	37	50	62	75	87	100	112	125

## Recommended H-Series for Swimming Pools

Model	Surface Area
H400	1200
H350	1050
H300	900
H250	750
H200	600
H150	450

### Example:

Rectangular pool: 20 feet x 30 feet:

$$\begin{array}{r} 20 \\ \text{multiply} \rightarrow 30 \\ \hline 600 \text{ ft.}^2 \text{ Surface Area} \end{array}$$

Recommended H-Series Model Heater – H200

## Saving Money by Saving Energy

Selecting a high efficiency heater for your new installation, or replacing an older inefficient model can have a significant impact on your fuel bill. Here are some additional energy saving tips.



- Check your pool chemistry regularly to maintain top operating condition.
- Set your pool water's temperature between 78° to 82° for most applications
- Use a pool cover or thermal blanket on your pool when it's not in use. Evaporation accounts for 70% of heat loss from your pool.
- Add wind breaks to your pool. A 7-mph wind at the surface of a pool can increase energy consumption 300%!

## Spa Sizing

Determine your spa capacity in gallons (Surface area x average depth x 7 ½).

The reference tables list the time required in minutes to raise the temperature of the spa/hot tub by 30°F. Locate in the desired table below the spa/hot tub size in gallons equal to or just greater than the spa/hot tub size in gallons. Select the desired time to raise the spa/hot tub temperature 30°F, read to the left and select the appropriate heater.

This guide can be adjusted for other temperature rises. For example, if you desire a 15°F increase in temperature, simply divide the time for 30°F rise by the ratio of 30/15 = 2.

Note: Heat losses and/or heat absorbed by spa walls or other objects will add to heat-up time.

Spa sizing is based on an insulated and covered spa. Always cover your spa or hot tub when not in use to minimize heat loss and evaporation.

## Recommended H100 Induced Draft Model for Spas

Model	Spa/Tub Size in Gallons								
	200	300	400	500	600	700	800	900	1000
	Time in minutes to Raise Spa/Tub Temperature 30°F								
H100	38	56	74	94	112	132	150	168	188

## Recommended H100 Induced Draft Model for Above Ground Pools

H100 Induced Draft Heater will raise temperature of Above Ground Pool in 8 Hour period as follows:

Pool Size	Gallons	Avg. Temp Rise (f)
15' Round	5,300	15.2°
18' Round	7,600	10.4°
12' x 24' Rectangle	8,600	9.6°
21' Round	10,000	8.0°
24' Round	13,500	5.6°
27' Round	17,000	4.8°

We highly recommend that your Hayward Above Ground Pool heater be used in conjunction with a solar blanket to maximize your heating efficiency.

## Recommended CSPaXI Models

Model	Spa/Tub Size in Gallons								
	200	300	400	500	600	700	800	900	1000
	Time in minutes to Raise Spa/Tub Temperature 30°F								
CSPaXI55	160	240	320	400	480	560	640	720	800
CSPaXI11	80	120	160	200	240	280	320	360	400

### Example:

Want a 300 gallon spa to go from 70°F to 100°F in 120 minutes.

$$\begin{array}{r} 100^\circ\text{F} \\ \text{subtract} \rightarrow 70^\circ\text{F} \\ \hline 30^\circ\text{F Requested Temperature Rise} \end{array}$$

Recommended CSPa Model Heater — CPaXI11

# Heater Technical Information

GAS PIPE SIZING



**Hayward heaters use a full gas fire design. To ensure adequate gas firing and proper performance, the following guidelines should be used to size gas piping.**

1. Make sure the 1st and 2nd stage regulators are large enough to handle the BTU listed for each model.
2. Reduction of the gas supply pipe or tubing to the inlet of the valve must be made at the valve only – Natural or Propane.
3. Do not use flexible connectors on any gas connections.
4. If more than one appliance is installed on the gas line, contact your local gas company or Hayward for proper pipe size.
5. If you have any question concerning the installation of the proper gas line size, call Hayward before you install the line.

**Low Pressure Natural Gas Pipe Sizing:** (Based upon an inlet gas pressure of 0.5 psig or less at a pressure drop of 0.5 in-wc)

Distance from gas meter to heater gas valve inlet	Model	H150	H200	H250	H300	H350	H400
	BTU/hr input	150,000	200,000	250,000	300,000	350,000	400,000
	Line Material	Iron or Plastic Pipe		Iron or Plastic Pipe		Iron or Plastic Pipe	
0 to 50 feet		3/4"	1"	1"	1 1/4"	1 1/4"	1 1/4"
50 to 100 feet		1"	1"	1 1/4"	1 1/4"	1 1/4"	1 1/4"
100 to 200 feet		1 1/4"	1 1/4"	1 1/4"	1 1/2"	1 1/2"	1 1/2"
200 to 300 feet		1 1/4"	1 1/4"	1 1/2"	2"	2"	2"

**Low Pressure Propane Gas Pipe Sizing:** (Based upon an inlet gas pressure of 11 in-wc at a pressure drop of 0.5 inch w.c.)

Distance from tank regulator outlet to heater gas valve inlet	Model	H150		H200		H250		H300		H350		H400	
	BTU/hr input	150,000		200,000		250,000		300,000		350,000		400,000	
	Line Material	Iron Pipe	Tubing	Iron Pipe	Tubing	Iron Pipe	Tubing	Iron Pipe	Tubing	Iron Pipe	Tubing	Iron Pipe	Tubing
0 to 50 feet		3/4"	7/8"	3/4"	7/8"	1"	1 1/8"	1"	1 1/8"	1"	1 1/8"	1"	—
50 to 100 feet		3/4"	1 1/8"	1"	1 1/8"	1"	1 1/8"	1"	—	1 1/4"	—	1 1/4"	—
100 to 200 feet		1"	1 1/8"	1"	—	1 1/4"	—	1 1/4"	—	1 1/4"	—	1 1/4"	—
200 to 300 feet		1"	—	1 1/4"	—	1 1/4"	—	1 1/4"	—	1 1/4"	—	1 1/2"	—

## High Pressure "2-Stage" Systems

**High Pressure Natural Gas Pipe Sizing "First Stage":** (Based upon an inlet gas pressure of 2 psig at a pressure drop of 1 psi)

Distance from outlet of 1st stage regulator to inlet of 2nd stage regulator	Model	H150	H200	H250	H300	H350	H400
	BTU/hr input	150,000	200,000	250,000	300,000	350,000	400,000
	Line Material	Iron or Plastic Pipe		Iron or Plastic Pipe		Iron or Plastic Pipe	
0 to 50 feet		1/2"	1/2"	1/2"	1/2"	1/2"	1/2"
50 to 100 feet		1/2"	1/2"	1/2"	1/2"	3/4"	3/4"
100 to 150 feet		1/2"	1/2"	1/2"	3/4"	3/4"	3/4"

**Low Pressure Natural Gas Pipe Sizing "Second Stage":** (Based upon an inlet gas pressure of 10 in-wc at a pressure drop of 0.5 in-wc)

Distance from outlet of 2nd stage regulator to heater gas valve inlet	Model	H150	H200	H250	H300	H350	H400
	BTU/hr input	150,000	200,000	250,000	300,000	350,000	400,000
	Line Material	Iron or Plastic Pipe		Iron or Plastic Pipe		Iron or Plastic Pipe	
0 to 10 feet		3/4"	3/4"	3/4"	3/4"	3/4"	3/4"

It is **VERY IMPORTANT** when installing a propane heater on a 2-stage regulation system to follow the gas line sizing chart below without exception.

**High Pressure Propane Gas Pipe "First Stage":** (Based upon an inlet gas pressure of 10 psig at a pressure drop of 1 psi)

Distance from tank regulator outlet to heater gas valve inlet	Model	H150		H200		H250		H300		H350		H400	
	BTU/hr input	150,000		200,000		250,000		300,000		350,000		400,000	
	Line Material	Iron Pipe	Tubing	Iron Pipe	Tubing	Iron Pipe	Tubing	Iron Pipe	Tubing	Iron Pipe	Tubing	Iron Pipe	Tubing
0 to 50 feet		1/2"	1/2"	1/2"	1/2"	1/2"	1/2"	1/2"	1/2"	1/2"	1/2"	1/2"	1/2"
50 to 100 feet		1/2"	1/2"	1/2"	1/2"	1/2"	1/2"	1/2"	1/2"	1/2"	5/8"	1/2"	5/8"
100 to 150 feet		1/2"	1/2"	1/2"	1/2"	1/2"	1/2"	1/2"	5/8"	1/2"	5/8"	1/2"	5/8"

**Low Pressure Natural Gas Pipe Sizing "Second Stage":** (Based upon an inlet gas pressure of 11 in-wc at a pressure drop of 0.5 in-wc)

Distance from outlet of 2nd stage regulator to heater gas valve inlet	Model	H150	H200	H250	H300	H350	H400						
	BTU/hr input	150,000	200,000	250,000	300,000	350,000	400,000						
	Line Material	Iron Pipe	Tubing	Iron Pipe	Tubing	Iron Pipe	Tubing	Iron Pipe	Tubing	Iron Pipe	Tubing	Iron Pipe	Tubing
0 to 10 feet		1/2"	5/8"	1/2"	5/8"	1/2"	3/4"	3/4"	3/4"	3/4"	7/8"	3/4"	7/8"





GOLDLINE®

# ProLogic® Total Pool Management™

POOL, SPA AND CHEMISTRY AUTOMATION



**ProLogic is a scalable, flexible line of Total Pool Management controls that suits any backyard environment. It takes the work out of owning a pool and spa by automating all essential pool and spa functions, water chemistry with Sense and Dispense®, salt chlorination, custom light shows with ColorLogic® LED lights and other backyard features like water features, lights and fire pits. ProLogic gives pool owners the freedom to monitor and control their pool, spa and backyard functions using their Home Automation system, their Home Network or even over the Web. They can turn up the spa heater; adjust cleaning, filtration or lighting schedules or check out how the water's pH and sanitization levels look. Pool owners can do this all and more when they add the AquaConnect HA option to their ProLogic.**

**Automating variable speed and 2-speed pumps can save pool owners up to 70% on energy costs. Whether homeowners have basic pool functions or an extensive backyard paradise, the ProLogic series offers the right level of control for any environment — control that can easily be added at any time.**

ProLogic

## ProLogic Base System Buying Guide

Model Number	Description	Ctn. Qty.	Shipping Weight
PL-P-4-CUL	4 relays, 3 valves, 1 heater, solar	1	37 lbs.
PL-PS-4-CUL	4 relays, 4 valves, 2 heaters, solar	1	37 lbs.
PL-PS-8-CUL	8 relays, 4 valves, 2 heaters, solar	1	37 lbs.
PL-PS-16-CUL	16 relays, 8 valves, 2 heaters, solar	2	74 lbs.

### Applications

- Any pool or pool/spa combination
- Single or dual equipment

### Standard Features

- Truly user friendly and cost effective automation
- Digital display of time, day, temperature of pool/spa and ambient air
- Built-in 100A sub panel, standard
- Built-in keypad for complete operation and programming
- Controls up to 16 relays, 8 valves, 2 heaters and solar
- Fully programmable, automatic control of every output
- Programmable macros or group functions (PS Series)
- Variable speed pump control
- Low Salt Compatible

### Optional Electronic Chlorination TurboCell® Sizes

- TurboCells – 15,000, 25,000 and 40,000 gallons
- Cell sizes enable home owners to right-size their pools
- Generate up to 1.45 lbs. of chlorine per day

### Optional Total Pool Chemistry

- Sense and Dispense – fully integrated chemistry automation
- Continuously senses sanitization and pH levels and dynamically dispenses what the water needs
- Uses salt chlorination to deliver fresh chlorine when needed
- Dispense Carbon Dioxide (CO<sub>2</sub>) or Muriatic Acid to control pH

### Optional AquaConnect™

- AquaConnect offers four ways to manage pool, spa and backyard control functions: Apps, Wi-Fi, Web and select Home Automation Serial Interfaces. Enjoy 24/7 access to the AquaConnect platform through all internet and mobile device portals, as well as a serial option for integration with existing home automation systems.

### Optional Remotes

- Full function, programmable, waterproof AquaPod
- Wired or wireless full function wall-mount displays suitable for indoor or protected outdoor use
- Wireless, full function, rechargeable tabletop
- Wireless, floating spa side remote turns on/off all major pool, spa and auxiliary functions
- Wired 6 or 8 function spa side for exterior spa side mounting

## Options and Accessories Buying Guide

Model Number	Description	Ctn. Qty.	Shipping Weight
AQL2-POD	AquaPod	1	1 lb.
AQ-CO-HOMENET	AquaConnect Home Network, Internet & Wi-Fi remote control. Minimum Pro Logic 4.20 software required. Minimum Aqua Pro 1.20 software required.	1	1 lb.
AQL2-SS-RF	Wireless Spa Side	1	1 lb.
AQL2-BASE-RF	AQL2 Wireless Base Station	1	1 lb.
AQL2-Tx-RF-P-4	P-4 Wireless Tabletop	1	2 lbs.
AQL2-Tx-RF-PS-4	PS-4 Wireless Tabletop	1	2 lbs.
AQL2-Tx-RF-PS-8	PS-8 Wireless Tabletop	1	2 lbs.
AQL2-Tx-RF-PS-16	PS-16 Wireless Tabletop	1	1 1/2 lbs.
AQL2-Wx-RF-PS-4	PS-4 Wireless Wall Mount	1	1 1/2 lbs.
AQL-WW-P-4	P-4 White Wired Wall Mount	1	1 lb.
AQL2-Wx-PS-4	PS-4 Wired Wall Mount	1	1 lb.
	AQL2 Remotes X = W (White), B (Black)		
AQL-SS-6B-x	6 Function Wired Spa Side	1	3 lbs.
AQL-SS-6B-BOX	6 Function Mud Box for Cement Applications	1	3 lbs.
AQL-SS-D-x	8 Function Digital Spa Side	1	3 lbs.
AQL-SS-D-BOX	8 Function Mud Box for Cement Applications Remote Controls: X = W (White), B (Black)	1	3 lbs.

Sanitization & Automation



Simple and intuitive pool automation like you've never experienced.

This is it - the breakthrough in pool automation you've been asking for. The performance, look and feel of a breakthrough application are just as important as the technology behind it. OmniLogic's elite controller combines the best in connectivity, versatility and energy-efficient functionality with an intuitive interface that makes the whole system easy to use and simple to customize.

Eliminate complexity. With preconfigured programming via USB key and increased space during wiring and installation. OmniLogic can save you hours of complicated set-up time.

Easy to scale-up and expand. All capacities expand easily by adding hardware. Plug-and-play expansion makes it possible to seamlessly add devices - from heaters to pumps to lighting.

It's future-proof. Keep your customers' systems cutting edge at all times via simple USB upload. Our simple architecture allows you to propagate new capabilities, provide patches and install and restore configurations quickly and easily.

Simple parts ordering and stocking. Modular configuration provides flexibility and ease of ordering with one universal base unit. Compared with competitor's 20-plus controller SKUs. No other system makes it as simple for builders to order and stock parts that support any configuration.

## NEW!



OmniLogic

### OmniLogic Buying Guide

Model Number	Description	Ctn. Qty.	Shipping Weight
HLBASE	OmniLogic 4 Relay Base	1	65 lbs.

#### Applications

- Any pool or pool/spa combination

#### Features

- Built in touch display for easy configuration and programming
- Fully programmable, automatic control of every output
- 4 High-voltage relays upgradable to 10
- 4 Valve actuator relays upgradable to 8
- Controls up to 16 EcoStar pumps without a relay
- Controls up to 5 heaters
- 125A Sub panel with 12 breaker slots
- 50 Favourite one click buttons
- 25 Unique programmable themes
- Salt chlorinator ready



# AquaConnect®

REMOTE POOL MANAGEMENT SYSTEMS



AquaConnect

## AquaConnect Buying Guide

Model Number	Description	Ctn. Qty.	Ctn. Weight
AQ-CO-HOMENET	AquaConnect Home Network, Internet and Wi-Fi remote control. Minimum ProLogic 4.20 software required, minimum AquaRite Pro 1.20 software required.	1	2 lbs.
AQ-CO-SERIAL	AquaConnect Home Automation Serial Interface PS Logic minimum software 2.2	1	1 lb.
AQL2-BASE-RF	Wireless antenna	1	1 lb.
GLX-HOMENET-PS	Replacement Power Cord	1	1 lb.

**NOTE:** Go to [www.aquaconnectweb.com](http://www.aquaconnectweb.com) to activate your account. A wireless antenna is required for web access.

### AquaConnect Web

AquaConnect Web is Hayward's premium remote pool and spa management service. With a FREE subscription to our AquaConnect website, pool owners and servicers can monitor and react to more than 100 parameters and settings from anywhere in the world. All that's required is a landline internet connection or web-enabled Wi-Fi connection via iPhone®, Android®, iPad®, iPod Touch®, Blackberry® or laptop. Owners can monitor multiple residences such as vacation homes, as well as include their pool service company in the network.

### AquaConnect Home Network

Now pool owners and their servicers can monitor and adjust more than 100 pool functions from an office computer or over the web. AquaConnect can send automatic trouble alerts to a home Wi-Fi network or a web-enabled device like a iPhone®, Android®, iPad®, iPod Touch® or Blackberry®. It's even available in a version that works with a home automation system.

### AquaConnect Home Automation

Manage pools with Home Automation systems. Wouldn't it be great for pool owners to have their pool and spa controllers interface seamlessly with their home automation systems so that one keypad or display panel can handle home theater equipment, security, lighting, landscape sprinklers and other backyard functions?

AquaConnect Home Automation provides the simplified control they've been wanting. It's fully automated, blissfully simple and compatible with home automation platforms manufactured by Crestron and AMX. Available for ProLogic®.

#### Features

- Monitor water quality and function continuously
- Monitor hundreds of sites simultaneously
- Get complete reporting and diagnostics
- Make adjustments without service calls
- Receive alerts by email and/or text message 24/7/365
- Extend the time between regularly scheduled maintenance

#### Some everyday possibilities with AquaConnect

- Pool owners can use mobile devices to turn lights on and off while away from home.
- Pool owners can turn up pool and spa heaters before heading home from work.
- Check on second home's pool when away.
- Receive alerts when a function goes out of the predetermined acceptable range.
- Access easy to read graphs that display trends to evaluate parameters that are important in making adjustments.

iPhone, iPad, iPod and iPod Touch are registered trademarks of Apple Inc. Blackberry is a registered trademark of Research Motion Limited and Android is a trademark of Google Inc.



**Pick N' Mix ordering system is easy — pick your controls solution, then your options. ProLogic is a scalable, flexible line of Total Pool Management™ controls solutions that is easily customizable to suit any backyard environment — control that can be added to as the environment changes.**

## 1. Pick your Controller

### Pick N' Mix Controller Buying Guide

Model Number	Description	Ctn. Qty.	Shipping Weight
<b>Controller</b>			
PL-P-4-CUL	ProLogic P-4 4 relays, 3 valves, 1 heater and solar	1	37 lbs.
PL-PS-4-CUL	ProLogic PS-4 4 relays, 4 valves, 2 heaters and solar	1	37 lbs.
PL-PS-8-CUL	ProLogic PS-8 8 relays, 4 valves, 2 heaters and solar	1	37 lbs.
PL-PS-16-CUL	ProLogic PS-16 16 relays, 8 valves, 2 heaters and solar	2	74 lbs.

## 2. Pick your Options

### Pick N' Mix Options Buying Guide

Model Number	Description	Ctn. Qty.	Shipping Weight
<b>Salt Chlorination</b>			
T-CELL-15-CUL	40,000 gallon TurboCell, 15' cable, 3 year warranty	1	4.3 lbs.
T-CELL-9-CUL*	25,000 gallon TurboCell, 15' cable, 3 year warranty	1	4.3 lbs.
T-CELL-3-CUL*	15,000 gallon TurboCell, 15' cable, 3 year warranty	1	4.3 lbs.
T-CELL-LS-CUL	30,000 gallon TurboCell, 15' cable, 3 year warranty	1	4.3 lbs.
P-KIT	Salt Chlorination Plumbing Kit (required with TurboCell for salt chlorination)	1	4.3 lbs.

\*New cells require minimum ProLogic software requirement of 4.10 or greater.

#### Chemistry Automation

AQL-CHEM	Sense and Dispense Chemistry Kit pH and ORP Sense, ORP Dispense	1	9 lbs.
AQL-CHEM2	Sense and Dispense Chemistry Kit pH Dispense Solenoid valve for CO <sub>2</sub> , 120V	1	2 lbs.
AQL-CHEM2-240	Sense and Dispense Chemistry Kit, pH Dispense Solenoid valve for CO <sub>2</sub> , 240V	1	2 lbs.
AQL-CHEM-UPG	Chemistry Chassis Retrofit Kit with board (Includes AQL-CHEM and communication board. Add AQL-CHEM2 for pH dispense)	1	15 lbs.
AQL-CHEM3-120	pH Dispense, Acid Feed System, 120V	1	27 lbs.
AQL-CHEM3-240	pH Dispense, Acid Feed System, 240V	1	27 lbs.

#### Wireless and Wired Remote Control

AQL2-POD	AquaPod	1	1 lb.
AQ-CO0HOMENET	AquaConnect Home Network Interface	1	-
AQL2-SS-RF	Wireless Spa Side	1	1 lb.
AQL2-Tx-RF-P-4	P-4 Wireless Tabletop	1	2 lbs.
AQL2-Tx-RF-PS-4	PS-4 Wireless Tabletop	1	2 lbs.
AQL2-Tx-RF-PS-8	PS-8 Wireless Tabletop	1	2 lbs.
AQL2-Tx-RF-PS-16	PS-16 Wireless Tabletop	1	2 lbs.
AQL2-Wx-RF-PS-8	PS-8 Wireless Wall Mount	1	1 ½ lbs.
AQL2-Wx-RF-PS16	PS-16 Wireless Wall Mount	1	1 ½ lbs.
AQL2-BASE-RF	AQL2 Wireless Base Station (required with all AQL2 wireless remotes)	1	1 lb.
AQL-WW-P-4	P-4 White Wired Wall Mount	1	1 lb.
AQL2-Wx-PS-4	PS-4 Wired Wall Mount	1	1 lb.
AQL2-Wx-PS-8	PS-8 Wired Wall Mount	1	1 lb.
AQL2-Wx-PS16	PS-16 Wired Wall Mount	1	1 lb.
AQL-SS-6B-x	6 Function Wired Spa Side	1	3 lbs.
AQL-SS-6B-BOX	6 Function Mud Box for Cement Applications	1	3 lbs.
AQL-SS-D-x	8 Function Digital Spa Side	1	3 lbs.
AQL-SS-D-BOX	8 Function Mud Box for Cement Applications	1	3 lbs.
	Wireless and wired Remote colors X = W (White), B (Black)	1	3 lbs.

#### Remote Control via Home Automation

AQ-CO-SERIAL	AquaConnect HA Home Automation Interface	1	1 lb.
--------------	--	---	-------

#### LED Lighting

AQL-COLOR-MODHV	ColorLogic LED Communication Module, High Voltage 120V	1	4 lbs.
AQL-DC	Direct Connect, Submersible Luminaries	1	3 lbs.
LKBUN1000	Coupler	1	

#### Solar

AQ-SOL-KIT-1P	Actuator and 1 ½" 3-Port Valve and Sensor	1	1 lb.
AQ-SOL-KIT-2P	Actuator and 2" 3-Port Valve and Sensor	1	1 lb.



**GOLDLINE®**  
**ProLogic®**

AUTOMATION, CHLORINATION AND TOTAL POOL CHEMISTRY

Use the chart below to select the ProLogic model that matches your system requirements.

Also refer to pages 49–53 for more information on the optional ProLogic accessories.

Feature	P-4	PS-4	PS-8	PS-8-V	PS-16	PS-16-V	Comments
<b>Auxiliary relay outputs</b>	4	4	8	4	16**	8**	3HP, 120/240VAC (PS-16 in 2 enclosures)
<b>Gas heater/heat pump control</b>	1	2*	2*	2*	2*	2*	Dry contacts
<b>Valve control</b>	3	4*	4*	4*	8*,**	8*,**	24VAC, purchase GVA-24 valve actuators separately *Using 2nd heater disables 4th valve output **Valves 5-8 use same logic as aux 5-8 relays
Built-in subpanel	1	1	1	1	2	2	100 amps, 8 position, industry std.
Knockouts of optional GFI outlet	1	1	1	1	2	2	on side of enclosure, GFI outlet not included
Built-in display keypad	✓	✓	✓	✓	✓	✓	allows programming at pool equipment pad
Groups		✓	✓	✓	✓	✓	perform multiple functions with one button
Soft Keys				✓		✓	additional keys for assigning functions
Sense and dispense	✓	✓	✓	✓	✓	✓	Total Pool Chemistry Option
Aqua Connect	✓	✓	✓	✓	✓	✓	Home Automation Interface Option
Chlorinator option	✓	✓	✓	✓	✓	✓	order AQL-CL chlorinator kit separately (20K or 40K models)
Aqua Rite interface	✓	✓	✓	✓	✓	✓	controls 1 or more Aqua Rites for additional chlorination
Shared equipment for pool & spa	✓	✓	✓	✓	✓	✓	operates pool/spa suction and return valves, allows spillover
Dual equipment for pool & spa		✓	✓	✓	✓	✓	solar function not available with dual equipment
Dual equipment w/ shared heater		✓	✓	✓	✓	✓	controls a single heater to heat both pool and spa
Filter pump timer							
1 speed filter pump	✓	✓	✓	✓	✓	✓	2 programmable on/off periods per day
2 speed filter pump	✓*	✓*	✓*	✓*	✓*	✓*	programmable high speed and low speed periods
Freeze protection	✓	✓	✓	✓	✓	✓	disable or enable with adjustable threshold 33-4°F *use 2 relay positions, no special 2-speed relay req'd
Spa timer							
Timeclock programmable	✓	✓	✓	✓	✓	✓	1 period per day, spa has priority over all other functions
Manual with countdown timer		✓	✓	✓	✓	✓	5-120 minutes
Auxiliary output functions							
programmable names		✓	✓	✓	✓	✓	examples: "spa jets", "blower", "water feature", etc.
manual on/off	✓	✓	✓	✓	✓	✓	
countdown timer (egg timer)	✓	✓	✓	✓	✓	✓	manual on, automatically turns off after programmed elapsed time
timeclock	✓	✓	✓	✓	✓	✓	24 hr timeclock, weekday/weekend capability
solar boost pump	✓	✓	✓	✓	✓	✓	turns on when solar heat is available
interlock function	✓	✓	✓	✓	✓	✓	enable/disable, output off when filter pump off or in spa-only mode
freeze protection	✓	✓	✓	✓	✓	✓	enable/disable for each output
Valve output functions							
manual on/off		✓	✓	✓	✓	✓	
countdown timer (egg timer)		✓	✓	✓	✓	✓	manual on, automatically turns off after programmed time
timeclock	✓	✓	✓	✓	✓	✓	24 hr timeclock, weekday/weekend capability
solar	✓	✓	✓	✓	✓	✓	turns on when solar heat is available
in-floor cleaner	✓	✓	✓	✓	✓	✓	30 minutes in one position, 30 minutes in the other
interlock function	✓	✓	✓	✓	✓	✓	enable/disable, output off when filter pump off or in spa-only mode
freeze protection	✓	✓	✓	✓	✓	✓	enable/disable for each output
Gas heater/heatpump control							
separate settings for pool & spa	✓	✓	✓	✓	✓	✓	65-104°F, with off position
heater cooldown	✓	✓	✓	✓	✓	✓	enable/disable, runs filter pump for 5 minutes after heater turns off
heater extend	✓	✓	✓	✓	✓	✓	enable/disable, extends normal filter time if pool is not up to temperature
manual off-automatic button		✓	✓	✓	✓	✓	
Solar control built in	✓	✓	✓	✓	✓	✓	enable/disable, 65-104°F, separate pool and spa settings
Optional Accessories							
Wireless wall remote display/keypad		✓	✓	✓	✓	✓	includes plug-in wall power supply
Wireless table top display/keypad		✓	✓	✓	✓	✓	rechargeable battery powered,
Wireless spaside remote	✓	✓	✓	✓	✓	✓	6 functions, waterproof, floats
Wireless Base	✓	✓	✓	✓	✓	✓	required to communicate with all wireless remotes
Wired wall remote display/keypad	✓	✓	✓	✓	✓	✓	max. 3 per system, 4 conductor cable up to 500 ft away
6 button spaside wired remote	✓	✓	✓	✓	✓	✓	control up to 6 outputs at the spa location
Digital spaside wired remote		✓	✓	✓	✓	✓	multi-function spaside remote with digital readout
Light dimmer "relay"		✓	✓	✓	✓	✓	off 20-40-60-80-100%



WATERPROOF, FULLY PROGRAMMABLE, WIRELESS REMOTE/WIRELESS ACCESSORIES

### Take Control Right into the Water

Thanks to its over-molded sealed design and fully rechargeable battery, AquaPod isn't just water resistant, it's completely waterproof. It's also totally programmable. When teamed with our ProLogic®, or OnCommand™ pool and spa automation and controls, it offers unprecedented control over everything from Total Pool Chemistry® automation to ColorLogic® custom light shows. No matter where you are — in the house, by the pool or in the water.

AquaPod floats horizontally and its large back-lit LCD display makes finding it and viewing pool and spa functions easy — even at night.

### Applications

- OnCommand Controller
- ProLogic revision 2.6 or higher software
- RF Base Station AQL2-BASE-RF Required

### Features

- 100% Waterproof
- Built in rechargeable batteries (charging station included) can operate while charging
- Floats Horizontally
- Back-lit Display for Convenient Night-time Viewing
- Full Functional Control of Pool, Spa and Other Outdoor Features
- 3 Programmable Soft Keys
- Multiple Heater and Chlorination Controls
- Program Macro/Group Functions
- System Off Button
- Light Dimming Control
- Upgradeable Software
- Dual Equipment Capable
- Similar User Interface to Pro Logic and Aqua Plus Controls (no learning of new interface)

### Wireless Base Station

Installs directly onto the side of the ProLogic or OnCommand main control unit at the equipment pad and communicates with all other wireless accessories.

### Application

- Compatible with ProLogic and OnCommand systems
- Only 1 wireless base required per system.



AquaPod Remote in Charger



Wireless Base



Wireless Table Top Display

### AquaPod Buying Guide

Model Number	Description	Ctn. Qty.	Shipping Weight
AQL2-POD	AquaPod waterproof, wireless remote	1	1 lb.
AQL2-BASE-RF	RF Base Station	1	1 lb.
Replacement Part			
GLX-POD-CHGR	AquaPod Charger	1	-

All ProLogic and OnCommand wireless accessories use the most advanced radio communication technology to ensure reliable and secure operations over distances up to 500 ft. (up to 200 ft. through walls). In addition, each wireless base has a unique ID code to prevent any other wireless devices from operating your system.

### Wireless Spa Side Remote Buying Guide

Model Number	Description	Ctn. Qty.	Shipping Weight
AQL2-SS-RF	6 function, waterproof, floats	1	1 lb.

### WIRELESS SPA SIDE REMOTE

The ultimate convenience—control your system operation while sitting in the spa.

### Applications

- Use with any ProLogic or OnCommand systems

- **Wireless Base AQL2-BASE-RF required**

### Features

- Waterproof, floats
- Factory installed battery provides years of use before replacement
- 6 functions
  - ✓ Filter Pump
  - ✓ Pool/Spa valves
  - ✓ Heater (on/off)
  - ✓ Lights
  - ✓ 2 Auxiliary outputs
- Allows override of heater setting
- LED to confirm communication



Wireless Spa Remote

### Application

- Compatible with ProLogic and OnCommand systems
- Only 1 wireless base required per system.



# GOLDLINE® ProLogic®

WIRELESS ACCESSORIES/ELECTRONIC CHLORINATION AND WIRED WALL MOUNT DISPLAY



ProLogic™ Chlorinator Option



Wired Remote Display/Keypad.

## PROLOGIC CHLORINATOR OPTION

All ProLogics have electronic (salt) chlorination capability built into the main control unit. Simply install the chlorinator option kit consisting of a cell, flow switch, and unions. Next, enable the chlorinator function in the “configuration menu” and set the desired chlorinator output level in the “settings menu” and the ProLogic will be generating 100% of the chlorine requirements for pools up to 40,000 gallons (AQL-CUL).

### Applications

- All ProLogic systems (P-4, PS-4/8/16)
- Residential pools up to 40,000 gallons (T-CELL-15-CUL)
- Residential pools up to 20,000 gallons (T-CELL-9-CUL)
- Residential pools up to 20,000 gallons (T-CELL-3-CUL)

### Features

- Generates 1.45 lbs per day (T-CELL-15-CUL)
- Separate pool and spa chlorine settings
- Super Chlorination features
- Salt display and diagnostic information
- Patented Turbo Cell for maximum efficiency and flow rates
- Chlorination included with Aqua Plus

## WIRED REMOTE DISPLAY/KEYPAD

Allows control of all ProLogic system functions from inside the house. Up to 3 wired remotes can be installed on any Pro Logic system.

### Applications

- Use with ProLogic P-4, PS-4/8/16
- Order model to match system type

### Features

- Manual operation of all equipment
- LED indicators indicate on/off status of all equipment
- Complete programming of automatic functions
- System Off button turns all equipment off with a single button press
- Install up to 500 ft. away from main control unit
- Uses industry standard 4 conductor cable

### Applications

- Use with ProLogic P-4, PS-4/8/16
- Order model to match system type
- **Wireless Base AQL2-BASE-RF required**

### Features

- Rechargeable batteries
- Available in Black or White
- Manual operation of all equipment
- LED indicators indicate on/off status of all equipment
- Complete programming of automatic functions
- System Off button turns all equipment off with a single button press
- Plug-in transformer for battery charging included

## ProLogic Chlorinator Option Buying Guide

Model Number	Description	Ctn. Qty.	Shipping Weight
T-CELL-15-CUL	40,000 gallon TurboCell, 15' cable	1	4.3 lbs.
T-CELL-9-CUL*	25,000 gallon TurboCell, 15' cable	1	4.3 lbs.
T-CELL-3-CUL*	15,000 gallon TurboCell, 15' cable	1	4.3 lbs.
P-KIT	Salt Chlorination Plumbing Kit (required with Turbo Cell for salt chlorination)	1	4.3 lbs.

\*New cells require software revision: AquaRite Pro 1.10 or greater.

## Wired Remote Display/Keypad Buying Guide

Model Number	Description	Ctn. Qty.	Shipping Weight
AQL-WW-P-4	White, for use with P-4 system	1	1 lb.
AQL2-WW-PS-4	White, for use with PS-4 system	1	1 lb.
AQL2-WW-PS-8	White, for use with PS-8 system	1	1 lb.
AQL2-WW-PS-16	White, for use with PS-16 system	1	1 lb.
AQL2-WB-PS-4	Black, for use with PS-4 system	1	1lb.
AQL2-WB-PS-8	Black, for use with PS-8 system	1	1 lb.
AQL2-WB-PS-16	Black, for use with PS-16 system	1	1 lb.

## WIRELESS TABLE TOP DISPLAY

This portable display/keypad with rechargeable batteries allows the homeowner to control and program ProLogic from anywhere around the pool area or inside the house (for distances up to 500 ft., up to 200 ft. through walls). Designed for indoor or outdoor use but must be protected from direct rain contact.

## Wireless Table Top Display Buying Guide

Model Number	Description	Ctn. Qty.	Shipping Weight
AQL2-TW-RF-P-4	White, for use with P-4 system	1	2 lbs.
AQL2-TW-RF-PS-4	White, for use with PS-4 system	1	2 lbs.
AQL2-TW-RF-PS-8	White, for use with PS-8 system	1	2 lbs.
AQL2-TW-RF-PS-16	White, for use with PS-16 system	1	2 lbs.
AQL2-TB-RF-P-4	Black, for use with P-4 system	1	2 lbs.
AQL2-TB-RF-PS-4	Black, for use with PS-4 system	1	2 lbs.
AQL2-TB-RF-PS-8	Black, for use with PS-8 system	1	2 lbs.
AQL2-TB-RF-PS-16	Black, for use with PS-16 system	1	2 lbs.

## WIRED 6 BUTTON SPA SIDE REMOTE CONTROL

The AQL-SS-6B is a 6 button remote control for use with all ProLogic Pool/Spa controls. This remote allows the user to control 6 pool/spa functions directly from the spa location. With its high tech look, soft blue LEDs, and 2 available colors, the AQL-SS-6B is ready to complement any spa.

### Applications

- Use with ProLogic
- Waterproof design intended to mount at spa location
- Offers configurable button functions on all P4 and PS systems (requires software version 2.4 or higher)

### Features

- ON/OFF operation of heater and pool/spa equipment
- LED indicators show status of each function
- Allows override of heater setting
- Backlit Identification of each function – for day or night convenience
- 150 ft. cable length standard
- Can be mounted on surface or flush; horizontally or vertically
- Compatible with 1", 1 ¼", or 1 ½" conduit
- Available in Black or White

## WIRED DIGITAL SPA SIDE REMOTE CONTROL WITH DISPLAY

The AQL-SS-D is an 8 function remote control with digital readout for use with ProLogic PS Pool/Spa controls. This digital remote allows the user to control 8 pool/spa functions, set the heater temperature, and view spa/air temperatures directly from the spa location. With its high tech look, soft blue LEDs, and 2 available colors, the AQL-SS-D is ready to complement any spa.

### Applications

- Use with ProLogic PS-4/8/16
- Waterproof design intended to mount at spa location
- Offers configurable button functions on all PS systems (requires software version 2.4 or higher)

### Features

- Remote adjustment of heater temperature setting
- Digital readout of pool/spa and air temperatures
- ON/OFF operation of heater and pool/spa equipment
- LED indicators show status of each function
- Allows override of heater setting
- Backlit Identification of each function – for day or night convenience
- 150 ft. cable length standard
- Can be mounted on surface or flush; horizontally or vertically
- Compatible with 1", 1 ¼", or 1 ½" conduit
- Available in Black or White



Wired Digital Spa Side Remote Control with Display and the Wired 6 Button Spa Side Remote Control

## Wired 6 Button Spa Side Remote Control Buying Guide

Model Number	Description	Ctn. Qty.	Shipping Weight
AQL-SS-6B-W	6 function, white	1	3 lbs.
AQL-SS-6B-B	6 function, black	1	3 lbs.
AQL-SS-6B-G	6 function, gray	1	3 lbs.
AQL-SS-6B-BOX	use for new cement applications	1	3 lbs.

## Wired Digital Spa Side Remote Control Buying Guide

Model Number	Description	Ctn. Qty.	Shipping Weight
AQL-SS-D-W	full function, white	1	3 lbs.
AQL-SS-D-B	full function, black	1	3 lbs.
AQL-SS-D-BOX	use for new cement applications	1	3 lbs.



GOLDLINE®  
**ProLogic®**  
 VALVE ACTUATOR



Valve Actuator

The GVA-24 Goldline Valve Actuator rotates 2-port and 3-port valves automatically. Use it with ProLogic to automate pool/spa operation, cleaner operation, water features, or a variety of other uses. The industry standard configuration of the GVA-24 means that it is compatible with all major manufacturer's valves and pool automation systems. The unique cam setting feature ensures a quick and easy installation with the precise control of water flow.

For the installers convenience, Goldline also offers kits that combine the GVA-24 valve actuator with 3-port valves (see V&A in Buying Guide). For solar heating installations, Goldline offers the solar kits (see AQL-SOL-KIT in Buying Guide) that combine a valve actuator, 3-port valve and temperature sensor ("solar" sensor).

### Valve Actuator Buying Guide

Model Number	Description	Ctn. Qty.	Shipping Weight
<b>Actuator:</b>			
GVA-24	Valve actuator, 24V, .75A, 15 ft. cable	1	3 lbs.
<b>ProLogic Kit:</b>			
AQ-SOL-KIT-1P	Valve actuator + 3-port/1 1/2" valve + temp sensor	1	5 lbs.
*Kit includes 1-GLX-PC-12-KIT, 1-GVA-24, 1-PSV3 (ProLogic)			
AQ-SOL-KIT-2P	Valve actuator + 3-port/2" valve + temp sensor	1	5 lbs.
*Kit includes 1-GLX-PC-12-KIT, 1-GVA-24, 1-PSV3S2 (ProLogic)			

### Applications

- Pool/Spa suction and return valves
- Water feature valves
- Cleaner valves
- Solar valves
- Any 2-port or 3-port valve

### Features

- Industry standard configuration, use with any valves
- Operates 2-port or 3-port valves
- Easy to adjust cams
  - ✓ Allows actuator to be in mounted in any position
  - ✓ Up to 180 degree rotation with 12.8 degree increments
- Manual Switch
  - ✓ Mounted underneath actuator to minimize tampering
  - ✓ ON1-OFF-ON2
- Allows manual rotation in the event of a power outage
- Highest torque rating available
- 15 ft. cable with industry standard plug
- UL and CUL Listed



**Professional-grade AquaRite Pro takes pool and spa sanitization and chemistry automation to new levels building upon the industry leading salt chlorinator — AquaRite. This integrated solution automatically senses ORP and pH levels and dispenses a self-renewing supply of pure chlorine generated from salt, while controlling pH. Integrating chemistry automation with sanitization eliminates the need for an additional device on the pool pad and lowers installation costs. So now pool owners get the most consistent water quality possible, water that’s brilliant, soft and silky-smooth, for the best possible pool experience ever.**

### Optional Sense and Dispense™

This professional-grade ORP and pH sense and dispense technology was previously only available for commercial pools. Hayward offers an economical approach, with the same level of accuracy, for residential in-ground pools.

### TurboCell®

#### Right-sized salt chlorination

Turbo Cells come in three sizes — 40,000, 25,000 and 15,000 gallons. The new sizes enable you to right-size your pool for the most-efficient and cost-effective chlorination possible. These cells are based on the proven TurboCell technology. They automatically generate a self-renewing supply of fresh, pure chlorine — for water that’s clean, clear and luxuriously soft.

### Applications

- Total Pool Chemistry Sense and Dispense ORP (Chlorine) and pH
- For in-ground pools up to 40,000, 25,000 or 15,000 gallons
- Use multiple units for larger pools

### Features

- Total Pool Chemistry Sense and Dispense ORP (Chlorine) and pH
- Simple homeowner operation
  - ✓ Adjust chlorine output from 1-100%
- The best water quality attainable
  - ✓ Always crystal clear and ready for swimming
  - ✓ Soft silky feel — no more red eyes or dry skin
- Microprocessor automates all functions
- Digital salt display and 8 diagnostic indicators
- Patented TurboCell for maximum efficiency and flow rates
- Super chlorinate function
- Automatically cleans the cell by periodically reversing polarity
- Quick, weatherproof connections inside control door
- Single unit for 120VAC/240VAC 50/60 Hz power input
- Locking weatherproof enclosure
- UL and CUL Listed, NSF certified



AquaRite Pro

### How to order Salt Chlorination

#### 1. Pick your Chlorinator

### PickMix™ Chlorinator Buying Guide

Model Number	Description	Ctn. Qty.	Shipping Weight
AQR-PRO-CUL	AquaRite Pro	1	25 lbs.

#### 2. Pick your TurboCell

### PickMix™ TurboCell Buying Guide

Model Number	Description	Ctn. Qty.	Shipping Weight
T-CELL-15-CUL	40k TurboCell, 15' Cable, 3 year warranty	1	4.3 lbs.
T-CELL-9-CUL*	25k TurboCell, 15' Cable, 3 year warranty	1	4.3 lbs.
T-CELL-3-CUL*	15k TurboCell, 15' Cable, 3 year warranty	1	4.3 lbs.

\*New cells require software revision: AquaRite Pro 1.10 or greater.

#### 3. Pick your Options

### PickMix™ Options Buying Guide

Model Number	Description	Ctn. Qty.	Shipping Weight
AQL-CHEM	Chemistry Kit pH and ORP Sense, ORP Dispense	1	9 lbs.
AQL-CHEM2	Chemistry Kit pH Dispense Solenoid valve for CO <sub>2</sub> , 120V	1	2 lbs.
AQL-CHEM2-240	Chemistry Kit, pH Dispense Solenoid valve for CO <sub>2</sub> , 240V	1	2 lbs.
AQL-CHEM3-120	pH Dispense, Acid Feed System, 120V	1	27 lbs.
AQL-CHEM3-240	pH Dispense, Acid Feed System, 240V	1	27 lbs.

**NOTE:** AQL-CHEM, AQL-CHEM2 and AQL-CHEM3 chemistry kit options available only on AquaRite Pro and ProLogic products (see Controls).

\*Voltage of option must be the same as AquaRite Pro installation

**For replacement parts see pages 177-178**





GOLDLINE® GOLDLINE®  
**AquaRite® & AquaRite® XL**  
 SALT CHLORINATION

**No more mixing, measuring and messing around with liquid or tablet chlorine. AquaRite automatically turns common salt into a self-regenerating supply of pure chlorine. For pool and spa water that's clean, clear and luxuriously soft.**

**The key to AquaRite's chlorine generation is the TurboCell®, a specially-designed converter connected to the control unit by a simple plug-in cord, and plumbed into the filter pump's return line to the pool. As water is pushed through the TurboCell, an extremely safe low-voltage electrical charge turns the salt previously added to the water into fresh, sanitizing chlorine which is then dispersed evenly throughout the pool via the return jets.**



**AquaRite**

**How to order Salt Chlorination**

**1. Pick your Chlorinator**

**PickMix™ Chlorinator Buying Guide**

Model Number	Description	Ctn. Qty.	Shipping Weight
AQR3CUL	AquaRite w/ 15K TurboCell 120V/240V	1	24 lbs.
AQR9CUL	AquaRite w/ 25K TurboCell 120V/240V	1	24 lbs.
AQR15CUL	AquaRite w/ 40K TurboCell 120V/240V	1	24 lbs.
AQR3XLCUL	AquaRite XL w/ 15K TurboCell 120V only, w/ cord	1	24 lbs.
AQR9XLCUL	AquaRite XL w/ 25K TurboCell 120V only, w/ cord	1	24 lbs.
AQR3XLCUL	AquaRite XL w/ 40K TurboCell 120V only, w/ cord	1	24 lbs.

**DIGITAL SALT METER**

**Applications**

- Ideal for testing salinity levels in pools using electrolysis systems



**GLX-SALTMETER**

**Features**

- Factory calibrated against NaCl standards
- Waterproof and dustproof housing that floats
- Replaceable sensor lets you reuse same meter body saving you money
- Highly accurate, battery operated
- Calibration fluid included
- Digital readout in PPT (parts per thousand)
- 0.00 - 10.0 ppt

Sanitization & Automation

**Salt Chlorination**

**Right-sized salt chlorination**

Hayward AquaRite and TurboCells come in three sizes – 40,000, 25,000 and 15,000 gallons. The sizes enable you to right-size your pool for the most-efficient and cost-effective chlorination possible. These cells are based on the proven TurboCell technology. They automatically generate a self-renewing supply of fresh, pure chlorine — for water that's clean, clear and luxuriously soft.

**Applications**

- For in-ground pools up to 40,000 gallons
- Use multiple units for larger pools

**Features**

- Simple homeowner operation
  - ✓ Adjust chlorine output from 1–100%
- The best water quality attainable
  - ✓ Always crystal clear and ready for swimming
  - ✓ Soft silky feel—no more red eyes or dry skin
- Microprocessor automates all functions
- Digital salt display and 8 diagnostic indicators
- Patented TurboCell for maximum efficiency and flow rates
- Super chlorinate function
- Automatically cleans the cell by periodically reversing polarity
- Quick, weatherproof connections inside control door
- Single unit for 120VAC/240VAC 50/60 Hz power input
- Locking weatherproof enclosure
- UL and CUL Listed, NSF certified

For replacement parts see pages 177-178

No more mixing, measuring and messing around with liquid or tablet chlorine. AquaRite Low Salt automatically turns common salt into a self-regenerating supply of pure chlorine. For pool and spa water that's clean, clear and luxuriously soft.

The key to AquaRite Low Salt chlorine generation is the TurboCell®, a specially-designed converter connected to the control unit by a simple plug-in cord, and plumbed into the filter pump's return line to the pool. As water is pushed through the TurboCell, an extremely safe low-voltage electrical charge turns the salt previously added to the water into fresh, sanitizing chlorine which is then dispersed evenly throughout the pool via the return jets.

The AquaRite Low Salt chlorinator has the ability to stop producing chlorine at 800 ppm and operates at just 1200 - 1800 ppm, lower salt levels reduce corrosion concerns and is safer for the environment.

### Applications

- For in-ground pools up to 30,000 gallons (114,000 L)
- Use multiple units for larger pools
- Perfect for new or existing pools
- Perfect for replacing existing salt units

### Features

- Soft, silky-smooth water
- No more red eyes, itchy skin
- Reduces handling and storage of toxic chemicals
- No chlorine odor or bleaching of toys and clothes
- Even, consistent chlorine dispersion; no more unhealthy highs and lows
- User-friendly monitor system with LED service alerts
- No need for additional plumbing or parts
- Easy to use - one dial adjusts chlorine output
- NSF and CUL approved, PMRA registered



AquaRite Low Salt

## Chlorinator Buying Guide

Model Number	Description	Ctn. Qty.	Shipping Weight
AQR-LS-CUL	AquaRite Low Salt w/ 30K TurboCell, 120V/240V	1	25 lbs.

For replacement parts see pages 177-178



GOLDLINE®

# Sense and Dispense®

CHEMISTRY AUTOMATION SALT CHLORINATION AND CHEMISTRY AUTOMATION



This professional-grade ORP and pH Sense and Dispense technology was previously only available for commercial pools. Hayward offers an economical approach, with the same level of accuracy, for residential pools. Unlike others on the market, Sense and Dispense, uses a proportional feed algorithm that continuously tests the water, sampling pH and sanitizer activity, adjusting chemical feeding on a basis proportional to the demand. Other approaches don't sample the water often enough and release larger doses which, is far less effective and can create highs and lows similar to a manual approach.

Sense and Dispense

Adding the Sense and Dispense option to ProLogic® or AquaRite® Pro is a fully integrated solution — not an additional box that resides on your pool pad — eliminating additional installation costs. It also provides a single source for status reporting and control.

Sense and Dispense consists of two basic functions. AQL-CHEM kit senses pH and ORP levels and dispenses a self-renewing supply of pure chlorine generated from salt. pH dispense can be achieved using a second kit which connects to a CO<sub>2</sub> tank or a peristaltic pump acid feed tank. Either method is effective at controlling the pH drift that naturally occurs with the use of salt chlorination.

### Applications

- ProLogic revision 3.00 or higher
- Aqua Rite Pro revision 1.00 or higher

### Features

- Commercial grade sensors
- Fully integrated chemistry automation
- Continuously senses sanitization and pH levels
- Integrates with Hayward pH dispense systems to dynamically control pH
- Integrates with Hayward salt chlorination systems to dynamically control chlorine level

## Sense and Dispense Chemistry Automation Buying Guide

Model Number	Description	Ctn. Qty.	Shipping Weight
AQL-CHEM	ORP and pH Sense, ORP Dispense	1	9 lbs.
AQL-CHEM2	pH Dispense, 120V Solenoid Valve for CO <sub>2</sub>	1	2 lbs.
AQL-CHEM2-240	pH Dispense, 240V Solenoid Valve for CO <sub>2</sub>	1	2 lbs.
AQL-CHEM-UPG	Chemistry Chassis Retrofit Kit with board (Includes AQL-CHEM and communication board. Add AQL-CHEM2 for pH dispense)	1	15 lbs.
AQL-CHEM3-120	pH Dispense, Acid Feed System, 120V	1	27 lbs.
AQL-CHEM3-240	pH Dispense, Acid Feed System, 240V	1	27 lbs.
SV10075TE	Solenoid for C250/C500EXP		

**NOTE:** AQL-CHEM, AQL-CHEM2 and AQL-CHEM3 chemistry kit options available only on AquaRite Pro and ProLogic products (see Controls).

For replacement parts see pages 177-178

Sanitization & Automation

## Introducing the HCC2000 Automated Water Chemistry Controller

Perfect for swimming pools, spas and water features, the HCC 2000 is a powerful yet affordable microprocessor-based pH and ORP water chemistry controller. The controller features proportional feed to ensure precise water chemistry maintenance, and operates using the Oxidation-Reduction Potential (ORP) method of water analysis to ensure rapid deactivation of such water-borne pathogens as E.coli in swimming pool water.

The HCC 2000 provides the ultimate one stop shop experience, one unit pre-configured with everything required to make water chemistry management simple, convenient and affordable. This package includes the HCC 2000 controller, flow cell and flow sensor, all now pre-mounted on a PVC back-board.

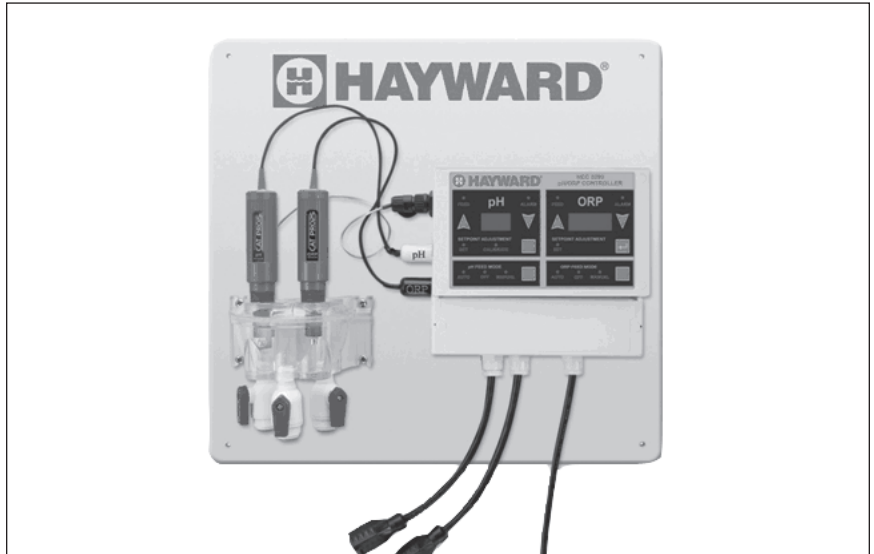
### Features

- Advanced microprocessor-based design technology
- Simple to operate user interface with easy to read LED display
- Complete package offers a total chemical automation system for easy installation and ultimate convenience

### Universal pH & ORP Sensors

Dependable and affordable commercial grade sensors for use with virtually all automated chemistry controllers.

The Hayward series of Universal Commercial grade sensors are the next generation in sensor technology. They incorporate a Poly-Pro™ solid polymer reference technology matched with a patented Teflon fluid junction for unparalleled performance and longevity.



### HCC 2000 Buying Guide

Model Number	Description	Ctn. Qty.	Shipping Weight
HCC2000	HCC 2000 Water Chemistry Controller	1	11 lbs.

### HCC 2000 Options

Model Number	Description
AQL-CHEM3-120	Acid or CL Feed
AQL-CHEM3-240	Acid or CL Feed
SV10075TE	Solenoid for C-250EXP/C500EXP

### Universal pH & ORP Sensor Buying Guide

Model Number	Description
HCX015	pH Sensor
HCX025	ORP Sensor

### Features

- Compatible with virtually all chemical controllers as a system upgrade
- Shielded BNC connectors for chemical resistance
- Low maintenance Porous Teflon fluid junction
- Superior protection against infusion and diffusion
- Poly-Pro solid polymer technology





# GOLDLINE® AquaTrol®

ELECTRONIC CHLORINE GENERATOR FOR ABOVE-GROUND POOLS

The AquaTrol Electronic Chlorine Generator (also known as a salt chlorinator) is designed specifically for above ground pools up to 18,000 gallons. The AquaTrol has all the same functions and features of the AquaRite but with a lower chlorine output. The savings on chlorine will have the AquaTrol paying for itself in just a few short years. The AquaTrol system typically installs in less than 30 minutes and is very easy to operate.

### Applications

- For all residential above-ground pools up to 18,000 gallons.
- Suitable for new above-ground pools or retrofit.

### Features

- Quick and Easy 30 minute installation
- The best water quality attainable
  - ✓ soft silky feel — no more red eyes or dry skin
  - ✓ always crystal clear and ready for swimming
- Digital salt display and 7 diagnostic indicators
- Super chlorinate function
- Microprocessor automates all functions
- Automatically cleans the cell by periodically reversing polarity
- Patented TurboCell for maximum efficiency and flow rate
- UL and CUL Listed

### Cell Mounting

- “RJ” models mount the cell directly to the return jet (on the outside of the pool)



AquaTrol

## AquaTrol® Buying Guide

Model Number	Description	Ctn. Qty.	Shipping Weight
AQ-TROL-RJ-CUL	Return jet fittings (includes 20K cell)	1	25 lbs.

For replacement parts see pages 177-178





Salt & Swim 3C (Inset: Control Unit with door open)

Salt & Swim 3C delivers the 3 Cs of Salt Chlorination: **Comfort**, **Convenience** all at a **Cost** your customers will love.

Pool owners will get unimaginable **Comfort** of silky soft water, that won't turn eyes red, dry out skin and hair or bleach clothing and toys. It's a more natural approach to chlorination that also eliminates the harsh Chlorine odor associated with factory-produced Chlorine.

**Convenience** means no more mixing, measuring, dispensing and lugging heavy gallons and jugs of harsh Chlorine each season. With Salt Chlorination, sanitizing pools happens automatically by converting ordinary salt into Chlorine. Day in, day out, automatically – now that's **Convenient**.

What if you could offer your customers all the **Comfort** and **Convenience** they desire, but at a savings on chlorination **Costs** of more than 50%? You can, with Salt & Swim 3C. The Salt & Swim 3C salt cell produces the equivalent of a ton of Chlorine, literally, but at more than half of the cost of other forms of Chlorine. A single Salt & Swim 3C Cell produces 91 kg (200 lbs.) of 100% available Chlorine which is equivalent to:

- 91 kg (225 lbs.) Trichlor (90%)
- 208 gallons (787 L) of Liquid Chlorine (10%) – weighs over 1 ton
- 140 kg (308 lbs.) of Calcium hypochlorite (65%)
- 151 kg (333 lbs.) of Dichlor (60%)
- 259 kg (571 lbs.) of Lithium hypochlorite (35%)

### Applications

- For residential IG pools up to 30,000 gallons (141,000 L)

Sanitization & Automation

### Salt & Swim 3C Buying Guide

Model Number	Description	Ctn. Qty.	Shipping Weight
SAS-CUL	Salt & Swim 3C Control Unit (Cell sold separately)	1	18 lbs.
SAS-CELL-CUL	Salt & Swim 3C Salt Cell 30K IG Pools	4	9 lbs.

**NOTES:** Salt & Swim 3C Salt Cell comes with a 1-year limited warranty from date of purchase (proof of purchase date required).

Salt & Swim 3C Control Unit is backed by a 3-year limited warranty.

### Salt & Swim 3C Accessories Buying Guide

Model Number	Description	Ctn. Qty.	Shipping Weight
DIY-POLYPIPE	Salt & Swim 3C Adapter Kit for Polypipe	1	2 lbs.

### Replacement Salt Cell Buying Guide

Model Number	Description	Ctn. Qty.	Shipping Weight
SAS-CELL-CUL	Salt & Swim 3C replacement Salt Cell	4	9 lbs.

### Features

- Best water quality available
  - ✓ Soft, silky feel to the water
  - ✓ No more red eyes or dry skin
- Produces 91 kg (200 lbs.) of pure Chlorine\*
- Conveniently delivers 1.2 lbs. of Chlorine a day automatically
- Operates at low flow rates (15 GPM)
- ETL and CETL Listed

**NOTE:** \*Over its expected life

For replacement parts see pages 177-178



GOLDLINE®

# OnCommand™

AUTOMATION FOR AFTERMARKET POOLS AND SPAS



**OnCommand re-defines automation for aftermarket pools and spas.**

**OnCommand is a new way to bring simple and cost-effective automation to pools and spas. Control pump, filter, heater, cleaner, lighting and more. Automate schedules to turn lights on at night or to manage energy-saving two-speed or variable speed pumps that can save pool owners up to 75% on energy costs. OnCommand can be set to run automatically or be controlled from an optional wireless, floating remote providing the ultimate in convenience and poolside enjoyment.**

### Applications

- Controls pool only, spa only and pool and spa combinations with shared equipment

### Features

- Cost-effective entry-level control and automation for new or existing pools
- Designed for fast and simple installation with large and easily accessible wiring area.
- Separate and easily accessible compartments for low and high voltage areas
- Manages 2-speed or variable speed pump (California Title 20 compliant) and other backyard functions to maximize energy savings
- Intuitive programming and easy-to-read large digital display allows you to set up the controller in minutes
- Fully featured control equipped with:
  - ✓ 4 high voltage relays
  - ✓ support for 3 motorized valves
  - ✓ 3 temperature sensors (air, water and solar)
  - ✓ 1 Group function
- On-board diagnostics and separate high voltage and low voltage compartments for easy and safe servicing
- Two different floating remote control devices enable operation up to 500 feet away
- Dual voltage 120 / 240 V



OnCommand

### OnCommand Buying Guide

Model Number	Description	Ctn. Qty.	Shipping Weight
ONCOM	OnCommand Controller	1	8 lbs.

### OnCommand Options & Accessories Buying Guide

Model Number	Description	Ctn. Qty.	Shipping Weight
AQL-RELAY-AC-KT	AC Relay Kit	1	0.5 lb.
AQL2-POD	Aqua Pod, Waterproof, Wireless Remote	1	1 lb.
AQL2-SS-RF	6 Function Waterproof Remote	1	1 lb.
AQL2-BASE-RF	RF Base Station	1	1 lb.
GVA-24	Valve Actuator, 24V, 75A, 15 ft. Cable	1	3 lbs.
AQL-DIM	Dimmer Kit for line voltage	1	0.5 lb.

For replacement parts see pages 177-178

Sanitization & Automation



**Hayward and Goldline Controls-brand electronic chlorine generation systems all generate their own chlorine from a low concentration of salt dissolved into the pool water to create 100% of the pool's sanitizing needs.**

### Will the pool water taste salty?

No. The concentration of salt in the pool water is approximately 1/10 of the level in the ocean and is below the level of taste for most people. This level of salt is equivalent to 1 teaspoon of salt in a gallon of water. Encourage anybody who is concerned to do a "taste test".

### Types of salt

Electronic chlorine generators use ordinary food grade, solar salt or water softener salt. Regardless of which type of salt you chose ensure that it is at least 99% pure salt (NaCl). Never use rock salt (ice melt) or salts that have more than 1% of "anti-caking agents", "yellow prussiate of soda", or "sodium ferrocyanide" added as these compounds may cause staining of the pool. Salt is available from most distributors in 40–80 pound bags.

### Amount of salt to add to the pool

Hayward and Goldline Controls-brand electronic chlorine generation systems require salt levels between 2700 and 3400 ppm. This amount of salt is below the level of taste for most people and is the equivalent of 1 teaspoon of salt per gallon. **Since all chlorine added to a pool eventually reverts to salt, it is very important to measure the salt level in existing pools before adding any salt.**

### How to add salt

After determining the amount of salt to add from the table below, hold 1 or 2 bags in reserve. Dump the remaining bags directly into the pool and brush the salt around to speed up the dissolving process. Do not allow the salt to sit in a pile at the bottom of the pool. Salt water is heavier than fresh water so the salt water will tend to accumulate at the deepest part of the pool. Run the filter system with the suction coming from the main drain for 24 hours to evenly distribute the salt throughout the pool. Note: For new plaster pools, consult with the applicator for the recommended cure time before adding salt.

### Salt Display

The salt display responds slowly to rapid changes in salt level. It takes up to 24 hours of circulation for the salt to be evenly distributed in the pool. Be patient and do not over-react by adding too much salt. If the salt level is still low after 24-48 hours, add the reserve bags (see "How to add salt" above) to the pool.

Pounds of Salt Required for 3200 ppm																	
Current Salt Level (ppm)	Pool Size – Gallons																
	8,000	10,000	12,000	14,000	16,000	18,000	20,000	22,000	24,000	26,000	28,000	30,000	32,000	34,000	36,000	38,000	40,000
0	213	267	320	373	427	480	533	587	640	693	747	800	853	907	960	1013	1067
200	200	250	300	350	400	450	500	550	600	650	700	750	800	850	900	950	1000
400	187	233	280	327	373	420	467	513	560	607	653	700	747	793	840	887	933
600	173	217	260	303	347	390	433	477	520	563	607	650	693	737	780	823	867
800	160	200	240	280	320	360	400	440	480	520	560	600	640	680	720	760	800
1000	147	183	220	257	293	330	367	403	440	477	513	550	587	623	660	697	733
1200	133	167	200	233	267	300	333	367	400	433	467	500	533	567	600	633	667
1400	120	150	180	210	240	270	300	330	360	390	420	450	480	510	540	570	600
1600	107	133	160	187	213	240	267	293	320	347	373	400	427	453	480	507	533
1800	93	117	140	163	187	210	233	257	280	303	327	350	373	397	420	443	467
2000	80	100	120	140	160	180	200	220	240	260	280	300	320	340	360	380	400
2200	67	83	100	117	133	150	167	183	200	217	233	250	267	283	300	317	333
2400	53	67	80	93	107	120	133	147	160	173	187	200	213	227	240	253	267
2600	40	50	60	70	80	90	100	110	120	130	140	150	160	170	180	190	200
2800	27	33	40	47	53	60	67	73	80	87	93	100	107	113	120	127	133
3000	13	17	20	23	27	30	33	37	40	43	47	50	53	57	60	63	67
3200	ideal	ideal	ideal	ideal	ideal	ideal	ideal	ideal	ideal	ideal	ideal	ideal	ideal	ideal	ideal	ideal	ideal
3400	ok	ok	ok	ok	ok	ok	ok	ok	ok	ok	ok	ok	ok	ok	ok	ok	ok



# Pool Chemistry

FOR ELECTRONIC CHLORINE GENERATORS

**It is important to maintain salt and stabilizer levels in order to prevent scaling and to ensure maximum enjoyment of the pool. Test the water periodically and use standard pool industry procedures to adjust levels.**

## Salt 2700 to 3400 ppm

Check monthly (using the digital salt display). The higher end of the salt level range lets the electronic chlorine generator produce more chlorine and also helps extend the life of the cell. The electronic chlorine generator will indicate when the salt drops below 2700 ppm and the electronic chlorine generator will stop operating if the salt drops below 2500ppm. On most pools, the salt level tends to slowly drift downward as fresh water is added to the pool (rain or makeup water for splash-out, back-washing etc.). A good procedure is to add enough salt to be near the top of the range. Usually add stabilizer (see below) at the same time.

## Stabilizer

Check monthly. Stabilizer is also known as conditioner, cyanuric acid, or isocyanuric acid. Refer to local codes regarding its use. Stabilizer helps maintain the chlorine residual in the pool by protecting it from the UV rays from the sun. Without stabilizer, the electronic chlorine generator would have to produce much more chlorine in order to keep the desired residual level in the pool. Add enough stabilizer to be near the top end of the range at the same time you add salt.

## Chlorine

Ideally, all of the chlorine in the pool should be “free chlorine” and there should be zero “combined chlorine.” “Free chlorine” means that it is not attached to any contaminants in the pool and is ready to attack any algae or bacteria that it comes in contact with. Note that test kits using the OTO method (yellow color) only test total chlorine and can not differentiate between “free” and “combined”. DPD test kits (red color) do allow for the testing of both total chlorine and “free chlorine”.

## pH determines Chlorine effectiveness

The recommended pH range is 7.2 to 7.8. If the pool’s pH rises above the top end of the range, the sanitizing effectiveness of the chlorine can be greatly reduced. For example: The chlorine in a pool with the pH at 7.2 is approximately ten times more effective than the same amount of chlorine in a pool with the pH at 8.2.

## Why is water chemistry important?

Continuous filtration, cleaning and sanitization are not enough — balancing pH (potential hydrogen) is vital. Chlorination should keep germs and algae at bay but when pH is unbalanced, it can’t do its job. Let the pH drop too low and the water becomes acidic and attacks anything it touches. When pH drifts up, the water becomes alkaline and creates an environment where mineral deposits (scale) can form. Furthermore, when pH is high, chlorine becomes less effective at its primary task — killing bacteria and algae.

ORP (oxidation reduction potential) measures the oxidizing capacity in water. It is a proven measurement and maintenance technology mandated for commercial pool sanitization. Unlike most home-test processes, ORP is not fooled by the effects of pH, TDS (total dissolved solids) and other factors. Most home-test kits and strips only report free chlorine and other less effective forms of chlorine. Only ORP can deliver further detailed analysis of the more important free chlorine. It differentiates free chlorine’s components HOCl (hypochlorous acid) and OCl- (hypochlorite ion). OCl- is a slow-acting sanitizer, and HOCl is up to 300 times more effective. ORP targets HOCl, a more fine-tuned measurement of the effectiveness of chlorine and water quality.

Studies have reported on the relationship between ORP and chlorine’s activity with germs and bacteria. They’ve concluded that ORP significantly predicts water bacterial quality better than other methods. As a result, in most states, the highly regulated commercial pool industry requires ORP testing.

## What is balanced water?

Water balance is composed of several key factors — pH, total alkalinity, calcium hardness and TDS. All of these factors are important, but none more so than pH. pH is a measurement of the concentration of hydrogen ions in water. It is measured using a logarithmic scale from 0 to 14, with pH 7 being neutral.

For pool water to be in balance, all factors must be in their proper range. That range may vary slightly depending on the finish of the pool and the average temperature of the pool water. The one value that never changes is pH. It must be maintained between 7.2 and 7.8 for a pool to be considered “balanced.”

WATER QUALITY PARAMETER	IDEAL LEVELS
<b>Salt</b>	<b>3200 ppm</b>
Free Chlorine	1.0 to 3.0 ppm
pH	7.5
<b>Cyanuric Acid (Stabilizer)</b>	<b>25 to 50 ppm (50 ppm best)</b>
Total Alkalinity	80 to 120 ppm
Calcium Hardness	200 to 400 ppm
Metals	0 ppm
Saturation Index	-2 to 2 (0 basil)

# Understanding Proper Water Balance

## SENSE AND DISPENSE - CHEMICAL AUTOMATION



### Overview

Pool and spa chemical automation uses technology to sense, display and make necessary corrections to the two primary components of water quality - pH and sanitizer activity. Sensing pH and sanitizer activity is accomplished by placing pH and ORP (Oxidation Reduction Potential or Chlorine) electrodes in a representative sample of recirculating water. The electrodes or sensors produce a small millivolt signal which is passed to the chemical controller. The chemical controller in turn interprets and processes these signals for display and chemical control. Finally, the pH and ORP values are compared to a user defined set point and the controller actuates the proper chemical feed device.

### pH

pH is measured on a scale ranging from 0 to 14, with pH 7 considered neutral. pH is a significant variable in determining water quality as it effects sanitizer activity, water colour/clarity, pool surfaces, equipment longevity and human compatibility with the water.

### ORP

Oxidation reduction potential, expressed in millivolts, is a measure of the oxidizing capacity present in water. Unlike a free chlorine reading, ORP is not fooled by the effects of pH, TDS (Total Dissolved Solids), stabilizers or non chlorine oxidizers. The typical DPD test kit has the ability to differentiate between free available chlorine and less effective combined chlorine. However, free chlorine is composed of two distinct parts or species known as Hypochlorous acid (HOCl) and Hypochlorite ion (OCl<sup>-</sup>). Like free and combined chlorine, HOCl and OCl<sup>-</sup> are not equal in their ability to sanitize. The ionic form of chlorine OCl<sup>-</sup> is slow acting, while the Hypochlorous acid HOCl is 80 to 300 times more effective. It can be said that an ORP sensor measures primarily the Hypochlorous acid and therefore provides a more useful measure of water quality.

### Water balance/Quality

Water balance is comprised of several key variables -pH, calcium hardness, total alkalinity, temperature, and total dissolved solids. Water balance in swimming pools is usually calculated by use of the Langelier saturation index.  $SI = pH + TF + \log CH + \log ALK - \text{constant}$ . Commercially available tables can ease the use of this index. When water is balanced, the index produces a zero value. Positive values, above +.3, lead to scaling and cloudy water, while negative values, below -.3, will cause pool surface and equipment corrosion. It is important to note that each of these variables contribute to the water quality and have secondary effects on each other. The use of chemical automation equipment will significantly reduce the hourly and daily work involved in maintaining proper water balance but is not a substitute for manually testing and correcting the variables not under the system's control. The relationship between ORP and ppm sanitizer is highly correlated only when water balance is tightly controlled.

### pH/ORP Relationship

Free chlorine is comprised of two species (HOCl and OCl<sup>-</sup>). The relative amount present in a chlorinated system will be determined by pH. At typical pH 7.5, free chlorine will be divided or dissociated almost equally between these two species. However, as pH increases more free chlorine takes the form of the less effective OCl<sup>-</sup> chlorine ion. Conversely, as pH falls, more free chlorine will dissociate into the more active Hypochlorous acid HOCl. In fact at pH 8 only 20% of free chlorine is available in the fast-killing HOCl form. ORP measurements compensate for the effect of pH inherently.

### TDS/ORP Relationship

Like pH, TDS affects the dissociation of free chlorine between HOCl and OCl<sup>-</sup>. As TDS increases from 0 to 4,000 ppm the amount of free chlorine available as HOCl decreases. The effect of TDS is less drastic than the pH shift, but is of notable significance. When pH is at 7.5, 400 ppm, TDS decreases HOCl to 46% and at 4,000 only 37% free chlorine is available in the fast-killing HOCl form.

### Cyanuric Acid Effect on ORP

Cyanuric acid stabilizers were first introduced to the pool industry in the early 1950's and controversy has followed since. The primary benefit of Cyanuric acid is to protect free chlorine from being destroyed by sunlight's UV rays. A stabilized pool with 25-50 ppl Cyanuric acid will lose 10% to 15% free chlorine to UV rays in 2 to 3 hours, while an unstabilized pool will lose 90% over the same time.



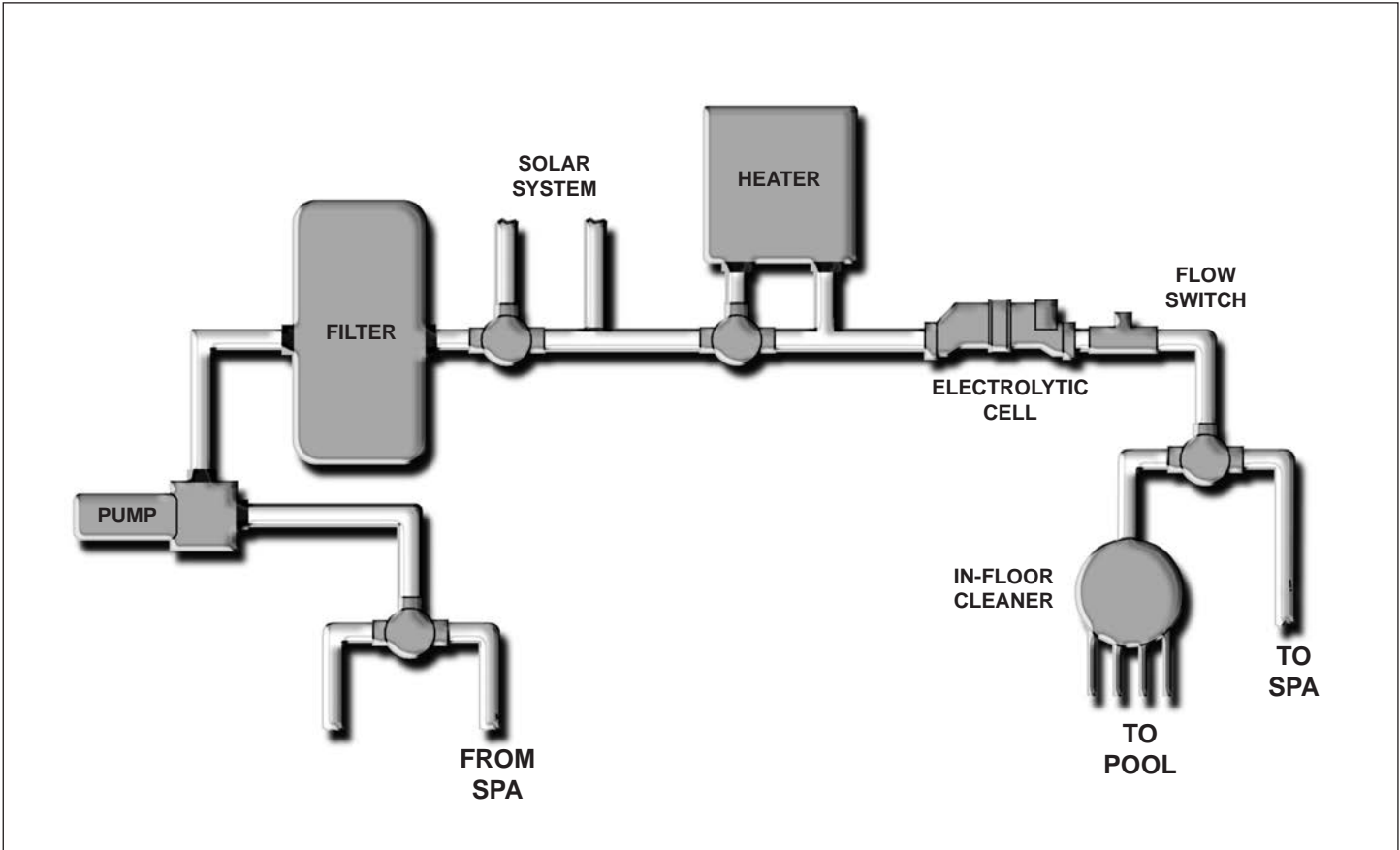


# Chlorinator Cell

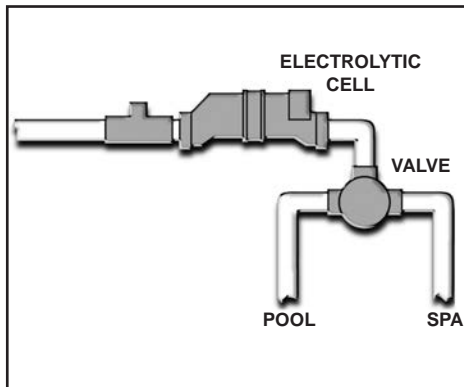
PLUMBING INSTALLATION

Install the cell and flow switch down stream of all existing equipment, but prior to the pool/spa return valve. The flow switch can be located immediately downstream from the cell (as shown) or can be installed with 12" of straight pipe directly before the mounting tee (option 1 below). For stand alone any Aqua Rite installations on pool/spa systems, refer to options 2 or 3 in order to avoid possible over chlorination of the spa.

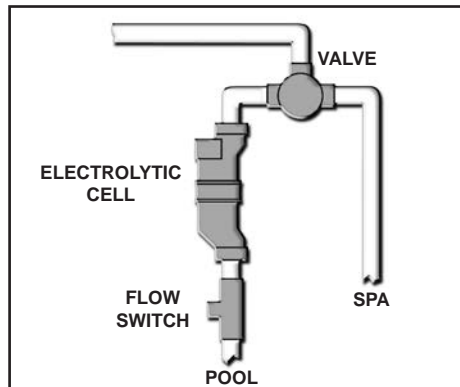
Sanitization & Automation



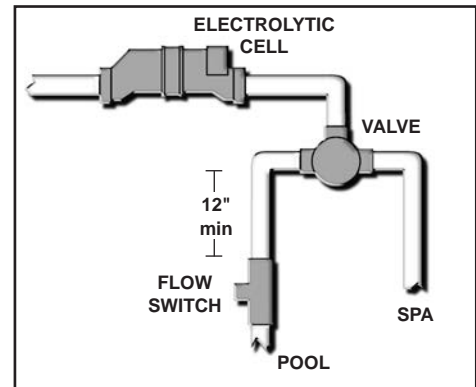
Chlorinator Cell



Optional Configuration #1



Optional Configuration #2



Optional Configuration #3

**Aqua Solar™ – Total solar control system with dual digital display of pool water, solar collector and auxiliary sensor temperatures plus full system diagnostic LEDs. Single-dial adjustment lets pool owners set desired pool temperature effortlessly. Other user-customizable features include selectable high limit (from 70°F to 140°F), programmable recirculation freeze protection and nocturnal cooling.**

**Aqua Solar™ TC – Aqua Solar Time Clock model provides all the capabilities of the Aqua Solar plus an integral time clock for 24-hour control of the pool's main pump and filtration system. The time clock is programmable in 15-minute increments and can have multiple on/off times. There's also an exclusive solar override feature that maximizes solar gain while minimizing electricity usage.**

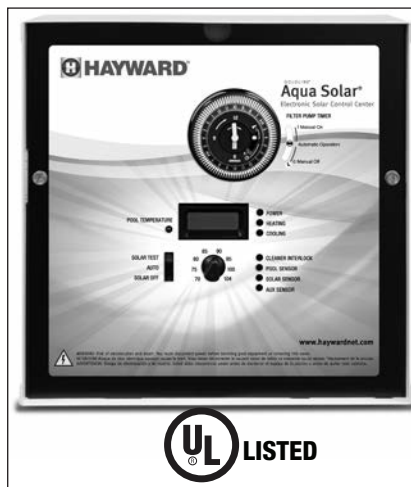
**GL-235 – America's best-selling solar control is designed for easy and dependable operation. Its microprocessor-based technology ensures reliable and accurate performance. Advanced features include differential temperature control, selectable high limit, programmable recirculation freeze protection, nocturnal cooling, and optional booster pump control.**

**Features**

- Automatically maximizes solar heat collection
- Precise, easy-to-read, calibrated temperature setting
- Electronics in UV-protected locking weatherproof enclosure
- LED indicators show status of system operations
- Automatic switching (selectable) from solar pool heating to nocturnal pool cooling
- Single-setting adjustment for desired pool/spa temperature
- Recirculation freeze protection
- Installer-programmable features for any-system adaptability
- UL-approved

**Benefits**

- Quick, accurate, easy-to-set desired temperature controls
- Ensures protection from the elements; guards against tampering
- Easy to read, understand and operate
- One-control for just right automation
- Selectable option activates solar when ambient temperature nears 32°F
- Assurance of safety and performance



Aqua Solar TC



GLC-235



**Solar Buying Guide**

Model Number	Description	Ctn. Qty.	Ctn. Weight
<b>Solar Pool Control Options</b>			
GL-235	Solar pool control, 12/24VAC and 120/240VAC output	1	8 lbs.
AQ-SOL-LV	Aqua Solar with LV output	1	25 lbs.
AQ-SOL-LV-TC	Aqua Solar with LV and HV output, timeclock and HV relay	1	25 lbs.
GLX-RELAY	(optional 3hp relay)		
<b>Sensors</b>			
GLX-PC-12-KIT	10K ohm @ 77°F/25°C (2 required)		
<b>Actuator</b>			
GVA-24	Valve Actuator 24V, .75A, 15ft cable		
<b>Valves</b>			
PSV3S	3 port 1½" - 2"		
PSV3S2	3 port 2" - 2½"		

**Combo (recommended)**

**ASC-1P-A-LV (AQ-SOL-LV/2 sensors/1½" - 2" 3 port valve/actuator)**

Sanitization & Automation



# Navigator® Pro

AUTOMATIC POOL CLEANERS FOR IN-GROUND POOLS



925ADC Navigator for concrete pools

## Navigator Buying Guide

Model Number	Pool Type	40 ft. of Hose	Flow Gauge	Skimmer Cone	Installation Video	Ctn. Qty.	Ctn. Weight
<b>Unitized Packaging</b>							
PC925ADC	Gunite/Concrete	✓	✓	✓	✓	1	20 lbs.
PC925ADV	Vinyl	✓	✓	✓	✓	1	20 lbs.

**NOTE:** For fiberglass pools add AXV-014SP to 925ADV, for tile pools, add AXV-014P to 925ADC

## Vac Lock Wall Fitting Buying Guide

### Important Safety Feature!

Model Number	Description	Ctn. Qty.	Ctn. Weight
W400BBKP	Vac Lock safety wall fitting, Black	10	2 1/2 lbs.
W400BWHP	Vac Lock safety wall fitting, White	10	2 1/2 lbs.
W400BLGP	Vac Lock safety wall fitting, Lt. Grey	10	2 1/2 lbs.

## Debris/Leaf Canister Buying Guide

Model Number	Description	Ctn. Qty.	Ctn. Weight
W560	Standard leaf canister*	6	19 lbs.
W530	Large capacity with mesh bag	6	26 lbs.
W550	1 1/2" Adapter Kit (for manual hand vacuum system)	10	1 lb.

**NOTE:** To utilize leaf canisters with hand vacuums, one of the above adapter kits will be necessary.  
\*For use with any existing suction-side cleaner.

The Hayward Navigator sets the standard in high-performance cleaning for in-ground pools of all types and sizes. Simple to install, Navigator features the exclusive SmartDrive® programmed steering which assures that the average pool will be cleaned in less than 3 hours. Quiet and attractive, Navigator is the intelligent choice in automatic cleaners for smart pool professionals everywhere.



***Why is SmartDrive programmed steering better?*** Hayward's exclusive technology harnesses the flow of water through the filtration system to drive the Navigator in an alternating series of right and left-hand turns to systematically clean pool surfaces and ensure the best coverage and most efficient cleaning path. It cleans faster and better than random-style cleaners and reduces the possibility of missed or over-visited zones in the pool.

### Applications

- In-ground residential pools (vinyl, gunite/tile, fiberglass)

### Features

- Patented SmartDrive programmed steering pattern ensures the entire pool is cleaned quickly and completely
- Unique turbine/gearing system provides constant and balanced water flow assuring quiet operation and gentle movement across the pool bottom
- Wider cleaning path handles pollen, sand, twigs, leaves and pebbles with ease
- Longer wearing components (wings, flaps and shoes) for additional product longevity
- Installs in less than 15 minutes, without tools
- 2-year limited warranty

### Tips on Hose Requirements

A simple rule of thumb is to measure from the skimmer (or dedicated suction line) to the furthest point in the pool, then add two (2) extra hose lengths.

Example: A 16' x 32' rectangular pool will normally take 8-10 lengths of hose, depending on depth and skimmer placement.

For replacement parts see pages 179-180



# AquaVac 500 Series

ROBOTIC POOL CLEANER



## Less Energy. More Clean.

The new wall climbing AquaVac 500 robotic cleaner cleans pool floor *and* walls with computer efficiency. This feature-packed floor and wall cleaner delivers performance, high efficiency, and a robust design at an attractive price.

### Application

- In-ground residential pools/vinyl, gunite, fiberglass

### Features

- Cleans pool floors *and* walls
- Easy top access – no turning the cleaner over to empty, allows quick debris removal and easy cleanup
- 2 fine porosity filter elements – just remove and rinse with a garden hose
- Exclusive cord swivel prevents the cord from tangling. No monitoring necessary during the cleaning cycle.
- Saves you money. Uses up to 94% less electricity than pressure cleaners
- Out-of-water sensor (cleaner will not start if out of water and connected to a timer)
- Beach entry sensor (cleaner detects when it is climbing out of the water and reverses direction)
- Sleek design

# NEW!



Up to 94%  
Energy Savings  
vs. most  
Pressure Cleaners



AquaVac 500 Series

## AquaVac 500 Series Buying Guide

Model Number	Description	Ctn. Qty.	Ctn. Weight
RC3411CTY	Hayward AquaVac 500 and Caddy Cart, Timer and Swivel Cord	1	53 lbs.

For replacement parts see pages 187-188



AquaVac 500 with Premium Caddy Cart



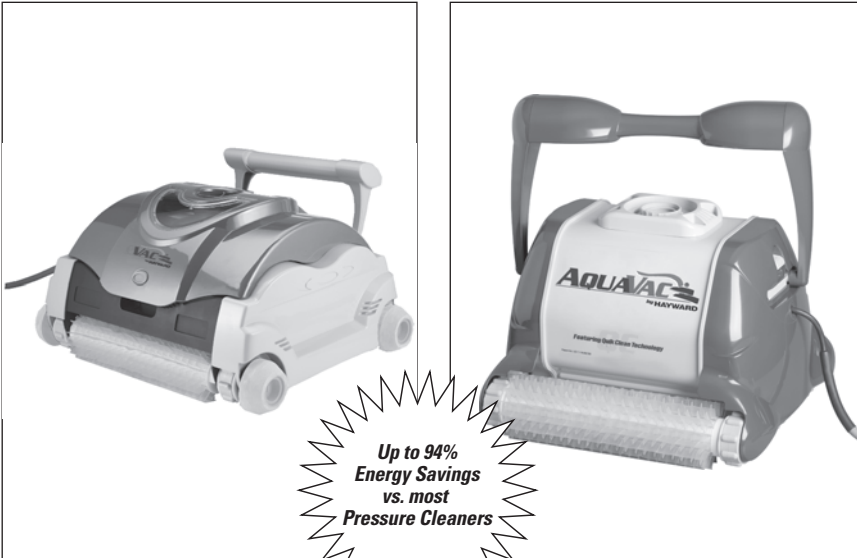
Exclusive cord swivel prevents the cord from tangling.

Cleaners



# E.VAC and AquaVac

ROBOTIC POOL CLEANERS



E.VAC RC9738

AquaVac RC9726

## AquaVac Buying Guide

Model Number	Description	Ctn. Qty.	Ctn. Weight
RC9726	AquaVac 110V24	1	42 lbs.
RC9728BL	AquaVac Plus 110V24	1	42 lbs.
RC99385	AquaVac Caddy Cart	1	16 lbs.
RCX70103	Disposable Spring Clean-up Filter Elements	1	2 lbs.

## E.Vac Buying Guide

Model Number	Description	Ctn. Qty.	Ctn. Weight
RC9738	E.Vac 110V24 VDC 50 ft. cord & caddy	1	55 lbs.
RC97385D	Caddy Cart	1	9 lbs.
RCX70103	Disposable Spring Clean-up Filter Elements	1	2 lbs.

Cleaners

Spring Clean-up Filter Elements (sold separately)



AquaVac with Premium Caddy Cart (sold separately)



The AquaVac robotic pool cleaner is the most advanced portable cleaner made. It brushes and scrubs while it vacuums. AquaVac reaches everywhere, including the bottom, sides and steps. Industry leading technologies such as our unique on-board computer and reinforced cartridge filter provides superior efficiency with less effort.

### Application

- In-ground residential pools/vinyl, gunite/tile, fiberglass

### Features

- Calculates the size of the pool and programs itself into the most time and energy-efficient pattern for a spotless pool
- Powerful on-board pump sucks up dirt and debris while roving the bottom, walls, inclines and steps
- 24 V motor is safer, uses less energy and provides the most efficient vacuum strength when compared to other cleaners
- First portable robot to feature a reinforced cartridge filter element
- Cleanup is easy with the patented filter cartridge system — just remove and rinse with a garden hose
- AquaVac Plus now available with wireless remote control
- Includes one of the best warranties in its class

### E.VAC

Introducing the newest addition to the AquaVac family of robotic cleaners. Hayward's E.VAC incorporates proven AquaVac technology, high quality components and Top Access filtering elements. This floor-specific cleaner delivers performance and price in a uniquely robust design.

### Application

- In-ground residential pools/vinyl, gunite, fiberglass

### Features

- Low cost, high quality performance
- Top access filters allow for easy clean-up
- Calculates the size of the pool and programs itself into the most time and energy efficient pattern
- Proven AquaVac components utilized through this new design
- Floor-specific technology — gets the dirt where it lies
- Requires no hoses or additional equipment
- E.VAC and Caddy Cart packaged in one convenient 4-color carton

For replacement parts see pages 185-186, 195-196





# EVAC PRO™ by HAYWARD®

ROBOTIC POOL CLEANER



**Cleans pool floor *and* walls with computer efficiency. This feature-packed floor and wall cleaner delivers performance, high efficiency, and a robust design at an attractive price.**

### Application

- In-ground residential pools/vinyl, gunite, fiberglass

### Features

- Cleans pool floors *and* walls!
- Easy top access – no turning the cleaner over to empty, allows quick debris removal and easy cleanup
- 2 fine porosity filter elements – just remove and rinse with a garden hose
- 3 hour cleaning cycle – calculates the size of the pool and programs itself for the most time and energy efficient pattern
- 60 ft. of cord
- Saves you money. Uses up to 94% less electricity than pressure cleaners
- Out-of-water sensor (cleaner will not start if out of water and connected to a timer)
- Beach entry sensor (cleaner detects when it is climbing out of the water and reverses direction)
- 2-year warranty
- Optional clean-up filter elements for large debris removal available



**EVAC Pro**

### EVAC Pro Buying Guide

Model Number	Description	Ctn. Qty.	Ctn. Weight
RC9738WC	Hayward EVAC Pro 110V/24VDC 60 ft. cord with KD Caddy	1	53 lbs.
RC97385D	Hayward EVAC KD Caddy	1	9 lbs.
RCX70103	Disposable Spring Clean-up Filter Elements	1	2 lbs.



EVAC Pro with Premium Caddy Cart (sold separately)



Spring Clean-up Filter Elements (sold separately)

For replacement parts see pages 193-194



# DV5000, DV1000

AUTOMATIC SUCTION CLEANERS



DV5000



DV1000

## DV5000 Buying Guide

Model Number	Description	Ctn. Qty.	Shipping Weight
--------------	-------------	-----------	-----------------

### Unitized Packaging

DV5000	Diaphragm Disc Cleaner (includes 40 feet hose)	1	15 lbs.
--------	--	---	---------

**NOTE:** Unitized packaging is a four color professional POS package designed for the retail store environment.

## DV1000 Buying Guide

Model Number	Description	Ctn. Qty.	Shipping Weight
--------------	-------------	-----------	-----------------

### Unitized Packaging

DV1000	Flapper Disc Cleaner (includes 32 feet hose)	1	15 lbs.
--------	--	---	---------

**NOTE:** Unitized packaging is a four color professional POS package designed for the retail store environment.

## Debris/Leaf Canister Buying Guide

Model Number	Description	Ctn. Qty.	Ctn. Weight
--------------	-------------	-----------	-------------

W560	Standard leaf canister*	6	19 lbs.
W530	Large capacity with mesh bag	6	26 lbs.
W550	1 1/2" adapter kit (for manual hand vacuum system)	10	1 lb.

**NOTE:** To utilize leaf canisters with hand vacuums, one of the above adapter kits will be necessary.

\*For use with any existing suction-side cleaner.

## Vac Lock Wall Fitting Buying Guide

### Important Safety Feature!

Model Number	Description	Ctn. Qty.	Ctn. Weight
--------------	-------------	-----------	-------------

W400BBKP	Vac Lock safety wall fitting, Black	10	2 1/2 lbs.
W400BWHP	Vac Lock safety wall fitting, White	10	2 1/2 lbs.
W400BLGP	Vac Lock safety wall fitting, Lt. Grey	10	2 1/2 lbs.

For replacement parts see pages 197-198

## DV5000

Backed by the most trusted name in swimming pool equipment, the DV5000 scoops up dirt and debris in a single pass. The DV5000 has only one moving part that automatically propels it through the water picking up dirt, debris, twigs and pebbles. Its quiet and efficient operation ensures full coverage of the pool's floor and walls.

### Applications

- In-ground residential pools

### Features

- Diaphragm Technology – quiet operation
- Cleans the pool's floor and walls
- One moving part
- Pulls in dirt from 3 intake ports
- Swivel foot pad for easy navigation out of tight corners
- Automatic regulator valve sets the ideal suction for peak performance
- Energy Efficient – no additional electricity or pumps needed
- Includes 40 feet of hose to adequately cover pools up to 16' x 32'

## AquaRay DV1000

The AquaRay is an excellent choice for pool owners looking for an affordable suction cleaner that will vacuum their pool's floor and walls automatically. The AquaRay simply connects to your skimmer or dedicated suction line, while utilizing the pool's existing filter equipment. Easily installs without tools in less than 10 minutes.

### Applications

- Above-ground residential pools

### Features

- Flapper Technology – only one moving part
- Climbs the pool's walls
- Pulls in dirt from 3 intake ports
- Swivel foot pad
- Automatic regulator valve sets the ideal suction
- Energy Efficient – no additional electricity or pumps needed
- Includes 32 feet of hose to adequately cover up to 24' round pool

# AquaBug®, Scuba Dave™, Wally the Whale™

AUTOMATIC POOL CLEANERS FOR ABOVE-GROUND POOLS



In the tradition of the AquaBug, the new Hayward family of above-ground pool cleaners are designed to clean the bottom of all sizes and shapes of above-ground/on-ground pools – automatically. These attractive little fellows operate off the pool's existing filtration system and feature our exclusive SmartDrive® program steering so it won't miss a spot. Performance, price and stimulating 4-color cartons are sure to make these products one of your best sellers.



SmartDrive®  
cleaning pattern for  
above-ground pools.

## Applications

- Above-ground pools (flat or dished bottoms)
- On-ground pools

## Features

- Reduced carton size (52" length down to 39")
- Attractive 4-color unitized cartons create a professional presentation that will stimulate sales
- Patented SmartDrive programmed steering system ensures the entire bottom of the pool is cleaned quickly and completely
- Installs in less than 10 minutes, without tools
- Unique turbine/gearing system provides constant balanced water flow assuring quiet operation and gentle movement across the pool bottom
- Improves water circulation by pulling water from the pool bottom as it moves
- Advanced, contoured head design allows the steering pattern to be completed in minimal time
- Deluxe bumper ring minimizes friction for easy movement away from walls and resumption of the programmed steering pattern
- Slotted santropene shoes for quick turns
- 1 year warranty

## Tips on Hose Requirements

A simple rule of thumb is to measure from the skimmer (or dedicated suction line) to the farthest point in the pool then add three (3) extra hose lengths.

For replacement parts see pages 199-204



PC500 AquaBug



PC900 Wally the Whale



PC700 Scuba Dave

## AquaBug, Scuba Dave, Wally the Whale Buying Guide

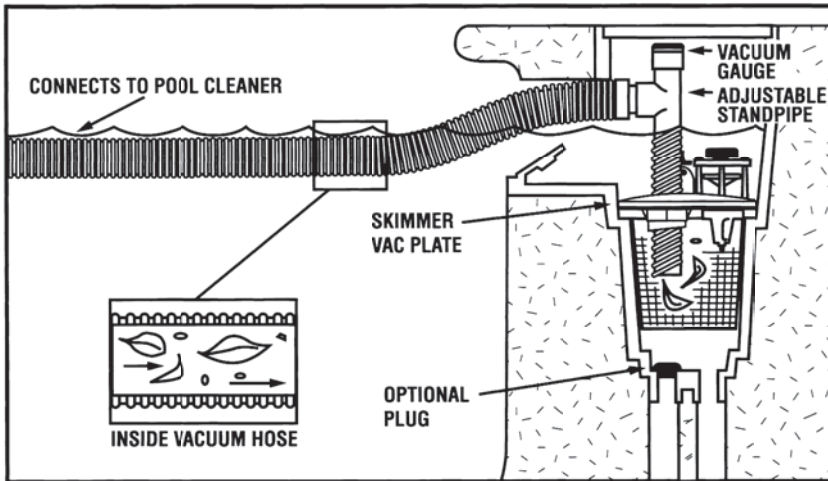
Model Number	Description	32 ft. of Hose*	Skimmer Cone	Installation Video	Ctn. Qty.	Ctn. Weight
<b>Unitized Packaging</b>						
PC500	AquaBug	✓	✓	✓	1	21 lbs.
PC700	Scuba Dave	✓	✓	✓	1	21 lbs.
PC900	Wally the Whale	✓	✓	✓	1	21 lbs.

Unitized packaging is a high gloss, professional point-of-sale package designed for the retail store environment. Pallet ordering (12 units per pallet). Mix of 4 units per personality or full pallet of a single character. \*32 feet of hose included



# Accessories

## SKIMMER VACUUM PLATES & LEAF/DEBRIS CANISTERS



Hayward's Skim Vac Plate is easily installed into the pool's skimmer and attaches directly to the pool vacuum hose line. Debris is deposited into the skimmer basket for easy clean-up.

### Debris/Leaf Canister Buying Guide

Model Number	Description	Ctn. Qty.	Ctn. Weight
W560	Standard leaf canister*	6	19 lbs.
W530	Large capacity with mesh bag	6	26 lbs.
W550	1 1/2" adapter kit (for manual hand vacuum system)	10	1 lb.

**NOTE:** To utilize leaf canisters with hand vacuums, one of the above adapter kits will be necessary.  
\*For use with any existing suction-side cleaner.

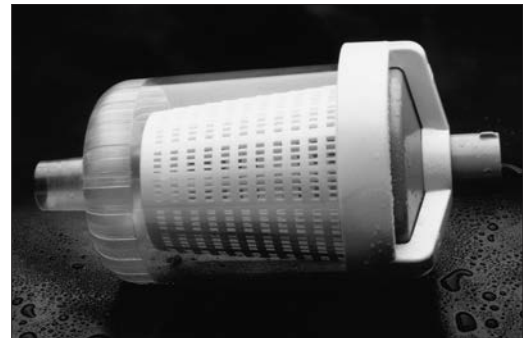
The Hayward Skimmer Vac Plate is a great accessory for achieving a pool cleaning balance that automatically alternates between skimming and vacuuming with each cycle of the filtration system's time clock. Features include a pressure relief valve for safety and reinforced ABS construction for strength and durability.

### Applications

- In-ground pools

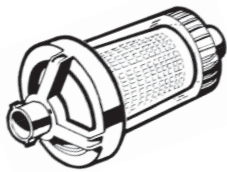
### Features

- Automatically alternates between vacuuming the pool and skimming the pool's surface
- Finger-tip dial control for superior skimming action and proper vacuum settings
- Back-mounted vacuum gauge conveniently located for simple and accurate vacuum measurements
- Adjustable standpipe for various skimmer depths
- Factory-set pressure relief valve for added safety
- Reinforced ABS construction for durability

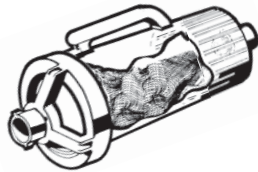


W560 Hayward Standard Leaf Canister

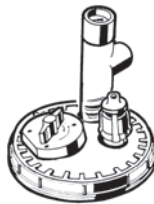
Cleaners



Standard Leaf Canister



Large Capacity Leaf Canister



Skimmer Vacuum Plate  
Small - W490R  
Large - W491R

**Ruggedly built, Hayward leaf/debris canisters are designed with the pool professional in mind. Choose the appropriate canister that fits your individual vacuuming applications.**

### Features

- Extra-large basket or bag traps leaves and debris before they reach the filter system
- Superior design ensures that water will always bypass debris and maintain proper water flow to pump
- Easy-open lid provides quick access to basket
- Lexan® see-through construction lets you see when basket needs cleaning



Tune-up kits for Hayward automatic cleaners

Hayward has a variety of products designed to improve, enhance, and maintain our automatic cleaners. Presented in easy-to-identify packaging, these products work equally well in a service truck or merchandised in a retail store. A true profit opportunity.

### Accessories Buying Guide

Model Number	Description	Ctn. Qty.	Ctn. Weight
V094P	In-line flow regulator valve	10	5 oz.
V574P	In-line flow gauge	10	2 lbs.
V305P	Pool Vac Plus bumper (assists in steering clear of unusual objects)	5	2 lbs.
AXW100	Ladder Guard	5	60 lbs.

#### Tune-Up Kits

All tune-up kits include: two (2) wings and flaps, four (4) shoes (cork or urethane), screwdriver, cleaning brush and maintenance guide

AXW321	Tune-Up Kit, Pool Vac (vinyl, old style) – White	10	5 lbs.
AXW350	Tune-Up Kit, Pool Vac Plus or Navigator (concrete) – White	10	5 lbs.

#### Hose Packages – work with all Hayward automatic cleaners

V532*	Bulk leader hose package – 8 - 4 ft. lengths	8	7 lbs.
V130*	Standard hose package for in-ground cleaners only. (includes: one (1) leader hose, nine (9) connector hoses, one (1) skimmer adapter cone)	1	10 lbs.
V1032LG	32" Bulk connector hose package – Light Gray	24	23 lbs.
V109*	48" Bulk connector hose package	24	23 lbs.

#### Hose Packages – work with all Hayward disk cleaners

DC178PAK8	Bulk package – 8 leader hoses	8	5 lbs.
DC176PAK24	Bulk package – 24 connector hoses	24	12 lbs.

\* When ordering, add the following color designation letters to the model number:

LG = Light Gray    BK = Black





# Automatic Cleaner Technical Guide

THE BASICS OF AUTOMATIC CLEANER SIZING AND INSTALLATION



## Cleaner Selection

Hayward automatic cleaners are available for both in-ground and above-ground swimming pool applications, with in-ground models specifically designed for vinyl, gunite and fiberglass types. Selecting the proper model will ensure your automatic cleaner operates as efficiently as possible.

## Sizing Automatic Cleaner Hose Length/Tips on Vacuum Requirements (for all in-ground cleaners that include a vacuum gauge June 2001 and prior)

To correctly size Hayward automatic cleaners, measure from the skimmer or Vac Lock to the farthest point in the pool. Add two hose lengths to provide sufficient mobility for the cleaner.

**Example: A 16' x 32' rectangular pool will normally require 8-10 lengths of hose depending on depth and skimmer placement.**

After the correct hose length is selected and automatic cleaner installed, use the in-line vacuum gauge to check for proper water flow and adjust to satisfy the formula below.

Proper Vacuum = 1" of vacuum x # of hose lengths

**Example: A pool using 8 hose lengths requires 8" of vacuum for proper operation.**

If the vacuum level is too high, adjust the filter system valving accordingly. In the absence of sufficient valving, use the optional in-line regulator valve.

Improper vacuum levels can prevent the cleaner from climbing vertical walls in gunite/concrete pools or "sticking" at steps and corners. Maintaining proper vacuum also ensures efficient water flow through the throat for effective cleaning.

For complete installation information, refer to your Hayward automatic pool cleaner's installation manual.

## Saving Money by Saving Energy

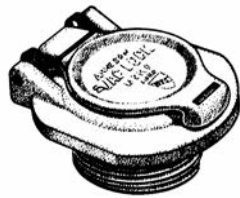
The Navigator and Pool Vac suction cleaners use the existing filtration system and do not require a Booster Pump — thereby saving operating and maintenance costs.

## Optimal Cleaning Efficiency

For pools with heavy debris, Hayward leaf canisters are available. The large capacity canisters trap leaves and other large debris before reaching the pool's pump and filter system. The superior design allows the water to bypass the debris and maintain proper flow to the pump. The Lexan® see-thru construction allows you to immediately know when emptying is necessary.

## Installation

Hayward automatic cleaners are "suction side" cleaners and can operate by simply removing the skimmer basket and connecting the cleaner hose direct to the suction line. For in-ground applications, alternate installation options are available.



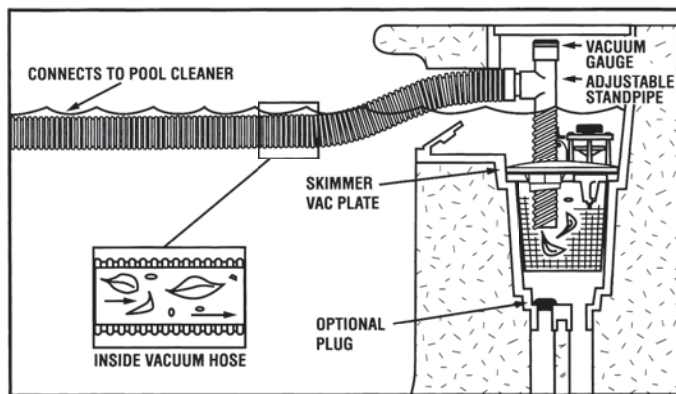
Vac Lock Safety Wall Fitting

## Dedicated Suction Line Applications

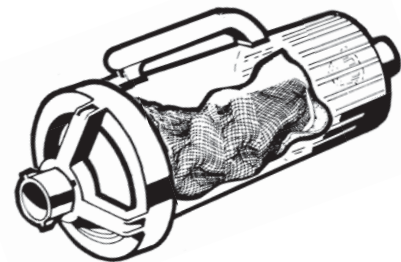
For applications where an in-wall suction line is desired, Hayward offers the Vac Lock®, listed by the International Association of Plumbing and Mechanical Officials. The Vac Lock is a safety mechanism designed with a spring action cover to hold the hose in place and to close the suction fitting automatically when not in use.

## Automatic Skimming – Vacuuming Action

Hayward also offers a Skimmer Vacuum Plate that automatically alternates between skimming and vacuuming for greater pool cleaning balance. Skimmer Vacuum Plates allow the debris to be caught in the skimmer basket for easier clean-up.



Hayward Skimmer Vacuum Plate



Large Capacity Leaf Canister



UL US LISTED



UL US LISTED

300 Watt Transformer



**NEW!**

Universal ColorLogic Accent Light

Finally! Hayward® Universal ColorLogic is the first automated color changing pool light that can spectacularly illuminate nearly any existing pool or spa with vibrant color. It is specifically designed to deliver beautiful, rich colors and exciting shows to pools limited by a single light.

New Hayward Universal ColorLogic is the only LED pool light designed to retrofit the vast majority of today's pools. They'll easily fit just about any lighting niche in just about any pool, no matter when or where it is installed. No hassle.

Universal ColorLogic has an LED design that's 2x brighter than any other LED lighting and its optimized TIR optic casts and keeps more light throughout the entire pool.\* It comes standard with 10 vibrant colors and 7 programmed light shows to choose from, more when used with Hayward Pro Logic® controls. Install these pool and spa lights as close as 4 inches from the waterline to light even the shallowest areas. Transform your backyard into an oasis of color by simply lighting your pool with Hayward's Universal ColorLogic LED lighting.

The new Universal ColorLogic Accent Light is optically designed to cast light through the entire pool. Features an expandable gasket to mount in any 1.5" opening or fitting and is easy to install with the supplied installation tool.

\*Based on test data at time of print.

## Universal ColorLogic® Buying Guide

Standard Switched Light	Large or Small	Cord Length	Ctn. Qty.	Ctn. Weight
LPCUS11030	Large	30'	1	7 lbs.
LPCUS11100	Large	100'	1	14 lbs.
LSCUS11030	Small	30'	1	4 lbs.
LSCUS11100	Small	100'	1	11 lbs.

## Universal ColorLogic® Accent Light Buying Guide

Standard Light	Lumen	Cord Length	Ctn. Qty.
LYCUS11030	16 - Standalone	30'	1
LYCUS11050	16 - Standalone	50'	1
LYCUS11100	16 - Standalone	100'	1
LACUS11030	24 - Standalone	30'	1
LACUS11050	24 - Standalone	50'	1
LACUS11100	24 - Standalone	100'	1

## Kits Buying Guide

Transformer Retrofit Kits	Description
LTBUY11300	300W wall mount transformer
SP3495CDGR	Deck Box (Dark Grey)
SPSUV1002	(2) small LED light kit, 100ft. cord, deck box, 6" niche, transformer
SPPUV100	(1) large LED light kit, 100ft. cord, deck box, 10" niche, transformer
SPPUV1002-2	Lamp LED Light System
SPPUV1003-3	Lamp LED Light System

## Configurable Trim Rings Buying Guide

Model Number	Description	Ctn. Qty.	Ctn. Weight
LNBUY1000	Pool Trim Ring, Black	1	.25 lb.
LNEUY1000	Pool Trim Ring, Beige	1	.25 lb.
LNFUY1000	Pool Trim Ring, Blue	1	.25 lb.
LNGUY1000	Pool Trim Ring, Dark Gray	1	.25 lb.
LNKUY1000	Pool Trim Ring, Faux Chrome	1	.25 lb.
LNVUY1000	Pool Trim Ring, White Burst	1	.25 lb.
LQBUY1000	Spa Trim Ring, Black	1	.25 lb.
LQEU1000	Spa Trim Ring, Beige	1	.25 lb.
LQFUY1000	Spa Trim Ring, Blue	1	.25 lb.
LQGUY1000	Spa Trim Ring, Dark Gray	1	.25 lb.
LQKUY1000	Spa Trim Ring, Faux Chrome	1	.25 lb.
LQVUY1000	Spa Trim Ring, White Burst	1	.25 lb.

## Network Lights

Model Number	Description
LPCUN11100	Large
LSCUN11100	Small
AQL-COLOR-MODHV	Module
LKBUN1000	Coupler

## ColorLogic Buying Guide Gen 4

Model	Description
SP05027CLED	Large 50' or 100', 120V



# Universal CrystaLogic™

WHITE LED LIGHTS



Universal CrystaLogic White LED Lights

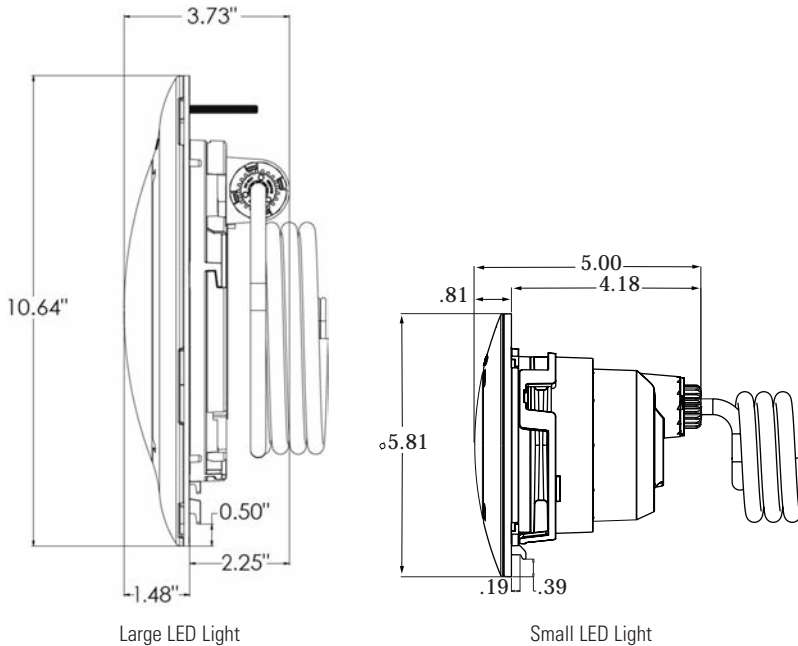
**Universal CrystaLogic™ White LED Lighting** represents a breakthrough technology for the illumination of any water feature or body of water. The optimized LED and optic design delivers both extraordinary lumen per watt energy efficiency and associated long lifetime cost. Our 300W pool equivalent delivers the same lumens as the leading competitor's claimed 500W equivalent and offers savings of 79% vs. incandescent equivalents.

CrystaLogic presents a compelling opportunity for any owner/operator to drastically cut operational cost while delivering game-changing performance. Its all-plastic construction is truly universal – it's UL listed to retrofit virtually any installed niches, allowing most lights to be upgraded. These 12V, 2-wire, all-plastic lights can be installed as close as 4 inches from the waterline, and even upward facing without a rock guard, opening a wide range of new applications.

## Universal CrystaLogic White LED Buying Guide

Model	Large or Small	Cord Length	Volt
LPWUS11100	Large	100ft.	12V (500 watt equivalent)
LPWUS11030	Large	30ft.	12V
LSLUS11100	Small	100ft.	12V
LSLUS11030	Small	30ft.	12V (100 watt equivalent)

### Overall Dimensions



### Features and Benefits

- Brightest 100W spa, 300W pool equivalent LED lights
- Uses up to 79% less energy than incandescent lights and lasts up to 10 times longer
- Energy and maintenance savings can deliver a payback in less than two years
- UL listed to retrofit into most manufacturers' installed niches makes CrystaLogic truly universal
- 12V, 2-wire, all-plastic construction with an unbreakable lens make these lights intrinsically safe and easy to install
- Can be installed as close as 4" from the waterline and upward facing without a rock guard, suitable for main pool/spa illumination, beach entries, steps, shelves, water features, etc.
- UCL Thin Niche provides incredible installation savings for new construction
- Multiple color trim rings available to match surface finish. Ships with white and silver luster starburst trim rings



**LFGUY1000** Shallow niche for concrete pools for Universal ColorLogic and CrystaLogic



**SP0600U** DuraNiche for concrete pools (cover-up plate included – not shown)



**SP0608U** Jiffy Niche and installation tool for Vinyl/Fiberglass pools and spas

**Jiffy Niche™ and DuraNiche™ niches are injection-molded of PVC for superior performance, non-corrosive durability and plumbing versatility — plus the lowest installed cost. DuraNiche comes in for concrete/gunite pools, vinyl/fiberglass pools, or for concrete/gunite spas. When paired with Hayward's ColorLogic®, CrystaLogic™, AstroLite™ or AstroLite II™ light fixture, you have the best quality and value in a lighting system available anywhere.**

### Features – Common to all models

- Injection-molded PVC fixture housing for corrosion-free performance
- Socket conduit connection designed for quick and simple gluing to PVC pipe. Provides a clean, reliable seal
- U.L. approved sweep elbow fitting, coupling and reducer, included in SP0600U, SP0607U and SP0601U, meet the highest standard and provide the most convenient installation
- All SP0600U, SP0607U and LFGUY1000 niches have a 45° 1" outlet, which can be adjusted for top or rear conduit connection using the 45° U.L. approved sweep elbow (included). The SP0601U niche has a 1" rear outlet, which can be adjusted to 45°
- All 1" outlets can quickly be converted to 3/4" with a U.L. approved reducing adapter (included)
- All SP0600U and SP0607U have easily accessible connections for grounding/bonding
- Internally-threaded connection for pressure testing of conduit line
- UL Listed
- Complies with NEC 2002 with over 9 square inches of bonding surface area

### Features – Concrete

#### (LFGUY1000)

- Slim design eliminated the need for a re-bar light cage
- All plastic lighting system eliminates the need for bonding and grounding
- Deep and large plaster ledge makes it easier to get a great bond using any plaster.
- Gunite and plaster cover protect the niche and mounting during guniting and plastering
- Unique mounting flanges make it simple to secure the niche anywhere in the re-bar during installation

#### (SP0600U, SP0601U and LGGUY1000)

- 3/4" set-back plaster flange with tie-off holes to secure to re-bar and assure positioning during guniting
- Unique 90° ledge at the flange bottom prevents "slumping" during plastering
- Cover plate, included with each niche, protects the niche and mounting threads during guniting
- The SP0601 small diameter niche has extra space for easy coiling and storage of the relamping cord

### Features – Vinyl/Fiberglass

#### (SP0607U)

- Attractive, injection-molded Duralon™ face rim assembly for corrosion-free performance
- Fits all standard punch designs, no tooling modifications are required
- Incorporates the dependability of Hayward's proven wall panel sealing method

#### (SP0608U)

- Spacious, small niche
- Screw on mounting nut design. No screws required to mount through pool wall
- Standard 6" hole size
- Comes with installation tool

## DuraNiche Fixture Housings Buying Guide

Model Number	Pool Type (lrg)	Conduit Size	Conduit Outlet	Ctn. Qty.	Ctn. Weight
SP0600U	Concrete	1" or 3/4" SKT	45°, top or rear	1	6 lbs.
SP0607U*	Vinyl/Fiberglass	1" or 3/4" SKT	45°, top or rear	1	7 lbs.
LFGUY1000	Concrete	1" or 3/4" SKT	Rotatable at 90°	1	4 lbs.

**NOTE:** Vinyl/Fiberglass model includes Duralon face plate, back-up ring (with drilled tabs), gaskets and screws.

\*Available in Dark Gray. Add suffix DGR for Dark Gray.

Model Number	Pool Type (sm)	Conduit Size	Conduit Outlet	Ctn. Qty.	Ctn. Weight
SP0601U	Concrete	1" or 3/4" SKT	45°, rear	1	6 lbs.
SP0608U*	Vinyl/Fiberglass	1" or 3/4" SKT	45°, rear	1	4 lbs.
LGGUY1000	Concrete	1" or 3/4" SKT	45°, rear	1	6 lbs.

**NOTE:** \*Available in Dark Gray. Add suffix DGR for Dark Gray.

SPX0608CDG Assembly Face Ring, Dark Grey

G1-041474A-1 Niche Screw

## Stainless Steel Fixture Housings Buying Guide

Model Number	Pool Type	Conduit Size	Ctn. Qty.	Ctn. Weight
SP0604C4	Concrete	3/4" side	1	2.1 lbs.
SP0606	Concrete	3/4" rear	1	4.3 lbs
SP0609C	Concrete	1/2" rear	1	6 lbs.

**NOTE:** DuraNiche series niches accept the following light fixtures:

AstroLite	SP0580, SP0580S Series
AstroLite II	SP0590S, SP0590HS Series
ColorLogic Pool	SP0520, SP0521, SP0522, SP0523 Series
ColorLogic Spa	SP0530, SP0531 Series
Universal ColorLogic and CrystaLogic Pool	LPCUS, LPCUN, LPWUS and LPLUS lights
Universal ColorLogic and CrystaLogic Spa	LSCUS, LSCUN, and LSLUS lights





# Underwater Lighting

PROSERIES™ LIGHT SP120, SP300 FOR INGROUND POOLS



Add a new dimension of beauty, enjoyment and safety to any pool or spa. Hayward Pro Series Lights offer a level of quality and versatility that you expect, at a price that gives you the value you deserve. Pro Series Lights feature an attractive European designed face with easy disassembly for simple replamping. Suitable for concrete or vinyl pools.

Pro Series 12volt lights will be available in a single lamp kit form with your choice of either 120 or 240 watt lamps. Also offered as a dual, 120 watt light. Kits contain: lamp(s), cord, niche(s) and installation decals.

SP240 Pro Series Light

## Pro Series™ 240 Watt Buying Guide

Model Number	Voltage	Wattage	Cord Length
SP240V100	120 volt/12 volt transformer	240	100'

## Pro Series™ 120 Watt Buying Guide

Model Number	Voltage	Wattage	Lamps	Cord Length
SP120V100	120 volt/12 volt transformer	120	1	100'
SP120V2002	120 volt/12 volt transformer	120	2	200'
SP3495	Deck Box			

Indicate "V" or "C" for Vinyl/Concrete Niche

## Pro Series™ 500 Watt Buying Guide

Model Number	Voltage	Wattage	Cord Length
SPPWV100	White Vinyl Light System	500W Eq.	100'
SPPWV030	White Vinyl Light System	500W eq.	30'

## Niches Buying Guide

Model Number	Pool Type	Ctn Qty
SPX9470	Concrete	1
SPX9474	Vinyl	1

## Transformer Buying Guide

Model Number	Voltage	Wattage
LTBUY11300	Wall mounted transformer	300

## Pro Series Colour LED Bulb Buying Guide

Model Number	Description
SPX050LED	Lamp and O-Ring, 12V
SPX9LED100	Lamp assembly, body, cord

## AstroLite II Series Buying Guide

Model Number	Description
SP590KIT202	12 volt w/ transformer & deck box kit
SP590KIT25	12 volt w/ transformfer & deck box kit

For replacement parts see page 207



# Underwater Lighting

REPLACEMENT LIGHTS AND ACCESSORIES FOR ABOVE-GROUND POOLS



SP056525A (Installed)



SP056525 (Kit Components)

Hayward's Elite™ Underwater Quartz Halogen pool light is engineered for installation in all above-ground pools. The optical lens disburse the light for full pool coverage. The through-the-wall in-ground design can be installed anywhere around the pool for optimum lighting and doesn't interfere with the pool's filtration. The multi-colored lens kit adds an elegant touch to the pool's lighting, to create a special effect or enhance the mood. The light housing assembly and lens are constructed of a high grade chemical resistant acrylic material for durability. The light housing comes pre-wired with 25 feet of cord and 120v/12v transformer with on/off switch that can be installed in both storage and permanent above-ground pools. The Hayward Elite Underwater Quartz Halogen Flood Light is packed with features at a value price!

## Elite™ Quartz Halogen Flood Light Buying Guide

Model Number	Voltage	Wattage	Cord Length	Ctn. Qty.	Ctn. Weight
SP056525	120 volt/ 12 volt transformer	50 watts	25 ft.	6	48 lbs.

## Replacement Parts Buying Guide

Model Number	Description	Ctn. Qty.	Ctn. Weight
SPX0565Z1	Replacement 12 volt/50 watt halogen lamp with reflector	20	2 1/2 lbs.
SPX0565BL	Lens	1	1 lb.
SPX0565G	Gasket	10	1 lb.
SPX0565L	Color Filter Kit (3 lenses)	5	1 lb.

(sets of 3)

## Features

- Efficient, low-voltage, 50 watt halogen light. Increases safety, fun, appearance and pool use!
- Position the light anywhere around the pool. Flexible 360°, wall positioning. Through-wall, in-ground design.
- Allows proper water circulation. Does not interfere with filtration.
- Mood enhancing color lens kit included.
- 10 minute, do-it-yourself installation. Kit includes: Light, pre-wired 12 volt transformer with on/off switch, 25 ft. cord, wall cutting tool and color lenses.



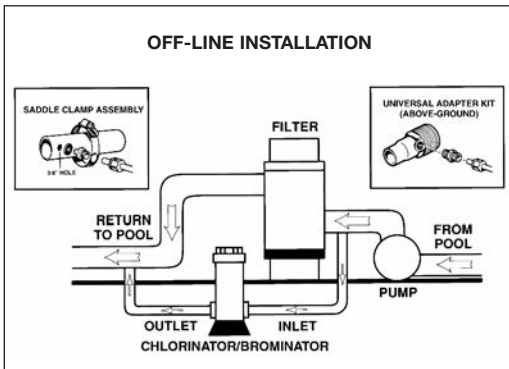
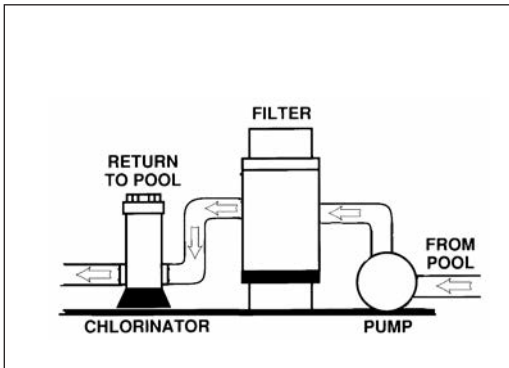
# Automatic Chemical Feeders

CHLORINATORS (SLOW DISSOLVE TRI-CHLOR ONLY) AND BROMINATORS

Efficient and maintenance-free, these durable, corrosion-proof automatic chlorinators and brominators are ideal for new or existing pools or spas and work automatically with your pump and filter system.

### Features:

- Uses 3" diameter Trichloro S tablets
- Dial control valve lets you control and adjust the rate of feed
- Easy-Lok™ threaded cover for safe and convenient access to add tablets
- Unique finger-release catch provides extra security
- Simple installation for do-it-yourselfers



**NOTE:** Chemical feeders should always be installed after a pool heater.

**CAUTION:** Extreme care must be exercised when adding chemicals to your pool. Concentrated chemicals may react violently if they mix in the chemical feeder, causing a fire or explosion, which may result in **PROPERTY DAMAGE, PERSONAL INJURY** or **DEATH**.

**CAUTION:** Never use any petroleum based lubricants on cover O-Ring. Regular lubrication is necessary to allow for easy cover removal. Use non-petroleum based lubricants such as Jack's No. 327 lube.



CL200 In-Line Chlorinator (mounting base included)



CL220 Off-Line Chlorinator

## Automatic Chemical Feeder Buying Guide

Model Number	Pipe Size	Chemical Capacity	Feeder Width	Feeder Height	Ctn. Qty.	Ctn. Weight
<b>In-Line Chlorinators</b>						
CL100EF	1 1/2" FIP	4.2 lbs.	8 1/4"	15 1/4"	1	3 lbs.
CL200EF*	1 1/2" FIP	9 lbs.	9"	14 3/4"	10	45 lbs.
CL2002S**	2" SKT	9 lbs.	9"	14 3/4"	1	5 lbs.

\*Includes mounting base. \*\*Features 2" inlet and outlet for 50-90 GPM systems.

### Off-Line Chlorinators

CL110EF	—	4.2 lbs.	6 3/4"	13"	1	3 lbs.
CL220 EF	—	9 lbs.	8 1/4"	15 1/2"	10	46 lbs.

### Off-Line Chlorinators for Above Ground Pools

CL110ABGEF	—	4.2 lbs.	6 3/4"	13"	10	28 lbs.
CL220ABGEF	—	9 lbs.	8 1/4"	15 1/2"	10	51 lbs.

Packaged with a universal adapter kit for all Hayward above ground filter systems – Perflex®, sand or cartridge.

### Off-Line Brominators

CL220BR	—	9 lbs.	8 1/4"	15 1/2"	1	5 lbs.
---------	---	--------	--------	---------	---	--------

### Accessories

SP1500UNMPAK1	Flush Union Connector with 1 1/2" Male Nipple. For mounting in-line chlorine feeders.	50	24 lbs.
SP1500UNPAK2	Set of two Flush Union Connectors. Fits CL100 and CL200 Chlorinators inlet and outlet.	50	32 lbs.
SPX0327	Hayward Jack's Formula 327 Multilube - 1 oz. Tube	50	4 lbs.

For replacement parts see page 209

# Automatic Chemical Feeders

CHLORINATORS (SLOW DISSOLVE TRI-CHLOR ONLY) AND BROMINATORS



C500EXP Automatic Chemical Feeder.

Hayward large capacity chemical feeders are designed to provide a reserve of chemicals (either chlorine or bromine) to meet the requirements of large residential and commercial pools and spas. For off-line installations these chemical feeders easily accommodates a variety of tablet or stick sizes.

### Features:

- Injection molded Duralon™ tank for durability and long life
- Easy access, thread-in one piece cover provides dependable sealing and access for adding tablets or sticks
- Ball check valve prevents system back flow
- Bottom-to-top water flow for efficient circulation of concentrated, sanitized water
- Dial control valve lets you easily adjust the rate of feed
- Drain plug allows for quick and easy winterizing or servicing

## Automatic Chemical Feeder Buying Guide

Model Number	Pipe Size	Feeder Width	Feeder Height	Ctn. Qty.	Ctn. Weight.
<b>Off-Line Large Capacity Chemical Feeders</b>					
C250EXP	3/4" FIP	10 1/2"	17 1/2"	1	11 lbs.
C500EXP	3/4" FIP	10 1/2"	27 1/2"	1	15 lbs.

Includes mounting base, drain, calibrated inlet control valve, outlet check valve and see-thru cover.

**Special Note:** Chemical feeders should not be used on pools with in-floor cleaning systems.

Accessory SV1007TE Solenoid to connect w/ Sense and Dispense and HCC2000

### Performance Data in U.S. gallons – Slow Dissolve Tri-Chlor Chlorine

Model Number	Chemical Capacity (lbs)	Maximum Output (lbs./hr.)	Maximum Pool Size (gals)
C250EXP	16	0.35	70,000
C500EXP	30	0.65	140,000

### Performance Data in U.S. gallons – Bromine

Model Number	Chemical Capacity (lbs.)	Maximum Output (lbs./hr.)	Maximum Pool Size (gals)
C250EXP	16	0.39	20,000
C500EXP	30	0.72	40,000

### Chemical Feeder Installation Tips:

- Chemical feeders should always be installed downstream from pool heater outlet connections. Never install a chemical feeder upstream of the pool heater.
- Chemical feeders must be installed lower than the filter and heater inlets and outlets.
- If a heater is installed, the chemical feeder must be installed in a manner that will not permit concentrated chemical fumes or solutions to enter the heat exchanger. Refer to the heater instruction manual for specifics.
- Do not use any pressure-suction type of piping system if a heater is installed.
- Never install chemical feeders directly on any filter outlet, outlet control valve or heater outlet connection.
- **CAUTION: Extreme care must be exercised when adding chemicals to your pool. Concentrated chemicals may react violently if they mix in the chemical feeder, causing a fire or explosion, which may result in PROPERTY DAMAGE, PERSONAL INJURY or DEATH.**
- **CAUTION: Never use any petroleum based lubricants on cover O-Ring. Regular lubrication is necessary to allow for easy cover removal. Use non-petroleum based lubricants such as Jack's No. 327 lube or Ivory bar soap.**

For replacement parts see pages 209



# Automatic Skimmers

SKIM-MASTER™, AUTO-SKIM™ SERIES FOR IN-GROUND CONCRETE OR GUNITE POOLS



Skim-Master Series (Inset Overflow Port)

SP1080 Auto-Skim Series

## In-Ground (Concrete) Skimmer Buying Guide

Model Number	Pipe Size	Cover Style	Throat Length	Ctn. Qty.	Ctn. Weight
<b>SP1070 Skim-Master Series</b>					
SP1070	1 1/2" FIP	Round	4 1/2"	1	8 lbs.
SP1070S	1 1/2" SKT	Round	4 1/2"	1	8 lbs.
SP10712**	2" FIP	Round	4 1/2"	1	8 lbs.
SP10712S**,**	2" SKT	Round	4 1/2"	1	8 lbs.
SP10712SDGR	2" SKT	Round	4 1/2"	1	8 lbs.
SP10712SBLK	2" SKT	Round	4 1/2"	1	8 lbs.

**NOTES:** \*Available in Gray, Dark Gray and Black. Add suffix GR for Gray, DGR for Dark Gray and BLK for Black.  
\*\*Available with tan collar and cover. Add suffix 10 to model number. To package with float valve, add suffix FVA to model number.

<b>SP1070 NSF Skim Master Series Skimmer and NSF Accessories</b>					
WG10712SFVA	2" SKT	Round	4 1/2"	1	12 lbs.

Model Number	Description	Ctn. Qty.	Ctn. Weight
SP1070FVEKIT	Float valve and equalizer kit for SP1070 Series skimmers	10	12
SP1080FVEKIT	Float valve and equalizer kit for SP1080 Series skimmers	10	12
WGX1070C	NSF listed replacement cover for SP1070 Series skimmers	10	15
WGX1082E	NSF listed replacement cover for SP1080 Series skimmers	10	15

**NOTE:** For commercial applications, add appropriate float valve and equalizer kit with NSF approved cover to any Skim-Master skimmer or Auto-Skim model with a square cover.

<b>SP1080 Auto-Skim Series</b>					
SP10821	1 1/2" FIP	Square	5 1/4"	1	10 lbs.
SP10821R	1 1/2" FIP	Round	5 1/4"	1	10 lbs.
SP1082	2" FIP	Square	5 1/4"	1	10 lbs.
SP1082RC	2" FIP	Round	5 1/4"	1	10 lbs.

<b>SP1096 Auto-Skim PT and Economy Series</b>					
SP1096	1 1/2" FIP	Round	6"	1	6 lbs.

<b>Accessories</b>					
SP1070FV	Float valve assembly for SP1070 Series			24	25
SP1078	Equalizer valve for SP1070 and SP1080 Series			25	4
SP1070P	Extension collar for SP1070 Series			50	30
SP1070TPK	Pressure test plug kit for SP1070 Series			15	7
SP1082FV	Float valve assembly for SP1080 Series			24	36
SP1082GV	Skimmer-to suction outlet valve assembly for SP1080 Series			24	18
SP1084P1	Extension collar for SP1080 Series			50	38
SP1080EX	Stackable, notched extension collar for SP1080 Series			50	38

**Skim-Master is a large capacity automatic surface skimmer featuring a round, tamper proof access cover, self adjusting 8" weir with a stainless steel spring, dual outlets and threaded internal connections to accommodate pressure testing. The optional float valve and bypass valve assemblies provide a suction outlet thru-skimmer system and an automatic bypass during low water conditions. The Skim-Master series skimmers also include a 3/4" knockout port that can be used as a pool water fill line or to guard against a pool overflow situation.**

**Auto-Skim features include an adjustable cover collar for round or square skimmer lids, snap-in weir assembly, large capacity basket, integral flow control slide plate and a choice of port sizes for plumbing versatility.**

**The float valve and equalizer kits provide maximum flexibility for all swimming pool applications. Any Skim-Master Series or Auto-Skim model with a square cover can be adapted to meet NSF commercial requirements by adding the appropriate float valve and equalizer kit in conjunction with the NSF listed cover.**

### Applications

- In-ground concrete, gunite, residential and commercial pools and spas

### Features – Skim-Master

- 3/4" knockout fill/overflow port
- Durable unibody construction
- Color options available
- Adjustable deck collar
- Self-adjusting 8" weir with stainless steel spring
- Large and durable debris basket
- Optional float valve for thru skimmer suction outlet system

### Features – Auto-Skim

- 1.5" and 2" port sizes for plumbing versatility
- Cover collar allowing 1.5" vertical adjustment
- Integral Flo-Control slide plate
- Optional float valve for thru skimmer suction outlet system
- Optional extension collar allows 2.5" additional vertical height
- Optional stackable notched extension collar allows infinite vertical adjustment

# Automatic Skimmers

AUTO-SKIM™ SERIES FOR IN-GROUND VINYL AND FIBERGLASS POOLS



SP1084 Auto-Skim.



Wide Track Auto-Skim.

SP1084 Auto-Skim™ Series Skimmers for vinyl and fiberglass pools are large capacity precision automatic skimming mechanisms for residential and commercial pools. Molded of rugged, non-corrosive ABS, it's non-corrosive, non-conductive and virtually indestructible in any climate.

The SP1085 Auto-Skim Wide Track Series Skimmers are molded of durable, non-corrosive ABS. A wide 15 1/2" skimmer face opening allows for maximum skimming action.

**NOTE:** Dual mains provided to alleviate entrapment hazards



## Applications

- In-ground, vinyl, fiberglass, residential or commercial pools

## Features

- Cover collar allows 1 1/2" vertical adjustment
- Snap-in weir adjusts automatically to 4 1/2" variation in water level
- Optional extension collar allows 2 1/2" additional vertical height
- 1 1/2" or 2" FIP threads for piping versatility
- Integral Flo-Control Slide Plate
- Optional float/by-pass valve provides a main-drain thru skimmer system plus an automatic safety by-pass for low water conditions



Package Components

## In-Ground (Vinyl/Fiberglass) Skimmer Buying Guide

All vinyl/fiberglass pool skimmers are packaged with face plate, gaskets and screws.

Model Number	Pipe Size	Cover Style	Throat Length	Ctn. Qty.	Ctn. Weight
--------------	-----------	-------------	---------------	-----------	-------------

### SP1080 Auto-Skim Small Mouth Series

SP108410MTE*	1 1/2" FIP	Square	8 1/2"	1	13 lbs.
*Skimmer package will include	1	SP108410M	outside mount skimmer		
	1	WG1048AVPAK2			
	1	SP1084P1	extension collar		
	2	SP1408	inlet fittings		
	2	SP1419D	inlet eyeballs		
	1	SP1084F	Face plate cover		
	1	SP1106	vac plate		

### Auto-Skim Wide Track Series

SP108520MTE	1 1/2" FIP	Square	9 1/2"	1	16 lbs.
*Skimmer package will include	1	SP108520M	outside mount skimmer		
	1	WG1048AVPAK2			
	1	SP1084P1	extension collar		
	2	SP1408	inlet fittings		
	2	SP1419D	inlet eyeballs		
	1	SP1085F	Face plate cover		
	1	SP1106	vac plate		

### Auto-Skim Wide Track Kit, Dark Grey

SP108520MTEGDGR	Wide Track Auto-Skim w/ Main Drain and Fittings, Dark Grey Kit
SP108520M	2" Fittings
SP108410MDGR	Dark Grey

For replacement parts see pages 210-212



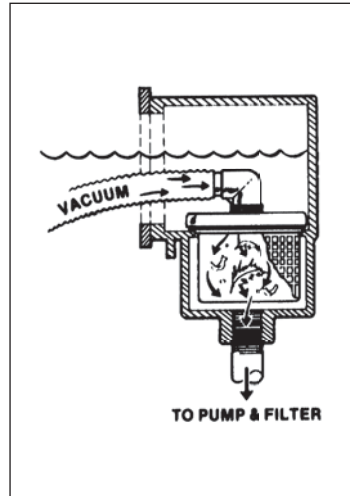


# Automatic Skimmers/Skim Vacs

ABOVE-GROUND AND IN-GROUND POOLS



SP1091WM Wide Mouth Dyna Skim



Skim Vac Action

Hayward automatic skimmers have been an industry standard for more than 30 years. The Dyna-Skim skimmers have been redesigned to match the needs of today's above ground pools, while remaining applicable for use on existing pool models.

## Application – Dyna-Skim

- Above-ground pools

## Dyna-Skim Features

- Lower prices for 2004
- Heavy duty UV resistant ABS construction
- Large debris collection basket
- Top and front basket access
- One piece body construction
- Snap-in and removable weir
- 1 1/2" female straight pipe threads
- Quick disconnect pipe connection
- Compatible with wide top seat pools

**Skim-Vacs have revolutionized the process of vacuuming pools. By utilizing the skimmer basket instead of the pump strainer basket, the need to turn the pump on and off (possibly having to re-prime vacuum hose) has been eliminated. Simply attach the appropriate Skim-Vac to the vacuum hose located over the skimmer basket and begin vacuuming.**

## Application – Skim-Vac

- In-ground pools
- Above-ground pools

## Above-Ground Skimmer Buying Guide

Model Number	Front/Top Basket Access	Low Profile	Hydrosweep Recirculation Pkg.	Pipe Size	Ctn. Qty.	Ctn. Weight
SP1089	•	—	1	1 1/2" FPT	1	9 lbs.
SP1091WM*	•	Wide-Mouth	2	1 1/2" FPT	6	42 lbs.
SP1092***	Front Only	•	—	1 1/2" FPT	1	5 lbs.
SP1091LX**	•	•	2	1 1/2" FPT	6	39 lbs.
SP1094WF	•	—	3	1 1/2" FPT	1	4 lbs.

\*Replaces SP1090WM \*\*Replaces SP1090, SP1091ES and SP1095ES \*\*\*3/4" Setback for wood walls

1—Includes SP11071 Skim Vac.  
 2—Includes SP1023, SP1419D, (2) 1 1/2" x 1 1/2" hose adapters, and SP11041 Skim Vac.  
 3—Includes SP1094D Skim Vac.

## Skim Vac Buying Guide

Model Number	Front/Top Basket Access	Low Profile	Hydrosweep Recirculation Pkg.	Pipe Size	Ctn. Qty.	Ctn. Weight
<b>Above-Ground</b>						
SP1094D	SP1094,SP1095		1 1/4"/1 1/2" Elbow	No	20	6 lbs.
SP11041	SP1090,1091,1092		1 1/4"/1 1/2" Elbow	No	50	27 lbs.
SP11051	SP1090,1091,1096, 1097 and 1098		1 1/2" Straight Barb	Yes	50	28 lbs.
SP11052	SP1090,1091, 1092		1 1/2" Elbow	Yes	50	28 lbs.
SP11054	SP1090,1091,1092		1 1/4"/1 1/2" Combo Adapter	Yes	50	27 lbs.
<b>In-Ground</b>						
SP1106	SP1082,1084, 1085, 1075		1 1/2" Straight	Yes	20	15 lbs.
SP11063	SP1070		1 1/2" Straight	No	20	16 lbs.
SP1107	SP1082,1084,1085, 1070 and 1075		1 1/2" Straight	No	20	11 lbs.
SP11071	SP1089		1 1/4"/1 1/2" Elbow	No	20	14 lbs.

White Goods

# Suction Outlets

ROUND SUMPS, COVERS, FRAMES AND ACCESSORIES



WG1153AV



WG1051AV



For concrete, vinyl and fiberglass pools, Hayward round suction outlets are available in a wide range of plumbing configurations, plaster collar options and colors. Whether installing frames and covers or sump-type outlets for new construction or replacement covers on existing applications, Hayward suction outlets set the standard for quality and value.

All Hayward WG Series suction outlets and replacement covers are VGB compliant and are tested to ASME A112 19.8b-2009 and ANSI/APSP-16 standards as well as meeting CPSC requirements.

## Applications

- Residential and commercial pools
- Concrete, vinyl and fiberglass surfaces
- New construction and replacement covers
- All Hayward drain covers can be used as a single replacement cover when installed on the same suction line as an EcoStar® SVRS or a Stratum® SVRS

## Features

- Sumps accommodate the use of SP1056 hydrostatic relief valve
- Replacement covers retrofit to existing Hayward frames
- 7 year life
- 1 year limited warranty

## Suction Outlet Buying Guide

Model Number	Cover Size	Cover Open Area Sq. Inch	Approved Flow GPM Floor (Horizontal)	Approved Flow GPM Wall (Vertical)	Side Outlet Pipe Size	Bottom Outlet Pipe Size	Ctn. Qty.	Ctn. Weight
<b>Concrete</b>								
<b>Cover and frame (2 pack)</b>								
WG1030AVPAK2*	8" dia.	8.10	125	72	—	—	24	46 lbs.
<b>Replacement cover for floor or wall</b>								
WX1048E*	8" dia.	8.10	125	72	—	—	10	5 lbs.
<b>Outlet-dual suction (2 pack)</b>								
WG1051AVPAK2	8" dia.	8.10	125	72	1 ½" FIP	1 ½" FIP	6	35 lbs.
WG1052AVPAK2	8" dia.	8.10	125	72	2" FIP	1 ½" FIP	6	35 lbs.
WG1053AVPAK2	8" dia.	8.10	125	72	1 ½" FIP	2" FIP	6	35 lbs.
WG1054AVPAK2	8" dia.	8.10	125	72	2" FIP	2" FIP	6	35 lbs.
<b>Outlet-dual suction with adjustable plaster collar (2 pack)</b>								
WG1153AVPAK2	8" dia.	8.10	125	72	1 ½" FIP	2" FIP	6	35 lbs.
WG1154AVPAK2**	8" dia.	8.10	125	72	2" FIP	2" FIP	6	35 lbs.
<b>(Vinyl/Fiberglass)</b>								
WG1048AVDGRPAK2*	8" dia.	8.10	125	72	1 ½" FIP	—	6	37 lbs.
WG1048AVPAK2**	8" dia.	8.10	125	72	1 ½" FIP	1 ½" FIP	6	37 lbs.
WG1049AVPAK2	8" dia.	8.10	125	72	2" FIP	1 ½" FIP	6	37 lbs.

**NOTES:** \*Available in Gray, Dark Gray and Black. Add suffix GR for Gray, DGR for Dark Gray and BLK for Black after the AV in the model number.

\*\*Also available in Dark Gray. Add suffix DGR for Dark Gray after the AV in the model number.

Model Number	Description	Ctn. Qty.	Shipping Weight
<b>Accessories</b>			
WG1048EKIT	Brass insert and screw kit – Available for all covers	10	4 lbs.
WG1051X	Adjustable plaster collar (1") for concrete	10	4 lbs.
WX1153B	Extension collar with inserts	10	5 lbs.
SP1055	1 ½"/2" FIP collector (pebble) tube. 12" long – slotted	25	9 lbs.
SP1056	1 ½" MIP hydrostatic relief valve, spring loaded	25	6 lbs.
SP1056T	Installation and removal tool for SP1056	20	36 lbs.
SP1419DDGR	CYC Hydrostream 3/4" - dark grey		
SP1084FDGR	Face Plate Cover - Dark Grey		



# Suction Outlets

DRAIN COVERS AND FRAMES

For residential and commercial concrete pools, Hayward square drain covers are available in a wide range of sizes and flow designs to satisfy any installation requirement. Whether the application demands frames and covers for new construction or replacement cover assemblies for existing installations, Hayward suction outlets set the standard for quality and value.

Hayward's new Low Velocity suction outlets are specifically designed for applications with requirements limiting the maximum flow velocity to 1.5 feet per second. In addition, Hayward's High Flow covers have some of the industry's highest ASME approved flow rates. Each size and flow design cover retrofit to existing Hayward frames and are designed for an extensive 7 year life span. All Hayward WG Series suction outlets and replacement covers are VGB compliant and are tested to ASME A112 19.8b-2009 and ANSI/APSP-16 standards as well as meeting CPSC requirements.

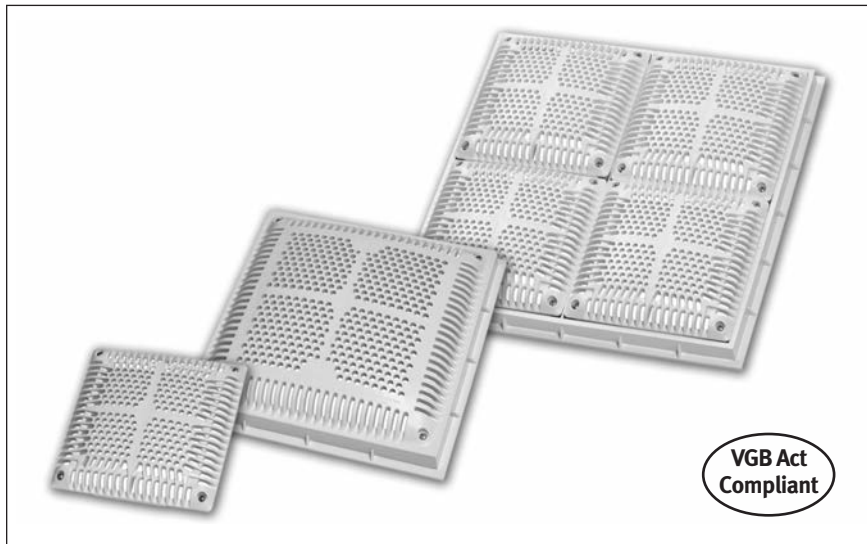
Installation of anything other than the recommended Hayward drain cover on a Hayward frame or Hayward sump may not be ASME A112 19.8b-2009 and ANSI/APSP-16 compliant. Likewise, the installation of a Hayward drain cover on a non-Hayward frame may not be compliant.

## Applications

- Meets various flow category requirements
- Installations in concrete, residential and commercial pools
- All Hayward drain covers can be used as a single replacement cover when installed on the same suction line as an EcoStar® SVRS or a Stratum® SVRS

## Features

- Certified to ASME A112.19b-2009, ANSI/APSP-16 and CPSC requirements
- ASME approved flow rates
- Retrofits to all Hayward existing frames
- 7 year life
- 1 year limited warranty



9", 12" and 18" Drain Covers and Frames

## Drain Covers & Frames Buying Guide

Model Number	Size	Cover Open Area Sq. Inch	1.5 ft./sec. Flow Rate GPM	Approved Flow GPM Floor (Horizontal)	Approved Flow GPM Wall (Vertical)	Ctn. Qty.	Ctn. Weight
<b>Low Velocity</b>							
<b>Replacement cover and inner frame</b>							
WG1031BLV2	9" x 9"	45.80	190	190	108	10	12 lbs.
WG1032BLV2	12" x 12"	83.40	390	392	260	10	18 lbs.
WG1033BLV2	18" x 18"	183.20	520	520	520	10	39 lbs.
<b>Cover, inner frame and outer frame (2 pack)</b>							
WG1031LV2PAK2	9" x 9"	45.80	190	190	108	4	18 lbs.
WG1032LV2PAK2	12" x 12"	83.40	390	392	260	4	30 lbs.
WG1033LV2PAK2	18" x 18"	183.20	520	520	520	2	31 lbs.
<b>3" suction outlet sump with cover (2 pack)</b>							
WG1061LV2PAK2	9" x 9"	45.80	190	190	108	1	6 lbs.
<b>High Flow</b>							
<b>Replacement cover and inner frame</b>							
WG1031BHF2	9" x 9"	23.96	112	264	224	10	12 lbs.
WG1032BHF2	12" x 12"	41.07	192	515	308	10	18 lbs.
WG1033BHF2	18" x 18"	124.10	580	812	732	10	39 lbs.
<b>Cover, inner frame and outer frame (2 pack)</b>							
WG1031HF2PAK2	9" x 9"	23.96	112	264	224	4	18 lbs.
WG1032HF2PAK2	12" x 12"	41.07	192	515	308	4	30 lbs.
WG1033HF2PAK2	18" x 18"	124.10	580	812	732	2	31 lbs.
<b>3" suction outlet sump with cover (2 pack)</b>							
WG1061HF2PAK2	9" x 9"	23.96	112	264	224	1	6 lbs.



VR1000

## Stratum Buying Guide

Model Number	Ctn. Qty.	Ctn. Weight
VR1000	1	15 lbs.
VRXPCBA, Circuit Board	1	

**Stratum is a vacuum release system that monitors and measures pressure in suction lines in swimming pools and spas. It is designed to provide an additional layer of protection against body suction entrapment. Stratum VRS can be used in both residential and commercial pools and spas.**

### Features:

- Turns off power to the pump and vents the suction line to atmosphere
- Automatic restart after certain activations
- Capable of monitoring suction lines for single speed or two speed pumps, with or without a booster pump, that share a common suction line
- Complete internal system test during every start-up prior to the monitoring phase
- During each start-up, Stratum VRS adjusts to current operational parameters of the system
- Designed for use with single phase pumps up to 3HP. Larger or 3-phase pumps require additional motor control equipment, for use with VR1000
- For use in suction lift or in flooded suction
- Seven-day programmable timer
- Complies with ASTM F2387-04 and ASME 112.19.17



# Valves

## VARI FLO™ CONTROL VALVES, IN-LINE SIGHT GLASSES

Hayward's Vari-Flo™ XL multiport control valve, is engineered for maximum flow at lower pressure drops and is the choice in multiport valves.

All Vari-Flo control valves feature an easy-to-use lever action handle that lets you "dial" up to seven valve/filter functions: filter, backwash, waste, rinse, closed, winter or recirculate. Complete with an integral sight glass that lets you see when the backwashing cycle is completed, our wide selection of valve configurations allows you to match the right Vari-Flo valve to the proper application; residential, commercial, top-mount or side mount.

### Vari-Flo™ Control Valve Functions

**FILTER** – For normal filtering and regular vacuuming.

**BACKWASH** – For cleaning filter sand bed of accumulated debris.

**RINSE** – Use after completing backwash cycle to ensure all dirty water is rinsed out of the filter to waste.

**WASTE** – By-passes the filter for draining or lowering pool water level and for vacuuming heavy debris directly to waste line.

**RECIRCULATE** – Water is recirculated through the valve, by-passing the filter.

**CLOSED** – Shuts off the flow from the pump to the filter.

**Winter** – For winterizing (SP0714T only).



SP0710XALL Vari-Flo control valve



SP0714T Vari-Flo XL control valve

### Vari-Flo Valve Buying Guide

Model Number	Valve Positions	Pipe Size	Body Color	Mounting Location	Closure Design	Ctn. Qty.	Ctn. Weight
SP0710XALL <sup>(1)</sup>	6	1 ½" FIP	White	Side	—	10	50 lbs.
SP071621	6	2" FIP	Black	Top	Clamp	1	8 lbs.
SP07121 <sup>(2)</sup>	6	1 ½" FIP	Black	Top	Thread	1	5 lbs.
SP07122 <sup>(3)</sup>	6	1 ½" FIP	Black	Top	Thread	1	5 lbs.
SP0714T	7	1 ½" FIP	Black	Top	Clamp	1	5 lbs.
SP0715ALL <sup>(4)</sup>	6	2" FIP	White	Side	—	10	70 lbs.

(1) Includes two 1 ½" pipe plugs

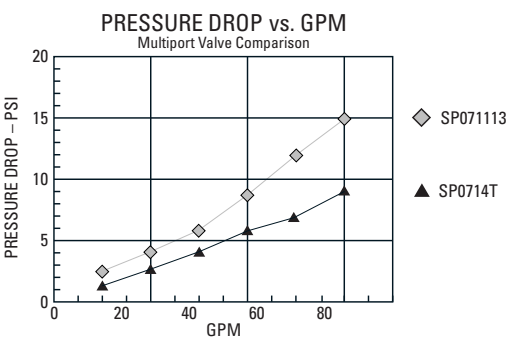
(2) S160T style with built-in diffuser

(3) Pac-Fab style with built-in diffuser

(4) Includes two 2" pipe plugs

**NOTE:** SP0704 Replacement Valve: SP0714T

### SP0714T vs. SP071113 MULTIPORT VALVE



For replacement parts see pages 214-217

Model Number	Pipe Size	Description	Ctn. Qty.	Ctn. Weight
--------------	-----------	-------------	-----------	-------------

### Sight Glasses

SP1072S	1 ½" SKT	ABS, Horizontal in-line style	50	28 lbs.
SP1074S	2" SKT	ABS, Horizontal in-line style	50	39 lbs.





2-way PSV Valve

3-way PSV Valve

### PSV Diverter Valve Buying Guide

Model Number	Description	Pipe Size	Material	Ctn. Qty.	Ctn. Weight
PSV2S	2-way	1 1/2" - 2"	CPVC	20	40 lbs.
PSV2S2	2-way	2" - 2 1/2"	CPVC	20	40 lbs.
PSV3S	3-way	1 1/2" - 2"	CPVC	20	40 lbs.
PSV3S2	3-way	2" - 2 1/2"	CPVC	20	40 lbs.
PSV3SM	3-way	External Union Thread	CPVC	20	40 lbs.
PSV2SDGR	2-way	1 1/2" - 2"	PVC	20	40 lbs.
PSV2S2DGR	2-way	2" - 2 1/2"	PVC	20	40 lbs.
PSV3SDGR	3-way	1 1/2" - 2"	PVC	20	40 lbs.
PSV3S2DGR	3-way	2" - 2 1/2"	PVC	20	40 lbs.
PSV3SMDGR	3-way	External Union Thread	PVC	20	40 lbs.
PSCV2SDGR	Check Valve	1 1/2" x 2"	PVC	20	40 lbs.
PSCV2SDGR	Check Valve	2" x 2 1/2"	PVC	20	40 lbs.

### Ball Valve Buying Guide

Model Number	Description	Pipe Size	Material	Ctn. Qty.	Ctn. Weight
<b>Deluxe</b>					
SP0730	3-way	1 1/2" FIP	ABS	20	32 lbs.
SP0735	4-way	1 1/2" FIP	ABS	20	33 lbs.
SP0735S	4-way	1 1/2" SKT	ABS	20	33 lbs.
<b>Trimline</b>					
SP0722	2-way	1 1/2" FIP	ABS	24	21 lbs.
SP0722S	2-way	1 1/2" SKT	PVC	24	21 lbs.
SP0722PAK (12 PAK)	2-way	1 1/2" FIP	ABS	1	10 lbs.
SP0722SPAK (12 PAK)	2-way	1 1/2" SKT	PVC	1	10 lbs.
SP0723	2-way	1 1/2" MIP x 1 1/2" FIP	ABS	24	23 lbs.
SP0723S	2-way	1 1/2" MIP x 1 1/2" SKT	ABS	24	23 lbs.
<b>Trimline Deluxe</b>					
SP0724S	2-way	2" SKT	ABS	20	27 lbs.
<b>Econoline</b>					
SP0729	2-way	1 1/2" MIP x 1 1/2" / 1 1/4" Hose Adpt.	ABS	24	11 lbs.
<b>Accessories</b>					
SP1500UNPAK2	Flush Union Connector with female SKT	1 1/2" SKT	ABS	50	12 lbs.
SP1500UNMPAK1	Flush Union Connector with male nipple	1 1/2" MIP	ABS	50	24 lbs.

The 2-way and 3-way full-flow PSV diverter valves make water flow management simple and easy. The full-flow valves are available with either a 1 1/2" or 2" internal fit. Sturdy CPVC construction ensures a long life and resistance to higher temperatures. The handle is removable without tools and allows for quick and easy port customization.

The PSV3SM features three externally threaded ports for use with SP1500UNPAK1, which is included with the valve.

Hayward ball valves are non-corrosive, durable valves designed for maximum flow efficiencies with pressure ratings up to 50 psi. They feature a dial handle for easy flow regulation and visual indication of valve setting, plus teflon seats for dependable sealing. A union end connector accurately aligns the ball and provides simple disassembly of piping connections.



SP0722S Trimline ball valve

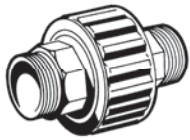
For replacement parts see pages 218



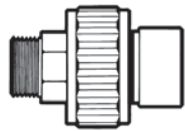
# Unions

MULTI-PURPOSE NON-INTERFERING CONNECTIONS

## Union Buying Guide



SP1480



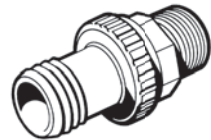
SP1484



SP1485



SP14982S



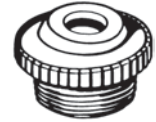
SP1493

Model Number	Pipe Size	Description	Material	Ctn. Qty.	Ctn. Weight
<b>Full-Flo™ Self-Aligning Unions</b>					
SP1480BLK	1 1/2" MIP	Self-Aligning Double Male End Union	ABS	50	36 lbs.
SP1481	1 1/2" SLIP	Self-Aligning Double Male End Union	ABS	24	37 lbs.
SP1482	1 1/2" MIP x 1 1/2" SLIP	Self-Aligning Double Male End Union	ABS	50	37 lbs.
SP1484	1 1/2" MIP x 1 1/2" SKT	Self-Aligning Double End Male/Female Union	ABS	50	37 lbs.
SP1485	1 1/2" MIP	Self-Aligning Double Male End Union End Sweep 90°, short	ABS	20	27 lbs.
SP1486	1 1/2" MIP	Clear, Self-Aligning Double Male End Union and Compression Fitting-90° Sweep, 10" long	ABS/LEXAN	20	34 lbs.
<b>Flush Unions</b>					
SP14952	1 1/2" FIP	Flush Female Union	ABS	50	32 lbs.
SP14952S	1 1/2" SKT (+2" SLIP)	Flush Female Socket Union	ABS	50	29 lbs.
SP14952S50	—	O.E.M. Bulk Pack of 50 SP14952S	ABS	1	26 lbs.
SP14982S	2" SKT	Flush Female Socket Union	PVC	50	40 lbs.
SP14953S	1 1/2" MIP x 1 1/2" SKT (+2" SLIP)	Flush Male/Female Socket Union	ABS	50	29 lbs.
SP14983S	2" MIP x 2" SKT	Flush Male/Female Socket Union	PVC	50	40 lbs.
<b>Econo-Unions</b>					
SP1493	1 1/2" MIP	Quick disconnect – 1 1/2" hose (barb)	ABS	50	15 lbs.
<b>Union Check Valves</b>					
SP1445S	1 1/2" SKT	In-Line Check Valve	PVC	50	15 lbs.
SP14461S	1 1/2" SKT	Union Check Valve	ABS	50	37 lbs.
SP1091CV	1 1/2" MIP	In-Line Combo 1 1/2" x 1 1/4" Hose Adapter and Check Valve	ABS	40	9 lbs.

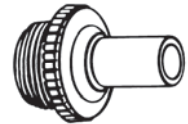
For replacement parts see pages 219

## Fitting Buying Guide

Model Number	Pipe Size	Description	Ctn. Qty.	Ctn. Weight
<b>Directional Flow Inlet Fittings – Standard (Return to Pool)</b>				
SP1419A*	1 1/2" MIP	Hydrosweep slotted opening	50	7 lbs.
SP1419B*	1 1/2" MIP	Hydrostream 3/8" opening	50	7 lbs.
SP1419C*	1 1/2" MIP	Hydrostream 1/2" opening	50	7 lbs.
SP1419D**	1 1/2" MIP	Hydrostream 3/4" opening	50	7 lbs.
SP1419E*	1 1/2" MIP	Hydrostream 1" opening	50	7 lbs.
SP1419C50	—	Bulk Pack of 50 SP1419C	1	6 lbs.
SP1419D50†	—	Bulk Pack of 50 SP1419D	1	6 lbs.
SP1419E50†	—	Bulk Pack of 50 SP1419E	1	6 lbs.
SP1420	1 1/2" MIP	Hydrostream, with 1" dia. rubber nozzle	25	5 lbs.
SP1421D*	1 1/2" SLIP	Hydrostream Insider Fitting – 3/4" opening	25	5 lbs.
SP1421E	1 1/2" SLIP	Hydrostream Insider Fitting – 1" opening	25	5 lbs.
SP1421D50	—	Bulk Pack of 50 SP1421D	1	6 lbs.
SP1421E50	—	Bulk Pack of 50 SP1421E	1	6 lbs.
SP1419T	—	Seat Removal Tool for Hydrosweep/Hydrostreams	100	5 lbs.



SP1419D



SP1420



SP1421D

**NOTES:** \*Available in Gray and Black. Add suffix GR for Gray and BLK for Black.  
 \*\*Available in Gray, Dark Gray and Black. Add suffix GR for Gray, DGR for Dark Gray and BLK for Black.  
 †Also available in Black. Add suffix BLK for Black.

### Directional Flow Inlet Fittings – Extended Flange

SP1418D**	1 1/2" MIP	Hydrostream, large – 3/4" opening	50	10 lbs.
SP1422D	1 1/2" SLIP	Hydrostream Insider – 3/4" opening	50	12 lbs.
SP1422E	1 1/2" SLIP	Hydrostream Insider – 1" opening	50	11 lbs.



SP1418D

The following fittings all have 1 1/2" internal threads for use with directional fittings, plugs, grate inserts, outlet covers and Jet-Air hydrotherapy fittings. Choose the appropriate fittings for concrete, vinyl or fiberglass applications.

### Receptacles/Vacuum Fittings – Concrete Pools

SP1022*	1 1/2" FIP	Fitting (1 1/2" FIP x 2" MIP)	50	11 lbs.
SP102250	—	Bulk Pack of 50 SP1022	1	8 lbs.
SP1022S*	1 1/2" SKT	Fitting (1 1/2" SKT x 2" MIP)	50	11 lbs.
SP1022S2*	2" SKT	PVC Fitting (2" SKT)	50	15 lbs.
SP1022S50	—	Bulk Pack of 50 SP1022S	1	8 lbs.
SP1022S50BLK	1 1/2" SKT	Fitting (1 1/2" SKT x 2" MIP), Black Bulk Pack of 50 SP1022SBLK	1	8 lbs.
SP1022INS	1 1/2" SLIP	Fitting (1 1/2" FIP face x 1 1/2" SLIP stub end)	50	11 lbs.
SP1022B*	1 1/2" MIP	Plug for above with Gasket (Flush)	100	5 lbs.
SP1022C*	1 1/2" MIP	All Purpose Plug with O-Ring	100	6 lbs.



SP1422D



SP1022

**NOTE:** \*Available in Gray and Black. Add suffix GR for Gray and BLK for Black.

### Vac Lock Wall Fitting

W400BBKP		Vac Lock Safety Wall Fitting, Black	10	2 1/2 lbs.
W400BWHP		Vac Lock Safety Wall Fitting, White	10	2 1/2 lbs.
W400BLGP		Vac Lock Safety Wall Fitting, Lt. Gray	10	2 1/2 lbs.

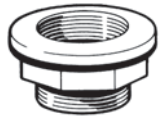


SP1022C

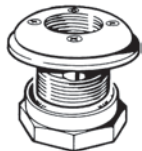


# Fittings & Accessories

## Fittings & Accessories Buying Guide



SP1023



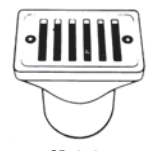
SP1408



SP1026



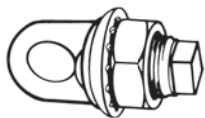
SP1425



SP1019



SP1040



SP0404



SP1392



SP1042

Model Number	Pipe Size	Description	Ctn. Qty.	Ctn. Weight
--------------	-----------	-------------	-----------	-------------

### Inlet Fittings – Vinyl/Fiberglass Pools, Spas, Hot Tubs

SP1022S2	2"	Fitting receptacle		
SP1023*	1 1/2" FIP	Fitting with locknut and gaskets	50	17 lbs.
SP1023S*	1 1/2" SKT	Fitting with locknut and gaskets	50	17 lbs.
SP1023S2	2"	Fitting with locknut		
SP1023G	1 1/2" FIP	Same as SP1023, but with "sandwich" wall gasket – ABG pools	50	19 lbs.
SP1026*	1 1/2" MIP	Grate Insert – for pool wall inlets	50	4 lbs.
SP1408*	1 1/2" x 1 1/2" FIP	Same as SP1411, but with combo locknut/spacer and with face thread in body	50	28 lbs.
SP1408S2	2"	Inlet/Outlet Fitting		
SP1411	1 1/2" x 1 1/2" FIP	Fitting and face plate, with gaskets and screws	50	27 lbs.

### Wall/Floor Inlet Fittings – Concrete Pools

SP1424	1 1/2" FIP x 2" MIP	Adjustable Inlet	50	26 lbs.
SP1424S	1 1/2" SKT x 2" MIP	Adjustable Inlet	50	26 lbs.
SP1425	1 1/2" FIP x 2" MIP	Adjustable Floor Inlet	50	27 lbs.
SP1425S	1 1/2" SKT x 2" MIP	Adjustable Floor Inlet	50	26 lbs.

### Deck Drains

SP1019**	1 1/2" FIP + 2" COUP	Socket/Deck Drain	50	25 lbs.
SP1019BA	—	Rectangular Grate, with screws	100	7 lbs.

### Lane Marker Anchors

SP1040		Bar Type Anchor, ABS (concrete pools)	50	23 lbs.
SP0404		Eyebolt Assembly, ABS – with locknut and gasket (vinyl, fiberglass pools)	50	18 lbs.

### Anchor Sockets

SP1392	1 1/2"	Anchor Socket, ABS, heavy-duty	50	26 lbs.
--------	--------	--------------------------------	----	---------

### Escutcheons

SP1041	1 1/2"	Escutcheon Plate, ABS	50	10 lbs.
SP1041100	1 1/2"	Bulk pack of 100 SP1041	1	13 lbs.
SP1042	1 1/2"	Escutcheon Plate, ABS, Chrome Plated	50	10 lbs.

**NOTES:** \*Available in Gray, Dark Gray and Black. Add suffix GR for Gray, DGR for Dark Gray and BLK for Black.

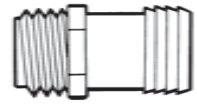
\*\*Also available in Gray and Black. Add suffix GR for Gray and BLK for Black.

**For replacement parts see pages 220**

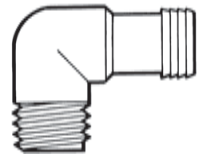


## Miscellaneous Accessories Buying Guide

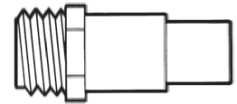
Model Number	Description	Ctn. Qty.	Ctn. Weight
<b>Hose Adapters</b>			
SPX1091Z2	1 1/2" MIP x 1 1/2" Hose – Male Insert Adapter	50	7 lbs.
SPX1105Z4	1 1/2" MIP x 1 1/2" Hose – Combination Insert Elbow	50	13 lbs.
SPX1082Z3	2" MIP x 1 1/2" Hose – Male (Smooth) Red. Adapter	50	8 lbs.
SPX1091Z1	1 1/2" MIP x 1 1/4" Hose – Male (Smooth) Red. Adapter	50	5 lbs.
SPX1105Z2	1 1/2" MIP x 1 1/4" Hose – Male (Smooth) Red. Elbow Adapter	50	8 lbs.
SPX1105Z3	1 1/2" MIP x 1 1/2" Hose – Combination (Smooth) Elbow	50	8 lbs.
SPX1091Z4	1 1/2" MIP x 1 1/2" Hose – Male (Smooth) Adapter	50	5 lbs.
SPX1091Z7	1 1/2" MIP x 1 1/2"/1 1/4" Combo Hose – Male (Smooth) Adapter	50	5 lbs.
SPX1091Z9	1 1/2" MIP x 1 1/2" FIP – Threaded Extension Coupling	100	12 lbs.
<b>Pipe Plugs</b>			
SPX1600V	1/4" – Pipe Plug	100	1 lb.
SPX1051Z1	1 1/2" – Pipe Plug	100	8 lbs.
SPX1053Z1	2" – Pipe Plug	100	11 lbs.
<b>Hose Clamps and Pressure Gauges</b>			
SPX1091Z3	Double Wire Hose Clamp – 1 1/4" Hose	50	2 lbs.
SPX1091Z6	Double Wire Hose Clamp – 1 1/2" Hose	50	3 lbs.
ECX18028	Stainless Steel Strap Clamp – 1 1/2" Hose	50	13 lbs.
ECX270861	0 – 45 psi Pressure Gauge – 1/4" (6 o'clock)	100	26 lbs.
ECX27091	0 – 45 psi Pressure Gauge – 1/4" (Back Mount)	25	8 lbs.
<b>Miscellaneous</b>			
SPX0327	Jack's Formula 327 Multilube – 1 oz. Tubes	50	4 lbs.
SPX1090Z4	Teflon Tape – 60" Roll	10	1/10 lb.



SPX1091Z2



SPX1105Z4



SPX1091Z7

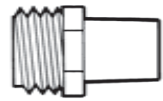
Also found in replacement parts section.



ECX270861



SP032712



SPX1091Z1





# Hydrotherapy Fittings

JET-AIR® III SERIES SPA FITTINGS

Hayward's Jet-Air III and Adjustable Jet-Air III systems offer interchangeable jet nozzles, allowing for multiple configuration options to achieve the type of hydro-massage action you want, where you want it. And with Hayward's Adjustable Jet-Air III system, you can control the water and air flow right at the jet face.

## Features

- Nozzle interchangeability allows custom jet placement
- Balanced hydraulics lets user mix and match jet nozzles without affecting performance of the system (all jet nozzles operate at the same flow, i.e. 10 GPM)
- Universal retrofitability allows dealer to sell replacement jet nozzles to new or previous spa customers
- Modular packaging: A – Bodies/Bulkheads; B – Jet nozzles; C – Adjuster insert

Jet-Air III: A+B

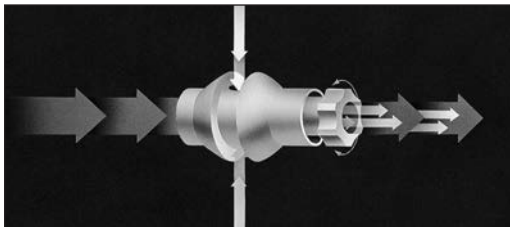
Adjustable Jet-Air III: A+B+C



SP1437 Whirl-Flo Jet

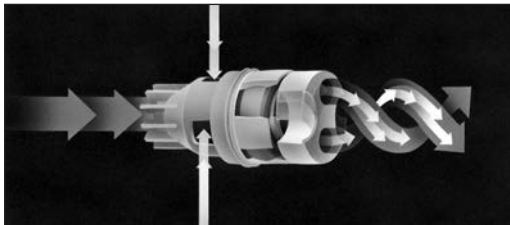


SP1434 Vari-Flo Jet

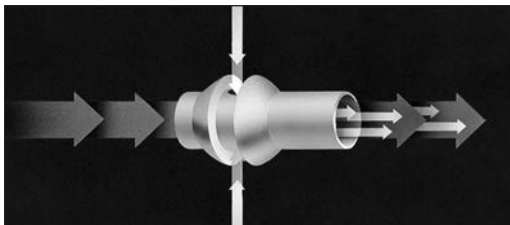


SP1434 Vari-Flo™ – Fully adjustable and directional

NOTE: Not for use with the adjustable Jet-Air III system.



SP1436 Pulse-Flo™ – Pulsation and rotation for the ultimate hydro-massage action



SP1437 Whirl-Flo™ – Powerful, fully directional whirlpool jet provides 10-30 GPM range

## Hydrotherapy Fitting Buying Guide

Model Number	Description	Ctn. Qty.	Ctn. Weight
--------------	-------------	-----------	-------------

### Jet-Air III Common Body Assembly

Includes combo air/water connection body, bulkhead fitting and gasket. All connections are socket.

SP1434PAKA*	1 1/2" air x 1 1/2" water	25	26 lbs.
SP14341PAKA	1" air x 1" water	25	25 lbs.
SP14343PAKA	1" air x 1 1/2" water	25	25 lbs.

OEM bulk paks also available.

Model Number	Description	Ctn. Qty.	Ctn. Weight
--------------	-------------	-----------	-------------

### Jet-Air III Nozzle Assembly

Fits both Jet-Air III and Adjustable Jet-Air III Systems

SP1434PAKB*	Vari-Flo Nozzle Assembly – Adjustable	25	6 lbs.
SP1436PAKB	Pulse-Flo Nozzle Assembly – Rotating	25	3 1/2 lbs.
SP1437PAKB	Whirl-Flo Nozzle Assembly – Whirlpool	25	3 lbs.

NOTE: All nozzle assemblies will retrofit previously installed SP1434 Series Jet-Air III fittings. OEM Bulk Paks also available. PAK A body with 3/8" barbed air connection also available.

### Accessories

SP1434T	Combination Tool for Bulkhead and Nozzle	50	20 lbs.
SP1434TP	Test Plug Tool	20	13 lbs.

\*Also available in Light Grey, add GR

White Goods

For replacement parts see pages 221

# Hydrotherapy Fittings

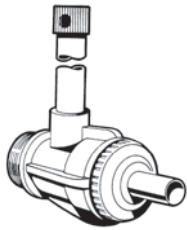
JET-AIR®, TURBO-BOOST AND SPA FITTINGS



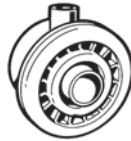
## Hydrotherapy Fitting Buying Guide

Model Number	Pipe Size	Description	Ctn. Qty.	Ctn. Weight
<b>Jet-Air® Hydrotherapy Fittings</b>				
SP1430	1 1/2" FIP x 1 1/2" MIP	Jet-Air Fitting, for permanent installation. Fits any 1 1/2" FIP hub	50	20 lbs.
SP1430S	1 1/2" SKT x 1 1/2" MIP	Jet-Air Fitting, for permanent installation. Fits any 1 1/2" FIP hub	50	20 lbs.
SP1433	1 1/2" FIP	Jet-Air Fitting Package, includes: SP1430 Jet-Air Fitting, SP1022 Receptacle, SP1420 Nozzle	50	34 lbs.
SP1433S	1 1/2" SKT	Same as SP1433, except includes SP1430S	50	34 lbs.
SP14311	1 1/2" MIP x 1 1/2" FIP	Jet-Air Fitting. For in-pool installation. Removable 18" air supply tube with cap and SP1420	25	25 lbs.
SP1430T	—	Jet-Air Nozzle Removal Tool	25	11 lbs.
SP144PAKBDGR	2" SKT	Fiting Receptacle		
SP1434PAKADGR	2"	Locknut Fitting		
SP1434PAKBDGR		Jet-Air Var-Flo Nozzle Assembly, Dark Gray		
<b>Turbo-Boost Jets</b>				
SP1450T	1 1/2" SKT	Turbo-Boost Spa Jet Fitting. Includes body with high flow directional nozzle, bulkhead fitting, gasket and 1 1/2" sweep elbow	20	36 lbs.
SP1450WP2	—	Winterizing Plug with O-ring. For SP1450T Series	10	5 lbs.
<b>Surface Skimmers</b>				
SP1099S	1 1/2" SKT x 2" SLIP	Front Access Spa Skimmer with gasket, 1 1/4" screws, washers, nuts and face cover plate (white)	1	3 lbs.

OEM Bulk Paks also available (Less Face Cover Plate – order separately).



SP14311



SP1450T



SP1450WP2



SP1099S

For replacement parts see page 221



# Pool Accessories



Hayward's exciting Color-Box Program: Eye-catching consumer packaging for new pool "add-on" and aftermarket sales opportunities.

## Hayward Accessories Buying Guide

Model Number	Description	Ctn. Qty.	Ctn. Weight
SP0727	Replaces the SP1480 union on Perflex®, ReGenX™ or cartridge above-ground systems to allow direct vacuuming-to-waste (filter by-pass)	20	30 lbs.
SP0729	1 1/2" MIP x 1 1/2"/1 1/4" Combination Hose Adapter	24	11 lbs.
EC2024*	Jet-Action Cleaning Wand. Attaches to garden hose to quickly clean FlexTubes™ vertical grids and cartridge elements with minor disassembly.	20	7 lbs.

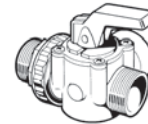
**\*NOTE: Available in multiples of 20 only.  
Supplied in a professional Point-of-Sale Package.**

## Hayward Accessories Buying Guide

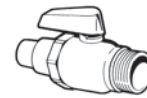
Model Number	Description	Ctn. Qty.	Ctn. Weight
SP022310	Bobby™ – Disposable filter for fill hose. Prevents particle staining when filling the pool. 10" length.	20	13 lbs.
SP7410*	FunSpray™ – 1 1/2" MIP Multi-Spray Adjustable Fountain fits 1 1/2" FIP wall fitting and telescopes to accommodate up to 3" variance in fitting location. Includes bi-directional eyeball fitting and locking ring for easy installation in above-ground or in-ground pools.	10	10 lbs.
EC1155	1 1/2" Suction and Discharge Hose Package Includes: two (2) each 1 1/2" x 6 ft. hoses, 1 1/2" hose adapters, 1 1/2" hose clamps.	1	3 1/2 lbs.
EC1326LK	Filter-To-Pump Connecting Kit – Fits Perflex, Star-Clear™, Star-Clear II™ with any choice of pump. Includes: sweep union, adjustable connecting loop, elbow adapter, and hardware.	20	39 lbs.

\*Supplied in a professional Point-of-Sale Package.

Increase your new pool and aftermarket accessory sales with Hayward's Point-of-Sale, Color-Box Program. Designed with the consumer in mind, Hayward color-boxes communicate the product features and benefits in an appealing visual presentation – making the decision to purchase an easy one.



SP0727



SP0729

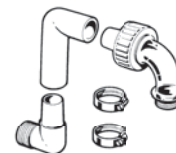


EC2024

Hayward accessories are a combination of useful maintenance items and water movement products designed to increase the enjoyment of owning a pool. Ranging from the 1 lb. Pre-Measure D.E. Scoop to the exciting FunSpray™, the Hayward line of accessories is priced to attract the value-conscious consumer.



SP7410



EC1326LK

# Cleaning Equipment

POWER-VAC™ AND SUPER-VAC™



SP1068 Super-Vac



SP1067 Power-Vac

The Hayward Power-Vac™ and Super-Vac™ family of vacuum cleaning heads are molded of tough, durable Dural™ and are engineered to handle all types and sizes of swimming pools. The 360° swivel hose connector allows you to easily maneuver the vac head in the pool, while the “see-thru” head lets you view the bottom while cleaning. These deluxe vac heads are the industry standard.

**Applications**

- In-ground pools
- Above-ground pools

**Features**

- “See-thru” design for fast and easy cleaning
- Long-wearing brushes quickly loosen tough algae spots
- Contoured shape provides for easy corner and step cleaning
- 360° swivel connector ends aggravating hose tangling
- Optional weight package for extra vacuuming convenience
- Supplied in professional point-of-sale packaging

**Vacuum Cleaner Head Buying Guide**

Model Number	Description	Ctn. Qty.	Ctn. Weight
<b>Vinyl, Fiberglass Pools</b>			
SP1067	12" Circular Vacuum Head. Wrap-around brush (1-piece). 1 1/2" hose connection. Quick-snap handle connector.	5	16 lbs.
SP1068	See-thru Triangular Vacuum Head with 3 brushes. 1 1/4" and 1 1/2" swivel hose connections included. Optional weights. Quick-snap handle connector. For in-ground and above-ground applications.	10	33 lbs.
SP1068DL	Deluxe Vacuum Head that includes the SP1068 package and three (3) 1/3 lb. weights	10	43 lbs.

White Goods





*Supersedes all price lists of prior dates. Please see Terms & Conditions of Sale, inside back cover.*

## PUMPS

EcoStar .....	96
Super Pump VS .....	97
TriStar VS .....	98
NorthStar .....	99
TriStar .....	100-101
Super II .....	102
Super Pump .....	103
E-Z Flo Pump .....	104
Max-Flo .....	105
Max-Flo II .....	106
Max-Flo XL .....	107
Booster Pump .....	108-109
Matrix Pump .....	110
Ultra Pro .....	111
Ultra Max .....	112
Turbo Injection .....	113
Turbo Flo II .....	114

## FILTERS

ProGrid .....	115-116
Micro-Clear .....	117-118
Perflex .....	119-120
ReGenX .....	121-122
Pro Series Plus .....	123-124
SwimPro .....	125
Pro Series .....	126-127
XStream .....	128
SwimClear .....	129-132
Super Star-Clear .....	133-134
Star Clear Plus .....	135-136
Star-Clear .....	137-138
Star-Clear II .....	139-140
Easy Clear .....	142
Micro Star-Clear .....	142
ASL Filter Series .....	143-144

## HEATERS — Parts Diagrams

HeatPro .....	145-154
HP50A .....	155
HP65A .....	156
HP40B, HP50B, HP65B .....	157-158
Summit / HeatMaster .....	159-160
Universal H-Series Low NOx .....	161-162
H-Series Low NOx .....	163-164
H-Series - Electronic (ED2 Style) .....	165-166
H-Series - Milivolt/Electronic (ED1 Style) .....	167-168
H-Series Above Ground .....	169-170
Heater Replacement Parts .....	171-176

## AUTOMATION & SANITIZATION

Automation & Sanitization .....	177-178
---------------------------------	---------

## CLEANERS

Navigator Pro .....	179-180
Phantom & Phantom Turbo .....	181-182
Viper .....	183-184
AquaVac .....	185-186
AquaVac 500 .....	187-188
TigerShark .....	189-192
E.Vac Pro .....	193-194
E.Vac .....	195-196
DV5000/KingRay .....	197
DV1000/AquaRay/SunRay .....	198
AquaBug .....	199-200
Scuba Dave/Wally Whale .....	201-202
AquaBug/Scuba Dave/Wally the Whale .....	203-204
Pool Vac (Plus, Ultra) & Navigator .....	205-206

## LIGHTING

Underwater Lighting ProSeries Light .....	207
---	-----

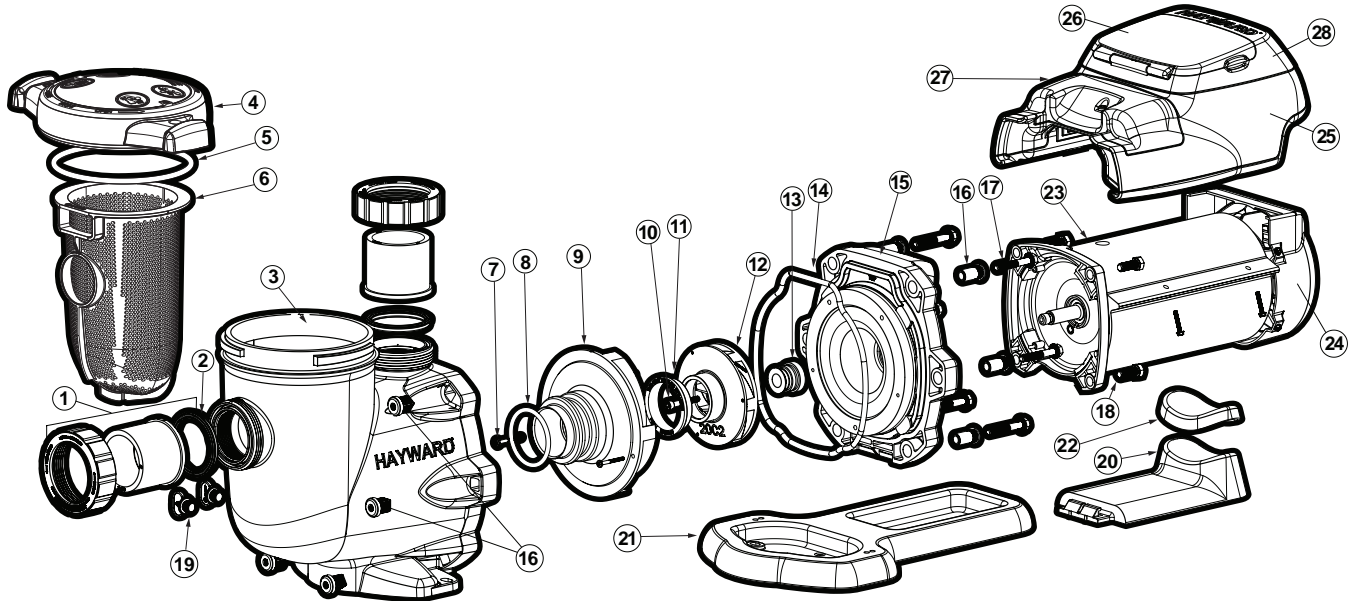
## GENERAL POOL/ SPA EQUIPMENT

Leaf Canisters .....	208
Chlorine & Bromine Feeders .....	209
Automatic Skimmers .....	210-212
Suction Outlets .....	213
PSV Series Valves .....	214
Multiport Valves .....	215-217
Ball Valves .....	218
Unions .....	219
Fittings .....	220
Hydrotherapy Fittings .....	221

NOTE: The number that appears in the "CTN. QTY." (Carton Quantity) is the pre-packaged, recommended ordering quantity for a part. The List Prices shown do not necessarily represent the prices that products are sold for to retail customers.



Parts for Pump Models: SP3400VSP, SP3400VSPVR



Pumps

Ref. No.	Part No.	Description	Ctn. Qty.	Qty Req'd
1	SPX3200UNKIT	Union Connector Kit (Includes Union Nut, Union Connector, Union Gasket – 2 ea.)	1	1
2	SPX3200UG	Union Gasket (Set of 2)	1	1
3	SPX3200A	Pump Strainer Housing, 2" x 2 1/2" with Drain Plugs, threaded style	1	1
4	SPX3200DLS	Strainer Cover Kit (Includes Strainer Cover, Lock Ring, O-Ring)	10	1
	SPX3200DLSB	Strainer Cover Kit (Biguanide Sanitizer Applications Only; NOT Pressure Testable)	10	1
5	SPX3200S	Strainer Cover O-Ring	10	1
6	SPX3200M	Strainer Basket	15	1
7	SPX3200Z8	Diffuser Screw (Set of 2)	1	1
8	SPX4000Z1	Diffuser O-Ring	10	1
9	SPX3200B3	Diffuser	1	1
10	SPX3200Z1	Impeller Screw	1	1
11	SPX3021R	Impeller Ring	1	1
12	SPX3220C	Impeller with Impeller Screw	10	1
13	SPX3200SA	Shaft Seal Assembly	10	1
14	SPX3200T	Housing O-Ring	10	1
15	SPX3200E	Seal Plate	1	1
16	SPX3200Z211	Housing Insert/Seal Plate Spacer Kit	1	6
17	SPX3200Z3	Housing Bolt	10	6
18	SPX3200Z5PAK4	Motor Bolt	50	4
19	SPX4000FG	Drain Plug with O-Ring	10	2
20	SPX3200GA	Bracket, Motor Support	1	1
21	SPX3200WF	Riser Base (Optional)	1	1
22	SPX3200Q	Adapter-Motor Support	100	1
23	SPX3400Z1ECM	Motor Assembly	1	1
24	SPX3400FAN	Motor Fan Shroud	5	1
25	SPX3400DR	Motor Drive (Includes Digital Control Interface)	1	1
	SPX3400DRVR	Motor Drive, SVRS (Includes Digital Control Interface)	1	1
26	SPX3400DR4	Motor Drive Display Cover	5	1
27	SPX3400DR2	Motor Drive Wiring Cover	5	1
28	SPX3400LCD	Digital Control Interface Assembly	1	1
—	SPX3400DRKIT	Wall Mount Kit	5	1
—	SPX3400DRCBL	Cable - Display	5	1

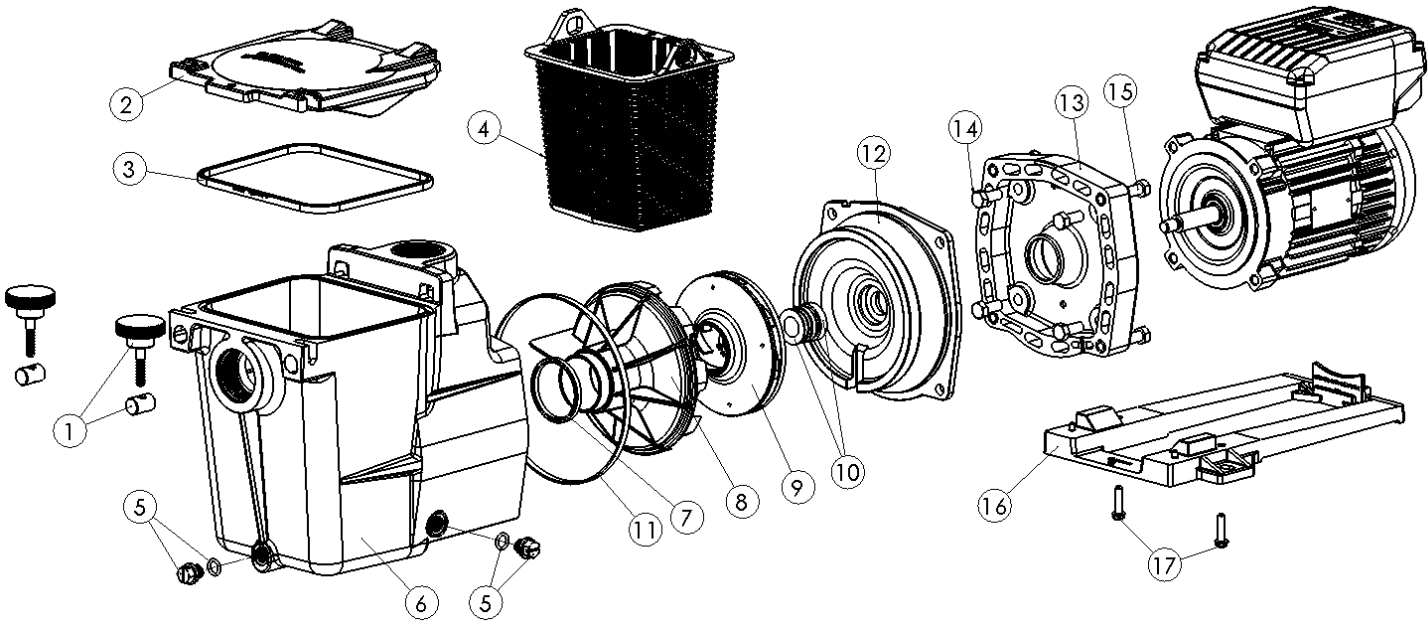


# Super Pump® VS

SP2600VSP PUMP SERIES REPLACEMENT PARTS

## Parts for SP2600VSP Pump Series

Pumps

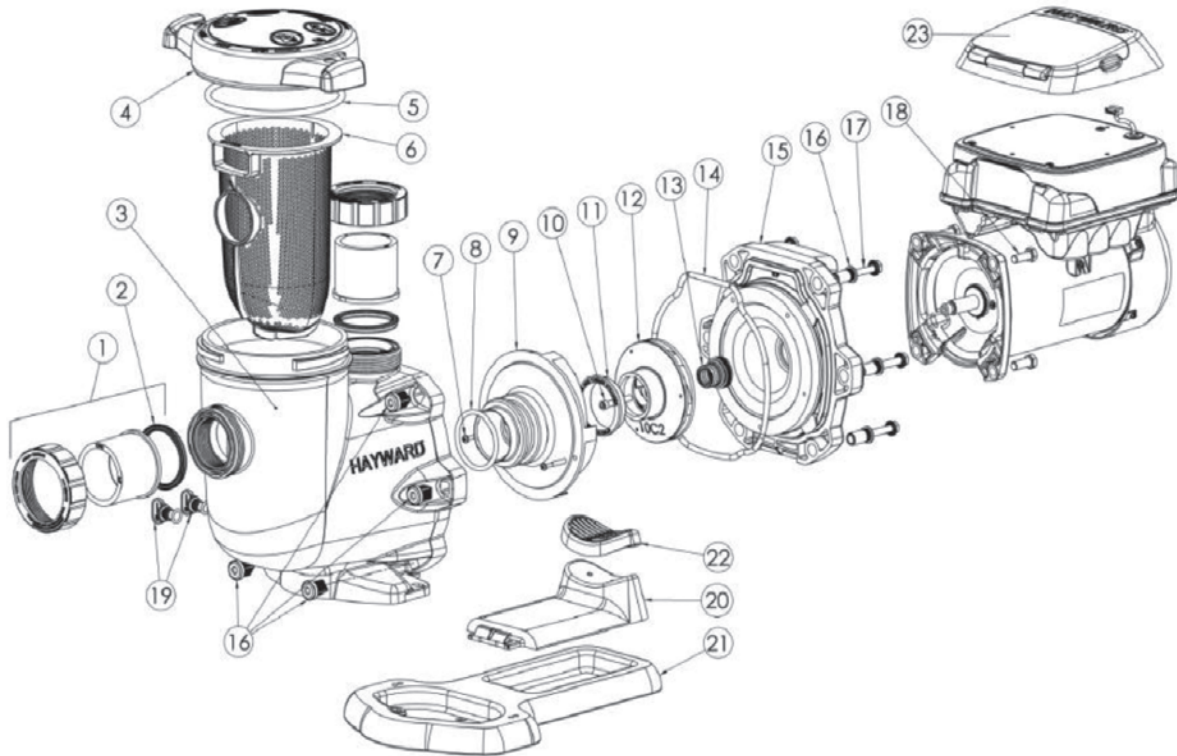


Ref. No.	Part No.	Description	Qty. Req'd
1	SPX1600PN	Swivel Nut & Hand Knob	2
2	SPX1600D	Strainer Cover	1
3	SPX1600S	Strainer Cover Gasket	1
4	SPX1600M	Basket	1
5	SPX1700FG	Drain Plug with Gasket	2
6	SPX1600AA	Pump/Strainer Housing with Gasket	1
7	SPX1600R	Diffuser Gasket	1
8	SPX1616B	Diffuser	1
9	SPX1621C	Impeller	1
10	SPX1600Z2	Shaft Seal Assembly	1
11	SPX1600T	Housing Gasket	1
12	SPX1611E5	Seal Plate	1
13	SPX1600F5	Motor Mounting Plate	1
14	SPX0125Z44	Motor Cap Screws (Set of 4)	1
15	SPX1600Z4	Housing Cap Screws	4
16	SPX2600G1	Mounting Foot (Includes Screws)	1
17	SPX1600Z52	Mounting Foot Screws (Set of 2)	1
	SPXHKIT3	Quick Fix Kit (Includes #3, 7, 10, 11 & Jack's Lube)	1

### POWER END

SPX2600Z1VSPE	Power End Assembly (Includes parts #7-14, motor and drive)	1
---------------	--	---

### Parts for Pump Models: SP3200VSP, SP3200VSPND



Ref. No.	Part No.	Description	Ctn. Qty.	Qty Req'd
1	SPX3200UNKIT	Union Connector Kit (includes Union Nut, Union connector, Union Gasket - 2 ea.)	1	1
2	SPX3200UG	Union Gasket	1	1
3	SPX3200A	Pump Strainer Housing, 2" x 2 1/2" with Drain Plugs, threaded style	1	1
4	SPX3200DLS	Strainer Cover Kit (Includes Strainer Cover, Lock Ring, O-Ring)	10	1
4	SPX3200DLSB	Strainer Cover Kit (Biguanide Sanitizer Applications Only; NOT Pressure Testable)	10	1
5	SPX3200S	Strainer Cover O-Ring	10	1
6	SPX3200M	Strainer Basket	15	1
7	SPX3200Z8	Diffuser Screw	1	1
8	SPX4000Z1	Diffuser O-Ring	10	1
9	SPX3200B3	Diffuser	1	1
10	SPX3200Z1	Impeller Screw	1	1
11	SPX3021R	Impeller Ring	1	1
12	SPX3210C	Impeller with Impeller Screw	10	1
13	SPX3200SA	Shaft Seal Assembly	10	1
14	SPX3200T	Housing O-Ring	10	1
15	SPX3200E	Seal Plate	1	1
16	SPX3200Z211	Housing Insert/Seal Plate Spacer Kit	1	6
17	SPX3200Z3	Housing Bolt	10	6
18	SPX32005	Motor Bolt	1	4
19	SPX4000FG	Drain Plug with O-Ring	10	2
20	SPX3200GA	Bracket, Motor Support	1	1
21	SPX3200WF	Riser Base (To align with inlet port of Pentair WhisperFlo pump)	1	1
22	SPX3200Q2	Adapter-Motor Support	1	1
23	SPX3400DR4	Motor Drive Display Cover (Cover only)	1	1
-	SPX3200LCD	Digital Control Interface Assembly	1	1
-	SPX3400DRKIT	Wall Mount Kit	1	1
-	SPX3200Z1VSPE	Power End Assembly: Parts #7-15 & 18, Motor, Drive & Display	1	1
-	SPX3200Z1VSPEND	Power End Assembly (no Display): Parts #7-15 & 18, Motor & Drive	1	1



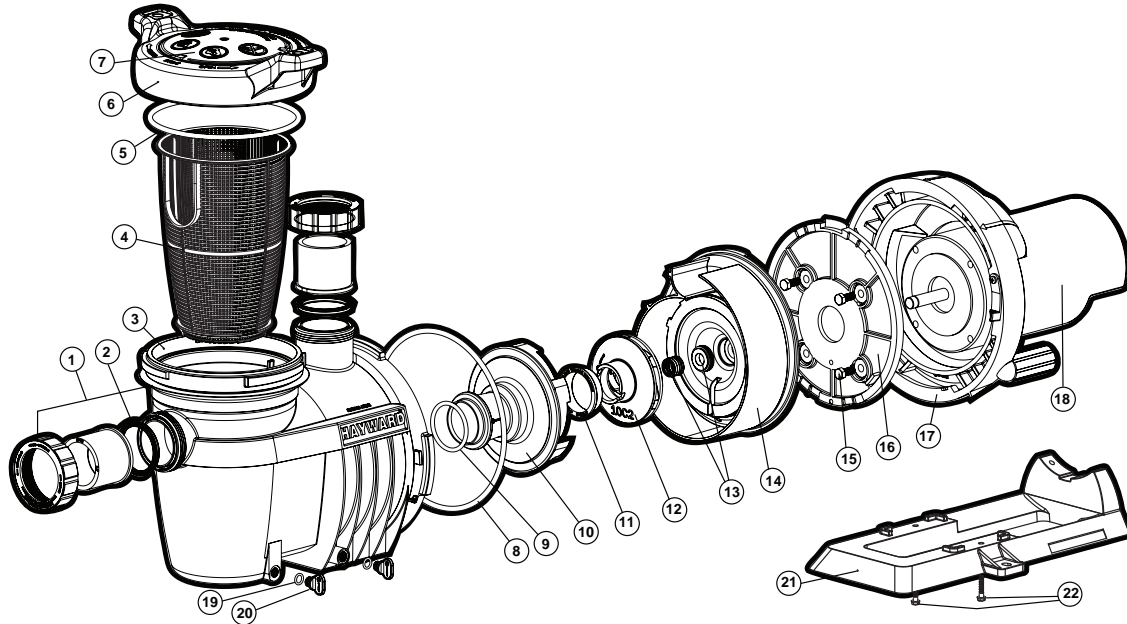


# NorthStar™

## SP4000X PUMP SERIES (ENERGY EFFICIENT FULL RATED) REPLACEMENT PARTS

Parts for Pump Models: SP4007X10NS, SP4010X15NS/2NS, SP4015X20NS/2NS, SP4020X25NS/2NS, SP4025X30NS

Pumps



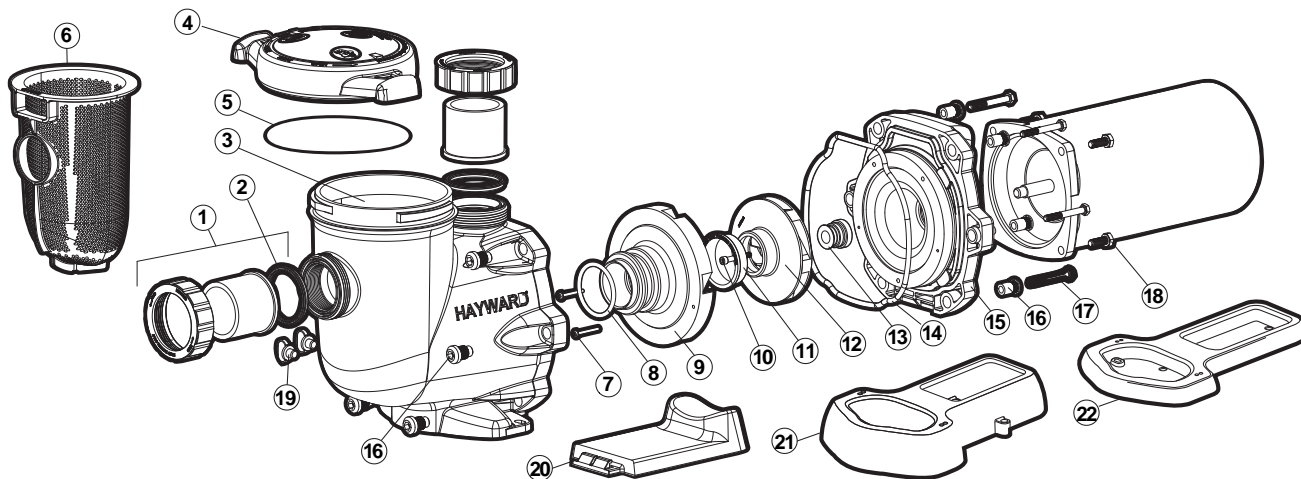
Ref. No.	Part No.	Description	Ctn.	Qty.
1	SPX3200UNKIT	Union Connector Kit (incl. 2 ea. Union Nut, Connector, and Gasket) (2008 and later)	1	1
	SPX4000UNPAK1	Union Connector Kit (incl. 1 ea. Union Nut, Connector, and Gasket) (2007 and prior)	1	1
	SPX4000UNPAK2	Union Connector Kit (incl. 1 ea. Curved Union Connector, O-Ring and Nut) (2007 and prior)	1	1
2	SPX3200UG	Union Gasket (T-Seal), 50 Duro EPDM (2008 and later)	1	1
	SPX4000Z1	Union O-Ring (2007 and prior)	10	10
3	SPX4020TP	Pump Housing, Threaded Port (2008 and later)	1	1
	SPX4020AA	Pump Housing, Threaded Port (2007 and earlier)	1	1
4	SPX4000M	Strainer Basket	1	1
5	SPX4000T	Strainer Cover O-Ring (2008 and later)	10	10
	SPX4000TS	Strainer Cover T-Ring (2003-2007)	1	1
	CX400G	Strainer Cover O-Ring (prior to 2003)	1	1
6 & 7	GMX600F	Pressure Test O-Ring (2007 and earlier)	1	1
	SPX4000CLO	Strainer Cover Kit (incl. Strainer Cover, Lock Ring, and O-Ring) (2008 and later)	1	1
	SPX4000DLT	Strainer Cover Kit (incl. Strainer Cover, Lock Ring, and O-Ring) (2007 and prior)	1	1
8	SPX4000T	Seal Plate O-Ring	10	10
9	SPX4000Z1	Diffuser O-Ring	10	10
10	SPX4000B	Diffuser	1	1
11	SPX3021R	Impeller Ring	1	1
13	SPX4000SA2*	Seal Assembly	10	10
14	SPX4000E	Seal Plate	1	1
15	SPX0125Z44	Motor Bolt	1	1
16	SPX4000F	Motor Mounting Plate	1	1
17	SPX4000K	Motor Lock Ring	1	1
19 & 20	SPX4000FG	Drain Plug with O-Ring	10	10
21 & 22	SPX4000GA	Mounting Base with (2) Cap Screws	1	1
	SPX1600Z52	Mounting Base Cap Screws (set of 2)	1	1

**Parts listed below must be ordered for specific model & H.P.**

12	SPX4007CKIT	Impeller for 1 HP with Impeller Ring and Seal Assembly	10	10
	SPX4010CKIT	Impeller for 1 1/2 HP with Impeller Ring and Seal Assembly	10	10
	SPX4015CKIT	Impeller for 2 HP with Impeller Ring and Seal Assembly	10	10
	SPX4020CKIT	Impeller for 2 1/2 HP with Impeller Ring and Seal Assembly	5	5
	SPX4025CKIT	Impeller for 3 HP with Impeller Ring and Seal Assembly	5	5
18	SPX1607Z1MNS	Motor, 1 H.P.	1	1
	SPX1610Z1MNS	Motor, 1 1/2 H.P.	1	1
	SPX1610Z2MNS	Motor, 1 1/2 H.P., 2-speed	1	1
	SPX1615Z1MNS	Motor, 2 H.P.	1	1
	SPX1615Z2MNS	Motor, 2 H.P., 2-speed	1	1
	SPX1620Z1MNS	Motor, 2 1/2 H.P.	1	1
	SPX1620Z2MNS	Motor, 2 1/2 H.P., 2-speed	1	1
	SPX1625Z1MNS	Motor, 3 H.P.	1	1

**\*NOTE:** For models prior to 2003, when replacing either the impeller or seal assembly, must purchase the impeller kit to replace both to ensure compatibility.

Parts for SP3200EE Pump Series



Ref. No.	Part No.	Description	Ctn. Qty.	Qty Req'd
1	SPX3200UNKIT	Union Connector Kit (includes Nut, Connector, Gasket) - (2 of each)	1	1
2	SPX3200UG	Union Gasket (T-seal), 50 duro EPDM (2 per pack)	1	1
3	SPX3200A	Pump Strainer Housing, 2" x 2" with Drain Plugs, threaded style	1	1
4a	SPX3200DLS	Strainer Cover Kit (includes Strainer Cover, Lock Ring, O-Ring)	10	1
4b	SPX3200DLSB	Strainer Cover Kit for Biguanide Sanitizers (includes: Strainer Cover, Lock Ring, T-Ring <b>NOT</b> Pressure Testable)	10	1
5	SPX3200S	Strainer Cover O-Ring	10	1
6	SPX3200M	Strainer Basket	15	1
7	SPX3200Z8	Diffuser Screws (Set of 2)	1	1
8	SPX4000Z1	Diffuser O-Ring	10	1
9	SPX3200B3	Diffuser	1	1
10	SPX3200Z1	Impeller Screw	1	1
11	SPX3021R	Impeller Ring	1	1
12	SPX3205C	Impeller for 1/2 H.P. with Impeller Screw	10	1
12	SPX3207C	Impeller for 3/4 H.P. with Impeller Screw	10	1
12	SPX3210C	Impeller for 1 H.P. with Impeller Screw	10	1
12	SPX3215C	Impeller for 1 1/2 H.P. with Impeller Screw	10	1
12	SPX3220C	Impeller for 2 H.P. with Impeller Screw	10	1
12	SPX3230C	Impeller for 3 H.P. with Impeller Screw	10	1
12	SPX3230C5	Impeller for 5 H.P. with Impeller Screw	10	1
13	SPX3200SA	Shaft Seal Assembly	10	1
14	SPX3200T	Housing O-Ring	10	1
15	SPX3200E	Seal Plate	1	1
16	SPX3200Z211	Housing Insert & Seal Plate Spacer Kit	1	6
17	SPX3200Z3	Housing Bolt	10	6
18	SPX3200Z5	Motor Bolt	1	4
19	SPX4000FG	Drain Plug with O-Ring	10	2
20	SPX3200GA	Bracket, Motor, Support	1	1
21	SPX3200WF	Base, Short Riser, TriStar (Optional)	1	1
22	SPX3200SR	Base, Tall Riser, TriStar (Optional)	1	1

Power Ends\*/Motor Part No.

SPX3205Z1PE/SPX3205Z1BER	1/2 H.P. Energy Efficient Full Rate	1	1
SPX3207Z1PE/SPX3207Z1BER	3/4 H.P. Energy Efficient Full Rate	1	1
SPX3210Z1PE/SPX3210Z1BER	1 H.P. Energy Efficient Full Rate	1	1
SPX3215Z1PE/SPX3215Z1BER	1 1/2 H.P. Energy Efficient Full Rate	1	1
SPX3220Z1PE/SPX3220Z1BER	2 H.P. Energy Efficient Full Rate	1	1
SPX3230Z1PE/SPX3230Z1BER	3 H.P. Energy Efficient Full Rate	1	1
SPX3250Z1PE/SPX3240Z1MER	5 H.P. Energy Efficient Full Rate	1	1
SPX3210Z2PE/SPX3210Z2BER	1 H.P. 2 speed Energy Efficient Full Rate	1	1
SPX3215Z2PE/SPX3215Z2BER	1 1/2 H.P. 2 speed Energy Efficient Full Rate	1	1
SPX3220Z2PE/SPX3220Z2BER	2 H.P. 2 Speed Energy Efficient Full Rate	1	1
SPX3220Z1PE3V/SPX3220Z1DRV	2 H.P. 3 phase Energy Efficient Full Rate	1	1
SPX3230Z1PE3/SPX3230Z1DR	3 H.P. 3 phase Energy Efficient Full Rate	1	1

\*Power End includes Motor, Seal Plate, Seal Diffuser (includes Ref. #7-18 and Motor)

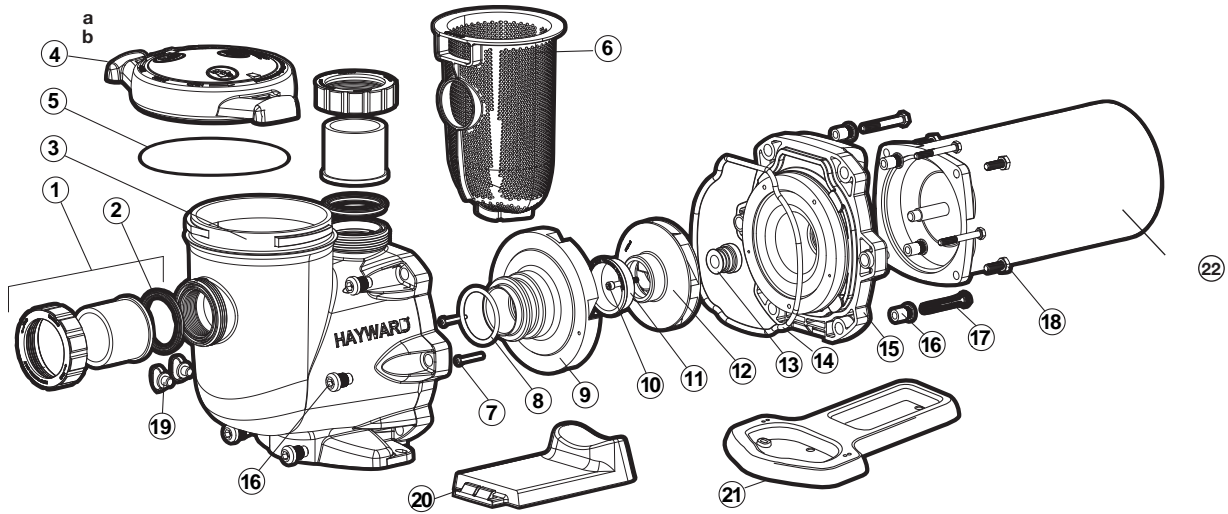


# Tristar™ Waterfall Pumps

SP3600 PUMP SERIES WATERFALL REPLACEMENT PARTS

Parts for Pump Models: SP36075EE, 36120EE

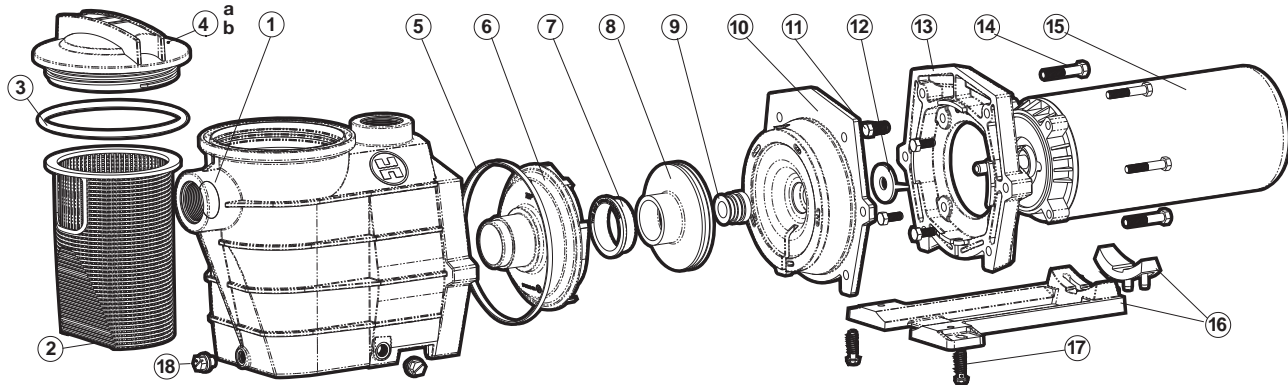
Pumps



Ref. No.	Part No.	Description	Ctn. Qty.	Qty Req'd
1	SPX3200UNKIT	Union Connector Kit (Includes Nut, Connector, Gasket) - (2 of each)	1	1
2	SPX3200UG	Union Gasket (T-seal), 50 duro EPDM	1	1
3	SPX3200A	Pump Strainer Housing, 2" x 2" with Drain Plugs, threaded style	1	1
4a	SPX3200DLS	Strainer Cover Kit (Includes Strainer Cover, Lock Ring, O-Ring)	10	1
5	SPX3200S	Strainer Cover O-Ring	10	1
6	SPX3200M	Strainer Basket	15	1
7	SPX3200Z8	Diffuser Screws (Set of 2)	1	1
8	SPX4000Z1	Diffuser O-Ring	10	1
9	SPX3200B3	Diffuser	1	1
10	SPX3200Z1	Impeller Screw	1	1
11	SPX3021R	Impeller Ring	1	1
12	SPX3220C	Impeller for 75 GPM with Impeller Screw	10	1
12	SPX3230CU	Impeller for 120 GPM with Impeller Screw	10	1
13	SPX3200SA	Shaft Seal Assembly	10	1
14	SPX3200T	Housing O-Ring	10	1
15	SPX3200E	Seal Plate	1	6
16	SPX3200Z211	Housing Insert & Seal Plate Spacer Kit	1	6
17	SPX3200Z3	Housing Bolt	10	4
18	SPX3200Z5	Motor Bolt	1	2
19	SPX4000FG	Drain Plug with O-Ring	10	1
20	SPX3200GA	Bracket, Motor, Support	1	1
21	SPX3200SR	Base, Tall Riser (Optional)	1	1
22	SPX3605Z1BER	Motor – Waterfall, 75-120 GPM	1	1
	SPX3220VSCLCD	Interface, TriStar Variable Spee Control	1	1
	SPX3220VSCFAN	Fan, TriStar Variable Speed Control	1	1

**Parts for Pump Models: SP3005X7, SP3007X10, SP3010X15, SP3015X20, SP3020X25, SP3025X30**

*NOTE: 60 Cycle 3 Phase, Conservationist™, 50 Cycle Motors, Single and Dual Speed – Price on request.*



Ref. No.	Part No.	Description	Ctn. Qty.	No. Req'd
1	SPX3000AA	Pump Housing/Strainer, 1 1/2" x 1 1/2", w/Drain Plugs	1	1
1	SPX3100AAZ	Pump Housing/Strainer, 1 1/2" x 1 1/2", w/Drain Plugs, threaded style	1	1
1	SPX3120AAZ	Pump Housing/Strainer, 2" x 2", w/Drain Plugs	1	1
1	R5X750AZ	Pump Housing/Strainer, 2" x 2", w/Drain Plugs, threaded style	1	1
2	SPX3000M	Basket	15	1
3	SPX3000S	Strainer Cover O-Ring	10	1
4a	SPX3000D	Strainer Cover, clear	1	1
4b	SPX3100D	Strainer Cover, Thread Style (E-Z Fb, Az)	10	1
5	SPX3000T	Housing Gasket	10	1
—	SPX1600R	Diffuser Gasket - Not Shown	10	1
—	SPX3000TRA	Seal Assembly Kit (includes Seal Assembly, Housing and Diffuser Gaskets) - Not Shown	10	1
6	SPX2600B	Diffuser, for 3/4 through 2 H.P. (1987 and prior)	1	1
6	SPX3000BN	Diffuser, for 3/4 through 1 1/2 H.P. (1988 and newer)	1	1
6	SPX3000B	Diffuser, for 2 1/2 and 3 H.P. (1989 and prior)	1	1
6	SPX3021B	Diffuser, for 2, 2 1/2 and 3 H.P. (1990 and newer)	1	1
7	SPX3005R	Impeller Ring – 3/4 through 2, 2 1/2 and 3 H.P. (SP3000 Series Impellers)	1	1
7	SPX3021R	Impeller Ring – 2, 2 1/2, 3 H.P. (SP3016C, SP3021C, 3026C)	1	1
9	SPX1600Z2	Seal Assembly	10	1
10	SPX3000E	Seal Plate, for SP2600 Series Impellers	1	1
10	SPX3020E	Seal Plate, for SP3000 Series Impellers	1	1
11	SPX0125Z44	Motor Cap Screw (Set of 4)	1	1
12	SPX0125F	Slinger	10	1
13	SPX3000F	Motor Mounting Plate	1	1
14	SPX1600Z4	Housing Cap Screw	10	6
—	SPX3000Z26	Washer, 3/8" – for cap screw (Set of 6) - Not Shown	1	1
16	SPX3000GA	Mounting Bracket w/Adapter and 2 Cap Screws	1	1
17	SPX1600Z52	Mounting Foot Cap Screw (Set of 2)	1	1
18	SPX1600V	1/4" Drain Plug (1991 and prior)	25	2
18	SPX1700FG	1/4" Drain Plug w/Gasket (1992 and newer)	10	2
—	SPX1600PN	Hand Knob Kit (includes swivel nut and hand knob)	2	2

**Parts listed below must be ordered for specific model & H.P.:**

	1987	1988			
8	SPX2605C	SPX3005C	Impeller, for 3/4 H.P.	10	1
8	SPX2607C	SPX3007C	Impeller, for 1 H.P.	10	1
8	SPX2610C	SPX3010C	Impeller, for 1 1/2 H.P.	10	1
8	SPX2615C	—	Impeller, for 2 H.P.	1	1
8	—	SPX3016C	Impeller, for 2 H.P.	1	1
8	SPX3020CKIT	SPX3021C	Impeller, for 2 1/2 H.P.	1	1
8	SPX3025CKIT	SPX3026C	Impeller, for 3 H.P.	1	1
15	SPX1605Z1M	—	Motor, 3/4 H.P., Threaded Shaft (Single Phase, 60 Cycle 115/230V)	1	1
15	SPX1607Z1M	—	Motor, 1 H.P., Threaded Shaft (Single Phase, 60 Cycle 115/230V)	1	1
15	SPX1610Z1M	—	Motor, 1 1/2 H.P., Threaded Shaft (Single Phase, 60 Cycle 230V)	1	1
15	SP1615Z1M	—	Motor, 2 H.P., Threaded Shaft (Single Phase, 60 Cycle 230V)	1	1
15	SPX1620Z1M	—	Motor, 2 1/2 H.P., Threaded Shaft (Single Phase 60 Cycle 230V)	1	1
15	SPX1625Z1M	—	Motor, 3 H.P., Threaded Shaft (Single Phase 60 Cycle 230V)	1	1
Not Shown	RS750KIT	—	Accessory Kit (elevated pump base + union kit)	1	1
Shown	RSX750N	—	O-Ring Gasket for union		



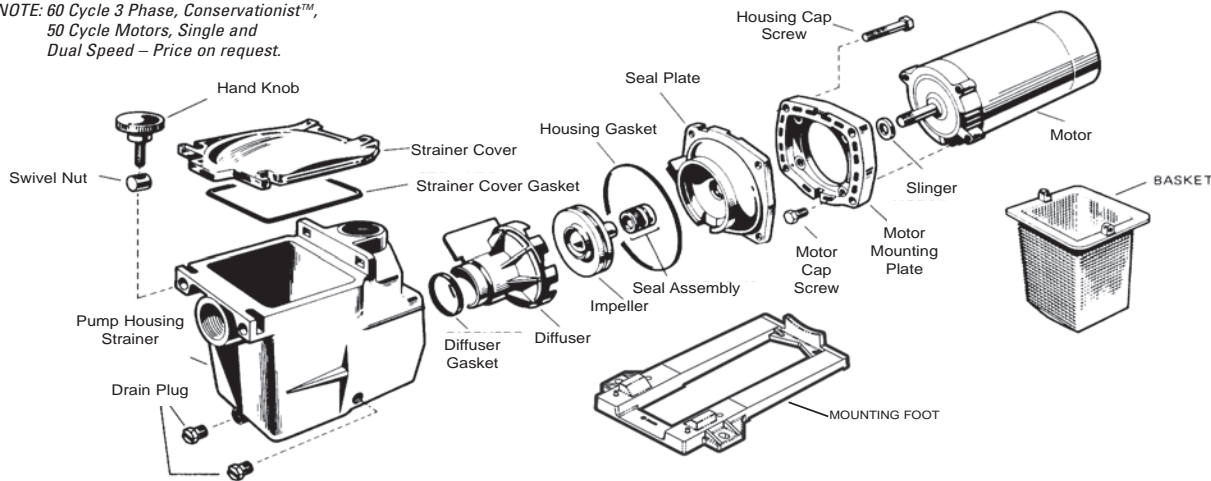
# Super Pump®

SP2600X PUMP SERIES (MAX RATED) REPLACEMENT PARTS

**Parts for Pump Models: SP2600X5, SP2605X7, SP2607X10, SP2610X15, SP2615X20, SP2621X25**

Pumps

NOTE: 60 Cycle 3 Phase, Conservationist™, 50 Cycle Motors, Single and Dual Speed – Price on request.



Part No.	Description	Ctn. Qty.	Qty Req'd
SPX1600AA	Pump Housing/Strainer, 1 1/2" x 1 1/2", w/Drain Plugs	1	1
SPX1620AA	Pump Housing/Strainer, 2" x 2", w/Drain Plugs	1	1
SP2607X10DE	Power End	1	1
SP26010X15DE	Power End	1	1
SPX1600T	Housing Gasket	10	1
SPX1600R	Diffuser Gasket	10	1
SPX1600TRA	Seal Assembly Kit (includes Seal Assembly, Housing and Diffuser Gaskets)	10	1
SPX1600D	Strainer Cover, clear	10	1
SPX1600S	Strainer Cover Gasket	20	1
SPX1600M	Basket	20	1
SPX1600PN	Hand Knob Kit (includes Swivel Nut and Hand Knob)	10	2
SPX1600V	1/4" Drain Plug (1991 and prior)	25	1
SPX1700FG	1/4" Drain Plug w/Gasket (1992 and later)	10	2
SPX2600G1	Mounting Foot w/Adapter and Screws	10	1
SPX1600Z52	Mounting Foot Cap Screw (Set of 2 – 1995 and prior, 2 sets required)	1	1
SPX1600Z2	Seal Assembly	10	1
SPX1600F5	Motor Mounting Plate	10	1
SPX1600Z4	Housing Cap Screw	10	4
SPX0125Z44	Motor Cap Screw (Set of 4)	1	1
SPX0125F	Slinger	10	1
SPX2600B	Diffuser, for 1/2 thru 2 H.P.	1	1
SPX1616B	Diffuser, for 2 1/2 H.P. only	1	1
SPX2600EF5	Seal Plate and Mounting Plate, 1/2 thru 2 H.P.	10	1
SPX1611E5	Seal Plate, for 2 1/2 H.P. only	10	1

**Parts listed below must be ordered for specific model & H.P.:**

SPX2600C/SPX2600CKIT*	Impeller, for 1/2 H.P./ 1/2 H.P. Drive Train Upgrade	10/1	1
SPX2605C/SPX2605CKIT*	Impeller, for 3/4 H.P./ 3/4 H.P. Drive Train Upgrade	10/1	1
SPX2607C/SPX2607CKIT*	Impeller, for 1 H.P./ 1 H.P. Drive Train Upgrade	10/1	1
SPX2610C/SPX2610CKIT*	Impeller, for 1 1/2 H.P./ 1 1/2 H.P. Drive Train Upgrade	10/1	1
SPX2615C/SPX2615CKIT*	Impeller, for 2 H.P./ 2 H.P. Drive Train Upgrade	1	1
SPX1621C	Impeller, for 2 1/2 H.P.	1	1
SPX1600Z1M	Motor, 1/2 H.P., Threaded Shaft (Single Phase, 60 Cycle 115V)	1	1
SPX1605Z1M	Motor, 3/4 H.P., Threaded Shaft (Single Phase, 60 Cycle 115/230V)	1	1
SPX1607Z1M	Motor, 1 H.P., Threaded Shaft (Single Phase, 60 Cycle 115/230V)	1	1
SPX1607Z2MS	Motor, 1 H.P., Threaded Shaft (Single Phase, 60 cycle 230V, 2 speed)	1	1
SPX1610Z1M	Motor, 1 1/2 H.P., Threaded Shaft (Single Phase, 60 Cycle 230V)	1	1
SPX1610Z2MS	Motor, 1 1/2 H.P., Threaded Shaft (Single Phase, 60 Cycle 230V, 2 speed)	1	1
SPX1620Z1M	2 1/2" H.P., Max-Rate Motor	1	1
SPX1615Z1M	2 H.P. Motor, 60 Cycle, 1Phase	1	1

\*NOTE: For pumps with an "SP1600X" part number (manufactured before 1983), the use of these new kits (SPX2600CKIT - SPX2615CKIT) will upgrade the old pump to our current "SP2600X" series. This will improve GPM, reduce noise and provide slightly better energy efficiencies. All individual components included in the kits are not available.



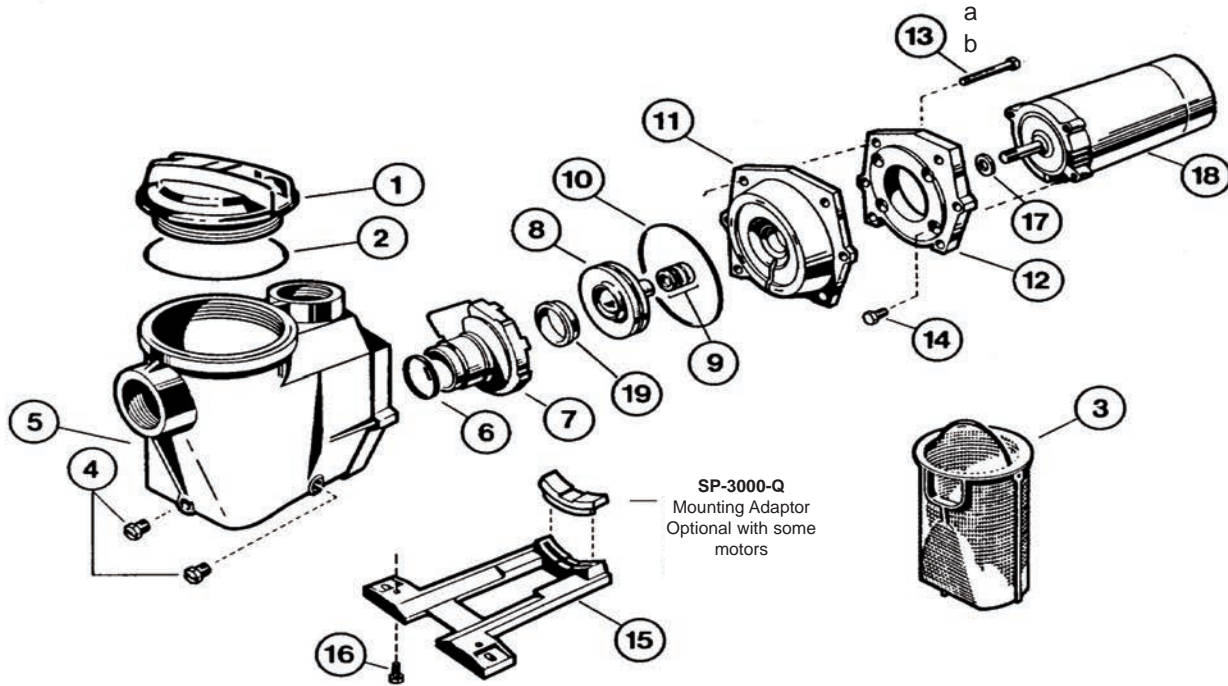
# E-Z Flo Pump

## E-Z FLO PUMP REPLACEMENT PARTS



Pumps

Parts for Models: SP3105X7, SP3107X10, SP3110X15, SP3115X20, SP3120X25



Ref. No.	Description	No. Req'd	Part Number				
			Model SP3105X7	Model SP3107X10	Model SP3110X15	Model SP3115X20	Model SP3120X25
1	Strainer Cover; Threaded	1	SPX3100D	SPX3100D	SPX3100D	SPX3100D	SPX3100D
2	Strainer Cover O-Ring	1	SPX3000S	SPX3000S	SPX3000S	SPX3000S	SPX3000S
3	Basket	1	SPX3000-M	SPX3000M	SPX3000M	SPX3000M	SPX3000M
4	Drain Plug w/o o-ring	2	SPX1700FG	SPX1700FG	SPX1700FG	SPX1700FG	SPX1700FG
5	Pump Housing/Strainer Basket	1	SPX3100AA	SPX3100AA	SPX3100AA	SPX3120AA	SPX3120AA
6	Diffuser Gasket	1	SPX1600R	SPX1600R	SPX1600R	SPX1600R	SPX1600R
7	Diffuser	1	SPX3000BN	SPX3000BN	SPX3000BN	SPX3021B	SPX3021B
8	Impeller	1	SPX3005C	SPX3007C	SPX3010C	SPX3016C	SPX3021C
9	Seal Assembly	1	SPX1600Z2	SPX1600Z2	SPX1600Z2	SPX1600Z2	SPX1600Z2
10	Housing Gasket	1	SPX3000T	SPX3000T	SPX3000T	SPX3000T	SPX3000T
11	Seal Plate	1	SPX3020E	SPX3020E	SPX3020E	SPX3020E	SPX3020E
12	Motor Mounting Plate	1	SPX3000F	SPX3000F	SPX3000F	SPX3000F	SPX3000F
13a	Housing Cap Screw	6	SPX1600Z4	SPX1600Z4	SPX1600Z4	SPX1600Z4	SPX1600Z4
13	Housing Cap Screw	1	SPX3000Z26	SPX3000Z26	SPX3000Z26	SPX3000Z26	SPX3000Z26
14	Motor Cap Screw (Set of 4)	1	SPX0125Z44	SPX0125Z44	SPX0125Z44	SPX0125Z44	SPX0125Z44
15	Mounting Bracket w/ screw	1	SPX3000GA	SPX3000GA	SPX3000GA	SPX3000GA	SPX3000GA
16	Mounting Bracket Screw (Set of 2)	1	SPX1600Z52	SPX1600Z52	SPX1600Z52	SPX1600Z52	SPX1600Z52
17	Slinger	1	SPX0125F	SPX0125F	SPX0125F	SPX0125F	SPX0125F
18	Motor-60 Cycle Single Phase	1	SPX1605Z1M	SPX1607Z1M	SPX1610Z1M	SPX1615Z1M	SPX1620Z1M
19	Impeller Ring	1	SPX3005R	SPX3005R	SPX3005R	SPX3021R	SPX3021R
	Strainer Cover Removal Tool	1	SPX3100T	SPX3100T	SPX3100T	SPX3100T	SPX3100T



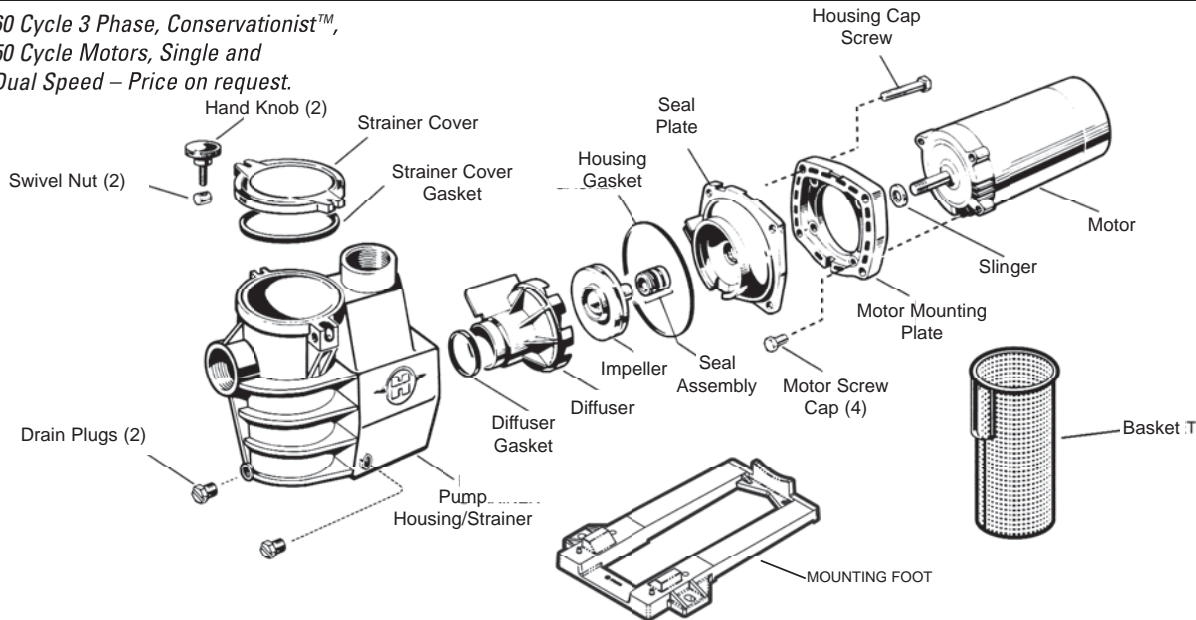
# Max-Flo™

## SP2800X SERIES (MAX RATED) REPLACEMENT PARTS

Pumps

### Parts for Pump Models: SP2800X5, SP2805X7, SP2807X10, SP2810X15, SP2815X20

**NOTE: 60 Cycle 3 Phase, Conservationist™, 50 Cycle Motors, Single and Dual Speed – Price on request.**



Part No.	Description	Ctn. Qty.	Qty Req'd
SPX2800AA	Pump Housing/Strainer accepts Swing Away Knobs, 1 1/2" x 1 1/2", w/Drain Plugs (1995 and prior)	1	1
SPX1250LA	Strainer Cover, clear Lexan® w/Gasket (Fits All Models)	10	1
SPX0125T	Strainer Cover Gasket	10	1
SPX1250RA	Basket (1994 and prior)	10	1
SPX2800M	Basket (1995)	10	1
SPX1250Z4	Hand Knob, Three Pointed (1994 and prior)	10	2
SPX1600PN	Hand Knob Kit (1995, includes Swivel Nut and Hand Knob)	10	2
SPX1600T	Housing Gasket	10	1
SPX1600R	Diffuser Gasket	10	1
SPX1600TRA	Seal Assembly Kit (Includes Seal Assembly, Housing and Diffuser Gaskets)	10	1
SPX1600V	1/4" Drain Plug (1991 and prior)	25	2
SPX1700FG	1/4" Drain Plug w/Gasket	10	2
SPX2600G1	Mounting Foot w/Adapter and Screws	10	1
SPX1600Z52	Mounting Foot Cap Screw (Set of 2 – 1995 and prior, 2 sets required)	1	1 set
SPX1600Z2	Seal Assembly	10	1
SPX1600F5	Motor Mounting Plate	2	1
SPX1600Z4	Housing Cap Screw	10	4
SPX0125Z44	Motor Cap Screw (Set of 4)	1	1 set
SPX0125F	Slinger	10	1
SPX2800B	Diffuser, for all H.P.'s	1	1
SPX2600EF5	Seal Plate and Mounting Plate	5	1

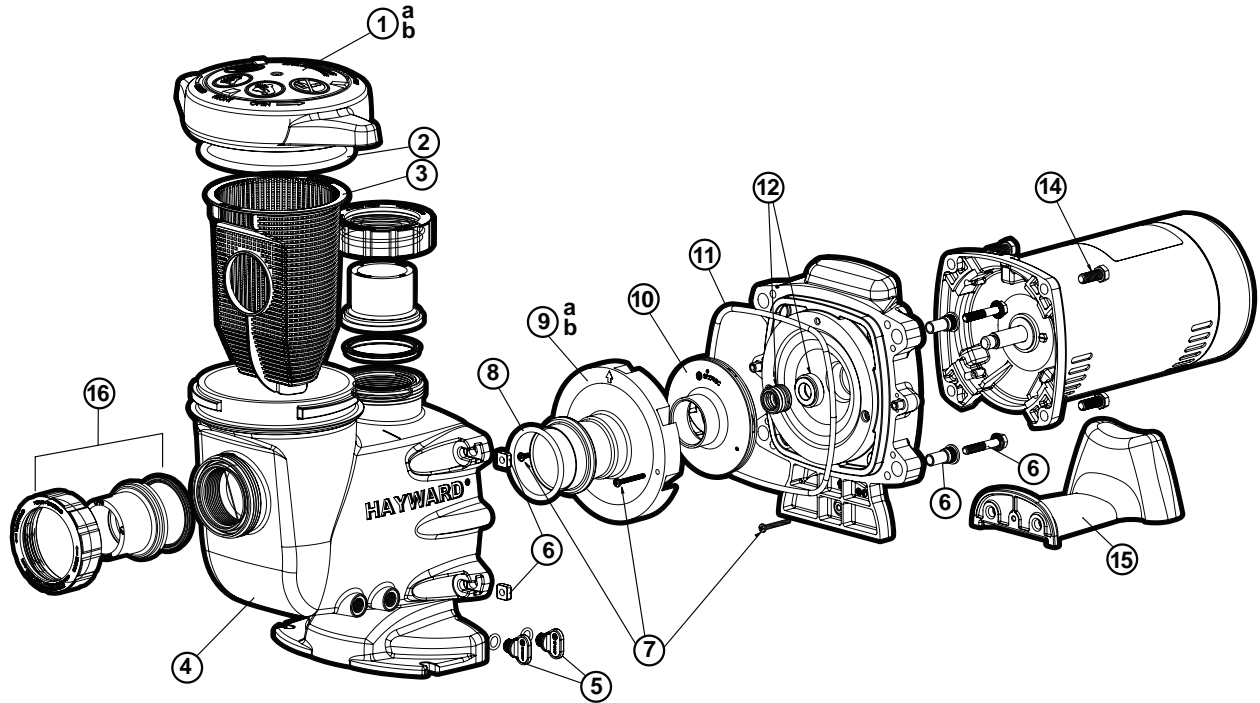
#### Housing Conversion Kit —To Swing Away Knob Style

SPX2800AAC*	Complete Housing Conversion Kit. Includes housing, strainer cover and gasket, basket, round hand knobs (2), and swivel nuts (2).	1	
-------------	--	---	--

#### Parts listed below must be ordered for specific model & H.P.:

SPX2600C	Impeller, for 1/2 H.P. Max Rated	10	1
SPX2605C	Impeller, for 3/4 H.P. Max Rated	10	1
SPX2607C	Impeller, for 1 H.P. Max Rated	10	1
SPX2610C	Impeller, for 1 1/2 H.P. Max Rated	10	1
SPX2615C	Impeller, for 2 H.P. Max Rated	1	1
SPX1600Z1M	Motor, 1/2 H.P., Threaded Shaft (Single Phase, 60 Cycle 115V)	1	1
SPX1605Z1M	Motor, 3/4 H.P., Threaded Shaft (Single Phase, 60 Cycle 115/230V)	1	1
SPX1607Z1M	Motor, 1 H.P., Threaded Shaft (Single Phase, 60 Cycle 115/230V)	1	1
SPX1610Z1M	Motor, 1 1/2 H.P., Threaded Shaft (Single Phase, 60 Cycle 115/230V)	1	1
SPX1615Z1M	Motor, 2 H.P., Threaded Shaft (Single Phase, 60 Cycle 230V)	1	1
SPX1610Z2M	Motor, 1 1/2 H.P., Threaded Shaft, Two-speed (Single phase, 60 Cycle, 230V)	1	1
SP2800TG	Pressure Test Gasket	5	1

**Parts for Pump Models: SP2705X7, SP2707X10/2, SP2710X15/2, SP2715X20/2**



Ref. No.	Part No.	Description	Ctn. Qty.	Qty Req'd
1a	SPX2700DLS	Strainer Cover Kit (includes Strainer Cover, Lock-Ring, O-Ring)	10	1
1b	SPX2700DLSB	Strainer Cover Kit for Biguanide Sanitizers (Optional)	10	1
2	SPX2700Z4	Strainer Cover O-Ring	10	1
3	SPX2700M	Strainer Basket	15	1
4	SPX2700AA	Pump Strainer Housing (includes Strainer Cover Assembly, Basket and Drain Plugs)	1	1
5	SPX4000FG	Drain Plug with O-Ring	10	2
6	SPX2700ZPAK	Hardware Pack (includes 4 Housing Bolts, Spacers and Square Nuts)	10	1
7	SPX2700Z3	Diffuser Screws	1	3
8	SX220Z2	Diffuser O-Ring	10	1
9	SPX2700EKIT	Seal Plate / Diffuser	1	1
11	GMX600F	Housing O-Ring	10	1
12	SPX2700SA	Shaft Seal Assembly	10	1
14	SPX3200Z5	Motor Bolt	1	4
15	SPX2700G	Motor Support	1	1

**Optional**

16	SPX2700UNKIT	Union Connector Kit (includes 2 Nuts, Connectors, Gaskets)	1	
----	--------------	--	---	--

**Parts listed below must be ordered for specific model & H.P.**

10	SPX2700C	Impeller for 3/4 H.P.	10	1
10	SPX2707CM	Impeller for 1 H.P.	10	1
10	SPX2710CM	Impeller for 1 1/2 H.P.	10	1
10	SPX2715CM	Impeller for 2 H.P.	10	1
<b>Motors</b>	SPX2705Z1M	Motor, 3/4 HP, Threaded Shaft (Single Phase, 60 Cycle, 115/230V)	1	1
	SPX2707Z1M	Motor, 1 HP, Threaded Shaft (Single Phase, 60 Cycle, 115/230V)	1	1
	SPX2710Z1M	Motor, 1 1/2 HP, Threaded Shaft (Single Phase, 60 Cycle, 115/230V)	1	1
	SPX2715Z1ME	Motor, 2 HP, Threaded Shaft (Single Phase, 60 Cycle, 115/230V)	1	1
	SPX2707Z2M	Motor, 1 HP, 2-Speed, Threaded Shaft (Single Phase, 60 Cycle, 230V)	1	1
	SPX2710Z2M	Motor, 1 1/2 HP, 2-Speed, Threaded Shaft (Single Phase, 60 Cycle, 230V)	1	1
	SPX2715Z2M	Motor, 2 HP, 2-Speed, Threaded Shaft (Single Phase, 60 Cycle, 230V)	1	1

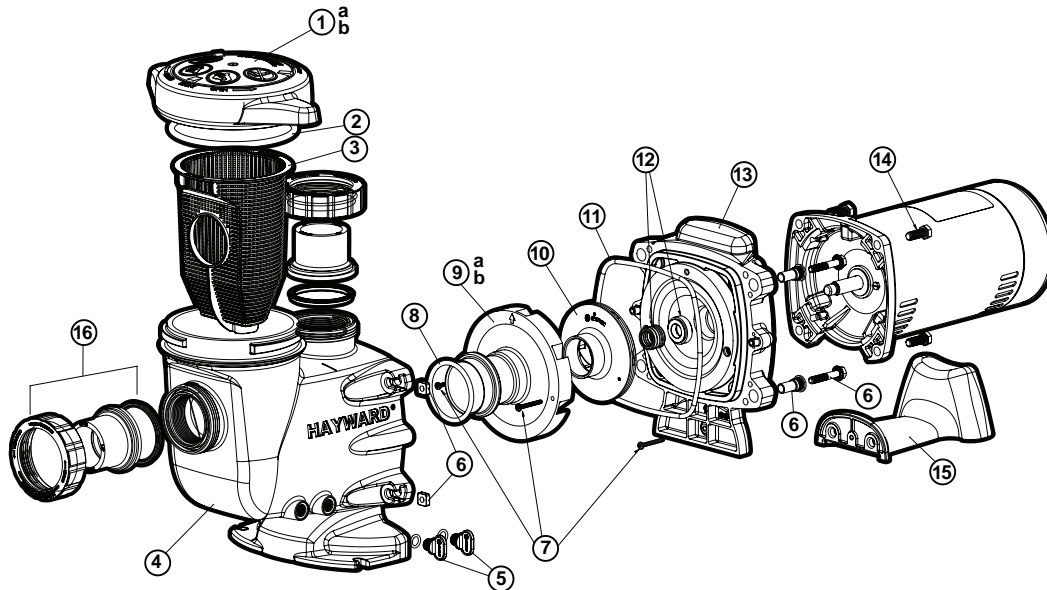


# Max-Flo XL™

SP2800X SERIES (MAX RATED) REPLACEMENT PARTS

## Parts for Pump Models: SP2307X10, SP2310X15

Pumps



Ref. No.	Part No.	Description	Ctn. Qty.	Qty Req'd
1a	SPX2300DLS	Strainer Cover Kit (Includes Strainer Cover, Lock-Ring, O-Ring)	1	
1b	SPX2300DLSB	Strainer Cover Kit for Biguanide Sanitizers (Includes Strainer Cover, Lock-Ring, O-Ring) NOT Pressure Testable	1	
2	SPX2300Z4	Strainer Cover O-Ring	1	
3	SPX2300M	Strainer Basket	1	
4	SPX2300AA	Pump Strainer Housing with Drain Plugs	1	
5	SPX4000FG	Drain Plug with O-Ring	2	
6	SPX2700ZPAK	Hardware Pack (Includes 4 Housing Bolts, Seal-Plate Spacers and Square Nuts)	1	
7	SPX2300Z3PAK3	Diffuser Screws (Pack of 3)	1	
8	SX220Z2	Diffuser O-Ring	1	
9	SPX2300B	Diffuser	1	
10	SPX2707CM	Impeller for 1 H.P. Max-Rate Pump	1	
	SPX2710CM	Impeller for 1 1/2 H.P. Max-Rate Pump	1	
11	GMX600F	Housing O-Ring	1	
12	SPX2700SA	Shaft Seal Assembly	1	
13	SPX2300E	Seal Plate	1	
14	SPX3200Z5PAK4	Motor Bolt (Pack of 4)	1	
15	SPX2300G	Motor Support with Base Mount Screws	1	
16	SPX1600Z52	Motor Support Base Mount Screws	1	
17	SPX2700UNKIT	Union Connector Kit (Includes 2 Nuts, Connectors, Gaskets)	1	

### MOTORS

	SPX2707Z1M	Motor, 1 H.P., Threaded Shaft (Single Phase, 60 cycle 115/208-230V)	1	
	SPX2710Z1M	Motor, 1 1/2 H.P., Threaded Shaft (Single Phas, 60 Cycle 115/208-230V)	1	

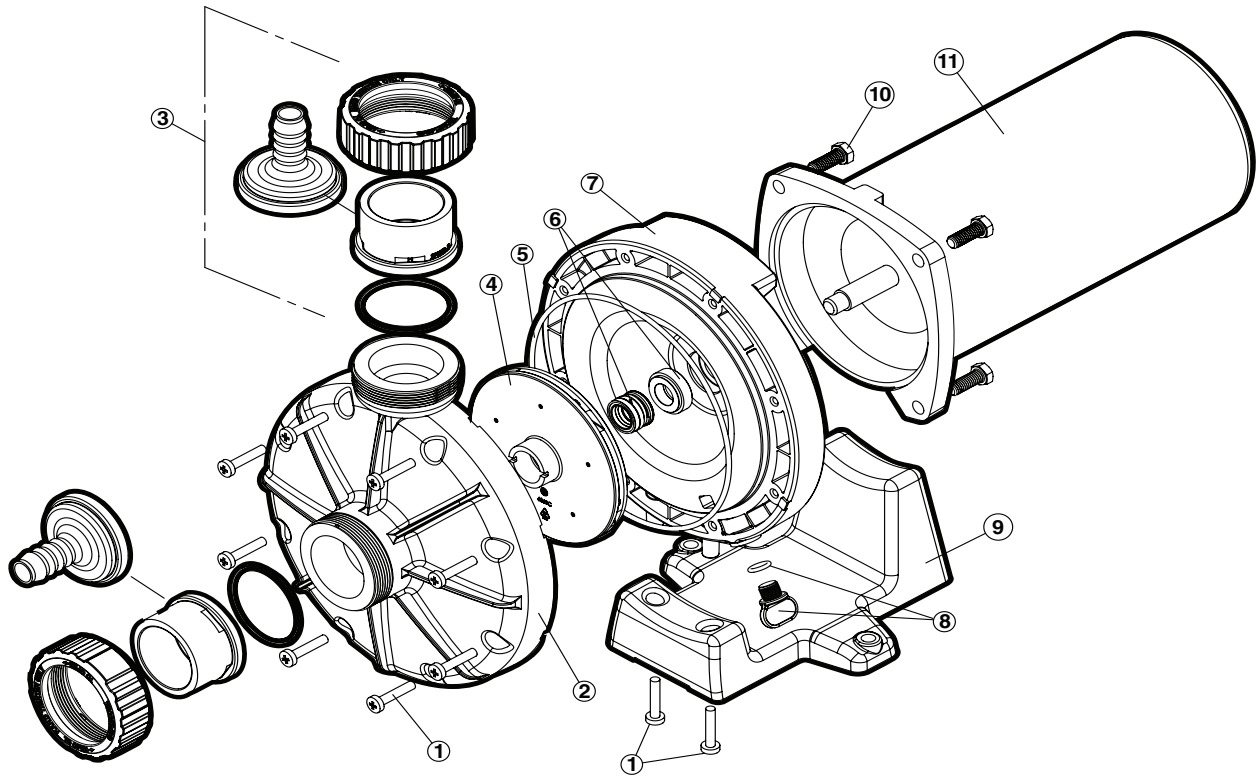
# Booster Pump

6060 BOOSTER PUMP REPLACEMENT PARTS



## Parts for Booster Pump Model 6060

Pumps



Ref. No.	Part No.	Description	Ctn. Qty.	Qty Req'd
1	AX6060Z1	Screws	50	10
2	AX6060A	Volute	1	1
3	AX6060UNPAK	Union Fittings Kit (2 Unions w/O-Rings)	5	1
4	AX6060C	Impeller Assembly	5	1
5	AX6060S	O-Ring	50	1
6	SPX2700SA	Seal Assembly	10	1
7	AX6060E	Seal Plate Assembly (Seal Plate w/drain plug and O-Ring)	1	1
8	SPX4000FG	Drain Plug w/ O-Ring	200	1
9	AX6060G	Motor Support	1	1
10	SPX3200Z5	Motor Bolts	50	4
11	SPX2707Z1M	Motor (3/4 HP, 60 Cycles)	1	1



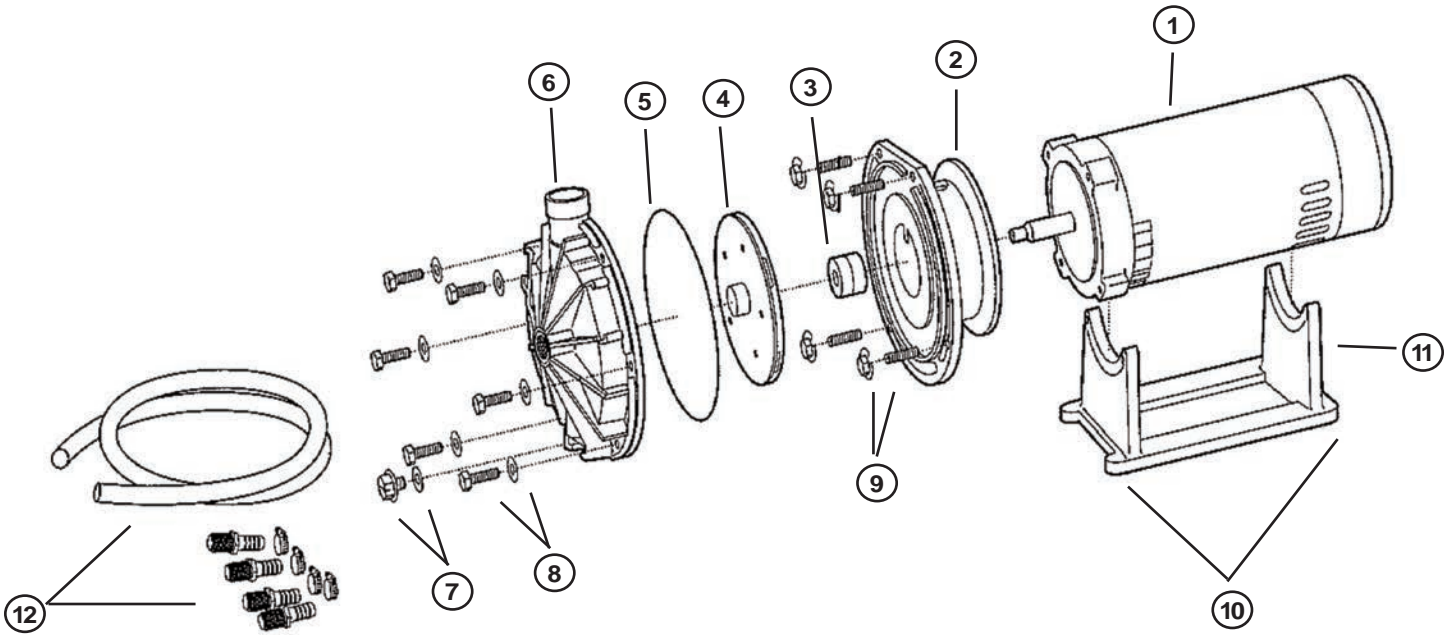


# Booster Pump

5060 BOOSTER PUMP REPLACEMENT PARTS

Pumps

## Parts for Booster Pump Model 5060



Ref. No.	Part No.	Description
1	AX5060M	Motor 3/4 HP Black
2	AX5060B2	Seal Plate (2004 - Present)
3	SPX1250Xz2	Spring Seal w/ Seat
4	AX5060C	Impeller Assy
5	AX5060GA	Gasket, Booster Pump
6	AX5060A	Volute - 3/4 NPT - F
7	SPX1700FG	Pipe Plug w/ Gasket
8	AX5060Z2A	Nut, Bolt & Washer Kit (6pk)
9	AX5060RSA	Stud & Washer Kit (4pk)
10	AX5060P	Stem Bumper
11	AX5060D	Base
12	AX5060HKIT	Booster Pump Hose Kit

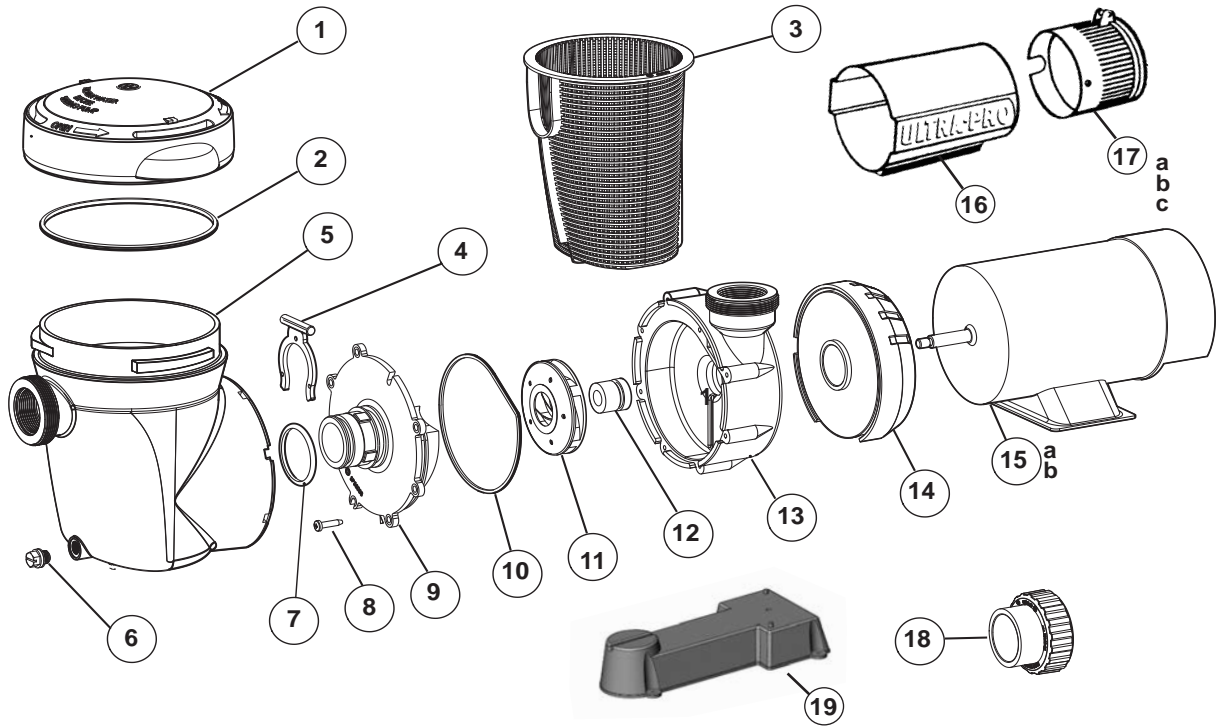
# Matrix Pump™

SP5600 PUMP SERIES REPLACEMENT PARTS



Pumps

## Parts Diagram



## Parts List

Ref. No.	Part No.	Description	Ctn. Qty.	No. Req'd
1	SPX5500D	Strainer Cover w/Lock Ring & 'O' Ring	10	1
2	SPX5500H	Strainer Cover 'O' Ring	10	1
3	SPX5500F	Strainer Basket	10	1
4	SPX5500G	Strainer Retainer/'C' Clip	10	1
5	SPX5500C	Strainer Housing	1	1
6	SPX1700FG	Drain Plug w/ Gasket	10	1
7	SPX5500K	Strainer 'O' Ring	10	1
8	SPX0714Z4	Screw, #14 x 1/4" Type B Pan Head	80	8
9	SPX5500B	Pump Cover	4	1
10	SPX0710XZ5	Housing 'O' Ring	10	1
11	SPX1591F	1 HP Impeller Assembly + 1 1/2 HP	10	1
12	SPX1500KA	Shaft Seal Assembly	10	1
13	SPX5500A	Pump Housing	4	1
14	SPX5500E1	Shroud Assembly	4	1
15a	SPX1509Z1UF	1 HP Motor	1	1
15b	SPX1514Z1UF	1 1/2 HP Motor	1	1
16	SPX2090A	Motor Housing	1	1
17a	SPX2090CAM	End Cover	1	1
17b	SPX2090CETM	End Cover Timer	1	1
17c	SPX2090C2ET	2sp. Timer End Cover	1	1
18	SP1500UNPAK2	Union Connector Assembly	50	2
19	SPX5500M	Base	1	1
	ECX1325R	Switch Assembly - Single Speed		1
	ECX1325R	Switch Assembly - 2speed or timer		1
	ECX1108A	Mounting Screw for Base		1
	SPX1550WA5	Power Cord		1

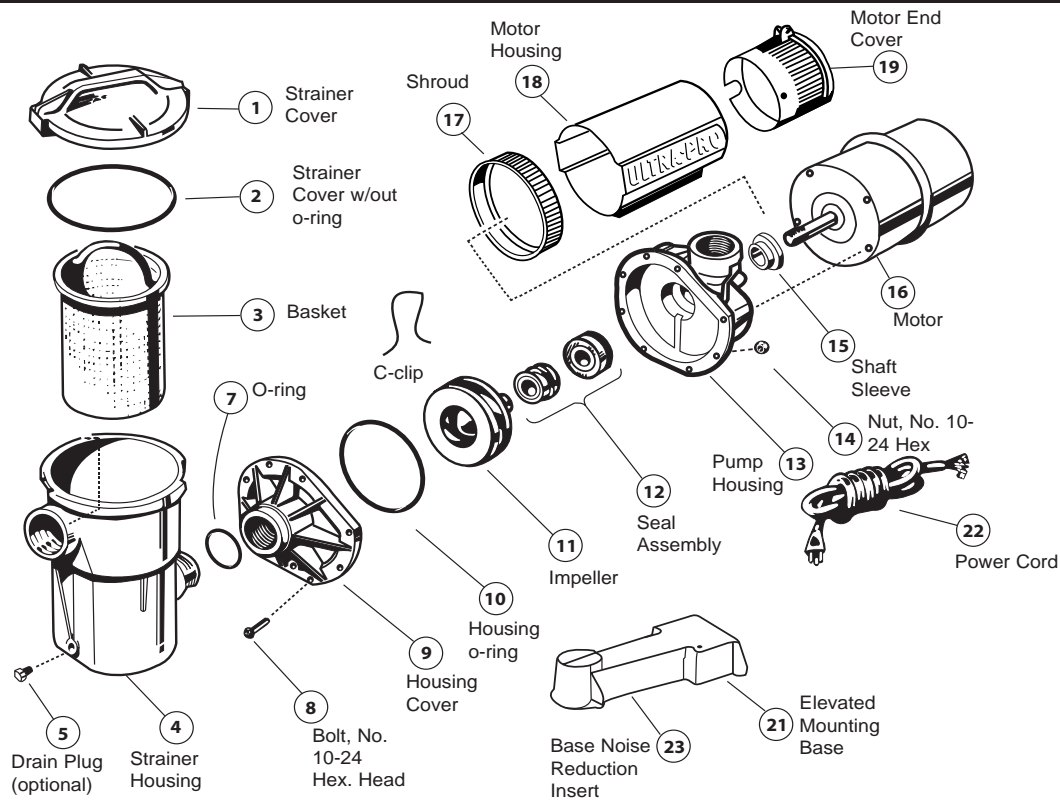


# Ultra Pro

## SP2290 AND SP2295 PUMP SERIES REPLACEMENT PARTS

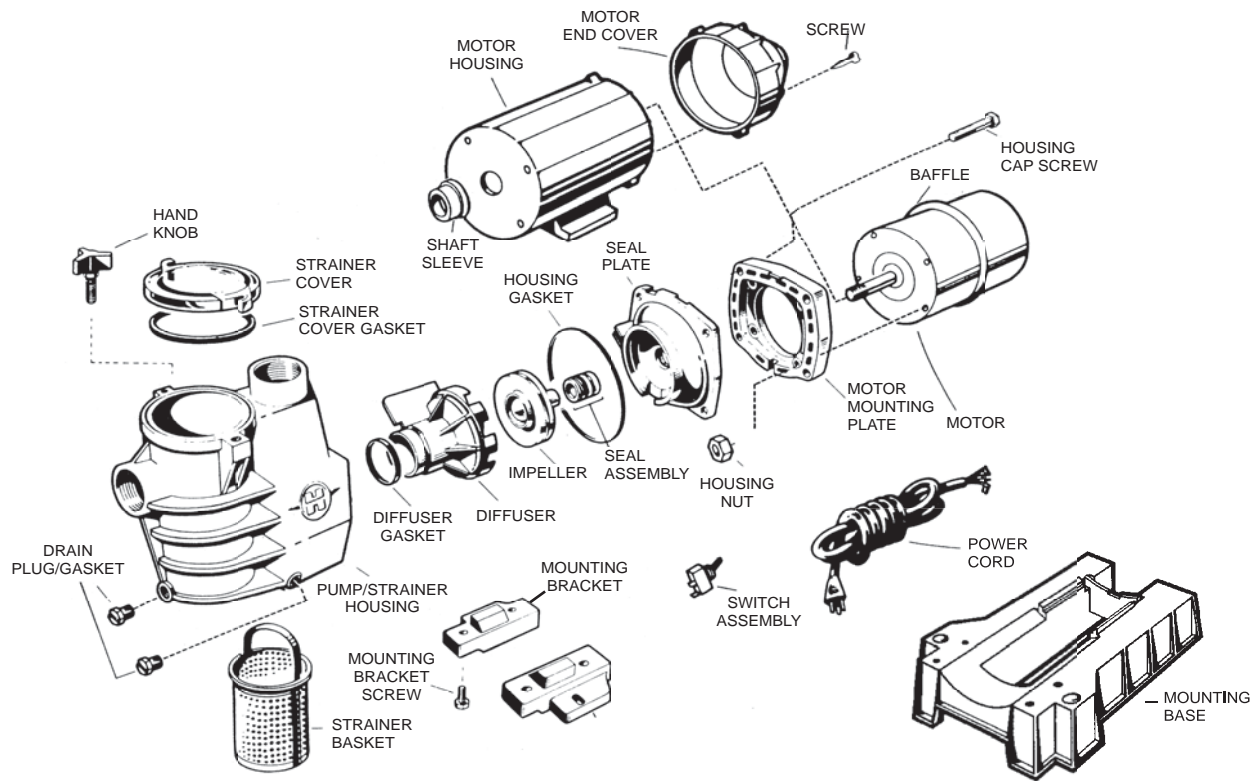
### Parts for Pump Models: SP2290, SP2295, SP2290ET, SP2295ET

Pumps



Ref #	Part No.	Description	Qty. Req'd
1	SPX1500D2A	Strainer Cover with O-Ring	1
2	SPX1500P	Strainer O-Ring	1
3	SPX1500LX	Basket	1
4	SPX1500CAP	Strainer Housing with Basket	1
5	SPX1700FG	Drain Plug w/Gasket	1
7	SPX1500W	O-Ring	1
8	SPX1500N2	Bolt, No. 10-24 Hex. Head	8
9	SPX1580BP	Housing Cover	1
10	SPX1580Z1	Housing O-ring	1
11	SPX1500E	Impeller	1
12	SPX1500KA	Seal Assembly - (2005 SPX1250XZ2C)	1
13	SPX1580AAP	Pump Housing	1
14	SPX1500Y2	Nut, No. 10-24 Hex.	8
15	SPX1500Q5	Shaft Sleeve	1
16	SPX1509Z1	Motor	1
16	SPX1514Z2UF	1.5 H.P motor, 2 speed	1
17	SPX2090B	Shroud	1
18	SPX2090A	Motor Housing	1
	SPX2601C	Elevated Mounting Base	-
19	SPX2090C	Motor End Cover (Single Speed)	1
	ECX1325R	Switch Assembly (Single Speed)	1
	ECX13252R	Switch Assembly - timer or 2 speed	1
19	SPX2090CET	Motor End Cover (electronic timer, single speed)	1
16	SPX1514Z1UF	1.5HP Motor	1
19	SPX2090C2ET	Motor End Cover, 2 Speed with Timer	1
	SPX1515C	C-Clip	1
22	SPX1550WA5	Power Cord	1
23	SPX5500MFB	Foam Insert for Base	1
	ECX1108A	Mounting Screw/Washer for base	1

**Parts for Pump Models: SP2910, SP2915, SP2910ET, SP2915ET**



Part No.	Description	Ctn. Qty.	
SPX1250LA	Strainer Cover	10	1
SPX0125T	Strainer Cover Gasket	10	1
SPX1600PN	Hand Knob + Swivel Nut	10	2
SPX1700FG	Drain Plug/Gasket	10	2
SPX2800AA	Pump/Strainer Housing	1	1
SPX1600R	Diffuser Gasket	25	1
SPX2800B	Diffuser	1	1
SPX2915CT	Impeller	10	1
SPX1600Z2	Seal Assembly	10	1
SPX1600T	Housing Gasket	10	1
SPX2600EF5	Seal Plate and Motor Mounting Plate Assembly	1	1
SPX1600F3M	Motor Mounting Plate	1	1
SPX2800M	Strainer Basket	10	1
SPX1600Z4	Housing Cap Screw	10	4
SPX2000A3	Motor Housing	10	1
SPX1500Q4	Shaft Sleeve	10	1
SPX1510N9	Housing Nut	10	4
SPX2000E	Baffle	1	1
SPX1600Z52	Mounting Bracket Screw (Set of 2)	25	1
SPX2600G1	Mounting Bracket	1	1
ECX1325	Switch Assembly - Single Speed	5	1
ECX13252	Switch Assembly - 2 Speed or Timer	1	1
SPX1550WA5	Power Cord	5	1
SPX2000C2	Motor End Cover only	1	3
SPX1411Z3	Screw	25	1
SPX2601B	Base Pins (Pack of 2)	1	1
SPX2601AB	Mounting Base	1	1
SPX1509Z1TFS	1 HP Motor	1	1
SPX1514Z1TFS	1.5 HP Motor	1	1
SPX1514Z2TFS	1.5 HP Motor, 2 Speed	1	1

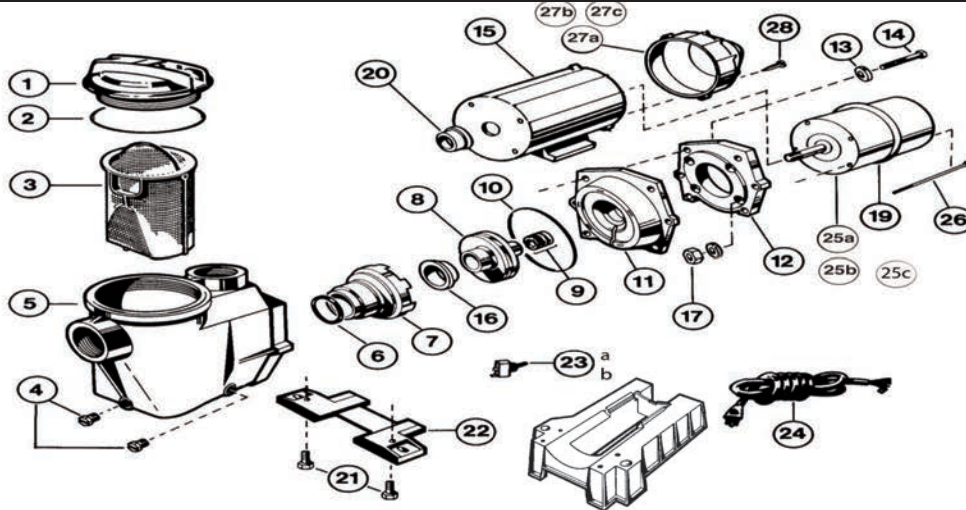


# Turbo Injection

SP-3310 AND SP-3315 (2) (ET) PUMP SERIES REPLACEMENT PARTS

## Parts for Pump Models: SP-3310, SP-3315 (2) (ET)

PUMPS



Ref. No.	Part No.	Description	Qty. Per
1	SPX3100D	Strainer Cover	1
2	SPX3000S	Strainer Cover O-Ring	1
3	SPX3000M	Strainer Basket	1
4	SPX1700FG	Drain Plug w/ Gasket	2
5	SPX3100AAT	Pump/Strainer Housing with Basket	1
6	SPX1600R	Diffuser Gasket	1
7	SPX3000BN	Diffuser	1
8	SPX3015CT	Impeller	1
9	SPX1600Z2	Seal Assembly	1
10	SPX3000T	Housing Gasket	1
11	SPX3020E	Seal Plate	1
12	SPX3000F3M	Motor Mounting Plate	1
13	SPX3000Z26	Flat Washer (Pack of 6)	6
14	SPX1600Z4	Housing Cap Screw	6
15	SPX2000A3	Motor Housing	1
16	SPX3005R	Impeller Ring	1
17	SPX3300Z3	Housing Nut	4
19	SPX2000E	Baffle	1
20	SPX1500Q4	Shaft Sleeve	1
21	SPX1600Z52	Mounting Bracket Screw (Pack of 2)	2
22	SPX3000GA	Mounting Bracket with Hardware	1
23a	ECX1325	Switch Assembly Single Speed	1
23b	ECX13252	Switch Assembly for 2 Speed or Timer	1
24	SPX1550WA5	Power Cord	1
25a	SPX1509Z1TFS	Motor, Single Speed, 1 HP	1
25b	SPX1514Z2TFS	Motor-60 Cycle Single Phase 2 Speed (For SP-3315 (2) (ET)), 1.5 H.P	1
25c	SPX1514Z1TFS	Motor Securing Bolt, Single-Spee, 1.5 HP	1
27a	SPX2000C2	Motor End Cover	1
27b, c	SPX2000C2ET	Motor End Cover c/w 2 Speed Switch and Cord, for Timer	1
28	SPX-1411Z3	Screw	3
	SPX2601AB	Mounting Base	1
	SP3100T	Strainer Cover Removal Tool	1



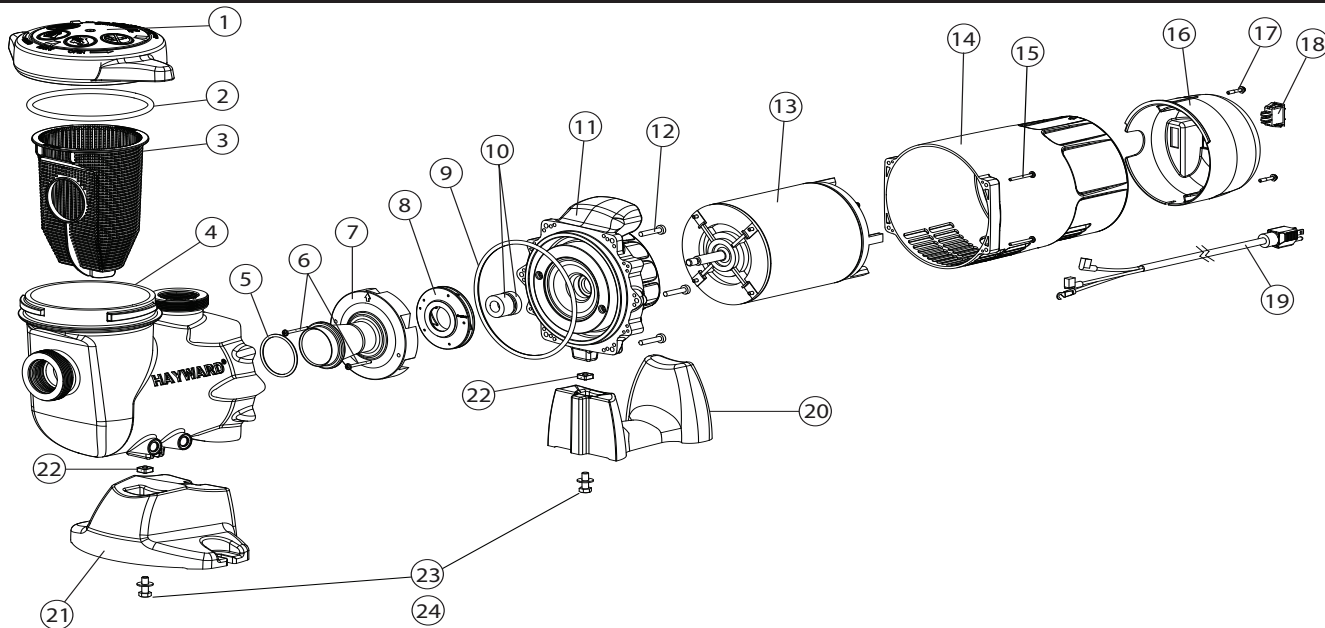
# Turbo Flo II

## PUMP SERIES REPLACEMENT PARTS



Pumps

### Parts Diagram



Ref. No.	Part No.	Description	Qty Per
1& 2	SPX2700DLS	Strainer Cover/O-Ring	1
2	SPX2700Z4	O-Ring for Strainer Cover	1
3	SPX2700M	Strainer Basket	1
4	SPX5700AALL	Pump Housing Assembly, Less Label	1
5	SPX1495Z1	O-Ring	1
6	SPX2700Z3	Screw	2
7	SPX5700B	Diffuser	1
8	SPX1591FM	Impeller	1
9	SPX5500H	Strainer Housing O-Ring	1
10	SPX1500KA	Seal Assembly	1
11	SPX5700E	Seal Plate	1
12	6060Z1	Screw	6
13a	SPX1509Z1UF	1 HP Motor	1
13b	SPX1514Z1UF	1.5 HP Motor	1
13c	SPX1514Z2UF	1.5 HP 2SP Motor	1
14	SPX5700AM	Motor Housing	1
15	SPX2700Z3	Screw	4
16a	SPX5700CA	End Bell Assembly Single Speed	1
16b	SPX5700CA2	End Bell Assembly 2 Speed	1
17	SPX150T2	Screw	2
18a	ECX1325R	Switch for Single Speed	1
18b	ECX13252R	Switch for 2 Speed	1
19	SPX1550WA5C	Cord Set	1
20	SPX5700G	Motor Support	1
21	SPX5700H	Main Base	1
22	SPX2700Z2	Housing Square Nut	2
23	SPX5700Z4	Bolt	2
24	ECX1109	Washer	2

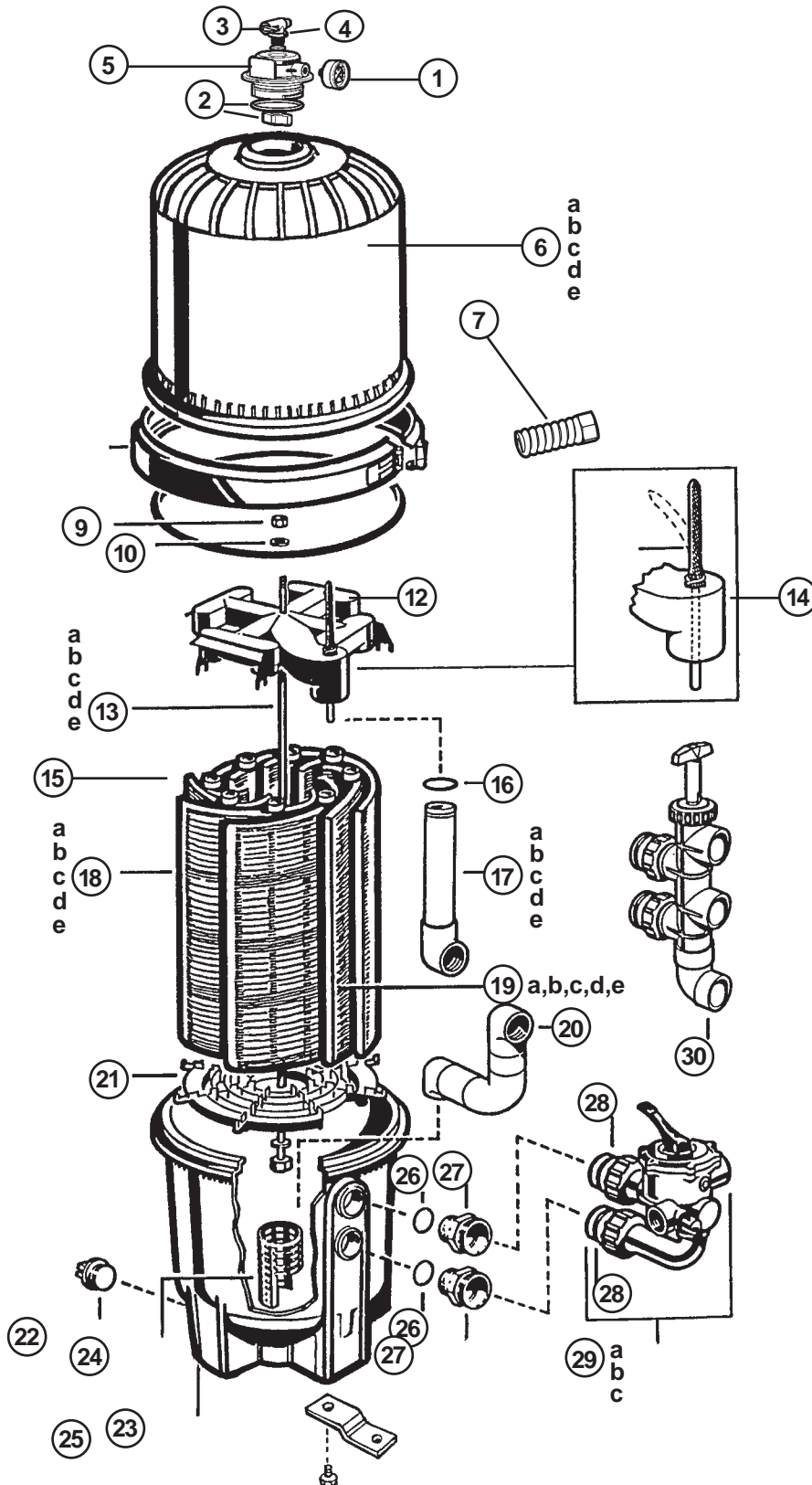


# Pro-Grid™

VERTICAL GRID D.E. FILTER SERIES REPLACEMENT PARTS

Parts Diagram and Parts Listing for Models: DE2420, DE3620, DE 4820, DE6020, DE7220

Filter-s



### Parts Diagram and Parts Listing for Models: DE2420, DE3620, DE 4820, DE6020, DE7220

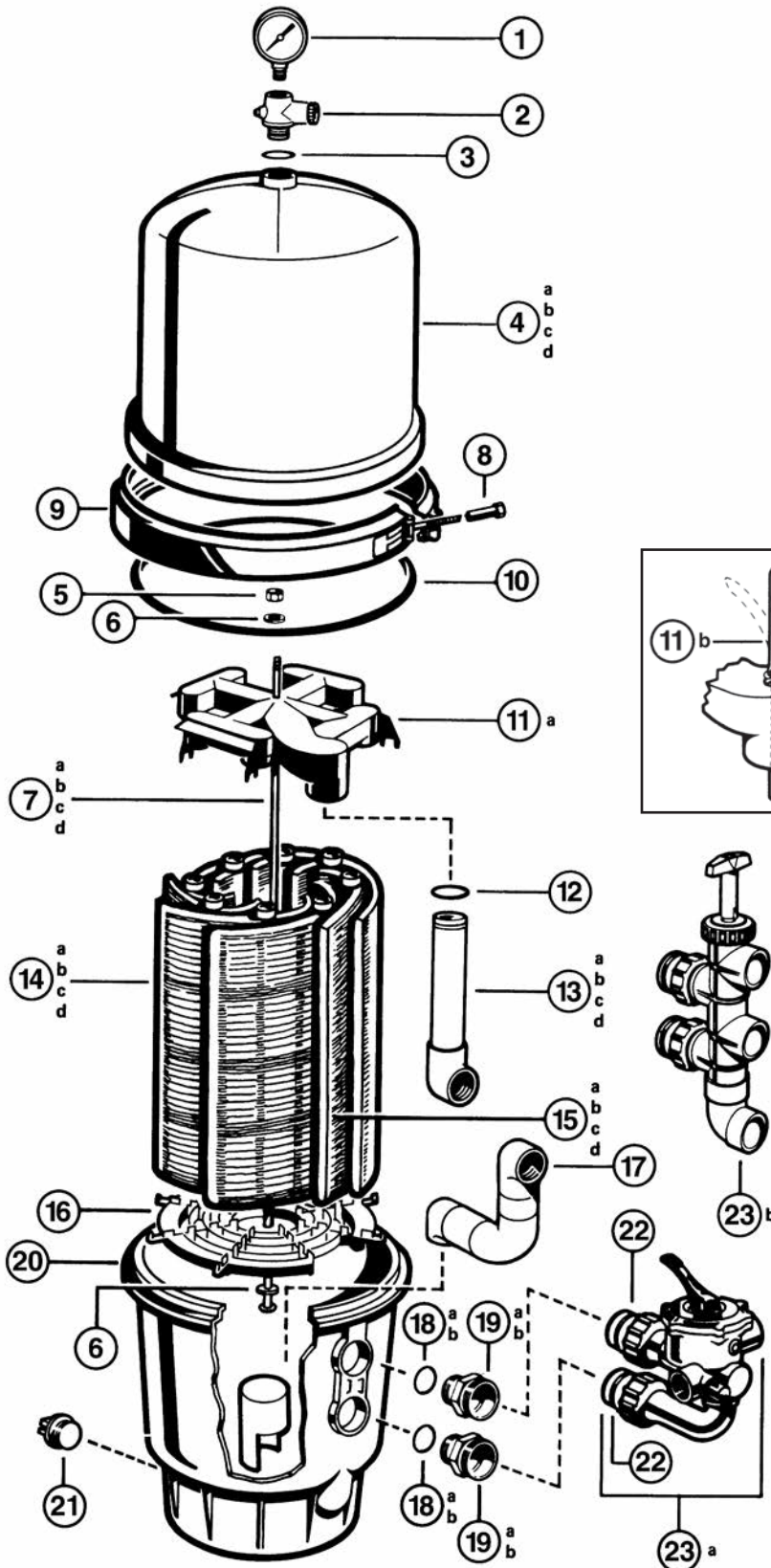
Ref. No.	Part No.	Description	Ctn. Qty.	No. Req'd
1	ECX2712B1	Pressure Gauge	10	1
2	DEX2420Z8A	O-Ring Kit ( <i>Set of 2</i> )	10	1
3	CCX1000N	Manual Air Relief Valve Nut	10	1
4	CCX1000V	Manual Air Relief Valve	1	1
5	DEX2420MAR2	Manual Air Relief Assembly	1	1
6a	DEX2420BTC	Filter Head	1	1
6b	DEX3620BTC	Filter Head	1	1
6c	DEX4820BTC	Filter Head	1	1
6d	DEX6020BTC	Filter Head	1	1
6e	DEX7220BTC	Filter Head	1	1
7	DEX2400K	Clamp System: clamp, seal, hardware, labels	10	1
9	ECX176865	Retainer Nut, 5/16" – 18	25	1
10	ECX1109	Washer, 5/16"	10	2
12	DEX2400C	Top Collector Manifold w/Flex Air Relief Assembly	1	1
13a	DEX2400R	Retainer Rod	5	1
13b	DEX3600R	Retainer Rod	5	1
13c	DEX4800R	Retainer Rod	5	1
13d	DEX6000R	Retainer Rod	5	1
13e	DEX7200R	Retainer Rod	5	1
14	DEX2400CR	Flex Air Relief Assembly	5	1
15a	DEX2420DC	Filter Element Cluster Assembly – Complete set of elements, collector, locator, etc.	1	
15b	DEX3600DC	Filter Element Cluster Assembly – Complete as above	1	1
15c	DEX4800DC	Filter Element Cluster Assembly – Complete as above	1	1
15d	DEX6000DC	Filter Element Cluster Assembly – Complete as above	1	1
15e	DEX7200DC	Filter Element Cluster Assembly – Complete as above	1	1
16	DEX2400Z5	Outlet Elbow O-Ring	50	1
17a	DEX2420EA	Outlet Elbow Assembly w/O-Ring	5	1
17b	DEX3620EA	Outlet Elbow Assembly w/O-Ring	5	1
17c	DEX4820EA	Outlet Elbow Assembly w/O-Ring	5	1
17d	DEX6020EA	Outlet Elbow Assembly w/O-Ring	5	1
17e	DEX7220EA	Outlet Elbow Assembly w/O-Ring	5	1
18a	DEX2400DA	Filter Element	5	7
18b	DEX3600DA	Filter Element	5	7
18c	DEX4800DA	Filter Element	5	7
18d	DEX6000DA	Filter Element	5	7
18e	DEX7200DA	Filter Element	5	7
19a	DEX2400DS	Filter Element – Short	5	1
19b	DEX3600DS	Filter Element – Short	5	1
19c	DEX4800DS	Filter Element – Short	5	1
19d	DEX6000DS	Filter Element – Short	5	1
19e	DEX7200DS	Filter Element – Short	5	1
20	DEX2420GA	Inlet Elbow	5	1
21	DEX2400H	Filter Element Locator	5	1
22	SP1022C	1 1/2" Drain Plug w/O-Ring	100	1
23	DEX2420ATC	Filter Body – Taupe	1	1
24	DEX2420T	Element Spacer (DE2420 only)	5	1
25	DEX2420DCKIT	Strap Kit (includes: 2 straps, 2 screws, optional)	10	1
26	SX220Z2	Bulkhead O-Ring	10	2
27	DEX2420F	Bulkhead Fitting (Noryl®)	25	2
28	SX200Z4	O-Ring	10	1
29a	SP0740DE	Selecta-Flo Valve Assembly – 2" SKT	1	1
29b	SP0710XR50	Vari-Flo Valve Assembly – 1 1/2" NPT	1	1
29c	SP0715XR50	Vari-Flo Valve Assembly – 2" NPT	1	1
30	SP0410X502S	Slide Valve Assembly – 2" SKT	1	1



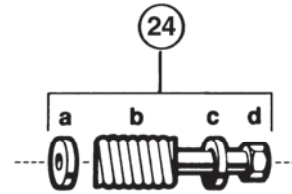
# Micro-Clear™

VERTICAL GRID D.E. FILTER SERIES REPLACEMENT PARTS

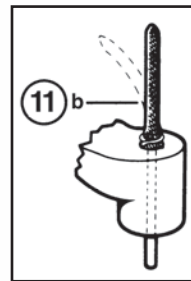
## Parts Diagram



### Clamp Spring Assembly



The sleeve nut assembly, which includes a spring, two washers (small and large hole) and a sleeve nut, provides a visual means of ensuring that the clamp is tight.





Filters

### Parts Listing

Ref. No.	Part No.	Description	Ctn. Qty.	No. Req'd
1	ECX270861	Pressure Gauge	10	1
2	DEX2400S	Relief Valve/Gauge Adapter Assembly	5	1
—	DEX2400Z3A	O-Ring for Relief Valve Stem ( <i>Set of 3</i> )	10	1
3	SX200Z5	Relief Valve Assembly O-Ring	25	1
5	ECX176865	Retainer Nut, 5/16" – 18	25	1
6	ECX1109	Washer, 5/16"	10	2
7a	DEX2400R	Retainer Rod	5	1
7b	DEX3600R	Retainer Rod	5	1
7c	DEX4800R	Retainer Rod	5	1
7d	DEX6000R	Retainer Rod	5	1
11a	DEX2400C	Top Collector Manifold w/Flex Air Relief	1	1
11b	DEX2400CR	Flex Air Relief Assembly	5	1
12	DEX2400Z5	Outlet Elbow O-Ring	50	1
14a	DEX2400DA	Filter Element	5	7
14b	DEX3600DA	Filter Element	5	7
14c	DEX4800DA	Filter Element	5	7
14d	DEX6000DA	Filter Element	5	7
15a	DEX2400DS	Filter Element – Short	5	1
15b	DEX3600DS	Filter Element – Short	5	1
15c	DEX4800DS	Filter Element – Short	5	1
15d	DEX6000DS	Filter Element – Short	5	1
16	DEX2400H	Filter Element Locator	5	1
18a	SX200Z3	O-Ring (1995 and prior)	10	2
18b	SX360Z1	O-Ring (1996- )	10	2
21	SP1022C	1 1/2" Drain Plug w/O-Ring	100	1
22	SX200Z4	O-Ring	10	2
23a	SP0710XR50	Vari-Flo Valve Assembly 1 1/2" NPT	1	1
—	SP0715XR50	Vari-Flo Valve Assembly – 2" NPT	1	1
—	SP0740DE	Selecta-Flo Valve Assembly – 2" SKT	1	1
23b	SP0410X502S	Slide Valve Assembly – 2" SKT	1	1
—	DEX2400DC	Filter Element Cluster Assembly – Complete set of elements, collector, locator, etc.	1	
—	DEX3600DC	Filter Element Cluster Assembly – Complete as above	1	1
—	DEX4800DC	Filter Element Cluster Assembly – Complete as above	1	1
—	DEX6000DC	Filter Element Cluster Assembly – Complete as above	1	1
24	DEX2421JKIT	Clamp System: clamp, seal, hardware, labels		



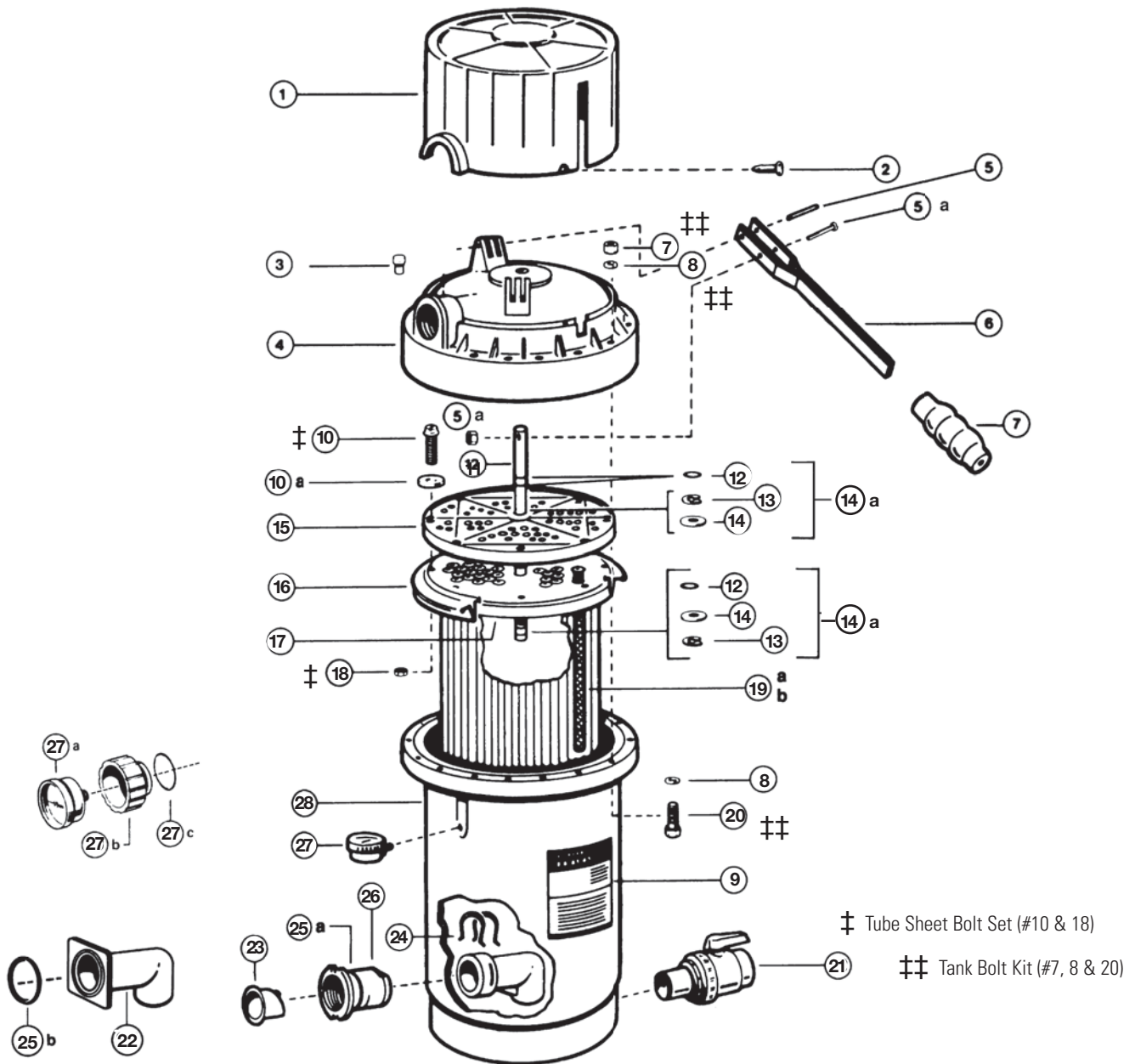


# Perflex®

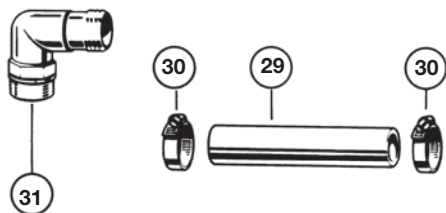
## EC65, EC65A, EC75 AND EC75A EXTENDED-CYCLE D.E. FILTER REPLACEMENT PARTS

### Parts Diagram

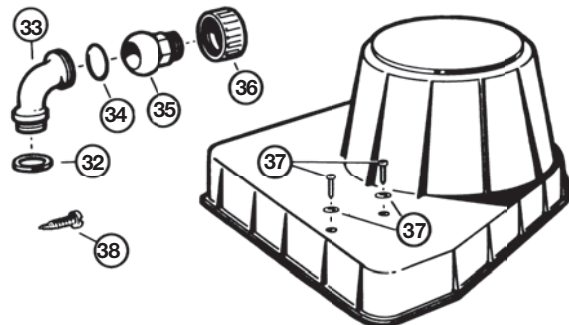
Filters



### SERIES EC65 – STANDARD



### SERIES EC65 SYSTEM III



**Parts Listing**

Ref. No.	Part No.	Description	Ctn. Qty.	No. Req'd
1	ECX11206	Bump Mechanism Cover	4	1
2	ECX1019	Cover Screw (1981 and prior) – Not Available	—	—
3	ECX1322A	Vent Valve (Threaded) w/O-Ring	25	1
4	ECX11194AT*	Filter Head w/New Vent Valve	1	1
5	ECX100Z9	Roll Pin	10	2
5a	ECX4236A	Bump Screw Kit	10	1
6	ECX1040	Bump Handle Ass'y. – incl. Pin, Shoulder Screw, Nut	5	1
—	ECX1037B	Bump Handle Grip	5	1
7	ECX1642A	Tank Bolt Set	25	15
8	ECX1077	1/4" x 1 1/16" O.D. Flat Washer	25	30
9	ECX1230	Decal – Operation	10	1
10	SPX1500N2	Tube Sheet Screw	25	16
10a	ECX1641125	No. 10 Flat Washer (1989 and prior) – Not Available	—	—
11	ECX1110	Bump Shaft	1	1
12	ECX9611246††	O-Ring	25	3
13	ECX1014††	Retainer	25	2
14	ECX1011††	Thrust Washer	10	2
14a	ECX1014A	Shaft Kit (includes # 12, 13 & 14)	10	1
15	ECX1104	Tube Sheet (Top)	10	1
16	ECX1105	Diaphragm Gasket	10	1
17	ECX1103	Tube Sheet (Bottom)	10	1
18	SPX1500Y2	Tube Sheet Nut	25	16
19a	ECX1031	Flex-Tube Assembly – 13 3/8" Long (EC65)	10	120
19b	ECX1032	Flex-Tube Assembly – 16 1/4" Long (EC75)	10	120
20	ECX1642215**	1/4" – 20 x 1 3/4" Hex. Head Bolt	10	15
21	SP0723	Ball-Type Drain Valve	24	1
22	ECX4220A	Elbow Assembly w/Check Valve	10	1
23	ECX4077B1	Check Valve	10	1
24	ECX4212A	Retainer (1989 and prior) – Not Available	—	—
25a	SPX1425Z6	O-Ring (1989 and prior) – Not Available	—	—
25b	SPX1500W	O-Ring (1990)	10	1
26	ECX4201CA	Inlet Fitting w/ECX4077B1 Check Valve (1989 and prior) – Not Available	—	—
27	ECX2712B1	Pressure Gauge	10	1
27a	ECX27091	Pressure Gauge, Back Mount	10	1
27b	ECX12866	Gauge/Port Adapter	5	1
27c	ECX1287	Adapter O-Ring	25	1
28	ECX11184AT*	Filter Body w/new Elbow Assembly	1	1
‡	SPX1500NYA	Tube Sheet Bolt Set (includes # 10 & 18)	10	1
‡‡	ECX1642A	Tank Bolt Kit (EC65, 75 – includes # 7, 8 & 20)	10	1
—	ECX1251	Flex-Tube Nest (EC65) – includes Items 10 thru 19	1	—
—	ECX125175	Flex-Tube Nest (EC75) – includes Items 10 thru 19	1	—
—	ECX1263	Platform Base	1	1

**Series EC65 – Standard**

29	ECX27071	1 9/16" I.D. Clear Hose	5	1
30	ECX18028	Hose Clamp	10	2
31	SPX1105Z4	1 1/2" Elbow Hose Adapter	50	2

\*For Ivory color drop the "T"; Limited Quantity Available. †Limited Quantity Available – Replace with SPX1500NYA.  
 \*\*Limited Quantity Available – Replace with ECX1642A. ††Limited Quantity Available – Replace with ECX1014A.

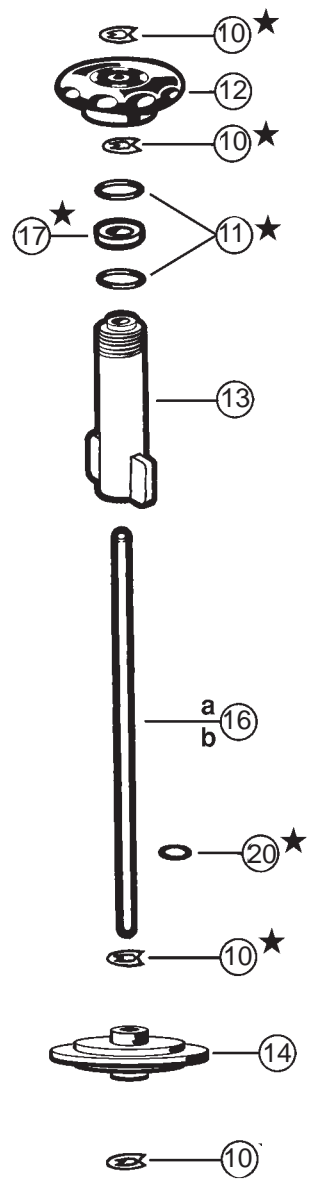
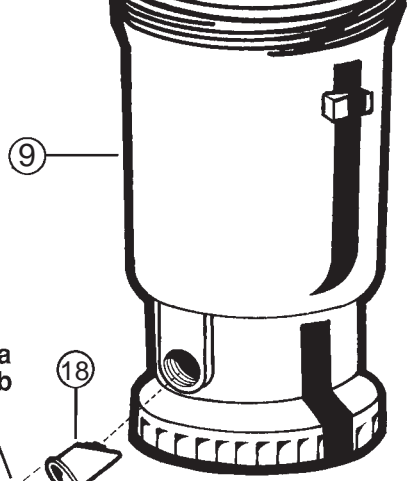
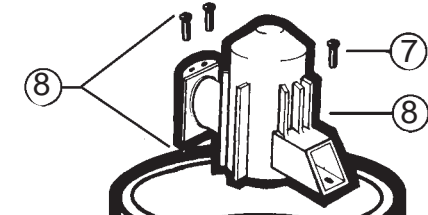
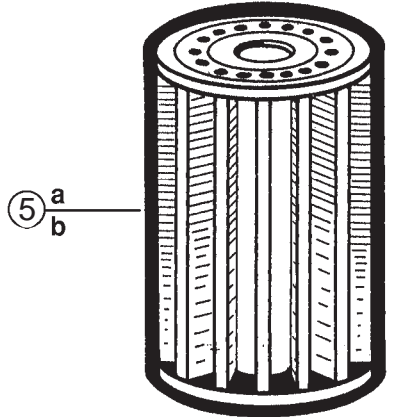
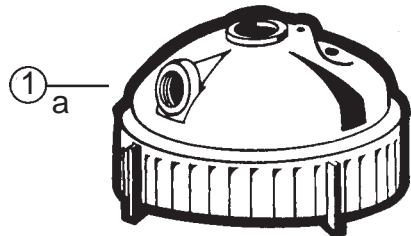
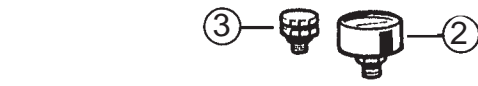
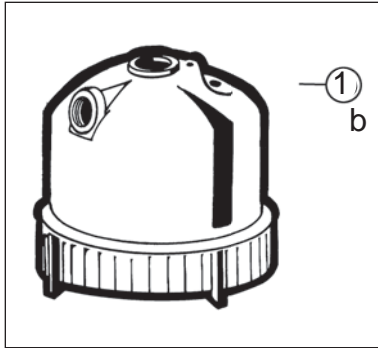


# ReGenX™

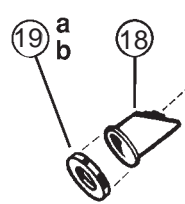
GRID ELEMENT D.E. FILTER REPLACEMENT PARTS

## Parts Diagram

Filters



\* Piston Kit (# 10, 11, 17 & 20)



**Parts Listing**

Ref. No.	Part No.	Description	Ctn. Qty.	No. Req'd
1a	RGX45BC	Filter Head w/Locking Ring (RG450)	1	1
1b	RGX70BC	Filter Head w/Locking Ring (RG700, SC700)	1	1
2	ECX27091	Pressure Gauge	10	1
3	ECX1322A	Directional Vent Valve w/O-Ring	25	1
4	RGX45G	Filter Head O-Ring	2	1
5a	RGX55GE	Grid Element (RG450)	1	1
5b	RGX70GE	Grid Element (RG700, SC700)	1	1
6	RGX45D*	Diffuser	10	1
7	RGX45Z1*	Diffuser Screws	25	3
8	RGX45DA	Diffuser and Diffuser Screws (3) (includes # 6 & 7)	10	1
9	RGX45AA	Filter Body	1	1
10	RGX45R1**	Retainer Ring	50	4
11	SPX1082Z410**	Piston O-Ring ( <i>Pkg. of 10</i> )	10	2
12	RGX45K	Piston Knob	10	1
13	RGX45J	Seal Locator	10	1
14	RGX55PA	Piston Mechanism	10	1
15	CX400D	Locking Ring Latch	25	1
16a	RGX45R	Piston Rod (RG450)	2	1
16b	RGX70R	Piston Rod (RG700)	2	1
17	RGX45F**	Polyethylene Washer	50	1
18	ECX4077B1	Check Valve	10	1
19a	ECX1055	Flow Controller (RG450, RG550)	25	1
19b	ECX1056	Flow Controller (RG700, SC700)	25	1
20	SPX3000Z26**	Washer ( <i>Set of 6</i> )	50	1
H	RGX45RA	Piston Kit (# 10, 11, 17 & 20)	10	1

\*Limited Quantity Available – Replace with RGX45DA

\*\*Limited Quantity Available – Replace with RGX45RA

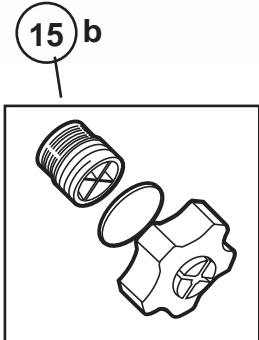
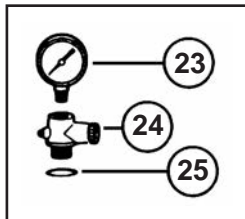
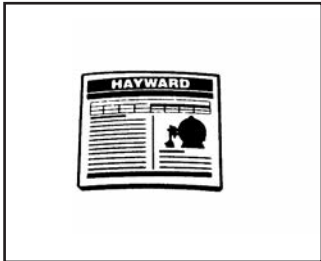
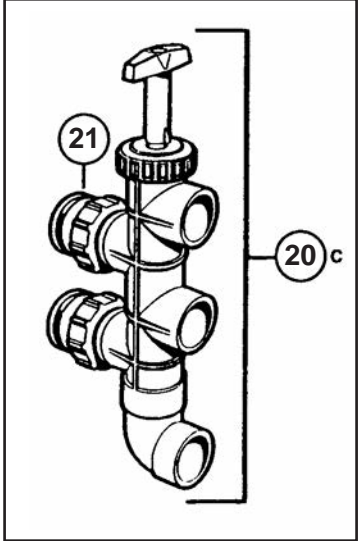
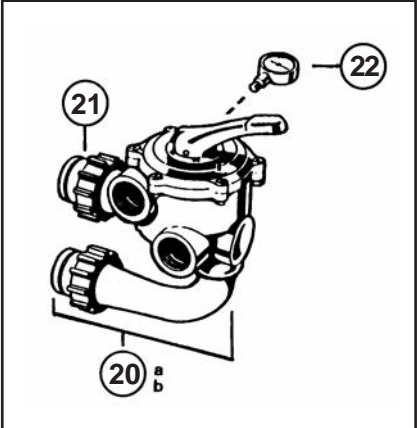
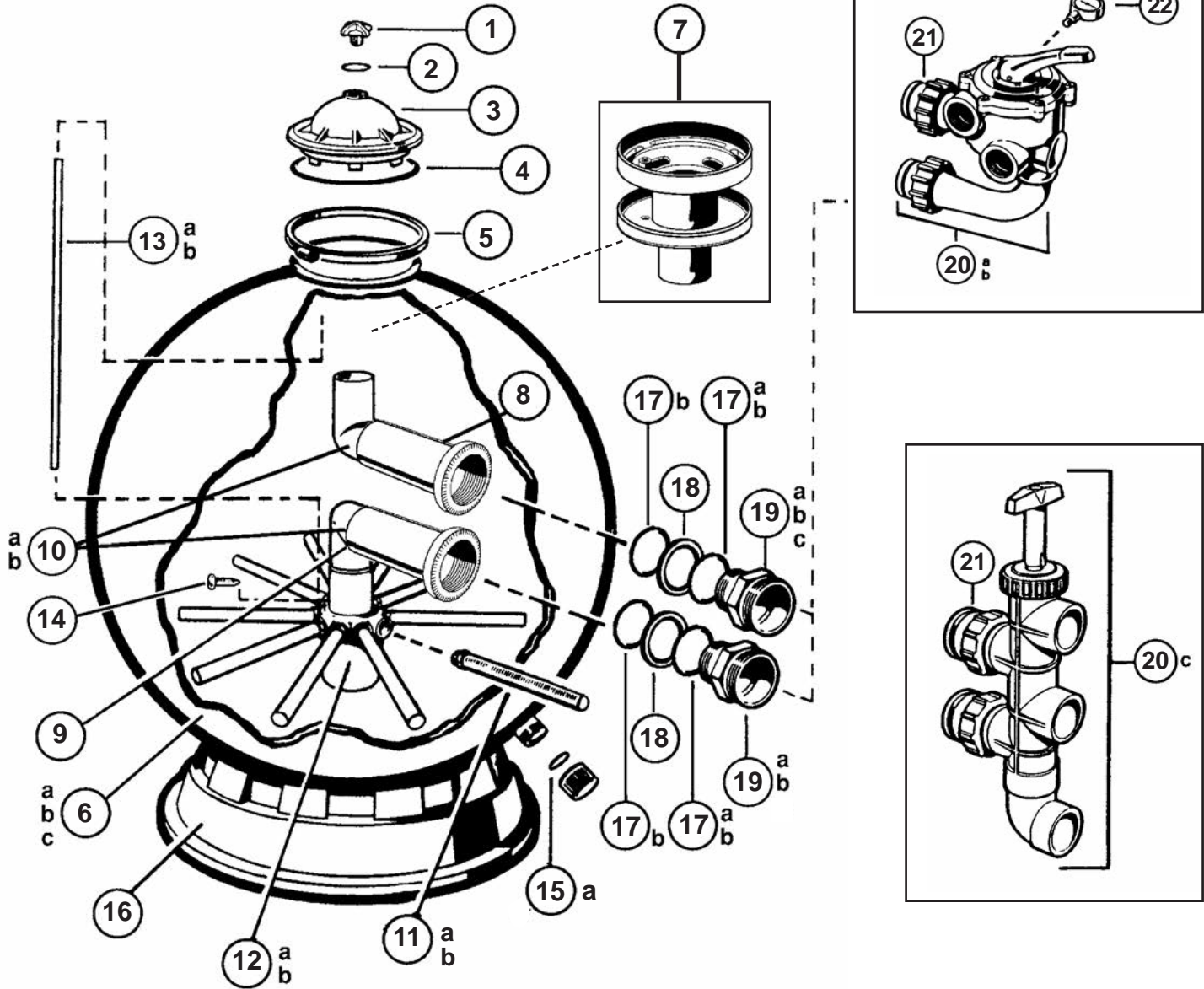


# Pro™ Series Plus

S311SX, S311SXV, S360SX SAND FILTER SERIES REPLACEMENT PARTS

## Parts Diagram

Filter's



Drain Cap Assembly

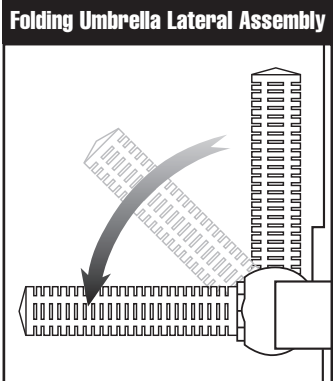


Diagram A





Filters

### Parts Listing

Ref. No.	Part No.	Description	Ctn Qty.	No. Req'd
1	SX200G	Manual Air Relief Cap	10	1
2	SX200Z5	O-Ring, 13/16" O.D.	10	1
3	SX244K	Top Closure Dome, Noryl®	5	1
4	GMX600F	Valve/Tank O-Ring	5	1
5	SX310N	Flange Clamp (Valve/Tank)	5	1
6a	SX311AA2FW	Filter Tank (S311 – after 1996)	1	1
6b	SX360AA2FW	Filter Tank (S360 – after 1999)	1	1
7	SX244G	Top Diffuser Assembly	5	1
8	SX311CD1FW	Top Elbow Assembly (S311 – after 1996)	1	1
9	SX311CD2FW	Bottom Elbow Assembly (S311 – after 1996)	1	1
10a	SX360CD	Elbow Assembly, Top & Bottom (S360 – 1999 and prior)	1	2
10b	SX360CDFW	Elbow Assembly, Top & Bottom (S360 – after 1999)	1	2
11a	SX310HN	Lateral	10	10
11b	SX310HA	Lateral (2005 and prior)	10	10
12a	SX311DA	Folding Umbrella Lateral Holder Ass'y (S311 – 1997) – See Diag. A	5	1
12b	SX242MA3	Folding Umbrella Lateral Holder Assembly (S360) – See Diag. A	5	1
13a	CX1100Z4	Plastic Air Tube (S311)	5	1
13b	SX360Z2	Air Tube (S360)	5	1
14	SX200Z2	Air Tube Lock Screw	25	1
15a	SX180HG	Drain Cap Kit (2005 and prior)	25	1
15b	SX180LA	Drain Cap Assembly, Gasket Screen	25	1
16	SX310J	Filter Support Stand	1	1
17	SX360Z1	O-Ring (S311, S360 – after 1995)	20	4
18	SX360E	O-Ring Spacer (S311, S360 – after 1995)	10	2
19a	SX244P	Bulkhead Fitting (S311 – after 1996, S360 – after 1999)	10	2
19b	SX311F	Bulkhead Fitting (S360 – 1999 and prior)	5	2
20a	SP0710X62	Vari-Flo Valve Assembly – 1 1/2" FIP	1	1
20b	SP0715X62	Vari-Flo Valve Assembly – 2" FIP	1	1
20c	SP0410X602S	Slide Valve Assembly – 2" SKT	1	1
21	SX200Z4	O-Ring	10	2
22	ECX270861	Pressure Gauge	10	1

#### Optional (Supplied with Model S311SXV Slide Valve Unit Only)

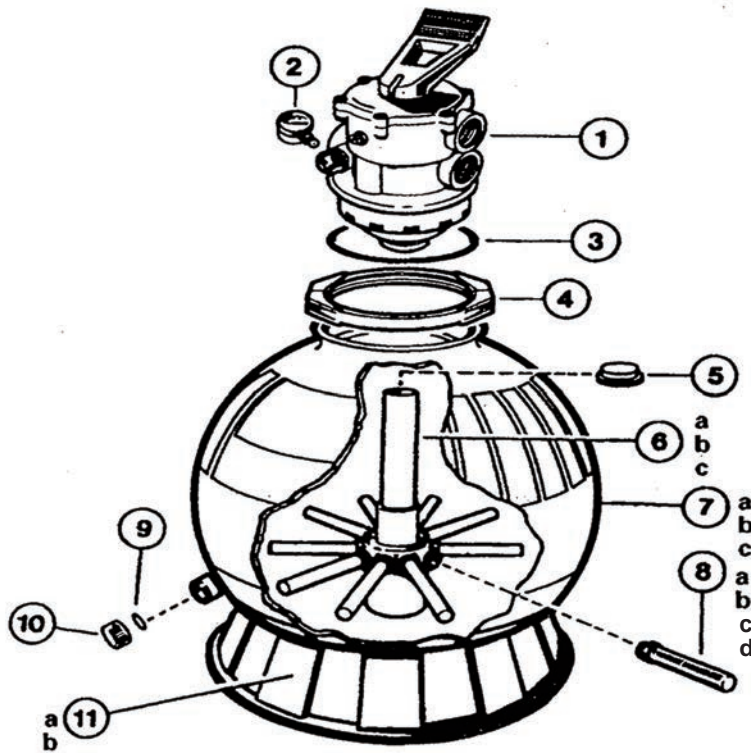
23	ECX270861	Pressure Gauge	10	1
24	DEX2400S	Relief Valve/Gauge Adapter Assembly	5	1
—	DEX2400Z3A	O-Ring for Relief Valve Stem ( <i>Set of 3</i> )	10	1
25	SX200Z5	Relief Valve Assembly O-Ring	25	1



# SwimPro™

SW-196T, SW-236T, SW-256T SERIES REPLACEMENT PARTS

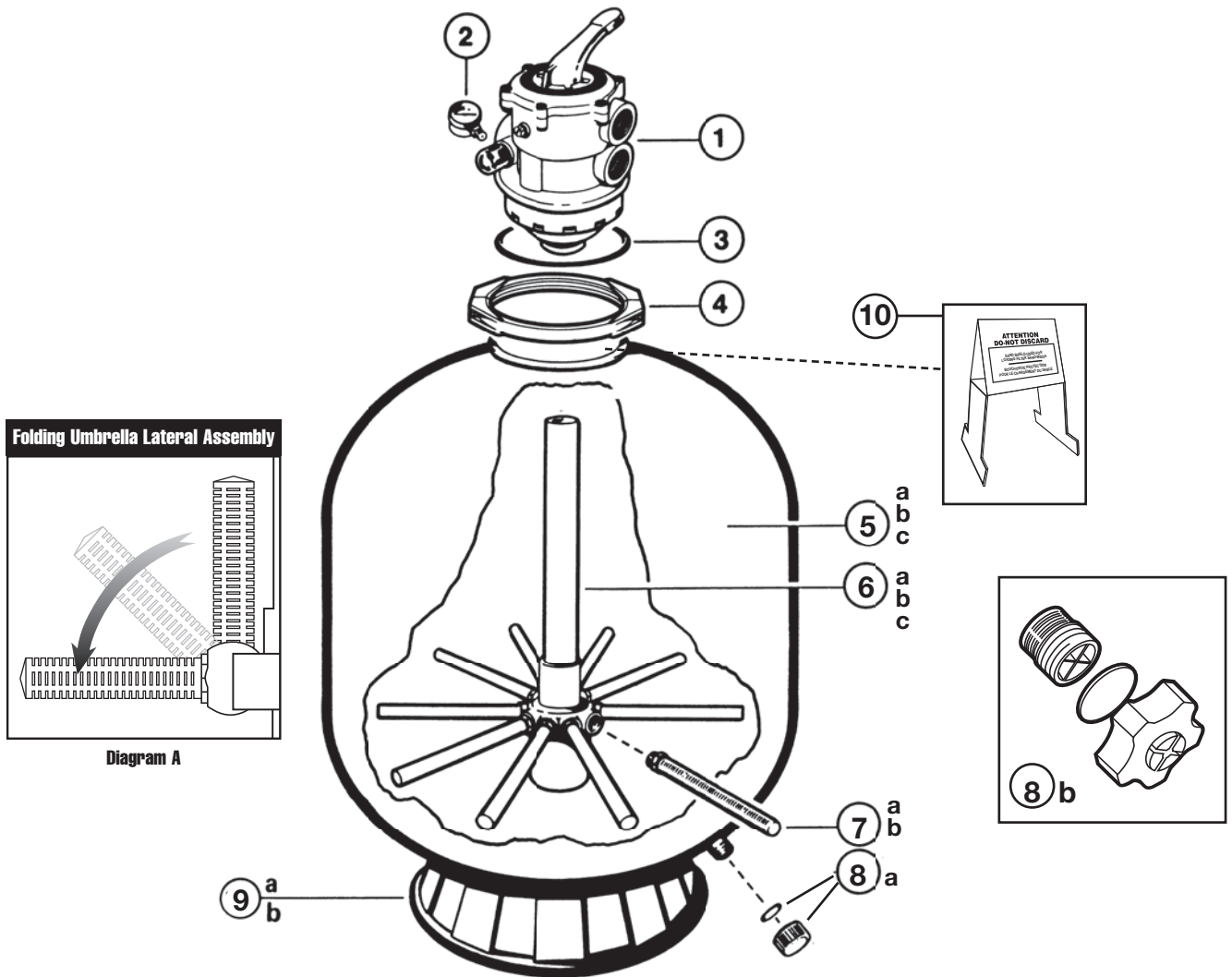
## Parts Diagram and Parts Listing for Models: SW-196T, SW-236T, SW-256T



Ref. No.	Part No.	Description	No. Req'd
1	SP0714T	Multiport Control Valve Ass'y	1
2	ECX270861	Pressure Gauge	1
3	GMX600F	Valve/Tank O-Ring	1
4	GMX600NM	Flange Clamp (Valve-Tank)	1
5	SX2025	Sand Shield	1
6a	SWX196DA2	Lateral Assembly with Center Pipe (SW-196T)	1
6b	SWX236DA2	Lateral Assembly with Center Pipe (SW-236T)	1
6c	SWX256DA2	Lateral Assembly with Center Pipe (SW-256T)	1
7a	SWX196AA1	Filter Tank with Skirt and Lateral Assembly (SW-196T)	1
7b	SWX236AA1	Filter Tank with Skirt and Lateral Assembly (SW-236T)	1
7c	SWX256AA1	Filter Tank with Skirt and Lateral Assembly (SW-256T)	1
8a	SX200Q	Lateral (SW-196T, SW-236T) - threaded	10
8b	SX240D	Lateral (SW-256T) - threaded	10
8c	SX200QN	Lateral (Ball Style) SW196T, SW236T	10
8d	SX240DN	Lateral (Ball Style) SW256T	10
9&10a	SX180HG	Gasket/Drain Cap (2005 and prior)	1
9&10b	SX180LA	Drain Cap Assembly - cap, gasket, screen	1
11a	SX164B	Filter Support Stand (SW-196T)	1
11b	SX200J	Filter Support Stand (SW-236T, SW-256T)	1

Filter's

### Parts Diagram and Parts Listing: S270T2, S310T2, S360T2



Ref. No.	Part No.	Description	Ctn. Qty.	No. Req'd
1	SP071621	Vari-Flo Control Valve – 2" no clamp	1	1
2	ECX271261	Pressure Gauge Back Mount	10	1
3	GMX600F	Valve/Tank O-Ring	10	1
4	GMX600NM	Flange Clamp (Valve – Tank)	5	1
5a	SX270AA	27" Filter Tank w/Skirt, Drain and Lateral Assembly (S270T2)	1	1
5b	SX310AA1	31" Filter Tank w/Skirt, Drain and Lateral Assembly (S310T2)	1	1
5c	SX360AA2	36" Filter Tank w/Skirt, Drain and Lateral Assembly (S360T2)	1	1
6a	SX270DA2X	27" Folding Lateral Assembly w/Center Pipe (S270T2)	1	1
6b	SX310DA2	31" Folding Lateral Assembly w/Center Pipe (S310T2)	1	1
6c	SX360DA	36" Folding Lateral Assembly w/Center Pipe (S360T2)	1	1
7a	SX240DN	27" Lateral (One Piece) w/Hub (S270T2)	10	10
7b	SX310HA	31" & 36" Lateral (2004 and prior) (S310T2, S360T2)	10	10
7c	SX310HN	31" & 36" Lateral (One Piece) w/Hub (S310T2, S360T2)	10	10
8a	SX180HG	Drain Cap (2005 and prior)	25	1
8b	SX180LA	Drain Cap Assembly, Gasket, Screen	25	1
9a	SX200J	27" Filter Support Stand (S270T2)	2	1
9b	SX310J	Filter Support Stand – Large (S310T2, S360T2)	1	1
10	SX202S	Sand Shield	25	1
-	SPX0710MA	Sight Glass w/ O-Ring		

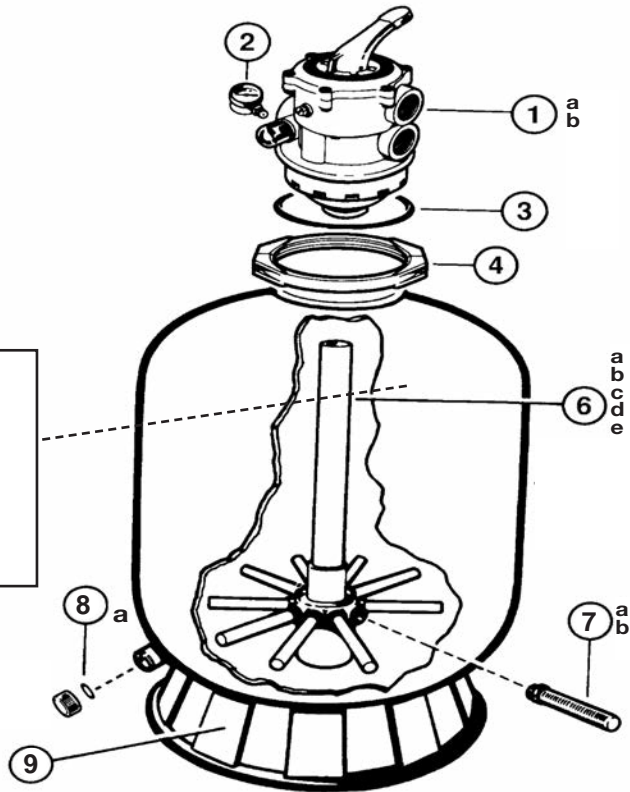
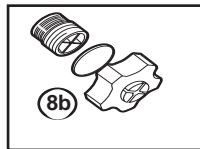
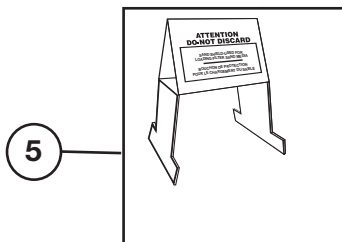
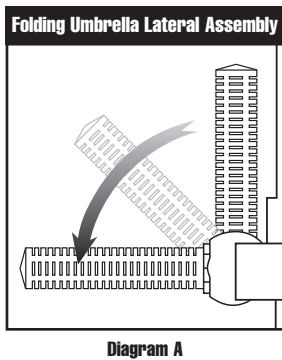
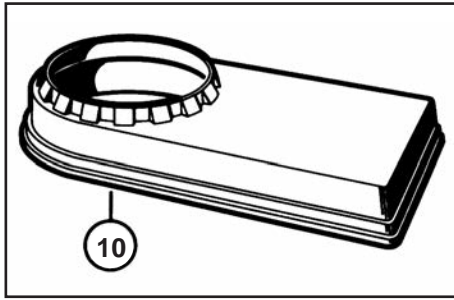
Filters



# Pro™ Series

S166T, S180TC, 210TC, 220TC, 244T2, 244TC, S270T SAND FILTER SERIES REPLACEMENT PARTS

## Parts Diagram



## Parts List

Ref. No.	Part No.	Description	Ctn. Qty.	No. Req'd
1a	SP0714T	Vari-Flo XL Control Valve – 1 1/2"	1	1
1b	SP071621	Vari-Flo XL Control Valve - 2"	1	1
2	ECX270861	Pressure Gauge	10	1
3	GMX600F	Valve/Tank O-Ring	10	1
4	GMX600NM	Flange Clamp, Noryl	5	1
5	SX202S	Sand Shield – 2004 Corrugated Design	25	1
	SX164DA	Lateral Assembly w/ Center Pipe 16"	1	1
6a	SX180DA	Folding Umbrella Lateral Assembly w/Center Pipe (S180TC) (1997- )	1	1
6b	SX210DA	Folding Umbrella Lateral Assembly w/Center Pipe (S210TC) (1997- )	1	1
6c	SX220DA	Folding Umbrella Lateral Assembly w/Center Pipe (S220TC) (1997- )	1	1
6d	SX270DA2X	Folding Umbrella Lateral Assembly w/Center Pipe (S230TC) (2003- )	1	1
6e	SX244DA	Folding Umbrella Lateral Assembly w/Center Pipe (S244TC, S270T) (1997- )	1	1
7a	SX200Q	Lateral (S180T) (2004 and Prior) - threaded	10	10
7b	SX240D	Lateral (S210T, S220T, S230T, S244T) (2004 and Prior) - threaded	10	10
7c	SX200QN	Lateral (One Piece) w/Hub See Diag. A (S166T, S180T only)	10	10
7d	SX240DN	Lateral (One Piece) w/Hub See Diag. A (all except S166T and S180T)	10	10
8a	SX180HG	Drain Cap Kit (2005 and prior)	25	1
8b	SX180LA	Drain Cap Assembly – Cap, Gasket, Screen	1	1
9	SX200J	Filter Support Stand (Skirt) (all except S166T)	2	1
9	SX164B	Filter Support Stand (Skirt) - S166T only		1
10	SX180K	System Base – S180T Systems	2	1
-	SPX0710MA	Sight Glass w/ O-Ring		

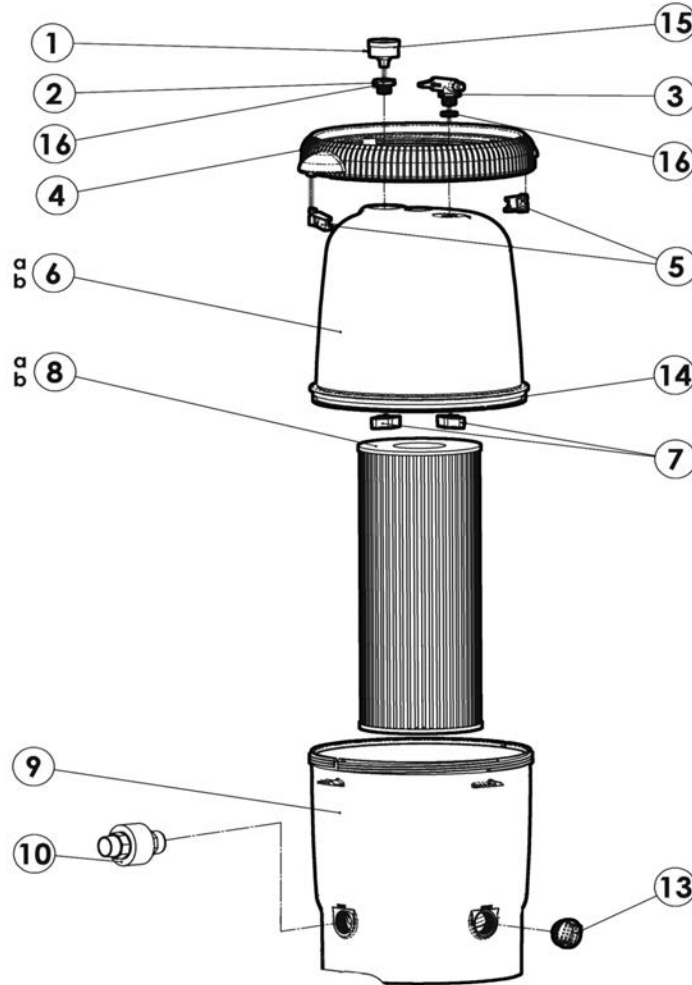
# XStream™ Filtration Series

CARTRIDGE FILTER SERIES REPLACEMENT PARTS



Filters

## Parts Diagram



## Parts Listing

Ref. No.	Part No.	Description	Ctn. Qty.	Qty Req'd
1	ECX27091	Pressure Gauge	10	1
2	CCX1000L	Threaded Adapter for Pressure Gauge	10	1
3	CCX1000V	Air Relief Assembly w/O-Ring	10	1
4	CCX1000D	Lock Ring Assembly w/2 Safety Clips	1	1
5	CCX1000H	Safety Clips for Lock Ring (Pack of 2)	10	2
6a	CCX2000C	Filter Lid w/Lock Ring, 200 sq. ft. for CC200CAN	1	1
6b	CCX1500C	Filter Lid w/Lock Ring, 150 sq. ft. for CC150CAN	1	1
7	CCX1000N	Adapter Nut (Set of 2)	10	2
8a	CCX2000RE	Cartridge Element, 200 sq. ft. for CC200CAN	1	1
8b	CCX1500RE	Cartridge Element, 150 sq. ft. for CC150CAN	1	1
9	CCX1000B	Filter, Lower Body	1	1
10	SP1480BLK	Self Aligning Union, Black	50	1
13	SP1022CBLK	Drain Plug w/O-Ring, Threaded 1 1/2" (Black)	100	1
14	CCX1000G	Body O-Ring	2	1
15	SPX1500W	Pressure Gauge O-Ring	10	1
16	CCX1000Z5	O-Ring for Gauge Adapter and Air Relief	10	2

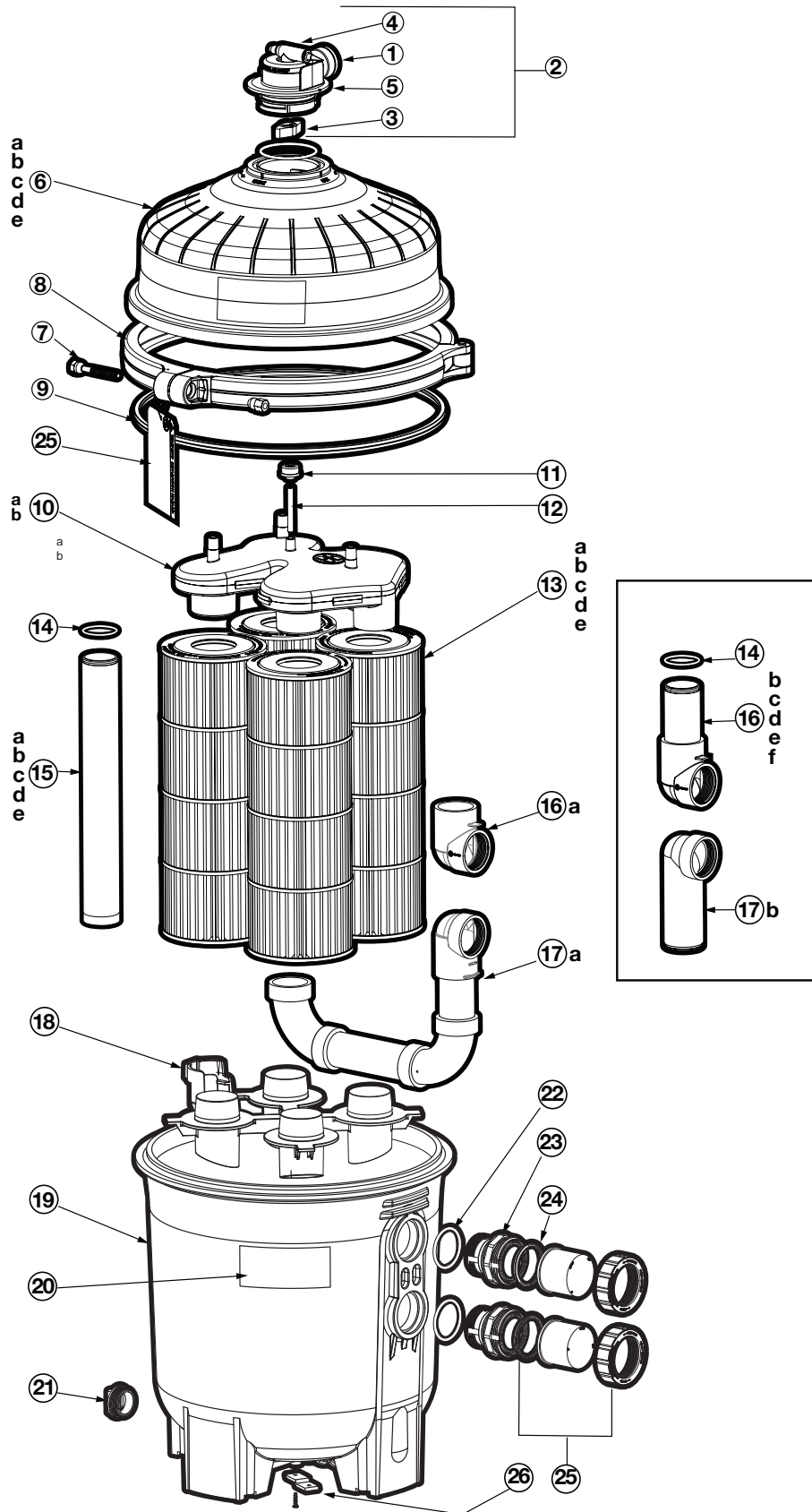




# SwimClear™

C2030, C3030, C4030, C5030, C7030 CARTRIDGE FILTER SERIES REPLACEMENT PARTS

## Parts Diagram



Filter's

## Parts Listing

Ref. No.	Part No.	Description	Ctn. Qty.	No. Req'd
1	ECX2712B1	Pressure Gauge	10	1
2	DEX2420Z8A	O-Ring Kit ( <i>set of 2</i> )	10	1
3	CCX1000N	Air Relief Valve Nut	10	11
4	CCX1000V	Manual Air Relief with O-Ring	1	1
5	DEX2420MAR2	Manual Air Relief Assembly	1	1
6a	DEX2420BTC	Upper Filter Body with Clamp C2030	1	1
6b	DEX3620BTC	Upper Filter Body with Clamp C3030	1	1
6c	DEX4820BTC	Upper Filter Body with Clamp C4030	1	1
6d	DEX6020BTC	Upper Filter Body with Clamp C5030	1	1
6e	DEX7220BTC	Upper Filter Body with Clamp C7030	1	1
7	DEX2421J2	Clamp Bolt and Nut	10	1
8	DEX2421JKIT	Clamp System (Includes Clamp, Clamp Nut and Bolt, Hang Tag, Metal Reinforced Seal, and Labels)	1	1
9	DEX2422Z2	Metal Reinforced Seal	10	1
10a	CX3030C	Top Manifold C2030, C3030, C4030	1	1
10b	CX5030C	Top Manifold C5030, C7030	1	1
11	CX3000J1	Air Relief Filter	100	1
12	CX2030Z3	Air Relief Tube	10	1
13a	CX481XRE	Cartridge Element C2030	1	4
	CX481XREPAK4	Cartridge Elements (4 Pack) C2030	1	1
13b	CX580XRE	Cartridge Element C3030	1	4
	CX580XREPAK4	Cartridge Elements (4 Pack) C3030	1	1
13c	CX880XRE	Cartridge Element C4030	1	1
	CX880XREPAK4	Cartridge Elements (4 Pack) C4030	1	1
13d	CX1280XRE	Cartridge Element C5030	1	4
	CX1280XREPAK4	Cartridge Elements (4 Pack) C5030	1	1
13e	CX591XRE	Cartridge Element C7030	1	8
	CX591XREPAK4	Cartridge Elements (4 Pack) C7030	1	2
	CX7020M	Mid plate Connector C7030	1	1
14	DEX2400Z5	Outlet Pipe O-Ring	500	1
15a	CX3031F6	Outlet Pipe C2030	1	1
15b	CX3031F7	Outlet Pipe C3030	1	1
15c	CX3031F8	Outlet Pipe C4030	1	1
15d	CX3031F9	Outlet Pipe C5030	1	1
15e	CX3031F10	Outlet Pipe C7030	1	1
16a	CX3030F	Inlet Elbow (after Sept. 2012)	5	1
16b	CX3031F1	Outlet Elbow with Pipe C2030 (prior to Sept. 2012)	5	1
16c	CX3031F2	Outlet Elbow with Pipe C3030 (prior to Sept. 2012)	5	1
16d	CX3031F3	Outlet Elbow with Pipe C4030 (prior to Sept. 2012)	5	1
16e	CX3031F4	Outlet Elbow with Pipe C5030 (prior to Sept. 2012)	5	1
16f	CX3031F5	Outlet Elbow with Pipe C7030 (prior to Sept. 2012)	5	1
17a	CX3030H	SwimClear Lower Piping Assembly (after Sept. 2012)	1	1
17b	CX3020FB	Outlet Elbow (prior to Sept. 2012)	5	1
18	CX3030D	Bottom Cartridge Mounting Plate	1	1
19	DEX2420ATC	Lower Filter Body With Clamp	1	1
20	DEX2420LA6PAK	Label Pack (Includes all Warning and Operation Labels, Hang Tag, Wire Tie, Owner's Manual)	10	1
21	SP1022CBLK	1 ½" Drain Plug with O-Ring (Black)	100	1
22	SX220Z2	Bulkhead O-Ring	500	2
23	CX3035F	Bulkhead Fitting	25	2
24	SPX3200UG	Union Gasket ( <i>set of 2</i> )	100	1
25	SPX3200UNKIT	Union Connection Kit (2 each of nuts, connectors, gaskets)	10	1
26	DEX2420DCKIT	(Optional) Tie Down – Strap Kit (2 each of straps, screws)	25	1

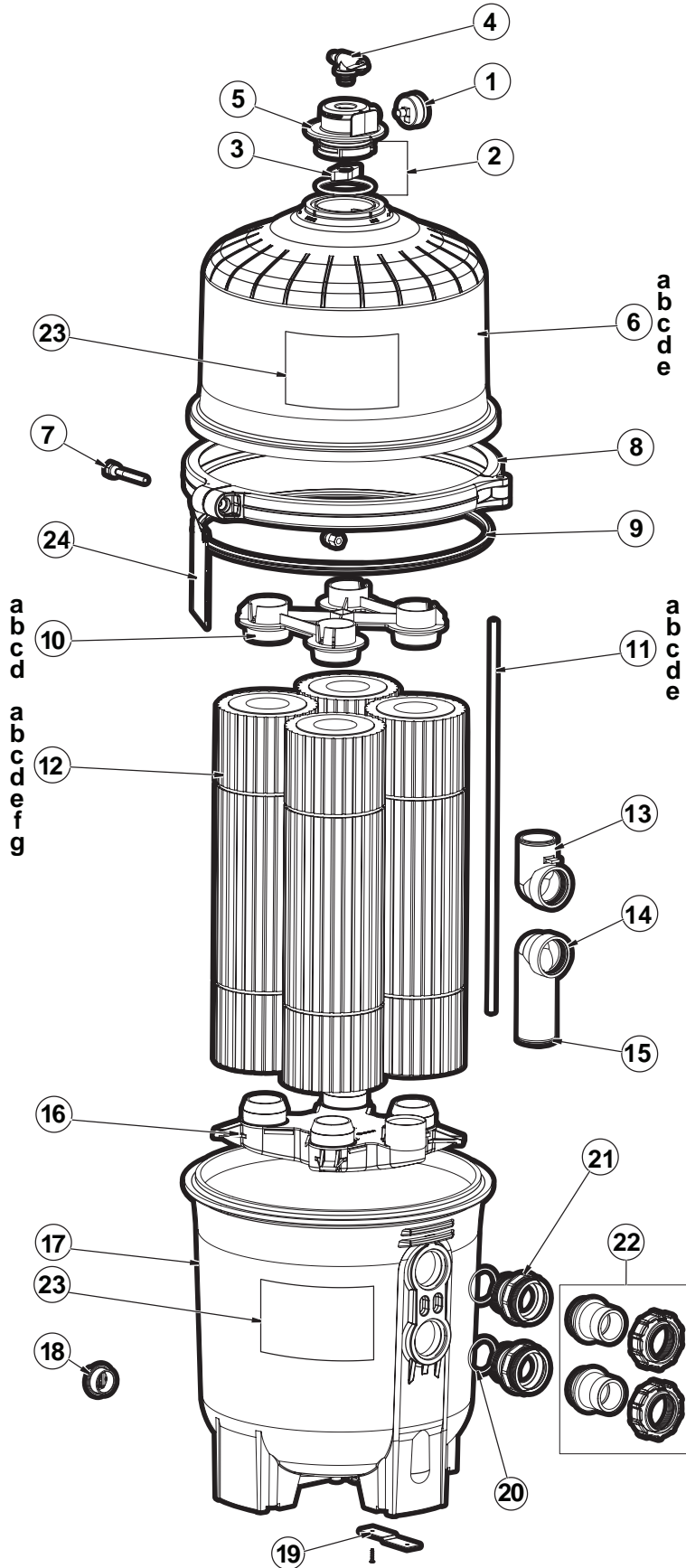


# SwimClear™

CARTRIDGE FILTER SERIES REPLACEMENT PARTS

## Parts Diagram

Filter-s



**Parts Listing**

Ref. No.	Part No.	Description	Ctn. Qty.	No. Req'd
1	ECX2712B1	Pressure Gauge	10	1
2	DEX2420Z8A	O-Ring Kit ( <i>Set of 2</i> )	10	1
3	CCX1000N	Manual Air Relief Valve Nut	10	1
4	CCX1000V	Manual Air Relief Valve with O-Ring	1	1
5	DEX2420MAR2	Manual Air Relief Assembly	1	1
6a	DEX2420BTC	Filter Head (C2020/C2025)	1	1
6b	DEX3620BTC	Filter Head (C3020/C3025)	1	1
6c	DEX4820BTC	Filter Head (C4020/C4025)	1	1
6d	DEX6020BTC	Filter Head (C5020/C5025)	1	1
6e	DEX7220BTC	Filter Head (C7000 Series)	1	1
7	DEX2421J2*	Clamp Bolt and Nut	10	1
8	DEX2421JKIT	Clamp Assembly (including Clamp, Clamp Nut and Bolt, Warning Hang Tag, Metal Reinforced Seal and Labels)	1	1
9	DEX2422Z2*	Metal Reinforced Seal	10	1
10a	CX2020DA	Top Closure Plate (C2020/C2025)	1	1
10b	CX3020DA	Top Closure Plate (C3020/C3025, C4020/C4025)	1	1
10c	CX5020DA	Top Closure Plate (C5020/C5025)	1	1
10d	CX3020D4	Top Closure Plate (C7000 Series)	1	1
11a	CX800Z4	Air Relief Tube Assembly (C2020/C2025)	2	1
11b	CX3000Z3	Air Relief Tube Assembly (C3020/C3025)	2	1
11c	CX4000Z3	Air Relief Tube Assembly (C4020/C4025)	2	1
11d	CX5000Z3	Air Relief Tube Assembly (C5020/C5025)	2	1
11e	CX7000Z3	Air Relief Tube Assembly (C7000 Series)	2	1
12a	CX480XRE	Replacement Element (C2020/C2025)	1	4
12b	CX580XRE	Replacement Element (C3020/C3025)	1	4
12c	CX880XRE	Replacement Element (C4020/C4025)	1	4
12d	CX875RE	Replacement Element (C4520 Series)	1	4
12e	CX1280XRE	Replacement Element (C5020/C5025)	1	4
12f	CX1380RE	Replacement Element (C5520 Series)	1	4
12g	CX590REM	Replacement Element (C7000 Series)	1	8
—	CX7020M	Mid-plate Connector (C7000 Series only)	1	1
13	CX3000F1B	Inlet Elbow	5	1
14	CX3020FB	Outlet Elbow	5	1
15	DEX360M	O-Ring	10	1
16	CX3000C	Bottom Collector Manifold	1	1
17	DEX2420ATC	Filter Body	1	1
18	SP1022C	1 ½" Drain Plug with O-Ring	100	1
19	DEX2420DCKIT	Strap Kit (Optional)	10	1
20	SX220Z2	O-Ring	10	2
21	DEX2420F	Bulkhead Fitting	25	2
22	DE2400PAK2CS	Plumbing Kit (includes 2 O-Rings, 2 Slip Connectors and 2 Locknuts)	10	1
23	DEX2420LA6PAK	Label Pack (includes all Warning and Operation Labels, Hang Tag (#24), Wire Tie and Owner's Manual)	10	1
24	DEX2420LA6PAK	Label Pack – Complete as above (DEX2420LA6PAK)	10	1

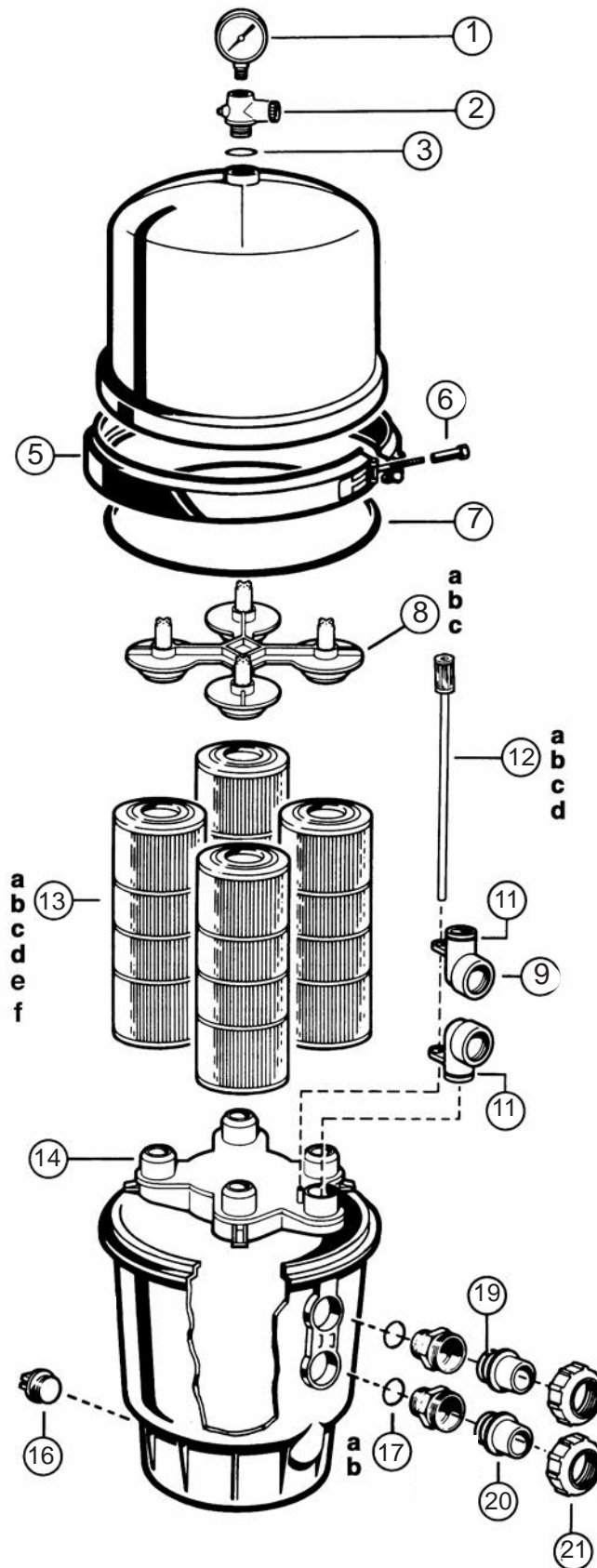
\*Compatible only with DEX2421JKIT clamp system for Hayward Pro-Grid D.E. and SwimClear cartridge filters.



# Super Star-Clear™

C2000, C3000, C4000, C5000 CARTRIDGE FILTER SERIES REPLACEMENT PARTS (Duralon™ and PermaGlass XL™)

## Parts Diagram





## Parts Listing

Ref. No.	Part No.	Description	Ctn. Qty.	No. Req'd
1	ECX270861	Pressure Gauge	10	1
2	DEX2400S	Relief Valve/Gauge Adapter Assembly	5	1
—	DEX2400Z3A	O-Ring for Relief Valve Stem ( <i>Set of 3</i> )	10	1
3	SX200Z5	Relief Valve Assembly O-Ring	25	1
8a	CX3020DA	Top Closure Plate (C3000/4000)	1	1
8b	CX5020DX	Top Closure Plate (C5000)	1	1
9	CX3000F1B*	Buttress Thread Inlet Elbow Assembly w/O-Ring & Bulkhead Fitting (1997- )	5	1
11	DEX360M	O-Ring	10	1
12a	CX800Z4A	Air Relief Tube (C2000)	2	1
12b	CX3000Z3	Air Relief Tube (C3000)	2	1
12c	CX4000Z3	Air Relief Tube (C4000)	2	1
12d	CX5000Z3	Air Relief Tube (C5000)	2	1
13a	CX480XRE	Replacement Element (C2000)	1	4
13b	CX580XRE	Replacement Element (C3000)	1	4
13c	CX880XRE	Replacement Element (C4000)	1	4
13d	CX875RE	Replacement Element (C4500 Series)	1	4
13e	CX1280XRE	Replacement Element (C5000)	1	4
13f	CX1380RE	Replacement Element (C5500 Series)	1	4
14	CX3000C	Bottom Collector Manifold	1	1
16	SP1022C	1 1/2" Drain Plug w/O-Ring	100	1
17a	SX200Z3	O-Ring (1995 and prior)	10	2
17b	SX360Z1	O-Ring (after 1996)	10	2
19	SX200Z4	O-Ring	500	2
20	SX240F	1 1/2" SKT x 2" SLIP Connector	25	2
21	SX200R	Locknut	25	2
	CX3000J1	Air Tube Screen	-	1

\*For 1997 and prior filters, when elbow replacement is required, use complete kit called out in 10 and 11.

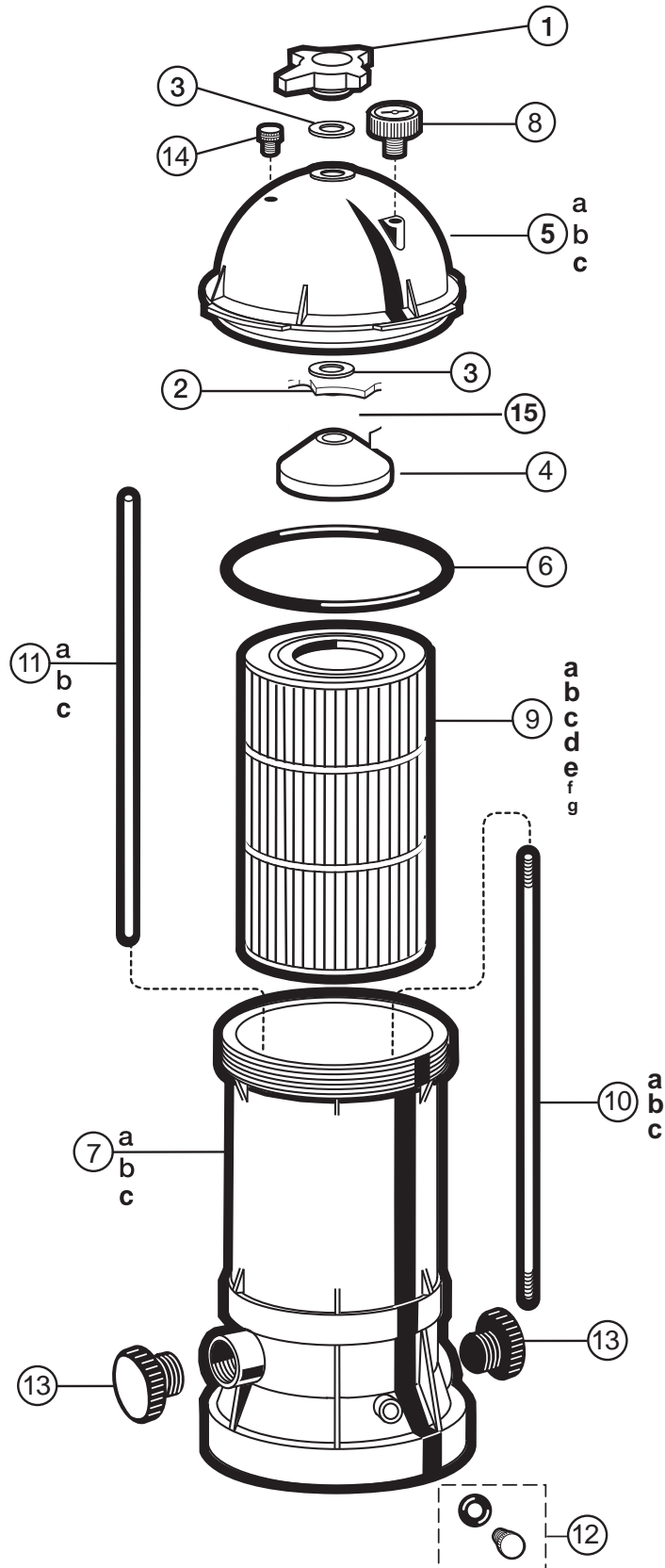
\*\*For Ivory color, drop the "T".



# Star-Clear™ Plus

CARTRIDGE FILTER SERIES AND SEPARATION TANK REPLACEMENT PARTS

## Parts Diagram



Filter-s

### Parts Listing

Ref. No.	Part No.	Description	Ctn. Qty.	No. Req'd
1	CX900G	Locking Knob (C900, C1200 Series)	5	1
	CX1750G	Locking Knob (C1750 Series)	5	1
2	CX900H	O-Ring	10	1
3	CX900W	Washer (2 required)	20	2
4	CX900D	Guide Cone	10	1
5a	CX900B	Filter Head w/Directional Vent Valve (C751, C900 Series)	10	1
5b	CX1200B	Filter Head w/Directional Vent Valve (C1200 Series)	1	1
5c	CX1750B	Filter Head w/Directional Vent Valve (C1750 Series)	1	1
6	CX900F	Filter Head O-Ring	10	1
7a	CX900AA	Filter Body – 1 1/2" FIP (C751, C900)	1	1
	CX900AA2	Filter Body – 2" FIP (C7512, C9002, C9002S)	1	1
7b	CX1200AA	Filter Body – 1 1/2" FIP (C1200)	1	1
	CX1200AA2	Filter Body – 2" FIP (C12002, C12002S)	1	1
7c	CX1750AA2	Filter Body – 2" FIP (C17502, C17502S)	1	1
8	ECX271261	Pressure Gauge	10	1
9a	CX760RE	Cartridge Element (C751 Series)	1	1
9b	CX900RE	Cartridge Element (C900 Series)	1	1
9c	CX1200RE	Cartridge Element (C1200 Series)	1	1
9d	CX1520RE	Cartridge Element (C1502 Series)	1	1
9e	CX2020RE	Cartridge Element (C2002 Series)	1	1
9f	CX1750RE	Cartridge Element (C1750 Series)	1	1
9g	CX1900RE	Cartridge Element (C1900 Series)	1	1
10a	CX800Z2	Tie Rod (C751, C900 Series)	1	1
10b	CX1100Z2	Tie Rod (C1200 Series)	1	1
10c	CX1750Z2	Tie Rod (C1750 Series)	1	1
11a	CX800Z4	Auto Air Relief Tube (C900 Series)	2	1
11b	CX1100Z4	Auto Air Relief Tube (C1200 Series)	2	1
11c	CX1750Z4	Auto Air Relief Tube (C1750 Series)	2	1
12	CX250Z14A	Drain Plug Kit (includes Plug & O-Ring)	10	1
13	CX900K	2" PVC Socket Connector (Set of 2)	5	2
14	ECX1322A	Directional Vent Valve w/O-Ring	25	1
15	CX900J	E-Ring	10	1

#### D.E. SEPARATION TANK Parts same as C900 except as below:

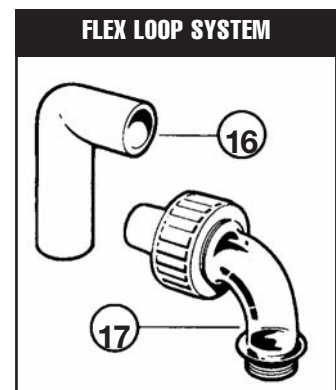
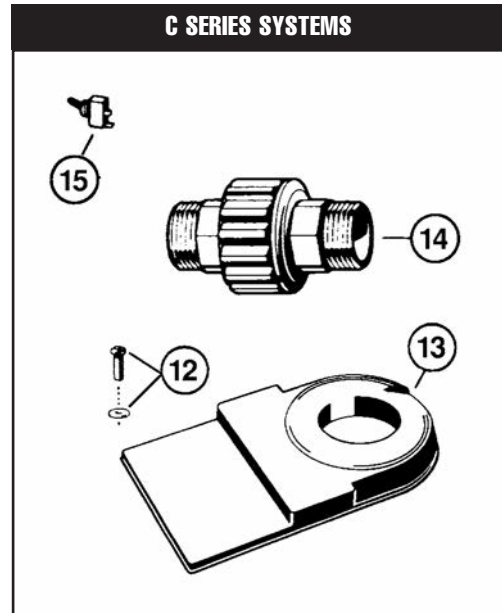
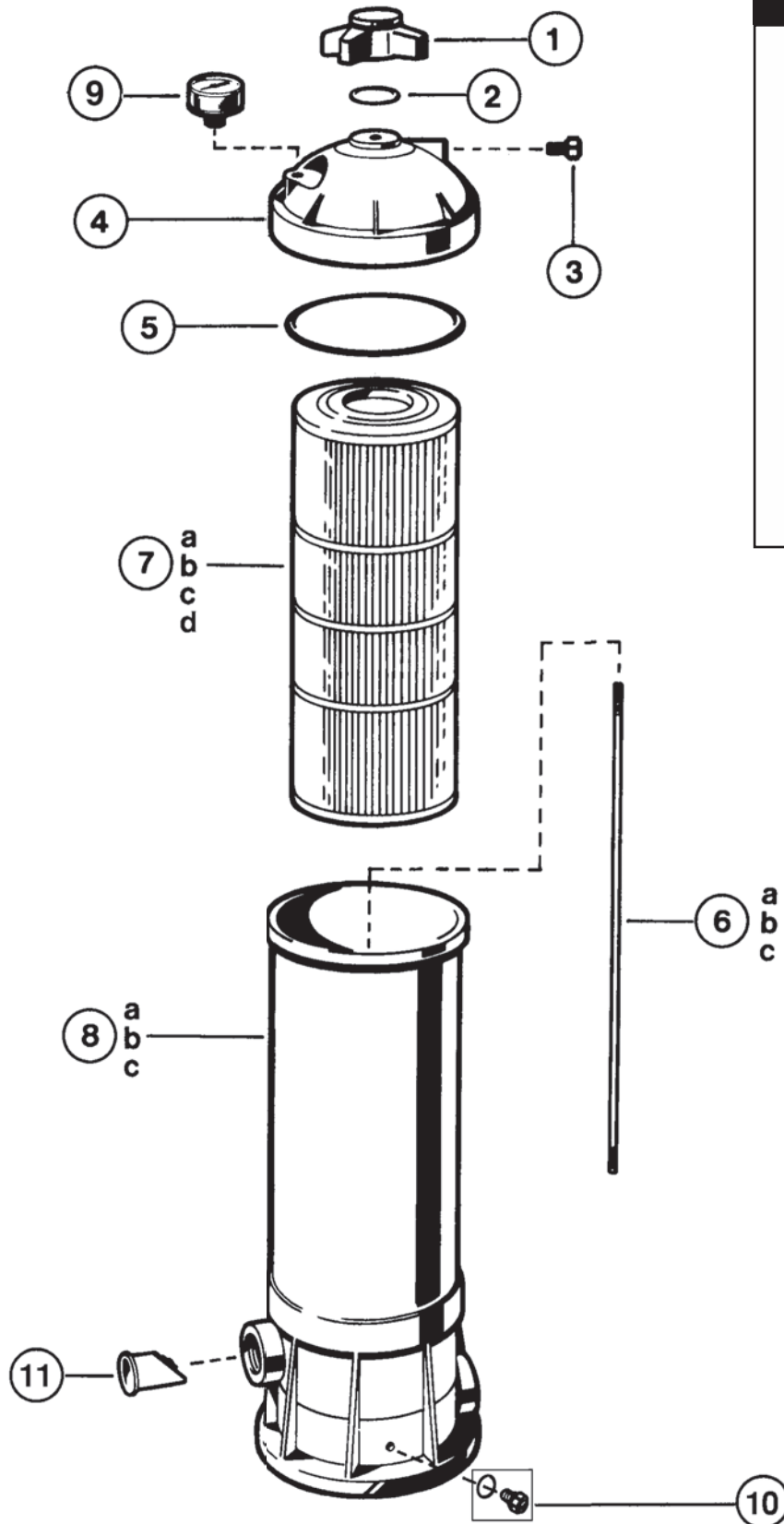
—	CX900DB	D.E. Collector Bag Assembly (May 2004 and prior)	1	1
—	CX900DBA	D.E. Collector Bag Assembly (after May 2004)	1	1



# Star-Clear™

CARTRIDGE FILTER SERIES REPLACEMENT PARTS

## Parts Diagram



Filter's



Filters

### Parts Listing

Ref. No.	Part No.	Description	Ctn. Qty.	No. Req'd
1	CX250G	Locking Knob	5	1
2	CX250Z7	O-Ring	10	1
3	ECX1322A	Directional Vent Valve w/O-Ring	25	1
4	CX250C	Filter Head (Dome), w/Air Relief Valve	4	1
5	CX250F	Filter Head Gasket	10	1
6a	CX250Z2S	Tie Rod (C250), 18 9/32"	1	1
6b	CX500Z2S	Tie Rod (C500), 28 3/32"	1	1
6c	CX750Z2S	Tie Rod (C750, C100), 38 1/16"	1	1
7a	CX250RE	Cartridge Element (C250)	1	1
7b	CX500RE	Cartridge Element (C500)	1	1
7c	CX750RE	Cartridge Element (C750)	1	1
7d	CX1000RE	Cartridge Element (C100)	1	1
8a	CX250AA1	Filter Body w/Tie Rod Assembly (C250)	1	1
8b	CX500AA1	Filter Body w/Tie Rod Assembly (C500)	1	1
8c	CX750AA1	Filter Body w/Tie Rod Assembly (C750, C100)	1	1
9	ECX27091	Pressure Gauge, Back Mount	10	1
10	CX250Z14A	Drain Plug Kit	10	1
11	ECX4077B1	Check Valve (optional)	10	1

### C SERIES SYSTEMS

—	SPX1550WA5	25 ft. Cord Set – No. 14/3 AWG	5	1
—	ECX1248	Cord Strain Relief	5	1
12	ECX1108A	Pump Mounting Screw w/Washer	25	2
13	EC1161PAK	Platform Base w/Screws – Low Profile	2	1
14	SP1480BLK	1 1/2" Male Union	50	1
15	ECX1325	Switch Assembly	5	1

### MODULAR FLEX LOOP SYSTEMS

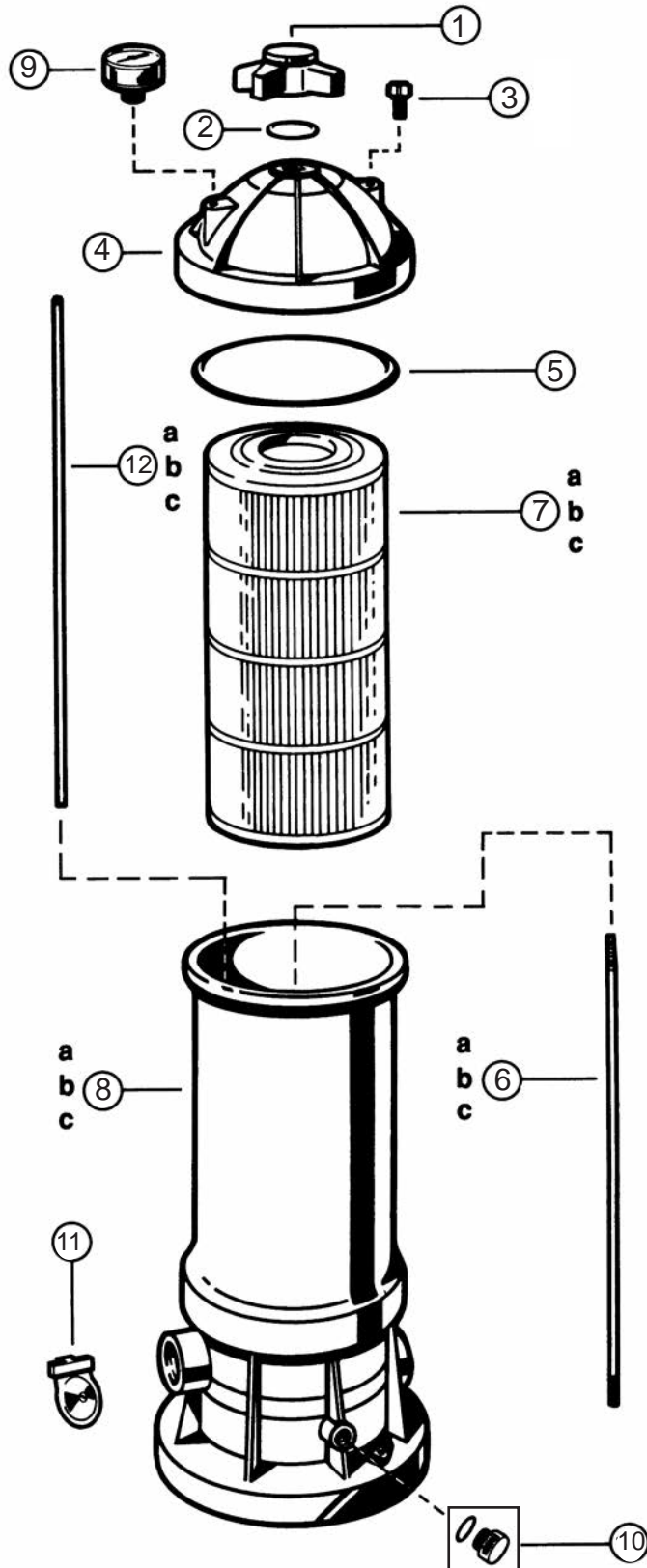
16	ECX1326A	Flex Loop Elbow	5	—
17	SPX14853	Sweep Elbow Union Assembly	5	—



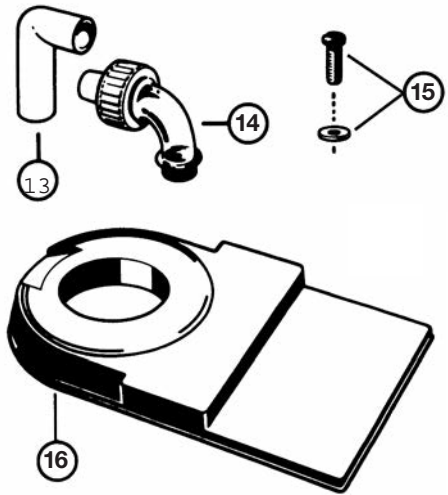
# Star-Clear II™

CARTRIDGE FILTER SERIES AND SEPARATION TANK REPLACEMENT PARTS

## Parts Diagram



## STAR-CLEAR II SELECT-A-SYSTEMS



Filter's



### Parts Listing

Ref. No.	Part No.	Description	Ctn. Qty.	No. Req'd
1	CX800G	Locking Knob	5	1
2	CX250Z7	O-Ring	10	1
3	ECX1322A	Directional Vent Valve w/O-Ring (1989)	25	1
4	CX800C	Filter Head (Cover) w/Air Relief Valve	2	1
5	CX800F	Filter Head O-Ring	10	1
6a	CX800Z2	Tie Rod (C800)	1	1
6b	CX1100Z2	Tie Rod (C1100)	1	1
7a	CX800RE	Cartridge Element (C800)	1	1
7b	CX1100RE	Cartridge Element (C1100)	1	1
7c	CX800RE	Cartridge Element – (C1500, 2 req'd)	1	2
—	CX1500C	Cartridge Joiner (To join two C800RE cartridges in C1500 Filter)	5	1
8a	CX800AA*	Filter Tank Body – 1 1/2" (C800)	1	1
8b	CX1500AA*	Filter Tank Body – 1 1/2" (C1500)	1	1
9	ECX27091	Pressure Gauge	10	1
10	CX250Z14A	Drain Plug Kit (includes Plug and O-Ring)	10	1
11	CX800HA	Check Valve Assembly (optional)	10	1
12a	CX800Z4	Auto Air Relief Tube (C800)	2	1
12b	CX1100Z4	Auto Air Relief Tube (C1100)	2	1

\*Standard 1 1/2" NPT. For 2" NPT, add "-2" to Part No. For socket connection, add "-2S".

### Modular Selecta-Systems

13	ECX1326A	Flex Loop Elbow	5	—
14	SPX14853	Sweep Elbow Union Assembly	5	—
15	ECX1108A	5/16" x 3/4" Mounting Screws (2) and 5/16" Washers (2) Kit	25	1
16	EC1161PAK	Platform Base w/Screws – Low Profile	1	1

### D.E. SEPARATION TANK Parts same as C1100 except as below:

—	CX1100DB	D.E. Collector Bag Assembly	1	1
---	----------	-----------------------------	---	---

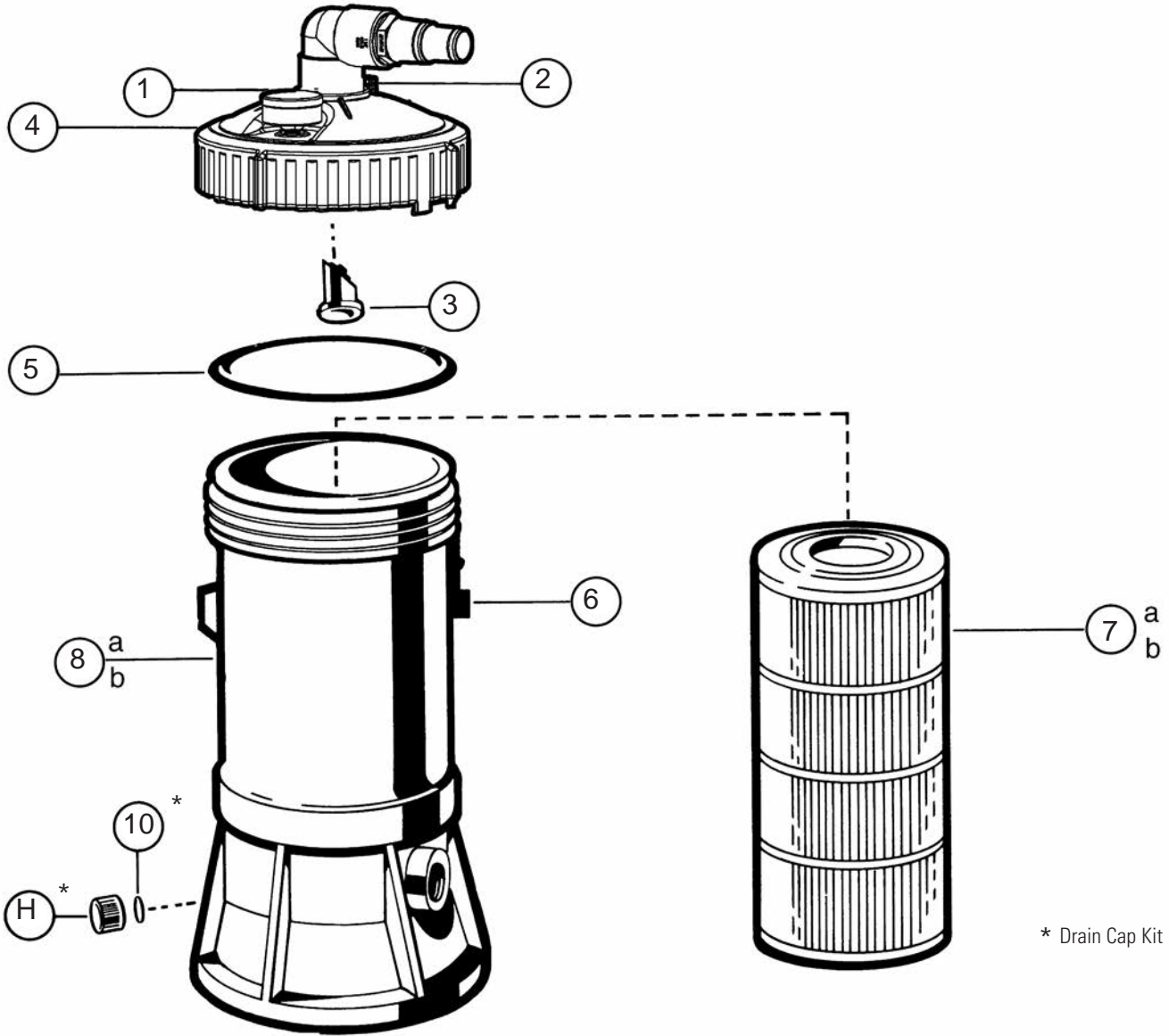


# Easy-Clear™

C400, 550 CARTRIDGE FILTER SERIES REPLACEMENT PARTS

## Parts Diagram and Parts Listing

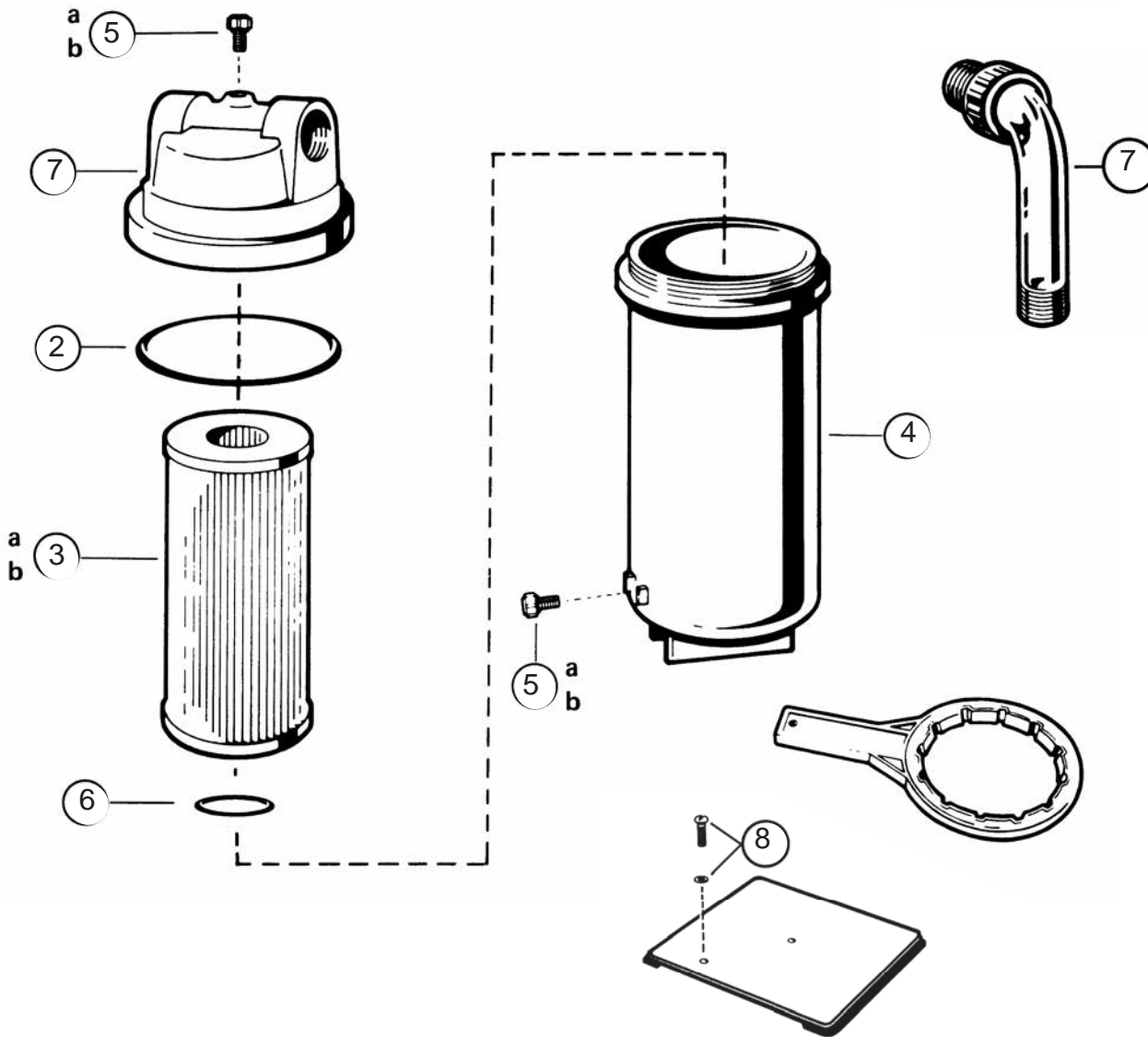
Filter's



\* Drain Cap Kit

Ref. No.	Part No.	Description	Ctn. Qty.	No. Req'd
1	ECX27091	Gauge	10	1
2	ECX1322A	Vent Valve w/O-Ring	25	1
3	ECX4077B1	Check Valve	10	1
4	CX400BA	Filter Head (Cover) w/Check Valve and Locking Ring	1	1
5	CX400G	Filter Head (Cover) O-Ring	2	1
6	CX400D	Locking Ring Latch	10	1
7a	CX410RE	Filter Element (40 sq. ft.)	1	1
7b	CX500RE	Filter Element (55 sq. ft.)	1	1
8a	CX400AA	Filter Body (C400)	1	1
8b	CX550AA	Filter Body (C550)	1	1
9&10	SX200Z8A	Drain Cap/Gasket	10	1
H	SX200Z8A	Drain Cap Kit (includes # 9 & 10)	10	1

### Parts Diagram and Parts Listing



Ref. No.	Part No.	Description	Ctn. Qty.	No. Req'd
1	CX120AA	Filter Head w/Vent Valve – 1 1/2" NPT	1	1
2	CX120D	O-Ring	25	1
3	CX225RE	Cartridge Element – 25 sq. ft. (C225)	1	1
4	CX120B	Filter Body Housing	1	1
5b	ECX1322A	Directional Vent Valve w/O-Ring	25	1
—	CX250Z15	By-Pass Plug (Internal)	10	1
6	SPX1485C	Gasket	10	1
7	SPX1485BPAK	Threaded Elbow Union Assembly		1
—	S200KT	Wrench Tool for Body Housing (Optional)		—
8	ECX1108A	Pump Mounting Screw w/Washer	25	2

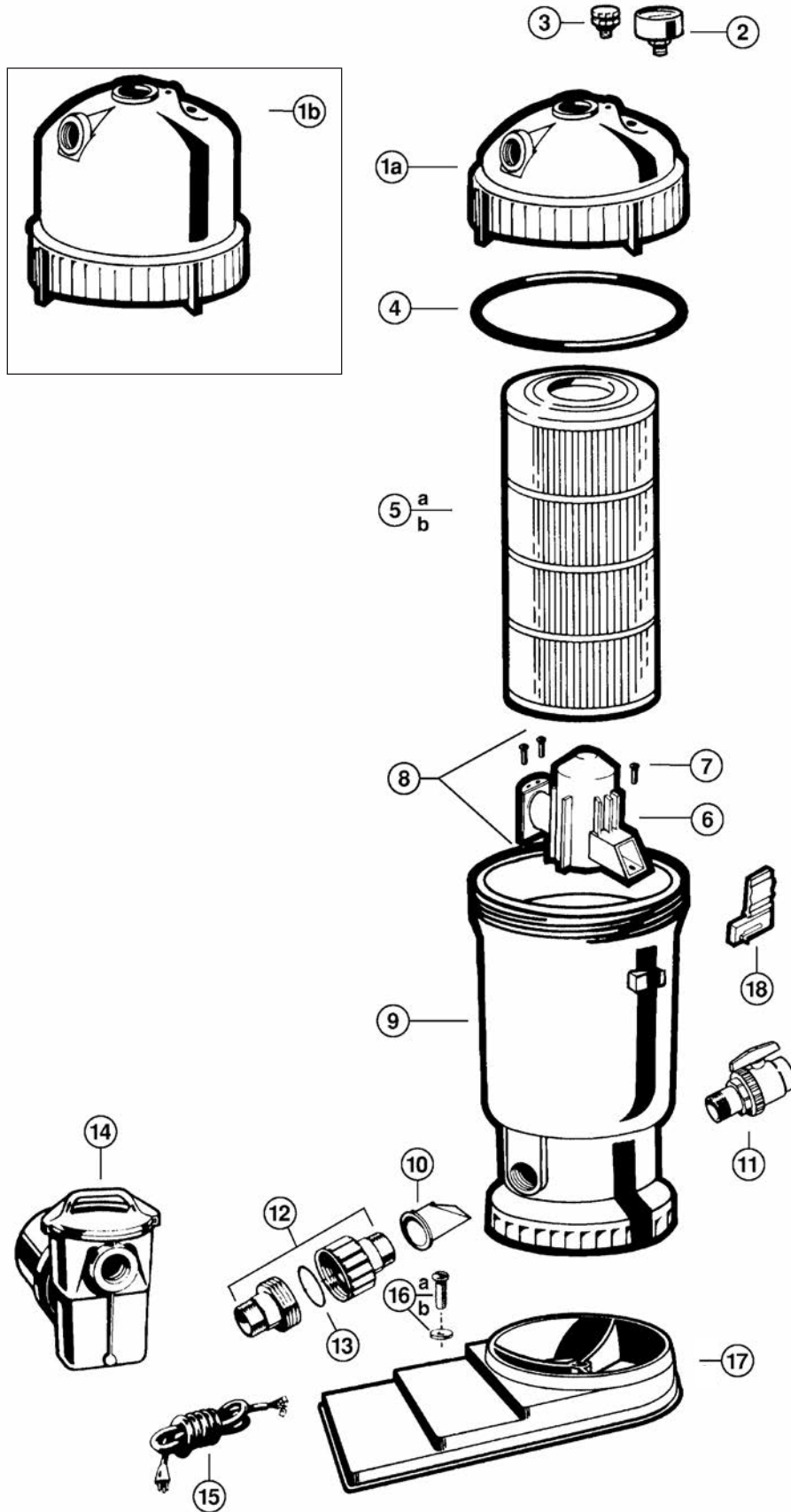
\*Limited Quantity Available – Replace with ECX1322A.



# ASL Filter Series

C850, C1250 CARTRIDGE FILTER SERIES REPLACEMENT PARTS

## Parts Diagram and Parts Listing



Filter-s

# ASL Filter Series

C850, C1250 CARTRIDGE FILTER SERIES REPLACEMENT PARTS



Filters

Parts Listing				
Ref. No.	Part No.	Description	Ctn. Qty.	No. Req'd
1a	SCX45BC	C850 Lid w/Locking Ring	1	1
1b	SCX70BC	C1250 Lid w/Locking Ring	1	1
2	ECX27091	Pressure Gauge	10	1
3	ECX1322A	Directional Vent Valve w/O-Ring	25	1
4	RGX45G	Filter Head O-Ring	2	1
5a	CX850RE	Cartridge Element	1	1
5b	CX1250RE	Cartridge Element	1	1
6	RGX45D*	Diffuser	10	1
7	RGX45Z1*	Diffuser Screws	25	3
8	RGX45DA	Diffuser and Diffuser Screws (3) (includes # 6 & 7)	10	1
9	RGX45AA	Filter Body	1	1
10	ECX4077B1	Check Valve	10	1
11	SP0723	Ball Valve	24	1
12	SP1480BLK	1 1/2" Male Union	50	1
13	SPX1425Z6	O-Ring	25	1
14	— —	Power-Flo Pump	1	1
15	SPX1250WA	6 ft. Cord Set	10	4
16a	ECX1108A	Pump Mounting Screw w/Washer	25	4
16b	ECX1161Z2	Pump Mounting Screw Set w/Washer	25	4
17	EC1161PAK	Modular Platform Base	1	1
18	CX400D	Locking Ring Latch	25	1

\* Limited Quantity Available – Replace with RGX45DA.

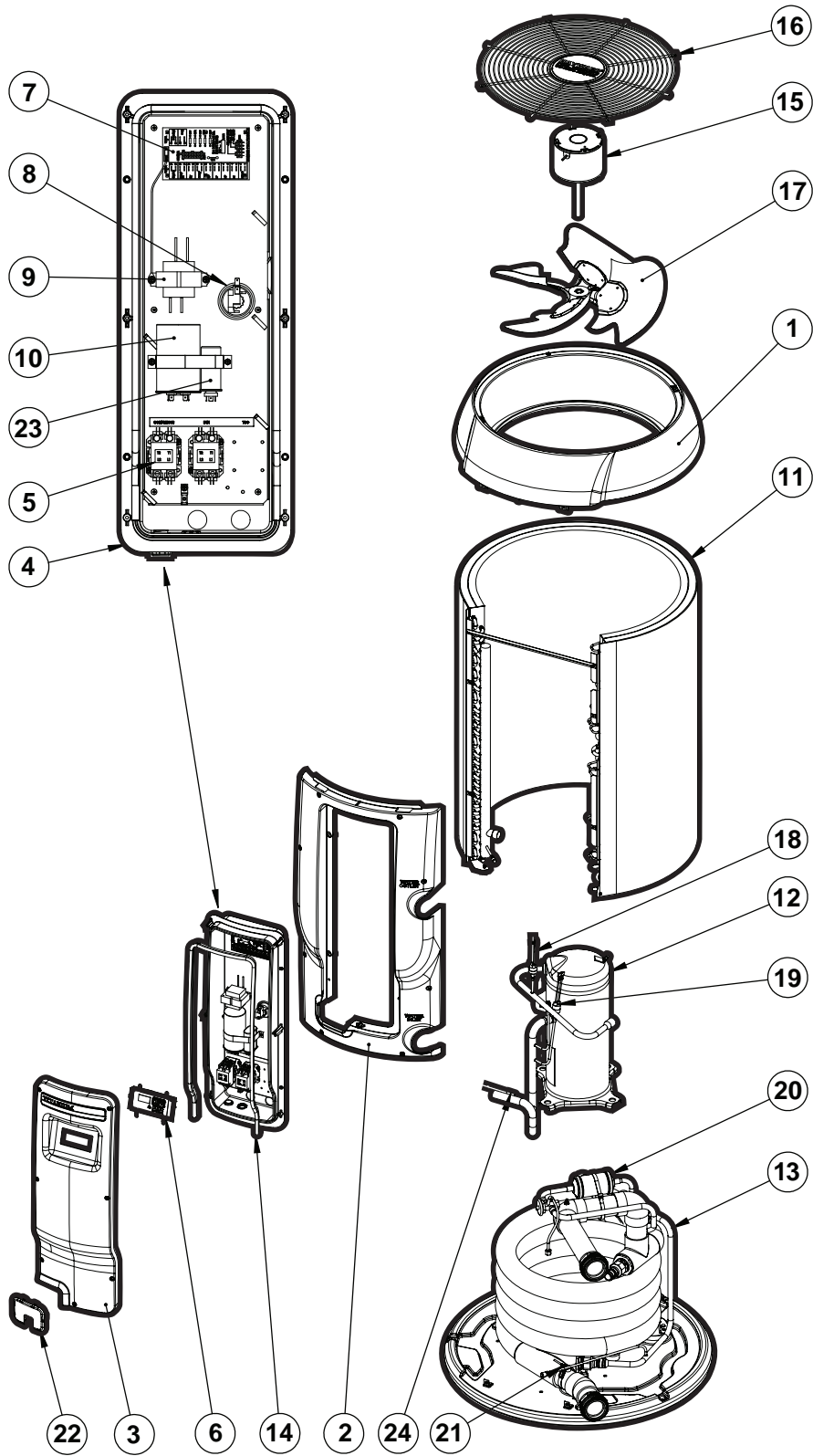


# HeatPro™

HEAT PUMP REPLACEMENT PARTS

Parts Diagram: HP20654TC, HP20854TC, HP21104TC

Heating







**Parts Listing: HP20654TC, HP20654BT, HP20854TC, HP20854BT, HP21104TC**

Ref. No.	Part No.	Description
1	HPX01023502	Fan Top for HP20654T, HP20854T, HP21104T
2	HPX01023503	Side Panel for HP20654T, HP20854T, HP21104T
3	HPX01023504	Control Box Cover
4	HPX01023505	Control Box
5	HPX1985	Contactora
6	HPX26024139	Control Board Assembly
7	HPX11024130	Interface Board
8	HPX2181	Water Pressure Switch
9	HPX11023693	Transformer
10	HPX11024270	Capacitor for HP20654T, 45 uF / 370 VAC
10	HPX11024272	Capacitor for HP20854T, 70 uF / 370 VAC
10	HPX11024743	Capacitor for HP21104T, 80 uF / 370 VAC
11	HPX24024238	Bent Coil with Guard for HP20654T, HP20854T
11	HPX24024241	Bent Coil with Guard for HP21104T
12	HPX11024257	Compressor for HP20654T
12	HPX11024204	Compressor for HP20854T
12	HPX11024203	Compressor for HP21104T
13	HPX24024712	Condenser for HP20654T, HP20854T
13	HPX24024210	Condenser for HP21104T
14	HPX05023549	Cover Gasket
15	HPX11023564	Fan Motor, 1/3 H.P.
16	HPX01023561	Fan Guard
17	HPX15024321	Fan Blade
18	HPX11024258	Replacement HP Switch
19	HPX11024259	Replacement LP Switch
20	HPX15024216	Expansion Valve Assembly for HP20654T
20	HPX15024215	Expansion Valve Assembly for HP20854T
20	HPX15024214	Expansion Valve Assembly for HP21104T
21	HPX2169	Temperature Sensor
22	HPX01023760	Electrical Entry Plug
23	HPX11024151	Fan Run Capacitor, 7.5 HF / 370 VAC
24	HPX11024169	Defrost Sensor

**NOT PICTURED**

—	HPX10023517	HPC Cable
—	HPX02024108	Compressor Blanket
—	HPX0054	Compressor Mount Kit
—	HPX10024732	Compressor Electrical Plug for HP20654T
—	HPX10024289	Compressor Electrical Plug for HP20854T, HP21104T
—	SPX3200UNKIT	Union Connector Kit
—	HPX15026180	Hot Gas By-Pass Valve

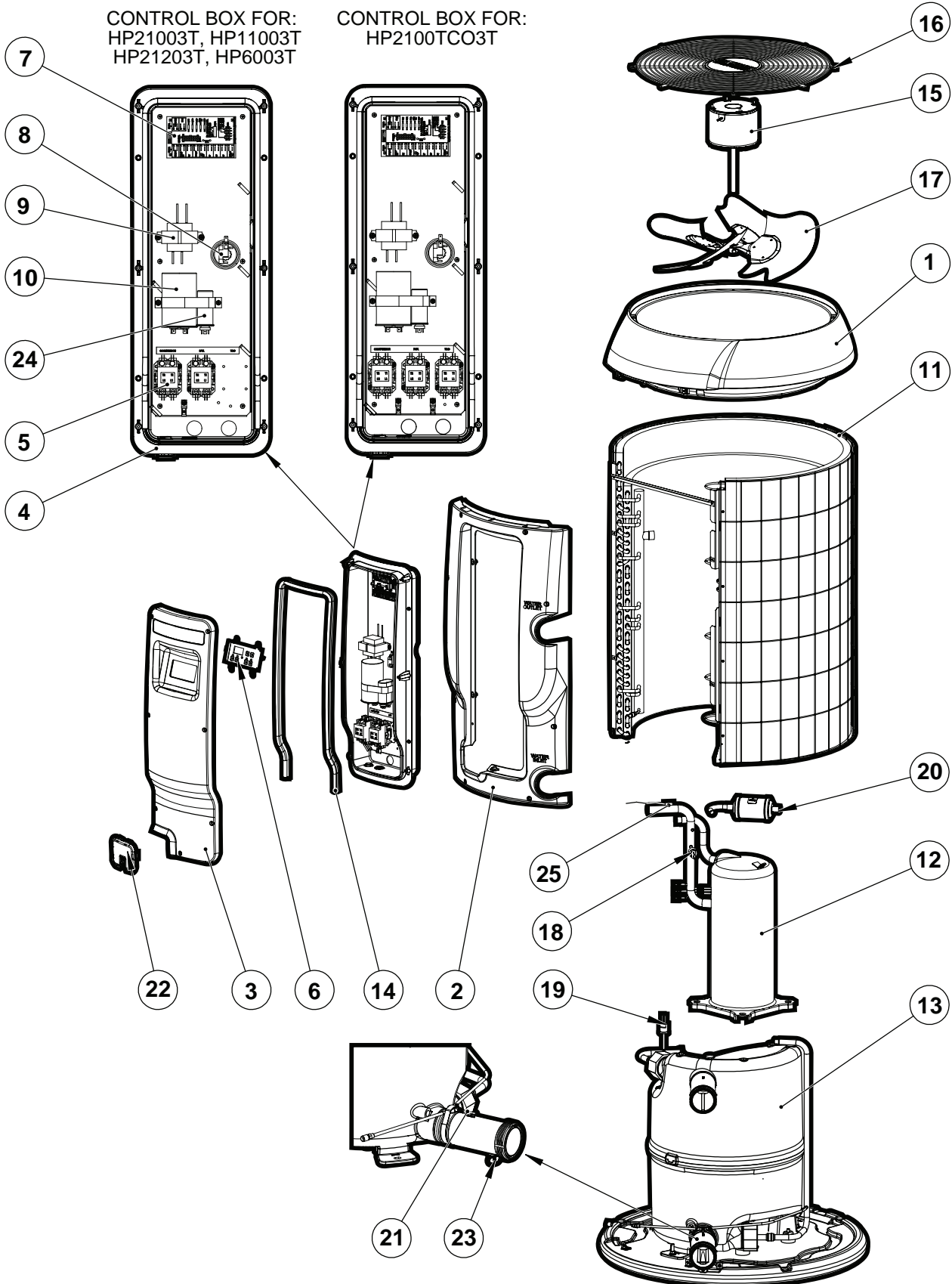


# HeatPro™

## HEAT PUMP REPLACEMENT PARTS

Parts Diagram: HP6003T, HP11003T, HP21003T, HP21203T, HP2100TCO3T

Heating



**Parts Listing: HP6003T, HP11003T, HP21003T, HP21203T, HP2100TC03T**

Ref. No.	Part No.	Description
1	HPX01023502	Fan Top
2	HPX01023503	Side Panel
3	HPX01023504	Control Box Cover
4	HPX01023505	Control Box
5	HPX1985	Contactora
6	HPX26024138	Control Board Assembly for HP21003T
6	HPX26024139	Control Board Assembly for HP21203T, HP21003T and HP6003T
6	HPX26024140	Control Board Assembly for HP2100TC03T
7	HPX11024130	Interface Board
8	HPX2181	Water Pressure Switch
9	HPX11023693	Transformer
10	HPX11024154	Capacitor for HP21003T, HP2100TC03T, HP11003T and HP6003T, 60 uF / 440 VAC
10	HPX11024155	Capacitor for HP21203T, 80 uF / 370 VAC
11	HPX24023929	Bent Coil with Guard
12	HPX11023911	Compressor for HP21203T
12	HPX11024170	Compressor for HP21003T, HP2100TC03T and HP11003T
12	HPX11024077	Compressor for HP6003T
13	HPX24023941	Condenser - NLA
14	HPX05023549	Cover Gasket
15	HPX11023564	Fan Motor, 1/3 H.P., 825 R.P.M
16	HPX01023561	Fan Guard
17	HPX15023562	Fan Blade
18	HPX2186	Replacement HP Switch
19	HPX2179	Replacement LP Switch
20	HPX15024023	Expansion Valve Assembly for HP21003T, HP2100TC03T, and HP11003T
	HPX15024316	Expansion Valve Assembly for HP21203T
20	HPX15024026	Expansion Valve Assembly for HP6003T
21	HPX2169	Temperature Sensor
22	HPX01023760	Electrical Entry Plug
23	SPX4000FG	Drain Plug
24	HPX11024151	Fan Run Capacitor, 7.5 uF / 370 VAC
25	HPX11024169	Defrost Sensor

**NOT PICTURED**

	HPX10023517	HPC Cable
	HPX02024108	Compressor Blanket
	HPXSCRKIT1	Screw Replacement Kit
	HPX0054	Compressor Mount Kit
	HPX2223	Compressor Electrical Plug
	SP14982S	Union + Nut
	SP14982C	Nut Only

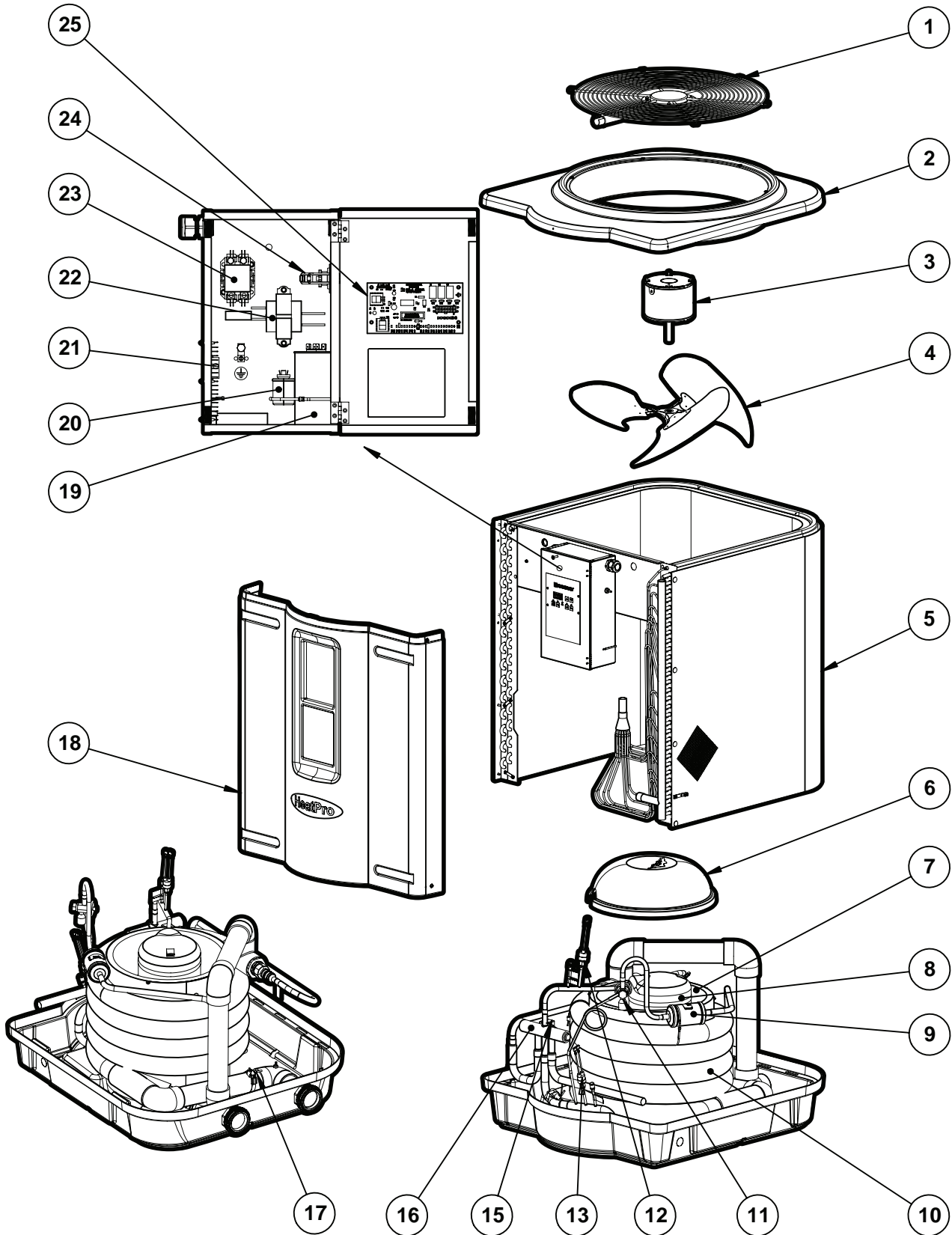


# HeatPro®

## 140,000 BTU HEAT COOL HEAT PUMP REPLACEMENT PARTS

Parts Diagram: HP21404T, HP21004T, HP21254T

Heating



**Parts Listing: HP21404T, HP21004T, HP21254T**

Ref. No.	Part No.	Description
1	SMX305000004	Fan Guard
2	SMX309077011	Top Panel
3	SMX300055036	Fan Motor
4	SMX303140003	Fan Blade
5	SMX305099004	Evaporator for HP21404T
	SMX24024408	Evaporator for HP21254T
	SMX24024411	Evaporator for HP21004T
6	SMX01024512	Plastic Dome
7	SMX26024728	Acoustic Panel for HP21404T
8	SMX11024201	Compressor for HP21404T
	SMX11017204	Compressor for HP21004T
	SMX11024201	Compressor for HP21254T
	SMX10024715	Compressor Plug (not shown)
9	HPX1462	Filter – Drier
10	SMX24024864	Heat-Exchanger for HP21404T
	SMX24024510	Heat Exchanger for HP21254
	SMX24024804	Heat Exchanger for HP21004T
11	SMX15024907	Thermal Expansion Valve (TXV) for HP21404T + HP21254T
	SMX15024595	Thermal Expansion Valve (TXV) for HPX21004TC
12	HPX11024258	High Pressure Switch
13	HPX11024259	Low Pressure Switch
14	SMX306000023	Defrost Sensor for HP21404T
15	SMX15024966	Solenoid Coil for HP31154T (N.A. for HP21404T)
16	SMX15024941	Reversing Valve for HP31154T (N.A. for HP21404T)
17	SMX306000024	Water Temperature Sensor for HP21404T, HP21254, HP21004
18	SMX309099023	Front Panel for HP21404T NS HP21254T
19	HPX11024743	Run Capacitor 80uF/370 VAC
20	HPX11024151	Fan Capacitor 7.5 uF/370 VAC
21	HPX11023509	Interface Board for HP31154T (N.A. for HP21404T)
22	HPX11023693	Transformer
23	HPX1985	Contactors
24	HPX2181	Water Pressure Switch
25	SMX306000016	Control Board for HP21404T, HP21254T, HP21004T
	SMX14024927	Consumer Kit (not shown)
	SMX300055113	Cover-Winter (not shown)
	SPX3200UNKIT	Union Connector Kit
	SMX15026191	Hot Gas Bypass Valve
	SMX26024728	Acoustic Cap SUM8TA, HP21404T



# HeatPro™

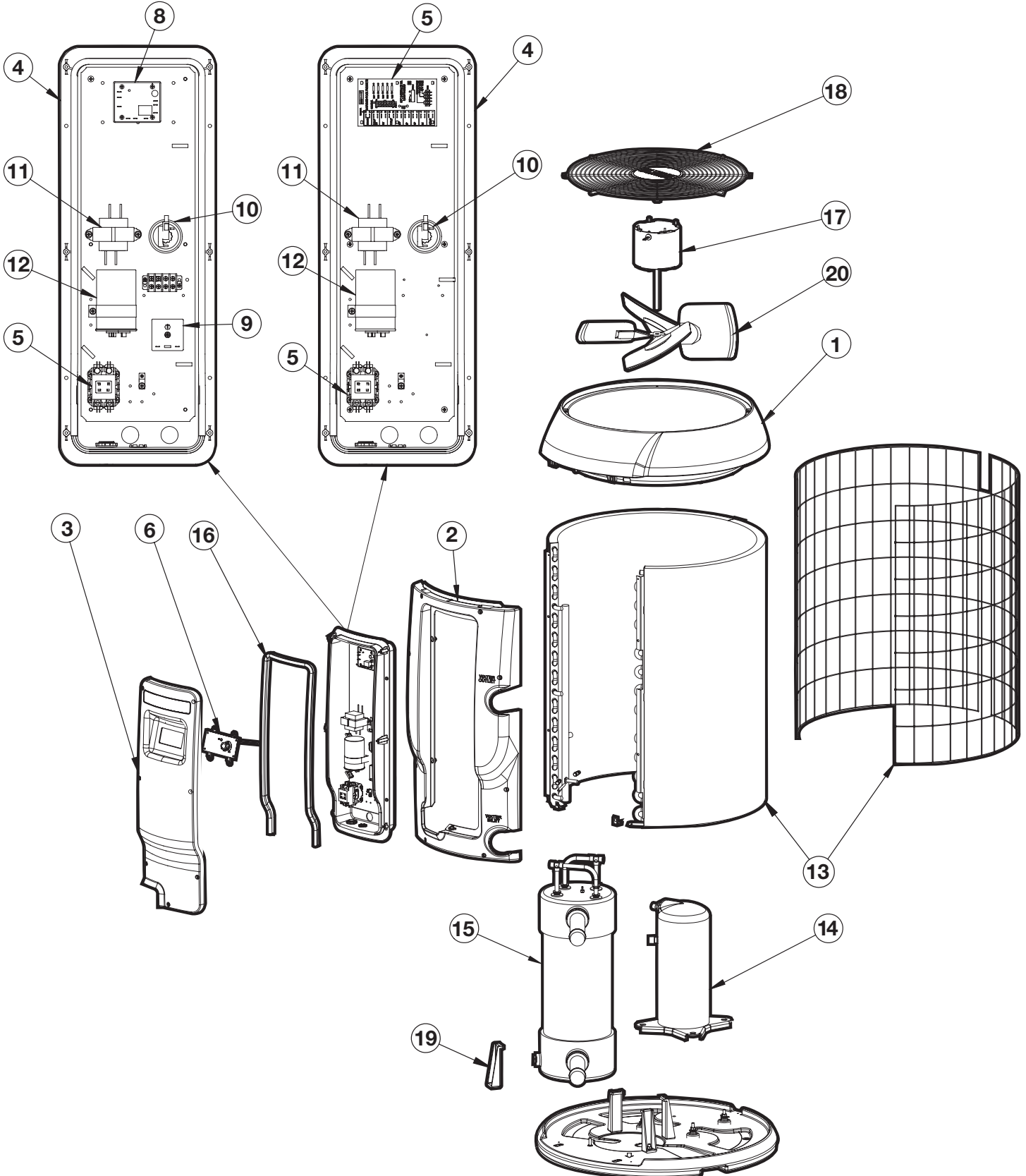
HEAT PUMP REPLACEMENT PARTS

Parts Diagram: HP21002, HP2100TC02, HP21002C, HP11002, HP6002

Analog Thermostat

Digital Thermostat

Heating







**Parts Diagram: HP21002, HP2100TC02, HP21002C, HP11002, HP6002**

Ref. No.	Part No.	Description
1	HPX01023502	Fan Top
2	HPX01023503	Side Panel
3	HPX01023504	Electrical Box Cover
4	HPX01023505	Control Box
5	HPX1985	Contactora
6	HPX26023631	Control Board Assembly – HP21002,02C, HP6002
	HPX26023632	Control Board Assembly – HP2100TC02
	HPX26023633	Control Board Assembly – HP11002
7	HPX11023509	Interface Board
8	HPX2134	Potted T'Stat Board – HP11002
9	HPX1483	Time Delay Relay – HP1102
10	HPX2181	Water Pressure Switch
11	HPX11023693	Transformer
12	HPX2040	Capacitor, 60 HF / 440 VAC
	HPX11023542	Capacitor – HP6002, 40 uF / 440 VAC
13	HPX24023528	Bent Coil with Guard
	HPX24023548	Bent Coil with Guard – HP6002
14	HPX1916	Compressor
	HPX1960	Compressor – HP6002
15	HPX24023619	Condenser
	HPX24023730 - NLA	Condenser – HP21002C - NLA
16	HPX05023549	Cover Gasket
17	HPX11023564	Fan Motor
18	HPX01023561	Fan Guard
19	HPX01023515	Condenser Bracket (Set of 4)
20	HPX15023562	Fan Blade

**NOT PICTURED**

—	HPX10023517	HPC Cable – HP21002, 02C, 2100TC02, HP6002
—	HPX2001	Bulb Well
—	HPX2179	Replacement LP Switch
—	HPX2186	Replacement HP Switch
—	HPX15023570	Expansion Valve Assembly – HP21002, 02C, 2100TC02, 11002
—	HPX15023600	Expansion Valve Assembly – HP6002
—	HPX15023676	Defrost Valve – HP21002C Only
—	HPX2169	Temperature Sensor
—	HPX0054	Compressor Mount Kit
—	HPX2223	Compressor Electric Plug
—	HPXFUSE1A	Kit – Fuse, 1 Amp (5 Pack)
—	SP14982S	Union + Nut

Heating



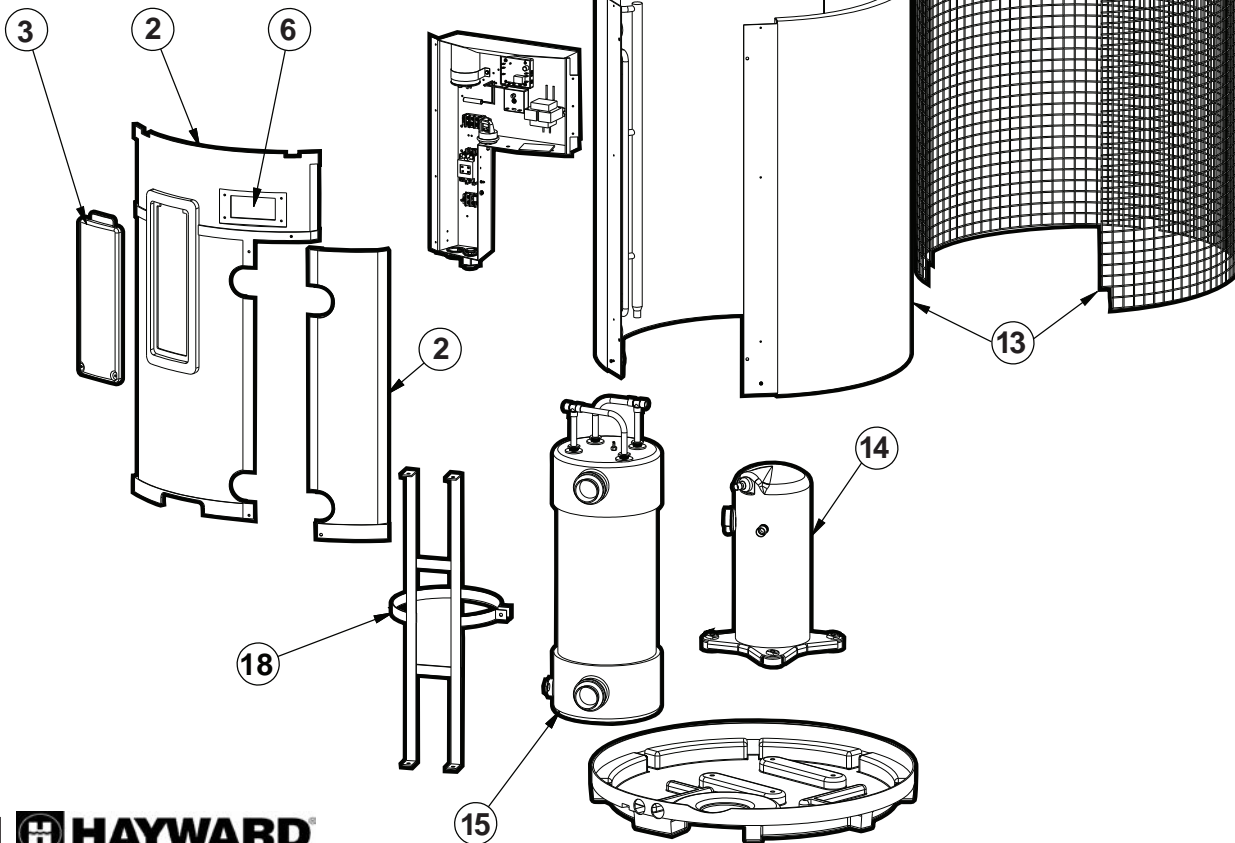
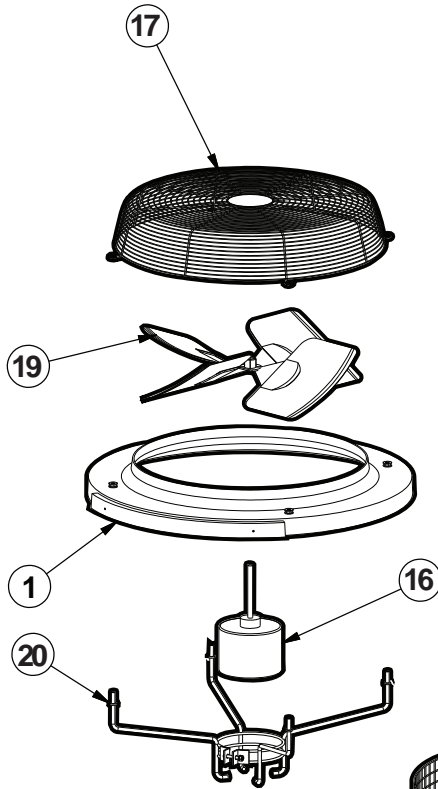
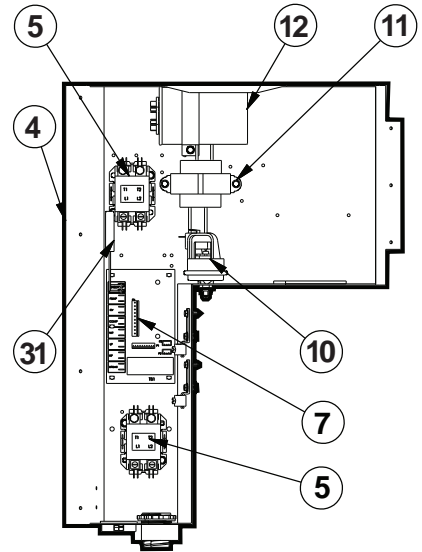
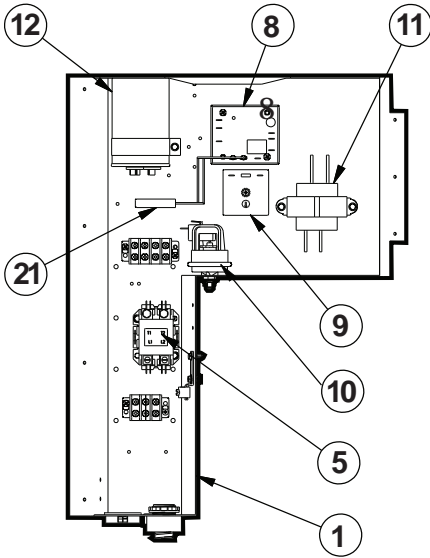
# HeatPro®

## HEAT PUMP REPLACEMENT PARTS

Parts Listing: HP2100, HP2100TC0, PE52A6TC0, HP1100, PE52A, HP600, PE42B2S, HPABGDELUXE

### Analog Thermostat

### Digital Thermostat



Heating

**Parts Listing: HP2100, HP2100TCO, HP1100, HP600, HPABGDELUXE**

Ref. No.	Part No.	Description
1	HPX2327	Fan Top
2	HPX2329	Side Panels – HP2100, HP2100TCO, HP1100, HP600, HPABGDELUXE
	HPX2330	Right Front Panel Taupe
3	HPX2331	Electrical Box Cover
4	HPX2294	Control Box
5	HPX1985	Contactors
6	HPXCTLKIT1	Control Board Assembly – HP2100
	HPX2289	Control Board Assembly – HP2100TCO
	HPX26023633	Control Board Assembly – HP1100,HP600, HPABGDELUXE
7	HPX2227	Interface Board – HP2100, HP2100TCO
8	HPX2134	Potted T'Stat Board – HP1100 HP600, HPABGDELUXE
9	HPX1483	Time Delay Relay – HP1100, HP600, HPABGDELUXE
10	HPX2181	Water Pressure Switch
11	HPX11023693	Transformer
12	HPX2040	Capacitor, 60 HF / 440 VAC
	HPX11023542	Capacitor – HP600, HPABGDELUXE, 40 uF / 440 VAC
13	HPX1448ALT	Bent Coil with Guard
14	HPX1916	Compressor
	HPX1960	Compressor – HP600, HPABGDELUXE
15	HPX24023619	Condenser
16*	HPX11031134*	Fan Motor
17	HPX0970	Fan Guard
18	HPX2297	Condenser Bracket
19	HPX689	Fan Blade
20	HPX1140	Fan Mounting Bracket
21	HPX2169	Temperature Sensor

**NOT PICTURED**

—	HPX2229	Cover Gasket
—	HPX2268	Wiring Harness PST, HP2100
—	HPX2235	Wiring Harness PST, HP2100TCO
—	HPX2001	Bulb Well
—	HPX2179	Replacement LP Switch
—	HPX2186	Replacement HP Switch
—	HPX15023570	Expansion Valve Assembly
—	HPX15023600	Expansion Valve Assembly – HP600 HPABGDELUXE
—	HPX2261A	Tie-Down Kit
—	HPX2169	Temperature Sensor
—	HPX0054	Compressor Mount Kit
—	HPX2223	Compressor Electric Plug
—	SP14982S	Union + Nut

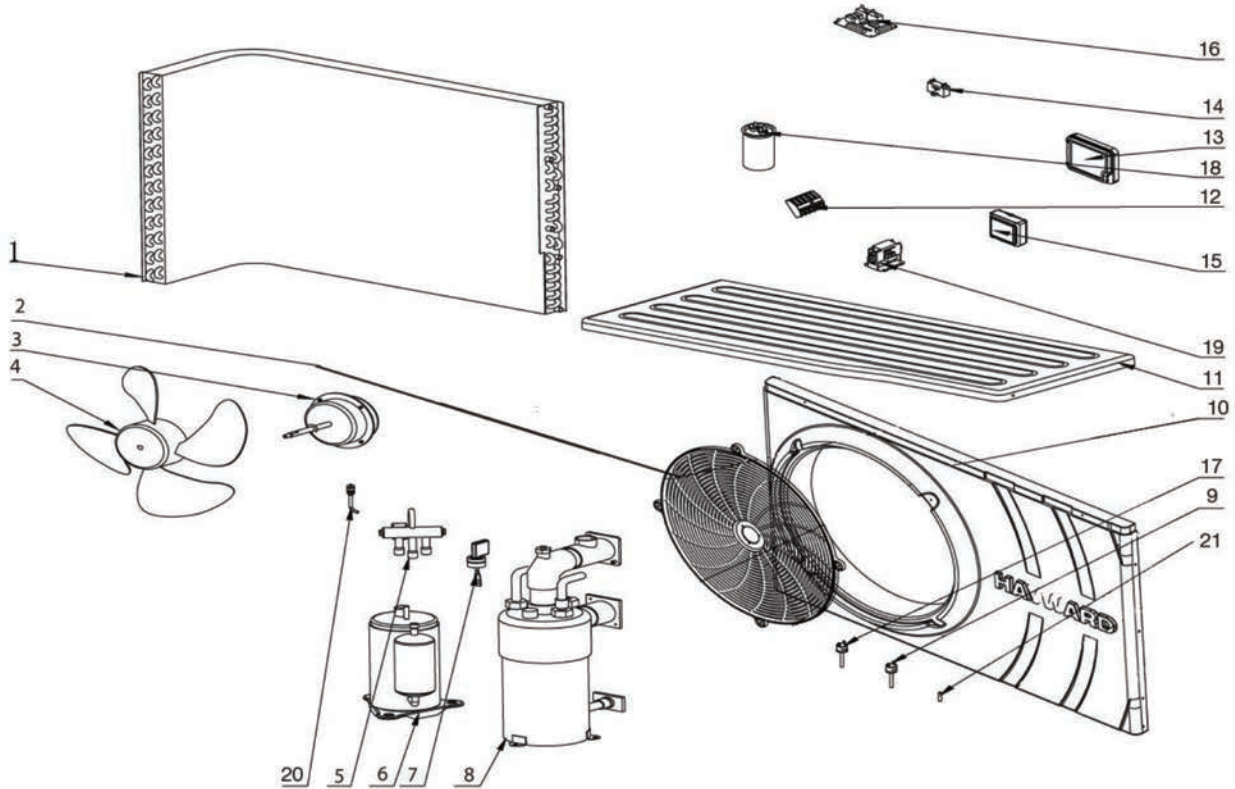
\*Use part HPX1103113440 on units HP600, HPABDELUXE built prior to S/N 21120502006396001.



# HP50A

## HEAT PUMP REPLACEMENT PARTS

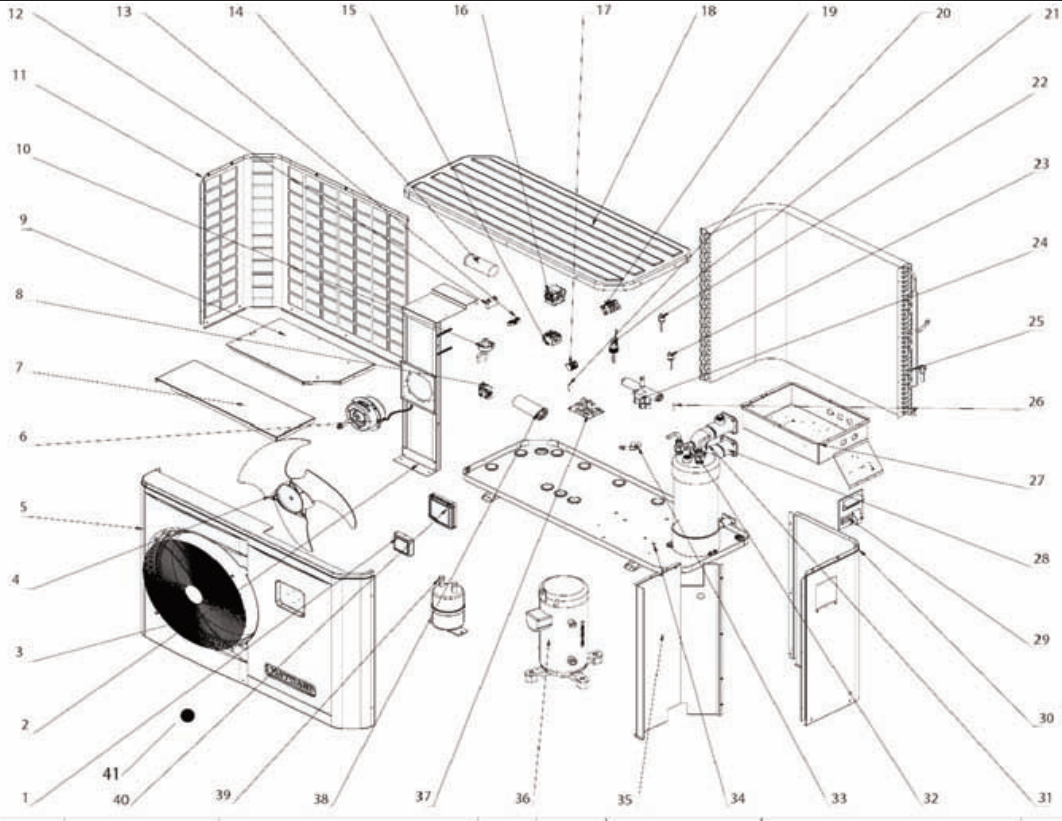
### Parts Listing: HP50A



Heating

Ref. No.	Part No.	Description
1	HPX32012-120020	Evaporator
2	HPX20000-220188	Fan Net
3	HPX20000-330124	Fan Motor
4	HPX3500-2701	Axis blower Fan
5	HPX2001-1418	4-Way Valve
6	HPX20000-110041	Compressor
7	HPX20000-360005	Water Flow Switch
8	HPX32012-120014	Titanium Tube Heat Exchanger
9	HPX2001-3605	High Pressure Switch
10	HPX32012-220044	Front Panel
11	HPX32012-220045	Cover
12	HPX2001-3907	Terminal
13	HPX2000-2111	Waterproof Cover
14	HPX2000-350012	Fan Capacitor
15	HPX95005-310188	LCD Controller
16	HPX35005-310145	Main Control Board
17	HPX2000-3603	Low Pressure Switch
18	HPX2000-3505	Compressor Capacitor
19	HPX20000-360006	AC Contactor
20	HPX20000-140153	Needle Valve
21	HPX2000-3242	Sensor, water, air

**Parts Listing: HP65A**



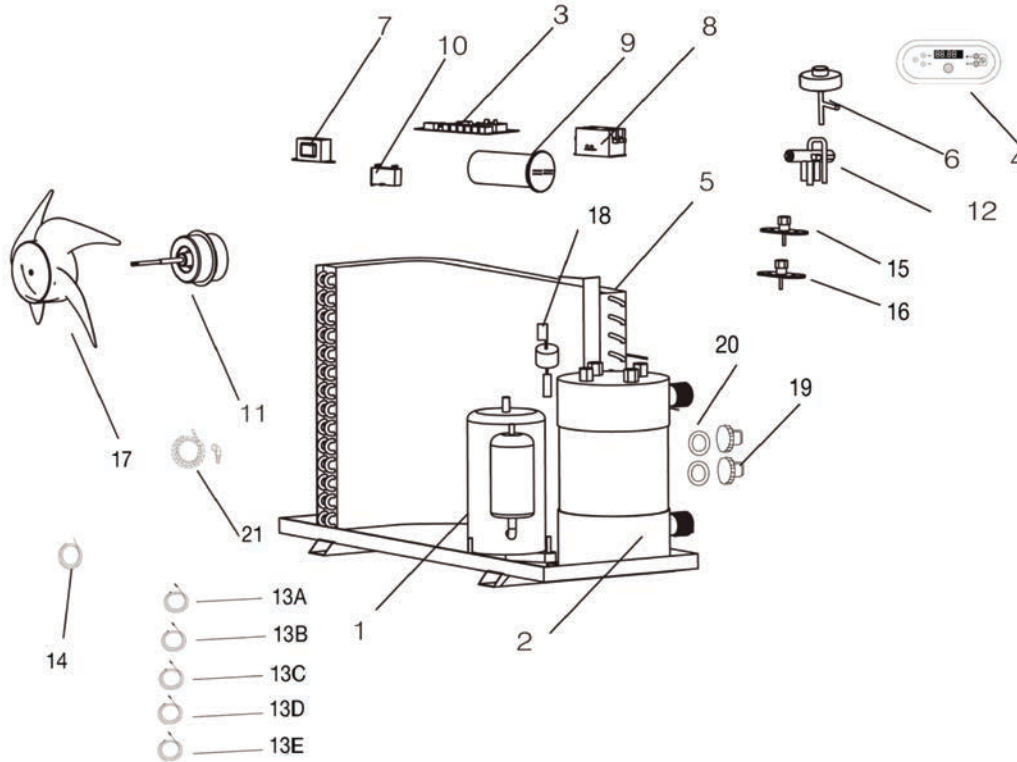
Ref. No.	Part No.	Description	Ref. No.	Part No.	Description
1	HPXLCD65	LCD Controller	29	-	Protection Cover
2	HPX320009-210092	Fan Motor Bracket	30	-	Right Panel
4	HPX2000-2705	Fan Blade	31	HPX2000-3242	Water outlet Sensor
6	HPX2001-3328	Fan Motor	32	HPX20000-3242	Water Inlet Sensor
7	-	Support Panel	33	HPX2000-1345	Drain Plug
8	HPX20000-370003	Transformer	34	-	Bottom Panel
9	-	Electrical Box Cover	35	-	Center Wall
10	HPX20000-140151	Electronic Expansion Valve	36	HPX20000-110038	Compressor
11	-	Back Panel	37	HPXMCB65	PCB Board
12	HPX2000-3508	Fan Motor Capacitor 40 uF / 450 VAC	38	HPX2000-3510	Compressor Capacitor 60 uF / 450 VAC
13	-	Terminal Block 2 Connection	40	HPX20000-220068	Waterproof Cover
14	HPX2000-3524	Compressor Start Capacitor		HPX2000-3909	Terminal Block 2
15	HPCX20000-36035	Relay		HPX2001-3907	Terminal Block 5
16	HPX2000-360035	Compressor Contactor			
17	-	Terminal Block 3 Connection			
18	-	Top Cover			
19	-	Terminal Block 3 Connection			
20	HPX2000-3242	Coil Temperature Sensor			
21	HPX20000-360005	Flow Switch			
22	HPX2001-3605	High Pressure Switch			
23	HPX2000-3603	Low Pressure Switch			
24	HPX2001-1491	4 Way Valve			
25	HPX35012-120001	Fin Coil			
26	HPX2000-3242	Air Temp. Sensor			
27	-	Electrical Box Cover			
28	HPX32009-120013	PVC-Titanium Condenser			



# HP40B, HP50B, HP65B

HEAT PUMP REPLACEMENT PARTS

## Parts Listing: HP40B, HP50B, HP65B



### HP40B

Ref. No.	Part No.	Description
1	HPXWS40CCC	Compressor
2	HPXWS40THE	Titanium Heat Exchanger
3	HPXWS40PCB	PC Board Fairland
4	HPXWS40IL	LCD Controller Fairland
5	HPXWS40E	Evaporator
6	-	-
7	HPXWS40T	Fairland Transformer
8	HPXWS40C	Fairland Contactor
9	HPXWS40CC	Compressor Capacitor
10	HPXWS40FMC	Fan Motor Capacitor
11	HPXWS40FM	Fan Electric Motor
12	HPXWS40FWV	4-Way Valve
13A	HPXWS40TMP	Pool Water Temp Sensor
13B	-	-
13C	HPXWS40TMP	Heating Coil Pipe Temp Sensor
13D	-	-
13E	HPXWS40ETS	Exhaust Temp Sensor
14	HPXWS40ATS	Air Temp Sensor
15	HPXWS40HPS	High Pressure Valve
16	HPXWS40LPS	Low Pressure Valve
17	HPXWS40F	Fan
18	HPXWS40WFW	Water Flow Switch
19	HPXWS40WN	Quick Connect
20	HPXWS40WNG	Union Kit
21	HPXWS40DTJ	Draining Tube & Black Joint



# HP40B, HP50B, HP65B

HEAT PUMP REPLACEMENT PARTS



Heating

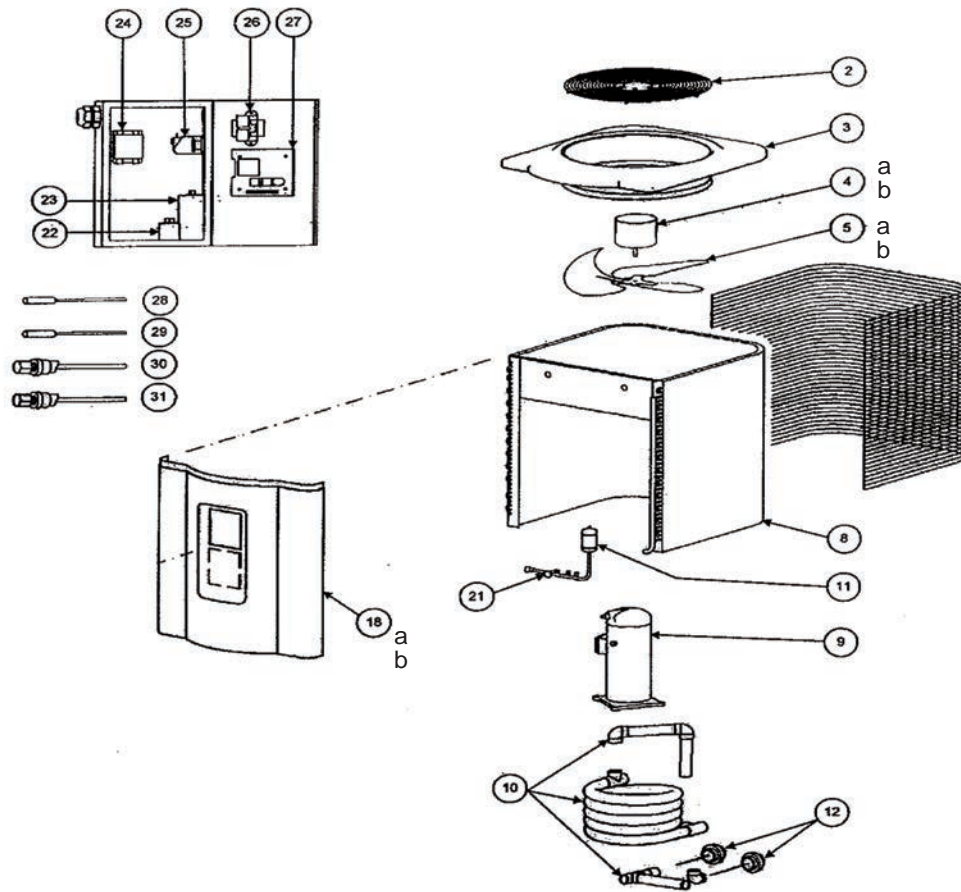
<b>HP50B</b>		
Ref. No.	Part No.	Description
1	HPXWS50CCC	Compressor
2	HPXWS50THE	Titanium Heat Exchanger
3	HPXWS56PCB	PC Board Fairland
4	HPXWS56IL	LCD Controller Fairland
5	HPXWS50E	Evaporator
6	HPXWS50EV	Expansion Valve
7	HPXWS56T	Fairland Transformer
8	HPXWS56C	Fairland Contactor
9	HPXWS56CC	Compressor Capacitor
10	HPXWS50FMC	Fan Motor Capacitor
11	HPXWS50FM	Fan Electric Motor
12	HPXWS56FWV	4-Way Valve
13A	HPXWS56TMP	Pool Water Temp Sensor
13B	HPXWS56TMP	Cooling Coil Pipe Temp Sensor
13C	HPXWS56TMP	Heating Coil Pipe Temp Sensor
13D	HPXWS56TMP	Gas Return Temp Sensor
13E	-	-
14	HPXWS56ATS	Air Temp Sensor
15	HPXWS56HPS	High Pressure Valve
16	HPXWS56LPS	Low Pressure Valve
17	HPXWS50F	Fan
18	HPXWS56WFW	Water Flow Switch
19	HPXWS56WN	Quick Connect
20	HPXWS56WNG	Union Kit
21	HPXWS56DTJ	Draining Tube & Black Joint

<b>HP65B</b>		
Ref. No.	Part No.	Description
1	HPXWS65CCC	Compressor
2	HPXWS65THE	Titanium Heat Exchanger
3	HPXWS56PCB	PC Board Fairland
4	HPXWS56IL	LCD Controller Fairland
5	HPXWS65E	Evaporator
6	HPXWS65EV	Expansion Valve
7	HPXWS56T	Fairland Transformer
8	HPXWS56C	Fairland Contactor
9	HPXWS56CC	Compressor Capacitor
10	HPXWS65FMC	Fan Motor Capacitor
11	HPXWS65FM	Fan Electric Motor
12	HPXWS56FWV	4-Way Valve
13A	HPXWS56TMP	Pool Water Temp Sensor
13B	HPXWS56TMP	Cooling Coil Pipe Temp Sensor
13C	HPXWS56TMP	Heating Coil Pipe Temp Sensor
13D	HPXWS56TMP	Gas Return Temp Sensor
13E	-	-
14	HPXWS56ATS	Air Temp Sensor
15	HPXWS56HPS	High Pressure Valve
16	HPXWS56LPS	Low Pressure Valve
17	HPXWS65F	Fan
18	HPXWS56WFW	Water Flow Switch
19	HPXWS56WN	Quick Connect
20	HPXWS56WNG	Union Kit
21	HPXWS56DTJ	Draining Tube & Black Joint



# Summit & HeatMaster

## HEAT PUMP REPLACEMENT PARTS



Heating

### Parts Listing: SUM25T, SUM3T, SUM4T, SUM5T, SUM7T

Ref. No.	Part No.	Description
2	SMX305000004	Motor Support Grid
3a	SMX309077011	Top Panel - Tan
3b	SMX309077021	Top Panel - Black
4a	SMX303088001	Fan Motor (2.5T, 3T, 4T)
4b	SMX300055036	Fan Motor (5T, 7T)
5a	SMX303140002	Fan Blade (2.5T, 3T, 4T)
5b	SMX303140003	Fan Blade (5T, 7T)
8	SMX305099004	Coil
9	SMX301140003	Compressor
11	SMX300055034	Filter - Dryer
12	SMX300055073	Coupling
18a	SMX309077013	Front Panel (2.5T)
18b	SMX309099013	Front Panel (3T, 4T, 5T)
18c	SMX309099015	Front Panel (7T)
21a	SMX305077002	Expansion Valve (2.5T)
21b	SMX305040001	Expansion Valve (3T)
21c	SMX305050001	Expansion Valve (4T)
21d	SMX305055001	Expansion Valve (5T)
21e	SMX305099006	Expansion Valve (7T)
22	SMX306088001	Fan Run Capacitor 5 UF / 370 VAC
23	HPX11024270	Compressor Run Capacitor 45 UF / 370 VAC
26	SMX306000004	Transformer
27	SMX306000016	Electronic Board
28	SMX306000023	Air Temperature Probe
29	SMX306000024	Water Temperature Probe
30	SMX306000001	Low Pressure Switch
31	SMX306000002	High Pressure Switch
	SMX307000010	Check Valve

# Summit & HeatMaster

HEAT PUMP REPLACEMENT PARTS



Heating

**Parts Listing: SUM25TA, SUM3TAC, SUM45TAC, SUM5TAC, SUM8TA, HML50TA, HML65TA, HML80TA, HML110TA, HML125TA**

Ref. No.	Part No.	Description
4a	SMX303088001	Fan Motor (2.5TA, 3TAC, 45TAC, HML50TA, HML65TA, HML80TA)
4b	SMX300055036	Fan Motor (5TAC, 8TA, HML110TA, HML125TA)
9	SMX11024624	Compressor (2.5TA, HML50TA)
9	SMX11024622	Compressor (3TAC, HML65TA)
9	SMX11024621	Compressor (45TAC) HML80TA
9	SMX301150010	Compressor (5TAC) HML110TA
9	SMX11024201	Compressor (8TA) HML125TA
10	SMX24024500	Condenser (2.5TA, HML50TA)
10	SMX24024804	Condenser (3TAC, 45TAC, HML65TA, HML80TA)
10	SMX24024804	Condenser (45TAC) HML80TA
10	SMX24024509	Condenser (5TAC) HML110TA
10	SMX24024864	Condenser (8TA)
10	SMX24024509	Condenser (HML80TA)
10	SMX24024510	Condenser (HML125TA)
11	HPX1462	Filter Dryer
12	SPX3200UNKIT	Coupling
21	SMX15024592	TXV Assembly (2.5TA, HML50TA)
21	SMX15024593	TXV Assembly (3TAC, HML65TA)
21	SMX15024594	TXV Assembly (45TAC, HML80TA)
21	SMX15024595	TXV Assembly (5TAC, HML110TA)
21	SMX15024907	TXV Assembly (8TA) HML125TA
22	SMX306088001	Fan Run Capacitor (2.5TA, 3TAC, 45TAC, HML50TA, HML65TA, HML80TA) 5uF / 370 VAC
22	HPX11024151	Fan Run Capacitor (5TAC, 8TA, HML110TA, HML125TA) 7.5uF / 370 VAC
23	SMX306150002	Compressor Capacitor (2.5TA, HML50TA) 50 uF / 440 VAC
23	HPX11024154	Compressor Capacitor (3TAC, HML65TA) 60 uF / 440 VAC
23	HPX11024272	Compressor Capacitor (45TAC, HML80TA) 70uF / 370 VAC
23	HPX11024743	Compressor Capacitor (5TAC, 8TA, HML110TA, HML125TA) 80 uF / 370 VAC
24	HPX1985	Contactora
25	HPX2181	Water Pressure Switch
26	HPX11023693	Transformer
27	SMX306000016	Control Board Assembly
28	SMX306000023	Defrost (Coil) Sensor
29	SMX306000024	Water Sensor
30	HPX11024259	LP Switch
31	HPX11024258	HP Switch
-	SMX306066002	Compressor Elect. Plug(NS)
-	SMX15026191	Hot Gas Bypass Valve
-	SMX26024729	Acoustic Cap, 50K BTU's
-	SMX26024728	Acoustic Cap, HML125BTA
-	SMX26024537	Acoustic Cap, 65K, 80K, 110K BTU's

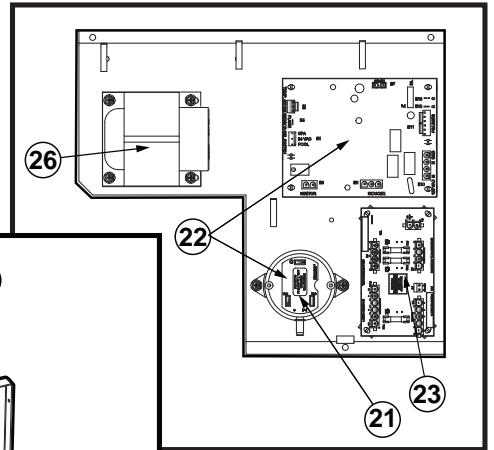
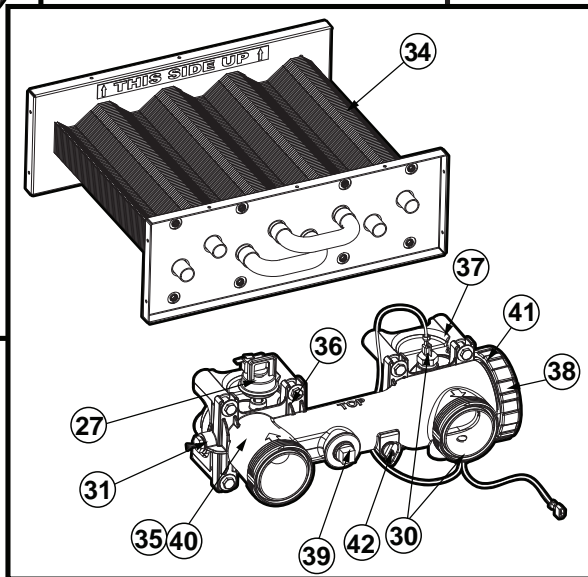
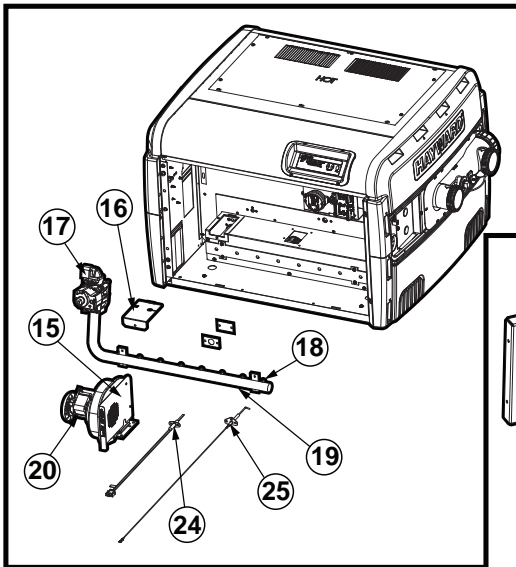
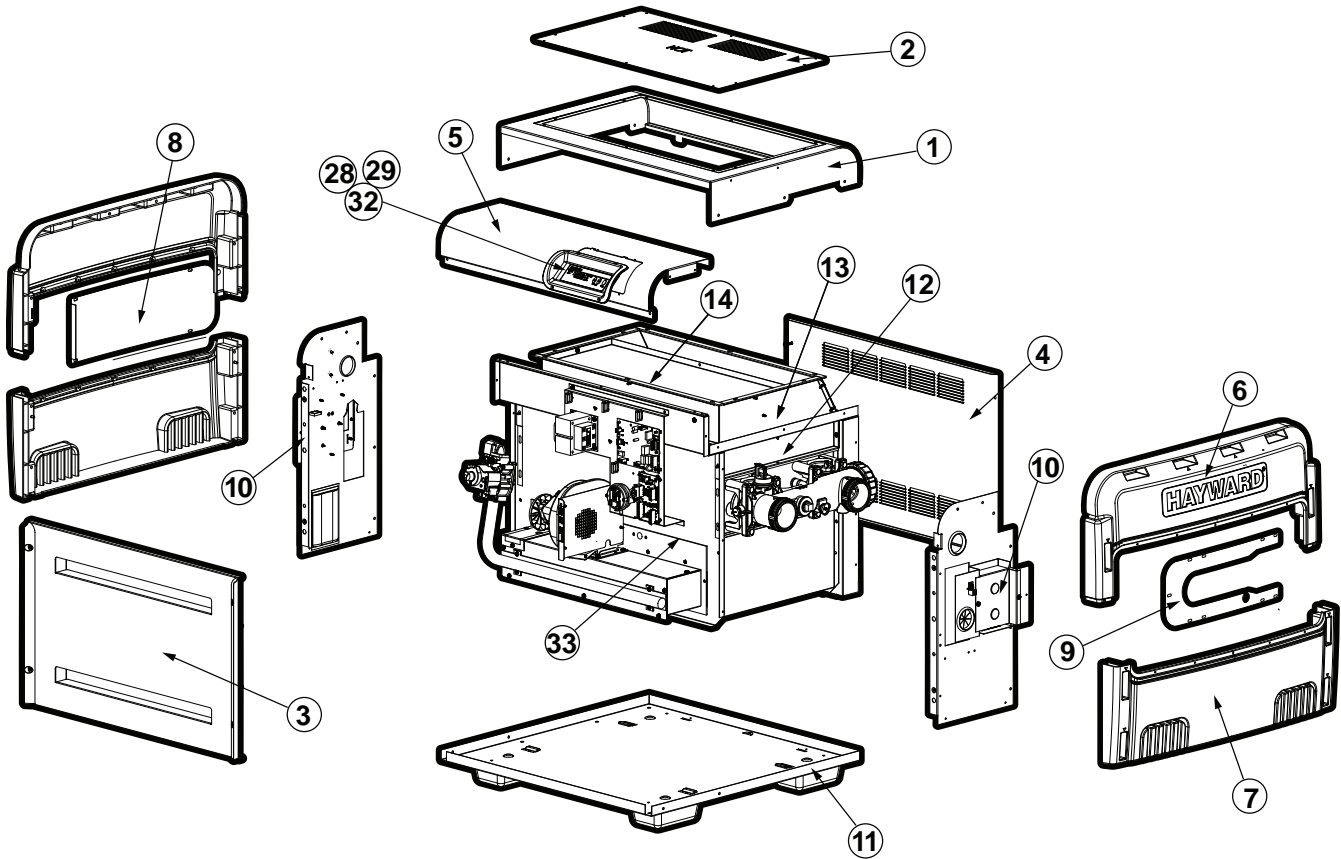


# Universal H-Series Low NOx

REPLACEMENT PARTS

Parts Diagram: H150FD, H200FD, H250FD, H300FD, H350FD, H400FD

Heating



# Universal H-Series Low NOx

REPLACEMENT PARTS



Heating

## Parts Listing: H150FD, H200FD, H250FD, H300FD, H350FD, H400FD

Ref. No.	Part No.	Description	Ref. No.	Part No.	Description	Ref. No.	Part No.	Description
1	FDXLJKT1150	Jacket Top and Flue Cover – H150FD	19	FDXLMAN1300	Gas Manifold – H300FD	—	UHXHD6PIPE36	Heatfab Stainless Vent Kit, 6" Vent Pipe, 36" Long
1	FDXLJKT1200	Jacket Top and Flue Cover – H200FD	19	FDXLMAN1350	Gas Manifold – H350FD	—	UHXHD8STEM	Heatfab Stainless Vent Kit, 8" Horizontal Straight Terminal
1	FDXLJKT1250	Jacket Top and Flue Cover – H250FD	19	FDXLMAN1400	Gas Manifold – H400FD	—	UHXHD8ELBOW	Heatfab Stainless Vent Kit, 8" 90° Elbow
1	FDXLJKT1250A	Jacket Top, Gray, ASME – H250FD	20	FDXLBWR1930	Combustion Blower – FD	—	UHXHD8PIPE18	Heatfab Stainless Vent Kit, 8" Vent Pipe, 18" Long
1	FDXLJKT1300	Jacket Top and Flue Cover – H300FD	21	FDXLBVS1930	Blower Vacuum Switch	—	UHXHD8PIPE24	Heatfab Stainless Vent Kit, 8" Vent Pipe, 24" Long
1	FDXLJKT1350	Jacket Top and Flue Cover – H350FD	22	FDXLCIB1930	Integrated Control Board – FD	—	UHXHD8PIPE36	Heatfab Stainless Vent Kit, 8" Vent Pipe, 36" Long
1	FDXLJKT1400	Jacket Top and Flue Cover – H400FD	23	FDXLBWP1930	Field Wiring Panel – FD	—	UHXNEGVT11501	Indoor Vent Adapter Kit, H150FD, Negative-Pressure (Vertical)
1	FDXLJKT1400A	Jacket Top, Gray, ASME – H400FD	24	FDXLIGN1930	Ignitor – FD	—	UHXNEGVT12001	Indoor Vent Adapter Kit, H200FD, Negative-Pressure (Vertical)
2	FDXLTFC1150	Top/Flue Cover – H150FD	25	IDXFLS1930	Flame Sensor	—	UHXNEGVT12501	Indoor Vent Adapter Kit, H250FD, Negative-Pressure (Vertical)
2	FDXLTFC1200	Top/Flue Cover – H200FD	26	IDXL2TRF1930	Transformer	—	UHXNEGVT13001	Indoor Vent Adapter Kit, H300FD, Negative-Pressure (Vertical)
2	FDXLTFC1250	Top/Flue Cover – H250FD	27	FDXLWPS1930	Water Pressure Switch	—	UHXNEGVT13501	Indoor Vent Adapter Kit, H350FD, Negative-Pressure (Vertical)
2	FDXLTFC1250A	Top Flue Cover, Gray, ASME – H250FD	28	IDXL2DB1930	Display Board Only	—	UHXNEGVT14001	Indoor Vent Adapter Kit, H400FD, Negative-Pressure (Vertical)
2	FDXLTFC1300	Top/Flue Cover – H300FD	29	FDXLBKP1930	Bezel and Keypad Assembly, Taupe	—	UHXPOSHZ11501	Indoor Vent Adapter Kit, H150FD, Positive-Pressure (Horizontal)
2	FDXLTFC1350	Top/Flue Cover – H350FD	29	FDXLBKP1931	Bezel and Keypad Assembly, Blue	—	UHXPOSHZ12001	Indoor Vent Adapter Kit, H200FD, Positive-Pressure (Horizontal)
2	FDXLTFC1400	Top/Flue Cover – H400FD	30	FDXHLHL1930	High Limit 135°F	—	UHXPOSHZ12501	Indoor Vent Adapter Kit, H250FD, Positive-Pressure (Horizontal)
2	FDXLTFC1400A	Top Flue Cover, Gray, ASME – H400FD	31	FDXLTER1930	Thermistor	—	UHXPOSHZ13001	Indoor Vent Adapter Kit, H300FD, Positive-Pressure (Horizontal)
3	FDXLFAD1150	Front Access Door Assembly – H150FD	32	FDXLGSK1932	Gasket, Bezel/Top – FD	—	UHXPOSHZ13501	Indoor Vent Adapter Kit, H350FD, Positive-Pressure (Horizontal)
3	FDXLFAD1200	Front Access Door Assembly – H200FD	33	FDXLGSK1934	Gasket, CC Front/Air Box – FD All Models	—	UHXPOSHZ14001	Indoor Vent Adapter Kit, H400FD, Positive-Pressure (Horizontal)
3	FDXLFAD1250	Front Access Door Assembly – H250FD	34	FDXLHXA1150	Heat Exchanger Assembly – H150FD	—	UHXPOSHZ14001	Indoor Vent Adapter Kit, H400FD, Positive-Pressure (Horizontal)
3	FDXLFAD1250A	Front Door Assembly, Gray, ASME – H250FD	34	FDXLHXA1200	Heat Exchanger Assembly – H200FD	—	UHXPOSHZ14001	Indoor Vent Adapter Kit, H400FD, Positive-Pressure (Horizontal)
3	FDXLFAD1300	Front Access Door Assembly – H300FD	34	FDXLHXA1250	Heat Exchanger Assembly – H250FD	—	UHXPOSHZ14001	Indoor Vent Adapter Kit, H400FD, Positive-Pressure (Horizontal)
3	FDXLFAD1350	Front Access Door Assembly – H350FD	34	FDXLHXA1300	Heat Exchanger Assembly – H300FD	—	UHXPOSHZ14001	Indoor Vent Adapter Kit, H400FD, Positive-Pressure (Horizontal)
3	FDXLFAD1400	Front Access Door Assembly – H400FD	34	FDXLHXA1350	Heat Exchanger Assembly – H350FD	—	UHXPOSHZ14001	Indoor Vent Adapter Kit, H400FD, Positive-Pressure (Horizontal)
3	FDXLFAD1400A	Front Access Door Assembly, Gray, ASME – H400FD	34	FDXLHXA1400	Heat Exchanger Assembly – H400FD	—	UHXPOSHZ14001	Indoor Vent Adapter Kit, H400FD, Positive-Pressure (Horizontal)
4	FDXLRAD1150	Rear Access Door Assembly – H150FD	34	FDXLHXA1400A	Heat Exchanger Assembly, ASME – H400FD	—	UHXPOSHZ14001	Indoor Vent Adapter Kit, H400FD, Positive-Pressure (Horizontal)
4	FDXLRAD1200	Rear Access Door Assembly – H200FD	35	FDXLHHA1930	Header Assembly	—	UHXPOSHZ14001	Indoor Vent Adapter Kit, H400FD, Positive-Pressure (Horizontal)
4	FDXLRAD1250	Rear Access Door Assembly – H250FD	36	FDXLHDW1930	Header Hardware Kit	—	UHXPOSHZ14001	Indoor Vent Adapter Kit, H400FD, Positive-Pressure (Horizontal)
4	FDXLRAD1250A	Rear Door Assembly, Gray, ASME – H250FD	37	FDXLHMB1930	Header Mounting Base Kit	—	UHXPOSHZ14001	Indoor Vent Adapter Kit, H400FD, Positive-Pressure (Horizontal)
4	FDXLRAD1300	Rear Access Door Assembly – H300FD	38	FDXLBPK1930	Bypass Cartridge Kit	—	UHXPOSHZ14001	Indoor Vent Adapter Kit, H400FD, Positive-Pressure (Horizontal)
4	FDXLRAD1350	Rear Access Door Assembly – H350FD	39	CHXPLG1930	3/4" NPT Brass Plug	—	UHXPOSHZ14001	Indoor Vent Adapter Kit, H400FD, Positive-Pressure (Horizontal)
4	FDXLRAD1400	Rear Access Door Assembly – H400FD	40	FDXLHHA1930	Header Assembly	—	UHXPOSHZ14001	Indoor Vent Adapter Kit, H400FD, Positive-Pressure (Horizontal)
4	FDXLRAD1400A	Rear Door Assembly, Gray, ASME – H400FD	41	FDXLBPK1930	Header Cartridge Retaining Nut	—	UHXPOSHZ14001	Indoor Vent Adapter Kit, H400FD, Positive-Pressure (Horizontal)
5	FDXLTFP1150	Top and Front Panel – H150FD	42	SPX4000FG	Drain Plug with Gasket	—	UHXPOSHZ14001	Indoor Vent Adapter Kit, H400FD, Positive-Pressure (Horizontal)
5	FDXLTFP1200	Top and Front Panel – H200FD	43	SPX3200UNKIT	Union Kit	—	FDXLTDK1930	Tie-Down Kit – FD
5	FDXLTFP1250	Top and Front Panel – H250FD	44	SPX3200UG	Union Gasket (Pack of 2)	—	FDXLWHA0001*	Wiring Harness Kit Complete – FD
5	FDXLTFP1250A	Top Front Panel, Gray, ASME – H250FD				—	FDXLWHA1930**	Wiring Harness Kit Complete – FD
5	FDXLTFP1300	Top and Front Panel – H300FD				—	FDXLCNK0001	Conversion Kit – NA to LP
5	FDXLTFP1350	Top and Front Panel – H350FD	—	FDXLGSK1933	Return Side T-Insulation Kit	—	FDXLCNK0002	Conversion Kit – LP to NA
5	FDXLTFP1400	Top and Front Panel – H400FD	—	FDXLGND1930	Bonding Kit	—	FDXLHAK1930	Conversion Kit, H150FD-H400FD High-Altitude, 2,000-10,100 ft.
5	FDXLTFP1400A	Top Front Panel, Gray, ASME – H400FD	—	IDXL2SNT1930	Pressure Switch Tubing	—	FDXLSVS1930	Voltage Selector Jumpers
6	FDXLUCC1930	Upper End Cap – FD	—	FDXLBRLN1930	Burner	—	FDXLSKF30	Fuse Kit, 3.0A, for Field Wiring Panel (Qty. 10)
7	FDXLUCC1930	Lower End Cap – FD	—	SPX3200UG	Union Gasket (Pack of 2)	—	FDXLSKF15	Fuse Kit, 1.5A, for Field Wiring Panel (Qty. 10)
8	FDXLLTP1930	Left Trim Panel Kit	—	FDXLFSK1930	Fuse Service Kit – FD	—	FDXLSKF25	Fuse Kit, 2.5A, for Field Wiring Panel (Qty. 10)
9	FDXLRTP1930	Right Trim Panel Kit	—	FDXLCBC1930*	Control Box Cover Assembly	—	FDXLSKF30	Fuse Kit, 3.0A, for Integrated Control Board (Qty. 10)
10	FDXLCB1930*	Left Connection Box – FD	—	FDXLGSK1930	Gasket Kit – Air Side (all models)	—	FDXLSKF30	Fuse Kit, 3.0A, for Integrated Control Board (Qty. 10)
10	FDXLRBC1930*	Right Connection Box – FD				—	UHXLCK1930	Control Bezel Lock-Out Kit
10	FDXLLJC1930	Junction Box Cover, Left				—	FDXLCR1150	Fire Tile Combustion Chamber 150K BTU
10	FDXLRJC1930	Junction Box Cover, Right				—	FDXLCR200	Fire Tile Combustion Chamber 200K BTU
11	FDXLPBL1930	Base Leg – FD				—	FDXLCR250	Fire Tile Combustion Chamber 250K BTU
12	FDXLFCS1930	Flue Collector Side Panel				—	FDXLCR300	Fire Tile Combustion Chamber 300K BTU
13	FDXLRGK1151†	Rain Guard Assembly – H150FD	—	FDXLGSK1931	Gasket Kit – Exhaust Side (all models)	—	FDXLCR350	Fire Tile Combustion Chamber 350K BTU
13	FDXLRGK1201†	Rain Guard Assembly – H200FD				—	FDXLCR400	Fire Tile Combustion Chamber 400K BTU
13	FDXLRGK1251†	Rain Guard Assembly – H250FD				—	FDXLCR400	Fire Tile Combustion Chamber 400K BTU
13	FDXLRGK1301†	Rain Guard Assembly – H300FD				—	FDXLCR400	Fire Tile Combustion Chamber 400K BTU
13	FDXLRGK1351†	Rain Guard Assembly – H350FD				—	FDXLCR400	Fire Tile Combustion Chamber 400K BTU
13	FDXLRGK1401†	Rain Guard Assembly – H400FD				—	FDXLCR400	Fire Tile Combustion Chamber 400K BTU
14	FDXLBHP1150	Heat Barrier Panel – H150FD				—	FDXLCR400	Fire Tile Combustion Chamber 400K BTU
14	FDXLBHP1200	Heat Barrier Panel – H200FD				—	FDXLCR400	Fire Tile Combustion Chamber 400K BTU
14	FDXLBHP1250	Heat Barrier Panel – H250FD	—	FDXLGSK1933	Insulation, Return Side Tube Sheet – FD	—	FDXLCR400	Fire Tile Combustion Chamber 400K BTU
14	FDXLBHP1300	Heat Barrier Panel – H300FD	—	FDXLUNK1930A	ASME Union Flange Kit (includes Flange Fittings, Bolts, Gaskets)	—	FDXLCR400	Fire Tile Combustion Chamber 400K BTU
14	FDXLBHP1350	Heat Barrier Panel – H350FD				—	FDXLCR400	Fire Tile Combustion Chamber 400K BTU
14	FDXLBHP1400	Heat Barrier Panel – H400FD	—	FDXLDRV1930A	Drain Valve, ASME	—	FDXLCR400	Fire Tile Combustion Chamber 400K BTU
15	FDXLBBN1150	Blower Inlet Baffle – H150FD	—	FDXLPLG1930	1/8" NPT Brass Plug	—	FDXLCR400	Fire Tile Combustion Chamber 400K BTU
15	FDXLBBN1200	Blower Inlet Baffle – H200FD	—	FDXLVPS1930	Vent Pressure Switch, Indoor, 0–2,000 ft	—	FDXLCR400	Fire Tile Combustion Chamber 400K BTU
15	FDXLBBN1250	Blower Inlet Baffle – H250FD	—	FDXLVPS1931	Vent Pressure Switch, Indoor, 2,000–10,100 ft	—	FDXLCR400	Fire Tile Combustion Chamber 400K BTU
15	FDXLBBN1300	Blower Inlet Baffle – H300FD	—	IDXLTMVB1931	Terminal Block – Remote Connection	—	FDXLCR400	Fire Tile Combustion Chamber 400K BTU
15	FDXLBBN1350	Blower Inlet Baffle – H350FD	—	UHXHD6ETERM	Heatfab Stainless Vent Kit, 6" Horizontal Elbow Terminal	—	FDXLCR400	Fire Tile Combustion Chamber 400K BTU
15	FDXLBBN1400	Blower Inlet Baffle – H400FD				—	FDXLCR400	Fire Tile Combustion Chamber 400K BTU
16	FDXLIAC1930	Ignitor Access Cover	—	UHXHD6STEM	Heatfab Stainless Vent Kit, 6" Horizontal Straight Terminal	—	FDXLCR400	Fire Tile Combustion Chamber 400K BTU
17	FDXLGSV0001	Gas Valve Natural Gas – FD				—	FDXLCR400	Fire Tile Combustion Chamber 400K BTU
17	FDXLGSV0002	Gas Valve Propane Gas – FD	—	UHXHD6ELBOW	Heatfab Stainless Vent Kit, 6" 90° Elbow	—	FDXLCR400	Fire Tile Combustion Chamber 400K BTU
18	FDXLBON1930	Burner Orifice Kit Natural Gas – FD	—	UHXHD6PIPE18	Heatfab Stainless Vent Kit, 6" Vent Pipe, 18" Long	—	FDXLCR400	Fire Tile Combustion Chamber 400K BTU
18	FDXLBOP1930	Burner Orifice Kit Propane Gas – FD				—	FDXLCR400	Fire Tile Combustion Chamber 400K BTU
19	FDXLMAN1150	Gas Manifold – H150FD	—	UHXHD6PIPE24	Heatfab Stainless Vent Kit, 6" Vent Pipe, 24" Long	—	FDXLCR400	Fire Tile Combustion Chamber 400K BTU
19	FDXLMAN1200	Gas Manifold – H200FD				—	FDXLCR400	Fire Tile Combustion Chamber 400K BTU

NOTES: \*Used only on Heaters made before 9/9/08, serial #21130809100177001 \*\*Used only on Heaters made after 9/9/08, serial #21130809100177001

†Used only on heaters made after 5/11/2010, serial #21130005101018001



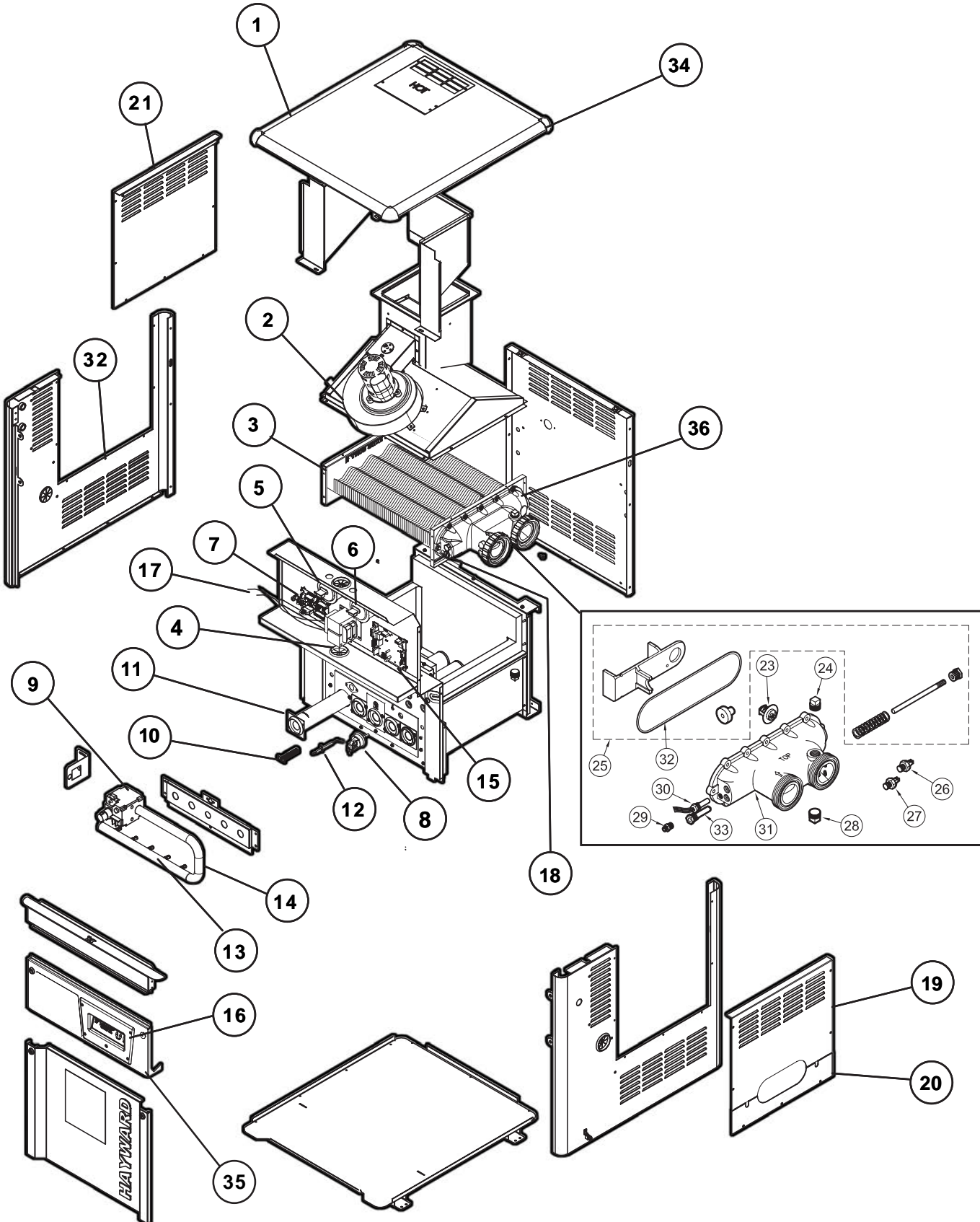


# H-Series Low NOx

INDUCED DRAFT HEATER REPLACEMENT PARTS

Parts Diagram H1501C, H150P1C, H2001C, H200P1C, H2501C, H250P1C

Heating





# H-Series Low NOx

## INDUCED DRAFT HEATER REPLACEMENT PARTS



### Parts Listing H1501C, H150P1C, H2001C, H200P1C, H2501C, H250P1C

Ref. No.	Part No.	Description	Ref. No.	Part No.	Description
1	IDXLJKT1250 IDXLJKT1400	Top Jacket Assembly – H250IDL Top Jacket Assembly – H400IDL	16*	IDXL2BKP1930 IDXL2BKP1931 IDXL2DB1930	Bezel and Keypad Assembly Bezel and Keypad Assembly – Californian Display Board Only
2	IDXLBWR1930 **IDXL2BWR1931 IDXLBWR1931	Combustion Blower – 240V Combustion Blower – 120V Combustion Blower – 120V	17	IDXLWHM1930 **IDXL2WHM1930 IDXLWHM1931	Wire Harness Main – 240V Wire Harness Main – 240V Wire Harness Main – 120V
3	IDXLHXA1250 IDXLHXA1400	Heat Exchanger Assembly – H250IDL Heat Exchanger Assembly – H400IDL	18	HAXWHA0006	Wire Harness Hi-Limits
4	IHXTRF1930 **IDXL2TRF1930 IHXTRF1931	Transformer – 240V Transformer – 240V Transformer – 120V	19	IDXLURA1930	Upper Right Access Cover
5	IDXLVPS1930 **IDXL2VPS1930	Vent Pressure Switch Vent Pressure Switch	20	IDXLLRA1930	Lower Right Access Cover
6	IDXLBVS1930 **IDXL2BVS1930	Blower Vacuum Switch Blower Vacuum Switch	21	IDXLLAC1930	Left Access Cover
7	IDXLTMB1930 **IDXL2FSB1930	Terminal Block – 4 Pole Fuse Board	23	HAXFCT1930	Flow Control Thermostat
8	HAXPSA1930	Pressure Switch Assembly	24	CHXPLG1930	3/4" NPT Brass Plug
9	IDXLGSV0001 IDXLGSV0002	Gas Valve – Natural Gas Valve – Propane	25	**HAXBPK1932	Bi-Pass Valve Kit
10	IDXLIGN1930 IDXLIGN1931 **IDXL2IGN1930	Ignitor – 240V Ignitor – 120V Ignitor – Silicone Nitride	26	HAXHLI1930	Hi-Limit 135°F
11	IDXLBRNK1930 **IDXL2BRNK1930	Burner Tube Burner Tube	27	HMXHLI2932	Hi-Limit 160°F
12	IDXLFLS1930	Flame Sensor	28	HAXDRV1930	Drain Valve Assembly
13	IDXLBON1930 IDXLBOP1930	Burner Orifice – Natural Gas Burner Orifice – Propane	29	CHXPSA1930	Pressure Switch Adapter
14	HAXMAN1250 HAXMAN1400	Gas Manifold – H250 Gas Manifold – H400	30	HAXTBW1930	Bulb Well
15	IHXILS1930 IHXILS1930 **IDXL2ICB1931	Interlock Switch – 240V Interlock Switch – 120V Integrated Control Board	31	HAXFHD1931	Front Header Only
16*	IDXLCPA1930 **IDXL2BKP1930 IDXL2DB1930 IDXLCPA1931 **IDXL2PBA1931	Control Bezel Assembly Control Bezel & Keyboard Assembly Display Board Only Control Bezel Assembly – H400IDL Control Bezel Assembly – H400IDL	32	HAXHOR1930	Header O-Ring
			33	IDXALTER1930	Thermistor
			34	HAXCIA1930	Corner Piece Kit (4)
			35	IDXL2PBA1250 IDXL2PBA1400	Control Panel Assembly – H250IDL Control Panel Assembly – H400IDL
				IDXL2PBA1931	Control Panel Assembly – Californian
				IDXLCPA1401	Control Panel Assembly – H400EDLCAL
			36	IDXLFHA1930	Front Header Assembly
			—	IHXPHK1930	Plastic Hardware Kit (Not Pictured)

\*Can be used after 8/19/2002 production, starting SN #20840098.

\*\*Indicates new part incorporated on all IDL Heaters built after 9/20/04.

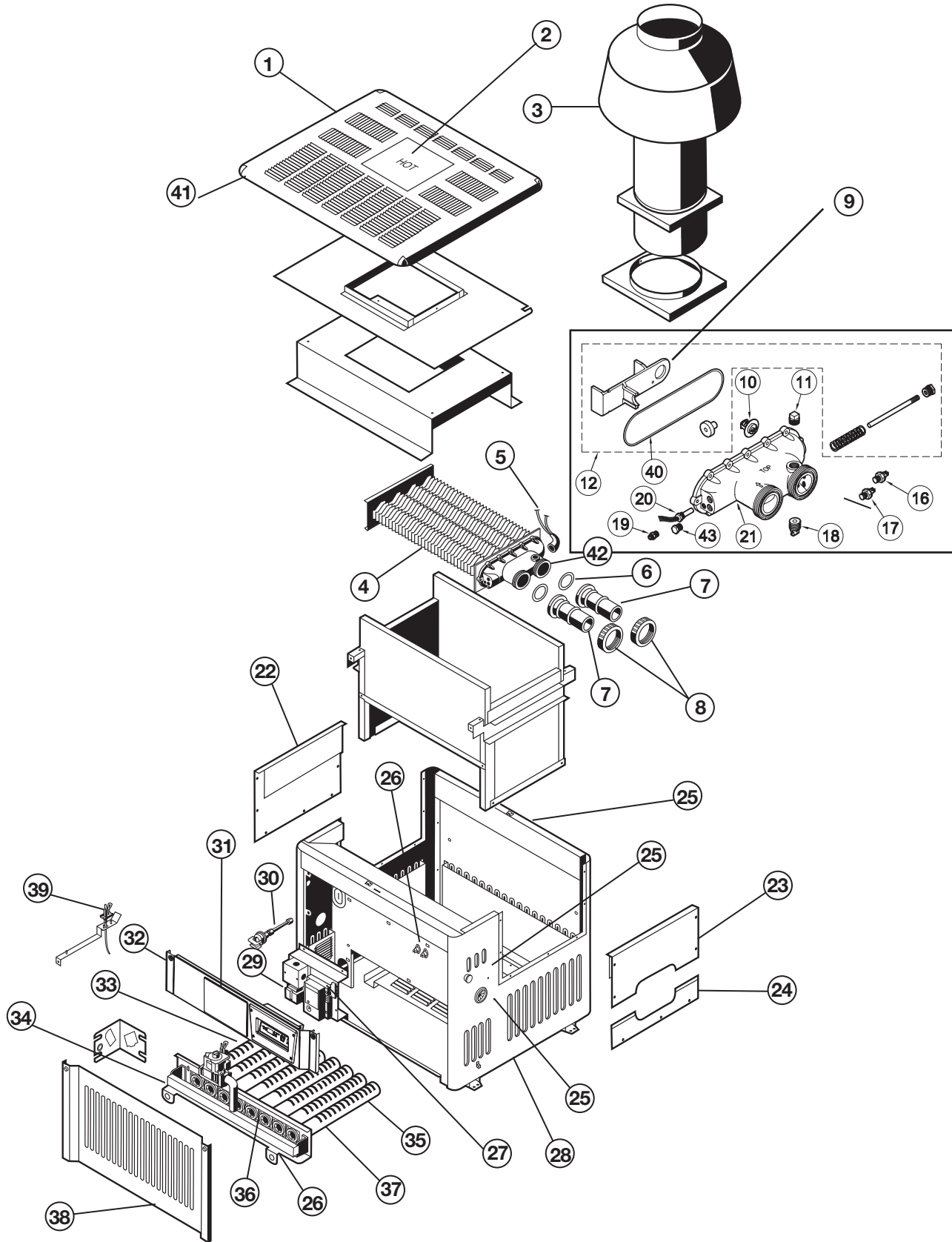


# H-Series – Electronic (ED2 Style)

HEATER REPLACEMENT PARTS

Parts Diagram H250ED2C, H250PED2CP

Heating



# H-Series – Electronic (ED2 Style)

HEATER REPLACEMENT PARTS



## Parts Listing H250ED2C, H250PED2CP

Ref. No.	Part Number	Description	Ref. No.	Part Number	Description	Ref. No.	Part Number	Description
1	HAXJKT1150	Jacket Top Assembly – 150	12	HAXBPK1932	By-Pass Valve Kit	37	HAXBMA1154	Burner – Manifold Ass'y 150 DS LP
1	HAXJKT1200	Jacket Top Assembly – 200	16	HAXHLI1930	Hi-Limit 135°F	37	HAXBMA1203	Burner – Manifold Ass'y 200 DS NA
1	HAXJKT1251	Jacket Top Assembly – 250	17	HMXHLI2932	Hi-Limit 160°F	37	HAXBMA1204	Burner – Manifold Ass'y 200 DS LP
1	HAXJKT1301	Jacket Top Assembly – 300	18	HAXDRV1930	Drain Valve Assembly	37	HAXBMA1253	Burner – Manifold Ass'y 250 DS NA
1	HAXJKT1351	Jacket Top Assembly – 350	19	HAXPSA1930	Pressure Switch Adapter	37	HAXBMA1254	Burner – Manifold Ass'y 250 DS LP
1	HAXJKT1401	Jacket Top Assembly – 400	20	IDXLTER1930	Thermistor	37	HAXBMA1303	Burner – Manifold Ass'y 300 DS NA
2	HAXDHO1930	DHO Insert	21	HAXFHD1931	Front Header Only (after 10/00)	37	HAXBMA1304	Burner – Manifold Ass'y 300 DS LP
3	DHI150	Indoor Drafthood – 150		HAXFHD1930	Front Header Only (before 09/00)	37	HAXBMA1353	Burner – Manifold Ass'y 350 DS NA
3	DHI200	Indoor Drafthood – 200	22	HAXLAC1930	Left Access Cover	37	HAXBMA1354	Burner – Manifold Ass'y 350 DS LP
3	DHI250	Indoor Drafthood – 250	23	HAXURA1930	Upper Right Access Cover	37	HAXBMA1403	Burner – Manifold Ass'y 400 DS NA
3	DHI300	Indoor Drafthood – 300	24	HAXLRA1931	Lower Right Access Cover	37	HAXBMA1404	Burner – Manifold Ass'y 400 DS LP
3	DHI350	Indoor Drafthood – 350	25	HAXPHK1930	Plastic Hardware Kit	38	HAXFAD1150	Front Access Door Assembly – 150
3	DHI400	Indoor Drafthood – 400	26	HAXTLK1930	Temperature Limiters Kit (135°F and 160°F)	38	HAXFAD1200	Front Access Door Assembly – 200
3	HWS150	High Wind Stack – 150	27	IDXLTMB1931	6-Pole Terminal Block	38	HAXFAD1250	Front Access Door Assembly – 250
3	HWS200	High Wind Stack – 200	28	CHXGRL1930	TA-2 Ground Lug	38	HAXFAD1300	Front Access Door Assembly – 300
3	HWS250	High Wind Stack – 250	29	CHXTRF1930	Transformer	38	HAXFAD1350	Front Access Door Assembly – 350
3	HWS300	High Wind Stack – 300	30	HAXPSA1930	Pressure Switch Assembly	38	HAXFAD1400	Front Access Door Assembly – 400
3	HWS350	High Wind Stack – 350	31	HAXCPA1932	Control Bezel Assembly	39	HAXIGN1931	Ignitor Assembly
3	HWS400	High Wind Stack – 400	33	HAXGSV0004	Gas Valve, DS Propane	40	HAXHOR1930	Header O-Ring
4	HAXHXA1153	Heat Exchanger Assembly – 150	33	HAXGSV0005	Gas Valve, DS Natural Gas	41	HAXCIA1930	Corner Piece Kit (4)
4	HAXHXA1203	Heat Exchanger Assembly – 200	34	HAXMAN1150	Gas Manifold – 150	42	HAXFHA1930	Front Header Assembly (before 10/00)
4	HAXHXA1253	Heat Exchanger Assembly – 250	34	HAXMAN1200	Gas Manifold – 200		HAXFHA1931	Front Header Assembly (after 11/00)
4	HAXHXA1303	Heat Exchanger Assembly – 300	34	HAXMAN1250	Gas Manifold – 250	43	HAXPLG1931	3/8" Brass Plug
4	HAXHXA1353	Heat Exchanger Assembly – 350	34	HAXMAN1300	Gas Manifold – 300	—	HAXWHA0008	Main Wire Harness (not shown)
4	HAXHXA1403	Heat Exchanger Assembly – 400	34	HAXMAN1350	Gas Manifold – 350	—	IDXL2FSK1930	Complete Fuse Kit (not shown)
5	HAXWHA0007	Rear Wire Harness, DS	34	HAXMAN1400	Gas Manifold – 400	—	HAXTRK1930	Pilot Tube Kit
6	HAXFOR1930	O-Rings	35	HAXBRN1930	Burner Tube	—	HAXSCR1930	Door Screw
7	HAXNIP1930	Flange Pipe Nipples	36	HAXBON1930	Burner Orifice, Natural Gas	—	HAXNNO1930	ED1, Nipple/Nut/O-Ring Pack
8	HAXNUT1930	Union Nuts	36	HAXBON1931	Burner Orifice, Natural Gas HA	—	HAXNNO1931	ED2, Nipple/Nut/O-Ring Pack
9	HAXBPK1932	Bypass Kit (09/2004 or later)	36	HAXBOP1931	Burner Orifice, Propane HA			
10	HAXFCT1930	Flow Control Thermostat	36	HAXBOP1932	Burner Orifice, Propane			
11	CHXPLG1930	3/4" NPT Brass Plug	37	HAXBMA1153	Burner – Manifold Ass'y 150 DS NA			

Heating

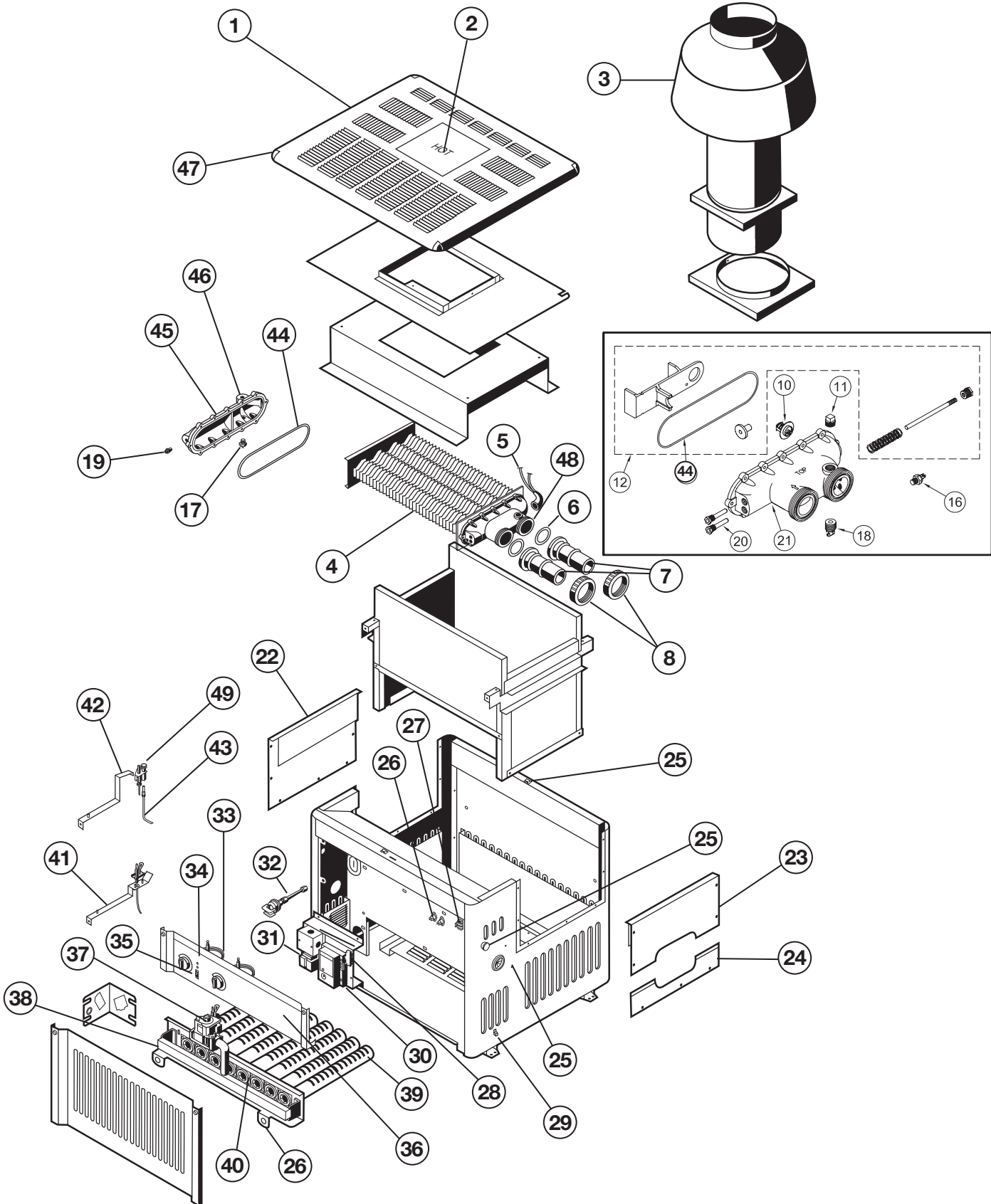


# H-Series – Millivolt/Electronic (ED1 Style)

HEATER REPLACEMENT PARTS

## Parts Diagram

Heating



# H-Series – Millivolt/Electronic (ED1 Style)

HEATER REPLACEMENT PARTS



Heating

## Parts Listing

Ref. No.	Part Number	Description	Ref. No.	Part Number	Description	Ref. No.	Part Number	Description
1	HAXJKT1150	Jacket Top Assembly – 150	10	HAXFCT1930	Flow Control Thermostat	37	HAXGSV0005	Gas Valve, DS Natural Gas
1	HAXJKT1200	Jacket Top Assembly – 200	11	CHXPGLG1930	3/4" NPT Brass Plug	38	HAXMAN1150	Gas Manifold – 150
1	HAXJKT1250	Jacket Top Assembly – 250	12	HAXBPK1931 <sup>†††</sup>	By-Pass Valve Kit	38	HAXMAN1200	Gas Manifold – 200
1	HAXJKT1300	Jacket Top Assembly – 300		HAXBPK1932 <sup>††</sup>	By-Pass Valve Kit	38	HAXMAN1250	Gas Manifold – 250
1	HAXJKT1350	Jacket Top Assembly – 350	16	HAXHLI1930	Hi-Limit 135° F	38	HAXMAN1300	Gas Manifold – 300
1	HAXJKT1400	Jacket Top Assembly – 400	17	HMXHLI2932	Hi-Limit 160° F	38	HAXMAN1350	Gas Manifold – 350
1	HAXJKT1251*	Jacket Top Assembly – 250	18	HAXDRV1930	Drain Valve Assembly	38	HAXMAN1400	Gas Manifold – 400
1	HAXJKT1301**	Jacket Top Assembly – 300	19	CHXPSA1930	Pressure Switch Adapter	39	HAXBRN1930	Burner Tube
1	HAXJKT1351***	Jacket Top Assembly – 350	20	CHXTBW1930	Bulb Well	40	HAXBON1930	Burner Orifice, Natural Gas
1	HAXJKT1401 <sup>†</sup>	Jacket Top Assembly – 400		HAXTBW1930 <sup>°°°</sup>	Bulb Well, Cotherm	40	HAXBON1931	Burner Orifice, Natural Gas HA
2	HAXDHO1930	DHO Insert	21	HAXFHD1930	Front Header Only	40	HAXBOP1930	Burner Orifice, Propane
3	DHI150	Indoor Draft Hood – 150		HAXFHD1931 <sup>††</sup>	Front Header Only	40	HAXBOP1931	Burner Orifice, Propane HA
3	DHI200	Indoor Draft Hood – 200	22	HAXLAC1930	Left Access Cover	41	HAXIGN1931	Ignitor Assembly
3	DHI250	Indoor Draft Hood – 250	23	HAXURA1930	Upper Right Access Cover	42	HAXPLT1931	Pilot – Natural Gas
3	DHI300	Indoor Draft Hood – 300	24	HAXLRA1931	Lower Right Access Cover	42	HAXPLT1932	Pilot – Propane
3	DHI350	Indoor Draft Hood – 350	25	HAXPHK1930	Plastic Hardware Kit	43	HAXTRK1930	Pilot Tube Replacement Kit
3	DHI400	Indoor Draft Hood – 400	26	HAXTLK1930	Temperature Limiters Kit	44	HAXHOR1930	Header O-Ring
3	HWS150	High Wind Stack – 150	27	HAXTBK1931	2-Pole Terminal Block	45	HAXRHD1930 <sup>†††</sup>	Rear Header Only
3	HWS200	High Wind Stack – 200	28	HAXTBK1933	4-Pole Terminal Block	46	HAXPLG1930	1/4" NPT Brass Plug
3	HWS250	High Wind Stack – 250	29	CHXGRL1930	TA-2 Ground Lug	47	HAXCIA1930	Corner Piece Kit (4)
3	HWS300	High Wind Stack – 300	30	HAXMOD1930	Control Module (ED1 only)	48	HAXFHA1930 <sup>†††</sup>	Front Header Assembly
3	HWS350	High Wind Stack – 350	31	CHXTRF1930	Transformer		HAXFHA1931	Front Header Assembly
3	HWS400	High Wind Stack – 400	32	HAXPSA1930	Pressure Switch Assembly	—	HAXWHA0005	Wire Harness, Main DS (not shown)
4	HAXHXA1153	Heat Exchanger Assembly – 150	33	HAXTST1930	Thermostat	—	HAXWHA0004	Wire Harness, Control Panel (not shown)
4	HAXHXA1203	Heat Exchanger Assembly – 200	34	HAXLDK1930	LED Kit	—	HAXWHA0001	Wire Harness, Main MV (not shown)
4	HAXHXA1253	Heat Exchanger Assembly – 250	35	CHXTSW1930	System Switch Single	—	HAXRFB1930	Retro Fit Kit (not shown)
4	HAXHXA1303	Heat Exchanger Assembly – 300	35	CHXTSW1931	System Switch Dual	—	HAXWFN1930	Header Mounting Nut Kit (Pack of 12)
4	HAXHXA1353	Heat Exchanger Assembly – 350	36	HAXCPA2150	Control Panel Assembly - 150 MV	—	CHXMS1930	Manual Piezo Spark Ignitier
4	HAXHXA1403	Heat Exchanger Assembly – 400	36	HAXCPA2200	Control Panel Assembly - 200 MV	—	CHXGEN1930	Millivolt Pilot Generator
5	HAXWHA0002	Rear Wire Harness, MV	36	HAXCPA2250	Control Panel Assembly - 250 MV			
	HAXWHA0006 <sup>††</sup>	Rear Wire Harness, MV	36	HAXCPA2300	Control Panel Assembly - 300 MV			
5	HAXWHA0003	Rear Wire Harness, DS	36	HAXCPA2350	Control Panel Assembly - 350 MV			
	HAXWHA0007 <sup>††</sup>	Rear Wire Harness, DS	36	HAXCPA2400	Control Panel Assembly - 400 MV			
6	HAXFOR1930	O-Rings	37	HAXGSV0001	Gas Valve, MV Natural Gas			
7	HAXNIP1930	Flange Pipe Nipples	37	HAXGSV0003	Gas Valve, MV Propane			
8	HAXNUT1930	Union Nuts	37	HAXGSV0004	Gas Valve, DS Propane			

**NOTES:** \*Used, Started at Serial No. 00421078  
 \*\*Used, Started at Serial No. 0032018  
 \*\*\*Used, Started at Serial No. 00424651  
<sup>†</sup>Used, Started at Serial No. 00424851

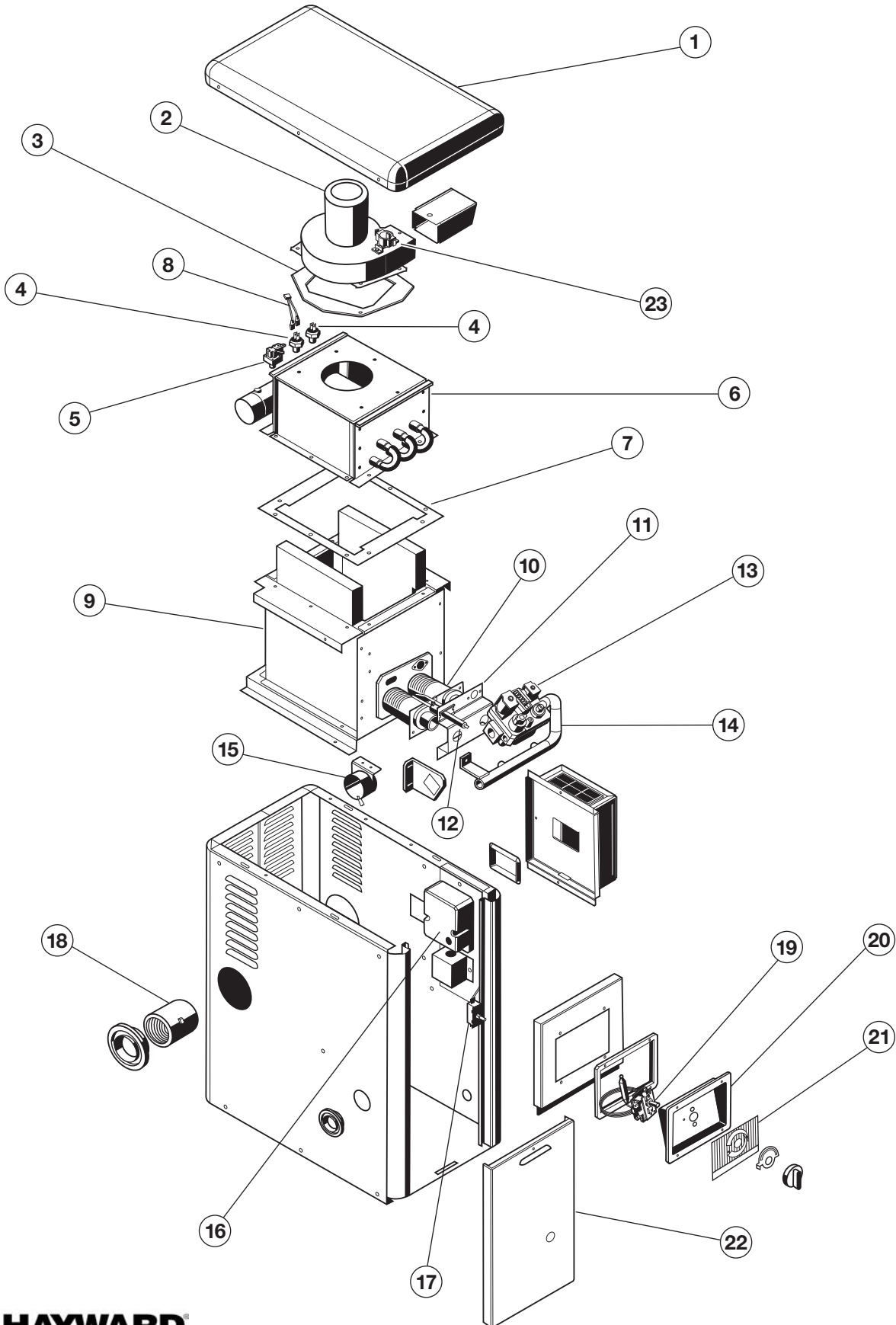
<sup>††</sup>Used on heaters made after 10/28/00  
<sup>†††</sup>Used on heaters made before 10/28/00  
<sup>°</sup>Used on heaters made after 5/8/98  
<sup>°°</sup>Used on heaters made after 6/1/01



# H-Series

ABOVE-GROUND – INDUCED DRAFT HEATER REPLACEMENT PARTS

## Parts Diagram



Heating



### Parts Listing

Ref. No.	Part No.	Description	Ref. No.	Part No.	Description
1	IDXJKT1100	Jacket Top	17	IDXILS1930	Interlock Switch
2	IDXBWR1935	Combustion Blower	18	IDXCPG1931	Coupling, 2 inches
3	IDXBGL1930	Blower Gasket	18	IDXCPG1930	Coupling, 1 1/2 inches
4	IDXHKL1930	Hi Limits, Kit, 120 degrees	19	IDXTST1930	Thermostat
5	CZXPRS1105	Water Pressure Switch	20	IDXCPA1100	Control Panel Assembly
6	IDXHXA1100	Heat Exchanger Assembly - NLA	21	IDXLBL1100	Label, Control Panel
	IDXHXA1101*	Heat Exchanger Assembly	22	IDXFAD1100	Front Access Door
7	IDXGKT1930	Heat Exchanger Gasket		IDXFAD1101**	Front Access Door
8	IDXWHA1930	Wire Harness	23	IDXBLS1930	Blower Switch
	IDXWHA1931**	Wire Harness	—	IDXCST1930	Cordset (not shown)
9	IDXBRG1930	Burner Gasket	—	IDXVAL1931	Gas Valve
10	IDXBNR1930	Burner			
12	IDXIGN1930	Ignitor			
13	IDXVAL1931***	Gas Valve			
14	IDXMAN1100	Gas Manifold			
15	IDXAPS1930	Air Pressure Switch			
16	IDXMOD1930	Control Module with Ignitor			

\* Used starting at S/N 29F30088.

\*\* Used starting at S/N 20A01209.

\*\*\*Gas Valve is 120V as of November 2011.



# Heater Replacement Parts

Heating

Part Number	Part Description
CHXBESH1930	1/4"-3/4" Brass Bushing
CHXGEN1930	Pilot Generator All Millivolt
CHXINF1930	Flue Sealing Material CZ & HM2 Series
CHXMSI1930	Clicklite Manual Spark Ignitor H-Series, CZ, HM2, CPS
CHXPLG1930	3/4" Drain Plug CZ & HM2, H-Series
CHXPRS1931	Pressure Switch
CHXPSA1930	Pressure Switch
CHXRLV1930	Relief Valve CZ, HM2, CPS, PSG, SG
CHXTBW1930	Thermostat Bulb Well, All Gas
CHXTRF1930	D/V Transformer CZ & HM2 Series
CHXTSK1930	Thermostat Knob CZ & HM2 Series
CHXTST1930	Thermostat Knob without Knob
CHXTSW1930	On/Off Switch CZ & HM2 Series
CHXTSW1931	3-Way Toggle Switch CZ & HM2 Series
CZXCON3645	Contactora CSPA XI 240 Volt Coil, N.L.A.
CZXELE7623	Element 5500W 208/240V
CZXGKT7627	Element Gasket, N.L.A.
CZXHLC3105	Hi Limit Spa XI CSPA XI
CZXLIT3613	Power Ind. Lite Assembly 240V, N.L.A.
CZXTDL0102	Thermostat Dial Lock, N.L.A.
CZXTNK6607	Tank CSPA XI
CZXTSK2003	Thermostat Knob Slip On – Replace with CZK, N.L.A.
CZXTST3006	Thermostat Mears Electric
FDXLBBN1150	Blower Inlet Baffle – H150FD
FDXLBBN1200	Blower Inlet Baffle – H200FD
FDXLBBN1250	Blower Inlet Baffle – H250FD
FDXLBBN1300	Blower Inlet Baffle – H300FD
FDXLBBN1350	Blower Inlet Baffle – H350FD
FDXLBBN1400	Blower Inlet Baffle – H400FD
FDXLBPK1930	Bypass Cartridge Kit
FDXLBKP1930	Bezel & Keypad Assembly
FDXLBKP1931	Bezel & Keypad Assembly – CAL
FDXLBON1930	Burner Orifice Kit Natural Gas – FD
FDXLBOP1930	Burner Orifice Kit Propane Gas – FD
FDXLBON1930	Burner
FDXLBVS1930	Blower Vacuum Switch
FDXLBWR1930	Combustion Blower – FD
FDXLCBC1930	Control Box Cover Assembly

Part Number	Part Description
FDXLCBC1930*	Control Box Cover Assembly
FDXLCNK0001	Conversion Kit – NA to LP
FDXLCNK0002	Conversion Kit – LP to NA
FDXLFAD1150	Front Access Door Assembly – H150FD
FDXLFAD1200	Front Access Door Assembly – H200FD
FDXLFAD1250	Front Access Door Assembly – H250FD
FDXLFAD1300	Front Access Door Assembly – H300FD
FDXLFAD1350	Front Access Door Assembly – H350FD
FDXLFAD1400	Front Access Door Assembly – H400FD
FDXLFCS1930	Flue Collector Side Panel
FDXLFHA1930	Header Assembly
FDXLFOR1930	Header O-Ring Kit
FDXLFSSK1930	Fuse Service Kit – FD
FDXLFSSK30	Fuse Kit, 3.0A, for Integrated Control Board (Qty. 10)
FDXLFSSKF15	Fuse Kit, 1.5A, for Field Wiring Panel (Qty. 10)
FDXLFSSKF25	Fuse Kit, 2.5A, for Field Wiring Panel (Qty. 10)
FDXLFSSKF30	Fuse Kit, 3.0A, for Field Wiring Panel (Qty. 10)
FDXLFWP1930	Field Wiring Panel – FD
FDXLGCK1150NP	Conversion Kit, NA to LP, Quick-Change – H150FD
FDXLGCK1150PN	Conversion Kit, LP to NA, Quick-Change – H150FD
FDXLGCK1200NP	Conversion Kit, NA to LP, Quick-Change – H200FD
FDXLGCK1200PN	Conversion Kit, LP to NA, Quick-Change – H200FD
FDXLGCK1250NP	Conversion Kit, NA to LP, Quick-Change – H250FD
FDXLGCK1250PN	Conversion Kit, LP to NA, Quick-Change – H250FD
FDXLGCK1300NP	Conversion Kit, NA to LP, Quick-Change – H300FD
FDXLGCK1300PN	Conversion Kit, LP to NA, Quick-Change – H300FD
FDXLGCK1350NP	Conversion Kit, NA to LP, Quick-Change – H350FD
FDXLGCK1350PN	Conversion Kit, LP to NA, Quick-Change – H350FD
FDXLGCK1400NP	Conversion Kit, NA to LP, Quick-Change – H400FD
FDXLGCK1400PN	Conversion Kit, LP to NA, Quick-Change – H400FD
FDXLGSK1930	Gasket Kit – Air Side (All Models)
FDXLGSK1931	Gasket Kit – Exhaust Side (All Models)
FDXLGSK1932	Gasket, Bezel/Top – FD
FDXLGSK1933	Insulation, Return Side Tube Sheet – FD
FDXLGSK1934	Gasket, CC Front/Air Box – FD (All Models)
FDXLGSV0001	Gas Valve Natural Gas – FD
FDXLGSV0002	Gas Valve Propane Gas – FD
FDXLHAK1930	Conversion Kit, H150FD-H400FD,

**NOTE:** If the part number you are looking for is not in this price book it is no longer available.

\*Used only on heaters made before 9/9/08, serial #21130809100177001.

**N.L.A.** – No Longer Available

# Heater Replacement Parts



Part Number	Part Description	Part Number	Part Description
FDXLHBP1150	Heat Barrier Panel – H150FD	FDXLRAD1250	Rear Access Door Assembly – H250FD
FDXLHBP1200	Heat Barrier Panel – H200FD	FDXLRAD1300	Rear Access Door Assembly – H300FD
FDXLHBP1250	Heat Barrier Panel – H250FD	FDXLRAD1350	Rear Access Door Assembly – H350FD
FDXLHBP1300	Heat Barrier Panel – H300FD	FDXLRAD1400	Rear Access Door Assembly – H400FD
FDXLHBP1350	Heat Barrier Panel – H350FD	FDXLRCB1930**	Right Junction Box – FD
FDXLHBP1400	Heat Barrier Panel – H400FD	FDXLRGK1151††	Rain Guard Assembly – H150FD
FDXLHDW1930	Header Hardware Kit	FDXLRGK1201††	Rain Guard Assembly – H200FD
FDXLHLI1930	High Limit 135°F	FDXLRGK1251††	Rain Guard Assembly – H250FD
FDXLHMB1930	Header Mounting Base Kit	FDXLRGK1301††	Rain Guard Assembly – H300FD
FDXLHXA1150	Heat Exchanger Assembly – H150FD	FDXLRGK1351††	Rain Guard Assembly – H350FD
FDXLHXA1200	Heat Exchanger Assembly – H200FD	FDXLRGK1401††	Rain Guard Assembly – H400FD
FDXLHXA1250	Heat Exchanger Assembly – H250FD	FDXLRJC1930	Junction Box Cover, Right
FDXLHXA1300	Heat Exchanger Assembly – H300FD	FDXLRTP1930	Right Trim Panel Kit
FDXLHXA1350	Heat Exchanger Assembly – H350FD	FDXLTDK1930	Tie-Down Kit – FD
FDXLHXA1400	Heat Exchanger Assembly – H400FD	FDXALTER1930	Thermistor
FDXLIAC1930	Ignitor Access Cover	FDXLTFC1150	Top/Flue Cover – H150FD
FDXLICB1930	Integrated Control Board – FD	FDXLTFC1200	Top/Flue Cover – H200FD
FDXLIGN1930	Ignitor – FD	FDXLTFC1250	Top/Flue Cover – H250FD
FDXLJKT1150	Jacket Top & Flue Cover – H150FD	FDXLTFC1300	Top/Flue Cover – H300FD
FDXLJKT1200	Jacket Top & Flue Cover – H200FD	FDXLTFC1350	Top/Flue Cover – H350FD
FDXLJKT1250	Jacket Top & Flue Cover – H250FD	FDXLTFC1400	Top/Flue Cover – H400FD
FDXLJKT1300	Jacket Top & Flue Cover – H300FD	FDXLTFP1150	Top & Front Panel – H150FD
FDXLJKT1350	Jacket Top & Flue Cover – H350FD	FDXLTFP1200	Top & Front Panel – H200FD
FDXLJKT1400	Jacket Top & Flue Cover – H400FD	FDXLTFP1250	Top & Front Panel – H250FD
FDXLLCB1930*	Left Connection Box – FD	FDXLTFP1300	Top & Front Panel – H300FD
FDXLLCB1930**	Left Junction Box – FD	FDXLTFP1350	Top & Front Panel – H350FD
FDXLLEC1930	Lower End Cap – FD	FDXLTFP1400	Top & Front Panel – H400FD
FDXLLJC1930	Junction Box Cover, Left	FDXLUFC1930	Upper End Cap – FD
FDXLLTP1930	Left Trim Panel Kit	FDXLVPS1930	Vent Pressure Switch, Indoor, 0–2,000 ft
FDXLMAN1150	Gas Manifold – H150FD	FDXLVPS1931	Vent Pressure Switch, Indoor, 2,000–10,100 ft
FDXLMAN1200	Gas Manifold – H200FD		
FDXLMAN1250	Gas Manifold – H250FD		
FDXLMAN1300	Gas Manifold – H300FD		
FDXLMAN1350	Gas Manifold – H350FD		
FDXLMAN1400	Gas Manifold – H400FD		
FDXLPBL1930	Base Leg – FD		
FDXLPLG1930	1/8" NPT Brass Plug		
FDXLRAD1150	Rear Access Door Assembly – H150FD		
FDXLRAD1200	Rear Access Door Assembly – H200FD		

**NOTE:** If the part number you are looking for is not in this price book it is no longer available.

\*Used only on heaters made before 9/9/08, serial #21130809100177001.

\*\*Used only on heaters made after 9/9/08, serial #2113080910017701.

†Used only on heaters made before 5/11/2010, serial #21130005101018001

††Used only on heaters made after 5/11/2010, serial #21130005101018001

**N.L.A.** – No Longer Available



# Heater Replacement Parts

Heating

Part Number	Part Description
FDXLWHA0001*	Wiring Harness Kit Complete – FD
FDXLWHA1930**	Wiring Harness Kit Complete – FD
FDXLWPS1930	Water Pressure Switch
HAXADP1930	Sub to HAXBPK1931 or HAXBPK1932
HAXBON1930	Burner Orifice NA
HAXBON1931	Burner Orifice NA HA
HAXBOP1930	Burner Orifice LP European & IDI
HAXBOP1931	Burner Orifice LP HA
HAXBOP1932	Burner Orifice LP (2.15 mm)
HAXBPI1930	Sub to HAXBPK1931 or HAXBPK1932
HAXBPI1931	Sub to HAXBPK1931 or HAXBPK1932
HAXBPK1930	Sub to HAXBPK1931 or HAXBPK1932
HAXBPV1930	Sub to HAXBPK1931 or HAXBPK1932
HAXBRN1930	Main Burner – H Series
HAXBSH1930	Sub to HAXPHK1930
HAXCIA1930	Corner Insert Assembly
HAXCNK0001	Conversion Kit 150-400 NA to LP
HAXCNK0002	Conversion Kit 150-400 LP to NA
HAXCNK0003	Conversion Kit 150-400 N to PHA 2000'-4500'
HAXCNK0004	Conversion Kit 150-400 P to NHA 2000'-6500'
HAXCNK0005	Sub to HAXCNK0001
HAXCNK0006	Sub to HAXCNK0002
HAXCNK0007	Sub to HAXCNK0003
HAXCNK0008	Sub to HAXCNK0004
HAXCNK0009	Conversion Kit 150E-400 N to P
HAXCNK0010	Conversion Kit 150E-400 P to N
HAXCNK0011	Conversion Kit 150E-400 N to PHA 2,000–4,500 ft
HAXCNK0012	Conversion Kit 150E-400 P to NHA 2,000–6,500 ft
HAXCNK0013	Sub to HAXCNK0009
HAXCNK0014	Sub to HAXCNK0010
HAXCNK0015	Sub to HAXCNK0011
HAXCNK0016	Sub to HAXCNK0012
HAXCNK0017	Conversion Kit, N to NHA 8,500 ft
HAXCNK0019	Conversion Kit, N to NHA 9,500 ft
HAXCNK0020	Conversion Kit, N to NHA 10,500 ft
HAXCPA1932	Control Bezel Assembly
HAXCPA2150	Control Panel Assembly – 150 MV (after 5/98)
HAXCPA2200	Control Panel Assembly – 200 MV (after 5/98)
HAXCPA2250	Control Panel Assembly – 250 MV (after 5/98)

Part Number	Part Description
HAXCPA2300	Control Panel Assembly – 300 MV (after 5/98)
HAXCPA2350	Control Panel Assembly – 350 MV (after 5/98)
HAXCPA2400	Control Panel Assembly – 400 MV (after 5/98)
HAXCPA3153	Control Panel Assembly H150ED2
HAXCPA3203	Control Panel Assembly H200ED2
HAXCPA3253	Control Panel Assembly H250ED2
HAXCPA3303	Control Panel Assembly H300ED2
HAXCPA3353	Control Panel Assembly H350ED2
HAXCPA3403	Control Panel Assembly H400ED2
HAXDHO1930	DHO Insert
HAXDRV1930	Drain Valve Assembly
HAXFAD1150	Front Access Door Assembly – 150
HAXFAD1200	Front Access Door Assembly – 200
HAXFAD1250	Front Access Door Assembly – 250
HAXFAD1300	Front Access Door Assembly – 300
HAXFCT1930	Flow Control Thermostat
HAXFHA1931	Assembly, Front Header – H Series (after 10/28/00)
HAXFHD1930	Front Header Only
HAXFHD1931	Front Header Only (after 10/28/00)
HAXFOR1930	Flange O-Ring
HAXGSV0001	Gas Valve 150 – 400 NA MV
HAXGSV0003	Gas Valve 150 – 400 LP MV
HAXGSV0004	Gas Valve 150 – 400 LP DS
HAXGSV0005	Gas Valve 150 – 400 NA DS
HAXHLI1930	Hi-Limit 135° F
HAXHOR1930	Header O-Ring
HAXHRB1930	Bushing, Heyco Relief H
HAXHXA1150	Sub to HAXHXA1153
HAXHXA1152	HAXHXA1153
HAXHXA1153	Heat Exchanger Assembly – H150
HAXHXA1200	Sub to HAXHXA1203
HAXHXA1202	Sub to HAXHXA1203
HAXHXA1203	Heat Exchanger Assembly – H200
HAXHXA1250	Sub to HAXHXA1253
HAXHXA1252	Sub to HAXHXA1253
HAXHXA1253	Heat Exchanger Assembly – H250
HAXHXA1300	Sub to HAXHXA1303
HAXHXA1302	Sub to HAXHXA1303
HAXHXA1303	Heat Exchanger Assembly – H300

**NOTE:** If the part number you are looking for is not in this price book it is no longer available.

\*Used only on heaters made before 9/9/08, serial #21130809100177001.

\*\*Used only on heaters made after 9/9/08, serial #2113080910017701.

**N.L.A.** – No Longer Available

# Heater Replacement Parts



Part Number	Part Description	Part Number	Part Description
HAXHXA1350	Sub to HAXHXA1353	HAXPLT1250	Sub to HAXTRK1930
HAXHXA1352	Sub to HAXHXA1353	HAXPLT1300	Sub to HAXTRK1930
HAXHXA1353	Heat Exchanger Assembly – H350	HAXPLT1350	Sub to HAXTRK1930
HAXHXA1400	Sub to HAXHXA1403	HAXPLT1400	Sub to HAXTRK1930
HAXHXA1402	Sub to HAXHXA1403	HAXPLT1931	Pilot, NA MV PSE-NA15
HAXHXA1403	Heat Exchanger Assembly – H400	HAXPLT1932	Pilot, LP MV PSE-LP15
HAXIBA1930	Sub to HAXIGN1931	HAXPNT1930	Touch-up Paint, H-Series
HAXIGN1930	Sub to CHXMSI1930	HAXPSA1930	Pressure Switch Assembly Kit
HAXIGN1931	Ignitor	HAXPZE1930	Sub to HAXPLT1931 (N) & HAXPLT1932 (P)
HAXJKT1150	Jacket Top – 150	HAXRGT1930	Sub to HAXPHK1930
HAXJKT1200	Jacket Top – 200		
HAXJKT1250	Jacket Top – 250		
HAXJKT1251	Jacket Top – 250 (after S/N00421078)		
HAXJKT1301	Jacket Top – 300 (after S/N0032018)		
HAXJKT1350	Jacket Top – 350		
HAXJKT1351	Jacket Top – 350 (after S/N00424651)		
HAXJKT1400	Jacket Top – 400		
HAXJKT1401	Jacket Top – 400 (after S/N00424851)		
HAXLAC1930	Left Access Cover		
HAXLDG1933	Sub to HAXLDK1930		
HAXLDY1933	Sub to HAXLDK1930		
HAXLRA1931	Lower Right Access Cover		
HAXMAN1150	Gas Manifold – 150		
HAXMAN1200	Gas Manifold – 200		
HAXMAN1250	Gas Manifold – 250		
HAXMAN1300	Gas Manifold – 300		
HAXMAN1350	Gas Manifold – 350		
HAXMAN1400	Gas Manifold – 400		
HAXMOD1930	Control Module		
HAXNIP1930	Union Connector		
HAXNNO1930	Assembly, Nipples, Nuts, O-Rings (for EDI Series)		
HAXNUT1930	Union Nut		
HAXPBA1930	Sub to HAXPLT1931		
HAXPHK1930	Plastic Hardware Kit		
HAXPLG1930	1/4" NPT Brass Plug		
HAXPLG1931	3/8" Brass Plug		
HAXPLT1150	Sub to HAXTRK1930		
HAXPLT1200	Sub to HAXTRK1930		

Heating

**NOTE:** If the part number you are looking for is not in this price book it is no longer available.

**N.L.A.** – No Longer Available



# Heater Replacement Parts

Heating

Part Number	Part Description
HAXRHD1930	Rear Header Only
HAXRSA1930	Roll Out Switch Kit
HAXSCR1930	Door Screw Kit
HAXSFT1930	Sub to HAXBPK1931 or HAXBPK1932
HAXTBK1931	2-Pole Terminal Block
HAXTBK1933	4-Pole Terminal Block . . . . . NLA
HAXTLA1930	Sub to HAXRSA1930
HAXTLA1931	Sub to HAXRSA1930
HAXTLK1930	Temperature Limiters Kit
HAXTLM1930	Sub to HAXTLK1930
HAXTRK1930	Pilot Tube Replacement Kit
HAXTST1930	Thermostat with Knob
HAXURA1930	Upper Right Access Cover
HAXVSG1930	Sub to HAXBPK1931 or HAXBPK1932
HAXWFN1930	Nuts, Washer Face (HDR) H
HAXWHA0001	Wire Harness MV Front H
HAXWHA0002	Wire Harness MV Rear H, ID Series
HAXWHA0003	Wire Harness DS Rear H
HAXWHA0004	Wire Harness DS Front H
HAXWHA0005	Wire Harness (Electronic)
HAXWHA0006	Wire Harness Rear, ID Series (after 10/16/00)
HAXWHA0007	Rear Wire Harness
HAXWHA0008	Main Wire Harness High-Altitude, 2,000–10,100 ft.
HMXFCT2930*	Flow Control Thermostat Assembly HM . . . . . NLA
HMXHLI2932	Immersion Hi Limit Rear Header 160° HM
HX350STF	Sub to HMXFCT2930
IDLIVT1400	Indoor Adapter Kit H400IDL
IDXAPS1930	Air Pressure Switch
IDXBLG1930	Blower Gasket
IDXBNR1930	Burner, Natural or Propane
IDXBRG1930	Burner Gasket
IDXCNK1933	Conversion Kit, Natural to Propane, H100
IDXCNK1934	Conversion Kit, Propane to Natural, H100
IDXCPCG1931	Coupling – 2"
IDXCST1930	Cordset
IDXFAD1100	Front Access Door
IDXFAD1101	Front Access Door (after S/N 20A01209)

Part Number	Part Description
IDXGRM0001	Sub to IDXCPCG1931
IDXHLLK1930	Hi-Limit Kit
IDXHXA1100*	Heat Exchanger Assembly . . . . . NLA
IDXHXA1101	Heat Exchanger Assembly (pre -4/16/2013)
IDXHXA1102	Heat Exchanger Assembly (post 04/16/2013)
IDXIGN1930	Ignitor
IDXILS1930	Interlock Switch
IDXJKT1100	Jacket Top
IDXKIT1930	Consumer Kit
IDXL2BRN1930*	Burner Tube . . . . . NLA
IDXL2BVS1930	Blower Vacuum Switch
IDXL2DB1930	Display Board Only – FD & IDL2
IDXL2FSB1930	Fuse Board
IDXL2FSK1930	Complete Set of Fuses
IDXL2ICB1930	Sub to IDXL2LCB1931
IDXL2ICB1931	Integrated Controls Brand – H250IDL2
IDXL2IGN1930	Silicone Nitride Ignitor
IDXL2JKT1250	Jacket Top Assembly
IDXL2JKT1400	Jacket Top Assembly – H400IDL2
IDXL2PBA1250	Panel/Bezel Assembly – H250IDL2
IDXL2PBA1400	Panel/Bezel Assembly – H400IDL2
IDXL2SNT1930	Silicon Tube 2.5
IDXL2TRF1930	Transformer
IDXL2VPS1930	Vent Pressure Switch
IDXL2WHM1930	Wire Harness Main – 120V
IDXLBON1930	Burner Orifice – Natural Gas
IDXLBOP1930	Burner Orifice – Propane
IDXLBOP1932	LP H&R Lighting Kit #42 Orifice
IDXLBVS1930	Blower Vacuum Hitch
IDXLBWR1930	Combustion Blower – 240V
IDXLBWR1931	Combustion Blower – 120V
IDXLCPA1250	Control Panel Assembly – H250IDL
IDXLCPA1400	Control Panel Assembly – H400IDL
IDXLCPA1930	Control Panel Assembly
IDXLCPA1931	Control Panel Assembly – CAL . . . . . NLA
IDXLFLS1930	Flame Sensor
IDXLGVS0001	Gas Valve – Natural & Conv. Kit LP to NA
IDXLGVS0002	Gas Valve – Propane & Conv. Kit NA to LP

**NOTE:** If the part number you are looking for is not in this price book it is no longer available.

\*Used only on heaters made before 9/9/08, serial #21130809100177001.

**N.L.A.** – No Longer Available



# Heater Replacement Parts



Part Number	Part Description
IDXLHXA1250	Heat Exchanger Assembly – H250IDL
IDXLHXA1400	Heat Exchanger Assembly – H400IDL
IDXLIGN1930	Ignitor – 240V
IDXLIVT1930	Horizontal Vent Kit
IDXLLAC1930	Left Access Cover
IDXLLRA1930	Lower Right Access Cover
IDXLTER1930	Thermistor
IDXLTMB1930	Terminal Block – 4 Pole
IDXLTMB1931	Terminal Block – 5 Pole
IDXLURA1930	Upper Right Access Cover
IDXLVPS1930	Vent Pressure Switch
IDXLWHM1930	Wire Harness Main – 240V
IDXLWHM1931	Wire Harness Main – 120V
IDXMAN1100	Manifold
IDXMOD1930	Ignition Module
IDXUBR1930	U-Bracket
IDXVAL1930	Gas Valve Bracket <b>N.L.A.</b>
IDXWHA1930	Wire Harness
IDXWHA1931	Wire Harness
IHXAPS1930	Air Pressure Switch
IHXBLG1930	Blower Gasket
IHXBWR1930	Combustion Blower
IHXFAD1250	Front Access Door H250ID
IHXILS1930	Interlock Switch – 240V
IHXMOD1930	Sub to IHXMOD1931
IHXMOD1931	Control Module
IHXTRF1930	Transformer – 240V
IHXWHE1930	Wire Harness, Electronic Control
IHXWHE1931	Wire Harness, Electronic Control
UHXHF6ELBOW	Heatfab Stainless Vent Kit, 6" 90° Elbow
UHXHF6ETERM	Heatfab Stainless Vent Kit, 6" Horizontal Elbow Terminal
UHXHF6PIPE18	Heatfab Stainless Vent Kit, 6" Vent Pipe, 18" Long
UHXHF6PIPE24	Heatfab Stainless Vent Kit, 6" Vent Pipe, 24" Long
UHXHF6PIPE36	Heatfab Stainless Vent Kit, 6" Vent Pipe, 36" Long
UHXHF6STERM	Heatfab Stainless Vent Kit, 6" Horizontal Straight Terminal

Part Number	Part Description
UHXHF8ELBOW	Heatfab Stainless Vent Kit, 8" 90° Elbow
UHXHF8PIPE18	Heatfab Stainless Vent Kit, 8" Vent Pipe, 18" Long
UHXHF8PIPE24	Heatfab Stainless Vent Kit, 8" Vent Pipe, 24" Long
UHXHF8PIPE36	Heatfab Stainless Vent Kit, 8" Vent Pipe, 36" Long
UHXHF8STERM	Heatfab Stainless Vent Kit, 8" Horizontal Straight Terminal
UHXNEGVT11501	Indoor Vent Adapter Kit, H150FD, Negative-Pressure (Vertical)
UHXNEGVT12001	Indoor Vent Adapter Kit, H200FD, Negative-Pressure (Vertical)
UHXNEGVT12501	Indoor Vent Adapter Kit, H250FD, Negative-Pressure (Vertical)
UHXNEGVT13001	Indoor Vent Adapter Kit, H300FD, Negative-Pressure (Vertical)
UHXNEGVT13501	Indoor Vent Adapter Kit, H350FD, Negative-Pressure (Vertical)
UHXNEGVT14001	Indoor Vent Adapter Kit, H400FD, Negative-Pressure (Vertical)
UHXPOSHZ11501	Indoor Vent Adapter Kit, H150FD, Positive-Pressure (Horizontal)
UHXPOSHZ12001	Indoor Vent Adapter Kit, H200FD, Positive-Pressure (Horizontal)
UHXPOSHZ12501	Indoor Vent Adapter Kit, H250FD, Positive-Pressure (Horizontal)
UHXPOSHZ13001	Indoor Vent Adapter Kit, H300F, Positive-Pressure (Horizontal)
UHXPOSHZ13501	Indoor Vent Adapter Kit, H350FD, Positive-Pressure (Horizontal)
UHXPOSHZ14001	Indoor Vent Adapter Kit, H400FD, Positive-Pressure (Horizontal)

Heating

**NOTE:** If the part number you are looking for is not in this price book it is no longer available.  
**N.L.A.** – No Longer Available



# Automation & Sanitization

## REPLACEMENT PARTS



ProLogic

### PROLOGIC

Part No.	Description
GLX-PCB-PRO	Main PCB, ProLogic, all versions, all date codes
GLX-PL-LOC-P-4	Display, Local, ProLogic, P-4
GLX-PL-LOC-PS4	Display, Local, ProLogic, PS-4
GLX-PL-LOC-PS8	Display, Local, ProLogic, PS-8
GLX-PL-LOC-PS16	Display, Local, ProLogic, PS-16
GLX-TB-RF-P-4	Wireless remote, Tabletop, P-4, Black
GLX-TW-RF-P-4	Wireless remote, Tabletop, P-4, White
GLX-TB-RF-PS-4	Wireless remote, Tabletop, PS-4, Black
GLX-TW-RF-PS-4	Wireless remote, Tabletop, PS-4, White
GLX-TB-RF-PS-8	Wireless remote, Tabletop, PS-8, Black
GLX-TW-RF-PS-8	Wireless remote, Tabletop, PS-8, White
GLX-TB-RF-PS-16	Wireless remote, Tabletop, PS-16, Black
GLX-TW-RF-PS-16	Wireless remote, Tabletop, PS-16, White
GLX-WW-PS-4	Wired remote, Wall Mount, PS-4, White
GLX-WW-PS-8	Wired remote, Wall Mount, PS-8, White
GLX-WW-PS-16	Wired remote, Wall Mount, PS-16, White
GLX-WW-RF-PS-4	Wireless remote, Wall Mount, PS-4, White
GLX-WW-RF-PS-8	Wireless remote, Wall Mount, PS-8, White
GLX-WW-RF-PS-16	Wireless remote, Wall Mount, PS-16, White

### AQUALOGIC

Part No.	Description
GLX-PCB-MAIN	Main PCB, AquaLogic, all versions, all date codes
GLX-PCB-EXP	PCB, Expansion Unit for PS-16
GLX-LOCAL-P-4	Display, Local, P-4/PS-4
GLX-LOCAL-PS-4	Display, Local, P-4/PS-4
GLX-LOCAL-PS-8	Display, Local, PS-8, all
GLX-LOCAL-PS-16	Display, Local, PS-16, all
GLX-BASE-RF	Wireless Base Station for AquaLogic



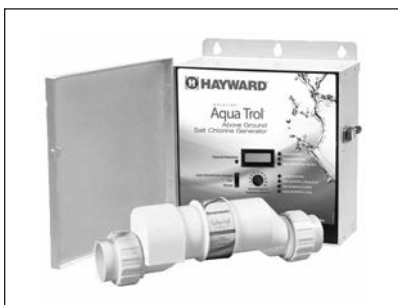
AquaRite

### AQUARITE PRO

Part No.	Description
GLX-CTL-AR-PRO	Control Unit, AquaRite Pro
GLX-PCB-AR-PRO	Main PCB, AquaRite Pro
GLX-AR-PRO-MEM	Display, Membrane Key Pad, dead front

### AQUARITE

Part No.	Description
GLX-CTL-RITE	Control Unit, AquaRite
GLX-PCB-RITE	Main PCB, AquaRite
GLX-PCB-DSP	Display PCB, AquaRite
GLX-PCB-XL-CUL	Replacement PCB for AquaRite XL
GLX-PCB-LS-CUL	Replacement PCB for AquaRite Low Salt



AquaTrol

### AQUATROL

Part No.	Description
GLX-CTL-TR-HP	Control Unit, AquaTrol – HP, straight blade
GLX-CTL-TR-HP-T	Control Unit, AquaTrol – HP, twist lock
GLX-CTL-TR-RJ	Control Unit, AquaTrol – RJ, straight blade
GLX-CTL-TR-RJ-T	Control Unit, AquaTrol – RJ, twist lock
GLX-RJ-ELBOW	Fitting, Return Jet
GLX-TROL-TIMER	24 hour Timeclock Replacement, AquaTrol
GLX-PCB-TROL-RJ	Main PCB, AquaTrol RJ
GLX-PCB-TROL-HP	Main PCB, AquaTrol HP
GLX-CELL-5	TurboCell, 20K gallons, 1 year warranty
GLX-PCB-DSP	Display PCB

**NOTE:** TurboCell Replacements available – see pages 61, 64, 70–71

# Automation & Sanitization

REPLACEMENT PARTS



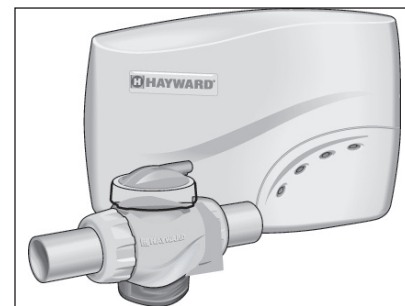
## SENSE AND DISPENSE

Part No.	Description
GLX-PROBE-ORP	Probe, ORP Replacement
GLX-PROBE-PH	Probe, pH Replacement
GLX-SD-ELEC-MOD	Sense and Dispense Electronics Module
GLX-SD-FLOW*	Flow Cell, Sense and Dispense only
GLX-WINTER-KIT	Kit-Replacement, Winterizing
GLX-SP-LP5TUBE	Replacement – Tube, Low Pressure, #3
GLX-SP-UVTUBE	Replacement – Tube, UV
GLX-SP-STRAINER	Replacement – Strainer
GLX-SP-CHEKV	Replacement – Check Valve, Chem-3
GLX-SP-FLO	Replacement – Flow Indicator
GLX-SP-DB	Replacement – Duck Bill (2 pack)
GLX-SP-ROLLER	Replacement – Roller Assembly
GLX-SADDLE	Replacement – Saddle Clamp
GLX-SP-PUMP-120	120V Peristaltic Pump
GLX-SP-PUMP-240	240V Peristaltic Pump
CAX-20260	Shut off valve, AQL-CHEM

\*This SKU replaces GLX-FLOW-CELL

## SALT & SWIM 3C

Part No.	Description
SAS-CELL-CUL	Salt & Swim 3C Replacement Cell
GLX-CTL-DIY	Salt & Swim 3C Control Box
GLX-DIY-CORD	Salt & Swim 3C Replacement Power Cord
GLX-DIY-CABLE	Salt & Swim 3C Replacement Cell Cable
GLX-DIY-DOOR	Salt & Swim 3C Replacement Door
GLX-DIY-VESSEL	Salt & Swim 3C Replacement Vessel
GLX-DIY-CCN15	1.5" Ring, Collar and Nut Set
GLX-DIY-CCN2	2" Ring, Collar and Nut Set
GLX-DIY-CUP	Cell Cleaning Cup
GLX-DIY-ORING	O-Ring for Salt Cell
GLX-DIY-UNION	Salt & Swim 3C Pro Union Kit



Salt & Swim 3C

## CHLORINATOR CELLS

Part No.	Description
GLX-CELL-5	TurboCell, 3 year warranty (1 yr for AQ Trol), 20K gallons
GLX-CELL-PIPE	Straight Pipe Placeholder for Turbo Cell
GLX-CELL-UNION	Union, Nut and Tailpiece, 2 inch
T-CELL-15-CUL	TurboCell, 40K gallons, 3 year warranty
T-CELL-9-CUL	TurboCell, 25K gallons, 3 year warranty
T-CELL-3-CUL	TurboCell, 15K gallons, 3 year warranty
T-CELL-LS-CUL	TurboCell, 30K gallons, 3 year warranty

## COMMON REPLACEMENT PARTS

Part No.	Description
GLX-DRK	Rectifier Upgrade
GLX-FLO-RP	Flow Switch (15' cable, no tee)
GLX-FLO-T	Tee for Flow Switch
GLX-XFMR	Transformer
GLX-CELL-UNION	Union, Nut Ad Tailpiece, 2"
GLX-R-10PK	Rectifier (10 pack)
GLX-F20-10PK	Fuse Kit, 20A (10 pack) (for Aqua Rite/Trol before 11/04)
GLX-F20A-10PK	Fuse Kit, 20A/yellow (10 pack) (all Aqua Logic/Rite/Trol after 11/04)
GLX-F3A-10PK	Fuse Kit, 3A/violet (10 pack) (Aqua Logic only)
GLX-FUSE-20	Fuse Holder Kit (fuse holder & wires for Rite/Trol before 11/04)
GLX-PC-12-KIT	Temperature Sensor w/15' leads & hose clamp
GLX-RF-EXTEND	AQL2-BASE-RF extension 50'
GLX-RELAY	Relay, 3 HP
GLX-PWR-X	Power Supply, wall plug-in, for wireless remotes X = W (White), B (Black)
GLX-GVA-2CAM	Cams for GVA Valve Actuator (Set of 2)
GLX-GVA-4SCR	Screws (4) for mounting GVA-24 Valve Actuator
GLX-FLO	Flow switch (15' cable with tee)
GLX-OUTLET-15A	120V/15 amp Pump Outlet
GLX-POD-CHGR	Battery Charger for Aqua Pod
GLX-CELLTST-STD	Stand for Cell Tester
GLX-CELL-TESTER	Tester for all Turbo Cell Electrolytic Cells
GLX-SS-RF	Wireless Spaside Remote Control
SX20023	O-Ring
GLX-UNION-ORING	O-Ring Union 12 pack

## ONCOMMAND

Part No.	Description
GLX-PCB-ONCOM	Main PCB, OnCommand
GLX-LOC-ONCOM	Display, Local, OnCommand only
GLX-DOOR-ONCOM	Door, OnCommand

## ACCESSORIES

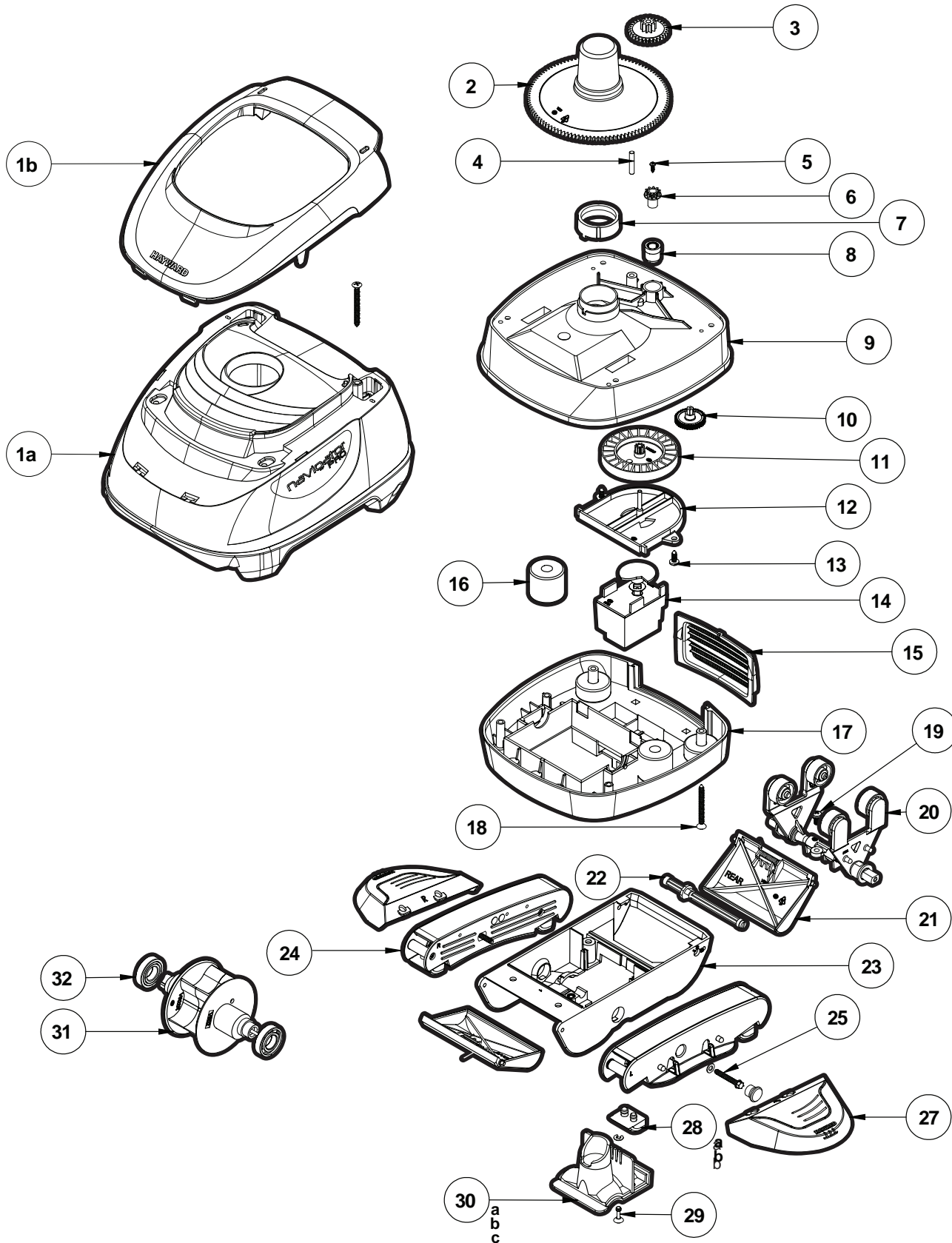
Part No.	Description
GLX-SALTMETER	Salt Meter, handheld, digital
GLX-CAL-SOL	Calibration solution for Salt Meter, 3200ppm
GLX-CELLSTAND	Cleaning Stand, for all TurboCells
GLX-FIELD-PROG2	Field Programmer for ProLogic®, and AquaRite® Pro



# Navigator® Pro

REPLACEMENT PARTS

## Parts Diagram





## Parts Listing

Ref. No.	Part No.	Description	Ctn. Qty.	QtyReq'd
1a	AXVU016	Navigator Pro Skirt Assembly	1	1
1b	AXVU005	Navigator Pro Handle Assembly	1	1
2	AXV070	Cone Gear, Clear	1	1
3	AXV301	Inter Gear	1	1
4	AXV309	Inter Gear Shaft	1	1
5	AXV068	Spindle Gear Screw	1	1
6	AXV303	Cone Spindle Gear	1	1
7	AXV306	Cone Gear Bushing	1	1
8	AXV066A	Cone Spindle Gear Bushing	1	1
9	AXV060WH	Upper Middle Body	1	1
10	AXV064A	Medium Turbine Drive Gear	1	1
11	AXV062C	Medium Turbine	1	1
12	AXV009	Medium Turbine Case/Axle Assembly	1	1
13	AXV065P	Upper Body Screw (6 pack)	1	1
14	AXV408P	Gear Box Assembly	1	1
15	AXVU009*	Screen Kit	1	1
16	AXV054FH	Float Kit (Set of 2)	1	1
17	AXV050CWH	Lower Middle Body	1	1
18	AXV057P	Middle Body Screw (6 pack)	1	1
19	AXV313	Lower Body Screw	1	1
20	AXV621DAT	Kit-Universal, Turbine/A-Frame	1	1
21	AXV434WHP**	Flap Kit (2 flaps, front and rear springs)	1	1
22	AXV031B	Flap Adjuster	1	1
23	AXV230DWH	Open Lower Body	1	1
24	AXV417WHP**	Pod Kit	1	1
25	AXSCR4008	Pod Screw Kit (2 screws and 2 washers)	1	1
27	AXV604WHP**	Wing Kit	1	1
28a	AXV414P	Shoes, Concrete (4 pack)	1	1
28b	AXV413P	Shoes, Vinyl (4 pack)	1	1
29	AXV314P	Captive Screw with Clip	1	1
30a	AXV603	Access Cover Assembly, Concrete	1	1
30b	AXV603A	Access Cover Assembly, Vinyl	1	1
30c	AXV603CLO	Access Cover Assembly, Concrete w/ outriggers (Optional), Large Throat	1	1
31	AXV602P	Turbine Kit (turbine and 2 turbine bearings)	1	1
32	AXV055P	Turbine Bearing (2 pack)	1	1
—	AXV414604WHP	Shoe and Wing Maintenance Kit	50	1
—	AXV621417WHP	A-Frame and Pod Tune Up Kit	10	1
—	AXV622604WHP	Propulsion and Wing Rebuild Kit	1	1

**NOTES:** \*Add BK to end of part number for Black.

\*\*Remove WHP from end of part number and replace with BLK for Black.

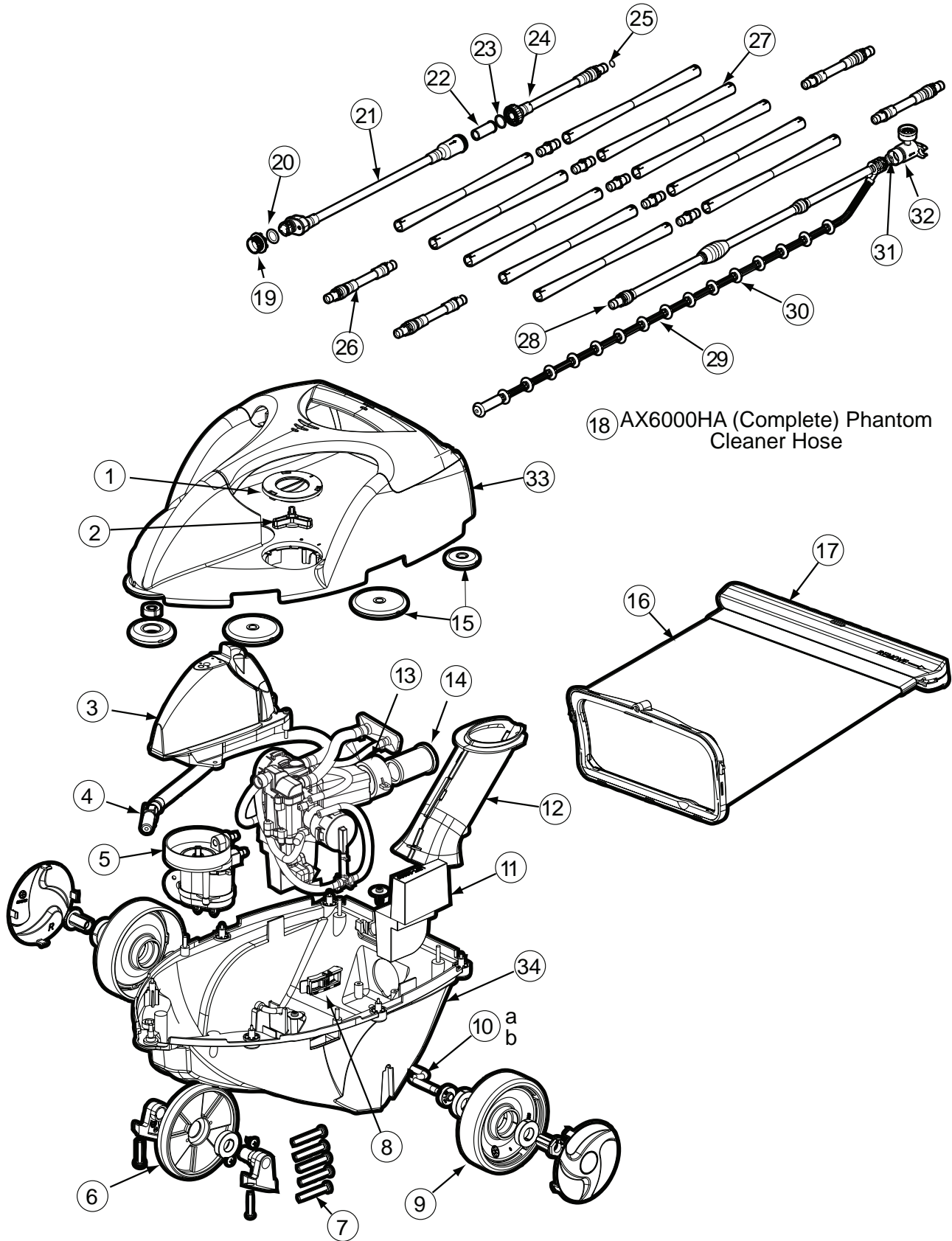
Cleaners



# Phantom™ and Phantom TURBO™

REPLACEMENT PARTS

## Parts Diagram





# Phantom™ and Phantom Turbo™

REPLACEMENT PARTS



## Parts Listing

Ref. No.	Part No.	Description	Ctn. Qty.	No. Req'd
1	AX6001F	Cam Cap	10	1
2	AX5003M	Cams (3 pack)	10	1
3	AX6000TNKA	Nose Jet Tank	5	1
4	AX6008M	Front Spin-out Jet (w/ Hose and Tie)	10	1
5	AX6000GA	Gearbox (w/Cams, Hose and Ties)	10	1
6	AX6009BF	Front Wheel (w/Retainer and Bearings)	10	1
7	AX5010D4	Screws (5 pack)	10	5
8	AX6000SWA	Top/Auto/Bot Switch	10	1
9	AX6009B	Rear Wheels w/Bearings, Nuts and Hubcaps	10	2
10a	AX5009E1	Split Rear Axle (for units manufactured after June 2006)	5	1
10b	AX5009E	One Piece Rear Axle	5	1
11	AX5500EF	Floats (Left & Right)	5	1
12	AX5000B	Vac Tube	5	1
13	AX6000MA3	Turbo Manifold Assembly	1	1
14	AX6004R1	Manifold Filter Screen (only for use in AX6000MA3 Manifold)	25	1
15	AX6000D	Soft Rollers (7 Pack w/Bearing)	10	7
16	AX6000BA	Large Capacity Debris Bag (Complete)	25	1
17	AX6000FC	Bag Closure	10	1
18	AX6000HAV	Rigid Pressure Hose (Complete)	1	1
19	AX5004L1	Universal Wall Fitting	10	1
20	AX5010G10	Wall Quick Connect O-Ring	100	1
21	AX6000HWA1	Wall Quick Connect Hose, Bottom In-Line Filter Assembly	10	1
22	AX6009S	In-Line Filter Screen	25	1
23	AX5010G19	In-Line Filter O-Ring	100	1
24	AX6000HWA2V	Pressure Hose and Top of In-Line Filter Cap Assembly	10	1
25	AX5010G20	Pipe Connector O-Ring (6 pack)	100	1
26	AX6000HFA	Hose Swivel Assembly	10	4
27	AX6000HE	Rigid Hose Pipe Section (2 Rigid Pipes & 1 Coupling)	100	1
28	AX6000HCA	Pressure Hose Cleaner End Assembly (w/o Sweep Hose)	1	1
29	AX5000RSHA	Sweep Hose (w/Rollers and Mender Nut)	10	1
30	AX5006A	Wear Rollers (10 pack)	10	1
31	AX5010G18	Cleaner Connector O-Ring	100	1
32	AX6000PTA	Set up Pressure Gauge	5	1
33	AX6000TA	Deck (w/Wing & Cam Cap)	1	1
34	AX5000A2	Bottom Housing	1	1
-	AX6000MA3GA	Gearbox (w/Cams, Hose and Ties) Turbo Manifold Assembly	1	1

**NOTE:** When ordering replacement parts for black model add BK to end of part number.

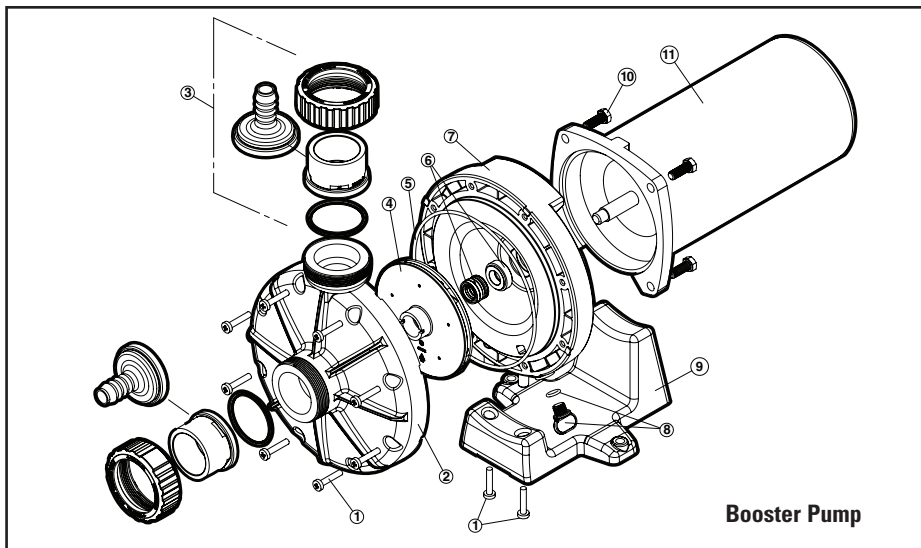
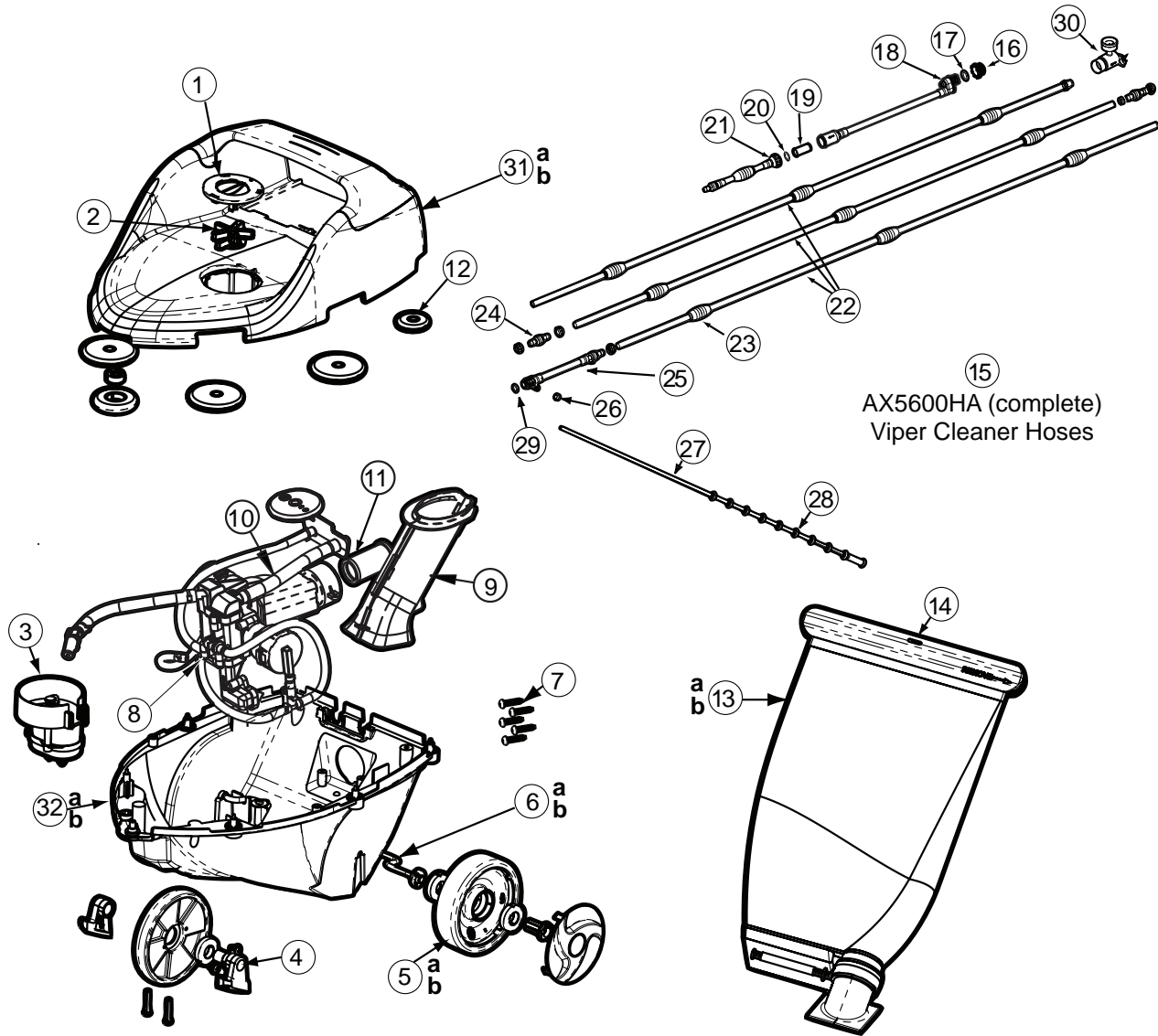
Cleaners



# VIPER™

REPLACEMENT PARTS

## Parts Diagram





## Parts Diagram

Ref. No.	Part No.	Description	Ctn. Qty.	No. Req'd
1	AX5501F	Cam Cap	10	1
2	AX5003M	Cams (3 pack)	10	1
3	AX5500GA	Gearbox (w/Cams, Hose and Ties)	10	1
4	AX6009BF	Front Wheel (w/Shaft and Bearings)	10	1
5a	AX6009B	Rear Wheels w/Bearings, Nuts and Hubcaps (for units manufactured after June 2006)	10	2
5b	AX5009A	Rear Wheels w/Bearings, Nuts and Hubcaps (for units manufactured before June 2006)	10	2
6a	AX5009E	Rear Axle (for units manufactured before June 2006)	5	1
6b	AX5009E1	Split Rear Axle (for units manufactured after June 2006)	5	1
7	AX5010D4	Screws (5 pack)	10	5
8	AX5000CVA	Check Valve (w/Hose and Ties)	10	1
9	AX5000B	Vac Tube	5	1
10	AX5500MA3V	Turbo Manifold Assembly	1	1
11	AX6004R1	Manifold Filter Screen (only for use in AX5500MA3)	25	1
12	AX6000D	Soft Rollers (7 Pack w/Bearing)	10	7
13a	AX5500BFA	Large Capacity Debris Bag (Complete)	10	1
13b	AX5500BFLA4	Large Capacity Debris Bag (Complete) White Attachment	10	1
14	AX6000FC	Bag Closure	10	1
15	AX6000HAV	Pressure Hose (Complete)	1	1
16	AX5004L1	Universal Wall Fitting	10	1
17	AX5010G10	Wall Quick Connect O-Ring	100	1
18	AX5600HWA1	Wall Quick Connect Hose, Bottom In-Line Filter Assembly	10	1
19	AX6009S	In-Line Filter Screen	25	1
20	AX5010G19	In-Line Filter O-Ring	100	1
21	AX5600HWA2	Pressure Hose and Top of In-Line Filter Cap Assembly	10	1
22	AX5010I1	Pressure Hose (10 Feet)	10	3
23	AXS038	Hose Floats (5 pack)	10	2
24	AX5000SA	Hose Swivels (3 pack)	10	2
25	AX5600HCA	Pressure Hose Cleaner End Assembly (w/o Sweep Hose)	10	1
26	AX5004B	Mender Nuts (4 pack)	20	1
27	AX5000RSA	Sweep Hose (w/Rollers and Clamp)	10	1
28	AX5006A	Wear Rollers (10 pack)	10	1
29	AX5010G18	Cleaner Connector O-Ring	100	1
30	AX6000PTA	Set up Pressure Gauge	5	1
31a	AX5500TA	Deck (w/Wing and Cam Cap) – White	1	1
31b	AX5500TA4	Deck (w/Wing and Cam Cap) – Yellow	1	1
32a	AX5500A	Bottom Housing (w/Retainers) – Light Gray	1	1
32b	AX5500A4	Bottom Housing (w/Retainers) – Blue	1	1
—	AX5500A4	10 Foot Pressure Hose Extension (Complete) – Blue	1	1

\*Manifold replacement in units manufactured prior to July 2004 require Bottom Housing (AX5000A), Split Rear Axle (AX5009E1) and Rear Wheels (A6009BGR).

**Note:** When ordering replacement parts for black model add BK to end of part number

### Booster Pump Parts

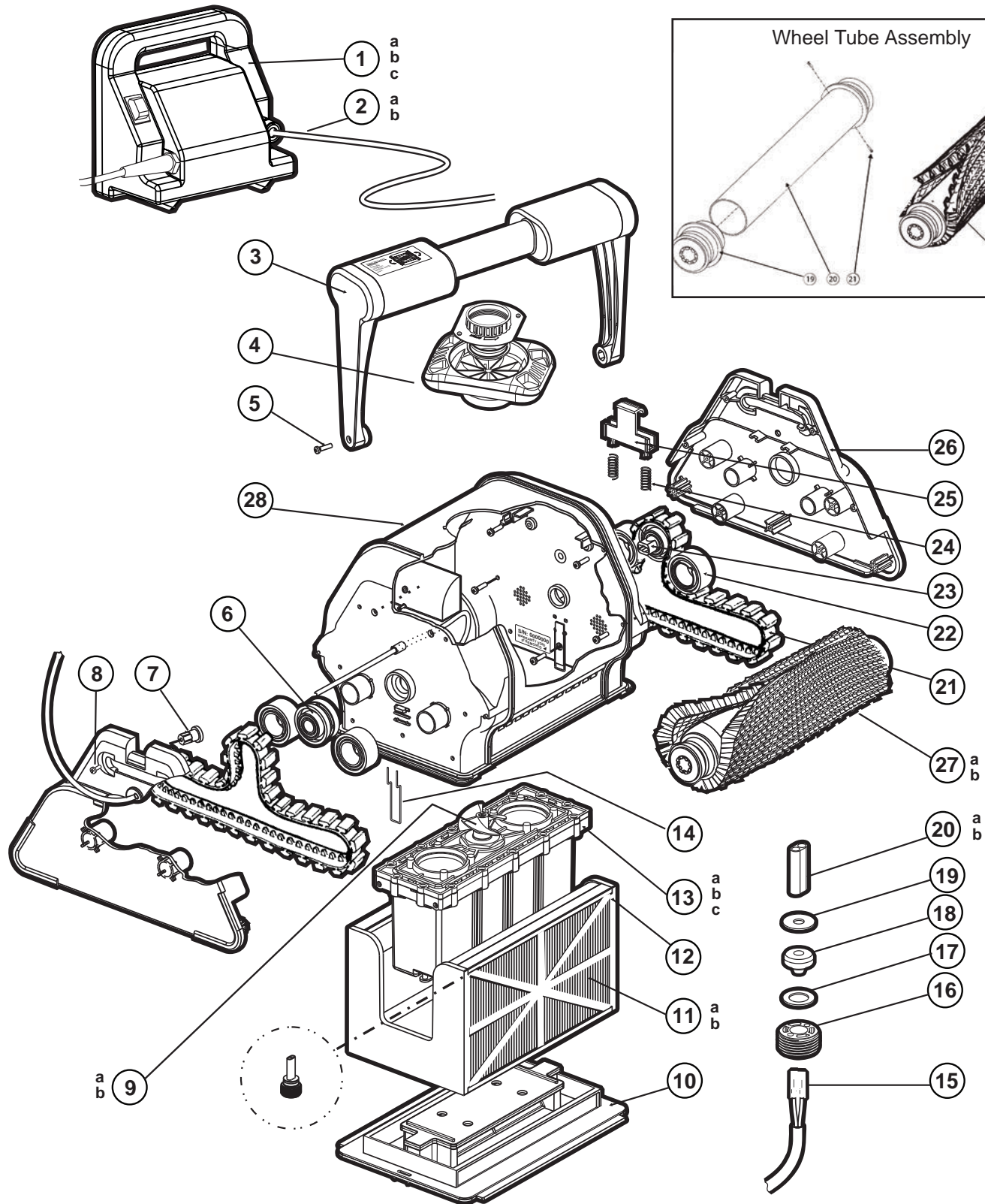
Ref. No.	Part No.	Description	Ctn. Qty.	No. Req'd
1	AX6060Z1	Screws	50	1
2	AX6060A	Volute	1	1
3	AX6060UNPAK	Union Fittings Kit (2 Unions w/O-Rings)	5	1
4	AX6060C	Impeller Assembly	5	1
5	AX6060S	O-Ring	50	1
6	SPX2700SA	Seal Assembly	10	1
7	AX6060E	Seal Plate Assembly (Seal Plate w/drain plug and O-Ring)	1	1
8	SPX4000FG	Drain Plug w/O-Ring	200	1
9	AX6060G	Motor Support	1	1
10	SPX3200Z5	Motor Bolts	50	1
11	SPX2707Z1M	Motor (3/4 HP, 60 Cycles)	1	1



# AquaVac, AquaVac QC, AquaVac Plus

REPLACEMENT PARTS

## Parts Diagram



Cleaners

# AquaVac, AquaVac QC, AquaVac Plus

REPLACEMENT PARTS



## Parts Listing

Ref. No.	Part No.	Description	Ctn. Qty.	Qty. Per
1a	RC97453QC	Power supply, 115 V for Quick Clean	1	1
1b	RCX97453	Power supply, 115 V for Standard AquaVac	1	1
1c	RCX30000RC	Power supply, 115V for AquaVc Plus	1	1
2a	RCX50061	Cord, power floating assembly – 55 ft.* for AquaVac and AquaVac QC	1	1
2b	RCX50070	Cord, Floating Assembly – 55 ft.* for AquaVac Plus	1	1
3a	RCX76015	Handle Assembly – Standard A.V (dark blue)	1	1
3b	RCX97007	Handle Assembly A.V (dark grey)		1
4	RCX11208	Venturi Assembly	1	1
5	RCX12011	Screw M5x20 T-20 (Pack of 5)	10	16
6	RCX26001	Bearing, Guide Roller	5	1
7	RCX14000	Handle Arm Slide	10	2
8	RCX12001	Screw M4x12 T-20 (Pack of 5)	10	4
9a	RCX11000	Impeller	10	1
9b	RCX12002	Screw M4x2 Flat Head T-15 (Pack of 5)	10	1
10	RCX75000	Bottom Lid Assembly	5	1
11a	RCX70101	Filter Cartridge Refill Set (1 set, 2 pcs)	5	1
11b	RCX70103	Filter Cartridge – Disposable (1 set, 2 pcs) For Spring Cleanup - Optional	5	1
12	RCX70100	Filter Cartridge Assembly, Frame with filters	1	1
13a	RCX43000*	110VAC Motor Unit, for AquaVac QC	1	1
13b	RCX40000DC*	Motor Unit, for AquaVac	1	1
13c	RCX40000RC*	Motor Unit, for AquaVac Plus	1	1
14	RCX11400	Clip, Lid (Pack of 2)	10	2
15	RCX59006	Connector Pin, Molex	1	2
16	RCX59004	Seal Plug	10	1
17	RCX12302	Washer, Plastic Connector, Large Hole	10	1
18	RCX59003	Compression Seal	10	1
19	RCX12301	Washer, Plastic Connector, Small Hole	10	1
20a	RCX59002	Connector Housing 2 pin for AquaVac and AquaVac QC	10	1
20b	RCX59008	Connector Housing 4 pin for AquaVac Plus		1
21	RCX23002	Drive Track, Soft Tread	5	2
22	RCX26000	Bearing, Idler Pulley	5	4
23	RCX26002	Bearing, Drive Pulley Assembly	5	1
24	RCX12100	Spring Handle Latch	10	4
25	RCX14100	Handle Latch	10	2
26a	RCX97200	Side Cover, dark blue	5	2
27a	RCX26008	Roller Brush	5	2
27b	RCX26011	Roller Foam, with tube (Optional)	5	2
28	RCX13007	Main Case	1	1
-	RCX17000	Bumper (High Velocity Inlet) - Optional	1	1
-	RCX79000*	Diagnostic Tool Kit	1	1
-	RCX40117	Drive Pin Assembly	1	1
-	RCX42000	Solenoid Assy for Aquac Plus	1	1
-	RCX9716DBL	Solenoid cover for AquaVac Plus	1	1
-	RCX40215	Remote Control for AquaVac Plus	1	1
<b>Bottom Lid Components</b>				
-	RCX78005	Gasket for Bottom Lid	1	1
-	RCX75005	Inlet Flap	2	2

\*For service and repair centers only.

### Wheel Tube Assembly

20	RCX26004	Wheel Tube	1	2
19	RCX26005	Wheel Tube Ball Bearing Assembly	2	4
21	RCX3406	Wheel Bearing Screw (Pack of 10)	4	8
22	RCX26008	Brush	1	2

Cleaners

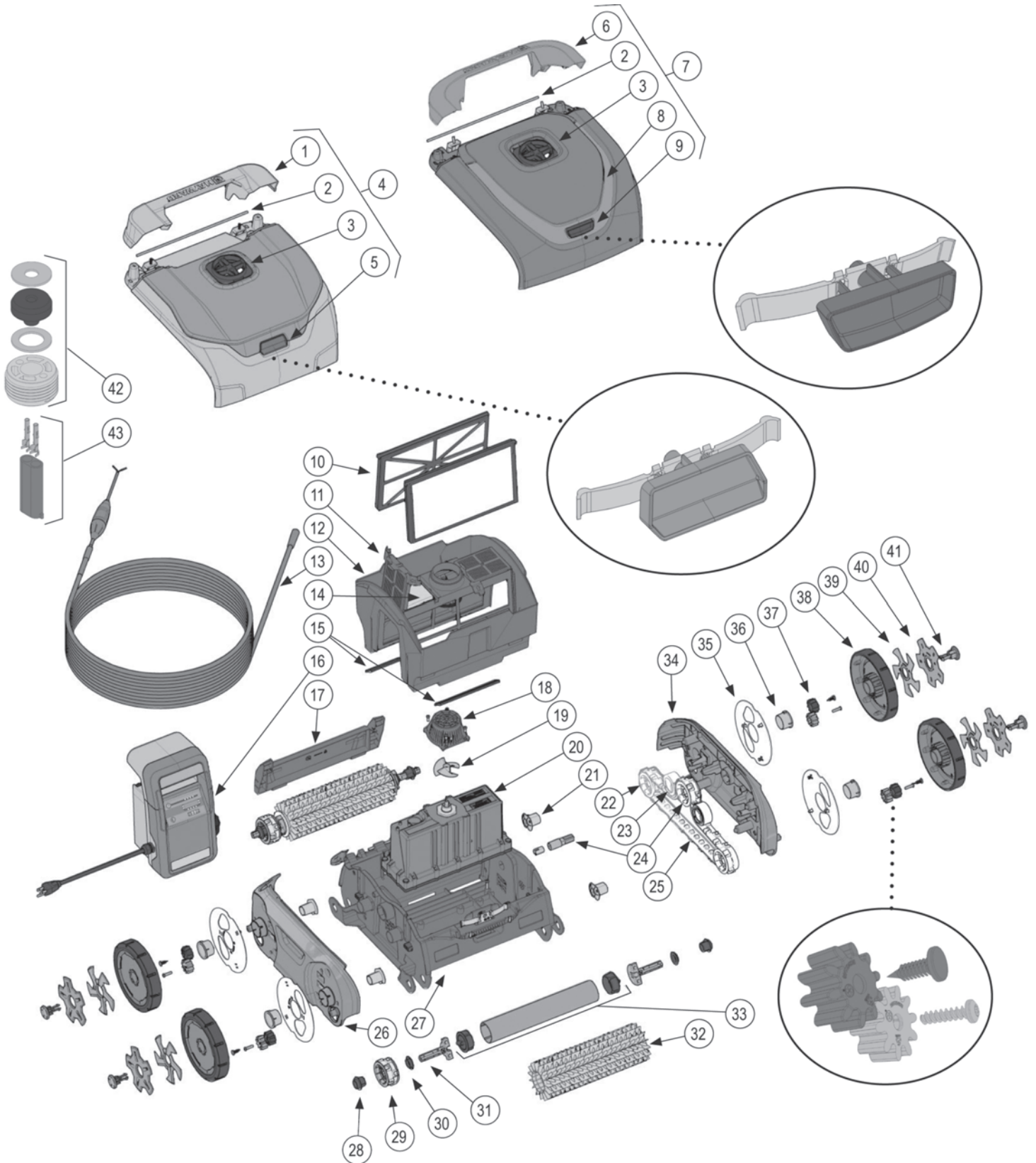




# AquaVac 500 Series

REPLACEMENT PARTS

## Parts Diagram





# AquaVac 500 Series

REPLACEMENT PARTS



## Parts Listing

Part Number	Description	Part Number	Description	Part Number	Description
1A	RCX341203OR	Handle Assembly - Orange	11	RCX97417	Filter Door
1B	RCX341203GR4	Handle Assembly - Gray 4	12	RCX97415	Filter Housing Bucket
2	RCX97429	Hood Hinge Axle	13	RCX341190	60' Cord Assembly With Swivel
3A	RCX341126GR2	Hood Exhaust Nozzle - Gray 2	14	RCX97417SPA2	Door Filter Element (set of 2)
3B	RCX341126GR3	Hood Exhaust Nozzle - Gray 3	15	RCX974057KIT	Drain Flap Kit
3C	RCX341126GR4	Hood Exhaust Nozzle - Gray 4	16	RCX341161	Power Supply 120VAC
3D	RCX341126BK	Hood Exhaust Nozzle - Black	17A	RCX341103GR2	Rear Panel - Gray 2
4A	RCX341201GR2	Hood Assembly - Gray 2	17B	RCX341103GRN	Rear Panel - Green
4B	RCX341201WH	Hood Assembly - White	17C	RCX341103BK	Rear Panel - Black
5A	RCX341205GR4	Button Assembly - Gray 4	17D	RCX341103GR3	Rear Panel - Gray 3
5B	RCX341205TR	Button Assembly - Turquoise	17E	RCX341103GR4	Rear Panel - Gray 4
6A	RCX341107WH	Handle Assembly - White	17F	RCX341103TR	Rear Panel - Turquoise
6B	RCX341107BL	Handle Assembly - Blue	18	RCX97455	Impeller Cover Kit
6C	RCX341107GR3	Handle Assembly - Cool Gray 3	19	RCX11000	Impeller
6D	RCX341107OR	Handle Assembly - Orange	20	RCX341195	Motor Assembly
7A	RCX341105WHRD	Hood Assembly - White/Red	21	RCX341111PAK2	Wheel Hub Kit (set of 2)
7B	RCX341105WHGR2	Hood Assembly - White/Gray2	22	RCX97505PAK2	Drive Track Wheel Kit (set of 2)
7C	RCX341105WHGR3	Hood Assembly - White/Gray3	23	RCX26000PAK2	Pulley Bearing Kit (set of 2)
7D	RCX341105GR1	Hood Assembly - Gray1	24	RCX97502KIT	Drive Shaft & Bearing Kit
7E	RCX341105GR2	Hood Assembly - Gray2	25	RCX97501GR	Drive Track Belt
7F	RCX341105WHBK	Hood Assembly - White/Black	26A	RCX341101GR2	Left Side Cover - Gray 2
8A	RCX341106RD	Hood Trim - Red	26B	RCX341101GRN	Left Side Cover - Green
8B	RCX341106GR2	Hood Trim - Gray 2	26C	RCX341101BK	Left Side Cover - Black
8C	RCX341106GR3	Hood Trim - Gray 3	26D	RCX341101GR3	Left Side Cover - Gray 3
8D	RCX341106BK	Hood Trim - Black	26E	RCX341101GR4	Left Side Cover - Gray 4
8E	RCX341106GR4	Hood Trim - Gray 4	26F	RCX341101TR	Left Side Cover - Turquoise
9A	RCX341108RD	Button Assembly - Red	27	RCX341142	Cleaner Base
9B	RCX341108GRN	Button Assembly - Green	28	RCX97506PAK2	Roller Bushing Kit (set of 2)
9C	RCX341108BL	Button Assembly - Blue	29	RCX97509PAK2	Drive Wheel Kit (set of 2)
9D	RCX341108GR3	Button Assembly - Gray 3	30	RCX97435PAK2	Roller Shaft Bushing Kit (set of 2)
9E	RCX341108GR4	Button Assembly - Gray 4	31	RCX97507PAK2	Roller Wheel Shaft (set of 2)
9F	RCX341108TR	Button Assembly - Turquoise	32A	RCX26008	Roller Brush
10A	RCX70101PAK2	Filter Cartridges (set of 2)	32B	RCX26011WCE	Foam Roller Assembly
10B	RCX70103PAK2	Spring Cleanup Cartridges (set of 2)	33	RCX97510	Wheel Tube With Caps
34A	RCX341102GR2	Right Side Cover - Gray 2			
34B	RCX341102GRN	Right Side Cover - Green			
34C	RCX341102BK	Right Side Cover - Black			
34D	RCX341102GR3	Right Side Cover - Gray 3			
34E	RCX341102GR4	Right Side Cover - Gray 4			
34F	RCX341102TR	Right Side Cover - Turquoise			
35A	RCX341127GR2	Wheel Shield - Gray 2			
35B	RCX341127GRN	Wheel Shield - Green			
35C	RCX341127BK	Wheel Shield - Black			
35D	RCX341127GR3	Wheel Shield - Gray 3			
35E	RCX341127GR4	Wheel Shield - Gray 4			
35F	RCX341127TR	Wheel Shield - Turquoise			
36	RCX341109PAK2	Wheel Bushing Kit (set of 2)			
37	RCX341145KIT	Wheel Drive Gear Kit			
38A	RCX341110WHGR3	Wheel Rim & Tire - White			
38B	RCX341110BKBL	Wheel Rim & Tire - Black			
38C	RCX341110WHBK	Wheel Rim & Tire - White			
38D	RCX341110GR4BK	Wheel Rim & Tire - Gray 4			
39A	RCX341123RD	Boots Wheel Style - Red			
39B	RCX341123OR	Boots Wheel Style - Orange			
39C	RCX341123GR1	Boots Wheel Style - Gray 1			
39D	RCX341123GR3	Boots Wheel Style - Gray 3			
39E	RCX341123GR4	Boots Wheel Style - Gray 4			
40A	RCX341206GR4	Starfish Wheel Style - Gray 4			
40B	RCX341206OR	Starfish Wheel Style - Orange			
41A	RCX341112RD	Wheel Axle Plug - Red			
41B	RCX341112WH	Wheel Axle Plug - White			
41C	RCX341112GR1	Wheel Axle Plug - Gray 1			
41D	RCX341112GR3	Wheel Axle Plug - Gray 3			
41E	RCX341112OR	Wheel Axle Plug - Orange			
41F	RCX341112GR4	Wheel Axle Plug - Gray 4			
42	RCX59004KIT	Motor Cord Seal Kit			
43	RCX59002KIT	Motor Cord Connector Kit			

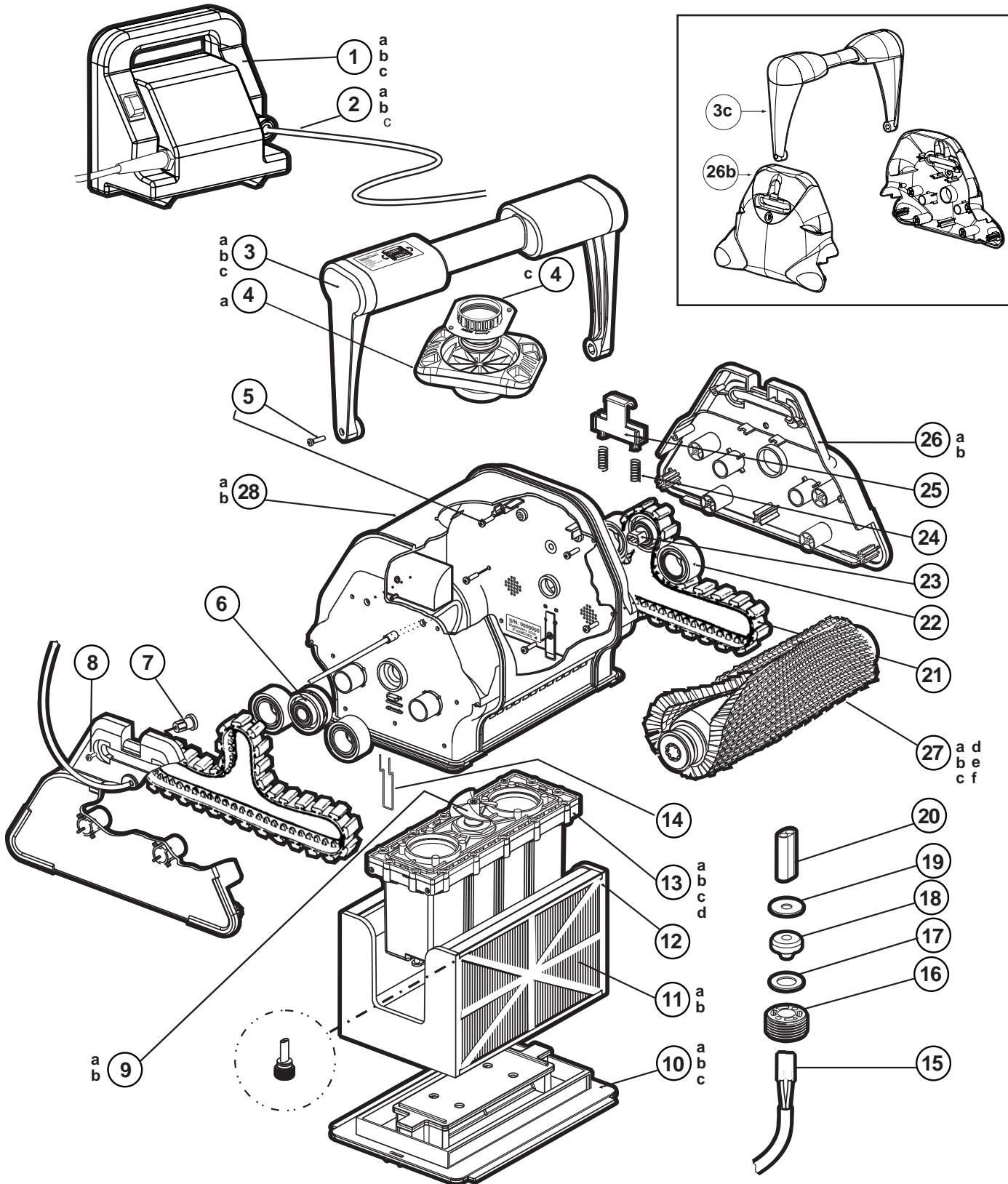
Cleaners



# TigerShark®, TigerShark® QC, TigerShark® Plus

REPLACEMENT PARTS

## Parts Diagram



Cleaners

# TigerShark®, TigerShark® QC, TigerShark® Plus

REPLACEMENT PARTS



## Parts Listing

Ref. No.	Part No.	Description	Ctn. Qty.	Qty. Per
1a	RCX97453	Power Supply, 115 V for U.S. Standard TigerShark + TigerShark QC	1	1
1b	RCX30000RC	Power Supply, 115 V for U.S. TigerShark Plus	1	1
1c	RCX97453QC	Power Supply, 115 V for U.S. Quick Clean	1	1
2a	RCX50061	Floating Cord Assembly – 55 ft. (TS, TSQC)	1	1
2b	RCX50070	Floating Cord Assembly – 55 ft. (TS Plus)	1	1
3a	RCX76000	Handle Assembly – Quick Clean, Teal	1	1
3b	RCX76007	Handle Assembly – Blue	1	1
3c	RCX97007	Handle Assembly – Dark Gray	1	1
4	RCX11208	Venturi Assembly	1	1
5	RCX12011	Screw M5x20 T-20 (Pack of 5)	10	16
6	RCX26001	Bearing, Guide Roller	5	1
7	RCX14000	Handle Arm Slide	10	2
8	RCX12001	Screw M4x12 T-20 (Pack of 5)	10	4
9a	RCX11000	Impeller	10	1
9b	RCX12002	Screw M4x2 Flat Head T-15 (Pack of 5)	10	1
10a	RCX75000	Bottom Lid Assembly	5	1
10b	RCX78005	Bottom Lid Filter Gasket	10	1
10c	RCX75005	Inlet Flap	10	2
11a	RCX70101	Filter Cartridge Refill Set (1 set, 2 pcs)	5	1
11b	RCX70103	Filter Cartridge – Disposable Spring Cleanup (1 set, 2 pcs) - optional	5	1
12	RCX70100	Filter Cartridge Assembly, Frame with filters	1	1
13a*	RCX40000RC	Motor Unit, for TigerShark Plus	1	1
13b*	RCX40000DC	Motor Unit, for TigerShark	1	1
13c	RCX41000DC	Motor Unit, for TigerSharkQC	1	1
14	RCX11400	Clip, Lid (Pack of 2)	10	2
15	RCX59006	Connector Pin, Molex	1	2
16	RCX59004	Seal Plug	10	1
17	RCX12302	Washer, Plastic Connector, Large Hole	10	1
18	RCX59003	Compression Seal	10	1
19	RCX12301	Washer, Plastic Connector, Small Hole	10	1
20a	RCX59002	Connector Housing 2 pin for TigerShark and TigerShark QC	10	1
20b	RCX59008	Connector Housing 4pin for TigerShark Plus	1	1
21	RCX23002	Drive Track, Soft Tread	5	2
22	RCX26000	Bearing, Idler Pulley	5	4
23	RCX26002	Bearing, Drive Pulley Assembly	5	1
—	RCX40117	Drive Pin Assembly	50	1
24	RCX12100	Spring Handle Latch	10	4
25	RCX14100	Handle Latch	10	2
26a	RCX13200	Side Cover, Light Gray	5	2
26b	RCX97201	Side Cover, Dark Gray	1	2
27a	RCX26008	Roller Brush	5	2
27b	RCX26011	Roller Foam, with Tube (Optional)	5	1
27c	RCX26003	Wheel Tube Assembly without Brush	5	2
27d	RCX26004	Wheel Tube	5	2
27e	RCX26005	Wheel Tube Bearing	10	4
27f	RCX3406	Wheel Tube Screws (Pack of 10)	10	8
28a	RCX13001	Main Case, TigerShark (Gray and Blue)	1	1
28b	RCX13007	Main Case, TigerShark (Gray)	1	1
—	RCX17000	High Velocity Inlet	5	1
—	RCX11206	Restrictor Plate Kit	10	1
—	RCX11207	New Style Restrictor Plate	5	1
—	RCX40209	Hand-held Wireless Remote (2007 and Prior) – 418 MHz	10	1
—	RCX40215	Hand-held Wireless Remote (2008-present) – 433 MHz	10	1
—	RCX42000	Solenoid Assembly For Remote (TS Plus)	1	1
—	RCX70000*	Diagnostic Tool Kit	1	1
—	RCX9716DGR	Solenoid Cover, Dark Gray	1	1

\*For service & repair centers only.

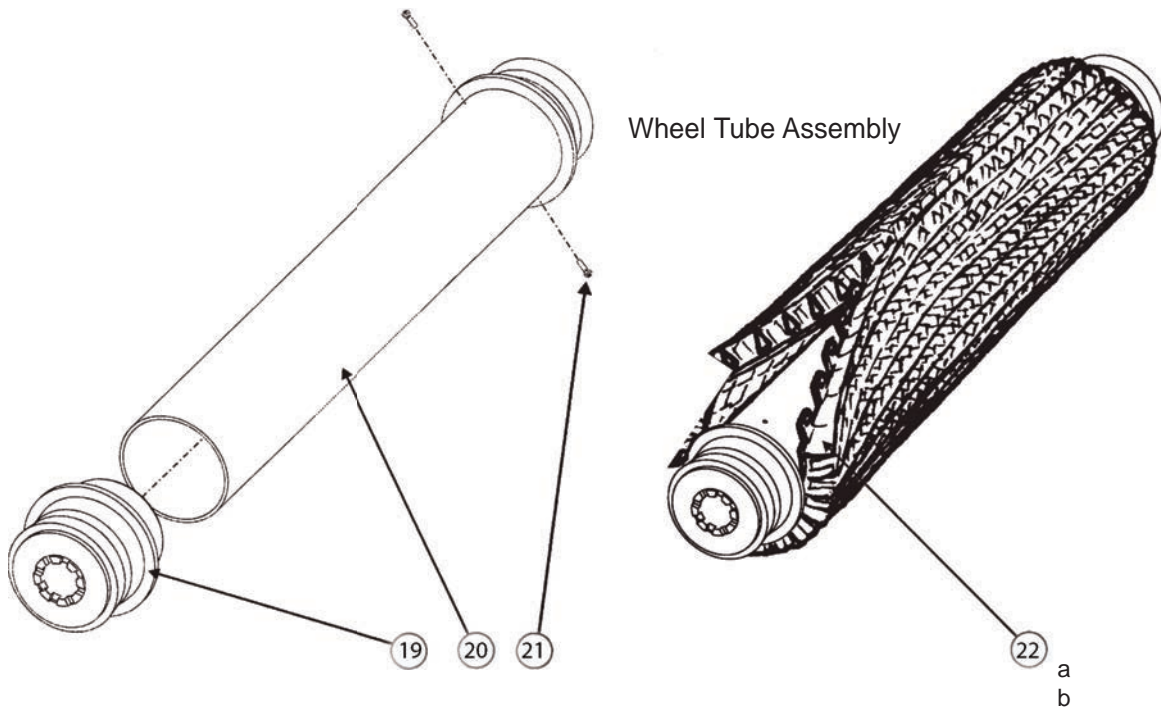
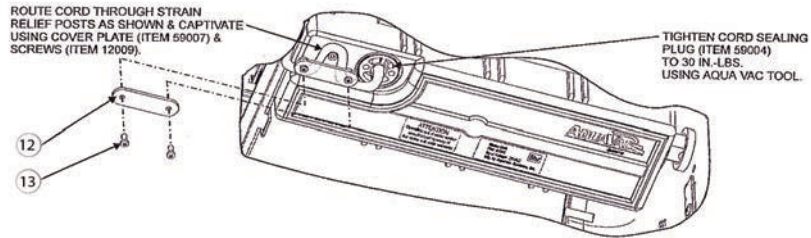
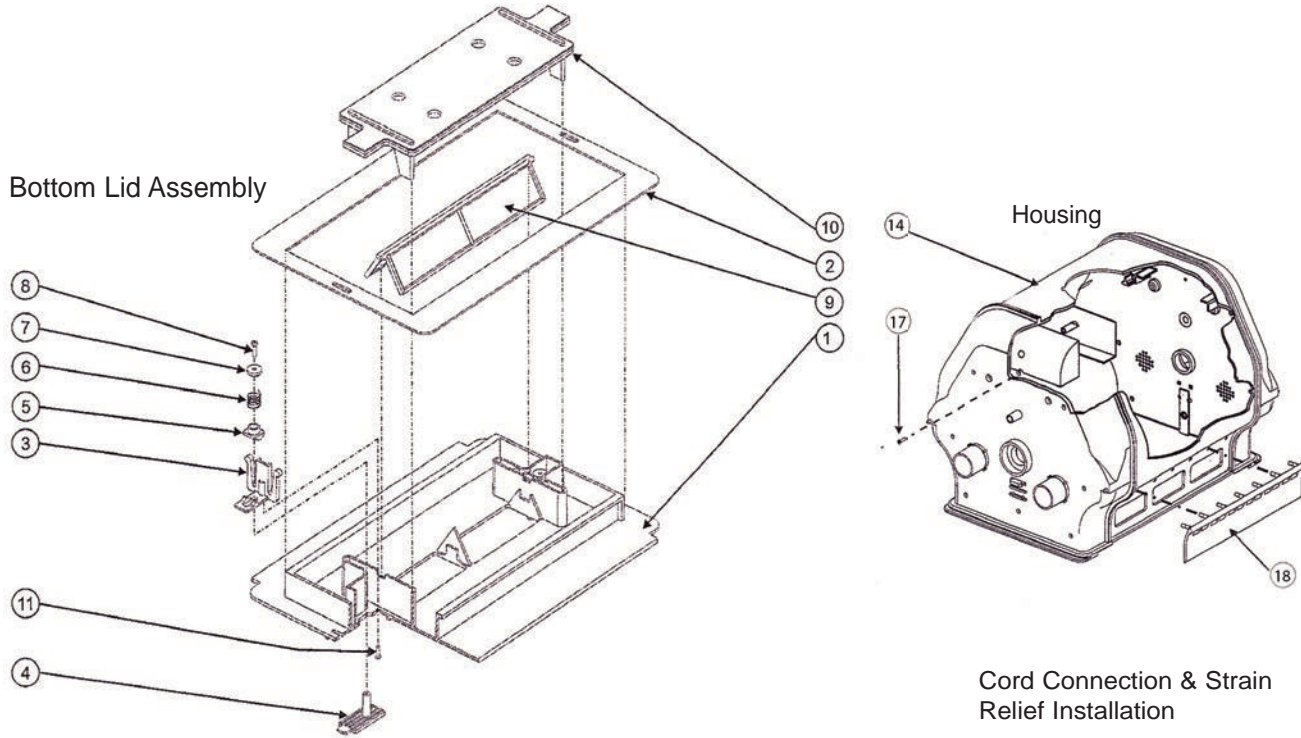
Cleaners





# TigerShark®, TigerShark® QC, TigerShark® Plus

REPLACEMENT PARTS



# TigerShark®, TigerShark® QC, TigerShark® Plus

REPLACEMENT PARTS



## Parts Listing

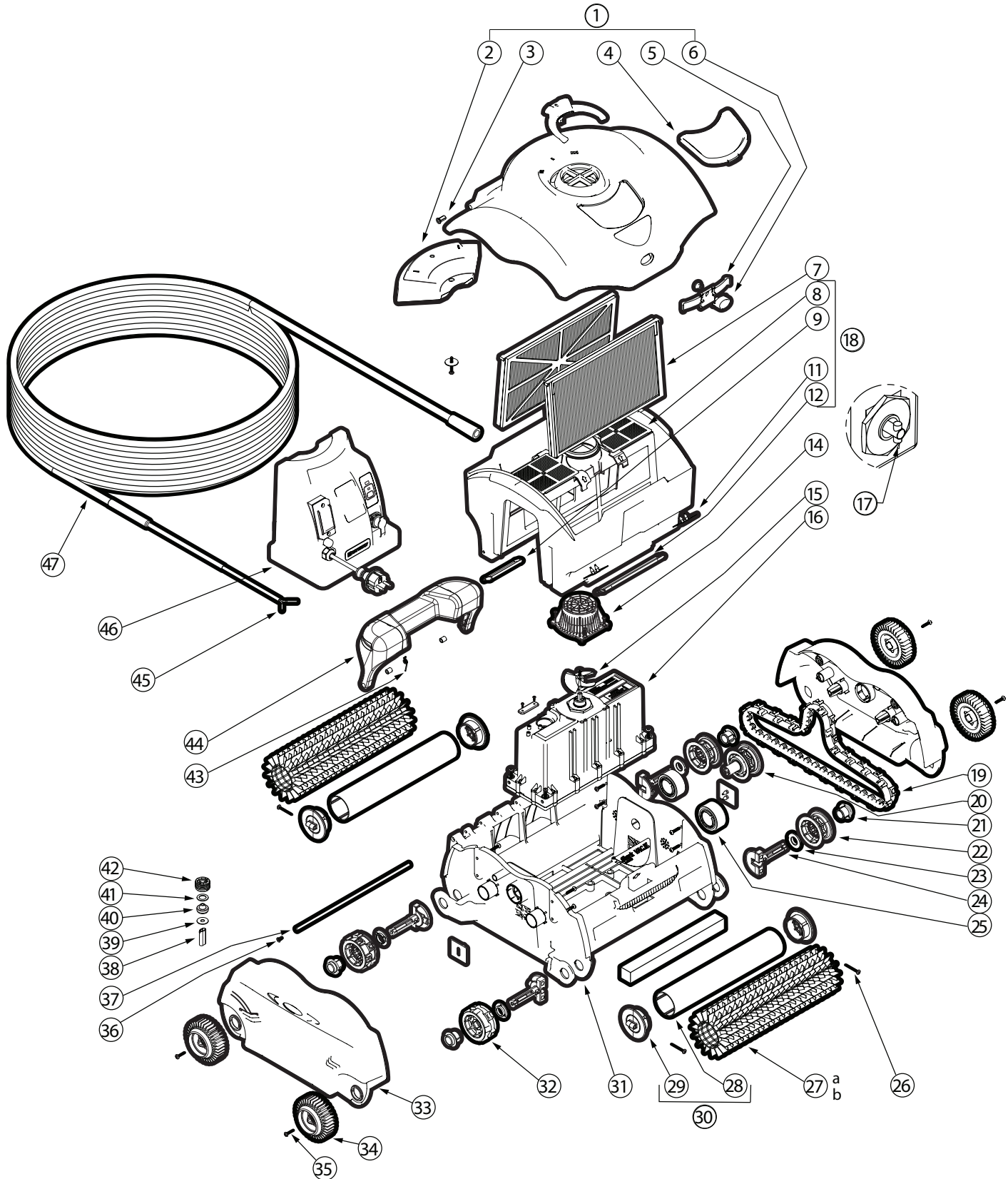
Ref. No.	Part No.	Description	Ctn. Qty.	Qty Req'd
1	RCX75001	Bottom Lid	1	1
2	RCX78005	Gasket	1	1
3	RCX75002	Clip Support	2	2
4	RCX75003	Locking Plate	2	2
5	RCX75004	Clip Follower	2	2
6	RCX12101	Spring, compression	2	2
7	RCX12102	Retainer, Spring	2	2
8	RCX12008	Screw, PT KA 30 x 12 (Pack of 5)	2	2
9	RCX75005	Inlet Flap	2	2
10	RCX75006	Inlet Cover	1	1
11	RCX12000	Screw, 2.9mm x 13mm flat head (Pack of 5)	2	2
12	RCX59007	Cover Plate, Strain Relief, power cord	1	1
13	RCX12009	Screw, PT KA 30 x 8 (Pack of 5)	2	2
14	RCX13007	Main Case	1	1
17	RCX12000	Screw (Pack of 5)	2	2
18	RCX17100	Drain Flap (Pack of 2)	2	2
19	RCX26005	Wheel Tube Ball Bearing Assembly	2	4
20	RCX26004	Wheel Tube	1	2
21	RCX3406	Wheel Bearing Screw (Pack of 10)	4	8
22a	RCX26008	Roller Brush	1	2
22b	RCX26011	Roller Foam with Tube (Optional)	1	2



# EVAC Pro™ by HAYWARD

ROBOTIC POOL CLEANER REPLACEMENT PARTS

## Parts Diagram



Lighting





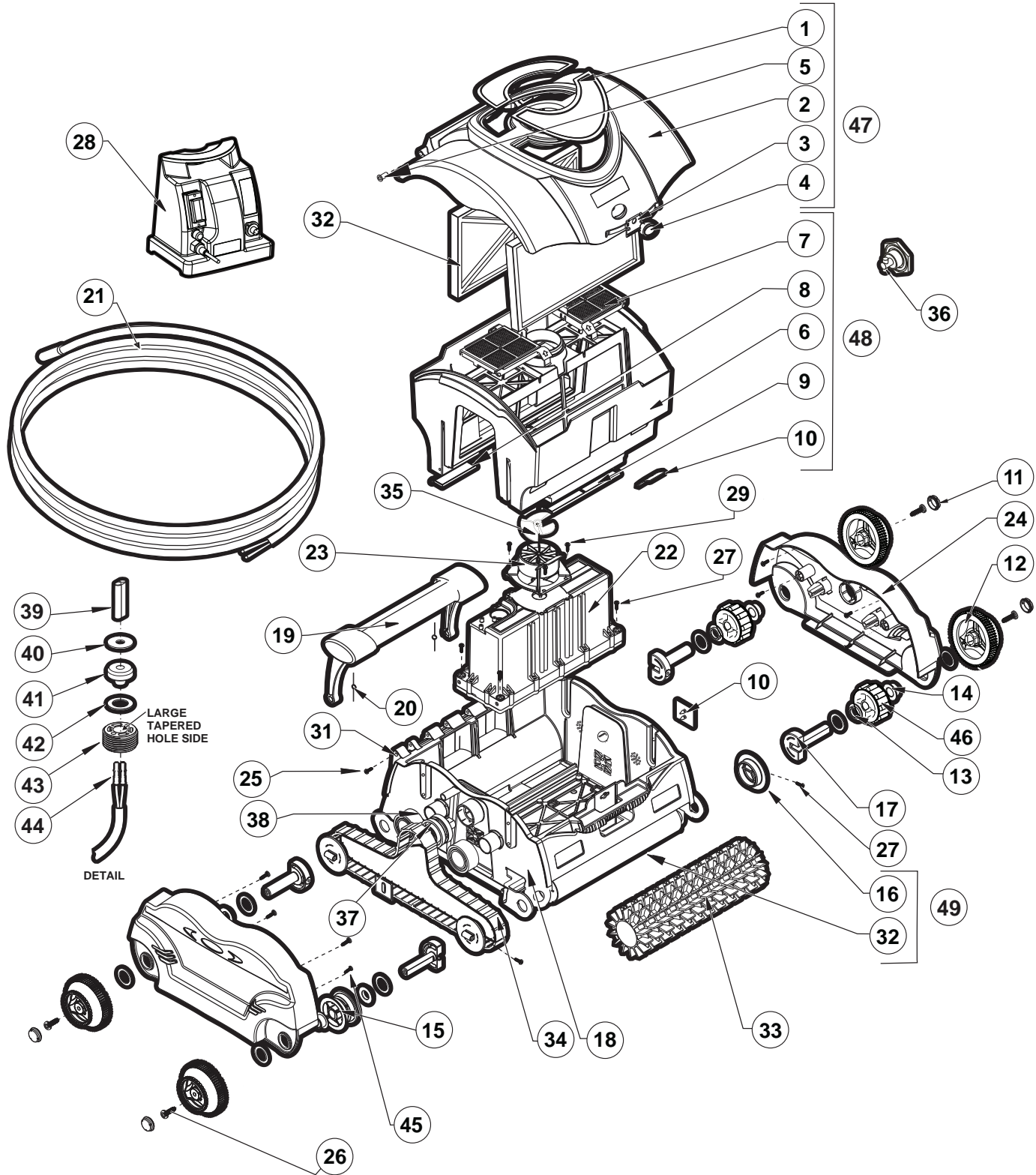
## Parts Listing

Ref. No.	Part No.	Description	Qtn. Per	Ctn. Qty.
1	RCX97471CY	Dome Assembly	1	1
2	RCX97477	Float Assembly	1	1
3	RCX97423	Brushing Done (Set of 2)	1	5
4	RCX97472	Window-Dome	1	1
5	RCX97431	Spring, Flat	1	5
6	RCX97433	Button	1	1
7	RCX70101	Filter Cartridge (Set of 2)	1	5
8	RCX97417	Door, Filter	2	1
9	RCX97405	Flap, Drain Small	2	1
11	RCX97445	Flap, rubber	4	1
12	RCX97407	Flap, Drain Large	1	1
14	RCX97455	Tube, Vent	1	10
15	RCX11000	Impeller	1	10
16	RCX97490	Motor Assembly	1	1
17	RCX40117	Drive Pin Assembly	1	5
18	RCX97414	Filter Bucket Assembly	1	1
19	RCX97501GR	Belt-Drive Track	1	1
20	RCX97502GR	Drive Bearing Assembly	1	1
21	RCX97506	Bushing, 2W	1	1
22	RCX97505GR	Wheel-Drive Belt	2	1
23	RCX97435	Bushing, 1W	1	10
24	RCX97507GR	Shaft-Drive Wheel	4	1
25	RCX26000	Pulley-Bearing Idler	2	10
26	RCX97461	Screw M5X35MM (Pack of 5)	1	10
27a	RCX26008	Brush-Roller	2	5
27b	RCX26011WCE	Roller Assembly - Foam (optional)	2	1
28	RCX97409	Tube-Wheel, Lt. Gray	2	5
29	RCX97511GR	Cap-Roller End, Lt. Gray	4	1
30	RCX97410	Tube, Wheel Assembly, Lt. Gray	2	5
31	RCX97401	Base	1	1
32	RCX97509GR	Wheel-Drive with Rubber	2	1
33	RCX97403	Panel, Side	2	1
34	RCX97508GR	Overmolded Wheel Assembly	4	1
35	RCX12011	Screw-MSX20 (Set of 5)	1	10
36	RCX97459	SCREW-M7-3.14X10MM (Set of 5)	1	5
37	RCX97429	Shaft-Hinge	1	10
38	RCX59002	Connector Housing	1	10
39	RCX12301	Connector-Plastic Washer	1	10
40	RCX59003	Seal-Compression	1	10
41	RCX12302	Washer-Plastic Connector	1	10
42	RCX59004	Plug-Seal	1	10
43	RCX97427	Spring-Handle	1	25
44	RCX97480CY	Handle Assembly	1	1
45	RCX59006	Connector - Socket Molex	2	50
46	RCX97453	Power Supply, 110VAC	1	1
47	RCX50061	Power Cord Assembly, Floating, 55 ft.	1	1

Cleaners



**Parts Diagram**



Cleaners



**Parts Listing**

Ref. No.	Part No.	Description	Ctn. Qty.	Qty Req'd
1	RCX97421	Window, Dome Clear	5	2
3	RCX97431	Spring, Flat SV/EV	5	1
4	RCX97433	Button	10	1
5	RCX97423	Bushing, Dome (Set of 2)	5	1
6	RCX97414	Housing, Filter Bucket	1	1
7	RCX97417	Door, Filter	5	2
8	RCX97405	Flap, Drain Small	10	2
9	RCX97407	Flap, Drain Large	5	1
10	RCX97445	Flap, Rubber	10	4
11	RCX97447	Cap, Wheel Rim (Set of 4)	5	1
12	RCX97449	Wheel Rim with Tire	5	4
13	RCX97435	Bushing 1W (Set of 4)	10	1
14	RCX97437	Bushing 2W (Set of 4)	10	1
15	RCX97439	Ring, Drive	5	2
16	RCX97441	Roller End	10	2
17	RCX97443	Shaft	10	4
18	RCX97401	Base	1	1
19	RCX97425	Handle Assembly	1	1
20	RCX97427	Spring, Handle	5	1
21	RCX97413	Cord, Assembly 50' SV/EV	1	1
22	RCX97400	Motor Assembly SV/EV	1	1
23	RCX97455	Tube, Vent	5	1
24	RCX97403	Panel, Side	1	2
25	RCX97459	Screw M7X10MM Flat TORX (Pack of 5)	10	1
26	RCX97457	Screw M7X25MM Flat TORX (Pack of 5)	10	1
27	RCX97461	Screw M5X35MM PT (Pack of 5)	10	2
28	RCX97453	Power Supply	1	1
29	RCX12010	Screw M5X12 Pan TORX HD T-20 (Pack of 10)	10	1
30	RCX97409	Tube, Wheel	5	1
31	RCX97429	Shaft, Hinge S.S. SV/EV	10	1
32	RCX70101	Filter Cartridge Refill (Set of 2)	5	1
33	RCX26008	Brush, Roller	5	1
34	RCX23002	Drive Track, Soft Tread	5	1
35	RCX11000	Impeller	5	1
36	RCX40117	Drive Pin Assembly	5	1
37	RCX97430	Bearing, Drive Assembly	5	1
38	RCX26000	Bearing, Idler Pulley	5	2
39	RCX59002	Connector Housing	5	1
40	RCX12301	Washer Plastic Connector	10	1
41	RCX97462	Compression Seal	10	1
42	RCX12302	Washer Plastic Connector	10	1
43	RCX59004	Seal Plug	10	1
44	RCX59006	Connector Socket Molex	10	1
45	RCX12011	Screw M5 X 20 Pan TORX HD T-20 (PACK OF 5)	10	2
46	RCX97440	Ring, Drive with Rubber Assembly	5	2
47	RCX97418GN	Dome Assembly (1, 2, 3, 4, 5)	1	1
48	RCX97414	Filter Bucket Assembly SV/EV (6, 7, 8, 9, 10)	1	1
49	RCX97410	Tube, Wheel Assembly	5	1
—	RCX70103	Filter Cartridge – Disposable Spring Cleanup (1 set, 2 pcs)	5	1
—	RC97385D	Caddy Cart		1

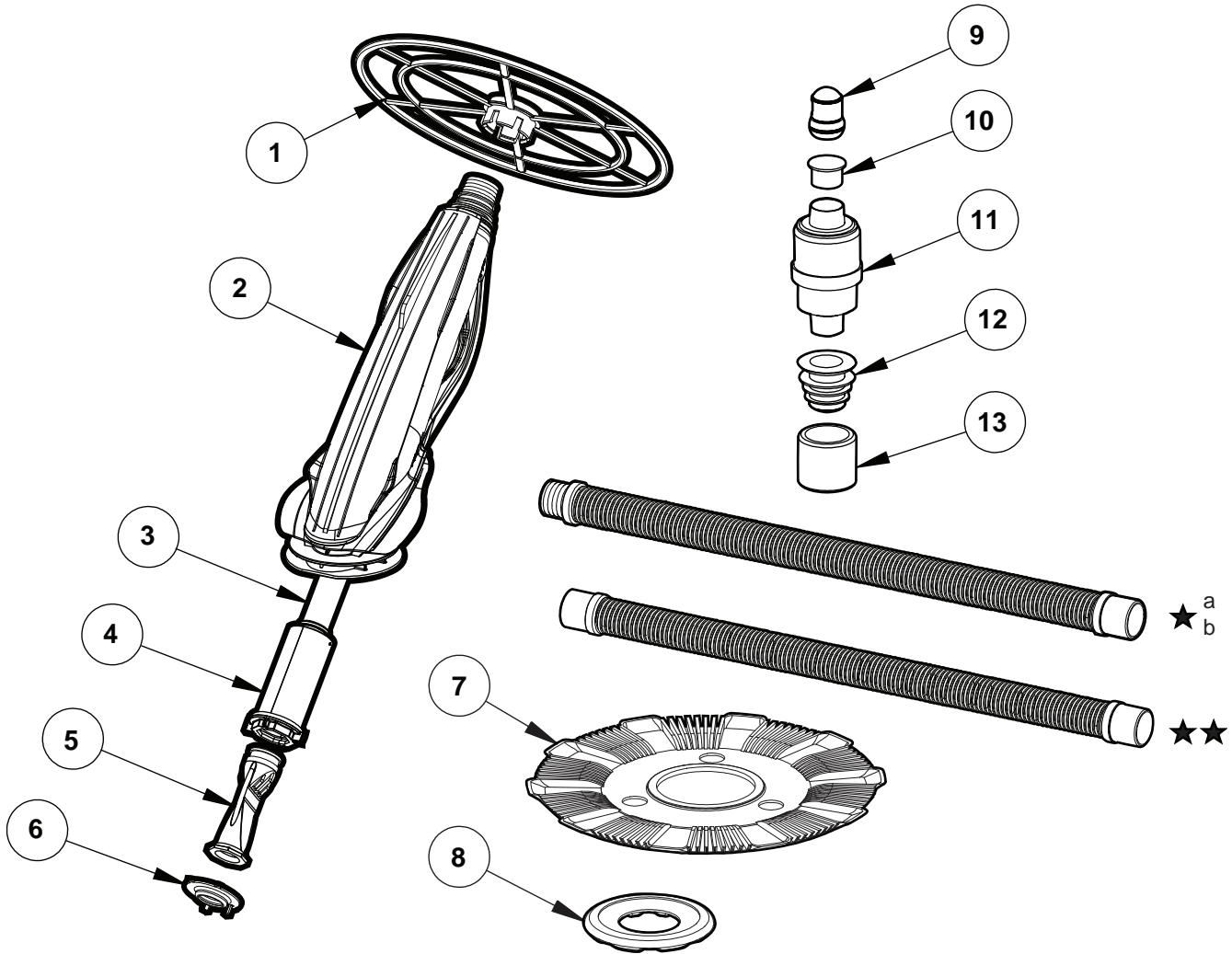
Cleaners



# DV5000/KingRay®

## REPLACEMENT PARTS

### Parts Diagram and Parts Listing

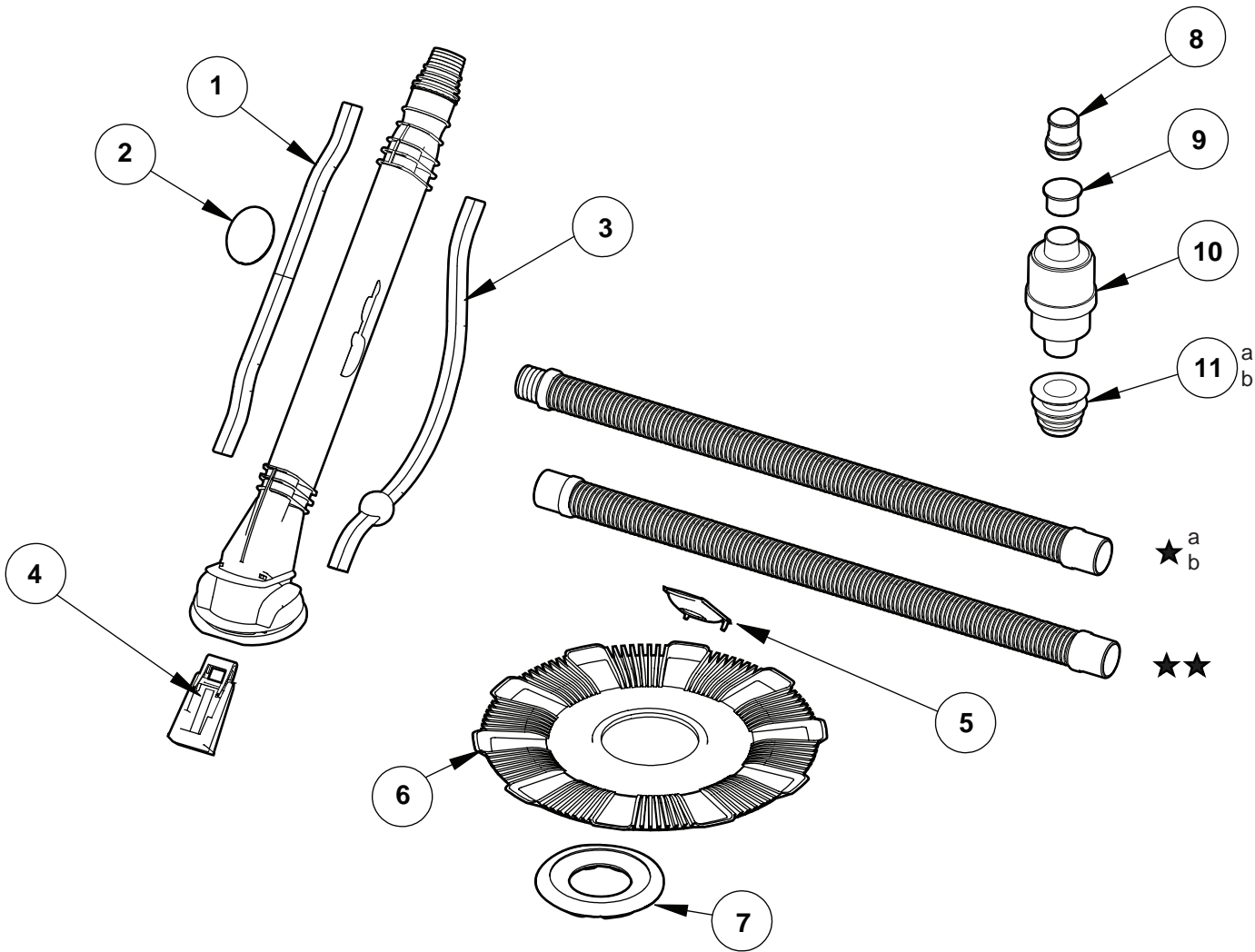


Cleaners

Ref. No.	Part No.	Description	Ctn Qty.	
1	DCX110	Halo	1	
2a		Body Assembly	1	<b>Discont'd</b>
2b	DCX353	Body Halves, Right and Left and hardware (DV5000)	10	
2c	DCX332	Body Top Cover (DV5000)	1	
2d	DCX344	Body Set Screws and Plugs (DV5000)	10	
3	DCX108	Tube, Internal	1	
4	DCX105	Cassette Assembly (includes Diaphragm, Item 5)	1	
5	DCX105C	Diaphragm	1	
6	DCX106	Retainer, Cassette	1	
7a	DCX152	Disc (Kingray)	1	
7b	DCX152SV	Disc (DV5000)	1	
8	DCX150	Foot Wear Ring	1	
9	DCX170	Diverter, Eyeball	1	
10	DCX182	Lid, Bypass	1	
11	DCX180	Regulator, Flow (includes Bypass Lid, Item 10)	1	
12	DCX172	Adapter	1	
13	DCX174	Weight, Hose	1	
*a	DC176PAK24	Hose, Connector, M/F – Bulk Pack of 24	1	
*b	DC2072PAK24	Connector Hose, M/F (DV5000)- Pack of 24	1	
**	DC178PAK8	Hose, Leader, F/F – Bulk Pack of 8	1	



**Parts Diagram and Parts Listing**



Ref. No.	Part No.	Description	Ctn Qty.
	DCX212	Swivel Assy	1
	DCX220	Header "y"	1
	DCX235	Tube Cover, Blue (AquaRay)	10
	DCX230	Internal Tube, White (AquaRay)	10
1	DCX126	Handle, Float	10
2	DCX124	Float	10
3	DCX128	Deflector	1
4	DCX120	Hammer and Clip Assembly	10
5	DCX122	Retainer, Flapper	10
6	DCX162	Disc	1
7	DCX150	Wear Ring	10
8	DCX170	Diverter, Eyeball	10
9	DCX182	Lid, Bypass	10
10	DCX180	Regulator, Flow (includes Bypass Lid, Item 9)	1
11a	DCX172	Adapter	10
11b	DCX1091	Cone Style Adapter (Optional)	10
*	DC176PAK24	Hose, Connector, M/F – Bulk Pack of 24	1
**	DC178PAK8	Hose, Leader, F/F – Bulk Pack of 8	1

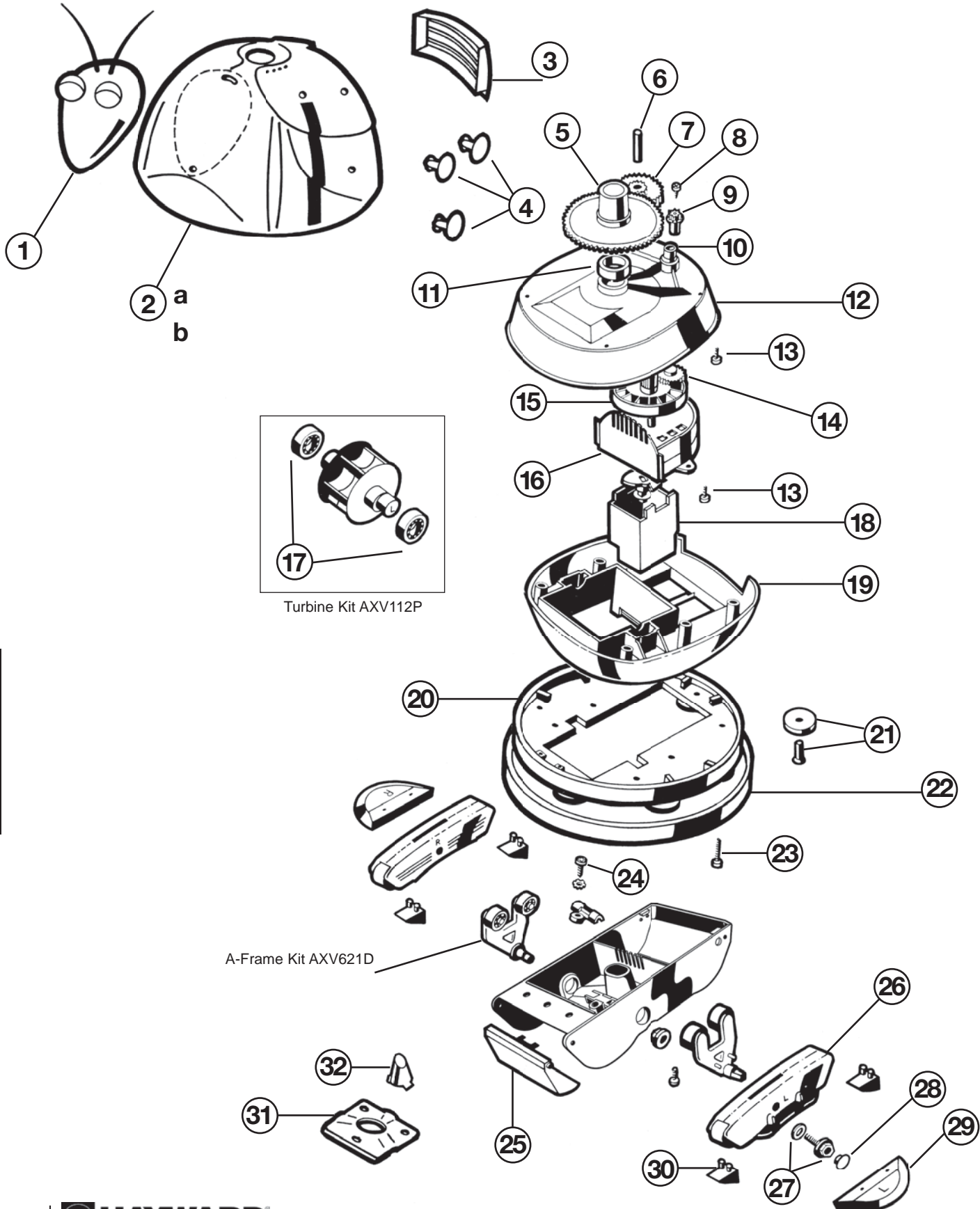
Cleaners



# AquaBug®

ABOVE-GROUND CLEANER REPLACEMENT PARTS

## Parts Diagram



Cleaners



### Parts Listing

Ref. No.	Part No.	Description	Ctn Qty.	No. Req'd
1	AXV464	Head Assembly, includes Head, Eyes & Antennae	10	1
2a	AXV457OR	Shell, Orange	*	1
2b	AXV457YL	Shell, Yellow	*	1
3	AXV513BK	AquaBug Screen, Black	10	1
4	AXV443	AquaBug Spots, 4 large & 2 small	10	1
5	AXV070	Cone Gear	*	1
6	AXV309	Intermediate Gear Shaft	*	1
7	AXV301	Intermediate Gear	25	1
8	AXV068	Spindle Gear Screw	*	1
9	AXV303	Spindle Gear	25	1
10	AXV066A	Spindle Gear Bushing	25	1
11	AXV306	Cone Gear Bushing	50	1
12	AXV060WH	Upper Middle Body	*	1
13	AXV065P	Lower/Upper Body Screw (6 pack)	*	1
14	AXV064A	Medium Turbine Drive Gear	25	1
15	AXV062C	Medium Turbine	25	1
16	AXV009	Medium Turbine Case w/Axle	25	1
17	AXV055P	Turbine Bearings (2)	50	1
18	AXV518P	Gear Box	10	1
19	AXV050CWH	Lower Middle Body	*	1
20	AXV525	Base Plate Assembly - NLA	5	1
21	AXV551P	Wheel Kit (6 wheels, axles)	25	1
22	AXV458	AquaBug Ring	5	1
23	AXV057P	Middle Body Screw (6 pack)	*	1
24	AXV313	Lower Body Screw	*	1
25	AXV442	Flap Kit, white (2 flaps, front & rear)	25	1
26	AXV417WHP	Pod Kit	25	1
27	AXSCR4008	Pod Screw Kit (2 hex head screws & 2 washers)	50	1
28	AXV016P	Pod Plug (6 pack) - NLA	50	1
29	AXV552WHP	Wing Kit, White	50	1
30	AXV014SP	Slotted Santoprene Shoes (4 pack)	50	1
31	AXV304A	Bottom Plate	25	1
32	AXV512A	Nozzle	*	1

\*Special order.

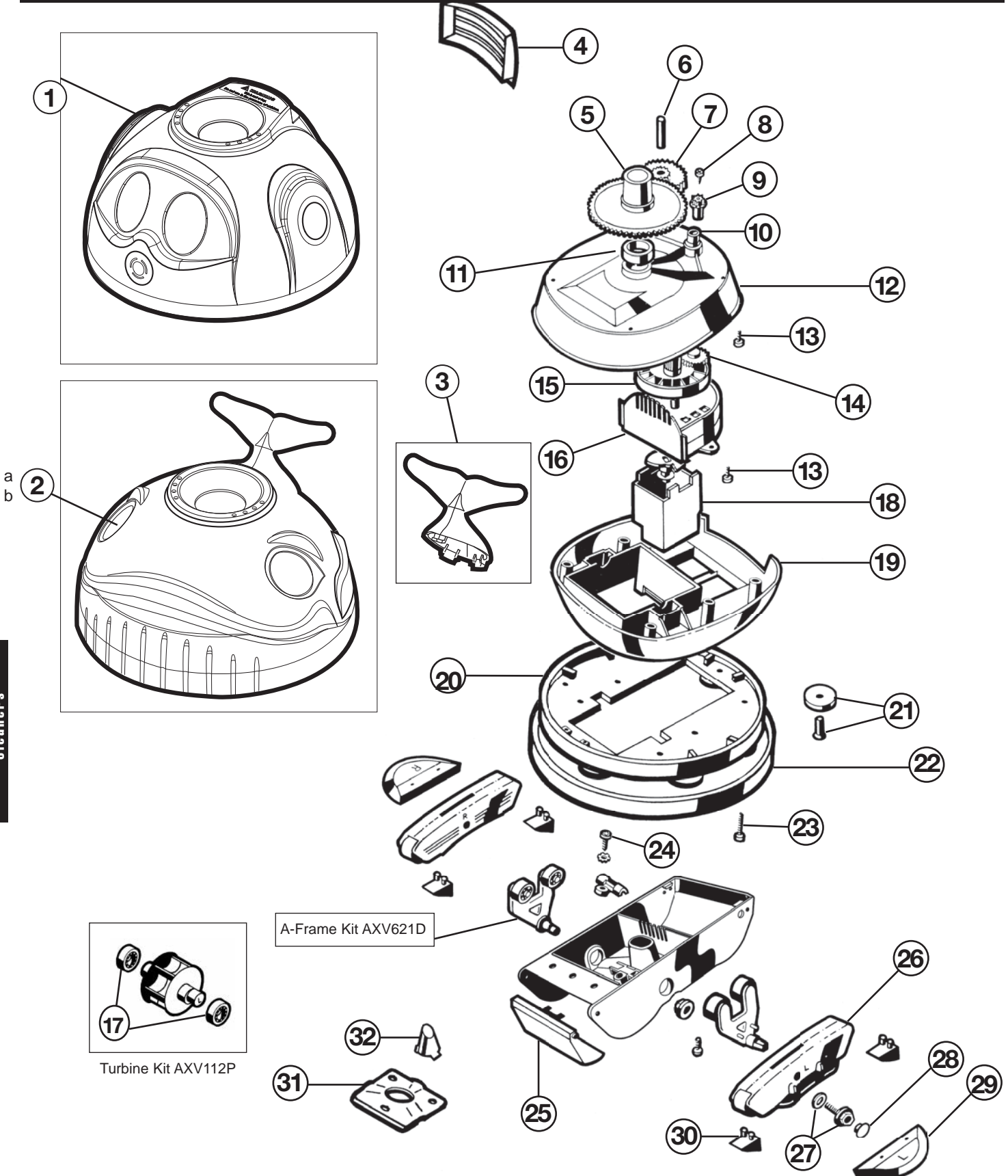
Cleaners



# Scuba Dave™ / Wally the Whale™

ABOVE-GROUND CLEANER REPLACEMENT PARTS

## Parts Diagram



Cleaners

# Scuba Dave™ / Wally the Whale™

ABOVE-GROUND CLEANER REPLACEMENT PARTS



## Parts Listing

Ref. No.	Part No.	Description	Ctn Qty.	No. Req'd
1	AXV457SD	Shell for Diver Dave	*	1
2a	AXV457W	Shell for Wanda the Whale w/Tail	*	1
2b	AXV443	Spots, 4 large, 2 small	*	1
3	AXV457WT	Tail Assembly for Wanda the Whale - NLA	*	1
4	AXV513BK	Screen, Black	10	1
5	AXV070	Cone Gear	*	1
6	AXV309	Intermediate Gear Shaft	*	1
7	AXV301	Intermediate Gear	25	1
8	AXV068	Spindle Gear Screw	*	1
9	AXV303	Spindle Gear	25	1
10	AXV066A	Spindle Gear Bushing	25	1
11	AXV306	Cone Gear Bushing	50	1
12	AXV060WH	Upper Middle Body	*	1
13	AXV065P	Lower/Upper Body Screw (6 pack)	*	1
14	AXV064A	Medium Turbine Drive Gear	25	1
15	AXV062C	Medium Turbine	25	1
16	AXV009	Medium Turbine Case w/Axle	25	1
17	AXV055P	Turbine Bearings (2)	50	1
18	AXV518P	Gear Box	10	1
19	AXV050CWH	Lower Middle Body	*	1
20	AXV525	Base Plate Assembly - NLA	5	1
21	AXV551P	Wheel Kit (6 wheels, axles)	25	1
22	AXV458	Ring, Black	5	1
23	AXV057P	Middle Body Screw (6 pack)	*	1
24	AXV313	Lower Body Screw	*	1
25	AXV442	Flap Kit, White (2 flaps, front & rear)	25	1
26	AXV417WHP	Pod Kit	25	1
27	AXSCR4008	Pod Screw Kit (2 hex head screws & 2 washers)	50	1
28	AXV016P	Pod Plug (6 pack) - NLA	50	1
29	AXV552WHP	Wing Kit, White	50	1
30	AXV014SP	Slotted Santoprene Shoes (4 pack)	50	1
31	AXV304A	Bottom Plate	25	1
32	AXV512A	Nozzle	*	1

\*Special order.

Cleaners

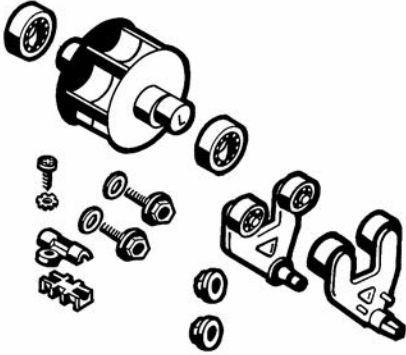


# AquaBug<sup>®</sup>, Scuba Dave<sup>®</sup> and Wally the Whale<sup>®</sup>

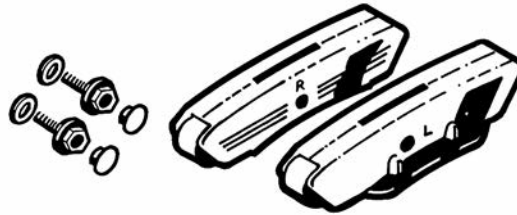
PARTS KITS AND ACCESSORIES FOR ABOVE-GROUND CLEANERS

## Parts Diagram

AXV621DAT Universal A-Frame/Turbine Kit



AXV417WHP Pod Kit, White



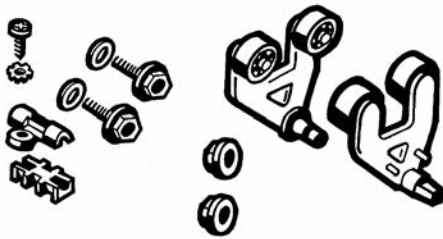
AXV055P Turbine Bearings



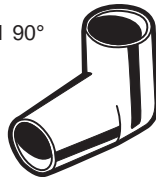
AXV434WHP Propulsion/Conversion Kit



AXV621D Universal A-Frame Kit



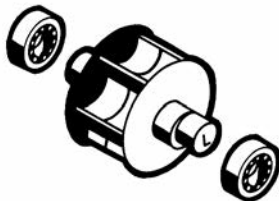
AXV151 90° Elbow



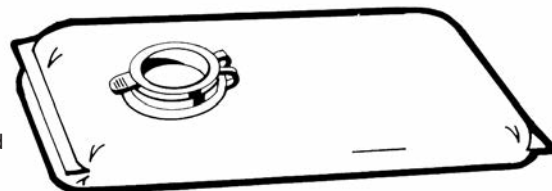
AXV093BP Skimmer Adapter Cone



AXV112P Turbine Kit Above Ground



AXW100 Ladder Guard



Cleaners

# AquaBug<sup>®</sup>, Scuba Dave<sup>®</sup> and Wally the Whale<sup>®</sup>

PARTS KITS FOR ABOVE-GROUND CLEANERS



## Parts Listing

Part No.	Description	Ctn. Qty.	No. Req'd
AXV014SP	Pod shoes, fiberglass (4 pack)	50	1
AXV014FNP	Pod shoe kit, vinyl (4 pack)	50	1
AXSCR4008	Pod screw kit (includes two hex head pod screws and two washers)	*	1
AXV434WHP	Flap kit, white (includes front and rear flap assemblies)	25	1
AXV621DAT	A-frame/turbine kit (includes two A-frames and bushings, saddle, keeper, main turbine and bearings, hex head pod screws and pod screw washers)	10	1
AXV055P	Turbine bearing kit (2 pack)	50	1
AXV057P	Middle body screw kit (6 pack)	*	1
AXV065P	Upper body screw kit (6 pack)	*	1
AXV079VP	Medium turbine/spindle gear kit vinyl (medium turbine, drive gear, bushing, spindle gear, screw, medium turbine axle, intermediate gear, intermediate gear axle)	25	1
AXV621D	A-frame kit (includes two A-frames and bushings, saddle, keeper, two hex head pod screws and two pod screw washers)	25	1
AXV112P	Turbine kit, Above Ground (includes main turbine and two turbine bearings)	25	1
AXV417WHP	Pod kit, white (includes right and left pod assemblies)	25	1
AXV699P	A-frame bushing/saddle kit	25	1
AXV552WHP	Wing kit, white (includes left and right wings)	50	1



# Pool Vac® (Plus, Ultra) and Navigator®

PARTS KITS AND ACCESSORIES FOR CONCRETE, DESERT AND VINYL MODELS

## Parts Diagram

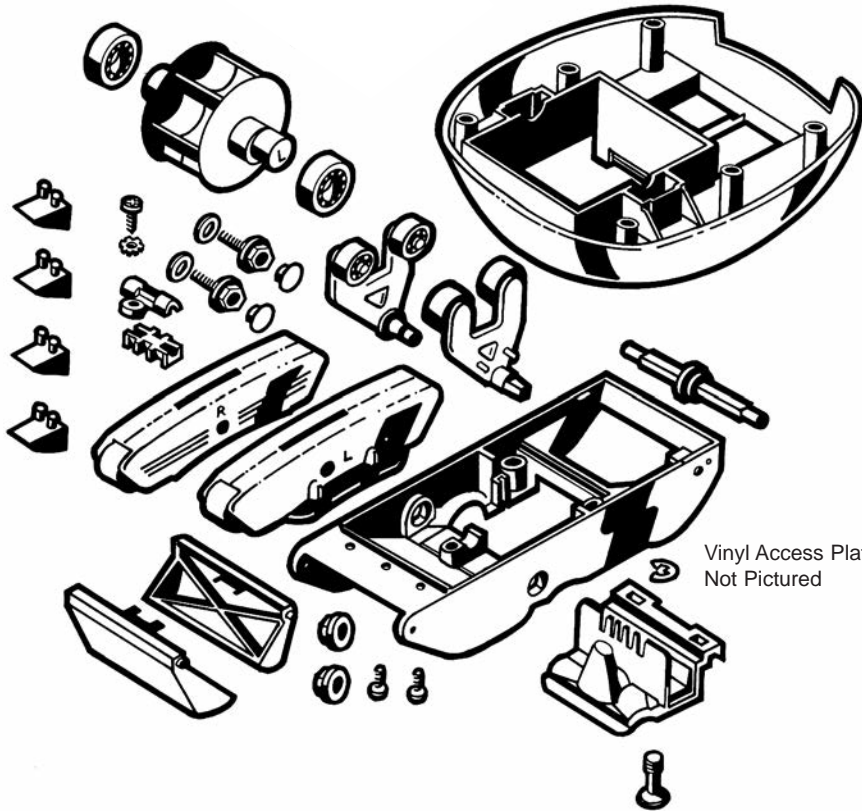
AXV092 Hose Connector



AXV098 Hose Adapter

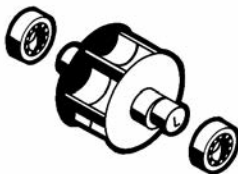


AXV622DPK Propulsion/Conversion Kit

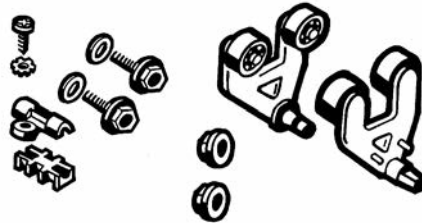


Vinyl Access Plate  
Not Pictured

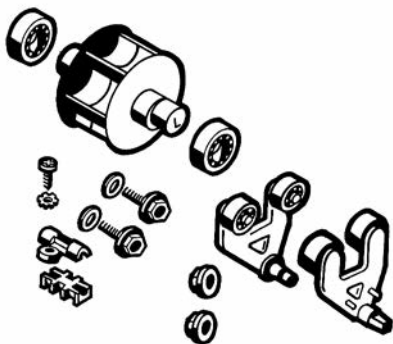
AXV112P Turbine Kit  
AXV602P Turbine Kit



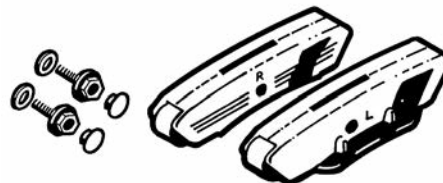
AXV621D Universal A-Frame Kit  
(for Model #'s 925 & 2025)



AXV621DAT Universal Model A-Frame/Turbine Kit



AXV417WHP, AXV417BKP,  
AXV417LGP Pod Kit



COLOR KEY: WH = White, BK = Black, LG = Light Gray



# Pool Vac® (Plus, Ultra) and Navigator®

CONCRETE, DESERT AND VINYL MODELS PARTS KITS



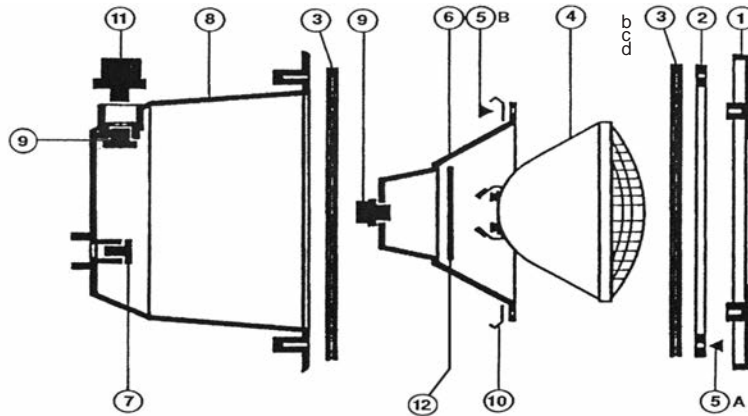
Parts Listing				
Part No.	Black	Description	Ctn. Qty.	No. Req'd
AXV414604WHP	—	<b>Shoe and Wing Maintenance Kit</b> (Includes one set of concrete shoes and one set of wings)	50	1
AXV079VP	—	<b>Medium Turbine/Spindle Gear Kit</b> (Includes medium turbine, drive gear bushing, spindle gear, screw, medium turbine axle, intermediate gear, intermediate gear axle)	25	1
AXV621D	—	<b>Universal A-Frame Kit</b> (Includes two A-frames and bushings, saddle, keeper, two hex head pod screws and pod screw washers)	25	1
AXV602P	—	<b>Turbine Kit</b> (Includes main turbine and two turbine bearings)	25	1
AXV621417WHP	—	<b>A-Frame and Pod Tune Up Kit</b> (Includes two soft roller A-frames and bushings, saddle, keeper, main turbine and bearings, hex head pod screws, pod screw washers, right and left pods and pod plugs)	10	1
AXV621DAT	—	<b>Universal A-Frame/Turbine Kit</b> (Includes two soft roller A-frames and bushings, saddle, keeper, main turbine and bearings, hex head pod screws and pod screw washers)	10	1
AXV417WHP	AXV417BKP	<b>Pod Kit</b> (Includes right and left pods and pod plugs)	25	1
AXV621417WHP	—	<b>A-Frame and Pod Tune Up Kit</b> (Includes two soft roller A-frames and bushings, saddle, keeper, main turbine and bearings, hex head pod screws, pod screw washers, right and left pods and pod plugs)	10	1
AXV699P	—	<b>A-Frame/Bushing/Saddle Kit</b> (Includes two bushings, saddle, keeper, screw and washer)	25	1
AXV622DPK	AXV622DPK BK	<b>Concrete Universal Propulsion/Conversion Kit</b> (Includes access cover assembly, lower body and screws, A-frames and bushings, saddle, keeper, screw and washer, pods, hex head pod screws and washers, flaps and springs, flap adjuster, turbine and bearings, shoes and lower middle body)	1	1
AXV622604WHP	—	<b>Propulsion and Wing Rebuild Kit</b> (Includes access cover assembly, lower body and screws, A-frames and bushings, saddle, keeper, screw and washer, pods, hex head pod screws and washers, flaps and springs, flap adjuster, turbine and bearings, shoes, lower middle body and wings)	1	1
AXV092	—	<b>Hose Connector</b>	25	1
AXV098	—	<b>Hose Adapter</b>	25	1
V574P	—	<b>Flow Gauge</b>	25	1
AXV603CLO	—	<b>Large, Throat Assembly</b>		

Cleaners



# Underwater Lighting ProSeries™ Light

SP120, SP300 REPLACEMENT PARTS



Part No.	Description	No. Required
1	PRXD240P Face Plate	1
2	PRX9513 Niche Flange	1
3	PRX20008 Niche Gasket set (2)/Joint d'étanchéité	2
4b	SPX05012Z14* 120 Watt Lamp/Lumière 120 watt (4 Pack)	1
4c	SPX050LED LED Bulb + O-Ring	1
4d	SPX9LED100 Lamp Assy, Body Cord	1
5A	ECX1901 Niche Screw Set (8)/Vis pour niche	8
5B	ECX1900PAK Lamp Screw Pak/Vis pour lumière	1
6	PRX9472 Lamp Bracket/Support	1
7	PRX20021 Niche Plug/Bouchon de Niche	1
8	SPX9470 Niche Concrete/Niche béton	1
	SPX9474 Niche Thin Wall/Niche pour mur mince	1
9	ECX3219 Remke Conn. Liquid Tight	1
10	PRX9120 Lamp Clip Set (4)	4
11	SPX9400FPAK Light Conduit Fitting Kit	1
	SPX9400W Winterizing Kit	1
	SPX9400W10 Winterizing Kit (10 pak)	1
12	PRX20007 O-Ring Seal	1
	SPX05024Z14* 240 watt lamp (4 pack)	1

\* Sold in Packs of 4 only

## Colorlogic Niche Replacement Parts

### Cat. No. SP0607UC Shell Assemblies

Part No.	Description	Ctn. Qty.
SPX0507A1	Front Frame, ABS (White)	5
SPX0506D	Gasket	10
SPX0507D	Back Retaining Rim	5
SPX0607Z1A	Screw Set	10
SPX0507A1DGR	Front Frame, ABS, Dark Grey	1
SPX0507CDGR	Assy Face Ring, Dark Grey	

## Jiffy Niche

### Cat. No. SP0608U

Part No.	Description
SPX0590Z2A	Lamp Screw
SP0608Z2A	Faceplate Screw Set
SPX0550Z4	100 Watt Bulb for SP590 Lights
SPX0608B	Bonding Bar
G1-041474A-1	Screw (Niche)

### Cat. No. SPX9474

Part No.	Description
PR9474ABS	Vinyl Niche ABS
PR9513	Flange Ring Vinyl
PR20008	Self Adhesive Neo Gasket
EC1900PAK	Vinyl Niche Screw Pack
SP9400FPAK	Light Conduit Fitting Pack
PR20021	Niche Plug
SP9400W	Foam Winterizing Block

### Cat. Nos. SP0600, 0607, 0608U PVC Niches

Part No.	Description	Ctn. Qty.
SPX0600G	Grounding Bracket Assembly	10
SPX0555Z2	Bottom Mounting Screw (600 and 607)	10
SPX0507A1	Front Frame, ABS, White (607)	5
SPX0506D	Gasket (607)	10
SPX0507D	Back Retaining Rim (607)	5
SPX0607Z1A	Screw Set	10
SPX0608C	Face Ring Assembly	10
SPX0608G	Gasket	10
SPX0608CP	Cord Seal Kit	10
SPX0608CDGR	Assembly Face Ring, Dark Grey	1

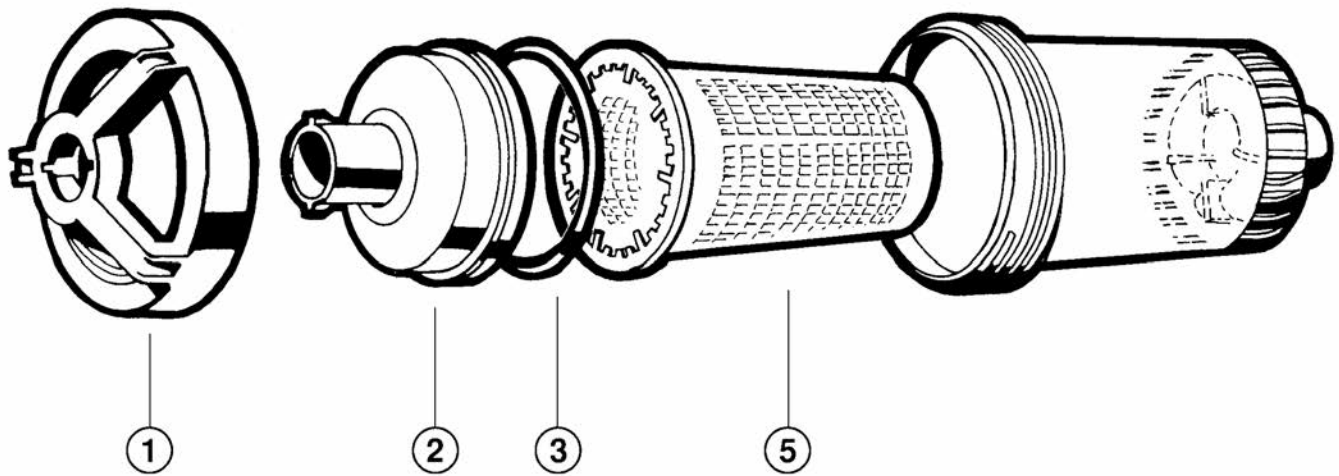
# Leaf Canisters

W530, 540, 560 SERIES REPLACEMENT PARTS

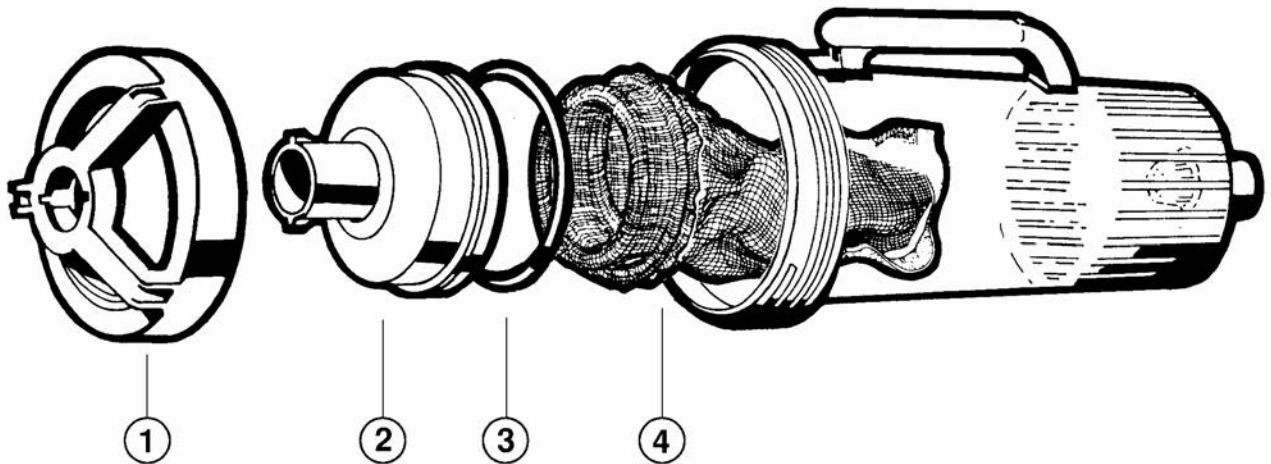


## Parts Diagram

W560 LEAF CANISTER Standard Capacity



W530 LEAF CANISTER Large Capacity



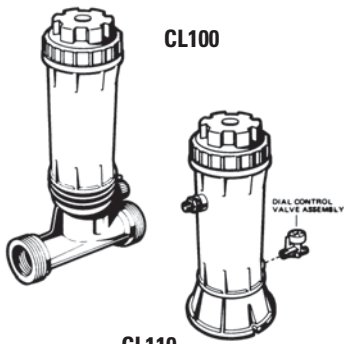
Part No.	Description	Ctn. Qty.	No. Req'd
1	AXW532 Lock Ring for W530 and W560	*	1
2	AXW533A Lid w/O-Ring Assembly	*	1
3	AXW542 Leaf Canister O-Ring for W530 and W560	25	1
4	AXW538 Permanent Bag for W530	5	1
5	AXW431A Leaf Basket for W430 and W560	50	1
—	AXV098 Hose Adapter for V096, W530 and W560	25	1

\*Special order.



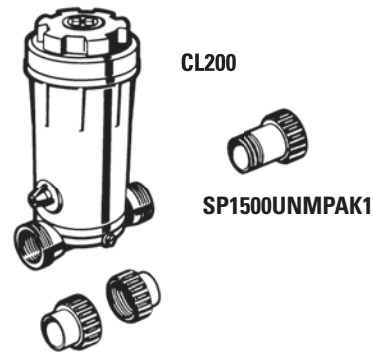
# Chlorine and Bromine Feeders

## REPLACEMENT PARTS



CL100

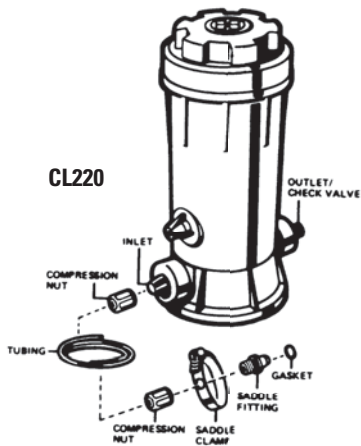
CL110



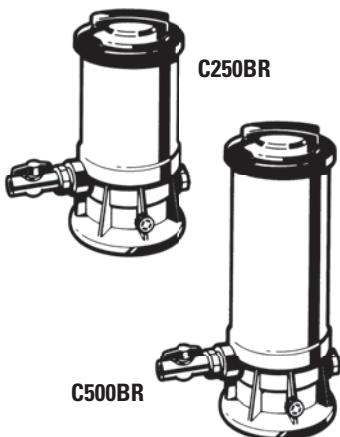
CL200

SP1500UNMPAK1

SP1500UNPAK2



CL220



C250BR

C500BR

### CL100 and CL110 Series Chlorine Feeders

Part No.	Description	Ctn. Qty.
CLX110C*	Cover	1
CLX110K	O-Ring, Special Composition Viton	10
CLX110DA	Dial Control Valve Assembly	1
CLX110FA	Control Knob Assembly (CL100)	1

**NOTES:** Fittings, tubing, clamps, drain plug and check valve are same as CL200 and CL220 Series.  
\*For bromine feeders, add a "2" to the end of the part number.

### CL200 and CL220 Series Chlorine Feeders

Part No.	Description	Ctn. Qty.
CLX200EGA	Cover Retaining Screw with Slip Washers and Center Cap	10
CLX200C*	Cover Cap	5
CLX200CA	Cover and Cap Assembly (Includes O-Ring)	5
CLX200B*	Cover	5
CLX200K	O-Ring, Special Composition Viton	10
CLX200H	Feeder Tube	10
CLX200PA	Control Knob Assembly with O-Rings (Viton) – large (1989)	10
SPX1700FGV	Drain Plug with Gasket	10
CLX220B	Base (CL220)	5
CLX200BS	Base (CL200)	5
CLX220EA	Check Valve and Inlet Fitting Adapter Assembly	5
CLX220G	Saddle Fitting	10
CLX220GA	Saddle Fitting, Nut, Gasket, Saddle Clamp and 4 ft. Tubing	5
CLX220K	Saddle Clamp	10
CLX220J	8 ft. Length Chlorinator Tubing	5
CLX220H	Compression Nut	10
CLX220P	1/4" Adapter Fitting	10
SPX1091Z7TC	Combo Adapter with 1/4" Tap	10
SPX1105Z4TC	Elbow Adapter with 1/4" Tap	10
SPX1480BTC	Union End with 1/4" Tap	10
SP1500UNPAK2	Female Union End Connector Pak (Includes 2 each Socket Connector, Union Nut, O-Ring)	50
SP1500UNMPAK1	Male Union End Connector Pak (includes 1 each 1 1/2" MPT Nipple Connector, Union Nut, O-Ring)	50

**NOTE:** \*For bromine feeders, add a "2" to the end of the part number.

### C250CF, 500CF, 1100CF, 1800CF Chemical Feeders (see note)

Part No.	Description	Ctn. Qty.
SPX3100D	Cover	5
SP3100T	Cover Removal Tool	1
SPX3000SV	Cover O-Ring, Special Composition Viton	5
CX500J	Strainer	5
CX250Z14A	1/2" Drain Plug	10
SPX0605Z2V	Drain Plug O-Ring, Special Composition Viton	10
CX500BV	3/4" Control Valve with Dial Indicator (C250BR, 500BR)	5
CX500CV	3/4" Check Valve (C250BR, 500BR)	5
CX500P	Handle for Control Valve	5
CX1100BV	1 1/2" Control Valve with Dial Indicator	5
CX1100CV	1 1/2" Check Valve	5
CX1100P	Handle for Control Valve	5

**NOTE:** Formerly "BR" (Bromine) and "BRC" (Chlorine) feeders.

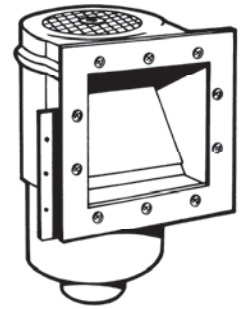
# Automatic Skimmers

REPLACEMENT PARTS



## Cat. Nos. SP1090, SP1090WM, 1092

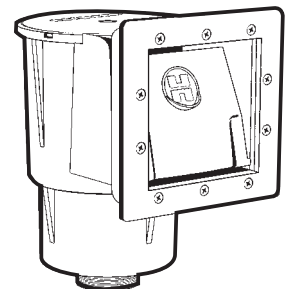
Part No.	Description	Ctn. Qty.
SPX1096CA	Basket, 5 1/8" O.D. x 3"	10
SPX1096B	Cover	10
SPX1096A2	Basket Support Ring	10
SPX1096K	Weir	10
SPX1090D	Face Plate	10
SPX1094G	Gasket	10
SPX1090GA	Throttle Plate with Screw	10
SPX1090Z1A	Face Plate Screw Set	10
SPX1030Z1C	Face Plate Screw Set – 1 1/4" long	25
SPX1090AA	Body with Basket Ring	1
SPX1092C	Access Plug	10



SP1092

## Wide Mouth Skimmer Parts – No. SP1090WM:

SPX1090WMCV	Cover	10
SPX1090WMSB	Skimmer Basket	10
SPX1090WMW	Weir	10
SPX1090WMA	Vacuum Adapter	10
SPX1090WMFP	Face Plate	20
SPX1090WMSG	Sealing Gasket (Set of 2)	50



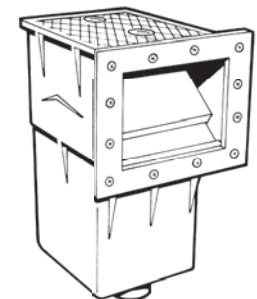
SP1091LX

## Turbo Skimmer Parts – No. SP1090T, 1091T:

SPX0703GA	Turbo Boost Valve	1
-----------	-------------------	---

## Cat. Nos. SP1091LX, SP1091WM

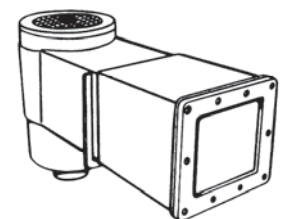
Part No.	Description	Ctn. Qty.
SPX1091B	Skimmer Cover	10
SPX1091C	Basket with Handle	12
SPX1091K1	Weir	10
SPX1091D	Face Plate Standard	10
SPX1091E	Widemouth Extension	1
SPX1091F	Face Plate Widemouth	10
SPX1091G	Gasket STD, Butterfly	5
SPX1091GW	Gasket Widemouth, Butterfly	5
SPX1090Z6A	Standard Screw Set	10
SPX1090Z7A	Widemouth Screw Set	10



SP1089

## Cat. Nos. SP1094, 1094SPA, 1094H, 10950M

Part No.	Description	Ctn. Qty.
SPX1094FA	Basket – 4 3/4" O.D. x 3"	10
SPX1094C	Cover	10
SPX1094K	Weir	10
SPX1094B	Face Plate	10
SPX1094G	Gasket (SPX1090E for SP10940M)	10
SPX1030Z1C	Face Plate Screw Set – 1 1/4" (SP1094SPA)	10
SPX1094R	Face Plate Cover – Snap-On	10
SPX1090Z1A	Face Plate Screw Set	10



SP1097

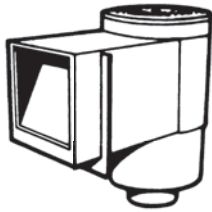
White Goods





# Automatic Skimmers

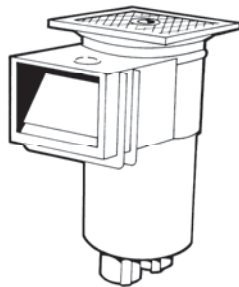
REPLACEMENT PARTS (continued)



SP1096

### Cat. No. SP1089

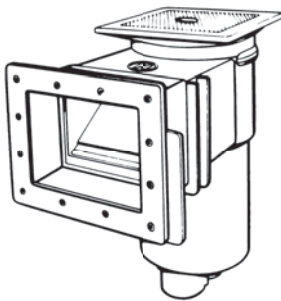
Part No.	Description	Ctn. Qty.
SPX1088B	Cover	10
SPX1088GA	Basket Assembly	10
SPX1089K	Weir	10
SPX1084L	Face Plate	5
SPX1084B	Gasket	10
SPX1084Z4A	Face Plate Screw Set	10



SP1082

### Cat. Nos. SP1096, 1097, 1098

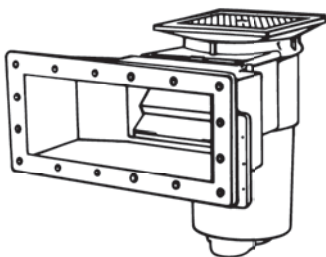
Part No.	Description	Ctn. Qty.
SPX1096B	Cover	10
SPX1096AX	Adjusting Collar	10
SPX1096CA	Basket, 5 1/8" O.D. x 3"	10
SPX1096A2	Basket Support Ring	10
SPX1096K	Weir	10
SPX1097D	Face Plate (SP1097, 1098)	10
SPX0097E	Gasket (SP1097, 1098)	10
SPX1090Z1A	Face Plate Screw Set	10



SP1084

### Cat. Nos. SP1082, 1083, 1084, 1085, 1086

Part No.	Description	Ctn. Qty.
SPX1082E*	Cover, Square	10
SPX1082Z1	Cover Screw (Square Cover)	10
SPX1082F	Adjusting Collar, Square	5
SPX1082EFDGR	Square Collar and Cover Assembly - Dark Gray	4
SPX1084R	Cover, Round	10
SPX1084Z9	Cover Screw (Round Cover)	10
SPX1084P	Round Extension Collar	10
SPX1082CA	Basket with Handle, 6 1/2" O.D. x 5"	18
SPX1082N2	Handle for SPX1082CA Basket	10
SPX1082D	Basket Support Ring	10
SPX1082K**	Weir	10
SPX1082H1A	Slide Plate with Screw	10
SPX1082Z3	Vacuum Hose Adapter	10
SPX1053Z1	2" Pipe Plug	10
SPX1082Z2	2" x 1 1/2" Reducing Bushing	5
SPX1084L**	Face Plate (SP1084)	20
SPX1085B**	Face Plate (SP1085)	10
SPX1084B**	Gasket (SP1084)	10
SPX1085D	Gasket (SP1085)	10
SPX1084C	Spacer (SP1084)	10
SPX1085FDGR	FacePlate Cover (Dark Gray)	
SPX1084FDGR	Face Plate Cover (Dark Gray)	
SPX1084Z1A	Face Plate Screw Set (SP1084)	10
SPX1084Z4A	Face Plate Screw Set (Self-Tapping) (SP1084)	10
SPX1084Z4AM	Face Plate Screw Set - 1 1/4" long (Self-Tapping)	10
SPX1085Z1A	Face Plate Screw Set (Self-Tapping) (SP1085)	10
SPX1085Z1AM	Face Plate Screw Set - 1 1/4" long (Self-Tapping)	10
SPX1084B3	Gasket - SP1084OM	10
SPX1085D2	Gasket - SP1085OM	10
SPX1080EA	Basket with Sleeve	5
SPX1080AA	Flo-Selector Control with Valve	5
SPX1080D	Skimmer Throttling Plate	10
WGX1048BDGR	Ring - Vinyl with Insert (Drk Gray)	
WGX1082E	NSF listed replacement cover (Auto-Skim, Square)	10
SP1419DDGR	Hydrostream 3/4" (Dark Gray)	
SPX0507A1	Front Frame Ring (Dark Gray)	
SPX0608C	Assembly Face Ring (Dark Gray)	



SP10851

### Turbo Skimmer Parts - Skimmer Nos. SP1082T, 1084T Series:

SPX1084KA	Turbo Boost Valve Assembly	1
-----------	----------------------------	---

NOTES: \*Available in Gray, Dark Gray and Black. Add suffix GR for Gray, DGR for Dark Gray and BLK for Black.

\*\*Also available in Dark Gray. Add suffix DGR for Dark Gray.



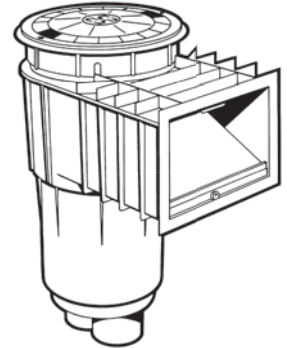
# Automatic Skimmers

REPLACEMENT PARTS (continued)



## Cat. Nos. SP1075, 1075T, 1076, 1077

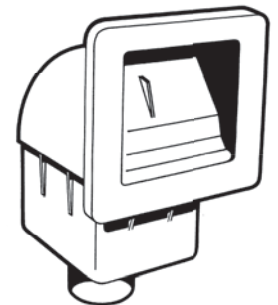
Part No.	Description	Ctn. Qty.
SPX1075C1	Cover, White	10
SPX1084Z9	Cover Screw	10
SPX1075B	Adjusting Collar	10
SPX1082K	Weir	10
SPX1082CA	Basket – 6 1/2" O.D. x 5"	18
SPX1082D	Basket Support Ring	5
SPX1075F	Flo-Control Slide Plate w/Screw	10
SPX1075L	Multi-Flo Valve Control (SP1075T)	1
SPX1084L	Face Plate (SP1076)	20
SPX1085B	Face Plate (SP1077)	10
SPX1084B	Gasket (SP1076)	10
SPX1085D	Gasket (SP1077)	10
SPX1084Z4A	Face Plate Screw Set (Self-Tapping) (SP1076)	10
SPX1084Z4AM	Face Plate Screw Set – 1 1/4" long (Self-Tapping)	10
SPX1085Z1A	Face Plate Screw Set (Self-Tapping) (SP1077)	10
SPX1085Z1AM	Face Plate Screw Set – 1 1/4" long (Self-Tapping)	10



SP1071

## Cat. No. SP1070, SP1071 Series Skim-Master

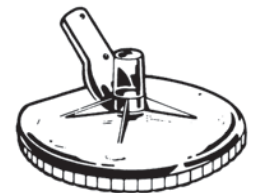
SPX1070Z3	Cover Retaining Screw	25
SPX1070C	Cover, White	10
SPX1070C10	Cover, Tan	10
SPX1070B	Adjusting Collar, White	10
SPX1070B10	Adjusting Collar, Tan	5
SPX1070E2	Basket Handle	10
ECX1019	Adjusting Collar Screw	25
SPX1070KHR	Weir Assembly w/Bumper Pad (for 1070 Series)	10
SPX1071K	Weir Assembly w/Bumper Pad (for 1071 Series)	10
SPX1070E	Basket – 8 1/4" O.D. x 5 1/4"	12
SPX1082H1B	Flo-Control Slide Plate w/Screw	10
SP1070FV	Float Valve Assembly	24
SPX1070FA	Flo-Control Trimmer Plate w/Screw	10
WGX1070C	NSF listed replacement cover (round)	10



SP1099S

## Cat. No. SP1099S Spa Skimmer

SPX1099B	Basket	10
SPX1099K	Weir	10
SPX1099C	Cover Plate, ABS	50
SPX1099E	Gasket	10
SPX1099FG	Air Relief Valve Kit	5



SP1067

## VACUUM CLEANER HEADS

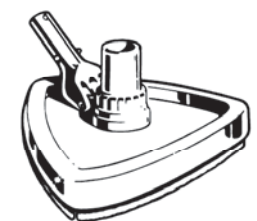
### Cat. No. SP1067 (Dural) / SP1067R (Rubber) Power-Vacs

Part Number	Description	Ctn. Qty.
SPX1067C	Brush Set	10
SPX1067QA	Quik-Snap Handle Connector with Spring	25
SPX0068Z1A	Bracket Bolt with Nut	10

### Cat. No. SP1068 / SP1068DL / 1069 /1069DL Super-Vacs

SPX1068G3	Brush (Set of 3) – for SP1068	5
SPX1069B3	Brush (Set of 3) – for SP1069	5
SPX1068C	Knurled Locknut	10
SPX1068DE	Swivel Hose Connector Set, 1 1/4" and 1 1/2"	5
SP1068FA	Weight Pak (Set of 3)	25
SPX0068Z1A	Bracket Bolt with Nut	10
SPX1067QA	Quik-Snap Handle Connector with Spring	25
SPX1067S	Snap-Spring only	25
SPX1068A	Upper Body	10

Discont'd



SP1068  
SP1068DL

SP1069  
SP1069DL

White Goods



# Suction Outlets

## REPLACEMENT PARTS

### Suction Outlets



**WG1051AV**

Part Number	Description	Ctn. Qty.	
SPX1411Z5A	Grate Securing Screw ( <i>Set of 2</i> ) – replaces SPX1425Z32 for SP1048C	10	
WGX1030AVPAK2	Frame, 7 3/4" O.D. (SP1058, 1059, SP1030) 2 Pack	5	
SPX1058D	Gasket (SP1058, 9)	10	
WGX1048B*	Vinyl Ring, 7 7/8" O.D. (SP1048, 1049)	10	
SPX1048D	Gasket (SP1048, 1049)	10	
SPX1039Z18	Vinyl Ring ( <i>Set of 8</i> ) (SP1048, 1049)	10	
WGX1048E**	Cover, Dome Type (All Suction Outlets) – White	10	
SPX1030Z1A	Screw for use with SPX1048E only ( <i>Set of 2</i> ) – SP1030, 1051, 1154	10	
WGX1030Z1A	Screw for use with WGX1048E only and sumps/frames without metal inserts ( <i>Set of 2</i> ) – SP1030, 1051, 1154	10	
WG1153AV	WGX1030Z1AM	Screw for use with WGX1048E only and sumps/frames with metal inserts ( <i>Set of 2</i> ) – WG1030, 1051, 1154	10
SPX1030Z2A	Screw for use with SPX1048E only ( <i>Set of 2</i> ) – SP1048, 1049	10	
WGX1030Z2A	Screw for use with WGX1048E only and sumps/frames without metal inserts ( <i>Set of 2</i> ) – SP1048, 1049	10	
WGX1030Z2AM	Screw for use with WGX1048E only and sumps/frames with metal inserts ( <i>Set of 2</i> ) – WG1048, 1049	10	
SPX1051Z1	1 1/2" Plastic Pipe Plug	10	
SPX1053Z1	2" Plastic Pipe Plug	10	
SPX1035B	Gasket (SP1035AV)	10	
WG1030AV	WGX1030Z3	Plate Screw for nonmetal inserts	25

\*Add suffix GR for gray and BLK for black.

\*\*Includes 4 Screw Sets (for sumps/frames with or without metal inserts).



**WG1153AV**



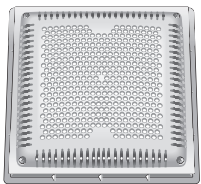
**WG1030AV**

### Grate Drains

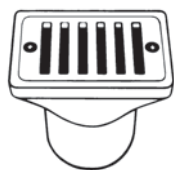
Part Number	Description	Ctn. Qty.
SP1019BA	Grate with screw set (SP1019)	100

### Vacuum Release System – VR1000

Part Number	Description	Ctn. Qty.
VRX100BF	5/16" Tube Bulkhead Fitting	1
VRX100E	Solenoid Valve	12
VRX100PAK	Tube Replacement Kit	5
VRX100H	Electrical Fuses (pack of 10)	5
VRX100F	Vent Filter	5
VRX100KIT2	Saddle Clamp Kit	105
CLX220J25	5/16" Tube x 25'	5
VRXPCBA	Circuit Board	1
VRXPCBANT	Circuit Board (without timer)	1



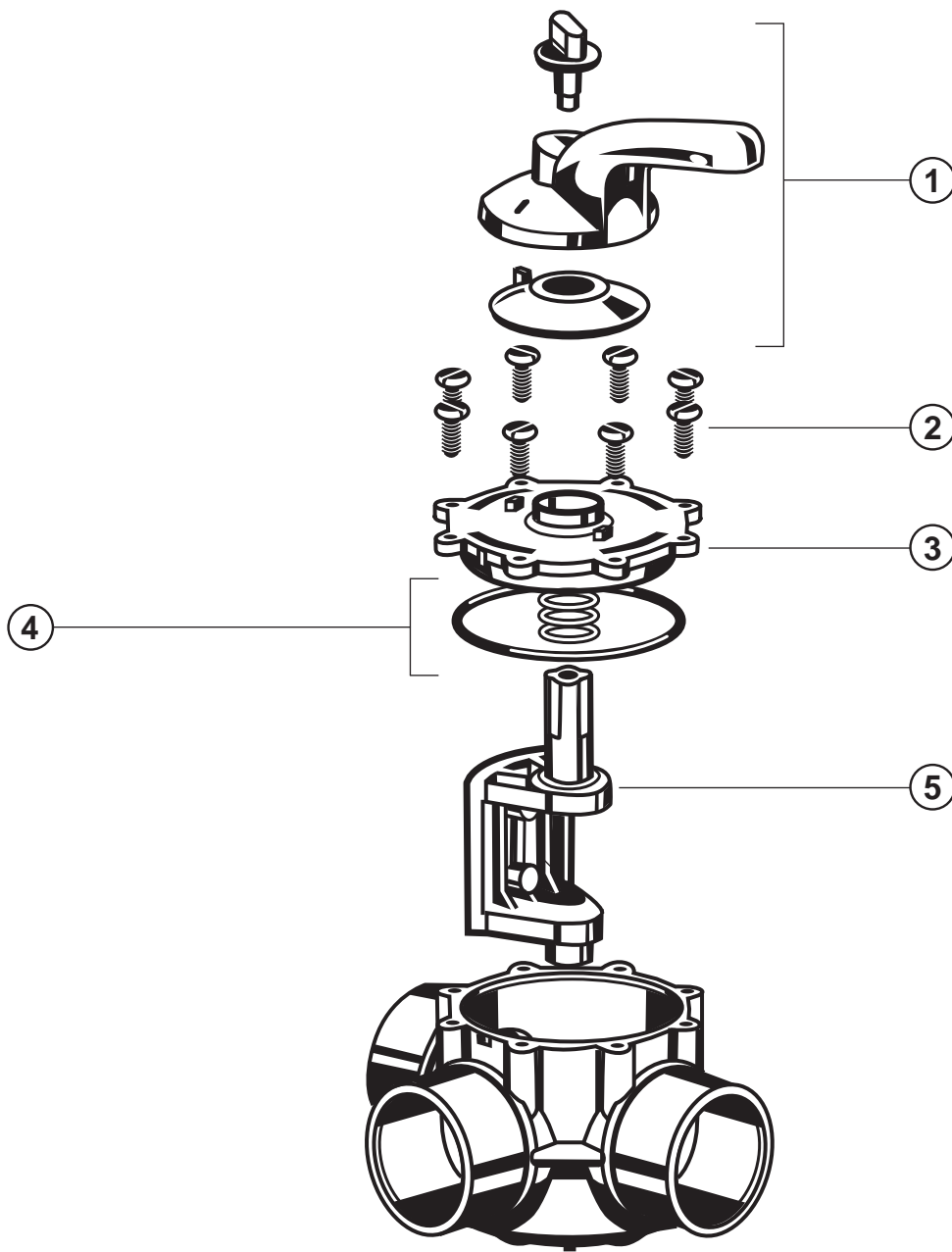
**WGX1032HF2B**



**SP1019**

White Goods

# PSV Series Valves



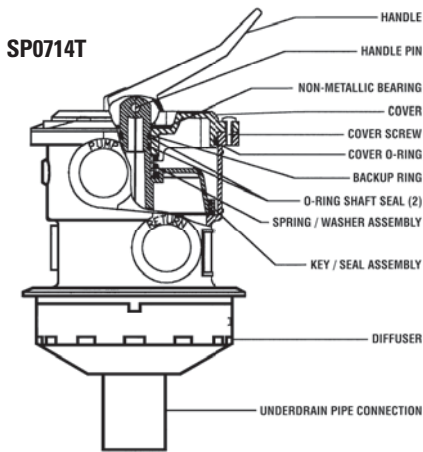
## Parts Listing

Ref. No.	Part No.	Description	Ctn Qty.	No. Req'd
1	PSXVCA	Handle/Index Kit	1	1
2	PSXVZ1A	Screw Set (8 pcs.)	1	1
3	PSXVB	Cover	1	1
4	PSXVZ2A	Key and Cover O-Ring Kit	1	1
5	PSXVDE	Valve Key Assembly	1	1
-	PSXVBCA	Upper Valve Kit (Includes #'s 1-5)	1	1



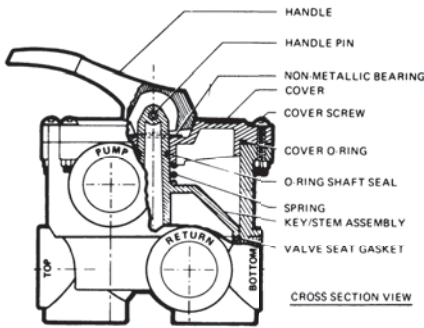
# Multiport Valves

## REPLACEMENT PARTS

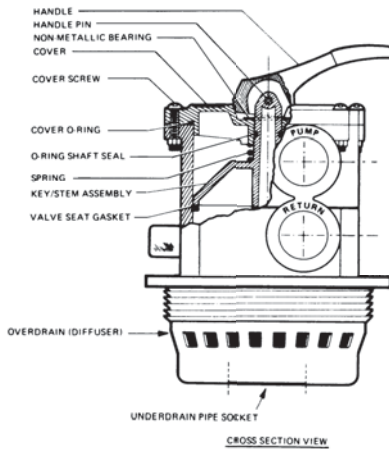


SP0714T

### SP0710X SERIES (1977)



### SP0712 SERIES



### Cat. No. SP0714T Vari-Flo™ XL Valve

Part No.	Description	Ctn. Qty.
SPX0710XF	Handle	10
SPX0710XZ7	Handle Pin	25
SPX0710Z16	Non-Metallic Bearing (1 Bag of 5)	25
SPX0714BA	Key, Cover and Handle Assembly	5
SPX0714Z1	Cover Screw (Set of 6)	10
SPX0714L	Cover O-Ring	10
SPX0735GA*	O-Ring Shaft Seal Assembly	10
SPX0710Z62	Washers for Springs (Set of 2)	25
SPX0714CA	Key/Seal Assembly	10
SPX0714D	Diffuser	1
SPX0714A	Valve Body w/Gasket and Sight Glass	1
SPX0714G11	Label	1

\*Two required for each valve.

### Cat. Nos. SP0710, 0710X, 0711, 0712, 1 1/2" Vari-Flo Valves (1976- )

Part No.	Description	Ctn. Qty.
SPX0710G	Top Decal	-
SPX0710XF	Handle	10
SPX0710XZ7	Handle Pin	25
SPX0710Z16	Non-Metallic Bearing	25
SPX0710XZ3	Cover O-Ring	10
SPX0735GA	O-Ring/Teflon Shaft Seal	10
SPX0710Z1A	Cover Screw w/Nut (Set of 6 each)	10
SPX0603S	Spring w/ Washer Assembly	5
SPX0710Z62	Spring Washers (Set of 2)	25
SPX0710K	1/4" Plastic Pipe Plug	25
SPX0710XD	Valve Seat Gasket, 5 Spoke – for "X" Valve Body	10
SPX0710XC	Key/Stem Assembly	10
SPX0710XBA	Key, Cover and Handle Assembly – White	5
SPX0710XBA17	Key, Cover and Handle Assembly – Black	5
SPX0710MA	Threaded Sight Glass w/Gasket	10
SPX0710XALLAA	Valve Body w/Gasket & Sight Glass – Style "ALL"	1
SPX0710XA3A	Valve Body w/Gasket & Sight Glass – Style 3	1
SPX0710X32AA	Valve Body w/Gasket & Sight Glass – w/Filter	1
SPX0710XR50AA	Tank Pipes and Locknuts – for S200, S240 <b>only</b>	1
SPX0710XR50AA	Valve Body w/Gasket & Sight Glass – w/Filter	1
SPX0710XR50AA	Tank Pipes and Locknuts. "Reverse" style – for DE Series <b>only</b>	1
SPX0710X62AA	Valve Body w/Gasket & Sight Glass – w/Filter	1
SPX0710X62AA	Tank Pipes and Locknuts – for Pro Series (Side Mount) <b>only</b>	1
SPX0712AA	Top Mount Threaded Valve Body w/Gasket, Sight Glass and Diffuser ( for Hayward Filters)	1
SPX07122AA	Top Mounted Threaded Valve Body w/Gasket, Sight Glass and Diffuser ( for Pac-Fab; 6" UNC)	1
SPX0710Z9	3M Adhesive, 5 oz. tube for Valve Seat Gasket	10
<b>NOTE:</b> Parts below are for SP0710 and 0711 Series (1969-1975). These parts are <i>NOT</i> interchangeable with current production models.		
SPX0710Z7	Handle Pin	10
SPX0710Z3	Cover O-Ring	10
SPX0603Z2A	O-Ring/Teflon Shaft Seal	1
SPX0710D	Valve Seat Gasket, 6 Spoke	10
SPX0710XBA	Key, Cover and Handle Assembly – Replaces SPX0710B (cover) and SPX0710C	5

\*Limited Quantity Available.

White Goods

# Multiport Valves

REPLACEMENT PARTS (continued)



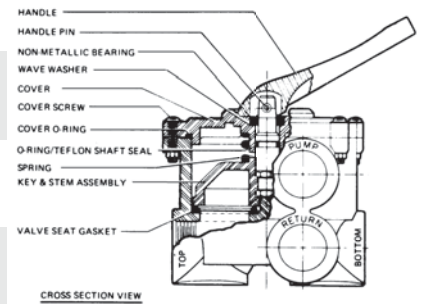
## Cat. Nos. SP0715, 0716, 2" Vari-Flo Valves

Part No.	Description	Ctn. Qty.
SPX0710FL	Handle, Large	10
SPX0715F	Handle, Standard	10
SPX0710XZ7	Handle Pin	25
SPX0710Z16	Non-Metallic Bearing (1 pk of 5)	25
SPX0710Z1A	Cover Screw w/Nut (Set of 6 each)	10
SPX0715Z1	Cover O-Ring	10
SPX0603S	Spring	5
SPX0710Z62	Spring Washers (Set of 2)	25
SPX0735GA	O-Ring/Teflon Shaft Seal	10
SPX0710K	1/4" Plastic Pipe Plug	25
SPX0715D	Valve Seat Gasket	10
SPX0715C	Key/Stem Assembly – Noryl	10
SPX0715BA	Key, Cover and Handle Assembly, White	1
SPX0715BA3	Key, Cover and Handle Assembly, Black	1
SPX0715ALLAA	Valve Body w/Gasket & Sight Glass – Style "ALL"	1
SPX0715XR50AA	Valve Body w/Gasket & Sight Glass – w/Filter Tank Pipes and Locknuts. "Reverse" style – for DE only	1
SPX0710MA	Threaded Sight Glass w/Gasket	10

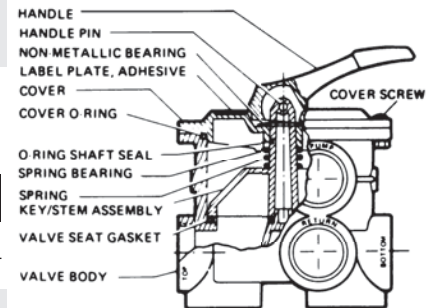
## Cat. No. SP0704, 1 1/2" Vari-Flo Valve – 4 Position

Part No.	Description	Ctn. Qty.
SPX0710XF	Handle	10
SPX0710XZ7	Handle Pin	25
SPX0710Z16	Non-Metallic Bearing (1 pk of 5)	25
SPX0704B2	Cover, Black	15
SPX0704F	Cover O-Ring	10
SPX0704HA	O-Ring/Teflon Shaft Seal	25
SPX0704Z1A	Cover Screw (Set of 6)	10
SPX0603S	Spring	5
SPX0710Z62	Spring Washers (Set of 2)	25
SPX0704D	Valve Key Gasket	10
SPX0704CA	Key and Gasket Assembly	10
SPX0704BA	Key, Cover, Gasket and Handle Assembly	5
SPX0704AA	Valve Body w/Diffuser	1

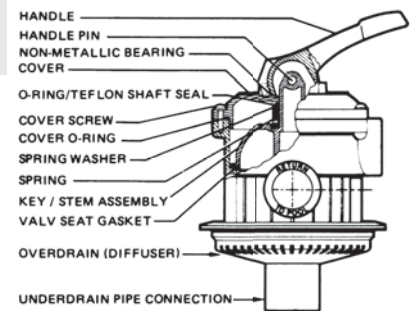
### SP0710 SERIES (1969-1975)



### SP0715 SERIES



### SP0704 SERIES

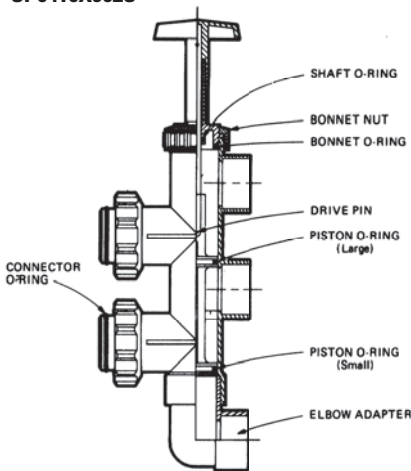




# Multiport Valves

REPLACEMENT PARTS (continued)

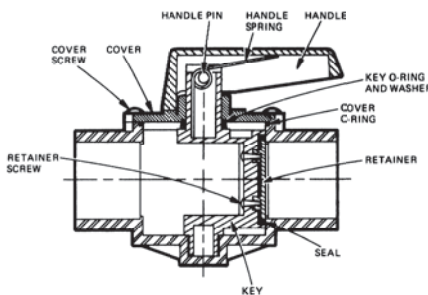
## SP0410X602S



### Cat. Nos. SP0410X Series Slide Valve

Part No.	Description	Ctn. Qty.
SPX0410BA	Handle and Piston Assembly	5
SPX0410BK	Piston only w/Pin	5
SPX0722D2	Bonnet Nut, Black	10
SPX0722D	Bonnet Nut	10
SPX0722GH	Bonnet O-Ring	10
ECX9611246	Shaft O-Ring	25
SPX0410Z2	Piston O-Ring, Large	10
SPX0410K	Drive Pin	10
SPX0410Z1	Piston O-Ring, Small	10
SX200Z4	O-Ring	25

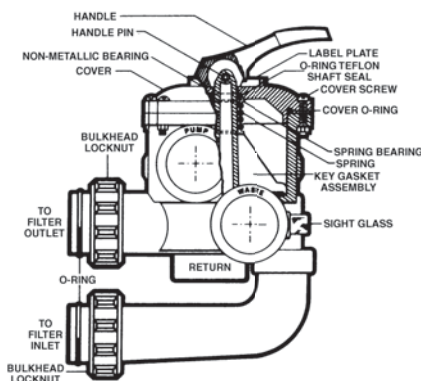
## SP0733S



### Cat. No. SP0732, 0733 Series Dial-A-Flo Valves

Part No.	Description	Ctn. Qty.
SPX0733D	Handle	10
SPX0733H	Handle Pin	10
SPX0733J	Handle Spring	10
SPX0733B	Cover (SP733, 3-Way) w/Label	10
SPX0733Z3A	Cover Screw (Set of 8)	10
SPX0733Z2A	O-Ring, Cover, Washer and Spacer Set	10
SPX0733Z1A	O-Ring, Key, w/Washer (Washer Req'd. - Pre 1988)	10
SPX0733E	Seal	10
ECX1019	Retainer Screw	20
SPX0733CA	Key and Seal Assembly w/O-Ring (3-Way)	5
SPX0733BA	Key, Seal, Cover and Handle Assembly (3-Way)	5

## SP0740DE



### Cat. No. SP0727 Perflex Diverter Valve (Not Illustrated)

Part No.	Description	Ctn. Qty.
SPX0727D	Handle	10
SPX0733H	Handle Pin	10
SPX0727J	Handle Spring	10
SPX0727K	O-Ring, Cover	10
SPX0733Z3A	Cover Screw (Pkg. of 8)	10
SPX0727H	Seal	10
SPX0733Z1	O-Ring (Key)	10
SPX1483C	O-Ring (Union)	10
SPX0727E	Union Nut	10

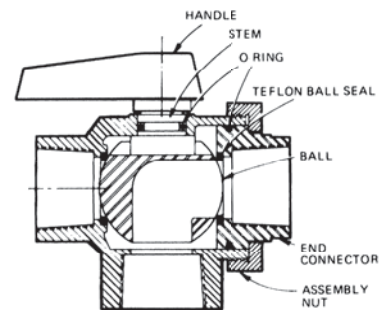
### Cat. No. SP0740DE 2" Selecta-Flo™ Valve

Part No.	Description	Ctn. Qty.
SPX0710FL	Handle, Large	10
SPX0710XZ7	Handle Pin	25
SPX0710Z16	Non-Metallic Bearing	25
SPX0740B	Cover	10
SPX0710Z1A	Cover Screw w/Nut (Set of 6 each)	10
SPX0715Z1	Cover O-Ring	10
SPX0603S	Spring	5
SPX0704HA	O-Ring/Teflon Shaft Seal	25
SPX0710Z62	Spring Washers (Set of 2)	25
SPX0740D	Valve Seat Gasket	10
SPX0740C	Key/Stem Assembly	10
SPX0740BA	Key, Cover, Handle Assembly	10
SPX0740AA	Valve Body w/Gasket & Sight Glass – w/Tank Pipes & Locknuts	1



### Cat. Nos. SP0720, 0730, 0735 Ball Valves

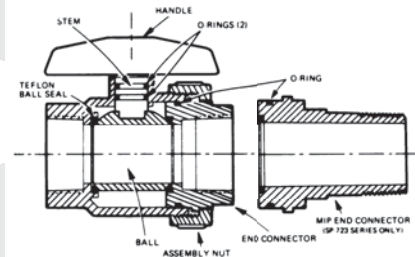
Part No.	Description	Ctn. Qty.
SPX0735D	Handle	10
SPX0735F	Stem	5
SPX0735GH	O-Ring, Stem and End Connector	10
SPX0735E	Assembly Nut	10
SPX0720P2	Teflon Ball Seal (Set of 2)(SP0720, 0730)	10
SPX0735P2	Teflon Ball Seal (Set of 2)(SP0735)	10
SPX0720B	End Connector – Threaded (SP0720, 0730)	10
SPX0735B	End Connector – Threaded (SP0735)	10
SPX0735C	Ball (SP0735)	5



SP0735

### Cat. Nos. SP0722, 0723 and UN, 1 1/2" Trimline Ball Valves

Part No.	Description	Ctn. Qty.
SPX0722F	Handle	10
SPX0722B7	Stem	10
SPX0720P2	Teflon Ball Seal (Set of 2) – 1976 and prior	10
SPX0722P2	Teflon Ball Seal (Set of 2)	10
SPX0722GH	O-Ring, Stem w/End Connector	10
SPX0722D	Assembly Nut	10
SPX0722C7	Ball	10
SPX0722ET7	End Connector – FIP	10
SPX0722ES7	End Connector – SKT	5
SPX0723ET7	End Connector – MIP	10
SPX0722UT	Union End Connector – FIP (UN)	10
SPX0722US	Union End Connector – SKT (UN)	10
SPX0723UT	Union End Connector – MIP (UN)	10
SPX1495Z1	O-Ring, Flush Union End (UN)	10



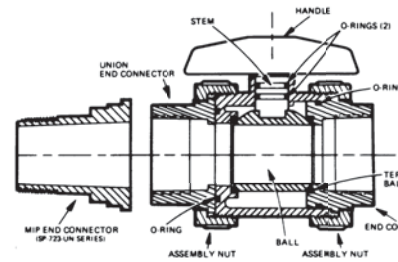
SP0722, 0723

### Cat. Nos. SP0729 1 1/2" 2-Way Ball Valves

Part No.	Description	Ctn. Qty.
SPX0728D	Handle	10
SPX0728H	O-Ring, End Connector	10

### Cat. Nos. SP0724, 0725, 0726, 2" Trimline Ball Valves

Part No.	Description	Ctn. Qty.
SPX0724J	Handle	5
SPX0724B	Stem	10
SPX0724GA	Teflon Ball Seal (Set of 2) w/O-Ring Stem and End Connector	10



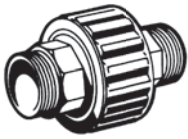
SP0722UN, 0723UN

White Goods



# Unions

## REPLACEMENT PARTS



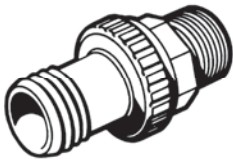
**SP1480  
SERIES**

### Cat. Nos. SP1480, 1482, 1484, 1485 Self-Align Unions

Part No.	Description	Ctn. Qty.
SPX1480C	Union Nut	10
SPX1425Z6	O-Ring	10
SPX1485C	Gasket	10

### Cat. Nos. SP1491, 1492, 1493 Econo-Unions

SPX1491B	O-Ring	10
SPX1068C	Union Nut	10



**SP1493**

### Cat. Nos. SP1495 (1 1/2") and SP1498 (2") Flush Unions

SPX1495Z1	O-Ring	10
SPX1495C	Union Nut	10
SX200Z3	O-Ring (2")	10
SPX1498C	Union Nut (2")	10

## IN-LINE SIGHT GLASSES

### Cat. No. SP072 (1 1/2") – Limited Stock

SPX0072D	Cylinder, 2 1/2" O.D. x 2 3/8"	5
SPX0072Z4	O-Ring	5



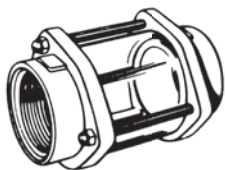
**SP1495**

### Cat. Nos. SP1072, 1074 (Cycloc)

SPX0072D	Cylinder, 2 1/2" O.D. x 2 3/8"	5
SPX107242	Gasket (Set of 2)	10
SPX10723A	Bolt w/Nut	1

### Miscellaneous

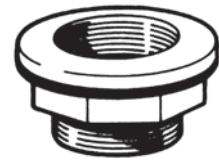
SPX0404A	Threaded Eyebolt – for SP0404	10
SPX0392BA	Brass Wedge, Bolt w/Washer – for SP392, 393	1
SPX1392CA	Wedge, Bolt w/Washer – for SP1392	1
SPX1090Z4	Teflon Tape – 60" Roll	10
SPX1022CZ2	O-Ring for SP1022C Plug	10
SPX1088H	Elbow for SPX11041, 11071	5
ECX1308	"Schmear" Compound for Field Repairs (White)	1
ECX1308IVY	"Schmear" Compound for Field Repairs (Ivory)	1
SP1600TAP	Housing Insert Installation Kit for Max-Flo and Super Pump	5
ECX2024H	Hose Shut OFF Valve (Wand)	10
SPX0010Z2	On/Off Trippers (Set of 2 Each) for SP10MTR Timer	10
SPX1500TZ2	On/Off Trippers (Set of 2 Each) for SP1500T Timer	10



**SP1072**

### Cat. Nos. SP1023, 1023G, 1024, 1025

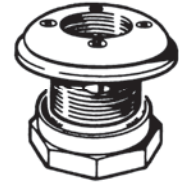
Part No.	Description	Ctn. Qty.
SPX1023B	Locknut, 2"	10
SPX1023Z3	Fiber Slip Washer	20
SPX0023Z12	Gasket (Set of 2)	10
SPX0023Z2	Gasket, double-sided	25
SPX1025Z12	Gasket (Set of 2) – (SP1025)	10
SPX1025Z3	Fiber Slip Washer – (SP1025)	10
SPX1407D1	Locknut, 2 1/2" – (SP1025)	10



SP1023

### Cat. Nos. SP1411, 14071, 1408

SPX1411B	Face Plate (SP1411, 14071)	25
SPX1408B*	Face Plate – White	25
SPX1411Z12	Gasket (Set of 2) (SP1411, 14071)	10
SPX1408C	Gasket	25
SPX1411Z1A	Face Plate Screw (Set)	10
SPX1407D	Locknut Spacer (SP14071, 1408, 1025) – 2 1/2"	75
SPX1039Z1A	Face Plate Screw (Set) (SP1408)	10



SP1408

\*Add suffix GR for Gray and BLK for black, DGR for dark gray

### Cat. Nos. SP1419, SP1420, SP1421 Series

SPX1419B1	Ball Seat	10
SPX1419C1, 2, 3, 4, 5	Ball, Slotted or 3/8", 1/2", 3/4", 1" Hole	10
SPX1419D1	Lock Ring	10
SPX1420A1	Rubber Flow Director	10



SP1421

### Cat. No. SP1039

SPX1039BA	Face Plate w/Gasket (2) and Screws (4)	5
-----------	--	---



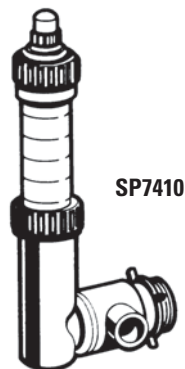
SP1425

### Cat. Nos. SP1423, 1424, 1425

SPX1425C	Face Plate Grate (SP1423, 1424)	10
SPX1425DA	Spinner Valve Assembly (SP1424, 1425)	10
SPX1425B	Top Diffuser Plate (SP1425)	10
SPX1425Z32	Face Plate Screw (Set of 2) (SP1423, 1424, 1425)	10
SPX1425Z6	O-Ring (SP1425)	10

### Cat. Nos. SP7400, 7410 Fountains

SPX7400V	3-Way Diverter Valve	5
----------	----------------------	---

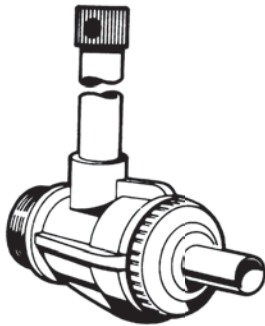


SP7410



# Hydrotherapy Fittings

REPLACEMENT PARTS



SP14311, 2

### Cat. Nos. SP1430, 1431, 1432 Jet-Air® Fittings

Part No.	Description	Ctn. Qty.
SPX1430B	Small Nozzle (for SP1430)	10
SPX14311S	1/2" x 18" Air Supply Tube (complete)	25
SPX14312S	1/2" x 24" Air Supply Tube (complete)	25
SPX1430Z1A	Air Tube Adjustment Cap w/Air Tube Bushing	5
SPX1430B1	SPA Insert Bushing	10



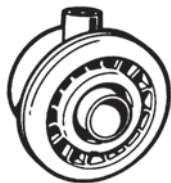
SP1434

### Cat. Nos. SP1434, 1436, 1437 Series Jet-Air III Fittings

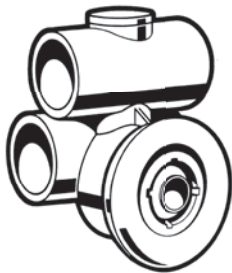
SPX1434EA	Bulkhead Fitting w/Gasket	25
SP1434PAKB	Vari-Flo Ball Jet/Nozzle – Adjustable	25
SPX1434DF	Lock Ring – for Ball Assembly w/Nozzle Retaining Clip	1
SPX1434JA	Seal Rings and O-Ring Kit	3
SPX0720PE2	Seal Ring (Set of 2)	2
SPX1434L	Gasket	

### Cat. No. SP1450T Turbo Boost Spa Jet

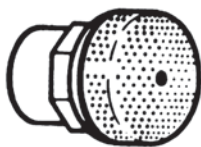
SPX1450BG	Bulkhead Fitting w/Gasket	1
-----------	---------------------------	---



SP1450T



SP1438



SP1444

# Logo Clip Art

FOR ADVERTISING & MERCHANDISING MATERIALS



