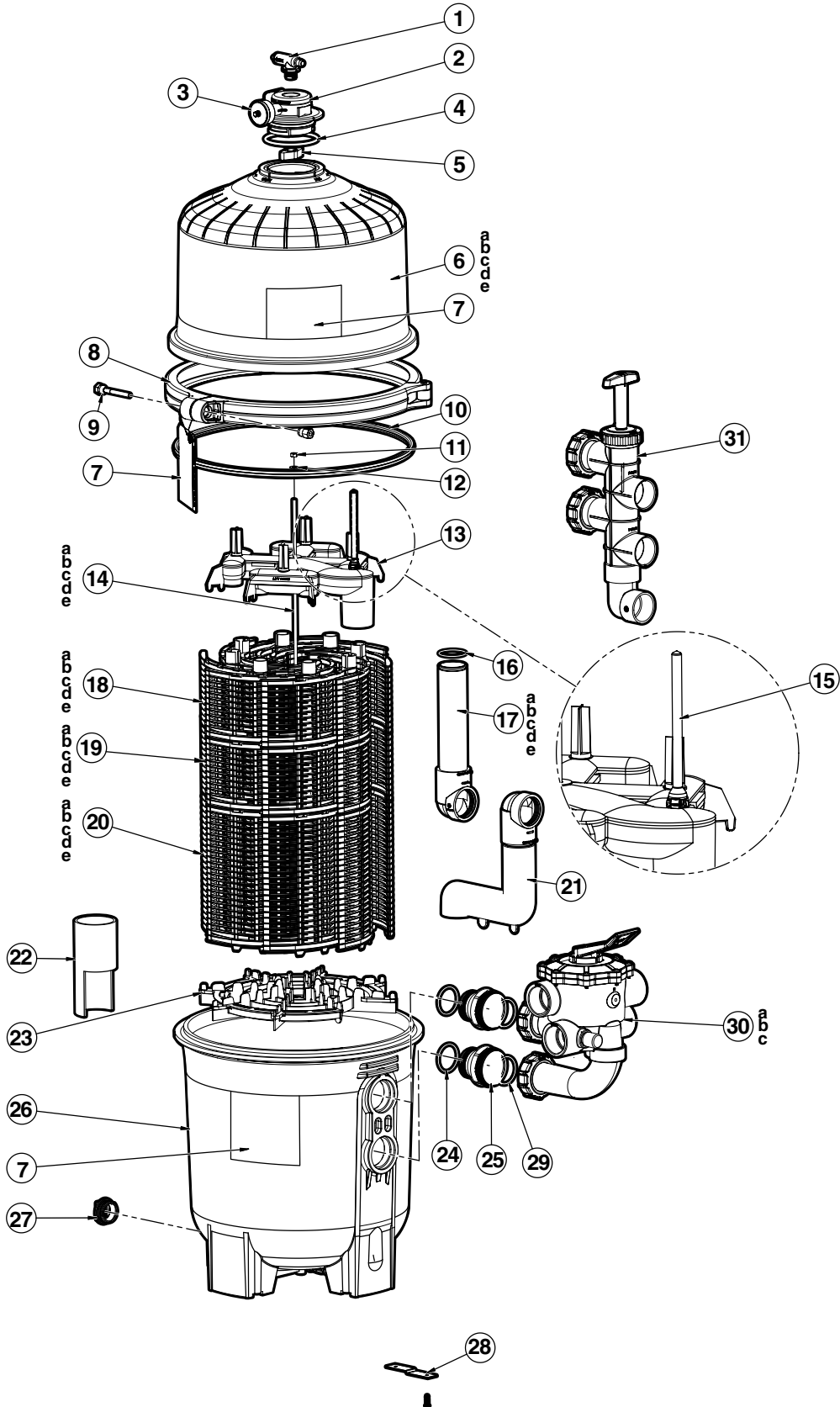


### Parts Diagram



Filters

## Parts Listing

Ref. No.	Part No.	Description	Ctn. Qty.	No. Req'd
1	CX1000V	Manual Air Relief Valve with O-Ring	50	1
2	DEX2420MAR2	Manual Air Relief Assembly	1	1
3	ECX2712B1	Pressure Gauge	20	1
4	DEX2420Z8A	O-Ring Kit (Set of 2)	10	1
5	CCX1000N	Manual Air Relief Valve Nut	50	15
6a	DEX2420BTC	Filter Head (DE2420)	1	1
6b	DEX3620BTC	Filter Head with Clamp (DE3620)	1	1
6c	DEX4820BTC	Filter Head with Clamp (DE4820)	1	1
6d	DEX6020BTC	Filter Head with Clamp (DE6020)	1	1
6e	DEX7220BTC	Filter Head (DE7220)	1	1
7	DEX2420LA6PAK	Label Pack (Includes all warning and operation labels, hang tag (#10), wire tie and owner's manual)	10	1
8	DEX2421JKIT	Clamp System including: Clamp, Clamp Nut and Bolt, Warning Hang Tag, Metal Reinforced Seal and Labels	1	1
9	DEX2421J2*	Clamp Bolt and Nut	10	1
10	DEX2422Z2*	Metal Reinforced Seal	1	1
11	ECX176865	Retainer Nut, 5/16" – 18	25	1
12	ECX1109	Washer, 5/16" (2 Required)	10	2
13	DEX2400C	Top Collector Manifold with Flex Air Relief Assembly	1	1
14a	DEX2400R	Retainer Rod (DE2420)	5	1
14b	DEX3600R	Retainer Rod (DE3620)	5	1
14c	DEX4800R	Retainer Rod (DE4820)	5	1
14d	DEX6000R	Retainer Rod (DE6020)	5	1
14e	DEX7200R	Retainer Rod (DE7220)	5	1
15	DEX2400CR	Flex Air Relief Assembly	50	1
16	DEX2400Z5	Outlet Elbow O-Ring	500	1
17a	DEX2420EA	Outlet Elbow Assembly with O-Ring (DE2420)	5	1
17b	DEX3620EA	Outlet Elbow Assembly with O-Ring (DE3620)	10	1
17c	DEX4820EA	Outlet Elbow Assembly with O-Ring (DE4820)	5	1
17d	DEX6020EA	Outlet Elbow Assembly with O-Ring (DE6020)	5	1
17e	DEX7220EA	Outlet Elbow Assembly with O-Ring (DE7220)	5	1
18a	DEX2420DC	Filter Element Cluster Assembly (DE2420)	1	1
18b	DEX3600DC**	Filter Element Cluster Assembly (DE3620)	1	1
18c	DEX4800DC**	Filter Element Cluster Assembly (DE4820)	1	1
18d	DEX6000DC**	Filter Element Cluster Assembly (DE6020)	1	1
18e	DEX7200DC**	Filter Element Cluster Assembly (DE7220)	1	1
19a	DEX2400DA	Filter Element (DE2420)	10	7
19b	DEX3600DA	Filter Element (DE3620)	10	7
19c	DEX4800DA	Filter Element (DE4820)	10	7
19d	DEX6000DA	Filter Element (DE6020)	10	7
19e	DEX7200DA	Filter Element (DE7220)	10	7
20a	DEX2400DS	Filter Element – Short (DE2420)	10	1
20b	DEX3600DS	Filter Element – Short (DE3620)	10	1
20c	DEX4800DS	Filter Element – Short (DE4820)	10	1
20d	DEX6000DS	Filter Element – Short (DE6020)	10	1
20e	DEX7200DS	Filter Element – Short (DE7220)	10	1
21	DEX2420GA	Inlet Elbow	5	1
22	DEX2420T	Element Spacer (DE2420 Only)	5	1
23	DEX2400H	Filter Element Locator	1	1
24	SX220Z2	Bulkhead O-Ring (2 Required)	500	2
25	DEX2420F	Bulkhead Fitting (2 Required)	25	2
26	DEX2420ATC	Filter Body with Clamp	1	1
27	SP1022CBLK	1 ½" Drain Plug with O-Ring	100	1
28	DEX2420DCKIT	Strap Kit: 2 Straps, 2 Screws (Optional)	25	1
29	SX200Z4PAK2	Valve/Union O-Ring (Set of 2)	25	1
30a	SP0740DE	Selecta-Flo™ Valve Assembly – 2" SKT	1	1
30b	SP0710XR50	Vari-Flo™ Valve Assembly – 1 ½" NPT	1	1
30c	SP0715XR50	Vari-Flo Valve Assembly – 2" NPT	1	1
31	SP0410X5025	Slide Valve Assembly – 2" SKT	1	1

**NOTES:** \*Compatible only with DEX2421JKIT clamp system for Hayward ProGrid D.E. and SwimClear cartridge filters.

\*\*Assembled set of filter elements, manifold flex air relief, retainer rod and element locator.