

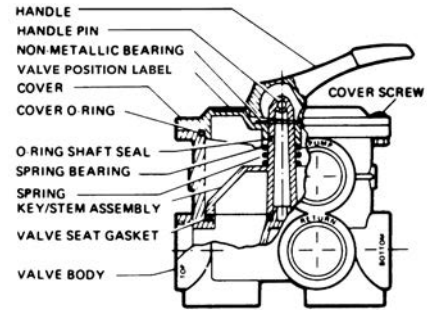
Multiport Valves

REPLACEMENT PARTS (continued)

Cat. Nos. SP0715, 0716, 2" Vari-Flo Valves

Part No.	Description	Ctn. Qty.
SPX0710FL	Handle, Large	25
SPX0715F	Handle, Standard	—
SPX0710XZ7	Handle Pin	50
SPX0710Z16	Non-Metallic Bearing (Pack of 5)	50
SPX0715G	Valve Position Label	10
SPX0710Z1A	Cover Screw with Nut (Set of 6 each)	10
SPX0715Z1	Cover O-Ring	10
SPX0603S	Spring	50
SPX0710Z62	Spring Washers (Set of 2)	10
SPX0735GA	O-Ring/Teflon Shaft Seal	100
SPX0710K	1/4" Plastic Pipe Plug	10
SPX0715D	Valve Seat Gasket	50
SPX0715C	Key/Stem Assembly – Noryl	10
SPX0715BA	Key, Cover and Handle Assembly, White	1
SPX0715BA3	Key, Cover and Handle Assembly, Black	1
SPX0715ALLAA	Valve Body with Gasket and Sight Glass – Style "ALL"	10
SPX0715XR50AA	Valve Body with Gasket and Sight Glass – with Filter	1
	Tank Pipes and Locknuts. "Reverse" style – for DE only	
SPX0710MA	Threaded Sight Glass with Gasket	50
SX200Z9	Gasket for Threaded Sight Glass	25

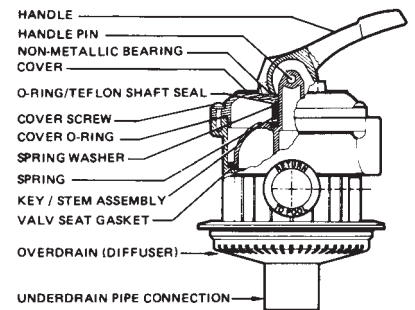
SP0715 SERIES



Cat. No. SP0704, 1 1/2" Vari-Flo Valve – 4 Position

Part No.	Description	Ctn. Qty.
SPX0710XF	Handle	10
SPX0710XZ7	Handle Pin	50
SPX0710Z16	Non-Metallic Bearing (Pack of 5)	50
SPX0704B2	Cover, Black	15
SPX0704F	Cover O-Ring	100
SPX0704HA	O-Ring/Teflon Shaft Seal	10
SPX0704Z1A	Cover Screw (Set of 6)	1
SPX0603S	Spring	50
SPX0710Z62	Spring Washers (Set of 2)	10
SPX0704D	Valve Key Gasket	50
SPX0704CA	Key and Gasket Assembly	50
SPX0704BA	Key, Cover, Gasket and Handle Assembly	15
SPX0704AA	Valve Body with Diffuser	1

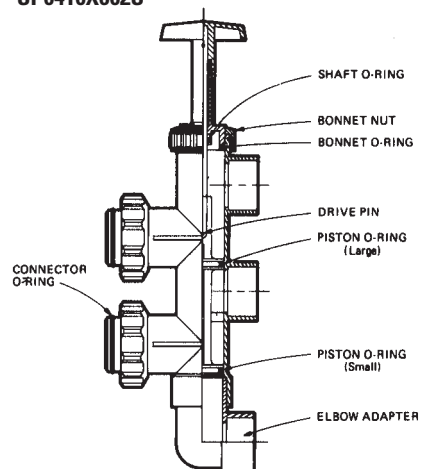
SP0704 SERIES



Cat. Nos. SP0410X Series Slide Valve

Part No.	Description	Ctn. Qty.
SPX0410BA	Handle and Piston Assembly	15
SPX0410BK	Piston only with Pin	10
SPX0722D2	Bonnet Nut, Black	50
SPX0722GH	Bonnet O-Ring Kit	10
ECX9611246	Shaft O-Ring	—
ECX9611246PAK3	Shaft O-Ring (Set of 3)	25
SPX0410Z2	Piston O-Ring, Large	100
SPX0410K	Drive Pin	50
SPX0410Z1	Piston O-Ring, Small	100
SX200Z4PAK2	Valve/Union O-Ring (Set of 2)	25

SP0410X602S



HAYWARD