



2015 PRODUCT CATALOG

INNOVATIVE SOLUTIONS
FOR COMMERCIAL POOLS & SPAS



Total System: Pumps | Filters | Heating | Cleaners | Sanitization | Automation | Lighting | Safety | White Goods | Flow Control

New year. New breakthroughs for commercial pools and spas.

INTRODUCING HAYWARD COMMERCIAL POOL PRODUCTS.

This year Hayward Commercial Pool unveils an expanded lineup of innovative products to address the needs of the rapidly changing commercial aquatic landscape. Saline C[®] 6.0 provides an eco-friendly, one-cell salt chlorination solution, and the new CAT 3500[®] and CAT 5500[®] wireless water quality controllers provide seamless automation and integration of sanitization systems.

The AquaVac[®] 500C brings a host of new features to the robotic cleaner category, including microprocessor-based efficiency, out of water sensing, tangle-free swivel cord, and selectable cleaning modes. The brilliant Universal CrystaLogic[®] and Universal ColorLogic[®] LED lighting range has also been expanded to include a full line of smaller return lights, perfect for highlighting water features and illuminating steps and difficult to reach areas.

Our commercial team is dedicated to providing our builders, servicers, pool designers, engineers, and aquatic facility operators with all the tools necessary to help specify Hayward equipment and stay at the forefront of commercial pool technology. We invite you to stay connected with our POOLSIDE eNewsletter, for more information, visit haywardpool.ca.



New for 2015



HYDRORITE UV₃
COMMERCIAL UV OZONE
ADVANCED WATER
TREATMENT SYSTEM



SALINE C 6.0 COMMERCIAL
SALT CHLORINE GENERATOR



CAT 3500 AND
CAT 5500 CONTROLLERS
COMPLETE WITH TDS AND SALT
MONITORING



AQUAVAC 500C ROBOTIC
CLEANER WITH DUAL-MODE
CLEANING TECHNOLOGY



CRYSTALOGIC AND
COLORLOGIC
320 AND 160
LED LIGHTS






POOLCOMM[®]
NEW TDS AND SALT READING
CAPABILITIES





BUTTERFLY VALVES (LEVER
AND GEAR OPERATED)
BYV SERIES

Hayward[®] Commercial Pool FINISHED GOODS AND ACCESSORIES





WATER QUALITY MANAGEMENT SOLUTIONS

	Commercial Sanitization	4
	Commercial Automation	6
	Commercial Cleaners	13

AMBIANCE AND COMFORT

	Commercial Heaters	14
	Commercial Lighting	15

HYDRAULIC PERFORMANCE AND RECIRCULATION SYSTEMS

	Commercial Pumps	19
	Commercial Filters	22
	Commercial Flow Control	26
	Commercial White Goods	36

Whether you're a long-time partner of ours or just started thinking about working with us, we're eager to show you what Hayward Commercial Pool has in store for 2015. Give us a call at 1.888.238.7665 or visit us at www.haywardpool.ca for more information. You can also follow us on:



Commercial Sanitization

Saline C[®] 6.0 Salt Chlorine Generator

With just ONE vessel, eliminate complex plumbing, poorly performing and costly multi-cell installations. New NSF Certified commercial salt chlorine generator Saline C 6.0 is designed to produce up to 6 lbs of chlorine per day, saving up to 60% over traditional chlorine. Utilizing a single, industrial-grade, clear cell and power supply, the need for daisy chaining cells has been eliminated, minimizing footprint and cost of installation.

All you need is ONE.

- Compact design, single-cell power supply for easy install
- Industrial-grade, clear vessel, easy inspection
- Reverse polarity self-cleaning technology
- Plug N' Play chemical automation
- Reduce chloramines and associated odors and corrosion
- Energy-efficient power supply draws just 6.5 amps
- Game-changing initial investment and cost of ownership



- Simple, low-cost installation vs multiple-cell alternatives
- 2-year limited warranty on parts and factory labor
- NSF/ANSI Standard 50 Certified



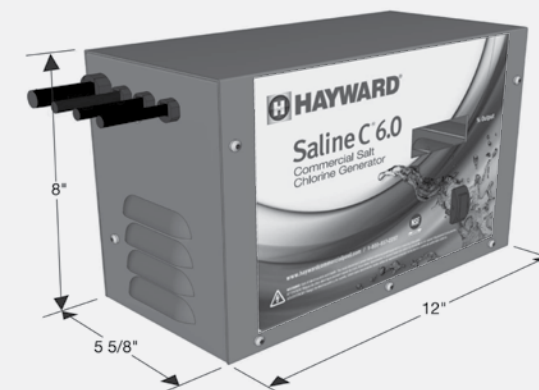
The perfect fit with pH/ORP CAT Controllers[®] and NEW HydroRite UV Ozone System

For total efficiency and maximum control, HydroRite™ UVO₃ is the perfect complement to Saline C 6.0 and our pH/ORP CAT Controllers, like new CAT 5500[®]. When these products are installed together, this complete sanitization system becomes an advanced automated water quality solution. Connect with PoolComm[®] to enjoy effortless remote monitoring (now including conductivity/NaCl) and audit tracking.

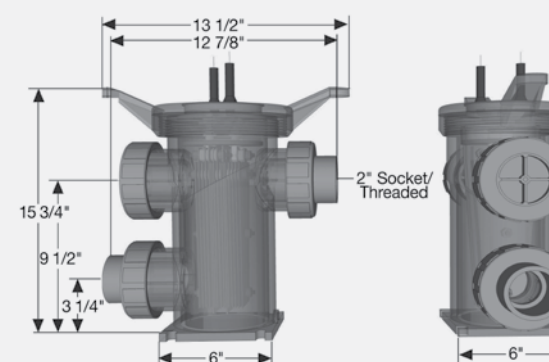
Easy-to-install, simple one minute electrode removal:



Saline C 6.0 Power Supply



Saline C 6.0 Vessel



Part Number	HCSC60	Commercial Salt Chlorine Generator
Power Supply Dimensions	12" W x 8" H x 5-5/8" D	
Vessel Dimensions	15-3/4" H x 13-1/2" W x 6" D	
Certifications	UL1081 CSA C22 NSF/ANSI 50	
LCD Display	Output adjustable 0 – 100%	
Flow Sensor	2" Magnetic with embedded reed switch	
Power Input (Power Supply)	USA: 6.5 amps, 120V/60Hz	
ORP Input	Cord with male pigtail connected (supplied blue cord)	
Cell Output Power	36 amps @ 15 volts to cell	
Vessel Rated Pressure	50 psi	
Housing Inlet/Outlet	2" Union inlet/outlet	
Reaction Chamber Style	Clear plastic	
Flow Required	40 gpm	
Salt Operating Range	3,500 – 5,000 ppm	
Electrode Stack	Reverse polarity 4mm plate gap	
Production Capacity	5.0 lbs. @ 3,500 ppm 6.0 lbs. @ 5,000 ppm	
Safety System	Low flow safety shutoff Low salt indicator Low salt shutoff Over voltage and over current protection Conformal coated electronics for environmental protection	
Warranty	2-year warranty Warranty pro-rated on electrode stack	

Saline C 6.0 Accessories

Part Number	Description	Carton Quantity	Carton Weight (lbs.)
HCSBP3-KIT	3" Commercial Salt Chlorine Generator - Bypass Kit	1	16.0
HCSBP4-KIT	4" Commercial Salt Chlorine Generator - Bypass Kit	1	19.0
HCSJBOX-BU	Sanitizer Back-up Junction Box	1	3.0
HCSCECK15	15' Cell to Power Supply - Extension Cable Kit	1	5.0
HCSCECF15	15' Flow Sensor to Power Supply - Extension Cable Kit	1	5.0

Watch the power of Saline C 6.0



Scan the QR code from your mobile device to watch the video.



Bypass Kit

Junction Box

Commercial Automation

OmniLogic Elite Automation System

A simple yet intuitive approach to pool, spa and water feature automation that provides a fresh approach to control panels. Normally custom control panels are an expensive and complex component of a commercial spa, water feature or pools. These custom panels function to allow automation and automatic control over pump control and performance of lighting, music, heating, actuated valves and auxiliary systems. OmniLogic allows programming of these systems at the touch of a button including scheduling, sequencing, flow (when combined with the EcoStar variable speed pumps) at a fraction of the price of custom panels.

With OmniLogic, you can expect to:

- **Eliminate Complexity.** With the ability to easily install preconfigured programming, and an icon-based touchscreen directly on the base unit, OmniLogic can save you hours of complicated set-up time.
- **Easily Scale-up and Expand.** Easily expand all capacities and seamlessly add features— from heaters to pumps to lighting.
- **Stay Cutting Edge.** OmniLogic was designed and engineered to advance with automation technology. Our innovative system architecture allows you to easily propagate new capabilities, and install and restore configurations quickly and effortlessly.

• **Simply order and stock parts.** Modular configuration provides flexibility and ease of ordering. No other system makes it as simple for builders to order and stock parts that support any configuration.

• **Wow your Customer.** Modern, intuitive apps for iPhone®, iPad® and Android™ provide the look and feel of leadingedge consumer electronics. Adjustable favorites buttons and theme functions allow your customer to not only customize, but personalize their project.

The performance, look and feel of an elite application is just as important as the technology behind it. OmniLogic combines the best in connectivity, versatility and energy-efficient functionality with an intuitive interface that makes the whole system simple to install, program, and use. When you choose OmniLogic, you choose the best—for you and your customer.

Applications

- Any pool, pool/spa combination or water feature

Standard Features

- Built-in touch display for easy configuration and programming
- Fully programmable, automatic control of every output
- 4 High-voltage relays upgradeable to 10
- 4 Valve Actuator relays upgradeable to 8
- Controls up to 16 EcoStar Pumps without using a relay
- Controls up to 5 heaters
- 125A Subpanel with 12 Breaker Slots
- 50 Configurable Favorites Buttons
- 25 Unique Programmable Themes
- Salt Chlorination Ready
- Built in Ethernet connectivity
- FREE website for control from any desktop or internet device
- FREE Apps for iPhone, iPad, and Android



Part Number	Description	Carton Quantity	Carton Weight (lbs.)
HLBASE	OmniLogic 4 Relay Base	1	65



CAT 1000® Automated pH Controller

Most cases of red eyes and itchy skin after pool use are actually caused by poor pH maintenance. With the CAT 1000, pH levels in your pool are continuously monitored and adjusted automatically. Chlorine is also the most effective in keeping water safe when pH is optimally maintained. Maintaining proper pH protects the costly pool surface and equipment, extending service life while reducing repairs and warranty issues.

- The perfect enhancement for salt-chlorine systems
- Protect your investment
- Spend more time enjoying your pool instead of making routine pH adjustments
- 5-year limited warranty on controller; 2-year limited warranty on sensors
- NSF/ANSI Standard 50 Certified



Part Number	Description	Carton Quantity	Carton Weight (lbs.)
CAT-1000-PH	CAT 1000 pH Controller Package	1	10.0
CAT-1000-CO2	CAT 1000 pH Controller Package with CO ₂ Feeder	1	15.0
CAT-1000-PTC	CAT 1000 pH Controller Package with Pump Tank Combo	1	37.0
CAT-1000-ORP	CAT 1000 ORP Controller Package	1	10.0
CAT-1000ORPPTC	CAT 1000 ORP Controller Package with Pump Tank Combo	1	15.0
CAT-1000-PH-UL	CAT 1000 pH Controller Package, UL listed	1	10.0
CAT-1000-CO2-UL	CAT 1000 pH Controller Package with CO ₂ Feeder, UL listed	1	15.0
CAT-1000-PTC-UL	CAT 1000 pH Controller Package with Pump Tank Combo, UL listed	1	37.0
CAT-1000-ORP-UL	CAT 1000 ORP Controller Package, UL listed	1	10.0
CAT1000ORPPTCUL	CAT 1000 pH Controller Package with Pump Tank Combo, UL listed	1	15.0

CAT 2000® Automated pH/ORP Controller

Chemical automation is recognized by health officials and industry leaders as the safest, most effective method of maintaining precise, healthy water balance. The CAT 2000 constantly monitors pH and sanitizer activity (chlorine, bromine, even salt chlorine systems) and automatically implements chemical feeding in proportion to demand for picture-perfect water quality at all times.

- Simple installation, setup and operation
- Compatible with all types of chemical feed equipment
- 5-year limited warranty on controller; 2-year warranty on sensors
- Factory-assembled system includes: controller, sensors, machined acrylic flow cell, rotary flow sensor and PVC backboard
- NSF/ANSI Standard 50 Certified



Part Number	Description	Carton Quantity	Carton Weight (lbs.)
CAT-2000	CAT 2000 Controller and Sensors Only	1	6.0
CAT-PP2000	CAT 2000 Professional Package	1	20.0

CAT 4000® Automated pH/ORP Controller with Wireless Communications

Using the CAT 4000 system, you can easily log onto PoolComm to activate your wireless account and begin monitoring your water quality. Using your personal PoolComm account, you can view water quality data, print charts, analyze graphs, customize your settings, and receive alarm notifications via email or SMS.

- Wireless link to the PoolComm site with extensive North American coverage and 24/7 monitoring
- Incredibly simple to install and operate via simple menus and a bright alphanumeric display
- Compatible with existing chemical feed equipment, so initial investment is minimized
- Comes complete with CAT Professional Series pH and ORP sensors for unsurpassed performance
- Optional Wi-Fi communications protocol provides users free PoolComm access
- 5-year limited warranty on controller; 2-year warranty on sensors
- NSF/ANSI Standard 50 Certified



Now Available in Wi-Fi and Cellular Models

Part Number	Description	Carton Quantity	Carton Weight (lbs.)
CAT-4000-WIFI	CAT 4000 with Wi-Fi Transceiver	1	15.0
CAT-4000-CELL	CAT 4000 with Cellular Transceiver	1	15.0
CAT4000075-WIFI	CAT 4000 with Wi-Fi Transceiver, Machined Flow Cell and RFS	1	20.0
CAT4000075-CELL	CAT 4000 with Cellular Transceiver, Machined Flow Cell and RFS	1	20.0

CAT 5000® Automated pH/ORP/Temperature Controller with Global Communications

CAT 5000 is the world's first wireless, internet-based water quality controller employing both satellite and terrestrial communications to provide worldwide coverage. Now you can take advantage of affordable wireless technology and internet-based monitoring to put you in control like never before.

The CAT 5000 offers unprecedented product quality, value and ease of use. Simply install the factory-assembled CAT 5000 system and log onto PoolComm® to activate your wireless account and begin monitoring. Using your personal PoolComm account, you can view water quality data, print charts, analyze graphs, customize your settings, and receive alarm notifications via email or SMS.



Now Available in Wi-Fi and Cellular Models

The complete water quality solution

- State-of-the-art microprocessor-based water quality controller with integrated global communications
- Eliminates the cost of installing and maintaining dedicated analog telephone lines
- With 4 different wireless communication protocols ranging from Wi-Fi®, reflex, cellular to satellite, the CAT 5000 will communicate wirelessly, 24/7, from anywhere in the world
- Monitor and maintain via web browser from any internet-enabled computer, mobile device, or via PoolComm App for iPhone® or Android™
- 5-year limited warranty on controller; 2-year warranty on sensors
- NSF/ANSI Standard 50 Certified

Part Number	Description	Carton Quantity	Carton Weight (lbs.)
CAT-5000-WIFI	CAT 5000 with Wi-Fi Transceiver	1	20.0
CAT-5000-CELL	Cat 5000 with Cellular Transceiver	1	20.0
CAT-5000-DS100	CAT 5000 with Satellite Transceiver	1	20.0
CAT5000075-WIFI	CAT 5000 with Wi-Fi Transceiver, Machined Flow Cell and RFS	1	20.0
CAT5000075-CELL	CAT 5000 with Cellular Transceiver, Machined Flow Cell and RFS	1	20.0
CAT5000075DS100	CAT 5000 with Satellite Transceiver, Machined Flow Cell and RFS	1	20.0
CAT5000-WIFI-UL	CAT 5000 with Wi-Fi Transceiver, UL Listed	1	20.0
CAT5000-CELL-UL	CAT 5000 with Cellular Transceiver, UL Listed	1	20.0
CAT5000DS100UL	CAT 5000 with Satellite Transceiver, UL Listed	1	20.0
CAT5000075WIFIUL	CAT 5000 with Wi-Fi Transceiver, Machined Flow Cell and RFS, UL Listed	1	20.0
CAT5000075CELLUL	CAT 5000 with Cellular Transceiver, Machined Flow Cell and RFS, UL Listed	1	20.0
CAT500075D100UL	CAT 5000 with Satellite Transceiver, Machined Flow Cell and RFS, UL Listed	1	20.0

CAT 3500® and CAT 5500® Automated pH/ORP Controllers with TDS and Salt Monitoring Capabilities

Discover the latest in powerful water chemistry controllers complete with TDS and Salt monitoring. CAT 3500 automated controller and CAT 5500 wireless, communicating controller are equipped with state-of-the-art sensing and control capabilities tailored specifically for salt chlorine applications. Powerful and intuitive, these new models offer the utmost in convenience in pH, ORP, conductivity/NaCl, backup sanitization and internet-based monitoring.

- pH and ORP controller with conductivity/NaCl monitoring
- Dual sanitizer set points for back-up ORP control; temperature sensor for heater control
- Auxiliary relays for control versatility; 1 relay CAT 3500, 2 relays CAT 5500
- Communicates wirelessly to PoolComm*
- Comes complete with CAT Professional Series pH, ORP and Conductivity sensors for unsurpassed performance
- Perfect complement to Saline C® 6.0 Salt Chlorine Generator
- 5-year limited warranty on controller; 2-year warranty on sensors
- NSF/ANSI Standard 50 Certified

*Applies to CAT 5500 only



Part Number	Description	Carton Quantity	Carton Weight (lbs.)
CAT-3500	CAT 3500 pH, ORP and NaCl (Salt) Water Chemistry Controller	1	15.0
CAT-3500075	CAT 3500 with Machined Flow Cell and RFS	1	20.0
CAT-5500-WIFI	CAT 5500 pH, ORP, Temp and NaCl (Salt) with Wi-Fi Transceiver	1	20.0
CAT-5500-CELL	CAT 5500 pH, ORP, Temp and NaCl (Salt) with Cellular Transceiver	1	20.0
CAT-5500-DS100	CAT 5500 pH, ORP, Temp and NaCl (Salt) with Satellite Transceiver	1	20.0
CAT-5500075-WIFI	CAT 5500 with Wi-Fi Transceiver, Machined Flow Cell and RFS	1	20.0
CAT-5500075-CELL	CAT 5500 with Cellular Transceiver, Machined Flow Cell and RFS	1	20.0
CAT-5500075-DS100	CAT 5500 with Satellite Transceiver, Machined Flow Cell and RFS	1	20.0

HCC 1000 Automated pH Controller

The HCC 1000 is a single channel pH water chemistry controller that provides powerful technology in a simple, affordable package. The controller ensures pH is precisely maintained to optimize chlorine effectiveness. The HCC 1000 features a pH sensor, water chemistry controller, flow cell and pressure sensor, all factory-assembled and pre-mounted on a durable PVC backboard. The complete package additionally includes a chemical feed pump mounted on the PVC backboard for ultimate convenience.

- Perfect for new and existing applications, especially saltwater pools
- Proper pH maintenance enhances chlorine effectiveness, bather comfort and safety
- Factory engineered, pre-configured to ensure simple professional installation
- 1-year limited warranty on controller and factory labor
- NSF/ANSI Standard 50 Certified (HCC 1000 only)



Part Number	Description	Carton Quantity	Carton Weight (lbs.)
HCC1000-pH	HCC 1000 pH Controller	1	10.0
HCC1000-CO2	HCC 1000 pH Controller with CO ₂ Feeder	1	15.0
HCC1000-ORP	HCC 1000 ORP Controller	1	10.0
HCC1000-pH-CP	HCC 1000 pH Complete Package with Pre-mounted Chemical Feed Pump	1	15.0

HCC 2000 Automated pH/ORP Controller

The HCC 2000 series are powerful yet affordable microprocessor-based pH/ORP controllers. The controllers feature proportional feed to ensure precise water chemistry and reduced maintenance. The HCC 2000 complete package is complemented by reliable chemical feed equipment providing the ultimate one-stop-shop experience. This water chemistry controller package comes complete with flow cell, flow sensor and pre-mounted peristaltic feed pumps for pH and chlorine adjustment.

- Advanced microprocessor-based design technology
- Comes with chemical feed equipment compatible with all existing chemical feed systems: chlorine, bromine, electronic chlorine (salt) generators, acid and CO₂
- Simple-to-operate user interface with easy-to-read LED display
- Complete package offers a total chemical automation system for easy installation and ultimate convenience
- 1-year limited warranty on controller and factory labor
- NSF/ANSI Standard 50 Certified (HCC 2000 only)



Part Number	Description	Carton Quantity	Carton Weight (lbs.)
HCC2000	HCC 2000 Water Chemistry Controller	1	11.0
HCC2000-AU	HCC 2000 Controller with Gold ORP Sensor	1	11.0
HCC2000-CP	HCC 2000 Complete Package with Pre-mounted Chemical Feed Pumps	1	20.0

PoolComm® Wireless Web-Based Management

PoolComm is a revolutionary way to manage the water quality of multiple commercial pools and spas from a single remote location. This interface allows detailed monitoring and adjustment of pH, ORP, conductivity/NaCl, compliance documentation and more, all through the internet or PoolComm mobile app. Any computer, iPhone®, Android™ or web-enabled mobile device can manage a pool. The new PoolComm App affords commercial pool servicers, operators and managers greater convenience and flexibility when monitoring water quality at their various facilities. The app is now available for FREE download for iPhone and Android.

- New Wi-Fi® communications option allows free access to PoolComm anytime
- Get direct control of systems from any web browser
- Monitor and display multiple facilities simultaneously
- Receive near real-time detection of pH and ORP problems
- Get color-coded alarm display, with notification by email or SMS
- Promote customer satisfaction by proactively solving problems



Now monitors TDS and Salt readings

Part Number	Description
AT-MC4	Monthly Airtime CAT 4000®
AT-SC4	Seasonal Airtime CAT 4000
AT-AC4	Annual Airtime CAT 4000
AT-MC5	Monthly Airtime CAT 5000®
AT-SC5	Seasonal Airtime CAT 5000
AT-AC5	Annual Airtime CAT 5000

Remote water quality management at your fingertips.



Watch the PoolComm App Tutorial



Scan the QR code from your mobile device to watch the video.

Commercial Automation Accessories

Part Number	Description	Carton Qty.	Carton Weight (lbs.)	Part Number	Description	Carton Qty.	Carton Weight (lbs.)
AC003	Residential CO ₂ pH Control System	1	5.0	DF830-3	Saddle Clamp 3.0" for Sch 80	1	1.0
AC004	Standard CO ₂ System	1	7.0	DF840-4	Saddle Clamp 4.0" for Sch 80	1	1.0
AC005	High Output CO ₂ System	1	7.0	DF860-6	Saddle Clamp 6.0" for Sch 80	1	1.0
AC006	Auto Switch Over	1	6.0	DF880-8	Saddle Clamp 8.0" for Sch 80	1	1.0
AC015	110 VAC Brass Body Solenoid Valve	1	3.0	DF8100-10	Saddle Clamp 10" for Sch 80	1	1.0
AC016	24 VAC Brass Body Valve 3/4"	1	3.0	DF8120-12	Saddle Clamp 12" for Sch 80	1	1.0
AC018	110 VAC Stainless Steel Body Solenoid Valve	1	3.0	LS010	Optical Level Sensor	1	1.0
AC025	Stenner Pump Variable Pump Output	1	9.0	LS020	Top Mount Tank MTG Level Kit	1	1.0
AC030	Stenner Pump Fixed Pump Output	1	9.0	PRO15-2	pH Probe 24" Cable	1	1.0
AC0317	BNC Sensor Connector Adaptor	1	1.0	PRO15-10	pH Probe 120" (10') Cable	1	1.0
AC035	Peristaltic Feed Pump	1	5.0	PRO25-AU-2	ORP Probe 24" Cable AU=Gold Tip	1	1.0
AC063	Molded Flow Cell Complete w/Valves and Floating Flow Sensor	1	2.0	PRO25-AU-10	ORP Probe 120" (10') Cable AU=Gold Tip	1	1.0
AC065	Molded Flow Cell Complete for Conductivity Sensor	1	2.0	PRO25-2	ORP Probe 24" Cable	1	1.0
AC075	Machined Flow Cell w/Rotary Flow Sensor	1	6.0	PRO25-10	ORP Probe 120" (10') Cable	1	1.0
AC080	Acrylic Flow Cell Complete for Conductivity Sensor	1	5.0	PRO55-2	Conductivity Probe NaCl 24" Cable	1	1.0
AC315	AutoPilot® Interface Cable	1	2.0	PS001	Probe Saver Kit	1	2.0
AC316	CAT 5000® Temperature Sensor	1	1.0	PTC15	Pump Tank Combo 15/45M5	1	27.0
DF010	Digital Flow Meter	1	2.0	PTC30	Pump Tank Combo 30/45M5	1	35.0
DF015-1-5	Saddle Clamp Kits 1.5" for Sch 40	1	1.0	PTCRES	Pump Tank Combo Residential 15/45MP1	1	27.0
DF020-2-5	Saddle Clamp Kits 2.5" for Sch 40	1	1.0	RA015	Remote Dome Antenna	1	1.0
DF030-3	Saddle Clamp Kits 3.0" for Sch 40	1	2.0	RA020	Remote Whip/Satellite Antenna	1	1.0
DF040-4	Saddle Clamp Kits 4.0" for Sch 40	1	2.0	RA024	25' Antenna Extension Cable	1	3.0
DF060-6	Saddle Clamp Kits 6.0" for Sch 40	1	2.0	RA025	50' Antenna Extension Cable	1	6.0
DF080-8	Saddle Clamp Kits 8.0" for Sch 40	1	2.0	RA026	100' Antenna Extension Cable	1	12.0
DF100-10	Saddle Clamp Kits 10.0" for Sch 40	1	2.0	RA030W	Remote WiFi® Antenna – 2.5GH Frequency - with 10' Cable	1	5.0
DF120-12	Saddle Clamp Kits 12.0" for Sch 40	1	2.0	RA035C	Remote Cellular Antenna – Penta Band - with 10' Cable	1	5.0
DF815-1-5	Saddle Clamp 1.5" for Sch 80	1	1.0	SV015	15 Gallon Solution Vat	1	22.0
DF820-2	Saddle Clamp 2.0" for Sch 80	1	1.0	SV030	30 Gallon Solution Vat	1	30.0
DF825-2-5	Saddle Clamp 2.5" for Sch 80	1	1.0	WL010	Water Level Control Kit	1	5.0
				VR1K	Stratum® Vacuum Release Interface Kit	1	3.0

Retrofit Kits Available to Upgrade to Wi-Fi and Cellular Models*

Part Number	Description	Carton Quantity	Carton Weight (lbs.)
RFK-C4000-WIFI	Wi-Fi Transceiver Retrofit Kit with new firmware for CAT 4000®	1	3.0
RFK-C4000-CELL	Cell Transceiver Retrofit Kit with new firmware for CAT 4000	1	3.0
RFK-C5000-WIFI	Wi-Fi Transceiver Retrofit Kit with new firmware for CAT 5000	1	3.0
RFK-C5000-CELL	Cell Transceiver Retrofit Kit with new firmware for CAT 5000	1	3.0



*All controller board revisions prior to CAT 4000 Rev. G and CAT 5000 Rev. D, cannot be converted to Wi-Fi or Cellular.

Commercial Cleaners

AquaVac® 500C

- New microprocessor-based program calculates most efficient cleaning path
- Dual-Mode technology with two cleaning programs: fast 90-minute bottom only or deep 3-hour bottom, wall and waterline cleaning
- Out-of-water sensor, ideal for zero entry pools
- Swivel with 75' floating tangle-free cable
- Large, top-access cartridge chamber for quick access to debris removal and easy clean-up
- Cartridge filter elements (optional spring clean-up elements for larger debris)
- Power Supply with programmable cycle and Integrated Recurring Timer
- Powerful, dual scrubbing brushes scrubs and cleans pool floor, coves, walls and waterline
- One carton system – including robust Caddy Cart
- Optional foam brush



TigerShark® 2 and TigerShark 2 Plus with Remote

- On-board computer calculates pool size and most efficient cleaning pattern
- Preset 7-hour clean cycle automatically turns off when done
- Powerful on-board pumps vacuum dirt and debris
- Scours pool bottom, walls, inclines and steps for a complete clean
- Patented easy-clean removable cartridge can be rinsed with a garden hose
- TigerShark 2 Plus includes wireless remote for easy spot cleaning



	TigerShark 2/TigerShark 2 Plus	AquaVac 500C
Part Number	RC9956GRCC/RC9965GRCC*	RC3432AUJ
Rec. Pool Size	Up to 30' x 60'	Up to 30' x 60'
Gallons Circulated	4500 GPH	4500 GPH
Filter Micron Porosity/Area	5/1000 sq. in.	5/1000 sq. in.
Motor System	Non-oil filled, microprocessor	Non-oil filled, microprocessor
Cleaning Speed	55 sq. ft./minute	42 sq. ft./minute
Dual-Mode Cleaning Cycles	7-hours bottom, wall and waterline	90-minutes bottom only/3-hours bottom, wall and waterline
Recurring Cleaning Cycle	Not Available	Programmable Cleaning Every 24hr, 48hr and 72hr
Cord Length	100'	75'
Voltage	115/50 24VDC	120V/60Hz
Height/Width/Length	11" x 16" x 16"	30" x 18" x 25"
Caddy Cart	Included	Included
Carton Quantity	1	1
Carton Weight (lbs.)	44.0	26.0
Warranty	1-year limited warranty on parts and labor	1-year limited warranty on parts and labor

*TigerShark 2 Plus has wireless remote controls.

Commercial Heaters

Universal H-Series ASME Gas Heater

Hayward Commercial Pool's Universal H-Series ASME gas heaters are designed and certified for commercial use. The flagship of our H-Series line encompasses high-end features and construction materials as **standard**. They combine industry-leading hydraulics, exceptional performance, energy efficiency and reliability with planet-friendly low NOx emissions. Flexible connection options make them ideal for new or existing applications.



- Choose from just 6 models (250,000, 400,000 and 500,000 BTU natural gas or propane)
- 500,000 BTU provides unprecedented speed to heat, with just 2 models delivering 1 million BTU's while using minimal pump room space
- Patented Cupro Nickel Finn Plate™ heat exchanger with bronze header as standard
- Independent left- or right-side electric, water and gas connections
- 2" x 2½" CPVC flanged connections
- ASME pressure relief valve included as standard

- Electronic lock-out feature prevents unauthorized access to configuration settings
- Easy installation and service via access of single front panel
- Easy gas valve adjustment
- Easy dual-voltage conversion with fuse-protected circuit boards
- **New warranty policy – 3-year parts and labor**

Part Number	BTU	Description	Pipe Size	Max. Allowed Working Pressure	Dimensions (L x W x H)	Carton Quantity	Carton Weight (lbs.)
H250FDNASME	250,000	Natural Gas	2" x 2-1/2"	125 PSI	28" x 29-1/2" x 24"	1	195.0
H400FDNASME	400,000	Natural Gas	2" x 2-1/2"	125 PSI	36-1/2" x 29-1/2" x 24"	1	225.0
H500FDNASME	500,000	Natural Gas	2" x 2-1/2"	125 PSI	40-1/2" x 29-1/2" x 24"	1	240.0
H250FDPASME	250,000	Propane	2" x 2-1/2"	125 PSI	28" x 29-1/2" x 24"	1	195.0
H400FDPASME	400,000	Propane	2" x 2-1/2"	125 PSI	36-1/2" x 29-1/2" x 24"	1	225.0
H500FDPASME	500,000	Propane	2" x 2-1/2"	125 PSI	40-1/2" x 29-1/2" x 24"	1	240.0



Commercial Heater Accessories

This flow switch and temperature pressure gauge is required for the installation of the Universal H-Series ASME heater into specific commercial pool markets. This kit will ensure the H-Series ASME heater is compliant with boiler and health code regulations. (Included with 500,000 BTU)

Part Number	Description	Carton Quantity	Carton Weight (lbs.)
UHXTFP1930	Texas Heater Kit - Temp/Pressure and Flow Switch Kit	1	5.0
UHXFSW1930	Texas Heater Kit - Flow Switch Only	1	4.0
UHXPOSHZ12502	4" Universal Indoor Vent Adapter Kit - 250K Natural Gas*	1	N/A
UHXPOSHZ14002	6" Universal Indoor Vent Adapter Kit - 400K Natural Gas*	1	N/A

*The Vent Kits are the Adapters ONLY – to be used with either Heatfab, DuraVent or Z-Flex vent piping.

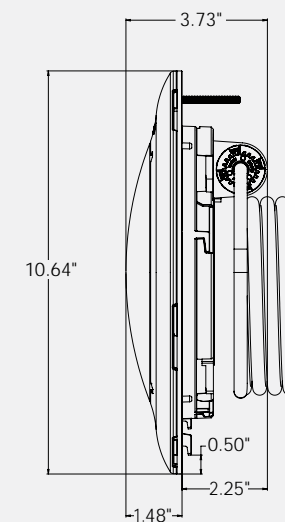
Commercial Lighting

Universal CrystaLogic® White LED

The industry's brightest and most versatile 100W spa, 300W, 500W equivalent white LED pool lights for any water feature or recreational body of water. Universal CrystaLogic will drastically reduce operation costs and deliver dynamic lighting performance you simply have to see to believe. It's exceptionally bright and remarkably efficient, offering a savings of up to 84% over incandescent, lasting 10 times longer and delivering a payback in less than two years. These 12V, 2-wire all-plastic lights are truly universal and UL listed for safe installation into virtually any manufacturer's niches.

- Brightest 100W spa, and 300W and 500W equivalent white LED pool lights*
- Uses up to 84% less energy than incandescent lights and lasts up to 10 times longer
- UL listed to retrofit into most manufacturers' installed niches, making CrystaLogic virtually universal
- 12V, 2-wire, all-plastic construction with an unbreakable lens makes these lights intrinsically safe and easy to install
- Energy and maintenance savings can deliver a payback in less than two years

*Based on measured test data at the time of print.



Universal CrystaLogic White LED Lights

Part Number	Equivalent Brightness	Pool or Spa	Cord Length (ft.)
LSLUS11030	100W	Spa	30
LSLUS11050	100W	Spa	50
LSLUS11100	100W	Spa	100
LSLUS11150	100W	Spa	150
LPLUS11030	300W	Pool	30
LPLUS11050	300W	Pool	50
LPLUS11100	300W	Pool	100
LPLUS11150	300W	Pool	150
LPWUS11030	500W	Pool	30
LPWUS11050	500W	Pool	50
LPWUS11100	500W	Pool	100
LPWUS11150	500W	Pool	150



- Can be installed as close as 4 inches from the waterline and upward facing without a rock guard, suitable for main pool/spa illumination, beach entries, steps, shelves, water features, etc.
- UCL Thin Niche provides incredible installation savings for new construction
- Color trim rings for pool and spa lights include smooth white and silver luster starburst – both ship with product
- Additional trim ring options include white starburst, black, blue, beige and gray
- 1-year limited warranty on parts

Universal ColorLogic®

Hayward® Universal ColorLogic Lights are the first automated color changing LED lights designed to illuminate nearly any existing pool or spa, even those with just one light. UL listed to retrofit virtually any existing installed light niches, these lights come standard with 10 vibrant colors and 7 light shows, plus an expanded spectrum of 101 colors when networked with Hayward Automation.

They shine 100% brighter* than any other color LED lighting and last up to 10 times longer than incandescent bulbs. Best of all, Universal ColorLogic offers energy savings of up to 86% when compared with incandescent.

- 100% brighter* than any color LED light
- Uses up to 86% less energy than incandescent lights and lasts up to 10 times longer
- 12V, 2-wire all-plastic construction and unbreakable lens make these lights intrinsically safe and easy to install
- UL listed to retrofit most manufacturers' installed niches
- Can be installed as close as 4 inches from the waterline or upward facing without a rock guard, suitable for main pool/spa illumination, beach entries, steps, shelves, water features, etc
- UCL Thin Niche provides incredible installation savings for new construction

*Based on measured test data at the time of print.



- Color trim rings for pool and spa lights include smooth white and silver luster starburst—both ship with product
- Additional trim ring options include white starburst, black, blue, beige and gray
- No bulbs, filaments, color wheels or moving parts
- Brilliant 10 fixed colors and 7 color-changing shows
- 1-Year limited warranty on parts

Dazzling Light Shows

- Twilight
- Voodoo Lounge
- Tranquility
- Gemstone
- USA
- Mardi Gras
- Cool Cabaret

Additional Light Shows

When integrated with Hayward Automation

- Rainbow
- Harmony
- Custom Fade
- Custom Chase

Universal ColorLogic LED Lights

Part Number	Light Type	Pool or Spa	Cord Length (ft.)
LPCUS11030	Standard Switched Light	Pool	30
LPCUS11050	Standard Switched Light	Pool	50
LPCUS11100	Standard Switched Light	Pool	100
LPCUS11150	Standard Switched Light	Pool	150
LSCUS11030	Standard Switched Light	Spa	30
LSCUS11050	Standard Switched Light	Spa	50
LSCUS11100	Standard Switched Light	Spa	100
LSCUS11150	Standard Switched Light	Spa	150
LPCUN11030	Networked Lights	Pool	30
LPCUN11050	Networked Lights	Pool	50
LPCUN11100	Networked Lights	Pool	100
LPCUN11150	Networked Lights	Pool	150
LSCUN11030	Networked Lights	Spa	30
LSCUN11050	Networked Lights	Spa	50
LSCUN11100	Networked Lights	Spa	100
LSCUN11150	Networked Lights	Spa	150

CrystaLogic® White and ColorLogic 320 Lights

New CrystaLogic and ColorLogic 320 Lights provide an elegant solution for commercial swimming pool and spa lighting, or illuminating smaller features or landscapes, bringing brilliance to areas previously difficult to reach with traditional lighting. The easiest 1.5" lights to install at just 4" below waterline and as little as 8" of PVC conduit, our 320 lights are ideal for steps, water features, jets, bubblers, baja shelves, fountains, spray/splash pads, landscape features and more.

These low-voltage LED lights use far less energy than typical incandescent lights to last up to 10 times longer, save on energy costs, reduce service calls to replace bulbs and offer total coordination of all water environments with Universal CrystaLogic and Universal ColorLogic LED Lighting.



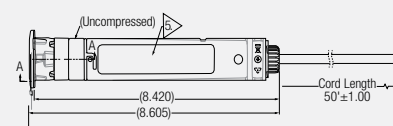
- Total coordination of all water environments and with Universal CrystaLogic and Universal ColorLogic LED Lighting
- Easiest 1.5-inch lights to install at just 4 inches below waterline in any depth of water and as little as 8 inches of PVC conduit
- Ideal for commercial pool/spa lighting or lighting steps, water features, baja shelves, bubblers, spray/splash pads and more
- Can be installed in dry/landscape applications
- Last 10 times longer than incandescent lights
- Available in two brightness levels with multiple cord lengths
- Vinyl, Fiberglass, and Concrete low-profile installations
- Comes with simple installation tool
- UL-listed for safe floor or wall installation
- ColorLogic 320 lights provide 10 fixed colors and 7 color-changing shows, and when networked with Hayward Automation, an expanded spectrum of 101 fixed colors and 11 color changing shows

ColorLogic 320 Lights

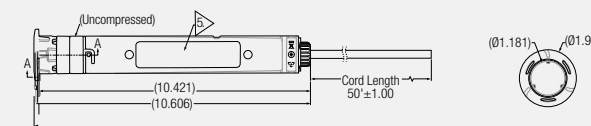
	Standard Switched Lights	Hayward Automation Networked Lights	Cord Length (ft.)
High Lumen ColorLogic 320 12V Lights	LACUS11050	LACUN11050	50
	LACUS11100	LACUN11100	100

Dimensions for Standard Switched or Hayward Automation Networked Lights

Standard Switched Lights



Hayward Automation Networked Lights



For use only with ColorLogic

Accessories for Universal CrystaLogic®, Universal ColorLogic® and CrystaLogic/ColorLogic 320 Lights



UCL Concrete Niches

Part Number	Description	Approved Light	Pool or Spa
LFGUY1000	Non-Bonded, Non-Grounded Low-Profile Plastic Pool Niche for Concrete Pools	Universal ColorLogic and CrystaLogic	Pool
LGGUY1000	Non-Bonded, Non-Grounded Plastic Spa Niche for Concrete Spas	Universal ColorLogic and CrystaLogic	Spa

Configurable Trim Rings for CrystaLogic and ColorLogic LED Lighting

Color	Pool Lights	Spa Lights	320 1.5" Lights
White Starburst	LNWUY1000	LQVUY1000	SP0536C
Black	LNBUY1000	LQBUY1000	SP0536CBLK
Gray	LNGUY1000	LQGUY1000	SP0536CGR
Blue	LNBUY1000	LQBUY1000	N/A
Beige	LNEUY1000	LQEUY1000	N/A
Commercial White***	LCRUUY1000	N/A	N/A

Colored Wall Bulkheads for CrystaLogic 320 Lights

Part Number	Type	Color
SP0536PR15	Gunite ring	Gray
SP0537AF	Fiberglass	White
SP0537AFGR	Fiberglass	Gray
SP0537AFDG	Fiberglass	Dark Gray
SP0537AFBLK	Fiberglass	Black
SP0538AF	Vinyl	White
SP0538AFGR	Vinyl	Gray
SP0538AFDGR	Vinyl	Dark Gray
SP0538AFBLK	Vinyl	Black



Wall-Mount Pool Lighting Transformers

Part Number	Watts
LTBCY11300**	300W



Accessories for Hayward Automation Networked Lights

Part Number	Description
LKBUN1000	Works with ColorLogic Networked Lights Only
AQL-COLOD-MODHV	Communication Modem for Networked Lights



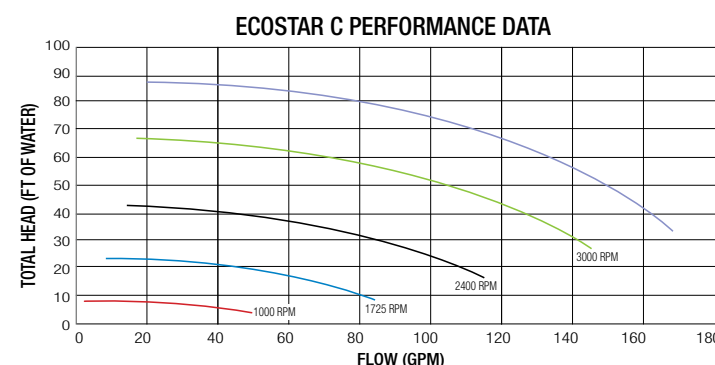
SKU #AQL-COLOD-MODHV Installation Tool Included SKU #SP0536CTOOL

Commercial Pumps

EcoStar® C

EcoStar C is the industry's most energy-efficient variable-speed pump. It's fully compliant with energy efficiency regulations such as Title 20 and APSP-15 with up to eight custom speed and timer functions and it's settings can be "locked out" for authorized access only. EcoStar C's advanced hydraulic design moves water more efficiently, operating at lower RPMs to minimize noise and save pool operators up to 90% on energy costs. The system is available with or without integrated SVRS that is fully compliant with the Virginia Graeme Baker Pool & Spa Safety Act.

- Permanent Magnet, Totally Enclosed Fan Cooled (TEFC) motor
- Passcode protection of configuration menus to prevent unauthorized access to timer or speed settings
- Unique on-pump, multi-position digital control interface; unit can also be detached and wall mounted for added convenience
- Large ribless basket for extended time between cleanings
- Pump available with or without VGB-compliant integrated SVRS, features automatic restart
- 15 ft. communications cable for remote interface mounting
- 2" x 2-1/2" union connections
- Industry-leading hydraulic design
- Interchangeable bases for easy retrofitting
- 3-year limited warranty on parts and labor
- NSF/ANSI Standard 50 Certified



EcoStar C runs efficiently in all of these ranges.

Part Number	Description	Speed Range	Voltage	Carton Quantity	Carton Weight (lbs.)
HCP3400VSP	EcoStar C	600-3450 RPM	230V Single Phase	1	63.0
HCP3400VSPVR	EcoStar C SVRS	1000-3450 RPM	230V Single Phase	1	63.0

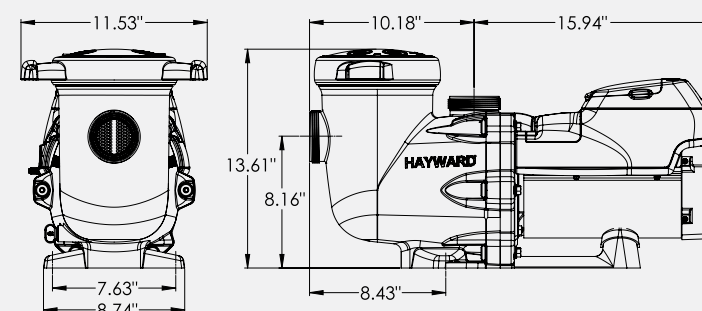


On-screen display of passcode protection feature



OPTION 1:
Control interface can be rotated on the pump for convenient access and viewing.

OPTION 2:
For ultimate flexibility, detach the control interface and attach to wall using included mounting kit and communication cable.



TriStar Series Pumps

The TriStar pump's advanced hydraulic design optimizes the three essential pump elements to deliver superior flow, impressive energy efficiency and value. The heavy-duty pump and motor run cooler for years of dependability. Featuring a tri-lock cam and ramp strainer cover that closes with less than a quarter turn, TriStar also sports a super-sized, smooth, no-rib basket with extra leaf-holding capacity that's a snap to clean. With a variety of bases available, TriStar seamlessly retrofits to existing filtration systems.



- Save up to 70% on your energy costs with the combination of an advanced hydraulic design and proven two-speed technology
- Higher flow rates can allow for stepping down in pump horsepower for even lower cost and energy consumption
- Heavy-duty motor with dynamic airflow designed for greater dependability and longer life
- 2" x 2 1/2" CPVC union connections make installation and servicing fast and easy
- No-rib basket design insures easy debris removal. Extra-leaf-holding-capacity basket extends time between cleanings
- Tri-Lock cam and ramp strainer cover design seals with less than a quarter turn

- Crystal clear strainer cover lets you see when the basket needs cleaning
- Pressure testable to 50 psi maximum
- Second base included to align TriStar with other models for easy retrofit installations
- Self-priming (suction lift up to 10' above water level)

Part Number	Horsepower	Voltage	Amps	Carton Quantity	Carton Weight (lbs.)
SP3205EE	1/2	115/208-230	8.6/5.0/4.3	1	43
HCP3205C	1/2	575	1.15	1	43
SP3207EE	3/4	115/208-230	11.6/7.0/5.8	1	40.1
HCP3207C	3/4	575	1.8	1	40.1
SP3210EE	1	115/208-230	15.0/8.8/7.5	1	49
HCP3210C	1	575	2	1	49
SP3215EE	1-1/2	115/208-230	20.0/12.0/10	1	50.1
HCP3215C	1-1/2	575	2.9	1	50.1
SP3220EE	2	208-230	12.0/11.0	1	48.1
HCP3220C	2	575	3.1	1	48.1
SP3230EE	3	208-230	16.0/14.8	1	65
SP323063EE	3	208/230-460 Three Phase	9.6/9.4/4.7	1	54
HCP3230C	3	575	4.2	1	54
SP3250EE	5	208-230	21.0/19.4	1	67
HCP3250C	5	575	5.2	1	67

HCP Series Pumps

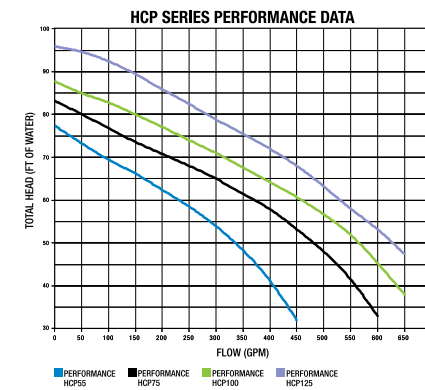
Hayward Commercial Pool's HCP self-priming pumps provide a technologically advanced alternative to traditional bronze or cast-iron pumps. Their lightweight, Noryl® thermoplastic housings make one-man installation easy. The all-plastic housing construction and modern TEFC motor design afford a high level of protection and reliability in the commercial pump-room environment. A transparent lid with a tool-free opening mechanism allows visual inspection of the strainer basket, simplifying maintenance. Four pumps in the Hayward Commercial Series, ranging from 5.5 to 12.5 hp, allow right-sizing for most high-flow, medium head applications.



- Suitable for commercial swimming pools, spas and water features
- Lightweight, glass-reinforced Noryl hydraulic body
- Impeller and flange made from glass-reinforced Noryl for maximum strength-to-weight ratio
- Transparent lid allows visual inspection of the strainer basket
- Modern Totally Enclosed Fan Cooled (TEFC) motor design for greater protection and high reliability

- Elevated base ensures better ventilation, protection from flooding and improved serviceability
- Tool-free, quick release bolted lid mechanism for fast and easy access to strainer basket
- 1-year limited warranty on parts and labor
- NSF/ANSI Standard 50 Certified

Part Number	Pump Output (GPM) vs. Total Resistance to Flow (Per Feet of Head)							
	25	30	35	40	45	50	55	60
HCP55	476	450	431	406	374	333	291	235
HCP75	641	614	588	561	526	481	430	369
HCP100	721	695	669	635	602	570	521	461
HCP125	815	776	739	709	668	631	580	536



Part Number	Horsepower	Voltage	Amps	Carton Quantity	Carton Weight (lbs.)
HCP55	5.5	230/460 Three Phase	14.6/7.3	1	110.0
HCP55C	5.5	330/575	10.5/6.1	1	110.0
HCP75	7.5	230/460 Three Phase	21/10.5	1	125.0
HCP75C	7.5	330/575	15.5/9	1	125.0
HCP100	10.0	230/460 Three Phase	26.1/13	1	142.5
HCP100C	10.0	330/575	19/11	1	142.5
HCP125	12.5	230/460 Three Phase	31.6/15.8	1	155.0
HCP125C	12.5	330/575	22.8/13.2	1	155.0

Noryl is a registered trademark of Sabic Innovative Plastics.

Commercial Filters

HCF Series Sand Filter

The next generation HCF Series Sand Filters sets a new standard for quality and performance in the recreational water market – now with a 5-year warranty. A new rapid open/close, tool-free lid mechanism features industrial-grade yoke assembly and a massive 12" x 16" man-way with two viewing windows allows for visual inspection while filter is in operation. Non-corrosive glass filled ABS legs allow for better serviceability and convenience in media loading and filter inspection. Its infusion molded, gel-coated thermoset fiberglass structure is complemented with oversized, grid-array laterals to improve filtration and lengthen filter cycle time.

- Tool-free, injection-molded, internally mounted 14" x 18" industrial-grade lid and yoke assembly with two viewing windows and O-ring seal
- Commercial-grade, 1-1/2" self-cleaning injection-molded, 180° slotted laterals arranged in a grid-array provide superior filtration performance
- Industrial-grade, infusion-molded, gel-coated, multi-layer, glass-reinforced, thermoset composite structure
- Large 12" x 16" top opening for easy media loading and filter inspection
- Full 1" bottom media drain-including 3/4" integral water drain with media screen
- New warranty policy – 5-year parts, 1-year labor
- NSF/ANSI Standard 50 Certified



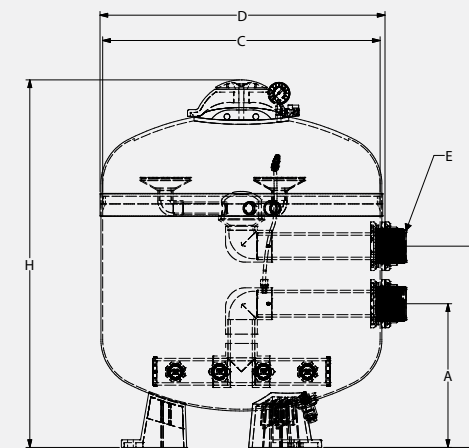
Part Number	Size	Size/Description	Pipe Size	Working Pressure	Carton Dimensions (L x W x H)	Carton Qty	Carton Weight (lbs.)
HCF302T	30"	30" Gel-Coated Fiberglass Filter with 2" Bulkhead Connections	2"	50	38.0 x 38.3 x 54.3	1	185.0
HCF342T	34"	34" Gel-Coated Fiberglass Filter with 2" Bulkhead Connections	2"	50	38.0 x 38.3 x 54.3	1	196.0
HCF343T	34"	34" Gel-Coated Fiberglass Filter with 3" Flanged Connections	3"	50	38.0 x 38.3 x 54.3	1	196.0
HCF343F	34"	34" Gel-Coated Fiberglass Filter with 3" Flanged Connections	3"	50	38.0 x 38.3 x 54.3	1	200.0
HCF362T	36"	36" Gel-Coated Fiberglass Filter with 2" Bulkhead Connections	2"	50	38.0 x 38.3 x 54.3	1	201.0
HCF363T	36"	36" Gel-Coated Fiberglass Filter with 3" Bulkhead Connections	3"	50	38.0 x 38.3 x 54.3	1	201.0
HCF363F	36"	36" Gel-Coated Fiberglass Filter with 3" Flanged Connections	3"	50	38.0 x 38.3 x 54.3	1	204.0



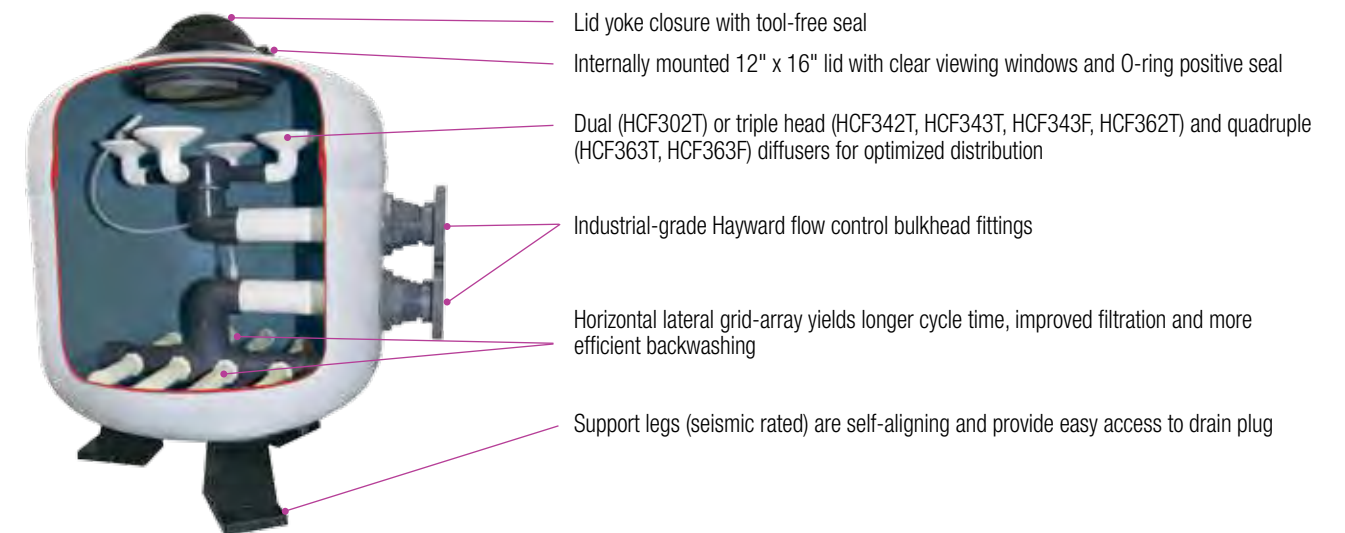
34" Model Designed for Renovation/Replacement Market

Technical Specifications & Performance Data

Part Number	HCF302T	HCF342T	HCF343T	HCF343F	HCF362T	HCF363T	HCF363F
Size / Description	30" Fiberglass Sand Filter	34" Fiberglass Sand Filter	34" Fiberglass Sand Filter	34" Fiberglass Sand Filter	36" Fiberglass Sand Filter	36" Fiberglass Sand Filter	36" Fiberglass Sand Filter
Filtration Area Ft ²	4.9	6.3	6.3	6.3	7.2	7.2	7.2
Filtration Rate GPM/Ft ²	5 - 20	5 - 20	5 - 20	5 - 20	5 - 20	5 - 20	5 - 20
Filtration Flow Rate at 15gpm/ft ² (GPM)	73.5	94.5	94.5	94.5	108	108	108
Filtration Flow Rate at 20gpm/ft ² (GPM)	98	126	126	126	143	143	143
Backwash Flow Rate (GPM)	25 - 98	32 - 126	32 - 126	32 - 126	36 - 143	36 - 143	36 - 143
Maximum Working Pressure (PSI)	50	50	50	50	50	50	50
Vertical Clearance	42.5"	47.5"	47.5"	47.5"	48.5"	48.5"	48.5"
Side Clearance	30"	34"	34"	34"	36.25"	36.25"	36.25"
Inlet/Outlet Size	2"	2"	3"	3"	2"	3"	3"



Part No.	Dimensions						Characteristics
	A	B	C	D	E	H	Sand (lbs.)
HCF302T	16.5"	24"	30"	30.625"	2"	42.5"	650.0
HCF342T	18.75"	26.25"	34"	34.5"	2"	47.5"	950.0
HCF343T	18.75"	26.25"	34"	34.5"	3"	47.5"	950.0
HCF343F	18.5"	26.22"	34"	34.5"	3"	47.5"	950.0
HCF362T	18.75"	26.25"	36.25"	37"	2"	48.5"	1050.0
HCF363T	18.75"	26.25"	36.25"	37"	3"	48.5"	1050.0
HCF363F	18.5"	26.22"	36.25"	37"	3"	48.5"	1050.0



Commercial Filter Accessories

Hayward® Commercial Pool's HCF Series Sand Filters can be installed individually or configured in multi-filter banks to suit the filtration requirements of any swimming pool or spa. Hayward Multiport Valves simplify installation and operation and are engineered for maximum flow and minimal pressure drop.

2" Multiport Valve Kit

Hayward's 2" Multiport Valve Kit is factory plumbed for use with Hayward HCF302T, HCF342T and HCF362T (up to 125 GPM) commercial sand filters, complete with 2" union connections. The six-position valve facilitates selection of filter, backwash, waste, rinse, closed or recirculate modes at the turn of a single lever. The integral sight glass allows the operator to visually monitor the backwash stream.

- Factory plumbed to fit Hayward HCF302T, HCF342T and HCF362T (up to 125 GPM) commercial sand filters
- Simplifies filter installation and operation
- Six mode selections at the turn of a single lever
- 2" union connectors included
- Accommodates flow rates to 125 GPM



3" Multiport Valve Kit

Rated for a maximum flow of 325 GPM, the Hayward 3" Multiport Valve is the perfect complement to the Hayward HCF343T and HCF363T commercial sand filter. For optimum flexibility in the commercial setting, the valve features 3" NPT ports for in-filled configuration and plumbing. The six-position valve facilitates selection of filter, backwash, waste, rinse, closed or recirculate modes at the turn of a single lever.

- Valve body features both side-mount and bottom-mount ports for filter connections
- Durable ABS construction
- Accommodates flow rates to 325 GPM
- Six mode selections at the turn of a single lever
- Plumbing kit available



Part Number	Size	Description	Carton Quantity	Carton Weight (lbs.)
HCV275	2"	2" Commercial Multiport Valve Kit	1	10.8
HCV375	3"	3" Commercial Multiport Valve	1	22.0
HCV375KIT	3"	3" Commercial Multiport Valve Plumbing Kit	1	12.0

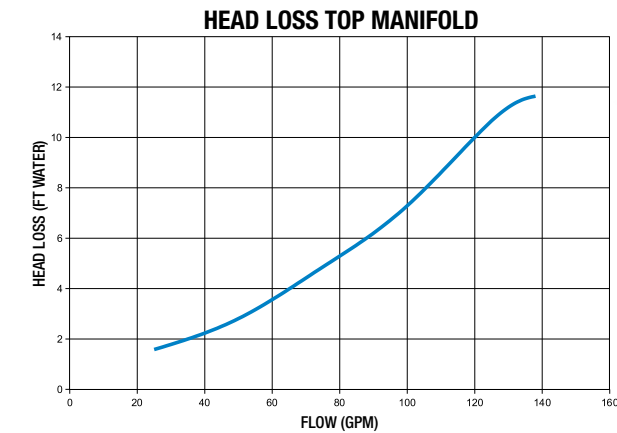
HCF Series Cartridge Filters

The Dual-Quad-Cluster commercial HCF7030C cartridge filter system features a massive 700 ft² of filter area providing heavy-duty, dirt-holding capacity and extra-long filter cycles. The HCF7030C will prove to be a major contributor to any pool or spa operator driving to provide the ultimate in clear, fresh and safe water. It will reduce operation costs and enhance the eco-friendliness of the facility by saving thousands of gallons of carefully balanced, heated pool water per month through the elimination of backwashing. Ideal for new construction or retrofits, the HCF7030C can accommodate commercial flow rates to 150 GPM. The filter exterior is molded from a glass-reinforced co-polymer material capable of meeting the rigorous demands of the commercial environment.

- 700 ft² of high-performance filter media, effective particulate removal of 10-20 microns vs. 20-40 microns with sand
- Easy access to eight compact cartridges for fast, manageable cleaning
- 2" or 2-1/2" connections with full 2" internal piping
- Capable of handling 150 GPM flow rates
- 1-year limited warranty on parts and labor
- NSF/ANSI Standard 50 Certified



HCF7030C	
GPM	HLF
0	-0.5
25	1.58
50	2.81
75	4.86
100	7.29
125	10.66
138	11.64



	HCF7030C
Product Dimensions	52.5" Tall, 26" Diameter
Effective Filtration Area	700 ft ²
Design Flow Rate	150 GPM*
Filter Type	Dual Quad-Cluster Polyester Cartridge
Filter Tank	Injection Molded Glass-Reinforced Co-Polymer
Filter Elements	Eight Reinforced Polyester Cartridges
Performance Range	1/2 to 3 HP (30 to 150 GPM) .37 to 2.24 kW (114 to 568 LPM)
Maximum Working Pressure	50 PSI
Turnover (in gallons) 8 hrs	72,000
Turnover (in gallons) 10 hrs	90,000
Product Weight	77 lbs.

*Determined by pump size and piping system hydraulics, 2½" piping is recommended for flow rates equal to or greater than 90 GPM (341 LPM). Hayward doesn't recommend flow rates above 150 GPM.

Smaller Sizes also available

Part Number	Filtration Area
C2030	225 ft ²
C3030	325 ft ²
C4030	425 ft ²
C5030	525 ft ²

Commercial Flow Control

Hayward® Flow Control has manufactured industrial thermoplastic valves and process control products since the inception of the thermoplastic valve industry over 50 years ago. We have earned an unsurpassed reputation for product design, manufacturing precision, quality assurance, experience and know-how, and a total commitment to customer satisfaction and support.

Compact Ball Valves – QVC Series (Gray and White)

- Pressure Rating 150 PSI
- EPDM Seals
- Santoprene® Seats



Part Number	Size/Description	Carton Quantity	Carton Weight (lbs.)
QVC1005SSEG	.5" Socket Gray	10	2.0
QVC1010SSEG	1" Socket Gray	10	5.0
QVC1015SSEG	1.5" Socket Gray	5	5.5
QVC1020SSEG	2" Socket Gray	5	7.5
QVC1025SSEG	2.5" Socket Gray	1	2.8
QVC1030SSEG	3" Socket Gray	1	5.2
QVC1040SSEG	4" Socket Gray	1	7.3
QVC1005SSEW	.5" Socket White	10	2.0
QVC1010SSEW	1" Socket White	10	5.0
QVC1015SSEW	1.5" Socket White	5	5.5
QVC1020SSEW	2" Socket White	5	7.5
QVC1025SSEW	2.5" Socket White	1	2.8
QVC1030SSEW	3" Socket White	1	5.2
QVC1040SSEW	4" Socket White	1	7.3
QVC1005TSEG	.5" Threaded Gray	10	2.0
QVC1010TSEG	1" Threaded Gray	10	5.0
QVC1015TSEG	1.5" Threaded Gray	5	5.5
QVC1020TSEG	2" Threaded Gray	5	7.5
QVC1025TSEG	2.5" Threaded Gray	1	2.8
QVC1030TSEG	3" Threaded Gray	1	5.2
QVC1040TSEG	4" Threaded Gray	1	7.3
QVC1005TSEW	.5" Threaded White	10	2.0
QVC1010TSEW	1" Threaded White	10	5.0
QVC1015TSEW	1.5" Threaded White	5	5.5
QVC1020TSEW	2" Threaded White	5	7.5
QVC1025TSEW	2.5" Threaded White	1	2.8
QVC1030TSEW	3" Threaded White	1	5.2
QVC1040TSEW	4" Threaded White	1	7.3

True Union Compact Ball Valves – QTA Series (Gray and White)

- Pressure Rating 150 PSI
- EPDM Seals
- Santoprene Seats



Part Number	Size/Description	Carton Quantity	Carton Weight (lbs.)
QTA1010CSEG	1" Socket/Threaded Gray	1	0.9
QTA1015CSEG	1.5" Socket/Threaded Gray	1	2.0
QTA1020CSEG	2" Socket/Threaded Gray	1	3.2
QTA1010CSEW	1" Socket/Threaded White	1	0.9
QTA1015CSEW	1.5" Socket/Threaded White	1	2.1
QTA1020CSEW	2" Socket/Threaded White	1	3.5

True Union PVC Ball Valves – TBB Series

- Pressure Rating 225 PSI
- EPDM Seals
- PTFE Seats
- Double O-Ring Stem Seals



Part Number	Size/Description	Carton Quantity	Carton Weight (lbs.)
TBB1005CPEG	.5" Socket/Threaded	1	0.5
TBB1007CPEG	.75" Socket/Threaded	1	0.8
TBB1010CPEG	1" Socket/Threaded	1	1.2
TBB1012CPEG	1.25" Socket/Threaded	1	1.9
TBB1015CPEG	1.5" Socket/Threaded	1	2.8
TBB1020CPEG	2" Socket/Threaded	1	4.9

True Union PVC Ball Valves – TB Series

- Pressure Rating
250 PSI: 1/2" – 2"
235 PSI: 2-1/2" – 4"
150 PSI: 6"
- EPDM or FPM Seals
- Reversible PTFE Seats
- Double O-Ring Stem Seals
- Easily Automated
- Full Port Design Through 4"
- NSF/ANSI Standard 61 Certified (1/2" – 4")



True Union Ball Valves – EAU Series (Actuated)

- Pressure Rating 250 PSI
- True Union Design
- One-Piece Molded Body
- EPDM or FPM Seals
- PTFE Seats
- Double O-Ring Stem Seals
- Includes Mounting Kit and Actuator



Electric Actuator Details

- 90-Degree Operation
- UL/CSA Listed Motor
- Standard 120 Volt

True Union Three-Way Ball Valves – TW Series

- Pressure Rating 150 PSI
- One-Piece Molded Body
- EPDM Seals
- PTFE Seats
- Double O-Ring Stem Seals
- Actuator Ready Available (HCTN Series)

(Lateral three-way valves also available)



Part Number	Size/Description	Carton Quantity	Carton Weight (lbs.)
TB1050STE	.5" Socket/Threaded	1	0.8
TB1050ST	.5" Socket/Threaded	1	0.8
TB1075STE	.75" Socket/Threaded	1	1.1
TB1075ST	.75" Socket/Threaded	1	1.1
TB1100STE	1" Socket/Threaded	1	1.5
TB1100ST	1" Socket/Threaded	1	1.5
TB1125STE	1.25" Socket/Threaded	1	2.9
TB1125ST	1.25" Socket/Threaded	1	2.9
TB1150STE	1.5" Socket/Threaded	1	3.0
TB1150ST	1.5" Socket/Threaded	1	3.0
TB1200STE	2" Socket/Threaded	1	4.3
TB1200ST	2" Socket/Threaded	1	4.3
TB1250TE or TB1250SE	2.5" Socket or Threaded	1	11.0
TB1250T or TB1250S	2.5" Socket or Threaded	1	11.0
TB1300TE or TB1300SE	3" Socket or Threaded	1	11.2
TB1300T or TB1300S	3" Socket or Threaded	1	11.2
TB1400TE or TB1400SE	4" Socket or Threaded	1	19.1
TB1400T or TB1400S	4" Socket or Threaded	1	19.1
TB1600FE (Flanged Only)	6" Flanged	1	33.7
TB1600F (Flanged Only)	6" Flanged	1	33.7

Part Number	Size/Description	Carton Quantity	Carton Weight (lbs.)
EAUTB105STE	.5" EPDM Socket/Threaded	1	5.4
EAUTB107STE	.75" EPDM Socket/Threaded	1	5.7
EAUTB110STE	1" EPDM Socket/Threaded	1	6.7
EAUTB115STE	1.5" EPDM Socket/Threaded	1	7.9
EAUTB120STE	2" EPDM Socket/Threaded	1	8.2
EAUTB105STV	.5" FPM Socket/Threaded	1	6.2
EAUTB107STV	.75" FPM Socket/Threaded	1	5.7
EAUTB110STV	1" FPM Socket/Threaded	1	6.8
EAUTB115STV	1.5" FPM Socket/Threaded	1	7.3
EAUTB120STV	2" FPM Socket/Threaded	1	9.5

Part Number	Size/Description	Carton Quantity	Carton Weight (lbs.)
TW1050STE	.5" Socket/Threaded	1	1.2
TW1075STE	.75" Socket/Threaded	1	1.8
TW1100STE	1" Socket/Threaded	1	2.5
TW1125STE	1.25" Socket/Threaded	1	7.4
TW1150STE	1.5" Socket/Threaded	1	6.8
TW1200STE	2" Socket/Threaded	1	7.1
TW1250SE	2.5" Socket	1	17.1
TW1250TE	2.5" Threaded	1	17.3
TW1300SE	3" Socket	1	17.1
TW1300TE	3" Threaded	1	17.3
TW1400SE	4" Socket	1	27.7
TW1400TE	4" Threaded	1	27.9
TW1600FE	6" Flanged	1	51.0

Three-Way Ball Valves (Actuated)

- Pressure Rating 150 PSI
- True Union Design
- One-Piece Molded Body
- EPDM Seals
- PTFE Seats
- Double O-Ring Stem Seals
- Includes Mounting Kit and Actuator

Electric Actuator Details

- 180-Degree Operation
- UL/CSA Listed Motor
- Standard 120 Volt
- Additional Voltage Available



True Union PVC Ball Check Valves – TC Series

- Pressure Rating
150 PSI: 2-1/2" – 6"
235 PSI: 1/2" – 2"
- EPDM Seals
- For Horizontal or Vertical Installation
- NSF/ANSI Standard 61 Certified (1/2" – 4")



Full Pattern PVC Wafer Check Valves – WCV Series

- Pressure Rating 150 PSI
- One-Piece Disk and Shaft Design
- FPM or EPDM Gasket and Face Seal
- Full Pattern Body – No Need for Spacers or Specialty Flanges
- Contoured Inlet Port for Easy Flow
- Can Be Installed in Vertical or Horizontal Position



Part Number	Size / Description	Carton Qty	Carton Weight (lbs.)
EAUTN105STE	.5" Socket / Threaded	1	8.0
EAUTN107STE	.75" Socket / Threaded	1	9.0
EAUTN110STE	1" Socket / Threaded	1	10.0
EAUTN1125STE	1.25" Socket / Threaded	1	15.0
EAUTN115STE	1.5" Socket / Threaded	1	15.0
EAUTN120STE	2" Socket / Threaded	1	15.0
EM3TN125SE	2.5" Socket	1	26.0
EM3TN125TE	2.5" Threaded	1	26.0
EM3TN13SE	3" Socket	1	26.0
EM3TN13TE	3" Threaded	1	26.0
EM8TN14SE	4" Socket	1	29.8
EM8TN14TE	4" Threaded	1	29.8
EM8TN16FE (Flanged Only)	6" Flanged	1	80.0

Part Number	Size / Description	Carton Qty	Carton Weight (lbs.)
TC10050STE	.5" Socket / Threaded	1	0.7
TC10075STE	.75" Socket / Threaded	1	0.9
TC10100STE	1" Socket / Threaded	1	1.3
TC10125STE	1.25" Socket / Threaded	1	2.5
TC10150STE	1.5" Socket / Threaded	1	2.7
TC10200STE	2" Socket / Threaded	1	4.1
TC1250TE or TC1250SE	2.5" Socket or Threaded	1	9.8
TC1300TE or TC1300SE	3" Socket or Threaded	1	10.1
TC1400TE or TC1400SE	4" Socket or Threaded	1	17.5
TC1600FE (Flanged Only)	6" Flanged	1	33.0

Part Number	Size / Description	Carton Qty	Carton Weight (lbs.)
WCV1200E	2" EPDM Wafer Check	1	1.3
WCV1250E	2.5" EPDM Wafer Check	1	1.9
WCV1300E	3" EPDM Wafer Check	1	2.2
WCV1400E	4" EPDM Wafer Check	1	4.4
WCV1600E	6" EPDM Wafer Check	1	6.0
WCV1800E	8" EPDM Wafer Check	1	14.0
WCV1200V	2" FPM Wafer Check	1	1.3
WCV1250V	2.5" FPM Wafer Check	1	1.9
WCV1300V	3" FPM Wafer Check	1	2.2
WCV1400V	4" FPM Wafer Check	1	4.6
WCV1600V	6" FPM Wafer Check	1	6.8
WCV1800V	8" FPM Wafer Check	1	14.7

Full Pattern PVC Wafer Check Valves – WCV Series

- Pressure Rating 150 PSI
- One-Piece Disk and Shaft Design
- FPM or EPDM Gasket and Face Seal
- Full Pattern Body – No Need for Spacers or Specialty Flanges
- Contoured Inlet Port for Easy Flow
- Can Be Installed in Vertical or Horizontal Position
- 316 SS Disc Spring



Full Pattern CPVC Wafer Check Valves – WCV Series

- Pressure Rating 150 PSI
- One-Piece Disk and Shaft Design
- FPM or EPDM Gasket and Face Seal
- Full Pattern Body – No Need for Spacers or Specialty Flanges
- Contoured Inlet Port for Easy Flow
- Can Be Installed in Vertical or Horizontal Position



Full Pattern CPVC Wafer Check Valves – WCV Series

- Pressure Rating 150 PSI
- One-Piece Disk and Shaft Design
- FPM or EPDM Gasket and Face Seal
- Full Pattern Body – No Need for Spacers or Specialty Flanges
- Contoured Inlet Port for Easy Flow
- Can Be Installed in Vertical or Horizontal Position
- 316 SS Disc Spring



Part Number	Size / Description	Carton Qty	Carton Weight (lbs.)
WCV1200ES	2" EPDM Wafer Check w/Spring	1	1.2
WCV1250ES	2.5" EPDM Wafer Check w/Spring	1	1.9
WCV1300ES	3" EPDM Wafer Check w/Spring	1	2.2
WCV1400ES	4" EPDM Wafer Check w/Spring	1	4.4
WCV1600ES	6" EPDM Wafer Check w/Spring	1	6.2
WCV1800ES	8" EPDM Wafer Check w/Spring	1	14.4
WCV1200VS	2" FPM Wafer Check w/Spring	1	1.3
WCV1250VS	2.5" FPM Wafer Check w/Spring	1	1.9
WCV1300VS	3" FPM Wafer Check w/Spring	1	2.2
WCV1400VS	4" FPM Wafer Check w/Spring	1	4.5
WCV1600VS	6" FPM Wafer Check w/Spring	1	6.1
WCV1800VS	8" FPM Wafer Check w/Spring	1	14.5

Part Number	Size / Description	Carton Qty	Carton Weight (lbs.)
WCV2200E	2" EPDM Wafer Check	1	2.0
WCV2250E	2.5" EPDM Wafer Check	1	1.3
WCV2300E	3" EPDM Wafer Check	1	2.3
WCV2400E	4" EPDM Wafer Check	1	4.6
WCV2600E	6" EPDM Wafer Check	1	7.2
WCV2800E	8" EPDM Wafer Check	1	15.1
WCV2200V	2" FPM Wafer Check	1	2.0
WCV2250V	2.5" FPM Wafer Check	1	2.0
WCV2300V	3" FPM Wafer Check	1	2.4
WCV2400V	4" FPM Wafer Check	1	4.7
WCV2600V	6" FPM Wafer Check	1	7.3
WCV2800V	8" FPM Wafer Check	1	15.1

Part Number	Size / Description	Carton Qty	Carton Weight (lbs.)
WCV2200ES	2" EPDM Wafer Check w/Spring	1	2.0
WCV2250ES	2.5" EPDM Wafer Check w/Spring	1	2.0
WCV2300ES	3" EPDM Wafer Check w/Spring	1	2.3
WCV2400ES	4" EPDM Wafer Check w/Spring	1	4.6
WCV2600ES	6" EPDM Wafer Check w/Spring	1	7.1
WCV2800ES	8" EPDM Wafer Check w/Spring	1	16.5
WCV2200VS	2" FPM Wafer Check w/Spring	1	2.0
WCV2250VS	2.5" FPM Wafer Check w/Spring	1	2.0
WCV2300VS	3" FPM Wafer Check w/Spring	1	2.4
WCV2400VS	4" FPM Wafer Check w/Spring	1	4.7
WCV2600VS	6" FPM Wafer Check w/Spring	1	7.3
WCV2800VS	8" FPM Wafer Check w/Spring	1	16.5

Butterfly Valves (Lever Operated) – Pure-Blu™ BYCN Series

- Pressure Rating 150 PSI
- PVC Body and Disc
- EPDM Liner
- 316 SS Stem
- 9-Position Throttle Plate
- NSF/ANSI Standard 61 Certified



Butterfly Valve (Gear Operated) – Pure-Blu™ BYCN Series

- Pressure Rating 150 PSI
- PVC Body and Disc
- EPDM Liner
- 316 SS Stem
- Robust Aluminum Gear Operator with Stainless Steel Shaft, IP65 Rating
- NSF/ANSI Standard 61 Certified



Butterfly Valves (Lever Operated) – BYV Series

- Pressure Rating 150 PSI
- PVC Body and Disc
- EPDM Liner
- 1 Piece 316 SS Stem
- 19 Position Throttle Plate
- Hydro Dynamic Disc
- External Disc Position and Flow Indication
- NSF/ANSI Standard 61 Certified



Butterfly Valves (Gear Operated) – BYV Series

- Pressure Rating 150 PSI
- PVC Body and Disc
- EPDM Liner
- 1 Piece 316 SS Stem
- 19 Position Throttle Plate
- Hydro Dynamic Disc
- External Disc Position and Flow Indication
- NSF/ANSI Standard 61 Certified



Part Number	Size / Description	Carton Qty	Carton Weight (lbs.)
BYCN1020E1LGB	2" Lever	1	5.0
BYCN1025E1LGB	2.5" Lever	1	5.0
BYCN1030E1LGB	3" Lever	1	6.1
BYCN1040E1LGB	4" Lever	1	8.3
BYCN1050E1LGB	5" Lever	1	12.0
BYCN1060E1LGB	6" Lever	1	15.0
BYCN1080E1LGB	8" Lever	1	20.0

Part Number	Size / Description	Carton Qty	Carton Weight (lbs.)
BYCN1020E1GGB	2" Gear	1	11.0
BYCN1025E1GGB	2.5" Gear	1	11.0
BYCN1030E1GGB	3" Gear	1	16.6
BYCN1040E1GGB	4" Gear	1	19.0
BYCN1050E1GGB	5" Gear	1	21.0
BYCN1060E1GGB	6" Gear	1	23.2
BYCN1080E1GGB	8" Gear	1	30.0

Part Number	Size / Description	Carton Qty	Carton Weight (lbs.)
BYV11020A0EL000	2" Lever	1	6.0
BYV11025A0EL000	2-1/2" Lever	1	6.5
BYV11030A0EL000	3" Lever	1	7.0
BYV11040A0EL000	4" Lever	1	10.0
BYV11060A0EL000	6" Lever	1	16.0
BYV11080A0EL000	8" Lever	1	22.0

Part Number	Size / Description	Carton Qty	Carton Weight (lbs.)
BYV11020A0EG000	2" Lever	1	12.0
BYV11025A0EG000	2-1/2" Gear	1	12.5
BYV11030A0EG000	3" Gear	1	17.0
BYV11040A0EG000	4" Gear	1	19.0
BYV11060A0EG000	6" Gear	1	25.0
BYV11080A0EG000	8" Gear	1	32.0
BYV11100A0EG000	10" Gear	1	39.0
BYV11120A0EG000	12" Gear	1	45.0

PVC Bulkhead Fittings – BFA Series

- Pressure Rating 150 PSI
- Long Pattern/Barrel
- PVC Body and Nut
- FPM or EPDM Gasket Seal
- Left-Hand Threads
- Hex Body for One-Person Installation
- Full Buttress Threads
- NSF/ANSI Standard 61 Certified (Standard Flanged Only/EPDM)



Part Number	Size / Description	Carton Qty	Carton Weight (lbs.)
BFA1005CFS	.5" Socket x Threaded	1	0.3
BFA1005SFS	.5" Socket x Socket	1	0.3
BFA1005TFS	.5" Threaded x Threaded	1	0.3
BFA1005CES	.5" Socket x Threaded	1	0.3
BFA1005SES	.5" Socket x Socket	1	0.3
BFA1005TES	.5" Threaded x Threaded	1	0.3
BFA1007CFS	.75" Socket x Threaded	1	0.4
BFA1007SFS	.75" Socket x Socket	1	0.4
BFA1007TFS	.75" Threaded x Threaded	1	0.4
BFA1007CES	.75" Socket x Threaded	1	0.4
BFA1007SES	.75" Socket x Socket	1	0.3
BFA1007TES	.75" Threaded x Threaded	1	0.4
BFA1010CFS	1" Socket x Threaded	1	0.5
BFA1010SFS	1" Socket x Socket	1	0.5
BFA1010TFS	1" Threaded x Threaded	1	0.5
BFA1010CES	1" Socket x Threaded	1	0.5
BFA1010SES	1" Socket x Socket	1	0.5
BFA1010TES	1" Threaded x Threaded	1	0.5
BFA1012CFS	1.25" Socket x Threaded	1	0.8
BFA1012SFS	1.25" Socket x Socket	1	0.8
BFA1012TFS	1.25" Threaded x Threaded	1	0.8
BFA1012CES	1.25" Socket x Threaded	1	1.0
BFA1012SES	1.25" Socket x Socket	1	0.9
BFA1012TES	1.25" Threaded x Threaded	1	0.9
BFA1015CFS	1.5" Socket x Threaded	1	0.8
BFA1015SFS	1.5" Socket x Threaded	1	0.8
BFA1015TFS	1.5" Threaded x Threaded	1	0.8
BFA1015CES	1.5" Socket x Threaded	1	0.8
BFA1015SES	1.5" Socket x Socket	1	0.8
BFA1015TES	1.5" Threaded x Threaded	1	0.8
BFA1020CFS	2" Socket x Threaded	1	1.4
BFA1020SFS	2" Socket x Socket	1	1.4
BFA1020TFS	2" Threaded x Threaded	1	1.4
BFA1020CES	2" Socket x Threaded	1	1.4
BFA1020SES	2" Socket x Socket	1	1.3
BFA1020TES	2" Threaded x Threaded	1	1.4
BFA1030CFS	3" Socket x Threaded	1	2.7
BFA1030SFS	3" Socket x Socket	1	2.3
BFA1030TFS	3" Threaded x Threaded	1	2.7
BFA1030CES	3" Socket x Threaded	1	2.7
BFA1030SES	3" Socket x Socket	1	2.3
BFA1030TES	3" Threaded x Threaded	1	2.7
BFA1040CFS	4" Socket x Threaded	1	7.0
BFA1040SFS	4" Socket x Socket	1	7.0
BFA1040TFS	4" Threaded x Threaded	1	7.0
BFA1040CES	4" Socket x Threaded	1	6.6
BFA1040SES	4" Socket x Socket	1	6.6
BFA1040TES	4" Threaded x Threaded	1	7.0
BFA1060CFS	6" Socket x Threaded	1	17.2
BFA1060SFS	6" Socket x Socket	1	17.2
BFA1060TFS	6" Threaded x Threaded	1	17.2
BFA1060CES	6" Socket x Threaded	1	16.9
BFA1060SES	6" Socket x Socket	1	16.0
BFA1060TES	6" Threaded x Threaded	1	17.1

PVC Bulkhead Fittings – BFAS Series

- Pressure Rating 150 PSI
- Short Pattern/Barrel
- PVC Body and Nut
- FPM or EPDM Gasket Seal
- Left-Hand Threads
- Hex Body for One-Person Installation
- Full Buttress Threads
- NSF/ANSI Standard 61 Certified (1/2" – 3")



Part Number	Size / Description	Carton Qty	Carton Weight (lbs.)
BFAS1005CFS	.5" Socket x Threaded	1	0.3
BFAS1005TFS	.5" Threaded x Threaded	1	0.3
BFAS1005CES	.5" Socket x Threaded	1	0.2
BFAS1005TES	.5" Threaded x Threaded	1	0.2
BFAS1007CFS	.75" Socket x Threaded	1	0.4
BFAS1007TFS	.75" Threaded x Threaded	1	0.4
BFAS1007CES	.75" Socket x Threaded	1	0.4
BFAS1007TES	.75" Threaded x Threaded	1	0.3
BFAS1010CFS	1" Socket x Threaded	1	0.5
BFAS1010TFS	1" Threaded x Threaded	1	0.5
BFAS1010CES	1" Socket x Threaded	1	0.4
BFAS1010TES	1" Threaded x Threaded	1	0.4
BFAS1012CFS	1.25" Socket x Threaded	1	0.8
BFAS1012TFS	1.25" Threaded x Threaded	1	0.8
BFAS1012CES	1.25" Socket x Threaded	1	0.9
BFAS1012TES	1.25" Threaded x Threaded	1	0.8
BFAS1015CFS	1.5" Socket x Threaded	1	0.8
BFAS1015TFS	1.5" Threaded x Threaded	1	0.8
BFAS1015CES	1.5" Socket x Threaded	1	0.6
BFAS1015TES	1.5" Threaded x Threaded	1	0.6
BFAS1020CFS	2" Socket x Threaded	1	1.3
BFAS1020TFS	2" Threaded x Threaded	1	1.2
BFAS1020CES	2" Socket x Threaded	1	1.1
BFAS1020TES	2" Threaded x Threaded	1	1.2
BFAS1030CFS	3" Socket x Threaded	1	2.3
BFAS1030TFS	3" Threaded x Threaded	1	2.3
BFAS1030CES	3" Socket x Threaded	1	2.3
BFAS1030TES	3" Threaded x Threaded	1	2.1
BFAS1040CFS	4" Socket x Threaded	1	6.3
BFAS1040TFS	4" Threaded x Threaded	1	6.4
BFAS1040CES	4" Socket x Threaded	1	6.3
BFAS1040TES	4" Threaded x Threaded	1	6.4

Diaphragm Valves – DAB Series

- Pressure Rating 150 PSI: 1/2" – 4"
- 75 PSI: 6"
- PVC Body with EPDM Diaphragm and Seals
- Sure-Grip Handwheel with Position Indicator
- True Union End Connections Through 2"
- Flanged End Connections in 2-1/2" to 6" sizes



Part Number	Size/Description	Carton Qty	Carton Weight (lbs.)
DAB1005UEE	.5" Socket/Threaded	1	1.9
DAB1007UEE	.75" Socket/Threaded	1	2.3
DAB1010UEE	1" Socket/Threaded	1	2.9
DAB1012UEE	1.25" Socket/Threaded	1	3.0
DAB1015UEE	1.5" Socket/Threaded	1	6.3
DAB1020UEE	2" Socket/Threaded	1	9.1
DAB1025FEK	2.5" Flanged	1	15.0
DAB1030FEK	3" Flanged	1	18.0
DAB1040FEK	4" Flanged	1	29.7
DAB1060FEK	6" Flanged	1	71.8

Tank-Tite™ – CCP Series

- Pressure Rating 150 PSI
- Robust Upper and Lower PVC Body
- 17.4 PH SS Wave Spring
- Compatible With All Bulkhead Fitting Materials



Part Number	Size/Description	Carton Qty	Carton Weight (lbs.)
CCP1005	.5" Compression Ring with 17-7 Spring	1	0.1
CCP1007	.75" Compression Ring with 17-7 Spring	1	0.1
CCP1010	1" Compression Ring with 17-7 Spring	1	0.1
CCP1015	1.25"-1.5" Compression Ring with 17-7 Spring	1	0.2
CCP1020	2" Compression Ring with 17-7 Spring	1	0.3
CCP1030	3" Compression Ring with 17-7 Spring	1	.05

PVC Gauge Guard With Standard Gauge Installed – GG Series

- No Metal Parts on Gauge Guard, FPM Diaphragm
- 30 PSI Gauge Only
- 60 PSI Gauge Only
- 1/4" x 1/4" 30 PSI Gauge Assembly
- 1/4" x 1/4" 60 PSI Gauge Assembly



PVC Simplex Basket Strainer – SB Series

- Pressure Rating 150 PSI
- PVC Body and Component
- EPDM or FPM Seals
- Multiple Basket Material Options
- Ergonomic Hand-Removable Cover
- True Union Connections
- Each Strainer Includes a Standard Basket
- 1/2" – 1" Standard 1/32" Perforation
- 1-1/2" – 8" Standard 1/8" Perforation
- NSF/ANSI Standard 61 Certified



Part Number	Description	Carton Qty	Carton Weight (lbs.)
GG030DUAL	0-30 PSI (Gauge Only)	1	1.0
GG060DUAL	0-60 PSI (Gauge Only)	1	1.0
GG125X25030	0-30 PSI	1	0.6
GG125X25060	0-60 PSI	1	0.6

Part Number	Size/Description	Carton Qty	Carton Weight (lbs.)
SB1100STE132	1" Socket/Threaded EPDM	1	7.0
SB1100ST132	1" Socket/Threaded FPM	1	7.0
SB1150STE18	1.5" Socket/Threaded EPDM	1	17.0
SB1150ST18	1.5" Socket/Threaded FPM	1	17.0
SB1200STE18	2" Socket/Threaded EPDM	1	17.0
SB1200ST18	2" Socket/Threaded FPM	1	17.0
SB1250SE18	2.5" Socket EPDM	1	31.0
SB1250S18	2.5" Socket FPM	1	31.0
SB1250TE18	2.5" Threaded EPDM	1	31.0
SB1250T18	2.5" Threaded FPM	1	31.0
SB1300SE18	3" Socket EPDM	1	24.0
SB1300S18	3" Socket FPM	1	24.0
SB1300TE18	3" Threaded EPDM	1	24.0
SB1300T18	3" Threaded FPM	1	24.0
SB1400SE18	4" Socket EPDM	1	24.0
SB1400S18	4" Socket FPM	1	24.0
SB1400TE18	4" Threaded EPDM	1	24.0
SB1400T18	4" Threaded FPM	1	24.0
SB1600FE18	6" Flanged Only EPDM	1	122.0
SB1600FT18	6" Flanged Only FPM	1	122.0
SB1800FE18	8" Flanged Only EPDM	1	143.0
SB1800FT18	8" Flanged Only FPM	1	143.0

PVC Y-Strainer – YS Series

- Pressure Rating 150 PSI
- FPM O-Ring Seals
- Horizontal or Vertical Installation
- Hex Cap for Easy Access to Screen
- Plastic Screen Has 1/32" Perforation



Part Number	Size/Description	Carton Qty	Carton Weight (lbs.)
YS10050T	.5" Threaded	1	0.3
YS10050S	.5" Socket	1	0.3
YS10075T	.75" Threaded	1	0.6
YS10075S	.75" Socket	1	0.6
YS10100T	1" Threaded	1	1.0
YS10100S	1" Socket	1	0.9
YS10125T	1.25" Threaded	1	2.0
YS10125S	1.25" Socket	1	1.9
YS10150T	1.5" Threaded	1	1.9
YS10150S	1.5" Socket	1	1.8
YS10200T	2" Threaded	1	3.3
YS10200S	2" Socket	1	3.3
YS10200F	2" Flanged	1	6.0
YS10250T	2.5" Threaded	1	8.0
YS10250S	2.5" Socket	1	7.9
YS10250F	2.5" Flanged	1	12.2
YS10300T	3" Threaded	1	7.8
YS10300S	3" Socket	1	7.3
YS10300F	3" Flanged	1	12.0
YS10400T	4" Threaded	1	10.9
YS10400S	4" Socket	1	10.5
YS10400F	4" Flanged	1	18.9

CPVC Y-Strainer – YS Series

- Pressure Rating 150 PSI
- FPM O-Ring Seals
- Horizontal or Vertical Installation
- Hex Cap for Easy Access to Screen
- Plastic Screen Has 1/32" Perforation



Part Number	Size/Description	Carton Qty	Carton Weight (lbs.)
YS20050T	.5" Threaded	1	0.3
YS20050S	.5" Socket	1	0.3
YS20075T	.75" Threaded	1	0.6
YS20075S	.75" Socket	1	0.6
YS20100T	1" Threaded	1	1.0
YS20100S	1" Socket	1	1.0
YS20150T	1.5" Threaded	1	1.9
YS20150S	1.5" Socket	1	1.9
YS20200T	2" Threaded	1	3.6
YS20200S	2" Socket	1	3.5
YS20200F	2" Flanged	1	6.3
YS20300T	3" Threaded	1	8.2
YS20300S	3" Socket	1	7.9
YS20300F	3" Flanged	1	12.6
YS20400T	4" Threaded	1	11.8
YS20400S	4" Socket	1	11.8
YS20400F	4" Flanged	1	20.5

Clear PVC Y-Strainer – YS Series

- Pressure Rating 150 PSI
- FPM O-Ring Seals
- Horizontal or Vertical Position
- Clear PVC Construction
- Hex Cap for Easy Access to Screen
- Plastic Screen Has 1/32" Perforation



Part Number	Size/Description	Carton Qty	Carton Weight (lbs.)
YS00050T	.5" Threaded	1	0.3
YS00050S	.5" Socket	1	0.3
YS00075T	.75" Threaded	1	0.6
YS00075S	.75" Socket	1	0.6
YS00100T	1" Threaded	1	0.8
YS00100S	1" Socket	1	0.9
YS00125T	1.25" Threaded	1	1.8
YS00125S	1.25" Socket	1	1.3
YS00150T	1.5" Threaded	1	2.0
YS00150S	1.5" Socket	1	1.6
YS00200T	2" Threaded	1	3.5
YS00200S	2" Socket	1	3.1
YS00200F	2" Flanged	1	5.8

True Union PVC Y-Strainer – YS Series

- Pressure Rating 150 PSI
- FPM O-Ring Seals
- Horizontal or Vertical Installation
- Hex Cap for Easy Access to Screen
- Plastic Screen Has 1/32" Perforation



Part Number	Size/Description	Carton Qty	Carton Weight (lbs.)
YS10050TU	.5" Threaded	1	1.0
YS10050SU	.5" Socket	1	1.0
YS10075TU	.75" Threaded	1	1.5
YS10075SU	.75" Socket	1	1.4
YS10100TU	1" Threaded	1	1.9
YS10100SU	1" Socket	1	1.9
YS10125TU	1.25" Threaded	1	6.0
YS10125SU	1.25" Socket	1	6.0
YS10150TU	1.5" Threaded	1	6.0
YS10150SU	1.5" Socket	1	6.0
YS10200TU	2" Threaded	1	7.0
YS10200SU	2" Socket	1	6.2
YS10250TU	2.5" Threaded	1	14.9
YS10250SU	2.5" Socket	1	14.9
YS10300TU	3" Threaded	1	16.0
YS10300SU	3" Socket	1	16.0
YS10400TU	4" Threaded	1	19.7
YS10400SU	4" Socket	1	19.7

True Union CPVC Y-Strainer – YS Series

- Pressure Rating 150 PSI
- FPM O-Ring Seals
- Horizontal or Vertical Installation
- Hex Cap for Easy Access to Screen
- Plastic Screen Has 1/32" Perforation



Part Number	Size/Description	Carton Qty	Carton Weight (lbs.)
YS20050TU	.5" Threaded	1	1.1
YS20050SU	.5" Socket	1	1.1
YS20075TU	.75" Threaded	1	1.3
YS20075SU	.75" Socket	1	1.5
YS20100TU	1" Threaded	1	1.5
YS20100SU	1" Socket	1	1.5
YS20150TU	1.5" Threaded	1	2.1
YS20150SU	1.5" Socket	1	2.1
YS20200TU	2" Threaded	1	6.7
YS20200SU	2" Socket	1	6.7
YS20300TU	3" Threaded	1	15.2
YS20300SU	3" Socket	1	15.2
YS20400TU	4" Threaded	1	22.0
YS20400SU	4" Socket	1	22.0

True Union Clear PVC Y-Strainer – YS Series

- Pressure Rating 150 PSI
- FPM O-Ring Seals
- Horizontal or Vertical Installation
- Clear PVC Construction
- Hex Cap for Easy Access to Screen
- Plastic Screen Has 1/32" Perforation



Part Number	Size/Description	Carton Qty	Carton Weight (lbs.)
YS00050TU	.5" Threaded	1	1.0
YS00050SU	.5" Socket	1	1.0
YS00075TU	.75" Threaded	1	1.2
YS00075SU	.75" Socket	1	1.4
YS00100TU	1" Threaded	1	1.4
YS00100SU	1" Socket	1	1.4
YS00125TU	1.25" Threaded	1	6.5
YS00125SU	1.25" Socket	1	1.9
YS00150TU	1.5" Threaded	1	6.5
YS00150SU	1.5" Socket	1	6.5
YS00200TU	2" Threaded	1	6.1
YS00200SU	2" Socket	1	6.1

True Union Solenoid Valves – SV Series

- Available in PVC and CPVC
- Available With FPM or EPDM Seals
- Continuous or 100% Duty Applications
- Corrosion-Resistant Polyester Coil
- No Pressure Differential Required for Operation
- Four-Position Electrical Connection
- 1/2" Conduit or SJ Type Cord Electrical Connection
- 110 VAC Is Standard
- Normally Closed Design



Part Number	Size/Description	Carton Qty	Carton Weight (lbs.)
SV20025STV	.25" CPVC Socket/Threaded FPM	1	3.0
SV20025STE	.25" CPVC Socket/Threaded EPDM	1	3.0
SV10050STV	.5" PVC Socket/Threaded FPM	1	3.3
SV10050STE	.5" PVC Socket/Threaded EPDM	1	3.3
SC20050STV	.5" CPVC Socket/Threaded FPM	1	3.3
SV20050STE	.5" CPVC Socket/Threaded EPDM	1	3.3
SV10075STV	.75" PVC Socket/Threaded FPM	1	3.5
SV10075STE	.75" PVC Socket/Threaded EPDM	1	3.5
SV20075STV	.75" CPVC Socket/Threaded FPM	1	3.7
SV20075STE	.75" CPVC Socket/Threaded EPDM	1	3.7
SV10100STV	1" PVC Socket/Threaded FPM	1	3.6
SV10100STE	1" PVC Socket/Threaded EPDM	1	3.6
SV20100STV	1" CPVC Socket/Threaded FPM	1	3.6
SV20100STE	1" CPVC Socket/Threaded EPDM	1	3.8

NOTE: Flanged connections are available. Please call for part number and pricing information.

NOTE: All Hayward® Flow Control products have a 2-year warranty as standard.

NOTE: All Hayward Flow Control items are based on a per-unit cost with the exception of all QVC Series Ball Valves, which are sold as bag quantities ONLY. If bag quantities are broken, there will be a 25% upcharge.

All Flow Control products manufactured are in compliance with ISO 9001:2008 standards.



Backed by Hayward Flow Control's Exclusive Two-Year Warranty

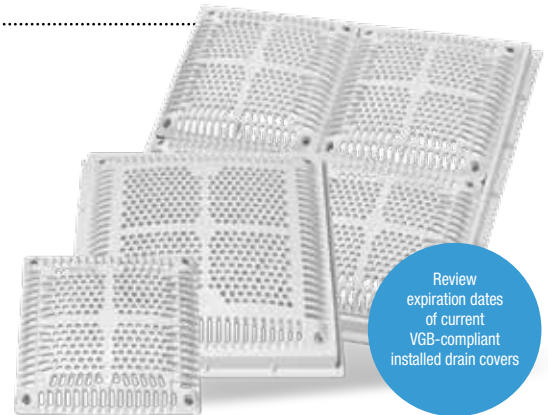
Commercial White Goods

Complementing our extensive Residential line of white goods, Hayward® offers a wide variety of white goods products that provide premium features and years of long-lasting performance. Our Skim-Master and Auto-Skim series skimmers offer multiple configurations for plumbing and have an extra-large capacity collection basket for debris removal.

Hayward provides suction outlets with some of the industry's highest approved flow rates for use in new commercial pool and spa construction or retrofit into existing Hayward frames. All of our suction outlets are VGB compliant and tested to ANSI/APSP-16 standards in addition to meeting CPSC requirements.

VGB Act-Compliant High-Flow and Low-Velocity Drain Covers

High-Flow and Low-Velocity suction outlets provide multiple options for accommodating various design flow rates as well as ANSI/APSP-16 standards. Models are available in 9" x 9", 12" x 12" and 18" x 18" to satisfy installation requirements for commercial pools and spas. Each suction outlet cover includes a certificate of compliance and is embossed with the VGB logo and 7 year life.



Skim-Master®

Our Skim-Master series is a non-corrosive, large capacity automatic surface skimmer featuring a round, tamper-proof access cover, self-adjusting 8" weir with stainless steel spring for added strength, dual outlets, and threaded internal connections for pressure testing. The optional float/bypass valve provides a suction outlet through skimmer system and an automatic pump bypass for low water conditions. No glue is used in manufacturing, ensuring maximum strength and longevity.

- Adjustable deck collar and access cover
- Large debris basket and multiple plumbing connections for easier connections
- Automatic bypass for low water conditions



Auto-Skim™

Our Auto-Skim series skimmers are designed for demanding commercial and residential applications providing precision, large capacity, and automatic surface skimming. They are molded from noncorrosive, nonconductive ABS material.

- Optional float/bypass valve
- Stackable notched extension collar allows infinite vertical adjustment
- NSF Certified (approved when used with commercial cover and equalizer)





Hayward® Commercial Pool is ready to jump in | 1.888.238.7665

Our toll-free line will put you in direct contact with an experienced, technical, commercial products specialist. We're here to serve you.



Hayward Commercial Pool

2880 Plymouth Drive | Oakville, ON L6H 5R4
Visit us at haywardpool.ca

Hayward, Hayward Energy Solutions, AquaVac, CAT Controllers, CAT 1000, CAT 2000, CAT 3500, CAT 4000, CAT 5000, CAT 5500, ColorLogic, CrystalLogic, EcoStar, PoolComm, ProLogic, Saline C, Skim-Master, Stratum, TigerShark and Totally Hayward are registered trademarks and Auto-Skim, Firm Plate, HydroRite, Pure-Blu and Tank-Tite are trademarks of Hayward Industries, Inc. © 2015 Hayward Industries, Inc. All other trademarks not owned by Hayward are the property of their respective owners. Hayward is not in any way affiliated with or endorsed by those third parties.



LTCRNG15C