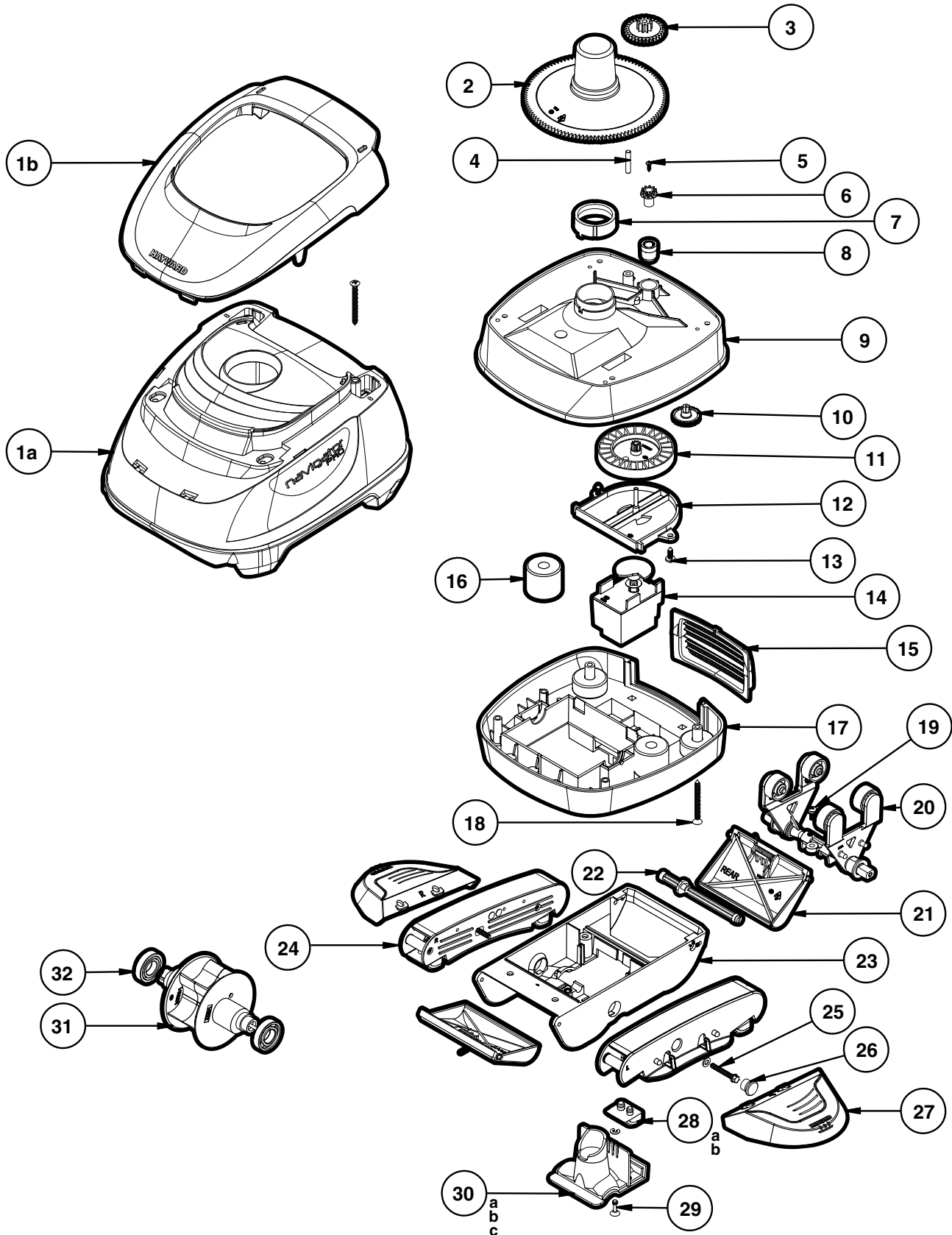


Navigator® Pro

REPLACEMENT PARTS

Parts Diagram



Cleaners

Parts Listing

| Ref. No. | Part No. | Description | Ctn. Qty. | List Price |
|----------|-------------|---|-----------|-----------------|
| 1a | AXVU016 | Navigator Pro Skirt Assembly | 1 | \$282.94 |
| 1b | AXVU005 | Navigator Pro Handle Assembly | 1 | 113.34 |
| 2 | AXV070 | Cone Gear, Clear | 10 | 88.67 |
| 3 | AXV301 | Inter Gear | 25 | 12.53 |
| 4 | AXV309 | Inter Gear Shaft | 50 | 2.51 |
| 5 | AXV068 | Spindle Gear Screw | 50 | 2.24 |
| 6 | AXV303 | Cone Spindle Gear | 25 | 12.53 |
| 7 | AXV306 | Cone Gear Bushing | 25 | 12.78 |
| 8 | AXV066A | Cone Spindle Gear Bushing | 25 | 14.87 |
| 9 | AXV060VWH | Upper Middle Body | 10 | 93.47 |
| 10 | AXV064A | Medium Turbine Drive Gear | 25 | 14.87 |
| 11 | AXV062C | Medium Turbine | 25 | 21.84 |
| 12 | AXV009 | Medium Turbine Case/Axle Assembly | 25 | 50.62 |
| 13 | AXV065P | Upper Body Screw (6 pack) | 25 | 10.69 |
| 14 | AXV408P | Gear Box Assembly | 25 | 23.84 |
| 15 | AXVU009* | Screen Kit | 50 | 9.92 |
| 16 | AXV054FH | Float Kit | 25 | 28.71 |
| 17 | AXV050CWH | Lower Middle Body | 10 | 85.71 |
| 18 | AXV057P | Middle Body Screw (6 pack) | 25 | 17.83 |
| 19 | AXV313 | Lower Body Screw | 25 | 8.84 |
| 20 | AXV621DAT | Kit-Universal, Turbine/A-Frame | 10 | 62.22 |
| 21 | AXV434WHP** | Flap Kit (2 flaps, front and rear springs) | 50 | 26.42 |
| 22 | AXV031B | Flap Adjuster | 25 | 13.39 |
| 23 | AXV230DWH | Open Lower Body | 10 | 46.22 |
| 24 | AXV417WHP** | Pod Kit | 25 | 49.86 |
| 25 | AXSCR4008 | Pod Screw Kit (2 screws and 2 washers) | 10 | 8.94 |
| 26 | AXV016P | Pod Plug (6 pack) | 100 | 8.66 |
| 27 | AXV604WHP** | Wing Kit | 50 | 14.75 |
| 28a | AXV414P | Shoes, Concrete (4 pack) | 25 | 16.52 |
| 28b | AXV413P | Shoes, Vinyl (4 pack) | 25 | 20.54 |
| 29 | AXV314P | Captive Screw with Clip | 25 | 4.56 |
| 30a | AXV603 | Access Cover Assembly, Concrete | 25 | 13.47 |
| 30b | AXV603A | Access Cover Assembly, Vinyl | 25 | 16.72 |
| 30c | AXV603CLO | Access Cover Assembly, Concrete – Large Skids | 25 | 13.47 |
| 31 | AXV602P | Turbine Kit (turbine and 2 turbine bearings) | 25 | 47.79 |
| 32 | AXV055P | Turbine Bearing (2 pack) | 50 | 17.16 |

NOTES: *Add BK to end of part number for Black.

**Remove WHP from end of part number and replace with BLK for Black.