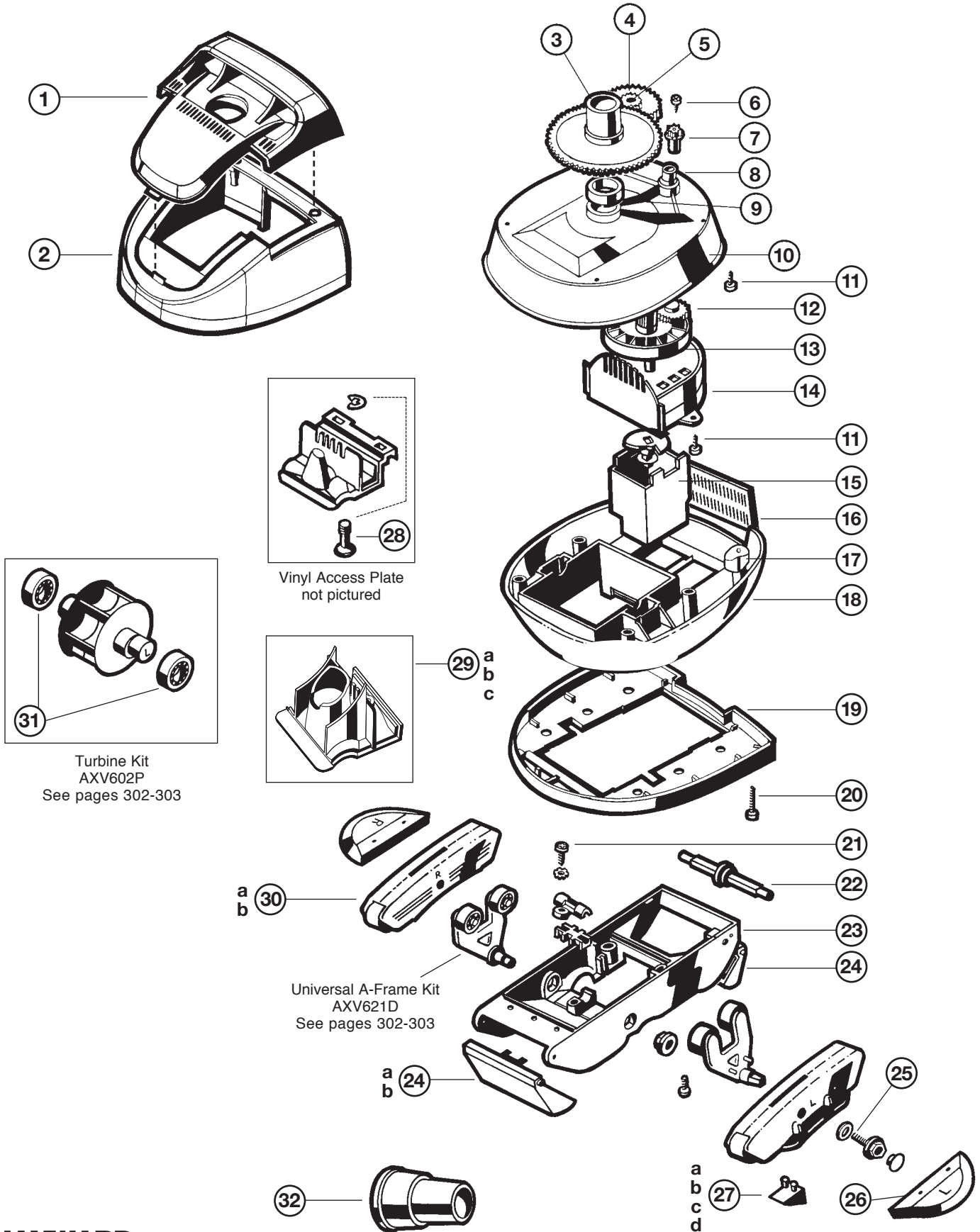


# PoolVac Ultra®

CONCRETE AND VINYL MODEL REPLACEMENT PARTS

## Parts Diagram



Cleaners

### Parts Listing

Ref. No.	Part No.	Description	Ctn. Qty.
1	AXV436LG	Top Cover for PoolVac Ultra	1
2	AXV439	Body for PoolVac Ultra	1
3	AXV070	Cone Gear, Clear	10
4	AXV301	Intermediate Gear	25
5	AXV309	Intermediate Gear Shaft	50
6	AXV068	Spindle Gear Screw	50
7	AXV303	Spindle Gear	25
8	AXV066A	Spindle Gear Bushing	25
9	AXV306	Cone Gear Bushing	25
10	AXV060WH	Upper Middle Body	10
11	AXV065P	Upper Body Screw (6 pack)	25
12	AXV064A	Medium Turbine Drive Gear	25
13	AXV062C	Medium Turbine	25
14	AXV009	Medium Turbine Case with Axle	25
15	AXV408P	Gear Box Assembly	25
16	AXV051AWH	Screen, White	50
17	AXV054P	Float (2 pack)	100
18	AXV050CWH	Lower Middle Body, White	10
19	AXV429WHP	Bumper Assembly	10
20	AXV057P	Middle Body Screw (6 pack)	25
21	AXV313	Lower Body Screw (4 pack)	25
22	AXV031B	Flap Adjuster	25
23	AXV230DWH	Lower Body, White	10
24	AXV434WHP	Flap Kit, White (2 flaps, front and rear springs)	50
25	AXSCR4008	Pod Screw Kit (2 screws and 2 washers)	10
26	AXV604WHP	Wing Kit, White	50
27a	AXV414P	Pod Shoes, Concrete (4 pack)	25
27b	AXV413P	Pod Shoes, Vinyl (4 pack)	25
27c	AXV014CP	Pod Shoes, Ceramic (4 pack)	25
27d	AXV014SP	Pod Shoes, Slotted (4 pack)	25
28	AXV314P	Captive Screw and Retaining Clip	25
29a	AXV603	Access Cover Assembly, Concrete	25
29b	AXV603A	Access Cover Assembly, Vinyl	25
29c	AXV603CLO	Access Cover Assembly, Concrete – Large Skids	25
30	AXV417WHP	Pod Kit, White	25
31	AXV055P	Turbine Bearings (2 pack)	50
32	AXV093CP	Skimmer Cone	50
—	AXV079VP	Medium Turbine/Spindle Gear Kit, Vinyl (medium turbine, drive gear, bushing, vinyl spindle gear, screw, medium turbine axle, intermediate gear, intermediate gear axle)	25
—	RCX97500GR	Drive Train Upgrade Kit	1
—	V574P	Flow Gauge	25
—	AXV414604WHP	Shoe and Wing Maintenance Kit	50
—	AXV621417WHP	A-Frame and Pod Tune Up Kit	10
—	AXV622604WHP	Propulsion and Wing Rebuild Kit	1