

BLUE-WHITE INDUSTRIES

METERING PUMPS
& FLOW METERS



2020

Welcome

Ascot Pumps bring to you the Blue-White range of metering pumps. Blue-White is a top quality brand with over 55 years manufacturing experience in the USA, serving a variety of markets worldwide. With most components made in-house, including motors and gearboxes, consistent quality standards are assured for this product range.

Key features are quality, value and performance.

Blue-White dosing/metering pumps represent an excellent combination of quality, functionality and value. Advanced materials, with innovative engineering design for reliability, have produced a range of pumps that deliver consistent performance with very low maintenance. All the pumps are based on mechanical actuation by Blue-White's own motor and gearbox design. Both peristaltic hose type and diaphragm type dosing/metering pumps come in a range of different models and are priced accordingly, from simple basic models to fully featured electronic control models.




Ascot Pumps stock a range of models selected to accurately fulfill your specialist pumping requirements as they arise.

Applications

Our range of Dosing pumps can be used in a range of different applications as seen in the list below:

- Waste water treatment
- Car wash systems
- Swimming Pool water treatment
- Boiler and cooling tower water treatment
- Vat wash chlorinators
- Rural water treatment
- Fertilizer and Nutrient Injection
- Hydroponics
- Ph level control
- Detergent injection

Plus many more...

Introduction	
Information you need to know	2
Classic Series Range	
Classic Series information	3
FLEX-FLO PERISTALTIC PUMPS	
A-1600	5
A-100NX	6
A-100NE	7
A-100NF	8
A-100NV	9
A-100N Replacement Parts	10
CHEMFEED DIAPHRAGM PUMPS	
C-600P	11
C-600HV	12
C-1500N	13
C-1700N	14
C-1100N	15
Chemfeed Replacement Parts	16
CLASSIC SERIES FLOW METERS	
F-440 Series	17
F-550 Series	18
F-420N Series	19
Flow verification Sensor	20
Microflow meter	21
F-1000 Digital	22
F-2000 Digital	23
Power Filter	24

Pro Series Range

FLEX-FLO PUMPS



Flex-Flo Pumps	
A2F	26
A2V	27
A3F	28
A3V	29
A4F	30
A4V	31
Flexpro Information	32
A2 parts	33
A3 Parts	34
A4 Parts	35

CHEMPRO PUMPS



C2F	36
C2V	37
C2F	38
C2V	39
Chem-Pro Series Information	40
Chem-Pro Replacement parts	41

SKID SYSTEM



Chemfeed Skid System	42
----------------------	----

PRO-SERIES CHEMICAL FLOW METERS



S6A Chemical Feed Flowmeter	43
-----------------------------	----

Pump Performance

Many factors affect the output of a pump, ie: line pressure, specific gravity, viscosity and temperature of liquid being pumped. It is highly recommended a volumetric test be performed at the installation site. This test will take into account installation factors such as line pressure, fluid viscosity and specific gravity etc, and is considered the most accurate for measuring a specific pump's output in an installation.

Basic Volumetric test

1. With the injector installed under normal operating conditions, place the suction tubing in a graduated container.
2. Fill the container with the same chemical normally injected, and run the pump until air is removed from the suction line.
3. Refill the container if necessary, and with the foot valve in the solution note the amount of chemical in the container.
4. Run the pump and after a measured amount of time (i.e 1 minute) note the amount of chemical pumped during that time. TIP: The longer the testing time, the more accurate the measurement.



Warning

INJECTOR PUMPS NOTICE

Please be advised, Blue-White injection and metering devices (Chem-feed, Flexflo and other acid, hypochlorinator and detergent feeders) are not intended as a means of treating water to render it suitable for human consumption. When used as hypochlorinators, they are meant to destroy bacteria and algae contamination, before its removal by filtration. Acid and soda injections are used for pH control (balance). Blue-White injectors are factory tested with water (only) for pressure and performance. Installers and operators of these devices must be well informed and aware of the precautions to be taken when injecting various chemicals, especially those considered hazardous or dangerous.

CHEMICAL COMPATABILITY

Most of these pumps are offered in different wetted parts to provide a product that is compatible with an array of different chemicals. While Ascot Pumps is pleased to assist in recommending (or in selecting) materials suited to certain chemicals and applications, it cannot offer any guarantee due to many factors beyond our control.

MAINTAINING AND REPAIRING PUMPS

When maintaining or repairing a pump, ensure that the pump is decontaminated and there is adequate protection from chemicals or chemical residue that may be present. Always wear protective clothing.

FLAMMABLE FLUIDS

Do not use Blue-White pumps to pump petrol or flammable liquids, or where flammable vapours are present.

CHEM-FEED® is a registered trademark of Blue-White Industries

FLEX-FLO® is a registered trademark of Blue-White Industries

Valox® is a registered trademark of G.E

Viton® is a registered trademark of Dupont

Teflon® is a registered trademark of Dupont

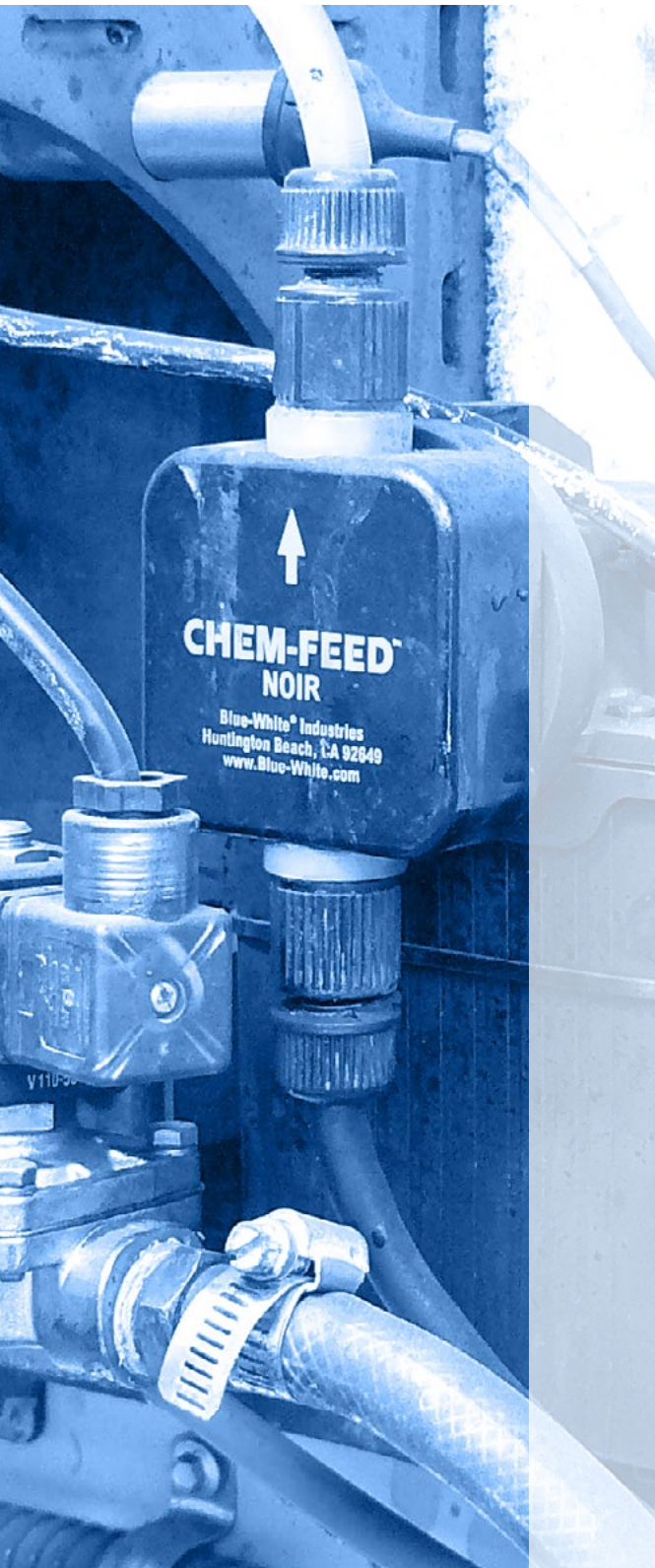
Tygon® is a registered trademark of Saint-Gobain

Norprene® is a registered trademark of Saint-Gobain

Tygothane® is a registered trademark of Saint-Gobain

Blue-White[®] **Industries, Ltd.**

Classic Range



FLEXFLO[®]

Peristaltic Pumps

CHEM-FEED[®]

Diaphragm Pumps

BW DIGI-METER[®]

Digital Flow Meters

Information

PERISTALTIC OR DIAPHRAGM PUMP?

Both types of pumps have different features and benefits to suit different applications.

Below is a brief out line of advantages for both types.

Advantages of Peristaltic Pumps

- Very simple and quick to maintain
- Low shear - for shear sensitive fluids - eg: flocculants
- Works well with a high level of particulate in solution (un-dissolved solids) being pumped
- Are superior at priming, excellent suction
- Feed rates are less affected by pressure or nature of chemical
- No moving parts in fluid stream - just compression and release of hose

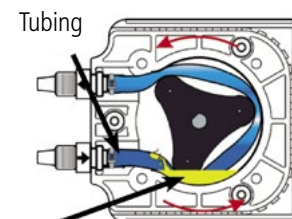
Advantages of Ascot Pumps Diaphragm Pumps

- Less initial cost outlay
- A well maintained diaphragm pump costs less to run over time
- More energy efficient than peristaltic
- Variable output by stroke adjustment on all models - for more even dosing
- Geared motor drive for gentle pulse - no pressure spikes and quiet running
- Double ball valves on suction/discharge for excellent priming and gas purging (all models except C-600HV)
- Low maintenance

FLEXFLO Peristaltic Metering Pumps

FLEXFLO Peristaltic Metering Pumps have an impressive edge over other manufacturers 44°41/ peristaltic units. Only FLEXFLO pumps are available with Blue-White's Superior Patented Pump NSp6j6" " Tube Design and the Patented Tube Failure Detection System. Peristaltic Metering Pumps are

well suited to metering fluids that could foul heads with conventional check valves. Peristaltic Pumps have roller assemblies that compress the pump tube in a progressive squeezing action.



The pump shuts down when chemical is detected in the pump head. Will not false trigger from water during wash down or rain.

Fixed Speed Pump

Classic Series Dosing Pump Range

Standard Features

- Basic design that is efficient and economical.
- No valves to clog in the pump head.
- Self priming against maximum line pressure.
- De-gassing design eliminates gas or air accumulation in the head.
- Patented pump tube design for easy installation and trouble free operation.
- Output amount is not effected by changes in back pressure.
- Clear pump head cover allows viewing of pump operation.

Specifications

Max. working pressure	25 psig (6.9 bar)
Max. fluid temperature	130 F (54 C)
Max. ambient temperature	14 to 110 F/ -10 to 43 C
Duty cycle	Continuous
Maximum viscosity	500 Centipoise
Maximum suction lift	10 ft. Water 0 psig
Maximum Solids	50% by volume
Enclosure	NEMA type 2, (IP21)
Voltage (max amp)	230VAC/60Hz = 0.36 amp
Power Connection	Junction box for field wiring

Wetted Parts

Pump Tube Assembly	Norprene or Tygon tubing PVC tube assembly connection fittings
Suction Tubing	Clear PVC
Flow indicator	Clear PVC body, glass ball
Suction Strainer	Natural Polypropylene
Weight	Ceramic
Discharge Tubing	Clear PVC

INJECTION/CHECK VALVE:

Body & insert	Polypropylene (optional PVDF)
Check Ball	Ceramic
Spring	Hastelloy C-276

STATIC SEAL O-RING:

Ball Seat O-ring	TFE/P (optional EP) Viton (optional EP)
------------------	--

Each Pump Comes With

Injector Fitting	Suction Strainer and Weight
Discharge Hose	Suction Hose



Some models available in 12v and 24v on request

FLEXFLO A-1600 SERIES MODELS

MODEL NUMBER	MAX. OUTPUT (L.P.H.)	MAX. PRESSURE (P.S.I.)	INLET / OUTLET TUBING
CLEAR TYGON® TUBE MODELS			
A-1630-4-240VAC	1.92	25	1/4" O.D.
A-1630-6-240VAC	6.24	25	3/8" O.D.
A-1645-6-240VAC	9.36	25	3/8" O.D.
A-1645-7-240VAC	14.70	25	3/8" O.D.
BLACK NORPRENE® TUBE MODELS			
A-1630-4N-240VAC	1.92	25	1/4" O.D.
A-1630-6N-240VAC	6.24	25	3/8" O.D.
A-1645-6N-240VAC	9.36	25	3/8" O.D.
A-1645-7N-240VAC	25	3/8" O.D.	14.70

REPLACEMENT TUBE ASSEMBLIES

CODE	FITS PUMPS ENDING WITH	TUBE MATERIAL
A-002-4	-4	TYGON®
A-002-6	-6	TYGON®
A-002-7	-7	TYGON®
A-002-4N	-4N	NORPRENE®
A-002-6N	-6N	NORPRENE®
A-002-7N	-7N	NORPRENE®

Fixed Speed Pump

Classic Series Dosing Pump Range

Standard Features

No Control fixed Speed Unit

Specifications

Max. Working Pressure	100 psig (6.9 bar) (models vary)
Max. Fluid Temperature	130° F (54° C)
Ambient Temp Range	14° to 110° F (-10° to 43° C)
Max. viscosity	5,000 Centipoise
Max. suction lift	30 ft. Water 0 psig
Duty cycle	Continuous
Injection fitting O-ring seals	FKM
Max. Solids	50% by volume
Enclosure	Acceptable for outdoor use. NEMA 3R (IP23)
Power requirements	240V/50Hz
Product dimensions	160mm H x 254mm W x 235mm D

Wetted Parts

Pump Tube Assembly	Norprene or Tygon tubing PVC tube assembly connection fittings
Suction Tubing	Clear PVC
Suction Strainer	Natural Polypropylene
Discharge Tubing	Natural Polyethylene (LLDPE)

INJECTION/CHECK VALVE

Body & insert	Polypropylene (optional PVDF)
Check Ball	Ceramic
Spring	Hastelloy C-276
Ball Seat O-ring	TFE/P (optional EP)

Each Pump Comes With

Injector Fitting
Suction Strainer and Weight
Spare Pump Tube
Discharge Hose
Suction Hose



FLEXFLO A-100NX SERIES MODELS

MODEL NUMBER	MAX. OUTPUT (L.P.H.)	MAX. PRESSURE (P.S.I.)	GEAR-BOX RPM	INLET / OUTLET TUBING
NEOPRENE® HOSE MODELS				
A1N08X-4T	0.28	100	14	3/8" O.D.
A1N18X-4T	0.62	100	30	3/8" O.D.
A1N38X-4T	1.20	75	60	3/8" O.D.
A1N18X-6T	2.01	100	30	3/8" O.D.
A1N38X-6T	3.79	75	60	3/8" O.D.
A1N18X-7T	6.62	50	30	3/8" O.D.
A1N38X-7T	12.00	50	60	3/8" O.D.
TYGOTHANE® HOSE MODELS				
A1N08X-1T	0.72	65	14	3/8" O.D.
A1N38X-1T	3.20	65	60	3/8" O.D.
A1N38X-2T	6.72	65	60	3/8" O.D.
A1N38X-3T	15.64	50	60	3/8" O.D.
VITON® HOSE MODELS				
A1N08X-5T	0.52	25	14	3/8" O.D.
A1N18X-5T	1.24	25	30	3/8" O.D.
A1N38X-5T	2.30	25	60	3/8" O.D.
NORPRENE CHEMICAL® HOSE MODELS				
A1N08X-8T	2.00	50	14	3/8" O.D.
A1N18X-8T	4.20	50	30	3/8" O.D.
A1N38X-8T	9.00	50	60	3/8" O.D.

Output Time Interval Control Pump

Classic Series Dosing Pump Range

Standard Features

- Digital interval timer for near infinite turndown ratio.
- Repeating interval and injection time cycles programmable in seconds, minutes, hours, and days.
- Accepts pulse inputs for time on per single pulse or multiple pulses.
- Accepts 4-20mA & 0-10Vdc signal for external injection control.
- No special input wiring connectors to buy.
- Patented TFD (Tube Failure Detection) system protects against chemical spills from a worn out tube and activates an alarm output relay.

Specifications

Max. working pressure	100 psig (6.9 bar) (models vary)
Max. fluid temperature	130° F (54° C)
Ambient temperature range	14° to 110° F / -10° to 43° C
Duty cycle	Continuous
Maximum viscosity	5,000 Centipoise
Maximum suction lift	30 ft. Water 0 psig
Injection fitting O-ring seals	FKM
Maximum Solids	50% by volume
Enclosure	Acceptable for outdoor use. NEMA 3R (IP23)
Power requirements	240V/50Hz
Product dimensions	160mm H x 254mm W x 235mm D

Wetted Parts

Pump Tube Assembly	Norprene , Tygothane or FKM tubing PVDF tube assembly connection fittings
Suction Tubing	Clear PVC
Suction Strainer	Natural Polypropylene
Discharge Tubing	Natural Polyethylene (LLDPE)

INJECTION/CHECK VALVE

Body & insert	Polypropylene (optional PVDF)
Check Ball	Ceramic
Spring	Hastelloy C-276
Ball Seat O-ring	TFE/P (optional EP)
Static Seal O-ring	FKM (optional EP)

Each Pump Comes With

Injector Fitting	Suction Strainer and Weight	Spare Pump Tube
Discharge Hose	Suction Hose	



TFD System
Tube Failure Detection



Power filter recommended see page 24

FLEXFLO A-100NE SERIES MODELS

MODEL NUMBER	MAX. OUTPUT (L.P.H.)	MAX. PRESSURE (P.S.I.)	GEAR-BOX RPM	INLET / OUTLET TUBING
NEOPRENE ® HOSE MODELS				
A1N08E-4T	0.28	100	14	3/8" O.D.
A1N18E-4T	0.62	100	30	3/8" O.D.
A1N38E-4T	1.20	75	60	3/8" O.D.
A1N18E-6T	2.01	100	30	3/8" O.D.
A1N38E-6T	3.79	75	60	3/8" O.D.
A1N18E-7T	6.62	50	30	3/8" O.D.
A1N38E-7T	12.00	50	60	3/8" O.D.
TYGOTHANE ® HOSE MODELS				
A1N08E-1T	0.72	65	14	3/8" O.D.
A1N38E-1T	3.20	65	60	3/8" O.D.
A1N38E-2T	6.72	65	60	3/8" O.D.
A1N38E-3T	15.64	50	60	3/8" O.D.
VITON ® HOSE MODELS				
A1N08E-5T	0.52	25	14	3/8" O.D.
A1N18E-5T	1.24	25	30	3/8" O.D.
A1N38E-5T	2.30	25	60	3/8" O.D.
NORPRENE CHEMICAL ® HOSE MODELS				
A1N08E-8T	2.00	50	14	3/8" O.D.
A1N18E-8T	4.20	50	30	3/8" O.D.
A1N38E-8T	9.00	50	60	3/8" O.D.

Percentage Speed Control Pump

Classic Series Dosing Pump Range

Standard Features

- Easy to use dial knob style speed control.
- Variable speed results in near continuous chemical injection.
- Patented TFD (Tube Failure Detection) system protects against chemical spills from a worn out tube and activates an open collector alarm output.
- Range 5-100%.

Specifications

Max. working pressure	100 psig (6.9 bar) (models vary)
Max. fluid temperature	130° F (54° C)
Ambient temperature range	14° to 110° F / -10° to 43° C
Duty cycle	Continuous
Maximum viscosity	5,000 Centipoise
Maximum suction lift	30 ft. Water 0 psig
Injection fitting O-ring seals	FKM
Maximum Solids	50% by volume
Enclosure	Acceptable for outdoor use. NEMA 3R (IP23)
Power requirements	240V/50Hz
Product dimensions	160mm H x 254mm W x 235mm D

Wetted Parts

Pump Tube Assembly	Norprene , Tygothane or FKM tubing PVDF tube assembly connection fittings
Suction Tubing	Clear PVC
Suction Strainer	Natural Polypropylene
Discharge Tubing	Natural Polyethylene (LLDPE)

INJECTION/CHECK VALVE

Body & insert	Polypropylene (optional PVDF)
Check Ball	Ceramic
Spring	Hastelloy C-276
Ball Seat O-ring	TFE/P (optional EP)
Static Seal O-ring	FKM (optional EP)

Each Pump Comes With

Injector Fitting	Suction Strainer and Weight	Spare Pump Tube
Discharge Hose	Suction Hose	



FLEXFLO A-100NF SERIES MODELS

MODEL NUMBER	MAX. OUTPUT (L.P.H.)	MAX. PRESSURE (P.S.I.)	GEAR-BOX RPM	INLET / OUTLET TUBING
--------------	----------------------	------------------------	--------------	-----------------------

NEOPRENE ® HOSE MODELS

A1N08F-4T	0.36	100	14	3/8" O.D.
A1N18F-4T	0.78	100	30	3/8" O.D.
A1N38F-4T	1.50	75	60	3/8" O.D.
A1N18F-6T	2.52	100	30	3/8" O.D.
A1N38F-6T	4.74	75	60	3/8" O.D.
A1N18F-7T	8.28	50	30	3/8" O.D.
A1N38F-7T	15.00	50	60	3/8" O.D.

TYGOTHANE ® HOSE MODELS

A1N08F-1T	0.90	65	14	3/8" O.D.
A1N38F-1T	4.00	65	60	3/8" O.D.
A1N38F-2T	8.40	65	60	3/8" O.D.
A1N38F-3T	19.56	50	60	3/8" O.D.

VITON ® HOSE MODELS

A1N08F-5T	0.66	25	14	3/8" O.D.
A1N18F-5T	1.56	25	30	3/8" O.D.
A1N38F-5T	2.88	25	60	3/8" O.D.

NORPRENE CHEMICAL ® HOSE MODELS

A1N08F-8T	2.40	50	14	3/8" O.D.
A1N18F-8T	5.04	50	30	3/8" O.D.
A1N38F-8T	10.80	50	60	3/8" O.D.

Standard Features

- 1 amp alarm output relay switch.
- Compatible with Blue-White's Micro-Flow Verification sensor.
- Precise output control with digital touch and LCD display.
- Variable speed results in near continuous chemical injection.
- Accepts 4-20mA, 0-10Vdc, and Pulse inputs for external speed control.
- Easy to read Service and Alarm indicator icons on LCD display.
- Display motor speed or input signal values on the LCD display.
- Patented TFD (Tube Failure Detection) system protects against chemical spills from a worn out tube and activates an alarm output relay.
- Range 5-100%

Specifications

Max. working pressure	100 psig (6.9 bar) (models vary)
Max. fluid temperature	130° F (54° C)
Ambient temperature range	14° to 110° F/ -10° to 43° C
Duty cycle	Continuous
Maximum viscosity	5,000 Centipoise
Maximum suction lift	30 ft. Water 0 psig
Injection fitting O-ring seals	FKM
Maximum Solids	50% by volume
Enclosure	Acceptable for outdoor use. NEMA 3R (IP23)
Power requirements	240V/50Hz
Product dimensions	160mm H x 254mm W x 235mm D

Wetted Parts

Pump Tube Assembly	Norprene , Tygothane or FKM tubing PVDF tube assembly connection fittings
Suction Tubing	Clear PVC
Suction Strainer	Natural Polypropylene
Discharge Tubing	Natural Polyethylene (LLDPE)

INJECTION/CHECK VALVE

Body & insert	Polypropylene (optional PVDF)
Check Ball	Ceramic
Spring	Hastelloy C-276
Ball Seat O-ring	TFE/P (optional EP)
Static Seal O-ring	FKM (optional EP)

Each Pump Comes With

Injector Fitting	Suction Strainer and Weight	Spare Pump Tube
Discharge Hose	Suction Hose	



FLEXFLO A-100NV SERIES MODELS

MODEL NUMBER	MAX. OUTPUT (L.P.H.)	MAX. PRESSURE (P.S.I.)	GEAR-BOX RPM	INLET / OUTLET TUBING
NEOPRENE ® HOSE MODELS				
A1N08V-4T	0.36	100	14	3/8" O.D.
A1N18V-4T	0.78	100	30	3/8" O.D.
A1N38V-4T	1.50	75	60	3/8" O.D.
A1N18V-6T	2.52	100	30	3/8" O.D.
A1N38V-6T	4.74	75	60	3/8" O.D.
A1N18V-7T	8.28	50	30	3/8" O.D.
A1N38V-7T	15.00	50	60	3/8" O.D.
TYGOTHANE ® HOSE MODELS				
A1N08V-1T	0.90	65	14	3/8" O.D.
A1N38V-1T	4.00	65	60	3/8" O.D.
A1N38V-2T	8.40	65	60	3/8" O.D.
A1N38V-3T	19.56	50	60	3/8" O.D.
VITON ® HOSE MODELS				
A1N08V-5T	0.66	25	14	3/8" O.D.
A1N18V-5T	1.56	25	30	3/8" O.D.
A1N38V-5T	2.88	25	60	3/8" O.D.
NORPRENE CHEMICAL ® HOSE MODELS				
A1N08V-8T	2.40	50	14	3/8" O.D.
A1N18V-8T	5.04	50	30	3/8" O.D.
A1N38V-8T	10.80	50	60	3/8" O.D.

Pump Tube Assemblies

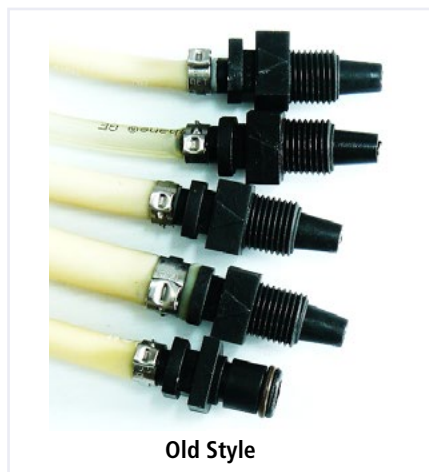
Classic Series Dosing Pump Range

IMPORTANT NOTICE
New Improved Tube-sets and pump head cover for A100N Pumps

How will this affect you?
The new style tube-sets have been released, coming standard with each pump. Existing tubing and pump head covers are now obsolete. Existing A100N pumps can be upgraded to take the new style tubing with an upgrade Kit. The upgrade Retro-fit Kit Model Number is 72000-550. Any questions - Contact Ascot Pumps

PUMP TUBE ASSEMBLIES

Old Part Number	New Part Number	Fits Pumps Ending With	Material	Fitting Type
A-002N-4T	A1-4T	-4T	NORPRENE ®	3/8" O.D.Tubenut
A-002N-6T	A1-6T	-6T	NORPRENE ®	3/8" O.D.Tubenut
A-002N-7T	A1-7T	-7T	NORPRENE ®	3/8" O.D.Tubenut
A-002N-4Q		-4Q	NORPRENE ®	Push on Quick Connect
A-002N-6Q		-6Q	NORPRENE ®	Push on Quick Connect
A-002N-5T	A1-5T	-5T	VITON ®	3/8" O.D.Tubenut
A-002N-1T	A1-1T	-1T	TYGOTHANE ®	3/8" O.D.Tubenut
A-002N -2T	A1-2T	-2T	TYGOTHANE ®	3/8" O.D.Tubenut
A-002N-3T	A1-3T	-3T	TYGOTHANE ®	3/8" O.D.Tubenut
A-002N-8T	A1-8T	-8T	NORPRENE CHEMICAL ®	3/8" O.D.Tubenut



Old Style



New Style

PUMP ROLLER ASSEMBLIES

Part number	Fits Pumps Ending With
71000-159	-4T, -4Q, -6T, 6Q
71000-350	-7T
71000-255	-5T, -8T



OTHER PARTS

Part number	Description
C-330-6	Tube Nut
A-014N-6A	Injection Fitting
90011-160	Pump head screws
71000-156	Pump Head cover



Diaphragm Metering Pump

Classic Series Dosing Pump Range

Features

- Easy access, side mounted mechanical output rate adjustment.
- Double-ball inlet and outlet cartridge type ceramic check valves.
- Superior pump head design of precision molded PVDF.
- PTFE coated EP diaphragm.
- All ball bearing, permanently lubricated gear motor for smooth, powerful operation.
- Efficient, dependable design - each unit is factory tested.

Specifications

Max. Working Pressure	125 psig (8.6 bar)
Max. Fluid Temperature	130° F (54° C)
Ambient temp range	14° to 110° F (-10° to 43° C)
Max. viscosity	1000 Centipoise
Max. suction lift	10 ft. Water
Output accuracy	+/- 10% of max. (water 0 psi, 5' suction lift)
Turndown ratio	27:1 Standard models
Amperage draw	230V/50Hz..... starting .31 / running .19
	12VDC3.0 amp max
Dimensions	6-1/2" H x 6-5/8" W x 5-3/8" D
Weight	3.6 kg

Wetted Parts

Pump Head	Natural PVDF
Valves	PVDF, Ceramic, Viton/Aflas
Diaphragms	Teflon Coated EP
Foot Valves	PVDF, Ceramic Weight, Viton, PP Filter
Injection Fitting	PP, Viton/Aflas, Santoprene Duck Bill and Hastelloy Spring
Suction Hose	Clear PVC
Discharge hose	Polyethylene
OTHER MATERIALS AVAILABLE	



CHEM-FEED C-600P SERIES

MODEL NUMBER	MAX. OUTPUT L.P.H. (@ 0 P.S.I.)	MAX. PRESSURE (P.S.I.)
C-630P-240VAC	1.92	125
C-645P-240VAC	2.90	80
C-660P-240VAC	6.25	60
C-6125P-240VAC	9.35	30
C-6250P-240VAC	14.15	10

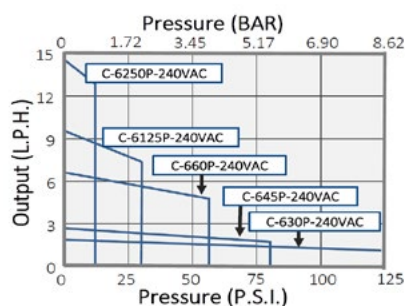
FEED C-600P-12VDC SERIES

MODEL NUMBER	MAX. OUTPUT L.P.H. (@ 0 P.S.I.)	MAX. PRESSURE (P.S.I.)
C-630P-12VDC	11.80	125
C-645P-12VDC	16.45	80
C-660P-12VDC	21.70	60
C-6125P-12VDC	46.20	30

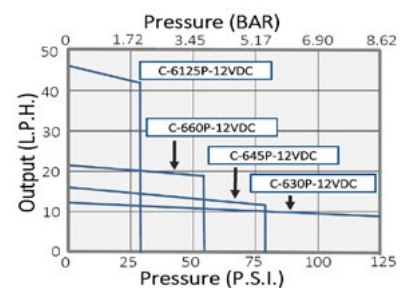
Each Pump Comes With

Injection Fitting	Foot Valve and Weight
Discharge Hose	Suction Filter

C-600P Series Pressure to Output Curve 230VAC 50HZ



C-600P Series Pressure to Output Curve 12VDC



Diaphragm Metering Pump

Classic Series Dosing Pump Range

Features

- Acrylic pump head.
- 1/2" ID barbed tubing connections.
- Easy access, side mounted mechanical output rate adjustment.

Specifications

Max. Working Pressure	20 psig (1.4 bar)
Max. Fluid Temperature	130° F (54° C)
Ambient temp range	14° to 110° F (-10° to 43° C)
Max. viscosity	1000 Centipoise
Max. suction lift	10 ft. Water
Output accuracy	+/- 10% of max. (water 0 psi, 5' suction lift)
Turndown ratio	27:1 Standard models
Amperage draw	230V/50Hz..... starting .31 / running .19
Dimensions	7" H x 6-3/4" W x 6-1/8" D
Weight	3.6 kg

Wetted Parts

Pump Head	Acrylic
Valves	PVC,Hastelloy,EP
Diaphragms	EP
Inlet Strainer	PVC
Injection Fitting	PVC
Suction Hose	Clear PVC
Discharge hose	Clear PVC
OTHER MATERIALS AVAILABLE	

Each Pump Comes With

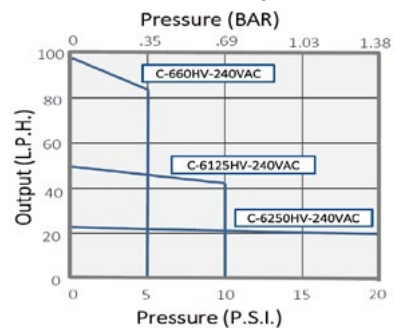
Injection Fitting	Foot Valve and Weight
Discharge Hose	Suction Filter



CHEM-FEED C-600P SERIES

MODEL NUMBER	MAX. OUTPUT L.P.H. (@ 0 P.S.I.)	MAX. PRESSURE (P.S.I.)
C-660HV-240VAC	23.6	20
C-6125HV-240VAC	50	10
C-6250HV-240VAC	99.60	5

C-600HV Series Pressure to Output Curve



Diaphragm Metering Pump

Classic Series Dosing Pump Range

Features

- Superior PVDF pump head design.
- PVDF valve body and fitting, ceramic balls, FKM and TFE/P o-rings.
- PTFE coated EP diaphragm.
- High accuracy mechanical stroke length control.
- All ball bearing, permanently lubricated gear motor for smooth, powerful operation.

Specifications

Max. Working Pressure	125 psig (8.6 bar)
Max. Fluid Temperature	130° F (54° C)
Ambient temp range	14° to 110° F (-10° to 43° C)
Max. viscosity	1000 Centipoise
Max. suction lift	10 ft. Water
Output accuracy	+/- 10% of max. (water 0 psi, 5' suction lift)
Turndown ratio	20:1 Standard models
Enclosure	Acceptable for outdoor use. NEMA 3R (IP23)
Amperage draw	230V/50Hz..... starting .31 / running .19
Dimensions	9-1/2" H x 4-1/2" W x 5-3/4" D
Weight	3.6 kg



Wetted Parts

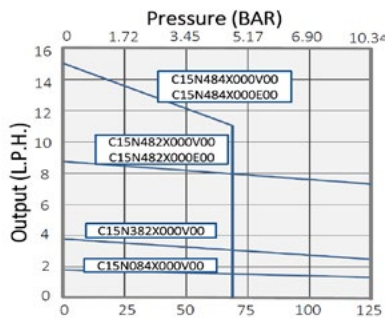
Pump Head	Natural PVDF
Valves	PVDF, Ceramic, Viton/Aflas
Diaphragms	Teflon Coated EP
Foot Valves	PVDF, Ceramic Weight, Viton, PP Filter
Injection Fitting	PP, Viton/Aflas, Santoprene Duck Bill and Hastelloy Spring
Suction Hose	Clear PVC
Discharge hose	Polyethylene
Flow Indicator	Acrylic, Glass

OTHER MATERIALS AVAILABLE

Each Pump Comes With

Injection Fitting	Foot Valve and Weight
Discharge Hose	Suction Filter
Wall Bracket	Flow Indicator

C-1500N Series Pressure to Output Curve



CHEM-FEED C150+140:M460N SERIES

MODEL NUMBER	MAX. OUTPUT L.P.H. (@ 0 P.S.I.)	MAX. PRESSURE (P.S.I.)	GEARBOX RPM	CAM STROKE LENGTH
WITH VITON /AFLAS ELASTOMERS				
C15N084X000V00	1.50	125	14	0.1" OFFSET
C15N382X000V00	3.78	125	60	0.55" OFFSET
C15N482X000V00	8.7	125	125	0.55" OFFSET
C15N484X000V00	15.1	70	125	0.1" OFFSET
WITH ETHYLENE/PROPYLENE ELASTOMERS				
C15N482X000E00	8.7	125	125	0.55" OFFSET
C15N484 X000E00	15.1	70	125	0.1" OFFSET

Diaphragm Metering Pump

Classic Series Dosing Pump Range

Features

- Double Head design.
- Superior PVDF pump head design.
- PVDF valve body and fitting, ceramic balls, FKM and TFE/P o-rings.
- PTFE coated EP diaphragm.
- High accuracy mechanical stroke length control.
- All ball bearing, permanently lubricated gear motor for smooth, powerful operation.



Specifications

Max. Working Pressure	125 psig (8.6 bar)
Max. Fluid Temperature	130° F (54° C)
Ambient temp range	14° to 110° F (-10° to 43° C)
Max. viscosity	1000 Centipoise
Max. suction lift	10 ft. Water
Output accuracy	+/- 10% of max. (water 0 psi, 5' suction lift)
Turndown ratio	20:1 Standard models
Enclosure	Acceptable for outdoor use. NEMA 3R (IP23)
Amperage draw	230V/50Hz..... starting .31 / running .19
Dimensions	9-1/2" H x 7-1/2" W x 4" D
Weight	5.0 kg

Wetted Parts

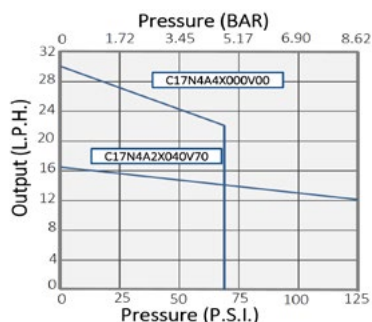
Pump Head	Natural PVDF
Valves	PVDF, Ceramic, Viton/Aflas
Diaphragms	Teflon Coated EP
Foot Valves	PVDF, Ceramic Weight, Viton, PP Filter
Injection Fitting	PP, Viton/Aflas, Santoprene Duck Bill and Hastelloy Spring
Suction Hose	Clear PVC
Discharge hose	Polyethylene
Flow Indicator	Acrylic, Glass

OTHER MATERIALS AVAILABLE

Each Pump Comes With

Injection Fitting	Suction Hose
Foot Valve And Weight	Wall Bracket
Discharge Hose	Flow Indicator
Suction Filter	

C-1700N Series Pressure to Output Curve (Combined Pump Heads)



CHEM-FEED CI50+I40:M460N SERIES

MODEL NUMBER	MAX. OUTPUT L.P.H. (@ 0 P.S.I.)	MAX. PRESSURE (P.S.I.)	GEARBOX RPM	CAM STROKE LENGTH
C17N4A2X000V00	17.1	125	125	0.55" OFFSET
C17N4A4X040V70	30.5	70	125	0.1" OFFSET

Diaphragm Metering Pump

Classic Series Dosing Pump Range

Features

- Superior PVDF pump head design.
- PVDF valve body and fitting, ceramic balls, FKM and TFE/P o-rings.
- High accuracy mechanical stroke length control.
- All ball bearing, permanently lubricated gear motor for smooth, powerful operation.
- Efficient, dependable design - each unit is factory tested.

Specifications

Max. Working Pressure	150 psig (10.3bar)
Max. Fluid Temperature	130° F (54° C)
Ambient temp range	14° to 110° F (-10° to 43° C)
Max. viscosity	1000 Centipoise
Max. suction lift	10 ft. Water
Output accuracy	1% of max. (water 0 psi, 5' suction lift)
Turndown ratio	20:1 Standard models
Enclosure	Acceptable for outdoor use. NEMA 3R (IP23)
Amperage draw	230V/50Hz..... starting .49/ running .34
Dimensions	6-1/4" H x 10" W x 9-1/4" D
Weight	4.2 kg

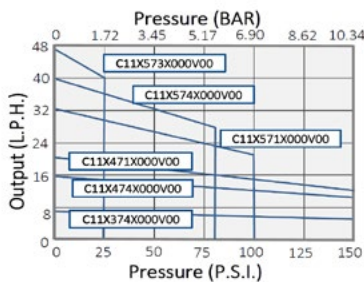


Wetted Parts

Pump Head	Natural PVDF
Valves	PVDF, Ceramic, Viton/Aflas
Diaphragms	Teflon Coated EP
Foot Valves	PVDF, Ceramic Weight, Viton, PP Filter
Injection Fitting	PP, Viton/Aflas, Santoprene Duck Bill and Hastelloy Spring
Suction Hose	Clear PVC
Discharge hose	Polyethylene
Flow Indicator	Acrylic, Glass

OTHER MATERIALS AVAILABLE

C-1100N Series Pressure to Output Curve



Each Pump Comes With

Injection Fitting	Discharge Hose
Foot Valve And Weight	Flow Indicator
Suction Strainer	Suction Hose

CHEM-FEED C150+140:M460N SERIES

MODEL NUMBER	MAX. OUTPUT L.P.H. (@ 0 P.S.I.)	MAX. PRESSURE (P.S.I.)	GEARBOX RPM	CAM STROKE LENGTH
C11X374X000V00	7.30	150	60	0.1 " Offset
C11X474X000V00	15.10	150	125	0.1 " Offset
C11X471X000V00	19.70	150	125	0.125 " Offset
C11X574X000V00	33.00	100	250	0.1 " Offset
C11X571X000V00	38.50	80	250	0.125 " Offset
C11X573X000V00	45.50	25	250	0.187 " Offset

Common Chem-Feed Parts

Classic Series Dosing Pump Range

Common Pump Head Parts

Pump Model Series	Diaphragms	Check Valves	Check Adapters
C-600P	C-406T	K-568A-2	C-560-6V
C-600HV	C-3106NT	K-568A-2	C-560-6V
C-1500N	C-406T-15N	K-568A-2	C-560-6V
C-1500N (EPDM)	C-406T-15N	K-568E-2	C-560-6V
C-1700N	C-406T-15N	K-568A-2	C-560-6V
C-1100	C-406T-15N	K-568A-2	C-560-6V

Injection Fittings and Foot Valves

Pump Model Series	Injection Fitting	Footvalve
C-600P	C-395N-6A	C-340A
C-600HV	C-3395-10	C-3393-10
C-1500N	C-395N-6A	C-340A
C-1500N (EPDM)	C-395N-6E	C-340E
C-1700N	C-395N-6A	C-340A
C-1100	C-395N-6A	C-340A

Other Parts

Part Number	Description
C-330-6	Tube Nut
92000-191	Pump Control Cover
C-342-6	Ceramic suction wieght



Variable Area Flow Meter

Classic Series Flow Meter Range

Features

- Tough Polysulfone meter body resists hightemperatures and pressures.
- Compact size for tight installation spaces.
- 2" scale length (approximate).
- Adjustable set point Indicator.
- Direct reading permanent scale.
- In-line or Panel mount configurations available.
- Optional integral flow adjustment valve.
- (Optional K-series Hastelloy C-276).
- Not recommended for direct sunlight.

Specifications

Max. Working Pressure	175 psig (12.0 bar) @ 70° F (21° C)
Max. Fluid Temperature	212° F (100° C) @ 0 PSI
Full scale accuracy	+/- 4%
Approximate shipping wt	0.23 KG

Wetted Parts

Meter body material	Polysulfone
Adapter material	Polysulfone
O-ring seals.	Viton (optional EPDM)
Guide Rod	316 SS
Float	316 SS
K SERIES - FOR HIGHLY CORROSIVE APPLICATIONS:	
Guide Rod	Hastelloy
Float	PVDF,PTFE or Hastelloy



F-440 SERIES FLOW METERS

In-Line Model Number	Panel Mount Model Number	Adjustable Panel Mount Model Number	Flow Rates (L/Min)	Inlet / Outlet
F-44250L-8	F-44250LE-8	F-44250LA-8	0.1 to 1.0	1/2" M/NPT
F-44375L-8	F-44375LE-8	F-44375LA-8	0.4 to 4.0	1/2" M/NPT
F-44376L-8	F-44376LE-8	F-44376LA-8	0.8 to 8.0	1/2" M/NPT
F-44500L-8	F-44500LE-8	F-44500LA-8	1.8 to 18.0	1/2" M/NPT
F-44750L-8	F-44750LE-8	F-44750LA-8	5.0 to 37.5	1/2" M/NPT
F-44750L-12	F-44750LE-12	F-44750LA-12	5.0 to 37.5	3/4" M/NPT

Variable Area Flow Meter

Classic Series Flow Meter Range

Features

- Durable, highly polished, one piece meter body.
- Bulkhead nuts attach directly to inside panel.
- Separate mounting screws are not required.
- Adjustable Flow Control Valve (F-550A only).
- Acceptable in direct sunlight applications.
- White back reflecter for easy reading.

Specifications

Max. Working Pressure	250 psig/17.2 Bar @70° F/21° C
Max. Fluid Temperature	200° F/93° C @ 0 pressure
Full scale accuracy	+/- 5%
Approximate shipping wt	0.91 KG

Wetted Parts

Meter body material	Machine Acrylic
Adapter material	Polypropylene
O-ring seals.	Viton (optional EPDM)
Guide Rod	316 SS
Float	316 SS



F-550 SERIES FLOW METERS

Panel Mount Model Number	Adjustable Panel Mount Model Number	Flow Rates (L/Min)	Inlet / Outlet
F-55375L	F-55375LA	0.4 to 4.0	3/8" M/NPT
F-55376L	F-55376LA	0.75 to 7.5	3/8" M/NPT
F-55500L	F-55500LA	0.2 to 20.0	1/2" M/NPT
F-55750L	F-55750LA	4.0 to 40.0	3/4" M/NPT
F-55015L	F-55015LA	6.0 to 60.0	1" M/NPT
F-55200L	F-55200LA	57.5 to 75	1" M/NPT

Variable Area Flow Meter

Classic Series Flow Meter Range

Features

- Tough machined acrylic meter body, highly polished to a clear finish.
- Direct reading permanent scale.
- White back reflector for easy reading.
- Sturdy adapters with high grade FKM o-ring seals.
- Acceptable in direct sunlight applications.

Specifications

Max. Working Pressure	130 psig (8.9 bar) @ 70° F (21° C)
Max. Fluid Temperature	130° F (54° C) @ 0 PSI
Full scale accuracy	+/- 5%
Approximate shipping wt	0.91 KG

Wetted Parts

Meter body material	Machine Acrylic
Adapter material	PVC (PP Optional)
O-ring seals.	Viton (optional EPDM)
Guide Rod	316 SS
Float	316 SS
K SERIES - FOR HIGHLY CORROSIVE APPLICATIONS:	
Guide Rod	Hastelloy
Float	PVDF, PTFE or Hastelloy



F-420 SERIES FLOW METERS

Model Number	Flow Rates (L/Min)	Inlet/Outlet
F-42025LN	20 to 100	1-1/2" M/NPT
F-42040LN	30 to 150	1-1/2" M/NPT
F-42050LN	40 to 200	1-1/2" M/NPT

F-420 K-SERIES FLOW METERS

Model Number	Flow Rates (L/Min)	Inlet/Outlet
F-42025LK	20 to 100	1-1/2" M/NPT
F-42040LK	30 to 150	1-1/2" M/NPT
F-42050LK	40 to 200	1-1/2" M/NPT

Paddlewheel Verification Sensor

Classic Series Flow Meter Range

Features

- Installs directly on Blue-White metering pumps.
- Easy, three-wire connection made in the pump's junction box.
- No special connectors to buy.
- No calibration required.
- Detect a clogged injector.
- Detect an empty chemical supply tank.
- Detect a lost prime condition.
- Six flow ranges available.

Specifications

Max. Working Pressure	130 psi/8.9 Bar @ 21°C (10 Bar - PVDF)
Max. Fluid Temperature	54°C @ 0 Psi (93°C @ 0 PSI -PVDF)
Full Scale Accuracy	+/- 6%
Approx. Weight	0.45 Kg

Wetted Parts

Body, Paddle, Axle Material	PVDF
Connector Material	PVDF
Viewing Lens	PVC (PVDF Available)
O-Ring Seals	Viton
Compression seal to pump	PVC



MICRO FLO VERIFICATION SENSOR

PVC Lens cap model Number	PVDF Lens cap Model Number	Flow Rate (mls Per Min)
FV-100-6V	FV-101-6V	30-300
FV-200-6V	FV-201-6V	100-1000
FV-300-6V	FV-301-6V	200-2000
FV-400-6V	FV-401-6V	300-3000
FV-500-6V	FV-501-6V	500-5000
FV-600-6V	FV-601-6V	700-7000

Paddlewheel Flow Meter

Classic Series Flow Meter Range

Features

- 3 Model Variations.
- Displays both rate of flow and total accumulated flow.
- Digital pulse output (2 wire).
- Open collector output alarm setpoint.
- User selectable or custom programmable scale factors.
- Volumetric field calibration programming system.
- Total reset function can be disabled.
- Clear PVC viewing lens or PVDF chemical resistant lens.
- Weather resistant Valox® PBT enclosure. NEMA 4X.
- LCD is not recommended for direct sunlight applications.

Specifications

Max. Working Pressure	130 psi/8.9 Bar @ 21°C (10 Bar - PVDF)
Max. Fluid Temperature	54°C @ 0 Psi (93°C @ 0 PSI -PVDF)
Full Scale Accuracy	+/- 6%
Approx. Weight	0.45 Kg

Wetted Parts

Body, Paddle, Axle Material	PVDF
Connector Material	PVDF
Viewing Lens	PVC (PVDF Available)
O-Ring Seals	Viton
Compression seal to pump	PVC

Model Variations

FS	Flow rate and Totalizing. On-sensor mounting
FP	Flow rate and Totalizing. Remote panel mounting
FA	" Analog Output, Flow rate and Totalizing.



MICRO-FLO SERIES MODELS

FS Variation Model Number	FP variation Model Number	FA Variation Model Number	Flow Rates (mL/min)	Inlet/Outlet Tube Connectors
FS-100-6V	FP-100-6V	FA-100-6V	30 to 300	3/8" O.D.
FS-200-6V	FP-200-6V	FA-200-6V	100 to 1000	3/8" O.D.
FS-300-6V	FP-300-6V	FA-300-6V	200 to 2000	3/8" O.D.
FS-400-6V	FP-400-6V	FA-400-6V	300 to 3000	3/8" O.D.
FS-500-6V	FP-500-6V	FA-500-6V	500 to 5000	3/8" O.D.
FS-600-6V	FP-600-6V	FA-600-6V	700 to 7000	3/8" O.D.

Paddlewheel Flow Meter

Classic Series Flow Meter Range

Features

- Easy to read 6 digit LCD, up to 4 decimal positions.
- Tamper proof.
- Battery operated (2 AAA batteries included).
- 3 model variations
- Total reset function can be disabled.
- Display update time: Rate 1.5 sec., Total 0.5 sec.
- Factory calibrated - nothing to program.
- Custom calibration units available. Contact the factory.
- Weather resistant ABS enclosure. NEMA 4X.
- LCD is not recommended for direct sunlight applications.



Specifications

Max. Working Pressure	300 psig (20 bar) @ 70° F (21° C)
Max. Fluid Temperature	200° F (93° C) @ 0 PSI
Full scale accuracy	+/- 2%
Approximate shipping wt	0.91 KG
Max Pressure Drop	8 psi (varies per model)

Note: Maximum continuous flow should not occur in the upper 25% of the flow range.

Wetted Parts

Meter Body Material	PolyPro or PVDF
Sensor/Paddle/Axle material	PVDF
O-ring seals.	Viton (optional EPDM)

Model Variations

RB	Rate Only
TB	Total Only
RT	Rate & Totaliser

Other Body Types Available

- Saddle mount
- Inline Injection moulded PVDF
- Inline Machined PP/PVC with Unions
- + More



F-1000 SERIES MOULDED PP INLINE BODY

RB Model	TB Model	RT Model	Flow Range (LPM)	BSP thread size
RB-375MB-LPM1	TB-375MB-LPM1	RT-375MB-LPM1	3 to 30	3/8"
RB-375MB-LPM2	TB-375MB-LPM2	RT-375MB-LPM2	1 to 10	3/8"
RB-500MB-LPM1	TB-500MB-LPM1	RT-500MB-LPM1	7 to 70	1/2"
RB-500MB-LPM2	TB-500MB-LPM2	RT-500MB-LPM2	2 to 20	1/2"
RB-750MB-LPM1	TB-750MB-LPM1	RT-750MB-LPM1	11 to 110	3/4"
RB-750MB-LPM2	TB-750MB-LPM2	RT-750MB-LPM2	3 to 30	3/4"
RB-100MB-LPM1	TB-100MB-LPM1	RT-100MB-LPM1	20 to 200	1"
RB-100MB-LPM2	TB-100MB-LPM2	RT-100MB-LPM2	7 to 70	1"
RB-150MB-LPM1	TB-150MB-LPM1	RT-150MB-LPM1	15 to 150	1-1/2"
RB-150MB-LPM2	TB-150MB-LPM2	RT-150MB-LPM2	25 to 250	1-1/2"
RB-150MB-LPM3	TB-150MB-LPM3	RT-150MB-LPM3	40 to 400	1-1/2"
RB-200MB-LPM1	TB-200MB-LPM1	RT-200MB-LPM1	15 to 150	2"
RB-200MB-LPM2	TB-200MB-LPM2	RT-200MB-LPM2	25 to 250	2"
RB-200MB-LPM3	TB-200MB-LPM3	RT-200MB-LPM3	40 to 400	2"
RB-200MB-LPM4	TB-200MB-LPM4	RT-200MB-LPM4	75 to 750	2"

Paddlewheel Flow Meter

Classic Series Flow Meter Range

Features

- Easy to read 8 digit LCD, up to 4 decimal positions
- Flow rate and Total flow display
- AC/DC transformer or battery operated (RT models only). 4 AA batteries
- Factory programmed with calibration certificate
- Field programmable via front panel touch pad
- Front panel security lockout
- Total reset function can be disabled
- Weather resistant ABS enclosure. NEMA 4X
- Panel mounting option available

Specifications

Max. Working Pressure	300 psig (20 bar) @ 70° F (21° C)
Max. Fluid Temperature	200° F (93° C) @ 0 PSI
Full scale accuracy	+/- 1%
Approximate shipping wt	1.8 KG
Max Pressure Drop	8 psi (varies per model)

Note: Maximum continuous flow should not occur in the upper 25% of the flow range. LCD is not recommended for direct sunlight applications.

Model Function Variations

RT	Rate and Totalizer. Transformer or battery operated.
AO	4-20mA, 0-10 VDC analog output, flow rate & totalizer. Transformer operated.
PC	Batch processing, flow rate alarm, proportional chemical metering, flow rate and totalizer. Transformer operated.
AP	Analog output, batch processing, flow rate alarm, proportional chemical metering, flow rate and totalizer. Transformer operated.

Wetted Parts

- Meter Body Material
- Sensor/Paddle/Axle material
- O-ring seals.
- PolyPro or PVDF
- PVDF
- Viton (optional EPDM)



Other Body Types Options

Saddle mount	SS. TEE
Inline Machined PP/PVC with Unions	Inline Injection moulded PVDF
+ More	

Other Display Mounting Options

- Panel Mount Meter, AC Coil sensor 200ft range
- Sensor only
- + More



F-2000 SERIES MOULDED PP INLINE BODY - METER MOUNTED

RT Model	AO Model	PC Model	AP Model	Flow Range (LPM)	BSP thread size
RTSX38MB1LM1	AOSX38MB1LM1	PCSX38MB1LM1	APSX38MB1LM1	3 to 30	3/8"
RTSX38MB2LM2	AOSX38MB2LM2	PCSX38MB2LM2	APSX38MB2LM2	1 to 10	3/8"
RTSX50MB1LM1	AOSX50MB1LM1	PCSX50MB1LM1	APSX50MB1LM1	7 to 70	1/2"
RTSX50MB2LM2	AOSX50MB2LM2	PCSX50MB2LM2	APSX50MB2LM2	2 to 20	1/2"
RTSX75MB1LM1	AOSX75MB1LM1	PCSX75MB1LM1	APSX75MB1LM1	11 to 110	3/4"
RTSX75MB2LM2	AOSX75MB2LM2	PCSX75MB2LM2	APSX75MB2LM2	3 to 30	3/4"
RTSX10MB1LM1	AOSX10MB1LM1	PCSX10MB1LM1	APSX10MB1LM1	20 to 200	1"
RTSX10MB2LM2	AOSX10MB2LM2	PCSX10MB2LM2	APSX10MB2LM2	7 to 70	1"
RTSX15MB1LM1	AOSX15MB1LM1	PCSX15MB1LM1	APSX15MB1LM1	15 to 150	1-1/2"
RTSX15MB2LM2	AOSX15MB2LM2	PCSX15MB2LM2	APSX15MB2LM2	25 to 250	1-1/2"
RTSX15MB3LM3	AOSX15MB3LM3	PCSX15MB3LM3	APSX15MB3LM3	40 to 400	1-1/2"
RTSX20MB1LM1	AOSX20MB1LM1	PCSX20MB1LM1	APSX20MB1LM1	15 to 150	2"
RTSX20MB2LM2	AOSX20MB2LM2	PCSX20MB2LM2	APSX20MB2LM2	25 to 250	2"
RTSX20MB3LM3	AOSX20MB3LM3	PCSX20MB3LM3	APSX20MB3LM3	40 to 400	2"
RTS120MB4LM4	AOSX20MB4LM4	PCSX20MB4LM4	APSX20MB4LM4	70 to 700	2"



Features

- 240VAC Rated
- Max. 4 Amp. Continuous Duty
- Replaceable Fuse
- Industry Proven Power Filter

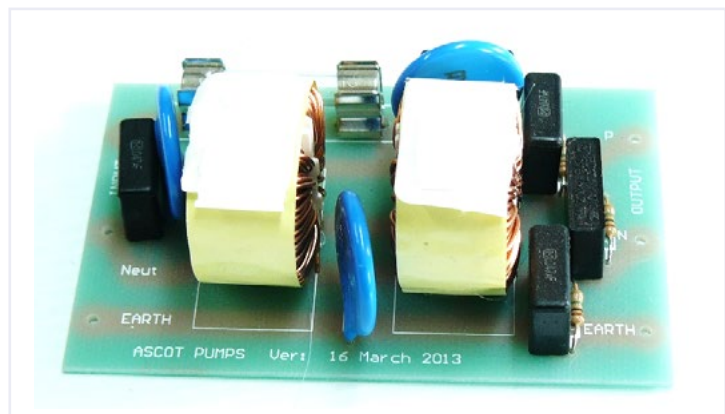


PF -10 Model Variations

PF -10	Power Filter 240
IP66 enclosure Power Filter	Please contact ascot pumps
PCB Module power Filter	Please contact ascot pumps

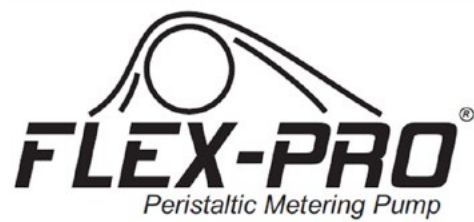
Recommended for the following Pumps

- A100N E Series
- A100N F Series
- A100N V Series
- Flex-Pro A2 Range
- Flex-Pro A3 Range
- Flex-Pro A4 Range
- Chem-Pro C2 Range
- Chem-Pro C3 Range

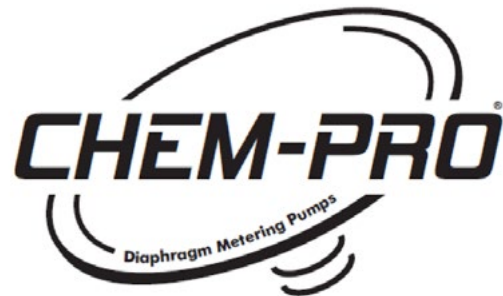


ProSeries[®] **by Blue-White[®] Ind.**

Range



Peristaltic Pumps



Diaphragm Pumps

CHEM-FEED

Engineered Skid Systems

SONIC-PRO

Ultrasonic Flow Meters

Basic Control Peristaltic Pump

Pro-Series Dosing Pump Range

Features

- Manual pump speed control
- Prime Button
- Rotor reverse
- Tube failure dection (TFD)
- Tube life timer Displays % motor speed and RPM
- Flow verification sensor compatible
- Colour LCD (RGB multicolour)
- Remote start/stop
- Output Adjustment 100:1 (1.3 to 130 RPM)

Specifications

Max. Working Pressure (Excluding Pump tubes)	125 PSIG (8.6 Bar)- See individual tube Assemblies
Max. Fluid temperature (Excluding Pump tubes)	3/8" OD x1/4 ID Tubing: 54°C M/NPT Conections: 85°C Note: Check individual Pump tube assemblies ratings
Max. Viscosity	12,000 Centipoise
Max. Suction Lift	10 M (14.7 PSI)
Ambient Operating Temperature	-10°C to 46°C
Ambient Storage Temperature	-40°C to 70°C
Operating Voltage	240VAC (1.0 Amp Max.)
Motor	Brushed DC, 1.8 H.P.
Duty Cycle	Continuous
Motor Speed Adjustment range	1.0%-100% motor speed (1.3 to 130RPM)
Motor Speed Adjustment resolution	0.1% Increments
Display	Backlit LCD, UV resistant
Keypad	Eight Button positive action tactile switch type
Enclosure	NEMA 4X (IP66) Polyester Coated aluminium.
Dimensions	190mm W x 260mm H x 356mm D
Shipping Weight	15.9 KG
Dimensions	206mm W x 273mm H x 389mm D
Shipping Weight	15.0 KG

Comes with

- Injector Fitting Valve
- Suction Strainer
- Spare Pump Tube Assembly
- Discharge Hose
- Suction Hose



Wetted Parts

PUMP TUBE ASSEMBLY

Tubing	Norprene®, Norprene® Low Pressure, Norprene Chemical®, Tygothane® or Flex-A-Prene®
Adapter Fittings	PVDF
INJECTION/ BACK-FLOW CHECK VALVE	
Body & Insert	PVDF
Check Ball	Ceramic
Spring	Hastelloy C-276
Ball Seat O-Ring	Viton (EPDM Optional)
Static Seal O-Ring	Viton (EPDM Optional)
Duckbill anti-scale Valve	Santoprene

FLEX-PRO A2F MODELS

Model Number	MAX OUTPUT (LTRS/ HR)	MAX PRESSURE (P.S.I/Bar)	Tube Connections*
NORPRENE® TUBE MODELS			
A2F28-MND	6.50	125/8.6	1/2" Male NPT
FLEX-A-PRENE® TUBE MODELS			
A2F28-MNEE	16.90	110/7.6	1/2" Male NPT
A2F28-MNGG	65.10	110/7.7	1/2" Male NPT
NORPRENE® CHEMICAL TUBE MODELS			
A2F28-MTH	56.20	50/3.4	1/2" Male NPT
TYGOTHANE® HOSE MODELS			
A2F28-MGE	15.20	65/4.5	1/2" Male NPT
A2F28-MGG	35.20	65/4.6	1/2" Male NPT

* Other Tube Options available Including 3/8" OD Tube Nut, quick Disconnect, 1/2"-3/4" sanitary Fitting. (Contact Ascot Pumps about these options).

Deluxe Control Peristaltic Pump

Pro-Series Dosing Pump Range

Features

- Manual pump speed control
- Tube failure detection (TFD)
- Prime Button
- Rotor reverse
- Tube life timer Displays % motor speed and RPM
- Flow verification sensor compatible
- Colour LCD (RGB multicolour)
- Remote start/stop
- Output Adjustment 100:1 (1.3 to 130 RPM)
- Inputs (Fully Configurable):
4-20mA, 0-10 VDC, High Speed Pulsed, Low Speed Pulsed
- Outputs 3 Amp relay
- Batch Dispensing

Specifications

Max. Working Pressure (Excluding Pump tubes)	125 PSIG (8.6 Bar)- See individual tube Assemblies
Max. Fluid temperature (Excluding Pump tubes)	3/8" OD x 1/4 ID Tubing: 54°C M/NPT Connections: 85°C Note: Check individual Pump tube assemblies ratings
Max. Viscosity	12,000 Centipoise
Max. Suction Lift	10 M (14.7 PSI)
Ambient Operating Temperature	-10°C to 46°C
Ambient Storage Temperature	-40°C to 70°C
Operating Voltage	240VAC (1.0 Amp Max.)
Motor	Brushed DC, 1.8 H.P.
Duty Cycle	Continuous
Motor Speed Adjustment range	1.0%-100% motor speed (1.3 to 130RPM)
Motor Speed Adjustment resolution	0.1% Increments
Display	Backlit LCD, UV resistant
Keypad	Eight Button positive action tactile switch type
Enclosure	NEMA 4X (IP66) Polyester Coated aluminium.
Dimensions	190mm W x 260mm H x 356mm D
Shipping Weight	15.9 KG
Dimensions	206mm W x 273mm H x 389mm D
Shipping Weight	15.0 KG

Comes with

- Injector Fitting Valve
- Suction Strainer
- Spare Pump Tube Assembly
- Discharge Hose
- Suction Hose



Wetted Parts

PUMP TUBE ASSEMBLY	
Tubing	Norprene®, Norprene® Low Pressure, Norprene Chemical®, Tygothane® or Flex-A-Prene®
Adapter Fittings	PVDF
INJECTION/ BACK-FLOW CHECK VALVE	
Body & Insert	PVDF
Check Ball	Ceramic
Spring	Hastelloy C-276
Ball Seat O-Ring	Viton (EPDM Optional)
Static Seal O-Ring	Viton (EPDM Optional)
Duckbill anti-scale Valve	Santoprene

FLEX-PRO A2V MODELS

Model Number	MAX OUTPUT (LTRS/ HR)	MAX PRESSURE (P.S.I/Bar)	Tube Connections*
NORPRENE® TUBE MODELS			
A2V28-MND	6.50	125/8.6	1/2" Male NPT
FLEX-A-PRENE® TUBE MODELS			
A2V28-MNEE	16.90	110/7.6	1/2" Male NPT
A2V28-MNGG	65.10	110/7.7	1/2" Male NPT
NORPRENE® CHEMICAL TUBE MODELS			
A2V28-MTH	56.20	50/3.4	1/2" Male NPT
TYGOTHANE® HOSE MODELS			
A2v28-MGE	15.20	65/4.5	1/2" Male NPT
A2V28-MGG	35.20	65/4.6	1/2" Male NPT

* Other Tube Options available Including 3/8" OD Tube Nut, quick Disconnect, 1/2"-3/4" sanitary Fitting. (Contact Ascot Pumps about these options).

Basic Control Peristaltic Pump

Pro-Series Dosing Pump Range

Features

Manual pump speed control
 Tube failure dection (TFD)
 Prime Button
 Rotor reverse
 Displays % motor speed and RPM
 Output 6 amp Relay
 Flow verification sensor compatible
 Colour LCD (RGB multicolour)
 Remote start/stop
 Output Adjustment 2500:1 (0.05 to 125 RPM)

Specifications

Max. Working Pressure (Excluding Pump tubes)	125 PSIG (8.6 Bar)- See individual tube Assemblies
Max. Fluid temperature (Excluding Pump tubes)	3/8" OD x1/4 ID Tubing: 54°C M/NPT Conections: 85°C Note: Check individual Pump tube assemblies ratings
Max. Viscosity	12,000 Centipoise
Max. Suction Lift	10 M (14.7 PSI)
Ambient Operating Temperature	-10°C to 46°C
Ambient Storage Temperature	-40°C to 70°C
Operating Voltage	240VAC (220W)
Motor	Brushless DC
Duty Cycle	Continuous
Motor Speed Adjustment range	0.04%-100% motor speed
Motor Speed Adjustment resolution	0.1% Increments > 10%
	0.01% Increments > 1%
	0.001% Increments < 1%
Display	Backlit LCD, UV resistant
Keypad	Ten Button positive action tactile switch type
Enclosure	NEMA 4X (IP66) Polyester Coated aluminium.
Dimensions	206mm W x 273mm H x 389mm D
Shipping Weight	15.0 KG
Security	Programmable 4-digit Password

Comes with

Injector Fitting Valve
 Suction Strainer
 Spare Pump Tube Assembly



Wetted Parts

PUMP TUBE ASSEMBLY	
Tubing	Norprene®, Norprene® Low Pressure, Norprene Chemical®, Tygothane® or Flex-A-Prene®
Adapter Fittings	PVDF
INJECTION/ BACK-FLOW CHECK VALVE	
Body & Insert	PVDF
Check Ball	Ceramic
Spring	Hastelloy C-276
Ball Seat O-Ring	Viton (EPDM Optional)
Static Seal O-Ring	Viton (EPDM Optional)
Duckbill anti-scale Valve	Santoprene

FLEX-PRO A3F MODELS

Model Number	MAX OUTPUT (LTRS/ HR)	MAX PRESSURE (P.S.I/Bar)	Tube Connections*
NORPRENE® TUBE MODELS			
A3F28-MND	7.80	125/8.6	1/2" Male NPT
A3F28-MNJ	96.00	125/8.6	1/2" Male NPT
A3F28-MNK	126.00	125/8.6	1/2" Male NPT
NORPRENE® LOW PRESSURE TUBE MODELS			
A3F28-MNKL	126.00	30/2.1	1/2" Male NPT
FLEX-A-PRENE® TUBE MODELS			
A3F28-MNEE	18.00	110/7.6	1/2" Male NPT
A3F28-MNGG	72.00	110/7.7	1/2" Male NPT
NORPRENE® CHEMICAL TUBE MODELS			
A3F28-MTH	55.10	50/3.4	1/2" Male NPT
A3F28-MTK	108.00	50/3.5	1/2" Male NPT
TYGOTHANE® HOSE MODELS			
A3F28-MGE	17.40	65/4.5	1/2" Male NPT
A3F28-MGG	38.40	65/4.6	1/2" Male NPT
A3F28-MGH	94.20	65/4.7	1/2" Male NPT
A3F28-MGK	108.00	65/4.8	1/2" Male NPT

* Other Tube Options available Including 3/8" OD Tube Nut, quick Disconnect, 1/2"-3/4" sanitary Fitting. (Contact Ascot Pumps about these options).

Deluxe Control Peristaltic Pump

Pro-Series Dosing Pump Range

Features

- Manual pump speed control
- Tube failure dection (TFD)
- Prime Button
- Rotor reverse
- Displays % motor speed and RPM
- Flow verification sensor compatible
- Colour LCD (RGB multicolour)
- Remote start/stop
- Output Adjustment 2500:1 (0.05 to 125 RPM)
- Inputs (Fully Configurable):
4-20mA,0-10 VDC,High Speed Pulsed,Low Speed Pulsed
- Outputs (Fully Configurable):
4-20mA, Pulsed, 6 amp relay, multiple contact closures
- Parts per million Dosing

Specifications

Max. Working Pressure (Excluding Pump tubes)	125 PSIG (8.6 Bar)- See individual tube Assemblies
Max. Fluid temperature (Excluding Pump tubes)	3/8" OD x1/4 ID Tubing: 54°C M/NPT Conections: 85°C Note: Check individual Pump tube assemblies ratings
Max. Viscosity	12,000 Centipoise
Max. Suction Lift	10 M (14.7 PSI)
Ambient Operating Temperature	-10°C to 46°C
Ambient Storage Temperature	-40°C to 70°C
Operating Voltage	240VAC (220W)
Motor	Brushless DC
Duty Cycle	Continuous
Motor Speed Adjustment range	0.04%-100% motor speed
Motor Speed Adjustment resolution	0.1% Increments > 10% 0.01% Increments > 1% 0.001% Increments < 1%
Display	Backlit LCD, UV resistant
Keypad	Ten Button positive action tactile switch type
Enclosure	NEMA 4X (IP66) Polyester Coated aluminium.
Dimensions	206mm W x 273mm H x 389mm D
Shipping Weight	15.0 KG
Security	Programmable 4-digit Password

Comes with

- Injector Fitting Valve
- Suction Strainer
- Spare Pump Tube Assembly



Wetted Parts

PUMP TUBE ASSEMBLY	
Tubing	Norprene®,Norprene®Low Pressure, Norprene Chemical®, Tygothane® or Flex-A-Prene®
Adapter Fittings	PVDF
INJECTION/ BACK-FLOW CHECK VALVE	
Body & Insert	PVDF
Check Ball	Ceramic
Spring	Hastelloy C-276
Ball Seat O-Ring	Viton (EPDM Optional)
Static Seal O-Ring	Viton (EPDM Optional)
Duckbill anti-scale Valve	Santoprene

FLEX-PRO A3V MODELS

Model Number	MAX OUTPUT (LTRS/ HR)	MAX PRESSURE (P.S.I/Bar)	Tube Connections*
NORPRENE® TUBE MODELS			
A3V28-MND	7.80	125/8.6	1/2" Male NPT
A3V28-MNJ	96.00	125/8.6	1/2" Male NPT
A3V28-MNK	126.00	125/8.6	1/2" Male NPT
NORPRENE® LOW PRESSURE TUBE MODELS			
A3V28-MNKL	126.00	30/2.1	1/2" Male NPT
FLEX-A-PRENE® TUBE MODELS			
A3V28-MNEE	18.00	110/7.6	1/2" Male NPT
A3V28-MNGG	72.00	110/7.7	1/2" Male NPT
NORPRENE® CHEMICAL TUBE MODELS			
A3V28-MTH	55.10	50/3.4	1/2" Male NPT
A3V28-MTK	108.00	50/3.5	1/2" Male NPT
TYGOTHANE® HOSE MODELS			
A3V28-MGE	17.40	65/4.5	1/2" Male NPT
A3V28-MGG	38.40	65/4.6	1/2" Male NPT
A3V28-MGH	94.20	65/4.7	1/2" Male NPT
A3V28-MGK	108.00	65/4.8	1/2" Male NPT

* Other Tube Options available Including 3/8" OD Tube Nut,quick Disconnect, 1/2"-3/4" sanitary Fitting.(Contact Ascot Pumps about these options).

Basic Control Peristaltic Pump

Pro-Series Dosing Pump Range

Features

Manual pump speed control
 Tube failure dection (TFD)
 Prime Button
 Rotor reverse
 Displays % motor speed and RPM
 Output 6 amp Relay
 Flow verification sensor compatible
 Colour LCD (RGB multicolour)
 Remote start/stop
 Output Adjustment 2500:1 (0.05 to 125 RPM)

Specifications

Max. Working Pressure (Excluding Pump tubes)	125 PSIG (8.6 Bar)- See individual tube Assemblies
Max. Fluid temperature (Excluding Pump tubes)	3/8" OD x1/4 ID Tubing: 54°C M/NPT Conections: 85°C Note: Check individual Pump tube assemblies ratings
Max. Viscosity	12,000 Centipoise
Max. Suction Lift	10 M (14.7 PSI)
Ambient Operating Temperature	-10°C to 46°C
Ambient Storage Temperature	-40°C to 70°C
Operating Voltage	240VAC (350W)
Motor	Brushless DC
Duty Cycle	Continuous
Motor Speed Adjustment range	0.04%-100% motor speed
Motor Speed Adjustment resolution	0.1% Increments > 10% 0.01% Increments > 1% 0.001% Increments < 1%
Display	Backlit LCD, UV resistant
Keypad	Ten Button positive action tactile switch type
Enclosure	NEMA 4X (IP66) Polyester Coated aluminium.
Dimensions	308mm W x 361mm H x 473mm D
Shipping Weight	26.3 KG
Security	Programmable 4-digit Password

Comes with

Injector Fitting Valve
 Suction Strainer
 Spare Pump Tube Assembly



Power filter recommended see page 24

Wetted Parts

PUMP TUBE ASSEMBLY

Tubing	Norprene®, Norprene® Low Pressure, Norprene Chemical®, Tygothane® or Flex-A-Prene®
Adapter Fittings	PVDF

INJECTION/ BACK-FLOW CHECK VALVE

Body & Insert	PVDF
Check Ball	Ceramic
Spring	Hastelloy C-276
Ball Seat O-Ring	Viton (EPDM Optional)
Static Seal O-Ring	Viton (EPDM Optional)
Duckbill anti-scale Valve	Santoprene

FLEX-PRO A4F MODELS

Model Number	MAX OUTPUT (LTRS/ HR)	MAX PRESSURE (P.S.I./Bar)	Tube Connections*
NORPRENE® TUBE MODELS			
A4F28-MNH	108.00	125/8.6	1/2" Male NPT
A4F28-MNJ	168.00	100/6.9	1/2" Male NPT
A4F28-MNK	192.00	80/5.5	1/2" Male NPT
NORPRENE® LOW PRESSURE TUBE MODELS			
A4F28-MNKL	192.00	30/2.1	1/2" Male NPT
A4F28-MNKKL	420.00	30/2.1	1/2" Male NPT
NORPRENE® CHEMICAL TUBE MODELS			
A4F28-MTH	78.00	30/2.1	1/2" Male NPT
A4F28-MTK	162.00	30/2.1	1/2" Male NPT
A4F28-MTHH	192.00	30/2.1	1/2" Male NPT
TYGOTHANE® HOSE MODELS			
A4F28-MGH	150.00	65/4.5	1/2" Male NPT
A4F28-MGK	210.00	65/4.6	1/2" Male NPT
A4F28-MGKK	378.00	65/4.7	1/2" Male NPT

* Other Tube Options available Including 3/8" OD Tube Nut, quick Disconnect, 1/2"-3/4" sanitary Fitting. (Contact Ascot Pumps about these options).

Deluxe Control Peristaltic Pump

Pro-Series Dosing Pump Range

Features

- Manual pump speed control
- Tube failure detection (TFD)
- Prime Button
- Rotor reverse
- Displays % motor speed and RPM
- Flow verification sensor compatible
- Colour LCD (RGB multicolour)
- Remote start/stop
- Output Adjustment 2500:1 (0.05 to 125 RPM)
- Inputs (Fully Configurable):
4-20mA, 0-10 VDC, High Speed Pulsed, Low Speed Pulsed
- Outputs (Fully Configurable):
4-20mA, Pulsed, 6 amp relay, multiple contact closures
- Parts per million Dosing

Specifications

Max. Working Pressure (Excluding Pump tubes)	125 PSIG (8.6 Bar)- See individual tube Assemblies
Max. Fluid temperature (Excluding Pump tubes)	3/8" OD x 1/4 ID Tubing: 54°C M/NPT Connections: 85°C Note: Check individual Pump tube assemblies ratings
Max. Viscosity	12,000 Centipoise
Max. Suction Lift	10 M (14.7 PSI)
Ambient Operating Temperature	-10°C to 46°C
Ambient Storage Temperature	-40°C to 70°C
Operating Voltage	240VAC (220W)
Motor	Brushless DC
Duty Cycle	Continuous
Motor Speed Adjustment range	0.04%-100% motor speed
Motor Speed Adjustment resolution	0.1% Increments > 10% 0.01% Increments > 1% 0.001% Increments < 1%
Display	Backlit LCD, UV resistant
Keypad	Ten Button positive action tactile switch type
Enclosure	NEMA 4X (IP66) Polyester Coated aluminium.
Dimensions	206mm W x 273mm H x 389mm D
Shipping Weight	15.0 KG
Security	Programmable 4-digit Password

Comes with

- Injector Fitting Valve
- Suction Strainer
- Spare Pump Tube Assembly



Wetted Parts

PUMP TUBE ASSEMBLY	
Tubing	Norprene®, Norprene® Low Pressure, Norprene Chemical®, Tygothane® or Flex-A-Prene®
Adapter Fittings	PVDF
INJECTION/ BACK-FLOW CHECK VALVE	
Body & Insert	PVDF
Check Ball	Ceramic
Spring	Hastelloy C-276
Ball Seat O-Ring	Viton (EPDM Optional)
Static Seal O-Ring	Viton (EPDM Optional)
Duckbill anti-scale Valve	Santoprene

FLEX-PRO A4V MODELS

Model Number	MAX OUTPUT (LTRS/ HR)	MAX PRESSURE (P.S.I./Bar)	Tube Connections*
NORPRENE® TUBE MODELS			
A4V28-MNH	108.00	125/8.6	1/2" Male NPT
A4V28-MNJ	168.00	100/6.9	1/2" Male NPT
A4V28-MNK	192.00	80/5.5	1/2" Male NPT
A4V28-MNHH	204.00	100/6.9	1/2" Male NPT
A4V28-MNL	378.00	50/3.4	1/2" Male NPT
A4V28-MNP	600.00	30/2.1	1/2" Male NPT
NORPRENE® LOW PRESSURE TUBE MODELS			
A4V28-MNKL	192.00	30/2.1	1/2" Male NPT
A4V28-MNKKL	420.00	30/2.1	1/2" Male NPT
NORPRENE® CHEMICAL TUBE MODELS			
A4V28-MTH	78.00	30/2.1	1/2" Male NPT
A4V28-MTK	162.00	30/2.1	1/2" Male NPT
A4V28-MTHH	192.00	30/2.1	1/2" Male NPT
TYGOTHANE® HOSE MODELS			
A4V28-MGH	150.00	65/4.5	1/2" Male NPT
A4V28-MGK	210.00	65/4.6	1/2" Male NPT
A4V28-MGKK	378.00	65/4.7	1/2" Male NPT

* Other Tube Options available Including 3/8" OD Tube Nut, quick Disconnect, 1/2"-3/4" sanitary Fitting. (Contact Ascot Pumps about these options).

CHEMICAL RESISTANCE LIST (Basic) and Accessories Pro-Series Dosing Pump Range

Norprene® Tubing

MEETS FDA CRITERIA FOR FOOD GOOD OVERALL CHEMICAL RESISTANCE

Alcohol general	Ferric chloride	Hydrogen peroxide	Potassium permanganate
Alum. 5% in water	Ferric nitrate	Hydrochlorous acid	Propylene glycol
Ammonium chloride	Ferric sulfate	Iodine	Sodium hydroxide 40%
Ammonium hydroxide	Ferrious Chloride -43% in water	Lactic acid	Sodium Bisulfate
Benzyl Alcohol	Ferrious sulfate	Magnesium chloride	Sodium Hypochlorite 12.5%
Bleach	Formic Acid	Magnesium sulfate	Sodium sulfide
Brine solutions	Glucose	Phosphoric acid	Sulfuric acid up to 50%
Calcium Hypochlorite 20 %	Hydrochloric acid 33%	Plating solution	Tannic acid
Ethylene Glycol	Hydrocyanic acid	Potassium hydroxide	

Norprene® Chemical Tubing

MEETS FDA CRITERIA FOR FOOD EXCELLENT OVERALL CHEMICAL RESISTANCE

Ferrous Chloride (up to 40%)	Phosphoric Acid (up to 85%)	Bases	Applications:
Fluoboric Acid (up to 48%)	Potassium Hydrochlorite (up to 75%)	Salts	Ink and Solvent production
Flourosilic Acid (up to 25%)	Sodium phosphate (up to 30%)	Ketones	Battery acid Filling
Hydrofluoric Acid (up to 48%)	Sulfuric Acid (up to 98%)	Isobutyl alcohol	Specialty Chemical Production
Nitric Acid (up to 71%)	Sensitive Fluid transfer		

Tygothane® Tubing

MEETS FDA CRITERIA FOR FOOD GOOD RESISTENCE TO OILS GREASES AND FUELS

Cyclohexane	Kerosene	Fuel oil	Mineral oil
Diesel Fuel	Lard	ASTM Ref. No.1,2,3 oil	Linseed oil
Fatty acids	Mineral spirits	Castor oil	Lubricating oil
Gasoline	Soap Solutions	Coconut oil	Turpentine
Heptane			

Mounting Brackets

Code	Description
72000-380	SS extended Brackets raises pump 114 cm off the ground,- can be used on A2,A3,A4 models



Common Replacement Parts

Pro-Series Dosing Pump Range

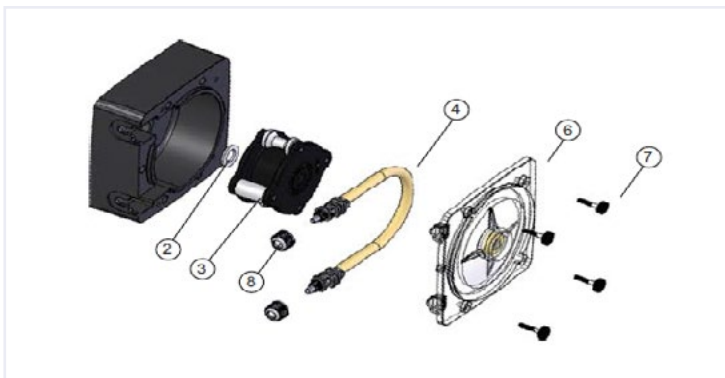
FLEX-PRO A2 F AND V MODELS PARTS

Pump Model Number	Replacement Tube Assembly (4)	Roller Assembly (3)	Tube Connections*
NORPRENE® TUBE MODELS			
A2_28-MND	A2-MND-T	A2-SND-R	1/2" Male NPT
FLEX-A-PRENE® TUBE MODELS			
A2_28-MNEE	A2-MNEE-T	A2-SNGG-R	1/2" Male NPT
A2_28-MNGG	A2-MNGG-T	A2-SNGG-R	1/2" Male NPT
NORPRENE® CHEMICAL TUBE MODELS			
A2_28-MTH	A2-MTH-T	A2-STH-R	1/2" Male NPT
TYGOTHANE® HOSE MODELS			
A2_28-MGE	A2-MGE-T	A2-SGE-R	1/2" Male NPT
A2_28-MGG	A2-MGG-T	A2-SGG-R	1/2" Male NPT

* Other Tube Options available Including 3/8" OD Tube Nut,quick Disconnect, 1/2"-3/4" sanitary Fitting.(Contact Ascot Pumps about these options

Other Parts

Model Number	Description
A2-SXX-C	Pump Head Cover (6)
90011-183	Thumb Screw (7)
90011-184	Black Spacer (2)
72000-539	Flex-a-prene Upgrade Kit (Roller and Pump Head Cover
90003-561	Rubber Feet



Common Replacement Parts

Pro-Series Dosing Pump Range

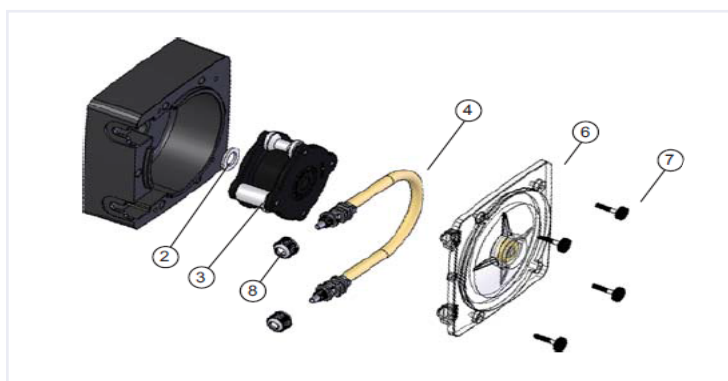
FLEX-PRO A3 F AND V MODELS PARTS

Pump Model Number	Replacement Tube Assembly (4)	Roller Assembly (3)	Tube Connections*
NORPRENE® TUBE MODELS			
A3_28-MND	A3-MND-T	A3-SND-R	1/2" Male NPT
A3_28-MNJ	A3-MNJ-T	A3-SNH-R	1/2" Male NPT
A3_28-MNK	A3-MNK-T	A3-SNH-R	1/2" Male NPT
NORPRENE® LOW PRESSURE TUBE MODELS			
A3_28-MNKL	A3-MNKL-T	A3-SNH-R	1/2" Male NPT
FLEX-A-PRENE® TUBE MODELS			
A3_28-MNEE	A3-MNEE-T	A3-SNGG-R	1/2" Male NPT
A3_28-MNGG	A3-MNGG-T	A3-SNGG-R	1/2" Male NPT
NORPRENE® CHEMICAL TUBE MODELS			
A3_28-MTH	A3-MTH-T	A3-STH-R	1/2" Male NPT
A3_28-MTK	A3-MTK-T	A3-STH-R	1/2" Male NPT
TYGOTHANE® HOSE MODELS			
A3_28-MGE	A3--MGE-T	A3--SGE-R	1/2" Male NPT

* Other Tube Options available Including 3/8" OD Tube Nut,quick Disconnect, 1/2"-3/4" sanitary Fitting.
(Contact Ascot Pumps about these options).

Other Parts

Model Number	Description
A3-SXX-C	Pump Head Cover (6)
90011-183	Thumb Screw (7)
90011-184	Black Spacer (2)
72000-537	Flex-A-prene Upgrade Kit (Roller and Pump Head Cover
90003-561	Rubber Feet



Common Replacement Parts

Pro-Series Dosing Pump Range

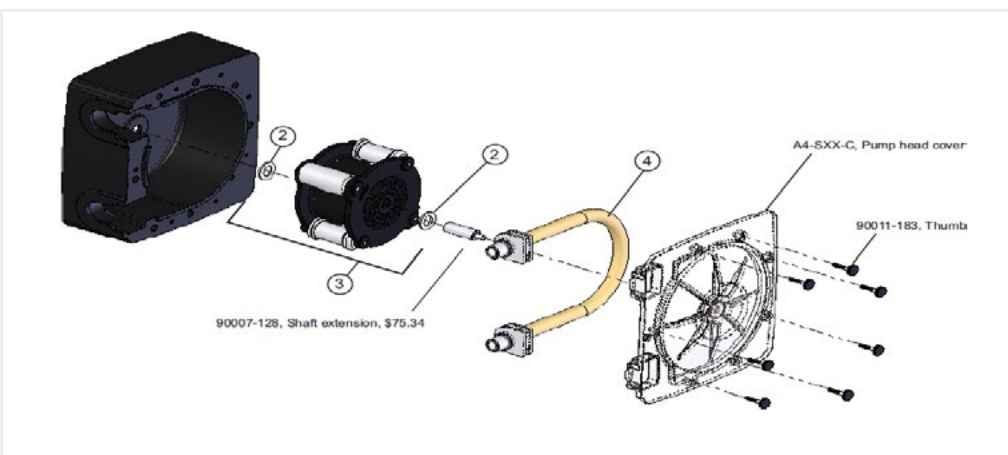
FLEX-PRO A4 F AND V MODELS PARTS

Pump Model Number	Replacement Tube Assembly (4)	Roller Assembly (3)	Tube Connections*
NORPRENE® TUBE MODELS			
A4_28-MNH	A4-MNH-T	A4-MNH-R	1/2" Male NPT
A4_28-MNJ	A4-MNJ-T	A4-MNH-R	1/2" Male NPT
A4_28-MNK	A4-MNK-T	A4-MNH-R	1/2" Male NPT
A4_28-MNHH	A4-MNHH-T	A4-MNH-R	1/2" Male NPT
A4_28-MNL	A4-MNL-T	A4-MNL-R	1/2" Male NPT
A4_28-MNP	A4-MNP-T	A4-MNL-R	1/2" Male NPT
NORPRENE® LOW PRESSURE TUBE MODELS			
A4_28-MNKL	A4-MNKL-T	A4-MNH-R	1/2" Male NPT
A4_28-MNKKL	A4-MNKKL-T	A4-MNH-R	1/2" Male NPT
NORPRENE® CHEMICAL TUBE MODELS			
A4_28-MTH	A4-MTH-T	A4-MTH-R	1/2" Male NPT
A4_28-MTK	A4-MTK-T	A4-MTH-R	1/2" Male NPT
A4_28-MTHH	A4-MTHH-T	A4-MTH-R	1/2" Male NPT
TYGOTHANE® HOSE MODELS			
A4_28-MGH	A4-MGH-T	A4-MGH-R	1/2" Male NPT
A4_28-MGK	A4-MGK-T	A4-MGH-R	1/2" Male NPT
A4_28-MGKK	A4-MGKK-T	A4-MGH-R	1/2" Male NPT

* Other Tube Options available Including 3/8" OD Tube Nut, quick Disconnect, 1/2"-3/4" sanitary Fitting. (Contact Ascot Pumps about these options).

Other Parts

Model Number	Description
A4-SXX-C	Pump Head Cover
90011-183	Thumb Screw
90011-217	Black Spacer
90003-561	Rubber Feet



Basic Control Diaphragm Pump

Pro-Series Dosing Pump Range

Features

Manual Pump Speed Control
 Variable speed Drive (max. 166 strokes per minute)
 Remote Start/stop
 Diaphragm Failure Detection (DFD)
 Priming / Degassing Valve Built-in
 Displays % Motor Speed
 Flow Verification sensor Compatible
 Smooth Full stroke every time
 Smooth chemical Feed - no hammering as seen in solenoid pumps



Power filter
 recommended
 see page 24

IP66 ENCLOSURE
 WASH DOWN RATING

DFD system
 Diaphragm Failure Detection



Wetted Parts

See page 40

Comes with

Injector Fitting Valve
 Suction Strainer
 Spare Pump Tube Assembly
 Discharge Hose
 Suction Hose
 Mounting Brackets

Specifications

Max. working pressure	175 psig, 12 bar (Model Specific)
Max. fluid temperature	54° C
Max. ambient temp	-10° to 46.1°C
Output adjustment range	1-100% in 0.1 increments
Storage temperature	-40° to 70°C
Accuracy	+/- 2% full scale
Repeatability	+/- 0.5%
Duty cycle	Continuous
Maximum viscosity	1,000 Centipoise
Maximum suction lift	4.5m
Enclosure NEMA 4x,	IP66 Polyester coated Aluminium
Voltage (amp draw)	240V / 50Hz, 1ph (1 amp max)
Approx shipping weight	10.9kg
Display	Backlit LCD, UV resistant
Dimensions	190mm W x 260mm H x 356mm D
Shipping Weight	15.9 KG
Dimensions	206mm W x 273mm H x 389mm D
Shipping Weight	15.0 KG

CHEM-PRO C2F MODELS

Model Number	MAX OUTPUT (LTRS/ HR)	MAX PRESSURE (P.S.I/Bar)	Pump Head Connections*
C2F283XVD	22	175/12	3/8" Tube Compression
C2F283XVF	22	175/12	1/2" Female NPT
C2F281XVD	38	175/12	3/8" Tube Compression*
C2F281XVF	38	175/12	1/2" Female NPT
C2F282XVD	55	175/12	3/8" Tube Compression*
C2F282XVF	55	175/12	1/2" Female NPT

*Popular model

Deluxe Diaphragm Pump

Pro-Series Dosing Pump Range

Features

- Manual Pump Speed Control
- Variable speed Drive (max. 166 strokes per minute)
- Remote Start/stop
- Diaphragm Failure Detection (DFD)
- Priming / Degassing Valve Built-in
- Displays % Motor Speed and RPM
- Flow Verification sensor Compatible
- Smooth Full stroke every time
- Smooth chemical Feed - no hammering as seen in solenoid pumps
- Inputs (Fully Configurable):
 - 4.20mA, 0-10 VDC, High Speed Pulsed, low Speed Pulsed
- Outputs: 3 Amp Relay
- Batch Dispensing

Specifications

Max. working pressure	175 psig, 12 bar (Model Specific)
Max. fluid temperature	54° C
Max. ambient temp	-10° to 46.1°C
Output adjustment range	1-100% in 0.1 increments
Storage temperature	-40° to 70°C
Accuracy	+/- 2% full scale
Repeatability	+/- 0.5%
Duty cycle	Continuous
Maximum viscosity	1,000 Centipoise
Maximum suction lift	4.5m, 0 bar
Enclosure NEMA 4x,	IP66 Polyester coated Aluminium
Voltage (amp draw)	240V / 50Hz, 1ph (1 amp max)
Approx. shipping weight	10.9kg
Display	Backlit LCD, UV resistant



Power filter recommended see page 24

IP66 ENCLOSURE
WASH DOWN RATING

DFD system
Diaphragm Failure Detection



Wetted Parts

See page 40

Comes with

- Injector Fitting Valve
- Suction Strainer
- Spare Pump Tube Assembly
- Discharge Hose
- Suction Hose
- Mounting Brackets

CHEM-PRO C3F MODELS

Model Number	MAX OUTPUT (LTRS/ HR)	MAX PRESSURE (P.S.I./Bar)	Pump Head Connections*
C2V283XVD	22	175/12	3/8" Tube Compression
C2V283XVF	22	175/12	1/2" Female NPT
C2V281XVD	38	175/12	3/8" Tube Compression
C2V281XVF	38	175/12	1/2" Female NPT
C2V282XVD	55	175/12	3/8" Tube Compression*
C2V282XVF	55	175/12	1/2" Female NPT

*Popular model

Basic Control Diaphragm Pump

Pro-Series Dosing Pump Range

Features

- Manual Pump Speed Control
- Variable speed Drive (max. 166 strokes per minute)
- Remote Start/stop
- Diaphragm Failure Detection (DFD)
- Priming / Degassing Valve Built-in
- Displays % Motor Speed
- Flow Verification sensor Compatible
- Smooth Full stroke every time
- Smooth chemical Feed - no hammering as seen in solenoid pumps



Power filter recommended see page 24



Wetted Parts

See page 40

Comes with

- Injector Fitting Valve
- Suction Strainer
- Spare Pump Tube Assembly
- Discharge Hose
- Suction Hose
- Mounting Brackets

CHEM-PRO C3F MODELS

Model Number	MAX OUTPUT (LTRS/ HR)	MAX PRESSURE (P.S.I/Bar)	Pump Head Connections*
C3F281XVF	96	150/10.3	1/2" Female NPT
C3F282XVF	155	100/6.9	1/2" Female NPT*

*Popular model

Specifications

Max. working pressure	150 psig, 10.3 bar (Model Specific)
Max. fluid temperature	54° C
Max. ambient temp	-10° to 46.1°C
Output adjustment range	1-100% in 0.1 increments
Storage temperature	-40° to 70°C
Accuracy	+/- 2% full scale
Repeatability	+/- 0.5%
Duty cycle	Continuous
Maximum viscosity	1,000 Centipoise
Maximum suction lift	4.5m, 0 bar
Enclosure NEMA 4x,	IP66 Polyester coated Aluminium
Voltage (amp draw)	240V / 50Hz, 1ph (1 amp max)
Approx shipping weight	13.1 Kg
Display	Backlit LCD, UV resistant

Deluxe Control Diaphragm Pump

Pro-Series Dosing Pump Range

Features

- Manual Pump Speed Control
- Variable speed Drive (max. 166 strokes per minute)
- Remote Start/stop
- Diaphragm Failure Detection (DFD)
- Priming / Degassing Valve Built-in
- Displays % Motor Speed and RPM
- Flow Verification sensor Compatible
- Smooth Full stroke every time
- Smooth chemical Feed - no hammering as seen in solenoid pumps
- Inputs (Fully Configurable):
 - 4.20mA, 0-10 VDC, High Speed Pulsed, low Speed Pulsed
- Outputs: 3 Amp Relay
- Batch Dispensing

Specifications

Max. working pressure	150 psig, 10.3 bar (Model Specific)
Max. fluid temperature	54° C
Max. ambient temp	-10° to 46.1°C
Output adjustment range	1-100% in 0.1 increments
Storage temperature	-40° to 70°C
Accuracy	+/- 2% full scale
Repeatability	+/- 0.5%
Duty cycle	Continuous
Maximum viscosity	1,000 Centipoise
Maximum suction lift	4.5m, 0 bar
Enclosure NEMA 4x,	IP66 Polyester coated Aluminium
Voltage (amp draw)	240V / 50Hz, 1ph (1 amp max)
Approx. shipping weight	13.1 Kg
Display	Backlit LCD, UV resistant



Power filter recommended see page 24

IP66 ENCLOSURE
WASH DOWN RATING

DFD system
Diaphragm Failure Detection



Wetted Parts

See page 40

Comes with

- Injector Fitting Valve
- Suction Strainer
- Spare Pump Tube Assembly
- Discharge Hose
- Suction Hose
- Mounting Brackets

CHEM-PRO C3F MODELS

Model Number	MAX OUTPUT (LTRS/ HR)	MAX PRESSURE (P.S.I/Bar)	Pump Head Connections*
C3V281XVF	96	150/10.3	1/2" Female NPT
C3V282XVF	155	100/6.9	1/2" Female NPT

*Popular model

Information and Accessories

Pro-Series Dosing Pump Range

Chem-Pro Wetted Parts

PUMP HEAD ASSEMBLY

Pump Head Assembly	PVDF
Adapter Connections	PVDF
Prime/degassing valve	PVDF
Valve cartridges	PVDF
Valve Balls	Ceramic
Valve ball seats	Tetrafluoroethylene/propylene
Static Seals	Viton (EPDM Optional)
Diaphragms	PVDF

INJECTION/ BACK-FLOW CHECK VALVE

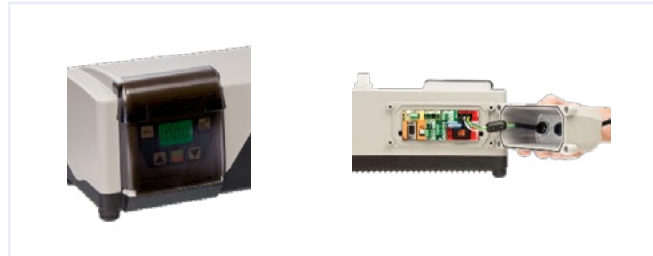
Body & Insert	PVDF
Check Ball	Ceramic
Spring	Hastelloy C-276
Ball Seat O-Ring	Viton (EPDM Optional)
Static Seal O-Ring	Viton (EPDM Optional)

FOOT VALVE / STRAINER

Body & Adapter	PVDF
Check Ball	Ceramic
Spring	Hastelloy C-276
O-ring seals	Viton (EPDM Optional)

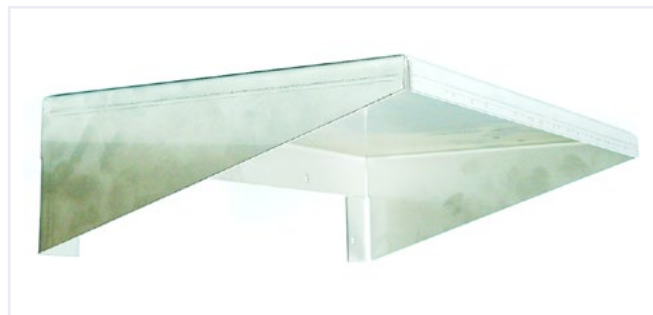
Other features included with pump

- Weather Protection cover
- Easy to Configure Junction Box



Other Parts

Part Number	Description
72000-380	Extended Brackets For C2/C3
PF BW SS	Wall Mount Bracket



Common Replacement Parts

Pro-Series Dosing Pump Range

COMMON PUMP HEAD PARTS

Pump Model Series	Diaphragms	Check Valves (4 PACK)	Check Adapters
C2F283XVD	72000-296	20000-195	70001-372
C2F283XVF	72000-296	20000-195	70001-351
C2F281XVD	72000-296	20000-195	70001-372
C2F281XVF	72000-296	20000-195	70001-351
C2F282XVD	72000-297	20000-195	70001-372
C2F282XVF	72000-297	20000-195	70001-351
C2V283XVD	72000-296	20000-195	70001-372
C2V283XVF	72000-296	20000-195	70001-351
C2V281XVD	72000-296	20000-195	70001-372
C2V281XVF	72000-296	20000-195	70001-351
C2V282XVD	72000-297	20000-195	70001-372
C2V282XVF	72000-297	20000-195	70001-351
C3F281XVF	72000-295	20000-195	70001-351
C3F282XVF	72000-295	20000-195	70001-351
C3V281XVF	72000-295	20000-195	70001-351
C3V282XVF	72000-295	20000-195	70001-351

Other Parts

Part Number	Description
90002-326	Pump Control Cover
71000-579	Injection Fitting M/NPT
90003-561	Bumper Feet
90001-170	Pump Head Cover C2
90001-158	Pump Head Cover C3



Complete Industrial Metering System

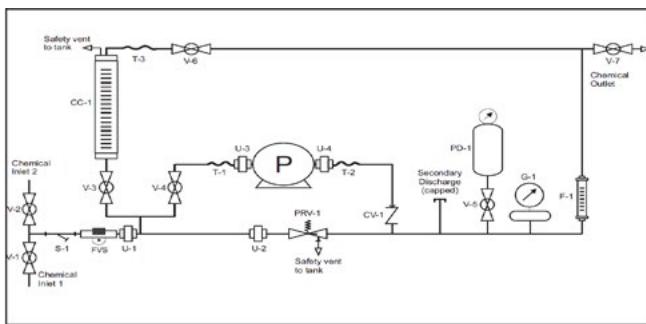
Pro-Series Skid System Range

Features

- Single pump and dual pump system Options
- Strong, lightweight polyester powder coated welded aluminum structure
- Efficient, small footprint design
- Flow Indicator
- Drip Containment Tray
- Stainless Steel Mounting Pads
- Field Replaceable Components
- Available with the Following ProSeries metering pumps: Flex-Pro A2,A3,A4 or Chem-Pro C2,C3
- Available in PVC or CPVC



Single Pump Skid System Diagram



Skid Components Include include

- Pressure Relief Valve
- Check Valve
- Inlet Y Strainer
- Calibration System
- Pulsation Dampener
- Pressure Gauge with Guard
- Flow Verification Sensor

Chemfeed skid System Model Numbers

Please contact Ascot Pumps for codes for different Model Variations

Low Flow Chemical Flowmeter

Pro-Series Flow Meter Range

Features

4-20mA and pulse output options
 NEMA 4X (IP66) Washdown
 Less than 1 PSI pressure drop
 2 Year Warranty
 Large 3.5" backlit screen
 Inline union fittings for easy installation and maintenance
Suitable For:
 Flow Verification
 Chemical fluid Metering
 Polymer Feed
 Ultra-pure water



General Operation

Compatible Fluids:

Acoustically Conductive Fluids
 Particulate and bubbles with 50,000 ppm or less

Pre-calibrated chemical Profiles:

Water
 Aqueous Ammonia
 Ammonium Hydroxide
 Ferric Chloride 40%
 Sodium Bisulphite
 Sodium Hypochlorite 12.5%
 Sodium permanganate
 Hydrofluorosilicic Acid 25%
 Ammonium Sulphate 10%

Wetted Materials

Transducer

PEEK
 Body
 PVDF & PEEK

O-Rings

PVDF & TFE/P
 PVDF & EP

Fittings (Included)

PVDF 1/2" I.D Barb
 PVDF 1/2" I.D Barb Elbow
 PVDF 1/2" M/NPT
 PVDF 1/2" M/NPT Elbow
 PVC 1/2" Slip

Electronics Hardware

Enclosure

NEMA 4X (IP66), Polycarbonate, SS hardware
 Dimensions: 254.5mm H x Ø96.1mm
 Weight :680g

Power Requirements

5VDC, Transformer Supplied

Environmental Conditions

Operating Temp: -10°C-40°C
 Relative Humidity: 0% - 90%

Volume Units

Independently configurable Rate and total units Gallons, Litres or millilitres

Time Units

Seconds, Minutes, Hours, Days

Flow Rate Averaging

Selectable: 1, 4, 8, 16 and 32 Seconds

Data Outputs

Isolated 4-20mA Output- fully configurable
 0-1000 Hz Pulse Output- Fully configurable

Blue-Central® Software

Compatible Operating Systems

Windows 7, 8, and 10
 Mac(OSX 10.11/10.12/10.13)

Computer Connector

USB-C (USB-A to USB-C cable Included)

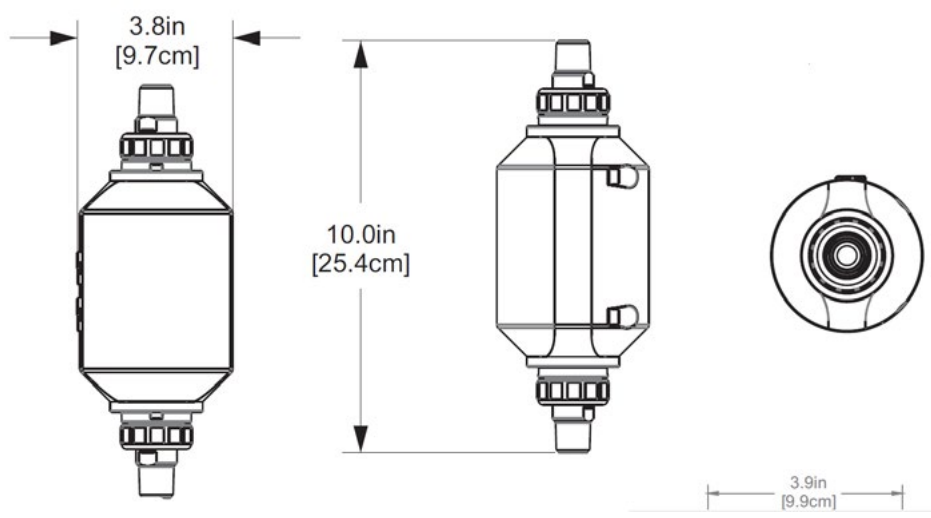
Software Features

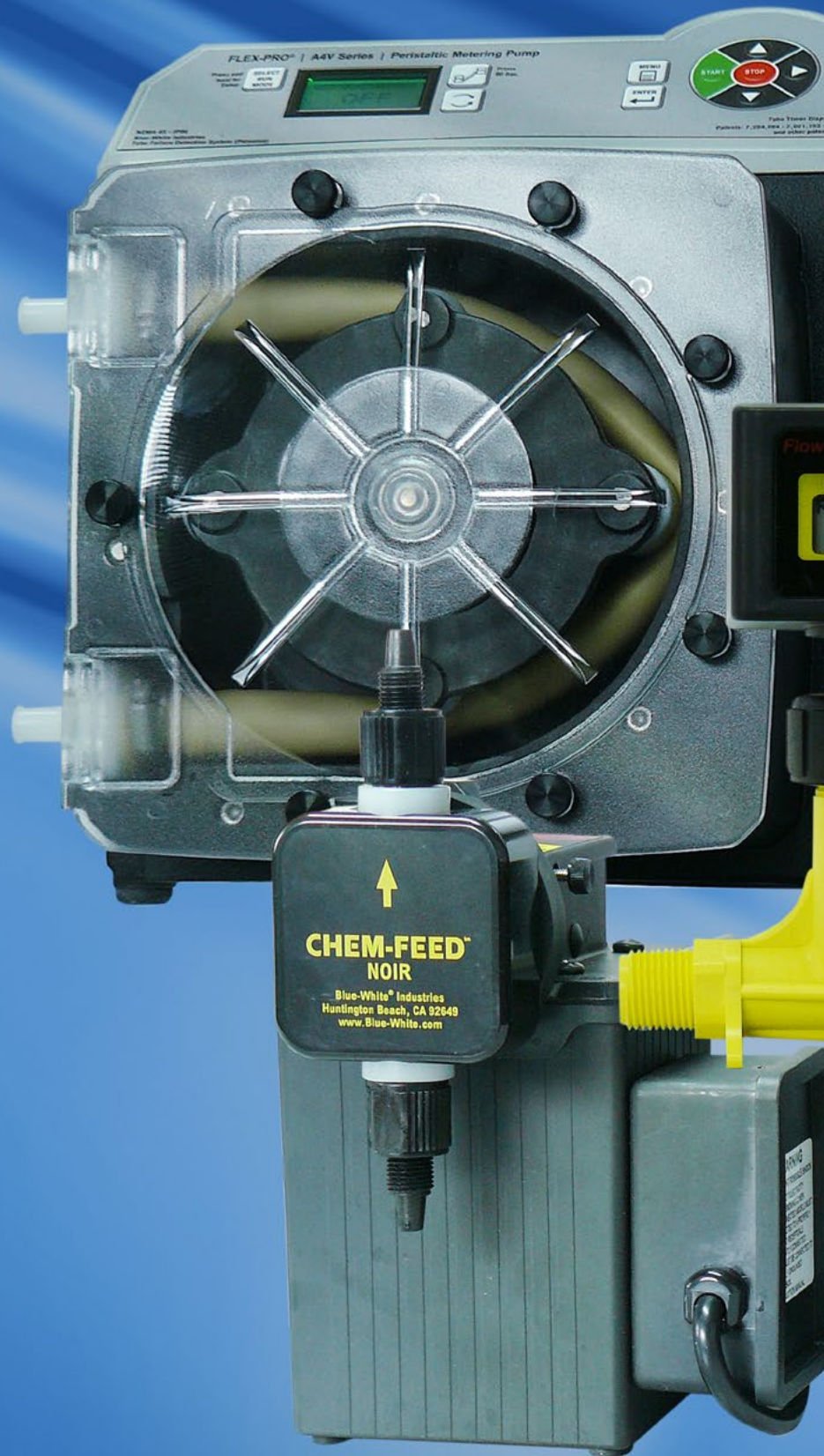
Configurable 4-20mA, Pulse Output, Frequency Output
 Solid State Relay Set-Point
 Monitor Flow rate in real time
 Monitor Total Volume in Real time
 Monitor meter diagnostics
 Field Upgrade Firmware
 Factory resettable

Meter Mounted Display Body Dimensions



Remote Mounted Display Body Dimensions





Ascot Pumps
682 Tremain Ave
Palmerston North
New Zealand 4414
0800 241 000