

400-1940



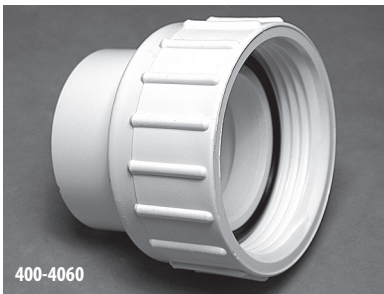
400-1950



400-1990

1" Pump Union Assemblies

Part No.	Description	Case Quantity	List (US \$)
400-1940	1" Union Nut with 3/4" RB Tailpiece and O-Ring	25	3.92
400-1950	1" Union Nut with 1/2" S Tailpiece and O-Ring	70	3.92
400-1960	1" Union Nut with 3/4" S Tailpiece and O-Ring	150	3.92
400-1970	1" Union Nut with 1" RB Tailpiece and O-Ring	40	3.92
400-1990	1" S Union Nut with 1" Slip Tailpiece and O-Ring	200	3.92



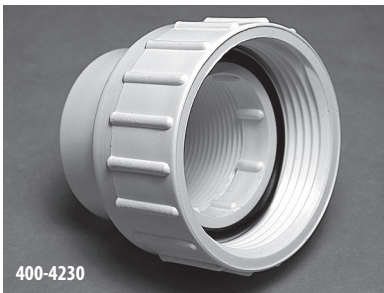
400-4060



400-2020



400-2010



400-4230



400-4240



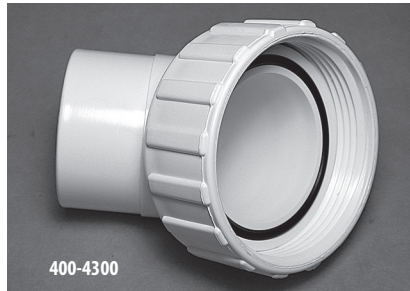
400-9280

1 1/2" Pump Union Assemblies

Part No.	Description	Case Quantity	List (US \$)
400-4060	1 1/2" Union Nut with 1 1/2" S Tailpiece and O-Ring	200	4.72
400-5640	1 1/2" Union Nut with 1 1/2" S Tailpiece and O-Ring with Gasket	200	5.00
400-2020	1 1/2" Union Nut with 1 1/2" Spigot / 1" S Tailpiece and O-Ring	200	5.89
400-2010	1 1/2" Union Nut with 50mm S Tailpiece and O-Ring	35	5.89
400-4230	1 1/2" Union Nut with 1 1/2" FPT Tailpiece and O-Ring	200	8.83
400-4510	1 1/2" Union Nut with 1 1/2" FPT Tailpiece and O-Ring with Gasket	200	9.12
400-4240	1 1/2" Union Nut with 1 1/2" Spigot Tailpiece and O-Ring	50	7.36
400-9280	1 1/2" Union Nut with 1 1/2" / 1 1/4" Hose Adapter and O-Ring	25	4.95



Unions / Pump Union Assemblies



2" Pump Union Assemblies

Part No.	Description	Case Quantity	List (US \$)
400-5570	2" Union Nut with 2" S Tailpiece and O-Ring	140	7.08
400-5670	2" Union Nut with 2" S Tailpiece and O-Ring with Gasket	140	7.36
400-9240	2" Union Nut with 1 1/2" Hose Adapter and O-Ring	30	10.20
400-5800	2" Union Nut with 2" S Sweep Ell - 90° Tailpiece	40	9.18
400-5660	2" Union Nut with 1 1/2" FPT Nut Tailpiece and O-Ring	72	12.74
400-4300	2" Union Nut with 2" Spigot 45° Tailpiece and O-Ring	70	7.84
400-9230	2" Union Nut with 2" Spigot / 1 1/2" S Tailpiece and O-Ring	40	7.08
400-5680	2" Union Nut with 2" Spigot / 1 1/2" S Tailpiece and O-Ring with Gasket	140	7.36

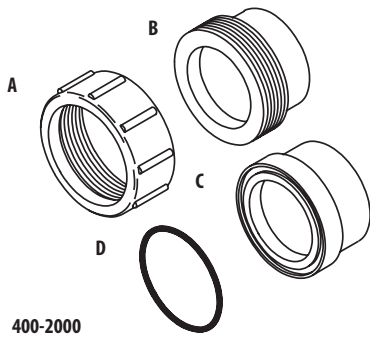


2 1/2" Pump Union Assemblies

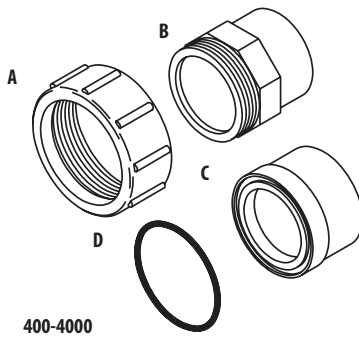
Part No.	Description	Case Quantity	List (US \$)
400-5990	2 1/2" Union Nut with 2" S Tailpiece and O-Ring	100	9.98
400-6010	2 1/2" Union Nut with 2 1/2" S Tailpiece and O-Ring	72	9.98
400-6021B	2 1/2" Union Nut x 2 1/2" S - Black (2 included with SVL56 pump)	72	11.21
400-5971B	2 1/2" Union Nut x 2" S - Black (2 included with SVL56 pump)	72	11.21

Swivel Union Assembly

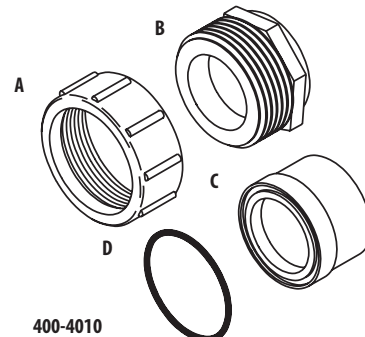
Part No.	Description	Case Weight	Case Quantity	List (US \$)
400-4481-CPVC	Swivel Union Assembly - 2" S x 2" Spigot	34.56 lbs.	45	25.87



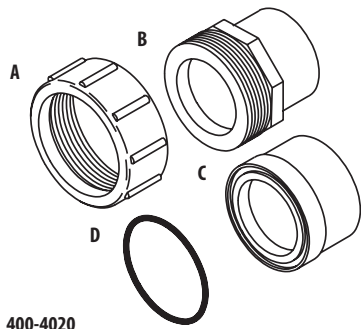
400-2000



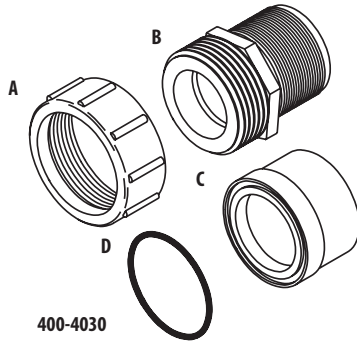
400-4000



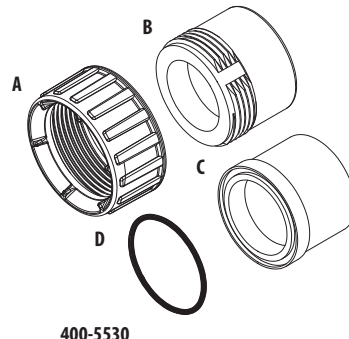
400-4010



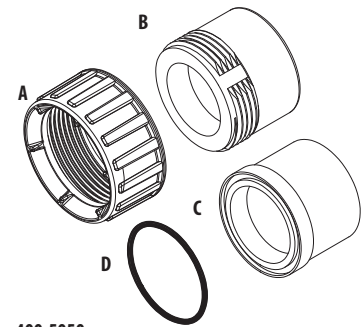
400-4020



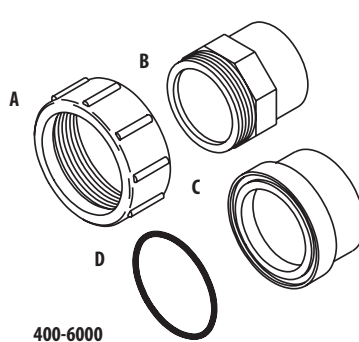
400-4030



400-5530



400-5050



400-6000

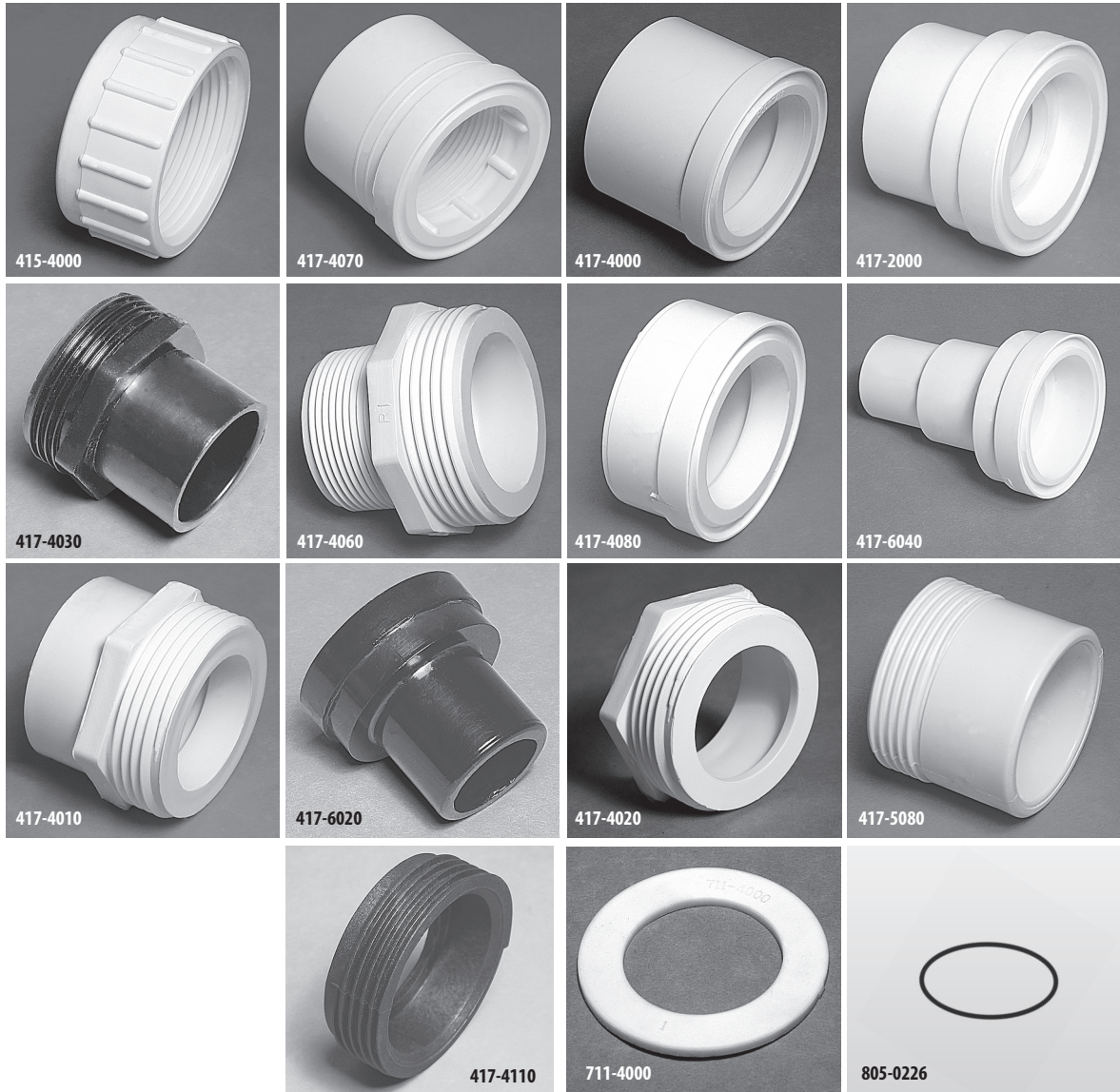
Union Assemblies

Part No.	Description	Part A	Part B	Part C	Part D	Case Quantity	List (US \$)
400-2000	Union Assembly - 1" S x 1" S	415-2000	417-2010	417-2020	805-0123	60	7.58
400-4000	Union Assembly #1 - 1 1/2" S x 1 1/2" S	415-4000	417-4010	417-4000	805-0226	100	7.58
400-4010	Union Assembly - 1 1/2" S x 1 1/2" S - Short	415-4000	417-4020	417-4000	805-0226	50	10.62
400-4020	Union Assembly #3 - 1 1/2" S x 1 1/2" Spigot	415-4000	417-4030	417-4000	805-0226	25	10.62
400-4030	Union Assembly - 1 1/2" MPT x 1 1/2" S	415-4000	417-4060	417-4000	805-0226	25	10.62
400-5530	Union Assembly - 2" Spigot / 1 1/2" S x 1 1/2" S	415-4000	417-4000	417-5080	805-0226	40	10.65
400-5050	Union Assembly #13 - 2" S x 2" S	415-5000	417-5040	417-5120	805-0229	25	12.14
400-6000	Union Assembly - 2 1/2" S x 2 1/2" S	415-6000	417-6010	417-6000	805-0232	36	15.60

Standard color is white. All fittings meet or exceed A.S.T.M. Schedule 40 standards.



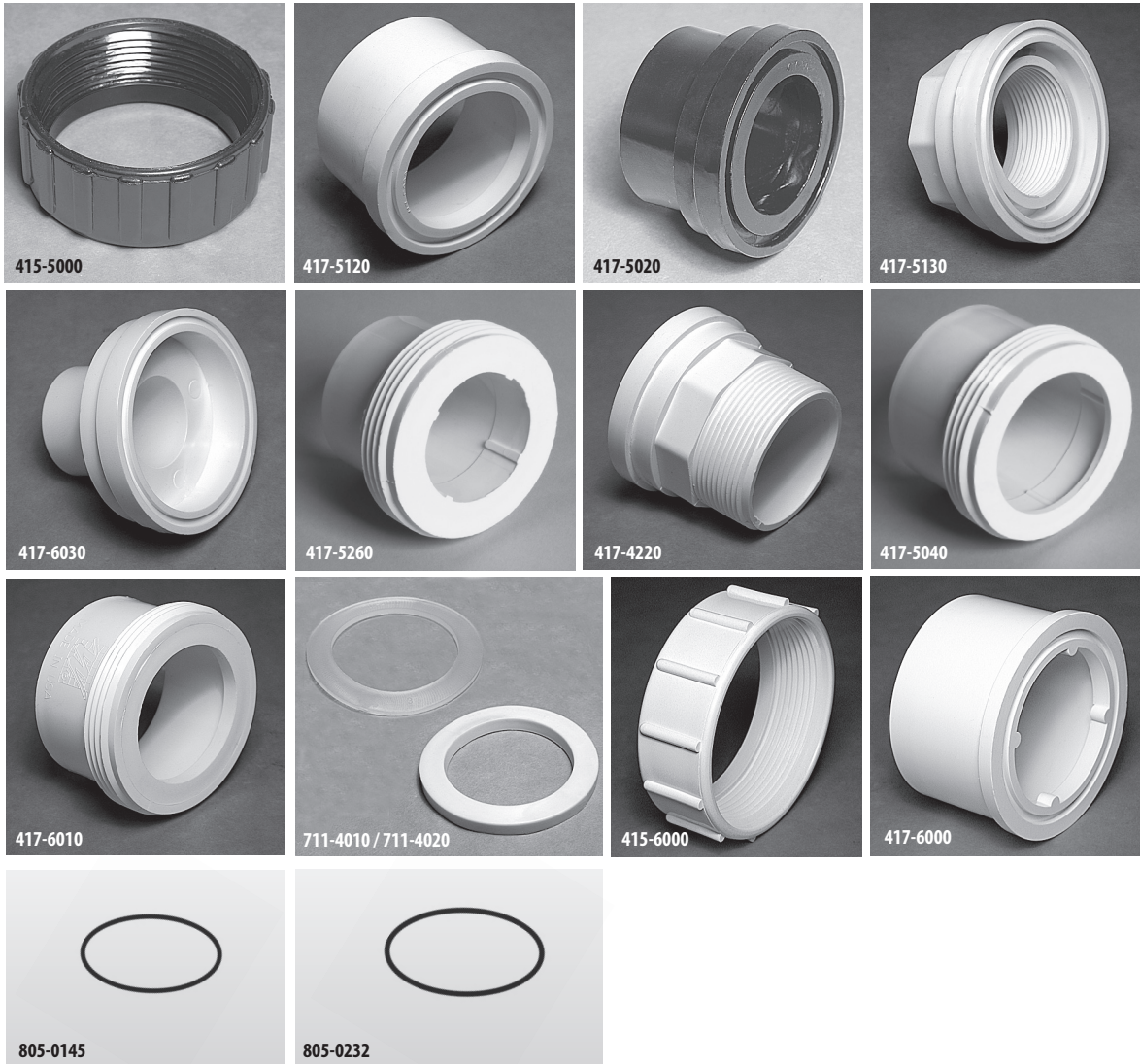
Unions / 1 1/2" Union Components



Unions

1 1/2" Union Components

Part No.	Description	Case Quantity	List (US \$)
415-4000	1 1/2" Union Nut	250	2.32
417-4070	1 1/2" Flange x 1 1/2" FPT Tailpiece	100	2.32
417-4000	1 1/2" Flange x 1 1/2" S Tailpiece	300	2.59
417-5500	1 1/2" Flange x 50mm S Tailpiece	100	2.32
417-2000	1 1/2" Flange x 1 1/2" Spigot / 1" S Tailpiece	50	5.55
417-4100	1 1/2" Flange x 1 1/2" Spigot	75	4.46
417-4030	1 1/2" Buttress Thread x 1 1/2" Spigot Tailpiece	230	2.32
417-4060	1 1/2" Buttress Thread x 1 1/2" MPT Tailpiece	200	2.42
417-4080	1 1/2" Flange x 1 1/2" S Tailpiece - Short	150	2.10
417-6040	1 1/2" Flange x 1 1/2" / 1 1/4" Hose Adapter Fitting	75	2.03
417-4010	1 1/2" Buttress Thread x 1 1/2" S Tailpiece	250	2.60
417-6020	1 1/2" Flange x 1 1/2" S Hose Adapter Fitting	50	2.52
417-4020	1 1/2" Buttress Thread x 1 1/2" S - Short	50	2.60
417-5080	1 1/2" Buttress Thread x 1 1/2" S x 2" Spigot Tailpiece	75	3.03
417-4110	1 1/2" Buttress x 1 1/2" S - Short	150	4.06
711-4000	1 1/2" Union Gasket	500	0.58
805-0226	O-Ring - 1 1/2" Tailpiece	100	0.56



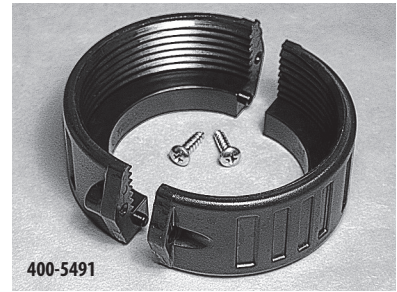
Unions

2" and 2 1/2" Union Components

Part No.	Description	Case Quantity	List (US \$)
415-5000	2" Union Nut	180	3.53
417-5120	2" Flange x 2" S Tailpiece	50	3.68
417-5020	2" Flange x 2" Spigot / 1 1/2" S Tailpiece	100	4.09
417-5130	2" Flange x 1 1/2" FPT Nut Tailpiece	140	3.22
417-6050	2" Flange x 1 1/2" / 1 1/4" Hose Adapter Fitting	200	3.40
417-6030	2" Flange x 1 1/2" Hose Adapter Fitting	25	3.11
417-5260	2" Buttress Thread x 2" Spigot / 1 1/2" S Tailpiece	150	4.09
417-4220	2" Flange x 2" MPT	50	7.19
417-5090	2" Flange Thread x 1 1/2" MPT Tailpiece	25	4.09
417-5040	2" Buttress Thread x 2" S Tailpiece	150	2.85
805-0145	O-Ring – 2" Heater Tailpiece	100	0.56
805-0229	2" Pump Union (thick) O-ring	100	0.67
711-4010	2" Flat Union Gasket	500	0.68
711-4020	2" x 1/4" Thick Union Gasket	500	1.22
711-4030	2" Ribbed O-ring Union Gasket	500	0.74
415-6000	2 1/2" Union Nut	50	6.83
417-6000	2 1/2" Flange x 2 1/2" Socket	50	4.37
417-5970	2 1/2" Flange x 2" Socket	50	4.09
417-6010	2 1/2" Buttress Thread x 2 1/2" Socket	100	4.71
805-0232	O-Ring – 2 1/2" Heater Tailpiece	100	1.21

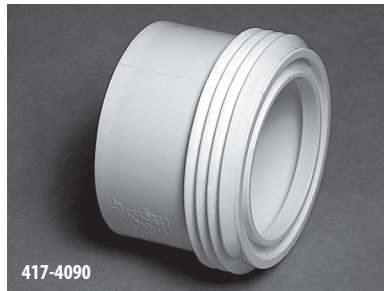


Unions / Heater Union Components



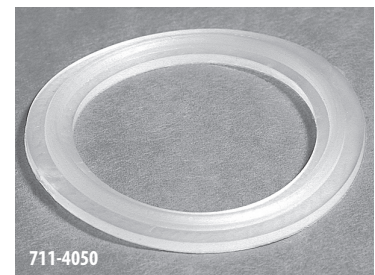
1 1/2" Heater Union Nuts

Part No.	Description	Case Quantity	List (US \$)
400-5461	1 1/2" Heater Split Nut - Long Assembly - with Screws	75	4.94
400-5491	1 1/2" Heater Split Nut - with Screws	250	3.04
415-4021	1 1/2" Heater Split Nut - without Screws	250	1.94



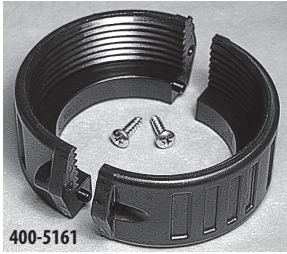
1 1/2" Heater Union Tailpieces

Part No.	Description	Case Quantity	List (US \$)
417-4090	1 1/2" Buttress Thread x 1 1/2" S Tailpiece	100	1.70
417-4050	1 1/2" Buttress Thread x 1 1/2" Spigot Tailpiece	75	1.70



1 1/2" Heater Union O-Ring Gaskets

Part No.	Description	Case Quantity	List (US \$)
805-0224	O-Ring - 1 1/2" Heater Tailpiece	500	0.56
711-4000	Gasket - 1 1/2" Heater Tailpiece	500	0.58
711-4050	O-Ring Gasket - 1 1/2" Heater Tailpiece	500	0.65



400-5161

2" Heater Union Nuts

Part No.	Description	Case Quantity	List (US \$)
400-5161	2" Heater Split Nut - with Screws	100	2.75
415-5161	2" Heater Split Nut - without Screws	100	2.47



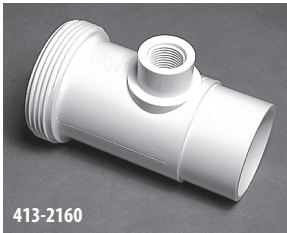
417-2090



417-5060



417-5140



413-2160



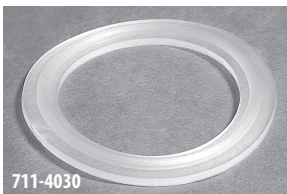
417-5180



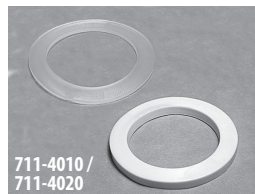
417-5160

2" and 2 1/2" Heater Union Tailpieces

Part No.	Description	Case Quantity	List (US \$)
417-2090	2" Buttress Thread x 1 1/2" S Tailpiece	50	2.27
417-5050	2" Buttress Thread x 2" S Tailpiece	150	2.27
417-5157	2" Buttress Thread x 63mm S Tailpiece	50	2.27
417-5060	2" Buttress Thread x 2" Spigot Tailpiece	45	2.27
417-5160	2" Buttress Thread x 2" Spigot / 1 1/2" S Tailpiece	45	4.80
417-5140	2" Buttress Thread x 2" MPT Tailpiece	45	3.40
413-2160	Heater Flow Switch Tee - 2" Buttress Thread x 2" Spigot x 1/2" FPT	25	12.74
417-5180	2" Buttress Thread x 3/4" S / 1" Spigot	100	2.59
417-5980	2 1/2" Heater Buttress Tailpiece	100	4.71



711-4030



711-4010 /
711-4020

2" and 2 1/2" Heater Union O-Rings and Gaskets

Part No.	Description	Case Quantity	List (US \$)
711-4020	1/4" Thick Gasket - 2" Heater Tailpiece	500	1.22
711-4010	Gasket - 2" Heater Tailpiece	500	0.68
805-0229	O-Ring - 2" Heater	500	0.67
711-4030	2" Heater Tailpiece Gasket - with O-Ring Rib	500	0.74
711-6020	2 1/2" Heater Union Gasket	500	0.56