

Welcome to
Waterway's 2018
Pool & Spa Product
Buyer's Guide





2018 Pool & Spa Product Buyer's Guide / Information

For information or assistance, contact:

Waterway Plastics Customer Service Department: 805.981.0262

Waterway Plastics, 2200 East Sturgis Road, Oxnard, California 93030

Telephone: 805.981.0262 • Fax: 805.981.9403 • Toll Free Fax: 888.772.5387

www.waterwayplastics.com • waterway@waterwayplastics.com

Pricing:

Effective **December 4, 2017**. Pricing can change at any time on any part without prior notice.

Product Disclaimer:

All illustrations, photographs and specifications in this publication are based on product information available at the time of printing. Waterway reserves the right to make changes at any time, without giving prior notice, to colors, materials, specifications, part numbers and prices and to discontinue product or product components.

Ordering:

To ensure prompt and proper shipment, please order by product part number and description. Be sure to include the correct (last digit) number for the color desired. Specially quoted product numbers must not be changed (even by one digit), or the pricing will not be recognized. Products and prices are subject to change without notice.

All orders must be a minimum of \$50.00.

Terms:

All sales are cash with order until credit is established, after which, terms are net 30 days.

Shipments:

All shipments are F.O.B. Oxnard, California.

Claims:

All claims must be made within 30 days after receipt of merchandise.

Returns:

All returns are subject to the Waterway Limited Warranty Policy and written approval, and must be accompanied by an "RGA" (Return Goods Authorization) form or number issued by Waterway prior to returning the merchandise. Unauthorized returns will not be accepted. Freight must be prepaid. Waterway will not accept returned merchandise after 90 days of shipment and/or not in original resalable condition.

Information Regarding Lost or Damaged Merchandise:

Our responsibility for any shipment ceases when the carrier signs the Bill of Lading. All shipments should be inspected immediately upon arrival. If cartons, packages or crates are received in short or damaged condition, it is important that the driver be notified and the recipient should insist on a notation of the loss or damage across the face of the freight bill.

If there is no indication of damage on the freight bill, no claim can be enforced against the carrier.

If concealed loss or damaged merchandise is discovered, notify the carrier immediately and request an inspection, and retain the shipping carton/container. A concealed damage report must be made within 7 calendar days of delivery of the shipment, or the carrier will not entertain any claim for the loss. The carrier agent will perform an inspection and will normally grant a concealed damage notation. IF THE CARRIER RECEIVES A CLEAR RECEIPT FOR THE MERCHANDISE THAT HAS BEEN DAMAGED IN TRANSIT, IT IS AT THE RECIPIENT'S OWN RISK AND EXPENSE.

Waterway is willing to assist in collecting claims for loss or damage, but our willingness does not make us responsible for collection of claims or for the replacement of merchandise.

For additional information or assistance in this regard, please contact:

Waterway Plastics
Customer Service
805.981.0262



Waterway Limited Warranty

All warranties for end users must be processed through your retail point of purchase.

All products of Waterway carry warranties. The nature and length of the warranty will depend upon the product and are set forth below:

To the buyer, as the original purchaser, Waterway warrants its products free from defects in materials and workmanship for a period of one year from the date of purchase, if installed by a qualified installer. Parts which fail or become defective during the warranty period, except as a result of freezing, negligence, improper installation of equipment or automatic valving systems, use or care, shall be repaired or replaced, at our option, within 90 days of the receipt of the defective product, barring unforeseen delays.

In-Ground Swimming Pool Variable Speed Pumps carry a 3 year warranty from motor manufacturer date.

Proof of purchase is required for warranty coverage. Warranty registration card must be submitted for applicable products. In the event proof of purchase is not available, the manufacturing date of the product will be the sole determination of purchase date.

To obtain warranty, replacements or repair, defective components or parts should be returned, transportation paid, to the place of purchase. In the event the place of purchase is not applicable Waterway Plastic should be contacted for necessary return instructions. No returns may be made directly to the factory without the express written authorization of Waterway Plastics.

Waterway Plastics shall not be responsible for cartage, removal and/or reinstallation labor or any other such costs incurred in obtaining warranty replacements.

Disclaimer

Waterway is not liable for incidental or consequential damages, loss of profit, loss of time, inconvenience and incidental expenses. This warranty is limited and shall be in lieu of any other warranties, expressed or implied, including but not limited to , any implied warranty or merchantability or fitness for a particular purpose. There are no other warranties that extend beyond the description of the face hereof. The liability of Waterway arising out of its supply of said products, or their use, shall not in any case exceed the cost of correcting defects in the products as above set forth.

Although Waterway Plastics provides all information, recommendation, or advice regarding its products in good faith, each user bears full responsibility for making its own determination as to suitability of Waterway's products, recommendations, or advice for its own particular use. Each user must identify and perform all tests and analysis necessary to assure that its finished products incorporating Waterway's parts or products will be safe and suitable for use under end-use conditions. This includes but not limited to verification of exposure to ambient operating conditions, adhesives, foams and any other type chemicals during the assembly or the end use conditions. Due to environmental conditions out of our control, we are unable to warranty discolorations or corrosion on stainless steel parts.

This warranty does not apply if the failure is caused or contributed to by any of the following: improper handling, improper storage, improper installation abuse, unsuitable application of the product, lack of reasonable and necessary maintenance, improper packaging for return, or repairs made or attempted by any other company, which in the judgment of Waterway adversely affects the product's performance and reliability. Waterway reserves the right to change its warranty at any time.

Some states do not allow the exclusion or limitation of incidental or consequential damages, so the above limitation or exclusion may not apply to you.



2018 Pool & Spa Buyer's Guide / Color Guide

Color Reference				
Last Digit of Part No.	Color/Metal Finish	Available only for:	Pool	Spa
0	White		✓	✓
1	Black		✓	✓
3	Blue (Lights only)			✓
4	Red (Lights only)			✓
5	Red and Blue (Lights only)			✓
7	Gray		✓	✓
8	Clear			✓
9	Call for other colors, metal finishes & special orders			
9-BEI	Beige (Tan)		✓	
9-DKG	Dark Gray		✓	
9-DSG	Dark Silver Glitter / DSG			✓
9-ST5	Sterling Silver			✓



Hose / Tubing.....	8
Pool Pumps	9
Filters / Filter Systems	26
CSA Pumps & Filter Systems	48
Wet Ends / Bases	54
Air Systems.....	56
Pool Control System	57
Unions	58
Chlorinators / Accessories	65
Ells / Tees / Wyes	66
Fittings	70
Gunite Jets	77
Valves	86
Drains / Suctions.....	88
Skimmers / Skim Filters	103
Misc / Accessories	113
Hose / Tubing.....	119
Spa Jets.....	120
Air Injectors / Blowers	158
Drains & Suctions.....	160
Air Controls	165
Top Side Valves	167
Water Features	174
Lighting	180
Spa Control Systems / Speakers.....	184
Skimmers / Filters	191
Spa Pumps	205
Wet Ends / Bases	220
Slice / Gate Valves	223
Unions	225
Ell / Tees / Wyes.....	232
Manifolds.....	238
Misc / Accessories	248
Technical Info	254
Replacement Parts	264
Index	344



Pool

2018



Shurflex™ / Hose and Tubing



Designed and
Manufactured for
In-Ground Pool
& Spa Use.



AVAILABLE IN:

- Clear Vinyl: 1/8", 1/4", 3/8", 3/4", and 3/4" x 1 1/16"
- White Vinyl: 3/8", 3/4", and 1" x 1 1/4"
- Shur-Grip: 3/4", 3/4" thin, 1 1/2", and 2"
- Flex: 1/2", 3/4", 1", 1 1/4", 1 1/2", 2", 2" thin, 2 1/2", and 3"

Call for pricing.

Pool hose is higher durometer for durable In-Ground application.

Hose and Tubing - Individual Rolls (wrapped)

Part No.	Description	Color	Ft. / Roll
110-0120	Vinyl - 3/8" x 9/16"	Clear (0), White (W)	500
110-0140	Vinyl - 3/4" x 1"	Clear (0), White (W)	150
110-0150	Vinyl - 3/4" x 1 1/16"	Clear	100
110-016W	Vinyl - 1" x 1 1/4"	White	100
120-0110	Flex - 1/2"	White (0), Black (1)	100
120-0120	Flex - 3/4"	White (0), Black (1)	100
120-0130	Flex - 1"	White (0), Black (1)	50
120-0180	Flex - 1 1/4"	White (0), Black (1)	50
120-0140	Flex - 1 1/2"	White (0), Black (1)	50
125-0110	Flex - 1 1/2" x 100 ft.	White (0), Black (1)	100
120-0150	Flex - 2"	White (0), Black (1)	50
125-0120	Flex - 2" x 100 ft.	White (0), Black (1)	100
120-0250	Flex - 2" thin	White (0), Black (1)	50
120-0160	Flex - 2 1/2"	White (0), Black (1), Gray (7)	50
120-0170	Flex - 3"	White (0), Black (1), Gray (7)	50

Call for pricing.

Hose and Tubing - Pallets (wrapped)

Part No.	Description	Color	Ft. / Pallet	Rolls / Pallet
110-0120P	Vinyl - 3/8" x 9/16"	Clear (0), White (W)	20,000	40
110-0140P	Vinyl - 3/4" x 1"	Clear (0), White (W)	6,000	40
110-0150P	Vinyl - 3/4" x 1 1/16"	Clear	4,000	40
110-016WP	Vinyl - 1" x 1 1/4"	White	2,800	28
120-0110P	Flex - 1/2"	White (0), Black (1)	6,800	68
120-0120P	Flex - 3/4"	White (0), Black (1)	5,600	56
120-0130P	Flex - 1"	White (0), Black (1)	2,800	56
120-0180P	Flex - 1 1/4"	White (0), Black (1)	1,200	24
120-0140P	Flex - 1 1/2"	White (0), Black (1)	1,200	24
125-0110P	Flex - 1 1/2" x 100 ft.	White (0), Black (1)	1,200	12
120-0150P	Flex - 2"	White (0), Black (1)	900	18
125-0120P	Flex - 2" x 100 ft.	White (0), Black (1)	900	9
120-0250P	Flex - 2" thin	White (0), Black (1)	900	18
120-0160P	Flex - 2 1/2"	White (0), Black (1), Gray (7)	800	16
120-0170P	Flex - 3"	White (0), Black (1), Gray (7)	400	8



Pool Pumps - In-Ground / Power Defender 165 Variable Speed

Pool Pumps

POWER Defender 165 VARIABLE SPEED PUMP

Model #: PD-VSC165



Comes complete with 2 Swivel Union Assemblies & Adjustable Base Kit

Great for precise alignment and plumbing versatility!



Built-in Programmable User Interface with Timer

FEATURES:

- Maximum 1.65HP
 - Timer Mode
 - Full Variable Speed (600-3450 RPM)
 - Freeze Protection
 - Program Memory Back-up
 - Keypad Lockout Feature
 - 2" Swivel Unions (included)
 - Adjustable Base (included)
- Easy replacement for most brand pumps

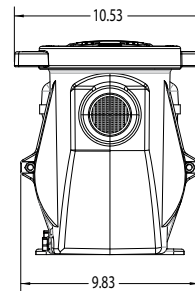
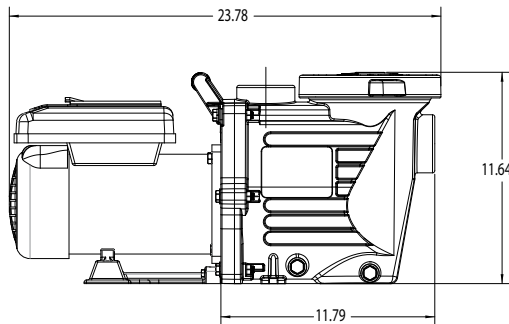
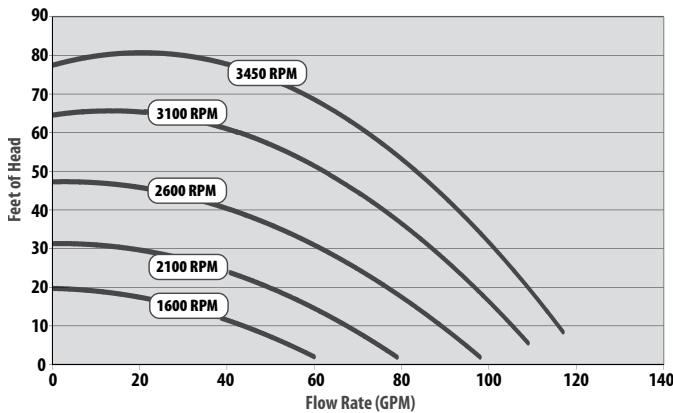
For replacement parts, see page 272.
For unions, see page 58.



Adjustable Base included. Ideal when replacing or plumbing Sta-Rite, Hayward or Pentair pumps in the field.

675-1380 See Page 55.

Power Defender 1.65 HP – Performance Curves



Smart **energy solutions** for the Pool & Spa industry.

Power Defender 165 - Variable Speed Pump

Part No.	Description	Volts	HP	List (US \$)
PD-VSC165	Power Defender 1.65 HP Variable Speed Pump	230	1.65 HP	1,888.15



Pool Pumps - In-Ground / Power Defender 270 Variable Speed

POWER Defender 270 VARIABLE SPEED PUMP

Model #: PD-VSC270



*Comes complete with 2 Swivel Union Assemblies & Adjustable Base Kit
Great for precise alignment and plumbing versatility!*

FEATURES:

- Pump is pressure testable up to 50 PSI
- User-Friendly programming
- Optional off-board mounting of controls.
- Ability to install and program additional load (booster pump, chlorine generator)
- Display is easy to view in any light
- 2" Swivel Unions (included)
- Compliant with all energy legislation. Meets Title 20 & Title 24 regulations
- Super quiet operation
- Built-in freeze protection

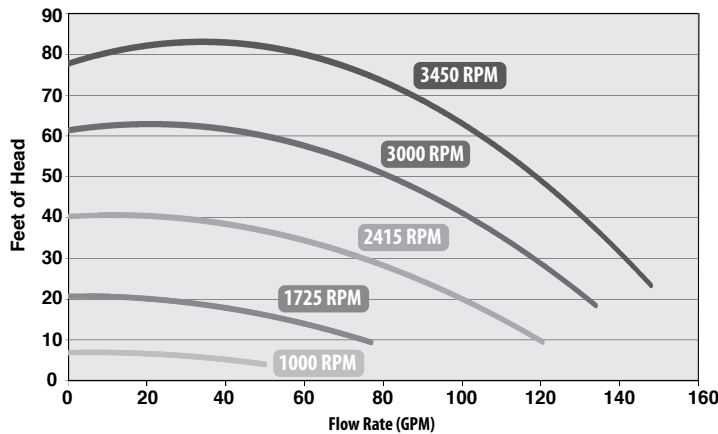


Built-in Programmable User Interface with Timer

For replacement parts, see page 274.

For unions, see page 58.

Power Defender 2.7 HP Pump - Performance Curves

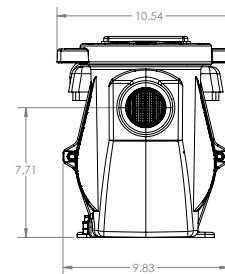
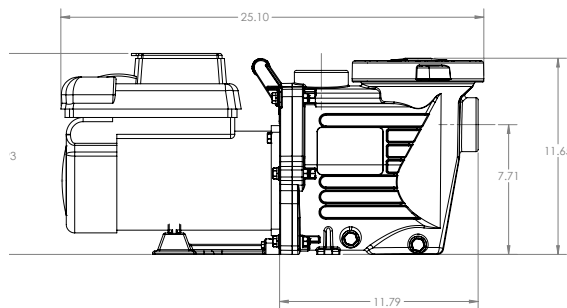


Adjustable Base included. Ideal when replacing or plumbing Sta-Rite, Hayward or Pentair pumps in the field.

675-1380 See Page 55.



Smart energy solutions for the Pool & Spa industry.



Power Defender 270 - Variable Speed Pump

Part No.	Description	Volts	HP	Weight (lbs.)	List (US \$)
PD-VSC270	Power Defender 2.7 HP - Variable Speed Pump	230	2.7 Total HP	60	2,700.45



Pool Pumps - In-Ground / Power Defender 300 Variable Speed

Pool Pumps

POWER Defender 300 VARIABLE SPEED PUMP

Model #: PD-VSC300



Introducing the latest generation of 3 HP In-ground Pool Pumps

FEATURES:

- More effective performance... up to 90% (as much as \$1,500/year) in energy savings
- Built-in and programmable variable frequency drive that can be rotated 180° for easy servicing
- Direct drop-in for other manufacturer's single, 2-speed or variable speed pumps
- Proven performance wet end with large trap basket & easy access two-piece lid
- Simple programming with up to 4 scheduled filter setting
- Works great with Waterway Oasis Pool & Spa Control as well as competitive control systems
- Silicone carbide seals, Viton bellows, 316SS casing for superior protection from bromine, chlorine, hydrogen peroxide and salt
- 2" Swivel Unions (included)



For replacement parts, see page 276.
For unions, see page 58.

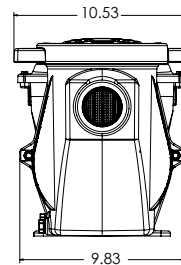
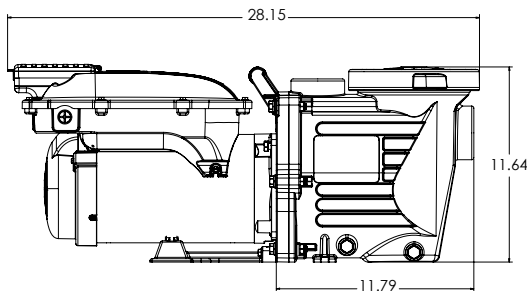


Built-in Programmable User Interface with Timer



Adjustable Base included. Ideal when replacing or plumbing Sta-Rite, Hayward or Pentair pumps in the field.

675-1380 See Page 55.



Smart **energy solutions** for the Pool & Spa industry.

Power Defender 300 - Variable Speed Pump

Part No.	Description	Volts	HP	List (US \$)
PD-VSC300	Power Defender 3.0 HP Variable Speed Pump	230	3.0 HP	2,455.32



Pool Pumps - In-Ground / Power Defender SVL300

POWER Defender 300(SVL) VARIABLE SPEED PUMP

Silent operation, extreme vertical lift, variable speed... all in one pump!

FEATURES:

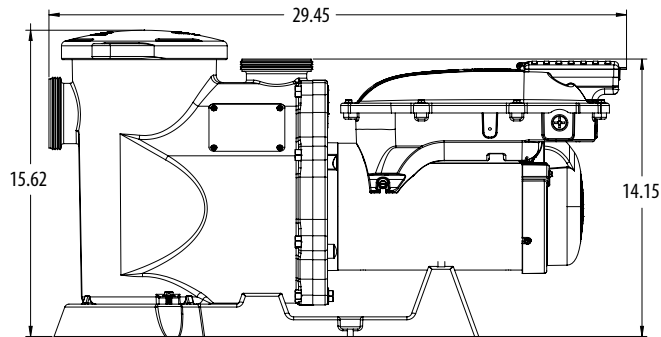
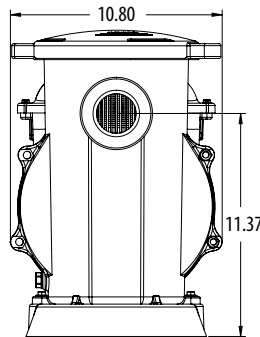
- Provides 24' of lift (above water level) compared to the industry standard of 10'
- 3 HP, 13.5 amps, 230 VAC
- Built-in and programmable variable frequency drive that can be rotated 180° for easy access and serviceability
- Proven SVL wet end
- Silicone carbide seals, Viton bellows, 316SS casing for superior protection from bromine, chlorine, hydrogen peroxide and salt



- Water-proof construction with heavy-duty die-cast housing
- Works great as stand-alone pump, or with Waterway Oasis Pool/Spa Control as well as competitive control systems

For replacement parts, see page 270.

For unions, see page 58.



Smart **energy solutions** for the Pool & Spa industry.

Power Defender SVL300

Part No.	Description	Volts	HP	Weight (lbs.)	List (US \$)
PD-VSA300	Power Defender SVL300	230VAC	3	13.5	2,547.44



FEATURES:

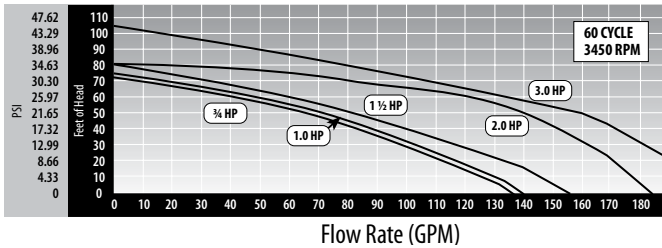
- Extremely quiet operation
- High efficiency with maximum flow
- Self-priming
- Best vertical lift at 24 ft.
- Easy to service
- True 56-frame motor for cooler running and longer life
- 2 ½" union threads x 2" FPT with unions (included)
- Large trap basket with cam-lock lid
- 60 Hz rating



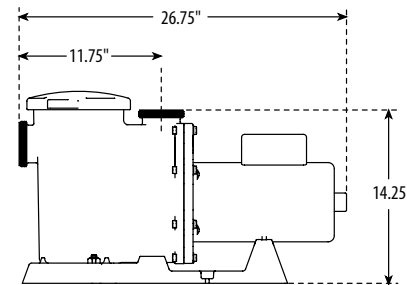
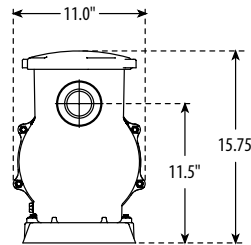
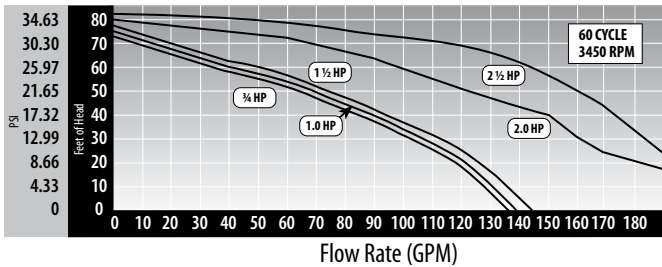
For replacement parts, see page 268.
For unions, see page 58.

The extraordinary quietness of the SVL56 moves us nearer to the goal of silent operation, and it provides by far the best vertical lift. A true 56-frame motor ensures long life and uninterrupted power. Attention to detail is evident in the design of this proven pump. Designed for easy serviceability and installation, the pump accepts either 2" or 2 ½" plumbing connections and features dual bearings for cooler operating temperature. This pump will provide years of trouble-free performance.

ENERGY EFFICIENT PRESSURE VERSUS FLOW RATE



STANDARD EFFICIENCY PRESSURE VERSUS FLOW RATE



Energy Efficient - Full Rated

Part No.	Description	Volts	HP	Weight (lbs.)	List (US \$)
SVL56E-110	1-Speed - 2" or 2 ½" Intake and Discharge	115 / 230	1.0	57	1,389.92
SVL56E-115	1-Speed - 2" or 2 ½" Intake and Discharge	230	1.5	51	1,503.57
SVL56E-120	1-Speed - 2" or 2 ½" Intake and Discharge	230	2.0	54	1,672.27
SVL56E-130	1-Speed - 2" or 2 ½" Intake and Discharge	230	3.0	65	2,142.31

Standard Efficiency - Maximum Rated

Part No.	Description	Volts	HP	Weight (lbs.)	List (US \$)
SVL56S-110	1-Speed - 2" or 2 ½" Intake and Discharge	115 / 230	1.0	57	1,159.19
SVL56S-115	1-Speed - 2" or 2 ½" Intake and Discharge	115 / 230	1.5	51	1,224.61
SVL56S-120	1-Speed - 2" or 2 ½" Intake and Discharge	230	2.0	54	1,396.81
SVL56S-125	1-Speed - 2" or 2 ½" Intake and Discharge	230	2.5	61	1,648.17
SVL56S-215	2-Speed - 2" or 2 ½" Intake and Discharge	230	1.5	61	1,500.09
SVL56S-220	2-Speed - 2" or 2 ½" Intake and Discharge	230	2.0	65	1,556.94



FEATURES:

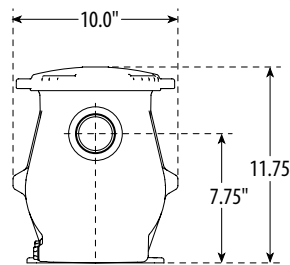
- Quiet operation
- High efficiency
- Self-priming
- 2" FPT intake and discharge
- 2" Swivel Unions (included)
- Easy to service
- True 56-frame motor for cooler running and longer life
- Large trap basket with cam-lock lid
- 60 Hz rating

**Comes complete with
2 Swivel Union Assemblies
& Adjustable Base Kit**

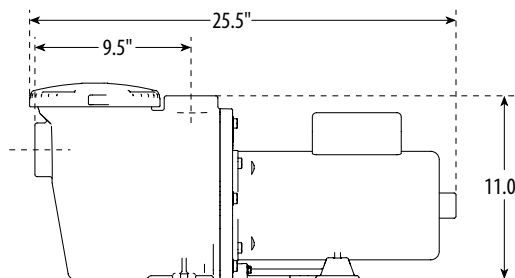
*Great for precise
alignment & plumbing
versatility!*



For replacement parts, see page 280.
For unions, see page 58.

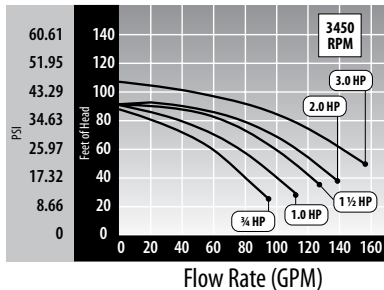


**Adjustable Base
included. Ideal when
replacing or plumbing
Sta-Rite, Hayward
or Pentair pumps
in the field.
675-1380 See Page 55.**

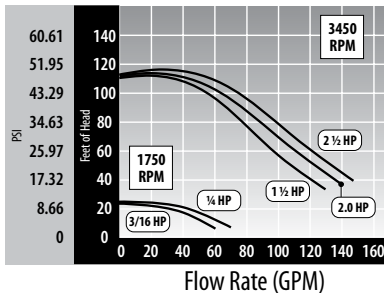


The Champion High Performance Pump is compatible with all cleaning systems, various filters and jet action spas. The Champion Pump is ideal for new installations and as a replacement pump due to its dimensions.

**FULL RATED - 1-SPEED
PRESSURE VERSUS FLOW RATE**



**2-SPEED
PRESSURE VERSUS FLOW RATE**



Energy Efficient - Full Rated

Part No.	Description	Volts	HP	Weight (lbs.)	List (US \$)
CHAMPE-107	1-Speed	115/230	3/4	40	1,208.48
CHAMPE-110	1-Speed	115/230	1.0	35	1,302.36
CHAMPE-115	1-Speed	230	1.5	35	1,427.50
CHAMPE-120	1-Speed	230	2.0	39	1,606.20

Standard Efficiency - Maximum Rated

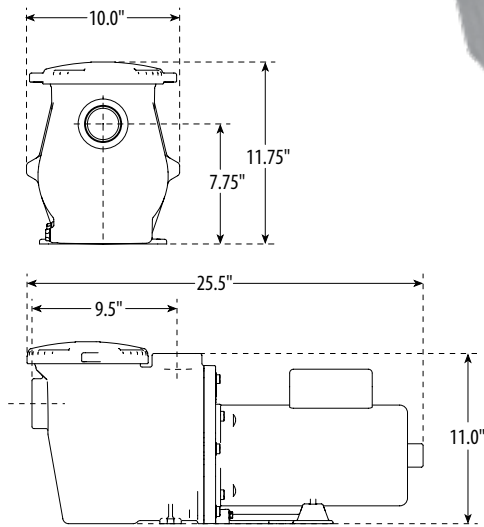
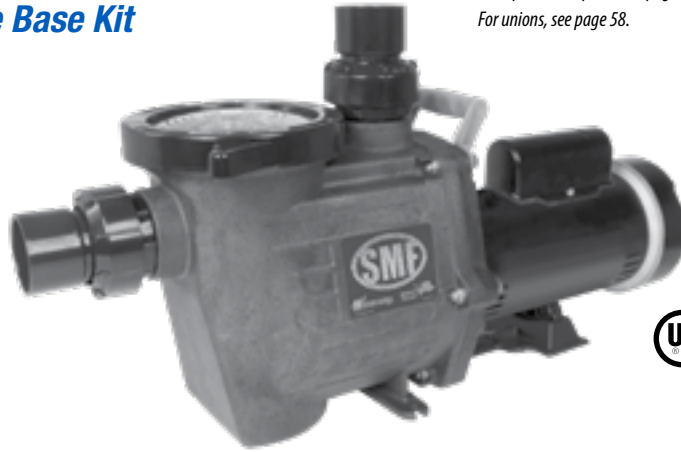
Part No.	Description	Volts	HP	Weight (lbs.)	List (US \$)
CHAMPS-107	1-Speed	115/230	3/4	33	1,060.27
CHAMPS-110	1-Speed	115/230	1.0	40	1,114.58
CHAMPS-115	1-Speed	115/230	1.5	39	1,176.38
CHAMPS-120	1-Speed	115/230	2.0	52	1,303.99
CHAMPS-125	1-Speed	230	2.5	42	1,575.72
CHAMPS-215	2-Speed	230	1.5	46	1,511.72
CHAMPS-220	2-Speed	230	2.0	45	1,592.37



Comes complete with 2 Swivel Union Assemblies & Adjustable Base Kit

Great for precise alignment and plumbing versatility!

For replacement parts, see page 278.
For unions, see page 58.



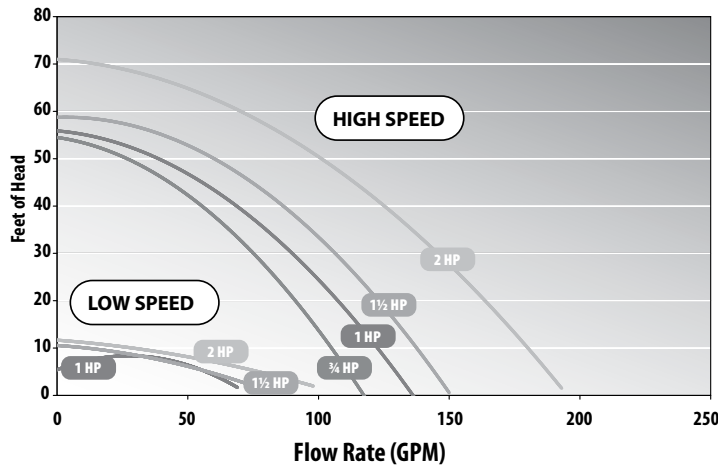
FEATURES:

- Super quiet operation
- 2" Swivel Unions included (Intake/Discharge)
- One piece pot and volute reduce noise
- Lower flow rates for more versatile installations
- 1.5" x 2" Bushings included



Adjustable Base included. Ideal when replacing or plumbing Sta-Rite, Hayward or Pentair pumps in the field.
675-1380 See Page 55.

SMF - Performance Curves



SMF - 1-Speed Pumps

Part No.	Description	Volts	HP	Weight (lbs.)	List (US \$)
SMF-107	1-Speed	115/208-230	¾	38	753.04
SMF-110	1-Speed	115/208-230	1.0	43	784.12
SMF-115	1-Speed	115/208-230	1.5	47	848.14
SMF-120	1-Speed	208-230	2.0	48	988.16



Pool Pumps - Above Ground / Supreme - 48-Frame

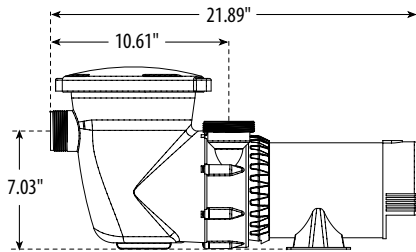
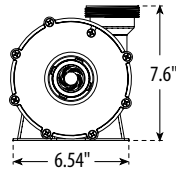
FEATURES:

- 1 1/2" Union threads / 1 1/2" FPT Intake and 2" Union threads / 1 1/2" FPT discharge
- Extra large 7" pump trap with clear lid
- Powerful side discharge performance
- Wet end easily rotates

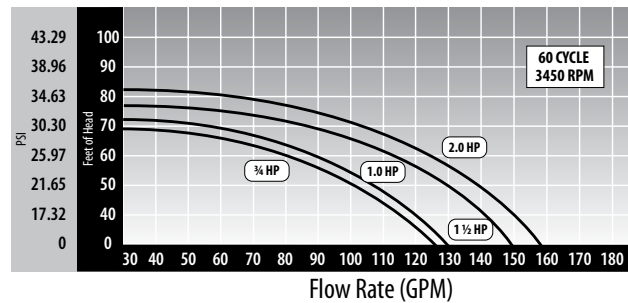


For replacement parts, see page 282.

The Supreme Pump is the ultimate in above ground pool engineering. Designed for today's more demanding applications, the Supreme Pump is ideal for D.E., cartridge or sand filtration systems of all sizes.



Supreme Performance Curves



Supreme 48-Frame Above Ground Pool Pump

Part No.	Description	Volts	Amps	HP	Weight (lbs.)	List (US \$)
PSP1075-3	1-Speed - 3 ft. Twist-Lock Cord	115	10.78	3/4	25	648.60
PSP1100-3	1-Speed - 3 ft. Twist-Lock Cord	115	13.2	1.0	25	660.52
PSP1150-3	1-Speed - 3 ft. Twist-Lock Cord	115	13.2	1.5	26	710.47
PSP1200-3	1-Speed - 3 ft. Twist-Lock Cord	115	18.04	2.0	31	837.08
PSP2075-3	2-Speed - 3 ft. Twist-Lock Cord	115	10.78	3/4	27	773.80
PSP2100-3	2-Speed - 3 ft. Twist-Lock Cord	115	13.2	1.0	30	790.82
PSP2150-3	2-Speed - 3 ft. Twist-Lock Cord	115	13.2	1.5	31	849.26
PSP2200-3	2-Speed - 3 ft. Twist-Lock Cord	115	18.04	2.0	35	910.17
PSP1075-6	1-Speed - 3 ft. NEMA Cord	115	10.78	3/4	25	648.60
PSP1100-6	1-Speed - 3 ft. NEMA Cord	115	13.2	1.0	25	660.52
PSP1150-6	1-Speed - 3 ft. NEMA Cord	115	13.2	1.5	25	710.47
PSP1200-6	1-Speed - 3 ft. NEMA Cord	115	18.04	2.0	31	837.08
PSP2075-6	2-Speed - 3 ft. NEMA Cord	115	10.78	3/4	29	773.80
PSP2100-6	2-Speed - 3 ft. NEMA Cord	115	13.2	1.0	30	790.82
PSP2150-6	2-Speed - 3 ft. NEMA Cord	115	13.2	1.5	32	849.26
PSP2200-6	2-Speed - 3 ft. NEMA Cord	115	18.04	2.0	36	910.17

Part numbers listed are for the discharge in the vertical position (sand). For discharge in horizontal position (cartridge and D.E.), add "R" to the end of the part number.

1-speed pumps have an on/off toggle switch. 2-speed pumps have a hi/lo/off toggle switch included.

NEMA cord is 3 prong grounded. All power cords are 3' in length.



Pool Pumps - Above Ground / Hi-Flo II Side Discharge - 48-Frame

Pool Pumps

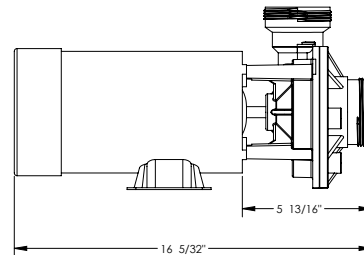
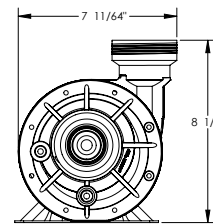
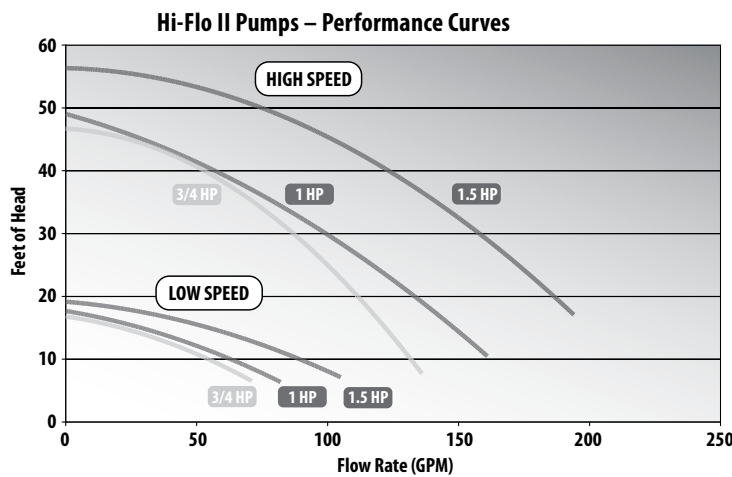
FEATURES:

- 1 1/2" union threads / 1 1/2" FPT intake and 2" union threads / 1 1/2" FPT discharge
- Powerful side discharge performance
- Wet end can be rotated for easy installation
- Large 6" pump trap with one-piece clear lid
- High head capability
- Trap is 2" union x 1 1/2" union / 1 1/2" FPT



For replacement parts, see page 284.

The Hi-Flo II Above Ground pump was designed for superior and efficient performance. The Hi-Flo II pump features high flow rate performance for faster filtering cycles. This pump is ideal for new installations or as a replacement pump.



Hi-Flo II Side Discharge 48-Frame Above Ground Pool Pump and Trap

Part No.	Description	Volts	HP	Weight (lbs.)	List (US \$)
PH1075-3	1-Speed - 3 ft. Twist-Lock Cord	115	3/4	24	591.23
PH1100-3	1-Speed - 3 ft. Twist-Lock Cord	115	1.0	25	611.22
PH1150-3	1-Speed - 3 ft. Twist-Lock Cord	115	1.5	30.5	659.96
PH1200-3	1-Speed - 3 ft. Twist-Lock Cord	115	2.0	32	786.60
PH2075-3	2-Speed - 3 ft. Twist-Lock Cord	115	3/4	24	723.28
PH2100-3	2-Speed - 3 ft. Twist-Lock Cord	115	1.0	25	740.34
PH2150-3	2-Speed - 3 ft. Twist-Lock Cord	115	1.5	30.5	798.75
PH2200-3	2-Speed - 3 ft. Twist-Lock Cord	115	2.0	32	859.66
PH1075-6	1-Speed - 3 ft. NEMA Cord	115	3/4	26	591.23
PH1100-6	1-Speed - 3 ft. NEMA Cord	115	1.0	30	611.22
PH1150-6	1-Speed - 3 ft. NEMA Cord	115	1.5	33	659.96
PH1200-6	1-Speed - 3 ft. NEMA Cord	115	2.0	35	786.60
PH2075-6	2-Speed - 3 ft. NEMA Cord	115	3/4	26	723.28
PH2100-6	2-Speed - 3 ft. NEMA Cord	115	1.0	30	740.34
PH2150-6	2-Speed - 3 ft. NEMA Cord	115	1.5	33	798.75
PH2200-6	2-Speed - 3 ft. NEMA Cord	115	2.0	35	859.66

Part numbers listed are for the discharge in the vertical position (sand). For discharge in horizontal position (cartridge and D.E.), add "R" to the part number.

1-speed pumps have an on/off toggle switch. 2-speed pumps have a hi/lo/off toggle switch included.

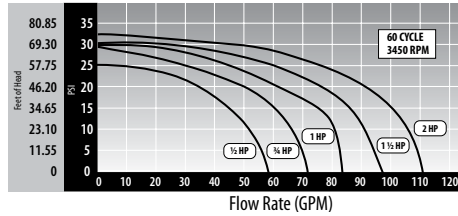
NEMA cord is 3 prong grounded. All power cords are 3' in length.



FEATURES:

- 1 1/2" Union / 1 1/2" FPT Inlet & Vertical Discharge or 1 1/2" Union / 1 1/2" FPT Inlet and Jacuzzi Self-Aligning Union Discharge (SLR9)
- Powerful center discharge performance
- Wet end can be rotated for easy installation
- Large 6" pump trap with 2-piece lid
- High head capability
- Trap is 2" union x 1 1/2" union / 1 1/2" FPT

PRESSURE VERSUS FLOW RATE



For replacement parts, see page 287.

Pool Pumps

Center Discharge Above Ground Pool Pump

Part No.	Description	HP	Volts	Weight (lbs.)	List (US \$)
3410210-1544	1-Speed - 3 ft. Twist-Lock Cord	1/2	115	24	576.27
3410314-1544	1-Speed - 3 ft. Twist-Lock Cord	3/4	115	24	579.81
3410413-1544	1-Speed - 3 ft. Twist-Lock Cord	1.0	115	24	591.53
3410612-1544	1-Speed - 3 ft. Twist-Lock Cord	1.5	115	26	640.11
3410811-1544	1-Speed - 3 ft. Twist-Lock Cord	2.0	115	26	757.18
3420210-1544	2-Speed - 3 ft. Twist-Lock Cord	1/2	115	--	691.59
3420310-1544	2-Speed - 3 ft. Twist-Lock Cord	3/4	115	29	697.94
3420411-1544	2-Speed - 3 ft. Twist-Lock Cord	1.0	115	29	717.07
3420612-1544	2-Speed - 3 ft. Twist-Lock Cord	1.5	115	31	771.32
3420610-1544	2-Speed - 3 ft. Twist-Lock Cord	2.0	115	--	825.62
3410210-1549	1-Speed - 3 ft. NEMA Cord	1/2	115	24	576.27
3410314-1549	1-Speed - 3 ft. NEMA Cord	3/4	115	24	579.81
3410413-1549	1-Speed - 3 ft. NEMA Cord	1.0	115	24	591.53
3410612-1549	1-Speed - 3 ft. NEMA Cord	1.5	115	26	640.11
3410811-1549	1-Speed - 3 ft. NEMA Cord	2.0	115	26	757.18
3420310-1549	2-Speed - 3 ft. NEMA Cord	3/4	115	30	697.94
3420411-1549	2-Speed - 3 ft. NEMA Cord	1.0	115	30	717.07
3420612-1549	2-Speed - 3 ft. NEMA Cord	1.5	115	31	771.32
3420610-1549	2-Speed - 3 ft. NEMA Cord	2.0	115	34	825.62

Center Discharge Above Ground Pool Pump - Jacuzzi Style Threads

Part No.	Description	HP	Volts	Weight (lbs.)	List (US \$)
3410210-1524	1-Speed - 3 ft. Twist-Lock Cord	1/2	115	24	591.76
3410314-1524	1-Speed - 3 ft. Twist-Lock Cord	3/4	115	24	596.63
3410413-1524	1-Speed - 3 ft. Twist-Lock Cord	1.0	115	20	608.84
3410612-1524	1-Speed - 3 ft. Twist-Lock Cord	1.5	115	26	657.51
3410811-1524	1-Speed - 3 ft. Twist-Lock Cord	2.0	115	--	780.03
3420210-1524	2-Speed - 3 ft. Twist-Lock Cord	1/2	115	--	712.96
3420310-1524	2-Speed - 3 ft. Twist-Lock Cord	3/4	115	29	718.38
3420411-1524	2-Speed - 3 ft. Twist-Lock Cord	1.0	115	29	737.88
3420612-1524	2-Speed - 3 ft. Twist-Lock Cord	1.5	115	30	793.90
3420610-1524	2-Speed - 3 ft. Twist-Lock Cord	2.0	115	--	803.28
3410210-1529	1-Speed - 3 ft. NEMA Cord	1/2	115	24	591.76
3410314-1529	1-Speed - 3 ft. NEMA Cord	3/4	115	24	596.63
3410413-1529	1-Speed - 3 ft. NEMA Cord	1.0	115	24	608.84
3410612-1529	1-Speed - 3 ft. NEMA Cord	1.5	115	26	657.51
3410811-1529	1-Speed - 3 ft. NEMA Cord	2.0	115	26	784.16
3420210-1529	2-Speed - 3 ft. NEMA Cord	1/2	115	--	712.96
3420310-1529	2-Speed - 3 ft. NEMA Cord	3/4	115	30	718.38
3420411-1529	2-Speed - 3 ft. NEMA Cord	1.0	115	30	737.88
3420612-1529	2-Speed - 3 ft. NEMA Cord	1.5	115	31	793.90
3420610-1529	2-Speed - 3 ft. NEMA Cord	2.0	115	--	803.28



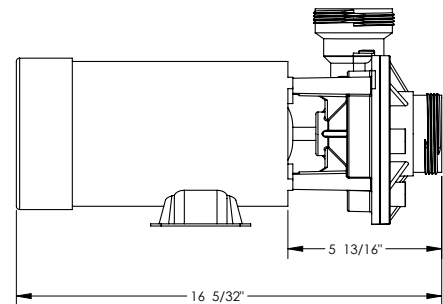
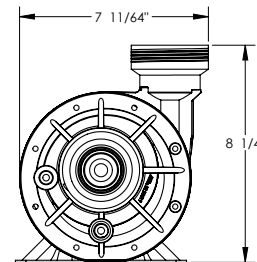
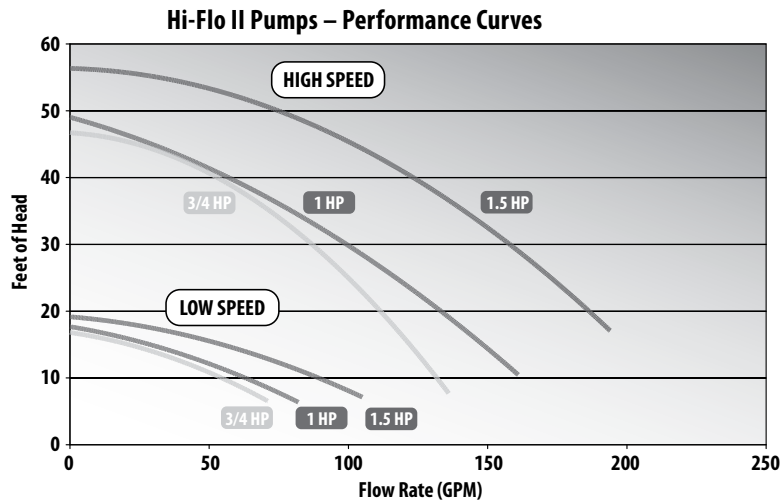
Spa Pumps / Hi-Flo II Side Discharge - 48-Frame

FEATURES:

- High volume side discharge efficiency
- 60% more efficient than our center discharge pumps
- 2" intake and discharge
- Wet end can be rotated for easy installation
- Available in 1 to 4 HP, 1 or 2 speed
- Large 6 1/2" diameter wet end for higher head pressure
- Viton Seals



For replacement parts, see page 295.



2-Speed Hi-Flo II Side Discharge 48-Frame Pumps

Part No.	HP	Volts	Amps High Speed	Amps Low Speed	Hz	Dimension "A"	List (US \$)
3420410-10	1.0	115	11.0	2.9	60	14.73"	574.13
3420610-10	1.5	115	16.4	4.4	60	15.48"	626.92
3420620-10	1.5	230	8.0	2.6	60	15.48"	626.92
3420820-10	2.0	230	10.5	2.6	60	16.00"	664.28

1-Speed Hi-Flo II Side Discharge 48-Frame Pumps

Part No.	HP	Volts	Amps	Hz	Dimension "A"	List (US \$)
3410410-10	1.0	115	12.0	60	14.23"	496.77
3410612-10	1.5	115	17.0	60	14.78"	496.77
3410830-10	2.0	115/230	20-10	60	14.98"	611.33



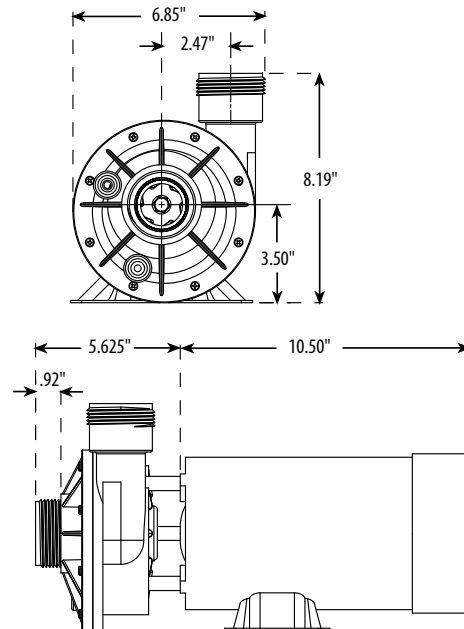
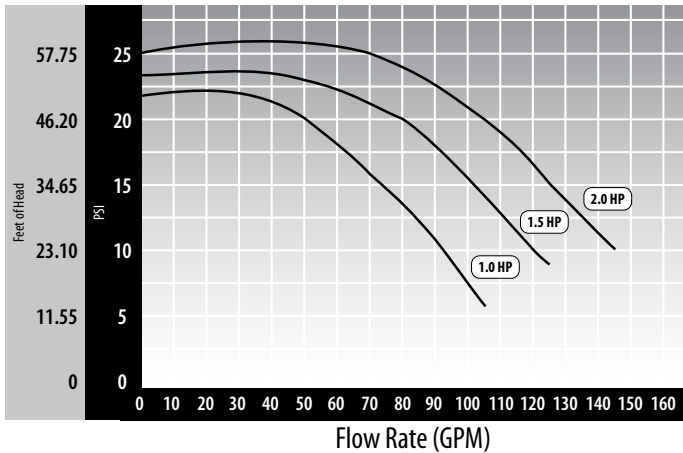
FEATURES:

- 48-frame proven design
- Designed for direct replacement in most spas
- Viton seals
- 1 ½" Intake and Discharge
- Direct replacement for Aqua Flo FMHP



For replacement parts, see page 293.

PRESSURE VERSUS FLOW RATE



2-Speed Spa Flo II 48-Frame Pumps

Part No.	HP	Volts	Hz	Case Quantity	List (US \$)
3420410-SOZ	1	115	60	1	574.13
3420610-SOZ	1 ½	115	60	1	755.54
3420820-SOZ	2	230	60	1	755.54

Sold without cords. Please call for available cords.

1-Speed Spa Flo II 48-Frame Pumps

Part No.	HP	Volts	Hz	Case Quantity	List (US \$)
3410410-SOZ	1	115	60	1	495.68
3410610-SOZ	1 ½	115	60	--	533.83
3410830-SOZ	2	115 / 230	60	1	737.57

Sold without cords. Please call for available cords.



Spa Pumps / EX 2

FEATURES:

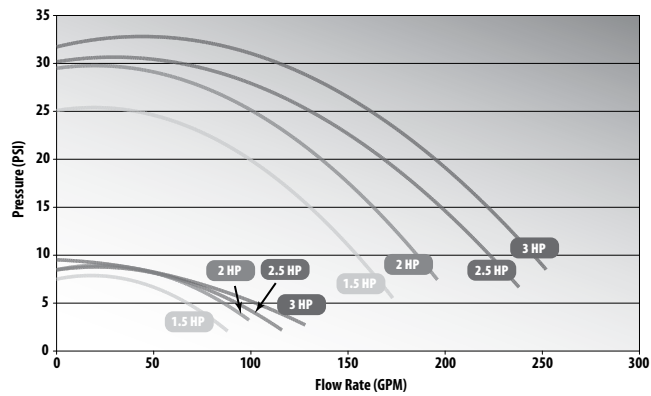
- True continuous rated horsepower of 1.5, 2.0, 2.5 and 3.0 HP
- 48-Frame or 56-Frame, Single or Dual Speed (energy saving)
- Use more jets per pump
- Same physical size as Aqua-Flo XP2, XP2e (fits within the same volume envelope)
- Can be used as substitute or retrofit to Aqua-Flo model XP2 or XP2e pumps and similar pumps and wet ends offered by other domestic and foreign suppliers
- Made in USA from highest quality materials with UL and CUL certifications
- CE and TUV certification on export pumps to ensure product performance for you and your customers
- Equipped with the highest quality Viton Seals
- Equipped with high efficiency electrical motors, custom designed for Spa applications



For replacement parts, see page 290.

Call for available cords and plugs.

EX2 Performance Chart



2-Speed EX 2 48-Frame Pumps

Part No.	Description	HP - Full	Volts	Amps High Speed	Amps Low Speed	Weight (lbs.)	Hz	List (US \$)
3420610-1U	2" Intake - 2" Discharge	1.5	115	16.4	4.4	--	60	626.92
3420820-1U	2" Intake - 2" Discharge	2	230	10.5	2.6	33	60	664.28
3421021-1U	2" Intake - 2" Discharge	2	230	9.0	2.8	31	60	613.59
3421221-1U	2" Intake - 2" Discharge	2	230	8.5	2.8	34	60	687.40
3421020-1U	2" Intake - 2" Discharge	2.5	230	11.0	3.3	36	60	712.62
3421821-1U	2" Intake - 2" Discharge	3	230	12.0	3.5	37	60	774.95

1-Speed EX 2 48-Frame Pumps

Part No.	Description	HP - Full	Volts	Amps	Weight (lbs.)	Hz	List (US \$)
3410610-1U	2" Intake - 2" Discharge	1.5	115	17.0	27	60	533.83
3411020-1U	2" Intake - 2" Discharge	2.5	230	10.0	34	60	715.31
3411621-1U	2" Intake - 2" Discharge	3.0	230	12.0	35	60	718.09

2-Speed EX 2 56-Frame Pumps

Part No.	Description	HP - Full	Volts	Amps High Speed	Amps Low Speed	Weight (lbs.)	Hz	List (US \$)
3720821-1W	2" Intake - 2" Discharge	2	230	8.0	3.0	34	60	667.78
3721621-1W	2" Intake - 2" Discharge	3.0	230	12.0	4.4	47	60	777.87
3M21621-1W	2" Intake - 2" Discharge	3.0	230	12.0	4.4	44	60	777.87

1-Speed EX 2 56-Frame Pumps

Part No.	Description	HP - Full	Volts	Amps	Weight (lbs.)	Hz	List (US \$)
3711621-1W	2" Intake - 2" Discharge	3.0	230	12.0	41	60	740.19

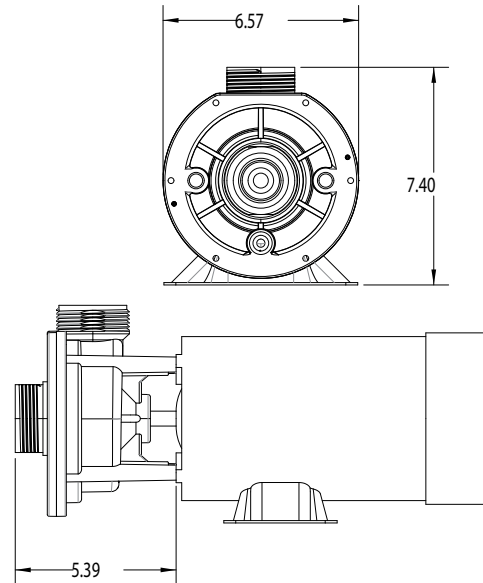
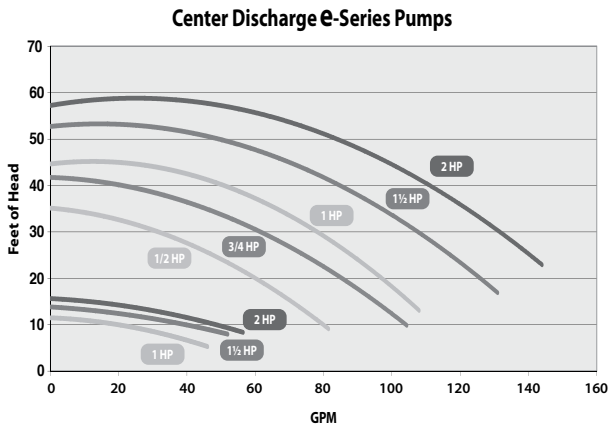


FEATURES:

- Reliable center discharge performance
- 1 1/2" intake and discharge
- Wet end can be rotated for easy installation
- Available in 3/4 to 2 HP, 1 or 2 speed
- Viton Seals
- 18 month warranty



For replacement parts, see page 286.



2-Speed Center Discharge Spa Pumps

Part No.	HP	Volts	Amps High Speed	Amps Low Speed	Hz	Dimension "A"	Weight (lbs.)	List (US \$)
3420310-15	3/4	115	8.8	2.6	60	15.00"	25	548.47
3420410-15	1.0	115	11.0	2.9	60	15.00"	26	574.13
3420610-15	1.5	115	16.4	4.4	60	15.75"	29	626.92
3420620-15	1.5	230	8.0	2.6	60	15.73"	29	626.92
3420820-15	2.0	230	10.5	2.6	60	16.28"	32	664.28

1-Speed Center Discharge Spa Pumps

Part No.	HP	Volts	Amps	Hz	Dimension "A"	Weight (lbs.)	List (US \$)
3410310-15	3/4	115	9.8	60	14.00"	19	474.89
3410410-15	1.0	115	12.0	60	14.50"	21	495.68
3410610-15	1.5	115	17.0	60	15.05"	26	533.83
3410830-15	2.0	115/230	20-10	60	16.26"	33	611.33



Pool Pumps - In-Ground / **Universal Booster Pump**

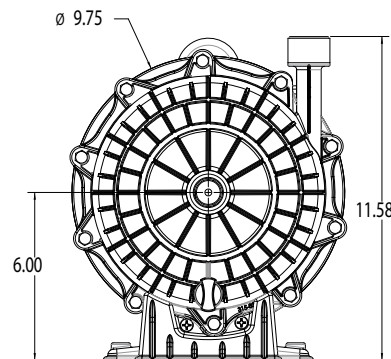
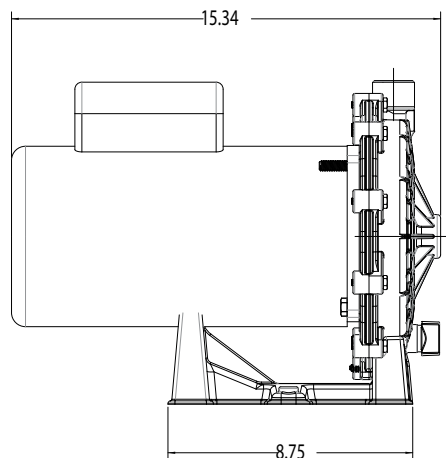
FEATURES:

- Suitable for all swimming pool pressure cleaners.
- Best replacement for any 3/4 HP booster pump.
- Optimized for reliability, durability & efficiency.
- Comes with a tall, versatile mounting base.
- Equipped w/high efficiency square flange 3/4 HP, 230/115 V motor. Provides extra quiet, long life operation and optimum energy efficiency.
- Maintains one of the highest head pressures in the industry.



For replacement parts, see page 264.
For unions, see page 58.

Comes with everything you need to install or retrofit the pump: reinforced flexible pump hose, hose barb adaptors and clamps.



Universal Booster Pump

Part No.	Description	Volts	HP	List (US \$)
3810430-1PDA	Booster Pump 60 HZ with Connectors and Hose Kit	115/230V	3/4 HP	640.53
550-8700	Hose, Fitting And Clamp Kit (4)	N/A	N/A	56.28

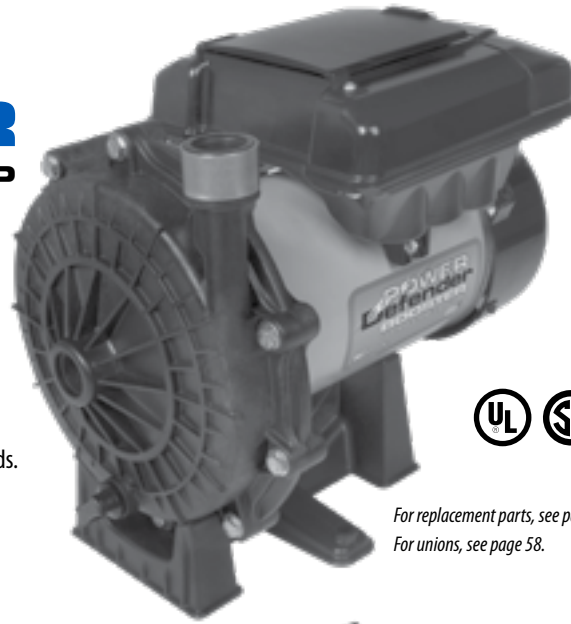


POWER Defender
BOOSTER
VARIABLE SPEED PUMP

The first Variable Speed Pressure Cleaner Booster Pump.

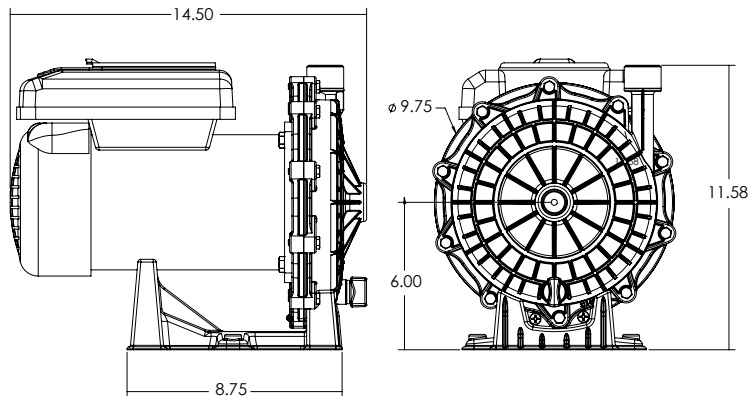
FEATURES:

- Change the operational speed of your pool cleaner. Save on your electric bill and optimize the performance of your pressure pool cleaner to fit your custom pool cleaning needs.
- Reduce wear, and extend the life of your pressure pool cleaner by avoiding unnecessary and excessive speed.
- Built-in timer provides 3 custom cleaning schedules for your pool cleaner – without the need for a separate timer. Program a different custom cleaning schedule for each season.
- Ultra energy efficient, quiet & durable Permanent Magnet motor provides years of trouble free service.



*For replacement parts, see page 266.
For unions, see page 58.*

Comes with everything you need to install or retrofit the pump: reinforced flexible pump hose, hose barb adaptors and clamps.



Smart **energy solutions** for the Pool & Spa industry.

Power Defender Booster Pump				
Part No.	Description	Volts	HP	List (US \$)
PD-275	Power Defender Variable Speed Booster	230V	3/4HP	1258.59
PD-175	Power Defender Variable Speed Booster	115V	3/4HP	1258.59



Pool Filters - In-Ground / Crystal Water - D.E.

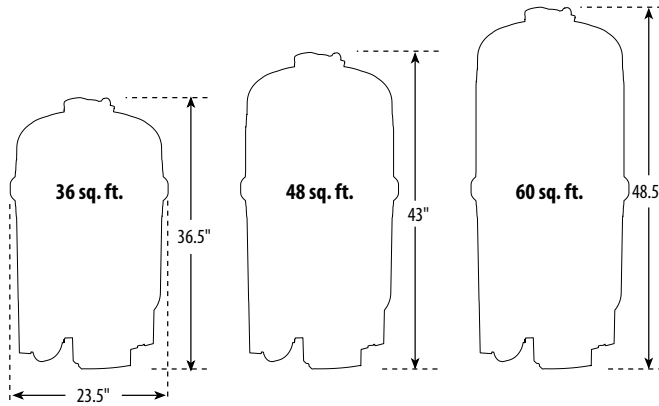
FEATURES:

- NSF Listed
- 2 ½" internal piping
- Fiberglass reinforced polypropylene body for superior strength
- "Multi-Handle" design
- Heavy-duty tamper-proof clamp
- Industry-proven D.E. grids
- "Start-Service" dial on stainless steel pressure gauge
- 1 ½" bottom clean-out port
- 2 ½" hi-temp PVC slide valve available
- 2 ½" x 2" Multi-Port Valves – available in Slip or FPT
- Convertible to cartridge by simply changing internals



For replacement parts, see page 300.

Designed for today's most demanding installations, the Crystal Water D.E. Filter sets a new standard of performance and features for pool filters. The only D.E. filter on the market with 2 ½" internal piping, improves flow and reduces system noise when using 2 ½", 2" or 1 ½" plumbing. From the lid with the "Multi-Handle" design to the 2" bottom clean out port, the Crystal Water D.E. Filter will provide years of trouble-free operation and crystal clear, sparkling water.



Crystal Water D.E. Filters

Part No.	Size	Flow Rate	Pool Turnover (6 hrs.)	Pool Turnover (8 hrs.)	Weight (lbs.)	List (US \$)
570-0036-07	36 sq. ft.	72 GPM	25,920	34,560	70	1,422.96
570-0048-07	48 sq. ft.	96 GPM	34,560	46,080	80	1,617.12
570-0060-07	60 sq. ft.	120 GPM	43,200	57,600	90	1,778.87



600-1500



WVD001

Valves for D.E. Filters

Part No.	Description	Case Quantity	Weight (lbs.)	List (US \$)
600-1500	2 ½" Hi-Temp PVC Slide Valve Assembly (2" and 1 ½" reducers included)	1	11	161.80
550-4280	Slide Valve Adapter Fitting Package for D.E. / Cartridge Filter (2" and 1 ½" reducers included)	1	--	50.39
WVD001	Multi-Port Valve with Union Connections - 2" FPT	1	13	262.00
WVD002	Multi-Port Valve with Union Connections - 2" Socket	1	13	262.00

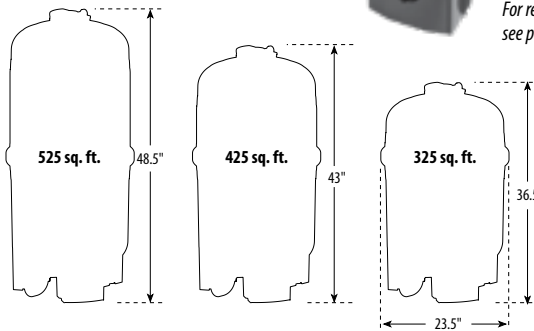


FEATURES:

- NSF Listed
- 2 ½" internal piping
- 2 ½" Valve Bulkhead Unions (includes 2" and 1 ½" reducers)
- Fiberglass reinforced polypropylene body for superior strength
- "Multi-Handle" design
- Heavy-duty tamper-proof clamp with removal tool
- Industry proven quad-cartridge elements layout
- "Start-Service" dial on stainless steel pressure gauge
- 1 ½" bottom clean-out port
- Convertible to D.E. by simply changing internals



Cluster of 4 cartridge elements for ease of maintenance and longer cleaning cycles.



For replacement parts, see page 304.

Combining high technology features and an easy to service design, the Crystal Water Cartridge Filter is ideal for new and replacement installations. The only cartridge filter on the market with 2 ½" internal piping, improves flow and reduces system noise when using 2 ½", 2" or 1 ½" plumbing. Using four cartridge elements, the Crystal Water Cartridge Filter offers a superior choice for easy maintenance and crystal clear, clean water.

Crystal Water Cartridge Filters

Part No.	Size	NSF Flow Rate	Pool Turnover (6 hrs.)	Pool Turnover (8 hrs.)	Weight (lbs.)	List (US \$)
570-0325-07	325 sq. ft.	112 GPM	43,200	57,600	74	1,794.89
570-0425-07	425 sq. ft.	150 GPM	54,000	72,000	84	2,021.44
570-0525-07*	525 sq. ft.	150 GPM	54,000	72,000	92	2,344.86

*Ideal for longer cleaning cycles



400-9974B

Bulkhead Fittings

Part No.	Description	Case Quantity	Weight (lbs.)	List (US \$)
421-4071B	Reducer - 1 ½" to 2"	--	--	3.26
421-4201B	Reducer - 2 ½" to 2"	--	--	3.26
415-4211B	2 ½" Union Nut (2 required)	--	--	12.37
417-2201B	2 ½" Tailpiece with Piston O-Ring Groove (2 required)	--	--	7.78
805-0232B	O-Ring - 2 ½" Union (4 required - 2 for each Bulkhead)	--	--	2.07



Pool Filters - Above Ground / ClearWater II - D.E.

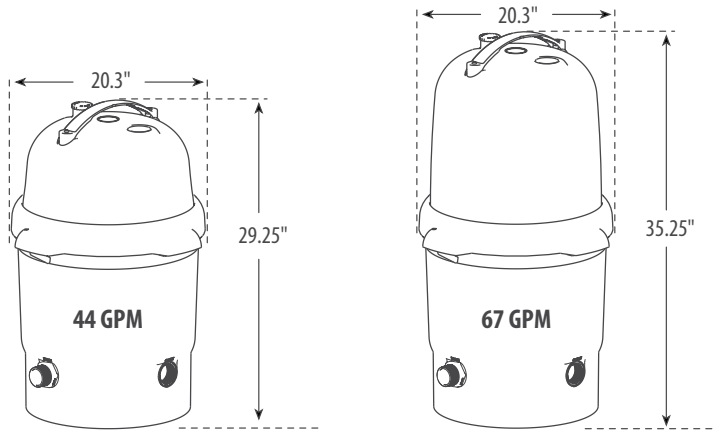
True Spiral Laminar flow in an above ground filter. Spiral Laminar flow ensures even distribution of D.E. for maximum filtration. The ClearWater D.E. filter features automatic hydraulic regeneration, Waterway's Safety Lock Ring system for safe operation and maintenance, and a ten year warranty on its rugged glass-filled polymer body.

FEATURES:

- True Spiral Laminar flow for even disbursement of D.E.
- Automatic hydraulic regeneration
- High flow rate
- Modular grid system for easy maintenance
- Union gate valve with 1 1/2" hose adapter drain shut off
- Flush-mounted stainless steel pressure gauge
- Low-profile air relief plug
- Automatic air bleed capability
- Heavy-duty lid handle



For replacement parts, see page 306.
For equipment bases, see page 55.



ClearWater II D.E. Filters

Part No.	Description	Filtration Area	Pool Turnover (6 hrs.)	Pool Turnover (8 hrs.)	Weight (lbs.)	List (US \$)
FD12-7	44 GPM Filter	12 sq. ft.	15,840	21,120	34	739.77
FD18-7	67 GPM Filter	18 sq. ft.	24,120	32,160	39	890.46

ClearWater II D.E. Accessories

Part No.	Description	Case Quantity	Weight (lbs.)	List (US \$)
672-7211	ClearWater Modular Filter Base - 7" x 23" Diameter	1	29	78.45
429-7300	Pin and Anchor Assembly Kit for Base	1	1	8.17



FEATURES:

- True Spiral Laminar flow D.E. filter
- Top of the line Supreme High Performance Single or Dual Speed Pump
- Extra large 7" pump trap with clear lid
- Unionized gate valve to isolate the system for maintenance
- Drain Shut Off - Union Gate Valve with 1 1/2" hose adapter
- Two 1 1/2" diameter hoses with clamps
- Filter and pump mounting base, complete fitting package for all connections
- Accessory base (optional) allows for addition of optional timer and/or chlorinator kits for minimal maintenance
- Dual speed pump meets CEC Title 20 Code - Effective January 1, 2008



Complete the D.E. filtration system with the high performance Waterway Supreme Pump and accessories. The D.E. Filter and Pump Pack provides homeowners with everything they need to get their system up and running. It assures them of matched components and optimal performance with years of dependable service.

ClearWater II D.E. Deluxe Systems - Supreme 1-Speed Pump

Part No.	Filter	Flow Rate	Pump	HP	Volts	Weight (lbs.)	Cord	List (US \$)
FDS044107-3S	FD12-7	44 GPM	PSP1100-3R	1.0	115	--	3 ft. Twist-Lock	1,299.83
FDS067107-3S	FD18-7	67 GPM	PSP1100-3R	1.0	115	76	3 ft. Twist-Lock	1,515.68
FDS067157-3S	FD18-7	67 GPM	PSP1150-3R	1.5	115	68	3 ft. Twist-Lock	1,902.62
FDS044107-6S	FD12-7	44 GPM	PSP1100-6R	1.0	115	--	3 ft. NEMA	1,299.83
FDS067107-6S	FD18-7	67 GPM	PSP1100-6R	1.0	115	--	3 ft. NEMA	1,515.34
FDS067157-6S	FD18-7	67 GPM	PSP1150-6R	1.5	115	--	3 ft. NEMA	1,902.21

INCLUDES:

- 2 hoses (1 1/2" x 6 ft.)
- Filter / Pump Union Adapter, Hose fittings and hose clamps
- 3 ft. cord Twist-Lock plug (NEC/UL), or 3 ft. cord NEMA plug
- 2 Unionized gate valves to isolate system for maintenance & drain
- Accessory base for optional timer and/or chlorinator

ClearWater II D.E. Deluxe Systems - Supreme 2-Speed Pump

Part No.	Filter	Flow Rate	Pump	HP	Volts	Weight (lbs.)	Cord	List (US \$)
FDS044107-3	FD12-7	44 GPM	PSP2100-3R	1.0	115	--	3 ft. Twist-Lock	1,477.16
FDS067107-3	FD18-7	67 GPM	PSP2100-3R	1.0	115	--	3 ft. Twist-Lock	1,841.18
FDS067157-3	FD18-7	67 GPM	PSP2150-3R	1.5	115	--	3 ft. Twist-Lock	1,876.35
FDS044107-6	FD12-7	44 GPM	PSP2100-6R	1.0	115	--	3 ft. NEMA	1,477.16
FDS067107-6	FD18-7	67 GPM	PSP2100-6R	1.0	115	--	3 ft. NEMA	1,841.18
FDS067157-6	FD18-7	67 GPM	PSP2150-6R	1.5	115	--	3 ft. NEMA	1,876.35

INCLUDES:

- 2 hoses (1 1/2" x 6 ft.)
- Filter / Pump Union Adapter, Hose fittings and hose clamps
- 3 ft. cord Twist-Lock plug (NEC/UL), or 3 ft. cord NEMA plug
- 2 Unionized gate valves to isolate system for maintenance & drain
- Accessory base for optional timer and/or chlorinator

ClearWater II D.E. Deluxe Systems (without Supreme Pump)

Part No.	Filter	Flow Rate	Weight (lbs.)	List (US \$)
FDS0447S	FD12-7	44 GPM	1	864.71
FDS0677S	FD18-7	67 GPM	1	1,229.90

INCLUDES:

- 2 hoses (1 1/2" x 6 ft.)
- Filter / Pump Union Adapter, Hose fittings and hose clamps
- 2 Unionized gate valves to isolate system for maintenance & drain
- Accessory base for optional timer and/or chlorinator

All power cords are 3' in length.



Pool Filters - Above Ground / ClearWater II - D.E. Standard System

FEATURES:

- True Spiral Laminar flow D.E. filter
- Hi-Flo II High Performance Single or Dual Speed Pump
- Large 6" pump trap with 2-piece lid
- Two 1 1/2" diameter hoses with clamps
- Complete fitting package for all connections
- Dual Speed meets CEC Title 20 Code - Effective January 1, 2008



The D.E. Filter and Pump Pack provides homeowners with everything they need to get their system up and running. It assures them of matched components and optimal performance with years of dependable service.

INCLUDES:

- 2 Hoses (1 1/2" x 6 ft.)
- Filter/ Pump Union Adapter, Hose fittings and hose clamps
- 3 ft. cord Twist-Lock plug (NEC/UL), or 3 ft. cord NEMA plug
- Standard system base

ClearWater II D.E. Standard Systems - Hi-Flo II 1-Speed Pump

Part No.	Filter	Flow Rate	Pump	HP	Volts	Weight (lbs.)	Cord	List (US \$)
520-5007-3S	FD12-7	44 GPM	PH1100-3R	1.0	115	70	3 ft. Twist-Lock	1,183.21
520-5027-3S	FD18-7	67 GPM	PH1100-3R	1.0	115	70	3 ft. Twist-Lock	1,370.78
520-5037-3S	FD18-7	67 GPM	PH1150-3R	1.5	115	70	3 ft. Twist-Lock	1,417.49
520-5007-6S	FD12-7	44 GPM	PH1100-6R	1.0	115	70	3 ft. NEMA	1,183.21
520-5027-6S	FD18-7	67 GPM	PH1100-6R	1.0	115	70	3 ft. NEMA	1,370.78
520-5037-6S	FD18-7	67 GPM	PH1150-6R	1.5	115	70	3 ft. NEMA	1,417.49

INCLUDES:

- 2 Hoses (1 1/2" x 6 ft.)
- Filter/ Pump Union Adapter, Hose fittings and hose clamps
- 3 ft. cord Twist-Lock plug (NEC/UL), or 3 ft. cord NEMA plug
- Standard system base

ClearWater II D.E. Standard Systems - Hi-Flo II 2-Speed Pump

Part No.	Filter	Flow Rate	Pump	HP	Volts	Weight (lbs.)	Cord	List (US \$)
522-5007-3S	FD12-7	44 GPM	PH2100-3R	1.0	115	70	3 ft. Twist-Lock	1,256.03
522-5027-3S	FD18-7	67 GPM	PH2100-3R	1.0	115	--	3 ft. Twist-Lock	1,443.18
522-5037-3S	FD18-7	67 GPM	PH2150-3R	1.5	115	75	3 ft. Twist-Lock	1,494.29
522-5007-6S	FD12-7	44 GPM	PH2100-6R	1.0	115	70	3 ft. NEMA	1,256.03
522-5027-6S	FD18-7	67 GPM	PH2100-6R	1.0	115	70	3 ft. NEMA	1,443.65
522-5037-6S	FD18-7	67 GPM	PH2150-6R	1.5	115	70	3 ft. NEMA	1,494.29

INCLUDES:

- 2 Hoses (1 1/2" x 6 ft.)
- Filter/ Pump Union Adapter, Hose fittings and hose clamps
- Standard system base

ClearWater II D.E. Standard Systems (without Hi-Flo II Pump)

Part No.	Filter	Flow Rate	List (US \$)
520-5007	FD12-7	44 GPM	841.90
520-5027	FD18-7	67 GPM	870.00

All power cords are 3' in length.



Pool Filters - Above Ground / ClearWater II - Cartridge

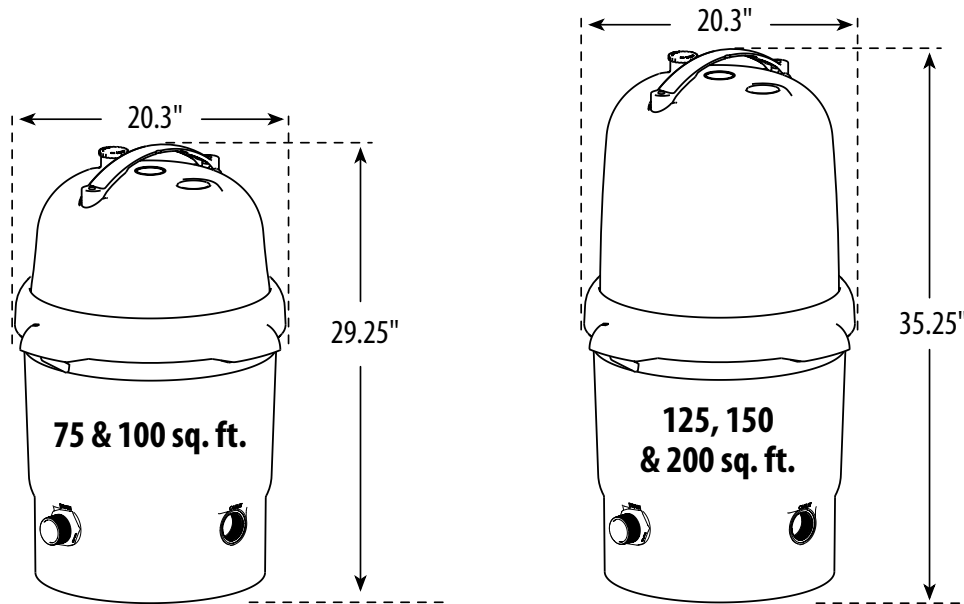
FEATURES:

- Wide-body filtration system
- Durable glass-filled polymer filter body
- Three year warranty on filter body
- 1 1/2" clean out drain on 1 1/2" FPT
- Flush-mounted stainless steel pressure gauge
- Low-profile air relief plug
- Heavy-duty lid handle



For replacement parts, see page 307.
For equipment bases, see page 55.

Large filtration, small footprint, and high flow. ClearWater II Cartridge Filters incorporate wide-body filtration elements to give maximum filtration without sacrificing flow rate. Made of a durable glass-filled polymer, ClearWater II Cartridge Filters provide years of trouble-free performance. ClearWater II Cartridge Filters feature Waterway's Safety Lock Ring system to ensure safe operation and easy maintenance.



ClearWater II Cartridge Filters

Part No.	Filtration Area	Flow Rate	Pool Turnover (6 hrs.)	Pool Turnover (8 hrs.)	Weight (lbs.)	List (US \$)
FC0757	75 sq. ft.	75 GPM	27,000	36,000	46	647.95
FC1007	100 sq. ft.	100 GPM	36,000	48,000	34	831.56
FC1257	125 sq. ft.	125 GPM	45,000	60,000	34	890.93
FC1507	150 sq. ft.	150 GPM	54,000	72,000	59	1,119.17
FC2007*	200 sq. ft.	150 GPM	54,000	72,000	36	1,264.68

*Longer period between cleaning cycles



Pool Filters - Above Ground / ClearWater II - Cartridge Deluxe System

Complete the Cartridge filtration system with the Waterway Supreme High Performance Pump and accessories.

FEATURES:

- Large filtration, small footprint cartridge filter
- Top of the line Supreme High Performance Single or Dual Speed Pump
- Extra large 7" pump trap with clear lid
- Unionized gate valve to isolate the system for maintenance
- Two 1 1/2" diameter hoses with clamps
- Filter and pump mounting base
- Complete fitting package for all connections
- Accessory base allows for addition of optional timer and/or chlorinator kits for minimal maintenance
- Dual speed pump meets CEC Title 20 Code - Effective January 1, 2008



INCLUDES:

- 2 hoses (1 1/2" x 6 ft.)
- Filter / Pump Union Adapter, Hose fittings and hose clamps
- 3 ft. cord Twist-Lock plug (NEC/UL), or 3 ft. cord NEMA plug
- Deluxe one-piece base system
- Unionized gate valve to isolate system for maintenance
- Accessory base for optional timer and/or chlorinator

ClearWater II Cartridge Deluxe System with Supreme 1-Speed Pump

Part No.	Filter	Filtration Area	Pump	HP	Volts	Weight (lbs.)	Cord	List (US \$)
FCS075107-3S	FC0757	75 sq. ft.	PSP1100-3R	1.0	115	69	3 ft. Twist-Lock	1,160.87
FCS100107-3S	FC1007	100 sq. ft.	PSP1100-3R	1.0	115	--	3 ft. Twist-Lock	1,322.43
FCS125157-3S	FC1257	125 sq. ft.	PSP1150-3R	1.5	115	--	3 ft. Twist-Lock	1,451.31
FCS150157-3S	FC1507	150 sq. ft.	PSP1150-3R	1.5	115	72	3 ft. Twist-Lock	1,547.50
FCS200157-3S	FC2007	200 sq. ft.	PSP1150-3R	1.5	115	--	3 ft. Twist-Lock	1,695.23
FCS075107-6S	FC0757	75 sq. ft.	PSP1100-6R	1.0	115	--	3 ft. NEMA	1,160.63
FCS100107-6S	FC1007	100 sq. ft.	PSP1100-6R	1.0	115	74	3 ft. NEMA	1,322.43
FCS100137-6S	FC1007	100 sq. ft.	PSP1075-6R	0.75	115	74	3 ft. NEMA	1,231.14
FCS125157-6S	FC1257	125 sq. ft.	PSP1150-6R	1.5	115	--	3 ft. NEMA	1,451.31
FCS150157-6S	FC1507	150 sq. ft.	PSP1150-6R	1.5	115	72	3 ft. NEMA	1,547.50
FCS200137-6S	FC2007	200 sq. ft.	PSP1075-6R	0.75	115	78	3 ft. NEMA	1,471.69
FCS200157-6S	FC2007	200 sq. ft.	PSP1150-6R	1.5	115	--	3 ft. NEMA	1,695.23

INCLUDES:

- 2 hoses (1 1/2" x 6 ft.)
- Filter / Pump Union Adapter, Hose fittings and hose clamps
- 3 ft. cord Twist-Lock plug (NEC/UL), or 3 ft. cord NEMA plug
- Deluxe one-piece base system
- Unionized gate valve to isolate system for maintenance
- Accessory base for optional timer and/or chlorinator

ClearWater II Cartridge Deluxe System with Supreme 2-Speed Pump

Part No.	Filter	Filtration Area	Pump	HP	Volts	Weight (lbs.)	Cord	List (US \$)
FCS075107-3	FC0757	75 sq. ft.	PSP2100-3R	1.0	115	69	3 ft. Twist-Lock	1,316.64
FCS100107-3	FC1007	100 sq. ft.	PSP2100-3R	1.0	115	74	3 ft. Twist-Lock	1,531.92
FCS125157-3	FC1257	125 sq. ft.	PSP2150-3R	1.5	115	--	3 ft. Twist-Lock	1,700.03
FCS150157-3	FC1507	150 sq. ft.	PSP2150-3R	1.5	115	72	3 ft. Twist-Lock	1,829.28
FCS200157-3	FC2007	200 sq. ft.	PSP2150-3R	1.5	115	--	3 ft. Twist-Lock	1,864.56
FCS075107-6	FC0757	75 sq. ft.	PSP2100-6R	1.0	115	69	3 ft. NEMA	1,304.14
FCS100107-6	FC1007	100 sq. ft.	PSP2100-6R	1.0	115	74	3 ft. NEMA	1,554.91
FCS125157-6	FC1257	125 sq. ft.	PSP2150-6R	1.5	115	--	3 ft. NEMA	1,700.41
FCS150157-6	FC1507	150 sq. ft.	PSP2150-6R	1.5	115	72	3 ft. NEMA	1,829.28
FCS200157-6	FC2007	200 sq. ft.	PSP2150-6R	1.5	115	--	3 ft. NEMA	1,864.98

INCLUDES:

- 2 hoses (1 1/2" x 6 ft.)
- Filter/ Pump Union Adapter, Hose fittings and hose clamps
- Deluxe one-piece base system
- Unionized gate valve to isolate system for maintenance
- Accessory base for optional timer and/or chlorinator

ClearWater II Cartridge Deluxe System (without Supreme Pump)

Part No.	Filter	Filtration Area	List (US \$)
FCS0757S	FC0757	75 sq. ft.	730.43
FCS1007S	FC1007	100 sq. ft.	974.29
FCS1257S	FC1257	125 sq. ft.	1,182.47
FCS1507S	FC1507	150 sq. ft.	1,182.47
FCS2007S	FC2007	200 sq. ft.	1,182.47

All power cords are 3' in length.

Pool Filters - Above Ground / ClearWater II - Cartridge Standard System



FEATURES:

- Large filtration, small footprint cartridge filter
- Hi-Flo II High Performance Single or Dual Speed Pump
- Large 6" pump trap with 2-piece lid
- Two 1 1/2" diameter hoses, with clamps
- Dual speed pump meets CEC Title 20 Code - Effective January 1, 2008



The Cartridge Filter and Pump Pack provides homeowners with everything they need to get their system up and running. It assures them years of dependable service.

Filters / Filter Systems

ClearWater II Cartridge Standard System with Hi-Flo II 1-Speed Pump

Part No.	Filter	Filtration Area	Pump	HP	Volts	Weight (lbs.)	Cord	List (US \$)
520-5107-3S	FC0757	75 sq. ft.	PH1100-3R	1.0	115	60	3 ft. Twist-Lock	1,053.62
520-5127-3S	FC1007	100 sq. ft.	PH1100-3R	1.0	115	60	3 ft. Twist-Lock	1,225.86
520-5147-3S	FC1007	100 sq. ft.	PH1150-3R	1.5	115	60	3 ft. Twist-Lock	1,233.35
520-5157-3S	FC1257	125 sq. ft.	PH1150-3R	1.5	115	--	3 ft. Twist-Lock	1,318.24
520-5167-3S	FC1507	150 sq. ft.	PH1150-3R	1.5	115	65	3 ft. Twist-Lock	1,403.68
520-5187-3S	FC2007	200 sq. ft.	PH1150-3R	1.5	115	50	3 ft. Twist-Lock	1,529.94
520-5107-6S	FC0757	75 sq. ft.	PH1100-6R	1.0	115	60	3 ft. NEMA	1,053.62
520-5127-6S	FC1007	100 sq. ft.	PH1100-6R	1.0	115	60	3 ft. NEMA	1,225.86
520-5147-6S	FC1007	100 sq. ft.	PH1150-6R	1.5	115	60	3 ft. NEMA	1,233.07
520-5157-6S	FC1257	125 sq. ft.	PH1150-6R	1.5	115	70	3 ft. NEMA	1,236.67
520-5167-6S	FC1507	150 sq. ft.	PH1150-6R	1.5	115	50	3 ft. NEMA	1,403.68
520-5187-6S	FC2007	200 sq. ft.	PH1150-6R	1.5	115	51	3 ft. NEMA	1,539.73

INCLUDES:

- 2 hoses (1 1/2" x 6 ft.)
- Filter/ Pump Union Adapter, Hose fittings and hose clamps
- 3 ft. cord Twist-Lock plug (NEC/UL), or 3 ft. cord NEMA plug
- One-piece system base

ClearWater II Cartridge Standard System with Hi-Flo II 2-Speed Pump

Part No.	Filter	Filtration Area	Pump	HP	Volts	Weight (lbs.)	Cord	List (US \$)
522-5107-3S	FC0757	75 sq. ft.	PH2100-3R	1.0	115	--	3 ft. Twist-Lock	1,126.44
522-5127-3S	FC1007	100 sq. ft.	PH2100-3R	1.0	115	66	3 ft. Twist-Lock	1,298.70
522-5147-3S	FC1007	100 sq. ft.	PH2150-3R	1.5	115	65	3 ft. Twist-Lock	1,239.54
522-5157-3S	FC1257	125 sq. ft.	PH2150-3R	1.5	115	66	3 ft. Twist-Lock	1,395.03
522-5167-3S	FC1507	150 sq. ft.	PH2150-3R	1.5	115	70	3 ft. Twist-Lock	1,480.51
522-5187-3S	FC2007	200 sq. ft.	PH2150-3R	1.5	115	--	3 ft. Twist-Lock	1,586.58
522-5107-6S	FC0757	75 sq. ft.	PH2100-6R	1.0	115	66	3 ft. NEMA	1,126.44
522-5127-6S	FC1007	100 sq. ft.	PH2100-6R	1.0	115	66	3 ft. NEMA	1,298.70
522-5147-6S	FC1007	100 sq. ft.	PH2150-6R	1.5	115	66	3 ft. NEMA	1,310.16
522-5157-6S	FC1257	125 sq. ft.	PH2150-6R	1.5	115	--	3 ft. NEMA	1,395.03
522-5167-6S	FC1507	150 sq. ft.	PH2150-6R	1.5	115	71	3 ft. NEMA	1,480.51
522-5187-6S	FC2007	200 sq. ft.	PH2150-6R	1.5	115	62	3 ft. NEMA	1,586.94

INCLUDES:

- 2 hoses (1 1/2" x 6 ft.)
- Filter/ Pump Union Adapter, Hose fittings and hose clamps
- 3 ft. cord Twist-Lock plug (NEC/UL), or 3 ft. cord NEMA plug
- One-piece system base

ClearWater II Cartridge Standard System (without Hi-Flo II Pump)

Part No.	Filter	Filtration Area	Weight (lbs.)	List (US \$)
520-5107	FC0757	75 sq. ft.	--	717.89
520-5127	FC1007	100 sq. ft.	38	824.30
520-5157	FC1257	125 sq. ft.	42	968.11
520-5167	FC1507	150 sq. ft.	43	1,099.09
520-5187	FC2007	200 sq. ft.	43	1,109.41

INCLUDES:

- 2 hoses (1 1/2" x 6 ft.)
- Filter/ Pump Union Adapter, Hose fittings and hose clamps
- One-piece system base

All power cords are 3' in length.



Pool Filters - In-Ground & Above Ground / ProClean Plus - Single Cartridge and D.E. Cartridge

FEATURES:

- NSF Listed
- 2" FPT inlet and outlet for more flow
- Raised inlet for clean easy plumbing and extra dirt holding capacity
- Waterway's Safety Lock Ring System for fast, easy access to filter internals
- Lid lock-ring handle makes removing the lid easy and safe
- Internal design for more dirt holding capacity for longer cleaning cycles
- Drain plug is 3/4", can install a standard 3/4" hose valve for draining
- "Start-Service" dial on stainless steel pressure gauge

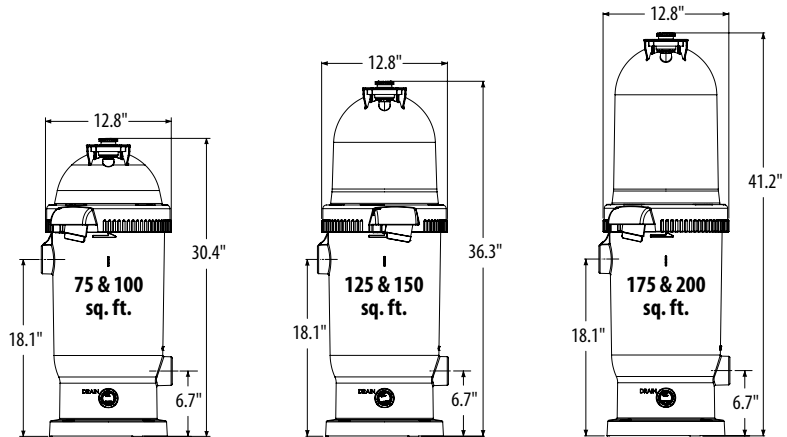
Designed for in-ground installations, the ProClean Plus Cartridge Filter has a raised inlet for extra dirt holding capacity and clean easy plumbing from the pump. Molded of ABS thermoplastic, the ProClean Plus Cartridge Filter will provide years of dependable service.



With New Improved Threaded Ports!

Easy access in-ground cartridge internals
 Raised 18" Inlet for clean 90° plumbing from pump
 Lock-Ring has handles for easy removal of lid

For replacement parts, see page 308.
 For equipment bases, see page 55.



ProClean Plus Single Cartridge Filters

Part No.	Size	Flow Rate	Pool Turnover (6 hrs.)	Pool Turnover (8 hrs.)	Weight (lbs.)	List (US \$)
PCCF-075	75 sq. ft.	75 GPM	27,000	36,000	21	579.19
PCCF-100	100 sq. ft.	100 GPM	36,000	48,000	24	696.66
PCCF-125	125 sq. ft.	125 GPM	45,000	60,000	24	852.70
PCCF-150	150 sq. ft.	125 GPM	45,000	60,000	25	989.46
PCCF-175	175 sq. ft.	125 GPM	45,000	60,000	28	1,111.21
PCCF-200*	200 sq. ft.	125 GPM	45,000	60,000	28	1,229.86

*Ideal for longer cleaning cycles

ProClean Plus D.E. Cartridge Filters

Part No.	Description	Flow Rate	Pool Turnover (6 hrs.)	Pool Turnover (8 hrs.)	Weight (lbs.)	List (US \$)
PCDE-30	30 sq. ft. D.E. Cartridge Filter	60 GPM	21,600	28,800	20	989.46
PCDE-40	40 sq. ft. D.E. Cartridge Filter	80 GPM	28,800	38,400	23	1,229.86

The cleaning results of a D.E. with the convenience of a cartridge.



PROPACK

FEATURES:

- 200 sq. ft. cartridge filter with drain plug or 40 sq. ft. D.E. Element Filter with drain plug
- SMF or Champion Pump - Single and Dual Speed Available (not included)
- Equipment pad
- Dual speed pump meets CEC Title 20 Code - Effective January 1, 2008
- Unionized Pump/Filter Sweep connector included



Add an SMF or Champion Pump to complete your ProPack!



ProClean Plus Single Cartridge Filter System - ProPack (without SMF or Champion Pump)

Part No.	Description	Weight (lbs.)	List (US \$)
520-7500-0	200 sq. ft. Single Cartridge System with Base and Fittings Package	43	1,439.14

ProClean Plus D.E. Cartridge Filter System - ProPack (without SMF or Champion Pump)

Part No.	Description	Weight (lbs.)	List (US \$)
520-7820-0	40 sq. ft. D.E. Cartridge System with Base and Fittings Package	38	1,439.14

Use with SMF & Champion Pumps:

DO NOT exceed 2 HP for 200 sq. ft. Single Cartridge Filter and 1 HP for 40 sq. ft. D.E. Filter.

See page 15 for SMF or 14 for Champion Pump choices.



Pool Filters - Above Ground / ProClean Plus - Single Cartridge 2-Speed System

FEATURES:

- Raised inlet for clean easy plumbing and extra dirt holding capacity
- Top-mounted pressure gauge for easy reading
- "Start-Service" dial on stainless steel pressure gauge to inform user when it is time to service
- Extra-large air relief
- Drain accepts a standard hose for easy drainage
- Dual speed pump meets CEC Title 20 Code - Effective January 1, 2008



This system is our ProClean Plus in-ground pool filter with Waterway's above ground Hi-Flo II or Supreme Pump for an exceptional above ground system.

ProClean Plus Single Cartridge Systems - Hi-Flo II Pump - 2-Speed

Part No.	Filter	Filtration Area	Pump	HP	Weight (lbs.)	List (US \$)
522-6000-6S	PCCF-075	75 sq. ft.	PH2100-6	1.0	--	1,146.94
522-6100-6S	PCCF-100	100 sq. ft.	PH2100-6	1.0	--	1,296.67
522-6115-6S	PCCF-100	100 sq. ft.	PH2150-6	1.5	--	1,508.64
522-6215-6S	PCCF-125	125 sq. ft.	PH2150-6	1.5	66	1,577.30
522-6315-6S	PCCF-150	150 sq. ft.	PH2150-6	1.5	74	1,645.64
522-6415-6S	PCCF-175	175 sq. ft.	PH2150-6	1.5	--	1,818.22
522-6515-6S	PCCF-200	200 sq. ft.	PH2150-6	1.5	--	1,900.51
522-6520-6S	PCCF-200	200 sq. ft.	PH2200-6	2.0	--	2,059.55

ProClean Plus Single Cartridge Systems - Supreme Pump - 2-Speed

Part No.	Filter	Filtration Area	Pump	HP	Weight (lbs.)	List (US \$)
FPS07510-6	PCCF-075	75 sq. ft.	PSP2100-6	1.0	--	1,254.89
FPS10010-6	PCCF-100	100 sq. ft.	PSP2100-6	1.0	--	1,419.71
FPS10015-6	PCCF-100	100 sq. ft.	PSP2150-6	1.5	--	1,623.72
FPS12515-6	PCCF-125	125 sq. ft.	PSP2150-6	1.5	--	1,697.58
FPS15015-6	PCCF-150	150 sq. ft.	PSP2150-6	1.5	--	1,771.37
FPS17515-6	PCCF-175	175 sq. ft.	PSP2150-6	1.5	--	2,016.51
FPS20015-6	PCCF-200	200 sq. ft.	PSP2150-6	1.5	--	2,108.25
FPS20020-6	PCCF-200	200 sq. ft.	PSP2200-6	2.0	--	2,218.27



FEATURES:

- Raised inlet for clean easy plumbing and extra dirt holding capacity
- Top-mounted pressure gauge for easy reading
- “Start-Service” dial on stainless steel pressure gauge to inform user when it is time to service
- Extra-large air relief
- Drain accepts a standard hose for easy drainage



This system is our ProClean Plus in-ground pool filter with Waterway’s above ground Hi-Flo II or Supreme Pump for an exceptional above ground system.

ProClean Plus Single Cartridge System with Hi-Flo II Pump

Part No.	Filter	Filtration Area	Pump	HP	Weight (lbs.)	List (US \$)
520-6000-6S	PCCF-075	75 sq. ft.	PH1100-6	1.0	--	1,074.11
520-6100-6S	PCCF-100	100 sq. ft.	PH1100-6	1.0	--	1,223.84
520-6115-6S	PCCF-100	100 sq. ft.	PH1150-6	1.5	--	1,432.16
520-6215-6S	PCCF-125	125 sq. ft.	PH1150-6	1.5	--	1,500.49
520-6315-6S	PCCF-150	150 sq. ft.	PH1150-6	1.5	66	1,568.83
520-6415-6S	PCCF-175	175 sq. ft.	PH1150-6	1.5	--	1,758.10
520-6515-6S	PCCF-200	200 sq. ft.	PH1150-6	1.5	--	1,880.72
520-6520-6S	PCCF-200	200 sq. ft.	PH1200-6	2.0	--	1,974.77

ProClean Plus Single Cartridge System with Supreme Pump

Part No.	Filter	Filtration Area	Pump	HP	Weight (lbs.)	List (US \$)
FPS07510-6S	PCCF-075	75 sq. ft.	PSP1100-6	1.0	--	1,182.37
FPS10010-6S	PCCF-100	100 sq. ft.	PSP1100-6	1.0	--	1,347.15
FPS10015-6S	PCCF-100	100 sq. ft.	PSP1150-6	1.5	--	1,547.28
FPS12515-6S	PCCF-125	125 sq. ft.	PSP1150-6	1.5	--	1,621.12
FPS15015-6S	PCCF-150	150 sq. ft.	PSP1150-6	1.5	--	1,694.94
FPS17515-6S	PCCF-175	175 sq. ft.	PSP1150-6	1.5	--	1,899.41
FPS20015-6S	PCCF-200	200 sq. ft.	PSP1150-6	1.5	--	2,051.39
FPS20020-6S	PCCF-200	200 sq. ft.	PSP1200-6	2.0	--	2,133.53



Pool Filters / TWM-30 Series Systems

FEATURES:

- 25 sq. ft. cartridge filter
- 1/8 HP energy efficient pump with trap
- 3 ft. NEMA cord
- 30 GPM flow rate
- Two 3 ft. x 1 1/2" hoses with connectors
- Equipment pad
- Includes InTex connection fittings



InTex Connection Fittings



TWM-30 Above Ground Cartridge Filter System

Part No.	Description	Flow Rate	Turnover (24 hrs.)	Weight (lbs.)	Cord	List (US \$)
520-4070	25 sq. ft. Filter - 1/8 HP Pump	1800 GPH	43,200 gals.	30	3 ft. NEMA	507.06
520-4070LT	25 sq. ft. Filter - 1/8 HP Pump - without Trap	1800 GPH	43,200 gals.	28	3 ft. NEMA	435.89
400-6437	InTex Connection Fittings			--		24.12

FEATURES:

- 16in. sand filter
- 1/2 HP energy efficient pump with trap
- 3 ft. NEMA cord
- Two 6 ft. x 1 1/2" hoses with connectors
- Equipment pad
- Includes InTex connection fittings



InTex Connection Fittings



TWM-30-S Sand Filter System

Part No.	Description	Flow Rate	Turnover (24 hrs.)	Weight (lbs.)	Cord	List (US \$)
520-1601	16in. Filter - 1/2 HP Pump	1800 GPH	43,200 gals.	56	3 ft. NEMA	651.09
520-1601LT	16in. Filter - 1/2 HP Pump - without Trap	1800 GPH	43,200 gals.	56	3 ft. NEMA	564.72



FEATURES:

- 25, 50 or 100 sq. ft. cartridge filter with drain plug
- Center discharge pool pump - Single and Dual Speed
- 3 ft. NEMA (3-prong, grounded) cord, or 3 ft. Twist-Lock cord
- Two 6 ft. x 1 1/2" hoses with connectors
- Equipment pad
- Optional trap: 1 1/2" Union Nut, 1 1/2" FPT
- Dual speed pump meets CEC Title 20 Code - Effective January 1, 2008



The economical solution for filtering an above ground pool. Waterway's TWM (Total Water Management) package includes the pump, filter, hoses, and equipment pad.



For replacement parts, see page 309.

TWM Cartridge Filter Equipment Packages

Part No.	Description	HP	Volts	Weight (lbs.)	Cord	List (US \$)
522-3040	25 sq. ft. Filter - 2-Speed Pump	1.0	115	--	3 ft. NEMA	728.85
522-3010	50 sq. ft. Filter - 2-Speed Pump	1.0	115	40	3 ft. NEMA	832.66
522-3030	100 sq. ft. Filter - 2-Speed Pump	1.0	115	--	3 ft. NEMA	955.55
522-4040	25 sq. ft. Filter - 2-Speed Pump with Trap	1.0	115	--	3 ft. NEMA	877.72
522-4010	50 sq. ft. Filter - 2-Speed Pump with Trap	1.0	115	36	3 ft. NEMA	912.95
522-4030	100 sq. ft. Filter - 2-Speed Pump with Trap	1.0	115	--	3 ft. NEMA	1,035.02
522-2980	25 sq. ft. Filter - 2-Speed Pump	1.0	115	34	3 ft. Twist-Lock	728.71
522-4020	50 sq. ft. Filter - 2-Speed Pump with Trap	1.5	115	36	3 ft. Twist-Lock	763.94
520-3040	25 sq. ft. Filter - 1-Speed Pump	1.0	115	32	3 ft. NEMA	540.08
520-3010	50 sq. ft. Filter - 1-Speed Pump	1.0	115	32	3 ft. NEMA	549.20
520-3030	100 sq. ft. Filter - 1-Speed Pump	1.0	115	32	3 ft. NEMA	601.41
520-4040	25 sq. ft. Filter - 1-Speed Pump with Trap	1.0	115	36	3 ft. NEMA	600.72
520-4010	50 sq. ft. Filter - 1-Speed Pump with Trap	1.0	115	36	3 ft. NEMA	639.98
520-4030	100 sq. ft. Filter - 1-Speed Pump with Trap	1.0	115	41	3 ft. NEMA	673.07
520-2980	25 sq. ft. Filter - 1-Speed Pump	1.0	115	38	3 ft. Twist-Lock	742.26
520-4020	50 sq. ft. Filter - 1-Speed Pump with Trap	1.5	115	37	3 ft. Twist-Lock	799.99

All power cords are 3' in length.



Pool Filters - In-Ground & Above Ground / Carefree Top-Mount - Sand

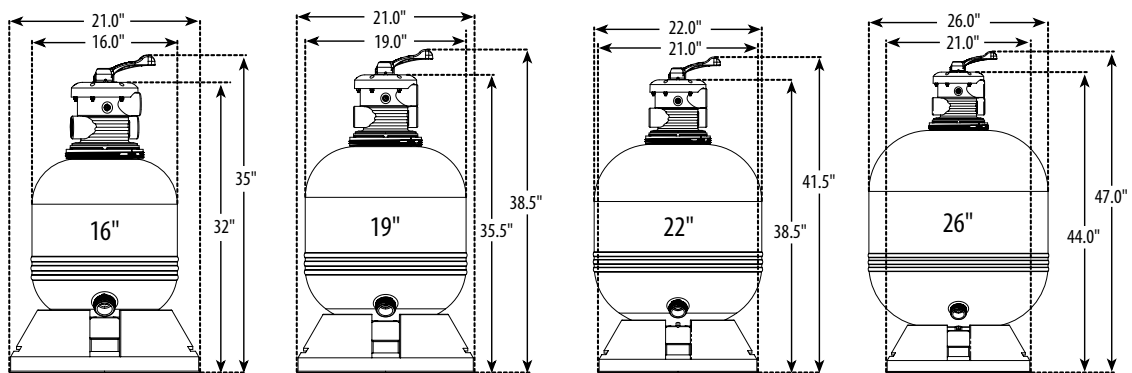
FEATURES:

- Large filter with extra sand-holding capacity
- Durable roto-molded oval tank body distributes the pressure evenly resulting in greater strength and longer life of the filter
- One-piece corrosion proof body
- High Flow internal diffuser for even water distribution
- 7- function Top-Mount 1 1/2" FPT Multi-Port Valve with Split-Nut Lock Union (WVS003)
- 1 1/2" drain port
- Mounting base included



For replacement parts, see page 314.
For equipment bases, see page 55.

Carefree Top-Mount Sand Filters are designed for extra sand holding capacity. Made of corrosion-proof polymeric thermoplastic. The Carefree Sand Filter offers the ideal combination of energy efficiency and excellent water clarity. This filter is an excellent choice for above ground or in-ground pools.



Sand Required

16" - 100 lbs.

19" - 150 lbs.

22" - 250 lbs.

26" - 400 lbs.

Carefree Top-Mount Sand Filters

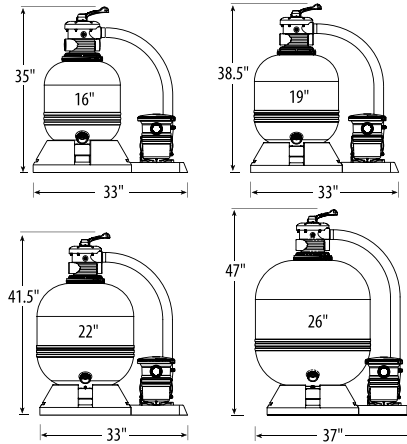
Part No.	Description	Multi-Port Valve Style	Filtration Area	Flow Rate	Pool Turnover (6-8-10 hrs.)	Weight (lbs.)	List (US \$)
FS01619	16" diameter Filter w/Modular Base	1 1/2" FPT Split-Nut	1.4 sq. ft.	35 GPM	12,600 - 16,800 - 21,000	34	583.47
FS01922	19" diameter Filter w/Modular Base	1 1/2" FPT Split-Nut	2.0 sq. ft.	45 GPM	16,200 - 21,600 - 27,000	43	684.74
FS02225	22" diameter Filter w/Modular Base	1 1/2" FPT Split-Nut	2.6 sq. ft.	55 GPM	19,800 - 26,400 - 33,000	54	810.82
FS02629	26" diameter Filter w/Modular Base	1 1/2" FPT Split-Nut	3.5 sq. ft.	70 GPM	25,200 - 33,600 - 42,000	71	944.38

Pool Filters - Above Ground / Carefree Top-Mount - Sand Deluxe System



FEATURES:

- Large filter with extra sand-holding capacity
- Top-of-the-line Supreme High Performance Single and Dual Speed Pump
- Extra large 7" pump trap with clear lid
- Union connection on multi-port for easy installation
- Unionized gate valve to isolate the system for maintenance
- Two 1 1/2" diameter hoses with clamps
- Filter and pump mounting bases
- Fittings package for all connections
- Accessory base allows for addition of optional timer and/or Chlorinator kits for minimal maintenance (sold separately)
- Dual speed pump meets CEC Title 20 Code - Effective January 1, 2008



Carefree Sand Filter Systems are designed with the ideal combination of energy efficiency and excellent water clarity. The Carefree Sand Filter and Pump Pack System provides everything needed for an above ground pool package.



Carefree Sand Deluxe System with Supreme 1-Speed Pump

Part No.	Filter	Diameter	Filtration Area	Flow Rate	Pump	HP	Weight (lbs.)	Cord	List (US \$)
FSS016910-3S	FS01619	16"	1.4 sq. ft.	35 GPM	PSP1100-3	1.0	72	3 ft. TL	981.80
FSS019910-3S	FS01922	19"	2.0 sq. ft.	45 GPM	PSP1100-3	1.0	83	3 ft. TL	1,041.45
FSS022915-3S	FS02225	22"	2.6 sq. ft.	55 GPM	PSP1150-3	1.5	91	3 ft. TL	1,171.02
FSS026915-3S	FS02629	26"	3.5 sq. ft.	70 GPM	PSP1150-3	1.5	--	3 ft. TL	1,303.27
FSS016910-6S	FS01619	16"	1.4 sq. ft.	35 GPM	PSP1100-6	1.0	72	3 ft. NEMA	982.01
FSS019910-6S	FS01922	19"	2.0 sq. ft.	45 GPM	PSP1100-6	1.0	83	3 ft. NEMA	710.55
FSS022915-6S	FS02225	22"	2.6 sq. ft.	55 GPM	PSP1150-6	1.5	91	3 ft. NEMA	1,171.28
FSS026915-6S	FS02629	26"	3.5 sq. ft.	70 GPM	PSP1150-6	1.5	--	3 ft. NEMA	1,303.56

INCLUDES:

- 2 hoses (1 1/2" x 6 ft.)
- Filter / Pump Hose with Union Adapters, Hose fittings and hose clamps
- 3 ft. cord Twist-Lock plug (NEC/UL), or 3 ft. cord NEMA plug
- Deluxe modular filter and pump bases
- Unionized gate valve to isolate the system for maintenance

Carefree Sand Deluxe System with Supreme 2-Speed Pump

Part No.	Filter	Diameter	Filtration Area	Flow Rate	Pump	HP	Weight (lbs.)	Cord	List (US \$)
FSS016910-3	FS01619	16"	1.4 sq. ft.	35 GPM	PSP2100-3	1.0	--	3 ft. TL	1,097.66
FSS019910-3	FS01922	19"	2.0 sq. ft.	45 GPM	PSP2100-3	1.0	83	3 ft. TL	1,156.95
FSS022915-3	FS02225	22"	2.6 sq. ft.	55 GPM	PSP2150-3	1.5	91	3 ft. TL	1,321.29
FSS026915-3	FS02629	26"	3.5 sq. ft.	70 GPM	PSP2150-3	1.5	--	3 ft. TL	1,441.62
FSS016910-6	FS01619	16"	1.4 sq. ft.	35 GPM	PSP2100-6	1.0	--	3 ft. NEMA	1,097.66
FSS019910-6	FS01922	19"	2.0 sq. ft.	45 GPM	PSP2100-6	1.0	83	3 ft. NEMA	1,156.95
FSS022915-6	FS02225	22"	2.6 sq. ft.	55 GPM	PSP2150-6	1.5	91	3 ft. NEMA	1,321.29
FSS026915-6	FS02629	26"	3.5 sq. ft.	70 GPM	PSP2150-6	1.5	--	3 ft. NEMA	1,441.62

INCLUDES:

- 2 hoses (1 1/2" x 6 ft.)
- Filter / Pump Hose with Union Adapters, Hose fittings and hose clamps
- 3 ft. cord Twist-Lock plug (NEC/UL), or 3 ft. cord NEMA plug
- Deluxe modular filter and pump bases
- Unionized gate valve to isolate the system for maintenance

Carefree Sand Deluxe System (without Supreme Pump)

Part No.	Filter	Diameter	Filtration Area	Flow Rate	Weight (lbs.)	List (US \$)
FSS0169S	FS01619	16"	1.4 sq. ft.	35 GPM	--	548.07
FSS0199S	FS01922	19"	2.0 sq. ft.	45 GPM	--	634.83
FSS0229S	FS02225	22"	2.6 sq. ft.	55 GPM	--	812.06
FSS0269S	FS02629	26"	3.5 sq. ft.	70 GPM	--	1,004.30

INCLUDES:

- 2 hoses (1 1/2" x 6 ft.)
- Filter / Pump Hose with Union Adapters, Hose fittings and hose clamps
- Deluxe modular filter and pump bases
- Unionized gate valve to isolate the system for maintenance

All power cords are 3' in length.



Pool Filters - Above Ground / Carefree Top-Mount - Sand Standard System

Carefree Sand Filter Systems are designed with the ideal combination of energy efficiency and excellent water clarity. The Carefree Sand Filter and Pump Pack System provides everything needed for an above ground pool package.

FEATURES:

- Large filter with extra sand-holding capacity
- Hi-Flo II High Performance Single and Dual Speed Pump
- Large 6" pump trap with 2-piece lid
- Standard pump and filter base
- Fittings package for all connections
- Dual speed pump meets CEC Title 20 Code - Effective January 1, 2008



INCLUDES:

- 2 hoses (1 1/2" x 6 ft.)
- Filter / Pump Hose with Union Adapters, Hose fittings and hose clamps
- 3 ft. cord Twist-Lock plug (NEC/UL), or 3 ft. cord NEMA plug
- Standard system base

Carefree Sand Standard System with Hi-Flo II 1-Speed Pump

Part No.	Filter	Diameter	Filtration Area	Flow Rate	Pump	HP	Weight (lbs.)	Cord	List (US \$)
520-5300-3S	FS01619	16"	1.4 sq. ft.	35 GPM	PH1100-3	1.0	65	3 ft. TL	897.90
520-5320-3S	FS01922	19"	2.0 sq. ft.	45 GPM	PH1100-3	1.0	74	3 ft. TL	961.15
520-5330-3S	FS01922	19"	2.0 sq. ft.	45 GPM	PH1150-3	1.5	--	3 ft. TL	982.77
520-5350-3S	FS02225	22"	2.6 sq. ft.	55 GPM	PH1100-3	1.0	80	3 ft. TL	1,089.62
520-5340-3S	FS02225	22"	2.6 sq. ft.	55 GPM	PH1150-3	1.5	80	3 ft. TL	1,124.85
520-5300-6S	FS01619	16"	1.4 sq. ft.	35 GPM	PH1100-6	1.0	61	3 ft. NEMA	901.50
520-5320-6S	FS01922	19"	2.0 sq. ft.	45 GPM	PH1100-6	1.0	74	3 ft. NEMA	961.15
520-5330-6S	FS01922	19"	2.0 sq. ft.	45 GPM	PH1150-6	1.5	74	3 ft. NEMA	982.77
520-5350-6S	FS02225	22"	2.6 sq. ft.	55 GPM	PH1100-6	1.0	80	3 ft. NEMA	1,089.62
520-5340-6S	FS02225	22"	2.6 sq. ft.	55 GPM	PH1150-6	1.5	80	3 ft. NEMA	1,124.85
520-5360-6S	FS02629	26"	3.5 sq. ft.	70 GPM	PH1150-6	1.5	103	3 ft. NEMA	1,321.12

INCLUDES:

- 2 hoses (1 1/2" x 6 ft.)
- Filter / Pump Hose with Union Adapters, Hose fittings and hose clamps
- 3 ft. cord Twist-Lock plug (NEC/UL), or 3 ft. cord NEMA plug
- Standard system base

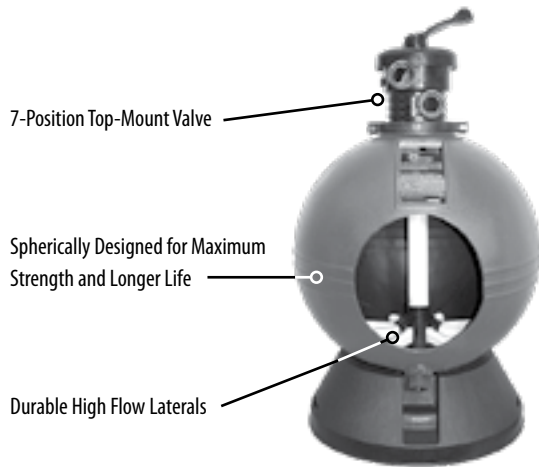
Carefree Sand Standard System with Hi-Flo II 2-Speed Pump

Part No.	Filter	Diameter	Filtration Area	Flow Rate	Pump	HP	Weight (lbs.)	Cord	List (US \$)
522-5300-3S	FS01619	16"	1.4 sq. ft.	35 GPM	PH2100-3	1.0	--	3 ft. TL	1,020.38
522-5320-3S	FS01922	19"	2.0 sq. ft.	45 GPM	PH2100-3	1.0	--	3 ft. TL	1,086.15
522-5330-3S	FS01922	19"	2.0 sq. ft.	45 GPM	PH2150-3	1.5	--	3 ft. TL	1,097.48
522-5350-3S	FS02225	22"	2.6 sq. ft.	55 GPM	PH2100-3	1.0	87	3 ft. TL	1,204.30
522-5340-3S	FS02225	22"	2.6 sq. ft.	55 GPM	PH2150-3	1.5	--	3 ft. TL	1,239.54
522-5300-6S	FS01619	16"	1.4 sq. ft.	35 GPM	PH2100-6	1.0	66	3 ft. NEMA	1,025.91
522-5320-6S	FS01922	19"	2.0 sq. ft.	45 GPM	PH2100-6	1.0	75	3 ft. NEMA	1,086.15
522-5330-6S	FS01922	19"	2.0 sq. ft.	45 GPM	PH2150-6	1.5	74	3 ft. NEMA	1,097.48
522-5350-6S	FS02225	22"	2.6 sq. ft.	55 GPM	PH2100-6	1.0	87	3 ft. NEMA	1,204.30
522-5340-6S	FS02225	22"	2.6 sq. ft.	55 GPM	PH2150-6	1.5	87	3 ft. NEMA	1,239.54



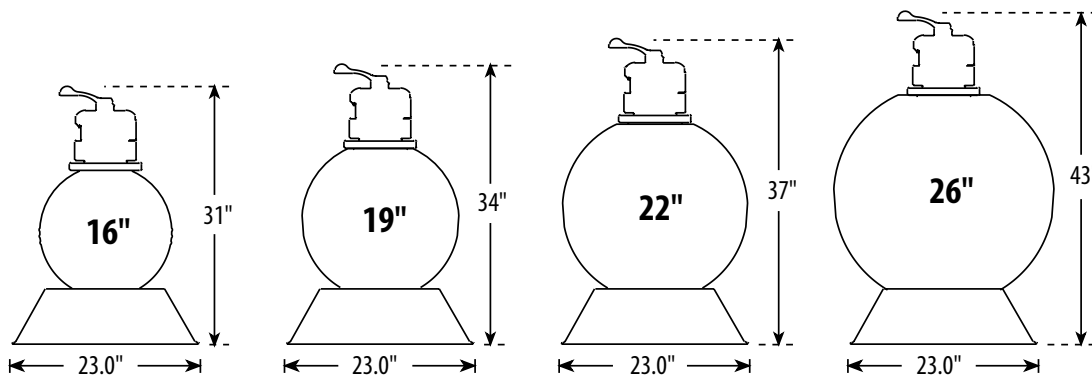
FEATURES:

- Durable roto-molded tank body is spherical to evenly distribute the pressure resulting in greater strength and longer life of the filter
- Corrosion-proof body
- High Flow internal diffuser for even water distribution
- 7-function Top-Mount 1 1/2" FPT Multi-Port Valve with Split-Nut Lock Union
- 1 1/2" drain port
- Mounting base included



Rugged, corrosion proof, high filtration area, and one-piece body. The ClearWater Sand filter features a seven-function top mount valve for maximum control over the filter system, and full flow, self cleaning laterals with large surface area for maximum flow. This filter is an excellent choice for above ground or in-ground pools.

*For replacement parts, see page 316.
For equipment bases, see page 55.*



Sand Required

16" - 50 lbs.

19" - 100 lbs.

22" - 150 lbs.

26" - 200 lbs.

ClearWater Sand Filter

Part No.	Description	Filtration Area	Flow Rate	Pool Turnover (6 hrs.)	Pool Turnover (8 hrs.)	Weight (lbs.)	List (US \$)
FS016	16" diameter Filter	1.4 sq. ft.	35 GPM	12,600	16,800	25	484.44
FS019	19" diameter Filter	2.0 sq. ft.	45 GPM	16,200	21,600	28	633.50
FS022	22" diameter Filter	2.6 sq. ft.	55 GPM	19,800	26,400	34	733.53
FS026	26" diameter Filter	3.5 sq. ft.	70 GPM	25,200	33,600	43	850.23

1 1/2" FPT split-nut style clamp included.



Pool Filters - Above Ground / ClearWater - Sand Deluxe 2-Speed System

Complete the Sand filtration system with the high performance Waterway Supreme Pump and accessories. The Sand Filter and Pump Pack provides homeowners with everything they need to get their system up and running. It assures them of matched components and optimal performance with years of dependable service.

FEATURES:

- Large filtration sand filter with durable, high flow laterals
- Top-of-the-Line Supreme High Performance Dual Speed Pump
- Extra large 7" pump trap with clear lid
- Union connection on multi-port for easy installation
- Unionized gate valve to isolate the system for maintenance
- Two 1 1/2" diameter hoses with clamps
- Filter and pump mounting base
- Fittings package for all connections
- Accessory base allows for addition of optional timer and/or chlorinator kits for minimal maintenance (sold separately)
- Dual speed pump meets CEC Title 20 Code - Effective January 1, 2008



INCLUDES:

- 2 hoses (1 1/2" x 6 ft.)
- Filter / Pump Hose with Union Adapters, Hose fittings and hose clamps
- 3 ft. cord Twist-Lock plug (NEC/UL), or 3 ft. cord NEMA plug
- Deluxe modular filter and pump base
- Unionized gate valve to isolate the system for maintenance
- Accessory base for optional timer and/or chlorinator

ClearWater Sand Deluxe System with Supreme 2-Speed Pump

Part No.	Filter	Diameter	Filtration Area	Flow Rate	Pump	HP	Weight (lbs.)	Cord	List (US \$)
FSS01910-3	FS019	19"	2.0 sq. ft.	45 GPM	PSP2100-3	1.0	61	3 ft. Twist-Lock	1,263.20
FSS01915-3	FS019	19"	2.0 sq. ft.	45 GPM	PSP2150-3	1.5	64	3 ft. Twist-Lock	1,115.52
FSS02210-3	FS022	22"	2.6 sq. ft.	55 GPM	PSP2100-3	1.0	67	3 ft. Twist-Lock	1,396.31
FSS02215-3	FS022	22"	2.6 sq. ft.	55 GPM	PSP2150-3	1.5	70	3 ft. Twist-Lock	1,406.86
FSS02615-3	FS026	26"	3.5 sq. ft.	70 GPM	PSP2150-3	1.5	77	3 ft. Twist-Lock	1,523.28
FSS01910-6	FS019	19"	2.0 sq. ft.	45 GPM	PSP2100-6	1.0	60	3 ft. NEMA	1,263.20
FSS01915-6	FS019	19"	2.0 sq. ft.	45 GPM	PSP2150-6	1.5	63	3 ft. NEMA	1,379.42
FSS02210-6	FS022	22"	2.6 sq. ft.	55 GPM	PSP2100-6	1.0	67	3 ft. NEMA	1,396.31
FSS02215-6	FS022	22"	2.6 sq. ft.	55 GPM	PSP2150-6	1.5	74	3 ft. NEMA	1,225.69
FSS02615-6	FS026	26"	3.5 sq. ft.	70 GPM	PSP2150-6	1.5	--	3 ft. NEMA	1,523.28

INCLUDES:

- 2 hoses (1 1/2" x 6 ft.)
- Filter / Pump Hose with Union Adapters, Hose fittings and hose clamps
- Deluxe modular filter and pump base
- Unionized gate valve to isolate the system for maintenance
- Accessory base for optional timer and/or chlorinator

ClearWater Sand Deluxe System (without Supreme Pump)

Part No.	Filter	Diameter	Filtration Area	Flow Rate	Weight (lbs.)	List (US \$)
FSS019S	FS019	19"	2.0 sq. ft.	45 GPM	38	714.29
FSS022S	FS022	22"	2.6 sq. ft.	55 GPM	37	817.36
FSS026S	FS026	26"	3.5 sq. ft.	70 GPM	68	942.36

All power cords are 3' in length.



FEATURES:

- Large filtration sand filter with durable, high flow laterals
- Top-of-the-Line Supreme High Performance Pump
- Extra large 7" pump trap with clear lid
- Union connection on multi-port for easy installation
- Unionized gate valve to isolate the system for maintenance
- Two 1 1/2" diameter hoses with clamps
- Filter and pump mounting bases
- Fittings package for all connections
- Accessory base allows for addition of optional timer and/or Chlorinator kits for minimal maintenance (sold separately)



Complete the Sand filtration system with the high performance Waterway Supreme Pump and accessories. The Sand Filter and Pump Pack provides homeowners with everything they need to get their system up and running. It assures them of matched components and optimal performance with years of dependable service.

ClearWater Sand Deluxe System with Supreme 1-Speed Pump

Part No.	Filter	Diameter	Filtration Area	Flow Rate	Pump	HP	Weight (lbs.)	Cord	List (US \$)
FSS01910-3S	FS019	19"	2.0 sq. ft.	45 GPM	PSP1100-3	1.0	60	3 ft. Twist-Lock	951.12
FSS01915-3S	FS019	19"	2.0 sq. ft.	45 GPM	PSP1150-3	1.5	64	3 ft. Twist-Lock	1,000.73
FSS02210-3S	FS022	22"	2.6 sq. ft.	55 GPM	PSP1100-3	1.0	67	3 ft. Twist-Lock	1,193.85
FSS02215-3S	FS022	22"	2.6 sq. ft.	55 GPM	PSP1150-3	1.5	70	3 ft. Twist-Lock	1,075.70
FSS02615-3S	FS026	26"	3.5 sq. ft.	70 GPM	PSP1150-3	1.5	77	3 ft. Twist-Lock	1,198.90
FSS01910-6S	FS019	19"	2.0 sq. ft.	45 GPM	PSP1100-6	1.0	60	3 ft. NEMA	951.12
FSS01915-6S	FS019	19"	2.0 sq. ft.	45 GPM	PSP1150-6	1.5	63	3 ft. NEMA	1,218.63
FSS02210-6S	FS022	22"	2.6 sq. ft.	55 GPM	PSP1100-6	1.0	66	3 ft. NEMA	1,027.20
FSS02215-6S	FS022	22"	2.6 sq. ft.	55 GPM	PSP1150-6	1.5	68	3 ft. NEMA	1,075.70
FSS02615-6S	FS026	26"	3.5 sq. ft.	70 GPM	PSP1150-6	1.5	77	3 ft. NEMA	1,372.29

INCLUDES:

- 2 hoses (1 1/2" x 6 ft.)
- Filter / Pump Hose with Union Adapters, Hose fittings and hose clamps
- 3 ft. cord Twist-Lock plug (NEC/UL), or 3 ft. cord NEMA plug
- Deluxe modular filter and pump base
- Unionized gate valve to isolate the system for maintenance

ClearWater Sand Deluxe System (without Supreme Pump)

Part No.	Filter	Diameter	Filtration Area	Flow Rate	Weight (lbs.)	List (US \$)
FSS019S	FS019	19"	2.0 sq. ft.	45 GPM	38	714.29
FSS022S	FS022	22"	2.6 sq. ft.	55 GPM	37	817.36
FSS026S	FS026	26"	3.5 sq. ft.	70 GPM	68	942.36

INCLUDES:

- 2 hoses (1 1/2" x 6 ft.)
- Filter / Pump Hose with Union Adapters, Hose fittings and hose clamps
- Deluxe modular filter and pump base
- Unionized gate valve to isolate the system for maintenance

All power cords are 3' in length.



Pool Filters - Above Ground / ClearWater - Sand Standard System

Complete the Sand filtration system with the high performance Waterway Hi-Flo II Pump and accessories. The Sand Filter and Pump Pack provides homeowners with everything they need to get their system up and running. It assures them of matched components and optimal performance with years of dependable service.

FEATURES:

- Large filtration sand filter with durable, high flow laterals
- Hi-Flo II High Performance Single and Dual Speed Pump
- Large 6" pump trap with 2-piece lid
- Union connection on multi-port for easy installation
- Two 1 1/2" diameter hoses with clamps
- Dual speed pump meets CEC Title 20 Code - Effective January 1, 2008



INCLUDES:

- 2 hoses (1 1/2" x 6 ft.)
- Filter / Pump Hose with Union Adapters, Hose fittings and hose clamps
- 3 ft. cord Twist-Lock plug (NEC/UL), or 3 ft. cord NEMA plug
- Standard system base

ClearWater Sand Standard System with Hi-Flo II 1-Speed Pump

Part No.	Filter	Diameter	Filtration Area	Flow Rate	Pump	HP	Weight (lbs.)	Cord	List (US \$)
520-5200-3S	FS016	16"	1.4 sq. ft.	35 GPM	PH1100-3	1.0	59	3 ft. TL	832.25
520-5220-3S	FS019	19"	2.0 sq. ft.	45 GPM	PH1100-3	1.0	67	3 ft. TL	870.61
520-5240-3S	FS022	22"	2.6 sq. ft.	55 GPM	PH1150-3	1.5	71	3 ft. TL	1,029.27
520-5260-3S	FS026	26"	3.5 sq. ft.	70 GPM	PH1150-3	1.5	83	3 ft. TL	1,118.36
520-5200-6S	FS016	16"	1.4 sq. ft.	35 GPM	PH1100-6	1.0	59	3 ft. NEMA	832.25
520-5220-6S	FS019	19"	2.0 sq. ft.	45 GPM	PH1100-6	1.0	64	3 ft. NEMA	870.61
520-5240-6S	FS022	22"	2.6 sq. ft.	55 GPM	PH1150-6	1.5	68	3 ft. NEMA	1,029.27
520-5260-6S	FS026	26"	3.5 sq. ft.	70 GPM	PH1150-6	1.5	77	3 ft. NEMA	1,118.36

INCLUDES:

- 2 hoses (1 1/2" x 6 ft.)
- Filter / Pump Hose with Union Adapters, Hose fittings and hose clamps
- 3 ft. cord Twist-Lock plug (NEC/UL), or 3 ft. cord NEMA plug
- Standard system base

ClearWater Sand Standard System with HiHi-Flo II 2-Speed Pump

Part No.	Filter	Diameter	Filtration Area	Flow Rate	Pump	HP	Weight (lbs.)	Cord	List (US \$)
522-5200-3S	FS016	16"	1.4 sq. ft.	35 GPM	PH2100-3	1.0	--	3 ft. TL	946.95
522-5220-3S	FS019	19"	2.0 sq. ft.	45 GPM	PH2100-3	1.0	--	3 ft. TL	985.29
522-5240-3S	FS022	22"	2.6 sq. ft.	55 GPM	PH2150-3	1.5	73	3 ft. TL	1,143.91
522-5260-3S	FS026	26"	3.5 sq. ft.	70 GPM	PH2150-3	1.5	--	3 ft. TL	1,367.32
522-5200-6S	FS016	16"	1.4 sq. ft.	35 GPM	PH2100-6	1.0	68	3 ft. NEMA	946.95
522-5220-6S	FS019	19"	2.0 sq. ft.	45 GPM	PH2100-6	1.0	69	3 ft. NEMA	985.29
522-5240-6S	FS022	22"	2.6 sq. ft.	55 GPM	PH2150-6	1.5	74	3 ft. NEMA	1,146.34
522-5260-6S	FS026	26"	3.5 sq. ft.	70 GPM	PH2150-6	1.5	87	3 ft. NEMA	1,367.32

INCLUDES:

- 2 hoses (1 1/2" x 6 ft.)
- Filter / Pump Hose with Union Adapters, Hose fittings and hose clamps
- Standard system base

ClearWater Sand Standard System (without Hi-Flo II Pump)

Part No.	Filter	Diameter	Filtration Area	Flow Rate	Weight (lbs.)	List (US \$)
520-5200	FS016	16"	1.4 sq. ft.	35 GPM	34	600.49
520-5220	FS019	19"	2.0 sq. ft.	45 GPM	35	682.90
520-5240	FS022	22"	2.6 sq. ft.	55 GPM	40	770.18
520-5260	FS026	26"	3.5 sq. ft.	70 GPM	--	911.37



FEATURES:

- Filter, pump, hoses and fittings in one box
- Choice of tank and pump sizes
- Spherical tank design evenly distributes pressure and stress resulting in greater strength and longer life
- Corrosion-proof sand filter tank
- 7 position Multi-Port Valve
- Center discharge pump with leaf trap - Single and Dual Speed
- Dual speed pump meets CEC Title 20 Code - Effective January 1, 2008

The economical solution for filtering with a sand filter on an above ground pool. Designed to handle virtually all sizes and conditions, the Waterway TWM Sand Filter systems will provide years of dependable filtration.

Filters / Filter Systems



For replacement parts, see page 318.

TWM Sand Filter Equipment Packages - 1-Speed

Part No.	Description	Filtration	Flow Rate	Turnover (8 - 10 hrs.)	Sand (lbs.)	Cord	List (US \$)
520-1610	16" Sand Filter - 1 HP Center Discharge Pump	1.4 sq. ft.	30 GPM	14,400 - 18,000	50	3 ft. NEMA	765.06
520-1910	19" Sand Filter - 1 HP Center Discharge Pump	2.0 sq. ft.	42 GPM	20,160 - 25,200	100	3 ft. NEMA	805.67
520-1700	22" Sand Filter - 1.5 HP Center Discharge Pump	2.5 sq. ft.	50 GPM	24,000 - 30,000	150	3 ft. NEMA	868.23
520-1610-3	16" Sand Filter - 1 HP Center Discharge Pump	1.4 sq. ft.	30 GPM	14,400 - 18,000	50	3 ft. Twist-Lock	765.06
520-1910-3	19" Sand Filter - 1 HP Center Discharge Pump	2.0 sq. ft.	42 GPM	20,160 - 25,200	100	3 ft. Twist-Lock	805.67
520-1700-3	22" Sand Filter - 1.5 HP Center Discharge Pump	2.5 sq. ft.	50 GPM	24,000 - 30,000	150	3 ft. Twist-Lock	868.23

TWM Sand Filter Equipment Packages - 2-Speed

Part No.	Description	Filtration	Flow Rate	Turnover (8 - 10 hrs.)	Sand(lbs.)	Cord	List (US \$)
522-1610	16" Sand Filter - 1 HP Center Discharge Pump	1.4 sq. ft.	30 GPM	14,400 - 18,000	50	3 ft. NEMA	888.17
522-1910	19" Sand Filter - 1 HP Center Discharge Pump	2.0 sq. ft.	42 GPM	20,160 - 25,200	100	3 ft. NEMA	920.35
522-1700	22" Sand Filter - 1.5 HP Center Discharge Pump	2.5 sq. ft.	50 GPM	24,000 - 30,000	150	3 ft. NEMA	974.51
522-1610-3	16" Sand Filter - 1 HP Center Discharge Pump	1.4 sq. ft.	30 GPM	14,400 - 18,000	50	3 ft. Twist-Lock	888.17
522-1910-3	19" Sand Filter - 1 HP Center Discharge Pump	2.0 sq. ft.	42 GPM	20,160 - 25,200	100	3 ft. Twist-Lock	920.35
522-1700-3	22" Sand Filter - 1.5 HP Center Discharge Pump	2.5 sq. ft.	50 GPM	24,000 - 30,000	150	3 ft. Twist-Lock	974.51



CSA / CSA Supreme - 48-Frame - Above Ground - Pool Pump

FEATURES:

- 1 ½" union threads / 1 ½" FPT Intake and 2" union threads / 1 ½" FPT discharge
- Weatherproof motor housing
- On / Off Toggle Switch
- Extra large 7" pump trap with clear lid
- 25 ft. cord with 3-prong NEMA (regular) plug

The Supreme Pump is the ultimate in above-ground pool engineering. Designed for today's more demanding applications, the Supreme Pump is ideal for D.E., cartridge or sand filtration systems of all sizes.



For replacement parts, see page 283.

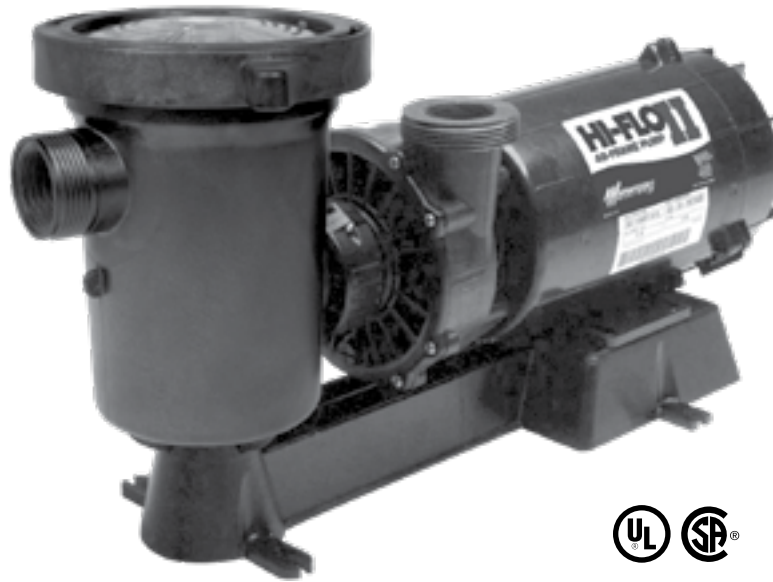
CSA Supreme 48-Frame Above Ground Pool Pumps						
Part No.	Description	Volts	HP	Amps	Weight (lbs.)	List (US \$)
PSPC1075-25	1-Speed - 25 ft. Cord	115	¾	10.3	31	860.74
PSPC1100-25	1-Speed - 25 ft. Cord	115	1.0	10.3	32	873.46
PSPC1150-25	1-Speed - 25 ft. Cord	115	1.5	11.6	37	923.56
PSPC2075-25	2-Speed - 25 ft. Cord	115	¾	8.8 / 2.6	--	984.94
PSPC2100-25	2-Speed - 25 ft. Cord	115	1.0	8.8 / 2.6	33	997.66
PSPC2150-25	2-Speed - 25 ft. Cord	115	1.5	11.0 / 2.9	36	1,047.75

CSA / CSA Hi-Flo II Side Discharge - 48-Frame - Above Ground - Pool Pump



FEATURES:

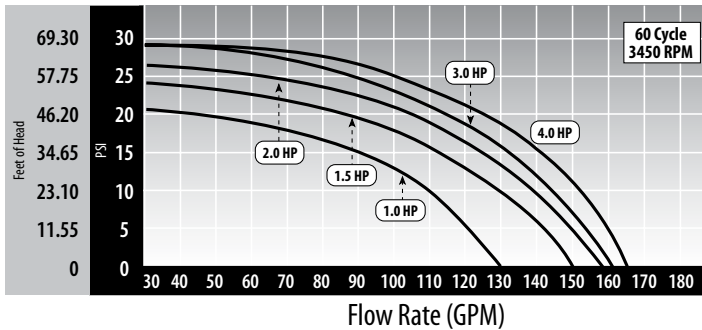
- 1 ½" union threads / 1 ½" FPT Intake and 2" union threads / 1 ½" FPT discharge
- Weatherproof Motor housing
- On / Off Toggle Switch
- Large 6" pump trap with 2-piece lid
- 25 ft. cord with 3-prong NEMA (regular) plug



The Hi-Flo II above ground pump was designed for superior and efficient performance. The Hi-Flo II pump features high flow rate performance for faster filtering cycles. This pump is ideal for new installations or as a replacement pump.



For replacement parts, see page 285.



CSA Hi-Flo II Side Discharge 48-Frame Above Ground Pool Pumps

Part No.	Description	Volts	HP	Amps	Weight (lbs.)	List (US \$)
PHC1075-25	1-Speed - 25 ft. Cord	115	¾	10.3	25	810.21
PHC1100-25	1-Speed - 25 ft. Cord	115	1.0	10.3	28	822.96
PHC1151-25	1-Speed - 25 ft. Cord	115	1.5	11.6	35	851.74
PHC2075-25	2-Speed - 25 ft. Cord	115	¾	8.8 / 2.6	31	934.44
PHC2100-25	2-Speed - 25 ft. Cord	115	1.0	8.8 / 2.6	31	947.16
PHC2150-25	2-Speed - 25 ft. Cord	115	1.5	11.0 / 2.9	31	997.11



CSA / CSA ProClean Plus Single Cartridge Filter Systems

This system is our Pro-Clean Plus in-ground pool filter with Waterway's above-ground CSA Hi-Flo II or CSA Supreme Pump for an exceptional above-ground system.

FEATURES:

- Raised inlet for clean easy plumbing and extra dirt holding capacity
- Top-mounted pressure gauge for easy reading
- "Start-Service" dial on pressure gauge to inform user when it is time to service
- Extra-large air relief
- Drain accepts a standard hose for easy drainage



CSA ProClean Plus Single Cartridge Filter Systems - Hi-Flo II 1-Speed Pump

Part No.	Filter	Filtration Area	Pump	HP	List (US \$)
520-6000-C25S	PCCF-075	75 sq. ft.	PHC1100-25	1.0	1,113.09
520-6100-C25S	PCCF-100	100 sq. ft.	PHC1100-25	1.0	1,252.24
520-6115-C25S	PCCF-100	100 sq. ft.	PHC1150-25	1.5	1,460.55
520-6215-C25S	PCCF-125	125 sq. ft.	PHC1150-25	1.5	1,528.93
520-6315-C25S	PCCF-150	150 sq. ft.	PHC1150-25	1.5	1,597.24
520-6415-C25S	PCCF-175	175 sq. ft.	PHC1150-25	1.5	1,786.80
520-6515-C25S	PCCF-200	200 sq. ft.	PHC1150-25	1.5	1,909.15
520-6520-C25S	PCCF-200	200 sq. ft.	PHC1200-25	2.0	2,022.37

CSA ProClean Plus Single Cartridge Filter Systems - Supreme 1-Speed Pump

Part No.	Filter	Filtration Area	Pump	HP	List (US \$)
FPSC10010-25S	PCCF-100	100 sq. ft.	PSPC1100-25	1.0	1,389.30
FPSC10015-25S	PCCF-100	100 sq. ft.	PSPC1150-25	1.5	1,591.33
FPSC12515-25S	PCCF-125	125 sq. ft.	PSPC1150-25	1.5	1,665.89
FPSC15015-25S	PCCF-150	150 sq. ft.	PSPC1150-25	1.5	1,740.43
FPSC17515-25S	PCCF-175	175 sq. ft.	PSPC1150-25	1.5	1,928.66
FPSC20015-25S	PCCF-200	200 sq. ft.	PSPC1150-25	1.5	2,080.69
FPSC20020-25S	PCCF-200	200 sq. ft.	PSPC1200-25	2.0	2,183.20



FEATURES:

- True Spiral Laminar flow D.E. filter or large filtration, small footprint cartridge filter
- Top of the line Supreme High Performance Pump
- Extra large 7" pump trap with clear lid
- Unionized gate valve to isolate the system for maintenance
- Two 1 1/2" diameter hoses with clamps
- Filter and pump mounting base
- Complete fitting package for all connections



CSA ClearWater II D.E. Deluxe Systems - Supreme 1-Speed Pump

Part No.	Filter	Flow Rate	Pump	HP	Volts	Weight (lbs.)	List (US \$)
FDSC04410-25S	FD12	44 GPM	PSPC1100-25	1.0	115	73	1,509.05
FDSC06710-25S	FD18	67 GPM	PSPC1100-25	1.0	115	78	1,683.58

CSA ClearWater II Cartridge Deluxe Systems - Supreme 1-Speed Pump

Part No.	Filter	Filtration Area	Pump	HP	Volts	Weight (lbs.)	List (US \$)
FCSC07510-25S	FC075	75 sq. ft.	PSPC1100-25	1.0	115	70	1,370.28
FCSC10010-25S	FC100	100 sq. ft.	PSPC1100-25	1.0	115	76	1,532.71
FCSC15015-25S	FC150	150 sq. ft.	PSPC1150-25	1.5	115	81	1,759.23
FCSC20015-25S	FC200	200 sq. ft.	PSPC1150-25	1.5	115	82	1,906.93

INCLUDES:

- 2 hoses (1 1/2" x 6 ft.)
- Filter / Pump Hose with Union Adapters, Hose fittings and hose clamps
- Supreme Pump with 25 ft. cord with 3-prong NEMA (regular) plug
- Deluxe one-piece base system
- Unionized gate valve to isolate system for maintenance
- Accessory base for optional timer and/or chlorinator



CSA / ClearWater Sand CSA Systems

DELUXE SYSTEM FEATURES:

- Large filtration sand filter with durable, high flow laterals
- Top-of-the-Line Supreme High Performance Pump
- Extra large 7" pump trap with clear lid
- Union connection on multi-port for easy installation
- Unionized gate valve to isolate the system for maintenance
- Filter and pump mounting bases and additional accessory base for chlorinator and timer (*sold separately*)
- Fittings package for all connections

STANDARD SYSTEM FEATURES:

- Large filtration sand filter with durable, high flow laterals
- Hi-Flo II High Performance Pump
- Large 6" pump trap with 2-piece lid
- Union connection on multi-port for easy installation



INCLUDES:

- Filter and multi-port valve
- Filter base
- Filter / Pump Hose with Union Adapters
- Supreme Pump with 25 ft. cord
- Pump base
- Return hose and gate valve
- Accessory base for optional timer and/or chlorinator

CSA ClearWater Sand Deluxe Systems - Supreme 1-Speed Pump

Part No.	Filter	Diameter	Pump	HP	Volts	Weight (lbs.)	List (US \$)
FSSC01610-25S	FS016	16"	PSPC1100-25	1.0	115	67	1,261.64
FSSC01910-25S	FS019	19"	PSPC1100-25	1.0	115	67	1,336.06
FSSC02215-25S	FS022	22"	PSPC1150-25	1.5	115	67	1,472.70
FSSC02615-25S	FS026	26"	PSPC1150-25	1.5	115	82	1,599.63

INCLUDES:

- Filter / Pump Hose with Union Adapters, Hose fittings and hose clamps
- Deluxe one-piece base system
- Unionized gate valve to isolate system for maintenance
- Accessory base for optional timer and/or chlorinator

CSA ClearWater Sand Deluxe Systems (without Supreme Pump)

Part No.	Diameter	Weight (lbs.)	List (US \$)
FS016H	16"		618.38
FS019H	19"		673.38
FS022H	22"		773.40
FS026H	26"		900.08

INCLUDES:

- Filter
- Filter base
- Filter / Pump Hose with Union Adapters
- Hi-Flo Pump with 25 ft. cord
- Pump base

CSA ClearWater Sand Standard Systems - Hi-Flo II 1-Speed Pump

Part No.	Filter	Diameter	Pump	HP	Volts	Weight (lbs.)	List (US \$)
520-5400-25S	FS016	16"	PHC1100-25	1.0	115	61	1,213.63
520-5420-25S	FS019	19"	PHC1100-25	1.0	115	74	1,256.44
520-5440-25S	FS022	22"	PHC1150-25	1.5	115	--	1,393.11
520-5460-25S	FS026	26"	PHC1150-25	1.5	115	--	149.96



DELUXE SYSTEM FEATURES:

- Large filter with extra sand-holding capacity
- Top-of-the-line Supreme High Performance Pump
- Extra large 7" pump trap with clear lid
- Union connection on multi-port for easy installation
- Unionized gate valve to isolate the system for maintenance
- Filter and pump mounting bases and additional accessory base for chlorinator and timer *(sold separately)*
- Fittings package for all connections

STANDARD SYSTEM FEATURES:

- Large filter with extra sand-holding capacity
- Hi-Flo II High Performance Pump
- Large 6" pump trap with 2-piece lid
- Standard pump and filter base
- Fittings package for all connections



Carefree Sand CSA Deluxe System with Supreme 1-Speed Pump

Part No.	Filter	Diameter	Pump	HP	Volts	Weight (lbs.)	List (US \$)
FSSC016910-25S	FS01619	16"	PSPC1100-25	1.0	115	--	1,356.07
FSSC019910-25S	FS01922	19"	PSPC1100-25	1.0	115	--	1,398.91
FSSC022915-25S	FS02225	22"	PSPC1150-25	1.5	115	--	1,535.59
FSSC026915-25S	FS02629	26"	PSPC1150-25	1.5	115	--	1,662.50

INCLUDES:

- Filter and multi-port valve
- Filter base
- Filter / Pump Hose with Union Adapters
- Supreme Pump with 25 ft. cord
- Pump base
- Return hose and gate valve
- Accessory base for optional timer and/or chlorinator

Carefree Sand CSA Deluxe System (without Supreme Pump)

Part No.	Filter	Diameter	Weight (lbs.)	List (US \$)
FS01619H	FS01619	16"	--	669.96
FS01922H	FS01922	19"	--	724.65
FS02225H	FS02225	22"	--	828.77
FS02629H	FS02629	26"	--	994.24

INCLUDES:

- Filter / Pump Hose with Union Adapters, Hose fittings and hose clamps
- Deluxe one-piece base system
- Unionized gate valve to isolate system for maintenance
- Accessory base for optional timer and/or chlorinator

Carefree Sand CSA Standard System with Hi-Flo II 1-Speed Pump

Part No.	Filter	Diameter	Pump	HP	Volts	Weight (lbs.)	List (US \$)
520-5300-C25S	FS01619	16"	PHC1100-25	1.0	115	--	1,186.84
520-5320-C25S	FS01922	19"	PHC1100-25	1.0	115	77	1,199.70
520-5340-C25S	FS02225	22"	PHC1150-25	1.5	115	88	1,366.36
520-5360-C25S	FS02629	26"	PHC1150-25	1.5	115	--	1,408.22

INCLUDES:

- Filter
- Filter base
- Filter / Pump Hose with Union Adapters
- Hi-Flo Pump with 25 ft. cord
- Pump base



Pool Pumps / Accessories and Wet Ends

Champion Wet Ends

Part No.	Description	List (US \$)
310-3000	¾ HP SF	538.40
310-3010	1 HP SF	538.40
310-3010-SS	1 HP SF - Stainless Steel	575.08
310-3020	1.5 HP SF	538.40
310-3030	2 HP SF	538.40
310-3030-SS	2 HP SF - Stainless Steel	575.08
310-3040	2.5 HP SF	538.40
310-3050	3 HP SF	538.40
310-3050-SS	3 HP SF - Stainless Steel	575.08
310-3060	¾ HP EF	538.40
310-3070	1 HP EF	538.40
310-3080	1.5 HP EF	538.40
310-3090	2 HP EF	538.40
310-3100	3 HP EF	538.40



SVL56 Wet Ends

Part No.	Description	Case Quantity	List (US \$)
310-3500	1 HP - EF	10	580.98
310-3510	1.5 HP - EF	10	580.98
310-3520	2 HP - EF	10	580.98
310-3530	3 HP - EF	10	580.98
310-3540	¾ HP - SF	10	580.98
310-3550	1 HP - SF	10	580.98
310-3560	1.5 HP - SF	10	580.98
310-3570	2 HP - SF	10	580.98
310-3580	2.5 HP - SF	10	580.98

6" Leaf Traps

Part No.	Description	Case Quantity	List (US \$)
310-5400	1 ½" x 1 ½"	5	89.82
310-6500	1 ½" x 2"	5	102.27
310-6600	2" x 2"	5	102.27

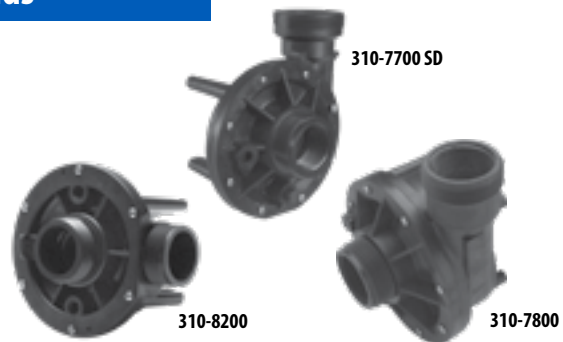
Supreme Impellers

Part No.	Description	Case Quantity	List (US \$)
310-5080	¾ HP (less trap)	150	36.39
310-5090	1 HP (less trap)	150	36.39
310-5100	1.5 HP or 2 HP (less trap)	150	36.39

Pre-2013 Parts / Accessories and Wet Ends

2" Hi-Flo II Side Discharge Wet Ends

Part No.	Rating	Case Qty.	List (US \$)
310-7700SD	1/2 HP	15	127.15
310-7710SD	3/4 HP	15	127.15
310-7720SD	1 HP	15	127.15
310-7730SD	1 ½ HP	15	127.15
310-7740SD	2 HP	15	127.15



Spa Flo Wet Ends

Part No.	Description	List (US \$)
310-7800	2013 Spa Flo II / S/D ½ HP Wet End 1.5"IN/DIS	105.84
310-7810	2013 Spa Flo II / S/D ¾ HP Wet End 1.5"IN/DIS	105.84
310-7820	2013 Spa Flo II / S/D 1 HP Wet End 1.5"IN/DIS	105.84
310-7830	2013 Spa Flo II / S/D 1 ½ HP Wet End 1.5"IN/DIS	127.15
310-7840	2013 Spa Flo II / S/D 2 HP Wet End 1.5"IN/DIS	127.15

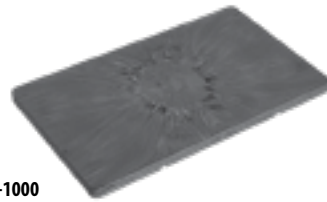
E-Series Center Discharge Wet Ends

Part No.	Description	List (US \$)
310-8200	½ HP Center Discharge "E" Wet End	122.25
310-8210	¾ HP Center Discharge "E" Wet End	122.25
310-8220	1 HP Center Discharge "E" Wet End	122.25
310-8230	1 ½ HP Center Discharge "E" Wet End	122.25
310-8240	2 HP Center Discharge "E" Wet End	122.25

Note: E-Series Center Discharge Wet Ends are the same size as the Standard Series Center Discharge Wet Ends. See Page 296.



672-1010



672-1000



672-7241



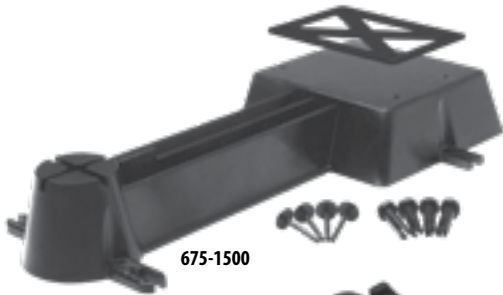
672-7401



672-7201



672-7221



675-1500



672-7211



CABASE-V



675-1380



CABASE

ClearWater Modular Accessory Base
(shown with accessories - not included)



Bases

Part No.	Description	List (US \$)
672-1010	¾" x 14 ½" x 15"	34.88
672-1000	1" x 15 ¼" x 26 ¼"	42.50
672-7241	ClearWater Standard Filter and Pump Base	92.46
672-7401	ClearWater II Filter and Pump Base	175.99
672-7201	ClearWater Modular Pump Base for Supreme/ WorkHorse Pump	39.26
672-7221	ClearWater Modular Pump Base for Hi-Flo Pump	39.26
675-1500	CSA Pump Base, Supreme and Hi Flo Pump	35.04
672-7211	ClearWater/Carefree Modular Filter Base	78.45
675-1380	Champion/SMF Pumps Adjustable Base	40.16
CABASE	ClearWater Modular Accessory Base (for use with Modular Base Systems)	39.26
CABASE-V	Modular Feeder Base (for use with Modular Base Systems)	57.95
CABASE-VF	Feeder Base with Fittings	72.42

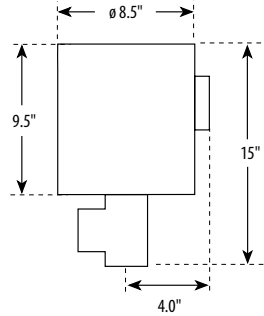


Air Systems / Santanna II & Stealth II Air Blowers

Waterway's Santanna II Residential Air Blower is one of the best quiet running outdoor spa air blowers on the market today.

FEATURES:

- Side or bottom mount
- Heat-free due to open air system that eliminates back pressure build-up
- Internal check valve resists water damage
- Thermally protected for locked motor condition
- Mounting body is Hi-Temp material, eliminating the need for wall mounting
- Side/Bottom outlet is perfect for any outdoor installation and a slip plug is included for the outlet not in use
- Has been tested, certified and listed by UL to requirements of both UL and CSA standards
- Santanna II Air Blowers for residential use are backed by a full one-year, no water damage, warranty
- Bracket on case for easy mounting
- High impact strength construction
- Indoor/outdoor use



Air Check Valves

600-8140 (included) & 600-8160
(U.L. Listed SA8537)

1½" Slip, 2" Spigot x 1½" S -
2" Spigot, ¼ lb. Spring

Number of Jets	Blower Size
4 - 7	1 HP
8 - 13	1½ HP
14 +	2 HP



When using a blower to turbo charge jets, care must be taken in sizing and installation. It is important not to oversize the blower.

Santanna II Air Blowers

Part No.	HP	Volts	Amps	Orifice Dia.	Air Flow (CFM)	PSI	List (US \$)
750-3101-280	1.0	110	7.0	2"	115	2.1	345.70
750-3102-280	1.0	220	3.5	2"	113	3.8	367.88
750-3151-280	1.5	110	8.0	2"	120	4.2	389.14
750-3152-280	1.5	220	4.0	2"	108	2.1	403.85
750-3201-280	2.0	110	9.0	2"	128	3.8	438.18
750-3202-280	2.0	220	6.0	2"	119	4.2	456.19

An external UL Listed check valve (sold separately) is available and can be plumbed into the air line.

FEATURES:

- High performance motor runs cooler and quieter
- High impact resistant construction
- Has been tested, certified and listed by UL to requirements of both UL and CSA standards



Stealth II Blower Assemblies

Part No.	Description	Amps	Case Qty	List (US \$)
700-3011-000	1.0 HP - 110V - 1½" S / 2" Spigot	6.7	6	216.56
700-3151-000	1.5 HP - 110V - 1½" S / 2" Spigot	7.6	6	246.23
700-3102-000	1.0 HP - 220V - 1½" S / 2" Spigot	4.0	6	232.46
700-3152-000	1.5 HP - 220V - 1½" S / 2" Spigot	4.2	6	253.17
700-3201-000	2.0 HP - 110V - 1½" S / 2" Spigot	8.8	6	325.01
700-3202-000	2.0 HP - 230V - 1½" S / 2" Spigot	5.8	6	286.21

Stealth II

See Blower Sizing on page 254 to calculate your required blower size.

Listed price is without cord. Please call Waterway for part number and pricing with cord.



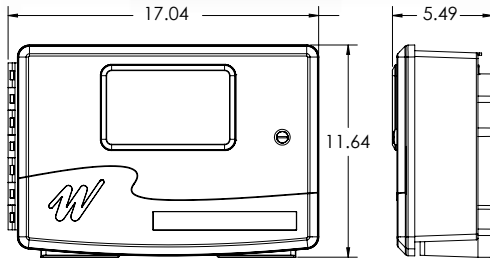
OASIS

POOL & SPA CONTROL

FEATURES:

- 3.2" Color Screen
- Wi-Fi Option
- Variable, 1 or 2 Speed Pump Control
- 6 Standard Relays
- Controls up to 4 Valve Actuators
- Rugged construction with UV resistant enclosure
- Freeze protection
- Complies to UL and CE requirements
- Dimensions: 17"W x 11.5"H x 5.25"D

The advanced Pool & Spa Control that communicates with Waterway and many major pump & lighting systems!



A Better Solution for Common Pool Applications

- The most cost effective control for standard "pool only" applications.
- Easily handles "pool & spa" combination applications
- Simple to install, program and service

Free Wi-Fi App

- From any smart phone, tablet or web device
- Free download from Apple® or Google Play™
- 24 hour control



OASIS can operate onboard as well as relocatable user interfaces.

OASIS Pool & Spa Control System

Part No.	Description	List (US \$)
770-1000-PS	Standard Control	1188.93
770-1002-PS2	Standard Control + 2 Valve Actuators	1467.34
770-1004-PSW	Standard Control + Wi-Fi	1644.19
770-1006-PSW2	Standard Control + 2 Valve Actuators & Wi-Fi	2099.45
770-0006	OASIS Control Panel	700.23
770-0050	OASIS Control Panel / 50' Lxxx	731.74
770-0100	OASIS Control Panel / 100' Lxxx	763.27
770-0150	OASIS Control Panel / 150' Lxxx	794.78
770-0200	OASIS Control Panel / 200' Lxxx	826.30
773-2400	Valve Actuator	306.43



Unions / Pump Union Assemblies



400-1940



400-1990

1" Pump Union Assemblies

Part No.	Description	Case Quantity	List (US \$)
400-1940	1" Union Nut with 3/4" RB Tailpiece and O-Ring	25	4.33
400-1990	1" S Union Nut with 1" Slip Tailpiece and O-Ring	100	4.33



400-4060



400-2020



400-2017



400-4230



400-4510



400-9280

1 1/2" Pump Union Assemblies

Part No.	Description	Case Quantity	List (US \$)
400-4060	1 1/2" Union Nut with 1 1/2" S Tailpiece and O-Ring	100	5.21
400-5640	1 1/2" Union Nut with 1 1/2" S Tailpiece with Gasket	100	5.52
400-2020	1 1/2" Union Nut with 1 1/2" Spigot / 1" S Tailpiece and O-Ring	200	6.47
400-2017	1 1/2" Union Nut with 50mm S Tailpiece and O-Ring	70	6.50
400-4230	1 1/2" Union Nut with 1 1/2" FPT Tailpiece and O-Ring	100	9.74
400-4510	1 1/2" Union Nut with 1 1/2" FPT Tailpiece and O-Ring with Gasket	200	10.06
400-4240	1 1/2" Union Nut with 1 1/2" Spigot Tailpiece and O-Ring	50	8.12
400-9280	1 1/2" Union Nut with 1 1/2" / 1 1/4" Hose Adapter and O-Ring	25	5.46



400-5570



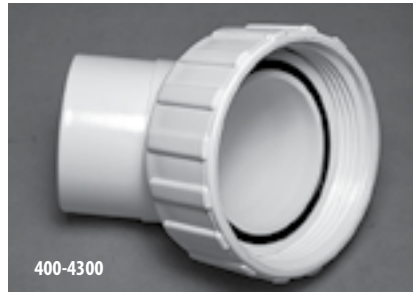
400-9240



400-5800



400-5660



400-4300



400-9230

2" Pump Union Assemblies

Part No.	Description	Case Quantity	List (US \$)
400-5570	2" Union Nut with 2" S Tailpiece and O-Ring	70	7.59
400-5670	2" Union Nut with 2" S Tailpiece and O-Ring with Gasket	70	7.89
400-9240	2" Union Nut with 1 1/2" Hose Adapter and O-Ring	30	10.93
400-5800	2" Union Nut with 2" S Sweep Ell - 90° Tailpiece	40	9.83
400-5660	2" Union Nut with 1 1/2" FPT Nut Tailpiece and O-Ring	72	13.65
400-4300	2" Union Nut with 2" Spigot 45° Tailpiece and O-Ring	70	8.40
400-9230	2" Union Nut with 2" Spigot / 1 1/2" S Tailpiece and O-Ring	40	7.59
400-5680	2" Union Nut with 2" Spigot / 1 1/2" S Tailpiece and O-Ring with Gasket	140	7.89



400-5990



400-6010

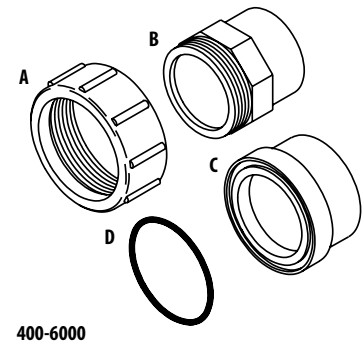
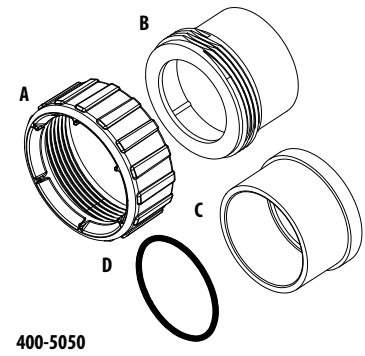
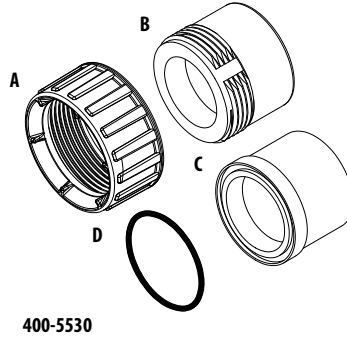
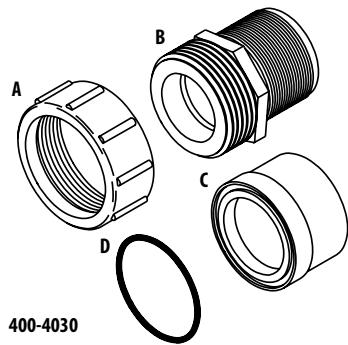
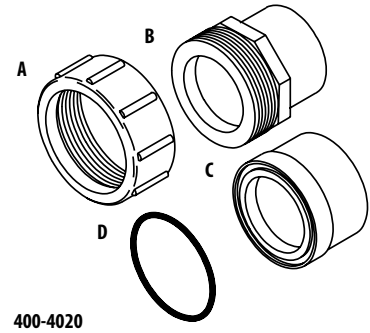
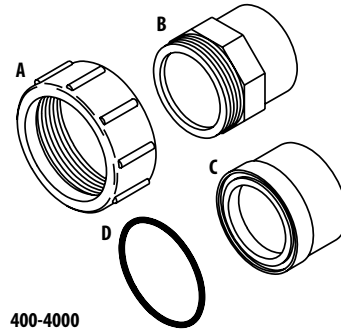
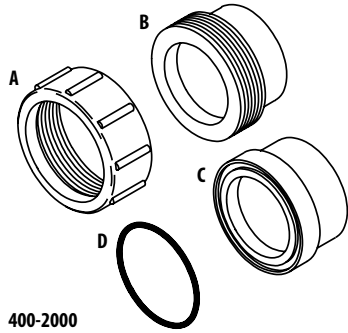
2 1/2" Pump Union Assemblies

Part No.	Description	Case Quantity	List (US \$)
400-5990	2 1/2" Union Nut with 2" S Tailpiece and O-Ring	50	10.70
400-6010	2 1/2" Union Nut with 2 1/2" S Tailpiece and O-Ring	36	10.70
400-6021B	2 1/2" Union Nut x 2 1/2" S - Black (2 included with SVL56 pump)	72	12.01
400-5971B	2 1/2" Union Nut x 2" S - Black (2 included with SVL56 pump)	72	12.01



Unions / Union Assemblies

Unions



Union Assemblies

Part No.	Description	Part A	Part B	Part C	Part D	Case Quantity	List (US \$)
400-2000	Union Assembly - 1" S x 1" S	415-2000	417-2010	417-2020	805-0123	60	8.12
400-4000	Union Assembly #1 - 1 1/2" S x 1 1/2" S	415-4000	417-4010	417-4000	805-0226	50	8.12
400-4020	Union Assembly #3 - 1 1/2" S x 1 1/2" Spigot	415-4000	417-4030	417-4000	805-0226	25	11.37
400-4030	Union Assembly - 1 1/2" MPT x 1 1/2" S	415-4000	417-4060	417-4000	805-0226	25	11.37
400-5530	Union Assembly - 2" Spigot / 1 1/2" S x 1 1/2" S	415-4000	417-4000	417-5080	805-0226	40	11.41
400-5050	Union Assembly #13 - 2" S x 2" S	415-5000	417-5040	417-5120	805-0229	25	13.01
400-6000	Union Assembly - 2 1/2" S x 2 1/2" S	415-6000	417-6010	417-6000	805-0232	36	16.72

Standard color is white. All fittings meet or exceed A.S.T.M. Schedule 40 standards.



400-4481-CPVC

FEATURES:

- 100% CPVC
- 18 degree Swivel
- Includes O-Ring (Teflon tape or Teflon paste not needed)
- Can be installed on all 2" suction or discharge sides of pump.

Swivel Union Assembly

Part No.	Description	Case Weight	Case Quantity	List (US \$)
400-4481-CPVC	Swivel Union Assembly - 2" S x 2" Spigot	34.56 lbs.	45	30.37



400-5090



400-3090



400-5200

Self-Aligning Union Assemblies

Part No.	Description	Case Weight	Case Quantity	List (US \$)
400-5090	Self-Aligning Union Assembly - 2" S x 2" S	19 lbs.	40	12.91
400-3090	Self-Aligning Union Assembly - 1 1/2" S x 1 1/2" S	21 lbs.	40	11.25
400-5200	Self-Aligning Union Assembly - 1 1/2" S x 2" S	34.8 lbs.	80	12.23



400-3070



400-4160



400-5080

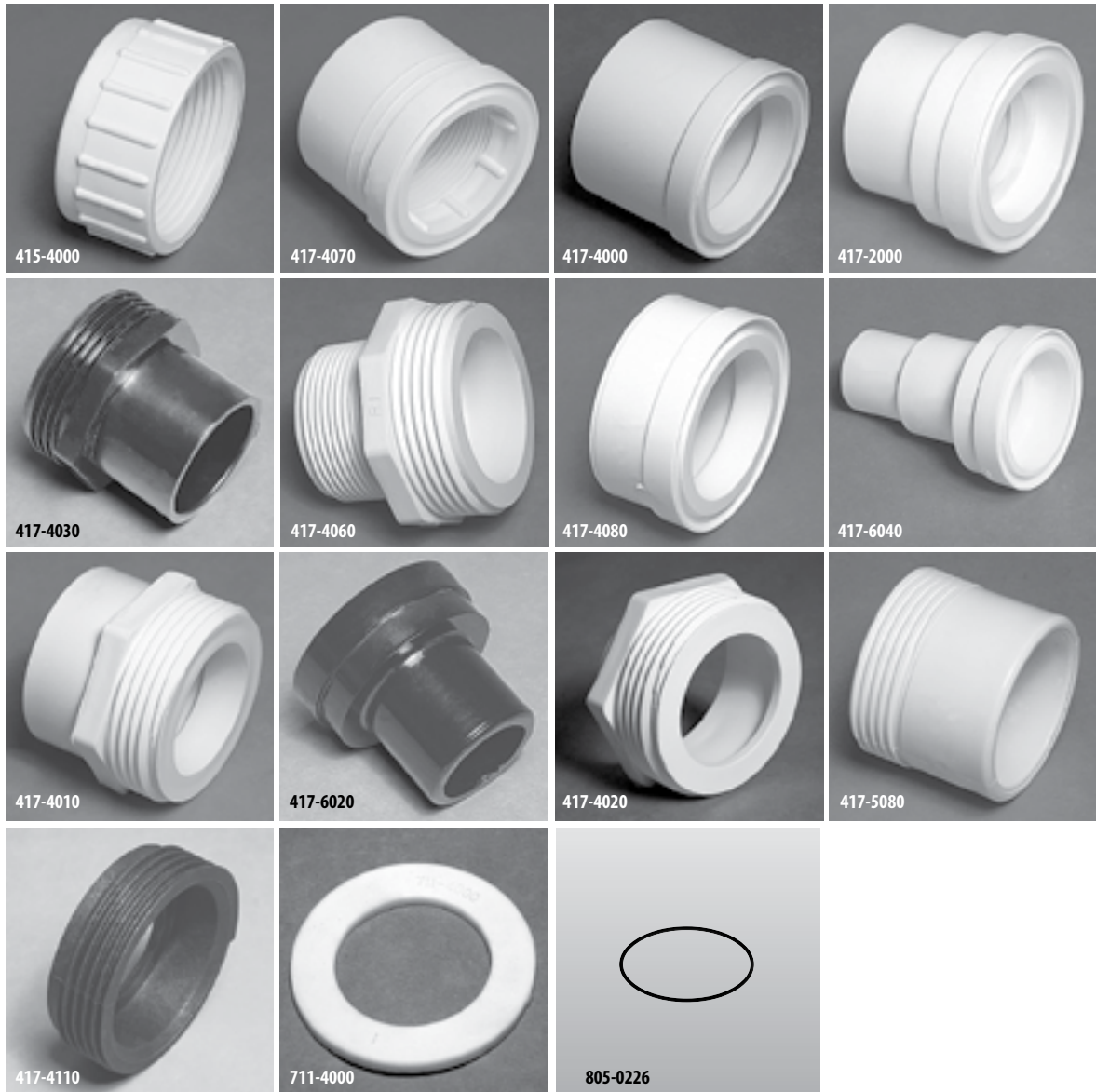
Union Assemblies

Part No.	Description	Case Weight	Case Quantity	List (US \$)
400-3070	Barbed Union Hose Adapter - 1 1/2" NPT x 1 1/2" (includes cap for winterization)	10 lbs.	30	13.04
400-4160	Union Assembly #23 - 1 1/2" FPT x 1 1/2" S	10.47 lbs.	25	13.01
400-5080	Union Assembly - 2" S x 2" MPT	16 lbs.	30	15.33



Unions / 1 1/2" Union Components

Unions



1 1/2" Union Components

Part No.	Description	Case Quantity	List (US \$)
415-4000	1 1/2" Union Nut	250	2.50
417-4070	1 1/2" Flange x 1 1/2" FPT Tailpiece	100	2.50
417-4000	1 1/2" Flange x 1 1/2" S Tailpiece	300	2.77
417-5500	1 1/2" Flange x 50mm S Tailpiece	100	2.50
417-2000	1 1/2" Flange x 1 1/2" Spigot / 1" S Tailpiece	50	5.95
417-4100	1 1/2" Flange x 1 1/2" Spigot	75	4.78
417-4030	1 1/2" Buttress Thread x 1 1/2" Spigot Tailpiece	230	2.50
417-4060	1 1/2" Buttress Thread x 1 1/2" MPT Tailpiece	230	2.59
417-4080	1 1/2" Flange x 1 1/2" S Tailpiece - Short	150	2.25
417-6040	1 1/2" Flange x 1 1/2" / 1 1/4" Hose Adapter Fitting	75	2.17
417-4010	1 1/2" Buttress Thread x 1 1/2" S Tailpiece	250	2.78
417-6020	1 1/2" Flange x 1 1/2" S Hose Adapter Fitting	50	2.70
417-4020	1 1/2" Buttress Thread x 1 1/2" S - Short	50	2.78
417-5080	1 1/2" Buttress Thread x 1 1/2" S x 2" Spigot Tailpiece	75	3.25
417-4110	1 1/2" Buttress x 1 1/2" S - Short	150	4.35
711-4000	1 1/2" Union Gasket	500	0.62
805-0226	O-Ring - 1 1/2" Tailpiece	100	0.60



2" and 2 1/2" Union Components

Part No.	Description	Case Quantity	List (US \$)
415-5000	2" Union Nut	180	3.78
417-5120	2" Flange x 2" S Tailpiece	50	3.94
417-5020	2" Flange x 2" Spigot / 1 1/2" S Tailpiece	100	4.38
417-5130	2" Flange x 1 1/2" FPT Nut Tailpiece	140	3.45
417-6050	2" Flange x 1 1/2" / 1 1/4" Hose Adapter Fitting	200	3.65
417-6030	2" Flange x 1 1/2" Hose Adapter Fitting	25	3.33
417-5260	2" Buttress Thread x 2" Spigot / 1 1/2" S Tailpiece	160	4.38
417-4220	2" Flange x 2" MPT	50	7.70
417-5090	2" Flange Thread x 1 1/2" MPT Tailpiece	25	4.38
417-5040	2" Buttress Thread x 2" S Tailpiece	150	3.06
805-0145	O-Ring – 2" Heater Tailpiece	100	0.60
805-0229	2" Pump Union (thick) O-ring	100	0.71
711-4010	2" Flat Union Gasket	500	0.72
711-4020	2" x 1/4" Thick Union Gasket	500	1.30
711-4030	2" Ribbed O-ring Union Gasket	500	0.79
415-6000	2 1/2" Union Nut	50	7.32
417-6000	2 1/2" Flange x 2 1/2" Socket	50	4.69
417-5970	2 1/2" Flange x 2" Socket	50	4.38
417-6010	2 1/2" Buttress Thread x 2 1/2" Socket	100	5.04
805-0232	O-Ring – 2 1/2" Heater Tailpiece	100	1.29



Notes

Notes

A series of horizontal blue lines for writing notes, starting from the top right below the header and extending across the page.



ABOVE GROUND FEATURES:

- 1 1/2" x 6" Extension Adapter for easy installation on all Filter choices
- A check valve to prevent backflow of water into chlorinator
- Includes 1 1/2" hose adapter
- Internal chamber designed for improved performance
- Holds 4 - 3" tabs; 4 1/2 lbs of 1/2" tabs



For replacement parts, see page 342.

Above Ground Chlorinators

Part No.	Description	Color	Case Weight	Case Qty.	Weight (lbs.)	List (US \$)
CAG004-W	Above-Ground Chlorinator (fittings to install on Sand Filter Multi-Port Included)	White	24.11 lbs.	20	3	106.30
400-3090	1 1/2" S Self-Aligning Union for In-Line	White	40.9 lbs.	40	21	11.25
400-5200	2" S Self-Aligning Union for In-Line	White	38.23 lbs.	40	20	12.23
400-9820	Chlorinator Fitting - 1 1/2" MPT x 1 1/2" Buttress		9.67 lbs.	20	--	19.64

*Clear style chlorinators will lose clarity over time, depending on type of chlorine, weather conditions and usage.

Advanced design ClearWaterVS In-Line Automatic Chlorinator creates tablet saturation when using Variable Speed Pumps at all speeds.

IN-LINE FEATURES:

- Now with 100% Shut-off Valve
- Easy to read accurate control valve
- Large chamber body (White or Clear)
- Check Valve to prevent backflow into chlorinator
- 2" socket x 2.5" spigot (1.5" socket reducers included)
- Enclosed internal saturation tube - provides optimal flow across chlorine tablets
- Twelve (12) tablet capacity
- Available in White or Clear



In-Line Chlorinators

Part No.	Description	Color	Case Weight	Case Qty.	Weight (lbs.)	List (US \$)
CLC012	In-Line - 12 Tablet Feeder - 2" Socket (includes 1 1/2" socket reducer)	Clear*	38 lbs.	1	5	150.41
CLC012-W	In-Line - 12 Tablet Feeder - 2" Socket (includes 1 1/2" socket reducer)	White	38 lbs.	1	5	150.41
550-6700	In-Line Chlorinator Mounting Bracket (fits Waterway Above Ground Filter Systems)	Black	28.27 lbs.	30	29	26.14



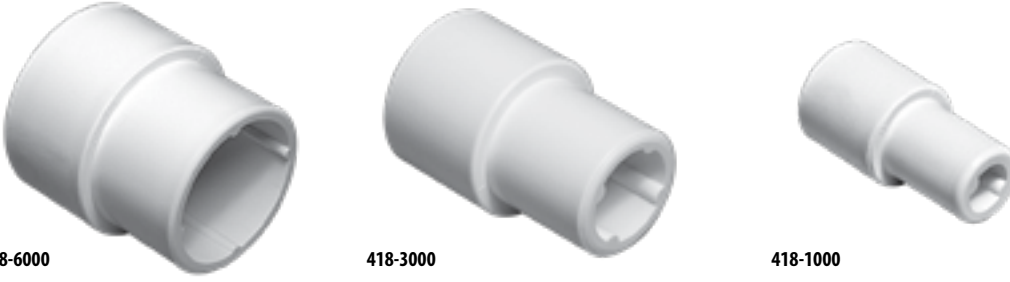
Ells, Tees, & Wyes / Couplers & Accessories



419-4100

419-4120

429-2000



418-6000

418-3000

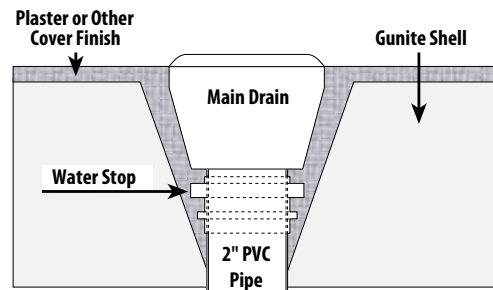
418-1000

Accessories

Part No.	Description	Case Weight	Case Quantity	List (US \$)
419-4100	1" Inside Coupler	16 lbs.	300	2.79
419-4110	1 1/2" Inside Coupler	12 lbs.	100	3.14
419-4120	2" Inside Coupler	9 lbs.	60 (bulk)	3.66
429-2000	1 1/2" Fitting Extender	8 lbs.	30	6.35
429-2010	2" Fitting Extender	10 lbs.	30 (bulk)	6.66
418-1000	1/2" Pipe Extender	7 lbs.	400 (bulk)	1.55
418-2000	3/4" Pipe Extender	7 lbs.	250 (bulk)	2.52
418-3000	1" Pipe Extender	14 lbs.	280 (bulk)	2.79
418-4000	1 1/4" Pipe Extender	15 lbs.	200 (bulk)	2.97
418-5000	1 1/2" Pipe Extender	6 lbs.	50 (bulk)	3.14
418-6000	2" Pipe Extender	4 lbs.	25 (bulk)	3.51
418-7000	2 1/2" Pipe Extender	13 lbs.	25 (bulk)	4.57



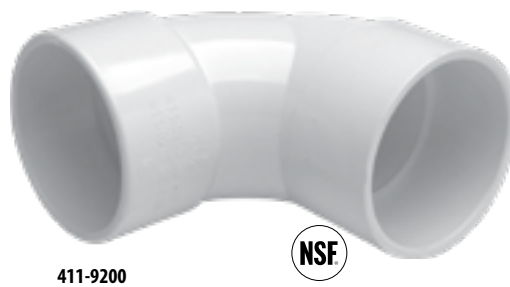
Waterstops - 1", 1 1/2", 2", 2 1/2"



Waterstops eliminate leaks due to expansion and contraction of plaster and/or other finish materials.

Waterstops

Part No.	Description	Case Weight	Case Quantity	List (US \$)
429-3000	1" Waterstop	6 lbs.	100	2.30
429-3010	1 1/2" Waterstop	15 lbs.	200	2.77
429-3020	2" Waterstop	5 lbs.	50	3.38
429-3030	2 1/2" Waterstop	6.98 lbs.	50	4.80

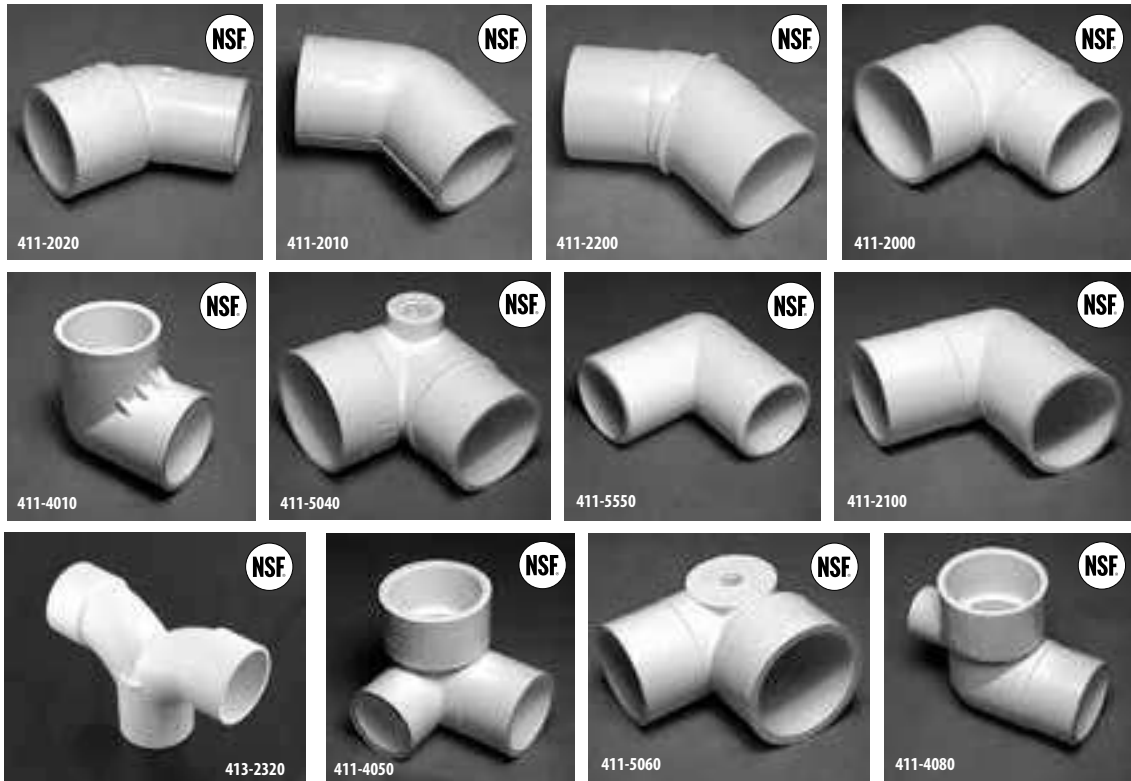


Sweep Ells

Part No.	Description	NSF Approved	Case Weight	Case Quantity	List (US \$)
411-9100	1 1/2" Spigot x 1 1/2" S	x	8 lbs.	25	4.61
411-9110	1 1/2" S x 1 1/2" S	x	8 lbs.	25	4.61
411-9120	2" Spigot x 2" S	x	25 lbs.	60	5.16
411-9130	2" S x 2" S	x	25 lbs.	60	5.16
411-9140	2 1/2" Spigot x 2 1/2" S	x	21 lbs.	30	7.36
411-9150	2 1/2" S x 2 1/2" S	x	22 lbs.	30	7.36
411-9160	2" Spigot 90° x 2 1/2" S	x	22 lbs.	35	7.36
411-9200	3" S x 3" S	x	22 lbs.	17	11.04
411-9210	3" S x 3" Spigot	x	26 lbs.	20	11.04



Ells, Tees, & Wyes / 45° and 90° Ells



45° and 90° Ells

Part No.	Description	NSF Approved	Case Quantity	List (US \$)
411-2020	45° Street Ell – 1" S x 1" Spigot	x	50	3.91
411-4040	45° Street Ell – 1 1/2" S x 1 1/2" Spigot		140	5.21
411-5030	45° Street Ell – 2" S x 2" Spigot		90	6.50
411-2010	45° Ell – 1" S x 1" S	x	150	3.82
411-2200	45° Ell – 2" Spigot x 2" Spigot	x	80	6.86
411-2000	90° Street Ell – 1" S x 1" Spigot	x	50	2.68
411-4000	90° Street Ell – 1 1/2" S x 1 1/2" Spigot		130	4.53
411-5080	90° Street Ell – 2" S x 2" Spigot		60	5.82
411-4010	90° Ell – 1 1/2" S x 1 1/2" S	x	50	2.93
411-5040	90° Street Ell – 2" S x 2" Spigot x 1/2" FPT Left Side Outlet	x	60	11.37
411-5050	90° Street Ell – 2" S x 2" Spigot x 3/8" FPT Left Side Outlet		25	11.37
411-5550	90° Ell – 1 1/2" Spigot x 1 1/2" Spigot	x	50	4.53
411-2100	90° Ell – 2" Spigot x 2" Spigot	x	60	6.50
411-4050	90° Ell – 1 1/2" S x 1 1/2" Spigot x 1" S Side Outlet	x	25	6.50
411-5060	90° Street Ell – 1 1/2" S x 1 1/2" Spigot x 1/8" FPT Side Outlet	x	50	8.13
411-4080	90° Street Ell – 1 1/2" S x 1 1/2" Spigot x 1/2" S Outlet	x	50	6.34
411-9170	Ell – 2" S x 2" S x 3/4" SB		50	9.70
411-9180	Ell – 2 1/2" S x 2 1/2" S x 3/4" SB		30	12.43
413-2320	Wye 2 1/2" S x 2 1/2" S x 2 1/2" S @ 22.50 R1 20.06		15	20.00



411-6520



411-6540



417-6060



417-6080



417-6140



417-6150



417-6160

Hose Adapters					
Part No.	Description	Color	Case Weight	Case Quantity	List (US \$)
411-6520	Barb Ell - 1 1/2" MPT x 1 1/2" Hose	White	28.35 lbs.	140 (bulk)	5.05
411-6540	Smooth Ell - 1 1/2" MPT x 1 1/2" Hose	White	29.35 lbs.	150 (bulk)	5.05
417-6060	Hose Fitting Adapter - 1 1/2" MPT x 1 1/4" Hose	White	7.28 lbs.	70 (bulk)	2.46
417-6061	Hose Fitting Adapter - 1 1/2" MPT x 1 1/4" Hose	Black	7.28 lbs.	70 (bulk)	2.46
417-6067	Hose Fitting Adapter - 1 1/2" MPT x 1 1/4" Hose	Gray	7.37 lbs.	70 (bulk)	2.46
417-6080	Hose Fitting Adapter - 1 1/2" Spigot x 1 1/4" Hose	White	25.25 lbs.	230 (bulk)	2.32
417-6081	Hose Fitting Adapter - 1 1/2" Spigot x 1 1/4" Hose	Black	25.25 lbs.	230 (bulk)	2.32
417-6140	Male Smooth Adapter - 1 1/2" MPT x 1 1/2" Hose	White	24.47 lbs.	260 (bulk)	3.04
417-6141	Male Smooth Adapter - 1 1/2" MPT x 1 1/2" Hose	Black	24.47 lbs.	260 (bulk)	3.04
417-6147	Male Smooth Adapter - 1 1/2" MPT x 1 1/2" Hose	Gray	24.47 lbs.	260 (bulk)	3.04
417-6150	Male Barb Adapter - 1 1/2" MPT x 1 1/2" Hose	White	28.85 lbs.	270 (bulk)	3.04
417-6151	Male Barb Adapter - 1 1/2" MPT x 1 1/2" Hose	Black	28.85 lbs.	270 (bulk)	3.04
417-6157	Male Barb Adapter - 1 1/2" MPT x 1 1/2" Hose	Gray	28.85 lbs.	270 (bulk)	3.04
417-6160	Male Barb Adapter - 2" MPT x 1 1/2" Hose	White	51.15 lbs.	25 (bulk)	9.83
417-6161	Male Barb Adapter - 2" MPT x 1 1/2" Hose	Black	51.15 lbs.	25 (bulk)	9.83
417-6167	Male Barb Adapter - 2" MPT x 1 1/2" Hose	Gray	51.15 lbs.	25 (bulk)	9.83



Fittings / Return Wall Fittings

Fittings



215-9170B



215-9880



215-9150



215-9890



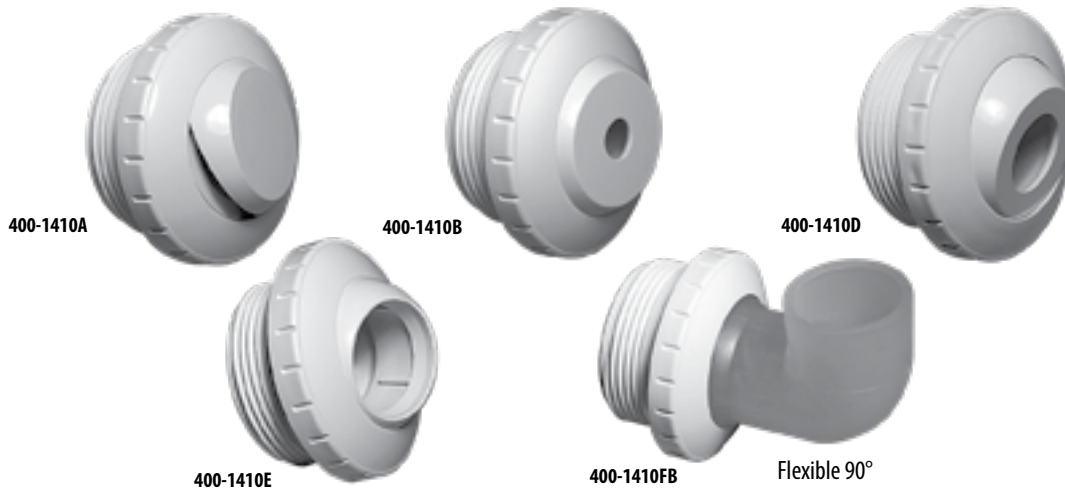
400-9170



400-9150B

Return Wall Fittings

Part No.	Description	Color	Case Weight	Case Quantity	List (US \$)
215-9170B	Return Wall Fitting 1 1/2" FPT Thru	White	8 lbs.	50 (indiv.)	5.55
215-9170	Return Wall Fitting 1 1/2" FPT Thru	White	26.15 lbs.	200 (bulk)	4.89
215-9171	Return Wall Fitting 1 1/2" FPT Thru	Black	26.15 lbs.	200 (bulk)	5.40
215-9177	Return Wall Fitting 1 1/2" FPT Thru	Gray	26.15 lbs.	200 (bulk)	5.40
215-9179-DKG	Return Wall Fitting 1 1/2" FPT Thru	Dark Gray	26.15 lbs.	200 (bulk)	5.40
215-9179-BEI	Return Wall Fitting 1 1/2" FPT Thru	Beige	26.15 lbs.	200 (bulk)	5.40
215-9880	Return Wall Fitting 1 1/2" FPT x 1" S	White	30.05 lbs.	200 (bulk)	5.74
215-9881	Return Wall Fitting 1 1/2" FPT x 1" S	Black	30.05 lbs.	200 (bulk)	6.22
215-9887	Return Wall Fitting 1 1/2" FPT x 1" S	Gray	30.05 lbs.	200 (bulk)	6.22
215-9889-DKG	Return Wall Fitting 1 1/2" FPT x 1" S	Dark Gray	30.05 lbs.	200 (bulk)	6.22
215-9150B	Return Wall Fitting 1 1/2" FPT x 1 1/2" S	White	8 lbs.	50 (indiv.)	5.40
215-9150	Return Wall Fitting 1 1/2" FPT x 1 1/2" S	White	27.30 lbs.	200 (bulk)	4.89
215-9151	Return Wall Fitting 1 1/2" FPT x 1 1/2" S	Black	27.30 lbs.	200 (bulk)	5.40
215-9157	Return Wall Fitting 1 1/2" FPT x 1 1/2" S	Gray	27.30 lbs.	200 (bulk)	5.40
215-9159-DKG	Return Wall Fitting 1 1/2" FPT x 1 1/2" S	Dark Gray	27.30 lbs.	200 (bulk)	5.40
215-9159-BEI	Return Wall Fitting 1 1/2" FPT x 1 1/2" S	Beige	27.30 lbs.	200 (bulk)	5.40
215-9159-DKB	Return Wall Fitting 1 1/2" FPT x 1 1/2" S	Dark Blue	27.30 lbs.	200 (bulk)	5.40
215-9890	Return Wall Fitting 1 1/2" FPT x 2" Insider (fits inside 2" pipe)	White	5.47 lbs.	60 (bulk)	7.57
215-9891	Return Wall Fitting 1 1/2" FPT x 2" Insider (fits inside 2" pipe)	Black	5.47 lbs.	60 (bulk)	8.28
215-9897	Return Wall Fitting 1 1/2" FPT x 2" Insider (fits inside 2" pipe)	Gray	5.47 lbs.	60 (bulk)	8.28
215-9899-DKG	Return Wall Fitting 1 1/2" FPT x 2" Insider (fits inside 2" pipe)	Dark Gray	5.47 lbs.	60 (bulk)	8.28
400-9170B	Return Wall Fitting Assembly with Nut and Gasket 1 1/2" FPT Thru	White	13 lbs.	50 (indiv.)	10.96
400-9171B	Return Wall Fitting Assembly with Nut and Gasket 1 1/2" FPT Thru	Black	13 lbs.	50 (indiv.)	11.43
400-9177B	Return Wall Fitting Assembly with Nut and Gasket 1 1/2" FPT Thru	Gray	13 lbs.	50 (indiv.)	11.43
400-9170	Return Wall Fitting Assembly with Nut and Gasket 1 1/2" FPT Thru	White	12 lbs.	50 (bulk)	10.11
400-9171	Return Wall Fitting Assembly with Nut and Gasket 1 1/2" FPT Thru	Black	12 lbs.	50 (bulk)	10.60
400-9177	Return Wall Fitting Assembly with Nut and Gasket 1 1/2" FPT Thru	Gray	12 lbs.	50 (bulk)	10.60
400-9150B	Return Wall Fitting Assembly with Nut and Gasket 1 1/2" FPT x 1 1/2" S	White	13 lbs.	50 (indiv.)	10.96
400-9150	Return Wall Fitting Assembly with Nut and Gasket 1 1/2" FPT x 1 1/2" S	White	13 lbs.	50 (bulk)	10.11
400-9151	Return Wall Fitting Assembly with Nut and Gasket 1 1/2" FPT x 1 1/2" S	Black	13 lbs.	50 (bulk)	10.60
400-9157	Return Wall Fitting Assembly with Nut and Gasket 1 1/2" FPT x 1 1/2" S	Gray	13 lbs.	50 (bulk)	10.60



Threaded Eyeball Fittings - 1 1/2" MPT

Part No.	Description	Color	Case Weight	Case Quantity	List (US \$)
400-1410AB	Slotted Eyeball Opening (<i>bagged</i>)	White	10.50 lbs.	100 (indiv.)	6.08
400-1417AB	Slotted Eyeball Opening (<i>bagged</i>)	Gray	10.50 lbs.	100 (indiv.)	7.24
400-1410A	Slotted Eyeball Opening	White	12.55 lbs.	125 (bulk)	5.40
400-1411A	Slotted Eyeball Opening	Black	12.55 lbs.	125 (bulk)	6.55
400-1417A	Slotted Eyeball Opening	Gray	12.55 lbs.	125 (bulk)	6.55
400-1419A-DK	Slotted Eyeball Opening	Dark Gray	12.55 lbs.	125 (bulk)	6.55
400-1410BB	3/8" Eyeball Opening (<i>bagged</i>)	White	10.75 lbs.	100 (indiv.)	5.40
400-1410B	3/8" Eyeball Opening	White	12.45 lbs.	125 (bulk)	4.72
400-1411B	3/8" Eyeball Opening	Black	12.45 lbs.	125 (bulk)	5.22
400-1417B	3/8" Eyeball Opening	Gray	12.45 lbs.	125 (bulk)	5.22
400-1410CB	1/2" Eyeball Opening (<i>bagged</i>)	White	10.70 lbs.	100 (indiv.)	5.40
400-1410C	1/2" Eyeball Opening	White	12.55 lbs.	125 (bulk)	4.72
400-1411C	1/2" Eyeball Opening	Black	12.55 lbs.	125 (bulk)	5.22
400-1417C	1/2" Eyeball Opening	Gray	12.55 lbs.	125 (bulk)	5.22
400-1419B-DK	1/2" Eyeball Opening	Dark Gray	12.45 lbs.	125 (bulk)	5.22
400-1419C-DK	1/2" Eyeball Opening	Dark Gray	12.55 lbs.	125 (bulk)	5.22
400-1410DB	3/4" Eyeball Opening (<i>bagged</i>)	White	10.35 lbs.	100 (indiv.)	5.40
400-1411DB	3/4" Eyeball Opening (<i>bagged</i>)	Black	10.35 lbs.	100 (indiv.)	5.91
400-1417DB	3/4" Eyeball Opening (<i>bagged</i>)	Gray	10.35 lbs.	100 (indiv.)	5.91
400-1410D	3/4" Eyeball Opening	White	11.65 lbs.	125 (bulk)	4.72
400-1411D	3/4" Eyeball Opening	Black	11.65 lbs.	125 (bulk)	5.22
400-1417D	3/4" Eyeball Opening	Gray	11.65 lbs.	125 (bulk)	5.22
400-1419D-DK	3/4" Eyeball Opening	Dark Gray	11.65 lbs.	125 (bulk)	5.22
400-1419D-BEI	3/4" Eyeball Opening	Beige	11.65 lbs.	125 (bulk)	5.22
400-1410EB	1" Eyeball Opening (<i>bagged</i>)	White	10.55 lbs.	100 (indiv.)	5.40
400-1411EB	1" Eyeball Opening (<i>bagged</i>)	Black	10.55 lbs.	100 (indiv.)	5.91
400-1417EB	1" Eyeball Opening (<i>bagged</i>)	Gray	10.55 lbs.	100 (indiv.)	5.91
400-1410E	1" Eyeball Opening	White	11.77 lbs.	125 (bulk)	4.72
400-1411E	1" Eyeball Opening	Black	11.77 lbs.	125 (bulk)	5.22
400-1417E	1" Eyeball Opening	Gray	11.77 lbs.	125 (bulk)	5.22
400-1419E-DK	1" Eyeball Opening	Dark Gray	11.77 lbs.	125 (bulk)	5.22
400-1419E-BEI	1" Eyeball Opening	Beige	11.77 lbs.	125 (bulk)	5.22
400-1419E-DKB	1" Eyeball Opening	Dark Blue	11.77 lbs.	125 (bulk)	6.12
400-1410FB	1" 90° Return Eye (<i>bagged</i>)	White	12 lbs.	125 (indiv.)	5.40
400-1410F	1" 90° Return Eye	White	9.05 lbs.	70 (bulk)	4.79



Fittings / Insert Inlet Eyeball Fitting & In-Floor Return

Fittings



400-1420E

Available in:

- White
- Gray
- Dark Gray
- Black

Insert Inlet Eyeball Fittings - 1 1/2"

Part No.	Description	Color	Case Weight	Case Quantity	List (US \$)
400-1420DB	3/4" Eyeball Opening (<i>bagged</i>)	White	8 lbs.	75 (indiv.)	8.40
400-1420EB	1" Eyeball Opening (<i>bagged</i>)	White	7.7 lbs.	75 (indiv.)	8.40
400-1420D	3/4" Eyeball Opening	White	8.29 lbs.	75 (bulk)	7.74
400-1421D	3/4" Eyeball Opening	Black	8.29 lbs.	75 (bulk)	8.57
400-1427D	3/4" Eyeball Opening	Gray	8.29 lbs.	75 (bulk)	8.57
400-1429D-DK	3/4" Eyeball Opening	Dark Gray	8.14 lbs.	75 (bulk)	9.23
400-1420E	1" Eyeball Opening	White	8.36 lbs.	75 (bulk)	7.74
400-1421E	1" Eyeball Opening	Black	8.12 lbs.	75 (bulk)	8.57
400-1427E	1" Eyeball Opening	Gray	7.85 lbs.	75 (bulk)	8.57
400-1429E-DK	1" Eyeball Opening	Dark Gray	8.12 lbs.	75 (bulk)	8.57
400-1420A	Slotted Opening	White	8 lbs.	75 (bulk)	8.40
400-1427A	Slotted Opening	Gray	8 lbs.	75 (bulk)	9.23
400-1429A-DK	Slotted Opening	Dark Gray	8 lbs.	75 (bulk)	9.23



640-9000

In-Floor Return

Part No.	Description	Color	List (US \$)
640-9000	Floor Return	White	34.92
640-9007	Floor Return	Gray	34.92



Fittings / Fiberglass Wall Fitting / Aerators / Vac Lock Fitting

Fittings



400-8300



400-8310



400-8320



400-9470

Fiberglass Wall Fitting - Deep Socket

Part No.	Description	List (US \$)
400-8300	Fiberglass Wall Fitting, Deep Socket Adapter - HWD Version	8.15
400-8310	Fiberglass Wall Fitting with Eyeball, Deep Socket Adapter - HA Version	13.08
400-8320	Gasket Kit (can work with either kit)	2.93
400-9470	1 Pc Fiberglass Wall Fitting LG Third with Eyeball	11.55



217-0060

FRONT



BACK



715-1910

Aerators

Part No.	Color	Dimensions	Case Quantity	List (US \$)
715-1910	White	ø 1.62" W x 1.25" H	120 (bulk)	8.34
715-1911	Black	ø 1.62" W x 1.25" H	120 (bulk)	10.18
715-1917	Gray	ø 1.62" W x 1.25" H	120 (bulk)	10.18
715-1919-DKG	Dark Gray	ø 1.62" W x 1.25" H	120 (bulk)	10.18
715-1919-BEI	Beige	ø 1.62" W x 1.25" H	120 (bulk)	9.23
217-0060	White	¾" Aerator Spray Nozzle	200	4.89



600-2201



Vac Lock Fittings

Part No.	Description	Color	Case Weight	Case Quantity	List (US \$)
600-2200	Vac Lock Fitting - 1 ½" MPT	White	9.57 lbs.	70	45.23
600-2201	Vac Lock Fitting - 1 ½" MPT	Black	9.57 lbs.	70	45.23
600-2207	Vac Lock Fitting - 1 ½" MPT	Gray	9.57 lbs.	70	45.23
600-2209-DKG	Vac Lock Fitting - 1 ½" MPT	Dark Gray	9.57 lbs.	70	45.23
600-2209-BEI	Vac Lock Fitting - 1 ½" MPT	Beige	9.57 lbs.	70	45.23
600-2209-DKB	Vac Lock Fitting - 1 ½" MPT	Dark Blue	9.57 lbs.	70	45.23
600-2209-LTB	Vac Lock Fitting - 1 ½" MPT	Light Blue	9.57 lbs.	70	45.23



Fittings / Vinyl Liner Fittings & Vinyl Wall Fitting

Fittings



400-9160B



218-1430



218-1440

In-Ground Pool Vinyl Liner Return Fittings

Part No.	Description	Color	Case Weight	Case Quantity	List (US \$)
400-9160B	Steel Wall Fitting Assembly with Combo Spacer/Locknut 1 1/2" FPT x 1 1/2" FPT	White	16 lbs.	25 (indiv.)	17.85
400-9161B	Steel Wall Fitting Assembly with Combo Spacer/Locknut 1 1/2" FPT x 1 1/2" FPT	Black	16 lbs.	25 (indiv.)	17.85
400-9167B	Steel Wall Fitting Assembly with Combo Spacer/Locknut 1 1/2" FPT x 1 1/2" FPT	Gray	16 lbs.	25 (indiv.)	17.85
400-9060B	Steel Wall Fitting Assembly with Combo Spacer/Locknut 1 1/2" FPT x 1 1/2" Socket	White	17.91 lbs.	25 (indiv.)	17.85
400-9061B	Steel Wall Fitting Assembly with Combo Spacer/Locknut 1 1/2" FPT x 1 1/2" Socket	Black	17.91 lbs.	25 (indiv.)	17.85
400-9067B	Steel Wall Fitting Assembly with Combo Spacer/Locknut 1 1/2" FPT x 1 1/2" Socket	Gray	17.91 lbs.	25 (indiv.)	17.85
218-1430	Faceplate For Steel Wall Vinyl Liner Wall Fitting with Fitting Assembly	White	26.75	300	7.57
218-1431	Faceplate For Steel Wall Vinyl Liner Wall Fitting with Fitting Assembly	Black	26.75	300	7.57
218-1437	Faceplate For Steel Wall Vinyl Liner Wall Fitting with Fitting Assembly	Gray	26.75	300	7.57
218-1440	Wall Fitting Escutcheon	White	5.70 lbs.	200 (bulk)	3.04
218-1441	Wall Fitting Escutcheon	Black	5.70 lbs.	200 (bulk)	3.72
218-1447	Wall Fitting Escutcheon	Gray	5.70 lbs.	200 (bulk)	3.72
218-1449-DKG	Wall Fitting Escutcheon	Dark Gray	5.70 lbs.	200 (bulk)	3.72
218-1449-BEI	Wall Fitting Escutcheon	Beige	5.70 lbs.	200 (bulk)	3.72
218-1449-DKB	Wall Fitting Escutcheon	Dark Blue	5.70 lbs.	200 (bulk)	4.83
400-7390	V/L Return W/F 1 1/2" FPT x 2 3/4" Lngt W/F Combo Nut	White	21.40 lbs	25 (indiv.)	20.80



550-9340



550-9330

Above-Ground Pool Vinyl Liner Return Fittings

Part No.	Description	Color	Case Weight	Case Quantity	List (US \$)
550-9340	Deluxe Return Fitting Assembly 1" Eyeball	White	13.55 lbs.	30 (bulk)	18.87
550-9347	Deluxe Return Fitting Assembly 1" Eyeball	Gray	13.55 lbs.	30 (bulk)	18.87
550-9330	Deluxe Return Fitting Assembly 3/4" Eyeball	White	35.15 lbs.	80 (bulk)	18.87
550-9337	Deluxe Return Fitting Assembly 3/4" Eyeball	Gray	35.15 lbs.	80 (bulk)	18.87



400-9010B

In-Ground Pool Vinyl Wall Fitting - Concrete Poured Wall

Part No.	Description	Color	Case Wt.	Case Qty.	List (US \$)
400-9010B	Concrete Poured Wall 1 1/2" FPT x 1 1/4" Socket	White	12.31 lbs.	25	16.26



400-1360



400-1300

Rotating Eyeball Fittings

Part No.	Description	Color	Case Weight	Case Quantity	List (US \$)
400-1360	Pulsator Eyeball Fitting 1 1/2" Insert Inlet	White	32.91 lbs.	80	29.45
400-1300	Pulsator Eyeball Assembly	White	5.52 lbs.	75 (indiv.)	29.48

FEATURES:

- Replaces directional eyeball fittings in spas
- Great For Therapy Massage Action!
- The Pulsator fits these wall fittings:
215-9150, 215-9170, 400-9190, 400-9160B



212-9170

Spa Rotating Therapy Massage Fittings

Part No.	Description	Color	Case Weight	Case Quantity	List (US \$)
212-9170	Pulsator - 1 1/2" MPT (fits 1 1/2" FPT wall fittings)	White	4.32 lbs.	50	31.15
212-9171	Pulsator - 1 1/2" MPT (fits 1 1/2" FPT wall fittings)	Black	4.32 lbs.	50	31.15
212-9172	Pulsator - 1 1/2" MPT (fits 1 1/2" FPT wall fittings)	Bone	4.32 lbs.	50	31.15
212-9177	Pulsator - 1 1/2" MPT (fits 1 1/2" FPT wall fittings)	Gray	4.32 lbs.	50	31.15
212-9179-BEI	Pulsator - 1 1/2" MPT (fits 1 1/2" FPT wall fittings)	Beige	4.32 lbs.	50	31.15
212-9179-DKG	Pulsator - 1 1/2" MPT (fits 1 1/2" FPT wall fittings)	Dark Gray	4.32 lbs.	50	31.15
210-3247	10 GPM Hand-Held Jet with Stainless Steel Trim - 1 1/2" MPT (fits 1 1/2" FPT)	Gray	11.07 lbs.	5	85.34



Fittings / Return Fittings

Fittings



400-9180



400-9190



400-9190P

Plaster Plug



400-9390



550-9230

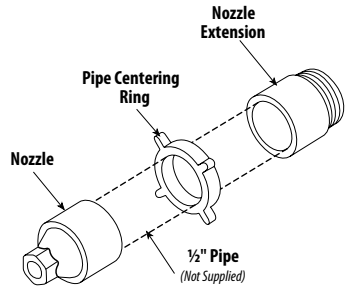
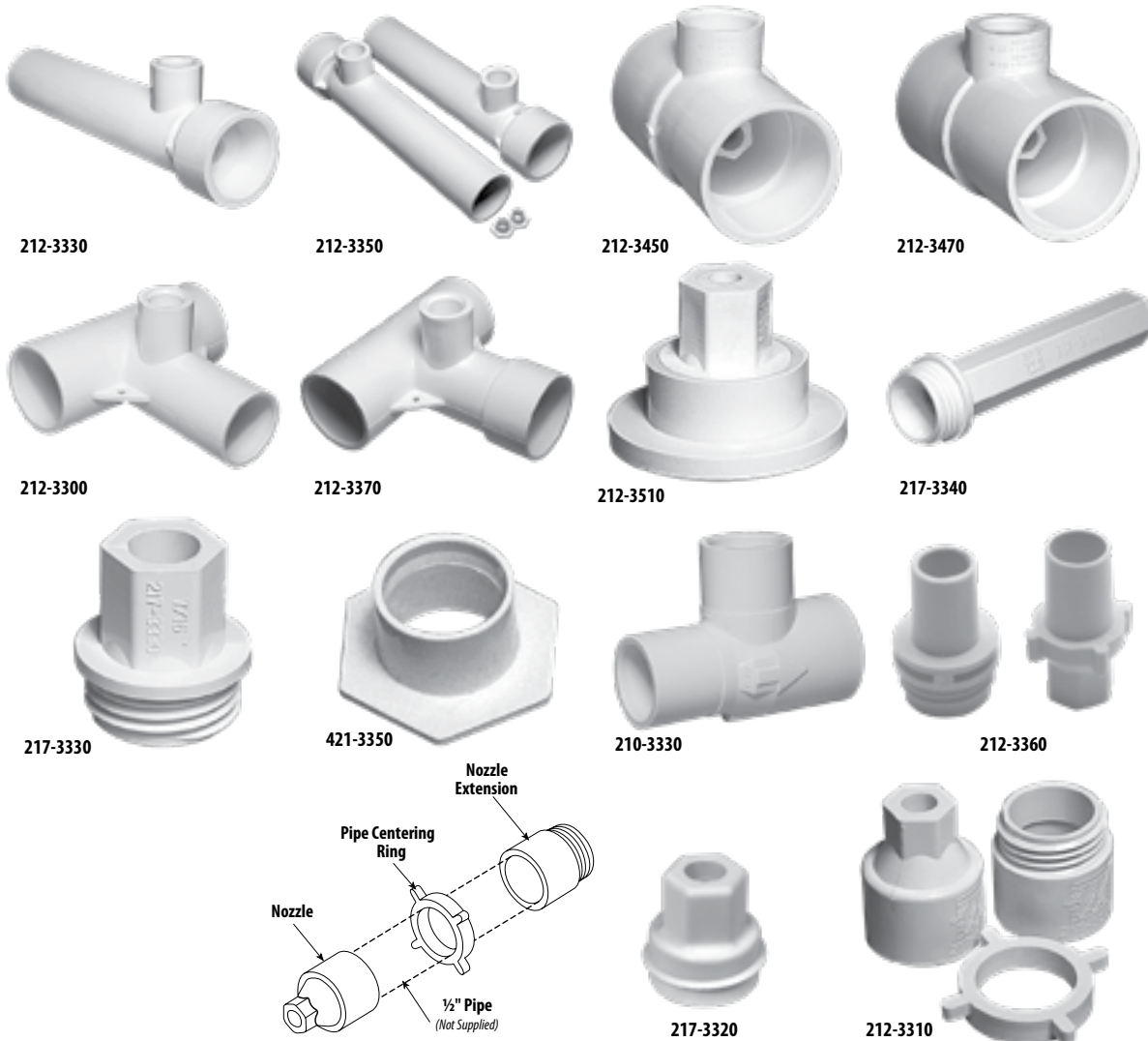
Return Fittings

Part No.	Description	Color	Case Weight	Case Quantity	List (US \$)
400-9180	Econ 1" Return Fitting Insider Inlet <i>(fits inside 1" pipe)</i>	White	7.23 lbs.	100	6.90
400-9181	Econ 1" Return Fitting Insider Inlet <i>(fits inside 1" pipe)</i>	Black	7.23 lbs.	100	6.90
400-9187	Econ 1" Return Fitting Insider Inlet <i>(fits inside 1" pipe)</i>	Gray	7.23 lbs.	100	6.90
400-9189-DKG	Econ 1" Return Fitting Insider Inlet <i>(fits inside 1" pipe)</i>	Dark Gray	7.23 lbs.	100	6.90
400-9190	Flush Mount Return Fitting 1" Socket <i>(fits inside 1 1/2" pipe)</i>	White	16.13 lbs.	100 (bulk)	13.59
400-9191	Flush Mount Return Fitting 1" Socket <i>(fits inside 1 1/2" pipe)</i>	Black	16.13 lbs.	100 (bulk)	13.59
400-9197	Flush Mount Return Fitting 1" Socket <i>(fits inside 1 1/2" pipe)</i>	Gray	16.13 lbs.	100 (bulk)	13.59
400-9199-DKG	Flush Mount Return Fitting 1" Socket <i>(fits inside 1 1/2" pipe)</i>	Dark Gray	16.13 lbs.	100 (bulk)	13.59
400-9199-BEI	Flush Mount Return Fitting 1" Socket <i>(fits inside 1 1/2" pipe)</i>	Beige	16.13 lbs.	100 (bulk)	13.59
400-9190P	Flush Mount Return Fitting with Plaster Plug 1" Socket <i>(fits inside 1 1/2" pipe)</i>	White	27 lbs.	220 (bulk)	14.17
400-9191P	Flush Mount Return Fitting with Plaster Plug 1" Socket <i>(fits inside 1 1/2" pipe)</i>	Black	27 lbs.	220 (bulk)	14.17
400-9197P	Flush Mount Return Fitting with Plaster Plug 1" Socket <i>(fits inside 1 1/2" pipe)</i>	Gray	27 lbs.	220 (bulk)	14.17
400-9199P-DK	Flush Mount Return Fitting with Plaster Plug 1" Socket <i>(fits inside 1 1/2" pipe)</i>	Dark Gray	27 lbs.	220 (bulk)	14.17
400-9390	Flush Mount Return Fitting 1 1/2" Socket	White	38.95 lbs.	190	13.59
400-9397	Flush Mount Return Fitting 1 1/2" Socket	Gray	38.95 lbs.	190	13.59
400-9390P	Flush Mount Return Fitting with Plaster Plug 1 1/2" Socket	White	43.68 lbs.	180	14.12
400-9397P	Flush Mount Return Fitting with Plaster Plug 1 1/2" Socket	Gray	43.68 lbs.	180	14.12
550-9230	Self-Aligning Return Fitting 3/4" Eye <i>(fits inside 1 1/2" pipe)</i>	White	6.42 lbs.	100 (indiv.)	8.68
550-9231	Self-Aligning Return Fitting 3/4" Eye <i>(fits inside 1 1/2" pipe)</i>	Black	6.42 lbs.	100 (indiv.)	8.68
550-9237	Self-Aligning Return Fitting 3/4" Eye <i>(fits inside 1 1/2" pipe)</i>	Gray	6.42 lbs.	100 (indiv.)	8.68
550-9239-DKG	Self-Aligning Return Fitting 3/4" Eye <i>(fits inside 1 1/2" pipe)</i>	Dark Gray	6.42 lbs.	100 (indiv.)	8.68
550-9240	Self-Aligning Return Fitting 1" Eye <i>(fits inside 1 1/2" pipe)</i>	White	8 lbs.	100 (bulk)	8.68
550-9247	Self-Aligning Return Fitting 1" Eye <i>(fits inside 1 1/2" pipe)</i>	Gray	8 lbs.	100 (bulk)	8.68
550-9249-DKG	Self-Aligning Return Fitting 1" Eye <i>(fits inside 1 1/2" pipe)</i>	Dark Gray	8 lbs.	100 (bulk)	8.68



Gunite Jets / Gunite Venturi Tees

Gunite Jets



Gunite Venturi Tees

Part No.	Description	Orifice	GPM	Case Weight	Case Quantity	List (US \$)
212-3330*	10" Tee - 1 1/2" S x 1/2" S - 3/4" Spigot x 1 1/2" Spigot	7/16"	17-20	32 lbs.	50 (2/bag)	16.01
212-3340*	10" Tee - 1 1/2" S x 1/2" S - 1" Spigot x 1 1/2" Spigot	7/16"	17-20	32.26 lbs.	50 (2/bag)	16.01
212-3350*	10" Tee - 1 1/2" S x 1/2" S - 1" Spigot x 1 1/2" Spigot	5/16"	10-12	32 lbs.	50 (2/bag)	16.01
212-3440	Tee with Nozzle - 1 1/2" S / 2" Spigot x 3/4" S / 1" Spigot	7/16"	17-20	18.30 lbs.	50	6.20
212-3450	Tee with Nozzle - 1 1/2" S / 2" Spigot x 3/4" S / 1" Spigot	1/4"	7-9	18 lbs.	50	6.20
212-3470	Tee with Nozzle - 1 1/2" S / 2" Spigot x 1/2" S / 1" Spigot	7/16"	17-20	8 lbs.	50	6.20
212-3300	Gunite Double Tee Body Assembly - 1 1/2" Spigot	5/16"	10-12	27.18 lbs.	45	17.44
212-3360	Nozzle Extension Kit for #7 Tee	3/8"	14-16	5.82 lbs.	200	6.12
212-3370	Gunite Double Tee Body Assembly - 1 1/2" S	5/16"	10-12	24.77 lbs.	40	17.44
212-3500	Tee Jet Insert Assembly - 1/4"	1/4"	7-9	17.55 lbs.	50	8.75
212-3510	Tee Jet Insert Assembly - 7/16"	7/16"	17-20	17.55 lbs.	50	8.75
217-3340	4" Nozzle (included with 10" Tee)	7/16"	17-20	6.76 lbs.	125	2.53
217-3330	Venturi Tee Nozzle - 7/16"	7/16"	17-20	5.09 lbs.	400	2.05
217-3350	Venturi Tee Nozzle - 1/4"	1/4"	7-9	6.19 lbs.	400	2.05
421-3350	Orifice Reducer (fits inside 7/16" orifice)	3/8"	14-16	1.00 lbs.	300	0.69
210-3330	Venturi Tee #7 - 1" S x 1" Spigot - 3/4" S (#7 nozzle included - not sold separately)	3/8"	14-16	11.70 lbs.	70	4.33
217-3320	Gunite Venturi Tee Standard Nozzle - 5/16"	5/16"	--	16.93 lbs.	1250	2.05
212-3310	Nozzle Extension Kit (fits all Gunite Venturi Tees except #7 Tee)	5/16"	10-12	8.79 lbs.	180	6.12

* 4" nozzle and 3/8" orifice reducer included



Gunite Jets / Hydro Spa Jets



210-4100



210-4120



210-4130

Hydro Gunite Spa Jets

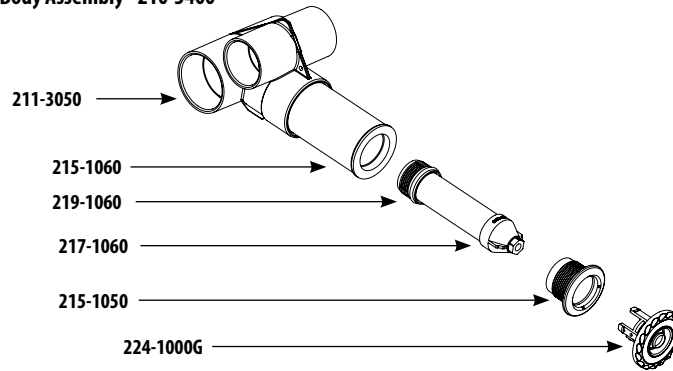
Part No.	Description	Case Weight	Case Quantity	List (US \$)
210-4100	Hydro Gunite Jet Body - 1 1/2" S x 1 1/2" S x 2" FPT	28 lbs.	30	17.18
210-4110	Hydro Gunite Jet Body - 1 1/2" S x 1 1/2" S x 1 1/2" S	28.45 lbs.	30	17.18
210-4120	Directional Eye - 1 1/2" S x 1 1/2" S - White (also for fiberglass)	28 lbs.	50	26.64
210-4130	Roto Eye - 1 1/2" S x 1 1/2" S - White (also for fiberglass)	28 lbs.	24	53.12

For Return Fittings, see page 76.

Complete Tee Body Assembly - 210-3400



224-1000G



Mini Gunite Body Assembly

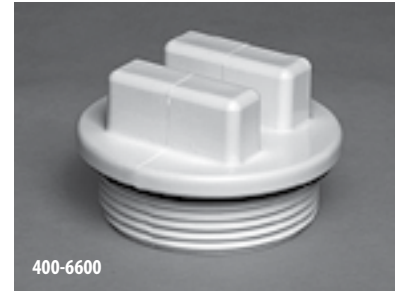
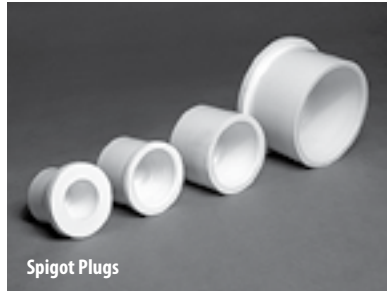
Part No.	Description	Color	Case Weight	Case Quantity	List (US \$)
210-3400	Complete Tee Body Assembly	White	22.74 lbs.	20	36.42
211-3050	Tee Body Only - 2" S x 1 1/2" S	White	22.34 lbs.	25	16.66
215-1060	Gunite Wall Fitting	White	8.24	150	6.09
219-1060	Gunite Retainer Ring	White	4.33	160	2.89
217-1060	Gunite Nozzle	White	10.38	500	3.04
215-1050	Eyeball Wall Fitting	White	30.05 lbs.	500	6.09

Mini Gunite Jet Internals

Part No.	Type	Style	Color	Case Quantity	List (US \$)
224-1000G	Directional	Scalloped	White	50	11.39
224-1001G	Directional	Scalloped	Black	50	11.39
224-1007G	Directional	Scalloped	Gray	50	11.39



Gunite Jets / Miscellaneous Plugs and Grate Inserts



Plugs, Grate Inserts, and Vac Lock Fittings

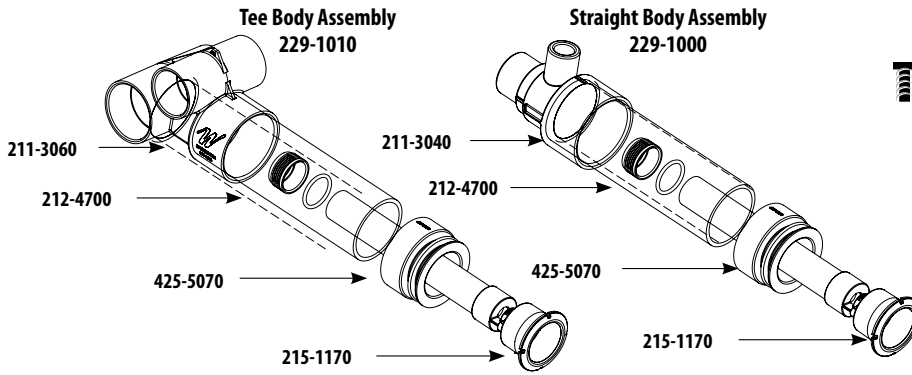
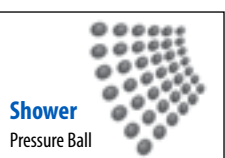
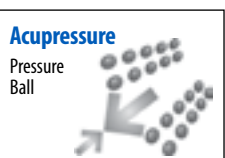
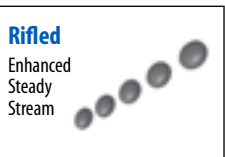
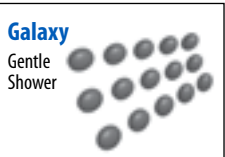
Part No.	Description	Color	Case Weight	Case Quantity	List (US \$)
715-0000	Plug - 1/2" Spigot	White	16.6 lbs.	800	1.17
715-9890	Plug - 3/4" Spigot	White	19.71 lbs.	600	1.20
715-2000	Plug - 1" Spigot	White	7.16 lbs.	200	1.26
715-4000	Plug - 1 1/2" Spigot	--	7.67	100	1.94
715-9880	Plug - 2" Spigot	White	16.16 lbs.	100	2.56
400-4140	Flush Plug - 1 1/2" MPT with Gasket	White	6.16 lbs.	150 (indiv.)	2.79
400-4141	Flush Plug - 1 1/2" MPT with Gasket	Black	6.16 lbs.	150 (indiv.)	3.09
400-4147	Flush Plug - 1 1/2" MPT with Gasket	Gray	6.16 lbs.	150 (indiv.)	3.09
400-4149-BEI	Flush Plug - 1 1/2" MPT with Gasket	Beige	6.16 lbs.	150 (indiv.)	3.09
400-6600	Universal Plug - 1 1/2" MPT with O-Ring	White	9.32 lbs.	100 (indiv.)	2.79
400-6601	Universal Plug - 1 1/2" MPT with O-Ring	Black	9.32 lbs.	100 (indiv.)	2.79
400-6600-100	Universal Plug - 1 1/2" MPT with O-Ring	White	8.91 lbs.	100 (bulk)	2.32
400-6601-100	Universal Plug - 1 1/2" MPT with O-Ring	Black	8.91 lbs.	100 (bulk)	2.32
400-6650	Universal Plug - 2" NPT with O-Ring	White	12.44 lbs.	100	3.51
400-6651	Universal Plug - 2" NPT with O-Ring	Black	12.44 lbs.	100	3.51
715-1230	Plug - 1 1/2" NPT	White	14.42 lbs.	240 (bulk)	2.12
715-9910	Plug - 2" NPT	White	13.89 lbs.	150	2.67
602-3160*	Grate Insert - 1 1/2" MPT	White	3.69	140	4.04
602-3161*	Grate Insert - 1 1/2" MPT	Black	3.69	140	4.72
602-3167*	Grate Insert - 1 1/2" MPT	Gray	3.69	140	4.72
602-3160B*	Grate Insert - 1 1/2" MPT	White	--	--	4.76
602-3161B*	Grate Insert - 1 1/2" MPT	Black	--	--	5.40
602-3167B*	Grate Insert - 1 1/2" MPT	Gray	--	--	5.51

*Do not use as a suction cover



Gunite Jets / Mini Storm Thread-In Gunite Jets

Gunite Jets



Thread-in Gunite Jets

Mini Storm Thread-In Spa Jets

Part No.	Description	Color	Case Weight	Case Qty	List (US \$)
229-1000	Mini Gunite Straight Body Assy. - 1/2" S, 1" SP x 1" S, 1/2" SP - Threaded Ring & Niche	White	32.08	30	20.12
229-1010	Mini Gunite Tee Body Assy. - 1 1/2" S Air x 2" S Water - Threaded Ring & Niche		31.50	30	20.12
215-1170	Wall Fitting - Mini Storm Gunite Threaded		4.04	20	5.21
425-5070	Mini Gunite Jet Niche Adapter	White	7.93	40	6.76
425-5071	Mini Gunite Jet Niche Adapter	Black	7.93	40	6.76
425-5077	Mini Gunite Jet Niche Adapter	Gray	7.93	40	6.76
211-3040	Mini Gunite Poly and Power Straight Jet Body - 1" Spigot x 1 1/2" Spigot		30.0	50	15.91
211-3060	Mini Gunite Poly and Power Tee Jet Body - 1 1/2" Air x 2" Water		20.75	50	15.91
212-4700	Gunite Retainer Ring Assembly (with O-ring)		15.20	2000	3.85

* 1" and 2 1/2" pipes not included

Thread-in Gunite Jets

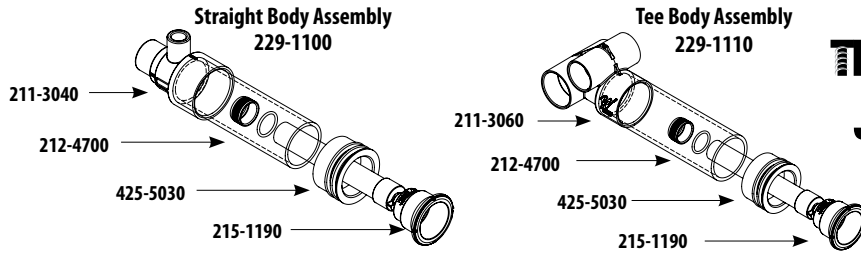


Storm Jets - 5-Scallop

Part No.	Jet Type	Eyeball	Size	Style	Case Qty.	List (US \$)
229-7920	Mini-Storm	Directional	3"	Smooth	250	10.87
229-7930	Mini-Storm	Roto	3"	Smooth	250	13.61
229-7950	Mini-Storm	Twin Roto	3"	Smooth	250	14.58
229-0030	Mini-Storm	Pulse Massage	3"	Smooth	250	16.15
218-1960A	Air Pipe Measuring Tool				60	7.86

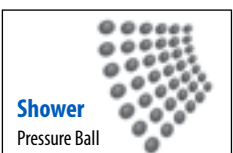
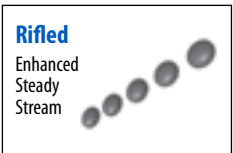
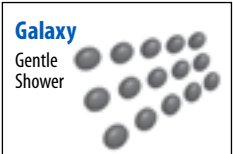
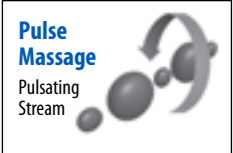
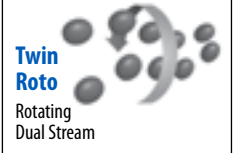
See our wide variety of Thread-in Spa Jets in the Spa section of our catalog pages 120-147

Products shown may be covered under patents US8458825, CA2644557, 5920925.



Thread-In Gunite Jets

Gunite Jets



Poly Storm Thread-In Gunite Body Assemblies

Part No.	Description	Color	Case Weight	Case Quantity	List (US \$)
229-1100	Straight Body Assembly - 1" Spigot Air x 1 1/2" Spigot Water - Niche	White	32.81 lbs.	30	22.34
229-1101	Straight Body Assembly - 1" Spigot Air x 1 1/2" Spigot Water - Niche	Black	32.81 lbs.	30	22.34
229-1107	Straight Body Assembly - 1" Spigot Air x 1 1/2" Spigot Water - Niche	Gray	32.81 lbs.	30	22.34
229-1110	Tee Body Assembly - 1 1/2" S Air x 2" S Water - Threaded Ring and Niche	White	22.67 lbs.	15	22.34
229-1111	Tee Body Assembly - 1 1/2" S Air x 2" S Water - Threaded Ring and Niche	Black	22.67 lbs.	15	22.34
229-1117	Tee Body Assembly - 1 1/2" S Air x 2" S Water - Threaded Ring and Niche	Gray	22.67 lbs.	15	22.34
211-3040	Straight Body Only	White	30.8 lbs.	50	15.91
211-3060	Tee Body Only	White	20.75 lbs.	20	15.91
212-4700	Threaded Retainer Ring with O-Ring	White	15.20 lbs.	500	3.85
425-5030	Poly Gunite Jet Niche Adapter	White	6.17 lbs.	30	6.76
215-1190	Wall Fitting	White	21.84 lbs.	100	5.21
215-1191	Wall Fitting	Black	21.84 lbs.	100	5.21
215-1197	Wall Fitting	Gray	21.84 lbs.	100	5.21

* 1" and 2 1/2" pipes not included

5-Scallop



229-8050

6-Spoke



229-8579D5G-15

5-Scallop



229-8120

Revo



229-3289D5G-15



Poly Storm Hand Held Thread-In
229-3350

Poly Storm Gunite Jet Internals

Part No.	Type	Style	Color	Case Quantity	List (US \$)
229-8050	Directional	5-Scallop	White	130	14.31
229-8051	Directional	5-Scallop	Black	130	14.31
229-8057	Directional	5-Scallop	Gray	130	14.31
229-8051-DK	Directional	5-Scallop	Dark Gray	130	14.31
229-8051-BEI	Directional	5-Scallop	Beige	130	14.31
229-8010	Roto	5-Scallop	White	150	18.03
229-8011	Roto	5-Scallop	Black	150	18.03
229-8017	Roto	5-Scallop	Gray	150	18.03
229-8011-DK	Roto	5-Scallop	Dark Gray	150	18.03
229-8011-BEI	Roto	5-Scallop	Beige	150	18.03
229-8120	Twin Roto	5-Scallop	White	130	18.03
229-8121	Twin Roto	5-Scallop	Black	130	18.03
229-8127	Twin Roto	5-Scallop	Gray	130	18.03
229-8121-DK	Twin Roto	5-Scallop	Dark Gray	130	18.03
229-8121-BEI	Twin Roto	5-Scallop	Beige	130	18.03
229-8030	Pulse Massage	5-Scallop	White	130	20.51
229-8031	Pulse Massage	5-Scallop	Black	130	20.51
229-8037	Pulse Massage	5-Scallop	Gray	130	20.51
229-8031-DK	Pulse Massage	5-Scallop	Dark Gray	130	20.51
229-8031-BEI	Pulse Massage	5-Scallop	Beige	130	20.51

For 6-Spoke & Revo, refer to pages 138 - 143. See our wide variety of Thread-In Spa Jets in the Spa section of our catalog on pages 120-147

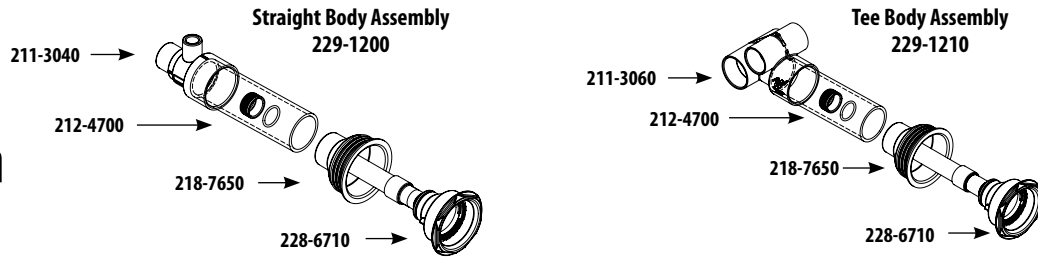
Products shown may be covered under patents US458825, CA2644557, 5920925, D574964, D591863.



Gunite Jets / Power Storm Thread-In Gunite Jets

Gunite Jets

**Thread-in
Gunite
Jets**



Power Storm Thread-In Gunite Body Assemblies

Part No.	Description	Color	Case Weight	Case Quantity	List (US \$)
229-1200	Straight Body Assembly - 1" Spigot Air x 1 1/2" Spigot Water	White	24 lbs.	12	38.42
229-1210	Tee Body Assembly - 1 1/2" S Air x 2" S Water	White	24 lbs.	12	38.42
211-3040	Straight Body Only	White	30.8 lbs.	50	15.91
211-3060	Tee Body Only	White	20.75 lbs.	20	15.91
212-4700	Threaded Retainer Ring with O-Ring	White	15.20 lbs.	500	3.85
218-7650	Plaster Niche	White	17.34	50	10.62
218-7657	Plaster Niche	Gray	17.34	50	11.75
228-6710	Wall Fitting, Thread-in	White	20.80 lbs.	40	8.99

*1" and 2 1/2" pipes not included



Power Storm Thread-In Gunite Internals

Part No.	Type	Style	Color	Case Weight	Case Quantity	List (US \$)
229-6437G	Galaxy	5-Scallop	Gray	15 lbs.	50	34.64
229-7630G	Directional	5-Scallop	White	18 lbs.	50	18.03
229-7631G	Directional	5-Scallop	Black	18 lbs.	50	18.03
229-7637G	Directional	5-Scallop	Gray	18 lbs.	50	18.03
229-7600G	Roto	5-Scallop	White	20 lbs.	50	23.60
229-7601G	Roto	5-Scallop	Black	20 lbs.	50	23.60
229-7607G	Roto	5-Scallop	Gray	20 lbs.	50	23.60
229-7610G	Twin Roto	5-Scallop	White	20 lbs.	50	23.60
229-7611G	Twin Roto	5-Scallop	Black	20 lbs.	50	23.60
229-7617G	Twin Roto	5-Scallop	Gray	20 lbs.	50	23.60
229-7740G	Pulse Massage	5-Scallop	White	20 lbs.	50	34.64
229-7741G	Pulse Massage	5-Scallop	Black	20 lbs.	50	34.64
229-7747G	Pulse Massage	5-Scallop	Gray	20 lbs.	50	34.64
229-7757G	Hand-Held Jet - 10 GPM	5-Scallop	Gray	15.18 lbs.	10	132.31
218-1960A	Air Pipe Measuring Tool			7.03	25	7.63

Products shown may be covered under patents US8458825, CA2644557, 5920925.



**Thread-in
Gunite
Jets**



210-3410G

**9" Deep Seat Gunite
3-Jet Manifold**



210-3420G

**7" Standard Seat Gunite
3-Jet Manifold**

FEATURES:

- Pre-Plumbed Air and Water Connections: one connection for water and one for air for all three jets
- All three jet bodies accommodate Waterway's popular Poly Storm Gunite or Power Storm Gunite jets
- 2" Spigot fitting for water
- 1 1/2" S fitting for air
- Saves time and money



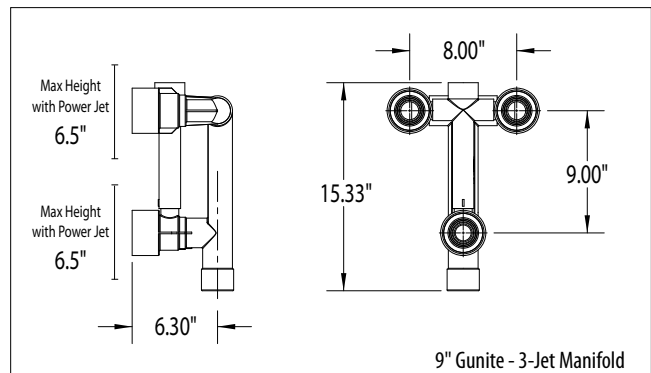
**SUGGESTED 3-JET MANIFOLD
JET PART NUMBERS
(sold separately):**

**2 Poly Storm Jets,
1 Power Storm Jet:**

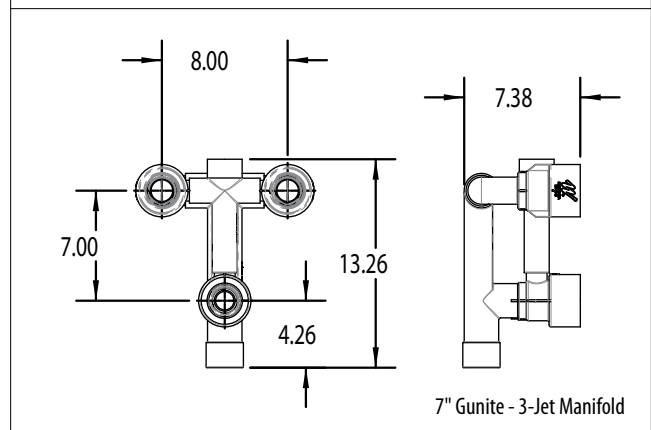
3 Retainer Rings (212-4700), 2 Poly Wall Fittings (215-119x),
2 Poly Niches (425-503x)

1 Power Wall Fitting (228-671x), 1 Power Niche (218-765x)

Replace "x" with the color of your choice: White (0), Gray (7).



9" Gunite - 3-Jet Manifold



7" Gunite - 3-Jet Manifold

3-Jet Thread-In Manifold - Power Seat

Part No.	Description	Color	Case Weight	Case Quantity	List (US \$)
210-3410G	9" Gunite Power Seat Kit - 3-Jet Manifold for Poly and Power Storm	White	15.22 lbs.	4	330.67
210-3420G	7" Gunite Power Seat Kit - 3-Jet Manifold for Poly and Power Storm	White	--	--	286.61

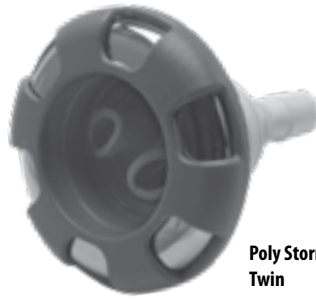


Gunite Jets / Thread-In Gunite Jets Internals 6 Spoke

Gunite Jets



Thread-in Gunite Jets



Power Storm Thread-In Gunite Internals

Part No.	Jet Type	Eyeball	Size	Style	Case Qty.	List (US \$)
229-8630S	Mini-Storm	Directional	3 5/16"	Plastic / Stainless Steel	180	20.51
229-8640S	Mini-Storm	Roto	3 5/16"	Plastic / Stainless Steel	200	24.23
229-8650S	Mini-Storm	Twin Roto	3 5/16"	Plastic / Stainless Steel	200	24.23
229-8660S	Mini-Storm	Pulse Massage	3 5/16"	Plastic / Stainless Steel	200	25.77
229-8670S	Mini-Storm	Galaxy	3 5/16"	Plastic / Stainless Steel	200	20.51
229-8700S	Mini-Storm	Multi-Massage	3 5/16"	Plastic / Stainless Steel	200	20.51
229-0180S	Mini-Storm	Rifled	3 5/16"	Plastic / Stainless Steel	180	20.51
229-9520S	Mini-Storm	Twister	3 5/16"	Plastic / Stainless Steel	180	24.23
229-8590S	Poly Storm	Directional	3 5/8"	Plastic / Stainless Steel	100	29.21
229-8570S	Poly Storm	Roto	3 5/8"	Plastic / Stainless Steel	100	32.92
229-8580S	Poly Storm	Twin Roto	3 5/8"	Plastic / Stainless Steel	100	32.92
229-3200S	Poly Storm	Pulse Massage	3 5/8"	Plastic / Stainless Steel	100	35.41
229-3210S	Poly Storm	Galaxy	3 5/8"	Plastic / Stainless Steel	100	29.21
229-3220S	Poly Storm	Galaxy Massage	3 5/8"	Plastic / Stainless Steel	100	35.41
229-3240S	Poly Storm	Multi-Massage	3 5/8"	Plastic / Stainless Steel	100	29.21
224-5710S	Poly Storm	Acupressure	3 5/8"	Plastic / Stainless Steel	65	32.92
229-1930S	Poly Storm	Rifled	3 5/8"	Plastic / Stainless Steel	100	29.21
229-9620S	Poly Storm	Twister	3 5/8"	Plastic / Stainless Steel	100	32.92
229-7570SG	Power Storm	Directional	5 1/4"	Plastic / Stainless Steel	45	34.18
229-7580SG	Power Storm	Twirl	5 1/4"	Plastic / Stainless Steel	45	34.18
229-7550SG	Power Storm	Roto	5 1/4"	Plastic / Stainless Steel	45	39.75
229-7560SG	Power Storm	Twin Roto	5 1/4"	Plastic / Stainless Steel	45	39.75
229-7590SG	Power Storm	Pulse Massage	5 1/4"	Plastic / Stainless Steel	45	44.72
229-7250SG	Power Storm	Multi-Massage	5 1/4"	Plastic / Stainless Steel	45	34.18
224-6700S	Power Storm	Acupressure	5 1/4"	Plastic / Stainless Steel	45	39.75
229-7700SG	Power Storm	Twister	5 1/4"	Plastic / Stainless Steel	45	39.75
229-1980SG	Power Storm	Rifled	5 1/4"	Plastic / Stainless Steel	45	34.18

Note: All part numbers are for the new thread-in style jet internals
 • To order snap-in internals; change the part number prefix to 212-xxxx

All 6-Spoke Storm Jets are available as Plastic / Stainless Steel or Two-Tone Plastic. Please call for Two-Tone Plastic part numbers and colors.

See our wide variety of Thread-in Spa Jets in the Spa section of our catalog pages 120-147



Gunite Jets / Old Faithful Jets - Gunite & Vinyl Liner

FEATURES:

- Perfect for custom swim spa installations



210-3920G



210-7350

Gunite Old Faithful Jet

Part No.	Description	Color	Case Weight	Case Quantity	List (US \$)
210-3920G	O/F Dir Strt Gunite - 2" S x 1/2" S W - 175 GPM & 90 GPM	White	10.35 lbs.	6	44.62
210-7350	O/F Vinyl Liner - 90° Body - 2" S x 1/2" S W - 175 GPM & 90 GPM	White	10.35 lbs.	6	50.34

***Note:** Replace the final x in the part number with the color of your choice, "x" = 0 - white, 1 - black, 7 - gray

Vinyl Liner Old Faithful Jet

Part No.	Description	Color	Case Weight	Case Quantity	List (US \$)
210-3950	O/F Vinyl Liner - 90° Body - 2" S x 1/2" S W - 175 GPM & 90 GPM	White	30.05 lbs.	500	65.65
210-3970	O/F Vinyl Liner - 2" S x 1/2" S W - 175 GPM & 90 GPM	White	30.05 lbs.	500	68.93

***Note:** Replace the final x in the part number with the color of your choice, "x" = 0 - white, 1 - black, 7 - gray



400-9090

Vinyl Liner Poly Storm Body

Part No.	Description	Color	Case Weight	Case Quantity	List (US \$)
400-9090	Vinyl Liner Poly Storm Body - Threaded (insert not included)	White	30.51 lbs.	50	29.03

***Note:** Replace the final x in the part number with the color of your choice, "x" = 0 - white, 1 - black, 7 - gray

***Note:** Poly Internals available on pgs. 81, 84, 116-143



229-1320

Fiberglass Poly Storm Body

Part No.	Description	Color	Case Weight	Case Quantity	List (US \$)
229-1320	Fiberglass Poly Storm Body	White	--	--	14.17

***Note:** Replace the final x in the part number with the color of your choice, "x" = 0 - white, 1 - black, 7 - gray

***Note:** Poly Internals available on pgs. 81, 84, 116-143

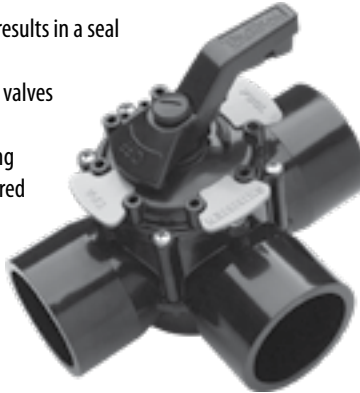


Pool Valves / TruSeal Diverter Valves / Swing Check Valves / 3" Check Valve

Waterway positive seal diverter valves have been designed for the most demanding applications. The TruSeal Valve is loaded with features and there is not a longer warranty in the industry.

FEATURES:

- Diverter valve seal is Teflon laminated silicone
- Unique manufacturing process called TruSeal results in a seal that never needs lubrication
- TruSeal Valves have deeper sockets than other valves providing better glue joint bonding
- The exclusive Click & Lock handle has 72 locking positions / points for virtually any setting desired
- Exclusive Flow Labels gives your plumbing a professional look and more value
- Universal shaft spline pattern adapts to most actuators
- Waterway manufacturers all TruSeal Diverter Valves in the USA
- Valve Seal Lifetime Warranty



600-0401



600-7100-CPVC



600-0451-CPVC

TruSeal Diverter Valves

Part No.	Description	List (US \$)
600-0401	3-Way - 2 1/2" Socket x 3" Spigot	123.55
600-7100-CPVC	3-Way - 2" Socket x 2 1/2" Spigot - CPVC	107.93
600-7200-CPVC	3-Way - 1 1/2" Socket x 2" Spigot - CPVC	104.78
600-7060-CPVC	2-Way Straight - 2" Socket x 2 1/2" Spigot - CPVC	96.83
600-7070-CPVC	2-Way Straight - 1 1/2" Socket x 2" Spigot - CPVC	93.65
600-7040-CPVC	2-Way 90° - 2" Socket x 2 1/2" Spigot - CPVC	96.83
600-7050-CPVC	2-Way 90° - 1 1/2" Socket x 2" Spigot - CPVC	93.65
600-0451	2-Way - 2.5" Socket x 3" Spigot - CPVC	104.73

Waterway Check Valves have a clear lid with union lock ring and a bright seal flapper for easy inspection and quick access. The Waterway Check Valves have the swing design to be used for both return and intake water. CPVC Hi-Temp plastic body which features deeper sockets than others for better glue joints, and is available in a straight body or 90° style.

FEATURES:

- Union Lock Ring allows for easy access - no screw holes to strip out (excludes 600-0111)
- Seal flapper is made of hi-tech thermoplastic polymer
- Corrosion proof pin and stainless steel spring
- Reversible flow
- CPVC body for most demanding applications
- Low Back Pressure and High Flow characteristics make it perfect for hydraulically demanding applications



600-7000



3" TruSeal Check Valve 600-0111



600-7010



Waterway's NEW 3" TruSeal Check Valve has a clear lid with union lock ring and bright blue seal flapper for quick access and easy inspection. The spring/swing design can be used for both return and intake water. CPVC Hi-Temp plastic bodies features deeper sockets for better glue joints.

TruSeal Swing Check Valves & 3" Check Valve

Part No.	Description	Case Weight (lbs.)	Case Quantity	List (US \$)
600-7010	2" Socket x 2 1/2" Spigot - Straight Body - CPVC	33.60	20	76.85
600-7030	1 1/2" Socket x 2" Spigot - Straight Body - CPVC	30.08	20	73.84
600-7000	2" Socket x 2 1/2" Spigot - 90° Body - CPVC	23.09	18	76.85
600-7020	1 1/2" Socket x 2" Spigot - 90° Body - CPVC	23.09	18	73.84
600-0111	2 1/2" S / 3" Spigot x 2 1/2" S / 3 SPG - ASSY	12.82	--	96.63



Pool Valves / Top-Mount Sand Filter Valves / No-Flo Gate Valves

Valves

FEATURES:

- Durable ABS body
- 7 functions:
 1. Filter
 2. Waste
 3. Backwash
 4. Recirculate
 5. Winterize
 6. Rinse
 7. Closed
- Collar Style retrofits standard sand filter bodies



Collar Style
(WVS002)



Split-Nut Style
(WVS003)

Easy-glide action and lock-in-place handle simplifies filter maintenance. These valves feature 7 functions with hose fitting for waste water.

Top Mount Sand Filter Valves

Part No.	Description	Weight (lbs.)	List (US \$)
WVS002	1 1/2" Top-Mount 7-Function Sand Filter Valve - Collar Style (Previous to 2002)	6	166.16
WVS003	1 1/2" Top-Mount 7-Function Sand Filter Valve - Split-Nut Style (2002 to Present)	7	166.16

FEATURES:

- Gate valve action
- 1 1/2" buttress union on one side and 1 1/2" smooth hose on the other
- 3/8" barbed fitting to accommodate offline chlorinators
- Internals are all corrosion-resistant plastics



417-4161



WV001H

Designed to isolate the above-ground pool system to aid in maintenance and service, No-Flo gate-style valves install easily. The valve features a 3/8" barbed fitting to accommodate an offline chlorinator.

No-Flo Gate Valves

Part No.	Description	Case Weight	Case Quantity	List (US \$)
WV001H	Gate Valve with 1 1/2" Union x 1 1/2" Hose Adapter	29	35	31.75
417-4161	Union Tailpiece - 1 1/2" NPT x 1 1/2" (Black)	16	100	5.23
805-0224	O-Ring for 1 1/2" Heater Union Tailpiece (417-4161)	--	100	0.60
711-4000	1 1/2" Union Gasket	6	500	0.62



WARNING

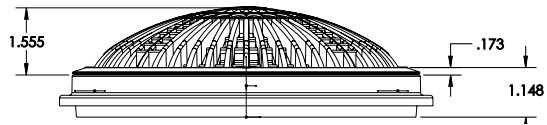
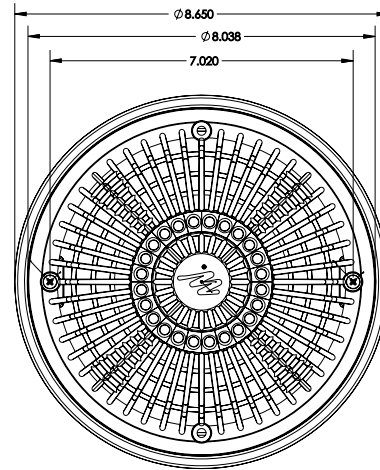
**Read and follow all instructions in the Owner's Manual for the equipment.
Failure to follow instructions can cause injury and/or death.**



All Waterway Drains, Grates and Suctions are Listed and Certified and Tested in strict accordance to the requirements of ASME A112.19.8-2007 and ASME A112.19.8a-2008 (as defined in CPSC letter dated April 8, 2011). Compliant to the latest Consumer Safety Product Commission Requirements (CPSC).



640-1800 V



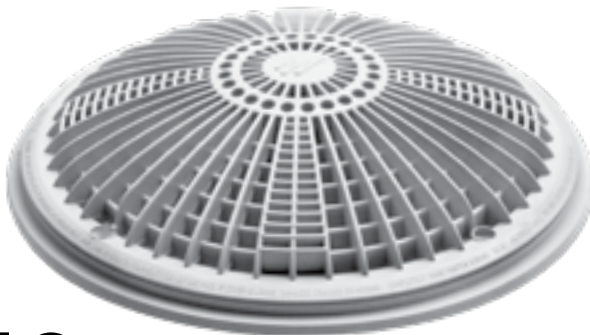
SPECIFICATIONS:

- Total Open Area: 14.8 sq. in.
- Frame Size: 8" Round
- Floor Flow Rate: 153 GPM @ 2.72 ft/sec
- Wall Flow Rate: 96 GPM @ 1.73 ft/sec
- Flow Rate @ 1.5 ft/sec: 68 GPM

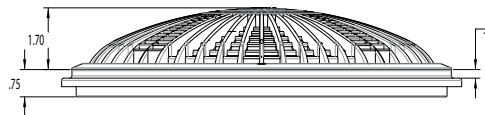
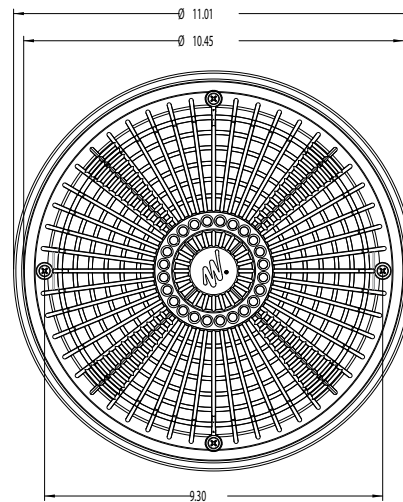
Tru Flo 8" Covers and Frames

Part No.	Description	Case Weight	Case Quantity	List (US \$)
640-180x V	8" Tru Flo Cover & Frame	25.88 lbs.	25	22.40

Replace the final x in the part number with the color of your choice (see page 4 for colors)



640-1900 V



SPECIFICATIONS:

- Total Open Area: 30.9sq.
- Frame Size: 10" Round
- Floor Flow Rate: 200GPM @ 4.04 ft/sec
- Wall Flow Rate: 136 GPM @ 2.24 ft/sec
- Flow Rate @ 1.5 ft/sec: 143 GPM

Tru Flo 10" Covers and Frames

Part No.	Description	Case Weight	Case Quantity	List (US \$)
640-190x V	10" Tru Flo Cover & Frame	22.75 lbs.	15	43.66

Replace the final x in the part number with the color of your choice (see page 4 for colors)



Drains & Suctions / 10" Ultra Retro Drains

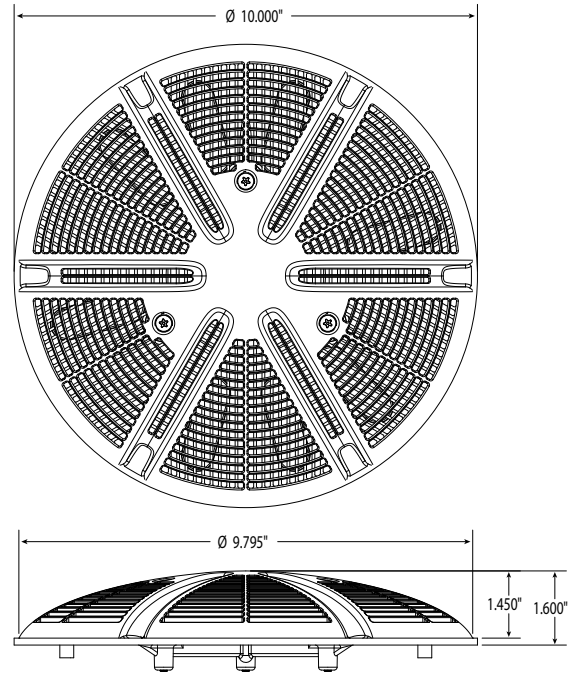
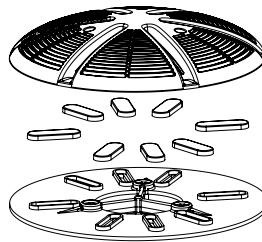


640-2130 V



SPECIFICATIONS:

- Total Open Area: 20.4 sq. in.
- Frame Size: 10" Round
- Floor Flow Rate: 224 GPM @ 3.53 ft/sec
- Wall Flow Rate: 192 GPM @ 3.03 ft/sec
- Flow Rate @ 1.5 ft/sec: 95 GPM



10" Ultra-Retro Drains

Part No.	Description	Case Weight	Case Quantity	List (US \$)
640-213xV	10" Ultra-Retro Drain Suction Outlet	1.91 lbs.	1	91.07

Replace the final x in the part number with the color of your choice (see page 4 for colors).

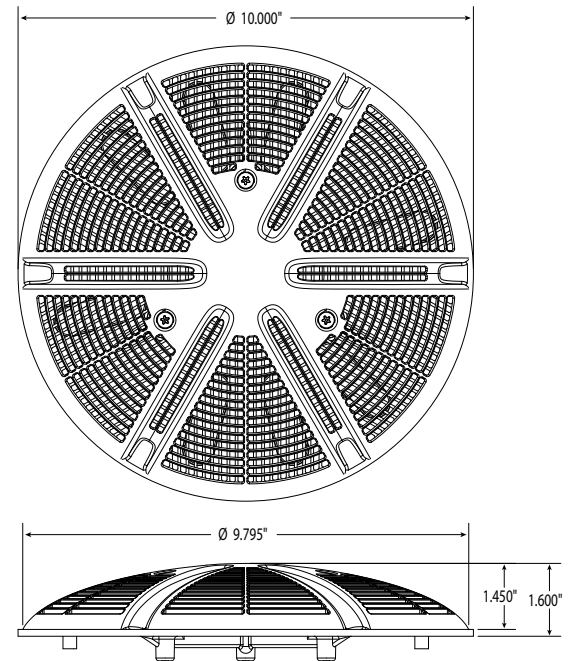
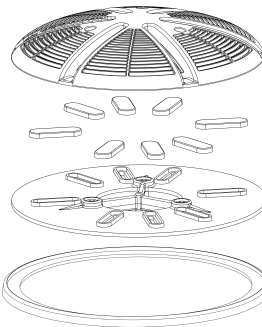


640-2140 V



SPECIFICATIONS:

- Total Open Area: 20.4 sq. in.
- Frame Size: 10" Round
- Floor Flow Rate: 224 GPM @ 3.53 ft/sec
- Wall Flow Rate: 192 GPM @ 3.03 ft/sec
- Flow Rate @ 1.5 ft/sec: 95 GPM



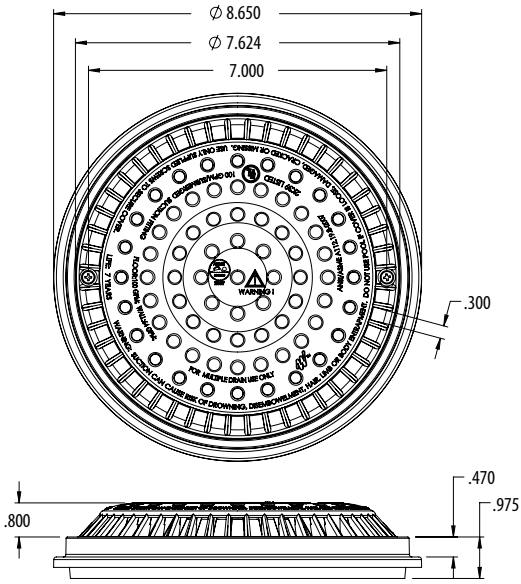
10" Ultra-Retro Drains - Vinyl

Part No.	Description	Case Weight	Case Quantity	List (US \$)
640-214xV	10" Ultra-Retro Drain Suction Outlet - Vinyl	2.08 lbs.	1	91.07

Replace the final x in the part number with the color of your choice (see page 4 for colors)



640-2310 V



SPECIFICATIONS:

- Total Open Area: 11.83 sq. in.
- Frame Size: 9" Round
- Floor Flow Rate: 100 GPM @ 2.72 ft/sec
- Wall Flow Rate: 64 GPM @ 1.73 ft/sec
- Flow Rate @ 1.5 ft/sec: 55 GPM

8" Covers and Frames

Part No.	Description	Case Weight	Case Quantity	List (US \$)
640-231xV	8" Anti-Vortex Cover & Frame	18.82 lbs.	25	22.85

Replace the final x in the part number with the color of your choice (see page 4 for colors).

FEATURES:

- Improves flow
- Less turbulence
- Optimizes performance



Sanitary Tee

Part No.	Description	Case Quantity	List (US \$)
413-2320	2 1/2" x 2 1/2" x 2 1/2"	15	20.00



Drains & Suctions / Concrete Sump Bodies & Assemblies



674-2410



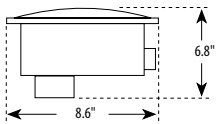
674-2500



640-8500 V



Note: Always use two or more drains per pump.



SIDE x BOTTOM

Concrete Bodies and Assemblies - Side x Bottom w/ Plugs

Part No.	Description	Case Quantity	List (US \$)
674-2410	8" Sump Body - Concrete - 1 1/2" S	3	41.29
674-2500	8" Sump Body - Concrete - 2" FPT	1	41.29
674-2510	8" Sump Body - Concrete - 2" S	7	41.29
640-8300 V	8" Sump Assembly - Concrete - 1 1/2" S - with 8" Tru Flo Drain Cover	1	44.29
640-8500 V	8" Sump Assembly - Concrete - 2" S - with 8" Tru Flo Drain Cover	1	44.29
640-8700 V	8" Sump Assembly - Concrete - 2" FPT - with 8" Tru Flo Drain Cover	8	44.29

Replace the final x in the part number with the color of your choice (see page 4 for colors).

FEATURES:

- Meets Florida Building Code
- 8" diameter x 7" deep (8") (plus sockets)



674-2600



640-2400 V



674-2900



Note: Always use two or more drains per pump.

Deep Sump Bodies and Assemblies - Side x Bottom w/ Plugs

Part No.	Description	Case Quantity	List (US \$)
674-2610	8" Deep Sump Body - Concrete - 2 1/2" S	1	57.80
674-2600	8" Deep Sump Body - Concrete - 2 1/2" FPT	1	57.80
640-7410 V	8" Deep Sump Assembly - Concrete - 2 1/2" S - with 8" Tru Flo Drain Cover	1	80.65
640-7400 V	8" Deep Sump Assembly - Concrete - 2 1/2" FPT - with 8" Tru Flo Drain Cover	1	80.65
674-2710	10" Deep Sump Body - Concrete - 2 1/2" S	1	109.80
674-2700	10" Deep Sump Body - Concrete - 2 1/2" FPT	1	109.80
674-2910	10" Deep Sump Body - Concrete - 3" S	1	120.78
674-2900	10" Deep Sump Body - Concrete - 3" FPT	1	120.78
640-7510 V	10" Deep Sump Assembly - Concrete - 2 1/2" S - with 10" Tru Flo Drain Cover	1	171.12
640-7500 V	10" Deep Sump Assembly - Concrete - 2 1/2" FPT - with 10" Tru Flo Drain Cover	1	171.12
640-7610 V	10" Deep Sump Assembly - Concrete - 3" S - with 10" Tru Flo Drain Cover	1	181.02
640-7600 V	10" Deep Sump Assembly - Concrete - 3" FPT - with 10" Tru Flo Drain Cover	1	181.02

Replace the final x in the part number with the color of your choice (see page 4 for colors)



674-2430



674-2530



640-8400 V

Vinyl Liner Sump Bodies & Assemblies - Side x Bottom w/ plugs

Part No.	Description	Case Quantity	List (US \$)
674-2430	8" Sump Body - Vinyl - 1 1/2" S	1	41.29
674-2420	8" Sump Body - Vinyl - 1 1/2" FPT	1	41.29
674-2520	8" Sump Body - Vinyl - 2" S	1	41.29
674-2530	8" Sump Body - Vinyl - 2" FPT	1	41.29
640-8400 V	8" Sump Assembly - Vinyl - 1 1/2" S - with 8" Tru Flo Drain Cover	1	55.74
640-8600 V	8" Sump Assembly - Vinyl - 1 1/2" FPT - with 8" Tru Flo Drain Cover	1	55.74
640-8800 V	8" Sump Assembly - Vinyl - 2" S - with 8" Tru Flo Drain Cover	1	55.74
640-8900 V	8" Sump Assembly - Vinyl - 2" FPT - with 8" Tru Flo Drain Cover	1	55.74
640-226X V	8" Sump Assembly - Vinyl Liner Tru Flo Cover Kit	1	44.35



Note: Always use two or more drains per pump.

Replace the final x in the part number with the color of your choice (see page 4 for colors)



674-2620

FEATURES:

- Meets Florida Building Code
- 8" diameter x 7" deep (8") (plus sockets)

Vinyl Liner Deep Sump Bodies & Assemblies - Side x Bottom

Part No.	Description	Case Quantity	List (US \$)
674-2620	8" Deep Sump Body - Vinyl - 2 1/2" S	1	72.83



Note: Always use two or more drains per pump.

Replace the final x in the part number with the color of your choice (see page 4 for colors)

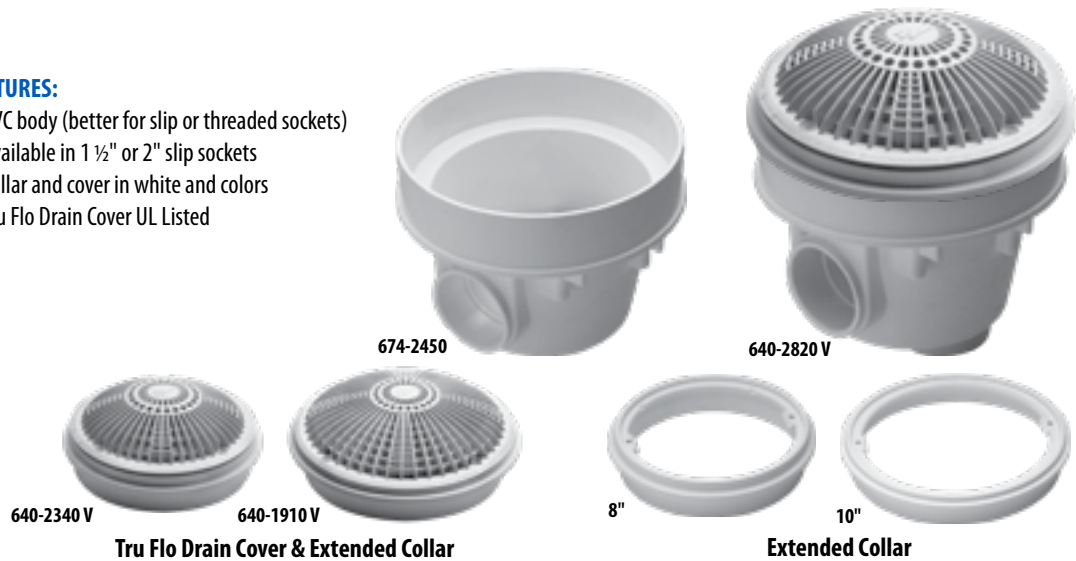


Drains & Suctions / Adjustable Collar Sump Bodies & Assemblies

Waterway's wide selection of pool drains and drain covers simplifies installation for new or existing pools and spas. We manufacture our drain bodies in PVC for better glue joints or threaded connections. Always use two or more drains per pump.

FEATURES:

- PVC body (better for slip or threaded sockets)
- Available in 1 1/2" or 2" slip sockets
- Collar and cover in white and colors
- Tru Flo Drain Cover UL Listed



Note: Always use two or more drains per pump.

Adjustable Collar Sump Bodies & Assemblies

Part No.	Description	Case Qty	List (US \$)
674-2450	8" Sump Body - Adjustable Collar - 1 1/2" S (Side x Bottom) (For color order w/640-234x V)	1	28.86
674-2550	8" Sump Body - Adjustable Collar - 2" S (Side x Bottom) (For color order w/640-234x V)	1	28.86
674-2560	8" Sump Body - Adjustable Collar - 2" S (Side Only) (For color order w/640-234x V)	1	28.86
640-292x V	8" Sump Assembly - Adjustable Collar - 2" S (Side x Bottom) - w/8" Anti-Vortex Drain Cover/White only	1	52.21
640-234x V	8" Tru Flo Drain Cover and Extended Collar Assembly	1	23.38
640-191x V	10" Tru Flo Drain Cover and Extended Collar Assembly	1	43.43

Replace the final x in the part number with the color of your choice (see page 4 for colors)

FEATURES:

- Meets Florida Building Code
- 8" diameter x 7" deep (8") (plus sockets)

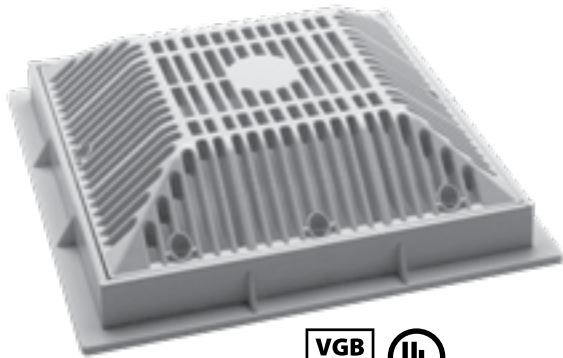


Note: Always use two or more drains per pump.

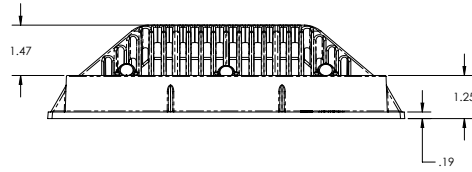
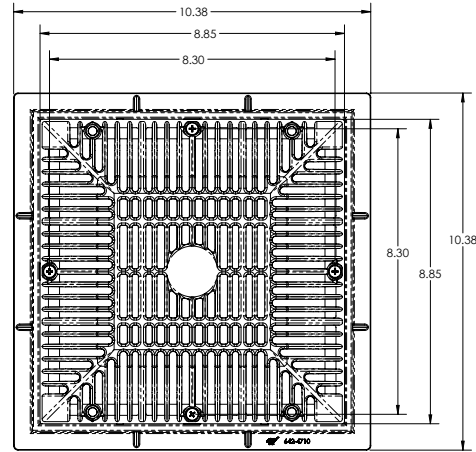
Adjustable Collar Deep Sump Bodies & Assemblies - Side x Bottom

Part No.	Description	Case Qty	List (US \$)
674-2640	8" Deep Sump Body - Adjustable Collar - 2 1/2" S (For color order w/640-234x V)	1	40.42
640-7420 V	8" Deep Sump Assembly - Adjustable Collar - 2 1/2" S - with 8" Tru Flo Drain Cover/White only	1	63.77
674-2720	10" Deep Sump Body - Adjustable Collar - 2 1/2" S (For color order w/640-191x V)	1	114.53
674-2730	10" Deep Sump Body - Adjustable Collar - 2 1/2" FPT (For color order w/640-191x V)	1	114.53
674-2920	10" Deep Sump Body - Adjustable Collar - 3" S (For color order w/640-191x V)	1	125.97
674-2930	10" Deep Sump Body - Adjustable Collar - 3" FPT (For color order w/640-191x V)	1	125.97
640-722x V	10" Deep Sump Assembly - Adjustable Collar - 2 1/2" S - with 10" Tru Flo Drain Cover/White only	1	157.96
640-723x V	10" Deep Sump Assembly - Adjustable Collar - 2 1/2" FPT - with 10" Tru Flo Drain Cover/White only	1	157.96
640-732x V	10" Deep Sump Assembly - Adjustable Collar - 3" S - with 10" Tru Flo Drain Cover/White only	1	169.40
640-733x V	10" Deep Sump Assembly - Adjustable Collar - 3" FPT - with 10" Tru Flo Drain Cover/White only	1	169.40

Replace the final x in the part number with the color of your choice (see page 4 for colors)



640-4790 V



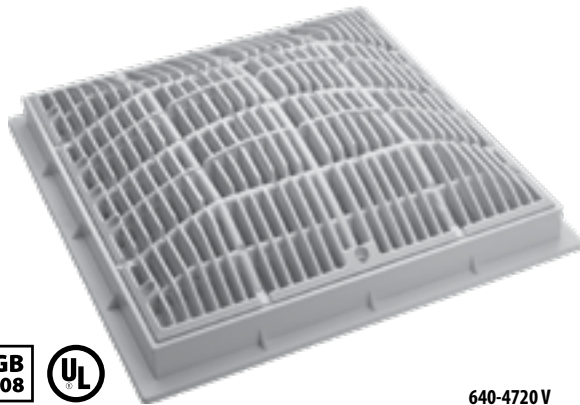
SPECIFICATIONS:

- Total Open Area: 43.6 sq. in.
- Frame Size: 10.375" x 10.375"
- Floor Flow Rate: 289 GPM @ 2.33 ft/sec
- Wall Flow Rate: 208 GPM @ 1.59 ft/sec
- Flow Rate @ 1.5 ft/sec: 203 GPM

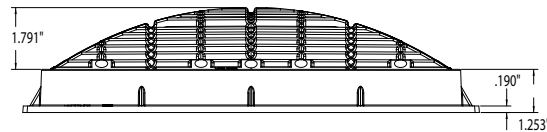
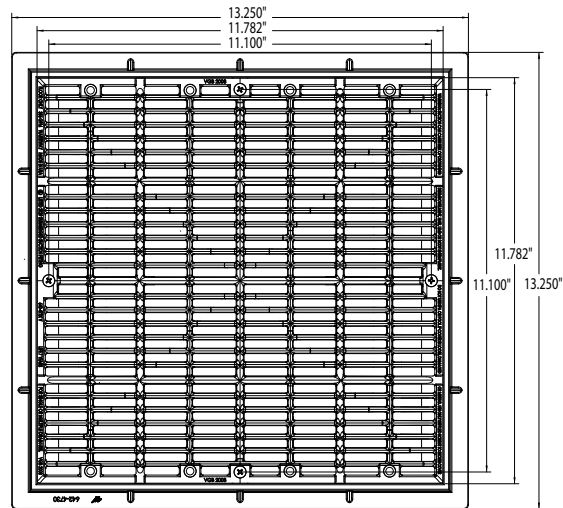
9" x 9" Grate and Frame

Part No.	Description	Case Quantity	List (US \$)
640-479x V	9" x 9" Grate & Frame	13	90.93

Replace the final x in the part number with the color of your choice (see page 4 for colors)



640-4720 V



SPECIFICATIONS:

- Total Open Area: 62.4 sq. in.
- Frame Size: 13.250" x 13.250"
- Floor Flow Rate: 356 GPM @ 1.83 ft/sec
- Wall Flow Rate: 280 GPM @ 1.44 ft/sec
- Flow Rate @ 1.5 ft/sec: 292 GPM

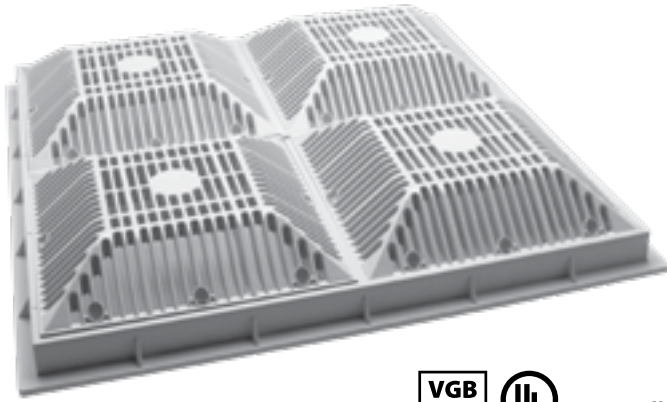
12" x 12" Grate and Frame

Part No.	Description	Case Quantity	List (US \$)
640-472x V	12" x 12" Grate & Frame	10	151.83

Replace the final x in the part number with the color of your choice (see page 4 for colors)

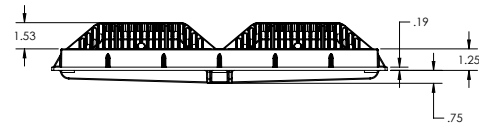
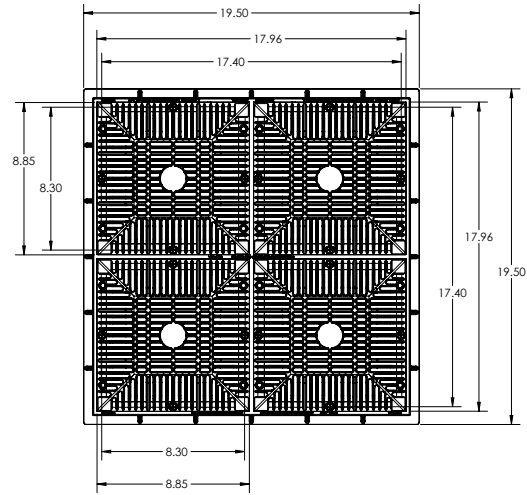


Drains & Suctions - Ratings You Can Trust / 18" x 18" & 24" x 24" Grate & Frame



FEATURES:

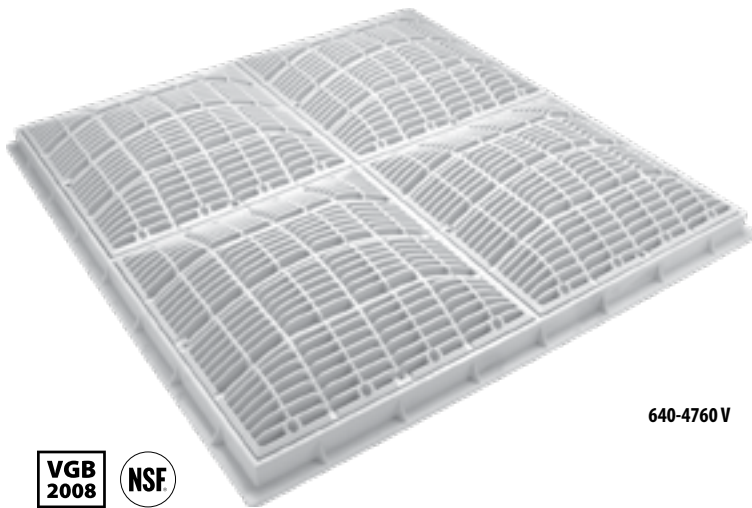
- Total Open Area: 174.4 sq. in.
- Frame Size: 19.5" x 19.5"
- Floor Flow Rate: 788 GPM @ 1.09 ft/sec
- Wall Flow Rate: N/A
- Flow Rate @ 1.5 ft/sec: 812 GPM



18" x 18" Grate and Frame

Part No.	Description	Case Quantity	List (US \$)
640-477xV	18" x 18" Grate & Frame	1	502.63

Replace the final x in the part number with the color of your choice (see page 4 for colors)

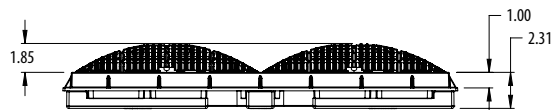
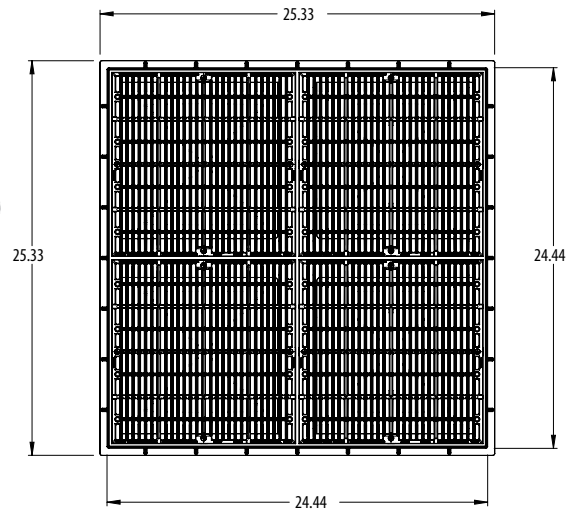


640-4760 V



FEATURES:

- Total Open Area: 249.6 sq. in.
- Frame Size: 25.33" x 25.33"
- Floor Flow Rate: 2035 GPM @ 2.62 ft/sec
- Wall Flow Rate: N/A
- Flow Rate @ 1.5 ft/sec: 1168 GPM



24" x 24" Grate and Frame

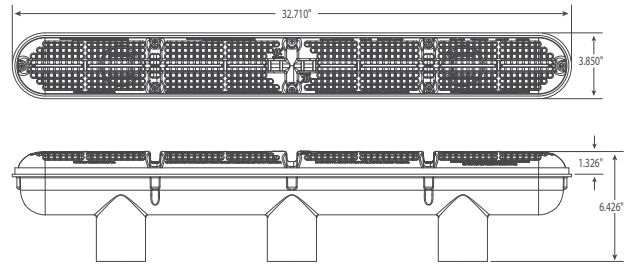
Part No.	Description	Case Quantity	List (US \$)
640-476xV	24" x 24" Grate & Frame	1	647.24

Replace the final x in the part number with the color of your choice (see page 4 for colors)



Drains & Suctions - Ratings You Can Trust / 32" Ultra Strip Drains

Drains / Suctions



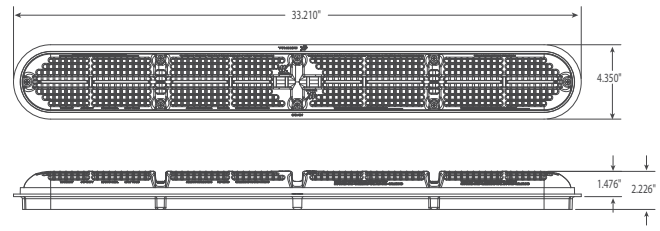
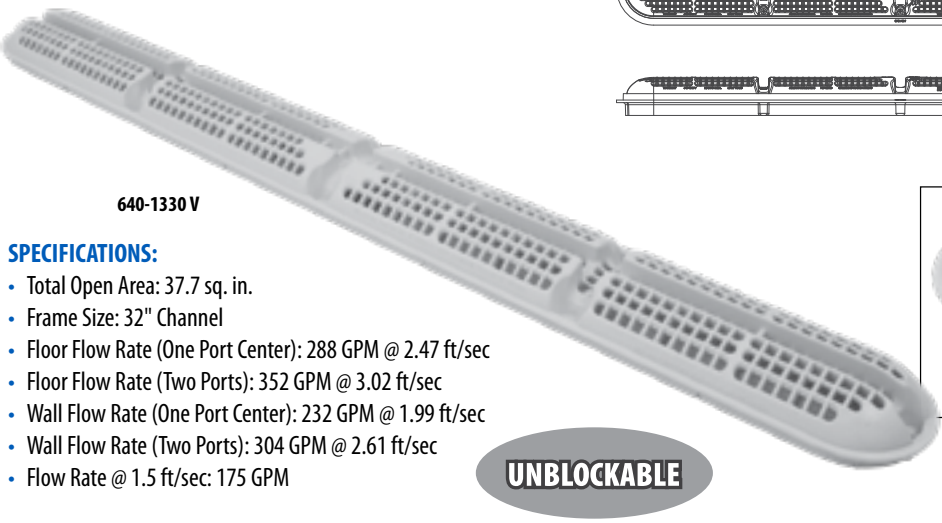
SPECIFICATIONS:

- Total Open Area: 37.7 sq. in.
- Frame Size: 32" Channel
- Floor Flow Rate (One Port Center): 288 GPM @ 2.47 ft/sec
- Floor Flow Rate (Two Ports): 352 GPM @ 3.02 ft/sec
- Wall Flow Rate (One Port Center): 232 GPM @ 1.99 ft/sec
- Wall Flow Rate (Two Ports): 304 GPM @ 2.61 ft/sec
- Flow Rate @ 1.5 ft/sec: 175 GPM

32" Ultra Strip Drains - Concrete

Part No.	Description	Case Quantity	List (US \$)
640-132xV	32" Ultra Strip Drain - Concrete	1	329.21

Replace the final x in the part number with the color of your choice (see page 4 for colors)



SPECIFICATIONS:

- Total Open Area: 37.7 sq. in.
- Frame Size: 32" Channel
- Floor Flow Rate (One Port Center): 288 GPM @ 2.47 ft/sec
- Floor Flow Rate (Two Ports): 352 GPM @ 3.02 ft/sec
- Wall Flow Rate (One Port Center): 232 GPM @ 1.99 ft/sec
- Wall Flow Rate (Two Ports): 304 GPM @ 2.61 ft/sec
- Flow Rate @ 1.5 ft/sec: 175 GPM

32" Ultra Strip Drains - Field Built Sumps

Part No.	Description	Case Quantity	List (US \$)
640-133xV	32" Ultra Strip Drain - Field Built Sumps	1	221.24

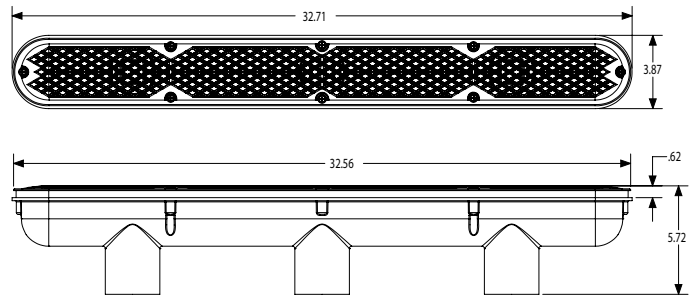
Replace the final x in the part number with the color of your choice (see page 4 for colors)



Drains & Suctions / 32" Diamond Strip Drains



Hydrostatic Valve available.
See page 101.



SPECIFICATIONS:

- Total Open Area: 37.7 sq. in.
- Frame Size: 32" Channel
- Floor Flow Rate (One Port Center): 280 GPM @ 3.75 ft/sec
- Floor Flow Rate (Two Ports): 320 GPM @ 4.29 ft/sec
- Wall Flow Rate (One Port Center): 216 GPM @ 2.89 ft/sec
- Wall Flow Rate (Two Ports): 240 GPM @ 3.22 ft/sec
- Flow Rate @ 1.5 ft/sec: 110 GPM

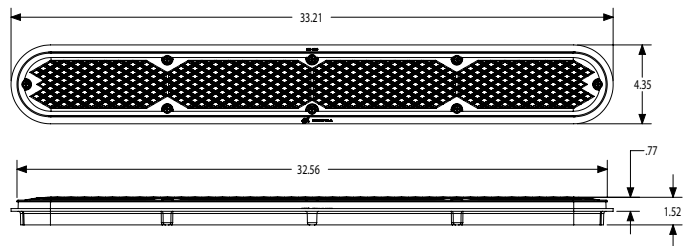
32" Diamond Strip Drains - Concrete

Part No.	Description	Case Quantity	List (US \$)
640-136xV	32" Diamond Strip Drain - Concrete	1	329.80

Replace the final x in the part number with the color of your choice (see page 4 for colors)



UNBLOCKABLE



SPECIFICATIONS:

- Total Open Area: 37.7 sq. in.
- Frame Size: 32" Channel
- Floor Flow Rate (One Port Center): 280 GPM @ 3.75 ft/sec
- Floor Flow Rate (Two Ports): 320 GPM @ 4.29 ft/sec
- Wall Flow Rate (One Port Center): 216 GPM @ 2.89 ft/sec
- Wall Flow Rate (Two Ports): 240 GPM @ 3.22 ft/sec
- Flow Rate @ 1.5 ft/sec: 110 GPM

32" Diamond Strip Drains - Field Built Sumps

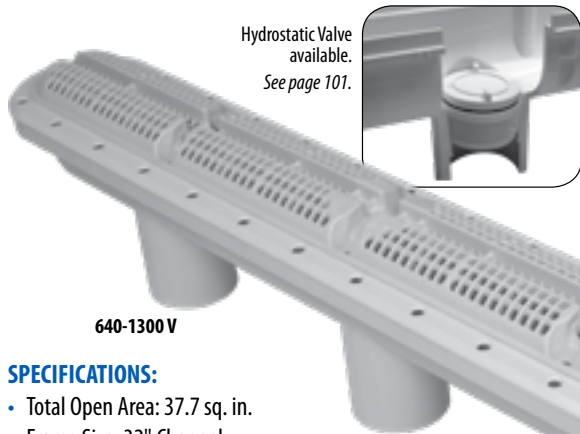
Part No.	Description	Case Quantity	List (US \$)
640-137xV	32" Diamond Strip Drain - Field Built Sumps	1	208.09

Replace the final x in the part number with the color of your choice (see page 4 for colors)

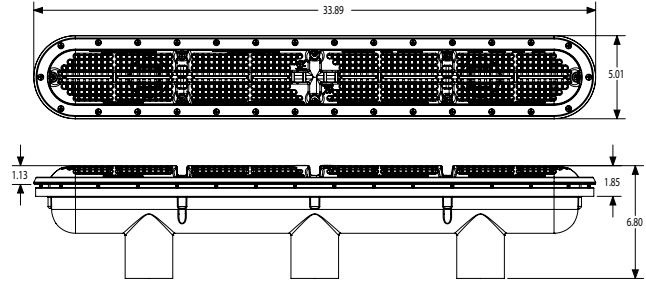


Drains & Suctions - Vinyl / 32" Ultra Strip Drains

Drains / Suctions



Hydrostatic Valve available. See page 101.



640-1300 V

SPECIFICATIONS:

- Total Open Area: 37.7 sq. in.
- Frame Size: 32" Channel
- Floor Flow Rate (One Port Center): 288 GPM @ 2.47 ft/sec
- Floor Flow Rate (Two Ports): 352 GPM @ 3.02 ft/sec
- Wall Flow Rate (One Port Center): 232 GPM @ 1.99 ft/sec
- Wall Flow Rate (Two Ports): 304 GPM @ 2.61 ft/sec
- Flow Rate @ 1.5 ft/sec: 175 GPM

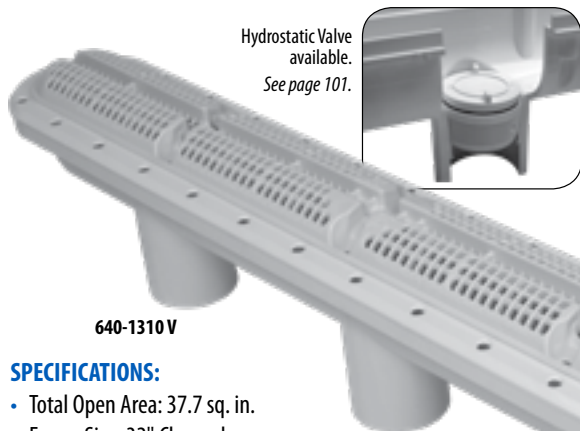
UNBLOCKABLE



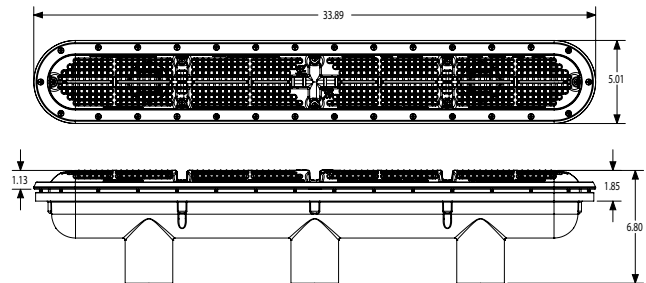
32" Ultra Strip Drains - Vinyl

Part No.	Description	Case Quantity	List (US \$)
640-130xV	32" Ultra Strip Drain - Vinyl	1	431.91

Replace the final x in the part number with the color of your choice (see page 4 for colors)



Hydrostatic Valve available. See page 101.



640-1310 V

SPECIFICATIONS:

- Total Open Area: 37.7 sq. in.
- Frame Size: 32" Channel
- Floor Flow Rate (One Port Center): 288 GPM @ 2.47 ft/sec
- Floor Flow Rate (Two Ports): 352 GPM @ 3.02 ft/sec
- Wall Flow Rate (One Port Center): 232 GPM @ 1.99 ft/sec
- Wall Flow Rate (Two Ports): 304 GPM @ 2.61 ft/sec
- Flow Rate @ 1.5 ft/sec: 175 GPM

UNBLOCKABLE



32" Ultra Strip Drains - Fiberglass

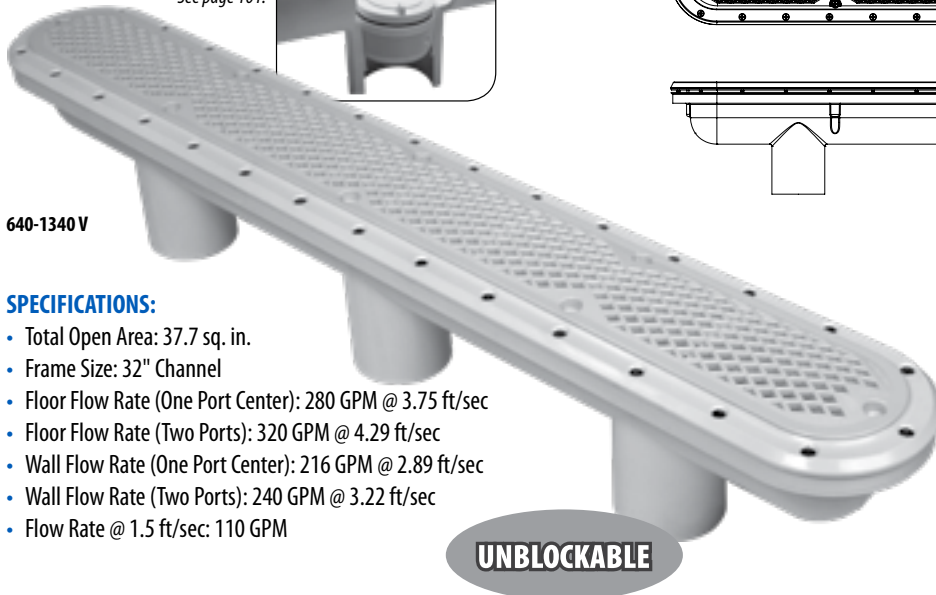
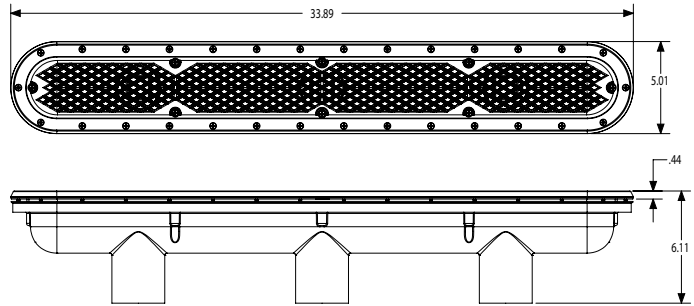
Part No.	Description	Case Quantity	List (US \$)
640-131xV	32" Ultra Strip Drain - Fiberglass	1	431.91

Replace the final x in the part number with the color of your choice (see page iv for colors).



Drains & Suctions - Vinyl / 32" Diamond Strip Drains

Hydrostatic Valve available. See page 101.



640-1340 V

SPECIFICATIONS:

- Total Open Area: 37.7 sq. in.
- Frame Size: 32" Channel
- Floor Flow Rate (One Port Center): 280 GPM @ 3.75 ft/sec
- Floor Flow Rate (Two Ports): 320 GPM @ 4.29 ft/sec
- Wall Flow Rate (One Port Center): 216 GPM @ 2.89 ft/sec
- Wall Flow Rate (Two Ports): 240 GPM @ 3.22 ft/sec
- Flow Rate @ 1.5 ft/sec: 110 GPM

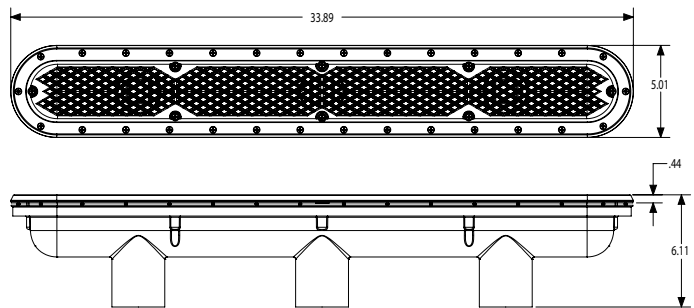


32" Diamond Strip Drains - Vinyl

Part No.	Description	Case Quantity	List (US \$)
640-134xV	32" Diamond Strip Drain - Vinyl	1	431.91

Replace the final x in the part number with the color of your choice (see page 4 for colors)

Hydrostatic Valve available. See page 101.



640-1350 V

SPECIFICATIONS:

- Total Open Area: 37.7 sq. in.
- Frame Size: 32" Channel
- Floor Flow Rate (One Port Center): 280 GPM @ 3.75 ft/sec
- Floor Flow Rate (Two Ports): 320 GPM @ 4.29 ft/sec
- Wall Flow Rate (One Port Center): 216 GPM @ 2.89 ft/sec
- Wall Flow Rate (Two Ports): 240 GPM @ 3.22 ft/sec
- Flow Rate @ 1.5 ft/sec: 110 GPM



32" Diamond Strip Drains - Fiberglass

Part No.	Description	Case Quantity	List (US \$)
640-135xV	32" Diamond Strip Drain - Fiberglass	1	431.91
640-134xLGV	32" Diamond Strip Drain for Fiberglass Spas	1	419.48

Replace the final x in the part number with the color of your choice (see page 4 for colors)



Drains & Suctions / Hydrostatic Relief Valve



Hydrostatic Relief Valve			
Part No.	Description	Case Qty	List (US \$)
600-2100	1 1/2" Hydrostatic Relief Valve / 2" MPT	200	16.84
600-2140	2" Hydrostatic Relief Valve	200	16.84
600-2150B	2 1/2" Hydrostatic Adapter Kit	--	34.81
600-2160B	3" Hydrostatic Adapter Kit	--	38.05

Drains / Suctions



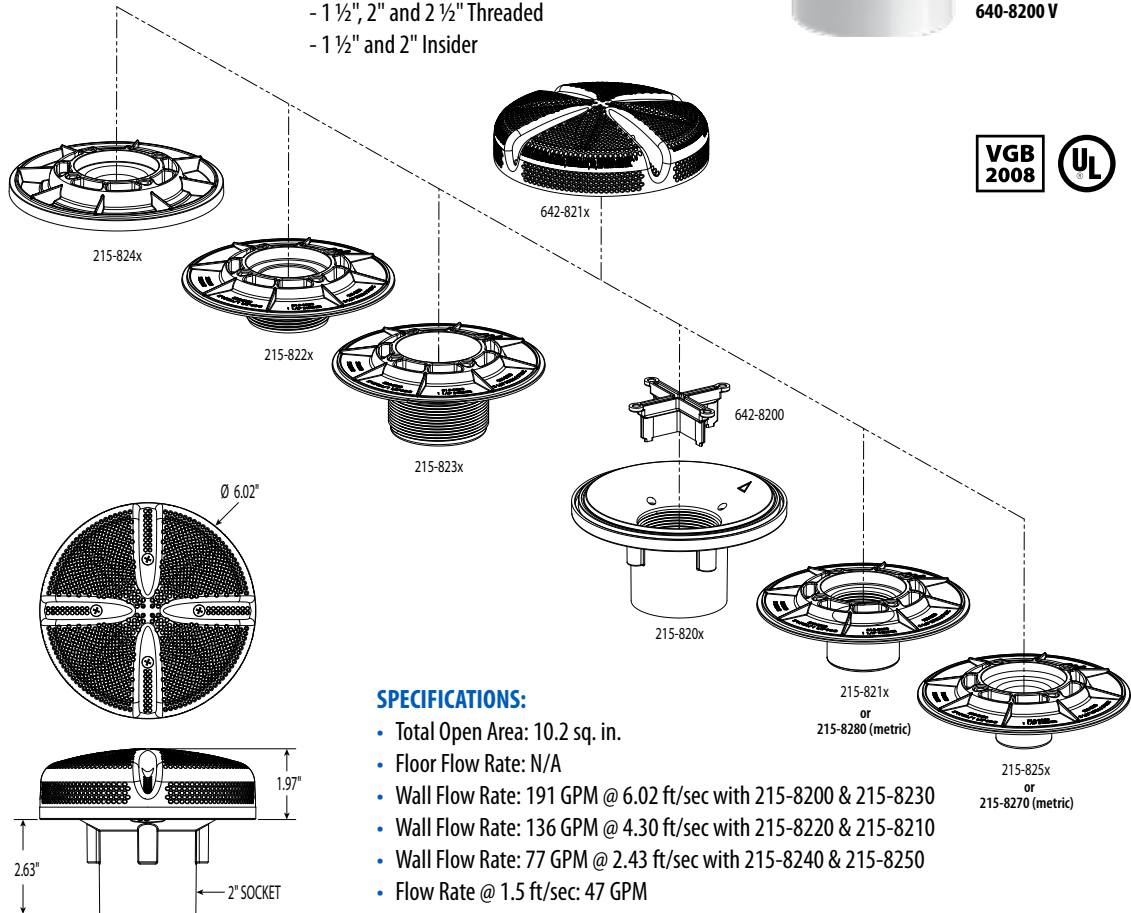
Drains & Suctions / 6" Ultra Suction & Equalizer

FEATURES:

- Sumpless Design: no sump body required
- Ultra versatile drain - can be used for a wide variety of applications: Gunitite, Fiberglass, Tile, and Steel Pools & Spas
- All Waterway adapter fittings are made of NSF Rated PVC and can be used with PVC cements (no expensive ABS/PVC transitional glue)
- Available with 6 different PVC wall fitting adapters for connection through:
 - 1", 1 1/2" and 2" Slip
 - 1 1/2", 2" and 2 1/2" Threaded
 - 1 1/2" and 2" Insider



640-8200 V



SPECIFICATIONS:

- Total Open Area: 10.2 sq. in.
- Floor Flow Rate: N/A
- Wall Flow Rate: 191 GPM @ 6.02 ft/sec with 215-8200 & 215-8230
- Wall Flow Rate: 136 GPM @ 4.30 ft/sec with 215-8220 & 215-8210
- Wall Flow Rate: 77 GPM @ 2.43 ft/sec with 215-8240 & 215-8250
- Flow Rate @ 1.5 ft/sec: 47 GPM

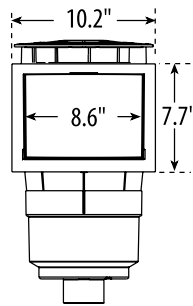
6" Ultra Suction and Equalizer

Part No.	Description	Case Quantity	List (US \$)
640-820x V	6" Ultra Suction (Model 640-82XX V) with 2" Equalizer Wall Fitting (215-8200)	15	74.18
640-823x V	6" Ultra Suction (Model 640-82XX V) with 2 1/2" Threaded Wall Fitting (215-8230)	20	73.94
640-822x V	6" Ultra Suction (Model 640-82XX V) with 2" Threaded Wall Fitting (215-8220)	25	72.83
640-821x V	6" Ultra Suction (Model 640-82XX V) with 2" Insider Wall Fitting (215-8210)	25	54.75
640-824x V	6" Ultra Suction (Model 640-82XX V) with 1 1/2" Threaded Wall Fitting (215-8240)	25	54.75
640-825x V	6" Ultra Suction (Model 640-82XX V) with 1 1/2" Insider Wall Fitting (215-8250)	25	54.75
215-8200	Wall Fitting for 6" Ultra Suction - 2" Equalizer	40	26.14
215-8230	Wall Fitting for 6" Ultra Suction - 2 1/2" Threaded	40	26.14
215-8220	Wall Fitting for 6" Ultra Suction - 2" Threaded	40	20.12
215-8210	Wall Fitting for 6" Ultra Suction - 2" Insider	40	20.12
215-8280	Wall Fitting for 6" Ultra Suction - 50.8mm Insider (metric)	90	20.12
215-8240	Wall Fitting for 6" Ultra Suction - 1 1/2" Threaded	90	20.12
215-8250	Wall Fitting for 6" Ultra Suction - 1 1/2" Insider	90	20.12
215-8270	Wall Fitting for 6" Ultra Suction - 38.1mm Insider (metric)	100	20.12

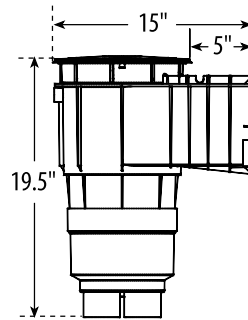


FEATURES:

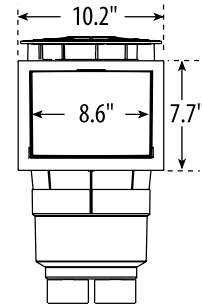
- NSF Approved with Flow Rate of 75 GPM
- PVC sockets for better glue joints
- 2" socket is 2 1/2" spigot for more flow
- 1 1/2" socket is 2" spigot for easier plumbing
- 1/2" socket for overflow hose
- Large locking skimmer basket
- Easy access spring-loaded weir door simplifies replacement
- Optional float valve
- Optional skimmer test kit



Two Port



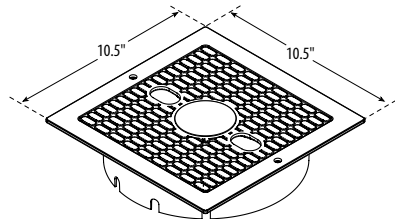
Two Port



Two Port Side-By-Side



**IMPROVED
SNAP LOCK-DOWN
BASKET HANDLE!**



Square Lid

Waterway's Renegade Gunite Skimmer is designed for better and easier installations while maximizing flow. The large skimmer basket locks into place. High flow rate of 75 gallons per minute.



Round Lid



Square Lid



519-6480-R1

New Vac Plate
(2014 & newer)

For replacement parts, see page 329.



542-6200

Float Valve



519-6480

Vac Plate



540-6500

Skimmer Test Loop



Pool Skimmers and Skim Filters / Renegade Gunite In-Ground Skimmers

Renegade Gunite Skimmers - 2-Port - Round Lid

Part No.	Description	Color	Case Quantity	List (US \$)
540-6430	1 1/2" Socket (2" Spigot)	White	1	138.99
540-6630	1 1/2" Socket with Float Valve	White	1	171.67
540-6410	2" Socket (2 1/2" Spigot)	White	1	138.99
540-6410-9B	2" Socket (2 1/2" Spigot)	White/Beige Lid	1	138.99
540-6411	2" Socket (2 1/2" Spigot)	Black	1	153.69
540-6411-9B	2" Socket (2 1/2" Spigot)	Black/Beige Lid	1	153.69
540-6417	2" Socket (2 1/2" Spigot)	Gray	1	153.69
540-6417-9B	2" Socket (2 1/2" Spigot)	Gray/Beige Lid	1	153.69
540-6419-BEI	2" Socket (2 1/2" Spigot)	Beige	1	153.69
540-6410G	2" Socket (2 1/2" Spigot) - Side-by-Side	White	1	143.16
540-6610	2" Socket (2 1/2" Spigot) with Float Valve	White	1	171.67
540-6610-9B	2" Socket (2 1/2" Spigot) with Float Valve	White/Beige Lid	1	171.67
540-6611	2" Socket (2 1/2" Spigot) with Float Valve	Black	1	192.94
540-6617	2" Socket (2 1/2" Spigot) with Float Valve	Gray	1	192.94
540-6617-9B	2" Socket (2 1/2" Spigot) with Float Valve	Gray/Beige Lid	1	171.67
540-6619-BEI	2" Socket (2 1/2" Spigot) with Float Valve	Beige	1	192.94
540-6619-DKG	2" Socket (2 1/2" Spigot) with Float Valve	Dark Gray	1	192.94

Renegade Gunite Skimmers - 2-Port - Square Lid

Part No.	Description	Color	Case Quantity	List (US \$)
540-6410-9SB	2" Socket (2 1/2" Spigot)	White/Beige Lid	1	144.55
540-6411-S	2" Socket (2 1/2" Spigot)	Black	1	144.55
540-6411-9SB	2" Socket (2 1/2" Spigot)	Black/Beige Lid	1	144.55
540-6417-S	2" Socket (2 1/2" Spigot)	Gray	1	144.55
540-6417-9SB	2" Socket (2 1/2" Spigot)	Gray/Beige Lid	1	144.55

Renegade Gunite Skimmers - Single Port - Round Lid

Part No.	Description	Color	Case Quantity	List (US \$)
540-6510	2" Socket (2 1/2" Spigot)	White	1	138.99
540-6510-9B	2" Socket (2 1/2" Spigot)	White/Beige Lid	1	138.99
540-6511	2" Socket (2 1/2" Spigot)	Black	1	153.69
540-6511-9B	2" Socket (2 1/2" Spigot)	Black/Beige Lid	1	153.69
540-6517	2" Socket (2 1/2" Spigot)	Gray	1	153.69
540-6517-9B	2" Socket (2 1/2" Spigot)	Gray/Beige Lid	1	153.69
540-6519-BEI	2" Socket (2 1/2" Spigot)	Beige	1	153.69
540-6519-DKG	2" Socket (2 1/2" Spigot)	Dark Gray	1	153.69

Renegade Gunite Skimmers - Single Port - Square Lid

Part No.	Description	Color	Case Quantity	List (US \$)
540-6510-S	2" Socket (2 1/2" Spigot)	White	1	144.55
540-6510-9SB	2" Socket (2 1/2" Spigot)	White/Beige Lid	1	144.55

Accessories

540-6010	Equalizer Valve	White	50	18.53
542-6200	Float Valve	White	25	32.69
519-6480	Vacuum Plate	White	8	20.72
519-6560	Mounting Extension Ring	White	10	13.39
519-6561	Mounting Extension Ring	Black	10	13.39
519-6567	Mounting Extension Ring	Gray	10	13.39
519-6569-BEI	Mounting Extension Ring	Beige	10	13.39
519-6569-DKG	Mounting Extension Ring	Dark Gray	10	13.39
540-6500	Skimmer Test Loop Kit	--	70	16.03
519-6480-R1	Pool Skimmer Gunite Vacuum Plate	White	70	20.72



Gunite Skimmers without Lids

Part No.	Description	Color	Weight (lbs.)	List (US \$)
540-6410-LL	Renegade Gunite Skimmer 2.5" SPG x 2"S x 2"NPT Less Lid	White	9.56	129.72
540-6411-LL	Renegade Gunite Skimmer 2.5" SPG x 2"S x 2"NPT Less Lid	Black	9.56	129.72
540-6417-LL	Renegade Gunite Skimmer 2.5" SPG x 2"S x 2"NPT Less Lid	Gray	9.56	129.72
540-6419BEI-LL	Renegade Gunite Skimmer 2.5" SPG x 2"S x 2"NPT Less Lid	Beige	9.56	129.72

Renegade Skimmers with Square & Round Lid & Mounting Kit

Part No.	Description	Color	Weight (lbs.)	List (US \$)
540-6460WW	9" Round Renegade Skimmer Lid & Mounting Ring Assembly	White	1.18	43.79
540-6461WW	9" Round Renegade Skimmer Lid & Mounting Ring Assembly	Black	1.18	46.32
540-6467WW	9" Round Renegade Skimmer Lid & Mounting Ring Assembly	Gray	1.18	46.32
540-6469WW-B	9" Round Renegade Skimmer Lid & Mounting Ring Assembly	Beige	1.18	46.32
540-6469WW-D	9" Round Renegade Skimmer Lid & Mounting Ring Assembly	Dark Gray	1.18	46.32
540-6480WW	10" Square Renegade Skimmer Lid & Mounting Ring Assembly	White	1.75	47.16
540-6487WW	10" Square Renegade Skimmer Lid & Mounting Ring Assembly	Gray	1.75	49.67
540-6489WW-B	10" Square Renegade Skimmer Lid & Mounting Ring Assembly	Beige	1.75	49.67

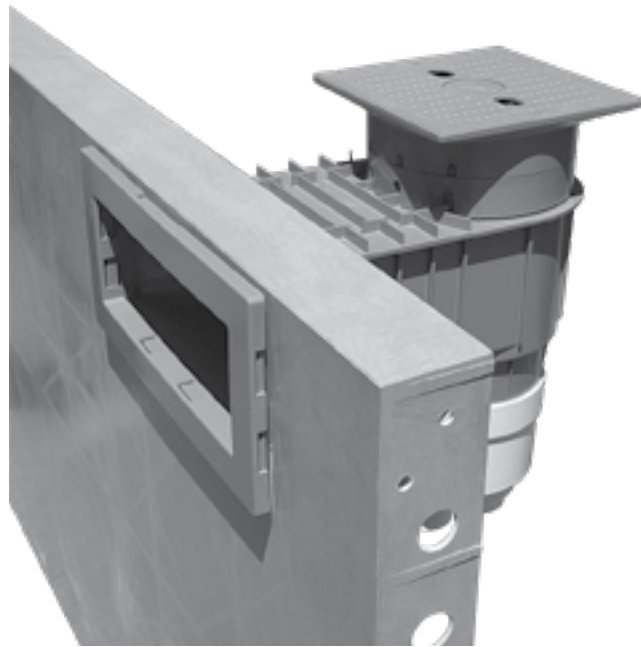


Pool Skimmers and Skim Filters / Renegade Vinyl Liner and Fiberglass In-Ground Skimmers

The Renegade skimmer from Waterway is the only choice you'll need to make for your vinyl liner pool installations. The Renegade In-Ground Vinyl Pool Skimmer is designed to work with all existing vinyl liner steel, polymer or fiberglass pool walls. Available in a wide variety of models – either standard or wide-mouth in your choice of white or gray, the Renegade includes a lock-down vacuum plate, extension collar and one of the largest skimmer baskets available. It twist-locks to prevent floating and easy-access. Renegade's spring-loaded weir door makes replacements a snap.

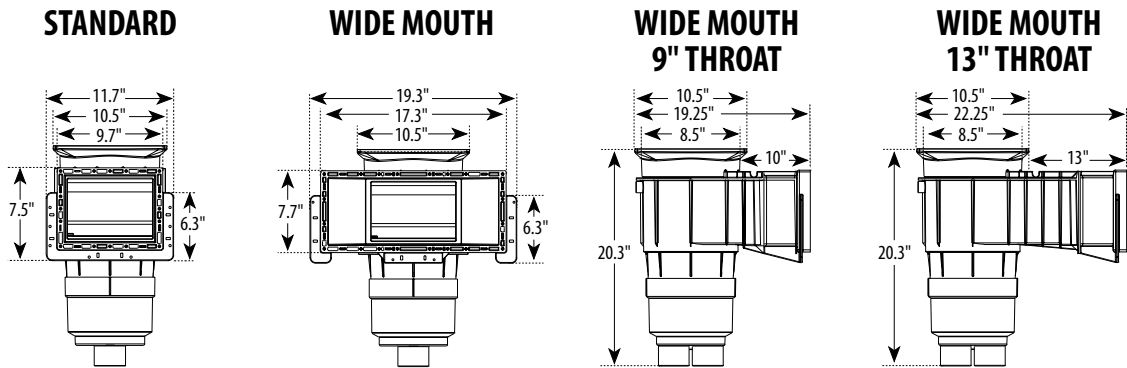
FEATURES:

- PVC sockets for better glue joints
- 2" socket is 2 1/2" spigot for more flow
- 1 1/2" socket is 2" spigot for easier plumbing
- 1/2" socket for overflow hose
- Large locking skimmer basket
- Easy access spring-loaded weir door simplifies replacement and installation
- High flow rate of 75 GPM
- Optional float valve
- Optional skimmer test kit
- Lock-Down vacuum plate and an extension collar are included



Fits all currently manufactured steel and polymer walls!

For replacement parts, see page 328.



Renegade Vinyl Liner Skimmers - 2-Port - Square Lid

Part No.	Description	Throat	Color	List (US \$)
540-8400	Standard Vinyl Liner In-Ground Skimmer - 2" Socket	--	White	224.54
540-8407	Standard Vinyl Liner In-Ground Skimmer - 2" Socket	--	Gray	240.35
540-8430	Standard Vinyl Liner In-Ground Skimmer - 1 1/2" Socket	--	White	225.19
540-8437	Standard Vinyl Liner In-Ground Skimmer - 1 1/2" Socket	--	Gray	240.35
540-8500	Wide-Mouth Vinyl Liner In-Ground Skimmer - 2" Socket	9"	White	280.68
540-8507	Wide-Mouth Vinyl Liner In-Ground Skimmer - 2" Socket	9"	Gray	289.64
540-8530	Wide-Mouth Vinyl Liner In-Ground Skimmer - 1 1/2" Socket	9"	White	280.68
540-8537	Wide-Mouth Vinyl Liner In-Ground Skimmer - 1 1/2" Socket	9"	Gray	289.64
540-8550	Wide-Mouth Vinyl Liner In-Ground Skimmer - 2" Socket	13"	White	291.05
540-8557	Wide-Mouth Vinyl Liner In-Ground Skimmer - 2" Socket	13"	Gray	300.23
540-8580	Wide-Mouth Vinyl Liner In-Ground Skimmer - 1 1/2" Socket	13"	White	291.05
540-8587	Wide-Mouth Vinyl Liner In-Ground Skimmer - 1 1/2" Socket	13"	Gray	300.23

Renegade Vinyl Liner Skimmers - 2-Port - Round Lid

Part No.	Description	Color	List (US \$)
540-8460	Standard Vinyl Liner In-Ground Skimmer - 1 1/2" Socket	White	224.54



Renegade Vinyl Liner Skimmers - Single Port - Square Lid

Part No.	Description	Color	List (US \$)
540-8700	Wide-Mouth Vinyl Liner In-Ground Skimmer - 2" Socket	White	218.01
540-8830	Wide-Mouth Vinyl Liner In-Ground Skimmer - 1 ½" Socket	White	272.50

Accessories

Part No.	Description	Color	Case Weight (lbs.)	Case Quantity	List (US \$)
519-9520	Standard Vinyl Liner Trim Plate	White	17.43	40	12.44
519-9521	Standard Vinyl Liner Trim Plate	Black	17.43	40	12.91
519-9527	Standard Vinyl Liner Trim Plate	Gray	17.43	40	12.91
519-9540	Wide-Mouth Vinyl Liner Trim Plate	White	16.16	20	15.06
519-9547	Wide-Mouth Vinyl Liner Trim Plate	Gray	16.16	20	15.70
519-6560	Mounting Extension Ring	White	6.85	10	13.40
519-6567	Mounting Extension Ring	Gray	6.85	10	13.40
519-6550	Mounting Extension Ring - New Style	White	10.15	10	13.40
519-9510	Vinyl Liner Square Collar	White	10.15	10	21.46
519-9490	Vinyl Liner Square Collar - New Style	White	10.15	10	21.46
542-6200	Float Valve	White	28.25	25	32.69
519-6480	Lock-Down Vacuum Plate	White	6.86	8	20.72
540-6500	Skimmer Test Loop Kit	White	24.29	70	16.03
542-3240	Basket Assembly	White	10.45	20	14.60
550-0020	Additional Mounting Tabs - Composite Wall Vinyl Liner	White	9.87	25	12.66

FEATURES:

- PVC sockets for better glue joints
- Longer screws for one-piece fiberglass pools
- 2" socket is 2 ½" spigot for more flow
- 1 ½" socket is 2" spigot for easier plumbing
- ½" socket for overflow hose
- Large locking skimmer basket
- Easy access spring-loaded weir door simplifies replacement and installation
- High flow rate of 75 GPM
- Optional float valve
- Optional skimmer test kit
- Lock-Down vacuum plate and 2 extension collars are included



For replacement parts, see page 329.

Renegade Fiberglass Only Skimmers

Part No.	Description	Color	List (US \$)
540-8630	Standard 1-Piece Fiberglass Only In-Ground Skimmer - 1 ½" S	White	171.93
540-8637	Standard 1-Piece Fiberglass Only In-Ground Skimmer - 1 ½" S	Gray	171.93
540-8610	Standard 1-Piece Fiberglass Only In-Ground Skimmer - 2" S	White	171.93
540-8617	Standard 1-Piece Fiberglass Only In-Ground Skimmer - 2" S	Gray	171.93

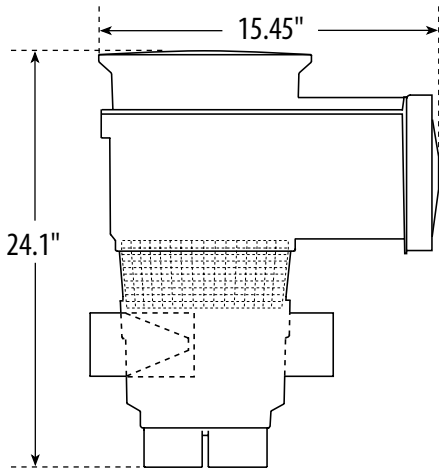


Pool Skimmers and Skim Filters / Renegade Venturi In-Ground Skimmers

The skimmer is a very important part of the filtration system on a swimming pool. The skimmer is permanently installed to skim the top of the pool to collect dirt and debris before they have a chance to sink to the bottom of the pool. The Waterway Renegade Venturi Skimmer has the latest in high tech features and "Service-Ease" design making this the ultimate pool skimmer!

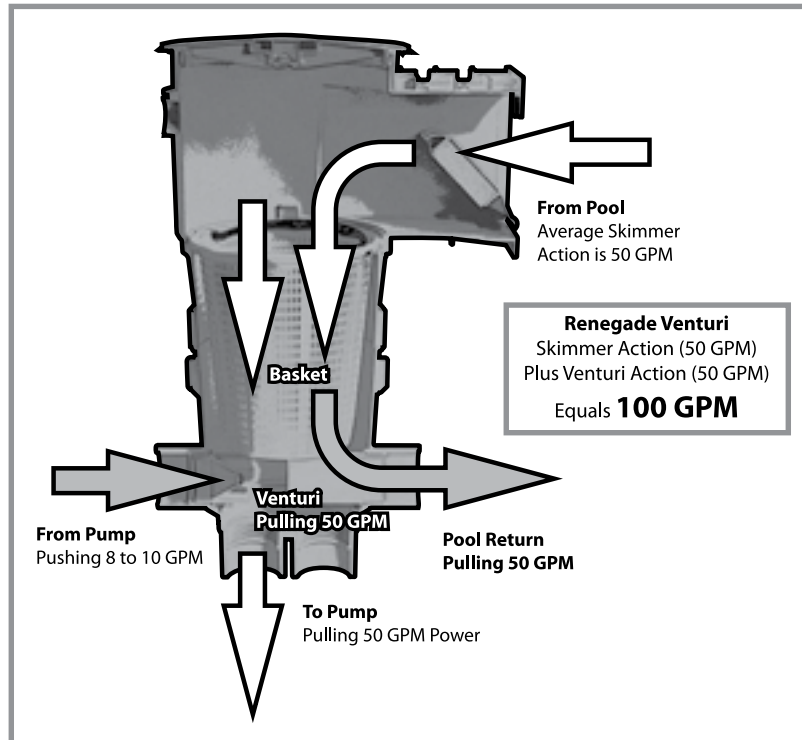
FEATURES:

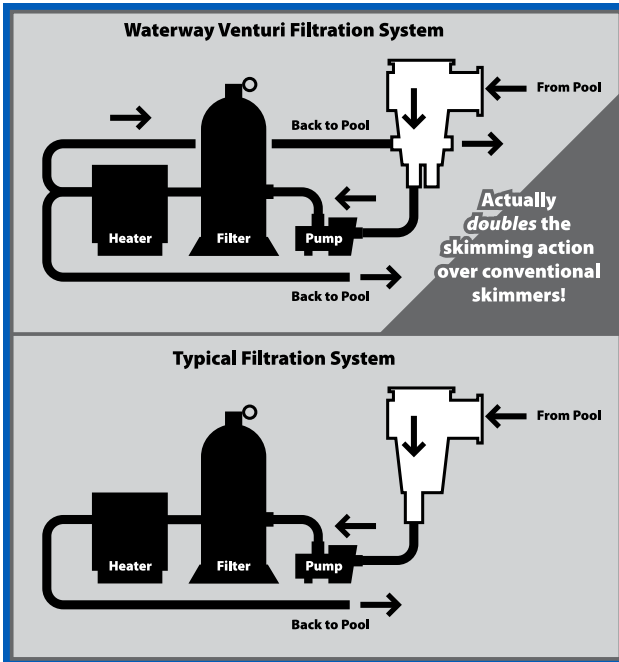
- By using a Venturi, this skimmer doubles the cleaning power without increasing energy costs
- Massive 9" deep basket (twice the size of standard skimmer baskets), can hold 289 cubic inches of debris
- Basket and vacuum plate lock into place instead of floating up when the pump is off
- Weir door is spring-loaded for easy removal- no screws
- NSF approved for 75 GPM – highest in the industry



For replacement parts, see page 327.

The Waterway Venturi Skimmer pulls as much water as the pump, doubling the skimming action while NOT increasing energy costs.





The basket for the Venturi Skimmer and the Deep Basket Skimmer is 9" deep, making the Waterway basket the largest in the industry for extra leaf and debris holding capacity.

Renegade Gunite Venturi In-Ground Skimmer

Part No.	Description	Color	List (US \$)
540-5300*	2" Socket	White	259.80
540-5301	2" Socket	Black	272.80
540-5307	2" Socket	Gray	272.80
540-5309-BEI	2" Socket	Beige	272.80
540-5300-9B	2" Socket	White/Beige Lid	259.80

* NSF

Renegade Vinyl Liner Venturi In-Ground Skimmer

Part No.	Description	Color	List (US \$)
540-5700	2" Socket	White	308.24
540-5710*	2" Socket with Wide Mouth	White	352.26
540-5717	2" Socket with Wide Mouth	Gray	361.07

* NSF

Renegade Gunite In-Ground Skimmer - Deep Basket without Venturi

Part No.	Description	Color	List (US \$)
540-5310*	2" Socket	White	206.50
540-5311	2" Socket	Black	218.64
540-5317	2" Socket	Gray	218.64
540-5319-BEI	2" Socket	Beige	218.64
540-5310-9B	2" Socket	White/Beige Lid	206.50
540-5320	2" Socket with Float Valve	White	232.62

* NSF

Renegade Vinyl Liner In-Ground Skimmer - Deep Basket without Venturi

Part No.	Description	Color	List (US \$)
540-5720*	2" Socket	White	239.13
540-5730*	2" Socket with Wide Mouth	White	276.34
540-5737	2" Socket with Wide Mouth	Gray	286.98

* NSF



Pool Skimmers and Skim Filters / Commercial Renegade Skimmers

FEATURES:

- NSF Approved with Flow Rate of 75 GPM
- PVC sockets for better glue joints
- 2" socket is 2 1/2" spigot for more flow
- 1/2" socket for overflow line
- Large locking skimmer basket
- Easy access spring-loaded weir door simplifies replacement
- Equalizer line for NSF commercial compliance
- Optional skimmer test kit

Waterway's Commercial Renegade Gunite Skimmer is designed for commercial or public pool installations. The large skimmer basket locks into place. High flow rate of 75 gallons per minute.



Commercial Renegade Gunite In-Ground Skimmers

Part No.	Description	Color	Weight (lbs.)	List (US \$)
540-6200	Gunite Skimmer with Equalizer - 2 1/2" Spigot x 2" S x 2" NPT	White	9.78	157.55
540-6350	Gunite Skimmer with Equalizer - 2 1/2" Spigot x 2" NPT x 2" NPT	White	9.81	166.72



ALL BUILDER'S PACKS COME WITH THE FOLLOWING:

- Skimmer (1 qty.)
- Trim Plate (1 qty.)
- 1 ½" or 2" S Vinyl Main Drain (Same as Skimmer)(2 qty.)
- 1 ½" S Vinyl Liner Wall Fitting Assembly with Combo Locknut (3 or 6 qty.)
- 1" Eyeball Opening (3 or 6 qty.)
- Wall Fitting Escutcheon (3 or 6 qty.)

Renegade Vinyl Liner Skimmer - Builder's Packs

Part No.	Included Parts (Quantity)	Color	List (US \$)
545-5700	Standard Vinyl Liner Venturi In-Ground Skimmer Builder's Pack - 2 ½" Spigot / 2" S	White	435.15
545-5707	Standard Vinyl Liner Venturi In-Ground Skimmer Builder's Pack - 2 ½" Spigot / 2" S	Gray	452.15
545-5710	Wide Mouth Vinyl Liner Venturi In-Ground Skimmer Builder's Pack - 2 ½" Spigot / 2" S	White	475.05
545-5717	Wide Mouth Vinyl Liner Venturi In-Ground Skimmer Builder's Pack - 2 ½" Spigot / 2" S	Gray	493.08
545-5750	Wide Mouth Long Throat Vinyl Liner In-Ground Skimmer Builder's Pack - 2 ½" Spigot / 2" S	White	483.92
545-5757	Wide Mouth Long Throat Vinyl Liner In-Ground Skimmer Builder's Pack - 2 ½" Spigot / 2" S	Gray	502.17
545-8400	Standard Vinyl Liner In-Ground Skimmer Builder's Pack - 2 ½" Spigot / 2" S	White	365.79
545-8407	Standard Vinyl Liner In-Ground Skimmer Builder's Pack - 2 ½" Spigot / 2" S	Gray	389.87
545-8410	Standard Vinyl Liner In-Ground Skimmer Builder's Pack - 2 ½" Spigot / 2" S - 6 Returns	White	429.72
545-8417	Standard Vinyl Liner In-Ground Skimmer Builder's Pack - 2 ½" Spigot / 2" S - 6 Returns	Gray	456.22
545-8430	Standard Vinyl Liner In-Ground Skimmer Builder's Pack - 1 ½" S - 2" Spigot / 1 ½" S	White	373.11
545-8437	Standard Vinyl Liner In-Ground Skimmer Builder's Pack - 1 ½" S - 2" Spigot / 1 ½" S	Gray	397.65
545-8500	Wide Mouth Short Throat Vinyl Liner In-Ground Skimmer Builder's Pack - 2 ½" Spigot / 2" S	White	422.05
545-8507	Wide Mouth Short Throat Vinyl Liner In-Ground Skimmer Builder's Pack - 2 ½" Spigot / 2" S	Gray	440.64
545-8510	Wide Mouth Vinyl Liner In-Ground Skimmer Builder's Pack - 2 ½" Spigot / 2" S - 6 Returns	White	479.51
545-8517	Wide Mouth Vinyl Liner In-Ground Skimmer Builder's Pack - 2 ½" Spigot / 2" S - 6 Returns	Gray	500.75
545-8530	Wide Mouth Short Throat Vinyl Liner In-Ground Skimmer Builder's Pack - 1 ½" S - 2" Spigot / 1 ½" S	White	422.05
545-8537	Wide Mouth Short Throat Vinyl Liner In-Ground Skimmer Builder's Pack - 1 ½" S - 2" Spigot / 1 ½" S	Gray	440.66
545-8550	Wide Mouth Long Throat Vinyl Liner In-Ground Skimmer Builder's Pack - 2 ½" Spigot / 2" S	White	422.65
545-8557	Wide Mouth Long Throat Vinyl Liner In-Ground Skimmer Builder's Pack - 2 ½" Spigot / 2" S	Gray	441.06
545-8580	Wide Mouth Long Throat Vinyl Liner In-Ground Skimmer Builder's Pack - 1 ½" S - 2" Spigot / 1 ½" S	White	422.65
545-8587	Wide Mouth Long Throat Vinyl Liner In-Ground Skimmer Builder's Pack - 1 ½" S - 2" Spigot / 1 ½" S	Gray	444.57
540-8509-BEI	Vinyl Liner Wide Mouth In-Ground Skimmer - 9" Throat - 2" S -Beige	Beige	289.64
540-8539-BEI	Vinyl Liner Wide Mouth In-Ground Skimmer - 9" Throat - 1-1/2" S -Beige	Beige	289.64
545-8509-BEI	Wide Mouth V/L Ingrd Skmr Bldr's Pak 2-1/2" Spg/ 2" S - Beige	Beige	440.66
545-8539-BEI	Wide Mouth V/L Ingrd Skmr Bldr's Pak 2" Spg/ 1-1/2" S - Beige	Beige	440.66

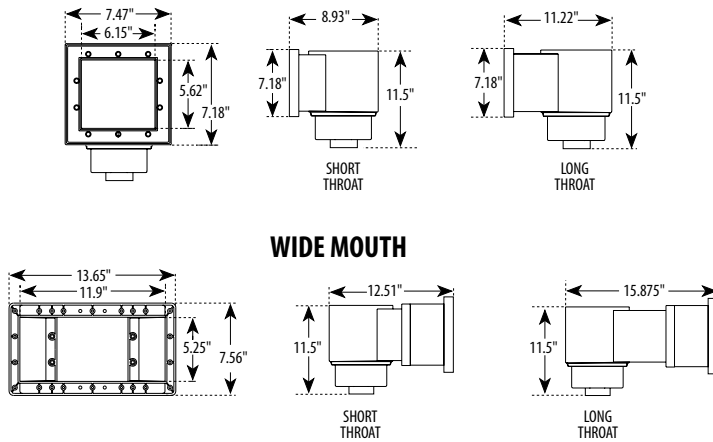


Pool Skimmers and Skim Filters / Flo-Pro II Above Ground Skimmers

FEATURES:

- Deep body, larger locking basket
- Long or short throat
- Basket accessible from top or front
- Durable one-piece ABS (wide mouth is two piece)
- 1 1/2" FPT
- 1 1/2" hose adapter included

STANDARD MOUTH



For replacement parts, see page330.

Flo-Pro II Above-Ground Skimmers

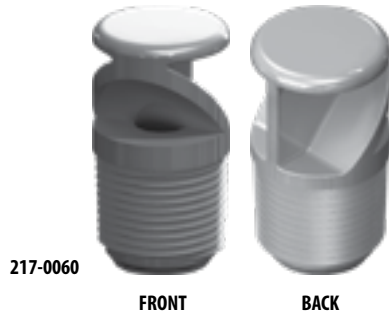
Part No.	Description	Color	Weight (lbs.)	List (US \$)
560-C0A60S	Short Throat	White	4.69	63.28
560-C0A67S	Short Throat	Gray	4.69	63.28
560-C0C60S	Short Throat with Return	White	5.16	67.45
560-C0C67S	Short Throat with Return	Gray	5.16	67.45
560-D0A60S	Long Throat	White	5.28	64.67
560-D0A61S	Long Throat	Black	5.28	72.48
560-D0A67S	Long Throat	Gray	5.28	64.67
560-D0C60S	Long Throat with Return	White	5.86	68.86
560-D0C67S	Long Throat with Return	Gray	5.86	68.86
560-D0C60SF	Long Throat with Return - 90° Eye	White	5.73	69.60

Flo-Pro II Wide Mouth Above-Ground Skimmers

Part No.	Description	Color	Weight (lbs.)	List (US \$)
560-C3A60L	Short Throat	White	7.10	102.42
560-C3A67L	Short Throat	Gray	7.10	102.42
560-C3C60L	Short Throat with Return	White	8.24	106.66
560-C3C67L	Short Throat with Return	Gray	8.24	106.66
560-C3C60LF	Short Throat with Return - 90° Eye	White	8.19	107.47
560-D3C60L	Long Throat with Return	White	8.55	114.94
560-D3C67L	Long Throat with Return	Gray	8.55	114.94

Accessories

Part No.	Description	Color	Weight (lbs.)	List (US \$)
519-3090	Standard Trim Plate	White	15.29	15.18
519-3091	Standard Trim Plate	Black	15.29	15.18
519-3097	Standard Trim Plate	Gray	15.29	15.18



217-0060

FRONT

BACK



660-3400



672-2000



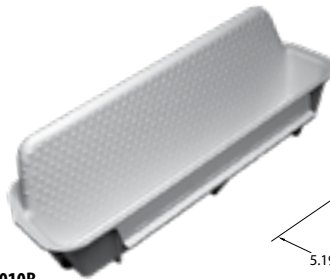
650-3400



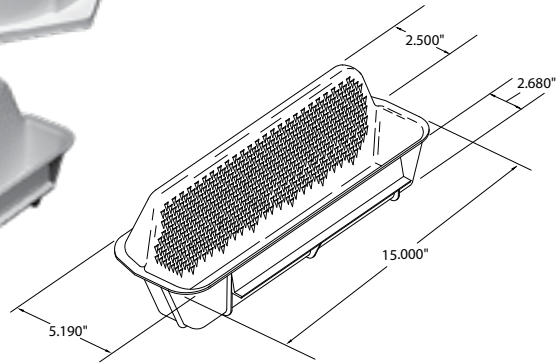
400-9290



429-7100



532-2010B



Accessories

Part No.	Description	Color	Case Weight	Case Quantity	List (US \$)
217-0060	Aerator Spray Nozzle	White	6 lbs	200	4.89
660-3400	Gunite Air Control "A" Style (fits inside 1 1/2" pipe or 1/2" S)	White	6.71 lbs.	60 (bulk)	13.65
660-3407	Gunite Air Control "A" Style (fits inside 1 1/2" pipe or 1/2" S)	Gray	6.71 lbs.	60 (bulk)	13.65
672-2000	Gunite Air Injector Floor Cap (fits inside 1 1/2" pipe)	White	5.5 lbs.	100 (bulk)	6.50
672-2001	Gunite Air Injector Floor Cap (fits inside 1 1/2" pipe)	Black	5.5 lbs.	100 (bulk)	6.50
672-2002	Gunite Air Injector Floor Cap (fits inside 1 1/2" pipe)	Bone	5.5 lbs.	100 (bulk)	9.55
672-2007	Gunite Air Injector Floor Cap (fits inside 1 1/2" pipe)	Gray	5.5 lbs.	100 (bulk)	6.50
672-2009-DKG	Gunite Air Injector Floor Cap (fits inside 1 1/2" pipe)	Dark Gray	5.5 lbs.	100 (bulk)	6.50
650-3400	Gunite Air Button (fits inside 1 1/2" pipe)	White	5.4 lbs.	75	27.34
400-9290	Rope Anchor Assembly	White	8.09 lbs.	50 (bulk)	6.35
400-9291	Rope Anchor Assembly	Black	8.09 lbs.	50 (bulk)	6.35
400-9292	Rope Anchor Assembly	Bone	8.09 lbs.	50 (bulk)	6.35
400-9297	Rope Anchor Assembly	Gray	8.09 lbs.	50 (bulk)	6.35
400-9299-DKG	Rope Anchor Assembly	Dark Gray	8.09 lbs.	50 (bulk)	6.35
400-9299-BEI	Rope Anchor Assembly	Beige	8.09 lbs.	50 (bulk)	6.35
429-7100	Plastic Rope Hook (with screws)	White	15.08 lbs.	100 (bulk)	5.96
532-2010B	Pool Wall Step (set of 3)	White	7.16 lbs.	3	77.68
532-2011B	Pool Wall Step (set of 3)	Black	7.16 lbs.	3	77.68
532-2013B	Pool Wall Step (set of 3)	Blue	7.16 lbs.	3	77.68
532-2017B	Pool Wall Step (set of 3)	Gray	7.16 lbs.	3	77.68
532-2019B-DK	Pool Wall Step (set of 3)	Dark Gray	7.16 lbs.	3	77.68



Pool Miscellaneous & Accessories / Pool Accessories



640-2900



640-2800



640-3000



429-4010



642-2130



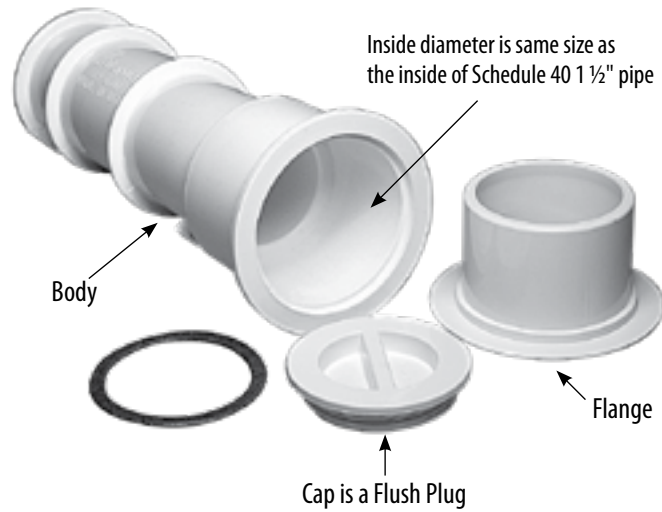
672-4540



540-3160

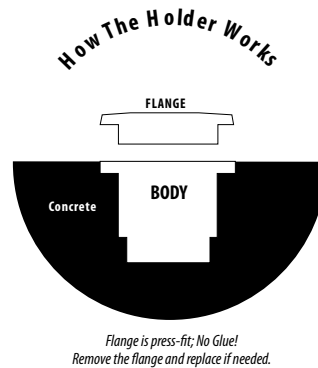
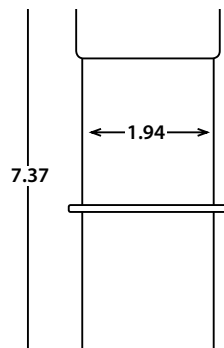
Accessories

Part No.	Description	Color	Case Weight	Case Quantity	List (US \$)
640-2900	2" x 4" Deck/Gutter Drain - 2" S/FPT Assembly	White	17.04 lbs.	40 (bulk)	13.11
640-2901	2" x 4" Deck/Gutter Drain - 2" S/FPT Assembly	Black	17.04 lbs.	40 (bulk)	14.17
640-2907	2" x 4" Deck/Gutter Drain - 2" S/FPT Assembly	Gray	17.04 lbs.	40 (bulk)	14.17
640-2909-DKG	2" x 4" Deck/Gutter Drain - 2" S/FPT Assembly	Dark Gray	17.04 lbs.	40 (bulk)	14.17
640-2909-BEI	2" x 4" Deck/Gutter Drain - 2" S/FPT Assembly	Beige	17.04 lbs.	40 (bulk)	14.17
640-2800	2" x 4" Deck/Gutter Grate (with screws)	White	11.05 lbs.	150 (indiv.)	6.38
640-2801	2" x 4" Deck/Gutter Grate (with screws)	Black	11.05 lbs.	150 (indiv.)	7.06
640-2807	2" x 4" Deck/Gutter Grate (with screws)	Gray	11.05 lbs.	150 (indiv.)	7.06
640-2809-DKG	2" x 4" Deck/Gutter Grate (with screws)	Dark Gray	11.05 lbs.	150 (indiv.)	7.06
640-2809-BEI	2" x 4" Deck/Gutter Grate (with screws)	Beige	11.05 lbs.	150 (indiv.)	7.06
640-3000	2" x 4" Deck/Gutter 3-Bar Grate and Frame Assembly	White	11.45 lbs.	200 (bulk)	8.99
640-3001	2" x 4" Deck/Gutter 3-Bar Grate and Frame Assembly	Black	11.45 lbs.	200 (bulk)	10.11
640-3007	2" x 4" Deck/Gutter 3-Bar Grate and Frame Assembly	Gray	11.45 lbs.	200 (bulk)	10.11
540-3169-BEI	6" Valve Niche Assembly (cover and flange)	Beige	17.36 lbs.	30 (indiv.)	18.87
540-6460WW	9" Round Renegade Skimmer Lid & Mounting Ring Assembly	White	16.51 lbs.	13 (indiv.)	43.79
540-6461WW	9" Round Renegade Skimmer Lid & Mounting Ring Assembly	Black	16.51 lbs.	13 (indiv.)	46.32
540-6467WW	9" Round Renegade Skimmer Lid & Mounting Ring Assembly	Gray	16.51 lbs.	13 (indiv.)	46.32
540-6469WW-BEI	9" Round Renegade Skimmer Lid & Mounting Ring Assembly	Beige	16.51 lbs.	13 (indiv.)	46.32
540-6469WW-DKG	9" Round Renegade Skimmer Lid & Mounting Ring Assembly	Dark Gray	16.51 lbs.	13 (indiv.)	46.32
540-6480WW	10" Square Renegade Skimmer Lid & Mounting Ring Assembly	White	17.59 lbs.	9	46.32
540-6487WW	10" Square Renegade Skimmer Lid & Mounting Ring Assembly	Gray	17.59 lbs.	9	49.67
540-6489WW-BEI	10" Square Renegade Skimmer Lid & Mounting Ring Assembly	Beige	17.59 lbs.	9	49.67
429-4010	Escutcheon Ladder Flange (Base Plate)	White	19.79 lbs.	150 (bulk)	3.66
429-4017	Escutcheon Ladder Flange (Base Plate)	Gray	19.79 lbs.	150 (bulk)	4.14
429-4019-BEI	Escutcheon Ladder Flange (Base Plate)	Beige	19.79 lbs.	150 (bulk)	4.14
642-2130	Lid Deck Pac-Fab 51-3030 Replacement Lid	White	31.31 lbs.	60 (bulk)	17.92
672-4540	6" Niche Cover	White	4.62	20	13.65
672-4541	6" Niche Cover	Black	--	--	13.65
672-4547	6" Niche Cover	Gray	4.62	20	13.65
672-4549-BEI	6" Niche Cover	Beige	4.62	20	13.65
540-3160	6" Valve Niche Assembly (cover and flange) - 6" S	White	17.36 lbs.	30 (indiv.)	18.87
540-3161	6" Valve Niche Assembly (cover and flange) - 6" S	Black	17.36 lbs.	30 (indiv.)	18.87
540-3167	6" Valve Niche Assembly (cover and flange) - 6" S	Gray	17.36 lbs.	30 (indiv.)	18.87



Volleyball Pole Holders

Part No.	Description	Color	Case Weight	Case Quantity	List (US \$)
540-6700	Volleyball Pole Holder Assembly	White	20.95 lbs.	35 (indiv.)	23.56
540-6701	Volleyball Pole Holder Assembly	Black	20.95 lbs.	35 (indiv.)	24.45
540-6707	Volleyball Pole Holder Assembly	Gray	20.95 lbs.	35 (indiv.)	24.45
540-6709-BEI	Volleyball Pole Holder Assembly	Beige	20.95 lbs.	35 (indiv.)	24.45
519-6700	Body Only	White	22.37	50	11.78
519-6710	Flange Only	White	16.76	250	9.60
519-6711	Flange Only	Black	16.76	250	9.60
519-6717	Flange Only	Gray	16.76	250	9.60
519-6719-BEI	Flange Only	Beige	16.76	250	9.60
400-4140	Flush Plug 1 1/2" MPT with Gasket	White	6.68 lbs.	100 (indiv.)	2.79
400-4141	Flush Plug 1 1/2" MPT with Gasket	Black	6.68 lbs.	100 (indiv.)	3.09
400-4147	Flush Plug 1 1/2" MPT with Gasket	Gray	6.68 lbs.	100 (indiv.)	3.09
400-4149-BEI	Flush Plug 1 1/2" MPT with Gasket	Beige	6.68 lbs.	100 (indiv.)	3.09
540-6710	Flange and Plug Assembly	White	16.84 lbs.	150	12.43
540-6711	Flange and Plug Assembly	Black	16.84 lbs.	150	12.73
540-6717	Flange and Plug Assembly	Gray	16.84 lbs.	150	12.73
540-6719-BEI	Flange and Plug Assembly	Beige	16.84 lbs.	150	12.73



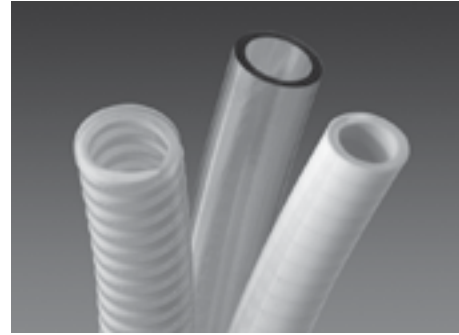


Spa

2018



Spa hose part numbers ending in B or PB have a durometer that is designed specifically for Spa application.



AVAILABLE IN:

- Clear Vinyl: 1/8", 1/4", 3/8", 3/4", and 3/4" x 1 1/16"
- White Vinyl: 3/8", 3/4", and 1" x 1 1/4"
- Shur-Grip: 3/4", 3/4" thin, 1 1/2", and 2"
- Flex: 1/2", 3/4", 1", 1 1/4", 1 1/2", 2", 2" thin, 2 1/2", and 3"

Call for pricing.

Hose and Tubing - Individual Rolls (unwrapped)			
Part No.	Description	Color	Ft. / Roll
110-0100B	Vinyl - 1/8" x 1/4"	Clear (0), Red (R)	500
110-0110B	Vinyl - 1/4" x 3/8"	Clear (0), Red (4)	600
110-0120B	Vinyl - 3/8" x 9/16"	Clear (0), White (W)	500
110-0140B	Vinyl - 3/4" x 1"	Clear (0), White (W)	150
110-0150B	Vinyl - 3/4" x 1 1/16"	Clear	100
110-016WB	Vinyl - 1" x 1 1/4"	White	100
120-0110B	Flex - 1/2"	White (0), Black (1)	100
120-0120B	Flex - 3/4"	White (0), Black (1)	100
120-0130B	Flex - 1"	White (0), Black (1)	50
120-0180B	Flex - 1 1/4"	White (0), Black (1)	50
120-0140B	Flex - 1 1/2"	White (0), Black (1)	50
125-0110B	Flex - 1 1/2" x 100 ft.	White (0), Black (1)	100
120-0150B	Flex - 2"	White (0), Black (1)	50
125-0120B	Flex - 2" x 100 ft.	White (0), Black (1)	100
120-0250B	Flex - 2" thin	White (0), Black (1)	50
120-0160B	Flex - 2 1/2"	White (0), Black (1), Gray (7)	50
120-0170B	Flex - 3"	White (0), Black (1), Gray (7)	50
130-0110B	Shur-Grip - 3/4"	Clear/White	100
130-0210B	Shur-Grip - 3/4" thin	Clear/White (0), White (W)	100
130-0120B	Shur-Grip - 1 1/2"	Clear/White	50
130-0130B	Shur-Grip - 2"	Clear/White	50

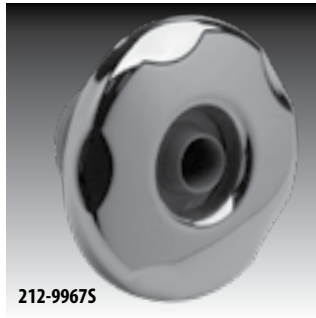
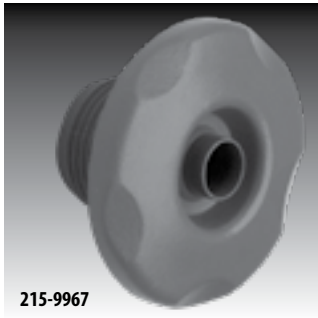
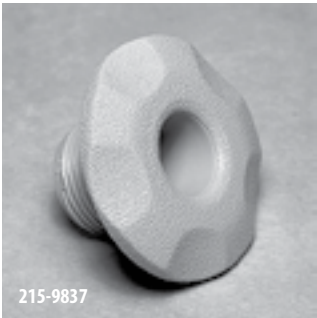
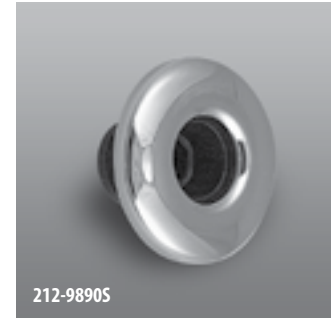
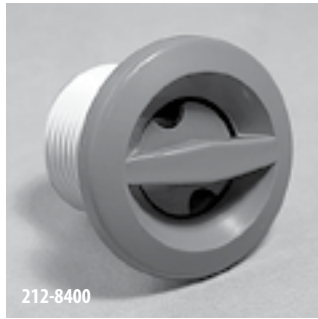
Call for pricing.

Hose and Tubing - Pallets (unwrapped)				
Part No.	Description	Color	Ft. / Pallet	Rolls / Pallet
110-0100PB	Vinyl - 1/8" x 1/4"	Clear (0), Red (R)	36,000	72
110-0110PB	Vinyl - 1/4" x 3/8"	Clear (0), Red (4)	33,000	55
110-0120PB	Vinyl - 3/8" x 9/16"	Clear (0), White (W)	20,000	40
110-0140PB	Vinyl - 3/4" x 1"	Clear (0), White (W)	6,000	40
110-0150PB	Vinyl - 3/4" x 1 1/16"	Clear	4,000	40
110-016WPB	Vinyl - 1" x 1 1/4"	White	2,800	28
120-0110PB	Flex - 1/2"	White (0), Black (1)	6,800	68
120-0120PB	Flex - 3/4"	White (0), Black (1)	5,600	56
120-0130PB	Flex - 1"	White (0), Black (1)	2,800	56
120-0180PB	Flex - 1 1/4"	White (0), Black (1)	1,200	24
120-0140PB	Flex - 1 1/2"	White (0), Black (1)	1,200	24
125-0110PB	Flex - 1 1/2" x 100 ft.	White (0), Black (1)	1,200	12
120-0150PB	Flex - 2"	White (0), Black (1)	900	18
125-0120PB	Flex - 2" x 100 ft.	White (0), Black (1)	900	9
120-0250PB	Flex - 2" thin	White (0), Black (1)	900	18
120-0160PB	Flex - 2 1/2"	White (0), Black (1), Gray (7)	800	16
120-0170PB	Flex - 3"	White (0), Black (1), Gray (7)	400	8
130-0110PB	Shur-Grip - 3/4"	Clear/White	5,600	56
130-0210PB	Shur-Grip - 3/4" thin	Clear/White (0), White (W)	5,600	56
130-0120PB	Shur-Grip - 1 1/2"	Clear/White	900	18
130-0130PB	Shur-Grip - 2"	Clear/White	800	16

Hose / Tubing



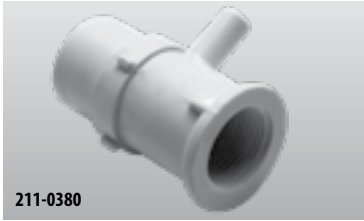
Jets / Cluster Jet Internals



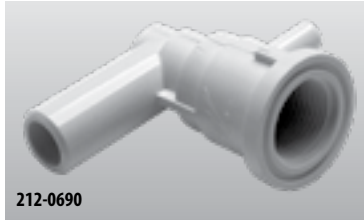
Spa Jets

Cluster Jet Internals

Part No.	Description	Case Quantity	List (US \$)
215-9860	Ozone - Smooth	200	2.56
212-9870	Ozone - Stainless Steel	500	5.67
212-8400	Front Access - Pulsator - Smooth	450	4.46
215-9950	Fixed Directional - 5-Scallop	500	3.14
215-9840	Large Face - Smooth	150	3.14
212-9890S	Non-Adjustable - Large Face - Stainless Steel - Thick	250	6.20
215-9820	Non-Adjustable - Large Face - Textured - Thick	500	3.14
215-9830	Large Face - Textured - 5-Scallop	500	3.78
215-9960	Fixed Directional - Large Face - 5-Scallop	500	4.43
212-9960S	Fixed Directional - Large Face - Stainless Steel	250	8.45
212-8810	Directional - Large Face - Smooth	250	4.44
212-8830	Directional - Large Face - 5-Scallop	250	4.44
215-9900	Extra Large Face - 2 3/8" - Smooth	350	3.58
212-9900S	Extra Large Face - 2 3/8" - Stainless Steel	250	7.12
212-2190	Non-Adjustable Ozone Cluster - Eclipse - Plastic	200	4.44
212-2190S	Non-Adjustable Ozone Cluster - Eclipse - Stainless Steel	200	7.18
212-2890S	Ozone - Orion - Stainless Steel	200	8.04



211-0380



212-0690



212-0090



212-0550



212-0560



212-0580

Ozone Cluster Jet Body Assemblies

Part No.	Description	Case Quantity	List (US \$)
211-0380	Straight Body - 1/2" S x 3/8" SMTH BRB Cluster/Ozone Jet Body	250	5.05
212-0090	EII Body - 3/8" RB Air x 3/4" RB Water with Nozzle	200	5.05
212-0540	EII Body - No Air x 3/4" S Water with Nozzle	180	5.05
212-0550	EII Body - 3/8" B Air x 3/4" SB Water with Nozzle	180	5.05
212-0560	EII Body - No Air x 1/2" S Water with Nozzle	200	5.05
212-0580	EII Body - 3/8" RB Air x 1/2" S Water with Nozzle	200	5.05
212-0590	EII Body - 3/8" RB Air x 3/4" S Water with Nozzle	180	5.05
212-0690	EII Body - 3/8" RB Air x 3/4" SB Water with O-ring groove	180	5.05



212-0500



212-4150



239-0749-DSGSP

Universal Cluster Jets

Part No.	Description	Case Quantity	List (US \$)
212-0500	Universal Cluster Jet Body Assembly - 3/4" RB x 90° EII - Flat Gasket	200	5.39
212-0500G	Universal Cluster Jet Body Assembly - 3/4" RB x 90° EII - Grommet Gasket	200	5.39

Euro Blaster Jet Body and Wall Fitting Assembly

212-4150	3/4" RB x 3/8" SB - 1/2" Orifice - 25 GPM @ 15 PSI	200	10.13
-----------------	--	-----	-------

Neck Jet

239-0749-DSGSP	Cluster Storm 100% S/O Dir XL 4 Swirl 2 Tone (THD)	100	8.57
239-0759-DSGS	Cluster Storm 100% S/O Dir 4 Swirl w/Mtl (THD)	200	15.57
239-0771S-DSGSPS	Cluster Storm 100% S/O DirRev Swirl w/Mtl (THD)	200	15.57

Cluster Jet Accessories

Part No.	Description	Case Quantity	List (US \$)
711-9870	Cluster/Ozone Flat Gasket	500	0.62
711-9860	Cluster Grommet Gasket	500	0.62
711-4070	Cluster Gasket with O-ring Rib	500	0.62



711-9870



711-9860

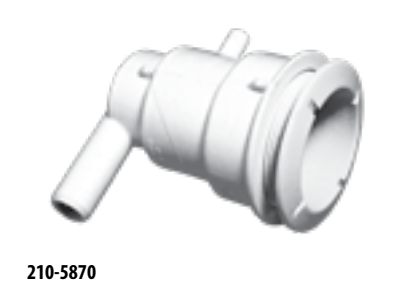


Jets / Poly Jets



Standard Poly Jets

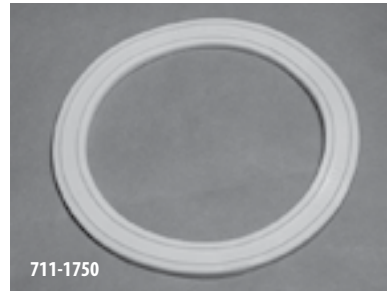
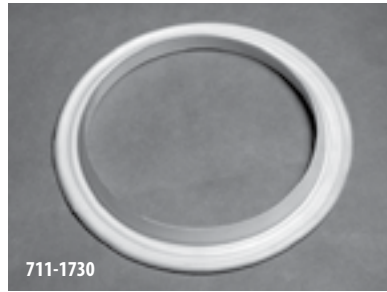
Part No.	Description	Case Weight	Case Quantity	List (US \$)
210-6040	Adjustable - Caged Style	11.6 lbs.	75	13.01
210-8750	Monster - Caged Style (5/16" - 3/8" - 7/16" - 1/2" Orifice)	8.39 lbs.	50	13.01
210-9790	Whirlpool - Caged Style (3/4" Orifice)	6.05 lbs.	50	13.01



Poly Jet Body Assemblies

Part No.	Description	Case Quantity	List (US \$)
210-5830	1" S Water x 1" S Air - No Top Plug	40	13.01
210-5860	Tee Body - 1 1/2" S Water x 1" S Air - with Top Plug	30	13.01
210-5870	Ell Body - 3/4" SB Water x 3/8" RB Air	60	13.01
210-5910	Ell Body - 3/4" S Water x 3/8" RB Air	60	13.01
210-5950	Straight Body - 1 1/2" S Water x 1/2" / 1" Spigot Air	60	13.01
210-5937	NEW Metric Jet Body - 50mm Water x 20mm Air	60	13.01
210-9500	32mm Water x 32mm Air	30	13.01

All Poly Jet body assemblies include a body and wall fitting.



Poly Jet Accessories

Part No.	Description	Case Quantity	List (US \$)
711-1730	Grommet Gasket	1400	0.62
711-1750	Standard Gasket (Thin)	500	0.62
711-4750	3/16" Gasket (Thick)	500	0.91
916-1250	Escutcheon - Stainless Steel (<i>Standard Poly Jets only</i>)	3	5.60
218-1770A	Wrench/Test Plug with O-Ring Assembly	150	6.50
805-0132	Wrench O-Ring	25	0.67

Note: Products shown may be covered under patents US8458825, CA2644557.



Spa Jets / Storm Jet Body Assemblies

NEW!

IMPROVED JET BODIES

- Molded-in Threads
- Molded-in GLO Ports on Mini, Poly & Power

Thread-in Jets



NEW Built-in GLO Ports



Made in the USA!

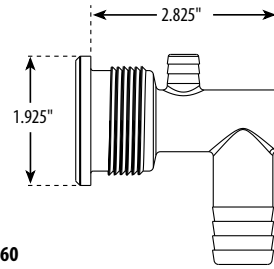


Adj. Cluster Storm

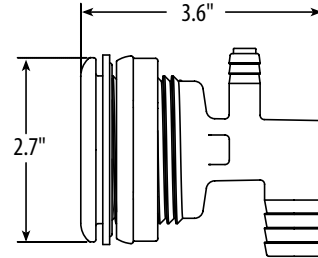
NEW!
GLO Port Gib
See page 149
for GLO Clip.



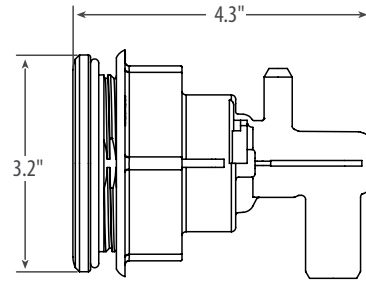
218-9460



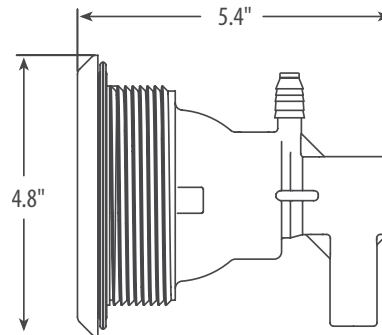
Adj. Mini Storm



Adj. Poly Storm



Adj. Power Storm



Note: Products shown may be covered under patents US8458825, CA2644557.

In-Ground Portable Snap-In Spa Jet Body Assemblies

FEATURES:

- Designed specifically for in-ground portable spa applications
- Accepts all Mini-Storm and Poly Storm series snap-in jet internals
- Allows for flex or rigid plumbing
- Resists plumbing deterioration in harsh soils
- Resists rodent damage to plumbing
- Made of NSF fitting grade PVC material



212-0380



Adjustable Cluster Storm Thread-In Jet Body Assemblies

Part No.	Description	Case Quantity	List (US \$)
228-1570G	Body Assembly - 3/4" S x 3/8" RB	100	7.75
228-1550G	Body Assembly - 3/4" RB x 3/8" RB	100	7.75
228-1560G	Body Assembly - 3/4" SB x 3/8" - SB	100	7.75
228-1720G	Body Assembly - 3/4" RB x No Air	100	7.75

Mini-Storm Thread-In Jet Body Assemblies

Part No.	Description	Case Quantity	List (US \$)
228-0300	Body Assembly - 3/4" RB x 3/8" RB	100	8.17
228-0330	Body Assembly - 3/4" SB x 3/8" - SB	100	8.17
228-0340	Body Assembly - 3/4" SB x 3/8" RB - No Air	100	8.17

Poly Storm Thread-In Jet Body Assemblies

Part No.	Description	Case Quantity	List (US \$)
228-0410	Body Assembly - 3/4" S x 3/8" SB	70	9.26
228-0400	Body Assembly - 3/4" RB x 3/8" RB	70	9.26
228-0430	Body Assembly - 3/4" SB x 3/8" SB	70	9.26

Power Storm Thread-In Jet Body Assemblies

Part No.	Description	Case Quantity	List (US \$)
228-0020	Body Assembly - 3/4" S / 1" SPG x 3/8" SB	25	10.11
228-0530	Same Side Body Assembly - 3/4" S x 3/8" SB	25	10.11
228-0040	Body Assembly - 3/4" RB x 3/8" RB	25	10.11
228-0010	Body Assembly - 3/4" SB x 3/8" SB	25	10.11

In-Ground Portable Spa Jet Body Assemblies

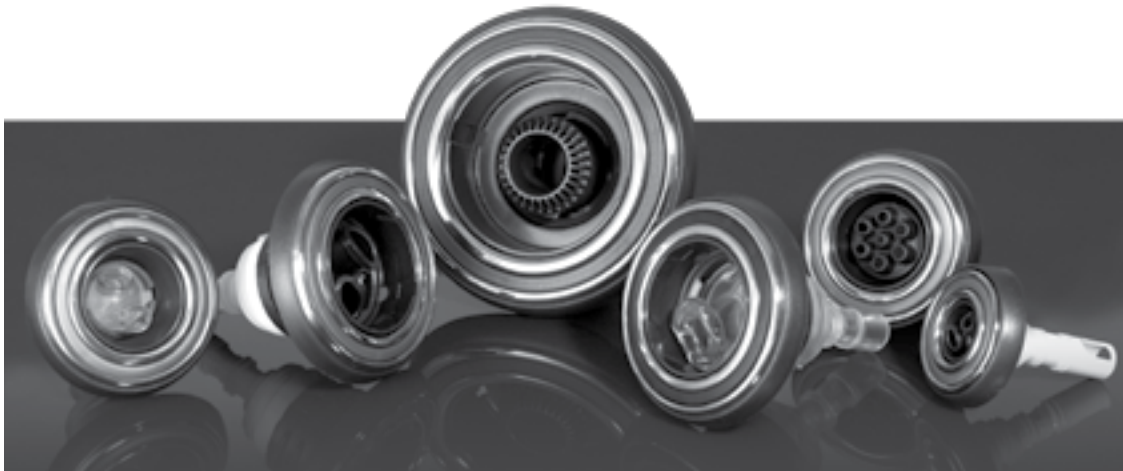
Part No.	Description	Case Quantity	List (US \$)
212-0380	In-Ground Mini-Storm Jet Body Assembly - 3/4" S x 1/2" S / 3/4" Spigot	--	9.42
212-0390	In-Ground Poly Storm Jet Body Assembly - 3/4" S x 1/2" S / 3/4" Spigot	--	9.42

Note: All part numbers are for the new thread-in style

- To order snap-in bodies; change the part number prefix to 212-xxxx
- To order Glo style bodies: change the last number to 8. ie: 228-2008

Note: Jet Bodies include flat gaskets. Grommet gaskets available upon request. CPVC bodies available upon request.

Note: Products shown may be covered under patents US8458825, CA2644557.



Orion Storm Jets

Part No.	Jet Type	Eyeball	Size	Style	Case Qty.	List (US \$)
239-4000S	Adj. Cluster Storm	Directional	2 1/4"	Plastic/Stainless Steel	200	11.75
239-4020S	Adj. Cluster Storm	Rifled	2 1/4"	Plastic/Stainless Steel	200	11.75
239-4030S	Adj. Cluster Storm	Multi-Massage	2 1/4"	Plastic/Stainless Steel	200	11.75
239-4010S	Adj. Cluster Storm	Twin Roto	2 1/4"	Plastic/Stainless Steel	200	13.30
239-4100S	Large Cluster Storm	Directional	3 5/16"	Plastic/Stainless Steel	180	18.95
239-4120S	Large Cluster Storm	Rifled	3 5/16"	Plastic/Stainless Steel	180	18.95
239-4130S	Large Cluster Storm	Multi-Massage	3 5/16"	Plastic/Stainless Steel	180	18.95
239-4110S	Large Cluster Storm	Twin Roto	3 5/16"	Plastic/Stainless Steel	180	22.72
239-4200S	Mini-Storm	Directional	3 5/16"	Plastic/Stainless Steel	150	21.26
239-4250S	Mini-Storm	Multi-Massage	3 5/16"	Plastic/Stainless Steel	150	21.26
239-4210S	Mini-Storm	Roto	3 5/16"	Plastic/Stainless Steel	150	24.98
239-4220S	Mini-Storm	Twin Roto	3 5/16"	Plastic/Stainless Steel	150	24.98
239-4230S	Mini-Storm	Pulse Massage	3 5/16"	Plastic/Stainless Steel	150	21.27
239-4260S	Mini-Storm	Twister	3 5/16"	Plastic/Stainless Steel	150	24.98
239-4240S	Mini-Storm	Rifled	3 5/16"	Plastic/Stainless Steel	150	21.26
239-4900S	Large Poly Storm	Directional	4 3/8"	Plastic/Stainless Steel	70	32.63
239-4940S	Large Poly Storm	Multi-Massage	4 3/8"	Plastic/Stainless Steel	70	32.63
239-4910S	Large Poly Storm	Roto	4 3/8"	Plastic/Stainless Steel	70	36.38
239-4920S	Large Poly Storm	Twin Roto	4 3/8"	Plastic/Stainless Steel	70	36.38
239-4930S	Large Poly Storm	Pulse Massage	4 3/8"	Plastic/Stainless Steel	70	36.38
239-4960S	Large Poly Storm	Twister	4 3/8"	Plastic/Stainless Steel	70	36.38
239-4950S	Large Poly Storm	Rifled	4 3/8"	Plastic/Stainless Steel	70	32.63
239-4400S	Power Storm	Directional	5 1/4"	Plastic/Stainless Steel	40	35.70
239-4450S	Power Storm	Multi-Massage	5 1/4"	Plastic/Stainless Steel	40	35.70
239-4410S	Power Storm	Roto	5 1/4"	Plastic/Stainless Steel	40	42.40
239-4420S	Power Storm	Twin Roto	5 1/4"	Plastic/Stainless Steel	40	42.40
239-4430S	Power Storm	Pulse Massage	5 1/4"	Plastic/Stainless Steel	40	42.40
239-4460S	Power Storm	Twister	5 1/4"	Plastic/Stainless Steel	40	42.40
239-4440S	Power Storm	Rifled	5 1/4"	Plastic/Stainless Steel	40	35.70
239-4700S	Large Power Storm	Directional	6 1/2"	Plastic/Stainless Steel	25	38.91
239-4750S	Large Power Storm	Multi-Massage	6 1/2"	Plastic/Stainless Steel	25	38.91
239-4770S	Large Power Storm	Roto	6 1/2"	Plastic/Stainless Steel	25	45.62
239-4720S	Large Power Storm	Twin Roto	6 1/2"	Plastic/Stainless Steel	25	45.62
239-4730S	Large Power Storm	Pulse Massage	6 1/2"	Plastic/Stainless Steel	25	45.62
239-4760S	Large Power Storm	Twister	6 1/2"	Plastic/Stainless Steel	25	45.62
239-4740S	Large Power Storm	Rifled	6 1/2"	Plastic/Stainless Steel	25	38.91

For GLO style internals on all Storm Jets use the prefix 230 and the last number as 8. **230-XXX8**

For 100% shut-off Cluster & Mini Jets use the prefix 225. **225-XXXX**



Spa Jets / Storm Jets - Eclipse

Thread-in Jet Patent # US8458825 & CA2644557

Cluster – 2-1/8" Diameter Case Qty: 200 Plastic-/box 200 Stainless-/box



	Directional	List Price
Plastic	239-0100	4.35
Stainless	239-0100S	11.75



	Rifled	List Price
	239-0110	4.35
	239-0110S	11.75



	Multi-Massage	List Price
	239-0120	4.35
	239-0120S	11.75



	Twin Roto	List Price
	239-0130	5.90
	239-0130S	12.91

Mini – 3-1/16" Diameter Case Qty: 180 Plastic-/box 180 Stainless-/box



	Directional	List Price
Plastic	239-0300	10.87
Stainless	239-0300S	21.26



	Rifled	List Price
	239-0310	10.87
	239-0310S	21.26



	Multi-Massage	List Price
	239-0320	10.87
	239-0320S	21.26



	Roto	List Price
	239-0330	14.58
	239-0330S	24.98



	Twin Roto	List Price
Plastic	239-0340	14.58
Stainless	239-0340S	24.98



	Pulse Massage	List Price
	239-0350	14.58
	239-0350S	24.98



	Twister	List Price
	239-0360	14.58
	239-0360S	24.98

LG Poly – 4" Diameter Case Qty: 80 Plastic /box 70 Stainless /box



	Directional	List Price
Plastic	239-0500	13.28
Stainless	239-0500S	30.16



	Rifled	List Price
	239-0510	13.28
	239-0510S	30.16



	Multi-Massage	List Price
	239-0520	13.28
	239-0520S	30.16



	Roto	List Price
	239-0530	18.03
	239-0530S	33.87

Patent # CA 5,920,025



	Twin Roto	List Price
Plastic	239-0540	18.03
Stainless	239-0540S	33.87



	Pulse Massage	List Price
	239-0550	18.03
	239-0550S	33.87



	Twister	List Price
	239-0560	18.03
	239-0560S	33.87

For GLO style internals on all Storm Jets use the prefix 230 and the last number as 8.
230-XXX8

For 100% shut-off Cluster & Mini Jets use the prefix 225.
225-XXXX



Thread-in Jet Patent # US8458825 & CA2644557

Power – 5" Diameter Case Qty: 40



Directional
 Plastic 239-7770 List Price 18.03
 Stainless 239-7770S List Price 35.70



Rifled
 Plastic 239-0620 List Price 18.03
 Stainless 239-0620S List Price 35.70



Multi-Massage
 Plastic 239-0630 List Price 18.03
 Stainless 239-0630S List Price 35.70



Roto
 Plastic 239-0640 List Price 23.60
 Stainless 239-0640S List Price 42.40

Patent # CA 5,920,025



Twin Roto
 Plastic 239-0650 List Price 23.60
 Stainless 239-0650S List Price 42.40



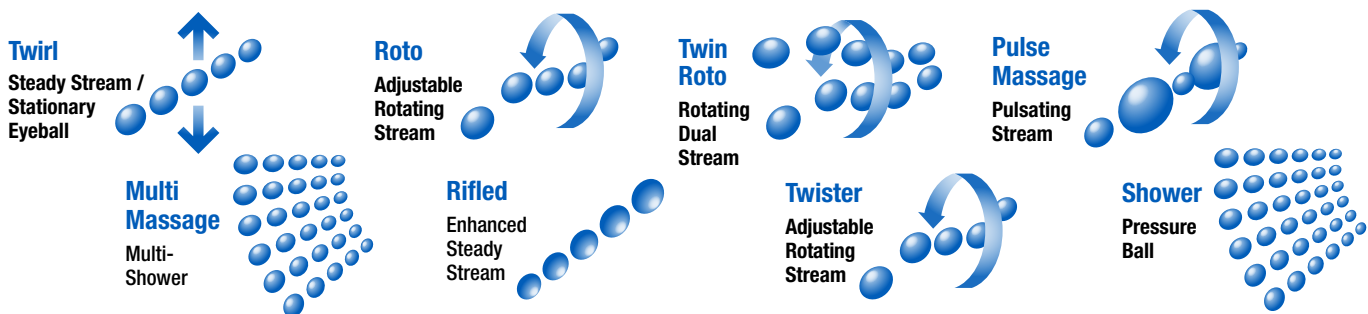
Pulse Massage
 Plastic 239-0660 List Price 23.60
 Stainless 239-0660S List Price 42.40



Twister
 Plastic 239-0670 List Price 23.60
 Stainless 239-0670S List Price 42.40

For GLO style internals on all Storm Jets use the prefix 230 and the last number as 8. 230-XXX8

For 100% shut-off Cluster & Mini Jets use the prefix 225. 225-XXXX



Spa Jets



Spa Jets / Storm Jets - Reverse Eclipse

Thread-in Jet Patent # US8458825 & CA2644557

Cluster – 2-1/8" Diameter

Case Qty: 200 Stainless-/box



Directional List Price



Rifled List Price



Multi-Massage List Price



Twin Roto List Price

Plastic / NA
Stainless

239-1700S-DSG 11.75

239-1710S-DSG 11.75

239-1720S-DSG 11.75

239-1730S-DSG 13.30

LG Cluster – 3-5/16" Diameter

Case Qty: 180 Stainless-/box



Directional List Price



Rifled List Price



Multi-Massage List Price



Twin Roto List Price

Plastic / NA
Stainless

239-1800S 18.95

239-1810S 18.95

239-1820S 18.95

239-1830S 22.73

Mini – 3-1/16" Diameter

Case Qty: 180 Stainless-/box



Directional List Price



Rifled List Price



Multi-Massage List Price



Roto List Price

Plastic / NA
Stainless

239-3100S 21.26

239-3110S 21.26

239-3120S 21.26

239-3130S 24.98



Twin Roto List Price



Pulse Massage List Price



Twister List Price

Plastic / NA
Stainless

239-3140S 24.98

239-3150S 24.98

239-3160S 24.98

For GLO style internals on all Storm Jets use the prefix 230 and the last number as 8.
230-XXX8

For 100% shut-off Cluster & Mini Jets use the prefix 225.
225-XXXX

LG Poly – 4" Diameter (continued next page)

Case Qty: 70 Stainless /box



Directional List Price



Rifled List Price



Multi-Massage List Price



Roto List Price

Plastic / NA
Stainless

239-3300S 30.16

239-3310S 30.16

239-3320S 30.16

239-3330S 33.87

Spa Jets / Storm Jets - Reverse Eclipse



Thread-in Jet Patent # US8458825 & CA2644557

LG Poly – 4" Diameter *(continued from previous page)* Case Qty: 70 Stainless /box



Twin Roto List Price

Plastic / NA
Stainless **239-3340S** 33.87



Patent # CA 5,920,025

Pulse Massage List Price

239-3350S 33.87



Twister List Price

239-3360S 33.87

*For GLO style internals on all Storm Jets use the prefix 230 and the last number as 8.
230-XXX8*

*For 100% shut-off Cluster & Mini Jets use the prefix 225.
225-XXXX*

Power – 5" Diameter Case Qty: 40 Stainless /box



Directional List Price

Plastic / NA
Stainless **239-1900S** 35.70



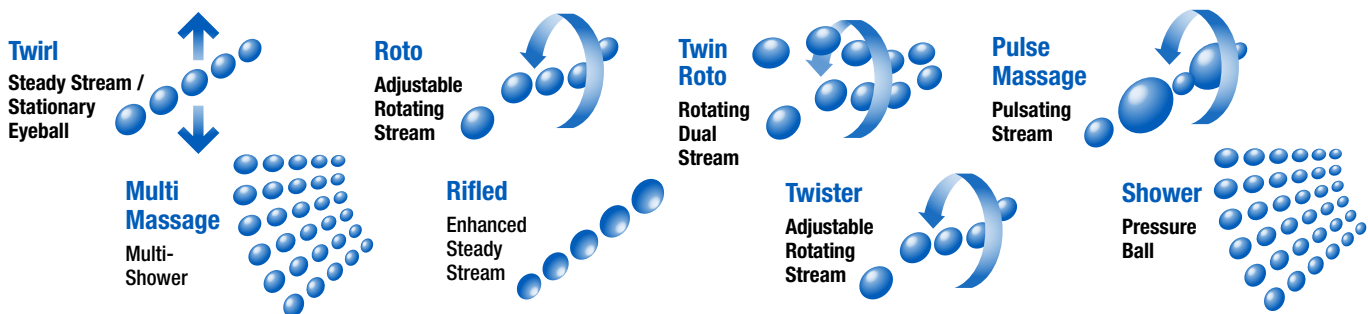
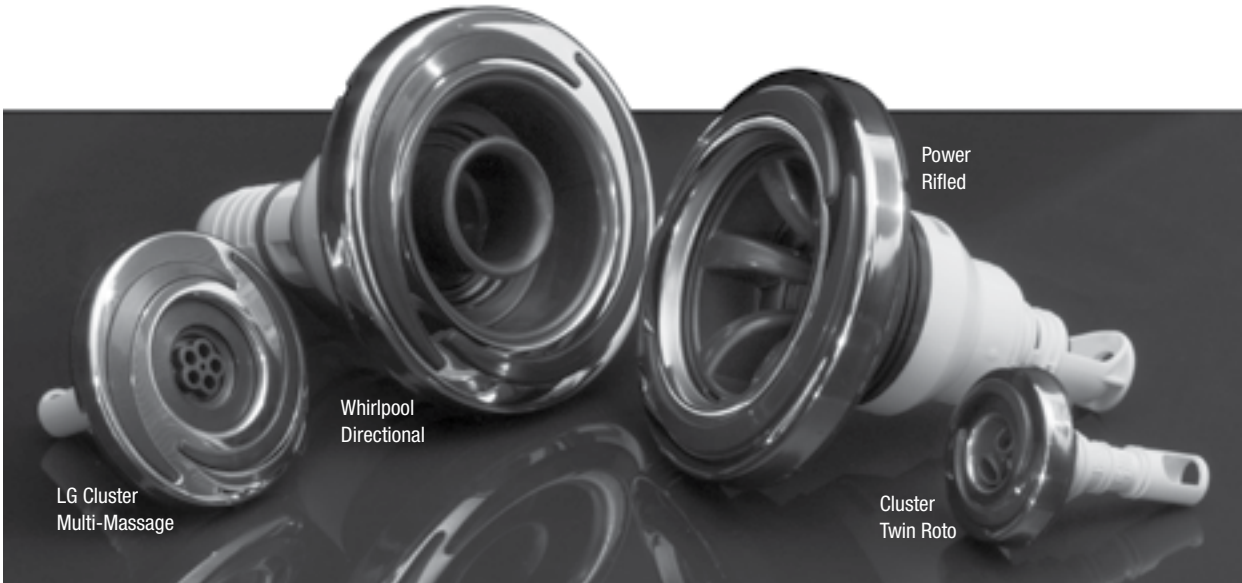
Roto List Price

239-1950S 42.40



Twin Roto List Price

239-1910S 42.40



Spa Jets



Thread-in Jet Patent # US8458825 & CA2644557

Cluster – 2-3/8" Diameter

Case Qty: Stainless-200/box



	Directional	List Price
Plastic	239-1500	4.35
Stainless	239-1500S	11.75



	Rifled	List Price
	239-1520	4.22
	239-1520S	11.75



	Multi-Massage	List Price
	239-1530	4.22
	239-1530S	11.75



	Twin Roto	List Price
	239-1510	5.90
	239-1510S	13.30

Mini – 3-1/4" Diameter

Case Qty: Stainless 100/box



	Directional	List Price
Plastic	239-2300	10.56
Stainless	239-2300S	21.26



	Rifled	List Price
	239-2350	10.56
	239-2350S	21.26



	Multi-Massage	List Price
	239-2330	10.56
	239-2330S	21.26



	Roto	List Price
	239-2310	14.16
	239-2310S	24.98



	Twin Roto	List Price
Plastic	239-2320	14.16
Stainless	239-2320S	24.98



	Pulse Massage	List Price
	239-2340	14.16
	239-2340S	24.98



	Twister	List Price
	239-2360	14.16
	239-2360S	24.98

For GLO style internals on all Storm Jets use the prefix 230 and the last number as 8. 230-XXX8

For 100% shut-off Cluster & Mini Jets use the prefix 225. 225-XXXX

Poly – 3-3/4" Diameter

Case Qty: Stainless 100/box



	Directional	List Price
Plastic	239-8300	13.89
Stainless	239-8300S	30.16



	Rifled	List Price
	239-8350	13.89
	239-8350S	30.16



	Multi-Massage	List Price
	239-8330	13.89
	239-8330S	30.16



	Roto	List Price
	239-8310	17.50
	239-8310S	33.87

Patent # CA 5,920,025



	Twin Roto	List Price
Plastic	239-8320	17.50
Stainless	239-8320S	33.87



	Pulse Massage	List Price
	239-8340	17.50
	239-8340S	33.87




	Twister	List Price
	239-8360	17.50
	239-8360S	33.87



Thread-in Jet Patent # US8458825 & CA2644557

LG Poly – 4-3/8" Diameter Case Qty: Stainless 70/box

								
	Directional	List Price	Rifled	List Price	Multi-Massage	List Price	Roto	List Price
Plastic	239-8200	14.31	239-8230	14.31	239-8240	14.31	239-8210	18.03
Stainless	239-8200S	32.63	239-8230S	32.63	239-8240S	32.63	239-8210S	36.38

Patent # CA 5,920,025

						
	Twin Roto	List Price	Pulse Massage	List Price	Twister	List Price
Plastic	239-8220	18.03	239-8250	18.03	239-8260	18.03
Stainless	239-8220S	36.38	239-8250S	36.38	239-8260S	36.38

For GLO style internals on all Storm Jets use the prefix 230 and the last number as 8.
230-XXX8

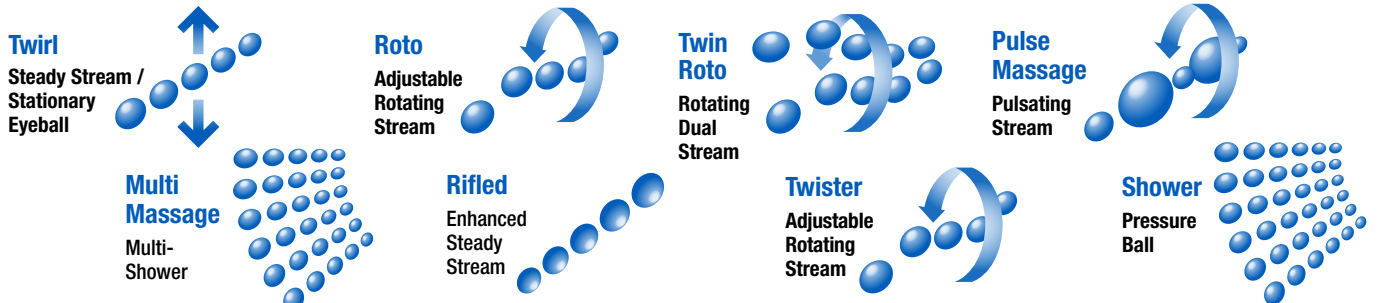
For 100% shut-off Cluster & Mini Jets use the prefix 225.
225-XXXX

Power – 5-1/4" Diameter Case Qty: Stainless 40/box

								
	Directional	List Price	Rifled	List Price	Multi-Massage	List Price	Roto	List Price
Plastic	239-7710	18.03	239-6150	18.03	239-6140	18.03	239-6110	23.60
Stainless	239-7710S	35.70	239-6150S	35.70	239-6140S	35.70	239-6110S	42.40

Patent # CA 5,920,025

								
	Twin Roto	List Price	Pulse Massage	List Price	Twister	List Price	Acupressure	List Price
Plastic	239-6120	23.60	239-6130	23.60	239-6160	23.60	239-6740	23.60
Stainless	239-6120S	42.40	239-6130S	42.40	239-6160S	42.40	229-6740S	42.40



Spa Jets



Thread-in Jet Patent # US8458825 & CA2644557

Cluster – 2-1/4" Diameter

Case Qty: 200/box



	Directional	List Price
Plastic	229-1670	4.35
Stainless	229-1670S	11.19



	Rifled	List Price
	229-0140	4.35
	229-0140S	11.19



	Multi-Massage	List Price
	229-1790	4.35
	229-1790S	11.19



	Twin Roto	List Price
	229-1780	4.35
	229-1780S	11.19

LG Cluster – 3-1/4" Diameter

Case Qty: 100/box



	Directional	List Price
Plastic	229-0210	5.26
Stainless	229-0210S	21.27



	Rifled	List Price
	229-0220	5.26
	229-0220S	21.27



	Multi-Massage	List Price
	229-0240	5.26
	229-0240S	21.27



	Twin Roto	List Price
	229-0230	6.83
	229-0230S	18.95

Mini – 3-1/4" Diameter

Case Qty: 180/box



	Directional	List Price
Plastic	229-8440	10.87
Stainless	229-8440S	20.51



	Rifled	List Price
	229-0190	10.87
	229-0190S	20.51



	Multi-Massage	List Price
	229-9040	10.87
	229-9040S	20.51



	Roto	List Price
	229-0320	14.58
	229-0320S	24.23



	Twin Roto	List Price
Plastic	229-8450	14.58
Stainless	229-8450S	24.23



	Pulse Massage	List Price
	229-0330	14.58
	229-0330S	24.23



	Twister	List Price
	229-9530	14.58
	229-9530S	24.23

For GLO style internals on all Storm Jets use the prefix 230 and the last number as 8.
230-XXX8

For 100% shut-off Cluster & Mini Jets use the prefix 225.
225-XXXX

Poly – 3-5/8" Diameter (continued next page)

Case Qty: 100/box



	Directional	List Price
Plastic	229-4020	14.31
Stainless	229-4020S	29.21



	Rifled	List Price
	229-1940	14.31
	229-1940S	29.21



	Multi-Massage	List Price
	229-4090	14.31
	229-4090S	29.21



	Roto	List Price
	229-4030	18.03
	229-4030S	32.92



Thread-in Jet Patent # US8458825 & CA2644557

Poly – 3-5/8" Diameter *(continued from previous page)* Case Qty: 100/box



Twin Roto List Price
 Plastic [229-4040](#) 18.03
 Stainless [229-4040S](#) 32.92



Patent # CA 5,920,025

Pulse Massage List Price
[229-4050](#) 18.03
[229-4050S](#) 32.92



Twister List Price
[229-9630](#) 18.03
[229-9630S](#) 32.92

LG Poly – 4 3/8" Diameter Case Qty: Plastic 80/box Stainless 70/box



Directional List Price
 Plastic [229-0440](#) 14.31
 Stainless [229-0440S](#) 31.69



Rifled List Price
[229-0610](#) 14.31
[229-0610S](#) 31.69



Multi-Massage List Price
[229-0480](#) 14.31
[229-0480S](#) 31.69



Roto List Price
[229-0450](#) 18.03
[229-0450S](#) 35.41

Patent # CA 5,920,025



Twin Roto List Price
 Plastic [229-0460](#) 18.03
 Stainless [229-0460S](#) 35.41



Pulse Massage List Price
[229-0620](#) 18.03
[229-0620S](#) 35.41



Twister List Price
[229-0410](#) 18.03
[229-0410S](#) 35.41

*For GLO style internals on all Storm Jets use the prefix 230 and the last number as 8. **230-XXX8***

*For 100% shut-off Cluster & Mini Jets use the prefix 225. **225-XXXX***

Power – 5 1/4" Diameter Case Qty: 45/box



Directional List Price
 Plastic [239-7740](#) 18.03
 Stainless [239-7740S](#) 34.18



Rifled List Price
[229-1990](#) 18.03
[229-1990S](#) 34.18



Multi-Massage List Price
[229-6170](#) 18.03
[229-6170S](#) 34.18



Roto List Price
[229-6380](#) 23.60
[229-6380S](#) 39.77

Patent # CA 5,920,025



Twin Roto List Price
 Plastic [229-6360](#) 23.60
 Stainless [229-6360S](#) 39.77



Pulse Massage List Price
[229-6350](#) 23.60
[229-6350S](#) 39.77



Twister List Price
[229-7680](#) 23.60
[229-7680S](#) 39.77



Acupressure List Price
[229-6720](#) 23.60
[229-6720S](#) 39.77



Spa Jets / Storm Jets - Reverse Swirl

Patent # US D574,964 S

Thread-in Jet Patent # US8458825 & CA2644557

Cluster – 2-1/4" Diameter

Case Qty: 200/box



Directional List Price

Plastic / NA
Stainless

229-2700S

11.75



Rifled List Price

229-2710S

11.75



Multi-Massage List Price

229-2730S

11.75



Twin Roto List Price

229-2720S

13.30

LG Cluster – 3-5/16" Diameter

Case Qty: 100/box



Directional List Price

Plastic / NA
Stainless

229-2740S

18.95



Rifled List Price

229-2750S

18.95



Multi-Massage List Price

229-2770S

18.95



Twin Roto List Price

229-2760S

22.72

Mini – 3-5/16" Diameter

Case Qty: 150/box



Directional List Price

Plastic / NA
Stainless

229-2400S

21.26



Rifled List Price

229-2410S

21.26



Multi-Massage List Price

229-2480S

21.26



Roto List Price

229-2420S

24.98



Twin Roto List Price

Plastic / NA
Stainless

229-2430S

24.98



Pulse Massage List Price

229-2440S

24.98



Twister List Price

229-2940S

24.98

For GLO style internals on all Storm Jets use the prefix 230 and the last number as 8.
230-XXX8

For 100% shut-off Cluster & Mini Jets use the prefix 225.
225-XXXX

Poly – 3-5/8" Diameter (continued next page)

Case Qty: 100/box



Directional List Price

Plastic / NA
Stainless

229-2800S

30.16



Rifled List Price

229-2810S

30.16



Multi-Massage List Price

229-2880S

30.16



Roto List Price

229-2820S

33.87



Thread-in Jet Patent # US8458825 & CA2644557

Poly – 3-5/8" Diameter *(continued from previous page)* Case Qty: 100/box



Twin Roto
List Price
Plastic / NA
Stainless **229-2830S** 33.87



Patent # CA 5,920,025

Pulse Massage
List Price
229-2840S 33.87



Twister
List Price
229-2950S 33.87

*For GLO style internals on all Storm Jets use the prefix 230 and the last number as 8.
230-XXX8*

*For 100% shut-off Cluster & Mini Jets use the prefix 225.
225-XXXX*

LG Poly – 4-3/8" Diameter Case Qty: 70/box



Directional
List Price
Plastic / NA
Stainless **229-2500S** 32.63



Rifled
List Price
229-2510S 32.63



Multi-Massage
List Price
229-2580S 32.63



Roto
List Price
229-2520S 36.38



Twin Roto
List Price
Plastic / NA
Stainless **229-2530S** 36.38



Patent # CA 5,920,025

Pulse Massage
List Price
229-2540S 36.38



Twister
List Price
229-2960S 36.38

Power – 5-1/4" Diameter Case Qty: 45/box



Directional
List Price
Plastic / NA
Stainless **239-7750S** 35.70



Rifled
List Price
229-2620S 35.70



Multi-Massage
List Price
229-2690S 35.70



Roto
List Price
229-2630S 42.40



Twin Roto
List Price
Plastic / NA
Stainless **229-2640S** 42.40



Patent # CA 5,920,025

Pulse Massage
List Price
229-2650S 42.40



Twister
List Price
229-2790S 42.40



Case Qty: 45/box

Accupressure
List Price
229-2780S 42.40



Spa Jets / Storm Jets - 6 Spoke

Patent # US D574,964 S

Thread-in Jet Patent # US8458825 & CA2644557

Cluster – 2-1/4" Diameter

Case Qty: 200/box



	Directional	List Price
Plastic	229-1470	4.35
Stainless	229-1470S	11.19



	Rifled	List Price
	229-0130	4.35
	229-0130S	11.19



	Multi-Massage	List Price
	229-1770	4.35
	229-1770S	11.19



	Twin Roto	List Price
	229-1440	5.79
	229-1440S	12.50

Mini – 3-5/16" Diameter

Case Qty: 180/box



	Directional	List Price
Plastic	229-8630	10.66
Stainless	229-8630S	20.11



	Rifled	List Price
	229-0180	10.66
	229-0180S	20.11



	Multi-Massage	List Price
	229-8700	10.66
	229-8700S	20.11



	Roto	List Price
	229-8640	14.58
	229-8640S	24.23



	Twin Roto	List Price
Plastic	229-8650	14.58
Stainless	229-8650S	24.23



	Pulse Massage	List Price
	229-8660	14.58
	229-8660S	25.77



	Twister	List Price
	229-9520	14.58
	229-9520S	24.23

For GLO style internals on all Storm Jets use the prefix 230 and the last number as 8.
230-XXX8

For 100% shut-off Cluster & Mini Jets use the prefix 225.
225-XXXX

Poly – 3-5/8" Diameter

Case Qty: 100/box



	Directional	List Price
Plastic	229-8590	14.31
Stainless	229-8590S	29.21



	Rifled	List Price
	229-1930	14.31
	229-1930S	29.21



	Multi-Massage	List Price
	229-3240	14.31
	229-3240S	29.21



	Roto	List Price
	229-8570	18.03
	229-8570S	32.92

Patent # CA 5,920,025



	Twin Roto	List Price
Plastic	229-8580	18.03
Stainless	229-8580S	32.92



	Pulse Massage	List Price
	229-3200	18.03
	229-3200S	35.41



	Twister	List Price
	229-9620	18.03
	229-9620S	32.92






Thread-in Jet Patent # US8458825 & CA2644557

LG Poly – 4-3/8" Diameter Case Qty: 45/box

								
	Directional	List Price	Rifled	List Price	Multi-Massage	List Price	Roto	List Price
Plastic	239-5000	14.31	239-5050	14.31	239-5040	14.31	239-5010	18.03
Stainless	239-5000S	31.69	239-5050S	31.69	239-5040S	31.69	239-5010S	35.41





Patent # CA 5,920,025

						
	Twin Roto	List Price	Pulse Massage	List Price	Twister	List Price
Plastic	239-5020	18.03	239-5030	18.03	239-5060	18.03
Stainless	239-5020S	35.41	239-5030S	35.41	239-5060S	35.41




*For GLO style internals on all Storm Jets use the prefix 230 and the last number as 8.
230-XXX8*

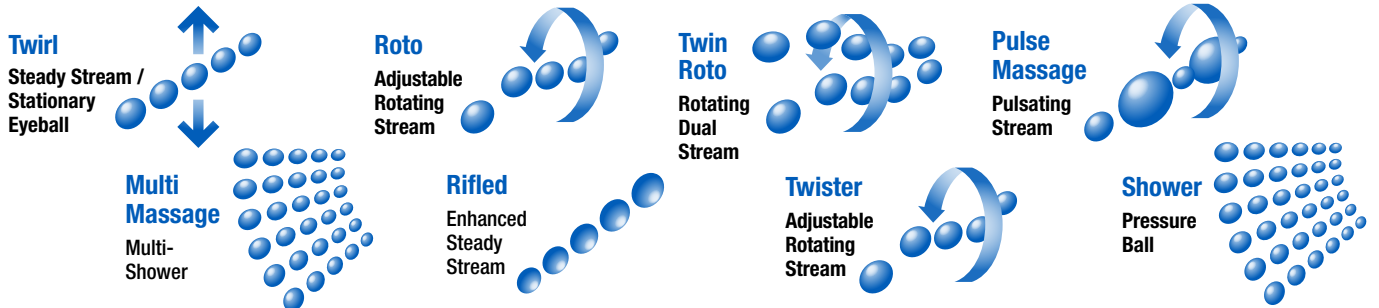
*For 100% shut-off Cluster & Mini Jets use the prefix 225.
225-XXXX*

Power – 5-1/4" Diameter Case Qty: 45/box

								
	Directional	List Price	Rifled	List Price	Multi-Massage	List Price	Roto	List Price
Plastic	229-7720	18.03	229-1980	18.03	229-7250	18.03	229-7550	23.60
Stainless	229-7720S	34.18	229-1980S	34.18	229-7250S	34.18	229-7550S	39.77

Patent # CA 5,920,025

						
	Twin Roto	List Price	Pulse Massage	List Price	Twister	List Price
Plastic	229-7560	23.60	229-7590	23.60	229-7700	23.60
Stainless	229-7560S	39.77	229-7590S	44.72	229-7700S	39.77



Spa Jets



Spa Jets / Storm Jets - Reverse 6 Spoke (Nova)

Patent # US D574,964 S

Thread-in Jet Patent # US8458825 & CA2644557

Cluster – 2-1/4" Diameter Case Qty: 200/box



Directional
List Price
Plastic / NA
Stainless [229-9000S](#) 11.75



Rifled
List Price
[229-9070S](#) 11.75



Multi-Massage
List Price
[229-9060S](#) 11.75



Twin Roto
List Price
[229-9010S](#) 13.30

Mini – 3-5/16" Diameter Case Qty: 150/box



Directional
List Price
Plastic / NA
Stainless [229-9100S](#) 21.26



Rifled
List Price
[229-9180S](#) 21.26



Multi-Massage
List Price
[229-9140S](#) 21.26



Roto
List Price
[229-9150S](#) 24.98



Twin Roto
List Price
Plastic / NA
Stainless [229-9130S](#) 24.98



Pulse Massage
List Price
[229-9160S](#) 24.98



Twister
List Price
[229-9190S](#) 24.98

Poly – 3-5/8" Diameter Case Qty: 70/box



Directional
List Price
Plastic / NA
Stainless [229-9200S](#) 30.16



Rifled
List Price
[229-9280S](#) 30.16



Multi-Massage
List Price
[229-9260S](#) 30.16



Roto
List Price
[229-9210S](#) 33.87



Twin Roto
List Price
Plastic / NA
Stainless [229-9220S](#) 33.87



Pulse Massage
List Price
[229-9230S](#) 33.87



Twister
List Price
[229-9290S](#) 33.87

Patent # CA 5,920,025





For GLO style internals on all Storm Jets use the prefix 230 and the last number as 8.
[230-XXX8](#)

For 100% shut-off Cluster & Mini Jets use the prefix 225.
[225-XXXX](#)











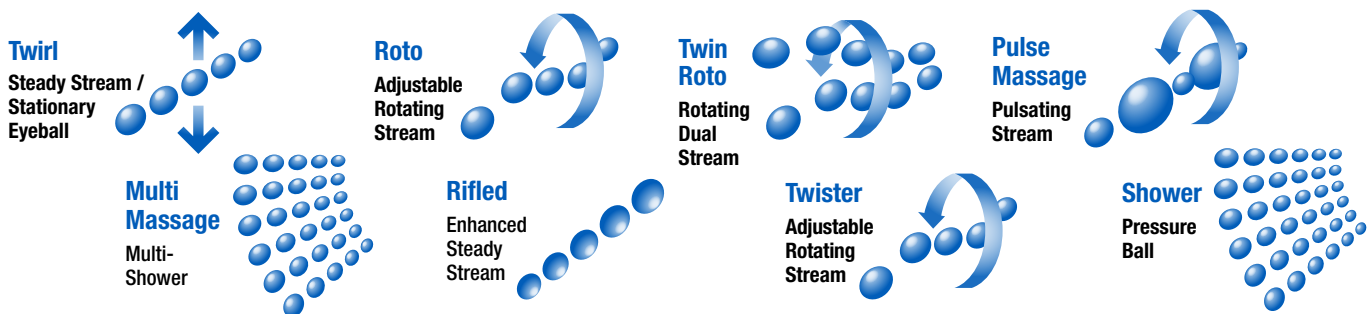
Thread-in Jet Patent # US8458825 & CA2644557

LG Poly – 4-3/8" Diameter Case Qty: 70/box

			
Directional List Price Plastic / NA Stainless 229-9300S 31.69	Rifled List Price 229-9370S 31.69	Multi-Massage List Price 229-9350S 31.69	Roto List Price 229-9310S 35.41
			<p>For GLO style internals on all Storm Jets use the prefix 230 and the last number as 8. 230-XXX8</p> <p>For 100% shut-off Cluster & Mini Jets use the prefix 225. 225-XXXX</p>
Twin Roto List Price Plastic / NA Stainless 229-9330S 35.41	Pulse Massage List Price 229-9640S 35.41	Twister List Price 229-9380S 35.41	

Power – 5-1/4" Diameter Case Qty: 45/box

			
Directional List Price Plastic / NA Stainless 239-7730S 35.70	Rifled List Price 229-9480S 35.70	Multi-Massage List Price 229-9400S 35.70	Roto List Price 229-9420S 42.40
			
Twin Roto List Price Plastic / NA Stainless 229-9430S 42.40	Pulse Massage List Price 229-9460S 42.40	Twister List Price 229-9450S 42.40	Acupressure List Price 229-9490S 42.40



Spa Jets



Thread-in Jet Patent # US8458825 & CA2644557

Cluster – 2-1/8" Diameter Case Qty: 200/box



	Directional	List Price
Plastic	229-1460	4.35
Stainless	229-1460S	11.19



	Rifled	List Price
	229-0120	4.35
	229-0120S	11.19



	Multi-massage	List Price
	229-9730	4.35
	229-9730S	11.19



	Twin Roto	List Price
	229-1430	5.90
	229-1430S	12.75

Mini – 3-5/16" Diameter Case Qty: 180/box



	Directional	List Price
Plastic	229-8790	10.87
Stainless	229-8790S	20.51



	Rifled	List Price
	229-0170	10.87
	229-0170S	20.51



	Multi-Massage	List Price
	229-9020	10.87
	229-9020S	20.51



	Roto	List Price
	229-8850	14.58
	229-8850S	24.23



	Twin Roto	List Price
Plastic	229-8860	14.58
Stainless	229-8860S	24.23



	Pulse Massage	List Price
	229-8870	14.58
	229-8870S	25.77



	Twister	List Price
	229-9510	14.58
	229-9510S	24.23

Spa Jets

Poly – 3-5/8" Diameter Case Qty: 100/box



	Directional	List Price
Plastic	229-3250	14.31
Stainless	229-3250S	29.21



	Rifled	List Price
	229-1920	14.31
	229-1920S	29.21



	Multi-Massage	List Price
	229-3620	14.31
	229-3620S	29.21



	Roto	List Price
	229-3260	18.03
	229-3260S	32.92

Patent # CA 5,920,025



	Twin Roto	List Price
Plastic	229-3270	18.03
Stainless	229-3270S	32.92



	Pulse Massage	List Price
	229-3280	18.03
	229-3280S	32.92



	Twister	List Price
	229-9610	18.03
	229-9610S	32.92

*For GLO style internals on all Storm Jets use the prefix 230 and the last number as 8.
230-XXX8*

*For 100% shut-off Cluster & Mini Jets use the prefix 225.
225-XXXX*



Thread-in Jet Patent # US8458825 & CA2644557

Power – 5-1/4" Diameter Case Qty: 45/box



	Directional	List Price
Plastic	239-7760	18.03
Stainless	239-7760S	34.18



	Rifled	List Price
	229-1970	18.03
	229-1970S	34.18



	Multi-Massage	List Price
	229-7090	18.03
	229-7090S	34.18



	Roto	List Price
	229-7140	23.60
	229-7140S	39.77

Patent # CA 5,920,025



	Twin Roto	List Price
Plastic	229-7150	23.60
Stainless	229-7150S	39.77



	Pulse Massage	List Price
	229-7160	23.60
	229-7160S	39.77



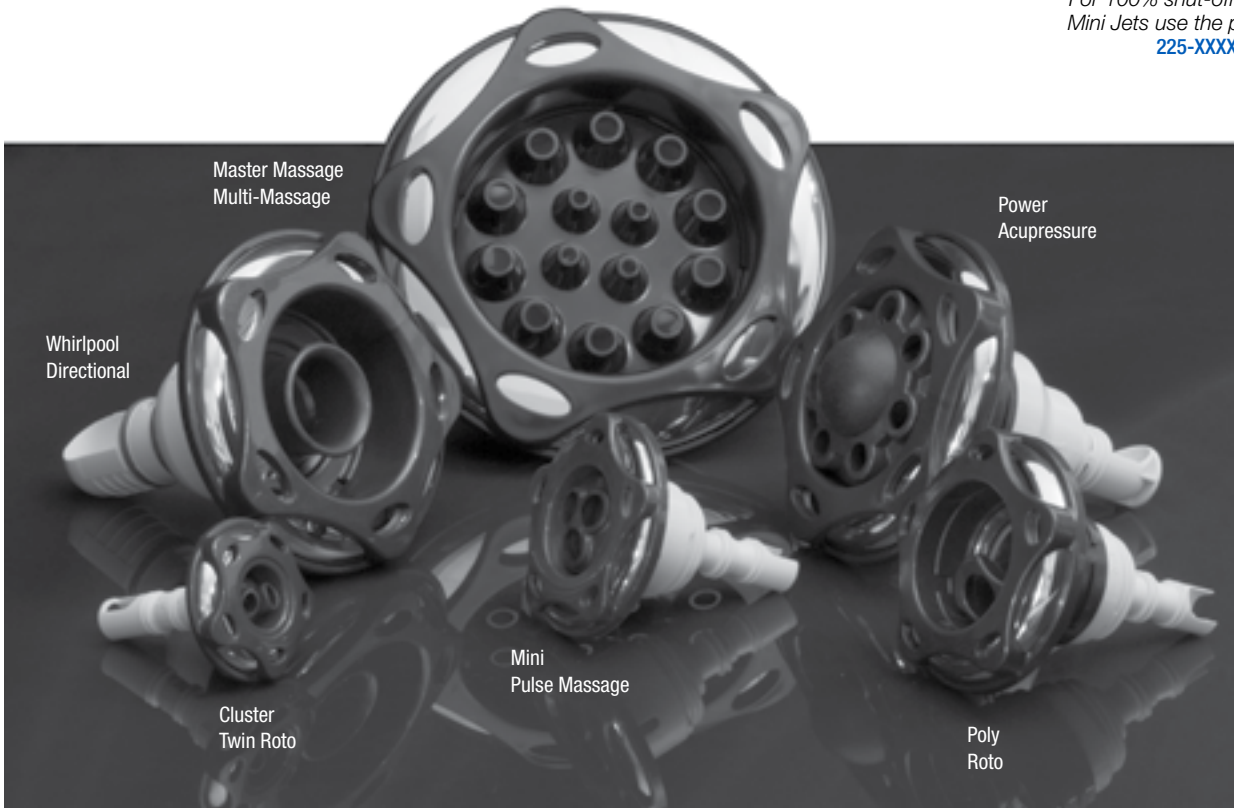
	Twister	List Price
	229-7690	23.60
	229-7690S	39.77



	Acupressure	List Price
	229-6710	23.60
	229-6710S	39.77

For GLO style internals on all Storm Jets use the prefix 230 and the last number as 8.
230-XXX8

For 100% shut-off Cluster & Mini Jets use the prefix 225.
225-XXXX



Spa Jets



Spa Jets / Storm Jets - Smooth

Thread-in Jet Patent # US8458825 & CA2644557

Cluster – 2-1/4" Diameter Case Qty: Plastic 300/box Stainless 200/box



	Directional	List Price
Plastic	239-4300	4.35
Stainless	239-4300S	11.19



	Rifled	List Price
	239-4310	4.35
	239-4310S	11.19



	Multi-massage	List Price
	239-4320	4.35
	239-4320S	11.19



	Twin Roto	List Price
	239-4330	5.90
	239-4330S	12.75

Mini – 3" Diameter Case Qty: Plastic 200/box Stainless 180/box



	Directional	List Price
Plastic	229-7900	10.87
Stainless	229-7920S	20.51



	Rifled	List Price
	229-0160	10.87
	229-0160S	20.51



	Multi-Massage	List Price
	239-4340	10.87
	239-4340S	20.51



	Roto	List Price
	239-4350	14.58
	239-4350S	24.23



	Twin Roto	List Price
Plastic	229-7940	14.58
Stainless	229-7950S	24.23



	Pulse Massage	List Price
	229-7810	14.16
	229-7800S	25.78

LG Mini – 3-5/16" Diameter Case Qty: 120/box



	Directional	List Price
Plastic	229-0010	11.48
Stainless	229-0090S	21.12



	Rifled	List Price
	229-0150	11.48
	229-0150S	21.12



	Multi-Massage	List Price
	229-0080	11.48
	229-0080S	21.12



	Roto	List Price
	229-0310	15.21
	229-0310S	24.86



	Twin Roto	List Price
Plastic	229-7840	15.21
Stainless	229-7840S	24.86



	Pulse Massage	List Price
	229-0040	15.21
	229-0040S	26.40



	Twister	List Price
	229-2100	15.21
	229-2100S	24.86

For GLO style internals on all Storm Jets use the prefix 230 and the last number as 8.
230-XXX8

For 100% shut-off Cluster & Mini Jets use the prefix 225.
225-XXXX






Thread-in Jet Patent # US8458825 & CA2644557





Poly – 3-3/8" Diameter Case Qty: Plastic 130/box Stainless 100/box

			
Directional List Price 229-8040 14.31 229-8050S 29.21	Rifled List Price 229-1900 14.31 229-1900S 29.21	Multi-Massage List Price 229-8280 14.31 229-8270S 29.21	Roto List Price 229-8000 18.03 229-8010S 32.92




Patent # CA 5,920,025

			<p><i>For GLO style internals on all Storm Jets use the prefix 230 and the last number as 8. 230-XXX8</i></p> <p><i>For 100% shut-off Cluster & Mini Jets use the prefix 225. 225-XXXX</i></p>
Twin Roto List Price 229-8130 18.03 229-8120S 32.92	Pulse Massage List Price 229-8020 20.51 229-8030S 35.41	Twister List Price 229-8230 18.03 229-8230S 32.92	





LG Poly – 4" Diameter Case Qty: 60/box

			
Directional List Price 229-8160 15.58 229-8160S 31.69	Rifled List Price 229-9790 15.58 229-9790S 31.69	Multi-Massage List Price 229-8290 15.58 229-8290S 31.69	Roto List Price 229-8140 19.30 229-8140S 35.41

Patent # CA 5,920,025

		
Twin Roto List Price 229-8170 19.30 229-8170S 35.41	Pulse Massage List Price 229-8150 19.30 229-8150S 37.90	Twister List Price 229-9600 19.30 229-9600S 35.41

Power – 5" Diameter *(continued next page)* Case Qty: Plastic 50/box Stainless 50/box

			
Directional List Price 239-7090 18.03 239-7090S 34.18	Roto List Price 229-6630 23.60 229-7600S 39.75	Twin Roto List Price 229-6610 23.60 229-7610S 39.75	Pulse Massage List Price 229-6650 28.57 229-7740S 44.72

Spa Jets



Spa Jets / Storm Jets - Smooth

Thread-in Jet Patent # US8458825 & CA2644557

LG Power – 5-1/2" Diameter *(continued from previous page)*

Case Qty: 35/box



Directional List Price

Plastic / NA
Stainless 229-0900S 35.41



Rifled List Price

229-6850S 35.41



Multi-Massage List Price

229-7330S 35.41



Roto List Price

229-7310S 40.99



Twin Roto List Price

Plastic / NA
Stainless 229-7320S 40.99



Pulse Massage List Price

229-7360S 45.96



Twister List Price

229-0800S 40.99

XL Power – 6-1/2" Diameter

Case Qty: 25/box



Directional List Price

Plastic / NA
Stainless 239-0910S 37.90



Rifled List Price

229-6840S 37.90



Multi-Massage List Price

229-7450S 37.90



Roto List Price

229-7380S 43.47



Twin Roto List Price

Plastic / NA
Stainless 229-7390S 43.47



Pulse Massage List Price

229-7480S 48.45



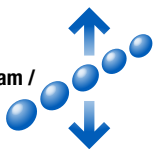
Twister List Price

229-0830S 43.47

*For GLO style internals on all Storm Jets use the prefix 230 and the last number as 8.
230-XXX8*

*For 100% shut-off Cluster & Mini Jets use the prefix 225.
225-XXXX*

Twirl
Steady Stream / Stationary Eyeball



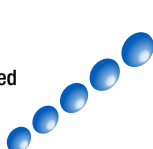
Multi Massage
Multi-Shower



Roto
Adjustable Rotating Stream



Rifled
Enhanced Steady Stream



Twin Roto
Rotating Dual Stream



Twister
Adjustable Rotating Stream



Pulse Massage
Pulsating Stream





Shower
Pressure Ball










Thread-in Jet Patent # US8458825 & CA2644557

Cluster – 2-1/4" Diameter Case Qty: Plastic-300/box Stainless-200/box

			
Directional Plastic 229-1540 Stainless 229-5310S	Rifled 239-4370 239-4370S	Multi-Massage 229-9720 229-9720S	Twin Roto 229-1590 229-5320S
List Price 4.35 11.19	List Price 4.35 11.19	List Price 4.35 11.19	List Price 5.90 12.75

Mini – 3" Diameter Case Qty: Plastic-250/box Stainless-180/box

			
Directional Plastic 229-7920 Stainless 229-5410S	Multi-Massage 229-5480 229-5480S	Twin Roto 229-7950 229-5430S	Roto 229-0020 229-5420S
List Price 10.87 20.51	List Price 10.87 20.51	List Price 14.58 24.23	List Price 14.58 24.23


Pulse Massage Plastic 229-0030 Stainless 229-5440S
List Price 16.15 25.77





For GLO style internals on all Storm Jets use the prefix 230 and the last number as 8. **230-XXX8**

For 100% shut-off Cluster & Mini Jets use the prefix 225. **225-XXXX**

LG Poly – 4" Diameter Case Qty: Plastic 100/box Stainless 45/box

			
Directional Plastic 229-8160 Stainless 229-5510S	Multi-Massage 229-8290 229-5580S	Twin Roto 229-8170 229-5530S	Roto 229-8140 229-5520S
List Price 14.31 31.69	List Price 14.31 31.69	List Price 18.03 35.41	List Price 18.03 35.41

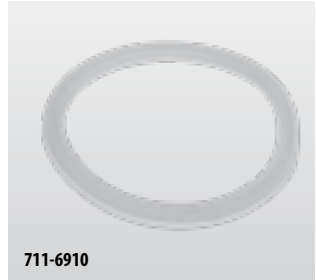
Power – 5" Diameter Case Qty: Plastic 50/box Stainless 50/box

			
Directional Plastic 229-7630 Stainless 229-5610 S	Pulse Massage 229-7740 229-5650S	Twin Roto 229-7610 229-5640S	Roto 229-7600 229-5630S
List Price 18.03 35.41	List Price 28.57 44.72	List Price 24.06 39.75	List Price 24.06 39.75



Storm Jet Flat Kraton Gaskets

Part No.	Description	List (US \$)
711-6910	Mini-Storm Flat Gasket	0.62
711-4410	Poly-Storm Flat Gasket	0.62
711-6608	Power-Storm Flat Gasket	0.83



711-6910

Storm Jet Flat EPDM Gaskets

Part No.	Description	List (US \$)
806-0010	Cluster Storm EPDM Flat Gasket	0.83
806-0011	Mini Storm EPDM Flat Gasket	1.00
806-0012	Poly Storm EPDM Flat Gasket	1.36
806-0013	Power Storm EPDM Flat Gasket	2.27



806-0011

Storm Jet Grommet Kraton Gaskets

Part No.	Description	List (US \$)
711-5140L	Cluster-Storm Grommet Gasket	0.60
711-6900	Mini-Storm Grommet Gasket	0.62
711-4400	Poly-Storm Grommet Gasket	0.62
711-6500	Power-Storm Grommet Gasket	0.83



711-6900

Storm Jet Grommet EPDM 55 Shore Gaskets

Part No.	Description	List (US \$)
806-0018	Cluster Storm 55 Shore EPDM Grommet Gasket	0.95
806-0021	Mini Storm 55 Shore EPDM Grommet Gasket	1.21
806-0022	Poly Storm 55 Shore EPDM Grommet Gasket	1.51
806-0023	Power Storm 55 Shore EPDM Grommet Gasket	2.76



806-0021

Storm Jet Grommet Silicone 45 Shore Gaskets

Part No.	Description	List (US \$)
806-0060	Cluster Storm Silicone 45 Shore Grommet Gasket	0.95
806-0061	Mini Storm Silicone 45 Shore Grommet Gasket	1.21
806-0062	Poly Storm Silicone 45 Shore Grommet Gasket	1.51
806-0063	Power Storm Silicone 45 Shore Grommet Gasket	2.76



806-0061

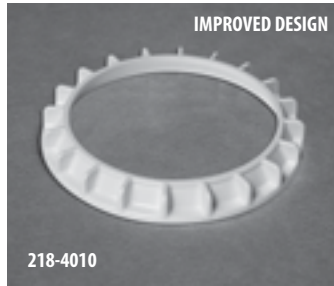
Double Seal Gaskets for Storm Jets

Part No.	Description	List (US \$)
711-6920	Mini-Storm Double Seal Gasket	1.71
711-4430	Poly Storm Double Seal Gasket	1.95
711-6620	Power Storm Double Seal Gasket	2.37



711-6620

Pat. Pend.



Storm Jet Self-Alignment Rings

Part No.	Description	Case Quantity	List (US \$)
218-5150	Cluster-Storm Self-Alignment Ring	500	0.77
718-6960	Mini-Storm Self-Alignment Ring	700	0.98
218-4010	Poly-Storm Self-Alignment Ring - Improved Design	500	1.00
218-6680	Power-Storm Self-Alignment Ring - Regular	160	2.79
218-6680T	Power-Storm Self-Alignment Ring - Thin	160	2.79

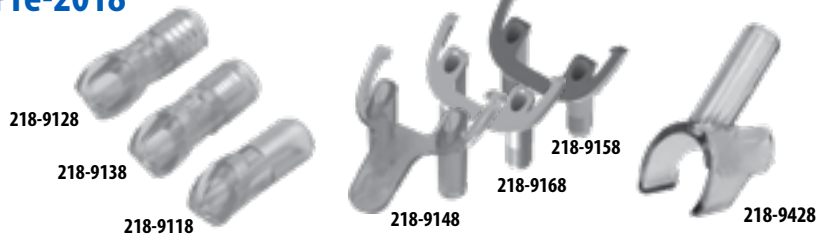
Storm Jet Nozzle Reducer

Part No.	Description	Case Quantity	List (US \$)
217-0047	Mini-Storm Jet Nozzle Reducer - 1/4" Orifice	12	0.40
217-0057	Poly-Storm Jet Nozzle Reducer - 1/4" Orifice	12	0.40
218-9460	GLO LED Clip for Cluster Storm Body	-	0.40

NEW!



Pre-2018



Storm Jet Glo Components

Part No.	Description	Case Quantity	List (US \$)
218-9118	Glo Tube, Smooth Barb	--	0.29
218-9128	Glo Tube, 3/8" -16 (Sloan Style)	--	0.29
218-9138	Glo Tube, 1/8 MPT (J-Style)	--	0.29
218-9148	Glo Clip, Smooth Barb (Mini / Poly only)	--	0.56
218-9158	Glo Clip 3/8" -16 MPT (Sloan Style) (Mini / Poly only)	--	0.56
218-9168	Glo Clip 1/8" MPT (J-Style) (Mini / Poly only)	--	0.56
218-9428	Glo Saddle, Smooth Barb	--	0.40
218-9438	Glo Saddle, (Sloan Style)	--	0.40
218-9448	Glo Saddle, (J Style)	--	0.40



Storm Hand-Held Jet

Part No.	Description	Case Quantity	List (US \$)
229-3357	Poly-Storm Thread-In Hand-Held Jet - 5-Scalloped	1	113.42
229-7757	Power-Storm Thread-In Hand-Held Jet - 5-Scalloped	12	132.31



Spa Jets / Whirlpool Jets

5 Scallop



Whirlpool	List Price
Adjustable 229-5710S	47.62
Non-Adj. 229-5800S	42.09

6 Spoke



Whirlpool	List Price
Adjustable 229-2090S	47.62
Non-Adj. 229-2000S	42.09

Reverse 6 Spoke



Whirlpool	List Price
Adjustable 239-5080S	53.14
Non-Adj. 239-5090S	47.60

Eclipse



Whirlpool	List Price
Adjustable 239-0150S	53.14
Non-Adj. 239-1750S	47.60

Reverse Eclipse



Whirlpool	List Price
Adjustable 239-1740S	53.14
Non-Adj. 239-1750S	47.60

Luxe



Whirlpool	List Price
Adjustable 239-0020S	53.14
Non-Adj. 239-0010S	47.60

Swirl



Whirlpool	List Price
Adjustable 229-3020S	46.24
Non-Adj. 229-3040S	40.86

Reverse Swirl



Whirlpool	List Price
Adjustable 229-2900S	51.59
Non-Adj. 229-2910S	46.22

Revo



Whirlpool	List Price
Adjustable 229-3050S	46.24
Non-Adj. 229-3060S	40.86

Smooth



Whirlpool	List Price
Adjustable 229-2060S	46.24
Non-Adj. 229-2030S	40.86

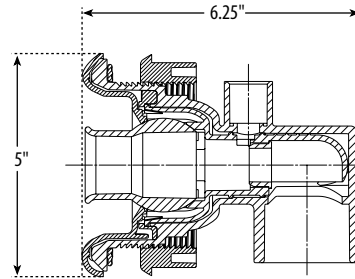
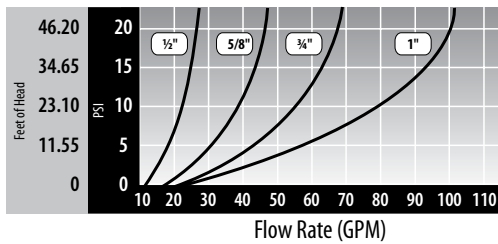
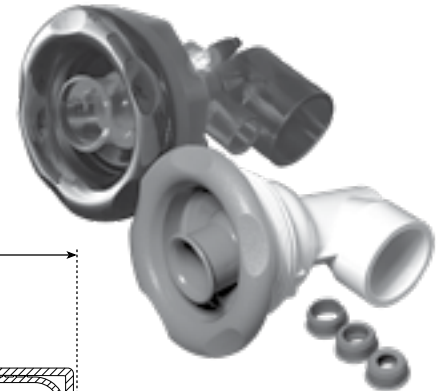
Continued next page.



Whirlpool Jets - Specifications

FEATURES:

- Adjustable flow control
- Large 1 1/2" socket intake
- Available in smooth face and 5-Scallop escutcheons
- Four water nozzle sizes to choose from: 1/2" - 5/8" - 3/4" and 1" (see flow chart)
- Self-alignment ring available for use without silicone (optional)
- Universal on/off control (on = counter clockwise / off = clockwise)
- Available as Glo Jets



Whirlpool Thread-In Jet Body Assemblies

Part No.	Description	Case Quantity	List (US \$)
228-2000	Thread-In Body - with Flat Gasket - 1 1/2" S x 1/2" S	25	15.86
228-2000G	Thread-In Body - with Grommet Gasket - 1 1/2" S x 1/2" S	25	15.86
228-2010	Thread-In Body - with Flat Gasket - 1" S x 1/2" S	25	15.86
228-2010G	Thread-In Body - with Grommet Gasket - 1" S x 1/2" S	25	15.86
228-2130	Thread-In Same Side Body - with Flat Gasket - 1 1/2" S x 1/2" S	25	15.86
228-2130G	Thread-In Same Side Body - with Grommet Gasket - 1 1/2" S x 1/2" S	25	15.86

Note: For Glo Whirlpool Jet bodies, change the last number to 8. ie: 228-2008

Whirlpool Thread-In Jet Internals

Part No.	Description	Case Quantity	List (US \$)
229-2020	Thread-In Non-Adjustable - 5-Scallop	45	26.70
229-2030	Thread-In Non-Adjustable - Smooth	45	26.70
229-2030S	Thread-In Non-Adjustable - Stainless Steel	45	40.86
229-2050	Thread-In Adjustable - 5-Scallop	45	32.10
229-2060	Thread-In Adjustable - Smooth	45	32.10
229-2060S	Thread-In Adjustable - Stainless Steel	45	46.24

Note: For Glo Whirlpool Internals, change the part number prefix to 230-xxxx.

Whirlpool Accessories

Part No.	Description	Case Quantity	List (US \$)
223-0010	Air Check Valve Adapter - 3/8" SB x 1/2" Spigot	600	2.34



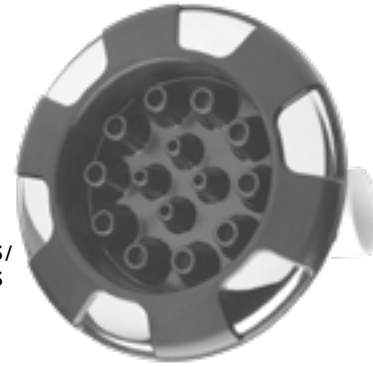


Spa Jets / Master Massage Jets

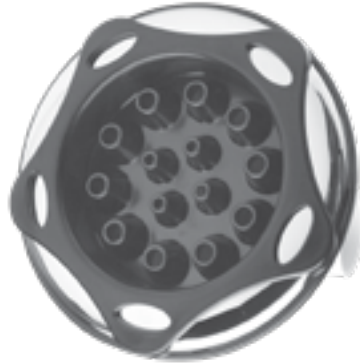
FEATURES:

- Extra large 7 1/2" construction
- Available with adjustable flow control
- Easy through-wall installation
- 3/4" nozzle = 75 GPM flow
- Two ball bearings for added jet life
- 1 1/2" S x 1 1/2" S plumbing

For GLO style internals on all Storm Jets use the prefix 235 and the last number as 8.
235-XXX8



210-7180S /
210-8290S



210-7170S /
210-8280S



235-7158S /
235-8168S



224-9541S /
224-9551S



210-7130S /
210-8270S

Master Massage Jets

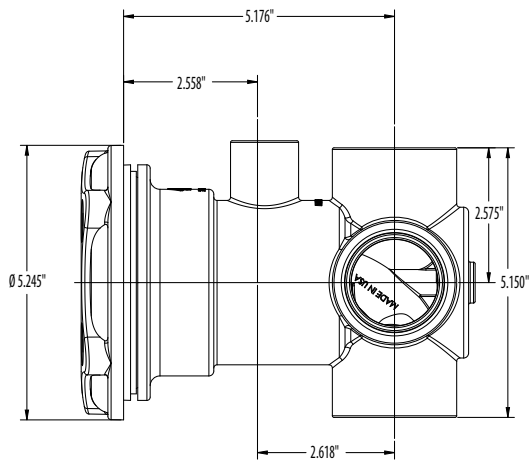
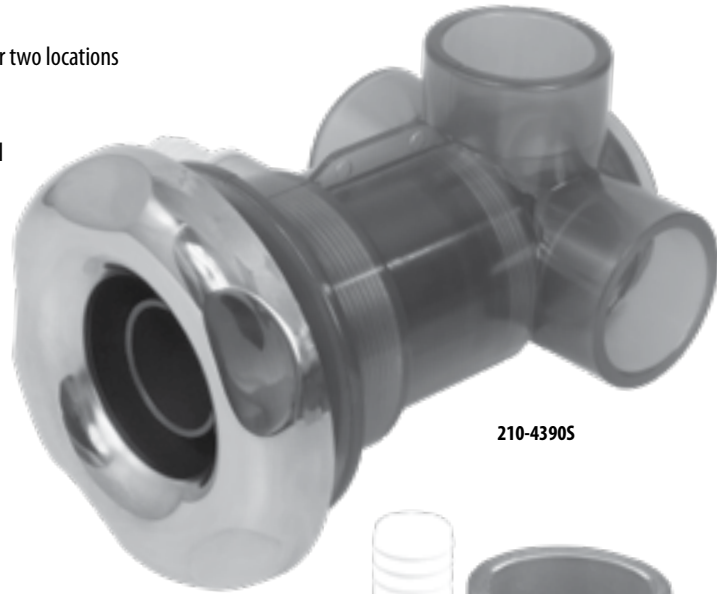
Part No.	Description	Style	Case Quantity	List (US \$)
210-8290S	Non-Adjustable Jet Assembly – 1 1/2" S x 1/2" S	6-Spoke - Stainless Steel	10	98.15
210-7180S	Adjustable Jet Assembly – 1 1/2" S x 1/2" S	6-Spoke - Stainless Steel	10	119.85
210-8280S	Non-Adjustable Jet Assembly – 1 1/2" S x 1/2" S	Revo - Stainless Steel	10	98.15
210-7170S	Adjustable Jet Assembly – 1 1/2" S x 1/2" S	Revo - Stainless Steel	10	119.85
210-8270S	Non-Adjustable Jet Assembly – 1 1/2" S x 1/2" S	Swirl - Stainless Steel	10	98.15
210-7130S	Adjustable Jet Assembly – 1 1/2" S x 1/2" S	Swirl - Stainless Steel	10	119.85
224-9540S	Non-Adjustable Jet Assembly – 1 1/2" S x 1/2" S	Nova - Stainless Steel	10	98.15
224-9550S	Adjustable Jet Assembly – 1 1/2" S x 1/2" S	Nova - Stainless Steel	10	119.85
235-8160	Non-Adjustable Jet Assembly – 1 1/2" S x 1/2" S	5-Scallop	10	56.38
235-7150	Adjustable Jet Assembly – 1 1/2" S x 1/2" S	5-Scallop	10	78.11
210-8160S	Non-Adjustable Jet Assembly – 1 1/2" S x 1/2" S	Smooth - Stainless Steel	10	93.35
210-7150S	Adjustable Jet Assembly – 1 1/2" S x 1/2" S	Smooth - Stainless Steel	10	115.16
210-4400S	Non-Adjustable Jet Assembly – 1 1/2" S x 1/2" S	Orion - Stainless Steel	10	100.83
210-4410S	Adjustable Jet Assembly – 1 1/2" S x 1/2" S	Orion - Stainless Steel	10	122.53

Note: For Glo Massage Jet, Change the part number prefix to 235-xxxx.

Spa Jets / Turbo Jet

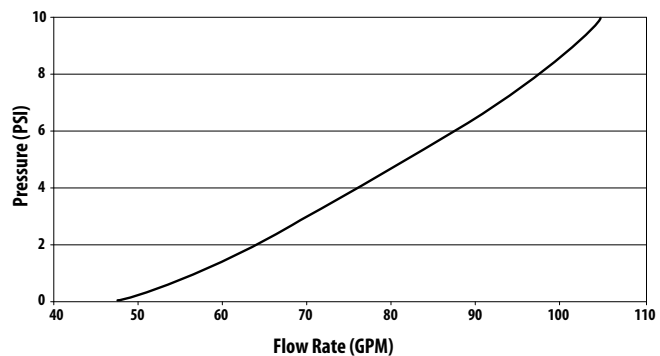
FEATURES:

- Works as a valve to divert water to one or two locations
- Works as a high volume whirlpool jet
- Comes with a built in check valve
- Plumbing size is 1 1/2" S x 2" Spigot for all water ports and 3/4 RB air port



NEW HOLE SAW SIZE - 3.25"

Turbo Jet Performance



Turbo Jet

Part No.	Description	Case Quantity	List (US \$)
210-4390	1 1/2" S x 2" Spigot Water x 3/4" RB Air - 5 1/4" Flange Diameter	20	76.04
210-4390S	1 1/2" S x 2" Spigot Water x 3/4" RB Air - 5 1/4" Flange Diameter - Stainless Steel	20	89.70
218-4360	Turbo Jet Wrench	--	4.23



Spa Jets / **OVO Swim Jet**

FEATURES:

- Extra wide 6 1/4" oval escutcheon
- Oval shaped eyeball
- More than 175GPM flow
- 2" Plumbing for high volume output
- Available as LED Glo Jet

SPECIFICATIONS:

.925" = 100 CPM

1.5" = 175 GPM

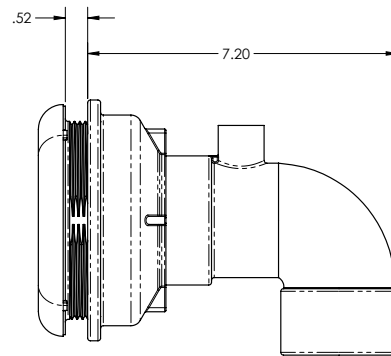
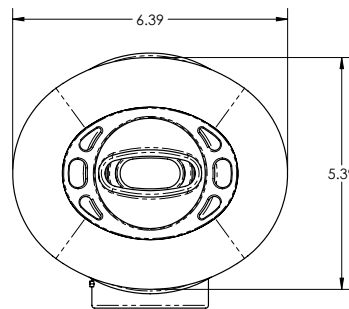
Hole saw size = 4 3/4"



210-7918 S



210-7901 S

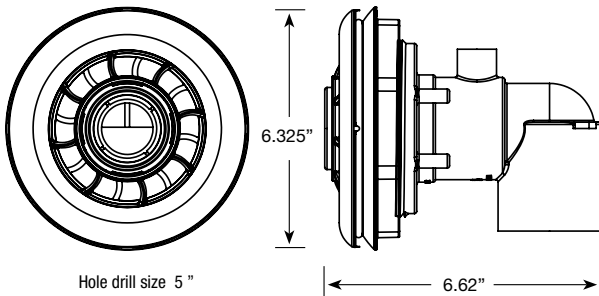


Swim Jets - Ovo Ell Style

Part No.	Jet Type	Style	Case Qty.	List (US \$)
210-7900	Ovo Swim Jet, 2" S X 1/2" S Ell Body Assy, .925" Orifice	Plastic	6	58.55
210-7900S	Ovo Swim Jet, 2" S X 1/2" S Ell Body Assy, .925" Orifice w/Metal	Stainless Steel	6	93.68
210-7908	Glo Ovo Swim Jet, 2" S X 1/2" S Ell Body Assy, .925" Orifice	Plastic	6	66.35
210-7908S	Glo Ovo Swim Jet, 2" S X 1/2" S Ell Body Assy, .925" Orifice w/ Metal	Stainless Steel	6	101.48
210-7910	Ovo Swim Jet, 2" S X 1/2" S Ell Body Assy, 1.5" Orifice	Plastic	6	58.55
210-7910S	Ovo Swim Jet, 2" S X 1/2" S Ell Body Assy, 1.5" Orifice with Metal	Stainless Steel	6	93.68
210-7918	Glo Ovo Swim Jet, 2" S X 1/2" S Ell Body Assy, 1.5" Orifice	Plastic	6	66.35
210-7918S	Glo Ovo Swim Jet, 2" S X 1/2" S Ell Body Assy, 1.5" Orifice with Metal	Stainless Steel	6	101.48

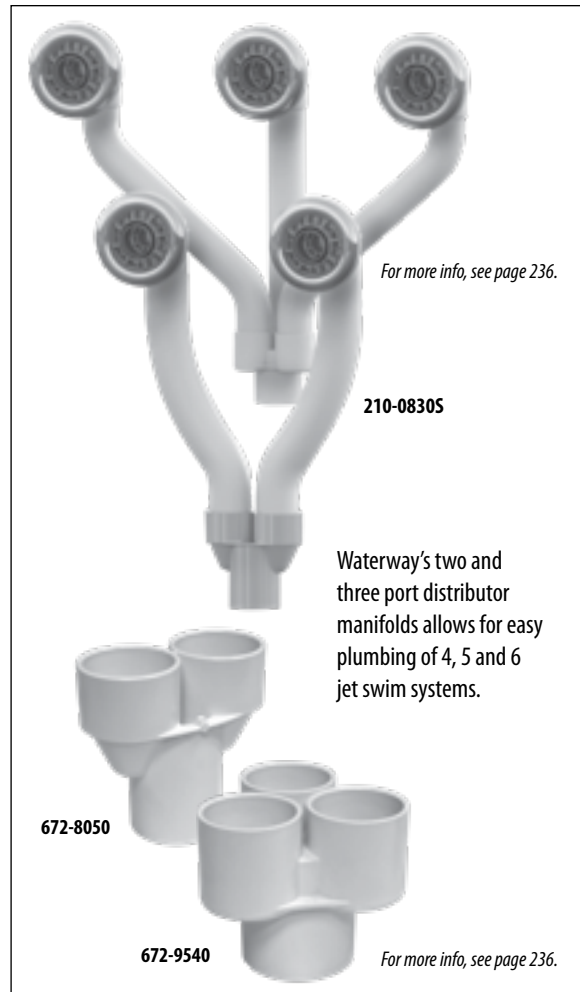


NEW!

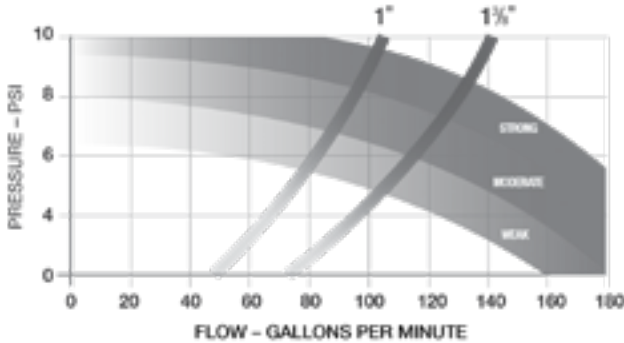


FEATURES:

- Through-wall jet installation
- 2" S input for optimum performance
- 1" and 1 3/8" equiv. nozzle sizes
- Nozzles can easily be exchanged
- Sixteen Entraining ports for improved performance
- Four Glo ports for LED lighting
- **Made in America**



POWER STREAM JET FLOW CURVE



Power Stream Swim Jet			
Part No.	Description	Case Quantity	List (US \$)
210-0828S	Power Stream Swim Jet 1 3/8" Nozzle with Clear/Metal	8	93.69
210-0838S	Power Stream Swim Jet 1" Nozzle with Clear/Metal	8	93.69
672-9540	Distributor Manifold 2.5" Slip X (3) 2" Slips	25	17.00
672-8050	Wye Manifold 2.5" Slip X 2.5" Slip X 2.5" Slip	20	11.76

Spa Jets



Old Faithful Jets

Part No.	Description	Case Quantity	List (US \$)
210-7430	Ell Body - 2" S Water x 1/2" S Air - 0.925" Orifice - 90 GPM - 5-Scallop	6	44.62
210-7440	Ell Body - 2" S Water x 1/2" S Air - 1 1/2" Orifice - 175 GPM - 5-Scallop	6	44.62
210-7270S	Ell Body - 2" S Water x 1/2" S Air - 0.925" Orifice - 90 GPM - Stainless Steel	6	77.41
210-7260S	Ell Body - 2" S Water x 1/2" S Air - 1 1/2" Orifice - 175 GPM - Stainless Steel	6	77.41
210-3910	Straight Body - 2" S Water x 1/2" S Air - 0.925" Orifice - 90 GPM - 5-Scallop	6	44.62
210-3920	Straight Body - 2" S Water x 1/2" S Air - 1 1/2" Orifice - 175 GPM - 5-Scallop	6	44.62
210-3910S	Straight Body - 2" S Water x 1/2" S Air - 0.925" Orifice - 90 GPM - Stainless Steel	6	77.41
210-3920S	Straight Body - 2" S Water x 1/2" S Air - 1 1/2" Orifice - 175 GPM - Stainless Steel	6	77.41
210-7300	1/2" S Air x 2" S Water - .925" Orifice - 90 GPM	6	44.62
210-7310	1/2" S Air x 2" S Water - 1 1/2" Orifice - 175 GPM	6	44.62

See page 26 for Swim Spa configuration diagrams.

Old Faithful Jet Accessories

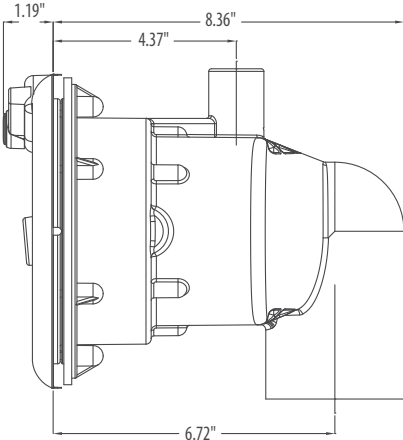
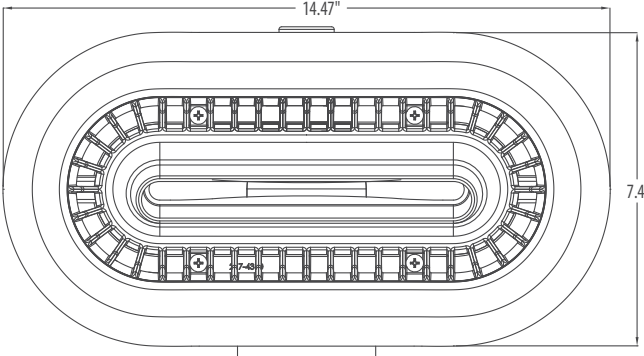
Part No.	Description	Case Quantity	List (US \$)
217-7300	1" Nozzle	1	6.01
217-7320	1 1/2" Nozzle	1	6.01
711-7300	Gasket	1	5.10
218-1570A	Old Faithful Wrench w/ O-ring	45	18.76

FEATURES:

- 8" wide eyeball
- Eyeball turrets up / down 20%
- Vent Enhancement System
- XL 2 1/2" S intake
- Up to 1000 GPM input at 13 PSI



210-5100S



Notes

River Jets

Part No.	Description	Case Quantity	List (US \$)
210-5100	2 1/2" S x 1" Spigot	1	391.83
210-5100S	2 1/2" S x 1" Spigot - Stainless Steel	1	465.55
210-5100SL	LED River Jet Assy, 2 1/2" S x 1" S - Metal	1	506.58

See page 260 for Swim Spa configuration diagrams.

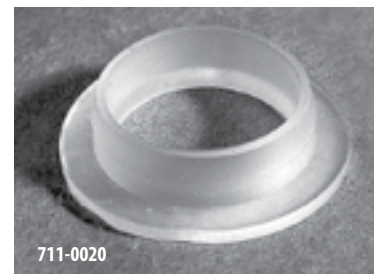


Air Systems / Air Injectors



Top-Flo Air Injectors

Part No.	Description	Color	Case Quantity	List (US \$)
670-2300	3/8" SB Ell Body Assembly	White	100	7.59
670-2350	3/8" SB Ell Body Assembly	Stainless Steel	100	10.88
670-2310	1/2" S Ell Body Assembly	White	100	7.59
670-2360	1/2" S Ell Body Assembly	Stainless Steel	100	10.88
670-2600	3/8" SB Multi-Body Assembly	White	200	6.45
670-2330	1" Spigot Straight Body Assembly	White	50	7.59
670-2380	1" Spigot Straight Body Assembly	Stainless Steel	100	10.88
670-2290	3/8" SB Straight Body Assembly	White	150	7.18
670-2390	3/8" SB Straight Body Assembly	Stainless Steel	150	10.05
670-2500	Ozone Air Injector – 3/8" Barb Body	White	150	7.59
670-2408L	3/8" SB Glo Injector Ell Body Assembly	Clear	150	8.79



Lo-Pro Air Injectors

Part No.	Description	Case Quantity	List (US \$)
670-2190	1" Spigot x 3/4" - Adapter Style - Stainless Steel	75	10.88
670-2200	3/8" SB - Ell Body	150	7.59
670-2210	3/8" SB - Ell Body - Stainless Steel	150	10.88
711-0020	Grommet Gasket - Low-Pro Air Injector	150	0.60
711-1350	Flat Gasket - Low-Pro Air Injector	150	0.62

**FEATURES:**

- High performance motor runs cooler and quieter
- High impact resistant construction
- Has been tested, certified and listed by UL to requirements of both UL and CSA standards

**Stealth II Blower Assemblies**

Part No.	Description	Amps	Case Quantity	List (US \$)
700-3011-000	1.0 HP - 110V - 1 1/2" S / 2" Spigot	6.7	6	223.06
700-3151-000	1.5 HP - 110V - 1 1/2" S / 2" Spigot	7.6	6	253.62
700-3102-000	1.0 HP - 220V - 1 1/2" S / 2" Spigot	4.0	6	239.43
700-3152-000	1.5 HP - 220V - 1 1/2" S / 2" Spigot	4.2	6	260.77
700-3201-000	2.0 HP - 110V - 1 1/2" S / 2" Spigot	8.8	6	320.80
700-3202-000	2.0 HP - 230V - 1 1/2" S / 2" Spigot	5.8	6	294.80

See Blower Sizing on page 254 to calculate your required blower size.

Listed price is without cord. Please call Waterway for part number and pricing with cord.



Spa Drains & Suctions / Lo-Pro Suctions and Floor Drains



Low Profile Drain Assemblies

Part No.	Description	Case Quantity	List (US \$)
640-0400	¾" Socket / 1" Spigot	100	9.23
640-0420	Shur-Grip - ¾" SB	100	9.23
640-0401S	¾" Socket - Stainless Steel Cover	100	17.20
640-0430	Large Face - ½" S	100	12.93
711-0080	Grommet Gasket	1000	0.60



90° Ell Lo-Pro Spa Floor Drains

Part No.	Description	Case Quantity	List (US \$)
640-4340	¾" S Floor Drain	40	22.78
640-4400	1" S Floor Drain	40	22.78
640-4440	¾" SB Floor Drain	40	22.78



WARNING

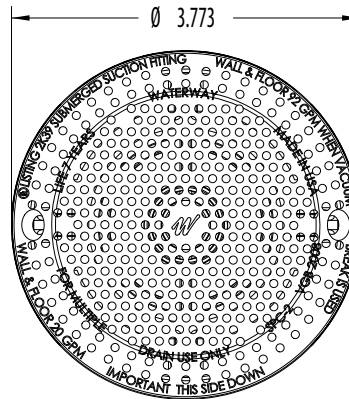
Read and follow all instructions in the Owner's Manual for all equipment.
Failure to follow instructions can cause injury and/or death.

**VGB
2008**

All Waterway Drains, Grates and Suctions are Listed and Certified and Tested in strict accordance to the requirements of ASME A112.19.8-2007 and ASME A112.19.8a-2008 (as defined in CPSC letter dated April 8, 2011). Compliant to the latest Consumer Safety Product Commission Requirements (CPSC).



640-3250 VP

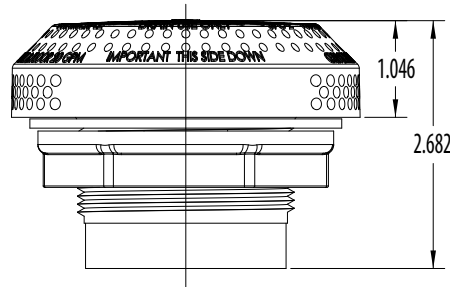


FEATURES:

- New Hi-Flo rating of 128 GPM (without vacuum break)
- For portable spas
- Available in 1 1/2" S sizes

SPECIFICATIONS:

- Total Open Area: 4.01 sq. in.
- Floor Flow Rate: N/A
- Wall Flow Rate: 128 GPM



SPC-2 VP - 3.5" Hi-Flo Suctions

Part No.	Description	Case Quantity	List (US \$)
640-325x VP	Hi-Flo Suction Assembly - 1 1/2" Hex (without Vacuum Break)	80	19.73
640-328x VP	Hi-Flo Suction Assembly - 1 1/2" 90° Ell (without Vacuum Break)	80	24.27
640-348x VP	Hi-Flo Suction Assembly - 1 1/2" 90° Ell (with 642-4120 VAC Vacuum Break)	80	24.27



Spa Drains & Suctions / 3.5" Ultra Hi-Flo Suctions



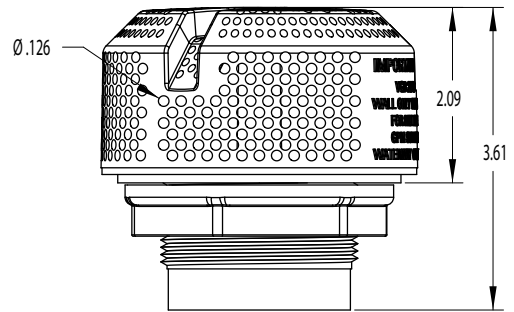
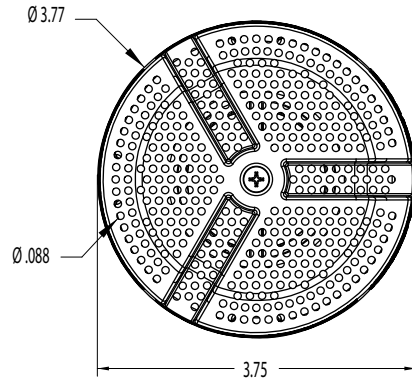
Patent Pending



640-3497 VP

SPECIFICATIONS:

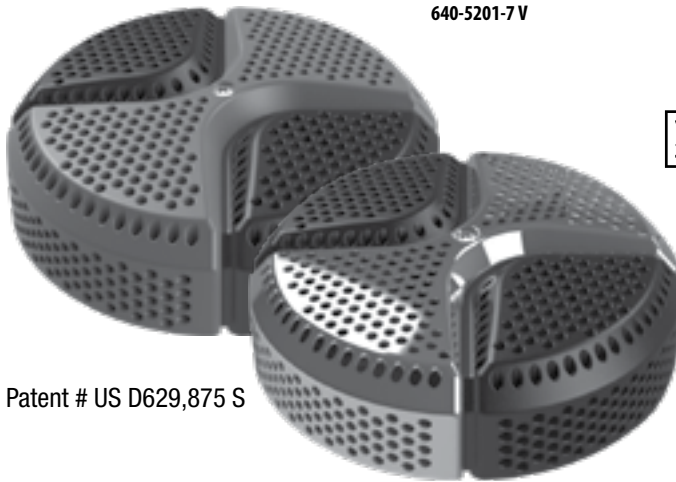
- Total Open Area: 6.24 sq. in.
- Floor Flow Rate: N/A
- Wall Flow Rate: 160 GPM
- For portable spas



3.5" Ultra Hi-Flo Suctions

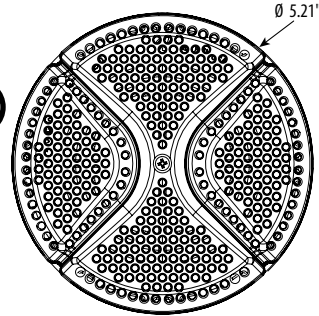
Part No.	Description	Case Quantity	List (US \$)
640-349x VP	3.5" Ultra Hi-Flo Suction - Tall Assembly	50	19.73

Replace the final x in the part number with the color of your choice (see page 4 for colors).



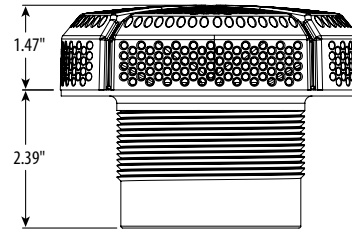
640-5201-7V

VGB
2008



Patent # US D629,875 S

640-5301 V



FEATURES:

- Flow Rate of 252 GPM (portable spas only)
- Available in 2" and 2 1/2" S sizes
- Two tone color for additional color coordination
- Available in Stainless Steel / color of your choice

5" Designer Pro Series Suctions

Part No.	Description	Case Quantity	List (US \$)
640-520xV	5" Designer Pro Series Suction - 2" S - Two Tone	35	30.94
640-525xV	5" Designer Pro Series Suction - 2 1/2" S - Two Tone	35	30.94
640-530xV	5" Designer Pro Series Suction - 2" S - Two Tone Stainless Steel	35	43.78
640-535xV	5" Designer Pro Series Suction - 2 1/2" S - Two Tone Stainless Steel	35	43.78

Replace the final x in the part number with the color of your choice (see page 4 for colors).



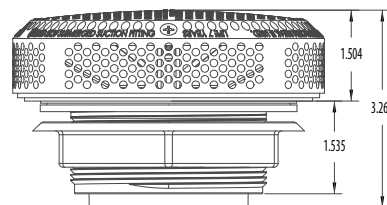
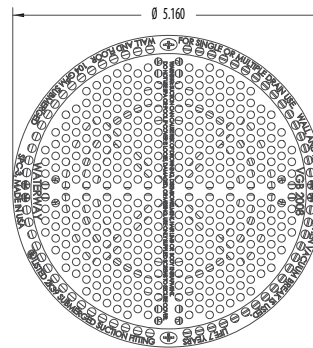
640-3797 V

VGB
2008



SPECIFICATIONS:

- Total Open Area: 9.02 sq. in.



FEATURES:

- New Super Hi-Flo Rating of 251 GPM (portable spas only)
- Available in 2" and 2 1/2" S sizes
- 2 1/2" can be used with fittings (on next page)

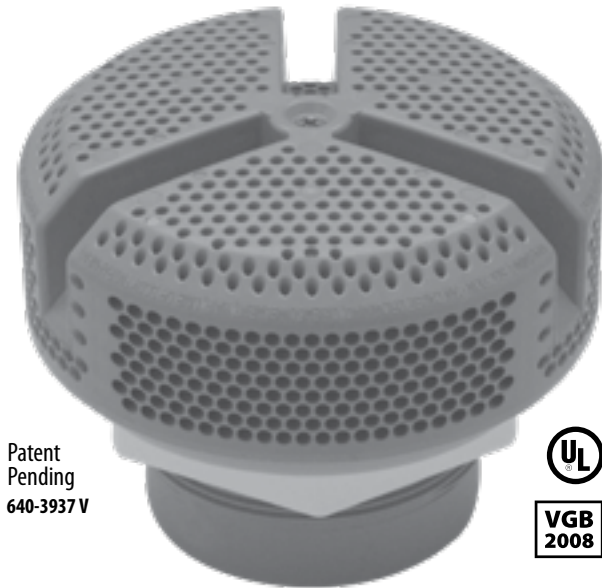
SPC-3 VP - 5" Super Hi-Flo Suctions

Part No.	Description	Case Quantity	List (US \$)
640-378xV	5" Super Hi-Flo Suction Assembly - 2" S	35	27.40
640-379xV	5" Super Hi-Flo Suction Assembly - 2 1/2" S	35	27.40
640-3570S V	5" Super Hi-Flo Suction Assembly - 2" S - Stainless Steel	35	40.24
640-3580S V	5" Super Hi-Flo Suction Assembly - 2 1/2" S - Stainless Steel	35	40.24

Replace the final x in the part number with the color of your choice (see page 4 for colors).



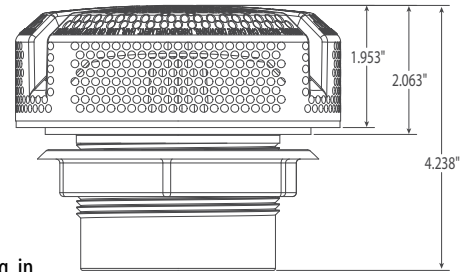
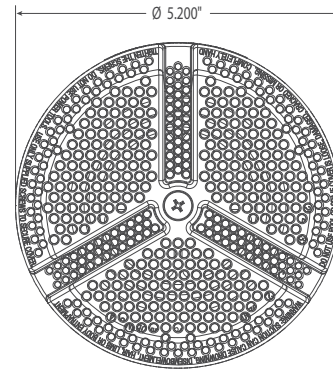
Spa Drains & Suctions / 5" Ultra Flo Suctions for Portable Spas



Patent Pending
640-3937 V



VGB
2008



FEATURES:

- Ultra Flo Rating of 264 GPM (portable spas only)
- Available in 2" and 2 ½" S sizes
- 2 ½" can be used with fittings (below)

SPECIFICATIONS:

- Total Open Area: 11.87 sq. in.

5" Ultra Flo Suctions

Part No.	Description	Case Quantity	List (US \$)
640-394x VP	5" Ultra Flo Suction Assembly - 2" S	35	27.73
640-393x VP	5" Ultra Flo Suction Assembly - 2 ½" S	35	27.73

Replace the final x in the part number with the color of your choice (see page 4 for colors)



Non-Vacuum Break Fittings for 2 ½" S Ultra Flo Suctions

Part No.	Description	Case Quantity	List (US \$)
642-3680	2 ½" x 2" S Straight Adapter	80	7.20
642-3700	2 ½" x 2" S 90° Ell Adapter	55	7.98
642-3610	2 ½" S 90° Ell Adapter	70	8.45
642-3730	2" S 90° Threaded Ell Adapter	35	7.20
642-3750	2" Threaded Straight Adapter	50	7.20



Air Controls / Toggle Air Controls & TruSeal Air Controls

Waterway's new toggle air control allows the user to simply toggle the air on or off without having to grab a knob or turn a lever. Makes air adjustments easy!

FEATURES:

- Ergonomically designed
- Two Body sizes available: 2 1/4" short and 3" tall
- Blower assist tee available for tall control
- Top accessible for easy cleaning
- Two body styles to choose from: short and extra short
- Available in a variety of colors



650-1010

650-2010

Toggle Air Controls

Part No.	Description	Case Quantity	List (US \$)
650-2010	Toggle On/Off Air Control Textured (Short)	100	18.99
650-1010	Toggle On/Off Air Control Textured (Long)	100	20.51

FEATURES:

- Low-Profile design
- Compression molded silicone umbrella valve
- Two handle styles to choose from: standard and stainless steel
- Two body styles to choose from: short and extra short
- Available in a variety of colors



660-4400S

660-4400

660-4410S

660-4410

660-4449-DSG

660-4459DSG-PS

TruSeal Air Controls

Part No.	Description	Case Quantity	List (US \$)
660-4400	Short Body - 2 1/2"	150	15.41
660-4400S	Short Body - 2 1/2" - Stainless Steel	150	17.99
660-4410	Extra Short Body - 2"	200	15.41
660-4410S	Extra Short Body - 2" - Stainless Steel	200	17.99
660-4450	Extra Short Body - 2" - "S" Style	200	15.41
660-4440	Low Profile - 1" - 6-Spoke Style	30	15.41



Air Controls / Top-Access Air Controls & Accessories



660-3570



660-3560



660-3510



660-3608 L



660-3580



660-5510



660-3599-D5G5



660-6011



660-3910

Top-Access Air Controls

Part No.	Description	Case Quantity	List (US \$)
660-3570	1" Top-Access Air Control - Notched Style	100	20.67
660-3560	1" Top-Access Air Control - Scalloped Style	100	20.67
660-3510	1" Top-Access Air Control - 6-Spoke Style	100	20.67
660-3520	1" Top-Access Air Control - 6-Spoke Style - Two-Tone	100	21.81
660-3530	1" Top-Access Air Control - Revo Style - Two-Tone	100	21.81
660-3600	1" Top-Access Air Control - "S" Style - Two-Tone	100	21.81
660-3580	1" Top-Access Air Control - 5-Scalloped Style - Textured	150	21.29
660-6011	1" Top-Access Air Control - Revo Style	--	20.06
660-5510	1" Top-Access Air Control - Eclipse Style - Two Tone	100	21.81
660-3590	1" Top-Access Air Control - Humpback Style	--	21.81
660-3500	1" Top-Access Air Control - Star Style	--	21.81
660-3910	1" Top-Access Air Control - Luxe Style	100	21.81

Note:

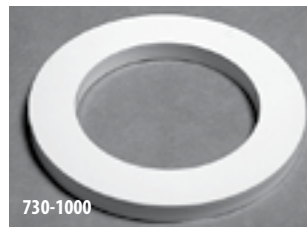
• Contact your Sales Representative to order Aura or Glo style Top Side Valves



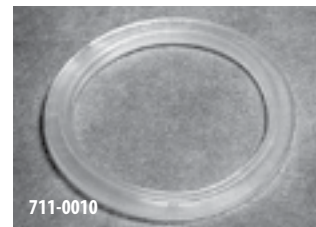
413-4180



916-0030



730-1000



711-0010

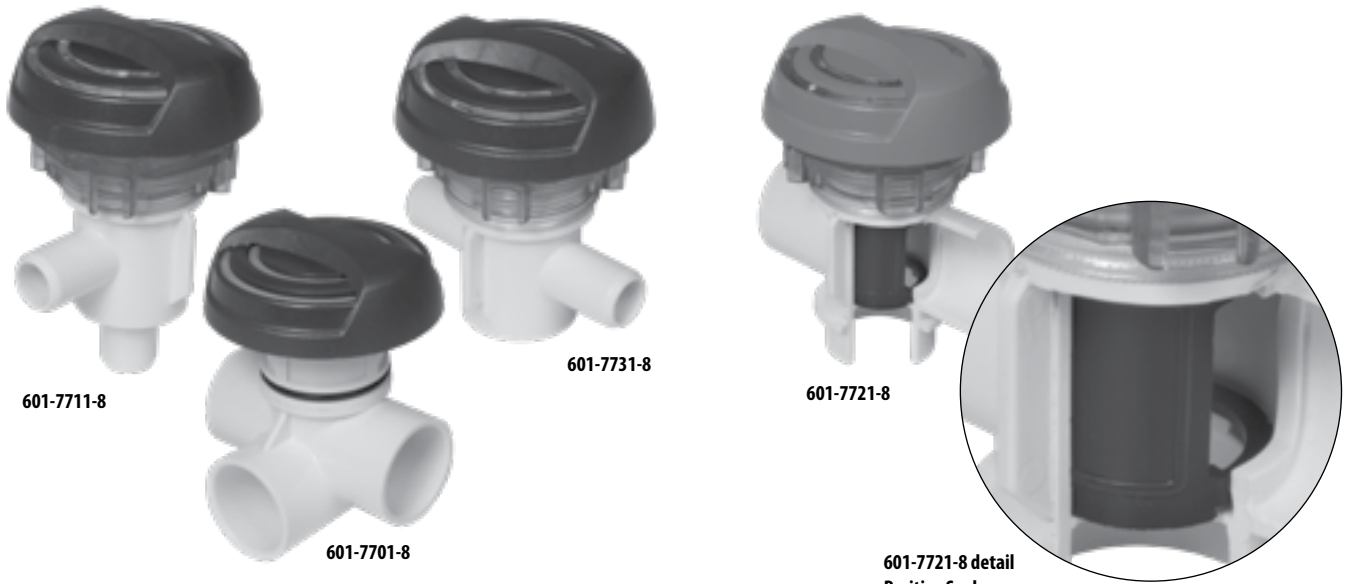
Air Control Options

Part No.	Description	Case Quantity	List (US \$)
413-4180	Blower Assist Tee - F.A.S. 1" S	200	5.46
413-4200	Blower Assist Tee - F.A.S. ½" S	100	5.46
916-3001	Escutcheon - Polished Chrome (fits 660-3000)	--	17.07
916-0030	Trim Ring - Stainless Steel	--	2.08
730-1000	Spacer and Gasket Assembly	500	1.30
711-0010	Gasket	1000	0.62



Top Side Valves / Orion / Luxe / Eclipse Valves

Orion Diverter Valve with Positive Seal



Positive Seal Diverter Valves

Part No.	Description	Style	Case Qty.	List (US \$)
601-7701-8	1" Top Access Positive Seal Horiz Valve	Orion	90	28.92
601-7711-8	3/4" SB Positive Seal Diverter On/Off Valve	Orion	90	28.92
601-7721-8	1" Top Access Positive Seal Diverter Valve	Orion	90	28.92
601-7731-8	3/4" SB Flo-Thru On/Off Valve	Orion	90	28.92

Elegant Top Side Controls to Match Our Luxe Series Jets

Luxe Top Side Valves

Part No.	Description	Style	Case Quantity	List (US \$)
600-3960*	1" Diverter Valve	Luxe	90	26.98
600-3910*	2" Top Access Diverter Valve	Luxe	10	39.05

Note: Contact your Sales Representative to order Aura or Glo style Top Side Valves



Exquisite Top Sides Now Available to Match Our New Eclipse Series Jets

Eclipse Top Side Valves

Part No.	Description	Style	List (US \$)
600-551x*	2" Top Access Diverter Valve Assy, Texture, 2-Tone	Eclipse	41.53
600-552x*	1" Top Access Diverter Valve Assy, Texture, 2-Tone	Eclipse	24.11

Note: Contact your Sales Representative to order Aura or Glo style Top Side Valves



*To change 1" diverter valves to positive seal valves, use the prefix in the part number. (see above for sample).



Top Side Valves / 5-Scallop Valves



FEATURES:

- Shuts off 100% with a 180° turn
- Available in two body sizes: ¾" Socket or ¾" Shur-Grip
- Used for waterfalls, water features or neck jets
- Available in multiple colors

Deluxe 180° Shut Off Valves

Part No.	Description	Style	Case Quantity	List (US \$)
600-4700	¾" S x ¾" S	5-Scallop	90	28.92
600-4710	Shur-Grip - ¾" SB x ¾" SB	5-Scallop	90	28.92

Note: Contact your Sales Representative to order Aura or Glo style Top Side Valves



FEATURES:

- 100% shut off
- Three different body styles to choose from
- Horizontal model is submersible
- Top access for easy servicing
- Works great for waterfalls and neck jets
- Sleeve allows for on/off adjustments with fewer turns



On / Off Turn Valves

Part No.	Description	Style	Case Quantity	List (US \$)
600-4360*	1" Vertical - Single Port	5-Scallop	100	27.27
600-4370*	1" Vertical - Dual Port	5-Scallop	90	28.91
600-4380*	1" Horizontal - Dual Port	5-Scallop	100	28.91
600-4600*	1 ½" Vertical - Single Port	5-Scallop	40	34.14
602-4440*	Sleeve (low volume applications only)	--	40	1.01

Note: Contact your Sales Representative to order Aura or Glo style Top Side Valves



FEATURES:

- Diverts water to one or two ports
- Top access for easy service
- 2" model wall fittings are sealed with o-rings
- 1" models available with one or two ports
- Available in multiple colors



Top Access Diverter Valves

Part No.	Description	Style	Case Quantity	List (US \$)
600-4220*	1" Vertical - 1-Port	5-Scallop	90	26.88
600-4210*	1" Vertical - 2-Port	5-Scallop	90	26.88
600-4230*	1" Horizontal - 2-Port	5-Scallop	90	26.88
600-3020*	2" Horizontal - 2-Port	5-Scallop	15	37.91
600-3040*	2" Vertical - 2-Port	5-Scallop	15	37.91

Note: Contact your Sales Representative to order Aura or Glo style Top Side Valves. *To change 1" diverter valves to positive seal valves, use the prefix in the part number. (see page 167 for sample).



Top Side Valves / 6-Spoke Valves

FEATURES:

- Shuts off 100% with a 180° turn
- Available in two body sizes: ¾" Socket or ¾" Shur-Grip
- Used for waterfalls, water features or neck jets
- Available in multiple colors

Deluxe 180° Shut Off Valves

Part No.	Description	Style	Case Quantity	List (US \$)
600-4720	¾" S x ¾" S	6-Spoke	90	28.92
600-4730	Shur-Grip – ¾" SB x ¾" SB	6-Spoke	90	28.92
600-3190	¾" S x ¾" S	6-Spoke - Two Tone	90	30.30
600-3210	Shur-Grip – ¾" SB x ¾" SB	6-Spoke - Two Tone	90	30.30

Note: Contact your Sales Representative to order Glo style Top Side Valves



600-4721
Pat. #D,597,863 S

600-4731
Pat. #D,597,863 S

FEATURES:

- 100% shut off
- Three different body styles to choose from
- Horizontal model is submersible
- Top access for easy servicing
- Works great for waterfalls and neck jets
- Sleeve allows for on/off adjustments with fewer turns



602-4440



600-4401
Pat. #D,597,863 S

600-4411
Pat. #D,597,863 S

On / Off Turn Valves

Part No.	Description	Style	Case Quantity	List (US \$)
600-4400*	1" Vertical - Single Port	6-Spoke	100	27.27
600-4410*	1" Vertical - Dual Port	6-Spoke	90	28.91
600-4420*	1" Horizontal - Dual Port	6-Spoke	100	28.91
600-3180*	1" Vertical - Dual Port	6-Spoke - Two Tone	90	28.42
602-4440*	Sleeve (low volume applications only)	--	40	1.01

Note: Contact your Sales Representative to order Glo style Top Side Valves



600-4421
Pat. #D,597,863 S

FEATURES:

- Diverts water to one or two ports
- Top access for easy service
- 2" model wall fittings are sealed with o-rings
- 1" models available with one or two ports
- Available in multiple colors



600-3611
Pat. #D,597,863 S

600-3601
Pat. #D,597,863 S

600-3621
Pat. #D,597,863 S

Top Access Diverter Valves

Part No.	Description	Style	Case Quantity	List (US \$)
600-3610*	1" Vertical - 1-Port	6-Spoke	70	26.64
600-3600*	1" Vertical - 2-Port	6-Spoke	70	26.64
600-3620*	1" Horizontal - 2-Port	6-Spoke	70	27.90
600-3220*	2" Horizontal - 2-Port	6-Spoke	15	37.91
600-3230*	2" Vertical - 2-Port	6-Spoke	15	37.91
600-3150*	1" Vertical - 1-Port	6-Spoke - Two Tone	90	27.80
600-3160*	1" Vertical - 2-Port	6-Spoke - Two Tone	90	27.80
600-3170*	1" Horizontal - 2-Port	6-Spoke - Two Tone	90	27.80
600-3140*	2" Vertical - 2-Port	6-Spoke - Two Tone	15	40.22



600-3221
Pat. #D,597,863 S

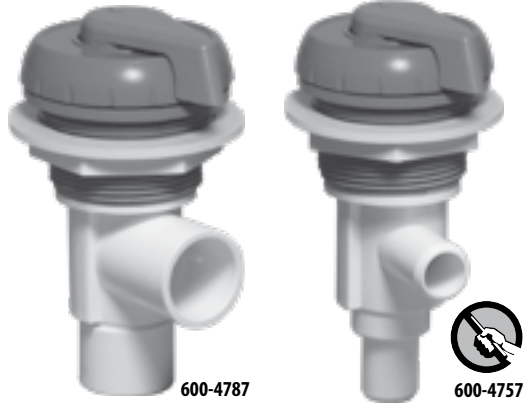


600-3231
Pat. #D,597,863 S

Note: Contact your Sales Representative to order Glo style Top Side Valves. *To change 1" diverter valves to positive seal valves, use the prefix in the part number. (see page 167 for sample).



Top Side Valves / Notched Valves



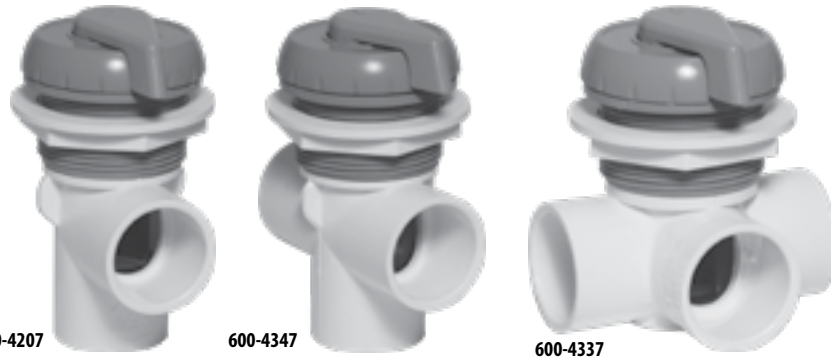
FEATURES:

- Shuts off 100% with a 180° turn
- Available in two body sizes: ¾" Socket or ¾" Shur-Grip
- Used for waterfalls, water features or neck jets
- Available in multiple colors

Deluxe 180° Shut Off Valves

Part No.	Description	Style	Case Quantity	List (US \$)
600-4750	Shur-Grip - ¾" SB x ¾" SB	Notched	100	28.92
600-4780	¾" S x ¾" S	Notched	100	28.92

Note: Contact your Sales Representative to order Aura or Glo style Top Side Valves



FEATURES:

- Diverts water to one or two ports
- Top access for easy service
- 2" model wall fittings are sealed with o-rings
- 1" models available with one or two ports
- Available in multiple colors

Top Side Valves



600-3017



600-3067

Top Access Diverter Valves

Part No.	Description	Style	Case Quantity	List (US \$)
600-4200	1" Vertical - 1-Port	Notched	90	26.88
600-4340	1" Vertical - 2-Port	Notched	90	26.88
600-4330	1" Horizontal - 2-Port	Notched	90	26.88
600-3010	2" Horizontal - 2-Port	Notched	15	37.91
600-3060	2" Vertical - 2-Port	Notched	15	37.91

Note: Contact your Sales Representative to order Aura or Glo style Top Side Valves



FEATURES:

- Shuts off 100% with a 180° turn
- Available in two body sizes: ¾" Socket or ¾" Shur-Grip
- Used for waterfalls, water features or neck jets
- Available in multiple colors



600-3259DSG-1
Pat. #D,597,863 S

Deluxe 180° Shut Off Valves

Part No.	Description	Style	Case Quantity	List (US \$)
600-3280	¾" S x ¾" S	Revo - Two Tone	90	30.30
600-3250	Shur-Grip – ¾" SB x ¾" SB	Revo - Two Tone	90	30.30

Note: Contact your Sales Representative to order Aura or Glo style Top Side Valves

FEATURES:

- 100% shut off
- Three different body styles to choose from
- Horizontal model is submersible
- Top access for easy servicing
- Works great for waterfalls and neck jets
- Sleeve allows for on/off adjustments with fewer turns



600-3299DSG-7
Pat. #D,597,863 S

On / Off Turn Valves

Part No.	Description	Style	Case Quantity	List (US \$)
600-3290	1" Vertical - Dual Port	Revo - Two Tone	90	28.42
602-4440	Sleeve (low volume applications only)	--	40	1.01

Note: Contact your Sales Representative to order Aura or Glo style Top Side Valves

FEATURES:

- Diverts water to one or two ports
- Top access for easy service
- 2" model wall fittings are sealed with o-rings
- 1" models available with one or two ports
- Available in multiple colors



600-3639DSG-1
Pat. #D,597,863 S



600-3339DSG-1
Pat. #D,597,863 S

Top Access Diverter Valves

Part No.	Description	Style	Case Quantity	List (US \$)
600-3630	1" Vertical - 1-Port	Revo - Two Tone	90	27.80
600-3330	1" Vertical - 2-Port	Revo - Two Tone	90	27.80
600-3340	1" Horizontal - 2-Port	Revo - Two Tone	90	27.80
600-3110	2" Vertical - 2-Port	Revo - Two Tone	15	40.22

Note: Contact your Sales Representative to order Aura or Glo style Top Side Valves



600-3349DSG-1
Pat. #D,597,863 S



600-3119DSG-1
Pat. #D,597,863 S



Top Side Valves / "S" Style Valves

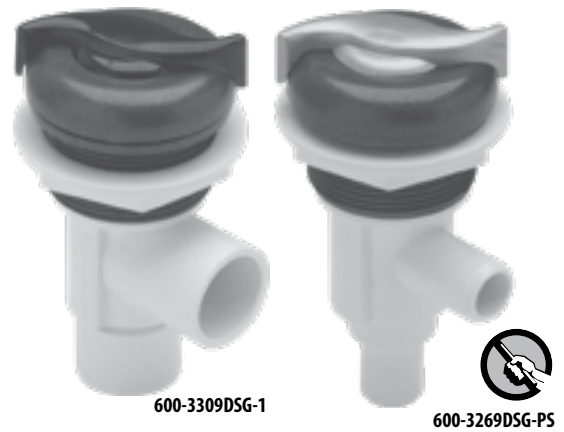
FEATURES:

- Shuts off 100% with a 180° turn
- Available in two body sizes: ¾" Socket or ¾" Shur-Grip
- Used for waterfalls, water features or neck jets
- Available in multiple colors

Deluxe 180° Shut Off Valves

Part No.	Description	Style	Case Quantity	List (US \$)
600-3300	¾" S x ¾" S	"S" Style - Two Tone	90	30.30
600-3260	Shur-Grip – ¾" SB x ¾" SB	"S" Style - Two Tone	90	30.30

Note: Contact your Sales Representative to order Aura or Glo style Top Side Valves



FEATURES:

- 100% shut off
- Three different body styles to choose from
- Horizontal model is submersible
- Top access for easy servicing
- Works great for waterfalls and neck jets
- Sleeve allows for on/off adjustments with fewer turns



On / Off Turn Valves

Part No.	Description	Style	Case Quantity	List (US \$)
600-3310	1" Vertical - Dual Port	"S" Style - Two Tone	90	28.42
602-4440	Sleeve (low volume applications only)	--	40	1.01

Note: Contact your Sales Representative to order Aura or Glo style Top Side Valves



FEATURES:

- Diverts water to one or two ports
- Top access for easy service
- 2" model wall fittings are sealed with o-rings
- 1" models available with one or two ports
- Available in multiple colors

Top Access Diverter Valves

Part No.	Description	Style	Case Quantity	List (US \$)
600-3240	1" Vertical - 1-Port	"S" Style - Two Tone	90	27.80
600-3270	1" Vertical - 2-Port	"S" Style - Two Tone	90	27.80
600-3320	1" Horizontal - 2-Port	"S" Style - Two Tone	90	27.80
600-3030	2" Vertical - 2-Port	"S" Style - Two Tone	15	40.22

Note: Contact your Sales Representative to order Aura or Glo style Top Side Valves



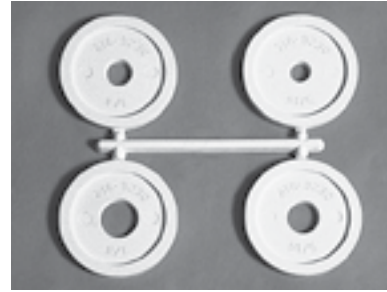


Top Side Valves / Water Restrictors, Valve Gaskets, and Air Bleed

FEATURES:

- Restricts the amount of flow through On/Off Valves to any water feature
- Break off any one of the four different nozzle sizes for desired water flow

3/16" – 4 GPM 1/4" – 7 GPM
 5/16" – 10 GPM 3/8" – 15 GPM



Water Restrictor Washer Tree

Part No.	Description	Case Quantity	List (US \$)
218-9230	Water Restrictor Washer Tree	90	1.48



711-4600



711-4310



711-3050

Valve Gaskets

Part No.	Description	Case Quantity	List (US \$)
711-4310	1" Flat Gasket	100	0.49
711-4600	1 1/2" Gasket	100	0.70
711-3050	2" Gasket	100	0.83



212-1800

Air Bleed Assembly

Part No.	Description	Case Quantity	List (US \$)
212-1800	3/8" Barb	75	13.98



Water Features / Aqua Falls

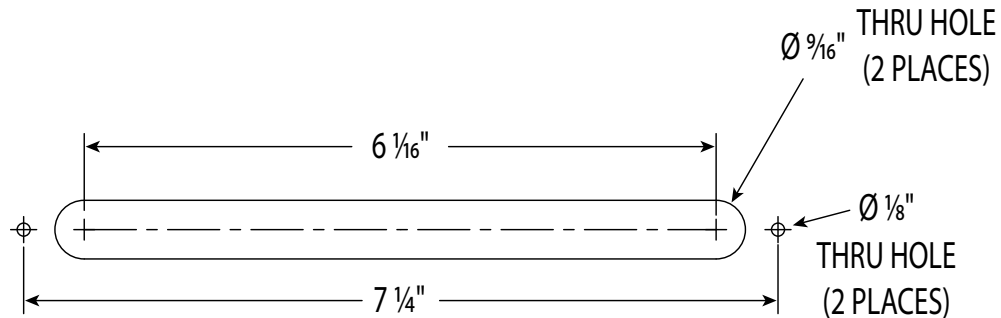
6" AQUA FALL

FEATURES:

- New 304 Stainless Steel escutcheon
- Simple design - less parts
- ¾" S intake
- 3-12 GPM



675-4000S



Pat. #6,450,418

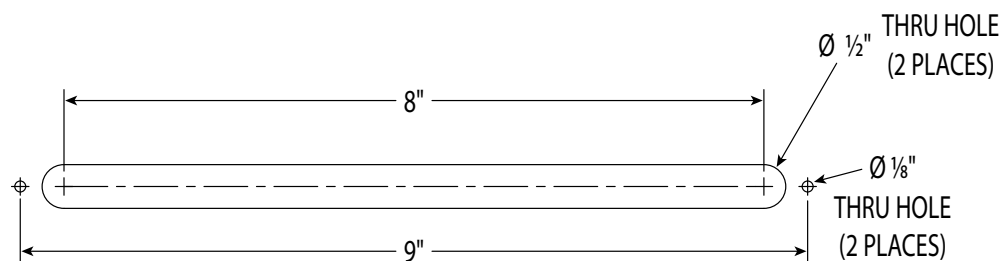
8" LOW PROFILE AQUA FALL

FEATURES:

- Simple design - less parts
- Low body profile
- 1" S intake
- 4-15 GPM



675-4900



Aqua Falls

Part No.	Description	Case Quantity	List (US\$)
675-4900	8" Low Profile Aqua Fall	40	77.05
675-4900S	8" Low Profile Aqua Fall - Stainless Steel Blade	40	89.33
675-4000	6" Aqua Fall	50	38.55
675-4000S	6" Aqua Fall - Stainless Steel Blade	50	51.21

Note: See page 177 for LED Aqua Falls.



FEATURES:

- Adjustable Flo Control
- Single 3/4" SB Plumbing
- 316 Stainless Steel Escutcheon
- LED compatible
- NOW available in Colored Plastic!

Patent No. US6450418



675-3519DSG

675-3518LS

3 1/2" Adjustable Cascade

Part No.	Description	Case Quantity	List (US\$)
675-3510	3 1/2" Adjustable Cascade w/plastic blade	40	54.01
675-3518LS	3 1/2" LED Adjustable Cascade w/metal blade	40	60.88

Patent No. US6450418

FEATURES:

- Adjustable Flo Control
- Single 3/4" SB Plumbing
- 316 Stainless Steel Escutcheon
- LED compatible
- NOW available in Colored Plastic!



675-3618LS

675-3619DSG

7" Adjustable Cascade

Part No.	Description	Case Quantity	List (US\$)
675-3610	7" Adjustable Cascade w/plastic blade	15	59.05
675-3618LS	7" LED Adjustable Cascade w/metal blade	15	69.56

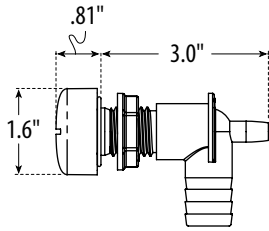


Water Features / Waterway Cascades

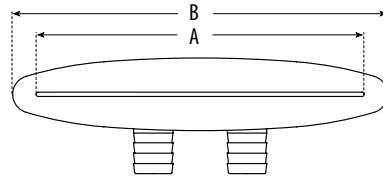
FEATURES:

- Extremely easy to install
- Built-in diffuser
- Easily serviceable

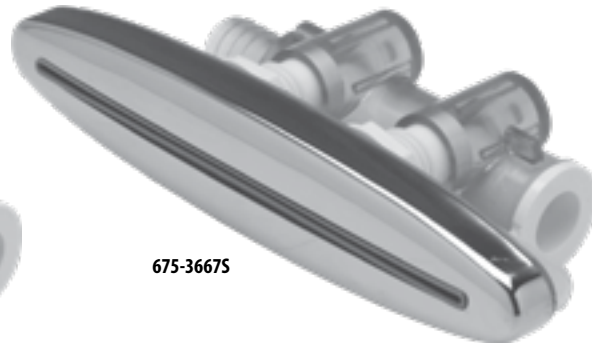
Pat. #6,450,418



hole saw size: (2) x 7/8" diameter



Part No.	"A" Dimension	"B" Dimension
675-3500	3.5"	4.31"
675-3600	7"	8"



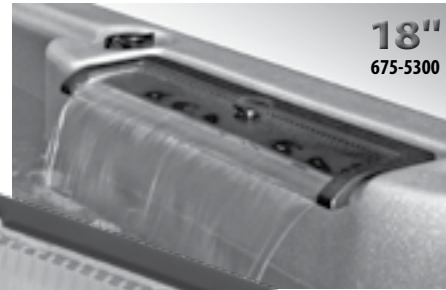
Waterway Cascades			
Part No.	Description	Case Quantity	List (US \$)
675-3500	3 1/2" Cascade - (2) 3/4" RB	20	35.27
675-3500S	3 1/2" Cascade - (2) 3/4" RB - Stainless Steel Blade	20	41.94
675-3508L	3 1/2" LED Cascade - (2) 3/4" RB	60	42.05
675-3508LS	3 1/2" LED Cascade - (2) 3/4" RB - Stainless Steel Blade	60	48.82
675-3550	3 1/2" Cascade - (2) 3/4" RB - with Manifold	--	39.33
675-3550S	3 1/2" Cascade - (2) 3/4" RB - Stainless Steel Blade - with Manifold	--	46.02
675-3558L	3 1/2" LED Cascade - (2) 3/4" RB - with Manifold	25	46.11
675-3558LS	3 1/2" LED Cascade - (2) 3/4" RB - Stainless Steel Blade - with Manifold	25	47.48
675-3600	7" Cascade - (2) 3/4" RB	20	38.57
675-3600S	7" Cascade - (2) 3/4" RB - Stainless Steel Blade	80	46.08
675-3608L	7" LED Cascade - (2) 3/4" RB	20	47.97
675-3608LS	7" LED Cascade - (2) 3/4" RB - Stainless Steel Blade	20	55.48
675-3660	7" Cascade - (2) 3/4" RB - with Manifold	--	43.98
675-3660S	7" Cascade - (2) 3/4" RB - Stainless Steel Blade - with Manifold	--	51.49
675-3668L	7" LED Cascade - (2) 3/4" RB - with Manifold	20	53.39
675-3668LS	7" LED Cascade - (2) 3/4" RB - Stainless Steel Blade - with Manifold	20	60.90



Spillover WATERFALL



12"
675-5330



18"
675-5300

Patent #US9,027,848

FEATURES:

- Utilizes built-in spa reservoir for water housing
- Sleek, simplistic design
- Adjustable flow control
- Available with glamorous LED feature
- Now top accessible

12" and 18" Spillover Waterfall

Part No.	Description	Case Quantity	List (US\$)
675-5330	Adjustable 12" Spillover Waterfall	1	91.98
675-5330L	Adjustable 12" LED Spillover Waterfall	1	108.54
675-5300	Adjustable 18" Spillover Waterfall	1	112.56
675-5300L	Adjustable 18" LED Spillover Waterfall	1	128.67
675-5280	Non Adjustable 18" Spillover Waterfall	1	95.62
675-5280L	Non Adjustable 18" LED Spillover Waterfall	1	111.72
TW027	12" Spillover Waterfall Negative Mold Insert	1	110.38
TW025	18" Spillover Waterfall Negative Mold Insert	1	147.17



675-4008L

Pat. #6,450,418 and 6,595,675



210-9288S

210-9278S

210-9318S

210-9980

210-9980S

210-9200
Pat. #7,818,826

LED Water Features

Part No.	Description	Case Quantity	List (US \$)
675-4008L	6" LED Aqua Fall	50	47.19
675-4908L	8" Low Profile LED Aqua Fall	40	88.37
210-9200	Flush Mount LED Water Feature	100	60.45
675-3508L	3 1/2" LED Cascade - (2) 3/4" RB	60	43.32
675-3508LS	3 1/2" LED Cascade - (2) 3/4" RB - Stainless Steel Blade	60	50.29
675-3608L	7" LED Cascade - (2) 3/4" RB	20	49.40
675-3608LS	7" LED Cascade - (2) 3/4" RB - Stainless Steel Blade	20	57.14
675-3708L	9" LED Cascade - (2) 3/4" RB	20	97.49
675-3708LS	9" LED Cascade - (2) 3/4" RB - Stainless Steel Blade	20	97.49
210-9318S	Standard Rope Water Feature, 3/4 SB	100	36.18
210-9278S	Fountain Water Feature, 3/4 SB	100	36.18
210-9288S	Slotted Water Feature, 3/4 SB	100	36.18
210-9308S	Standard Rope Water Feature, 3/4 RB	100	36.18
210-9258S	Fountain Water Feature, 3/4 RB	100	36.18
210-9268S	Slotted Water Feature, 3/4 RB	100	36.18
210-9980S	Flush Mount Water Feature - Eclipse - Metal	100	35.13

Also available in plastic.



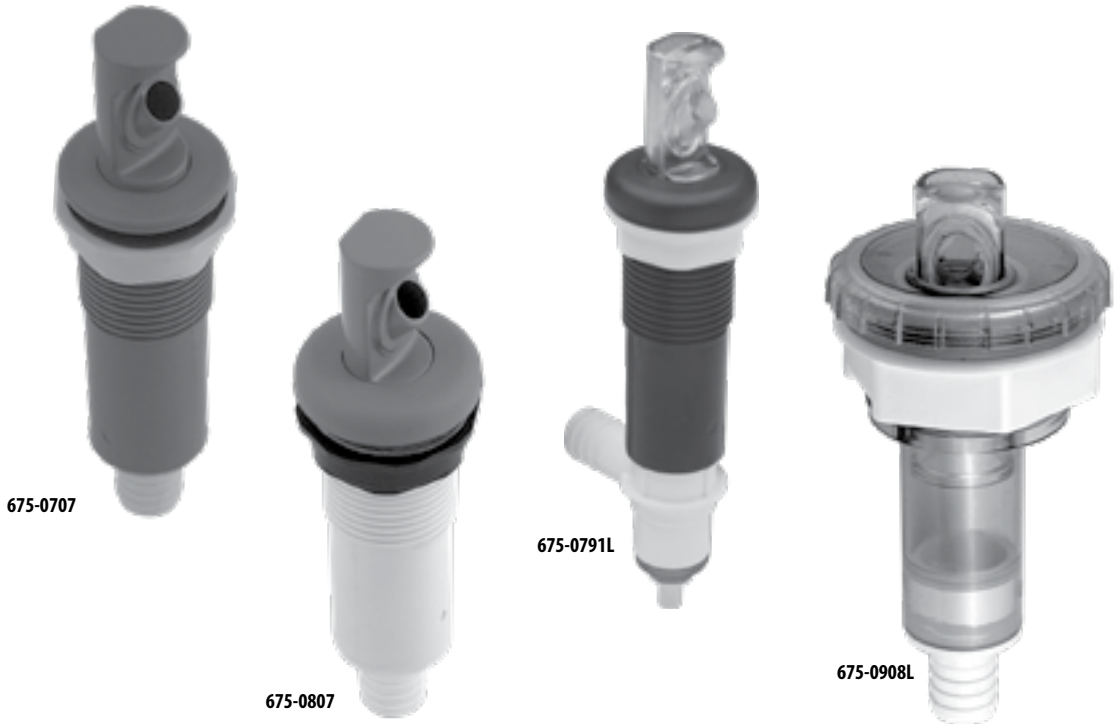
Water Features / Pop-Ups

FEATURES:

- Pops up when pressurized
- Drops down when depressurized
- Solid 7/16" rod shaped water stream, projects at 45° angle
- Available in several body styles and colors
- Maximum flow 4.76 GPM @ 3 PSI = 48" cascade

Patent # 8,011,604

WATER FEATURE popUps



Pop-Up Water Features

Part No.	Description	Case Quantity	List (US\$)
675-0700	Standard - 3/4" RB	50	43.00
675-0710	Standard - 3/4" SB	50	43.00
675-0720	Standard - 3/4" S	50	43.00
675-0730	Standard - 1/2" S	50	43.00
675-0800	Top-Access - 3/4" RB	50	43.00
675-0810	Top-Access - 3/4" SB	50	43.00
675-0820	Top-Access - 3/4" S	50	43.00
675-0830	Top-Access - 1/2" S	50	43.00
675-0790L	LED Pop-Up Water Feature - 3/4" RB	50	50.72
675-0908L	LED Pop-Up Water Feature - 3/4" RB	50	50.72
675-0918L	LED Pop-Up Water Feature - 3/4" SB	50	50.72
675-0928L	LED Pop-Up Water Feature - 3/4" S	50	50.72
675-0938L	LED Pop-Up Water Feature - 1/2" S	50	50.72



FEATURES:

- Pops up when pressurized
- Drops down when depressurized
- Solid 7/16" rod shaped water stream, projects at 45° angle
- Available in several body styles and colors
- Maximum flow 4.76 GPM @ 3 PSI = 48" cascade



675-2000
US Pat. 8214 935



Pop-Up Water Features

Part No.	Description	Case Quantity	List (US\$)
675-2000	LED Pop-Up 180° Dome Feature	32	49.36
675-2000S	LED Pop-Up 180° Dome Feature - Stainless Steel Cap	32	54.07



Lighting / LED Lighting



633-7078



633-7088



633-7068



630-0008



630-5008



630-K008



630-K008S



630-0068S



630-6058S

Lighting

LED Lights

Part No.	Description	Case Quantity	List (US \$)
633-7078	1/2" Threaded Faceted Light Lens Assembly	500	2.17
633-7088	1/2" Threaded Hex Style Light Lens Assembly	500	2.17
633-7068	1" Threaded Facet Light Lens Assembly with LED Sleeve	200	4.15
630-0068	Mini 2 1/8" Spa Light Assembly for Single LED	300	11.58
630-0068S	Mini 2 1/8" Spa Light Assembly for Single LED Stainless Steel	300	13.35
630-0008	Mini 2 1/8" Spa Light Assembly - Plastic Only	300	11.58
630-0008S	Mini 2 1/8" Spa Light Assembly - Stainless Steel Escutcheon	120	13.35
630-5008	Standard 3 1/2" Spa Light Assembly - Plastic Only	80	18.61
630-K008	5" Jumbo Spa Light Assembly - Plastic Only	40	43.58
630-K008S	5" Jumbo Spa Light Assy - Plastic Only - No Lenses - MTL Esc.	40	52.58
630-6058S	XL Jumbo Spa Light 7.5" with Stainless Steel Escutcheon		78.92



FEATURES:

- Designed for mounting in a cup holder recess
- Illuminates clear glasses and cups
- Requires only one LED

630-0038

LED Cup Holder Light Lens

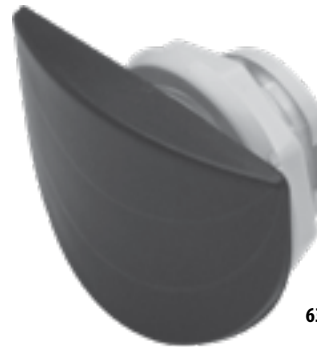
Part No.	Description	Case Quantity	List (US \$)
630-0038	LED Cup Holder Light Lens	20	11.63



660-6300

FEATURES:

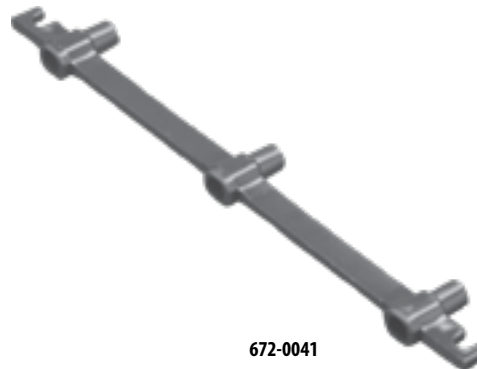
- Illuminates spa skirting
- Mounts to outside perimeter of spa cabinet
- Requires only one LED



630-6401

LED Cabinet Light

Part No.	Description	Case Quantity	List (US \$)
630-6300	1/2" Threaded Faceted Light Lens Assembly	500	2.17
630-6400	LED Cabinet Light	--	8.45



672-0041

FEATURES:

- Used as perimeter lighting up underneath spa shell or kick plate area
- Bends to conform to corners of any radius
- Accepts up to three LED lights

LED Strip Light

Part No.	Description	Case Quantity	List (US \$)
672-0041	LED Strip Light	20	10.57



Lighting / Spa Light Kits



Standard 3 1/2" O.E.M. Spa Light Kits

Part No.	Description	Case Quantity	List (US \$)
630-5005	Plastic Only - with Red and Blue Lenses	50	21.26
630-5115	O.E.M. Kit - with 8 ft. Wire Harness - Bulb & 110V/12V - 1-Amp Transformer	40	40.97
630-5105	O.E.M. Kit - with 8 ft. Wire Harness and Bulb	50	27.34
630-5205	O.E.M. Kit - with 8 ft. Wire Harness - Bulb and 2-Pin Connector	50	37.62



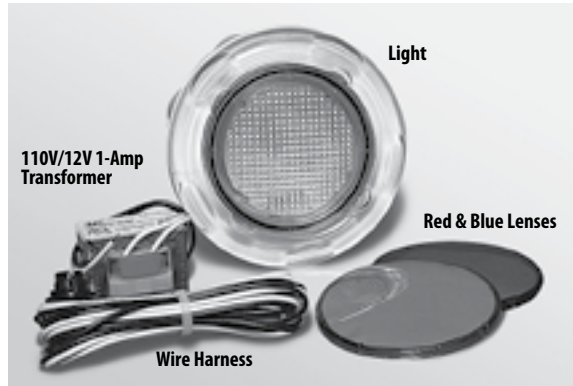
Front Access 3 1/2" O.E.M. Spa Light Kits

Part No.	Description	Case Quantity	List (US \$)
630-6005	Plastic Only - includes Wrench	50	28.84
630-6115	Kit - includes 8 ft. Wire Harness - Bulb - Wrench - 110V/12V 1-Amp Transformer	40	48.57
630-6105	Kit - includes 8 ft. Wire Harness - Bulb - Wrench	45	34.88
630-6205	Kit - includes 8 ft. Wire Harness - Bulb - Wrench - 2-Pin Connector	40	45.19



Spa Light Power Supply and NEMA Cord

Part No.	Description	Case Quantity	List (US \$)
630-1105	110V/12V without Air Switch	20	74.04
630-1115	110V/12V with Air Switch	20	107.32



Jumbo 5" O.E.M. Spa Light Kits

Part No.	Description	Case Quantity	List (US \$)
630-K005	Plastic Only - with Red and Blue Lenses	40	46.32
630-K008S	Plastic Only - Stainless Steel Escutcheon - with Red and Blue Lenses	40	52.58
630-K115	Kit - 8 ft. Wire Harness - 2-Pin Connector - Bulb - 110V/12V 1-Amp Transformer	20	66.28
630-K105	Kit - 8 ft. Wire Harness - Bulb	32	51.58



Spa Light Accessories

Part No.	Description	Case Quantity	List (US \$)
813-4370	Bulb #912	--	3.54
813-4400	1-Amp Transformer - 120V / 12V - 60Hz	40	14.60
813-4500	1-Amp Transformer - 230V / 12V - 50/60Hz	40	20.64
630-0005	Light Lens Kit - 1 Red and 1 Blue Lens	75	9.11
711-6930	Double-Seal Gasket - Mini Spa Light	75	1.71

FEATURES:

- Allows 1" flexible electrical conduit to be nicely mounted to spa cabinet or doghouse areas
- 1" Socket on both sides
- Mounts like a flush mount bulkhead fitting



Electrical Bulkhead Wallfitting

Part No.	Description	Case Quantity	List (US \$)
210-1861	1" Electrical Bulkhead Wallfitting with Cap	100	3.59



NEW!

NEO TP500 SPA CONTROL TOUCHSCREEN



NEO 2100
Spa Control



NEO TP500 TouchScreen

FEATURES:

- Android Based Control Panel
- 5.0" TouchScreen
- Capacitive Touch Technology
- Easy to read and scroll icons
- Easy menu navigation
- Pinch & Stretch views
- Ultra bright for daylight use
- Organized device functions and App displays
- Full internet access
 - YouTube
 - Streaming videos
 - Search engines

CONTAINS:

- Built-in WiFi
- Optional HDMI
- Optional Bluetooth (when installed in control unit)

NEO TP500 TouchScreen

Part No.	Description	List (US \$)
777-WW06000	NEO TP500 Touch Panel	935.00



The standard in Spa Control performance.

NEO 2100 SPA CONTROL SYSTEM

One innovative system that offers
64 different configurations!



- External equipment & topside panel connections
- Modular equipment expansion
- Toggle terminal connection
- Electronic Thermal Sensing (ETS) system
- Equipment converts 220V to 120V
- Converts from 60 Hz to 50 Hz
- Wi-Fi & Bluetooth option
- Topside features a 1.8" color LCD display
- Panel back light w/White LED or optional RGB LED
- Easy menu navigation
- Multi languages (English, French, Spanish, German, Norwegian, Italian)
- Real-time clock
- AUX panel ready
- Accepts NEO 2100, NEO 1100 or NEO 1000 topside panels
- Accepts NEO TP500 TouchScreen



Spa Controls

NEO 2100 Spa Control with Panel

Part No.	Description	List (US \$)
777-WW99001	NEO 2100 Control Kit, 2-2 Spd Pumps, Blwr, 03, AV 4.0Kw Htr. W/ NEO 1100 Panel	1,174.75
777-WW99002	NEO 2100 Control Kit, 2-2 Spd Pumps, Blwr, 03, AV 5.5Kw Htr. W/ NEO 1100 Panel	1,174.75
777-WW99003	NEO 2100 Control Kit, 2-2 Spd Pumps, Blwr, 03, AV 4.0Kw Htr. W/ NEO 2100 Panel	1,195.77
777-WW99004	NEO 2100 Control Kit, 2-2 Spd Pumps, Blwr, 03, AV 5.5Kw Htr. W/ NEO 2100 Panel	1,195.77

NEO 2100 Spa Control with Retro Kit & Panel

777-WW99050	NEO 2100 Control Kit w/Retro Kit*– 2-2 Spd Pumps, Blwr, 03, AV 4.0 kW Htr. w/NEO 1100 Panel	1,305.76
777-WW99051	NEO 2100 Control Kit w/Retro Kit*– 2-2 Spd Pumps, Blwr, 03, AV 5.5 kW Htr. w/NEO 1100 Panel	1,305.76
777-WW99052	NEO 2100 Control Kit w/Retro Kit*– 2-2 Spd Jet, Blwr, 03, 4.0 kW Htr. w/NEO 2100 Panel	1,326.78
777-WW99053	NEO 2100 Control Kit w/Retro Kit*– 2-2 Spd Jet, Blwr, 03, 5.5 kW Htr. w/NEO 2100 Panel	1,326.78

*includes 780-8020 Retro Kit (Adapter Plate, Light Lead, 2-2 Spd & 1-1 Spd 4 Ft. 4 Pin Amp Cords)

Accessories / Replacements

775-0501	Daughter Board 1 (DB-1) (allows for up to 2 add'l 1 Spd Pumps or 1 add'l 2 Spd Pump)	147.17
775-0502	Daughter Board 2 (DB-2) (allows for up to 4 add'l 1 Spd Pumps or 2 add'l 2 Spd Pumps)	239.15
780-8020	EO 2100 Retro Kit – Adapter Plate, Light Lead, 2-2 Spd & 1-1 Spd 4 Pin Amp Cords	131.01
775-0504	Wi-Fi Kit Assembly	428.64
775-0523	Bluetooth Kit	250.04
777-WW02007	AUX 1000 Panel (4 buttons, Light, Aux, Jet1, Jet2)	120.19

Accessory Breakdown for 780-8020

633-1000	Light Lead W/2-Pin Connector	12.75
741-CGGG-45X	Power Cord, 4 Ft. 4 Pin-Amp, 2 Speed	29.43
741-CGGZ-44X	Power Cord, 4 Ft. 4 Pin-Amp, 1 Speed	27.60
885-8020	Adapter Plate – Spa Pack NEO 2100	34.03



Spa Control System / NEO 1500 Spa Control

Value Spa Control for less complex systems.

NEO 1500 SPA CONTROL SYSTEM

Available with
multiple configurations!

- More than 64 different configurations
- Electronic Thermal Sensing (ETS) system
- 240V – 120V convertible
- Available in 50 Hz or 60 Hz
- Topside features a 1.8" color LCD display
- Panel back light w/White LED
- Accepts dedicated 230V w/out Neutral
- Wi-Fi option
- Bluetooth option
- Easy menu navigation
- Multi languages (English, French, Spanish, German, Norwegian, Italian)
- Optional Daughter Board (DB1)
- Accepts NEO 2100, NEO 1100 or NEO 1000 topside panels
- Accepts NEO TP500 TouchScreen



UL certified for the US & Canada
CE compliant for Europe



NEO 1500 Spa Control		
Part No.	Description	List (US \$)
777-WW99013	NEO 1500 Control Kit, 1-2 Spd Pump1, 1-1 Spd Pump 2 or Blwr, O3, AV, 3.0 kW Htr, w/NEO 1000 Panel	1,101.15
777-WW99014	NEO 1500 Control Kit, 1-2 Spd Pump1, 1-1 Spd Pump 2 or Blwr, O3, AV, 4.0 kW Htr, w/NEO 1000 Panel	1,101.15
777-WW99015	NEO 1500 Control Kit, 1-2 Spd Pump1, 1-1 Spd Pump 2 or Blwr, O3, AV, 5.5 kW Htr, w/NEO 1000 Panel	1,101.15
777-WW99010	NEO 1500 Control Kit, 1-2 Spd Pump1, 1-1 Spd Pump 2 or Blwr, O3, AV, 3.0 kW Htr, w/NEO 1100 Panel	1,101.15
777-WW99011	NEO 1500 Control Kit, 1-2 Spd Pump1, 1-1 Spd Pump 2 or Blwr, O3, AV, 4.0 kW Htr, w/NEO 1100 Panel	1,101.15
777-WW99012	NEO 1500 Control Kit, 1-2 Spd Pump1, 1-1 Spd Pump 2 or Blwr, O3, AV, 5.5 kW Htr, w/NEO 1100 Panel	1,101.15
775-0501	Daughter Board (DB1) (allows for up to 2 additional 1 Spd Pumps or 1 add'l 2 Spd Pump	147.17
775-0503	Bluetooth Kit Assy (Includes screw & stand-off)	250.04
775-0504	Wi-Fi Kit Assembly (No added mothely fees.)	428.64



The standard in Spa Control performance.

NEO 1200

SPA CONTROL SYSTEM

Compact design for **easy installation** in tight locations.

- Plug and Play
- Electronic Thermal Sensing (ETS) system
- Available in 120V / 60 Hz or 220V / 50 Hz
- Bluetooth ready
- Topside features a 1.8" color LCD display
- Panel back light w/White LED
- Bluetooth option
- Easy menu navigation
- Multi languages (English, French, Spanish, German, Norwegian, Italian)
- Small Compact Housing
- Optional 15 Ft 15 Amp GFCI power cords (60 Hz only)
- Accepts NEO 1100 or NEO 1000 topside panels





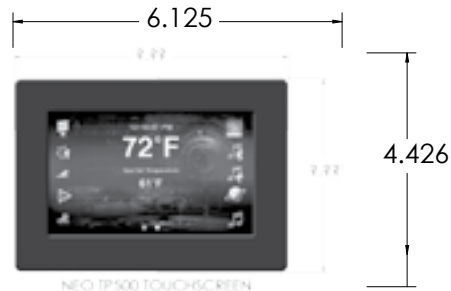
 UL certified for the US & Canada
 CE compliant for Europe

NEO 1200 Spa Control

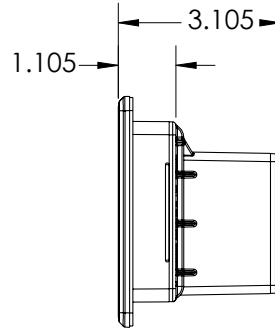
Part No.	Description	List (US \$)
777-WW99022	NEO 1200 Control Kit, 1-2 Spd Pump, 03, Lt, 1 kW Htr, w/NEO 1000 Panel	1,027.57
777-WW99023	NEO 1200 Control Kit, 1-2 Spd Pump, 03, Lt, 1 kW Htr, w/NEO 1000 Panel & 120V 15' at 15A GFCI Pwr Cord	1,118.97
777-WW99020	NEO 1200 Control Kit, 1-2 Spd Pump, 03, Lt, 1 kW Htr, w/NEO 1100 Panel	1,027.57
777-WW99021	NEO 1200 Control Kit, 1-2 Spd Pump, 03, Lt, 1 kW Htr, w/NEO 1100 Panel & 120V 15' at 15A GFCI Pwr Cord	1,118.97
775-0503	Bluetooth Kit Assy (Includes screw & stand-off)	250.04



Spa Control System / NEO Topside Panels & Accessory Dimensions



NEO TP500 TOUCHSCREEN



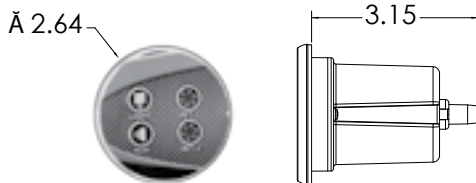
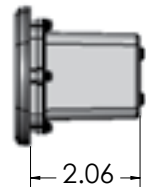
NEO 2100 PANEL



NEO 1100 PANEL



NEO 1000 PANEL



AUX PANEL



WI-FI UNIT



Magna Tune

FEATURES:

- Latest speaker design with Titanium tweeter
- LED capable
- Dampening device
- Pop-up design

Standard Features:

- Dampened speaker lift
- Front and back LED ports
- 30% more compact than previous models

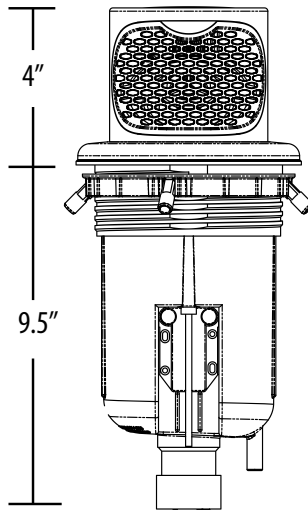
Options:

- Rotational and non-rotational
- Multiple lighting options
- Front ambient light
- Lit logo (call for details)
- Lit ring with Glo Tubes (requires rotation ring and nut)

SPECIFICATIONS:

- 15 W RMS / 30 W Peak
- Impedance: $4 \Omega \pm 15\% \Omega$
- Resonant Frequency: $110 \text{ Hz} \pm 20\% \text{ Hz}$
- SPL: $70 \text{ dB} \pm 3 \text{ dB ref } 1 \text{ W/1M}$
- Frequency Response: $\sim 20 \text{ KHz, max } \pm 10 \text{ dB}$

Compact Design
30% shorter than previous model



675-2010
 675-2010L

Speakers

Magna Tune 6" Pop-Up Silo Speaker System

Part No.	Description	List (US \$)
675-2010	Magna Tune pop-up speaker (Rotational)	172.89
675-2010L	Magna Tune pop-up speaker (Rotational) LED	204.57
675-2020	Magna Tune pop-up speaker (Non-rotational)	163.24
675-2020L	Magna Tune pop-up speaker (Non-rotational) LED	194.92
675-4200	Speaker Cable - Red /Black 18AWG, 41/0.16, OD: 2.5 x 5.0mm tinned copper 1 Roll = 500 ft.	289.70

Note: For metal grill add "s" to the part number suffix.

Mounting Specifications

	Rotational Cap	Non-Rotational Cap
Hole size	5"	4 3/4"
Closed height	3/4"	3/8"
Flange OD	6"	5 5/8"

Speaker depth from flange: 9 3/4"





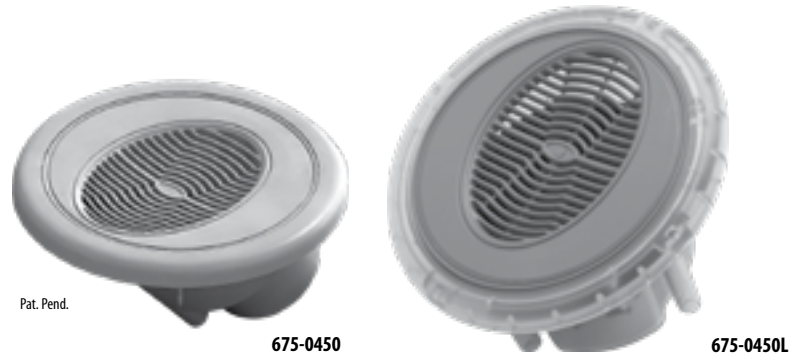
Speakers / Flush Mount Speakers, Enclosures, MP3 Player Holders

FEATURES:

- Water-resistant, premium-grade speaker
- Unique flush mount design
- No moving parts
- Easy installation
- Dual color schemes
- Private label available

SPECIFICATIONS:

- 3.5"
- 15 W RMS / 30 W Peak
- Impedance: $4 \Omega \pm 15\% \Omega$
- Resonant Frequency: $110 \text{ Hz} \pm 20\% \text{ Hz}$
- SPL: $70 \text{ dB} \pm 3 \text{ dB ref } 1 \text{ W/1M}$
- Frequency Response: $\sim 20 \text{ KHz, max } \pm 10 \text{ dB}$



4.5" Flush Mount Speaker and LED 4.5" Flush Mount Speaker

Part No.	Description	Case Quantity	List (US \$)
675-0460	4.5" Flush Mount Speaker	5	92.14
675-0460L	4.5" LED Flush Mount Speaker	--	104.46

FEATURES:

- Fits both Clarion and Aeware marine stereos



Stereo Enclosures

Part No.	Description	Case Quantity	List (US \$)
672-9001	Stereo Enclosure - Clarion CMD4A	20	20.15
672-9011	Stereo Enclosure - Aeware In-Tune 100	20	20.15
672-9101	Stereo Enclosure - Generic	20	20.15

FEATURES:

- Guillotine cover
- Fits most MP3 players
- Input and output ports for control unit and stereo



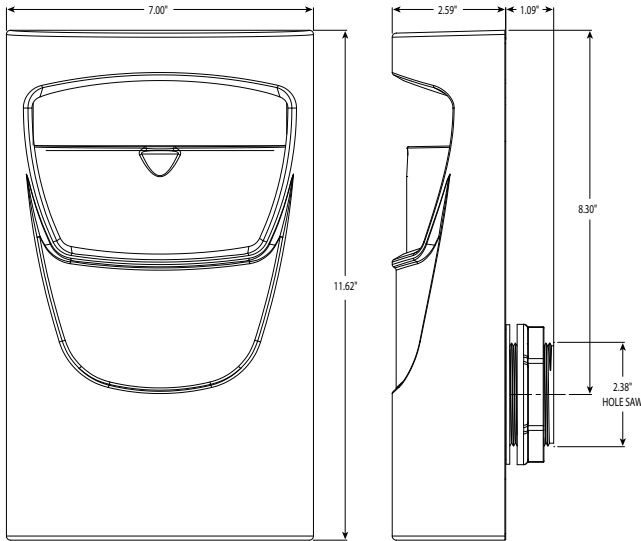
MP3 Player Holders

Part No.	Description	Color	Case Quantity	List (US \$)
675-0200	MP3 Player Holder	White	20	39.48
675-0211	MP3 Player Holder	Black	20	44.09
675-0217	MP3 Player Holder	Gray	20	44.09
675-0219-DSG	MP3 Player Holder	Dark Silver Glitter	20	44.09
675-0219-ST5	MP3 Player Holder	Sterling Silver	20	44.09

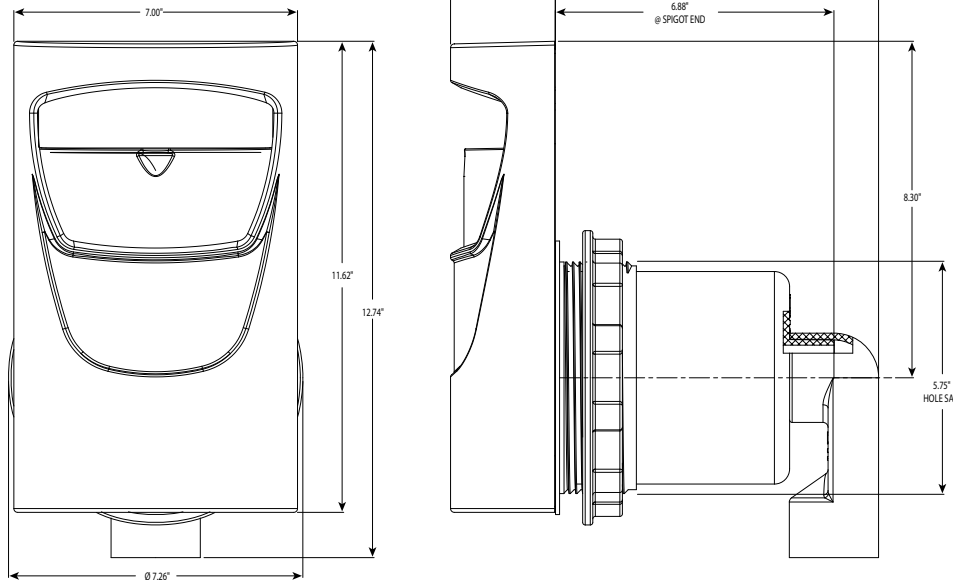


FEATURES:

- Floating guillotine-style weir
- Easy through-wall installation (requires only one round hole to mount)
- 15 sq. ft.
- Easily accessible basket
- Skim Filter has easily accessible cartridge



For replacement parts, see page 321.



Deluxe Strip Skimmer and Strip Skim Filter

Part No.	Description	Case Quantity	List (US \$)
510-6900	Deluxe Strip Skimmer - 1 1/2" S	50	97.31
510-6910	Deluxe Strip Skim Filter - 1 1/2" S, 15 sq. ft.	50	149.08



Spa Skimmers and Filters / **Strip Skimmers**



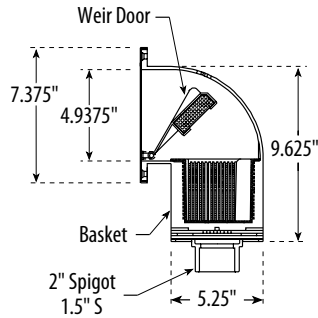
Skimmers / Filters

Strip Skimmers

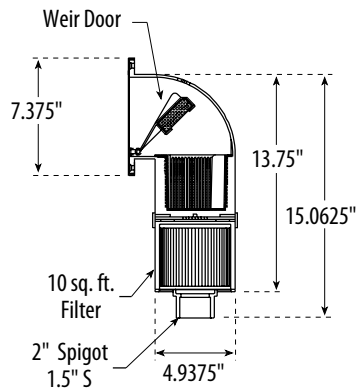
Part No.	Description	Case Quantity	List (US \$)
640-6920	Strip Skimmer - 1 1/2" x Standard Nut	35	30.90
640-6940	Strip Skimmer - 1 1/2" x 90° Ell	25	35.79
640-6960	Strip Skimmer - 1 1/2" x Straight Adapter Nut	25	35.77
640-6600	Adjustable Strip Skimmer with Lint Basket - 1" S Ell	20	54.49



510-1500



510-1600

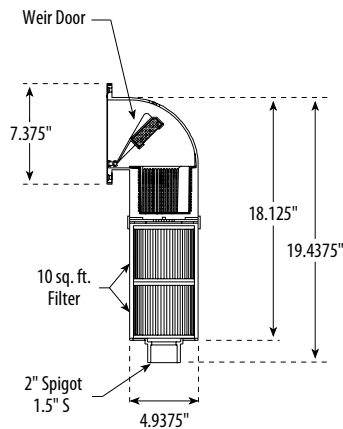


INCLUDES:

- 10 sq. ft. Cartridge
- EZ Flow Basket
- Flow Control Diverter Plate
- Trim Plate - White
- Mounting Gasket



510-1650T



INCLUDES:

- 10 sq. ft. Cartridges (2)
- EZ Flow Basket
- Flow Control Diverter Plate
- Trim Plate - White
- Mounting Gasket

For replacement parts, see page 329.

Front Access Skimmers and Skim Filters

Part No.	Description	Case Quantity	List (US \$)
510-1500	Square Spa Skimmer – 1 ½" S / 2" Spigot - Flow Control with Trim Plate	4	94.12
510-1600	Square Spa Skim Filter – 1 ½" / 2" Spigot - 10 sq. ft.	4	145.70
510-1650T	Square Spa Skim Filter – 1 ½" / 2" Spigot - 20 sq. ft.	2	186.18



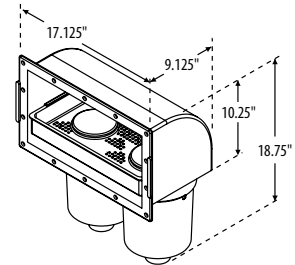
Spa Skimmers and Filters / Front Access Skim Filters

FEATURES:

- 50 sq. ft. Cartridges (2) (100 sq. ft. total)
- 2" Spigot Output Ports (2)
- Extra Large 5 1/2" x 14" Weir Area
- Extra Large 8" x 14" Basket
- Easy Access to Basket and Cartridges
- Easy Through-Wall Installation



510-6620



Hole Size 8.75" x 15.5"

FEATURES:

- 50 sq. ft. Cartridge
- 2" Spigot Output Port
- Easy access to basket and cartridges
- Easy Through-Wall Installation



510-9020



672-5090

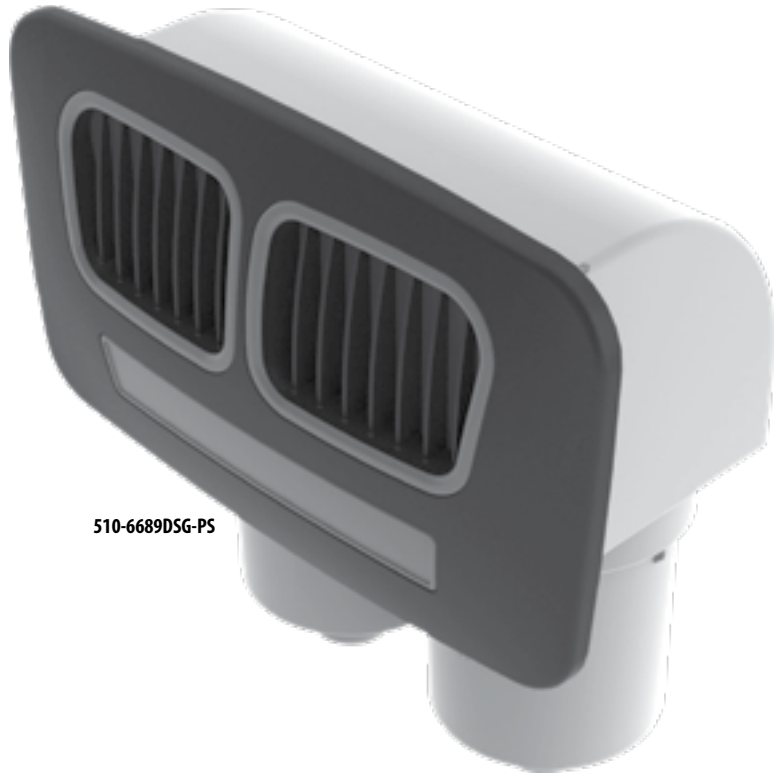
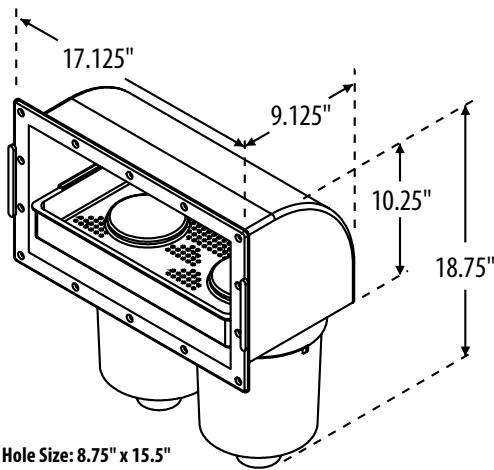
Front Access Skim Filters

Part No.	Description	Case Quantity	List (US \$)
510-9020	50 sq. ft. Front Access Skim Filter - Single Port - Oval Style	2	260.18
510-6620	100 sq. ft. Front Access Skim Filter - Dual Port - Oval Style	2	343.56
672-5090	100 sq. ft. Skim Filter Manifold Tee with Plug	20	24.51



FEATURES:

- New Roadster grill design
- 50 sq. ft. Cartridges (2) (100 sq. ft. total)
- 2" Spigot Output Ports (2)
- Extra Large 5 1/2" x 14" Weir Area
- Extra Large 8" x 14" Basket
- Easy Access to Basket and Cartridges
- Easy Through-Wall Installation



Skimmers / Filters

100 sq. ft. Front Access Roadster Skim Filter

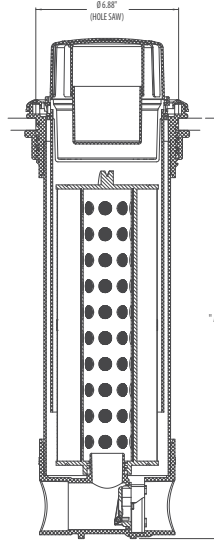
Part No.	Description	Case Quantity	List (US \$)
510-6680	100 sq. ft. Front Access Roadster Skim Filter	--	358.02



Spa Skimmers and Filters / Teleweir Skim Filters

FEATURES:

- Cage-style tower eliminates unwanted vortexing
- Safety orientated
- Easily accessible basket for effortless cleaning
- Available in several different filter sizes
- 2" Socket IN/OUT plumbing
- Built in Check Valve
- Hole Saw Size: Ø 6.88"
- Custom logo plate available for volume orders



For replacement parts, see page 320.

Teleweir Skim Filters

Part No.	Description	"A" Dimension	Case Quantity	List (US \$)
510-4630	25 sq. ft. Teleweir Skim Filer	20.25 in.	20	233.49
510-4620	35 sq. ft. Teleweir Skim Filter	16.00 in.	20	245.15
510-4600	50 sq. ft. Teleweir Skim Filter	20.25 in.	20	249.36
510-4680	50 sq. ft. Teleweir Skim Filter - Low Volume	20.25 in.	20	249.36
510-4590	75 sq. ft. Teleweir Skim Filter	26.38 in.	20	262.03
510-4690	100 sq. ft. Teleweir Skim Filter	30.23 in.	20	267.90

FEATURES:

- Extra-large housing designed especially for Swim Spas
- Cage-style tower eliminates unwanted vortexing
- Safety orientated
- Easily accessible basket for effortless cleaning
- Hi capacity 2 ½" Socket IN/OUT Plumbing
- Built in check valve
- Hole saw size is 8.5"
- Custom logo plates available for volume orders



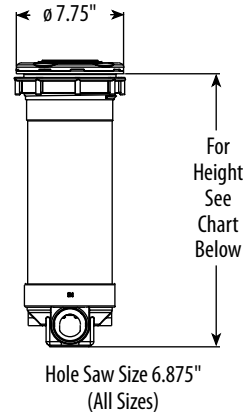
Mega Teleweir Skim Filters

Part No.	Description	"A" Dimension	List (US \$)
510-4570	75 sq. ft. Mega Teleweir Skim Filter	21.75 in.	292.75



FEATURES:

- Improved exclusive vent system for added safety
- Exclusive bayonet lock retains the basket and weir
- PVC upper threaded, middle and bottom body components are compatible with PVC glues and most silicones
- New compact sizes
- Traditional 4-scallop escutcheons to match the decor of the spa
- Telescoping weir has 6" of travel
- Built-in restriction valve for improved filtration with low volume
- Two basket sizes
- Dyna-Flo replacement parts fit all existing Dyna-Flo Top-Mount Filters
- Retrofits Dynamic Series Rainbow Skim Filters



DYNA-FLO PLUS



Low Volume
8 GPM Minimum



Hi Volume
15 GPM Minimum

LOW PROFILE DYNA-FLO



Low Volume
8 GPM Minimum



Hi Volume
15 GPM Minimum

For replacement parts, see page 324.

Dyna-Flo Top-Mount Skim Filters

Part No.	Size	Description	Height	List (US \$)
510-4520	2" Socket - 25 sq. ft.	Dyna-Flo Plus - Low Volume - 8 GPM Minimum	21 1/8"	243.78
510-4550	2" Socket - 50 sq. ft.	Dyna-Flo Plus - Low Volume - 8 GPM Minimum	21 1/8"	259.62
510-9520	2" Socket - 25 sq. ft.	Dyna-Flo Plus - Hi Volume - 15 GPM Minimum	21 1/8"	243.78
510-9540	2" Socket - 40 sq. ft.	Dyna-Flo Plus - Hi Volume - 15 GPM Minimum	17 1/4"	251.48
510-9550	2" Socket - 50 sq. ft.	Dyna-Flo Plus - Hi Volume - 15 GPM Minimum	21 1/8"	263.12
510-3520	2" Socket - 25 sq. ft.	Low Profile Dyna-Flo - Low Volume - 8 GPM Minimum	19 5/8"	233.49
510-3540	2" Socket - 40 sq. ft.	Low Profile Dyna-Flo - Low Volume - 8 GPM Minimum	15 3/4"	241.19
510-3550	2" Socket - 50 sq. ft.	Low Profile Dyna-Flo - Low Volume - 8 GPM Minimum	19 5/8"	249.36
510-6520	2" Socket - 25 sq. ft.	Low Profile Dyna-Flo - Hi Volume - 15 GPM Minimum	19 5/8"	233.49
510-6540	2" Socket - 40 sq. ft.	Low Profile Dyna-Flo - Hi Volume - 15 GPM Minimum	15 3/4"	241.19
510-6550	2" Socket - 50 sq. ft.	Low Profile Dyna-Flo - Hi Volume - 15 GPM Minimum	19 5/8"	249.36

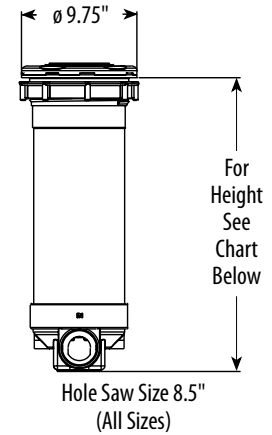
For textured High-Volume Lock-Ring, add "T" to the end of the part number.



Spa Skimmers and Filters / Dyna-Flo XL Skim Filters and Ultra Skim Filter

FEATURES:

- Extra-large 10" diameter body for improved filtration
- Extra-large 6 1/2" diameter cartridge for larger cartridge sizes
- Exclusive "Vent System" for added safety
- PVC upper, middle and bottom sections are compatible with PVC glues and most silicones
- Available in 50, 75 and 100 sq. ft.
- Adjustable restrictor valve for variable flow control
- Extra-large basket
- Removable bypass valve for easy servicing
- Optional chemical feeder
- Available in 2" or 2 1/2" Socket In/Out



For replacement parts, see page 325.

Dyna-Flo XL Skim Filters

Part No.	Socket Size	Filter Size	Filter Length	List (US \$)
512-0270	2"	75 sq. ft.	21 3/4"	341.30
512-0210	2"	100 sq. ft.	26 1/4"	365.73
512-2550	2 1/2"	50 sq. ft.	21 3/4"	323.61
512-2570	2 1/2"	75 sq. ft.	21 3/4"	341.30
512-2510	2 1/2"	100 sq. ft.	26 1/4"	365.73

FEATURES:

- Skims water without the use of a weir
- No moving parts
- Uses the same size hole pattern as our standard Dyna-Flo
- Allows for a larger variance of water levels

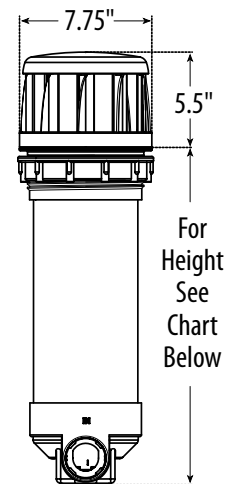


514-6589-DSG

With turbine and weir



514-6550



Hole Saw Size 6.875"

For replacement parts, see page 326.

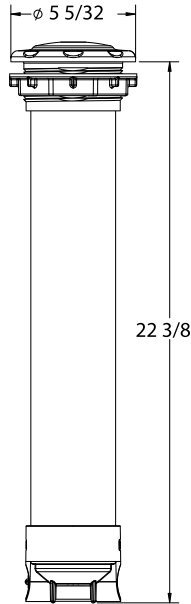
Ultra Skim Filter

Part No.	Description	Filter Size	Filter Length	List (US \$)
514-6550	Ultra Skim Filter XL 2" 50 sq ft	50 sq. ft.	19 5/8"	269.10
514-6580	Ultra Skim Filter XL 2" 50 sq ft w/Turbine and Weir	50 sq. ft.	19 5/8"	286.12



5.5" FILTER FEATURES:

- Top Load Filter
- 20 Sq. Ft. 2 7/8" X 19.5" Cartridge
- 1" Socket IN/OUT
- 1" Check Valve
- PVC Construction

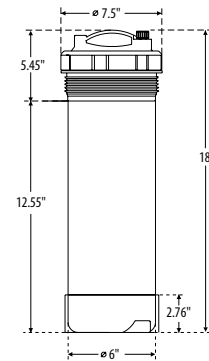


510-3600



500-2500

For replacement parts, see page 322.



**Custom sizes available.
Please contact your Waterway sales representative.**

5.5" Top-Load Filters

Part No.	Description	List (US \$)
510-3600	1" - 20 sq. ft. Cartridge with Bypass Valve	185.40

7.5" Top-Load Filters

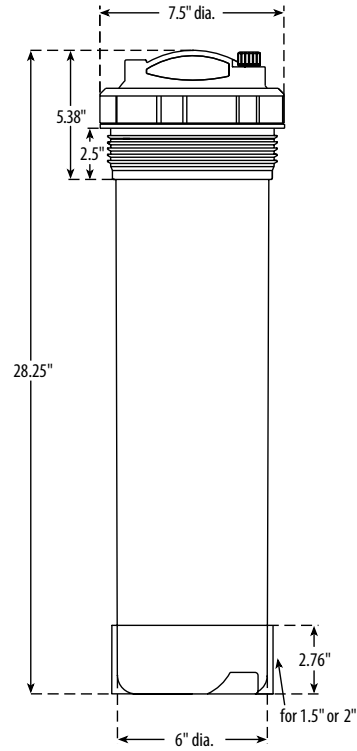
Part No.	Description	List (US \$)
500-2500	1 1/2" - 25 sq. ft. Cartridge with Plug	148.58
500-2510	1 1/2" - 25 sq. ft. Cartridge with Bypass Valve	175.09
500-2540	1 1/2" - 25 sq. ft. Cartridge with Plug and 10-Tablet Brominator	204.45
500-2550	1 1/2" - 25 sq. ft. Cartridge with Bypass Valve and 10-Tablet Brominator	204.45
500-5000	1 1/2" - 50 sq. ft. Cartridge with Plug	202.87
500-5010	1 1/2" - 50 sq. ft. Cartridge with Bypass Valve	202.87
500-5050	1 1/2" - 50 sq. ft. Cartridge with Bypass Valve and 10-Tablet Brominator	231.71
500-6010	1 1/2" - without Cartridge - with Bypass Valve	165.84
500-6050	1 1/2" - without Cartridge - with Bypass Valve and 10-Tablet Brominator	194.87
502-2500	2" - 25 sq. ft. Cartridge with Plug	187.82
502-2510	2" - 25 sq. ft. Cartridge with Bypass Valve	187.82
502-2530	2" - 25 sq. ft. Cartridge with Bypass Valve and Flow Restriction Tube	200.75
502-2550	2" - 25 sq. ft. Cartridge with Bypass Valve and 10-Tablet Brominator	204.45
502-5000	2" - 50 sq. ft. Cartridge with Plug	202.87
502-5010	2" - 50 sq. ft. Cartridge with Bypass Valve	202.87
502-5030	2" - 50 sq. ft. Cartridge with Bypass Valve and Flow Restriction Tube	215.90
502-5050	2" - 50 sq. ft. Cartridge with Bypass Valve and 10-Tablet Brominator	231.71



Spa Skimmers and Filters / Top-Load Extended Filters



500-7500



7.5" Top-Load Extended Filters, 1 1/2

Part No.	Description	List (US \$)
500-7500	75 sq. ft. Cartridge with Plug	242.85
500-7510	75 sq. ft. Cartridge with Bypass Valve	242.85
500-7550	75 sq. ft. Cartridge with Bypass Valve and 10 Tablet Brominator	271.66
500-9900	100 sq. ft. Cartridge with Plug	254.98
500-9910	100 sq. ft. Cartridge with Bypass Valve	254.98
500-9950	100 sq. ft. Cartridge with Bypass Valve and 10 Tablet Brominator	295.95

7.5" Top-Load Extended Filters, 2

Part No.	Description	List (US \$)
502-7500	75 sq. ft. Cartridge with Plug	242.84
502-7510	75 sq. ft. Cartridge with Bypass Valve	242.84
502-7550	75 sq. ft. Cartridge with Bypass Valve and 10 Tablet Brominator	263.77
502-9900	100 sq. ft. Cartridge with Plug	254.98
502-9910	100 sq. ft. Cartridge with Bypass Valve	254.98



500-1021



400-9140



212-1810



400-9030



212-1820



400-9220



640-3170



670-2007



400-9120



640-4220 / 640-4240 / 640-4230



400-9150



212-1831

FEATURES:

- Contains 10 Bromine
- Clear Container
- Bromine Adjustable Knob



500-1098

Filter Accessories

Part No.	Description	Case Quantity	List (US \$)
500-1021	Filter Niche with 2-Cup Holder Lid and Screws - Black	6	33.70
400-9140	Cartridge Mounting Assembly - 1 1/2" NPT - with Grate	150	8.86
212-1810	Thru Wall Fitting Assembly - 1/2" S x 1/2" S	150	13.01
400-9030	Cartridge Mounting Assembly with Grate - 2" S x 1 1/2" Acme	100	15.85
212-1820	Bulkhead Wall Fitting Assembly - 3/4" RB	150	13.01
400-9220	Vent Wall Fitting Assembly with Grate (color matching available)	50	8.12
500-1098	10-Tablet Brominator Assembly	70	28.84
640-3170	Suction Wall Fitting Assembly with Bypass Valve	40	18.22
400-9120	Cartridge Mounting Assembly - 1 1/2" NPT	150	8.12
400-9130	Cartridge Mounting Assembly - 2" NPT	100	15.85
670-2000	Water Nozzle Wall Fitting Assembly	200	7.31
640-4220	Lo-Pro 3/4" SB 90° Return Fitting Assembly	40	20.75
640-4240	Lo-Pro 3/4" S 90° Return Fitting Assembly	40	20.75
640-4230	Lo-Pro 1" S 90° Return Fitting Assembly	40	20.75
400-9150	Return Wall Fitting Assembly - 1 1/2" FPT x 1 1/2" S	50	10.11
212-1831	Swirl Style Bulkhead Fitting - 3/4" RB	150	13.01



Spa Skimmers and Filters / Skimmer and Skim Filter Options & Weirs



Skim Filter Gaskets

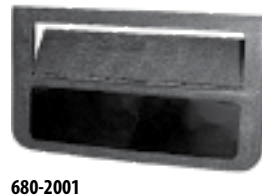
Part No.	Description	Case Quantity	List (US \$)
711-3280	Double-Seal Gasket	100	6.99
711-8010	Grommet Gasket	--	4.96

Spa Mounting Plate

Part No.	Description	Case Quantity	List (US \$)
550-1600	Spa Skimmer Mounting Plate with Screws	50	15.14

Filter Extensions

Part No.	Description	Case Quantity	List (US \$)
510-1150	Filter Extension Assembly	1	32.52
519-2041	Filter Extension - Cover	1	11.37
519-2031	Filter Extension - Body	1	17.87



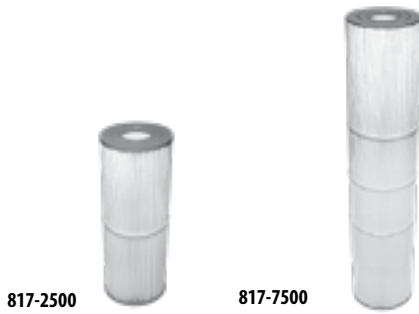
Weirs

Part No.	Description	Case Quantity	List (US \$)
680-2000	Custom Weir Assembly - 13 1/8" H x 23 1/4" W (customized logo & color with quantity order)	25	182.12
550-7760	Skimmer Frame & Weir Assembly with Waterfall	--	182.12
550-5610	Curved Weir Frame Assembly - 13" H x 20 3/4" W	--	69.14
550-0120	Tiered Weir Frame Assembly	--	92.92
550-6100	Weir Frame Assembly - 13 5/8" H x 13 7/16" W S-10 style	--	80.22
550-6110	Weir Frame 21 1/8" W x 13 1/2" S-10 style	--	94.69



Weir Accessories

Part No.	Description	List (US \$)
550-0411	Weir Mounting Brackets	10.84



Replacement Cartridges for In-Line and Top-Load Filters				
Part No.	Description	Dimensions	Case Quantity	List (US \$)
817-3640	Cartridge - 20 sq. ft.	3" OD x 19.5" L Cartridge	--	36.95
817-2500	Cartridge - 25 sq. ft.	4 15/16" OD x 13 5/16" L	--	56.22
817-5000	Cartridge - 50 sq. ft.	4 15/16" OD x 13 5/16" L	16	80.83
817-7500	Cartridge - 75 sq. ft.	4 15/16" OD x 23 5/8" L	--	111.35
817-1000	Cartridge - 100 sq. ft.	4 15/16" OD x 23 5/8" L	--	122.18



Skim Filter Replacement Cartridge

Skim Filter Replacement Cartridges					
Part No.	Size	Dimensions	Top Load	Front Access	List (US \$)
817-0010	10 sq. ft.	4 1/4" outer diameter x 4" L		x	35.36
817-3501	35 sq. ft.	4 15/16" outer diameter x 9 1/4" L (1 piece)		x	53.35
817-3510	35 sq. ft.	4 15/16" outer diameter x 4 5/8" L (2 pieces)		x	71.26
817-5010	50 sq. ft.	4 15/16" outer diameter x 6 5/8" L (2 pieces)		x	82.89
817-0050	50 sq. ft.	6" outer diameter x 8 1/4" L		x	80.38
817-0011	50 sq. ft.	6" outer diameter x 8 1/4" L (2 pieces upper)		x	80.38
817-0012	50 sq. ft.	6" outer diameter x 8 1/4" L (2 pieces lower)		x	80.38
817-2500	25 sq. ft.	5" outer diameter x 13 1/4" L	x		56.22
817-5000	50 sq. ft.	5" outer diameter x 13 1/4" L (1 piece)	x		80.83
817-0014	50 sq. ft.	5 5/16" outer diameter x 10 1/8" L	x		88.75
817-0015	75 sq. ft.	5 5/16" outer diameter x 14 13/16" L	x		111.06
817-7500	75 sq. ft.	5" outer diameter x 23 5/8" L (2 pieces)	x		111.35
817-0016	100 sq. ft.	5 5/16" outer diameter x 17 13/16" L	x		129.44
817-1000	100 sq. ft.	5" outer diameter x 23 5/8" L	x		122.18



POWER Defender

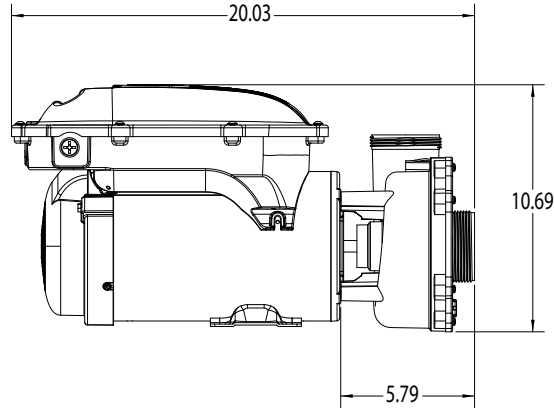
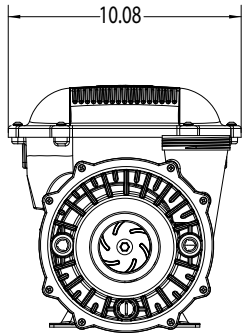
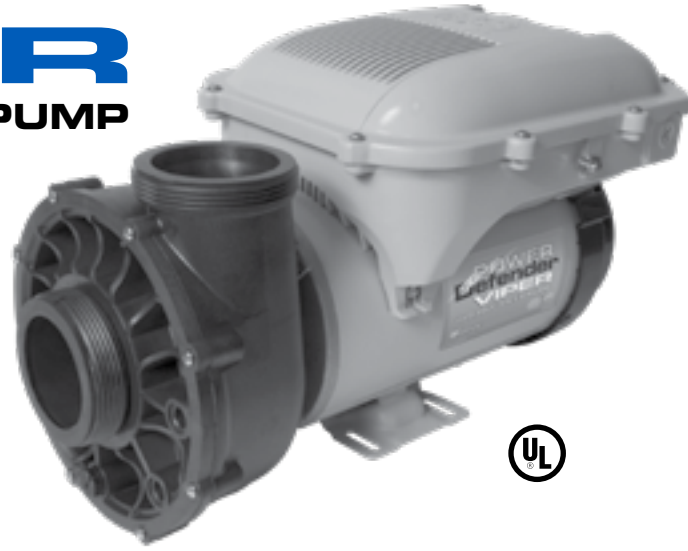
VIPER

VARIABLE SPEED PUMP

Introducing...The Better Swim Spa Solution!

FEATURES:

- Built-in programmable variable speed drive, allows for 1-100% flow control
- Proven Viper wet end
- Larger wet end (8.0") and intake plumbing (2 – 2.5") for higher pressures and more flow
- Preprogrammed flow rate and workout sequences
- Silicone carbide seals, Viton bellows, 316SS casing



Power Defender Viper Variable Speed

Part No.	Description	HP	Volts	Total Amps	Hz	Weight (lbs.)	List (US \$)
PD-250VV	Power Defender Viper	5	230	13.5	50/60	50	1400.81

Call for available cords and plugs.

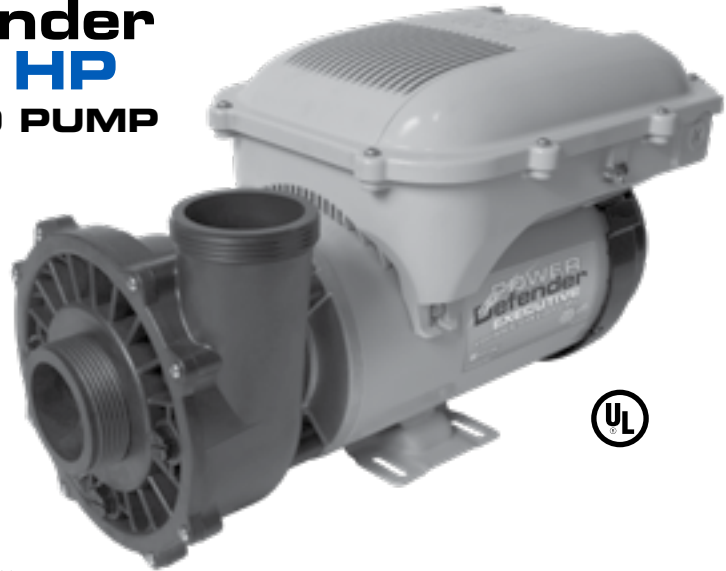


Spa Pumps / Power Defender Executive 4 HP



Power Defender Executive 4 HP VARIABLE SPEED PUMP

Introducing the only 4 HP True Variable Speed pump in the Portable Spa Industry.

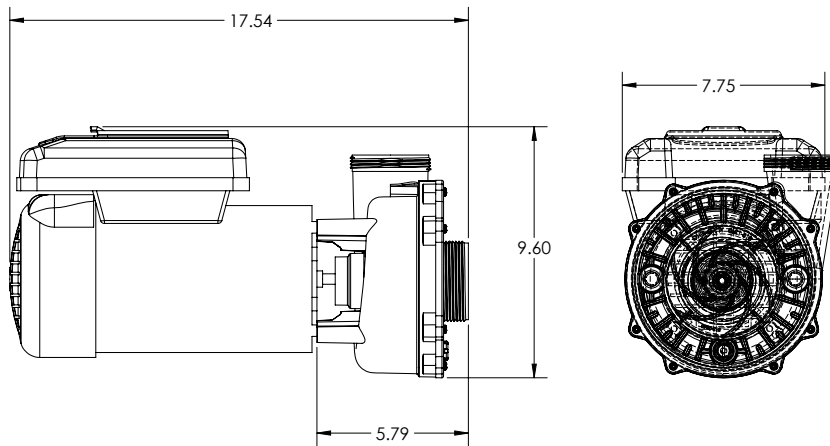
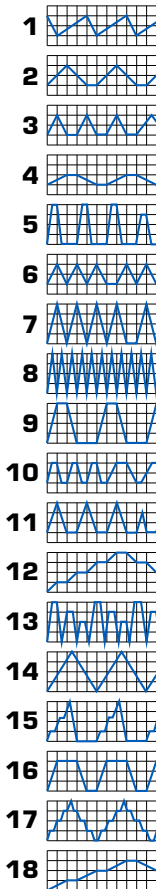


FEATURES:

- Built-in programmable variable speed drive, allows for 1-100% flow control
- Proven Executive and EX2 wet ends
- Preprogrammed wave/pulse sequences
- Silicone carbide seals, Viton bellows, 316SS casing
- Totally enclosed motor construction
- Maintains efficiency at lower speeds
- Works exclusively with NEO Spa Control

Waterway's TVST (True Variable Speed Therapy) systems have 18 pre-programmed wave/pulse sequences to provide ultimate massage therapy not seen on other variable speed systems!

TVST Massage Options



Power Defender Executive 4 HP

Part No.	Description	HP	Volts	Total Amps	Hz	Weight (lbs.)	List (US \$)
PD-240VSE	Power Defender Executive	4	230	13.5	50/60	50	1,392.30

Call for available cords and plugs.



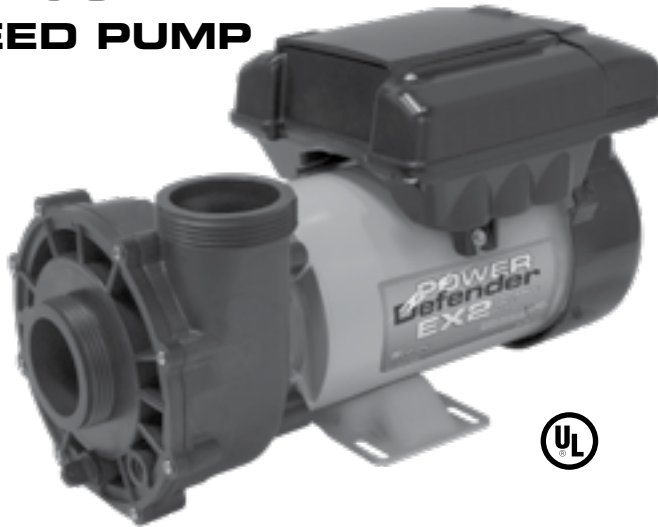
Spa Pumps / Power Defender EX2

POWER Defender

Power Defender EX2 VARIABLE SPEED PUMP

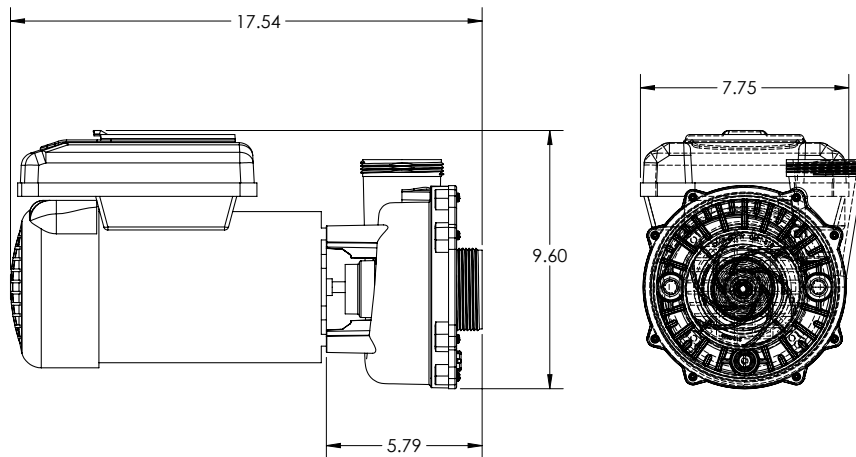
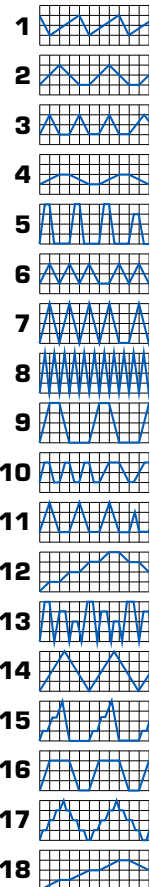
FEATURES:

- Built-in programmable variable speed drive, allows for 1-100% flow control
- Proven Executive and EX2 wet ends
- Preprogrammed wave/pulse sequences
- Silicone carbide seals, Viton bellows, 316SS casing
- Totally enclosed motor construction
- Maintains efficiency at lower speeds
- Works exclusively with NEO Spa Control



Waterway's TVST (True Variable Speed Therapy) systems have 18 pre-programmed wave/pulse sequences to provide ultimate massage therapy not seen on other variable speed systems!

TVST Massage Options



Power Defender EX2

Part No.	Description	HP	Volts	Total Amps	Hz	Weight (lbs.)	List (US \$)
PD-215VSX	Power Defender EX2	1.5	230	10.0	50/60	50	1,249.50

Call for available cords and plugs.



Spa Pumps / Power Defender 2 Pole / 6 Pole

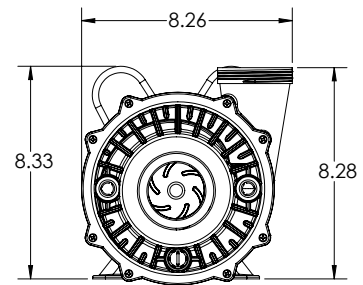
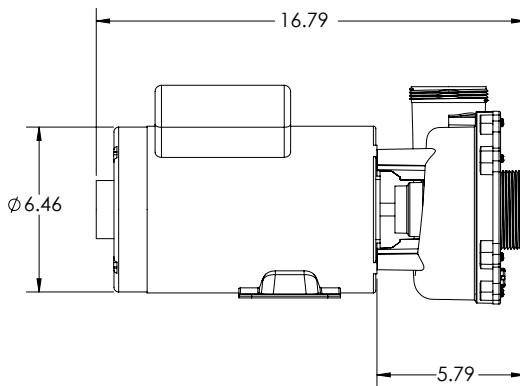
POWER Defender

Power Defender 2 POLE / 6 POLE PUMP

*Advanced 2-pole / 6-pole technology
at a cost effective price!*

FEATURES:

- Built specifically for the demanding portable spa low energy requirements
- 3HP, 4HP and 4.5HP platforms
- Approximately 1 amp at low speed
- Proven Executive wet end
- Reduced standby power consumption that complies with CEC and APSP-14 requirements
- Silicone carbide seals, Viton bellows, 316SS casing
- Maintains efficiency at lower speeds



Power Defender 2 Pole / 6 Pole Pumps

Part No.	Description	HP	Volts	Total Amps	Hz	Weight (lbs.)	List (US \$)
PD-230E	Power Defender Executive 2-Pole/6-Pole	3	230	1.0 A/8.6	60	34	786.61
PD-240E	Power Defender Executive 2-Pole/6-Pole	4	230	1.0 A/12	60	44	870.08
PD-245E	Power Defender Executive 2-Pole/6-Pole	4.5	230	1.3 A/14	60	46	951.32

Call for available cords and plugs.



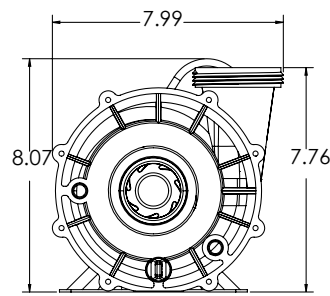
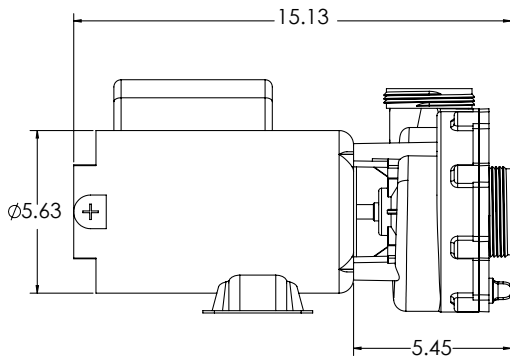
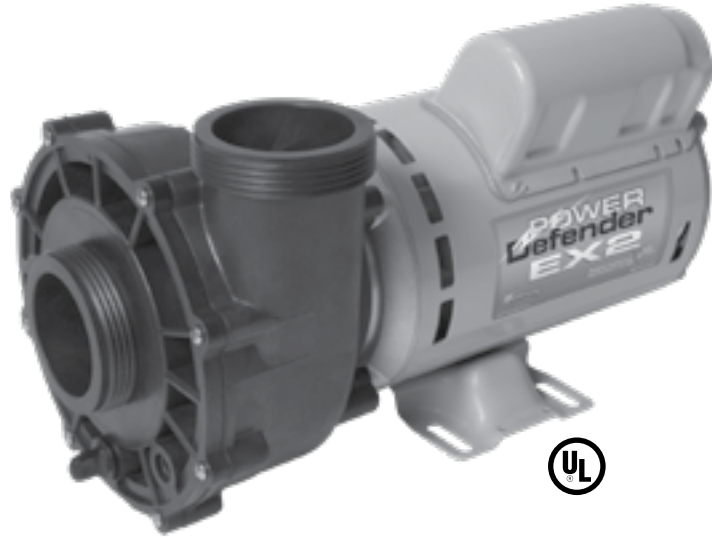
POWER Defender

Power Defender EX2 2 SPEED PUMP

Better performance with outstanding durability.

FEATURES:

- Energy efficient two speed pump design
- 1.5 Horsepower Special (1.0 True Break HP), 9.5 Amps, 115 VAC
- Proven EX2 wet end
- Silicone carbide seals, Viton bellows, 316SS casing
- Direct replacement for Aqua-Flo XP2 pumps



Power Defender EX2 2 Speed							
Part No.	Description	HP	Volts	Total Amps	Hz	Weight (lbs.)	List (US \$)
PD-110X	Power Defender EX2 2-Speed	1.5 HP SPL	115	9.5/3.2	60	26	510.00

Call for available cords and plugs.



Spa Pumps / Viper - 56-Frame

FEATURES:

- Viper wet end designed specifically for 56-frame motors
- Two double shielded ball bearings with moisture resistant grease for quieter operation and longer life
- Two speed motors have four sets of insulated windings for increased efficiency
- 56-frame motor for added strength, cooler operating temperature and longer motor life
- Large 2 1/2" intake for improved flow performance and reduced noise
- Large 8" diameter wet end for increased volume capacity
- Split capacitor, (start and run) for less energy consumption
- Thermally protected to extend life expectancy of motor
- Highly versatile wet end can be rotated every 90°
- Silicone carbide seals, Viton bellows, 316SS casing

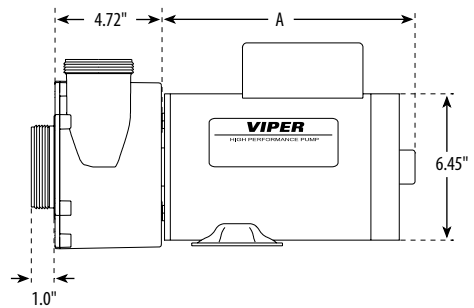
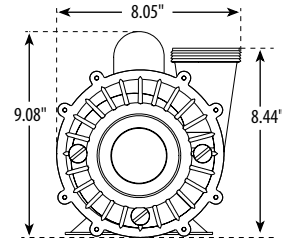
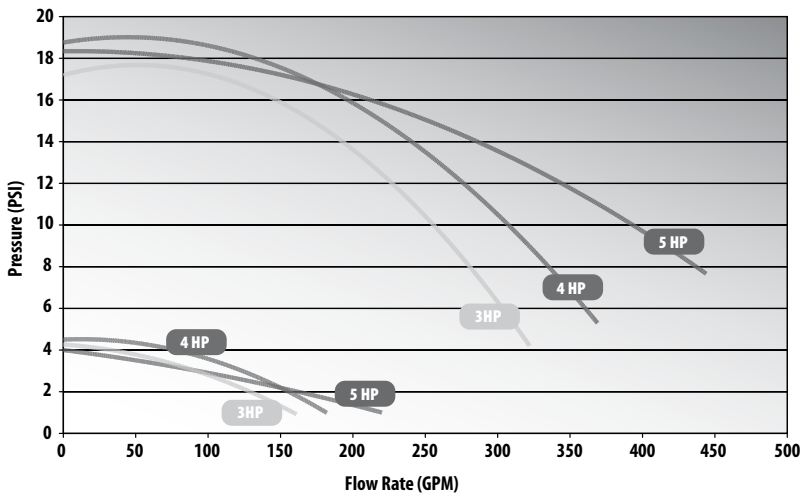
Call for available cords and plugs.



 For 2-speed models only

For replacement parts, see page 291.

Viper Performance Chart



2-Speed Viper 56-Frame Pumps

Part No.	Description	HP	Volts	Amps High Speed	Amps Low Speed	Hz	Dimension "A"	Weight (lbs.)	List (US \$)
3721221-1V	2 1/2" Intake - 2 1/2" Discharge	3	230	10	3.5	60	11"	37	805.15
3721621-1V	2 1/2" Intake - 2 1/2" Discharge	4	230	12	4.4	60	11"	44	864.38
3722021-0V	2 1/2" Intake - 2 1/2" Discharge	5	230	16.4	4.8	60	11"	47	892.35

1-Speed Viper 56-Frame Pumps

Part No.	Description	HP	Volts	Amps	Hz	Dimension "A"	Weight (lbs.)	List (US \$)
3711621-0V	2 1/2" Intake - 2 1/2" Discharge	4	230	12	60	11"	41	752.77
3712021-0V	2 1/2" Intake - 2 1/2" Discharge	5	230	16.4	60	11"	--	752.77



EXECUTIVE WET END FEATURES:

- High performance Executive wet end specifically designed for 56-frame motors
- Large 2" intake for improved flow performance and noise reduction
- Large 6" diameter wet end for higher head pressure
- Highly versatile wet end can be rotated every 90°

VIPER WET END FEATURES:

- Ultra high performance Viper wet end specifically designed for 56-frame motors
- Extra large 2 ½" intake for improved flow performance and noise reduction
- Large 8" diameter wet end to move higher volumes of water at lower pressures
- Highly versatile wet end can be rotated every 90°



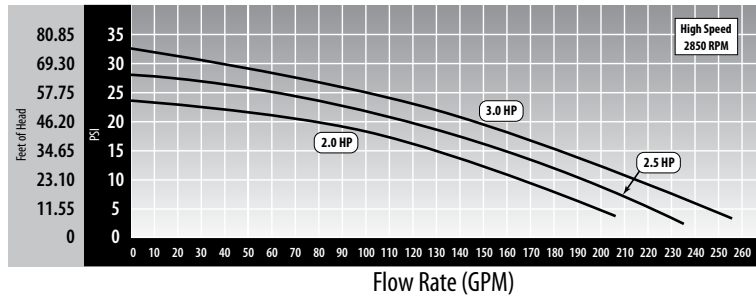
MOTOR FEATURES:

- Water repellent Italian made EMG motor
- 56-frame motor for added strength, cooler operating temperature and longer motor life
- Two double shielded ball bearings with moisture resistant grease for quieter operation and longer life
- Two-speed motors have four sets of insulated windings for increased efficiency
- Split capacitor, (start and run) for less energy consumption
- Thermally protected to extend life expectancy of motor
- IPX5 construction

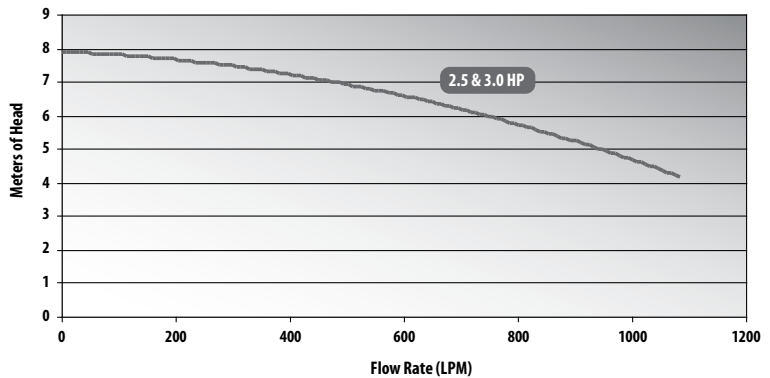
PUMP FEATURES:

- TUV listed
- TUV J and J mini plug (optional)
- Silicone carbide seals, Viton bellows, 316SS casing

PRESSURE VERSUS FLOW RATE



PRESSURE VERSUS FLOW RATE - VIPER EURO PERFORMANCE CHART



Executive Euro 50 Hz Pumps

Part No.	Description	HP	Speed	Hz	Volts	Amps	List (US \$)
3R10850-0D	Executive Euro Pump	2 HP	1-Speed	50	230	8.7	673.97
3R11250-0D	Executive Euro Pump	3 HP	1-Speed	50	230	12.7	683.47
3R20850-0D	Executive Euro Pump	2 HP	2-Speed	50	230	9.3 / 1.8	746.85
3R21050-0D	Executive Euro Pump	2 ½ HP	2-Speed	50	230	10.3 / 1.8	887.87

Viper Euro 50 Hz Pumps

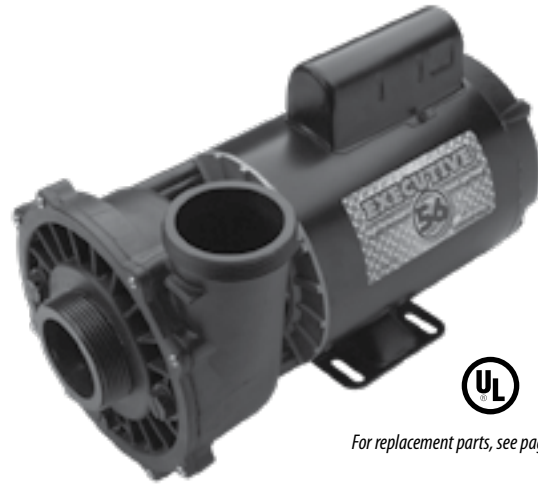
Part No.	Description	HP	Speed	Hz	Volts	Amps	List (US \$)
3R11250-0V	Viper Euro Pump	3 HP	1-Speed	50	230	12.3 / 12.8	704.45
3R21050-0V	Viper Euro Pump	2 ½ HP	2-Speed	50	230	11.4	908.87



Spa Pumps / Executive - 56-Frame

FEATURES:

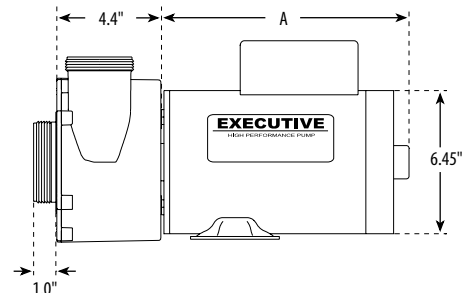
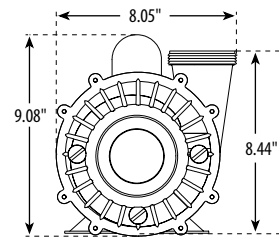
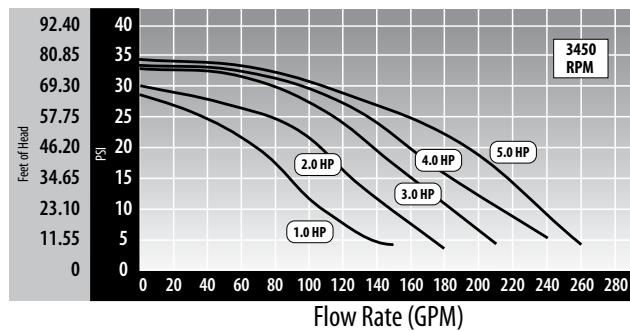
- Executive wet end designed specifically for 56-frame motors
- Two double shielded ball bearings with moisture resistant grease for quieter operation and longer life
- Two speed motors have four sets of insulated windings for increased efficiency
- 56-frame motor for added strength, cooler operating temperature and longer motor life
- Large 2 1/2" intake for improved flow performance and reduced noise
- Large 6 1/2" diameter wet end for higher head pressure
- Split capacitor, (start and run) for less energy consumption
- Thermally protected to extend life expectancy of motor
- Highly versatile wet end can be rotated every 90°
- Silicone carbide seals, Viton bellows, 316SS casing



For replacement parts, see page 289.

Call for available cords and plugs.

PRESSURE VERSUS FLOW RATE



2-Speed Executive 56-Frame Pumps

Part No.	Description	HP	Volts	Amps High Speed	Amps Low Speed	Hz	Dimension "A"	Weight (lbs.)	List (US \$)
3720821-1D	2" Intake - 2" Discharge	2	230	8.0	3.0	60	8.875"	34	667.78
3720821-13	2 1/2" Intake - 2" Discharge	2	230	8.0	3.0	60	8.875"	34	667.78
3721221-1D	2" Intake - 2" Discharge	3	230	10.0	3.4	60	9.875"	37	713.53
3721221-13	2 1/2" Intake - 2" Discharge	3	230	10.0	3.4	60	9.875"	37	713.53
3721621-1D	2" Intake - 2" Discharge	4	230	12.0	4.4	60	10.375"	44	777.95
3721621-13	2 1/2" Intake - 2" Discharge	4	230	12.0	4.4	60	10.375"	44	777.95
3722021-1D	2" Intake - 2" Discharge	5	230	16.4	4.8	60	10.375"	47	883.40
3722021-13	2 1/2" Intake - 2" Discharge	5	230	16.4	4.8	60	10.375"	46	883.40

1-Speed Executive 56-Frame Pumps

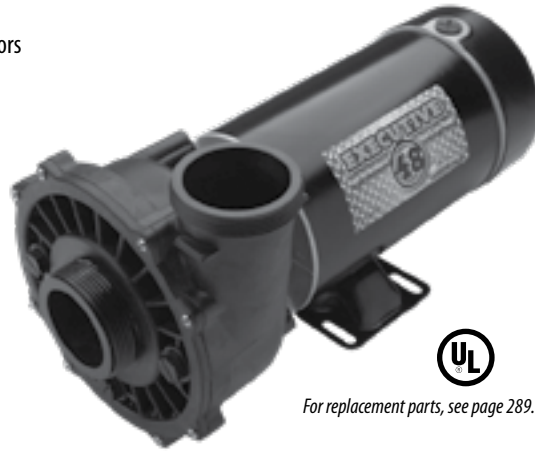
Part No.	Description	HP	Volts	Amps	Hz	Dimension "A"	Weight (lbs.)	List (US \$)
3710821-1D	2" Intake - 2" Discharge	2	230	8.0	60	8.875"	34	667.78
3710821-13	2 1/2" Intake - 2" Discharge	2	230	8.0	60	8.875"	34	667.78
3711221-1D	2" Intake - 2" Discharge	3	230	10.0	60	9.875"	34	713.53
3711221-13	2 1/2" Intake - 2" Discharge	3	230	10.0	60	9.875"	34	713.53
3711621-1D	2" Intake - 2" Discharge	4	230	12.0	60	10.375"	41	740.19
3711621-13	2 1/2" Intake - 2" Discharge	4	230	12.0	60	10.375"	40	761.83
3712021-1D	2" Intake - 2" Discharge	5	230	16.4	60	10.375"	45	761.83
3712021-13	2 1/2" Intake - 2" Discharge	5	230	16.4	60	10.375"	45	771.87



FEATURES:

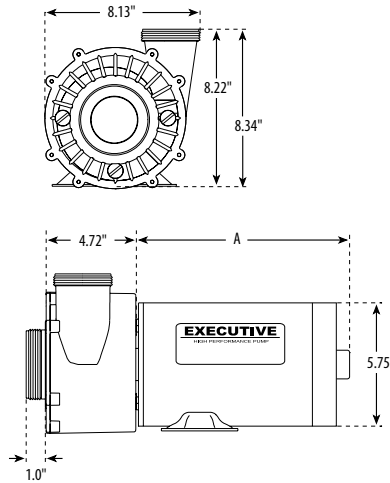
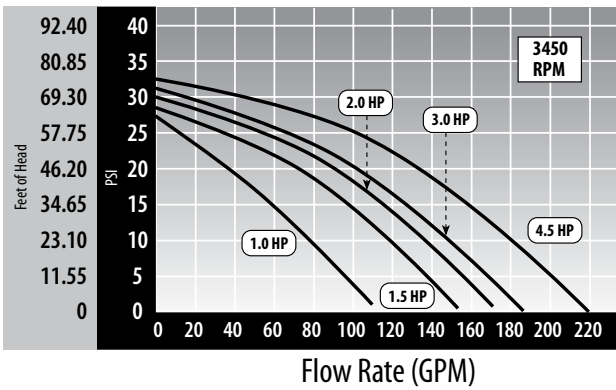
- Executive wet end designed specifically for 48-frame motors
- Large 2 ½" intake for improved flow performance and reduced noise
- Large 6 ½" diameter wet end for higher head pressure
- Thermally protected to extend life expectancy of motor
- Highly versatile wet end can be rotated every 90°
- Silicone carbide seals, Viton bellows, 316SS casing

Call for available cords and plugs.



For replacement parts, see page 289.

PRESSURE VERSUS FLOW RATE



2-Speed Executive 48-Frame Pumps

Part No.	Description	HP	Volts	Amps High Speed	Amps Low Speed	Hz	Dimension "A"	Weight (lbs.)	List (US \$)
3420410-1A	2" Intake - 2" Discharge	1.0	115	11.0	2.9	60	9.73"	27	574.13
3420410-13	2 ½" Intake - 2" Discharge	1.0	115	11.0	2.9	60	9.73"	27	574.13
3420610-1A	2" Intake - 2" Discharge	1.5	115	16.4	4.4	60	10.48"	30	626.92
3420610-13	2 ½" Intake - 2" Discharge	1.5	115	16.4	4.4	60	10.48"	30	626.92
3420620-1A	2" Intake - 2" Discharge	1.5	230	8.0	2.6	60	10.45"	30	626.92
3420620-13	2 ½" Intake - 2" Discharge	1.5	230	8.0	2.6	60	10.45"	30	626.92
3420820-1A	2" Intake - 2" Discharge	2.0	230	10.5	2.6	60	11.0"	33	664.27
3420820-13	2 ½" Intake - 2" Discharge	2.0	230	10.5	2.6	60	11.0"	33	664.27
3421221-1A	2" Intake - 2" Discharge	3.0	230	8.5	2.8	60	11.0"	36	687.40
3421221-13	2 ½" Intake - 2" Discharge	3.0	230	8.5	2.8	60	11.0"	36	687.40
3421821-1A	2" Intake - 2" Discharge	4.5	230	12.0	3.5	60	11.98"	37	774.94
3421821-13	2 ½" Intake - 2" Discharge	4.5	230	12.0	3.5	60	11.98"	36	774.94

1-Speed Executive 48-Frame Pumps

Part No.	Description	HP	Volts	Amps	Hz	Dimension "A"	Weight (lbs.)	List (US \$)
3410410-1A	2" Intake - 2" Discharge	1.0	115	12	60	9.23"	22	496.77
3410610-1A	2" Intake - 2" Discharge	1.5	115	17	60	9.78"	26	533.83
3410830-1A	2" Intake - 2" Discharge	2.0	115/230	20/10	60	10.98"	33	611.32
3410830-13	2 ½" Intake - 2" Discharge	2.0	115/230	20/10	60	10.98"	33	611.32
3411621-1A	2" Intake - 2" Discharge	4.0	230	12	60	11.18"	36	718.10
3411621-13	2 ½" Intake - 2" Discharge	4.0	230	12	60	11.18"	36	718.10



Spa Pumps / EX 2

FEATURES:

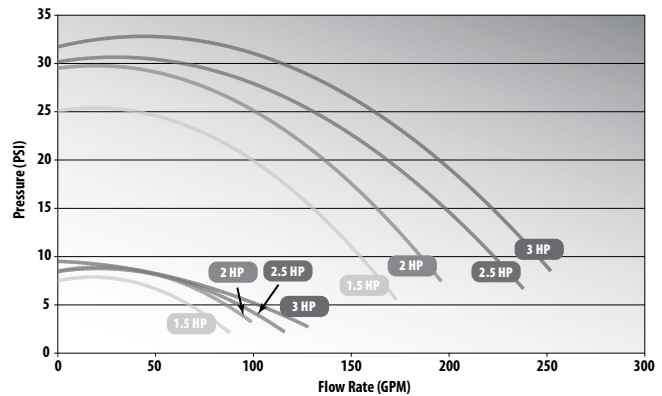
- True continuous rated horsepower of 1.5, 2.0, 2.5 and 3.0 HP
- 48-Frame or 56-Frame, Single or Dual Speed (energy saving)
- Use more jets per pump
- Same physical size as Aqua-Flo XP2, XP2e (fits within the same volume envelope)
- Can be used as substitute or retrofit to Aqua-Flo model XP2 or XP2e pumps and similar pumps and wet ends offered by other domestic and foreign suppliers
- Made in USA from highest quality materials with UL and CUL certifications
- CE and TUV certification on export pumps to ensure product performance for you and your customers
- Silicone carbide seals, Viton bellows, 316SS casing
- Equipped with high efficiency electrical motors, custom designed for Spa applications



For replacement parts, see page 290.

Call for available cords and plugs.

EX2 Performance Chart



2-Speed EX 2 48-Frame Pumps

Part No.	Description	HP - Full	Volts	Amps High Speed	Amps Low Speed	Hz	Weight (lbs.)	List (US \$)
3420610-1U	2" Intake - 2" Discharge	1.5	115	13.5	4.7	60	--	626.92
3420820-1U	2" Intake - 2" Discharge	2	230	10.5	2.6	60	33	664.27
3421021-1U	2" Intake - 2" Discharge	2	230	9.0	2.8	60	31	609.81
3421221-1U	2" Intake - 2" Discharge	2	230	8.5	2.8	60	34	687.40
3421020-1U	2" Intake - 2" Discharge	2.5	230	11.0	3.3	60	36	712.62
3421821-1U	2" Intake - 2" Discharge	3	230	12.0	3.5	60	37	774.94

1-Speed EX 2 48-Frame Pumps

Part No.	Description	HP - Full	Volts	Amps	Hz	Weight (lbs.)	List (US \$)
3410610-1U	2" Intake - 2" Discharge	1.5	115	17.0	60	27	533.83
3411020-1U	2" Intake - 2" Discharge	2.5	230	10.0	60	34	715.30
3411621-1U	2" Intake - 2" Discharge	3.0	230	12.0	60	35	718.10

2-Speed EX 2 56-Frame Pumps

Part No.	Description	HP - Full	Volts	Amps High Speed	Amps Low Speed	Hz	Weight (lbs.)	List (US \$)
3720821-1W	2" Intake - 2" Discharge	2	230	8.0	3.0	60	34	667.78
3721621-1W	2" Intake - 2" Discharge	3.0	230	12.0	4.4	60	47	777.87
3M21621-1W	2" Intake - 2" Discharge	3.0	230	12.0	4.4	60	44	777.87

1-Speed EX 2 56-Frame Pumps

Part No.	Description	HP - Full	Volts	Amps	Hz	Weight (lbs.)	List (US \$)
3711621-1W	2" Intake - 2" Discharge	3.0	230	12.0	60	41	747.45

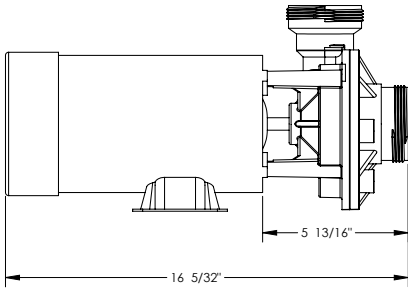
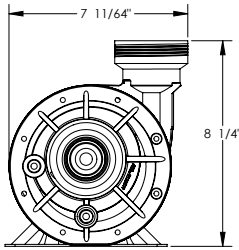


FEATURES:

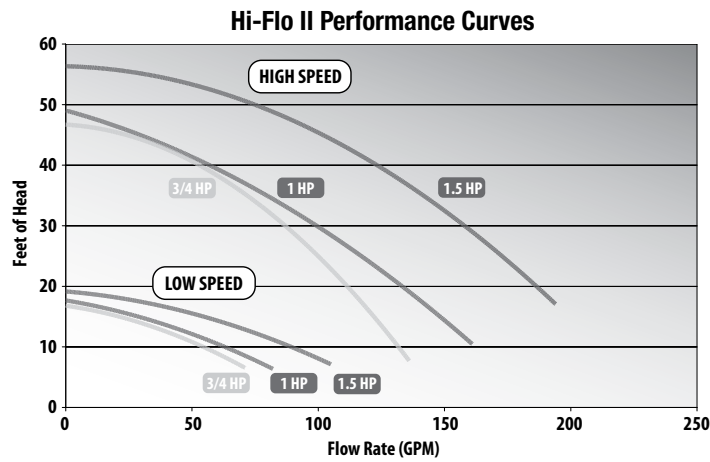
- High volume side discharge efficiency
- 60% more efficient than our center discharge pumps
- 2" intake and discharge
- Wet end can be rotated for easy installation
- Available in 1 to 4 HP, 1 or 2 speed
- Large 6 1/2" diameter wet end for higher head pressure
- Silicone carbide seals, Viton bellows, 316SS casing



For replacement parts, see page 295.



Hi-Flo II



2-Speed Hi-Flo II Side Discharge 48-Frame Pumps

Part No.	HP	Volts	Amps High Speed	Amps Low Speed	Hz	Dimension "A"	List (US \$)
3420410-10	1.0	115	11.0	2.9	60	14.73"	574.13
3420610-10	1.5	115	16.4	4.4	60	15.48"	626.92
3420620-10	1.5	230	8.0	2.6	60	15.48"	626.92
3420820-10	2.0	230	10.5	2.6	60	16.00"	664.27

1-Speed Hi-Flo II Side Discharge 48-Frame Pumps

Part No.	HP	Volts	Amps	Hz	Dimension "A"	List (US \$)
3410410-10	1.0	115	12.0	60	14.23"	495.68
3410612-10	1.5	115	17.0	60	14.78"	495.68
3410830-10	2.0	115/230	20-10	60	14.98"	611.32



Spa Pumps / Spa Flo II - 48-Frame

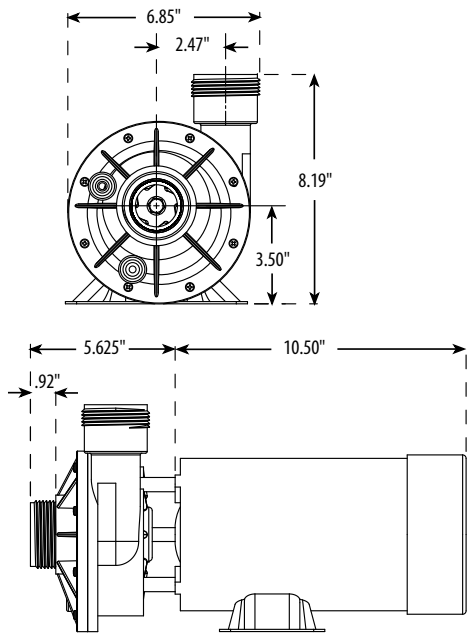
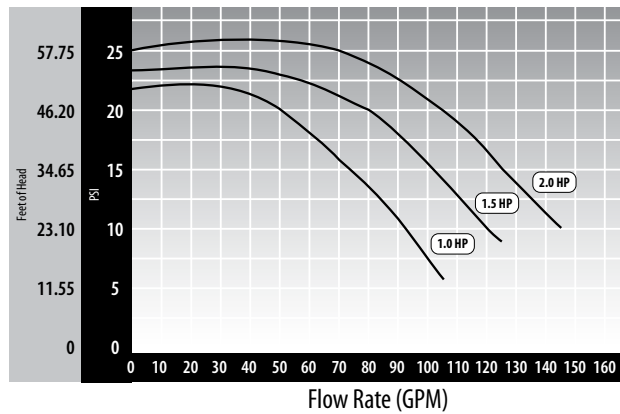
FEATURES:

- 48-frame proven design
- Designed for direct replacement in most spas
- Silicone carbide seals, Viton bellows, 316SS casing
- 1 1/2" Intake and Discharge



For replacement parts, see page 293.

PRESSURE VERSUS FLOW RATE



2-Speed Spa Flo II 48-Frame Pumps

Part No.	HP	Volts	Hz	Case Quantity	List (US \$)
3420410-SOZ	1	115	60	1	574.13
3420610-SOZ	1 1/2	115	60	1	626.92
3420820-SOZ	2	230	60	1	664.27

Sold without cords. Please call for available cords.

1-Speed Spa Flo II 48-Frame Pumps

Part No.	HP	Volts	Hz	Case Quantity	List (US \$)
3410410-SOZ	1	115	60	1	496.16
3410610-SOZ	1 1/2	115	60	--	533.83
3410830-SOZ	2	115 / 230	60	1	611.32

Sold without cords. Please call for available cords.



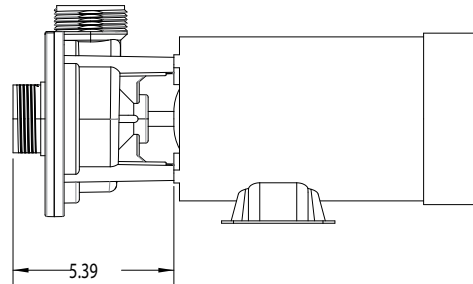
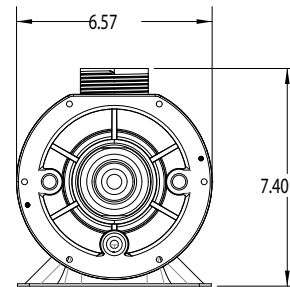
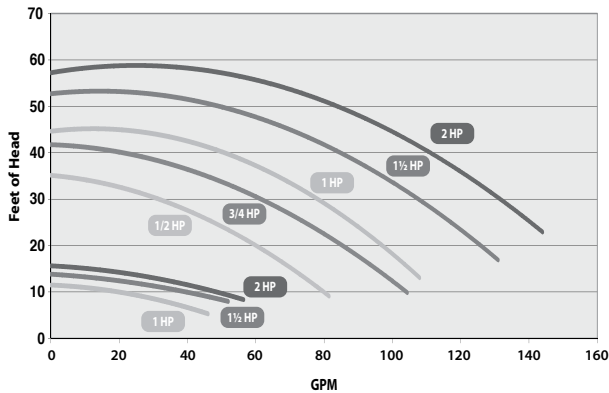
FEATURES:

- Reliable center discharge performance
- 1 1/2" intake and discharge
- Wet end can be rotated for easy installation
- Available in 3/4 to 2 HP, 1 or 2 speed
- Silicone carbide seals, Viton bellows, 316SS casing



For replacement parts, see page 286.

Center Discharge e-Series Pumps



Spa Pumps

2-Speed Center Discharge Spa Pumps

Part No.	HP	Volts	Amps High Speed	Amps Low Speed	Hz	Dimension "A"	Weight (lbs.)	List (US \$)
3420310-15	3/4	115	8.8	2.6	60	15.00"	25	548.48
3420410-15	1.0	115	11.0	2.9	60	15.00"	26	574.13
3420610-15	1.5	115	16.4	4.4	60	15.75"	29	626.92
3420620-15	1.5	230	8.0	2.6	60	15.73"	29	626.92
3420820-15	2.0	230	10.5	2.6	60	16.28"	32	664.27

1-Speed Center Discharge Spa Pumps

Part No.	HP	Volts	Amps	Hz	Dimension "A"	Weight (lbs.)	List (US \$)
3410310-15	3/4	115	9.8	60	14.00"	19	474.89
3410410-15	1.0	115	12.0	60	14.50"	21	496.16
3410610-15	1.5	115	17.0	60	15.05"	26	533.83
3410830-15	2.0	115/230	20-10	60	16.26"	33	611.32



Spa Pumps / Iron Might

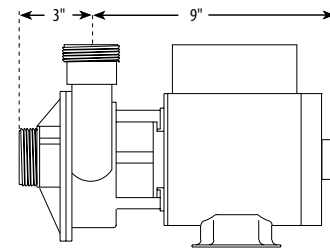
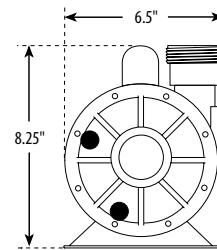
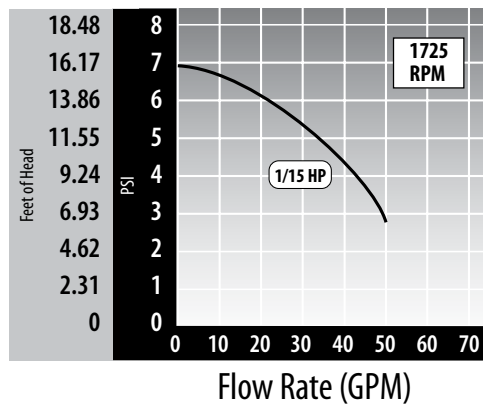
FEATURES:

- 24-hour circulation
- 48-frame proven design
- Side discharge for optimum flow
- Multiple union assemblies available
- Delivers 40 GPM
- 1/15 HP
- Only 1.3 Amps
- Silicone carbide seals, Viton bellows, 316SS casing
- 1 1/2" Intake and Discharge

**NOW in
50/60 Hz!**



PRESSURE VS FLOW RATE



Iron Might 1-Speed 48-Frame Circulating Pumps

Part No.	Volts	Hz	Case Quantity	Weight (lbs.)	List (US \$)
3J10070-0E	230	50/60	1	--	474.89
3410030-1E	115	60	1	14	496.16

Leaf Trap (sold separately)

Part No.	Description	Case Quantity	Weight (lbs.)	List (US \$)
310-5400	Leaf Trap – 1 1/2" Union x 1 1/2" FPT	4	13	90.25



Pond Pump - Iron Might with Trap

Part No.	Description	Weight (lbs.)	List (US \$)
3410030-1E77	1/15 HP - 115V - 6 ft. NEMA Cord	19	482.58



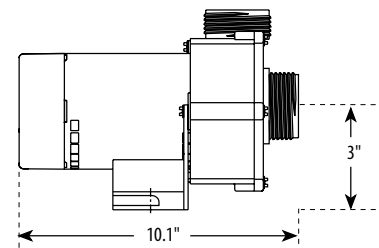
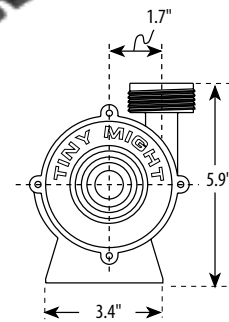
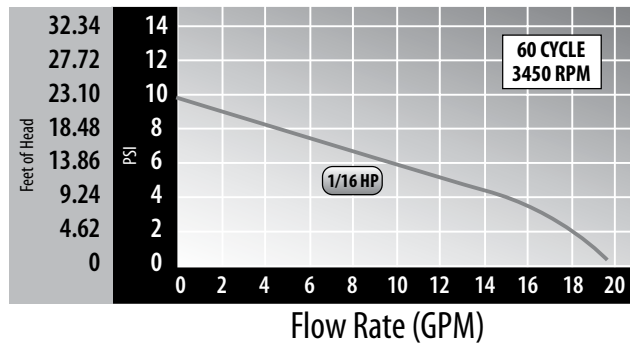
Spa Pumps / Tiny Might

FEATURES:

- High volume side discharge efficiency
- 60% more efficient than our center discharge pumps
- Side discharge for optimum flow
- 1" union or 1" barb
- Wet end can be rotated for easy installation
- 1/16 HP
- Large 6 1/2" diameter wet end for higher head pressure



PRESSURE VERSUS FLOW RATE



Tiny Might Circulating Pumps

Part No.	Description	HP	Volts	Amps	Hz	Weight (lbs.)	List (US \$)
3312610-14	1" Union x 1" Union	1/16	115	0.8	60	7	355.11
3312620-14	1" Union x 1" Union	1/16	230	0.4	50/60	7	355.11
3312610-19	1" Barb x 1" Barb	1/16	115	0.8	60	7	355.11
3312620-19	1" Barb x 1" Barb	1/16	230	0.4	50/60	7	355.11



**pre-2012
PARTS**

Spa Pumps / Wet Ends



310-0700

Spa Flo Wet Ends

Part No.	Rating	Case Quantity	List (US \$)
310-0700	1 HP	1	105.84
310-0800	1 ½ HP	15	105.84
310-0810	2 HP	12	105.84



310-0140

2 ½" Viper Wet Ends

Part No.	Motor	Rating	Case Quantity	List (US \$)
310-0140	56-Frame	4 HP	8	127.15

Silicone carbide seals,
Viton bellows,
316SS casing

EX2 Wet Ends

Part No.	Motor	Rating	Case Qty.	List (US \$)	Part No.	Motor	Rating	Case Qty.	List (US \$)
310-2450	48-Frame	1 ½ HP	8	127.15	310-2360	56-Frame	1 ½ HP	12	127.15
310-2460	48-Frame	2 HP	8	127.15	310-2370	56-Frame	2 HP	12	127.15
310-2480	48-Frame	3 HP	8	127.15	310-2380	56-Frame	3 HP	12	127.15
					310-2390	56-Frame	2 ½ HP	12	127.15



310-2360

2" Executive Wet Ends

Part No.	Motor	Rating	Case Qty.	List (US \$)	Part No.	Motor	Rating	Case Qty.	List (US \$)
310-1870	48-Frame	1 HP	8	127.15	310-1710	56-Frame	1 HP	8	127.15
310-1880	48-Frame	1 ½ HP	8	127.15	310-1720	56-Frame	2 HP	8	127.15
310-1890	48-Frame	2 HP	8	127.15	310-1730	56-Frame	3 HP	8	127.15
310-1900	48-Frame	3 HP	8	127.15	310-1740	56-Frame	4 HP	8	127.15
310-1910	48-Frame	4 HP	8	127.15	310-1750	56-Frame	5 HP	8	127.15
310-1920	48-Frame	4 ½ HP	8	127.15					
310-1930	48-Frame	5 HP	8	127.15					



310-1870

2 ½" Executive Wet Ends

Part No.	Motor	Rating	Case Qty.	List (US \$)	Part No.	Motor	Rating	Case Qty.	List (US \$)
310-1800	48-Frame	1 HP	8	127.15	310-1460	56-Frame	1 HP	8	127.15
310-1810	48-Frame	1 ½ HP	8	127.15	310-1480	56-Frame	2 HP	8	127.15
310-1820	48-Frame	2 HP	8	127.15	310-1500	56-Frame	3 HP	8	127.15
310-1840	48-Frame	3 HP	8	127.15	310-1440	56-Frame	4 HP	8	127.15
310-1860	48-Frame	4 HP	8	127.15	310-1510	56-Frame	5 HP	8	127.15
310-1850	48-Frame	4 ½ HP	8	127.15					
310-1830	48-Frame	5 HP	8	127.15					



310-1800

2" Hi-Flo Side Discharge Wet Ends

Part No.	Rating	Case Qty.	List (US \$)
310-1130SD	1 HP	12	127.15
310-1140SD	1 ½ HP	12	127.15
310-1141SD	2 HP	12	127.15
310-1150SD	3 HP	12	127.15
310-1160SD	4 HP	12	127.15



310-1130SD

E-Series Center Discharge Wet Ends

Part No.	Rating	Case Qty.	List (US \$)
310-8200	½ HP	12	127.15
310-8210	¾ HP	12	127.15
310-8220	1 HP	12	127.15
310-8230	1.5 HP	12	127.15
310-8240	2 HP	12	127.15



310-8210

Note: E-Series Center Discharge Wet Ends are the same size as the Standard Series Center Discharge Wet Ends. See Page 286 Series Center Discharge.



Spa Pumps / Wet Ends



310-7700SD

Silicone carbide seals,
Viton bellows,
316SS casing

2" Hi-Flo II Side Discharge Wet Ends

Part No.	Rating	Case Qty.	List (US \$)
310-7700SD	1/2 HP	12	127.15
310-7710SD	3/4 HP	12	127.15
310-7720SD	1 HP	12	127.15
310-7730SD	1 1/2 HP	12	127.15
310-7740SD	2 HP	12	127.15



310-7800

Spa Flo II Wet End

Part No.	Rating	Case Qty.	List (US \$)
310-7800	1/2 HP	12	105.84
310-7810	3/4 HP	12	105.84
310-7820	1 HP	12	105.84
310-7830	1 1/2 HP	12	127.15
310-7840	2 HP	12	127.15



310-7820

Iron Might II Circulating Wet Ends

Part No.	Rating	Case Qty.	List (US \$)
310-7820	1/8 HP	12	105.84



Spa Pumps / Equipment Bases



672-1000



672-1010



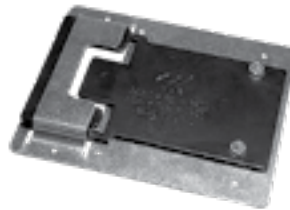
672-1060

Equipment Bases

Part No.	Description	Case Quantity	List (US \$)
672-1000	1" x 15 1/4" x 26 1/4"	100	42.50
672-1010	1" x 14 1/2" x 15"	200	34.88
672-1060	1" x 8 1/2" x 15 1/2"	16	16.72



672-1030



672-7250



672-1320



672-1160



672-1100



672-1020



319-0019

Motor Bases

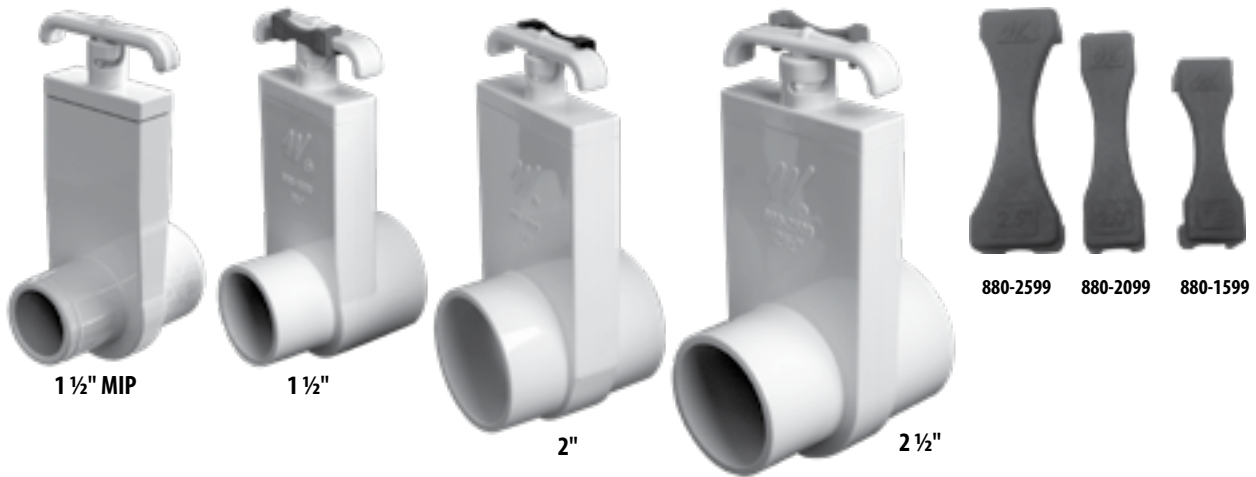
Part No.	Description	Case Quantity	List (US \$)
672-1030	1/2" Thick Base	170	10.61
672-7250	Metal Pump Base Assembly - 7 1/2" x 5 5/16"	25	15.67
672-1320	Rubber EMG Euro Motor Base (sold as a pair)	80	4.64
672-1100	3/4" Thick Base with Tabs - PVC Flex	100	16.55
672-1020	3/4" Thick Base	170	13.65
672-1080	3/4" Thick Base - PVC Flex	50	13.65
319-0019	Self-Aligning Rubber Motor Base	100	6.19
672-1160	Universal Floating 9" x 9" Pump Base Assembly	25	15.67



Anti-Vibration Pads
(sold separately only
for Waterway pumps)

Pump Base Foot Pads

Part No.	Description	Case Quantity	List (US \$)
672-1170	Anti-Vibration Pads	144	1.10



Slice Valves		
Part No.	Description	List (US \$)
880-1500	1 1/2" Slice Valve - 2" SPG / 1 1/2" S x 1 1/2" Spigot	18.23
880-1510	1 1/2" Slice Valve - 1 1/2" Spigot x 1 1/2" Spigot	18.23
880-1530	1 1/2" MIP Slice Valve - 1 1/2" Hose	20.50
880-2020	2" Slice Valve - 2" S x 2" S	22.78
880-2010	2" Slice Valve - 2" Spigot x 2" Spigot	22.78
880-2000	2" Slice Valve - 2" Spigot x 2" S	22.78
880-2500	2 1/2" Slice Valve - 2 1/2" S x 2 1/2" Spigot	35.21
880-2520	2 1/2" Slice Valve - 2 1/2" S x 2 1/2" S	35.21
880-1599	Clip for 1 1/2" Slice Valve	1.06
880-2099	Clip for 2" Slice Valve	1.23
880-2599	Clip for 2 1/2" Slice Valve	1.28

FEATURES:

- Adjustable flow control
- Easy to adjust in tight places
- Requires less overhead space to turn on/off compared to slice valve
- 100% shut off
- No metal parts in contact with the water for a non-corrosive gate valve
- Waterway manufactures all TruSeal Gate Valves in the U.S.A.



Gate Valves				
Part No.	Description	Color	Case Quantity	List (US \$)
600-2370	Gate Valve - 2" S x 2" S	Clear	20	31.53
600-2380	Gate Valve - 2" S x 2" Spigot	Clear	20	31.53
600-2300	Gate Valve - 2 1/2" S x 2 1/2" Spigot	Clear	18	33.07



Valves / Check Valves and U-Bends



600-8140



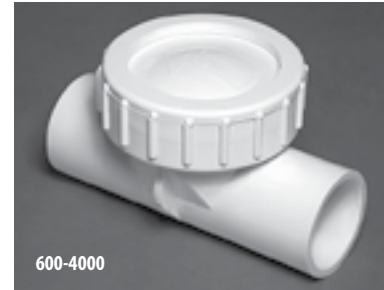
550-6800



600-2900



670-1100



600-4000



670-2270

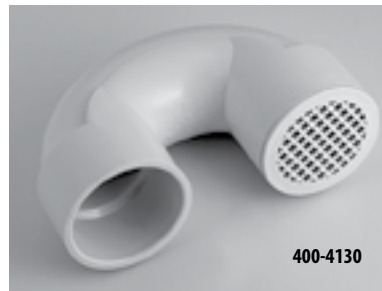
Check Valves

Part No.	Description	Case Quantity	List (US \$)
600-8140	Air Check Valve - ¼ lb. Spring - 1 ½" S x 1 ½" S	50	19.53
600-8160	Air Check Valve - ¼ lb. Spring - 2" Spigot x 2" Spigot	50	20.51
600-8150	Water Bypass Valve - 8 lb. Spring - 1 ½" S x 1 ½" S (standard color is black)	50	27.08
550-6810	Flapper Check Valve Body - 1.25 - 2 lbs. Spring - 2" S x 2" S	72	14.03
550-6800	Flapper Check Valve Body - 2.5 - 8 lbs. Spring - 2" S x 2" S	72	14.03
600-4000	Flapper Check Valve - Tee - 1" S x 1" S (standard color is white)	80	16.78
600-5000	Check Valve Assembly - Tee - 1" S x 1" S	140	9.83
600-2900	1 ½" Blower Check Valve Assy	45	7.40
670-1100	1" Check Valve with Flapper Assembly		5.22
670-2270	½" S NEOPERL Check Valve with Cap/Foam	125	8.95
670-2220	½" S Tee NEOPERL Check Valve with Cap/Foam	150	9.44

NEW!



429-4000



400-4130

U-Bends

Part No.	Description	Case Quantity	List (US \$)
429-4000	U-Bend - 1 ½" S x 1 ½" S	50	7.36
429-4030	U-Bend - 2" S x 2" S	40	10.95
400-4130	2" Sweep Vent Grate Assembly	12	11.42



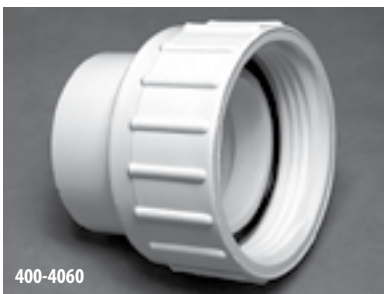
400-1940



400-1990

31" Pump Union Assemblies

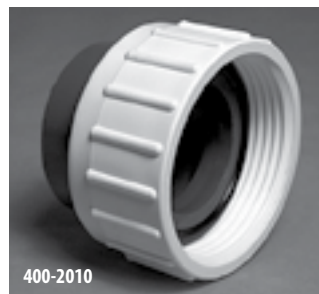
Part No.	Description	Case Quantity	List (US \$)
400-1940	1" Union Nut with 3/4" RB Tailpiece and O-Ring	25	4.20
400-1990	1" S Union Nut with 1" Slip Tailpiece and O-Ring	200	4.20



400-4060



400-2020



400-2010



400-4230



400-4240



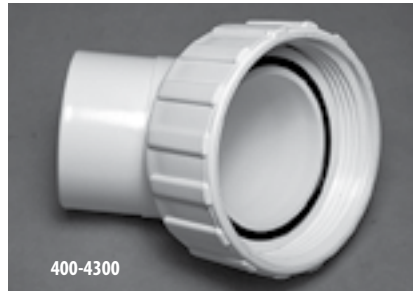
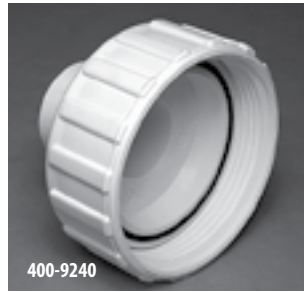
400-9280

1 1/2" Pump Union Assemblies

Part No.	Description	Case Quantity	List (US \$)
400-4060	1 1/2" Union Nut with 1 1/2" S Tailpiece and O-Ring	200	5.05
400-5640	1 1/2" Union Nut with 1 1/2" S Tailpiece with Gasket	200	5.36
400-2020	1 1/2" Union Nut with 1 1/2" Spigot / 1" S Tailpiece and O-Ring	200	6.31
400-2010	1 1/2" Union Nut with 50mm S Tailpiece and O-Ring	35	6.31
400-4230	1 1/2" Union Nut with 1 1/2" FPT Tailpiece and O-Ring	200	9.47
400-4510	1 1/2" Union Nut with 1 1/2" FPT Tailpiece and O-Ring with Gasket	200	9.77
400-4240	1 1/2" Union Nut with 1 1/2" Spigot Tailpiece and O-Ring	50	7.89
400-9280	1 1/2" Union Nut with 1 1/2" / 1 1/4" Hose Adapter and O-Ring	25	5.31



Unions / Pump Union Assemblies



2" Pump Union Assemblies

Part No.	Description	Case Quantity	List (US \$)
400-5570	2" Union Nut with 2" S Tailpiece and O-Ring	70	7.59
400-5670	2" Union Nut with 2" S Tailpiece and O-Ring with Gasket	70	7.89
400-9240	2" Union Nut with 1 1/2" Hose Adapter and O-Ring	30	10.93
400-5800	2" Union Nut with 2" S Sweep Ell - 90° Tailpiece	40	9.83
400-5660	2" Union Nut with 1 1/2" FPT Nut Tailpiece and O-Ring	72	13.65
400-4300	2" Union Nut with 2" Spigot 45° Tailpiece and O-Ring	70	8.40
400-9230	2" Union Nut with 2" Spigot / 1 1/2" S Tailpiece and O-Ring	40	7.59
400-5680	2" Union Nut with 2" Spigot / 1 1/2" S Tailpiece and O-Ring with Gasket	140	7.89

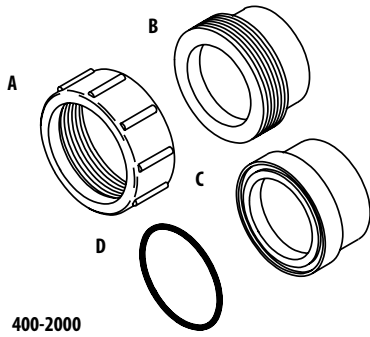


2 1/2" Pump Union Assemblies

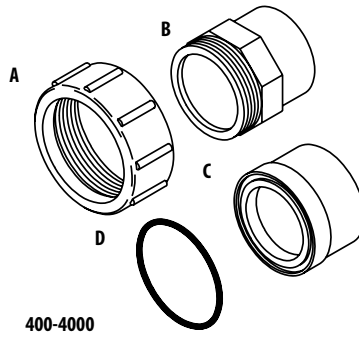
Part No.	Description	Case Quantity	List (US \$)
400-5990	2 1/2" Union Nut with 2" S Tailpiece and O-Ring	50	10.70
400-6010	2 1/2" Union Nut with 2 1/2" S Tailpiece and O-Ring	36	10.70
400-6021B	2 1/2" Union Nut x 2 1/2" S - Black (2 included with SVL56 pump)	72	12.01
400-5971B	2 1/2" Union Nut x 2" S - Black (2 included with SVL56 pump)	72	12.01

Swivel Union Assembly

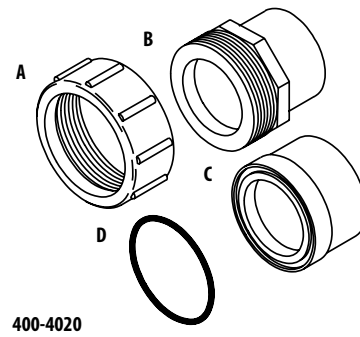
Part No.	Description	Case Weight	Case Quantity	List (US \$)
400-4481-CPVC	Swivel Union Assembly - 2" S x 2" Spigot	34.56 lbs.	45	27.73



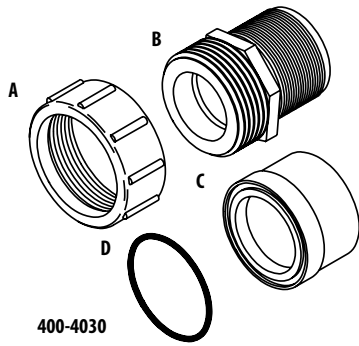
400-2000



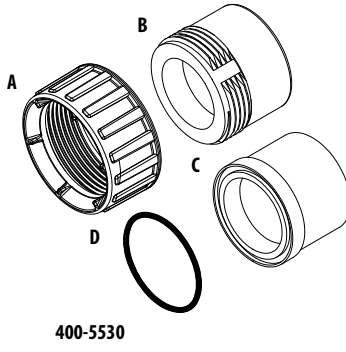
400-4000



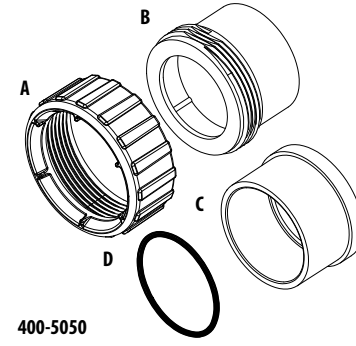
400-4020



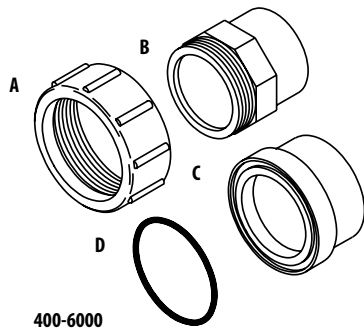
400-4030



400-5530



400-5050



400-6000

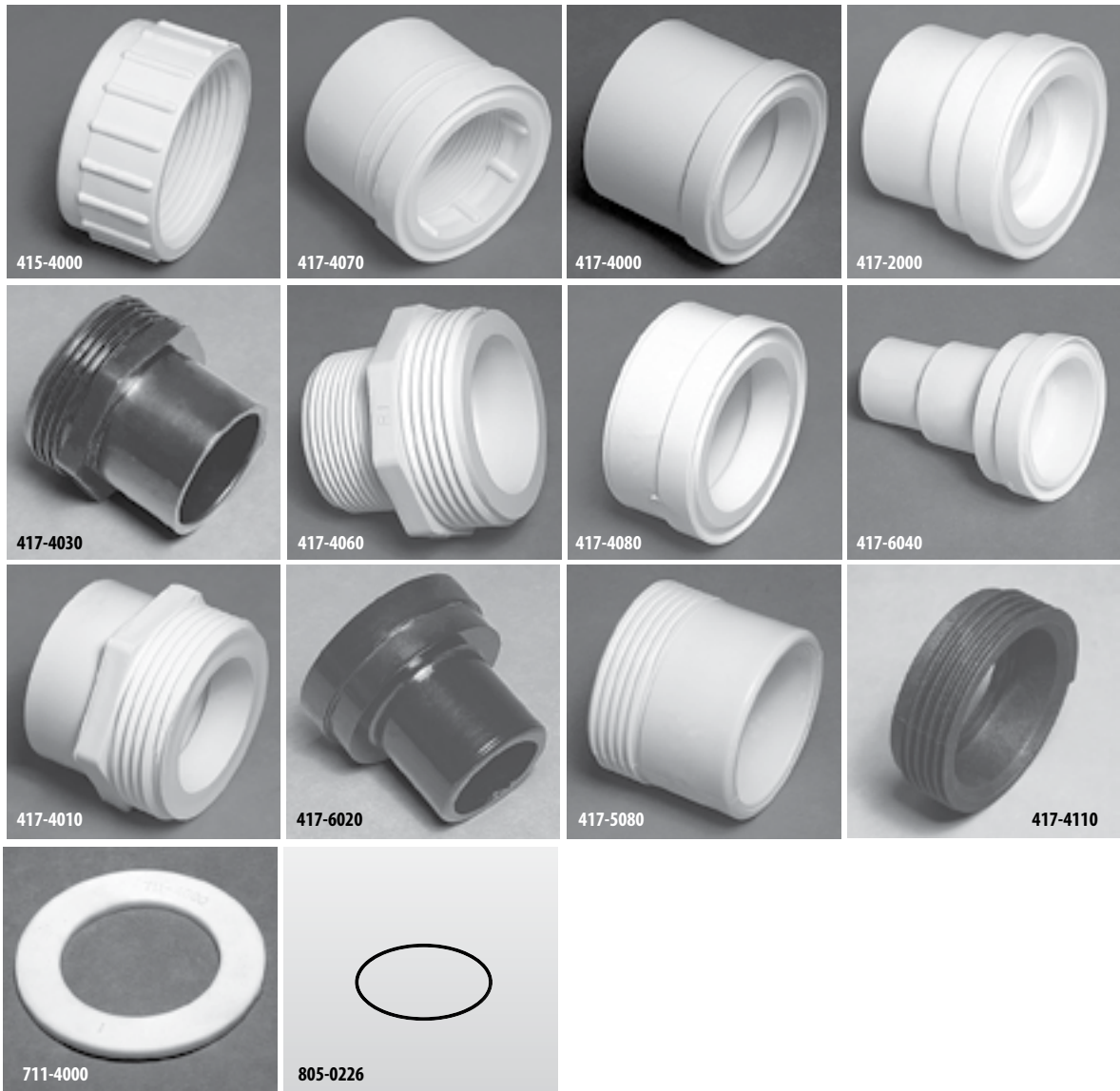
Union Assemblies

Part No.	Description	Part A	Part B	Part C	Part D	Case Quantity	List (US \$)
400-2000	Union Assembly - 1" S x 1" S	415-2000	417-2010	417-2020	805-0123	60	8.12
400-4000	Union Assembly #1 - 1 1/2" S x 1 1/2" S	415-4000	417-4010	417-4000	805-0226	50	8.12
400-4020	Union Assembly #3 - 1 1/2" S x 1 1/2" Spigot	415-4000	417-4030	417-4000	805-0226	25	11.38
400-4030	Union Assembly - 1 1/2" MPT x 1 1/2" S	415-4000	417-4060	417-4000	805-0226	25	11.38
400-5530	Union Assembly - 2" Spigot / 1 1/2" S x 1 1/2" S	415-4000	417-4000	417-5080	805-0226	40	11.38
400-5050	Union Assembly #13 - 2" S x 2" S	415-5000	417-5040	417-5120	805-0229	25	11.41
400-6000	Union Assembly - 2 1/2" S x 2 1/2" S	415-6000	417-6010	417-6000	805-0232	36	13.01

Standard color is white. All fittings meet or exceed A.S.T.M. Schedule 40 standards.



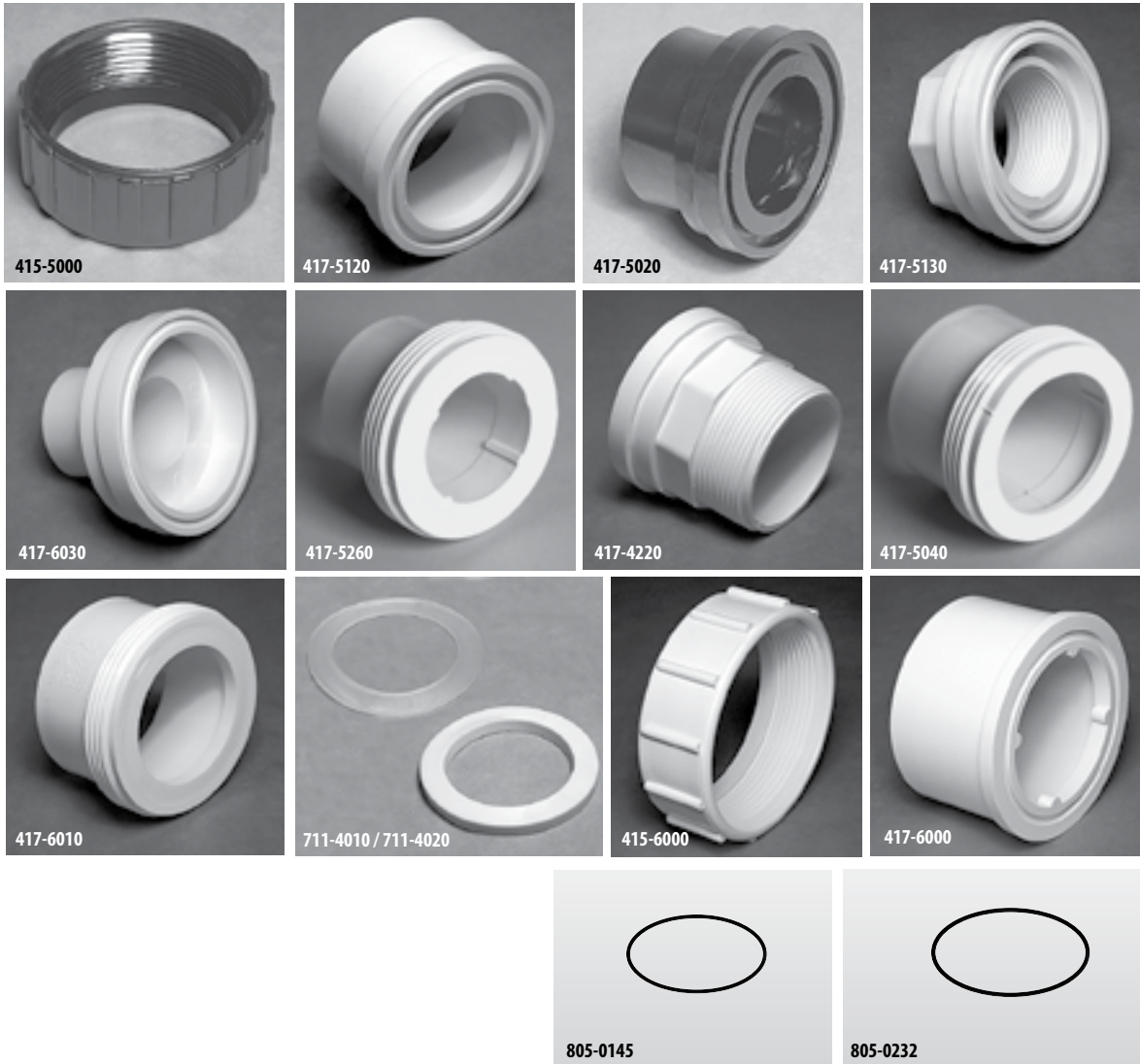
Unions / 1 1/2" Union Components



Unions

1 1/2" Union Components

Part No.	Description	Case Quantity	List (US \$)
415-4000	1 1/2" Union Nut	250	2.49
417-4070	1 1/2" Flange x 1 1/2" FPT Tailpiece	100	2.49
417-4000	1 1/2" Flange x 1 1/2" S Tailpiece	300	2.77
417-5500	1 1/2" Flange x 50mm S Tailpiece	100	2.49
417-2000	1 1/2" Flange x 1 1/2" Spigot / 1" S Tailpiece	50	5.95
417-4100	1 1/2" Flange x 1 1/2" Spigot	75	4.78
417-4030	1 1/2" Buttress Thread x 1 1/2" Spigot Tailpiece	230	2.49
417-4060	1 1/2" Buttress Thread x 1 1/2" MPT Tailpiece	230	2.59
417-4080	1 1/2" Flange x 1 1/2" S Tailpiece - Short	150	2.25
417-6040	1 1/2" Flange x 1 1/2" / 1 1/4" Hose Adapter Fitting	75	2.17
417-4010	1 1/2" Buttress Thread x 1 1/2" S Tailpiece	250	2.78
417-6020	1 1/2" Flange x 1 1/2" S Hose Adapter Fitting	50	2.70
417-5080	1 1/2" Buttress Thread x 1 1/2" S x 2" Spigot Tailpiece	75	3.25
417-4110	1 1/2" Buttress x 1 1/2" S - Short	150	4.35
711-4000	1 1/2" Union Gasket	500	0.62
805-0226	O-Ring - 1 1/2" Tailpiece	100	0.60



Unions

2" and 2 1/2" Union Components

Part No.	Description	Case Quantity	List (US \$)
415-5000	2" Union Nut	180	3.78
417-5120	2" Flange x 2" S Tailpiece	50	3.94
417-5020	2" Flange x 2" Spigot / 1 1/2" S Tailpiece	100	4.38
417-5130	2" Flange x 1 1/2" FPT Nut Tailpiece	140	3.45
417-6050	2" Flange x 1 1/2" / 1 1/4" Hose Adapter Fitting	200	3.65
417-6030	2" Flange x 1 1/2" Hose Adapter Fitting	25	3.33
417-5260	2" Buttress Thread x 2" Spigot / 1 1/2" S Tailpiece	160	4.38
417-4220	2" Flange x 2" MPT	50	7.70
417-5090	2" Flange Thread x 1 1/2" MPT Tailpiece	25	4.38
417-5040	2" Buttress Thread x 2" S Tailpiece	150	3.06
805-0145	O-Ring – 2" Heater Tailpiece	100	0.60
805-0229	2" Pump Union (thick) O-ring	100	0.71
711-4010	2" Flat Union Gasket	500	0.72
711-4020	2" x 1/4" Thick Union Gasket	500	1.30
711-4030	2" Ribbed O-ring Union Gasket	500	0.79
415-6000	2 1/2" Union Nut	50	7.32
417-6000	2 1/2" Flange x 2 1/2" Socket	50	4.69
417-5970	2 1/2" Flange x 2" Socket	50	4.38
417-6010	2 1/2" Buttress Thread x 2 1/2" Socket	100	5.04
805-0232	O-Ring – 2 1/2" Heater Tailpiece	100	1.29

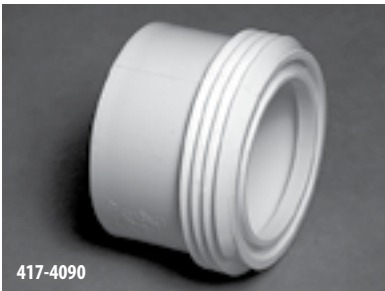


Unions / Heater Union Components



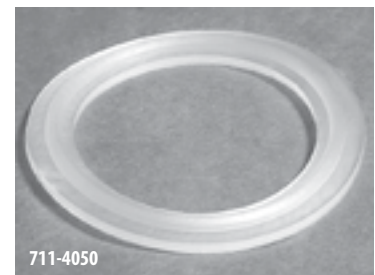
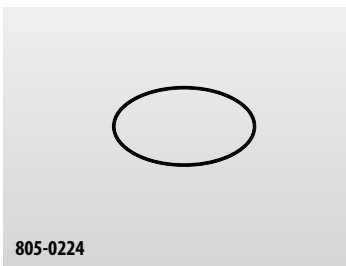
1 1/2" Heater Union Nuts

Part No.	Description	Case Quantity	List (US \$)
400-5461	1 1/2" Heater Split Nut - Long Assembly - with Screws	150	5.30
400-5491	1 1/2" Heater Split Nut - with Screws	250	3.26
415-4021	1 1/2" Heater Split Nut - without Screws	100	2.08



1 1/2" Heater Union Tailpieces

Part No.	Description	Case Quantity	List (US \$)
417-4090	1 1/2" Buttress Thread x 1 1/2" S Tailpiece	100	1.82
417-4050	1 1/2" Buttress Thread x 1 1/2" Spigot Tailpiece	75	1.82



1 1/2" Heater Union O-Ring Gaskets

Part No.	Description	Case Quantity	List (US \$)
805-0224	O-Ring - 1 1/2" Heater Tailpiece	100	0.60
711-4000	Gasket - 1 1/2" Heater Tailpiece	500	0.62
711-4050	O-Ring Gasket - 1 1/2" Heater Tailpiece	500	0.69



400-5161

2" Heater Union Nuts

Part No.	Description	Case Quantity	List (US \$)
400-5161	2" Heater Split Nut - with Screws	150	2.95
415-5161	2" Heater Split Nut - without Screws	150	2.65



417-2090



417-5060



417-5140



413-2160



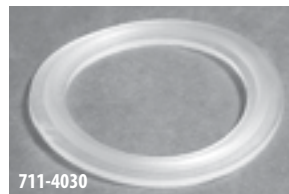
417-5180



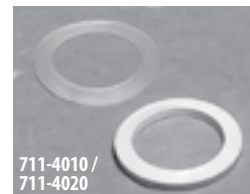
417-5160

2" and 2 1/2" Heater Union Tailpieces

Part No.	Description	Case Quantity	List (US \$)
417-2090	2" Buttress Thread x 1 1/2" S Tailpiece	50	2.44
417-5050	2" Buttress Thread x 2" S Tailpiece	150	2.44
417-5060	2" Buttress Thread x 2" Spigot Tailpiece	45	2.44
417-5160	2" Buttress Thread x 2" Spigot / 1 1/2" S Tailpiece	160	5.15
417-5140	2" Buttress Thread x 2" MPT Tailpiece	45	3.65
413-2160	Heater Flow Switch Tee - 2" Buttress Thread x 2" Spigot x 1/2" FPT	25	13.65
417-5180	2" Buttress Thread x 3/4" S / 1" Spigot	100	2.77
417-5980	2 1/2" Heater Buttress Tailpiece	25	5.04



711-4030



711-4010 /
711-4020

2" and 2 1/2" Heater Union O-Rings and Gaskets

Part No.	Description	Case Quantity	List (US \$)
711-4020	1/4" Thick Gasket - 2" Heater Tailpiece	500	1.30
711-4010	Gasket - 2" Heater Tailpiece	500	0.72
805-0229	O-Ring - 2" Heater	100	0.71
711-4030	2" Heater Tailpiece Gasket - with O-Ring Rib	500	0.79
711-6020	2 1/2" Heater Union Gasket	500	0.60



Ells, Tees, & Wyes / Sweep Ells



411-9100



411-9110



411-9120



411-9130



411-9140



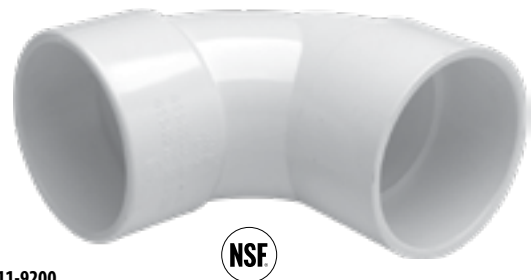
411-9150



411-9160



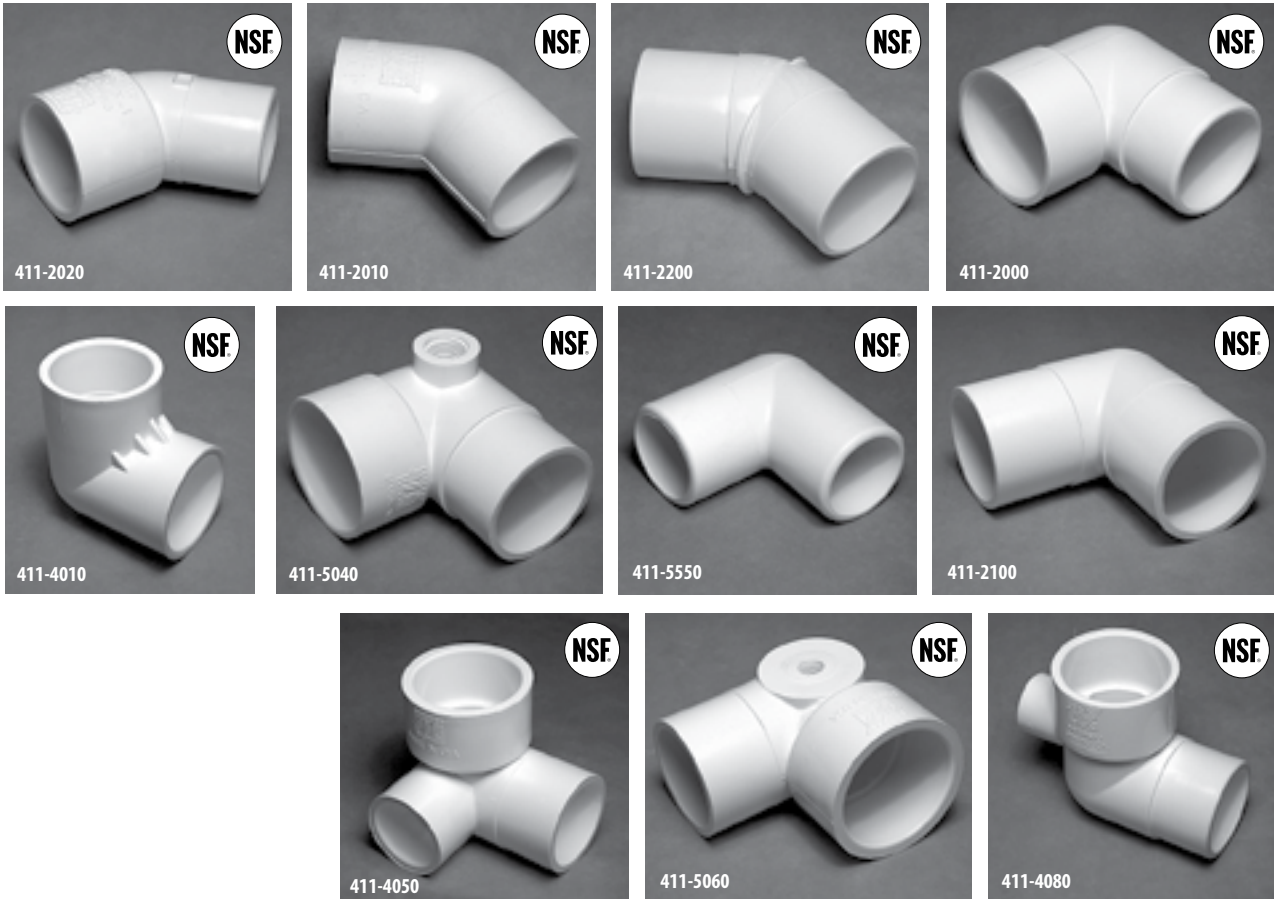
411-9210



411-9200

Sweep Ells

Part No.	Description	NSF Approved	Case Weight	Case Quantity	List (US \$)
411-9100	1 1/2" Spigot x 1 1/2" S	x	7.19 lbs.	25	4.61
411-9110	1 1/2" S x 1 1/2" S	x	7.29 lbs.	25	4.61
411-9120	2" Spigot x 2" S	x	24.31 lbs.	60	5.18
411-9130	2" S x 2" S	x	24.13 lbs.	60	5.18
411-9140	2 1/2" Spigot x 2 1/2" S	x	20.92 lbs.	30	7.36
411-9150	2 1/2" S x 2 1/2" S	x	21.30 lbs.	30	7.36
411-9160	2" Spigot 90° x 2 1/2" S	x	21.67 lbs.	35	11.04
411-9200	3" S x 3" S	x	21.67 lbs.	17	11.04
411-9210	3" S x 3" Spigot	x	25.68 lbs.	20	10.82



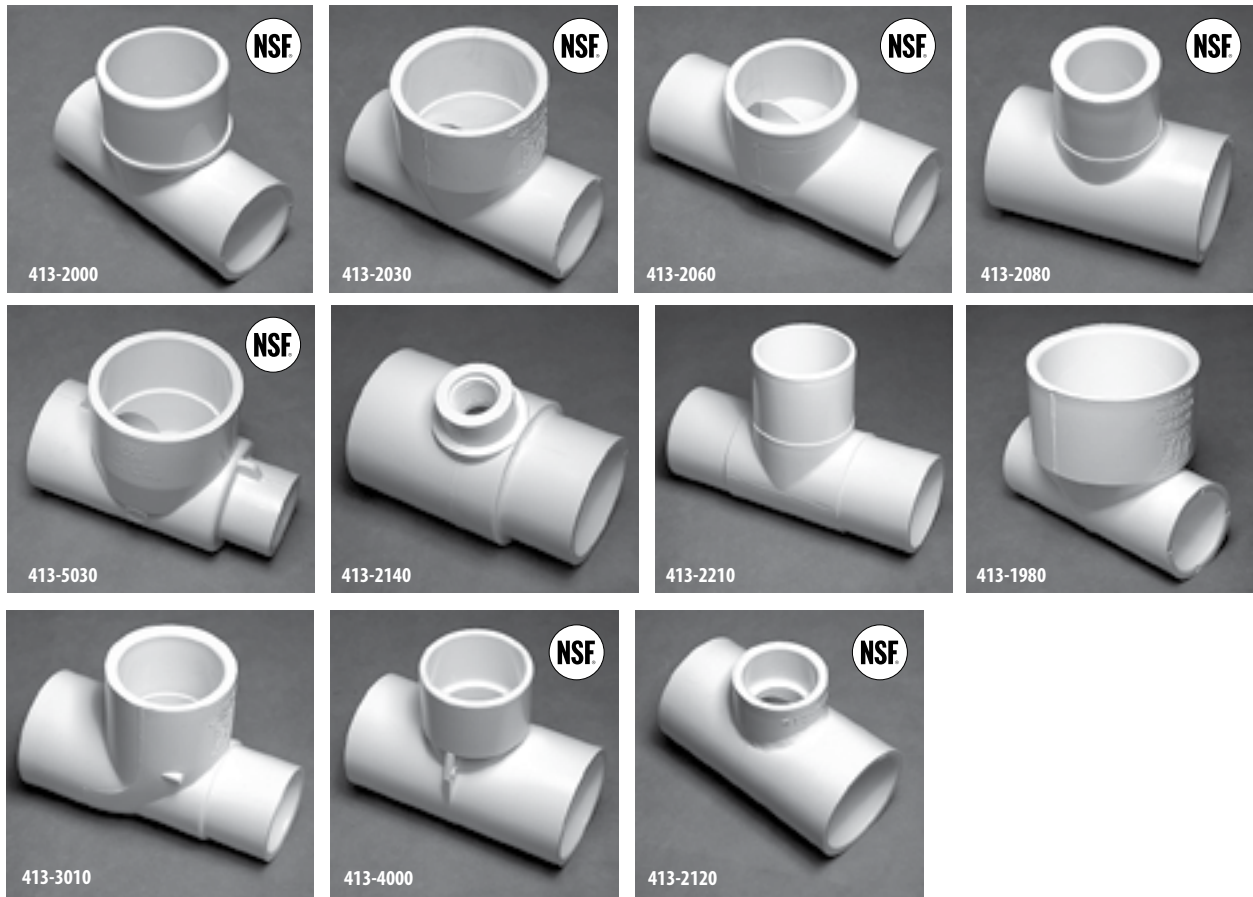
Ells / Tees / Wyes

45° and 90° Ells

Part No.	Description	NSF Approved	Case Quantity	List (US \$)
411-2020	45° Street Ell – 1" S x 1" Spigot	x	50	3.91
411-4040	45° Street Ell – 1 1/2" S x 1 1/2" Spigot		140	5.21
411-5030	45° Street Ell – 2" S x 2" Spigot		90	6.50
411-2010	45° Ell – 1" S x 1" S	x	150	3.82
411-2200	45° Ell – 2" Spigot x 2" Spigot	x	80	6.86
411-2000	90° Street Ell – 1" S x 1" Spigot	x	50	2.68
411-4000	90° Street Ell – 1 1/2" S x 1 1/2" Spigot		130	4.53
411-5080	90° Street Ell – 2" S x 2" Spigot		60	5.82
411-4010	90° Ell – 1 1/2" S x 1 1/2" S	x	50	2.93
411-5040	90° Street Ell – 2" S x 2" Spigot x 1/2" FPT Left Side Outlet	x	60	11.37
411-5050	90° Street Ell – 2" S x 2" Spigot x 3/8" FPT Left Side Outlet		25	11.37
411-5550	90° Ell – 1 1/2" Spigot x 1 1/2" Spigot	x	50	4.53
411-2100	90° Ell – 2" Spigot x 2" Spigot	x	60	6.50
411-4050	90° Ell – 1 1/2" S x 1 1/2" Spigot x 1" S Side Outlet	x	25	6.50
411-5060	90° Street Ell – 1 1/2" S x 1 1/2" Spigot x 1/8" FPT Side Outlet	x	50	8.13
411-4080	90° Street Ell – 1 1/2" S x 1 1/2" Spigot x 1/2" S Outlet	x	50	6.34
411-9170	Ell - 2" S x 2" S x 3/4" SB		50	9.70
411-9180	Ell - 2 1/2" S x 2 1/2" S x 3/4" SB		30	12.43



Ells, Tees, & Wyes / Tees



Tees				
Part No.	Description	NSF Approved	Case Quantity	List (US \$)
413-2000	1" S x 1" S x 1 1/2" Spigot	x	50	4.86
413-2030	1" S x 1" S x 1 1/2" S	x	75	4.86
413-2060	Low Profile - 1" S x 1" S x 1 1/2" Spigot	x	50	5.54
413-2080	1" S x 1" S x 1" Spigot	x	100	2.64
413-5030	2" S x 1 1/2" S x 1" S	x	70	8.21
413-2140	2" S x 2" Spigot x 1/2" FPT		75	8.78
413-2180	2" Spigot x 2" S x 3/8" Air Bleed		75	8.51
413-2130	2" S x 2" Spigot x 3/4" FPT		75	8.78
413-2210	2" Spigot x 2" Spigot x 2" Spigot		40	8.17
413-1980	Reducer - 1/2" S x 1/2" S x 1" S		100	2.64
413-3010	Reducer - 1" S x 1" S x 1" Spigot / 3/4" S		50	3.09
413-4000	1 1/2" S x 1 1/2" S x 1 1/2" Spigot	x	90	6.72
413-2150	2" Spigot x 2" S x 1/2" S		75	6.53
413-2120	2" Spigot x 2" Spigot x 1" S	x	90	7.64
413-2090	1 1/4" S x 1 1/4" S x 1 1/2" Spigot		100	6.50



**GREAT FOR
SWIM SPAS**



413-2320

Sanitary Tee

Part No.	Description	Case Quantity	List (US \$)
413-2320	2 1/2" x 2 1/2" x 2 1/2"	15	20.00



413-1770

Cross Tee

Part No.	Description	NSF Approved	Case Quantity	List (US \$)
413-1770	Cross Tee - 1 1/2" S x 3/4" S x 3/4" S x 3/4" S	x	50	94.30



400-4100

Tee Assemblies

Part No.	Description	Case Quantity	List (US \$)
400-4100	Tee Assembly with Relief Plug 1 1/2" S x 1 1/2" Spigot x 3/8" FPT	100	10.23
400-4260	Tee Assembly with Relief Plug 2" Spigot x 2" S x 3/8" FPT with O-Ring	70	10.62



Ells, Tees, & Wyes / Wyes and Manifold Wyes

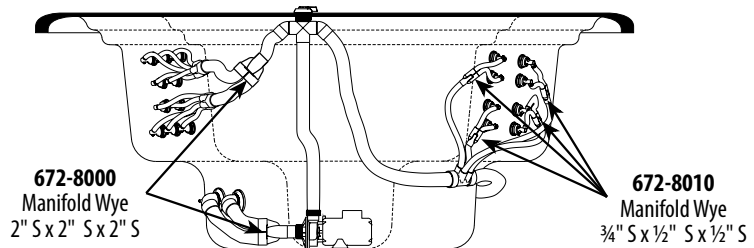


Wyes				
Part No.	Description	NSF Approved	Case Quantity	List (US \$)
413-1810	120° Wye - 3/4" S x 3/4" S x 3/4" S	x	50	6.50
413-4160	120° Wye - 1" S x 1" S x 1" S		100	6.50
413-4100	120° Wye - 1 1/2" S x 1 1/2" S x 1 1/2" S		70	9.79
413-5080	120° Wye - 2" S x 2" S x 2" S		50	13.65
413-5040	120° Wye - 2" S x 1 1/2" S x 1 1/2" S	x	50	13.65
413-4130	120° Wye - 1 1/2" S x 1" S x 1" S	x	140	8.78
413-1820	22 1/2° Wye - 3/4" S x 3/4" S x 3/4" S	x	50	6.09
413-2020	22 1/2° Wye - 1" S x 1" S x 1" S		120	6.50
413-4140	22 1/2° Wye - 1 1/2" S x 1" S x 1" S		90	7.42



FEATURES:

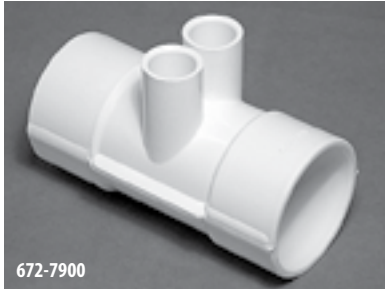
- Improves performance
- Saves plumbing cost
- Makes plumbing easier
- Available in two different sizes
- Made of fitting grade type 1 PVC
- Made in the USA



Manifold Wyes			
Part No.	Description	Case Quantity	List (US \$)
672-8010	3/4" S x 1/2" S x 1/2" S	220	4.35
672-8020	1" S x 3/4" S x 3/4" S	180	4.35
672-8040	1 1/2" S x 1 1/2" S x 1 1/2" S	50	9.92
672-8000	2" S x 2" S x 2" S	40	13.62
672-8050	2 1/2" S x 2 1/2" S x 2 1/2" S	20	11.76
672-9540	(1) 2 1/2" S x (3) 2" S Distributor Manifold	25	17.00

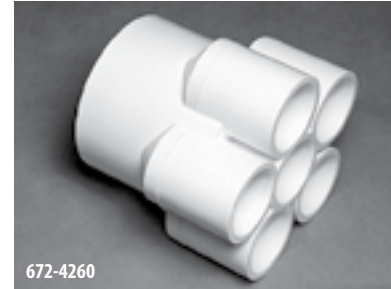
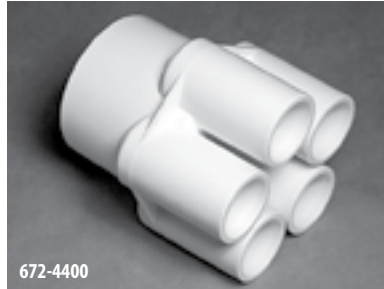
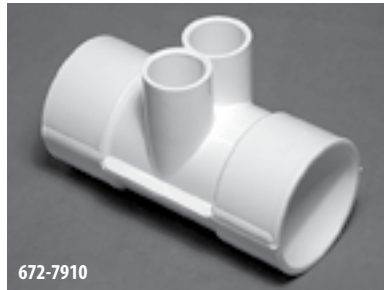
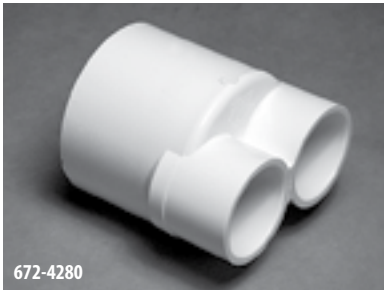


Spa Manifolds / 1/2" Manifolds



Manifolds

1/2" Manifolds			
Part No.	Description	Case Quantity	List (US \$)
672-7900	2" S x 2" S x (2) 1/2" S Ports	45	5.07
672-4250	2" Spigot x 2" S x (4) 1/2" S Ports	50	5.51
672-4570	1" S x (4) 1/2" S Ports	90	4.90
672-4580	1 1/2" S x (4) 1/2" S Ports	75	4.90
672-4430	2" S x 2" S x (4) 1/2" S Ports	40	5.51
672-4380	1" S x (5) 1/2" S Ports	60	7.83
672-4120	1 1/2" S x (6) 1/2" S Ports	45	12.63
672-4130	2" S x (6) 1/2" S Ports	90	12.63
672-4110	2" S x 2" S x (6) 1/2" S Ports	35	8.16
672-4630	1 1/2" Spigot x 1 1/2" S x (10) 1/2" S Ports with Plugs (4)	30	13.30



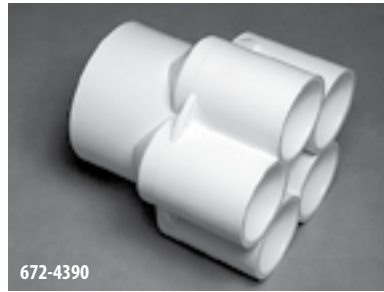
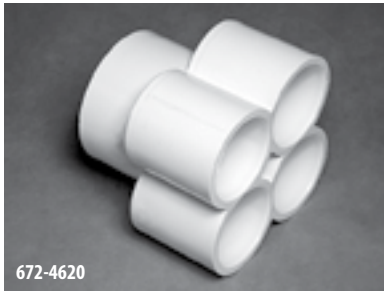
Manifolds

$\frac{3}{4}$ " Manifolds

Part No.	Description	Case Quantity	List (US \$)
672-4280	1 1/2" S x (2) 3/4" S Ports	80	4.33
672-7910	2" S x 2" S x (2) 3/4" S Ports	45	5.07
672-4190	1 1/2" Spigot x 1 1/2" S x (4) 3/4" S Ports	60	5.21
672-4200	2" S x 2" Spigot x (4) 3/4" S Ports	40	5.51
672-4670	1 1/2" S x (4) 3/4" S Ports	45	5.51
672-4180	1 1/2" S x 1 1/2" S x (4) 3/4" S Ports	60	5.21
672-4210	2" S x 2" S x (4) 3/4" S Ports	40	5.51
672-4400	2" S x (5) 3/4" S Ports	50	12.19
672-4260	2" S x (6) 3/4" S Ports	50	12.63
672-4270	2" S x 2" S x (6) 3/4" S Ports	30	8.16
672-4640	1 1/2" Spigot x 1 1/2" S x (8) 3/4" S Ports with Plugs (4)	20	13.30



Spa Manifolds / 1" Manifolds and 2-4-6 Air Manifold Systems

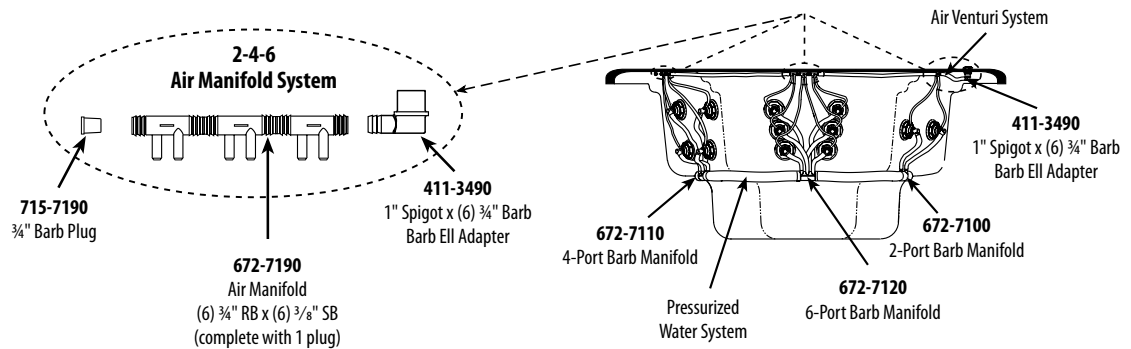
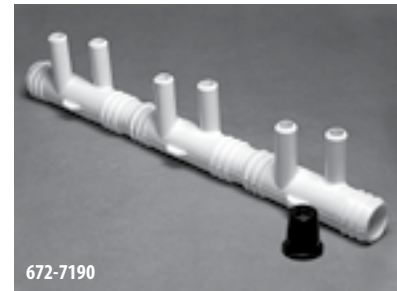
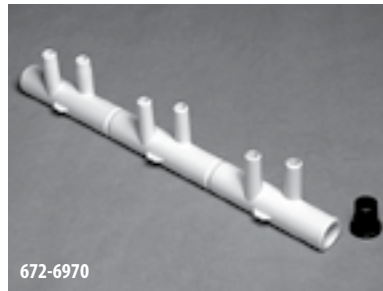


1" Manifolds

Part No.	Description	Case Quantity	List (US \$)
672-4620	1 1/2" S x (4) 1" S Ports	25	9.79
672-4390	2" S x (5) 1" S Ports	45	12.19

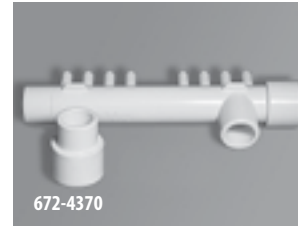
FEATURES:

- Can be cut into multiple manifolds (2, 4, or 6 ports)
- Utilizes 3/4" and 3/8" clear vinyl tubing (less expensive than flex pipe)
- Allows for cleaner, easier plumbing
- Manifold comes complete with 1 plug



2-4-6 Air Manifold Systems

Part No.	Description	Case Quantity	List (US \$)
672-6970	2-4-6 Manifold - (6) 3/4" SB x (6) 3/8" SB Ports	50	8.16
672-7190	2-4-6 Manifold - (6) 3/4" RB x (6) 3/8" SB Ports	50	8.16



3/8" Barb Manifolds

Part No.	Description	Case Quantity	List (US \$)
672-4010	1" Spigot x (2) 3/8" Barbs	250	2.77
672-4020	1" S x (2) 3/8" Barbs	200	2.77
672-4030	1" Spigot x (4) 3/8" Barbs	300	3.04
672-4040	1" S x (4) 3/8" Barbs	250	3.04
672-4070	(4) 3/8" RB	500	2.79
672-4610	1 1/2" Spigot Blind x (4) 3/8" SB	150	4.64
672-4100	1" Spigot x (5) 3/8" Barbs	160	3.04
672-0550	(2) 1/2" S x (3) 3/8" SB	150	4.30
672-4700	1" Spigot x 1" Spigot x (6) 3/8" Barbs with Plugs (3)	50	7.42
672-4690	1/2" S x 1/2" S x (6) 3/8" Barbs with Plugs (2)	50	7.42
672-5060	1" S x 1" S x (6) 3/8" Barbs Assembly	100	5.78
672-4370	1" S x 1" Spigot x 1" S x (8) 3/8" Barbs with Plugs (4)	50	5.07

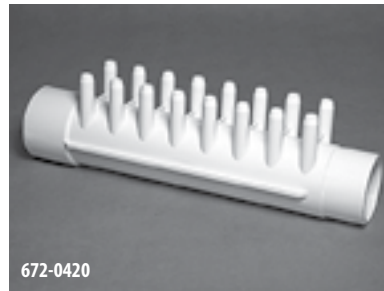
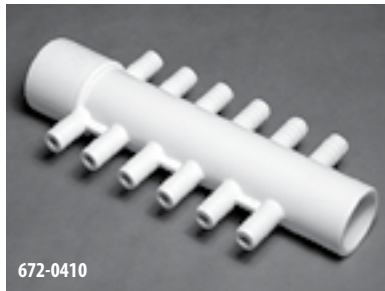
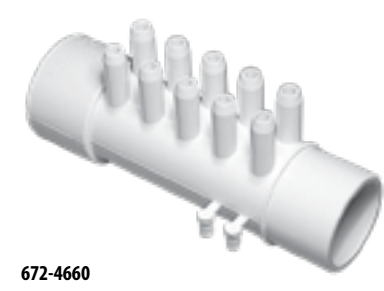
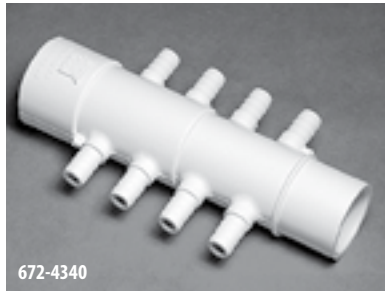
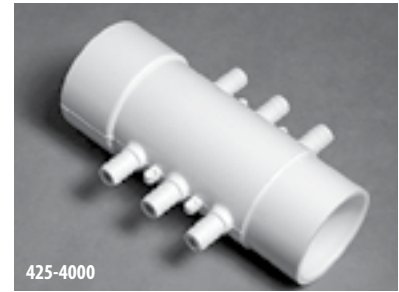
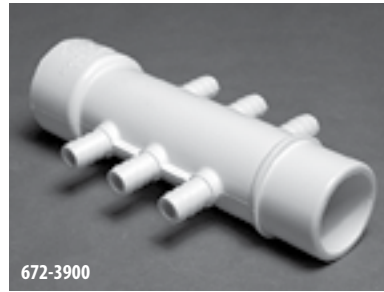
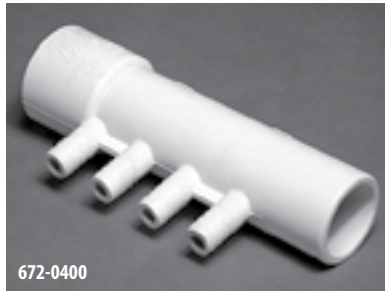


Pancake Manifolds

Part No.	Description	Case Quantity	List (US \$)
672-5900	Air Manifold Assembly, 1" Spg Ell x (6) 3/8" SB	100	5.78
672-5910	Air Manifold Assembly, 1" Spg Ell x (8) 3/8" SB	100	5.78
672-5920	Air Manifold Assembly, 1" Spg Ell x (10) 3/8" SB	100	5.78
672-5930	Air Manifold Assembly, 1" Spg Ell x (12) 3/8" SB	35	5.78
672-5800	Air Manifold Assembly, 1" Spg Straight x (6) 3/8" SB	100	5.78
672-5810	Air Manifold Assembly, 1" Spg Straight x (8) 3/8" SB	180	5.78
672-5820	Air Manifold Assembly, 1" Spg Straight x (10) 3/8" SB	160	5.78
672-5830	Air Manifold Assembly, 1" Spg Straight x (12) 3/8" SB	160	5.78
672-5060	Air Manifold Assembly, 1" S x 1" S x (6) 3/8" SB	100	5.78
672-5070	Air Manifold Assembly, 1" S x 1" S x (8) 3/8" SB	100	5.78
672-5080	Air Manifold Assembly, 1" S x 1" S x (10) 3/8" SB	100	5.78
672-5960	Air Manifold Assembly, 1" S x 1" S x (12) 3/8" SB	25	5.78

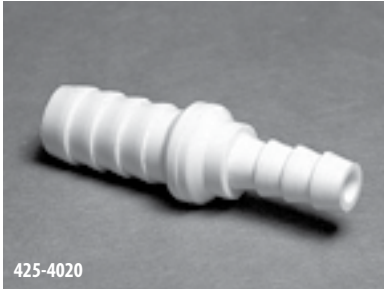


Spa Manifolds / 3/8" Barb Manifolds

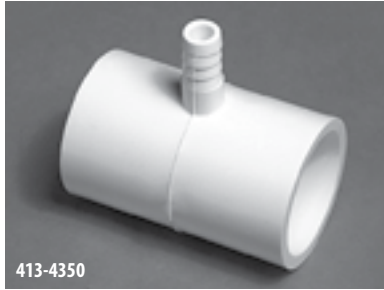


3/8" Barb Manifolds

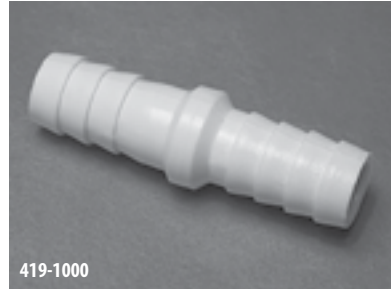
Part No.	Description	Case Quantity	List (US \$)
672-0400	1" S x 1" Spigot x (4) 3/8" RB Barbs	50	4.90
672-3900	1" S x 1" Spigot x (6) 3/8" RB Barbs	50	4.90
425-4000	1 1/2" Spigot x 1 1/2" S x (6) 3/8" RB Barbs	75	11.37
672-4340	1" S x 1" Spigot x (8) 3/8" RB Barbs	50	4.90
672-5070	1" S x 1" S x (8) 3/8" Barbs Assembly	100	5.78
672-4660	1 1/2" Spigot x 1 1/2" S x (10) 3/8" Barbs with Plugs (4)	25	15.18
672-5080	1" S x 1" S x (10) 3/8" Barbs Assembly	100	5.78
672-0410	1" S x 1" Spigot x (12) 3/8" RB Barbs	100	6.42
672-0420	1 1/2" S x 1 1/2" Spigot x (16) 3/8" SB Barbs	35	10.78



425-4020



413-4350



419-1000



425-4040



425-0210



425-5010



421-1030



672-4350

715-1261



672-1440



672-1450



672-1430

Manifolds

3/8" Barb Adapters

Part No.	Description	Case Quantity	List (US \$)
425-4020	Reducer - 3/8" RB x 1/4" RB	3000	1.12
413-4350	Tee - 1" S x 1" S x 3/8" RB	100	2.73
419-1000	Coupler - 3/8" RB x 3/8" RB	2500	1.94
425-4040	90° Ell - 1" S x 3/8" RB	150	2.73
425-0210	1/2" Spigot x 3/8" RB	500	1.82
425-5010	1" Spigot x 3/8" RB	300	2.64
672-4350	3/8" B x 1/4" MPT	500	3.42
413-1201	3/8" B x 1/4" N.P.S.M.	500	3.25
413-1900	Tee - 3/8" B x 3/8" B x 3/8" B	500	1.72
425-1080	3/4" Spigot x 3/8" SB	750	2.07
672-1440	9/16" Triple "C" Tubing Holder	300	4.22
672-1450	9/16" x 3/4" Stacked Tubing Clip	100	0.63
672-1430	1 1/2" Manifold "C" Holder	250	1.10
413-1940	3/8" SB Wye	500	1.72
715-1261	1/4" SB x 1/4" MPT Barb Adapter	500	3.33
421-1030	1/2" Socket x 3/8" SB Adapter	100 per bag	1.82



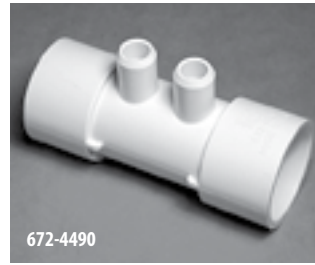
Spa Manifolds / ShurGrip Manifolds



672-6970



672-4410



672-4490



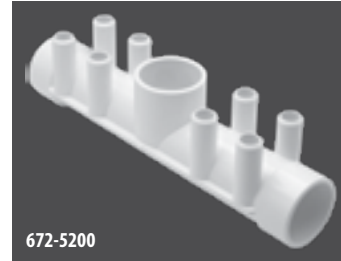
672-4150



672-4140



672-4960



672-5200



672-4680



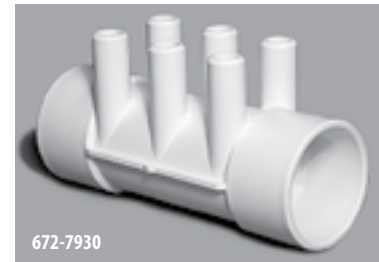
672-4910



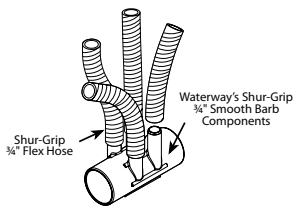
672-7920



672-4940



672-7930



The Shur-Grip Plumbing System was specifically developed for the OEM Spa Manufacturing Industry. Shur-Grip components improve the glue joint characteristics yet maintain the quality of the flex hose at an affordable price. Look for the Shur-Grip symbol on compatible jet bodies and other speciality fittings.

ShurGrip Manifolds

Part No.	Description	Case Quantity	List (US \$)
672-6970	(6) 3/4" SB x (6) 3/8" SB with Plug	50	9.12
672-4410	1" S x (4) 3/4" SB - Cluster Cap	50	8.57
672-4770	1 1/2" S x (4) 3/4" SB - Cluster Cap	100	8.57
672-4490	1 1/2" S x 1 1/2" S x (2) 3/4" SB	80	7.93
672-4150	1 1/2" S x 1 1/2" Spigot x (4) 3/4" SB	60	5.21
672-4140	1 1/2" S x 1 1/2" S x (4) 3/4" SB	60	5.21
672-4960	1 1/2" S x Dead End x (4) 3/4" SB	75	5.21
672-5200	1 1/2" S x 1 1/2" S x 1 1/2" S x (8) 3/4" SB	20	12.91
672-5240	1 1/2" S x 1 1/2" Spg x 6 3/4" SB	50	7.72
672-5250	1 1/2" S x 6 3/4" SB Dead End	25	7.67
672-5260	1 1/2" S x 1 1/2" S x 6 3/4" SB	50	7.72
672-4680	1 1/2" Spigot x 1 1/2" S x (10) 3/4" SB	40	14.45
672-4900	2" Spigot x 2" Spigot x (2) 3/4" SB	60	5.27
672-4910	2" S x 2" Spigot x (2) 3/4" SB	60	5.27
672-7920	2" S x 2" S x (2) 3/4" SB	50	5.27
672-7360	2" S x Dead End x (2) 3/4" SB	90	5.27
672-4920	2" Spigot x 2" Spigot x (4) 3/4" SB	45	5.51
672-4160	2" S x 2" Spigot x (4) 3/4" SB	40	5.51
672-4170	2" S x 2" S x (4) 3/4" SB	50	5.51
672-7370	2" S x Dead End x (4) 3/4" SB	20	5.51
672-4930	2" Spigot x 2" Spigot x (6) 3/4" SB	30	7.67
672-4940	2" S x 2" Spigot x (6) 3/4" SB	30	7.67
672-7930	2" S x 2" S x (6) 3/4" SB	30	7.67
672-7380	2" S x Dead End x (6) 3/4" SB	35	7.67
425-1090	1.5" S x 2 3/4" SB End Cap	100	4.24



672-7130



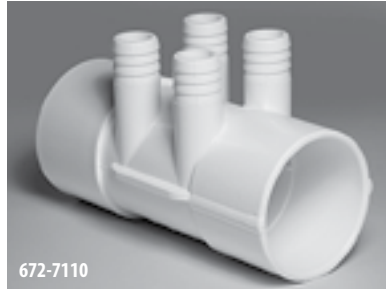
672-7100



672-7160



672-7140



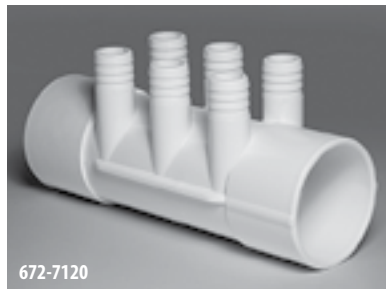
672-7110



672-7170



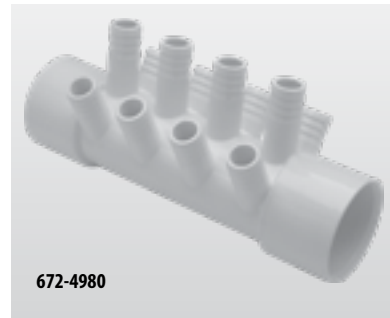
672-7150



672-7120



672-7180



672-4980

Manifolds

3/4" Ribbed Barb Manifolds

Part No.	Description	Case Quantity	List (US \$)
672-7130	2" S x 2" Spigot x (2) 3/4" RB	50	6.99
672-7100	2" S x 2" S x (2) 3/4" RB	50	6.99
672-7160	2" S x Dead End x (2) 3/4" RB	90	6.99
672-7140	2" S x 2" Spigot x (4) 3/4" RB	40	8.40
672-7110	2" S x 2" S x (4) 3/4" RB	40	8.40
672-7170	2" S x Dead End x (4) 3/4" RB	50	8.40
672-7150	2" S x 2" Spigot x (6) 3/4" RB	30	11.24
672-7120	2" S x 2" S x (6) 3/4" RB	30	11.24
672-7180	2" S x Dead End x (6) 3/4" RB	35	11.24
672-4980	2" S x 2" S x (12) 3/4" RB	18	14.47



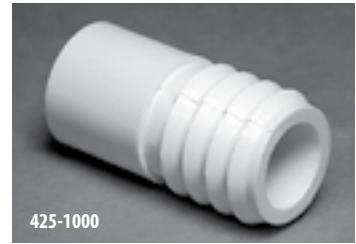
Spa Manifolds / 3/4" Barb Adapters



413-1960



411-3490



425-1000



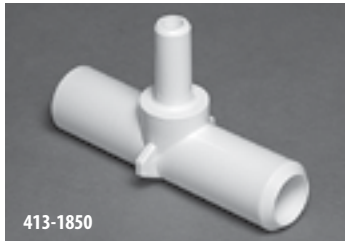
413-4360



413-1920



672-4310



413-1850



411-3700



411-3500



411-4060



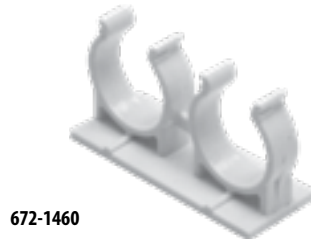
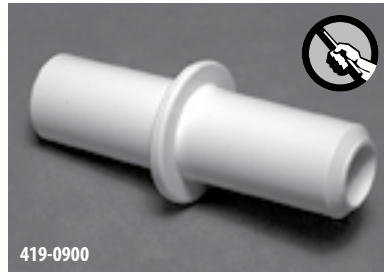
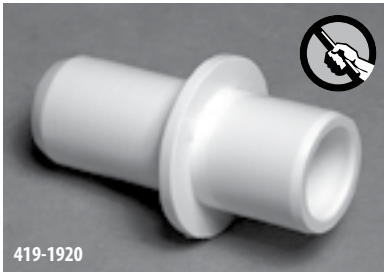
413-1800



413-1860

3/4" Barb Adapters

Part No.	Description	Case Quantity	List (US \$)
411-3700	90° EII - 3/4" RB x 3/4" RB	150	2.33
413-1860	120° Wye - 3/4" RB	150	6.34
413-1960	120° Wye - 3/4" SB	250	4.82
413-1800	Tee - 3/4" SB x 3/4" SB x 3/4" SB	200	3.33
413-1850	Tee - 3/4" SB x 3/4" SB x 3/8" SB	250	3.33
425-1000	1/2" Spigot x 3/4" RB	300	1.51
425-1030	1/2" S x 3/4" Spigot x 3/4" RB	350	4.33
411-3500	90° EII - 1/2" Spigot x 3/4" RB	150	1.51
411-0360	90° EII - 3/4" Spigot x 1/2" S x 3/4" SB	500	2.11
411-0350	90° EII - 3/4" Spigot x 1/2" S x 3/4" RB	500	2.11
411-4060	90° EII - 3/4" Short Spigot x 3/4" RB	300	2.07
411-4160	90° EII - 3/4" Spigot x 3/4" SB Adapter	350	2.07
411-3490	EII - 1" Spigot x 3/4" RB	230	2.68
411-3480	EII - 1" Spigot x 3/4" SB	180	2.68
413-1920	Tee - 1" Spigot x (2) 3/4" SB	180	3.57
672-4310	1" Spigot / 3/4" S x 3/4" RB	250	2.73
672-4320	1 1/4" Spigot / 1" S x 3/4" RB	200	2.73
413-4360	1 1/2" Spigot x 3/4" SB	200	4.24
413-4370	1 1/2" Spigot x 3/4" RB	100	4.24
413-4510	2" Spigot x 3/4" SB	125	5.05



3/4" Barb Adapters

Part No.	Description	Case Quantity	List (US \$)
419-1920	3/4" SB x 1/2" Spigot	400	5.05
419-0900	Coupling - 3/4" SB x 3/4" SB	250	5.05
425-1030	1/2" S / 3/4" Spigot x 3/4" RB	350	4.33
672-1460	3/4" "C" Clip with Zip Tie Loops	1000	0.89
715-0340	3/4" SmartPlumb Deep Inverted Plug	500	1.23



1" Barb Adapters

Part No.	Description	Case Quantity	List (US \$)
425-1010	1" Spigot / 3/4" S x 1" RB	125	2.73



1 1/2" Barb Adapters

Part No.	Description	Case Quantity	List (US \$)
417-6140	1 1/2" MPT x 1 1/2" Hose	240	3.04



Spa Miscellaneous & Accessories / Thermowells



400-4420



400-4360



400-5540



400-5580



400-6040

Thermowells

Part No.	Description	Case Quantity	List (US \$)
400-4420	Mini Thermowell Assembly	100	13.26
400-4360	Thermosensor with Probe Protector	150	12.64
400-5540	90° Ell - 1 1/2" S x 1 1/2" S - with 2 Thermowells and Bushings	80	12.95
411-5520	Ell - 1 1/2" S x 1 1/2" S - with 2 Thermowells	80	9.41
400-5580	Ell - 1 1/2" S x 1 1/2" S - with Thermowell and Bushing	100	12.95
411-5540	90° Ell - 1 1/2" S x 1 1/2" S - with Thermowell	25	9.41
400-6040	90° Ell - 2" S x 2" Spigot x 3/8" Air Bleed - with Thermowell and 2 Bushing	60	14.45
411-6040	90° Ell - 2" S x 2" Spigot x Air Bleed - with Thermowell	60	13.17
805-0014	O-Ring for 90° Ell - 2" S x 2" Spigot x Air Bleed	100	0.56
811-8160	Bushing for Ells - 1 1/2" S x 1 1/2" S	100	0.87



Reducers

Part No.	Description	Case Quantity	List (US \$)
421-1000	Reducer - 2" Spigot x 1 1/2" Spigot	50	4.53
421-1050	Reducer - 1" Spigot x 1/2" S	225	1.72
421-4010	Reducer - 1 1/4" MPT x 1/2" FPT	150	8.12
421-4030	Reducer - 1 1/2" Spigot x 1" Spigot	100	3.91
421-4070	Reducer - 1 1/2" Socket x 2" Spigot	100	2.50
421-4020	Bell Reducer - 1 1/2" x 1" S	75	3.91
421-5000	Bell Reducer - 2" S x 1 1/2" S	75	4.86
417-6127	Metric Reducer - 1" Spigot x 32mm S	75	1.83
417-6137	Metric Reducer - 1 1/2" Spigot x 50mm S	50	3.92

Threaded Nipple

Part No.	Description	Case Quantity	List (US \$)
423-4000	1 1/2" Spigot x 1 1/2" MPT	25	6.31

2" Barb Adapter

Part No.	Description	Case Quantity	List (US \$)
417-6197	2" Spigot x 63mm S	50	6.56



Plugs

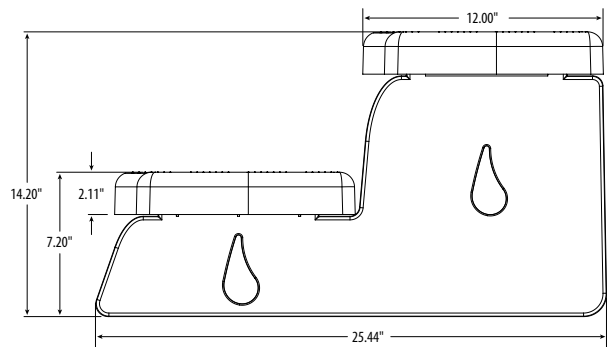
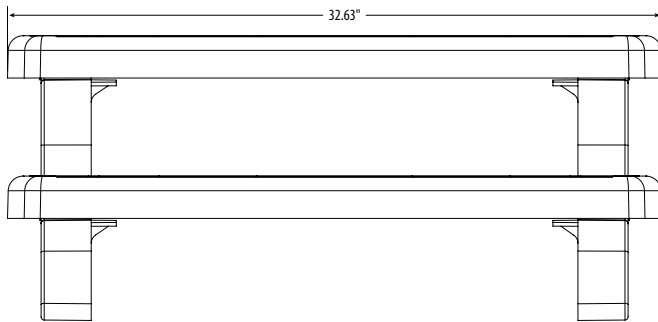
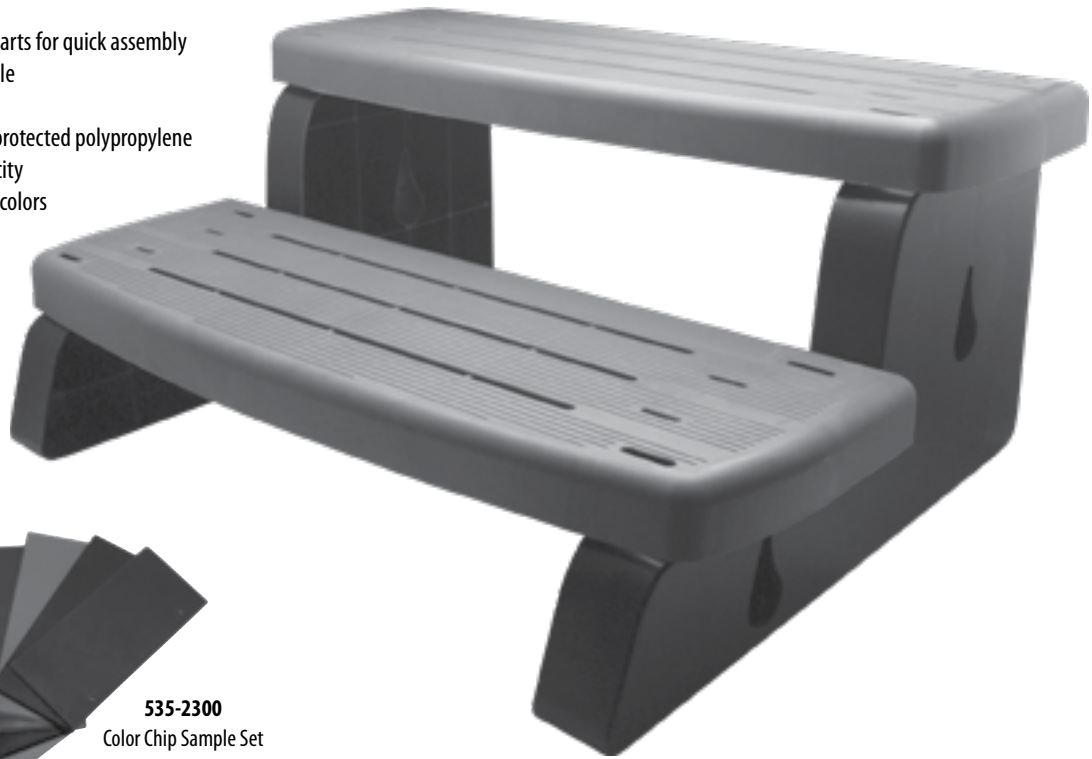
Part No.	Description	Case Quantity	List (US \$)
715-0000	1/2" Spigot	800	1.17
715-9890	3/4" Spigot	600	1.20
715-2000	1" Spigot	200	1.26
715-4000	1 1/2" Spigot	100	1.94
715-9880	2" Spigot	100	2.56
715-9870	3/8" Barb	100	0.98
715-0040	3/4" SmartPlumb Barb (New Style)	1300	0.91
715-9860	3/4" Barb (Old Style)	1000	0.91
715-9770	Cap Style - 3/8" RB	1500	0.98
715-9850	3/8" Hose	3000	0.62



Spa Miscellaneous & Accessories / Spa Steps

FEATURES:

- Easy, snap together parts for quick assembly
- Packaged for retail sale
- 33" non-slip treads
- Made of durable UV protected polypropylene
- 800 lbs. weight capacity
- Available in multiple colors



Misc / Accessories

Spa Steps

Part No.	Description	Color	Pallet Qty	List (US \$)
535-2209-BRK	33" Spa Step Assembly	Bark	32	157.35
535-2209-CIN	33" Spa Step Assembly	Cinnamon	32	157.35
535-2209-GPH	33" Spa Step Assembly	Graphite	32	157.35
535-2209-RDW	33" Spa Step Assembly	Redwood	32	157.35
535-2209-CSG	33" Spa Step Assembly	Coastal Gray	32	157.35
535-2209-MOC	33" Spa Step Assembly	Mocha Coffee	32	157.35
535-2300	Color Chip Sample Set			4.14



FEATURES:

- Low profile design
- Hose bib pulls out for easy access
- Protective cover seals against all possible leak points
- Optional metric adapter
- Plumbs to 3/4" flex hose



600-9101 / 600-9167

Lo-Profile Spa Drain Fill Valve

Part No.	Description	Case Quantity	List (US \$)
600-9101	Lo-Profile Drain Fill Valve Assembly	50	17.90
600-9167	Metric Hose Adapter with Gasket	200	2.68



640-2000



400-3031

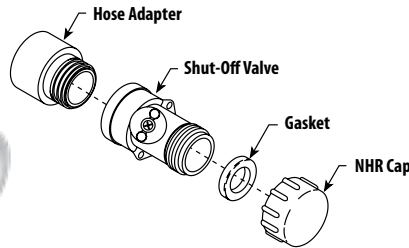


Spa Drain and Fill Niche for Garden Hose Connection

Part No.	Description	Case Quantity	List (US \$)
640-2000	1" S - Spa Drain/Fill Valve Assembly - White	100	18.76
640-2001	1" S - Spa Drain/Fill Valve Assembly - Black	100	18.76
600-9101	3/4" Lo-Profile Drain Fill Valve Assembly	50	18.44
600-9167	Lo-Profile Drain Fill Valve Metric Adapter with Gasket	200	2.76
400-3031	1/2" Hose On/Off Spa Drain Valve with Niche	75	22.36
400-3021	3/4" Hose On/Off Spa Drain Valve with Niche	75	22.36



400-2060



400-2100

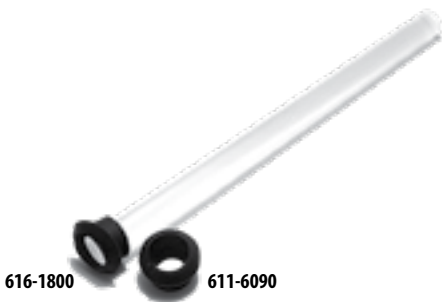
On/Off Valves for Garden Hose

Part No.	Description	Case Quantity	List (US \$)
400-2060	1/2" Hose On/Off Valve Assembly	125	13.30
400-2070	3/4" Hose On/Off Valve Assembly	125	13.30
400-2100	3/4" SB Hose On/Off Valve Assembly	100	13.30
519-0231	Drain Cap - 1/2" NHR	100	1.67
806-0100	Gasket - 3/4"	50	1.23
872-0004	Shut-Off Valve	250	8.50
413-4400	Adapter - 1/2" S x Male Garden Hose	250	2.52
413-4410	Adapter - 3/4" S x Male Garden Hose	200	2.52



ABS Plastic Hand Rails

Part No.	Description	Case Quantity	List (US \$)
616-4001	18" Hand Rail - Plastic - 1 1/4"	120	8.68
616-3001	12" Hand Rail - Plastic - 1 1/4"	170	5.47
611-5001	1 1/4" Rubber Grommet	300	2.04



Clear Acrylic Hand Rails

Part No.	Description	List (US \$)
616-1100	11" Clear Acrylic Hand Rail	15.44
616-1300	13" Clear Acrylic Hand Rail	16.85
616-1400	14" Clear Acrylic Hand Rail	18.26
616-1600	16" Clear Acrylic Hand Rail	19.68
616-1800	18" Clear Acrylic Hand Rail	21.08
616-2000	20" Clear Acrylic Hand Rail	22.50
611-6090	Rubber Grommet (<i>no angle</i>)	2.78
611-7000	Rubber Grommet	3.04

FEATURES:

- Easily sandwiches between most T&G skirt panels
- Louvered vent protects against weather and rodent intrusion
- Handle allows for easy removal of skirt panels
- LED compatible
- Available in multiple colors
- Measures 3.5" X 6.25"



Spa Handle Vent

Part No.	Description	List (US \$)
672-6560	Louvered Spa Vent	7.03



FEATURES:

- Automatically adjusts to temperature change:
Closed for cold or freezing conditions;
Open for hot conditions
- Easy through-wall installation
- Louvered grill to protect against weather and rodent intrusion
- Hole Saw Size: 4"

675-6531



Adjustable Thermo Vent

Part No.	Description	Case Quantity	List (US \$)
675-6530	Adjustable Thermo Vent	30	21.75

FEATURES:

- 4 3/4" overall diameter
- 4" diameter hole saw and vent area
- 0.100" diameter holes (148) for improved ventilation
- Available in assorted colors

4" Vent

Part No.	Description	Case Quantity	List (US \$)
672-0600	4" Vent	300	8.86



Misc / Accessories

Spa Cabinet Vents

Part No.	Description	Color	Case Quantity	List (US \$)
675-6501	Spa Vent Assembly – 2 5/16" x 8 1/2"	Black	150	5.61
675-6507	Spa Vent Assembly – 2 5/16" x 8 1/2"	Gray	150	5.61
675-6509-BRN	Spa Vent Assembly – 2 5/16" x 8 1/2"	Brown	150	5.61



Aroma Therapy Canister and Beads

Part No.	Description	Case Quantity	List (US \$)
670-2800	Aroma Therapy Canister Assembly - Ell Body	60	30.88
662-2700	Scented Aroma Therapy Beads - Ocean Pellets - .84 oz.	50	8.40
662-2710	Scented Aroma Therapy Beads - Kiwi - .76 oz.	50	8.40
662-2720	Scented Aroma Therapy Beads - Red Apple - .82 oz.	50	8.40
662-2730	Scented Aroma Therapy Beads - Floral - .86 oz.	50	8.40





Technical Information / Blower Sizing

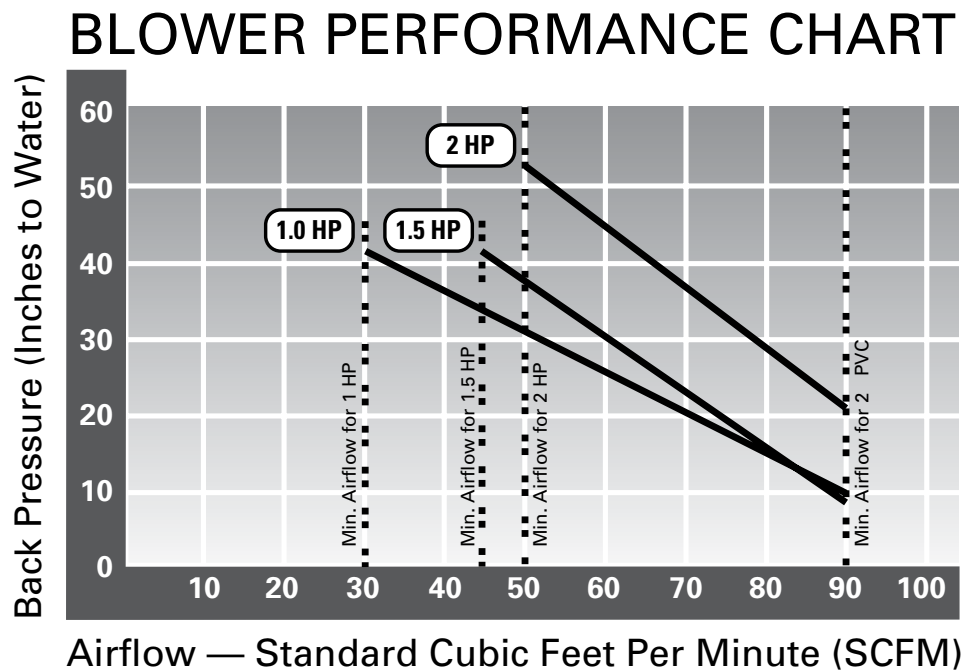
Friction loss of water in feet of head per 100 foot length of pipe.

1. Calculate water depth in inches:

- | | | | |
|------------------------------|---|---|-------|
| A. | Actual water depth in injector | = | _____ |
| B. | Add 1/2" of water per 90° elbow | = | _____ |
| C. | Add 1/8" of water per 45° elbow | = | _____ |
| D. | Add 1" of water per 10 feet of 2" pipe | = | _____ |
| E. | Add 4" of water per 1/2" spring check valve | = | _____ |
| TOTAL INCHES OF WATER | | = | _____ |

2. Find the airflow or SCFM provided by your blower:

- On the **Blower Performance Chart**, find the number that corresponds to the **total inches of water** needed.
- Read across the chart until you **intersect the horsepower (HP)**, then go down for SCFM.
- Take **total SCFM and divide by 10** to get corresponding hole sizes.



3. Calculate the number of holes by using the Air Hole Sizing Chart:

Air Hole Sizing Chart	
Air Hole Size	Number of Holes Needed per 10 SCFM
1/8"	24
5/32"	15
3/16"	11
1/4"	6
5/16"	4
Jet	1



Hole Saw Sizes

STORM JETS

Jets - Adjustable Cluster Storm	1 1/2"
Jets - Mini Storm	
Flat Gasket	2 3/16"
Grommet Gasket	2 1/4"
Jets - Poly Storm	
Flat Gasket	2 5/8"
Grommet Gasket	2 11/16"
Jets - Power Storm	
Flat Gasket	3 3/4"
Grommet Gasket	3 7/8"
Jets - Mega Storm with Flat Gasket	4 3/4"

JETS

Jets - Euro	1 1/16"
Jets - Fog	9/16"
Jets - Jumbo	5 3/4"
Jets - Jumbo Storm	5 3/4"
Jets - Master Massage	5 3/4"
Jets - Old Faithful	4 3/4"
Jets - Ozone/Cluster	1"
Jets - Poly	2 5/8"
Jets - Turbo	3 1/4"

SUCTIONS

Suction - Lo-Pro and Hi-Flo/Ultra High Flo	
Flat Gasket	2 3/8"
Grommet Gasket	2 1/2"
Suction - Super Hi-Flo/Designer Pro/Ultra High Flo	
Flat Gasket	3 1/4"
Grommet Gasket	3 7/16"

AIR COMPONENTS

Air Bleed	1 5/16"
Air Button	1 1/2"
Air Control - Lo-Pro	1 5/8"
Air Injector - Button	3/8"
Air Injector - Lo-Pro	3/4"
Air Injector - Multi-Body	5/8"
Air Injector - Ozone	5/8"
Air Injector - Top Flow	1 3/16"

VALVES

Valves - Diverter - 1" Mini	2 1/16"
Valves - Diverter - 2" Top Access	3 1/4"
Valves - Spa Drain and Fill	1 5/8"
Valves - Turn On / Off	1 1/4"

LIGHTS

Light - 1/2"	3/8"
Light - 1"	5/8"
Light - 2 1/8"	1 5/8"
Light - 3"	2 5/8"
Light - 5" Jumbo	3 3/4"
Light - 7" XL Jumbo	5 3/4"
Cup Holder with hole saw size	2 5/8"

SKIMMERS / FILTERS

5 1/2" Top Load Filter	4 1/8"
Skim Filter - Dyna-Flo	6 7/8"
Grommet Gasket	7"
Skimmers - Strip	
Flat Gasket	2 3/8"
Grommet Gasket	2 1/2"
Filters - Top Load	6 7/8"
Grommet Gasket	7"
Teleweir Skim Filters	6 7/8"

SPECIALTY ITEMS

Aroma Therapy Canister	1 5/8"
Auto Vent	4"
Fittings - Thru Wall	1 5/16"
Return Fitting	2 5/16"
Thermosensor	1"
Thermowell - Mini	1 3/16"
Waterway Cascade	(2) x 7/8"



1. Determine required turnover rate for spa in gallons per minute (GPM).

$$\frac{\text{Total Gallons}}{\text{Desired Turnover Rate (30 min. spa)}} = \text{GPM}$$

2. Determine GPM and PSI needed for maximum jet performance (use Jet Performance Flow Curves from page 114).

$$\frac{\text{Target Flow (GPM)}}{\text{Target Pressure (PSI)}}$$

3. A. Figure resistance head of system:

From Friction Flow Chart on page 254 and Friction Loss in Fittings on page 255, convert fittings and pipe lengths into feet of head.

EXAMPLE:

A. (4) 2" 90° elbows = 4 x 8.6 = 34.4 feet of 2" pipe

B. 50 feet of 2" pipe = 50 feet

A + B: 34.4 feet + 50 feet = 84.4 feet

Looking at the Friction Flow Chart, 2" pipe at 10 feet per second gives us 100 GPM at 14.4 feet of head. This is figured in 100 foot length of pipe. We multiply .844 times 14.4 = 12.15 feet of head. Or to convert to PSI x .433 = 5.26 PSI loss.

$$A \frac{\text{Quantity}}{\text{Quantity}} \times \frac{\text{Fitting Type (Friction Loss)}}{\text{Fitting Type (Friction Loss)}} = \frac{\text{Straight Length of Pipe}}{\text{Straight Length of Pipe}}$$

$$B \frac{\text{Quantity}}{\text{Quantity}} \times \frac{\text{Pipe}}{\text{Pipe}} = \frac{\text{Straight Length of Pipe}}{\text{Straight Length of Pipe}}$$

$$\frac{A}{A} + \frac{B}{B} = \frac{\text{Total Pipe Length}}{\text{Total Pipe Length}}$$

$$\frac{\text{Pipe Length}}{\text{Pipe Length}} \times \frac{\text{Head of Loss for 100 ft. Length}}{\text{Head of Loss for 100 ft. Length}} = \frac{\text{Feet of Head}}{\text{Feet of Head}}$$

Quantity	GPM	Head Loss
_____	_____	_____
_____	_____	_____

Total Head Loss of Components: _____

B. Figure Actual Head Loss of Components: (Refer to Head Loss Chart on Page 259)

EXAMPLE:

1) One 1 1/2" main drain at 50 GPM has 2 feet of head.

2) One 1 1/2" skimmer 50 GPM has 4 feet of head.

Total head loss of components is 6 feet of head.

C. Add Head Loss from B and C for Total Resistance Head:

EXAMPLE:

12.15 feet of head (from system resistance) + 6 feet of head (from component head loss) = 18.15 feet of head

$$\frac{\text{Resistance of Head Fittings, etc.}}{\text{Resistance of Head Fittings, etc.}} + \frac{\text{Component Head Loss}}{\text{Component Head Loss}} = \frac{\text{TDH}}{\text{TDH}}$$

D. Total of B and C is TDH (total dynamic head) of system. Convert total head into PSI by multiplying by .433:

EXAMPLE:

18.15 feet of head x .433 = 7.86 PSI

(This is the amount of pressure lost in the system)

$$\frac{\text{TDH}}{\text{TDH}} \times \frac{.433}{.433} = \frac{\text{PSI}}{\text{PSI}}$$

E. Add Target PSI from Jet Worksheet (or Line #2) to Total Pressure Loss (PSI) Line D to find Total Pressure Required and Total Dynamic Head of System:

EXAMPLE:

14 PSI (Required for jets) + 7.86 PSI (Required for system) = 21.86

PSI

F. Match appropriate pump by looking at pump curves.

EXAMPLE:

At 22 PSI (or 50 feet of head) at 100 GPM, you can use The Executive 1 HP Pump or a 2 HP Hi-Flo Side Discharge Pump

$$\frac{\text{Jets PSI Required}}{\text{Jets PSI Required}} + \frac{\text{System PSI Required}}{\text{System PSI Required}} = \frac{\text{Total PSI Required}}{\text{Total PSI Required}}$$



Technical Information / Friction Flow Chart

Friction loss of water in feet of head per 100 foot length of pipe.

U.S. Gal. per Min.	3/4 PIPE			1 PIPE			1 1/4 PIPE			1 1/2 PIPE			2 PIPE			2 1/2 PIPE			3 PIPE			
	Vel. Ft. per Sec.	Loss in Feet	Loss in PSI	Vel. Ft. per Sec.	Loss in Feet	Loss in PSI	Vel. Ft. per Sec.	Loss in Feet	Loss in PSI	Vel. Ft. per Sec.	Loss in Feet	Loss in PSI	Vel. Ft. per Sec.	Loss in Feet	Loss in PSI	Vel. Ft. per Sec.	Loss in Feet	Loss in PSI	Vel. Ft. per Sec.	Loss in Feet	Loss in PSI	
1	.60	.25	.11	.37	.07	.03
2	1.20	.90	.39	.74	.28	.12	.43	.07	.03
3	1.80	1.92	.83	1.11	.60	.26	.64	.16	.07	.47	.07	.03
4	2.41	3.28	1.42	1.48	1.02	.44	.86	.25	.11	.63	.12	.05
5	3.01	5.8	2.51	1.86	1.52	.65	1.07	.39	.17	.79	.18	.08
6	3.61	7.0	3.0	2.33	2.15	.93	1.29	.55	.24	.95	.25	.11	.57	.07	.03
8	4.81	11.8	5.1	2.97	3.6	1.56	1.72	.97	.42	1.25	.46	.2	.76	.14	.06	.54	.05	.02
10	6.02	17.9	7.75	3.71	5.5	2.4	2.15	1.46	.63	1.58	.69	.3	.96	.21	.09	.67	.09	.04
15	9.02	37.8	16.37	5.57	11.7	5.07	3.22	3.07	1.33	2.36	1.45	.63	1.43	.44	.19	1.01	.18	.08	.65	.07	.03
20	7.42	19.9	8.62	4.29	4.2	1.82	3.15	2.47	1.07	1.91	.74	.32	1.34	.30	.13	.87	.12	.05
25	9.28	30.0	13.0	5.36	7.9	3.42	3.94	3.8	1.6	2.39	1.11	.05	1.67	.46	.2	1.08	.16	.07
30	11.14	42.0	18.19	6.43	11.1	4.8	4.73	5.2	2.3	2.87	1.55	.67	2.01	.65	.28	1.30	.23	.13
35	7.51	14.7	6.37	5.52	7.0	3.03	3.35	2.06	.89	2.35	.88	.38	1.52	.30	.13
40	8.58	18.9	8.2	6.30	8.9	3.9	3.82	2.63	1.14	2.64	1.11	.48	1.73	.39	.17
45	9.65	23.5	10.18	7.09	11.1	4.8	4.30	3.28	1.4	3.01	1.39	.6	1.95	.48	.21
50	10.72	28.5	12.3	7.88	13.5	5.8	4.78	4.0	1.7	3.35	1.69	.73	2.17	.58	.25
60	9.46	18.9	8.18	5.74	5.6	2.4	4.02	2.36	1.02	2.60	.81	.35
70	11.03	25.1	10.9	6.69	7.4	3.2	4.69	3.14	1.36	3.04	1.09	.47
80	7.65	9.5	4.1	5.35	4.0	1.73	3.47	1.39	.6
90	8.60	11.8	5.1	6.03	5.0	2.2	3.91	1.73	.75
100	9.56	14.4	6.3	6.70	6.1	2.64	4.34	2.10	1.9
120	11.95	21.8	9.4	8.38	9.2	4.0	5.42	3.19	1.38
150	10.05	12.8	5.5	6.51	4.5	1.95
175	7.59	5.9	2.55
200	8.68	7.9	3.4
225	9.76	9.4	4.07
250	10.85	11.5	4.99
275
300
325

AWG Wire Size												
Amps	14		12		10		8		6		4	
	115 Volts	230 Volts	115 Volts	230 Volts	115 Volts	230 Volts	115 Volts	230 Volts	115 Volts	230 Volts	115 Volts	230 Volts
2	595	1190	946	1891	1479							
3	397	794	630	1261	986							
4	298	595	470	946	740	1479	1161		1808			
5	238	476	378	756	592	1184	926	1858	1447			
6	198	397	315	630	493	986	774	1548	1206	2411	1842	
7	170	340	270	540	423	845	663	1327	1033	2067	1579	
8	149	293	236	473	370	740	581	1161	904	1808	1381	2763
9	132	265	210	420	329	658	516	1032	804	1607	1228	2456
10	119	238	189	376	296	592	464	929	723	1447	1105	2210
12	99	198	158	315	247	493	387	774	603	1206	921	1842
14			135	270	211	423	332	663	517	1033	789	1579
16			118	236	185	370	290	581	452	904	691	1381
18					164	329	258	516	402	804	614	1228
20					148	296	232	464	362	723	553	1105
22					134	269	211	422		658		1005
24					123	247	194	387		603		921
26								357		556		850
28								332		517		789
30								310		482		737
35								265		413		632
40										362		553
45										321		491
50										239		442

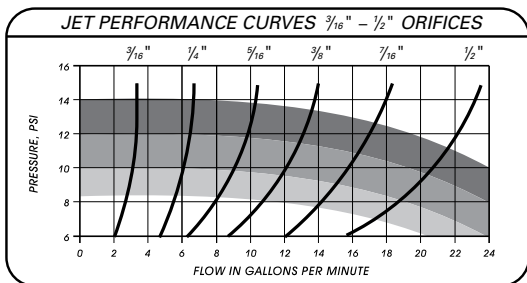
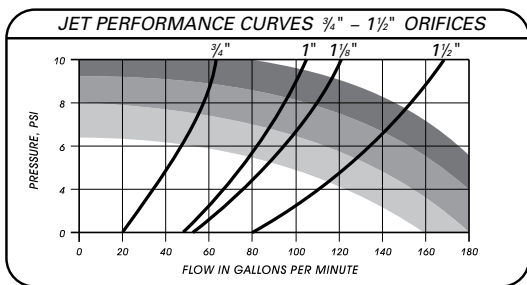


Friction Loss in Fittings									
SIZE FITTING	½"	¾"	1"	1 ¼"	1 ½"	2"	2 ½"	3"	4"
Gate Valve (Full Open)	0.6	0.7	0.9	1.2	1.3	1.6	1.7	2.0	2.7
Elbow - 90°	3.6	4.5	5.3	6.7	7.5	8.6	9.3	11.1	13.1
Elbow - 45°	0.7	0.9	1.4	1.8	2.2	2.8	3.2	4.1	5.6
Tee (Straight Thru)	1.8	2.5	3.3	4.7	5.7	7.8	9.3	12.1	17.1
Tee (Thru Side)	4.3	5.4	6.7	8.8	10.0	12.1	13.0	17.1	21.2
Swing Check Valve	8.1	8.9	11.2	13.1	15.2	19.1	22.0	27.1	38.2

Head Loss Charts								
Component	GPM	Head Loss (ft.)	Component	GPM	Head Loss (ft.)	Cartridge Filters	GPM (.75)	Head Loss (ft.)
Main Drain 1 ½" Outlet	20	0.5	Skimmer 1 ½" Outlet	20	1.0	25 sq. ft.	18.75	1.1
Main Drain 1 ½" Outlet	30	1.0	Skimmer 1 ½" Outlet	30	2.0	35 sq. ft.	26.25	2.0
Main Drain 1 ½" Outlet	40	1.5	Skimmer 1 ½" Outlet	40	3.0	50 sq. ft.	37.50	4.3
Main Drain 1 ½" Outlet	50	2.0	Skimmer 1 ½" Outlet	50	4.0	70 sq. ft.	52.50	7.5
Main Drain 1 ½" Outlet	60	2.5	Skimmer 1 ½" Outlet	60	5.5	75 sq. ft.	56.25	8.0
						100 sq. ft.	75.00	17.5
Main Drain 2" Outlet	40	1.0	Skimmer 2" Outlet	20	0.5			
Main Drain 2" Outlet	50	1.5	Skimmer 2" Outlet	30	1.0			
Main Drain 2" Outlet	60	2.0	Skimmer 2" Outlet	40	2.0			
Main Drain 2" Outlet	70	3.0	Skimmer 2" Outlet	50	3.0			
Main Drain 2" Outlet	80	4.0	Skimmer 2" Outlet	60	4.0			
			Skimmer 2" Outlet	70	5.0			
Heater	--	7.0 avg.	Skimmer 2" Outlet	80	6.0			

Jet Flow Data

Jet orifices sized from ¾" to 1 ½" work better at a lower PSI. Use legend to size properly.



LEGEND:
 ■ WEAK
 ■ MODERATE
 ■ STRONG

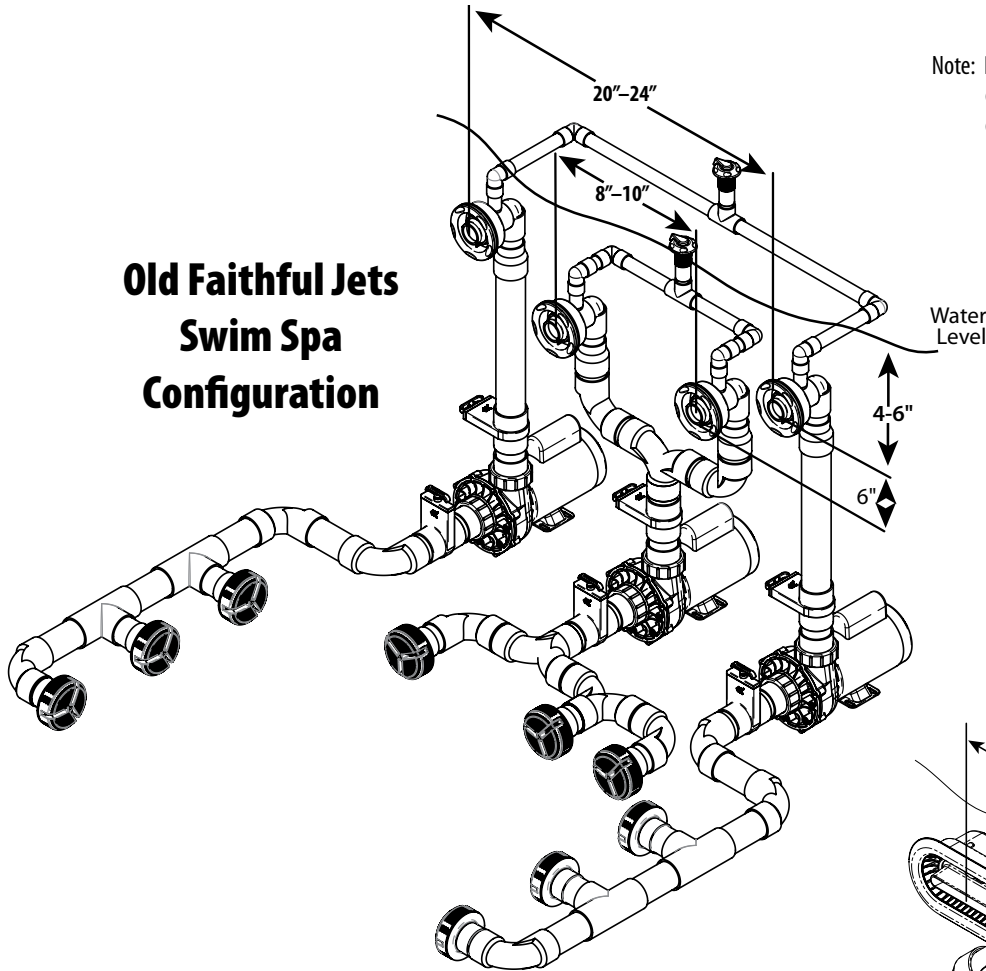
JET FLOW CHART				
NOZZLE ORIFICE SIZE	JETS			GPM
	10 PSI	15 PSI	20 PSI	
⅜"	3	4	5	GPM
¼"	6	7	8	GPM
⅝"	9	10	12	GPM
⅜"	13	16	18	GPM
⅞"	17	19	22	GPM
½"	24	29	33	GPM
¾"	63	65	75	GPM
1"	95	116	134	GPM
1 ⅞"	120	147	170	GPM
1 ½"	213	260	301	GPM



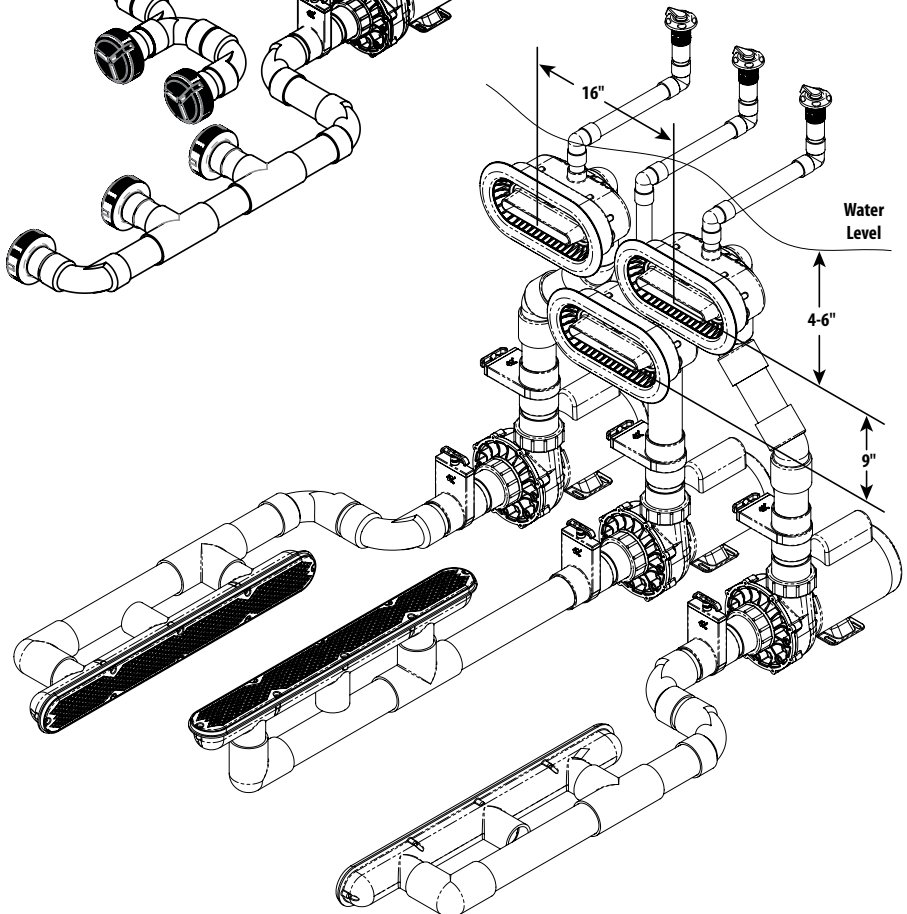
SWIM SPA CONFIGURATIONS

Note: Dimensions represent sample configuration only. Various custom configurations are possible.

Old Faithful Jets Swim Spa Configuration



River Jets Swim Spa Configuration





Displays

Part No.	Description
150-0020	Executive 56 Frame Pump Cutaway
150-0010	Vinyl Liner Builder's Pack
150-0031R	Supreme Pump - 90° Right, 3 Ft. Twist Lock Cord
150-0045	150 Sq. Ft. Pro Clean Plus Cartridge Cutaway
150-0050	SVL Cutaway
150-0100	ProClean Plus 100 Display
150-0110	Sweep Ell Display
150-0130	TruSeal & Swing Valve Display
150-0151	Champion Pump Display
150-0157	ClearWater II D.E. 12 Sq. Ft. 44 GPM Filter Cutaway - Gray
150-0160	Champion Pump With Valve - Assembly Cutaway
150-0165	Power Defender 165 (1.65HP) Pump Display
150-ECONOV5	Power Defender 270 (2.7HP) Pump Display
150-0180	River Swim Jet
150-0200	200 Sq. Ft. Pro Clean Cartridge Filter Cutaway
150-0237	Carefree Sand Filter 22" Cutaway
150-2047	ClearWater Sand Filter 19" Cutaway - Gray
150-0277	Carefree Sand Filter 26" Cutaway
150-0280R	Hi-Flo II 90° Right - 3 Ft. NEMA Display
150-0290	SMF Pump Display
150-0320	Poly Storm Gunitite Jet Display with Tee Body Thread-in
150-0330	Power Storm Gunitite Jet Display with Tee Body Thread-in
150-0340	Mini Storm Gunitite Jet Display with Tee Body Thread-in
150-0360	Gunitite Storm Jet Internal Display - Power, Poly & Mini Thread-in
150-0420	Carefree Oval Sand Filter 19" Cutaway w/Dummy Motor
150-0437	Carefree Oval Sand Filter 22" Cutaway, 1.5 HP, 3 Ft. Twist Lock Cord
150-0460	Carefree Oval Sand Filter 22" Cutaway, Sub Assembly
150-0730	Flex PVC Sample Kit
150-1000	Santanna II Blower Display
150-1010	Santanna II Blower - Working Display
150-1507	ClearWater 150 Sq. Ft. Cartridge Filter Cutaway - Gray
150-1527	ClearWater 150 Sq. Ft. Cartridge Filter, Supreme Motor, 3 Ft. NEMA Cord
150-1537	Clearwater 150 Sq. Ft. Cartridge Filter, Supreme Motor, 3 Ft. Twist Lock Cord
150-1547	Clearwater 150 Sq. Ft. Cartridge Filter, Hi-Flo Motor, 3 Ft. NEMA Cord
150-1600	VGB Drains Display Board - 6" / 8" / 10" / 9"x9" / 12" x 12" / 18" x 18"
150-1610	VGB Drains Display Board - 32" Strip / 24" x 24"
150-1770	Spa Suction Display I
150-1780	Spa Suction Display II
150-2017	36 Sq. Ft. D.E. Crystal Water Cutaway Filter - Gray
150-2027	60 Sq. Ft. D.E. Crystal Water Cutaway Filter - Gray
150-2037	325 Sq. Ft. Cartridge Crystal Water Cutaway - Gray
150-2047	525 Sq. Ft. Cartridge Crystal Water Cutaway - Gray
150-2057	425 Sq. Ft. Cartridge Crystal Water Cutaway - Gray
150-2067	48 Sq. Ft. D.E. Crystal Water Cutaway Filter
150-3410G	Gunitite Jet, 3 Jet Manifold Straight Body Display
150-3600	Gunitite Poly Jet Display Threaded Bodies Only (8)
150-4000	Pipe Extender / Insider Coupler Display
150-8090	Hi-Flo II Pump Display
150-8150	Smart Filtration 10VS 24 - 11 x 17
150-8160	Smart Filtration OP Cost 11 x 17
150-8170	Skimmer Display Stand
150-C012-W	Chlorinator In-Line Display - White
150-8700	Booster Pump Display

Brochures/Flyers (continued next column)

Part No.	Description
150-8010	SVL56 Pump
150-8010-F	SVL56 Pump - Spanish
150-8010-S	SVL56 Pump - Spanish
150-8050	ClearWater II Chlorinator
150-8050-S	ClearWater II Chlorinator - Spanish
150-8050-F	ClearWater II Chlorinator - French

Brochures/Flyers (continued)

Part No.	Description
150-8070	Hi-Flo II Pump
150-8120	ClearWater II Cartridge Deluxe Systems
150-8130	ClearWater Sand Deluxe Systems
807-0024	Crystal Water D.E. Filter
807-0024S	Crystal Water D.E. Filter - Spanish
807-0025	Crystal Water Cartridge Filter
807-0025-F	Crystal Water Cartridge Filter - French
807-0025-S	Crystal Water Cartridge Filter - Spanish
807-0028	Carefree Sand Filter
807-0028-S	Carefree Sand Filter - Spanish
807-0036	Renegade Venturi Gunitite Skimmer
807-0042	Champion Pump
807-0042F	Champion Pump - French
807-0042S	Champion Pump - Spanish
807-0044	ProClean Plus Cartridge Filter
807-0044-F	ProClean Plus Cartridge Filter - French
807-0044-S	ProClean Plus Cartridge Filter - Spanish
807-0055	TWM Sand Systems
807-0056	ClearWater II D.E. Systems (Standard & Deluxe)
807-0057	TWM Cartridge Filter Systems
807-0059	Viper Pump
807-0059-F	Viper Pump - French
807-0062-SPA	ShurFlex Pool & Spa Hose - Spa Specifications
807-0062-POOL	ShurFlex Pool & Spa Hose - Pool Specifications
807-0068	EX2 Pump
807-0075	ClearWater Sand Standard Systems
807-0078	Renegade Gunitite Skimmer
807-0089	Carefree Sand Filter Standard & Deluxe Systems
807-0095	ClearWater II Cartridge Standard Systems
807-0097	VGB Drains & Suctions
807-0100	SMF Pump
807-0100-FR	SMF Pump - French
807-0100-S	SMF Pump - Spanish
807-0107	TWM-30 Series Cartridge & Sand Systems
807-0116A	Crystal Water Hang Tag Assembly (with tie)
807-0120	Pool Products Worksheet 2017
807-0125	Storm Jets - Orion/Eclipse/Reverse Eclipse
807-0128	Power Defender SVL Variable Speed (300)
807-0183	Power Defender Variable Speed Booster Pump
807-0184	Power Defender Exec VS & EX2 VS Spa Pumps
807-0186	Power Defender Energy Efficient EX2 Spa Pump
807-0187	Power Defender_2 Pole_6 Pole Spa Pumps
807-0188	Power Defender Viper VS Spa Pump
807-0352	Spa Steps
807-0352-F	Spa Steps - French
807-0354	Pump Cross-Reference w/Adjustable Base
807-1021	Power Defender 165 / 270 / 300 VS Pool Pumps
807-1021-F	Power Defender 165 / 270 / 300 VS Pool Pumps - French
807-1022	MniStorm, PolyStorm & PowerStorm Thread-in Gunitite Jets
807-1111	TruSeal Check & Diverter Valves
807-2010	Booster Pump
807-2030	NEO 2100 Spa Control
807-2030-F	NEO 2100 Spa Control - French
807-2031	NEO 1500 Spa Control
807-2031-F	NEO 1500 Spa Control - French
807-2032	NEO 1200 Spa Control
807-2032-F	NEO 1200 Spa Control - French
807-2033	OASIS Pool Pool & Spa Control
807-2035	NEO 2100_1500_1200_Configurations
807-8410	Santanna II - Stealth II Blowers



Fax Cover

To: **Waterway Customer Service**
Toll Free Fax: **888.772.5387 (888.SPA JETS)**

From:
Name: _____

Company: _____

Address: _____

City: _____ State: _____ Zip: _____

Phone: _____ Fax: _____

- Builder** **Mfr./OEM** **Sub Assembly** **Dealer** **Service Firm**
- Swimming Pool** **Distributor** **Spa** **Whirlpool Bath**

Quantity	Part No.	Description	Price Each	Price Total

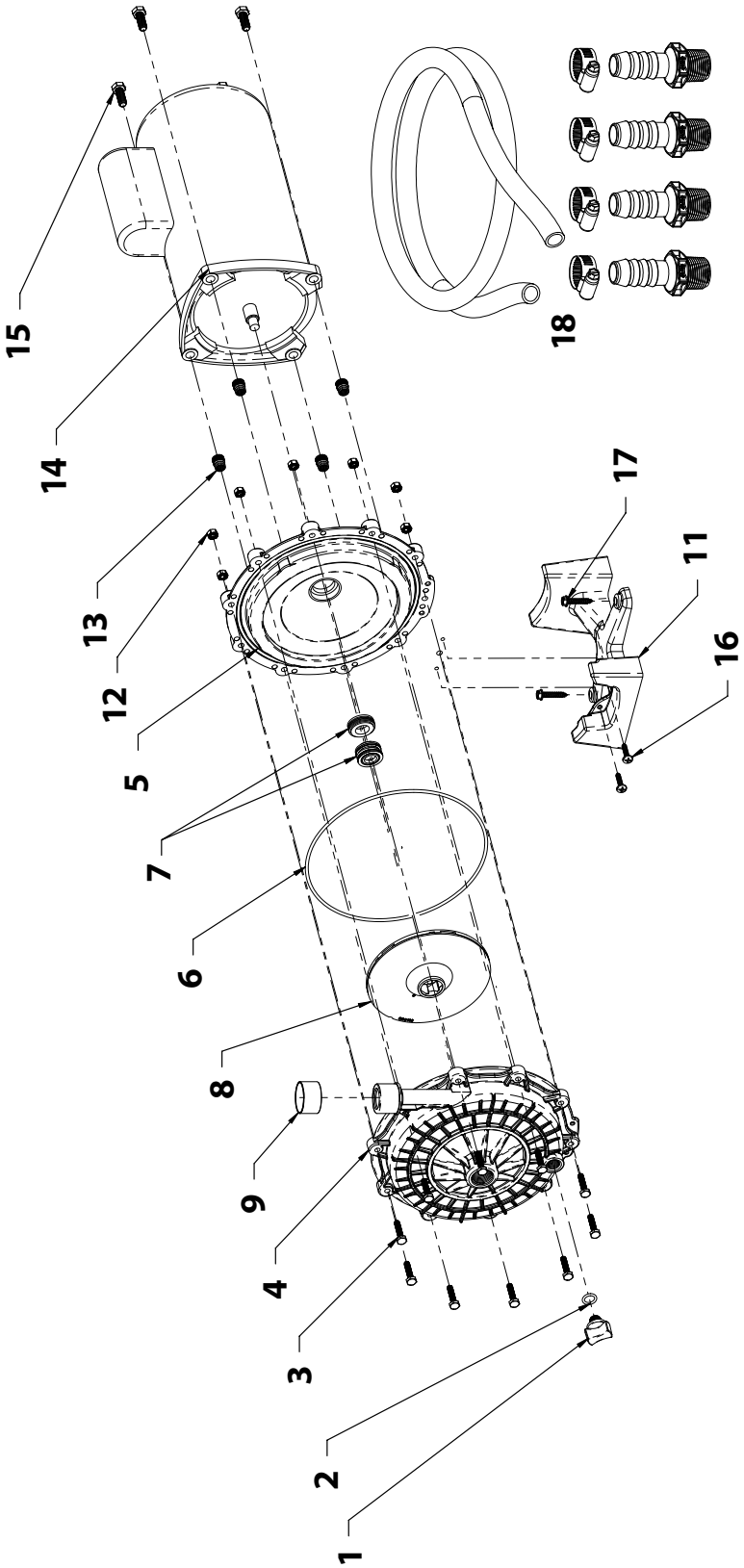
Replacement Parts

For Replacement Parts pricing please visit:
www.waterwayplastics.com – **2018 Catalog** – **Download** Rep Parts Pricing 2018
or contact Customer Service to receive a Price List.

2018



Replacement Parts / **Booster Pump**



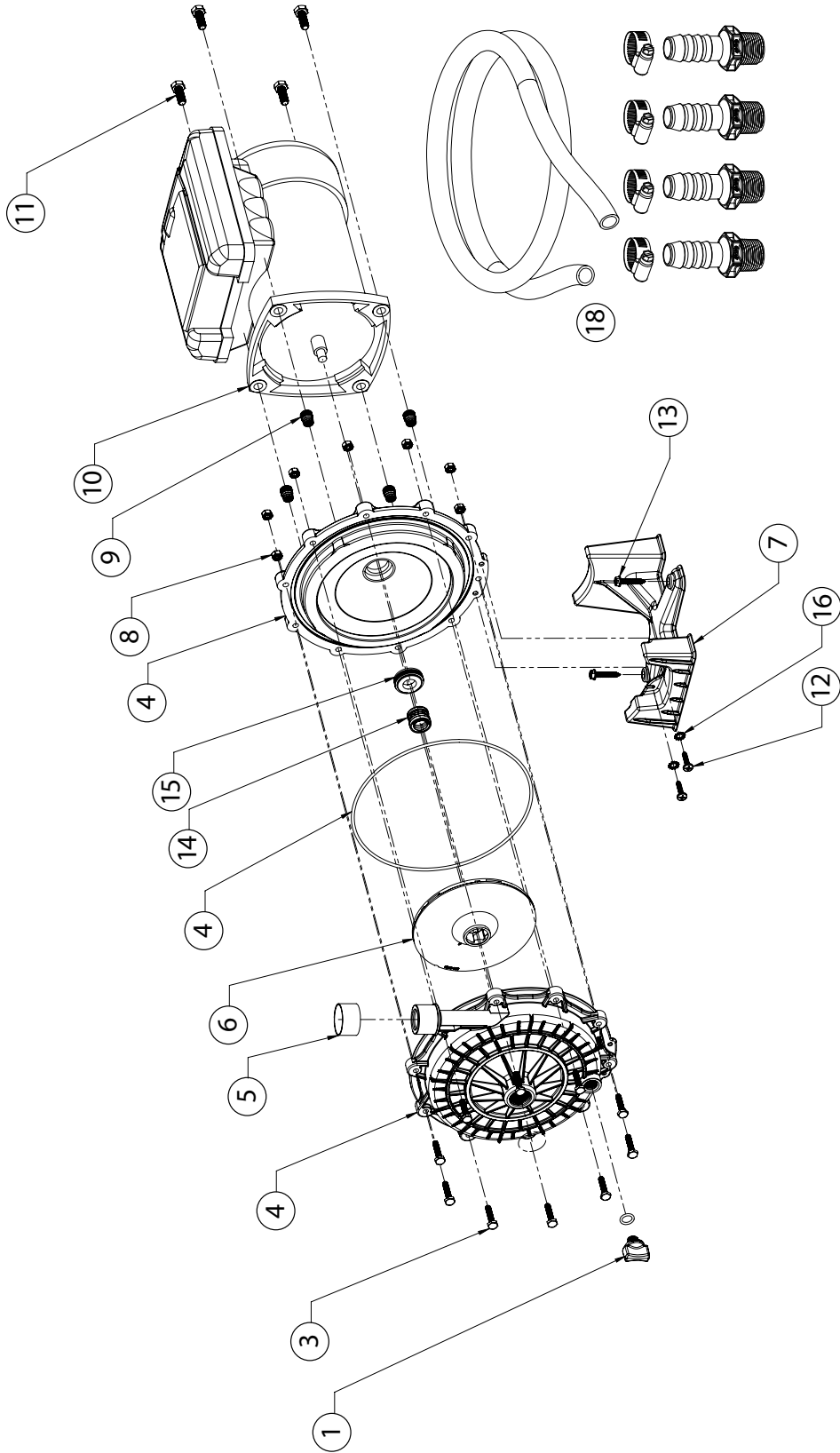


Booster Pump Replacement Parts

Item	Part No.	Description
1	715-8400B	Drain Plug 3/8" Booster Pump
2	805-0112B	O-Ring, #2-112, .487 I.D. X .103 W
3	819-2590B	Bolt, Hex Hd, 1/4"-20 UNC X 1-1/8" LG SS (19)
4	315-8300B	Volute Booster Pump
5	311-8300B	Seal Plate Booster Pump
6	805-0268B	O Ring #268 (2)
7	319-3290B	Pump Seal Set
8	310-8400B	3/4 HP Impeller Booster Pump Brass Impeller Insert, 1/2"-20 UNC-2B X 1"
9	872-6200B	Sleeve 1 1/2" X .049 Wall SS304
11	672-1380B	Motor Mount, Booster Pump
12	820-0013B	Hex Nut, Serated 1/4-20-Sand Filter (19)
13	820-0019B	Brass Insert, 3/8"-16 UNC-2B X 5/8" (.625) Volute (4)
14	SG3P10430-1	Booster Pump Motor
15	819-0011B	Screw, 3/8"-16 X 1 Hex Cap Head, Pool Pump (4)
16	819-0800B	Screw, #12 X 1.00" Lg, Type AB, Self-tapping, Pnhd, Phil. (2)
17	819-0013B	Screw Slot Hex Washer 1/4" X 1_1/4" (2)
18	550-8700B	Hose, Fitting And Clamp Kit (4)



Replacement Parts / Power Defender Booster Pump 275 and 175



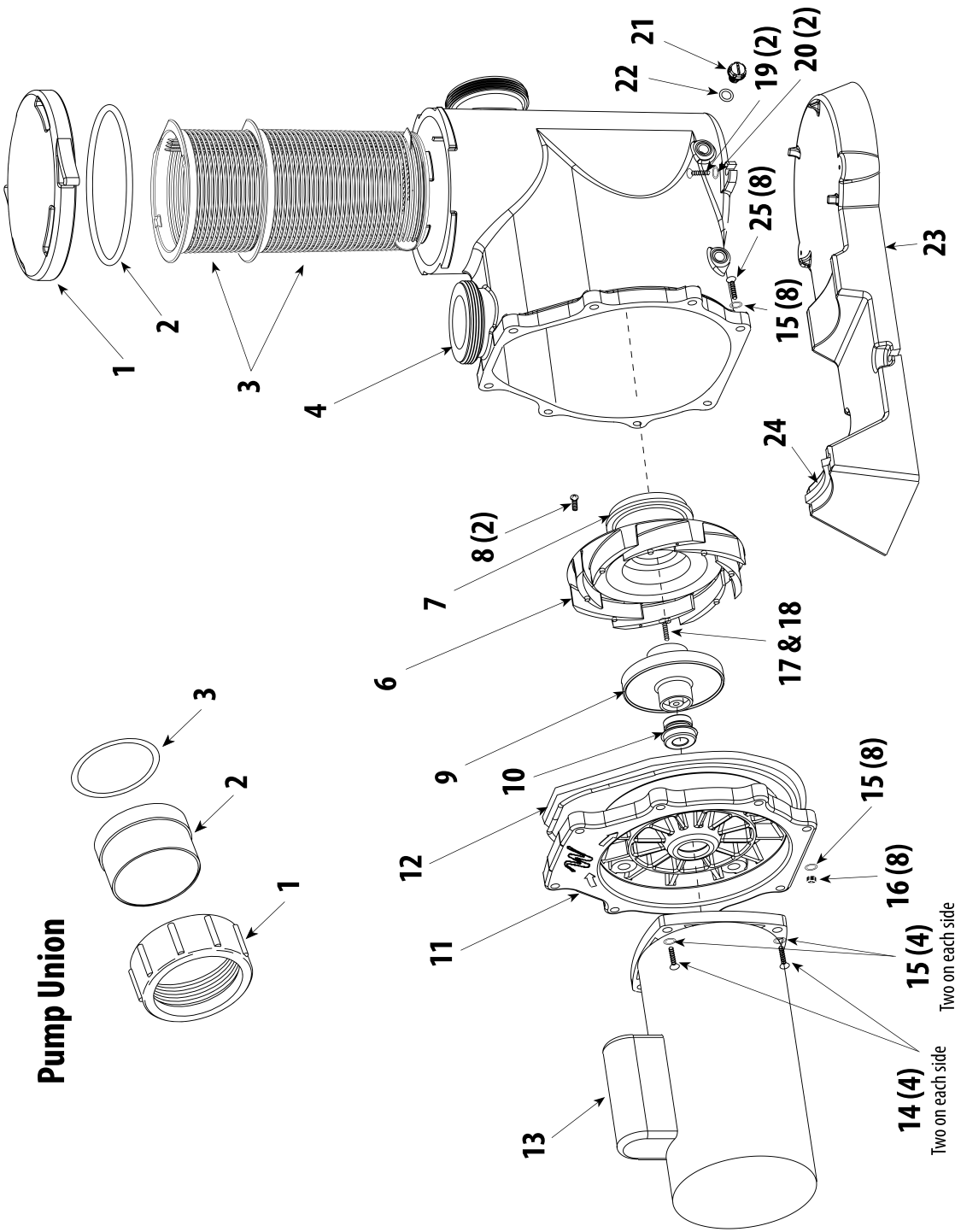


Power Defender Booster Pump 275 and 175 Replacement Parts

Item	Part No.	Description
1	715-8400B	Drain Plug 3/8" Booster Pump
2	805-0112B	O-Ring, #2-112, .487 I.D. X .103 W
3	819-2590B	Bolt, Hex Hd, 1/4"-20 UNC X 1-1/8" LG SS (19)
4	315-8300B	Volute Booster Pump
5	311-8300B	Seal Plate Booster Pump
6	805-0268B	O Ring #268 (2)
7	319-3290B	Pump Seal Set
8	310-8400B	3/4 HP Impeller Booster Pump Brass Impeller Insert, 1/2"-20 UNC-2B X 1"
9	872-6200B	Sleeve 1 1/2" X .049 Wall SS304
11	672-1380B	Motor Mount, Booster Pump
12	820-0013B	Hex Nut, Serated 1/4-20-Sand Filter (19)
13	820-0019B	Brass Insert, 3/8"-16 UNC-2B X 5/8" (.625) Volute (4)
14	—	Motor
15	819-0011B	Screw, 3/8"-16 X 1 Hex Cap Head, Pool Pump (4)
16	819-0800B	Screw, #12 X 1.00" Lg, Type AB, Self-tapping, Pnhd, Phil. (2)
17	819-0013B	Screw Slot Hex Washer 1/4" X 1_1/4" (2)
18	550-8700B	Hose, Fitting And Clamp Kit (4)



Replacement Parts / SVL56 High-Flow Pump





SVL56 High-Flow Pump Replacement Parts

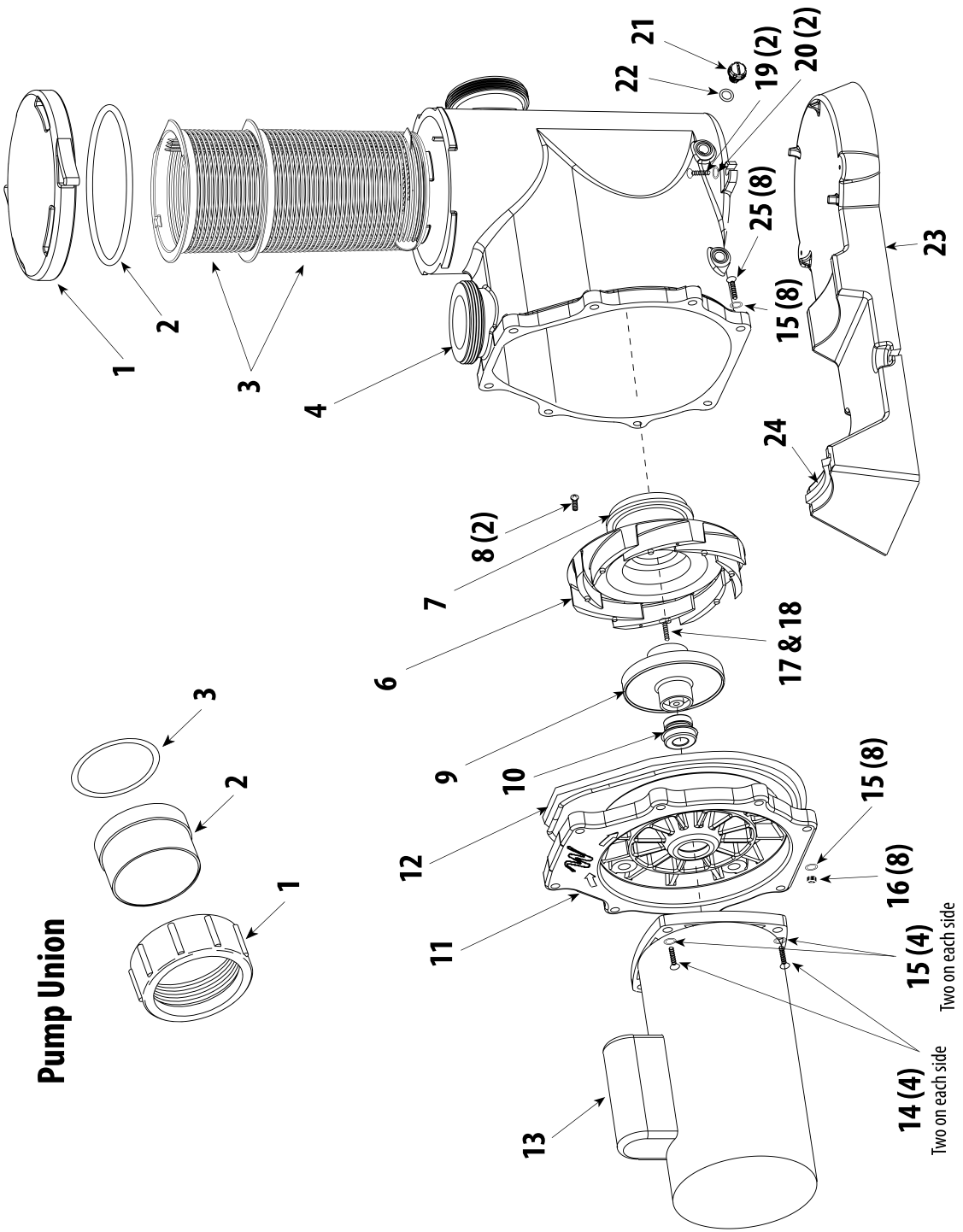
Item	Part No.	Description
1	511-1310B	Trap Lid
2	805-0439B	Trap Lid O-Ring
3	319-1310B	Basket Assembly
4	315-1300B	Volute Housing
6	310-3300B	Diffuser - High-Flow
7	805-0238B	Diffuser O-Ring
8	819-0018B	Diffuser Screw (2 required)
9	310-3650B	SVL56E-110, SVL56S-107, SVL56S-110, SVL56S-210 Impeller Assembly - High-Flow
	310-3660B	SVL56E-115, SVL56S-115, SVL56S-215 Impeller Assembly - High-Flow
	310-3670B	SVL56E-120, SVL56S-120, SVL56S-125 Impeller Assembly - High-Flow
	310-3680B	SVL56E-130 Impeller Assembly - High-Flow
10	319-3100B	Pump Seal Set - Viton (replaces 319-3110B)
11	311-1400B	Volute Faceplate
12	711-4290B	Faceplate Gasket
13	—	Motor
14	819-0011B	Screw - 3/8" - 16 x 1/8" (4 required)
15	820-0017B	3/8" Flat Washer (12 required)
16	820-0016B	3/8" 16-Fin Serrated Hex Nut
17	819-4360B	Screw Head Left Hand Thread
18	711-4300B	SVL Gasket for Left Hand Screw
19	819-0013B	Screw (2 required)
20	820-0018B	Flat Washer (2 required)
21	715-1201B	3/8" Quarter Slot Drain Plug
22	805-0112B	Drain Plug O-Ring
23	672-1300B	SVL56 Base
24	672-1310B	Motor Support Strip
25	819-0016B	Screw (8 required)

Pump Union Replacement Parts

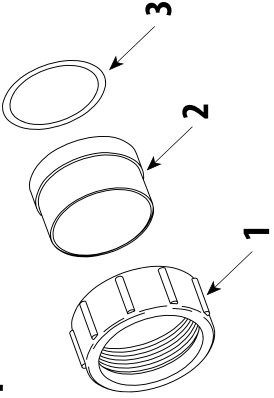
Item	Part No.	Description
1	415-6001B	2 1/2" Union Nut - Black
2	417-5971B	2" Tailpiece for 2 1/2" Union Nut - O-Ring Black
2	417-6001B	2 1/2" S Tailpiece - Black
3	711-6020B	Gasket, 2 1/2" Union Heater



Replacement Parts / Power Defender SVL300 Pump



Pump Union



14 (4) Two on each side
15 (4) Two on each side
15 (8)
16 (8)
17 & 18
18 (2)
19 (2)
20 (2)
21
22



Power Defender SVL300 Pump Replacement Parts

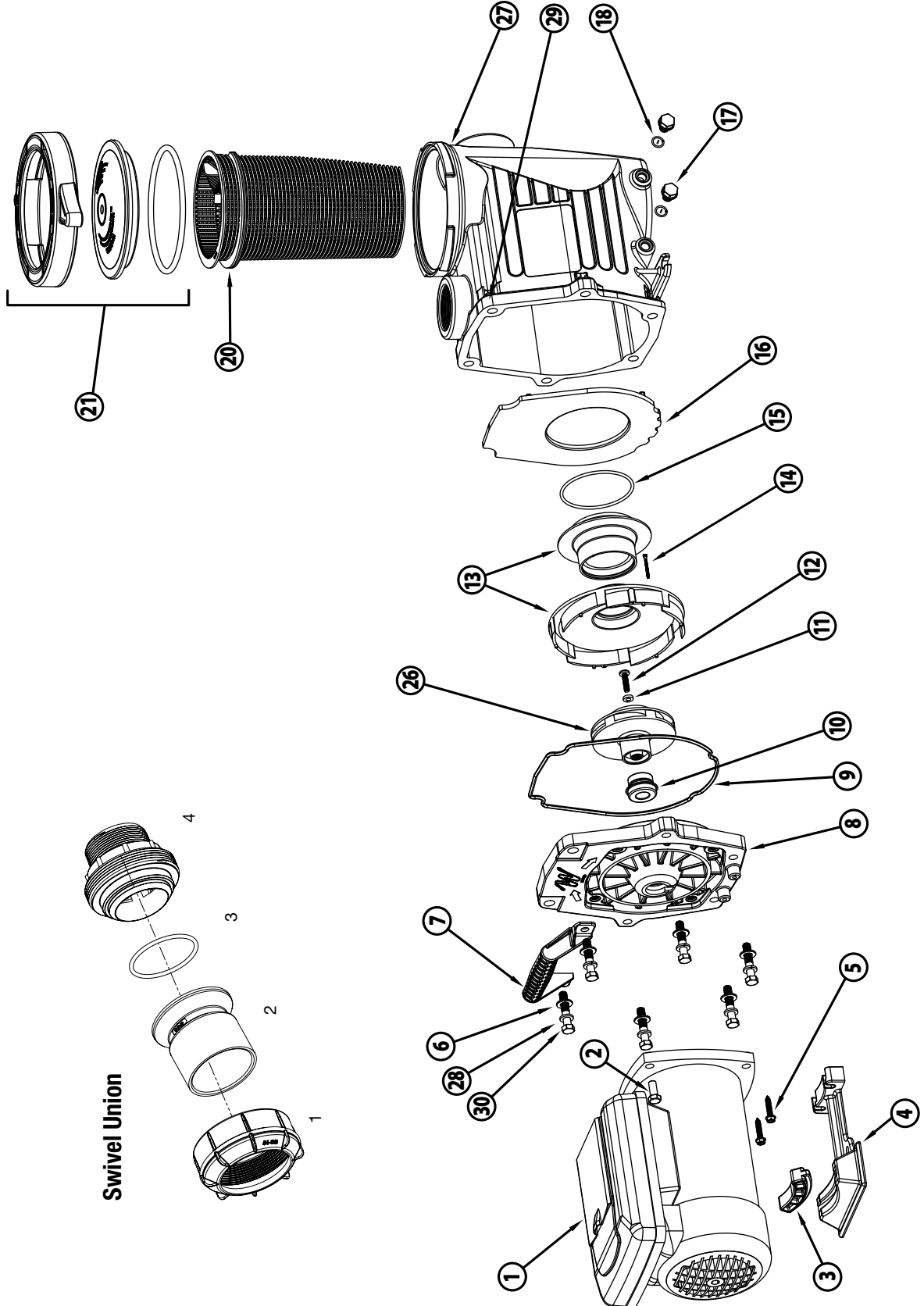
Item	Part No.	Description
1	511-1310B	Trap Lid
2	805-0439B	Trap Lid O-Ring
3	319-1310B	Basket Assembly
4	315-1300B	Volute Housing
6	310-3300B	Diffuser - High-Flow
7	805-0238B	Diffuser O-Ring
8	819-0018B	Diffuser Screw (2 required)
9	310-3650B	SVL56E-110, SVL56S-107, SVL56S-110, SVL56S-210 Impeller Assembly - High-Flow
	310-3660B	SVL56E-115, SVL56S-115, SVL56S-215 Impeller Assembly - High-Flow
	310-3670B	SVL56E-120, SVL56S-120, SVL56S-125 Impeller Assembly - High-Flow
	310-3680B	SVL56E-130 Impeller Assembly - High-Flow
10	319-3100B	Pump Seal Set - Viton (replaces 319-3110B)
11	311-1400B	Volute Faceplate
12	711-4290B	Faceplate Gasket
13	—	Motor
14	819-0011B	Screw - 3/8" - 16 x 1/8" (4 required)
15	820-0017B	3/8" Flat Washer (12 required)
16	820-0016B	3/8" 16-Fin Serrated Hex Nut
17	819-4360B	Screw Head Left Hand Thread
18	711-4300B	SVL Gasket for Left Hand Screw
19	819-0013B	Screw (2 required)
20	820-0018B	Flat Washer (2 required)
21	715-1201B	3/8" Quarter Slot Drain Plug
22	805-0112B	Drain Plug O-Ring
23	672-1300B	SVL56 Base
24	672-1310B	Motor Support Strip
25	819-0016B	Screw (8 required)

Pump Union Replacement Parts

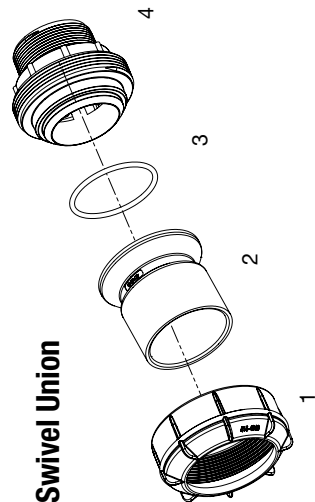
Item	Part No.	Description
1	415-6001B	2 1/2" Union Nut - Black
2	417-5971B	2" Tailpiece for 2 1/2" Union Nut - O-Ring Black
2	417-6001B	2 1/2" S Tailpiece - Black
3	711-6020B	Gasket, 2 1/2" Union Heater



Replacement Parts / Power Defender 1.65HP Variable Speed Pump



Swivel Union





Power Defender 1.65HP Variable Speed Pump Replacement Parts

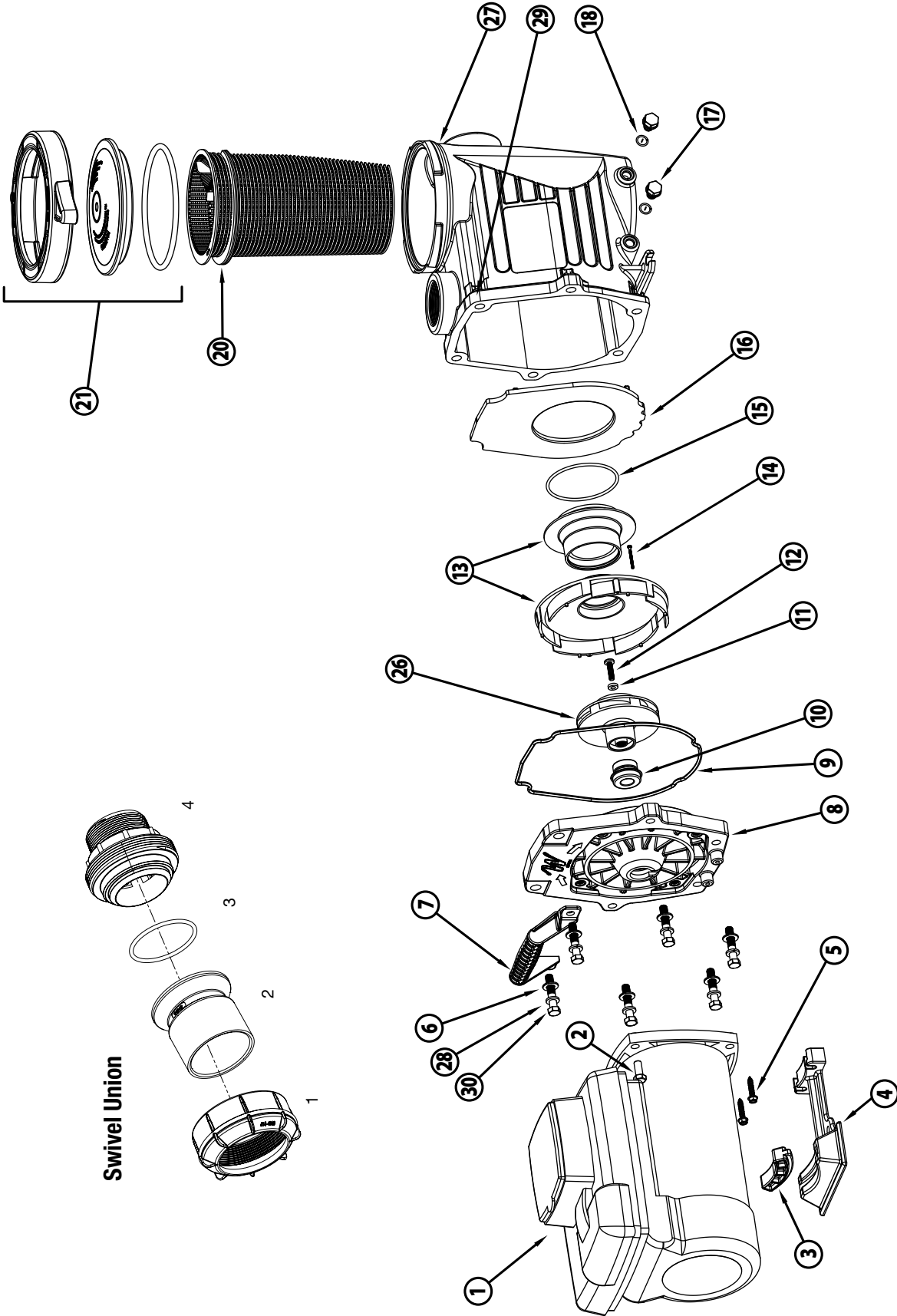
Item	Part No.	Description
1	350V120-1	Motor, 56 Frame Variable Spd 230V
2	819-0035B	Bolt .375-16 X .875 Long
3	672-1350B	Motor Support Supra Max
4	319-1500B	Motor Base
5	819-0013B	Screw Slot Hex Washer 1/4" X 1_1/4"
6	820-0017B	3/8" Flat Washer Type B, Pool Pumps
7	319-1700B	Handle
8	311-1450B	Face Plate
9	806-1400B	Gasket, Face Plate
10	319-3100B	Pump Seal Set-Viton
11	711-4300B	Washer, Impeller
12	819-4360B	Screw Phil. Pan Head Left Hand 1/4-20 X 1"
13	310-7470B	Diffuser Assy
14	819-0018B	#4-40 Uncls Bolt Schs
15	805-0238B	O-Ring-238
16	319-1420B	Diffuser Plate
17	715-1201B	3/8" Quarter Slot Plug (Sd Wet End)
18	805-0014B	O-Ring, -014
20	319-1430B	Basket Assy
21	319-4100B	Lid & Nut & O-ring - 6" Trap
26	310-7430B	2 HP Full 2.5 HP Uptr Impeller Assy
27	315-2410B	Pump Housing - 2" X 2" Npt
28	820-0017-1B	3/8" Washer, Split Lock
30	819-0016B	3/8"-16 X 2" Lg Hex Head

Swivel Union Replacement Parts

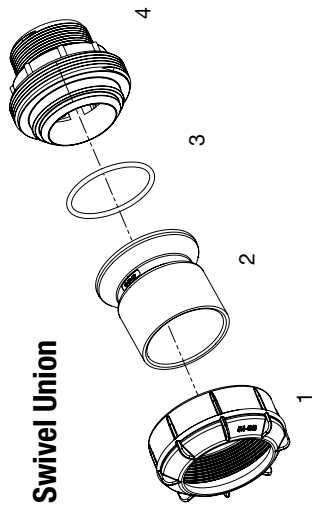
Item	Part No.	Description
1	415-4061B	2" Self Aligning Union Nut
2	417-2111B	Tailpiece 2" S. Self-Aligning Union - Black
3	805-0332B	O-ring #332 Self Aligning Union
4	417-2121-CPVCB	Tailpiece 2" MPT, Self-Aligning Union



Replacement Parts / Power Defender 2.7HP Variable Speed Pump



Swivel Union





Power Defender 2.7HP Variable Speed Pump Replacement Parts

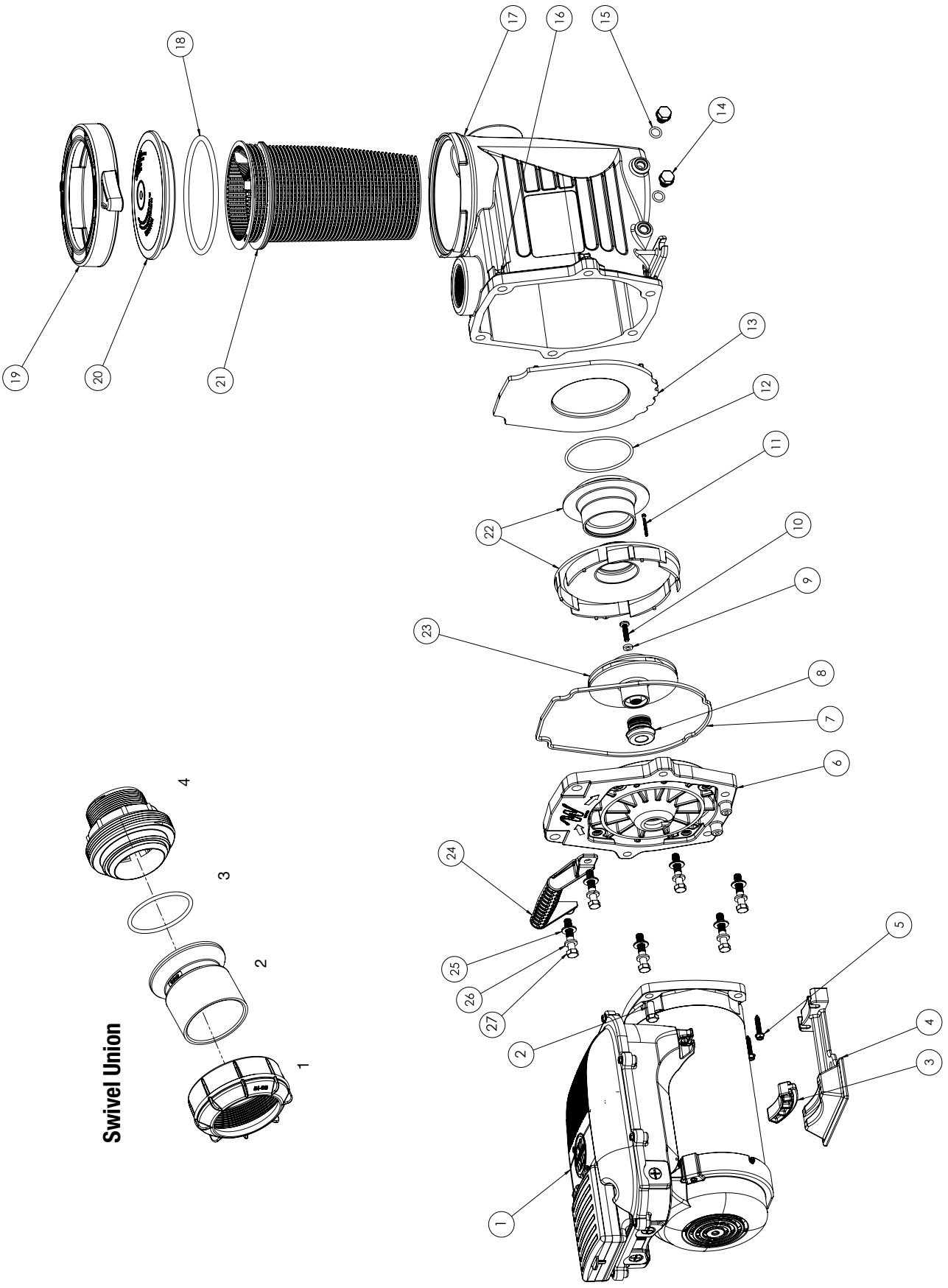
Item	Part No.	Description
1	350VS20-1	Motor, 56 Frame Variable Spd 230V
2	819-0035B	Bolt .375-16 X .875 Long
3	672-1350B	Motor Support
4	319-1500B	Motor Base
5	819-0013B	Screw Slot Hex Washer 1/4" X 1_1/4"
6	820-0017B	3/8" Flat Washer Type B, Pool Pumps
7	319-1700B	Handle
8	311-1450B	Face Plate
9	806-1400B	Gasket, Face Plate
10	319-3100B	Pump Seal Set-Viton
11	711-4300B	Washer, Impeller
12	819-4360B	Screw Phil. Pan Head Left Hand 1/4-20 X 1"
13	310-7470B	Diffuser Assy
14	819-0018B	#4-40 Uncls Bolt Schs
15	805-0238B	O-Ring-238
16	319-1420B	Diffuser Plate
17	715-1201B	3/8" Quarter Slot Plug (Sd Wet End)
18	805-0014B	O-Ring, -014
20	319-1430B	Basket Assy
21	319-4100B	Lid & Nut & O-ring - 6" Trap
26	310-7430B	2 HP Full 2.5 HP Upr Impeller Assy
27	315-2410B	Pump Housing - 2" X 2" Npt
28	820-0017-1B	3/8" Washer, Split Lock
30	819-0016B	3/8"-16 X 2" Lg Hex Head

Swivel Union Replacement Parts

Item	Part No.	Description
1	415-4061B	2" Self Aligning Union Nut
2	417-2111B	Tailpiece 2" S. Self-Aligning Union - Black
3	805-0332B	O-ring #332 Self Aligning Union
4	417-2121-CPVCB	Tailpiece 2" MPT, Self-Aligning Union



Replacement Parts / Power Defender 3.0HP Variable Speed Pump



Swivel Union



Power Defender 300 Variable Speed Pump Replacement Parts

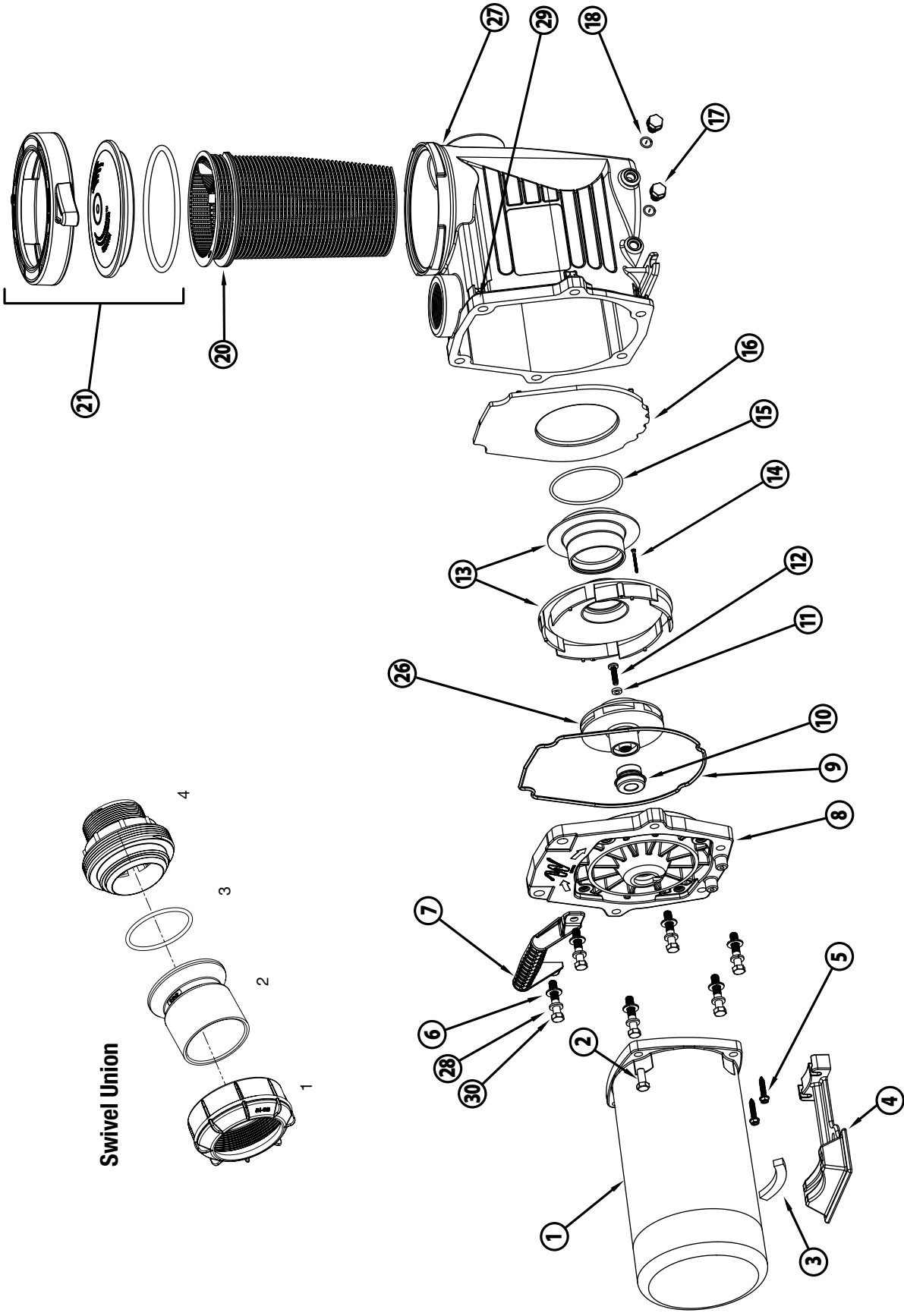
Item	Part No.	Description
1	—	Motor
2	819-0035B	Bolt .375-16 X .875 Long
3	672-1350B	Motor Support
4	319-1500B	Motor Base
5	819-0013B	Screw Slot Hex Washer 1/4" X 1_1/4"
6	820-0017B	3/8" Flat Washer Type B, Pool Pumps
7	319-1700B	Handle
8	311-1450B	Face Plate
9	806-1400B	Gasket, Face Plate
10	319-3100B	Pump Seal Set-Viton
11	711-4300B	Washer, Impeller
12	819-4360B	Screw Phil. Pan Head Left Hand 1/4-20 X 1"
13	310-7470B	Diffuser Assy
14	819-0018B	#4-40 Uncls Bolt Schs
15	805-0238B	O-Ring-238
16	319-1420B	Diffuser Plate
17	715-1201B	3/8" Quarter Slot Plug (Sd Wet End)
18	805-0014B	O-Ring, -014
20	319-1430B	Basket Assy
21	319-4100B	Lid & Nut & O-ring - 6" Trap
26	310-7430B	2 HP Full 2.5 HP Uptr Impeller Assy
27	315-2410B	Pump Housing - 2" X 2" Npt
28	820-0017-1B	3/8" Washer, Split Lock
30	819-0016B	3/8"-16 X 2" Lg Hex Head

Swivel Union Replacement Parts

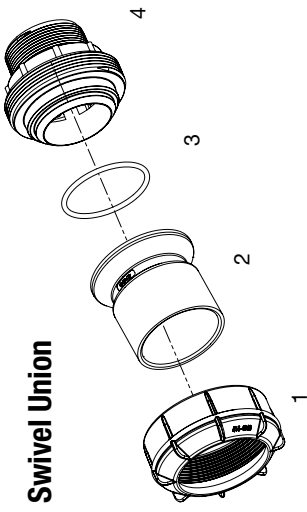
Item	Part No.	Description
1	415-4061B	2" Self Aligning Union Nut
2	417-2111B	Tailpiece 2" S. Self-Aligning Union - Black
3	805-0332B	O-ring #332 Self Aligning Union
4	417-2121-CPVCB	Tailpiece 2" MPT, Self-Aligning Union



Replacement Parts / SMF Pump



Swivel Union





SMF Pump Replacement Parts

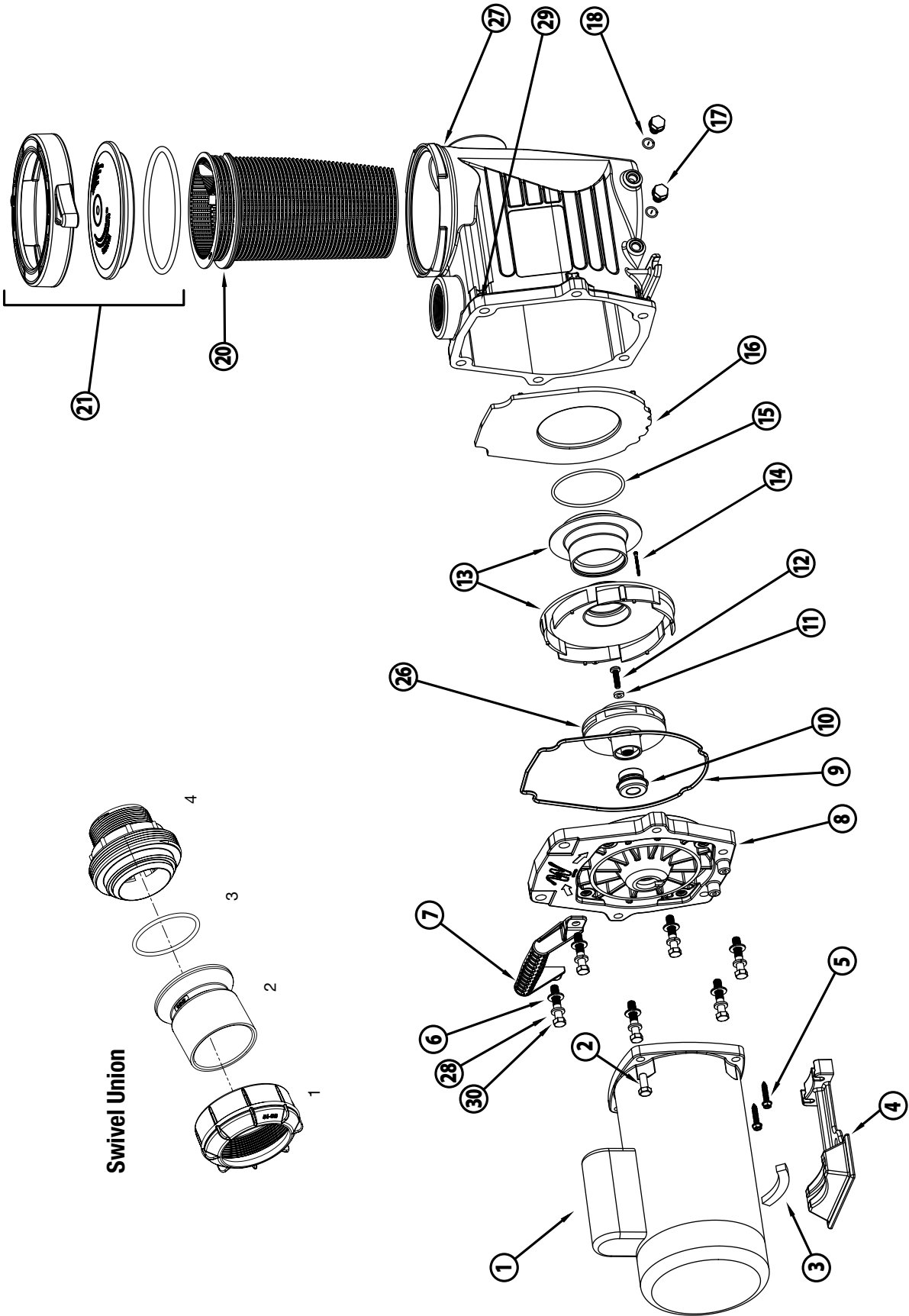
Item	Part No.	Description
1	3310330-1	Motor, 48-FRAME SQ FLG 3/4HP 115/230V 60HZ
2	819-0035B	Bolt .375-16 X .875 Long
3	672-1350B	Neoprene Motor Support Strip
4	319-1500B	Motor Support Base
5	819-0013B	Screw Slot Hex Washer 1/4" X 1_1/4"
6	820-0017B	3/8" Flat Washer Type B, Pool Pumps
7	319-1700B	Handle
8	311-1450B	Face Plate
9	806-1400B	Gasket, Face Plate
10	319-3100B	Pump Seal Set-Viton
11	711-4300B	Washer, Impeller
12	819-4360B	Screw Phil. Pan Head Left Hand 1/4-20 X 1"
13	310-7470B	Diffuser Assy
14	819-0018B	#4-40 Uncs Bolt Schs
15	805-0238B	O-Ring-238
16	319-1420B	Diffuser Plate
17	715-1201B	3/8" Quarter Slot Plug (Sd Wet End)
18	805-0014B	O-Ring, -014
20	319-1430B	Basket Assy
21	319-4100B	Lid & Nut & O-ring - 6" Trap
26	310-7500B	SupraMax 3/4 HP Impeller Assembly
	310-7510B	SupraMax 1 HP Impeller Assembly
	310-7520B	SupraMax 1.5 HP Impeller Assembly
	310-7530B	SupraMax 2 HP Impeller Assembly
27	315-2410B	Pump Housing - 2" X 2" Npt
28	820-0017-1B	3/8" Washer, Split Lock
30	819-0016B	3/8"-16 X 2" Lg Hex Head

Swivel Union Replacement Parts

Item	Part No.	Description
1	415-4061B	2" Self Aligning Union Nut
2	417-2111B	Tailpiece 2" S. Self-Aligning Union - Black
3	805-0332B	O-ring #332 Self Aligning Union
4	417-2121-CPVCB	Tailpiece 2" MPT, Self-Aligning Union



Replacement Parts / Champion 56-Frame Pump



Swivel Union



Champion 56-Frame Pump Replacement Parts

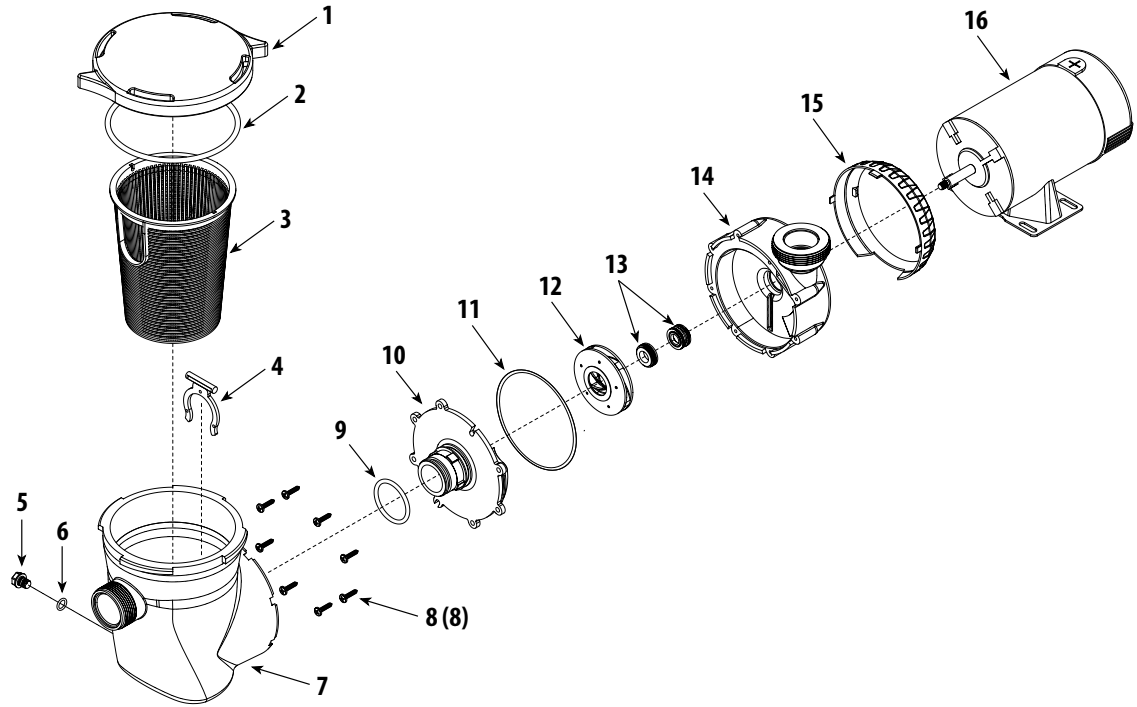
Item	Part No.	Description
1	350VS20-1	Motor, 56 Frame Variable Spd 230V
2	819-0035B	Bolt .375-16 X .875 Long
3	672-1350B	Neoprene Motor Support Strip
4	319-1500B	Motor Support Base
5	819-0013B	Screw Slot Hex Washer 1/4" X 1_1/4"
6	820-0017B	3/8" Flat Washer Type B, Pool Pumps
7	319-1700B	Handle
8	311-1450B	Face Plate
9	806-1400B	Gasket, Face Plate
10	319-3100B	Pump Seal Set-Viton
11	711-4300B	Washer, Impeller
12	819-4360B	Screw Phil. Pan Head Left Hand 1/4-20 X 1"
13	310-7470B	Diffuser Assy
14	819-0018B	#4-40 Uncs Bolt Schs
15	805-0238B	O-Ring-238
16	319-1420B	Diffuser Plate
17	715-1201B	3/8" Quarter Slot Plug (Sd Wet End)
18	805-0014B	O-Ring, -014
20	319-1430B	Basket Assy
21	319-4100B	Lid & Nut & O-ring - 6" Trap
26	310-7400B	CHAMPS-107 Impeller Assembly
	310-7410B	CHAMPE-107/CHAMPS-110 /CHAMPS-210 Impeller Assy
	310-7420B	CHAMPE-110/CHAMPS-115/CHAMPS-210 Impeller Assy
	310-7430B	CHAMPE-115/CHAMPS-120/ CHAMPS-220 Impeller Assy
	310-7440B	CHAMPE-120/CHAMPS-125 /CHAMPS-225 Impeller Assy
	310-7450B	CHAMPE-130 Impeller Assembly
27	315-2410B	Pump Housing - 2" X 2" Npt
28	820-0017-1B	3/8" Washer, Split Lock
30	819-0016B	3/8"-16 X 2" Lg Hex Head

Swivel Union Replacement Parts

Item	Part No.	Description
1	415-4061B	2" Self Aligning Union Nut
2	417-2111B	Tailpiece 2" S. Self-Aligning Union - Black
3	805-0332B	O-ring #332 Self Aligning Union
4	417-2121-CPVCB	Tailpiece 2" MPT, Self-Aligning Union

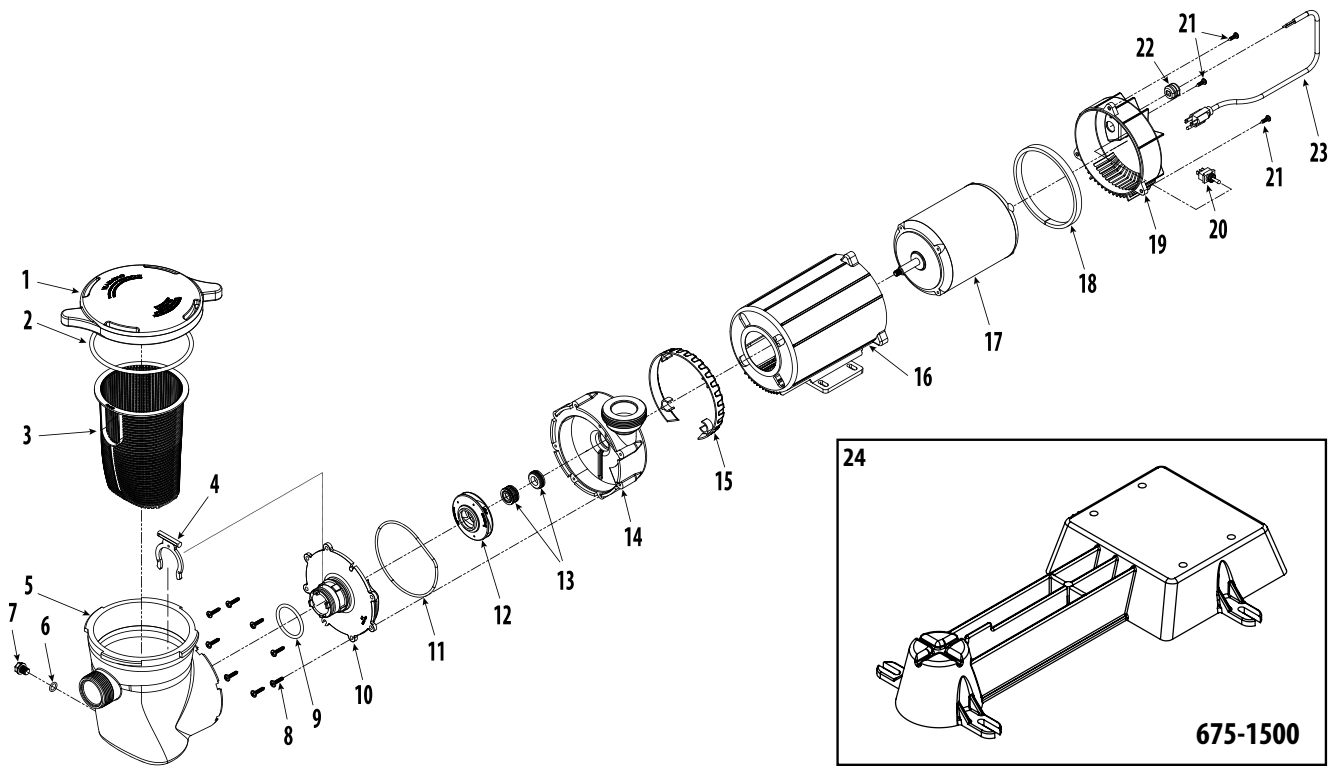


Replacement Parts / Supreme Pump



Supreme Pump Replacement Parts

Item	Part No.	Description
1	511-1310B	Trap Lid
2	805-0439B	O-Ring #439
3	319-1530B	Trap Basket
4	319-1540B	C-Clip
5	715-1201B	3/8" Quarter Slot Drain Plug
6	805-0112B	O-Ring - Drain Plug
7	319-1510B	Trap Body
8	819-0800B	Screw #12 x 1" Self-Tapping Pan Head Phillips (8 required)
9	805-0330B	O-Ring #2-330
10	311-1520B	Faceplate
11	805-0001-SPLB	O-Ring Face Plate Volute
12	310-5080B	3/4 HP Impeller Assembly
	310-5090B	1 HP Impeller Assembly
	310-5100B	1 1/2 HP Impeller Assembly
13	319-3090B	Pump Seal Kit
14	315-1510B	Volute
15	319-1550B	Volute Cosmetic Cover
16	--	Motor
17	741-CGGZ-67RB	3 ft. Electrical Cord - Regular Plug
18	741-CGGZ-37LB	3 ft. Electrical Cord - Twist-lock Plug

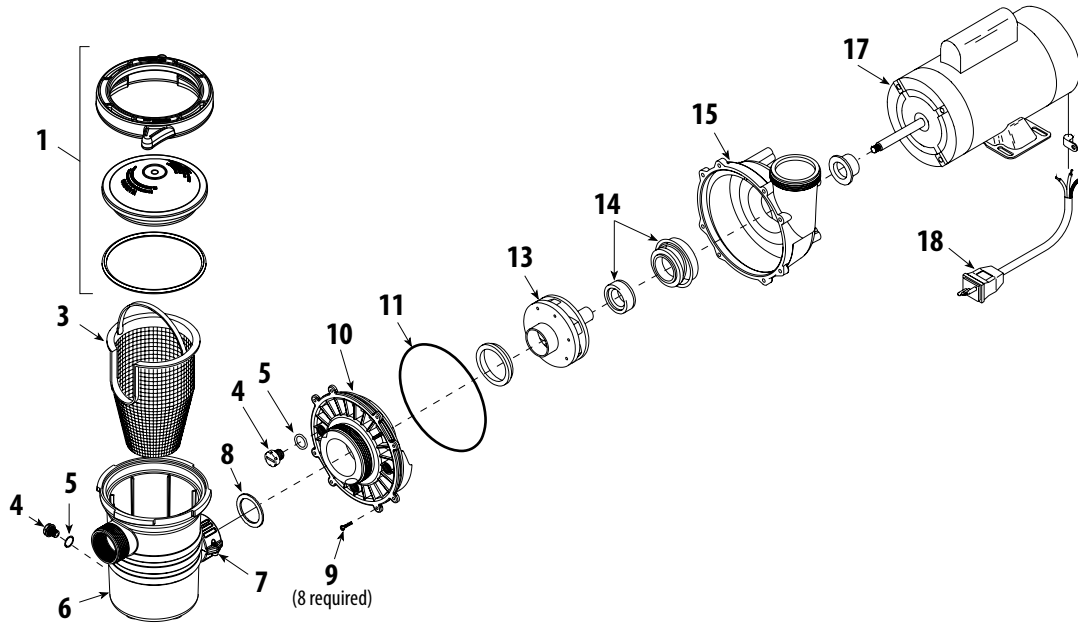


CSA Supreme Pump Replacement Parts

Item	Part No.	Description
1	511-1310B	Trap Lid
2	805-0439B	O-Ring #439
3	319-1530B	Trap Basket
4	319-1540B	C-Clip for Poop Pump
5	319-1510B	Trap Body
6	805-0112B	O-Ring - Drain Plug
7	715-1201B	3/8" Quarter Slot Plug
8	819-0800B	Screw #12 x 1" Self-Tapping Pan Head Phillips (8 required)
9	805-0330B	O-Ring #2-330
10	311-1520B	Faceplate
11	805-0001-SPLB	O-Ring Faceplate
12	310-5080B	¾ HP Impeller Assembly
	310-5090B	1 HP Impeller Assembly
	310-5100B	1 ½ HP Impeller Assembly
13	319-3010B	Pump Seal Kit - Viton
14	315-1510B	Volute
15	319-1560B	Volute Cosmetic Cover
16	319-3500B	CSA Body Enclosure
17	--	Motor
18	865-0800B	Foam Ring
19	319-3510B	CSA Motor End Back Cover
20	815-4011B	Hi-Off-Lo Toggle Switch
21	819-9002B	Screw (3 required) #12 x ¾" Phillips
22	813-0025B	Strain Relief Plug
23	741-CGGZ-257RB	25 ft. NEMA Cord
24	675-1500B	CSA Pump Base, Supreme and Hi Flo Pump



Replacement Parts / Hi-Flo & Hi-Flo II Side Discharge Pump

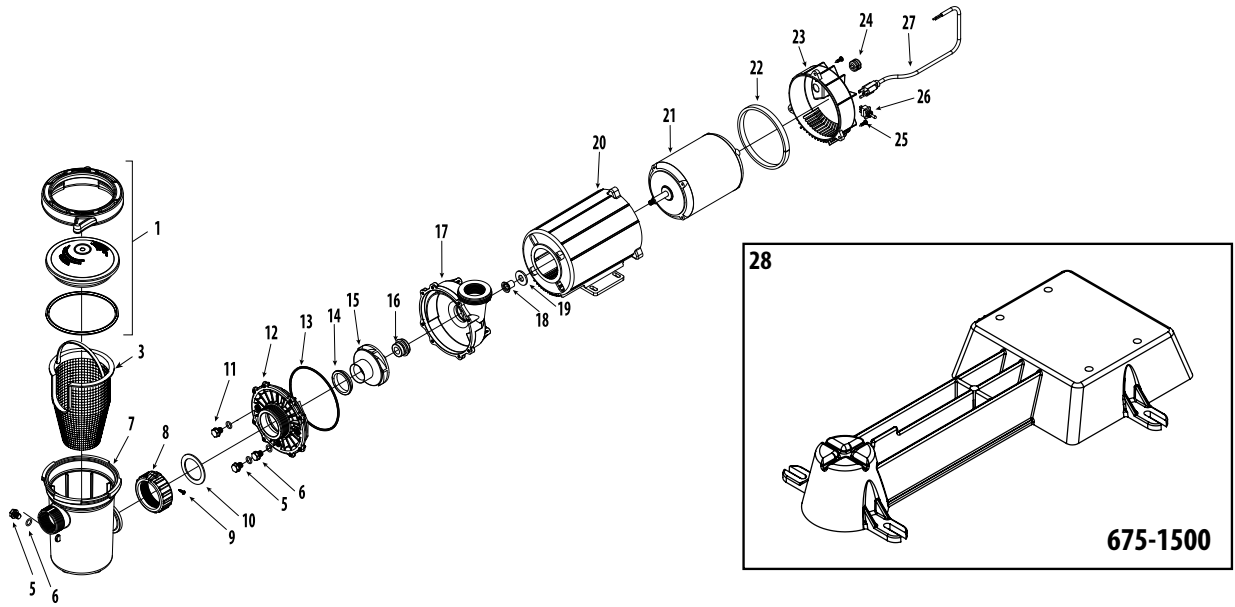


Hi-Flo Side Discharge Pump Replacement Parts

Item	Part No.	Description
1	319-4100	Lid & Nut & O-ring - 6" Trap
3	319-3230B	6" Trap Basket Assembly with Handle
4	715-1201B	3/8" Quarter Slot Drain Plug
5	805-0112B	O-Ring - Drain Plug
6	319-2170B	6" Trap Body - 1 1/2" FPT/ 1 1/2" Buttress x 2" Union Flange
7	400-5161B	2" Split Nut with Screw
8	711-4010B	2" Union Gasket
9	819-1110B	Screw (8 required)
10	311-2140B	2" Intake Side Discharge Faceplate
11	805-0256B	O-Ring - Faceplate
13	310-3990B	3/4 HP Impeller Assembly
	310-4000B	1 HP Impeller Assembly
	310-4010B	1 1/2 HP Impeller Assembly
	310-4030B	2 HP Impeller Assembly
14	319-3100B	Pump Seal Kit - Viton
15	315-2500B	Volute Housing - Side Discharge
17	--	Motor
18	741-CGGZ-67RB	3 ft. Electrical Cord - Regular Plug
	741-CGGZ-37LB	3 ft. Electrical Cord - Twist-Lock Plug

Hi-Flo II Side Discharge Pump Replacement Parts

Item	Part No.	Description
4	715-4020B	3/8" Quarter Slot Drain Plug
10	311-2170B	2" Intake Side Discharge Faceplate
11	805-0158B	O-Ring - Faceplate
13	310-8000B	1/2 HP Impeller Assembly
	310-8010B	3/4 HP Impeller Assembly
	310-8020B	1 HP Impeller Assembly
	310-8030B	1 1/2 HP Impeller Assembly
	310-8040B	2 HP Impeller Assembly
14	319-3090B	Pump Seal Kit - Viton
15	315-2520B	Volute Housing - Side Discharge

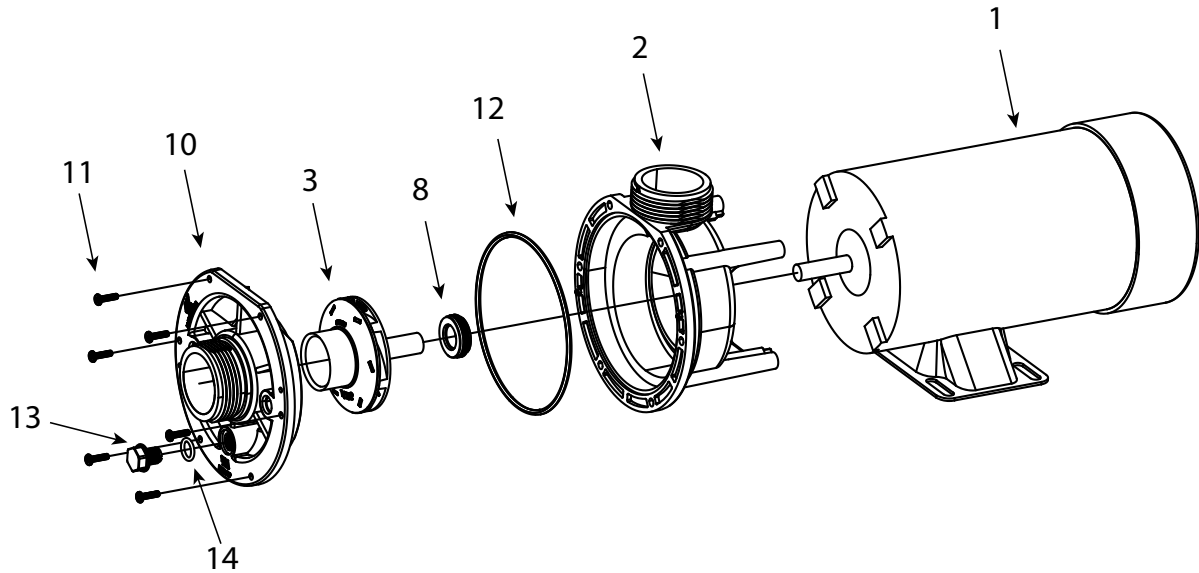


CSA Hi-Flo II Side Discharge Pump Replacement Parts

Item	Part No.	Description
1	319-4100	Lid & Nut & O-ring - 6" Trap
3	319-3230B	6" Trap Basket Assembly with Handle
5	715-1201B	3/8" Quarter Slot Plug (2 required)
6	805-0112B	O-Ring - Drain Plug (2 required)
7	319-2170B	6" Trap Body - 1 1/2" FPT / 1 1/2" Buttress x 2" Union Flange
8	415-5201B	2" Heater Split Nut x 2 5/16" Gated Flange
9	819-4350B	Screw (2 required)
10	711-4010B	2" Union Gasket
11	819-1110B	Screw (8 required)
12	311-2140B	Side Discharge Faceplate
13	805-0256B	O-Ring - Faceplate
14	319-1390B	Wear Ring
15	310-3990B	3/4 HP Impeller "B" Assembly
--	310-4000B	1 HP Impeller "C" Assembly
--	310-4010B	1 1/2 HP Impeller "D" Assembly
--	310-4030B	2 HP Impeller Assembly
16	319-3100B	Pump Seal Kit
17	315-2500B	Side Discharge Volute with Inserts
18	319-3520B	CSA Slinger
19	319-3530B	CSA Slinger Washer
20	319-3500B	CSA Body Enclosure
21	--	Motor
22	865-0800B	Foam
23	319-3510B	CSA Back Cover
24	813-0025B	Strain Relief
25	819-9002B	Screw (3 required)
26	815-4011B	Hi-Off-Lo Toggle Switch
27	741-CGGZ-257RB	NEMA 25ft. Cord
28	675-1500B	CSA Pump Base, Supreme and Hi-Flo Pump

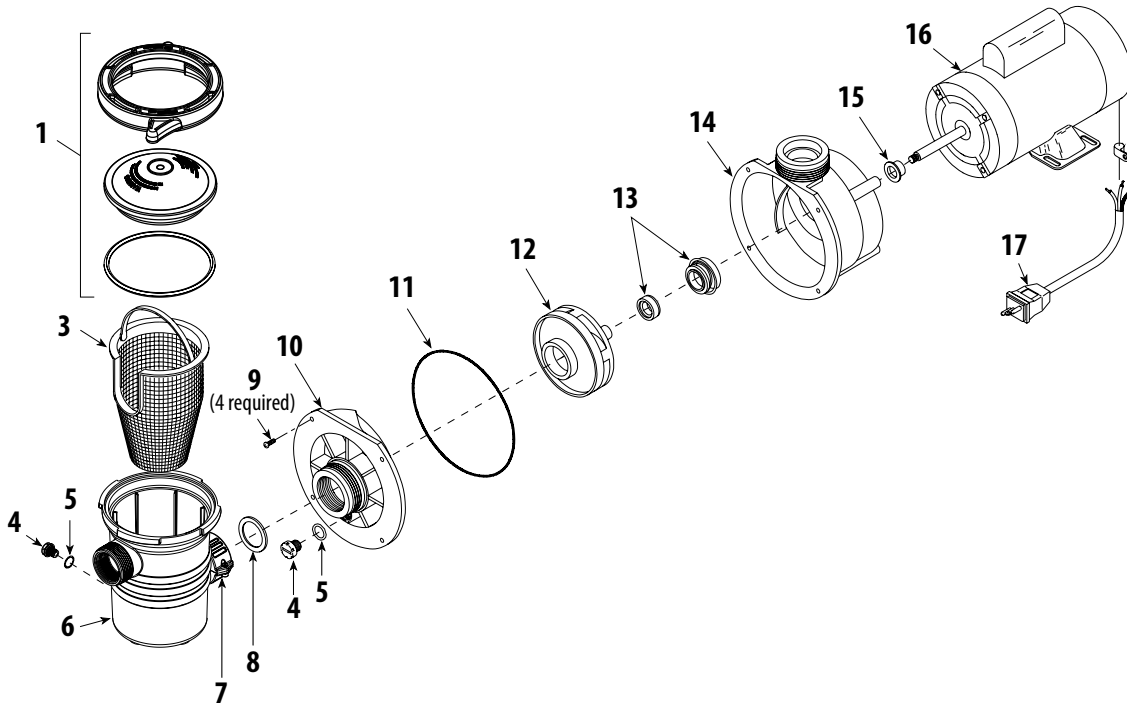


Replacement Parts / E-Series Center Discharge Pump



E-Series Center Discharge Pump Replacement Parts

Item	Part No.	Description
2	315-1070B	Volute - Spa & Bath - Center Discharge
3	310-8000B	½ HP Impeller Assembly
	310-8010B	¾ HP Impeller Assembly
	310-8020B	1 HP Impeller Assembly
	310-8030B	1½ HP Impeller Assembly
	310-8040B	2 HP Impeller Assembly
8	319-3090B	Pump Seal Kit
10	311-1070B	Faceplate - Spa - Center Discharge Wet End
11	819-1110B	Screw - #8 - 32 x 5/8" PPH 18-8
12	805-0252B	O-Ring - #265 - Sand Filter Valve
13	715-1201B	3/8" Quarter Slot Plug (SD Wet End)
14	805-0112B	O-Ring - #112 Pump Drain Plug

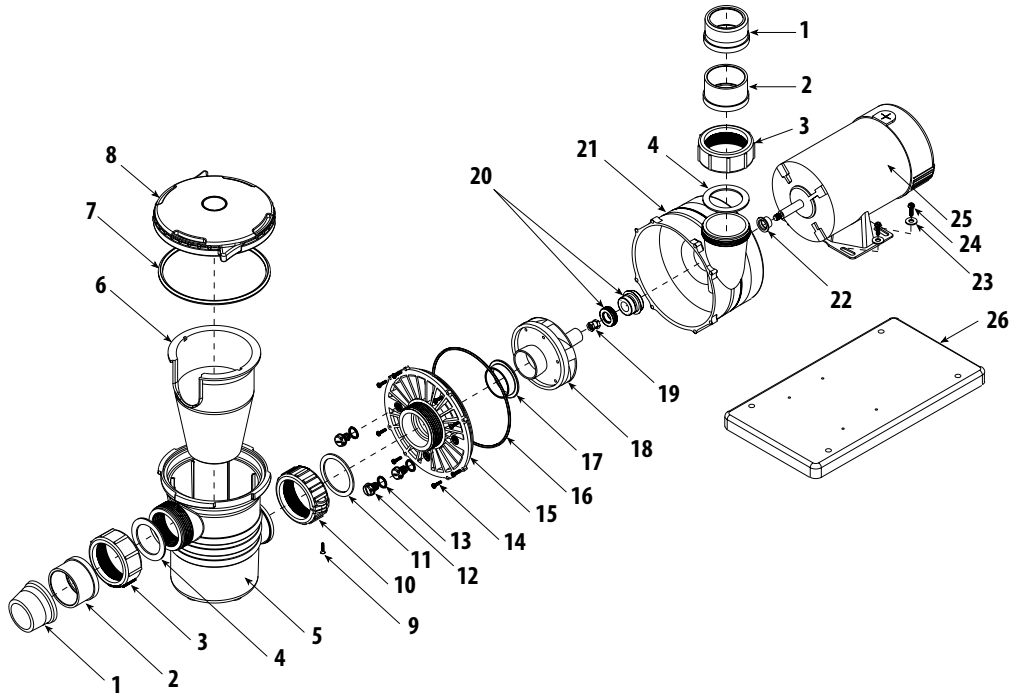


Center Discharge Pump Replacement Parts

Item	Part No.	Description
1	319-4100B	Lid & Nut & O-ring - 6" Trap
2	805-0436B	O-Ring - 6" Trap Lid
3	319-3230B	6" Trap Basket Assembly with Handle
4	715-1201B	3/8" Quarter Slot Plug
5	805-0112B	O-Ring - Pump Drain Plug
6	319-2160B	6" Trap Body - 1 1/2" FPT / 1 1/2" Buttress x 1 1/2" Union Flange
7	415-4051B	1 1/2" Split Nut Union Buttress
8	711-4000B	1 1/2" Union Gasket
9	819-1110B	Screw (4 required)
10	311-1110B	Faceplate
11	805-0252B	O-Ring - Faceplate Volute
12	310-5110B	1/2 HP Impeller "A" Assembly
	310-5120B	3/4 HP Impeller "B" Assembly
	310-5130B	1 HP Impeller "C" Assembly
	310-5140B	1 1/2 HP Impeller "D" Assembly
	310-5200B	2 HP Impeller "E" Assembly
13	319-3100B	Seal Set
14	315-1120B	Volute
	315-1050B	Jacuzzi Style Volute
15	313-1400B	Slinger
16	--	Motor
17	741-CGGZ-67RB	3 ft. Cord - Regular Plug
	741-CGGZ-37LB	3 ft. Cord - Twist-Lock Plug

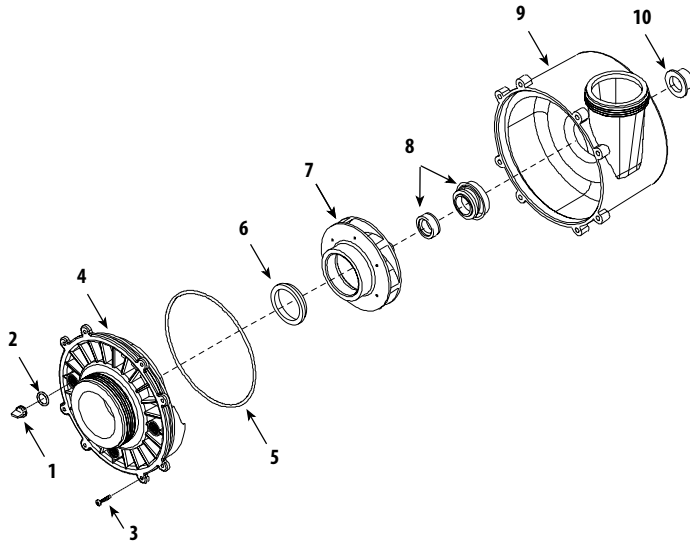


Replacement Parts / Workman Pump (Discontinued)



Workman Pump Replacement Parts

Item	Part No.	Description
1	417-5130B	Tailpiece - (2" Spigot x 1 1/2" FPT) - O-Ring Groove (<i>optional</i>)
2	417-5121B	2" Tailpiece
3	415-5001B	2" Union Nut
4	711-4010B	2" Union Gasket
5	319-5300B	Workman Trap 2" FPT / 2" Buttress x 2" Union Flange
6	319-3210B	6" Trap Basket
7	805-0436B	O-Ring - 6" Trap Lid
8	319-3260B	Lid - 6" Trap - Self-Locking
9	819-1040B	Screw #8 x 3/4 Stainless Steel Phillips
10	400-5301B	Workhorse Trap Split-Nut Assembly with Screw
11	711-5300B	2" Gasket - Workhorse Trap
12	715-1201B	3/8" Quarter Slot Plug
13	805-0112B	O-Ring - Pump Drain Plug
14	819-1110B	Screw #8 32 x 5/8 PPH 18-8
15	311-1220B	Executive Volute Faceplate 2" Intake
16	805-0261B	O-Ring 261 - Volute for Executive Faceplate
17	319-1380B	Wear Ring - Executive 3/4, 1, 2, and 3 HP
18	310-1020B	3/4 HP Impeller Assembly
	310-1030B	1 HP Impeller Assembly
	310-1040B	1 1/2 HP Impeller Assembly
	310-1050B	2 HP Impeller Assembly
	310-1060B	3 HP Impeller Assembly
19	820-4150B	Coupling Nut - Impeller
20	319-3100B	Pump Seal Kit
21	315-1240B	48-Frame Volute with Inserts
22	313-1400B	Slinger
23	820-0018B	F/Washer
24	819-9001B	Screw #12 x 3/4 Slot Hex Washer
25	--	Motor
26	672-1060B	Equipment Base - 1" x 8 1/2" x 15 1/2"



Executive 56-Frame Wet End Replacement Parts

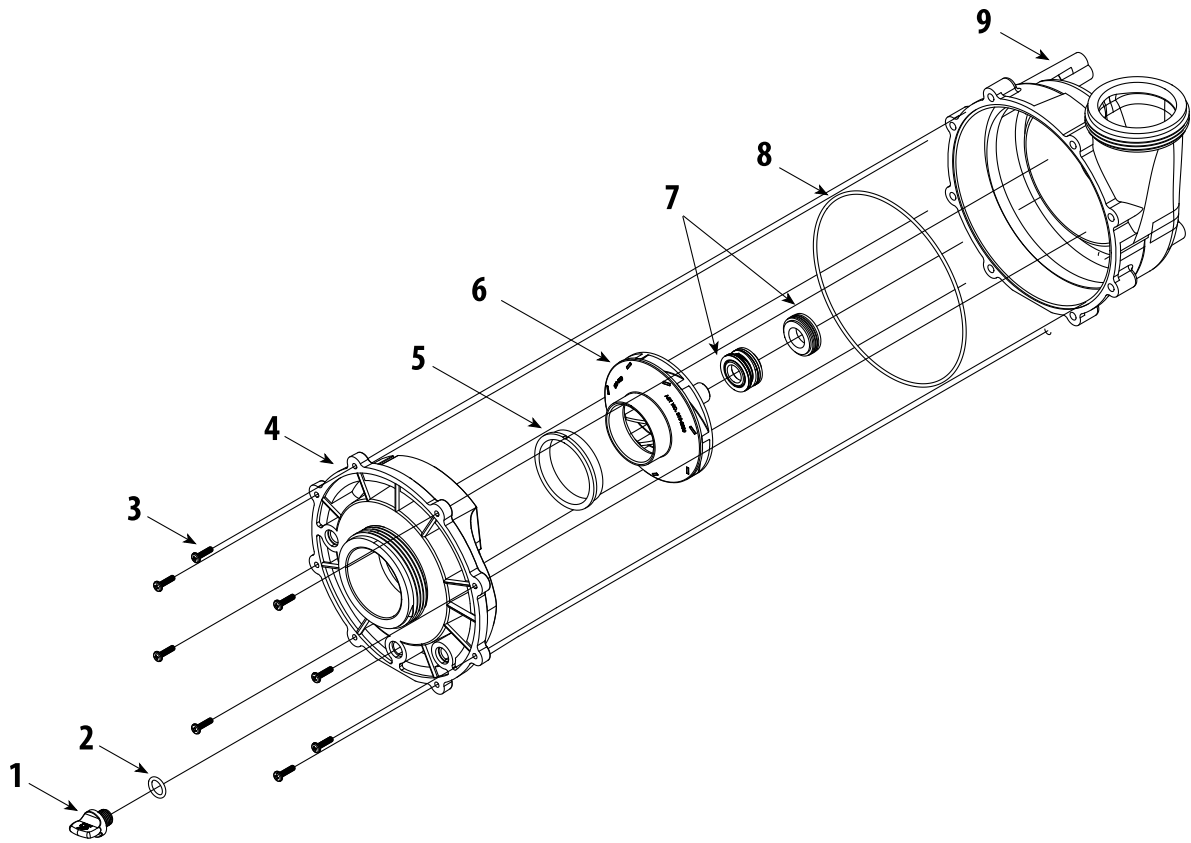
Item	Part No.	Description
1	715-1201B	3/8" Quarter Slot Plug - Air Relief
2	805-0112B	O-Ring - #111 - Pump Drain Plug
3	819-1110B	Screw - #8 - 32 x 7/16" PPH
4	311-1210B	Executive Faceplate 2 1/2"
	311-1220B	Executive Faceplate 2"
5	805-0261B	O-Ring 261 - Volute for Executive Faceplate
6	319-1370B	Wear Ring - Executive Pump 4 & 5 HP
	319-1380B	Wear Ring - Executive Pump 3/4, 1, 2, and 3 HP
7	310-4220B	1 HP Impeller Assembly
	310-4210B	2 HP Impeller Assembly
	310-4200B	3 HP Impeller Assembly
	310-4190B	4 HP Impeller Assembly
	310-4180B	5 HP Impeller Assembly
8	319-3100B	Pump Seal Set
9	315-1220B	Executive Volute 56-Frame with Inserts
10	313-1400B	Slinger

Executive 48-Frame Wet End Replacement Parts

Item	Part No.	Description
1	715-1201B	3/8" Quarter Slot Plug - Air Relief
2	805-0112B	O-Ring - #111 - Pump Drain Plug
3	819-1110B	Screw - #8 - 32 x 7/16" PPH
4	311-1210B	Executive Faceplate 2 1/2"
	311-1220B	Executive Faceplate 2"
5	805-0261B	O-Ring 261 - Volute for Executive Faceplate
6	319-1370B	Wear Ring - Executive Pump 4 & 5 HP
	319-1380B	Wear Ring - Executive Pump 3/4, 1, 2 and 3 HP
7	310-4230B	1 HP Motor - 3/4 HP Impeller Assembly
	310-4220B	1 1/2 HP Motor - 1 HP Impeller Assembly
	310-4210B	2 HP Motor - 2 HP Impeller Assembly
	310-4200B	3 HP Motor - 2 HP Impeller Assembly
	310-4200B	4 HP Motor - 3 HP Impeller Assembly
8	319-3100B	Pump Seal Set
9	315-1240B	Executive Volute 48-Frame with Inserts
10	313-1400B	Slinger

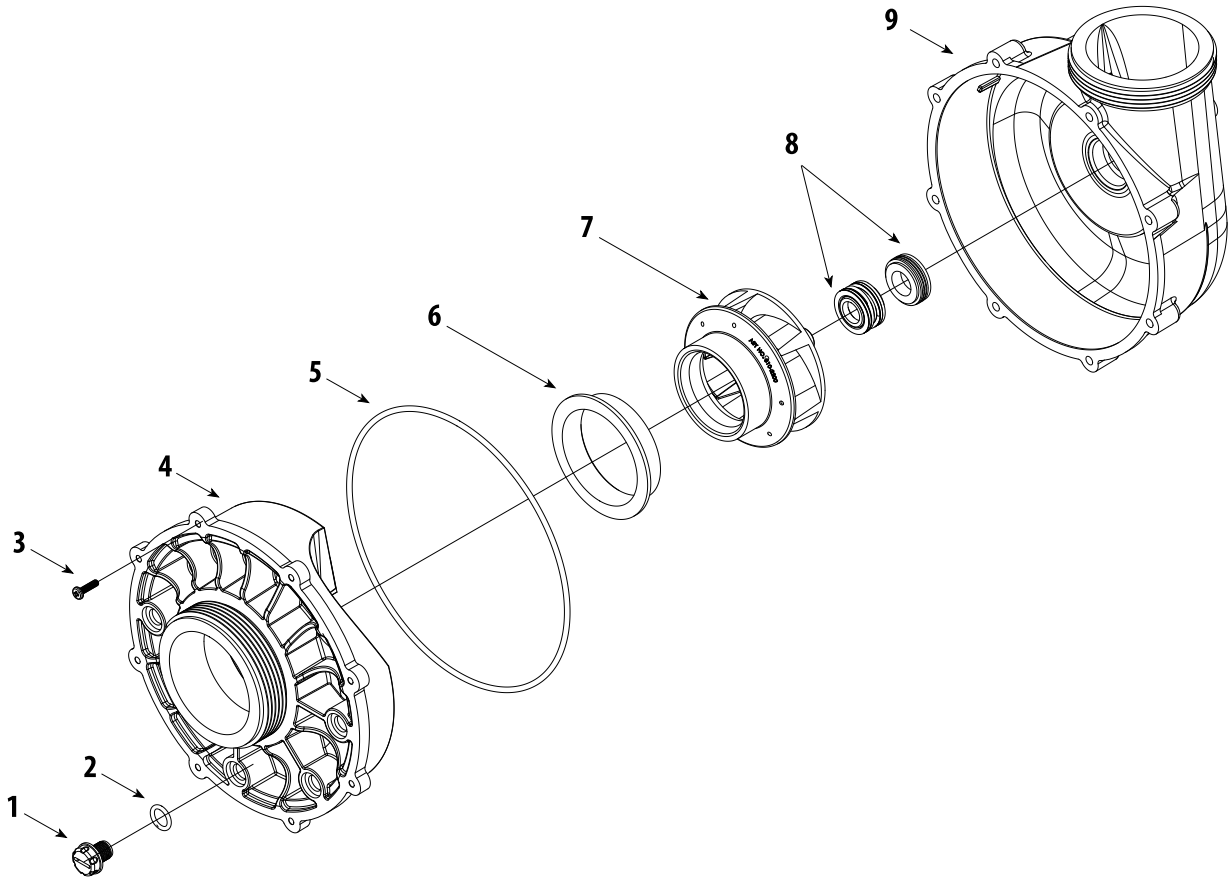


Replacement Parts / EX2 Wet End



EX2 Wet End Replacement Parts

Item	Part No.	Description
1	715-4020B	Pump Drain Plug
2	805-0112B	O-Ring - Pump Drain Plug
3	819-1110B	Screw #8-32
4	311-2311B	Volute Faceplate
5	319-1270B	Wear Ring
6	310-2330B	Impeller Assembly - 1 1/2 HP
	310-2340B	Impeller Assembly - 2 HP
	310-2300B	Impeller Assembly - 2 1/2 HP
	310-2350B	Impeller Assembly - 3 HP
7	319-3090B	Pump Seal Kit
8	805-0164B	O-Ring #164
9	315-2301B	Volute Housing

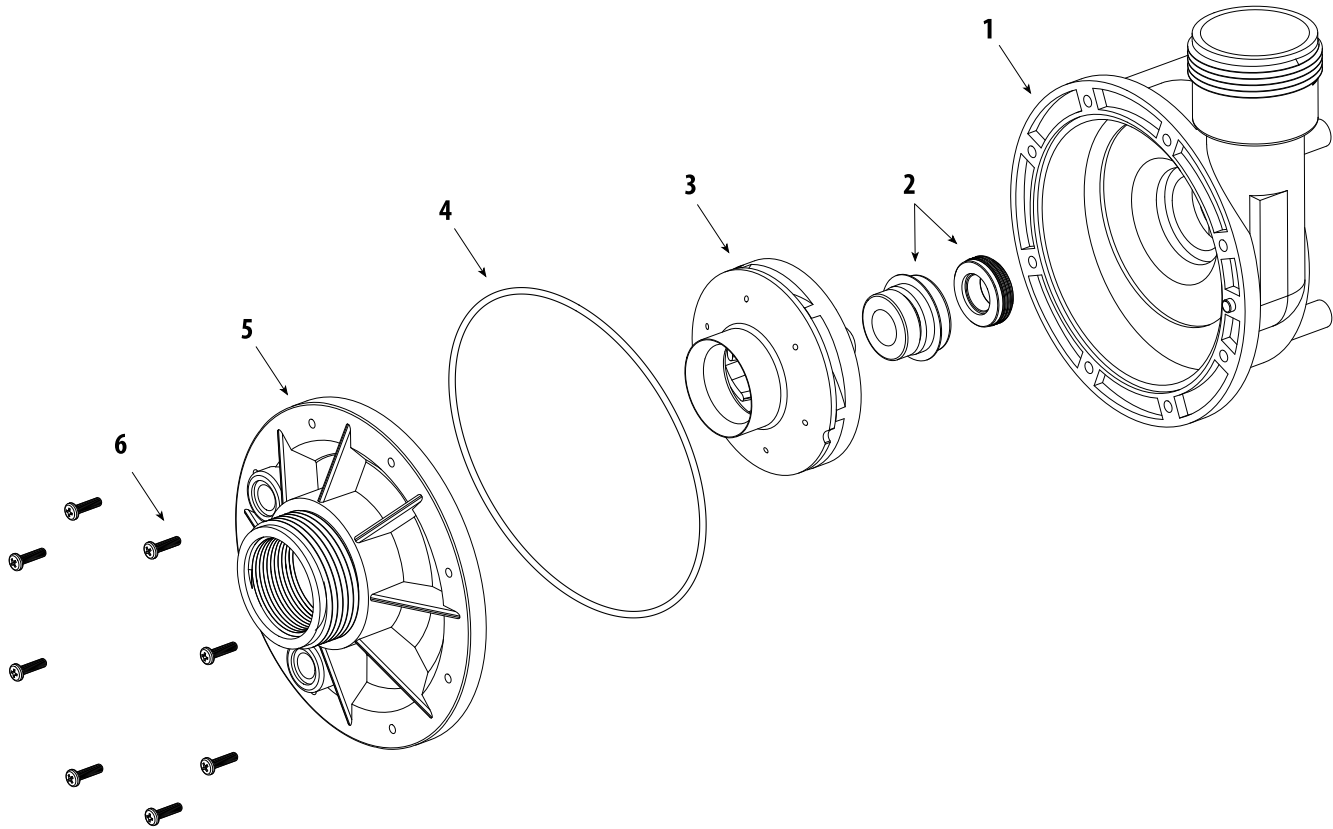


Viper Wet End Replacement Parts

Item	Part No.	Description
1	715-1201B	3/8" Quarter Slot Pump Drain Plug
2	805-0112B	O-Ring - Pump Drain Plug
3	819-1110B	Screw #8-32 (8 required)
4	311-1510B	Volute Faceplate
5	805-0264B	Volute O-Ring
6	313-3210B	Wear Ring
7	310-2260B	Impeller Assembly - 2 HP
	310-2270B	Impeller Assembly - 3 HP
	310-2200B	Impeller Assembly - 4 HP
	310-2620B	Impeller Assembly - 5 HP
8	319-3090B	Pump Seal Kit
9	315-1500B	Volute

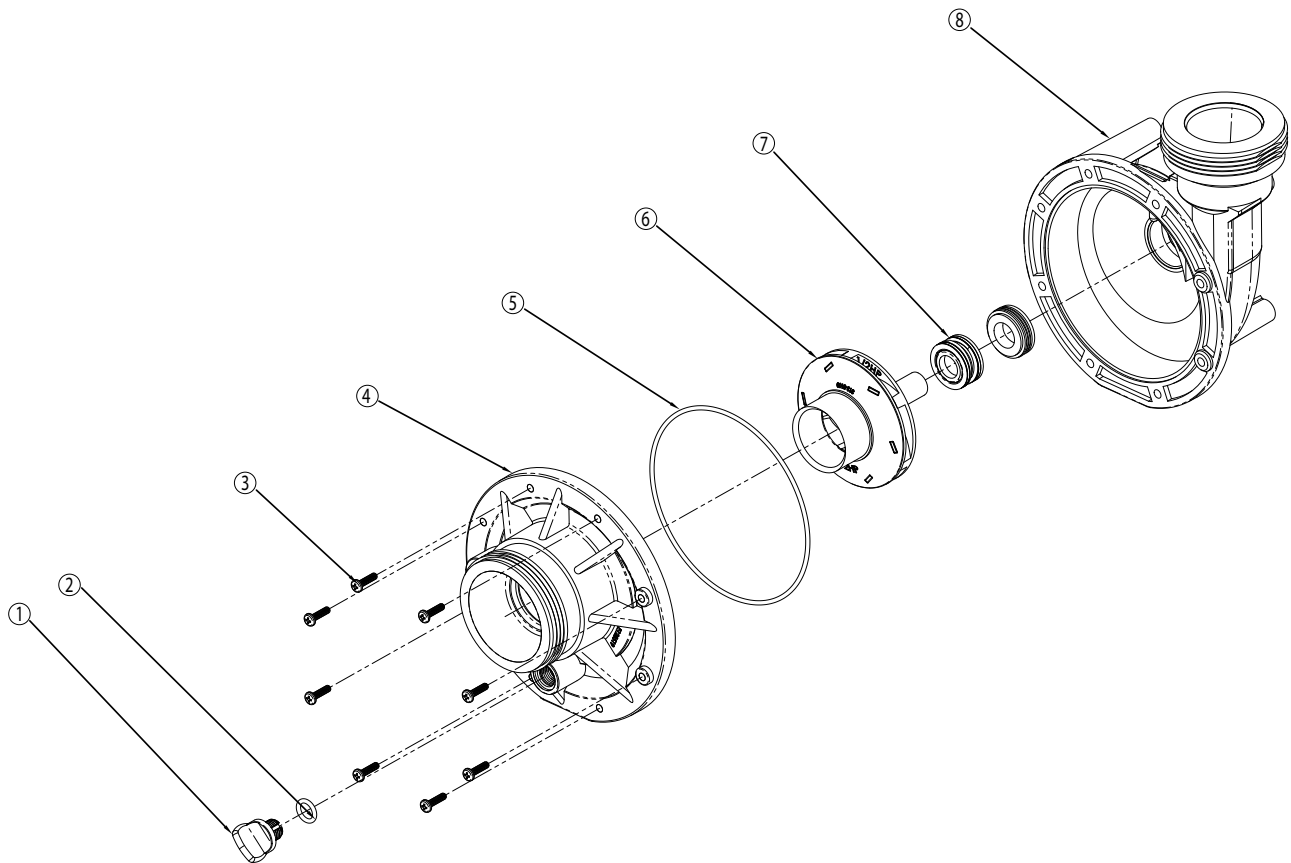


Replacement Parts / Spa Flo and Iron Might Wet End



Spa Flo and Iron Might Wet End Replacement Parts

Item	Part No.	Description
1	315-1060B	Volute
2	319-3090B	Pump Seal Kit
3	310-0900B	Iron Might Impeller Assembly
	310-4060B	Spa Flo Impeller Assembly - 1 HP
	310-4070B	Spa Flo Impeller Assembly - 1.5 HP
	310-4090B	Spa Flo Impeller Assembly - 2 HP
4	805-0248B	Volute O-Ring
5	311-1060B	Faceplate
6	819-1110B	#8-32 Screw (8 required)

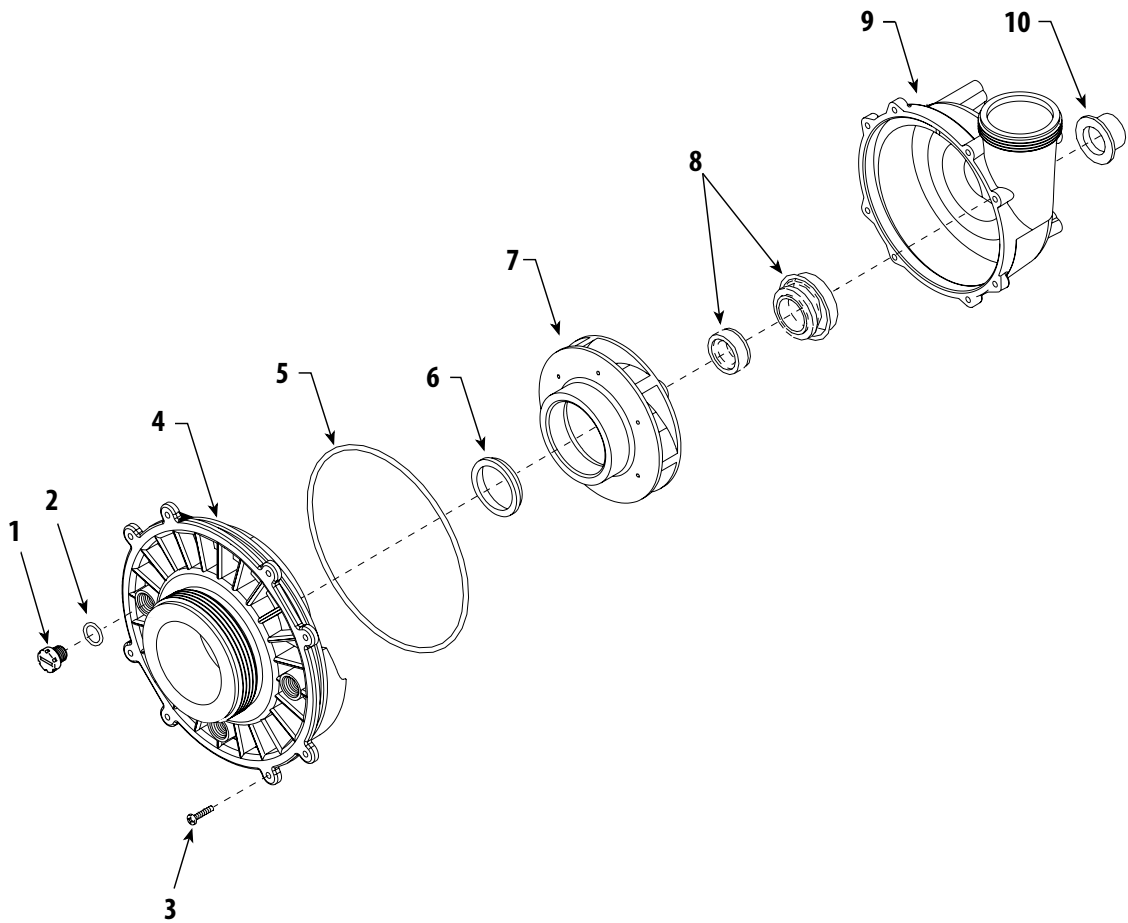


Spa Flo II Wet End Replacement Parts

Item	Part No.	Description
1	715-4020B	Drain Plug
2	805-0112B	O-ring - Drain Plug
3	819-1110B	Screw #8 - 32 x 5/8" PPH 18 - 8
4	311-2160B	Faceplate 1.5"
5	805-0158B	O-ring Faceplate
6	310-8000B	½ HP Impeller Assembly
	310-8010B	¾ HP Impeller Assembly
	310-8020B	1 HP Impeller Assembly
	310-8030B	1.5 HP Impeller Assembly
	310-8040B	2 HP Impeller Assembly
7	319-3090B	Pump Seal Set
8	315-2510B	Side Discharge Volute 1.5"

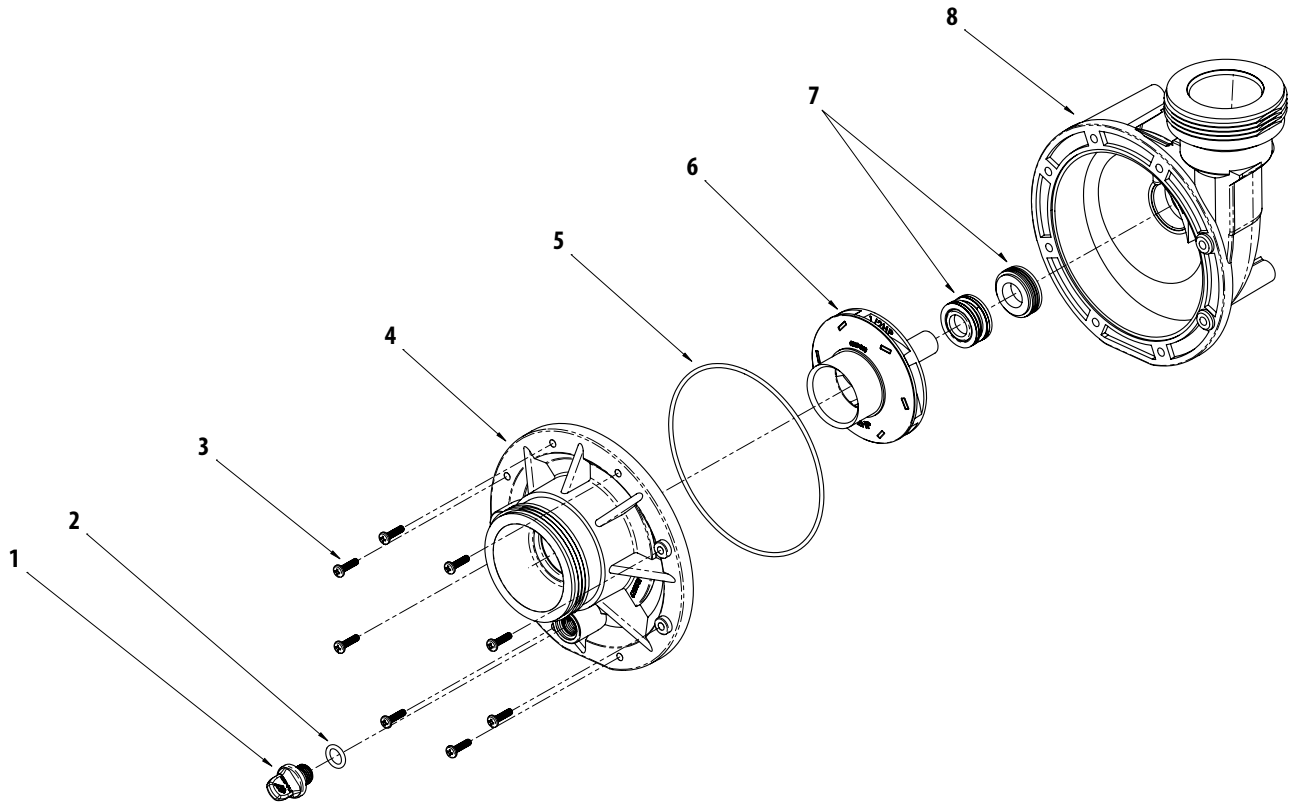


Replacement Parts / Hi-Flo Side Discharge Wet End



Hi-Flo Side Discharge Wet End Replacement Parts

Item	Part No.	Description
1	715-1201B	3/8" Quarter Slot Drain Plug
2	805-0112B	O-Ring - Pump Drain Plug
3	819-1110B	Screw
4	311-2140B	2" Intake Faceplate
5	805-0256B	O-Ring - Faceplate
6	319-1390B	Wear Ring
7	310-4000B	1 HP Impeller "C" Assembly
	310-4010B	1 1/2 HP Impeller "D" Assembly
	310-4030B	2 HP Impeller Assembly
	310-4020B	3 HP Impeller Assembly
	310-4050B	4 HP Impeller Assembly
8	319-3100B	Pump Seal Kit
9	315-2500B	Side Discharge Volute with Inserts
10	313-1400B	Slinger

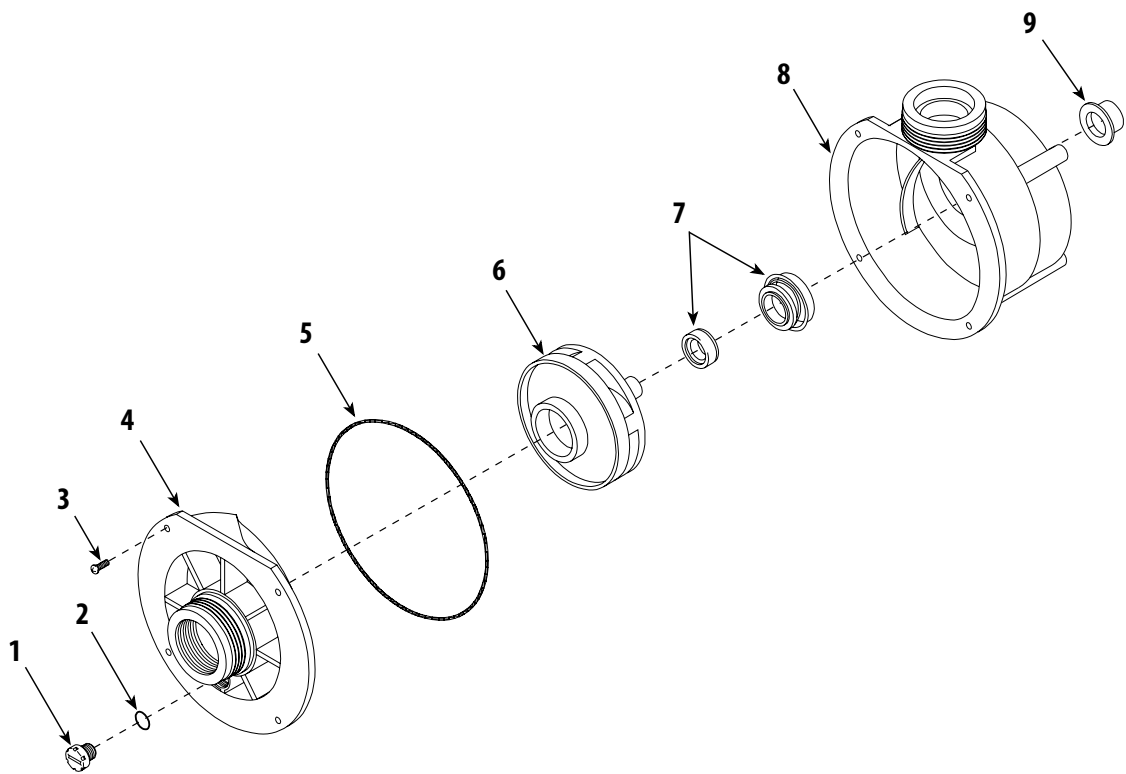


Hi-Flo II Side Discharge Wet End Replacement Parts

Item	Part No.	Description
1	715-4020B	Drain Plug
2	805-0112B	O-ring - Drain Plug
3	819-1110B	Screw #8 - 32 x 5/8" PPH 18 - 8
4	311-2170B	Faceplate 2"
5	805-0158B	O-ring Faceplate
6	310-8000B	½ HP Impeller Assembly
	310-8010B	¾ HP Impeller Assembly
	310-8020B	1 HP Impeller Assembly
	310-8030B	1.5 HP Impeller Assembly
	310-8040B	2 HP Impeller Assembly
7	319-3090B	Pump Seal Set
8	315-2520B	Side Discharge Volute 2"

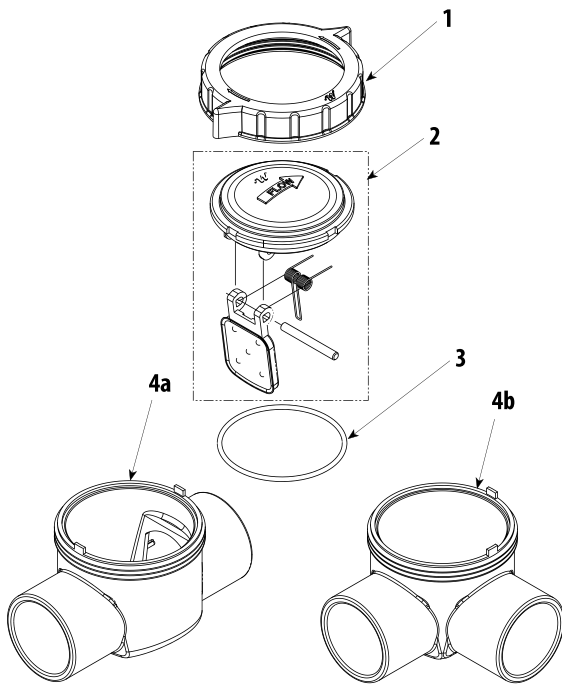


Replacement Parts / Center Discharge Wet End (2010 and Earlier)

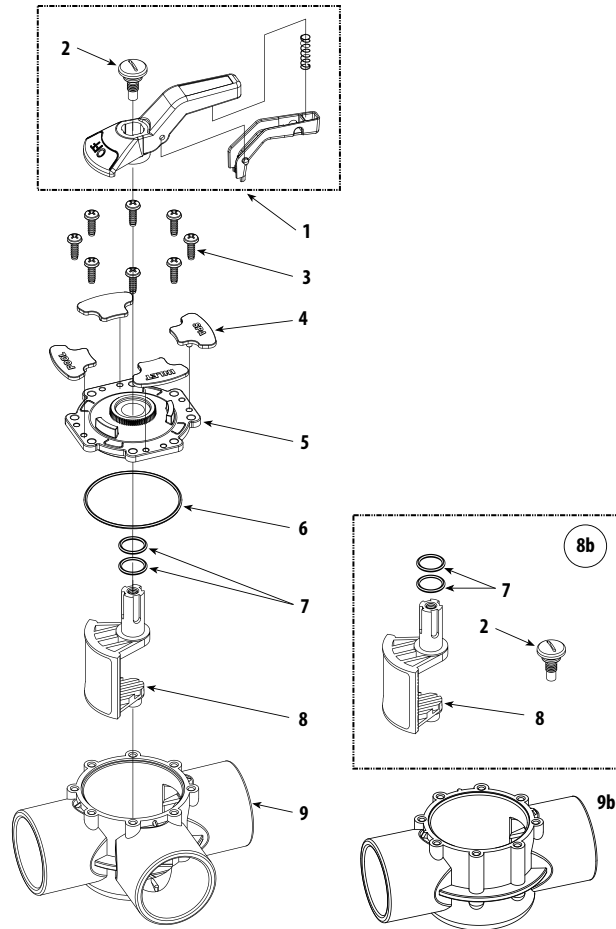


Center Discharge Wet End Replacement Parts

Item	Part No.	Description
1	715-1201B	3/8" Quarter Slot Drain Plug
2	805-0112B	O-Ring - Pump Drain Plug
3	819-1110B	Screw #8-32
4	311-1110B	Faceplate - Spa Series
5	805-0252B	O-Ring - Faceplate
6	310-5120B	3/4 HP Impeller Assembly
	310-5130B	1 HP Impeller Assembly
	310-5140B	1 1/2 HP Impeller Assembly
	310-5200B	2 HP Impeller Assembly
7	319-3100B	Pump Seal Kit
8	315-1120B	Spa & Bath Volute
9	313-1400B	Slinger



TruSeal Serviceable Check Valve



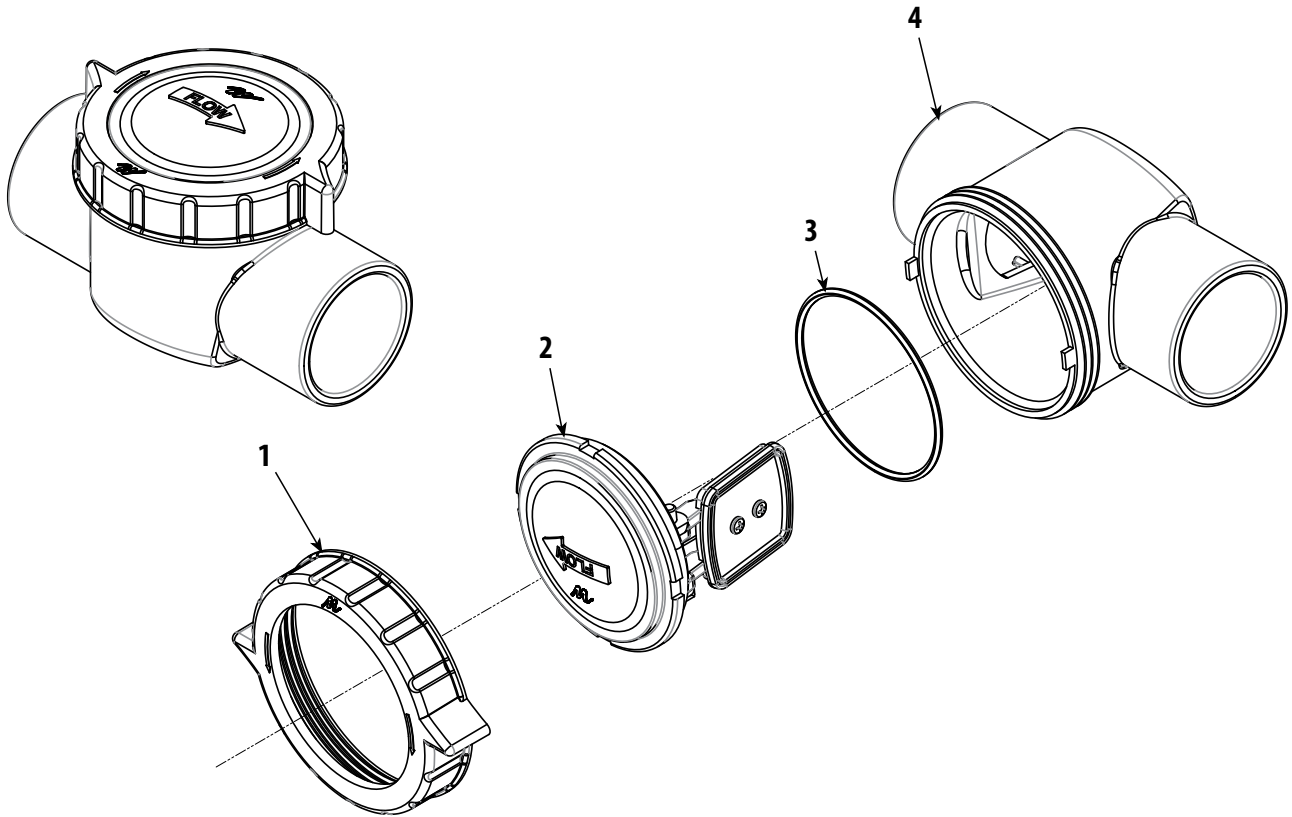
TruSeal Diverter Valve

TruSeal Serviceable Check Valve Replacement Parts

Item	Part No.	Description
1	718-7027B	Nut
2	600-7300B	Lid Assembly
3	805-0239B	O-Ring - Lid
4a	602-7070B	Valve Body
4b	602-7000B	EII Valve Body

TruSeal Diverter Valve Replacement Parts

Item	Part No.	Description
1	600-7171B	Handle Assembly (sold as Assembly Only)
2	715-1307B	Screw - Handle
3	819-0025B	Screw - 14 & 3/4" Phil Pan.
4	600-7180B	Flow Label Assembly
5	602-7251B	Lid
6	805-0151B	O-Ring - Lid
7	805-0116EPB	O-Ring (2 required per Valve)
8	602-7140B	Diverter Arm
8b	600-7160B	Diverter Kit
9	602-7200B	Body
9b	602-7071B	Body Straight 1 1/2" spg
-	602-7011B	Body Straight 2 1/2" spg

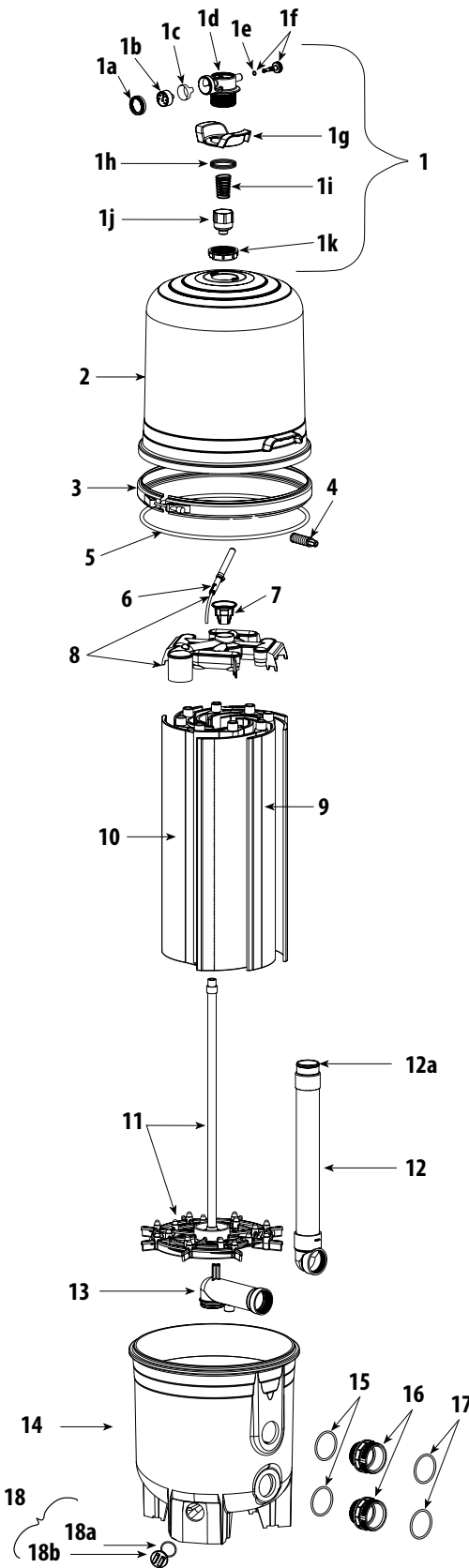


TruSeal 3" Check Valve Replacement Parts

Item	Part No.	Description
1	718-7031-CPVCB	Threading Nut
2	605-0111B	Lid and Flapper Assembly
3	805-0241B	O-Ring, #2-241, 3.859 I.D x 4.137 O.D. x .139 W
4	602-0121B	Body, Check Valve, 2.5 S/3" SPG x 2.5 S/3" SPG



Replacement Parts / Crystal Water D.E. Filter



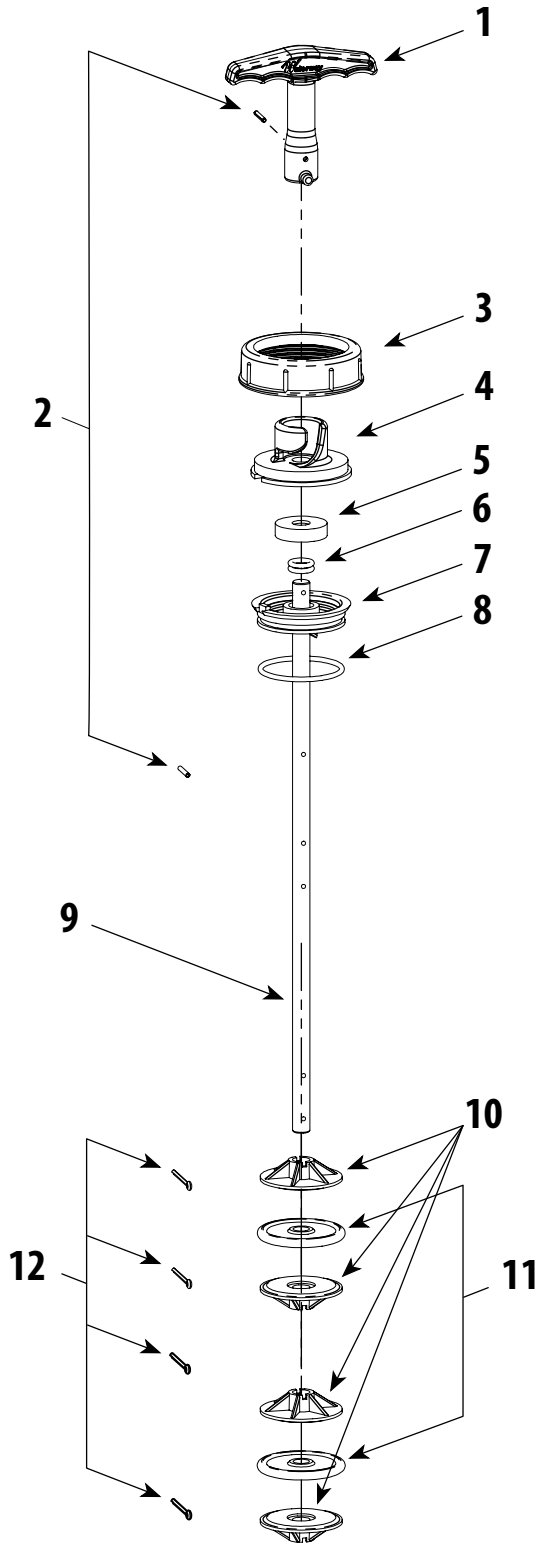


Crystal Water D.E. Filter Replacement Parts

Item	Part No.	Description
1	550-4230B	Pressure Relief Valve Assembly
1a	600-4101B	Bezel Assembly - Pressure Gauge
1b	830-4000SSB	Pressure Gauge
1c	711-1670B	Rubber Boot - Pressure Gauge
1d	519-4281B	Air Relief Valve Body
1e	805-0110B	O-Ring - ½" Air Control
1f	550-4240B	Pressure Relief Screw with O-Ring
1g	602-4201B	Handle - Air Relief Valve
1h	805-0233B	O-Ring - Filter Handle (2 required)
1i	827-8150B	Spring - Water Bypass Valve
1j	519-4370B	Plunger
1k	718-4201B	Air Relief Valve Nut
2	550-4450B	Filter Lid with D.E. Crystal Water Filter Labels - 36 sq. ft.
	550-4430B	Filter Lid with D.E. Crystal Water Filter Labels - 48 sq. ft.
	550-4440B	Filter Lid with D.E. Crystal Water Filter Labels - 60 sq. ft.
3	550-4260B	Metal Clamp with Clamp Spring Assembly
4	550-4250B	Clamp Spring Assembly
5	805-0000B	O-Ring - Main Body
6	550-4320B	Air Relief Assembly
7	718-4320B	Manifold Nut
8	550-4200B	D.E. Manifold Assembly with Air Relief Assembly
--	550-4110B	D.E. Grid and Manifold Assembly with Air Relief Assembly - 36 sq. ft.
--	550-4120B	D.E. Grid and Manifold Assembly with Air Relief Assembly - 48 sq. ft.
--	550-4130B	D.E. Grid and Manifold Assembly with Air Relief Assembly - 60 sq. ft.
9	818-3940B	D.E. Short Grid with Mesh Assembly - 36 sq. ft.
	818-3900B	D.E. Short Grid with Mesh Assembly - 48 sq. ft.
	818-3920B	D.E. Short Grid with Mesh Assembly - 60 sq. ft.
10	818-3950B	D.E. Full Grid with Mesh Assembly - 36 sq. ft.
	818-3910B	D.E. Full Grid with Mesh Assembly - 48 sq. ft.
	818-3930B	D.E. Full Grid with Mesh Assembly - 60 sq. ft.
11	550-4380B	D.E. Grid Support Assembly with 20" PVC Shaft - 36 sq. ft.
	550-4310B	D.E. Grid Support Assembly with 26" PVC Shaft - 48 sq. ft.
	550-4350B	D.E. Grid Support Assembly with 32" PVC Shaft - 60 sq. ft.
12	550-4390B	2 ½" Outlet Elbow Assembly - 36 sq. ft. D.E. Filter
	550-4220B	2 ½" Outlet Elbow Assembly - 48 sq. ft. D.E. Filter
	550-4210B	2 ½" Outlet Elbow Assembly - 60 sq. ft. D.E. Filter
12a	805-0145B	O-Ring - 2" Tailpiece
13	550-4410B	Long Elbow Fitting - 2 ½" diameter
14	515-4207B	Filter Body Base
15	805-0339B	O-Ring (2 required)
16	419-4201B	2 ½" Bulkhead Fitting (2 required)
17	711-4200B	2 ½" Beveled Gasket (2 required)
18	400-6621B	Drain Assembly (<i>New Style</i>)
18a	805-0224B	Drain O-Ring (224) (<i>New Style</i>)
18b	715-6611B	Drain Plug - 1 ½" MPT (<i>New Style</i>)
--	500-5310B	Drain Assembly (Plug, O-Rings, Base Fitting) (<i>Old Style 2 - not shown</i>)
--	400-6601B	Drain Plug with O-Ring (<i>Old Style 2 - not shown</i>)



Replacement Parts / Slide Valve Internals

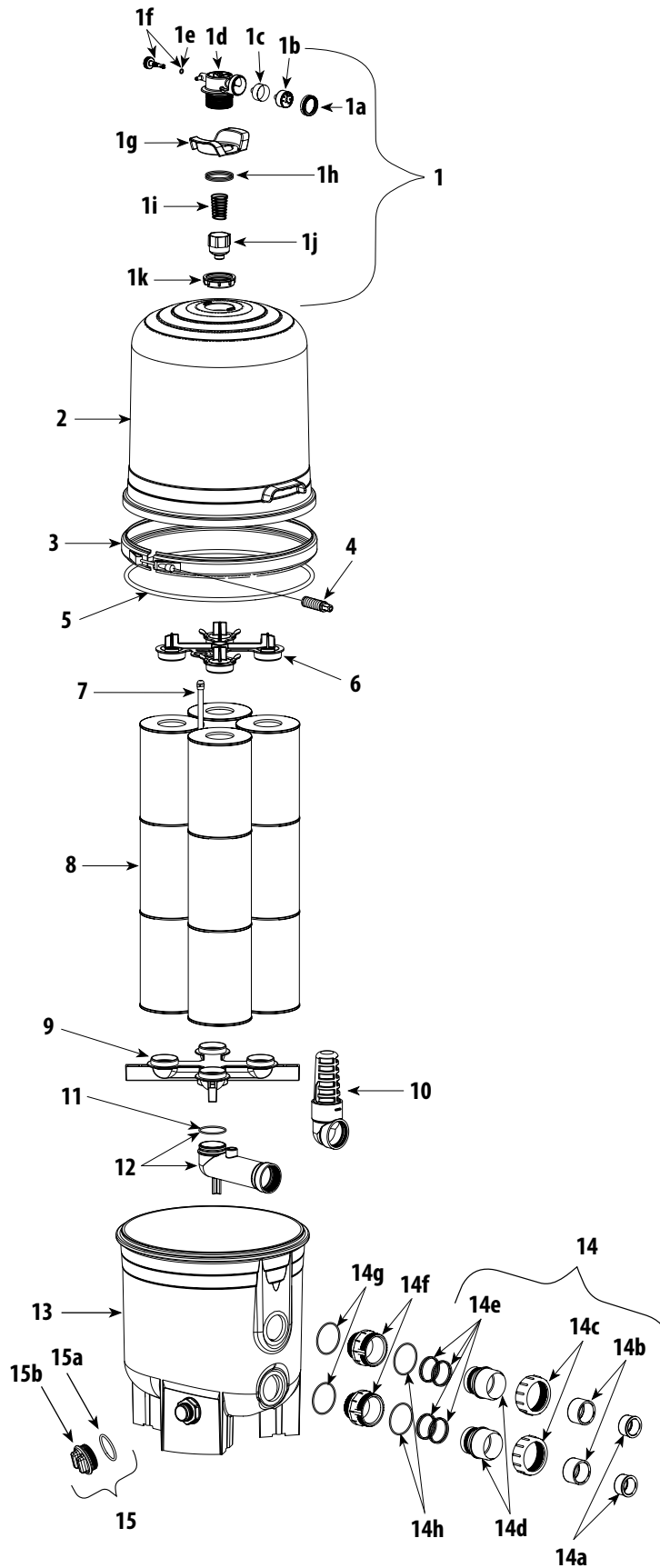


**Slide Valve Internals Replacement Parts**

Item	Part No.	Description
1	505-1010B	Handle
2	802-0009B	Split Pin - Qty. 2
3	415-5091-CPVCB	2" Nut
4	505-1020B	Indexing Cap
5	505-1040B	O-Ring Cap
6	805-0206B	New O-Ring
7	505-1030B	Washer
8	805-0228B	New O-Ring
9	820-1050B	Piston Rod
10	505-1060B	Piston O-Ring Housing - Qty. 4
11	806-1000B	Gasket O-Ring - Qty. 2
12	802-1050B	1/8" Cotter Pin, 1.5" Long - Qty. 4



Replacement Parts / Crystal Water Cartridge Filter



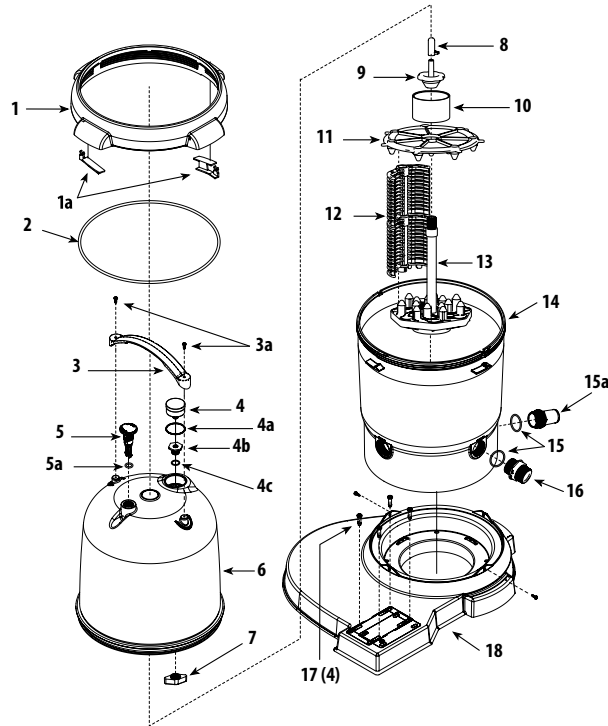


Crystal Water Cartridge Filter Replacement Parts

Item	Part No.	Description
1	550-4230B	Pressure Relief Valve Assembly
1a	600-4101B	Bezel Assembly - Pressure Gauge
1b	830-4000SSB	Pressure Gauge
1c	711-1670B	Rubber Boot - Pressure Gauge
1d	519-4281B	Air Relief Valve Body
1e	805-0110B	O-Ring - ½" Air Control
1f	550-4240B	Pressure Relief Screw with O-Ring
1g	602-4201B	Handle - Air Relief Valve
1h	805-0233B	O-Ring - Handle (2 required)
1i	827-8150B	Spring - Water Bypass Valve
1j	519-4370B	Plunger
1k	718-4201B	Air Relief Valve Nut
2	550-4460B	Filter Lid with Cartridge Crystal Water Filter Labels - 325 sq. ft.
	550-4470B	Filter Lid with Cartridge Crystal Water Filter Labels - 425 sq. ft.
	550-4480B	Filter Lid with Cartridge Crystal Water Filter Labels - 525 sq. ft.
3	550-4780B	Metal Clamp with Clamp Spring Assembly
4	550-4250B	Clamp Spring Assembly
5	805-0000B	O-Ring - Main Body
6	519-4320B	Cartridge Manifold Plug
7	550-4370B	Air Relief Assembly with Tube - 325 sq. ft.
	550-4340B	Air Relief Assembly with Tube - 425 sq. ft.
	550-4330B	Air Relief Assembly with Tube - 525 sq. ft.
8	817-0081B	Cartridge - 325 sq. ft. - 7" OD x 20" L (4 required)
	817-0106B	Cartridge - 425 sq. ft. - 7" OD x 26 1/16" L (4 required)
	817-0131B	Cartridge - 525 sq. ft. - 7" OD x 32 1/16" L (4 required)
9	550-4300B	Cartridge Manifold Assembly
10	550-4500B	Intake Diffuser Assembly
11	805-0230B	O-Ring
12	550-4360B	Long Elbow with Venturi Air Bleeder and O-Ring
13	550-4400B	Filter Body with Labels
14	400-9974B	Fittings Pack - Fitting Nuts, O-Ring, 2 ½" to 2" Reducers
14a	421-4071B	Reducer - 1 ½" to 2"
14b	421-4201B	Reducer - 2 ½" to 2"
14c	415-4211B	2 ½" Union Nut (2 required)
14d	417-2201B	2 ½" Tailpiece with Piston O-Ring Groove (2 required)
14e	805-0232B	O-Ring - 2 ½" Union (4 required - 2 for each Bulkhead)
14f	419-4201B	2 ½" Bulkhead Coupler (2 required)
14g	805-0339B	O-Ring (2 required)
14h	711-4200B	2 ½" Beveled Gasket (2 required)
15	400-6621B	Drain Assembly (<i>New Style</i>)
15a	805-0224B	Drain O-Ring (224) (<i>New Style</i>)
15b	715-6611B	Drain Plug - 1 ½" MPT (<i>New Style</i>)
--	500-5310B	Drain Assembly (Plug, O-Rings, Base Fitting) (<i>Old Style 2 - not shown</i>)
--	400-6601B	Drain Plug with O-Ring (<i>Old Style 2 - not shown</i>)
--	400-6610B	Drain Elbow Assembly (<i>Old Style 1 - not shown</i>)

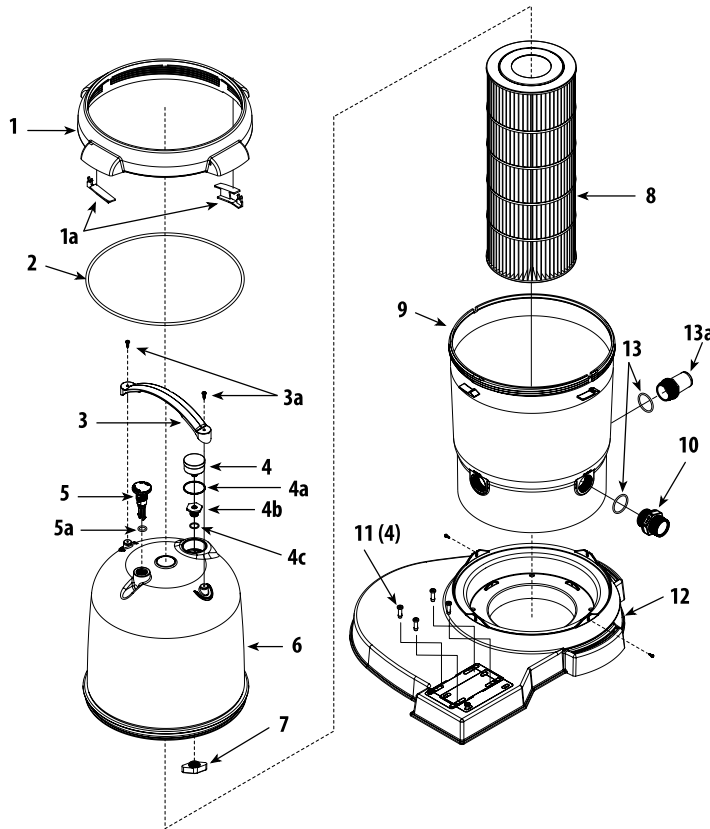


Replacement Parts / ClearWater II D.E. Filter



ClearWater II D.E. Filter Replacement Parts

Item	Part No.	Description
1	550-7500B	Filter Nut Assembly
1a	519-7420B	Lock Tab - Clearwater II Filter - Extended Arms
2	805-0460B	O-Ring - Lid
3	519-7601B	Handle - Lid
3a	819-9002B	Screw #12 x 3/4" Stainless Steel Phillips Head
4	830-4000SSB	Pressure Gauge
4a	805-0224B	O-Ring - Gauge
4b	519-7431B	Pressure Gauge Adapter
4c	805-0117SDB	O-Ring - Pressure Gauge Adapter
5	602-0201B	Air Relief Knob
5a	805-0207B	O-Ring - Air Relief Valve
6	519-7410B	Lid Assembly (Small)
	519-7400B	Lid Assembly (Large)
7	519-7441B	Gauge Lock-Nut
8	500-7310B	Screen/Sock Assembly with Clamp
9	718-7219B	Tie Nut
10	519-7491B	Sleeve
11	519-7269B	Grid Locator
12	550-7210B	D.E. Replacement Grid (44 GPM) (set of 7 included)
	550-7220B	D.E. Replacement Grid (67 GPM) (set of 7 included)
13	550-7100B	Base Assembly - 12 sq. ft. (44 GPM)
	550-7120B	Base Assembly - 18 sq. ft. (67 GPM)
14	515-7250B	Filter Body
15	805-0224B	O-Ring
15a	417-6241B	Hose Adapter - 1-1/2" MPT x 1-1/2" hose
16	500-5300B	Drain Assembly
17	429-7221B	Snap Pin Base Fasteners (4 required)
18	672-7401B	ClearWater II Base
--	519-7470B	Lid Removal Tool

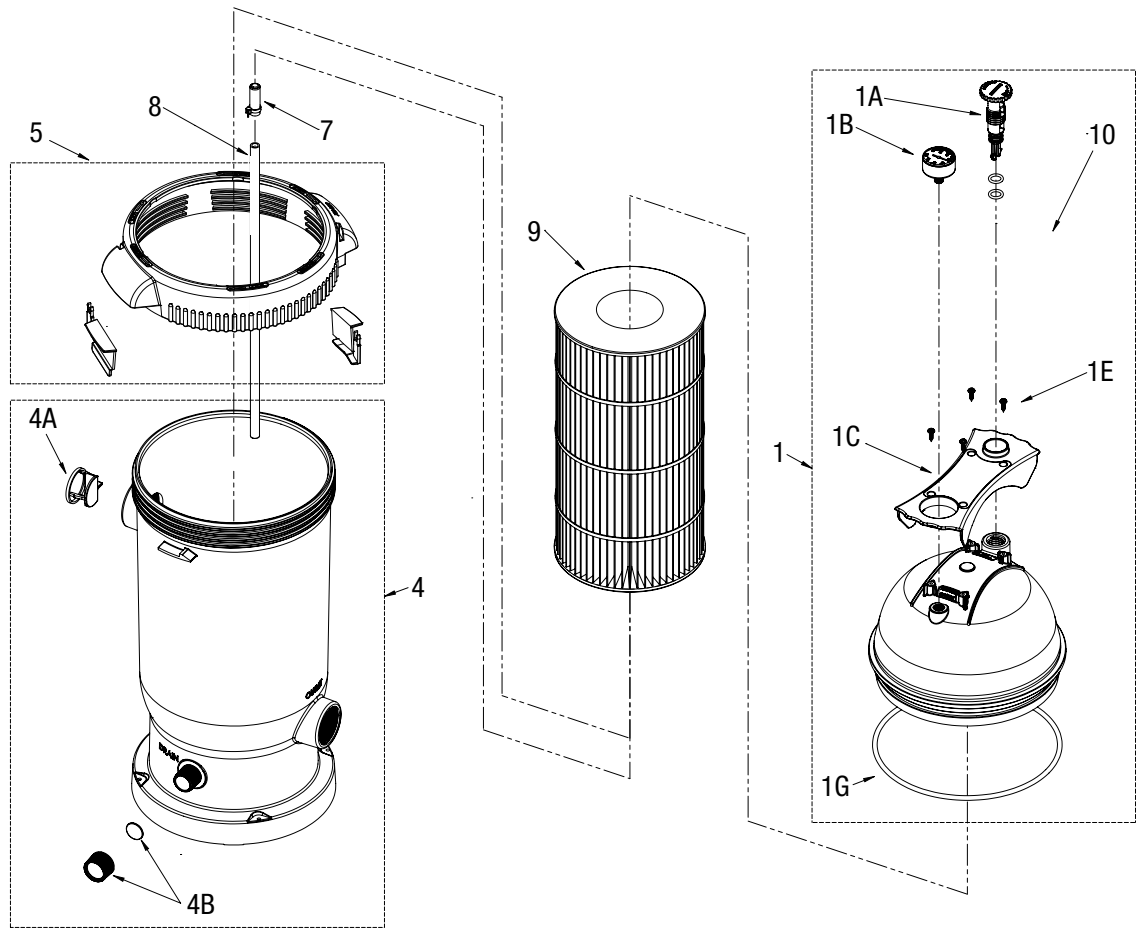


ClearWater II Cartridge Filter Replacement Parts

Item	Part No.	Description
1	550-7500B	Filter Locknut Assembly
1a	519-7420B	Lock Tab - Clearwater II Filter - Extended Arms
2	805-0460B	O-Ring - Lid
3	519-7601B	Handle - Lid
3a	819-9002B	Screw #12 x 3/4" Stainless Steel Phillips Head
4	830-4000SSB	Pressure Gauge
4a	805-0136B	O-Ring - Air Relief
4b	519-7431B	Pressure Gauge Adapter
4c	805-0116EPB	O-Ring - Adapter
5	602-0201B	Air Relief Knob
5a	805-0207B	O-Ring - Air Relief Valve
6	519-7410B	Lid Assembly (<i>Small</i>)
	519-7400B	Lid Assembly (<i>Large</i>)
7	519-7441B	Gauge Lock-Nut
8	817-0075PB	Filter Cartridge - 75 sq. ft. - 8 15/16" OD x 17 3/8" L
	817-0100PB	Filter Cartridge - 100 sq. ft. - 8 15/16" OD x 17 3/8" L
	817-0125NB	Filter Cartridge - 125 sq. ft. - 8 15/16" OD x 23 5/16" L
	817-0150NB	Filter Cartridge - 150 sq. ft. - 8 15/16" OD x 23 5/16" L
	817-0200NB	Filter Cartridge - 200 sq. ft. - 8 15/16" OD x 23 5/16" L
9	515-7250B	Filter Body
10	500-5300B	Drain Assembly
11	429-7221B	Snap Pin Base Fasteners (4 required)
12	672-7401B	ClearWater II Base
13	805-0224B	O-Ring
13a	417-6241B	Hose Adapter - 1-1/2" MPT x 1-1/2" hose
--	519-7470B	Lid Removal Tool



Replacement Parts / ProClean Plus Cartridge Filter

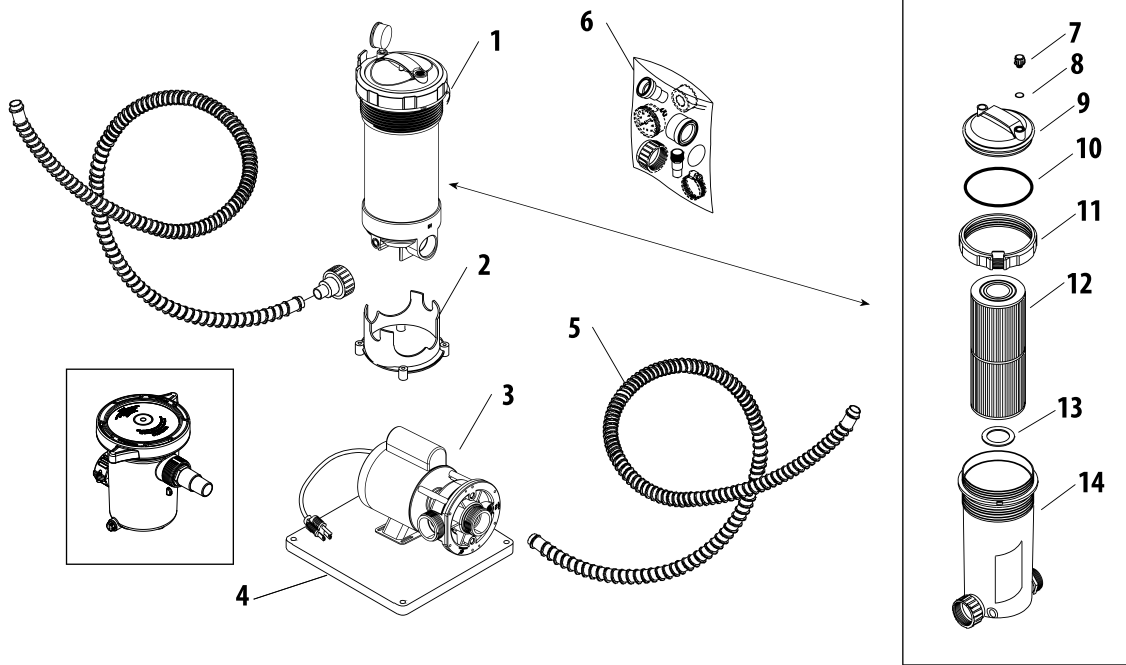


ProClean Plus Cartridge Filter Replacement Parts

Item	Part No.	Description
1	550-0611	Filter Lid & Handle Assembly – 75 - 100 sq. ft. (includes #1A - 1G)
	550-0621	Filter Lid & Handle Assembly – 125 - 150 sq. ft. (includes #1A - 1G)
	550-0631	Filter Lid & Handle Assembly – 175 - 200 sq. ft. (includes #1A - 1G)
4	550-0601B	Filter Body & Lock ring Assy (includes #4A-4B)
5	550-0701B	Lock Ring Assembly
7	500-7310B	Screen/Sock with Clamp Assy
8	872-4000EB	Air Bleed Tube - 75 / 100 sq. ft.
	872-4000LB	Air Bleed Tube - 125 / 150 sq. ft.
	872-4000FB	Air Bleed Tube - 175 / 200 sq. ft.
9	817-0075PB	Filter Cartridge - 75 sq. ft.
	817-0100PB	Filter Cartridge - 100 sq. ft.
	817-0125PB	Filter Cartridge - 125 sq. ft.
	817-0150PB	Filter Cartridge - 150 sq. ft.
	817-0175PB	Filter Cartridge - 175 sq. ft.
	817-0200PB	Filter Cartridge - 200 sq. ft.



Replacement Parts / TWM Cartridge Filter Package



TWM Filter Package Replacement Parts

Item	Part No.	Description
1	500-2515B	Top Load Filter with Union - 25 sq. ft.
	500-5015B	Top Load Filter with Union - 50 sq. ft.
2	672-1051B	Filter Mount Base
3	--	Pump (see Center Discharge Pumps, page 21)
4	672-1010B	Base - 1" x 14 1/2" x 15"
5	872-9002B	Corrugated Hose - 1 1/2" x 6 ft.
6	400-9900B	Fitting Package (see below for package contents)
7	715-1001B	Air Relief Plug
8	805-0114B	O-Ring - Air Relief Plug
9	550-5100DB	Top Load Filter Lid Assembly with Plugs and O-Rings
10	805-0360B	O-Ring - Top Load Filter Lid
11	500-1000B	Lock Ring Assembly
12	817-5000B	Top Load Filter Cartridge - 50 sq. ft. - 4 15/16" OD x 13 5/16" L
	817-2500B	Top Load Filter Cartridge - 25 sq. ft. - 4 15/16" OD x 13 5/16" L
13	711-1010B	Spacer Ring
14	550-2515B	Filter Body Assembly - 25 & 50 sq. ft.
15	310-5400B	6" Leaf Trap 1 1/2" x 1 1/2"

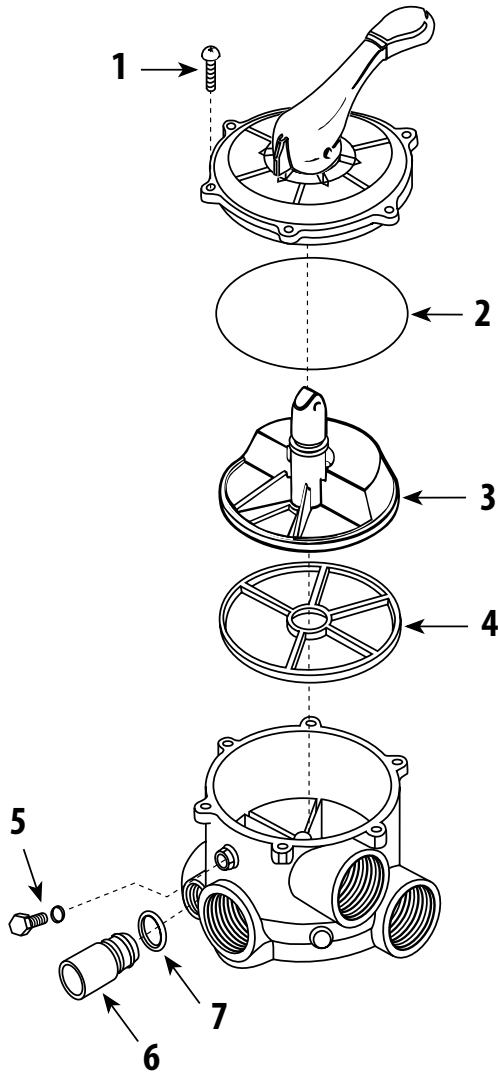
Fittings Package Contents (Item 6)

Item	Part No.	Description
--	830-3000B	Pressure Gauge
--	872-0011B	2 1/2" Hose Clamp (4 required)
--	902-2000B	Teflon Tape - 1/2" x 260" roll
--	417-4001B	Tailpiece - 1 1/2" S
--	417-6041B	Hose Adapter Fitting - 1 1/2" TP - 1 1/2" x 1 1/4" H
--	415-4001B	1 1/2" Union Nut
--	805-0226B	O-Ring (2 required)
--	417-6061B	Hose Adapter Fitting - 1 1/2" MPT x 1 1/4" Hose

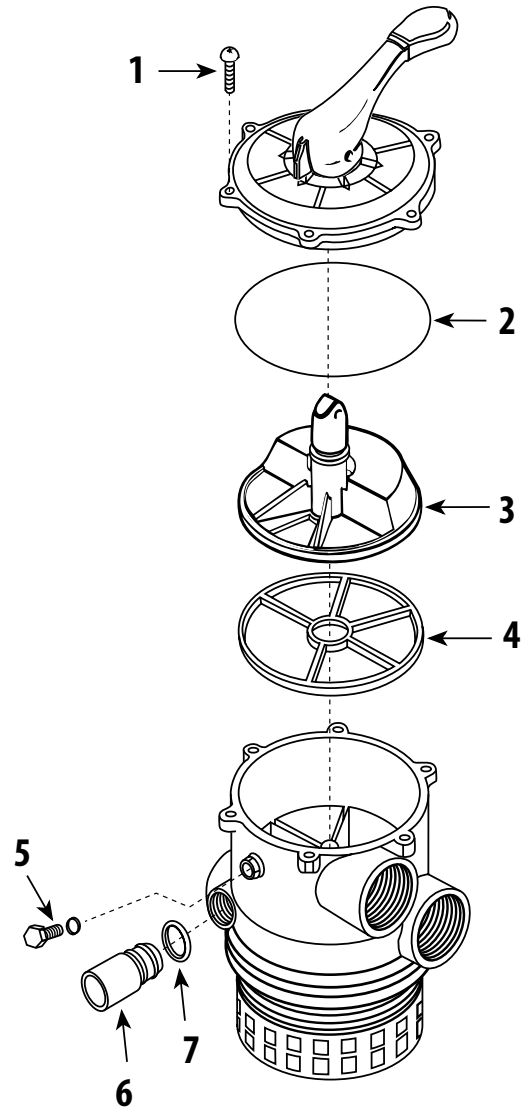


Replacement Parts / Multi-Port Valves - Side Mount and Top Mount

SIDE MOUNT

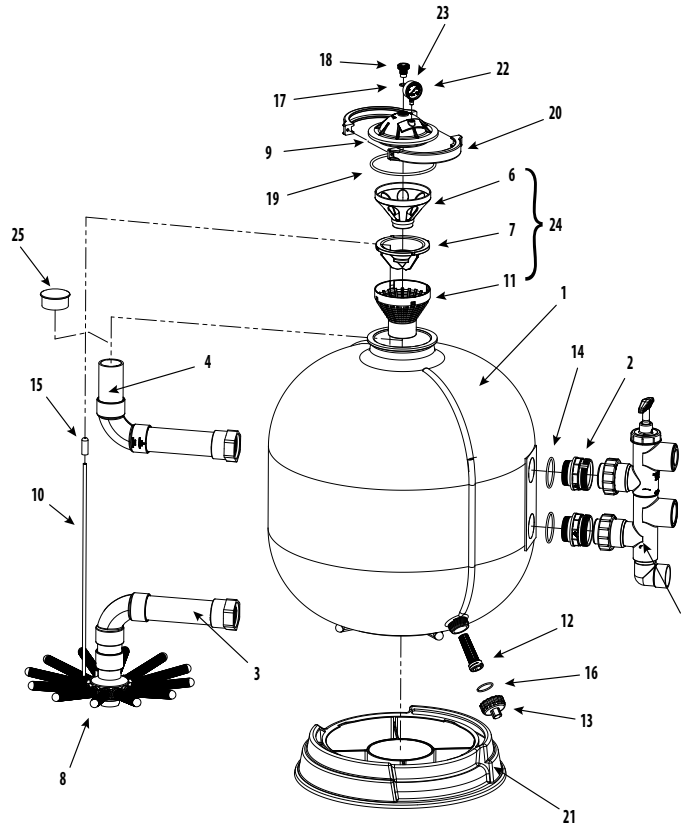


TOP MOUNT



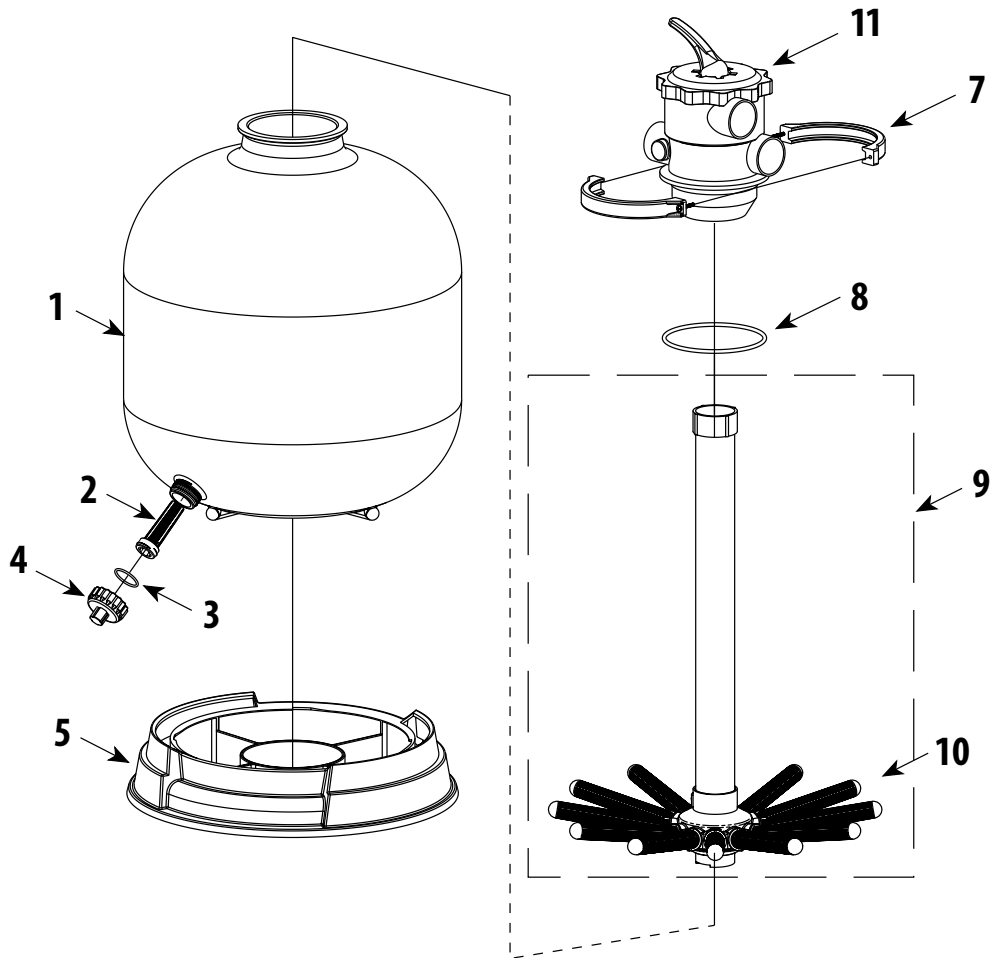
SmartClean Sand and Crystal Water D.E. Multi-Port Valve Replacement Parts

Item	Part No.	Description	Valve Size
1	819-0010B	Screw	1 1/2" and 2"
2	873-E7S2B	O-Ring - Cover	1 1/2"
	805-0254B	O-Ring - Cover	2"
3	602-1910B	Diverter (Noryl)	1 1/2"
	873-E1011S2B	Diverter (Noryl)	2"
4	873-E12S1B	Spider Gasket (T.P.E.)	1 1/2"
	873-E12S2B	Spider Gasket (T.P.E.)	2"
5	873-E15S1B	1/4" Plug	1 1/2" and 2"
6	873-E17S1B	Sight Glass (Lexan)	1 1/2" and 2"
7	873-E16S1B	Sight Glass Gasket	1 1/2" and 2"



UltraClean Pro Sand Filter Replacement Parts

Item	Part No.	Description
1	515-2041TB	26" Sand Filter Body
2	419-4201B	2 1/2" Threaded Coupler (2 required)
3	550-5410B	2 1/2" Outlet Assembly
4	550-5420B	2 1/2" Inlet Assembly
5	600-1500UCPB	2 1/2" Slide Valve Assembly
6	519-5310B	Sand Fill Guide
7	519-5320B	Diffuser Disbursement Basket Cap
8	519-5370B	Twist-Lock Lateral (12 required)
9	519-5301B	Access Dome Cover
10	872-2130DB	Tubing - 3/8" outer diameter x 32" height
11	519-5330SCB	Diffuser Disbursement Basket
12	602-5310B	Self-Threading Drain Screen
13	602-5301B	Drain Screen Cap (2010 and earlier)
	602-5321B	Drain Screen Cap (new style - 2011)
14	805-0339BN50B	O-Ring (2 required)
15	817-0001B	2" Polyester Sock
16	805-0224B	O-Ring - Drain Screen Cap
17	805-0116EPB	O-Ring
18	715-6011B	Air Bleeder Plug
19	805-0442B	O-Ring - Access Dome Cover
20	872-0046B	Multi-Port Valve Clamp Kit with Nuts & Bolts
21	672-5301B	Filter Base
22	830-3000B	Pressure Gauge
23	600-4101B	Bezel Cover Assembly
24	550-5430B	Basket Assembly
25	519-5421B	Sand Fill Cap

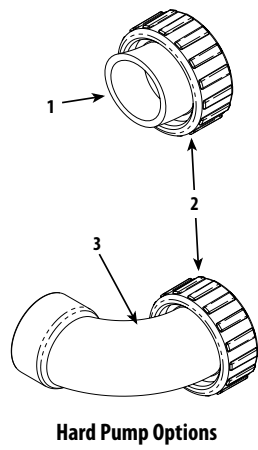
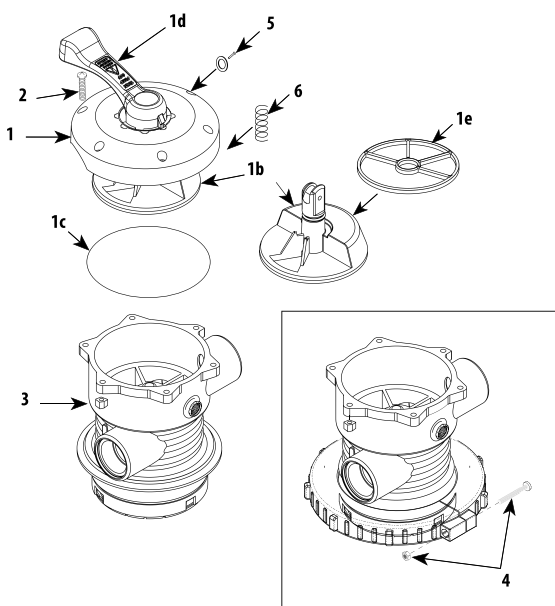
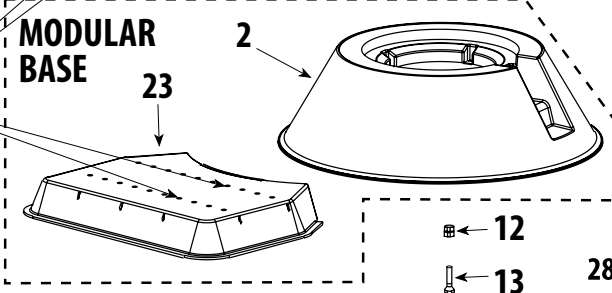
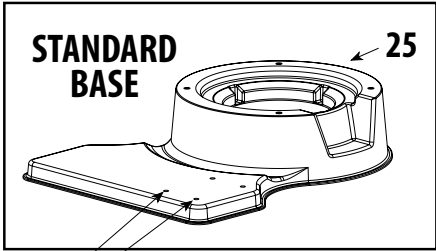
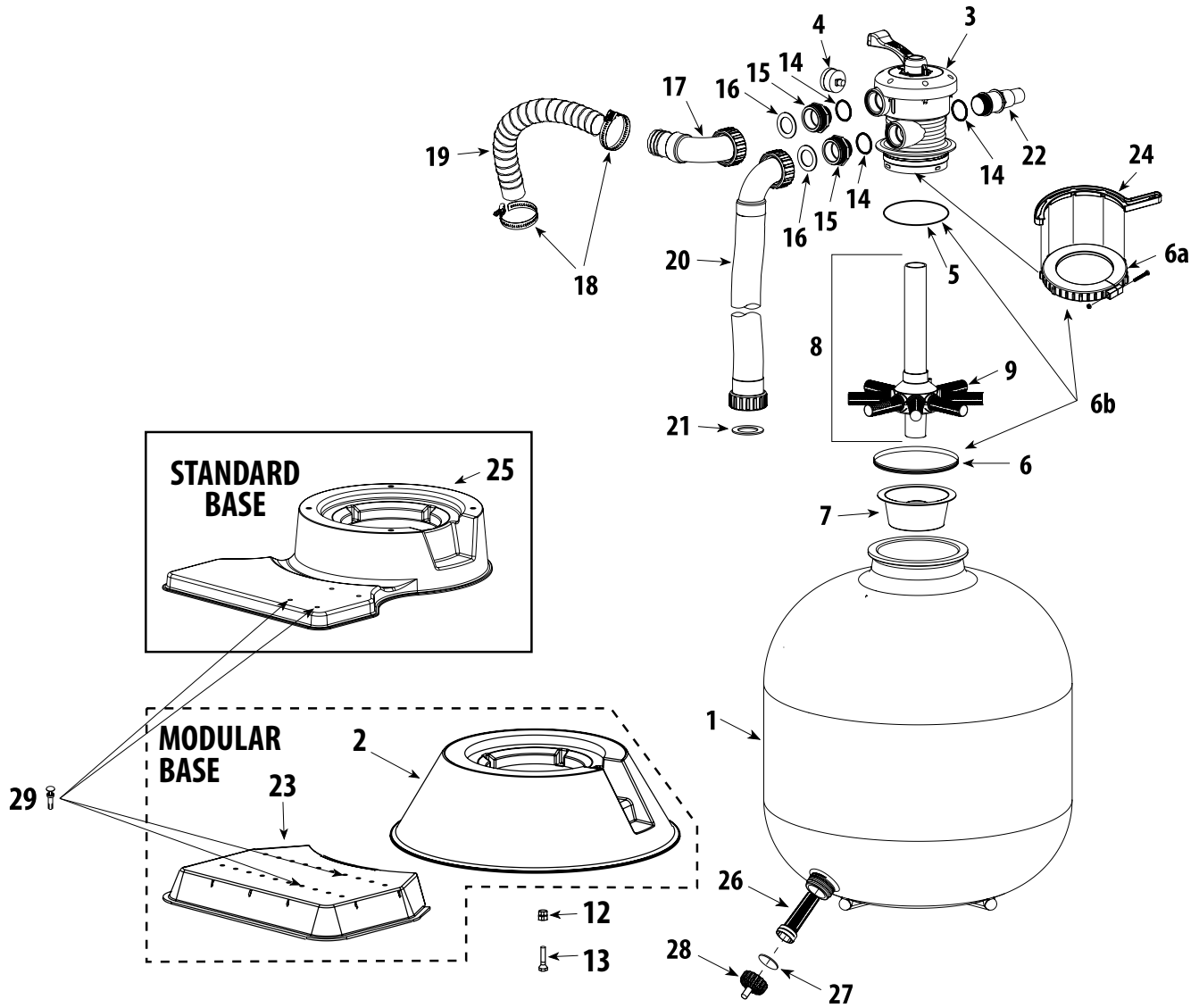


SmartClean Sand Filter -Top Mount Replacement Parts

Item	Part No.	Description
1	515-2041TB	26" SmartClean Sand Filter Body
2	602-5310B	Self-Threading Drain Screen
3	711-5310B	Drain Cap Gasket
4	602-5301B	Drain Screen Cap (2010 and earlier)
	602-5321B	Drain Screen Cap (new style - 2011)
5	672-5301B	SmartClean Sand Filter Base
7	872-0046B	Multi-Port Valve Clamp Kit with Nuts & Bolts
8	805-0442B	O-Ring - Multi-Port Valve
9	550-5340B	Top Mount Lateral and Manifold Assembly - 26"
	550-5370B	Top Mount Lateral and Manifold Assembly - 32"
10	519-5370B	Lateral
11	WVS004B	Top Mount Clamp Style - 2" FPT



Replacement Parts / Carefree Sand Filter





Carefree Sand Filter Replacement Parts

Item	Part No.	Description
1	505-0271B	16" Oval Sand Filter Body with Threaded Sleeve Assembly
	505-0281B	19" Oval Sand Filter Body with Threaded Sleeve Assembly
	505-0291B	22" Oval Sand Filter Body with Threaded Sleeve Assembly
	505-0301B	26" Oval Sand Filter Body with Threaded Sleeve Assembly
2	672-7211B	Modular Filter Base
3	WVS003B	1 1/2" Multi-Port Valve Assembly - Split-Nut
4	830-3000B	Pressure Gauge
5	805-0435B	O-Ring - Multi-Port Valve
6	505-3000B	Threaded Sleeve Assembly
6a	505-3010B	Split-Nut Assembly - Multi-Port Valve
6b	505-3020B	Split-Nut Assembly - Multi-Port Valve with Thread Sleeve and O-Ring
7	502-2011B	Sand Fill Guide
8	505-2140B	Lateral and Manifold Assembly - 16" Filter
	505-2150B	Lateral and Manifold Assembly - 19" Filter
	505-2160B	Lateral and Manifold Assembly - 22" Filter
	505-2180B	Lateral and Manifold Assembly - 26" Filter
9	505-1930B	Lateral - Thread Style (8 required)
	519-5370B	Lateral - 22" and 26" Sand Filter (12 required)
10	505-2020B	Drain Assembly (2004 and earlier)
11	505-2030B	Drain Cap Assembly (2004 and earlier)
12	820-0017B	3/8" Flat Washer
13	819-0016B	3/8" Bolt - 16 x 2" Hex - 22" & 26" Sand Filter
	819-0019B	3/8" Bolt - 16 x 1 1/2" Hex - 19" Sand Filter
	819-0020B	3/8" Bolt - 16 x 1 1/4" Hex - 16" Sand Filter
14	805-0224B	O-Ring - 1 1/2" Buttress x 1 1/2" MPT Fitting
15	417-4161B	1 1/2" Buttress x 1 1/2" MPT Tailpiece
16	711-4000B	1 1/2" Union Gasket
17	550-1841B	Return Sweep Assembly
18	872-0011B	Hose Clamp - Stainless Steel - 2 1/2"
19	872-9002B	Corrugated Hose - Black - 1 1/2" x 6 ft.
20	550-1821B	PVC Flex Hose Assembly - 19" Sand Filter
	550-1831B	PVC Flex Hose Assembly - 22" Sand Filter
	550-1833B	PVC Flex Hose Assembly - 26" Sand Filter
21	711-4010B	2" Union Gasket
22	425-1928B	Waste Adapter Fitting
23	672-7201B	Pump Base
24	505-1970B	Collar Wrench for Threaded Style Split-Nut
25	672-7241B	Standard One-Piece Base
26	602-5310B	Self-Threading Drain Screen
27	805-0224B	O-Ring - 1 1/2" Heater Tailpiece
28	602-5301B	Drain Screen Cap (2010 and earlier)
	602-5321B	Drain Screen Cap (new style - 2001)
29	429-7300B	Replacement Kit Pin and Anchor Assembly (4 required)

Multi-Port Valve Assembly Replacement Parts

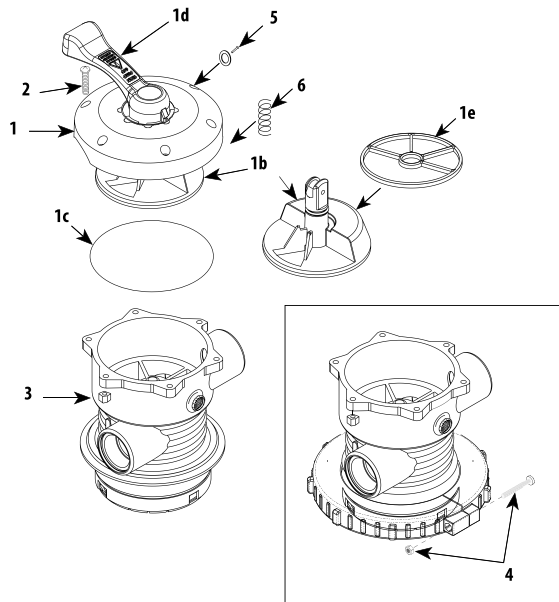
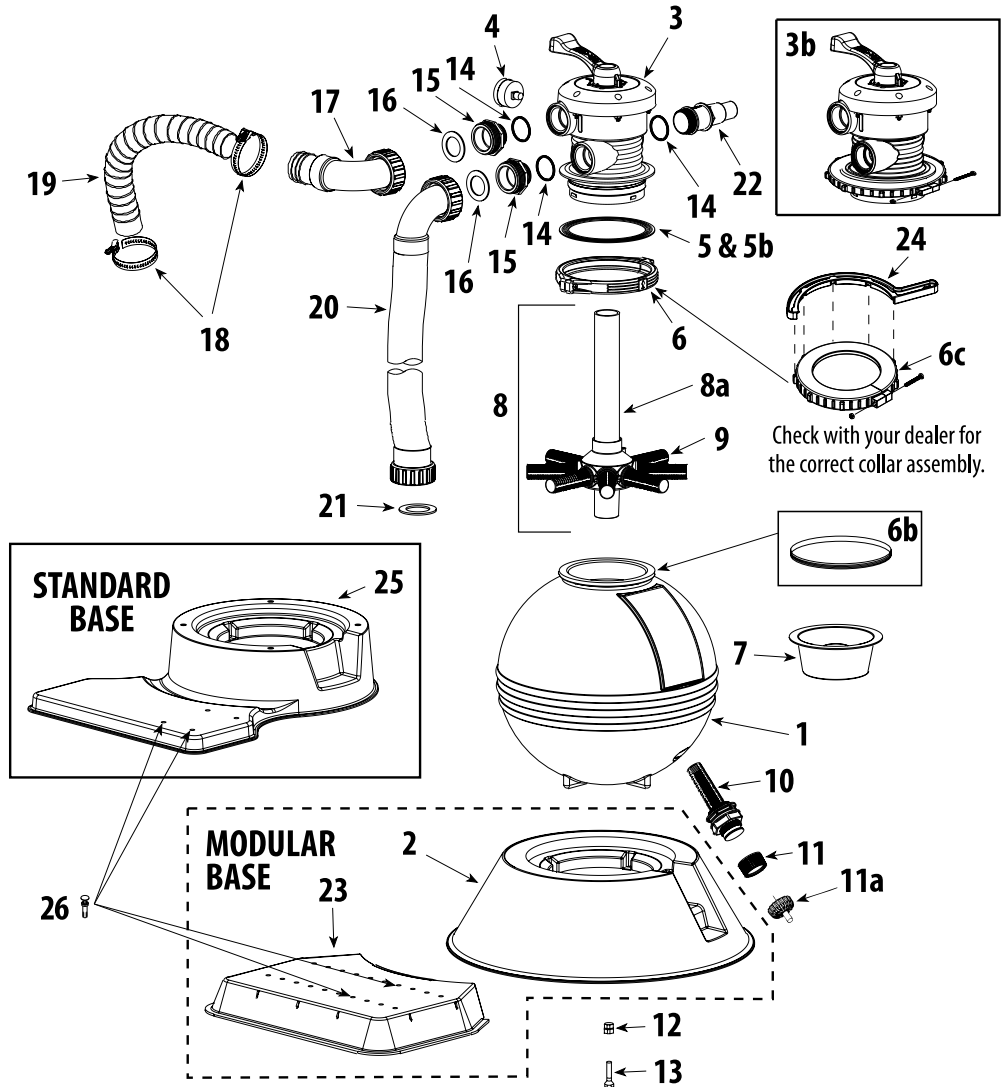
1	600-9600B	Multi-Port Lid Assembly
1b	600-9500B	Diverter Valve Assembly with Gasket
1c	805-0254B	O-Ring - Lid
1d	602-1931B	Lid Handle Only
1e	711-1910B	Diverter Gasket (Spider) <i>(Note: purchasing gasket glued into diverter by factory recommended)</i>
2	819-0010B	Screw - Lid
3	820-0013B	Serrated Hex Nut
4	800-0100B	1 1/2" Split-Nut Bolt & Nut Kit
5	800-0150B	O-Ring Kit with Pin & Washer
6	827-0002B	Spring

Hard Pump Options

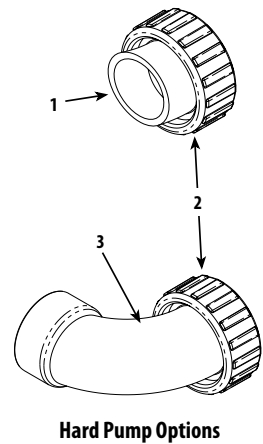
1	400-4061B	1 1/2" Socket Pump Union Assembly
2	415-4001B	1 1/2" Union Nut
3	500-1901B	1 1/2" Socket Return Sweep Assembly



Replacement Parts / ClearWater Sand Filter



Multi-Port Valve Assembly





ClearWater Sand Filter Replacement Parts

Item	Part No.	Description
1	505-0161B	16" Sand Filter Body with Threaded Sleeve Assembly
	505-0191B	19" Sand Filter Body with Threaded Sleeve Assembly
	505-0221B	22" Sand Filter Body with Threaded Sleeve Assembly
	505-0261B	26" Sand Filter Body with Threaded Sleeve Assembly
2	672-7211B	Modular Filter Base
3	WVS002B	Multi-Port Valve Assembly - Clamp Style (2001 and Earlier)
3b	WVS003B	Multi-Port Valve Assembly - Split-Nut Style (2002 to Present)
4	830-3000B	Pressure Gauge
5	711-1920B	Collar Gasket (for Clamp Style) (2001 and Earlier)
5b	805-0435B	O-Ring - Multi-Port Valve (for Split-Nut Style)
6	505-2070B	Collar Assembly - Clamp Style (2001 and Earlier)
6b	505-3000B	Threaded Sleeve Assembly (2002 to Present)
6c	505-3010B	Split-Nut Assembly (included with WVS003)
7	502-2011B	Sand Fill Guide
8	505-2040B	Lateral and Manifold Assembly - 16" Filter
	505-2050B	Lateral and Manifold Assembly - 19" Filter
	505-2060B	Lateral and Manifold Assembly - 22" Filter
	505-2080B	Lateral and Manifold Assembly - 26" Filter
8a	505-2240-RB	Manifold Only - 16" Filter
	505-2250-RB	Manifold Only - 19" Filter
	505-2260-RB	Manifold Only - 22" Filter
9	505-1930B	Lateral - Thread Style (2003 and Earlier)
	505-1950B	Lateral - Twist-Lock Style (2004)
10	505-2020B	Drain Assembly (2004 and earlier)
11	505-2030B	Drain Cap Assembly (2004 and earlier)
11a	602-5321B	Drain Screen Cap (new style - 2001)
12	820-0017B	3/8" Flat Washer
13	819-0016B	3/8" Bolt - 16 x 2" Hex - 22" & 26" Sand Filter
	819-0019B	3/8" Bolt - 16 x 1 1/2" Hex - 19" Sand Filter
	819-0020B	3/8" Bolt - 16 x 1 1/4" Hex - 16" Sand Filter
14	805-0224B	O-Ring - 1 1/2" Buttress x 1 1/2" MPT Fitting
15	417-4161B	1 1/2" Buttress x 1 1/2" MPT Tailpiece
16	711-4000B	1 1/2" Union Gasket
17	550-1841B	Return Sweep Assembly
18	872-0011B	Hose Clamp - Stainless Steel
19	872-9002B	Corrugated Hose - Black - 1 1/2" x 6 ft.
20	550-1801B	PVC Flex Hose Assembly - 16" Sand Filter
	550-1811B	PVC Flex Hose Assembly - 19" Sand Filter
	550-1821B	PVC Flex Hose Assembly - 22" Sand Filter
	550-1831B	PVC Flex Hose Assembly - 26" Sand Filter
21	711-4010B	2" Union Gasket
22	425-1928B	Waste Adapter Fitting
23	672-7201B	Pump Base
24	505-1970B	Collar Wrench for Split-Nut Threaded Style
25	672-7241B	Standard One-Piece Base
26	429-7300B	Replacement Kit Pin and Anchor Assembly (4 required)

Multi-Port Valve Assembly Replacement Parts

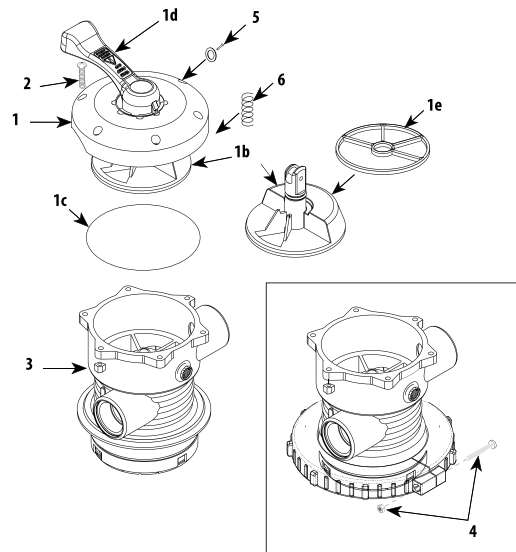
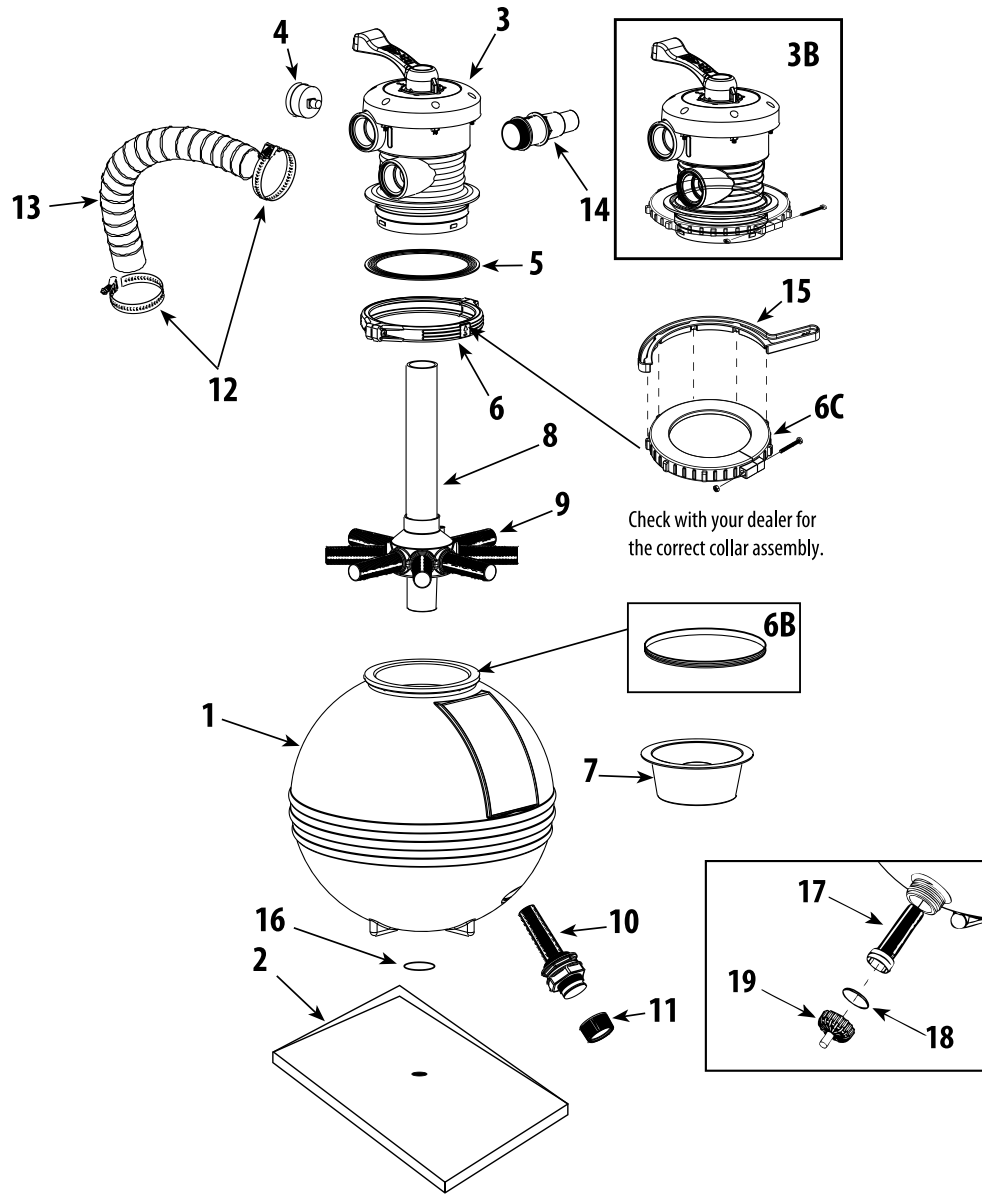
1	600-9600B	Multi-Port Lid Assembly
1b	600-9500B	Diverter Valve Assembly with Gasket
1c	805-0254B	O-Ring - Lid
1d	602-1931B	Lid Handle Only
1e	711-1910B	Diverter Gasket (Spider) (Note: purchasing gasket glued into diverter by factory recommended)
2	819-0010B	Lid Screw
3	820-0013B	Serrated Hex Nut
4	800-0100B	Split-Nut Bolt and Nut Kit
5	800-0150B	O-Ring Kit with Pin and Washer
6	827-0002B	Spring

Hard Pump Options

1	400-4061B	1 1/2" Socket Pump Union Assembly
2	415-4001B	1 1/2" Union Nut
3	500-1901B	1 1/2" Socket Return Sweep Assembly



Replacement Parts / TWM Sand Filter



Multi-Port Valve Assembly



TWM Sand Filter Replacement Parts

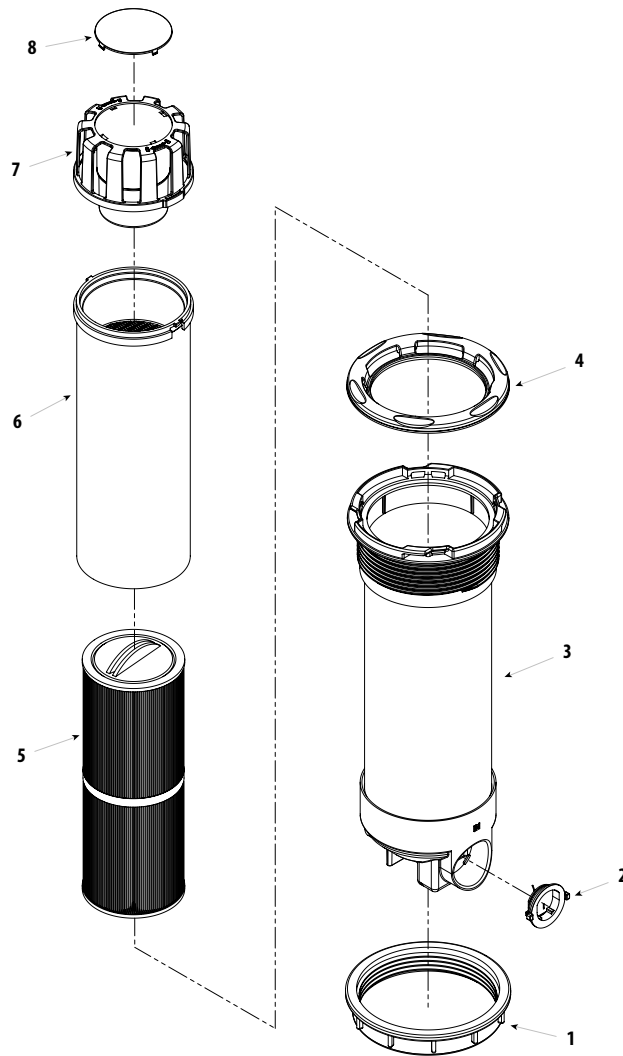
Item	Part No.	Description
1	505-0161B	16" Sand Filter Body with Threaded Sleeve Assembly
	505-0191B	19" Sand Filter Body with Threaded Sleeve Assembly
	505-0221B	22" Sand Filter Body with Threaded Sleeve Assembly
	505-0261B	26" Sand Filter Body with Threaded Sleeve Assembly
2	672-1000B	Equipment Base - 1" x 15 1/4" x 26 1/4"
3	WVS002B	1 1/2" Multi-Port Valve Assembly - Clamp Style (2001 and Earlier)
3B	WVS003B	1 1/2" Multi-Port Valve Assembly with Split-Nut (2002 to Present)
4	830-3000B	Pressure Gauge
5	711-1920B	Collar Gasket (<i>use with Clamp Style</i>)
6	505-2070B	Collar Assembly - Old Style (<i>2001 and Earlier</i>)
6B	505-3000B	Threaded Sleeve Assembly
6C	505-3010B	Multi-Port Valve Split-Nut Assembly
7	502-2011B	Sand Fill Guide
8	505-2040B	Lateral & Manifold Assembly - 16" Filter
	505-2050B	Lateral & Manifold Assembly - 19" Filter
	505-2060B	Lateral & Manifold Assembly - 22" Filter
	505-2080B	Lateral & Manifold Assembly - 26" Filter
9	505-1930B	Lateral - Threaded Style (<i>2001 and Earlier</i>)
	505-1950B	Lateral - Twist-Lock Style (<i>2003 to Present</i>)
10	505-2020B	Drain Assembly 2004 and earlier
11	505-2030B	Drain Cap Assembly 2004 and earlier
12	872-0011B	Hose Clamp - Stainless Steel - 2 1/2"
13	872-9002B	Corrugated Hose - Black - 1 1/2" x 6 ft. (2 required)
	872-9001B	Corrugated Hose - Black - 1 1/2" x 3 ft. (1 required)
14	425-1928B	Waste Adapter Fitting
15	505-1970B	Collar Wrench for Split-Nut Threaded Style (optional)
16	218-6680B	Washer
17	602-5310B	Self Threading Drain Screen
18	805-0224B	O-Ring - 1 1/2" Heater Tailpiece
19	602-5321B	Drain Screen Cap (new style - 2001)

Multi-Port Valve Assembly Replacement Parts

Item	Part No.	Description
1	600-9600B	Multi-Port Lid Assembly
1b	600-9500B	Diverter Valve Assembly
1c	805-0254B	O-Ring - Lid
1d	602-1931B	Lid Handle Only
1e	711-1910B	Diverter Gasket (Spider) (<i>Note: purchasing gasket glued into diverter by factory recommended</i>)
2	819-0010B	Lid Screw
3	820-0013B	Serrated Hex Nut
4	800-0100B	1 1/2" Split-Nut Bolt and Nut Kit
5	800-0150B	O-Ring Kit with Pin and Washer
6	827-0002B	Spring

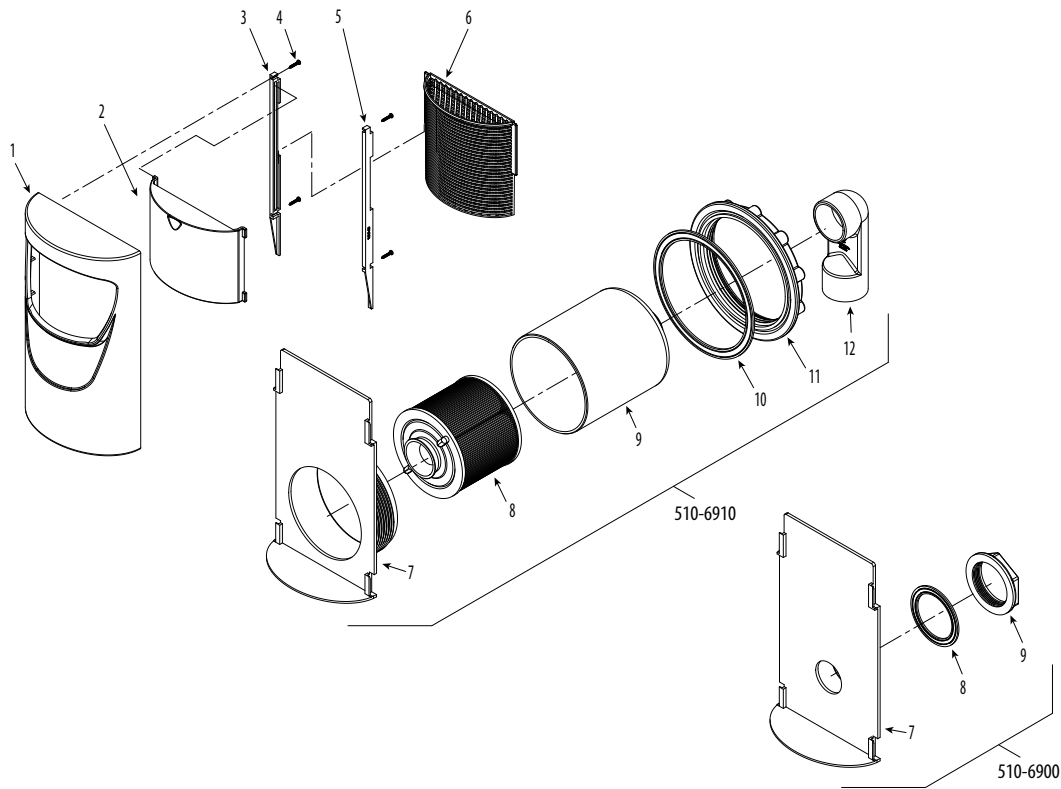


Replacement Parts / Teleweir



Teleweir

Item	Part No.	Description
1	718-1000B	Top-Mount Filter Nut
2	600-1040B	2" Bypass Valve
3	550-5735-1B	35 sq. ft. Teleweir Body Assembly
	550-5750-1B	50 sq. ft. Teleweir Body Assembly
	550-5775-1B	75 sq. ft. Teleweir Body Assembly
4	519-8310B	Teleweir Trim Ring - 6-Scallop
5	817-4035B	35 sq. ft. Teleweir Cartridge
	817-4050B	50 sq. ft. Teleweir Cartridge
	817-4075B	75 sq. ft. Teleweir Cartridge
6	550-5835-1B	35 sq. ft. Inner Pipe & Basket Assembly
	550-5850-1B	50 sq. ft. Inner Pipe & Basket Assembly
	550-5875-1B	75 sq. ft. Inner Pipe & Basket Assembly
7	550-5701B	Upper Weir Teleweir Sub-Assembly
8	519-0300B	Teleweir Cap



510-6900 - Deluxe Strip Skimmer Replacement Parts

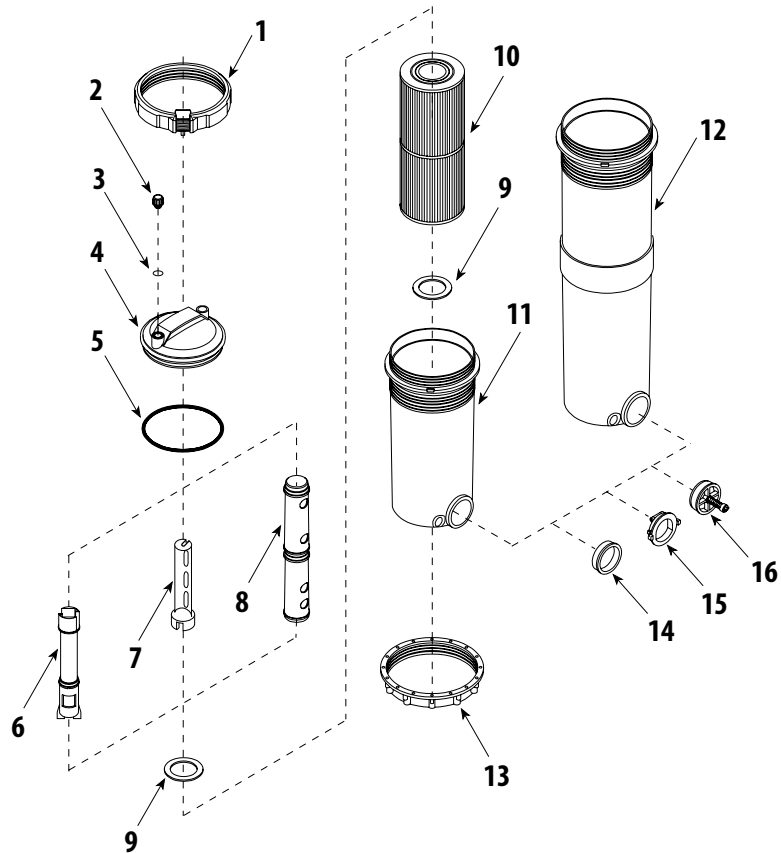
Item	Part No.	Description
1	519-6900B	Weir Frame
2	550-6910B	Weir Door Assembly
3	519-6940.RB	Guide Frame - Right
4	819-0114B	Screw (4 required)
5	519-6940.LB	Guide Frame - Left
6	519-6951B	Basket
7	519-6981B	Weir Plate Outlet
8	711-4350B	Wall Fitting Gasket
9	718-3150B	Wall Fitting Nut
10	819-0008B	Screw, #8 PPH

510-6910 - Deluxe Skim Filter Replacement Parts

Item	Part No.	Description
1	519-6900B	Weir Frame
2	550-6910B	Weir Door Assembly
3	519-6940.RB	Guide Frame - Right
4	819-0114B	Screw (4 required)
5	519-6940.LB	Guide Frame - Left
6	519-6951B	Basket
7	519-6961B	Weir Plate Outlet
8	817-0020B	10 sq. ft. Cartridge
9	519-6970B	Weir Filter Housing
10	711-7000B	Wall Fitting Gasket
11	718-7000B	Wall Fitting Nut
12	411-6910B	90° Ell - 1 1/2" S x 1 1/2" S
13	819-0008B	Screw, #8 PPH

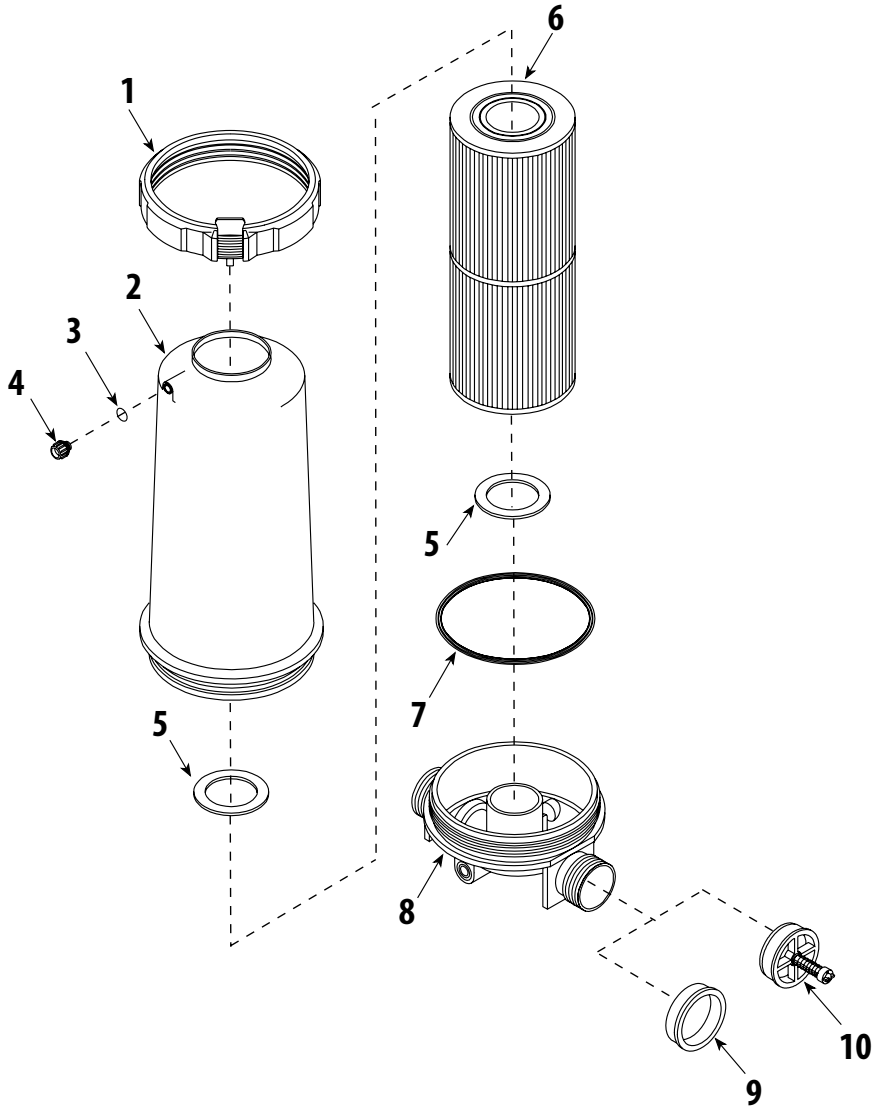


Replacement Parts / 1 1/2" and 2" Top-Load Filter



1 1/2" and 2" Top-Load Filter Replacement Parts

Item	Part No.	Description
1	500-1000B	Lock Ring Assembly
2	715-1001B	Plug - Air Relief
3	805-0114B	O-Ring - Air Relief Plug
4	511-1000B	Filter Lid with Handle
5	805-0360B	O-Ring - Filter Lid
6	500-1070B	Brominator Assembly - 10 Tablet
7	519-1051B	Mineral Purifier Canister Holder
8	500-1060B	Flow Restriction Tube
9	711-1010B	Spacer Ring
10	817-2500B	Filter Cartridge - 25 sq. ft. - 4 15/16" OD x 13 5/16" L
	817-5000B	Filter Cartridge - 50 sq. ft. - 4 15/16" OD x 13 5/16" L
	817-7500B	Filter Cartridge - 75 sq. ft. - 4 15/16" OD x 23 5/8" L
	817-1000B	Filter Cartridge - 100 sq. ft. - 4 15/16" OD x 23 5/8" L
11	550-5000B	1 1/2" Filter Body - with Bypass
	550-4990B	1 1/2" Filter Body - with Plug
	550-5010B	2" Filter Body - with Bypass
	550-5060B	2" Filter Body - with Plug
12	550-5110B	1 1/2" Extended Filter Body - with Bypass
	550-5150B	1 1/2" Extended Filter Body - with Plug
	550-5230B	2" Extended Filter Body - with Bypass
	550-5220B	2" Extended Filter Body - with Plug
13	718-1000B	Nut - Filter Body
14	715-1010B	1 1/2" Plug
	715-9900B	2" Plug
15	600-1040B	2" Bypass Valve Assembly
16	600-1000B	1 1/2" Bypass Valve Assembly

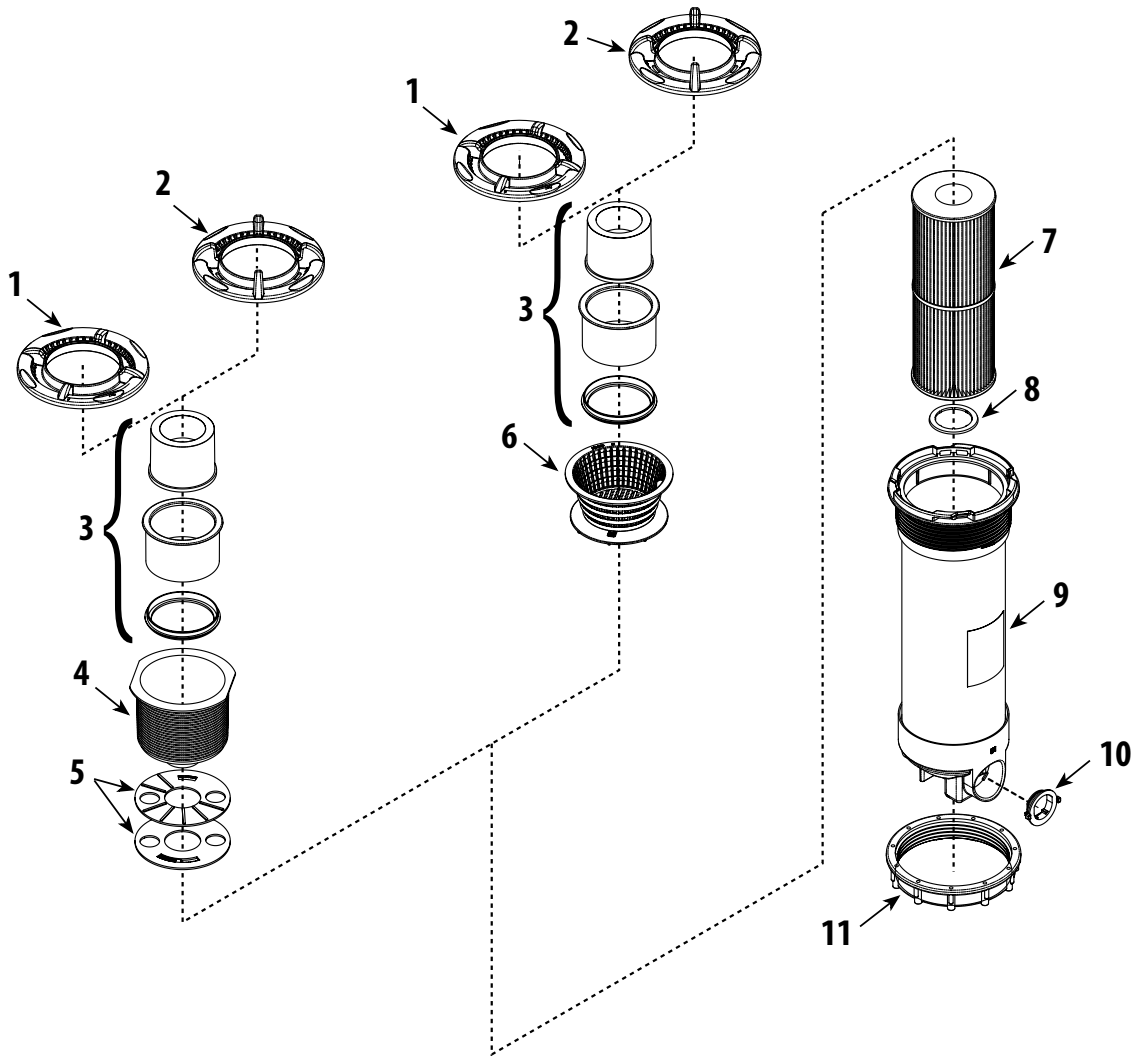


1 ½" In-Line Filter Replacement Parts

Item	Part No.	Description
1	500-1000B	Lock Ring Assembly
2	515-1010B	In-line Filter Body
3	805-0114B	O-Ring - Air Relief Plug
4	715-1001B	Plug - Air Relief
5	711-1010B	Spacer Ring
6	817-2500B	Filter Cartridge - 25 sq. ft. - 4 15/16" OD x 13 5/16" L
	817-5000B	Filter Cartridge - 50 sq. ft. - 4 15/16" OD x 13 5/16" L
7	805-0360B	O-Ring - Filter Lid
8	511-1010B	1 ½" Filter Lid
9	715-1010B	1 ½" Plug
10	600-1000B	1 ½" Bypass Valve

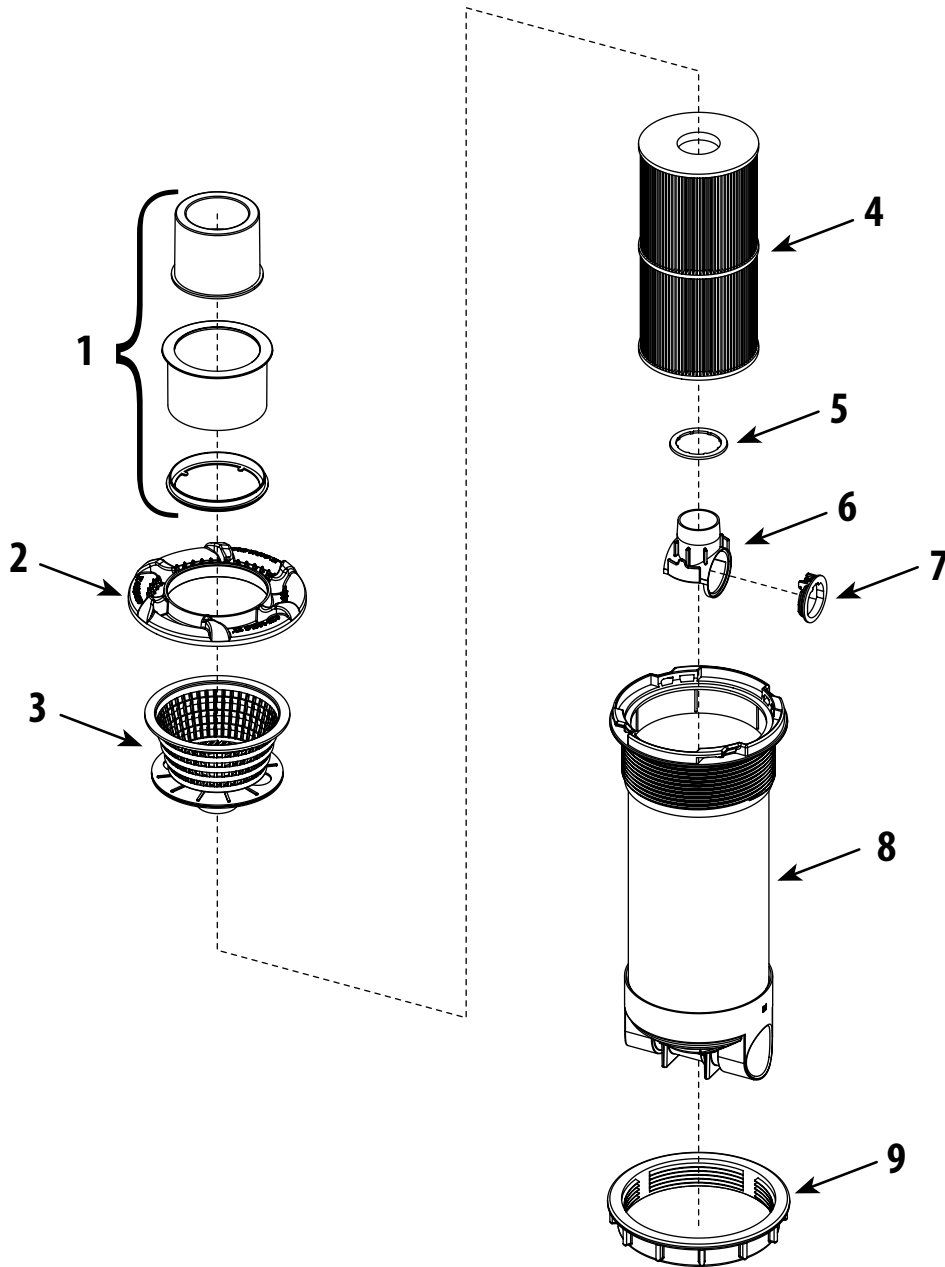


Replacement Parts / Dyna-Flo Top Mount Skim Filter



Dyna-Flo Top Mount Skim Filter Replacement Parts

Item	Part No.	Description
1	519-8070B	4-Scallop Trim Ring - Low Volume - White
2	519-8050B	4-Scallop Trim Ring - High Volume - White
3	550-2630B	Weir Assembly - 3-Piece - White
4	519-8000B	Basket - White - 6.4" diameter x 5.62" H
5	519-3010B	Diverter Plate
6	500-2680B	Low Profile Basket Assembly - White - 6.35" diameter x 2.75" H
7	817-2500B	Filter Cartridge - 25 sq. ft. - 4 15/16" OD x 13 5/16" L
	817-3501B	Filter Cartridge - 40 sq. ft. - 4 15/16" OD x 9 1/4" L
	817-5000B	Filter Cartridge - 50 sq. ft. - 4 15/16" OD x 13 5/16" L
8	711-1010B	Spacer Ring
9	--	Body
10	600-1040B	2" Bypass Valve
11	718-1000B	Nut - Filter Body



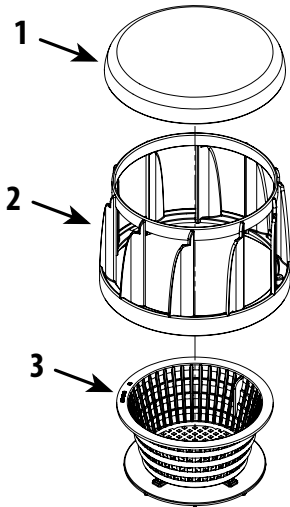
Dyna-Flo XL Skim Filter Replacement Parts

Item	Part No.	Description
1	550-8620B	Weir Assembly
2	519-8260B	Scalloped Trim Ring
3	550-8631B	Basket Assembly - Black - 8.0" diameter x 3.5" H
4	817-0017B	Dyna-Flo XL Cartridge - 50 sq. ft. - 2 3/8" x 6 9/16" OD x 13 5/16" L
	817-0018B	Dyna-Flo XL Cartridge - 75 sq. ft. - 2 3/8" x 6 9/16" OD x 13 5/16" L
	817-0019B	Dyna-Flo XL Cartridge - 100 sq. ft. - 2 3/8" x 6 9/16" OD x 17 13/16" L
5	711-8200B	Spacer Ring
6	602-8210B	Bottom Body Insert with Bypass Valve
7	600-1020B	2 1/2" Bypass Valve
8	--	Body
9	718-8200B	Nut

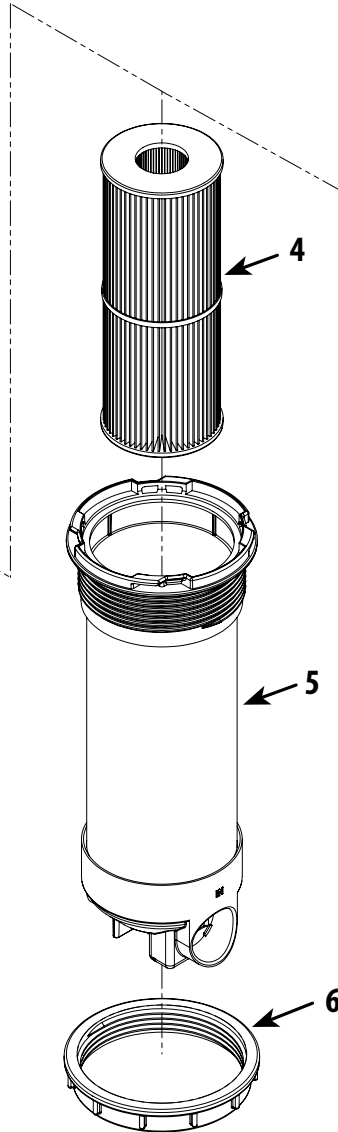
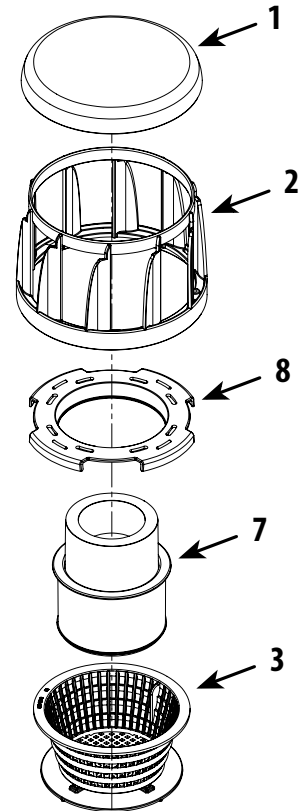


Replacement Parts / Ultra Skim Filter / Ultra Skim XL Filter

Ultra Skim Filter Assembly 514-6550

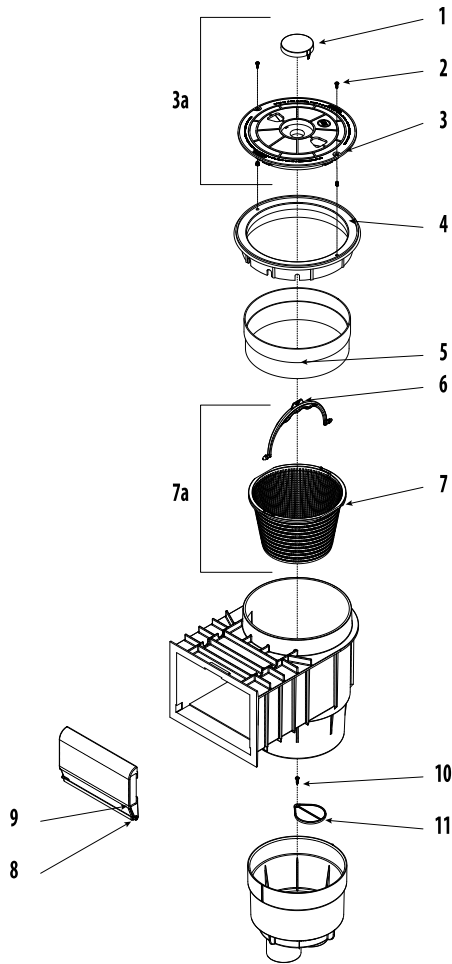


Ultra Skim XL Filter Assembly 514-6580

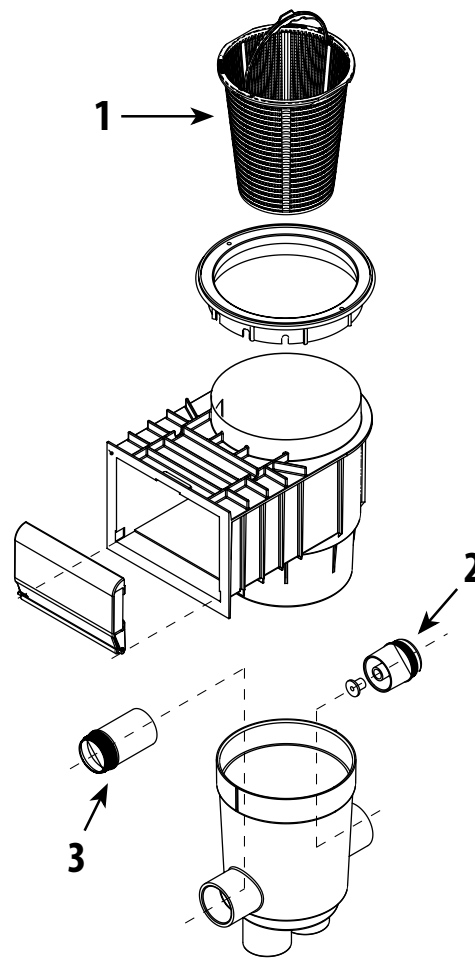


Ultra Skim Filter Replacement Parts

Item	Part No.	Description
1	519-8160B	Lid
2	519-8150B	Turbine
3	500-2697B	Basket Assembly - 6.35" diameter x 2.75" H
4	817-2500B	Filter Cartridge - 25 sq. ft. - 4 15/16" OD x 13 5/16" L
	817-3501B	Filter Cartridge - 40 sq. ft. - 4 15/16" OD x 9 1/4" L
	817-5000B	Filter Cartridge - 50 sq. ft. - 4 15/16" OD x 13 5/16" L
5	--	Body
6	718-1000B	Filter Body Nut
7	550-2630B	Weir Assembly - 3 Piece - White
8	519-2010B	Ultra Skim Filter - Weir Retainer Ring



Renegade Gunite In-Ground Skimmer



Renegade Venturi and Deep Basket

Renegade Gunite In-Ground Skimmer Replacement Parts

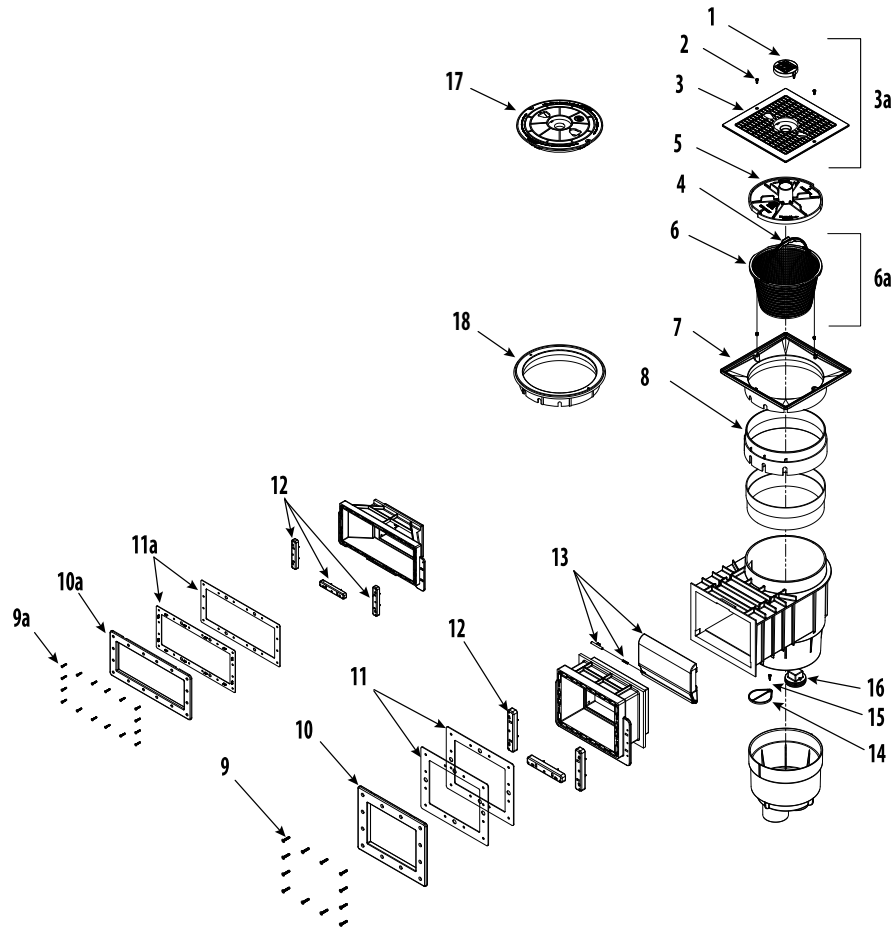
Item	Part No.	Description
1	519-6460B	Blank Lid Insert
2	819-0005B	Screw #8-32 x 7/16" Phil Pan Head (2 required)
3	519-6450B	Lid - White
3a	540-6470WWB	Lid with Logo Insert
4	519-6420B	Lid Mounting Ring with Insert - White
5	519-6570B	Mounting Ring Extension
6	519-3250B	Basket Handle
7	519-3240B	Basket - 8.12" diameter x 5.25" H
7a	542-3240B	Basket Assembly with Handle
8	550-995xB	Weir Door Assembly
9	865-0200B	Weir Door Foam
10	819-4350B	Screw #8 x 5/8" PNHD Phil.
11	519-6470B	Diverter Plate

Renegade Venturi and Deep Basket Skimmer Replacement Parts

Item	Part No.	Description
1	542-9600B	Venturi Basket Assembly - 8.12" diameter x 9.0" H
2	542-9610B	Venturi Nozzle Fitting Assembly
3	519-9650B	2" Outlet Port



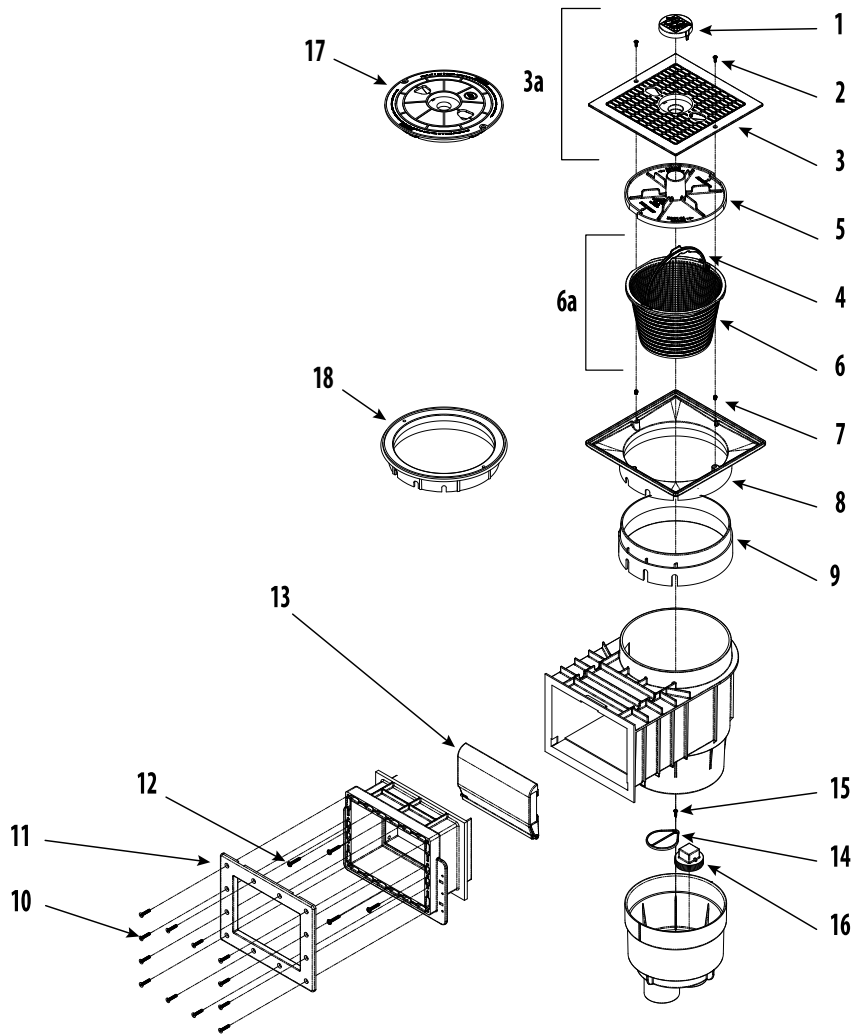
Replacement Parts / Renegade Vinyl Liner Skimmer



Renegade Vinyl Liner Skimmer Replacement Parts

Item	Part No.	Description
1	519-6460WWB	Logo Lid Insert
2	819-0005B	Screw #8.32 x 7/16" (2 required)
3	519-9500B	Square Lid
3a	540-6490WWB	Square Lid with Logo Insert
4	519-3250B	Basket Handle
5	519-6480B	Vacuum Plate - Twist-Lock (2013 & older)
5a	519-6480-R1B	New Vacuum Plate (2014 & newer)
6	519-3240B	Basket - 8.12" diameter x 5.25" H
6a	542-3240B	Basket Assembly with Handle
7	519-9510B	Square Collar
8	519-6560B	Mounting Ring Extension - Vinyl
9	819-6945B	Screw #12 x 1 1/4" PFH (12 required)
9a	819-6945B	Screw #12 x 1 1/4" PFH (16 required)
10	519-9530B	Mounting Plate - Standard
10a	519-9550B	Mounting Plate - Wide Mouth
11	711-9510B	Gasket - Standard (2 required)
11a	711-9520B	Gasket - Wide Mouth (2 required)
12	713-9520B	Spacer (3 required)
13	550-995xB	Weir Door Assembly
14	519-6470B	Diverter Plate
15	819-4350B	Screw - 8 x 5/8"
16	715-9910B	2" NPT Plug
17	519-6450B	Pool Skimmer Lid - R1
18	519-6420B	Mounting Ring

Replacement Parts / Renegade Fiberglass Skimmer

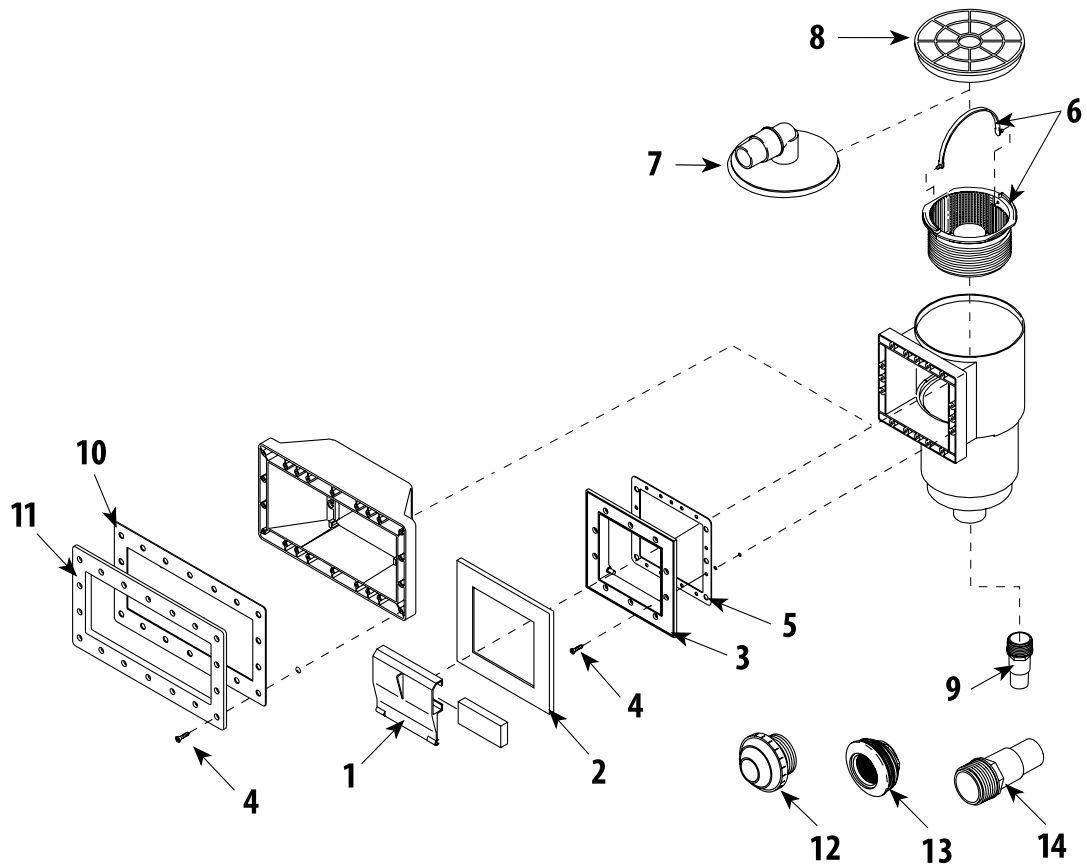


Renegade Fiberglass Skimmer Replacement Parts

Item	Part No.	Description
1	519-6460WWB	Logo Lid Insert
2	819-0005B	Screw #8-32 x 7/16" Phil Pan Head (2 required)
3	519-9500B	Square Lid
3a	540-6490WWB	Square Lid with Logo Insert
4	519-3250B	Basket Handle
5	519-6480B	Vacuum Plate - Twist-Lock (2013 & older)
5a	519-6480-R1B	New Vacuum Plate (2014 & newer)
6	519-3240B	Basket - 8.12" diameter x 5.25" H
6a	542-3240B	Basket Assembly with Handle
7	820-4110B	Screw Lock (2 required)
8	519-9510B	Square Collar
9	519-6560B	Mounting Ring Extension (2 included)
10	819-6950B	Screw #12 x 1 1/2" PFH Type B (12 required)
11	519-9530B	Mounting Plate
12	819-0030B	Screw #12 x 1 1/4" PPH Stainless Steel (4 required)
13	550-995xB	Weir Door Assembly
14	519-6470B	Diverter Plate
15	819-4350B	Screw #8 x 5/8" PNHD Phil
16	715-9910B	2" NPT Plug
17	519-6450B	Pool Skimmer Lid - R1
18	519-6420B	Mounting Ring

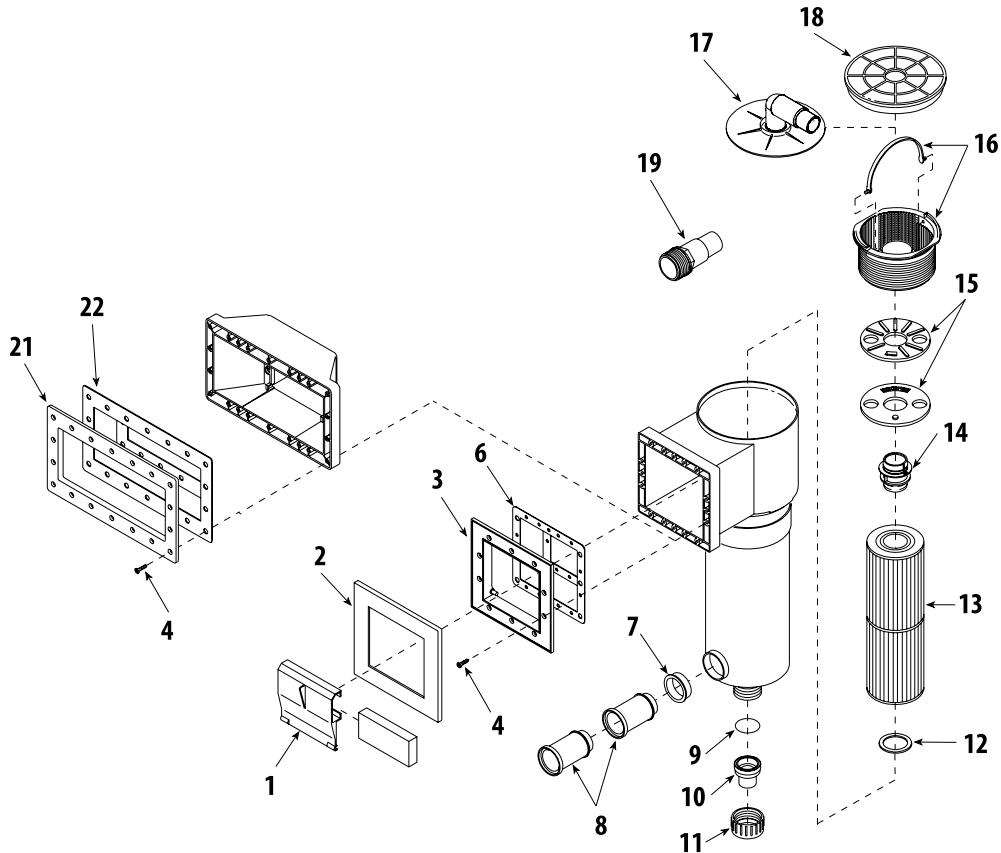


Replacement Parts / Flo-Pro II Above Ground Skimmer



Flo-Pro II Above-Ground Skimmer Replacement Parts

Item	Part No.	Description
1	542-3060B	Weir Door Assembly with Foam
2	519-3090B	Trim Plate <i>(optional)</i>
3	519-3180B	Mounting Plate - Front Access
4	819-0006B	Screw - #12 x 1 1/4" PFH 18-8 Sms <i>(10 for Regular Skimmer; 18 for Wide Mouth)</i>
5	711-0060B	Anti-Rust Wall Protection Gasket - Regular
6	550-1030B	Basket Assembly with Handle - 6.38" diameter x 4.10" H
7	519-3150B	Vacuum Plate - Front Access with 90° Elbow
8	519-3030B	Lid - Front Access
9	417-6140B	Hose Adapter - 1 1/2" MPT x 1 1/2" Hose
	417-6150B	Hose Adapter - 1 1/2" Barb <i>(optional)</i>
10	711-0070B	Anti-Rust Wall Protection Gasket - Wide Mouth
11	519-4110B	Mounting Plate - Wide Mouth
12	400-1410DB	Eyeball Fitting - 3/4" Eyeball
	400-1410EB	Eyeball Fitting - 1" Eyeball
13	400-9170B	Return Wall Fitting with Locknut and Gaskets - 1 1/2" FPT
14	417-6060B	Hose Adapter Fitting - 1 1/2" MPT x 1 1/4" Hose

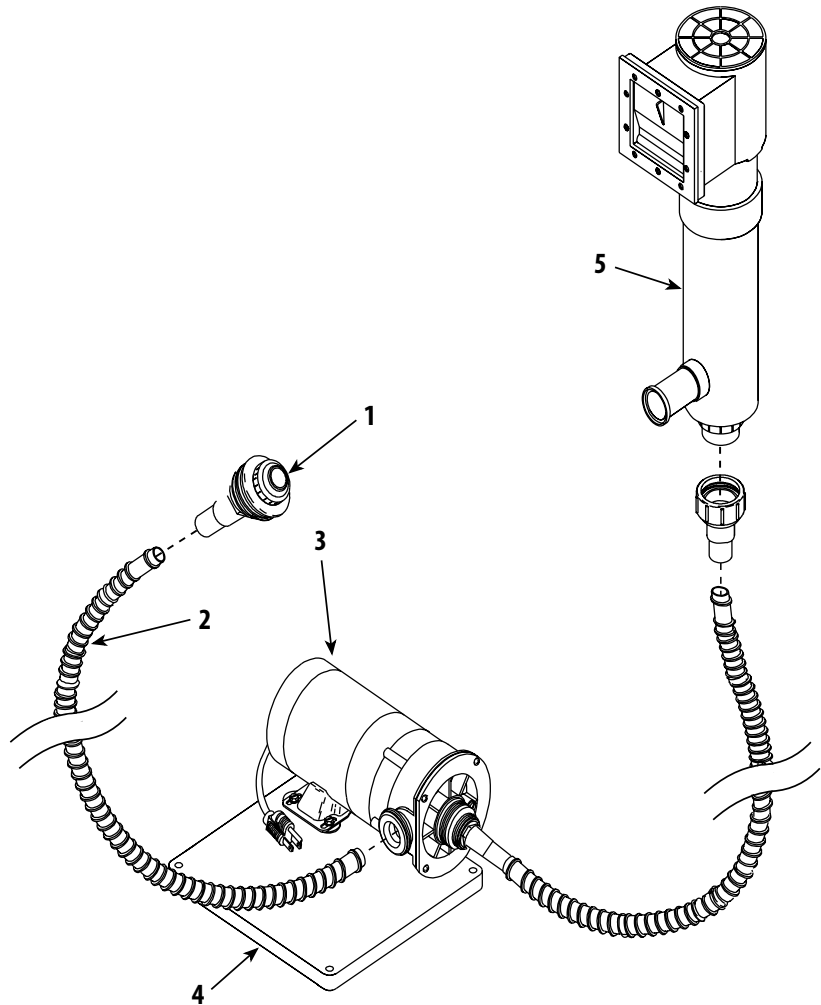
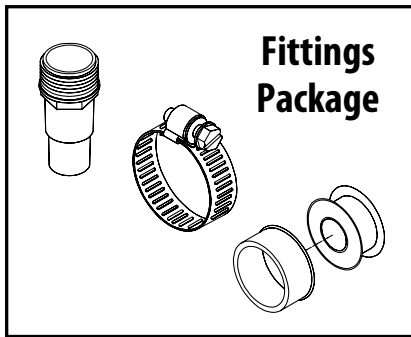


Flo-Pro Skim Filter Replacement Parts

Item	Part No.	Description
1	542-3060B	Weir Door Assembly with Foam
2	519-3090B	Trim Plate - Front Access <i>(optional)</i>
3	519-3080B	Mounting Plate - Front Access - Short Throat Only
	519-3180B	Mounting Plate - Front Access - Long Throat Only
4	819-0006B	Screw - #12 x 1 1/4" PFH 18-8 Sms
6	711-0060B	Anti-Rust Wall Protection Gasket - Regular
7	715-2030B	2" Plug
8	519-3190B	Support Piece - Short Throat
	519-3170B	Extension - Support Piece - Wide Mouth
9	805-0226B	O-Ring - Union
10	417-6020B	1 1/2" Tailpiece x 1 1/2" Hose Adapter Fitting - with O-Ring Groove
11	415-4000B	1 1/2" Union Nut
12	711-1010B	Spacer Ring
13	817-2500B	Filter Cartridge - 25 sq. ft. - 4 15/16" OD x 13 5/16" L
	817-5000B	Filter Cartridge - 50 sq. ft. - 4 15/16" OD x 13 5/16" L
14	519-3100B	Collar Plate
15	519-3010B	Diverter Plate
16	550-1030B	Basket Assembly with Handle - 6.38" diameter x 4.10" H
17	519-3150B	Vacuum Plate with 90° Elbow
18	519-3030B	Lid
19	417-6060B	Hose Adapter Fitting - 1 1/2" MPT x 1 1/4" Hose Barb
21	519-4110B	Mounting Plate - Wide Mouth
22	711-0070B	Anti-Rust Wall Protection Gasket - Wide Mouth



Replacement Parts / TWM Skim Filter

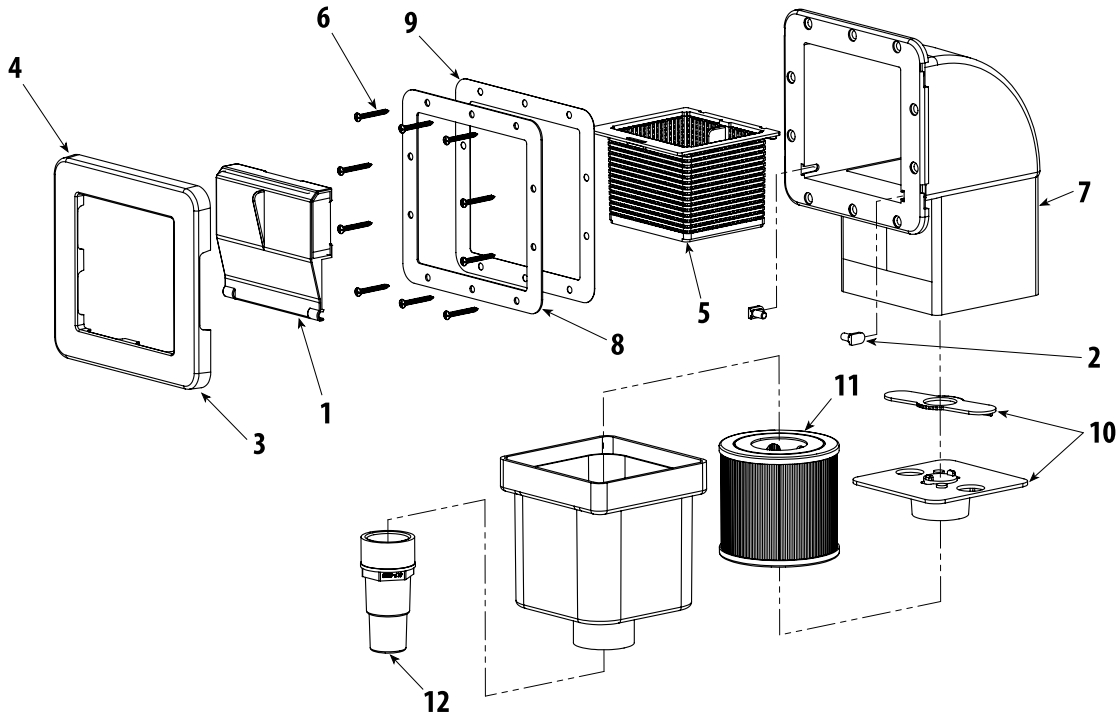


TWM Skim Filter Replacement Parts

Item	Part No.	Description
1	550-9340B	Deluxe Return 1" Eyeball Fitting
2	872-9000B	Corrugated Hose - 1 1/2" x 6 ft.
3	--	Pump
4	672-1010B	Equipment Base - 1" x 14 1/2" x 15"
5	560-JOA50TB	Skim Filter Assembly - 50 sq. ft.

Fittings Package Contents

Item	Part No.	Description
--	417-6061B	1 1/2" MPT x 1 1/4" Hose Adapter Fitting (2 required)
--	872-0011B	2 1/2" Hose Clamp - Stainless Steel (4 required)
--	902-2000B	Teflon Tape - 1/2" x 100" roll

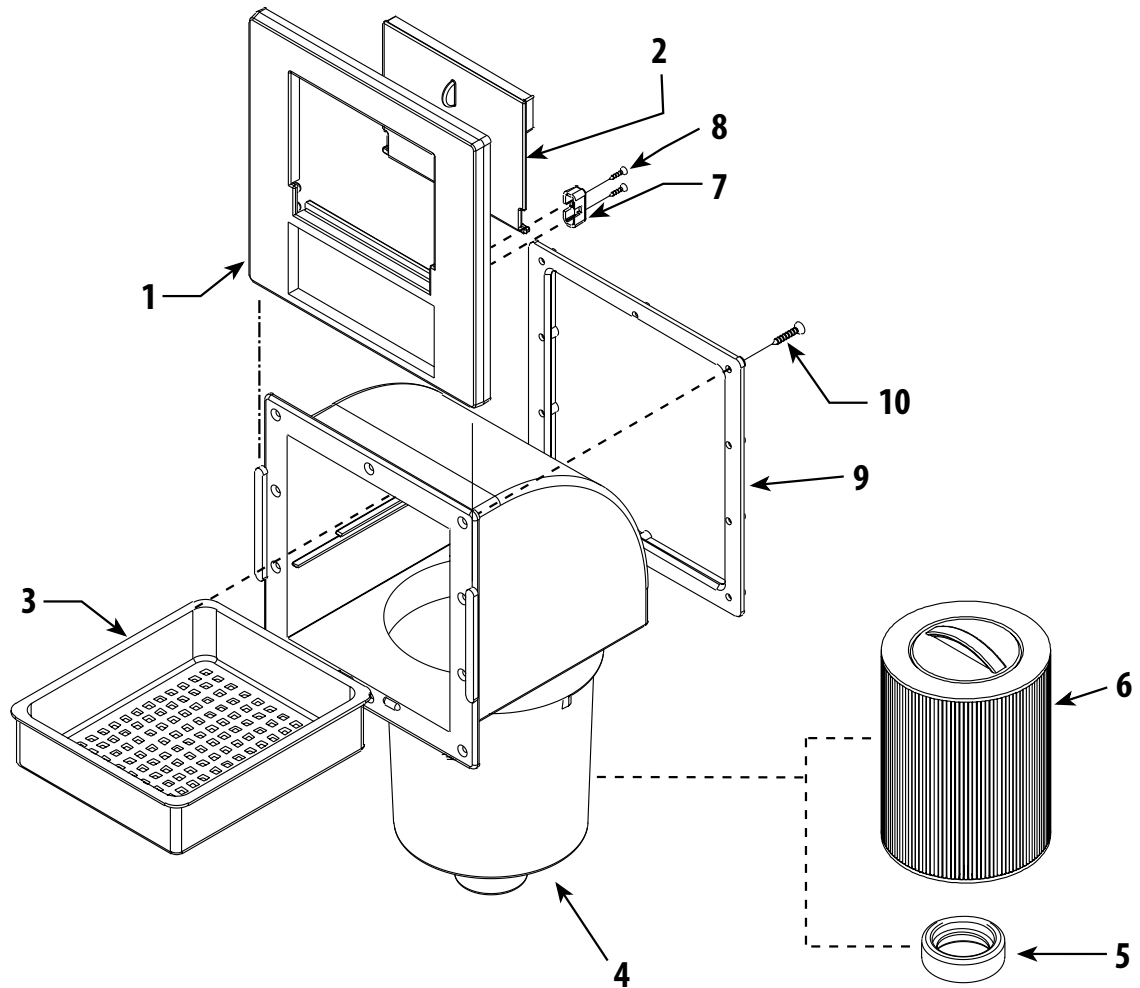


Spa Skimmer and Skim Filter Replacement Parts

Item	Part No.	Description
1	550-4050B	Weir Door with Foam - Square Spa Skimmer
2	519-4020B	Hinge - Square Skim Filter - White
3	916-1010B	Stainless Steel Escutcheon (optional)
4	519-4090B	Square Trim Plate - Plastic - Old Style
5	519-4030B	Basket - 4.80" x 5.10" x 3.45" H
6	819-6930B	Screw - #8 x 1 1/2" Flathead Phillips
7	550-4060B	1 1/2" Square Body with Base
	550-4080B	1 1/2" Square Body - 10 sq. ft. Skim Filter
	550-4090B	1 1/2" Square Body - 20 sq. ft. Skim Filter
8	806-1070B	Gasket - Mounting Plate
9	519-1600B	Mounting Plate (optional)
10	550-1500B	Diverter Plate Assembly
11	817-0010B	Filter Cartridge - 10 sq. ft. - 4 1/4" OD x 4" L
12	417-6080B	Hose Adapter Fitting - 1 1/2" Spigot x 1 1/4" Hose (optional)

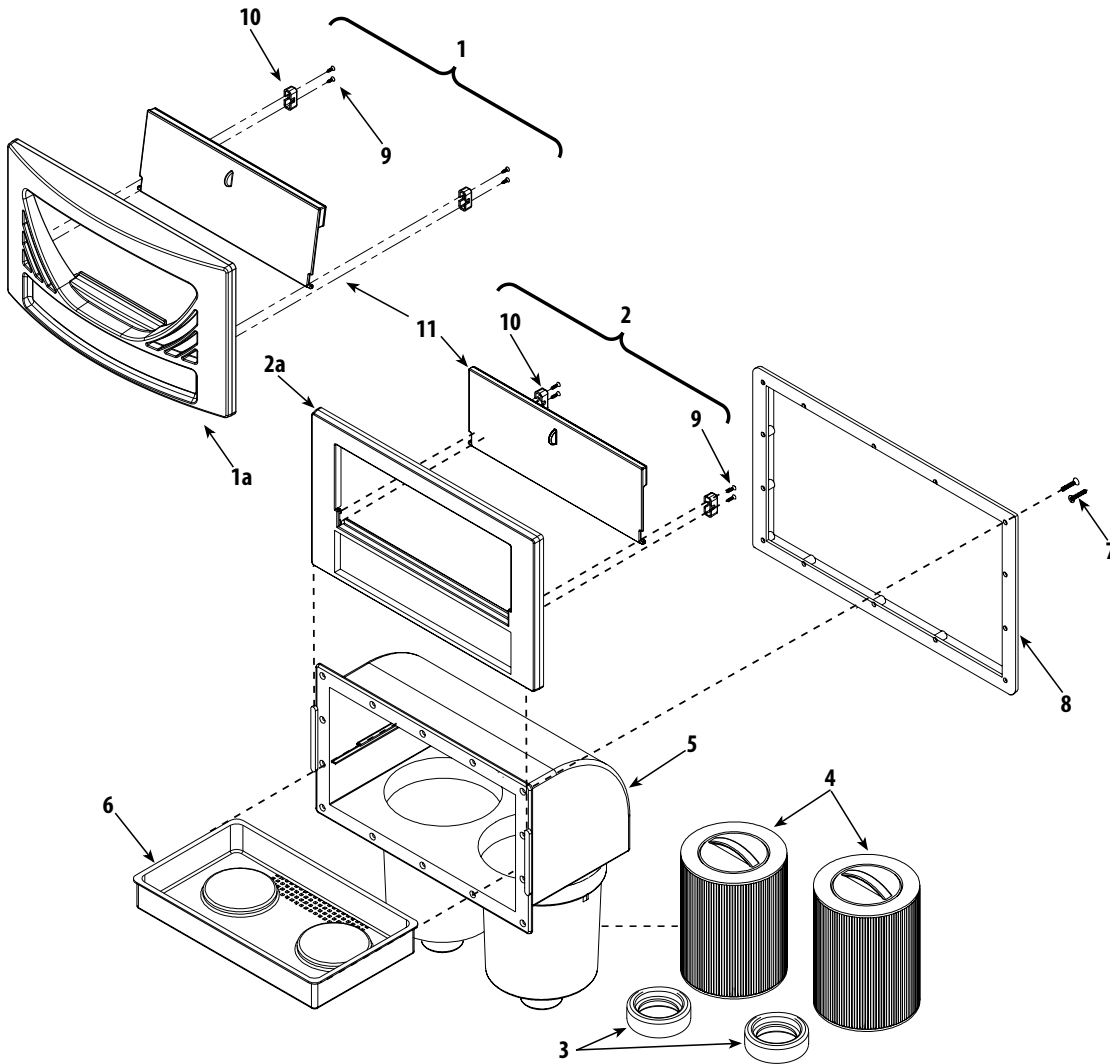


Replacement Parts / 50 sq. ft. Skim Filter



50 sq. ft. Skim Filter Replacement Parts

Item	Part No.	Description
1	519-9010B	Front Plate
2	550-9000B	Weir Door Assembly
3	519-9050B	Basket
4	550-9010B	Filter Body Assembly - 50 sq. ft.
5	519-6640B	Retainer Ring
6	817-0050B	50 sq. ft. Filter Cartridge - 6" OD x 8 1/4" L
7	519-6240B	Hinge Mount
8	819-3260B	Screw - #6 - 20 x 5/8" POH
9	519-9040B	Mounting Plate
10	819-0006B	Screw - #12 x 1 1/4" PFH

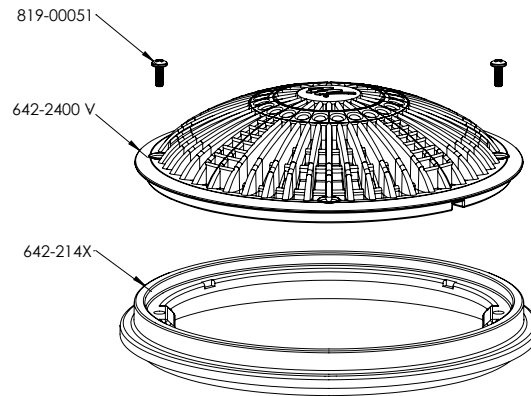


100 sq. ft. Skim Filter Replacement Parts

Item	Part No.	Description
1	550-6630B	Front Access Plate Assembly - Oval
1a	519-6630B	Blank Front Access Plate - Oval
2	550-6610B	Front Access Plate Assembly - Flat
2a	519-6650B	Blank Front Access Plate
3	519-6640B	Retainer Ring
4	817-0050B	50 sq. ft. Filter Cartridge - 6" OD x 8 1/4" L
5	550-6620B	Filter Body Assembly
6	519-6610B	Basket
7	819-0030B	Screw - #12 x 1 1/4" PFH
8	519-6680B	Mounting Plate
9	819-3260B	Screw - #6 -20 x 5/8" POH
10	519-6240B	Hinge Mount
11	550-6600B	Weir Door Assembly

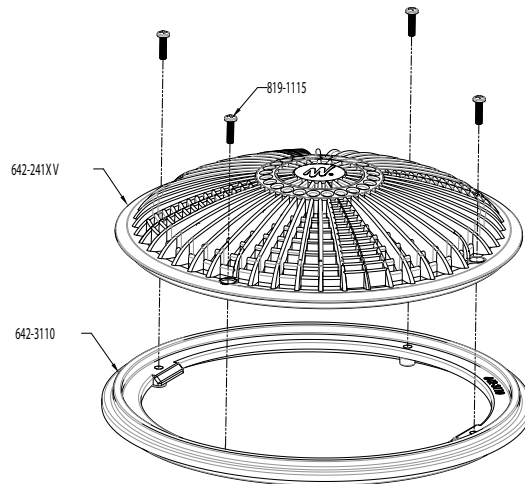


Replacement Parts / VGB Drains



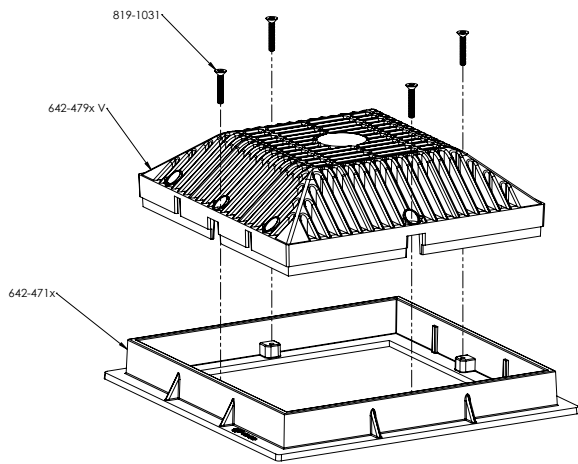
Tru Flo 8" Drain Cover Replacement Parts

Item	Part No.	Description
1	819-0051B	#8 Stainless Steel Screw - 32 x 7/16
2	642-2400 VB	8" Tru Flo Drain Cover
3	642-214XB	8" Tru Flo Drain Frame
4	640-234x VB	8" Tru Flo Drain Cover and Ext. Collar Assy



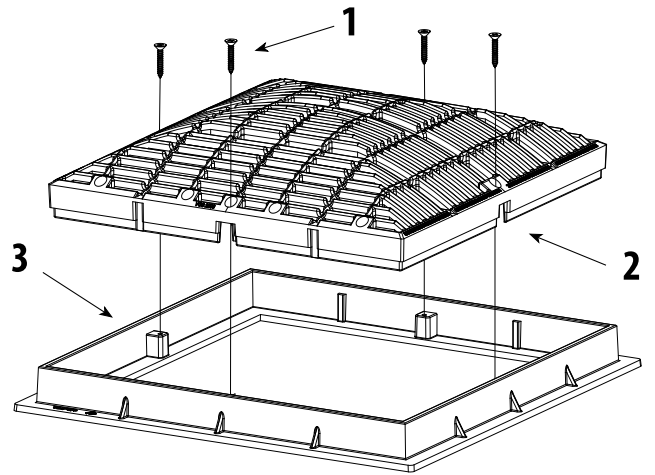
Tru Flo 10" Drain Cover Replacement Parts

Item	Part No.	Description
1	819-1115B	#8 Stainless Steel Screw - 32 x 5/8
2	642-241X VB	10" Tru Flo Drain Cover
3	642-311XB	10" Tru Flo Drain Frame
4	640-191x VB	10" Tru Flo Drain Cover and Ext. Collar Assy



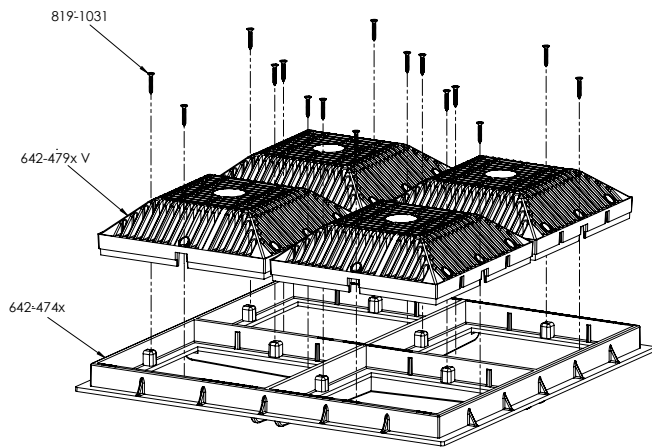
9" x 9" Grate & Frame Replacement Parts

Item	Part No.	Description
1	819-1031B	#8 x 1 Stainless Steel Screw
2	642-479x VB	9" x 9" Pool Grate
3	642-471xB	9" x 9" Grate Frame



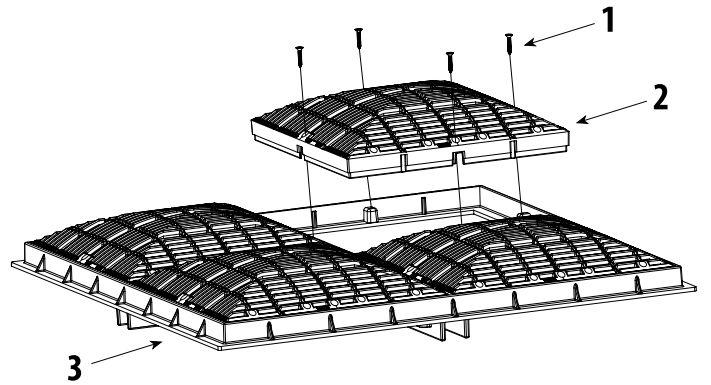
12" x 12" Grate & Frame Replacement Parts

Item	Part No.	Description
1	819-1031B	#8 x 1 Stainless Steel Screw
2	642-4720 VB	12" x 12" Pool Grate
3	642-4730B	12" x 12" Grate Frame



18" x 18" Grate & Frame Replacement Parts

Item	Part No.	Description
1	819-1031B	#8 x 1 Stainless Steel Screw
2	642-479X VB	9" x 9" Pool Grate
3	642-474XB	18" x 18" Grate Frame

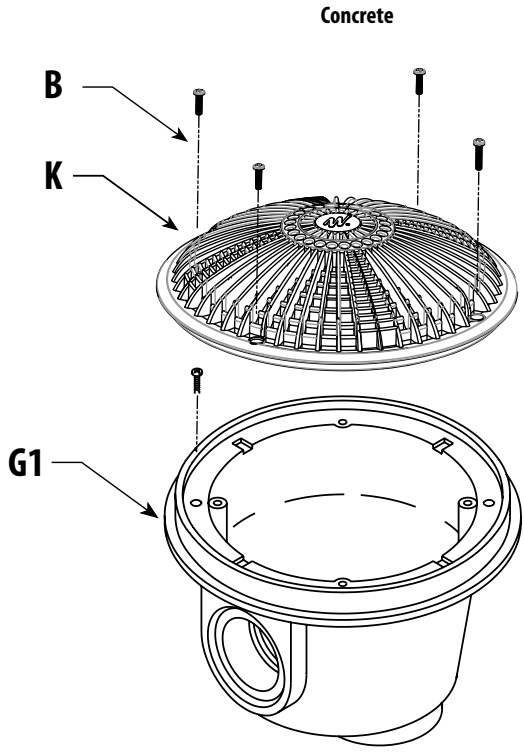
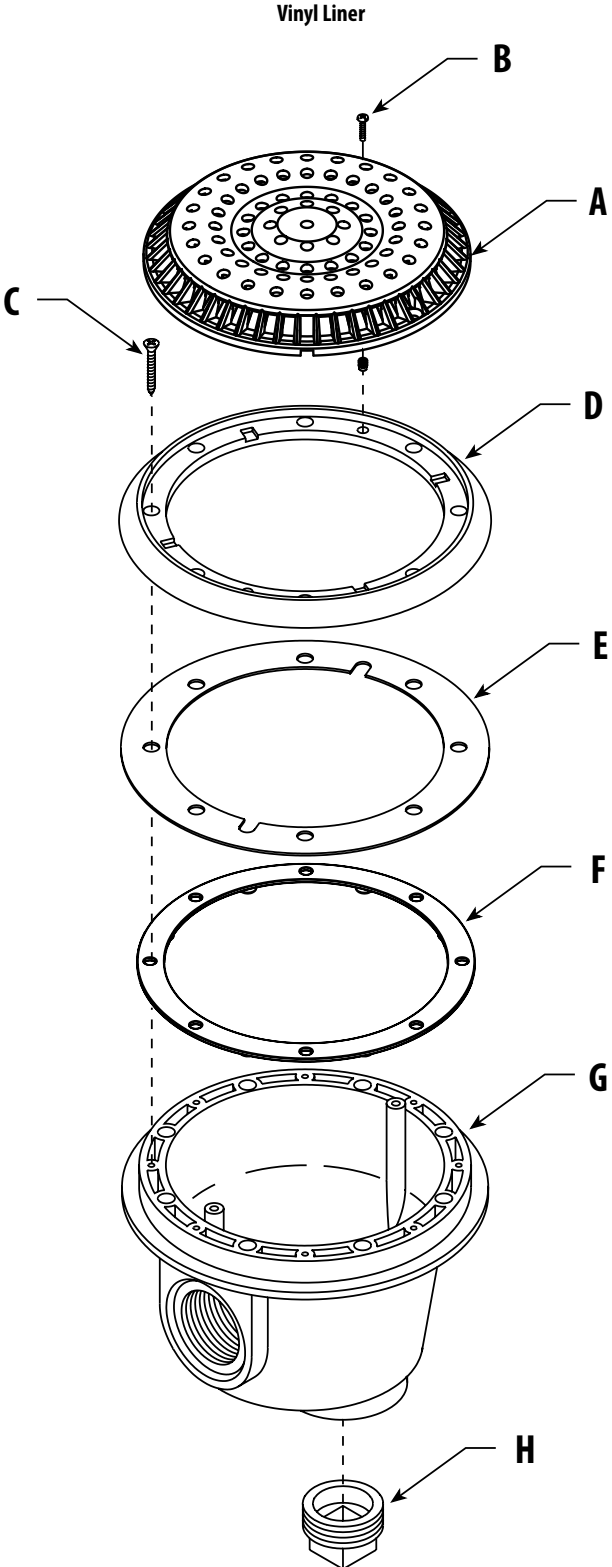


24" x 24" Grate & Frame Replacement Parts

Item	Part No.	Description
1	819-1031B	#8 x 1 Stainless Steel Screw
2	642-4720 VB	12" x 12" Grate
3	642-4760B	24" x 24" Grate Frame



Replacement Parts / Main Drains





Main Drain Replacement Parts

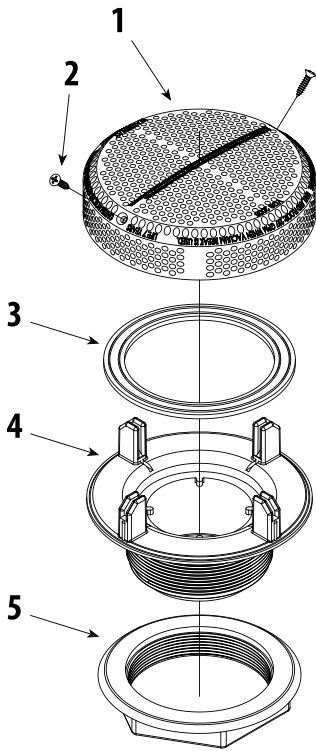
Item	Part No.	Description
A	645-2150 VB	8" Anti-Vortex Cover - White <i>(with screws)</i>
	645-2151 VB	8" Anti-Vortex Cover - Black <i>(with screws)</i>
	645-2157 VB	8" Anti-Vortex Cover - Gray <i>(with screws)</i>
	645-2159-DKG VB	8" Anti-Vortex Cover - Dark Gray <i>(with screws)</i>
	645-2159-BEI VB	8" Anti-Vortex Cover - Beige <i>(with screws)</i>
	645-2159-DKB VB	8" Anti-Vortex Cover - Dark Blue <i>(with screws)</i>
B	819-0005B	Cover Screws <i>(Anti-Vortex only)</i> (2 required)
C	819-6940B	Mounting Screw (8 required)
D	642-2090B	Vinyl Liner Main Drain Mounting Plate - White
	642-2091B	Vinyl Liner Main Drain Mounting Plate - Black
	642-2097B	Vinyl Liner Main Drain Mounting Plate - Gray
E	806-3000B	Gasket - Vinyl Liner Main Drain Assembly(1 required)
F	711-2600B	Gasket - Vinyl Liner Main Drain Body (Stay-In-Place) (1 required)
G	672-2420B	Body - Main Drain Vinyl Liner - 1 ½" FPT
	672-2530B	Body - Main Drain Vinyl Liner - 2" FPT
	672-2430B	Body - Main Drain Vinyl Liner - 1 ½" S
	672-2520B	Body - Main Drain Vinyl Liner - 2" S
G1	672-2500B	Body - 8" Main Drain Concrete - 2" FPT <i>(bulk packed)</i>
	672-2410B	Body - 8" Main Drain Concrete - 1 ½" S <i>(bulk packed)</i>
	672-2510B	Body - 8" Main Drain Concrete - 2" S <i>(bulk packed)</i>
H	715-1230B	1 ½" NPT Plug
	715-9910B	2" NPT Plug
K	642-2400 VB	8" Tru Flo Drain Cover - White
	642-2401 VB	8" Tru Flo Drain Cover - Black
	642-2407 VB	8" Tru Flo Drain Cover - Gray
	642-2409-DKG VB	8" Tru Flo Drain Cover - Dark Gray
	642-2409-BEI VB	8" Tru Flo Drain Cover - Beige
	642-2410 VB	10" Tru Flo Drain Cover - White
	642-2411 VB	10" Tru Flo Drain Cover - Black
	642-2417 VB	10" Tru Flo Drain Cover - Gray
	642-2419-DKG VB	10" Tru Flo Drain Cover - Dark Gray
642-2419-BEI VB	10" Tru Flo Drain Cover - Beige	

Vinyl Liner Drain Cover Kit

Item	Part No.	Description	Qty
	640-2260 VB	Vinyl Liner Tru Flo Kit VGB2008 - White	25 (indiv.)
	640-2261 VB	Vinyl Liner Tru Flo Kit VGB2008 - Black	25 (indiv.)
	640-2267 VB	Vinyl Liner Tru Flo Kit VGB2008 - Gray	25 (indiv.)



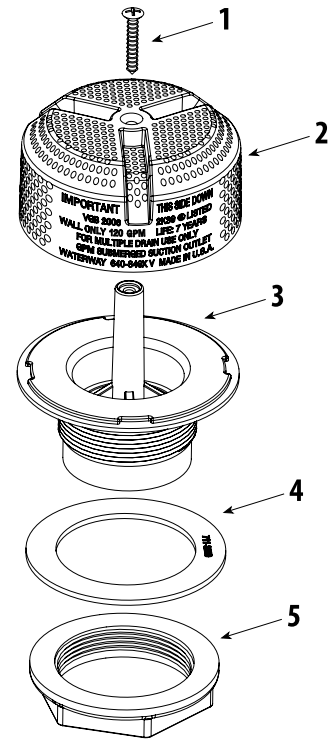
Replacement Parts / VGB Suctions



Super Hi-Flo Suction

Super Hi-Flo Suction Replacement Parts		
Item	Part No.	Description
1	642-3630 VB	Suction Cover
	916-0038 VB	Suction Cover (Stainless Steel)
2	819-1250B	#6 Stainless Steel Screw - 20 x 5/8
3	711-3260B	Gasket
4	215-3620B	2" Wall Fitting (for 640-357xV)
	215-3610B	2 1/2" Wall Fitting (for 640-358xV)
5	642-3620B	Wall Fitting Nut

Ultra Hi-Flo Suction Replacement Parts		
Item	Part No.	Description
1	642-3270 VB	Tall Suction Cover
2	819-0024B	Stainless Steel Screw - #10 x 1"
3	215-3270B	1 1/2" Wall Fitting for Tall Suction
4	711-3250B	Gasket
5	718-3150B	Wall Fitting Nut

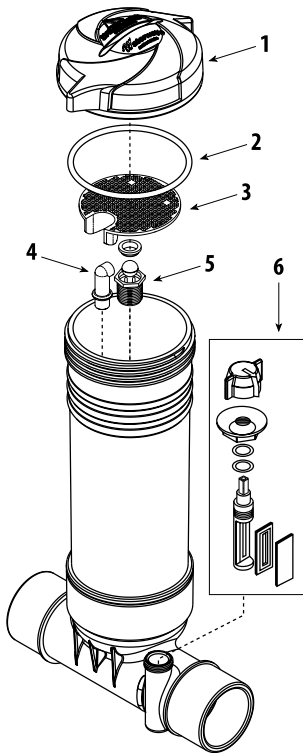
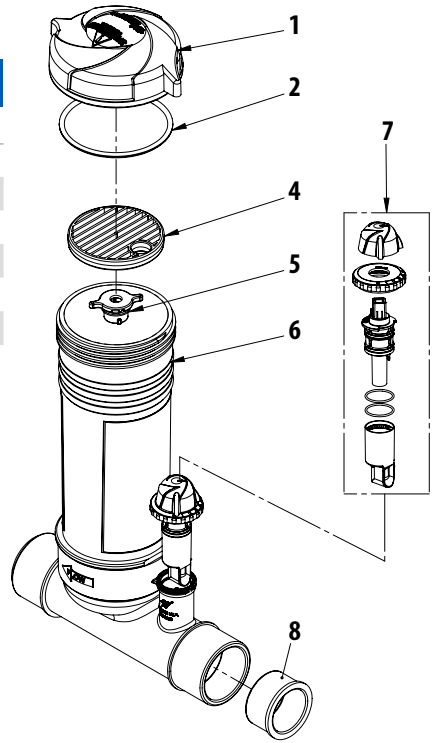


Ultra Hi-Flo Suction



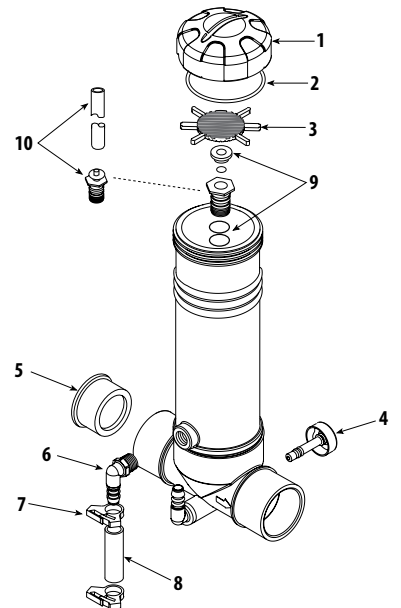
New Style In-Line Chlorinator (2007 and Later) Replacement Parts

Item	Part No.	Description
1	519-1160B	Cap, Lid - In Line Chlorinator
2	805-0348VB	O-Ring
4	519-1400B	Grill, Chlorinator II
5	219-1100B	Body, Check Valve, Chlorinator
6	515-1170B	Upper Body, Chlorinator
7	600-1287B	Check Valve Assembly
8	421-4070B	Reducer Bushing 2" SPG x 1 1/2" S



In-Line Chlorinator (2002 - 2007) Replacement Parts

Item	Part No.	Description
1	519-1167B	Lid
2	805-0348VB	Lid O-Ring
3	319-0030B	Filter Screen
4	411-1170B	90° Elbow - 1/4" Pipe
5	600-1180B	Check Valve Assembly
6	600-1190B	Stem Assembly with O-Ring

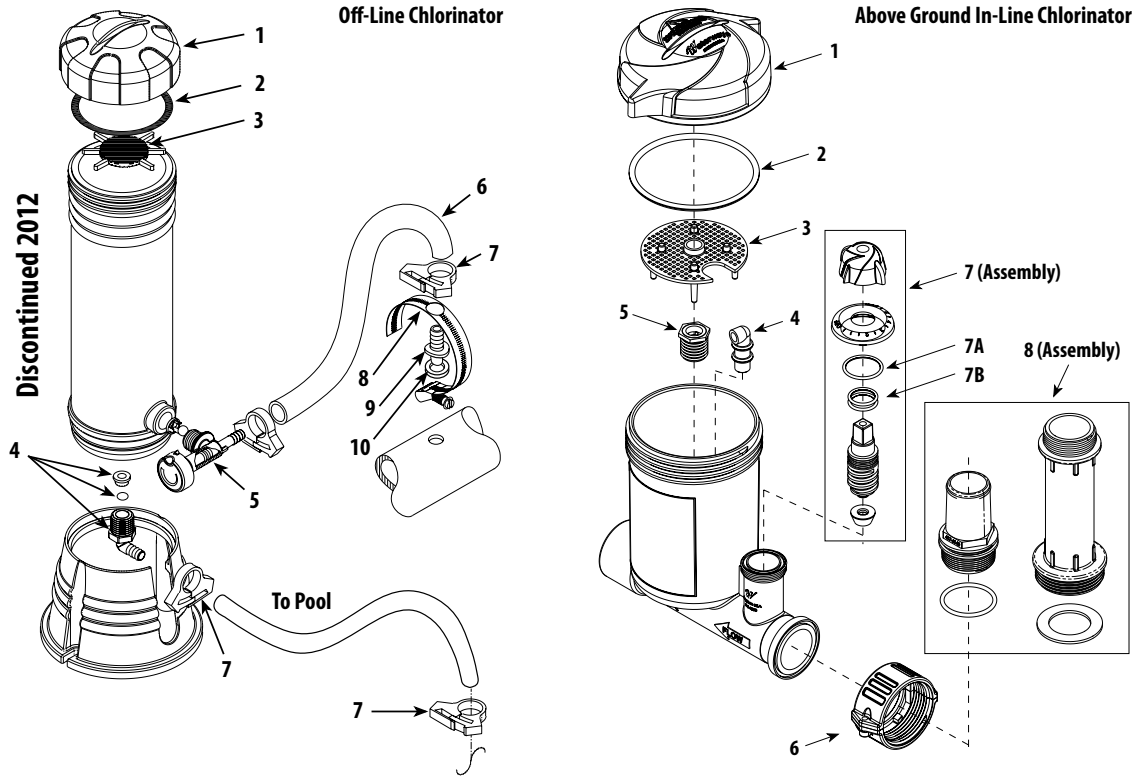


In-Line Chlorinator (2002 and Previous) Replacement Parts

Item	Part No.	Description
1	519-1181B	Lid
2	805-0340VB	O-Ring - Lid
3	319-0041B	Filter Screen
4	600-0051B	Valve Stem Assembly
5	421-4070B	Reducer - 1 1/2" Socket x 2" Spigot
6	400-0021B DISCONTINUED	Elbow Assembly - 1/2" NPT x 1/2" Barb
7	872-2290B	1/2" Hose Clamp
8	519-7361B	3" Flex Hose
9	550-2120B	Coupler Assembly
10	550-2130B	Bromine Conversion Assembly for 1" Tablets



Replacement Parts / Off-Line and Above Ground Chlorinators



Off-Line Chlorinator Replacement Parts

Item	Part No.	Description
1	519-1181B	Lid
2	805-0340VB	O-Ring - Lid
3	319-0041B	Filter Screen
4	600-1151B	Bottom Check Valve Assembly
5	600-0101B	Off-Line Valve Assembly
6	872-2240B	3/8" inner diameter x 1/2" outer diameter Tubing (per ft.)
7	872-2291B	3/8" Hose Clamp
8	872-0011B	2 1/2" Hose Clamp - Stainless Steel
9	425-1181B	3/8" Pipe Adapter
10	806-0003B	Gasket

Above Ground In-Line Chlorinator Replacement Parts

Item	Part No.	Description
1	519-1167B	Lid
2	805-0348VB	O-Ring - Lid
3	519-1250B	Filter Screen - 1 1/2"
4	411-1170B	90° Elbow - 1/4"
5	600-1180B	Check Valve Assembly
6	400-5461B	1 1/2" Split-Nut Union Assembly (with Screws)
7	600-1207B	Dial Stem Assembly
7A	805-0124VB	O-Ring - Stem Assembly
7B	805-0118VB	O-Ring - Stem Assembly
8	400-9820B	Chlorinator Fitting - 1 1/2" Sub Assembly



Index

2018



2018 Pool & Spa Product Buyer's Guide / Index

Part No.	Page	Part No.	Page	Part No.	Page	Part No.	Page	Part No.	Page	Part No.	Page
3J10070-0E	218	125-0110PB	119	210-8290S	152	215-3610B	340	218-9118	149	229-0220	134
3M21621-1W	22, 214	125-0120	8	210-8750	122	215-3620B	340	218-9128	149	229-0220S	134
3R10850-0D	211	125-0120B	119	210-9200	177	215-8200	102	218-9138	149	229-0230	134
3R11250-0D	211	125-0120P	8	210-9258S	177	215-8210	102	218-9148	149	229-0230S	134
3R11250-0V	211	125-0120PB	119	210-9268S	177	215-8220	102	218-9158	149	229-0240	134
3R20850-0D	211	130-0110B	119	210-9278S	177	215-8230	102	218-9168	149	229-0240S	134
3R21050-0D	211	130-0110PB	119	210-9288S	177	215-8240	102	218-9230	173	229-0310	144
3R21050-0V	211	130-0120B	119	210-9308S	177	215-8250	102	218-9428	149	229-0310S	144
110-016W	8	130-0120PB	119	210-9318S	177	215-8270	102	218-9438	149	229-0320	134
110-016WB	119	130-0130B	119	210-9500	122	215-8280	102	218-9448	149	229-0320S	134
110-016WP	8	130-0130PB	119	210-9790	122	215-9150	70	218-9460	149	229-0330	134
110-016WPB	119	130-0210B	119	210-9980S	177	215-9150B	70	219-1060	78	229-0330S	134
110-0100B	119	130-0210PB	119	211-0380	121	215-9151	70	219-1100B	341	229-0410	135
110-0100PB	119	210-0828S	155	211-3040	80, 81, 82	215-9157	70	223-0010	151	229-0410S	135
110-0110B	119	210-0838S	155	211-3050	78	215-9159-BEI	70	224-1000G	78	229-0440	135
110-0110PB	119	210-1861	183	211-3060	80, 81, 82	215-9159-DKB	70	224-1001G	78	229-0440S	135
110-0120	8	210-3247	75	212-0090	121	215-9159-DKG	70	224-1007G	78	229-0450	135
110-0120B	119	210-3330	77	212-0380	125	215-9170	70	224-5710S	84	229-0450S	135
110-0120P	8	210-3400	78	212-0390	125	215-9170B	70	224-6700S	84	229-0460	135
110-0120PB	119	210-3410G	83	212-0500	121	215-9171	70	224-9540S	152	229-0460S	135
110-0140	8	210-3420G	83	212-0500G	121	215-9177	70	224-9550S	152	229-0480	135
110-0140B	119	210-3910	156	212-0540	121	215-9179-BEI	70	228-0010	125	229-0480S	135
110-0140P	8	210-3910S	156	212-0550	121	215-9179-DKG	70	228-0020	125	229-0610	135
110-0140PB	119	210-3920	156	212-0560	121	215-9820	120	228-0040	125	229-0610S	135
110-0150	8	210-3920G	85	212-0580	121	215-9830	120	228-0300	125	229-0620	135
110-0150B	119	210-3920S	156	212-0590	121	215-9840	120	228-0330	125	229-0620S	135
110-0150P	8	210-3950	85	212-0690	121	215-9860	120	228-0340	125	229-1000	80
110-0150PB	119	210-3970	85	212-1800	173	215-9880	70	228-0400	125	229-1010	80
120-0110	8	210-4100	78	212-1810	201	215-9881	70	228-0410	125	229-1100	81
120-0110B	119	210-4110	78	212-1820	201	215-9887	70	228-0430	125	229-1101	81
120-0110P	8	210-4120	78	212-1831	201	215-9889-DKG	70	228-0530	125	229-1107	81
120-0110PB	119	210-4130	78	212-2190	120	215-9890	70	228-1550G	125	229-1110	81
120-0120	8	210-4390	153	212-2190S	120	215-9891	70	228-1560G	125	229-1111	81
120-0120B	119	210-4390S	153	212-2890S	120	215-9897	70	228-1570G	125	229-1117	81
120-0120P	8	210-4400S	152	212-3300	77	215-9899-DKG	70	228-1720G	125	229-1200	82
120-0120PB	119	210-4410S	152	212-3310	77	215-9900	120	228-2000	151	229-1210	82
120-0130	8	210-5100	157	212-3330*	77	215-9950	120	228-2000G	151	229-1320	85
120-0130B	119	210-5100S	157	212-3340*	77	215-9960	120	228-2010	151	229-1430	142
120-0130P	8	210-5100SL	157	212-3350*	77	217-0047	149	228-2010G	151	229-1430S	142
120-0130PB	119	210-5830	122	212-3360	77	217-0057	149	228-2130	151	229-1440	138
120-0140	8	210-5860	122	212-3370	77	217-0060	73, 113	228-2130G	151	229-1440S	138
120-0140B	119	210-5870	122	212-3440	77	217-1060	78	228-6710	82	229-1460	142
120-0140P	8	210-5910	122	212-3450	77	217-3320	77	229-0010	144	229-1460S	142
120-0140PB	119	210-5937	122	212-3470	77	217-3330	77	229-0020	147	229-1470	138
120-0150	8	210-5950	122	212-3500	77	217-3340	77	229-0030	80, 147	229-1470S	138
120-0150B	119	210-6040	122	212-3510	77	217-3350	77	229-0040	144	229-1540	147
120-0150P	8	210-7130S	152	212-4150	121	217-7300	156	229-0040S	144	229-1590	147
120-0150PB	119	210-7150S	152	212-4700	80, 81, 82	217-7320	156	229-0080	144	229-1670	134
120-0160	8	210-7170S	152	212-8400	120	218-1430	74	229-0080S	144	229-1670S	134
120-0160B	119	210-7180S	152	212-8810	120	218-1431	74	229-0090S	144	229-1770	138
120-0160P	8	210-7260S	156	212-8830	120	218-1437	74	229-0120	142	229-1770S	138
120-0160PB	119	210-7270S	156	212-9170	75	218-1440	74	229-0120S	142	229-1780	134
120-0170	8	210-7300	156	212-9171	75	218-1441	74	229-0130	138	229-1780S	134
120-0170B	119	210-7310	156	212-9172	75	218-1447	74	229-0130S	138	229-1790	134
120-0170P	8	210-7350	85	212-9177	75	218-1449-BEI	74	229-0140	134	229-1790S	134
120-0170PB	119	210-7430	156	212-9179-BEI	75	218-1449-DKB	74	229-0140S	134	229-1900	145
120-0180	8	210-7440	156	212-9179-DKG	75	218-1449-DKG	74	229-0150	144	229-1900S	145
120-0180B	119	210-7900	154	212-9870	120	218-1570A	156	229-0150S	144	229-1920	142
120-0180P	8	210-7900S	154	212-9890S	120	218-1770A	123	229-0160	144	229-1920S	142
120-0180PB	119	210-7908	154	212-9900S	120	218-1960A	80, 82	229-0160S	144	229-1930	138
120-0250	8	210-7908S	154	212-9960S	120	218-4010	149	229-0170	142	229-1930S	84, 138
120-0250B	119	210-7910	154	215-1050	78	218-4360	153	229-0170S	142	229-1940	134
120-0250P	8	210-7910S	154	215-1060	78	218-5150	149	229-0180	138	229-1940S	134
120-0250PB	119	210-7918	154	215-1170	80	218-6680	149	229-0180S	84, 138	229-1970	143
125-0110	8	210-7918S	154	215-1190	81	218-6680B	319	229-0190	134	229-1970S	143
125-0110B	119	210-8160S	152	215-1191	81	218-6680T	149	229-0190S	134	229-1980	139
125-0110P	8	210-8270S	152	215-1197	81	218-7650	82	229-0210	134	229-1980S	139
	344	210-8280S	152	215-3270B	340	218-7657	82	229-0210S	134	229-1980SG	84

2018 Pool & Spa Product Buyer's Guide / Index



Part No.	Page	Part No.	Page	Part No.	Page	Part No.	Page	Part No.	Page	Part No.	Page
229-1990	135	229-3357	149	229-7480S	146	229-8050	81	229-9160S	140	239-0350S	128
229-1990S	135	229-3620	142	229-7550	139	229-8050S	145	229-9180S	140	239-0360	128
229-2000S	150	229-3620S	142	229-7550S	139	229-8051	81	229-9190S	140	239-0360S	128
229-2020	151	229-4020	134	229-7550SG	84	229-8051-BEI	81	229-9200S	140	239-0500	128
229-2030	151	229-4020S	134	229-7560	139	229-8051-DK	81	229-9210S	140	239-0500S	128
229-2030S	150, 151	229-4030	134	229-7560S	139	229-8057	81	229-9220S	140	239-0510	128
229-2050	151	229-4030S	134	229-7560SG	84	229-8120	81	229-9230S	140	239-0510S	128
229-2060	151	229-4040	135	229-7570SG	84	229-8120S	145	229-9260S	140	239-0520	128
229-2060S	150, 151	229-4040S	135	229-7580SG	84	229-8121	81	229-9280S	140	239-0520S	128
229-2090S	150	229-4050	135	229-7590	139	229-8121-BEI	81	229-9290S	140	239-0530	128
229-2100	144	229-4050S	135	229-7590S	139	229-8121-DK	81	229-9300S	141	239-0530S	128
229-2100S	144	229-4090	134	229-7590SG	84	229-8127	81	229-9310S	141	239-0540	128
229-2400S	136	229-4090S	134	229-7600	147	229-8130	145	229-9330S	141	239-0540S	128
229-2410S	136	229-5310S	147	229-7600G	82	229-8140	145, 147	229-9350S	141	239-0550	128
229-2420S	136	229-5320S	147	229-7600S	145	229-8140S	145	229-9370S	141	239-0550S	128
229-2430S	136	229-5410S	147	229-7601G	82	229-8150	145	229-9380S	141	239-0560	128
229-2440S	136	229-5420S	147	229-7607G	82	229-8150S	145	229-9400S	141	239-0560S	128
229-2480S	136	229-5430S	147	229-7610	147	229-8160	145, 147	229-9420S	141	239-0620	129
229-2500S	137	229-5440S	147	229-7610G	82	229-8160S	145	229-9430S	141	239-0620S	129
229-2510S	137	229-5480	147	229-7610S	145	229-8170	145, 147	229-9450S	141	239-0630	129
229-2520S	137	229-5480S	147	229-7611G	82	229-8170S	145	229-9460S	141	239-0630S	129
229-2530S	137	229-5510S	147	229-7617G	82	229-8230	145	229-9480S	141	239-0640	129
229-2540S	137	229-5520S	147	229-7630	147	229-8230S	145	229-9490S	141	239-0640S	129
229-2580S	137	229-5530S	147	229-7630G	82	229-8270S	145	229-9510	142	239-0650	129
229-2620S	137	229-5580S	147	229-7631G	82	229-8280	145	229-9510S	142	239-0650S	129
229-2630S	137	229-5610 S	147	229-7637G	82	229-8290	145, 147	229-9520	138	239-0660	129
229-2640S	137	229-5630S	147	229-7680	135	229-8290S	145	229-9520S	84, 138	239-0660S	129
229-2650S	137	229-5640S	147	229-7680S	135	229-8440	134	229-9530	134	239-0670	129
229-2690S	137	229-5650S	147	229-7690	143	229-8440S	134	229-9530S	134	239-0670S	129
229-2700S	136	229-5710S	150	229-7690S	143	229-8450	134	229-9600	145	239-0749-DSGSPS	121
229-2710S	136	229-5800S	150	229-7700	139	229-8450S	134	229-9600S	145	239-0759-DSGS	121
229-2720S	136	229-6170	135	229-7700S	139	229-8570	138	229-9610	142	239-0771S-DSGSPS	121
229-2730S	136	229-6170S	135	229-7700SG	84	229-8570S	84, 138	229-9610S	142	239-0800S	146
229-2740S	136	229-6350	135	229-7720	139	229-8580	138	229-9620	138	239-0830S	146
229-2750S	136	229-6350S	135	229-7720S	139	229-8580S	84, 138	229-9620S	84, 138	239-0900S	146
229-2760S	136	229-6360	135	229-7740	147	229-8590	138	229-9630	135	239-0910S	146
229-2770S	136	229-6360S	135	229-7740G	82	229-8590S	84, 138	229-9630S	135	239-1500	132
229-2780S	137	229-6380	135	229-7740S	145	229-8630	138	229-9640S	141	239-1500S	132
229-2790S	137	229-6380S	135	229-7741G	82	229-8630S	84, 138	229-9720	147	239-1510	132
229-2800S	136	229-6437G	82	229-7747G	82	229-8640	138	229-9720S	147	239-1510S	132
229-2810S	136	229-6610	145	229-7757	149	229-8640S	84, 138	229-9730	142	239-1520	132
229-2820S	136	229-6630	145	229-7757G	82	229-8650	138	229-9730S	142	239-1520S	132
229-2830S	137	229-6650	145	229-7800S	144	229-8650S	84, 138	229-9790	145	239-1530	132
229-2840S	137	229-6710	143	229-7810	144	229-8660	138	229-9790S	145	239-1530S	132
229-2880S	136	229-6710S	143	229-7840	144	229-8660S	84, 138	235-7150	152	239-1700S-DSG	130
229-2900S	150	229-6720	135	229-7840S	144	229-8670S	84	235-8160	152	239-1710S-DSG	130
229-2910S	150	229-6720S	135	229-7900	144	229-8700	138	239-0010S	150	239-1720S-DSG	130
229-2940S	136	229-6740S	133	229-7920 80,	147	229-8700S	84, 138	239-0020S	150	239-1730S-DSG	130
229-2950S	137	229-6840S	146	229-7920S	144	229-8790	142	239-0100	128	239-1740S	150
229-2960S	137	229-6850S	146	229-7930	80	229-8790S	142	239-0100S	128	239-1750S	150
229-3020S	150	229-7090	143	229-7940	144	229-8850	142	239-0110	128	239-1800S	130
229-3040S	150	229-7090S	143	229-7950	80, 147	229-8850S	142	239-0110S	128	239-1810S	130
229-3050S	150	229-7140	143	229-7950S	144	229-8860	142	239-0120	128	239-1820S	130
229-3060S	150	229-7140S	143	229-8000	145	229-8860S	142	239-0120S	128	239-1830S	130
229-3200	138	229-7150	143	229-8010	81	229-8870	142	239-0130	128	239-1900S	131
229-3200S	84, 138	229-7150S	143	229-8010S	145	229-8870S	142	239-0130S	128	239-1910S	131
229-3210S	84	229-7160	143	229-8011	81	229-9000S	140	239-0150S	150	239-1950S	131
229-3220S	84	229-7160S	143	229-8011-BEI	81	229-9010S	140	239-0300	128	239-2300	132
229-3240	138	229-7250	139	229-8011-DK	81	229-9020	142	239-0300S	128	239-2300S	132
229-3240S	84, 138	229-7250S	139	229-8017	81	229-9020S	142	239-0310	128	239-2310	132
229-3250	142	229-7250SG	84	229-8020	145	229-9040	134	239-0310S	128	239-2310S	132
229-3250S	142	229-7310S	146	229-8030	81	229-9040S	134	239-0320	128	239-2320	132
229-3260	142	229-7320S	146	229-8030S	145	229-9060S	140	239-0320S	128	239-2320S	132
229-3260S	142	229-7330S	146	229-8031	81	229-9070S	140	239-0330	128	239-2330	132
229-3270	142	229-7360S	146	229-8031-BEI	81	229-9100S	140	239-0330S	128	239-2330S	132
229-3270S	142	229-7380S	146	229-8031-DK	81	229-9130S	140	239-0340	128	239-2340	132
229-3280	142	229-7390S	146	229-8037	81	229-9140S	140	239-0340S	128	239-2340S	132
229-3280S	142	229-7450S	146	229-8040	145	229-9150S	140	239-0350	128		345



2018 Pool & Spa Product Buyer's Guide / Index

Part No.	Page	Part No.	Page	Part No.	Page	Part No.	Page	Part No.	Page	Part No.	Page
239-2350	132	239-5000	139	239-8360S	132	310-3100	54	310-8000B	284, 286, 293,	319-1560B	283
239-2350S	132	239-5000S	139	310-0140	220	310-3300B	269, 271	295		319-1700B	273, 275, 277,
239-2360	132	239-5010	139	310-0700	220	310-3500	54	310-8010B	284, 286, 293,	279, 281	
239-2360S	132	239-5010S	139	310-0800	220	310-3510	54	295		319-2160B	287
239-3100S	130	239-5020	139	310-0810	220	310-3520	54	310-8020B	284, 286, 293,	319-2170B	284, 285
239-3110S	130	239-5020S	139	310-0900B	292	310-3530	54	295		319-3010B	283
239-3120S	130	239-5030	139	310-1020B	288	310-3540	54	310-8030B	284, 286, 293,	319-3090B	282, 284, 286,
239-3130S	130	239-5030S	139	310-1030B	288	310-3550	54	295		290, 291, 292, 293, 295	
239-3140S	130	239-5040	139	310-1040B	288	310-3560	54	310-8040B	284, 286, 293,	319-3100B	269, 271, 273,
239-3150S	130	239-5040S	139	310-1050B	288	310-3570	54	295		275, 277, 279, 281, 284, 285,	
239-3160S	130	239-5050	139	310-1060B	288	310-3580	54	310-8200	54, 220	287, 288, 289, 294, 296	
239-3300S	130	239-5050S	139	310-1130SD	220	310-3650B	269, 271	310-8210	54, 220	319-3210B	288
239-3310S	130	239-5060	139	310-1140SD	220	310-3660B	269, 271	310-8220	54, 220	319-3230B	284, 285, 287
239-3320S	130	239-5060S	139	310-1141SD	220	310-3670B	269, 271	310-8230	54, 220	319-3260B	288
239-3330S	130	239-5080S	150	310-1150SD	220	310-3680B	269, 271	310-8240	54, 220	319-3290B	265, 267
239-3340S	131	239-5090S	150	310-1160SD	220	310-3990B	284, 285	310-8400B	265, 267	319-3500B	283, 285
239-3350S	131	239-6110	133	310-1440	220	310-4000B	284, 285, 294	311-1060B	292	319-3510B	283, 285
239-3360S	131	239-6110S	133	310-1460	220	310-4010B	284, 285, 294	311-1070B	286	319-3520B	285
239-4000S	127	239-6120	133	310-1480	220	310-4020B	294	311-1110B	287, 296	319-3530B	285
239-4020S	127	239-6120S	133	310-1500	220	310-4030B	284, 285, 294	311-1210B	289	319-4100	284, 285
239-4030S	127	239-6130	133	310-1510	220	310-4050B	294	311-1220B	288, 289	319-4100B	273, 275, 277,
239-4100S	127	239-6130S	133	310-1710	220	310-4060B	292	311-1400B	269, 271	279, 281, 287	
239-4110S	127	239-6140	133	310-1720	220	310-4070B	292	311-1450B	273, 275, 277,	319-5300B	288
239-4120S	127	239-6140S	133	310-1730	220	310-4090B	292	279, 281		350V120-1	273
239-4130S	127	239-6150	133	310-1740	220	310-4180B	289	311-1510B	291	350V520-1	275, 281
239-4200S	127	239-6150S	133	310-1750	220	310-4190B	289	311-1520B	282, 283	400-0021B	341
239-4210S	127	239-6160	133	310-1800	220	310-4200B	289	311-2140B	284, 285, 294	400-1300	75
239-4220S	127	239-6160S	133	310-1810	220	310-4210B	289	311-2160B	293	400-1360	75
239-4230S	127	239-6740	133	310-1820	220	310-4220B	289	311-2170B	284, 295	400-1410A	71
239-4240S	127	239-7090	145	310-1830	220	310-4230B	289	311-2311B	290	400-1410AB	71
239-4250S	127	239-7090S	145	310-1840	220	310-5080	54	311-8300B	265, 267	400-1410B	71
239-4260S	127	239-7710	133	310-1850	220	310-5080B	282, 283	313-1400B	287, 288, 289,	400-1410BB	71
239-4300	144	239-7710S	133	310-1860	220	310-5090	54	294, 296		400-1410C	71
239-4300S	144	239-7730S	141	310-1870	220	310-5090B	282, 283	313-3210B	291	400-1410CB	71
239-4310	144	239-7740	135	310-1880	220	310-5100	54	315-1050B	287	400-1410D	71
239-4310S	144	239-7740S	135	310-1890	220	310-5100B	282, 283	315-1060B	292	400-1410DB	71, 330
239-4320	144	239-7750S	137	310-1900	220	310-5110B	287	315-1070B	286	400-1410E	71
239-4320S	144	239-7760	143	310-1910	220	310-5120B	287, 296	315-1120B	287, 296	400-1410EB	71, 330
239-4330	144	239-7760S	143	310-1920	220	310-5130B	287, 296	315-1220B	289	400-1410F	71
239-4330S	144	239-7770	129	310-1930	220	310-5140B	287, 296	315-1240B	288, 289	400-1410FB	71
239-4340	144	239-7770S	129	310-2200B	291	310-5200B	287, 296	315-1300B	269, 271	400-1410FA	71
239-4340S	144	239-8200	133	310-2260B	291	310-5400	54, 218	315-1500B	291	400-1410FB	71
239-4350	144	239-8200S	133	310-2270B	291	310-5400B	309	315-1510B	282, 283	400-1410FC	71
239-4350S	144	239-8210	133	310-2300B	290	310-6500	54	315-2301B	290	400-1410FD	71
239-4370	147	239-8210S	133	310-2330B	290	310-6600	54	315-2410B	273, 275, 277,	400-1410FE	71
239-4370S	147	239-8220	133	310-2340B	290	310-7400B	281	279, 281		400-1410FF	71
239-4400S	127	239-8220S	133	310-2350B	290	310-7410B	281	315-2500B	284, 285, 294	400-1410FB	71
239-4410S	127	239-8230	133	310-2360	220	310-7420B	281	315-2510B	293	400-1410FC	71
239-4420S	127	239-8230S	133	310-2370	220	310-7430B	273, 275, 277,	315-2520B	284, 295	400-1410FD	71
239-4430S	127	239-8240	133	310-2380	220	281		315-8300B	265, 267	400-1410FE	71
239-4440S	127	239-8240S	133	310-2390	220	310-7440B	281	319-0019	222	400-1410FF	71
239-4450S	127	239-8250	133	310-2450	220	310-7450B	281	319-0030B	341	400-1410FG	71
239-4460S	127	239-8250S	133	310-2460	220	310-7470B	273, 275, 277,	319-0041B	341, 342	400-1410FH	71
239-4700S	127	239-8260	133	310-2480	220	279, 281		319-1270B	290	400-1410FI	71
239-4720S	127	239-8260S	133	310-2620B	291	310-7500B	279	319-1310B	269, 271	400-1410FJ	71
239-4730S	127	239-8300	132	310-3000	54	310-7510B	279	319-1370B	289	400-1410FK	71
239-4740S	127	239-8300S	132	310-3010	54	310-7520B	279	319-1380B	288, 289	400-1410FL	71
239-4750S	127	239-8310	132	310-3010-SS	54	310-7530B	279	319-1390B	285, 294	400-1410FM	71
239-4760S	127	239-8310S	132	310-3020	54	310-7700SD	54, 221	319-1420B	273, 275, 277,	400-1410FN	71
239-4770S	127	239-8320	132	310-3030	54	310-7710SD	54, 221	279, 281		400-1410FO	71
239-4900S	127	239-8320S	132	310-3030-SS	54	310-7720SD	54, 221	319-1430B	273, 275, 277,	400-1410FP	71
239-4910S	127	239-8330	132	310-3040	54	310-7730SD	54, 221	279, 281		400-1410FQ	71
239-4920S	127	239-8330S	132	310-3050	54	310-7740SD	54, 221	319-1500B	273, 275, 277,	400-1410FR	71
239-4930S	127	239-8340	132	310-3050-SS	54	310-7800	54, 221	279, 281		400-1410FS	71
239-4940S	127	239-8340S	132	310-3060	54	310-7810	54, 221	319-1510B	282, 283	400-1410FT	71
239-4950S	127	239-8350	132	310-3070	54	310-7820	54, 221	319-1530B	282, 283	400-1410FU	71
239-4960S	127	239-8350S	132	310-3080	54	310-7830	54, 221	319-1540B	282, 283	400-1410FV	71
		239-8360	132	310-3090	54	310-7840	54, 221	319-1550B	282	400-1410FW	71



Part No.	Page	Part No.	Page	Part No.	Page	Part No.	Page	Part No.	Page	Part No.	Page
400-1421D	72	400-6600-100	79	411-0360	246	413-4000	234	417-5500	62, 228	425-1090	244
400-1421E	72	400-6601	79	411-1170B	341, 342	413-4100	236	417-5970	63, 229	425-1181B	342
400-1427A	72	400-6601-100	79	411-2000	68, 233	413-4130	236	417-5971B	269, 271	425-1928B	315, 317, 319
400-1427D	72	400-6601B	301, 305	411-2010	68, 233	413-4140	236	417-5980	231	425-4000	242
400-1427E	72	400-6610B	305	411-2020	68, 233	413-4160	236	417-6000	63, 229	425-4020	243
400-1429A-DK	72	400-6621B	301, 305	411-2100	68, 233	413-4180	166	417-6001B	269, 271	425-4040	243
400-1429D-DK	72	400-6650	79	411-2200	68, 233	413-4200	166	417-6010	63, 229	425-5010	243
400-1429E-DK	72	400-6651	79	411-3480	246	413-4350	243	417-6020	62, 228	425-5030	81
400-1940	58, 225	400-7390	74	411-3490	246	413-4360	246	417-6020B	331	425-5070	80
400-1990	58, 225	400-7400	237	411-3500	246	413-4370	246	417-6030	63, 229	425-5071	80
400-2000	60, 227	400-8300	73	411-3700	246	413-4400	251	417-6040	62, 228	425-5077	80
400-2010	225	400-8310	73	411-4000	68, 233	413-4410	251	417-6041B	309	429-2000	66
400-2017	58	400-8320	73	411-4010	68, 233	413-4510	246	417-6050	63, 229	429-2010	66
400-2020	58, 225	400-9010B	74	411-4040	68, 233	413-5030	234	417-6060	69	429-3000	66
400-2060	251	400-9030	201	411-4050	68, 233	413-5040	236	417-6060B	330, 331	429-3010	66
400-2070	251	400-9060B	74	411-4060	246	413-5080	236	417-6061	69	429-3020	66
400-2100	251	400-9061B	74	411-4080	68, 233	413-7400	237	417-6061B	309, 332	429-3030	66
400-3021	251	400-9067B	74	411-4160	246	415-4000	62, 228	417-6067	69	429-4000	224
400-3031	251	400-9090	85	411-5030	68, 233	415-4000B	331	417-6080	69	429-4010	114
400-3070	61	400-9120	201	411-5040	68, 233	415-4001B	309, 315, 317	417-6080B	333	429-4017	114
400-3090	61, 65	400-9130	201	411-5050	68, 233	415-4021	230	417-6081	69	429-4019-BEI	114
400-4000	60, 227	400-9140	201	411-5060	68, 233	415-4051B	287	417-6127	249	429-4030	224
400-4020	60, 227	400-9150	70, 201	411-5080	68, 233	415-4061B	273, 275, 277, 279, 281	417-6137	249	429-7100	113
400-4030	60, 227	400-9150B	70	411-5520	248	415-4211B	27, 305	417-6140	69, 247	429-7221B	306, 307
400-4060	58, 225	400-9151	70	411-5540	248	415-4211B	27, 305	417-6140B	330	429-7300	28
400-4061B	315, 317	400-9157	70	411-5550	68, 233	415-5000	63, 229	417-6141	69	429-7300B	315, 317
400-4100	235	400-9160B	74	411-6040	248	415-5001B	288	417-6147	69	439-4010S	127
400-4130	224	400-9161B	74	411-6520	69	415-5091-CPVCB	303	417-6150	69	500-1000B	309, 322, 323
400-4140	79, 115	400-9167B	74	411-6540	69	415-5161	231	417-6150B	330	500-1021	201
400-4141	79, 115	400-9170	70	411-6910B	321	415-5201B	285	417-6151	69	500-1060B	322
400-4147	79, 115	400-9170B	70, 330	411-9100	67, 232	415-6000	63, 229	417-6157	69	500-1070B	322
400-4149-BEI	79, 115	400-9171	70	411-9110	67, 232	415-6001B	269, 271	417-6160	69	500-1098	201
400-4160	61	400-9171B	70	411-9120	67, 232	417-2000	62, 228	417-6161	69	500-1901B	315, 317
400-4230	58, 225	400-9177	70	411-9130	67, 232	417-2090	231	417-6167	69	500-2500	199
400-4240	58, 225	400-9177B	70	411-9140	67, 232	417-2111B	273, 275, 277, 279, 281	417-6197	249	500-2510	199
400-4260	235	400-9180	76	411-9150	67, 232	417-2121-CPVCB	273, 275, 277, 279, 281	417-6241B	306, 307	500-2515B	309
400-4300	59, 226	400-9181	76	411-9160	67, 232	417-2201B	27, 305	418-1000	66	500-2540	199
400-4360	248	400-9187	76	411-9170	68, 233	417-2201B	27, 279, 281	418-2000	66	500-2550	199
400-4420	248	400-9189-DKG	76	411-9180	68, 233	417-4000	62, 228	418-3000	66	500-2680B	324
400-4481-CPVC	61, 226	400-9190	76	411-9200	67, 232	417-4000	62, 228	418-4000	66	500-2697B	326
400-4510	58, 225	400-9190P	76	411-9210	67, 232	417-4001B	309	418-5000	66	500-5000	199
400-5050	60, 227	400-9191	76	413-1201	243	417-4010	62, 228	418-6000	66	500-5010	199
400-5080	61	400-9191P	76	413-1770	235	417-4020	62	418-7000	66	500-5015B	309
400-5090	61	400-9197	76	413-1800	246	417-4030	62, 228	419-0900	247	500-5050	199
400-5161	231	400-9197P	76	413-1810	236	417-4050	230	419-1000	243	500-5300B	306, 307
400-5161B	284	400-9199-BEI	76	413-1820	236	417-4060	62, 228	419-1920	247	500-5310B	301, 305
400-5200	61, 65	400-9199-DKG	76	413-1850	246	417-4070	62, 228	419-4100	66	500-6010	199
400-5301B	288	400-9199P-DK	76	413-1860	246	417-4080	62, 228	419-4110	66	500-6050	199
400-5461	230	400-9220	201	413-1900	243	417-4090	230	419-4120	66	500-7310B	306, 308
400-5461B	342	400-9230	59, 226	413-1920	246	417-4100	62, 228	419-4201B	301, 305, 311	500-7500	200
400-5491	230	400-9240	59, 226	413-1940	243	417-4110	62, 228	421-1000	249	500-7510	200
400-5530	60, 227	400-9280	58, 225	413-1960	246	417-4161	87	421-1030	243	500-7550	200
400-5540	248	400-9290	113	413-1980	234	417-4161B	315, 317	421-1050	249	500-9900	200
400-5570	59, 226	400-9291	113	413-2000	234	417-4220	63, 229	421-3350	77	500-9910	200
400-5580	248	400-9292	113	413-2020	236	417-5020	63, 229	421-4010	249	500-9950	200
400-5640	58, 225	400-9297	113	413-2030	234	417-5040	63, 229	421-4020	249	502-2011B	315, 317, 319
400-5660	59, 226	400-9299-BEI	113	413-2060	234	417-5050	231	421-4030	249	502-2500	199
400-5670	59, 226	400-9299-DKG	113	413-2080	234	417-5060	231	421-4070	249	502-2510	199
400-5680	59, 226	400-9390	76	413-2090	234	417-5080	62, 228	421-4070B	341	502-2530	199
400-5800	59, 226	400-9390P	76	413-2120	234	417-5090	63, 229	421-4071B	27, 305	502-2550	199
400-5971B	59, 226	400-9397	76	413-2130	234	417-5120	63, 229	421-4201B	305	502-5000	199
400-5990	59, 226	400-9397P	76	413-2140	234	417-5121B	288	421-5000	249	502-5010	199
400-6000	60, 227	400-9740	73	413-2150	234	417-5130	63, 229	423-4000	249	502-5030	199
400-6010	59, 226	400-9820	65	413-2160	231	417-5130B	288	425-0210	243	502-5050	199
400-6021B	59, 226	400-9820B	342	413-2180	234	417-5140	231	425-1000	246	502-7500	200
400-6040	248	400-9900B	309	413-2210	234	417-5160	231	425-1010	247	502-7510	200
400-6437	38	400-9974B	305	413-2320	68, 91, 235	417-5180	231	425-1030	246, 247	502-7550	200
400-6600	79	411-0350	246	413-3010	234	417-5260	63, 229	425-1080	243		347



2018 Pool & Spa Product Buyer's Guide / Index

Part No.	Page	Part No.	Page	Part No.	Page	Part No.	Page	Part No.	Page	Part No.	Page
502-9900	200	512-0210	198	519-6570B	327	520-4070LT	38	520-6515-6S	37	532-2019B-DK	113
502-9910	200	512-0270	198	519-6610B	335	520-5007	30	520-6515-C25S	50	535-2209-BRK	250
505-0161B	317, 319	512-2510	198	519-6630B	335	520-5007-3S	30	520-6520-6S	37	535-2209-CIN	250
505-0191B	317, 319	512-2550	198	519-6640B	334, 335	520-5007-6S	30	520-6520-C25S	50	535-2209-CSG	250
505-0221B	317, 319	512-2570	198	519-6650B	335	520-5027	30	520-7500-0	35	535-2209-GPH	250
505-0261B	317, 319	514-6550	198	519-6680B	335	520-5027-3S	30	520-7820-0	35	535-2209-MOC	250
505-0271B	315	514-6580	198	519-6700	115	520-5027-6S	30	522-1610	47	535-2209-RDW	250
505-0281B	315	515-1010B	323	519-6710	115	520-5037-3S	30	522-1610-3	47	535-2300	250
505-0291B	315	515-1170B	341	519-6711	115	520-5037-6S	30	522-1700	47	540-3160	114
505-0301B	315	515-2041TB	311, 313	519-6717	115	520-5107	33	522-1700-3	47	540-3161	114
505-1010B	303	515-4207B	301	519-6719-BEI	115	520-5107-3S	33	522-1910	47	540-3167	114
505-1020B	303	515-7250B	306, 307	519-6900B	321	520-5107-6S	33	522-1910-3	47	540-3169-BEI	114
505-1030B	303	519-0231	251	519-6940.LB	321	520-5127	33	522-2980	39	540-5300*	109
505-1040B	303	519-0300B	320	519-6940.RB	321	520-5127-3S	33	522-3010	39	540-5300-9B	109
505-1060B	303	519-1051B	322	519-6951B	321	520-5127-6S	33	522-3030	39	540-5301	109
505-1930B	315, 317, 319	519-1160B	341	519-6961B	321	520-5147-3S	33	522-3040	39	540-5307	109
505-1950B	317, 319	519-1167B	341, 342	519-6970B	321	520-5147-6S	33	522-4010	39	540-5309-BEI	109
505-1970B	315, 317, 319	519-1181B	341, 342	519-6981B	321	520-5157-3S	33	522-4020	39	540-5310*	109
505-2020B	315, 317, 319	519-1250B	342	519-7269B	306	520-5157-6S	33	522-4030	39	540-5310-9B	109
505-2030B	315, 317, 319	519-1400B	341	519-7361B	341	520-5167	33	522-4040	39	540-5311	109
505-2040B	317, 319	519-1600B	333	519-7400B	306, 307	520-5167-3S	33	522-5007-3S	30	540-5317	109
505-2050B	317, 319	519-2010B	326	519-7410B	306, 307	520-5167-6S	33	522-5007-6S	30	540-5319-BEI	109
505-2060B	317, 319	519-2031	202	519-7420B	306, 307	520-5187	33	522-5027-3S	30	540-5320	109
505-2070B	317, 319	519-2041	202	519-7431B	306, 307	520-5187-3S	33	522-5027-6S	30	540-5700	109
505-2080B	317, 319	519-3010B	324, 331	519-7441B	306, 307	520-5187-6S	33	522-5037-3S	30	540-5710*	109
505-2140B	315	519-3030B	330, 331	519-7470B	306, 307	520-5200	46	522-5037-6S	30	540-5717	109
505-2150B	315	519-3080B	331	519-7491B	306	520-5200-3S	46	522-5107-3S	33	540-5720*	109
505-2160B	315	519-3090	112	519-7601B	306, 307	520-5200-6S	46	522-5107-6S	33	540-5730*	109
505-2180B	315	519-3090B	330, 331	519-8000B	324	520-5220	46	522-5127-3S	33	540-5737	109
505-2240-RB	317	519-3091	112	519-8050B	324	520-5220-3S	46	522-5127-6S	33	540-6010	104
505-2250-RB	317	519-3097	112	519-8070B	324	520-5220-6S	46	522-5147-3S	33	540-6200	110
505-2260-RB	317	519-3100B	331	519-8150B	326	520-5240	46	522-5147-6S	33	540-6350	110
505-3000B	315, 317, 319	519-3150B	330, 331	519-8160B	326	520-5240-3S	46	522-5157-3S	33	540-6410	104
505-3010B	315, 317, 319	519-3170B	331	519-8260B	325	520-5240-6S	46	522-5157-6S	33	540-6410-9B	104
505-3020B	315	519-3180B	330, 331	519-8310B	320	520-5260	46	522-5167-3S	33	540-6410-9SB	104
510-1150	202	519-3190B	331	519-9010B	334	520-5260-3S	46	522-5167-6S	33	540-6410G	104
510-1500	193	519-3240B	327, 328, 329	519-9040B	334	520-5260-6S	46	522-5187-3S	33	540-6410-LL	105
510-1600	193	519-3250B	327, 328, 329	519-9050B	334	520-5300-3S	42	522-5187-6S	33	540-6411	104
510-1650T	193	519-4020B	333	519-9490	107	520-5300-6S	42	522-5200-3S	46	540-6411-9B	104
510-3520	197	519-4030B	333	519-9500B	328, 329	520-5300-C25S	53	522-5200-6S	46	540-6411-9SB	104
510-3540	197	519-4090B	333	519-9510	107	520-5320-3S	42	522-5220-3S	46	540-6411-LL	105
510-3550	197	519-4110B	330, 331	519-9510B	328, 329	520-5320-6S	42	522-5220-6S	46	540-6411-S	104
510-3600	199	519-4281B	301, 305	519-9520	107	520-5320-C25S	53	522-5240-3S	46	540-6417	104
510-4520	197	519-4320B	305	519-9521	107	520-5330-3S	42	522-5240-6S	46	540-6417-9B	104
510-4550	197	519-4370B	301, 305	519-9527	107	520-5330-6S	42	522-5260-3S	46	540-6417-9SB	104
510-4570	196	519-5301B	311	519-9530B	328, 329	520-5340-3S	42	522-5260-6S	46	540-6417-LL	105
510-4590	196	519-5310B	311	519-9540	107	520-5340-6S	42	522-5300-3S	42	540-6417-S	104
510-4600	196	519-5320B	311	519-9547	107	520-5340-C25S	53	522-5300-6S	42	540-6419-BEI	104
510-4620	196	519-5330SCB	311	519-9550B	328	520-5350-3S	42	522-5320-3S	42	540-6419BEI-LL	105
510-4630	196	519-5370B	311, 313, 315	519-9650B	327	520-5350-6S	42	522-5320-6S	42	540-6430	104
510-4680	196	519-5421B	311	520-2a980	39	520-5360-6S	42	522-5330-3S	42	540-6460WW	105, 114
510-4690	196	519-6240B	334, 335	520-5a157	33	520-5360-C25S	53	522-5330-6S	42	540-6461WW	105, 114
510-6520	197	519-6420B	327, 328, 329	520-1601	38	520-5400-25S	52	522-5340-3S	42	540-6467WW	105, 114
510-6540	197	519-6450B	327, 328, 329	520-1601LT	38	520-5420-25S	52	522-5340-6S	42	540-6469WW-B	105
510-6550	197	519-6460B	327	520-1610	47	520-5440-25S	52	522-5350-3S	42	540-6469WW-BEI	114
510-6620	194	519-6460WWB	328, 329	520-1610-3	47	520-5460-25S	52	522-5350-6S	42	540-6469WW-D	105
510-6680	195	519-6470B	327, 328, 329	520-1700	47	520-6000-6S	37	522-6000-6S	36	540-6469WW-DKG	114
510-6900	191	519-6480	104, 107	520-1700-3	47	520-6000-C25S	50	522-6100-6S	36	540-6470WWB	327
510-6910	191	519-6480B	328, 329	520-1910	47	520-6100-6S	37	522-6115-6S	36	540-6480WW	105, 114
510-9020	194	519-6480-R1	104	520-1910-3	47	520-6100-C25S	50	522-6215-6S	36	540-6487WW	105, 114
510-9520	197	519-6480-R1B	328, 329	520-3010	39	520-6115-6S	37	522-6315-6S	36	540-6489WW-B	105
510-9540	197	519-6550	104, 107	520-3030	39	520-6115-C25S	50	522-6415-6S	36	540-6489WW-BEI	114
510-9550	197	519-6560	104, 107	520-3040	39	520-6215-6S	37	522-6515-6S	36	540-6490WWB	328, 329
511-1000B	322	519-6560B	328, 329	520-4010	39	520-6215-C25S	50	522-6520-6S	36	540-6500	104, 107
511-1010B	323	519-6561	104	520-4020	39	520-6315-6S	37	532-2010B	113	540-6510	104
511-1310B	269, 271, 282,	519-6567	104, 107	520-4030	39	520-6315-C25S	50	532-2011B	113	540-6510-9B	104
283		519-6569-BEI	104	520-4040	39	520-6415-6S	37	532-2013B	113	540-6510-9SB	104
348		519-6569-DKG	104	520-4070	38	520-6415-C25S	50	532-2017B	113	540-6510-S	104

2018 Pool & Spa Product Buyer's Guide / Index



Part No.	Page	Part No.	Page	Part No.	Page	Part No.	Page	Part No.	Page	Part No.	Page
540-6511	104	545-8539-BEI	111	550-5150B	322	570-0036-07	26	600-3910*	167	602-7011B	297
540-6511-9B	104	545-8550	111	550-5220B	322	570-0048-07	26	600-3960*	167	602-7070B	297
540-6517	104	545-8557	111	550-5230B	322	570-0060-07	26	600-4000	224	602-7071B	297
540-6517-9B	104	545-8580	111	550-5340B	313	570-0325-07	27	600-4101B	301, 305, 311	602-7140B	297
540-6519-BEI	104	545-8587	111	550-5370B	313	570-0425-07	27	600-4200	170	602-7200B	297
540-6519-DKG	104	550-0020	107	550-5410B	311	570-0525-07*	27	600-4210*	168	602-7251B	297
540-6610	104	550-0120	202	550-5420B	311	600-0051B	341	600-4220*	168	602-8210B	325
540-6610-9B	104	550-0411	202	550-5430B	311	600-0101B	342	600-4230*	168	605-0111B	299
540-6611	104	550-0601B	308	550-5610	202	600-0111	86	600-4330	170	611-5001	252
540-6617	104	550-0611B	308	550-5701B	320	600-0401	86	600-4340	170	611-6090	252
540-6617-9B	104	550-0621B	308	550-5735-1B	320	600-0451	86	600-4360*	168	611-7000	252
540-6619-BEI	104	550-0631B	308	550-5750-1B	320	600-551x*	167	600-4370*	168	616-1100	252
540-6619-DKG	104	550-0701B	308	550-5775-1B	320	600-552x*	167	600-4380*	168	616-1300	252
540-6630	104	550-995xB	327, 328, 329	550-5835-1B	320	600-1000B	322, 323	600-4400*	169	616-1400	252
540-6700	115	550-1030B	330, 331	550-5850-1B	320	600-1020B	325	600-4410*	169	616-1600	252
540-6701	115	550-1500B	333	550-5875-1B	320	600-1040B	320, 322, 324	600-4420*	169	616-1800	252
540-6707	115	550-1600	202	550-6100	202	600-1151B	342	600-4600*	168	616-2000	252
540-6709-BEI	115	550-1801B	317	550-6110	202	600-1180B	341, 342	600-4700	168	616-3001	252
540-6710	115	550-1811B	317	550-6600B	335	600-1190B	341	600-4710	168	616-4001	252
540-6711	115	550-1821B	315, 317	550-6610B	335	600-1207B	342	600-4720	169	630-0005	183
540-6717	115	550-1831B	315, 317	550-6620B	335	600-1287B	341	600-4730	169	630-0008	180
540-6719-BEI	115	550-1833B	315	550-6630B	335	600-1500	26	600-4750	170	630-0008S	180
540-8400	106	550-1841B	315, 317	550-6700	65	600-1500UCPB	311	600-4780	170	630-0038	181
540-8407	106	550-2120B	341	550-6800	224	600-2100	101	600-5000	224	630-0068	180
540-8430	106	550-2130B	341	550-6810	224	600-2140	101	600-7000	86	630-0068S	180
540-8437	106	550-2515B	309	550-6910B	321	600-2150B	101	600-7010	86	630-1105	182
540-8460	106	550-2630B	324, 326	550-7100B	306	600-2160B	101	600-7020	86	630-1115	182
540-8500	106	550-4050B	333	550-7120B	306	600-2200	73	600-7030	86	630-5005	182
540-8507	106	550-4060B	333	550-7210B	306	600-2201	73	600-7040-CPVC	86	630-5008	180
540-8509-BEI	111	550-4080B	333	550-7220B	306	600-2207	73	600-7050-CPVC	86	630-5105	182
540-8530	106	550-4090B	333	550-7500B	306, 307	600-2209-BEI	73	600-7060-CPVC	86	630-5115	182
540-8537	106	550-4110B	301	550-7760	202	600-2209-DKB	73	600-7070-CPVC	86	630-5205	182
540-8539-BEI	111	550-4120B	301	550-8620B	325	600-2209-DKG	73	600-7100-CPVC	86	630-6005	182
540-8550	106	550-4130B	301	550-8631B	325	600-2209-LTB	73	600-7160B	297	630-6058S	180
540-8557	106	550-4200B	301	550-8700	24	600-2300	223	600-7171B	297	630-6105	182
540-8580	106	550-4210B	301	550-8700B	265, 267	600-2370	223	600-7180B	297	630-6115	182
540-8587	106	550-4220B	301	550-9000B	334	600-2380	223	600-7200-CPVC	86	630-6205	182
540-8610	107	550-4230B	301, 305	550-9010B	334	600-2900	224	600-7300B	297	630-6300	181
540-8617	107	550-4240B	301, 305	550-9230	76	600-3010	170	600-8140	224	630-6400	181
540-8630	107	550-4250B	301, 305	550-9231	76	600-3020*	168	600-8150	224	630-K005	183
540-8637	107	550-4260B	301	550-9237	76	600-3030	172	600-8160	224	630-K008	180
540-8700	107	550-4280	26	550-9239-DKG	76	600-3040*	168	600-9101	251	630-K008S	180, 183
540-8830	107	550-4300B	305	550-9240	76	600-3060	171	600-9167	251	630-K105	183
542-3060B	330, 331	550-4310B	301	550-9247	76	600-3110	171	600-9500B	315, 317, 319	630-K115	183
542-3240	107	550-4320B	301	550-9249-DKG	76	600-3140*	169	600-9600B	315, 317, 319	633-1000	185
542-3240B	327, 328, 329	550-4330B	305	550-9330	74	600-3150*	169	601-7701-8	167	633-7068	180
542-6200	104, 107	550-4340B	305	550-9337	74	600-3160*	169	601-7711-8	167	633-7078	180
542-9600B	327	550-4350B	301	550-9340	74	600-3170*	169	601-7721-8	167	633-7088	180
542-9610B	327	550-4360B	305	550-9340B	332	600-3180*	169	601-7731-8	167	640-130x V	99
545-5700	111	550-4370B	305	550-9347	74	600-3190	169	602-0121B	299	640-131x V	99
545-5707	111	550-4380B	301	560-C0A60S	112	600-3210	169	602-0201B	306, 307	640-132x V	97
545-5710	111	550-4390B	301	560-C0A67S	112	600-3220*	169	602-1910B	310	640-133x V	97
545-5717	111	550-4400B	305	560-C0C60S	112	600-3230*	169	602-1931B	315, 317, 319	640-134xLG V	100
545-5750	111	550-4410B	301	560-C0C67S	112	600-3240	172	602-3160*	79	640-134x V	100
545-5757	111	550-4430B	301	560-C3A60L	112	600-3250	171	602-3160B*	79	640-135x V	100
545-8400	111	550-4440B	301	560-C3A67L	112	600-3260	172	602-3161*	79	640-136x V	98
545-8407	111	550-4450B	301	560-C3C60L	112	600-3270	172	602-3161B*	79	640-137x V	98
545-8410	111	550-4460B	305	560-C3C60LF	112	600-3280	171	602-3167*	79	640-180x V	89
545-8417	111	550-4470B	305	560-C3C67L	112	600-3290	171	602-3167B*	79	640-190x V	89
545-8430	111	550-4480B	305	560-D0A60S	112	600-3300	172	602-4201B	301, 305	640-191x V	94
545-8437	111	550-4500B	305	560-D0A61S	112	600-3310	172	602-4440	171, 172	640-191x VB	336
545-8500	111	550-4780B	305	560-D0A67S	112	600-3320	172	602-4440*	168, 169	640-213x V	90
545-8507	111	550-4990B	322	560-D0C60S	112	600-3330	171	602-5301B	311, 313, 315	640-214x V	90
545-8509-BEI	111	550-5000B	322	560-D0C60SF	112	600-3340	171	602-5310B	311, 313, 315,	640-226X V	93
545-8510	111	550-5010B	322	560-D0C67S	112	600-3600*	169	319		640-231x V	91
545-8517	111	550-5060B	322	560-D3C60L	112	600-3610*	169	602-5321B	311, 313, 315,	640-234x V	94
545-8530	111	550-5100DB	309	560-D3C67L	112	600-3620*	169	317, 319		640-234x VB	336
545-8537	111	550-5110B	322	560-J0A50TB	332	600-3630	171	602-7000B	297		349



2018 Pool & Spa Product Buyer's Guide / Index

Part No.	Page	Part No.	Page	Part No.	Page	Part No.	Page	Part No.	Page	Part No.	Page
640-292x V	94	640-7600 V	92	660-4400	165	672-2500B	339	672-5301B	311, 313	674-2610	92
640-325x VP	161	640-7610 V	92	660-4400S	165	672-2510B	339	672-5800	241	674-2620	93
640-328x VP	161	640-8300 V	92	660-4410	165	672-2520B	339	672-5810	241	674-2640	94
640-348x VP	161	640-8400 V	93	660-4410S	165	672-2530B	339	672-5820	241	674-2700	92
640-349x VP	162	640-8500 V	92	660-4440	165	672-3900	242	672-5830	241	674-2710	92
640-378x V	163	640-8600 V	93	660-4450	165	672-4010	241	672-5900	241	674-2720	94
640-379x V	163	640-8700 V	92	660-5510	166	672-4020	241	672-5910	241	674-2730	94
640-393x VP	164	640-8800 V	93	660-6011	166	672-4030	241	672-5920	241	674-2900	92
640-394x VP	164	640-8900 V	93	662-2700	253	672-4040	241	672-5930	241	674-2910	92
640-0400	160	640-9000	72	662-2710	253	672-4070	241	672-5960	241	674-2920	94
640-0401S	160	640-9007	72	662-2720	253	672-4100	241	672-6560	252	674-2930	94
640-0420	160	642-214XB	336	662-2730	253	672-4110	238	672-6970	240, 244	675-0200	190
640-0430	160	642-241X VB	336	670-1100	224	672-4120	238	672-7100	245	675-0211	190
640-472x V	95	642-311XB	336	670-2000	201	672-4130	238	672-7110	245	675-0217	190
640-476x V	96	642-471xB	337	670-2190	158	672-4140	244	672-7120	245	675-0219-DSG	190
640-477x V	96	642-474XB	337	670-2200	158	672-4150	244	672-7130	245	675-0219-STS	190
640-479x V	95	642-479x VB	337	670-2210	158	672-4160	244	672-7140	245	675-0460	190
640-520x V	163	642-479X VB	337	670-2220	224	672-4170	244	672-7150	245	675-0460L	190
640-525x V	163	642-2090B	339	670-2270	224	672-4180	239	672-7160	245	675-0700	178
640-530x V	163	642-2091B	339	670-2290	158	672-4190	239	672-7170	245	675-0710	178
640-535x V	163	642-2097B	339	670-2300	158	672-4200	239	672-7180	245	675-0720	178
640-722x V	94	642-2130	114	670-2310	158	672-4210	239	672-7190	240	675-0730	178
640-723x V	94	642-2400 VB	336, 339	670-2330	158	672-4250	238	672-7201	55	675-0790L	178
640-732x V	94	642-2401 VB	339	670-2350	158	672-4260	239	672-7201B	315, 317	675-0800	178
640-733x V	94	642-2407 VB	339	670-2360	158	672-4270	239	672-7211	28, 55	675-0810	178
640-820x V	102	642-2409-BEI VB	339	670-2380	158	672-4280	239	672-7211B	315, 317	675-0820	178
640-821x V	102	642-2409-DKG VB	339	670-2390	158	672-4310	246	672-7221	55	675-0830	178
640-822x V	102	642-2410 VB	339	670-2408L	158	672-4320	246	672-7241	55	675-0908L	178
640-823x V	102	642-2411 VB	339	670-2500	158	672-4340	242	672-7241B	315, 317	675-0918L	178
640-824x V	102	642-2417 VB	339	670-2600	158	672-4350	243	672-7250	222	675-0928L	178
640-825x V	102	642-2419-BEI VB	339	670-2800	253	672-4370	241	672-7360	244	675-0938L	178
640-2000	251	642-2419-DKG VB	339	672-0041	181	672-4380	238	672-7370	244	675-1380	55
640-2001	251	642-3270 VB	340	672-0400	242	672-4390	240	672-7380	244	675-1500	55
640-2260 VB	339	642-3610	164	672-0410	242	672-4400	239	672-7401	55	675-1500B	283, 285
640-2261 VB	339	642-3620B	340	672-0420	242	672-4410	244	672-7401B	306, 307	675-2000	179
640-2267 VB	339	642-3630 VB	340	672-0550	241	672-4430	238	672-7500	237	675-2000S	179
640-2800	114	642-3680	164	672-0600	253	672-4490	244	672-7510	237	675-2010	189
640-2801	114	642-3700	164	672-1000	55, 222	672-4540	114	672-7520	237	675-2010L	189
640-2807	114	642-3730	164	672-1000B	319	672-4541	114	672-7600	237	675-2020	189
640-2809-BEI	114	642-3750	164	672-1010	55, 222	672-4547	114	672-7610	237	675-2020L	189
640-2809-DKG	114	642-4720 VB	337	672-1010B	309, 332	672-4549-BEI	114	672-7620	237	675-3500	176
640-2900	114	642-4730B	337	672-1020	222	672-4570	238	672-7700	237	675-3500S	176
640-2901	114	642-4760B	337	672-1030	222	672-4580	238	672-7710	237	675-3508L	176, 177
640-2907	114	642-7400	237	672-1051B	309	672-4610	241	672-7720	237	675-3508LS	176, 177
640-2909-BEI	114	642-7410	237	672-1060	222	672-4620	240	672-7900	238	675-3510	175
640-2909-DKG	114	642-7420	237	672-1060B	288	672-4630	238	672-7910	239	675-3518LS	175
640-3000	114	645-2150 VB	339	672-1080	222	672-4640	239	672-7920	244	675-3550	176
640-3001	114	645-2151 VB	339	672-1100	222	672-4660	242	672-7930	244	675-3550S	176
640-3007	114	645-2157 VB	339	672-1160	222	672-4670	239	672-8000	236	675-3558L	176
640-3170	201	645-2159-BEI VB	339	672-1170	222	672-4680	244	672-8010	236	675-3558LS	176
640-3570S V	163	645-2159-DKB VB	339	672-1300B	269, 271	672-4690	241	672-8020	236	675-3600	176
640-3580S V	163	645-2159-DKG VB	339	672-1310B	269, 271	672-4700	241	672-8040	236	675-3600S	176
640-4220	201	650-1010	165	672-1320	222	672-4770	244	672-8050	155, 236	675-3608L	176, 177
640-4230	201	650-2010	165	672-1350B	273, 275, 277,	672-4900	244	672-9001	190	675-3608LS	176, 177
640-4240	201	650-3400	113	279, 281		672-4910	244	672-9011	190	675-3610	175
640-4340	160	660-3400	113	672-1380B	265, 267	672-4920	244	672-9101	190	675-3618LS	175
640-4400	160	660-3401	113	672-1430	243	672-4930	244	672-9540	155, 236	675-3660	176
640-4440	160	660-3407	113	672-1440	243	672-4940	244	674-2410	92	675-3660S	176
640-6600	192	660-3500	166	672-1450	243	672-4960	244	674-2420	93	675-3668L	176
640-6920	192	660-3510	166	672-1460	247	672-4980	245	674-2430	93	675-3668LS	176
640-6940	192	660-3520	166	672-2000	113	672-5060	241	674-2450	94	675-3708L	177
640-6960	192	660-3530	166	672-2001	113	672-5070	241, 242	674-2500	92	675-3708LS	177
640-7400 V	92	660-3560	166	672-2002	113	672-5080	241, 242	674-2510	92	675-4000	174
640-7410 V	92	660-3570	166	672-2007	113	672-5090	194	674-2520	93	675-4000S	174
640-7420 V	94	660-3580	166	672-2009-DKG	113	672-5200	244	674-2530	93	675-4008L	177
640-7500 V	92	660-3590	166	672-2410B	339	672-5240	244	674-2550	94	675-4200	189
640-7510 V	92	660-3600	166	672-2420B	339	672-5250	244	674-2560	94	675-4900	174
	350	660-3910	166	672-2430B	339	672-5260	244	674-2600	92	675-4900S	174



Part No.	Page	Part No.	Page	Part No.	Page	Part No.	Page	Part No.	Page	Part No.	Page
675-4908L	177	711-7000B	321	750-3202-280	56	805-0226	62, 228	817-0018B	325	819-1110B	284, 285, 286,
675-5280	177	711-7300	156	770-0006	57	805-0226B	309, 331	817-0019B	325		287, 288, 289, 290, 291, 292,
675-5280L	177	711-8010	202	770-0050	57	805-0228B	303	817-0020B	321		293, 294, 295, 296
675-5300	177	711-8200B	325	770-0100	57	805-0229	63, 229, 231	817-0050	203	819-1115B	336
675-5300L	177	711-9510B	328	770-0150	57	805-0230B	305	817-0050B	334, 335	819-1250B	340
675-5330	177	711-9520B	328	770-0200	57	805-0232	63, 229	817-0075PB	307, 308	819-2590B	265, 267
675-5330L	177	711-9860	121	770-1000-PS	57	805-0232B	27, 305	817-0081B	305	819-3260B	334, 335
675-6501	253	711-9870	121	770-1002-PS2	57	805-0233B	301, 305	817-0100PB	307, 308	819-4350B	285, 327, 328,
675-6507	253	713-9520B	328	770-1004-PSW	57	805-0238B	269, 271, 273,	817-0106B	305		329
675-6509-BRN	253	715-0000	79, 249	770-1006-PSW2	57		275, 277, 279, 281	817-0125NB	307	819-4360B	269, 271, 273,
675-6530	253	715-0040	249	773-2400	57	805-0239B	297	817-0125PB	308		275, 277, 279, 281
680-2000	202	715-0340	247	775-0501	185, 186	805-0241B	299	817-0131B	305	819-6930B	333
700-3011-000	56, 159	715-1001B	309, 322, 323	775-0502	185	805-0248B	292	817-0150NB	307	819-6940B	339
700-3102-000	56, 159	715-1010B	322, 323	775-0503	186, 187	805-0252B	286, 287, 296	817-0150PB	308	819-6945B	328
700-3151-000	56, 159	715-1201B	269, 271, 273,	775-0504	185, 186	805-0254B	310, 315, 317,	817-0175PB	308	819-6950B	329
700-3152-000	56, 159		275, 277, 279, 281, 282, 283,	775-0523	185		319	817-0200NB	307	819-9001B	288
700-3201-000	56, 159		284, 285, 286, 287, 288, 289,	777-WW02007	185	805-0256B	284, 285, 294	817-0200PB	308	819-9002B	283, 285, 306,
700-3202-000	56, 159		291, 294, 296	777-WW06000	184	805-0261B	288, 289	817-1000	203		307
711-0010	166	715-1230	79	777-WW99001	185	805-0264B	291	817-1000B	322	820-0013B	265, 267, 315,
711-0020	158	715-1230B	339	777-WW99002	185	805-0268B	265, 267	817-2500	203		317, 319
711-0060B	330, 331	715-1261	243	777-WW99003	185	805-0330B	282, 283	817-2500B	309, 322, 323,	820-0016B	269, 271
711-0070B	330, 331	715-1307B	297	777-WW99004	185	805-0332B	273, 275, 277,		324, 326, 331	820-0017-1B	273, 275,
711-0080	160	715-1910	73	777-WW99010	186		279, 281	817-3501	203		277, 279, 281
711-1010B	309, 322, 323,	715-1911	73	777-WW99011	186	805-0339B	301, 305	817-3501B	324, 326	820-0017B	269, 271, 273,
	324, 331	715-1917	73	777-WW99012	186	805-0339BN50B	311	817-3510	203		275, 277, 279, 281, 315, 317
711-1350	158	715-1919-BEI	73	777-WW99013	186	805-0340VB	341, 342	817-3640	203	820-0018B	269, 271, 288
711-1670B	301, 305	715-1919-DKG	73	777-WW99014	186	805-0348VB	341, 342	817-4035B	320	820-0019B	265, 267
711-1730	123	715-2000	79, 249	777-WW99015	186	805-0360B	309, 322, 323	817-4050B	320	820-1050B	303
711-1750	123	715-2030B	331	777-WW99020	187	805-0435B	315, 317	817-4075B	320	820-4110B	329
711-1910B	315, 317, 319	715-4000	79, 249	777-WW99022	187	805-0436B	287, 288	817-5000	203	820-4150B	288
711-1920B	317, 319	715-4020B	284, 290, 293,	777-WW99023	187	805-0439B	269, 271, 282,	817-5000B	309, 322, 323,	827-0002B	315, 317, 319
711-2600B	339		295	777-WW99050	185		283		324, 326, 331	827-8150B	301, 305
711-3050	173	715-6011B	311	777-WW99051	185	805-0442B	311, 313	817-5010	203	830-3000B	309, 311, 315,
711-3250B	340	715-6611B	301, 305	777-WW99052	185	805-0460B	306, 307	817-7500	203		317, 319
711-3260B	340	715-8400B	265, 267	777-WW99053	185	806-0003B	342	817-7500B	322	830-4000SSB	301, 305,
711-3280	202	715-9770	249	780-8020	185	806-0010	148	818-3900B	301		306, 307
711-4000	62, 87, 228, 230	715-9850	249	800-0100B	315, 317, 319	806-0011	148	818-3910B	301	865-0200B	327
711-4000B	287, 315, 317	715-9860	249	800-0150B	315, 317, 319	806-0012	148	818-3920B	301	865-0800B	283, 285
711-4010	63, 229, 231	715-9870	249	802-0009B	303	806-0013	148	818-3930B	301	872-0004	251
711-4010B	284, 285, 288,	715-9880	79, 249	802-1050B	303	806-0018	148	818-3940B	301	872-0011B	309, 315, 317,
	315, 317	715-9890	79, 249	805-0000B	301, 305	806-0021	148	818-3950B	301		319, 332, 342
711-4020	63, 229, 231	715-9900B	322	805-0001-SPLB	282, 283	806-0022	148	819-0005B	327, 328, 329,	872-0046B	311, 313
711-4030	63, 229, 231	715-9910	79	805-0014	248	806-0023	148		339	872-2130DB	311
711-4050	230	715-9910B	328, 329, 339	805-0014B	273, 275, 277,	806-0060	148	819-0006B	330, 331, 334	872-2240B	342
711-4070	121	718-1000B	320, 322, 324,		279, 281	806-0061	148	819-0008B	321	872-2290B	341
711-4200B	301, 305		326	805-0110B	301, 305	806-0062	148	819-0010B	310, 315, 317,	872-2291B	342
711-4290B	269, 271	718-3150B	321, 340	805-0112B	265, 267, 269,	806-0063	148		319	872-4000EB	308
711-4300B	269, 271, 273,	718-4201B	301, 305		271, 282, 283, 284, 285, 286,	806-0100	251	819-0011B	265, 267, 269,	872-4000FB	308
	275, 277, 279, 281	718-4320B	301	805-0114B	309, 322, 323	806-1000B	303		271	872-4000LB	308
711-4310	173	718-6960	149		294, 295, 296	806-1070B	333	819-0013B	265, 267, 269,	872-6200B	265, 267
711-4350B	321	718-7000B	321	805-0114B	309, 322, 323	806-1400B	273, 275, 277,		271, 273, 275, 277, 279, 281	872-9000B	332
711-4400	148	718-7027B	297	805-0116EPB	297, 307,		279, 281	819-0016B	269, 271, 273,	872-9001B	319
711-4410	148	718-7031-CPVCB	299		311	806-3000B	339		275, 277, 279, 281, 315, 317	872-9002B	309, 315, 317,
711-4430	148	718-7219B	306	805-0117SDB	306	811-8160	248	819-0018B	269, 271, 273,		319
711-4600	173	718-8200B	325	805-0118VB	342	813-0025B	283, 285		275, 277, 279, 281	873-E752B	310
711-4750	123	730-1000	166	805-0124VB	342	813-4370	183	819-0019B	315, 317	873-E1251B	310
711-5140L	148	741-CGGG-45X	185	805-0132	123	813-4400	183	819-0020B	315, 317	873-E1252B	310
711-5300B	288	741-CGGZ-37LB	282, 284,	805-0136B	307	813-4500	183	819-0024B	340	873-E1551B	310
711-5310B	313		287	805-0145	63, 229	815-4011B	283, 285	819-0025B	297	873-E1651B	310
711-6020	231	741-CGGZ-44X	185	805-0145B	301	817-0001B	311	819-0030B	329, 335	873-E1751B	310
711-6020B	269, 271	741-CGGZ-67RB	282, 284,	805-0151B	297	817-0010	203	819-0035B	273, 275, 277,	873-E101152B	310
711-6500	148		287	805-0158B	284, 293, 295	817-0010B	333		279, 281	880-1500	223
711-6608	148	741-CGGZ-257RB	283, 285	805-0164B	290	817-0011	203	819-0051B	336	880-1510	223
711-6620	148	750-3101-280	56	805-0206B	303	817-0012	203	819-0114B	321	880-1530	223
711-6900	148	750-3102-280	56	805-0207B	306, 307	817-0014	203	819-0800B	265, 267, 282,	880-1599	223
711-6910	148	750-3151-280	56	805-0224	87, 230	817-0015	203		283	880-2000	223
711-6920</											



2018 Pool & Spa Product Buyer's Guide / Index

Part No.	Page	Part No.	Page	Part No.	Page	Part No.	Page	Part No.	Page	Part No.	Page
880-2020	223	3420410-10	20, 215	CAG004-W	65	FPS07510-6	36	FSS016910-6	41	PSP1100-6	16
880-2099	223	3420410-13	213	CHAMPE-107	14	FPS07510-6S	37	FSS016910-6S	41	PSP1150-3	16
880-2500	223	3420410-15	23, 217	CHAMPE-110	14	FPS10010-6	36	FSS019910-3	41	PSP1150-6	16
880-2520	223	3420410-SOZ	21, 216	CHAMPE-115	14	FPS10010-6S	37	FSS019910-3S	41	PSP1200-3	16
880-2599	223	3420411-1524	19	CHAMPE-120	14	FPS10015-6	36	FSS019910-6	41	PSP1200-6	16
885-8020	185	3420411-1529	19	CHAMPE-107	14	FPS10015-6S	37	FSS019910-6S	41	PSP2075-3	16
902-2000B	309, 332	3420411-1544	19	CHAMPE-110	14	FPS12515-6	36	FSS022915-3	41	PSP2075-6	16
916-0030	166	3420411-1549	19	CHAMPE-115	14	FPS12515-6S	37	FSS022915-3S	41	PSP2100-3	16
916-0038 VB	340	3420610-1A	213	CHAMPE-120	14	FPS15015-6	36	FSS022915-6	41	PSP2100-6	16
916-1010B	333	3420610-1U	22, 214	CHAMPE-125	14	FPS15015-6S	37	FSS022915-6S	41	PSP2150-3	16
916-1250	123	3420610-10	20, 215	CHAMPE-215	14	FPS17515-6	36	FSS026915-3	41	PSP2150-6	16
916-3001	166	3420610-13	213	CHAMPS-220	14	FPS17515-6S	37	FSS026915-3S	41	PSP2200-3	16
3310330-1	279	3420610-15	23, 217	CLC012	65	FPS20015-6	36	FSS026915-6	41	PSP2200-6	16
3312610-14	219	3420610-1524	19	CLC012-W	65	FPS20015-6S	37	FSS026915-6S	41	PSPC1075-25	48
3312610-19	219	3420610-1529	19	FC0757	31	FPS20020-6	36	FSSC01610-25S	52	PSPC1100-25	48
3312620-14	219	3420610-1544	19	FC1007	31	FPS20020-6S	37	FSSC01910-25S	52	PSPC1150-25	48
3312620-19	219	3420610-1549	19	FC1257	31	FPSC10010-25S	50	FSSC02215-25S	52	PSPC2075-25	48
3410030-1E	218	3420610-SOZ	21, 216	FC1507	31	FPSC10015-25S	50	FSSC02615-25S	52	PSPC2100-25	48
3410030-1E77	218	3420612-1524	19	FC2007*	31	FPSC12515-25S	50	FSSC016910-25S	53	PSPC2150-25	48
3410210-1524	19	3420612-1529	19	FCS0757S	32	FPSC15015-25S	50	FSSC019910-25S	53	SG3P10430-1	265
3410210-1529	19	3420612-1544	19	FCS1007S	32	FPSC17515-25S	50	FSSC022915-25S	53	SMF-107	15
3410210-1544	19	3420612-1549	19	FCS1257S	32	FPSC20015-25S	50	FSSC026915-25S	53	SMF-110	15
3410210-1549	19	3420620-1A	213	FCS1507S	32	FPSC20020-25S	50	PCCF-075	34	SMF-115	15
3410310-15	23, 217	3420620-10	20, 215	FCS2007S	32	FS016	43	PCCF-100	34	SMF-120	15
3410314-1524	19	3420620-13	213	FCS075107-3	32	FS016H	52	PCCF-125	34	SVL56E-110	13
3410314-1529	19	3420620-15	23, 217	FCS075107-3S	32	FS019	43	PCCF-150	34	SVL56E-115	13
3410314-1544	19	3420820-1A	213	FCS075107-6	32	FS019H	52	PCCF-175	34	SVL56E-120	13
3410314-1549	19	3420820-1U	22, 214	FCS075107-6S	32	FS022	43	PCCF-200*	34	SVL56E-130	13
3410410-1A	213	3420820-10	20, 215	FCS100107-3	32	FS022H	52	PCDE-30	34	SVL56S-110	13
3410410-10	20, 215	3420820-13	213	FCS100107-3S	32	FS026	43	PCDE-40	34	SVL56S-115	13
3410410-15	23, 217	3420820-15	23, 217	FCS100107-6	32	FS026H	52	PD-110X	209	SVL56S-120	13
3410410-SOZ	21, 216	3420820-SOZ	21, 216	FCS100107-6S	32	FS01619	40	PD-175	25	SVL56S-125	13
3410413-1524	19	3421020-1U	22, 214	FCS100137-6S	32	FS01619H	53	PD-215VSK	207	SVL56S-215	13
3410413-1529	19	3421021-1U	22, 214	FCS125157-3	32	FS01922	40	PD-230E	208	SVL56S-220	13
3410413-1544	19	3421221-1A	213	FCS125157-3S	32	FS01922H	5	PD-240E	208	TW025	177
3410413-1549	19	3421221-1U	22, 214	FCS125157-6	32	FS02225	40	PD-240VSE	206	TW027	177
3410610-1A	213	3421221-13	213	FCS125157-6S	32	FS0225H	53	PD-245E	208	WV001H	87
3410610-1U	22, 214	3421821-1A	213	FCS150157-3	32	FS02629	40	PD-250V	205	WVD001	26
3410610-15	23, 217	3421821-1U	22, 214	FCS150157-3S	32	FS02629H	53	PD-275	25	WVD002	26
3410610-SOZ	21, 216	3421821-13	213	FCS150157-6	32	FSS019S	44, 45	PD-VSA300	12	WVS002	87
3410612-10	20, 215	3710821-1D	212	FCS150157-6S	32	FSS022S	44, 45	PD-VSC165	9	WVS002B	317, 319
3410612-1524	19	3710821-13	212	FCS200137-6S	32	FSS026S	44, 45	PD-VSC270	10	WVS003	87
3410612-1529	19	3711221-1D	212	FCS200157-3	32	FSS0169S	41	PD-VSC300	11	WVS003B	315, 317, 319
3410612-1544	19	3711221-13	212	FCS200157-3S	32	FSS0199S	41	PH1075-3	17	WVS004B	313
3410612-1549	19	3711621-0V	210	FCS200157-6	32	FSS0229S	41	PH1075-6	17		
3410811-1524	19	3711621-1D	212	FCS200157-6S	32	FSS0269S	41	PH1100-3	17		
3410811-1529	19	3711621-1W	22, 214	FCSC07510-25S	51	FSS01910-3	44	PH1100-6	17		
3410811-1544	19	3711621-13	212	FCSC10010-25S	51	FSS01910-3S	45	PH1150-3	17		
3410811-1549	19	3712021-0V	210	FCSC15015-25S	51	FSS01910-6	44	PH1150-6	17		
3410830-1A	213	3712021-1D	212	FCSC20015-25S	51	FSS01910-6S	45	PH1200-3	17		
3410830-10	20, 215	3712021-13	212	FD12-7	28	FSS01915-3	44	PH1200-6	17		
3410830-13	213	3720821-1D	212	FD18-7	28	FSS01915-3S	45	PH2075-3	17		
3410830-15	23, 217	3720821-1W	22, 214	FDS0447S	29	FSS01915-6	44	PH2075-6	17		
3410830-SOZ	21, 216	3720821-13	212	FDS0677S	29	FSS01915-6S	45	PH2100-3	17		
3411020-1U	22, 214	3721221-1D	212	FDS044107-3	29	FSS02210-3	44	PH2100-6	17		
3411621-1A	213	3721221-1V	210	FDS044107-3S	29	FSS02210-3S	45	PH2150-3	17		
3411621-1U	22, 214	3721221-13	212	FDS044107-6	29	FSS02210-6	44	PH2150-6	17		
3411621-13	213	3721621-1D	212	FDS044107-6S	29	FSS02210-6S	45	PH2200-3	17		
3420210-1524	19	3721621-1V	210	FDS067107-3	29	FSS02215-3	44	PH2200-6	17		
3420210-1529	19	3721621-1W	22, 214	FDS067107-3S	29	FSS02215-3S	45	PHC1075-25	49		
3420210-1544	19	3721621-13	212	FDS067107-6	29	FSS02215-6	44	PHC1100-25	49		
3420310-15	23, 217	3722021-0V	210	FDS067107-6S	29	FSS02215-6S	45	PHC1151-25	49		
3420310-1524	19	3722021-1D	212	FDS067157-3	29	FSS02615-3	44	PHC2075-25	49		
3420310-1529	19	3722021-13	212	FDS067157-3S	29	FSS02615-3S	45	PHC2100-25	49		
3420310-1544	19	3810430-1PDA	24	FDS067157-6	29	FSS02615-6	44	PHC2150-25	49		
3420310-1549	19	CABASE	55	FDS067157-6S	29	FSS02615-6S	45	PSP1075-3	16		
3420410-1A	213	CABASE-V	55	FDSC04410-25S	51	FSS016910-3	41	PSP1075-6	16		
		CABASE-VF	55	FDSC06710-25S	51	FSS016910-3S	41	PSP1100-3	16		