

COMMERCIAL
MODELS: 260 THROUGH 401

CATALOG NO. 9300.22
Effective: 04-03-14
Replaces: 10-31-12

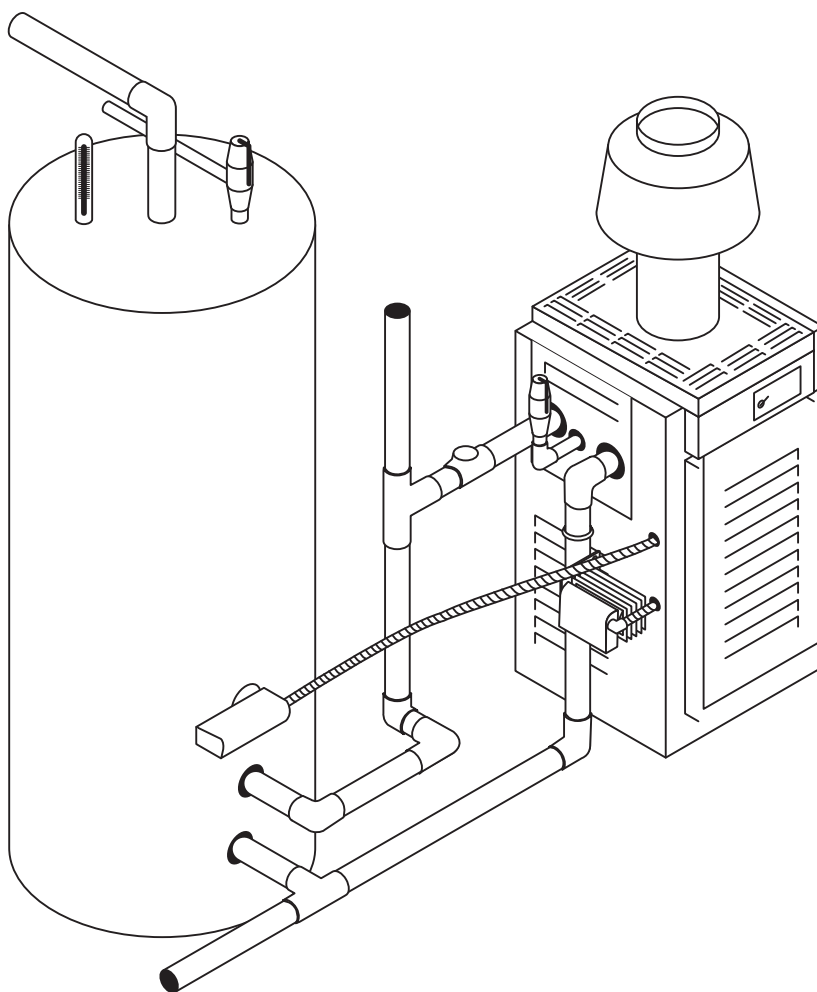
RAYPAK ILLUSTRATED PARTS LIST

MODEL SIZES: 260 THROUGH 401

MODEL TYPE: WH ECONOPAK

DATES OF MANUFACTURE: 10-01-00 THROUGH CURRENT IID IGNITION
10-01-00 THROUGH 08-31-12 STANDING PILOT

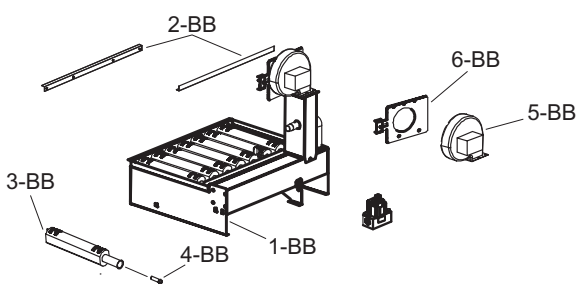
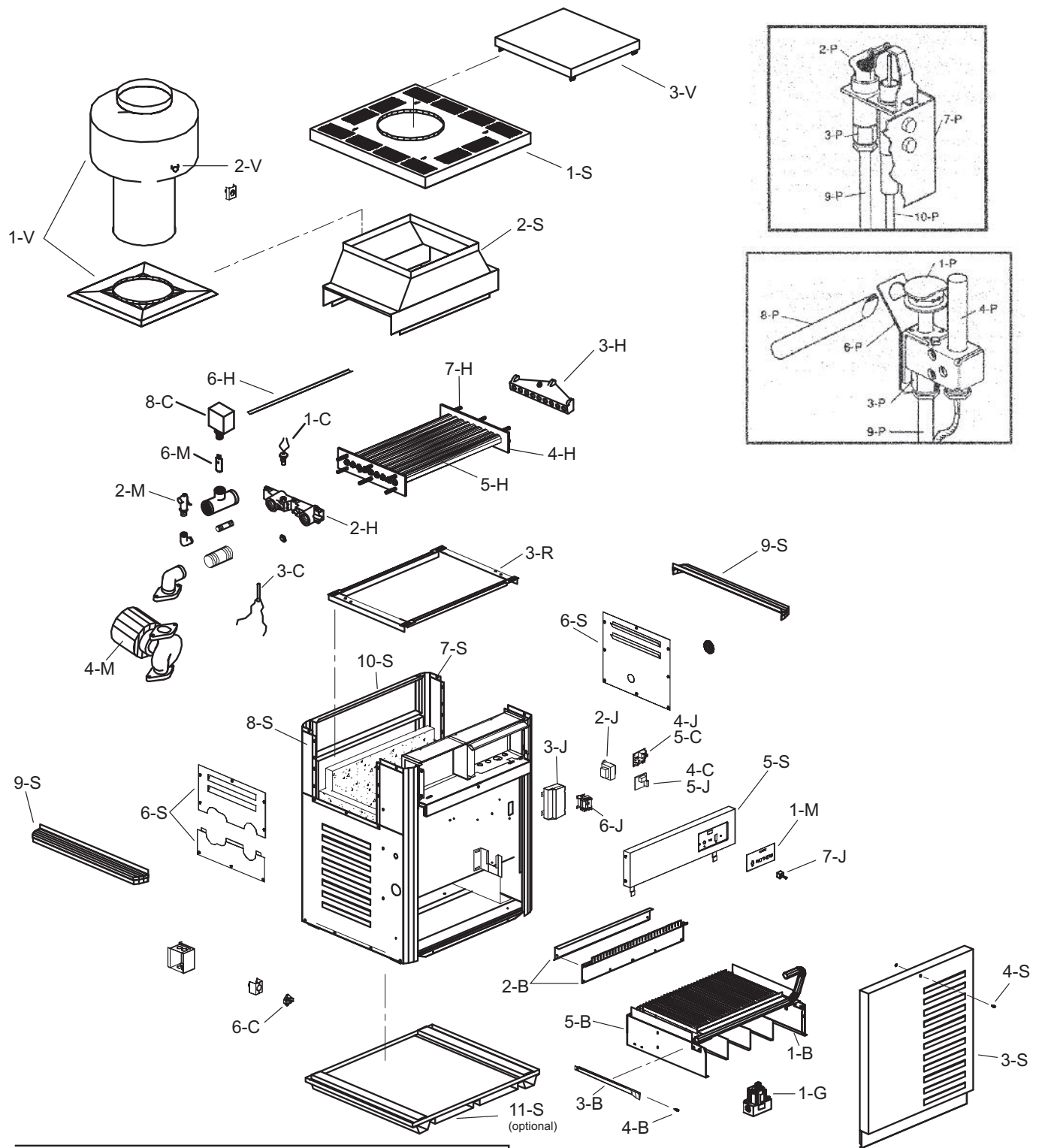
THE PARTS LISTED ARE FOR STANDARD EQUIPMENT FOR THIS MODEL TYPE. RAYPAK RESERVES THE RIGHT TO SUBSTITUTE, DELETE OR CHANGE ANY PART WITHOUT NOTIFICATION. THE ADDITION OF OPTIONS MAY ALSO CHANGE SOME OF THE PARTS. ORDER REPLACEMENT PARTS FROM ACTUAL HEATER COMPONENTS.



FOR DETAILED INSTRUCTIONS, SEE "HOW TO USE YOUR RAYPAK ILLUSTRATED PARTS LIST",
CATALOG NO. 9001.10



Raypak, Inc., 2151 Eastman Avenue, Oxnard, CA 93030
(805) 278-5300 Fax (800) 872-9725
Litho In U.S.A.



FOR UNITS WITH A LOW NO_x TRAY

CALL OUT	DESCRIPTION	260/261	330/331	400/401
B	BURNER TRAY (Atmospheric)	260	330	400
1-B	Burner Tray w/Burners (Sea Level)*	005214F	005215F	005216F
	Burner Tray w/o Burner (Sea Level)*	005218F	005219F	005220F
2-B	Burner Spacer/Hold Down Kit	005238F	005239F	005240F
3-B	Burner	301210/19	301210/24	301210/29
4-B	Burner Orifice Nat. #51 (Sea Level)*	350080F/19	350080F/24	350080F/29
	Burner Orifice Pro. #57 (Sea Level)*	350083F/19	350083F/24	350083F/29
5-B	Burner Tray w/o Manifold w/o burners	005266F	005267F	005268F
BB	BURNER TRAY (Fan Assisted Low Nox)	261	331	401
1-BB	Burner Tray w/Burners (Sea Level)*	007995F	007996F	007997F
	Burner Tray w/o Burner (Sea Level)*	007999F	008000F	008001F
2-BB	Burner Hold Down Kit	008003F	008004F	008005F
3-BB	Burner	309255/5	309255/6	309255/7
4-BB	Burner Orifice Nat. #30 (Sea Level)*	351510/5	351510/6	351510/7
5-BB	Blower	008080F	008080F	008080F
6-BB	Air Shutter	008134F	008134F	008134F
C	CONTROLS			
1-C	Manual reset Limit	008093F	008093F	008093F
2-C	Electronic Fast Response Sensor w/Probe(Not Shown)	005555F	005555F	005555F
3-C	Probe Fast Response	006532F	006532F	006532F
4-C	Electronic Fast Response Sensor	005197F	005197F	005197F
5-C	Economaster II Control	004675F	004675F	004675F
6-C	Flame Roll-Out Sensor	006035F	006035F	006035F
7-C	Tankstat (Not Shown)	007148F	007148F	007148F
8-C	Flow Switch	007142F	007142F	007142F
G	GAS VALVE			
1-G	Combination Step 3/4" (IID Units) Nat	003900F	003900F	003900F
	Combination Step 3/4" (IID Units) Pro	006058F	006058F	006058F
	Combination Step 3/4" STG Nat	004868F	N/A	N/A
	Combination Step 3/4" STG Pro	006375F	N/A	N/A
	Combination Step 3/4" (Low Nox) Nat	010812F	010812F	010812F
H	HEAT EXCHANGER			
1-H	Heat Exchanger Assy Cast Iron	008072F	008073F	008074F
2-H	Inlet/Outlet Header Cast Iron	006070F	006070F	006070F
3-H	Return Header Cast Iron	002042F	002042F	002042F
4-H	Tube Bundle	008023F	008024F	008025F
5-H	Heat Exchange Tube	008031F	008032F	008033F
6-H	Baffle Kit	008039F	008040F	008041F
7-H	Stud Bolt Kit	007870F	007870F	007870F
8-H	Header Gasket	800203B	800203B	800203B
9-H	Sensor Well	007211F	007211F	007211F
10-H	Well Retaining Clip	300203	300203	300203
J	CONTROL BOX			
1-J	Control Box STD/TTD	008075F	N/A	N/A
	Control Box Lock/TTD	008052F	008053F	008054F
	Control Box IID/TTD	008043F	008044F	008045F
	Control Box Lock/TTD Low Nox	008104F	008105F	008106F
2-J	Transformer 50VA	006533F	006533F	006533F
3-J	Ignition Control Lock. IID	004818B	004818B	004818B
4-J	Economaster II Control	004675F	004675F	004675F
5-J	Electronic Fast Response Sensor	005197F	005197F	005197F
6-J	Relay Low Nox Blower	007377F	007377F	007377F
7-J	Toggle Switch	008079F	008079F	008079F
M	MISCELLANEOUS COMPONENTS			
1-M	Switch Plate IID	901613	901613	901613
2-M	PRV 125 PSI	007224F	007224F	007224F
3-M	Deliming Kit	052871F	052871F	052871F
4-M	Pump Brass	012912F	012912F	012912F
5-M	Vertical Thermometer (Not shown)	600133	600133	600133
6-M	Flow Switch Paddle	010026F	010026F	010026F
10-M	Touch-up Paint			
	Green	750125	750125	750125
	Cool Dark Gray	750256	750256	750256
	Warm Dark Gray	750258	750258	750258

*FOR ALTITUDES ABOVE 2,000 FEET LEVEL, CONSULT THE FACTORY

CALL OUT	DESCRIPTION	260/261	330/331	400/401
P	PILOT			
1-P	Pilot Nat. Standing	002001F	N/A	N/A
	Pilot Pro. Standing	002002F	N/A	N/A
2-P	Pilot Nat. IID Atmospheric	002003F	002003F	002003F
	Pilot Pro. IID Atmospheric	002003F	002003F	002003F
	Pilot Nat. IID Low Nox	008155F	008155F	008155F
3-P	Pilot Orifice Nat. Standing	003901F	N/A	N/A
	Pilot Orifice Pro. Standing	003902F	N/A	N/A
	Pilot Orifice Nat. IID .020	003903F	003903F	003903F
	Pilot Orifice Pro. IID .012	004308F	004308F	004308F
4-P	Thermocouple (Standing Pilot)	600003	N/A	N/A
5-P	Ignition Control Lock. IID	004818B	004818B	004818B
6-P	Pilot Mounting Bracket Std. Atmospheric	306693	N/A	N/A
7-P	Pilot Mounting Bracket IID Atmospheric	306692	306692	306692
	Pilot Mounting Bracket IID Low Nox	008082F	008082F	008082F
8-P	Lighter Tube (Standing Pilot)	062996	N/A	N/A
9-P	Pilot Tube (Specify Length)	400607	400607	400607
10-P	Hi Tension Wire w/ Pilot Electrode	007864F	007864F	007864F
R	REFRACTORY			
1-R	Refractory Common (Left & Right)	005282F	005282F	005282F
2-R	Refractory Uncommon (Front & Rear)	005284F	005285F	005286F
4-R	Refractory (All)	012193F	012194F	012195F
3-R	Refractory Retainer Kit	005288F	005289F	005290F
S	SHEETMETAL			
1-S	Jacket Top (Louvered)			
	Green	005304F	005305F	005306F
	Cool Dark Gray	014223F	014224F	014225F
2-S	Flue Collector	005308F	005309F	005310F
3-S	Door Assy			
	Green	005316F	005317F	005318F
	Warm Dark Gray	014227F	014228F	014229F
4-S	Screw & Retainer	006744F	006744F	006744F
5-S	Control Panel			
	Green	008065F	008066F	008067F
	Warm Dark Gray	014231F	014232F	014233F
6-S	Access Panel			
	Green	008071F	008071F	008071F
	Cool Dark Gray	014249F	014249F	014249F
7-S	Side Panel Right			
	Green	008068F	008068F	008068F
	Cool Dark Gray	014234F	014234F	014234F
8-S	Side Panel Left			
	Green	008069F	008069F	008069F
	Cool Dark Gray	014235F	014235F	014235F
9-S	Side Panel Cap			
	Green	008070F	008070F	008070F
	Cool Dark Gray	014236F	014236F	014236F
10-S	Rear Panel Kit (2 Pcs.)			
	Green	005279F	005280F	005281F
	Cool Dark Gray	014238F	014239F	014240F
11-S	Sub-Base for Combustible Flooring	005183	005184	005185
V	VENTING			
1-V	Draft Hood Kit	008085	008148	008149
2-V	Flue Gas Spillage Sensor	006021F	N/A	N/A
3-V	"Pagoda" Top			
	Green	007991	007992	007993
	Cool Dark Gray	014259	014260	014261

For gas conversions, please contact the factory for information.



Registered Quality Management System

www.raypak.com