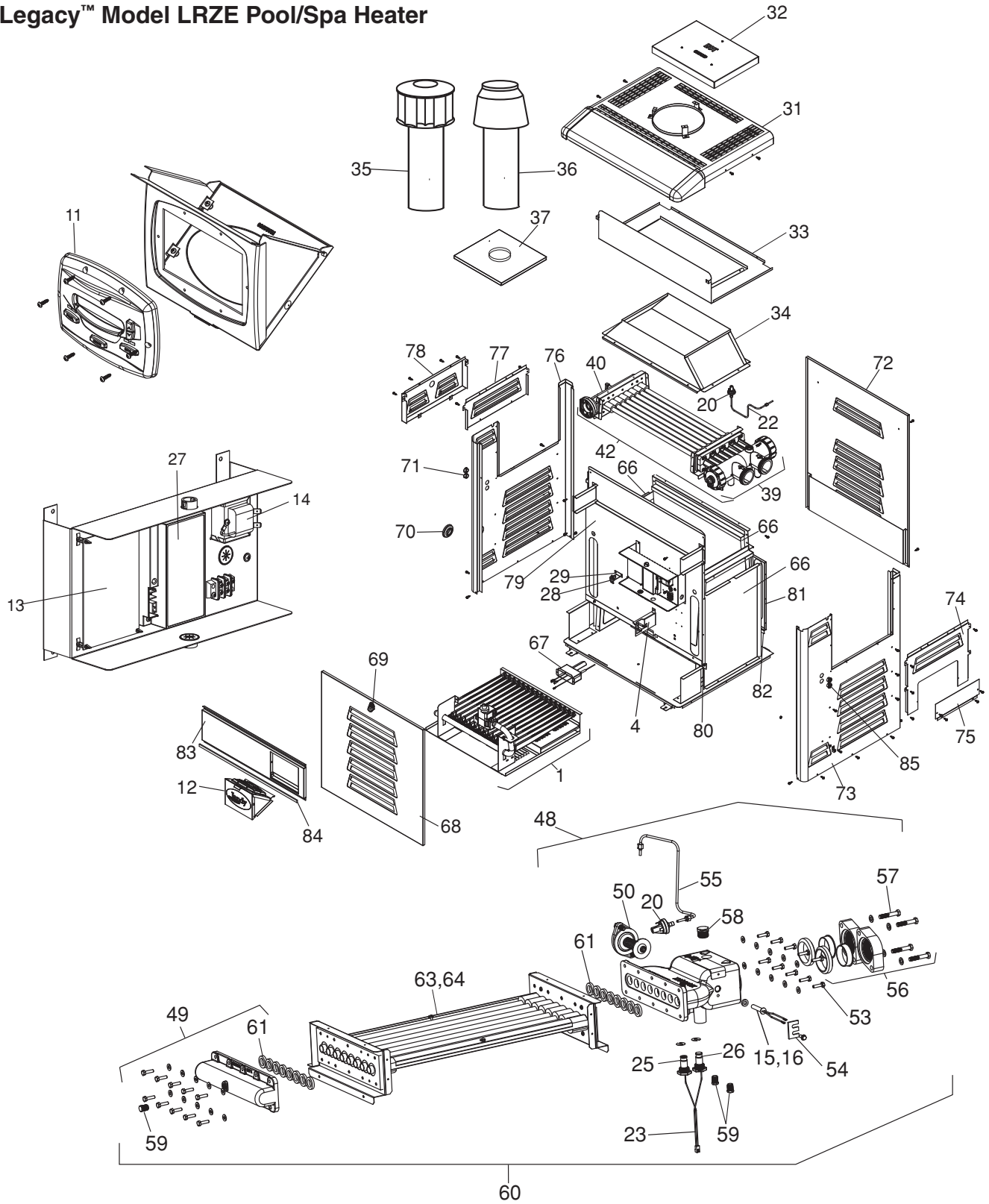
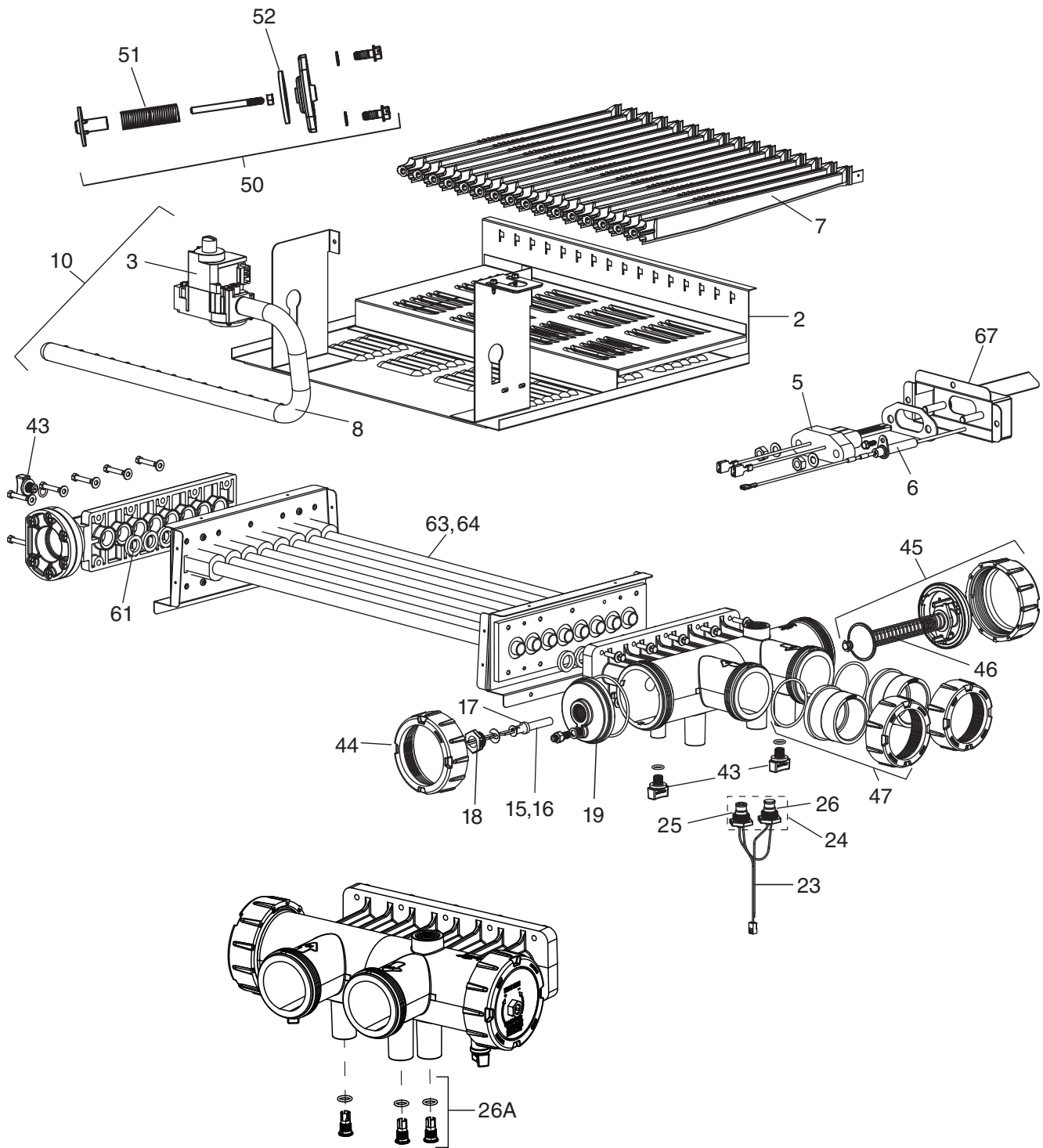


Legacy™ Model LRZE Pool/Spa Heater



Legacy™ Model LRZE Pool/Spa Heater



Parts List on next page.

Legacy™ Model LRZE Pool/Spa Heater See exploded parts diagram on pages 76–77.

Key No.	Part No.	Description	Model No.	List Price
MAIN GAS ASSEMBLY				
1	R0468901	Burner Tray Assy, Nat	125	\$1,199.64
1	R0468902	Burner Tray Assy, Nat	175	\$1,233.91
1	R0468903	Burner Tray Assy, Nat	250	\$1,285.35
1	R0468904	Burner Tray Assy, Nat	325	\$1,371.02
1	R0468905	Burner Tray Assy, Nat	400	\$1,405.30
1	R0469001	Burner Tray Assy, LP	125	\$1,199.64
1	R0469002	Burner Tray Assy, LP	175	\$1,233.91
1	R0469003	Burner Tray Assy, LP	250	\$1,285.35
1	R0469004	Burner Tray Assy, LP	325	\$1,371.02
1	R0469005	Burner Tray Assy, LP	400	\$1,405.30
2	R0469101	Burner Tray, Shelf Only	125	\$145.68
2	R0469102	Burner Tray, Shelf Only	175	\$149.10
2	R0469103	Burner Tray, Shelf Only	250	\$154.22
2	R0469104	Burner Tray, Shelf Only	325	\$157.66
2	R0469105	Burner Tray, Shelf Only	400	\$162.81
3	R0494500	Gas Valve, Nat	All	\$251.93
3	R0494600	Gas Valve, LPG	All	\$265.65
4	R0469700	Anti-Rotation Bracket	All	\$8.07
5	R0457501	Hot Surface Ignitor	All	\$132.31
6	R0458601	Flame Sensor Rod	All	\$145.68
7	R0469800	Burner, Main	All	\$16.28
8	R0469901	Burner Manifold	125	\$85.26
8	R0469902	Burner Manifold	175	\$90.84
8	R0469903	Burner Manifold	250	\$94.26
8	R0469904	Burner Manifold	325	\$99.39
8	R0469905	Burner Manifold	400	\$102.82
9*	R0469200	Orifice Set, Nat Gas, 0-3K ft.	All	\$48.02
9*	R0469300	Orifice Set, Nat Gas, 3-6K ft.	All	\$48.72
9*	R0469400	Orifice Set, Nat Gas, 6-10K ft. (US Only)	All	\$53.36
9*	R0469500	Orifice Set, L.P. Gas, 0-5K ft.	All	\$52.78
9*	R0469600	Orifice Set, L.P. Gas, 5-10K ft. (US Only)	All	\$49.52
10	R0495601	Manifold Assy, Nat Gas 0-3K ft.	125	\$321.90
10	R0495602	Manifold Assy, Nat Gas 0-3K ft.	175	\$324.43
10	R0495603	Manifold Assy, Nat Gas 0-3K ft.	250	\$331.31
10	R0495604	Manifold Assy, Nat Gas 0-3K ft.	325	\$362.19
10	R0495605	Manifold Assy, Nat Gas 0-3K ft.	400	\$371.71
10	R0495701	Manifold Assy, Nat Gas, 3-6K ft.	125	\$343.76
10	R0495702	Manifold Assy, Nat Gas, 3-6K ft.	175	\$355.10
10	R0495703	Manifold Assy, Nat Gas, 3-6K ft.	250	\$374.74
10	R0495704	Manifold Assy, Nat Gas, 3-6K ft.	325	\$419.18
10	R0495705	Manifold Assy, Nat Gas, 3-6K ft.	400	\$441.85
10	R0495801	Manifold Assy, Nat Gas, 6-10K ft. (US Only)	125	\$322.31
10	R0495802	Manifold Assy, Nat Gas, 6-10K ft. (US Only)	175	\$325.14
10	R0495803	Manifold Assy, Nat Gas, 6-10K ft. (US Only)	250	\$328.79
10	R0495804	Manifold Assy, Nat Gas, 6-10K ft. (US Only)	325	\$363.41
10	R0495805	Manifold Assy, Nat Gas, 6-10K ft. (US Only)	400	\$373.22
10	R0495901	Manifold Assy, L.P. Gas, 0-5K ft.	125	\$322.71
10	R0495902	Manifold Assy, L.P. Gas, 0-5K ft.	175	\$323.01
10	R0495903	Manifold Assy, L.P. Gas, 0-5K ft.	250	\$326.46
10	R0495904	Manifold Assy, L.P. Gas, 0-5K ft.	325	\$420.19
10	R0495905	Manifold Assy, L.P. Gas, 0-5K ft.	400	\$293.76
10	R0496001	Manifold Assy, L.P. Gas, 5-10K ft. (US only)	125	\$350.85
10	R0496002	Manifold Assy, L.P. Gas, 5-10K ft. (US only)	175	\$362.39
10	R0496003	Manifold Assy, L.P. Gas, 5-10K ft. (US only)	250	\$382.83
10	R0496004	Manifold Assy, L.P. Gas, 5-10K ft. (US only)	325	\$493.38
10	R0496005	Manifold Assy, L.P. Gas, 5-10K ft. (US only)	400	\$383.85

Key No.	Part No.	Description	Model No.	List Price
ELECTRICAL SYSTEM				
11	R3008800	Universal Control User Interface	All	\$372.44
12	R0496700	Universal Control w/ Bezel	All	\$696.86
13	R0470200	Universal Control Power Interface	All	\$131.66
14	R0061100	Transformer	All	\$49.71
15	R0456500	Temperature Sensor (Regular)	All	\$78.82
16	R0477300	Temperature Sensor (Salt)	All	\$171.61
17	R0456600	Gasket, Temperature Sensor	All	\$2.18
18	R0523900	Mtg Plug, Temperature Sensor	All	\$3.77
19	R0455400	Cap Sensor/Press Switch w/ O-Ring	All	\$28.28
20	R0013200	Pressure Switch, 2 PSI	All	\$69.41
21*	R0015500	Pressure Switch, 1-10 PSI	All	\$74.96
22	R0483600	Water Pressure Switch Tubing	All	\$56.59
22	R0483601	Water Pressure Switch Tubing, reversed, replacement kit	All	\$54.41
23	R0457400	High-Limit Switch Assy	All	\$34.70
24	R0457200	High-Limit Set (130°F & 150°F)	All	\$65.15
25	R0457300	High-Limit Switch, 130°F	All	\$31.70
26	R0023000	High-Limit Switch, 150°F	All	\$31.70
26A	R0456800	High-Limit Plug (Set of 3)	All	\$6.50
27	R0491300	Ignition Control	All	\$99.50
28	R0012200	Fusible Link Assembly	All	\$7.72
29	R0337200	Fusible Link Bracket	All	\$7.06
30*	R0470000	Wire Harness, Set	All	\$131.30
VENT SYSTEM				
31	R0470301	Top Enclosure	125	\$411.31
31	R0470302	Top Enclosure	175	\$421.60
31	R0470303	Top Enclosure	250	\$435.29
31	R0470304	Top Enclosure	325	\$447.30
31	R0470305	Top Enclosure	400	\$462.71
32	R0470401	Vent Cover	125	\$30.43
32	R0470402	Vent Cover	175	\$31.70
32	R0470403	Vent Cover	250	\$38.91
32	R0470404	Vent Cover	325	\$41.23
32	R0470405	Vent Cover	400	\$52.26
33	R0478201	Rainshield (Partition)	125	\$71.55
33	R0478202	Rainshield (Partition)	175	\$75.84
33	R0478203	Rainshield (Partition)	250	\$80.11
33	R0478204	Rainshield (Partition)	325	\$84.83
33	R0478205	Rainshield (Partition)	400	\$89.12
34	R0470501	Flue Collector Assembly	125	\$197.09
34	R0470502	Flue Collector Assembly	175	\$205.66
34	R0470503	Flue Collector Assembly	250	\$205.66
34	R0470504	Flue Collector Assembly	325	\$210.80
34	R0470505	Flue Collector Assembly	400	\$214.25
35	R0491601	Outdoor Vent Cap	125	\$102.72
35	R0491602	Outdoor Vent Cap	175	\$111.26
35	R0491603	Outdoor Vent Cap	250	\$119.82
35	R0491604	Outdoor Vent Cap	325	\$135.51
35	R0491605	Outdoor Vent Cap	400	\$140.74
36	R0499601	Indoor Drafthood	125	\$118.38
36	R0499602	Indoor Drafthood	175	\$127.03
36	R0499603	Indoor Drafthood	250	\$131.46
36	R0499604	Indoor Drafthood	325	\$153.55
36	R0499605	Indoor Drafthood	400	\$160.08

Legacy™ Model LRZE Pool/Spa Heater See exploded parts diagram on pages 76–77.

Key No.	Part No.	Description	Model No.	List Price
VENT SYSTEM (CONTINUED)				
37	R0478301	Adapter Plate	125	\$9.02
37	R0478302	Adapter Plate	175	\$9.56
37	R0478303	Adapter Plate	250	\$10.31
37	R0478304	Adapter Plate	325	\$11.12
37	R0478305	Adapter Plate	400	\$11.55
38	R0500200	Clip	All	\$12.72

WATER SYSTEM-POLYMER				
39	R0470800	Inlet/Outlet Header Assy, Polymer	All	\$582.69
40	R0454200	Return Header Assy, Polymer	All	\$162.81
41*	R0454500	Header Hardware Set, Polymer	All	\$105.40
42	R0470601	Heat Exchanger Assy, Complete	125	\$1,040.19
42	R0470602	Heat Exchanger Assy, Complete	175	\$1,128.21
42	R0470603	Heat Exchanger Assy, Complete	250	\$1,254.13
42	R0470604	Heat Exchanger Assy, Complete	325	\$1,357.41
42	R0470605	Heat Exchanger Assy, Complete	400	\$1,515.47
42	R0500701	Heat Exchanger Assy, Complete, CuNi	125	\$1,217.78
42	R0500702	Heat Exchanger Assy, Complete, CuNi	175	\$1,385.46
42	R0500703	Heat Exchanger Assy, Complete, CuNi	250	\$1,688.61
42	R0500704	Heat Exchanger Assy, Complete, CuNi	325	\$1,968.92
42	R0500705	Heat Exchanger Assy, Complete, CuNi	400	\$2,288.16
43	R0446000	Heat Exchanger Drain Plugs (2), Polymer	All	\$18.55
44	R0454000	3" Coupling Nut Kit w/ O-Ring	All	\$41.13
45	R0453700	Bypass Assy, Polymer	All	\$38.56
46	R0453900	Bypass Spring, Adjustable, Polymer	All	\$28.28
47	R0449000	Tailpiece w/ Union Nut (Set of 2), Polymer	All	\$35.98

WATER SYSTEM-BRONZE				
48	R0476601	Inlet/Outlet Header Assy, Bronze, 2"	125	\$998.89
48	R0476602	Inlet/Outlet Header Assy, Bronze, 2"	175	\$998.89
48	R0476603	Inlet/Outlet Header Assy, Bronze, 2"	250	\$998.89
48	R0476604	Inlet/Outlet Header Assy, Bronze, 2"	325	\$998.89
48	R0476605	Inlet/Outlet Header Assy, Bronze, 2"	400	\$998.89
49	R0476700	Return Header Assy, Bronze (includes set of 9 gaskets)	All	\$363.31
50	R0476801	Bypass Assembly, Bronze	125	\$52.26
50	R0476802	Bypass Assembly, Bronze	175	\$52.26
50	R0476803	Bypass Assembly, Bronze	250	\$52.26
50	R0476804	Bypass Assembly, Bronze	325	\$52.26
50	R0476805	Bypass Assembly, Bronze	400	\$52.26
51	R0476901	Bypass Spring, Bronze	125	\$8.59
51	R0476902	Bypass Spring, Bronze	175	\$8.59
51	R0476903	Bypass Spring, Bronze	250	\$8.59
51	R0476904	Bypass Spring, Bronze	325	\$8.59
51	R0476905	Bypass Spring, Bronze	400	\$8.59
52	R0011400	Bypass Gasket, Bronze	All	\$2.75
53	R0477200	Heat Exchange Hardware Kit, Bronze	All	\$57.10
54	R0477400	Temp Sensor Mounting Bracket, Bronze	All	\$4.54
55	R0477501	Water Pressure Switch Tubing, Bronze	All	\$6.42
56	R0461500	Flange & Gasket Kit, Bronze	All	\$164.66
57	R0477800	Flange Bolts, Bronze	All	\$6.05
58	R0477900	¾" NPT Plug, Bronze	All	\$9.42
59	R0478000	Header, Drain Plug, Bronze	All	\$5.62
60	R0470701	Heat Exchanger Assy, Bronze, Complete	125	\$1,695.12

Key No.	Part No.	Description	Model No.	List Price
60	R0470702	Heat Exch. Assy, Bronze, Complete	175	\$1,763.10
60	R0470703	Heat Exch. Assy, Bronze, Complete	250	\$1,905.34
60	R0470704	Heat Exch. Assy, Bronze, Complete	325	\$2,024.72
60	R0470705	Heat Exch. Assy, Bronze, Complete	400	\$2,166.96
60	R0500801	Heat Exch. Assy, Bronze, Complt, CuNi	125	\$2,222.10
60	R0500802	Heat Exch. Assy, Bronze, Complt, CuNi	175	\$2,304.14
60	R0500803	Heat Exch. Assy, Bronze, Complt, CuNi	250	\$2,468.27
60	R0500804	Heat Exch. Assy, Bronze, Complt, CuNi	325	\$2,606.04
60	R0500805	Heat Exch. Assy, Bronze, Complt, CuNi	400	\$2,770.14

WATER SYSTEM-ALL				
61	R0454300	Header Gasket Assembly (Set of 16)	All	\$18.43
62*	R0453800	Bypass Hardware, Gaskets	All	\$48.85
63	R0490101	Heat Exchanger Tube Assy, Copper	125	\$783.31
63	R0490102	Heat Exchanger Tube Assy, Copper	175	\$902.69
63	R0490103	Heat Exchanger Tube Assy, Copper	250	\$1,109.31
63	R0490104	Heat Exchanger Tube Assy, Copper	325	\$1,276.97
63	R0490105	Heat Exchanger Tube Assy, Copper	400	\$1,483.56
64	R0490301	Heat Exchanger Tube Assy, CuNi	125	\$1,217.78
64	R0490302	Heat Exchanger Tube Assy, CuNi	175	\$1,385.46
64	R0490303	Heat Exchanger Tube Assy, CuNi	250	\$1,688.61
64	R0490304	Heat Exchanger Tube Assy, CuNi	325	\$1,968.92
64	R0490305	Heat Exchanger Tube Assy, CuNi	400	\$2,288.15
65*	R0500001	Baffles, Heat Exchanger	125	\$20.96
65*	R0500002	Baffles, Heat Exchanger	175	\$19.20
65*	R0500003	Baffles, Heat Exchanger	250	\$26.32

FIREBOX COMPONENTS				
66	R0494901	Combustion Chamber Panels	125	\$332.60
66	R0494902	Combustion Chamber Panels	175	\$350.41
66	R0494903	Combustion Chamber Panels	250	\$361.54
66	R0494904	Combustion Chamber Panels	325	\$386.01
66	R0494905	Combustion Chamber Panels	400	\$407.13
67	R0484000	Igniter Bracket w/ Shield	All	\$51.39

JACKET COMPONENTS				
68	R0470901	Door w/ Latch	125	\$116.53
68	R0470902	Door w/ Latch	175	\$119.95
68	R0470903	Door w/ Latch	250	\$125.12
68	R0470904	Door w/ Latch	325	\$128.54
68	R0470905	Door w/ Latch	400	\$133.68
69	R0334900	Latch Assy	All	\$9.42
70	R0460300	Grommet, Sealing, 2"	All	\$2.80
71	R0491100	Button Plug, 7/8"	All	\$6.97
72	R0482301	Rear Panel Assy	125	\$47.48
72	R0482302	Rear Panel Assy	175	\$51.04
72	R0482303	Rear Panel Assy	250	\$56.59
72	R0482304	Rear Panel Assy	325	\$61.29
72	R0482305	Rear Panel Assy	400	\$67.53
73	R0482400	Side Panel, Right	All	\$35.90
74	R0482500	In/Out Cover Panel, Top	All	\$25.56
75	R0482600	In/Out Cover Panel, Bottom	All	\$20.49
76	R0482700	Side Panel, Left	All	\$73.76
77	R0482800	Return Side Cover, Top	All	\$24.10
78	R0482900	Return Side Cover, Bottom	All	\$25.83

Legacy™ Model LRZE Pool/Spa Heater See exploded parts diagram on pages 76–77.

Key No.	Part No.	Description	Model No.	List Price
JACKET COMPONENTS (CONTINUED)				
79	R0483101	Heat Shield	125	\$52.51
79	R0483102	Heat Shield	175	\$54.52
79	R0483103	Heat Shield	250	\$59.86
79	R0483104	Heat Shield	325	\$64.04
79	R0483105	Heat Shield	400	\$69.26
80	R0483201	Heat Deflector Guard, Front	125	\$20.80
80	R0483202	Heat Deflector Guard, Front	175	\$21.11
80	R0483203	Heat Deflector Guard, Front	250	\$25.03
80	R0483204	Heat Deflector Guard, Front	325	\$25.48
80	R0483205	Heat Deflector Guard, Front	400	\$25.34
81	R0483401	Rear Partition	125	\$25.70
81	R0483402	Rear Partition	175	\$34.83
81	R0483403	Rear Partition	250	\$37.10
81	R0483404	Rear Partition	325	\$39.24
81	R0483405	Rear Partition	400	\$41.51
82	R0483501	Heat Deflector Guard, Rear	125	\$20.71
82	R0483502	Heat Deflector Guard, Rear	175	\$21.02
82	R0483503	Heat Deflector Guard, Rear	250	\$24.90
82	R0483504	Heat Deflector Guard, Rear	325	\$25.34
82	R0483505	Heat Deflector Guard, Rear	400	\$25.30
83	R0483901	Controller Mounting Panel	125	\$18.97
83	R0483902	Controller Mounting Panel	175	\$19.28
83	R0483903	Controller Mounting Panel	250	\$31.14
83	R0483904	Controller Mounting Panel	325	\$33.31
83	R0483905	Controller Mounting Panel	400	\$32.43
84	R0491000	Weather Stripping	All	\$11.09
85	R0492800	Grommet, 7/8"	All	\$8.64
OPTIONAL COMPONENTS				
86*	R0471001	Noncombustible Base	125	\$56.98
86*	R0471002	Noncombustible Base	175	\$62.12
86*	R0471003	Noncombustible Base	250	\$69.41
86*	R0471004	Noncombustible Base	325	\$76.70
86*	R0471005	Noncombustible Base	400	\$84.83
87*	R0040400	Press Relief Valve Kit, 75 PSI, Bronze	All	\$38.35
88*	R0336100	Press Relief Valve Kit, 75 PSI, Polymer	All	\$42.62
89*	R0335800	Touch-up Spray Paint, Black and Pewter	All	DISCONTINUED
90*	R0336000	Temp Rise Measurement Kit	All	\$95.98

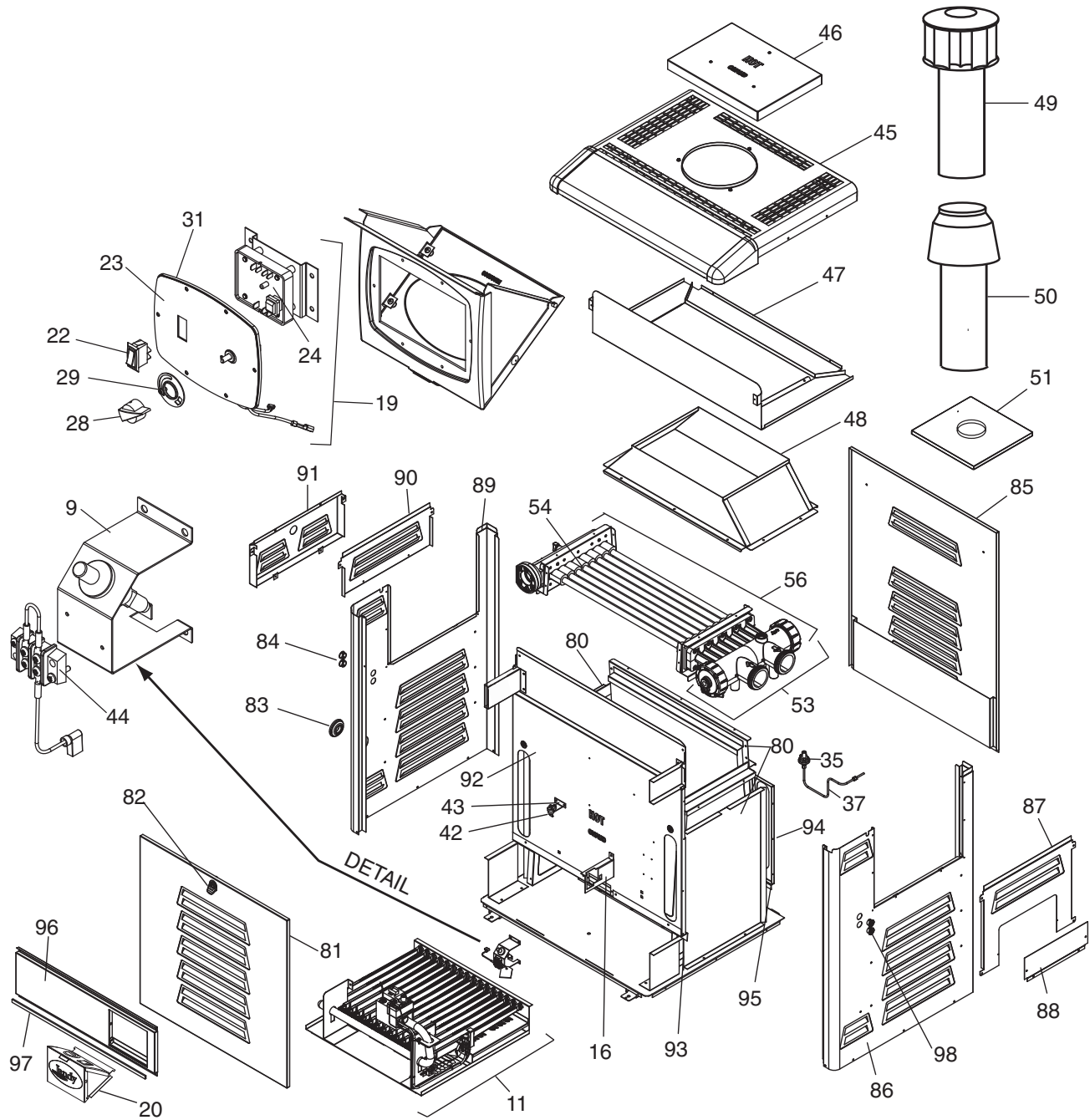
NOTES:

1. All hardware sets contain all pieces necessary for assembly, including gaskets.
2. Gaskets and hardware are included in all kits that involve the removal of a gasket as part of the procedure to replace a part.

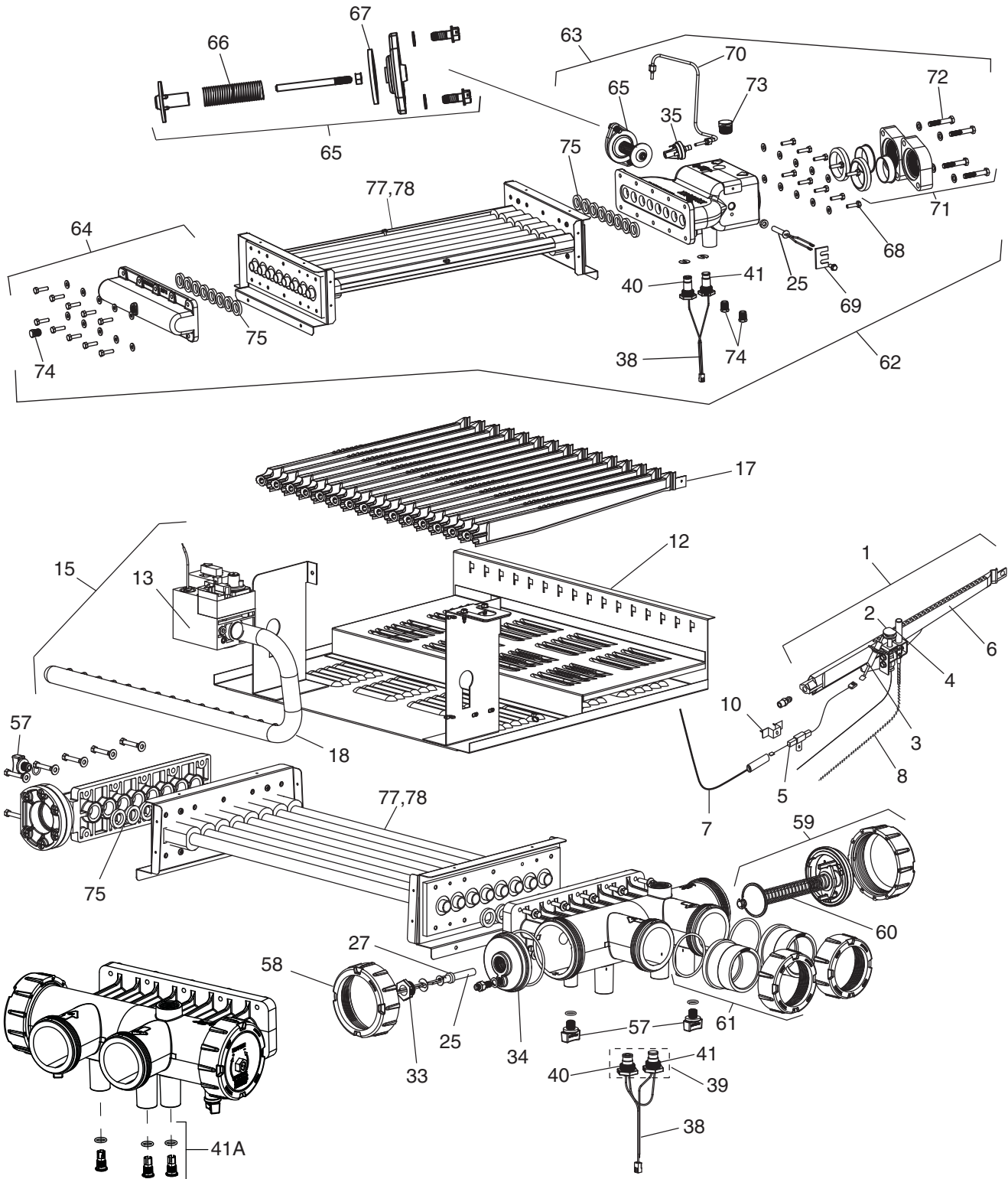
* Parts not shown on key view.

** Manifold kit includes installed orifices but does not include gas valve.

Legacy™ Model LRZM Pool/Spa Heater



Legacy™ LRZM Pool/Spa Heater



Parts List for LRZM Heater on next page.

Legacy™ Model LRZM Pool/Spa Heater See exploded parts diagram on pages 81–82.

Key No.	Part No.	Description	Model No.	List Price
PILOT/IGNITER SYSTEM				
1	R0494700	Pilot, Main Burner Assy, Nat	All	\$137.11
1	R0494800	Pilot, Main Burner Assy, Propane	All	\$137.11
2	R0492900	Pilot Burner, Nat	All	\$104.55
2	R0493000	Pilot Burner, Propane	All	\$104.55
3	R0471400	Pilot Electrode	All	\$14.87
4	R0471500	Pilot Generator	All	\$58.25
5	R0471600	Ceramic Insulator	All	\$24.01
6	R0471700	Burner, Main w/ Pilot Bracket	All	\$16.28
7	R0493400	High Voltage Lead Assy	All	\$8.84
8	R0037000	Pilot Tubing	All	\$12.85
9	R0355900	Piezo Lighter Assy	All	\$22.36
10	R0471800	Mounting Bracket Assy	All	\$6.26
MAIN GAS ASSEMBLY				
11	R0471101	Burner Tray Assy, Nat	125	\$1,255.30
11	R0471102	Burner Tray Assy, Nat	175	\$1,289.58
11	R0471103	Burner Tray Assy, Nat	250	\$1,341.02
11	R0471104	Burner Tray Assy, Nat	325	\$1,426.69
11	R0471105	Burner Tray Assy, Nat	400	\$1,460.97
11	R0471201	Burner Tray Assy, Propane	125	\$1,255.30
11	R0471202	Burner Tray Assy, Propane	175	\$1,289.58
11	R0471203	Burner Tray Assy, Propane	250	\$1,341.02
11	R0471204	Burner Tray Assy, Propane	325	\$1,426.69
11	R0471205	Burner Tray Assy, Propane	400	\$1,460.97
12	R0469101	Burner Tray, Shelf Only	125	\$145.68
12	R0469102	Burner Tray, Shelf Only	175	\$149.10
12	R0469103	Burner Tray, Shelf Only	250	\$154.22
12	R0469104	Burner Tray, Shelf Only	325	\$157.66
12	R0469105	Burner Tray, Shelf Only	400	\$162.81
13	R0493100	Gas Valve, Nat	All	\$296.84
13	R0493200	Gas Valve, Propane	All	\$296.84
14*	R0469200	Orifice Set, Nat Gas, 0-3K ft.	All	\$48.02
14*	R0469300	Orifice Set, Nat Gas, 3-6K ft.	All	\$48.72
14*	R0469400	Orifice Set, Nat Gas, 6-10K ft.	All	\$53.36
14*	R0469500	Orifice Set, L.P. Gas, 0-5K ft.	All	\$52.78
14*	R0469600	Orifice Set, L.P. Gas, 5-10K ft.	All	\$49.52
15	R0496101	Manifold Assy, Nat Gas, 0-3K ft.	125	\$183.41
15	R0496102	Manifold Assy, Nat Gas, 0-3K ft.	175	\$184.57
15	R0496103	Manifold Assy, Nat Gas, 0-3K ft.	250	\$187.61
15	R0496104	Manifold Assy, Nat Gas, 0-3K ft.	325	\$201.14
15	R0496105	Manifold Assy, Nat Gas, 0-3K ft.	400	\$205.37
15	R0496201	Manifold Assy, Nat Gas, 3-6K ft.	125	\$193.08
15	R0496202	Manifold Assy, Nat Gas, 3-6K ft.	175	\$198.07
15	R0496203	Manifold Assy, Nat Gas, 3-6K ft.	250	\$206.89
15	R0496204	Manifold Assy, Nat Gas, 3-6K ft.	325	\$226.22
15	R0496205	Manifold Assy, Nat Gas, 3-6K ft.	400	\$236.24
15	R0496301	Manifold Assy, Nat Gas, 6-10K ft.	125	\$183.63
15	R0496302	Manifold Assy, Nat Gas, 6-10K ft.	175	\$184.84
15	R0496303	Manifold Assy, Nat Gas, 6-10K ft.	250	\$188.00
15	R0496304	Manifold Assy, Nat Gas, 6-10K ft.	325	\$201.72
15	R0496305	Manifold Assy, Nat Gas, 6-10K ft.	400	\$206.04

Key No.	Part No.	Description	Model No.	List Price
15	R0496401	Manifold Assy, L.P. Gas, 0-5K ft.	125	\$180.92
15	R0496402	Manifold Assy, L.P. Gas, 0-5K ft.	175	\$181.05
15	R0496403	Manifold Assy, L.P. Gas, 0-5K ft.	250	\$182.61
15	R0496404	Manifold Assy, L.P. Gas, 0-5K ft.	325	\$194.68
15	R0496405	Manifold Assy, L.P. Gas, 0-5K ft.	400	\$197.40
15	R0496501	Manifold Assy, L.P. Gas, 5-10K ft.	125	\$193.30
15	R0496502	Manifold Assy, L.P. Gas, 5-10K ft.	175	\$198.42
15	R0496503	Manifold Assy, L.P. Gas, 5-10K ft.	250	\$207.38
15	R0496504	Manifold Assy, L.P. Gas, 5-10K ft.	325	\$226.89
15	R0496505	Manifold Assy, L.P. Gas, 5-10K ft.	400	\$237.04
16	R0469700	Anti-Rotation Bracket	All	\$8.07
17	R0469800	Burner, Main	All	\$16.28
18	R0469901	Burner Manifold	125	\$85.26
18	R0469902	Burner Manifold	175	\$90.84
18	R0469903	Burner Manifold	250	\$94.26
18	R0469904	Burner Manifold	325	\$99.39
18	R0469905	Burner Manifold	400	\$102.82
ELECTRICAL SYSTEM				
19	R0471901	Temp Control/User Interface	All	\$327.34
20	R0491700	Temp Control/User Interface w/ Bezel	All	\$345.19
21*	R0472400	Wire Harness Set	All	\$47.06
22	R0099800	On-Off Switch	All	\$19.27
23	R0472100	Temperature Control Label	All	\$14.44
24	R0472500	Pool/Spa Control	All	\$143.95
25	R0456500	Temperature Sensor (Regular)	All	\$78.82
26*	R0477300	Temperature Sensor (Salt)	All	\$171.61
27	R0456600	Gasket, Temperature Control Bulb	All	\$2.18
28	R0010700	Thermostat Knob, Black	All	\$4.27
29	R0472200	Stop Plate, "Temp-Lok"	All	\$4.92
30*	R0472300	Temperature Control Gasket	All	\$6.24
31	R0472001	Temperature Control Plate Assy	All	\$105.52
32*	R0474600	Stop Plate Screw	All	\$0.87
33	R0456900	Temperature Sensor Plug	All	\$308.50
34	R0455400	Cap, Sensor & Pressure Switch w/ O-Ring	All	\$28.28
35	R0013200	Pressure Switch, 2 PSI	All	\$69.41
36*	R0015500	Pressure Switch, 1-10 PSI	All	\$74.96
37	R0483600	Water Pressure Switch Tubing	All	\$56.59
37	R0483601	Water Pressure Switch Tubing, Reversed, R-kit	All	\$54.41
38	R0457401	High-Limit Switch Assy	All	\$34.70
39	R0457200	High Limit Set (130°F & 150°F)	All	\$65.15
40	R0457300	High-Limit Switch, 130°F	All	\$31.70
41	R0023000	High-Limit Switch, 150°F	All	\$31.70
41A	R0456800	High-Limit Plug (Set of 3)	All	\$6.50
42	R0012200	Fusible Link Assy	All	\$7.72
43	R0337200	Fusible Link Bracket	All	\$7.06
44	R0097800	Terminal Block	All	\$10.71
VENT SYSTEM				
45	R0470301	Top Enclosure	125	\$411.31
45	R0470302	Top Enclosure	175	\$421.60
45	R0470303	Top Enclosure	250	\$435.29
45	R0470304	Top Enclosure	325	\$447.30

Legacy™ Model LRZM Pool/Spa Heater See exploded parts diagram on pages 81–82.

Key No.	Part No.	Description	Model No.	List Price
VENT SYSTEM (CONTINUED)				
45	R0470305	Top Enclosure	400	\$462.71
46	R0470401	Vent Cover	125	\$30.43
46	R0470402	Vent Cover	175	\$31.70
46	R0470403	Vent Cover	250	\$38.91
46	R0470404	Vent Cover	325	\$41.23
46	R0470405	Vent Cover	400	\$52.26
47	R0478201	Rainshield (Partition)	125	\$71.55
47	R0478202	Rainshield (Partition)	175	\$75.84
47	R0478203	Rainshield (Partition)	250	\$80.11
47	R0478204	Rainshield (Partition)	325	\$84.83
47	R0478205	Rainshield (Partition)	400	\$89.12
48	R0470501	Flue Collector Assy	125	\$197.09
48	R0470502	Flue Collector Assy	175	\$205.66
48	R0470503	Flue Collector Assy	250	\$205.66
48	R0470504	Flue Collector Assy	325	\$210.80
48	R0470505	Flue Collector Assy	400	\$214.25
49	R0491601	Outdoor Vent Cap	125	\$102.72
49	R0491602	Outdoor Vent Cap	175	\$111.26
49	R0491603	Outdoor Vent Cap	250	\$119.82
49	R0491604	Outdoor Vent Cap	325	\$135.51
49	R0491605	Outdoor Vent Cap	400	\$140.74
50	R0499601	Indoor Draft Hood	125	\$118.38
50	R0499602	Indoor Draft Hood	175	\$127.03
50	R0499603	Indoor Draft Hood	250	\$131.46
50	R0499604	Indoor Draft Hood	325	\$153.55
50	R0499605	Indoor Draft Hood	400	\$160.08
51	R0478301	Adapter Plate	125	\$9.02
51	R0478302	Adapter Plate	175	\$9.56
51	R0478303	Adapter Plate	250	\$10.31
51	R0478304	Adapter Plate	325	\$11.12
51	R0478305	Adapter Plate	400	\$11.55
52*	R0500200	Clip	All	\$12.72
WATER SYSTEM-POLYMER				
53	R0470800	Inlet/Outlet Header Assy, Polymer	All	\$582.69
54	R0454200	Return Header Assy, Polymer	All	\$162.81
55*	R0454500	Header Hardware Set, Polymer	All	\$105.40
56	R0470606	Heat Exch. Assy, Complete	125	\$1,040.78
56	R0470607	Heat Exch. Assy, Complete	175	\$1,128.21
56	R0470608	Heat Exch. Assy, Complete	250	\$1,254.13
56	R0470609	Heat Exch. Assy, Complete	325	\$1,357.41
56	R0470610	Heat Exch. Assy, Complete	400	\$1,515.47
56	R0500706	Heat Exch. Assy, Complete, CuNi	125	\$1,217.78
56	R0500707	Heat Exch. Assy, Complete, CuNi	175	\$1,385.46
56	R0500708	Heat Exch. Assy, Complete, CuNi	250	\$1,688.61
56	R0500709	Heat Exch. Assy, Complete, CuNi	325	\$1,968.92
56	R0500710	Heat Exch. Assy, Complete, CuNi	400	\$2,288.15
57	R0446000	Heat Exch. Drain Plugs (2), Polymer	All	\$18.55
58	R0454000	3" Coupling Nut Kit w/ O-Ring	All	\$41.13
59	R0453700	Bypass Assembly, Polymer	All	\$38.56
60	R0453900	Bypass Spring, Adjustable, Polymer	All	\$28.28
61	R0449000	Tailpiece w/ Union Nut (Set of 2), Polymer	All	\$35.98

Key No.	Part No.	Description	Model No.	List Price
WATER SYSTEM-BRONZE				
62	R0470706	Heat Exch. Assy, Bronze, Complete	125	\$1,695.12
62	R0470707	Heat Exch. Assy, Bronze, Complete	175	\$1,763.10
62	R0470708	Heat Exch. Assy, Bronze, Complete	250	\$1,905.34
62	R0470709	Heat Exch. Assy, Bronze, Complete	325	\$2,024.72
62	R0470710	Heat Exch. Assy, Bronze, Complete	400	\$2,166.96
62	R0500806	Heat Exch. Assy, Bronze, Complete, CuNi	125	\$2,222.11
62	R0500807	Heat Exch. Assy, Bronze, Complete, CuNi	175	\$2,304.16
62	R0500808	Heat Exch. Assy, Bronze, Complete, CuNi	250	\$2,468.28
62	R0500809	Heat Exch. Assy, Bronze, Complete, CuNi	325	\$2,606.04
62	R0500810	Heat Exch. Assy, Bronze, Complete, CuNi	400	\$2,770.15
63	R0476601	Inlet/Outlet Header Assy, Bronze, 2"	125	\$998.89
63	R0476602	Inlet/Outlet Header Assy, Bronze, 2"	175	\$998.89
63	R0476603	Inlet/Outlet Header Assy, Bronze, 2"	250	\$998.89
63	R0476604	Inlet/Outlet Header Assy, Bronze, 2"	325	\$998.89
63	R0476605	Inlet/Outlet Header Assy, Bronze, 2"	400	\$998.89
64	R0476700	Return Header Assy, Bronze (includes set of 8 gaskets)	All	\$363.31
65	R0476801	Bypass Assy, Bronze	125	\$52.26
65	R0476802	Bypass Assy, Bronze	175	\$52.26
65	R0476803	Bypass Assy, Bronze	250	\$52.26
65	R0476804	Bypass Assy, Bronze	325	\$52.26
65	R0476805	Bypass Assy, Bronze	400	\$52.26
66	R0476901	Bypass Spring, Bronze	125	\$8.59
66	R0476902	Bypass Spring, Bronze	175	\$8.59
66	R0476903	Bypass Spring, Bronze	250	\$8.59
66	R0476904	Bypass Spring, Bronze	325	\$8.59
66	R0476905	Bypass Spring, Bronze	400	\$8.59
67	R0011400	Bypass Gasket, Bronze	All	\$2.75
68	R0477200	Heat Exchange Hardware Kit, Bronze	All	\$57.10
69	R0477400	Temp Sensor Mounting Bracket, Bronze	All	\$4.54
70	R0477501	Water Pressure Switch Tubing, Bronze	All	\$6.42
71	R0461500	Flange & Gasket Kit, Bronze	All	\$164.66
72	R0477800	Flange Bolts, Bronze	All	\$6.05
73	R0477900	¾" NPT Plug, Bronze	All	\$9.42
74	R0478000	Header, Drain Plug, Bronze	All	\$5.62
WATER SYSTEM-ALL				
75	R0454300	Header Gasket Assy (Set of 16)	All	\$18.43
76*	R0453800	Bypass Hardware, Gaskets	All	\$48.85
77	R0490101	Heat Exchanger Tube Assy, Copper	125	\$783.31
77	R0490102	Heat Exchanger Tube Assy, Copper	175	\$902.69
77	R0490103	Heat Exchanger Tube Assy, Copper	250	\$1,109.31
77	R0490104	Heat Exchanger Tube Assy, Copper	325	\$1,276.97
77	R0490105	Heat Exchanger Tube Assy, Copper	400	\$1,483.56
78	R0490301	Heat Exchanger Tube Assy, CuNi	125	\$1,217.78
78	R0490302	Heat Exchanger Tube Assy, CuNi	175	\$1,385.46
78	R0490303	Heat Exchanger Tube Assy, CuNi	250	\$1,688.61
78	R0490304	Heat Exchanger Tube Assy, CuNi	325	\$1,968.92
78	R0490305	Heat Exchanger Tube Assy, CuNi	400	\$2,288.15
79*	R0500001	Baffles, Heat Exchanger	125	\$20.96
79*	R0500002	Baffles, Heat Exchanger	175	\$19.20
79*	R0500003	Baffles, Heat Exchanger	250	\$26.32

Legacy™ Model LRZM Pool/Spa Heater See exploded parts diagram on pages 81–82.

Key No.	Part No.	Description	Model No.	List Price
FIREBOX COMPONENTS				
80	R0494906	Combustion Chamber Panels	125	\$332.60
80	R0494907	Combustion Chamber Panels	175	\$350.41
80	R0494908	Combustion Chamber Panels	250	\$361.54
80	R0494909	Combustion Chamber Panels	325	\$386.01
80	R0494910	Combustion Chamber Panels	400	\$407.13
JACKET COMPONENTS				
81	R0470901	Door w/ Latch	125	\$116.53
81	R0470902	Door w/ Latch	175	\$119.95
81	R0470903	Door w/ Latch	250	\$125.12
81	R0470904	Door w/ Latch	325	\$128.54
81	R0470905	Door w/ Latch	400	\$133.68
82	R0334900	Latch Assy	All	\$9.42
83	R0460300	Grommet, Sealing, 2"	All	\$2.80
84	R0491100	Button Plug, 7/8"	All	\$6.97
85	R0482301	Rear Panel Assy	125	\$47.48
85	R0482302	Rear Panel Assy	175	\$51.04
85	R0482303	Rear Panel Assy	250	\$56.59
85	R0482304	Rear Panel Assy	325	\$61.29
85	R0482305	Rear Panel Assy	400	\$67.53
86	R0482400	Side Panel, Right	All	\$35.90
87	R0482500	In/Out Cover Panel, Top	All	\$25.56
88	R0482600	In/Out Cover Panel, Bottom	All	\$20.49
89	R0482700	Side Panel, Left	All	\$73.76
90	R0482800	Return Side Cover, Top	All	\$24.10
91	R0482900	Return Side Cover, Bottom	All	\$25.83
92	R0483101	Heat Shield	125	\$52.51
92	R0483102	Heat Shield	175	\$54.52
92	R0483103	Heat Shield	250	\$59.86
92	R0483104	Heat Shield	325	\$64.04
92	R0483105	Heat Shield	400	\$69.26
93	R0483201	Heat Deflector Guard, Front	125	\$20.80
93	R0483202	Heat Deflector Guard, Front	175	\$21.11
93	R0483203	Heat Deflector Guard, Front	250	\$25.03
93	R0483204	Heat Deflector Guard, Front	325	\$25.48
93	R0483205	Heat Deflector Guard, Front	400	\$25.34
94	R0483401	Rear Partition	125	\$25.70
94	R0483402	Rear Partition	175	\$34.83
94	R0483403	Rear Partition	250	\$37.10
94	R0483404	Rear Partition	325	\$39.24
94	R0483405	Rear Partition	400	\$41.51
95	R0483501	Heat Deflector Guard, Rear	125	\$20.71
95	R0483502	Heat Deflector Guard, Rear	175	\$21.02
95	R0483503	Heat Deflector Guard, Rear	250	\$24.90
95	R0483504	Heat Deflector Guard, Rear	325	\$25.34
95	R0483505	Heat Deflector Guard, Rear	400	\$25.30
96	R0483901	Controller Mounting Panel	125	\$18.97
96	R0483902	Controller Mounting Panel	175	\$19.28

Key No.	Part No.	Description	Model No.	List Price
96	R0483903	Controller Mounting Panel	250	\$31.14
96	R0483904	Controller Mounting Panel	325	\$33.31
96	R0483905	Controller Mounting Panel	400	\$32.43
97	R0491000	Weather Stripping	All	\$11.09
98	R0492800	Grommet, 7/8"	All	\$8.64
OPTIONAL COMPONENTS				
99*	R0471001	Noncombustible Base	125	\$56.98
99*	R0471002	Noncombustible Base	175	\$62.12
99*	R0471003	Noncombustible Base	250	\$69.41
99*	R0471004	Noncombustible Base	325	\$76.70
99*	R0471005	Noncombustible Base	400	\$84.83
100*	R0040400	Press Relief Valve Kit, 75 PSI, Bronze	All	\$38.35
101*	R0336100	Press Relief Valve Kit, 75 PSI, Polymer	All	\$42.62
102*	R0335800	Touch-up Spray Paint, Black and Pewter	All	DISCONTINUED
103*	R0336000	Temp Rise Measurement Kit	All	\$95.98

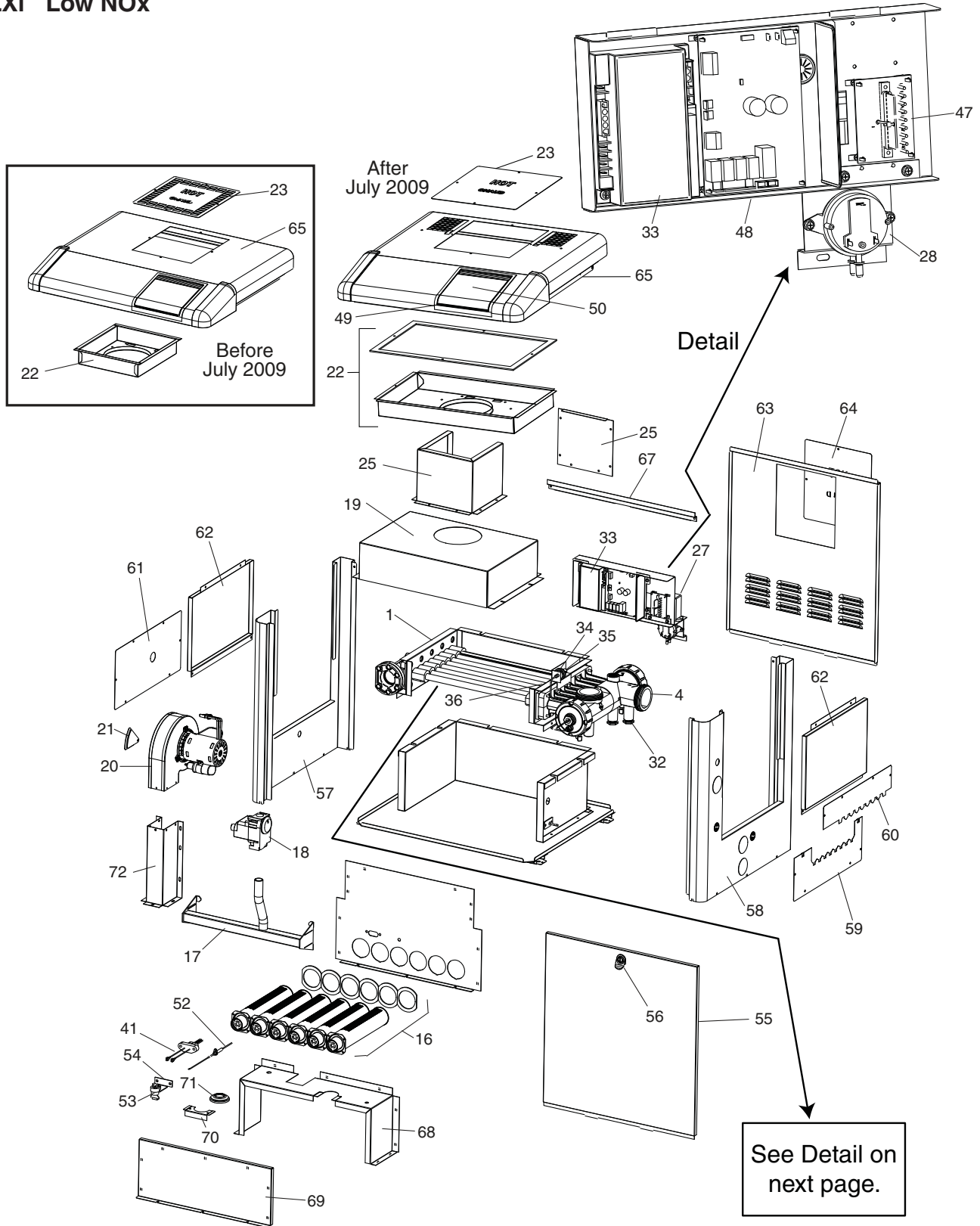
NOTES:

1. All hardware sets contain all pieces necessary for assembly, including gaskets.
2. Gaskets and hardware are included in all kits that involve the removal of a gasket as part of the procedure to replace a part.

* Parts not shown on key view.

** Manifold kit includes installed orifices but does not include gas valve.

LXi™ Low NOx



LXi™ Low NOx Diagram for LXi Low NOx Heater on pages 86–87.

Key No.	Part No.	Description	Model No.	List Price
HEAT EXCHANGER COMPONENTS				
1	R0453303	Complete Heat Exch. (Polymer/Copper)	250	\$1,254.13
1	R0453304	Complete Heat Exch. (Polymer/Copper)	300	\$1,357.41
1	R0453305	Complete Heat Exch. (Polymer/Copper)	400	\$1,515.75
2	R0453403	Tube Assy (Cu), w/ Hardware & Gaskets	250	\$1,109.31
2	R0453404	Tube Assy (Cu), w/ Hardware & Gaskets	300	\$1,276.97
2	R0453405	Tube Assy (Cu), w/ Hardware & Gaskets	400	\$1,483.56
2	R0477003	LXi ASME® Certified Heat Exch. Tube Assy, CuNi	250	\$1,215.84
2	R0477006	LXi ASME Certified Heat Exch. Tube Assy, CuNi	300	\$1,381.95
2	R0477005	LXi ASME Certified Heat Exch. Tube Assy, CuNi	400	\$1,570.49
3	R0453503	Heat Exchanger End Baffles	250	\$109.54
3	R0453504	Heat Exchanger End Baffles	300	\$113.71
3	R0453505	Heat Exchanger End Baffles	400	\$121.93
4	R0453600	Front Header, w/ Hardware & Gaskets	All	\$582.69
5	R0453700	Complete Hdwr & O-Ring, By-Pass	All	\$38.56
6	R0453800	Bypass Assy w/ O-Ring	All	\$48.85
7	R0453900	Spring, Bypass	All	\$28.28
8	R0454000	3" Coupling Nut Kit, w/ O-Ring, (Set of 2)	All	\$41.13
9	R0449000	Tailpiece w/ Union Nut (Set of 2), Polymer	All	\$35.98
N/S	R0454100	O-Ring, Coupling, (Set of 2)	All	\$7.32
10	R0454200	Rear Header, w/ Hardware & Gaskets	All	\$162.81
11	R0454300	Gasket, Header (front or rear) (Set of 16)	All	\$18.43
12	R0446000	Header Drain Plug w/ O-Ring (Set of 2)	All	\$18.55
N/S	R0454500	Heat Exchanger Hardware Kit & Gaskets	All	\$105.40
14	R0455400	Cap Sensor/Press Switch O-Ring	All	\$28.28
15	R0454600	Return Header Cap & O-Ring	All	\$21.85
N/S	R0501003	Complete HX Assy, Polymer, CuNi	250	\$1,487.63
N/S	R0501004	Complete HX Assy, Polymer, CuNi	300	\$1,590.07
N/S	R0501005	Complete HX Assy, Polymer, CuNi	400	\$1,748.18
GAS COMPONENTS				
16	R0454700	Burner w/ Gasket	All	\$56.72
16	R0454701	Burner w/ Tap and Gasket	All	\$67.12
17	R0454803	Manifold, Gas, Nat. (Low Altitude)	250	\$238.43
17	R0454804	Manifold, Gas, Nat. (Low Altitude)	300	\$252.08
17	R0454805	Manifold, Gas, Nat. (Low Altitude)	400	\$268.24
**17	R0455003	Manifold, Gas, LP (Low Altitude)	250	\$238.43
**17	R0455004	Manifold, Gas, LP (Low Altitude)	300	\$252.08
**17	R0455005	Manifold, Gas, LP (Low Altitude)	400	\$268.24
18	R0455200	Gas Valve Nat w/ Street Elbow	All	\$244.22
18	R0455300	Gas Valve LP w/ Street Elbow	All	\$244.22

Key No.	Part No.	Description	Model No.	List Price
EXHAUST SYSTEM				
19	R0455503	Flue Collector w/ Gaskets	250	\$74.56
19	R0455504	Flue Collector w/ Gaskets	300	\$82.26
19	R0455505	Flue Collector w/ Gaskets	400	\$89.98
20	R0455600	Blower Assy w/ Gasket	All	\$530.87
21	R0455700	Air Orifice Adjust Bracket	All	\$9.00
22	R0455803	Flue Vent Assy w/ Gasket (Before 7-2009)	250	\$38.57
22	R0455804	Flue Vent Assy w/ Gasket (Before 7-2009)	300	\$38.57
22	R0455805	Flue Vent Assy w/ Gasket (Before 7-2009)	400	\$40.84
22	R0495503	Flue Vent Assy w/ Gasket (After 7-2009)	250	\$67.24
22	R0495504	Flue Vent Assy w/ Gasket (After 7-2009)	300	\$71.40
22	R0495505	Flue Vent Assy w/ Gasket (After 7-2009)	400	\$74.81
23	R0456001	Outdoor Grill (Before 7-2009)	250,300	\$29.59
23	R0456002	Outdoor Grill (Before 7-2009)	400	\$40.53
23	R0495401	Hot Plate, Split Plate (After 7-2009)	250,300	\$21.05
23	R0495402	Hot Plate, Split Plate (After 7-2009)	400	\$21.89
N/S	R0456100	Vent Hardware Kit	All	\$18.55
25	R0456200	Flue Box Assy w/ Gasket	All	\$71.99
ELECTRICAL COMPONENTS				
27	R0456300	Transformer	All	\$92.55
28	R0456400	Air Pressure Switch	All	\$89.98
29	R0456500	Temperature Sensor Regular	All	\$78.82
29	R0477300	Temperature Sensor (Salt)	All	\$171.61
30	R0456600	Gasket, Temperature Sensor	All	\$2.18
32	R0523900	Nut, Sensor Retainer	All	\$3.77
33	R0456900	Ignition Control	All	\$308.50
34	R0457000	Water Pressure Switch Assy	All	\$56.56
35	R0013200	Water Pressure Switch, 2 psi	All	\$69.41
36	R0457100	Water Pressure Switch Tubing	All	\$10.29
37	R0457200	High Limits Set	All	\$65.15
38	R0457300	High Limit 130°F	All	\$31.70
39	R0023000	High Limits 150°F	All	\$31.70
39A	R0456800	High Limit Plug (Set of 3)	All	\$6.50
40	R0457400	Harness, High Limit Switch	All	\$34.70
41	R0457500	Hot Surface Ignitor	All	\$90.84
N/S	R0457600	Wire Harness Set Complete	All	\$151.68
N/S	R0457700	Harn Pwr Interface Controller (fuse included)	All	\$35.99
N/S	R0457800	Harn Wtr Press Switch, Univ. Cntrl	All	\$28.28
N/S	R0457900	Harn Man. Reset, RL-Out	All	\$28.28
N/S	R0460400	Harn Air Flow Switch	All	\$28.28

N/S-Not Shown

LXi™ Low NOx Diagram for LXi Low NOx Heater on pages 86–87.

Key No.	Part No.	Description	Model No.	List Price
ELECTRICAL COMPONENTS (CONTINUED)				
47	R0458100	Power Distribution Circuit Board	All	\$87.41
48	R0458200	Universal Control PI PCB	All	\$398.22
49	R0458300	Univ. Control User Interface	All	\$372.44
50	R0458400	Cover, Display/Bezel	All	\$80.68
N/S	R0458500	Gasket, Display/Bezels	All	\$10.80
JACKET COMPONENTS				
52	R0458600	Flame Sense Rod	All	\$145.68
53	R0012200	Fusible Link	All	\$7.72
54	R0337200	Bracket, Fusible Link	All	\$7.06
55	R0458703	Door w/ Latch	250	\$1,258.40
55	R0458704	Door w/ Latch	300	\$128.54
55	R0458705	Door w/ Latch	400	\$133.68
56	R0334900	Door Latch Assy w/ Handle	All	\$9.42
57	R0458800	Panel, Side, Left	All	\$18.43
58	R0458900	Panel, Right Side	All	\$18.43
59	R0459000	Panel, Bottom Header, In/Out	All	\$10.67
60	R0459100	Panel Top, Header In/Out	All	\$10.67
61	R0459200	Panel, Return Header Side	All	\$17.82
62	R0459300	Panel, Side Support	All	\$25.70
63	R0459803	Rear Panel	250	\$56.59
63	R0459804	Rear Panel	300	\$68.04
63	R0459805	Rear Panel	400	\$80.54
64	R0459401	Vent Back Cover	250,300	\$15.26
64	R0459402	Vent Back Cover	400	\$16.55
65	R0459503	Top Assy (Before 7-2009)	250	\$205.66
65	R0459504	Top Assy (Before 7-2009)	300	\$213.38
65	R0459505	Top Assy (Before 7-2009)	400	\$233.94
65	R0495303	Top Assy, Split Flue (After 7-2009)	250	\$205.66
65	R0495304	Top Assy, Split Flue (After 7-2009)	300	\$213.38
65	R0495305	Top Assy, Split Flue (After 7-2009)	400	\$233.94
67	R0459903	Front, Support Door	250	\$33.43
67	R0459904	Front, Support Door	300	\$33.43
67	R0459905	Front, Support Door	400	\$33.43
68	R0460003	Housing Air Chamber	250	\$37.33
68	R0460004	Housing Air Chamber	300	\$38.71
68	R0460005	Housing Air Chamber	400	\$39.80
69	R0460103	Cover, Air Chamber	250	\$15.93
69	R0460104	Cover, Air Chamber	300	\$16.85
69	R0460105	Cover, Air Chamber	400	\$17.48
70	R0460200	Cover, Manifold	All	\$8.49
71	R0460300	Grommet Seal 2"	All	\$2.80
72	R0460500	Air Duct	All	\$18.51

Key No.	Part No.	Description	Model No.	List Price
HEAT EXCHANGER COMPONENTS, BRONZE				
73	R0476603	LXi Inlet/Outlet Bronze Header	250	\$998.89
73	R0476605	LXi Inlet/Outlet Bronze Header	300	\$998.89
73	R0476606	LXi Inlet/Outlet Bronze Header	400	\$998.89
74	R0476700	LXi Return Header, Bronze	All	\$363.31
75	R0477200	LXi Heat Exch. Hardware Kit, Bronze	All	\$57.10
76	R0476803	LXi I/O Header Bypass Assy w/ Hardware (Bronze Headers)	250	\$52.26
76	R0476805	LXi I/O Header Bypass Assy w/ Hardware (Bronze Headers)	300	\$52.26
76	R0476806	LXi I/O Header Bypass Assy w/ Hardware (Bronze Headers)	400	\$52.27
77	R0476903	LXi Bypass Spring (Bronze Headers)	250	\$8.59
77	R0476905	LXi Bypass Spring (Bronze Headers)	400	\$8.59
77	R0476906	LXi Bypass Spring (Bronze Headers)	300	\$8.59
78	R0011400	LXi Bypass Gasket (Bronze Headers)	All	\$2.75
79	R0477400	LXi Temp Sensor Mounting Bracket (Bronze Headers)	All	\$4.54
80	R0477500	LXi Tube Assy, Pressure Switch, Bronze Headers	All	\$6.71
81	R0477600	LXi Heat Exchanger Flange & Gasket (Set of 2) (Bronze Headers)	All	\$308.88
82	R0477800	LXi Heat Exchanger Flange Bolts (Bronze Headers)	All	\$6.05
83	R0477900	LXi In/Out Header Plug, 3/4" NPT (Bronze Headers)	All	\$9.42
84	R0478000	LXi Bronze Header Drain Plug	All	\$5.62
N/S	R0500503	Heat Exchanger Complete, Bronze, Cu	250	\$2,204.71
N/S	R0500504	Heat Exchanger Complete, Bronze, Cu	300	\$2,013.19
N/S	R0500505	Heat Exchanger Complete, Bronze, Cu	400	\$2,171.30
N/S	R0500603	Heat Exchanger Complete, Bronze, CuNi	250	\$2,111.18
N/S	R0500604	Heat Exchanger Complete, Bronze, CuNi	300	\$2,554.18
N/S	R0500605	Heat Exchanger Complete, Bronze, CuNi	400	\$2,742.61

N/S-Not Shown

LXi™ Low NOx Diagram for LXi Low NOx Heater on pages 86–87.

Key No.	Part No.	Description	Model No.	List Price
REAR HORIZONTAL VENTING				
N/S	R0467301	Vent Adapter Kit, 5"	250	\$48.94
N/S	R0467302	Vent Adapter Kit, 5"	300	\$51.92
N/S	R0467303	Vent Adapter Kit, 6"	400	\$115.51
N/S	R0484405	Vent Accessory Kit, 5" [†]	250	\$458.02
N/S	R0484405	Vent Accessory Kit, 5" ^{††}	300	\$458.02
N/S	R0484406	Vent Accessory Kit, 6" ^{††}	400	\$619.25
TOP VERTICAL TO HORIZONTAL VENTING				
N/S	R0484301	Vent Adapter Kit, 6"	250	\$97.76
N/S	R0484302	Vent Adapter Kit, 7"	300	\$101.92
N/S	R0484303	Vent Adapter Kit, 8"	400	\$116.48
N/S	R0484406	Vent Accessory Kit, 6" ^{††}	250	\$619.25
N/S	R0484407	Vent Accessory Kit, 7" ^{††}	300	\$846.49
N/S	R0484408	Vent Accessory Kit, 8" ^{††}	400	\$955.20
[†] 5" Vent Accessory Kits contain: 1-appliance adapter 1-12" length of pipe 1-wall thimble 1-horizontal termination ^{††} 6", 7", 8" Vent Accessory Kits contain: 1-appliance adapter 3-12" lengths of pipe 1-90 degree elbow 1-wall thimble 1-horizontal termination				
OPTIONAL				
N/S	R0468803	Noncombustible Base	250	\$69.41
N/S	R0468804	Noncombustible Base	300	\$75.56
N/S	R0468805	Noncombustible Base	400	\$84.83
N/S	R0335800	Touch-up Paint, Black and Pewter	All	DISCONTINUED
N/S	R0336000	Temperature Rise Measurement Kit	All	\$95.98
N/S	R0336100	Pressure Relief Valve	All	\$42.62
N/S	R0322800	High Temp Silicone Sealant	All	\$32.14
N/S	R0467200	Pump Relay Kit	All	\$84.84
N/S	R0467500	Remote Control Panel and Mounting Kit	All	\$358.05
N/S	AUTOHEAT	Remote Control Automation Kit	All	\$755.63

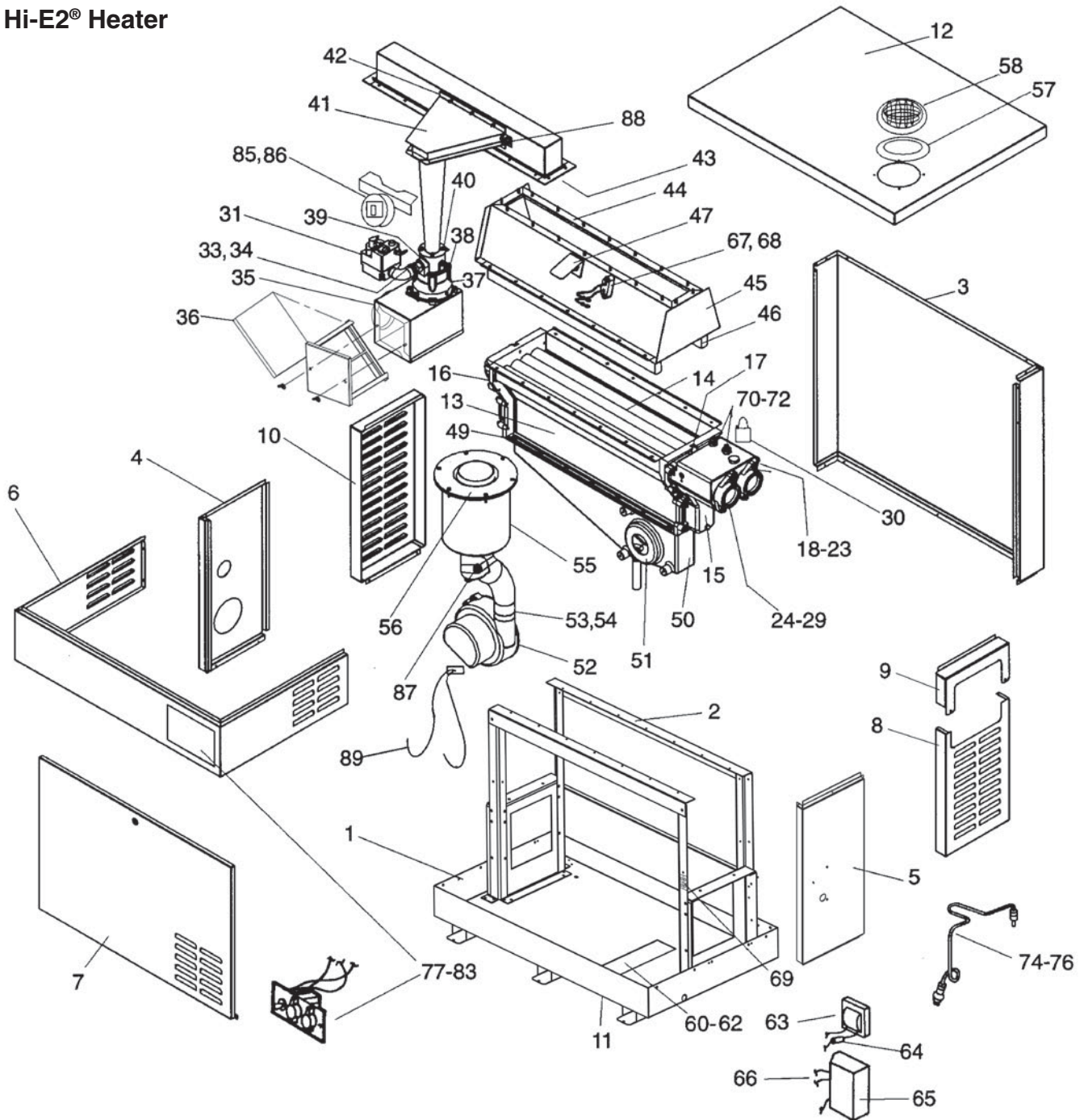
Notes:

1. All hardware sets contain all pieces necessary for assembly, including gaskets.
2. Gaskets and hardware are included in all kits that involve the removal of a gasket as part of the procedure to replace a part.

N/S-Not Shown

** Manifold kit includes installed orifices but does not include gas valve.

Hi-E2® Heater



Key No.	Part No.	Description	Model No.	List Price
	R0306200	Limestone Gravel (Condensate Neutralizer)	All	\$26.14
JACKET ASSEMBLY				
1	R0347103	Base Panel	220	\$68.37
1	R0347105	Base Panel	350	\$68.37
2	R0301503	Frame Support Assy	220	\$26.56
2	R0301505	Frame Support Assy	350	\$31.14
3	R0347203	Back Panel	220	\$68.37

Key No.	Part No.	Description	Model No.	List Price
3	R0347205	Back Panel	350	\$106.95
4	R0347300	Left Side Panel	All	\$93.50
5	R0347400	Right Side Panel	All	\$68.37
6	R0347503	Temperature Control Panel Assy	220	\$38.57
6	R0347505	Temperature Control Panel Assy	350	\$38.57
7	R0347603	Door	220	\$26.99
7	R0347605	Door	350	\$32.57

Continued on next page.

Hi-E2® Heater Diagram for Hi-E2 Heater on page 91.

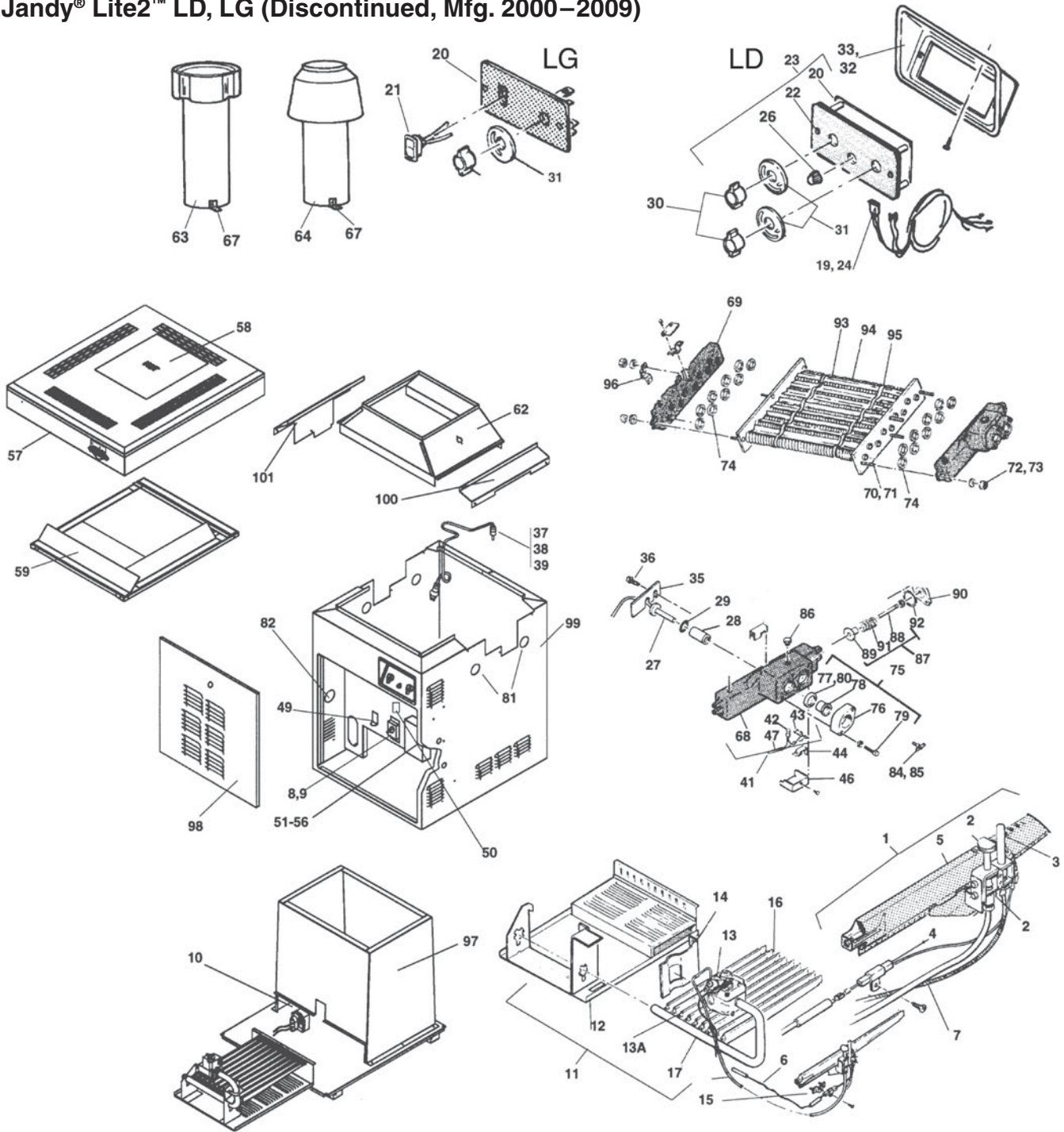
Key No.	Part No.	Description	Model No.	List Price
JACKET ASSEMBLY (CONTINUED)				
8	R0347700	Inlet/Outlet Header Panel	All	\$11.73
9	R0347800	Right Top Side Panel	All	\$40.50
10	R0347900	Return Header Panel	All	\$17.28
11	R0348003	Front Kick Panel	220	\$11.66
11	R0348005	Front Kick Panel	350	\$13.72
12	R0348105	Top Panel, Pewter Only	350	DISCONTINUED
N/S	R0302100	Jacket Hardware Kit (Note 1)	All	\$18.87
N/S	R0302500	Internal Hardware Kit (Note 1)	All	\$8.90
WATER SYSTEM				
13	R0303805	Heat Exchanger Assy, Complete	350	\$2,784.39
N/S	R0523705	Heat Exch. Assy Complete, ASME®	350	\$3,502.53
15	R0303900	Inlet/Outlet Header	All	\$587.44
16	R0304000	Return Header	All	\$496.98
17	R0304300	Gasket, Header	All	\$44.53
18	R0304400	By-Pass Valve Assy	All	\$52.26
19	S0076700	Flow Control Cap	All	\$74.96
20	R0011400	By-Pass Valve Gasket	All	\$2.75
21	R0304500	By-Pass Valve Spring	All	\$22.30
22	R0304900	By-Pass Valve Rod	All	\$12.36
23	R0011500	By-Pass Valve Disk		\$4.03
24	R0055000	Flange & Gasket Assy, 2" (Set of 2)	All	\$159.41
25	10573500+	Flange, 2"	All	\$49.31
26	S0078000+	Flange Gasket, 2"	All	\$16.28
27	S0078200+	Flange Sleeve, 2"	All	\$6.58
28	F0031700	Flange Bolt	All	DISCONTINUED
29	S0078100+	Flange Gasket 1½-2"	All	\$7.28
30	R0040400	Pressure Relief Valve, 75 PSI (Requires field supplied ¾" NPT x 3" brass nipple)	All	\$38.35
N/S	R0319105	Heat Exchanger Hardware Kit (Note 1)	350	\$284.67
N/S	R0319300	Inlet/Outlet Header Hardware Kit (Note 1)	All	\$47.14
N/S	R0319200	Return Header Hardware Kit (Note 1)	All	\$37.29
COMBUSTION SYSTEM ASSEMBLY				
31	R0200100	Gas Valve	All	\$449.00
N/S	R0348500	Anti-Rotation Bracket	All	\$2.87
33	R0320000	Orifice Holder	All	\$26.99
34	R0309303	Gas Orifice, NAT	220	DISCONTINUED
34	R0309305	Gas Orifice, NAT	350	\$37.72
34	R0309403	Gas Orifice, LPG	220	DISCONTINUED
34	R0309405	Gas Orifice, LPG	350	\$29.15
35	R0348200	Combustion Air Filter Assy	All	\$74.60
36	R0308000	Combustion Air Filter	All	\$19.24
37	R0320303	Venturi Inlet	220	DISCONTINUED
37	R0320305	Venturi Inlet	350	\$224.53
38	R0320400	Venturi O-Ring	All	\$5.04
39	R0320500	Venturi Plenum	All	\$150.82
40	R0320600	Venturi/Tailpipe Gasket	All	\$8.99
41	R0348300	Mixing Chamber/Tailpipe Assy	All	\$334.52
42	R0320800	Mixing Chamber/Burner Gasket	All	\$11.15
43	R0305903	Burner Assy	220	\$736.92
43	R0305905	Burner Assy	350	\$959.70
44	R0305803	Burner/Combustion Chamber Gasket	220	\$21.42
44	R0305805	Burner/Combustion Chamber Gasket	350	\$21.42
45	R0305103	Combustion Chamber Assy	220	DISCONTINUED
45	R0305105	Combustion Chamber Assy	350	\$491.86
46	R0305303	Refractory Tile Set	220	\$281.06
46	R0305305	Refractory Tile Set	350	\$322.20
47	R0305400	Sight Glass Assy	All	\$137.11
48	R0213103	Combustion Chamber Strip Set	220	\$37.72
48	R0213105	Combustion Chamber Strip Set	350	\$37.72
49	R0305703	Combustion Chamber/Collector Gasket	220	\$69.41

Key No.	Part No.	Description	Model No.	List Price
49	R0305705	Combustion Chamber/Collector Gasket	350	\$84.00
N/S	R0322200	Venturi Hardware Kit (Note 1)	All	\$33.84
N/S	R0322100	Mixing Chamber Hardware Kit (Note 1)	All	\$32.57
N/S	R0319403	Burner Hardware Kit (Note 1)	220	\$61.70
N/S	R0319405	Burner Hardware Kit (Note 1)	350	\$61.71
EXHAUST ASSEMBLY				
50	R0303203	Collector	220	DISCONTINUED
50	R0303205	Collector	350	DISCONTINUED
51	R0308700	Blower/Collector Gasket	All	\$19.27
52	R0308200	Combustion Blower	All	\$1,679.51
53	R0308600	Blower/Vent Duct Sleeve	All	\$24.86
54	R0308800	Blower/Vent Duct Clamp	All	\$38.12
55	R0303100	Vent Duct Assy	All	\$329.06
56	R0309100	Vent Duct/Heater Top Gasket or Heater Top/Indoor Vent Collar Gasket	All	\$24.86
57	R0309500	Heater Top/Outdoor Exhaust Grill Gasket	All	\$7.11
58	R0348400	Outdoor Exhaust Grille	All	\$25.14
N/S	R0307900	Indoor Vent Collar	All	\$73.27
60	R0303300	Condensate Trap Assy & Tube Drain	All	\$55.29
61	R0306200	Limestone Gravel	All	\$26.14
ELECTRICAL COMPONENTS AND CONTROLS				
63	R0061100	Transformer	All	\$49.71
64	R0325600	In-Line Fuse Holder Assy	All	\$9.87
65	R0202900	Ignition Control	All	\$387.32
66	R0302700	Wire Harness, Ignition Control	All	\$44.53
67	R0016400	Igniter Assy	All	\$90.84
68	R0205300	Igniter Gasket	All	\$24.01
69	R0301900	Terminal Block	All	DISCONTINUED
70	R0322700	High-Limit Switch/Harness Set	All	\$60.84
74	R0322900	Pressure Switch & Syphon Loop Assy	All	\$58.25
75	R0013200	Pressure Switch, 2 PSI	All	\$69.41
76	R0307800	Pressure Switch Syphon Loop	All	DISCONTINUED
77	R0011700	Temperature Control Assy, Electronic	All	\$327.34
N/S	R0011800	Temperature Sensor	All	\$78.82
80	10444900+	Temperature Sensor Plastic Sleeve	All	\$2.15
81	R0010700	Temperature Control Knob	All	\$4.27
82	R0099900	Pool/Spa Selector Knob	All	\$7.72
83	10583100+	"Temp-Lok" Disc	All	\$0.86
N/S	10716701	Temperature Sensor Retainer Clip	All	\$3.44
85	R0302000	Differential Pressure Switch	All	\$89.12
86	R0302200	Differential Pressure Switch Bracket	All	\$7.76
87	R0309000	Exhaust Vent Limit Switch	All	\$11.56
88	R0319700	Burner High Limit Switch	All	\$15.43
89	R0308100	Combustion Blower Wire Harness	All	\$5.68
OPTIONAL COMPONENTS				
N/S	E0120000	3 Wire Harness, Remote Control	All	\$30.83
N/S	X0021100	Touch Up Spray Paint, Black and Pewter	All	DISCONTINUED
N/S	R0322800	High Temperature Silicone Sealant	All	\$32.14
N/S	R0337300	Regulator Stepdown	All	\$164.54
N/S	R0444900	4" Venting Connector	350	\$58.68

Notes:

1. All hardware sets contain all pieces necessary for assembly, including gaskets.
 2. Use Kit #R0322700
 3. Use Kit #R0303300
- N/S-Not Shown

Jandy® Lite2™ LD, LG (Discontinued, Mfg. 2000–2009)



Key No.	Part No.	Description	Model No.	List Price
PILOT GAS SYSTEM - LG				
1	R0099200	Pilot, Main Burner Assy, LPG	All	\$137.11
1	R0099100	Pilot, Main Burner Assy, NAT	All	\$137.11
2	R0096700	Pilot Burner, NAT	All	\$104.55
2	R0096600	Pilot Burner, LPG	All	\$104.55
2A	R0323300	Pilot Shield	All	\$17.99

Key No.	Part No.	Description	Model No.	List Price
3	W0036901+	Pilot Generator	All	\$58.25
4	R0011600	Ceramic Insulator Assy	All	\$24.01
5	10457500+	Burner, Main w/ Pilot Bracket	All	\$16.71
6	R0099000	High Voltage Lead Assy	All	\$25.97
7	R0037000	Pilot Tubing	All	\$12.85
8,9	R0355900	Piezo Lighter Assy (use R0096800)	All	\$22.36

Jandy® Lite2™ LD, LG (Discontinued, Mfg. 2000–2009) Diagram for Jandy Lite2 LD, LG Heater on page 93.

Key No.	Part No.	Description	Model No.	List Price
PILOT GAS SYSTEM - LD (CONTINUED)				
9	R0446900	Igniter Box - LD	All	\$14.85
10	R0317200	Ignitor - LD	All	\$90.84
N/S	R0334200	HSI Shield - LD	All	\$52.37
N/S	R0334300	Flame Sensor, LD	All	\$145.68
MAIN GAS ASSEMBLY				
11	R0098601	Burner Tray Assy, NAT (Note 1) - LG	125	\$1,199.64
11	R0098602	Burner Tray Assy, NAT (Note 1) - LG	175	\$1,233.91
11	R0098603	Burner Tray Assy, NAT (Note 1) - LG	250	\$1,285.35
11	R0098604	Burner Tray Assy, NAT (Note 1) - LG	325	\$1,371.02
11	R0098605	Burner Tray Assy, NAT (Note 1) - LG	400	\$1,405.30
11	R0098701	Burner Tray Assy, LPG (Note 1) - LG	125	\$1,199.64
11	R0098702	Burner Tray Assy, LPG (Note 1) - LG	175	\$1,233.91
11	R0098703	Burner Tray Assy, LPG (Note 1) - LG	250	\$1,285.35
11	R0098704	Burner Tray Assy, LPG (Note 1) - LG	325	\$1,371.02
11	R0098705	Burner Tray Assy, LPG (Note 1) - LG	400	\$1,405.30
11	R0316901	Burner Tray Assy, NAT (Note 1) - LD	125	\$891.16
11	R0316902	Burner Tray Assy, NAT (Note 1) - LD	175	\$942.57
11	R0316903	Burner Tray Assy, NAT (Note 1) - LD	250	\$976.86
11	R0316904	Burner Tray Assy, NAT (Note 1) - LD	325	\$1,028.28
11	R0316905	Burner Tray Assy, NAT (Note 1) - LD	400	\$1,062.54
11	R0319501	Burner Tray Assy, LPG (Note 1) - LD	125	DISCONTINUED
11	R0319502	Burner Tray Assy, LPG (Note 1) - LD	175	\$942.57
11	R0319503	Burner Tray Assy, LPG (Note 1) - LD	250	\$976.86
11	R0319504	Burner Tray Assy, LPG (Note 1) - LD	325	\$1,028.28
11	R0319505	Burner Tray Assy, LPG (Note 1) - LD	400	\$1,062.54
12	R0317001	Burner Tray, Shelf Only	125	\$145.68
12	R0317002	Burner Tray, Shelf Only	175	\$149.10
12	R0317003	Burner Tray, Shelf Only	250	\$154.22
12	R0317004	Burner Tray, Shelf Only	325	\$157.66
12	R0317005	Burner Tray, Shelf Only	400	\$162.81
13	R0096400	Gas Valve, NAT - LG	All	\$298.64
13	R0096900	Gas Valve, LPG - LG	All	\$298.64
13	R0317100	Gas Valve, NAT - LD	All	\$251.93
13	R0319600	Gas Valve, LPG - LD	All	\$265.65
13A	L0032200+	Gas Orifice, NAT (Note 1)	All	\$2.15
13A	L0032900+	Gas Orifice, LPG (Note 1)	All	\$2.15
14	10577200+	Anti-Rotation Bracket	All	DISCONTINUED
15	10419200+	Mounting Bracket Assy	All	\$5.14
16	R0469800	Burner, Main	All	\$16.28
17	L0052200+	Burner Manifold	125	\$85.26
17	L0006300+	Burner Manifold	175	\$90.84
17	L0006400+	Burner Manifold	250	\$94.26
17	L0006500+	Burner Manifold	325	\$99.39
17	L0006600+	Burner Manifold	400	\$102.82
ELECTRICAL SYSTEM				
18	R0058200	Temperature Control Assy - LG	All	\$143.95
19	R0058000	Wire Harness	All	\$32.14
21	R0099800	On-Off Switch	All	\$19.27
22	H0201100	Temperature Control Label	All	\$11.56
23	R0011700	Temperature Control Assy - LD	All	\$327.34
24	R0058100	Wire Harness Assy	All	\$36.86
N/S	R0325900	Wire Harness Set, Complete, R-Kit	All	\$92.53
26	R0099900	Knob, Single Bar	All	\$7.72

Key No.	Part No.	Description	Model No.	List Price
Key Nos. 27– 36 are for both R582 & R117				
27	R0011800	Temperature Sensor	All	\$78.82
28	10444900+	Protector Sleeve, Bulb	All	\$2.15
	10462200+	Retainer Clip	All	\$9.87
29	R0456600	O-Ring, Temperature Control Bulb	All	\$2.18
30	R0010700	Thermostat Knob, Black	All	\$4.27
31	10583100+	Temp-Lok Stop Plate (Not Shown)	All	\$0.86
32	S0070000	Temperature Control Gasket	All	\$2.48
33	S0069800+	Bezel	All	\$26.99
N/S	R0474600	Stop Plate Screw	All	\$0.87
35	10447300+	Retainer Bracket	All	\$2.15
36	F0009100+	Retainer Bracket Screw	All	\$1.30
37	-	Pressure Switch & Siphon Loop Assy	All	N/A
38	R0013200	Pressure Switch, 2 PSI	All	\$69.41
38	R0015500	Pressure Switch, 1-10 PSI	All	\$74.96
39	R0057800	Siphon Loop Assy	All	\$56.59
N/S	10654300	Salt Syphon Loop Tube	All	\$33.81
41	R0023200	High-Limit Switch Assy	All	\$65.15
42	R0022700	High-Limit Switch, 135°F	All	\$31.70
43	R0023000	High-Limit Switch, 150°F	All	\$31.70
44	R0532100	High-Limit Switch Retainer Clip	All	\$27.73
45	10419300+	High-Limit Switch Retainer Boot	All	\$59.56
46	10418300+	High-Limit Switch Retainer Cover	All	\$3.85
47	10419300+	High-Limit Switch Retainer Wire Harness	All	\$59.56
48	R0012200	Fusible Link Assembly	All	\$7.72
49	10479900+	Fusible Link Bracket	All	\$2.57
50	R0097800	Terminal Block	All	\$10.71
51	R0317500	Ignition Control Assy - LD	All	\$351.34
52	R0408100	Ignition Control - LD	All	\$387.32
53	R0059800	Harness Assy	All	\$28.28
54	R0061100	Transformer (115V–220V/24V)	All	\$49.71
55	10451200+	Ignition Control Panel	All	\$5.14
56	10480000+	In-Line Fuse Assy	All	\$10.30
VENT SYSTEM				
57	R0343401	Top Enclosure	125	\$411.31
57	R0343402	Top Enclosure	175	\$421.60
57	R0343403	Top Enclosure	250	\$435.29
57	R0343404	Top Enclosure	325	\$447.30
57	R0343405	Top Enclosure	400	\$462.71
58	R0343701	Top Filler	125	\$30.43
58	R0343702	Top Filler	175	\$31.70
58	R0343703	Top Filler	250	\$35.57
58	R0343704	Top Filler	325	\$38.99
58	R0343705	Top Filler	400	\$52.26
59	R0318301	Rainshield Kit	125	\$71.55
59	R0318302	Rainshield Kit	175	\$75.84
59	R0318303	Rainshield Kit	250	\$80.11
59	R0318304	Rainshield Kit	325	\$84.83
59	R0318305	Rainshield Kit	400	\$89.12
62	R0316401	Flue Collector Assy	125	\$197.09
62	R0316402	Flue Collector Assy	175	\$205.66

N/S-Not Shown

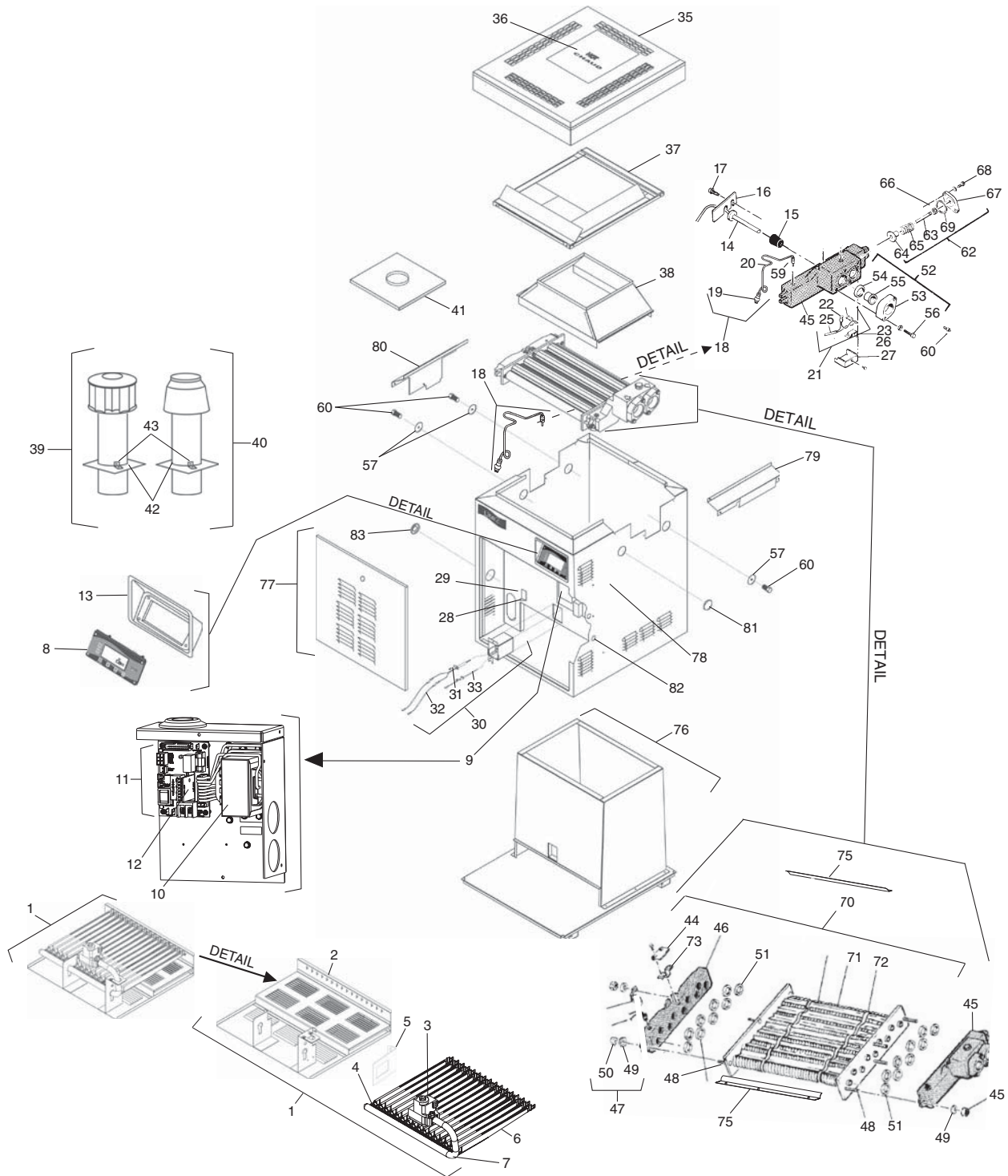
Jandy® Lite2™ LD, LG (Discontinued, Mfg. 2000–2009) Diagram for Jandy Lite2 LD, LG Heater on page 93.

Key No.	Part No.	Description	Model No.	List Price
VENT SYSTEM (CONTINUED)				
62	R0316403	Flue Collector Assy	250	\$205.66
62	R0316404	Flue Collector Assy	325	\$210.80
62	R0316405	Flue Collector Assy	400	\$214.25
63	10561501	Outdoor Vent Cap	125	\$102.72
63	10561502	Outdoor Vent Cap	175	\$111.26
63	10561503	Outdoor Vent Cap	250	\$119.82
63	10561504	Outdoor Vent Cap	325	\$135.51
63	10561505	Outdoor Vent Cap	400	\$140.74
64	10561401	Indoor Drafthood	125	\$102.72
64	10561402	Indoor Drafthood	175	\$111.26
64	10561403	Indoor Drafthood	250	\$119.82
64	10561404	Indoor Drafthood	325	\$135.51
64	10561405	Indoor Drafthood	400	\$140.74
N/S	10861901	Flue Transition Plate	125	\$8.13
N/S	10861902	Flue Transition Plate	175	\$8.99
N/S	10861903	Flue Transition Plate	250	\$9.87
N/S	10861904	Flue Transition Plate	325	\$10.71
N/S	10861905	Flue Transition Plate	400	\$11.15
N/S	R0449701	Adapter Plate	125	\$16.21
N/S	R0449702	Adapter Plate	175	\$17.99
N/S	R0449703	Adapter Plate	250	\$19.35
N/S	R0449704	Adapter Plate	325	\$21.03
N/S	R0449705	Adapter Plate	400	\$22.69
67	R0532300	Clip	All	\$28.91
WATER SYSTEM				
68	R0056400	Inlet/Outlet Header, 2"	All	\$438.72
68	R0016800	Inlet/Outlet Header, Bronze, 2"	All	\$719.79
69	R0058300	Return Header	All	\$169.67
69	R0054600	Return Header, Bronze	All	\$363.31
70	R0057000	Header Bolt Assembly	All	\$25.29
72	F0011100+	Washer for Headers	All	\$0.86
73	F0003100+	Nut for Headers	All	\$0.86
74	R0050800	Header Gasket Assy (Set of 18)	All	\$18.43
75	R0055000	Flange & Gasket Assy (Note 3)	All	\$159.41
76	10573500+	Flange, 2"	All	\$49.31
77	S0078000+	Flange Gasket, 2"	All	\$16.28
78	S0078200+	Flange Sleeve, 2"	All	\$6.58
79	F0031700	Flange Bolt	All	DISCONTINUED
80	S0078100+	Flange Gasket, 1½ – 2"	All	\$7.28
	R0205200	Adapter, 2" CPVC Nipple		\$38.99
81	R0316300	Grommet for Drain Plug	All	\$5.68
82	R0460300	Grommet, Slitted	All	\$2.80
83	S0098700	Hole Plug	All	DISCONTINUED
84	P0026800+	Drain Plug	All	\$3.85
85	P0018500	Drain Plug Bushing	All	\$6.01
86	P0027000+	Brass Plug, ¾"	All	\$9.42
87	R0054900	By-Pass Assy	All	\$26.14
88	R0391800	By-Pass Valve Rod	All	\$23.14
89	R0011500	By-Pass Valve Disc	All	\$4.03
90	R0054900	By-Pass Valve Control Cap	All	\$26.14
91	S0079900+	By-Pass Valve Spring, Purple	125	\$8.99
91	S0061400+	By-Pass Valve Spring, White	175	\$8.59

Key No.	Part No.	Description	Model No.	List Price
91	S0061300+	By-Pass Valve Spring, Red	250	\$8.59
91	S0061200+	By-Pass Valve Spring, Blue	325	\$8.59
91	S0070100+	By-Pass Valve Spring, Black	400	\$6.43
92	R0011400	By-Pass Valve Gasket	All	\$2.75
93	R0018101	Heat Exch. Tube Assy	125	\$783.31
93	R0018102	Heat Exch. Tube Assy	175	\$902.69
93	R0018103	Heat Exch. Tube Assy	250	\$1,109.31
93	R0018104	Heat Exch. Tube Assy	325	\$1,276.97
93	R0018105	Heat Exch. Tube Assy	400	\$1,483.56
94	10697401+	Heat Exch. Baffle (8 Required)	125	\$1.72
94	10697402+	Heat Exch. Baffle (8 Required)	175	\$1.72
94	10697403+	Heat Exch. Baffle (8 Required)	250	\$1.72
94	10697404+	Heat Exch. Baffle (8 Required)	325	\$1.72
94	10697405+	Heat Exch. Baffle (8 Required)	400	\$1.72
95	S0083900+	Baffle Retainer	All	\$12.85
96	-	Heat Exch. Support Clip (Note 4)	All	N/A
FIREBOX COMPONENTS				
97	R0316701	Complete Chamber Assy	125	\$233.52
97	R0316702	Complete Chamber Assy	175	\$250.20
97	R0316703	Complete Chamber Assy	250	\$266.92
97	R0316704	Complete Chamber Assy	325	\$279.34
97	R0316705	Complete Chamber Assy	400	\$292.21
JACKET COMPONENTS				
98	R0343601	Door w/ Latch	125	\$116.53
98	R0343602	Door w/ Latch	175	\$119.95
98	R0343603	Door w/ Latch	250	\$125.12
98	R0343604	Door w/ Latch	325	\$128.54
98	R0343605	Door w/ Latch	400	\$133.68
99	R0343501	Jacket Assy, Less Top Assy	125	\$736.92
99	R0343502	Jacket Assy, Less Top Assy	175	\$771.19
99	R0343503	Jacket Assy, Less Top Assy	250	\$822.61
99	R0343504	Jacket Assy, Less Top Assy	325	\$874.03
99	R0343505	Jacket Assy, Less Top Assy	400	\$942.57
100	R0344300	Gap Closure, Inlet/Outlet	All	\$12.96
101	R0344400	Gap Closure, Return	All	\$9.81
102	10462200+	Retainer Clip	All	\$9.87
OPTIONAL COMPONENTS				
N/S	10521701+	Noncombustible Base	125	\$56.98
N/S	10521702+	Noncombustible Base	175	\$62.12
N/S	10521703+	Noncombustible Base	250	\$69.41
N/S	10521704+	Noncombustible Base	325	\$76.70
N/S	10521705+	Noncombustible Base	400	\$84.83
N/S	R0040400	Pressure Relief Valve ¾" NPT, 75 PSI	All	\$38.35
N/S	10964100	Lock Box Assy, LLG	All	\$6.68
N/S	R0335800	Touch Up Spray Paint, Black and Pewter	All	DISCONTINUED
N/S	R0398400	3-Wire Harness, Remote Control	All	\$19.21

Notes:
 1. For altitudes 2,000 feet above sea level, see page 72 or appendix.
 2. See appendix.
 3. Two included in assembly.
 4. For shipping only.
 N/S-Not Shown
 N/A-Not Available

Jandy® Lite2™ LJ (Discontinued, Mfg. 2003–2009)



Jandy® Lite2™ LJ (Discontinued, Mfg. 2003–2009)

Key No.	Part No.	Description	Model No.	List Price
MAIN GAS ASSEMBLY				
1	R0383601	Burner Tray Assy, NAT	125	\$1,199.64
1	R0383602	Burner Tray Assy, NAT	175	\$1,233.91
1	R0383603	Burner Tray Assy, NAT	250	\$1,285.35
1	R0383604	Burner Tray Assy, NAT	325	\$1,371.02
1	R0383605	Burner Tray Assy, NAT	400	\$1,405.30
1	R0383701	Burner Tray Assy, LPG	125	\$1,199.64
1	R0383702	Burner Tray Assy, LPG	175	\$1,233.91
1	R0383703	Burner Tray Assy, LPG	250	\$1,285.35
1	R0383704	Burner Tray Assy, LPG	325	\$1,371.02
1	R0383705	Burner Tray Assy, LPG	400	\$1,405.30
2	R0317001	Burner Tray, Shelf Only	125	\$145.68
2	R0317002	Burner Tray, Shelf Only	175	\$149.10
2	R0317003	Burner Tray, Shelf Only	250	\$154.22
2	R0317004	Burner Tray, Shelf Only	325	\$157.66
2	R0317005	Burner Tray, Shelf Only	400	\$162.81
3	R0317100	Gas Valve, NAT	All	\$251.93
3	R0319600	Gas Valve, LPG	All	\$265.65
4	L0032200+	Gas Orifice, LPG 0–3,000 ft alt. (EA.) ¹	All	\$2.15
4	L0032900+	Gas Orifice, LPG 0–5,000 ft alt. (EA.) ²	All	\$2.15
5	10835900	Anti-Rotation Bracket	All	\$5.56
6	R0469800	Burner, Main	All	\$16.28
7	L0052200+	Burner Manifold	125	\$85.26
7	L0006300+	Burner Manifold	175	\$90.84
7	L0006400+	Burner Manifold	250	\$94.26
7	L0006500+	Burner Manifold	325	\$99.39
7	L0006600+	Burner Manifold	400	\$102.82
ELECTRICAL SYSTEM				
8	R0366200	Heater Control Assy	All	\$327.34
9	R0366500	High Voltage Assy	All	\$367.60
N/S	E0084400	High Voltage Assy Fuse	400	\$0.33
10	R0366700	Transformer w/ Wiring Harness	All	\$49.71
11	R0366800	Power Control Board	All	\$351.34
12	R0366900	115/230 VAC Conversion Plug	All	\$45.38
13	S0069800+	Bezel	All	\$26.99
14	R0367000	Temperature Sensor	All	\$78.82
N/S	10462200+	Retainer Clip	All	\$9.87
16	10447300+	Temperature Sensor Retainer Bracket	All	\$2.15
17	F0009100+	Retainer Bracket Screw	All	\$1.30
18	R0097600	Pressure Switch & Siphon Loop Assy (2 PSI) Use R0013200 & R0057800	All	DISCONTINUED
19	R0013200	Pressure Switch, 2 PSI	All	\$69.41
19	R0015500	Pressure Switch, 1-10 PSI	All	\$74.96
20	R0057800	Siphon Loop Assy	All	\$56.59
N/S	10654300	Salt Syphon Loop Tube	All	\$33.81
21	R0023200	High-Limit Switch Assy	All	\$65.15
22	R0022700	High-Limit Switch, 135° F	All	\$31.70
23	R0023000	High-Limit Switch, 150° F	All	\$31.70
N/S	S0098900	High-Limit Switch Retainer Boot (Use #10419300+)	All	\$59.56
25	10419301+	High-Limit Switch Wire Harness	All	\$58.35
26	10728500	High-Limit Switch Retainer Clip (Use #R0532100)	All	\$27.73

Key No.	Part No.	Description	Model No.	List Price
28	R0012200	Fusible Link Assembly	All	\$7.72
29	10479900+	Fusible Link Bracket	All	\$2.57
30	R0449800	Igniter Box Assembly R-Kit	All	\$132.31
30	R0383900	Igniter Box Assembly Kit (Use R0449800)	All	N/A
31	R0367100	Igniter (Pre 2006 units)	All	\$87.34
31	R0449800	Igniter (2006 and later units)	All	\$132.31
32	R0383300	Igniter Fuse Assy (Set of 2)	All	DISCONTINUED
33	R0334300	Flame Sense Rod	All	\$145.68
N/S	R0366600	Wire Harnesses, Temp/Ignition Control	All	\$39.16
N/S	R0325900	Wire Harness Set, Complete, R-Kit	All	\$92.53
VENT SYSTEM				
35	R0343401	Top Enclosure	125	\$411.31
35	R0343402	Top Enclosure	175	\$421.60
35	R0343403	Top Enclosure	250	\$435.29
35	R0343404	Top Enclosure	325	\$447.30
35	R0343405	Top Enclosure	400	\$462.71
36	R0343701	Top Filler Plate	125	\$30.43
36	R0343701	Top Filler Plate	175	\$30.43
36	R0343701	Top Filler Plate	250	\$30.43
36	R0343701	Top Filler Plate	325	\$30.43
36	R0343701	Top Filler Plate	400	\$30.43
37	R0318301	Rainshield Kit	125	\$71.55
37	R0318302	Rainshield Kit	175	\$75.84
37	R0318303	Rainshield Kit	250	\$80.11
37	R0318304	Rainshield Kit	325	\$84.83
37	R0318305	Rainshield Kit	400	\$89.12
38	R0316401	Flue Collector Assy	125	\$197.09
38	R0316402	Flue Collector Assy	175	\$205.66
38	R0316403	Flue Collector Assy	250	\$205.66
38	R0316404	Flue Collector Assy	325	\$210.80
38	R0316405	Flue Collector Assy	400	\$214.25
39	10561501	Outdoor Vent Cap	125	\$102.72
39	10561502	Outdoor Vent Cap	175	\$111.26
39	10561503	Outdoor Vent Cap	250	\$119.82
39	10561504	Outdoor Vent Cap	325	\$135.51
39	10561505	Outdoor Vent Cap	400	\$140.74
40	10561401	Indoor Draffhood	125	\$102.72
40	10561402	Indoor Draffhood	175	\$111.26
40	10561403	Indoor Draffhood	250	\$119.82
40	10561404	Indoor Draffhood	325	\$135.51
40	10561405	Indoor Draffhood	400	\$140.74
41	R0473101	Flue Transition Plate (Old #10861901)	125	\$7.82
41	R0473102	Flue Transition Plate (Old #10861902)	175	\$20.86
41	R0473103	Flue Transition Plate (Old #10861903)	250	\$21.84
41	R0473104	Flue Transition Plate (Old #10861904)	325	\$22.06
41	R0473105	Flue Transition Plate (Old #10861905)	400	\$10.73
42	R0449701	Adapter Plate	125	\$16.21
42	R0449702	Adapter Plate	175	\$17.99
42	R0449703	Adapter Plate	250	\$19.35

N/A - Not Available N/S-Not Shown

Continued on next page.

Jandy® Lite2™ LJ (Discontinued, Mfg. 2003–2009) Diagram for Jandy Lite2 LJ Heater on page 96.

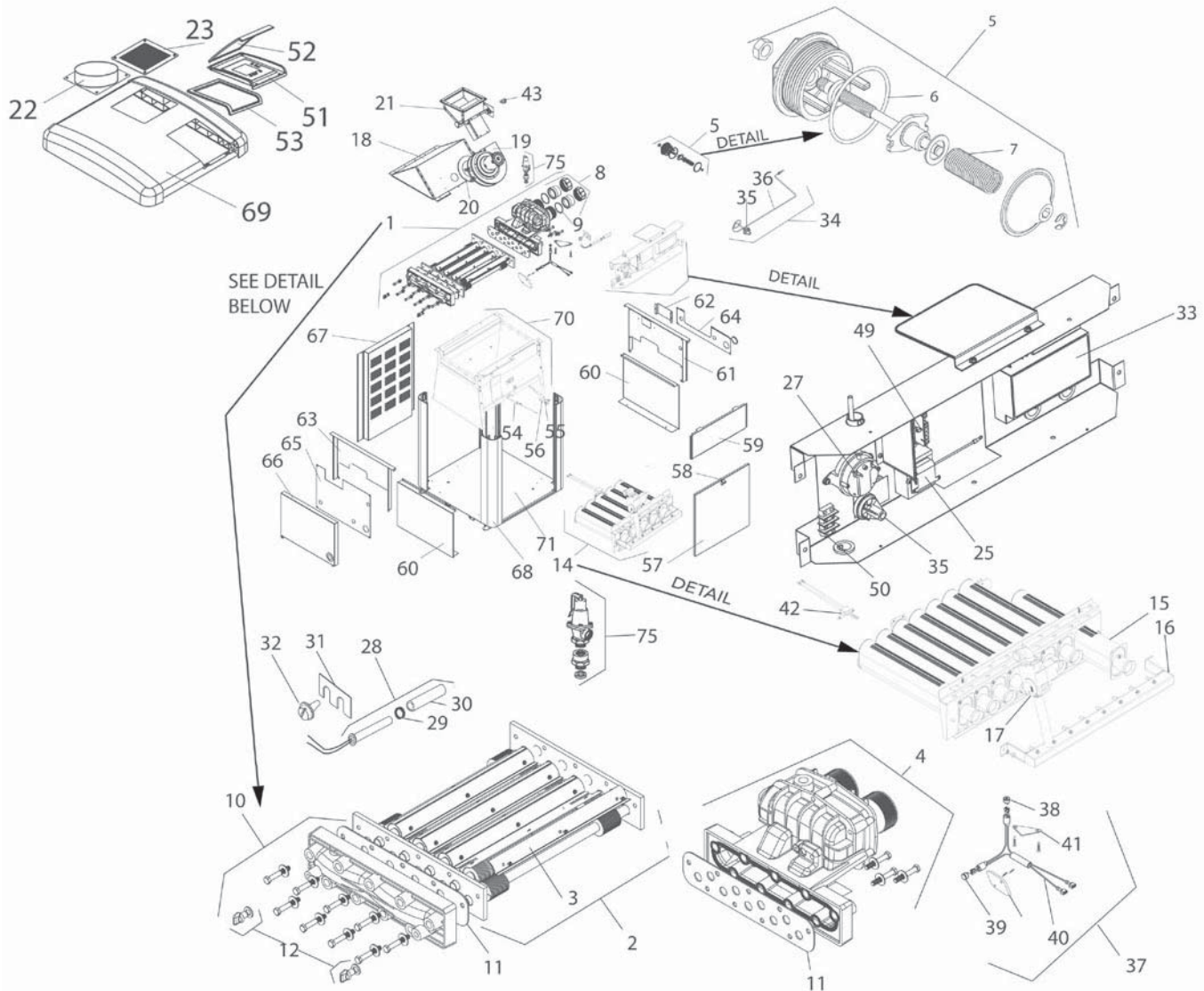
Key No.	Part No.	Description	Model No.	List Price
VENT SYSTEM (CONTINUED)				
42	R0449704	Adapter Plate	325	\$21.03
42	R0449705	Adapter Plate	400	\$22.69
43	10211000	Clip (Use #R0532300)	All	\$28.91
44	10726300	Flue Collector Hold Down Clamp	All	DISCONTINUED
WATER SYSTEM				
45	R0056400	Inlet/Outlet Header, 2"	All	\$438.72
45	R0016800	Inlet/Outlet Header, Bronze, 2"	All	\$719.79
46	R0054600	Return Header, Bronze (Includes set of 9 gaskets)	All	\$363.31
46	R0058300	Return Header, Cast Iron (Includes set of 9 gaskets)	All	\$169.67
47	R0057000	Header Bolt Assy (Set of 8)	All	\$25.29
49	F0011100+	Washer for Headers	All	\$0.86
50	F0003100+	Nut for Headers	All	\$0.86
51	R0050800	Header Gasket Assy (Set of 18)	All	\$18.43
52	R0055000	Flange & Gasket Assy (Set of 2)	All	\$159.41
53	10573500+	Flange, 2"	All	\$49.31
54	S0078000+	Flange Gasket, 2"	All	\$16.28
54	S0078100+	Flange Gasket, 1½–2"	All	\$7.28
55	S0078200+	Flange Sleeve, 2"	All	\$6.58
56	F0031700	Flange Bolt	All	DISCONTINUED
N/S	R0205200	Adapter, 2" CPVC Nipple	All	\$38.99
57	R0316300	Rubber Grommet for Drain Plug	All	\$5.68
59	P0019700+	Brass Connector Body	All	\$2.57
60	P0026800+	Brass Drain Plug ¼"	All	\$3.85
61	P0027000+	Brass Plug, ¾"	All	\$9.42
62	R0013100	By-Pass Assy w/o Spring (Iron Cap)	All	\$8.60
62	R0452801	By-Pass Assy w/ Spring (Bronze Cap)	125	\$50.26
62	R0452802	By-Pass Assy w/ Spring (Bronze Cap)	175	\$50.26
62	R0452803	By-Pass Assy w/ Spring (Bronze Cap)	250	\$50.26
62	R0452804	By-Pass Assy w/ Spring (Bronze Cap)	325	\$50.26
62	R0452805	By-Pass Assy w/ Spring (Bronze Cap)	400	\$50.26
63	S0079800+	By-Pass Valve Rod	All	\$11.38
64	R0011500	By-Pass Valve Disc	All	\$4.03
65	S0079900+	By-Pass Valve Spring, Purple	125	\$8.99
65	S0061400+	By-Pass Valve Spring, White	175	\$8.59
65	S0061300+	By-Pass Valve Spring, Red	250	\$8.59
65	S0061200+	By-Pass Valve Spring, Blue	325	\$8.59
65	S0070100+	By-Pass Valve Spring, Black	400	\$6.43
66	F0048400+	Brass Nut (For Rod)	All	\$1.72
67	R0054900	By-Pass Valve Control Cap (Iron)	All	\$26.14
67	S0076700	By-Pass Valve Control Cap (Bronze)	All	\$74.96
68	F0041600+	Control Cap Bolts (2 Required)	All	\$1.72
69	R0011400	By-Pass Valve Gasket	All	\$2.75
70	R0018101	Heat Exch. Tube Assy (Incl. set of 18 gaskets)	125	\$783.31
70	R0018102	Heat Exch. Tube Assy (Incl. set of 18 gaskets)	175	\$902.69
70	R0018103	Heat Exch. Tube Assy (Incl. set of 18 gaskets)	250	\$1,109.31
70	R0018104	Heat Exch. Tube Assy (Incl. set of 18 gaskets)	325	\$1,276.97
70	R0018105	Heat Exch. Tube Assy. (Incl. set of 18 gaskets)	400	\$1,483.56
71	10697401+	Heat Exch. Baffle (8 Required)	125	\$1.72
71	10697402+	Heat Exch. Baffle (8 Required)	175	\$1.72
71	10697403+	Heat Exch. Baffle (8 Required)	250	\$1.72

Key No.	Part No.	Description	Model No.	List Price
71	10697404+	Heat Exch. Baffle (8 Required)	325	\$1.72
71	10697405+	Heat Exch. Baffle (8 Required)	400	\$1.72
72	S0083900+	Baffle Retainer	All	\$12.85
73	10457000	Heat Exchanger Support Clip (2 Req'd)	All	\$1.11
N/S	S0000300+	Flow Restrictors (2 Required)	125	\$8.39
75	R0332301	Heat Exchanger End Baffles (2 Req'd)	125	\$20.96
75	R0332302	Heat Exchanger End Baffles (2 Req'd)	175	\$10.52
75	R0332303	Heat Exchanger End Baffles (2 Req'd)	250	\$26.32
FIREBOX COMPONENTS				
76	R0383101	Complt. Combustion Chamber Assy.	125	\$332.60
76	R0383102	Complt. Combustion Chamber Assy.	175	\$350.41
76	R0383103	Complt. Combustion Chamber Assy.	250	\$361.54
76	R0383104	Complt. Combustion Chamber Assy.	325	\$386.01
76	R0383105	Complt. Combustion Chamber Assy.	400	\$407.13
JACKET COMPONENTS				
77	R0343601	Door w/ Latch	125	\$116.53
77	R0343602	Door w/ Latch	175	\$119.95
77	R0343603	Door w/ Latch	250	\$125.12
77	R0343604	Door w/ Latch	325	\$128.54
77	R0343605	Door w/ Latch	400	\$133.68
78	R0343501	Jacket Assy, Less Top Assy	125	\$736.92
78	R0343502	Jacket Assy, Less Top Assy	175	\$771.19
78	R0343503	Jacket Assy, Less Top Assy	250	\$822.61
78	R0343504	Jacket Assy, Less Top Assy	325	\$874.03
78	R0343505	Jacket Assy, Less Top Assy	400	\$942.57
79	R0344300	Gap Closure, Inlet/Outlet	All	\$12.96
80	R0344400	Gap Closure, Return	All	\$9.81
81	F0035300+	Button Plug, 1¼"	All	\$4.73
82	F0032300	Button Plug, ⅞" See Part# F0032300	All	N/A
83	R0460300	Grommet, Sealing, 2"	All	\$2.80
OPTIONAL COMPONENTS				
N/S	10521701+	Noncombustible Base	125	\$56.98
N/S	10521702+	Noncombustible Base	175	\$62.12
N/S	10521703+	Noncombustible Base	250	\$69.41
N/S	10521704+	Noncombustible Base	325	\$76.70
N/S	10521705+	Noncombustible Base	400	\$84.83
N/S	R0040400	Pressure Relief Valve ¾" NPT, 75 PSI	All	\$38.35
N/S	R0335800	Touch Up Spray Paint, Black and Pewter	All	DISCONTINUED
N/S	R0398400	Remote Control Wire Harness	All	\$19.21
N/S	R0444800	Fuse Set, Complete	All	\$14.09

Notes:

1. For altitudes 2,000 ft. above sea level, call factory for orifice size.
 2. For altitudes 5,000 ft. above sea level, call factory for orifice size.
 3. Gaskets and hardware are included in all kits that require the removal of a gasket as part of the procedure to replace a part.
- N/S-Not Shown N/A-Not Available

Jandy® LX™/LT™ Low NOx (Discontinued, Mfg. 2003–2007)



Key No.	Part No.	Description	Model No.	
WATER COMPONENTS				
1	R0326303	Complete Heat Exchanger (Copper)	250	\$1,543.77
1	R0326305	Complete Heat Exchanger (Copper)	400	\$1,934.13
1	R0395703	Bronze Heat Exchanger, Cu, Complete	250	\$1,910.75
1	R0395705	Bronze Heat Exchanger, Cu, Complete	400	\$2,171.30
1	R0395803	ASME® Heat Exchanger Tube Assy	250	\$1,109.31
1	R0395805	ASME Heat Exchanger Tube Assy	400	\$1,483.56
2	R0395708	Bronze Heat Exchanger, CuNi, Complt.	250	\$2,111.18
2	R0395710	Bronze Heat Exchanger, CuNi, Complt.	400	\$2,376.93
3	R0334403	Heat Exchanger Baffles (Set of 10 including end baffles)	250	\$28.71
3	R0334405	Heat Exchanger Baffles (Set of 10 including end baffles)	400	\$42.00

Key No.	Part No.	Description	Model No.	
4	R0326900	Front Header, w/ Hdwr & Gskts	All	\$582.69
5	R0327100	By-Pass Assy, w/ Hdwr & Gskts	All	\$49.71
6	R0336700	Gasket, Bypass Assy	All	\$4.97
7	R0327200	Spring, Bypass	All	\$42.00
8	R0327300	Coupling Nut Kit, w/ Gasket (Set of 2)	All	\$40.71
9	R0327400	Gasket, Coupling, (Set of 2)	All	\$40.71
10	R0327000	Rear Header, w/ Hardware & Gskts	All	\$162.81
11	R0327500	Gasket, Header (front or rear)	All	\$19.27
12	R0335900	Header Drain Plug w/ Gasket (Set of 3)	All	\$8.54
N/S	R0327600	Heat Exch. Hardware Kit & Gaskets	All	\$83.56

N/S-Not Shown

Continued on next page.

Jandy® LX™/LT™ Low NOx (Discontinued, Mfg. 2003–2007) Parts Diagram on page 99.

Key No.	Part No.	Description	Model No.	
GAS COMPONENTS				
14	R0386203	Burner Tray Assy (Nat. Low Alt.)	250	\$943.83
14	R0386205	Burner Tray Assy (Nat. Low Alt.)	400	\$1,026.62
14	R0394703	Burner Tray Assy (Nat. Mid Alt.)	250	\$943.83
14	R0394705	Burner Tray Assy (Nat. Mid Alt.)	400	\$1,026.62
14	R0394803	Burner Tray Assy (Nat. Hi Alt.)	250	\$943.83
14	R0394805	Burner Tray Assy (Nat. Hi Alt.)	400	\$1,026.62
14	R0394503	Burner Tray Assy (LP Low Alt.)	250	\$943.83
14	R0394505	Burner Tray Assy (LP Low Alt.)	400	\$1,026.62
14	R0394603	Burner Tray Assy (LP Hi Alt.)	250	\$943.83
14	R0394605	Burner Tray Assy (LP Hi Alt.)	400	\$1,026.62
15	R0386400	Burners (Ea.)	All	\$56.72
**16	R0395003	Manifold, Gas, Nat. (Low Altitude)	250	\$238.43
**16	R0395005	Manifold, Gas, Natural, Low Alt.	400	\$268.24
**16	R0394303	Manifold, Gas, Natural, Mid Alt.	250	\$238.43
**16	R0394305	Manifold, Gas, Nat. (Mid Altitude)	400	\$268.24
**16	R0394403	Manifold, Gas, Natural, High Alt.	250	\$238.43
**16	R0394405	Manifold, Gas, Natural, High Alt.	400	\$268.24
**16	R0394103	Manifold, Gas, LP, Low Alt.	250	\$238.43
**16	R0394105	Manifold, Gas, LP (Low Altitude)	400	\$268.24
**16	R0394203	Manifold, Gas, LP (High Altitude)	250	\$238.43
**16	R0394205	Manifold, Gas, LP (High Altitude)	400	\$268.24
17	R0386600	Gas Valve Nat w/ Street Elbow	All	\$251.93
17	R0336900	Gas Valve LP w/ Street Elbow	All	\$251.93
EXHAUST SYSTEM				
18	R0386703	Flue Collector	250	\$48.79
18	R0386705	Flue Collector	400	\$81.62
19	R0329800	Blower Assy.	All	\$531.25
20	R0329900	Blower Mounting Hardware	All	\$9.94
21	R0331500	Flue Vent Assy.	All	\$67.26
22	R0331403	Indoor Vent Collar	250	\$263.23
22	R0331405	Indoor Vent Collar	400	\$121.67
23	R0328500	Outdoor Grill	All	\$10.39
N/S	R0331600	Vent Hardware Kit	All	\$14.11
ELECTRICAL				
25	R0061100	Transformer	All	\$49.71
N/S	R0337100	Fuse Assy, In-line	All	DISCONTINUED
27	R0302000	Blower Pressure Switch	All	\$89.12
28	R0011800	Temperature Sensor w/ Sleeve & Gskt	All	\$78.82
29	R0456600	Gasket, Temperature Sensor	All	\$2.18
30	10444900+	Plastic Sleeve, Temperature Sensor	All	\$2.15
31	10447300+	Retainer Bracket, Temp. Sensor	All	\$2.15
32	F0009100+	Screw, Retainer Bracket	All	\$1.30
33	R0386800	Ignition Control	All	\$308.48
35	R0013200	Pressure Switch, 2 psi	All	\$69.41
36	R0334600	Siphon Loop	All	\$12.38
37	R0023200	High Limits Set	All	\$65.15
38	R0022700	High Limit 135°F	All	\$31.70
39	R0023000	High Limits 150°F	All	\$31.70
40	R0334700	Harness, High Limit Switch	All	\$34.70
41	R0336500	Retainer Plates, High Limit (Set of 2)	All	\$7.41
42	R0386900	Hot Surface Ignitor	All	\$90.84
43	R0329400	Exhaust Temp. Limit Switch	All	\$15.02
N/S	R0397600	Wire Harness Set Complete	All	\$152.06
N/S	R0330900	Wire Harness, Power Transformer	All	\$16.14
N/S	R0369500	Wire Harness with PCB	All	\$71.98
N/S	R0331000	Wire Harness, Ignition Control	All	\$18.78

Key No.	Part No.	Description	Model No.	
N/S	R0331100	Wire Harness, Gas Valve	All	\$15.85
N/S	R0331200	Wire Harness, Safety Loop	All	\$33.43
49	R0397500	Power Distribution Circuit Board	All	\$138.72
50	R0097800	Terminal Block for Fireman's Switch	All	\$10.71
51	R0329600	Temperature Control w/ Bezel, Gasket & Cover-LX Only	All	\$942.57
N/S	R0350500	Temperature Control w/ Bezel, Gasket & Cover-LT Only	All	\$655.64
52	R0330600	Cover, Temperature Control	All	\$49.71
53	R0387600	Gasket, Temp Control/Top	All	\$11.36
54	R0387000	Flame Sense Rod	All	\$31.03
55	R0012200	Fusible Link	All	\$7.72
56	R0337200	Bracket, Fusible Link	All	\$7.06
JACKET COMPONENTS				
57	R0387103	Door w/ Latch	250	\$118.25
57	R0387105	Door w/ Latch	400	\$133.68
58	R0334900	Door Latch Assy w/ Handle	All	\$9.42
59	R0335103	Cover Panel, Raceway	250	\$30.83
59	R0335105	Cover Panel, Raceway	400	\$35.13
60	R0330100	Panel, Side, Lower (fits left or right)	All	\$25.70
61	R0330200	Panel, Right Side, Upper	All	\$23.14
62	R0336600	Cover Panel, Exhaust Switch	All	\$7.50
63	R0335200	Panel, Left Side, Upper	All	\$22.30
64	R0335300	Cover Plate, I/O Header Side	All	\$12.34
65	R0335400	Cover Plate, Return Header Side	All	\$16.71
66	R0335500	Cover Panel, Left Side	All	\$18.43
67	R0330303	Rear Panel	250	\$56.59
67	R0330305	Rear Panel	400	\$80.54
68	R0330400	Corner Posts	All	\$46.28
69	R0330503	Top Assy.	250	\$205.66
69	R0330505	Top Assy.	400	\$214.25
70	R0387203	Combustion Chamber Assy.	250	\$267.88
70	R0387205	Combustion Chamber Assy.	400	\$317.58
71	R0335608	Base Panel	250	\$73.27
71	R0335610	Base Panel	400	\$87.41
OPTIONAL				
N/S	R0330803	Noncombustible Base	250	\$69.41
N/S	R0330805	Noncombustible Base	400	\$84.83
N/S	R0335800	Touch-up Paint	All	DISCONTINUED
N/S	R0336000	Temperature Rise Measurement Kit	All	\$95.98
75	R0336100	Pressure Relief Valve	All	\$42.62
N/S	R0382800	High Temp Silicone Sealant	All	DISCONTINUED
N/S	7664	EZ Wireless Remote Control Kit	All	\$945.46

NOTES:

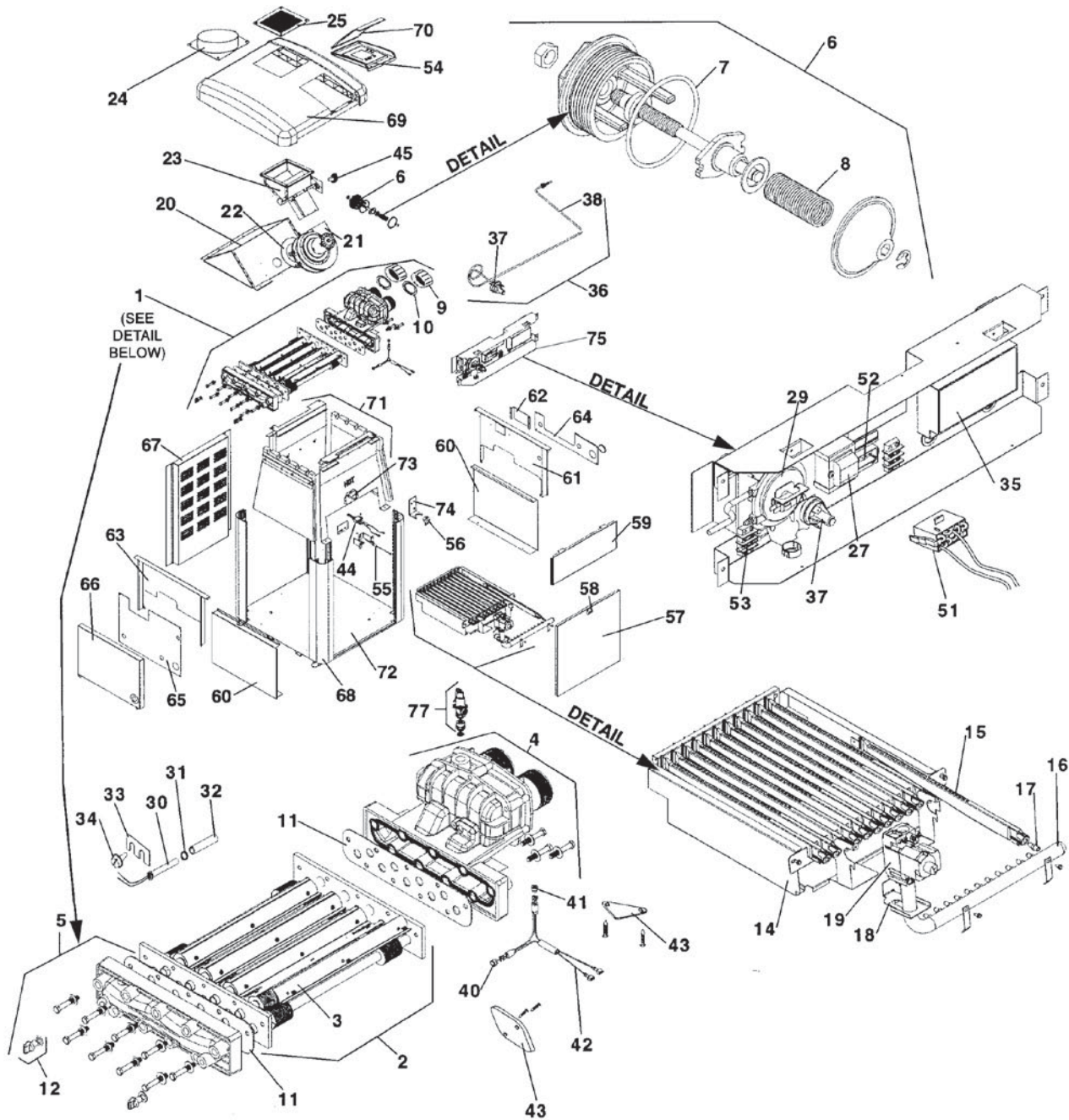
- When ordering a kit for a model 250 specify as R#####-03, When ordering a kit for a model 400 specify as R#####-05.
- All hardware sets contain all pieces necessary for assembly, including gaskets. Not shown.
- Gaskets and hardware are included in all kits that involve the removal of a gasket as part of the procedure to replace a part.

N/S-Not Shown

** Manifold kit includes installed orifices but does not include gas valve

For Heaters built before January 2004, please use the following wire harness part numbers:			
R0329500	Wire Harnesses Complete	All	\$79.20
R0330900	Wire Harness, Power Transformer	All	\$16.14
R0331000	Wire Harness, Ignition Control	All	\$18.78
R0331100	Wire Harness, Gas Valve	All	\$15.85
R0331200	Wire Harness, Safety Loop	All	\$33.43
R0336200	Wire Harness, 120 VAC Power Plug	All	\$23.57
R0336300	Wire Harness, 240 VAC Power Plug	All	\$23.57
R0336400	Wire Harness, 15 Pin Connector	All	\$36.41

Jandy® LX™/LT™ (Discontinued, Mfg. 1999–2003)



Key No.	Part No.	Description	Model No.	List Price
---------	----------	-------------	-----------	------------

WATER COMPONENTS

1	R0326303	Complete Heat Exchanger (Copper)	250	\$1,543.77
1	R0326305	Complete Heat Exchanger (Copper)	400	\$1,934.13
1	R0395703	Bronze Heat Exchanger, Cu, Complete	250	\$1,910.75
1	R0395705	Bronze Heat Exchanger, Cu, Complete	400	\$2,171.30
1	R0395803	ASME® Heat Exchanger Tube Assy	250	\$1,109.31
1	R0395805	ASME Heat Exchanger Tube Assy	400	\$1,483.56

Key No.	Part No.	Description	Model No.	List Price
---------	----------	-------------	-----------	------------

3	R0334403	Heat Exchanger Baffles (Set of 10 including end baffles)	250	\$28.71
3	R0334405	Heat Exchanger Baffles (Set of 10 including end baffles)	400	\$42.00
4	R0326900	Front Header, w/ Hardware & Gaskets	All	\$582.69
5	R0327000	Rear Header, w/ Hardware & Gaskets	All	\$162.81
6	R0327100	By-Pass Assy, w/ Hardware & Gaskets	All	\$49.71

Continued on next page.

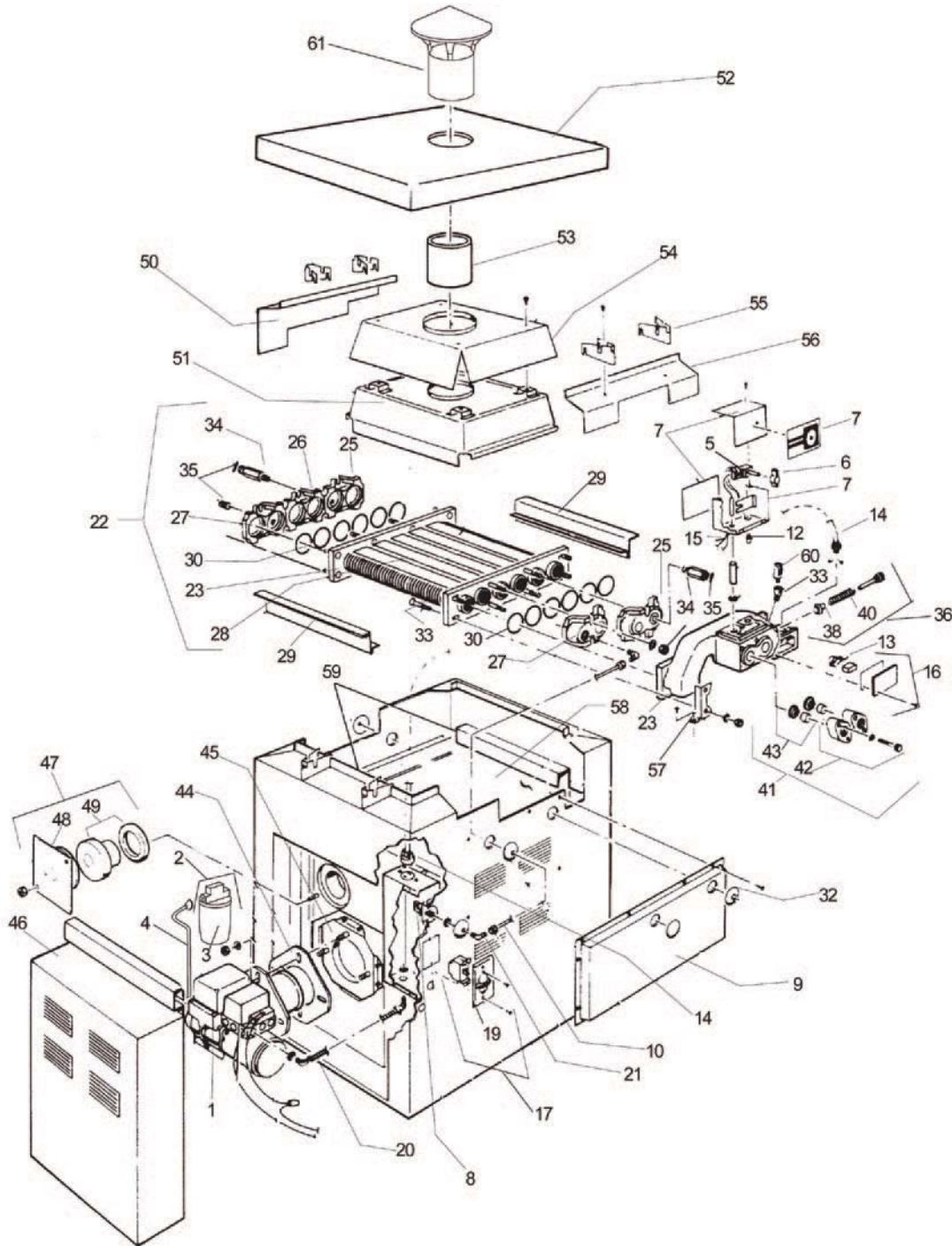
Jandy® LX™/LT™ (Discontinued, Mfg. 1999–2003) Parts Diagram on page 101.

Key No.	Part No.	Description	Model No.	List Price
WATER COMPONENTS (CONTINUED)				
7	R0336700	Gasket, Bypass Assy	All	\$4.97
8	R0327200	Spring, Bypass	All	\$42.00
9	R0327300	Coupling Nut Kit, w/ Compression Ring and Gasket (Set of 2), Unions	All	\$40.71
10	R0337600	O-rings, Header Coupling for LX	All	\$7.36
11	R0327500	Gasket, Header (front or rear)	All	\$19.27
12	R0335900	Header Drain Plug w/ Gasket (Set of 3)	All	\$8.54
N/S	R0327600	Heat Exchanger Hardware Kit & Gaskets	All	\$83.56
GAS COMPONENTS				
14	R0327703	Burner, Tray Weldment	250	\$181.66
14	R0327705	Burner, Tray Weldment	400	\$200.67
15	R0469800	Burners	All	\$16.28
16	R0327803	Manifold, Gas	250	\$94.26
16	R0327805	Manifold, Gas	400	\$102.82
17	R0327900	Nat. Orifice (0-3K ft.) (Set of 20)	All	\$42.43
17	R0328000	Nat. Orifice (3K-6K ft.) (Set of 20)	All	DISCONTINUED
17	R0328100	Nat. Orifice (6K-9K ft.) (Set of 20)	All	\$77.52
17	R0328200	LP Orifice (0-5K ft.) (Set of 20)	All	\$42.43
17	R0328300	LP Orifice (5K-10K ft.) (Set of 20)	All	\$102.00
18	R0331800	Anti-Rotation Bracket	All	\$41.13
19	R0336800	Gas Valve Nat w/ Street Ell	All	\$251.93
19	R0336900	Gas Valve LP w/ Street Ell	All	\$251.93
EXHAUST SYSTEM				
20	R0331703	Flue Collector	250	\$42.43
20	R0331705	Flue Collector	400	\$65.97
21	R0329800	Blower Assy.	All	\$531.25
N/S	Q0078800	Blower Tube (by ft.)	All	\$2.07
22	R0329900	Gasket w/Blower Mounting Hardware	All	\$9.94
23	R0331500	Flue Vent	All	\$67.26
24	R0331403	Indoor Vent Collar, 7"	250	\$263.23
24	R0331405	Indoor Vent Collar, 9"	400	\$121.67
25	R0328500	Outdoor Grill	All	\$10.39
N/S	R0331600	Vent Hardware Kit	All	\$14.11
N/S	R0369700	Exhaust Vent Extension R-Kit		\$62.49
ELECTRICAL				
27	R0061100	Transformer	All	\$49.71
N/S	R0330900	In-line Fuse Assy, 3 Amp	All	\$16.14
29	R0302000	Blower Pressure Switch	All	\$89.12
30	R0011800	Temperature Sensor	All	\$78.82
31	R0456600	Gasket, Temperature Sensor	All	\$2.18
32	10444900+	Plastic Sleeve, Temperature Sensor	All	\$2.15
33	10447300+	Retainer Bracket, Temp. Sensor	All	\$2.15
34	F0009100+	Screw, Retainer Bracket	All	\$1.30
35	R0408100	Ignition Control	All	\$387.32
37	R0013200	Pressure Switch, 2 PSI	All	\$69.41
38	R0334600	Siphon Loop	All	\$12.38
N/S	F0060700	Fitting for Syphon Loop Tube, Heater Connect.	All	\$4.57
39	R0023200	High Limits Set	All	\$65.15
40	R0022700	High Limit 135°F	All	\$31.70
41	R0023000	High Limits 150°F	All	\$31.70
N/S	R0383200	High Limit Insert Set of 3, Brass, Snsr Std Assy	All	\$10.72
42	R0334700	Harness, High Limit Switch	All	\$34.70
43	R0336500	Retainer Plates, High Limit (Set of 2)	All	\$7.41
44	R0337000	Hot Surface Ignitor	All	\$90.84
45	R0329400	Exhaust Temp. Limit Switch	All	\$15.02

Key No.	Part No.	Description	Model No.	List Price
N/S	R0329500	Wire Harnesses Complete	All	\$79.20
N/S	R0330900	Wire Harness, Power Transformer	All	\$16.14
N/S	R0331000	Wire Harness, Ignition Control	All	\$18.78
N/S	R0331100	Wire Harness, Gas Valve	All	\$15.85
N/S	R0331200	Wire Harness, Safety Loop	All	\$33.43
51	R0336200	Wire Harness, 120V Power Plug	All	\$23.57
51	R0336300	Wire Harness, 240V Power Plug	All	\$23.57
52	R0336400	Wire Harness, 15 Pin Connector	All	\$36.41
53	R0097800	Terminal Block for Fireman's Switch	All	\$10.71
54	R0329600	Temperature Control w/ Bezel	LX	\$942.57
N/S	R0330500	Temperature Control w/ Bezel - Dual	LT	\$655.64
N/S	R0387600	Gasket, Temp Control R-Kit		\$11.36
55	R0334800	Flame Sense Rod	All	\$31.70
56	R0012200	Fusible Link	All	\$7.72
JACKET COMPONENTS				
57	R0330003	Door w/ Latch	250	\$125.12
57	R0330005	Door w/ Latch	400	\$133.68
58	R0334900	Door Latch Assy w/ Handle	All	\$9.42
59	R0335103	Cover Panel, Raceway	250	\$30.83
59	R0335105	Cover Panel, Raceway	400	\$35.13
60	R0330100	Panel, Side, Lower (fits left or right)	All	\$25.70
61	R0330200	Panel, Right Side, Upper	All	\$23.14
62	R0336600	Cover Panel, Exhaust Switch	All	\$7.50
63	R0335200	Panel, Left Side, Upper	All	\$22.30
64	R0335300	Cover Plate, I/O Header Side	All	\$12.34
65	R0335400	Cover Plate, Return Header Side	All	\$16.71
66	R0335500	Cover Panel, Left Side	All	\$18.43
67	R0330303	Rear Panel	250	\$56.59
67	R0330305	Rear Panel	400	\$80.54
68	R0330400	Corner Posts	All	\$46.28
69	R0330503	Top Panel	250	\$205.66
69	R0330505	Top Panel	400	\$214.25
70	R0330600	Cover, Temperature Control	All	\$49.71
71	R0330703	Combustion Chamber Assy	250	\$234.80
71	R0330705	Combustion Chamber Assy	400	\$284.47
72	R0335603	Base Panel	250	\$73.27
72	R0335605	Base Panel	400	\$87.41
73	R0335700	Igniter Box Assy	All	\$11.13
74	R0337200	Bracket, Fusible Link	All	\$7.06
75	R0369500	Raceway Circuit Board	All	\$71.98
OPTIONAL				
N/S	R0330803	Noncombustible Base	250	\$69.41
N/S	R0330805	Noncombustible Base	400	\$84.83
77	R0336100	Pressure Relief Valve	All	\$42.62
N/S	R0335800	Touch-up Paint	All	DISCONTINUED
N/S	R0336000	Temperature Rise Measurement Kit All	All	\$95.98
N/S	R0355800	Lock Box	All	\$188.94
N/S	7727	Dual Thermostat Switch Kit	LX/LT	\$110.26
N/S	7664	EZ Wireless Remote Control Kit	All	\$945.46

N/S-Not Shown

Jandy® XL-3™ Oil Fired Heater (Discontinued, Mfg. 1999–2007)



Key No.	Part No.	Description	Model No.	List Price
---------	----------	-------------	-----------	------------

OIL BURNER SYSTEM				
1	R0389702	Oil Burner Assy	3000	\$1,679.51
2	R0389800	Oil Filter with Cartridge	All	\$106.25
3	R0389900	Oil Filter Cartridge	All	\$95.49
4	R0390002	3/8" Oil Line, Pump to Filter	All	\$23.14

Key No.	Part No.	Description	Model No.	List Price
---------	----------	-------------	-----------	------------

ELECTRICAL SYSTEM				
5	R0318800	Thermostat	All	\$143.95
6	R0010700	Thermostat Knob	All	\$4.27
7	R0349100	Thermostat Control Box	All	\$90.84

Continued on next page.

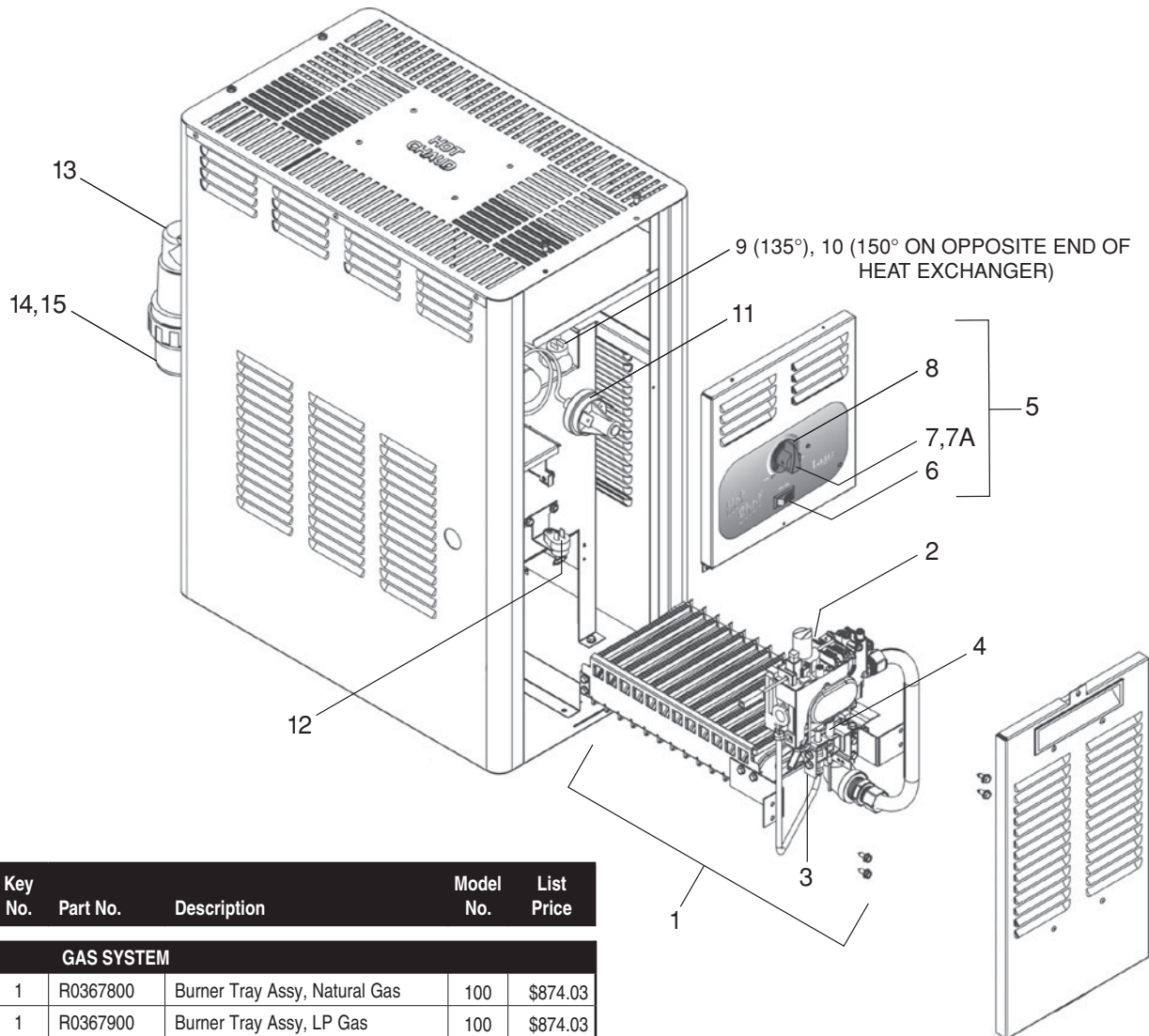
Jandy® XL-3™ Oil Fired Heater (Discontinued, Mfg. 1999–2007) Parts Diagram on page 103.

Key No.	Part No.	Description	Model No.	List Price
ELECTRICAL SYSTEM (CONTINUED)				
8	R0045400	Pressure Switch, 1-10 PSI	All	\$239.94
N/S	E0078500	Receptacle	All	\$37.60
9	R0390200	Siphon Loop Cover	All	\$33.40
10	R0057800	Siphon Loop Assy	All	\$56.59
11	R0390300	High-Limit Switch Assy	All	\$65.14
12	R0022700	High-Limit Switch, 135°F	All	\$31.70
13	R0390100	High-Limit Switch, 150°F	All	\$80.04
14	R0057500	High-Limit Switch Harness 150°F	All	\$106.25
15	R0057700	High-Limit Switch Harness	All	\$46.28
16	R0390400	High-Limit Switch Cover w/ Gasket	All	\$18.44
17	R0390500	On/Off Switch w/ Cover & Gasket	All	\$29.56
20	R0057600	Oil Burner Harness	All	\$118.27
21	R0390700	Connector Elbow 90°	All	\$15.88
WATER SYSTEMS				
22	R0390802	Heat Exchanger Assy, Complt	3000	\$2,835.27
23	R0390902	Tube Assy	3000	\$1,612.29
24	R0391000	Inlet/Outlet Header	All	\$908.29
25	R0391100	End Cap (½" tap)	All	\$193.66
26	R0391200	End Cap (No tap)	All	\$60.41
27	R0391300	End Cap (¼" tap)	All	\$188.49
28	R0391402	"V" Baffle (5 included)	3000	\$109.46
29	R0391502	End Baffle (2 included)	3000	\$56.14
30	R0391600	Tube Gaskets (12 included)	All	\$17.34
31	R0391700	Heat Exchanger Hardware Kit	All	\$65.92
32	S0098800	Grommet (2 included)	All	\$3.00
33	P0027000+	Brass Plug, ¾"	All	\$9.42
34	P0059900	Drain Valve Extension (2 included)	All	DISCONTINUED
35	P0026800+	Drain Plug, ¼" (3 included)	All	\$3.85
36	R0391800	By-Pass Assy	All	\$23.14
38	R0448600	By-Pass Valve Disc	All	\$8.63
39	S0008700	By-Pass Valve Rod Retainer	2000	\$7.29
40	R0391900	By-Pass Valve Spring Only	3000	\$17.77
41	R0031900	Flange & Gasket Assy	All	\$118.27
42	R0392000	Flange, 1½" w/ Bolts	All	\$127.49
43	R0392100	Flange Gasket & Sleeve, 1½"	All	\$159.41
FIRE BOX & JACKET COMPONENTS				
45	R0392300	Burner Support Bracket	All	\$38.08
46	R0392402	Burner Compartment Door	3000	\$109.90
47	R0392500	Fire Box Plug Kit	All	\$45.50
48	10425801	Fire Box Cover Plate	All	DISCONTINUED
49	R0392500	Fire Box Plug	3000	\$45.50
50	R0392600	Gap Spacer (Return)	All	\$27.46
51	R0392702	Flue Collector Assy	3000	\$431.89
52	R0392802	Flue Top Assy	3000	\$85.19
53	R0392900	Inner Stack	All	\$46.70

Key No.	Part No.	Description	Model No.	List Price
FIRE BOX & JACKET COMPONENTS (CONTINUED)				
54	R0393002	Flue Collector Shield	3000	\$54.83
55	R0393100	Vent Blade (10)	All	\$24.23
56	R0393200	Gap Spacer (In/Out)	All	\$26.95
57	R0393300	Hold Down Clip (2 RH & 2 LH incl.)	All	\$62.03
58	R0393402	Fire Box	3000	\$754.05
59	R0393502	Fire Box Cover (2 included)	3000	\$15.02
OIL BURNER PARTS & COMPONENTS (Not Shown)				
N/S	R0387800	End Air Shutter	All	\$23.72
N/S	R0387900	Bulk Air Band	All	\$22.01
N/S	R0388000	Tube Gasket	All	\$20.60
N/S	R0388100	Motor, 1/7 H.P., 3450 RPM	All	\$385.61
N/S	R0388200	Blower Wheel 4¼" x 3 ⁷ / ₁₆ "	All	\$33.84
N/S	R0388300	Flexible Coupling	All	\$15.43
N/S	R0140100	Fuel Unit, Two Stage	All	\$531.25
N/S	R0388400	Pump Outlet Fitting	All	\$16.66
N/S	R0388500	Connector Tube Assy	All	\$23.34
N/S	R0140200	Ignition Transformer	All	\$215.92
N/S	R0388600	Contact Spring Terminals	All	\$6.01
N/S	R0388700	Air Tube Combination	All	\$115.47
N/S	N0003500	Electrode Clamp	All	DISCONTINUED
N/S	R0393600	Electrode Rod & Tip	All	\$80.54
N/S	R0362400	Delavan Nozzle, 2¼"	3000	\$17.99
N/S	R0140300	Primary Control	All	\$373.60
N/S	R0389600	Honeywell Cad Cell	All	\$49.71
N/S	R0393700	Fuel Unit Hardware Kit	All	DISCONTINUED
N/S	N0007000	By-Pass Plug	All	DISCONTINUED
N/S	N0007100	By-Pass Plug	All	DISCONTINUED
N/S	P0026100	⅛" Burner Head Plug	All	\$0.44
N/S	P0026800+	¼" Burner Head Plug	All	\$3.85
OPTIONAL EQUIPMENT				
60	R0040400	Pressure Relief Valve, ¾" NPT, 75 PSI	All	\$38.35
N/S	R0393800	Chimney Cap - 9"	All	\$142.26

N/S-Not Shown

Hot Shot® (Discontinued, Mfg. 2001–2004)



Key No.	Part No.	Description	Model No.	List Price
GAS SYSTEM				
1	R0367800	Burner Tray Assy, Natural Gas	100	\$874.03
1	R0367900	Burner Tray Assy, LP Gas	100	\$874.03
2	R0368000	Gas Valve, Natural Gas	100	\$209.07
2	R0368100	Gas Valve, LP Gas	100	\$209.07
3	R0368200	Pilot Assy, Natural Gas	100	\$97.71
3	R0368300	Pilot Assy, LP Gas	100	\$97.71
4	W0036901+	Pilot Generator	100	\$58.25
ELECTRICAL SYSTEM				
5	R0367700	Thermostat Assy	100	\$258.79
6	R0099800	On/Off Switch	100	\$19.27
7	R0010700	Temperature Control Knob	100	\$4.27
7a	R0532200	Temperature Sensor	100	\$67.45
8	10583100+	Stop Plate, "Temp-Lok"	100	\$0.86
9	R0368400	High Limit Switch, 135° F	100	\$43.25
N/S	R0368500	High Limit Switch, 150° F	100	\$40.27
11	R0013200	Pressure Switch, 2 PSI	100	\$69.41
12	R0012200	Fusible Link	100	\$7.72

Key No.	Part No.	Description	Model No.	List Price
WATER SYSTEM				
13	R0368600	I/O Header Assy	100	\$154.22
14	R0385900	Coupling Kit	100	\$40.71
15	R0386100	O-Ring Kit	100	\$13.45
N/S	E0092800	Sleeve	100	\$0.29
N/S	R0369100	Two Angled Coupling Fleet Pipe	100	\$14.77
N/S	R0369400	External Bypass	100	\$104.55
OPTIONAL				
N/S	R0335800	Touch-up Spray Paint, Pewter	100	DISCONTINUED

N/S-Not Shown