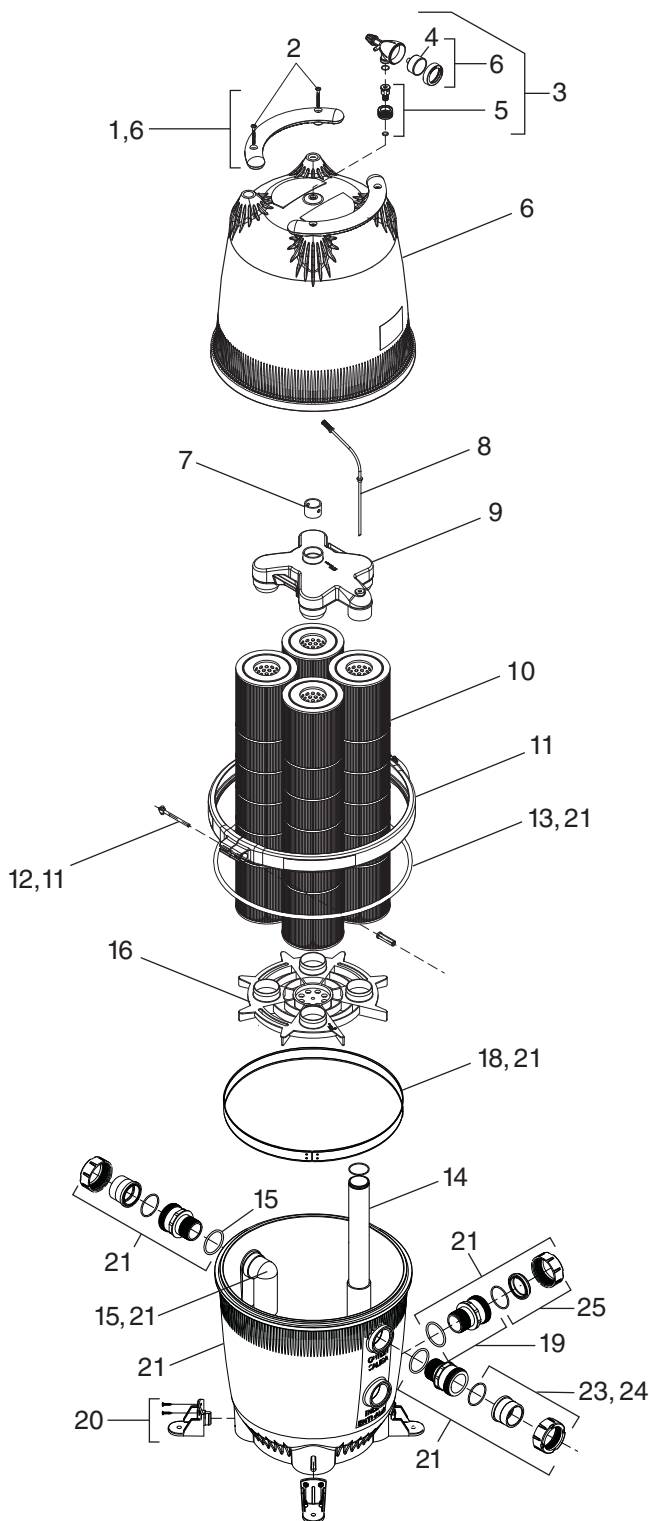


## CV Series Cartridge Filter

Part #CV340, CV460, CV580

Key No.	Part No.	Description	List Price
1	R0357100	Handle Assy w/ hardware (set of 2)	\$42.43
2	R0359900	Handle Hardware (set of 4)	\$34.65
3	R0357200	Gauge/Air Release Assy	\$46.28
4	R0359600	Pressure Gauge	\$23.14
5	R0552000	Tank Adapter w/ O-ring - Union	\$14.57
6	R0357300	Tank Top, 580 sq. ft.	\$347.89
6	R0554700	Tank Top 340 & 460 sq. ft.	\$317.08
7	R0357700	Top Spacer	\$16.68
8	R0358700	Breather Tube Assy	\$11.15
9	R0357600	Manifold Assy	\$84.83
10	R0357900	Filter Cartridge, 145 sq. ft., (4 required) 580 sq. ft.	\$205.66
10	R0554600	Filter Cartridge, 115 sq. ft., (4 required) 460 sq. ft.	\$163.14
10	R0554500	Filter Cartridge, 85 sq. ft., (4 required) 340 sq. ft.	\$139.84
11	R0357400	Tank Clamp Ring w/ Rod Assy	\$347.89
12	R0357500	Threaded Rod and Retainer	\$53.99
13	R0357800	Tank O-ring	\$35.08
14	R0555100	Outlet Tube/Elbow Assy w/ O-rings 340, 460, and 580 sq. ft.	\$36.00
15	R0358400	Inlet Elbow w/O-ring	\$37.05
16	R0358500	Filter Cartridge Support	\$57.84
17	R0358000	O-ring Replacement Kit (not shown)	\$18.11
18	R0405200	Ring, Retaining	\$67.90
19	R0465600	Bulkhead Assy w/ O-ring, CV Filter	\$43.86
20	R0465500	Anchor Bracket, (Qty 4)	\$62.40
21	R0465400	Tank Bottom Assy, CV Filter	\$425.02
23	R0461800	Universal Half Unions (Set of 3) and Drain Plug Cap	\$65.28
24	R0522900	Universal Half Union (Set of 1)	\$25.58
25	R0523000	Drain Cap Assy	\$21.13
N/S	SEFL1002	Sweep Elbow	\$12.97
N/S	R0395500	Filter Tank Drain Adapter, CL/DEL Series	\$15.83

N/S - Not Shown



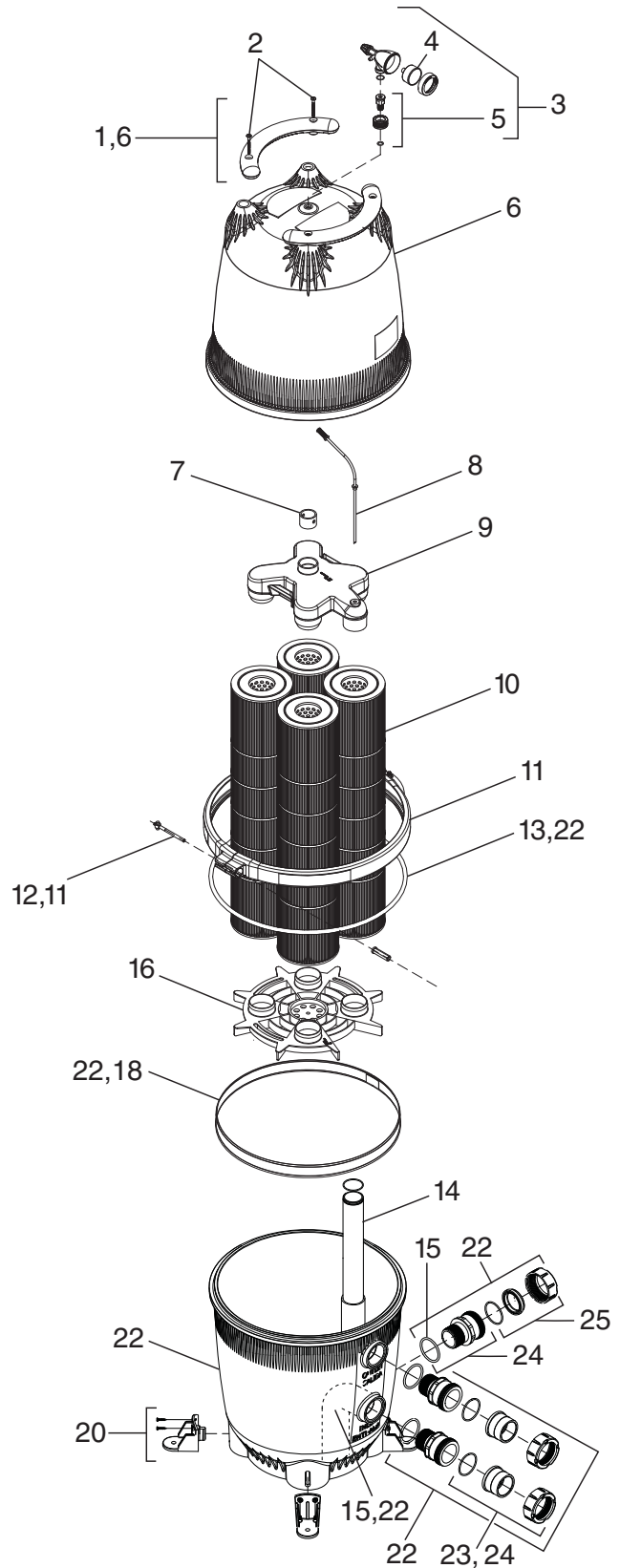
# Filter Parts

## CL Series Cartridge Filter

Part #CL340, CL460, CL580

Key No.	Part No.	Description	List Price
1	R0357100	Handle Assy w/ Hardware (set of 2)	\$42.43
2	R0359900	Handle Hardware (set of 4)	\$34.65
3	R0357200	Gauge/Air Release Assy	\$46.28
4	R0359600	Pressure Gauge	\$23.14
5	R0552000	Tank Adapter w/ O-ring - Union	\$14.57
6	R0357300	Tank Top, 580 sq. ft.	\$347.89
6	R0554700	Tank Top 340 & 460 sq. ft.	\$317.08
7	R0357700	Top Spacer	\$16.68
8	R0358700	Breather Tube Assy	\$11.15
9	R0357600	Manifold Assy	\$84.83
10	R0357900	Filter Cartridge, 145 sq. ft., (4 required) 580 sq. ft.	\$205.66
10	R0554600	Filter Cartridge, 115 sq. ft., (4 required) 460 sq. ft.	\$163.14
10	R0554500	Filter Cartridge, 85 sq. ft., (4 required) 340 sq. ft.	\$139.84
11	R0357400	Tank Clamp Ring w/ Rod Assembly	\$347.89
12	R0357500	Threaded Rod and Retainer	\$53.99
13	R0357800	Tank O-ring	\$35.08
14	R0555100	Outlet Tube/Elbow Assy w/ O-rings 340, 460, & 580 sq. ft.	\$36.00
15	R0358400	Inlet Elbow w/ O-ring	\$37.05
16	R0358500	Filter Cartridge Support	\$57.84
17	R0358000	O-ring Replacement Kit (not shown)	\$18.11
18	R0405200	Ring, Retaining	\$67.90
20	R0465500	Anchor Bracket, (Qty 4)	\$62.40
22	R0466500	Tank Bottom Assy, CL Filter (Prior to 2006 Part #R0358600)	\$425.02
23	R0461800	Universal Half Unions (Set of 3) and Drain Plug Cap	\$65.28
24	R0522900	Universal Half Union (Set of 1)	\$25.58
25	R0523000	Drain Cap Assy	\$21.13
N/S	SEFL1002	Sweep Elbow	\$12.97
N/S	R0395500	Filter Tank Drain Adapter, CL/DEL Series	\$15.83

N/S-Not Shown

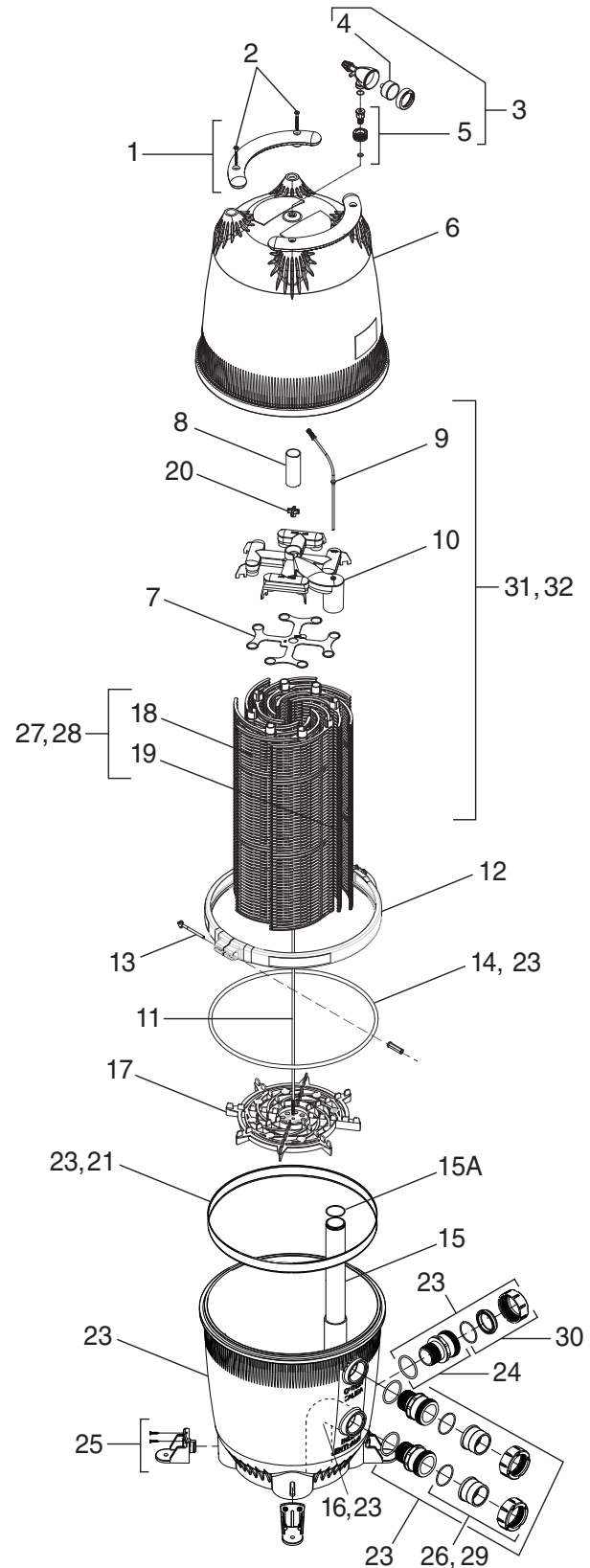


## DEV Series D.E. Filter (Supersedes Jandy® DEL Series)

Part #DEV48, DEV60

Key No.	Part No.	Description	List Price
1	R0357100	Handle Assy w/ Hardware (set of 2)	\$42.43
2	R0359900	Handle Hardware (set of 4)	\$34.65
3	R0357200	Gauge/Air Release Assy	\$46.28
4	R0359600	Pressure Gauge	\$23.14
5	R0552000	Tank Adapter w/ O-ring	\$14.57
6	R0357300	Tank Lid DEV60	\$347.89
6	R0554700	Tank Lid DEV48	\$317.08
7	R0359700	Top Spacer for DE Grids	\$11.56
8	R0405100	Spacer, DEV48/60, Large Filter	\$15.97
9	R0358700	Breather Tube Assy	\$11.15
10	R0359000	Manifold Assy	\$61.70
11	R0359300	Tie Rod w/ Knob & Lock Nuts, DEV 60	\$43.38
11	R0554800	Tie Rod w/ Knob & Lock Nuts, DEV 48	\$37.72
12	R0357400	Tank Clamp Ring w/ Knob Assy	\$347.89
13	R0357500	Clamp Ring Assy w/ Threaded Rod and Retainer	\$53.99
14	R0357800	Tank O-ring	\$35.08
15	R0555100	Outlet Tube/Elbow Assy w/ O-rings	\$36.00
15A	R0358000	Outlet Tube O-ring	\$18.11
16	R0358400	Inlet Elbow w/ O-ring	\$37.05
17	R0359500	DE Grid Support	\$77.87
18	R0359100	DE Grid, Full Size, DEV60 (7 required)	\$65.57
18	R0555000	DE Grid, Full Size, DEV48 (7 required)	\$61.70
19	R0359200	DE Grid, Short Span, DEV60 (1 only)	\$61.70
19	R0554900	DE Grid, Short Span, DEV48 (1 only)	\$58.25
20	R0359400	Tie Rod Knob	\$9.87
21	R0405200	Ring, Retaining	\$67.90
n/s	R0358000	O-ring Replacement Kit	\$18.11
23	R0466500	Bottom Assy, Universal Unions	\$425.02
24	R0465600	Bulkhead Assy w/ O-ring	\$43.86
25	R0465500	Anchor Bracket Kit (Set of 4)	\$62.40
26	R0461800	Universal Half Unions (set of 4) and Drain Plug Cap (not shown)	\$65.28
27	R0442600	Complete set of DEV60 Filter Grids (7 full-size, 1 short span)	\$480.71
28	R0442700	Complete set of DEV48 Filter Grids (7 full-size, 1 short span)	\$426.46
29	R0522900	Universal Half Union (Set of 1)	\$25.58
30	R0523000	Drain Cap Assy	\$21.13
31	R0501300	Complete Grid Assy DEV/DEL 48 (Includes parts 7, 8, 9, 10, 11, 17, 18, 19, and 20)	\$585.52
32	R0501400	Complete Grid Assembly DEV/DEL 60 (Includes parts 7, 8, 9, 10, 11, 17, 18, 19, and 20)	\$677.04

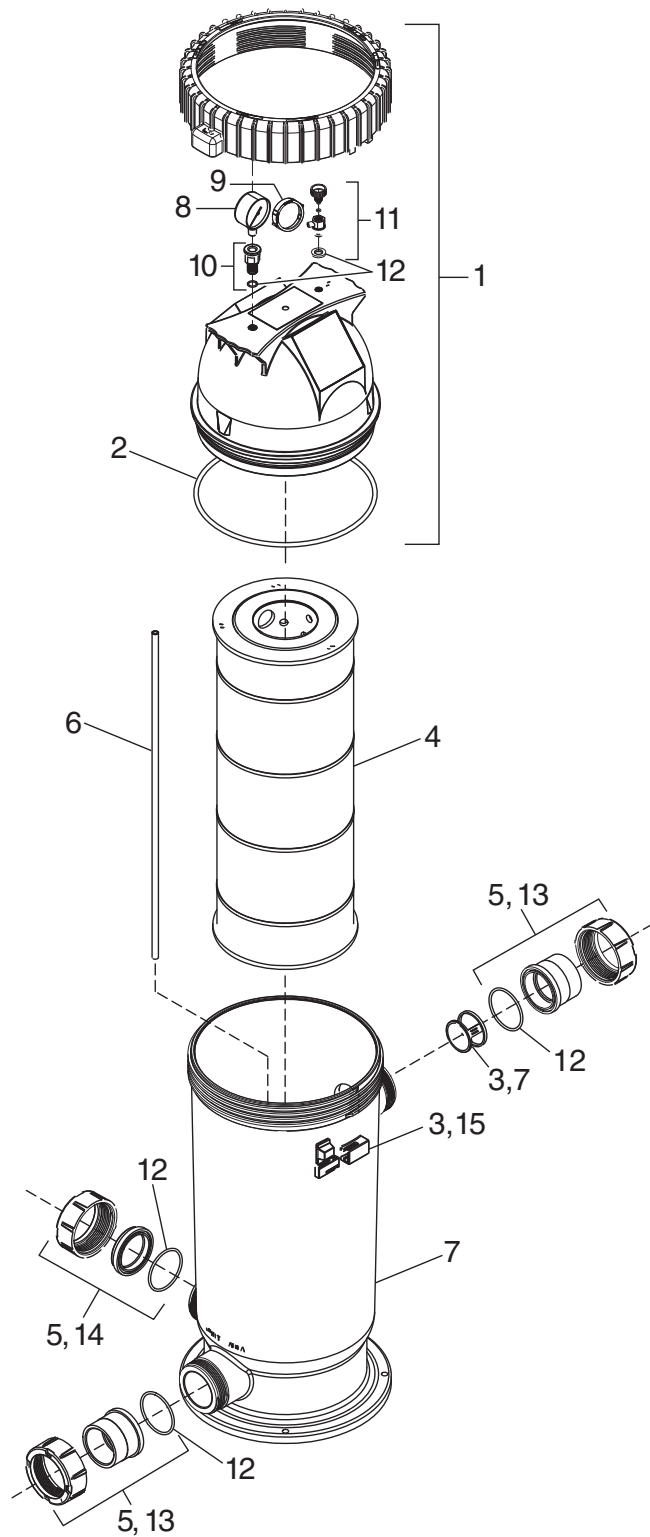
N/S-Not Shown



## CS Series Cartridge Filter

Part #CS100, CS150, CS200, CS250

Key No.	Part No.	Description	List Price
1	R0461900	Top Housing Assy CS100, CS150	\$198.65
1	R0462000	Top Housing Assy CS200, CS250	\$216.84
2	R0462700	O-Ring, Tank Top	\$11.53
3	R0462100	Inlet Diffuser w/ Locking Tab	\$25.70
4	R0462200	Cartridge Element, 100 Sq. Ft., CS100	\$93.54
4	R0462300	Cartridge Element, 150 Sq. Ft., CS150	\$123.04
4	R0462400	Cartridge Element, 200 Sq. Ft., CS200	\$153.42
4	R0462500	Cartridge Element, 250 Sq. Ft., CS250	\$216.54
5	R0461800	Tailpiece, Cap and Union Nut Set (Set of 3), 2" x 2½"	\$65.28
5	R0462600	Tailpiece, Cap and Union Nut Set (Set of 3), 50mm	\$66.86
6	R0462801	Breather Tube, CS100, CS150	\$25.69
6	R0462802	Breather Tube, CS200, CS250	\$26.89
7	R0462900	Bottom Housing Assy	\$258.66
8	R0556900	Pressure Gauge, 0-60 psi	\$15.57
9	R0468200	Clean/Dirty Snap Ring	\$6.46
10	R0557100	Pressure Gauge Adapter	\$10.30
11	R0557200	Air Release Valve	\$13.36
12	R0466300	O-Ring Set	\$30.35
13	R0522900	Universal Half Union (Set 1)	\$25.58
14	R0523000	Drain Cap Assy	\$21.13
15	R0484100	CS Filter Locking Tab	\$21.13

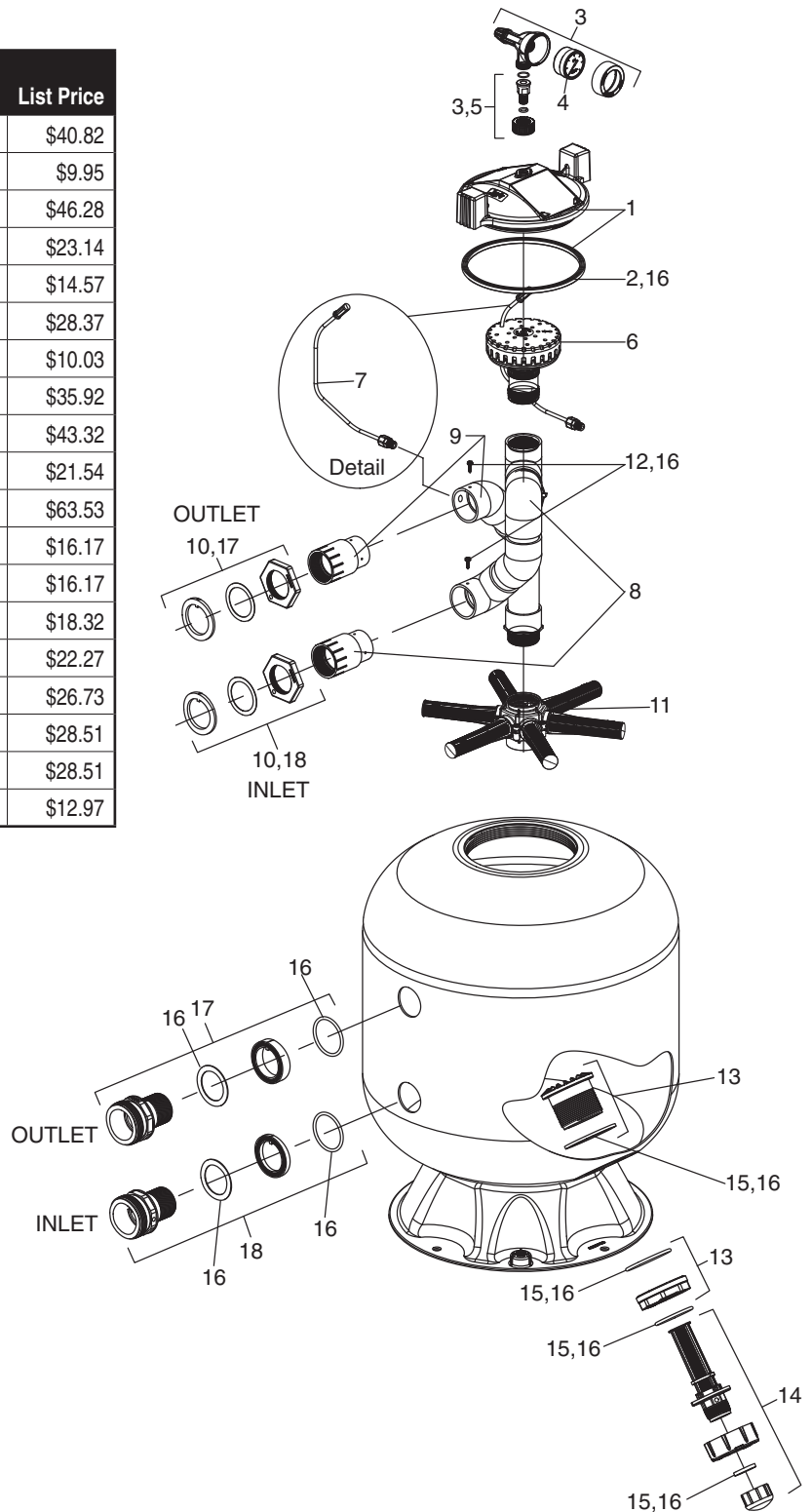


## JS Series Sand Filters

Part #JS60-SM

Key No.	Part No.	Description	List Price
1	R0487300	Lid, Sand Filter	\$40.82
2	R0487400	Lid Seal, Sand Filter	\$9.95
3	R0357200	Gauge/Air Relief Assy	\$46.28
4	R0359600	Pressure Gauge	\$23.14
5	R0552000	Tank Adapter w/ O-Ring and Union	\$14.57
6	R0487501	Diffuser, JS60-SM	\$28.37
7	R0487600	Air Relief Assy	\$10.03
8	R0519901	Inlet Piping Kit, JS60-SM	\$35.92
9	R0520001	Outlet Piping Kit, JS60-SM	\$43.32
10	R0520100	Nuts, Slip Ring and Inner Spacer, JS60	\$21.54
11	R0520200	Hub Assembly w/ 24" Laterals, JS60	\$63.53
12	R0488100	Screw, #10 x 3/4" SS (Qty 6)	\$16.17
13	R0488200	Sand Filter Drain Fitting Assy	\$16.17
14	R0488300	Drain Screen Assy	\$18.32
15	R0488400	Drain Fitting Seals Kit	\$22.27
16	R0488500	O-Ring and Hardware Kit	\$26.73
17	R0520300	Outlet Fitting, Complete, JS60	\$28.51
18	R0520400	Inlet Fitting, Complete, JS60	\$28.51
N/S	SEFL1002	Sweep Elbow	\$12.97

N/S-Not Shown

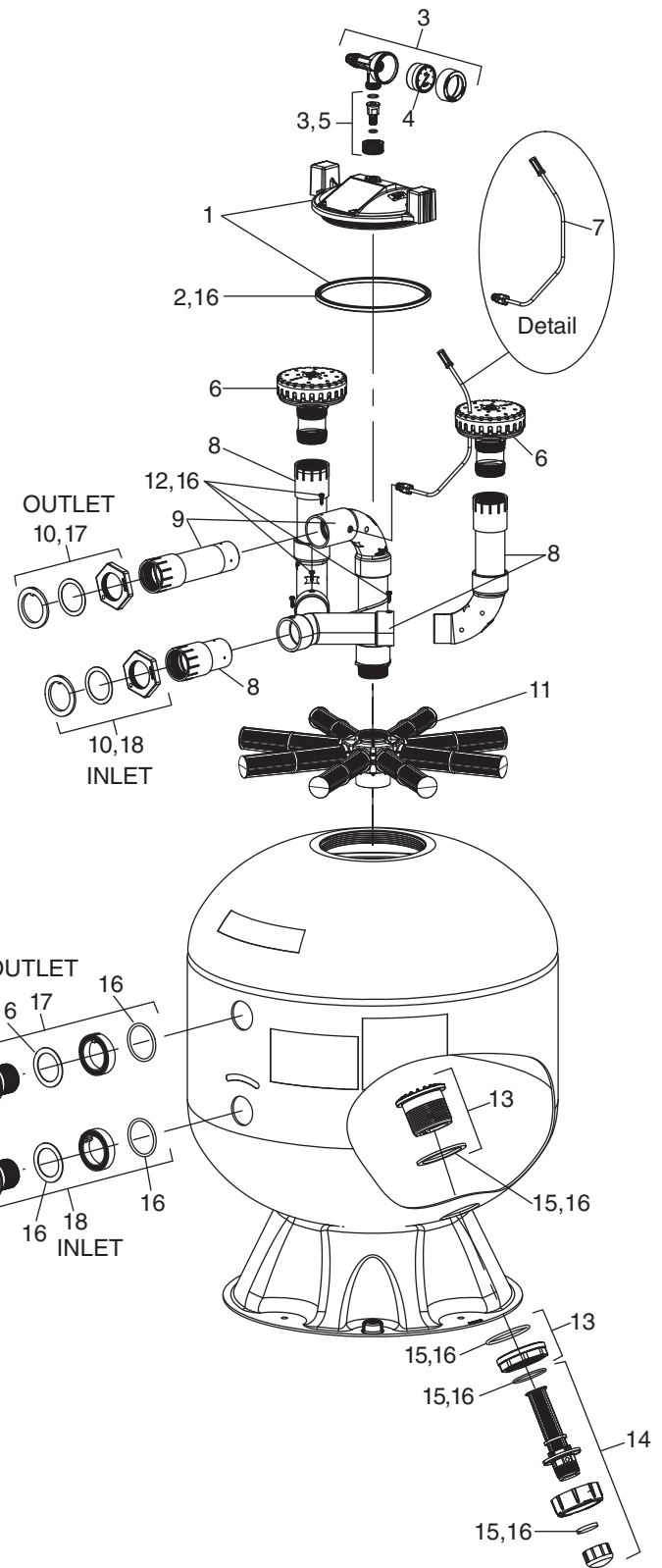


## JS Series Sand Filters

Part #JS100-SM

Key No.	Part No.	Description	List Price
1	R0487300	Lid, Sand Filter	\$40.82
2	R0487400	Lid Seal, Sand Filter	\$9.95
3	R0357200	Gauge/Air Relief Assy	\$46.28
4	R0359600	Pressure Gauge	\$23.14
5	R0552000	Tank Adapter w/ O-Ring and Union	\$14.57
6	R0487500	Diffuser	\$47.43
7	R0487600	Air Relief Assy	\$10.03
8	R0487700	30" Inlet Piping Kit	\$46.75
9	R0487800	Outlet Piping Kit	\$38.97
10	R0487900	Nuts, Slip Ring and Inner Spacer	\$37.86
11	R0488000	Hub Assy w/ 30" Laterals	\$66.81
12	R0488100	Screw, #10 x 3/4" SS (Qty 6)	\$16.17
13	R0488200	Sand Filter Drain Fitting Assy	\$16.17
14	R0488300	Drain Screen Assy	\$18.32
15	R0488400	Drain Fitting Seals Kit	\$22.27
16	R0488500	O-Ring and Hardware Kit	\$26.73
17	R0488600	Outlet Fitting 30", Complete	\$37.86
18	R0488700	Inlet Fitting 30", Complete	\$37.86
N/S	SEFL1002	Sweep Elbow	\$12.97

N/S-Not Shown



## SFTM Series Sand Filters

Part #SFTM22, SFTM25

Key No.	Part No.	Description	Extended Description	List Price
1	SFTM-MPV	Complete Multiport Valve w/ Clamp Assy		\$158.34
2	R0492000	Rebuild Kit for SFTM22, SFTM25 and SFTM-MPV	Rotor w/ Spider Gasket Valve Handle w/ Retainer Pin Rotor Shaft O-Ring, Spring & Washers MPV Top O-Ring MPV Top Hardware (6 bolts w/ nuts) Tank O-Ring Deflector Basket w/ Screws V-Band Plastic Clamp w/ Bolts Pressure Gauge 0-60 PSI	\$115.82
3	R0492100	Drain Nozzle Assembly	Drain Nozzle Drain Nozzle Retainer Drain Cap w/ Gasket	\$17.97
4	R0492200	SFTM22 Lateral and Standpipe Assembly	22" Lateral Kit Snap Fit (8 per bag) 22" Standpipe Assy	\$87.55
5	R0492300	SFTM25 Lateral and Standpipe Assembly	25" Lateral Kit Snap Fit (8 per bag) 25" Standpipe Assy	\$101.20
6	R0492700	Sand deflector (cover)		\$4.54
N/S	R0492600	Complete 1.5" Unions w/Adapter kit	2-Complete Threaded Unions 3-Barbed Adapters 2-Hose Clamps	\$37.21
N/S	R0503100	SFTM Accessory Bag Kit	Complete Threaded Unions Barbed Adapters Hose Clamps Reducer Bushing Pressure Gauge Flex Pipe	\$92.81

N/S-Not Shown

