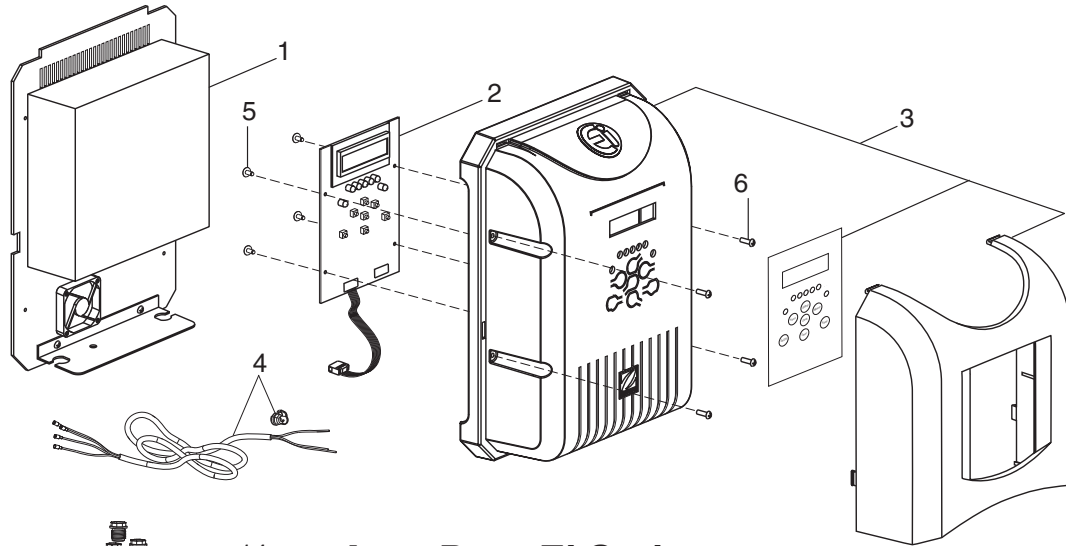


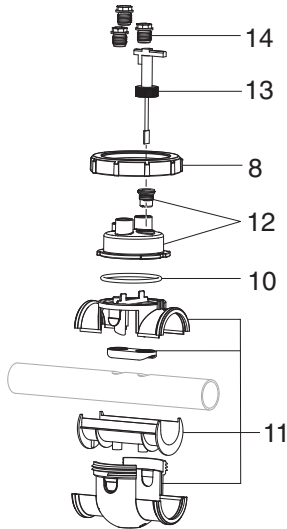
AquaPure® Ei™ Series Electronic Salt Water Chlorine Generator

Part# APURE35, APURE35PLG



AquaPure Ei Series Power Pack Replacement Parts

Key No.	Part No.	Description	Qty.	List Price
1	R0512100	Power PCB Assy	1	\$346.55
2	R0512300	TS Control PCB Assy	1	\$193.77
3	R0512400	Cover Assy	1	\$77.79
4	R0512500	Output Cable Assy (PHT)	1	\$66.23
5	R0512800	PCB Mtg Screws #4 x 1/4"	4	\$7.02
6	R0512900	Set Screw M3 x 12mm	4	\$7.15



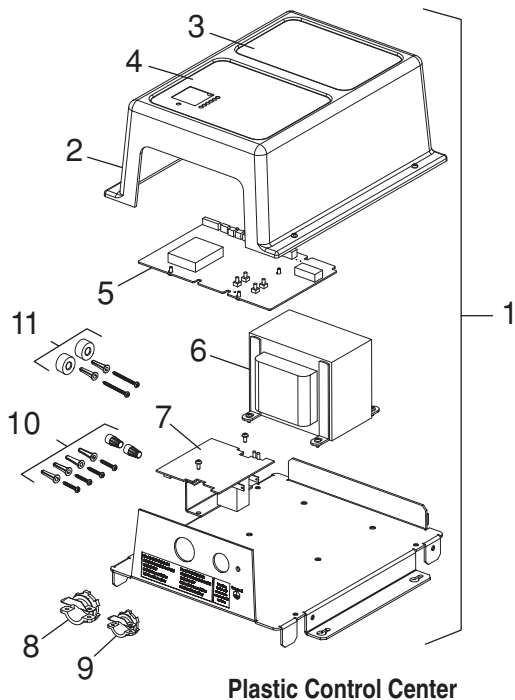
AquaPure Ei Series Cell Replacement Parts

Key No.	Part No.	Description	Qty.	List Price
7	R0511200	Terminal Cap	1	\$21.16
8	R0511300	Locking Ring	1	\$20.19
9	R0511400	35 Electrode	1	\$272.91
10	R0511600	Main O-Ring	1	\$11.52
11	R0511700	Saddle Clamp Assy w/ Main O-Ring	1	\$43.21
12	R0512000	Pod Housing	1	\$14.90
13	R0511900	Flow Switch	1	\$157.26
14	R0511800	Plugs	3	\$10.45
15	R0524100	Breather Tube	1	\$2.20
N/S	R0512600	Locking Ring Tool	1	\$17.99
N/S	R0512700	Winterizing Cup	1	\$35.05

N/S-Not Shown

AquaPure® Replacement Parts – Plastic Control Center

Part# APURE700, APURE1400

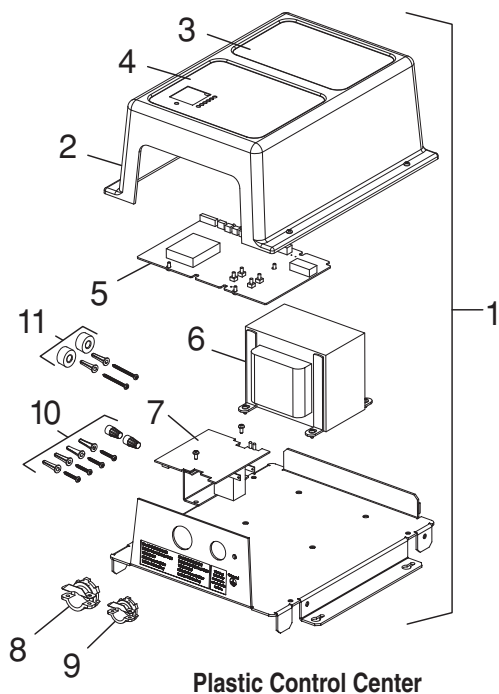


Key No.	Part No.	Description	List Price
N/S	R5000100	Power Supply Cover Support Bracket, APURE	\$23.10
1	R0402900	Control Box Complete, APURE700	\$1,427.54
1	R0403000	Control Box Complete, APURE1400	\$1,427.54
2	R0403100	Control Box Cover, APURE700	\$126.87
2	R0403200	Control Box Cover, APURE1400	\$126.87
3	R0404300	Control Box Decal, APURE, Top	\$29.07
4	R0404400	Control Box Decal APURE, Bottom	\$31.75
5	R0403900	PCB, Front LED, All Models, Rev. B10038-01	\$371.16
6	R0481400	Transformer, 50/60Hz	\$317.21
7	R0404000	PCB, Back, APURE700	\$142.90
7	R0404100	PCB, Back, APURE1400	\$142.90
8	M1033	Strain Relief, Power	\$1.11
9	M1034	Strain Relief, Data	\$2.04
10	R0412900	Mounting Hardware Kit (side mount)	\$15.10
11	AZ008	Mounting Hardware Kit (old style, spacers) Use #R0412900	N/A
N/S	R0474300	ORP Connector, 2 pin AquaPure replacement kit (when used with ChemLink™)	\$49.53

N/S-Not Shown N/A-Not Available

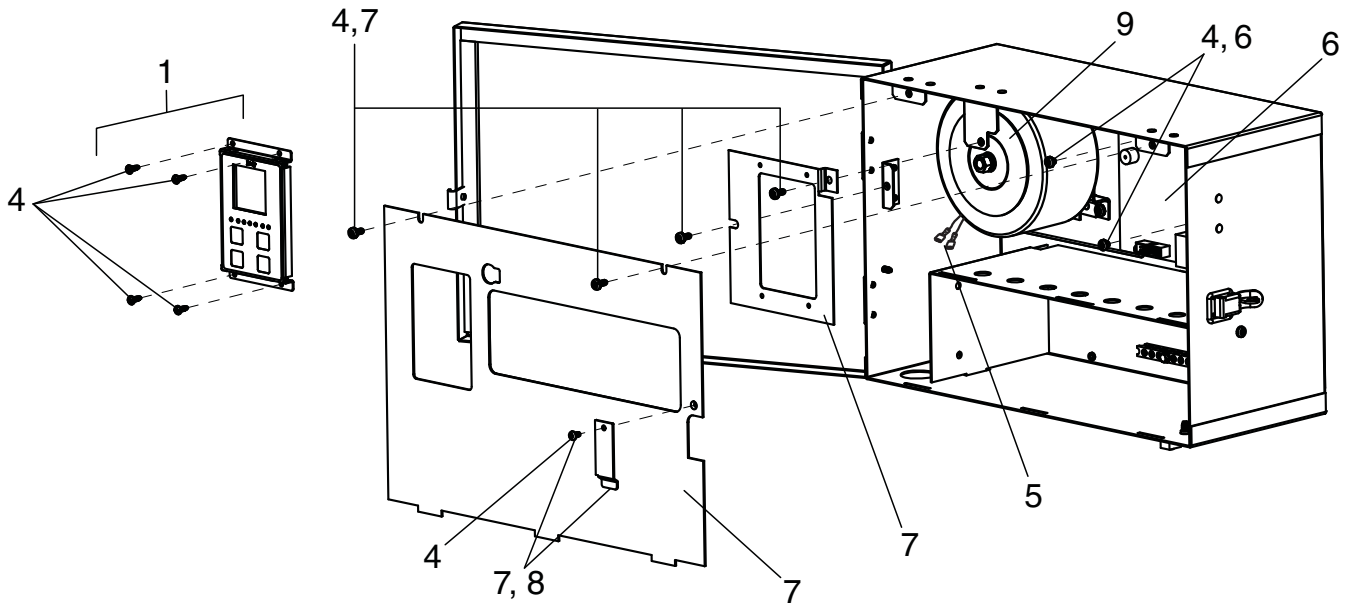
ClorMatic® Replacement Parts–Plastic Control Center

Part# CMATIC700, CMATIC1400



Key No.	Part No.	Description	List Price
N/S	R5000100	Power Supply Cover Support Bracket	\$23.10
1	PSD133	Control Box, Model CM301 w/ Power Supply	\$1,525.56
1	PSD163	Control Box, Model CM601 w/ Power Supply	\$1,525.56
2	AZ004	Control Box Cover, CM301	\$142.07
2	AZ005	Control Box Cover, CM601	\$142.07
3	LA1046	Control Box Decal, Top, CM601	\$35.52
4	LA1045	Control Box Decal, Bottom (all models)	\$35.52
5	PSD302	PCB, Front LED, CM3 (all models)	\$396.60
6	R0481400	Transformer, CM3 301/601, 50/60Hz	\$317.21
7	R0404000	PCB, Back, CM3, CM301	\$142.90
7	R0404100	PCB, Back, CM3, CM601	\$142.90
7	PSD001	PCB, Back, CM2, CM601	\$266.55
	PSD005	CM2, CM301, Back Board	\$266.55
8	M1033	Strain Relief, Power	\$1.11
9	M1034	Strain Relief, Data	\$2.04
10	R0412900	Mounting Hardware Kit (side mount)	\$15.10
11	AZ008	Mounting Hardware Kit (old style, spacers) Use #R0412900	N/A
N/S	SP3PCM	Spool, 3-Port w/ 2.5" unions, ClorMatic labeling	\$105.71

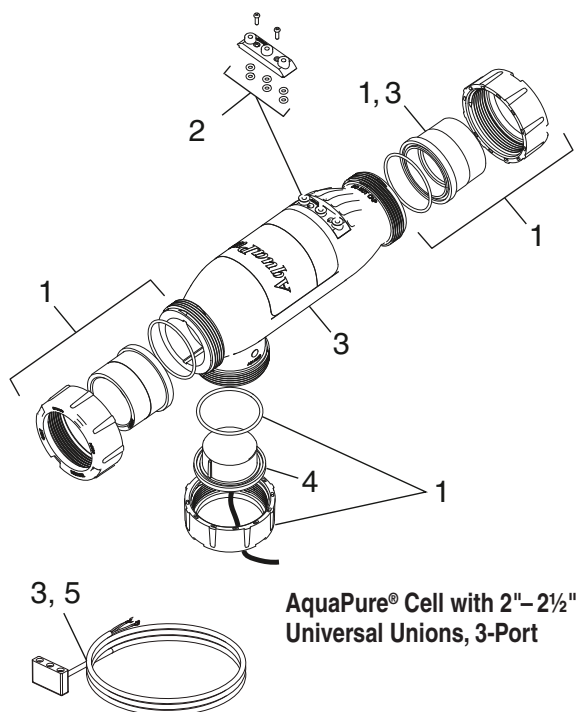
N/S-Not Shown N/A-Not Available



AquaPure®, Nature2® Fusion, ClorMatic® Control/Power Center Replacement Parts

Key No.	Part No.	Description	Qty.	List Price
1	R0467400	User Interface Board Screws	1 4	\$396.56
2	R0467700	Bezel Cover Plate, PureLink™ Power Center Bezel Support Plate, PureLink Power Center Battery Cover, PureLink Power Center Screws, Bezel Cover Plate Screws, Bezel Support Plate Screw, Battery Cover	1 1 1 2 2 1	\$108.74
3	R0447300	Battery Door, PureLink Power Center Screw, Battery Cover	1 1	\$30.94
4	R0467800	Screws, User Interface, PureLink Screws, Power Interface Assy Screws, Bezel Cover Plate Screws, Bezel Support Plate Screw, Battery Cover	4 2 2 2 1	\$35.83
5	R0447500	Wiring Harness, PureLink Back PCB to DC Cord	1	\$31.98
6	R0467600	Power Interface Board Assembly Screws, Power Interface	1 2	\$134.46
7	R0503400	Face Plate, Control Center, APURE-F Mounting Bracket, User Interface, APURE-F Screws, User Interface Mounting Bracket and Face Plate Battery Door, Control Center, APURE-F Screw, Battery Cove	1 1 4 1 1	\$17.73
8	R0503300	Battery Door, Control Center, APURE-F Screw, Battery Cover	1 1	\$5.52
9	R0481400	Transformer, 115/230V, 6A	1	\$317.21

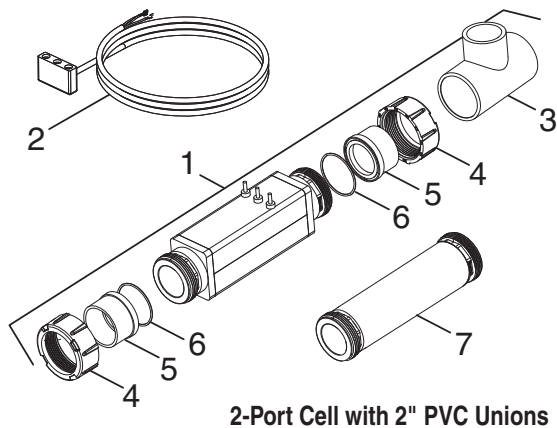
PureLink™ Replacement Parts — 3-Port Cell with 2" – 2½" Universal Unions



Key No.	Part No.	Description	List Price
1	R0452100	Universal Union Kit, 3-Port Cell (Includes: Universal Union Nuts, O-Rings, Tailpieces, 2" x 2½" Plug)	\$33.59
2	R0452200	O-Rings and Terminal Adapter Kit, 3-Port Cell (Includes: O-Rings, Terminal Adapter, screws)	\$6.93
3	R0452300	Cell Kit, APURE700, 3-Port (Includes: Cell, O-Rings, 16' DC Cord)	\$580.56
3	R0452400	Cell Kit, APURE1400, 3-Port (Includes: Cell, O-Rings, 16' DC Cord)	\$847.54
4	R0452500	Sensor Kit, Slotted 3-Port Cell, 16' (Includes: Sensor, O-Ring)	\$275.37
4	R0476400	Sensor Kit, Slotted 3-Port Cell, 25' (Includes: Sensor, O-Ring)	\$300.03
N/S	SP3P	Spool Piece and Cleaning Kit, 3-Port (Includes: Spool Piece, O-Ring, Universal Union Nuts, Tailpiece, 2" x 2½" Plug, plus caps for cleaning)	\$102.96
5	R0402800	16' DC Cord	\$85.64
5	R0476300	25' DC Cord	\$103.87
N/S	M1003	Myron Meter	\$455.83

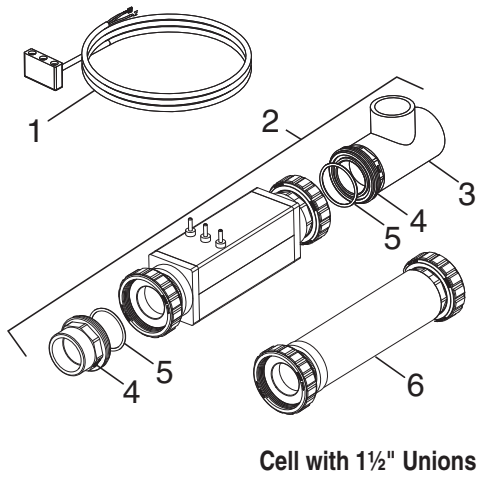
Note: See page 179 for Threaded Sensors.
N/S-Not Shown

AquaPure® Replacement Parts — 2-Port Cell with 2" LX PVC Unions (Black)



Key No.	Part No.	Description	List Price
1	R0475300	Cell Kit, APURE700, 2-Port (Includes: 16' DC Cord, 2" PVC Unions) (old P/N R0412400)	\$851.49
1	R0475400	Cell Kit, APURE1400, 2-Port (Includes: 16' DC Cord, 2" PVC Unions) (old P/N R04123 00)	\$1,123.24
2	R0402700	8' DC Cord	\$56.99
2	R0402800	16' DC Cord	\$85.64
3	R0413000	Tee, 2" PVC (for Sensor) w/ LX Threads	\$12.20
4	R0412500	Nut, 2" PVC (for APURE) w/ LX Threads	\$7.70
5	R0412600	Union Half, Unthreaded, 2" PVC (for APURE)	\$5.64
6	R0412700	O-Ring, 2"	\$3.08
7	R0412800	Spool Kit, 2-Port w/ 2" Unions	\$60.54
N/S	SP3PLX	Spool Kit, 3-Port w/ LX Unions	\$95.02

N/S-Not Shown

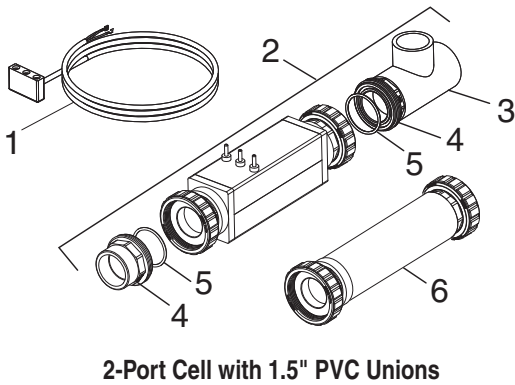


AquaPure® Replacement Parts — 2-Port Cell with 1½" ABS Unions (White)

Key No.	Part No.	Description	List Price
1	R0402800	16' DC Cord	\$85.64
2	PLC700	Cell Kit, PURE700, 2-Port (Includes: 16' DC Cord, 1½" ABS Unions)	\$656.54
2	PLC1400	Cell Kit, PURE1400, 2-Port (Includes: 16' DC Cord, 1½" ABS Unions)	\$919.17
3	R0413000	Tee, 1½" ABS for Sensor	\$12.20
4	PI1019	Union Half, 1½" Threaded Socket (White)	\$11.49
N/S	PI1023	Union Half, 1½" Unthreaded Socket (White)	DISCONTINUED
5	PI1024	Union, O-Ring, 1½"	\$2.79
6	R5000200	2" PVC Coupler Kit w/ 1½" ABS Threaded Half Unions	\$16.91

N/S-Not Shown

ClorMatic® Replacement Parts—Cell with 50mm (1½") Unions (White)



Key No.	Part No.	Description	List Price
1	R0402700	8' Cord, DC	\$56.99
1	R0402800	16' Cord, DC	\$85.64
2	CMC700	Cell, CM301 w/ 16' DC Cord (Old P/N ECR050-N/A) (Use #PLC700)	\$656.54
2	CMC1400	Cell, CM601 w/ 16' DC Cord (Old P/N ECR100-N/A) (Use #PLC1400)	\$919.17
2	R0478400	Cell, CM301, 3-Port	\$892.97
2	R0478500	Cell, CM601, 3-Port	\$1,172.19
3	AZ009	Tee Replacement Kit, 1½" Standard	\$23.45
3	AZ010	Tee Replacement Kit, Metric	\$54.85
4	PI1019	Union Half, 1½" Threaded Socket (white)	\$11.49
N/S	PI1023	Union Half, 1½" Unthreaded Socket (white)	DISCONTINUED
N/S	PI1025	Union Half, Threaded Jacket, Metric	\$49.77
5	PI1024	Union, O-Ring, 1½"	\$2.79
N/S	PI1021	Union Half, Unthreaded Socket, Metric	DISCONTINUED
6	AZ003	Spool Piece, In-line Cell Dummy w/ 1½" Unions	DISCONTINUED
N/S	LA1010	Cell Overlay Label, 601	DISCONTINUED

N/S-Not Shown N/A-Not Available

Sensors



Key No.	Part No.	Description	List Price
24	R0403700	Flow Sensor, Threaded, CM3 w/ 8' Cord (flat, multi-pin connector)	\$236.09
24	R0403800	Flow Sensor, Threaded, CM3 w/ 16' Cord (flat, multi-pin connector)	\$275.50
24	R0452500	Flow Sensor, Slotted, 3-Port Cell, 16' (flat, multi-pin connector)	\$275.37
24	FSS102	Flow Sensor, Threaded, CM2 w/ 8' Cord (RJ45 "phone-jack" style connector)	\$276.89
24	FSS103	Flow Sensor, Threaded, CM2 w/ 16' Cord (RJ45 "phone-jack" style connector)	\$323.09
24	FSS302	Flow Sensor, CM3, 8'	\$276.89
24	FSS303	Flow Sensor, CM3, 16'	\$323.09

COM25 Replacement Parts

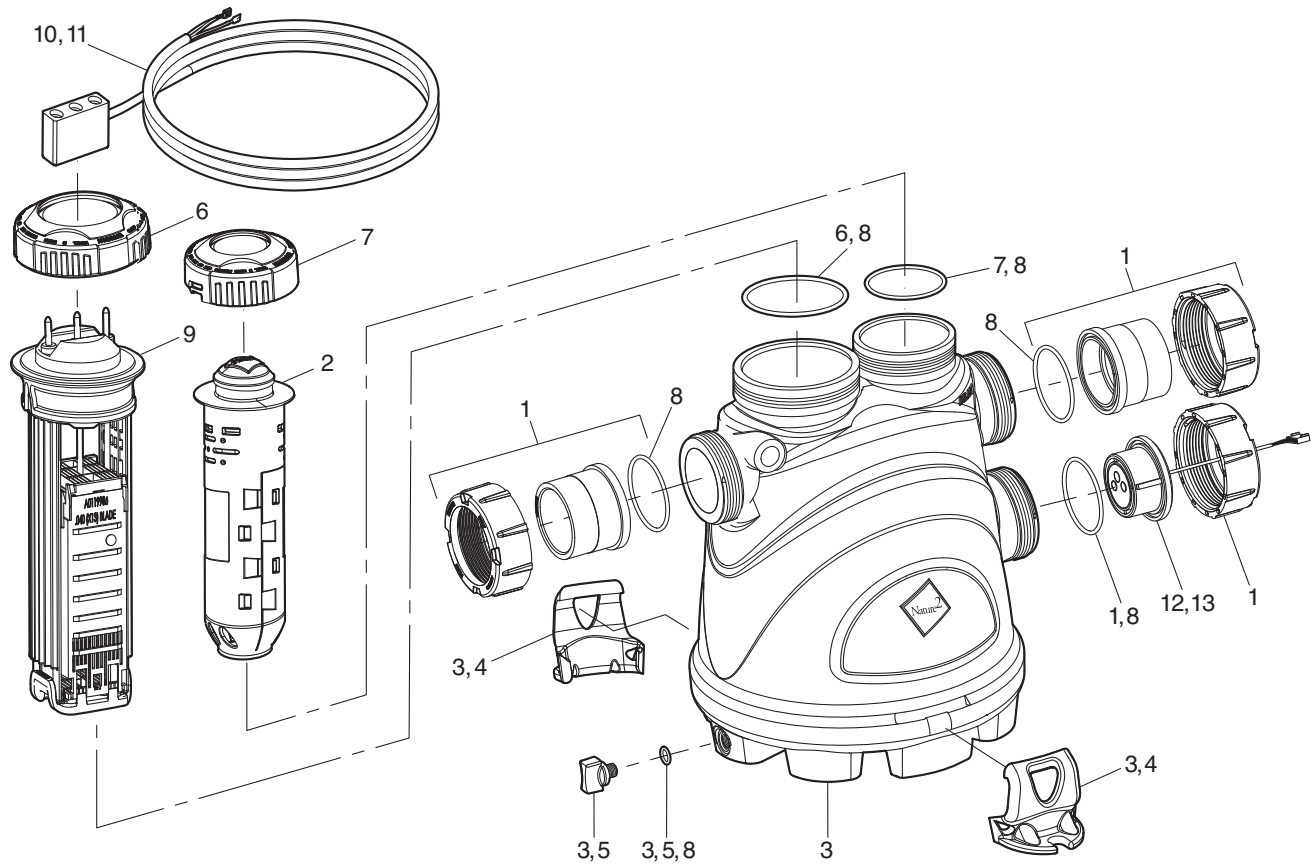


Key No.	Part No.	Description	List Price
1	ECR500	Cell, COM25, Replacement w/ 16' Cord	\$4,836.83
2	FSS103	CM2 Flow Sensor, 16'	\$323.09
3	PSD002	Front Board, CM2, All Models	\$312.42
4	PSD003	CM2 Backboard	\$532.74
5	R0481500	Transformer	\$1,403.04
6	AZ006	SCR Assembly (Left w/ Yellow Wire)	\$504.69
7	AZ007	SCR Assembly (Right w/ Orange Wire)	\$444.13
8	CU1011	Anode, Grounding, 5 lbs. Cell	DISCONTINUED
9	CU1043	DC Cordset, 16'	DISCONTINUED
10	CU1067	Titanium Brackets, Cell (2 required)	DISCONTINUED
11	H1021	Bolt, SS, Hex Head, 11 $\frac{5}{8}$ " x 3	\$7.47
12	H1022	Nut, SS, Hex 11 $\frac{5}{8}$ "	\$1.61
13	H1023	Washer, SS, Flat, $\frac{5}{8}$ "	\$1.29
14	J1024	Connector, Terminal Block, 2 Pole #8 Wire	DISCONTINUED
15	K1001	Relay, DPDT, 24 VDC Coil, 30 AMP	\$103.10
16	LA1017	Overlay, Inner Panel	DISCONTINUED
17	LA1019	Overlay, Front Cover	DISCONTINUED
18	LA1040	Cell Overlay	DISCONTINUED
19	PI1003	Flange, 3"	\$52.58
20	PI1004	Gasket, Flange 3"	\$16.87
21	PI1005	Tee, PVC, 3" x 1 $\frac{1}{2}$ " x 3"	\$26.62

Water Purification Parts

Nature²® Fusion Soft

Part# FSOFT700, FSOFT1400

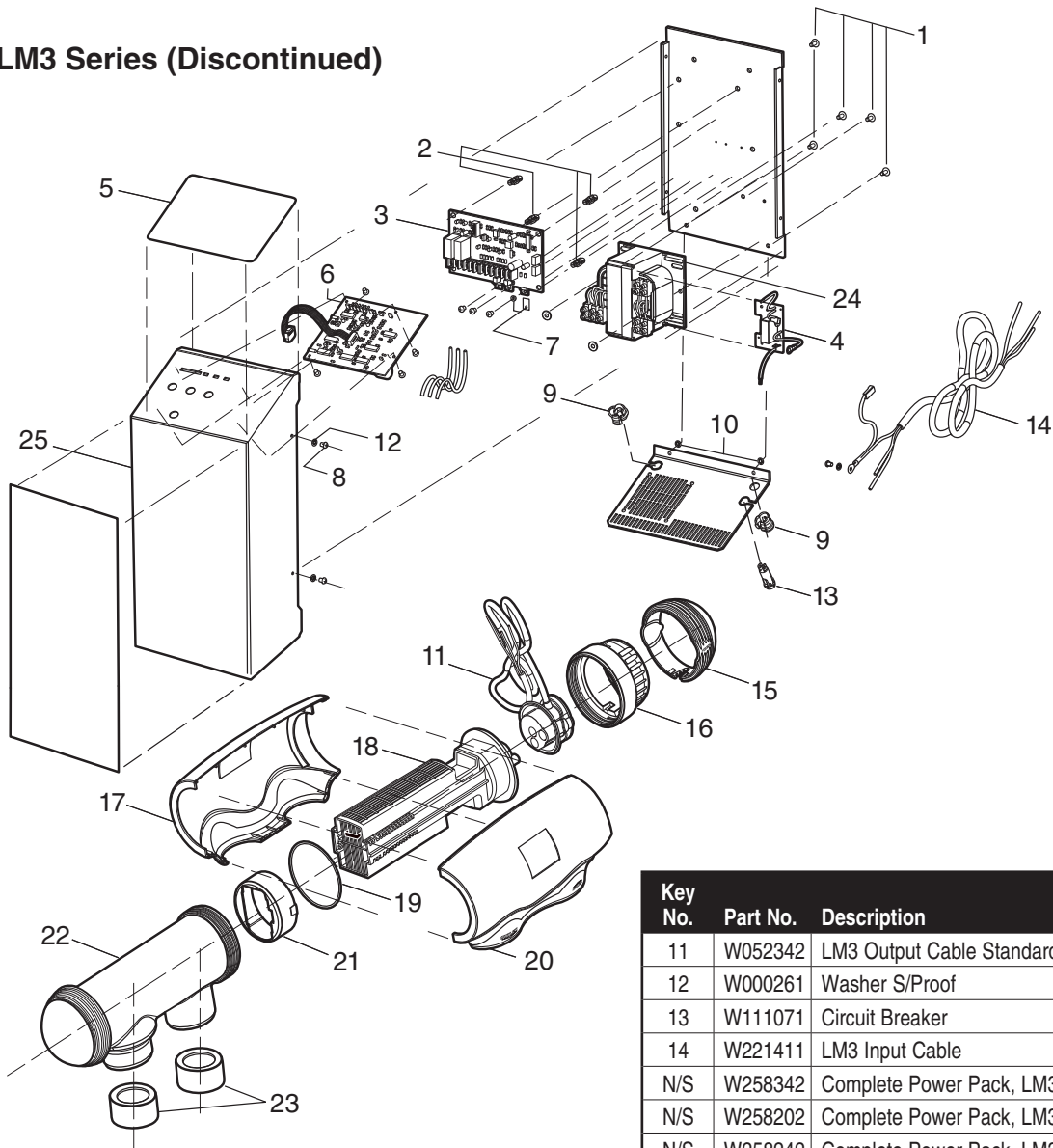


Key No.	Part No.	Description	Qty.	List Price
1	R0452100	Universal Union/Tailpiece/Plug Includes: Nut, Union Universal O-Ring, #2-231 Tailpiece, 2" X 2 1/2" Plug, Port (not shown)	3 3 2 1	\$33.59
2	W26002	DuoClear 45/Nature ² Fusion 45	4pk	\$624.57
3	R0502000	Vessel w/ Flow Management System, Nature ² Fusion Soft Nature ² Fusion Soft Includes: Vessel Plug, Drain O-Ring, drain plug Anchor Bracket	1 1 1 2	\$280.00
4	R0502200	Anchor Bracket Kit	2	\$14.58
5	R0446000	Drain Plug w/ O-Ring	2	\$18.55
6	R0502300	Large Collar w/ O-Ring	1	\$28.18
7	R0502400	Small Collar w/ O-Ring	1	\$12.23

Key No.	Part No.	Description	Qty.	List Price
8	R0502500	Nature ² Fusion O-Ring Kit Includes: O-Ring, Large Collar O-Ring, Small Collar O-Ring, Unions & Port Plug O-Ring, Feeder Shaft O-Ring, Drain Plug	1 1 3 2 1	\$45.25
9	R0502800	Nature ² Fusion Soft 700 Cell Kit Includes: Electrolytic Cell O-Ring	1 1	\$395.00
9	R0503000	Nature ² Fusion Soft 1400 Cell Kit Includes: Electrolytic Cell O-Ring	1 1	\$575.00
10	R0402800	16' Cable, DC	1	\$85.64
11	R0476300	25' Cable, DC	1	\$103.87
12	R0452500	Port Sensor 16' w/ O-Ring	1	\$275.37
13	R0476400	Port Sensor 25' w/ O-Ring	1	\$300.03

N/A - Not Available

LM3 Series (Discontinued)



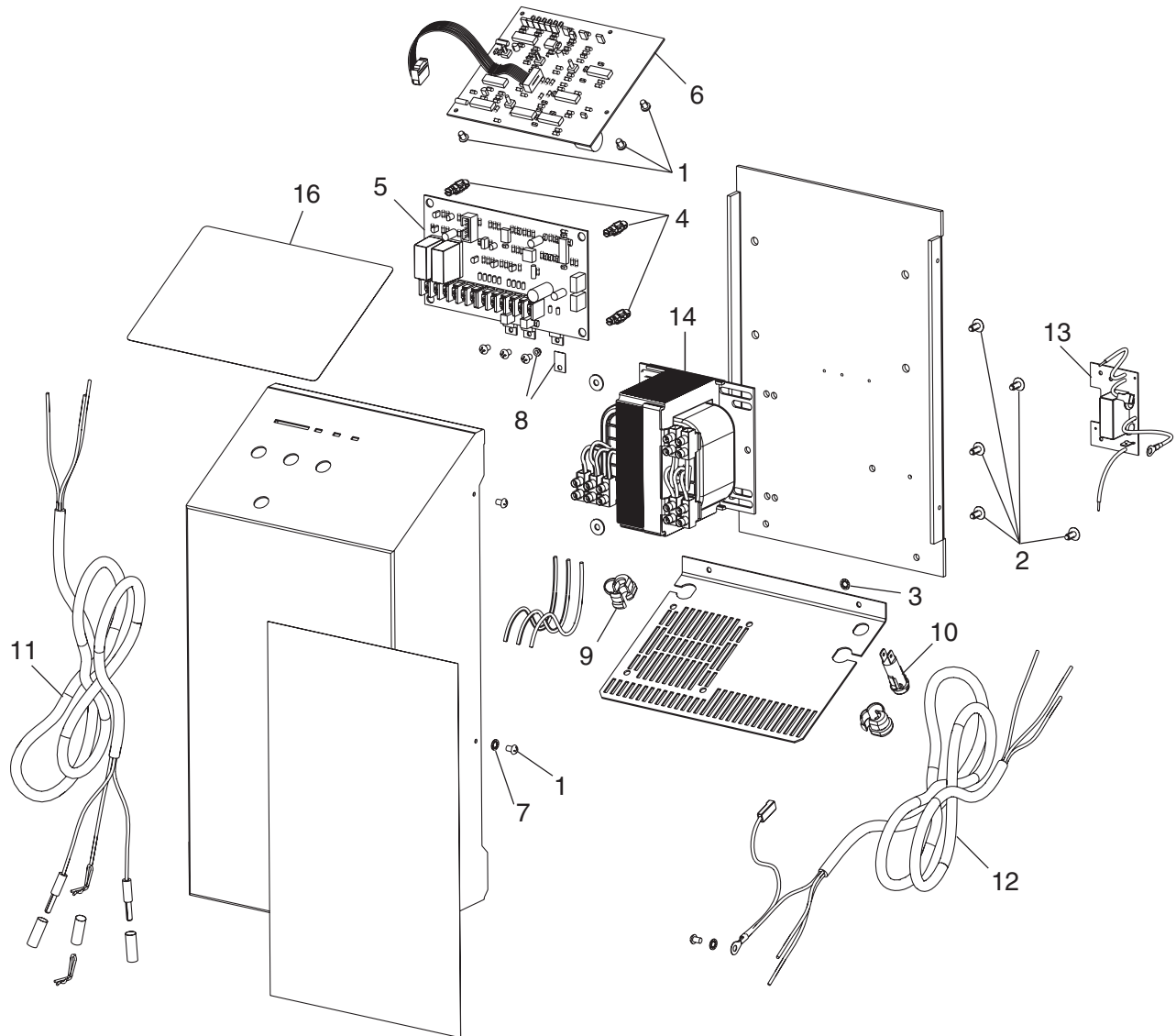
LM3 Series

Key No.	Part No.	Description	Qty.	List Price
1	W000131	Pop Rivet	5	DISCONTINUED
2	W001091	Black PCB Standoff	4	\$4.66
3	W222091	LM2 and LM3 PCB Assy	1	\$186.67
4	W222241	Filter PCB For Transformer	1	\$24.28
5	W175981	LM3S Control Label	1	\$27.41
6	W082670	LM3S Control PCB	1	\$166.89
7	W000651	Insulation Kit	1	\$1.10
8	W000351	M3 x 8mm Screw	4	\$0.33
9	W000661	Cord Grip Grommet HE1200 15 amp	1	\$0.98
10	W000281	Washer S/Proof	2	DISCONTINUED
11	W052341	LM3 Output Cable Standard 6'	1	\$45.60

Key No.	Part No.	Description	Qty.	List Price
11	W052342	LM3 Output Cable Standard 12'	1	\$68.49
12	W000261	Washer S/Proof	4	\$0.33
13	W111071	Circuit Breaker	1	\$32.68
14	W221411	LM3 Input Cable	1	\$16.24
N/S	W258342	Complete Power Pack, LM3-15	1	\$828.39
N/S	W258202	Complete Power Pack, LM3-24	1	\$828.39
N/S	W258242	Complete Power Pack, LM3-40	1	\$828.39
15	W042342	LM3 Terminal Cover	1	\$12.29
16	W042463	LM3 Locking Ring	1	\$13.91
17	W042312	LM3 Shroud Left	1	\$22.88
18	W196566	LM3-15 Replacement Electrode	1	\$616.21
18	W196586	LM3-24 Replacement Electrode	1	\$822.55
18	W196606	LM3-40 Replacement Electrode	1	\$1,014.99
19	W150181	LM3 Cell O-Ring	1	\$1.84
20	W042322	LM3 Shroud Right	1	\$22.88
21	W042333	LM3 Adaptor	1	\$3.45
22	W042303	LM3 Cell Housing	1	\$68.53
23	W041101	Reducing Bush (White)	2	\$5.25
24	W130421	Transformer, LM3-40	1	\$220.73
24	W130591	Transformer, LM3-15, 24	1	\$134.83
25	W012491	Cover (W012101 N/A Use P/N W012491)	1	\$85.34

N/S-Not Shown

LM2 Series Power Pack (Discontinued)



LM2 Series Power Pack

Key No.	Part No.	Description	Qty.	List Price
1	W000351	Screw, Pan head M3 x 8	1	\$0.33
2	W000131	Pop Rivet	1	DISCONTINUED
3	W000281	Washer S/Proof	1	DISCONTINUED
4	W001091	Black PCB Standoff	1	\$4.66
5	W222091	LM2 and LM3 PCB Assy	1	\$186.67
6	W222111	LM2 S Control PCB	1	\$138.73
7	W000261	Washer S/Proof	1	\$0.33
8	W000651	Insulation Kit	1	\$1.10
9	W000661	Cord Grip Grommet HE1200 15 amp	1	\$0.98
10	W111071	Circuit Breaker - 3 amp	1	\$32.68
11	W193201	Output Cable	1	\$36.00

Key No.	Part No.	Description	Qty.	List Price
12	W221411	Input Cable	1	\$16.24
13	W222241	Filter PCB For Transformer	1	\$24.28
14	W130591	Transformer, LM2-15, 24	1	\$134.83
14	W130421	Transformer, LM2-40	1	\$220.73
15	W012491	Cover W012101 N/A Use P/N W012491)	1	\$85.34
16	W171911	Touch Pad Label	1	\$22.14
N/S	W194361	Output Extension Kit	1	\$41.24
N/S	W202421	Upgrade Cell Kit LM3-15	1	\$821.22
N/S	W202441	Upgrade Cell Kit LM3-24	1	\$975.10
N/S	W202461	Upgrade Cell Kit LM3-40	1	\$1,142.55

N/S-Not Shown

C Series (Discontinued)

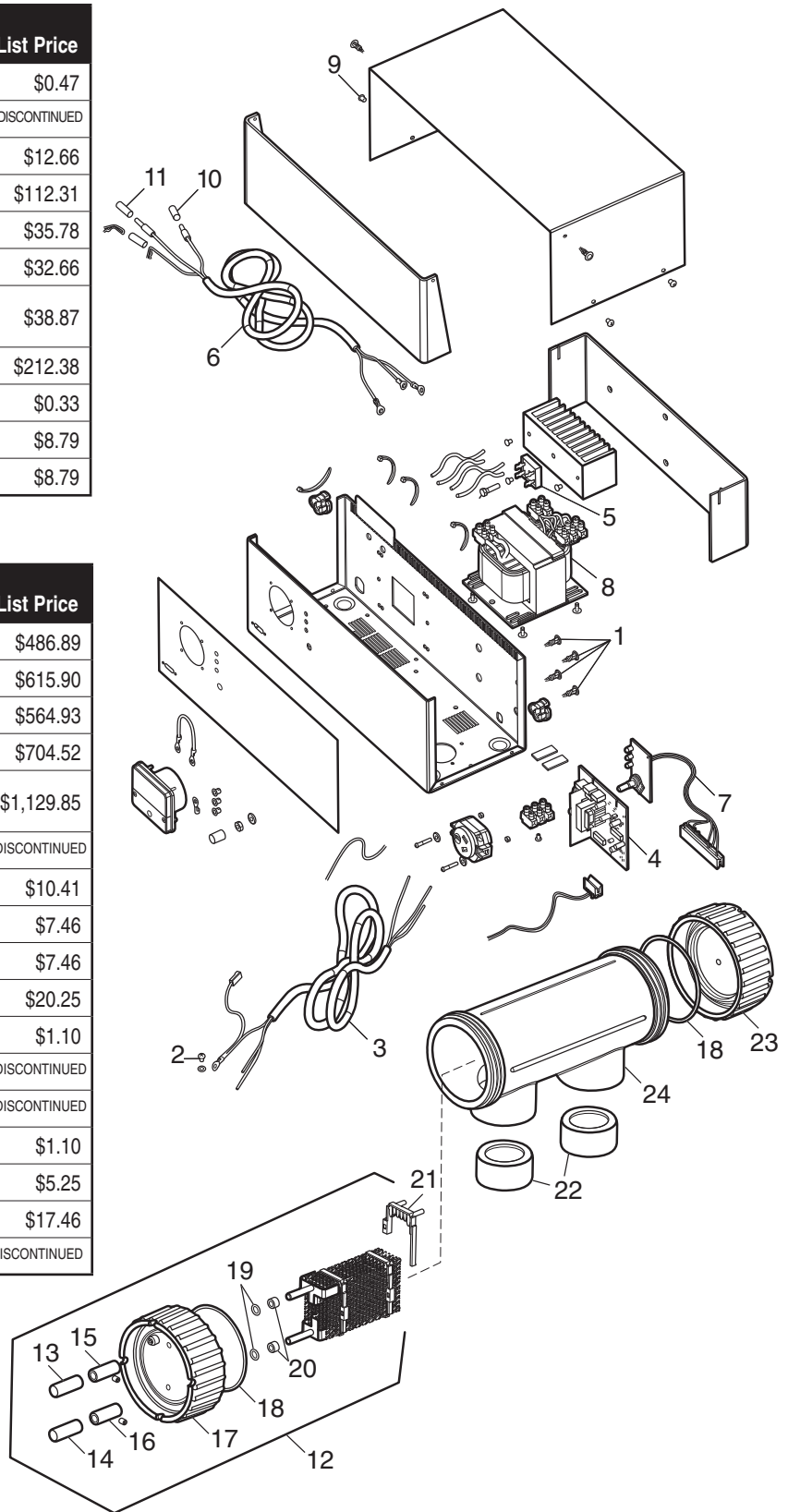
C Series Power Pack

Key No.	Part No.	Description	Qty.	List Price
1	W000071	PCB Standoffs	4	\$0.47
2	W000201	Earth Screw	1	DISCONTINUED
3	W051431	Input Cable-C	1	\$12.66
4	W080341	Main PCB	1	\$112.31
5	W060401	Rectifier	1	\$35.78
6	W190891	Output Cable w/ Terminals	1	\$32.66
7	W191181	Manual Control for PCB Assembly	1	\$38.87
8	W130031	Transformer (All Models)	1	\$212.38
9	W000581	Cover Screws	4	\$0.33
10	W050041	Cell Terminal Insulation Black	1	\$8.79
11	W050051	Cell Terminal Insulation Red	1	\$8.79

C Series Cell

Key No.	Part No.	Description	Qty.	List Price
12	W193841	C140 Electrode Kit	1	\$486.89
12	W193851	C170 Electrode Kit	1	\$615.90
12	W193861	C200 Electrode Kit	1	\$564.93
12	W193871	C250 Electrode Kit	1	\$704.52
12	W193991	C400 Electrode Kit (Two Cells Included)	1	\$1,129.85
13	W050061	Heatshrink Black	1	DISCONTINUED
14	W050071	Heatshrink Red	1	\$10.41
15	W190801	Brass Socket Negative	1	\$7.46
16	W190811	Brass Socket Positive	1	\$7.46
17	W192021	Cell Cap (Electrode Side)	1	\$20.25
18	W150041	O-Ring, Cell Cap	2	\$1.10
19	W150021	O-Ring, Electrode Post	2	DISCONTINUED
20	W040351	Post Spacer	1	DISCONTINUED
21	W040011	Electrode Clips	1	\$1.10
22	W041101	Reducing Bush (White)	2	\$5.25
23	W193821	Blank Cap	1	\$17.46
24	W192001	Cell Housing	1	DISCONTINUED

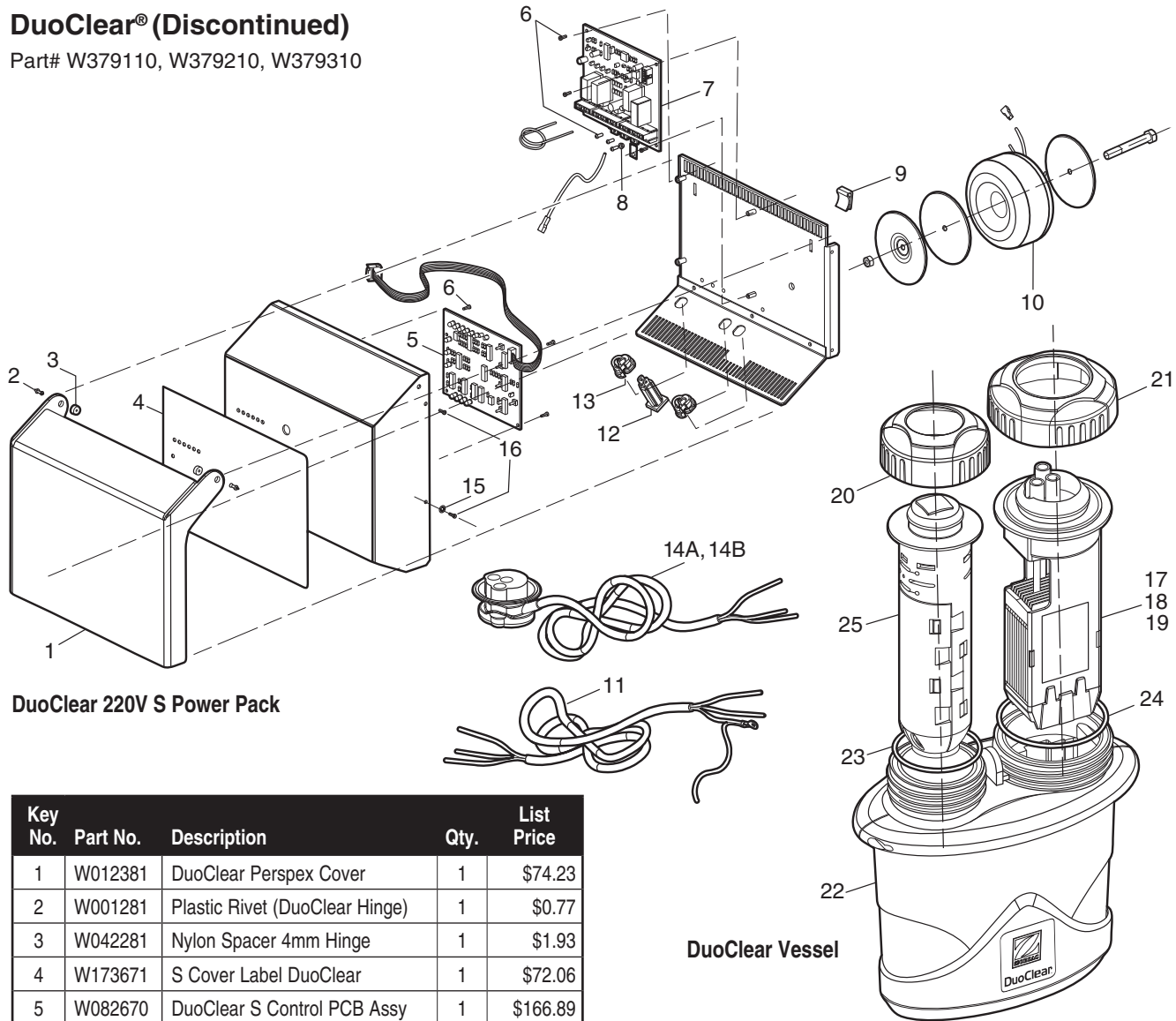
N/A-Not Available



Water Purification Parts

DuoClear® (Discontinued)

Part# W379110, W379210, W379310



DuoClear 220V S Power Pack

DuoClear Vessel

Key No.	Part No.	Description	Qty.	List Price
1	W012381	DuoClear Perspex Cover	1	\$74.23
2	W001281	Plastic Rivet (DuoClear Hinge)	1	\$0.77
3	W042281	Nylon Spacer 4mm Hinge	1	\$1.93
4	W173671	S Cover Label DuoClear	1	\$72.06
5	W082670	DuoClear S Control PCB Assy	1	\$166.89
6	W000351	Screw Pan Hd Phil M3*8 w/ Cap	1	\$0.33
7	W082441	DuoClear Power PCB Assy	1	\$197.42
8	W000651	Insulation Mounting Kit To 220	1	\$1.10
9	W001321	Ribbon Cable Clamp (Multicomp)	1	DISCONTINUED
10	W130671	Transformer (220 290va 54v Ct)	1	\$172.84
11	W052301	DuoClear UL Mains Cable USA	1	\$12.23
12	W111071	Circ. Break.W28-Xq1a03 Potter	1	\$32.68
13	W000661	Cord Grip Grommet HE1200 15 amp	1	\$0.98
14A	W052311	6' Output Cable w/ Plug	1	\$50.79
14B	W052313	12' Output Cable w/ Plug	1	\$70.53
15	W000261	Washer Shkproof Int 1/8 Z/P	1	\$0.33
16	W000581	M3 x 6mm Taptite Screw	1	\$0.33
N/S	W258061	Complete Power Pack, DuoClear 25	1	\$782.67
N/S	W258071	Complete Power Pack, DuoClear 35	1	\$736.42

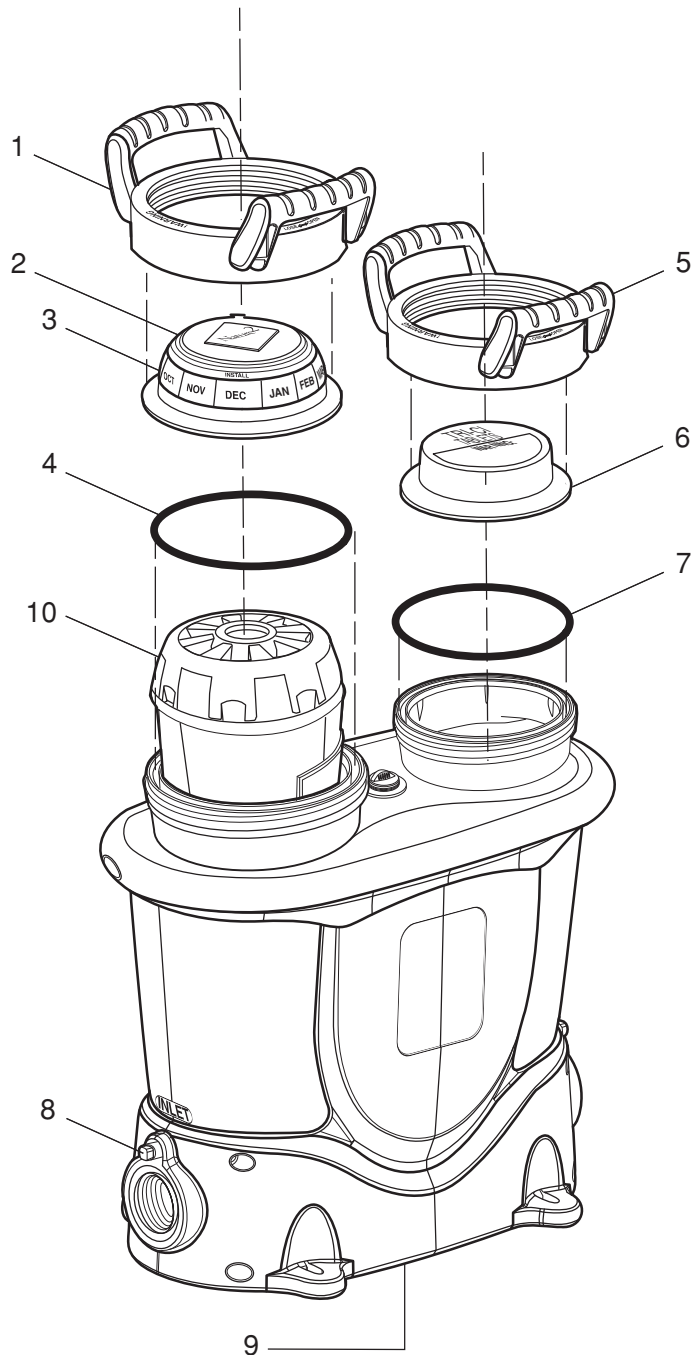
Key No.	Part No.	Description	Qty.	List Price
N/S	W258081	Complete Power Pack, DuoClear 45	1	\$736.42
17	W202241	DuoClear 25 Electrode	1	\$861.00
18	W202251	DuoClear 35 Electrode	1	\$1,038.07
19	W202261	DuoClear 45 Electrode	1	\$1,164.58
20	W042071	Nature ² Locking Ring	1	\$8.27
21	W042081	Electrode Locking Ring	1	\$9.87
22	W042232	Vessel Assy	1	\$360.11
23	W151201	Nature ² O-Ring	1	\$2.52
24	W151211	Electrode O-Ring	1	\$3.17
25	W26002	DuoClear 45K (4pk) (All)	1	\$624.57
N/S	W041101	2" - 1 1/2" Reducing Bushings		\$5.25

N/S-Not Shown

Nature²® Pro G Plus (Discontinued)®

Part# W20011

Key No.	Part No.	Description	Qty.	List Price
1	W15258	Nature ² Locking Ring	1	\$29.16
2	W15951	Nature ² Cap	1	\$22.76
3	W15257	Date Ring	1	\$8.27
4	W13064	Nature ² O-Ring	1	\$16.15
5	W15259	Chlorine Locking Ring	1	\$29.16
6	W15954	Chlorine Cap	1	\$22.76
7	W13068	Chlorine O-Ring	1	\$17.67
8	W13041	Drain Plug (Small)	2	\$0.52
9	W13042	Bottom Plug (Large)	1	\$0.53
10	W26745	G45 Cartridge (4 pack) (All)	1	\$624.57

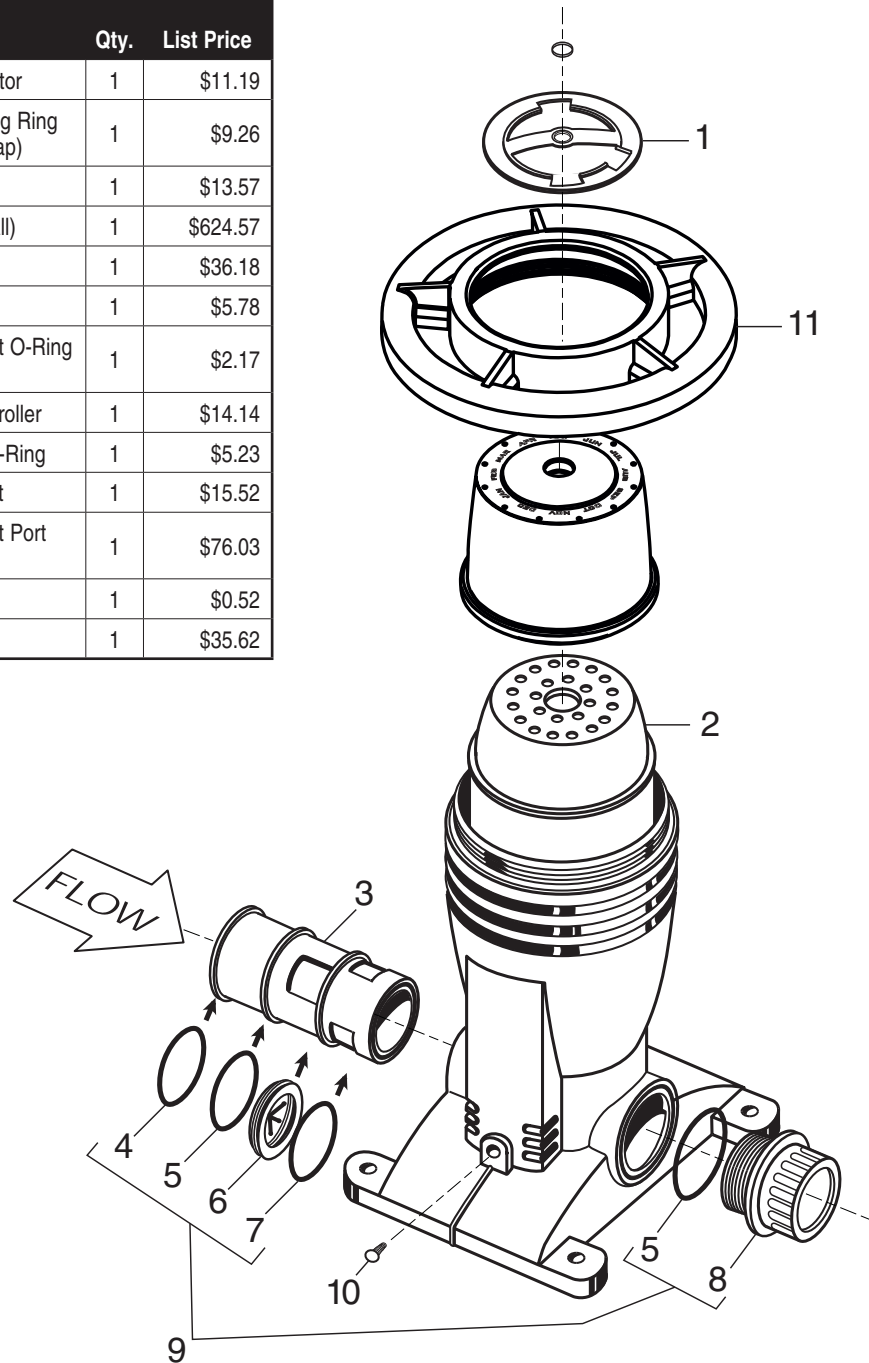


Nature²® Professional G Vessel

Part# W25904

Key No.	Part No.	Description	Qty.	List Price
1	W15212	Professional G Life Indicator	1	\$11.19
N/S	W13073	O-Ring for 2-Piece Locking Ring Cap (Not shown, inside cap)	1	\$9.26
N/S	W13061	O-Ring for 1-Piece Cap	1	\$13.57
2	W26745	G45 Cartridge (4 pack) (All)	1	\$624.57
3	W15003	Professional G Inlet Port	1	\$36.18
4	W13087	Professional G Gasket	1	\$5.78
5	W13035	Professional G Inlet/Outlet O-Ring (2 required)	1	\$2.17
6	W13050	Professional G Flow Controller	1	\$14.14
7	W13075	Professional G Big Boy O-Ring	1	\$5.23
8	W15013	Professional G Outlet Port	1	\$15.52
9	W29130	Professional G Inlet/Outlet Port Assy Complete	1	\$76.03
10	W13041	Winter Drain Plug	1	\$0.52
11	W15725	Locking Ring	1	\$35.62

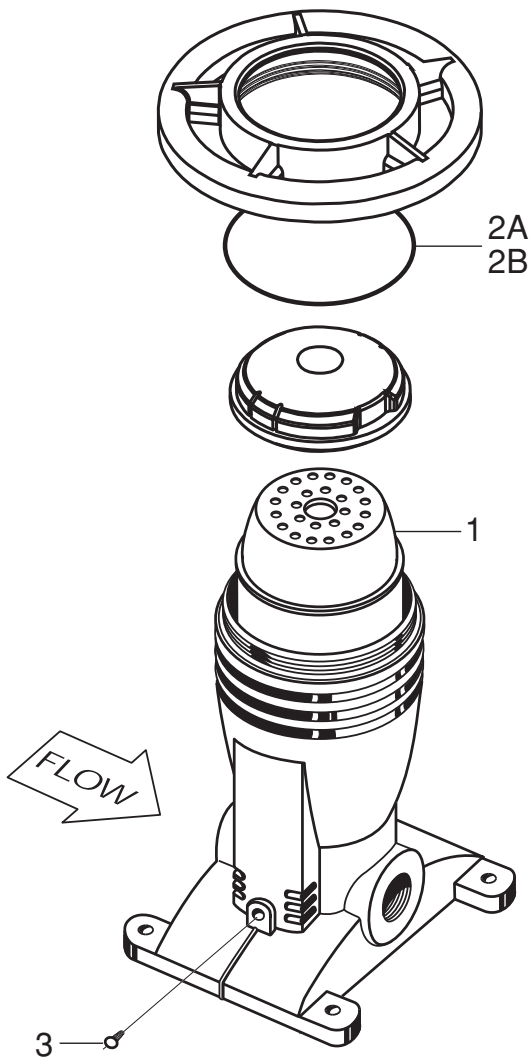
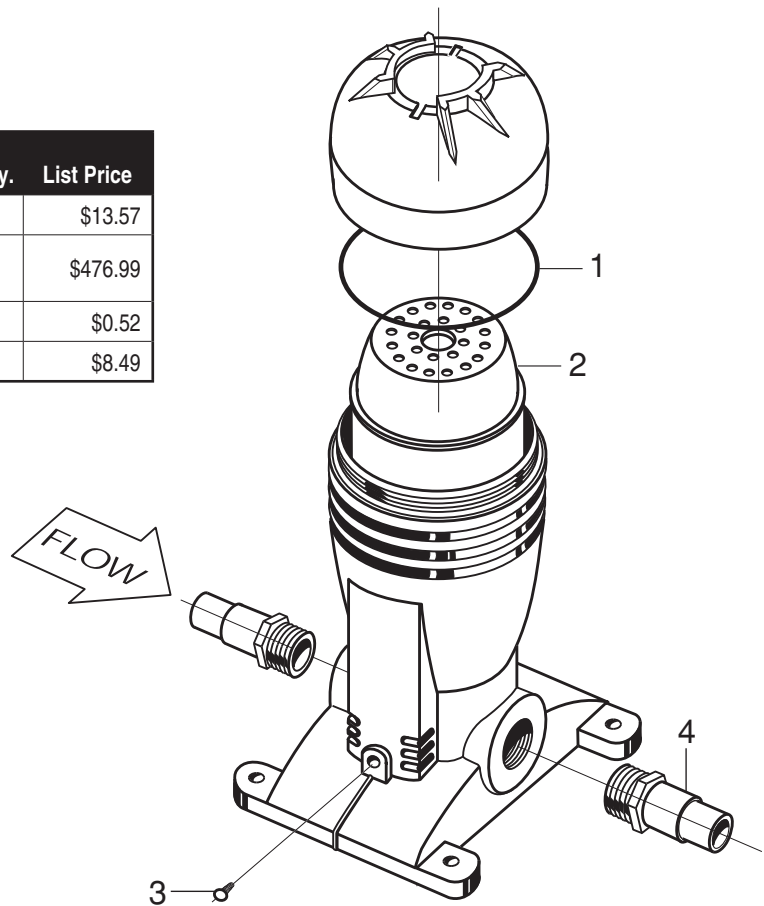
N/S-Not Shown



Nature2® Model A Vessel

Part# W20040

Key No.	Part No.	Description	Qty.	List Price
1	W13061	O-Ring for 1-Piece Cap	1	\$13.57
2	W26765	A30 Aboveground Cartridge (4 pack)	1	\$476.99
3	W13041	Winter Drain Plug	1	\$0.52
4	W13002	Hose Adapter	1	\$8.49



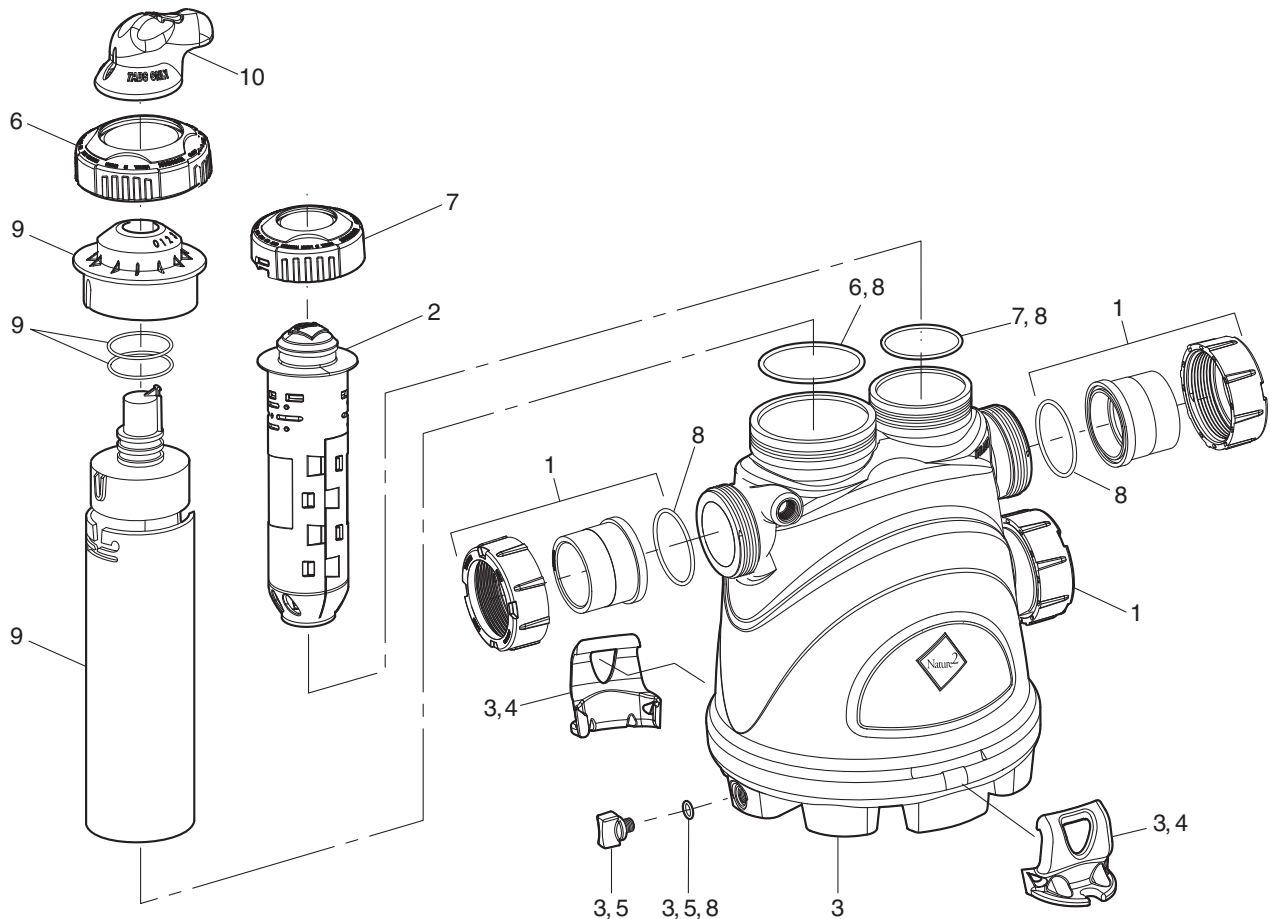
Nature2 Premium M (Discontinued)

Key No.	Part No.	Description	Qty.	List Price
1	W26755	Premium M Cartridge (4 pack)	1	\$480.43
2A	W13073	O-Ring for 2-Piece Locking Ring Cap	1	\$9.26
2B	W13061	O-Ring for 1-Piece Cap	1	\$13.57
3	W13041	Winter Drain Plug	1	\$0.52

Water Purification Parts

Nature²® Fusion Inground

Part# FUSION



Key No.	Part No.	Description	Qty.	List Price
1	R0452100	Universal Union/Tailpiece/Plug Includes: Nut, Union Universal O-Ring, #2-231 Tailpiece, 2" X 2 1/2" Plug, Port	3 3 2 1	\$33.59
2	W28000 W26000 W28001 W26001 W28002 W26002	DuoClear® 25/Nature ² Fusion 25 DuoClear 25/Nature ² Fusion 25 DuoClear 35/Nature ² Fusion 35 DuoClear 35/Nature ² Fusion 35 DuoClear 45/Nature ² Fusion 45 DuoClear 45/Nature ² Fusion 45	1pk 4pk 1pk 4pk 1pk 4pk	N/A \$528.48 N/A \$577.66 N/A \$624.57
3	R0501600	Vessel w/ Flow Management System, Nature ² Fusion, Inground Includes: Vessel Plug, Drain O-Ring, drain plug Anchor Bracket	1 1 1 2	\$280.00

Key No.	Part No.	Description	Qty.	List Price
4	R0502200	Anchor Bracket kit	2	\$14.58
5	R0446000	Drain Plug w/ O-Ring	2	\$18.55
6	R0502300	Large Collar w/ O-Ring	1	\$28.18
7	R0502400	Small Collar w/ O-Ring	1	\$12.23
8	R0502500	Nature ² Fusion, O-Ring Kit Includes: O-Ring, Large Collar O-Ring, Small Collar O-Ring, Unions & Port Plug O-Ring, Feeder Shaft O-Ring, Drain Plug	1 1 3 2 1	\$45.25
9	R0502600	Tab Feeder Assembly Includes: Body Cap Top O-Ring	1 1 1 2	\$52.87
10	R0502700	Tab Feeder Handle	1	\$14.25

N/A-Not Available

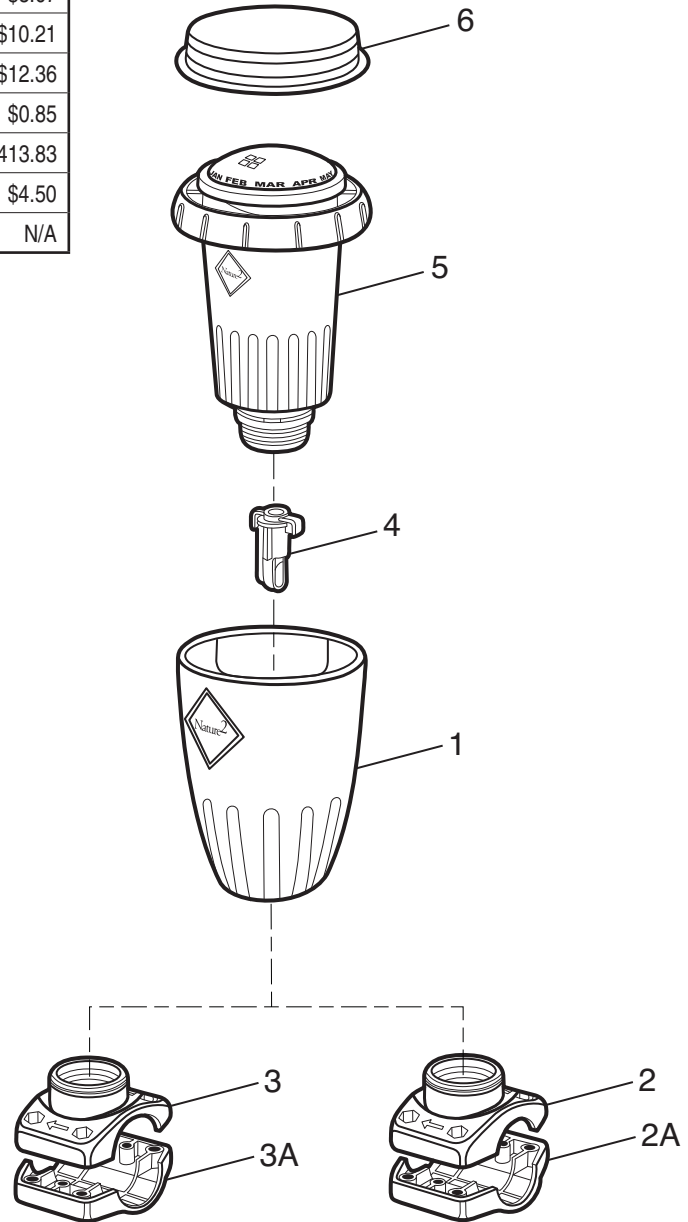
Nature²[®] Express

Part# W20086/W20176

Key No.	Part No.	Description	Qty.	List Price
1	W15519	Vessel Body	1	N/A
2	W15521	1½" Saddle Clamp Top	1	\$3.67
2A	W15524	1½" Saddle Clamp Bottom	1	\$3.67
3	W15522	2" Saddle Clamp Top	1	\$10.21
3A	W15525	2" Saddle Clamp Bottom	1	\$12.36
4	W15523	Flow Diverter	1	\$0.85
5	W26775	Express Cartridge (12 pack)	1	\$1,413.83
N/S	W13329	Gasket, Saddle Clamp	1	\$4.50
6	N/A	Winterizing Cap	1	N/A

N/S-Not Shown

N/A-Not Available



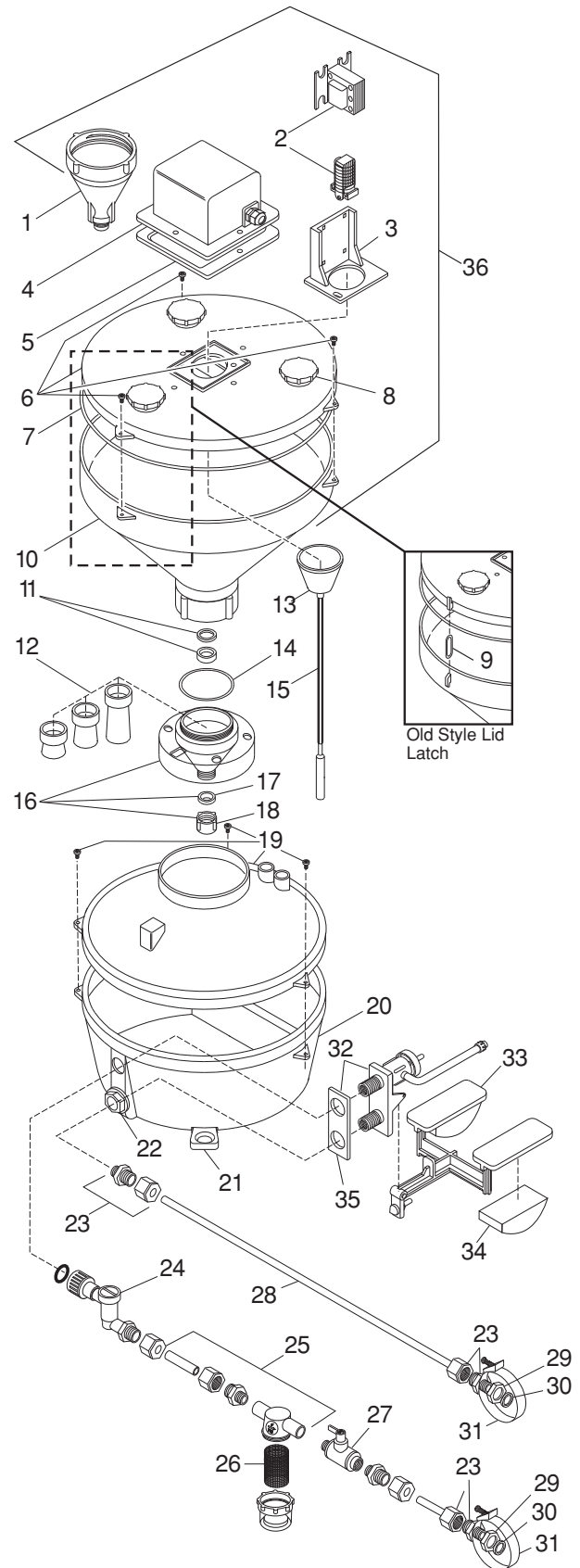
Water Purification Parts

G1000 Dichlor Granular Feeder

Part# G1000

Key No.	Part No.	Description	Qty.	List Price
1	2-250	Funnel	1	\$34.85
2	3-150	Piston Solenoid, 120V	1	\$128.30
3	1-030	Bracket, Solenoid	1	\$10.38
4	1-010	Cover, Solenoid	1	\$17.26
5	1-020	Gasket, Solenoid Cover	1	\$8.42
6	1-094	Hopper Lid White (New Style)	1	\$53.64
7	1-110	Gasket, Hopper Lid	1	\$11.29
8	1-052	Fill Caps, Set of 3	1	\$20.47
9	4-011	Lid Latch O-Ring, Set of 3 (Old Style)	1	\$16.68
10	8-175	Hopper Assy (New Style)	1	\$179.80
11	2-120	Piston Seat, Upper w/ Retainer Ring	1	\$5.12
12	1-175	Measuring Cone Set	1	\$27.35
13	4-030	Piston Boot	1	\$67.35
14	1-190	Gasket, Collar	1	\$7.65
15	1-290	Piston, Hopper	1	\$74.82
16	8-135	Measuring Cup Assy	1	\$73.45
17	2-260	Piston Seat, Lower	1	\$26.94
18	1-260	Cup Guard	1	\$41.27
19	1-310	Lid, Tank w/ 3 Screws	1	\$62.30
20	1-330	Tank	1	\$102.15
21	2-231	Anchor, Tank, Set of 3	1	\$17.63
22	1-350	Nut, Diverter Valve Assy	1	\$3.80
23	2-135	1/8" M x 3/8" Jaco® Fitting	4	\$5.64
24	8-050	Flow Indicator, Clear	1	\$27.84
25	8-110	Strainer Assy	1	\$82.42
26	8-112	Screen, Strainer Assy	1	\$29.99
27	8-090	On/Off Valve, 1/8"	1	\$35.31
28	2-270	3/8" Tube, 20', Blue	1	\$81.77
29	2-139	Nylon Jam Nut	2	\$1.75
30	4-190	Washer, Pipe Seal	2	\$1.90
31	5-251	Clamp, Snap Lock	2	\$34.76
32	8-010	Diverter Valve Assy	1	\$56.22
33	8-030	Float Arm Assy	1	\$58.30
34	8-510	Float	2	\$5.52
35	1-370	Gasket, Diverter Valve Assy	1	\$1.90
36	8-215	Hopper and Lid Assy	1	\$699.03
N/S	3-270	ORP Sensor, Sota		\$213.55
N/S	3-271	ORP Sensor, threaded (New style)		\$213.54
N/S	3-280	pH Sensor, Sota		\$195.17
N/S	3-281	pH Sensor, threaded (New Style)		\$195.17

N/S-Not Shown



G7500 Calcium Hypochlorite Granular Feeder with Purge System (Discontinued)

Part #G7500

Key No.	Part No.	Description	Qty.	List Price
1	1-010	Cover, Solenoid	1	\$17.26
2	1-020	Gasket, Solenoid Cover	1	\$8.42
3	8-165	Lid w/ Solenoid Assy, 120 V (New Style)	1	\$265.08
4	1-051	Fill Caps, Set of 3	1	\$22.52
5	4-011	Lid Latch O-Ring, Set of 3 (Old Style)	1	\$16.68
6	8-850	Hopper Assy	1	DISCONTINUED
7	4-030*	Piston Boot	1	\$67.35
8	1-390	Piston, Hopper, Teflon	1	N/A
9	1-175	Measuring Cone Set	1	\$27.35
10	2-120	Piston Seat, Upper w/ Retainer Ring	1	\$5.12
11	1-190	Gasket, Collar	1	\$7.65
12	8-135	Measuring Cup Assy	1	\$73.45
13	1-260	Cup Guard	1	\$41.27
14	8-035	Float Arm Assy	1	\$38.81
15	8-050	Flow Indicator, Clear	1	\$27.84
16	1-350	Nut, Diverter Valve Assy	2	\$3.80
17	9-535	Liquid Level Switch, C800	1	\$209.75
18	C800	Purge System, 120V	1	\$685.29
19	2-135*	1/8" M x 3/8" Jaco® Fitting	1	\$5.64
20	2-270*	3/8" Tube, 20', Blue	1	\$81.77
21	PB4-75	Evacuation Pump, 120V	1	\$738.41
22	8-800	Check Valve Assy, C800	1	\$84.84
23	2-276	1/2" Tubing, 16'	1	\$82.45
24	9-706	Hopper Extension Kit, 3 Bottles w/ Valves	1	\$163.04

N/A-Not Available

