

# Aladdin



# Flip through the Aladdin Catalog Online.



**Aladdin**  
EQUIPMENT COMPANY, INC.

900 Sarasota Center Blvd., Sarasota, FL 34240  
**1.800.854.2466** | [www.aladdin1950.com](http://www.aladdin1950.com)



Aladdin's reputation for developing innovative products can be traced back to the beginning of the company, more than 60 years ago. Through the years, we have kept close to our roots by recognizing needs, filling them, also identifying problems and solving them. This symbol proudly identifies a product that is truly an Aladdin Original.

Page <b>4-5</b>	Magic Lube®
Page <b>6-8</b>	GO-KIT®s
Page <b>9</b>	Gasket & O-Ring Kits
Page <b>10-11</b>	PRO Boxes
Page <b>12-14</b>	Replacement Seals
Page <b>15</b>	Bearings/Capacitors/Pump Shafts & Drain King®
Page <b>16-17</b>	Universal Switches
Page <b>18</b>	Pump Cart/SCAMP
Page <b>19</b>	Maintenance Products
Page <b>20</b>	Hose Parts / Clamps
Page <b>21</b>	Light Rings/Silicone Lens Gaskets
Page <b>22</b>	Winterizing Plugs
Page <b>23</b>	SkimSaver™
Page <b>24</b>	GLUEMATE®/E-Z SCOOP®
Page <b>25</b>	NO-NICHE® Skimmer
Page <b>26</b>	The Wizard / Skimmer Weirs
Page <b>27</b>	Pool Parts/White Goods
Page <b>28</b>	Locking Lid Vac Master
Page <b>29</b>	Basket Introduction
Page <b>30</b>	Special Order Basket
Page <b>31-57</b>	Baskets
Page <b>58</b>	Service-PRO Cartridges
Page <b>59-113</b>	WorldPool® Cartridges
Page <b>114-116</b>	Filter O-Ring Kits (RO-KIT®)
Page <b>117-167</b>	Cross Reference
Page <b>168-184</b>	Reverse Cross Reference



## MAGIC LUBE®

Twice the PTFE

## MAGIC LUBE® II

A Silicone Based Lubricant/Sealant Formulated For Use Under The Most Adverse Conditions

## MAGIC LUBE® GREEN

A PTFE based lubricant/sealant formulated with Aramid Fibers For use as an all purpose pool & spa lube.

### Magic Lube® A Better Solution

Our Magic Line began almost by accident. After receiving a growing number of complaints concerning leaking gaskets and o-rings, we launched an intensive research program to discover the cause. We found that, in many situations, the leaking was due to corrosion caused by the use of petroleum based lubricants.

It is surprising how many people are not aware that petroleum based products corrode rubber. This can be a real problem because many of the most popular lubricants on the market are petroleum based. It was obvious that a solution was needed.

It has long been a tradition at Aladdin to provide positive solutions to our customer's problems. With that in mind, we set out to develop a very special line of lubricants and sealants capable of withstanding the unusual demands of pool and spa applications.

The result... Magic Lube® and Magic Lube® II... exceptional products for lubricating and sealing! They've been formulated to be corrosion free on many materials including rubber... even in the most adverse conditions such as salt water. Safety is also an important factor so, our formulas had to be very special... for your safety and for the safety of the environment! Magic Lube® and Magic Lube® II have received an environmental safety rating of H-1 by the USDA.

**“The Only USDA H-1 Rated Lubes”**



## MAGIC LUBE®

Magic Lube® is a PTFE based, multipurpose sealant/lubricant that can be used in both wet and dry environments with a temperature range of -10° to 425°F. It forms a durable, adhesive film that prevents contact, even under severe shock loads. Specially formulated to be non-melting, non-volatile, and waterproof, Magic Lube® has been **USDA H-1 Rated** to be environmentally safe. It is chemical resistant and compatible with most metals, rubbers and plastics. It is commonly used on motors, o-rings, gaskets, bearings, water filters and much more.

- No. 630** Display Box (25 - 1oz. Tubes)  
Master Carton 10 Display boxes (250 - 1oz. Tubes)
- No. 631** 5oz. Tube  
Master Carton 50 - 5oz. Tubes
- No. 653** 1 Gallon
- No. 654** 5 Gallons

## MAGIC LUBE® II

An extraordinary silicone based lubricant and sealer formulated for use under the most adverse conditions. This extremely durable synthetic compound is non-melting and ideal for valves and other special applications that require the added protection and lubrication of silicone. Magic Lube® II has been **USDA H-1 Rated** to be environmentally safe and is completely waterproof and chemical resistant.

- No. 650** Display Box (25 - 1oz. Tubes)  
Master Carton 10 Display Boxes (250 - 1oz. Tubes)
- No. 651** 5 oz. Tube  
Master Carton 50 - 5 oz. Tubes
- No. 656** 1 Gallon
- No. 657** 5 Gallons
- No. 658** 55 Gallons (440 lbs.)

## MAGIC LUBE® GREEN

Magic Lube Green® has been specially formulated to do the job of an all-purpose Pool and Spa lubricant/sealant providing optimum sealing and lubrication properties. Aramid fiber provides enhanced sealing properties by a mechanism called "Bridging". During make-up, the Aramid fibers intertwine to help hold the PTFE particles in place. The webbing produced also guards against connection seizure by reducing the potential for metal-to-metal contact. The webbing also has the ability of self-healing any small leaks that may develop by entrapping other sealing particles. The bridging or webbing properties accelerates the "damaging" in the helical void in engaged threads. In layman's terms this means MAGIC LUBE® GREEN stays on the o-ring longer, providing greater protection.

- No. 640** 3oz. Display Tube (with hanger hole)  
Master Carton 50 - 3oz. Tubes

# Gasket and O-Ring Kits (GO-KIT®)

**ALL GO-KITS®  
Available with  
VITON® SEALS**

Kits



Aladdin's Pump & Valve Repair Kits are the easy and convenient way to service and repair pumps and valves. Aladdin has taken the guess work out of identifying and selecting the parts needed to service the most common pump and valve repair applications. All of the essential replacement parts are packaged together as one complete kit. Each kit contains the proper quantities of each of the parts needed including O-rings, gaskets, seals, and connectors. Each kit also contains a package of Aladdin's Magic Lube® - the PTFE-based sealant/lubricant with the USDA H-1 rating for environmental safety or Magic Lube® II - Silicone for valve kits.

PK-KIT version available for most GO-KIT®. A PK-KIT is an o-ring kit without the seal.

## GO-KIT®1\*

### HAYWARD® MAX-FLO™ SERIES 1800-2800

- 1-AS-1521 Seal
- 1-G-95 Housing Gasket
- 1-O-141 Diffuser Gasket
- 1-O-76 Lid Gasket

## GO-KIT®2\*

### HAYWARD® SUPER II™ PUMP SERIES 3000-3000X

- 1-AS-1521 Seal
- 1-O-141 Diffuser Gasket
- 1-O-12 Pump Lid O-Ring
- 1-G-345 Housing Gasket

## GO-KIT®3\*

### HAYWARD® SUPER PUMP® SERIES 1600, 2600, 2600X

- 1-AS-1521 Seal
- 1-G-95 Housing Gasket
- 1-O-141 Diffuser Gasket
- 1-O-177 Lid Gasket

## GO-KIT®4

### NOW O-525KIT PAC FAB 2" SLIDE VALVE REBUILD KIT

- 1-O-41 Cap O-Ring
- 2-O-155 Shaft O-Ring
- 2-O-206 Piston O-Ring
- 5-E-Clips

## GO-KIT®5\*

### PAC FAB CHALLENGER® PUMP REPAIR KIT

- 1-AS-200 Seal
- 1-O-301 Strainer O-Ring
- 1-O-302 Lid O-Ring
- 1-O-318 Lid O-Ring
- 1-O-395 Diffuser O-Ring
- 1-O-419 Housing O-Ring (Round)
- 1-O-421 Diffuser O-Ring

## GO-KIT®6\*

### STA-RITE® P2RA & P2R DURA-GLAS™/MAXI-GLAS PUMP KIT (PRE-1998)

- 1-AS-100 Seal
- 1-O-240 Housing O-Ring
- 1-G-99RS Gasket
- 1-O-49 Diffuser O-Ring
- 1-O-218 Lid O-Ring
- 1-O-39 Drain Plug O-Ring

## GO-KIT®7

### NOW O-533KIT ANTHONY 2" PLASTIC SLIDE VALVE

- FITS PART #17810-17770
- 3-O-26 Piston O-Ring
- 3-O-39 Shaft O-Ring
- 2-O-24 Bulkhead Connector

## GO-KIT®8

### NOW O-534KIT ANTHONY 2" BRASS SLIDE VALVE REBUILD KIT

- 1-O-39 Shaft O-Ring
- 3-O-125 Cover/Piston O-Ring

## GO-KIT®9

### NOW O-535KIT ANTHONY 1 1/2" BRASS SLIDE VALVE REBUILD KIT

- 3-O-113 Piston O-Ring
- 1-O-39 Shaft O-Ring

## GO-KIT®10

### UNIVERSAL 5 SPOKE MULTIPORT REBUILD KIT SP0710X/712 AFTER 1976

- 1-O-176A 5 Spoke Gasket
- 1-O-48 Cover O-Ring
- 1-G-363 Non-Metallic Bearing
- 1-O-276 Stem O-Ring

## GO-KIT®11

### UNIVERSAL 6 SPOKE MULTIPORT REBUILD KIT SP710/711 1969-75

- 1-O-176 6 Spoke Gasket
- 1-O-139 Cover O-Ring
- 1-O-27 Shaft O-Ring
- 1-O-27A PTFE Washer

## GO-KIT®12\*

### HAYWARD® TURBO-FLO™ 2000- 2100 & POWER-FLO® 1500 SERIES

- 1-AS-4702 Seal
- 1-AS-4702SH Seal Housing
- 1-G-64R Housing Gasket
- 1-O-139 Strainer Cover O-Ring
- 1-O-231 Strainer Cover O-Ring
- 1-O-128 Strainer O-Ring
- 1-O-237 Housing O-Ring

## GO-KIT®13\*

### HAYWARD® POWER-FLO II™ 1700 SERIES

- 1-AS-4702 Seal
- 1-AS-4702SH Seal Housing
- 1-AS-1000 Seal
- 1-O-237 Housing O-Ring
- 1-O-231 Strainer O-Ring
- 1-O-128 Strainer O-Ring

## GO-KIT®14\*

### JACUZZI® MAGNUM® PUMP

- 1-AS-972 Seal
- 1-O-263 Housing O-Ring
- 2-O-39 Plug O-Ring
- 1-O-336 Strainer O-Ring After 7/89
- 1-O-462 Diff. Sq. O-Ring

## GO-KIT®15\*

### JACUZZI® R & RC SERIES

- 1-AS-972 Seal
- 2-O-264 Brkt/Case Sq. O-Ring
- 2-O-39 Plug O-Ring
- 1-G-316 Diff. Sq. O-Ring
- 1-O-336 Strainer O-Ring After 7/89

## GO-KIT®16\*

### AMERICAN-AMERICANA® & BRONZE PUMP WITH NORLYL® IMPELLER

- 1-AS-201 Seal
- 1-O-300 Seal Plate O-Ring
- 1-O-136 Lid O-Ring
- 1-G-97 Pot to Volute Gasket
- 1-O-329 Volute O-Ring

\*Viton® Version Available

**ALL GO-KITS®**  
Available with  
**VITON® SEALS**

# Gasket and O-Ring Kits (GO-KIT®)

Kits

## GO-KIT®17

**AMERICAN UNIVERSAL SLIDE VALVE KIT 1 1/2" & 2" BRONZE & ABS**  
1-G-220 Valve Cap Gasket  
1-O-325 Valve Cap Body O-Ring  
2-O-39 Stem & Shaft Cap O-Rings  
1-O-125 Valve Cap O-Ring  
2-O-71 Valve Piston O-Rings  
2-O-117 Valve Stem O-Rings  
2-O-113 Valve O/S Piston O-Rings

## GO-KIT®18

**AMERICAN MULTIPOINT VALVE KIT BEFORE 1976**  
2-O-345 PTFE Backup O-Ring  
2-O-27 Shaft O-Ring  
1-O-389 N/S Quad O-Ring  
1-O-392 6 Spoke Gasket Before 1976

## GO-KIT®19

**AMERICAN MULTIPOINT VALVE KIT AFTER 1976**  
2-O-345 PTFE Backup O-Ring  
2-O-27 Shaft O-Ring  
1-O-389 N/S Quad O-Ring  
1-O-392A 5 Spoke Gasket After 1976

## GO-KIT®20\*

**AMERICAN ULTRA FLOW® & BRONZE PUMP WITH BRONZE IMPELLER**  
1-AS-1000 Seal  
1-O-244 Diffuser Gasket  
1-O-240 Volute Gasket  
1-G-97 Pot to Volute Gasket  
1-O-136 Lid O-Ring  
1-O-329 Volute O-Ring

## GO-KIT®21\*

**AMERICAN EAGLE™ PUMP**  
1-AS-1000 Seal  
1-O-330 Volute O-Ring  
1-O-218 Lid O-Ring  
1-G-370 Diffuser Gasket

## GO-KIT®22\*

**PAC FAB HYDROPUMP™**  
1-AS-201 Seal  
1-O-257 Volute O-Ring  
1-O-24 Pot to Volute O-Ring  
1-O-182 590 Lid O-Ring  
1-O-302 700 N/S Lid O-Ring  
1-O-318 700 O/S Lid O-Ring

## GO-KIT®23

**PAC FAB UNIVERSAL SLIDE VALVE KIT**  
5-E-Clips Retainer Clips  
1-G-206 Valve Cap Gasket  
1-O-155 Shaft O-Ring  
2-O-211 N/S Piston O-Ring  
2-O-206 Piston O-Ring  
2-O-71 Shaft O-Ring  
1-O-47 Diverter O-Ring  
1-O-41 Valve Cap O-Ring

## GO-KIT®24\*

**PAC FAB PINNACLE™**  
1-AS-200 Seal  
1-O-465 Seal Bracket O-Ring  
1-O-395 Diffuser O-Ring  
1-O-318 Lid O-Ring

## GO-KIT®25\*

**STA-RITE® PE & PEA SERIES/P2R & P2DRA/AJ SERIES**  
1-AS-100 Seal  
1-O-240 Clamp O-Ring  
1-O-49 Diffuser O-Ring  
1-G-54 Seal Plate Gasket

## GO-KIT®26\*

**STA-RITE® CF/CFA/CF6 SERIES**  
1-AS-1000 Seal  
1-G-44 Volute Gasket  
1-O-13 Lid O-Ring  
1-O-19 Trap O-Ring

## GO-KIT®27

**STA-RITE®/SWIMQUIP™/BAKER HYDRO/PUREX/HYDROTECH UNIVERSAL SLIDE VALVE KIT FITS ALL 1 1/2" & 2" VALVES**  
3-O-207 Valve Piston O-Ring  
1-O-245 Valve Cap O-Ring  
2-O-130 Index Plate O-Ring  
3-O-122 Valve Piston O-Ring  
2-O-370 Valve Piston O-Ring  
3-O-114 Valve Piston O-Ring  
3-O-403 Valve Piston O-Ring

## GO-KIT®28\*

**DOUGHBOY/LOMART DYNAFLOW POWER PAK® 1**  
1-AS-1000 Seal  
1-O-72 Lid O-Ring  
1-O-368 Volute O-Ring  
1-O-282 Basket Port O-Ring

## GO-KIT®29\*

**DOUGHBOY POWER PAK® II PUMP**  
1-AS-4702 Seal  
1-AS-4702SH Seal Housing  
1-O-303 Backplate O-Ring  
1-O-108 Diffuser O-Ring  
1-O-453 Strainer Body O-Ring  
1-O-40 O-Ring

## GO-KIT®30\*

**PUREX L SERIES & AH SERIES**  
1-AS-201 Seal  
1-O-12 Lid O-Ring  
1-G-70 Pot to Volute Gasket  
1-G-194 Bracket to Volute Gasket  
1-O-20 Bracket to Volute O-Ring

## GO-KIT®31

**PUREX "C" SERIES**  
1-AS-360 Seal  
1-O-88 Lid O-Ring  
1-G-75 Pot to Volute Gasket  
1-O-161 Flange O-Ring

## GO-KIT®32\*

**PUREX WHISPERFLO®/INTELLIFLO®**  
1-AS-1000 Seal  
1-O-304 Seal Plate O-Ring  
1-O-359 Diffuser O-Ring  
1-O-186 Impeller O-Ring  
1-O-108 Lid O-Ring  
1-G-413 Seal Plate Gasket  
1-O-318 Lid O-Ring  
1-G-478 Seal Plate Gasket

## GO-KIT®33

**PUREX AQUATRON™**  
1-AS-501 Seal  
1-O-108 Lid O-Ring  
1-O-163 Brkt to Volute Flange O-Ring

## GO-KIT®34\*

**AQUA-FLO FLO-MASTER® FMHP/FMCP/FMVP AND TUB-MASTER® TMCP/TMF**  
1-AS-200 Seal  
1-O-257 Volute O-Ring  
1-O-80 Lid O-Ring  
1-O-228 Volute O-Ring  
1-O-301 Flange O-Ring

## GO-KIT®35\*

**AQUA-FLO STANDARD "A" SERIES 5"**  
1-AS-1000 Seal  
1-G-44 Volute Gasket  
1-G-57 Trap Gasket  
1-O-80 Lid O-Ring

## GO-KIT®36\*

**AQUA-FLO DOMINATOR HIGH AND MEDIUM HEAD & C SERIES PUMP - PRIOR TO 1995**  
1-AS-1000 Seal  
1-O-240 Seal Plate O-Ring  
1-O-301 Flange Volute O-Ring  
1-O-48 Lid O-Ring  
1-O-49 Diffuser O-Ring  
1-O-277 Volute O-Ring

## GO-KIT®37

**ANTHONY UNIVERSAL SLIDE VALVE KIT 1 1/2" & 2" BRONZE & ABS**  
3-O-26 Plastic Valve Piston O-Ring  
3-O-39 Valve Shaft O-Ring  
3-O-113 Piston Cap 1-1/2" O-Ring  
3-O-125 Piston Cap 2" O-Ring  
2-O-24 Plastic Valve Bulkhead Connector

## GO-KIT®38\*

**STA-RITE® P4E & P4EA SERIES MAXI-GLAS II & DURA-GLAS™ II**  
1-AS-1521 Seal  
1-O-113 Seal Plate O-Ring  
1-O-240 Seal Plate Housing O-Ring  
1-O-83 Diffuser O-Ring  
1-O-12 Lid O-Ring  
1-O-39 Drain Plug O-Ring

## GO-KIT®39

**HAYWARD® #715 MULTIPOINT VALVE**  
1-G-390 Non Metallic Bearing  
1-O-277 Cover O-Ring  
1-O-418Kit PTFE Shaft Seal O-Ring  
1-O-322 Valve Seat Gasket

## GO-KIT®40\*

**PREMIER 555 NORYL®**  
1-AS-1000 Seal  
1-O-301 2" Tailpiece O-Ring  
1-O-287 2" Tailpiece O-Ring  
1-O-80 5" Cover O-Ring  
1-O-299 Volute O-Ring

## GO-KIT®41\*

**JACUZZI® LR SERIES**  
1-AS-200 Seal  
1-O-459 Lid O-Ring  
1-O-39 Filter O-Ring  
1-O-464 Pump Square O-Ring

## GO-KIT®42\*

**HAYWARD® SP0410X SLIDE VALVE**  
1-O-168 Bonnet O-Ring  
1-O-30 Shaft O-Ring  
1-O-180 Large Piston O-Ring  
1-O-26 Small Piston O-Ring  
2-O-64 Bulkhead O-Ring

## GO-KIT®43\*

**AMERICAN MAXIM - AMERICANA® II - POWER-GLAS™**  
1-AS-1000 Seal  
1-O-400 Impeller O-Ring  
1-O-286 Face Plate O-Ring  
1-O-257 Volute O-Ring  
1-O-19 Lid O-Ring  
1-G-215 Water Slinger

## GO-KIT®44\*

**STA-RITE® FLO TECH PUMP - AQUATOOLS - DYNA-GLAS™**  
1-AS-201 Seal  
1-O-209 Water Slinger  
1-O-83 Diffuser O-Ring  
1-O-12 Cover O-Ring  
1-O-469 Seal Plate O-Ring

## GO-KIT®45\*

**AQUA-FLO DOMINATOR HIGH & MED HEAD & XP SERIES PUMP AFTER 1995**  
1-AS-200 Seal  
1-O-240 Seal Plate O-Ring  
1-O-301 Flange Volute O-Ring  
1-O-48 Lid O-Ring  
1-O-49 Diffuser O-Ring  
1-O-299 Volute O-Ring for XP-D11 Series

## GO-KIT®46\*

**PUREX - TRITON® DYNAMO®/ DYNAMITE™/DYNATRON™**  
1-AS-200 Seal  
1-O-231 Housing O-Ring  
1-O-41 Pot to Volute O-Ring  
1-O-453 Diffuser O-Ring After 1993  
1-O-163 Diffuser O-Ring Before 1993

## GO-KIT®47\*

**STA-RITE® DYNA-GLAS™ & J SERIES**  
1-AS-201 Seal  
1-O-83 Diffuser O-Ring  
1-O-12 Lid O-Ring  
1-O-402 Seal Plate O-Ring - J Series  
1-O-469 Seal Plate O-Ring - Dynaglas

## GO-KIT®48 (DISCONTINUED)

**DOUGHBOY - CYCLOP II**  
1-AS-163 Seal  
1-AS-3A208 Seal  
1-O-299 O-Ring  
1-O-231 O-Ring

\*Viton® Version Available





# Gasket and O-Ring Kits

ALL GO-KITS® Available with VITON® SEALS

Kits

## GO-KIT® 86\*

### MAXFLO II®

- 1-AS-200 Seal
- 1-O-18 Cover O-Ring
- 1-O-649 Diffuser O-Ring
- 1-O-263 Housing O-Ring

## GO-KIT® 87\*

### POLARIS® BOOSTER PUMP PB4-600

(AFTER DEC. 1, 2011)

- 1-AS-4231 Seal
- 1-O-284 Backplate O-ring
- 1-O-39 Drain Plug O-ring

## GO-KIT® 88\*

### JANDY® FLOPRO™ (FHPM)

- 1-AS-3890 Seal
- 2-O-39 Drain Plug O-rings
- 1-O-224 Tailpiece O-ring
- 1-O-465 Backplate O-ring
- 1-O-654 Diffuser O-ring
- 1-O-658 Lid O-ring

## GO-KIT® 89\*

### Waterway™ SMF/56 Frame

- 1 AS-1000V Seal
- 1 G-484 Faceplate Gasket
- 2 O-83 Union O-rings
- 1 O-130 Plug O-ring
- 1 O-318 Trap Lid O-ring
- 1 O-359 Diffuser O-ring

## GO-KIT® 90\*

### JANDY® SHPF & SHPM (BEFORE Serial # P08FF0001)

#### (STEALTH™ PUMP)

- 1-AS-4231 Seal
- 1-O-142 Lid O-Ring
- 1-O-521 Back Plate O-Ring
- 2-O-652 Tail Piece O-Ring
- 1-O-654 Diffuser O-Ring

## GO-KIT® 1001C

### PENTAIR EQ SERIES

- 1 AS-360V Seal
- 1 O-130 Drain Plug O-ring
- 1 O-318 Pot Flange O-ring
- 1 O-459 Diffuser O-ring
- 1 O-522 Seal Plate O-ring
- 1 O-537 Lid O-ring

## GO-KIT® 1002C

### HAYWARD® HCP2000/2500

- 1 AS-3890V Seal
- 1 O-13 Cover O-ring
- 1 O-83 Diffuser O-ring
- 1 O-530 Union O-ring
- 1 O-529 Housing O-ring

## GASKET KITS:

### G-231KIT

#### AMERICAN MULTIPOINT VALVE

- 1 G-231P Small Gasket
- 1 G-231R Large Gasket

### G-464KIT

#### AMERICAN - 79207900

- 2 G-462 Gasket
- 1 G-463 Double Wall Gasket

## O-RING KITS:

### O-178KIT

#### HAYWARD® LIGHT LENS GASKET - SPX0501HJ

- 1 O-318 O-ring
- 1 .250 Extrusion

### O-254KIT

#### REGAL/WALLACE & TIERNAN CHLORINATOR

- 3 O-30V Chlorinator O-ring Viton®
- 6 O-243V Chlorinator O-ring Viton®

### O-271KIT

#### BAKER HYDRO PISTON VALVE

- 2 O-130 Valve Index Plate O-ring
- 3 O-207 Valve Piston O-ring

### O-365KIT

#### STA-RITE® PVC VALVE - WC298-88

- 1 O-50 O-ring
- 1 O-155 Valve Cap O-ring
- 3 O-431 O-ring
- 1 Metal Ring

### O-416VKIT

#### HAYWARD® CHLORINATOR O-RING KIT - CLX200LA Old Style

- 2 O-25V Chlorinator O-ring Viton®
- 1 O-30V Chlorinator O-ring Viton®

### O-418KIT

#### HAYWARD® VARI-FLO™ VALVE - SPX0735GA

- 1 O-276 Valve Stem O-ring
- 1 PTFE Piece

### O-483KIT

#### HAYWARD® SPX0704HA

- 1 G-411 PTFE Piece
- 1 O-225 O-ring

### O-500KIT

#### HAYWARD® RELIEF VALVE STEM - DEX2400Z3A

- 1 O-186 Valve Stem O-ring
- 2 O-446 Relief Valve Stem O-ring

### O-508KIT

#### HAYWARD® VARI-FLO™-SPX0733ZA

- 1 O-456 O-ring
- 1 O-507 PTFE Piece

### O-509KIT

#### HAYWARD® ACTUATOR SHAFT ASSEMBLY - PSXA

- 1 O-158 O-ring
- 1 O-220 O-ring

### O-511KIT

#### SWIMQUIP™ 2" SLIDE VALVE

- 1 O-130 Index Plate O-ring
- 1 O-245 Valve Cap O-ring
- 2 O-370 Piston O-ring

### O-512KIT

#### HAYWARD® 2" SLIDE VALVE

- 1 O-26 Small Piston O-ring
- 1 O-30 Shaft O-ring
- 1 O-168 O-ring
- 1 O-180 Large Piston O-ring



### O-513KIT

#### PAC FAB 2" UNIVERSAL SLIDE VALVE

- 1 O-41 Cap O-ring
- 1 O-47 Valve Diverter O-ring
- 2 O-71 Slide Valve Bottom Shaft O-ring

### O-514KIT

#### HAYWARD® PRO-GRID - DEX2420Z8A

- 1 O-230 O-ring
- 1 O-442 O-ring

### O-515KIT

#### JANDY® VALVE PENTAIR 2-WAY & 3-WAY VALVES

- 2 O-158 Valve Stem O-ring
- 1 O-440 Valve Cover O-ring

### O-516KIT

#### CARETAKER™

- 2 O-179 Union O-ring
- 2 O-242 Large Body O-ring
- 5 O-287 Internal Seal Plate O-ring

### O-517KIT

#### ORTEGA 2" VALVE

- 2 O-39 Valve Stem O-ring
- 1 O-320 Valve Cover O-ring

### O-518KIT

#### AMERICAN 2" PISTON VALVE

- 1 O-39 Valve Stem & Shaft Cap O-ring
- 2 O-71 Valve Piston O-ring
- 1 O-325 Valve Cap O-ring

### O-519KIT

#### PAC FAB/PRAHER 1 ½" MULTIPOINT VALVE

- 1 G-416 Diverter Gasket
- 1 O-139 Valve Top O-ring
- 2 O-276 Stem O-ring

### O-520KIT

#### PAC FAB/PRAHER 2" MULTIPOINT VALVE

- 1 G-417 Diverter Gasket
- 2 O-276 Stem O-Ring
- 1 O-479 Valve Top O-ring

### O-523KIT

#### HAYWARD® PSV VALVE KEY & COVER PSXVZ2A

- 1 G-391 O-ring
- 2 O-158 O-ring
- 1 O-440 O-ring

### O-525KIT

#### (Prior GO-KIT®4) PAC FAB 2" SLIDE VALVE

- 5 E-CLIP
- 1 O-41 PVC Cap O-ring
- 2 O-155 PVC Valve Shaft O-ring
- 2 O-206 Piston O-ring

### O-531KIT

#### PENTAIR® BACKWASH/SLIDE/ PRE-PLUMBED VALVES

- 1 O-39 Stem O-ring
- 1 O-41 Cap O-ring
- 2 O-71 Piston O-ring

### O-533KIT = Prior GO-KIT®7 O-534KIT = Prior GO-KIT®8 O-535KIT = Prior GO-KIT®9

### O-536KIT

#### PAC FAB/COMPOOL DIVERTER VALVE

- 1 G-480 Spacer Split Seal
- 2 O-158 Shaft O-ring
- 1 O-248 Valve O-ring

### O-538KIT

#### PENTAIR AIR RELIEF VALVE

- 1 O-247 Valve Stem O-ring
- 1 O-288 Valve Body O-ring
- 1 O-628 Valve Stem Tip O-ring

## SYSTEM 3® O-RING KITS:

### FK3-21

#### MODULAR KIT (S7 SERIES)

- 1 O-41 Elbow O-Ring
- 1 O-40 Small O-Ring
- 1 O-315 Adapter O-Ring
- 2 O-83 Drain Plug O-Ring
- 2 O-283 Bulkhead O-Ring
- 1 O-485 Tank O-Ring

### FK3-25

#### MODULAR KIT (S8 SERIES)

- 1 O-41 Elbow O-Ring
- 1 O-40 Small O-Ring
- 1 O-315 Adapter O-Ring
- 2 O-83 Drain Plug O-Ring
- 2 O-283 Bulkhead O-Ring
- 1 O-486 Tank O-Ring

D.E. and Sand versions Available

## O-Ring Identification Guide

Kits



The Magic Guide makes identifying O-rings and gaskets simple. Place the O-Ring against the Cross Section chart at the bottom of the page to determine the diameter, turn to the page marked with that diameter, and slide the O-ring along the page until you find its match.

## Focus on the Service Professional

### P.R.O. Box 1

P.R.O. Box 1 - Features 30 + small o-rings and gaskets with over 300 applications along with Magic Lube® and Universal Switches, both industry standards.

#### O-Rings & Gaskets:

O-24, O-26, O-27, O-30, O-39, O-41, O-43, O-47, O-49, O-64, O-71, O-83, O-122, O-125, O-128, O-130, O-141, O-158, O-168, O-180, O-248, O-276, O-301, O-320, O-325, O-370, O-421, O-424, O-440, O-441

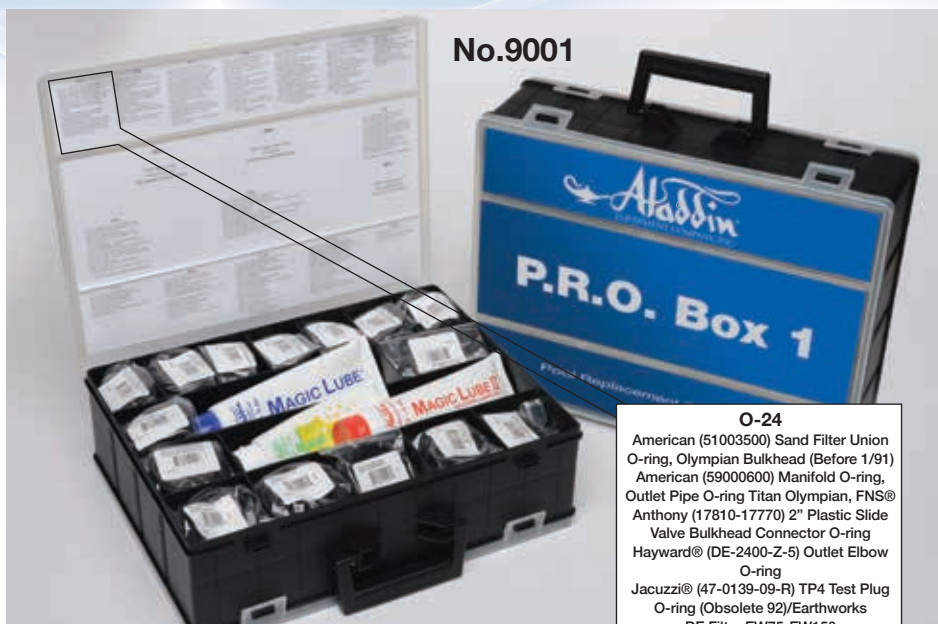
See Reverse Cross Reference for 300 plus applications.

**Magic Lube®:** 5 oz. Tube of the most popular PTFE Lubricant/Sealant. (631)

**Magic Lube® II:** 5oz. Tube of the top selling Silicone Lubricant. (651)

**Magic Lube® Green:** 3oz. Tube of PTFE Lubricant/Sealant with Aramid Fibers. (640)

**Universal Switches:** Universal Air and Pressure Switches (TBS-301/TBS-317)



- O-24**
- American (51003500) Sand Filter Union
  - O-ring, Olympian Bulkhead (Before 1/91)
  - American (59000600) Manifold O-ring,
  - Outlet Pipe O-ring Titan Olympian, FNS®
  - Anthony (17810-17770) 2" Plastic Slide
  - Valve Bulkhead Connector O-ring
  - Hayward® (DE-2400-Z-5) Outlet Elbow
  - O-ring
  - Jacuzzi® (47-0139-09-R) TP4 Test Plug
  - O-ring (Obsolete 92)/Earthworks
  - DE Filter EW75-EW150
  - Manifold Assembly O-ring (Before 9/99)
  - Pac Fab (19-2323) Filter/Pump O-ring-
  - Hydropump™ Pot/Volute-Nautilus-FNS®
  - Purex (P-24305) Center Tube O-ring
  - Saurerman 2" Tube O-ring

## P.R.O. Box 3



### ALSO AVAILABLE WITH VITON® SEALS

B & 2	
American Hayward®	39500500 SPX1600Z2 3890/V
Jacuzzi®	10-0486-00-R 10-0477-00-R 10-0487-00-R 10-1502-09-R 10-1390-04-R
Jandy®	3890/V
Marlow	38592-00
Pac Fab	354001/354894
Premier	31-812
Purex/Hydrotech	P-28300 07-1728
Sta-Rite®/ Swimquip™	U109-358SS U109-372SS U9-358 17351-0101S 37400-0026/27/28S 37400-00275S 37407-0009

With **P.R.O. Box 3**, you can make pump seal replacing as easy as 1-2-3 and A-B-C. No more trying to figure out which pump seal is needed, just three different heads and seats is all you need to make most pump seal replacements.

**P.R.O. Box 3** contains 33 seal assemblies with parts to spare and it fits into a 14" by 11" case with easy cross reference showing over 40 applications printed on the cover.

## P.R.O. Box 4

The **P.R.O. Box 4** contains all of the Gaskets and O-Rings needed to repair most pool and spa pumps. Our Standard box contains an assortment of kits for American, Hayward®, Jacuzzi®, Pac Fab, Purex and Sta-Rite® pumps; or we can make a custom P.R.O. Box just for you.

Gaskets and O-Rings are packaged in a zip-lock bag showing part numbers and description. **P.R.O. Box 4** also contains packets of Magic Lube® and a re-order form.

When used with the P.R.O. Box 3, pump repairs are made easy, with everything you need in two self-contained carrying cases.

No.9004



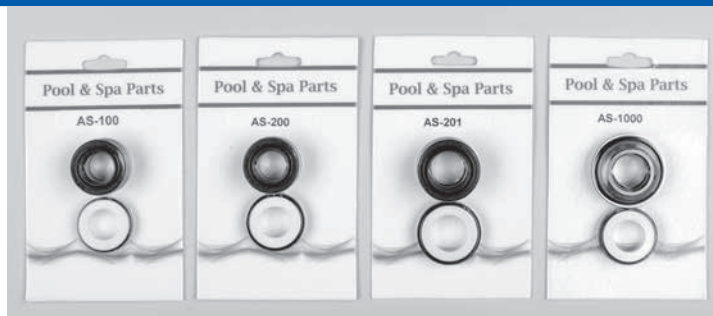
# Replacement Seals - Carded

\*UTILIZED MOSTLY FOR RETAIL PURPOSES\*

## SEAL INSTALLATION GUIDE

### Installation Instructions For Replacement Seals

1. Disassemble pump cavity to expose defective seal. Removal of old seal and assembly of new seal requires careful operations and precautions.  
  
CAUTION: Lapped and polished faces of new seal are easily scratched and damaged. PROTECT FROM DAMAGE, DIRT and FINGER PRINTS.
2. Carefully remove old seal head and seat taking care not to scratch shaft or seat counterbore. NOTE HOW OLD SEAL IS ASSEMBLED, TO BE SURE REPLACEMENT SEAL IS INSTALLED IN IDENTICAL MANNER.
3. Clean shaft and counterbore surfaces using fine emery cloth or equivalent. Remove rust, burrs, and wipe clean.
4. Press seal seat firmly into counterbore to be sure it is bottomed square. SLIDE SEAL HEAD ALONG SHAFT MAKING SURE THAT SPRING IS CORRECTLY ENGAGED INTO SEAL.
5. Re-assemble pump and remember that trouble free operation of a pump includes making a correct seal installation.



**AS-201**  
 Advance 6C-201  
 American, Bronze Noryl® 39500500  
 Baker Hydro 38592-0/35B1109  
 Harmsco 201  
 Hayward® SPX1600Z2 Maxi-Flo™/  
 Super Pump®/Super II™  
 Jacuzzi® 10-0477/10-0486/10-0487/  
 10-1502-09-R/Magnum RC Series™  
 Luitweiler  
 Marlow 38592 Argonaut® MarDur®  
 Martec 320-119  
 Pac Fab 350002, 354001  
 Hydropump™/354894  
 Premier 31-812 120T Series/225/255 MkII  
 Series/325/355 Series/725/756 Series  
 Purex P-28300/07-1728 AH Series, L Series  
 Sta-Rite® U9-358/U109-358/Dura-Jet™/  
 Dyna-Glas™/DJ/JS/JT/Dura-Glas™/  
 Dura-Glas™ II/Dyna-Max™/JW/JWA5/  
 JWPA/Maxi-Glas II  
 Sta-Rite® U109-372 Maxi-Glas Pre1998/  
 Dura-Glas™ Pre 1998  
 Sta-Rite® Dyna-Jet™ 17351-0101  
 Swimquip™ 37407-0009, XL, VI/XL, VII Series

## ALSO AVAILABLE IN VITON®



**AS-100**  
 Anthony 004547  
 East Side 5/8", P28322  
 Purex P-28280/07-1733  
 Sears 42G2377W  
 Sta-Rite® U109-6A  
 Sta-Rite® U109-093 AJ Series/  
 Dura-Glas™/Maxi-Glas Before  
 1998/PIBC Series 1995  
 Sta-Rite® PLBC Series 17351-0102  
 Swimquip™ P-61 XLII, XLIII, XLIV



**AS-200**  
 Advance 6C-200  
 Ampro 60-78  
 Aqua-Flo 92509020 Dominator  
 High/Med Head Flo-Master®  
 Tub-Master® 92500150  
 Arneson A-8  
 Baker Hydro 35B1178  
 Doughboy 306-1006  
 Hayward® SPX1250Z2 Cast Iron  
 Hayward® SPX2700SA Max-Flo™ II  
 Jacuzzi® 10-0002-06-R Cygnet-Pirahna  
 J Series/K Series/KM Series,  
 A Series/LR Series/Vector LVL  
 Jacuzzi® 10-1436-00-R LCM/LCU Series  
 Jacuzzi® 10-0476  
 Letro A08  
 Luitweiler  
 Pac Fab 200  
 Pac Fab 354545, Challenger®/  
 Dynamite™/Dynamo®/Dynatron™/  
 Pinnacle™



**AS-299**  
 Doughboy 1128-1030



**AS-356**



**AS-358**  
 Jacuzzi® 10-0479-00-R



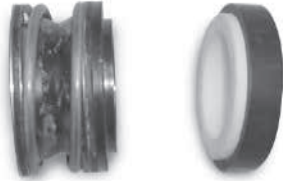
**AS-131 (Use AS-358)**

# Replacement Seals - Carded

\*UTILIZED MOSTLY FOR RETAIL PURPOSES\*



**AS-359 (Old AS-604)**  
Jacuzzi® 10-0478-00-R, 10-1202-00-R  
Jacuzzi® 10-0506-00-R



**AS-360**  
Purex C Series #P28175



**AS-361 (USE AS-361-21)**  
Jacuzzi® 10-1434-02-R



**AS-380**  
Sta-Rite® 3 & 5 hp D pump U109-047



**AS-411 (Old AS-406)**  
Marlow 2AF Series, 25353 EC-B, EC -A2  
Marlow 26661Z, 26469-2



**AS-501 (Old AS-1212)**  
Purex P-28322 Aquatron™



**AS-601**  
Acura Spa 1090-A Maqnaflow/Aquaheat  
Supercharger  
Jandy® HHP-HHPU, MHP-MHPU R0338200



**AS-642**  
Doughboy® 306-1005



**AS-702**



**PSR-750**  
Purex- Mac



**AS-774**  
Sta-Rite® U109-170 O-Ring Style



**AS-800**



**AS-910 (Use AS-100)**  
Sta-Rite®

**AS-972 (Not Shown) (Use AS-201)**  
Aladdin AS - 851  
Jacuzzi® 10-1390-04-R, 10-1502-09-R



**AS-1000**  
American Americana® II/Maxim/Power-Glas™/  
Ultra Flow®/39701200/39702000  
American Eagle 39701200, 39702000  
Ampro Dura-Flo®, Noryl® Turbo XL 600, 304  
Anthony 04380  
Aqua Flo A,B,C,D Series 92509040/  
92500050/Dominator High/Med  
Head (Pre 1995)  
Doughboy 1128-1006, 306-1002  
Martec 300-009, 310, 108,  
Polaris® P-55  
Premier 31-8113 220/225 Series Pre 1988/  
300 Series Pre-1988/455/456 Series/  
500 Series/600 Series  
Purex P-28050, P-28323/07-1734 WhisperFlo®  
Sta-Rite® U109-136SS, HF, HFA, HP, CF, CFA, BPA  
Swimrite (all)  
Waterway™ 111-0293, 811-1001, 319-3100B  
Wet Institute



**AS-1006 (Use AS-200)**  
Arneson Pool Sweep #A & B  
Letro



**AS-1521 (Use AS-201)**  
Baker Hydro 35B1109  
Hayward® SPX1600Z2 Super Pump®  
Marlow 38592  
Sta-Rite® U109-372



**AS-3890**  
Hayward® SPX3200SA/SPX4000X EcoStar®/NorthStar®/TriStar®  
Jandy® R0479400/R0445500 ePump™/FloPro™/Polaris®/Stealth™



**AS-4702 (Use AS-200)**  
Baker Hydro 35B1138  
Doughboy® 306-1006  
Hayward® SPX1500KA Power-Flo®  
Pump Kit -O- ring (0-303) and seal  
housing  
**AS-4702 Kit (Use AS-2131)**  
AS- 4702  
AS- 4702SH

# Replacement Seals - Boxed

## VITON® & CARBON PSR® PREMIUM PLUS SEALS

For applications using ozonators  
or chlorine salt generators

(When ordering Viton® Seals specify with a V at the end of the part number, Example: PSR-201V for a boxed Viton® seal or for a carded Viton® seal AS-201V)



### PSR® Seals Are *Standard* With Carbon Face

#### PSR® - 100

Mfg.	Pump Type	OEM No.
Anthony		004547
Purex/Hydrotech		P-28280
Sta-Rite®	J Series, Dura-Glas® Max-E-Glas®, PLBC-Series	U109-93SS

#### PSR® - 601

Mfg.	Pump Type	OEM No.
Acura Spa		1090-A
Jandy®		R0338200
Waterco		634016

#### PSR® - 200

Mfg.	Pump Type	OEM No.
Aqua-Flo	FM-Series	92500150 92509020
Arneson	Pool Sweep	A-8
Baker-Hydro		35B1178
Doughboy		306-1006 306-1007
Hayward®	Max-Flo II™	SPX2700SA
Hayward®	Cast Iron, Matrix®	SPX1250XZ2
Jacuzzi®	LMC-Series, LCU-Series LR-Series, Vector Series	10-1436-00-R 10-0002-06-R
Pac Fab	Challenger®, Dynamite™, Dynamo® Dynatron™, Pinnacle™	354545
Sta-Rite®	Max-E-Glas®/Dura-Glas®	17304-0100

#### PSR® - 1000

Mfg.	Pump Type	OEM No.
American Products®	Americana® II, Bronze-Bronze	39701200
	Eagle, Maximum™, Power-Glas™ Ultra Flow®	39701200 39702000
Ampro-Diaclear	Dura-Flo®, Noryl® Turbo XL600	AP-304D
Anthony		004380
Aqua-Flo	A-Series, B-Series D-Series	92509040
Aqua-Flo	C-Series	92500050
Doughboy		1128-106 306-1002
Polaris®	Vac Sweep	P-55
Premier	455/456-Series 500-Series, 600-Series	31-813
Purex/Hydrotech	WhisperFlo™	P-28323/07-1734
Sta-Rite®	CF/CFA Series HP-Series	U109-136SS
Waterway		111-0293 319-3100B
Wet Institute		

#### PSR® - 201

Mfg.	Pump Type	OEM No.
American Products®	Americana® Bronze	39500500 39500500
Hayward®	Max-Flo™, Super Pump® Super II™	SPX1600Z2
Hayward®	NorthStar™ Prior 2003	SPX3200SA
ITT Marlow	Argonaut®, Mardur®	10-1502-09
Jacuzzi®	Magnum, RC-Series™	10-1390-04-R
Pac Fab	Hydropump®	354001
Premier	120T-Series, 225/255 MKII Series 300 Series, 725/756 Series	31-812
Purex/Hydrotech	AH-Series, L-Series	P-28300/07-1728
Sta-Rite®	JS/JT/JW - Series	37400-0026S
Sta-Rite® after 6/00	Dura-Glas II™, Max-E-Glas II® Dyna-Glas™/Dyna-Max™	37400-0027S 37400-0027S
Swimquip™	AS-201 XL VIXL VII - Series	AS-201 17351-0101

#### PSR® - 2131

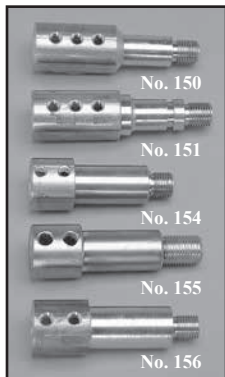
Mfg.	Pump Type	OEM No.
Aqua-Flo	Flo-Master®, Tub-Master®	91049000
Hayward®	Power-Flo®, Turbo-Flo™	SPX1500KA

#### PSR® - 3890

Mfg.	Pump Type	OEM No.
Hayward®	TriStar®, TriStar® VS, EcoStar®, EcoStar® SVRS	SPX3200SA
Jandy®	FHPM, JEP, MHPM, PHPF/PHPM, SHPF/SHPM, SWF, VSPHP, VS-FHP, WFR	R0479400

# Pump Shafts, Bearings & Capacitors

Motor Parts



## PUMP SHAFTS - Solid Brass Construction

Aladdin Pump Shafts are constructed from solid brass to withstand the punishment of a pump motor.

Some shafts may fit pumps other than the ones listed.

- No. 150** H & F Premier, Aqua Flo AF6, Sta-Rite® Set screw not included. #152
- No. 151** Swimrite, Premier P-8, 104, 475, Polaris P-45 Set screw not included. #152
- No. 154** Pac Fab 353750 Set screw not included. #152
- No. 155** Jacuzzi® 07-3610-09-R Set screw not included. #153
- No. 156** Swimquip™ 16800-0029 Set screw not included. #152
- No. 152 (Not Shown)** 1/4-20 stainless steel screw used with pump shafts.
- No. 153 (Not Shown)** 5/16-18 stainless steel screw used with pump shaft 155.

## PRECISION BALL BEARINGS - The Finest Quality Stainless Steel Construction



The finest single row, deep grooved ball bearings feature double, non-contact seals (VV series) and a high temperature lubricant for quiet, long-life performance. Tight tolerances mean excellent sealing properties and ideal for pool and spa applications

minimum vibration.

Part No.	BORE (I.D.)	OUTER DIAMETER	WIDTH
6202	15mm .5906 in.	35 mm 1.3780 in.	11mm .4331 in.
6202-16	16mm .6299 in.	35mm 1.3780 in.	11mm .4331 in.
6203	17mm .6693 in.	40mm 1.5748 in.	11.99mm .4724 in.
6203-625	15.9mm .6260 in.	40mm 1.5748 in.	11.99mm .4724 in.
6204	20mm .7874 in.	47mm 1.8504 in.	14mm .5512 in.
6205	25mm .9843 in.	52mm 2.0472 in.	15mm .5906 in.
6206	30mm 1.1811 in.	62mm 2.4409 in.	15.99mm .6299 in.
6207	35mm 1.3780 in.	72mm 2.8346 in.	17mm .6693 in.
6303	17mm .6693 in.	47mm 1.8504 in.	14mm .5512 in.
6304	20mm .7874 in.	52mm 2.0472 in.	15mm .5906 in.

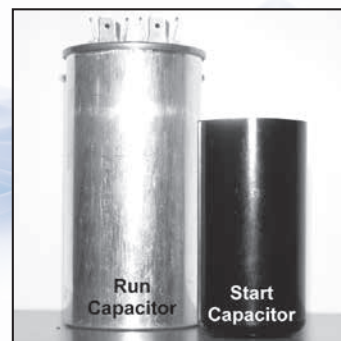
## CAPACITORS

### Run Capacitors, 370 Volt

Part Number	Diameter	Height	Mfd.
RD-15-370	1 3/4"	2 7/8"	15
RD-20-370	1 3/4"	2 7/8"	20
RD-25-370	1 3/4"	2 7/8"	25
5VR0303	1 3/4"	2 7/8"	30
RD-35-370	2"	3 3/4"	35
RD-50-370	2"	3 3/4"	50

### Start Capacitors, 125 Volt

Part Number	Diameter	Height	Mfd.
BC-108	1 7/16"	2 3/4"	108-130
BC-124	1 7/16"	2 3/4"	124-149
BC-145	1 7/16"	2 3/4"	145-175
BC-161	1 7/16"	2 3/4"	161-193
BC-189	1 7/16"	2 3/4"	189-227
BC-216	1 7/16"	2 3/4"	216-259



## Drain King®



No.962

### DRAIN KING® No moving parts. Powered by water.

DRAIN KING® is used to unclog, prime, and flush swimming pool plumbing systems. It can be used for many household and commercial applications.

**Easy to use:** Attach to any garden hose, insert into pipe opening and turn on the water. The water pressure causes them to inflate, locking them in place and sealing the opening. The water pressure causes it to inflate, locking it into place and sealing the opening. The water will surge sending a powerful water pulse to loosen and clear blockages. When the pipe is clear, simply turn off the water and loosen the hose coupling. The Drain King® will deflate and can easily be removed.

•If your Drain King® does not inflate to its full size, your water pressure may not be strong enough. To correct this inflate and deflate the Drain King® several times to stretch it to its full size.

**DRAIN KING®/GENIE JET No. 961**

Fits 1" to 2" Pipe

**DRAIN KING® No. 962**

Fits 1 1/2" to 3" Pipe

# Universal Switches

Aladdin is offering these switches as part of our on-going consolidation program designed to reduce the number of parts needed for servicing pools and spas. As the following listing shows, these new parts significantly reduce the number of replacements a service person needs to carry to handle on-site repairs. By keeping at least one of each Universal Switch with them at all times service personnel will be able to replace virtually any air switch or pressure switch they come across.

Switches



## No. 3902 Universal Pressure Switch

One part replaces virtually every pilot duty pressure switch on gas and electric heaters, including electronic ignition and millivolt (standing Pilot)... here are a few of the features:

- combination terminal design allows electric connection with either 1/4" quick connection or #8 screw terminals.
- Field adjustable from 1 to 5 psi and equipped with a visual set point adjustable scale.
- The housing is constructed of rugged plastic and features a unimold mounting pan/pressure fitting for superior
- corrosion resistance.
- Floating contacts in a compact design

For spas, the 3902 Universal Pressure Switch is intended for pilot duty control of heater contactors. In applications where the pressure switch carries the full heater load,

- use our 3000 (3925) series pressure switches. The 3902 Universal Pressure Switch consists of a 3902 Pressure Switch with 1/8" NPT, a barb fitting and a 1/4" and a 3/16" compression fitting adapters.

## 3902 Replaces

3900	
3901	
3903	
3904	
3906	
3909	
PRS-1100	Comfortzone
PRS-1101	Comfortzone
M3218	Hobbs
71076	Hobbs
26775	Hobbs
26776	Hobbs
26777	Hobbs
26778	Hobbs
R-113	Laars
R-130	Laars
R-132B	Laars
S-19211/07-3328	Purex
B600025	Raypak
600025	Raypak



## No. 4010P Universal Pressure Switch

The 4000P series switches utilizes an integral thermoplastic switch pan along with the thermoplastic mounting pan to produce the most resilient switch the Leisure Water Industry has seen to date.

Switch: Single Pole, normally open (SPNO)

Connection: .250 x .032 thick (6.35 x .813 mm) male quick connect.

Rating: 25 Amps, non-inductive, 120 to 277 VAC @ 190 F (88 C) for 30,000 cycles.



## MPT SERIES AIR TRANSMITTERS

Featuring an integral bellows system, the MPT Series offers four basic configurations in a large variety of colors and plate finishes. Transmitters come complete with bellows, button, bezel and mounting nut.

### M-01-3428 (1 5/8 x 7/8)

Compact low profile design featuring snap-on interchangeable metal and plastic trim parts. Cost effective, and compatible for use with second generation TBS 300 Series air switches.

### M-01-3242 (2 1/2 x 1 1/4)

Low profile button and bezel permit mounting to rim of spa-minimizing risk of false actuation.

## PT SERIES AIR TRANSMITTERS

The PT Air Transmitters feature a rugged, bulb-type actuator and mounts via an integral shaft and nut through panels up to 1 1/2" thick.

**PT-13-01 White**

**PT-13-02 Brown**

**PT-13-03 Beige**



## No. 3925 Universal Pressure Switch

One part can virtually replace any pressure switch rated up to 25 amps. Here are a few of the features:

- Field adjustable from 1 to 5 psi and equipped with a visual set point adjustable scale.
- The mounting pan is constructed of rugged plastic and features a unimold pressure fitting for superior corrosion resistance.
- For spas, the 3925 Universal Pressure Switch is intended for pilot duty control of heater contactors or where the pressure carries the full heater load (up to 25 amps).
- The 3925 Universal Pressure Switch consists of a 3029P Pressure Switch with 1/8" NPT, a barb fitting and a 1/4" and a 3/16" compression fitting adapters.



### 3925 Replaces 1/8" NPT

3010  
3010P  
3026  
3029  
3037  
3037-OOAS  
3037P  
3037P-OOAS  
3053  
3053P  
3078  
3078P  
3095  
3098  
3098P-OOAS  
3098P  
3109  
3113  
3113P  
3134P  
3134P-OOCA  
3135  
DD05 Barksdale  
DD05SS Barksdale  
EE05 Barksdale  
EE05SS Barksdale  
73591 Hobbs

### BARBED

3028  
3028P  
3044P3045  
3045P  
3133P  
3133P-OOCA  
DD05-P2 Barksdale  
DD05-P3 Barksdale  
DD05SS-P2 Barksdale  
DD05SS-P3 Barksdale  
EE05-P2 Barksdale  
EE05-P3 Barksdale  
EE05SS-P2 Barksdale  
EE05SS-P3 Barksdale

### 1/4" COMP.

3001  
3032  
3037P-CFCK  
3037P-OOCK  
DD05-P4 Barksdale  
DD05SS-P4 Barksdale  
EE05-P4 Barksdale  
EE05SS-P4 Barksdale

### 3/16" COMP.

3021  
3022  
3038  
3038-OOAS  
3099  
DD05-P1 Barksdale  
DD05SS Barksdale  
EE05-P1 Barksdale  
EE05SS-P1 Barksdale

## Universal Air Switch

### TBS-301, TBS-317

Aladdin has developed a unique fitting that adapts TBS-300 style switches to TBS-200 style applications. The TBS-301 Universal Air Switch will replace most 200 or 300 style, maintained contact, double pole air switches with a single part number.



### TBS-301 Replaces

TBS-200  
TBS-207  
TBS-212  
TBS-215  
TBS-221  
TBS-227  
TBS-305  
TBS-310  
TBS-311  
TBS-322  
TBS-324  
330-004  
18-013-0020  
18-013-0022  
18-013-0023  
59B9077  
59B9339  
34-0182  
34-0192  
2004-0018  
PS052  
35-0001  
35-0012  
08-0340001  
5ZS103455SS-1  
760049  
760050  
6861-AC  
6871-AC  
000369  
700325  
22121  
133RC921  
23-2000-007  
WTO-10  
Jag-4X  
843911  
Tva111A  
TAV111A  
E-00138  
E-01139

Apollo Corp  
Aquatherm  
Aquatherm  
Aquatherm  
Baker Hydro  
Baker Hydro  
Brett Aqualine  
Brett Aqualine  
Coleman Spas  
Conway  
CRL  
CRL  
Florida Whirlpool G.E.  
Hercules  
Hercules  
Herga  
Herga  
Hurricane  
Hydra Baths  
Hydro Quip  
Intermatic  
Jason Int'l  
Jetster  
Len Gordon  
Morgan Spas  
Pres-Air-Trol  
Pres-Air-Trol  
Teledyne Laars  
Teledyne Laars

### TBS-317 Replaces

TBS-213  
TBS-220  
TBS-222  
TBS-317  
TBS 318  
18-013-0021  
59B9098  
34-0109  
35-0006  
2004-0013  
760051  
6862-AC  
6872-AC  
000370  
22178  
ATA211A  
TVA211A

Aquatherm  
Baker Hydro  
Brett Aqualine  
CRL  
Coleman Spas  
Hercules  
Herga  
Herga  
Hurricane  
Hydro Quip  
Pres-Air-Trol  
Pres-Air-Trol



# Scamp & Pump Cart

## “The Scamp” Portable Filter System

Mounted on a stainless steel cart with a top of the line self-priming pump and fitted with a 15 AMP GFI. The Scamp is supplied with a certified ¾ HP pump and 75 sq.ft. cartridge filter. A perfect tool for the pool service professional. **No. 725**



### Pump Cart

- 710 Pump Cart Coated
  - 710SS Pump Cart Stainless Steel
  - 711 GFCI Plug with Cord
  - 763\* Cart Base
  - 764\* Cart Handle
  - 765SS Cart Axle Stainless Only
  - 766 Non-Corrosive Wheel Only
- \*Also Available in Stainless Steel

All Carts Are Fitted  
With Non Corrosive  
Wheels



No. 710SS

### The Ideal Way To Bring Equipment To The Pool

#### PORT - A - PUMP CART No. 710/710SS

Longer Handle For Added Convenience. The 25" x 16" (35" x 18" including handle on the length and wheels on the width) base and handle are constructed from heavy duty 18 gauge steel for durability. The parts are iron phosphate coated to help prevent rusting and then electrostatically painted with a blue enamel. The cart features two legs so it cannot easily be tipped over and to keep it from rolling while operating the pump.



## OFFSET BRACKET No. 610B

The offset bracket makes it easy to get the attachment heads into those hard to reach areas like under precast, cantilever, or stone type copings.

The bracket features an interlocking design that allows turning the attachment head to several different angles and locking it in place. Service tested for durability and extremely lightweight.

## Light/Medium Duty SCRUBBER No. 616

**\*DISCONTINUED\***

Complete with Bracket & Wing Nut. Light for delicate scrubbing like vinyl or fiberglass and medium for general cleaning. Between the two scrubbers is a urethane sponge to hold cleaning solutions.



## Tile Brush No. 614

**\*DISCONTINUED\***

Complete with Bracket & Wing Nut. Used for industrial duty scrubbing on mineral build-up. Locked in abrasive particles provide extra scrubbing power.



## SUPER SANDER No. 908

Ideal for removing stains from pool walls and floors without damaging the surface. Constructed from heavy duty rubber. The yoke handle allows the sanding head to swivel which keeps the sanding head flat when sanding at various angles.

### Replacements

111	Super Sander Yoke
908A	Wet Sandpaper (4 sheet waterproof silicone carbide)



## DELUXE VACUUM No. 140

Designed for efficiency with a 12" wide path that cleans in just one pass. It features a "Balanced Design", a unique 4-wheel suspension system, utilizing Delrin wheels and eccentrics. These non-marking wheels adjust to control the amount of suction. 1 1/2" Hose Fitting.

### Replacements

102	Brush	108	Delrin Wheel & Eccentric
103	Brush Spring	109	Wheel Screw
104	Brush Screw	110	Skirt Rivet
105	Yoke Handle	112	Yoke Bushing
106	Short Skirt	113	Yoke Screw
107	Long Skirt		



## ALC30 Leaf Canister

18" Leaf Canister with large capacity mesh bag. Easy opening lid allows emptying without disconnecting vacuum hose. Leaves and debris are trapped to prevent clogging the pump basket and filter. Attaches to suction type automatic pool cleaners.

# Hose Parts and Clamps

## Utility Hangers

These popular hangers are used as pole hangers, hose hangers and for a variety of other applications. Constructed from heavy duty plastic, these hangers are strong and durable. They are easy to install and come complete with wood screws. Attractively packaged in pairs.



**No. 954 - One Loop**



**No. 955 - Two Loop**



**No. 956 - Three Loop**



## STAINLESS STEEL CLAMPS

A complete line of superior quality, worm-drive gear clamps. Constructed entirely from marine grade stainless steel to meet the stringent requirements most often specified by the OEM marketplace. The unique 'Interlock' design strengthens under tension to allow maximum torque during application for a safe, secure seal. Our hose clamps are constructed without spot welds to avoid corrosion in harsh environments. Ideal for applications where stainless steel is required to withstand corrosive elements other than underground use.

**BAND:** Full 9/16" wide - 300 marine grade stainless steel  
**SCREW:** Shouldered 5/16" (8mm) hex head - SAE standards - 300 marine grade stainless steel.

Now Available Bagged in a 2 Pack or 10 Pack

Part No.	Size	Pack
<b>269-4</b>	7/32" - 5/8"	2 PK/10 PK
<b>270-6</b>	3/8" - 7/8"	2 PK/10 PK
<b>271-8</b>	7/16" - 1"	2 PK/10 PK
<b>272-12</b>	9/16" - 1 1/4"	2 PK/10 PK
<b>273-16</b>	1 1/16" - 1 1/2"	2 PK/10 PK
<b>274-20</b>	3/4" - 1 3/4"	2 PK/10 PK
<b>275-24</b>	1 1/16" - 2"	2 PK/10 PK
<b>276-28</b>	1 5/16" - 2 1/4"	2 PK/10 PK
<b>277-32</b>	1 9/16" - 2 1/2"	2 PK/10 PK
<b>278-36</b>	1 13/16" - 2 3/4"	2 PK/10 PK
<b>279-40</b>	2 1/16" - 3"	2 PK/10 PK

## Hose Cuff

The Hose Cuff is used as a replacement for hose ends.



**No. 211 - 1 1/2" Threaded Cuff**



**No. 231 - 2" Threaded Cuff**

**Please Specify  
2 Pack or 10 Pack  
When Ordering**



## ADAPTABLE LIGHT RINGS

Converts A Light Niche to Accept A Standard Replacement Light

Adaptable light rings will fit any metal or hand formed niche from 9-3/4" to 12" solving the problem of trying to repair an obsolete light, or trying to reconstruct a niche to fit a standard light. The unique feature of these light rings is that they can be installed in a few minutes and accept a standard light. Simply remove the old light, insert the Adaptable Light Ring, tighten the retaining screws, and install the new light. It's that easy.

The Adaptable Light Rings are part of our Consolidation Program. Instead of stocking hundreds of light parts to cover the multitude of possible replacement applications in the field, the Adaptable Light Ring allows you to stock a few of the most popular replacement lights.

500, 500B, 500C are Brass and Chrome Plated.

Part No.	Inside Diameter	Outside Diameter
500	10"	11 3/4"
500B	11"	12 7/8"
500C	10 1/8"	12"
500P	10 7/8"	12 5/8"

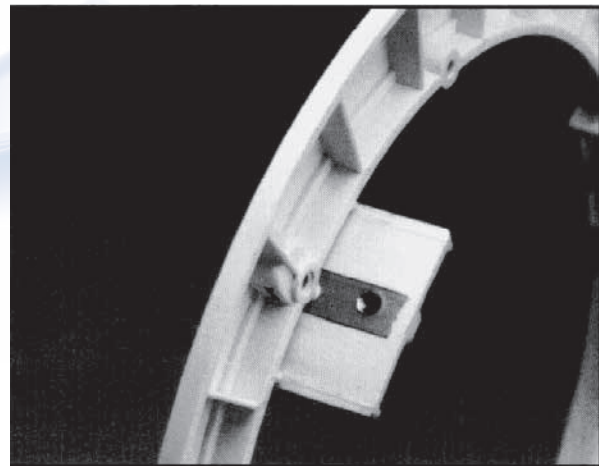


## UNIVERSAL LIGHT RING

No. 500P (one size fits all)

As part of our Consolidation Program, our 500P model adapts to same lights that fit all 500, 500B, 500C models. Constructed from rugged ABS (plastic) for durability that offers the added benefit of light weight for easy handling and shipping. The unique design features a ground strap molded into the casing.

- No. 500** adapted for Purex, Wade and Pac Fab lights
- No. 500B** adapted for Hayward® AstroLite™/ColorLogic®/CrystaLogic™/DuraLite/StarLite
- No. 500C** American AmerLite®, Hayward® AstroLite™/ColorLogic®/CrystaLogic™ and Jandy® CP Series
- No. 500P** Universal Plastic Ring
- No. 500S** Replacement Brass Retaining Screws (Set of 3)



## SILICONE LENS GASKETS

Premium quality *Silicone* lens gaskets outlast standard lens gaskets (designed to last an average of 50,000 hours). Great for use with LED or incandescent lighting. Provides superior chemical and weather resistance.

- O-170** Pentair-American #79101600 AmerLite®
- O-344** Pentair-American #79108500 SpaBrite®



# Winterizing Plugs



## Winterizing Test Plugs Featuring The Easy Grip Knob



Get ready for winter and keep pipes from freezing and bursting. Our winterizing plugs are made with soft rubber which allows for maximum expansion. They provide a tight seal even during expansion and contraction due to severe temperatures. They feature a tighter contour to make installation quick and easy and are available in 8 standard sizes to fit pipe from 3/4" to 2".

Our Easy-Grip, No-Slip (EGNS)<sup>™</sup> knob has been specifically designed to make hand tightening easier and less painful on the fingers. The larger grip also accepts a 1" socket making installation and removal a snap.



**TESTING:** Winterizing Plugs are ideal for testing applications. Once installed the system can be pressurized and tested for leaks.



### **EGNS<sup>™</sup> SIZE**

800-4	3/4" Fitting & 1" Pipe
800-6	1" Fitting
800-7	1 1/4" Pipe
800-8	1 1/2" Pipe
800-9	1 1/4" Fitting & 1 1/2" Pipe
800-10	1 1/2" Fitting
800-11	2" Pipe
800-12	2" Fitting
888	EGNS <sup>™</sup> Knob Only

# Winterizing Your Pool is a Snap!



- Saves Water!
- Saves Money!
- Saves Time!
- Saves the Skimmer!

Skimmer Guard also available for use during the summer!



## Year-Round Features:

- Drain your skimmer, not your pool to prevent costly freeze damage to skimmer.
- Recessed lid design prevents shifting ice from removing the lid.
- Saves metal pool walls from corrosion year round.
- **Guaranteed not to leak!** UV and chemical-resistant, good to minus 80° F below zero.

## MODELS AVAILABLE:

**AG1090** Fits standard above ground skimmers, including: Hayward® 1090, 1092, 1094, PoolStyle™, Hydrotools™, American Products™, Jacuzzi®, Muskin™, Olympic®, Waterway™, and others

**AG1090-L** Replacement Lid for use ONLY with AG Standard AG1090 SkimSaver™ Faceplate

**AG1091** Fits wide mouth above ground skimmers, including: Hayward® 1091, PoolStyle™, Hydrotools®, Pentair™, Waterway™, and others

**AG1091-L** Replacement Lid for use ONLY with AG Widemouth AG1091 SkimSaver™ Faceplate

**AG2000** Fits Doughboy® skimmer standard and deluxe

**AG2000-L** Replacement Lid for use ONLY with AG Doughboy® AG2000 SkimSaver™ Faceplate

**IG1084** Fits standard in ground skimmers, including: Hayward®, Kalko™, Pentair™, Waterway™, and others

**IG1084-L** Replacement Lid for use ONLY with IG Standard IG1084 SkimSaver™ Faceplate

**IG1085** Fits wide mouth in ground skimmers, including: Hayward® 1085, Kalko™, Pentair™, Waterway™, and others

**IG1085-L** Replacement Lid for use ONLY with IG Widemouth IG1085 SkimSaver™ Faceplate



Winterizing

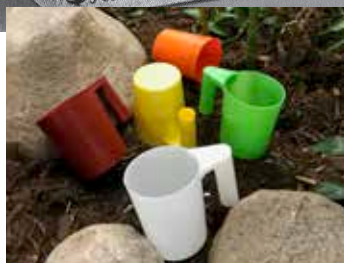
# E-Z SCOOP®



The easy way to scoop diatomaceous earth from bag to filter.

The industry standard means the formula is measured by volume, not weight. The E-Z SCOOP® was originally developed and designed to match the volume of a 1lb coffee can.

The correct measuring instructions are molded on the bottom of the product:  
For vertical filters, use one full scoop per 5 sq. ft.  
For bump filters, use one full scoop per 7-1/2 sq. ft.



**7 Scoops = 5 lbs. D.E.**

## GLUEMATE®



The GLUEMATE® is a dual cavity container that is designed to hold 36 ounces of glue and primer on each side and is constructed with a non-stick surface that will always keep a clean, professional look. The GLUEMATE® is manufactured from high-density polyethylene and condenses far less than steel cans which means... **LESS COAGULATED GLUE.** Buy your glue and primer by the gallon and start saving money today!

**GLUEMATE® IS THE RIGHT TOOL FOR THE JOB!**

**The Better Way to Carry  
Your Glue and Primer!  
DESIGNED TO BE EASY TO OPEN,  
STABLE, LIGHTWEIGHT  
AND VERY HANDY.**





## The Skimmer That Operates Without A Niche

NO-NICHE® is no ordinary skimmer. It replaces the need for a niche - the weakest point in a pool's construction. Constructing a niche can substantially increase the cost of a pool. Operating in a confined niche, conventional skimmers often don't do an adequate job of keeping a pool clean.

NO-NICHE® is efficient. With 360° skimmer actions, NO-NICHE® has sufficient skimming power to allow opening of the main drain. Water filters faster, keeping the pool cleaner. NO-NICHE® works on a floatation system that automatically adjusts to average water level changes.

NO-NICHE® is compact. It does a big job while remaining unobstructive and almost invisible. NO-NICHE® utilizes an exceptionally large skimmer basket considering its compact size to filter more debris without clogging. It can be used in new pool construction, with existing VAC outlets, or in place of an inefficient skimmer.

NO-NICHE® is constructed from HIPS plastic for strength and durability. It comes complete with a vacuum fitting (No. 752). With the basket and float removed, the hose fitting attaches to the hose and the bottom of the skimmer without threading.



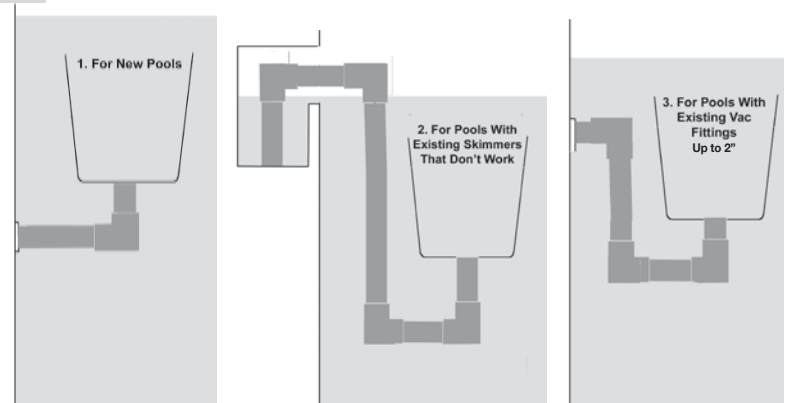
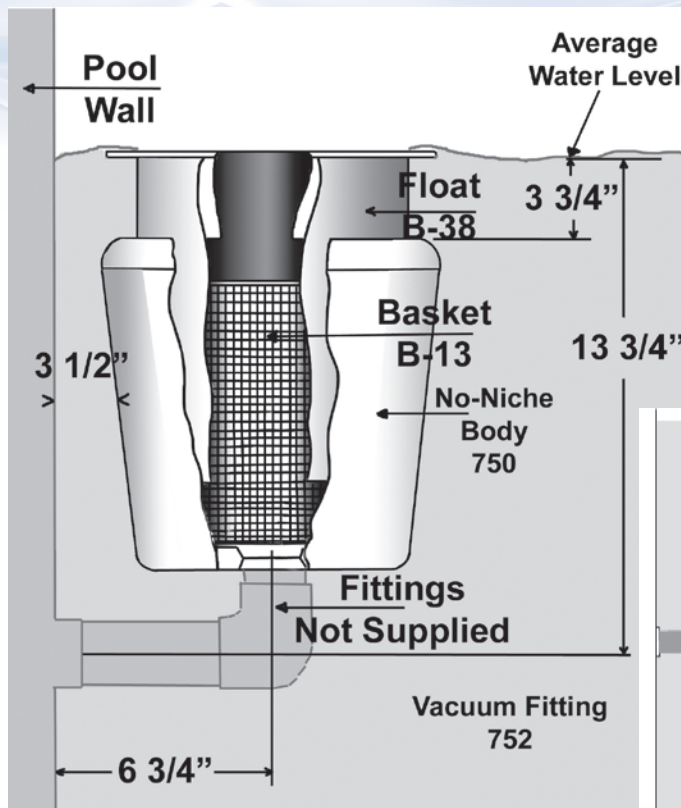
Bottom threaded inlet now accepts up to 2" Fittings

**No.750**

**NOTE: AMERICAN VAC PLATE WORKS ON NO-NICHE®. (No. 920)**

- No. 750** Complete Assembly
- No. 751** Top and Main Housing
- No. 752** Vacuum Fitting
- No. B-13** Basket Only
- No. B-38** Skimmer Weir

**Also available in  
Black HIPS for KOI ponds. (No. 750B)**



# The Wizard and Skimmer Weirs



**B - 104P**  
(Not Included  
Order Separately)



## The Wizard B - 104

We started with the popular Lily Pad Skimmer design and made some amazing changes to create a totally new concept in skimmers. One important improvement is that The Wizard has a larger skimming area without increasing the overall size of the product. The result is a skimmer that requires less water suction to operate. Restricting the water intake into the skimmer allows the main drain intake to be increased for the most efficient cycling of the water.

Note: In most applications, the water suction will probably have to be restricted in order for The Wizard to operate properly. After installing The Wizard, simply adjust the skimmer intake to allow just enough water to flow over the edges. Too much suction will cause The Wizard to cover the inlet and completely restrict the skimmer.

**The Wizard is equipped with legs to prevent complete coverage of the inlet. These legs can be easily removed, if desired, to allow The Wizard to completely cover the inlet. With the legs removed, The Wizard automatically covers the inlet if the water level drops below the intake level. This prevents air, that can be harmful to the pump, from getting into the system.**



**No.933**



**No.929**



**No.932**

## SKIMMER WEIRS

Skimmer Weirs allow water to flow into the skimmer, but close down when the pump shuts off preventing the back-flow of debris from returning to the pool.

The String Release style works by simply positioning the weir into place and pulling out the string at each side. The rod springs and locks into place.

## ALL WEIRS ARE 5¼ WIDE

<b>No. 933</b>	5 7/8" - Hayward®/American Products®
<b>923</b>	6"
<b>924</b>	7"
<b>934</b>	7 1/4" - Anthony/Pac Fab
<b>941</b>	7 3/8" - Hayward®
<b>935</b>	7 5/8" - Sylvan
<b>936</b>	7 13/16" - Hayward®
<b>925</b>	8"
<b>937</b>	8 1/8" - Jacuzzi®
<b>938</b>	8 3/8" - Swimquip™ U3
<b>939</b>	8 1/2" - Swimrite
<b>926</b>	9"
<b>940</b>	9 3/8" - Baker Hydro
<b>927</b>	10"
<b>928</b>	11"
<b>929</b>	12"
<b>930</b>	14"
<b>931</b>	15"
<b>932</b>	16"

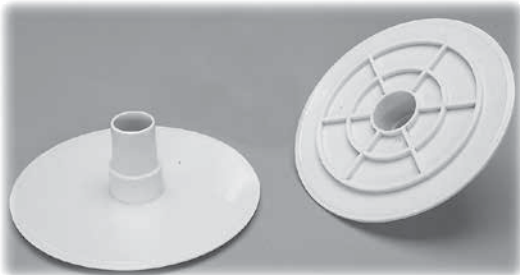
# Molded Parts



**Raised Plug  
SPX1022C  
No. 801**



**Flush Plug  
SPX1022B  
No. 802**



**Olympic Vac Plate ACM89  
No. 910 (6 3/4" OD)  
Aqua Leader® Vac Plate ALS008  
No. 911 (6 7/8" OD)  
American FAS Vac Plate 85002800  
No. 912 (6 9/16" OD)**



**Hayward® Vac Plate  
SMALL  
SPX1090, 1091, 1092  
No. 913 (Shown with 915  
and 916)**



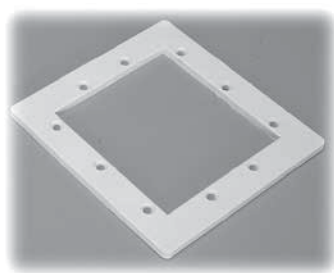
**Hayward® Vac Plate LARGE  
SPX1075, 1084, 1085  
No. 914 (Shown with 915 and  
916)**



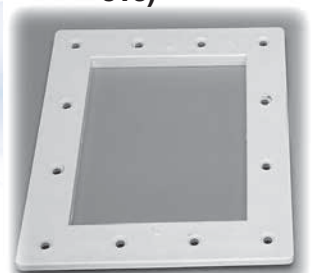
**Hayward® Vac Plate  
Straight Connector  
No. 915**



**Hayward® Vac Plate  
Elbow Connector  
No. 916**



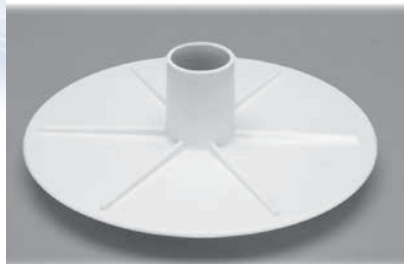
**Hayward® Skimmer Face  
Plate SPX1090D  
No. 917**



**Hayward® Skimmer Face  
Plate SPX1084L  
No. 918**



**Hose Adapter  
No. 919**



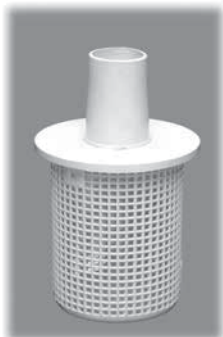
**American Admiral Vac Plate  
85001900 (8" OD)  
No. 920**



**Eyeball Seat Removal Tool  
SPX1419T  
No. 7000**



**Return Fitting Face Plate  
SPX1408B  
No. 7008**



**No. B-99  
Inverted Skimmer Basket  
With Cuff No. B-99C**

Parts/White Goods

# Locking Lid Vac-Master



## LOCKING LID VAC-MASTER

The Locking Lid VAC - MASTER can be used when vacuuming, as a conventional skimmer plus the locking lid feature allows the VAC - MASTER to work with automatic pool cleaners. The VAC-MASTER works by inserting into the skimmer and attaching the vacuum hose.

The VAC - MASTER has a clear lid which allows easy access to remove collected debris while allowing the skimmer continuous operation with the cleaner. VAC - MASTER can save valuable time by catching all large debris for easy removal at the skimmer rather than at the pump.

### No. 780 COMPLETE ASSEMBLY

Center nipple-for American Products®, Anthony 8 x 8 and every conventional skimmer.

### No. 781 COMPLETE ASSEMBLY

Offset nipple-for Swimquip™ U3, Jacuzzi®, Hayward®, Swimrite, Pac Fab, etc.

### No. 782 Lid Only

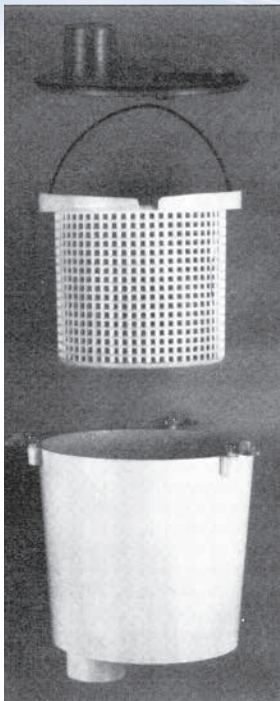
### No. 783 Body Only (center nipple)

### No. 784 Body Only (offset nipple)

### No. B-34 Basket Only



No.780



No. 782

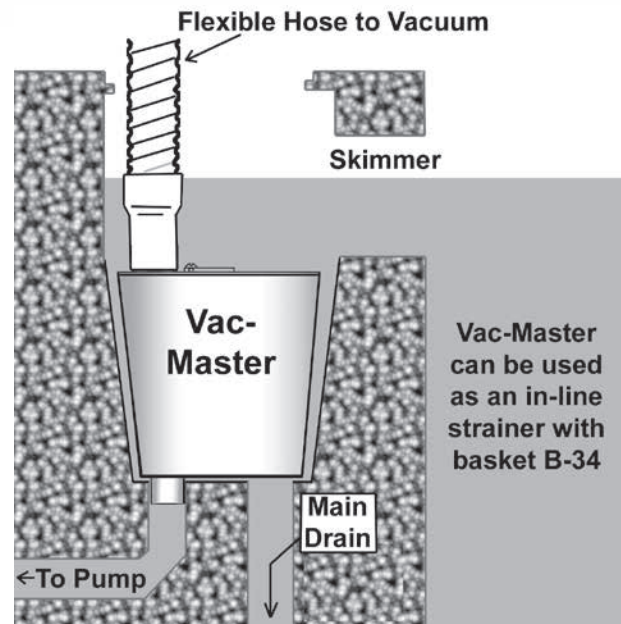
No. B-34

No.784



No.783

VAC-MASTER is commonly used as a conventional skimmer on skimmers that are not designed for a skimmer basket.



Vac-Master can be used as an in-line strainer with basket B-34

Parts/White Goods

## Aladdin Equipment Manufactures More Basket Styles Than Anyone!



### **BASKETS ARE MADE IN U.S.A.**

On the following pages we list over 200 stock baskets...from molded to custom welded (powder coated or stainless steel).

If you don't find the basket you need, just use our Special Basket Order Form on the next page and fax to our customer service department for a quote.

# Special Order Basket

This form available on our website @ [www.aladdin1950.com/documents](http://www.aladdin1950.com/documents). Our facility and equipment are geared to produce professional quality baskets. If you have a basket need, and the item is not listed as a standard item, send us the specifications and we will manufacture a basket to fit your requirements.

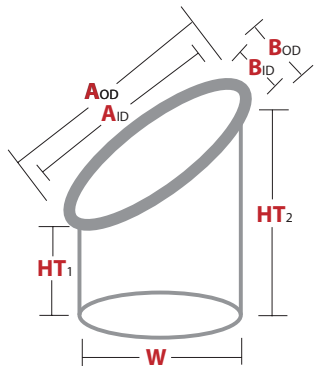
## Metal Mesh Basket

Metal mesh baskets are powder coated and have 1/4" square holes. Please allow 4-6 weeks for delivery.

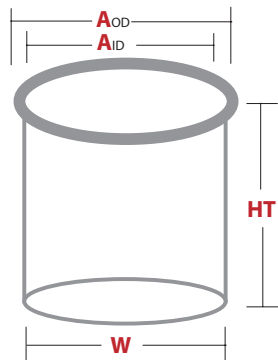
## Stainless Steel Basket

Stainless steel baskets have 3/16" round holes. Please allow 1-2 weeks for delivery.

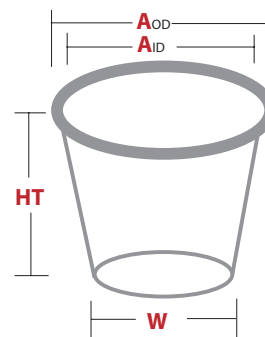
### SPECIAL BASKET ORDER FORM



**A<sub>OD</sub>** \_\_\_\_\_  
**A<sub>ID</sub>** \_\_\_\_\_  
**B<sub>OD</sub>** \_\_\_\_\_  
**B<sub>ID</sub>** \_\_\_\_\_  
**HT<sub>1</sub>** \_\_\_\_\_  
**HT<sub>2</sub>** \_\_\_\_\_  
**W** \_\_\_\_\_

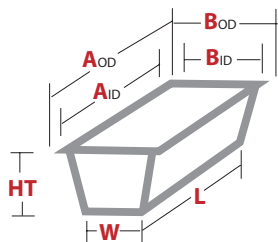


**A<sub>OD</sub>** \_\_\_\_\_  
**A<sub>ID</sub>** \_\_\_\_\_  
**HT** \_\_\_\_\_  
**W** \_\_\_\_\_

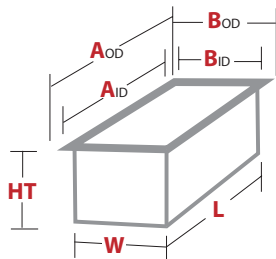


**A<sub>OD</sub>** \_\_\_\_\_  
**A<sub>ID</sub>** \_\_\_\_\_  
**HT** \_\_\_\_\_  
**W** \_\_\_\_\_

OD = Outside Dimension ID = Inside Dimension



**A<sub>OD</sub>** \_\_\_\_\_  
**A<sub>ID</sub>** \_\_\_\_\_  
**B<sub>OD</sub>** \_\_\_\_\_  
**B<sub>ID</sub>** \_\_\_\_\_  
**HT** \_\_\_\_\_  
**L** \_\_\_\_\_  
**W** \_\_\_\_\_



**A<sub>OD</sub>** \_\_\_\_\_  
**A<sub>ID</sub>** \_\_\_\_\_  
**B<sub>OD</sub>** \_\_\_\_\_  
**B<sub>ID</sub>** \_\_\_\_\_  
**HT** \_\_\_\_\_  
**L** \_\_\_\_\_  
**W** \_\_\_\_\_

**PLEASE NOTE  
TO PROVIDE YOU WITH  
A QUOTE IN A TIMELY  
MANNER, GIVE AS MANY  
ACCURATE DIMENSIONS  
AS POSSIBLE.**

Coated Metal

Stainless Steel

Handle

Arched  Flat

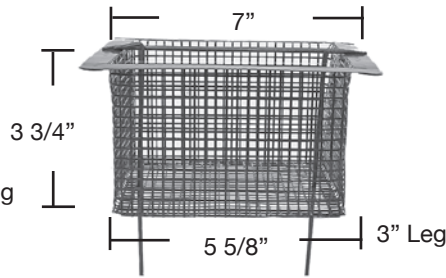
Company Name: \_\_\_\_\_ Contact: \_\_\_\_\_

Address: \_\_\_\_\_

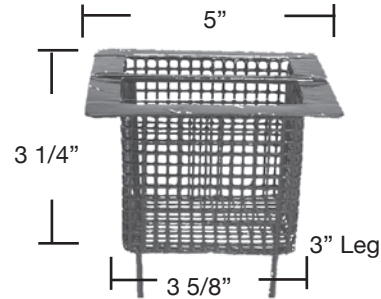
City: \_\_\_\_\_ State: \_\_\_\_\_ Zip Code: \_\_\_\_\_

Phone #: \_\_\_\_\_ Fax #: \_\_\_\_\_

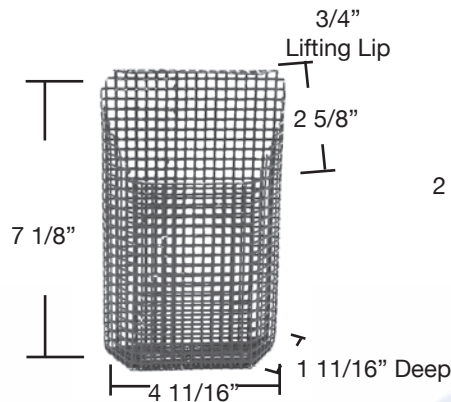
**B - 1**  
 Anthony Pool 7x7"  
 Skimmer  
 (Powder Coated)  
 Leg to Clear Vacuum Fitting  
 See B-39 for Plastic



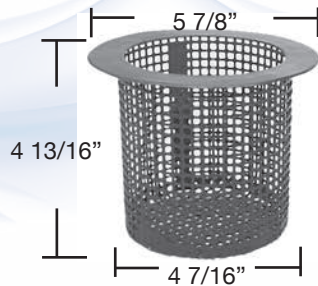
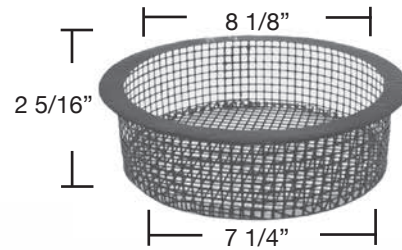
**B - 2**  
 Anthony Pool 5x5"  
 Skimmer  
 (Powder Coated)



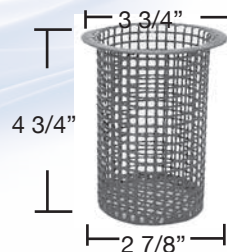
**B - 3**  
 Jacuzzi® 16-0343-08-R  
 (Powder Coated)



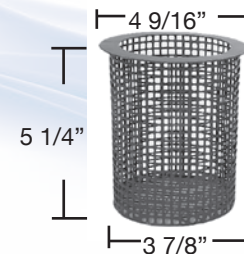
**B - 4**  
 Landon New Type  
 Skimmer (Powder  
 Coated)



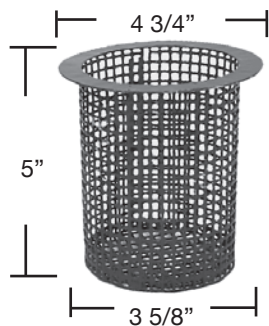
**B - 5**  
 Hydro Pump 214  
 Eastside 6"  
 Sta-Rite® 6"  
 Swimquip™ 16400 A  
 (Powder Coated)



**B - 6**  
 Hydro Pump 414  
 Eastside 4"  
 Sta-Rite® 4"  
 Swimquip™ 1602-1  
 (Powder Coated)



**B - 7**  
 International PP 8102-15  
 Early Style Pac. Pumping  
 SD10106  
 Berkeley Pump S-7297  
 1 1/2" [4x5]  
 (Powder Coated)



**B - 8**  
 Harmon Pump HL-7-5" Latex  
 (Powder Coated)

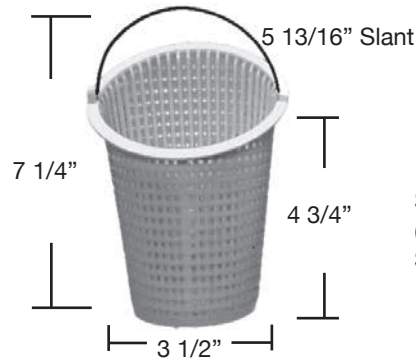
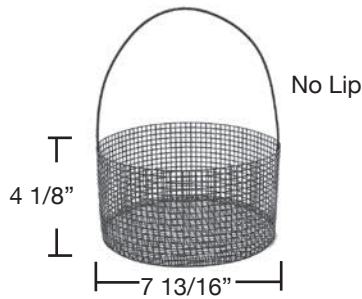


**B - 9**  
 Hayward® SPX1070E  
 Skim Master  
 Swimquip™ U-3 Strainer  
 08650-0007  
 Swimrite 70-828-915  
 (Plastic)  
 See B-84 for Powder Coated

# Baskets

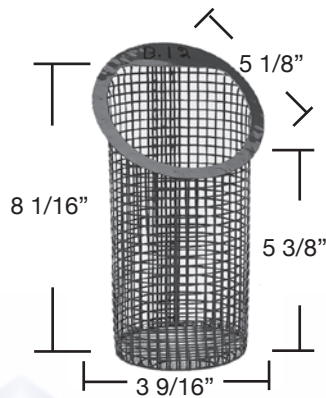
## B - 10

Landon 2701-3  
Over Flow - OLD  
(Powder Coated)



## B - 11

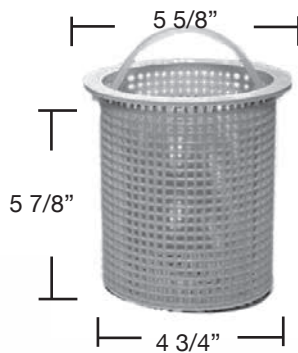
Swimquip™ P-61 Pump  
(Plastic)  
See B-162 for Powered Coated



## B - 12

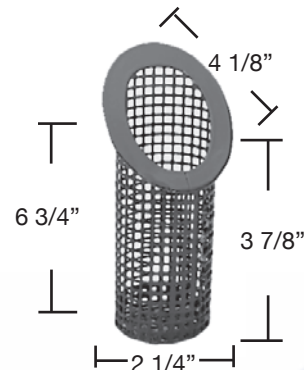
Luitweiler 2" Std.  
Landon 1721-2 [2"]  
(Powder Coated)

\*For the same basket with Locating Hole in Bottom, See B - 51



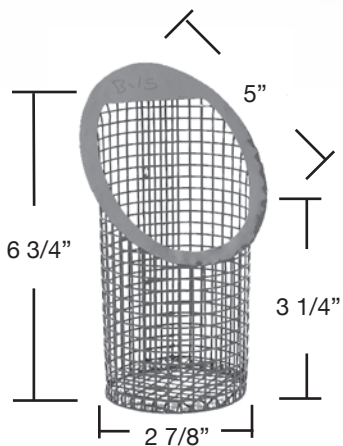
## B - 13

(Plastic)  
ALADDIN NO-NICHE® Skimmer  
Same As B-206  
See B-185 For Metal-  
Powder Coated



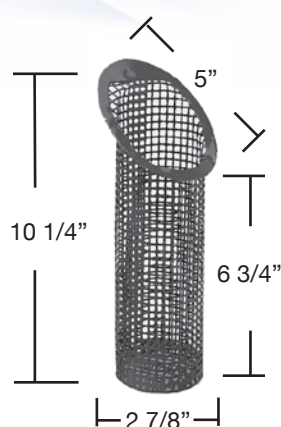
## B - 14

Paddock 1 1/2"  
(Powder Coated)



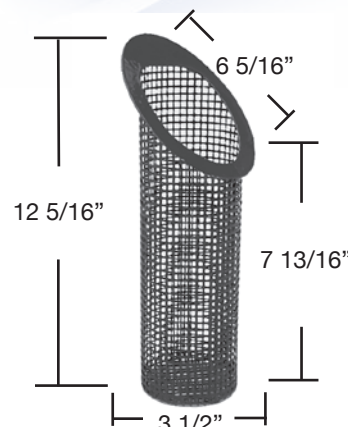
## B - 15

Jacuzzi® 16-0344-00-R  
[4" Slant] Moresta 1 1/2"  
Paddock 2"  
(Powder Coated)



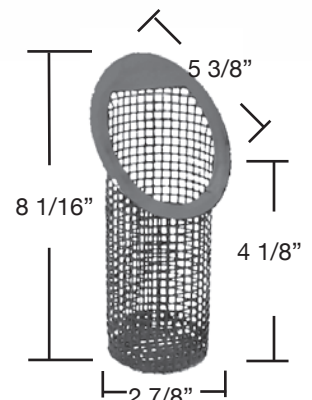
## B - 16

Paddock 3"  
(Powder Coated)



## B - 17

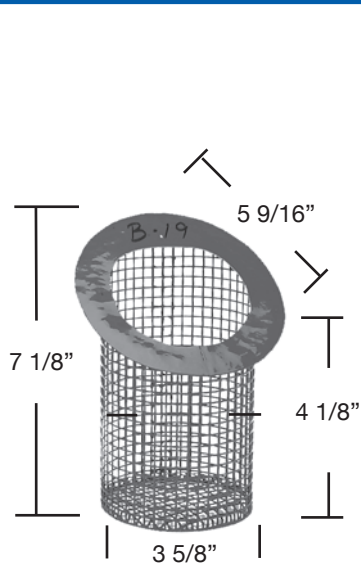
Paddock 4"  
(Powder Coated)



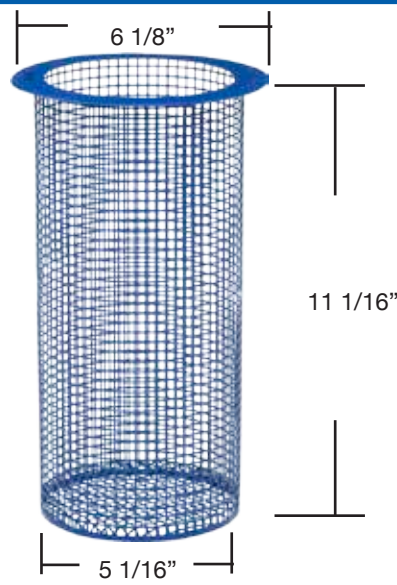
## B - 18

Swimquip™ 13020A  
(Powder Coated)

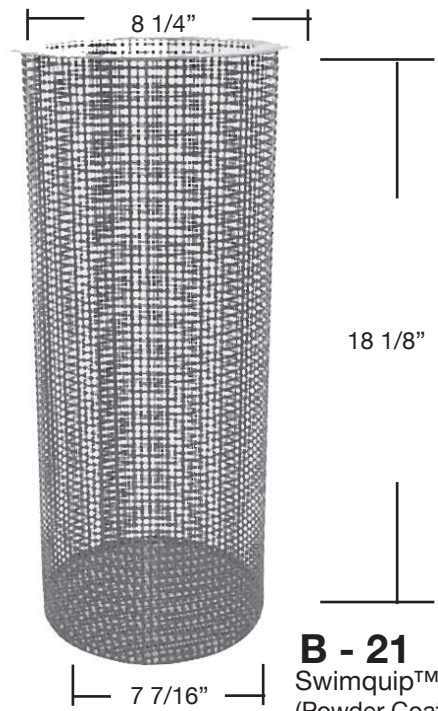




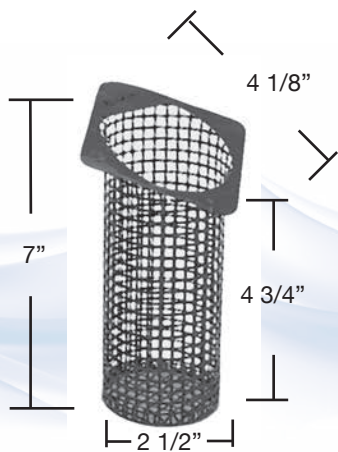
**B - 19**  
Swimquip™ 13300A  
(Powder Coated)



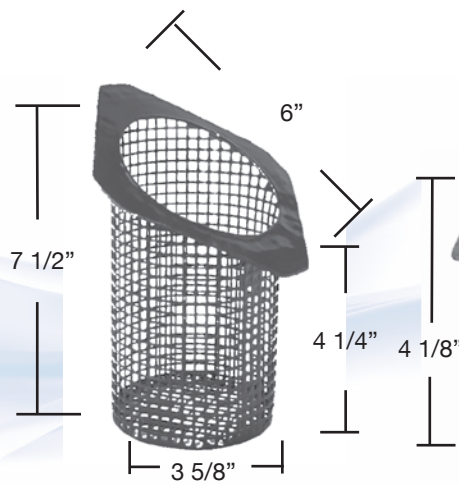
**B - 20/70**  
Swimquip™ 1602-1/13400  
(Powder Coated)



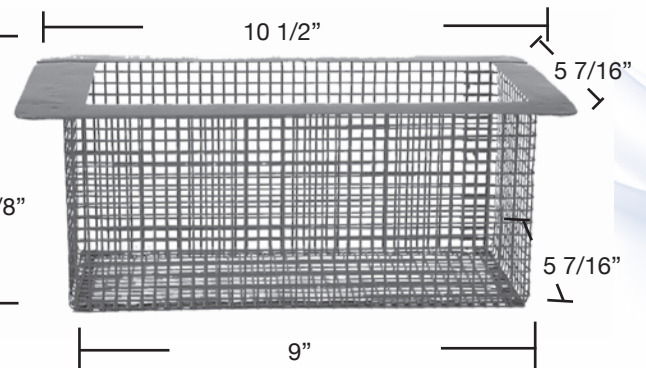
**B - 21**  
Swimquip™ 13560-3  
(Powder Coated)



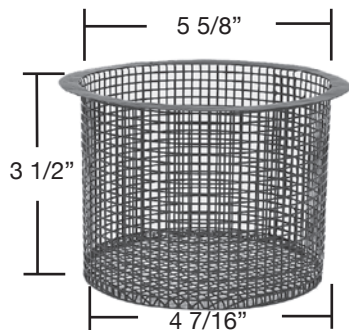
**B - 22**  
Hydro Pump 508  
4" Sq. Top  
Swimquip™ 16400-2  
(Powder Coated)



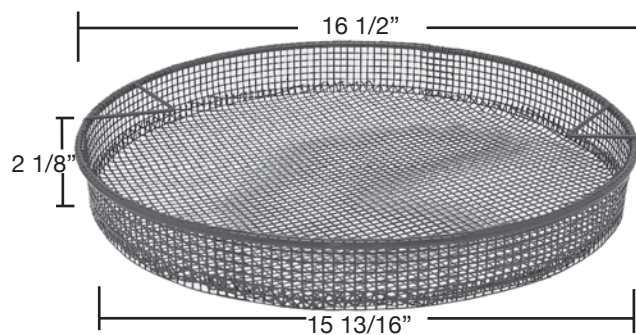
**B - 23**  
Hydro Pump 517  
6" Sq. Top  
(Powder Coated)



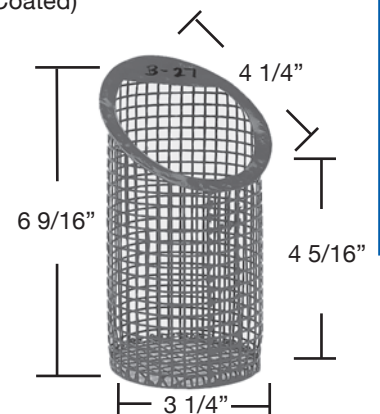
**B - 24**  
International 8492-40  
(Powder Coated)



**B - 25**  
International 2442-40  
(Powder Coated)

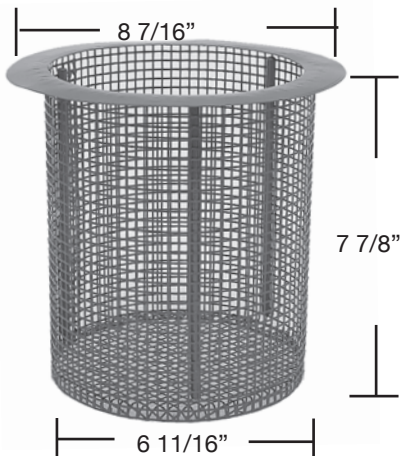


**B - 26**  
International 1511-7 Skimmer  
(Powder Coated)

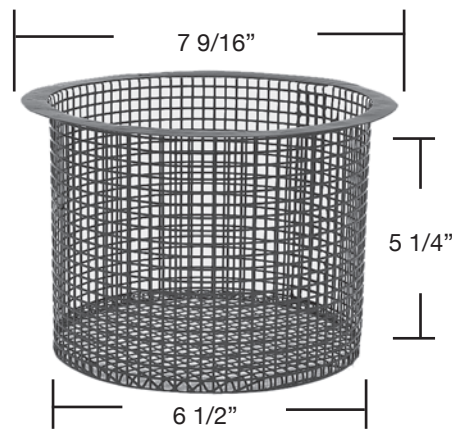


**B - 27**  
Luitweiler 1 1/2"  
(Powder Coated)

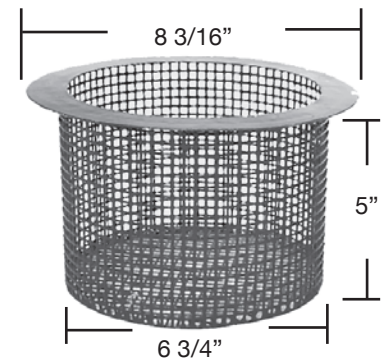
# Baskets



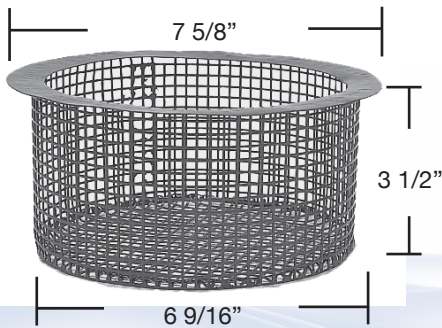
**B - 28**  
American Concrete Skimmer  
(Powder Coated)  
See B-37 for Plastic Basket



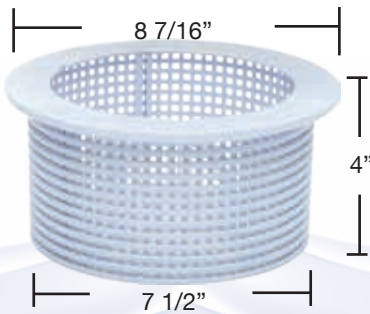
**B - 29**  
Nor-Cal 7 5/8" Skimmer  
(Powder Coated)



**B - 30**  
Nor-Cal Eagle Skimmer  
(Powder Coated)

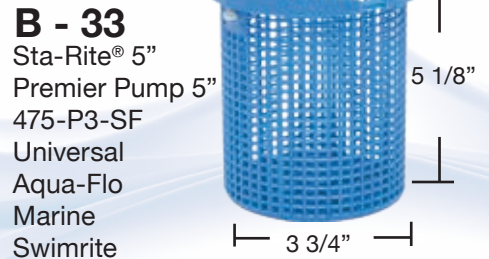


**B - 31**  
Nor-Cal ME-2  
(Powder Coated)



**B - 32**  
American Stubby & Swimrite  
85000200 - American S-10  
Skimmer (Plastic)

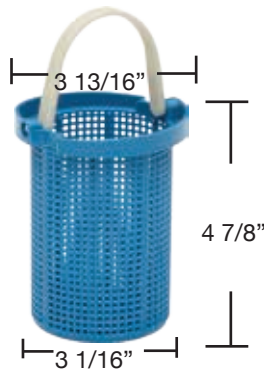
Lock Top Replaces  
Flat Top  
Basket



**B - 33**  
Sta-Rite® 5"  
Premier Pump 5"  
475-P3-SF  
Universal  
Aqua-Flo  
Marine  
Swimrite  
Berkeley Old Style H & F (Plastic)  
See B-106 for small holes (Plastic)



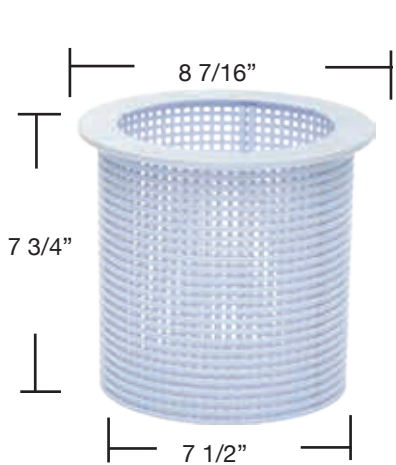
**B-34/107**  
Aqua-Flo  
Sta-Rite® 6"  
Premier 6" & Commercial P-5  
(Plastic)



**B-35/105**  
Sta-Rite® 4"  
Premier 4" #104 P-1  
(Plastic)



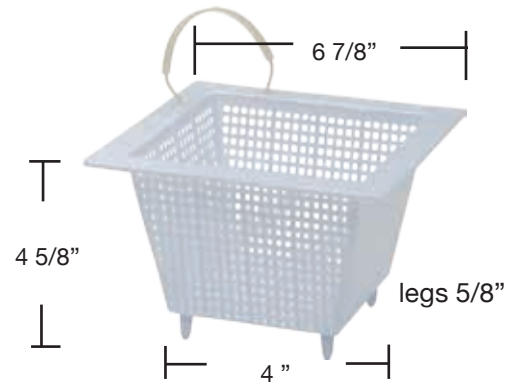
**B - 36**  
Aqua-Flo  
Purex/Eastside 6" Tapered  
(Plastic)



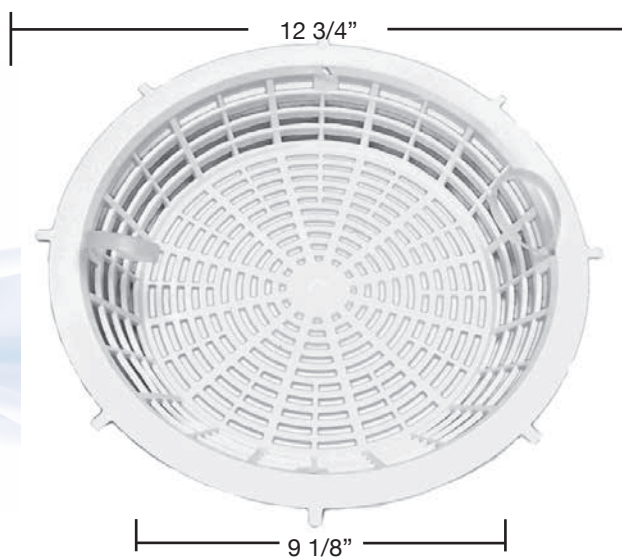
**B - 37**  
 American Concrete Skimmer  
 85000100 - S-10 Skimmer Basket  
 (Plastic) See B-28 for Powder Coated



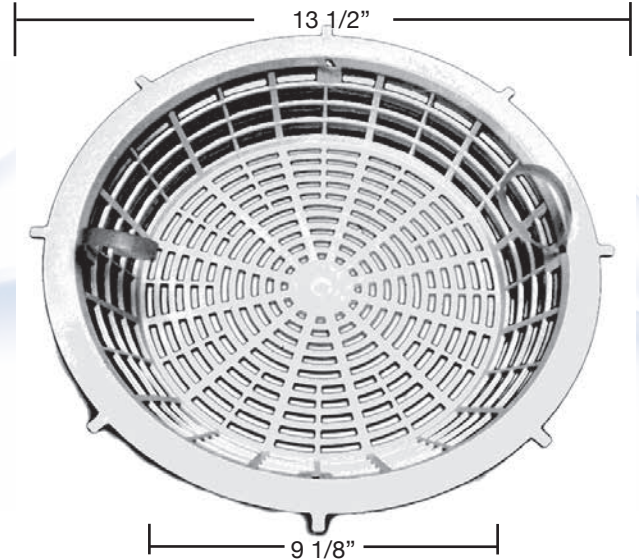
**B - 38**  
 American Concrete Skimmer  
 85001200 - S-10 Skimmer Weir  
 (Plastic)



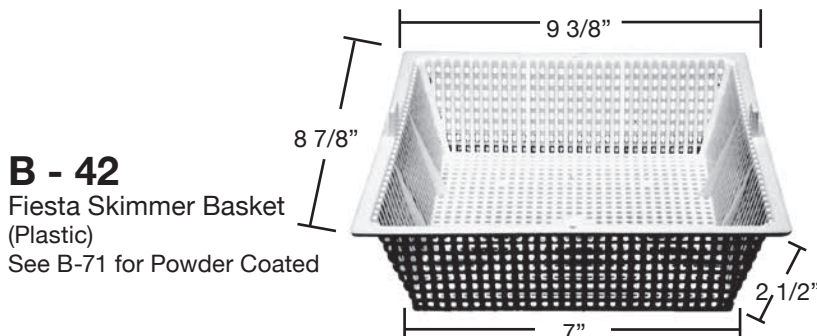
**B - 39**  
 Anthony Pool 7x7 Skimmer  
 (Plastic)  
 See B-1 for Powder Coated



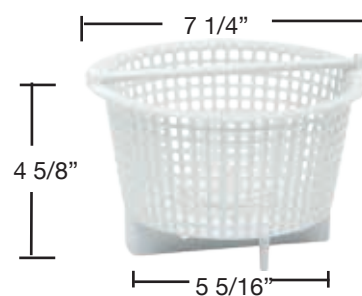
**B - 40**  
 Landon Skimmer  
 (Plastic)  
 Use 0-11 Trimmer Lid Gasket



**B - 41**  
 Paddock Skimmer  
 (Plastic)

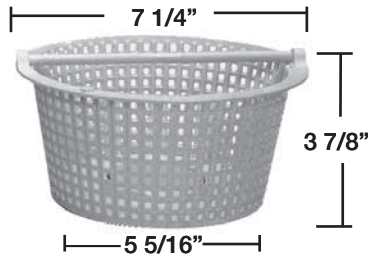


**B - 42**  
 Fiesta Skimmer Basket  
 (Plastic)  
 See B-71 for Powder Coated



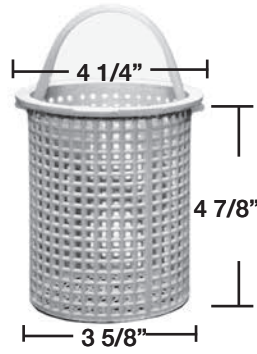
**B - 43**  
 Pac Fab Skimmer  
 Basket  
 513036 (Plastic)

# Baskets



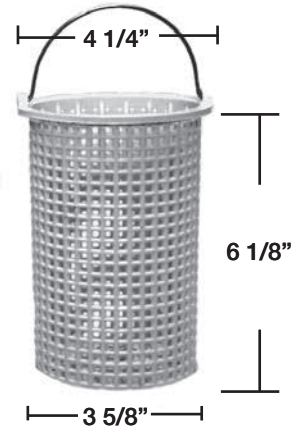
## B - 43C

Commercial  
Pac Fab 513151(Plastic)  
See B-156 for Powder Coated



## B - 44/187

HydroPump® 708-2,  
Model 560 (Plastic)  
Same as B-187



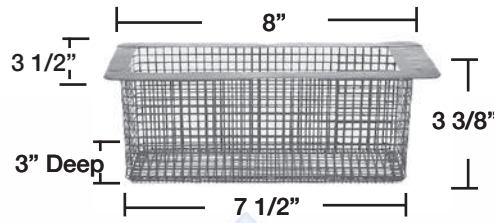
## B - 45/188

HydroPump® 708-1  
Model 700P2L  
(Plastic)  
See B-188 (Plastic)

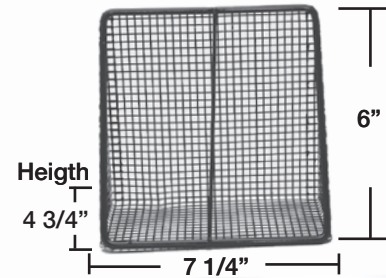


## B - 46

Monarch Pump P-4M  
(Plastic)

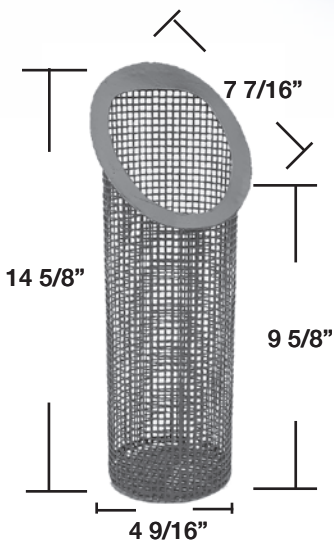


## B - 47 Swimquip™ 8695 (Powder Coated)



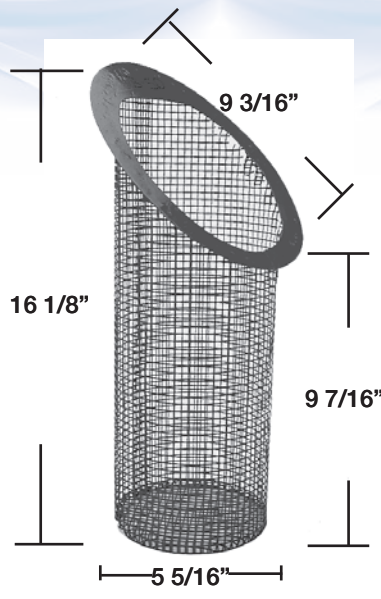
## B - 48

Paddock Conv. AB0961  
Skimmer  
(Powder Coated)



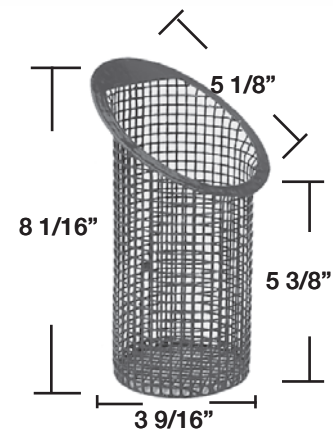
## B - 49

Paddock 5"  
(Powder Coated)



## B - 50

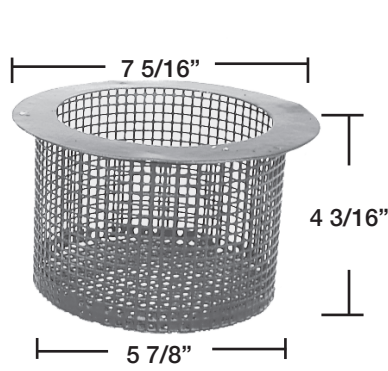
Paddock Filcore 6"  
(Powder Coated)



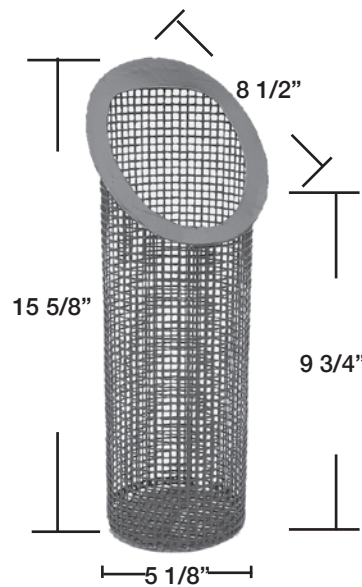
## B - 51

Besler 2"  
(Powder Coated)

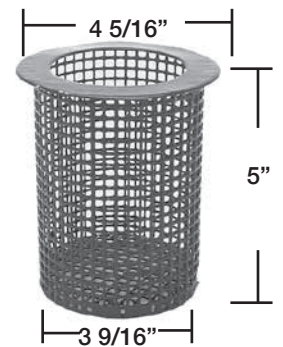
Note: Has Locating Hole  
in Bottom



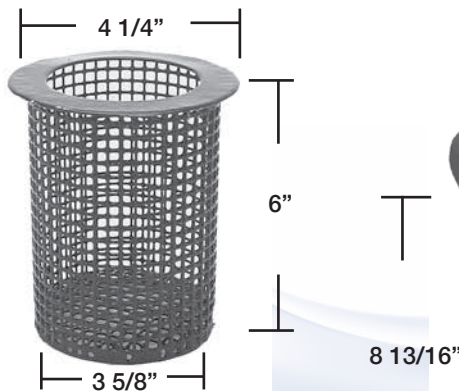
**B - 52**  
Aqua Quip Skimmer  
(Powder Coated)



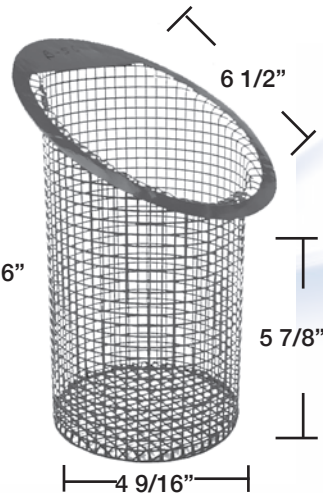
**B - 53**  
HydroPump® 1014 Commercial  
(Powder Coated)



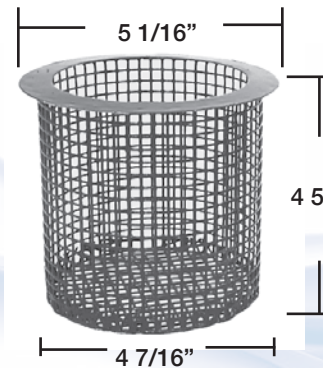
**B - 54**  
HydroPump® 708-2  
Model 560  
(Powder Coated)



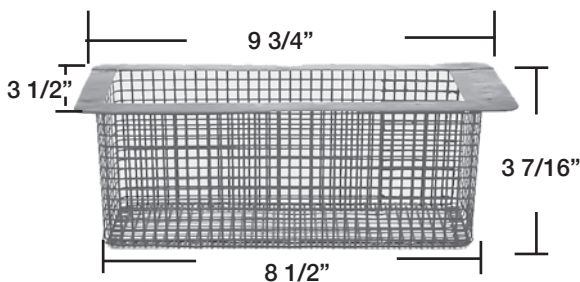
**B - 55**  
HydroPump® 708-1  
Model 700  
(Powder Coated)



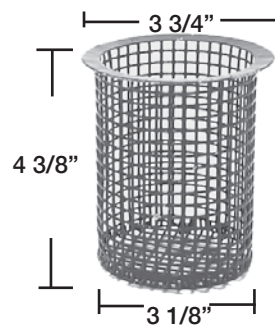
**B - 56**  
Pacific Pump SD6738  
Jacuzzi® 16-0345-06-R  
(Powder Coated)



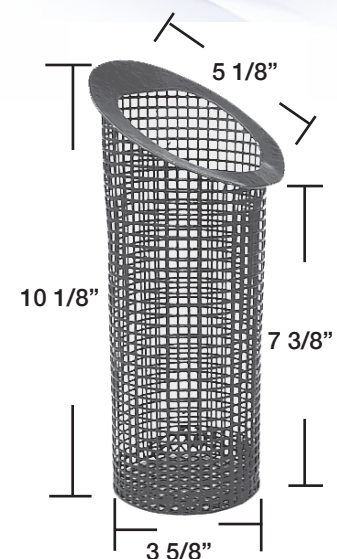
**B - 57**  
Jacuzzi® 16-0354-00-R  
Jacuzzi® 16-0470-03-R  
(Powder Coated)



**B - 58**  
Jacuzzi® 16-0363-03-R  
Jacuzzi® 16-0455-02-R  
(Rectangular Skimmer)  
(Powder Coated)

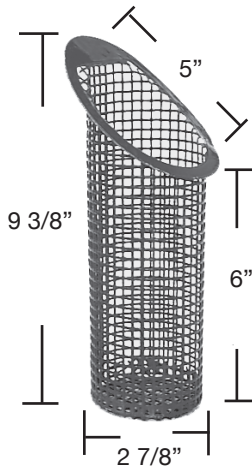


**B - 59**  
Jacuzzi® 16-0444-00-R  
Gyromat (Powder Coated)

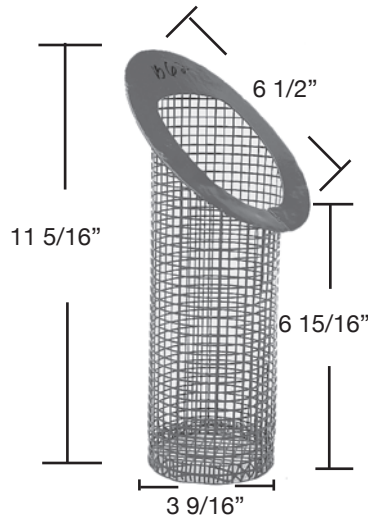


**B - 60**  
Landon 1732-2  
[3" Brass] (Powder Coated)

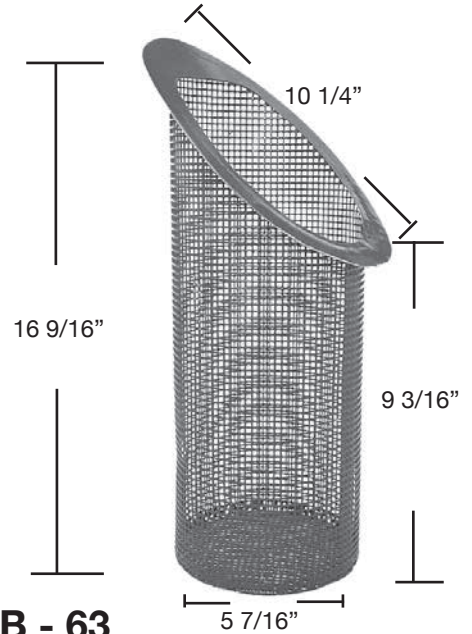
# Baskets



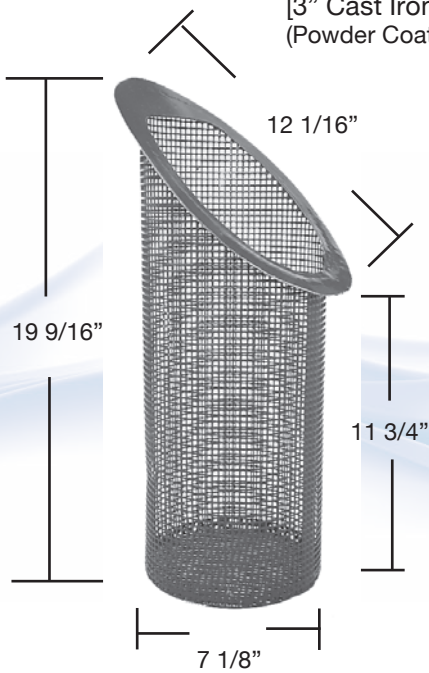
**B - 61**  
Landon 1722-2  
[3" Cast Iron]  
(Powder Coated)



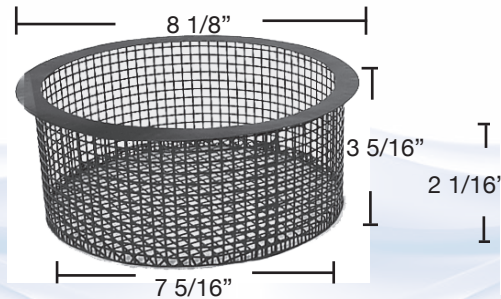
**B - 62**  
Landon 1723-2  
[4" Cast Iron]  
(Powder Coated)



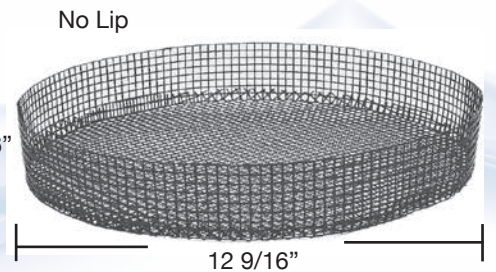
**B - 63**  
Landon 1724-2  
[6" Cast Iron]  
(Powder Coated)



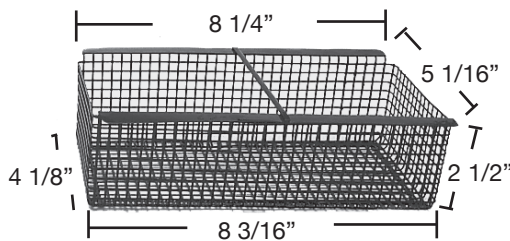
**B - 64**  
Landon 1725-2 [8" Cast Iron]  
Paddock 8"  
(Powder Coated)



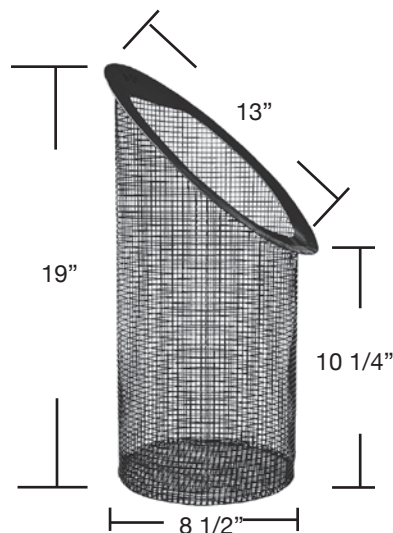
**B - 65**  
Landon 2711-7 Over Flow - New  
(Powder Coated)



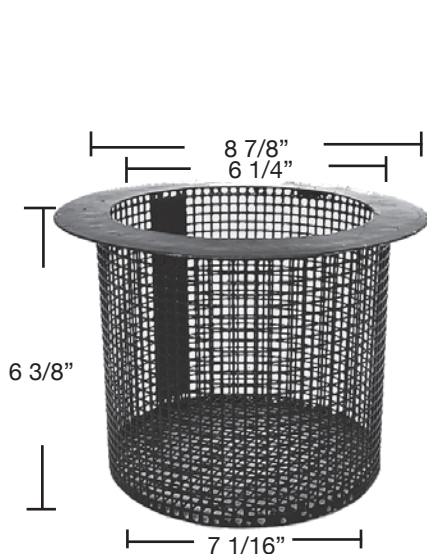
**B - 66**  
Landon 201 A-9 Skim Filter  
(Powder Coated)



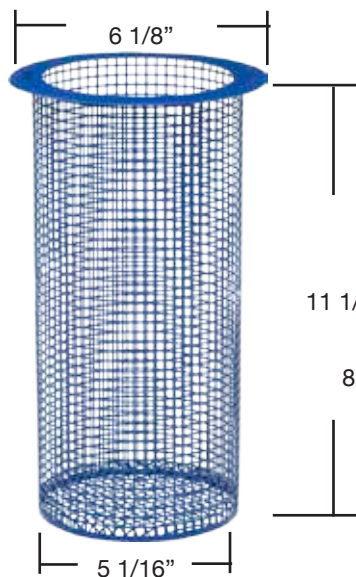
**B - 67**  
Landon 2721-3  
Rectangular Over Flow  
(Powder Coated)



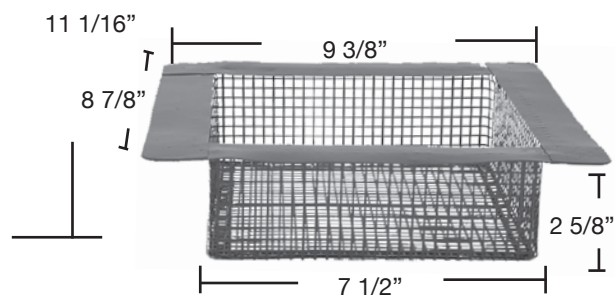
**B - 68**  
Paddock 8" Commercial  
(Powder Coated)



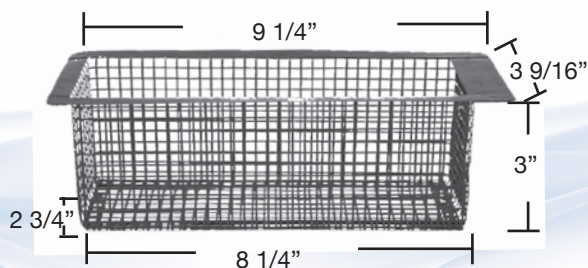
**B - 69**  
Paddock 18-3850 Skimmer  
will accept B-38 Float  
(Powder Coated)



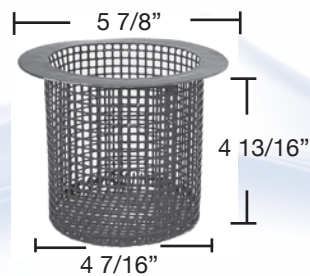
**B - 70/20**  
Swimquip™ 13400  
(Powder Coated)



**B - 71**  
Fiesta 9x9 Skimmer Basket  
(Powder Coated)  
See B-42 for Plastic



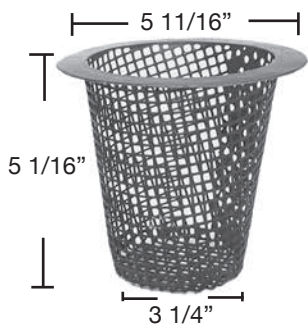
**B - 72**  
Paddock 18-4256  
(Powder Coated)



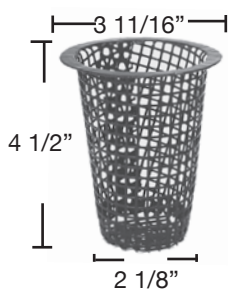
**B - 73**  
Pacific Pump SD7394 6"  
(Powder Coated)



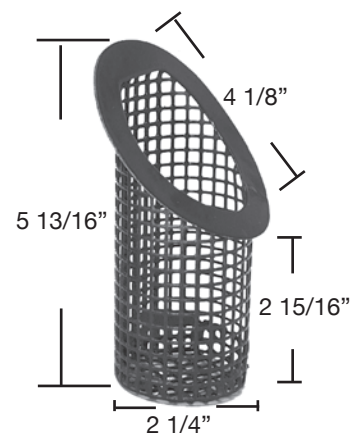
**B - 74**  
Pacific Pump SD8409 4"  
(Powder Coated)



**B - 75**  
Eastside 6" Tapered  
(Powder Coated)



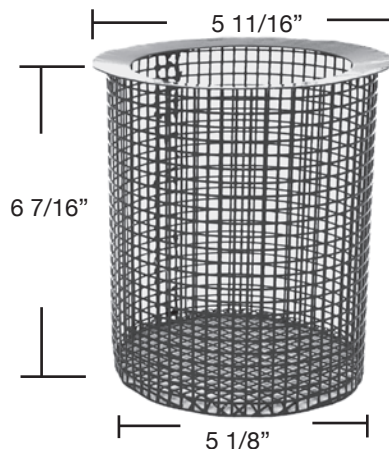
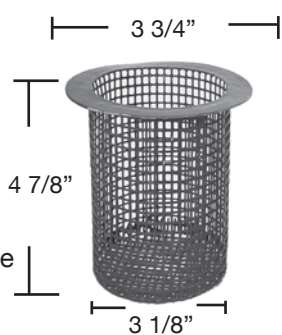
**B - 76**  
Jacuzzi® 16-0471-28-R  
Eastside 4" Tapered  
(Powder Coated)



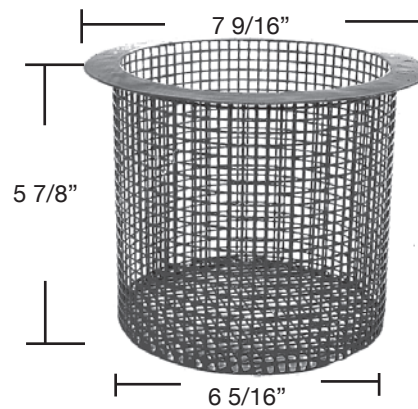
**B - 77**  
Paddock 1 1/4"  
(Powder Coated)

# Baskets

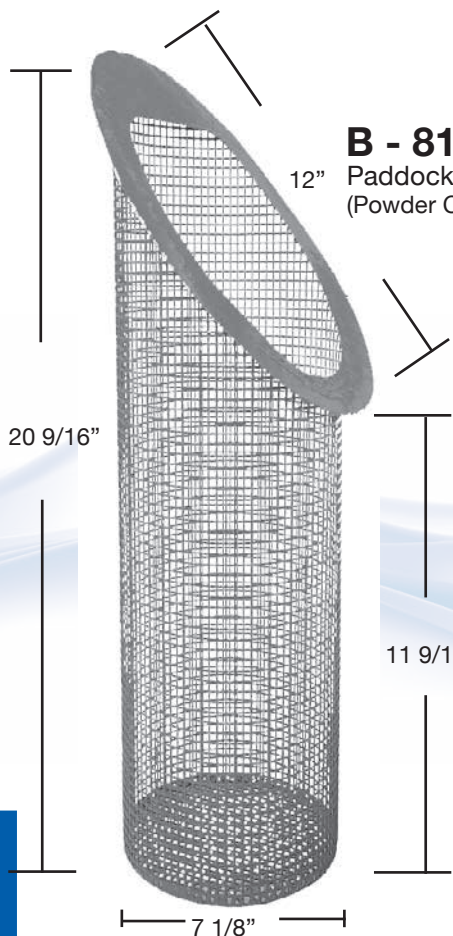
**B - 78**  
Marlow "H" Line  
(Powder Coated)



**B - 79**  
Marlow "K" & "L" Line  
(Powder Coated)

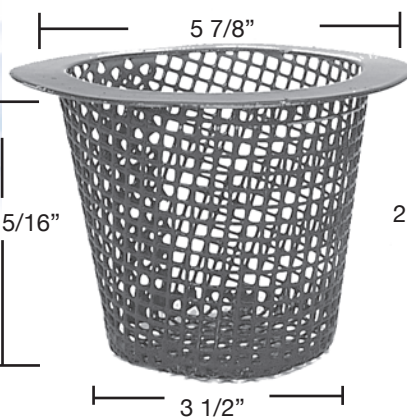


**B - 80**  
American SP Skimmer  
(Powder Coated)

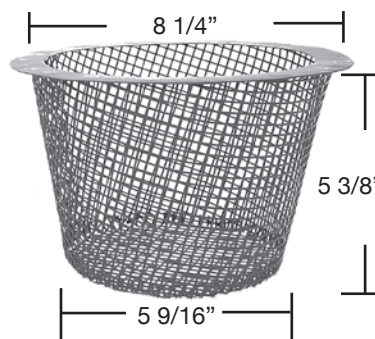
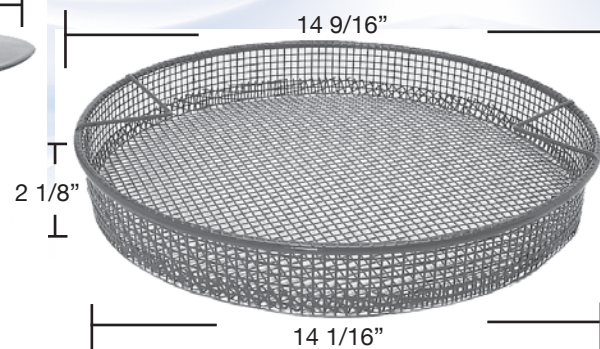


**B - 81**  
Paddock 8"  
(Powder Coated)

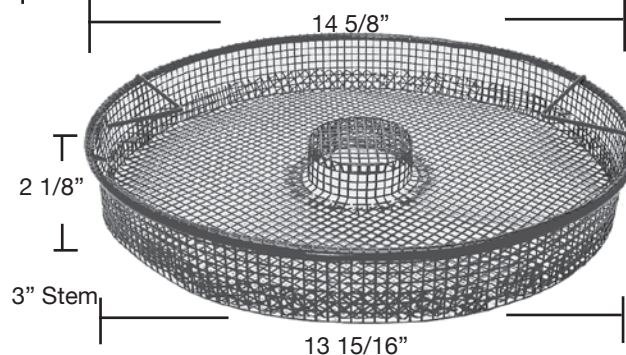
**B - 82**  
Monarch 6" [Tapered]  
(Powder Coated)



**B - 83**  
Swimquip™ Skimmer Strainer  
(Powder Coated)



**B - 84**  
Swimquip™ 08650-0007  
Swimrite 70-828-915  
(Powder Coated)  
See B-9 for Plastic



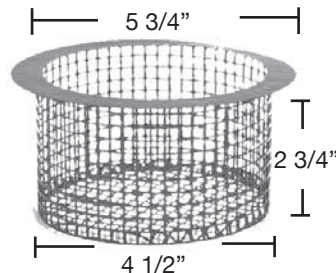
**B - 85**  
Swimquip™ Skimmer Strainer  
(Powder Coated)

Baskets

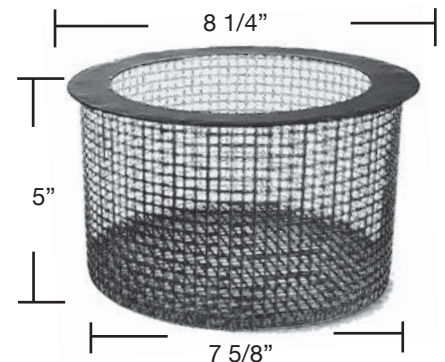




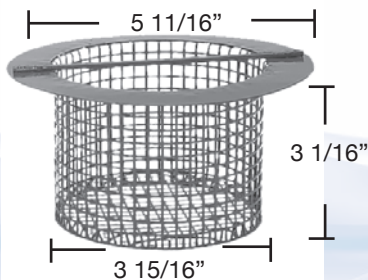
**B - 86**  
Pool Water Skimmer [Tapered]  
(Powder Coated)



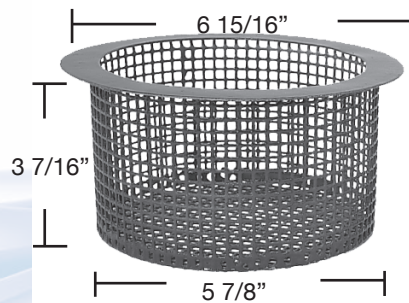
**B - 87**  
Aqua Quip Skimmer  
(Powder Coated)



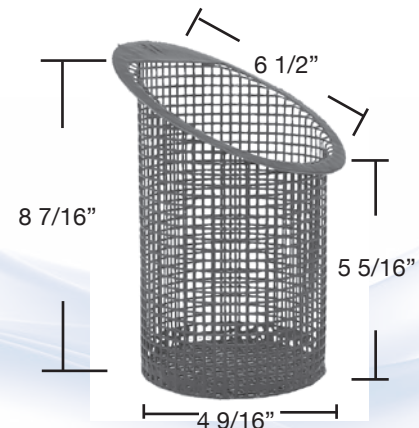
**B - 88**  
Modern Heat and Pool Skimmer  
(Powder Coated)



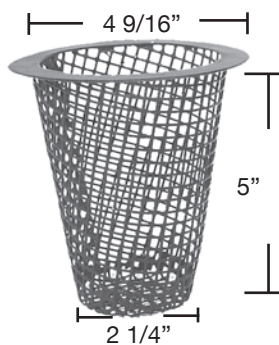
**B - 89**  
Jacuzzi® 16-0347-04-R  
(Powder Coated)



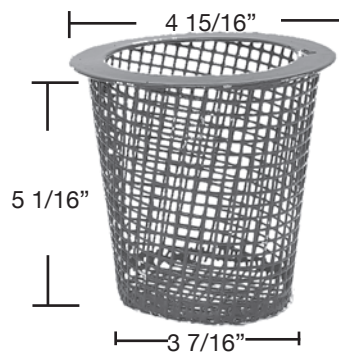
**B - 90**  
Swimquip™ 8698 & 13402-3  
(Powder Coated)



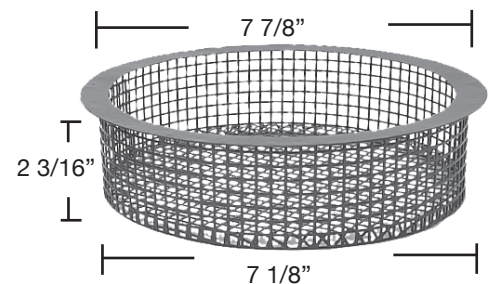
**B - 91**  
Pacific Pump SD6738  
(Powder Coated)



**B - 92**  
Jacuzzi® 16-0471-00-R [Tapered]  
International Early or Late Style  
(Powder Coated)

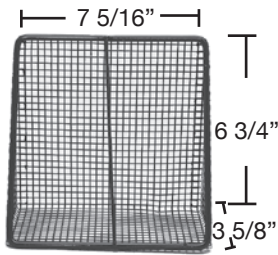


**B - 93**  
Jacuzzi® 16-0947-08-R  
Swimrite  
Marine  
(Powder Coated)

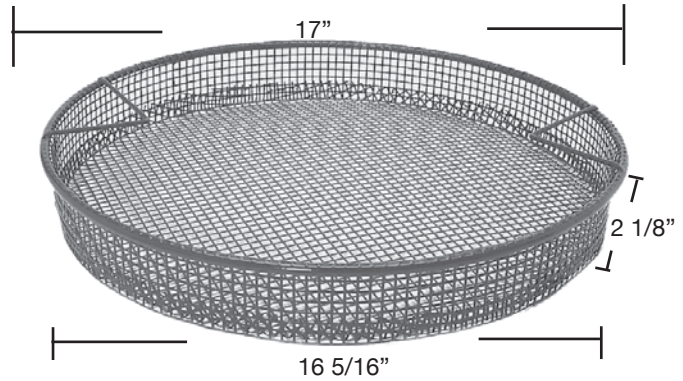


**B - 94**  
Demott Skimmer [Swimrite]  
Swimrite 70-000-100  
(Powder Coated)

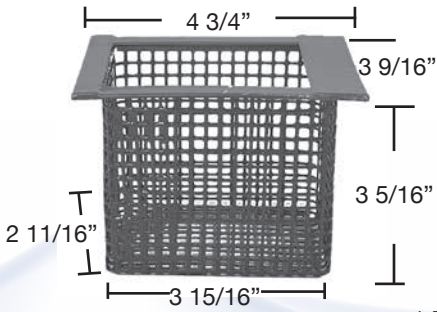
# Baskets



**B - 95**  
Paddock Skimmer AB1460  
(Powder Coated)



**B - 96**  
National Pool Skimmer  
(Powder Coated)



**B - 97**  
Crestline Pump Basket  
(Powder Coated)



**B - 99**  
Inverted  
Skimmer Basket  
(Plastic)

1 7/16" Dia.

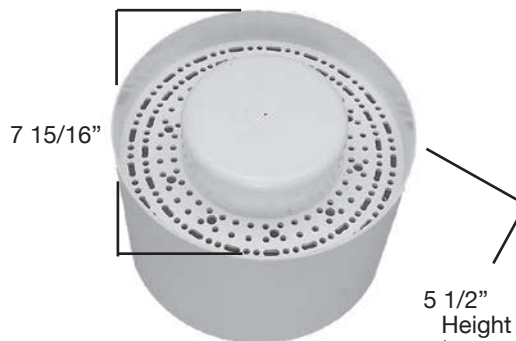
**B - 99C**  
Cuff  
Available Separately



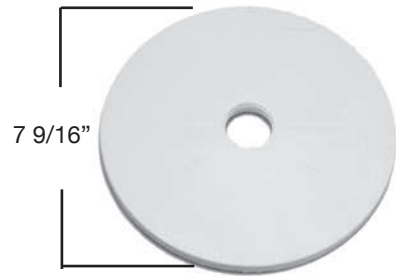
**B - 101**  
H&F [Sta-Rite®] Harmon  
International Swimrite  
Non-locking PAC RP2 Model 590  
(Plastic)



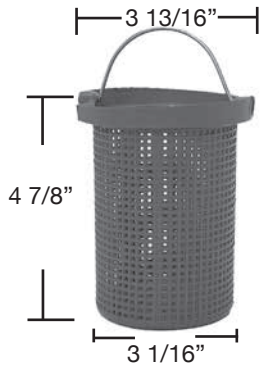
**B - 103**  
Jacuzzi® 16-0470-00-R  
P-21 [Tapered]  
(Plastic)



**B - 104**  
Aladdin Wizard  
(interchangeable with existing Lilly  
Pad skimmer installations) (Plastic)



**B - 104P**  
Aladdin Plate Only  
For The Wizard  
1" F.P.T. in Center Hole  
(Plastic)

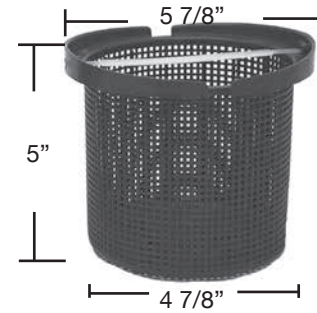


New  
Smaller  
Holes  
Lock Top replaces  
Flat Top baskets

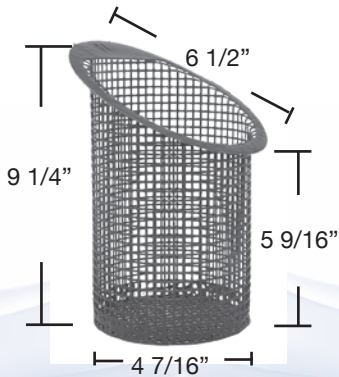
**B105/35**  
Sta-Rite® 4"  
Same as B-35  
(Plastic)



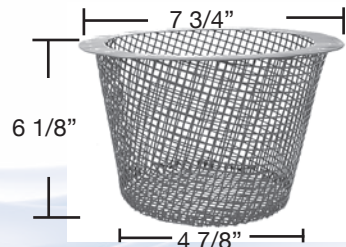
**B - 106**  
American Products® 39000600  
Sta-Rite® (5") Small Holes 1/16"  
Dura-Glas® Pump Basket  
Maxi-Glas (Plastic)  
See B-33 for 1/8" Holes  
(Plastic)



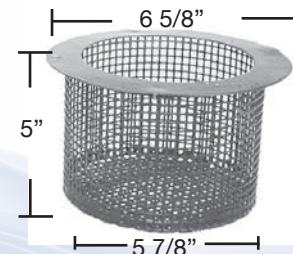
New Smaller Holes  
**B-107/34**  
Sta-Rite® 6"  
(Plastic)  
Same as B-34  
(Plastic)



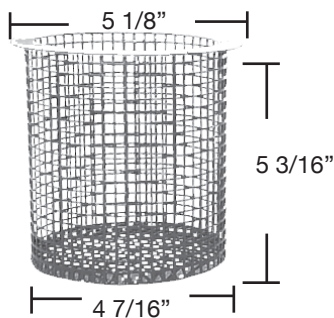
**B - 109**  
Jacuzzi® 39-0226-03-R  
(Powder Coated)



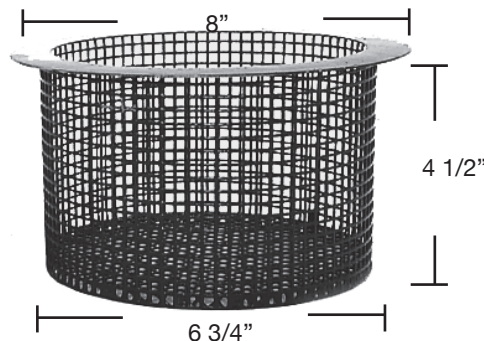
**B - 110**  
Baker Hydro Skimmer 51B1026  
(Powder Coated) See B-136 for Plastic



**B - 111**  
Swimrite SR Series 60-828-095  
For 7" S.S. Trap,  
Also Marine Pump  
(Powder Coated)



**B - 112**  
Jacuzzi® 16-0064-06-R  
& 16-0947-08-R  
(Powder Coated)

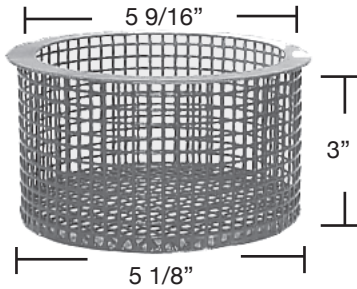


**B - 113**  
Jacuzzi® 43-0507-07-R  
(Powder Coated)  
See B-183 for Plastic

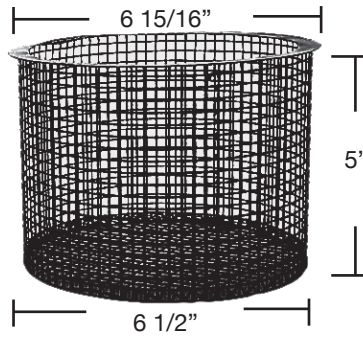


**B - 114**  
Hayward® SPX1250RA  
(Powder Coated)  
See B-169 for Plastic

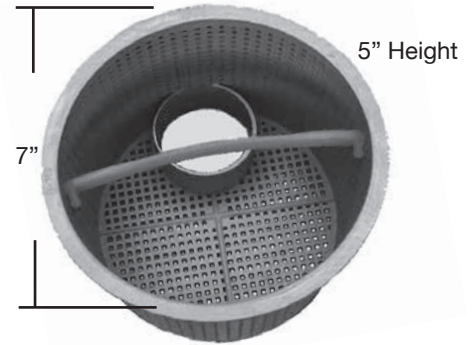
# Baskets



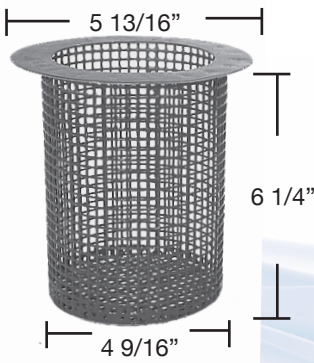
**B - 115**  
Hayward® SPX1096CA  
(Powder Coated)  
See B-168 for Plastic



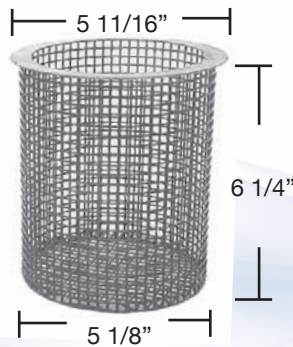
**B - 116**  
Hayward® SPX1082C  
(Powder Coated)  
See B-152 for Plastic



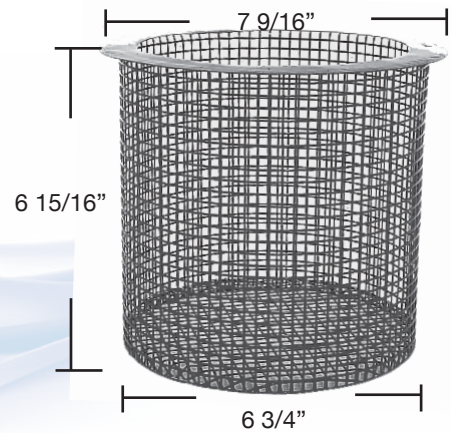
**B - 117**  
Hayward® SPX1080E  
(Plastic)



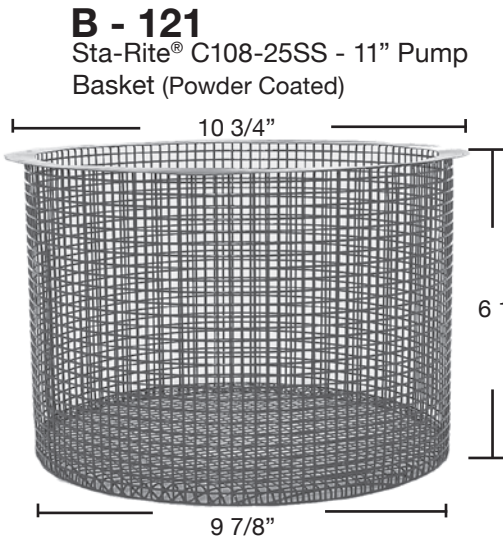
**B - 118**  
Hayward® SPX0145RA  
Swimquip™ 16550-7  
(Powder Coated)



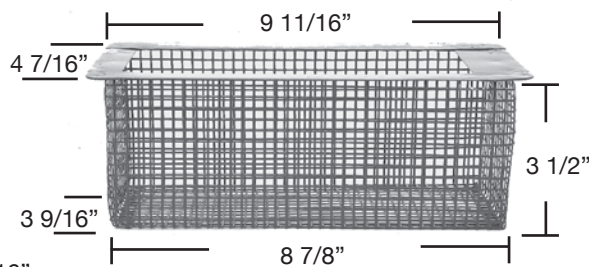
**B - 119**  
Hayward® SPX0125RLX  
(Powder Coated)



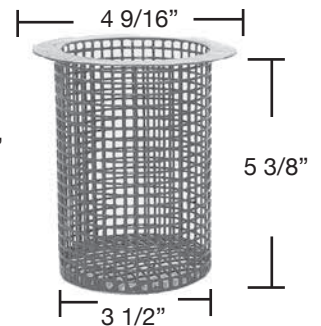
**B - 120**  
Sta-Rite® C108-34SS - 8"  
Pump Basket(Powder Coated)



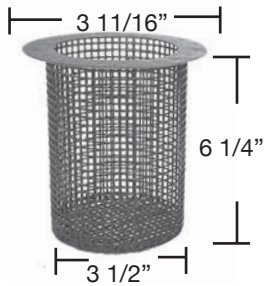
**B - 121**  
Sta-Rite® C108-25SS - 11" Pump  
Basket (Powder Coated)



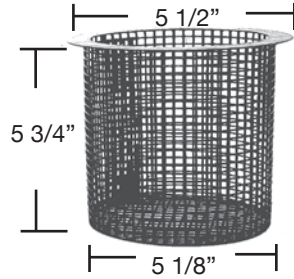
**B - 122**  
Jacuzzi® 16-0455-02-R  
(Powder Coated)



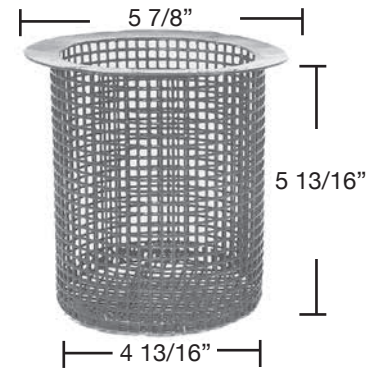
**B - 123**  
Marlow A-3 Series  
38075-00  
(Powder Coated)



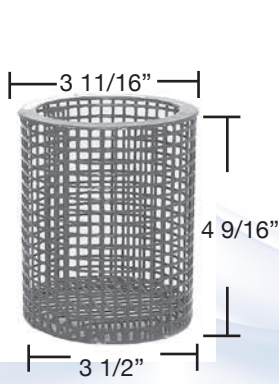
**B - 124**  
Marlow 25771-00  
(Powder Coated)



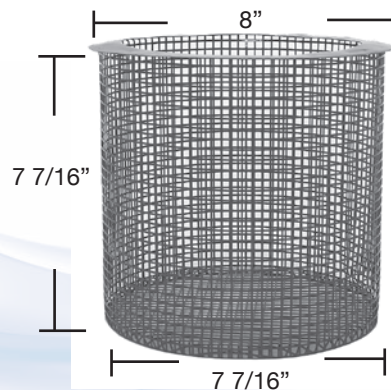
**B - 125**  
Marlow 25774-00  
(Powder Coated)



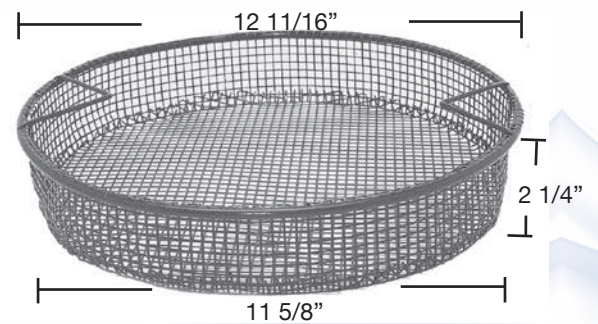
**B - 126**  
Marlow 39323-00  
(Powder Coated)



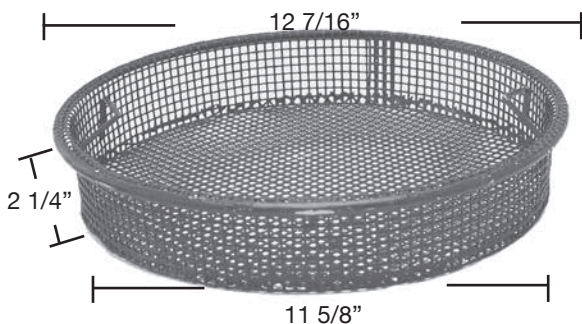
**B - 127**  
Marlow A-2 Series  
31660-00  
(Powder Coated)



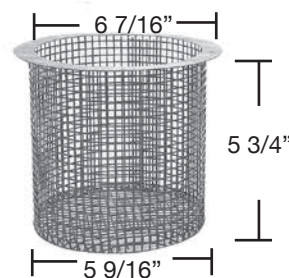
**B - 128**  
Marlow 35890-00  
(Powder Coated)



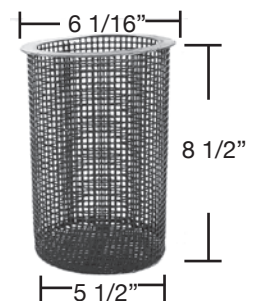
**B - 129**  
Landon Skim Filter Basket (Powder Coated)



**B - 130**  
Paddock Skim Filter Basket (Powder Coated)

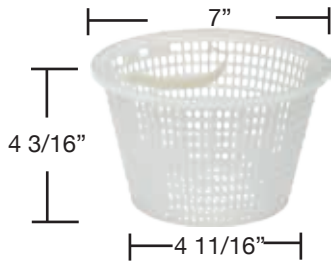


**B - 131**  
Premier Pump 3 to 5 H.P.  
39225-8 (Powder Coated)

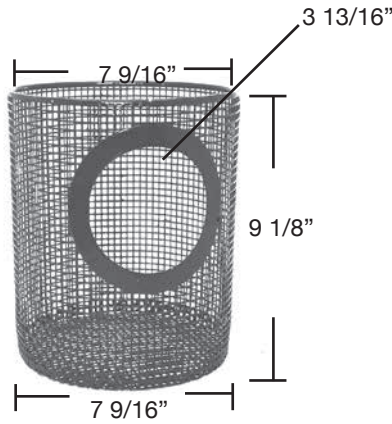


**B - 132**  
Pac Fab 3 H.P. to 5 H.P.  
353314  
(Powder Coated)

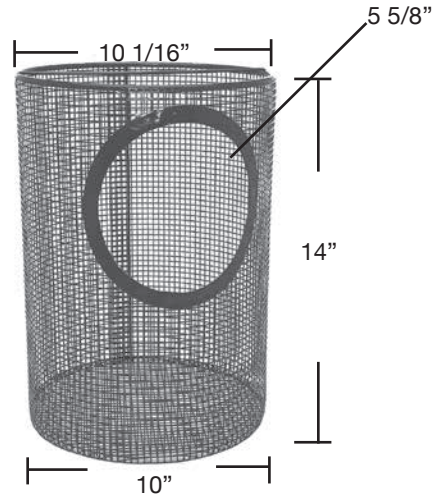
# Baskets



**B - 133**  
Sylvan Skimmer Basket  
59200107  
(Plastic)



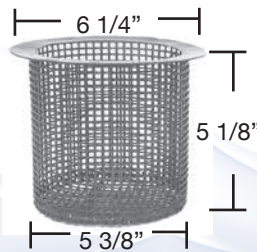
**B - 134**  
Marlow 28049-00  
(Powder Coated)



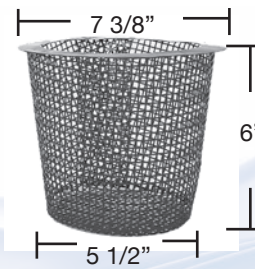
**B - 135**  
Marlow 28160-00  
(Powder Coated)



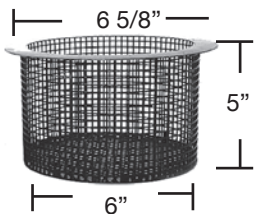
**B - 136**  
Baker Hydro 51B1026  
Purex P-01340  
(Plastic)  
See B-110 for Powder Coated



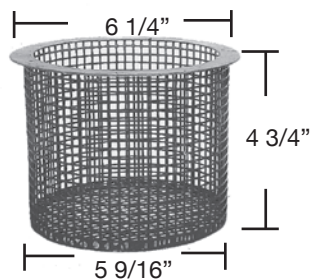
**B - 137**  
Marine 7650-4  
(Powder Coated)  
See B-171 for Plastic



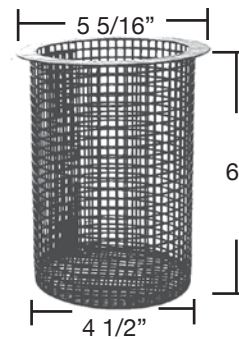
**B - 138**  
Marine 7111-0  
(Powder Coated)



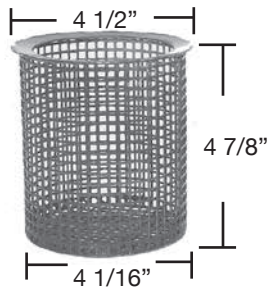
**B - 139**  
Marine MSS-095  
Swimrite 60-828-095  
(Powder Coated)



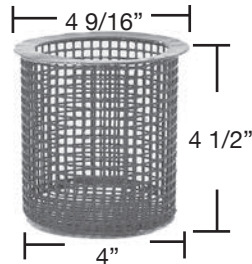
**B - 140**  
Swimrite  
Premier  
(Powder Coated)



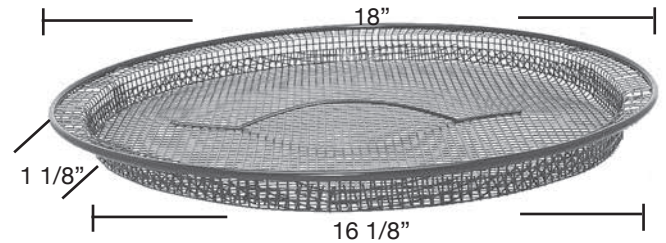
**B - 141**  
Pac Fab 353308  
(Powder Coated)



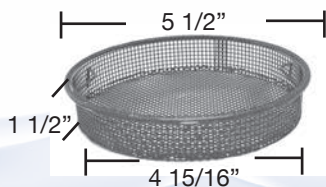
**B - 142**  
Pac Fab 352861  
Strainer for 590-460-700  
(Powder Coated)



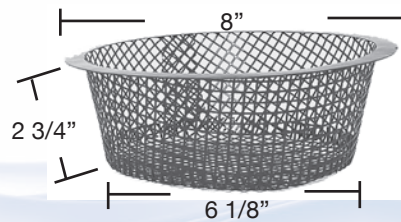
**B - 143**  
Swimrite 60-828-094  
(Powder Coated)



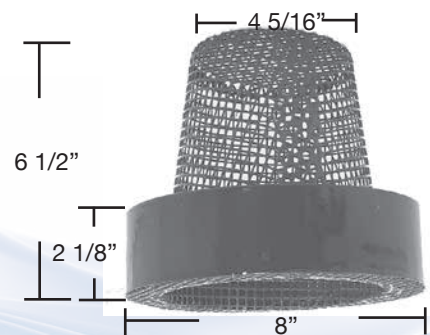
**B - 144**  
Marine 18" Skimmer  
99-0298-0  
(Powder Coated)



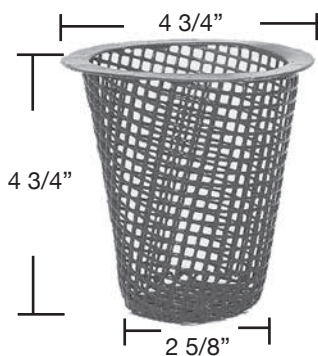
**B - 145**  
Esther Williams Skim Basket  
(Powder Coated)



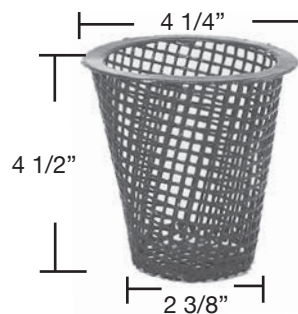
**B - 146**  
Pool Quip Basket 1400-5  
(Powder Coated)



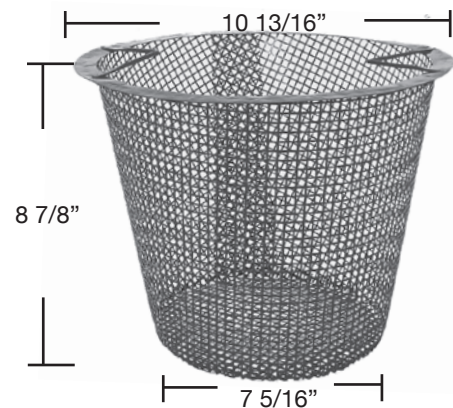
**B - 147**  
National U-12 Skimmer Basket  
(Powder Coated)



**B - 148**  
International Old Style  
10951-15  
(Powder Coated)

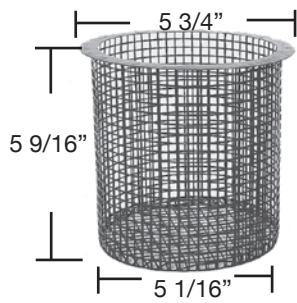


**B - 149**  
Purex PA-29 P-01931  
(Powder Coated)

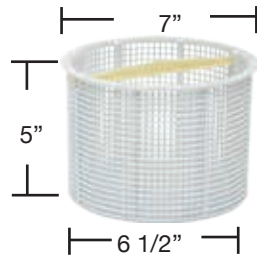


**B - 150**  
Purex C-29 11 in. S-01200  
Purex 'C' Series  
(Powder Coated)

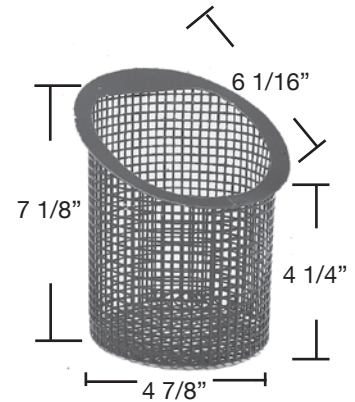
# Baskets



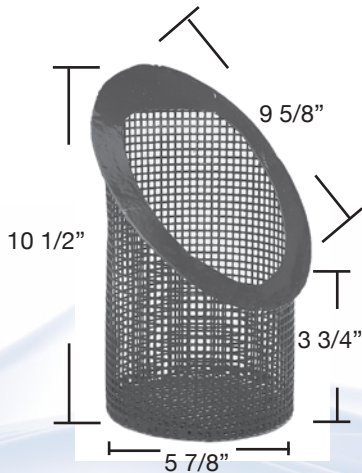
**B - 151**  
Purex L29 S-01400  
and AB-29 S-01100  
(Powder Coated)



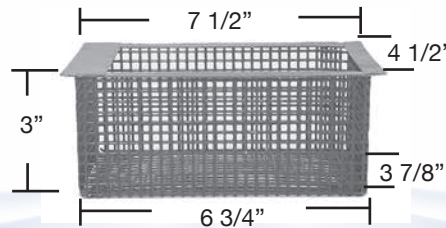
**B - 152**  
Hayward® SPX1082CA  
(Plastic)  
See B-116 for Powder Coated



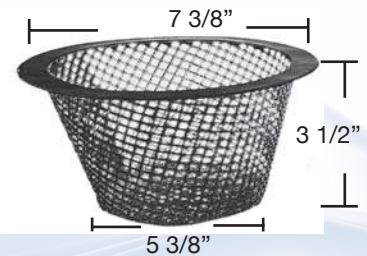
**B - 153**  
(Powder Coated)



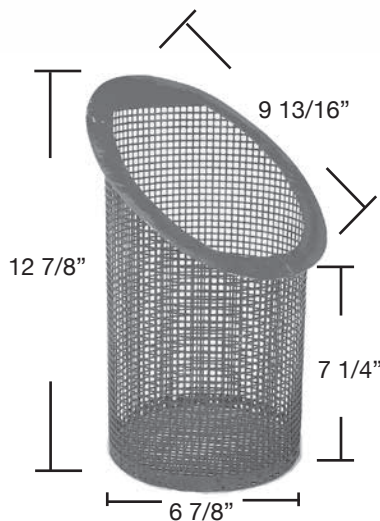
**B - 154**  
(Powder Coated)



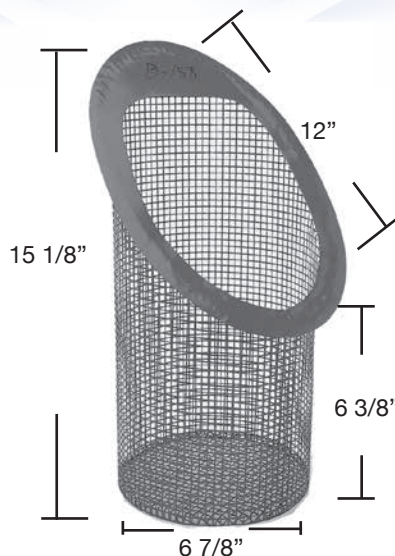
**B - 155**  
(Powder Coated)



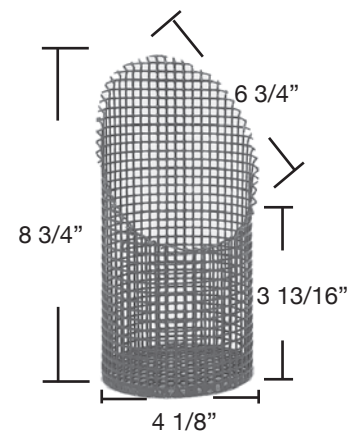
**B - 156**  
Pac Fab 513151 Commercial  
See B-43C for Plastic  
(Powder Coated)



**B - 157**  
Jacuzzi® 39-0227-02-R  
Models 55-56-505-506  
(Powder Coated)

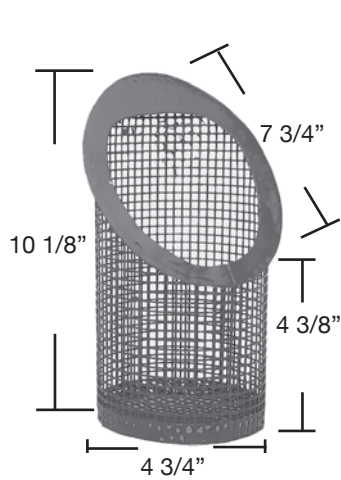


**B - 158**  
(Powder Coated)

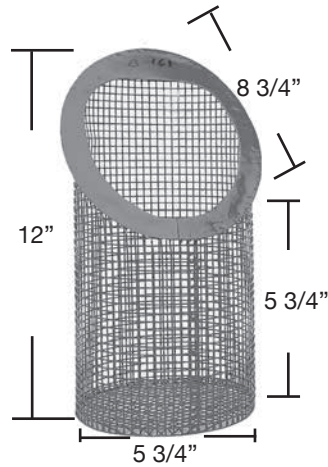


**B - 159**  
4" Mueller  
(Powder Coated)

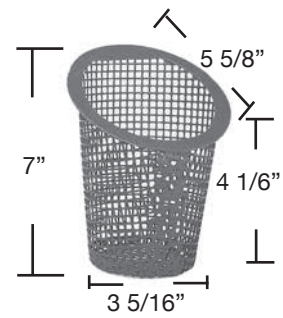




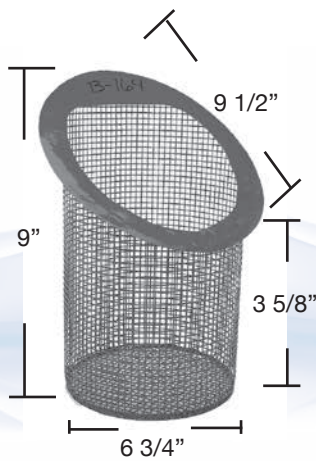
**B - 160**  
5" Mueller  
(Powder Coated)



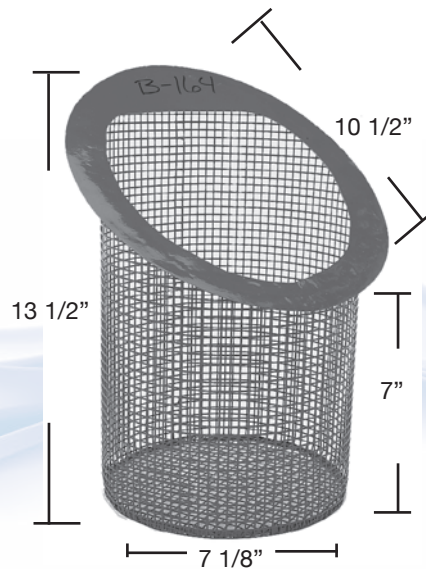
**B - 161**  
6" Mueller  
(Powder Coated)



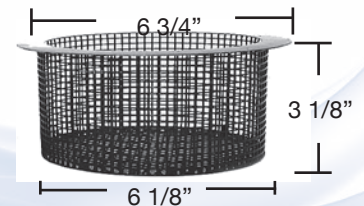
**B - 162**  
Swimquip™ P-61  
(Powder Coated)  
See B-11 for Plastic



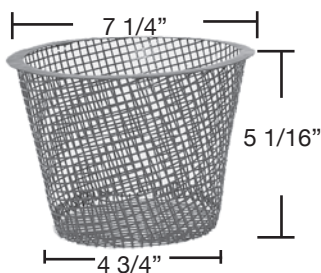
**B - 163**  
(Powder Coated)



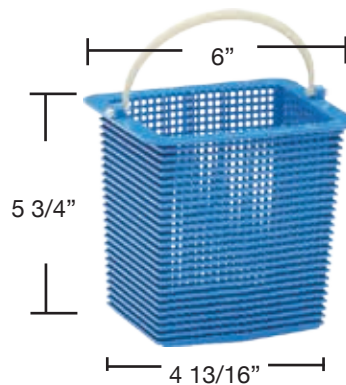
**B - 164**  
(Powder Coated)



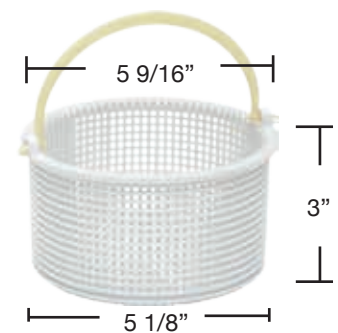
**B - 165**  
American Sanitary 40587  
(Powder Coated)



**B - 166**  
Paragon Skimmer B24904  
(Powder Coated)

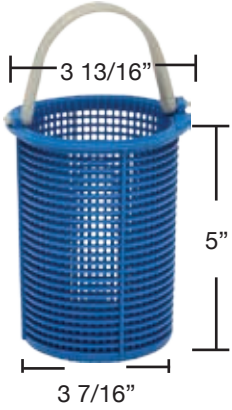


**B - 167**  
Hayward® SPX1600M Super Pump®  
(Plastic)



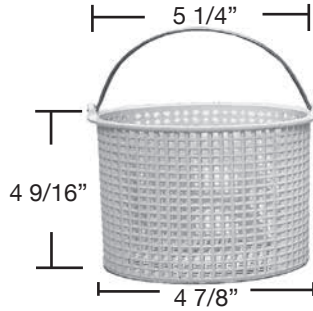
**B - 168**  
Hayward® SPX1096CA Skimmer  
(Plastic)  
See B-115 for Powder Coated

# Baskets



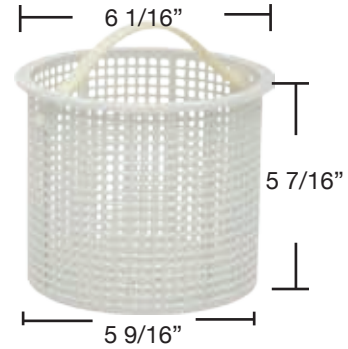
## B - 169

Hayward® SPX1250RA Pump Basket  
(Plastic)  
See B-114 for Powder Coated



## B - 170

Pac Fab 790 Pump Basket 353312  
P-24  
(Plastic)



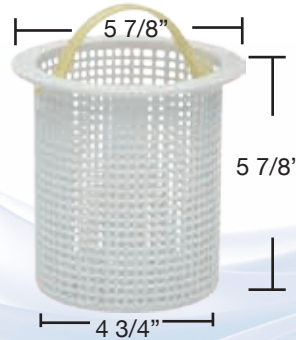
## B - 171

Marine 7650-4  
(Plastic)  
See B-137 for Powder Coated



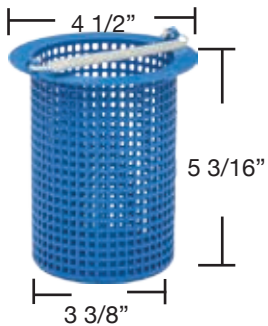
## B - 172

American Products® Skimmer 85003900  
(Plastic)



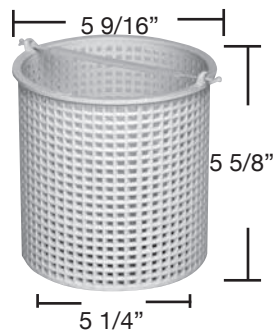
## B - 174

Marlow Noryl® 40584  
(Plastic)



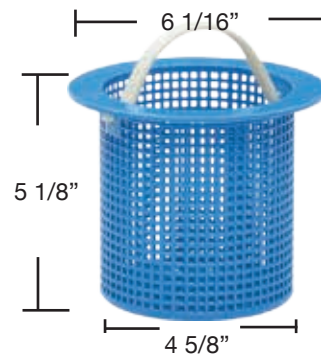
## B - 175

Marlow 38075  
Jacuzzi® 16-0240-02-R  
(Plastic)



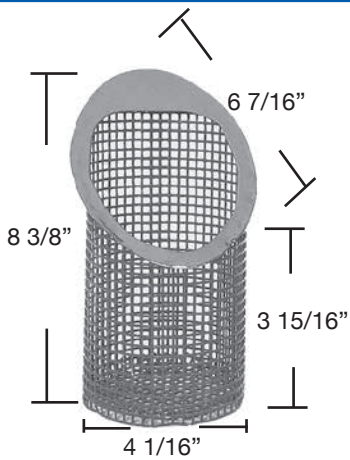
## B - 176

Marlow 25774-00  
(Plastic)

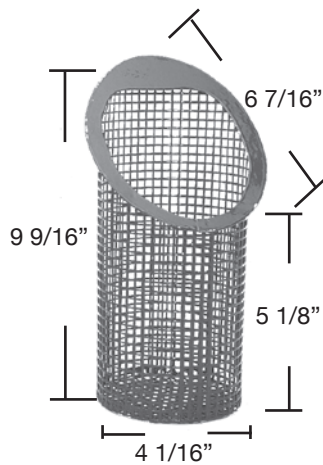


## B - 177

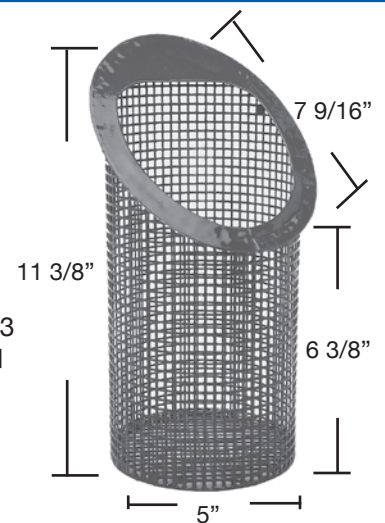
American Products® 39300400  
Noryl® Basket (Plastic)



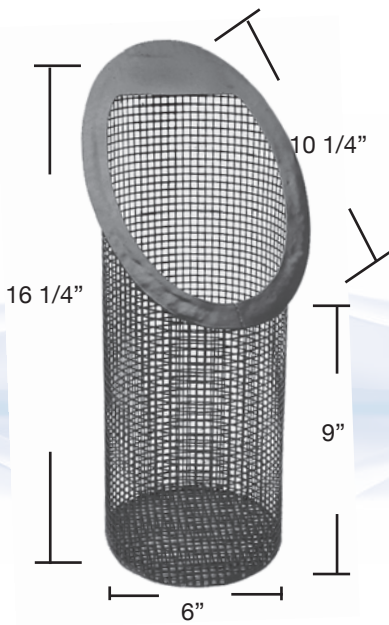
**B - 178**  
Swimquip™ 13382-3  
for 2 1/2" I.P.S. Screwed  
(Powder Coated)



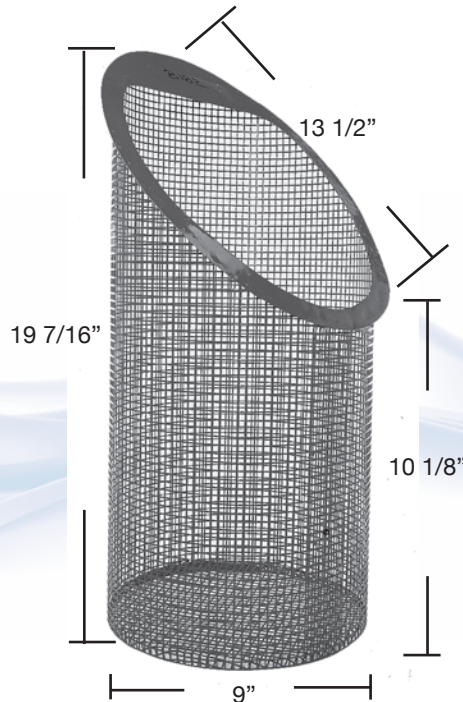
**B - 179**  
Swimquip™ 13402-3  
for 3" I.P.S. Flanged  
(Powder Coated)



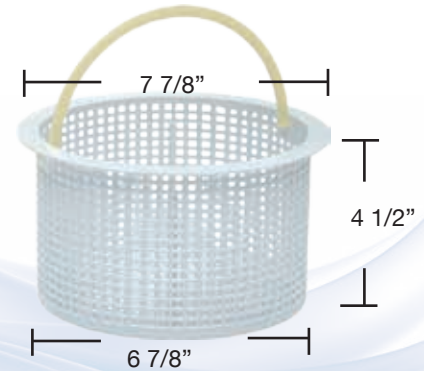
**B - 180**  
Swimquip™ 13442-3  
for 4" I.P.S. Flanged  
(Powder Coated)



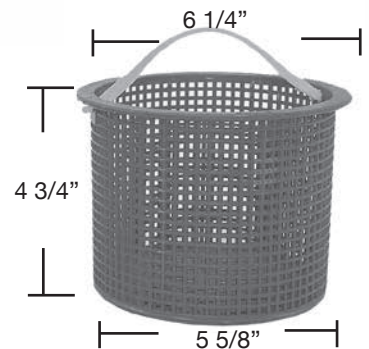
**B - 181**  
Swimquip™ 13562-3  
for 6" I.P.S. Flanged  
(Powder Coated)



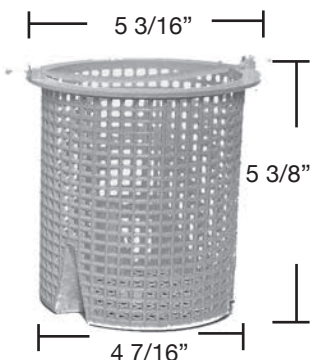
**B - 182**  
Swimquip™ 13582-3  
for 8" I.P.S. Flanged  
(Powder Coated)



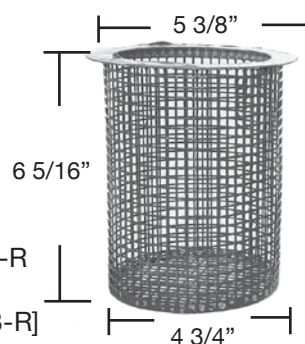
**B - 183**  
Jacuzzi® 43-0507-07-R Skimmer Basket  
(Plastic)  
See B-113 for Powder Coated



**B - 186**  
Wet Institute Pump Basket  
(Plastic)



**B - 184**  
Jacuzzi® 16-0964-06-R  
Skimmer Basket  
[replaced 16-0947-08-R]  
(Plastic)



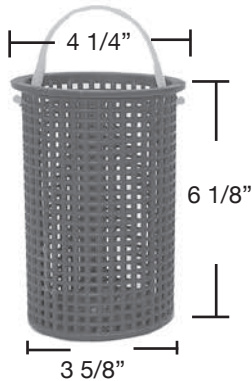
**B - 185** (Powder Coated)  
Hydro 700 Series  
Pump 35-2670  
See B-13 for Plastic

# Baskets



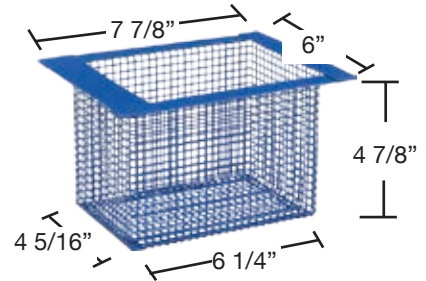
## B - 187/44

Swimquip™ 16200-9 XL6 [short]  
(Plastic)  
Same as B-44



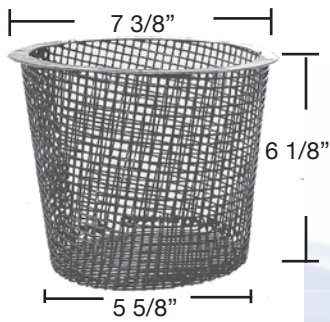
## B - 188/45

Swimquip™ 16200-7 XL6 (Long)  
(Plastic)  
See B-45 (Plastic)



## B - 189

Clayton-Lambert  
Skimmer Basket  
(Powder Coated)



## B - 190

Marine Skimmer Basket 850106  
(Powder Coated)

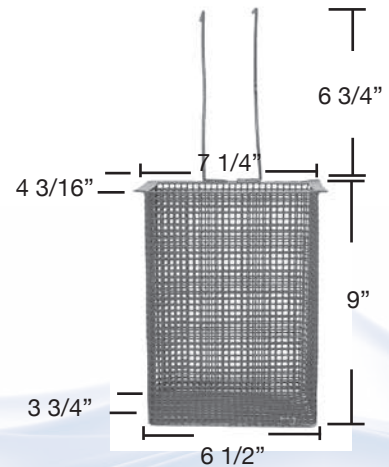


## B - 191

(Plastic)  
Buster Crabbe Aqua Genie  
Doughboy® 340-1139

## B - 191M

(Powder Coated)



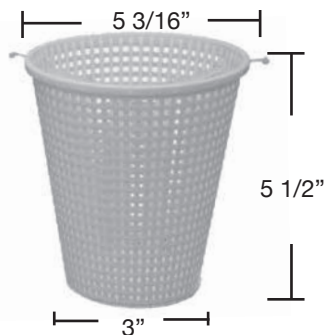
## B - 192

American Concrete Deck Filter  
Basket (Powder Coated)



## B - 193

Lomart 46-018 Strainer Bskt.  
(Plastic)



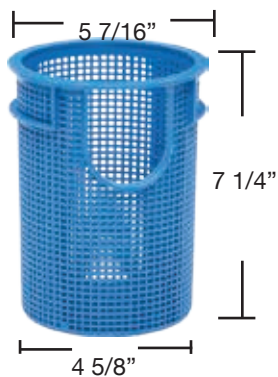
## B - 194

Lomart 46-036  
Strainer Bskt.  
(Plastic)



## B - 195

Lomart 43-044  
Strainer Bskt.  
(Plastic)



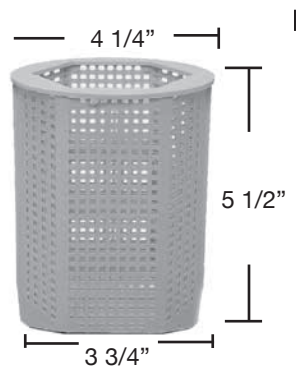
### B - 196

Swimquip™ 16920-0017  
for XL-VII (Plastic)



### B - 197

Lomart Skimmer 95-006  
Basket Model #4010  
(Plastic)



### B - 198

Doughboy® Skimmer  
1119-1000  
Sta-Rite® LT & LH  
Series Pump Basket  
C8-57P (Plastic)



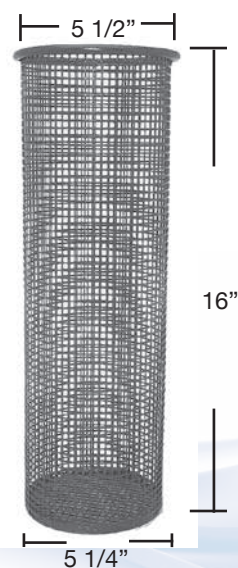
### B - 199

Aqua-Flo Dominator Pump Basket  
Purex Pump P-01325/07-0387  
Aquatron™/WhisperFlo®/IntelliFlo®  
(Plastic)



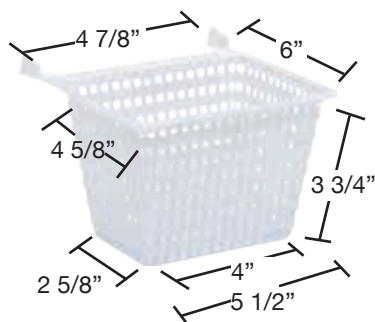
### B - 200

American S-20  
Skimmer 85014500  
(Plastic)



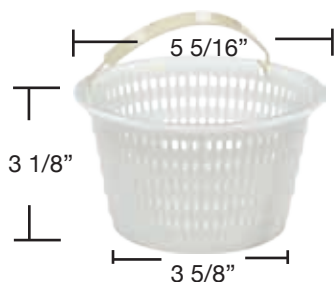
### B - 201

Rainbow™ -  
Leaf Trap 184  
(Powder Coated)



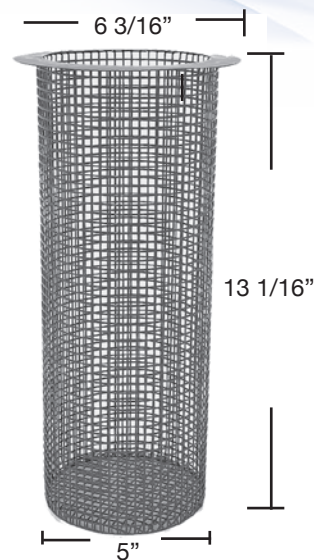
### B - 202

SV Skimmer (Plastic)  
Jacuzzi® 43-0676-02-R  
Hayward® SPX1099B



### B - 203

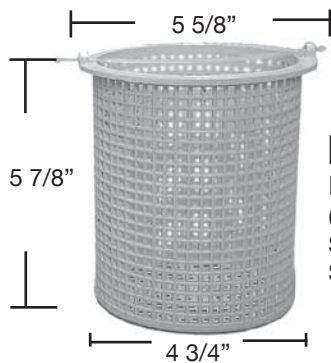
Hayward® SPX1094FA  
(Plastic)



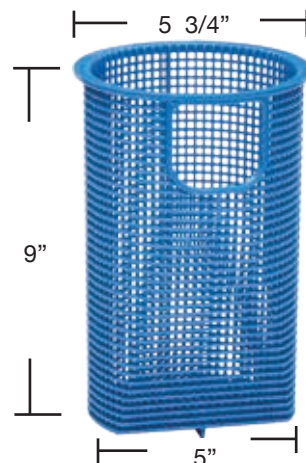
### B - 204

Rainbow™ 179  
In Line Leaf Trap  
(Powder Coated)

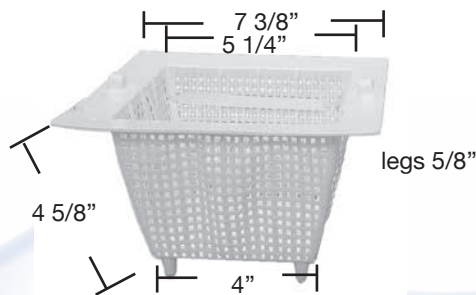
# Baskets



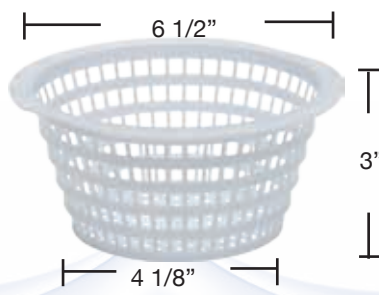
**B - 206**  
Pac Fab 352670  
(Plastic)  
See B-185 for Powder Coated  
Same as B-13



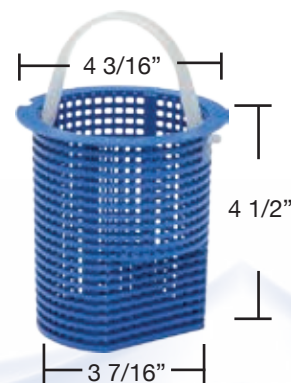
**B - 207**  
Hayward® Super II™  
SPX3000M  
(Plastic)



**B - 208**  
Swimquip™ Sentinel Skimmer 8660-2  
(Plastic)



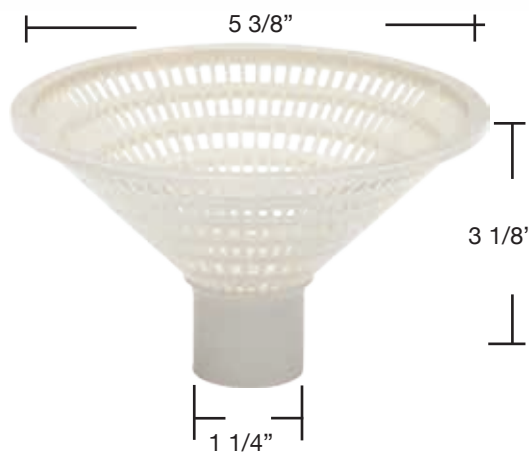
**B - 209**  
Aqua Leader® Skimmer  
Basket ALS003  
(Plastic)



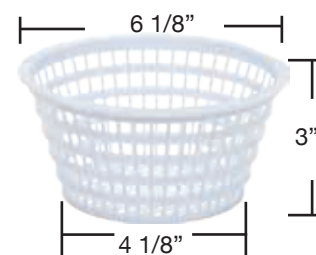
**B - 210**  
Coleco Pump Basket 33591  
(Plastic)



**B - 211**  
Muskin Pump Basket 097-6902  
(Plastic)

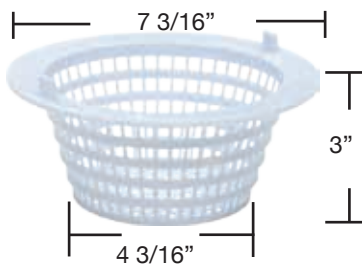


**B - 212**  
Muskin Cone Strainer 098-7061  
(Plastic)

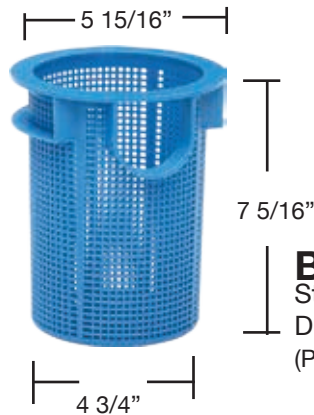


**B - 213**  
Olympic Skimmer Basket  
ACM88  
(Plastic)

# Baskets



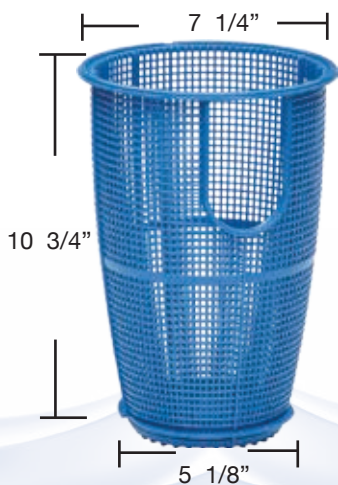
**B - 214**  
Seasonmaster with tabs  
SMS004  
(Plastic)



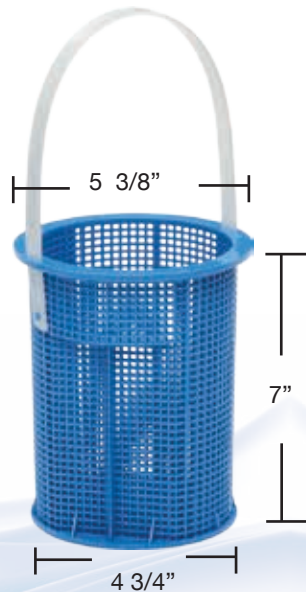
**B - 215**  
Sta-Rite® Max-E-Glas® II  
Dura-Glas® II C8-58P  
(Plastic)



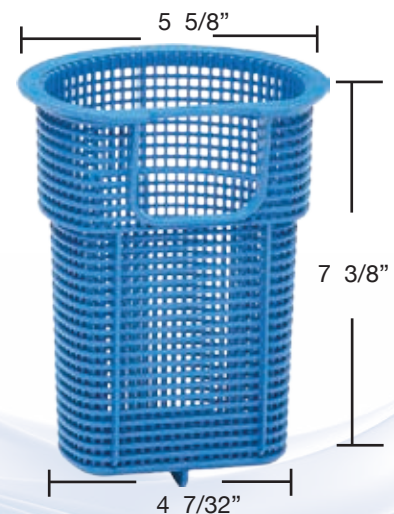
**B - 217**  
Swimquip™ 09656-0114  
Above Ground Skimmer  
Basket (Plastic)



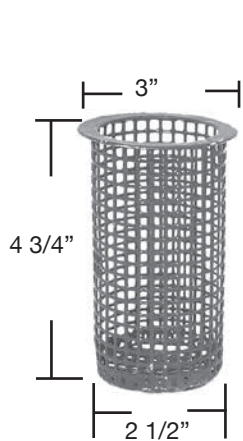
**B - 218**  
Hayward® NorthStar™  
SPX4000M (Plastic)



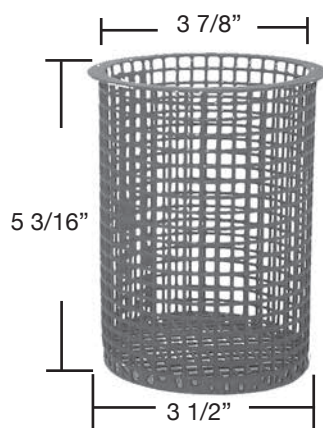
**B - 219**  
Pac Fab Challenger®  
355318 (Plastic)



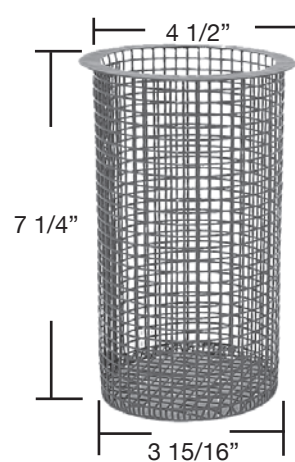
**B - 220**  
Hayward® Power-Flo®  
SPX1500LX (Plastic)



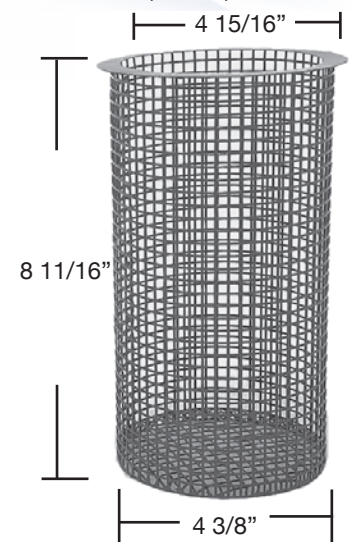
**B - 310**  
Hayward® SPSTX310SHX  
(Powder Coated)



**B - 315**  
Hayward® SPSTX315SHX  
(Powder Coated)

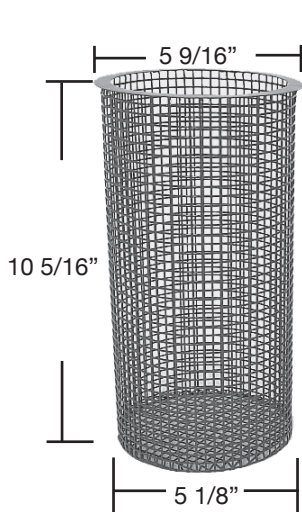


**B - 325**  
Hayward® SPSTX325SHX  
(Powder Coated)

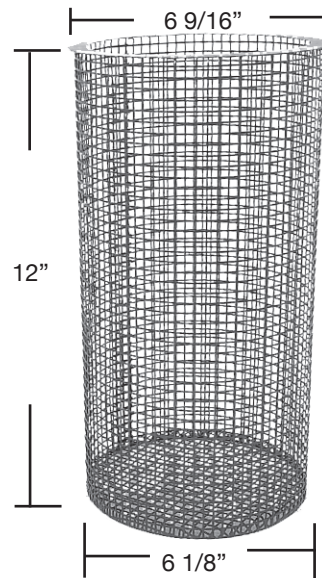


**B - 330**  
Hayward® SPSTX330SHX  
(Powder Coated)

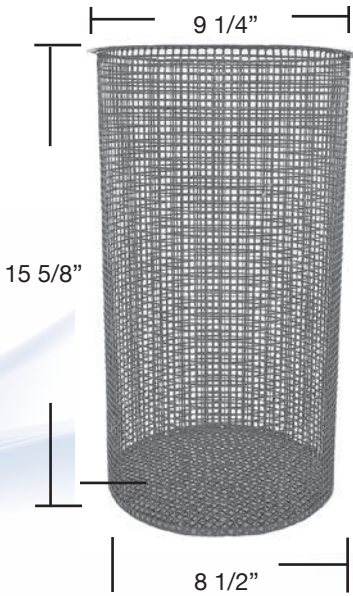
# Baskets



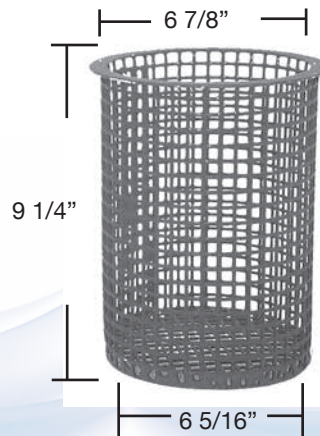
**B - 335**  
Hayward® SPSTX335SHX  
(Powder Coated)



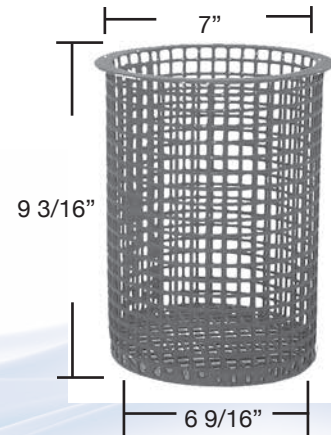
**B - 340**  
Hayward® SPSTX340SHX  
(Powder Coated)



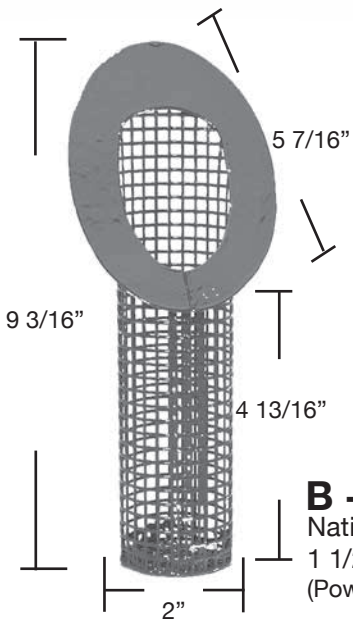
**B - 345**  
Hayward® SPSTX345SHX  
(Powder Coated)



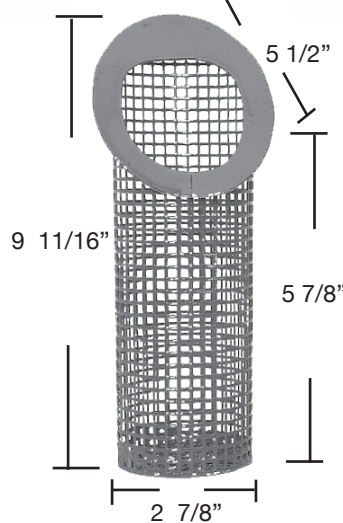
**B - 350**  
Hayward® SPSTX350SHX  
(Powder Coated)



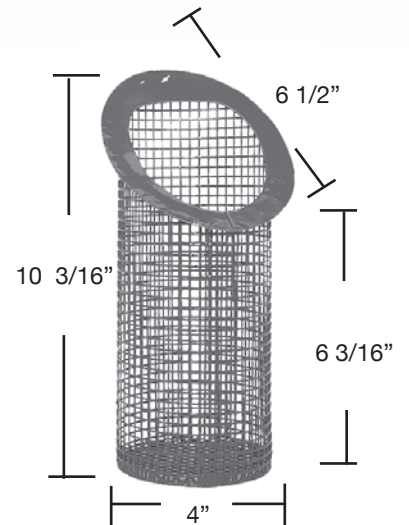
**B - 355**  
Hayward® SPSTX355SHX  
(Powder Coated)



**B - 822**  
National  
1 1/2" & 2" 53822  
(Powder Coated)



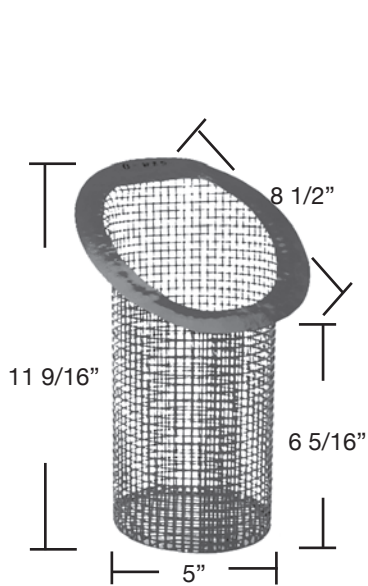
**B - 823**  
National 3" 53823  
(Powder Coated)



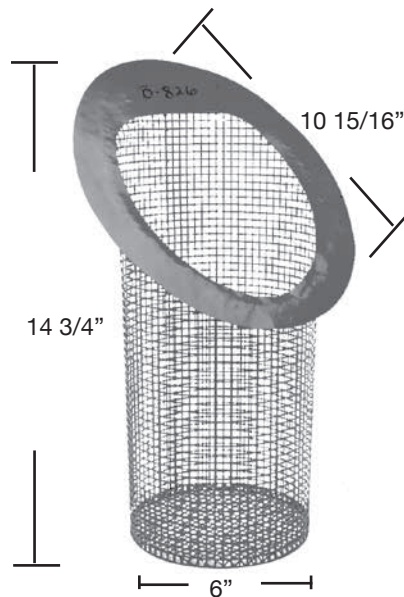
**B - 824**  
National 4" 53824  
(Powder Coated)

Baskets

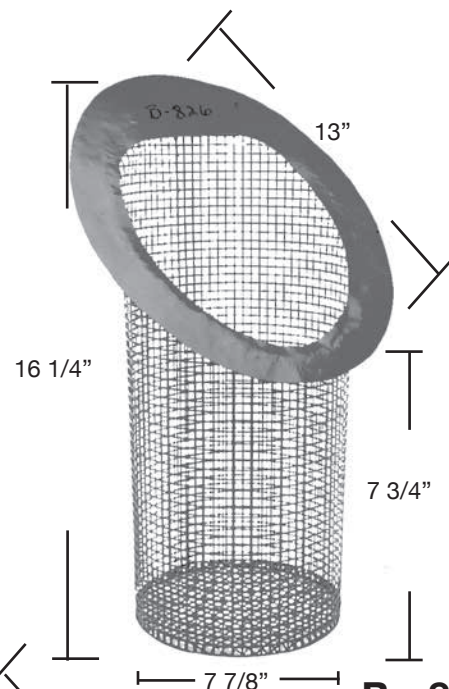




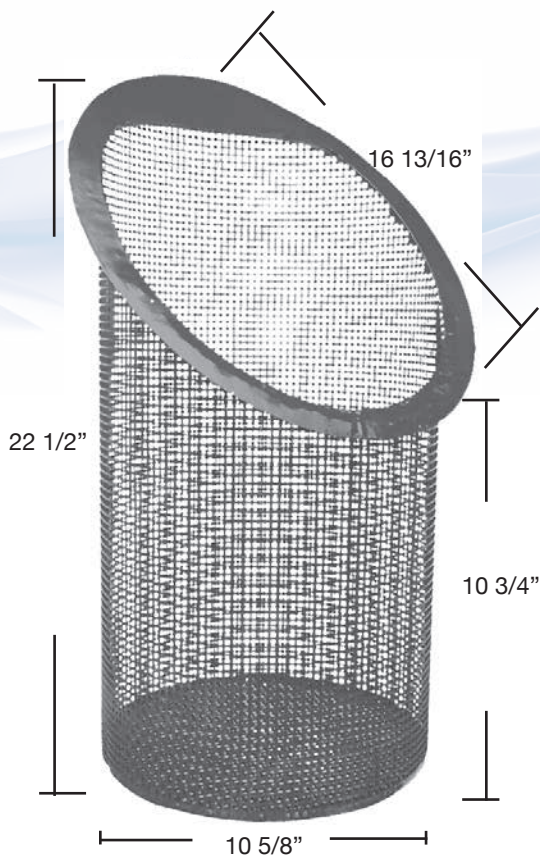
**B - 825**  
National 5" 53825  
(Powder Coated)



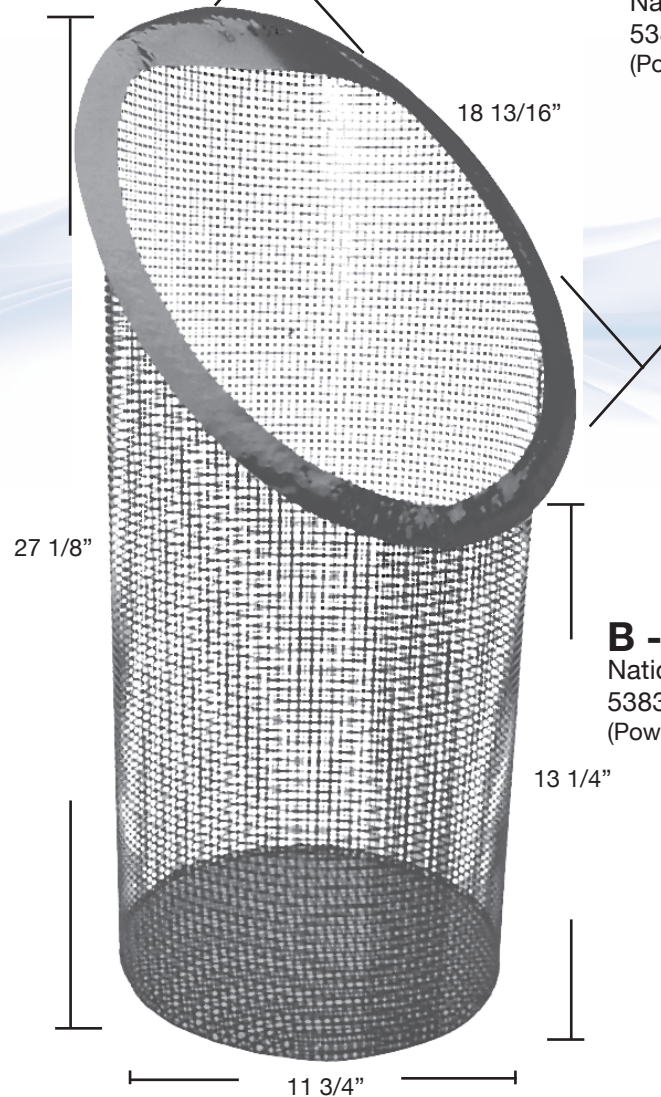
**B - 826**  
National 6" 53826  
(Powder Coated)



**B - 828**  
National 8" 53828  
(Powder Coated)



**B - 830**  
National 10" 53830  
(Powder Coated)

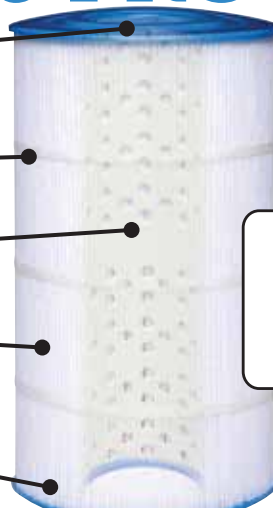


**B - 832**  
National 12" 53832  
(Powder Coated)

# Replacement Cartridges

## Service-PRO

- Top End Cap has Embossed Part Number
- Stretch and break resistant pleat bands
- Sure Flow Molded Core
- 100% Polyester Media 3 oz.
- High Impact End Caps with Antifungal Biocide Added



Now Made With



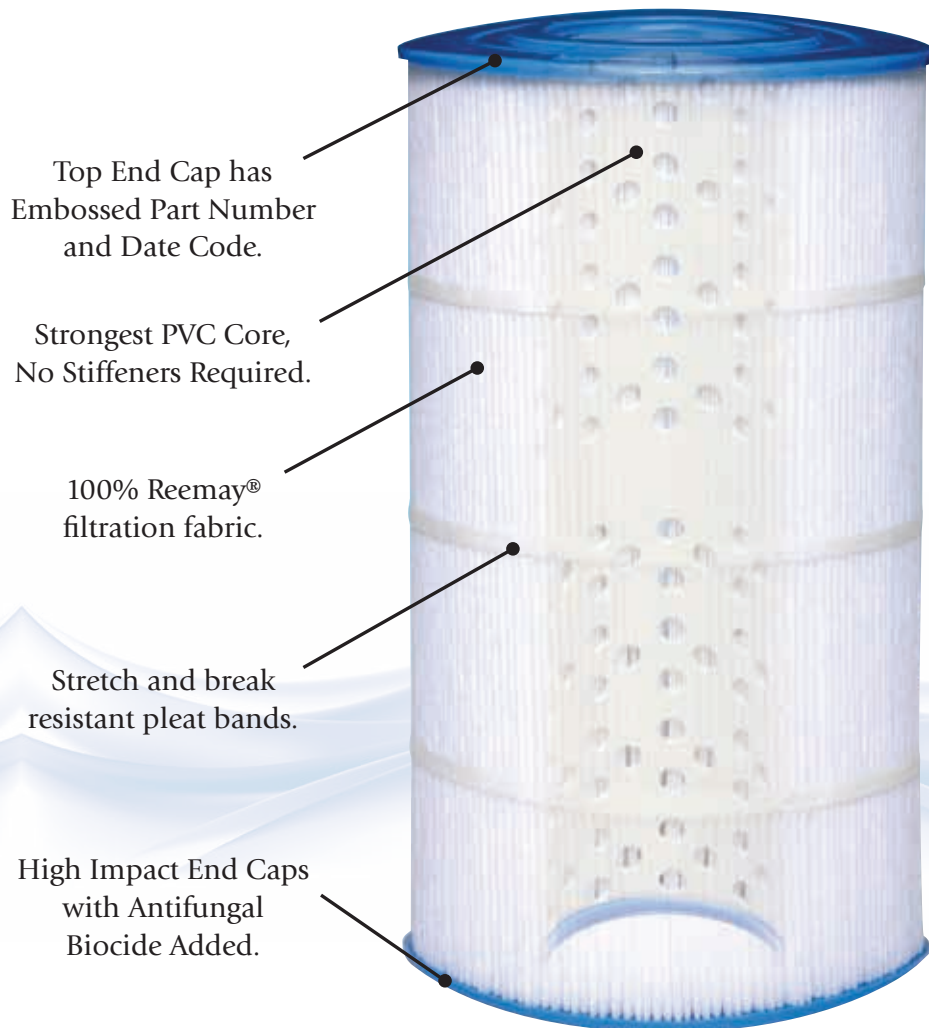
**REEMAY**®

FILTRATION FABRIC

Aladdin	Manufacture	Description	Unicel® #	Pleatco #	O.D.	LGTH	I.D.	Sq. Ft.
19946SVP	HAYWARD®	CX100XREBVS	C-8408	PA100S	10 3/10"	19 1/2"	4	100
20526SVP	HAYWARD®	CX150XREBVS	C-8414	PA150S	10 3/10"	3 3/16"	4	150
29921SVP	HAYWARD®	CX200XREBVS	C-8420	PA200S	10 3/10"	28 5/16"	4	200
28002SVP	HAYWARD®	CX1900RE	C-8420	PA190	8 15/16"	28 3/16"	4	190
27501SVP	HAYWARD®	CX1750RE	C-8417	PA175-4	8 15/16"	28 3/16"	4	175
22002SVP	HAYWARD®	CX1200RE	C-8412	PA120-4	8 15/16"	23 3/8"	4	120
19002SVP	HAYWARD®	CX900RE	C-8409	PA90-4	8 15/16"	17 3/8"	4	90
19935SVP	HAYWARD®	CCX1000RE XStream®	C-8311	PXST100	8 15/16"	17 3/8"	4	100
25014SVP	HAYWARD®	CCX1500RE XStream®	C-8316	PXST150	8 15/16"	23 5/16"	4	150
27503SVP	HAYWARD®	CCX1750RE XStream®	C-8317	PXST175	8 15/16"	23 3/8"	4	175
19905SVP	HAYWARD®	CX1100RE	C-8610	PA100-4	8 1/2"	23 5/16"	4 1/16	100
17507SVP	HAYWARD®	CX1500RE 2X75	C-8600	PA80-4 (2)	8 1/2"	17 3/8"	4 1/16	75
17507SVP	HAYWARD®	CX800RE	C-8600	PA80-4	8 1/2"	17 3/8"	4 1/16	75
25014SVP	JANDY®	CS150	C-8414	PJANCS150-4	8 15/16"	23 5/16"	4	150
19939SVP	JANDY®	CS100	C-8410	PJANCS100-4	8 15/16"	23 5/16"	4	100
15036SVP	PENTAIR®	CLEAN & CLEAR® /PREDATOR™ 50	C-9405	PAP50-4	10 1/16 "	8 9/16 "	6	50
17525SVP	PENTAIR®	CLEAN & CLEAR® /PREDATOR™ 75	C-9407	PAP75-4	10 1/16 "	16 1/8"	6	75
19916SVP	PENTAIR®	CLEAN & CLEAR® /PREDATOR™ 100	C-9410	PAP100-4	10 1/16 "	23 5/8"	6	100
25005SVP	PENTAIR®	CLEAN & CLEAR® /PREDATOR™ 150	C-9415	PAP150-4	10 1/16 "	31 1/8 "	6	150
29902SVP	PENTAIR®	CLEAN & CLEAR® /PREDATOR™ 200	C-9419	PAP200-4	10 1/16 "	31 1/8 "	6	200
25019SVP	STA-RITE®	PXC-150	C-8416	PA175	8 15/16"	28 3/16"	4	150
22508SVP	STA-RITE®	PXC-125	C-8413	PWWPC125B	8 15/16"	28 3/16"	4	125
19002SVP	STA-RITE®	PXC-95	C-8409	PA90-4	8 15/16"	17 3/8"	4	90
17530SVP	STA-RITE®	PXC-75	C-8411	PA76-4	8 15/16"	17 3/8"	4	75
17201SVP	STA-RITE®	POSI-FLO 70	UHD-SR70	PSR70-4	8 11/16"	18 3/16"	4 3/16	70
20201SVP	STA-RITE®	POSI-FLO 100	UHD-SR100	PSR100-4	8 11/16"	25 11/16 "	4 3/16	100
25019SVP	WATERWAY™	PRO CLEAN 150	C-8416	PWWPC150B	8 15/16"	28 3/16"	4	150
22508SVP	WATERWAY™	PRO CLEAN 125	C-8413	PWWPC125B	8 15/16"	28 3/16"	4	125
27501SVP	WATERWAY™	PRO CLEAN 175	C-8417	PWWPC175-4	8 15/16"	28 3/16"	4	175
22002SVP	WATERWAY™	PRO CLEAN 125	C-8412	PWWPC125-4	8 15/16"	23 3/8"	4	120
22002SVP	WATERWAY™	CLEARWATER II 125	C-8412	PWWCT125-4	8 15/16"	23 3/8"	4	120
25014SVP	WATERWAY™	PRO CLEAN 150	C-8414	PWWCT150-4	8 15/16"	23 5/16"	4	150
29916SVP	WATERWAY™	CLEARWATER II 200	C-8419	PWWCT200	8 15/16"	23 5/16"	4	200
19002SVP	WATERWAY™	PRO CLEAN 100	C-8409	PA90-4	8 15/16"	17 3/8"	4	90
19002SVP	WATERWAY™	CLEARWATER II 100	C-8409	PA90-4	8 15/16"	17 3/8"	4	90
17530SVP	WATERWAY™	CLEARWATER II 75	C-8411	PA76-4	8 15/16"	17 3/8"	4	75
17530SVP	WATERWAY™	PRO CLEAN 75	C-8411	PA76-4	8 15/16"	17 3/8"	4	75
28002SVP	WATERWAY™	PRO CLEAN 200	C-8420	PWWPC200-4	8 15/16"	28 3/16"	4	200
25014SVP	WATERWAY™	CLEARWATER II 150	C-8414	PWWCT150	8 15/16"	23 5/16"	4	150

Filters

## WorldPool® The Core of Our Success!



Top End Cap has Embossed Part Number and Date Code.

Strongest PVC Core, No Stiffeners Required.

100% Reemay® filtration fabric.

Stretch and break resistant pleat bands.

High Impact End Caps with Antifungal Biocide Added.

Our enhanced core design provides for optimal water flow, efficient filtration, and increased strength. Aladdin WorldPool® cartridges are made with Reemay® filtration fabric which is engineered for its efficiency, durability, and high dirt-holding capacity.



Now Made With



REEMAY® is a registered trademark of PGI Specialty Materials



# Replacement Cartridges

## Aber Hot Tub

Sq. Ft.	O.D.	Length	Filter	OEM	Unicel®	Pleatco	Aladdin
35	4-15/16"	9-1/4"			C-4335	PRB35-IN	13501
47	6"	9-1/8"			6CH-47	PTL47W-P4	14701
45	6"	8-1/4"			6CH-940	PWW50P3	14510

## Accent Spas

Sq. Ft.	O.D.	Length	Filter	OEM	Unicel®	Pleatco	Aladdin
10	4-1/4"	4"			C-4310	PWW10	11003
25	4-15/16"	13-5/16"			C-4625	PRB25-IN-4	12502
40	4-15/16"	11-1/4"			C-4339	PWW40	14011
50	4-15/16"	13-5/16"			C-4950	PRB50-IN	15002

## Acryx-Maax Spas (Canada)

Sq. Ft.	O.D.	Length	Filter	OEM	Unicel®	Pleatco	Aladdin
25	4-15/16"	13-5/16"			C-4625	PRB25-IN-4	12502
37	4-15/16"	13-5/16"			C-4637	PRB37-IN-4	13701
50	4-15/16"	13-5/16"			C-4950	PRB50-IN	15002
95	4-15/16"	23-5/8"			C-4995	PCAL100	19501

## Addison Spas

Sq. Ft.	O.D.	Length	Filter	OEM	Unicel®	Pleatco	Aladdin
50	4-5/8"	14-3/4"			4CH-50	PTL50P4-4	15016

## Advanced Spa Design

Sq. Ft.	O.D.	Length	Filter	OEM	Unicel®	Pleatco	Aladdin
25	4-5/8"	9-3/4"			4CH-24	PGS25P4	12519
50	4-5/8"	14-3/4"			4CH-50	PTL50P4-4	15016
22	5-3/16"	11-7/8"			C-5621	PTL25H-P4-4	12202
50	6"	9-1/8"			6CH-47	PTL47W-P4	14701
50	6"	13-7/16"			6CH-50	PTL50W-SV-P4-4	15017
75	6"	14-3/4"			C-6475	PTL50W-P4	17512

## Advantage Mfg.

Sq. Ft.	O.D.	Length	Filter	OEM	Unicel®	Pleatco	Aladdin
25	4-15/16"	14-7/8"		ELE-25	C-4301	PMT27.5	12801
25	4-15/16"	14-9/16"		ELE-25-1	C-4308	POX25-IN	12532
50	4-15/16"	17-3/8"		ELE-50	C-4349	PAE50	15040
75	7-1/4"	14-9/16"		ELE-75	C-7301	PAE75	17535
100	7-1/4"	21-5/8"		ELE-100	C-7302	POX100	19923
150	7-1/4"	28-13/16"		ELE-150	C-7303	PAE150	25008

## Advantage Spa see also Advantage Mfg.

Sq. Ft.	O.D.	Length	Filter	OEM	Unicel®	Pleatco	Aladdin
50	4-15/16"	17-3/8"		ELE-50	C-4349	PAE50	15040

## After Hours Spas see Hydro Spas

# Replacement Cartridges

## Airwick

Sq. Ft.	O.D.	Length	Filter	OEM	Unicel®	Pleatco	Aladdin
50	10-1/16"	17-1/2"			C-9950	N/S	15037
70	10-1/16"	19-5/8"			C-9970	PVAC70-6	17001
100	10-1/16"	19-5/8"			C-9999	PVAC100-6	19917
150	10-1/16"	19-5/8"			N/S	N/S	25012

## Aladdin

Sq. Ft.	O.D.	Length	Filter	OEM	Unicel®	Pleatco	Aladdin
75	8-1/2"	18-1/4"	Scamp Portable Filter System (before 2006)			N/S	17516
100	8-1/2"	18-1/4"	Scamp Portable Filter System (before 2006)			N/S	19912

## Alcove

Sq. Ft.	O.D.	Length	Filter	OEM	Unicel®	Pleatco	Aladdin
19	4-5/8"	8"			4CH-21	PA17/PA13/ PTL18P4-4	11901
8	3-1/4"	9-3/4"			C-3608	PS9-4	10805

## Alps Spas

Sq. Ft.	O.D.	Length	Filter	OEM	Unicel®	Pleatco	Aladdin
25	4-15/16"	13-5/16"			C-4625	PRB25-IN-4	12502
50	4-15/16"	13-5/16"			C-4950	PRB50-IN	15002

## American Classic Spas

Sq. Ft.	O.D.	Length	Filter	OEM	Unicel®	Pleatco	Aladdin
50	4-5/8"	14-3/4"			4CH-50	PTL50P4-4	15016

American Products® see Pentair Pool Products® - American Products® Replacements

## American Spas

Sq. Ft.	O.D.	Length	Filter	OEM	Unicel®	Pleatco	Aladdin
25	6"	7"			6CH-26	PTL25W-SV-P4-4	12521
50	6"	8-1/4"			6CH-940	PWW50P3	14510
50	4-15/16"	13-5/16"			C-4950	PRB50-IN	15002

## Amish Country

Sq. Ft.	O.D.	Length	Filter	OEM	Unicel®	Pleatco	Aladdin
35	5-3/16"	11-7/8"			C-5423	PPM35TC	13401
60	5-3/16"	19-5/8"			C-5434	PPM60TC	15801
25	5-3/16"	11-7/8"			C-5626	PPM25-4	12518
40	5-3/16"	19-5/8"			C-5637	PPM40-4	14006

## Apollo Spas

Sq. Ft.	O.D.	Length	Filter	OEM	Unicel®	Pleatco	Aladdin
25	4-5/8"	11-7/8"			C-4325	PA225-4	12501
25	4-15/16"	13-5/16"			C-4326	PRB25-IN-4	12502
25	4-5/8"	11-7/8"			C-4327	PA225-4	12511
35	4-15/16"	4-5/8"			C-4401	PRB17.5SF-JH-PAIR	11802
50	4-15/16"	13-5/16"			C-4950	PRB50-IN	15002
25	5-11/16"	10-3/8"			C-5601	PJW23-4	12512

# Replacement Cartridges

## Aqua Mystic

Sq. Ft.	O.D.	Length	Filter	OEM	Unicel®	Pleatco	Aladdin
25	4-15/16"	13-5/16"			C-4326	PRB25-IN-4	12502
50	4-15/16"	13-5/16"			C-4950	PRB50-IN	15002

## Aqua Spa

Sq. Ft.	O.D.	Length	Filter	OEM	Unicel®	Pleatco	Aladdin
20	4-5/8"	9-3/4"			C-4402	PAQ25-N	12006
25	6"	9-3/4"			C-6601	PTL25W-P4-4	12529

## Aqua Tech Spas

Sq. Ft.	O.D.	Length	Filter	OEM	Unicel®	Pleatco	Aladdin
50	4-5/8"	14-3/4"			4CH-50	PTL50P4-4	15016
35	4-15/16"	4-5/8"			C-4401	PRB17.5SF-JH-PAIR	11802
50	4-15/16"	13-5/16"			C-4950	PRB50-IN	15002

## Aquatemp

Sq. Ft.	O.D.	Length	Filter	OEM	Unicel®	Pleatco	Aladdin
50	6-1/16"	12-1/16"	550	84-92028	C-6405	POX50	15027
50	6-1/16"	12-1/16"	650	84-92028	C-6405	POX50	15027
50	6-1/16"	12-1/16"	1050	84-92028	C-6405	POX50	15027
75	6-1/16"	18"	675	84-92029	C-6408	PAQ75	17534
75	6-1/16"	18"	575	84-92029	C-6408	PAQ75	17534
75	6-1/16"	18"	1075	84-92029	C-6408	PAQ75	17534
65	7-1/4"	14-3/4"	2065	84-92288	C-7619	PAQ65	16508
75	7-1/4"	21-13/16"	2075	84-92287	C-7620	N/S	17537
75	9"	11-7/16"	3075	84-92311	C-9601	N/S	17538
100	9"	15"	3100	84-92312	C-9602	N/S	19927
150	9"	22-5/8"	3150	84-92313	C-9603	N/S	25010

Aquatic Industries see Safari Spas

## Aquiform-Infinity Spas

Sq. Ft.	O.D.	Length	Filter	OEM	Unicel®	Pleatco	Aladdin
50	4-15/16"	13-5/16"			C-4950	PRB50-IN	15002

Arctic Spas see Blue Falls Mfg. Ltd.

## Aries Spas

Sq. Ft.	O.D.	Length	Filter	OEM	Unicel®	Pleatco	Aladdin
25	4-15/16"	13-5/16"			C-4625	PRB25-IN-4	12502

## Arizona Pacific

Sq. Ft.	O.D.	Length	Filter	OEM	Unicel®	Pleatco	Aladdin
35	6"	9-7/8"			6CH-35	PTL35W-P4-4	13505
50	6"	13-7/16"			6CH-50	PTL50W-SV-P4-4	15017
35	4-15/16"	4-5/8"			C-4401	PRB17.5SF-JH-PAIR	11802
50	4-15/16"	6-5/8"			C-4405	PRB25SF-JH-PAIR	12504
50	4-15/16"	13-5/16"			C-4950	PRB50-IN	15002

# Replacement Cartridges

## Artesian Spas

Sq. Ft.	O.D.	Length	Filter	OEM	Unicel®	Pleatco	Aladdin
25	6"	7"			6CH-26	PTL25W-SV-P4-4	12521
35	7"	8"			7CH-322	PCS32-2/PAS35-2	13202

## Associated Leisure Products see Alps Spas

## Astral

Sq. Ft.	O.D.	Length	Filter	OEM	Unicel®	Pleatco	Aladdin
50	8-7/8"	10"	Terra 50	18218R0100	C-8449	PAST50	15039
75	8-7/8"	14-3/4"	Terra 75	18219R0100	C-8474	PAST75	17532
100	8-7/8"	19-1/2"	Terra 100	18112R0100	C-8499	PAST100	19921
150	8-7/8"	24"	Terra 150	18220R0100	C-8415	PAST150	25007
50	8-7/8"	11-13/16"	Z-Tech 50	FS78095	N/S	N/S	15055
75	8-7/8"	11-13/16"	Z-Tech 75	FS78096	N/S	N/S	17545
100	8-7/8"	19-3/4"	Z-Tech 100	FS78097	N/S	N/S	19940
155X2	8-7/8"	17-16/25"	Z-Tech 155/310	FS78088	N/S	N/S	25502
200	8-7/8"	27-9/16"	Z-Tech 200	FS78099	N/S	N/S	29914
250	8-7/8"	27-9/16"	Z-Tech 250	FS78094	N/S	N/S	35003
150	8-7/8"	19-3/4"	Z-Tech 150	FS78098	N/S	N/S	25017
150	8-7/8"	27-9/16"	Z-Tech 150	FS78098-Tall	N/S	N/S	25024

## Baja Spas

Sq. Ft.	O.D.	Length	Filter	OEM	Unicel®	Pleatco	Aladdin
50	4-15/16"	13-5/16"			C-4950	PRB50-IN	15002
100	4-15/16"	26-11/16"			C-4999	PRB100	19901

## Baker-Hydro

Sq. Ft.	O.D.	Length	Filter	OEM	Unicel®	Pleatco	Aladdin
32	4-15/16"	11-7/8"	Mini-Mite	17B1151	C-4332	PMT25/PMT35	13201
35	7"	9-13/16"	Ultra-Mite	17B1164	C-7404	PBH-UM35	13502
50	7"	14-3/4"	Ultra-Mite	17B1165	C-7405	PBH-UM50-4	15011
75	7"	19-5/8"	Ultra-Mite	17B1166	C-7406	PBH-UM75	17508
100	7"	29-3/8"	Ultra-Mite	17B1167	C-7407	PBH-UM100	19906
150	7"	39-3/8 (2x19-5/8)	Ultra-Mite	17B1168	C-7408	PBH-UM150	25002
13	7"	5"	Hydro-Mite	17B1163	C-7603	PBH12.5-4	11302
25	7"	9-13/16"	Hydro-Mite	17B2054	C-7604	PBH25-4	12514
50	7"	19-5/8"	Hydro-Mite	17B2055	C-7605	PBH50	15012
75	7"	29-3/8"	Hydro-Mite	17B2056	C-7606	PBH75	17510
100	7"	39-3/8(2x19-5/8)	Hydro-Mite	17B2071	C-7607	PBH100	19907

## Beachcomber

Sq. Ft.	O.D.	Length	Filter	OEM	Unicel®	Pleatco	Aladdin
25	4-15/16"	13-5/16"			C-4326	PRB25-IN-4	12502
35	4-15/16"	4-5/8"			C-4401	PRB17.5SF-JH-PAIR	11802
50	4-15/16"	6-5/8"			C-4405	PRB25ASF-JH-PAIR	12504
50	4-15/16"	13-5/16"			C-4950	PRB50-IN	15002

## Blue Falls Mfg. Ltd.(Canada)

Sq. Ft.	O.D.	Length	Filter	OEM	Unicel®	Pleatco	Aladdin
25	4-15/16"	13-5/16"			C-4326	PRB25-IN-4	12502
50	4-15/16"	13-5/16"			C-4950	PRB50-IN	15002

# Replacement Cartridges

## Blue Pacific

Sq. Ft.	O.D.	Length	Filter	OEM	Unicel®	Pleatco	Aladdin
30	4-5/8"	11-7/8"			4CH-30	PTL25P4-4	13005
50	6"	13-7/16"			6CH-50	PTL50W-SV-P4-4	15017
25	4-15/16"	13-5/16"			C-4625	PRB25-IN-4	12502
50	4-15/16"	13-5/16"			C-4950	PRB50-IN	15002

## Blue Ridge Spas see also Gatsby Spas, Lowes

Sq. Ft.	O.D.	Length	Filter	OEM	Unicel®	Pleatco	Aladdin
25	4-5/8"	9-3/4"			4CH-24	PGS25P4	12519

## Bullfrog Spas

Sq. Ft.	O.D.	Length	Filter	OEM	Unicel®	Pleatco	Aladdin
50	6"	8-1/4"			6CH-940	PWW50P3	14510
50	8"	6"		10-1035	8CH-950	PBF50-F2S	15052
35	4-15/16"	9-1/4"			C-4335	PRB35-IN	13501
50	4-15/16"	13-5/16"			C-4950	PRB50-IN	15002

## Cal Spas

Sq. Ft.	O.D.	Length	Filter	OEM	Unicel®	Pleatco	Aladdin
50	4-15/16"	14-7/8"			C-4305	PMT50	15003
50	4-15/16"	13-5/16"			C-4950	PRB50-IN	15002
100	4-15/16"	23-5/8"			C-4995	PCAL100	19501
75	5-5/16"	14-3/16"			C-5374	PLBS75	17540
50	7"	19-5/8"			C-7656	PA50-4	15004
75	7"	29-1/8"			C-7677	PPC75	17503
75	8-1/2"	17-3/8"			C-8600	PA80-4	17507
100	8-1/2"	23-3/8"			C-8610	PA100-4	19905

## Caldera Spas

Sq. Ft.	O.D.	Length	Filter	OEM	Unicel®	Pleatco	Aladdin
50	7"	10-3/4"			C-7350	PCD50N	15051
75	7"	14-3/4"		1019301	C-7375	PCD75N	17543
50	7"	10-3/4"			C-7451	PCD50	15034
75	7"	14-3/4"		033017	C-7479	PCD75	17523
100	7"	14-3/4"		033017	C-7479	PCD75	17523

## California Cooperage see Coleman Spas

## Caribbean Spas see Catalina Spas

## Catalina Spas

Sq. Ft.	O.D.	Length	Filter	OEM	Unicel®	Pleatco	Aladdin
40	6"	8-1/4"			6CH-940	PWW50P3	14510
35	4-15/16"	4-5/8"			C-4401	PRB17.5SF-JH-PAIR	11802
50	4-15/16"	6-5/8"			C-4405	PRB25SF-JH-PAIR	12504

## Charisma Spas

Sq. Ft.	O.D.	Length	Filter	OEM	Unicel®	Pleatco	Aladdin
30	4-5/8"	11-7/8"			4CH-30	PTL25P4-4	13005
50	6"	13-7/16"			6CH-50	PTL50W-SV-P4-4	15017
40	6"	8-1/4"			6CH-940	PWW50P3	14510
10	4-1/4"	4"			C-4310	PWW10	11003
50	4-15/16"	13-5/16"			C-4950	PRB50-IN	15002



# Replacement Cartridges

## Clearwater Spas

Sq. Ft.	O.D.	Length	Filter	OEM	Unicel®	Pleatco	Aladdin
40	6"	8-1/4"			6CH-940	PWW50P3	14510
35	4-15/16"	4-5/8"			C-4401	PRB17.5SF-JH-PAIR	11802
50	4-15/16"	6-5/8"			C-4405	PRB25SF-JH-PAIR	12504
50	5-11/16"	10-3/8"			C-5300	PJW50	15010

## Coast Spas (Canada)

Sq. Ft.	O.D.	Length	Filter	OEM	Unicel®	Pleatco	Aladdin
50	4-15/16"	13-5/16"			C-4950	PRB50-IN	15002
95	4-15/16"	23-5/8"			C-4995	PCAL100	19501
100	4-15/16"	26-11/16"			C-4999	PRB100	19901

## Coleco

Sq. Ft.	O.D.	Length	Filter	OEM	Unicel®	Pleatco	Aladdin
5	4-1/4"	8"	DR-7		C-4607	PC7-120	10502
5	4-1/4"	8"	F-120		C-4607	PC7-120	10502
5	4-3/4"	8"	F-108		C-4609	PC8	10504
5	4-3/4"	8"	F-110 (no core)		C-4608	PC8	10503
5	4-3/4"	8"	F-110		C-4609	PC8	10504
5	4-3/4"	8"	CR-8		C-4609	PC8	10504
8	4-3/4"	11"	DR-11		C-4611	PC11-4	10803
8	4-3/4"	11"	CF-11		C-4611	PC11-4	10803
8	4-3/4"	11"	F-112		C-4611	PC11-4	10803
8	4-3/4"	11"	F-350		C-4611	PC11-4	10803
12	4-3/4"	16"	F-750		C-4616	PC16	11205
12	4-3/4"	16"	F-775		C-4616	PC16	11205
12	4-3/4"	16"	F-875		C-4616	PC16	11205
12	4-3/4"	16"	DR-16		C-4616	PC16	11205
13	4-3/4"	18"	F-225		C-4618	PC18-4	11301
13	4-3/4"	18"	F-335		C-4618	PC18-4	11301
13	4-3/4"	18"	F-345		C-4618	PC18-4	11301
13	4-3/4"	18"	DR-18		C-4618	PC18-4	11301
23	6-1/2"	17"	F-355		C-6617	PC17-4	12302
23	6-1/2"	17"	F-360		C-6617	PC17-4	12302
23	6-1/2"	17"	F-455		C-6617	PC17-4	12302
23	6-1/2"	17"	F-460		C-6617	PC17-4	12302
23	6-1/2"	17"	DR-17		C-6617	PC17-4	12302
30	6-1/2"	22"	F-475		C-6622	PC22	13009
30	6-1/2"	22"	F-480		C-6622	PC22	13009
30	6-1/2"	22"	F-375		C-6622	PC22	13009
30	6-1/2"	22"	F-380		C-6622	PC22	13009
30	6-1/2"	22"	DR-22		C-6622	PC22	13009

## Coleman Spas (Part # 3301-For 2001 & Before. 100-For After 2002)

Sq. Ft.	O.D.	Length	Filter	OEM	Unicel®	Pleatco	Aladdin
32	7"	8"		100432	7CH-32	PCS32P4	13205
32	7"	8"		3301-1018	7CH-32	PCS32P4	13205
32	7"	8"		3301-2109	7CH-322	PAS35-2/PCS32-2	13202
32	7"	8"		100520	7CH-322	PAS35-2/PCS32-2	13202
40	7"	9-3/4"		100433	7CH-40	PCS40/PVT40P-4	14007
40	7"	9-3/4"		3301-1019	7CH-40	PCS40/PVT40P-4	14007
40	7"	9-3/4"		3301-2110	7CH-402	PCS40-F2M	15018
40	7"	9-3/4"		100521	7CH-402	PCS40-F2M	15018
50	7"	14-3/4"		100434	7CH-50	PCS50/PTL50XW/PVT50P4	15021
50	7"	14-3/4"		3301-1020	7CH-50	PCS50/PTL50XW/PVT50P4	15021
50	7"	14-3/4"		3301-2111	7CH-502	PCS50-F2M	15019

# Replacement Cartridges

## Coleman Spas (cont'd)

Sq. Ft.	O.D.	Length	Filter	OEM	Unicel®	Pleatco	Aladdin
50	7"	14-3/4"		100522	7CH-502	PCS50-F2M	15019
25	4-15/16"	13-5/16"		3301-2242	C-4326	PRB25-IN-4	12502
25	4-15/16"	13-5/16"		100586	C-4326	PRB25-IN-4	12502
40	4-15/16"	11-1/4"		100585	C-4339	PWW40	14011
40	4-15/16"	11-1/4"		3301-2241	C-4339	PWW40	14011
50	4-15/16"	13-5/16"		3301-2145	C-4950	PRB50-IN	15002
50	4-15/16"	13-5/16"		100533	C-4950	PRB50-IN	15002
50	8"	9"		100593	C-8450	PCS50N	15014
50	8"	9"		3301-2261	C-8450	PCS50N	15014
75	8"	13"		3301-2262	C-8475	PCS75N	17513
75	8"	13"		100594	C-8475	PCS75N	17513

## Comfort Line Spas

Sq. Ft.	O.D.	Length	Filter	OEM	Unicel®	Pleatco	Aladdin
12	4-5/8"	4-5/8"			C-4302	PSS17.5	11206

Conger Bros. see Santana

## CTA Spas

Sq. Ft.	O.D.	Length	Filter	OEM	Unicel®	Pleatco	Aladdin
25	4-5/8"	9-3/4"			4CH-24	PGS25P4	12519

## Custom Molded Products

Sq. Ft.	O.D.	Length	Filter	OEM	Unicel®	Pleatco	Aladdin
50	6"	8-1/4"	Single Port Front Access Skim	25252-800-000	6CH-940	PWW50P3	14510
2x50	6"	8-1/4"	Double Port Front Access Skim				
200	6"	8-1/4"	Double Port Front Access Skim				
100	6"	8-1/4"	Double Port Front Access Skim				
100	6"	8-1/4"	Single Port Front Access Skim				
200	6"	8-1/4"	Single Port Front Access Skim				
10	4-1/4"	4"	Front Access Skim	25249-800-000	C-4310	PWW10	11003
25	4-15/16"	13-5/16"	Top Mount Skim	25392-000-100	C-4326	PRB25-IN	12502
25	4-15/16"	13-5/16"	EZ Twist Top Mount Skim				
25	4-15/16"	13-5/16"	Top Load Pressure	25392-000-100	C-4326	PRB25-IN-4	12502
35	4-15/16"	9-1/4"	Top Mount Skim	25393-000-000	C-4335	PRB35-IN	13501
35	4-15/16"	9-1/4"	EZ Twist Top Mount Skim				
35	4-15/16"	9-1/4"	Top Load Pressure	25393-000-000	C-4335	PRB35-IN	13501
50	4-15/16"	13-5/16"	Top Mount Skim	25391-000-000	C-4950	PRB50-IN	15002
50	4-15/16"	13-5/16"	EZ Twist Top Mount Skim				
50	4-15/16"	13-5/16"	Top Mount Skim				
75	4-15/16"	20-1/8"	Top Mount Skim	25390-000-000	C-4975	PRB75	17501
75	4-15/16"	20-1/8"	EZ Twist Top Mount Skim				
75	4-15/16"	20-1/8"	Top Load Pressure	25390-000-000	C-4975	PRB75	17501

## Dakota Spas

Sq. Ft.	O.D.	Length	Filter	OEM	Unicel®	Pleatco	Aladdin
45	6"	8-1/4"			6CH-940	PWW50P3	14510
45	4-15/16"	12-1/4"			C-4311	PDS45	14511
25	4-15/16"	13-5/16"			C-4326	PRB25-IN-4	12502
75	4-15/16"	20-1/8"			C-4975	PRB75	17501

Diamante Spas see US Tooling & Spas

# Replacement Cartridges

**Diamond Back Spas** see Arizona Pacific

## Dimension One Spas

Sq. Ft.	O.D.	Length	Filter	OEM	Unicel®	Pleatco	Aladdin
25	4-5/8"	11-7/8"		1561-14	4CH-30	PTL25P4-4	13005
50	4-5/8"	14-3/4"		1561-05	4CH-50	PTL50P4-4	15016
65	4-5/8"	19-5/8"		1561-06	4CH-65	PTL65-H	16505
80	4-5/8"	19-5/8"		1561-07	4CH-65	PTL65-H	16505
40	4-5/8"	15"		1561-13	4CH-940	PDO-UF40P2	14017
25	4-5/8"	12"		1561-04	4CH-950	PDO-UF25/PDO-UF25P2	15038
75	7"	10-1/2"		1561-10	7CH-552	PTL55XW-F2M	15501
75	7"	14-3/4"		1561-02	7CH-752	PTL75XW-F2M	17515
75	7"	10-1/2"		1561-12	7CH-975	PDO75P3	17527
40	4-15/16"	11-5/8"		1561-03	C-4340	PMT40	14009
25	5-1/2"	11-7/8"		1561-11	C-5402	PDO25-4	12526
40	5-1/2"	17"		1561-09	C-5404	PDO40	14010
75	7-1/8"	10-1/2"		1561-00	C-7367	PDO75-2000	17541

## Discovery Spas

Sq. Ft.	O.D.	Length	Filter	OEM	Unicel®	Pleatco	Aladdin
60	8"	11-5/8"			8CH-60	PIF60-F2M	16006
50	4-5/8"	23-3/4"			C-4350	PDV50	15001
35	4-15/16"	4-5/8"			C-4401	PRB17.5SF-JH-PAIR	11802
50	4-15/16"	6-5/8"			C-4405	PRB25SF-JH-PAIR	12504
30	4-15/16"	10-3/8"			C-4431	DSF25-50TC	13006
50	4-15/16"	13-5/16"			C-4950	PRB50-IN	15002

**DM Industries** see Vita Spas

## Dolphin Spas

Sq. Ft.	O.D.	Length	Filter	OEM	Unicel®	Pleatco	Aladdin
13	4-5/8"	4-5/8"			4CH-19	PSG13.5P4	11303
30	4-5/8"	11-7/8"			4CH-30	PTL25P4-4	13005
50	4-15/16"	14-7/8"			C-4305	PMT50	15003

## Doughboy

Sq. Ft.	O.D.	Length	Filter	OEM	Unicel®	Pleatco	Aladdin
60	6-15/16"	22-3/8"		312-1003	C-6659	PD60-4	16008
20	7"	6-1/2"		2396-020	C-7401	PD20-SL-4	12005
40	7"	9-1/8"		2396-040	C-7402	PD40SL-4	14004
60	7"	17-5/8"		2396-060	C-7403	PD60SL-4	16003
90	7"	26-1/4"		2396-090	C-7409	PD90SL-4	19001

## Dyna-Pure

Sq. Ft.	O.D.	Length	Filter	OEM	Unicel®	Pleatco	Aladdin
50	10-1/16"	17-1/2"			C-9950	N/S	15037
70	10-1/16"	19-5/8"			C-9970	PVAC70-6	17001
100	10-1/16"	19-5/8"			C-9999	PVAC100-6	19917
150	10-1/16"	19-5/8"			N/S	N/S	25012

# Replacement Cartridges

## Dynasty Spas

Sq. Ft.	O.D.	Length	Filter	OEM	Unicel®	Pleatco	Aladdin
50	4-5/8"	14-3/4"			4CH-50	PTL50P4-4	15016
35	4-15/16"	4-5/8"			C-4401	PRB17.5SF-JH-PAIR	11802
40	4-15-16"	11-1/4"			C-4339	PWW40	<b>14011</b>
50	4-15/16"	13-5/16"			C-4950	PRB50-IN	<b>15002</b>

## Echo Series see Gatsby Spas

## Emerald Spas

Sq. Ft.	O.D.	Length	Filter	OEM	Unicel®	Pleatco	Aladdin
9	2-7/8"	17-1/16"			C-2303	PRB8.5	10804
15	2-7/8"	17-1/16"			C-2302	PRB14.5	<b>11501</b>
25	4-5/8"	11-7/8"			C-4325	PA225-4	<b>12501</b>
25	4-15/16"	13-5/16"			C-4326	PRB25-IN-4	<b>12502</b>
32	4-15/16"	11-7/8"			C-4332	PMT25/PMT35	<b>13201</b>
75	4-15/16"	20-1/8"			C-4975	PRB75	<b>17501</b>
25	5"	13-5/16"			C-5625	PJ25-IN-4	<b>12507</b>

## Encon Spas

Sq. Ft.	O.D.	Length	Filter	OEM	Unicel®	Pleatco	Aladdin
10	2-5/8"	19-15/16"			C2610	PW15WC	11002

## Esther Williams

Sq. Ft.	O.D.	Length	Filter	OEM	Unicel®	Pleatco	Aladdin
50	6"	13-7/16"			6CH-50	PTL50W-SV-P4-4	<b>15017</b>
35	4-15/16"	4-5/8"			C-4401	PRB17.5SF-JH-PAIR	<b>11802</b>
25	4-15/16"	13-5/16"			C-4625	PRB25-IN-4	<b>12502</b>

## Florida Whirlpool

Sq. Ft.	O.D.	Length	Filter	OEM	Unicel®	Pleatco	Aladdin
25	4-5/8"	13-15/16"			C-4326/C-4625	PRB25-IN-4	12502
30	4-5/8"	11-7/8"			4CH-30	PTL25P4-4	13005
50	4-5/8"	14-3/4"			4CH-50	PTL50P4-4	15016
50	5-11/16"	10-3/8"			C-5300	PJW50	15010

## Fountain Valley Spas

Sq. Ft.	O.D.	Length	Filter	OEM	Unicel®	Pleatco	Aladdin
45	4-15/16"	17-3/4"			C-4346	PSI45-4	14504
45	6-7/8"	13-3/4"			C-6445	PFV40	14508

## Four Seasons Spas

Sq. Ft.	O.D.	Length	Filter	OEM	Unicel®	Pleatco	Aladdin
25	6"	9-3/4"			C-6601	PTL25W-P4-4	12529
35	6"	14-3/4"			C-6603	PTL50W-SH	13506
50	6"	19-5/8"			C-6605	POX50	15029

## Fox Wal-Pak

Sq. Ft.	O.D.	Length	Filter	OEM	Unicel®	Pleatco	Aladdin
80	7-7/8"	13-3/16"		F3-0880-2	C-7463	PFW60/PFW80	16009

# Replacement Cartridges

## Freedom Spas

Sq. Ft.	O.D.	Length	Filter	OEM	Unicel®	Pleatco	Aladdin
30	4-5/8"	11-7/8"	Franklin		4CH-30	PTL25P4-4	13005
45	6"	12-3/8"	Statesman, Lexington, Enterprise, Aristocrat, Franklin		6CH-45	PTL45W-P4-4	14506
35	4-15/16"	4-5/8"	Liberty		C-4401	PRB17.5SF-JH-PAIR	11802
50	4-15/16"	6-5/8"			C-4405	PRB25SF-JH-PAIR	12504
37	4-15/16"	13-5/16"	Concord, Patriot, Ambassador, Executive		C-4637	PRB37-IN-4	13701
50	4-15/16"	13-5/16"			C-4950	PRB50-IN	15002

## Freeflow Spas

Sq. Ft.	O.D.	Length	Filter	OEM	Unicel®	Pleatco	Aladdin
25	4-15/16"	6-5/8"	Lagos	FF-150	4CH-22	PFF25P4	12535
25	4-15/16"	6-5/8"	Tempest	FF-150	4CH-22	PFF25P4	12535
25	4-15/16"	6-5/8"	Ciara	FF-100	4CH-23	PFF25TC-P4	12536

## Ft. Wayne Spas see Master Spas

## Garden Leisure

Sq. Ft.	O.D.	Length	Filter	OEM	Unicel®	Pleatco	Aladdin
45	5-5/16"	10-1/8"			C-5345	PLBS50	14513

## Gatsby Spas

Sq. Ft.	O.D.	Length	Filter	OEM	Unicel®	Pleatco	Aladdin
25	4-5/8"	9-3/4"			4CH-24	PGS25P4	12519
25	4-5/8"	9-3/4"			C-4324	PTL20HS-P4/PTS35N	12523
25	5-11/16"	10-3/8"			C-5601	PJW23-4	12512

## General Foam Plastics

Sq. Ft.	O.D.	Length	Filter	OEM	Unicel®	Pleatco	Aladdin
5	4-1/4"	8"			C-4306	PGF5	10506
7	4-3/4"	8"			C-4307	PGF7	10702
10	4-3/4"	8"			C-4309	PGF10	11004

## Gerico Spas

Sq. Ft.	O.D.	Length	Filter	OEM	Unicel®	Pleatco	Aladdin
45	6-15/16"	17-5/8"			C-6645	PG45	14509

## Goldkey

Sq. Ft.	O.D.	Length	Filter	OEM	Unicel®	Pleatco	Aladdin
50	7"	14-3/4"	Skim		C-7400	PTL50XW-OB	15031

## GPM Industries

Sq. Ft.	O.D.	Length	Filter	OEM	Unicel®	Pleatco	Aladdin
25	4-15/16"	13-5/16"			C-4326	PRB25-IN-4	12502
50	4-15/16"	13-5/16"			C-4950	PRB50-IN	15002

## Great Northern Engineering see OpuSpas, Rubadub Tub

## Grecian Spas see Discovery Spas

## H2O Recreation

Sq. Ft.	O.D.	Length	Filter	OEM	Unicel®	Pleatco	Aladdin
8	5"	8"			C-5301	N/S	10806

# Replacement Cartridges

## Harmsco

Sq. Ft.	O.D.	Length	Filter	OEM	Unicel®	Pleatco	Aladdin
6	2-3/4"	9-3/4"			T-380R	PH6-PAK7	<b>10607</b>
6	2-3/4"	9-3/4"		OTC/6-4	C-2306	PH63/PH6-4	<b>10602</b>
6	2-3/4"	9-3/4"		ST/6	T-380	PH6-4	<b>10601</b>

## Haugh's

Sq. Ft.	O.D.	Length	Filter	OEM	Unicel®	Pleatco	Aladdin
25	4-15/16"	13-5/16"			C-4625	PRB25-IN-4	<b>12502</b>
50	4-15/16"	13-5/16"			C-4950	PRB50-IN	<b>15002</b>

## Hawkeye Spas

Sq. Ft.	O.D.	Length	Filter	OEM	Unicel®	Pleatco	Aladdin
50	6"	8-1/4"			6CH-940	PWW50P3	<b>14510</b>
50	4-15/16"	13-5/16"			C-4950	PRB50-IN	<b>15002</b>

## Hayward®

Sq. Ft.	O.D.	Length	Filter	OEM	Unicel®	Pleatco	Aladdin
12	4-5/8"	11-7/8"	Micro Star-Clear™ (in-line)	CX120RE	C-4312	PA12	<b>11204</b>
20	4-5/8"	11-7/8"	Micro Star-Clear™ C-200 (in-line)	CX200RE	C-4320	PA20-4	<b>12001</b>
25	4-5/8"	11-7/8"	Micro Star-Clear™ C-225 (in-line)	CX225RE	C-4325	PA225-4	<b>12501</b>
40	7"	14-1/8"	Easy-Clear™ C-400	CX410RE	C-7442	PA40-4	<b>14003</b>
4x50	7"	14-1/8"	Super Star-Clear™ 2000	CX470XRE	C-7447	PA50SV-4	<b>15032</b>
55	7"	19-5/8"	Easy-Clear™ C-550	CX550RE	C-7455	PA55	<b>15503</b>
4x56	7"	14-1/8"	Super Star-Clear™ / SwimClear™	CX480XRE	C-7458	PA56SV-4	<b>15601</b>
4x75	7"	19-5/8"	Super Star-Clear™ 3000	CX570XRE	C-7477	PA75SV	<b>17509</b>
4x81	7"	19-5/8"	Super Star-Clear™ / SwimClear™	CX580XRE	C-7483	PA81-4	<b>18101</b>
4x100	7"	25-1/2"	Super Star-Clear™ 4000	CX870XRE	C-7487	PA100N-4	<b>19902</b>
4x106	7"	25-1/2"	Super Star-Clear™ / SwimClear™	CX880XRE	C-7488	PA106-4	<b>20601</b>
4x125	7"	32-7/8"	Super Star-Clear™ 5000	CX1260XRE	C-7495	PA126-4	<b>22506</b>
4x131	7"	32-7/8"	Super Star-Clear™ / SwimClear™	CX1280XRE	C-7494	PA131-4	<b>23101</b>
25	7"	9-13/16"	Star-Clear™ C-250	CX250RE	C-7626	PA25/PA25-4	<b>12509</b>
4x93	7"	19"	Hayward®	CX591XRE	C-7481	N/A	<b>19502</b>
50	7"	19-5/8"	Star-Clear™ C-500	CX500RE	C-7656	PA50-4	<b>15004</b>
4x112	7"	25-1/2"	Super Star-Clear™ C-4500	CX875RE	C-7489	PA112-4	<b>21201</b>
75	7"	29-3/8"	Star-Clear™ C-750	CX750RE	C-7676	PA75/PA75-4	<b>17506</b>
100	7"	29-3/8"	Star-Clear™ C-1000	CX1000RE	C-7698	NS	<b>19936</b>
137	7"	32-13/16"	Super Star-Clear™ C-5500	CX1380XRE	C-7490	PA137-4	<b>23705</b>
40	8-1/2"	10-3/4"	Skim	CX400RE	C-8340	PA40SF	<b>14015</b>
2x75	8-1/2"	17-3/8"	Star-Clear™ II C-1500	CX1500RE	C-8600	PA80-4	<b>17507</b>
75	8-1/2"	17-3/8"	Star-Clear™ II C-800	CX800RE	C-8600	PA80-4	<b>17507</b>
100	8-1/2"	23-3/8"	Star-Clear™ II C-1100	CX1100RE	C-8610	PA100-4	<b>19905</b>
90	8-15/16"	17-3/8"	Star-Clear™ Plus C-900	CX900RE	C-8409	PA90-4	<b>19002</b>
75	8-15/16"	17-3/8"	Star-Clear™ Plus C-751	CX760RE	C-8411	PA76-4	<b>17530</b>
120	8-15/16"	23-3/8"	Star-Clear™ Plus C-1200	CX1200RE	C-8412	PA120-4	<b>22002</b>
175	8-15/16"	28-3/16"	Star-Clear™ Plus C-1750	CX1750RE	C-8417	PA175-4	<b>27501</b>
85	9-1/4"	14-3/16"	ASL™ Full-Flo C-850	CX850RE	C-9485	PA85-4	<b>18503</b>
120	9-1/4"	19-5/8"	ASL™ Full-Flo C-1250	CX1250RE	C-9499	PA125-4	<b>22009</b>
100	8-15/16"	17-3/8"	Xstream® CC-1000	CCX1000RE	C-8311	PXST100	<b>19935</b>
150	8-15/16"	23-5/16"	Xstream® CC-1500	CCX1500RE	C-8316	PXST150	<b>25014</b>
175	8-15/16"	23-5/16"	Xstream® CC-1750	CCX1750RE	C-8317	PXST175	<b>27503</b>
200	8-15/16"	29-3/8"	Xstream® CC-2000	CCX2000RE	C-8319	PXST200	<b>29912</b>
190	8-15/16"	28-3/16"	Star-Clear™ Plus C-1900	CX1900RE	C-8420	PA190	<b>28002</b>
100	10-3/10"	19-1/2"	SwimClear™ C100S	CX100XRE	C-8408	PA100S	<b>19946</b>
150	10-3/10"	23 3/16"	SwimClear™ C150S	CX150XRE	C-8414	PA100S	<b>25026</b>
200	10-3/10"	28-5/16"	SwimClear™ C200S	CX200XRE	C-8420	PA200S	<b>29921</b>

## Heartland Spas

Sq. Ft.	O.D.	Length	Filter	OEM	Unicel®	Pleatco	Aladdin
25	4-5/8"	9-3/4"			4CH-24	PGS25P4	<b>12519</b>

# Replacement Cartridges

## Heldor Spas

Sq. Ft.	O.D.	Length	Filter	OEM	Unicel®	Pleatco	Aladdin
25	4-15/16"	13-5/16"			C-4625	PRB25-IN-4	12502
50	4-15/16"	13-5/16"			C-4950	PRB50-IN	15002
50	10-1/16"	17-1/2"			C-9950	N/S	15037
70	10-1/16"	19-5/8"			C-9970	PVAC70-6	17001
100	10-1/16"	19-5/8"			C-9999	PVAC100-6	19917
150	10-1/16"	19-5/8"			N/A	N/S	25012

## Hollibaugh Spas

Sq. Ft.	O.D.	Length	Filter	OEM	Unicel®	Pleatco	Aladdin
10	4-1/4"	4"			C-4310	PWW10	11003
25	7"	9-13/16"			C-7626	PA25-4/PCM25/PPR25	12509
50	7"	19-5/8"			C-7656	PA50/PA50-4	15004
75	7"	29-3/8"			C-7676	PA75/PA75-4	17506

## Hot Spot see also Hot Spring Spas

Sq. Ft.	O.D.	Length	Filter	OEM	Unicel®	Pleatco	Aladdin
25	4-15/16"	13-5/16"		33521	C-4326	PRB25-IN-4	12502

## Hot Springs Spas

Sq. Ft.	O.D.	Length	Filter	OEM	Unicel®	Pleatco	Aladdin
35	4-5/8"	16"		31382	4CH-35	PTL35P4-4	13504
25	4-15/16"	13-5/16"		33521	C-4326	PRB25-IN-4	12502
30	5-1/8"	10-1/4"		31233	C-5431	PWK30V	13007
30	6"	10-1/2"		31489	C-6430	PWK30-4	13004
33	6"	9"		31250	C-6433	PWK35	13303
45	6-3/8"	11-7/8"		31115	C-6600	PWK40	14505
65	8-1/2"	10-1/2"		31114	C-8465	PWK65	16506

## Hydro Pool Indus.

Sq. Ft.	O.D.	Length	Filter	OEM	Unicel®	Pleatco	Aladdin
35	4-15/16"	9-1/4"			C-4335	PRB35-IN	13501
25	4-15/16"	13-5/16"			C-4625	PRB25-IN-4	12502
75	4-15/16"	20-1/8"			C-4975	PRB75	17501

## Hydro Spa

Sq. Ft.	O.D.	Length	Filter	OEM	Unicel®	Pleatco	Aladdin
25	4-5/8"	9-3/4"			4CH-24	PGS25P4	12519
35	4-15/16"	9-1/4"			C-4335	PRB35-IN	13501
2x17.5	4-15/16"	4-5/8"			C-4401	PRB17.5SF-JH-PAIR	11802
50	4-15/16"	13-5/16"			C-4950	PRB50-IN	15002

## Icon Spas

Sq. Ft.	O.D.	Length	Filter	OEM	Unicel®	Pleatco	Aladdin
25	4-5/8"	9-3/4"			4CH-24	PGS25P4	12519
4	2-3/4"	6"		136629	C-2304	PH3.7-B	10304
10	4-1/4"	4"		146949	C-4310	PWW10	11003
15	4-1/4"	7-1/8"	Weslo Spas Model #207	16219	C-4315	PIC15	NS
25	4-1/4"	12"	Weslo Spas Model #410	176380	C-4329	PIC25	12537
50	4-1/4"	23-3/4"	Image Spa Model #631	179192	C-4351	PIC50N	15050
50	4-1/4"	23-3/4"	Image Spa Model #616	179192	C-4351	PIC50N	15050
50	4-1/4"	23-3/4"	Image Spa Model #615	179192	C-4351	PIC50N	15050

# Replacement Cartridges

## Icon Spas (cont'd)

Sq. Ft.	O.D.	Length	Filter	OEM	Unicel®	Pleatco	Aladdin
50	4-1/4"	23-3/4"	Image Spa Model #628	179192	C-4351	PIC50N	15050
60	4-1/4"	23-3/4"	Image Spa Model #739	163736	C-4360	PIC60	16014

## Imperial Spas

Sq. Ft.	O.D.	Length	Filter	OEM	Unicel®	Pleatco	Aladdin
25	4-5/8"	9-3/4"			4CH-24	PGS25P4	12519

## Infinity Spas see Acryx-Maax Spas (Canada)

## Intex® Recreation

Sq. Ft.	O.D.	Length	Filter	OEM	Unicel®	Pleatco	Aladdin
5	4-1/4"	8"	Krystal Klear™ Model 108R	58600	C-4607	PC7-120	10502
5	4-1/4"	8"	Krystal Klear™ Model 12	58600	C-4607	PC7-120	10502
5	4-1/4"	8"	Intex® 58631	58600	C-4607	PC7-120	10502
5	4-1/4"	8"	Intex® 58623	58600	C-4607	PC7-120	10502
5	4-1/4"	8"	Krystal Klear™ Model 108R	59900	C-4607	PC7-120	10502
5	4-1/4"	8"	Krystal Klear™ Model 12	59900	C-4607	PC7-120	10502
5	4-1/4"	8"	Intex® 58631	59900	C-4607	PC7-120	10502
5	4-1/4"	8"	Intex® 58623	59900	C-4607	PC7-120	10502
5	4-1/4"	8"	Krystal Klear™ Model 108R	F18	C-4607	PC7-120	10502
5	4-1/4"	8"	Krystal Klear™ Model 12	F18	C-4607	PC7-120	10502
5	4-1/4"	8"	Intex® 58631	F18	C-4607	PC7-120	10502
5	4-1/4"	8"	Intex® 58623	F18	C-4607	PC7-120	10502
5	4-1/4"	8"	Intex® A & C (2 pack)		C-4607	NS	10522
15	5-3/4"	10"	Intex® B (2 pack)		C-5315	NS	11522
15	5-3/4"	10"	Intex® B (single pack)		C-5315	NS	11507
30	5-3/4"	12"	Krystal Klear™ Model 520	58601	C-5330	PIN28	13012
30	5-3/4"	12"	Krystal Klear™ Model 530	58601	C-5330	PIN28	13012
30	5-3/4"	12"	Intex® 58621	58601	C-5330	PIN28	13012
30	5-3/4"	12"	Krystal Klear™ Model 520	59901	C-5330	PIN28	13012
30	5-3/4"	12"	Krystal Klear™ Model 530	59901	C-5330	PIN28	13012
30	5-3/4"	12"	Intex® 58621	59901	C-5330	PIN28	13012
30	5-3/4"	12"	Krystal Klear™ Model 520	5F17	C-5330	PIN28	13012
30	5-3/4"	12"	Krystal Klear™ Model 530	5F17	C-5330	PIN28	13012
30	5-3/4"	12"	Intex® 58621	5F17	C-5330	PIN28	13012

## J.E.M. Spas

Sq. Ft.	O.D.	Length	Filter	OEM	Unicel®	Pleatco	Aladdin
25	6"	7"			6CH-26	PTL25W-SV-P4-4	12521
25	4-15/16"	13-5/16"			C-4625	PRB25-IN-4	12502
50	4-15/16"	13-5/16"			C-4950	PRB50-IN	15002
95	4-15/16"	23-5/8"			C-4995	PCAL100	19501

## Jacuzzi Brothers

Sq. Ft.	O.D.	Length	Filter	OEM	Unicel®	Pleatco	Aladdin
25	5-11/16"	10-3/8"	SF25 (Skim)	43-2954-01-R	C-5601	PJW23	12512
15	5"	13-5/16"	CFT-15 (in-line)	42-2782-00-R	C-5615	N/S	11503
25	5"	13-5/16"	CFR-25 (in-line)	42-2891-08-R	C-5625	PJ25-IN-4	12507
25	5"	13-5/16"	CFT-25 (in-line)	42-2891-08-R	C-5625	PJ25-IN-4	12507
37	5"	13-5/16"	CFR-37 (in-line)	42-3533-00-R	C-5635	PJ37-IN-4	13702
25	6-7/8"	11-7/8"	CF-25 (Crystal Flow)	23-2377-04-R	C-6625	PJ25-4	12508
40	6-15/16"	19-3/8"	CF-40 (Crystal Flow)	23-2214-01-R	C-6640	PJ40-4	14005
60	6-15/16"	29-3/8"	CF-60 (Crystal Flow)	23-2297-01-R	C-6660	PJ60-4	16004
40	7"	13-7/16"	CE Filter	42-3724-09-R	C-7304	PJB40	14016
60	7"	17-7/16"	CE Filter	42-3725-08-R	C-7306	PJB60	16013
200	9-15/16"	24"	CFR-200	42-3540-01-R	C-9420	PJ200-4	29901
75	9-15/16"	14-1/4"	CFR-75	42-3509-00-R	C-9475	PJ75-4	17514



# Replacement Cartridges

## Jacuzzi Brothers (cont'd)

Sq. Ft.	O.D.	Length	Filter	OEM	Unicel®	Pleatco	Aladdin
150	9-15/16"	24"	CFR-150	42-3508-01-R	C-9478	PJ150-4	25004
80	10"	14-9/16"	SHER 80 (Sherlok®)	42-3674-09-R	C-9480	PJ80-4	18004
120	10"	20-1/16"	SHER 120 (Sherlok®)	42-3675-08-R	C-9481	PJ120-4	22006
160	10"	24-5/16"	SHER 160 (Sherlok®)	42-3667-07-R	C-9482	PJ160-4	26001
200	10"	29-13/16"	SHER 200 (Sherlok®)	42-3668-08-R	C-9483	PJ200S-4	29903
50	9-15/16"	10"	CFR-50	42-2940-09-R	C-9650	PJ50-4	15015
50	9-15/16"	10"	CFT-50BY	42-2940-09-R	C-9650	PJ50-4	15015
50	9-15/16"	10"	CFR-50BY	42-2940-09-R	C-9650	PJ50-4	15015
50	9-15/16"	10"	CFT 50	42-2940-09-R	C-9650	PJ50-4	15015
100	9-15/16"	19-7/8"	CFT 100	42-2941-08-R	C-9699	PJ100-4	19910
100	9-15/16"	19-7/8"	CFT 100BY	42-2941-08-R	C-9699	PJ100-4	19910
100	9-15/16"	19-7/8"	CFR 100BY	42-2941-08-R	C-9699	PJ100-4	19910
100	9-15/16"	19-7/8"	CFR 100	42-2941-08-R	C-9699	PJ100-4	19910

## Jacuzzi Leisure Products (Canada)

Sq. Ft.	O.D.	Length	Filter	OEM	Unicel®	Pleatco	Aladdin
5	4-1/4"	8"	D-8 Skim	1370046	C-4304	PC7-TC	10505
9	4-1/4"	10-7/8"	C-11 Cartridge Filter	1370012	C-4603	PHP11	10901
15	4-1/4"	17-7/8"	C-22 Cartridge Filter	1370031	C-4604	PHP18	11502
100	8-1/2"	15-3/16"	C-22 Cartridge Filter	1370031	C-8310	PRW100	19926
150	8-1/2"	22-11/16"	C-22 Cartridge Filter	1370031	C-8315	PRW150	25009

## Jacuzzi® Premium

Sq. Ft.	O.D.	Length	Filter	OEM	Unicel®	Pleatco	Aladdin
52	6-5/8"	15-1/2"		6540-476	6CH-960	PJW60TL-F2S	15203

## Jacuzzi Whirlpool Bath

Sq. Ft.	O.D.	Length	Filter	OEM	Unicel®	Pleatco	Aladdin
12	2-7/8"	19-1/2"	Cambio	294500	C-2612	PRB12-4	11203
25	5"	13-5/16"	Caressa (pre-1986), Espree, Espree II	547500	C-5625	PJ25-IN-4	12507
25	5-3/4"	11-7/8"	Avanza, Celeste, Meridian, Sienna, Virage	259000	C-5624	PJW2S	12517
25	5-11/16"	10-3/8"	Aero, Alexa, Arrow Plus, Caressa, Corisica, Dectra, Lazer II, Lexus LC, Lusux Plus, Meridian II, Palio, Palio Plus, Polara, Quantum, Quantum Plus, Razza, Santina, Santina Plus, Solaris, Solaris Plus, Tirage, Tirage Plus	6199000	C-5601	PJW23-4	12512
30	6-7/8"	14-7/8"	Plus Vectra, Vectra II Venterra, 380 Quanta	273000	C-6300	PJW30-4	13008
50	5-11/16"	10-3/8"	Aero, Alexa, Arrow Plus, Caressa, Corisica, Dectra, Lazer II, Lexus LC, Lusux Plus, Meridian II, Palio, Palio Plus, Polara, Quantum, Quantum Plus, Razza, Santina, Santina Plus, Solaris, Solaris Plus, Tirage, Tirage Plus		C-5300	PJW50	15010
			Vectra, Vectra II Venterra, 380				

## Jandy®

Sq. Ft.	O.D.	Length	Filter	OEM	Unicel®	Pleatco	Aladdin
50	5-3/4"	11-7/8"	Teledyne Spa Pak		C-5302	N/S	15025
50	7-1/4"	14-5/8"	CT Series Cartridge Filter	R0342101	C-7448	PJAN50	15044
75	7-1/4"	19-5/8"	CT Series Cartridge Filter	R0342102	C-7473	PJAN75	17536
100	7-1/4"	29-1/2"	CT Series Cartridge Filter	R0342103	C-7497	PWC100SV/ PJAN100	19924

# Replacement Cartridges

## Jandy® (cont'd)

Sq. Ft.	O.D.	Length	Filter	OEM	Unicel®	Pleatco	Aladdin
4x85	7"	27"	CL340	R0554500	C-7459	PJAN85	18504
4x115	7"	27"	CL460	R0554600	C-7468	PJAN115	21501
4x145	7"	33"	CL580	R0357900	C-7482	PJAN145	24501
100	8-15/16"	23-5/16"	CS100	R0462200	C-8410	PJANCS100-4	19939
150	8-15/16"	23-5/16"	CS150	R0462300	C-8414	PWWCT150-4	25014
200	8-15/16"	33-1/8"	CS200	R0462400	C-8418	PJANCS200-4	35002
250	8-15/16"	33-1/8"	CS250	R0462500	C-8425	PJANCS250-4	29913
200	10-3/4"	28"	CJ 200	R0556800	C-9421	N/S	29909
250	10-3/4"	34"	CJ 250	R0556700	C-9422	N/S	35001
100	12-1/16"	8-1/2"	Pro Edge 100	R0342000	C-9490	N/S	19931
200	12-1/16"	17"	Pro Edge 200	R0341900	C-9498	N/S	29907

## Jetta Spas

Sq. Ft.	O.D.	Length	Filter	OEM	Unicel®	Pleatco	Aladdin
60	6"	16-1/8"			6CH-60	PTL60W-P4	16005

## JA SPAS see also Advance Spa Design

Sq. Ft.	O.D.	Length	Filter	OEM	Unicel®	Pleatco	Aladdin
25	4-5/8"	9-3/4"			4CH-24	PGS25P4	12519
47	6"	9-1/8"			6CH-47	PTL47W-P4	14701
50	6"	13-7/16"			6CH-50	PTL50W-SV-P4-4	15017

## Legend Spas

Sq. Ft.	O.D.	Length	Filter	OEM	Unicel®	Pleatco	Aladdin
35	4-15/16"	4-5/8"			C-4401	PRB17.5SF-JH-PAIR	11802
50	4-15/16"	6-5/8"			C-4405	PRB25SF-JH-PAIR	12504

## Leisure Bay Mfg. see Rec Warehouse

## Leisure Bay Spas

Sq. Ft.	O.D.	Length	Filter	OEM	Unicel®	Pleatco	Aladdin
13	4-5/8"	4-5/8"			4CH-19	PSG13.5P4	11303
45	6"	8-1/4"			6CH-940	PWW50P3	14510
10	4-1/4"	4"			C-4310	PWW10	11003
50	4-15/16"	13-5/16"			C-4950	PRB50-IN	15002
75	4-15/16"	23-5/8"			C-4970	PCAL75	17519
45	5-5/16"	10-1/8"	S2/G2 Spa		C-5345	PLBS50	14513
75	5-5/16"	14-13/16"	S2/G2 Spa		C-5374	PLBS75	17540
100	5-5/16"	17-13/16"	S2/G2 Spa		C-5397	PLBS100	19930

## Lifestyle Spas (Canada) see also Acryx-Maax Spas (Canada)

Sq. Ft.	O.D.	Length	Filter	OEM	Unicel®	Pleatco	Aladdin
40	7"	9-3/4"			7CH-40	PCS40P/PVT40P-4	14007
35	4-15/16"	4-5/8"			C-4401	PRB17.5SF-JH-PAIR	11802
50	4-15/16"	6-5/8"			C-4405	PRB25SF-JH-PAIR	12504

## Lomart

Sq. Ft.	O.D.	Length	Filter	OEM	Unicel®	Pleatco	Aladdin
16	4-3/4"	18"		60-4316	C-4601	PL18-4	11601
16	4-3/4"	18"		60-4318	C-4601	PL18-4	11601
13	4-3/4"	18"		60-4314	C-4618	PC18-4	11301

# Replacement Cartridges

## Lowes

Sq. Ft.	O.D.	Length	Filter	OEM	Unicel®	Pleatco	Aladdin
25	4-5/8"	9-3/4"			4CH-24	PGS25P4/PTL20HS-P4	12519

## Maax Spas of AZ see Coleman Spas

## Majestic Industries see Artesian Spas, J.E.M. Spas

## Marathon Spas

Sq. Ft.	O.D.	Length	Filter	OEM	Unicel®	Pleatco	Aladdin
30	4-5/8"	11-7/8"			4CH-30	PTL25P4-4	13005
50	4-15/16"	13-5/16"			C-4950	PRB50-IN	15002

## Marquis Corp see Amish Country

## Marquis Spas/Pacific Marquis

Sq. Ft.	O.D.	Length	Filter	OEM	Unicel®	Pleatco	Aladdin
35	5-3/16"	12-1/2"		370-0242	5CH-352	PPM35SC-F2M	13507
50	5-3/16"	12-1/2"		370-0237	5CH-502	PPM50SC-F2M	15049
36	5-3/16"	19-5/8"			C-5636	PPM40-4	13601
50	5-3/16"	14-1/8"		37-0217	C-5346	PPM50TC	15042
35	5-3/16"	11-7/8"		37-0215	C-5423	PPM35TC	13401
60	5-3/16"	19-5/8"		37-0216	C-5434	PPM60TC	15801
25	5-3/16"	11-7/8"			C-5626	PPM25-4	12518
40	5-3/16"	19-5/8"			C-5637	PPM40-4	14006

## Martec see also Sonfarrel

Sq. Ft.	O.D.	Length	Filter	OEM	Unicel®	Pleatco	Aladdin
30	4-15/16"	14-7/8"		CL-2800	C-4301	PMT27.5	12801
25	4-15/16"	14-7/8"		CL-2200	C-4301	PMT27.5	12801
45	4-15/16"	14-7/8"		CL-2807	C-4305	PMT50	15003
50	4-15/16"	14-7/8"		CL-2810	C-4305	PMT50	15003
32	4-15/16"	11-7/8"		SC-3500	C-4332	PMT25/PMT35	13201
32	4-15/16"	11-7/8"		SC-2200	C-4332	PMT25/PMT35	13201
130	7-1/2"	28-15/16"		244-0130	C-7413	PLB130	23001
65	7-1/2"	14-13/16"		244-065	C-7415	PLB65	16504
65	7-1/2"	14"		244-064	C-7416	PMT 65	16501
100	7-1/2"	21-7/8"		244-0100	C-7419	PMT100	19909

## Master Spas

Sq. Ft.	O.D.	Length	Filter	OEM	Unicel®	Pleatco	Aladdin
20	4-5/8"	6-3/4"			4CH-20	PHC25P4	12004
45	6"	12-3/8"			6CH-45	PTL45W-P4-4	14506
60	8"	9-1/4"		X268500	8CH-66	PMA60-F2M	16010
25	4-5/8"	9-3/4"			C-4324	PTS35N	12523

## Millenium Spas

Sq. Ft.	O.D.	Length	Filter	OEM	Unicel®	Pleatco	Aladdin
50	6"	8-1/4"			6CH-940	PWW50P3	14510
40	4-15/16"	11-1/4"			C-4339	PWW40	14011
50	4-15/16"	13-5/16"			C-4950	PRB50-IN	15002

# Replacement Cartridges

## Moonwater Spas

Sq. Ft.	O.D.	Length	Filter	OEM	Unicel®	Pleatco	Aladdin
25	4-15/16"	13-5/16"			C-4326	PRB25-IN-4	12502
50	4-15/16"	13-5/16"			C-4950	PRB50-IN	15002

## Moose Mountain Spas (Canada)

Sq. Ft.	O.D.	Length	Filter	OEM	Unicel®	Pleatco	Aladdin
35	4-15/16"	9-1/4"			C-4335	PRB35-IN	13501
50	4-15/16"	6-5/8"			C-4405	PRB25SF-JH-PAIR	12504

## Morgan Spas

Sq. Ft.	O.D.	Length	Filter	OEM	Unicel®	Pleatco	Aladdin
37	4-15/16"	13-5/16"			C-4637	PRB37-IN-4	13701
50	4-15/16"	13-5/16"			C-4950	PRB50-IN	15002
37	5"	13-5/16"			C-5635	PJ37-IN-4	13702

## Mountain Meadows Spa

Sq. Ft.	O.D.	Length	Filter	OEM	Unicel®	Pleatco	Aladdin
25	4-5/8"	9-3/4"			4CH-24	PGS25P4	12519

## Mountain Springs Spa

Sq. Ft.	O.D.	Length	Filter	OEM	Unicel®	Pleatco	Aladdin
25	4-5/8"	9-3/4"			4CH-24	PGS25P4	12519

## Muskin

Sq. Ft.	O.D.	Length	Filter	OEM	Unicel®	Pleatco	Aladdin
10	4-5/16"	8"	A2300		C-4600	PMS8TC	10507
6	4-5/16"	8"	195-8712		C-4605	PMS8	10606
6	4-5/16"	8"	A3808		C-4605	PMS8	10606
6	4-5/16"	8"	A3818		C-4605	PMS8	10606
10	6-1/4"	8"	A3810		C-6610	PMS10-4	11001
16	6-1/4"	8"	FE-30		C-6616	PMS16-4	11602
16	6-1/4"	8"	FE-40		C-6616	PMS16-4	11602
16	6-1/4"	8"	A3816		C-6616	PMS16-4	11602
20	6-1/4"	8"	A3821		C-6620	PMS20-4	12002
20	6-1/4"	8"	FD-20		C-6620	PMS20-4	12002
20	6-1/4"	8"	FD-40		C-6620	PMS20-4	12002
20	6-1/4"	8"	FE-20		C-6620	PMS20-4	12002
55	7"	19-5/8"	FE-127	58039	C-7455	PA55	15503
120	9-1/4"	19-5/8"	FE-129	58040	C-9499	PA125/PA125-4	22009

## Nemco

Sq. Ft.	O.D.	Length	Filter	OEM	Unicel®	Pleatco	Aladdin
25	4-5/8"	9-3/4"			4CH-24	PGS25P4	12519
50	4-5/8"	14-3/4"			4CH-50	PTL50-4	15016
25	4-5/8"	11-5/8"			C-4403	PCP20-4	12524
30	4-15/16"	10-3/8"			C-4429	DSF25-50	13001
50	5-7/8"	15-5/8"			C-5405	PCP50	15026

Niagara Whirlpool see Haughs

# Replacement Cartridges

## Nordic Hot Tubs

Sq. Ft.	O.D.	Length	Filter	OEM	Unicel®	Pleatco	Aladdin
28	4-15/16"	14-7/8"			C-4301	PMT27.5	12801
25	4-15/16"	13-5/16"			C-4326	PRB25-IN-4	12502

## Northwest Spas

Sq. Ft.	O.D.	Length	Filter	OEM	Unicel®	Pleatco	Aladdin
50	4-15/16"	13-5/16"			C-4950	PRB50-IN	15002

## Onyx

Sq. Ft.	O.D.	Length	Filter	OEM	Unicel®	Pleatco	Aladdin
75	6-1/16"	17-3/4"			C-6407	POX75	17521

## OpuSpas

Sq. Ft.	O.D.	Length	Filter	OEM	Unicel®	Pleatco	Aladdin
30	4-5/8"	11-7/8"			4CH-30	PTL25P4-4	13005
50	4-5/8"	14-3/4"			4CH-50	PTL50P4-4	15016

## Orca Bay Spas

Sq. Ft.	O.D.	Length	Filter	OEM	Unicel®	Pleatco	Aladdin
25	4-15/16"	13-5/16"		2501	C-4326	PRB25-IN-4	12502
35	4-15/16"	9-1/4"		3501	C-4335	PRB35-IN	13501
50	4-15/16"	13-5/16"		5001	C-4950	PRB50-IN	15002

**Pac Fab** see Pentair Pool Products - Pac Fab Replacements

## Pacific Spas By Aber (Canada)

Sq. Ft.	O.D.	Length	Filter	OEM	Unicel®	Pleatco	Aladdin
40	7"	14-3/4"			C-7641	PTL40XWT-4	14014
47	6"	9-1/8"			6CH-47	PTL47W-P4	14701

## Pageant Spas

Sq. Ft.	O.D.	Length	Filter	OEM	Unicel®	Pleatco	Aladdin
19	4-5/8"	8"			4CH-21	PA13/PDM25P4/PTL18P4-4	11901
45	4-15/16"	14-7/8"			C-4305	PMT50	15003
45	4-15/16"	17-3/4"			C-4449	PSI45-O-4	14502
50	4-15/16"	13-5/16"			C-4950	PRB50-IN	15002
60	6"	16-1/8"			C-6602	PSI65	16007

## PDC Spas

Sq. Ft.	O.D.	Length	Filter	OEM	Unicel®	Pleatco	Aladdin
10	4-1/4"	4"			C-4310	PWW10	11003
25	4-15/16"	13-5/16"			C-4326	PRB25-IN-4	12502
35	4-15/16"	4-5/8"			C-4401	PRB17.5SF-JH-PAIR	11802
25	7"	9-13/16"			C-7626	PA25/PA25-4/PPC25	12509
50	7"	19-5/8"			C-7656	PA50/PA50-4	15004

## Pelican Rec

Sq. Ft.	O.D.	Length	Filter	OEM	Unicel®	Pleatco	Aladdin
8	5"	8"			C-5301	N/S	10806

# Replacement Cartridges

## Pentair Pool Products®

Sq. Ft.	O.D.	Length	Filter	OEM	Unicel®	Pleatco	Aladdin
4	2-7/8"	9-3/4"	Standard & High Sq.Ft. Filters	R173321	C-2604	PH6	10401
6	2-7/8"	9-3/4"	Standard & High Sq.Ft. Filters	R173220	C-2606	NS	10604
8	2-7/8"	19-1/2"	Standard & High Sq.Ft. Filters	R173325	C-2608	NS	10802
12	2-7/8"	19-1/2"	Standard & High Sq.Ft. Filters	R173326	C-2612	PRB12-4	11203
13	2-7/8"	29-1/4"	Standard & High Sq.Ft. Filters	R173327	C-2613	PRB12L-4	11201
18	2-7/8"	29-1/4"	Standard & High Sq.Ft. Filters	R173328	C-2618	PRB18-4	11801
25	4-15/16"	13-5/16"	Dynamic Series II & III RTL/RCF-25	R173428	C-4326	PRB25-IN-4	12502
25	4-15/16"	13-5/16"	Dynamic Series IV - DFM, DFML	R173429	C-4326	PRB25-IN-4	12502
25	4-15/16"	13-5/16"	Dynamic Series I RDC-25	R173429	C-4326	PRB25-IN-4	12502
25	4-15/16"	13-5/16"	Dynamic Series I RDC-25S	R173429	C-4326	PRB25-IN-4	12502
35	4-15/16"	9-1/4"	Dynamic Series IV - DFM, DFML	R173431	C-4335	PRB35-IN	13501
35	4-15/16"	4-5/8"	Dynamic Series IV - Model DSF	R173432	C-4401	PRB17.5SF-JH-PAIR	11802
50	4-15/16"	6-5/8"	Dynamic Series IV - DFML	R173433	C-4405	PRB25SF-JH-PAIR	12504
50	4-15/16"	6-5/8"	Dynamic Series IV - DSF	R173433	C-4405	PRB25SF-JH-PAIR	12504
37	4-15/16"	13-5/16"	Dynamic Series I RDC-25	R173430	C-4637	PRB37-IN-4	13701
37	4-15/16"	13-5/16"	Dynamic Series I RDC-25S	R173430	C-4637	PRB37-IN-4	13701
37	4-15/16"	13-5/16"	Dynamic Series IV - DFM, DFML	R173430	C-4637	PRB37-IN-4	13701
37	4-15/16"	13-5/16"	Dynamic Series II & III RTL/RCF-25	R173430	C-4637	PRB37-IN-4	13701
50	4-15/16"	13-5/16"	Dynamic Series IV - DFM, DFML	R173434	C-4950	PRB50-IN	15002
50	4-15/16"	13-5/16"	Dynamic Series II & III RTL/RCF-25	R173434	C-4950	PRB50-IN	15002
50	4-15/16"	13-5/16"	Dynamic Series I RDC-50	R173434	C-4950	PRB50-IN	15002
50	4-15/16"	13-5/16"	Dynamic Series I RDC-50S	R173434	C-4950	PRB50-IN	15002
75	4-15/16"	20-1/8"	Dynamic Series II & III RTL/RCF-25	R173435	C-4975	PRB75	17501
75	4-15/16"	20-1/8"	Dynamic Series V - DSC-75	R173435	C-4975	PRB75	17501
100	4-15/16"	26-11/16"	Dynamic Series V - DSC-100	R173436	C-4999	PRB100	19901
100	4-15/16"	26-11/16"	Dynamic Series II & III RTL/RCF-100	R173436	C-4999	PRB100	19901
100	7"	9-13/16"	Commander	R173208	C-7499	PCM100SV-4	19903
25	7"	9-13/16"	Commander	R173201	C-7425	PA25/PA25-4/PPC25	12509
35	7"	9-13/16"	Commander	R173209	C-7435	PCM35-4	13503
4x44	7"	11-13/16"	Quantum™ CM	R173212	C-7437	PCM44-4	14401
4x44	7"	11-13/16"	Quantum™ RPM™	R173212	C-7437	PCM44-4	14401
4x44	7"	11-13/16"	Quantum™ Stainless Steel	R173212	C-7437	PCM44-4	14401
3x40	7"	11-1/8"	CFW Filter CF-40/120	R173310	C-7440	PPF40	14002
3x40	7"	11-1/8"	CF-40	R173310	C-7440	PPF40	14002
3x40	7"	11-1/8"	CFM Filter CF-40/120	R173310	C-7440	PPF40	14002
50	7"	19-5/8"	Commander	R173203	C-7450	PCM50-4/PA50-4/PPF50-4	15004
75	7"	19-5/8"	Commander	R173210	C-7453	PCM75SV	17509
2x75	7"	19-5/8"	Commander	R173210	C-7453	PCM75SV	17509
3x60	7"	19-5/8"	CFM Filter CF-60/180	R173312	C-7460	PPF60-4	16002
60	7"	19-5/8"	CF-60	R173312	C-7460	PPF60-4	16002
3x60	7"	19-5/8"	CFW Filter CF-60/180	R173312	C-7460	PPF60-4	16002
6X67.5	7"	16"	CFW Filter CFW-67.5/405	R173314	C-7467	PPF67.5-4	16801
4x60	7"	14-1/8"	Clean & Clear® Plus	R173572	C-7469	PCC60	16011
4x80	7"	20"	Clean & Clear® Plus	R173573	C-7470	PCC80/PWW80	18005
4x105	7"	26-1/16"	Clean & Clear® Plus	R173576	C-7471	PCC105/PWW105	20503
4x125	7"	32-1/16"	Clean & Clear® Plus	R173578	C-7472	PCC130/PWW130	22505
4x87.5	7"	16-1/2"	Quantum™ Stainless Steel	R173218	C-7474	PCM88-4	18801
4x87.5	7"	16-1/2"	Quantum™ RPM™	R173218	C-7474	PCM88-4	18801
4x87.5	7"	16-1/2"	Quantum™ CM	R173218	C-7474	PCM88-4	18801
75	7"	29-3/8"	Commander	R173205	C-7475	PCM75	17506
4x90	7"	20"	Quantum™ RPM™	R173211	C-7476	PCM90	19005
4x90	7"	20"	Clean & Clear® Plus	R173211	C-7476	PCM90	19005
80	7"	19-5/8"	CF-80	R173313	C-7480	PPF80	18002
4x75	7"	18-7/16"	Sea Horse 300 (Stainless Steel)	R173316	C-7491	PFAB75-4	17524
4x75	7"	18-7/16"	Sea Horse FSH- 300 (Fiberglass)	R173316	C-7491	PFAB75-4	17524
4x100	7"	24-3/4"	Sea Horse FSH-400 (Fiberglass)	R173317	C-7492	PFAB100SH-4	19915
4x100	7"	24-3/4"	Sea Horse 400 (Stainless Steel)	R173317	C-7492	PFAB100SH-4	19915
4x125	7"	30-7/16"	Sea Horse FSH-500 (Fiberglass)	R173318	C-7493	PFAB125-4	22503
4x125	7"	30-7/16"	Sea Horse 500 (Stainless Steel)	R173318	C-7493	PFAB125-4	22503
3x105	7"	25-5/8"	CFW Filter CF-105/315	R173315	C-7496	PPF105-4	20501
3x105	7"	25-5/8"	CFM Filter CF-105/315	R173315	C-7496	PPF105-4	20501
4x125	7"	26"	Clean & Clear® Plus	R173577	C-7498	PCM125/PCC125-4	22501
4x125	7"	26"	Quantum™ RPM™	R173219	C-7498	PCM125/PCC125-4	22501

# Replacement Cartridges

## Pentair Pool Products® (cont'd)

Sq. Ft.	O.D.	Length	Filter	OEM	Unicel®	Pleatco	Aladdin
4x125	7"	26"	Quantum™ CM	R173219	C-7498	PCM125/PCC125-4	<b>22501</b>
100	7"	29-3/8"	Commander	R173208	C-7499	PCM100SV-4	<b>19903</b>
25	7"	9-13/16"	Commander	R173200	C-7625	PA25/PA25-4/PPR25	<b>12509</b>
50	7"	19-5/8"	Commander	R173409	C-7650	PCM50-4/PA50-4/PPF50-4	<b>15004</b>
60	7-7/8"	14"	Mitra 60 GPM MA-60/160	R173298	C-7660	PFAB60-4	<b>16001</b>
60	7-7/8"	14"	Mytilus 60 60 GPM MY 60	R173298	C-7660	PFAB60-4	<b>16001</b>
2x60	7-7/8"	14"	Mytilus-B 140 GPM MY 140	172810	C-7660	PFAB60-4	<b>16001</b>
60	7-7/8"	14"	Mytilus-B 60 GPM MY 60	R173298	C-7660	PFAB60-4	<b>16001</b>
75	7"	29-3/8"	Commander	R173204	C-7675	PCM75	<b>17506</b>
50	7-7/8"	11-1/8"	Mytilus FMY 50	R173297	C-7678	PFAB50	<b>15009</b>
80	7-7/8"	22-1/8"	Mytilus FMY 80	R173299	C-7680	PFAB80	<b>18001</b>
80	7-7/8"	22-1/8"	Mytilus 80 80 GPM MY 80	R173299	C-7680	PFAB80	<b>18001</b>
80	7-7/8"	22-1/8"	Mytilus-B 80 GPM MY 80	R173299	C-7680	PFAB80	<b>18001</b>
80	7-7/8"	22-1/8"	Mitra 80 GPM MA-80	R173299	C-7680	PFAB80	<b>18001</b>
100	7-7/8"	22-1/8"	Mytilus 100 100 GPM MY 100	R173300	C-7699	PFAB100	<b>19904</b>
100	7-7/8"	22-1/8"	Mitra 100 GPM MA-100/160	R173300	C-7699	PFAB100	<b>19904</b>
100	7-7/8"	22-1/8"	Mytilus-B 100 GPM MY 100	R173300	C-7699	PFAB100	<b>19904</b>
100	7-7/8"	22-1/8"	Mytilus FMY 100	R173300	C-7699	PFAB100	<b>19904</b>
75	8-7/8"	19-1/2"	DM-75 Filter	R173579	C-8401	PDM75	<b>17529</b>
90	8-7/8"	19-1/2"	DM-90 Filter	R173580	C-8402	PDM90	<b>19004</b>
120	8-7/8"	19-1/2"	DM-120 Filter	R173581	C-8403	PDM120	<b>22008</b>
180	8-7/8"	39"	DM-180 Filter	R173582	C-8405	N/S	<b>28001</b>
240	8-7/8"	39"	DM-240 Filter	R173583	C-8406	N/S	<b>34001</b>
50	10-1/16"	8-9/16"	Predator™-50	R173213	C-9405	PAP50-4	<b>15036</b>
50	10-1/16"	8-9/16"	Clean & Clear® 50	R173213	C-9405	PAP50-4	<b>15036</b>
75	10-1/16"	16-1/8"	Clean & Clear® 75	R173214	C-9407	PAP75-4	<b>17525</b>
75	10-1/16"	16-1/8"	Predator™-75	R173214	C-9407	PAP75-4	<b>17525</b>
100	10-1/16"	23-5/8"	Predator™-100	R173215	C-9410	PAP100-4	<b>19916</b>
100	10-1/16"	23-5/8"	Clean & Clear® 100	R173215	C-9410	PAP100-4	<b>19916</b>
150	10-1/16"	31-1/8"	Clean & Clear® 150	R173216	C-9415	PAP150-4	<b>25005</b>
150	10-1/16"	31-1/8"	Predator™-150	R173216	C-9415	PAP150-4	<b>25005</b>
200	10-1/16"	31-1/8"	Predator™-200	R173217	C-9419	PAP200-4	<b>29902</b>
200	10-1/16"	31-1/8"	Clean & Clear® 200	R173217	C-9419	PAP200-4	<b>29902</b>

## Pentair Pool Products® - American Products® Replacements

Sq. Ft.	O.D.	Length	Filter	OEM	Unicel®	Pleatco	Aladdin
17x8	2-7/8"	9-3/4"	Caribe 133	57011400	C-2308	N/S	<b>10801</b>
23x8	2-7/8"	9-3/4"	Caribe 184	57011400	C-2308	N/S	<b>10801</b>
46x8	2-7/8"	9-3/4"	Caribe 368	57011400	C-2308	N/S	<b>10801</b>
18x6	2-7/8"	9-3/4"	Caribe 52	57000500	C-2606	N/S	<b>10604</b>
18x6	2-7/8"	9-3/4"	Caribe 104	57000500	C-2606	N/S	<b>10604</b>
20	4-5/8"	11-7/8"	Commander II (in-line)		C-4620	N/S	<b>12003</b>
20	4-5/8"	11-7/8"	Commander II (in-line)	57010200	C-4320	PA20/PA20-4	<b>12001</b>
25	4-5/8"	11-7/8"	Commander II (in-line)	57010500	C-4325	PA225-4	<b>12501</b>
25	7"	9-13/16"	Commander	57005700	C-7425	PA25/PA25-4/PPC25	<b>12509</b>
35	7"	9-13/16"	Commander	57014200	C-7435	PCM35-4	<b>13503</b>
4x44	7"	11-13/16"	Quantum™ CM	56627400	C-7437	PCM44-4	<b>14401</b>
4x44	7"	11-13/16"	Quantum™ RPM™	56627400	C-7437	PCM44-4	<b>14401</b>
4x44	7"	11-13/16"	Quantum™ Stainless Steel	56627400	C-7437	PCM44-4	<b>14401</b>
50	7"	19-5/8"	Commander	57005800	C-7450	PCM50	<b>15004</b>
75	7"	19-5/8"	Commander	57014300	C-7453	PCM75SV	<b>17509</b>
2x75	7"	19-5/8"	Commander	57014300	C-7453	PCM75SV	<b>17509</b>
4x60	7"	14-1/8"	Quantum™-240	178569	C-7469	PCC60	<b>16011</b>
4x87.5	7"	16-1/2"	Quantum™ Stainless Steel	56627800	C-7474	PCM88-4	<b>18801</b>
4x87.5	7"	16-1/2"	Quantum™ RPM™	56627800	C-7474	PCM88-4	<b>18801</b>
4x87.5	7"	16-1/2"	Quantum™ CM	56627800	C-7474	PCM88-4	<b>18801</b>
75	7"	29-3/8"	Commander	57007400	C-7475	PCM75	<b>17506</b>
4x90	7"	20"	Quantum™ RPM™	56628300	C-7476	PCM90	<b>19005</b>
4x125	7"	26"	Quantum™ RPM™	56627900	C-7498	PCC125-4/PCM125	<b>22501</b>
4x125	7"	26"	Quantum™ CM	56627900	C-7498	PCC125-4/PCM125	<b>22501</b>

# Replacement Cartridges

## Pentair Pool Products® - American Products® Replacements (cont'd)

Sq. Ft.	O.D.	Length	Filter	OEM	Unicel®	Pleatco	Aladdin
100	7"	29-3/8"	Commander	57014400	C-7499	PCM100SV-4	<b>19903</b>
50	10-1/16"	8-9/16"	Predator™-50	59054000	C-9405	PAP50-4	<b>15036</b>
75	10-1/16"	16-1/8"	Predator™-75	59054100	C-9407	PAP75-4	<b>17525</b>
100	10-1/16"	23-5/8"	Predator™-100	59054200	C-9410	PAP100-4	<b>19916</b>
150	10-1/16"	31-1/8"	Predator™-150	59054300	C-9415	PAP150-4	<b>25005</b>
200	10-1/16"	31-1/8"	Predator™-200	59054400	C-9419	PAP200-4	<b>29902</b>

## Pentair Pool Products® - Pac Fab Replacements

Sq. Ft.	O.D.	Length	Filter	OEM	Unicel®	Pleatco	Aladdin
6	2-7/8"	9-3/4"		174865	C-2606	N/S	<b>10604</b>
6	2-7/8"	9-3/4"		174819	C-2606	N/S	<b>10604</b>
30	5-5/16"	13-9/16"	Mytilus MY-30	174821	C-5623	PFAB30	<b>12301</b>
2x23	5-5/16"	13-9/16"	Mytilus MY-50	174821	C-5623	PFAB30	<b>12301</b>
4x60	7"	14-1/8"	Clean & Clear® Plus	178569	C-7469	PCC60	<b>16011</b>
4x80	7"	20"	Clean & Clear® Plus	178580	C-7470	PCC80	<b>18005</b>
4X105	7"	26-1/16"	Clean & Clear® Plus	178584	C-7471	PCC105/PWW105	<b>20503</b>
4x125	7"	32-1/16"	Clean & Clear® Plus	178585	C-7472	PCC130/PWW130	<b>22505</b>
4x90	7"	20"	Clean & Clear® Plus	566283	C-7476	PCM90	<b>19005</b>
4x75	7"	18-7/16"	Sea Horse FSH-300 (Fiberglass)	172877	C-7491	PFAB75-4	<b>17524</b>
4x100	7"	24-3/4"	Sea Horse FSH-400 (Fiberglass)	172878	C-7492	PFAB100SH-4	<b>19915</b>
4x100	7"	24-3/4"	Sea Horse 400 (Stainless Steel)	172841	C-7492	PFAB100SH-4	<b>19915</b>
4x125	7"	30-7/16"	Sea Horse 500 (Stainless Steel)	172849	C-7493	PFAB125-4	<b>22503</b>
4x125	7"	30-7/16"	Sea Horse FSH-500 (Fiberglass)	172887	C-7493	PFAB125-4	<b>22503</b>
4x125	7"	26"	Clean & Clear® Plus	566279	C-7498	PCM125/PCC125-4	<b>22501</b>
60	7-7/8"	14"	Mitra 60 GPM MA-60/160	174983	C-7660	PFAB60-4	<b>16001</b>
			Mytilus 60 GPM MY 60				
			Mytilus B 60 GPM MA-60/160				
140	7-7/8"	14"	Mytilus B 140 GPM MY 140	172810	C-7660	PFAB60-4	<b>16001</b>
160	7-7/8"	14"	Mitra MA-60/160	174983 and 174985	C-7660	PFAB60-4	<b>16001</b>
50	7-7/8"	11-1/8"	Mytilus FMY 50	174981	C-7678	PFAB50	<b>15009</b>
150	7-7/8"	33-3/8"	Mytilus FMY 50	174980	C-7679	PFAB150	<b>25001</b>
80	7-7/8"	22-1/8"	Mytilus FMY 80	174984	C-7680	PFAB80	<b>18001</b>
80	7-7/8"	22-1/8"	Mytilus 80 GPM MY 80	172811	C-7680	PFAB80	<b>18001</b>
80	7-7/8"	22-1/8"	Mytilus B 80 GPM MA-80	174984	C-7680	PFAB80	<b>18001</b>
80	7-7/8"	22-1/8"	Mitra 80 GPM MA-80	174984	C-7680	PFAB80	<b>18001</b>
100	7-7/8"	22-1/8"	Mytilus 100 GPM MY 100	174985	C-7699	PFAB100	<b>19904</b>
100	7-7/8"	22-1/8"	Mitra 100 GPM MA-100/160	174985	C-7699	PFAB100	<b>19904</b>
100	7-7/8"	22-1/8"	Mytilus FMY 100	174985	C-7699	PFAB100	<b>19904</b>
100	7-7/8"	22-1/8"	Mytilus B 100 GPM MA-100/160	172812	C-7699	PFAB100	<b>19904</b>
50	10-1/16"	8-9/16"	Clean & Clear® 50	590540	C-9405	PAP50-4	<b>15036</b>
75	10-1/16"	16-1/8"	Clean & Clear® 75	590541	C-9407	PAP75-4	<b>17525</b>
100	10-1/16"	23-5/8"	Clean & Clear® 100	590542	C-9410	PAP100-4	<b>19916</b>
125	10-1/16"	23-5/8"	Clean & Clear® 125	178671	C-9412	PAP118-4	<b>22510</b>
150	10-1/16"	31-1/8"	Clean & Clear® 150	590543	C-9415	PAP150-4	<b>25005</b>
175	10-1/16"	31-1/8"	Clean & Clear® 175	R178672	C-9415	PAP150-4	<b>25005</b>
200	10-1/16"	31-1/8"	Clean & Clear® 200	590544	C-9419	PAP200-4	<b>29902</b>

## Pentair Pool Products® - Purex Replacements

Sq. Ft.	O.D.	Length	Filter	OEM	Unicel®	Pleatco	Aladdin
33	7"	14"	CF-33/100	P-05237	C-7433	PPF33	<b>13301</b>
40	7"	11-1/8"	CF-40	07-0658	C-7440	PPF40	<b>14002</b>
3x40	7"	11-1/8"	CFM Filter CF-40/120	07-0658	C-7440	PPF40	<b>14002</b>
120	7"	11-1/8"	CFW Filter CF-40/120	07-0658	C-7440	PPF40	<b>14002</b>
180	7"	19-5/8"	CFW Filter CF-60/180	07-0657	C-7460	PPF60-4	<b>16002</b>
60	7"	19-5/8"	CF-60	07-0657	C-7460	PPF60-4	<b>16002</b>
6x67.5	7"	16"	CFW Filter CFW-67.5/405 (Tango)	07-4930	C-7467	PPF67.5-4	<b>16801</b>
3x80	7"	19-5/8"	CFW Filter	07-0656	C-7480	PPF80	<b>18002</b>
80	7"	19-5/8"	CF-80	07-0656	C-7480	PPF80	<b>18002</b>



# Replacement Cartridges

## Pentair Pool Products® - Purex Replacements (cont'd)

Sq. Ft.	O.D.	Length	Filter	OEM	Unicel®	Pleatco	Aladdin
3x80	7"	19-5/8"	CFM Filter	07-0656	C-7480	PPF80	18002
3x94	7"	19"	CFM Filter	175690	C-7481	N/S	19502
105	7"	25-5/8"	CFW Filter CF-105	07-0231	C-7496	PPF105-4	20501
3x105	7"	25-5/8"	CFW Filter CF-315	07-0231	C-7496	PPF105-4	20501
25	7"	11-1/8"	CF-25	P-05239	C-7610	PPF25	12516
33	7"	14"	CF-33	P-05237	C-7633	PPF33	13301
3x33	7"	14"	CF-100	P-05237	C-7633	PPF33	13301
2x33	7"	14"	CF-66	P-05237	C-7633	PPF33	13301
150	7"	19-5/8"	CF-150	07-0654	C-7651	PPF50/PPF50-4	15013
50	7"	19-5/8"	CF-50	07-0654	C-7651	PPF50/PPF50-4	15013
75	8-7/8"	19-1/2"	DM-75	175689	C-8401	PDM75	17529
90	8-7/8"	19-1/2"	DM-90	175652	C-8402	PDM90	19004
120	8-7/8"	19-1/2"	DM-120	175653	C-8403	PDM120	22008
180	8-7/8"	39"	DM-180	178571	C-8405	N/S	28001
240	8-7/8"	39"	DM-240	178572	C-8406	N/S	34001

## Pentair Pool Products® - Rainbow™ Replacements

Sq. Ft.	O.D.	Length	Filter	OEM	Unicel®	Pleatco	Aladdin
15	2-7/8"	17-1/16"	Hi Flow Cartridge	R170051	C-2302	PRB14.5	11501
9	2-7/8"	17-1/16"	Chloro Cartridge	R170052	C-2303	PRB8.5	10804
8	2-7/8"	9-3/4"		172055	C-2308	N/S	10801
4	2-7/8"	9-3/4"	Lifeguard CL-9	172006	C-2604	PH6	10401
6	2-7/8"	9-3/4"	Lifeguard CL-9X	172048	C-2606	N/S	10604
8	2-7/8"	19-1/2"	Lifeguard CL-19	172021	C-2608	N/S	10802
13	2-7/8"	19-1/2"	Lifeguard CL-19X	172047	C-2612	PRB12-4	11203
13	2-7/8"	29-1/4"	Lifeguard CL-29	/R173326 R172010	C-2613	PRB12L-4	11201
18	2-7/8"	29-1/4"	Lifeguard CL-29X	172046	C-2618	PRB18-4	11801
13	2-7/8"	14-11/16"	Lifeguard 12.5	172056	C-2912	PRB12L-4	11202
25	4-15/16"	13-5/16"	Leaf Trap Cartridge	R172653	C-4321	PRB25-IN-TC	12533
25	4-15/16"	13-5/16"	Dynamic Series I - Model RDC	R172327	C-4326	PRB25-IN-4	12502
25	4-15/16"	13-5/16"	Dynamic Series IV - DFM, DFML	R172327	C-4326	PRB25-IN-4	12502
25	4-15/16"	13-5/16"	Dynamic Series II & III RTL/RCF	R172327	C-4326	PRB25-IN-4	12502
35	4-15/16"	9-1/4"	Dynamic Series IV - DFM, DFML	R173431/R172482	C-4335	PRB35-IN	13501
35	4-15/16"	4-5/8"	Dynamic Series IV - Model DSF	R172606	C-4401	PRB17.5SF-JH-PAIR	11802
50	4-15/16"	6-5/8"	Dynamic Series IV - Model DSF	R172464	C-4405	PRB25SF-JH-PAIR	12504
25	4-15/16"	13-5/16"	Dynamic Series II & III RTL/RCF	R172325	C-4625	PRB25-IN-4	12502
25	4-15/16"	13-5/16"	Dynamic Series I - Model RDC	R172325	C-4625	PRB25-IN-4	12502
50	4-15/16"	13-5/16"	Dynamic Series I - Model RDC	R172380	C-4950	PRB 50-IN	15002
50	4-15/16"	13-5/16"	Dynamic Series II & III - RTL/RCF	R172380	C-4950	PRB 50-IN	15002
75	4-15/16"	20-1/8"	Dynamic Series II & III - RTL/RCF	R172632	C-4975	PRB75	17501
75	4-15/16"	20-1/8"	Dynamic Series V-DSC-75	R172632	C-4975	PRB75	17501
100	4-15/16"	26-11/16"	Dynamic Series V - DSC-100	R172633	C-4999	PRB100	19901
100	4-15/16"	26-11/16"	Dynamic Series II & III - RTL/RCF	R172633	C-4999	PRB100	19901
45	5-5/16"	10-1/8"		R173584	C-5345	PLBS50	14513
75	5-5/16"	14-13/16"		R173600	C-5374	PLBS75	17540
100	5-5/16"	17-13/16"		R173601	C-5397	PLBS100	19930
25	4-15/16"	13-5/16"		R173428	C-4625	PRB25-IN-4	12502

## Phoenix Spas

Sq. Ft.	O.D.	Length	Filter	OEM	Unicel®	Pleatco	Aladdin
37	4-15/16"	13-5/16"			C-4637	PRB37-IN-4	13701
2x50	6"	8-1/4"			6CH-940	PWW50P3	14510
200	6"	8-1/4"			6CH-941	PWW100-ST-P3	14018
200	6"	8-1/4"			6CH-942	PWW100-ST-P3	14019

# Replacement Cartridges

## Phoenix Spas (cont'd)

Sq. Ft.	O.D.	Length	Filter	OEM	Unicel®	Pleatco	Aladdin
50	4-15/16"	13-5/16"			C-4950	PRB50-IN	15002

## Porta Spa

Sq. Ft.	O.D.	Length	Filter	OEM	Unicel®	Pleatco	Aladdin
5	4-1/4"	8"			C-4607	PC7-120	10502

## Premier Springwater

Sq. Ft.	O.D.	Length	Filter	OEM	Unicel®	Pleatco	Aladdin
6	2-3/4"	9-3/4"			T-380R	PH6-PAK7	10607
6	2-7/8"	9-3/4"	Hercules	27-060	C-2606	N/S	10604
16	5-3/16"	9"			C-5616	N/S	11603
22	5-3/16"	11-7/8"	Hercules	27-077	C-5622	PPM25-4	12201
25	5-3/16"	9"	Hercules	27-072	C-5426	PLW25	12527
25	5-3/16"	11-7/8"			C-5427	PPR23-4	12528
4x75	5-3/16"	23-1/4"	Hercules 300	27-056	C-5371	PPR75	17511
3x75	5-3/16"	23-1/4"	Maxi-Sweep	27-056	C-5371	PPR75	17511
75	7"	19-5/8"	Hercules II	27-080	C-7453	PCM75SV	17509
2x75	7"	19-5/8"	Hercules II	27-080	C-7453	PCM75SV	17509
100	7"	29-3/8"	Hercules II	27-084	C-7499	PCM100SV-4	19903
25	7"	9-13/16"	Hercules II	27-078	C-7625	PA25/PA25-4/PPC25	12509
50	7"	19-5/8"	Hercules II	27-079	C-7650	PCM50-4/PA50-4	15004
75	7"	19-5/8"		27-080	C-7453	PCM75SV	17502

**Purex** see Pentair Pool Products® - Purex Replacements

## QCA

Sq. Ft.	O.D.	Length	Filter	OEM	Unicel®	Pleatco	Aladdin
25	4-15/16"	13-5/16"			C-4326	PRB25-IN-4	12502
50	4-15/16"	13-5/16"			C-4950	PRB50-IN	15002
95	4-15/16"	23-5/8"			C-4995	PCAL100	19501

## Quantum Spas

Sq. Ft.	O.D.	Length	Filter	OEM	Unicel®	Pleatco	Aladdin
25	4-5/8"	9-3/4"			C-4324	PTS35N	12523

**Rainbow™ Plastics** see Pentair Pool Products® - Rainbow™ Replacements

## Rec Warehouse / Leisure Bay

Sq. Ft.	O.D.	Length	Filter	OEM	Unicel®	Pleatco	Aladdin
13	4-5/8"	4-5/8"		303575	4CH-19	PSG13.5P4	11303
45	6"	8-1/4"		378902	6CH-940	PWW50P3	14510
10	4-1/4"	4"		378900	C-4310	PWW10	11003
25	4-15/16"	13-15/16"		303909	C-4326	PRB25-IN-4	12502
35	4-15/16"	9-1/4"		303557	C-4335	PRB35-IN	13501
35	4-15/16"	13-5/16"		111793	C-4637	PRB37-IN	13701
45	5-5/16"	10-1/8"		R173584	C-5345	PLBS50	14513
75	5-5/16"	14-13/16"		303433	C-5374	PLBS75	17540
100	5-5/16"	17-13/16"		303434	C-5397	PLBS100	19930

# Replacement Cartridges

## Rec Warehouse / Leisure Bay (cont'd)

Sq. Ft.	O.D.	Length	Filter	OEM	Unicel®	Pleatco	Aladdin
130	7-1/2"	28-15/16"		111776	C-7413	PLB130	23001
150	7-1/2"	28-15/16"		111792	C-7414	PLB150	25003
65	7-1/2"	14-13/16"		111794	C-7415	PLB65	16504
50	7-1/2"	14-13/16"		111790	C-7417	PLB 50	15043
100	7-1/2"	20-13/16"		111791	C-7418	PLB100	19908
100	8-1/2"	15-3/16"		111063	C-8310	PRW100	19926
150	8-1/2"	22-11/16"		111064	C-8315	PRW150	25009
75	9-15/16"	13-5/16"		111831	C-9401	PWW75-4	17531
100	9-15/16"	19-5/16"		111832	C-9402	PWW100-4	19920
150	9-15/16"	25-5/16"		111833	C-9403	PWW150-4	25006

## River Valley Spas

Sq. Ft.	O.D.	Length	Filter	OEM	Unicel®	Pleatco	Aladdin
25	4-15/16"	13-5/16"			C-4326	PRB25-IN-4	12502
50	4-15/16"	13-5/16"			C-4950	PRB50-IN	15002

## Rogers Spas

Sq. Ft.	O.D.	Length	Filter	OEM	Unicel®	Pleatco	Aladdin
22	5-3/16"	11-7/8"			C-5622	PPM25-4	12201

## Romanesque

Sq. Ft.	O.D.	Length	Filter	OEM	Unicel®	Pleatco	Aladdin
25	5-3/16"	11-7/8"			C-5622	PPM25-4	12201
27	5-3/16"	14-3/4"			C-5627	PPM 30	12701

## Rubadub Tub

Sq. Ft.	O.D.	Length	Filter	OEM	Unicel®	Pleatco	Aladdin
25	4-15/16"	13-5/16"			C-4326	PRB25-IN-4	12502
50	4-15/16"	13-5/16"			C-4950	PRB50-IN	15002

## Safari Spas

Sq. Ft.	O.D.	Length	Filter	OEM	Unicel®	Pleatco	Aladdin
25	4-15/16"	13-5/16"			C-4326	PRB25-IN-4	12502
50	4-15/16"	13-5/16"			C-4950	PRB50-IN	15002
25	5-11/16"	10-3/8"			C-5601	PJW23-4	12512

## Santana

Sq. Ft.	O.D.	Length	Filter	OEM	Unicel®	Pleatco	Aladdin
25	4-15/16"	9-13/16"	Closed Top		C-4328	PPI25-4	12506
25	4-15/16"	9-13/16"	Open Top		C-4428	PPI25D-4	12510
45	4-15/16"	14-7/8"			C-4345	PST45	14503
45	4-15/16"	17-3/4"			C-4346	PSI45-4	14504
45	4-15/16"	14-7/8"			C-4347	PMT45	14501
30	4-15/16"	11-7/8"			C-4430	N/S	13002
45	4-15/16"	17-3/4"			C-4449	PSI45-O-4	14502

# Replacement Cartridges

## Saratoga Spas

Sq. Ft.	O.D.	Length	Filter	OEM	Unicel®	Pleatco	Aladdin
13	4-5/8"	4-5/8"			4CH-19	PSG13.5P4	11303
20	4-5/8"	6-3/4"		20241-238	4CH-20	PSG25P4/PHC25P4	12004
19	4-5/8"	8"		20245-238	4CH-21	PA17/PA13/PTL18P4-4	11901
25	4-5/8"	9-3/4"		20254-238	4CH-24	PGS25P4	12519
30	4-5/8"	11-7/8"		74407-98	4CH-30	PTL25P4-4	13005

**Savannah Spas** see Acryx-Maax Spas (Canada)

## Seahorse Spas

Sq. Ft.	O.D.	Length	Filter	OEM	Unicel®	Pleatco	Aladdin
50	4-15/16"	13-5/16"			C-4950	PRB50-IN	15002

**Sears** see Muskin

## Seascape Spas

Sq. Ft.	O.D.	Length	Filter	OEM	Unicel®	Pleatco	Aladdin
30	4-5/8"	11-7/8"			4CH-30	PTL25P4-4	13005

## Seasonmaster

Sq. Ft.	O.D.	Length	Filter	OEM	Unicel®	Pleatco	Aladdin
25	5-7/8"	6"	Model 111 (before 1994)		C-5325	PLW25-4	12525
25	5-7/8"	6"	Model 111 (after 1994)		C-5326	PLW25-4	12534
50	5-7/8"	12-3/4"	Model 112 (before 1994)		C-5350	PLW50-4	15020
75	5-7/8"	19-1/4"	Model 131 (before 1994)		C-5375	PLW75-4	17520

## Sequoia Design

Sq. Ft.	O.D.	Length	Filter	OEM	Unicel®	Pleatco	Aladdin
25	4-15/16"	13-5/16"			C-4625	PRB25-IN-4	12502
50	4-15/16"	13-5/16"			C-4950	PRB50-IN	15002

**Serenity Spas** see Hydro Pool Industries

## Seven Seas

Sq. Ft.	O.D.	Length	Filter	OEM	Unicel®	Pleatco	Aladdin
50	5-11/16"	10-3/8"			C-5300	PJW50	15010
25	5-11/16"	10-3/8"			C-5601	PJW23-4	12512
25	5"	13-5/16"			C-5625	PJ25-IN-4	12507

## Signature Spas

Sq. Ft.	O.D.	Length	Filter	OEM	Unicel®	Pleatco	Aladdin
25	4-15/16"	13-5/16"			C-4326	PRB25-IN-4	12502
50	4-15/16"	6-5/8"			C-4405	PRB25SF-JH-PAIR	12504
50	4-15/16"	13-5/16"			C-4950	PRB50-IN	15002

# Replacement Cartridges

## Softsider Spas

Sq. Ft.	O.D.	Length	Filter	OEM	Unicel®	Pleatco	Aladdin
12	4-5/8"	4-5/8"			C-4302	PSS17.5	11206
15	4-5/8"	6-3/4"			C-4303	PSG25	11505
32	7"	8"			C-7432	PCS32	13204
40	7"	9 3/4"			C-7439	PVT40	14013

## Softub

Sq. Ft.	O.D.	Length	Filter	OEM	Unicel®	Pleatco	Aladdin
20	4-5/8"	6-3/4"			4CH-20	PHC25P4	12004
25	6"	5-1/2"		90-802	6CH-25	PTL20W-SV-P4-4	12520

## Sonfarrel see also Martec

Sq. Ft.	O.D.	Length	Filter	OEM	Unicel®	Pleatco	Aladdin
25	4-15/16"	14-7/8"		220122	C-4301	PMT27.5	12801
30	4-15/16"	14-7/8"		220128	C-4301	PMT27.5	12801
30	4-15/16"	14-7/8"		220132	C-4301	PMT27.5	12801
45	4-15/16"	14-7/8"		220142	C-4305	PMT50	15003
45	4-15/16"	14-7/8"		220145	C-4305	PMT50	15003
50	4-15/16"	14-7/8"		220152	C-4305	PMT50	15003
50	4-15/16"	14-7/8"		220175	C-4305	PMT50	15003
25	4-15/16"	14-9/16"			C-4308	POX25-IN	12532
32	4-15/16"	11-7/8"		220032	C-4332	PMT25/PMT35	13201
32	4-15/16"	11-7/8"		220035	C-4332	PMT25/PMT35	13201
32	4-15/16"	11-7/8"		220042	C-4332	PMT25/PMT35	13201
130	7-1/2"	28-15/16"		2301630	C-7413	PLB130	23001
65	7-1/2"	14-13/16"		2310650	C-7415	PLB65	16504
100	7-1/2"	21-7/8"		2301750	C-7419	PMT100	19909
6	2-3/4"	9-3/4"		250006	T-380	PH6-4	10601

## Sonoma Spas

Sq. Ft.	O.D.	Length	Filter	OEM	Unicel®	Pleatco	Aladdin
10	4-1/4"	4"			C-4310	PWW10	11003
25	4-5/8"	11-7/8"			C-4325	PA225-4	12501
50	4-15/16"	13-5/16"			C-4950	PRB50-IN	15002
100	4-15/16"	26-11/16"			C-4999	PRB100	19901
25	5-1/2"	11-7/8"			C-4340	PMT40	14009
40	5-1/2"	17"			C-5404	PDO40-4	14010
25	7"	9-13/16"			C-7626	PA25/PA25-4/PPC25	12509

## Spa Crest

Sq. Ft.	O.D.	Length	Filter	OEM	Unicel®	Pleatco	Aladdin
50	4-15/16"	13-5/16"			C-4950	PRB50-IN	15002

## Spa Manufacturers Inc.

Sq. Ft.	O.D.	Length	Filter	OEM	Unicel®	Pleatco	Aladdin
25	4-5/8"	9-3/4"			C-4324	PTS35N	12523

## Speck Pumps (See Cross-Reference)

## Spillway Spas see Florida Whirlpool

# Replacement Cartridges

## Sta-Rite®

Sq. Ft.	O.D.	Length	Filter	OEM	Unicef®	Pleatco	Aladdin
6	2-3/4"	9-3/4"	Swimquip™ 108	24101-19	T-380	PH6-4	10601
6	2-3/4"	9-3/4"	Swimquip™ 216	24101-19	T-380	PH6-4	10601
6	2-3/4"	9-3/4"	Swimquip™ 72	24101-19	T-380	PH6-4	10601
15	4-1/2"	9-3/4"	TX-15		C-4610	PSR15-4	11504
50	7"	14-1/8"	PRC 50	25200-0150S	C-7447	PA50SV/PA50SV-4	15032
75	7"	19-5/8"	PRC 75	25200-0175S	C-7477	PA75SV/PA75SV-4	17509
25	7"	9-13/16"	Posi-Clean RCB25B	WC108-140S1	C-7625	PA25/PA25-4/PPC25	12509
25	7"	9-13/16"	Posi-Clean RC925	24240-0016	C-7625	PA25/PA25-4/PPC25	12509
25	7"	9-13/16"	Posi-Clean TSC25	WC108-140S1	C-7625	PA25/PA25-4/PPC25	12509
25	7"	9-13/16"	Posi-Clean TSC25B	WC108-140S1	C-7625	PA25/PA25-4/PPC25	12509
50	7"	19-3/8"	Posi-Clean TXC50	WC108-141S1	C-7652	PPC50	15008
50	7"	19-3/8"	Posi-Clean TXC50B	WC108-141S1	C-7652	PPC50	15008
2x50	7"	19-3/8"	Posi-Clean TXC100	WC108-141S1	C-7652	PPC50	15008
50	7"	19-3/8"	Posi-Clean FCP50	24241-0016	C-7652	PPC50	15008
50	7"	19-3/8"	Posi-Clean FCP50B	WC108-141S1	C-7652	PPC50	15008
2x50	7"	19-3/8"	Posi-Clean TXC100	WC108-141S1	C-7652	PPC50	15008
75	7"	29-1/8"	Posi-Clean TSC75	24240-0016 & 24241-0016	C-7677	PPC75	17503
75	7"	29-1/8"	Posi-Clean FCP75	24240-0016 & 24241-0016	C-7677	PPC75	17503
37	8-11/16"	9-3/4"	35TX, 35TXR, 35GPM-TX	WC108-55S2X	SC3-SR35	PSR35-4	13703
52	8-11/16"	13-5/16"	50TX, 50GPM-TX, 50TXR, T-50TX, T-50TXR, PTM50	WC108-56S2X	SC3-SR50	PSR50-4	15201
72	8-11/16"	18-3/16"	70TX, 70GPM-TX, 70TXR, T-70TX T-70TXR, PTM70	WC108-57S2X	SC3-SR70	PSR70-4	17201
100	8-11/16"	25-11/16"	Posi-Flo II PTM 100	WC108-58S2X	UHDSR100	PSR100-4	20201
100	8-11/16"	25-11/16"	Posi-Flo T-100TX	WC108-58S2X	UHDSR100	PSR100-4	20201
100	8-11/16"	25-11/16"	Posi-Flo T-100TXR	WC108-58S2X	UHDSR100	PSR100-4	20201
100	8-11/16"	25-11/16"	Posi-Flo 100GPM-TX	WC108-58S2X	UHDSR100	PSR100-4	20201
100	8-11/16"	25-11/16"	Posi-Flo 100TX	WC108-58S2X	UHDSR100	PSR100-4	20201
100	8-11/16"	25-11/16"	Posi-Flo 100TXR	WC108-58S2X	UHDSR100	PSR100-4	20201
102	8-11/16"	25-11/16"	100TX, 100GPM-TX, 100TXR,		SC3-SR100	PSR100-4	20201
135	8-11/16"	34-1/2"	Posi-Flo T-135TX	WC108-59S2X	UHD-SR135	PSR135-4	23301
135	8-11/16"	34-1/2"	T-135TX (Posi-Flo)		SC3-SR135	PSR135-4	23301
137	8-11/16"	31-1/4"	135TX, 135GPM-TX, 135TXR PTM-135		SC3-SR137	PSR135-4	23701
137	8-11/16"	31-1/4"	Posi-Flo II PTM 135	WC108-70S2X	UHD-SR137	PSR137-4	23701
137	8-11/16"	31-1/4"	Posi-Flo 135GPM-TX	WC108-70S2X	UHD-SR137	PSR137-4	23701
137	8-11/16"	31-1/4"	Posi-Flo 135TX	WC108-70S2X	UHD-SR137	PSR137-4	23701
137	8-11/16"	31-1/4"	Posi-Flo 135TXR	WC108-70S2X	UHD-SR137	PSR137-4	23701
37	8-11/16"	9-3/4"	Posi-Flo 35GPM-TX	WC108-55S2X	UHD-SR35	PSR35-4	13703
37	8-11/16"	9-3/4"	Posi-Flo 35TX	WC108-55S2X	UHD-SR35	PSR35-4	13703
37	8-11/16"	9-3/4"	Posi-Flo 35TXR	WC108-55S2X	UHD-SR35	PSR35-4	13703
50	8-11/16"	13-5/16"	Posi-Flo 50 GPM-TX	WC108-56S2X	UHD-SR50	PSR50-4	15201
50	8-11/16"	13-5/16"	Posi-Flo 50TX	WC108-56S2X	UHD-SR50	PSR50-4	15201
50	8-11/16"	13-5/16"	Posi-Flo 50TXR	WC108-56S2X	UHD-SR50	PSR50-4	15201
50	8-11/16"	13-5/16"	Posi-Flo II PTM50	WC108-56S2X	UHD-SR50	PSR50-4	15201
50	8-11/16"	13-5/16"	Posi-Flo T-50TX	WC108-56S2X	UHD-SR50	PSR50-4	15201
50	8-11/16"	13-5/16"	Posi-Flo T-50TXR	WC108-56S2X	UHD-SR50	PSR50-4	15201
70	8-11/16"	18-3/16"	Posi-Flo T-70TX	WC108-57S2X	UHD-SR70	PSR70-4	17201
70	8-11/16"	18-3/16"	Posi-Flo T-70TXR	WC108-57S2X	UHD-SR70	PSR70-4	17201
70	8-11/16"	18-3/16"	Posi-Flo 88PTM70	WC108-57S2X	UHD-SR70	PSR70-4	17201
70	8-11/16"	18-3/16"	Posi-Flo 70GPM-TX	WC108-57S2X	UHD-SR70	PSR70-4	17201
70	8-11/16"	18-3/16"	Posi-Flo 70TX	WC108-57S2X	UHD-SR70	PSR70-4	17201
70	8-11/16"	18-3/16"	Posi-Flo 70TXR	WC108-57S2X	UHD-SR70	PSR70-4	17201
95	8-15/16"	17-3/8"	Posi-Clear® PXC-95	25230-0095S	C-8409	PA90/PA90-4	19002
75	8-15/16"	17-3/8"	Posi-Clear® PXC-75	25230-0075S	C-8411	PA76/PA76-4	17530
125	8-15/16"	28-3/16"	Posi-Clear® PXC-125	25230-0125S	C-8413	PWWPC125B	22508
150	8-15/16"	28-3/16"	Posi-Clear® PXC-150	25230-0150S	C-8416	PWWPC150B/ PWWPC150B-4	25019
175	8-15/16"	28-3/16"	Posi-Clear™	25230-0175S	C-8417	PA-175-4	27501

# Replacement Cartridges

**Starlight Spas** see US Tooling & Spas

**Statewood Spas** see Acryx-Maax Spas (Canada)

## Streamline Spas

Sq. Ft.	O.D.	Length	Filter	OEM	Unicel®	Pleatco	Aladdin
25	4-15/16"	13-5/16"			C-4326	PRB25-IN-4	12502
50	4-15/16"	13-5/16"			C-4950	PRB50-IN	15002

## Sunbelt Spas

Sq. Ft.	O.D.	Length	Filter	OEM	Unicel®	Pleatco	Aladdin
45	6"	8-1/4"			6CH-940	PWW50P3	14510
2x45	6"	8-1/4"			6CH-940	PWW50P3	14510
200	6"	8-1/4"			6CH-941	PWW100ST-P3	14018
100	6"	8-1/4"			6CH-941	PWW100ST-P3	14018
100	6"	8-1/4"			6CH-942	PWW100ST-P3	14019
200	6"	8-1/4"			6CH-942	PWW100ST-P3	14019
50	4-15/16"	13-5/16"			C-4950	PRB50-IN	15002
75	4-15/16"	23-5/8"			C-4970	PCAL75	17519

## Suncountry Spas

Sq. Ft.	O.D.	Length	Filter	OEM	Unicel®	Pleatco	Aladdin
50	4-15/16"	13-5/16"			C-4950	PRB50-IN	15002

## Sundance Spas

Sq. Ft.	O.D.	Length	Filter	OEM	Unicel®	Pleatco	Aladdin
25	4-5/8"	11-7/8"		6540-484	4CH-30	PTL25P4-4	13005
40	4-5/8"	16"		6540-486	4CH-35	PTL35P4-4	13504
50	4-15/16"	14-7/8"		6540-497	C-4305	PMT50	15003
45	4-15/16"	4-5/8"		6000-134	C-4401	PRB17.5SF-JH-PAIR	11802
40	4-5/8"	16-3/4"		6540-495	C-4440	PSD40-4	14001
50	4-15/16"	13-5/16"		6540-471	C-4950	PRB50-IN	15002
50	6-15/16"	19-5/8"			C-6650	PSD50	15030
75	7-1/2"	17-3/4"		6540-483	C-7370	PSD75	17542
65	7-1/2"	14-3/4"		6540-480	C-7465	PSD65	16502
65	7-1/2"	14-3/4"		6540-481	C-7466	PSD65-2	16503
125	8-1/2"	19"		6540-488	C-8326	PSD125-2000	22507
80	8-1/2"	14"		6540-501	C-8380	PSD85-2002	18007
25	4-15/16"	6-5/8"			C-4405	PRB25SF-JH-PAIR	12504
120	8-1/2"	18-1/4"		6540-482	C-8320	PSD125	22001

## Sunrise Spa

Sq. Ft.	O.D.	Length	Filter	OEM	Unicel®	Pleatco	Aladdin
32	7"	8"			7CH-32	PCS32P4	13205
50	4-15/16"	6-5/8"			C-4405	PRB25SF-JH-PAIR	12504
50	4-15/16"	13-5/16"			C-4950	PRB50-IN	15002

# Replacement Cartridges

## Sunset Spas

Sq. Ft.	O.D.	Length	Filter	OEM	Unicel®	Pleatco	Aladdin
50	4-15/16"	13-5/16"			C-4950	PRB50-IN	15002

## Superior Spas

Sq. Ft.	O.D.	Length	Filter	OEM	Unicel®	Pleatco	Aladdin
45	6"	8-1/4"			6CH-940	PWW50P3	14510
40	6"	8-1/4"			6CH-941	PWW100ST-P3	14018
40	6"	8-1/4"			6CH-942	PWW100ST-P3	14019
11	4-1/4"	4"			C-4310	PWW10	11003
40	4-15/16"	11-1/4"			C-4339	PWW40	14011
50	4-15/16"	13-5/16"			C-4950	PRB50-IN	15002

Swimquip™ see Sta-Rite®

## SwimRite

Sq. Ft.	O.D.	Length	Filter	OEM	Unicel®	Pleatco	Aladdin
6	2-3/4"	9-3/4"			T-380R	PH6-PAK7	10607

## Sylvan

Sq. Ft.	O.D.	Length	Filter	OEM	Unicel®	Pleatco	Aladdin
12	3-1/4"	14-11/16"			C-3612	PS12	11207

## Thermo Spas Of Connecticut

Sq. Ft.	O.D.	Length	Filter	OEM	Unicel®	Pleatco	Aladdin
25	6"	7"			6CH-26	PTL25W-SV-P4-4	12521
45	6"	8-1/4"			6CH-940	PWW50P3	14510
35	4-15/16"	4-5/8"			C-4401	PRB17.5SF-JH-PAIR	11802
10	4-1/4"	4"			C-4310	PWW10	11003
25	4-15/16"	13-5/16"			C-4326	PRB25-IN-4	12502
35	4-15/16"	4-5/8"			C-4401	PRB17.5SF-JH-PAIR	11802
50	4-15/16"	6-5/8"			C-4405	PRB25SF-JH-PAIR	12504
28	4-15/16"	14-7/8"			C-4301	PMT27.5	12801

## Tiara Spas

Sq. Ft.	O.D.	Length	Filter	OEM	Unicel®	Pleatco	Aladdin
50	4-15/16"	13-5/16"			C-4950	PRB50-IN	15002

## Tiger River

Sq. Ft.	O.D.	Length	Filter	OEM	Unicel®	Pleatco	Aladdin
65	8-1/2"	10-1/2"		31114	C-8465	PWK65	16506

## US Spas

Sq. Ft.	O.D.	Length	Filter	OEM	Unicel®	Pleatco	Aladdin
25	4-15/16"	13-5/16"			C-4326	PRB25-IN-4	12502
50	4-15/16"	13-5/16"			C-4950	PRB50-IN	15002



# Replacement Cartridges

## US Tooling & Spa

Sq. Ft.	O.D.	Length	Filter	OEM	Unicel	Pleatco	Aladdin
10	4-1/4"	4"			C-4310	PWW10	11003
50	4-15/16"	6-5/8"			C-4405	PRB25SF-JH-PAIR	12504
50	4-15/16"	13-5/16"			C-4950	PRB50-IN	15002

## Vak-Pak

Sq. Ft.	O.D.	Length	Filter	OEM	Unicel	Pleatco	Aladdin
50	10-1/16"	17-1/2"			C-9950	N/S	15037
70	10-1/16"	19-5/8"			C-9970	PVAC70-6	17001
100	10-1/16"	19-5/8"			C-9999	PVAC100-6	19917
150	10-1/16"	19-5/8"			N/S	N/S	25012
200	10-1/16"	26-5/8"			N/S	N/S	29911

## Viking Spas

Sq. Ft.	O.D.	Length	Filter	OEM	Unicel	Pleatco	Aladdin
50	6"	8-1/4"			6CH-940	PWW50P3	14510
25	4-15/16"	13-5/16"			C-4326	PRB25-IN-4	12502
32	4-15/16"	11-7/8"			C-4332	PMT25/PMT35	13201

## Vita Spas

Sq. Ft.	O.D.	Length	Filter	OEM	Unicel	Pleatco	Aladdin
25	4-5/8"	6-3/4"			4CH-20	PSG25P4/PHC25P4	12004
25	4-5/8"	8"			4CH-21	PA17/PA13/PTL18P4-4	11901
50	6"	8-1/4"			6CH-940	PWW50P3	14510
40	7"	9-3/4"			7CH-40	PCS40P/PVT40P-4	14007
50	7"	14-3/4"			7CH-50	PCS50 (W/PAD)	15021
15	4-5/8"	6-3/4"			C-4303	PSG25	11505
50	4-15/16"	13-5/16"			C-4950	PRB50-IN	15002
40	7"	9-3/4"			C-7439	PVT40	14013
50	7"	14-3/4"			C-7449	PVT50P4	15033
50	7"	19-5/8"			C-7450	PCM50	15004
50	8-1/2"	7-1/4"			C-8350	PVT 50W	15046

## Warm Springs Spa

Sq. Ft.	O.D.	Length	Filter	OEM	Unicel	Pleatco	Aladdin
25	4-15/16"	13-5/16"			C-4625	PRB25-IN-4	12502
50	4-15/16"	13-5/16"			C-4950	PRB50-IN	15002

## Waterco USA

Sq. Ft.	O.D.	Length	Filter	OEM	Unicel	Pleatco	Aladdin
25	7-1/4"	9-7/8"	Trimline C-25	62040	C-7427	PWC25	12530
50	7-1/4"	14-5/8"	Trimline CC-50	62048	C-7448	PJAN50	15044
50	7-1/4"	19-5/8"	Trimline C-50	62042	C-7457	PWC50	15035
2x50	7-1/4"	19-5/8"	Trimline C-100	62042	C-7457	PWC50	15035
75	7-1/4"	19-5/8"	Trimline CC-75	62049	C-7473	PWC75SV	17536
75	7-1/4"	29-1/2"	Trimline C-75	62044	C-7478	PWC75SV	17522
100	7-1/4"	29-1/2"	Trimline CC-100	62050	C-7497	PWC100SV	19924
100	12-1/6"	8-1/2"	FulFlo	62281	C-9490	N/S	19931

Waterpik see Jandy

# Replacement Cartridges

## Waterway™ Plastics

Sq. Ft.	O.D.	Length	Filter	OEM	Unicel®	Pleatco	Aladdin
2x50	6"	8-1/4"	Front Access Skim	817-0011	6CH-941	PWW100ST-P3	14018
2x50	6"	8-1/4"	Front Access Skim	817-0012	6CH-942	PWW100ST-P3	14019
200	6"	8-1/4"	Front Access Skim				
100	6"	8-1/4"	Front Access Skim				
100	6"	8-1/4"	Front Access Skim				
200	6"	8-1/4"	Front Access Skim				
10	4-1/4"	4"	Skim	817-0010	C-4310	PWW 10	11003
25	4-15/16"	13-5/16"	Top Load (in-line)	817-2500	C-4326	PRB25-IN-4	12502
25	4-15/16"	13-5/16"	TWM Cartridge Filter Pack	817-2500	C-4326	PRB25-IN-4	12502
35	4-15/16"	9-1/4"	Top Load (in-line)	817-3501	C-4335	PRB35-IN	13501
40	4-15/16"	11-1/4"	Top Load (in-line)	817-0040	C-4339	PWW40	14011
35	4-15/16"	4-5/8"	Skim	817-3510	C-4401	PRB17.5SF-JH-PAIR	11802
50	4-15/16"	6-5/8"	Skim	817-5010	C-4405	PRB25SF-JH-PAIR	12504
50	4-15/16"	13-5/16"	Top Load (in-line)	817-5000	C-4950	PRB50-IN	15002
50	4-15/16"	13-5/16"	TWM Cartridge Filter Pack	817-5000	C-4950	PRB50-IN	15002
75	4-15/16"	23-5/8"	Top Load (in-line)	817-7500	C-4970	PCAL75	17519
95	4-15/16"	23-5/8"	Top Load (in-line)	817-1000	C-4995	PCAL100	19501
45	5-5/16"	10-1/8"	Top Load	817-0014	C-5345	PLBS50	14513
75	5-5/16"	14-13/16"	Top Load	817-0015	C-5374	PLBS75	17540
100	5-5/16"	17-13/16"	Top Load	817-0016	C-5397	PLBS100	19930
75	8-15/16"	17-3/8"	ClearWater™ II 75/ProClean 75	817-0075N/P	C-8411	PA76/PA76-4	17530
100	8-15/16"	17-3/8"	ClearWater™ II 100/ProClean 100	817-0100N/P	C-8409	PA90/PA90-4	19002
125	8-15/16"	23-3/8"	ClearWater™ II 125/ProClean 125	817-0125N	C-8412	PA120/PA120-4	22002
150	8-15/16"	23-5/16"	ClearWater™ II 150/ProClean 150	817-0150N	C-8414	PWWCT150-4	25014
200	8-15/16"	23-5/16"	ClearWater™ II 200	817-0200N	C-8419	PWWCT200/ PWWPC200SV	29916
150	8-15/16"	28-3/16"	ProClean 150	817-0150P	C-8416	PWWPC150B/ PWWPC150B-4	25019
175	8-15/16"	28-3/16"	ProClean 175	817-0175P	C-8417	PA175/PA175-4	27501
200	8-15/16"	28-3/16"	ProClean 200	817-0200P	C-8420	PA190	29910
75	9-15/16"	13-5/16"	ClearWater™	817-0075	C-9401	PWW75-4	17531
100	9-15/16"	19-5/16"	ClearWater™	817-0100	C-9402	PWW100-4	19920
150	9-15/16"	25-5/16"	ClearWater™	817-0150	C-9403	PWW150-4	25006
80	7"	20"	Crystal Water	817-0081	C-7470	PCC80/PWW80	18005
125	7"	32-1/16"	Crystal Water	817-0131	C-7472	PCC130/PWW130	22505

Watkins Mfg. see Hot Springs Spas, Tiger River

## Wet Institute

Sq. Ft.	O.D.	Length	Filter	OEM	Unicel	Pleatco	Aladdin
6	2-5/8"	14-11/16"	Modufilter M-66/M-165/M-330	32050202	C-2601	PW15	10608
6	2-7/8"	14-11/16"	Modufilter M-66	32050201	C-2607	PW15W/C	10603
6	2-7/8"	14-11/16"	Modufilter M-165	32050201	C-2607	PW15W/C	10603
6	2-7/8"	14-11/16"	Modufilter M-330	32050201	C-2607	PW15W/C	10603
3x60	7-7/8"	14"	Modufilter M-180	32050203	C-7660	PFAB60-4	16001
3x105	7-7/8"	22-1/8"	Modufilter M-330	32050204	C-7699	PFAB100	19904

## White Springs Spas

Sq. Ft.	O.D.	Length	Filter	OEM	Unicel	Pleatco	Aladdin
25	4-5/8"	9-3/4"			4CH-24	PGS25P4	12519

## Wind River Spas

Sq. Ft.	O.D.	Length	Filter	OEM	Unicel	Pleatco	Aladdin
50	4-15/16"	13-5/16"			C-4950	PRB50-IN	15002

# Replacement Cartridges

## 2" - 3" Outside Diameter

O.D.	Length	Top/Bottom	Sq. Ft.	Pleats	Identification	Unicel®	Pleatco	Aladdin
2-5/8"	14-11/16"	1-1/16" I.D.	6	41	Modufilter M-66, M165, M330	C-2601	PW15WC	10608
2-5/8"	19-15/16"	1-1/16" I.D.	10	62	Encon Spas	C-2610	PW15WC	11002
2-3/4"	5-1/8"	1 1/16" I.D.	3.5	76	Spa-In-A-Box	C-2305	PSB3.5	10301
2-3/4"	6"	Closed 1-1/16" I.D.	3.7	75	Icon 3.7 Sq. Ft.	C-2304	PH3.7-B	10304
2-3/4"	9-3/4"	1-1/16" I.D.	6	75	Swimquip™ 72, 108, 216	T-380	PH6-4	10601
2-3/4"	9-3/4"	1-1/16" I.D.	6	75	Harmsco OTC/6-4	C-2306	PH6-4	10601
2-3/4"	9-3/4"	1-1/16" I.D.	6	75	Harmsco ST/6/American/Pac Fab Premier/Rainbow™/Swimquip™/SwimRite	T-380R	PH6-PAK7	10607
2-7/8"	9-3/4"	1-1/16" I.D.	4	41	Lifeguard CL-9 Standard & High Sq.Ft. Filters	C-2604	PH6	10401
2-7/8"	9-3/4"	1-1/16" I.D.	6	62	Caribe 52, 104 Hercules Lifeguard CL-9X Standard & High Sq.Ft. Filters (MX Series)	C-2606	N/S	10604
2-7/8"	9-3/4"	1-1/16" I.D.	8	84	Caribe 133, 184, 368	C-2308	N/S	10801
2-7/8"	14-11/16"	1-1/16" I.D.	6	41	Modufilter M-66, M165, M330	C-2607	PW15WC	10603
2-7/8"	14-11/16"	1-1/16" I.D.	13	84	Lifeguard 12.5	C-2912	PW15WC	11202
2-7/8"	17-1/16"	2-1/8" I.D.	9	150	Chloro Cartridge	C-2303	PRB8.5	10804
2-7/8"	17-1/16"	1-1/16" I.D. Spas: Emerald Spas	15	84	Hi Flow Cartridge	C-2302	PRB14.5	11501
2-7/8"	19-1/2"	1-1/16" I.D.	8	41	Lifeguard CL-19 Standard & High Sq.Ft. Filters	C-2608	N/S	10802
2-7/8"	19-1/2"	1-1/16" I.D. Spas: Jacuzzi Whirlpool Bath	12	62	Lifeguard CL-19X	C-2612	PJW12/PRB12-4	11203
2-7/8"	19-1/2"	1-1/16" I.D.	12	62	Standard & High Sq.Ft. Filters (MX Series)	C-2612	PJW12/PRB12-4	11203
2-7/8"	29-1/4"	1-1/16" I.D.	13	41	Lifeguard CL-29 Standard & High Sq.Ft. Filters	C-2613	PRB12L-4	11201
2-7/8"	29-1/4"	1-1/16" I.D.	18	62	Lifeguard CL-29X Standard & High Sq.Ft. Filters (MX Series)	C-2618	PRB18-4	11801

## 3" - 4" Outside Diameter

O.D.	Length	Top/Bottom	Sq. Ft.	Pleats	Identification	Unicel	Pleatco	Aladdin
3-1/4"	9-3/4"	1-1/16" I.D.	8	64	Alcove 8	C-3608	PS9-4	10805
3-1/4"	14-11/16"	1-1/16" I.D.	12	64	Sylvan	C-3612	PS12	11207

# Replacement Cartridges

## 4" - 5" Outside Diameter

O.D.	Length	Top/Bottom	Sq. Ft. Pleats	Identification	Unicel®	Pleatco	Aladdin
4-1/4"	4"	1-15/16" I.D.	10 216	Skim Filter, Front Access Skimmer	C-4310	PWW10	<b>11003</b>
4-1/4"	7-1/8"	Semi-Circ. Handle 2" I.D.	15 163	Icon Spas	C-4315	PIC15	<b>NS</b>
Spas: Weslo Spa Model #207							
4-1/4"	8"	1-15/16" I.D.	5 51	Coleco F-120	C-4606	N/S	<b>10502</b>
4-1/4"	8"	1-15/16" I.D.	5 51	Coleco DR-7, F-120 Intex 58623, 58631 Krystal Klear Model 12, 108R	C-4607	PC7-120	<b>10502</b>
4-1/4"	8"	Closed 1-15/16" I.D.	5 51	D-8 Skim Filter	C-4304	PC7-TC	<b>10505</b>
4-1/4"	8"	1-3/4" I.D.	5 51	General Foam 5	C-4306	PGF5	<b>10506</b>
4-1/4"	10-7/8"	1-15/16" I.D.	9 65	C-11 Cartridge Filter	C-4603	PHP11	<b>10901</b>
4-1/4"	12"	Semi-Cir. Handle 2" I..D.	25 167	Icon Spas	C-4329	PIC25	<b>12537</b>
Spas: Weslo Spa Model #410							
4-1/4"	17-7/8"	1-15/16" I.D.	15 65	C-22 Cartridge Filter	C-4604	PHP18	<b>11502</b>
4-1/4"	23-3/4"	Semi-Circ. Handle 2-5/16" w/O-ring	50 202	Icon Spas	C-4351	PIC50N	<b>15050</b>
Spas: Image Spa Models #631, 616, 615/Weslo Spa Model #628							
4-1/4"	23-3/4"	Semi-Circ. Handle 2" I.D.	50 190	Icon Spas	C-4360	PIC60	<b>16014</b>
Spas: Image Spa Models #739 and 639							
4-5/16"	8"	Closed 2-3/16" I.D.	10 55	Muskin A2300	C-4600	PMS8TC	<b>10507</b>
4-5/16"	8"	2-3/16" I.D.	6 55	Muskin 8; No Core	C-4602	PMS 8N/C	<b>10606</b>
4-5/16"	8"	2-3/16" I.D.	6 55	Muskin A3808, A3818, 195-8712	C-4605	PMS8	<b>10606</b>
4-1/2"	9-3/4"	1-1/16" I.D.	15 80	Sta-Rite® TX-15	C-4610	PSR15-4	<b>11504</b>
4-5/8"	4-5/8"	Cone Handle 1.9" I.D.	12 177	Softsider Spas	C-4302	PSS17.5	<b>11206</b>
4-5/8"	4-5/8"	Cone Handle 1-1/2 Male Thd.	13 199	4CH - Top Load	4CH-19	PSG13.5P4	<b>11303</b>
Spas: Dolphin Spas/Leisure Bay Spas							
4-5/8"	6-3/4"	Cone Handle 1.9" I.D.	15 150	Softsider Spas/Vita Spas	C-4303	PSG25	<b>11505</b>
4-5/8"	6-3/4"	Cone Handle 1-1/2 Male Thd.	20 204	4CH - Top Load	4CH-20	PHC25P4	<b>12004</b>
Spas: Master Spas/Saratoga Spas/Softub, Vita Spas							
4-5/8"	8"	Cone Handle 1-1/2 Male Thd.	25 158	4CH - Top Load	4CH-21	PA17/PA13/ PTL18P4-4	<b>11901</b>
Spas: Alcove/Pageant Spas/Saratoga Spas/Vita Spas							
4-5/8"	9-3/4"	Cone Handle 1-7/8" I.D. w/Slots	20 138	Aqua Spa	C-4402	PAQ25N	<b>12006</b>

# Replacement Cartridges

## 4" - 5" Outside Diameter (cont'd)

O.D.	Length	Top/Bottom	Sq. Ft.	Pleats	Identification	Unicef®	Pleatco	Aladdin
4-5/8"	9-3/4"	Cone Handle 1-1/2 Male Thd.	25	173	4CH - Top Load	4CH-24	PGS25P4	<b>12519</b>
Spas: Advanced Spa Design/Blue Ridge Spas/CTA Spas/Gatsby Spas/Heartland Spas/Hydro Spa/Icon Spas/Imperial Spas/LA Spas/Lowes/Mountain Mist Spa/Mountain Springs Spa/Mountain Meadows Spa/Mountain Stream Spa/Nemco/White Springs Spas/Mountain Stream Spa								
4-5/8"	9-3/4"	Cone Handle 1.9" I.D.	25	173	Gatsby Spas	C-4324	PTS35N	<b>12523</b>
4-5/8"	11-5/8"	Cone Handle 1-3/8" I.D.	25	143	Nemco 25 Sq. Ft.	C-4403	PCP20-4	<b>12524</b>
4-5/8"	11-7/8"	2-1/16" I.D.	12	66	MicroStar-Clear (in-line)	C-4312	PA12	<b>11204</b>
4-5/8"	11-7/8"	2-1/16" I.D.	20	111	Commander II (in-line) MicroStar-Clear™ C-200 (in-line)	C-4320	PA20/PA20-4	<b>12001</b>
4-5/8"	11-7/8"	2-1/16" I.D.	25	138	Commander II (in-line) MicroStar-Clear™ C-225 (in-line)	C-4325	PA225/PA225-4	<b>12501</b>
Spas: Apollo Spas/Emerald Spas/Sonoma Spas								
4-5/8"	11-7/8"	2-1/16" I.D.	25	142	American Commander II 25 Sq. Ft.	C-4327	PA225/PA225-4	<b>12511</b>
Spas: Apollo Spas								
4-5/8"	11-7/8"	Cone Handle 1-1/2 Male Thd.	30	158	4CH - Top Load Franklin/Statesman/Revere	4CH-30	PTL25P4-4	<b>13005</b>
Spas: Blue Pacific/Charisma Spas/Dimension One Spas/Dolphin Spas/Florida Whirlpool/Freedom Spas/Marathon Spas/Saratoga Spas/Seascape Spas/Sundance Spas								
4-5/8"	11-7/8"	2-1/16" I.D.	20	111	American Commander II (in-line)	C-4620	PA20	<b>12003</b>
4-5/8"	12"	Cone Handle 1-1/2 Male Thd.	25	139	4CH - Top Load	4CH-950	PDO-UF25/ PDO-UF25P2	<b>15038</b>
4-5/8"	14-3/4"	Cone Handle 1-1/2 Male Thd.	50	225	4CH - Top Load	4CH-50	PTL50P4-4	<b>15016</b>
Spas: Advanced Spa Design/Addison Spas/American Classic Spas/Aqua Tech Spas/Dimension One Spas/Nemco								
4-5/8"	15"	Cone Handle SAE Fitting	40	176	4CH - Top Load	4CH-940	PDO-UF40/ PDO-UF40P2	<b>14017</b>
4-5/8"	16"	Cone Handle 1-1/2 Male Thd.	35	145	4CH - Top Load	4CH-35	PTL35P4-4	<b>13504</b>
Spas: Hot Springs Spas/Sundance Spas								
4-5/8"	16-3/4"	Castle 2-1/16" I.D.	40	158	Sundance 40	C-4440	PSD40-4	<b>14001</b>
Spas: Sundance Spas								
4-5/8"	19-5/8"	Cone Handle 1-1/2 Male Thd.	65	217	4CH - Top Load	4CH-65	PTL65-H	<b>16505</b>
Spas: Dimension One Spas								
4-5/8"	23-3/4"	2-1/16" I.D.	50	138	Grecian Spa	C-4350	PDV50	<b>15001</b>
Spas: Discovery Spas								
4-3/4"	8"	1-1/8" I.D. 2-3/8" I.D.	5	51	Coleco CR-8, F-108, F-110	C-4609	PC8	<b>10504</b>
4-3/4"	8"	1-3/4" I.D.	7	71	General Foam Plastics	C-4307	PGF7	<b>10702</b>

# Replacement Cartridges

## 4" - 5" Outside Diameter (cont'd)

O.D.	Length	Top/Bottom	Sq. Ft.	Pleats	Identification	Unicel®	Pleatco	Aladdin
4-3/4"	8"	1-3/4" I.D.	10	101	General Foam Plastics	C-4309	PGF10	<b>11004</b>
4-3/4"	8"	1-1/8" I.D. 2-3/8" I.D.	5	51	Coleco F-110. CR-8, Cyclone Pool	C-4608	PC8	<b>10503</b>
4-3/4"	11"	1-1/8" I.D. 2-3/8" I.D.	8	57	Coleco DR-11, CF-11, F-112, F-350	C-4611	PC11-4	<b>10803</b>
4-3/4"	16"	1-1/8" I.D. 2-3/8" I.D.	12	57	Coleco DR-16, F-750, F-775, F-850, F-875	C-4616	PC16	<b>11205</b>
4-3/4"	18"	1-1/8" I.D. 2-3/8" I.D.	13	69	60-4314, 60-4316, 60-4318	C-4601	PL18-4/PL18P-4	<b>11601</b>
4-3/4"	18"	1-1/8" I.D. 2-3/8" I.D.	13	57	Coleco DR-18, F-225, F-335, F-345	C-4618	PC18-4	<b>11301</b>
4-15/16"	4-5/8"	2-1/8" I.D.	35	158	Dynamic Series IV - Model DSF Spas: Apollo Spas/Aqua Tech Spas/Arizona Pacific/Beachcomber/Catalina/Caribbean/Clearwater Spas/Discovery Spas/Dynasty Spas/Esther Williams/Freedom Spas/Hydro Spa/Legend Spas/Lifestyle Spas/Sundance Spas/Thermo Spas	C-4401	PRB17.5SF-JH-PAIR	<b>11802</b>
4-15/16"	6-5/8"	2-1/8" I.D. 1-1/2" Male Thread/MPT I.D.	25	212	Free Flow Spas Spas: Lagos/Tempest	4CH-22	PFF25P4	<b>12535</b>
4-15/16"	6-5/8"	Closed 1-1/2" Male Thread/MPT I.D.	25	212	Free Flow Spas Spas: Ciaro	4CH-23	PFF25TC-P4	<b>12536</b>
4-15/16"	6-5/8"	2-1/8" I.D.	50	158	Dynamic Series IV - DFML, DSF Spas: Arizona Pacific/Beachcomber/Catalina/Caribbean/Clearwater Spas/Legend Spas/Lifestyle Spas/Moose Mountain Spas/Signature Spas/Sundance Spas/Sunrise Spas/Thermo Spas/US Tooling & Spa.	C-4405	PRB25SF-JH-PAIR	<b>12504</b>
4-15/16"	9-1/4"	2-1/8" I.D.	35	219	Rainbow™/Waterway™ Plastics Custom Molded Products Spas: Bullfrog Spas, Hydro Pool Indus., Moose Mountain Spas	C-4335	PRB35-IN	<b>13501</b>
4-15/16"	9-13/16"	Closed 2-1/8" I.D.	25	148	Santana 25 Sq. Ft. Closed Top Spas: Santana	C-4328	PPI25-4	<b>12506</b>
4-15/16"	9-13/16"	2-1/8" I.D.	25	148	Santana 25 Sq. Ft. Spas: Santana	C-4428	PPI25D-4	<b>12510</b>
4-15/16"	10-3/8"	2-1/8" I.D.	30	158	Nemco 30 Sq. Ft. Spas: Nemco	C-4429	DSF25-50	<b>13001</b>
4-15/16"	10-3/8"	Closed 2-1/8" I.D.	30	158	Skim Filter 30 Sq. Ft.	C-4431	DSF25-50TC	<b>13006</b>
4-15-16"	11-1/4"	2-1/8" I.D.	40	216	Sonfarrel 25-220022	C-4339	PWW40	<b>14011</b>
4-15/16"	11-5/8"	2-1/8" I.D.	40	197	Dimension One Spa	C-4340	PMT40	<b>14009</b>
4-15/16"	11-7/8"	2-1/8" I.D.	30	145	Santana 30 Spas: Santana	C-4430	PMT35	<b>13002</b>
4-15/16"	11-7/8"	2-1/8" I.D.	25	154	Mini-Mite Spas: Emerald Spas/Viking Spas	C-4332	PMT25/PMT35	<b>13201</b>

# Replacement Cartridges

## 4" - 5" Outside Diameter (cont'd)

O.D.	Length	Top/Bottom	Sq. Ft.	Pleats	Identification	Unicel®	Pleatco	Aladdin
4-15/16"	12-1/4"	2-1/8" I.D.	45	212	Dakota Spas 45	C-4311	PDS45	<b>14511</b>
4-15/16"	13-5/16"	2-1/8" I.D.	25	106	Dynamic Series I - Model RDC Dynamic Series II & III RTL/RCF Dynamic Series IV - DFM, DFML	C-4625	PRB25-IN-4	<b>12502</b>
Spas: Alps Spas/Aries Spas/Blue Pacific/Esther Williams/Haugh's/Heldor Spas/Hydro Pool Indus./J.E.M. Spas/Sequoia Design/Warm Springs Spa/Accent Spas/Acryx-Maax Spas (Canada)/Apollo Spas/Aqua Mystic/Blue Falls Mfg. Ltd./Dakota Spas/ EmeraldSpas,GPM Industries/Hot Springs Spas/Moonwater Spas/PDC Spas/Nordic Hot Tubs/QCA/River Valley Spas/Safari Spas/Signature Spas/Streamline Spas/Thermo Spas/US Spas/Viking Spas								
4-15/16"	13-5/16"	Closed 2-1/8" I.D.	25	106	Leaf Trap Cartridge	C-4321	PRB25-IN-TC	<b>12533</b>
4-15/16"	13-5/16"	2-1/8" I.D.	37	158	Dynamic Series I RDC-25 Dynamic Series II & III RTL/RCF-25 Dynamic Series IV - DFM, DFML Concord, Patriot, Ambassador, Executive	C-4637	PRB37-IN-4	<b>13701</b>
Spas: Acryx-Maax Spas (Canada)/Freedom Spas/Morgan Spas/Phoenix Spas								
4-15/16"	13-5/16"	2-1/8" I.D.	50	212	Dynamic Series I - Model RDC Dynamic Series II & III - RTL/ RCF Dynamic Series IV - DFM, DFML EZ Twist Top Mount Skim	C-4950	PRB50-IN	<b>15002</b>
Spas: Accent Spas/Acryx-Maax Spas (Canada)/Alps Spas/American Spas/Apollo Spas/Aqua Mystic/Aqua Tech Spas/Aquiform Infinity Spas/Arizona Pacific/Baja Spas/Blue Pacific/Blue Falls Mfg. Ltd./Bullfrog Spas/Cal Spas/Charisma Spas/Coast Spas (Canada)/Coleman Spas/Discovery Spas/Dynasty Spas/Freedom Spas/GPM Industries/Haugh's/Hawkeye Spas/Heldor Spas/Hydro Spa/J.E.M. Spas/Leisure Bay Spas/Marathon Spas/Millennium Spas/Moonwater Spas/Morgan Spas/Northwest Spas/Pageant Spas/Phoenix Spas/QCA/River Valley Spas./Safari Spas/Seahorse Spas/Sequoia Design/Signature Spas/Sonoma Spas/Spa Crest/Streamlinw Spas/Sunbelt Spas/Suncountry Spas/Sundance Spas/Sunrise Spa/Sunset Spas/Superior Spas/Tiara Spas/US Spas/US Tooling & Spa/Warm Springs Spa/Wind River Spas								
4-15/16"	14-9/16"	2-1/8" I.D.	25	94	Sonfarrel 25 Sq. Ft.	C-4308	POX25-IN	<b>12532</b>
4-15/16"	14-7/8"	2-1/8" I.D.	30	106	Martec/Sonfarrel 28 Sq. Ft.	C-4301	PMT27.5	<b>12801</b>
Spas: Nordic Hot Tubs/Thermo Spas								
4-15/16"	14-7/8"	2-1/8" I.D.	45	173	Santana 45 Sq. Ft.	C-4347	PMT45	<b>14501</b>
Spas: Santana								
4-15/16"	14-7/8"	Closed 2-1/8" I.D.	45	173	Santana 45 Sq. Ft.; C/Top	C-4345	PST45	<b>14503</b>
Spas: Santana								
4-15/16"	14-7/8"	2-1/8" I.D.	50	193	Martec/Sonfarrel 50 Sq. Ft.	C-4305	PTM50	<b>15003</b>
Spas: Cal Spas/Dolphin Spas/Pageant Spas/Sundance Spas								
4-15/16"	17-3/8"	2-1/8" I.D.	50	155	Advantage Electric 50 Sq. Ft.	C-4349	PAE50	<b>15040</b>
4-15/16"	17-3/4"	2-1/8" I.D.	45	143	Santana 45 Sq. Ft.	C-4449	PSI45-O-4	<b>14502</b>
Spas: Pageant Spas/Santana								

# Replacement Cartridges

## 4" - 5" Outside Diameter (cont'd)

O.D.	Length	Top/Bottom	Sq. Ft.	Pleats	Identification	Unicel®	Pleatco	Aladdin
4-15/16"	17-3/4"	Closed 2-1/8" I.D.	45	143	Santana 45 Sq. Ft.; C/Top	C-4346	PSI45-4	14504
Spas: Fountain Valley Spas/Santana								
4-15/16"	20-1/8"	2-1/8" I.D.	75	210	Dynamic Series II & III - RTL?RCF Dynamic Series v-DSC-75 EZ Twist Top Mount Skim	C-4975	PRB75	17501
Spas: Dakota Spas/Hydro Pool Indus.								
4-15/16"	23-5/8"	2-1/8" I.D.	75	178	Waterway™ 75 Sq. Ft.	C-4970	PCAL75	17519
4-15/16"	23-5/8"	2-1/8" I.D.	100	222	Waterway™ 100 Sq. Ft.	C-4995	PCAL100	19501
Spas: Acryx-Maax Spas (Canada)/Cal Spas/Coast Spas (Canada)/J.E.M. Spas, QCA								
4-15/16"	26-11/16"	2-1/8" I.D.	100	210	Dynamic Series II, III and V - 100	C-4999	PRB100	19901
Spas: Baja Spas/Coast Spas (Canada)/Sonoma Spas								

## 5" - 6" Outside Diameter

O.D.	Length	Top/Bottom	Sq. Ft.	Pleats	Identification	Unicel®	Pleatco	Aladdin
5"	8"	Closed 2-1/4" I.D.	8	56	Pelican Rec/H2O Recreation	C-5301	N/S	10806
5"	13-5/16"	2-3/8" I.D.	25	103	CFR-25, CFT-25 (in-line) Caressa (pre-1986)/Espree/Espree II	C-5625	PJ25-IN-4	12507
Spas: Emerald Spas/Jacuzzi® Whirlpool Bath/Seven Seas								
5"	13-5/16"	2-3/8" I.D.	15	64	CFT-15 (in-line)	C-5615	N/S	11503
5"	13-5/16"	2-3/8" I.D.	37	158	CFR-37 (in-line)	C-5635	PJ37-IN-4	13702
Spas: Morgan Spas								
5-1/8"	10-1/4"	1-15/16" I.D.	30	157	Watkins 30 Sq. Ft.	C-5431	PWK30V	13007
5-3/16"	9"	1-5/8" I.D.	25	154	Hercules/Premier 27-072	C-5426	PLW25	12527
5-3/16"	9"	1-1/16" I.D. 1-5/8" I.D.	16	100	Premier	C-5616	N/S	11603
5-3/16"	11-7/8"	1-1/16" I.D. 1-5/8" I.D.	25	100	Premier 22 Sq. Ft.	C-5622	PPM25-4	12201
Spas: Rogers Spas/Romanesque								
5-3/16"	11-7/8"	Closed 1-15/16" I.D.	22	106	Advanced Spa 22 Sq. Ft.	C-5621	PTL25	12202
5-3/16"	11-7/8"	1-1/16" I.D. 1-5/8" I.D.	25	115	Marquis Spas 25 Sq. Ft.	C-5626	PPM25-4	12518
Spas: Amish Country/Marquis Spas								
5-3/16"	11-7/8"	Closed 1-5/8" I.D.	35	158	Marquis Spas 35 Sq. Ft.	C-5423	PPM35TC	13401
Spas: Amish Country/Marquis Spas								



# Replacement Cartridges

## 5" - 6" Outside Diameter (cont'd)

O.D.	Length	Top/Bottom	Sq. Ft.	Pleats	Identification	Unicel®	Pleatco	Aladdin
5-3/16"	11-7/8"	1-5/8" I.D.	25	115	Premier	C-5427	PPR23-4	<b>12528</b>
5-3/16"	12-1/2"	Closed 2" Male Thread/MPT I.D.	50	197	Marquis Spas	5CH-502	PPM50SC-F2M	<b>15049</b>
5-3/16"	12-1/2"	Handle 2" MPT	37	151	Marquis Spas	5CH-352	PPM35SC-F2M	<b>13507</b>
5-3/16"	14-1/8"	Closed 1-5/8" I.D.	50	180	Pacific Marquis C/Top	C-5346	PPM50TC	<b>15042</b>
5-3/16"	14-3/4"	1-1/16" I.D. 1-5/8" I.D.	27	100	Marlin/Roman	C-5627	PPM 30	<b>12701</b>
5-3/16"	19-5/8"	1-1/16" I.D. 1-5/8" I.D.	40	109	Pacific Marquis 60 Sq. Ft.	C-5637	PPM40-4	<b>14006</b>
Spas: Amish Country/Marquis Spas								
5-3/16"	19-5/8"	Closed 1-5/8" I.D.	60	158	Pacific Marquis 60 Sq. Ft.; C/Top	C-5434	PPM60TC	<b>15801</b>
Spas: Amish Country/Marquis Spas								
5-3/16"	19-5/8"	1-1/16" I.D. 1-5/8" I.D.	36	100	Marquis Spas	C-5636	PPM40-4	<b>13601</b>
5-3/16"	23-1/4"	1-5/8" I.D.	4x75	172	Hercules 300	C-5371	PPR75	<b>17511</b>
5-5/16"	10-1/8"	2-1/8"	45	230	S2/G2 Spa	C-5345	PLBS50	<b>14513</b>
5-5/16"	13-9/16"	2" I.D.	30	84	Mytilus MY-30	C-5623	PFAB30	<b>12301</b>
5-5/16"	14-13/16"	2-1/8"	65	223	S2/G2 Spa	C-5374	PLBS75	<b>17540</b>
5-5/16"	17-13/16"	2-1/8"	100	223	S2/G2 Spa	C-5397	PLBS100	<b>19930</b>
5-5/16"	17-13/16"	2-1/8"	100	223	Top Load	C-5397	PLBS100	<b>19930</b>
5-1/2"	11-7/8"	1-15/16" I.D. 2-7/8" I.D.	25	133	Ozone Cartridge 25 Sq. Ft.	C-5402	PDO25-4	<b>12526</b>
5-1/2"	17"	1-15/16" I.D. 2-7/8" I.D.	40	133	Ozone Cartridge 40 Sq. Ft.	C-5404	PDO40-4	<b>14010</b>
5-11/16"	10-3/8"	Closed w/String 2-1/8" I.D.	25	100	SF25 (Skim Filter) Aero/Alexa/Arrow Plus/Caressa/ Corisica/Dectra/Lazer II	C-5601	PJW23/PJW23-4	<b>12512</b>
Spas: Apollo Spas/Gatsby Spas/Jacuzzi Whirlpool Bath/Safari Spas/Seven Seas								
5-11/16"	10-3/8"	Closed w/String 2-1/8" I.D.	50	224	Jacuzzi® Whirlpool 50 Sq. Ft. Aero/Alexa/Arrow Plus/Caressa/ Corisica/Dectra/Lazer II	C-5300	PJW50	<b>15010</b>
Spas: Clearwater Spas/Jacuzzi Whirlpool Bath/Seven Seas								
5-3/4"	11-7/8"	2-1/8" I.D.	25	98	Avanza/Celeste/Meridian/ Sienna/Virage	C-5624	PJW25	<b>12517</b>
Spas: Jacuzzi® Whirlpool Bath								
5-3/4"	11-7/8"	2-1/8" I.D.	50	196	Teledyne Spa Pak	C-5302	N/S	<b>15025</b>
5-3/4"	12"	1-7/8"	30	115	Intex® 58621 Krystal Klear™ Model 520, 530	C-5330	PIN28	<b>13012</b>

# Replacement Cartridges

## 5" - 6" Outside Diameter (cont'd)

O.D.	Length	Top/Bottom	Sq. Ft.	Pleats	Identification	Unicel®	Pleatco	Aladdin
5-7/8"	6"	Semi-Circ. Handle Male Slip Fitting with Molded O-Ring	25	171	Seasonmaster Model 111 before 1994	C-5325	PLW25-4	12525
5-7/8"	6"	Semi-Circ. Handle Male Slip Fitting w/MPT	25	171	Seasonmaster Model 111 after 1994	C-5326	PLW25P-4	12534
5-7/8"	12-3/4"	Semi-Circ. Handle Male Slip Fitting with Molded O-Ring	50	161	Seasonmaster Model 112 before 1994	C-5350	PLW50-4	15020
5-7/8"	15-5/8"	Cone Handle 1-3/8" I.D.	50	136	Nemco 50 Sq. Ft.	C-5405	PCP50	15026
5-7/8"	19-1/4"	Closed Male Slip Fitting with Molded O-Ring	75	160	Seasonmaster Model 131 before 1994	C-5375	PLW75-4	17520

## 6" - 7" Outside Diameter

O.D.	Length	Top/Bottom	Sq. Ft.	Pleats	Identification	Unicel®	Pleatco	Aladdin
6"	5-1/2"	Semi-Circ. Handle 1-1/2 Male Thd.	25	205	6CH - Top Load	6CH-25	PTL20W-SV-P4-4	12520
Spas: Softub								
6"	7"	Semi-Circ. Handle 1-1/2 Male Thd.	25	158	6CH - Top Load	6CH-26	PTL25W-SV-P4-4	12521
Spas: American Spas/Artesian Spas/J.E.M. Spas/Thermo Spas								
6"	8-1/4"	Semi-Circ. Handle SAE Fitting	45	225	6CH - Top Load Front Access Skim Filter	6CH-940	PWW50P3	14510
6"	8-1/4"	Semi-Circ. Handle 1-3/4" Male Slip Fitting	40	225	Stacked Top Load, Waterway	6CH-941	PWW100ST-P3	14018
6"	8-1/4"	1-3/4" I.D. 1-1/2" SAE Thread	40	225	Stacked Top Load, Waterway	6CH-942	PWW100ST-P3	14019
6"	9"	1-15/16" I.D.	33	158	Hot Springs Spas/Watkins Mfg.	C-6433	PWK35	13303
Spas: Hot Springs Spas								
6"	9-1/8"	Semi-Circ. Handle 1-1/2 Male Thd.	47	225	6CH - Top Load	6CH-47	PTL47W-P4	14701
Spas: Advanced Spa Design/Aber Hot Tub/LA Spas/Pacific Spas								
6"	9-3/4"	Semi-Circ. Handle 1-7/8" I.D. w/Slots	25	111	Four Seasons 25 Sq. Ft.	C-6601	PTL25W-P4-4	12529
6"	9-7/8"	Semi-Circ. Handle 1-1/2 Male Thd.	35	156	6CH - Top Load	6CH-35	PTL35W-P4-4	13505
Spas: Advanced Spa Design								
6"	10-1/2"	1-15/16" I.D.	30	124	Watkins 30 Sq. Ft.	C-6430	PWK30-4	13004
Spas: Hot Springs Spas								

# Replacement Cartridges

## 6" - 7" Outside Diameter (cont'd)

O.D.	Length	Top/Bottom	Sq. Ft.	Pleats	Identification	Unicel®	Pleatco	Aladdin
6"	12-3/8"	Semi-Circ. Handle 1-1/2 Male Thd.	45	158	6CH - Top Load Statesman/Lexington/Enterprise/ Aristocrat/Franklin	6CH-45	PTL45W-P4-4	14506
Spas: Freedom Spas/Master Spas								
6"	13-7/16"	Semi-Circ. Handle 1-1/2 Male Thd.	50	158	6CH - Top Load	6CH-50	PTL50W-SV-P4-4	15017
Spas: Advanced Spa Design/Advanced Spa Design/Blue Pacific/Charisma Spas/Esther Williams/LA Spas								
6"	13-7/16"	Cone Handle 1.9" I.D. w/Slots	50	101	Pleatco Skim Filter	C-6450	N/S	15028
6"	14-3/4"	Semi-Circ. Handle 1-7/8" I.D. w/Slots	35	101	Four Seasons 35 Sq. Ft.	C-6603	PTL50W-SH	13506
6"	14-3/4"	Semi-Circ. Handle 1-7/8" I.D.	75	215	Advanced Spa	C-6475	PTL50W-P4	17512
6"	16-1/8"	Semi-Circ. Handle 1-7/8" I.D. w/Slots	60	158	Pageant Spa 60 Sq. Ft.	C-6602	PSI65	16007
6"	16-1/4"	Semi-Circ. Handle 1-1/2 Male Thd.	60	158	6CH - Top Load	6CH-60	PTL60W-P4	16005
Spas: Jetta Spas								
6"	19-5/8"	Semi-Circ. Handle 1-7/8" I.D. w/Slots	50	107	Four Seasons	C-6605	POX50	15029
6"	19-3/4"	Semi-Circ. Handle 1-1/2 Male Thd.	75	158	6CH - Top Load	6CH-75	N/S	17526
6-1/16"	12-1/16"	1-15/16" I.D.	50	165	Onyx 50 Sq. Ft.	C-6405	POX50	15027
6-1/16"	17-3/4"	1-15/16" I.D.	75	167	Onyx	C-6407	POX75	17521
6-1/16"	18"	1-15/16" I.D.	75	167	Aquatemp 75 Sq. Ft.	C-6408	PAQ75	17534
6-1/4"	8"	2-5/8" I.D.	10	73	Muskin A3810, FE-90	C-6610	PMS10-4	11001
6-1/4"	8"	2-5/8" I.D.	16	117	Muskin A3816, FE-30, FE-40, 195-8717	C-6616	PMS16-4	11602
6-1/4"	8"	2-5/8" I.D.	20	146	Muskin A3821, FD-20, FD-40, FE-20	C-6620	PMS20-4	12002
6-3/8"	11-7/8"	3" I.D.	45	207	Watkins 45 Sq. Ft.	C-6600	PWK25-4/PWK40	14505
Spas: Hot Springs Spas								
6-1/2"	17"	3" I.D.	23	62	Coleco DR-17, F-355, F-360, F-455, F-460	C-6617	PC17-4	12302
6-1/2"	22"	3" I.D.	30	62	Coleco DR-22, F-375, F-380 F-475, F-480	C-6622	PC22	13009
6-15/16"	17-5/8"	2-1/16" I.D.	45	110	Fountain Valley	C-6645	PG45	14509

# Replacement Cartridges

## 6" - 7" Outside Diameter (cont'd)

O.D.	Length	Top/Bottom	Sq. Ft.	Pleats	Identification	Unicel®	Pleatco	Aladdin
6-15/16"	19-3/8"	3-1/2" I.D.	40	88	CF-40 (Crystal Flow)	C-6640	PJ40-4	14005
6-15/16"	19-5/8"	2-1/16" I.D.	50	110	Sundance Spas	C-6650	PSD50	15030
6-15/16"	22-3/8"	Closed 2-1/16" I.D.	60	113	Doughboy 60 Sq. Ft.; C/Top	C-6659	PD60-4	16008
6-15/16"	29-3/8"	3-1/2" I.D.	60	88	CF-60 (Crystal Flow)	C-6660	PJ60-4	16004
6-5/8"	15-1/2"	Semi Circ. Handle 2" SAE Thread	52	113	Jacuzzi® Premium	6CH-960	PJW60TL-F2S	15203
6-7/8"	11-7/8"	3-1/2" I.D.	25	89	CF-25 (Crystal Flow)	C-6625	PJ25-4	12508
6-7/8"	13-3/4"	2" I.D.	45	123	Fountain Valley	C-6445	PFV 40	14508
6-7/8"	14-7/8"	3-1/2" I.D.	30	89	Quanta	C-6300	PJW30-4	13008

## 7" - 8" Outside Diameter

O.D.	Length	Top/Bottom	Sq. Ft.	Pleats	Identification	Unicel®	Pleatco	Aladdin
7"	5"	Knob Handle Cone Adapter	13	113	Hydro-Mite	C-7603	PBH12.5-4	11302
7"	6-1/2"	Knob Handle 1-1/2" I.D.	20	127	Doughboy-SkimLine	C-7401	PD20SL-4	12005
7"	8"	Semi-Circ. Handle 2 Male Thd.	32	175	7CH - Top Load	7CH-322	PCS32-2/PAS35-2/ PAS35-F2M	13202
Spas: Coleman Spas								
7"	8"	Cone Handle 1.9" I.D.	32	175	Softsider Spas	C-7432	PCS32	13204
7"	8"	Semi-Circ. Handle 1-1/2 Male Thd.	32	175	7CH - Top Load	7CH-32	PCS32P4	13205
7"	9-1/8"	Knob Handle 1-1/2" I.D.	40	191	Doughboy Skim-Line	C-7402	PD40SL-4	14004
7"	9-3/4"	Semi-Circ. Handle 1-1/2 Male Thd.	40	178	7CH - Top Load	7CH-40	PVT40P4	14007
7"	9-3/4"	Cone Handle 1.9" I.D.	40	178	Softsider Spas	C-7439	PVT40	14013
7"	9-3/4"	Cone Handle 1.9" I.D.	40	178	Vita Spas	C-7439	PVT40	14013
7"	9-3/4"	Semi-Circ. Handle 2 Male Thd.	40	178	7CH - Top Load	7CH-402	PCS40-F2M	15018
Spas: Coleman Spas								
7"	9-13/16"	3" I.D.	25	111	Star-Clear™ C-250	C-7626	PA25/PA25-4/PPC25	12509
Spas: Hollibaugh Spas/PDC Spas/Sonoma Spas								
7"	9-13/16"	3" I.D.	25	113	Commander	C-7425	PA25/PA25-4/PPC25	12509
7"	9-13/16"	Knob Handle Cone Adapter	25	113	Hydro-Mite	C-7604	PBH25-4	12514

# Replacement Cartridges

## 7" - 8" Outside Diameter (cont'd)

O.D.	Length	Top/Bottom	Sq. Ft.	Pleats	Identification	Unicel®	Pleatco	Aladdin
7"	9-13/16"	3" I.D.	25	113	Commander/Hercules II Posi-Clean RCB25, TSC25	C-7625	PA25/PA25-4/PPC25	12509
7"	9-13/16"	Knob Handle Cone Adapter	35	156	Ultra-Mite	C-7404	PBH UM35	13502
7"	9-13/16"	3" I.D.	35	156	Commander	C-7435	PCM35-4	13503
7"	9-13/16"	Semi-Circ. Handle 2-1/16" I.D.	25	110	Top Load	C-7624	PTL25XW	12531
7"	10-1/2"	Semi-Circ. Handle 1-1/2 Male Thd.	52	216	7CH - Top Load	7CH-552	PTL55XW-F2M	15501
Spas: Dimension One Spas								
7"	10-1/2"	Semi-Circ. Handle 1-1/2 Male Thd.	75	216	7CH - Top Load	7CH-975	PDO75P3	17527
7"	10-3/4"	Semi-Circ. Handle	50	200	Caldera Spas	C-7350	PCD50N	15051
7"	10-3/4"	Semi-Circ. Handle Male Slip w/O-Ring	50	200	Caldera Spas	C-7451	PCD50	15034
7"	11-1/8"	2-15/16" I.D.	25	99	CF-25	C-7610	PPF25	12516
7"	11-1/8"	2-15/16" I.D.	40	155	CFM/CFW Filter CF-40/120	C-7440	PPF40	14002
7"	11-13/16"	3" I.D.	4x43.7	160	Quantum™ CM/RPM™	C-7437	PCM44-4	14401
7"	11-3/4"	Semi-Circ. Handle 3" I.D.	30	110	Skim Filter	C-7630	PTL30XW-4	13010
7"	13-7/16"	3" I.D.	40	119	CE Filter	C-7304	PJB40	14016
7"	14"	2-1/16" I.D.	33	99	Top Load	C-7632	N/S	13304
7"	14"	2-15/16" I.D.	33	99	CF-33, CF-66, CF-100	C-7633	PPF33	13301
7"	14"	2-15/16" I.D.	33	99	Purex CF-33/100	C-7433	PPF33	13301
7"	14-1/8"	3" I.D.	40	120	Easy-Clear™ C-400	C-7442	PA40/PA40-4	14003
7"	14-1/8"	3" I.D.	56	171	SwimClear™ C2025	C-7458	PA56SV/PA56SV-4	15601
7"	14-1/8"	3" I.D.	4x50	155	Super Star-Clear™ 2000	C-7447	PA50SV/PA50SV-4	15032
7"	14-1/8"	3" I.D.	4x60	167	Clean & Clear® Plus/Quantum™ 240	C-7469	PCC60	16011
7"	14-3/4"	Semi-Circ. Handle	75	216	Caldera Spa (New Style)	C-7375	PCD75	17543
7"	14-3/4"	Knob Handle Cone Adapter	50	144	Ultra-Mite	C-7405	PBH UM50	15011
7"	14-3/4"	Semi-Circ. Handle 2 Male Thd.	50	144	7CH - Top Load	7CH-502	PCS50-F2M	15019
Spas: Coleman Spas								
7"	14-3/4"	Semi-Circ. Handle 1-7/8" I.D.	50	143	Skim Filter	C-7400	PTL50XW-OB	15031
7"	14-3/4"	Cone Handle 1.9" I.D.	50	144	Vita Spas	C-7449	PVT50P4	15033

# Replacement Cartridges

## 7" - 8" Outside Diameter (cont'd)

O.D.	Length	Top/Bottom	Sq. Ft.	Pleats	Identification	Unice <sup>®</sup>	Pleatco	Aladdin
7"	14-3/4"	Semi-Circ. Handle 2 Male Thd. Spas: Dimension One Spas	75	216	7CH - Top Load	7CH-752	PTL75XW-F2M	<b>17515</b>
7"	14-3/4"	Semi-Circ. Handle Male Slip w/O-Ring	75	216	Caldera Spas	C-7479	PCD75	<b>17523</b>
7"	14-3/4"	Semi-Circ. Handle 3" I.D.	40	115	Skim Filter, Pacific Spas	C-7641	PTL40XWT-4	<b>14014</b>
7"	14-3/4"	Semi-Circ. Handle 1-1/2 Male Thd Spas: Coleman Spas/Vita Spas	50	144	7CH - Top Load	7CH-50	PCS50/PTL50XW/ PVT50P4	<b>15021</b>
7"	16"	2-15/16" I.D.	67.5	177	Purex CF-67.5 Sq. Ft.	C-7467	PPF67.5-4	<b>16801</b>
7"	16-1/2"	3" I.D.	4x87.5	225	Quantum™ CM/RPM™	C-7474	PCM88-4	<b>18801</b>
7"	17-7/16"	3" I.D.	60	137	CE Filter	C-7306	PJB60	<b>16013</b>
7"	17-5/8"	Knob Handle 1-1/2" I.D.	60	144	Doughboy 60 Sq. Ft.	C-7403	PD60SL-4	<b>16003</b>
7"	18-7/16"	2-5/8" I.D.	4x75	171	Sea Horse SH/FSH- 300	C-7491	PFAB75-4	<b>17524</b>
7"	19"	3" I.D.	4x93.5	206	CFM/CFW Filter	C-7481	N/S	<b>19502</b>
7"	19-3/8"	3" I.D.	50	110	Posi-Clean TXC/FCP 50/100	C-7652	PPC50	<b>15008</b>
7"	19-5/8"	3" I.D. Spas: Hollibaugh Spas/PDC Spas/Cal Spas	50	110	Star-Clear™ C-500	C-7656	PA50-4	<b>15004</b>
7"	19-5/8"	3" I.D.	50	110	Commander/Hercules II	C-7650	PCM50	<b>15004</b>
7"	19-5/8"	3" I.D. Spas: Vita Spas	50	110	American Commander 50 Sq. Ft.	C-7450	PCM50	<b>15004</b>
7"	19-5/8"	3" I.D.	4x81	61	SwimClear™ C3025	C-7483	PA81-4	<b>18101</b>
7"	19-5/8"	Knob Handle Cone Adapter	50	110	Hydro-Mite	C-7605	PBH50	<b>15012</b>
7"	19-5/8"	2-15/16" I.D.	50	110	CF-50, CF-150	C-7651	PPF50-4	<b>15013</b>
7"	19-5/8"	3" I.D.	55	118	Easy-Clear™ C-550	C-7455	PA55	<b>15503</b>
7"	19-5/8"	2-15/16" I.D.	60	129	CFM/CFW Filter CF-60/180	C-7460	PPF60-4	<b>16002</b>
7"	19-5/8"	3" I.D.	75	161	Commander/Hercules II	C-7453	PCM75SV	<b>17509</b>
7"	19-5/8"	3" I.D.	4x75	161	Super Star-Clear™ 3000	C-7477	PA75SV-4/PCM75SV-4/ PPF60/PPF80	<b>17509</b>
7"	19-5/8"	Knob Handle Cone Adapter	75	162	Ultra-Mite	C-7406	PBH-UM75	<b>17508</b>
7"	19-5/8"	2-15/16" I.D.	80	172	CFM/CFW 80	C-7480	PPF80	<b>18002</b>
7"	39-3/8"	Knob Handle Cone Adapter	150	162	Ultra-Mite	C-7408	PBH-UM150	<b>25002</b>

# Replacement Cartridges

## 7" - 8" Outside Diameter (cont'd)

O.D.	Length	Top/Bottom	Sq. Ft.	Pleats	Identification	Unicel®	Pleatco	Aladdin
7"	2x19-5/8"	Knob Handle Cone Adapter	100	110	Hydro-Mite	C-7607	PBH100	19907
7"	20"	3" I.D.	4x80	170	Clean & Clear Plus/ Waterway™ Crystal Water 817-0081	C-7470	PCC80/PWW80	18005
7"	20"	3" I.D. 1-15/16" I.D.	4x90	190	Clean & Clear® Plus/ Quantum™ RPM™	C-7476	PCM90	19005
7"	24-3/4"	2-5/8" I.D.	4x100	171	Sea Horse SH/FSH-400	C-7492	PFAB100SH-4	19915
7"	25-1/2"	3" I.D.	4x100	164	Super Star-Clear™ 4000	C-7487	PA100N/PA100N-4	19902
7"	25-1/2"	3" I.D.	106	176	SwimClear™ C4025	C-7488	PA106/PA106-4	20601
7"	25-1/2"	3" I.D.	4x112	185	Super Star-Clear™ 4500	C-7489	PA112/PA112-4/	21201
7"	25-5/8"	2-15/16" I.D.	3x105	172	CFM/CFW Filter CF-105/315	C-7496	PPF105-4	20501
7"	26"	3" I.D.	4x125	202	Clean & Clear® Plus, Quantum™ CM/RPM™	C-7498	PCC125-4	22501
7"	26-1/16"	3" I.D.	4x105	168	Clean & Clear Plus/ Waterway™ Crystal Water 817-0106	C-7471	PCC105/PWW105	20503
7"	26-1/4"	Knob Handle 1-1/2" I.D.	90	144	Doughboy 90 Sq. Ft.	C-7409	PD90SL-4	19001
7"	27"	3" / Open I.D. 3" / Open I.D.	4x85	128	Jandy® CL340	C-7459	PJAN85	18504
7"	27"	3" / Open I.D. 3" / Open I.D.	4x115	174	Jandy® CL460	C-7468	PJAN115	21501
7"	29-1/8"	3" I.D.	75	110	Swimquip™ 75 Sq. Ft.	C-7677	PPC75	17503
7"	29-3/8"	3" I.D.	75	110	Commander	C-7675	PCM75-4	17504
7"	29-3/8"	3" I.D.	75	110	Commander	C-7475	PCM75	17505
7"	29-3/8"	3" I.D. Spas: Hollibaugh Spas	75	110	Star-Clear® C-750, C-1000	C-7676	PA75/PA75-4	17506
7"	29-3/8"	Knob Handle Cone Adapter	75	108	Hydro-Mite	C-7606	PBH75	17510
7"	29-3/8"	3" I.D.	100	142	Commander/Hercules II	C-7499	PCM100SV/ PCM100SV-4	19903
7"	29-3/8"	Knob Handle Cone Adapter	100	143	Ultra-Mite	C-7407	PBH-UM100	19906
7"	30-7/16"	2-5/8" I.D.	4x100	171	Sea Horse SH/FSH-500	C-7493	PFAB125-4	22503
7"	32-1/16"	3" I.D.	4x125	190	Clean & Clear Plus/ Waterway™ Crystal Water 817-0131	C-7472	PCC130/PWW130	22505
7"	32-3/4"	3" I.D.	137		Hayward® CX1380RE	C-7490	PA137-4	23705
7"	32-7/8"	3" I.D.	525	169	SwimClear™ C5025	C-7494	PA131/PA131-4	23101
7"	32-7/8"	3" I.D.	4x125	159	Super Star-Clear® 5000	C-7495	PA126/PA126-4	22506
7"	33	3"/Open 3"/Open	4x145	184	Jandy® CL580	C-7482	PJAN145	24501
7-1/8"	10-1/2"	Closed/w/ Y stand-offs 2" w/Twist Lock	75	215	Dimension One Spas	C-7367	PDO75-2000	17541

# Replacement Cartridges

## 7" - 8" Outside Diameter (cont'd)

O.D.	Length	Top/Bottom	Sq. Ft.	Pleats	Identification	Unicel®	Pleatco	Aladdin
7-1/4"	9-7/8"	3-1/16" I.D.	25	103	Trimline C-25	C-7427	PWC25	12530
7-1/4"	14-9/16"	Step 2-15/16" I.D.	75	189	Advantage Electric 75 Sq. Ft.	C-7301	PAE75	17535
7-1/4"	14-5/8"	Step 3-1/16" I.D.	50	136	CT Series Cartridge Filter	C-7448	PJAN50	15044
7-1/4"	14-3/4"	Step 2-15/16" I.D.	65	175	Aquatemp 65 Sq. Ft.	C-7619	N/S	16508
7-1/4"	19-5/8"	3-1/16" I.D.	50	101	Trimline C-50, C-100	C-7457	PWC50	15035
7-1/4"	19-5/8"	Step 3-1/6" I.D.	75	154	CT Series Cartridge Filter Trimline CC-75	C-7473	PJAN75/PWC75SV	17536
7-1/4"	21-5/8"	Step 3-1/6" I.D.	100	169	Advantage Electric 100 Sq. Ft.	C-7302	POX100	19923
7-1/4"	21-13/16"	Step 2-15/16" I.D.	75	135	Aquatemp 75 Sq. Ft.	C-7620	N/S	17537
7-1/4"	28-13/16"	Step 2-15/16" I.D.	150	189	Advantage Electric 150 Sq. Ft.	C-7303	PAE150	25008
7-1/4"	29-1/2"	3-1/16" I.D.	75	101	Trimline C-75	C-7478	PWC75	17522
7-1/4"	29-1/2"	Step 3-1/16" I.D.	100	134	CT Series Cartridge Filter Trimline CC-100	C-7497	PWC100SV/PJAN100	19924
7-1/2"	14"	2-15/16" I.D.	65	174	Martec 65 Sq. Ft.	C-7416	PMT 65	16501
7-1/2"	14-3/4"	Castle 2-1/16" I.D.	65	164	Sundance 65 Sq. Ft.	C-7465	PSD65	16502
Spas: Sundance Spas								
7-1/2"	14-3/4"	Castle 2-5/8" I.D.	65	164	Sundance 65 Sq. Ft. 2 5/8" I.D.	C-7466	PSD65-2	16503
Spas: Sundance Spas								
7-1/2"	14-13/16"	2-15/16" I.D.	50	126	Leisure Bay 50 Sq. Ft.	C-7417	PLB50	15043
7-1/2"	14-13/16"	2-15/16" I.D.	65	163	Leisure Bay 65 Sq. Ft.	C-7415	PLB65/PMT65	16504
7-1/2"	17-3/4"	Castle 2-1/2" w/Beveled Edge	75	154	Sundance Spas	C-7370	PSD75	17542
7-1/2"	20-13/16"	2-15/16" I.D.	100	177	Leisure Bay 100 Sq. Ft.	C-7418	PLB100	19908
7-1/2"	21-7/8"	2-15/16" I.D.	100	168	Martec 100 Sq. Ft.	C-7419	PMT100	19909
7-1/2"	28-15/16"	2-15/16" I.D.	130	165	Leisure Bay 130 Sq. Ft.	C-7413	PLB130	23001
7-1/2"	28-15/16"	2-15/16" I.D.	150	189	Leisure Bay 150 Sq. Ft.	C-7414	PLB150	25003
7-7/8"	11-1/8"	3-1/16" I.D.	50	154	Mytilus FMY 50	C-7678	PFAB50	15009
7-7/8"	13-3/16"	Semi-Circ. Handle 3-1/16" I.D.	80	157	Fox Wal-Pak	C-7463	PFW60/PFW80	16009



# Replacement Cartridges

## 7" - 8" Outside Diameter (cont'd)

O.D.	Length	Top/Bottom	Sq. Ft. Pleats		Identification	Unicel®	Pleatco	Aladdin
7-7/8"	14"	3-1/16" I.D.	60	146	Mytilus/Mytilus-B 60/140, Mitra 60/160	C-7660	PFAB60/ PFAB60-4	16001
7-7/8"	22-1/8"	3-1/16" I.D.	80	122	Mytilus/Mytilus-B 80, Mitra 80	C-7680	PFAB80	18001
7-7/8"	22-1/8"	3-1/16" I.D.	100	142	Mytilus/Mytilus-B 100, Mitra 100/160	C-7699	PFAB100-4	19904
7-7/8"	22-1/8"	3-1/16" I.D.	100	142	Mitra 100 GPM MA-100/160	C-7699	PFAB100-4	19904
7-7/8"	33-3/8"	3-1/16" I.D.	150	148	Mytilus FMY 50	C-7679	PFAB150	25001

## 8" - 9" Outside Diameter

O.D.	Length	Top/Bottom	Sq. Ft. Pleats		Identification	Unicel®	Pleatco	Aladdin
8"	6"	Handle 2" SAE	50	250	Bull Frog Sap 50 Sq. Ft.	8CH-950	PBF50-F2S	15052
8"	9"	2-1/16" I.D. 2 Male Slip Spas: Coleman Spas	50	193	Coleman 50 Sq. Ft.	C-8450	PCS50N	15014
8"	9-1/4"	Semi-Circ. Handle 2 Male Thd.	60	225	8CH - Top Load	8CH-66	PMA60-F2M	16010
8-1/2"	10-1/2"	3" I.D. Spas: Hot Springs Spas, Tiger River	65	234	Watkins 65 Sq. Ft.	C-8465	PWK65	16506
8-1/2"	10-3/4"	Knob Handle 4-1/16 ID w/Gasket	40	140	Skim Filter	C-8340	PA40SF	14015
8"	11-5/8"	Semi-Circ. Handle 2 Male Thd. Spas: Discovery Spas	60	177	8CH - Top Load	8CH-60	PIF60-F2M	16006
8"	13"	2-1/16" I.D. 2 Male Slip Spas: Coleman Spas	75	197	Coleman 75 Sq. Ft.	C-8475	PCS75N	17513
8-1/2"	7-1/4"	1.9" I.D. 2-3/8 w/Slot	50	230	Vita Spas	C-8350	PVT50W	15046
8-1/2"	14"	Closed w/ 2" SAE thread 2-1/2" w/Beveled Edge Spas: MicroClean	80	174	Sundance Spas	C-8380	PSD85-2002	18007
8-1/2"	15-3/16"	2-3/16" I.D. 3-1/8" I.D.	100	186	C-22 Cartridge Filter	C-8310	PRW100	19926
8-1/2"	17-3/8"	4-1/16 ID w/Gasket	75	154	Star-Clear™ II C-800, C-1500	C-8600	PA80/PA80-4	17507
8-1/2"	18-1/4"	Castle 2-1/2" w/Beveled Edge	120	200	Sundance Spas	C-8320	PSD125	22001
8-1/2"	18-1/4"	4-1/16" I.D.	75	160	Aladdin Scamp Portable Filter System(before 2006)	N/S		17516
8-1/2"	18-1/4"	4-1/16" I.D.	100	215	Aladdin Scamp Portable Filter System(before 2006)	N/S		19912
8-1/2"	19"	1-1/2" Male Slip Ftg 2-1/2" w/Beveled Edge	125	199	Sundance Spas	C-8326	PSD125-2000	22507

# Replacement Cartridges

## 8" - 9" Outside Diameter (cont'd)

O.D.	Length	Top/Bottom	Sq. Ft.	Pleats	Identification	Unicef®	Pleatco	Aladdin
8-1/2"	22-11/16"	2-3/16" I.D. 3-1/8" I.D.	150	189	C-22 Cartridge Filter	C-8315	PRW15	<b>25009</b>
8-1/2"	23-3/8"	4-1/16 ID w/Gasket	100	154	Star-Clear™ II C-1100	C-8610	PA100/ PA100-4	<b>19905</b>
8-11/16"	9-3/4"	4-3/16" I.D.	37	110	Posi-Flo 35GPM-TX, 35TX, 35TXR	UHD-SR35	PSR35-4	<b>13703</b>
8-11/16"	9-3/4"	4-3/16" I.D.	37	195	Sta-Rite® 35TX, 35TXR, 35GPM-TX	SC3-SR35	N/S	<b>13703</b>
8-11/16"	13-5/16"	4-3/16" I.D.	50	110	Posi-Flo 50 TX/TXR/GPM-TX	UHD-SR50	PSR50-4	<b>15201</b>
8-11/16"	13-5/16"	4-3/16" I.D.	50	110	Posi-Flo II PTM50	UHD-SR50	PSR50-4	<b>15201</b>
8-11/16"	13-5/16"	4-3/16" I.D.	50	195	Sta-Rite® 50TX, 50GPM-TX, 50TXR T-50TX, T-50TXR, PTM50	SC3-SR50	N/S	<b>15201</b>
8-11/16"	18-3/16"	4-3/16" I.D.	70	195	Posi-Flo 70 TX/TXR, 88PTM70	UHD-SR70	PSR70-4	<b>17201</b>
8-11/16"	18-3/16"	4-3/16" I.D.	70	195	Sta-Rite® 70TX, 70GPM-TX, 70TXR T-70TX, T-70TXR, PTM70	SC3-SR70	N/S	<b>17201</b>
8-11/16"	25-11/16"	4-1/8" I.D.	100	195	Posi-Flo 100 TX/TXR Posi-Flo II PTM 100	UHD-SR100	PSR100-4	<b>20201</b>
8-11/16"	25-11/16"	4-1/8" I.D.	100	195	Sta-Rite® 100TX, 100GPM-TX 100TXR, T-100TX, T-100TXR, PTM100	SC3-SR100	N/S	<b>20201</b>
8-11/16"	31-1/4"	4-3/16" I.D.	137	216	Sta-Rite® 135TX, 135GPM-TX 135TXR, PTM-135	SC3-SR137	N/S	<b>23701</b>
8-11/16"	31-1/4"	4-3/16" I.D.	137	126	Posi-Flo 135 TX/TXR Posi-Flo II PTM 135	UHD-SR137	PSR137-4	<b>23701</b>
8-11/16"	34-1/2"	4-3/16" I.D.	135	110	Posi-Flo T-135TX	UHD-SR135	PSR135-4	<b>23301</b>
8-11/16"	34-1/2"	4-3/16" I.D.	135	195	Sta-Rite® T-135TX (Posi-Flo)	SC3-SR135	N/S	<b>23301</b>
8-7/8"	10"	3-3/4" I.D.	50	167	Astral 50 Sq Ft	C-8449	PAST50	<b>15039</b>
8-7/8"	11-13/16"	2-15/16" I.D.	50	196	Astral Z-Tech 50	N/S	N/S	<b>15055</b>
8-7/8"	11-13/16"	2-15/16" I.D.	75	193	Astral Z-Tech 75	N/S	N/S	<b>17545</b>
8-7/8"	14-3/4"	3-3/4" I.D.	75	159	Astral 75 Sq Ft	C-8474	PAST75	<b>17532</b>
8-7/8"	19-1/2"	3-3/4" I.D.	100	170	Astral 100 Sq Ft	C-8499	PAST100	<b>19921</b>
8-7/8"	19-1/2"	4" I.D.	75	117	DM-75	C-8401	PDM75	<b>17529</b>
8-7/8"	19-1/2"	4" I.D.	90	140	DM-90	C-8402	PDM90	<b>19004</b>
8-7/8"	19-1/2"	4" I.D.	120	186	DM-120	C-8403	PDM120	<b>22008</b>
8-7/8"	19-3/4"	2-15/16" I.D.	100	163	Astral Z-Tech 100	N/S	N/S	<b>19940</b>

# Replacement Cartridges

## 8" - 9" Outside Diameter (cont'd)

O.D.	Length	Top/Bottom	Sq. Ft.	Pleats	Identification	Unicef®	Pleatco	Aladdin
8-7/8"	19-3/4"	2-15/16" I.D.	150	244	Astral Z-Tech 150	N/S	N/S	<b>25017</b>
8-7/8"	24"	2-15/16" I.D.	150	207	Astral 150 Sq Ft	C-8415	PAST150	<b>25007</b>
8-7/8"	17-16/25"	2-15/16" I.D.	155	250	Astral Z-Tech 155/310	N/S	N/S	<b>25502</b>
8-7/8"	27-9/16"	2-15/16" I.D.	150	170	Astral Z-Tech 150	N/S	N/S	<b>25024</b>
8-7/8"	27-9/16"	2-15/16" I.D.	200	232	Astral Z-Tech 200	N/S	N/S	<b>29914</b>
8-7/8"	27-9/16"	2-15/16" I.D.	250	250	Astral Z-Tech 250	N/S	N/S	<b>35003</b>
8-7/8"	39"	4" I.D.	180	139	DM-180 Filter	C-8405	N/S	<b>28001</b>
8-7/8"	39"	4" I.D.	240	186	DM-240 Filter	C-8406	N/S	<b>34001</b>
8-15/16"	17-3/8"	4" I.D.	75	145	Posi-Clear® PXC-75 Star-Clear™ Plus C-751	C-8411	PA76/PA76-4	<b>17530</b>
8-15/16"	17-3/8"	4" I.D.	75	145	ClearWater™ II 75, Pro Clean 75	C-8411	PA76/PA76-4	<b>17530</b>
8-15/16"	17-3/8"	4" I.D.	90	175	Posi-Clear® PXC-95 Star-Clear™ Plus C-900	C-8409	PA90/PA90-4	<b>19002</b>
8-15/16"	17-3/8"	4" I.D.	90	174	ClearWater™ II 100/Pro Clean 100	C-8409	PA90/PA90-4	<b>19002</b>
8-15/16"	17-3/8"	4" I.D.	100	194	XStream® CCX1000RE	C-8311	PXST100	<b>19935</b>
8-15/16"	23-5/16"	4" I.D.	100	173	Jandy® CS100	C-8410	PJANCS100-4	<b>19939</b>
8-15/16"	23-3/8"	4" I.D.	120	172	Star-Clear™ Plus C-1200	C-8412	PA120/PA120-4	<b>22002</b>
8-15/16"	23-3/8"	4" I.D.	125	172	ClearWater™ II 125/Pro Clean 125	C-8412	PA120/PA120-4	<b>22002</b>
8-15/16"	23-5/16"	4" I.D.	150	215	ClearWater™ II 150/Pro Clean 150	C-8414	PWWCT150/ PWWPC150-4	<b>25014</b>
8-15/16"	23-5/16"	4" I.D.	150	215	Jandy® CS150	C-8414	PWWCT150/ PWWPC150-4	<b>25014</b>
8-15/16"	23-5/16"	4" I.D.	150	215	XStream® CC1500	C-8316	PXST150	<b>25014</b>
8-15/16"	23-5/16"	4" I.D.	175	251	XStream® CC1750	C-8317	PXST175	<b>27503</b>
8-15/16"	23-5/16"	4" I.D.	200	285	Waterway ClearWater™ II 200	C-8419	PXST200/PWWCT200	<b>29916</b>
8-15/16"	28-3/16"	4" I.D.	150	177	Posi-Clear® PXC-150 Pro Clean 150	C-8416	PWWPC150B-4	<b>25019</b>
8-15/16"	28-3/16"	4" I.D.	125	148	Sta-Rite® PXC-125	C-8413	PWWPC125B	<b>22508</b>
8-15/16"	28-3/16"	4" I.D.	175	202	Pro Clean 175 Star-Clear™ Plus C-1750	C-8417	PA175/PA175-4	<b>27501</b>
8-15/16"	28-3/16"	4" I.D.	200	236	Pro Clean 200	C-8420	PWWPC200-4	<b>29910</b>
8-15/16"	28-3/16"	4" I.D.	190	236	Star-Clear™ Plus C-1900	C-8420	PA190	<b>28002</b>
8-15/16"	29 3/8"	4" I.D.	200	225	XStream® CC2000	C-8319	PXST200	<b>29912</b>
8-15/16"	33-1/8"	4" I.D.	200	200	Jandy® CS200	C-8418	PJANCS200-4	<b>35002</b>
8-15/16"	33-1/8"	4" I.D.	250	250	Jandy® CS250	C-8425	PJANCS250-4	<b>29913</b>

# Replacement Cartridges

## 9" - 10" Outside Diameter

O.D.	Length	Top/Bottom	Sq. Ft.	Pleats	Identification	Unicel	Pleatco	Aladdin
9"	11-7/16"	Step 2-15/16" I.D.	75	212	Aquatemp 75 Sq. Ft.	C-9601	N/S	<b>17538</b>
9"	15"	Step 2-15/16" I.D.	100	226	Aquatemp 100 Sq. Ft.	C-9602	N/S	<b>19927</b>
9"	22-5/8"	2-15/16" I.D.	150	226	Aquatemp 150 Sq. Ft.	C-9603	N/S	<b>25010</b>
9-1/4"	14-3/16"	3" I.D.	85	145	ASL™ Full-Flo C-850	C-9485	PA85-4	<b>18503</b>
9-1/4"	19-5/8"	3" I.D.	120	156	ASL™ Full-Flo C-1250	C-9499	PA125/PA125-4	<b>22009</b>
9-15/16"	10"	5-13/16" I.D. 6-1/16" I.D.	50	196	CFR-50/50BY, CFT-50/50BY	C-9650	PJ50-4	<b>15015</b>
9-15/16"	13-5/16"	5-13/16" I.D. 6-1/16" I.D.	75	212	Clearwater™	C-9401	PWW75-4	<b>17531</b>
9-15/16"	14-1/4"	5-13/16" I.D. 6-1/16" I.D.	75	193	CFR-75	C-9475	PJ75-4	<b>17514</b>
9-15/16"	19-5/16"	5-13/16" I.D. 6-1/16" I.D.	100	192	Clearwater™	C-9402	PWW100-4	<b>19920</b>
9-15/16"	19-7/8"	5-13/16" I.D. 6-1/16" I.D.	100	196	CFR/CFT 100	C-9699	PJ100-4	<b>19910</b>
9-15/16"	24"	5-13/16" I.D. 6-1/16" I.D.	150	227	CFR-150	C-9478	PJ150-4	<b>25004</b>
9-15/16"	24"	5-13/16" I.D. 6-1/16" I.D.	200	303	CFR-200	C-9420	PJ200-4	<b>29901</b>
9-15/16"	25-5/16"	5-13/16" I.D. 6-1/16" I.D.	150	218	Clearwater™	C-9403	PWW 150-4	<b>25006</b>

## 10" - 11" Outside Diameter

O.D.	Length	Top/Bottom	Sq. Ft.	Pleats	Identification	Unicel	Pleatco	Aladdin
10"	14-9/16"	HANDLE 6" I.D.	80	200	SHER 80 (Sherlok®)	C-9480	PJ80-4	<b>18004</b>
10"	20-1/16"	HANDLE 6" I.D.	120	218	SHER 120 (Sherlok®)	C-9481	PJ120-4	<b>22006</b>
10"	24-5/16"	HANDLE 6" I.D.	160	240	SHER 160 (Sherlok®)	C-9482	PJ160-4	<b>26001</b>
10"	29-13/16"	HANDLE 6" I.D.	200	244	SHER 200 (Sherlok®)	C-9483	PJ200S-4	<b>29903</b>
10-1/16"	8-9/16"	6" I.D.	50	217	Clean & Clear® 50, Predator™ 50	C-9405	PAP50-4	<b>15036</b>
10-1/16"	16-1/8"	6" I.D.	75	171	Clean & Clear® 75, Predator™ 75	C-9407	PAP75-4	<b>17525</b>
10-1/16"	17-1/2"	3/8" Vent 6" I.D.	50	106	Airwick/Heldor/Vak-Pak/Dyna-Pure	C-9950	N/S	<b>15037</b>

# Replacement Cartridges

## 10" - 11" Outside Diameter (cont'd)

O.D.	Length	Top/Bottom	Sq. Ft. Pleats		Identification	Unicel®	Pleatco	Aladdin
10-1/16"	19-5/8"	3/8" Vent 6" I.D.	70	133	Airwick/Heldor/Vak-Pak/Dyna-Pure	C-9970	PVAC70-6	<b>17001</b>
10-1/16"	19-5/8"	3/8" Vent 6" I.D.	100	190	Airwick/Heldor/Vak-Pak/Dyna-Pure	C-9999	PVAC100-6	<b>19917</b>
10-1/16"	19-5/8"	3/8" Vent 6" I.D.	150	285	Airwick/Heldor/Vak-Pak/Dyna-Pure	N/S	N/S	<b>25012</b>
10-1/16"	23-5/8"	6" I.D.	100	155	Clean & Clear® 100, Predator™ 100	C-9410	PAP100-4	<b>19916</b>
10-1/16"	23-5/8"	6" I.D.	125	194	Clean & Clear® 125	C-9412	PAP118-4	<b>22510</b>
10-1/16"	26-3/4"	6" I.D.	200	300	Vak Pak	N/S	N/S	<b>29911</b>
10-1/16"	31-1/8"	6" I.D.	150	175	Clean & Clear® 150/Predator™ 150	C-9415	PAP150-4	<b>25005</b>
10-1/16"	31-1/8"	6" I.D.	200	234	Clean & Clear® 200/Predator™ 200	C-9419	PAP200-4	<b>29902</b>
10-3/10"	19-1/2"	4" I.D.	100	131	SwimClear™	C-8408	PA100S	<b>19946</b>
10-3/10"	23-3/16"	4" I.D.	150	165	SwimClear™	C-8414	PA150S	<b>25026</b>
10-3/10"	28-5/16"	4" I.D.	200	180	SwimClear™	C-8420	PA200S	<b>29921</b>
10-3/4"	28"	5-15/16" I.D.	200	254	Jandy® CJ200	C-9421	N/S	<b>29909</b>
10-3/4"	34"	5-15/16" I.D.	250	260	Jandy® CJ250	C-9422	N/S	<b>35001</b>

## 12" - 13" Outside Diameter

O.D.	Length	Top/Bottom	Sq. Ft. Pleats		Identification	Unicel	Pleatco	Aladdin
12-1/16"	8-1/2"	3-1/16"	100	313	Pro Edge Cartridge Filter	C-9490	N/S	<b>19931</b>
12-1/16"	17"	3-1/16"	200	308	Pro Edge Cartridge Filter	C-9498	N/S	<b>29907</b>









# Replacement Cartridges

Unicel®	Aladdin	Unicel®	Aladdin	Unicel®	Aladdin	Unicel®	Aladdin	Unicel®	Aladdin
PWW105	20503	C-4328	12506	C-6405	15027	C-7474	18801	C-8420	28002
PWW130	22505	C-4329	12537	C-6407	17521	C-7475	17506	C-8420	29910
PWWPC150B-4	25019	C-4332	13201	C-6408	17534	C-7476	19005	C-8425	29913
PWWPC200-4	28002	C-4335	13501	C-6430	13004	C-7477	17509	C-8449	15039
4CH-19	11303	C-4339	14011	C-6433	13303	C-7478	17522	C-8450	15014
4CH-20	12004	C-4340	14009	C-6445	14508	C-7479	17523	C-8465	16506
4CH-21	11901	C-4345	14509	C-6450	15028	C-7480	18002	C-8474	17532
4CH-22	12535	C-4346	14504	C-6475	17512	C-7481	19502	C-8475	17513
4CH-23	12536	C-4347	14501	C-6600	14505	C-7482	24501	C-8499	19921
4CH-24	12519	C-4349	15040	C-6601	12529	C-7483	18101	C-8600	17507
4CH-30	13005	C-4350	15001	C-6602	16007	C-7485	19502	C-8610	19905
4CH-35	13504	C-4351	15050	C-6603	13506	C-7487	19902	C-9401	17531
4CH-50	15016	C-4360	16014	C-6605	15029	C-7488	20601	C-9402	19920
4CH-65	16505	C-4401	11802	C-6610	11001	C-7489	21201	C-9403	25006
4CH-940	14017	C-4402	12006	C-6616	11602	C-7490	23705	C-9405	15036
4CH-950	15038	C-4403	12524	C-6617	12302	C-7491	17524	C-9407	17525
5CH-352	13507	C-4405	12504	C-6620	12002	C-7492	19915	C-9410	19916
5CH-502	15049	C-4428	12510	C-6622	13009	C-7493	22503	C-9412	22510
6CH-25	12520	C-4429	13001	C-6625	12508	C-7494	23101	C-9415	25005
6CH-26	12521	C-4430	13002	C-6640	14005	C-7495	22506	C-9419	29902
6CH-35	13505	C-4431	13006	C-6645	14509	C-7496	20501	C-9420	29901
6CH-45	14506	C-4440	14001	C-6650	15030	C-7497	19924	C-9421	29909
6CH-47	14701	C-4449	14502	C-6659	16008	C-7498	22501	C-9422	35001
6CH-50	15017	C-4600	10507	C-6660	16004	C-7499	19903	C-8425	29913
6CH-60	16005	C-4601	11601	C-7301	17535	C-7603	11302	C-9475	17514
6CH-75	17526	C-4603	10901	C-7302	19923	C-7604	12514	C-9478	25004
6CH-940	14510	C-4604	11502	C-7303	25008	C-7605	15012	C-9480	18004
6CH-941	14018	C-4605	10606	C-7304	14016	C-7606	17510	C-9481	22006
6CH-942	14019	C-4607	10502	C-7306	16013	C-7607	19907	C-9482	26001
6CH-960	15203	C-4608	10503	C-7350	15051	C-7610	12516	C-9483	29903
7CH-32	13205	C-4609	10504	C-7367	17541	C-7619	16508	C-9485	18503
7CH-40	14007	C-4610	11504	C-7370	17542	C-7620	17537	C-9490	19931
7CH-50	15021	C-4611	10803	C-7375	17543	C-7624	12531	C-9498	29907
7CH-322	13202	C-4616	11205	C-7400	15031	C-7625	12509	C-9499	22009
7CH-402	15018	C-4618	11301	C-7401	12005	C-7626	12509	C-9601	17538
7CH-502	15019	C-4620	12003	C-7402	14004	C-7630	13010	C-9602	19927
7CH-552	15501	C-4625	12502	C-7403	16003	C-7632	13304	C-9603	25010
7CH-752	17515	C-4637	13701	C-7404	13502	C-7633	13301	C-9650	15015
7CH-975	17527	C-4950	15002	C-7405	15011	C-7641	14014	C-9699	19910
8CH-60	16006	C-4970	17519	C-7406	17508	C-7651	15013	C-9950	15037
8CH-66	16010	C-4975	17501	C-7407	19906	C-7652	15008	C-9970	17001
8CH-950	15052	C-4995	19501	C-7408	25002	C-7656	15004	C-9999	19917
C-2302	11501	C-4999	19901	C-7409	19001	C-7660	16001	SC3-SR35	13703
C-2303	10804	C-5300	15010	C-7413	23001	C-7675	17506	SC3-SR50	15201
C-2304	10304	C-5301	10806	C-7414	25003	C-7676	17506	SC3-SR70	17201
C-2305	10301	C-5302	15025	C-7415	16504	C-7677	17503	SC3-SR100	20201
C-2306	10601	C-5315	11507	C-7416	16501	C-7678	15009	SC3-SR135	23301
C-2308	10801	C-5325	12525	C-7417	15043	C-7679	25001	SC3-SR137	23701
C-2601	10608	C-5326	12534	C-7418	19908	C-7680	18001	T-380	10601
C-2604	10401	C-5330	13012	C-7419	19909	C-7698	19936	T-380R	10607
C-2606	10604	C-5345	14513	C-7427	12530	C-7699	19904	UHD-SR35	13703
C-2607	10603	C-5346	15042	C-7432	13204	C-8310	19926	UHD-SR50	15201
C-2608	10802	C-5350	15020	C-7433	13301	C-8311	19935	UHD-SR70	17201
C-2610	11002	C-5371	17511	C-7435	13503	C-8315	25009	UHD-SR100	20201
C-2612	11203	C-5374	17540	C-7437	14401	C-8316	25014	UHD-SR135	23301
C-2613	11201	C-5375	17520	C-7439	14013	C-8317	27503	UHD-SR137	23701
C-2618	11801	C-5397	19930	C-7440	14002	C-8319	29912		
C-2912	11202	C-5402	12526	C-7442	14003	C-8320/25	22001		
C-3608	10805	C-5404	14010	C-7447	15032	C-8326	22507		
C-3612	11207	C-5405	15026	C-7448	15044	C-8340	14015		
C-4301	12801	C-5423	13401	C-7449	15033	C-8350	15046		
C-4302	11206	C-5426	12527	C-7450	15004	C-8380	18007		
C-4303	11505	C-5427	12528	C-7451	15034	C-8401	17529		
C-4304	10505	C-5431	13007	C-7453	17509	C-8402	19004		
C-4305	15003	C-5434	15801	C-7455	15503	C-8403	22008		
C-4306	10506	C-5601	12512	C-7457	15035	C-8405	28001		
C-4307	10702	C-5615	11503	C-7458	15601	C-8406	34001		
C-4308	12532	C-5616	11603	C-7459	18504	C-8408	19946		
C-4309	11004	C-5621	12202	C-7460	16002	C-8409	19002		
C-4310	11003	C-5622	12201	C-7463	16009	C-8410	19939		
C-4311	14511	C-5623	12301	C-7465	16502	C-8411	17530		
C-4312	11204	C-5624	12517	C-7466	16503	C-8412	22002		
C-4315	NS	C-5625	12507	C-7467	16801	C-8413	22508		
C-4320	12001	C-5626	12518	C-7468	21501	C-8414	25014		
C-4321	12533	C-5627	12701	C-7469	16011	C-8415	25007		
C-4324	12523	C-5635	13702	C-7470	18005	C-8416	25019		
C-4325	12501	C-5636	13601	C-7471	20503	C-8417	27501		
C-4326	12502	C-5637	14006	C-7472	22505	C-8418	35002		
C-4327	12511	C-6300	13008	C-7473	17536	C-8419	29916		

# Filter O-Ring Kits (RO-KIT®)

## Filter O-Ring Kits That Make Servicing Easy for Cartridge, Sand & DE Filters

Aladdin's Filter O-Ring Kits are the quick and easy way to service Cartridge, Sand and DE Filters. Aladdin has identified the parts needed to replace the O-ring seals in the most popular applications and packaged them together in one complete kit. Each kit also contains a package of Aladdin's Magic Lube® - the PTFE - based sealant/lubricant with the USDA H-1 rating for environmental safety.

### REPLACEMENT O-RING KITS FOR CARTRIDGE FILTERS



#### RO-KIT®201

AMERICAN COMMANDER 4 & 6 OZ.

CARTRIDGE FILTER (25,35, 50, 75, 100 SQ.FT.)

- 1-O-155 Gauge Plug O-Ring
- 1-O-326 Knob Seal O-Ring
- 1-O-342 Tank O-Ring

#### RO-KIT®202

AMERICAN QUANTUM™

CARTRIDGE FILTER (43.7 & 87.5 SQ.FT.)

- 1-O-40 Drain Plug O-Ring
- 1-O-87 Tank O-Ring

#### RO-KIT®210

BAKER HYDRO ULTRA MITE

CARTRIDGE FILTER (50, 75, 100, 150 SQ.FT.)

- 1-O-241 U-Cup Lid Gasket

#### RO-KIT®211

BAKER HYDRO MITE

CARTRIDGE FILTER (25, 50, 75, 100 SQ.FT.)

- 1-O-215 Lid O-Ring

#### RO-KIT®220

HAYWARD® SUPER STAR-CLEAR™

3000 & 4000

CARTRIDGE FILTER (75, 100 SQ.FT.)

- 1-O-27 Air Relief O-Ring
- 2-O-43 Bulkhead O-Ring
- 2-O-64 Bulkhead O-Ring
- 1-O-429 Tank O-Ring

#### RO-KIT®221

HAYWARD® STAR-CLEAR™ II

CARTRIDGE FILTER (75, 100, 150 SQ.FT.)

- 1-O-327 Locking Knob O-Ring
- 1-O-366 Lid O-Ring
- 1-O-398 Drain Plug O-Ring

#### RO-KIT®222

HAYWARD® STAR-CLEAR™

CARTRIDGE FILTER (25, 50, 75, SQ.FT.)

- 1-O-305 Tank O-Ring
- 1-O-327 Locking Knob O-Ring
- 1-O-398 Drain Plug O-Ring

#### RO-KIT®223

HAYWARD® MICRO STAR-CLEAR™ IN-LINE

CARTRIDGE FILTER (12, 20, 25, SQ.FT.)

- 1-O-330 Lid O-Ring
- 1-O-341 Elbow O-Ring

#### RO-KIT®224

HAYWARD® SUPER STAR-CLEAR™

C-3000S & C-4000S S.S.

CARTRIDGE FILTER (12, 20, 25, SQ.FT.)

- 1-O-41 Ball Valve Union O-Ring
- 1-O-168 Ball Valve End O-Ring
- 1-O-186 Relief Valve O-ring
- 1-O-430 Tank O-Ring
- 2-O-446 Valve Stem O-Ring
- 1-G-384 Relief Valve to Tank Gasket

#### RO-KIT®225

HAYWARD® STAR-CLEAR™ PLUS C900 &

C1200 CARTRIDGE FILTER (90, 120 SQ.FT.)

- 1-O-240 Filter Head O-Ring
- 1-O-288 Locking Knob O-Ring
- 1-O-398 Drain Plug O-Ring
- 1-O-641 Directional Vent Valve O-Ring
- 2-G-363 Knob & Cone Gasket

#### RO-KIT®231

JACUZZI® CFR SERIES

CARTRIDGE FILTER (50, 75, 100, 150, 200 SQ.FT.)

- 1-O-39 Stem & Crank O-Ring
- 1-O-413 Lid O-Ring

#### RO-KIT®232

JACUZZI® CFR 25 IN-LINE

CARTRIDGE FILTER (25 SQ.FT.)

- 1-O-39 Stem & Crank O-Ring
- 1-O-330 Lid O-Ring

#### RO-KIT®233

JACUZZI® TRI-CLOPS ELEMENT & EARTHWORKS  
FILTER CARTRIDGE FILTER (75, 150 SQ.FT.)

- 1-O-39 Air Relief O-Ring
- 1-O-64 Upper O-Ring
- 1-O-69 Manifold Knob O-Ring
- 1-O-101 Tank O-Ring

#### RO-KIT®241

PAC FAB/PUREX/TRITON® CF-25 & CF-150

CARTRIDGE FILTER (25, 150 SQ.FT.)

- 1-O-191 Tank O-Ring

#### RO-KIT®251

RAINBOW™ TOP LOAD

CARTRIDGE SPA FILTER KIT(25, 50 SQ.FT.)

- 1-O-30 Valve O-Ring
- 1-O-330 Lid O-Ring

#### RO-KIT®261

PAC FAB/PUREX/TRITON® MYTILUS & MITRA

CARTRIDGE FILTER (50, 80, 100 SQ.FT.)

- 1-O-25 Gauge & Air Bleeder Adapter O-Ring
- 1-O-99P Tank O-Ring

#### RO-KIT®262

PAC FAB/PUREX/TRITON® MITRA

CARTRIDGE FILTER (60 SQ.FT.)

- 1-O-25 Gauge & Air Bleeder Adapter O-Ring
- 1-O-292 Tank O-Ring

# Filter O-Ring Kits (RO-KIT®)

## RO-KIT®263

**PAC FAB/PUREX/TRITON® MYTILUS FMY FIBERGLASS (80, 100, 150 SQ.FT.) & MYTILUS FIBERGLASS REINFORCED POLYMERIC CARTRIDGE FILTER (60, 80, 100 SQ.FT.)**  
1-O-25 Gauge & Air Bleeder Adapter O-Ring  
2-O-83 Bulkhead Adapter O-Ring  
1-O-99P Tank O-Ring  
1-O-179 Bulkhead O-Ring  
1-G-98 2" Bulkhead Fitting Gasket

## RO-KIT®264

**PAC FAB/PUREX/TRITON® MYTILUS B FIBERGLASS REINFORCED POLYMERIC CARTRIDGE FILTER (60, 80, 100 SQ.FT.)**  
1-O-25 Gauge & Air Bleeder Adapter O-Ring  
1-O-99P Tank O-Ring  
1-O-125 Filter O-Ring  
1-O-442 Bottom Piping O-Ring

## RO-KIT®265

**PAC FAB/PUREX/TRITON® MITRA S.S. CARTRIDGE FILTER (60, 80, 100 SQ.FT.)**  
1-O-25 Gauge Air Bleeder O-Ring  
2-O-83 Bulkhead Adapter O-Ring  
1-O-179 2" Bulkhead O-Ring  
1-O-292 Tank O-Ring  
1-G-98 2" Bulkhead Fitting Gasket

## RO-KIT®271

**STA-RITE® POSI-FLO CARTRIDGE FILTER (35, 50 SQ.FT.)**  
1-O-239 Tank O-Ring

## RO-KIT®272

**STA-RITE® POSI-FLO II CARTRIDGE FILTER (70, 100 SQ.FT.)**  
1-O-239 Tank O-Ring  
1-O-443 Top O-Ring

## RO-KIT®273

**STA-RITE® POSI-FLO EARLY & LATE CARTRIDGE FILTER (135 SQ.FT.)**  
1-O-39 Air Relief O-Ring  
1-O-239 Tank O-Ring  
1-O-419 Lid O-Ring

## RO-KIT®274

**STA-RITE® CARTRIDGE FILTER (TXC25, TXC25B, TXC50, TXC50B, TXC75, TXC100)**  
1-O-5 Knob O-Ring  
1-O-305 Tank O-Ring

## RO-KIT®275

**ALADDIN SCAMP (Prior 2006)**  
1-O-39 Air Relief O-Ring  
3-O-476 Tank O-Ring

## RO-KIT®276

**WATERWAY™/LEISURE BAY 50-100-150 SQ FT CARTRIDGE FILTER**  
1-O-473 Tank O-Ring  
2-O-288 Drain Plug O-Ring

## RO-KIT®277

**LEISURE BAY CYCLONE 75-125-200 CARTRIDGE FILTER**  
1-O-474 Tank O-Ring  
1-G-394 Drain Cap Gasket  
1-O-273 Water Release O-Ring  
2-O-186 Bleeder Valve O-Ring  
1-O-249 Bleeder Valve O-Ring

## RO-KIT®278

**WATERWAY™ / LEISURE BAY UNDER CABINET CARTRIDGE SPA FILTER KIT**  
1-O-330 Lid O-Ring  
1-O-39 Drain Plug O-Ring  
2-G-392 Union Gasket

## RO-KIT®279

**WATERWAY™ / LEISURE BAY TOP LOAD CARTRIDGE FILTER**  
1-O-330 Lid O-Ring  
1-O-27 Air Bleeder O-Ring

## RO-KIT®280

**ASTRAL TERRA 50, 75, 100, 150 SQ FT**  
1-O-155 Pressure Gauge O-Ring  
1-O-283 Center Cap O-Ring  
1-O-47 Air Bleed Valve O-Ring  
3-O-49 1 1/2" Inlet/Outlet Ftg O-Ring & Drain Plug O-Ring  
2-O-43 2" Inlet/Outlet Ftg O-Ring  
1-O-496 Tank O-Ring

## REPLACEMENT O-RING KITS FOR SAND FILTERS

## RO-KIT®300

**OLYMPIAN SAND FILTER**  
1-O-24 Bulkhead O-Ring (Before 1-1-91)  
1-O-41 Bulkhead O-Ring (After 1-1-91)  
1-O-218 Lid O-Ring  
1-G-337 Bulkhead Gasket  
1-G-380 Thin Gasket

## RO-KIT®320

**HAYWARD® GM SERIES SAND FILTER (GM 140, 142, 142-6, 152, 152HV)**  
1-O-69 Drain Plug O-Ring  
1-O-263 Valve Lid O-Ring  
1-O-384 Tank O-Ring

## RO-KIT®321

**HAYWARD® PRO SERIES PLUS SAND FILTER (S-164T, S166T, S140T, S220T, S244T, S144T, S310T, S180T, S210T, S311X, S311SXV, S360SX, S210S, S220S, S244S, S310S)**  
1-O-27 Air Relief Valve O-Ring  
1-O-263 Valve Lid O-Ring  
1-O-384 Tank Lid O-Ring  
1-G-382 Drain Cap Gasket

## RO-KIT®322

**HAYWARD® SAND FILTER (S-160T)**  
1-O-27 Drain Plug O-Ring (Before 1980)  
1-O-363 Drain Plug O-Ring (After 1980)  
1-O-284 Valve Head O-Ring  
1-O-339 Tank O-Ring  
1-G-182 Filter Drain Gasket

## RO-KIT®323

**HAYWARD® SAND FILTER (S-200)**  
1-O-27 Air Relief O-Ring (Before 1980)  
1-O-363 Air Relief O-Ring (After 1980)  
1-O-103 Tank O-Ring  
1-O-284 Cap O-Ring  
1-G-182 Filter Drain Gasket

## RO-KIT®324

**HAYWARD® SAND FILTER (S-240)**  
1-O-27 Air Relief O-Ring (Before 1980)  
1-O-363 Air Relief O-Ring (After 1980)  
1-O-284 Cover O-Ring  
1-O-340 Tank O-Ring  
1-G-382 Drain Cap Gasket

## RO-KIT®325

**HAYWARD® SAND FILTER (S-245T & S-190T)**  
1-O-263 Valve Lid O-Ring  
1-O-363 Drain Plug O-Ring  
1-G-182 Filter Drain Gasket

## RO-KIT®330

**JACUZZI® LASER SAND FILTER (160L, 190L, 225L, 250L, LR3, LR6, MFM15)**  
1-O-39 Drain Plug O-Ring  
1-O-302 Flange O-Ring  
1-G-145 Adapter Flange Gasket

## RO-KIT®360

**PAC FAB/PUREX/TRITON® FIBERGLASS SAND FILTER**  
1-O-25 Gauge & Air Bleeder Adapter O-Ring  
1-O-108 Closure O-Ring  
1-O-130 Drain Plug O-Ring  
1-O-179 Drain Plug & Bulkhead O-Ring  
1-G-98 2" Bulkhead Fitting Gasket

## RO-KIT®361

**PAC FAB/PUREX/TRITON® TAHITIAN HI RATE SAND FILTER**  
1-O-64 Valve Collar O-Ring  
1-O-390 Rotor Shaft O-Ring  
1-O-393V Viton® Body O-Ring

# Filter O-Ring Kits (RO-KIT®)

## REPLACEMENT O-RING KITS FOR DE FILTERS

### RO-KIT®362

#### PAC FAB/PUREX/TRITON® PF SAND FILTER & 35/30 S.S. SAND FILTER

1-O-4 1 1/2" Bulkhead O-Ring  
1-O-25 Gauge & Air Bleeder O-Ring  
1-O-179 2" Bulkhead O-Ring  
1-O-184 18" Tank O-Ring  
1-O-185 22" Tank O-Ring  
1-G-291 Bulkhead Gasket

### RO-KIT®363

#### PAC FAB/PUREX/TRITON® PF SAND FILTER & 100 S.S. SAND FILTER

1-O-25 Gauge Air Bleeder O-Ring  
1-O-179 2" Bulkhead O-Ring  
1-O-337 16" Tank O-Ring  
1-G-98 2" Bulkhead Fitting Gasket

### RO-KIT®364

#### PAC FAB/PUREX/TRITON® TAGELUS® FIBERGLASS SAND FILTER (TA30D, TA35D, TA40D, TA50D, TA60D, TA100D, TA30, TA35, TA40, TA50, TA60)

2-O-108 Valve Body & Valve Adapter O-Ring  
1-O-130 Drain Plug O-Ring  
1-O-284 Valve Body O-Ring  
1-O-287 Stand pipe O-Ring  
1-O-301 Stand pipe O-Ring  
1-O-465 Valve Adapter O-Ring  
1-O-467 Valve Body O-Ring

### RO-KIT®370

#### STA-RITE® HIGH RATE 36" SAND FILTER

1-O-215 Lid O-Ring  
1-O-435 Bulkhead O-Ring

### RO-KIT®371

#### STA-RITE® PANTERA, PANTERA SKID SYSTEM & T-HRP SAND FILTER

1-G-307 Valve Square Ring (OEM Discontinued)

### RO-KIT®372

#### STA-RITE® SEPARATION TANK ASSEMBLY (415SW-820SW) (DISCONTINUED IN 1992)

1-O-99 Tank O-Ring

### RO-KIT®373

#### JACUZZI® MFM 17, 20, 24 SAND FILTER

1-G-145 Valve Gasket  
1-O-39 Plug O-Ring  
1-O-263 Bottom Drain O-Ring

### RO-KIT®374

#### JACUZZI® RMST-24, ST27, ST33 SAND FILTER

1-O-411 Filter Lid O-Ring  
1-O-449 Valve to Adapter O-Ring  
1-O-466 Valve Lid O-Ring  
3-O-122 Drain Plug O-Ring

### RO-KIT®400

#### AMERICAN TITAN S.S. DE FILTER

1-O-24 Outlet Pipe O-Ring  
1-O-40 Drain Plug O-Ring  
1-O-41 Inlet Pipe O-Ring (After 1-1-90)  
1-O-87 Tank O-Ring (Before 11/94)  
1-O-325 Inlet Pipe O-Ring (Before 1-1-90)  
1-G-337 Bulkhead Gasket  
1-G-380 Bulkhead Gasket

### RO-KIT®420

#### HAYWARD® PERFLEX® DE FILTER (EC-65 & EC-75)

3-O-30 Bump Shaft O-Ring  
1-G-348 Diaphragm Gasket

### RO-KIT®421

#### HAYWARD® MICRO CLEAR-VERTICAL GRID S.S. DE FILTER

1-O-24 Outlet Elbow O-Ring  
1-O-41 Support Base O-Ring  
1-O-430 Tank O-Ring  
3-O-186 Relief Valve O-Ring  
1-G-384 Relief Valve To Filter Head Gasket

### RO-KIT®422

#### HAYWARD® PERFLEX® DE FILTER (EC-40 & EC-50)

1-O-30 Bump Shaft O-Ring  
1-G-178 Diaphragm Gasket

### RO-KIT®423

#### HAYWARD® MICRO CLEAR VERTICAL GRID DURALON, PERMAGLASS XL™ DE FILTER

1-O-24 Outlet Elbow O-Ring  
1-O-186 Relief Valve Stem O-Ring  
2-O-446 Relief Valve Stem O-Ring  
1-O-429 Tank O-Ring

### RO-KIT®430

#### JACUZZI® LANDSLIDE DE FILTER DE SEPARATION TANK

1-O-39 Drain Plug O-Ring  
1-O-237 Support O-Ring  
1-O-413 Tank & Cover O-Ring

### RO-KIT®460

#### PAC FAB/PUREX/TRITON® STAR FIBERGLASS REINFORCED POLYMERIC DE FILTER

1-O-99P Tank O-Ring  
2-O-125 Filter O-Ring  
1-O-442 Bottom Center Pipe O-Ring  
1-O-276 Shaft Seal O-Ring  
1-O-287 Stand pipe O-Ring

### RO-KIT®461

#### PAC FAB/PUREX/TRITON® SM/ SMBW 4000 SERIES™ DE FILTER

1-O-47 Rotor Valve O-Ring  
1-O-333 Tank O-Ring

### RO-KIT®462

#### PAC FAB/PUREX/TRITON® 2000 SERIES SAND FILTER, COLLECTOR & BW VALVE W/BRASS & NORYL ROTOR

1-O-47 Rotor Shaft O-Ring  
3-O-64 Collar Rotor O-Ring  
1-O-158 Brass Rotor O-Ring  
1-O-163 Valve Body O-Ring  
1-O-301 Collar Rotor O-Ring

### RO-KIT®470

#### STA-RITE® VERTICAL DE FILTER (DEP36, HRP20, HRP20-01B)

1-O-4 Cap O-Ring  
1-O-103 Tank O-Ring  
1-O-109 Outlet Elbow O-Ring

### RO-KIT®471

#### STA-RITE® VERTICAL DE FILTER (DEP51, HRP24, HRP24-01B)

1-O-4 Cap O-Ring  
1-O-104 Tank O-Ring  
1-O-109 Outlet Elbow O-Ring

### RO-KIT®472

#### STA-RITE® VERTICAL DE FILTER (DEP83, HRP30, HRP30-01B)

1-O-4 Cap O-Ring  
1-O-105 Tank O-Ring  
1-O-109 Outlet Elbow O-Ring

### RO-KIT®473

#### STA-RITE® VERTICAL SAND & DE FILTER (DES25, HRS16-01)

1-O-100 Tank O-Ring

### RO-KIT®474

#### STA-RITE® VERTICAL SAND & DE FILTER (DES36, HRS20-01)

1-O-101 Tank O-Ring

### RO-KIT®475

#### STA-RITE® VERTICAL SAND & DE FILTER (DES51, DES60, HRS24-01)

1-O-106 Tank O-Ring

### RO-KIT®476

#### PAC FAB NAUTILUS® S/S DE FILTER

1-O-24 Filter Pump O-Ring  
1-O-184 Tank O-Ring  
1-O-83 Bulkead Valve Adapter O-Ring  
1-O-628 Bleeder Cartridge Filter O-Ring

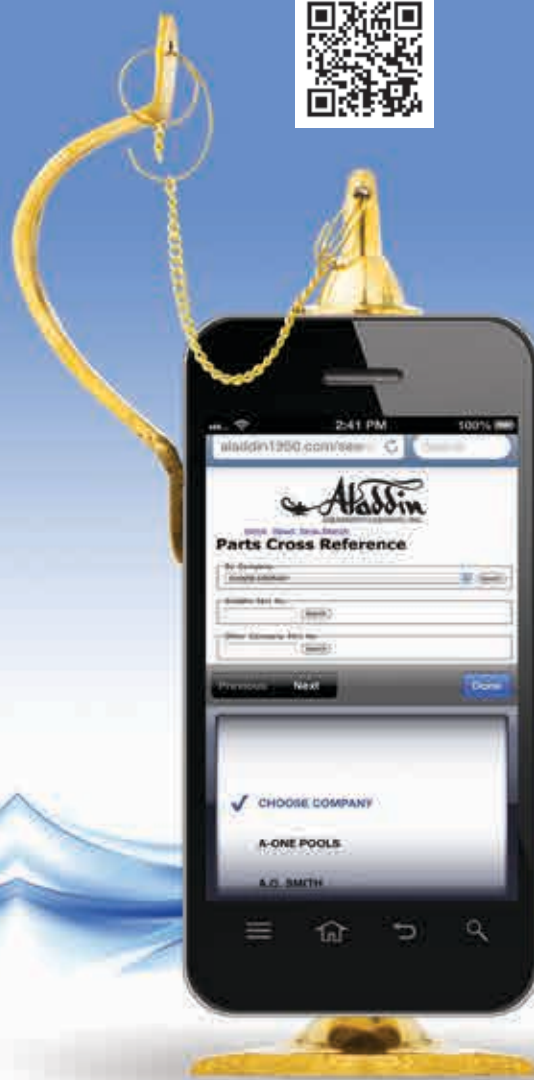
### RO-KIT®477

#### JACUZZI® DE EARTHWORKS FILTER

1-O-39 Plug O-Ring  
1-O-101 Tank O-Ring  
1-O-69 Valve Shaft O-Ring  
1-O-24 Test O-Ring

# Now the Power of the Aladdin Lamp is in Your Hand.

The Aladdin catalog and cross reference are now searchable via your desktop computer or smart phone 24 hours a day, 7 days a week.



900 Sarasota Center Blvd., Sarasota, FL 34240  
**1.800.854.2466** | [www.aladdin1950.com](http://www.aladdin1950.com)

**ACTION SPAS (ASI)**

3010P	Universal Pressure Switch .....	3925
3044P	Universal Pressure Switch .....	3925
CSC-1113	4-Function Air Switch(TBS-312 Required).....	CSC-1101
FP-2001	Air Switch .....	TBS-312

**ACURA SPA SYSTEMS**

380	Aquaheat Pump 1"x 1" Gasket Kit	
1058	Drain Plug O-ring Magnaflow	
1059	Aquaheat Pump Large O-ring	
1061-M	Magnaflow Volute O-ring	
1081	Aquaheat Pump Diffuser O-ring	
1090-A	Aquaheat/Maverick/Magnaflow/Super Charger shaft seal.....	AS-601
3037-P	Universal Pressure Switch .....	3925
TBS-301	Air Switch .....	TBS-301
TBS-305	Air Switch .....	TBS-301
TBS-310	Air Switch .....	TBS-301
TBS-317	Air Switch .....	TBS-317

**ADDISON**

50 Sq. Ft. Cartridge Filter Element.....	15016
--	-------

**ADVANCE**

6C-200	Pump Seal.....	AS-200
6C-201	Pump Seal.....	AS-201
OV-11-006	Chlorinator Viton® O-ring.....	0-249V
OV-11-008	Chlorinator Viton® O-ring.....	0-243V
OV-11-009	Chlorinator Viton® O-ring.....	0-348V
OV-11-010	Chlorinator Viton® O-ring.....	0-186V
OV-11-011	Chlorinator Viton® O-ring.....	0-349V
OV-11-012	Chlorinator Viton® O-ring.....	0-30V
OV-11-028	Chlorinator Viton® O-ring.....	0-32V
OV-11-110	Chlorinator Viton® O-ring.....	0-155V
OV-11-112	Chlorinator Viton® O-ring.....	0-39V
OV-11-113	Chlorinator O-ring .....	0-47
OV-11-203	Chlorinator Viton® O-ring.....	0-355V
OV-11-210	Chlorinator Viton® O-ring.....	0-356V
OV-11-212	Chlorinator O-ring .....	0-276
OV-11-325	Chlorinator O-ring .....	0-71
OV-11-332	Chlorinator O-ring .....	0-83

**ADVANCE SPAS**

22 Sq. Ft. Cartridge Filter Element/Old.....	12202	
25 Sq. Ft. Cartridge Filter Element.....	12519	
50 Sq. Ft. Cartridge Filter Element.....	15016	
50 Sq. Ft. Cartridge Filter Element.....	14701	
50 Sq. Ft. Cartridge Filter Element.....	15017	
75 Sq. Ft. Cartridge Filter Element.....	17512	
3028	Universal Pressure Switch .....	3925
3045	Universal Pressure Switch .....	3925
3903	Universal Pressure Switch .....	3902
3903-AN	Universal Pressure Switch .....	3902
3903-AH	Universal Pressure Switch .....	3902
TBS-301	Air Switch.....	TBS-301
TBS-324	Air Switch.....	TBS-301
9300-06-06	3 Button Command Center & Retro-Fit Faceplate .....	CC3-120-10 & 20205
9300-06-07	3 Button Command Center & Retro-Fit Faceplate .....	CC3-120-10 & 20205
9350-06-07	3 Button Command Center & Retro-Fit Faceplate .....	CC3-120-10 & 20205

**ADVANTAGE ELECTRIC**

ELE-75	75 Sq. Ft. Cartridge Filter Element.....	17535
--------	--	-------

**AFTER HOURS (SEE HYDRO SPAS)**

25 Sq. Ft. Cartridge Filter Element.....	12519
35 (17.5) Sq. Ft. Cartridge Filter Element (2 Required) .....	11802
50 Sq. Ft. Cartridge Filter Element.....	15002

**AIR ENERGY**

3015	Pressure Switch.....	3015
TBS-213	Universal Air Switch .....	TBS-917

**AKER® PLASTICS**

3029	Universal Pressure Switch .....	3925
------	---------------------------------	------

**AIRQUATIC**

5099-149	FG Filter Lid O-ring .....	0-160
----------	----------------------------	-------

**ALADDIN**

AS-851	Pump Seal.....	AS-972
B-13	NO-NICHE® Skimmer Basket .....	B-13
O-39	System 2001 Cartridge Filter Drain Cap O-ring.....	0-39
O-408	Vac Master Lid O-ring .....	0-408
O-476	System 2001 Cartridge Filter Tank O-ring.....	0-476
17516	Scamp System Cartridge Filter Element 75 Sq. Ft. ....	17516
	(Prior To 2006)	
17530	Scamp System Cartridge Filter Element 75 Sq. Ft. ....	17530
	(2006-2013)	
19912	Scamp System Cartridge Filter Element 100 Sq. Ft. ....	19912
	(Prior To 2006)	
22003	Scamp System Cartridge Filter Element 120 Sq. Ft. ....	22003
	(Prior to 2006)	

**ALADDIN PARAPORT VALVE**

C-64001	1 ½" Complete Valve-Threaded.....	C-64001
C-64002	1 ½" Complete Valve-Slip.....	C-64002
C-64011	Handle Pin.....	C-64011
C-64017	Small Nameplate.....	C-64017
C-64018	Set Screw .....	C-64018
C-64052	Cover .....	C-64052
C-64053	Shaft Assembly.....	C-64053
C-64054	Handle.....	C-64054
C-64055	Paraport Gasket.....	C-64055
C-64057	Shaft O-ring.....	C-64057
C-64058	PTFE Washer .....	C-64058
C-64059	Zinc Washer .....	C-64059
C-64062	Large Nameplate .....	C-64062
C-64064	Spring .....	C-64064
C-64066	Body Bolts & Nut Set.....	C-64066
C-64067	Sight Glass .....	C-64067
C-64069	Sight Glass Gasket.....	C-64069
C-64070	Sight Glass Screw.....	C-64070
C-64071	Body-Threaded (With Gasket).....	C-64071
C-64072	Body-Slip (With Gasket) .....	C-64072

**ALCOVE**

8 Sq. Ft. Cartridge Filter Element.....	10805
19 Sq. Ft. Cartridge Filter Element.....	11901

**ALDEN LEEDS**

Divert-o-trol Lid O-ring.....	0-278
-------------------------------	-------

**ALLSTATE**

3029	Universal Pressure Switch .....	3925
------	---------------------------------	------

**AMERICAN PRODUCTS® (SEE PENTAIR®/PAC FAB)**

2" Piston O-Ring Kit.....	0-518KIT
Classic Spas-50 Sq. Ft. Cartridge Filter Element.....	15016
Light Ring Adapter-Brass for SAM®/Spectrum/AmerLite® Light .....	500C
Universal Light Ring Adapter-Plastic .....	500P
Light Ring Screws (Set Of 3) .....	500S
Concrete Deck Filter Basket .....	B-192
SP Skimmer Basket-Metal .....	B-80
Air Relief Valve O-ring .....	0-243
Commander Air Relief O-ring.....	0-30
Crank O-ring.....	0-130
Multiport Valve Rotor Shaft O-ring .....	0-47

Titan Manifold O-ring.....	0-325	46135200	Thin Line Spa Skimmer Gasket/Fun-Lite/Luxury Light/ Moon-Glow/Mood Light/Luxury Suction Fitting/ Luxury Swirl Blaster Jet.....	G-405
Spacemaker Collection O-ring.....	0-227	46135500	Gasket for Pleasure Jet.....	G-459
1 1/2" Collection O-ring.....	0-26	46212000	2 1/2" Standard Swim Jet Gasket (See 452220)	
23502000	0-Ring (SOSH -FO).....	46314000	Mini Jet Fitting Gasket.....	G-404
37405800	Heater Gasket.....	46713000	Diverta Port Valve Bobbin O-ring.....	0-155
39000400	Power Pump Lid O-ring.....	46715000	Diverta Port Valve Puck O-ring.....	0-122
39000500	Power Pump 3 HP Lid O-ring.....	46717000	Diverta Port Valve Cap O-ring.....	0-64
39000600	Power Pump Basket.....	46722000	Aquawave Gasket	
39000700	Power Pump 3 HP Basket.....	46815500	AquaLumin® O-ring.....	0-186
39000800	Power Pump Gasket.....	46824000	Power-Glas™ Slip Body O-ring.....	0-49
39002300	Power Pump Seal.....	46911500	Luxury Air Control O-ring	
39004000	Power Pump Diffuser O-ring.....	46913000	Standard Luxury Air Control Gasket.....	WIP
39005900	Ultra-Flow® Basket.....	46915000	Standard Air Control O-ring.....	0-437
39006000	Ultra-Flow® Pump Volute O-ring.....	46915800	Luxury Air Control Check Valve Gasket	
39006600	Ultra-Flow® Pump Diffuser O-ring.....	46923000	1" ID Mini Air Control Gasket	
39010000	Ultra-Flow® Impeller Lock O-ring.....	46925000	Mini Air Control O-ring.....	0-438
39010200	Clean & Clear® RPM™ Tank Clamp O-ring/Titan Bulkhead O-ring FNS® Plus Filter.....	47062600	Luxury Spa Fitting Gasket (See 461352)	
39101200	Maxim™/Americana® II/Power-Glas™ Basket.....	47062800	Luxury Spa Fitting O-ring/Luxury Swirl Jet O-ring.....	0-285
39101500	Maxim™/Americana® II O-ring.....	47064000	Luxury Air Control/Adjusta-Swirl Micro Jet/ Adjusta-Flow Gasket.....	G-402
39101600	Americana® II/Power-Glas™ Body O-ring.....	47064200	Titan CM Lid/Quantum™ CM Filter O-ring.....	0-350
39101700	Americana® II Lid/Impeller O-ring.....	47064200	Titan CM Lid/Quantum™ CM Filter O-ring Viton®.....	0-350V
39101900	Maxim™/Americana® II/Power-Glas™ Lid O-ring.....	47224900	Diverter Jet Gasket	
39102100	Maxim™/Americana® II Slinger Gasket.....	47225300	Diverter Jet Gasket	
39102800	Maxim™/Warrior®™ Union Swivel O-ring.....	47226400	Diverter Jet O-ring	
39102900	Titan CM/Sandpiper Filter 18" & 24" Thick O-ring (After 1/1/1990) Olympian Bulkhead O-ring (After 1/1/1991)	47473000	Plastic Adjusta-Swirl/Micro Jet/Adjusta-Flow O-ring	
39104500	M/O Union O-ring.....	47721000	Cyclojet Small O-ring.....	0-130
39200100	Warrior®™ Filter Union O-ring	47721100	Cyclojet Large O-ring.....	0-439
39200300	Eagle Pump Basket.....	50131000	5 & 8 Position Valve Spider Gasket	
39200300	Eagle Pump Plate to Volute O-ring/Olympian Filter Lid O-ring....	50140700	1 1/2" T/M Series Multiport Valve Gasket.....	G-363
39204100	Standard Lid O-ring (See 0-218 For Custom Molded O-ring)..	50141400	1 1/2" T/M Series Multiport Valve O-ring.....	0-276
39204100	Eagle Pump/Olympian T/M Filter Lid O-ring For Multiport Valve (Custom Molded O-ring).....	50141500	1 1/2" T/M Series Multiport Valve Lid O-ring.....	0-368
39204800	Eagle Diffuser Gasket.....	50141700	1 1/2" T/M Series Multiport Valve Spider Gasket	
39300300	Ultra-Flow®/Americana®/Noryl®/Bronze/SS H&L Pump Lid O-ring (Before 1994).....	50151700	5 & 8 Position Lid O-ring.....	0-48
39300400	Americana®/Noryl® Pump SS H&L Basket (Before 10/1987)..	50151900	5 & 8 Position Valve Rotor O-ring.....	0-276
39300600	Ultra-Flow® Lid O-ring/Multiport Valve Base O-ring/ Eclipse Meteor Top Mount Valve Clamp O-ring.....	50152100	1 1/2" T/M Multiport Valve II O-ring.....	0-159
39301500	Pump Lid Quad Ring (Before 7/1975).....	50152300	5 & 8 Position Valve B/W Sight Glass, Meteor Filter Hose Assembly O-ring.....	0-630
39303500	Ultra-Flow®/Americana®/Noryl®/Bronze Basket	51000400	Multiport Valve Cover Gasket.....	G-272
39500100	Americana®/Noryl® Pump Slinger O-ring.....	51001000	Multiport Valve Lid N/S Quad Ring.....	0-389
39500400	Seal Plate O-ring (Before 1975).....	51001200	Multiport Valve Shaft O-ring/ Directional Valve 2 & 3 Port O-ring.....	0-27
39500500	Americana®/Noryl®/Bronze Pump Seal.....	51001300	Multiport Valve Shaft PTFE Ring.....	0-345
39501200	Americana®/Noryl®/Bronze/Ultra-Flow® Pot to Volute Pump Gasket.....	51001800	Multiport Valve Gasket & Washer (2 Required).....	G-231
39501300	Americana® Pump Seal Plate O-ring (After 7/1975).....	51002200	1 1/2" Multiport Valve Lid O-ring.....	0-139
39701200	Americana® II/Power-Glas™/Eagle/Bronze/Maxim™/ Ultra-Flow® Pump Seal.....	51002300	2" Multiport Valve Lid O-ring	
39701300	Pump Shaft Extension.....	51002600	Multiport Valve Rotor O-ring.....	0-276
39702000	Eagle/Maxim™um/Power-Glas/Ultra-Flow® Pump Seal.....	51003100	Americana® Valve Stem & Shaft Cap O-ring (Part Of 0-518KIT).....	0-39
39702800	Bronze/Noryl® Seal Plate O-ring/Commander II Filter.....	51003200	Valve Stem O-ring.....	0-117
40000100	Turbo Charger Res Blower 2" Hose Clamp.....	51003400	Bronze Valve Cap O-ring/Americana® Valve/ Power Pump Adapter O-ring.....	0-125
42161200	Power-Glas™ Volute O-ring.....	51003500	Sand Filter Union O-ring/Olympian Bulkhead (Before 1/1991)..	0-24
42216000	Power-Glas™ Gasket.....	51003600	1 1/2" Valve Spider Gasket	
42216000	Neoprene Washer.....	51003700	2" Valve Spider Gasket	
43216000	SuperFlo® II Cartridge Filter Knob O-ring.....	51004900	2" Fiber Backwash Valve Cap Gasket.....	G-220
45112000	Twinport Spa Skimmer Basket	51005000	2" Backwash Valve Piston O-ring/Drain/Inspect Fittings O-ring/Eclipse SM & TM FNS® Filter/Titan/Warrior®™/Meteor/ Predator™/Clean & Clear® (Part Of 0-518KIT).....	0-71
45115500	Skimmer Weir 5 7/8".....	51005400	Sight Glass Valve Gasket	
45117000	Twin Port Sealing Gasket.....	51005600	Small Separation Tank O-ring.....	0-371
45222000	2 1/2" Main Drain Single Port Double Standard Suction Fitting Gasket.....	51005800	1 1/2" Valve Standpipe O-ring	
45313000	Double Port Spa Main Drain 1 1/2" Gasket.....	51005900	Air Relief/Separation Tank MS6-60 O-ring.....	0-186
45333000	Pep Main Drain Gasket.....	51006100	Sight Glass Gasket.....	G-250
46035700	Aqua-Fan Gasket	51006500	Air Relief Valve Separation Tank Gasket.....	G-217
46113000	2" ID Thick Gasket/Double Port/Standard Suction/ Standard Fitting/Redwood Inlet Fitting.....	51007600	Separation Tank Lid O-ring.....	0-194
46135100	High Flow Fitting Gasket	51008400	6 Spoke Spider Gasket (Before 1976).....	0-392
		51008400	5 Spoke Spider Gasket (After 1976).....	0-392A

51008700	Sight Glass Washer.....	G-231
51010400	Americana® Valve Old Style Piston O-ring.....	O-113
51011600	Eclipse Filter Side Mount O-ring & Top Mount Clamp O-ring.....	O-461
51011900	Eclipse Meteor Filter Top Mount O-ring (Before 4/1995).....	O-232
51013300	Quantum™ Filter/Sandpiper 18" & 24"/Titan Bulkhead Gasket	
51013500	ABS Valve Body Cap/Sandpiper 18" & 24" (Before 1/1/1990)	
	Caribe/Titan 133, 184, 368, Union O-ring/Push	
	Pull Valve Cap O-ring (Part Of O-518KIT).....	O-325
51013600	Caribe/Olympian/Quantum™/Sandpiper/Titan Bulkhead	
	Thick Gasket.....	G-380
51013700	Caribe/Olympian/Quantum™/Sandpiper 18" & 24"/Titan	
	Bulkhead Gasket.....	G-337
51015900	2 & 3 Diverter Port Valve Gasket.....	G-458
51016200	2 & 3 Directional Port Valve O-ring.....	O-248
51016700	2" Slip Multiport Valve Lid O-ring.....	O-463
6020006	Cap O-Ring For Push Pull Valve.....	O-39
51017000	2" Multiport Valve Spider Gasket.....	G-406
51017300	1 ½" & 2" Top Mount Slip Multiport Valve Gasket/ Sight Glass Gasket	
51017500	2" Multiport Valve Slip Plug O-ring	
51017700	1 ½" & 2" Top Mount Slip Multiport Valve O-ring.....	O-276
51017900	2" Multiport Valve Slip O-ring	
51018300	2" Multiport Valve Threaded Lid O-ring.....	O-277
51018600	2" Multiport Valve Threaded Spider Gasket.....	O-322
51018900	2" Multiport Valve Threaded Sight Glass Gasket	
51021700	Eclipse Clamp Gasket/Meteor Filter.....	G-415
51021900	Side Mount Multiport Valve Shaft O-ring	
52000100	Eclipse Filter Bulkhead O-ring.....	O-246
52000200	Eclipse Side Mount Valve Bulkhead O-ring (2 Required)	
52000500	Eclipse Side/Top Mount Lid O-ring.....	O-268
53000400	Spin Filter Shaft Sleeve Gasket.....	G-180
53001800	Female Bell Quad O-ring.....	O-82
53002800	Caribe/Quantum™/Olympian/Sandpiper/Spin/ Titan 18" Tank O-ring.....	O-87
53008800	Quantum™/Titan Tank O-ring (Use After 11/1994)	
	Sandpiper Tank O-ring Blue Stripe.....	O-470
	18" & 24" Sandpiper Hub Gasket.....	G-255
55001500	Sandpiper Tank O-ring (Before 11/1994).....	O-471
55001700	24" Sandpiper Tank O-ring.....	O-93
55006000	Sahara Filter Manhole Gasket.....	G-372
55006700	Sahara/Sandpiper Filter Drain O-ring.....	O-288
56627400	Quantum™ 175-43.7 Sq. Ft. Cartridge Filter Element (4 Required).....	14401
56627800	Quantum™ 350-87.5 Sq. Ft. Cartridge Filter Element (4 Required).....	18801
56627900	Quantum™ 500-125 Sq. Ft. Cartridge Filter Element (4 Required) (Prior to 11/1998).....	22501
56628300	Quantum™ 20" 360 Sq. Ft. Cartridge Filter Element.....	19005
57000500	Caribe 5.8 Sq. Ft. Cartridge Filter Element.....	10604
57002100	2" Hose Clamp.....	276-28
57003200	Caribe Filter 12" Tank O-ring & MS6-72 Separation Tank O-ring.....	O-96
57005700	Commander-25 Sq. Ft. Cartridge Filter Element.....	12509
57005800	Commander-50 Sq. Ft. Cartridge Filter Element.....	15007
57006500	Commander Gauge Plug & Maxim™ Pump O-ring/ Americana® II.....	O-155
57006700	Commander Knob Seal O-ring.....	O-326
57006800	Eclipse Side Mount Air Relief O-ring.....	O-288
57007300	Commander Tank O-ring.....	O-342
57007400	Commander-75 Sq. Ft. Cartridge Filter Element.....	17506
57007800	Commander Center Rod O-ring.....	O-391
57008200	Admiral Twin Port Skimmer S20 Equalizer O-ring.....	O-301
57008700	Olympian Filter Fiber Washer	
57009300	EPR 70 O-ring.....	O-628
57010200	Commander II (In Line)-19.7 Sq. Ft. Cartridge Filter Element.....	12001
57010500	Commander II (In Line)-25.2 Sq. Ft. Cartridge Filter Element.....	12501
57011300	Commander II (In-Line) Cartridge Filter Seal Drain O-ring.....	O-319

57011400	Caribe-8 Sq. Ft. Cartridge Filter Element.....	10801
57014200	Commander-35 Sq. Ft. Cartridge Filter Element.....	13503
57014300	Commander-75 Sq. Ft. Cartridge Filter Element-Upgrade.....	17509
57014400	Commander-100 Sq. Ft. Cartridge Filter Element.....	19903
59000600	Manifold O-ring/Outlet Pipe O-ring/Titan/Olympian/FNS®.....	O-24
59021000	Quantum™ CM/Titan CM Tank O-ring.....	O-498
59054000	Clean & Clear®/Predator™ 50 Sq. Ft. Cartridge Filter Element.....	15036
59054100	Clean & Clear®/Predator™ 75 Sq. Ft. Cartridge Filter Element.....	17525
59054200	Clean & Clear®/Predator™ 100 Sq. Ft. Cartridge Filter Element.....	19916
59054300	Clean & Clear®/Predator™ 150 Sq. Ft. Cartridge Filter Element.....	25005
59054400	Clean & Clear®/Predator™ 200 Sq. Ft. Cartridge Filter Element.....	29902
602006	Cap O-ring For Push Pull Valve.....	O-39
71100400	1 ½" Hose Clamp For Tagelus® Filter Flex Hose	
76500400	Old Style Marine Pump Basket.....	B-171
78880200	AquaLumin® Lens Seal & AquaLumin® II.....	G-471
79101600	Light Lens Gasket for SAM®/Spectrum/AmerLite®-Silicone...	O-170
79101601(Z)	Quartz Lens Gasket.....	O-170
79104800	Neoprene Washer.....	G-254
79108500	Spa Light Lens Gasket for SpaBrite®/AquaLight®/ SAL® Spectrum/ IntelliBrite® (Old # O-344S) - Silicone.....	O-344
79108600	Spa Light Lens Gasket For AquaLight®/ SAL® Spectrum/ IntelliBrite® (Old # O-344S) - Silicone.....	O-344S
79114300	Fun-Lite/Luxury/Moon-Glow/Mood Lite Gasket.....	WIP
79116800	Luminator 2000 Gasket (2 Required)/Aqua Luminator/Quasar.....	G-403
79116900	Luminator Bulb Assembly O-ring/Aqua Luminator/Quasar.....	O-114
79128900	O-Ring (Ep 40).....	O-246
79200300	Niche Gasket American Holes (2 Required)/ AmerLite®/Ameriquartz.....	G-168
79200400	Niche Gasket Standard Holes (3 Required) Amerlite®/Ameriquartz.....	G-110
79200500	Plastic Niche O-ring.....	O-446
79200700	Amerlite®/Ameriquartz 10 Hole Pattern Gasket.....	G-466KIT
79207500	Double Wall Gasket.....	G-465
79204600	Spa Light Sealing Gasket (3 Required).....	G-228
79204603	Gasket Only (Part of G-464KIT).....	G-462
79207100	HiLite® O-ring.....	O-246
79207300	QuickNiche™ Liner Gasket	
79207900	SpaBrite®/AquaLight® Small Niche Gasket.....	G-464KIT
79207900	Double Wall Gasket (Part of G-464KIT).....	G-463
79300600	Junction Box Sealing Gasket.....	G-109
79330000	Luminator J Box Gasket	
79401000	Aqua Luminator J Box Gasket	
81111700	Gasket Set Large 10 Hole Pattern Admiral Skimmer without Double Wall.....	G-62
81111800	Gasket Set Large 10 Hole Pattern Admiral Skimmer with Double Wall	
85000100	Admiral Skimmer Basket.....	B-37
85000100	Admiral Skimmer Basket-Metal.....	B-28
85000200	Stubby Skimmer Basket.....	B-32
85000500	9" Round Skimmer Cover/Deck Lid	
85000700	Admiral Skimmer Square Ring Seat 10 ½" x 10 ½"	
85001200	Admiral Floating Weir.....	B-38
85001300	Skimmer Floating Weir.....	B-38
85001500	8" Skimmer Weir.....	925
85001600	Liner Gasket (2 Required) Admiral Skimmer.....	G-62R
85001900	Admiral Vac Plate.....	920
85002800	American FAS Vac Plate.....	912
85003200	Front Access Skimmer Weir.....	923
85003300	Front Access Skimmer Rear Gasket.....	G-234
85003400	Front Access Skimmer Front Gasket.....	G-233
85003900	Front Load Skimmer Basket.....	B-172
85005700	Manifold O-ring/Caribe/Quantum™/Sandpiper 18" & 24" Titan CM Drain Plug O-ring.....	O-40



85007700	Admiral Wide Mouth Skimmer Gasket.....	G-330
85014500	S20 Skimmer Basket .....	B-200
85015100	S20 Skimmer Bottom O-ring .....	0-324
86006900	Titan RPM™/ FNS® Plus/Clean & Clear® Lower & Upper Bulkhead O-ring .....	0-180
86200500	Manifold O-ring.....	0-40
86202000	Clean & Clear® Plus Drain Plug O-ring Only	
86300500	Eclipse/Predator™/Warrior®™ Filter Side & Top Mount Drain Cap Gasket/Meteor/Clean & Clear®.....	G-451
87102000	Drain Pump Gasket .....	G-328
87200200	Thin Line Spa Skimmer Gasket/Sandpiper Hub Gasket.....	G-89
87201200	2" ID Thick Gasket Deck Jet Body Gasket.....	G-89
87203500	Deluxe Inlet Fitting Gasket	
87206300	AquaLumin® Sealing Gasket.....	G-450
87208600	Side Mount Multiport Valve P Series Spider Gasket	
87300400	Predator™/Warrior®™/Clean & Clear® Filter Body O-ring.....	0-343
98206900	Shaft Extension Set Screws.....	152
98208500	Washer.....	G-259
98209800	Air Relief Valve (Pentair Multiple Applications).....	0-538KIT
98220700	Side Mount Multiport Valve P Series Shaft O-ring	
98220800	Side Mount Multiport Valve P Series Lid O-ring	
98221400	Side Mount Multiport Valve P Series Sight Glass O-ring	

**AMERICAN GRANBY**

50-1100BSS	1 ½" Heat Sink O-ring.....	0-125
55-1150BSS	2" Heat Sink O-ring.....	0-64

**AMERICAN SANITARY**

40587	Basket-Metal.....	B-165
-------	-------------------	-------

**AMERICAN SPA MFG**

	25 Sq. Ft. Cartridge Filter Element.....	12521
	50 Sq. Ft. Cartridge Filter Element.....	14510
	50 Sq. Ft. Cartridge Filter Element.....	15002
8400-10-000-06	4 Button Spa Side Controller & Retro-Fit Faceplate .....	CC4-120-10 & 20205
9400-10-000-06	4 Button Spa Side Controller & Retro-Fit Faceplate .....	CC4-120-10 & 20205

**AMERICAN WHIRLPOOL**

TBS-310	Air Switch.....	TBS-301
8750-10-301-06	3 Button Spa Side Controller & Retro-Fit Faceplate .....	CC3-120-10 & 20205
8755-10-301-06	3 Button Spa Side Controller & Retro-Fit Faceplate .....	CC3-120-10 & 20205

**AMISH COUNTRY**

	25 Sq. Ft. Cartridge Filter Element.....	12518
	34 Sq. Ft. Cartridge Filter Element.....	13401
	40 Sq. Ft. Cartridge Filter Element.....	14006
	58 Sq. Ft. Cartridge Filter Element.....	15801

**AMPRO**

	900-9S/8S/7S Large Spool O-ring.....	0-114
	900-9S/8S/7S Small Spool O-ring .....	0-253
1403	Cover Gasket.....	0-309
6-146	Gasket .....	G-212
200-3	Lexan Pump Body O-ring .....	0-277
300-6	Noryl® Pump Body O-ring .....	0-229
	Selector Valve Gasket.....	G-324
304-D	Pump Seal Dura-Flo/Noryl® Turbo/XL600 .....	AS-1000
504-D	Pump Seal Die Cast/Lexan 200 Series .....	AS-163
600-57	H & L Pot Lid O-ring.....	0-74
606-78	Pump Seal.....	AS-200
646	Pump Gasket.....	G-211
900	Backwash O-ring .....	0-315
900-4	Upper Cap Washer.....	G-229
900-7 & 900-8	Small Spool O-ring.....	0-315
900-9	Large Spool O-ring .....	0-431

**ANTHONY**

	Kim Lens O-ring.....	0-3
	Kim Rear Seal O-ring .....	0-4
	Admiral Lid Gasket Oval .....	0-6
	6" Pump Lid O-ring.....	0-12
	4" Pump Lid O-ring.....	0-14
	1 ½" Old Style Piston O-ring .....	0-252
	New Style Piston O-ring .....	0-282
	4 Hole Pot to Volute Pump Gasket.....	G-20
	7 x 7 Skimmer Basket-Metal .....	B-1
	5 x 5 Skimmer Basket-Metal .....	B-2
	7 x 7 Skimmer Basket-Plastic.....	B-39
	Old Style Light base O-ring .....	0-179
	Hydro H & L Lid O-ring .....	0-74
	Skimmer Weir 7 ¼".....	934
	Inlet/Outlet #26 Gasket.....	G-287
014118	Universal Lens Gasket.....	0-7
17810-17770	2" Plastic Slide Valve Piston O-ring.....	0-26
17810-17770	2" Plastic Slide Valve Bulkhead Connector O-ring .....	0-24
004278	Separation Tank Gasket .....	0-90
004380	Pump Seal.....	AS-1000
004412	AR Seal Plate O-ring.....	0-163
004465	AJ105 Sweep Pump Gasket.....	G-54
004547	Pump Seal.....	AS-100
005156	Tank Gasket.....	G-273
011027	Sweep Conversion Kit O-ring.....	0-397
012382	Ditron Tank O-ring .....	0-204
012388	Ditron Air Release Valve Gasket.....	G-34
015029	Heater Old Rear Header Gasket.....	G-59
015147	Heater Dual Housing Gasket.....	G-60
015448	Tube Seal Silicone.....	G-245
015981	Heater Inlet/Outlet Gasket.....	G-256
017433	18" Tank O-ring .....	0-293
017434	A-40 O-ring.....	0-200
017437	Valve Shaft O-ring.....	0-39
017606	3/16" Piston & 1 ½" Cap Ring.....	0-113
017681	3/16" Piston & 2" Cap Ring.....	0-125
017786	Plastic Valve Plunger Rod O-ring.....	0-207
017791	1 ½" Plastic Backwash Valve Stem O-ring .....	0-403
027111	Large Tube Seal Gasket .....	G-30
SG-364	Sight Glass Gasket.....	G-258

**A-ONE POOLS**

8300-10-000-06	2 Button Spa Side Controller .....	CC2-120-10
8750-10-000-06	3 Button Spa Side Controller & Retro-Fit Faceplate .....	CC3-120-10 & 20205
8400-10-000-06	4 Button Spa Side Controller & Retro-Fit Faceplate .....	CC4-120-10 & 20205

**A.O. SMITH (CENTURY® - REGAL BELOIT)**

Available Parts & Descriptions @ [www.aladdin1950.com](http://www.aladdin1950.com)

**APOLLO CORP**

	25 Sq. Ft. Cartridge Filter Element.....	12501
	25 Sq. Ft. Cartridge Filter Element.....	12502
	25 Sq. Ft. Cartridge Filter Element.....	12511
	25 Sq. Ft. Cartridge Filter Element.....	12512
	35 Sq. Ft. Cartridge Filter Element (2 Required) .....	11802
	50 Sq. Ft. Cartridge Filter Element.....	15002
330-004	Universal Air Switch .....	TBS-901
330-018	4 Function Air Switch.....	SAS-109

**APPLIED COMPUTER CONTROLS**

TBS-301	Air Switch.....	TBS-301
3037-P	Universal Pressure Switch.....	3925

**AQUA CAL®**

19028	O-ring For Autopilot® APA003 Tri-Sensor .....	0-676
-------	---	-------

**AQUADOR**

Model 1010	SkimSaver™ Faceplate And Lid/L Seal Winterizes Skimmer.....	NS
Model 1020	SkimSaver™ Winterizing Faceplate/Lid/L Seal For Doughboy® Standard/Deluxe Above Ground .....	AG2000
Model 1030	SkimSaver™ Faceplate And Lid/L Seal Winterizes Skimmer.....	NS
Model 1040	SkimSaver™ Faceplate And Lid/L Seal Winterizes Skimmer.....	NS
Model 1050	SkimSaver™ Faceplate And Lid/L Seal Winterizes Skimmer.....	NS
Model 1084	SkimSaver™ Winterizing Faceplate/Lid/L Seal For Standard In-Ground.....	IG1084
Model 1085	SkimSaver™ Winterizing Faceplate/Lid/L Seal For Widemouth In-Ground.....	IG1085
Model 1090	SkimSaver™ Winterizing Faceplate/Lid/L Seal For Standard Above Ground.....	AG1090

**AQUA DYNE (ALL LISTINGS UNDER LAARS)**

**AQUA-FLO**

TBS-310	Air Switch.....	TBS-301
TBS-410-929	Air Switch.....	TBS-410
	Male Adapter O-ring .....	0-49
	6" Basket-Tapered .....	B-36
	Dominator Pump Basket.....	B-199
ACF-11	Commercial Volute Gasket.....	G-3
ACF-14	AC Series Shaft Seal .....	
AF-06	A Series Shaft Extension .....	150
AF-07	Set Screw 1/4"-20 x 5/16".....	152
AF-09	5" Basket .....	B-33
AF-09-01	A & AC Series 6" Basket .....	B-34
AF-09-02	A & AC Series 8" Basket .....	
AF-10	5" Lid O-ring .....	0-80
AF-10-01	6" Lid O-ring .....	0-12
AF-10-02	8" Lid O-ring .....	
AF-11	Volute Gasket .....	G-44
AF-11-01	3 HP Volute Gasket .....	G-221
AF-12	Trap Gasket .....	G-57
AF-12-01	3 HP Trap Gasket.....	G-18
AF-14	A Series Shaft Seal .....	AS-1000
CF-11	C Series Volute O-ring.....	0-277
FCF-11	Flo-Master® Volute O-ring.....	0-108
FF-11	Flo-Master® Volute O-ring.....	0-257
FF-12	Flo-Master® Suction O-ring.....	0-301
FF-12-01	Flo-Master® Suction O-ring.....	0-287
FF-12-02	100% Drain Gasket.....	G-349
FF-13-02	Drain Plug O-ring .....	0-445
FF-14	Flo-Master® Shaft Seal.....	AS-200
FF-14-02	Seal Cup O-ring .....	0-303
FF-17-03	Compress Union O-ring.....	0-49
<b>***AQUA FLO PRODUCT NUMBERING AS OF 1988***</b>		
91049000	Flo-Master®/Tub-Master® Pump Seal .....	AS-2131
91110000	A Series 5" Basket.....	B-33
91110010	A & AC Series 6" Basket .....	B-34
91110020	A & AC Series 8" Basket .....	
91110040	Dominator 6" Basket.....	B-199
91500000	AC Series Volute Gasket.....	G-3
91500050	A Series 1/3 to 2 HP Volute Gasket.....	G-44
91500100	A Series 3 HP Volute Gasket.....	G-221
91500150	A Series 5" Trap Gasket .....	G-57
91500200	A Series 6" & 8" Trap Gasket .....	G-18
91500250	A Series 100% Drain Gasket .....	G-349
91500300	1.5 HP Volute Gasket .....	
92200000	A Series 5" Trap Cover O-ring .....	0-80
92200010	A & AC Series 6" Trap Cover O-ring.....	0-12
92200020	A & AC Series 8" Trap Cover O-ring.....	0-679
92200030	B-Series 6" Trap Cover O-ring .....	
92200050	C Series Volute O-ring.....	0-277
92200060	Clear Flo A/R Valve O-ring .....	0-25
92200070	Clear Flo Cap O-ring .....	0-130
92200080	Flo-Master® Volute O-ring.....	0-139
92200090	FMH Series Volute O-ring.....	0-257
92200100	FM Series Suction O-ring.....	0-301
92200110	FM Series Suction O-ring.....	0-287

92200120	Pipe Plug O-ring .....	0-445
92200130	Lexan Seal Cup O-ring Flowmeter Pump .....	
92200140	Dominator Diffuser O-ring, 1 1/2" Fitting O-ring.....	0-49
92200150	TMC Series Volute O-ring .....	
92200160	Clear Flo Handle O-ring.....	0-390
92200170	Clear Flo Lid O-ring .....	
92200180	Dominator Seal Plate O-ring .....	0-240
92200190	Dominator Trap Lid O-ring.....	0-48
92200200	FMCP Volute O-ring .....	0-139
92200210	Dominator Casing O-ring, 2" Fitting O-ring .....	0-43
92200220	Trap Lid O-ring .....	0-48
92200270	Tub-Master FMCP Volute O-ring.....	0-228
92200290	XP-DII Series Volute O-ring .....	0-299
92500000	AC Series Shaft Seal.....	AS-309
92500050	A Series Pump Seal/C Series/Dominator High Head/ Medium Head Pre 1995/D Series .....	AS-1000
92500150	Tub-Master®FMHP, FMVP, FMCP Seal/Dominator High/ Medium Head Flo-Master®.....	AS-200
92509020	FM Series Shaft Seal .....	AS-200
92509040	A Series Shaft Seal/B Series/D Series.....	AS-1000
92520000	A Series Shaft Extension .....	150
92520001	C Series Shaft Extension .....	
92520002	Dominator Medium Head Shaft Extension (Before 1995).....	150
92520040	Dominator Medium Head Shaft Extension (After 1995).....	
99730000	Shaft Extension Set Screw 1/4" - 20 x 5/16" .....	152

**AQUA LEADER**

ALS003	Skimmer Basket .....	B-209
ALS008	Vac Plate .....	911
ALS010	Return Gasket .....	
ALS012	Eyeball and Face Ring .....	7002
ALS504	Faceplate Gasket .....	
ASS001	Skimmer Weir .....	933
	Skimmer Weir .....	936
	Skimmer Face Plate Gasket.....	G-389

**AQUAMASTER**

12972	Return Gasket.....	G-410
12992	Face Plate Gasket .....	.WIP

**AQUA-QUIP**

Basket-Metal .....	B-52
Basket-Metal .....	B-87

**AQUARIUS**

Volute Gasket .....	G-181
---------------------	-------

**AQUA-TECH**

8400-10-000-06	4 Button Spa Side Controller & Retro-Fit Faceplate .....	CC4-120-10 & 20205
8750-10-000-06	3 Button Spa Side Controller & Retro-Fit Faceplate .....	CC3-120-10 & 20205
ATP-300-000	3 Button Air Transmitter Panel.....	ATP-300
ATP-300-0606	3 Button Air Transmitter Panel.....	ATP-300

**AQUATHERM**

18-007-0004	4 Function Air Switch (TBS-312 Required).....	CSC-1101
18-007-005	Universal Pressure Switch .....	3925
18-013-0010	Universal Pressure Switch .....	3925
18-013-0020	Universal Air Switch .....	TBS-901
18-013-0021	Universal Air Switch .....	TBS-917
18-013-0022	Air Switch.....	TBS-301
18-013-0023	Air Switch.....	TBS-301
18-013-0400	4 Function Air Switch.....	SAS-101
FP-2001	Air Switch.....	TBS-312

**AQUATIC INDUSTRIES**

25 Sq. Ft. Cartridge Filter Element.....	12503
25 Sq. Ft. Cartridge Filter Element.....	12512
50 Sq. Ft. Cartridge Filter Element.....	15002

3010	Universal Pressure Switch.....	3925
3037-P	Universal Pressure Switch.....	3925
TBS-212	Universal Air Switch.....	TBS-901
TBS-213	Universal Air Switch.....	TBS-917
TBS-305	Air Switch.....	TBS-301
TBS-310	Air Switch.....	TBS-301
8300-10-000-06	3 Button Spa Side Controller & Retro-Fit Faceplate.....	CC3-120-10 & 20205
8400-10-000-06	4 Button Spa Side Controller & Retro-Fit Faceplate.....	CC4-120-10 & 20205

**AQUATIC TECHNOLOGIES**

TBS-310	Air Switch.....	TBS-301
CSC-1103	4 Function Air Switch (TBS-312 Required).....	CSC-1101
8000-10-000-06	2 Button Spa Side Controller.....	CC2-120-10
8300-10-000-06	3 Button Spa Side Controller & Retro-Fit Faceplate.....	CC3-120-10 & 20205

**AQUA VAC**

7816	Cover O-ring
7813	Foam Gasket 1/4" Oval

**AQUAZONE**

S-53-01-032	Ozone Generator, Venturi Model O-ring
-------------	---------------------------------------

**ARJO MFG**

TBS-207	Universal Air Switch.....	TBS-901
TBS-213	Universal Air Switch.....	TBS-917
TBS-301	Air Switch.....	TBS-301
9000932	Air Switch.....	TBS-312

**ARNESON/HAYWARD®**

A-05	A-28 Pump Endbell Gasket	
A-08	Pump Seal.....	AS-200
A-08A	Pump Seal.....	AS-1006
A-24	A-28 Pump Gasket	
A-40	A-1 & A-60 Pump Endbell Gasket.....	G-176
D-10	Hose Washer.....	G-42
E-13	O-ring For Housing Body Legend Platinum Cleaner 4 Wheel	
E-14	O-ring For Gear Assembly Legend Platinum Cleaner 4 Wheel	
E-18	O-ring For Thrust Jet, Jet Vac/Legend Platinum Cleaner 3/4" Wheel	
E-21	O-ring For Wall Fitting Legend Platinum Cleaner/Jet Vac 4 Wheel	
E-43	Turbo-Sweep O-ring.....	O-158
EF-07	O-ring For Hose Connector JV3/Sweep I/Sweep II	
EJ-04	O-ring For Valve Drive Jet Sweep I/Sweep II	
EU-7	O-ring For Feed On Most Legend Platinum Cleaners 3/4" Wheel	
F-7	Sweep Hose Connector O-ring.....	O-130
F-24	Backup Extension and Drive Valve O-ring.....	O-30
G-12/LG-12	Gear Axle O-ring.....	O-186
G-29	Gear Housing Gasket.....	G-85
G-29-B	Gear Housing Gasket.....	G-373
G-32	Lower Bearing O-ring.....	O-189
J-4	Valve Body O-ring.....	O-188
JV-11	O-ring For JV2 Gear Plate.....	O-623
K-964	Gasket	
K-965	Sweep I & II Body O-ring	
K-966	Sweep I & II Element O-ring	
L-01A	Sweep I & II Leaf Basket.....	B-20
L-12	Main Drain Gasket	
L-19	Main Drain Basket Only	
LF-24	O-ring For Back Up Extension Sweep I/Sweep II L79BL	
LG-12	O-ring For Gear Axle Sweep I/ Sweep II	
LG-32	O-ring For Lower Bearing Sweep I/Sweep II	
V-056	Pool Vac Main Turbine Gasket	
V-86	Port Plate Gasket	
W-427	W-410 Gasket (2 Required)	
W-430	Leaf Cannister Basket.....	WIP
W-431A	Leaf Basket for W-430 & W-560	
W-434	W-430 Leaf Cannister O-ring.....	O-251
W-542	Leaf Cannister O-ring.....	O-330

**ARTESIAN**

25 Sq. Ft. Cartridge Filter Element.....	12521
--	-------

**ASTRAL**

FS78095	Z-Tech 50 Sq. Ft. Cartridge Filter Element.....	15055
FS78096	Z-Tech 75 Sq. Ft. Cartridge Filter Element.....	17545
FS78097	Z-Tech 100 Sq. Ft. Cartridge Filter Element.....	19940
FS78098	Z-Tech 150 Sq. Ft. Cartridge Filter Element.....	25017
FS78098-Tall	Z-Tech 150 Sq. Ft. Cartridge Filter Element.....	25024
FS78088	Z-Tech 155/310 Sq. Ft. Cartridge Filter Element.....	25502
FS78099	Z-Tech 200 Sq. Ft. Cartridge Filter Element.....	29914
FS78094	Z-Tech 250 Sq. Ft. Cartridge Filter Element.....	35003
PG-201	Seal assembly 2000 Series US-1 In Ground Pump.....	AS-201
00249R0002	Economy Concrete Pool Skimmer Basket	
00249R0201	Economy Concrete Pool Skimmer Weir	
00470R0319	Pressure Gauge Gasket, Air Relief Millennium Filter/16" Side Mount 3000 Series Cantabric Filter/20" Side Mount/24" Side Mount/30" Side Mount/36" Side Mount/2 1/2" Multiport Valve Plug O-ring/In Line-Off Line Chemical Feeder Drain Gasket 1 1/2" - 2" Multiport Valve Side Mount Spider Gasket.....	O-176A
00597R0102	1 1/2" Multiport Valve Top Mount Sight Glass Gasket/2" Side Mount	
00600R0001	1 1/2" Multiport Valve Top Mount Spider Gasket.....	WIP
00600R0102	1 1/2" Multiport Valve Top Mount Spider Gasket.....	WIP
00600R0203	1 1/2" - 2" Multiport Valve Side Mount Handle Washer	
00600R0205	1 1/2" - 2" Multiport Valve Side Mount Plug O-ring	
00610R0209	2 1/2" Multiport Valve Spider Gasket	
00610R0302	2 1/2" Multiport Valve Sight Glass Gasket	
01150-0202	Strainer Basket 200 Series US-1 In Ground Pump Sprint Series	
01150R0301	2" Union O-ring Sprint Series In Ground Pump	
0509R0010	Impeller Gasket Sprint Series In Ground Pump	
0509R9601	Assembly Seal Sprint Series In Ground Pump	
05280R0007	Flat Gasket EPDM 70 x 60 x 3 For Trimmer Valve Plate	
05280R0200	Weir For Deluxe Concrete Pool Skimmer	
05280R0400	Basket Deluxe Concrete Pool Skimmer	
0611R0001	1 1/2" Multiport Valve Side Mount Union Connection Front O-ring	
0612R0001	2" Multiport Valve Side Mount Union Connection Front O-ring ..	G-84
06824R0005	Above Ground Skimmer Face Plate Gasket	
06824R0006	Above Ground Skimmer	
06824R0101	Above Ground Skimmer Weir	
07441R0002	2" Multiport Valve Side Mount Spider Gasket	
10501R0102	Halogen Lamp Lens Gasket	
11130R0006	Off Line Chemical Feeder Nipple Gasket	
15628R0202	Strainer Basket 1600 Series Astromax Above Ground Pump	
15628R09601	Seal Assembly 1600 Series Astromax Above Ground Pump	
15780R0603	Drain Plug at Tank Gasket 16" Top/Side Mount 3000 Series Cantabric Filter 20"/24" Top/Side Mount	
15780R0604	Sand Drain Plug Gasket 16"/20"/24"/30"/36" Top/Side Mount Cantabric Filter	
15784R0106	Drain Plug Gasket at Tank 30"/36" Side Mount Cantabric Filter	
18112R0100	100 Sq. Ft. Cartridge Filter Element 2500 Series Micron Media Filter.....	19921
18200600	721R O-ring.....	O-499
18218R0100	50 Sq. Ft. Cartridge Filter Element 2500 Series Micron Media Filter1.....	15039
18219R0100	75 Sq. Ft. Cartridge Filter Element 2500 Series Micron Media Filter.....	17532
18220R0100	150 Sq. Ft. Cartridge Filter Element 2500 Series Micron Media Filter.....	25007
24181-0006	Drain Plug O-ring Millennium Filter	
24561-0202	Bacpac Strainer Basket 1800 Series Sena Series Self Priming Pump	
27455-9601	Seal Assembly 1800 Series Sena Self Priming Pump	
711R1329035	In Line/Off Line Chemical Feeder Lid O-ring Viton®	
720R0323069	Tank O-ring 2500 Series Micron Media Filter.....	O-496
720R0900060	Lid Cap O-ring 2500 Series Micron Media Filter	
720R1517069	Strainer Lid O-ring 2000 Series U.S.-1 In Ground Pump Sprint Series.....	O-13
720R1750057	Valve to Tank O-ring Millennium Filter	
721R1820060	Valve to Tank O-ring 16" Top Mount/Side Mount 3000 Series Cantabric Filter and 20"/24"/30" Side and Top Mount.....	O-449
722R00220030	1 1/2" - 2" Multiport Valve Rotor Axle O-ring	
722R0050020	2 1/2" Multiport Valve Screw Gasket	

722R0140030	Air Bleed Valve O-ring 2500 Series Micron Media Filter .....	0-47
722R0160040	1 1/2" - 2" Multiport Valve Side Mount Valve Lid O-ring	
722R0198036	1 1/2" Multiport Valve Top Mount Rotor Axle O-ring	
722R0322035	2 1/2" Multiport Valve Rotor Axle O-ring	
722R0500035	1 1/2" Inlet/Outlet Fitting O-ring	
	(2 Required) Drain Plug O-ring .....	0-49
722R0563053	1 1/2" - 2" Multiport Valve Side Mount Union Connection Back O-ring	
722R0620040	2" Inlet/Outlet Fitting O-ring	
	(2 Required) 2500 Series Micron Media Filter .....	0-43
722R0840030	Center Cap O-ring 2500 Series Micron Media Filter .....	0-283
722R1000025	Pressure Gauge O-ring 2500 Series Micron Media Filter .....	0-155
722R1329000	Chlorinator Viton® O-ring.....	0-139V
722R1362035	1 1/2" Multiport Valve Top Mount Valve Lid O-ring	
722R2380060	2 1/2" Multiport Valve O-ring Valve Lid	
723R0130025	Drain Plug O-ring 1800 Series Sena Self Priming Pump	
723R0049003	Pipe O-ring 16" Top Mount 3000 Series Cantabric Filter	
	20"/24"/30".....	0-64
723R0470053	1 1/2" True Union Valve Adapter O-ring/1 1/2"	
	Single Union Valve O-ring	
723R0567035	Diffuser O-ring 2000 Series U.S.-1 In Ground Pump Sprint/1 1/2"	
	True Union Valve Body O-ring/1 1/2" Single Union Valve O-ring	
723R0597053	2" True Union Valve Adapter O-ring	
723R0599035	In Line/Off Line Chemical Feeder Union O-ring	
723R0758035	2" True Union Valve Body O-ring/2" Single Union Valve O-ring	
723R1330110	Lens Gasket	
723R155026	1 1/2" & 2" True Union Valve Shaft O-ring	
77A1180040	Lid O-ring 1800 Series Sena Self Priming Pump	
77A1800050	Bacap Motor Clamp O-ring 1800 Series Sena Self Priming Pump	
772R0810050	Threaded Pipe Connector O-ring 36" Side Mount	
	300 Series Cantabric Filter	
772R2330050	Tank Lid O-ring 36" Side Mount 3000 Series Cantabric Filter	
7730380050	Bacap Diffuser O-ring 1800 Series Sena Self Priming Pump	
7730540025	1 1/2" Union O-ring 1800 Series Sena Self Priming Pump	
7730599035	Housing Cover O-ring 1600 Series Astromax Above Ground Pump	
7731520035	Housing O-ring 1600 Series Astromax Above Ground Pump	
7731838026	Motor Clamp O-ring 200 Series U.S.-1	
	In Ground Pump Sprint Series	
7731392035	Strainer Lid O-ring 1600 Series Astramax Above Ground Pump	
773R0470030	2" Main Drain For Concrete Pool Pipe Plug O-ring 1 1/2"	

**BAJA**

50 Sq. Ft. Cartridge Filter Element.....	15002
100 Sq. Ft. Cartridge Filter Element.....	19901

**BAKER HYDRO (SEE WATERCO)**

Pump Seal.....	AS-100	
Newport Valve Shaft O-ring.....	0-391	
Valve Coupler O-ring.....	0-325	
00B0008	UCup Gasket Ultra Mesh Bag Filter	
00B7000	Control Plate Gasket .....	G-317
00B7001	Bulkhead Fitting O-ring (Before 1981) .....	0-325
00B7013	Filter Lid O-ring (69-71).....	0-215
00B7014	Valve Piston O-ring (3 Required).....	0-207
00B7017	11.5 High Limit Plate O-ring	
00B7026	Newport Sand Filter Valve/Tank O-ring .....	0-328
00B7027	Old Style Bulkhead Adapter O-ring .....	0-41
00B7027	New Style Bulkhead Adapter O-ring-Lathe Cut.....	0-435
00B7028	Baker II Clamp O-ring.....	0-215
00B7031	Baker II Adapter Valve O-ring.....	0-425
00B7037	Tri Filter Lid O-ring.....	0-436
15B0069	1972 Sand Filter Lid Gasket .....	G-177
15B0100	UCup Filter Gasket (After 1972).....	0-241
17B1085	Cartridge Filter Gasket .....	G-364
17B1087	25 Sq. Ft. Filter Lid O-ring.....	0-330
17B1164	Ultra Mite 35 Sq. Ft. Cartridge Filter Element.....	13502
17B1165	Ultra Mite 50 Sq. Ft. Cartridge Filter Element.....	15011
17B1166	Ultra Mite 75 Sq. Ft. Cartridge Filter Element.....	17508
17B1167	Ultra Mite 100 Sq. Ft. Cartridge Filter Element.....	19906
17B1168	Ultra Mite 150 Sq. Ft. Cartridge Filter Element (2 Part).....	25002
17B2054	Mite 25 Sq. Ft. Cartridge Filter Element.....	12514

17B2055	Mite 50 Sq. Ft. Cartridge Filter Element.....	15012
17B2056	Mite 75 Sq. Ft. Cartridge Filter Element.....	17510
17B2071	Mite 100 Sq. Ft. Cartridge Filter Element (2 Part).....	19907
17B2080	Mite 12.5 Sq. Ft. Cartridge Filter Element .....	11302
25476-0	Old Spa Pak Pump Gasket.....	0-255
28486-0	Old Spa Pak Pump Slinger.....	G-164
30156-0	Old Spa Pak Pump Gasket.....	0-222
31B0005	Verti-Lever Valve Piston O-ring	
31B0015	Valve Top Plate Gasket.....	G-166
31B0024	Piston O-ring Kit .....	0-271
31B0035	P/P Valve Index Plate O-ring.....	0-130
31B0077	Verti-Lever Valve Adapter O-ring (After 1981)	
31B1107	Spa Pak Pump Diffuser Ring.....	0-141
31B9006	Sand Filter Bulkhead Gasket.....	G-165
31B9035	18" & 24" Bulkhead Gasket	
31B9036	30" & 36" Bulkhead Gasket	
35B1108	Spa Pak Pump Housing Gasket.....	G-95
35B1109	Spa Pak Pump Seal.....	AS-1521
35B1116	Spa Pak Pump Slinger.....	G-71
35B1117	Spa Pak Pump Lid Gasket.....	0-76
35B1120	Spa Pak Pump Gasket.....	B-169
35B1136	Spa Pak Pump Gasket-Paper.....	G-64
35B1136	Spa Pak Pump Gasket-Rubber .....	G-64R
35B1138	Spa Pak Pump Seal.....	AS-4702
35B1144	Spa Pak Pump Seal O-ring	
35B1150	Spa Pak Pump O-ring .....	G-170
35B1178	Pump Seal.....	AS-200
34-0192	Air Switch.....	TBS-301
37478-0	Old Spa Pak Pump Gasket.....	0-266
37479-0	Old Spa Pak Pump Gasket.....	0-267
37482-0	Old Spa Pak Pump Gasket.....	0-265
38075-0	Old Spa Pak Pump Basket.....	B-175
38592-0	Old Spa Pak Pump Seal.....	AS-201
39404-0	Old Spa Pak Pump Gasket.....	0-264
40891-0	Old Spa Pak Basket .....	B-174
51B1005	Skimmer Basket W/Handle-Plastic .....	B-136
51B1006	Skimmer Basket W/Handle-Plastic .....	B-136
51B1026	Skimmer Basket-Metal.....	B-110
51B1047	Skimmer Face Ring Gasket (2 Required) .....	G-167
51B1055	Skimmer Weir 9 3/8" .....	940
59B9013	Thermostat Bulb Well.....	AM-3518
59B9033	Thermostat Bulb Well.....	AM-3518
59B9077	Universal Air Switch .....	TBS-901
59B9078	1000' Roll Air Tubing .....	TU7-1000
59B9079	Bulb Style Air Transmitter.....	PT-13-02
59B9098	Universal Air Switch .....	TBS-917
59B9242	Air Transmitter.....	M-01-3428
59B9262	4 Function Air Switch .....	SAS-104
59B9296	Universal Pressure Switch .....	3925
59B9301	4 Function Air Switch (TBS-312 Required).....	CSC-1104
59B9302	Air Switch.....	TBS-312
59B9307	Universal Pressure Switch .....	3925
59B9321	2 Button Spa Side Controller .....	CC2-120-10
59B9339	Air Switch.....	TBS-301
59B9342	Air Switch.....	TBS-312
59B9351	4 Function Air Switch (TBS-312 Required).....	CSC-1185
88B7005	Hose Clamp 10 Pak .....	272-12
88B7006	High Limit Rod Clamp.....	275-24

**BALBOA**

30408	2 PSI Standard 1/8" Pressure Switch .....	3925
-------	---	------

**BARKSDALE**

DD05	Universal Pressure Switch .....	3925
DD05-P1	Universal Pressure Switch .....	3925
DD05-P2	Universal Pressure Switch .....	3925
DD05-P3	Universal Pressure Switch .....	3925
DD05-P4	Universal Pressure Switch .....	3925
DD15-P2	Pressure Switch.....	3069
DD15-P3	Pressure Switch.....	3069

**\*\*\*NOTE: MSPS PRECEDES ALL NUMBERS\*\*\***

Cross Reference

DD05SS	Universal Pressure Switch	3925
DD05SS-P1	Universal Pressure Switch	3925
DD05SS-P2	Universal Pressure Switch	3925
DD05SS-P3	Universal Pressure Switch	3925
DD05SS-P4	Universal Pressure Switch	3925
DD15SS-P2	Pressure Switch	3069
DD15SS-P3	Pressure Switch	3069
EE05	Universal Pressure Switch	3925
EE05-P1	Universal Pressure Switch	3925
EE05-P2	Universal Pressure Switch	3925
EE05-P3	Universal Pressure Switch	3925
EE05-P4	Universal Pressure Switch	3925
EE15-P2	Pressure Switch	3069
EE15-P3	Pressure Switch	3069
EE05SS	Universal Pressure Switch	3925
EE05SS-P1	Universal Pressure Switch	3925
EE05SS-P2	Universal Pressure Switch	3925
EE05SS-P3	Universal Pressure Switch	3925
EE05SS-P4	Universal Pressure Switch	3925
EE15SS-P2	Pressure Switch	3069
EE15SS-P3	Pressure Switch	3069
FF05	Pressure Switch	3015
FF05-P2	Pressure Switch	3036
FF05-P3	Pressure Switch	3036
FF05SS	Pressure Switch	3015
FF05SS-P2	Pressure Switch	3036
FF05SS-P3	Pressure Switch	3036
JJ05	Pressure Switch	3015
JJ05-P2	Pressure Switch	3036
JJ05-P3	Pressure Switch	3036
JJ05SS	Pressure Switch	3015
JJ05SS-P2	Pressure Switch	3036
JJ05SS-P3	Pressure Switch	3036

\*\*\*NOTE: SPS PRECEDES ALL NUMBERS\*\*\*

DD05	Universal Pressure Switch	3925
DD05-P1	Universal Pressure Switch	3925
DD05-P2	Universal Pressure Switch	3925
DD05-P3	Universal Pressure Switch	3925
DD05-P4	Universal Pressure Switch	3925
DD15-P2	Pressure Switch	3069
DD15S-P3	Pressure Switch	3069
EE05	Universal Pressure Switch	3925
EE05-P1	Universal Pressure Switch	3925
EE05-P2	Universal Pressure Switch	3925
EE05-P3	Universal Pressure Switch	3925
EE05-P4	Universal Pressure Switch	3925
EE15-P2	Pressure Switch	3069
EE15-P3	Pressure Switch	3069
FF05	Pressure Switch	3015
FF05-P2	Pressure Switch	3036
FF05-P3	Pressure Switch	3036
JJ05	Pressure Switch	3015
JJ05-P2	Pressure Switch	3036
JJ05-P3	Pressure Switch	3036

**BARACUDA**

ADG-5	Universal Pool Cleaner Gasket	G-387
-------	-------------------------------	-------

**BATHCRAFT**

TBS-310	Air Switch	TBS-301
---------	------------	---------

**BEACH COMBER**

35 Sq. Ft. Cartridge Filter Element (2 Required)	11802
50 Sq. Ft. Cartridge Filter Element (2 Required)	12504

**BE-LITE**

TBS-305	Air Switch	TBS-301
---------	------------	---------

**BENITA SPRINGS TUBS**

TBS-301	Air Switch	TBS-301
---------	------------	---------

**BERKELEY**

S-7297	5" H & L Pot Lid O-ring	O-18
	Old Style H & F Pump Basket	B-33
	Pump Basket	B-101

**BESLER**

Basket-Metal	B-51
--------------	------

**BIO LAB**

5470	Tygon Washer	G-34
25350	MA Chlorinator Can Closure O-ring	
25475	B94 Brominator Lid O-ring	
25484	B154 Brominator Air Vent Gasket	

**BLUE HAVEN**

Old Style 1 1/2" Piston O-ring	O-252
--------------------------------	-------

**BLUE PACIFIC**

25 Sq. Ft. Cartridge Filter Element	12502
30 Sq. Ft. Cartridge Filter Element	13005
50 Sq. Ft. Cartridge Filter Element	15017
50 Sq. Ft. Cartridge Filter Element	15002

**BLUE WHITE**

A-048	Shaft Seal For Parastalic Pump	
C-350	326 Check Ball O-ring	O-243
C-502	Tube Adapter O-ring	O-253
9003-003	Chlorinator O-ring	O-186
9003-009	Chlorinator O-ring	O-30
9003-030	Chlorinator O-ring	O-25
9003-067	Chlorinator O-ring	O-158

**BRETT AQUALINE**

TBS-314	Air Switch	TBS-302
TBS-317	Air Switch	TBS-317
ATP-303-06	3 Button Air Transmitter Panel	ATP-300
3037	Universal Pressure Switch	3925
3902	Universal Pressure Switch	3902
3903BP	Universal Pressure Switch	3902
10-0022	Housing O-ring	
34-0109	Universal Air Switch	TBS-917
34-0110	Universal Pressure Switch	3925
34-0110A	Universal Pressure Switch	3925
34-0112	4 Function Air Switch	SAS-101
34-0157	4 Function Air Switch (TBS-312 Required)	CSC-1131
34-0158	Air Switch	TBS-312
34-0182	Air Switch	TBS-301
34-0192	Air Switch	TBS-301
42-0045	Union O-ring	
60-0001	EM103 Heater & Pump O-ring	O-171
60-0002K	O-ring Current Collection Gasket Kit	
69-0005	Pump Seal	
9200-06-200-06	2 Button Spa Side Controller	CC2-120-10
9350-06-300-06	3 Button Spa Side Controller & Retro-Fit Faceplate	CC3-120-10 & 20205
9400-06-400-06	4 Button Spa Side Controller & Retro-Fit Faceplate	CC4-120-10 & 20205

**BUSTER CRABBE**

20-1040	Skimmer Basket-Metal	B-191M
	Skimmer Basket-Plastic	B-191
	Pump Gasket	G-376

**C & R**

3029	Universal Pressure Switch	3925
20-1011	Tail Piece O-ring	
20-1030	2" Tail Piece O-ring	
20-1040	Pump Gasket	G-376
20-1050	Snap Fitting O-ring	

20-3012	Retaining Gasket & O-ring	
20-5020	Universal Pressure Switch	3925
20-5028	Universal Pressure Switch	3925

**CRL ELECTRONICS**

3028	Universal Pressure Switch	3925
07-0108	Air Transmitter	M-01-3428
35-0001	Air Switch	TBS-301
35-0006	Universal Air Switch	TBS-917
35-0012	Universal Air Switch	TBS-901
42-0007	Universal Pressure Switch	3925
42-0025	Universal Pressure Switch	3925
TBS-301	Air Switch	TBS-301

**C.T.A.**

25 Sq. Ft. Cartridge Filter Element	12519
-------------------------------------	-------

**GAL SPA**

50 Sq. Ft. Cartridge Filter Element	15002
50 Sq. Ft. Cartridge Filter Element	15003
100 Sq. Ft. Cartridge Filter Element	19501

**CALDERA SPAS**

3010P	Universal Pressure Switch	3925
033017	75 & 100 Sq. Ft. Filter Cartridge	17523
1019301	New Style 75 Sq. Ft. Filter Cartridge	17543

**CAM INDUSTRIES**

3037	Universal Pressure Switch	3925
3113	Universal Pressure Switch	3925

**CANTAR (ALL LISTINGS UNDER JACUZZI®)**

**CAPITOL**

G106	Chlorinator Gasket	G-93
------	--------------------	------

**CARETAKER™**

1-13-1	Large Body O-ring Floor Cleaner System (Part Of O-516KIT)	0-532
1-13-2	Internal Seal Plate O-ring Floor Cleaner System (Part Of O-516KIT)	0-287
1-13-3	Union O-ring Floor Cleaner System (Part Of O-516KIT)	0-179

**CASCADE SPAS (RAINTREE)**

8002-10-001-06	2 Button Spa Side Controller	CC2-120-10
8400-10-001-06	4 Button Spa Side Controller & Retro-Fit Faceplate	CC4-120-10 & 20205
8403-10-001-06	4 Button Spa Side Controller & Retro-Fit Faceplate	CC4-120-10 & 20205
8752-10-001-06	4 Button Spa Side Controller & Retro-Fit Faceplate	CC4-120-10 & 20205
8754-10-001-06	4 Button Spa Side Controller & Retro-Fit Faceplate	CC4-120-10 & 20205
8761-10-001-06	4 Button Spa Side Controller & Retro-Fit Faceplate	CC4-120-10 & 20205
9300-10-001-06	3 Button Spa Side Controller & Retro-Fit Faceplate	CC3-120-10 & 20205
9400-10-001-06	4 Button Spa Side Controller & Retro-Fit Faceplate	CC4-120-10 & 20205
TBS-310	Air Switch	TBS-301

**CATALINA/CARIBBEAN**

35 Sq. Ft. Cartridge Filter Element	11802
40 Sq. Ft. Cartridge Filter Element	14017
50 Sq. Ft. Cartridge Filter Element	12504

**CENTURY ELECTRIC/MAGNETEK**

TBS-310	Air Switch	TBS-301
17464401	Air Switch	TBS-306
17800901	Air Switch	TBS-301

**C H D (ALL LISTINGS UNDER PUREX)**

**CHARISMA SPAS**

10 Sq. Ft. Cartridge Filter Element	11003
30 Sq. Ft. Cartridge Filter Element	13005
45 Sq. Ft. Cartridge Filter Element	14510
50 Sq. Ft. Cartridge Filter Element	15002
50 Sq. Ft. Cartridge Filter Element	15017

**CHEM-TECH**

27903	Chemical Feeder Gasket PTFE For Pulsafeeder
900064	Grease Can O-ring
9000802	Check Ball O-ring
9000902	Discharge Fitting O-ring Viton®

**CLAYTON LAMBERT**

Basket-Metal	B-189
--------------	-------

**CLEARWATER SPAS**

35 Sq. Ft. Cartridge Filter Element	11802
45 Sq. Ft. Cartridge Filter Element	14510
50 Sq. Ft. Cartridge Filter Element	12504
50 Sq. Ft. Cartridge Filter Element	15010

**COATES HEATER CO**

22007210	Universal Pressure Switch	3925
22007215	Universal Pressure Switch	3925
22007220	Universal Pressure Switch	3925
44000125	Gasket For In Line Heater	

**COLECO (SEE LOMART)**

F-120, DR-7 W/C-5 Sq. Ft. Cartridge Filter Element	10502
F-108, F-110, CR-8 N/C-5 Sq. Ft. Cartridge Filter Element	10503
F-108, F-110, CR-8 W/C-5 Sq. Ft. Cartridge Filter Element	10504
F-112/F-350/CF-11/DR-11-8 Sq. Ft. Cartridge Filter Element	10803
F-750/F-775/F-850/F-875/DR-16-12 Sq. Ft. Cartridge Filter Element	11205
F-225/F-345/F-335/DR-18-13 Sq. Ft. Cartridge Filter Element	11301
F-380/F-480/F-375/F-475/DR-22 Sq. Ft. Cartridge Filter Element	13009
F-355/F-360/F-455/F-460/DR-17 Sq. Ft. Cartridge Filter Element	12302
Hydro Gasket	G-319
30483 Hydro Skim Gasket	G-331
30484 Return Fitting Gasket	G-320
31953 Cart Gasket	0-311
31954 Top O-ring	0-69
31992 Top O-ring	0-113
33185 Cover O-ring	0-41
33221 Pump O-ring	0-402
33235 Cover O-ring	0-283
33236 Strainer Inlet O-ring	0-282
33591 Pump Basket	B-210
34023 Gasket	G-202
34027 Gauge Gasket	G-318

**COLEMAN SPAS (PART # 3301-2001 & BEFORE, 100-AFTER 2002)**

100432	32 Sq. Ft. Cartridge Filter Element	13205
100433	40 Sq. Ft. Cartridge Filter Element	14007
100434	50 Sq. Ft. Cartridge Filter Element	15021
100520	32 Sq. Ft. Cartridge Filter Element	13202
100521	40 Sq. Ft. Cartridge Filter Element	15018
2004-0005	Rubber Foot Pedal	PT-73208
2004-0013	Universal Air Switch	TBS-917
2004-0018	Universal Air Switch	TBS-901
3301-1018	32 Sq. Ft. Cartridge Filter Element	13205
3301-1019	40 Sq. Ft. Cartridge Filter Element	14007
3301-1020	50 Sq. Ft. Cartridge Filter Element	15021

3301-2109	32 Sq. Ft. Cartridge Filter Element.....	13202
3301-2110	40 Sq. Ft. Cartridge Filter Element.....	15018
3301-2111	50 Sq. Ft. Cartridge Filter Element.....	15019
3301-2145	50 Sq. Ft. Cartridge Filter Element.....	15002
3301-2241	40 Sq. Ft. Cartridge Filter Element.....	14011
3301-2261	50 Sq. Ft. Cartridge Filter Element (Models After 1992).....	15014
3301-2262	75 Sq. Ft. Cartridge Filter Element (Models After 1992).....	17513

**COLUMBIA**

Package Pool Pump Seal.....	AS-142
-----------------------------	--------

**COMFORTZONE/HAYWARD®**

3035	Universal Pressure Switch .....	3925
3053P	Universal Pressure Switch .....	3925
CHXPRS-1930	Pressure Switch	
CHXPRS-1931	H Series Pressure Switch	
CZXELP7622	Gasket Only For Element Hole Plug	
CZXF1930	Flange Compression Gasket (Set).....	G-467
CZXGKT2001	Cover Plate Gasket	
CZXGKT7401	Bucket Gasket (2 Required).....	G-358
CZXGKT7402	Bucket Gasket-Large (1 G-361 Required) .....	G-358
CZXGKT7402	Bucket Gasket-Small (1 G-360 Required) .....	G-361
CZXGKT7406	Flange Compression Gasket (Set of 2) SG11 60 Model.....	G-470
CZXGKT7408	Bucket Gasket SG II Model (2 Required).....	G-456
CZXGKT7409	Flange Compression Gasket	
CZXGKT7622	Element Hole Gasket Only	
CZXGKT7627	C Spa XI Model Element Gasket.....	G-453
CZXGKT9212	Inlet/Outlet Gasket	
CZXGKT9213	T & P Seal Gasket	
CZXGKT9214	Inlet/Outlet 45-54 KW Gasket	
CZXGKT9216	Inlet/Outlet Gasket C-Spa Models 1.5/5.5/11	
CZXGKT9216	C Spa XI Inlet Outlet	
CZXGKT9219	PSE 12-36KW Inlet/Outlet Gasket	
CZXGKT9220	PSE 45-54KW Inlet/Outlet Gasket	
CZXRHD1930	CZ Models 150-400 Rear Header Assembly Gasket	
GRS7007	PSE 12-36 Support Bracket Gasket	
GRS7008	PSE 45-54 Support Bracket Gasket	
GSC9312	1 1/2" Securing Clamp Gasket	
GSC9314	Securing Clamp Gasket	
HAXFOR1930	H Series Flange Pipe O-ring Electronic (New ED2 Style).....	0-43
HAXHOR1930	H Series Header O-ring Front/Rear Low Nox .....	0-502
HAXPSA1930	Pressure Switch (ED1 Millivolt) 4-Series	
HM350GTST	Thermostat Gasket	
HMXGKT2930	2" Flange Gasket .....	G-419
HMXGKT2931	Thermostat Gasket	
HPX05023549	Heat Pro Gasket	
	HP21002/2100TC02/21002C-HP11002/6002/380/ABG	
HPX2229	Heat Pro Cover Gasket HP2100/2100TC0/1100/600/ABGAELUXE	
HX350GCP	Heatmaster Cover Plate Gasket	
HX350GH9	Heatmaster Gasket 280-406 (9 Required).....	G-245
HX350GS10	Heatmaster Heat Ex Sealing Gasket	
HX350GTST	Thermostat Gasket	
HX350PSW1	Heatmaster Pressure Switch	
IDXBLG1930	H Series Blower Gasket	
IDXBRG1930	H Series Burner Gasket	
IDXGKT1930	Heat Exchanger Gasket	
IHXBLG1930	H Series Blower Gasket	
PRS-1100	Gas Models (Before 1985) Universal Pressure Switch .....	3902
PRS-1101	Gas Models (After 1985) PSG II Models 110-355, CPS/CPSE Models 520-1820, SG II 60 Model Universal Pressure Switch.....	3902
PRS-1102	See PRS-1104 .....	3925
PRS-1104	CLC & Electric Prior to C-Spa, V, IX, X Universal Pressure Switch.....	3925
PRS-1105	C Spa XI, PSE Universal Pressure Switch .....	3925

**COMPOOL/PAC FAB**

270197	End Cap O-Ring For FullFloXF™ Backwash Valve	
OR-6	PTV Valve Cover O-ring.....	0-440
04-4	PTV Valve Shaft O-ring	
9142109	O-ring For Temperature Sensor	

**CONGER BROTHERS (SEE SANTANA)**

Mini Air Control O-ring .....	0-327
Large Air Control O-ring .....	0-113

**CONELY CO**

TBS-310	Air Switch .....	TBS-301
TBS-312	Air Switch .....	TBS-312
3902	Universal Pressure Switch .....	3902

**CONWAY PRODUCTS**

TBS-304	Air Switch .....	TBS-304
TBS-311	Air Switch .....	TBS-301
3029P	Universal Pressure Switch .....	3925
8753-10-000-06	3 Button Spa Side Controller & Retro-Fit Faceplate .....	CC3-120-10 & 20205
PS052	Air Switch .....	TBS-301

**COUNTRY LEISURE**

3044-P	Universal Pressure Switch .....	3925
--------	---------------------------------	------

**CREATIVE ENERGY**

AS170	Universal Air Switch .....	TBS-917
-------	----------------------------	---------

**CRESTLINE**

Pump Basket-Metal .....	B-97
-------------------------	------

**CRISPAIRE**

3015P	Universal Pressure Switch .....	3925
3076	Pressure Switch.....	3076

**CUE MASTER**

8000-10-000-06	2 Button Spa Side Controller .....	CC2-120-10
8750-10-000-06	3 Button Spa Side Controller & Retro-Fit Faceplate .....	CC3-120-10 & 20205

**CUSTOM MOLDED PRODUCTS (CMP®)**

(Cross Reference @ www.aladdin1950.com)

**D.F.A.**

35 Sq. Ft. Cartridge Filter Element.....	11802
35 Sq. Ft. Cartridge Filter Element.....	13505
50 Sq. Ft. Cartridge Filter Element (2 Required).....	12504
50 Sq. Ft. Cartridge Filter Element.....	15002
50 Sq. Ft. Cartridge Filter Element.....	15017

**DAKOTA SPAS**

25 Sq. Ft. Cartridge Filter Element.....	12502
45 Sq. Ft. Cartridge Filter Element.....	14510
45 Sq. Ft. Cartridge Filter Element.....	14511
75 Sq. Ft. Cartridge Filter Element.....	17501

**DELAIR GROUP**

8752-10-000-06	3 Button Spa Side Controller & Retro-Fit Faceplate .....	CC3-120-10 & 20205
8754-10-000-06	3 Button Spa Side Controller & Retro-Fit Faceplate .....	CC3-120-10 & 20205

**DEMOTT**

Pump Basket-Metal .....	B-94
-------------------------	------

**DIACLEAR**

36100	Pump Seal.....	AS-142
810128	Impeller .....	172
810136	Impeller .....	171
8256-11	ES-7 Gorman Rupp O-ring .....	0-256
835531	Pump O-ring	
C10139	MS-16 & MS-18 Cover O-ring .....	0-257
C10146	MS-12-18 O-ring For C10145 .....	0-258
C30082	MS-18 Strainer Cover O-ring.....	0-15
C46222	MS-12-18 Channel O-ring .....	0-279
C46251	MS-18 Pump Gasket.....	G-169

DP10146 O-ring ..... 0-115
DP35104 Seal Assembly ..... WIP
DP46350 Slide Valve Cover O-ring ..... 0-285
DS35531 Basket
DS46154 New Style Sand Filter Tank Cover O-ring

DIAL MANUFACTURING

83361 Universal Pressure Switch ..... 3925

DIMENSION ONE SPAS

1561-00 25 Sq. Ft. Cartridge Filter Element ..... 12526
1561-00 75 Sq. Ft. Cartridge Filter Element ..... 17541
1561-02 75 Sq. Ft. Cartridge Filter Element ..... 17515
1561-03 40 Sq. Ft. Cartridge Filter Element-Discontinued ..... 14009
1561-04 25 Sq. Ft. Cartridge Filter Element ..... 15038
1561-05 50 Sq. Ft. Cartridge Filter Element ..... 15016
1561-06 65 Sq. Ft. Cartridge Filter Element ..... 16505
1561-09 40 Sq. Ft. Ozone Cartridge Element ..... 14010
1561-10 55 Sq. Ft. Cartridge Filter Element ..... 15501
1561-12 75 Sq. Ft. Cartridge Filter Element ..... 17527
1561-13 40 Sq. Ft. Cartridge Filter Element ..... 14017
1561-14 25 Sq. Ft. Cartridge Filter Element ..... 13005

DISCOVERY

30 Sq. Ft. Cartridge Filter Element ..... 13006
35 Sq. Ft. Cartridge Filter Element (2 Required) ..... 11802
50 Sq. Ft. Cartridge Filter Element ..... 15001
50 Sq. Ft. Cartridge Filter Element (2 Required) ..... 12504
50 Sq. Ft. Cartridge Filter Element ..... 15002
60 Sq. Ft. Cartridge Filter Element ..... 16006

DIVERT-A-TROL

6030 Feeder Cap O-ring

DM INDUSTRIES

3010-P-AM Universal Pressure Switch ..... 3925
8002-06-000-06 2 Button Spa Side Controller ..... CC2-120-10
CSC-1103 4 Function Air Switch (TBS-312 Required) ..... CSC-1101
TBS-312 Air Switch ..... TBS-312
TBS-322 Universal Air Switch ..... TBS-901
TBS-324 Air Switch ..... TBS-301

DOLPHIN

13 Sq. Ft. Cartridge Filter Element ..... 11303
30 Sq. Ft. Cartridge Filter Element ..... 13005
50 Sq. Ft. Cartridge Filter Element ..... 15003

DOUGHBOY

NOTE: PPI=POWER PAK® PPII=POWER PAK® II
Strainer Basket-PPI ..... WIP
2163/2164/2165 Basket PPI & PPII ..... WIP

1107-1018 Weir Assembly
1107-1275 Deluxe
1116-1045 Skimmer Basket ..... B-136
340-1139 20 Sq. Ft. Cartridge Filter Element (Gen 60) 0-2396-022
1119-1059 20 Sq. Ft. Cartridge Filter Element (Gen 120) 0-2396-020... 12005
1119-1060 60 Sq. Ft. Cartridge Filter Element 0-2396-062
1119-1065 120 Sq. Ft. Cartridge Filter Element 0-2396-063
1119-1066 2163,2164,2165 Seal
1121-1057 Skim 20 Skimmer Basket ..... WIP
1121-1075 Strainer Basket
1121-1194 Cartridge Filter Element #1100 (Same As 2391) With
1121-1200 Two Gaskets Replaces 1119-1034
1121-1201 Cartridge Filter Element #1141, 1151 (Same As 2392)
1121-1203 With Two Gaskets-Replaces 1119-1035
1121-1204 20 Sq. Ft. Cartridge Filter Element 0-2396-020 ..... 12005
1121-1204 40 Sq. Ft. Cartridge Filter Element 0-2396-040 ..... 14004
1121-1205 60 Sq. Ft. Cartridge Filter Element 0-2396-062 ..... 16003
1121-1206 90 Sq. Ft. Cartridge Filter Element 0-2396-090 ..... 19001
1121-1207 60 Sq. Ft. Cartridge Filter Element 0-2396-000
1121-1210 12 Sq. Ft. Cartridge Filter Element 0-2396-012
1128-1006 Pump Seal-PPI ..... AS-1000

1128-1010 Pump Seal ..... AS-1046
1128-1030 5/8" Shaft Pump Seal-PPII ..... AS-299
1300-1001 Strainer Basket-PPII 1084-86 ..... WIP
1300-1002 Silica I Strainer Basket ..... WIP
2396-020 Skim Line-20 Sq. Ft. Cartridge Filter Element ..... 12005
2396-040 Skim Line-40 Sq. Ft. Cartridge Filter Element ..... 14004
2396-060 Skim Line-60 Sq. Ft. Cartridge Filter Element ..... 16003
2396-090 Skim Line-90 Sq. Ft. Cartridge Filter Element ..... 19001
306-1002 Pump Seal ..... AS-1000
306-1005 Pump Seal-PPI ..... AS-642
306-1006 Pump Seal-PPII ..... AS-4702
306-1007 Pump Seal ..... AS-200
307-1001 Gasket Drain Cap 1120/40, 1650/51, 1400, 1500 ..... G-280
307-1002 MX60RP Inlet Fitting Gasket ..... G-195
307-1003 Cartridge Gasket 1110-02
307-1005 MY205 Skimmer Gasket (2 Required) ..... G-171
307-1007 Skim Filter Drain Cap Gasket ..... G-196
307-1022 Silica II Rotor Valve Gasket ..... G-396
307-1023 Deluxe Skimmer 90 Radius Fitting Gasket ..... G-346
307-1027 Skimmer Gasket Skim Line Face Plate ..... WIP
307-1028 Cartridge Gasket 1112
308-1000 MY-220 Pump & Tank Gasket
387-1001 V-Band Clamp 1400-1500 ..... 0-306
308-1001 Manifold Seal O-ring ..... 0-39
308-1002 Lid Bushing O-ring 1400,1500 ..... 0-225
308-1003 Manifold Bearing O-ring ..... 0-303
308-1004 H & L Pot O-ring-PPI 1400, 1500, 1640/41, 1740/41 ..... 0-14
308-1005 3/4 HP Pump O-ring-PPI ..... 0-368
308-1006 Silica I Piston O-ring-PPI 1400, 1500, 1640, 1740 ..... 0-122
308-1008 Valve Body O-ring ..... 0-301
308-1009 O-ring ..... 0-39
308-1010 Pump O-ring 1110-02, 04 & 1112-00 ..... 0-256
308-1011 Volute O-ring 1110-02, 04 & 1112-00 ..... 0-25
308-1012 1110 Tank Cover O-ring 1110-02, 04 & 1112-00 ..... 0-307
308-1013 Pump Discharge O-ring ..... 0-220
308-1014 1141, 1162, MY185 Cartridge O-ring Tank 1151, 1172 ..... 0-304
308-1016 Outlet Retainer O-ring ..... 0-125
308-1018 Manifold Quad Seal 1400
308-1035 O-ring Inverted "U" Cup Seal 1650 ..... 0-387
308-1038 O-ring ..... 0-108
308-1039 Silica II Hose Adapter O-ring 1094/95/96, 1651, 1750 ..... 0-128
308-1040 Backplate O-ring-PPII Insulator ..... 0-303
308-1041 Strainer Body O-ring ..... 0-386
308-1043 Silica I & II Tank Drain O-ring 1640/41/50/51, 1740/41/50 ... 0-189
308-1044 O-ring Valve Rotor 1650/51, 1750 ..... 0-189
308-1046 O-ring-PPII Strainer Pot 1084/85/86 ..... 0-40
308-1050 Dynaflo Cover O-ring
308-1052 1084, 1085, 1086 Strainer Body O-ring ..... 0-453
308-1054 Drain Valve O-ring 1120 & 1140
308-1056 Tank O-ring (Prior to 1987) 1640 & 1740
308-1059 Dynaflo Cover O-ring ..... 0-72
308-1061 Dynaflo Basket Port O-ring ..... 0-282
308-1062 Cartridge Filter Coupling O-ring ..... 0-69
308-1064 Pot To Volute O-ring ..... 0-408
308-1065 2163, 2164, 2165 Lid O-ring
308-1072 Gasket ..... G-280
308-1075 O-ring ..... 0-412
308-1076 Gasket ..... G-339
308-1081 Push Pull Valve Cover Gasket 1640, 1740 ..... G-344
308-1083 Gasket ..... G-340
308-1084 O-ring Grid Collector (Sequel II) 1651
308-1089 Skimmer Gasket
308-1097 Pump Seal 3/8" 1112
308-1099 Diffuser O-ring-PPII ..... 0-108
308-1106 Face Gasket-PPI & PPII With Program ..... WIP
308-1107 Body Gasket-PPI PPII With Program
308-1109 Silica Valve Body Port Gasket 1640/41, 1740/41 ..... G-339
308-1109 Rubber Washer ..... G-202
308-1110 Return Fitting Gasket ..... G-346



308-1113	Silica I, Sand & DE Tank O-ring Sanoprene 1640/41, 1740/41.....	O-451
308-1114	Silica II Tank O-ring Sanoprene 1650/51, 1750 .....	O-452
308-1122	Dynaflow Pump Seal.....	AS-163
308-1123	Cyclops II Ceramic Seal.....	AS-3A208
308-1124	Cyclops Mark 5 O-ring.....	O-299
308-1125	Cyclops/Pro X Strainer Cover O-ring/Dynamo/Power-Flo .....	O-231
308-1130	Valve O-ring	
308-1134	Pro X Series Backwash Valve Cap O-ring.....	O-213
308-1135	Pro X Ceramic Seal	
308-1136	O-ring Seal Selector Shaft 1650.....	O-388
308-1137	Pro Pump Sealing Plate O-ring .....	O-229
308-1138	Pro X Pump Seal	
308-1139	Flat Lathe Cut Gasket.....	G-98
308-1140	2" Inspection Port O-ring .....	O-417
308-1141	Filter Tank O-ring.....	O-297
308-1142	20" Tank O-ring.....	O-202
308-1143	20" Tank Ring	
308-1144	24" Tank Ring	
308-1145	Drain To Valve Gasket .....	G-281
308-1146	Viewport Lid Gasket.....	G-282
308-1147	Viewport Gasket .....	G-283
308-1148	SS Under Drain Support Gasket	
308-1149	Rubber Washer	
308-1150	O-ring .....	O-180
308-1151	Under Drain Sealing Gasket	
308-1152	Valve Cover Plunger O-ring.....	O-30
308-1153	Tube Support O-ring .....	O-410
308-1154	Center Pipe To Disk O-ring	
308-1155	Filter Drain Rubber Washer	
308-1157	1 1/2" Center Pipe O-ring	
308-1165	O-ring	
308-1167	Pump Lid-PPII 1084/85/86 .....	WIP
308-1171	Silica I 4-Way Valve Gasket .....	G-395
308-1172	Main Drain Gasket	
308-1174	Silica I Valve Rotor O-ring 4 Position 1641, 1741	
308-1182	Silica I Valve Rotor Gasket 4 Position 1641, 1741 .....	WIP
308-1188	Cover O-ring	
308-1202	3/4" Shaft Seal PPIII	
308-1204	O-ring	
308-1205	Replaced By 308-1251	
308-1206	O-ring	
308-1225	5/16" Threaded Seal	
308-1226	Drain Cap Gasket	
308-1227	O-ring PPIII.....	O-244
308-1228	O-ring PPIII.....	O-493
308-1229	O-ring PPIII.....	O-495
308-1230	Replaced By 308-1241	
308-1231	3/4" Pump Seal Seat PPIII	
308-1234	O-ring	
308-1241	O-ring	
308-1251	O-ring Gasket	
308-1252	O-ring .....	O-494
308-1263	Ceramic Seal 5/8" PPI	
308-1264	Spring Seal 5/8" PPI.....	AS-642
310-1039	Tube To Spin-O-Cycle Handle Fiber Gasket.....	G-278
310-1040	Diffuser Gasket	
312-1003	60 Sq. Ft. Cartridge Filter Element.....	16008
327-1007	Friction Washer.....	G-276
327-1048	Silica II 1 1/2" Hose Clamp .....	274-20
327-1053	PTFE Washer	
340-1139	Deluxe Skimmer Basket Skim Filter 2094-03, 1160-00.....	B-191
340-1438	Automatic Top Skimmer Basket	
340-1571	Cyclops II Basket .....	B-194
340-1988	Strainer Basket PPIII	
348-1033	Slinger Washer .....	G-341
348-1033	Ceramic Seal .....	AS-3A208
387-1017	1 1/2" SS Clamp .....	274-20
387-1018	1 1/2" SS Clamp.....	274-20

387-1019	1 1/2" SS Clamp.....	274-20
387-1071	1 1/2" SS Clamp.....	274-20
387-1087	1 1/4" SS Clamp.....	273-16

**DURAFLEX INTERNATIONAL**

C210	Hinge O-ring	
------	--------------	--

**EZ CHLOR (SEE PAC FAB, PUREX)**

	Chlorinator Flow Meter Top Gasket .....	G-472
	Chlorinator Flow Meter Bottom Gasket.....	G-473
	Chlorinator Float Arm Valve Seal Gasket .....	G-476
	Chlorinator Flow Meter O-ring .....	O-47
12690-09	Chlorinator Flow Meter Gasket.....	O-39
12690-26	Saddle Fitting Gasket .....	G-34
12690-28	Winterizing Plug	
918	Chlorinator Flow Meter Viton® O-ring.....	O-39V
5099-135	Richardson, Seablue, Heldor 22" Filter Tank O-ring.....	O-433
6030	Nu Clo Cap O-ring	

**EASTSIDE (ALL LISTINGS UNDER PUREX)**

**EDGEWOOD**

	Inlet Heater Gasket .....	G-22
	Outlet Heater Gasket.....	G-23

**ELECTROFEED**

	25-A Fitting O-ring .....	O-288
--	---------------------------	-------

**EMERALD SPAS**

	9 Sq. Ft. Cartridge Filter Element.....	10804
	15 Sq. Ft. Cartridge Filter Element.....	11501
	25 Sq. Ft. Cartridge Filter Element.....	12501
	25 Sq. Ft. Cartridge Filter Element.....	12502
	25 Sq. Ft. Cartridge Filter Element.....	12507
	32 Sq. Ft. Cartridge Filter Element.....	13201

**ENERGY UTILIZATION SYSTEMS**

3029-P	Universal Pressure Switch .....	3925
--------	---------------------------------	------

**ENVIRONMENTAL WATER PRODUCTS**

3902	Universal Pressure Switch .....	3902
------	---------------------------------	------

**ESTER WILLIAMS**

	25 Sq. Ft. Cartridge Filter Element.....	12502
	35 Sq. Ft. Cartridge Filter Element.....	11802
	50 Sq. Ft. Cartridge Filter Element.....	15017
	Basket-Metal.....	B-145

**EVERGREEN SOFT SPA (SOFT SIDER SPAS)**

9200-04-000-06	2 Button Spa Side Controller .....	CC2-120-10
9202-06-000-06	2 Button Spa Side Controller .....	CC2-120-10
9204-06-000-06	2 Button Spa Side Controller .....	CC2-120-10

**F & W**

	Sprinkler Pump Gasket.....	G-201
	Jet Pump Gasket .....	G-203

**FIESTA**

	Skimmer Basket-Plastic .....	B-42
	Skimmer Basket-Metal.....	B-71

**FISCHER-PORTER**

101W701U01	Chlorinator Viton® O-ring.....	O-249V
101W704U01	Chlorinator Viton® O-ring.....	O-348V
101W705U01	Chlorinator Viton® O-ring.....	O-186V
101W706U01	Chlorinator Viton® O-ring.....	O-349V
101W707U01	Chlorinator Viton® O-ring.....	O-30V
101W709U01	Chlorinator Viton® O-ring.....	O-25V
101W710U01	Chlorinator Viton® O-ring.....	O-39V
101W711U01	Chlorinator O-ring .....	O-47
101W715U01	Chlorinator Viton® O-ring.....	O-356V
101W716U01	Chlorinator Viton® O-ring.....	O-288V
101W718U01	Chlorinator Viton® O-ring.....	O-357V
101W721U01	Chlorinator Viton® O-ring.....	O-225V

Cross Reference

101W814U01	Chlorinator O-ring .....	0-364
101W816U01	Chlorinator O-ring .....	0-359
101W901U01	Chlorinator Viton® O-ring.....	0-253V
101W902U01	Chlorinator Viton® O-ring.....	0-130V
101W903U01	Chlorinator Viton® O-ring.....	0-350V
101W904U01	Chlorinator Viton® O-ring.....	0-188V
101W905U01	Chlorinator Viton® O-ring.....	0-351V
101W910U01	Chlorinator O-ring .....	0-220
101W918U01	Chlorinator Viton® O-ring.....	0-352V
101W920U01	Chlorinator Viton® O-ring.....	0-354V

**FLEETWOOD (ALL LISTINGS UNDER EDGEWOOD)**

**FLEXFLOR CHEMICAL FEEDER**

2008V	Check Valve Small O-ring
210GF	Check Valve Large O-ring

**FLORIDA WHIRLPOOL**

	30 Sq. Ft. Cartridge Filter Element (Spillway Spas).....	12502
	50 Sq. Ft. Cartridge Filter Element (Spillway Spas).....	15016
	50 Sq. Ft. Cartridge Filter Element (Spillway Spas).....	15010
CSC-1131	4 Function Air Switch (TBS-312 Required).....	CSC-1131
08-0340001	Universal Air Switch .....	TBS-901
08-0340007	Universal Pressure Switch .....	3925
9350-10-000-06	3 Button Spa Side Controller & Retro-Fit Faceplate .....	CC3-120-10 & 20205

**FORT WAYNE POOLS**

8002-06-000-06	2 Button Spa Side Controller .....	CC2-120-10
8752-10-000-06	3 Button Spa Side Controller & Retro-Fit Faceplate .....	CC3-120-10 & 20205
9350-06-000-06	3 Button Spa Side Controller & Retro-Fit Faceplate .....	CC3-120-10 & 20205
9400-06-000-06	4 Button Spa Side Controller & Retro-Fit Faceplate .....	CC4-120-10 & 20205
ATP-300-0000	3 Button Air Transmitter Panel.....	ATP-300

**FORT WAYNE SPAS (MASTER SPAS)**

	20 Sq. Ft. Cartridge Filter Element.....	12004
	45 Sq. Ft. Cartridge Filter Element.....	14506

**FOUNTAIN VALLEY SPAS**

	45 Sq. Ft. Cartridge Filter Element.....	14504
	45 Sq. Ft. Cartridge Filter Element.....	14508

**FOX ENTERPRISES**

TBS-410-882	Air Switch .....	TBS-410
-------------	------------------	---------

**FRANKLIN ELECTRIC**

275455101	Air Switch .....	TBS-306
-----------	------------------	---------

**FREEDOM SPAS**

	Ambassador/Concorde/Executive/ Patriot- 37 Sq. Ft. Cartridge Filter.....	13701
	Element Statesman/Lexington/Enterprise/Aristocrat Franklin-45 Sq. Ft. Cartridge Filter Element.....	14506
	Franklin/Revere/Statesman-30 Sq. Ft. Cartridge Element .....	13005
	Liberty-35 Sq. Ft. Cartridge Filter Element.....	11802
	50 Sq. Ft. Cartridge Filter Element (After 1993) .....	15002
	50 Sq. Ft. Cartridge Filter Element (After 1993) (2 Required) .....	12504

**G G INDUSTRIES**

TBS-310	Air Switch .....	TBS-301
---------	------------------	---------

**GPM INDUSTRIES**

	25 Sq. Ft. Cartridge Filter Element.....	12502
	50 Sq. Ft. Cartridge Filter Element.....	15002
ATP-301-0101	3 Button Air Transmitter Panel.....	ATP-300

9200-06-000-06	2 Button Spa Side Controller .....	CC2-120-10
9350-06-000-06	3 Button Spa Side Controller & Retro-Fit Faceplate .....	CC3-120-10 & 20205
9400-06-000-06	4 Button Spa Side Controller & Retro-Fit Faceplate .....	CC4-120-10 & 20205

**GATSBY SPAS**

	25 Sq. Ft. Cartridge Filter Element.....	12512
	25 Sq. Ft. Cartridge Filter Element.....	12519
	25 Sq. Ft. Cartridge Filter Element.....	12523
	35 Sq. Ft. Cartridge Filter Element (2 Required) .....	11802
3010-P-AM	Universal Pressure Switch .....	3925
8002-06-000-06	2 Button Spa Side Controller .....	CC2-120-10
8300-06-000-06	3 Button Spa Side Controller & Retro-Fit Faceplate .....	CC3-120-10 & 20205
SSAS-1101	4 Function Air Switch .....	SSAS-1101
TBS-301	Air Switch .....	TBS-301
TBS-305	Air Switch .....	TBS-301
TBS-312	Air Switch .....	TBS-312

**GENERAL ELECTRIC MOTORS**

5ZA103455AA-1	Air Switch .....	TBS-301
---------------	------------------	---------

**GERICO SPAS**

	Spa Skimmer Basket.....	B-37
	Spa Skimmer Float.....	B-38
3010	Universal Pressure Switch .....	3925
	45 Sq. Ft. Filter Cartridge.....	14509

**GOLDMARC (ALL LISTINGS UNDER HAYWARD®)**

**GOULD**

	Old Style Turbo Valve O-ring.....	0-313
--	-----------------------------------	-------

**GRECIAN**

	50 Sq. Ft. Cartridge Filter Element.....	15001
	45 Sq. Ft. Filter Cartridge.....	14509

**GRUBER SYSTEMS**

TBS-310	Air Switch.....	TBS-301
TBS-410-882	Air Switch .....	TBS-410

**GUARDEX (SEE PAC FAB, PUREX)**

P72999	Rubber Washer .....	G-295
--------	---------------------	-------

**H & F**

	Pump Lid O-ring .....	0-19
	Pot To Volute Gasket .....	G-11
	Thick Volute Gasket .....	G-44
	Thin Volute Gasket.....	G-44A
	Pump Seal.....	AS-1000

**HARMON PUMP**

HL-7-5	Basket-Metal.....	B-8
	Basket-Plastic .....	B-101

**HARMSCO**

OTC/6-4	6 Sq. Ft. Cartridge Filter Element-3 Oz .....	10601
ST/6	6 Sq. Ft. Cartridge Filter Element.....	10601
201	Pump Seal.....	AS-201
550	11" Rim Gasket.....	0-290
551	Standpipe O-ring .....	0-207
552	Holding Rod O-ring .....	0-273
635	15 Hole Cover Gasket.....	G-193
636	15 Hole Cover Gasket.....	G-198
639	Cover Gasket.....	G-200
671	27 Hole Cover Gasket .....	G-199
701	6 ½" Rim Gasket.....	0-291
782	9" Rim Gasket .....	
930	BF96, BF144 Cartridge Filter Holding Rod O-ring.....	0-83

**HAUGH PRODUCTS**

1370012	9 Sq. Ft. Cartridge Filter Element.....	10901
1370031	15 Sq. Ft. Cartridge Filter Element.....	11502
	Niagra, Whirlpool-25 Sq. Ft. Cartridge Filter Element .....	12502
	Niagra, Whirlpool-50 Sq. Ft. Cartridge Filter Element .....	15002

**HAWKEYE SPAS**

	50 Sq. Ft. Cartridge Filter Element.....	15002
3029P	Universal Pressure Switch .....	3925
8000-10-000-06	2 Button Spa Side Controller .....	CC2-120-10
8400-10-000-06	4 Button Spa Side Controller & Retro-Fit Faceplate .....	CC4-120-10 & 20205
8750-10-000-06	3 Button Spa Side Controller & Retro-Fit Faceplate .....	CC3-120-10 & 20205
TBS-301	Air Switch.....	TBS-301
TBS-304	Air Switch.....	TBS-304

**HAYWARD® (SEE ARNESON & COMFORTZONE)**

	Center Rod O-ring.....	0-391
	Brass Light Ring W/Screws.....	500B
	Universal Plastic Light Ring W/Screws.....	500P
	Goldmarc Model 181 & 241 Cover O-ring .....	0-268
AX5010G10	Wall Quick Connect O-ring For Phantom/Viper™ .....	0-403
AX5010G18	Viper™ Cleaner Connector O-ring/Phantom/Phantom Turbo™ .....	
AX5010G19	Phantom/Viper™ In Line Filter O-ring .....	
AX5010G20	Pipe Connector O-ring 6 Pack/Phantom/Phantom Turbo™ .....	
AX5060GA	Volute Flat Gasket For Booster Pump For Viper™ Cleaner (Prior to 2004)	
AX5060J	Volute Ribbon Gasket (2004-Present) For Viper™-Booster Pump	
AX6060S	VIIO Turbo/Viper™ Booster Pump Volute O-ring.....	0-328
AXL12	Main Drain Gasket	
AXW431A	Leaf Basket For W430/W560	
AXW533A	Leaf Canister Lid O-ring Only	
AXW542	Leaf Canister O-ring For W530/W560 .....	0-330
CX1000G	XStream® Body O-ring .....	0-542
CX1000RE	XStream® 100 Sq. Ft. Cartridge Filter Element.....	19935
CX1000V	O-ring Only For Air Relief Assembly XStream® Filter Series	
CX1000Z5	XStream® O-ring For Gauge Adapter and Air Relief	
CX1500RE	XStream® 150 Sq. Ft. Cartridge Filter Element.....	25014
CX1750RE	XStream® 175 Sq. Ft. Cartridge Filter Element.....	27503
CX2000RE	XStream® 200 Sq. Ft. Cartridge Filter Element.....	29912
CLX110K	Chlorine Feeder Viton® O-ring .....	0-442V
CLX200K	Chlorinator Viton® O-ring.....	0-231V
CLX200LA	Chlorinator Viton® O-ring Kit.....	0-416V
CXFHR1001	ASL™, ReGenXT™ Grid DE and SwimClear™ Filter Head O-Ring	
CX100XRE/BVS	SwimClear™ C100S Cartridge Filter Element .....	19946
CX120D	Cartridge Filter Lid O-ring Micro Star-Clear™.....	0-330
CX120RE	Micro Star-Clear™ In Line - 12 Sq. Ft. Cartridge Filter Element.....	11204
CX150XRE/BVS	SwimClear™ C150S Cartridge Filter Element.....	25026
CX200RE	Micro Star-Clear™ In Line-20 Sq. Ft. Cartridge Filter Element .....	12001
CX200XRE/BVS	SwimClear™ C200S Cartridge Filter.....	29921
CX225RE	Micro Star-Clear™ In Line-25 Sq. Ft. Cartridge Filter Element .....	12501
CX250F	Cartridge Filter Tank O-ring Star Clear .....	0-305
CX250RE	Star-Clear™ 25 Sq. Ft. Cartridge Filter Element.....	12509
CX250Z6	O-ring .....	0-165
CX250Z7	Cartridge Filter Locking Ring Star-Clear™.....	0-327
CX25003Z2	Gasket.....	G-356
CX25003Z5	Max-Pak System Heater Gasket	
CX25005B1	Gasket.....	G-357
CX400G	Easy-Clear™ Filter Head O-ring Strainer Cover O-ring	
	NorthStar™ (Prior to 2003) Micro Star-Clear™ .....	0-504
CX400RE	Skim Filter 40 Sq. Ft. Cartridge Filter Element.....	14015
CX410RE	Easy-Clear™ 40 Sq. Ft. Cartridge Filter Element .....	14003
CX470XRE	Super Star-Clear™ 50 Sq. Ft. Cartridge Filter Element Super Star-Clear™ (4 Required).....	15032
CX480XRE	SwimClear™ (C2020/C2025) Super Star-Clear™ (C2000) Cartridge Filter Element .....	15601
CX500RE	Star-Clear™ 50 Sq. Ft. Cartridge Filter Element.....	15004
CX550RE	Easy-Clear™ 55 Sq. Ft. Cartridge Filter Element .....	15503
CX570XRE	Super Star-Clear™ 3000-75 Sq. Ft. Cartridge Filter Element .....	17509

CX580XRE	Super Star-Clear™ 3000/Swim Clear C3020/C3025 Cartridge Filter Element.....	18101
CX591XRE	Cartridge Filter Element .....	19502
CX750RE	Star-Clear™ 75 Sq. Ft. Cartridge Filter Element.....	17506
CX760RE	Star-Clear™ Plus 75 Sq. Ft. Cartridge Filter Element.....	17530
CX800F	800 & 1100 Cartridge Lid O-ring Star-Clear™ II .....	0-366
CX800RE	Star-Clear™ II-75 Sq. Ft. Cartridge Filter Element.....	17507
CX850RE	ASL™ Filter 85 Sq. Ft. Cartridge Filter Element.....	18503
CX870XRE	Super Star-Clear™ 4000-100 Sq. Ft. Cartridge Filter Element.....	19902
CX875XRE	SwimClear™ C4520 Series/Super Star-Clear™ C4500 Series Cartridge Filter Element .....	21201
CX880XRE	Super Star-Clear™ 4000/Swim-Clear™ C4020/C4025 Cartridge Filter Element .....	20601
CX900F	Star-Clear™ Plus Filter Head O-ring .....	0-240
CX900H	Star-Clear™ Plus Locking Knob O-ring.....	0-288
CX900J	Star-Clear™ Plus E-ring	
CX900RE	C900 Cartridge Filter Element/Star-Clear™ Plus .....	19002
CX900W	Washer For Knob/Cone Gasket .....	G-363
CX1000G	XStream® Filtration Series Body O-ring	
CX1000RE	Star-Clear™ 100 Sq. Ft. Cartridge Filter Element.....	19936
CX1000Z5	XStream® Filtration Series O-ring For Gauge Adapter and Air Relief	
CX1100RE	Star-Clear™ II 100 Sq. Ft. Cartridge Filter Element .....	19905
CX1200RE	Star-Clear™ Plus 120 Sq. Ft. Cartridge Filter Element.....	22002
CX1250RE	ASL™ Filter 120 Sq. Ft. Cartridge Filter Element .....	22009
CX1260XRE	Super Star-Clear™ 125 Sq. Ft. Cartridge Filter Element - (4 Required) .....	22506
CX1280XRE	SwimClear™ (C5020/C5025) Super Star-Clear™ C5000 Cartridge Filter Element.....	23101
CX1380XRE	SwimClear™ C5520 Series/Super Star-Clear™ C5500 Series Cartridge Filter Element .....	23705
CX1500RE	Star-Clear™ II C-1500-150 Sq. Ft. Cartridge Element (2 Required) .....	17507
CX1750RE	Star-Clear™ Plus 175 Sq. Ft. Cartridge Filter Element.....	27501
CX1900RE	Star-Clear™ Plus C1900 Series Cartridge Filter Element.....	28002
CZXGKT7408	Bucket Gasket SG II Model .....	G-456
DEX360E	Micro Clear Spacer & Vertical Grid DE 7200 Filter O-ring .....	0-130
DEX360K	Micro Clear & Vertical DE S/S, C3000S, C4000S Tank O-ring/SwimClear™/Super Star-Clear™ .....	0-430
DEX360M	DE 7200 Filter Small Radius Connector O-ring.....	0-255
DEX2400K	C3000, C4000 Micro Clear Vertical Fiberglass Tank O-ring/Pro Grid Tank O-ring/SwimClear™ .....	0-429
DEX2400S5	Micro Clear Filter Relief Valve To Tank Gasket Super Star-Clear™ .....	G-384
DEX2400Z3A	Relief Valve Stem O-ring Kit Micro Clear /Pro Series/ Super Star-Clear™ (2 Required).....	0-500KIT
DEX2400Z5	Outlet Elbow O-ring/Micro Clear/SwimClear™ .....	0-24
DEX2420MRC	Gauge Adapter O-ring For Pro-Grid/SwimClear™	
DEX2420Z8A	Pro-Grid O-ring Kit (Set of 2) SwimClear™ .....	0-514KIT
ECX1003	DE Filter Diaphragm Gasket Perflex® .....	G-178
ECX1039	Perflex® Diaphragm Gasket.....	G-460
ECX1105	DE Filter Diaphragm Gasket.....	G-348
ECX1287	DE Filter Gauge O-ring Perflex® Adapter O-ring .....	0-424
ECX1321A	Micro/Star-Clear™ II (1988 & Prior) Filter Air Relief Valve O-ring.....	0-155
ECX1322A	Vent Valve O-ring Star-Clear™ (1989) Easy-Clear™ Air Relief .....	0-641
ECX18028	Hose Clamp .....	277-32
ECX2641D1	DE Filter Diaphragm Gasket Perflex® .....	WIP
ECX2641D	DE Filter Diaphragm Gasket Perflex® .....	G-351
ECX2899A	Perflex® Bump Shaft O-ring/SPX0722H .....	0-47
ECX5000G	EC-50C Diaphragm Gasket .....	G-461
ECX9611246	EC Filter Bump Shaft O-ring Perflex® (Part Of 0-512KIT) .....	0-30
GLX-Union	TurboCell Union O-ring.....	0-43
GMXC48G	Housing Gasket.....	G-362
GMX142CA	O-ring .....	0-408
GMX142DA2	Drain Cap O-ring (1970-1978)	
GMX142Z2	Pump O-ring.....	0-207
GMX152Z4A	Drain Cap O-ring	
GMX152Z5	Drain Plug O-ring (After 1979) .....	0-69

Cross Reference

GMZ400D	Bearing Gasket.....	WIP
GMX400F	Valve To Tank Lid O-ring-S140T.....	0-384
GMX400G	Valve Seat Gasket.....	G-352
GMX400P	Valve Stem O-ring.....	
GMX600D	PTFE Bearing Washer.....	0-188
GMX600F	Valve To Filter Lid O-ring Pro Series-S144T/Pressure Test O-ring For NorthStar™.....	0-263
GMX600FST	Filter/Valve Threaded Lid O-ring.....	0-385
GMX600G	Valve Seat Gasket.....	G-353
GMX600P	Valve Stem O-ring.....	
HCPX338V60	Diffuser Viton® Gasket HCP3000.....	0-652V
HCPX369V70	Housing Viton® O-ring HCP3000.....	0-540V
HCPX6025A	Strainer Body O-ring.....	0-258
LPCUS11100A	ColorLogic® Adaptable Light Ring.....	500B/C/P
LPLUS11050	CrystalLogic™ Adaptable Light Ring.....	500B/P
PRX20007	O-ring Seal Pro Series Light.....	
PRX20008	Niche Gasket Pro Series Light (2 Required).....	
PSXA	Actuator Shaft Assembly O-ring Kit.....	0-509KIT
PSXVZ2A	O-ring Kit For Cover Of PSV Valve.....	0-523KIT
RGX45G	ReGenX™, ASL™ Filter Head O-ring.....	0-88
SFX400C	Skim Filter Basket.....	
SFX400Z1	Upper Drain Valve O-ring-Skim Filter.....	
SP058050/S50	AstroLite™ Adaptable Light Ring.....	500B/C/P
SP3200EE	Seal.....	PSR-3890
SP3200X	Seal.....	PSR-3890
SP3200VSP/ND	Seal.....	PSR-3890
SP3600	Seal.....	PSR-3890
SP4000/X	Seal.....	PSR-3890
SPSTX262Z5B	H & L 1 ½" - 2" FIP O-ring.....	
SPSTX264Z5B	H & L 2" FIP O-ring.....	
SPSTX266Z5B	H & L 2 ½" - 4" FIP O-ring.....	
SPSTX269Z5B	6" & 8" Flange O-ring.....	
SPSTX305F	1 ½" In Line Trap Lid Gasket.....	G-105
SPSTX310SHX	In Line Trap Basket.....	B-310
SPSTX315SHX	In Line Trap Basket.....	B-315
SPSTX315Z1	2" In Line Trap Lid Gasket.....	G-104
SPSTX325F	3" In Line Trap Lid Gasket.....	G-91
SPSTX325SHX	In Line Trap Basket.....	B-325
SPSTX330SHX	In Line Trap Basket.....	B-330
SPSTX330Z1	4" In Line Trap Gasket.....	G-92
SPSTX335SHX	In Line Trap Basket.....	B-335
SPSTX335Z1	5" In Line Trap Gasket.....	G-94
SPSTX340SHX	In Line Trap Basket.....	B-340
SPSTX340Z1	6" In Line Trap Gasket.....	G-87
SPSTX345H	8" In Line Trap Gasket.....	G-103
SPSTX345SHX	In Line Trap Basket.....	B-345
SPSTX350SHX	In Line Trap Basket.....	B-350
SPSTX355SHX	In Line Trap Basket.....	B-355
SPX0023Z2	Double Sided Gasket For Fitting.....	G-399
SPX0023Z12	Gasket For SP1023, 1024, 1025 Fittings.....	G-89
SPX0058D	Main Drain Gasket.....	G-151
SPX0071C2	Sight Glass Gasket (2 Required).....	G-161
SPX0072C2	Gasket.....	G-107
SPX0072Z4	Sight Glass/Valve Stem O-ring (Part Of O-500KIT).....	0-186
SPX0084M	Skimmer Gasket.....	G-154
SPX0090E	Skimmer Gasket.....	G-156
SPX0097E	SP-1097, 1098 Skimmer Gasket.....	G-155
SPX0099E	Skimmer Gasket.....	G-158
SPX0102Z3	Gasket.....	G-93
SPX0125F	Motor Shaft Slinger.....	G-71
SPX0125G	Pump Gasket.....	G-46
SPX0125H	Pump Gasket.....	G-47
SPX0125RLX	Pump Basket.....	B-119
SPX0125T	Pump Lid O-ring For Max-Flo™/Ultra Max.....	0-76
SPX0125Z2	Pump Seal (Before 1967).....	AS-372
SPX0125Z3	Pump Diffuser Ring Volute.....	0-79
SPX0145G	Bracket Pump Gasket.....	G-65
SPX0145T	Pump Lid Gasket.....	G-83
SPX0145RA	Pump Basket.....	B-118

SPX0145XF	Pump Diffuser Gasket.....	
SPX0404G	Winterizing Plug.....	
SPX0409C2	Fitting Gasket (2 Required).....	G-152
SPX0410X	2" Slide Valve O-ring Set.....	0-512KIT
SPX410X	Small Piston O-ring (Part Of O-512KIT).....	0-26
SPX0410Z2	SPX410X Large Piston O-ring (Part Of O-512KIT).....	0-180
SPX0501HJ	Light Lens Gasket.....	
	(2 Pieces: 1 O-ring, 1 Piece Extrusion).....	0-178KIT
SPX0503W	Light Lens Gasket.....	0-174
SPX0505G	Shell Assembly Gasket.....	G-338
SPX0506D	Gasket For PVC Niches & Shell Assemblies.....	G-96
SPX0540Z2	Light Lens Gasket.....	0-172
SPX0550Z2	Starlite II Lens Gasket.....	0-406
SPX0577Z1	Deck Box Cover Gasket.....	G-159
SPX0580BA	Cover Gasket.....	G-174
SPX0580Z2	AstroLite™ Lens Gasket.....	0-172
SPX0590G	AstroLite™ II Lens Gasket.....	0-528
SPX0602F	Gasket.....	G-106
SPX0602Z2	Valve O-ring.....	0-25
SPX0602Z2A	PTFE Piece (0-25 Required).....	0-25A
SPX0602Z2	Valve O-ring (See O-27A).....	0-37
SPX0603F	Cover Gasket.....	G-86
SPX0603Z2	Stem O-ring.....	0-27
SPX0603Z2A	PTFE Piece (0-27 Required).....	0-27A
SPX0605F	Cover Gasket.....	G-90
SPX0605Z2	Star-Clear™ Plus Drain Plug O-ring/Stem O-ring.....	0-398
SPX0605Z2	PTFE Piece (0-398 Required).....	0-27A
SPX0605Z2	Valve O-ring.....	0-27
SPX0605Z2V	Feeder Drain Plug O-ring.....	0-398
SPX0608G	AstroLite™ II Gasket.....	
SPX0704D	Valve Key Gasket.....	G-398
SPX0704F	1 ½" Vari-Flo™ Cover O-ring.....	0-48
SPX0704HA	PTFE Shaft Seal (G-411) & O-ring (0-225).....	0-483KIT
SPX0704HA	PTFE Piece Only For O-483KIT.....	G-411
SPX0710D	6 Spoke Spider Gasket (Before 1977).....	0-176
SPX0710R	Multiport Valve Sight Glass Gasket.....	G-160
SPX0710XD	5 Spoke Spider Gasket (After 1977).....	0-176A
SPX710Z1	Non-Metallic Bearing.....	0-189
SPX0710XZ3	N/S Vari-Flo™ Valve Lid O-ring (After 1976)/Strainer Cover O-ring For Solid Cover Power-Flo® (Before 1978).....	0-48
SPX0710XZ5	Matrix® Housing O-ring.....	0-368
SPX0710Z3	Valve Lid O-ring (Before 1978) Power-Flo® Strainer Cover O-ring Solid Lid.....	0-139
SPX0710Z14	715 & 716 Valve Non-Metallic Bearing.....	G-390
SPX0710Z16	Multiport Valve Non-Metallic Bearing.....	G-363
SPX0714L	Vari-Flo™ XL Valve Cover O-ring.....	0-336
SPX0715D	2" Valve Seat Gasket.....	0-322
SPX0715Z1	2" Multiport Valve Lid O-ring.....	0-277
SPX0720P2	PTFE Ball Seal (Set of 2) - Before 1976.....	
SPX0722P2	PTFE Ball Seal (Set of 2).....	
SPX0722G	Ball Valve End Connector Bonnet O-ring (Part Of O-512KIT).....	0-168
SPX0722H	Stem O-ring (Before 1975).....	0-47
SPX0724G	End Connector O-ring.....	0-275
SPX0724H2	PTFE Ball Seal.....	
SPX0727H	Perflex® Diverter Valve Seal.....	
SPX0727K	Diverter Valve Cover O-ring.....	0-321
SPX0728H	1 ½" & 2" Backwash Valve End Connector O-ring.....	0-159
SPX0728F2	Ball Seal.....	
SPX0733E	Dial-A-Flo Valve Seal.....	
SPX0733Z1	Diverter Valve O-ring.....	
SPX0733Z1A	Vari-Flo™ SP715, 716 PTFE Piece For O-508KIT.....	0-507
SPX0733Z2A	Vari-Flo™ SP715, 716 Cover O-ring.....	
SPX0733Z4	O-ring Key W/Washer 715, 716 Vari-Flo™ Kit.....	0-508
SPX0735G	Valve Stem O-ring.....	0-276
SPX0735GA	Vari-Flo™ Valve O-ring Kit PTFE Shaft Seal.....	0-418KIT
SPX0735H	Ball Valve Connector O-ring.....	0-245
SPX0735P2	PTFE Ball Seal.....	0-360
SPX0740D	Valve Seat Gasket.....	G-418
SPX1022B	Winterizing Plug-Flush.....	802

Cross Reference

SPX1022C	Winterizing Plug-Raised .....	801	SPX1255	Pump Cart.....	710
SPX1022CZ2	SP-1022C Plug O-ring .....	0-125	SPX1408B	Return Fitting Face Plate .....	7008
SPX1023	ABS Wall Fitting.....	7006	SPX1408C	Vinyl Eyeball Gasket.....	G-226
SPX1023Z12	Fitting Gasket .....	G-225R	SPX1411Z12	SPX1411104071 Gasket.....	G-88
SPX1023Z3	Inlet Fitting Washer Gasket.....	G-225	SPX1419C	ABS Eyeball.....	7003
SPX1025Z3	SPX1025 Fiber Slip Washer.....	G-378	SPX1419T	Eyeball Seat Removal Tool.....	7000
SPX1025Z12	SPX1025 Gasket (2 Required).....	G-377	SPX1425Z6	Inlet Fitting O-ring (1989 & Prior)/ASL™ Filter Union O-ring/ Perflex®/Pro Series/S240/S200 .....	0-49
SPX1035B	SPX1035AV Main Drain Neoprene Sealing Gasket.....	G-385	SPX1432E	Jet Air Mini Jet Gasket.....	G-374
SPX1035C	SPX1035AV Main Drain Fiber Sealing Gasket.....	G-378	SPX1434J	Vari-Flo™ Nozzle O-ring.....	0-247
SPX1039C2	Fitting Gasket (2 Required).....	G-153	SPX1434JA	Jet Air III Seal O-ring	
SPX1048D	Vinyl Main Drain-Paper Gasket.....	G-112P	SPX1434J2	Vari-Flo™ Nozzle O-ring	
SPX1048D	Vinyl Main Drain-Rubber Gasket.....	G-112R	SPX1434L	Jet Air III Gasket .....	G-381
SPX1058D	Main Drain Gasket .....	G-150	SPX1434TP	O-ring .....	0-122
SPX1070E	Skim Master Basket-Large.....	B-9	SPX1438FA	O-ring Only For Pro Jet Fitting	
SPX1070KHR	Skimmer Weir 8 3/8" For 1071 Series.....	938	SPX1438H	Pro Jet O-ring.....	0-441
SPX1070Z1	Float Valve Body O-ring		SPX1438J	Pro Jet Gasket.....	G-376
SPX1070Z2	Float Valve O-ring .....	0-223	SPX1441BA	Poppet O-ring	
SPX107042	Gasket.....	G-108	SPX1441Z1	1 1/2" 2 Way Backwash Valve Stem O-ring.....	0-25
SPX107242	Sight Glass Gasket.....	G-251	SPX1450G	Turbo Boost Spa Jet Gasket	
SPX1080E	Skimmer Basket W/Hole .....	B-117	SPX1450M	Test/Winterizing Plug O-ring .....	0-250
SPX1082C	Skimmer Basket-Metal.....	B-116	SPX1483C	Diverter Valve O-ring.....	0-40
SPX1082CA	Skimmer Basket-Plastic .....	B-152	SPX1485B6	Elbow Union O-ring.....	0-49
SPX1082K	Skimmer Weir 7 13/16" Skim Filter .....	936	SPX1485C	Sand Filter Elbow O-ring (1986 & Prior)/Micro Star-Clear™/ S240 .....	0-341
SPX1082Z5B	Pump Housing O-ring (1986) Power-Flo® SPX1500UN Series 0-228		SPX1485G	Sand Filter Compression Gasket (1987)/Pro Series/ S240/S200 .....	0-341
SPX1082Z410	Star-Clear™ Relief Valve O-ring/ReGenX™ Piston O-ring.....	0-155	SPX1491B	Econo Union O-ring.....	0-222
SPX1084B	Skimmer Gasket/SFX400/SPX1089.....	G-113	SPX1495Z1	Ball Valve Flush Union O-ring/Power-Flo® SP1500UN End Connector/Micro Clear Support Base O-ring/ Booster Pump/Viio Turbo/Viper.....	0-41
SPX1084B3	SPX10840M Gasket.....	G-369	SPX1500H	Power-Flo® Housing Gasket-Paper/Turbo-Flo™ .....	G-64P
SPX1084C	Spacer Gasket		SPX1500H	Power-Flo® Housing Gasket-Rubber/Turbo-Flo™ .....	G-64R
SPX1084L	Skimmer Face Plate For SPX1084 Skimmer.....	918	SPX1500KA	Pump Seal Power-Flo®/Power-Flo® II/Turbo Flo/Turbo-Flo™ LX .....	AS-4702
SPX1085D	Skimmer Gasket .....	G-157	SPX1500KA	Seal Housing Kit .....	AS-4702SH
SPX1085D2	SPX10850M Gasket.....	G-454	SPX1500LX	Power-Flo® Large Basket (1992 & After) Ultra Pro/Power-Flo® II.....	B-220
SPX1088GA	Skimmer Basket W/Collar		SPX1500M	SF400 Drain Valve Small Lower O-ring-Skim Filter.....	0-303
SPX1089K	Skimmer Weir 7 3/8" .....	941	SPX1500P	Power-Flo® Pump Lid O-ring For Clear Lid/Ultra Pro/Turbo-Flo™ Turbo-Flo™ LX/Power-Flo® LX/Power-Flo® II .....	0-231
SPX1090D	Skimmer Face Plate For SPX1090.....	917	SPX1500RA1	Pump Check Valve Flap Gasket .....	G-224
SPX1090E	Vinyl Skimmer Gasket-Paper .....	G-115P	SPX1500W	Strainer Connector O-ring/Perflex® 1990/Power-Flo®/Ultra Pro Turbo-Flo™/Power-Flo® LX/Xstream Filtration System.....	0-128
SPX1090E	Vinyl Skimmer Gasket-Rubber/SFX40090 .....	G-115R	SPX1500X	Pump Gasket/Power-Flo® Strainer Gasket .....	G-230
SPX1090F	Spacer Gasket		SPX1500XL	Strainer Basket Large (1992)	
SPX1090WMSG	Skimmer Face Plate Wide Mouth Gasket.....	G-409	SPX1580Z1	Power-Flo® Housing O-ring/Ultra Pro/Turbo-Flo™ LX .....	0-299
SPX1090WMSB	Strainer Basket For Wide Mouth Skimmer		SPX1600M	Super Pump® Basket .....	B-167
SPX1090WMW	Weir For Wide Mouth Skimmer		SPX1600R	Super Pump®/Max-Flo™ Diffuser Gasket/Ultra Max/ Super Pump® II .....	0-141
SPX1091C1	Basket For 1091 LX Skimmer		SPX1600S	Super Pump® Lid Gasket.....	0-177
SPX1091G	Gasket Standard Butterfly		SPX1600T	Super Pump®/Max-Flo™ Housing Gasket/Ultra Max .....	G-95
SPX1091GW	Gasket Widemouth Butterfly		SPX1600Z2/VIT	Pump Seal NorthStar™/Super Pump®/ Super Pump® II/Max-Flo™/Ultra Max.....	AS-201/V (AS-1521)
SPX1091K1	Weir For 1091 LX Skimmer		SPX1680GA	1680 Series Basket/Power-Flo® LX	
SPX1091Z1	Skimmer Hose Adapter .....	919	SPX1700FG	Gasket Only For Drain Plug/Max-Flo™/Ultra Max/Matrix®/ Power-Flo®/Power-Flo® II .....	G-217
SPX1091Z6	Hose Clamp .....	274-20	SPX1705Z1	Pump Housing Gasket/Power-Flo® II/Turbo-Flo™ .....	0-237
SPX1094FA	Skimmer Basket .....	B-203	SPX1720KA	Pump Seal Power-Flo® II 1 & 1 1/2 Horse Power.....	AS-1000
SPX1094G	Skimmer Gasket .....	G-269	SPX1905E	Self Draining Pump Housing O-ring Gasket/Housing O-ring Power-Flo®	
SPX1094K	Skimmer Weir 5 7/8" .....	933	SPX2300M	MaxFlo XL™ Strainer Basket	
SPX1096CA	Skimmer Basket .....	B-168	SPX2300Z4	MaxFlo XL® Strainer Cover O-ring .....	0-19
SPX1096CA	Skimmer Basket-Metal.....	B-115	SPX2700M	Max-Flo™ II Strainer Basket	
SPX1096K	Skimmer Weir 5 7/8" -Skim Filter .....	933	SPX2700SA/V	Seal Assembly For MaxFlo II®, XL™, VST™ Series & Booster Pump.....	AS-200/V
SPX1099B	1099 Spa Skimmer Basket.....	B-202	SPX2700Z4	Max-Flo™ II Strainer Cover O-ring .....	0-18
SPX1099E	1099 Spa Skimmer Gasket		SPX2800M	Max-Flo™ Basket (1995-Present) Ultra Max	
SPX1099K	1099 Spa Skimmer Weir		SPX2800TG	Pressure Test Gasket	
SPX1104	Small Vac Plate Complete With Straight and Elbow Connector For SPX1090, 1091, 1092.....	913	SPX3000M	Super Pump® II Basket.....	B-207
SPX1104A	Small Vac Plate Only .....	913A	SPX3000S	Super Pump® II Lid O-ring.....	0-12
SPX1104/7B	Vac Plate Straight Connector .....	915			
SPX1104/7C	Vac Plate Elbow .....	916			
SPX1107	Large Vac Plate Complete With Straight and Elbow Connector For SPX1070, 1075, 1082, 1084, 1085.....	914			
SPX1107A	Large Vac Plate Only .....	914A			
SPX1250G	Pump Gasket .....	G-68			
SPX1250RA	Pump Basket/Max-Flo™ (Prior To 1994)/Power-Flo® (Prior to 1992)/Turbo-Flo™/Turbo-Flo™ LX .....	B-169			
SPX1250RA	Pump Basket (Metal Version-See B-169 For Plastic).....	B-114			
SPX1250XZ2	Pump Seal (After 1967) .....	AS-200			
SPX1250XZ2C	Booster Pump Seal assembly .....	AS-200			

SPX3000SV	Bromine Feeder Cover Viton® O-ring.....	0-12V
SPX3000T	Super Pump® II Gasket/Seal Plate O-ring NorthStar™.....	G-345
SPX3200M	Basket For TriStar® Pump/EcoStar®.....	
SPX3200S	Strainer Cover O-ring TriStar® Pump.....	0-13
SPX3200SA/V	Shaft Seal Assembly For TriStar® Pump/NorthStar™/EcoStar®..AS-3890/V	
SPX3200T	Housing O-ring TriStar® Pump/EcoStar®/NorthStar™/Swim Clear/ Max Flo II/Universal H Series Low Nox.....	0-529
SPX3200UG	Union Gasket (T Seal) TriStar® Pump.....	0-530
SPX32712	Jack's Magic-Lubricant.....	630
SPX0410X	2" Slide Valve O-ring Set/Val-Pak.....	0-512KIT
SPX4000FG	Gasket Only For Drain Plug MaxFlo NorthStar™ & TriStar®.....	0-25
SPX4000M	Basket For NorthStar™.....	B-218
SPX4000S	NorthStar™ Strainer Cover O-ring (2008 And Later).....	0-3
SPX4000SA2/V	Seal Assembly For NorthStar™.....	AS-3890/V
SPX4000T	Seal Plate O-ring NorthStar™.....	0-239
SPX4000TS	Strainer Cover T-Seal (After 2003).....	0-510
SPX4000Z1	Union & Diffuser O-ring For NorthStar™/TriStar®/EcoStar®.....	0-83
SPX5500F	Matrix® Strainer Basket.....	
SPX5500H	Matrix® Strainer Cover O-ring.....	0-453
SPX5500K	Matrix® Strainer O-ring.....	0-4
SVX280070	Large O-ring Super Vision For Concrete and Vinyl.....	
SVX280080	Small O-ring Super Vision For Concrete and Vinyl.....	
SX160Z1	Sand Filter Tank O-ring.....	0-339
SX180G	S164T, 166T, 180T, 220T, 244T Sand Filter/Pro Series Drain Cap Gasket (2004 and Prior).....	G-382
SX180LA	O-ring Only For Drain Cap Assembly.....	
SX200Z3	Bulkhead Sand Filter O-ring/Micro Clear 2" Union O-ring, Super Star-Clear™ Bulkhead Fitting (1995 & Prior).....	0-43
SX200Z4/	Sand Filter O-ring/Vari-Flo™ Connector O-ring/Micro.....	
SX200Z4PAK2	Clear Bulkhead O-ring (1995 & Prior) Pro Grid/Super Star-Clear™.....	0-64
SX200Z5	Sand Filter O-ring/Pro Series & Micro Clear Air Relief O-ring Super Star-Clear™.....	0-27
SX200Z6	Sand Filter Lid O-ring.....	0-284
SX200Z7	S-200 Filter Tank O-ring.....	0-103
SX200Z8A	Drain Cap Gasket.....	
SX200Z9	Sand Filter Drain Gasket/Cartridge Filter/DE Filter/Gasket For Threaded Sight Glass 1700 Series.....	G-182
SX200Z14	Sand Filter Drain Pipe O-ring Before 1980 (Old Dome).....	0-27
SX200Z14	Sand Filter Drain Pipe O-ring After 1980 (New Dome).....	0-363
SX220Z2	Connector O-ring SwimClear™ Filter.....	0-649
SX220Z3	Large Pro Series O-ring (1995 & Prior).....	0-179
SX240Z1	Sand Filter Tank O-ring.....	0-340
SX360E	Pro Series Plus Spacer O-ring (After 1995).....	
SX360Z1	Microclear & Pro Series Bulkhead O-ring (1996 to Present) NorthStar™ Diffuser O-ring/Super Star-Clear™.....	0-246
VLX4008	Body O-ring for VL Series Pump.....	0-20

**HELDOR (ADDITIONAL LISTINGS UNDER EZ-CHLOR)**

	25 Sq. Ft. Cartridge Filter Element.....	12502
	50 Sq. Ft. Cartridge Filter Element.....	15002
12883-03	Dynapure DP Tank O-ring.....	0-405

**HERCULES**

3037P	Universal Pressure Switch.....	3925
3903-AN	Universal Pressure Switch.....	3902
3908-AN	Universal Pressure Switch.....	3925
TBS-301	Air Switch.....	TBS-301
TBS-317	Air Switch.....	TBS-317
ATP-300-06	3 Button Air Transmitter Panel.....	ATP-300
9200-06-000-06	2 Button Spa Side Controller.....	CC2-120-10
9200-10-000-06	2 Button Spa Side Controller.....	CC2-120-10
9350-10-000-06	3 Button Spa Side Controller & Retro-Fit Faceplate.....	CC3-120-10 & 20205
9400-06-000-06	4 Button Spa Side Controller & Retro-Fit Faceplate.....	CC4-120-10 & 20205
9400-10-000-06	4 Button Spa Side Controller & Retro-Fit Faceplate.....	CC4-120-10 & 20205
760047	Air Switch.....	TBS-312
760048	4 Function Air Switch (TBS-312 Required).....	CSC-1185
760049	Air Switch.....	TBS-301

760050	Universal Air Switch.....	TBS-901
760051	Universal Air Switch.....	TBS-917
760052	Air Switch.....	SAS-143
760057	4 Function Air Switch (TBS-312 Required).....	CSC-1131
760073	Universal Pressure Switch.....	3925
760140	2 Button Spa Side Controller.....	CC2-120-10
760145	3 Button Spa Side Controller & Retro-Fit Faceplate.....	CC3-120-10 & 20205
760502	Heater Element O-ring.....	0-226

**HERGA**

6861-AC	Air Switch.....	TBS-301
6861-00	Air Switch.....	TBS-402
6861-0C	Air Switch.....	TBS-302
6862-AC	Air Switch.....	TBS-317
6862-00	Air Switch.....	TBS-419
6863-0C	Air Switch.....	TBS-304
6869-FC	Air Switch.....	TBS-312
6871-AC	Air Switch.....	TBS-301
6871-0C	Air Switch.....	TBS-302
6872-AC	Air Switch.....	TBS-317
6872-00	Air Switch.....	TBS-419

**HOBBS**

26775	Universal Pressure Switch.....	3902
26776	Universal Pressure Switch.....	3902
26777	Universal Pressure Switch.....	3902
26778	Universal Pressure Switch.....	3902
71076	Universal Pressure Switch.....	3902
73591	Universal Pressure Switch.....	3925
M3218	Universal Pressure Switch.....	3902

**HOLLIBAUGH**

	10 Sq. Ft. Cartridge Filter Element.....	11003
	25 Sq. Ft. Cartridge Filter Element.....	12509
	50 Sq. Ft. Cartridge Filter Element.....	15004
	75 Sq. Ft. Cartridge Filter Element.....	17506

**HOMELITE**

62363-A	Gasket.....	G-311
62665-A	Impeller Housing Gasket.....	G-354
62772	O-ring.....	0-400

**HOT TUB HEAVEN**

ATP-300-01	3 Button Air Transmitter Panel.....	ATP-300
9350-10-000-06	3 Button Spa Side Controller & Retro-Fit Faceplate.....	CC3-120-10 & 20205

**HUSTLER**

A111	Small O-ring.....	0-25
A211	Large O-ring.....	0-288

**HYDRA BATHS**

700230	Air Switch.....	TBS-312
700325	Air Switch.....	TBS-301
700687	Air Switch.....	TBS-306

**HYDREL (SEE PUREX)**

8092-S	Lens Gasket.....	0-407
--------	------------------	-------

**HYDRO (SEE PAC-FAB)**

**HYDRO AIR**

	ADJ Flow Jet O-ring.....	0-50
	Air Control O-ring.....	0-362
10-010EP70	Adjustable Micro Jet Rotor Body Air O-ring.....	
10-014EP70	Adjustable Micro Jet Rotor-Water O-ring.....	
10-021EP70	Adjustable Micro Jet Rotor Body O-ring.....	
10-027EP70	Adjustable Micro Jet Wall Fitting O-ring.....	

10-2107	1" Micro Gasket	
10-2204	Slim Line Air Control ½" Gasket	
10-5847	Gasket Convertassage	
10-3705	Micro Magna/Micro Jet Fitting Gasket	
10-3804	Wall Fitting Gasket.....	G-219
10-5008	VSR Wall Fitting Gasket	
10-5857	ADJ Jet Test Plug Union O-ring .....	0-49
10-6003	Main Drain Gasket	
10-3439	1" Union & 1 ½" Pump Mark II O-ring .....	0-49
10-3469	1 ½" & 2" Union O-ring.....	0-301
16-5523	Therasage Canister Gasket	
30-027	Butterfly 3 Port O-ring	

**HYDRO PUMP (ADDITIONAL LISTINGS UNDER PAC-FAB)**

	5" H & L Trap O-ring .....	0-74
	6" H & L Trap O-ring .....	0-12
214	Basket-Metal.....	B-5
414	Basket-Metal.....	B-6
508	Basket-Metal.....	B-22
517	Basket-Metal.....	B-23
708-1	Pump Basket-Plastic.....	B-45
708-1	Pump Basket-Metal .....	B-55
708-2	Pump Basket-Plastic.....	B-44
708-2	Pump Basket-Metal .....	B-54
1014	Commercial Basket-Metal .....	B-53

**HYDRO QUIP**

3010-P	Universal Pressure Switch .....	3925
TBS-317	Air Switch.....	TBS-317
8400-10-000-06	4 Button Spa Side Controller & Retro-Fit Faceplate .....	CC4-120-10 & 20205
9400-10-000-06	4 Button Spa Side Controller & Retro-Fit Faceplate .....	CC4-120-10 & 20205
22101	4 Function Air Switch .....	SAS-101
22103	Universal Pressure Switch .....	3925
22121	Air Switch.....	TBS-301
22178	Universal Air Switch .....	TBS-917
24110	2 Button Spa Side Controller .....	CC2-120-10
24113	3 Button Spa Side Controller & Retro-Fit Faceplate .....	CC3-120-10 & 20205
CSC-1105	4 Function Air Switch (TBS-312 Required).....	CSC-1101
FP-2001	Air Switch.....	TBS-312
MPT-06-3242	Air Transmitter.....	M-06-3242
TBS-212	Universal Air Switch .....	TBS-901

**HYDRO SPA**

	25 Sq. Ft. Cartridge Filter Element (After Hours Spas).....	12519
	35 Sq. Ft. Cartridge Filter Element.....	11802
	50 Sq. Ft. Cartridge Filter Element.....	15002
3029	Universal Pressure Switch .....	3925
3029-P	Universal Pressure Switch .....	3925
TBS-301	Air Switch.....	TBS-301
TBS-312	Air Switch.....	TBS-312
TBS-317	Air Switch.....	TBS-317
8300-06-000-06	3 Button Spa Side Controller & Retro-Fit Faceplate .....	CC3-120-10 & 20205

**HYDRO SURGE**

PT-73208	Foot Pedal .....	PT-73208
TBS-317	Air Switch.....	TBS-317
TBS-324	Air Switch.....	TBS-301

**HYDRO SYSTEMS**

TBS-310	Air Switch.....	TBS-301
TBS-410-882	Air Switch.....	TBS-410

**HYDRO TECH (SEE BAKER HYDRO, EASTSIDE, GUARDEX, HYDREL, PUREX)**

**HYPRIME**

	Lid O-ring .....	0-48
--	------------------	------

Impeller O-ring.....	0-49
Pot To Volute O-ring.....	0-64
Large Impeller O-ring.....	0-41
Small Impeller O-ring .....	0-227

**INLAND MFG**

ATP-300	3 Button Air Transmitter Panel.....	ATP-300
8301-06-000-06	3 Button Spa Side Controller & Retro-Fit Faceplate .....	CC3-120-10 & 20205
8401-10-000-06	4 Button Spa Side Controller & Retro-Fit Faceplate .....	CC4-120-10 & 20205
8754-10-000-06	3 Button Spa Side Controller & Retro-Fit Faceplate .....	CC3-120-10 & 20205

**INTERMATIC**

CSC-1102	4 Function Air Switch (TBS-312 Required) .....	CSC-1102
133RC921	Air Switch.....	TBS-301
143RC93	4 Function Air Switch (TBS-312 Required).....	CSC-1102

**INTERNATIONAL**

	Collection Tube O-ring .....	0-32
	Crank O-ring.....	0-47
	Lower Piston O-ring .....	0-225
6721-9	Tank O-ring .....	0-197
6291-9	Tank O-ring .....	0-201
	Manifold O-ring.....	0-286
	Bonnet Flange Gasket .....	G-266
	Pump Basket-Plastic.....	B-101
PP8102-15	Basket-Metal.....	B-7
10951-15	Basket-Metal.....	B-148
1511-7	Skimmer Basket-Metal.....	B-26
2442-40	Basket-Metal.....	B-25
8492-40	Basket-Metal.....	B-24

**INTEX®**

Find Cross Reference on our website @ [www.aladdin1950.com](http://www.aladdin1950.com)

**JACUZZI® (CANTAR)**

	Plastic Multiport Valve Stem O-ring .....	0-363
	Collection O-ring.....	0-50
	4 Way Valve Upper Disc Body O-ring .....	0-125
	ULSB Clear Lid O-ring.....	0-302
18189-R	Shaft Seal For PHP	
18190-R	Slinger For PHP	
18192-R	Seal Plate O-ring For PHP	
29726-R	SPP Submersible Sump Pump, APS/PBS Seal	
30198-R	SPP Submersible Sump Pump Housing Square Ring	
03-0903-05-R	Strainer Cartridge Element .....	WIP
03-1957-24-R	I Series Case Assembly Plug O-ring	
07-3610-09-R	Pump Shaft (8M) (3PJMCH25).....	155
07-5769-03-R	Shaft Seal (10M)	
07-5994-18-R	Pump Shaft (C1 All Others)	
07-5995-17-R	Pump Shaft (75PJMCH4-S)	
07-5769-03-R	Pump Shaft (10M)	
10-0002-06-R	Shaft Seal (Replaces 10143600) Cygnet, 5/8" Pirahna A Series, J, JCM Series, K, KM Series, LR Series, LPH/LPC/LTPH/LH LTH, Vector Series, SLPH/SLTPH, U Series, L Series, B Pump ...	AS-200
10-0369-03-R	Pump Seal (DB3 5-15 HP)	
10-0370-00-R	Pump Seal (DB3 20 HP)	
10-0380-00-R	Shaft Seal For Endura/Endura Plus	
10-0476-00-R	Pump Seal.....	AS-200
10-0477-00-R	Pump Seal.....	AS-201
10-0478-00-R	Pump Seal.....	AS-359
10-0479-00-R	Pump Seal.....	AS-358
10-0486-00-R	Pump Seal.....	AS-201
10-0487-00-R	Pump Seal.....	AS-201
10-0506-00-R	Pump Seal.....	AS-359
10-0602-06-R	Vector LVL Pump Seal.....	AS-200
10-0802-08-R	Seal Cygnet/Cygnet II Series/L Series/B Pump/K/KM.....	AS-200

10-1202-00-R	Pump Seal.....	AS-359
10-1203-01-R	Pump Seal (P, 8M, ULS, 3PJMCH25) .....	AS-877
10-1299-06-R	Pump Seal (10M).....	AS-235
10-1348-07-R	Pump Seal (C1 All Others) PJM (Discontinued) .....	PSR-758
10-1349-06-R	Pump Seal (75PJMCH4-S)	
10-1390-04-R	Pump Seal (Magnum, ERC, RC)(See 10-1502-09).....	AS-201
10-1434-02-R	Pump Seal.....	AS-361
10-1436-00-R	Pump Seal (L Series) LCM/LCU/LR Series (10-0002-06) .....	AS-200
10-1502-09-R	Shaft Seal (Replaces 10139004) PH & UPH Models ¾” Pirahna A Series/Magnum/RC Series .....	AS-201
10-1529-08-R	Shaft Seal & O-ring For Model Gas Contractor	
13-0001-04-R	Housing Gasket	
13-0002-03-R	Sleeve Gasket	
13-0003-02-R	Impeller Gasket	
13-0004-02-R	Rubber Diffuser Gasket	
13-0006-09-R	Vinyl Liner Return Fitting O-ring	
13-0007-08-R	Deckmate Standard Throat Gasket	
13-0010-03-R	Deckmate Wide Mouth Throat Gasket	
13-0011-02-R	Deckmate 2” Plug O-ring Sher 80 & 120/Avalanche .....	0-64
13-0013-00-R	Deckmate 1 ½” Plug O-ring/Avalanche.....	0-64
13-0014-09-R	Deckhand Skimmer Gasket (2 Required)	
13-0015-08-R	Deckhand Skimmer Return Fitting Gasket	
13-0061-01-R	Pump Gasket.....	G-4
13-0090-06-R	Check Valve Pump Gasket 8,10M.....	G-122
13-0091-05-R	FPLR Gasket	
13-0114-08-R	Niche Face Ring Gasket	
13-0115-07-R	Niche Channel Gasket	
13-0136-02-R	Flange Gasket (C1 3PJMCH25).....	G-139
13-0150-02-R	VB-21 Gasket .....	G-268
13-0151-02-R	Pump Boot.....	G-205
13-0178-01-R	U Pump Gasket.....	G-123
13-0190-05-R	Gasket	
13-0191-04-R	Gasket (C1 All Others Obsolete 12/1991) PJM.....	G-136
13-0192-03-R	Gasket.....	G-137
13-0197-08-R	JY JH Starline Gasket	
13-0220-09-R	Flange O-ring .....	0-239
13-0221-08-R	Flange Gasket.....	G-146
13-0235-02-R	Lens Gasket.....	0-482
13-0239-08-R	5 Way Valve Gasket .....	G-134
13-0243-02-R	Gyromat Valve Gasket .....	G-126
13-0244-01-R	Filter Gasket .....	G-133
13-0273-05-R	4 Way Valve Gasket .....	G-125
13-0275-03-R	4 Way Valve Gasket .....	G-124
13-0276-02-R	4 Way Valve Gasket .....	G-131
13-0277-01-R	4 Way Valve Elbow Gasket.....	G-132
13-0300-02-R	Flange Gasket.....	G-130
13-0301-01-R	Tank Clamp Gasket .....	0-235
13-0314-06-R	Pump Gasket (8M, 10M, ULS) (3PJMCH25).....	G-127
13-0329-09-R	Gasket.....	G-138
13-0377-00-R	Multiport Valve Gasket .....	G-147
13-0378-09-R	5 Way Valve Gasket/Laser Systems/MFM 15,17,20,24/ E15MFM/E17MFM/L Series Dial Valve .....	G-145
13-0379-08-R	Flange Gasket (C1 All Others) PJM	
13-0382-03-R	DEFL Gasket & Sight Glass Gasket For 7 Position Dial Valve	
13-0384-01-R	DB3 5-15 HP 1” Sleeve O-ring	
13-0385-00-R	DB3 20 HP 1 3/8” Sleeve O-ring	
13-0395-08-R	HT/WHT Fitting Gasket	
13-0396-07-R	Diaphragm Gasket	
13-0403-08-R	Gasket	
13-0407-04-R	Gasket	
13-0411-08-R	WL/WC/WB Skimmer Flange Gasket (2 Required).....	G-475
13-0414-05-R	CF Filter Tube Gasket .....	G-311
13-0417-02-R	CF Filter Cover O-ring .....	0-338
13-0428-09-R	SS-24 Filter Tank Ring .....	0-427
13-0456-04-R	Baffle Gasket	
13-0462-06-R	SV Skimmer Gasket	
13-0463-05-R	SL Skimmer/SD Suction Fitting Gasket.....	G-141
13-0478-08-R	SD Suction Fitting Cover Gasket	
13-0486-16-R	AC-2 Air Control Fitting Gasket (Obsolete 1991)	

13-0825-08-R	PMI Inlet Fitting Gasket	
13-0864-00-R	MOL Main Drain Gasket	
13-0870-02-R2	Face Flange Gasket IFL/IFD Directional Ball Inlets.....	G-483
13-0871-01-R	Face Flange Gasket IFA Directional Ball Inlets	
13-0872-06-R	Valve Gasket.....	G-143
13-0877-05-R	PMT Skimmer Valve Gasket & DTP/TP4 Test Plug Gasket F/Screw PO & WPO Series Suction Fitting (4 Required)	
13-0878-04-R	PMT Skimmer Flange Gasket .....	G-140
13-0880-00-R	Multiport Valve Gasket .....	G-142
13-0881-09-R	Underdrain Gasket.....	G-144
13-0888-02-R	5 Way Valve Gasket .....	G-141
13-0889-01-R	RP2 Cork Gasket	
13-1020-09-R	HT/WHT Fitting Gasket	
13-1021-08-R	Standard Suction Fitting Gasket PO/WPO	
13-1022-07-R	Laser Drain Cap Gasket	
13-1023-06-R	CFR Drain Gasket (2/1/1993 - 1/3/1996), Landslide For 85-8263-00 Drain Cap/Separation Tank/ Sandstorm/Laser Drain Nozzle .....	0-83
13-1074-04-R	Star Gasket Kraton 2” Dial Valve	
13-1075-03-R	Dial Valve Gasket For Waste Indicator	
13-1076-02-R	Spider Gasket 1 ½”	
13-1207-04-R	Main Drain Series Vinyl Liner Gasket.....	G-474
13-1223-04-R	Gasket.....	G-135
13-1230-05-R	Face Flange Gasket For WWFL Skimmer (Use 2) (Prior to 1998).....	G-475
13-1231-04-R	Vacuum Plate Gasket For WWF Skimmer	
13-1232-03-R	Vacuum Plate Plug Gasket For WWF Skimmer	
13-1300-00-R	Drain Nozzle Gasket	
13-1929-30-R	Double Sided Gasket For WWF Skimmer	
13-1929-50-R	Face Flange Gasket	
13-1929-70-R	Eyeball Nut Gasket (2 Required)	
13-1929-80-R	Flange Gasket (2 Required)	
13-1930-60-R	Face Flange Gasket PAW S12 Skimmer	
14-0002-02-R	Pump Shaft Ext. Screw .....	153
14-0003-01-R	Pump Shaft Screw	
14-0139-09-R	Earthworks Manifold Bottom Pipe O-ring (Effective 9/1998).....	0-24
14-4282-05-R	Air Bleed Knob With O-ring Boot	
16-0064-06-R	Basket-Metal .....	B-112
16-0139-06-R	R & RC Pump Basket-ULSB/ULSC/PH & UPH/P/PC/EP .....	B-184
16-0240-02-R	L & EP Series Pump Basket P, PL/SLPH & SLTPH/U Series/ B Pump .....	B-175
16-0337-06-R	Magnum Series™ Pump Basket .....	WIP
16-0343-08-R	Basket-Metal.....	B-3
16-0344-00-R	Basket-Metal.....	B-15
16-0345-06-R	Basket-Metal (3PJMCH25) (Obsolete 12/1990).....	B-56
16-0347-04-R	Basket-Metal.....	B-89
16-0354-00-R	Basket-Metal.....	B-57
16-0363-03-R	Basket-Metal.....	B-58
16-0444-00-R	Basket-Metal.....	B-59
16-0455-02-R	Basket-Metal.....	B-122
16-0470-03-R	Basket-Metal.....	B-57
16-0470-00-R	Tapered Basket.....	B-103
16-0471-28-R	4” Tapered Basket .....	B-102*
16-0471-28-R	Basket-Metal.....	B-76
16-0471-00-R	Basket-Metal.....	B-92
16-0707-08-R	VMC and VMB Pump Basket	
16-0729-02-R	B Pump Strainer Basket	
16-0947-08-R	Basket-Metal (B-184) .....	B-93
16-0964-06-R	Pump Basket W/Notch (B-93).....	B-184
16-1052-07-R	L & PH/UPH Pump Basket	
16-1052-15-R	PH & UPH Pump Strainer Basket Cygnet™ Series-LVL/LH & LTH/LPH/LPC/LTPH/L Series/Endura Plus.....	WIP
16-1086-06-R	Strainer Basket W/Flapper For Magnum Force, Magnum, Magnum Plus, Magnum Force 3 (Prior to 2/1/2003).....	WIP
16-1095-06-R	Magnum Basket	
16-1097-04-R	Magnum Basket W/Flapper For Magnum Plus & Magnum Force	
16-1099-02-R	Deckmate Basket	
16-1134-09-R	Strainer Basket With Flapper For Magnum Force (After 2/1/2003)	



22-2098-03-R Motor Slinger Gasket  
 23-0151-00-R 1 1/4" Seal Ring ..... G-128  
 23-0153-08-R 2" Seal Ring ..... G-129  
 23-2214-01-R CF-40 Crystal Flow Disc-40 Sq. Ft. Cartridge Filter Element-6 Oz. .... 14005  
 23-2297-01-R CF-60 Crystal Flow-60 Sq. Ft. Cartridge Filter Element-6 Oz ..... 16004  
 23-2377-04-R CF-25 Crystal Flow-25 Sq. Ft. Cartridge Filter Element-6 Oz ..... 12508  
 31-0024-05-R M/B Series Hose Clamp ..... 274-20  
 31-0105-07-R CFR System Hose Clamp..... 274-20  
 31-0943-03-R Replaced By 47-0112-00 ..... 0-39  
 31-1609-06-R 1/4" Magnum Plug O-ring Cygnet A Series/Pirahna/RC/CF25/CFR25 Plug O-ring PH & UPH/L Series/Model MF15/P/PC/EP/LH/L LPH L/LPH/LPC/LTPH/SLPH/SLTPH (See 47-0112-00 O-ring Only) ..... 0-39  
 31-1649-08-R RMST24/ST27 & 33 Plug With O-ring (47-0213-06) ..... 0-122  
 39-0226-03-R Basket-Metal (C1 All Other) PJM ..... B-109  
 39-0227-02-R Basket-Metal ..... B-157  
 39-0288-08-R Dial Valve Gasket O-ring Kit Plate ..... WIP  
 39-0344-00-R Gasket Plate (Obsolete 1992) 2" Dial Valve-Multiport  
 39-2547-01-R Valve/Separation Tank O-ring (47-0106-08)..... 0-455  
 42-0131-02-R Collar Seal Gasket..... G-148  
 42-0214-49-R Earthworks Filter O-ring  
 42-2782-00-R CFR-15 Disc In Line-15 Sq. Ft. Cartridge Filter Element..... 11503  
 42-2828-06-R Magnum Retainer Ring  
 42-2872-01-R Replaced By 42-2904-03  
 42-2874-01-R RMST24 Drain Plug O-ring (47-0213-08/47-0326-02) ..... 0-122  
 42-2891-08-R CFR-25 In Line-25 Sq. Ft. Cartridge Filter Element 7/88 ..... 12507  
 42-2904-03-R Inspection Plug O-ring (rep's #42-2872-01) RMST24 ..... 0-122  
 42-2927-06-R Sand Trap Filter Adapter For Valve Lid O-ring W/ Hayward®/ST27, 33, Dial Valve Adapter O-ring ..... 0-466  
 42-2940-09-R CFR-50, CFT-50-50 Sq. Ft. Cartridge Filter Element..... 15015  
 42-2941-08-R CFR-100, CFT-100-100 Sq. Ft. Cartridge Filter Element..... 19910  
 42-3508-01-R CFR-150-150 Sq. Ft. Cartridge Filter Element ..... 25004  
 42-3509-00-R CFR-75-75 Sq. Ft. Cartridge Filter Element..... 17514  
 42-3533-00-R CFR-37 In Line-37 Sq. Ft. Cartridge Filter Element (Upgrade)..... 13702  
 42-3540-00-R CFR-200-200 Sq. Ft. Cartridge Filter Element ..... 29901  
 42-3541-00-R DE Scoop ..... 300  
 42-3667-07-R SherLok® 160 Sq. Ft. Cartridge Filter Element ..... 26001  
 42-3668-08-R SherLok® 200 Sq. Ft. Cartridge Filter Element ..... 29903  
 42-3674-09-R SherLok® 80 Sq. Ft. Cartridge Filter Element ..... 18004  
 42-3675-08-R SherLok® 120 Sq. Ft. Cartridge Filter Element ..... 22006  
 42-3724-09-R CE 40 Element Age System..... 14016  
 42-3725-08-R CE 60 Element Age System..... 16013  
 43-0507-07-R PMT Skimmer Basket..... B-183  
 43-0507-07-R Basket-Metal ..... B-113  
 43-0510-02-R PMT Skimmer Weir 8 1/8" ..... 937  
 43-0573-06-R WL/WC/WB Skimmer Basket..... WIP  
 43-0676-02-R SV Skimmer Basket Only ..... B-202  
 43-0785-00-R SV Skimmer Weir/Basket Assembly..... B-202  
 43-1092-06-R Strainer Basket For WWF Skimmer  
 43-1246-01-R Weir For WWF Skimmer  
 43-1252-90-R Basket Deckhand Skimmer  
 43-1253-20-R DHW-15 Skimmer Weir  
 43-1255-10-R 25 Sq. Ft. Filter Cartridge Element For AGS6-25  
 43-1255-20-R 50 Sq. Ft. Filter Cartridge Element For AGS12-50  
 43-1256-50-R Basket For Deckhand Above Ground Skimmer  
 43-1256-60-R Weir For Deckhand Above Ground Skimmer  
 43-2953-02-R SF 25 Skimmer Filter Basket  
 43-2954-01-R Whirlpool Bath (6199000)-25 Sq. Ft. Cartridge Filter Element SF25 Skimmer..... 12512  
 43-2957-08-R SF-25 Skimmer Filter Weir  
 43-3010-01-R SL Skimmer/SD Suction Fitting Gasket  
 43-3036-01-R Flapper For Basket  
 43-3056-06-R Weir For Deckmate Skimmer  
 43-3091-03-R Drain Assembly 1 1/2" Plug O-ring For CFR,

Sher80/120/160/200 #47-0228-01 ..... 0-64  
 43-3092-02-R Drain Assembly 2" Plug O-ring For CFR, Sher80/120/160/200 #47-0228-01 ..... 0-64  
 43-3096-00-R 1 1/2" - 2" Plug Gasket For Deckmate Skimmer  
 43-3098-06-R O-ring Boot-Avalanche  
 43-3109-03-R Deckhand Skimmer Basket  
 43-3112-08-R Weir For Deck Hand Skimmer  
 47-0008-07-R O-ring ..... 0-243  
 47-0013-00-R MFM Filter Bottom Drain O-ring ..... 0-253  
 47-0020-01-R Filtromat Series K O-ring ..... 0-219  
 47-0021-00-R Air Cont Fitting Valve Seat O-ring NAC Series/AC-2 Series ..... 0-454  
 47-0022-09-R PVM, DB3 5-15 HP Shaft Sleeve O-ring..... 0-220  
 47-0028-03-R Filter Valve O-ring ..... 0-32  
 47-0036-03-R Pump Case Union O-ring..... 0-395  
 47-0080-76-R O-ring ..... 0-243  
 47-0106-08-R CFR 50/75/100/150 Filter Air Relief O-ring (1-88) For 39254701 Valve/Sher80 & 120 ..... 0-455  
 47-0108-06-R Landslide DE Filter Cover/Rod O-ring  
 47-0110-02-R Valve & Filter O-ring Spring Retainer Dial Valve ..... 0-155  
 47-0112-00-R Stem/Crank/Pump/Plug/Filter O-ring (Before 2/1/1993) Cygnet™/Magnum™ Earthworks/(Separation Tank LH-Units Prior 6/93) CFR25/CFT25 Triclops/SLPH/SLTPH/CFT 50/100-CFT5BY/100BY-Model MFM15 LH/LTH/LPH/LPC/LTPH/B Pump..... 0-39  
 47-0115-07-R S/W Injector O-ring ..... 0-5  
 47-0116-06-R Filtromat O-ring ..... 0-158  
 47-0116-30-R Dial Valve O-ring ..... 0-158  
 47-0117-05-R 1 1/2" Valve O-ring Shaft Retainer Dial Valve ..... 0-158  
 47-0118-04-R S/W Injector O-ring..... 0-456  
 47-0120-00-R RP2/RP3 Injector Cap (After 11/1/1991) ..... 0-438  
 47-0122-08-R S/W Injector O-ring ..... 0-410  
 47-0123-07-R RM2 Injector Cap (After 11/1/1991) ..... 0-189  
 47-0126-04-R DB3 20 HP Shaft Sleeve O-ring..... 0-360  
 47-0129-01-R Skim Mat O-ring ..... 0-222  
 47-0131-07-R Gyro Flo O-ring ..... 0-37  
 47-0139-09-R TP4 Test Plug O-ring (Obsolete 92)Earthworks DE Filter EW75/EW150 Manifold Assembly O-ring (Effective 9/1999) ..... 0-24  
 47-0142-04-R 39-1619-06 Assembly O-ring Dial Valve 2" Multiport..... 0-168  
 47-0143-03-R 2" Multiport Valve O-ring (After 8/1973) 39-0342-02 Assembly Dial Valve ..... 0-223  
 47-0144-02-R 2" Multiport Valve O-ring (Before 8/1973) ..... 0-224  
 47-0161-00-R DA1A-DA1B Case O-ring ..... 0-307  
 47-0165-06-R DB3/DB1 Case O-ring ..... 0-457  
 47-0175-04-R DC Series Case O-ring ..... 0-458  
 47-0211-00-R JY Tail Brg ..... 0-288  
 47-0212-09-R RM2, RM3 S/W Injectors 2" Dial Valve Head O-ring ..... 0-276  
 47-0212-66-R Manifold Return Knob O-ring Triclops-Dial Valve O-ring Earthworks..... 0-69  
 47-0213-08-R RM2, RM3, RMST S/W Injectors ..... 0-390  
 47-0213-08-R RMST24 Drain Plug O-ring ..... 0-122  
 47-0214-07-R Dial Valve Shaft O-ring ..... 0-69  
 47-0214-49-R Earthworks Filter/Triclops Manifold Return Knob O-ring ..... 0-69  
 47-0216-05-R Venturi O-ring ..... 0-225  
 47-0218-11-R NAC Series Air Control Knob O-ring..... 0-282  
 47-0218-45-R AC-2 Air Control Knob O-ring ..... 0-282  
 47-0220-09-R TP-1 Test Plug O-ring..... 0-113  
 47-0221-08-R 4 Way Valve Body Disc O-ring ..... 0-226  
 47-0222-07-R PM Filter Valve O-ring ..... 0-227  
 47-0222-07-R PM Filter Valve Gasket ..... G-227  
 47-0223-06-R CF Filter Drain Plug O-ring ..... 0-40  
 47-0224-05-R PM Filter Valve O-ring/MO Main Drain..... 0-125  
 47-0225-04-R Union Hose Assembly O-ring-Laser ..... 0-287  
 47-0226-03-R Inlet Union Fitting O-ring Seal..... 0-49  
 47-0227-02-R Gyro Flo O-ring ..... 0-41  
 47-0227-36-R Gyromat Backwash Valve Lower O-ring ..... 0-41  
 47-0228-01-R 225A,B, C Jet Charger O-ring-Separation Tank Plug O-ring Sher80/120/160/200 For 1 1/2" - 2" Plug (43-3092-02/44-3091-03)..... 0-64

47-0228-35-R Gyromat Backwash Valve Upper O-ring..... 0-64  
 47-0228-68-R DTP Test Plug O-ring/1 1/2" Union Adapter O-ring-LR9/  
 CFR-SherLok® Avalanche Separation Tank ..... 0-64  
 47-0229-00-R 2" Dial Valve Bottom O-ring Only ..... 0-301  
 47-0232-54-R Magnum Pump Diffuser Square Ring ..... 0-462  
 47-0233-04-R H4 Booster O-ring..... 0-421  
 47-0236-01-R Cover O-ring 1 1/2" Dial Valve  
 O-ring ..... 0-422  
 47-0248-56-R Dial Valve Square Ring ..... 0-266  
 47-0250-05-R Pump Case O-ring For Endura/Endura Plus ..... 0-115  
 47-0251-01-R Lint Cat U Pump O-ring ..... 0-228  
 47-0254-08-R O-ring ..... 0-48  
 47-0255-07-R DVK-7 Dial Valve O-ring  
 PM Filter Valve O-ring ..... 0-108  
 47-0256-06-R Filter O-ring ..... 0-125  
 47-0257-05-R Separation Tank Support O-ring ..... 0-237  
 47-0258-04-R O-ring ..... 0-299  
 47-0258-53-R L Series CFT & RPZ Pump Square Ring (After 5/1988) Pirahna CFR50, 75,  
 100 & 150-Dial Valve 4 & 6-SLPH & SLTAH/6-7 Way Dial Valve Diverter  
 O-ring A Series/LH/LTH/LPH/LPC/LTPH/U Series..... 0-464  
 47-0258-61-R L Series Pump Square Ring (Before 5/1988) ..... 0-332  
 47-0262-08-R Deckmate Float Valve O-ring ..... 0-328  
 47-0262-57-R RM2/HJM/RM3 Square Ring  
 47-0264-06-R 5 Way Valve O-ring ..... 0-229  
 47-0268-02-R PM/TMC Filter Lid/39-1619-06 Assembly O-ring  
 Dial Valve ..... 0-393  
 47-0308-47-R Tank O-ring For CFT50,100, CFT5BY/100BY  
 47-0326-02-R ST27/ST33/Sandtrap Drain Plug O-ring-RMST24 ..... 0-122  
 47-0328-00-R LR9 Units O-ring CFR50, 75, 100 & 150 Interconnect  
 Assembly Sherlok™/Avalanche Separation Tank ..... 0-26  
 47-0331-05-R 2" Union Adapter O-ring..... 0-370  
 47-0347-07-R Gyromat O-ring ..... 0-14  
 47-0348-06-R Pump & Filter Multi Use O-ring ..... 0-230  
 47-0349-06-R PJM Cap O-ring..... 0-171  
 47-0352-09-R Endura Plus Lid O-ring  
 47-0352-41-R L Series Pump Lid O-ring Cygnet Series/B Pump ..... 0-459  
 47-0353-08-R L Series O-ring (47-0353-40) 12-86 For Lid ..... 0-278  
 47-0353-40-R EP Pump Lid O-ring SLPH & SLTPH, L Series/U Series P/PC..... 0-278  
 47-0354-07-R U Series Pump O-ring/Dynamo®/Power-Flo® ..... 0-231  
 47-0355-06-R Sandtrap Filter Lid O-ring  
 W/ Jacuzzi® 1 1/2" Valve-RMST24, ST27/33 ..... 0-411  
 47-0355-16-R Dial Valve 6 1 1/2" Valve O-ring ..... 0-411  
 47-0355-48-R L & PH Series Lid O-ring/LH/LTH/LPH/LPC/LTPH..... 0-411  
 47-0357-04-R Pump Lid O-ring ..... 0-150  
 47-0357-46-R JC Pump Housing O-ring (12-86) J/JCM/K/KM..... 0-150  
 47-0358-03-R Magnum Pump Lid O-ring (After 7/1989)  
 R, P, PC, UP Series ..... 0-336  
 47-0358-50-R Square Ring For Bracket B Pump  
 47-0359-02-R Filter Valve O-ring ..... 0-232  
 47-0360-09-R CFT25/CFR25 Filter Lid O-ring ..... 0-330  
 47-0361-08-R RP3 Case O-ring/Cygnet Seal Plate O-ring ..... 0-460  
 47-0361-48-R Cygnet Pump O-ring ..... 0-460  
 47-0364-05-R 2" Dial Valve 39-0342-02 Assembly O-ring ..... 0-263  
 47-0364-47-R Magnum™ Energy Efficient/Standard Hi-HD Hi-Flow 2 SP  
 Pump Housing O-ring 2" Dial Valve Cover  
 O-ring/39-0342-02 Assembly..... 0-263  
 47-0370-07-R 2" Multiport Valve Body O-ring/Dial  
 Valve 39-0342-02 Assembly ..... 0-233  
 47-0371-06-R CE Age System Body O-ring  
 47-0380-47-R CFT, CFR50/75/100/150 Filter Lid O-ring Sher80 & 120/160/200  
 Landslide/Avalanche Separation Tank ..... 0-413  
 47-0433-02-R Filtramat O-ring ..... 0-234  
 47-0433-51-R 6" USLB/ULSC Lid O-ring ..... 0-150  
 47-0434-01-R Magnum Pump Lid O-ring (Before 7-1989) (Effective 4/29/1992)  
 Laser Tank Adapter Valve Flange O-ring ..... 0-302  
 47-0438-07-R Cast Iron Pump Lid O-ring (3PJMCH25) (Obsolete 12/1991).... 0-12  
 47-0439-06-R Cast Iron Pump Lid O-ring (Obsolete 6/1990) PJM ..... 0-461  
 47-0442-01-R H & L Strainer Pump O-ring..... 0-236  
 47-0442-33-R Light Lens O-ring ..... 0-236  
 47-0443-00-R Sandtrap Filter Valve To Adapter O-ring

W/ 2" Hayward®- ST27, 33..... 0-449  
 O-ring ..... 0-239  
 47-0462-06-R ERC/RC/RTC Square Diffuser Ring-PH & UPH ..... G-316  
 47-0463-05-R P Pump Square Seal O-ring..... 0-332  
 47-0464-02-R 2" Praher Dial Valve Cover O-ring ..... 0-263  
 47-0465-03-R Dial Valve Diverter O-ring ..... 0-276  
 47-0466-02-R P/ERC/RC/RTC Square Ring-Case  
 Assembly O-ring PH/UPH..... 0-264  
 47-0466-03-R 2" Dial Valve PHR Body Square Ring  
 47-0467-01-R Dial Valve O-ring ..... 0-301  
 47-0526-00-R Sandtrap Drain Plug O-ring  
 47-0569-99-R Earthworks/Triclops Tank O-ring ..... 0-101  
 47-6172-04-R Sandstorm Dial Valve Tank O-ring  
 47-6663-02-R Cygnet Seal Plate O-ring ..... 0-284  
 85-8263-00-R Drain Cap With Gasket  
 (13-1023-06) -CFR Units (2/1/1993 - 1/3/1996) ..... 0-83  
 88-1580-01-R Filter Basket (Effective 11/1/90) For MFM17/20/24 Filter  
 89-7000-09-R WL/WC/WB Skimmer Float Weir  
 94-1100-38-R Float Valve O-ring Deckmate ..... 0-328  
 94-1104-67-R SV Basic Skimmer Face Gasket..... G-241

**JANDY® (SEE CARETAKER, LAARS, POLARIS, ZODIAC®)**  
 Silicone Lubricant-5 Oz. Tube..... 651  
 Leaf Trap Quick Disconnect O-ring ..... 0-47  
 Universal Floor Cleaner Gasket ..... G-387  
 1-020 G1000/G7500 Solenoid Cover Gasket  
 1-110 G1000 Hopper Lid Gasket  
 1-190 G7500 Collar Gasket  
 1-370 G1000 Diverter Valve Assembly Gasket  
 4-011 G7500 Lid Latch O-ring Set of 3 Old Style  
 1-13-9 Leaf Trapper Concrete Body O-ring  
 1-13-12 Ultra Flex Never Lube® Port Valve Molded Face Seal O-ring  
 1-13-15 Ultra Flex Valve Manufactured Face Seal O-ring  
 3-7-625 Ultra Flex 2 Valve Molded O-ring Kit Only  
 4-7-4 Ultra Flex Valve Manufactured O-ring Kit  
 5-13-1 Caretaker™/EmvironPoo®/Dust & Vac Valve O-ring Kit..... 0-516KIT  
 1132 Valve Cover O-ring, Never Lube®  
 2 & 3 Port Valve (Part Of 0-515KIT) ..... 0-440  
 1137 Hydro Timer O-ring ..... 0-39  
 1298 Valve Cover O-ring ..... 0-440  
 1307 Stem O-ring, Never Lube® 2 & 3 Port Shaft O-ring  
 (Part Of 0-515KIT) ..... 0-158  
 1465 Hose Fitting Assembly O-ring Leaf Master Use #2167  
 2300 Porpoise Hydro Timer Case O-ring..... 0-364  
 2614 Energy Filter Bowl O-ring ..... 0-281  
 2644 Valve Actuator Gasket  
 3293 Energy Filter-Vinyl/Fiberglass-Repair Kit O-ring..... 0-281  
 3940 Actuator Valve O-ring ..... 0-158  
 4476 Vac Inner Tube O-ring  
 6749 Cover O-ring SS/V ..... 0-223  
 70288 Hydro Timer Case O-ring  
 70312 Hydro Timer Assembly O-ring  
 BUL15UB-S Union O-ring For Return Fitting  
 BUL3WV-S O-ring For Valve 700-3WV-LOB  
 BUL94-2 Chlorinator Coupling O-ring  
 BUL94-5 Chlorinator Cover O-ring  
 BUL94-7 Chlorinator Valve O-ring  
 BUL97G Main Drain Gasket (2 Required)  
 BUL1096P Gasket For Skimmer Extension  
 BUL4010C 2 & 3 Way Valve Cover O-ring  
 BUL4010P 2 & 3 Way Valve Cam O-ring  
 CPHVLED Series Universal Light Ring ..... 500B/C/P  
 CPLVLED Series Universal Light Ring ..... 500B/C/P  
 E0116400 Temperature Control Bulb O-ring (1993-1996) Series 2  
 ESC/ESG Heater Gasket Impeller SUS/BLB..... G-240  
 E0237700 Lite 2™ LJ Temperature Sensor Gasket  
 JA83 Set of Gaskets For Skimmer/Return  
 JA83R Return Fitting Cork Gaskets  
 JA83C Set of Rubber Gaskets For Skimmer/

JA83CR	Return-JA91ABS/ABSB/ABSG Aqua Leader	R0342000	C300 Cartridge Filter Element 100 Sq. Ft. ....	19931
JA83W	Aqua Leader Return Fitting-2 Rubber & 1 Cork-Body Gasket	R0342101	CT50 Series Cartridge Filter Element 50 Sq. Ft. ....	15044
JA86ABS	Skimmer Extension Gasket For Skimmer Face and Return	R0342102	CT75 Series Cartridge Filter Element 75 Sq. Ft. ....	17536
JA86ABSB	JABUL96/96B/96ABS/96ABSB/96G/96ABSG	R0342103	CT100 Series Cartridge Filter Element 100 Sq. Ft. ....	19924
JA86BBSG	Skimmer Weir White For JA192/192ABS/92ABSD/9296ABSD	R0342104	CF120 Cartridge Filter Element 120 Sq. Ft.	
JA88ABS	Skimmer Weir Beige For JA192/192ABS/92ABSD/9296ABSD	R0349200	Pressure Relief Valve O-ring Only (Discontinued)	
JA88ABSD	Skimmer Weir Grey For JA192/192ABS/92ABSD/9296ABSD	R0349300	C/DE/ST-T/SF30-36/SF24-S-CT/C/SF-T Series	
JA88LA	Basket White For JA192/192ABS	R0350600	Pressure Gauge O-ring Only (Discontinued)	
JA88GLA	Basket White For JA92ABSD/9296ABSD	R0353400	SF24-S/ C/CT/DE/ST-T/SF30-36 Series-CT/C/SF-T Series	
JA97G	Aqua Leader Basket in White	R0354400	C200/300/400, DE27/36/48 Tank O-ring	
JABUL942	Aqua Leader Basket in Grey	R0354600	CT Series Filter Lid O-ring	
JABUL945	Main Drain JA97/97S Gasket (2 Required)	R0354800	SF24-S/SF30-S/SF36-S Gasket Half Union (2 Required)	
JABUL947	Chlorinator Coupling O-ring JA94	R0357800	SF24-S/SF30-S/SF36-S Top Cap O-ring	
JAGAS1096P	Chlorinator JA94 Cover O-ring	R0357900	Sand Filter SF-T/ST-T Series Multiport Valve O-ring	
JAGAS4010C	Chlorinator Valve O-ring JA94	R0358000	CL580/DE60 Cartridge Filter Tank O-ring DE Filter/DEV Series	
JAGAS4010P	Skimmer Extension Gasket JABUL95/95ABS	R0358100	(Replaces DE Filter DEL Series-CV Series Cartridge).....	0-524
M-0363	3 Way/2 Way/ Non Lube Valve 3" O-ring For Cover-Fits	R0358200	CL580 Cartridge Filter Element 145 Sq. Ft. (4 Required)	
N0006600	JANOAF100S/100T/100SG/100TG/200S/200T/200SG/	R0358400	CV Series Cartridge Filter .....	24501
PL1004	200TG/100SNL/100NL/200SNL/200TNL	R0358800	O-ring Replacement Kit CVCL Series Cartridge Filter/DE	
PL1024	3 Way/2 Way/Non Lube Valve 1" O-ring For Cam-Fits	R0374500	Filter/DEV Series (Replaces DE Filter/DEL Series)	
PL7130	JANAFT100S/100T/100SG/100TG/200S/200T/200SG/	R0374600	O-ring Only For CL580 Outlet Tube and Elbow Assembly	
R0011400	200TG/100SNL/100TNL/200SNL/200TNL	R0375800	CV Series/DE Filter/DEV Series (Replaces DE Filter/DEL Series)	
R0013200	Air Energy Heat Pump Controller Gasket	R0376500	DEL Series Bulkhead Assembly O-ring Only .....	0-246
R0015500	Burner Tube Gasket (1974-1998) XL2 Model DP Oil Fired Heater	R0386100	Inlet Elbow O-ring CL Series/DEL Series/CV Series/DE Filter/	
R0031900	COM25 3" Flange Gasket	R0387600	DEV Series (Replaces DE Filter/DEL Series)	
R0045400	Cloramatic 1 1/2" Union O-ring	R0390500	Drain Plug O-ring Only CL Series/DEL Series.....	0-227
R0050800	D'Light Lens O-ring	R0390600	Energy Filter O-ring Kit	
R0055000	Bypass Valve Gasket (1993-1996)	R0391600	Energy Filter Replacement Cartridge Filter	
R0205300	Series 2 ESC Heater Flow Control.....	R0392100	Ray Vac Latch O-ring .....	0-243
R0304300	Water Pressure Switch 2 psi (2007-Present) LXi™ Low Nox	R0392200	O-ring Only For Ray Vac Hydro Timer	
R0305703-05	Heater (1993 - 1996) Series 2 ESC Heater .....	R0395500	O-ring Kit Laars Hot Shot	
R0308700	Heater (1993 - 1996) Series 2 ESC Heater .....	R0398800	Gasket For Temp Control LX/LT®	
R0309100	Pressure Switch 1 - 10 psi (1993 - 1996) Series 2 ESC Heater	R0399800	(1999-2003) Heater/Low Nox (2003-Present)	
R0319000	Flange Assembly Gasket Only (1974 - 1998) KX2 Model	R0400500	Tube Gasket (1999-2007) XL3 Oil Fired Heater	
R0320400	DP Oil Fired Heater	R0400900	High Limit Switch Cover Gasket Only (1999-2007)	
R0322603	Pressure Switch 1 - 10 psi (1999 - 2007) XL3 Oil Fired Heater	R0408700	XL3 Oil Fired Heater	
R0322605	Header Assembly Gasket Only (1993 - 1996) Series 2	R0409600	ON/OFF Switch Cover Gasket Only	
R0327300	ESC/ESG Heater/Gasket F .....	R0411500	(1999-2007) XL3 Oil Fired Heater	
R0327301	Flange Assembly Gasket Only (1993 - 1996) Series 2 ESC/ESG Heater	R0411800	Electrical System Gasket Only (1999-2007) XL3 Oil Fired Heater	
R0327400	Hi-E2® Igniter Gasket	R0412700	Tube Gasket (1999-2007) XL3 Oil Fired Heater	
R0327500	Hi-E2® Header Gasket	R0413900	Flange Sleeve Gasket Only (1999-2007) XL3 Oil Fired Heater	
R0329900	Blower/Collector Gasket Hi-E2®	R0414000	Burner Tube Gasket (1999-2007) XL3 Oil Fired Heater	
R0334500	Vent Duct/Heater Top Gasket/Vent Collar Gasket Hi-E2®	R0414200	Large Tank Drain Adapter O-ring Only CL	
R0335900	Flange Assembly Gasket Only (1999-2007) XL3 Oil Fired Heater	R04142100	Series/DEL Series.....	0-227
R0336700	Hi-E2® Venturi O-ring	R04142200	Screw O-ring Only For Self Sealing JHP Series	
R0337600	LX/LT® Tube Assembly Gaskets Only	R04142200	Pool Light Lens Gasket (Old Part Number 9/2007 Or Earlier	
R0337601	LX/LT® Tube Assembly Gaskets Only	R04142200	For Use With Part Number JPL)	
R0338200	DEL Series Coupling Nut With Flange O-ring Only	R04142200	Spa Light Lens Gasket	
R0338600	2" X 2" Tailpiece Union Nut O-ring FHPM "FloPro"	R04142200	Gasket For Small Spa Incandescent Light	
R0338700	Coupling Gasket For LX/LT® Low Nox Heater	R04142200	Pilot Screw O-ring Only For Small Spa Colored Light	
R0338801	Front or Rear Header Gasket LX/LT®	R04142200	Center Plate O-ring From Kit Only	
R0338805	Blower Mounting Hardware Gasket Only LX/LT®	R04142200	JVA Gasket And O-ring From Kit Only	
R0338900	Blower Mounting Hardware Gasket Only LX/LT®	R04142200	Top Housing Gasket and O-ring From Kit	
R0339500	Pressure Switch LX/LT® Low Nox	R04142200	20' Cable Strain Relief O-ring From Kit Only	
R0339600	Header Drain Plug Gasket Only LX/LT® (Set of 3)	R04142200	75' Cable Strain Relief O-ring From Kit Only	
R0339600	By Pass Gasket LX/LT® (1999-2003)	R04142200	Aqua Pure 2 Port Cell 2" O-ring	
R0340400	Header Coupling O-ring LX Series .....	R04142200	Never Lube Valve Coupling O-ring Only From Kit	
R0340400	Header Coupling O-ring LX Series .....	R04142200	Plumbing Coupling O-ring For Never Lube® Backwash Valve	
R0340900	VS FloPro™ Pump Tailpiece O-ring .....	R04142200	Lid O-ring For Slide Valve	
R0341100	HHP/HHPU/MHP/MHPU/JHP/JHPU Pump Seal .....	R04142200	Shaft Top Black O-ring Slide Valve	
R0341900	HHP/HHPU Pot Basket MHP/MHPU	R04142200	Shaft Bottom Purple O-ring For Slide Valve	
	HHP/HHPU Body O-ring .....	R04142200	Union Tail Piece O-ring Slide Valve	
	HHP/HHPU/MHP/MHPU ¾ - 2 HP Diffuser O-ring .....	R04142200	<b>**Duplicate Part Numbers Due To Item From Kit**</b>	
	HHP/HHPU/MHP/MHPU 3 HP Diffuser O-ring.....	R04142200	Lid O-ring Slide Valve	
	HHP/HHPU/MHP/MHPU Pot Lid O-ring .....	R04142200	Shaft Top Black O-ring Slide Valve	
	Coupling Nut O-ring Only (2 Required).....	R04142200	Shaft Bottom Purple O-ring Slide Valve	
	JHP/JHPU/HHP/HHPU/MHP/MHPU Coupling Set of 2 O-ring....	R04142200	<b>**Duplicate Part Numbers Due To Item From Kit**</b>	
	MHP/MHPU Body O-ring.....	R04142200	Lid O-ring Slide Valve	
	Complete O-ring Set (6 Items)	R04142200	O-ring Kit For Outlet Tube Bulkhead Assembly DEL Series	
	O-ring Set Complete (6 Items) MHP/MHPU Series	R04142200	PDA J Box Screw Gaskets Only/Aqua Palm	
	C200/C400 200 Sq. Ft. Cartridge Filter Element.....	R04142200		

R0445301-05 Screw O-ring For Diffuser PlusHP Series PHPF/PHPM  
 R0445302-06 Screw O-ring For Diffuser Stealth Series SHPF/SHPM  
 R0445400 Diffuser O-ring Only PlusHP Series PHPF/PHPM Stealth Series SHPF/SHPM Max HP Series MHPM  
 R0445500 Seal PlusHP Series PHPF/PHPM, Stealth Series SHPF/SHPM, Max HP Series MHPM..... AS-201/AS-3890  
 R0445800 Locking Ring Lid O-ring  
 R0445900 Basket Stealth Series SHPF/SHPM/SWF  
 R0446000 Drain Plug O-ring Only Plus HP Series PHPF/PHPM, Stealth Series SHPF/SHPM MaxHP Series MHPM/WFTR/SWF/MHPM.....0-39  
 R0446101 Tail Piece (2" x 2 1/2") Coupling Nut O-ring JEP "ePump"/SHPF & SHPM Stealth/PHPF & PHPM PlushHP  
 R0446102 Tail Piece (2 1/2" x 3") Coupling Nut O-ring JEP "ePump"/SHPF & SHPM Stealth/SWF  
 R0446200 Lid O-ring Stealth Series SHPF/SHPM ..... 0-142  
 R0446300 Backplate O-ring PlusHP Series PHPF/PHPM, Stealth Series SHPF/SHPM, MaxHP Series MHPM..... 0-521  
 R0446400 Tail Piece O-ring Stealth Series SHPF/SHPM .....0-652  
 R0446500 Diffuser/Impeller O-ring Only PlusHP Series PHPF/PHPM, Stealth Series SHPF/SHPM, MaxHP Series MHPM  
 R0448900 Basket PlusHP Series PHPF/PHPM, MaxHP Series MHPM/WFTR/SWF  
 R0449000 Tail Piece (2" x 2 1/2") Coupling Nut O-ring MHPM MaxHP/WFTR "Water Feature"  
 R0449100 Lid O-ring PlusHP Series PHPF/PHPM, MaxHP Series MHPM  
 R0449200 Tail Piece O-ring PlusHP Series PHPF/PHPM, MaxHP Series MHPM.....0-244  
 R0449501-05 Screw O-ring For Diffuser MaxHP Series MHPM  
 R0450901 Pilot Screw O-ring Only For Small Spa LED Light  
 R0451101 Gasket For Large Pool Incandescent Light (New Part Number 10/2007 Or Later For Use With Part Number CP)  
 R0452100 Universal Union 3 Port Cell O-ring Only  
 R0452200 Terminal Adapter 3 Port Cell O-ring Only  
 R0452300 APURE700 3 Port Cell O-ring Only  
 R0452400 APURE1400 3 Port Cell O-ring Only  
 R0452500 Sensor Slotted 3 Port Cell O-ring Only  
 R0453600 Front Header Gasket Only For LXi™ Low Nox (2007-Present) Heater  
 R0453700 Bypass O-ring For LXi™ Low Nox (2007-Present) Heater  
 R0453800 Bypass Assembly O-ring Only For LXi™ Low Nox (2007-Present) Heater  
 R0454000 Coupling Nut O-ring Only LXi™ Low Nox (2007-Present) Heater Old Style/Legacy Model LRZM  
 R0454100 Coupling O-ring LXi™ Low Nox (2007-Present) Heater New Style  
 R0454300 Header (Front or Rear) Gasket For LXi™ Low Nox (2007-Present) Heater/Legacy Model LRZM  
 R0454400 Header Drain Plug O-ring Only (3 Required) (2007-Present) LXi™ Low Nox Heater  
 R0454500 Heat Exchanger Gasket Only (2007-Present) LXi™ Low Nox Heater  
 R0454600 Return Header Cap O-ring Only (2007-Present) LXi™ Low Nox Heater  
 R0454700 Burner Gasket Only (2007-Present) LXi™ Low Nox Heater  
 R0455400 Cap Sensor/Pressure Switch O-ring (2007-Present) LXi™ Low Nox Heater  
 R0455503-05 Flue Collector Gasket Only (2007-Present) LXi™ Low Nox Heater  
 R0455600 Blower Assembly Gasket Only (2007-Present) LXi™ Low Nox Heater  
 R0455801-02 Flue Vent Assembly Gasket Only (2007-Present) LXi™ Low Nox Heater  
 R0456200 Flue Box Assembly Gasket Only (2007-Present) LXi™ Low Nox Heater  
 R0456400 Air Pressure Switch (2007-Present) LXi™ Low Nox Heater  
 R0456600 Temperature Sensor Gasket (2007-Present) LXi™ Low Nox Heater/Legacy Model LRZM Pool, Spa Heater/Lite 2™/LD, LG (discontinued) (Manufactured 2000-2009)  
 R0457000 Water Pressure Switch Only (2007-Present) LXi™ Low Nox Heater  
 R0458500 Display/Bezels Gasket (2007-Present) LXi™ Low Nox Heater  
 R0461800 Half Union O-rings Only (Set of 3)  
 R0462200 CS100 100 Sq. Ft. Cartridge Filter Element ..... 19939  
 R0462300 CS150 150 Sq. Ft. Cartridge Filter Element ..... 25013  
 R0462400 CS200 200 Sq. Ft. Cartridge Filter Element..... 35002  
 R0462500 CS250 250 Sq. Ft. Cartridge Filter Element..... 29913  
 R0462700 Tank Top O-rings CS Series  
 R0465600 DE Filter DEV Series (Replaces DEL Series) Bulkhead Assembly O-ring Only

R0465700 CL Series Cartridge Filter O-ring For Bulkhead  
 R0466300 Cover O-ring Large Jandy® Never Lube® 2/3 Port Valve..... 0-636  
 R0476400 O-ring Set Cartridge Filter CS Series  
 R0479000 Sensor Slotted 3 Port Cell O-ring Only  
 R0479400 Blue Pressure O-ring JEP "ePump"/SHPF & SHPM Stealth/PHPM PlushHP  
 R0480100 Mechanical Seal JEP "ePump"/SHPF & SHPM Stealth .... PSR-3890  
 R0480200 Pump Basket FHPM "FloPro"  
 R0480300 Lid O-ring..... 0-658  
 R0536600 VS FloPro™ Backplate O-ring ..... 0-465  
 R0537000 Booster Pump Backplate O-ring.....0-284  
 R0552000 Drain Plug O-ring.....0-39  
 R0552000 Small O-ring for Tank Adapter O-ring Kit Only For CJ/CV/DEL/DEV and JS Series (Replaces DE Filter/DEL Series) .....0-39  
 R0552000 Large O-ring for Tank Adapter O-ring Kit Only For CJ/CV/DEL/DEV and JS Series (Replaces DE Filter/DEL Series) ..... 0-247  
 R0552200 Back Wash Valve Cover O-ring ..... 0-440  
 R0552200 Back Wash Valve Shaft O-ring ..... 0-158  
 R0552400 Lid O-ring For Never Lube Backwash Valve ..... 0-440  
 R0552400 Diverter O-ring for Neverlube Backwash Valve ..... 0-158  
**\*\*\*Duplicate Part Numbers Due To Item From Kit\*\*\***  
 R0554500 CL340 Cartridge Filter Element 85 Sq. Ft. (4 Required)..... 18504  
 R0554600 CL460 Cartridge Filter Element 115 Sq. Ft. (4 Required) .....21501  
 R0555100 O-ring Only For CL460/340/DEL48 Outlet Tube and Elbow Assembly CV Series/DE Filter/DEV Series (Replaces DE Filter/DEL Series)  
 R0555400 Pot Lid O-ring All JHP Series ..... 0-465  
 R0555500 JHP Series Basket  
 R0555900 Body Gasket JHP/PHP Series.....G-413  
 R0556500 O-ring Set Complete (7 Items) JHP/PHP Series  
 R0556700 CJ Cartridge Filter Element 250 Sq. Ft. .... 35001  
 R0556800 CJ Cartridge Filter Element 200 Sq. Ft. ....29909  
 R0557900 Tank O-ring CJ Series Filter  
 R0558100 Gasket Only For Plenum  
 R0558200 Half Union O-ring Only CJ/CL Series Filter  
 R0558300 O-ring Replacement Kit CJ Series Cartridge Filter  
 R0558701 Diffuser O-ring JHP/PHP Series ¾ - 2 ½ HP..... 0-64  
 R0558705 Diffuser O-ring JHP 3 HP .....0-275  
 R0558800 PHP Series Pot Lid O-ring ..... 0-330  
 R0559000 PHP Series Basket.....WIP  
 R0559900 Coupling Nut O-ring JHP Series (2 Required) .....0-652  
 R0586300 Tri-Lobe O-ring For Nature2®.....0-283V  
 R0622000 Diffuser O-ring FloPro™/JEP + more..... 0-654  
 R3001000 AE-TI Heat Pump Pressure Switch  
 S0053100 Flange Gasket 1 1/2" (1974-1998) XL2 Model DP Oil Fired Heater .....WIP  
 S0063400 Tube Gasket (1974-1998) XL2 Model DP Oil Fired Heater  
 S0065300 Gasket For Water System (1974-1998) XL2 Model DP Oil Fired Heater  
 S0070000 Temperature Control Gasket (1993-1996) Series 2 ESG Heater  
 S0078000 Flange Gasket 2" (1993-1996) Series 2 ESC/ESG Heater ..... G-419  
 S0078100 Flange Gasket 1 1/2" & 2" (1993-1996) Series 2 ESC/ESG Heater ..... G-468  
 S0116000 Water System O-ring New Style Hot Shot Heater  
 UNI-83 Set of Cork Gaskets For Skimmer/Return Fitting  
 UNI-83C Set of Rubber Gaskets For Skimmer/Return Fitting  
 UNI-83CD Double Rubber Gasket  
 UNI-83CR 2 Rubber 1 Cork Gasket For Return Fitting  
 UNI-83R Cork Gasket For Return Fitting  
 UNI-86ABS White Weir  
 UNI-86ABSG Grey Weir  
 UNI88 Basket For WP-192 Skimmer  
 W13035 Nature2® Professional G Inlet/Outlet O-ring (2 Required)  
 W13061 Nature2® Model A/Premium M O-ring For One Piece Cap  
 W13064 Nature2® Pro G Plus Canister O-ring  
 W13068 Nature2® Pro G Plus Chlorine O-ring  
 W13069 Nature2® Professional G Life Indicator O-ring  
 W13073 Nature2® Professional G Vessel O-ring For One Piece Cap/Nature2® Premium M  
 W13075 Nature2® Professional G Big Boy O-ring  
 W13087 Nature2® Professional G Gasket  
 W150021 C Series Salt Water Chlorinator Electrode Post O-ring

W150041	C Series Salt Water Chlorinator Cell Cap O-ring	
W150181	LM3 Salt Water Chlorinator Cell O-ring	
W151201	Nature2® DuoClear Canister O-ring	

**JASON INTERNATIONAL**

23-2000-003	Universal Pressure Switch	3925
3044-P	Universal Pressure Switch	3925
23-2000-007	Air Switch	TBS-301

**JEDCO PRODUCTS, INC.**

IG200	SkimSaver™ Winterizing FacePlate/Lid'L Seal™ For Standard In-Ground	IG1084
IG250	SkimSaver™ Winterizing FacePlate/Lid'L Seal™ For Widemouth In-Ground	IG1085
IGL200	SkimSaver™ Winterizing LID ONLY (Lid'L Seal™) For Standard In-Ground	IG1084-L
IGL250	SkimSaver™ Winterizing LID ONLY (Lid'L Seal™) For Widemouth In-Ground	IG1085-L
AG100	SkimSaver™ Winterizing FacePlate/Lid'L Seal™ For Standard Above Ground	AG1090
AG150	SkimSaver™ Winterizing FacePlate/Lid'L Seal™ For Widemouth Above Ground	AG1091
AG200	SkimSaver™ Winterizing FacePlate/Lid'L Seal™ For Doughboy® Standard/Deluxe Above Ground	AG2000
AGL100	SkimSaver™ Winterizing LID ONLY (Lid'L Seal™) For Standard Above Ground	AG1090-L
AGL150	SkimSaver™ Winterizing LID ONLY (Lid'L Seal™) For Widemouth Above Ground	AG1091-L
AGL200	SkimSaver™ Winterizing LID ONLY (Lid'L Seal™) For Doughboy® Standard/Deluxe Above Ground	AG2000-L

**JEM SPA**

Majestic Inds-25 Sq. Ft. Cartridge Filter Element	12502
Majestic Inds-25 Sq. Ft. Cartridge Filter Element	12521
Majestic Inds-50 Sq. Ft. Cartridge Filter Element	15002
Majestic Inds-95 Sq. Ft. Cartridge Filter Element	19501

**JETSTER (SONOMA SPA)**

3095	Universal Pressure Switch	3925
3098	Universal Pressure Switch	3925
TBS-213	Universal Air Switch	TBS-917
TBS-305	Air Switch	TBS-301
TBS-317	Air Switch	TBS-317
WTO-100	Air Switch	TBS-312
WTO-101	Air Switch	TBS-301
WTO-102	2 Button Spa Side Controller	CC2-120-10
WTO-201	Universal Pressure Switch	3925
8762-10-000-06	3 Button Spa Side Controller & Retro-Fit Faceplate	CC3-120-10 & 20205

**JOHN MANSVILLE**

JM & Amitek Filter O-ring	0-281
---------------------------	-------

**KDI DYNALITE**

B5928	100 Watt Lens Gasket
B5927	250 Watt Lens Gasket
P56804	Niche Gasket

**KDI PARAPORT (ALL LISTINGS UNDER ALADDIN)**

**KENNY'S TILE**

TBS-310	Air Switch	TBS-301
---------	------------	---------

**KIM**

Lens O-ring	0-3
Rear Seal O-ring	0-4

**KINGFEEDER/KINGTECH/PPG CHLORINATOR**

	Cam O-ring	0-327
B192	Performax/Cyclone Small Cap O-ring (01-22-1920) Above Ground Feeders #100/130/200/910/960/5100/5200	0-115V
PPG-N100-6-1	Cap O-ring Viton®	
PPG-N1006-10	1/2" Hose Clamp	

PPG3008/3012	Feeder Lid O-ring Viton®	0-250V
R259V	Body O-ring	0-163
119	Old Style Cap O-ring	0-396
122	Cap O-ring	0-223
106-016	New Style Cap O-ring	
735	Basket Only	
740-722	Basket O-ring	0-321
740-745	Body O-ring	
740-746	Cam O-ring	0-168
760-785	Performax Venturi Scoop Gasket	
769	Small Clamps	
794	Saniking Basket O-ring Kit	
942	Performax Feeder Body O-ring (Prior to 1991)	0-299
943	Performax Drain Plug O-ring	0-355V
945	Control Dial O-ring Kit	0-50
992	Performax Body O-ring, Replaces 942	0-329V
9920	Lid O-ring For Large In Ground Feeders #400/430/600/630/940/960/980/5400/5600	0-232V
9926	Cap O-ring	0-232
1221926	Frog Chlorinator Lid Viton® O-ring	0-115V

**KOHLER**

68610	Universal Pressure Switch	3925
-------	---------------------------	------

**KREEPY KRAULY®**

12-800	O-ring	0-40
12-866	Universal Pool Cleaner Gasket	G-387

**L.A. SPAS**

25 Sq. Ft. Cartridge Filter Element	12519
50 Sq. Ft. Cartridge Filter Element-3 Oz	14701
75 Sq. Ft. Cartridge Filter Element	17512

**LAARS (SEE JANDY®)**

	Control Well O-ring	0-5
	Universal Pressure Switch	3902
	By Pass Round Gasket	G-208
	By Pass Round Gasket	G-28
	Large Tube Round Gasket	G-29
	Small Tube Round Gasket	G-30
	Tube Late Style Gasket	G-37
	Washer	G-253
8752-10-000-06	3 Button Spa Side Controller & Retro-Fit Faceplate	CC3-120-10 & 20205
225	3/16" Thick Washer	G-249
E-244	Heater Gasket	G-247
E-325	Heater Gasket	G-262
E-327	Heater Gasket	G-260
E-363	Heater O-ring	0-165
E-376	Heater Gasket	G-261
E-516	Thermostat Cover Gasket	G-293
E-1138	Air Switch	TBS-301
E-1139	Air Switch	TBS-301
E-1140	Air Switch	TBS-312
E-1164	XE Electronic Temperature Control Bulb Gasket (1997-2000) Lite 2™ (Mfg. 2000-Present)	G-240
E-1203	Air Switch	TBS-306
F-111	Heater Gasket	G-232
N-066	Burner Tube Gasket Model DP Oil Fired Heater	
R-113	Universal Pressure Switch-Hobbs #1	3902
R-114	By Pass Valve Gasket EPH Hi E/Hi-E2®(1997-Present)	
R-130	Universal Pressure Switch-Hobbs #3	3902
R-132B	Universal Pressure Switch-Hobbs #2	3902
R-145	Universal Pressure Switch	3925
R-152	Universal Pressure Switch	3925
R-211	Flange Gasket Set	WIP
R-454	Heater Pressure Switch Barksdale	
R-508	Header Gasket (Set of 18) (1997-Present)/Lite 2™	G-457
R-545	1-10 PSI Model DP Oil Fired Heater	

R-548	2" Flange Gasket and Sleeve.....	G-469
R-2011	Inlet/Outlet Header Gasket EPH Hi E	
R-2012	Return Header Gasket EPH Hi E	
R-2053	Igniter Gasket EPH Hi E/Hi-E2®(1991-1996)	
R-2054	Venturi O-ring Model EPH Hi E (1991-1996)	
R-2055	Combustion Fan Gasket EPH Hi E (1991-1996)	
R-3043	Header Gasket Hi-E2® (1997-Present)	
R-3087	Blower/Collector Gasket Hi-E2®	
R-3091	Vent Duct/Heater Top Gasket or Heater Top/Indoor Vent Collar Gasket	
R-3095	Heater Top/Outdoor Exhaust Grille Gasket	
R-3204	Venturi O-ring Hi-E2® (1997-Present)	
R-3206	Venturi/Tailpipe Gasket Hi-E2® (1997-Present)	
R-3208	Mixing Chamber/Burner Gasket Hi-E2®	
S-007	Temperature Control Gasket Laars Lite (1997-2000)	
S-037	Tank Cover Gasket Elektra II.....	G-24
S-055	Heater Gasket.....	G-24
S-056	Heater Gasket.....	G-29
S-056P	Heater Gasket.....	G-253
S-057	Heater Gasket.....	G-30
S-057P	Heater Gasket.....	G-249
S-151	Heater Gasket.....	G-263
S-152	Heater Gasket.....	G-37
S-154	AFJ Flange Gasket.....	G-308
S-156	Heater Gasket.....	G-244
S-157	Heater Gasket.....	G-252
S-159	Heater Gasket.....	G-243
S-245	Heater Gasket.....	G-61
S-246	Heater Gasket.....	G-275
S-248	Heater Gasket.....	G-274
S-328	Heater O-ring.....	0-186
S-531	1 1/2" Flange Gasket.....	WIP
S-627	Rear Header Gasket	
S-628	Front Water Heater Mount Gasket	
S-629	Front Header Gasket	
S-634	Header O-ring	
S-653	Gasket Hi Limit Switch Model DP Oil Fired Heater	
S-690	Heater O-ring.....	0-26
S-708	Heater Header Gasket	
S-737	Tank Cover Gasket	
S-741	Flow Control Gasket (3 Required).....	G-308
S-780	2" Flange Gasket (1997-Present) Lite (Mfg. 1997-2000)	
	Lite 2™ (Mfg. 2000-Present).....	G-419
S-781	1 1/2"- 2" Flange Gasket Hi E2 (1997-Present) Lite (Mfg. 1997-2000)	
	Lite 2™ (Mfg. 2000-Present).....	G-468

**LONDON**

	Trimmer Lid Gasket.....	0-11
	Pump Lid O-ring.....	0-19
	Backwash O-ring.....	0-125
	Separation Tank O-ring.....	0-191
	Crank Shaft O-ring.....	0-130
	New Skimmer Basket-Metal.....	B-4
	Spin 1 1/2" Collection O-ring.....	0-26
	Spin 2" Collection O-ring.....	0-83
2701-3	Old Over Flow Basket-Metal.....	B-10
	Skimmer Basket-Plastic.....	B-40
1732-2	Basket-Metal.....	B-60
1722-2	Basket-Metal.....	B-61
1723-2	Basket-Metal.....	B-62
1724-2	Basket-Metal.....	B-63
1725-2	Basket-Metal.....	B-64
2711-7	Over Flow Basket-Metal.....	B-65
201A-9	Basket-Metal.....	B-66
2721-3	Rectangle Over Flow Basket-Metal.....	B-67
	Skimmer Filter Basket-Metal.....	B-129

**LASCO**

5126G	Union O-ring.....	0-49
83008	1 1/2" PVC Union O-ring.....	0-159
83009	2" PVC Union O-ring.....	0-168

80227	Union O-ring.....	0-41
80231	Union O-ring.....	0-244

**LEISURE BAY DIST (ALL LISTINGS UNDER HURRICANE PRODUCTS/REC. FACTORY WAREHOUSE)**

**LEN GORDON**

2001-2	2 Button Spa Side Controller.....	CC2-120-10
2001-2SS	2 Button Spa Side Controller.....	CC2-120-10
4001-3	3 Button Spa Side Controller & Retro-Fit Faceplate.....	CC3-120-10 & 20205
4001-3SS	3 Button Spa Side Controller & Retro-Fit Faceplate.....	CC3-120-10 & 20205
4001-4	4 Button Spa Side Controller & Retro-Fit Faceplate.....	CC4-120-10 & 20205
4001-4SS	4 Button Spa Side Controller & Retro-Fit Faceplate.....	CC4-120-10 & 20205
JAG-3X	Air Switch.....	TBS-312
JAX-4X	Air Switch.....	TBS-301

**LETRO**

A08	Pump Seal.....	AS-200
A08A	Pump Seal.....	AS-1006
A40	End Ball Gasket.....	G-176
D10	Hose Washer.....	G-42
E43	Turbo Sweep O-ring.....	0-158
F07	O-ring.....	0-130
F24	O-ring.....	0-30
G12/LG12	O-ring.....	0-186
G32	O-ring.....	0-189
J04	O-ring.....	0-188

**LIFEGUARD (ALL LISTINGS UNDER RAINBOW™)**

**LIFESTYLE SPAS (CANADA)**

	35 Sq. Ft. Cartridge Filter Element (2 Required).....	11802
	40 Sq. Ft. Cartridge Filter Element.....	14007
	50 Sq. Ft. Cartridge Filter Element (2 Required).....	12504

**LITTLE GIANT**

101601	Impeller Housing Gasket.....	G-170
--------	------------------------------	-------

**LOCHINVAR**

R153/10515323	Pressure Switch	
R155/10492202	Pressure Switch	

**LOMART-PREST METALS**

	Pump Seal.....	AS-150
	Pump Seal.....	AS-1000
4010	95-006 Skimmer Basket.....	B-197
19001	50-9550, 50-9750 Strainer Pot Basket Assembly	
24375	50-9550, 50-9750 Pump Seal Set	
33185	50-9550, 50-9750 Valve Cover O-ring.....	0-41
33397	50-9550, 50-9750 Hose Clamp	
33510	50-9550, 50-9750 Tank Cover O-ring.....	0-312
34023	50-9550, 50-9750 Tank Valve Gasket.....	G-202
86558	50-9550, 50-9750 Pump O-ring	
86559	50-9550, 50-9750 Strainer Pot O-ring	
40-024	4" Pump Gasket.....	G-325
40-027	Cyclops II Pump Seal.....	AS-163
40-029	Cyclops II Pump Seal Ceramic.....	AS-3A208
42-024	Body Gasket.....	G-326
43-013	Self Priming Pump Body Gasket.....	G-321
43-044	Strainer Basket.....	B-195
43-057	Pump Gasket-Cork	
46-018	Strainer Basket.....	B-193
46-029	Slinger Washer Gasket.....	G-341
46-036	Cyclops II Strainer Basket.....	B-194
46-062	Dynaflow Pump Basket	
46-063	Dynaflow Cover O-ring	
46-067	Dynaflow Basket Port O-ring	

47-003	Pro Pump Basket	
47-015	Pro X Pump Ceramic Seal	
47-016	Pro X Pump Seal	
53-001	Fiber Washer	
53-002	Fiber Washer	
53-010	Disc O-ring	G-279
53-014	Tank O-ring	0-296
53-015	Tank O-ring	0-294
53-017	Gasket	
53-019	Shaft O-ring	0-30
53-020	O-ring	
53-021	Fiber Washer	
53-026	Center Pipe O-ring	
53-027	Rubber Washer	
53-029	Valve To Tank Gasket	G-202
53-031	Center To Pipe Disk O-ring	
53-044	Pro X Series Backwash Valve Cap O-ring	0-213
53-045	Filter Intake Port O-ring	
53-046	Filter Outtake Port O-ring	
53-047	Tube To Spin O Cycle Handle Fiber Gasket	G-278
53-048	Fiber Washer	
53-049	Valve Cover Plunger O-ring	0-30
53-050	Backwash Valve O-ring	0-122
53-057	Rubber Washer	
53-058	Cycle I Strainer Cover O-ring	0-74
53-069	Fiber Washer	
53-074	Tank Gasket, Rubber 16" x 5/16"	0-298
53-075	Tube O-ring	0-362
53-076	O-ring	
53-086	Fiber Washer	
53-087	Rubber Washer	
53-097	Filter Tank O-ring	0-297
53-100	Diffuser Gasket/Fiber Washer	
53-101	Tube Support O-ring	0-410
53-102	Fiber Washer	
53-103	Fiber Washer	
53-111	O-ring	
53-114	Filter Drain Rubber Washer	
53-120	Viewport Lid Gasket	G-282
53-124	Fiber Washer	
53-132	Cyclops Mark 5 O-ring	0-299
53-133	Drain To Valve Gasket	G-281
53-140	Viewport Gasket	G-283
53-157	Plunger Cover Gasket	G-344
53-159	Cyclops II/Pro X Strainer O-ring/Dynamo/Power-Flo	0-231
53-170	SS Underdrain Support Washer	
53-174	20" Tank O-ring	0-202
53-180	Pro Pump O-ring	0-229
53-185	Air Relief O-ring	0-180
53-186	BW80 O-ring	
53-190	BW80 PTFE Washer	
53-193	Filter Bottom Elbow Gasket	
53-194	O-ring	
53-195	Pump O-ring	
53-200	Pro Pump Cover O-ring	0-330
53-202	6900-6905 Winterizing Plate Cork Gasket	
53-203	6901 Winterizing Plate Cork Gasket	
53-204	6903 Winterizing Plate Cork Gasket	
53-207	Tank Ring Rubber Gasket	
53-208	20" Tank Ring	
53-209	24" Tank Ring	
53-210	12" Tank Ring	0-414
53-211	Filter Port Gasket	G-98
53-212	Rubber Gasket	
53-215	2" Inspection Port O-ring	0-417
53-2211	6904 Winterizing Plate Cork Gasket	
53-223	Pro Pump O-ring	
53-226	Chlorinator Cover O-ring	
53-229	46-020 Dynaflo Pump Cover O-ring	
60-4314	13 Sq. Ft. Cartridge Filter Element	11301

60-4316	16 Sq. Ft. Cartridge Filter Element	11601
60-4318	16 Sq. Ft. Cartridge Filter Element	11601
90-096	1 1/2" SS Clamp	274-20
90-179	1 1/2" SS Clamp	274-20
90-218	1 1/2" SS Clamp	274-20
90-220	1 1/2" SS Clamp	274-20
90-245	1 1/4" SS Clamp	273-16
90-270	O-ring Lube	.631
90-273	1 1/2" SS Clamp	274-20
90-813	SS Underdrain Rubber Sealing Gasket	
95-006	Auto Top Skimmer Basket	

**LUITWEILER**

Pump Seal	AS-201
Pump Lid O-ring	0-19
Pump Lid O-ring	0-72
4 Hole Small Gasket	G-16
4 Hole Large Gasket	G-27
Pump Volute Gasket	G-43
N/S Pump Gasket	G-58
O/S Pump Gasket	G-265
Basket-Metal	B-12
Basket-Metal	B-27

**MADDOX ENT**

3903-AH	Universal Pressure Switch	3902
---------	---------------------------	------

**MAGNETEK (ALL LISTINGS UNDER CENTURY)**

**MALIBU HYDRO**

TBS-200	Air Switch	TBS-301
TBS-213	Universal Air Switch	TBS-917

**MARATHON**

30 Sq. Ft. Cartridge Filter Element	13005
50 Sq. Ft. Cartridge Filter Element	15002

**MARINE**

Spin DE Filter Shaft Sleeve	G-180	
Pump Basket	B-33	
Skimmer Basket-Metal	B-85	
Basket-Metal	B-93	
Valve Stem O-ring	0-39	
O/S Crank O-ring	0-398	
3/16" Valve Piston O-ring	0-113	
1 1/2" Valve Cap O-ring	0-125	
2" Valve Piston O-ring	0-122	
5" Clear Plastic H & L Lid O-ring	0-74	
5" Clear Lid O-ring (Special)	0-80	
1150	Locknut O-ring	0-69
1160	Bushing Cup Gasket	0-70
1220	Flat Rubber Bushing Gasket	0-68
1340	900 MS & BH Filter Quad O-ring	0-81
1350	990 MS & BH Filter Quad O-ring	0-82
1560	V-Cup O-ring	0-67
1560	Deck Filter Manifold O-ring	0-287
1666	Thermometer O-ring	0-243
3660	Flat Rubber Gasket	0-66
5260	Tank O-ring	0-87
5280	Bearing & Manifold O-ring	0-71
5740	MS Tank O-ring	0-202
6245	Sand Filter Tank O-ring	0-381
7111-0	Basket-Metal	B-138
7650-3	6 3/4" Pump Lid O-ring	0-314
7650-4	Basket-Metal	B-137
7650-4	Basket-Plastic	B-171
850106	Skimmer Basket-Metal	B-190
99-0298-0	18" Skimmer Basket-Metal	B-144
99-8088-5	Small Separation Tank O-ring	0-371

99-8660-5	Large Separation Tank O-ring.....	O-194
MSS-095	Basket-Metal.....	B-139

**MARLOW**

	H Series 2 HP Diffuser Gasket.....	O-4
	Mar-Dur 1/3 - 1 HP Diffuser O-ring.....	O-222
	Mar-Dur 1 1/2 - 2 HP Diffuser O-ring.....	O-255
	All AF Pump Cover Gasket.....	O-261
	AF 1 - 2 HP Pump Diffuser Gasket.....	O-262
	VP-153 Strainer Body Gasket.....	G-45
	34EC-15D Tank Gasket.....	G-162
	34EC-15D Tank Cover Gasket.....	G-163
	34EC-15D Pump Inlet Gasket.....	G-175
	H Line Pump Basket-Metal.....	B-78
	K & L Pump Series Basket-Metal.....	B-79
1521	AF Series 2AF17, 18 & 19ECB Diffuser Gasket	
21034-00	Tank To Lantern Gasket.....	G-50
21035-00	AF Series 2AF, 10ECB Diffuser Gasket	
21112-00	Large 8 Hole Cover Gasket.....	G-51
22991-00	Shim Motor To Lantern Gasket.....	G-49
23983-00	1 1/2H 14,15,20,21 Iron Diffuser Gasket	
23112-00	H Series Housing Gasket.....	G-46
25353-00	EC-B-EC-A2 Pump Seal/2AF Series.....	AS-411
25354-00	Seal Assembly	
25476-00	3/4 - 1 1/2 HP H Pump Diffuser Gasket.....	O-270
25771-00	Pump Basket-Metal.....	B-124
25774-00	Pump Basket-Metal.....	B-125
25774-00	Pump Basket-Plastic.....	B-176
25783-00	Cover Gasket.....	O-77
25784-00	Cover Gasket.....	O-78
26144-00	1 1/2H, 16, 17, 22 Iron Diffuser Gasket	
26469-00	Pump Seal.....	AS-406
26588-00	Discharge Gasket.....	G-48
26661-00	Pump Seal.....	AS-406
27223-00	5 - 7 1/2 HP 1 1/4" S Pump Seal/3B Series.....	AS-416A*
28049-00	Pump Basket-Metal.....	B-134
28160-00	Pump Basket-Metal.....	B-135
28219-00	3B-28EC-C1 6" Cover Gasket.....	O-260
28486-00	All AF Series Pump Slinger.....	G-164
29038-00	Cover Gasket.....	O-75
30156-00	1/2 & 1/3 H Pump Diffuser Gasket.....	O-269
31660-00	A-2 Series Pump Basket-Metal.....	B-127
32540-00	AF Series Strainer Cover Gasket	
32593-00	Lid O-ring.....	O-77
35890-00	Pump Basket-Metal.....	B-128
37478-00	Mar-Dur 1/3 - 1 HP Cover Gasket.....	O-266
37479-00	All Mar-Dur Pot Tank Gasket.....	O-267
37482-00	Mar-Dur Pump Seal Plate Gasket.....	O-265
38075-00	A-3 Series Pump Basket-Metal.....	B-123
38075-00	A-3 Series Pump Basket-Plastic.....	B-175
38592-00	Pump Seal-Argonaut-Mardur.....	AS-201
38592-00	Pump Seal.....	AS-1521
39323-00	Pump Basket-Metal.....	B-126
39404-00	Mar-Dur 1 1/2" & 2" Cover Gasket.....	O-264
40584-00	Pump Basket-Plastic.....	B-174
40891-00	Mar-Dur Pump Basket.....	B-175
4311700	Agronaut Diffuser O-ring.....	O-41
44305-00	Cover Gasket Argonaut	
4438210	Pump Basket Argonaut	
4480200	Agronaut Bracket O-ring.....	O-263
4567220	L Series Pump Seal.....	AS-978
4567320	L Series Pump Seal.....	AS-514

**MARQUIS CORP**

8765G10-000-06	3 Button Spa Side Controller & Retro-Fit Faceplate.....	CC3-120-10 & 20205
9300G10-000-06	3 Button Spa Side Controller & Retro-Fit Faceplate.....	CC3-120-10 & 20205
CSC-1178	4 Function Air Switch (TBS-312 Required).....	CSC-1185
SAS-105	4 Function Air Switch.....	SAS-101

TBS-212	Universal Air Switch.....	TBS-901
TBS-213	Universal Air Switch.....	TBS-917
TBS-305	Air Switch.....	TBS-901
TBS-309	Air Switch.....	TBS-306
TBS-312	Air Switch.....	TBS-312
3029-P	Universal Pressure Switch.....	3925

**MARTEC/SONFARREL**

CL-2200	25 Sq. Ft. Cartridge Filter Element (Pacific-See Sonfarrel).....	12801
CL-2800	30 Sq. Ft. Cartridge Filter Element (Pacific-See Sonfarrel).....	12801
CL-2807	45 Sq. Ft. Cartridge Filter Element (Pacific-See Sonfarrel).....	15003
CL-2810	50 Sq. Ft. Cartridge Filter Element (Pacific-See Sonfarrel).....	15003
SC-2200	25 Sq. Ft. Cartridge Filter Element (Pacific-See Sonfarrel).....	13201
SC-3500	35 Sq. Ft. Cartridge Filter Element (Pacific-See Sonfarrel).....	13201
201-002	Bleed Plug O-ring.....	O-158
201-004	Filter Body O-ring.....	O-336
201-010	Drain Plug O-ring.....	O-39
205-104	Bleeder O-ring.....	O-39
205-106	Filter Head O-ring.....	O-465
244-064	65 Sq. Ft. Cartridge Filter Element (Pacific-See Sonfarrel).....	16501
244-065	65 Sq. Ft. Cartridge Filter Element (Pacific-See Sonfarrel).....	16504
244-0100	100 Sq. Ft. Cartridge Filter Element (Pacific-See Sonfarrel).....	19909
244-0130	130 Sq. Ft. Cartridge Filter Element (Pacific-See Sonfarrel).....	23001
300-004	Wet End O-ring.....	O-139
300-009	Pump Seal.....	AS-1000
310-104	Booster Pump O-ring.....	O-228
310-108	Pump Seal.....	AS-1000
320-102	Trap Lid O-ring.....	O-13
320-108	Flange Gasket.....	G-18R
320-110	Pool Master Housing O-ring.....	O-240
320-119	Pump Seal.....	AS-201
400-102	Tornado Strip Spa Skimmer Series Jet Wall Fitting Gasket	
400-108	Reed Valve O-ring.....	O-456
410-504	O-ring.....	O-438
410-511	Bath Master Jet Body O-ring.....	O-49
420-512	Eyeball O-ring 7 PTFE Kit.....	G-391
700-103	Union O-ring.....	O-49
700-038	Tail 2" O-ring.....	O-301
700-203	Spa Master Side Discharge 2" Union O-ring	
700-408	Tail 1 1/2" O-ring.....	O-125
750-106	1 1/2" Port Valve O-ring	
750-107	1 1/2" Port Valve O-ring	
752-106	2" Port Valve O-ring	
752-107	2" Port Valve O-ring	

**MASTER CORP**

TBS-200	Universal Air Switch.....	TBS-901
TBS-305	Air Switch.....	TBS-305

**MAVERICK BOAT CO**

TBS-301	Air Switch.....	TBS-301
---------	-----------------	---------

**MEC-O-MATIC**

88004-73	H & J Baracuda Viton® Kit.....	O-254V
66-12013	Feeder V Black O-ring.....	O-274
900064	Grease Cap O-ring Pulsa Feeder	
9000802	Valve Washer Retainer Viton® O-ring	
9000902	Discharge Fitting Viton® O-ring	

**MIAMI PRODUCTS**

CF-104 20"	Tank O-ring.....	O-92
CF-52 16"	Tank O-ring.....	O-235
FG-18 & FG-24 24"	Lid O-ring.....	O-280

**MODERN HEAT**

Basket-Metal.....	B-88
-------------------	------

**MONARCH**

Old Style Impeller O-ring.....	O-41
--------------------------------	------



	New Style Impeller O-ring .....	0-40
	Pot To Volute O-ring .....	0-43
	Pump Gasket .....	G-14
	Pump Basket-Plastic .....	B-46
	6" Tapered Basket-Metal .....	B-82
199696	Seal Gasket .....	G-355

**MORGAN**

	35 Sq. Ft. Cartridge Filter Element .....	13702
	37 Sq. Ft. Cartridge Filter Element .....	13701
	50 Sq. Ft. Cartridge Filter Element .....	15002
TBS-305	Air Switch .....	TBS-301
TBS-317	Air Switch .....	TBS-317
3037-P	Universal Pressure Switch .....	3925
843121	4 Function Air Switch (TBS-312 Required) .....	CSC-1131
843229	Air Switch .....	TBS-312
843911	Air Switch .....	TBS-301
845221	Universal Pressure Switch .....	3925
9350-06-000-06	3 Button Spa Side Controller & Retro-Fit Faceplate .....	CC3-120-10 & 20205
9350-10-000-06	3 Button Spa Side Controller & Retro-Fit Faceplate .....	CC3-120-10 & 20205
9400-06-000-06	4 Button Spa Side Controller & Retro-Fit Faceplate .....	CC4-120-10 & 20205
9400-10-000-06	4 Button Spa Side Controller & Retro-Fit Faceplate .....	CC4-120-10 & 20205

**MUELLER**

Basket-Metal .....	B-159
Basket-Metal .....	B-160
Basket-Metal .....	B-161

**MUSKIN**

	Valve Seat X Ring .....	0-399
NEW	8" HMLI Tank 3/32" Gasket	
NEW94	H&L Pot Lid PTFE O-ring	
NEW94	222 H&L Port Arm PTFE O-ring	
NEW94	Thru Wall Skimmer 94 Gasket	
NEW94	Thru Wall Returns Gasket	
NEW94	Skimmer Basket Short OPT 2/3	
NEW94	Skimmer Basket Long OPT 1	
NEW94	Mylar® Fabric Pool Gasket	
NEW94	MPA Chamber Septic 1 1/2" Gasket	
NEW94	MPA Chamber Separator Gasket	
NEW95	Winter Plate 95 Gasket	
NEW95	MPA Seal Cube 3 x 3 x 3 Gasket	
NEW95	Foam Gasket 1.5 Sq x 2.5 Sq Large	
NEW96	Skimmer/Filter Basket	
NEW98	7 Position Valve Large O-ring	
NEW98	7 Position Valve Rotor Gasket	
REVD96	Quad Ring For 5 Position Valve	
016-3102	Muskin Impeller .....	170
036-3400	1 1/4" Gasket .....	G-284
036-3401	1" Nut Gasket .....	G-285
037-3403	Tank Gasket .....	0-308
037-3405	Axle & Valve Shaft O-ring .....	0-27
037-3406	Spider O-ring .....	0-303
037-3408	Drain Cap Gasket .....	G-277
037-3410	18" Tank O-ring .....	0-87
037-3412	Strainer Pump Lid O-ring .....	0-171
037-3414	Valve O-ring .....	0-122
037-3417	Body O-ring .....	0-404
037-3422	9" Plastic Tank FE O-ring	
037-3424	14" Tank Lid O-ring .....	0-309
037-3430	20" Tank O-ring .....	0-383
037-3434	16" Tank O-ring .....	0-306
037-3435	Pump FP O-ring .....	0-276
037-3438	11" Tank O-ring	
037-3439	18" Resin Tank O-ring	

037-5002	A/R Valve Assembly Gasket .....	G-214
037-5071	Grid Post Gasket .....	G-213
038-3400	Valve Waste Cap Gasket .....	0-70
038-3403	3/4" Gasket Washer	
038-3408	FP Pump/Drain Fitting Gasket	
038-3413	Air Relief Bushing O-ring	
038-3416	Tank Tube Valve Gasket .....	G-207
038-3417	Inside Tank to Valve Washer .....	G-208
038-3419	Closure Nut FP's Gasket	
038-3432	Viewport Gasket .....	G-333
038-3433	Viewport Gasket-Fill Port In & Out Gasket .....	G-332
038-3434	Viewport Gasket-Fill Port Cap Gasket .....	G-323
038-3435	Self Prime Pump Face Gasket .....	G-209
038-3436	5" Position Valve Gasket .....	G-210
038-3440	Vac Attach Skimmer Gasket	
038-3446	Adapter Gasket .....	G-322
038-3447	Discharge Fitting Gasket	
038-3448	Skimmer Frame/Body Standard Gasket .....	G-241
038-3451	Tank Backwash Valve Outside Gasket	
038-3454	Valve Cover Gasket .....	G-327
038-3457	Tooled Valve Body Gasket .....	G-334
038-3457	Flat Valve Body Gasket .....	G-161
038-3457	1 1/2" Backwash Cap Solid Gasket .....	G-347
038-3458	Skimmer Gasket .....	G-329
038-3461	Skimmer Deluxe Gasket	
038-3463	Cartridge H Gasket	
038-3468	Skimmer Wall Knock Out Gasket	
038-3474	Back Wash Valve Cap & 6 position Valve Gasket	
038-3475	3/5 Position to Resin Tank Gasket	
038-3476	6 Position to Resin Tank Gasket	
038-3477	Discharge Fitting Gasket-Thru Wall Return 36" P Gasket .....	G-242
038-3478	Mini Skimmer Gasket	
038-5434	Backwash Valve Gasket .....	0-122
09-2001	Pump Seal .....	AS-163
09-2013	Pump Seal .....	AS-142
097-6902	H&L Pot Strainer Basket .....	B-211
098-7061	Muskin Cone Strainer-Standard/OVR Skimmer Basket .....	B-212
098-7061	6 position Valve Cover O-ring	
098-7235	Skimmer Gasket .....	G-115
098-7259	Deluxe Skimmer Basket	
098-7313	Skimmer Strainer Basket	
195-8710	A-3816/FE-30, FE-40-16 Sq. Ft. Cartridge Filter Element (Sears) .....	11602
195-8712	A-3821/FE-20, FD-20, FD-40-20 Sq. Ft. Cartridge Filter Element (Sears) .....	12002
195-8715	FP56-8-6 Sq. Ft. Cartridge Filter Element-No Core (Sears) ...	10606
195-8716	Coleco 5 Sq. Ft. Cartridge Filter Element-No Core .....	10503
195-8717	A3808, A3818-6 Sq. Ft. Cartridge Filter Element (Sears) .....	10606
195-8718	A3810/FE90-10 Sq. Ft. Cartridge Filter Element (Sears) .....	11001
275-0007	6 Position Valve Cover O-ring	
275-0020	6 Position Valve Rotor O-ring	
307-075	Fill Port Gasket	
437-3403	15" Metal Tank O-ring	
437-3422	9" Plastic Tank O-ring	
437-3424	14" Metal Tank O-ring	
700-1037	3 Position Valve Gasket	
700-1038	5 Position Valve Gasket	
700-1039	Standard Skimmer Gasket	
700-1040	Deluxe Skimmer Gasket	
700-1041	H & L Pot Cover O-ring	
700-1042	5 Position Resin Gasket/O-ring Kit	
700-1043	Cartridge Housing Gasket/O-ring Kit	
700-1044	Fill Port Gasket	
A-4372	Skimmer Gasket .....	G-335
A-4372F	Skimmer Gasket .....	G-335

**NASSCOR**

TBS-305	Air Switch .....	TBS-301
---------	------------------	---------

**NATIONAL**

	Lens Gasket (Discontinued).....	O-1
	Skimmer Basket-Metal.....	B-96
U-12	Skimmer Basket-Metal.....	B-147
53822	In Line Trap Basket-Metal.....	B-822
53823	In Line Trap Basket-Metal.....	B-823
53824	In Line Trap Basket-Metal.....	B-824
53825	In Line Trap Basket-Metal.....	B-825
53826	In Line Trap Basket-Metal.....	B-826
53828	In Line Trap Basket-Metal.....	B-828
53830	In Line Trap Basket-Metal.....	B-830
53832	In Line Trap Basket-Metal.....	B-832

**NATIONAL TUBWORKS**

TBS-310	Air Switch.....	TBS-301
---------	-----------------	---------

**NEMCO**

25 Sq. Ft. Cartridge Filter Element.....	12524
25 Sq. Ft. Cartridge Filter Element.....	12519
30 Sq. Ft. Cartridge Filter Element.....	13001
50 Sq. Ft. Cartridge Filter Element.....	15016
50 sq. Ft. Cartridge Filter Element.....	15026

**NORCAL**

Eagle Skimmer Basket-Metal.....	B-30
Skimmer Basket-Metal.....	B-29
ME-2 Basket-Metal.....	B-31

**NU WAVE**

3010-P	Universal Pressure Switch.....	3925
3028-P	Universal Pressure Switch.....	3925
3029-P	Universal Pressure Switch.....	3925
8002-10-000-06	2 Button Spa Side Controller.....	CC2-120-10
8400-10-000-06	4 Button Spa Side Controller & Retro-Fit Faceplate.....	CC4-120-10 & 20205
8750-10-000-06	3 Button Spa Side Controller & Retro-Fit Faceplate.....	CC3-120-10 & 20205
8752-10-000-06	3 Button Spa Side Controller & Retro-Fit Faceplate.....	CC3-120-10 & 20205
TBS-213	Universal Pressure Switch.....	TBS-917
TBS-212	Universal Pressure Switch.....	TBS-901
TBS-301	Air Switch.....	TBS-301
TBS-305	Air Switch.....	TBS-301
TBS-317	Air Switch.....	TBS-317

**OGDEN MFG**

3010	Universal Pressure Switch.....	3925
3037	Universal Pressure Switch.....	3925

**OLYMPIC**

39-AFT-601	Skimmer Hose Adapter SPX1091Z1.....	919
ACM-83W	Wide Mouth Skimmer Gasket.....	G-409
ACM-85ABS	Hayward® Skimmer Face Plate For SPX1084.....	918
ACM-88ABS/LA	Olympic Skimmer Basket.....	B-213
ACM-89ABS/LA	Olympic Vac Plate.....	910
ACM-90ABS/LA	Olympic Eyeball & Face Ring.....	7001
ACM-92	Hayward® Skimmer Face Plate For SPX1090 Skimmer (SPX1090D).....	917
ACM-94-2	Coupling O-ring For ACM 94.....	
ACM-94-5	Cover O-ring For ACM94.....	0-467
ACM-94-7	Valve O-ring For ACM 94.....	0-186
ACM-97R	Main Drain Gasket.....	

**OMNI (ADDITIONAL LISTINGS UNDER BIO LAB)**

0-5960	Chlorinator O-ring.....	0-179
--------	-------------------------	-------

**ONECO**

8002-10-021-06	2 Button Spa Side Controller.....	CC2-120-10
8030-10-021-06	2 Button Spa Side Controller.....	CC2-120-10

8752-10-021-06	3 Button Spa Side Controller & Retro-Fit Faceplate.....	CC3-120-10 & 20205
8769-10-021-06	3 Button Spa Side Controller & Retro-Fit Faceplate.....	CC3-120-10 & 20205
SAS-103	Air Switch.....	SAS-101
TBS-212	Universal Air Switch.....	TBS-901

**ONYX WATER PRODUCTS**

3010-P	Universal Pressure Switch.....	3925
TBS-301	Air Switch.....	TBS-301

**ORTEGA (ALL LISTINGS UNDER PUREX)**

**O'RYAN**

TBS-309	Air Switch.....	TBS-306
---------	-----------------	---------

**PAC-FAB (PENTAIR®: AMERICAN, PUREX, STA-RITE®, SWIMQUIP™, TRITON®)**

2" Universal Slide Valve O-ring Set.....	0-513KIT	
1 1/2" Multiport Valve O-ring Kit.....	0-519KIT	
2" Multiport Valve O-ring Kit.....	0-520KIT	
Hydro/Pac Fab 560/700 Series Gasket.....	G-191	
Hydro/Pac Fab Sweep Motor Gasket.....	G-53	
Hydro/Pac Fab 400 Model P/V.....	G-55	
Hydro/Pac Fab 650 Model Gasket.....	G-56	
Hydro VB-40 Volute Gasket.....	G-264	
Pac Fab Washer.....	G-271	
Crankshaft O-ring.....	0-5	
9/16" x 67 1/2" Tank O-ring.....	0-205	
1/2" x 66 7/8" Tank O-ring.....	0-203	
4" H & L Trap O-ring.....	0-14	
5" H & L Trap O-ring.....	0-182	
6" H & L Trap O-ring.....	0-12	
Nautilus® Manifold O-ring.....	0-325	
PVC B/V Cap O-ring.....	0-325	
RPZ Pot To Volute O-ring.....	0-325	
Mark Series Center Pipe O-ring.....	0-325	
FLO	Flowmeter O-ring Large	
FSO	Flowmeter O-ring Small	
LA375	O-ring For Drain Plug Booster Pump LA01N	
LA415	O-ring For Drain Plug Booster Pump LA01N	
LA1000	Seal For New Style Booster Pump LA01N.....	AS-1000
OR-4	Shaft Seal O-ring Compool Valves	
OR-6	Cover Seal O-ring Compool Valves.....	0-440
SP-710-X-D	Multiport Valve Seat Gasket.....	0-176A
SP-715-D	2" Valve Gasket.....	0-322
SP735-G	Multiport Valve Shaft Seal O-ring (Part Of 0-519KIT/0-520KIT).....	0-276
TBS-310	Air Switch.....	TBS-301
200	Pump Seal.....	AS-200
2112	Crank Shaft O-ring.....	0-39
2116	Crank Shaft O-ring.....	0-158
71442	Nautilus® Clamp Ring O-ring.....	0-86
152038	PF-50 22" Tank O-ring.....	0-185
152122	O-ring (Part Of 0-513Kit).....	0-71
152127	Nautilus PF-35 18" Tank O-ring.....	0-184
152235	PF-100 16" Tank O-ring.....	0-337
152501	TA100D Valve Adapter O-ring.....	0-160
152509	Tank To Buttress Square Ring-Waterfall Pump Lid O-ring AFP-180 TR100C/140C.....	0-505
154004	Triton® C3 Ring Flange O-ring.....	0-655
154005	Triton® C3 Spacer O-ring.....	0-283
154491	1 1/2" Bulkhead O-ring.....	0-4
154492	2" Bulkhead O-ring Nautilus/FNS®/Triton® II/TR100C/140C..	0-179
154493	TA30/35/40/50/60 Filter Dome Lid O-ring-Hi Flow Multiport Valve Tagelus®.....	0-108
154494	Tagelus® Valve Adapter O-ring/FNS®/TR100C/140C/Triton® C-3.....	0-108
154495	Triton® II Closure O-ring.....	0-108
154538	2" Bulkhead Fitting Gasket/Triton® II/TR100C/140C.....	G-98

154539	1 1/2" Bulkhead Fitting Gasket.....	G-291	R173576	Cartridge Filter Element .....	20503
154661	Triton®/Nautilus DE/Mytilus/Mitra Cartridge Filter Gauge & Air Bleeder Adapter PF Sand 35/50/100.....	0-25	R173577	4 X 125 Sq. Ft. Cartridge Filter Element.....	22501
154713	Sand Dollar Sand Drain Gasket.....	G-29	R173578	4 X 125 Sq. Ft. Cartridge Filter Element.....	22505
154827	Air Relief O-ring.....	0-27	R173579	DM Filter 75 Sq. Ft. Cartridge Filter Element.....	17529
155064	TA30/35/40/50/60 Tagelus®/Star Stand Pipe O-ring .....	0-287	R173580	DM Filter 90 Sq. Ft. Cartridge Filter Element.....	19004
155154	1 1/4" Hose Clamp.....	273-16	R173581	DM Filter 120 Sq. Ft. Cartridge Filter Element .....	22008
155155	1 1/2" Hose Clamp (Use 711004).....	275-24	R173582	DM Filter 180 Sq. Ft. Cartridge Filter Element .....	28001
155564	Star Polymeric Filter Gauge O-ring.....	0-26	R173583	DM Filter 240 Sq. Ft. Cartridge Filter Element.....	34001
R172653	Leaf Trap 25 Sq. Ft. Cartridge Filter Element.....	12533	174704	Mytilus/Turbo/Star Tank O-ring.....	0-99P
R172654	Leaf Trap 50 Sq. Ft. Cartridge Filter Element.....	WIP	174819	Mytilus MY90 6 Sq. Ft. Cartridge Filter Element.....	10604
172810	Mytilus Cartridge Filter Element 140GPM MY120.....	16001	174821	Mytilus MY30 23 Sq. Ft. Cartridge Filter Element.....	12301
172811	Mytilus Cartridge Filter Element FMY80/MY80 .....	18001	174821	Mytilus MY50 50 Sq. Ft. Cartridge Filter Element (2 Required) .....	12301
172812	Mytilus Cartridge Filter Element FMY100/MY100 .....	19904	174865	Mytilus MY140 6 Sq. Ft. Cartridge Filter Element.....	10604
172840	Seahorse Cartridge 300-SS Filter .....	17524	174961	Mytilus FMY50 50 Sq. Ft. Cartridge Filter Element.....	15009
172841	Seahorse Cartridge 400-SS Filter .....	19915	174980	Mytilus FMY150 150 Sq. Ft. Cartridge Filter Element .....	25001
172849	Seahorse Cartridge 500-SS Filter .....	22503	174981	Mytilus 50 Sq. Ft. Cartridge Filter Element.....	15009
172877	Seahorse FSH Cartridge 300-Fiberglass Filter.....	17524	174983	Mytilus FMY60, MA60 60 Sq. Ft. Cartridge Filter Element.....	16001
172878	Seahorse FSH Cartridge 400-Fiberglass Filter.....	19915	174983	Mitra MA160 160 Sq. Ft. Cartridge Filter Element (One Of Each) .....	16001/19904
172887	Seahorse FSH Cartridge 500-Fiberglass Filter .....	22503	174984	Mitra FMY80, MA80 80 Sq. Ft. Cartridge Filter Element.....	18001
R173200	Commander 25 Sq. Ft. 6 Oz. Cartridge Filter Element .....	12509	174985	Mitra FMY100, MA100 100 Sq. Ft. Cartridge Filter Element..	19904
R173201	Commander 25 Sq. Ft. 4 Oz. Cartridge Filter Element .....	12509	174985	Mitra MA160 160 Sq. Ft. Cartridge Filter Element.....	19904
R173203	Commander 50 Sq. Ft. 4 Oz. Cartridge Filter Element .....	15007	175652	DM Filter Cartridge 90 Sq. Ft. Model DM-90 .....	19004
R173204	Commander 75 Sq. Ft. 6 Oz. Cartridge Filter Element .....	17506	175653	DM Filter Cartridge 120 Sq. Ft. Model DM-120 .....	22008
R173205	Commander 75 Sq. Ft. 4 Oz. Cartridge Filter Element .....	17506	175680	DM Filter Drain Port O-ring .....	
R173208	Commander 100 Sq. Ft. Cartridge Filter Element.....	19903	175687	DM Filter Air Release O-ring .....	
R173208	Commander 100 Sq. Ft. Upgrade 6 Oz. Cartridge Filter Element .....	19903	175689	DM Filter Cartridge 75 Sq. Ft. Model DM-75.....	17529
R173209	Commander 35 Sq. Ft. Upgrade Cartridge Filter Element.....	13503	175690	CFW/CFM 280 Sq. Ft. Cartridge Filter Element.....	19502
R173210	Commander 75 Sq. Ft. 4 Oz. Upgrade Cartridge Filter Element.....	17509	178538	Clean & Clear® Plus 420 Sq. Ft. Cartridge Filter Element (Before 11/1998).....	WIP
R173211	Quantum™ 360 RPM™ (Before 11/1998) 90 Sq. Ft. Cartridge Filter Element .....	19005	178568	DM Filter Tank O-ring.....	0-89
R173212	Quantum™ 175 RPM™-SS-CM 43.7 Sq. Ft. Cartridge Filter Element (4 Required) .....	14401	178569	Clean & Clear® Plus/Quantum™ RPM™ 240 Sq. Ft. Cartridge Filter Element.....	16011
R173213	Clean & Clear®/Predator™ 50 Sq. Ft. Cartridge Filter Element .....	15036	178571	DM Filter Cartridge 180 Model DM-180.....	28001
R173214	Clean & Clear®/Predator™ 75 Sq. Ft. Cartridge Filter Element .....	17525	178572	DM Filter Cartridge 240 Model DM-240 .....	34001
R173215	Clean & Clear®/Predator™ 100 Sq. Ft. Cartridge Filter Element .....	19916	178580	Clean & Clear® Plus 320 Sq. Ft. Cartridge Filter Element (4 Required).....	18005
R173216	Clean & Clear®/Predator™ 150 Sq. Ft. Cartridge Filter Element .....	25005	178584	Clean & Clear® Plus 420 Sq. Ft. Cartridge Filter Element (After 11/1998).....	20503
R173217	Clean & Clear®/Predator™ 200 Sq. Ft. Cartridge Filter Element .....	29902	178585	Clean & Clear® Plus 520 Sq. Ft. Cartridge Filter Element (After 11/1998).....	22505
R173218	Quantum™ 350 RPM™-SS-CM 87.5 Sq. Ft. Cartridge Filter Element (4 Required) .....	18801	R178671	Clean & Clear® 125 Sq. Ft. Cartridge Filter Element.....	22510
R173219	Quantum™ 500 RPM™-CM 125 Sq. Ft. Cartridge Filter Element (4 Required) .....	22501	191424	Star 40/Mytilus B Bottom Piping O-ring.....	0-442
R173297	Mytilus FMY 50 Sq. Ft. Cartridge Filter Element.....	15009	191474	Mytilus B Cartridge Filter/Star DE Filter O-ring.....	0-125
R173298	Mitra 60 GPM Cartridge Filter Element .....	16001	191479	Star DE Filter O-ring.....	0-276
R173299	Mytilus 80 GPM MA-80 Sq. Ft. Cartridge Filter Element.....	18001	191517	Center Pipe O-ring Star Polymeric Filter Shaft O-ring Optiflo.....	0-286
R173300	Mytilus 100 GPM MY 100 Sq. Ft. Cartridge Filter Element.....	19904	192031	Crank Shaft Sleeve Flat Gasket.....	G-248
173301	Mytilus FMY 150 Sq. Ft. Cartridge Filter Element .....	25001	192039	SCS Filter Crank O-ring-Full Flow Valve .....	0-158
R173310	Cartridge Filter Element .....	14002	192040	Crank Cap O-ring.....	0-69
R173312	Cartridge Filter Element .....	16002	192041	SCS Filter V Packing Ring.....	0-28
R173313	Cartridge Filter Element .....	18002	192115	Drain Plug Spin Filter Crank O-ring (After 03/1983)/Tagelus®/Sand Dollar/Challenger®/Water Fall Pump/Triton® II/Drain Plug O-ring EQ Series Commercial Strainer.....	0-130
R173314	Cartridge Filter Element .....	16801	192122	Filter Return O-ring.....	0-180
R173315	Cartridge Filter Element .....	20501	192300	Mytilus Connector & Bulk O-ring.....	0-325
R173316	Cartridge Filter Element .....	17524	192320	Bulkhead O-ring-Nautilus/FNS®/TR100C/140C .....	0-409
R173317	Cartridge Filter Element .....	19915	192323	Filter/Pump O-ring-Hydropump™ Pot/Volute-Nautilus/FNS®.....	0-24
R173318	Cartridge Filter Element .....	22503	192404	SCS Return Sleeve Gasket .....	G-227
173324	Chloro 8.5 Sq. Ft. Cartridge Filter Element.....	10804	193220	Bulkhead O-ring .....	0-468
173409	Commander 50 Sq. Ft. 6 Oz. Cartridge Filter Element .....	15004	195004	Poly Gasket .....	G-314
173425	Hi Flo 14.5 Sq. Ft. Cartridge Filter Element .....	11501	195007	4" Diameter Adapter O-ring.....	0-422
R173430	RDC/RTL/RCF/DFML 25 Upgrade Cartridge Filter Element .....	13701	195008	Nautilus FRP/FNS® Tank O-ring (AFTER 2001).....	0-420
R173572	4 X 60 Sq. Ft. Cartridge Filter Element.....	16011	195008	Old Style Nautilus® Tank O-ring (BEFORE 2001).....	0-200
R173573	Cartridge Filter Element .....	18005	195310	Nautilus New Style Tank O-ring .....	0-487
173574	4 X 90 Sq. Ft. Cartridge Filter Element.....	19005	242427	2" Valve Sight Glass Gasket .....	
			263042Z	O-ring Only For Check Valve Assembly .....	0-248
			263054	Backwash/Slide/Pre-Plumbed Valve Kit.....	0-531KIT
			270038	Spacer Split Ring 2-way/3-way Valve .....	G-480

271103 1 1/2" Valve Top O-ring (Part Of O-519KIT) ..... 0-139  
 271104 1 1/2" Praher Diverter Gasket/Spider Gasket Top Mount Clamp (Part Of O-519KIT) ..... G-416  
 271106 Praher Sight Glass Gasket-4 & 6 Way Hi Flo 1 1/2" ..... G-160  
 271148 2" Praher Diverter Gasket/Spider Gasket Multiport Valve (Part Of O-520KIT) ..... G-417  
 271151 2" Valve Top O-ring (Part Of O-520KIT)..... 0-479  
 271162 1 1/2" & 2" Valve Stem O-ring..... 0-276  
 272317 Flow Meter Sight Glass Gasket  
 272404 2" Valve Plastic Washer  
 272406 2" Valve Diverter O-ring (Part Of O-513KIT)..... 0-47  
 272409 2" Valve Diverter Seal ..... G-400  
 272505 1 1/2" Valve Plastic Washer  
 272510 1 1/2" Valve Top O-ring  
 272511 1 1/2" Diverter Shaft O-ring ..... 0-398  
 272541 TA30, 35, 40, 50, 60 Valve Body O-ring/Tagelus® 1 1/2" Valve Body O-ring Sand Dollar ..... 0-467  
 272705 1 1/4" Valve Gasket  
 272707 1 1/4" Valve Knob O-ring  
 272708 1 1/4" & 1 1/2" Valve Body O-ring/Sand Dollar ..... 0-467  
 273004 Screw Type Valve Cap Gasket.....G-294  
 273011 Brass Valve Shaft O-ring .....0-39  
 273012 Old Style 1 1/2" Piston O-ring ..... 0-210  
 273057 SS E-Clip..... E-Clip  
 273059 2" Piston O-ring.....0-206  
 273060 2" PVC Valve Shaft O-ring.....0-155  
 273062 2" PVC Cap O-ring-Dynamo® Pot/Housing O-ring (Part Of O-513KIT) ..... 0-41  
 273090 2" Slide Valve Bottom Shaft O-ring ..... 0-71  
 273097 Brass Backwash Valve Cap Gasket.....G-206  
 273109 2" Universal Slide Valve O-ring Kit ..... 0-513KIT  
 273160 New Style 1 1/2" Piston O-ring..... 0-211  
 273513 Nautilus Triton® 3, Seahorse Cartridge Filter O-ring/FNS®/TR100C/140C Air Bleeder Screw O-ring..... 0-628  
 273515 Nautilus Float To Valve O-ring/Triton® C3/TR100C/140C Air Bleeder Screw O-ring  
 274494 Bulkhead Valve Adapter O-ring-Elevated Base Kit-TR/NS-CHF Full Flow Valve ..... 0-83  
 275300 Full Flow Valve O-ring ..... 0-636  
 275333 TA100D Valve Body O-ring/Tagelus® ..... 0-284  
 313109 Old Style Separation Tank O-ring  
 313225 Septic Tank O-ring 11" Mitra ..... 0-292  
 350013 WhisperFlo® AQ/WFE Cover O-ring/Challenger® Lid O-ring (After 11/1998) ..... 0-318  
 350037 Diffuser O-ring EQ Series Commercial Strainer ..... 0-459  
 350166 Gasket For Lid EQ Series Commercial Strainer ..... 0-537  
 350103 Shaft O-ring OptiFlo® ..... 0-286  
 351446 Seal Plate O-ring..... 0-541  
 352600 Old Style 700 Pump Lid O-ring..... 0-318  
 352600 New Style 700 Pump Lid O-ring ..... 0-302  
 352602 Old Style 590-RPZ 5" Quad Lid Ring ..... 0-428  
 352604 590 Pump Lid O-ring ..... 0-182  
 352607 Backwash Valve Pump Gasket  
 352626 Hydropump™ Backwash Valve O-ring..... 0-257  
 352627 Backwash Valve Gasket ..... G-192  
 352656 590-RPZ Pump Basket ..... B-101  
 352670 700-RPZ & RPF Basket-Metal..... B-185  
 352670 Hydropump 700 RPZ & RPF Basket-Plastic..... B-206  
 352861 Pump Basket ..... B-142  
 353308 Pump Basket ..... B-141  
 353312 790 Pump Basket ..... B-170  
 353314 Pump Basket ..... B-132  
 353500 Pump Gasket-Rubber ..... G-192  
 353501 400 Backwash Valve Pump Gasket..... G-9  
 353502 540 Pump Gasket..... G-6  
 353506 460-650 Pump Gasket ..... G-297  
 353512 880-881 Pot Flange Gasket..... G-99  
 353513 880-881 Pot Volute Gasket..... G-100  
 353514 880-881 Bracket Volute Gasket ..... G-101  
 353515 Backwash Valve Pump Gasket..... G-296

353525 Porpoise Filter Clear Lid O-ring..... 0-232  
 353525 New Style Pump Clear Lid O-ring ..... 0-302  
 353750 Hydropump Shaft Extension ..... 154  
 354001 3/4" Hydropump Seal ..... AS-201  
 354052 540 Pump Lid O-ring ..... 0-74  
 354053 700 Glas Pump Lid & Multiport Valve Top O-ring..... 0-336  
 354056 Pump Lid O-ring ..... 0-183  
 354256 Pump Shaft Extension Set Screws (2 Required) ..... 152  
 354533 Dynamo® Lid/Dyna-mite/Dynatron Housing O-ring ..... 0-231  
 354535 Dynamo® Bracket Diffuser O-ring..... 0-163  
 354545 Challenger/Dynamo®/Dynatron/Dyna-mite (5/8") Pinnacle Seal/Waterfall Pump Seal ..... AS-200  
 354548 Dynamo® Basket ..... B-101  
 354571 Dyna-Mite/Dynatron/Dynamo®/Tagelus® Quick Connect O-ring ..... 0-49  
 354634 Bracket Diffuser O-ring-Dynamo® ..... 0-453  
 354894 Pump Seal..... AS-201  
 355030 Challenger®/Pinnacle Medium Head Diffuser O-ring/Super Flo..... 0-395  
 355318 Challenger® Pump Basket ..... B-219  
 355329 Challenger® Seal Plate Pump Housing O-ring-Waterfall Pump ..... 0-419  
 355329 Challenger® Seal Plate Pump Housing O-ring Square Cut ..... 0-506  
 355330 Challenger® Pump Strainer Pot Flange O-ring (Std Pipe TA 100D) NS/CH Base Kit-Waterfall Pump ..... 0-301  
 355331 Challenger® Diffuser O-ring-Waterfall Pump ..... 0-421  
 355332 Old Style Challenger®/Pinnacle Pump Lid O-ring..... 0-318  
 355332 New Style Challenger® Pump Lid O-ring-Waterfall Pump..... 0-302  
 355441 Challenger HP SS 3F Only Basket-Waterfall Pump AFP-150  
 355619 Pinnacle™/Tagelus® Seal Bracket O-ring..... 0-465  
 355622 Pinnacle™ Basket (Before 11/1994)..... B-101  
 355667 New Style Pinnacle™ Basket-No Handle (After 11/1994) Challenger High Flow SS Strainer Basket-Waterfall Pump SS Strainer Basket AFP 180  
 356766 Pot Flange O-ring EQ Series Commercial Strainer  
 356780 Seal Plate O-ring EQ Series Commercial Strainer ..... 0-522  
 357038 Purex/Triton® RP/APF 400, 401 Lid O-ring ..... 0-480  
 357100 Seal Plate Gasket IntelliFlo®/WhisperFlo® ..... G-478  
 357102 Seal Plate O-ring Fits Models (After 1994)..... G-413  
 357132 RPF & APF 500 & 501/RP & APF 400/401 Adapter Gasket... 0-642  
 357184 Basket EQ Series Commercial Strainer  
 357255 Lid O-ring Optiflo® ..... 0-150  
 400627 Power End O-ring ..... 0-648  
 471550 MiniMax® Viton® O-ring ..... 0-315V  
 471551 MiniMax® Heater O-ring ..... 0-315  
 471552 MiniMax® Heater O-ring ..... 0-168  
 471553 MiniMax® Heater O-ring..... 0-180  
 513027 Skimmer Weir 7 1/4" ..... 934  
 513033 Skimmer Gasket ..... G-313  
 513036 Residential Skimmer Basket ..... B-43  
 513151 Commercial Skimmer Basket..... B-43C  
 513151 Commercial Skimmer Basket-Metal..... B-156  
 516103 Deluxe Gunite Weir  
 516112 Deluxe Gunite Bermuda Skimmer & Bermuda Vinyl Skimmer Basket..... B-9  
 516215 8" Round Skimmer Cover/Deck Lid  
 516231 Bermuda Widemouth Throat Skimmer Gasket  
 516232 B Skimmer Basket  
 516238 B Skimmer Basket Assembly  
 516244 Float Valve Large O-ring..... 0-328  
 516252 Bermuda Gunite Weir Assembly (1 Weir/1 Float) ..... 939  
 516315 Bermuda Skimmer Weir Gate Assembly Black  
 552401 Liner FG/Pool Gasket  
 552406 Vinyl Liner Fitting Gasket  
 552417 Plug O-ring  
 552471 M/D Gasket For Vinyl  
 552496 Vinyl Liner Wall Fitting Cork Gasket  
 552566 Bermuda Skimmer Standard Throat 55-2518/55-2528 Gasket  
 59054000 Clean & Clear® 50 Sq. Ft. Cartridge Filter Element ..... 15036  
 59054100 Clean & Clear® 75 Sq. Ft. Cartridge Filter Element ..... 17525  
 59054200 Clean & Clear® 100 Sq. Ft. Cartridge Filter Element ..... 19916  
 59054300 Clean & Clear® 150 Sq. Ft. Cartridge Filter Element ..... 25005

59054400	Clean & Clear® 200 Sq. Ft. Cartridge Filter Element	29902
614516	Hatteras/Pool Star Light Lens Gasket	0-472
614562	Hatteras Light Neoprene Washer	
630025	QuickNiche™ Sealing Ring Gasket	
634562	Vinyl Niche Pool Face Ring Gasket Metal Rings	
634565	Vinyl Pool Channel Gasket	
634566	Vinyl Niche Frame Gasket	
634568	Vinyl Niche/Niche Ring Plastic Ring Gasket	
634755	Roto Hub Gasket	
650003	Spa Light Lens Gasket-Hatteras/Hatteras II Face Ring	G-414
670006	Vinyl Niche Spa Gasket Rubber	
670012	Vinyl Niche Spa Gasket Rubber-Liner Wall Panel	
670018	Vinyl Niche Spa Gasket Fiber-Back Up Ring	
840070	Wide Angle Lens O-ring Only	
885001	Old Style SCS Series Manifold V-ring	0-67
22103100	Photon Generator Seal Nut O-ring Only	
22103200	Photon Generator Spacer O-ring Only	

**PACIFIC MARQUIS**

25 Sq. Ft. Cartridge Filter Element	12518
34 Sq. Ft. Cartridge Filter Element	13401
35 Sq. Ft. Cartridge Filter Element	13507
36 Sq. Ft. Cartridge Filter Element	13601
40 Sq. Ft. Cartridge Filter Element	14006
58 Sq. Ft. Cartridge Filter Element	15801

**PACIFIC PUMP**

SD6738	Basket-Metal	B-91
SD7394	Basket-Metal	B-73
SD8409	Basket-Metal	B-74
SD10106	Basket-Plastic	B-101

**PACIFIC SPAS (CANADA)**

25 Sq. Ft. Cartridge Filter Element	12502
-------------------------------------	-------

**PADDOCK**

Clamp Type Lens Gasket	0-2	
Combination Lens Gasket	0-2	
Trimmer Lid Keyhole Gasket	0-10	
Trimmer Lid Gasket	0-11	
H & L 2" Flat Gasket	0-21	
1 ¼" - 2" Flat Gasket	0-22	
¾" Sight Glass Gasket	0-23	
Petite Spin Filter Tube O-ring	0-26	
Petite Spin Filter Crank O-ring	0-27	
Star Clear Tube O-ring	0-40	
Star Clear Manifold O-ring	0-40	
5" Basket-Metal	B-49	
6" Filcore Basket-Metal	B-50	
8" Basket-Metal	B-64	
8" Commercial Basket-Metal	B-68	
1 ½" Basket-Metal	B-14	
3" Basket-Metal	B-16	
4" Basket-Metal	B-17	
Skimmer Basket-Plastic	B-40	
1 ¼" Basket-Metal	B-77	
8" Basket-Metal	B-81	
Skimfilter Basket (See B-40)	B-130	
18-3850	Skimmer Basket-Metal	B-69
18-4256	Basket-Metal	B-72
AB0961	Skimmer Basket-Metal	B-48
AB1460	Skimmer Basket-Metal	B-95

**PAGEANT SPAS**

19 Sq. Ft. Cartridge Filter Element	11901
45 Sq. Ft. Cartridge Filter Element	14502
45 Sq. Ft. Cartridge Filter Element	15003
50 Sq. Ft. Cartridge Filter Element	15002

**PARAGON**

B24904	Basket-Metal	B-166
--------	--------------	-------

**PARAMOUNT POOL & SPA**

3044	Universal Pressure Switch	3925
------	---------------------------	------

**PDC SPAS**

25 Sq. Ft. Cartridge Filter Element	12502	
25 Sq. Ft. Cartridge Filter Element	12509	
50 Sq. Ft. Cartridge Filter Element	15004	
3903-CJ	Universal Pressure Switch	3902
TBS-301	Air Switch	TBS-301
TBS-305	Air Switch	TBS-301
TBS-310	Air Switch	TBS-301
TBS-312	Air Switch	TBS-312
8005-10-000-06	2 Button Spa Side Controller	CC2-120-10
9200-10-000-06	2 Button Spa Side Controller	CC2-120-10

**PEERLESS**

B/P 4 Hole Gasket	G-2
B/P Round Gasket	G-7
P/V 2 Hole Gasket	G-12

**PENTAIR (SEE AMERICAN/KREEPY KRAULY®/PAC FAB/PUREX/RAINBOW™/STA-RITE®/SWIMQUIP™) - ADDITIONAL CROSS-REFERENCE ON OUR WEBSITE**

System 3® Modular O-Ring Kit	FK3-21	
System 3® Modular O-Ring Kit	FK3-25	
System 3® D.E. O-Ring Kit	FK3-DE1	
System 3® D.E. O-Ring Kit	FK3-DE2	
System 3® Sand O-Ring Kit	FK3-SAND1	
System 3® Sand O-Ring Kit	FK3-SAND2	
154715	Sand Drain Gasket	G-482
263028	3-Way Valve O-Ring Kit	0-515KIT
263029	2-Way Valve O-Ring Kit	0-515KIT
98209800	Clean & Clear® FNS Kit	0-538KIT

**PLASTILINE**

¾" Union O-ring	0-282
1 ½" Union O-ring	0-4
2" Union O-ring	0-179

**POLARIS® (ZODIAC®)**

C-6	Large Wheel	400
C-125	C-120 Plastic Clamp	290-C
C-125	C-120 SS Clamp	271-8
C-140	Thrust Jet O-ring	0-47
D-24	Quick Connect O-ring	0-188
E13	Legend 4 Wheel Body O-ring	0-115
E14	Legend 4 Wheel Gear Asbly O-ring	0-228
E21	Legend 4 Wheel Wall Fitting O-ring	0-113
E-30	Back-up Valve Case O-ring (Before 1986)	0-248
E-31	Back-up Valve O-ring (1986-1991)	0-440
E-45	Back-up Valve Plate O-ring	0-39
I-020	Watermatic G1000 Feeder Solenoid Cover Gasket	
I-110	Watermatic G1000 Feeder Hopper Lid Gasket	
I-190	Watermatic G1000 Feeder Collar Gasket	
I-370	Watermatic G1000 Feeder Diverter Valve Assembly Gasket	
JV-11	O-ring for JV2C Gear Plate	0-623
LF24	Sweep I & II Back Up Ext. O-ring	0-30
LG12	Sweep I & II Gear Axle O-ring	0-186
LG32	Sweep I & II Lower Bearing O-ring	0-410
P-40	151 Pump Shaft Extension O-ring	0-39
P-45	Pump Shaft Extension	151
P-50	P-45, 151 Pump Shaft Extension Set Screws	152
P-55	Pump Seal	AS-1000
P-84	Mechanical Sea	PSR-3890
P-85	Seal Plate O-ring	0-393
P-88	Quiet Pump Drain Plug O-Ring only	0-39
P-95	Pump Volute O-ring	0-299

6-412-00	Chamber Assembly 165 & 65 O-ring	
6-505-00	UFW/QD O-ring .....	0-403
9-100-5105	Alternator Exit O-ring	
9-100-5108	Hose Nut, Cuffless Hose O-ring.....	0-447
9-100-5132	Timer O-ring.....	0-441
9-100-5139	Wall Bushing O-ring .....	0-122
9-100-5140	Filter Housing O-ring.....	0-431

**POOL BUILDERS SUPPLY**

3029	Universal Pressure Switch.....	3925
CSC-1131	4 Function Air Switch (TBS-312 Required).....	CSC-1131
9300-06-000-06	3 Button Spa Side Controller & Retro-Fit Faceplate .....	CC3-120-10 & 20205

**POOLCO INDUSTRIES**

1XLDP	Drain Plug With O-ring Vortex XL Pump/Air Relief Plug With O-ring CW65/90/120 Filter/0DE500/700 Filter
2XLXLVHOR	Pump Housing O-ring Vortex SL Pump/Twister XLV Pump
2XLXLVSEAL	Seal Housing Vortex SL Pump/Twister XLV Pump
3XLBASKET	Strainer Basket Vortex XL Pump
3XLSCOR	Strainer Cover O-ring Vortex XL Pump
3XLSOR	Threaded Strainer 1 1/2" O-ring Vortex XL Pump
3XLV	Strainer Basket Twister XLV Pump
3XLVSCOR	Strainer Cover O-ring Twister XLV Pump
7VDIVGAS	Diverter Spider Gasket 7 Way Multiport Valve
7VCORING	Valve Cover O-ring 7 Way Multiport Valve
7VDORING	Diverter O-ring 7 Way Multiport Valve
9CP111-01	End Cap With O-ring PV-75/100 Sand Filter Ultra Clean 167/177/197/217/247/257
16TVT	Valve To Tank O-ring PV-75/100 Sand Filter Ultra Clean 167/177/197/217/247/257 Tank-7 Way Multiport Valve
65CWF65	Cartridge Filter Element 65 Sq. Ft. Filter
65CWF90	Cartridge Filter Element 90 Sq. Ft. Filter
65CWF120	Cartridge Filter Element 120 Sq. Ft. Filter
65CWFHOR	Cartridge Filter Head O-ring CW65/90/120 Filter-DE500/700Filter
65CWPLUG	Threaded 1 1/2" Plug With O-ring PV-75/100 Sand Filter Ultra Clean 167/177/197/217/247/257-CW65/90/120 Filter/700 Filter

**POOLQUIP**

1400-5	Skimmer Basket-Metal.....	B-146
--------	---------------------------	-------

**POOLSWEEP**

05-009-1005	O-ring For All Models.....	0-47
-------------	----------------------------	------

**POOLWATER**

	Skimmer Basket-Metal.....	B-86
--	---------------------------	------

**PPG CHLORINATOR (ADDITIONAL LISTINGS UNDER KINGFEEDER/FINGTECH)**

PPG-N100-6-1	Cap O-ring Viton®
PPG-N100-6-10	1/2" Hose Clamp

**PRAHER**

3W10VK	1" PVC 3 Way Ball Valve Viton® O-ring Kit
3W15VK	1 1/2" PVC 3 Way Ball Valve Viton® O-ring Kit
3W20VK	2" PVC 3 Way Ball Valve Viton® O-ring Kit
150BA	1 1/2" Socket End Gasket
200BA	2" Socket End Gasket
E7S1	1 1/2" ABS Side Mount Multiport Valve Cover O-ring
E7S2	2" ABS Side Mount Multiport Valve Cover O-ring
E7S3	3" ABS Side Mount Multiport Valve Cover O-ring
E10S1	1 1/2"/2" ABS Side Mount Multiport Valve Diverter O-ring/O-ring For ECO Valve
E10S3	3" ABS Side Mount Multiport Valve Diverter O-ring
E10X2	1/2" Economy TU Ball Valve Stem O-ring/PVC True Union Ball Valve Stem O-ring
E12S1	1 1/2" ABS Side Mount Multiport Valve Spider Gasket

E12S2	2" ABS Side Mount Multiport Valve Spider Gasket
E12S3	3" ABS Side Mount Multiport Valve Spider Gasket
E16X2.5	1" Economy TU Ball Valve Stem O-ring
E18S1	1 1/2" ABS Side Mount Multiport Valve Plug O-ring
E18S2	2" ABS Side Mount Multiport Valve Plug O-ring
E18T1744	1 1/2"/2" Top Mount ABS Valve Square Flange Gasket For TM12E/22E 1/4" Thick

E18T439	1 1/2"/2" Top Mount ABS Valve Square Flange Gasket For TM12E/22E 1/8" Thick
E18256	1 1/2" Top Mount ABS Valve For TM12A/12B O-ring
E18442	1 1/2"/2" Top Mount ABS Valve For TM12L/22L O-ring
E19X2	1/2" PVC True Union Ball Valve Socket O-ring
E20T1	1 1/2" Top Mount ABS Valve O-ring For Standpipe
E20T2	2" Top Mount ABS Valve O-ring For Standpipe
E20X3	1/2" Ball Seat Retaining Ring O-ring
E024	1" PVC 3 Way Ball Valve Ball Seat O-ring
E24X3	2 1/2" Economy TU Ball Valve Stem O-ring/PVC True Union Ball Valve Stem O-ring

E25X2	3/4" PVC True Union Ball Valve Socket O-ring
E26X3	1/2" Ball Seat O-ring
E26X3.5	3/4" Economy TU Ball Valve Stem O-ring/Ball Seat Retaining Ring
E30X2	1" PVC True Union Ball Valve Socket O-ring
E32X3.5	1" Ball Seat Retaining Ring O-ring
E33X3	3/4" Ball Seat O-ring
E38X3	1" Ball Seat O-ring
E40X3.5	1 1/4" PVC Economy TU Ball Valves
E50X3	1 1/4" Ball Seat O-ring
E58X3	2" PVC True Union Ball Valve Socket O-ring
E60X3	1 1/2" Ball Seat O-ring
E75X6	2 1/2" PVC Economy TU Ball Valve
E78X3	2 1/2" PVC True Union Ball Valve Socket O-ring
E90X6	3/4" PVC Economy TU Ball Valve
E94X3	3/4" PVC True Union Ball Valve Socket O-ring
E98X4	2 1/2" Ball Seat O-ring
E111	3/4" Economy TU Ball Valve Stem O-ring/PVC True Union Ball Valve Stem O-ring/1" PVC3 Way Ball Valve Stem O-ring

E113	1 1/4" Economy TU Ball Valve Stem O-ring/PVC True Union Ball Valve Stem O-ring
------	--

E115	1 1/2"/2" Economy TU Ball Valve Stem O-ring/PVC True Union Ball Valve Stem O-ring
------	---

E116	1 1/2" PVC 3 Way Ball Valve Stem O-ring/2" PVC 3 Way Ball Valve Stem O-ring
E124X5.7	3 Port Valve Infinity-Perma Seal Rotor O-ring
E125X6	3/4" Ball Seat O-ring
E126	2 1/2" PVC Double Union Spring Check Valve Retainer O-ring
E128X6	1 1/4" PVC True Union Ball Valve Socket O-ring
E129	3" PVC Double Union Spring Check Valve Retainer O-ring
E135	1 1/2" PVC 3 Way Ball Valve Ball Seat O-ring

E151	1 1/2" PVC True Union Ball Valve Socket PTFE/2" PVC 3 Way Ball Valve Ball Seat O-ring
E214	3 Port Valve Infinity-Perma Seal Rotor O-ring
E217	3/4" PVC True Union Ball Valve Stem O-ring
E218	1/2" PVC Double Union Spring Check Valve Retainer O-ring
E220	1" PVC 3 Way Ball Valve Retainer O-ring

E223	3/4" PVC Double Union Spring Check Valve Retainer O-ring
E226	2" PVC, PP & PVDF Wafer Check Valve Disc O-ring
E228	1" PVC Double Union Spring Check Valve Retainer O-ring
E233	1 1/4" PVC Double Union Spring Check Valve Retainer O-ring
E235	1 1/2" PVC 3 Way Ball Valve Retainer O-ring

E241	2" PVC 3 Way Ball Valve Retainer O-ring/2" PVC, PP & PVDF Wafer Check Valve Body O-ring
E245	2 1/2" PVC, PP & PVDF Wafer Check Valve Body O-ring
E249	3" PVC, PP & PVDF Wafer Check Valve Body O-ring
E250	O-ring For ECO Valve
E326	O-ring For ECO Valve
E327	Cover O-ring For TM15 ECO Valve
E328	O-ring For ECO Valve

E331	2" PVC Economy TU Ball Valve/3" PVC, PP & PVDF Wafer Check Valve Disc O-ring
E332	1 1/2" PVC Double Union Spring Check Valve Retainer O-ring
E337	2" PVC Double Union Spring Check Valve Retainer O-ring
N9X2	1/2" PVC Single Union Ball Valve Stem O-ring
N20X3	1/2" PVC Single Union Ball Valve SA Socket O-ring
N26X3	1/2" PVC Single Union Ball Valve Retainer Ring O-ring
N33X3	3/4" PVC Single Union Ball Valve Retainer Ring O-ring
N38X3	1" PVC Single Union Ball Valve Retainer Ring O-ring
N74X6	3" Union Body O-ring
N031	1 1/2" PVC Single Union Ball Valve Ball Seat O-ring
N111	3/4"/1" PVC Single Union Ball Valve Stem O-ring
N113	1 1/2"/2" PVC Single Union Ball Valve Stem O-ring
N142	1 1/2" PVC Single Union Ball Valve Retainer Ring O-ring
N215	3/4" PVC Single Union Ball Valve SA Socket O-ring
N218	1" PVC Single Union Ball Valve SA Socket O-ring
N225	1 1/2" Union Body MPT O-ring
N228	1 1/2" PVC Single Union Ball Valve SA Socket O-ring
N232	2" PVC Single Union Ball Valve Retainer Ring O-ring
N328	1 1/2" Union Body O-ring/1 1/2" PVC Single Union Ball Valve SA Socket O-ring
N331	2" Union Body O-ring/2" Union Body MPT O-ring/2" PVC Single Union Ball Valve SA Socket O-ring
TU050VK	1/2" PVC True Union Ball Valve Viton® O-ring Kit
TU075VK	3/4" PVC True Union Ball Valve Viton® O-ring Kit
TU100VK	1" PVC True Union Ball Valve Viton® O-ring Kit
TU125VK	1 1/4" PVC True Union Ball Valve Viton® O-ring Kit
TU150VK	1 1/2" PVC True Union Ball Valve Viton® O-ring Kit
TU200VK	2" PVC True Union Ball Valve Viton® O-ring Kit
TU250VK	2 1/2" PVC True Union Ball Valve Viton® O-ring Kit
TU400VK	4" PVC True Union Ball Valve Viton® O-ring Kit
TU0505	1/2" PVC True Union Ball Valve Ball Seat PTFE
TU0755	3/4" PVC True Union Ball Valve Ball Seat PTFE
TU1005	1" PVC True Union Ball Valve Ball Seat PTFE
TU1255	1 1/4" PVC True Union Ball Valve Ball Seat PTFE
TU1300VK	3" PVC True Union Ball Valve Viton® O-ring Kit
TU1505	1 1/2" PVC True Union Ball Valve Ball Seat PTFE
TU2005	2" PVC True Union Ball Valve Ball Seat PTFE
TU2505	2 1/2" PVC True Union Ball Valve Ball Seat PTFE
TU3005	3" PVC True Union Ball Valve Ball Seat PTFE
V220	2" PVC, PP/PVDF Wafer Check Valve Disc O-ring Viton®
V235	2" PVC, PP/PVDF Wafer Check Valve Body O-ring Viton®
V241	2 1/2" PVC, PP/PVDF Wafer Check Valve Body O-ring Viton®
V245	3" PVC, PP & PVDF Wafer Check Valve Body O-ring Viton®
V327	2 1/2" PVC, PP/PVDF Wafer Check Valve Disc O-ring Viton®
V331	3" PVC, PP & PVDF Wafer Check Valve Disc O-ring Viton®
55109	Light Duty (S5.10) Actuator Housing Gasket
100265	1/2" Ball Seat PTFE
100266	3/4" Ball Seat PTFE
100267	1" Ball Seat PTFE
100268	1 1/4" Ball Seat PTFE
100570	2 1/2" Ball Seat PTFE
100579	3 1/4" Ball Seat PTFE
100871	1 1/2" Ball Seat PTFE
100872	2" Ball Seat PTFE
101063	1 1/2"/2" Superstar Shaft Extension W O-ring
141031	O-ring Kit For TM15ECO For ECO Valve
<b>PREMIER</b>	
	2" Backwash Valve O-ring..... 0-71
	1 1/2" Cap O-ring..... 0-113
	Crank O-ring..... 0-39
	Large & Small Spa II O-ring..... 0-301
	550 6" Lid O-ring..... 0-161
	550 Noryl® Bracket O-ring..... 0-408
	Noryl® Pump Pot To Volute O-ring
	2" Piston O-ring..... 0-122
	4" Pump Basket - Plastic..... B-35
	5" Pump Basket - Plastic..... B-33
	6" Pump Basket - Plastic..... B-34

	Shaft Extension O-ring..... 0-47
	1 1/2" Valve Cap O-ring..... 0-125
FP-2001	Air Switch..... TBS-312
P-13-6P	New Style Clear Lid O-ring..... 0-218
P-19-0	Pump Seal..... AS-1000
P-7515	1 1/2" Backwash Valve O-ring..... 0-117
SG364	Sight Glass Gasket..... G-251
TBS-212	Universal Air Switch..... TBS-901
TBS-213	Universal Air Switch..... TBS-917
TBS-221	Universal Air Switch..... TBS-901
VB38	Volute Gasket..... G-57
	Washer #122..... G-180
3029	Universal Pressure Switch..... 3925
21-108	Washer Neoprene..... G-270
21-391	2" Valve Fiber Gasket..... G-220
21-503	PVC Backwash Valve Cap O-ring
21-504	Brass Backwash Valve 1 1/2" Piston O-ring
21-505	PVC & Brass Backwash Valve Piston O-ring
23-110	Hercules 18" Retainer O-ring
23-671	18" Tank O-ring..... 0-87
25-229	2" Tailpiece O-ring (Kit O-301 & O-287)..... 0-301
25-311	Pump Lid O-ring..... 0-378
25-744	Hercules 300SS 15" Tank O-ring
25-745	24" Tank O-ring..... 0-93
27-056	Hercules-300 Sq. Ft. Cartridge Filter Element (4 Required)..... 17511
27-060	Hercules-6 Sq. Ft. Cartridge Filter Element-6 Oz..... 10604
27-077	Hercules-22 Sq. Ft. Cartridge Filter Element-6 Oz..... 12201
27-078	Hercules II-25 Sq. Ft. Cartridge Filter Element..... 12509
27-079	Hercules II-50 Sq. Ft. Cartridge Filter Element..... 15004
27-080	Hercules II-75 Sq. Ft. Cartridge Filter Element..... 17509
27-080	Hercules II-150 Sq. Ft. Cartridge Filter Element (2 Required)..... 17509
27-084	Hercules II-100 Sq. Ft. Cartridge Filter Element..... 19903
27-379	Hercules Filter Lid Gasket..... G-286
27-671	Hercules 18" Tank O-ring..... 0-87
27-678	Hercules II Tank O-ring..... 0-96
29-113	Series 220 Shaft Extension & Crank O-ring..... 0-39
29-225	Spin Filter Return O-ring..... 0-50
29-674	1 1/2" Tailpiece O-ring..... 0-49
29-869	Crank Bearing Gasket
30-261	Coupling O-ring
31-158	Volute O-ring..... 0-257
31-159	Volute O-ring..... 0-329
31-161	225 MK2 Series Volute O-ring..... 0-639
31-162	Booster Pump Volute O-ring..... 0-237
31-184	Shaft Extension..... 151
	151 Shaft Extension O-ring (Required W/ 151 Shaft Extension)..... 0-39
31-221	Strainer Basket
31-256	255 Series Volute O-ring..... 0-108
31-276	1/2 - 2 HP Volute Gasket..... G-44
31-346	4" Pump Lid O-ring..... 0-15
31-358	Volute O-ring..... 0-240
31-418	756 Series Lid O-ring..... 0-13
31-420	756 Series Volute O-ring
31-486	5" Cover O-ring..... 0-80
31-713	O-ring..... 0-214
31-812	Shaft Extension Set Screw..... 152
31-812	Discharge Spa Pump Seal/120T Series-225/255 MKII Series-325/355 Series-725/756 Series/300 Series..... AS-201
31-813	Shaft Seal-220/225 Series-300 Series (Prior to 1988) 455/456/500/600 Series..... AS-1000
32-248	Bronze Strainer To Volute Gasket..... G-18
33-222	Pump Basket..... B-34
33-229	Pump O-ring Set..... 0-287
33-229	1 1/2" Tailpiece O-ring (For Kit O-287 & O-301)..... 0-287
33-248	Volute To Pot Gasket..... G-18
33-489	6" Cover O-ring..... 0-161
35-162	Volute O-ring..... 0-299

35-271	Bracket To Volute Gasket.....	G-221
39-225	8" Trap Pump Basket.....	B-131
39-271	3 - 7 1/2 HP Bracket To Volute Gasket.....	G-221
39-441	8" Trap Lid O-ring.....	O-183

**PREMIER PLASTICS**

3029-P	Universal Pressure Switch.....	3925
8750-10-000-06	3 Button Spa Side Controller & Retro-Fit Faceplate.....	CC3-120-10 & 20205

**PRES-AIR-TROL**

ARM111A	Air Switch.....	TBS-402
ARM211A	Air Switch.....	TBS-419
ATA111A	Air Switch.....	TBS-301
ATA211A	Air Switch.....	TBS-317
ATM111A	Air Switch.....	TBS-302
TRM111A	Air Switch.....	TBS-402
TRM211A	Air Switch.....	TBS-419
TVA111A	Air Switch.....	TBS-301
TVA211A	Air Switch.....	TBS-317
TVM111A	Air Switch.....	TBS-302

**PUREWATER CORP**

3015-P	Air Switch.....	3015
3037-P	Universal Air Switch.....	3925

**PUREX (PENTAIR®/ADDITIONAL LISTINGS: EASTSIDE/HYDROTECH/PAC FAB)**

	Old Style Eastside 6 Hole P/V Gasket.....	G-15
	Old Style Eastside 8 Hole P/V Gasket.....	G-10
	Eastside 2 Hole P/V Gasket.....	G-19
	Eastside Seal Well Gasket.....	G-21
	Eastside Pump Gasket.....	G-5
	Old Light Lens Gasket.....	O-9
	A Series Pump Seal.....	AS-201
	Universal Pressure Switch.....	3902
	Old Style Eastside Volute Gasket.....	G-20
	Eastside 4" H & L Trap O-ring.....	O-14
	Eastside 6" H & L Trap O-ring.....	O-12
	Eastside 4" Pump Basket.....	B-33
	Eastside 6" Pump Basket Tapered.....	B-36
	Eastside 4" Pump Basket Tapered.....	B-102
	Eastside Seal Plate O-ring.....	O-20
	CHD Crank O-ring.....	O-25
	CHD Spin Collection O-ring.....	O-325
	CHD 2" Valve Cap O-ring.....	O-168
	New Style Tahitian Adapter O-ring.....	O-64
10276/07-0101	15B0069 U-cup Lid Gasket.....	G-177
10282/07-0107	15B0100 U-cup Lid Gasket.....	O-241
07-0147	Verti Lever Valve O-ring.....	
10327/07-0152	31B0015 BH Valve Index Plate.....	G-166
10330/07-0155	31B0024 BH Valve O-ring Kit.....	O-271
10331/07-0156	31B0035 BH Valve Index Plate.....	O-130
07-0161	Verti Lever Valve Adapter O-ring.....	
10344/07-0169	31B9006 Bulkhead Gasket.....	G-165
10353/07-0178	31B9035 24" Bulkhead Seal.....	
10354/07-0179	31B9036 30" Bulkhead Seal.....	
51B1005	Strainer Basket.....	B-136
51B1047	Face Ring Gasket (2 Required).....	G-167
07-0192	Face Ring Skimmer Gasket.....	G-167
07-0193	51B1055 Weir.....	940
07-0211	00B7013 V-Band Lid Gasket.....	O-215
07-0212	00B7014 Valve Piston O-ring.....	O-207
07-0213	00B7027 Old Style Bulkhead Union O-ring.....	O-41
07-0213	00B7027 New Style Bulkhead Union O-ring.....	O-435
07-0231	CFM315, CFW315-315 Sq. Ft. Cartridge Filter Element (3 Required).....	20501
07-0238	00B7001 Bulkhead O-ring.....	O-325
07-0247	00B7000 O-ring Adapter.....	G-317
07-0291	Housing Gasket Valve Actuator Control Plate.....	G-317
B-94	Aqua Brominator CB8-4 To CB8-45 Square Cut Ring.....	G-359
P-00996/07-03450	Old Style Tahitian Adapter O-ring.....	O-168

P-01325/07-0387	Aquatron™/WhisperFlo®/Quiet Flow Pump Basket.....	B-199
P-01340	Skimmer Basket.....	B-136
P-01931	PA-29 Pump Basket.....	B-149
P-02000/07-0393203	AH Bearing.....	6203
P-02005/07-0394304	AH Bearing.....	6304
P-02006/07-0395306	CH/CM Bearing.....	
P-05237	CF33, CF66, CF100-33 Sq. Ft. Cartridge Filter Element.....	13301
P-05237	CF100-100 Sq. Ft. Cartridge Filter Element (3 Required).....	13301
P-05239	CF25-25 Sq. Ft. Cartridge Filter Element.....	12516
07-0654	CF50-150-150 Sq. Ft. Cartridge Filter Element (3 Required).....	15013
P-05241/07-0656	CFM240, CFW240-240 Sq. Ft. Cartridge Filter Element (3 Required).....	18002
P-05241/07-0656	CF80-80 Sq. Ft. Cartridge Filter Element.....	18002
P-05242/07-0657	CF60-60 Sq. Ft. Cartridge Filter Element.....	16002
P-05242/07-0657	CFM180-180 Sq. Ft. Cartridge Filter Element (3 Required).....	16002
P-05243/07-0658	CF40-40 Sq. Ft. Cartridge Filter Element.....	14002
P-05243/07-0658	CFM120, CFW120-120 Sq. Ft. Cartridge Filter Element (3 Required).....	14002
P-08372/07-0802	Aquatron™ Pump Rubber Boot.....	WIP
P-08640	S-100 Skimmer O-ring Kit.....	
P-10618/07-0935	Purex Heater Electric Cover Gasket.....	
P-10621/07-0169	HRS-24 Bulkhead Gasket.....	
P-10622/07-0936	HRS-24 U-cup Gasket (70107).....	
P-10625	New Style Vinyl Niche Gasket.....	
P-10626/07-0938	Vinyl Niche New Pool Star Gasket.....	
P-10627/07-0947	Niche Spa Star Gasket.....	
P-10630	BT Series Backwash Valve Pump Gasket.....	G-197
P-10675	V/F 30 Gasket.....	G-82
P-10725/07-0940	L Series P/V Pump Gasket.....	G-70
P-10825/07-0941	Uniseal & L Bracket To Volute Gasket.....	G-194
P-10925/07-0942	Tropic In/Out Gasket-All Models.....	G-343
P-11050/07-0943	C Series P/V Pump Gasket P-135.....	G-290
P-11100	1200 Flange To Valve Gasket.....	
P-11125	Tropic Heater In/Out Gasket.....	G-289
P-11150/07-0943	450-900 Flange Gasket-C Series.....	G-75
P-11175/07-0944	Valve Gasket-Tropic Isle.....	G-77
P-11200	1200 Flo-Valve Gasket.....	G-73
P-11250	450-1050 Valve Gasket.....	G-76
P-11324/07-0945	Light Lens Gasket.....	O-172
P-11328/07-0946	Sunlite, Spa Star 8092-S2 Lens Gasket.....	
P-11329/07-0947	Sunlite, Spa Star Neoprene Gasket 8094-N.....	
P-11330/07-0948	Sunglo 8096 Door Gasket.....	
P-11332/07-0949	Sun Star 8099 Gasket.....	
P-11333/07-0946	'89 Sunlite 4026 Seal Gasket.....	
P-11350/07-0951	Tube Seal Gasket-Mini Max XL-Power Max-Tropic Isle-T160.....	G-74
P-11355/07-0952	Air Relief Fitting Tank Gasket/CFW Filters/800 Series/2000 Series.....	
P-11422/07-0953	Tahitian Gasket-Rubber.....	
P-11425/07-0954	Element Seal Replacement Gasket.....	
P-13000/07-0193	Skimmer Weir.....	
P-24000/07-1416	A-18 O-ring.....	O-20
P-24001/07-1417	AT Pump Backwash Valve Gasket.....	O-130
P-24002/07-1418	JT Adapter O-ring.....	O-400
P-24003/07-1419	WhisperFlo® Impeller Lock Screw O-ring.....	O-186
P-24010/07-1420	Soltron O-ring.....	O-446
P-24025/07-1421	PJ-18 Pump Lid O-ring.....	O-12
P-24030/07-1422	Aquatron™ Pump Lid O-ring/WhisperFlo® Lid O-ring/Quiet Flo (Before 11/1998).....	O-108
P-24050/07-1423	C-70 Flange O-ring.....	O-161
P-24100/07-1424	Cap O-ring.....	O-159
P-24102/07-1426	Collar & Rotor O-ring/SMBW 2000 Series/Warrior™ Union O-ring Clean & Clear®/Predator™.....	O-64
P-24103/07-1427	Aquatron™ Pump Backwash Valve O-ring.....	O-299
P-24103/07-1427	Valve Body O-ring/SMBW 2000 Series 3 Port Valve O-ring.....	O-163
P-24104/07-1428	Tahitian Cap O-ring.....	O-158
P-24104/07-1428	Rotor Shaft O-ring.....	O-158
P-24107/07-1430	WhisperFlo® Seal Vent O-ring.....	O-188
P-24108/07-1431	800 Series Manifold O-ring.....	O-40
P-24125/07-1432	2" Valve Cap O-ring.....	O-255
P-24150/07-1433	C-18 Cover O-ring.....	O-88



P-24195/07-1434	Noryl® Rotor Shaft O-ring.....	0-390
P-24199/07-1435	Noryl® Shaft O-ring/SMBW 2000 Series™ Rotor Shaft Valve O-ring.....	0-47
P-24200/07-1436	Selector Valve Shaft O-ring .....	0-155
P-24201	Skimmer Gasket	
P-24215/07-1437	CF-100 Tank O-ring .....	0-293
P-24218/07-1439	SM/SMBW 4000 Series™ Lid O-ring/Clamp O-ring Clean And Clear/FNS Plus Filter Tank O-ring .....	0-333
P-24219/07-1440	JT O-ring .....	0-287
P-24220/07-1441	CF-25/50 & 700 Tank O-ring .....	0-191
P-24225/07-1442(Z)	2000 Series Tank O-ring-Nautilus® Clamp Ring O-ring (Started 2002).....	0-86
P-24250/07-1443	800 Series Tank O-ring-Separation Tank .....	0-85
P-24260	Rainbow™ O-ring	
P-24261	Rainbow™ O-ring	
P-24262/07-1444	WhisperFlo® Diffuser O-ring .....	0-359
P-24263/07-1445	WhisperFlo® Seal Plate O-ring .....	0-304
P-24275	Filter Lid O-ring.....	0-191
P-24300/07-1446	Old Style Vinyl Niche Gasket .....	G-168
P-24301/07-1447	PA Pump Volute O-ring .....	0-277
P-24305	Center Tube O-ring .....	0-24
P-24306/07-1448	Tahitian Filter Neck O-ring.....	0-393
P-24308/07-1449	Tahitian Filter Shaft O-ring .....	0-165
P-24310/07-0178	HRS-24 Bulkhead O-ring	
P-25899/07-1578	Universal Pressure Switch.....	3902
P-28050	AT Series Shaft Seal.....	AS-1000
P-28125/07-1722	Piston O-ring.....	0-190
P-28128/07-1723	JT 6 5/8" Seal .....	AS-372
P-28150/07-1724	2" Piston O-ring	
P-28175/07-1725	C Series Pump Seal-R Series-RPF/RP & APF 500 & 501/400 & 401.....	AS-360
P-28280/07-1733	Seal .....	AS-100
P-28290/07-1727	Soltron Seal Complete Assembly	
P-28300/07-1728	Pump Seal-AH Series-L Series .....	AS-201
P-28321/07-1732	Seal WFE	
P-28322/07-1733	Aquatron™ Pump Seal.....	AS-501
P-28323/07-1734	PA Series Pump Seal/Ultra-Flow®/WhisperFlo®/Maxim™ .....	AS-1000
P-28350/07-1747	Shaft L-6 Extension LH	
P-28351/07-1748	Shaft Extension L-6 Brass LH1PH	
P-28352/07-1749	Shaft Extension LK-6 Brass LH	
P-28475/07-1751	SV SS 2" Shaft	
P-28500	SV SS 1 1/2" Shaft	
P-29203/07-1862	1 1/2" Sight Glass Gasket	
P-29625	A62 Sleeve Pump Shaft .....	G-149
P-30400/07-1948	Air Switch .....	TBS-304
P-30412/07-1957	Pressure Switch.....	3041
P-30429/07-1965	Air Switch .....	TBS-312
P-35100/07-2185	Water Slinger C Pump C-115	
P-35110/07-2186	Soltron Water Slinger 3/8" x 1"	
P-35125/07-2187	Pump Water Slinger P-115 .....	0-73
P-60335/07-2432	1 1/2" Valve O-ring	
P-60336/07-2431	2 " Valve O-ring	
P-60364/07-2455	1 1/2" MO Valve Motorized Gasket	
P-60366/07-2457	2" MO Valve Motorized Gasket	
P-60367/07-2458	Ortega II Urethane Gasket	
P-60368/07-2459	Ortega II Multiport Valve 14" O-ring	
P-60563/07-2504	Ortega Rubber Pad	
P-60882/07-2549	Liftlock Mixing Valve O-ring-Ortega/Motor Box O-ring.....	0-248
P-60886/07-2552	Liftlock Shaft O-ring.....	0-158
P-62030/07-2553	1 1/2" Ortega Valve Cover O-ring.....	0-319
P-62034/07-2554	2 " Ortega Valve Cover O-ring (Part Of O-517KIT) .....	0-320
P-62112/07-2555	Ortega Valve Stem O-ring (Part Of O-517KIT).....	0-39
P-62130/07-2556	Eyeball Seal	
P-62136/07-2557	Ortega Valve Equalize O-ring.....	0-321
P-62227/07-2559	1 1/2" Ortega Valve Cap O-ring.....	0-41
P-62230/07-2560	2" Ortega Valve Cap O-ring.....	0-43
P-62240/07-2561	Ortega II Motor Slinger	
P-72999	T-400 Gaurdex Washer.....	G-295
S-01100	AB-29 Pump Basket.....	B-151
S-01200/07-2795	C-29 Pump Basket .....	B-150

S-01400/07-2797	L-29 Pump Basket .....	B-151
S-01600/07-2814	Old Eastside Pump Basket-AH Series P-29.....	B-36
S-12800/07-3030	120-400 Set Gasket-Tropic Isle	
S-19211/07-3328	Universal Pressure Switch.....	3902
S-3F	Clean Water Feeder O-ring .....	0-432
07-4015	Minimax Flow Valve Gasket-Power Max.....	G-452
07-4021	CFM Manifold O-ring .....	0-39
07-4590	SunSaver Lens Gasket 8782	
07-4591	SunSaver Niche Gasket-Amber	
07-4592	SunSaver Niche Gasket-White	
07-4593	SunSaver Niche Gasket-Black	
07-4629	WhisperFlo® Drain Plug Gasket APF 400/401 RP Series RPF/ADF 500/501 R Series	
07-4930	Cartridge Filter Element (6 Required).....	16801
07-4930	CFM200, CFW200-67.5 Sq. Ft. Cartridge Filter Element (3 Required).....	16801
07-5247	WhisperFlo® Seal Plate Gasket WFE Pump .....	G-413
07-5713	Rubber Washer For Shaft Set Screw On WhisperFlo® .....	G-371
07-5844	RP/APF 400/401 Pump Basket R Series	
07-5846	RP/RPF/APF/R Series 400/401/500/501 Seal Plate O-ring.....	0-477
07-5847	RP/APF/R Series 400/401 Pump Lid O-ring.....	0-478
07-5848	RP/RPF/APF/R Series 400/401/500/501 Diffuser O-ring .....	0-278

**QCA**

25 Sq. Ft. Cartridge Filter Element.....	12502
50 Sq. Ft. Cartridge Filter Element.....	15002
95 Sq. Ft. Cartridge Filter Element.....	19501

**QUAD CITY POOLS**

3029	Universal Pressure Switch .....	3925
3037	Universal Pressure Switch .....	3925
9400-06-000-06	4 Button Spa Side Controller & Retro-Fit Faceplate .....	CC4-120-10 & 20205
9400-10-000-06	4 Button Spa Side Controller & Retro-Fit Faceplate .....	CC4-120-10 & 20205
CSC-1113	4 Function Air Switch (TBS-312 Required).....	CSC-1101
CSC-1131	4 Function Air Switch (TBS-312 Required).....	CSC-1131
TBS-301	Air Switch.....	TBS-301
TBS-312	Air Switch.....	TBS-312
TBS-317	Air Switch.....	TBS-317

**RAINBOW™ (PENTAIR®)**

184	In Line Leaf Trap Basket.....	B-201
179	In Line Leaf Trap Basket.....	B-204
R170051	Hi Flow 4.5 Sq. Ft. Cartridge Filter Element.....	11501
R170052	Chloro Cartridge .....	10804
R170055	O-Ring .....	0-652
R170070	Filter To Niche O-ring Dynamic Series II/III-Also Locking Flange O-ring	
R170072	Niche To Spa O-ring Dynamic Series II/III	
172006	CL9 4 Sq. Ft. Cartridge Filter Element .....	10401
R172009	Lifeguard Cartridge Lid O-ring.....	0-283
R172009	Lifeguard Chlorinator Lid Viton® O-ring/Standard & High Sq. Ft. Module Filter Cap Viton® O-ring .....	0-283V
R172010	CL29 13 Sq. Ft. Cartridge Filter Element.....	11201
R172015	Lifeguard Cartridge Filter Gasket/Standard & High Sq. Ft. Module Filter Standpipe Gasket.....	G-179
172021	CL19 8 Sq. Ft. Cartridge Filter Element.....	10802
R172033	Tube Fitting Gasket .....	G-34
R172036	Silicone Lubricant .....	651
172046	CL29X 18 Sq. Ft. Cartridge Filter Element.....	11801
172047	CL19X 12 Sq. Ft. Cartridge Filter Element .....	11203
172048	CL9X 6 Sq. Ft. Cartridge Filter Element.....	10604
172055	8 Sq. Ft. Cartridge Filter Element.....	10801
172056	13 Sq. Ft. Cartridge Filter Element.....	11202
R172221	Air Vent Valve O-ring/Dynamic Series I/II/III.....	0-30
R172222	RDC-25 Filter Body Gasket/Dynamic Series I/II/III .....	G-270
R172223	25 Sq. Ft. Leaf Trap 179-179C & Predator™ Lid O-ring/	

172224	Bromine Dispenser Housing O-ring Dynamic Series I/II/III ..... 0-330
172232	25 Sq. Ft. Filter Valve O-ring ..... 0-30
R172232X	Cartridge Filter Support Ring Gasket
R172240	Cartridge Filter Support Ring Gasket-Black
	High Capacity Auto Feeder Housing Lid O-ring/Model
	HC3315/3330/3340..... 0-330
R172263	Commercial Feeder Saddle Gasket ..... G-164
R172318	#320 Chlorinator Bottom O-ring..... 0-444
R172319	Bottom O-ring New Style Model 320 Chlorinator..... 0-444
R172325	DFML25, RCF25, RDC25, RTL25 25 Sq. Ft.
	Cartridge Filter Element ..... 12502
R172327	DFML25, RCF25, RDC25, RTL25 25 Sq. Ft.
	Cartridge Filter Element ..... 12502
R172380	DFM50, DFML50, RCF50, RDC50, RTL50
	50 Sq. Ft. Cartridge Filter Element..... 15002
R172393	Access Plug For O-ring/Dynamic Series II/III..... 0-130
R172451	Check Valve O-ring ..... 0-69
R172464	DFML25C, DSF50 25 Sq. Ft. Cartridge Filter Element
	(2 Required) ..... 12504
R172467	Skim Filter Basket DSF
R172469	Weir Assembly DSF
R172470	Rear Gasket Skim Filter DSF
R172471	Front Face Plate Gasket DSF
R172479	Dynamic Series V Vac Plate O-ring
R172482	35 Sq. Ft. Cartridge Filter..... 13501/13701
172541	Filter Locking Flange Gasket
R172606	DSF35 17.5 Sq. Ft. Cartridge Filter Element (2 Required) ..... 11802
172632	DSC75, RCF75, RTL75 75 Sq. Ft. Cartridge Filter Element .... 17501
R172633	DSC100, RCF100, RTL100 100 Sq. Ft. Cartridge
	Filter Element ..... 19901
R172653	Leaf Trap 25 Sq. Ft. Cartridge Filter Element..... 12533
R172654	Leaf Trap 50 Sq. Ft. Cartridge Filter Element..... WIP
172810	Mytilus Filter 140 GPM MY140 Cartridge
	Filter Element (2 Required) ..... 16001
172811	Mytilus FMY 80/MY80 Cartridge Filter Element ..... 18001
172812	Mytilus FMY100/MY100 Cartridge Filter Element ..... 19904
R173200	Commander 25 Sq. Ft. Cartridge Filter Element ..... 12509
R173201	Commander 25 Sq. Ft. Cartridge Filter Element ..... 12509
R173203	Commander 50 Sq. Ft. Cartridge Filter Element ..... 15007
R173204	Commander 75 Sq. Ft. Cartridge Filter Element ..... 17506
R173205	Commander 75 Sq. Ft. Cartridge Filter Element ..... 17506
R173208	Commander 100 Sq. Ft. Cartridge Filter Element ..... 19903
R173209	Commander 35 Sq. Ft. Cartridge Filter Element ..... 13503
R173210	Commander 75 Sq. Ft. Cartridge Filter Element ..... 17509
R173211	Quantum™ CM/RPM™ 360 Sq. Ft. Cartridge
	Filter Element (4 Required) ..... 19005
R173212	Quantum™ CM/RPM™ 175 Sq. Ft. Cartridge
	Filter Element (4 Required) ..... 14401
R173213	Clean & Clear®/Predator™ 50 Sq. Ft. Cartridge Filter Element 15036
R173214	Clean & Clear®/Predator™ 75 Sq. Ft. Cartridge Filter Element 17525
R173215	Clean & Clear®/Predator™ 100 Sq. Ft. Cartridge Filter Element .... 19916
R173216	Clean & Clear®/Predator™ 150 Sq. Ft. Cartridge Filter Element... 25005
R173217	Clean & Clear®/Predator™ 200 Sq. Ft. Cartridge Filter Element... 29902
173218	Quantum™ CM/RPM™ 350 Sq. Ft. Cartridge
	Filter Element (4 Required) ..... 18801
173219	Quantum™ CM/RPM™ 500 Sq. Ft. Cartridge
	Filter Element (4 Required) ..... 22501
R173297	Mytilus Filter 50 Sq. Ft. Cartridge Filter Element ..... 15009
R173298	Mitra 60 GPM MA60/160 Mytilus Cartridge Filter Element..... 16001
R173299	Mitra 80 GPM MA80 Mytilus Cartridge Filter Element ..... 18001
R173300	Mitra 100 GPM MA100/160 Mytilus Cartridge Filter Element 19904
173301	Mytilus FMY150 Sq. Ft. Cartridge Filter Element ..... 25001
R173310	CF40 11 1/8" Cartridge Filter Element (3 Required) ..... 14002
R173312	CF60 19 1/8" Cartridge Filter Element (3 Required) ..... 16002
R173313	CF80 19 5/8" Cartridge Filter Element (3 Required) ..... 18002
R173314	CFW67.5/405 16" Cartridge Filter Element (6 Required)..... 16801
R173315	CFM105/315 25 5/8" Cartridge Filter Element (3 Required) ..20501
R173316	Sea Horse 300 Sq. Ft. Cartridge Filter Element..... 17524
R173317	Sea Horse 400 Sq. Ft. Cartridge Filter Element..... 19915
R173318	Sea Horse 500 Sq. Ft. Cartridge Filter Element..... 22503

R173321	Standard & High Sq. Ft. Module Filter 9 3/4" 4 Sq. Ft.
	Cartridge Filter Element ..... 10401
173322	Standard & High Sq. Ft. Module Filter 9 3/4" 6 Sq. Ft.
	Cartridge Filter Element ..... 10601
173324	Chloro 8.5 Sq. Ft. Cartridge Filter Element..... 10804
R173325	Standard & High Sq. Ft. Module Filter
	19 1/2" 8 Sq. Ft. Cartridge Filter Element ..... 10802
R173326	Standard & High Sq. Ft. Module Filter
	19 1/2" 12 1/2 Sq. Ft. Cartridge Filter Element..... 11203
R173327	Standard & High Sq. Ft. Module Filter
	29 1/4" 12 1/2 Sq. Ft. Cartridge
	Filter Element ..... 11201
R173328	Standard & High Sq. Ft. Module Filter 29 1/4" 18 3/4 Sq. Ft.
	Cartridge Filter Element ..... 11801
R173409	Commander 50 Sq. Ft. Cartridge Filter Element ..... 15004
173425	Hi Flo 14.5 Sq. Ft. Cartridge Filter Element ..... 11501
R173428	Dynamic Series I Model RDC 25 Sq. Ft. Cartridge
	Filter Element Dynamic Series II & III RTL/RCF..... 12502
R173428	Dynamic Series I Model Also Model DFM, DFML, RDC 13 1/4".
	25 Sq. Ft. Cartridge Filter Element..... 12502
173430	RDC/RTL/RCF/DFML 25 Upgrade Cartridge Filter Element .... 13701
R173431	Dynamic Series IV DFM/DFML
	9 1/4" 35 Sq. Ft. Cartridge Filter Element ..... 13501
R173432	Dynamic Series IV DSF-35 17 1/2 Sq. Ft.
	Cartridge Filter Element (2) ..... 11802
R173433	Dynamic Series IV DSF-50 Model 25 Sq. Ft.
	Cartridge Filter Element Also Model DFM, DFML (2 Per Set).. 12504
R173434	Dynamic Series I Model RDC 13 1/4" 50 Sq. Ft.
	Cartridge Filter Element Also Model DFM, DFML..... 15002
R173435	Dynamic Series II & III RTL/RCF 75 Sq. Ft. Cartridge
	Filter Element Also Series V-DSC/SWS Safety Wall Skimmer.. 17501
173436	Dynamic Series II & III RTL/RCF 100 Sq. Ft. Cartridge
	Filter Element Also Series V-DSC/SWS Safety Wall Skimmer.. 19901
R173572	Clean & Clear® Plus 240 Sq. Ft.
	Cartridge Filter Element (4 Required) ..... 16011
R173573	Clean & Clear® Plus 320 Sq. Ft.
	Cartridge Filter Element (4 Required) ..... 18005
173574	Clean & Clear® Plus 360 Sq. Ft.
	Cartridge Filter Element (4 Required) ..... 19005
R173576	Clean & Clear® Plus 420 Sq. Ft.
	Cartridge Filter Element (4 Required) ..... 20503
173577	Clean & Clear® Plus 520 Sq. Ft.
	Cartridge Filter Element (4 Required) ..... 22501
R173578	Clean & Clear® Plus 520 Sq. Ft.
	Cartridge Filter Element (4 Required) ..... 22505
R173579	DM Filter 75 Sq. Ft. Cartridge Filter Element ..... 17529
R173580	DM Filter 90 Sq. Ft. Cartridge Filter Element..... 19004
R173581	DM Filter 120 Sq. Ft. Cartridge Filter Element ..... 22008
R173582	DM Filter 180 Sq. Ft. Cartridge Filter Element ..... 28001
R173583	DM Filter 240 Sq. Ft. Cartridge Filter Element..... 34001
R175690	CFW/CFM 280 Sq. Ft. Cartridge Filter Element (3 Required) . 19502
178569	Quantum™ 240 RPM™ 60 Sq. Ft. Cartridge Filter Element..... 16011
18508	185-08 Inlet Fitting O-ring ..... 0-47
18511	185-11 Cleaner O-ring ..... 0-130
R18608	Model 180 Canister O-ring..... 0-108
18658	Gasket For Leaf Trap Cartridge
R22113	Dynamic Series Basket Assembly Short
33016	1 1/2" P/V Cover O-ring
R33017	1 1/2" P/V Ball Crank O-ring/Control Valve O-ring
	Dynamic Series (Viton® Available 0-25V) ..... 0-25
33023	2" P/V Cover O-ring
R36002	Large Vac Mate Gasket-Bottom/Nally/Filterite
R36009	Vac Mate Debris Basket
R36025	Small Vac Mate Gasket (Hayward® 1084)
R36027	Vac Mate Weir Assembly
36039	Top Seal Gasket Poolrite Filterite
36040	Bottom Seal Gasket Poolrite Filterite
36046	Gasket Baker Hydro Ring
36055	Vac Mate II Adjustable Plate Gasket

36056	Vac Mate II Gasket	
36057	Vac Mate II Basket-Jacuzzi® Weir, Equator Basket	
37009	Concorde Housing O-ring.....	0-615
37054	Cartridge Complete	
37055	Replacement Pleats Only	
37121	O-ring For Plate-Concorde .....	0-613
R38007	Debris Basket Pac Fab Style 50-1021-1022	
R38012	Debris Basket Hayward® Style (10/1975 - 10/1986) .....	B-152
R38013A	Basket.....	B-37
R38013B	Floating Weir .....	B-38
211236	Model 180 Lid O-ring	
211246	Model 180 Basket.....	B-201
211366	In Line Leaf Trap Lid O-ring.....	0-108
211526	Model B179C Basket/186 Basket.....	B-204
211600	Latch O-ring Kit	
221036	Pole Hanger.....	955
221046	Utility Hook, Hose Hanger.....	954
240006	Weir 6".....	923
240007	Weir 7".....	924
240008	Weir 8".....	925
240009	Weir 9".....	926
240010	Weir 10".....	927
240011	Weir 11".....	928
240012	Weir 12".....	929
240014	Weir 14".....	930
240016	Weir 16".....	932
240047	Weir 5 7/8".....	933
240058	Weir 7 ¼".....	934
240061	Weir 7 5/8".....	935
240063	Weir 7 13/16".....	936
240065	Weir 8 1/8".....	937
240067	Weir 8 3/8".....	938
240068	Weir 8 ½".....	939
240075	Weir 9 3/8".....	940
250039	Sun Sweep Clamp.....	271-8
250049	Sun Sweep PTFE O-ring	
270301	Booster Pump Water Slinger	
270308	Booster Pump Seal Plate O-ring	
270309	Booster Pump Seal	
59054000	Clean & Clear® 50 Sq. Ft. Cartridge Filter Element.....	15036
59054100	Clean & Clear® 75 Sq. Ft. Cartridge Filter Element.....	17525
59054200	Clean & Clear® 100 Sq. Ft. Cartridge Filter Element.....	19916
59054300	Clean & Clear® 150 Sq. Ft. Cartridge Filter Element.....	25005
59054400	Clean & Clear® 200 Sq. Ft. Cartridge Filter Element.....	29902

**RAMCO MFG**

3046	Pressure Switch.....	3046
------	----------------------	------

**RAYPAK**

	Manual By Pass O-ring .....	0-39
	U-G #H Gasket O-ring.....	0-41
	Solar Valve Body O-ring .....	0-41
	Control Well O-ring .....	0-5
B600025	Universal Pressure Switch .....	3902
001809F	Universal Pressure Switch .....	3925
600025	Universal Pressure Switch.....	3902
62236B	1 ½" Connector Flange Gasket	
62237B	Universal Pressure Switch.....	3925
80001	1" Tube O-ring.....	WIP
80004	1 ½" Unitherm Governor Gasket .....	G-25
80007	2" Unitherm Gasket .....	G-288
800014	Gemini Tube Seal Gasket.....	G-303
800031	By Pass Manual O-ring .....	0-47
800075	151,136T,THWS Header Gasket.....	G-292
800104	Raytemp Valve Piston O-ring .....	0-122
800164	Element Gasket.....	G-312
800187	Header Gasket.....	G-309
800204	By Pass 53 Gasket.....	G-342
800276	U.G. Gasket	

800013B	1 ½" Flange Gasket .....	G-304
800080B	2" Flange Gasket.....	G-305
800086B	Header Gasket	

**REC FACTORY WAREHOUSE**

TBS-312	Air Switch.....	TBS-312
3010	Universal Pressure Switch .....	3925
3010-P	Universal Pressure Switch.....	3925
3037	Universal Pressure Switch .....	3925
47	Canister Body O-ring Chlorinator Launcher	
49	O-ring Kit Chlorinator Launcher	
50	Drain Plug O-ring Chlorinator Launcher	
370	Air Switch.....	TBS-317
376	Universal Pressure Switch.....	3925
369	Air Switch.....	TBS-301
1133	Air Bleed O-ring 35 Sq. Ft. Filter	
1135	Lid O-ring For 35 Sq. Ft. Filter.....	0-330
2697	Body O-ring King Tech .....	0-163
2975	Fits All Large Cyclers Cap O-ring King Tech .....	0-232
4036	Wet End Housing O-ring.....	0-231
4305	O-ring .....	0-80
111063	100 Sq. Ft. Cartridge Filter Element.....	19926
111064	150 Sq. Ft. Cartridge Filter Element.....	25009
111730	Filter Lid O-ring For 50/100/150 Sq. Ft. Filter	
111732	Air Bleed Valve O-ring For 50/100/150 Sq. Ft. Filter.....	0-27
111733	Drain Plug O-ring 50/100/150 Sq. Ft. Filter.....	0-30
111774	65 Sq. Ft. Cartridge Filter Element.....	16504
111776	130 Sq. Ft. Cartridge Filter Element.....	23001
111790	50 Sq. Ft. Cartridge Filter Element.....	15043
111791	100 Sq. Ft. Cartridge Filter Element.....	19908
111792	150 Sq. Ft. Cartridge Filter Element.....	25003
111793	35 Sq. Ft. Cartridge Filter Element.....	13701
111831	75 Sq. Ft. Cartridge Filter Element.....	17531
111832	100 Sq. Ft. Cartridge Filter Element.....	19920
111833	150 Sq. Ft. Cartridge Filter Element.....	25006
111863	48 Frame Strainer Cover O-ring Wet End.....	0-318
111864	48 Frame Strainer Basket	
111867	Split Nut Gasket For 48 Frame Strainer	
111868	48 Frame Drain Plug O-ring	
111902	Drain O-ring 93 Model Waterway™ .....	0-288
111904	1 ½" Union O-ring For 35 Sq. Ft. Filter	
111946	Rubber Gasket Turbo Jet	
173584	45 Sq. Ft. Cartridge Filter Element.....	14513
303172	Rainbow™ Brominator Cover O-ring .....	0-330
303416	Drain & Vent O-ring Rainbow .....	0-30
303420	Hayward® Strainer Lid O-ring .....	0-231
303433	75 Sq. Ft. Cartridge Filter Element.....	17540
303434	100 Sq. Ft. Cartridge Filter Element.....	19930
303557	35 Sq. Ft. Cartridge Filter Element.....	13501
303575	13 Sq. Ft. Cartridge Filter Element.....	11303
303909	25 Sq. Ft. Cartridge Filter Element.....	12502
377015	Vacuum Plate	
377016	Weir Door	
377020	Weir Body Gasket	
377027	Strainer Basket	
378900	10 Sq. Ft. Cartridge Filter Element.....	11003
378902	45 Sq. Ft. Cartridge Filter Element.....	14510
8002-06-000-06	2 Button Spa Side Controller .....	CC2-120-10
8005-10-000-06	2 Button Spa Side Controller .....	CC2-120-10
8300-06-000-06	3 Button Spa Side Controller & Retro-Fit Faceplate .....	CC3-120-10 & 20205
8301-06-000-06	3 Button Spa Side Controller & Retro-Fit Faceplate .....	CC3-120-10 & 20205
8400-06-000-06	4 Button Spa Side Controller & Retro-Fit Faceplate .....	CC4-120-10 & 20205
9200-06-000-06	2 Button Spa Side Controller .....	CC2-120-10
9300-06-000-06	3 Button Spa Side Controller & Retro-Fit Faceplate .....	CC3-120-10 & 20205
9350-06-000-06	3 Button Spa Side Controller &	

Retro-Fit Faceplate .....	CC3-120-10 & 20205
9400-06-000-06 4 Button Spa Side Controller & Retro-Fit Faceplate .....	CC4-120-10 & 20205

**REGAL**

G-202 Chlorinator Gasket (2 Required).....	G-238
G-203 Chlorinator Gasket .....	G-172
G-204 Chlorinator Gasket .....	G-236
S-301 Chlorinator Viton® O-ring.....	0-249V
S-302 Chlorinator Viton® O-ring.....	0-243V
S-401 Chlorinator Viton® O-ring.....	0-348V
S-402 Chlorinator Viton® O-ring.....	0-349V
S-403 Chlorinator Viton® O-ring.....	0-30V
S-404 Chlorinator O-ring .....	0-47
S-405 Chlorinator O-ring .....	0-363
S-406 Chlorinator O-ring .....	0-326
S-407 Chlorinator O-ring .....	0-360
S-408 Chlorinator O-ring .....	0-361
S-409 Chlorinator O-ring .....	0-301
S-410 Chlorinator O-ring .....	0-47
S-411 Chlorinator Viton® O-ring.....	0-32V
S-412 Chlorinator Viton® O-ring.....	0-355V
S-413 Chlorinator O-ring .....	0-362

**RICHARDSON (ALL LISTINGS UNDER EZ-CHLOR)**

**RIO PLASTICS**

TBS-301 Air Switch .....	TBS-301
--------------------------	---------

**ROGERS SPA**

25 Sq. Ft. Cartridge Filter Element-6 Oz .....	12201
--	-------

**ROMANESQUE**

25 Sq. Ft. Cartridge Filter Element-6 Oz .....	12201
--	-------

**ROYAL SPAS**

8002-10-001-06 2 Button Spa Side Controller .....	CC2-120-10
TBS-301 Air Switch .....	TBS-301
TBS-305 Air Switch .....	TBS-301

**SANTANA**

25 Sq. Ft. Cartridge Filter Element-Closed Top.....	12506
25 Sq. Ft. Cartridge Filter Element.....	12510
30 Sq. Ft. Cartridge Filter Element.....	13002
45 Sq. Ft. Cartridge Filter Element.....	14501
45 Sq. Ft. Cartridge Filter Element-17 ¾" Long.....	14502
45 Sq. Ft. Cartridge Filter Element-Closed Top.....	14503
45 Sq. Ft. Cartridge Filter Element-ClosedTop-17 ¾" Long....	14504

**SARATOGA SPAS**

19 Sq. Ft. Cartridge Filter Element.....	11901
20 Sq. Ft. Cartridge Filter Element.....	12004
25 Sq. Ft. Cartridge Filter Element.....	12519

**SAURERMAN**

2" Tube O-ring.....	0-24
2" Crank O-ring .....	0-25
1 ½" Tube O-ring.....	0-37
Backwash Valve O-ring .....	0-40
Manifold O-ring.....	0-50
Small Tank O-ring .....	0-198
Large Tank O-ring.....	0-199

**SCANDIA MODULE**

3010-P Universal Pressure Switch .....	3925
30037 Universal Pressure Switch .....	3925
TBS-301 Air Switch .....	TBS-301
TBS-305 Air Switch .....	TBS-301
TBS-317 Air Switch .....	TBS-317

**SCHOTT POOLS**

Floating Skimmer Cartridge.....	10505
---------------------------------	-------

**SEABLUE (ALL LISTINGS UNDER EZ-CHLOR)**

**SEARS**

Sears & Sta-Rite® Sprinkler .....	G-204
-----------------------------------	-------

**SEASCAPE SPA**

30 Sq. Ft. Cartridge Filter Element.....	13005
--	-------

**SEASONMASTER INC**

SMS 004 Basket With Tabs .....	B-214
--------------------------------	-------

**SEQUOIA SPAS**

25 Sq. Ft. Cartridge Filter Element.....	12502
50 Sq. Ft. Cartridge Filter Element.....	15002

**SERENITY BATHS**

TBS-310 Air Switch .....	TBS-301
--------------------------	---------

**SEVEN SEAS**

25 Sq. Ft. Cartridge Filter Element.....	12512
50 Sq. Ft. Cartridge Filter Element.....	15010

**SHASTA**

Dome O-ring.....	0-160
------------------	-------

**SIGNATURE SPA**

25 Sq. Ft. Cartridge Filter Element.....	12502
50 Sq. Ft. Cartridge Filter Element (2 Required) .....	12504
50 Sq. Ft. Cartridge Filter Element.....	15002

**SKIMSAVER™ (SEE JEDCO)**

**SOFT TUB**

20 Sq. Ft. Cartridge Filter Element.....	12004
90-802 25 Sq. Ft. Cartridge Filter Element.....	12520

**SONFARREL/MARTEC**

201010 Spa Master Side Discharge ¼" Bleed Plug O-ring .....	0-39
220022 25 Sq. Ft. Cartridge Filter Element.....	13201
220032 25 Sq. Ft. Cartridge Filter Element.....	13201
220035 35 Sq. Ft. Cartridge Filter Element.....	13201
220042 35 Sq. Ft. Cartridge Filter Element.....	13201
220122 25 Sq. Ft. Cartridge Filter Element.....	12801
220128 30 Sq. Ft. Cartridge Filter Element.....	12801
220132 30 Sq. Ft. Cartridge Filter Element.....	12801
220142 45 Sq. Ft. Cartridge Filter Element.....	15003
220145 45 Sq. Ft. Cartridge Filter Element.....	15003
220152 50 Sq. Ft. Cartridge Filter Element.....	15003
220175 50 Sq. Ft. Cartridge Filter Element.....	15003
220252 SS & ST Series Suction Skim Filter 50 Sq. Ft. Cartridge	
2301600 100 Sq. Ft. Cartridge Filter Element.....	19909
2301630 130 Sq. Ft. Cartridge Filter Element.....	23001
2301650 65 Sq. Ft. Cartridge Filter Element.....	16504
2301750 100 Sq. Ft. Cartridge Filter Element.....	19909
250006 6 Sq. Ft. Cartridge Filter Element.....	10601
300004 Spa Master Side Discharge Face Plate O-ring .....	0-139
300009 Spa Master Side Discharge Seal.....	AS-1000

**SONOMA**

25 Sq. Ft. Cartridge Filter Element.....	12501
25 Sq. Ft. Cartridge Filter Element.....	12509
50 Sq. Ft. Cartridge Filter Element.....	15002

**SOUTH PACIFIC**

Old Style Lid O-ring-Brown .....	0-142
Old Style Lid O-ring-White .....	0-316

New Style Lid O-ring-Brown..... 0-317

**SOUTH SEAS**

VB11 Heater Inlet Gasket ..... G-31  
 Heater Outlet Gasket.....G-32  
 By Pass Inlet Gasket .....G-33  
 By Pass Gasket.....G-41  
 Tube Gasket .....G-42  
 Small Silicone Gasket.....G-246

**SPA CREST MFG**

TBS-317 Air Switch..... TBS-317  
 TBS-410-882 Air Switch.....TBS-410  
 9200-10-000-06 2 Button Spa Side Controller .....CC2-120-10

**SPA MANUFACTURERS**

3010-P-AM Universal Pressure Switch..... 3925  
 CSC-1131 4 Function Air Switch (TBS-312 Required)..... CSC-1131  
 8000-06-000-06 2 Button Spa Side Controller .....CC2-120-10  
 8400-06-000-06 4 Button Spa Side Controller &  
 Retro-Fit Faceplate ..... CC4-120-10 & 20205  
 8750-06-000-06 3 Button Spa Side Controller &  
 Retro-Fit Faceplate ..... CC3-120-10 & 20205

**SPA QUIP**

8300-06-000-06 3 Button Spa Side Controller &  
 Retro-Fit Faceplate ..... CC3-120-10 & 20205  
 8400-06-000-06 4 Button Spa Side Controller &  
 Retro-Fit Faceplate ..... CC4-120-10 & 20205

**SPAS UNLIMITED**

8000-10-000-06 2 Button Spa Side Controller .....CC2-120-10

**SPAVISION**

3903 Universal Pressure Switch..... 3902  
 TBS-301 Air Switch..... TBS-301  
 TBS-317 Air Switch..... TBS-317

**SPECK PUMPS**

Sand/DE Filter Rim Gasket.....G-388  
 3028-P Universal Pressure Switch..... 3925  
 SSAS-1102 4 Function Air Switch..... SSAS-1102  
 TBS-301 Air Switch..... TBS-301  
 TBS-312 Air Switch..... TBS-312  
 TBS-317 Air Switch..... TBS-317  
 TBS-324 Air Switch..... TBS-301  
 004700319N Gasket Pressure Gauge Model AS Sand  
 Filter With 7 Position Valve  
 241810006 Gasket Drain Plug Model AS Sand Filter With 7 Position Valve  
 18122R0100 Cartridge Filter Element 19 1/2" x 9" Model AC2507/2510/2515  
 18219R0100 Cartridge Filter Element 14 7/8" x 9" Model  
 AC2507/2510/2515.....17523  
 18220R0100 Cartridge Filter Element 24" x 9" Model  
 AC2510/2507/2515.....25007  
 2730014300 Basket Aquaskim Skimmer  
 2730016011 Front Face Plate (Vinyl, Fiberglass Only) Aquaskim Skimmer  
 2730016310 Back Face Plate (Vinyl, Fiberglass Only) Aquaskim Skimmer  
 2730016311 Gasket (Vinyl, Fiberglass Only) Aquaskim Skimmer  
 2730074600 Weir Aquaskim Skimmer  
 2854000863 Union O-ring 2" Model S90.....0-631  
 2920060603 Mechanical Seal Assembly.....AS-200  
 2920114300 Basket Model E91  
 2920141210 Adapter O-ring Model 21-80BS (Prior to 01/1995) Diffuser E90  
 O-ring Model 98/Model 420-Casing O-ring/Model 90/433...0-442  
 2920141240 Model 90 Drain Plug O-ring Model 433/Model E90 .....0-25  
 2920241220 Union O-ring 1 1/2" Slip Model S90/E91 ..... 0-321  
 2920314300 Basket Model S90/E90  
 2920341220 Model 420 Housing O-ring/Model 433  
 2920343310 Model 90 Complete Seal

2920741100 Plastic Motor Bolt Gasket Model 93  
 2920741271 O-ring Strainer Tank Model 433 .....0-370  
 2920814300 Basket Model 98  
 2920914300 Basket Complete Model 93  
 2920941210 Lid O-ring Model 93/2180BS..... 0-494  
 2921141210 Model 90 Lid O-ring/Model 420 Lid O-ring..... 0-402  
 2921141215 Lid O-ring Model E90.....0-231  
 2921141220 Model 90 Casing O-ring.....0-450  
 2921141222 Casing O-ring Model S90/98/E90 ..... 0-504  
 2921341250 O-ring Diffuser Model 93 .....0-230  
 2921441210 Union O-ring Model 98.....0-631  
 2921641210 Lid O-ring Model E91 ..... 0-15  
 2921641223 Casing O-ring Model E91 .....0-284  
 2921841210 O-ring Flange Adapter Model 93 .....0-182  
 2923141000 Seal Housing Gasket Model 21-80G/21-80GS-Casing Gasket  
 Model 21-80BS/21-80/30G  
 2923241200 Casing O-ring Model 21-80GS .....0-160  
 2923241231 Casing Drain Plug O-ring Model 433-Filter Plug O-ring  
 Model 21-80GS/Strainer Tank Plug O-ring Model 21-80BS .... 0-69  
 2923541220 Shaft O-ring Model 93/21-80BS (Before 3/2003) Casing  
 Drain Plug O-ring Model 21-80G/21-80GS/21-80BS .....0-39  
 2923541229 O-ring Shaft Model 93 Viton®/Model 21-80G/21-80GS  
 21-80BS/21-80-/30G.....0-5V  
 2926241210 Casing O-ring Model 93.....0-242  
 582911013 Drain Plug IT Gasket  
 7200323069 Cartridge Filter Lid O-ring Model AC2507/2510/2515  
 7201750057 Valve/Tank O-ring Model AS Sand Filter With 7 Way Valve  
 7220140030 Cartridge Filter Air Relief Plug O-ring Model AC2507/2510/2515  
 7220620040 Cartridge Filter Drain Cap O-ring Model AC2507/2510/2515  
 7221000025 Cartridge Filter Pressure Gauge O-ring Model AC2507/2510/2515  
 7300002006 Tank O-ring Model AS With 6 Position Valve  
 7300002122 Tank Drain Gasket 21"/25" AS With 6 Position Valve  
 7300002123 Tank Drain Gasket 16" AS With 6 Position Valve

**SPIN RITE**

Collection Tube O-ring ..... 0-50  
 Crank O-ring.....0-39

**SSC POOL GASKET & SEAL CO., INC.** (CROSS REFERENCE @ WWW.ALADDIN1950.COM)

**STARBRIGHT**

Collection Tube Feed Ring ..... 0-44  
 Crank Quad Ring.....0-45  
 20" Tank O-ring.....0-200  
 Tank O-ring .....0-202  
 Skim Filter Manifold O-ring.....0-285

**STA-RITE® (PENTAIR®/ADDITIONAL LISTINGS UNDER SWIMQUIP™)**

Vertical Filter Manifold O-ring.....0-180  
 Sand Filter Cover O-ring.....0-108  
 Delrin H & L Lid O-ring.....0-108  
 PDC 4 & 6 Bottom O-ring.....0-139  
 Aqua Flyte H & L Gasket.....0-16  
 Delrin Hi Prime H & L O-ring..... 0-48  
 D Series Pump Gasket .....G-80  
 VB35-1 Sub Pump Gasket.....G-267  
 6 Sq. Ft. Cartridge Filter Element.....10601  
 24101-19 HRP36 Filter O-ring .....0-215  
 00B7013 Valve Piston O-ring .....0-207  
 00B7014 HRP36 Bulkhead Connector O-ring-Slide Valve..... 0-435  
 00B7027 Piston & Shaft Assembly L-O-ring Slide Valve Model WC212-137B  
 31B0005 Valve Top Plate Gasket.....G-166  
 31B0015 Rep Kit O-ring-Slide Valve .....0-271  
 31B0024 Index Plate O-ring-Slide Valve .....0-130  
 31B0035 Adapter L-O-ring-Slide Valve  
 31B0077 Air Switch Dura-Jet™ Tub Pump  
 62002-0001 LT & LH Series Pump Basket ..... B-198  
 C8-57P Max-E-Glas® II/Dyna-Wave®/Dyna-Glas™/  
 C8-58P Dyna-Max™/Max-E-Pro® Dura-Glas™ II Basket ..... B-215  
 C108-11P 6" Pump Basket (See B-107) .....B-34

C108-11	6" Pump Basket-Small Holes.....	B-107
C108-13	4" Pump Basket (See B-105) .....	B-35
C108-13	4" Pump Basket-Small Holes.....	B-105
C108-25	11" Pump Basket.....	B-121
C108-33PA	5" Pump Basket (See B-106)-JWPA Series .....	B-33
C108-33P	5" Pump Basket-Small Holes-JWPA Series .....	B-106
C108-34SS	8" Pump Basket.....	B-120
C110-17	CF/CFA/HP/HPA Pump Shaft Extension.....	150
C20-009	Pump Gasket.....	G-8
C20-015	Pump Flange Gasket.....	G-111
C20-019	Dura-Glas™/HG Pump/Bronze Suction Trap/Flange Gasket .....	G-18
C20-021	Pump Gasket-Tank/Volute Cast Iron Series .....	G-3
C20-025	Tank To Volute Centrifugal Aluminum Series .....	
C20-031B	LT Gasket-Seal Plate.....	G-223
C20-035	Delrin Plastic Volute Gasket.....	G-36
C20-046	Pump Adapter Gasket D Series.....	G-67
C20-072	Pump Gasket-Thick.....	G-44
C20-072	Pump Gasket-Thin .....	G-44A
C20-077	C & CC Pump Gasket .....	G-81
C20-079	AJ Series Gasket .....	G-54
C20-86	Sears Sprinkler Pump Gasket.....	G-204
C20-87	Well & Irrigation Gasket.....	G-368
C20-97	Volute Gasket .....	O-284
C20-100	Impeller Gasket-CC/C Series/D Series.....	G-422
C20-101	CC, C, D Seal Sleeve Gasket .....	G-424
C20-102	ACP Pump Seal Plate Gasket.....	G-298
C20-103	Dura-Glas™ Pump Gasket-Paper .....	G-99P
C20-103	Dura-Glas™ Pump Gasket-Rubber .....	G-99R
C20-103	Dura-Glas™ Pump Gasket-Rubber-Skinny .....	G-99RS
C20-123	6" Plastic Trap Gasket-JWPA Series .....	G-99R
C21-2	Pump Diffuser Ring.....	O-208
C43-46	Stat O Seal Washer-CC/C Series/D Series.....	WIP
C69-2	Pump Slinger (Replaces N69-1) Dura-Jet™/Dyna-Jet™.....	O-209
C69-02	Dura-Glas™ Pump Slinger-JW Series .....	G-215
C69-07	LT Pump Water Slinger .....	
C69-12	C Pump Water Slinger .....	G-310
C69-15	Water Slinger 1 Phase CC/C/D.....	G-41
C69-16	Water Slinger 3 Phase CC/C/D.....	G-426
C69-23	Slinger JWA5 Series JSJW .....	G-420
C69-24	Dyna-Glas™ Slinger Pump/Dyna-Max™/Dyna-Jet™ .....	O-209
C208-33	5" Plastic Trap Basket .....	
E13	O-ring For Housing Body Legend 4 Wheel .....	
E14	O-ring For Gear Assembly Legend 4 Wheel .....	
E21	O-ring For Wall Fitting Legend 4 Wheel .....	O-113
EU7	O-ring For Legend 4 Wheel Feed Mast .....	
EU18	O-ring For Legend 4 Wheel Thrust Jet .....	
GW9508	Vac Skirt Great White In Ground Pool Cleaner .....	WIP
J-20-9	Well & Irrigation Pump Gasket .....	G-365
J-20-11	Well & Irrigation Pump Gasket.....	G-203
J-20-12	Well & Irrigation Pump Gasket.....	G-366
J-20-16	Well & Irrigation Pump Gasket.....	G-367
L20-40	PLBC Series Pump Bushing Gasket .....	G-428
L21-1	Pump Diffuser Ring.....	G-114
L69-1	JS/JT/JSX Water Slinger .....	
N20-25	Gasket.....	G-216
N20-26	Pump Gasket.....	G-13
N20-35	Pump Gasket.....	G-40
N20-39	Pump Gasket.....	G-52
N69-1	Pump Slinger (C69-2 Replace).....	O-209
P19-30	1 ½" Hose Clamp Valve Pump .....	275-24
P-64057	P/V Seal O-ring.....	O-25
P-64069	P/V Sight Glass Gasket .....	G-172
PS20-01	Pump Gasket .....	
PS20-03	Pump Gasket .....	
PS20-09	Pump Gasket .....	
PS20-11	Top Plate Gasket.....	G-222
PS20-18	Pump Gasket.....	G-222
PS20-22	Submersible Pump Body Gasket .....	
S04757	CSPH/CCSPH Volute/Bracket Gasket.....	G-431

S32014	CSPH/CCSPH Pump Shaft Seal.....	AS-185
S32015	CSPH/CCSPH Series Shaft Seal .....	AS-446
TX15	Cartridge Filter Element .....	11504
U109-6A	Pump Seal.....	AS-100
U109-047	D Series Pump Seal .....	AS-380
U109-068	LT Pump Seal .....	AS-163
U109-093	PEA/AJ/AJP/PLBC Pump Seal/Maxi-Glas™/Dura-Glas™ (Prior to 1998).....	AS-100
U109-106	Centrifugal Pump Shaft Seal/ED Series .....	AS-516
U109-136	CF/CFA/HP/HPA Series Seal.....	AS-1000
U109-170	U-Cup Style Seal .....	AS-703
U109-170	C Series Pump Seal .....	AS-774
U109-184	PCB-10B Pump Seal .....	
U109-220	CC, C, D 3-7 ½ HP Seal (Prior to 08/2000).....	AS-185
U109-358	Dyna-Glas™, JW Shaft Seal/DJ/JS/JT Series/Dura-Glas™ II/ Dura-Jet™/Dyna-Max™/JWA5/JWPA/Maxi-Glas II (Prior to 01/2001) .....	AS-201
U109-372	Maxi-Glas II/Dura-Glas™ II Shaft Seal (Prior to 1998).....	AS-1521
U109-433	Shaft Seal Self Priming D Series Pump (Replaces U109-220) (Effective 8/2000).....	AS-185
U178-920P	Drain Plug O-ring Only JW Series .....	O-39
U9-045	4" Pump Lid O-ring .....	O-15
U9-046	6" Pump Lid O-ring-Bronze/Cast Iron .....	O-13
U9-068	Pump Seal .....	
U9-103	Pump Seal .....	
U9-105	11" Trap Lid O-ring .....	O-89
U9-114	Pump O-ring.....	O-228
U9-145	18" Tank O-ring .....	O-87
U9-147	Bronze Valve Cap O-ring .....	O-39
U9-151	1 ½" Piston .....	O-113
U9-152	Valve O-ring.....	O-122
U9-154	1 ½" Hub O-ring .....	O-26
U9-156	2" Return Hub O-ring.....	O-83
U9-158	D Ring Drive Plate Filter O-ring .....	O-147
U9-160	20" Tank O-ring.....	O-92
U9-161	5" Pump Trap Lid O-ring .....	O-19
U9-165	24" Tank O-ring .....	O-93
U9-167	PCD-10B Pump O-ring.....	O-228
U9-169	O-ring .....	O-163
U9-170	Pump Seal .....	
U9-171	8" Trap Lid O-ring.....	O-142
U9-174	Valve O-ring.....	O-113
U9-175	Separation Tank O-ring .....	O-335
U9-185	Filter O-ring.....	O-83
U9-191	Separation Tank O-ring .....	O-90
U9-199	PLBC Diffuser O-ring .....	O-40
U9-200	PLBC Tank O-ring .....	O-343
U9-203	Sand Filter O-ring .....	O-151
U9-205	Sand Filter Riser Tube O-ring.....	O-64
U9-211	Sand Filter O-ring .....	O-150
U9-221	WC-212 Valve Cap O-ring .....	O-155
U9-226	Pump Diffuser O-ring-Maxi-Glas/Dura-Glas™ Quantum™ 2000 Spa Systems O-ring For Models: SK 110HXD,SK 110HXD 2A, SK 110HXD A, SK 100HXD 1A Union O-ring LT Series/ Cartridge Filter PS/JW Series PLM Series.....	O-49
U9-228	Dura-Glas™ Pump Clamp O-ring-Maxi-Glas/Max-E-Pro®.....	O-240
U9-229	Dura-Glas™ Pump Lid O-ring-JWPA Series .....	O-218
U9-239	Pump O-ring.....	O-319
U9-240	Pump O-ring.....	O-320
U9-241	Pump O-ring.....	O-160
U9-243	Side Mount Valve Cover O-ring Models WC212-150P/150PA .....	O-368
U9-244	Side Mount Valve Stem O-ring Models WC212-150P/150PA .....	O-418KIT
U9-259	Separation Tank O-ring .....	O-323
U9-265	CC/C/D Shaft O-ring.....	O-454
U9-269	Cobra/Falcon/FCP Filter Drain Plug O-ring .....	O-287
U9-285	6" Plastic Trap Adapter O-ring.....	O-180

U9-295	Pump Cover O-ring .....	0-15
U9-301	Posi-Flo Top O-ring .....	0-443
U9-327	System 110 O-ring .....	
U9-357	JS, JT, JSX O-ring-JW Series/Max-E-Pro® .....	0-402
U9-358	JS, JT, JSX, Dyna-Glas™ Pump Seal .....	AS-201
U9-359	Posi-Flo II Air Release O-ring-Separation Tank/Pipe Plug O-ring JWPA Series Air Relief PRC Above Ground Filter System/Drain Plug O-ring For Max-E-Glas® II Dura-Glas™ II/Dyna-Glas™/Dyna-Max™/Dyna-Jet™/ JW Series/JWPA Series .....	0-39
U9-362	Side Mount WC212, 143P, 144P, 138B, S7M120, S8M150 Valve O-ring/Union Collar O-ring System 3® DE Filter .....	0-244
U9-366	U-3 Vinyl Liner Gasket Model 07017-0126/07017-0127 .....	G-113
U9-369	TBP Filter Valve Flange O-ring/WC112-147 Tank Flange O-ring Waterford System Tank O-ring Cristal-Flo™ High Rate Sand Filter .....	0-236
U9-370	TBP Filter Lateral O-ring-Waterford System/Gas Orifice O-ring T150/170/200 240-BP-1/Model SCR (Replaces 35505-1159) Cristal-Flo™ Sand Filter .....	0-363
U9-371	TBP Filter Drain Cap O-ring-Waterford System T150/170/200/240BP-1/Cristal-Flo™ Sand Filter .....	0-122
U9-373	Flo Tech/Aquatools/Dyna-Glas™ Seal Plate O-ring/Dyna-Jet™/Dyna-Max™/Dyna-Wave™ .....	0-469
U9-374	Diffuser O-ring-Maxi-Glas/Dura-Glas™ II/Dyna-Jet™/Dyna-Max™/Dyna-Wave™/Max-E-Pro® .....	0-83
U9-375	Maxi-Glas Trap O-ring-Dura-Glas™ II/Dyna-Wave™ .....	0-12
U9-376	Maxi-Glas II Shaft O-ring-Dura-Glas™ II Insert O-ring .....	0-113
U9-389	PLBC Tank O-ring .....	0-343
U9-399	PLBC Tank O-ring .....	0-343
U9-411	Submersible Pool Drain Body O-ring	
U9-434	Pump O-Ring .....	0-277/0-277V
U30-645	Pump Shaft Extension Set Screw .....	152
U30-754	CF Series CFA, HP, HPA Set Screw .....	152
WC9-2	Side Mount Valve Sight Glass O-ring Models WC212-150P/150PA .....	G-421
WC9-3	Cartridge Filter Tank O-ring-Posi Flo Separation Tank .....	0-239
WC9-7	Sand Filter O-ring .....	0-179
WC9-10	Control Box Sealing Ring	
WC9-11	Cartridge Filter Seal Ring .....	0-342
WC108-140S1	Posi-Clean TXC25B-25 Sq. Ft. Cartridge Filter Element .....	12509
WC108-140S	Posi-Clean TX25B 24240-0016-25 Sq. Ft. Cartridge Filter Element .....	12509
WC108-141S1	Posi-Clean TXC100 24241-0016-100 Sq. Ft. Cartridge Filter Element (2 Required) .....	15008
WC108-55S2X	Posi-Flo 35TXR-35 Sq. Ft. Cartridge Filter Element .....	13703
WC108-56S2X/PTM50	Posi-Flo 50TXR-50 Sq. Ft. Cartridge Filter Element .....	15201
WC108-57S2X/PTM70	Posi-Flo 70TXR-70 Sq. Ft. Cartridge Filter Element .....	17201
WC108-58S2X/PTM100	Posi-Flo 100TXR-100 Sq. Ft. Cartridge Filter Element .....	20201
WC108-59S2X	Posi-Flo 135TXR-135 Sq. Ft. Cartridge Filter Element (Early) .....	23301
WC108-70S2X	Posi-Flo II PTM135-137 Sq. Ft. Cartridge Filter Element (Late) .....	23701
WC17-57	Button Control Box	
WC17-58	25' Plastic Tubing-Control Box	
WC17-72	Electric Heater Element Gasket	
WC17-167	Logic Board Air Switch	
WC20-02	Filter Gasket .....	G-79
WC20-04	9.5" Separation Tank Gasket .....	0-194
WC20-05	Filter Gasket .....	G-63
WC20-11	Filter Gasket .....	G-66
WC20-15	Sand Filter Gasket .....	G-78
WC20-16	Sand Filter Gasket .....	G-72
WC20-20	Sand Filter Gasket	

WC20-21	Sand Filter Gasket	
WC20-22	Side Mount Valve Spider Gasket Models WC212-150P/150PA .....	G-438
WC20-24	Pump Gasket .....	0-49
WC20-30	Flow Valve Body Gasket	
WC298-88	PVC Valve Rep Parts .....	0-365Kit
WC43-42P	Thermostat Switch Gasket Seal	
WC43-49	Drain Plug Rubber Washer	
WC117-58B	SS220-S System Air Switch	

**STEM WHIRL**

TBS-305	Air Switch .....	TBS-301
---------	------------------	---------

**ST. LOUIS TUB & SPA**

3010	Universal Pressure Switch .....	3925
3029-P	Universal Pressure Switch .....	3925
3902	Universal Pressure Switch .....	3902
8000-10-000-06	2 Button Spa Side Controller .....	CC2-120-10
CSC-1131	4 Function Air Switch (TBS-312 Required) .....	CSC-1131
TBS-213	Universal Air Switch .....	TBS-917
TBS-305	Air Switch .....	TBS-301
TBS-312	Air Switch .....	TBS-312

**SUNDANCE SPAS**

25 Sq. Ft. Cartridge Filter Element .....	13005	
40 Sq. Ft. Cartridge Filter Element .....	14001	
65 Sq. Ft. Cartridge Filter Element .....	16502	
65 Sq. Ft. Cartridge Filter Element .....	16503	
120 Sq. Ft. Cartridge Filter Element (After 1993) .....	22001	
3078	Universal Pressure Switch .....	3925

**SUNROOMS & SPAS**

3903-BP	Universal Pressure Switch .....	3925
9350-06-000-06	3 Button Spa Side Controller & Retro-Fit Faceplate .....	CC3-120-10 & 20205
TBS-310	Air Switch .....	TBS-301
TBS-318	Air Switch .....	TBS-317

**SUNSET SPAS**

3099	Universal Pressure Switch .....	3925
8000-10-000-06	2 Button Spa Side Controller .....	CC2-120-10
8752-10-000-06	3 Button Spa Side Controller & Retro-Fit Faceplate .....	CC3-120-10 & 20205
TBS-301	Air Switch .....	TBS-301
TBS-305	Air Switch .....	TBS-301
TBS-312	Air Switch .....	TBS-312

**SUPERIOR**

50 Sq. Ft. Cartridge Filter Element .....	15002
---	-------

**SWEN SONIC CORP**

TBS-317	Air Switch .....	TBS-317
---------	------------------	---------

**SWIMLINE**

14118	Light Lens Gasket .....	0-2
-------	-------------------------	-----

**SWIMMIN' HOLE**

9350-06-000-06	3 Button Spa Side Controller & Retro-Fit Faceplate .....	CC3-120-10 & 20205
9400-06-000-06	4 Button Spa Side Controller & Retro-Fit Faceplate .....	CC4-120-10 & 20205

**SWIMQUIP™ (ADDITIONAL LISTINGS UNDER STA-RITE®)**

Universal 2" Slide Valve O-ring Set .....	0-511KIT
HRV 24 Collection O-ring .....	0-179
MK GFV 15-20-25-33 Collection O-ring .....	0-83
XL-VII Bracket To Volute O-ring .....	0-228
Internal Float Valve O-ring .....	0-64
Dep 83 Valve Adapter O-ring .....	0-325

	Plastic Slide Valve Cap O-ring .....	0-245
	Universal Light Lens Gasket .....	0-1
	Old Pump 6" Lid O-ring .....	0-12
	Old Pump 4" Lid O-ring .....	0-14
	MK23 Filter Crank Quad .....	0-30
	Spin Filter Tube Quad Ring .....	0-33
	Common Light Lens Gasket .....	0-9
	Vacuum Lid Gasket .....	0-17
	Skimmer Tapered O-ring .....	0-31
	Upright Spin Crank Quad Ring .....	0-34
	XLVII H & L Pot O-ring .....	0-318
	Dial Valve O-ring .....	0-367
	Skimmer Strainer Basket-Metal .....	B-83
P-61	Pump Basket .....	B-11
P-61	Basket-Metal .....	B-162
05057-0118	Lens Gasket .....	0-173
05057-0667	Vinyl Liner Niche Gasket Rubber Face Ring .....	G-435
05101-0002	Sunsaver Light Housing O-ring (After 1999) .....	0-229
05101-0008	Large Niche Liner Gasket .....	G-444
05101-4590	Sunsaver Light Seal Housing O-ring (Before 1999) .....	WIP
05103-0101	SunstarLight/Sunbrite Housing Gasket .....	G-433
05161-0001	Large Light Niche Integral Gasket For SS .....	G-441
05161-0006	Large Light Niche Liner Gasket-ABS .....	G-110
05166-0001	Small Light Niche Liner Gasket .....	G-442
05166-0002	Small Light Niche Integral Gasket For SS Trim Ring .....	G-443
05301-0001	Sunburst Light Small Housing Lens Gasket .....	G-440
05501-0001	Sunbrite Light Lens Gasket/Sunglow-Grommet Style .....	0-492
05501-0005	Sunglow LTC Light Lens Gasket/Sunbrite™ .....	
05501-0007	Clamp Repair Kit (05501-0001) Gasket Only .....	0-492
05601-0005	Sunlite Light Lens Gasket .....	0-407
05601-0014	Lens Gasket Sunlite LTC Light .....	0-407
07017-0079	Drain Gasket Vinyl Liner Main Drain .....	G-434
08490-1	Turbo Head Quad Ring .....	G-306
8650	Basket-Metal .....	B-84
08650-0007	U-3 Skimmer Basket-Vinyl Liner Skimmer .....	B-9
08650-22	Skimmer Weir 8 3/8" For U3 Skimmer .....	938
08652-5	Face Plate Skimmer Gasket .....	G-315
08653-7	Skimmer Gasket .....	G-62
08660-2	Sentinel Skimmer Basket .....	B-208
8695	Basket-Metal .....	B-47
8698	Basket-Metal .....	B-90
09656-0113	Above Ground Skimmer Weir .....	
09656-0114	Above Ground Skimmer Basket .....	B-217
09656-0150	Above Ground Skimmer Standard Gasket .....	G-432
09656-0152	Wide Mouth Gasket Above Ground Skimmer .....	G-409
09656-0154	Return Gasket Above Ground Skimmer .....	G-399
13020A	Basket-Metal .....	B-18
13300A	Basket-Metal .....	B-19
13382-3	Basket-Metal .....	B-178
13400	Basket-Metal .....	B-20
13402-3	Basket-Metal .....	B-90
13402-3	Basket-Metal .....	B-179
13442-3	Basket-Metal .....	B-180
13560-3	Basket-Metal .....	B-21
13562-3	Basket-Metal .....	B-181
13582-3	Basket-Metal .....	B-182
14930-32	Duetta Plastic Slide Valve, Large Index Plate O-ring .....	0-245
14930-32	Duetta Plastic Slide Valve, Small Index Plate O-ring .....	0-130
14930-33	Duetta Plastic Slide Valve Piston, Unitrol Valve O-ring .....	0-370
14960-09	1 1/2" Dial Valve Gasket .....	WIP
14961-09	2" Dial Valve Gasket .....	WIP
14962-04	Valve Non-Metallic Bearing .....	
14962-05	Valve Lid Washer .....	
14962-17	Multiport Valve Plug Gasket/Spoke Gasket Top Mount .....	G-436
14962-21	Caprice/Pantera Square Ring Gasket .....	G-307
14962-35	Small O-ring For Kit .....	0-225
14962-35	Large O-ring For Kit .....	0-367
14965-28	1-1/2" Multiport Valve Gasket Model WC112-148/A .....	G-436
14971-SM10E3	2" Multiport Valve Stem Washer & 1 1/2" Side Mount Models 18202-0150/0150H, 18201-0200/0200H .....	G-390

14971-SM10E7	1 1/2" Multiport Valve Cover O-ring/Side Mount Models 18202-0150/0150H, 18201-0200/0200H .....	0-139
14971-SM10E10	1 1/2" Multiport Valve Stem O-ring/Side Mount Models 18202-0150/0150H, 18201-0200/0200H .....	0-276
14971-SM10E12	1 1/2" Multiport Valve Spider Gasket/Side Mount Models 18202-0150/0150H, 18201-0200/0200H .....	G-416
14971-SM10E16	Sight Glass Gasket .....	
14971-SM10E17	1 1/2" Multiport Valve Sight Glass Gasket .....	
14971-SM20E7	2" Multiport Valve Cover O-ring/Side Mount Models 18202-0150/0150H, 18201-0200/0200H .....	0-479
14971-SM20E10	2" Multiport Valve Stem O-ring .....	
14971-SM20E12	2" Multiport Valve Spider Gasket/Side Mount Models 18202-0150/0150H, 18201-0200/0200H .....	G-417
14971-SM20E17	2" Multiport Valve Sight Glass Gasket .....	
14971-05	2" Slide Valve Side Mount Seat Gasket Model 14971-0012/WC212-38/144P .....	G-406
14971-11	2" Slide Valve Side Mount Sight Glass Gasket Model 14971-0012/WC212-38/144P .....	G-437
15410-09	Standard Sight Glass Gasket .....	
16002-1	Basket-Metal .....	B-20
16200-0	KL6 Pump Basket (See B-44) .....	B-187
16200-7	XL6 Pump Basket (See B-45) .....	B-188
16200-9	4" Trap Assembly Basket-JS Series/Dura-Jet™ .....	B-187
16400-2	Basket-Metal .....	B-22
16401-0030	Bronze Suction 8" Trap Basket .....	B-120
16401-0102	Bronze Suction Trap Basket-Cast Iron .....	
16550-7	Basket-Metal .....	B-118
16800-11	Pump Gasket .....	G-69
16800-29	Pump Shaft Extension .....	156
16800-29	Old Style XLVI Cork Gasket .....	G-69
16920-12	XLVII Pump Lid O-ring .....	0-330
16920-17	XLVII Pump Basket .....	B-196
17140-0026	Delta Series Self Priming Casing Gasket/Seal Plate .....	0-464
17150-0007	4" Trap Assembly Lid Gasket-JS Series/Dura-Jet™ .....	G-423
17304-0100	Seal Max-E-Glas®/Dura-Glas™ .....	AS-200
17350-0100	Trap Basket ABG Series .....	B-105
17351-0009	Water Slinger Dura™, Dyna™, and Max-E® Series .....	G-235
17351-0101	Dyna-Jet™ Shaft Seal (After 1998)/TPE Series .....	AS-201
17351-0102	PLBC Series Shaft Seal (After 1995) .....	AS-100
23382-13	Model X Filter O-ring .....	0-102
23400-25	MK Series Lid O-ring .....	WIP
23568-15	Separation Tank O-ring (Discontinued 1992) .....	0-99
24101-0019	Cartridge Element Models 72,108, 216 .....	10601
24240-0014	FCP Cartridge Filter Air Release Valve Gasket .....	
24240-4	Cobra & Falcon Body O-ring .....	0-394
24240-0016	Posi-Clean 75 Sq. Ft. Cartridge .....	17503
24241-0016	Posi-Clean 75 Sq. Ft. Cartridge .....	17503
24700-68	DES-25, HRS-16" Tank O-ring .....	0-100
24700-72	DES-36, HRS-20" Tank O-ring .....	0-101
24700-73	DES-51, 60 & HRS 24" O-ring .....	0-106
24700-74	Tank O-ring .....	0-377
24700-413	Filter O-ring For Plug-High Rate Sand .....	0-287
24750-5	DEP36, HRP20 20" Tank O-ring .....	0-103
24750-6	DEP36 Tank O-ring/HRPB20, HRPB Series Sand Filters .....	0-490
24751-5	DEP51, HRP24 24" Tank O-ring .....	0-104
24751-6	DEPB51 Tank O-ring-HRPB24 .....	0-489
24752-5	DEPB83, HRP30 30" Tank O-ring .....	0-105
24752-6	DEPB83 Tank O-ring-HRPB30 .....	0-491
24753-5	DEP-25, 216, 108, 72 Cartridge Filter Fits 16" Fiberglass Tank O-ring .....	0-334
24850-0008	Sand Tank O-ring-System 3®-Model S7S50/S7M120/S7D75/ De Filter .....	0-485
24850-0009	System 3® Sand Filter Modular/Media/DE Model S8M150/S8D110/S8570 .....	0-486
25010-0200	Air Relief Valve O-ring Only For Posi Flo .....	0-39
25021-0200	S7M120 21" Cartridge Filter Element Small .....	
25021-0202	S8M150 25" Cartridge Filter Element Small .....	
25021-0223	S7M400 21" Cartridge Filter Element Small .....	
25021-0225	S8M500 25" Cartridge Filter Element Small .....	
25022-0201	S7M120 21" Cartridge Filter Element Large .....	



25022-0203	S8M150 25" Cartridge Filter Element Large	
25022-0224	S7M400 21" Cartridge Filter Element Large	
25022-0225	S8M500 25" Cartridge Filter Element Large	
25200-0011	Tank Lid O-ring PRC 50/75	0-236
25200-0150	Cartridge Filter Element PRC 50	15032
25200-0175	Cartridge Filter Element PRC 75	17509
25230-0010	Posi-Clear® Cartridge Filter Tank O-ring PX Series	
25230-0075	Posi-Clear® Cartridge Filter Element PX 75 Sq. Ft.	17530
25230-0095	Posi-Clear® Cartridge Filter Element PX 95 Sq. Ft.	19002
25230-0125	Posi-Clear® Cartridge Filter Element PX 125 Sq. Ft.	22508
25230-0150	Posi-Clear® Cartridge Filter Element PX 150 Sq. Ft.	25019
25230-0175S	Posi-Clear™/ProClean 175 Sq. Ft. Cartridge	27501
25575-0114	Drive Shaft O-ring	0-30
27001-0060	System 3® Modular Media/Modular DE Filter Tank O-ring (Prior to 03/1997) System 2™ Tank O-ring	0-488
27001-0061	System 3® Modular Media/Modular DE Filter Tank O-ring Model PLM100/150/PLD50/70 (After 03/1997) System 2™ Tank Oring	0-484
31787-0010	1 1/2" Clamp	275-24
31935-0001	Posi-Flo II Lid O-ring Separation Tank	0-419
33450-8041	CSPH/CCSPH Gasket Volute Suction, 6" Bronze Suction Trap	G-430
33450-8042	CSPH/CCSPH Volute Discharge Gasket	G-429
33455-1047	2 HP Dynaglass Gasket	
33455-1050	Spring Check Valve Gasket For System 2™	
33455-8043	CSPH/CCSPH Impeller Washer Gasket	G-427
33455-8044	CSPH/CCSPH Impeller Shaft Sleeve Gasket	G-231
33457-1051	Natural/LP Gas Upper Enclosure Gasket	WIP
34725-0013	O-ring Grease	630
35505-0114	Crank Shaft O-ring	0-30
35505-0198	3 Port Actuator O-ring	0-248
35505-0239	Skimaster Tube O-ring	0-32
35505-0325	Seal Ring/Union O-ring Cristal-Flo™ Sand Filter	
35505-0326	Inlet/Outlet Pipe O-ring Cristal-Flo™ Sand Filter	
35505-0421	Bronze Suction Trap O-ring-Lid/Cast Iron	0-503
35505-0422	Seal Plate Housing O-ring	0-240
35505-1007	FPS Hydro Val Inlet O-ring	0-249
35505-1009	FP Hydro Val Inlet O-ring	0-243
35505-1116	Piston Assembly Stem O-ring-Plastic Valve	0-130
35505-1121	Dial Valve O-ring	0-247
35505-1152	Dial Valve Shaft O-ring	0-155
35505-1157	Large Knob O-ring	0-5
35505-1157	Small Knob O-ring	0-27
35505-1175	Valve Connector O-ring	0-37
35505-1223	2" Valve Shaft Seal O-ring (2 Required)	0-288
35505-1228	Dial Valve O-ring	0-225
35505-1233	Index Piston O-ring	0-113
35505-1236	Silicone Seal & Capri Retainer O-ring	0-40
35505-1238	FCP Cartridge Drain Plug O-ring	0-287
35505-1243	O-ring	0-301
35505-1244	Union Collar O-ring	0-43
35505-1245	Turbo Clean Head O-ring	0-244
35505-1246	Turbo Clean Head O-ring-Plastic Valve	0-245
35505-1263	XLII Seal Plate O-ring	0-20
35505-1263	Old Style Brass Pucks 1 1/2" Piston O-ring	0-114
35505-1266	XLII Pump Seal Plate O-ring	0-115
35505-1272	Valve Lid O-ring	0-367
35505-1273	Float Valve O-ring	0-108
35505-1275	WC112-147 Multiport Valve Cover O-ring	0-299
35505-1281	Skimmer O-ring	0-242
35505-1313	2" Piston O-ring-Natural/LP Gas Thermal Regulator Cap O-ring	0-122
35505-1317	MK23 Tube & Fill Cap O-ring/HRPB Series/High Rate Sand Filter DEP36/51/83	0-4
35505-1318	2" Piston Plastic Slide Valve O-ring	0-370
35505-1323	Roto Trol Valve O-ring	0-246
35505-1332	O-ring	0-283
35505-1338	XLVI Pump Lid O-ring	0-74
35505-1344	O-ring	0-80

35505-1365	O-ring	0-239
35505-1401	Index Plate & Piston Brass Pucks O-ring	0-114
35505-1401	Index Plate & Piston Plastic Pucks O-ring	0-403
35505-1408	XLVII Pump Volute O-ring	0-139
35505-1409	Skimmer Lid O-ring	0-336
35505-1412	2" Multiport Valve Slide Lid Mount Valve O-ring	0-463
35505-1421	2" Side Mount Multiport Valve Lid O-ring	0-463
35505-1423	System 3® Sand Adapt O-ring-DE Filter	0-315
35505-1424	System 3® Sand Plug O-ring-DE Filter (2 Required) System 2™	0-83
35505-1425	System 3® Sand Tank Fitting O-ring-DE Filter/Modular Media Bulk Head Fitting (2 Required) System 2™	0-283
35505-1426	Max-E-Glas® Impeller Screw O-ring/Max-E-Pro®	0-627
35505-1428	Elbow Assembly O-ring-System 3® Large O-ring	0-41
35505-1429	Elbow Assembly O-ring-System 3® Small O-ring	0-40
35505-1437	Trap Lid O-ring ABG Series	0-171
35505-1438	Seal Plate O-ring ABG Series (As Of 11/2001) JW Series	0-336
35505-1440	Trap Lid O-ring Max-E-Pro®	0-12
35505-7430	Seal Plate O-ring Dura-Jet™ DJ Series	0-231
35505-7432	Natural/LP Gas Manifold O-ring Model SR	G-446
35505-7437	Manifold O-ring For Natural/LP Gas Heater	
35505-7438	Bulkhead Assembly O-ring System 3®	0-245
35505-7439	Air Vent Stem O-ring Cristal-Flo™ Sand Filter	0-644
35515-0114	Crankshaft Quad Ring	0-45
35515-0314	Q30 MK Adapt O-ring	0-207
35515-0317	Filter Collection Tube O-ring	0-112
35515-0318	Collection Tube O-ring	0-116
35515-0514	Collection Tube O-ring	0-116
35515-1296	Valve Connector O-ring-Quad Ring	0-109
35515-1297	DEP 25, HRP 16 Quad Ring Valve Connector CFP Cartridge Filter	0-395
37400-0026S	Shaft Seal JWPA Series	AS-201
37400-0027S	Shaft Seal Dyna-Glas™/Dyna-Max™/DJ/JS/JT Series/ Dura-Glas™ II (After 6/2000)/Dura-Jet™ (After 1/2001)/ JW, JWPA Series (After 1/2001)/Max-E-Glas® II (After 6/2000)	AS-201
37400-0028S	Viton® Shaft Seal For Max-E-Glas® II/Dura-Glas™ II/ Dura-Jet™/DJ Series (After 2005)	AS-201V
37407-0009	Pump Seal	AS-201
37407-0019	Shaft Seal Delta Series	
38176-0105	Shaft Extension Screws	152
38907-0192	Flat Washer 3/8" Pantera Skid System Lid Gasket	
41301-0145	CL90/91L Chlorinator Control Dial O-ring Kit	0-362
41301-0192	CL90/91L Chlorinator Cap O-ring	0-115
41301-0785	CL90/91L Chlorinator Scoop Gasket	G-425
41301-0994	CL90/91L Chlorinator Drain Plug O-ring	0-641
42001-0065	Natural/LP Gas Flameholder Combustion Chamber Gasket	
42001-0066	Natural Gas/LP Gas Ignitor Gasket	
42001-0067	Natural/LP Gas Blower Adapter Plate Gasket	
42001-0084	Natural/LP Gas Flameholder Adapter Plate Gasket	
42001-0094	Blower Adapter Plate Gasket Kit	
77707-0011	SRC 200/333/400 Series Gas Heater Blower Adapter Plate Gasket Kit	
77707-0017	SRC 200/333/400 Connector Tube Kit	
77707-0117	Natural/LP Gas Coil Tubesheet Sealing O-ring Kit-Model SR SRC 200 Series (6 Required)	0-398
77707-0118	SRC 333 Series Coil Tubesheet Sealing O-ring Kit (Need 10)	
77707-0119	SRC 400 Series Coil Tubesheet Sealing O-ring Kit (Need 12)	
77707-0120	SRC 210/333/400 Manifold and Coil Tubesheet O-ring Kit	
77707-0411	SRC 400 Series Gas Heater Orifice Kit	
77707-0421	SRC 333 Series Gas Heater Orifice Kit	
77707-0431	SRC 200 Series Gas Heater Orifice Kit	
<b>SWIMRITE</b>		
5" Clear Lid O-ring		0-80
5" Clear H & L Lid O-ring		0-74
Old Style Lower Piston O-ring		0-225
Skimmer Weir		939
Pump Shaft Extension		151
#151 Pump Shaft Extension O-ring		0-39
Pump Shaft Extension Screws		152
Pump Basket-Plastic		B-101

	Basket-Metal.....	B-140
	Shaft O-ring.....	O-47
14-828-381	Black Hose Washer.....	G-84
28-828-021	O-ring.....	O-213
28-828-280	Marathon V Filter Lid Gasket.....	O-196
28-828-324	Bracket Mount Gasket.....	G-116
28-828-325	Washer.....	G-117
28-828-657	Return Hub O-ring.....	O-125
28-828-667	2" Return End Bell O-ring.....	O-125
28-828-668	Ref End Bell O-ring.....	O-216
28-828-671	18" Filter Tank O-ring.....	O-87
28-828-675	Spin Crank O-ring.....	O-39
28-828-678	Spin Filter Manifold O-ring.....	O-50
28-828-679	SRB 42-48 Return O-ring.....	O-125
28-828-681	Marathon Grid O-ring.....	O-69
28-828-687	Vertririte 18" Tank O-ring.....	O-86
28-828-689	Marathon Filter O-ring.....	O-289
28-828-745	24" Satellite Tank O-ring.....	O-93
30-828-670	Valve Stem O-ring.....	O-155
30-828-678	12" Separation Tank & Cartridge O-ring.....	O-90
30-828-750	1 1/2" x 1/2" Shaft O-ring.....	O-39
30-828-750	Valve Cap O-ring.....	O-113
30-828-750	F/Valve Kit (2 O-117, 2 O-120, 1 O-121)	
30-828-750	Piston O-ring.....	O-117
30-828-752	1 1/2" x 5/8" Shaft O-ring.....	O-27
30-828-752	1 1/2" Piston O-ring.....	O-117
30-828-752	See 750 Only Cap Diffuser O-ring.....	O-27
30-828-752	AFV Shaft Kit (2 O-117, 2 O-118, 1 O-119)	
30-828-754	Valve Kit (2 O-122, 2 O-123)	
30-828-756	1/2" V Crank Pump O-ring.....	O-39
30-828-757	1 1/2" Piston O-ring.....	O-117
30-828-759	2" Piston O-ring.....	O-122
30-828-911	Sight Glass Gasket.....	G-79
36-828-114	Heater Header Gasket.....	G-84
36-828-122	Heater Tube Gasket.....	G-74
36-828-136	Mixing Box Heater Gasket.....	G-121
36-828-146	Mixing Box Cover Gasket.....	G-121
36-828-266	Pool Control Gasket.....	G-120
36-828-280	Washer.....	G-119
36-828-453	Washer.....	G-118
38-828-680	10" Septic Tank O-ring.....	O-191
60-828-094	Basket-Metal.....	B-143
60-828-095	Old Pump Basket.....	B-173
60-828-095	SR Series Basket-Metal.....	B-111
60-828-095	Basket-Metal.....	B-139
60-828-274	P/V Pump Gasket.....	G-57
60-828-276	Backwash Valve Pump Gasket.....	G-44
60-828-486	5" Pump Clear Lid O-ring.....	O-182
60-828-487	7" Pump Clear Lid O-ring.....	O-136
60-828-713	7" SS Pump Lid O-ring.....	O-214
60-828-713	7" SS Pump Lid O-ring.....	O-217
60-828-715	5" Pump Lid O-ring.....	O-19
60-828-813	Pump Seal.....	AS-1000
70-000-100	Basket Metal.....	B-94
70-828-100	Basket-Metal.....	B-94
70-828-827	Large O-ring.....	O-212
70-828-828	Small O-ring.....	O-108
70-828-915	Skimmer Basket.....	B-9

**SYLVAN**

	Skimmer Weir 7 5/8".....	935
59200107	Skimmer Basket-Plastic.....	B-133

**TAMPA BAY MFG**

TBS-301	Air Switch.....	TBS-301
TBS-302	Air Switch.....	TBS-302

**TAYLOR**

	Aqualite PL-89 1603 Gasket.....	G-173
--	---------------------------------	-------

**TECMARK (SEE TRIDELTA)**

**TESCO**

	M/A Feeder Cap O-ring.....	O-244
--	----------------------------	-------

**THERMO SPA**

	25 Sq. Ft. Cartridge Filter Element.....	12502
	25 Sq. Ft. Cartridge Filter Element.....	12521
	30 Sq. Ft. Cartridge Filter Element.....	12801
	35 Sq. Ft. Cartridge Filter Element (2 Required).....	11802
	50 Sq. Ft. Cartridge Filter Element (2 Required).....	12504

**TIARA SPA**

	50 Sq. Ft. Cartridge Filter Element.....	15002
F-35	Pure Water Feeder Lid O-ring.....	O-358
H-301	Upper Case Widget O-ring.....	O-250
H-301	Lower Case O-ring.....	O-251

**TOTAL SPA & BATH**

3029-P	Universal Pressure Switch.....	3925
3099	Universal Pressure Switch.....	3925
8002-10-000-06	2 Button Spa Side Controller.....	CC2-120-10
8005-10-000-06	2 Button Spa Side Controller.....	CC2-120-10
SAS-101	Air Switch.....	SAS-101
SSAS-1101	4 Function Air Switch.....	SSAS-1101
TBS-212	Universal Air Switch.....	TBS-901
TBS-213	Universal Air Switch.....	TBS-917
TBS-301	Air Switch.....	TBS-301
TBS-312	Air Switch.....	TBS-312
TBS-322	Air Switch.....	TBS-301
TBS-410-882	Air Switch.....	TBS-410

**TRIDELTA/TECMARK**

3001	Universal Pressure Switch.....	3925
3010	Universal Pressure Switch.....	3925
3015	Universal Pressure Switch.....	3925
3021	Universal Pressure Switch.....	3925
3022	Universal Pressure Switch.....	3925
3026	Universal Pressure Switch.....	3925
3028	Universal Pressure Switch.....	3925
3029	Universal Pressure Switch.....	3925
3032	Universal Pressure Switch.....	3925
3035	Pressure Switch.....	3035
3036	Pressure Switch.....	3036
3037	Universal Pressure Switch.....	3925
3038	Universal Pressure Switch.....	3925
3041	Pressure Switch.....	3041
3042	Pressure Switch.....	3046
3043	Pressure Switch.....	3046
3044	Universal Pressure Switch.....	3925
3045	Universal Pressure Switch.....	3925
3046	Pressure Switch.....	3046
3047	Pressure Switch.....	3046
3048	Pressure Switch.....	3064
3049	Pressure Switch.....	3064
3052	Pressure Switch.....	3035
3053	Universal Pressure Switch.....	3925
3062	Pressure Switch.....	3062
3064	Pressure Switch.....	3064
3069	Pressure Switch.....	3069
3073	Pressure Switch.....	3073
3076	Pressure Switch.....	3076
3078	Universal Pressure Switch.....	3925
3092	Pressure Switch.....	3046
3095	Universal Pressure Switch.....	3925
3097	Universal Pressure Switch.....	3925
3098	Universal Pressure Switch.....	3925

3099	Universal Pressure Switch	3925
3102	Universal Pressure Switch	3925
3109	Universal Pressure Switch	3925
3113	Universal Pressure Switch	3925
3900	Universal Pressure Switch	3902
3901	Universal Pressure Switch	3902
3903	Universal Pressure Switch	3902
3904	Universal Pressure Switch	3902
3906	Universal Pressure Switch	3902
8000-10-0606	2 Button Spa Side Controller	CC2-120-10
8400-10-0606	4 Button Spa Side Controller & Retro-Fit Faceplate	CC4-120-10 & 20205
8750-10-0606	3 Button Spa Side Controller & Retro-Fit Faceplate	CC3-120-10 & 20205
9200-10-0606	2 Button Spa Side Controller	CC2-120-10
9300-10-0606	3 Button Spa Side Controller & Retro-Fit Faceplate	CC3-120-10 & 20205
9400-10-0606	4 Button Spa Side Controller & Retro-Fit Faceplate	CC4-120-10 & 20205
AM-3518	Plastic Thermostat Bulb Well	AM-3518
ATP-300	3 Button Air Transmitter Panel	ATP-300
CSC-1103	4 Function Air Switch (TBS-312 Required)	CSC-1101
CSC-1105	4 Function Air Switch (TBS-312 Required)	CSC-1101
CSC-1113	4 Function Air Switch (TBS-312 Required)	CSC-1101
CSC-1116	4 Function Air Switch (TBS-312 Required)	CSC-1102
CSC-1127	4 Function Air Switch (TBS-312 Required)	CSC-1104
CSC-1137	4 Function Air Switch (TBS-312 Required)	CSC-1101
CSC-1140	4 Function Air Switch (TBS-312 Required)	CSC-1101
CSC-1156	4 Function Air Switch (TBS-312 Required)	CSC-1131
CSC-1159	4 Function Air Switch (TBS-312 Required)	CSC-1102
CSC-1171	4 Function Air Switch (TBS-312 Required)	CSC-1102
CSC-1175	4 Function Air Switch (TBS-312 Required)	CSC-1104
CSC-1176	4 Function Air Switch (TBS-312 Required)	CSC-1131
CSC-1178	4 Function Air Switch (TBS-312 Required)	CSC-1185
FP-2001	Air Switch	TBS-312
SAS-103	4 Function Air Switch	SAS-101
SAS-105	4 Function Air Switch	SAS-101
SAS-107	4 Function Air Switch	SAS-102
SAS-114	4 Function Air Switch	SAS-101
SAS-116	4 Function Air Switch	SAS-102
SAS-127	4 Function Air Switch	SAS-104
SAS-128	4 Function Air Switch	SAS-104
SAS-139	4 Function Air Switch	SAS-102
SAS-145	4 Function Air Switch	SAS-101
SSAS-1103	4 Function Air Switch	SSAS-1101
SSAS-1105	4 Function Air Switch	SSAS-1101
SSAS-1113	4 Function Air Switch	SSAS-1101
SSAS-1127	4 Function Air Switch	SSAS-1104
SSAS-1156	4 Function Air Switch	SSAS-1131
SSAS-1175	4 Function Air Switch	SSAS-1104
SSAS-1176	4 Function Air Switch	SSAS-1131
SSAS-1178	4 Function Air Switch	SSAS-1185
TBS-200	Universal Air Switch	TBS-901
TBS-207	Universal Air Switch	TBS-901
TBS-212	Universal Air Switch	TBS-901
TBS-213	Universal Air Switch	TBS-917
TBS-215	Universal Air Switch	TBS-901
TBS-220	Universal Air Switch	TBS-917
TBS-221	Universal Air Switch	TBS-901
TBS-222	Universal Air Switch	TBS-917
TBS-227	Universal Air Switch	TBS-901
TBS-301	Air Switch	TBS-301
TBS-302	Air Switch	TBS-302
TBS-304	Air Switch	TBS-304
TBS-305	Air Switch	TBS-301
TBS-306	Air Switch	TBS-306
TBS-309	Air Switch	TBS-306
TBS-310	Universal Air Switch	TBS-901
TBS-311	Universal Air Switch	TBS-901
TBS-312	Air Switch	TBS-312

TBS-314	Air Switch	TBS-302
TBS-317	Universal Air Switch	TBS-917
TBS-318	Universal Air Switch	TBS-917
TBS-322	Universal Air Switch	TBS-901
TBS-324	Universal Air Switch	TBS-901
TBS-325	Air Switch	TBS-302
TBS-402	Air Switch	TBS-402
TBS-419	Air Switch	TBS-419
TU7-1000	1000 Foot Roll Air Tubing	TU7-1000

**TRITON® (ALL LISTINGS UNDER PAC-FAB & PUREX)**

**TUBS UNLIMITED**

8000-10-000-06	2 Button Spa Side Controller	CC2-120-10
8300-10-000-06	3 Button Spa Side Controller & Retro-Fit Faceplate	CC3-120-10 & 20205
TBS-410-920	Air Switch	TBS-410

**TURNER LEISURE PRODUCTS**

8006-10-000-06	2 Button Spa Side Controller	CC2-120-10
8400-10-000-06	4 Button Spa Side Controller & Retro-Fit Faceplate	CC4-120-10 & 20205
8750-10-000-06	3 Button Spa Side Controller & Retro-Fit Faceplate	CC3-120-10 & 20205
8752-10-000-06	3 Button Spa Side Controller & Retro-Fit Faceplate	CC3-120-10 & 20205

**U.S. SEAL**

PS-100	Seal	AS-100
PS-200	Seal	AS-200
PS-201	Seal	AS-201
PS-360	Seal	AS-360
PS-411	Seal	AS-411
PS-501	Seal	AS-501
PS-601	Seal	AS-601
PS-1000	Seal	AS-1000
PS-2131	Seal	AS-2131
PS-3865R	Seal Viton® version of PS-1000	AS-1000V
PS-3866	Seal Viton® version of PS-100	AS-100V
PS-3867	Seal Viton® version of PS-200	AS-200V
PS-3868	Seal Viton® version of PS-201	AS-201V
PS-3890	Seal	PSR-3890
PS-3986	Seal Viton® version of PS-601	AS-601V
PS-4280	Seal Viton® Verison of PS-3890	PSR-3890V
PSK-HA1	MaxFlo™ 1800-2800 Series Pump Repair Kit	GO-KIT®1
PSK-HA2	Super Pump® 1600, 2600/X Series Pump Repair Kit	GO-KIT®3
PSK-JC1	Magnum Series™ Pump Repair Kit	GO-KIT®14
PSK-PF1	Challenger® Pump Repair Kit	GO-KIT®5
PSK-PF2	Pinnacle™ Pump Repair Kit	GO-KIT®24
PSK-PF3	Challenger®/Pinnacle™ Pump Repair Kit	GO-KIT®73
PSK-PU1	WhisperFlo®/IntelliFlo® Pump Repair Kit	GO-KIT®32
PSK-ST1	Dura-Glas®/Maxi-Glas P2RA & P2R Series Pump Repair Kit	GO-KIT®6
PSK-ST2	AJ/PE/PEA/P2R/P2DRA Series Pump Repair Kit	GO-KIT®25
PSK-ST3	Dura-Glas® II/Maxi-Glas II P4E & P4EA Series Pump Repair Kit	GO-KIT®38
PSK-ST4	Dura-Glas®/Maxi-Glas P2RA & P2R Series Pump Repair Kit (After 1998)	GO-KIT®54

**U.S. THERMO AMP**

3029	Universal Pressure Switch	3925
3045-P	Universal Pressure Switch	3925

**UNIVERSAL**

Lens Gasket	0-7
Lens Gasket	0-2
Filter Tank O-ring	0-87
Valve Piston O-ring	0-117
Stem & Crank O-ring	0-39
Skid Pack Filter Tank O-ring	0-385

**UNIVERSAL AQUA TECH**

3037-P Universal Pressure Switch ..... 3925

**UNIVERSAL RUNDLE**

TBS-306 Air Switch ..... TBS-306

**VICO PRODUCTS**

3028-P Universal Pressure Switch ..... 3925  
 PPSFSEAL Ultima Shaft Seal-Superflo/Ultraflo ..... AS-2136  
 PPUFSLING Ultima Water Slinger  
 PPUFV/OR Ultima Volute O-ring  
 PPULPLUG Ultima Drain Plug O-ring  
 TBS-212 Universal Air Switch ..... TBS-901  
 TBS-213 Universal Air Switch ..... TBS-917  
 TBS-301 Air Switch ..... TBS-301  
 TBS-310 Air Switch ..... TBS-301  
 TBS-410-882 Air Switch ..... TBS-410

**VIKING**

32 Sq. Ft. Cartridge Filter Element ..... 13201

**VITA SPAS (DM INDUSTRIES)**

50 Sq. Ft. Cartridge Filter Element ..... 15004

**VULCAN ELECTRIC**

N24/3015-1 Universal Pressure Switch ..... 3925

**WMC**

JS-1571 JS Series Knob O-ring ..... 0-397  
 JS-1702 JS Series Seal ..... AS-200  
 JS-1791 JS Series Housing O-ring ..... 0-108  
 JS-1902ST JS Series Strainer Basket ..... B-169  
 JS-1903 JS Series Cover O-ring ..... 0-336  
 JS-1904 JS Series Strainer O-ring ..... 0-40  
 SS-1600-M AT1600 Series Basket ..... B-167  
 SS-1600-R AT1600 Series Diffuser O-ring ..... 0-141  
 SS-1600-S AT1600 Series Lid O-ring ..... 0-177  
 SS-1600-T AT1600 Series Housing Gasket ..... G-95  
 SS-1600-Z-2 AT1600 Series Seal ..... AS-1521

**WALLACE & TIERNAN**

20822 O-ring  
 24161 Chlorinator Viton® O-ring ..... 0-249V  
 25900 Chlorinator Viton® O-ring ..... 0-186V  
 26234 Chlorinator Viton® O-ring ..... 0-349V  
 26345 Chlorinator Viton® O-ring ..... 0-39V  
 26482 Chlorinator Viton® O-ring ..... 0-30V  
 26784 Chlorinator Viton® O-ring ..... 0-27V  
 26822 Chlorinator Viton® O-ring ..... 0-356V  
 27409 Chlorinator O-ring ..... 0-47  
 27593 Chlorinator Gasket ..... G-240  
 27594 Chlorinator Gasket ..... G-239  
 30066 Chlorinator Viton® O-ring ..... 0-25V  
 30343 Chlorinator Viton® O-ring ..... 0-243V  
 31702 Chlorinator Viton® O-ring ..... 0-155V  
 31882 Chlorinator Viton® O-ring ..... 0-188V  
 32164 Gasket  
 33049 O-ring  
 33051 Chlorinator Viton® O-ring ..... 0-348V  
 34497 Chlorinator O-ring ..... 0-358  
 38354 Gasket  
 38437 Chlorinator Viton® O-ring ..... 0-253V  
 39648 Chlorinator Viton® O-ring ..... 0-130V  
 40040 Chlorinator Viton® O-ring ..... 0-352V  
 40336 Chlorinator Gasket ..... G-235  
 41106 Chlorinator Viton® O-ring ..... 0-186V  
 411071 O-ring  
 44045 Chlorinator Viton® O-ring ..... 0-357V  
 44119 Chlorinator Viton® O-ring ..... 0-348V  
 44121 Chlorinator O-ring ..... 0-346  
 44122 Chlorinator Gasket ..... G-213

45336 Chlorinator Viton® O-ring ..... 0-347V  
 45773 Gasket  
 46129 Chlorinator O-ring ..... 0-276  
 50063 Ring Gasket  
 5745 Chlorinator Viton® O-ring ..... 0-357V

**WATER TECH**

TBS-410-882 Air Switch ..... TBS-410

**WATERCO (ADDITIONAL LISTINGS UNDER BAKER HYDRO)**

1216801 SS Bump Flange Gasket  
 255002 Waterking Chlorinator Lid O-ring  
 29261 Face Plate Gasket Supa Skimmer  
 3651946 Commandomatic Support Basket  
 61207 Top Mount Cartridge Air Release O-ring/Slim Line  
 61208 Top Mount Cartridge Lid O-ring Slim Line  
 62009 Top Mount/Slim Line 75 Sq. Ft. Cartridge Filter Element  
 62010 Top Mount/Slim Line 50 Sq. Ft. Cartridge Filter Element  
 62021 Trimline Cartridge Filter Lid O-ring  
 62026 Lid O-ring Trimline Cartridge Filter/Bio Skid Pac  
 62027 Opal Cartridge Filter Tank O-ring  
 62040 Trimline 25 Sq. Ft. C25 Cartridge Filter Element ..... 12530  
 62042 Trimline 50 Sq. Ft. C50 Cartridge Filter Element ..... 15035  
 62044 Trimline 75 Sq. Ft. C75 Cartridge Filter Element ..... 17522  
 62048 Trimline 50 Sq. Ft. CC50 Cartridge Filter Element ..... 15044  
 62049 Trimline 75 Sq. Ft. CC75 Cartridge Filter Element ..... 17536  
 62050 Trimline 100 Sq. Ft. CC100 Cartridge Filter Element ..... 19924  
 62051 Trimline 150 Sq. Ft. CC150 Cartridge Filter Element  
 62100 1 1/2" TM Valve Tank O-ring  
 62248 FUL-FLO DE Filter Elbow End Adapter O-ring  
 62250 Tank O-ring Ful Flo Cartridge Filter  
 62281 100 Sq. Ft. Cartridge Filter Element ..... 19931  
 62282 180 Sq. Ft. Cartridge Filter Element  
 62282 200 Sq. Ft. Cartridge Filter Element  
 62468 Vacuum Plate O-ring  
 63151 Lid O-ring Supatuf/Hydrostorm  
 620221 1 1/2", 2", 3" SM & TM Valve Air Release O-ring Only  
 620262 Lid O-ring Commandomatic Bag  
 621142 3" SM & TM Valve Cover Gasket  
 621151 2" SM & TM Valve Cover Gasket  
 621152 2 1/2" SM & TM Valve Cover Gasket  
 621201 2" 1/2" SM & TM Valve Rotor Shaft O-ring  
 621202 3" SM & TM Valve Handle To Cover O-ring  
 621233 2 1/2" SM & TM Valve Spider Gasket  
 621261 2" SM & TM Valve Spider Gasket  
 621272 3" SM & TM Valve Spider Gasket  
 621320 2" TM Valve Center Stem O-ring  
 621341 2" 1/2", 1/2", 3" SM & TM Valve Sight Glass Gasket  
 621450 1 1/2" TM Valve Center Stem O-ring  
 621454 1 1/2" SM & TM Valve Cover Gasket  
 621457 1 1/2" SM & TM Valve Rotor Shaft O-ring  
 621460 1 1/2" SM & TM Valve Spider Gasket  
 621462 1 1/2" SM & TM Valve Sight Glass Gasket  
 624024 Leaf Basket Supa Skimmer  
 634001 Basket Supatuf/Hydrostorm  
 634011 Diffuser Gasket 3/4 - 2 HP Hydrostar Pump  
 634016 Mechanical Seal Aquamite/Aquastream/Supastream  
 Supatuf Hydrostorm/Hydrostar ..... AS-601  
 634017 Mounting Bracket O-ring Hydrostorm/Hydrostar  
 634063 Basket Hydrostar  
 634070 Body O-ring Hydrostar  
 634071 Lid O-ring Hydrostar  
 634075 Lid O-ring For Hydrostar Pump  
 635028 Body O-ring Supatuf  
 635052 Lid O-ring Aquastream/Supastream  
 635054 Basket Aquastream  
 635060 Diffuser Gasket Aquamite/Aquastream/Supastream  
 635084 Lid O-ring Aquamite  
 635085 Basket Aquamite  
 635086 Basket Supastream

701030	Opal 60 Sq. Ft. Cartridge Filter Element
701031	Opal 85 Sq. Ft. Cartridge Filter Element
701032	Opal 100 Sq. Ft. Cartridge Filter Element
701034	Opal 150 Sq. Ft. Cartridge Filter Element
701038	Opal 180 Sq. Ft. Cartridge Filter Element
823319	Plug O-ring Supa Skimmer/FUL-FLO Bottom Adapter O-ring BS332/Waterco 2" TN Valve Union O-ring
6211011	4" SM & TM Valve Cover O-ring
6211012	4" SM & TM Valve Rotor Spider Gasket
6211014	4" SM Valve Rotor Shaft O-ring
6211021	4" SM Valve Plug O-ring
6302550	3" SM & TM Valve Half Union O-ring
6340011	Diffuser O-ring Supatuf/Hydrostorm
6340113	Diffuser O-ring 3HP Hydrostorm
6340241	FUL-FLO Bottom Adapter O-ring BS332/Waterco 2" TN Valve Union O-ring
6340935	SS Pump Housing Gasket
63401627	5 HP Seal SS Pump
63401628	7 1/2" Seal SS Pump
69401003	ElectroHeat I/II/Plus 25-50 PSI Low Pressure Switch
69401006	ElectroHeat I/II/Plus Water Pressure Switch
69801504	ElectroHeat I/II/Plus Canister O-ring
69801505	ElectroHeat I/II/Plus Water Inlet/Outlet
15L0143	42" HRV Filter 3" Bulkhead Gasket (Pre 2007)
15L0154	Lid Gasket HRV 42" - 48" Filter
15L0161	Sand Port Gasket HRV 42" - 48" Filter
19B5017	Impeller Gasket 7 1/2, 10 and 15 HP Commercial Pump
19B5018	Impeller Gasket For 20 HP Commercial Pump
19B5025	Volute Gasket Commercial Pump
19B5026	Sleeve Gasket 7 1/2, 10 and 15 HP
19B5027	Sleeve Gasket 20 HP Commercial Pump
19B5032	Seal 7 1/2, 10 and 15 HP Commercial Pump
19B5033	Seal 20 HP Commercial Pump
19B5051	Lid O-ring Commercial Strainer
19B5052	Basket Commercial Strainer
30C3005	1 1/2" Valve Body Cover O-ring Multiport Valve Side/Top Mount/ 3" Valve Body Cover O-ring Side Mount
30C3009	1 1/2" 2" Shaft O-ring Multiport Valve/Side/Top Mount-3" Shaft O-ring/Multiport Valve Side Mount
30C3011	1 1/2" Spider Gasket Multiport Valve/Side/Top Mount-3" Spider Gasket/Multiport Valve Side Mount
30C3015	1 1/2" 2" Sight Glass Gasket Multiport Valve Side/Top Mount
30C3018	1 1/2" 2" Center Tube O-ring Multiport Valve Side/Top Mount
30C3019	1 1/2" 3" Plug O-ring Multiport Valve Side Mount
30C3105	2" Valve Body Cover O-ring Multiport Valve Side/Top Mount
30C3111	2" Spider Gasket Multiport Valve Side/Top Mount
30C3119	2" Plug O-ring Multiport Valve Side Mount
A69215	Electrochlor Cell Canister O-ring
AXF1018	Opal Cartridge Filter Union O-ring
S130551	Bead Filter Air Blower Motor Mount Gasket
S1226911	Pump Body O-ring Aquamite/Aquastream/Supastream
W02080	Micron Side Mount 2" Port Gasket
W02081	Bio Skid Pac 2" Nipple O-ring Only
W02210	Bio Skid Pac 1 1/2" Nipple O-ring Only
W02213	New HRV 42" 48" Filter O-ring For Nut To Bulkhead
W02250	New HRV 42" 48" Filter Part Gasket Internal Tank Well
W02267	New HRV 42" 48" Filter Drain Fitting Cap O-ring
W02268	New HRV 42" 48" Filter Drain Gasket 1 1/2" Port Gasket
W02280	Gauge Ring O-ring Commandomatic Bag
W02536	New HRV 42" 48" Filter Oval Style Lid O-ring
W12604	New HRV 42" 48" Filter Part Assembly 3" Gasket Only

**WATERPIK (SEE JANDY®/ LAARS)**

**WATERWAY™ PLASTICS**

Drain Plug O-ring 75/125/200 Cyclone .....	0-25
Water Release O-ring 75/125/200 Sq. Ft. Cartridge Filter.....	0-273
Bleeder Valve O-ring 75/125/200 Sq. Ft. Cartridge Filter.....	0-186
Bleeder Valve O-ring 75/125/200 Sq. Ft. Cartridge Filter.....	0-249

1110293	Seal 48 Frame Pump 75/125/200 Cyclone .....	AS-1000
111-0863	Lid O-ring 48 Frame Pump 75/125/200 Cyclone.....	0-318
303-0172	Volute O-ring 48 Frame Pump.....	0-139
303-0174	Drain Plug O-ring 48 Frame Pump.....	0-39
310-3210B	Basket.....	B-199
319-1310	SVL56 Basket	
319-1400	Champion Basket	
319-1530	Basket For Supreme Pump/CSA Supreme	
319-3010B	Seal For Supreme Pump/CSA Supreme	
319-3100B	SVL56 Pump Seal Set Viton® Hi Flo Side Discharge .....	AS-1000V
319-3110B	Seal Viton® For Champion 56 Frame Pump.....	AS-1000V
319-3210	Workman Pump 6" Basket	
319-3230	Mustang/Workhorse 6" Trap Basket/Hi-Flo Side Center Discharge 3/8" Drain Plug O-ring (Before 1999) 3/8" Drain Plug O-ring Only For 6" Trap (1999 & Earlier) O-ring Only For 6" Trap Lid .....	0-318
319-3250	2" Pump Union Assembly Gasket For 400-5570	
319-4100B	2" Pump Union Assembly Gasket For 400-9230	
400-5670	2" Plug Assembly O-ring Only For Drain Elbow	
400-5680	Crystal Water DE Filter	
400-6651	Dyno-Flo Top Mount Skim Filter Basket Compact	
500-2680	75 Sq. Ft. Cartridge Filter Element	
500-5210	100 Sq. Ft. Cartridge Filter Element	
500-5220	150 Sq. Ft. Cartridge Filter Element	
500-5230	Top Mount Skimfilter Round Weir	
519-2080	Top Mount Skimfilter Basket	
519-2090	Bayonet Skim Filter Round Weir-Bottom	
519-2600	5" Floating Weir Top For Bayonet Skim Filter	
519-2630	Dyno-Flo Top Mount Skim Filter Top Weir Compact	
519-2660	Dyno-Flo Top Mount Skim Filter Bottom Weir Compact	
519-2670	Front Access Skimmer Basket	
519-3000	Front Access Skimmer Weir Door/Flo-Pro II	
519-3060	Basket Renegade Skimmer	
519-3240	Spa Skimfilter Basket	
519-4030	Spa Skimfilter Floating Weir	
519-4050	100 Sq. Ft. Skim Filter Front Access Basket - White	
519-6610	100 Sq. Ft. Skim Filter Front Access Basket - Black	
519-6611	100 Sq. Ft. Skim Filter Front Access Basket - Gray	
519-6617	Bayonet Skim Filter Basket Top Mount	
519-8000	Bayonet Skim Filter Basket/519-9050 50 Sq. Ft. Skim Filter Basket	
519-8010	50 Sq. Ft. Skim Filter Basket	
519-9050	Flo-Pro II Weir Skimmer Door/Front Access Foam Weir	
542-3060	Renegade Skimmer & Vinyl Liner Basket	
542-3240	Renegade Gunite Skimmer Weir	
542-6300	Renegade Skimmer Venturi Basket	
542-9600	ProClean Filter Drain Cap Gasket Only	
550-0240	Flo-Pro II Basket	
550-1030	TWM Skim Filter Basket Assembly/Front Access Skim Filter Basket	
550-1220	Crystal Water DE Filter Slide Valve Piston O-ring Set	
550-4480	100 Sq. Ft. Front Access Weir - White	
550-6600	100 Sq. Ft. Front Access Weir - Black	
550-6601	100 Sq. Ft. Front Access Weir - Grey	
550-6607	50 Sq. Ft. Skim Filter Weir	
550-9000	50 Sq. Ft. Skim Filter Basket	
550-9050	Renegade Skimmer & Vinyl Liner Weir Door - White	
550-9950	Renegade Skimmer & Vinyl Liner Weir Door - Black	
550-9951	Renegade Skimmer & Vinyl Liner Weir Door - Gray	
550-9957	Renegade Skimmer & Vinyl Liner Weir Door - Dark Gray	
550-9959DKG	Renegade Skimmer & Vinyl Liner Weir Door - Beige	
550-9950BEI	Air Relief Valve Pro Clean O-ring Only	
600-0200	Adjustable Mini Jet Wall Fitting Gasket	
711-0010	Wall Protection Gasket Regular For Flo Pro II Skimmer	
711-0060B	Wall Protection Gasket Wide Mouth Flo Pro II Skimmer	
711-0070B	Filter Spacer Gasket/Cartridge Seal Ring Flo Pro Skim Filter	
711-1010	Filter Niche Gasket	
711-1030	Cad Jet Wall Fitting Gasket	
711-1290	Champion Face Plate Gasket	
711-1400	Gasket For Electrical Box Cover Santana Air Blower	
711-1650	Standard Gasket Poly Jet (Thin)	
711-1750		

711-1760 180 Degree Jet Wall Fitting Gasket  
711-1910B Diverter Spider Gasket Multiport Valve Carefree Sand Filter  
711-1913 Drain Plug O-ring 50/100/150 Sq. Ft. Cartridge Filter.....0-288  
711-1920B Sand Filter Collar Gasket (Prior to 2001)  
711-1930 Drain Cap Gasket 75/125/200 Sq. Ft. Cartridge Filter.....G-394  
711-2600 Vinyl Liner Body Gasket For Main Drain (Stay In Place)  
711-4000B 1 1/2" Flat Gasket Union Gasket Cyclone/Cartridge  
Filter Coupling Assembly Gasket/Heater Gasket/1 1/2" Buttress  
Gasket Carefree Sand Filter/ClearWater Sand Filter .....G-392  
711-4010B 2" Flat Gasket Union Gasket Cyclone DE Filter/Sand Filter Gasket  
For Tailpiece 2" Gasket Heater Tailpiece/Mustang/Workhorse/  
Hi Flo Side/Center Discharge 2" Trap Gasket/Cartridge Filter  
Coupling Assembly Gasket/Workman Pump Union Gasket/  
Carefree Sand/ClearWater Sand .....G-393  
711-4020 1/4" Thick Gasket 2" Heater/Pump  
711-4030 2" Heater Tailpiece O-ring Gasket..... G-448  
711-4050 1 1/2" Heater Tailpiece O-ring Gasket..... G-447  
711-4100 Front Access Skimmer Wide Mouth Rubber Gasket/Flo-Pro II  
711-4200B 2 1/2" Beveled Gasket (2 Required)  
711-4290 Faceplate Gasket SVL 56  
711-4300 SVL/Champion Gasket For Left Hand Screw  
711-4750 3/16" Gasket Poly Jet (Thick)  
711-5000 Top Mount Skimmer Body Gasket  
711-5110 Flo Pro II Wide Mouth Face Plate Gasket  
711-5300B 2" gasket Workhorse Trap.....G-98  
711-5310B Drain Screen Gasket Carefree Sand Filter/SmartClean Sand Filter ....  
711-5330 Drain Cap Gasket SmartClean Sand Filter/2" Workman Gasket  
711-6020 2 1/2" Heater Union Gasket  
711-6400 Skimmer Float Valve Gasket  
711-9510B Renegade Skimmer & Vinyl Liner Face Plate Gasket  
711-9520B Renegade Skimmer & Vinyl Liner Wide Mouth Face Gasket  
711-9870 Ozone/Cluster Jet Gasket  
800-7000 TWM Skim Filter Hose Clamp  
805-0000B Main Body O-ring Crystal Water DE Filter/Cartridge Filter  
805-0001 Faceplate O-ring CSA Supreme  
805-0011 Hi Flo Side/Center Discharge 6" Trap Drain Plug O-ring ..... 0-446  
805-0014 Hi Flo/SVL56 Drain Plug O-ring/Center Discharge Drain Plug  
O-ring/Champion..... 0-130  
805-0110B Pressure Relief Valve O-ring Crystal Water DE Filter ..... 0-155  
805-0111 Executive Wet End Drain Plug O-ring/High Flo Center  
Discharge-Mustang/Workhorse/Bath Pump .....0-25  
805-0112 Drain Plug O-ring SVL56 Hi Flo Side  
Discharge Pump/Center Discharge Wet End  
Drain Plug/Workman 55 Frame  
Wet End Quarter Slot Drain Plug O-ring .....0-39  
805-0113V In Line Chlorinator Viton® O-ring (New Style) .....0-47V  
805-0114B In Line Filter 1 1/2" & 2" Top Load Air Bleed O-ring/TWM  
Filter Pack/Top Load Filter ..... 0-27  
805-0116EPB Diverter Truseal Seal O-ring/ClearWater II Cartridge Filter  
Lid Assembly Adapter O-ring..... 0-158  
805-0117SDB DE Filter Plug Air Bleed Valve O-ring Cartridge Filter Air  
Relief O-ring/Drain O-ring 93 Model/Crystal/SmartClean ..... 0-288  
805-0118VB Dial Stem O-ring Above Ground In Line  
Chlorinator Viton® O-ring.....0-352V  
805-0123 Union Assembly 1" O-ring ..... 0-189  
805-0124VB Dial Stem O-ring Above Ground In Line  
Chlorinator Viton® O-ring.....0-362V  
805-0127SD 180 Jet Wrench/Test Plug O-ring ..... 0-629  
805-0132 Wrench/Test Plug Combo Fitting O-ring 1" Tailpiece ..... 0-50  
805-0133 Cartridge Filter Fitting O-ring/Sand  
Filter Waste Adapter O-ring..... 0-630  
805-0136B ClearWater II Cartridge Filter Air Relief O-ring .....0-321  
805-0145B Union Assembly 2" Tailpiece O-ring/Wet End Union O-ring  
Outlet Elbow O-ring Crystal Water DE Filter..... 0-151  
805-0151B Serviceable Check Valve O-ring/Truseal Cover O-ring ..... 0-440  
805-0158B O-ring Faceplate-Spa Flo II..... NS  
805-0164B O-ring #164 ..... NS  
805-0206 Crystal Water DE Filter Slide Valve Top Nut O-ring  
(2 Required) ..... 0-391  
805-0207B Air Relief O-ring For ClearWater II Cartridge Filter

805-0215 DE Filter Knob O-ring .....0-273  
805-0224B 1 1/2" Heater Tailpiece O-ring/35 Sq. Ft. Filter Union O-ring/  
ClearWater DE 1/2" Buttress x 1 1/2" MPT  
Fitting O-ring Carefree Sand Filter ..... 0-125  
805-0226B O-ring #7 Union, 1 1/2" Standard TWM Filter Pack/Flo  
Pro II Skim Filter-Connector Tailpiece O-ring 1 1/2" ..... 0-49  
805-0227 Crystal Water DE Cartridge Filter Ball Wall Fitting O-ring  
SmartClean Sand (2 Required) ..... 0-41  
805-0228 Crystal Water DE Filter Slide Valve Top Nut O-ring ..... 0-64  
805-0229 2" Heater O-ring ..... 0-301  
805-0230B Long Elbow With Venturi Air Bleeder O-ring Crystal Water  
Cartridge Filter..... 0-43  
805-0232B Union Assembly 2 1/2" O-ring/Crystal Water DE Cartridge Filter  
(2 Required) ..... 0-245  
805-0233B Pressure Relief Valve Handle O-ring Crystal Water  
De Filter (2 Required) ..... 0-41  
805-0237V In-Line & Off-Line Chlorinator Viton® Lid O-ring ..... 0-647V  
805-0238 Diffuser O-ring Champion/SVL56..... 0-359  
805-0239B Swing Valve O-ring ..... 0-678  
805-0241B O-Ring For TruSeal 3" Check Valve..... 0-281  
805-0248B Volute O-Ring-Spa Flo..... NS  
805-0252B Center Discharge Wet End Faceplate Volute  
O-ring/Bath Pump ..... 0-139  
805-0253 Face Plate O-ring For Supreme Pump  
805-0254B Valve Assembly Lid O-ring (Prior to 2001) ClearWater (2003). 0-48  
805-0256B Hi Flo Faceplate Volute O-ring Center Discharge ..... 0-108  
805-0261B Executive Wet End Volute O-ring.....0-479  
805-0264B Volute O-Ring Viper Wet End ..... NS  
805-0268 O-Ring For Seal Plate Booster Pump..... 0-393  
805-0330 Volute Cover O-ring Supreme Pump/CSA Supreme .....0-4  
805-0268 O-Ring For Seal Plate Booster Pump ..... 0-393  
805-0332 O-Ring For Self Aligning Union ..... 0-83  
805-0339B Crystal Water DE/Cartridge Filter/SmartClean Sand Filter Body  
CPL O-ring (2 Required)/Ultra Clean Pro Sand  
Filter Slide Valve Coupling O-ring..... 0-653  
805-0339BN50B O-ring (2 Required) UltraClean..... NS  
805-0340V Off Line Chlorinator Lid O-ring/In Line Chlorinator Viton® Lid  
O-ring (2002 And Before) ..... 0-654V  
805-0348VB In Line Chlorinator Viton® Lid O-ring (New Style).....0-230V  
805-0360B In Line Top Load Filter Head O-ring/TWM Filter  
Pack Lid O-ring 1 1/2" and 2" ..... 0-330  
805-0377 SVL56 Housing Gasket  
805-0383 Tank O-ring 50/100/150 Sq. Ft. Cartridge Filter .....0-473  
805-0383 Tank O-ring 75/125/200 Cartridge Filter/DE Filter Lid O-ring.0-474  
805-0435B Multiport O-ring (Use With Split Nut Style)  
Carefree Sand Filter ..... 0-161  
805-0436 Lid O-ring 48 Frame Pump/Mustang/Workhorse 6" Trap  
O-ring/Hi-Flo Side/Center Discharge/Champion/Workman ....0-318  
805-0439 SVL56 Lid O-ring/Supreme Pump/CSA Supreme ..... 0-13  
805-0442B Access Dome Cover O-ring Ultra Clean Pro Sand Filter/Smart  
Clean Sand Filter .....0-236  
805-0448 Pro-Clean Filter Lid O-ring  
805-0460B ClearWater™ II Cartridge Filter Lid O-ring.....0-542  
805-1014 Lid O-ring Pro-Clean  
805-2116 Air Relief O-ring Ultra Clean Pro Sand Filter  
806-0003B Off-Line Chlorinator Gasket  
806-0100 On/Off Valve 3/4" Gasket  
806-1040 Front Access Skimmer Mounting  
Gasket/TWM Skim Filter Weir Body Gasket/Flo-Pro II  
806-1070 Square Skimmer Mounting Plate Gasket  
806-1070B Flo-Pro II Face Plate Gasket  
806-1400B SMF/Champ. 56 Frame Volute Faceplate Gasket..... G-484  
806-3000 Vinyl Liner Fiber Gasket For Main Drain  
811-1001 Center Discharge/Hi Flo Shaft Seal/Executive Wet End/  
Hi/Flo Side Discharge/Center Discharge/Bath Pump.....AS-1000  
817-0010B Skim Filter & Skimmer 10 Sq. Ft.  
Cartridge Element 5" Diameter .....11003  
817-0011 50 Sq. Ft. Cartridge Filter Element 6" x 8 1/4" (2 Pieces Upper) 14018  
817-0012 50 Sq. Ft. Cartridge Filter Element 6" x 8 1/4" (2 Pieces Lower) 14019

817-0014	50 Sq. Ft. Cartridge Filter Element 5 1/4" x 10 1/8" .....	14513
817-0015	50 Sq. Ft. Cartridge Filter Element 5 1/4" x 14 7/8" .....	17540
817-0016	100 Sq. Ft. Cartridge Filter Element 5 1/4" x 19" .....	19930
817-0040	40 Sq. Ft. Top Load In Line Cartridge Filter Element .....	14011
817-0050B	Skim Filter & Skimmer 50 Sq. Ft. Cartridge Filter Element 6" Diameter .....	14510
817-0075	ClearWater 75 Sq. Ft. Cartridge Filter Element (13.25" h X 10" Diameter) .....	17531
817-0075N	ClearWater II 75 Sq. Ft. Cartridge Filter Element .....	17530
817-0075PB	Pro-Clean 75 Sq. Ft. Cartridge Filter Element .....	17530
817-0081B	81 1/4" Sq. Ft. Cartridge Filter Element 325 Sq. Ft. Total (4 Required) .....	18005
817-0100	ClearWater 100 Sq. Ft. Cartridge Filter Element (19" h X 10" Diameter) Clean & Clear® Plus/Waterway™® Crystal Water .....	18005
817-0100N	ClearWater II 100 Sq. Ft. Cartridge Filter Element .....	19002
817-0100PB	Pro-Clean 100 Sq. Ft. Cartridge Filter Element .....	19002
817-0106B	106 1/4" Sq. Ft. Cartridge Filter Element 425 Sq. Ft. Total (4 Required) Clean & Clear® Plus/Waterway™® Crystal Water .....	20503
817-0125NB	Pro-Clean 125 Sq. Ft. Cartridge Filter Element .....	22002
817-0125P	Pro-Clean 125 Sq. Ft. Cartridge Filter Element .....	22508
817-0131B	131 1/4" Sq. Ft. Cartridge Filter Element 525 Sq. Ft. Total (4 Required) Clean & Clear® Plus/Waterway™® Crystal Water .....	22505
817-0150	ClearWater 150 Sq. Ft. Cartridge Filter Element (25" h X 10" Diameter) .....	25006
817-0150NB	ClearWater II 150 Sq. Ft. Cartridge Filter Element .....	25013
817-0150PB	Pro-Clean 150 Sq. Ft. Cartridge Filter Element .....	25019
817-0175PB	Pro-Clean 175 Sq. Ft. Cartridge Filter Element .....	27501
817-0200	200 Sq. Ft. Cartridge Filter Element .....	29915
817-0200NB	ClearWater II 200 Sq. Ft. Cartridge Filter Element .....	29916
817-0200PB	Pro-Clean 200 Sq. Ft. Cartridge Filter Element .....	29910
817-0250	250 Sq. Ft. Cartridge Filter Element	
817-0300	300 Sq. Ft. Cartridge Filter Element	
817-0400	400 Sq. Ft. Cartridge Filter Element	
817-1000B	95 Sq. Ft. Cartridge Filter Element-In Line .....	19501
817-2500B	M-43256-25 Sq. Ft. Cartridge Filter Element-Top Load 3 Oz. TWM Filter Flo-Pro II Skim Filter/Bayonet Skim Filter .....	12502
817-3501B	35 Sq. Ft. Cartridge Filter Element-In Line .....	13501
817-3510	Skim Filter 35 Sq. Ft. Cartridge Filter Element/Front Access Skim Filter .....	11802
817-5000B	50 Sq. Ft. Cartridge Filter Element-Top Load-InLine TWM Filter Flo-Pro II Skim Filter/Bayonet Skim Filter .....	15002
817-5010	Skim Filter 50 Sq. Ft. Cartridge Filter Element .....	12504
817-7500B	1 1/2" - 2" Top Load Filter Cartridge Filter Element 75 Sq. Ft. ..	17519
865-0800	Foam Ring CSA Supreme	
865-1000	Spa Skimmer & Skim Filter Foam Weir	
872-0011B	Hose Clamp For TWM Filter (4 Required)	
872-0042	SmartClean Sand Filter Multiport Valve O-ring Side Mount	
872-7001	Hose Clamp For TWM Filter	
872-7002	3/8" Hose Clamp .....	270-6
872-7022	1/2" Hose Clamp .....	270-6
873-E12S1B	1 1/2" SmartClean Sand & Crystal Water DE Multiport Valve Spider Gasket	
873-E12S2B	2 " SmartClean Sand & Crystal Water DE Multiport Valve Spider Gasket	
873-E16S1B	1 1/2" & 2" SmartClean Sand & Crystal Water DE Multiport Valve Sight Glass Gasket	
873-E7S2	SmartClean Sand & Crystal Water DE Multiport Valve Cover O-ring	
TBS-305	Air Switch .....	TBS-301
TBS-310	Air Switch .....	TBS-301

**WATER WORLD**

3029-P	Universal Pressure Switch .....	3925
CSC-1131	4 Function Air Switch (TBS-312 Required) .....	CSC-1131
TBS-212	Universal Air Switch .....	TBS-901
TBS-213	Universal Air Switch .....	TBS-917
TBS-301	Air Switch .....	TBS-301

TBS-305	Air Switch .....	TBS-301
TBS-314	Air Switch .....	TBS-302

**WATKINS**

31114	Tiger River 65 Sq. Ft. Cartridge Filter Element .....	16506
31115	Hot Spring Spas 45 Sq. Ft. Cartridge Filter Element .....	14505
31489	Hot Spring Spas 30 Sq. Ft. Cartridge Filter Element (After 1990) .....	13004
3029-AN-P	Universal Pressure Switch .....	3925
33521	Hot Spot 25 Sq. Ft. Cartridge Filter Element .....	12503
TBS-301	Air Switch .....	TBS-301

**WEATHERKING**

3423	Universal Pressure Switch .....	3925
------	---------------------------------	------

**WET**

	Pump Lid O-ring .....	0-136
	Pump Seal Plate O-ring .....	0-329
	Pump Basket-Plastic .....	B-186
	Pump Seal .....	AS-1000
26017434	20" O-ring M330AP-2 Cartridge Filter 52 Sq. Ft. DE Filter Tank O-ring	
32050002	O-ring For M-165 Filter Top Spreader	
32050201	M-66, M-165, M-330 Modufilter 6 Sq. Ft. Cartridge Filter Element With Core .....	10603
32050202	Module M-165 Filter Cartridge-No Core .....	10608
32050203	M180 Modufilter 60 Sq. Ft. Cartridge Filter Element (3 Required) .....	16001
32050204	M330 Modufilter 105 Sq. Ft. Cartridge Filter Element (3 Required) .....	19904
32050206	M100 Filter Module Cartridge	
32050502	Modufilter 10 Sq. Ft. Filter Cartridge .....	10608
32050715	Tank O-ring .....	0-87
V34-120	DE Filter 2" Selector Valve O-ring	

**WHIRLPOOL BATH**

	Whirlpool Bath 50 Sq. Ft. Cartridge Filter Element- Front Load .....	15010
25-9000-00	Whirlpool Bath 25 Sq. Ft. Cartridge Filter Element .....	12517
29-4500-00	Cambio 12 Sq. Ft. Cartridge Filter Element .....	11203

**WIEDMANN IND**

3095	Universal Pressure Switch .....	3925
TBS-213	Universal Air Switch .....	TBS-917

**ZODIAC (ADDITIONAL LISTINGS UNDER JANDY®)**

17-0061	Nature2® Cover O-ring .....	0-475
E13	Legend 4 Wheel Housing O-ring .....	0-115
E14	Legend 4 Wheel Gear Assembly O-ring .....	0-228

**MISCELLANEOUS**

	Light Deck Box Gasket .....	G-17
	Fire Hose Coupling Gasket .....	G-35
	Manhole 10" X 14" Gasket .....	G-38
	Handhole 4" x 6" Gasket .....	G-39
	Pipe Flange Gasket 1 11/16" ID .....	G-183
	Pipe Flange Gasket 1 7/8" ID .....	G-184
	Pipe Flange Gasket 2 3/8" ID .....	G-185
	Pipe Flange Gasket 2 7/8" ID .....	G-186
	Pipe Flange Gasket 3 7/16" ID .....	G-187
	Pipe Flange Gasket 4 1/2" ID .....	G-188
	Pipe Flange Gasket 5 1/2" ID .....	G-189
	Pipe Flange Gasket 6 5/8" ID .....	G-190
	Pipe Flange Gasket 8" ID .....	G-350
	2" Fire Hose Gasket .....	G-336
	3" Fire Hose Gasket .....	G-337

- 0-1 National Lens Gasket  
Swimquip™ Universal Light Lens Gasket
- 0-2 Paddock Clamp Type Lens Gasket  
Paddock Combination Lens Gasket  
Universal Lens Gasket  
Swimline (14118) Light Lens Gasket
- 0-3 Anthony/Kim Lens O-ring  
Hayward® (SPX4000S) NorthStar™ Strainer Cover O-ring (2008 & Later)
- 0-4 Anthony/Kim Rear Seal O-ring  
Hayward® (SPX5500K) Matrix® Strainer O-ring  
Jandy® (R0338801) HHP/HHPU/MHP/MHPU 3/4 - 2 HP Diffuser O-ring  
Jandy® (R0338805) HHP/HHPU 3 HP Diffuser O-ring  
Marlow H Series 2 HP Diffuser Gasket  
Pac Fab (154491) 1½" Bulkhead O-ring  
Plasticline 1½" Union O-ring  
Swimquip™ (35505-1317) MK23 Tube & Fill Cap O-ring  
Waterway™ (805-0330) Volute Cover O-ring Supreme Pump/CSA Supreme
- 0-5 Jacuzzi® (47-0115-07-R) S/W Injector O-ring  
Laars Control Well O-ring  
Pac Fab Crankshaft O-ring  
Raypak Control Well O-ring  
Swimquip™ (35505-1157) Large Knob O-ring
- 0-5V Speck Pump (2923541229) Viton® O-ring Shaft  
Model 93/21-80G/21-80GS/21-80BS/21-80/30G Viton®
- 0-6 Anthony Admiral Lid Gasket Oval
- 0-7 Universal Lens Gasket  
Anthony (014118) Universal Lens Gasket
- 0-9 Purex Old Light Lens Gasket  
Swimquip™ Common Light Lens Gasket
- 0-10 Paddock Trimmer Lid Keyhole Gasket
- 0-11 Landon Trimmer Lid Gasket  
Paddock Trimmer Lid Gasket
- 0-12 Anthony 6" Pump Lid O-ring  
Aqua Flo (AF-10-01) A & AC Series Trap Cover 6" Lid O-ring (92200010)  
Hayward® (SPX3000S) Super Pump® II Lid O-ring  
Hydro Pump 6" H & L Trap O-ring  
Jacuzzi® (47-0438-07-R) Cast Iron Pump Lid O-ring  
(3PJMCH25) (Obsolete 12-1991)  
Pac Fab 6" H & L Trap O-ring  
Purex Eastside 6" H & L Trap O-ring  
Purex (P-24025/07-1421) PJ-18 Pump Lid O-ring  
Sta-Rite® (U9-375) Maxi-Glas Trap O-ring Dura-Glas II  
Swimquip™ Old Pump 6" Lid O-ring  
Swimquip™ (35505-1440) Trap Lid O-ring Max-E-Pro
- 0-12V Hayward® (SPX3000SV) Bromine Feeder Cover O-ring Viton®
- 0-13 Astral (720R1517069) Sprint 2000 Pump Lid O-ring  
Hayward® (SPX3200S) Strainer Cover O-Ring  
Martec/Sonfarrel (320-102) Trap Lid O-ring  
Premier (31-418) 756 Series Lid O-ring  
Sta-Rite® (U9-046) 6" Pump Lid O-ring-Bronze, Cast Iron  
Waterway™ (805-0439) SVL56 Lid O-ring/Supreme Pump/CSA Supreme
- 0-14 Anthony 4" Pump Lid O-ring  
Doughboy (308-1004) H & L Pot O-ring-PPI/1400, 1500, 1640, 41, 1740  
Jacuzzi® (47-0347-07-R) Gyromat O-ring  
Pac Fab Eastside 4" H & L Trap O-ring  
Purex/Eastside 4" H & L Trap O-ring  
Swimquip™ Old Pump 4" Lid O-ring
- 0-15 Diaclear (C30082) MS-18 Strainer Cover O-ring  
Premier (31-346) 4" Pump Lid O-ring  
Speck Pump (2921641210) Lid O-ring Model E91  
Sta-Rite® (U9-045) 4" Pump Lid O-ring  
Sta-Rite® (U9-295) Pump Cover O-ring
- 0-16 Sta-Rite® Aqua Flyte H & L Gasket
- 0-17 Swimquip™ Vacuum Lid Gasket
- 0-18 Berkely 5" H & L Pot Lid O-ring  
Hayward (SPX2700Z4) MaxFlo II Cover O-ring
- 0-19 American (39101900) Maxim™, Americana® II, Power-Glas Lid O-ring  
H & F/Lando/Luitweiler Pump Lid O-ring  
Hayward (SPX2300Z4) Strainer Cover O-ring  
Sta-Rite® (U9-161) 5" Pump Trap Lid O-ring  
Swimrite (60-828-715) 5" Pump Lid O-ring

- 0-20 Hayward® (VLX4008) Body O-ring for VL Series Pump™  
Purex (P-24000/07-1416) A-18 O-ring  
Swimquip™ (35505-1263) XLII Seal Plate O-ring
- 0-21 Paddock H & L 2" Flat Gasket
- 0-22 Paddock 1¼" - 2" Flat Gasket
- 0-23 Paddock ¾" Sight Glass Gasket
- 0-24 American (51003500) Sand Filter Union O-ring,  
Olympian Bulkhead (Before 1/1991)  
American (59000600) Manifold O-ring, Outlet Pipe O-ring Titan Olympian,  
FNS  
Anthony (17810-17770) 2" Plastic Slide Valve Bulkhead Connector O-ring  
Hayward® (DEX2400Z5) Outlet Elbow O-ring /Micro Clear/Swim Clear  
Jacuzzi® (14-0139-09-R) Earthworks Manifold Bottom Pipe O-ring  
(Effective 9/1998)  
Jacuzzi® (47-0139-09-R) TP4 Test Plug O-ring (Obsolete 1992) Earthworks  
DE Filter EW75-EW150 Manifold Assembly O-ring (Before 9/1999)  
Pac Fab (192323) Filter/Pump O-ring-Hydropump Pot/Volute-Nautilus  
FNS/2" O-ring for 1952829 Plug on Bermuda Skimmer  
Purex (P-24305) Center Tube O-ring  
Saurerman 2" Tube O-ring
- 0-25 Aqua-Flo (92200060) Clear Flo A/R Valve O-ring  
Blue White (9003-030) Chlorinator O-ring  
Doughboy (308-1011) Volute O-ring  
Hayward® (SPX0602Z2) Valve O-ring  
Hayward® (SPX1441Z1) 1 1/2" 2 Way Backwash Valve Stem O-ring  
Hayward® (SPX4000FG) Gasket Only For Drain Plug NorthStar™ & Tristar/  
Eco Star/Max-Flo II/Booster Pump/Vio Turbo/Viper  
Hustler (A111) Small O-ring  
Pac Fab (154661) Triton, Nautilus DE, Mytilus, Mitra Cartridge Filter Gauge  
& Air Bleeder Adapter-PF Sand 35/50/100  
Purex CHD Crank O-ring  
Rainbow (R33017) Ball Crank O-ring  
Saurerman 2" Crank O-ring  
Speck Pump (2920141240) Model 90 Drain Plug  
O-ring/Model 433/Model E90  
Sta-Rite® (P-64057) P/V Seal O-ring  
Waterway™ 75/125/200 Cyclone Drain Plug O-ring  
Waterway™ (805-0111) Executive Wet End Drain Plug  
O-ring/High Flo Center Discharge  
Mustang/Workhorse/Bath Pump
- 0-25A Hayward® (SPX0602Z2A) PTFE Piece (0-25 Required)
- 0-25V Fischer-Porter (101W709U01) Chlorinator Viton® O-ring  
Wallace & Tiernan (30066) Chlorinator Viton® O-ring
- 0-26 American 1½" Collection O-ring  
Anthony (17810-17770) 2" Plastic Slide Valve Piston O-ring  
Hayward® (SPX0410Z1) SP410X Small Piston O-ring (Part Of 0-512Kit)  
Jacuzzi® (47-0328-00-R) LR9 Units O-ring CFR50, 75, 100 & 150/  
Inter-Connect Assembly-Sherlok® & Avalanche Separation Tank  
Laars (S-690) Heater O-ring  
Landon Spin 1½" Collection O-ring  
Pac Fab (155564) Star Polymeric Filter Gauge O-ring  
Paddock Petite Spin Filter Tube O-ring  
Sta-Rite® (U9-154) 1½" Hub O-ring
- 0-27 American (51001200) M/4 Shaft O-ring, Directional Valve 2 & 3 Port O-ring  
Hayward® (SX200Z5) Sand Filter/Pro Series Plus/S240/S200/S160T  
O-ring/Pro Series & Micro Clear Air Relief O-ring  
Hayward® (SPX0603Z2) Stem O-ring  
Hayward® (SPX0605Z2) Valve O-ring  
Hayward® (SX200Z14) Sand Filter Drain Pipe O-ring (Before 1980) Old Dome  
Leisure Bay (111732) 50, 100, 150 Sq. Ft. Filter Air Bleed Valve O-ring  
Muskin (037-3405) Axle & Valve Shaft O-ring  
Pac Fab (154827) Air Relief O-ring  
Paddock Petite Spin Filter Crank O-ring  
Swimquip™ (35505-1157) Small Knob O-ring  
Swimrite (30-828-752) 1½" x 5/8" Shaft O-ring  
Waterway™ (805-0114) Inline Filter 1 1/2"-2" Top Load Air Bleed O-ring  
TWM Filter Pack/Top Load Filter
- 0-27A Hayward® (SPX0603Z2A) PTFE Piece (0-27 Required)  
Hayward® (SPX0605Z2) PTFE Piece (0-398 Required)



0-27V Wallace & Tiernan (26784) Chlorinator Viton® O-ring  
 0-28 Pac Fab (192041) SCS Filter V Packing Ring  
 0-30 American Commander Air Relief O-ring  
 Ameson/PoolSweep (F24) Backup Extension & Drive Valve O-ring  
 Blue White (9003-009) Chlorinator O-ring  
 Doughboy (308-1152) Valve Cover Plunger O-ring  
 Hayward® (ECX9611246) EC Filter Bump Shaft O-ring Perflex®  
 (Part Of O-512Kit)  
 Leisure Bay (111733) Drain Plug O-ring 50, 100, 150 Sq. Ft. Filter  
 Leisure Bay (303416) Drain & Vent O-ring Rainbow  
 Letro (F24) O-ring  
 Lomart-Prest Metals (53-019) Shaft O-ring  
 Lomart-Prest Metals (53-049) Valve Cover Plunger O-ring  
 Rainbow (R172221) Air Vent Valve O-ring Dynamic Series I/II/III  
 Rainbow (172224) 25 Sq. Ft. Filter Valve O-ring  
 Swimquip™ MK23 Filter Crank Quad  
 Swimquip™ (25575-0114) Drive Shaft O-ring  
 Swimquip™ (35505-0114) Crank Shaft O-ring  
 0-30V Advance (OV-11-012) Chlorinator Viton® O-ring  
 Fischer-Porter (101W707U01) Chlorinator Viton® O-ring  
 Regal (S-403) Chlorinator Viton® O-ring  
 Wallace & Tiernan (26482) Chlorinator Viton® O-ring  
 0-31 Swimquip™ Skimmer Tapered O-ring  
 0-32 International Collection Tube O-ring  
 Jacuzzi® (47-0028-03-R) Filter Valve O-ring  
 Swimquip™ (35505-0239) Skimmer Tube O-ring  
 0-32V Advance (OV-11-028) Chlorinator Viton® O-ring  
 Regal (S-411) Chlorinator Viton® O-ring  
 0-33 Swimquip™ Spin Filter Tube Quad Ring  
 0-34 Swimquip™ Upright Spin Crank Quad Ring  
 0-37 Hayward® (SPX060222) Valve O-ring (See O-27A)  
 Jacuzzi® (47-0131-07-R) Gyro Flo O-ring  
 Saurerman 1½" Tube O-ring  
 Swimquip™ (35505-1175) Valve Connector O-ring  
 0-39 American (51003100) American Valve Stem &  
 Shaft Cap O-ring (Part Of O-518 Kit)  
 Anthony (17437) Valve Shaft O-ring  
 Doughboy (308-1001) Manifold Seal O-ring  
 Doughboy (308-1009) O-ring  
 E-Z Chlor (12690-09) Flow Meter Gasket  
 Jacuzzi® (31-1609-06-R) ¼" Magnum Plug O-ring  
 Cygnet/Pirahna/RC/CF25 & CFT25 Plug O-ring PH & UPH  
 Jacuzzi® (31-0943-03-R) Replaced by (47-0112-00-R)  
 Jacuzzi® (47-0112-00-R) Stem, Crank, Pump, Filter O-ring (Before  
 2/1/1993) Cygnet/Magnum-CFR25 & CFT25/Triclops SLPH & SLTPH/  
 CFT 50/100-CFT 5BY-100BY, Plug O-ring Earthworks  
 Separation Tank LH (Units Prior 6/1993)  
 Jandy® (1137) Hydro Timer O-ring  
 Jandy® (R0552000) Small O-ring for Tank Adapter Kit  
 Jandy® (R0446000) Drain Plug O-ring  
 Marine Valve Stem O-ring  
 Martec/Sonfarrel (201-010) Drain Plug O-ring  
 Martec/Sonfarrel (205-104) Bleeder O-ring  
 Pac Fab (2112) Crankshaft O-ring  
 Pac Fab (273011) Brass Valve Shaft O-ring  
 Pentair (6020006) O-Ring  
 Polaris (E-45) Back-Up Valve Plate O-ring  
 Polaris (P-39/P-40/P-88) #151 Pump Shaft Extension O-ring  
 Premier Crank O-ring  
 Premier (29-113) #151 Shaft Extension O-ring  
 Purex (07-4021) CFM Manifold O-ring  
 Purex (P-62112/07-2555) Ortega Valve Stem O-ring(Part Of O-517Kit)  
 Raypak Manual By Pass O-ring  
 Spin Rite Crank O-ring  
 Sta-Rite® (U9-147) Bronze Cap Valve O-ring  
 Sta-Rite® (U9-359) Posi Flo II Air Release O-ring-Separation Tank  
 Sta-Rite® (U178-920P) Drain Plug O-ring JW Series  
 Speck Pump (2923541220) Shaft O-ring Model 93 (Before 3/2000)  
 Model 21-80BS  
 Swimquip™ (25010-0200) Air Relief Valve O-ring Only For Posi Flo

Swimrite #151 Pump Shaft Extension O-ring  
 Swimrite (28-828-675) Spin Crank O-ring  
 Swimrite (30-828-750) 1½" x ½" Shaft O-ring  
 Swimrite (30-828-756) ½" V Crank Pump O-ring  
 Universal Stem & Crank O-ring  
 Waterway™ (805-0112) Drain Plug O-ring SVL56 Hi Flo Side Discharge  
 Pump/Center Discharge Wet End Drain Plug  
 Waterway™ (3030174) 48 Frame Pump Drain Plug O-ring  
 0-39V Advance (OV-11-112) Chlorinator Viton® O-ring  
 E Z Chlor (918) Flometer O-ring  
 Fischer-Porter (101W710U01) Chlorinator Viton® O-ring  
 Wallace & Tiernan (26345) Chlorinator Viton® O-ring  
 0-40 American (86200500) Manifold O-ring  
 American (85005700) Manifold O-ring, Caribe, Quantum, Sandpiper  
 18" & 24" Titan CM Drain Plug O-ring  
 Doughboy (308-1046) O-ring-PPI Strainer Pot  
 Hayward® (SPX1483C) Diverter Valve O-ring  
 Jacuzzi® (47-0223-06-R) CF Filter Drain Plug O-ring  
 Kreepy Krauly (12-800) O-ring  
 Monarch New Style Impeller O-ring  
 Paddock Star-Clear Tube O-ring  
 Paddock Star-Clear Manifold O-ring  
 Purex (P-24108/07-1431) 800 Series Manifold O-ring  
 Saurerman Backwash Valve O-ring  
 Sta-Rite® (U9-199) PLBC Diffuser O-ring  
 Swimquip™ (35505-1236) Silicone Seal & Capri Retainer/Connector O-Ring  
 Swimquip™ (35505-1429) Elbow Assembly O-ring-System 3 Small O-ring  
 WMC (JS-1904) JS Series Strainer O-ring  
 0-41 American (39102900) Titan CM, Sandpiper Filter 18" & 24" Thick O-ring  
 (After 1/1/1990) Olympian Bulkhead O-ring (After 1/1/1991) M/O  
 Union O-ring  
 Baker Hydro (00B7027) Old Style Bulkhead Adapter O-ring  
 Coleco (33185) Cover O-ring  
 Hayward® (SPX1495Z1) Ball Valve Flush Union O-ring/Power Flo End  
 Connector / Micro Clear Support Base O-ring/Booster Pump/  
 Power Flo II/ Vio Turbo/Viper  
 Hyprime Large Impeller O-ring  
 Jacuzzi® (47-0227-02-R) Gyro-Flo O-ring  
 Jacuzzi® (47-0227-36-R) Gyromat Backwash Valve Lower Valve O-ring  
 Lasco (80227) Union O-ring  
 Lomart (33185) Cover O-ring  
 Marlow (4311700) Argonaut Diffuser O-ring  
 Monarch Old Style Impeller O-ring  
 Pac Fab (273062) 2" PVC Cap O-ring-Dynamo  
 Pot/Housing O-ring (Part Of O-513Kit)  
 Purex (P-62227/07-2559) 1½" Ortega Valve Cap O-ring  
 Purex (07-0213) 00B7027 Old Style Bulkhead Union O-ring  
 Raypak U-G #H Gasket O-ring  
 Raypak Solar Valve Body O-ring  
 Swimquip™ (35505-1428) Elbow Assembly O-ring-System 3 Large O-ring  
 Waterway™ (805-0233) Pressure Relief Valve Handle O-ring Crystal  
 Water DE Filter (2 Required)  
 Waterway™ (805-0227) Crystal Water DE/Cartridge  
 Filter Ball Wall Fitting O-ring SmartClean Sand (2-Required)  
 0-43 Aqua-Flo (92200210) Dominator Casing 2" Fitting O-ring  
 Astral (722R0620040) 2" Inlet/Outlet Fitting O-ring (2 Required)  
 Comfortzone/Hayward® (HAXFOR1930) H Series Flange Pipe  
 O-ring Electronic (New ED2 Style)  
 Hayward® (GLX-Union & SX200Z3) Bulkhead Sand Filter/S240/S200 O-ring/  
 Micro Clear 2" Union O-ring/Super Star Clear/S240/S200 Bulkhead  
 Fitting (1995 & Prior)/S240/S200  
 Jacuzzi® (47-0230-07-R) 2" Slip Body Lock Nut O-ring/2" MBT Union Slip  
 O-ring (50mm)/2" MBT Union Slip O-ring (63mm)  
 Monarch Pot To Volute O-ring  
 Purex (P-62230/07-2560) 2" Ortega Valve Cap O-ring  
 Swimquip™ (35505-1244) Union Collar O-Ring  
 Waterway™ (805-0230) Long Elbow With  
 Venturi Air Bleeder O-ring Crystal Water Cartridge Filter  
 0-44 Starbright Collection Tube Feed Ring  
 0-45 Starbright Crank Quad O-ring

- O-47 Swimquip™ (35515-0114) Crankshaft Quad Ring
- Advance (OV-11-113) Chlorinator O-ring
- Astral (722R0140030) Air Bleed Valve O-ring
- American Multiport Valve Rotor Shaft O-ring
- E Z Chlor Flow Meter O-ring
- Fischer-Porter (101W711U01) Chlorinator O-ring
- Hayward® (ECX2899A) Small O-ring Also (SPX0722H) & Perflex® Bump Shaft O-ring
- Hayward® (SPX0722H) Stem O-ring (Before 1975)
- International Crank O-ring
- Jandy® Leaf Trap Quick Disconnect O-ring
- Pac Fab (272406) 2" Valve Diverter O-ring (Part Of O-513Kit)
- Polaris (C-140) Thrust Jet O-ring
- Polaris (JV18) SM & SMBW 4000 Roto Valve Shaft O-ring
- Pool Sweep (05-009-1005) O-ring For All Models
- Premier Shaft Extension O-ring
- Premier (29-113) Spin Filter Crank O-ring
- Purex (P-24199/07-1435) Noryl® Shaft O-ring-SMBW 2000
- Rainbow (18508) 185-08 Inlet Fitting O-ring
- Raypak (800031) Bypass Manual O-ring Series Rotor Shaft Valve O-ring
- Regal (S-404) Chlorinator O-ring
- Regal (S-410) Chlorinator O-ring
- Swimrite Shaft O-ring
- Wallace & Tiernan (27409) Chlorinator O-ring
- O-47V Waterway™ (805-0113V) In Line Chlorinator Viton® O-ring (New Style)
- O-48 American (50151700) 5 & 8 Position Lid O-ring
- Aqua-Flo (92200190) Dominator Trap Lid O-ring
- Aqua-Flo (92200220) Trap Lid O-ring
- Hayward® (SPX0704F) 1 1/2" Vari-Flo Cover O-ring
- Hayward® (SPX0710XZ3) New Style Vari-Flo Valve Lid O-ring (After 1976)
- Strainer Cover O-ring For Solid Cover Power Flo (Before 1978)
- Hyprime Lid O-ring
- Jacuzzi® (47-0254-08-R) O-ring
- Sta-Rite® Delrin Hi Prime H & L O-ring
- Waterway™ (805-0254) Valve Assembly Lid O-ring (2001 And Prior) ClearWater-2003
- O-49 American (39004000) Power Pump Diffuser O-ring
- American (46824000) Power-Glas Slip Body O-ring
- Aqua-Flo Male Adapter O-ring
- Aqua-Flo (FF-17-03) Compress Union O-ring
- Aqua-Flo (92200140) Dominator Diffuser O-ring, 1 1/2" Fitting O-ring
- Astral (722R0500035) 1 1/2" Inlet/Outlet Fitting O-ring (2 Required) and Drain Plug O-ring
- Hayward® (SPX1425Z6) Inlet Fitting O-ring (1989 and Prior)/Perflex®/Pro Series/S240/S200
- Hayward® (SPX1485B6) Elbow Union O-ring
- Hydro Air (10-5857) ADJ Jet Test Plug Mark II O-ring
- Hydro Air (10-3439) 1" Union & 1 1/2" Pump Union O-ring
- Hyprime Impeller O-ring
- Jacuzzi® (47-0226-03-R) Inlet Fitting O-ring Seal
- Lasco (5126G) O-ring
- Martec/Sonfarrel (410-511) Bath Master Jet Body O-ring
- Martec/Sonfarrel (700-103) Union O-ring
- Pac Fab (354571) Dyna-Mite/Dynatron/Dynamo/Tagelus Quick Connect O-ring
- Pentair (350099) SuperMax O-ring for Adapter (2 Required)
- Pentair (6020018) O-ring for Adapter SuperFlo Pentair (2 Required)
- Premier (29-674) 1 1/2" Tailpiece O-ring
- Sta-Rite® (U9-226) Pump Diffuser O-ring/Maxiglas/Dura-Glas
- Sta-Rite® (U9-226) Quantum 2000 Spa System O-ring For Models SK 110HXD, SK 110HXD A, SK 110HXD 1A SK 110HXD 2A Union O-ring
- Cartridge Filter PS/JW Series/PLM Series
- Sta-Rite® (WC20-24) Pump Gasket
- Waterway™ (805-0226) O-ring #7 Union 1 1/2" Standard TWM Filter Pack/ Flo-Pro II Skim Filter Connector Tailpiece O-ring 1 1/2"
- O-50 Hydro Air ADJ Flow Jet O-ring

- Jacuzzi® Collection O-ring
- Kingfeeder/Kingtech (945) Control Dial O-ring Kit
- Premier (29-225) Spin Filter Return O-ring
- Saurerman Manifold O-ring
- Spin Rite Collection Tube O-ring
- Swimrite (28-828-678) Spin Filter Manifold O-ring
- Waterway™ (805-0132) Wrench/Test Plug Combo Fitting O-ring 1" Tailpiece
- O-64 American (39102800) Maxim™/Warrior® Union Swivel O-ring
- American (46717000) Diverta Port Valve Cap O-ring
- American Granby (55-1150BSS) 2" Heat Sink O-ring
- Hayward® (SX200Z4) Sand Filter O-ring / Vari /Pro Series Plus/Pro series/S240/S200 Flo Connector O-ring/Micro Clear Bulkhead O-ring (1995 & Prior) /Pro Series Plus/Pro series/S240/S200
- Hyprime Pot to Volute O-ring
- Jacuzzi® (13-0011-02-R) Deckmate 2" Plug O-ring Sher 80 & 120/Avalanche
- Jacuzzi® (13-0013-00-R) Deckmate 1 1/2" Plug O-ring/Avalanche
- Jacuzzi® (43-3091-03-R) Drain Assembly 1 1/2" Plug O-ring For Sher 80/120/160/200 O-ring (47-0228-01R)
- Jacuzzi® (43-3092-02-R) Drain Assembly 2" Plug O-ring For CFR, Sher 80/120/160/200 O-ring (47-0228-01R)
- Jacuzzi® (47-0228-01-R) 225A, B, C Jet Charger O-ring/Separation Tank Plug O-ring
- Jacuzzi® (47-0228-35-R) Gyromat Backwash Valve Upper O-ring
- Jacuzzi® (47-0228-68-R) DTP Test Plug O-ring, 1 1/2" Union Adapter O-ring-LR9, CFR/Sherlock-Avalanche Separation Tank O-ring
- Jandy® (R0058701) Diffuser O-ring JHP/PHP Series 3/4 - 2 1/2 HP
- Purex New Style Tahitian Adapt O-ring
- Purex (P-24102/07-1426) Collar & Rotor O-ring-SMBW 2000 Series
- Sta-Rite® (U9-205) Sand Filter Riser Tube O-ring
- Swimquip™ Internal Float Valve O-ring
- Waterway™ (805-0228) Crystal Water DE Filter Slide Valve Top Mount O-ring
- O-66 Marine (3660) Flat Rubber Gasket
- O-67 Marine (1560) V Cup O-ring
- Pac Fab (88-500-1) Old Style SCS Series Manifold V-Ring
- O-68 Marine (1220) Flat Rubber Bushing Gasket
- O-69 Coleco (31954) Top O-ring
- Doughboy (308-1062) Cartridge Filter Coupling O-ring
- Hayward® (GMX152Z5) Drain Plug O-ring (After 1979)
- Jacuzzi® (47-0212-66-R) Manifold Return Knob O-ring Triclops-Dial Valve O-ring Earthworks
- Jacuzzi® (47-0214-07-R) Dial Valve Shaft O-ring
- Jacuzzi® (47-0214-49-R) Earthworks Filter/Triclops Manifold Return Knob O-ring
- Marine (1150) Locknut O-ring
- Pac Fab (192040) Crank Cap O-ring
- Rainbow (R172451) Check Valve O-ring
- Speck Pump (2923241231) Casing Drain Plug O-ring Model 433
- Swimrite (28-828-681) Marathon Grid O-ring
- O-70 Marine (1160) Bushing Cup Gasket
- Muskin (038-3400) Valve Waste Cap Gasket
- O-71 Advance (OV-11-325) Chlorinator O-ring
- American (51005000) 2" Backwash Valve Piston O-ring, Drain/Inspect Fittings O-ring, Eclipse SM & TM FNS Filter, Titan Warrior® (Part Of O-518 Kit)
- Marine (5280) Bearing & Manifold O-ring
- Pac Fab (152122) O-ring (Part Of O-513 Kit)
- Pac Fab (273090) 2" Slide Valve Bottom Shaft O-ring
- Premier 2" Backwash Valve O-ring
- O-72 Doughboy (308-1059) Dynaflow Cover O-ring
- Luitweiler Pump Lid O-ring
- O-73 American (39500100) Americana® Noryl® Pump Slinger O-ring
- Purex (P-35125/07-2187) Pump Water Slinger P-115
- O-74 Ampro (600-57) H & L Pot Lid O-ring
- Anthony Hydro & L Lid O-ring
- Hydro Pump 5" H & L Trap O-ring
- Lomart-Prest Metals (53-058) Cycle I Strainer Cover O-ring
- Marine 5" Clear Plastic H & L Lid O-ring
- Pac Fab (354052) 540 Pump Lid O-ring
- Swimquip™ (35505-1338) XLVI Pump Lid O-ring
- Swimrite 5" H & L Clear Lid O-ring

- 0-75 Marlow (29038) Cover Gasket
- 0-76 Baker Hydro (35B1117) Spa Pak Pump Lid Gasket  
Hayward® (SPX01251) Pump Lid O-ring/Max-Flo
- 0-77 Marlow (25783) Cover Gasket  
Marlow (32593) Lid O-ring
- 0-78 Marlow (25784) Cover Gasket
- 0-79 Hayward® (SPX0125Z3) Pump Diffuser Volute Ring
- 0-80 Aqua-Flo (AF-10) 5" Lid O-ring (92200000)  
Leisure Bay (004305) O-ring  
Marine 5" Clear Lid O-ring (Special)  
Premier (31-486) 5" Cover O-ring  
Rec Factory (4305) O-Ring  
Swimquip™ (35505-1344) O-ring  
Swimrite 5" Clear Lid O-ring
- 0-81 Marine (1340) 900 MS & BH Filter Quad O-ring
- 0-82 American (530018) Female Bell Quad O-ring  
Marine (1350) 990 MS & BH Filter Quad O-ring
- 0-83 Advance (OV-11-332) Chlorinator O-ring  
Harmsco (930) BF96, BF144 Cartridge Filter Holding Rod O-ring  
Hayward® (SPX4000Z1) NorthStar™/TriStar Union/Diffuser O-ring/EcoStar  
Jacuzzi® (13-1023-06-R) CFR Drain Gasket (2/1/1993-1/3/1996)/  
Landslide For 85-8263-00 Drain Cap/Separation Tank/Sandstorm/  
Laser Drain Nozzle  
Jacuzzi® (85-8263-00-R) Drain Cap With Gasket (13-1023-06) CFR Units  
(2/1/1993-1/3/1996)  
Jandy® (R039500) Coupling Nut O-ring Only (2 Required)  
Jandy® (R0339600) HHP/HHPU/MHP/MHPU Coupling (Set of 2 O-rings)  
Landon Spin 2" Collection O-ring  
Pac Fab (274494) Bulkhead Valve Adapter O-ring-Elevated Base  
Kit-TR/NS-CH-Full Flow Valve  
Sta-Rite® (U9-156) 2" Return Hub O-ring  
Sta-Rite® (U9-185) Filter O-ring  
Sta-Rite® (U9-374) Diffuser O-ring-Maxi-Glas/Dura-Glass II/Dyna-Jet  
Sta-Rite®/Swimquip™ (35505-1424) Drain Plug O-ring System 3 DE Filter  
Swimquip™ MK GFV 15-20-25-33 Collection O-ring  
Waterway™ (805-0332) Self Aligning Union O-Ring
- 0-85 Purex (P-24250/07-1443) 800 Series Tank O-ring-Separation Tank
- 0-86 Pac Fab (07-1442(Z)) Nautilus Clamp Ring O-ring  
Purex (P-24225/07-1442) 2000 Series Tank O-ring-Nautilus Clamp Ring  
O-ring  
Swimrite (28-828-687) Vertririte 18" Tank O-ring
- 0-87 American (53002800) Caribe, Quantum, Olympian, Sandpiper, Spin,  
Titan 18" Tank O-ring  
Marine (5260) Tank O-ring  
Muskin (037-3410) 18" Tank O-ring  
Premier (23-671) 18" Hercules Tank O-ring  
Premier (27-671) 18" Hercules Tank O-ring  
Sta-Rite® (U9-145) 18" Tank O-ring  
Swimrite (28-828-671) 18" Filter Tank O-ring  
Universal Filter Tank O-ring  
Wet (32-050-715) Tank O-ring
- 0-88 Hayward® (RGX45G) Regenx, ASL™ Filter Head O-ring  
Purex (P-24150/07-1433) C-18 Cover O-ring
- 0-89 Pac Fab (178568) DM Filter Tank O-ring  
Sta-Rite® (U9-105) 11" Trap Lid O-ring
- 0-90 Anthony (04278) Separation Tank Gasket  
Sta-Rite® (U9-191) Separation Tank O-ring  
Swimrite (30-828-678) 12" Separation Tank & Cartridge O-ring
- 0-92 Miami Products (CF-104) 20" Tank O-ring  
Sta-Rite® (U9-160) 20" Tank O-ring
- 0-93 American (55001700) 24" Sandpiper Tank O-ring  
Premier (25-745) 24" Tank O-ring  
Sta-Rite® (U9-165) 24" Tank O-ring  
Swimrite (28-828-745) 24" Satellite Tank O-ring
- 0-96 American (57003200) Carbide Filter 12" Tank O-ring & MS6-72  
Separation Tank O-ring  
Premier (27-678) Hercules II Tank O-ring
- 0-99 Swimquip™ (23568-15) Separation Tank O-ring
- 0-99P Pac Fab (174704) Mytilus, Turbo, Star Tank O-ring
- 0-100 Swimquip™ (24700-68) DES-25, HRS 16" Tank O-ring
- 0-101 Jacuzzi® (47-0569-99-R) EarthWorks/Triclops Tank O-ring  
Swimquip™ (24700-72) DES-36, HRS 20" Tank O-ring
- 0-102 Swimquip™ (23382-13) Model X Filter O-ring
- 0-103 Hayward® (SX200Z7) S-200 Filter Tank O-ring  
Swimquip™ (24750-5) DEP-36, HRP20 20" Tank O-ring
- 0-104 Swimquip™ (24751-5) DEP-51, HRP24 24" Tank O-ring
- 0-105 Swimquip™ (24752-5) DEP-83, HRP30 30" Tank O-ring
- 0-106 Swimquip™ (24700-73) DES-51, 60 & HRS 24" Tank O-ring
- 0-108 Aqua-Flo (FCF-11) Flo Master Volute O-ring  
Doughboy (308-1038) O-ring  
Doughboy (308-1099) Diffuser O-ring-PPII  
Jacuzzi® (47-0256-06-R) PM Filter Valve O-ring  
Pac Fab (154493) TA30/35/40/50/60 Filter Dome Lid O-ring Hi Flow  
Multiport Valve-Tagelus  
Pac Fab (154494) Tagelus Valve Adapter O-ring-FNS-TR100C & TR140C  
Triton C-3  
Pac Fab (154495) Triton II Closure O-ring  
Premier (31-256) 255 Series Volute O-ring  
Purex (P-24030/07-1422) Aquatron Pump Lid O-ring-Whisper Flo® Lid O-ring  
Quiet Flo (Prior to 11/1998)  
Rainbow (211366) In Line Leaf Trap Lid O-ring  
Rainbow (R18608) Model 180 Canister O-ring  
Sta-Rite® Delrin H & L Lid O-ring  
Sta-Rite® Sand Filter Cover O-ring  
Swimquip™ (35505-1273) Float Valve O-ring  
Swimrite (70-828-828) Small O-ring  
WMC (JS-1791) JS Series Housing O-ring  
Waterway™ (805-0256) 75/125/200 Cyclone Volute O-ring Hi Flo Faceplate  
Center Discharge
- 0-109 Swimquip™ (35515-1296) Valve Connector O-ring-Quad Ring
- 0-112 Swimquip™ (35515-0317) Filter Collection Tube O-ring
- 0-113 American (51010400) Americana® Valve Old Style Piston O-ring  
Anthony (17606) 3/16" Piston & 1½" Cap Ring  
Coleco (31992) Top O-ring  
Conger Brothers Large Air Control O-ring  
Jacuzzi® (47-0220-09-R) TP-1 Test Plug O-ring  
Marine 3/16" Valve Piston O-ring  
Premier 1½" Cap O-ring  
Sta-Rite® (E-21) O-ring For Wall Fitting Legend 4 Wheel  
Sta-Rite® (U9-151) 1½" Piston O-ring  
Sta-Rite® (U9-174) Valve O-ring  
Sta-Rite® (U9-376) Max-Glas II Shaft O-ring Dura-Glas II Insert O-ring  
Swimquip™ (35505-1233) Index Piston O-ring  
Swimrite (30-828-750) Valve Cap O-ring
- 0-114 American (79116900) Luminator Bulb Assembly O-ring, Aqua Luminator/  
Quasar  
Ampro Large O-ring For Spool, 900-8S, 900-7S  
Swimquip™ (35505-1263) Old Style Brass Pucks 1½" Piston O-ring  
Swimquip™ (35505-1401) Index Plate & Piston Brass Pucks O-ring
- 0-115 Diaclear (DP10146) O-ring  
Jacuzzi® (47-0250-05-R) Pump Case O-ring For Endura/Endura Plus  
Sta-Rite®/Swimquip™ (41301-0192) CL90/91L Chlorinator Cap O-ring  
Swimquip™ (35505-1266) XLII Pump Seal Plate O-ring
- 0-115V Kingfeeder/Kingtech (B192) Performax / Cyclone Small Cap Viton® O-ring  
(01-22-1920)  
Kingfeeder (01221926) Frog Chlorinator Lid Viton® O-ring
- 0-116 Swimquip™ (35515-0318) Collection Tube O-ring  
Swimquip™ (35515-0514) Collection Tube O-ring
- 0-117 American (51003200) Valve Stem O-ring  
Premier (P-7515) 1½" Backwash Valve O-ring  
Swimrite (30-828-750) Piston O-ring  
Swimrite (30-828-752) 1½" Piston O-ring  
Swimrite (30-828-757) 1½" Piston O-ring  
Universal Valve Piston O-ring
- 0-122 American (46715000) Diverta Port Valve Puck O-ring  
A.O. Smith (98198/99660) Bypass O-ring \*DISCONTINUED\*  
Doughboy (308-1006) Silica I Piston O-ring-PPI  
Hayward® (SPX1434TP) O-ring

- Jacuzzi® (31-1649-08-R) RMST24/ST27 & 33 Plug With O-ring (47-0213-06)
- Jacuzzi® (42-2874-01-R) RMST24 Drain Plug O-ring (47-0213-08/47-0326-02)
- Jacuzzi® (47-0213-08-R) RMST24 Drain Plug O-ring
- Jacuzzi® (47-0326-02-R) ST27, ST33, Sandtrap Drain Plug O-ring-RMST24
- Jacuzzi® (42-2904-03-R) Inspection Plug O-ring (Rep's #42-2872-01) RMST24
- Lomart-Prest Metals (53-050) Backwash Valve O-ring
- Marine 2" Valve Cap O-ring
- Muskin (037-3414) Valve O-ring
- Muskin (038-5434) Backwash Valve Gasket
- Polaris (9-100-5139) Wall Bushing O-ring
- Premier 2" Piston O-ring
- Raypak (800104) Raytemp Valve Piston O-ring
- Sta-Rite® (U9-152) Valve O-ring
- Sta-Rite® (U9-371) Drain Cap O-ring
- Swimquip™ (35505-1313) 2" Piston O-ring-Natural/LP Gas Thermal Regulator Cap O-ring
- Swimrite (30-828-759) 2" Piston O-ring
- O-125 American (51003400) Bronze Valve Cap O-ring/Americana® Valve/Power Pump Adapter O-ring
- American Granby (50-1100BSS) 1½" Heat Sink O-ring
- Anthony (17681) 3/16" Piston & 2" Cap Ring
- Doughboy (308-1016) Outlet Retainer O-ring
- Hayward® (SPX1022CZ2) Seal Plug O-ring
- Jacuzzi® 4 Way Valve Upper Disc Body O-ring
- Jacuzzi® (47-0224-05-R) PM Filter Valve O-ring
- Jacuzzi® (47-0256-06-R) Filter O-ring
- Landon Backwash O-ring
- Marine 1½" Valve Cap O-ring
- Martec/Sonfarrel (700-408) Tail 1½" O-ring
- Pac Fab (191474) Mytilus B Cartridge Filter/Star DE Filter O-ring /O-ring for Drain Plug Clear & Clear/1 ½" O-ring for 191368 Plug for Bermuda Skimmer
- Premier 1½" Valve Cap O-ring
- Swimrite (28-828-657) Return Hub O-ring
- Swimrite (28-828-667) 2" Return End Bell O-ring
- Swimrite (28-828-679) SRV 42-48 Return O-ring
- Waterway™ (805-0224) 1 1/2" Heater Tailpiece O-ring/35 Sq. Ft. Filter Union O-ring/ClearWater DE 1/2" Buttress x 1 1/2" MPT Fitting O-ring
- Carefree Sand Filter
- O-128 Doughboy (308-1039) Silica II Hose Adapter O-ring
- Hayward® (SPX1500W) Strainer Connector Power Flo O-ring / Perflex® 1990 / Power-Flo II
- O-130 American (47721000) Cyclojet Small O-ring (Part Of O-511Kit)
- American Crank O-ring
- American Ultra-Flow® Impeller Lock O-ring (39010000)
- Aqua-Flo (92200070) Clear Flo Cap O-ring
- Armeson/PoolSweep (F-7) Sweep hose Connector O-ring
- Baker Hydro (31B0035) P/P Valve Index Plate O-ring
- Hayward® (DEX360E) Micro Clear Spacer & Vertical Grid DE 7200 Filter O-ring
- Landon Crank Shaft O-ring
- Letro (F07) O-ring
- Pac Fab (192115) Drain Plug Spin Filter Crank O-ring (After 3/1983)
- Tagelus, Sand Dollar, Challenger, Water Fall Pump/Triton II, Whisper-Flo Drain Plug O-ring Superflo/Whisper-Flo XF (2 Required)
- Purex (10331/07-0156) 31B0035 BH Valve Index Plate
- Purex (P-24001/07-1417) AT Pump Backwash Valve Gasket
- Rainbow (R172393) Access Plug O-ring Dynamic Series II/III
- Rainbow (18511) 185-11 Cleaner O-ring
- Sta-Rite® (31B0035) Index Plate O-ring-Slide Valve
- Swimquip™ (14930-32) Duetta Plastic Slide Valve, Small Index Plate O-ring
- Swimquip™ (35505-1116) Piston Assembly Stem O-ring-Plastic Valve
- Waterway™ (805-0014) Hi Flo/SVL56 Drain Plug O-ring/Center Discharge Drain Plug O-ring/Champion
- O-130V Fischer-Porter (101W902U01) Chlorinator Viton® O-ring
- Wallace & Tiernan (39648) Chlorinator Viton® O-ring

- O-133 American (39301500) Pump Lid Quad Ring (Before 7/1975)
- O-136 American (39300300) Ultra-Flow®, Americana®, Noryl®, Bronze, SS H & L Pump Lid O-ring (Including 1994 and Prior)
- Swimrite (60-828-487) 7" Pump Clear Lid Gasket
- Wet Pump Lid O-ring
- O-139 American (51002200) 1 ½" Multiport Valve Lid O-ring
- Aqua-Flo (92200080) Flo-Master Volute O-ring
- Aqua-Flo (92200200) FMCP Volute O-ring
- Hayward® (SPX0710Z3) Valve Lid O-ring (Prior to 1978)/Power-Flo Lid O-ring
- Martec/Sonfarrel (300-004) Wet End O-ring
- Pac Fab (271103) 1 1/2" Valve Top O-ring (Part Of O-519Kit)
- Sta-Rite® PDC 4 & 6 Bottom O-ring
- Sta-Rite®/Swimquip™ (14971-SM10E7) 1 ½" Multiport Valve Cover O-ring
- Swimquip™ (35505-1408) XLVII Pump Volute O-ring
- Waterway™ (3030172) 48 Frame Pump Volute O-ring
- Waterway™ (805-0252) Center Discharge Wet End Faceplate Volute O-ring Bath Pump
- O-141 Baker Hydro (31B1107) Spa Pak Pump Diffuser Ring
- Hayward® (SPX1600R) Super Pump® Diffuser Gasket/Max-Flo/Super Pump® II
- WMC (SS-1600-R) AT1600 Series Diffuser O-ring
- O-142 Jandy® (R0446200) Lid O-Ring
- South Pacific Old Style Lid O-ring-Brown
- Sta-Rite® (U9-171) 8" Trap Lid O-ring
- O-147 Premier (29-113) Spin Filter Crank O-ring
- Sta-Rite® (U9-158) D Ring Drive Plate Filter O-ring
- O-150 Jacuzzi® (47-0357-04-R) Pump Lid O-ring
- Jacuzzi® (47-0357-46-R) J, JLM, K, KM, JC Pump Housing O-ring (12/1986)
- Jacuzzi® (47-0433-51-R) USLB 6" Lid O-ring & ULSC
- Pac Fab (357255) Lid O-ring OptiFlo/SuperFlo Pump
- Sta-Rite® (U9-211) Sand Filter O-ring
- O-151 Sta-Rite® (U9-203) Sand Filter O-ring
- Waterway™ (805-0145) Union Assembly 2" O-ring/Outlet Elbow O-ring/Crystal Water DE Filter
- O-155 American (46713000) Diverta Port Valve Bobbin O-ring
- American (57006500) Commander Gauge Plug
- Maxim™ um Pump O-ring / Americana® II
- Astral (722R1000025) Pressure Gauge O-ring
- Hayward® (ECX1321A) Micro Star/Star-Clear II (1988 & Prior) Filter Air Relief Valve O-ring
- Hayward® (SPX1082Z410) Star-Clear Relief Valve O-ring / Regenex Piston O-ring
- Jacuzzi® (47-0110-02-R) Valve & Filter O-ring Spring Retainer/Dial Valve
- Pac Fab (273060) 2" PVC Valve Shaft O-ring
- Purex (P-24200/07-1436) Selector Valve Shaft O-ring
- Sta-Rite® (U9-221) WC-212 Valve Cap O-ring
- Swimquip™ (35505-1152) Dial Valve Shaft O-ring
- Swimrite (30-828-670) Valve Stem O-ring
- Waterway™ (805-0110) Pressure Relief Valve O-ring Crystal Water DE Filter
- O-155V Advance (OV-11-110) Chlorinator Viton® O-ring
- Wallace & Tiernan (31702) Chlorinator Viton® O-ring
- O-158 Armeson/Pool-Sweep (E-43) Turbo Sweep O-ring
- Blue White (9003-067) Chlorinator O-ring
- Compool (192039) O-ring Shaft Diverter Valve 1 ½" – 2"
- Jacuzzi® (47-0116-06-R) Filtromat O-ring (Part Of O-515Kit)
- Jacuzzi® (47-0116-30-R) Dial Valve O-ring
- Jacuzzi® (47-0117-05-R) 1½" Valve O-ring Shaft Retainer/Dial Valve
- Jandy® (1307) Stem O-ring Never Lube 2/3 Port Shaft O-ring (Part Of O-515Kit)
- Jandy® (3940) Actuator Valve O-ring
- Jandy® (R0487100) Never Lube Shaft O-ring
- Jandy® (R0552200) Backwash Valve Shaft O-ring
- Jandy® (R0552400) Diverter O-ring For Never Lube Backwash Valve
- Letro (E-43) Turbo Sweep O-ring
- Martec/Sonfarrel (201-002) Bleed Plug O-ring
- Pac Fab (2116) Crankshaft O-ring
- Pac Fab (192039) SCS Filter Crank O-ring-Full Flow Valve
- Purex (P-24104/07-1428) Tahitian Cap & Rotor Shaft O-ring
- Purex (P-60886/07-2552) Liftlock Shaft O-ring
- Waterway™ (805-0116EP) Diverter Truseal Seal O-ring/ClearWater II

- Cartridge Filter Lid Assembly Adapter O-ring
- 0-159 American (50152100) 1 1/2" T/M Multiport Valve II O-ring  
Hayward® (SPX0728H) 1 1/2" & 2" Backwash Valve End Connector O-ring  
Lasco (83008) 1 1/2" PVC Union O-ring  
Purex (P-24100/07-1424) Cap O-ring
- 0-160 Airquatic (5099-149) FG Filter Lid O-ring  
Pac Fab (152501) TA100D Valve Adapter O-ring  
Shasta Dome O-ring  
Speck Pump (2923241200) Casing O-ring Model 21-80 GS  
Sta-Rite® (U9-241) Pump O-ring
- 0-161 American (39204100) Lid O-ring  
Premier 550 6" Lid O-ring  
Premier (33-489) 6" Cover O-ring  
Purex (P-24050/07-1423) C-70 Flange O-ring  
Waterway™ (805-0435) Multiport O-ring (Use With Split Nut Style)  
Carefree Sand Filter
- 0-163 Jacuzzi® (47-0259-09-R) O-ring for Dominator Pump Bracket  
Jandy® (R0340400) MHP/MHPU Body O-ring  
Kingfeeder/King Tech (R259V) Body O-ring  
Pac Fab (354535) Dynamo Bracket Diffuser O-ring  
Purex (P-24103/07-1427) Valve Body O-ring-SMBW 2000 Series/  
3 Port Valve O-ring  
Rec Factory Warehouse (2697) Body O-ring Kingtech  
Sta-Rite® (U9-169) O-ring
- 0-165 Hayward® (CX250Z6) O-ring  
Laars (E-363) Heater O-ring  
Purex (P-24308/71449) Tahitian Filter Shaft O-ring
- 0-168 Hayward® (SPX0722G) Ball Valve End Connector Bonnet O-ring  
(Part Of O-512 Kit)  
Jacuzzi® (47-0142-04-R) 39-1619-06 Assembly O-ring/Dial Valve  
2" Multiport  
Kingfeeder/Kingtech (740-746) Cam O-ring  
Lasco (83009) 2" PVC Union O-ring  
Pentair (471552) O-Ring  
Purex CHD 2" Valve Cap O-ring  
Purex (P-00996/07-0345) Old Style Tahitian Adapt O-ring
- 0-169 American (39500400) Seal Plate O-ring (Prior to 1975)
- 0-170 American (79101600) Amerilite Light Lens Gasket For Sam/Spectrum/  
Amerilite - Silicone
- 0-171 Muskin (037-3412) Strainer Pump Lid O-ring  
Sta-Rite®/Swimquip™ (35505-1437) Trap Lid O-ring ABG Series
- 0-172 Hayward® (SPX0540Z2) Light Lens Gasket  
Hayward® (SPX0580Z2) Astrolite Lens Gasket  
Purex (P-11324/07-0945) Light Lens Gasket
- 0-173 Swimquip™ (05057-0118) Lens Gasket
- 0-174 Hayward® (SPX0503W) Light Lens Gasket
- 0-176 Hayward® (SPX0710D) 6 Spoke Spider Gasket (Prior to 1977)
- 0-176A Hayward® (SPX0710XD) 5 Spoke Spider Gasket (After 1977)  
Pac Fab (SP-710-X-D) Multiport Valve Seat Gasket
- 0-177 Hayward® (SPX1600S) Super Pump® Lid Gasket  
WMC (SS-1600-S) AT1600 Series Lid O-ring
- 0-178 Hayward® (SPX0501HJ) Light Lens Gasket
- 0-179 Anthony Old Style Light Base O-ring  
Caretaker (1-13-3) Union O-ring Floor Cleaner System (Part Of O-516 Kit)  
Omni (0-5960) Chlorinator O-ring  
Pac Fab (154492) 2" Bulkhead O-ring/Nautilus/FNS-Triton II-TR100C  
& TR140C  
Pentair (274495) TR100C & TR140C Filter Valve Body to Lid O-ring  
Plasticline 2" Union O-ring  
Sta-Rite® (WC9-7) Sand Filter O-ring  
Swimquip™ HRV 24 Collection O-ring
- 0-180 American (86006900) Titan RPM/FNS Plus/Clean & Clear® Lower &  
Upper Bulkhead O-ring  
Doughboy (308-1150) O-ring  
Hayward® (SPX0410Z2) SP410X Large Piston O-ring (Part Of O-512 Kit)  
Lomart-Prest Metals (53-185) Air Relief O-ring  
Pac Fab (192122) Filter Return O-ring  
Pentair (471553) O-Ring  
Sta-Rite® Vertical Filter Manifold O-ring
- Sta-Rite® (U9-285) Adapter O-ring Plastic Suction Trap
- 0-182 Pac Fab (352604) 590 Pump Lid O-ring  
Pac Fab 5" H & L Trap O-ring  
Speck Pump (2921841210) O-ring Flange Adapter Model 93  
Swimrite (60-828-486) 5" Pump Clear Lid Gasket
- 0-183 Pac Fab (354056) Pump Lid O-ring  
Premier (39441) 8" Trap Lid O-ring
- 0-184 Pac Fab (152127) Nautilus PF-35 18" Tank O-ring (After 2001)
- 0-185 Pac Fab (152038) PF-50 22" Tank O-ring
- 0-186 American (51005900) Air Relief Separation Tank MS 6-60 O-ring  
American (46815500) AquaLumin/II Nicheless O-ring  
Armeson/PoolSweep (G-12) Gear Axle O-ring  
Blue White (9003-003) Chlorinator O-ring  
Hayward® (SPX0072Z4) Sight Glass/Valve Stem O-ring (Part Of O-500Kit)  
Laars (S-328) Heater O-ring  
Letro (LG-12) O-ring  
Olympic (ACM-94-7) Valve O-ring For ACM94  
Polaris (LG-12) Gear O-ring  
Purex (P-24003/07-1419) WhisperFlo Impeller Lock Screw O-ring  
Waterway™ 75/125/200 Sq. Ft. Filter Bleeder Valve O-ring
- 0-186V Advance (OV-11-010) Chlorinator Viton® O-ring  
Fischer-Porter (101W705U01) Chlorinator Viton® O-ring  
Wallace & Tiernan (25900) Chlorinator Viton® O-ring  
Wallace & Tiernan (41106) Chlorinator Viton® O-ring
- 0-188 Armeson/PoolSweep (J-4) Valve Body O-ring  
Hayward® (GMX600D) PTFE Bearing Washer  
Letro (J-04) O-ring  
Polaris (D-24) Quick Connect O-ring  
Purex (P-24107/07-1430) WhisperFlo Seal Vent O-ring
- 0-188V Fischer-Porter (101W904U01) Chlorinator Viton® O-ring  
Wallace & Tiernan (31882) Chlorinator Viton® O-ring
- 0-189 Armeson/PoolSweep (G-32) Lower Bearing O-ring  
Doughboy (308-1044) O-ring Valve Rotor  
Doughboy (308-1043) Silica I & II Tank Drain O-ring  
Hayward® (SPX710Z1) Non Metallic Bearing  
Jacuzzi® (47-0123-07-R) RM2 Injector Cap (After 11/1/1991)  
Letro (G-32) O-ring  
Waterway™ (805-0123) Union Assembly 1" O-ring
- 0-190 Purex (P-28125/07-1722) Piston O-ring
- 0-191 Landon Separation Tank O-ring  
Purex (P-24275) Filter Lid O-ring  
Purex (P-24220/07-1441) CF-25, 50 & 700 Tank O-ring  
Swimrite (38-828-680) 10" Septic Tank O-ring
- 0-194 American (51007600) Separation Tank Lid O-ring  
Marine (99-8660-5) Large Separation Tank Gasket  
Sta-Rite® (WC20-04) 9 1/2" Separation Tank Gasket
- 0-196 Swimrite (28-828-280) Marathon V Filter Lid Gasket
- 0-197 International (6721-9) Tank O-ring
- 0-198 Sauerman Small Tank O-ring
- 0-199 Sauerman Large Tank O-ring
- 0-200 Anthony (17434) A-40 O-ring  
Pac Fab (195008) Old Style Nautilus Tank O-ring (After 2001)  
Starbright 20" Tank O-ring
- 0-201 International (6291-9) Tank O-ring
- 0-202 Doughboy (308-1142) 20" Tank O-ring  
Lomart-Prest Metals (53-174) 20" Tank O-ring  
Marine (5740) MS Tank O-ring  
Starbright Tank O-ring
- 0-203 Pac Fab 1/2" x 66 7/8" Tank O-ring
- 0-204 Anthony (12382) Ditron Tank O-ring
- 0-205 Pac Fab 9/16" x 67 1/2" Tank O-ring
- 0-206 Pac Fab (273059) 2" Piston O-ring
- 0-207 Baker Hydro (00B7014) Valve Piston O-ring (3 Required)  
Harmsco (551) Standpipe O-ring  
Hayward® (GMX142Z2) Pump O-ring  
Purex (07-0212) Valve Piston O-ring  
Sta-Rite® (00B7014) Valve Piston O-ring  
Swimquip™ (35515-0314) Q30 MK Adapt O-ring
- 0-208 Sta-Rite® (C21-2) Pump Diffuser O-ring
- 0-209 Sta-Rite® (C69-2) Pump Slinger (Replaces N69-1) Dura-Jet™

- 0-210 Sta-Rite® (C69-24) Dyna-Glas Slinger Pump/Dyna-Max/Dyna-Jet
- 0-211 Pac Fab (273012) Old Style 1½" Piston O-ring
- 0-211 Pac Fab (273160) New Style 1½" Piston O-ring
- 0-212 Swimrite (70-828-827) Large O-ring
- 0-213 Doughboy (308-1134) Pro X Series Backwash Valve Cap O-ring
- 0-213 Lomart-Prest Metals (53-044) Pro X Series Backwash Valve Cap O-ring
- 0-213 Swimrite (28-828-021) O-ring
- 0-214 Premier (31-713) O-ring
- 0-214 Swimrite (60-828-713) 7" SS Pump Lid O-ring
- 0-215 Baker Hydro (00B7013) Filter Lid O-ring (1969-1971)
- 0-215 Baker Hydro (00B7028) Baker II Clamp O-ring
- 0-215 Purex (70211) Gasket V-Band Lid
- 0-215 Sta-Rite® (00B7013) HRP36 Filter O-ring
- 0-216 Swimrite (28-828-668) Ref End Bell O-ring
- 0-217 Swimrite (60-828-713) 7" SS Pump Lid O-ring
- 0-218 American (392041) Eagle Pump Olympian T/M Filter Lid O-ring For Multiport Valve
- 0-218 Premier (P-13-6P) New Style Clear Lid O-ring
- 0-218 Sta-Rite® (U9-229) Dura-Glas Pump Lid O-ring-JW/PA Cap Series
- 0-219 Jacuzzi® (47-0020-01-R) Filtromat Series K O-ring
- 0-220 Doughboy (308-1013) Pump Discharge O-ring
- 0-220 Fischer-Porter (101W910U01) Chlorinator O-ring
- 0-220 Jacuzzi® (47-0022-09-R) PVM/DV35-15 HP Shaft Sleeve O-ring
- 0-222 Baker Hydro (301560) Old Spa Pak Pump Gasket
- 0-222 Hayward® (SPX1491B) Econo Union O-ring
- 0-222 Jacuzzi® (47-0129-01-R) Skimmer Mat O-ring
- 0-222 Marlow Mar-Dur 1/3-1 HP Diffuser O-ring
- 0-223 Jacuzzi® (47-0143-03-R) 2" Multiport Valve O-ring (After 8/1973) (39-0342-02) Assembly Dial Valve
- 0-223 Jandy® (6749) Cover O-ring SSV
- 0-223 Kingfeeder/Kingtech (122) Cap O-ring
- 0-224 Jacuzzi® (47-0144-02-R) 2" Multiport Valve O-ring (Before 8/1973)
- 0-224 Jandy® (R0337600/R0337601) Tailpiece/Header Coupling O-ring
- 0-225 Doughboy (308-1002) Lid Bushing O-ring 1400,1500
- 0-225 Hayward® (SPX0704HA) O-ring Only For O-483Kit
- 0-225 International Lower Piston O-ring
- 0-225 Jacuzzi® (47-0216-05-R) Venturi O-ring
- 0-225 Swimquip™ (14962-35) Small O-ring For Kit
- 0-225 Swimquip™ (35505-1228) Dial Valve O-ring
- 0-225 Swimrite Old Style Lower Piston O-ring
- 0-225V Fischer-Porter (101W721U01) Chlorinator Viton® O-ring
- 0-226 Jacuzzi® (47-0221-08-R) 4-Way Valve Body Disc O-ring
- 0-227 American Spacemaker Collector O-ring
- 0-227 Hyprime Small Impeller O-ring
- 0-227 Jacuzzi® (47-0222-07-R) Filter Valve O-ring
- 0-227 Jandy® (R0358800) Drain Plug O-ring Only CL Series/DEL Series
- 0-227 Jandy® (R0395500) Large Tank Drain Adapter O-ring CL Series/DEL Series
- 0-228 Aqua-Flo (92200270) Tub-Master FMCP Volute O-ring
- 0-228 Hayward® (SPX1082Z5B) Pump Housing O-ring (1986) Power-Flo SP1500UN Series
- 0-228 Jacuzzi® (47-0251-01-R) Lint Catcher U Pump O-ring
- 0-228 Martec/Sonfarrel (310-104) Booster Pump O-ring
- 0-228 Sta-Rite® (U9-114) Pump O-ring
- 0-228 Sta-Rite® (U9-167) PCD-10B Pump O-ring
- 0-228 Swimquip™ XL-VII Bracket To Valve O-ring
- 0-229 Ampro (300-6) Noryl® Pump Body O-ring
- 0-229 Doughboy (308-1137) Pro Pump Sealing Plate O-ring
- 0-229 Jacuzzi® (47-0264-06-R) 5-Way Valve O-ring
- 0-229 Jandy® (R0338700) HHP/HHPU Body O-ring
- 0-229 Lomart-Prest Metals (53-180) Pro Pump O-ring
- 0-229 Swimquip™ (05101-0002) Sun saver Light Housing O-ring (After 1999)
- 0-230 Jacuzzi® (47-0348-06-R) Pump & Filter Multiuse O-ring (Part Of O-514Kit)
- 0-230 Speck Pump (2921341250) O-ring Diffuser Model 93
- 0-230V Waterway™ (805-0348V) In Line Chlorinator Lid Viton® O-ring (New Style)
- 0-231 Doughboy (308-1125) Cyclops/Pro X Strainer Cover O-ring
- 0-231 Hayward® (SPX1500P) Power-Flo Pump Lid O-ring /Power-Flo II
- 0-231 Jacuzzi® (47-0354-07-R) U Series Pump O-ring
- 0-231 Leisure Bay (004036) Wet End Housing O-ring
- 0-231 Leisure Bay (303420) Hayward® Strainer Lid O-ring
- 0-231 Lomart-Prest Metals (53-159) Cyclops II/Pro X Strainer O-ring

- Pac Fab (354533) Dynamo Lid/Dyna-mite/Dynatron Housing O-ring
- Rec. Fac. Warehouse (303420) Strainer Lid O-Ring
- Rec. Fac. Warehouse (4036) Wet End Housing O-Ring
- Speck Pump (2921141215) Lid O-ring Model E90
- Sta-Rite®/Swimquip™ (35505-7430) Seal Plate O-ring Dura-Jet™
- 0-231V Hayward® (CLX200K) Chlorinator Viton® O-ring
- 0-232 American (51011900) Eclipse Filter-Top Mount O-ring/Meteor Filter (Before 4/1995)
- 0-232 Jacuzzi® (47-0359-02-R) Filter Valve O-ring
- 0-232 Jandy® (R0338900) HHP/HHPU/MHP/MHPU Pot Lid O-ring
- 0-232 King Tech (9926) Cap O-ring
- 0-232 Leisure Bay (002975) Fits All Large Cyclers Cap O-ring King Tech
- 0-232 Pac Fab (353525) Porpoise Filter Clear Lid O-ring
- 0-232V Kingfeeder (9920) Lid O-ring For Large In Ground Feeders #400/430/600/630/940/960/980/5400/5600 Viton®
- 0-233 Jacuzzi® (47-0370-07-R) 2" Multiport Valve Body O-ring-Dial Valve (39-0342-02) Assembly
- 0-234 Jacuzzi® (47-0433-02-R) Filtromat O-ring
- 0-235 Jacuzzi® (13-0301-01-R) Tank Clamp Gasket
- 0-235 Miami Products CF-52 16" Tank O-ring
- 0-236 Jacuzzi® (47-0442-01-R) H & L Strainer Pump O-ring
- 0-236 Jacuzzi® (47-0442-33-R) Light Lens O-ring
- 0-236 Sta-Rite® (U9-369) TBP Filter Valve Flange O-ring/(WC112-147) Tank Flange O-ring Waterford System Tank O-ring
- 0-236 Sta-Rite®/Swimquip™ (25200-0011) Tank Lid O-ring PRC Model Waterway™ (805-0442) Access Dome Cover O-ring Ultra Clean Pro Sand Filter/SmartClean Sand Filter
- 0-237 Hayward® (SPX1705Z1) Pump Housing Gasket/Power-Flo II
- 0-237 Jacuzzi® (47-0257-05-R) Separation Tank Support O-ring
- 0-237 Premier (31-162) Booster Pump Volute O-ring
- 0-239 Hayward® (SPX4000T) Seal Plate O-ring NorthStar™
- 0-239 Jacuzzi® (13-0220-09-R) Flange O-ring
- 0-239 Jacuzzi® (47-0448-05-R) O-ring
- 0-239 Sta-Rite® (WC9-3) Cartridge Filter Tank O-ring Posi-Flo Separation Tank
- 0-239 Swimquip™ (35505-1365) O-ring
- 0-240 American (39006000) Ultra-Flow® Pump Volute O-ring
- 0-240 Aqua-Flo (92200180) Dominator Seal Plate O-ring
- 0-240 Hayward® (CX900F) Star-Clear Plus Filter Head O-ring
- 0-240 Martec/Sonfarrel (320-110) Pool Master Housing O-ring
- 0-240 Premier (31-358) Volute O-ring
- 0-240 Sta-Rite® (U9-228) Dura-Glas Pump Clamp O-ring Maxi-Glas
- 0-240 Swimquip™ (35505-0422) Seal Plate Housing O-ring
- 0-241 Baker Hydro (15B0100) U Cup Filter Gasket (After 1972)
- 0-241 Purex (10282/07-0107) (15B0100) U-Cup Lid Gasket
- 0-242 Caretaker (1-13-01) Large Body O-ring Floor Cleaner System (Part Of O-516Kit)
- 0-242 Speck Pump (2926241210) Casing O-ring Model 93
- 0-242 Swimquip™ (35505-1281) Skimmer O-ring
- 0-243 American Air Relief Valve O-ring
- 0-243 Blue White (C-350) 326 Check Ball O-ring
- 0-243 Jacuzzi® (47-0008-07-R) O-ring
- 0-243 Jacuzzi® (47-0080-76-R) O-ring
- 0-243 Jandy® (R0375800) Ray Vac Latch O-ring 008
- 0-243 Marine (1666) Thermometer O-ring
- 0-243 Swimquip™ (35505-1009) F/P Hydro Val Inlet O-ring
- 0-243V Advance (OV-11-008) Chlorinator Viton® O-ring
- 0-243 Regal (S-302) Chlorinator Chlorinator Viton® O-ring
- 0-243 Wallace & Tiernan (30343) Chlorinator Viton® O-ring
- 0-244 American (39006600) Ultra-Flow® Pump Diffuser O-ring
- 0-244 Doughboy (308-1227) O-ring PPIII
- 0-244 Jandy® (R0452100/R0449200) Universal Union 3 Port Cell O-ring Only
- 0-244 Lasco (80231) O-ring
- 0-244 Sta-Rite® (U9-362) Side Mount WC212-1438, 144P, 138B, S7M120, S8M150 Valve O-ring
- 0-244 Swimquip™ (35505-1245) Turbo Clean Head O-ring
- 0-244 Tesco M/A Feeder Cap O-ring
- 0-245 Hayward® (SPX0735H) Ball Valve Connector O-ring
- 0-245 Swimquip™ (14930-32) Duetta Plastic Slide Valve/Large Index Plate O-ring (Part Of O-511Kit)
- 0-245 Swimquip™ (35505-1246) Turbo Clean Head O-ring-Plastic Valve
- 0-245 Swimquip™ (35505-7438) System 3 Bulkhead Assembly O-Ring

- Waterway™ (805-0232) Union Assembly 2 1/2" O-ring/Crystal Water DE Cartridge Filter (2)
- 0-246 American (79207100) HiLite® O-ring  
American (52000100) Eclipse Filter Bulkhead O-ring  
American (79128900) O-Ring (EP 40)  
Hayward® (SX360Z1) Micro Clear & Pro Series Bulkhead O-ring (1996-Present) NorthStar™ Diffuser O-ring/Super Star-Clear/Pro Series Plus Jandy® (R0358200) DEL Series Bulkhead Assembly O-ring Only  
Swimquip™ (35505-1323) Roto Trol Valve O-ring
- 0-247 Swimquip™ (35505-1121) Dial Valve O-ring  
Jandy® (R0552000) Large O-ring Only For Tank Adapter Kit  
Pentair (98209800) Air Relief Valve Stem O-Ring (O-538KIT)
- 0-248 American/Pentair (51016200) 2 & 3 Directional Port Valve O-ring  
Pentair (263042Z) O-ring Only For Check Valve Assembly  
Polaris (E-30) Backup Valve Case O-ring (Prior to 1986)  
Purex (P-60882/07-2549) Liftlock Mixing Valve O-Ring/Ortega Motor Box O-Ring  
Swimquip™ (35505-0198) 3 Port Actuator O-ring
- 0-249 Swimquip™ (35505-1007) FPS Hydro Val Inlet O-ring  
Waterway™ 75/125/200 Sq. Ft. Filter Bleeder Valve O-ring
- 0-249V Advance (OV-11-006) Chlorinator Viton® O-ring  
Fischer-Porter (101W701U01) Chlorinator Viton® O-ring  
Regal (S-301) Chlorinator Viton® O-ring  
Wallace & Tiernan (24161) Chlorinator Viton® O-ring
- 0-250 Tiara Spa (H-301) Upper Case Widget O-ring
- 0-250V Kingfeeder (PPG3008/3012) Feeder Lid O-ring V for Viton®
- 0-251 Arneson/Poolswep (W-430/W-434) Leaf Canister O-ring  
Tiara Spa (H-301) Lower Case O-ring
- 0-252 Anthony Old Style 1 1/2" Piston O-ring  
Blue Haven 1 1/2" Old Style Piston O-ring
- 0-253 Ampro 900-9S, 900-8S & 900-7S Small Spool O-ring  
Blue White (C-502) Tube Adapter O-ring  
Jacuzzi® (47-0013-00-R) MFM Filter Bottom Drain O-ring
- 0-253V Fischer-Porter (101W901U01) Chlorinator Viton® O-ring  
Wallace & Tiernan (38437) Chlorinator Viton® O-ring
- 0-254V Mec-O-Matic (88004-73) HJ & Barracuda Kit Viton®
- 0-255 Baker Hydro (254760) Old Style Spa Pak Pump Gasket  
Hayward® (DEX360M) DE 7200 Filter Small Radius Connector O-ring/Swim Clear/Super Star-Clear  
Marlow Mar-Dur 1 1/2 - 2 HP Diffuser O-ring  
Purex (P-24125/07-1432) 2" Valve Cap O-ring
- 0-256 Diaclear (8256-11) ES-7 Gorman Rupp O-ring  
Doughboy (308-1010) Pump O-ring
- 0-257 American (421612) Power Glas Volute O-ring  
Aqua-Flo (FF-11)/(92200090) Flo-Master Volute O-ring  
Diaclear (C-10139) MS-16 & MS-18 Cover O-ring  
Pac Fab (352626) Hydropump Backwash Valve O-ring  
Premier (31-158) Volute O-ring
- 0-258 Diaclear (C-10146) MS-12-18 O-ring For C10145  
Hayward® (HCXP6025A) Strainer Body O-ring
- 0-260 Marlow (28219) 3B-28EC-C1 6" Cover Gasket
- 0-261 Marlow All AF Pump Cover Gasket
- 0-262 Marlow AF 1-2 HP Pump Diffuser Gasket
- 0-263 Hayward® (GMX600F) Valve To Filter Lid O-ring Pro Series-S144T/Pressure Test O-ring For NorthStar™/Max-Flo II/Pro Series Plus/S245/S190T  
Jacuzzi® (47-0464-04-R) 2" Praher DV Cover O-ring  
Jacuzzi® (47-0364-05-R) 2" Dial Valve (39-0342-02) Assembly O-ring  
Jacuzzi® (47-0364-47-R) Magnum Energy Efficient /Standard Hi-Hd Hi-Flo 2SP Pump Housing O-ring-2" Dial Valve Cover O-ring (39-0342-02) Assembly  
Marlow (4480200) Argonaut Bracket O-ring
- 0-264 Baker Hydro (39404-0) Old Spa Pak Pump Gasket  
Jacuzzi® (47-0466-02-R) P, ERC, RC, RTC Square Ring-Case Assembly O-ring PH  
Marlow (39404) Mar-Dur 1 1/2" & 2" Cover Gasket
- 0-265 Baker Hydro (37482-0) Old Spa Pak Pump Gasket  
Marlow (37482) Mar-Dur Pump Seal Plate Gasket
- 0-266 Baker Hydro (37478-0) Old Spa Pak Pump Gasket
- Jacuzzi® (47-0248-56-R) Dial Valve Square Ring  
Marlow (39478) Mar-Dur 1/3-1 HP Pump Cover Gasket  
Baker Hydro (37479-0) Old Spa Pak Pump Gasket  
Marlow (37479) All Mar-Dur Pot Tank Gasket
- 0-268 American (52000500) Eclipse Side/Top Mount Lid O-ring  
Gold Marc/Hayward® Model 181 & 241 Cover O-ring
- 0-269 Marlow (30156) 1/2 & 1/3 HP H Pump Diffuser Gasket
- 0-270 Marlow (25476) 3/4 & 1 1/2 HP H Pump Diffuser Gasket
- 0-271 Baker Hydro (00B7015) Piston O-ring Kit  
Baker Hydro (31B0024) Piston O-ring Kit  
Purex (10330/70155) 31B0024 BH Valve O-ring Kit  
Sta-Rite® (31B0024) Rep Kit O-ring-Slide Valve
- 0-273 Harmsco (552) Holding Rod O-ring  
Waterway™ 75/125/200 Sq. Ft. Filter Water Release O-ring  
Waterway™ (805-0215) DE Filter Knob O-ring
- 0-274 Mec-O-Matic (66-12013) Feeder V Black O-ring
- 0-275 Hayward® (SPX0724G) End Connector O-ring  
Jandy® (R0558705) Diffuser O-ring JHP 3 HP
- 0-276 Advance (OV-11-212) Chlorinator O-ring  
American (50141400) 1 1/2" T/M Series Multiport Valve O-ring  
American (50151900) 5 & 8 Position Valve Rotor O-ring  
American (51002600) Multiport Valve Rotor O-ring  
American (51017700) 1 1/2" & 2" T/M Slip Multiport Valve O-ring  
Hayward® (SPX0735G) Valve Stem O-ring  
Jacuzzi® (47-0212-09-R) RM2, RM3 S/W Injectors 2" Dial Valve Head O-ring  
Jacuzzi® (47-0465-03-R) Dial Valve Diverter O-ring  
Muskin (037-3435) Pump FP O-ring  
Pac Fab (SP735-G) Multiport Valve Shaft Seal O-ring (Part Of O-519Kit) (Part Of O-520Kit)  
Pac Fab (191479) Star DE Filter O-ring  
Pac Fab (271162) 1 1/2" & 2" Valve Stem O-ring  
Sta-Rite®/Swimquip™ (14971-SM10E10) 1 1/2" Multiport Valve Stem O-ring  
Wallace & Tiernan (46129) Chlorinator O-ring
- 0-277 American (51018300) 2" Multiport Valve Threaded Lid O-ring  
Ampro (200-3) Lexan Pump Body O-ring  
Aqua-Flo (CF-11) C Series Volute O-ring  
Aqua-Flo (92200050) C Series Volute O-ring  
Hayward® (SPX0715Z1) 2" Multiport Valve Lid O-ring  
Purex (P-24301/07-1447) PA Pump Volute O-ring
- 0-278 Alden Leeds Divert-o-trol Lid O-ring  
Jacuzzi® (47-0353-08-R) L Series O-ring (47-0353-40) (12/1986) For Lid  
Jacuzzi® (47-0353-40-R) EP Pump Lid O-ring SLPH & SLTPH, L Series, U Series  
Purex (07-5848) RP/RPF/APF/R Series 400/401/500/501 Diffuser O-ring
- 0-279 Diaclear (C46222) MS 12-18 Channel Gasket
- 0-280 Miami Products FG-18 & FG-24 24" Lid O-ring
- 0-281 Jandy® (2614) Energy Filter Bowl O-ring  
John Mansville JM & Amitek Filter O-ring  
Waterway™ (805-0241B) TruSeal 3" Check Valve O-Ring
- 0-282 Anthony New Style Piston O-ring  
Coleco (33236) Strainer Inlet O-ring  
Doughboy (308-1061) Dynaflo Basket Port O-ring  
Jacuzzi® (47-0218-11-R) NAC Series Air Control Knob O-ring  
Jacuzzi® (47-0218-45-R) AC-2 Air Control Knob O-ring  
Plasticline 3/4" Union O-ring
- 0-283 Astral (722R0840030) Center Cap O-ring  
Coleco (33235) Cover O-ring  
Pac Fab (154005) Triton C3 Spacer O-ring  
Rainbow (R172009) Lifeguard Cartridge Lid O-ring  
Sta-Rite®/Swimquip™ (35505-1332) O-ring  
Sta-Rite®/Swimquip™ (35505-1425) System 3 Sand Tank Fitting O-ring-DE Filter/Modular Media Bulk Head Fitting (2 Required) System 2
- 0-283V Rainbow (R172009) Lifeguard Chlorinator Lid O-ring Viton®/Standard & Hi Sq. Ft. Module Filter Cap O-ring
- 0-284 Jandy® (R0586300) Tri-Lobe O-ring for Nature2®  
Hayward® (SPX200Z6) Sand Filter Lid O-ring /S240/S200/S160T  
Jacuzzi® (47-6663-02-R) Cygnet Seal Plate O-ring  
Pac Fab (275333) TA100D Valve Body O-ring-Tagelus  
Speck Pump (2921641223) Casing O-ring Model E91

- O-285 Sta-Rite® (C20-97) Gasket Volute  
American (47062800/350103) Luxury Spa Fitting O-ring, Luxury Swirl Jet O-ring  
Diaclear (DP46350) Slide Valve Cover O-ring  
Starbright Skim Filter Manifold O-ring
- O-286 American (39101600) Americana® II Power-Glas Body O-ring  
International Manifold O-ring  
Pac Fab (191517/350103) Center Pipe O-ring Star Polymeric Filter/Shaft O-ring  
Opti-Flo
- O-287 Aqua-Flo (FF 12-1)/(92200110) Flo-Master Suction O-ring  
Caretaker (1-13-2) Internal Seal Plate O-ring Floor Cleaner System  
(Part Of O-516Kit)  
Jacuzzi® (47-0225-04-R) Union Hose Assembly O-ring Laser  
Marine (1560) Deck Filter Manifold O-ring  
Pac Fab (155064) TA30/35/40/50/60 Tagelus/Star Stand Pipe O-ring  
Premier (33-229) Pump O-ring Set & 1½" Tailpiece O-ring (For Kit O-287  
& O-301)  
Purex (P-24219/71440) JT O-ring  
Sta-Rite® (U9-269) FCP Filter Drain O-Ring  
Swimquip™ (24700-0413) Plug O-ring Only High Rate Sand Filter  
Swimquip™ (35505-1238) FCP Cartridge Drain Plug O-ring
- O-288 American (550067) Sahara Sandpiper Filter Drain O-ring  
American (570068) Eclipse Side Mount Air Relief O-ring  
Electrofeed 25-A-Fitting O-ring  
Hayward® (CX900H) Star Clear Plus Locking Knob O-ring  
Hustler (A211) Large O-ring  
Jacuzzi® (47-0211-00-R) JY Tail Brg  
Leisure Bay (111902) Drain O-ring 93 Model Waterway™  
Pentair (98209800) Air Relief Valve Body O-ring (O-538KIT)  
Swimquip™ (35505-1223) 2" Valve Shaft Seal O-ring  
Waterway™ (711-1930) 50/100/150 Sq. Ft. Filter Drain Plug O-ring  
Waterway™ (805-0117SD) DE Filter Plug Air Bleed Valve O-ring Cartridge  
Filter Air Relief O-ring/Drain O-ring 93 Model/Crystal/Smart-Clean
- O-288V Fischer-Porter (101W716U01) Chlorinator Viton® O-ring
- O-289 Swimrite (28-828-689) Marathon Filter O-ring
- O-290 Harmsco (550) 11" Rim Gasket
- O-291 Harmsco (701) 6 ½" Rim Gasket
- O-292 Pac Fab (313225) 11" Mitra Separation Tank O-ring
- O-293 Anthony (17433) 18" Tank O-ring  
Purex (P-24215/07-1437) CF-100 Tank O-ring
- O-294 Lomart-Prest Metals (53-015) Tank Gasket
- O-296 Lomart-Prest Metals (53-014) Tank Gasket
- O-297 Doughboy (308-1141) Filter Tank O-ring  
Lomart-Prest Metals (53-097) Filter Tank O-ring  
Lomart-Prest Metals (53-074) Tank Gasket
- O-298 Aqua-Flo (92200290) XP-DII Series Volute O-ring
- O-299 Doughboy (308-1124) Cyclops Mark 5 O-ring  
Hayward® (SPX1580Z1) Power-Flo Housing O-ring  
Jacuzzi® (47-0258-04-R) O-ring  
Kingfeeder/Kingtech (942) Performax Feeder Body O-ring (Prior to 1991)  
Lomart-Prest Metals (53-132) Cyclops Mark 5 O-ring  
Polaris (P-95) Pump Volute O-ring  
Premier (35-162) Volute O-ring  
Purex (P-24103/07-1427) Aquatron Pump Backwash Valve O-ring  
Swimquip™ (35505-1275) WC112-147 Multiport Valve Cover O-ring
- O-300 American (39501300) American Pump Seal Plate O-ring (After 7/1975)
- O-301 American (57008200) Admiral Twin Port Skimmer S20 Equalizer O-ring  
Aqua-Flo (FF-12/92200100) Flo-Master Suction O-ring  
Doughboy (308-1008) Valve Body O-ring  
Hydro Air (10-3469) 1 ½" & 2" Union O-ring  
Jacuzzi® (47-0229-00-R) 2" Dial Valve Bottom Only O-ring  
Jacuzzi® (47-0467-01-R) Dial Valve O-ring  
Martec/Sonfarrel (700-038) Tail 2" O-ring  
Pac Fab (355330) Challenger Pump Strainer Pot Flange O-ring  
(Std Pipe TA100D) NS/CH Base Kit-Waterfall Pump /Equalizer O-ring  
for Admiral Skimmer  
Premier Large & Spa II O-ring  
Premier (25-229) 2" Tailpiece O-ring (For Kit O-301 & O-287)  
Regal (S-409) Chlorinator O-ring

- Swimquip™ (35505-1243) Standard Pipe O-ring for 2" Multiport Valve  
Waterway™ (805-0229) 2" Heater O-ring
- O-302 American (39000400) Power Pump Lid O-ring  
Jacuzzi® ULSB Clear Lid O-ring  
Jacuzzi® (47-0434-01-R) Magnum Pump Lid O-ring (Prior To 7/1989)  
(Effective 4/29/1992) Laser Tank Adapter Valve Flange O-ring  
Pac Fab (352600) New Style 700 Pump O-ring  
Pac Fab (353525) New Style Pump Clear Lid O-ring  
Pac Fab (355332) New Style Challenger Pump Lid O-ring-Waterfall Pump
- O-303 Aqua-Flo (FF-14-02) Seal Cup O-ring  
Doughboy (308-1003) Manifold Bearing O-ring  
Doughboy (308-1040) Backplate O-ring-PPII Insulator  
Hayward® (SPX1500M) SF400 Drain Valve Small Valve O-ring  
Muskin (037-3406) Spider O-ring
- O-304 Doughboy (308-1014) 1141, 1162, MY185 Cartridge O-ring  
Purex (P-24263/07-1445) Whisper Flo® Seal Plate O-ring
- O-305 Hayward® (CX250F) Cartridge Filter Tank O-ring Star-Clear
- O-306 Doughboy (308-1000) MY-220 Pump & Tank Gasket/387-1001  
V-BandClip-1400-1500  
Muskin (037-3434) 16" Tank Ring
- O-307 Doughboy (308-1012) 1110D Tank Cover O-ring  
Jacuzzi® (47-0161-00-R) DA1A-DA1B Case O-ring
- O-308 Muskin (037-3403) Tank Gasket
- O-309 Ampro (1403) Cover Gasket  
Muskin (037-3424) 14" Tank Lid O-ring
- O-311 Coleco (31953) Cartridge Gasket
- O-313 Gould Old Style Turbo Valve O-ring
- O-314 Marine (7650-3) 6 ¾" Pump Lid O-ring
- O-315 Ampro (900) Backwash O-ring  
Ampro (900-7/8) Small Spool O-ring  
Swimquip™ (35505-1423) System 3 Sand Adapt O-ring-DE Filter  
Pentair (471550) O-Ring
- O-315V Pentair (471551) Viton® O-Ring
- O-316 South Pacific Old Style Lid O-ring-White
- O-317 South Pacific New Style Lid O-ring-Brown
- O-318 Leisure Bay (111863) 48 Frame Strainer Cover O-ring Wet End  
Pac Fab (350013) WhisperFlo AQ/WFE Cover O-ring/Challenger Lid  
O-ring (After 11/1998)  
Pac Fab (355332) Old Style Challenger/Pinnacle Pump Lid O-ring  
Pac Fab (352600) Old Style 700 Pump Lid O-ring  
Pentair (350013) Pot Flange O-ring EQ Series  
Swimquip™ XL-VII H & L Pot O-ring  
Waterway™ (8050436) 48 Frame Pump Lid O-ring/Mustang/Workhorse  
6" Trap O-ring/Hi Flo Side/Center Discharge/Champion/Workman  
Waterway™ (319-4100B) O-ring ONLY for 6" Trap Champion/PD/SMF  
Waterway™ (1110863) 75/125/200 Cyclone Lid O-ring
- O-319 American (57011300) Commander II (In Line) Cartridge Filter Seal Drain O-ring  
Purex (P-62030/07-2553) 1½" Ortega Valve Cover O-ring  
Sta-Rite® (U9-239) Pump O-ring
- O-320 Purex (P-62034/07-2554) 2" Ortega Valve Cover O-ring(Part Of O-517Kit)  
Sta-Rite® (U9-240) Pump O-ring
- O-321 Hayward® (SPX0727K) Diverter Valve Cover O-ring  
Kingfeeder/Kingtech (740-722) Basket O-ring  
Purex (P-26136/07-2557) Ortega Valve Equalize O-ring  
Speck Pump (2920241220) Union O-ring 1 1/2" Slip Model  
S90/98/E90/E91  
Waterway™ (805-0136) Clearwater II Cartridge Filter Air Relief O-ring
- O-322 American (51018600) 2" Multiport Valve Threaded Spider Gasket  
Hayward® (SPX0715D) 2" Valve Seat Gasket  
Pac Fab (SP-715-D) 2" Valve Gasket
- O-323 Sta-Rite® (U9-259) Separation Tank O-ring
- O-324 American (85015100) S-20 Skimmer Bottom O-ring
- O-325 American (51013500) ABS Valve Body Cap, Sandpiper 18" & 24"  
(Before 1/1/1990) Caribe / Titan 133,184,368 / Union O-ring /  
Push Pull Valve Cap O-ring American Titan Manifold O-ring  
Baker Hydro Valve Coupler O-ring  
Baker Hydro (00B7001) Bulkhead Fitting O-ring (Prior to 1981)



Pac Fab Nautilus Manifold O-ring	O-344	American (79108500) Spa Light Lens Gasket for SpaBrite/AquaLight®/Spectrum – Silicone
Pac Fab PVC Backwash Valve Cap O-ring		American (79108600) AquaLight® Gasket SpaBrite - Silicone
Pac Fab RPZ Pot To Volute O-ring	O-345	American (51001300) Multiport Valve Shaft PTFE Ring
Pac Fab Mark Series Center Pipe O-ring	O-346	Wallace & Tiernan (44121) Chlorinator O-ring
Pac Fab (192300) Mytilus Connector & Bulk O-ring	O-347V	Wallace & Tiernan (45336) Chlorinator Viton® O-ring
Purex CHD Spin Collection O-ring	O-348V	Advance (OV-11-009) Chlorinator Viton® O-ring
Purex (07-0238) Bulkhead O-ring		Fischer-Porter (101W704U01) Chlorinator Viton® O-ring
Swimquip™ DEP83 Valve Adapter O-ring		Regal (S-401) Chlorinator Viton® O-ring
0-326 American (43216000) Super-Flo II Cartridge Filter Knob O-ring		Wallace & Tiernan (33051) Chlorinator Viton® O-ring
American (57006700) Commander Knob Seal O-ring		Wallace & Tiernan (44119) Chlorinator Viton® O-ring
Regal (S-406) Chlorinator O-ring	0-349V	Advance (OV-11-011) Chlorinator Viton® O-ring
0-327 Conger Brothers Mini Air Control O-ring		Fischer-Porter (101W706U01) Chlorinator Viton® O-ring
Hayward® (CX250Z7) Cartridge Filter Locking Ring Star-Clear /Star-Clear II		Regal (S-402) Chlorinator Viton® O-ring
Kingfeeder/Kingtech Cam O-ring		Wallace & Tiernan (26234) Chlorinator Viton® O-ring
0-328 Baker Hydro (00B7026) Newport Sand Filter Valve Tank O-ring	O-350	American (470642) Titan CM Lid, Quantum CM Filter O-ring
Hayward® (AX6060S) Turbo/Viper Booster Pump Volute O-ring	O-350V	American (470642) Titan CM Lid, Quantum CM Filter O-ring Viton®
Jacuzzi® (47-0262-08-R) Deckmate Float Valve O-ring		Fischer-Porter (101W903U01) Chlorinator Viton® O-ring
Jacuzzi® (94-1100-38-R) Float Valve O-ring Deckmate	O-351V	Fischer-Porter (101W905U01) Chlorinator Viton® O-ring
Pac Fab (516244) Float Valve Large O-ring	O-352V	Fischer-Porter (101W918U01) Chlorinator Viton® O-ring
0-329 American (39702800) Bronze/Noryl® Seal Plate O-ring/Commander II Filter Premier (31-159) Volute O-ring		Wallace & Tiernan (40040) Chlorinator Viton® O-ring
Wet Pump Seal Plate O-ring		Waterway™ (805-0118V) Dial Stem O-ring Above Ground In Line Chlorinator Viton®
0-329V Kingfeeder/Kingtech (992) Performax Body O-ring Viton®, Replaces (942)	0-354V	Fischer-Porter (101W920U01) Chlorinator Viton® O-ring
0-330 American (39200300) Eagle Pump Plate To Volute O-ring/Olympian Filter Lid O-ring	0-355V	Advance (OV-11-203) Chlorinator Viton® O-ring
Ameson/Hayward® (W-542) Leaf Canister O-ring		Kingfeeder/Kingtech (943) Performax Drain Plug O-ring Viton®
Baker Hydro (17B1087) 25 Sq. Ft. Filter Lid O-ring		Regal (S-412) Chlorinator Viton® O-ring
Hayward® (AXW542) Leaf Canister O-ring For W530/W560	0-356V	Advance (OV-11-210) Chlorinator Viton® O-ring
Hayward® (CX120D) Cartridge Filter Lid O-ring Micro Star Clear		Fischer-Porter (101W715U01) Chlorinator Viton® O-ring
Jacuzzi® (47-0360-09-R) CFT, CFR Filter Lid O-ring		Wallace & Tiernan (26822) Chlorinator Viton® O-ring
Jandy® (R0558800) PHP Series Pot Lid O-ring	0-357V	Fischer-Porter (101W718U01) Chlorinator Viton® O-ring
Lomart-Prest Metals (53-200) Pro Pump Cover O-ring		Wallace & Tiernan (44045) Chlorinator Viton® O-ring
Rainbow (R172223) 25 Sq. Ft. Filter Lid O-ring Dynamic Series I/II/III-Bromine Dispenser Housing O-ring		Wallace & Tiernan (5745) Chlorinator Viton® O-ring
Rainbow (R172240) High Capacity Auto Feeder Housing Lid O-ring/Model HC3315/3330/3340	0-358	Compool/Pac Fab (270197Z) End Cap O-ring Full Flo XP Backwash Valve (2 Required)
Rec Factory Warehouse (1135) Lid O-ring For 35 Sq. Ft. Filter		Tiara Spa (F-35) Pure Water Feeder Lid O-ring
Swimquip™ (16920-12) XL-VII Pump Lid O-ring		Wallace & Tiernan (34497) Chlorinator O-ring
Waterway™ (805-0360) Inline Top Load Filter Head O-ring/TWM Filter Pack Lid O-ring 1 1/2" & 2"	0-359	Fischer-Porter (101W816U01) Chlorinator O-ring
0-332 Jacuzzi® (47-0258-61-R) L Series Pump Square Ring (Prior to 5/1988)		Pentair (355227) Diffuser O-ring WhisperFlo WFE for IntelliFlo VF VS & SVRS Pump
Jacuzzi® (47-0463-05-R) P Pump Square Seal O-ring		Purex (P-24262/07-1444) WhisperFlo Diffuser O-ring
0-333 Purex (P-24218/07-1439) SM/SMBW 4000 Series Lid O-ring		Waterway™ (805-0238) SVL56 Diffuser O-ring Tailpiece
0-334 Swimquip™ (24753-5) DEP-25, 72, 108, 216, Cartridge Filter Fits 16" Fiberglass Tank O-ring	0-360	Hayward® (SPX0735P2) PTFE Ball Seal
0-335 Sta-Rite® (U9-175) Separation Tank O-ring		Jacuzzi® (47-0126-04-R) DB3 20 HP Shaft Sleeve O-ring
0-336 Hayward® (SPX0714L) Vari Flo XL Valve Cover O-ring		Regal (S-407) Chlorinator O-ring
Jacuzzi® (47-0358-03-R) Magnum Pump Lid O-ring (After 7/1989) R, P, PC, UP Series	0-361	Regal (S-408) Chlorinator O-ring
Martec/Sonfarrel (201-004) Filter Body O-ring	0-362	Hydro Air Air Control O-ring
Pac Fab (354053) 700 Glas Pump Lid Multiport Valve Top O-ring		Lomart-Prest Metals (53-075) Tube O-ring
Swimquip™ (35505-1409) Skimmer Lid O-ring		Regal (S-413) Chlorinator O-ring
Swimquip™ (35505-1438) Seal Plate O-ring ABG Series		Swimquip™ (41301-0145) CL90/91L Chlorinator Control Dial O-ring
WMC (JS-1903) JS Series Cover O-ring	0-362V	Waterway™ (805-0124V) Dial Stem O-ring Above Ground In Line Chlorinator Viton®
0-337 Pac Fab (152235) PF-100 16" Tank O-ring	0-363	Hayward® (SPX200Z14) Sand Filter Drain Pipe O-ring (After 1980)
0-338 Jacuzzi® (13-0417-02-R) C/F Filter Cover O-ring		New Dome/S240/S160T/S245/S190T
0-339 Hayward® (SX160Z1) Sand Filter Tank O-ring/S160T		Jacuzzi® Plastic Multiport Valve Stem O-ring
0-340 Hayward® (SX240Z1) Sand Filter Tank O-ring/S240		Regal (S-405) Chlorinator O-ring
0-341 Hayward® (SPX1485C) Sand Filter Elbow O-ring/S240		Sta-Rite® (U9-370) Lateral O-ring Sand Filter T150/170/200/240/BP1
Hayward® (SPX1485G) Sand Filter Compression Gasket (1987)/Pro Series/S240/S200		Sta-Rite® (U9-370) Gas Orifice O-ring (Replaces 35505-1159) Model SCR
0-342 American (57007300) Commander Tank O-ring	0-364	Fischer-Porter (101W814U01) Chlorinator O-ring
Sta-Rite® (WC9-11) Cartridge Filter Seal O-ring		Jandy® (2300) Porpoise Hydro Timer Case O-ring
0-343 American (87300400) Predator™/Warrior®/Clean & Clear® Filter Body O-ring		Sta-Rite® (WC-298-88) PVC Valve Rep Parts (3 Required)
Sta-Rite® (U9-200) PLBC Tank O-ring	0-366	Hayward® (CX800F) 800 & 1100 Cartridge Lid O-ring Star-Clear II
Sta-Rite® (U9-389) PLBC Tank O-ring	0-367	Swimquip™ Dial Valve O-ring
Sta-Rite® (U9-399) PLBC Tank O-ring		Swimquip™ (14962-35) Large O-ring For Kit
		Swimquip™ (35505-1272) Valve Lid O-ring
	0-368	American (50141500) 1 1/2" T/M Series Lid O-ring Multiport Valve
		Doughboy (308-1005) 3/4 HP Pump O-ring-PP1
		Hayward® (SPX0710XZ5) Matrix® Housing O-ring
		Sta-Rite® (U9-243) Cover O-ring WC Model Valve WC212-150P/150PA

- 0-370 Jacuzzi® (47-0331-05-R) 2" Union Adapter O-ring  
Speck Pump (2920741271) O-ring Strainer Tank Model 433  
Swimquip™ (14930-33) Duetta Plastic Slide Valve Piston, Unित्रol Valve  
O-ring (Part Of 0-511Kit)  
Swimquip™ (35505-1318) 2" Piston Plastic Slide Valve O-ring
- 0-371 American (51005600) Small Separation Tank O-ring  
Marine (99-8088-5) Small Separation Tank O-ring
- 0-377 Swimquip™ (24700-74) Tank O-ring
- 0-378 Premier (25-311) Pump Lid O-ring
- 0-381 Marine (6245) Sand Filter Tank O-ring
- 0-383 Muskin (037-3430) 20" Tank O-ring
- 0-384 Hayward® (GMX400F) Valve To Tank Lid O-ring
- 0-385 Hayward® (GMX600FST) Filter/Valve Threaded Lid O-ring  
Universal Skid Pack Filter Tank O-ring
- 0-386 Doughboy (308-1041) Strainer Body O-ring
- 0-387 Doughboy (308-1035) O-ring/Inverted "U" Cup Seal 1650
- 0-388 Doughboy (308-1136) O-ring Seal Selector Shaft 1650
- 0-389 American (51001000) Multiport Valve Lid New Style Quad Ring
- 0-390 Aqua-Flo (92200160) Clear Flo Handle O-ring  
Jacuzzi® (47-0213-08-R) RM2, RM3, RMST S/W Injectors  
Porex (P-24195/07-1434) Noryl® Rotor Shaft O-ring
- 0-391 American (57007800) Commander Center Rod O-ring  
Baker Hydro Newport Valve Shaft O-ring  
Hayward® Center Rod O-ring  
Waterway™ (805-0206) Crystal Water De Filter Slide Valve Top Mount  
O-ring (2 Required)
- 0-392 American (51008400) 6 Spoke Spider Gasket (Prior to 1976)
- 0-392A American (51008400) 5 Spoke Spider Gasket (After 1976)
- 0-393 Jacuzzi® (47-0268-02-R) PM/TMC Filter Lid/39-1619-06 Assembly  
O-ring/Dial Valve  
Polaris (P-85) Seal Plate O-ring  
Porex (P-24306/07-1448) Tahitian Filter Neck O-ring  
Waterway™ (805-0268) Seal Plate Booster Pump O-ring
- 0-394 Swimquip™ (24240-4) Cobra & Falcon Body O-ring
- 0-395 Jacuzzi® (47-0036-03-R) Pump Case Union O-ring  
Pac Fab (35-5030) Challenger/Pinnacle Medium Head Diffuser O-ring  
Swimquip™ (35515-1297) DEP 25/HRP 16 Quad Ring Valve Connector  
CFP Cartridge Filter
- 0-396 Kingfeeder/Kingtech (119) Old Style Cap O-ring
- 0-397 Anthony (11027) Sweep Conversion Kit O-ring  
WMC (JS-1571) JS Series Knob O-ring
- 0-398 Hayward® (SPX0605Z2) Star-Clear Plus Drain Plug O-ring/Stem O-ring  
Marine Old Style Crank O-ring  
Pac Fab (272511) 1 1/2" Diverter Shaft O-ring  
Swimquip™ (77707-0117) Natural/LP Gas Coil/Tubesheet Sealing O-ring  
Model SR SRC 200 Series (6 Required)
- 0-399 Muskin Valve Seat X Ring
- 0-400 American (39101500) Americana® II/Maxim™ O-ring  
Homelite (62772) O-ring  
Porex (P-24002/07-1418) JT Adapter O-ring
- 0-401 American (39101700) Americana® II Lid O-ring
- 0-402 Coleco (33221) Pump O-ring  
Speck Pump (2921141210) Lid O-ring Model 90/S90  
Sta-Rite® (U9-357) JS, JT, JSX O-ring-JW Series
- 0-403 Anthony (17791) 1 1/2" Plastic Backwash Valve Stem O-ring  
Hayward® (AX5010G10) Wall Quick Connect O-ring For Phantom/Viper  
Polaris (6-505-00) UWF/QD O-ring  
Swimquip™ (35505-1401) Index Plate & Piston Plastic Pucks O-ring
- 0-404 Muskin (037-3417) Body O-ring
- 0-405 Helder (12883-03) Dynapure DP Tank O-ring
- 0-406 Hayward® (SPX0550Z2) Starlight II Lens Gasket
- 0-407 Hydrel (8092-S) Lens Gasket  
Swimquip™ (05601-0005) Lens Gasket Sunlite Pool Light  
Swimquip™ (05601-0014) Lens Gasket Sunlite LTC Light
- 0-408 Aladdin Vac Master Lid O-ring  
Doughboy (308-1064) Pot To Volute O-ring  
Hayward® (GMX142C8) O-ring  
Premier (550) Noryl® Bracket O-ring
- 0-409 Pac Fab (192320) Bulkhead O-ring-Nautlius-FNS-TR100C & TR140C/  
O-ring Upper Bulkhead Clean & Clear®

- 0-410 American (23502000) O-Ring (SOSH FO)  
Doughboy (308-1153) Tube Support O-ring  
Jacuzzi® (47-0122-08-R) S/W Injector O-ring  
Lomart-Prest Metals (53-101) Tube Support O-ring
- 0-411 Jacuzzi® (47-0355-06-R) Sandtrap Filter Lid O-ring W/ Jacuzzi®  
1 1/2" Valve-RMST24, ST27/33  
Jacuzzi® (47-0355-16R) DV6 1 1/2" Valve O-ring  
Jacuzzi® (47-0355-48-R) L & PH Series O-ring/LH & LTH, LPH, LPC, LTPH
- 0-412 Doughboy (308-1075) O-ring
- 0-413 Jacuzzi® (47-0380-47-R) CFT, CFR Filter Lid O-ring Sher 80 & 120,  
Landslide/Avalanche Separation Tank
- 0-414 Lomart-Prest Metals (53-210) 12" Tank O-ring
- 0-416V Hayward® (CLX200LA) Chlorinator Viton® O-ring Kit
- 0-417 Doughboy (308-1140) 2" Inspection Port O-ring  
Lomart-Prest Metals (53-215) 2" Inspection Port O-ring
- 0-418KIT Hayward® (SPX0735GA) Vari-Flo Valve O-ring Kit PTFE Shaft Seal  
Sta-Rite® (U9-244) O-ring & PTFE For Stem Model WC212-150P/150PA
- 0-419 Pac Fab (355329) Challenger Seal Plate Pump Housing O-ring  
Waterfall Pump  
Swimquip™ (31935-0001) Posi-Flo II Lid O-ring Separation Tank
- 0-420 Pac Fab (195008) Nautilus FRP/FNS Tank O-ring (After 2001)
- 0-421 Jacuzzi® (47-0233-04-R) H4 Booster O-ring  
Pac Fab (355331) Challenger Diffuser O-ring-Waterfall Pump
- 0-422 Jacuzzi® (47-0240-05-R) O-ring  
Pac Fab (195007) 4" Diameter Adapter O-ring
- 0-424 Hayward® (ECX1287) DE Filter Gauge O-ring Perflex® Adapter O-ring
- 0-425 Baker Hydro (00B7031) Baker II Adapter Valve O-ring
- 0-427 Jacuzzi® (13-0428-09-R) SS-24 Filter Tank Ring
- 0-428 Pac Fab (352602) Old Style (590-RPZ) 5" Quad Lid Ring
- 0-429 Hayward® (DEX2400K) C3000, C4000 Micro Clear Vertical  
Fiberglass Tank/Pro Grid Tank O-ring/Super Star-Clear - After 2007
- 0-430 Hayward® (DEX360K) Micro Clear & Vertical DE S/S, C3000S, C4000S  
Tank Ring "Old Style"
- 0-431 Ampro (900-9) Large Spool O-ring  
Polaris (9-100-5140) Filter Housing O-ring
- 0-432 Porex (S-3F) Clean Water Feeder O-ring
- 0-433 E-Z Chlor (5099-135) Richardson Sea Blue Helder 22" Filter Tank O-ring
- 0-435 Baker Hydro (00B7027) New Style Bulkhead Adapter O-ring-Lathe Cut  
Porex (70213) 00B7027 New Style Bulkhead Union O-ring  
Sta-Rite® (00B7027) HRP36 Bulkhead Connection O-ring-Slide Valve
- 0-436 Baker Hydro (00B7037) Tri-Filter Lid O-ring
- 0-437 American (46915000) Standard Air Control O-ring
- 0-438 American (46925000) Mini Air Control O-ring  
Jacuzzi® (47-0120-00-R) RP2, RP3 Injector Cap (After 11/1/1991)  
Martec (410-504) O-ring
- 0-439 American (47721100) Cyclojet Large O-ring  
Compool (270116Z) Cover O-ring Diverter Valve 2 1/2" - 3"
- 0-440 Compool/Pac Fab (OR-6) PTV Valve Cover O-ring  
Jacuzzi® (47-0248-56-R) Dial Valve Square Ring  
Jandy® (1132) Valve Cover O-ring/Never Lube 2/3 Port Valve  
(Part Of 0-515Kit)  
Jandy® (1298) Valve Cover O-ring  
Jandy® (R0552200) Back Wash Valve Cover O-ring  
Jandy® (R0552400) Lid O-ring for Never Lube Backwash Valve  
Pac Fab (OR-6) Cover Seal O-ring Compool Valves  
Polaris (E-31) Back Up Valve O-ring (1986-1991)  
Waterway™ (805-0151) Serviceable Check Valve O-ring Truseal Cover O-ring
- 0-441 Hayward® (SPX1438H) Pro Jet O-ring  
Polaris (9-100-5132) Timer O-ring
- 0-442 Pac Fab (191424) Star 40, Mytilus B Bottom Piping O-ring  
(Part Of 0-514Kit)  
Speck Pump Casing O-ring Model 420/90/433/S90/98/E90  
Speck Pump (2920141210) Adapter O-ring Model 21-80BS ( )  
Prior to 1/1995) Diffuser E90 O-ring Model 98/Model 90/433
- 0-442V Hayward® (CLX110K) Chlorine Feeder Viton® O-ring
- 0-443 Starite (U9-301) Posi-Flo Top O-ring
- 0-444 Rainbow (R172318) 320 Chlorinator Bottom O-ring  
Rainbow (R172319) Bottom O-ring New Style Model 320 Chlorinator
- 0-445 American (79200500) Plastic Niche O-ring

- Aqua-Flo (FF-13-02) Drain Plug O-ring
- Aqua-Flo (92200120) Pipe Plug O-ring
- 0-446 Hayward® (DEX2400Z3A) Relief Valve Stem O-ring (2 Required)  
(Part Of O-500Kit)  
Purex (P-24010/07-1420) Soltron O-ring  
Waterway™ (805-0011) Hi Flo Side/Center Discharge 6" Trap Drain Plug O-ring
- 0-447 Polaris (9-100-5108) Hose Nut, Cuffless Hose O-ring
- 0-449 Jacuzzi® (47-0443-00-R) Sandtrap Filter Valve to Adapter O-ring  
W/ 2" Hayward® -ST27, 33
- 0-450 Speck Pump (2921141220) Model 90 Casing O-ring
- 0-451 Doughboy (308-1113) Silica I, Sand & DE Tank O-ring
- 0-452 Doughboy (308-1114) Silica II Tank O-ring
- 0-453 Doughboy (308-1052) 1084,1085,1086 Strainer Body O-ring  
Hayward® (SPX5500H) Matrix® Strainer Cover O-ring  
Pac Fab (354634) Bracket Diffuser Dynamo O-ring
- 0-454 Jacuzzi® (47-0021-00-R) Air Cont Fitting Valve Seat O-ring NAC Series/  
AC2 Series  
Sta-Rite® (U9-265) Shaft O-ring D Series
- 0-455 Jacuzzi® (39-2547-01-R) Valve/Separation Tank O-ring (47-0106-08)  
Jacuzzi® (47-0106-08-R) CFR Filter Air Relief O-ring (1/1988)  
For (39254701) Valve/Sher 80 & 120
- 0-456 Jacuzzi® (47-0118-04-R) S/W Injector O-ring  
Martec/Sonfarrel (400-108) Reed Valve O-ring
- 0-457 Jacuzzi® (47-0165-06-R) DB3, DB1 Case O-ring
- 0-458 Jacuzzi® (47-0175-04-R) DC Series Case O-ring
- 0-459 Jacuzzi® (47-0352-41-R) L Series Pump Lid O-ring Cygnet Series  
Pac Fab (350037) Diffuser O-ring EQ Series Strainer
- 0-460 Jacuzzi® (47-0361-08-R) RP3 Case O-ring-Cygnet Seal Plate O-ring  
Jacuzzi® (47-0361-48-R) Cygnet Pump O-ring
- 0-461 American (39300600) Ultra-Flow® Lid O-ring/Multiport Valve Base O-ring/  
Eclipse Meteor Top Mount Valve Clamp O-ring  
American (51011600) Eclipse Filter-Side Mount O-ring, Eclipse Filter-  
Top Mount Clamp O-ring  
Jacuzzi® (47-0439-06-R) Cast Iron Pump Lid O-ring (Obsolete 6/1990) PJM
- 0-462 Jacuzzi® (47-0232-54-R) Magnum Pump Diffuser Square Ring
- 0-463 American (51016700) 2" Slip Multiport Valve Lid O-ring  
Swimquip™ (35505-1412) 2" Multiport Valve Slide Mount Valve O-ring  
Swimquip™ (35505-1421) 2" Side Mount Multiport Valve Lid O-ring
- 0-464 Jacuzzi® (47-0258-53-R) L Series CFT & RPZ Pump Square Ring  
(After 5/1988) Piranha CFR50, 75, 100 & 150-DV 4 & 6-SLPH &  
SLTPH/A Series LH & LTH/LPH, LPC, LTPH/U Series/6-7 Way Dial  
Valve Diverter O-ring  
Swimquip™ (17140-0026) Delta Series Self Priming Casing Gasket/Seal Plate
- 0-465 Jacuzzi® (47-0368-02) Tank to Valve O-ring Laser II Sand Filter  
Jandy® (R0480300) VS FloPro™ Pump Backplate O-Ring  
Jandy® (R0555400) Pot Lid O-ring All JHP Series  
Martec/Sonfarrel (205-106) Filter Head O-ring  
Pac Fab (355619) Pinnacle/Tagelus Seal Bracket O-ring/Superflo Pump
- 0-466 Jacuzzi® (42-2927-06-R) Sandtrap Filter Adapter For Valve Lid  
O-ring W/ Hayward® ST27, 33
- 0-467 Olympic (ACM-94-5) Cover O-ring For ACM94  
Pac Fab (272708) 1 1/4" - 1 1/2" Valve Body O-ring/Sand Dollar  
Pac Fab (272541) TA30/35/40/50/60 Valve Body O-ring-Tagelus/Meteor  
Body O-ring Mfg 2009 & Beyond/Cristal Flo II/Cristal-Flo II High Rate  
Sand Filter
- 0-468 Pac Fab (193220) Bulkhead O-ring
- 0-469 Sta-Rite® (U9-373) Flo Tech/Aquatools/Dyna-Glas/Dyna-Jet Seal Plate  
O-ring
- 0-470 American (53008800) Quantum/Titan Tank O-ring (After 11/1994)/  
Sandpiper Tank O-ring/Blue Stripe
- 0-471 American (55001500) Sandpiper Tank O-ring (Prior to 11/1994)
- 0-472 Pac Fab (614516) Hatteras Pool Star Light Lens Gasket
- 0-473 Waterway™ (8050383) 50/150 Sq. Ft. Tank O-ring
- 0-474 Waterway™ (8050383) 75/125/200 Sq. Ft. Filter Tank O-ring
- 0-475 Zodiac Nature 2 (17-0061) Cover O-ring
- 0-476 Aladdin System 2001 Filter Tank O-ring
- 0-477 Purex (07-5846) RP/RPF/APF/R Series 400/401/500/501 Seal Plate O-ring
- 0-478 Purex (07-5847) RP/APF/R Series 400/401 Pump Lid O-ring
- 0-479 Pac Fab (271151) 2" Valve Top O-ring (Part Of O-520Kit)

- Swimquip™ (14971-SM20E7) 2" Cover O-ring
- Waterway™ (805-0261) Executive Wet End Volute O-ring
- 0-480 Pac Fab (357038) Purex Triton RP & APF 400, 401 Lid O-ring
- 0-481 American (39000500) Power Pump 3 HP Lid O-ring
- 0-482 Jacuzzi® (13-0235-02-R) Lens Gasket
- 0-483KIT Hayward® (SPX0704HA) PTFE Shaft Seal & O-ring (Kit)
- 0-484 Swimquip™ (27001-0061) System 3 Modular Media/DE Filter Tank O-ring  
Model PLM100/150-ALD50/70 (After 3/1997) System 2 Tank O-ring
- 0-485 Swimquip™ (24850-0008) Sand Tank O-ring System 3  
Model S7S50/S7M120/S7D75
- 0-486 Swimquip™ (24850-0009) S8M150 25" Filter Tank Ring System 3 Modular  
Media Filter
- 0-487 Pac Fab (195310) Nautilus New Style Tank O-ring
- 0-488 Swimquip™ (27001-0060) System 3 Modular Media/DE Filter Tank O-ring  
(Prior to 3/1997)
- 0-489 Swimquip™ (24751-0006) Tank Ring HRPB24
- 0-490 Swimquip™ (24750-0006) Tank Ring HRPB20, HRPB Series Sand Filters
- 0-491 Swimquip™ (24752-0006) Tank Ring HRPB30
- 0-492 Swimquip™ (05501-0001/05501-0007) Lens Gasket Sunbrite Light
- 0-493 Doughboy (308-1228) O-ring PP111
- 0-494 Doughboy (308-1252) O-ring  
Speck Pump (2920941210) Lid O-ring Model 93/21-80BS
- 0-495 Doughboy (308-1229) O-ring PP111
- 0-496 Astral (72R0323069) Tank O-ring
- 0-497 American (39010200) RPM Tank Clamp O-ring/Titan Bulkhead O-ring
- 0-498 American (59021000) Quantum CM/Titan CM Tank O-ring
- 0-499 Astral (18200600) 721 R Tank O-ring
- 0-500KIT Hayward® (DEX2400Z3A) O-ring Air Relief (Kit)/Pro Series Plus/  
Super Star-Clear
- 0-502 Comfortzone (HAXHOR1930) H Series Header O-ring Front/Rear LowNox  
Header
- 0-503 Swimquip™ (35505-0421) Bronze Suction Trap O-ring Lid/Cast Iron
- 0-504 Hayward® (CX400G) Easy-Clear Filter Head O-ring/Strainer Cover O-ring  
NorthStar™ (Prior to 2003)  
Speck Pump (2921141222) Casing O-ring Model S90/98/E90
- 0-505 Pac Fab (152509) Tank to Buttress Square Ring-Waterfall Pump Lid O-ring  
AFP-180 TR100C/140C/Challenger High Flo
- 0-506 Pac Fab (355329) Challenger Seal Plate Pump Housing O-ring Square Cut
- 0-507 Hayward® (SPX0733Z1A) Vari-Flo SP715, 716 PTFE Piece (For O-508KIT)
- 0-508KIT Hayward® (SPX0733ZA) O-ring Key W/Washer 715, 716 Vari-Flo Kit
- 0-509KIT Hayward® (PSXA) Actuator Shaft Assembly O-ring Kit
- 0-510 Hayward® (SPX4000TS) Strainer Cover T-Seal (After 2003) T Ring
- 0-511KIT Swimquip™ Universal 2" Slide Valve O-ring Set
- 0-512KIT Hayward® (SPX0410X) 2" Slide Valve O-ring Set
- 0-513KIT Pac Fab (273109) 2" Universal Slide Valve O-ring Set
- 0-514KIT Hayward® (DEX2420Z8A) Pro Grid O-ring Kit (Set of 2) SwimClear
- 0-515KIT Jandy® (1307/1298) Valve Kit  
Pentair (263028) 3-Way Valve  
Penatir (263029) 2-Way Valve
- 0-516KIT Caretaker (5-13-1) O-ring Kit
- 0-517KIT Purex Ortega 2" Valve Kit
- 0-518KIT American (51003100/51005000/51013500) 2" Piston O-ring Kit
- 0-519Kit Pac Fab (271104) Praher 1 1/2" Multiport Valve O-ring Kit
- 0-520KIT Pac Fab (271148) Praher 2" Multiport Valve O-ring Kit
- 0-521 Jandy® (R0446300) SHPF/SHPM Stealth Pump Back Plate O-ring  
Jandy® (R0480400) VS FloPro Pump Diffuser O-ring/Backplate O-ring  
FHPM/FloPro
- 0-522 Pac Fab (356780) Seal Plate O-ring EQ Series Commercial Strainer
- 0-523KIT Hayward® (PSXV22A) PSV Valve Key & Cover Kit
- 0-524 Jandy® (R0357800) CL580/DE60 Cartridge Filter Tank O-ring  
DE Filter/DEV Series
- 0-525KIT Pac Fab 2" Slide Valve Kit
- 0-526 Jacuzzi® (47-0447-06-R) Crystal Clear Cartridge Filter Ring Lock O-ring  
NEW: O-533KIT/O-534KIT/O-535KIT
- 0-528 Hayward® (SPX0590G) AstroLite™ II Lens Gasket
- 0-529 Hayward® (SPX3200T) Housing O-ring EcoStar/TriStar®
- 0-530 Hayward® (SPX3200UG) Union Gasket Eco-/North-/TriStar®
- 0-531KIT Pentair Backwash/Slide/Pre-Plumbed Valves
- 0-536KIT PAC FAB Diverter Valve

- O-537 EQ Series® Commercial Strainer Gasket Lid
- O-538KIT Pentair (98209800) Air Relief Valves
- O-539 Hayward® (HCXP369U70) O-ring
- O-540V Hayward® (HCXP369V70) Comm. Pump Housing O-ring
- O-541 Pentair (351446) Seal Plate O-ring
- O-542 Hayward® (CCX1000G) XStream® Body O-ring  
Waterway™ (805-0460B) ClearWater II Filter Lid O-ring
- O-613 Rainbow (37121) O-ring For Plate-Concorde
- O-614 O-ring For Lasco 2" Schedule 80 Union
- O-615 Rainbow (37009) Concorde Housing O-ring
- O-623 Hayward®/Ameson O-ring For JV2 Gear Plate  
Polaris® (JV11) O-ring For JV2 Gear Plate
- O-627 Swimquip™ (35505-1426) Max E Glas Impeller Screw O-ring/Max E Pro
- O-628 American (57009300) O-Ring (EPR 70)  
Compool (9142109) O-ring for Temperature Sensor  
Pac Fab (273513/98209800) Nautilus Bleeder, Seahorse Cartridge Filter  
O-ring/FNS/TR100C & TR140C Air Bleeder Screw O-ring/Triton C3
- O-629 Waterway™ (805-0127SD) 180 Jet Wrench/Test Plug O-ring
- O-630 American (50152300) 5 & 8 Position Backwash Valve Sight Glass/  
Meteor Filter Hose Assembly O-ring  
Waterway™ (805-0133) Cartridge Filter Fitting O-ring/Sand Filter Waste  
Adapter O-ring
- O-631 Cartridge Filter Fitting O-ring/Sand Filter Waste Adapter O-ring  
Speck Pump (2854000863) Union O-ring 2" Model S90  
Speck Pump (2921441210) Union O-ring Model 98
- O-634 Pentair (620013Z) Intellibrite Color LED Landscape Light O-ring
- O-636 Jandy® (R0465700) Cover O-ring Large Jandy® Neverlube 2/3 Port Valve  
Pac Fab (275300) Full Flow Valve O-ring
- O-639 Premier (31-161) 225 MK2 Series Volute O-ring
- O-641 Swimquip™ (41301-0994) CL90/91L Chlorinator Drain Plug O-ring  
Hayward® (ECX1320A) C800 Vent Valve O-ring Star-Clear/Easy-Clear Air Relief
- O-642 Pac Fab (357132) RPF & APF 500 & 501/RP & APF 400 & 401  
Adapter Gasket  
Pentair (520272) Air/Water Temp Sensor O-ring
- O-644 Swimquip™ (35505-7439) Air Vent Stem O-ring
- O-647V Waterway™ (805-0237V) In Line & Off Line Chlorinator Lid O-ring Viton®
- O-648 Pentair (400627) O-Ring (70 FDA)
- O-649 Hayward® (SX220Z2) Bulkhead O-ring/Max-Flo II/Pro Grid
- O-652 Jandy® (R0559900/R0446400) Coupling Nut O-ring JHP Series (2 Required)  
Pentair (R170055) O-Ring
- O-652V Hayward® (HCXP338V60) Comm. Diffuser Gasket
- O-653 Waterway™ (805-0339) Crystal Water DE/Cartridge Filter Body CPL O-ring  
(2 Required) Smart-Clean Sand Filter/Ultra Clean Pro Sand Filter Slide  
Valve Coupling O-ring
- O-654 Jandy® (R0622000) Diffuser O-ring
- O-654V Waterway™ (805-0340V) Off Line Chlorinator Lid O-ring/In Line Chlorinator  
Lid O-ring (Prior To 2002) Viton®
- O-655 Pac Fab (154004) Triton C3 Ring Flange O-ring
- O-658 Jandy® (R0480200) FloPro Lid O-ring
- O-676 Aqua Cal®/AutoPilot® (19028) APA003 Tri-Sensor O-ring
- O-678 Waterway™ (805-0239) Swing Valve O-ring
- O-679 Aqua-Flo (92200020) A & AC Series 8" Trap Cover O-ring
- G-2 Peerless Bracket to Pot Hole Gasket
- G-3 Aqua-Flo (ACF-11/91500000) Commercial Volute Gasket  
Sta-Rite® (C20-021) Pump Gasket/Tank to Volute Cast Iron Series
- G-4 Jacuzzi® (13-0061-01-R) Pump Gasket
- G-5 Purex Eastside Pump Gasket
- G-6 Pac Fab (353502) 540 Pump Gasket
- G-7 Peerless Bracket to Pot Round Gasket
- G-8 Sta-Rite® (C20-009) Pump Gasket
- G-9 Pac Fab (353501) 400 Backwash Valve Pump Gasket
- G-10 Purex Old Style Eastside 8 Hole Pot Volute Gasket
- G-11 H & F Pot To Volute Gasket
- G-12 Peerless Pot To Volute 2 Hole Gasket
- G-13 Sta-Rite® (N20-26) Pump Gasket
- G-14 Monarch Pump Gasket
- G-15 Purex Old Style Eastside 6 Hole Pot To Volute Gasket
- G-16 Luitweiler 4 Hole Small Gasket
- G-17 Misc. Light Deck Box Gasket

- G-18 Aqua-Flo (AF-12-01/91500200) 6" & 8" 3 HP Trap Gasket  
Premier (33-248) Pot To Volute Gasket  
Sta-Rite® (C20-019) Dura-Glas/HG Pump Flange Gasket
- G-18R Martec/Sonfarrel (320-108) Flange Gasket
- G-19 Purex Eastside 2 Hole Pot To Volute Gasket
- G-20 Anthony 4 Hole Pot To Volute Pump Gasket  
Purex Old Style Eastside Volute Gasket
- G-21 Purex Eastside Seal Well Gasket
- G-22 Edgewood Inlet Heater Gasket
- G-23 Edgewood Outlet Heater Gasket
- G-24 Laars (S-037/S-055) Heater Gasket
- G-25 Raypak (800004) 1½" Unitherm Governor Gasket
- G-27 Luitweiler 4 Hole Large Gasket
- G-28 Laars Bypass Round Gasket
- G-29 Laars (S-056) Heater Gasket  
Laars Large Tube Round Gasket  
Pac Fab (154713) Sand Dollar Sand Drain Gasket
- G-30 Anthony (27111) Large Tube Seal Gasket  
Laars (S-057) Heater Gasket  
Laars Small Tube Round Gasket
- G-31 South Seas (VB11) Heater Inlet Gasket
- G-32 South Seas Heater Outlet Gasket
- G-33 South Seas By Pass Inlet Gasket
- G-34 Anthony (12388) Ditron Air Release Valve Gasket  
Bio Lab (5470) Tygon Washer  
E-Z Chlor (12690-26) Saddle Fitting Gasket  
Rainbow (R172033) Tube Fitting Gasket
- G-35 Misc. Fire Hose Coupling Gasket
- G-36 Sta-Rite® (C20-035) Delrin Plastic Volute Gasket
- G-37 Laars (S-152) Heater Gasket  
Laars Tube Late Style Gasket
- G-38 Misc. Manhole 10" x 14" Gasket
- G-39 Misc. Manhole 4" x 6" Gasket
- G-40 Sta-Rite® (N20-35) Pump Gasket
- G-41 South Seas By Pass Gasket  
Sta-Rite® (C69-15) Water Slinger D Series
- G-42 Ameson/PoolSweep Hose Washer  
Letro (D-10) Hose Washer  
South Seas Tube Gasket
- G-43 Luitweiler Pump Volute Gasket
- G-44 Aqua-Flo (AF-11/91500050) A Series 1/3 To Volute Gasket  
H & F Thick Volute Gasket  
Premier (31-276) ½ - 2 HP Volute Gasket  
Sta-Rite® (C20-72) Pump Gasket-Thick  
Swimrite (60-828-276) Backwash Valve Pump Gasket
- G-44A H & F Thin Volute Gasket  
Sta-Rite® (C20-72) Pump Gasket-Thin
- G-45 Marlow VP-153 Strainer Body Gasket
- G-46 Hayward® (SPX0125G) Pump Gasket  
Marlow (23112) H Series Housing Gasket  
Hayward® (SPX0125H) Pump Gasket
- G-47 Hayward® (26588) Discharge Gasket
- G-48 Marlow (22991) Shim Motor To Lantern Gasket
- G-49 Marlow (21034) Tank To Lantern Gasket
- G-51 Marlow (21112) Large 8 Hole Cover Gasket
- G-52 Sta-Rite® (N20-39) Pump Gasket
- G-53 Hydro/Pac Fab Sweep Motor Gasket
- G-54 Anthony (04465) AJ 105 Sweep Pump Gasket  
Sta-Rite® (C20-079) AJ Series Gasket
- G-55 Hydro/Pac Fab 400 Model Pot To Volute Gasket
- G-56 Hydro/Pac Fab 650 Model Gasket
- G-57 Aqua-Flo (AF-12/91500150) 5" Trap Gasket  
Premier (VB38) Volute Gasket  
Swimrite (60-828-274) Pot To Volute Pump Gasket
- G-58 Luitweiler New Style Pump Gasket
- G-59 Anthony (15029) Heater Old Rear Header Gasket
- G-60 Anthony (15147) Heater Dual Housing Gasket
- G-61 Laars (S-245) Heater Gasket
- G-62 American (81111700) Gasket Set Large 10 Hole Pattern Admiral

Skimmer W/O Double Wall  
 American (85001600) Liner Gasket (2 Required) Admiral Skimmer  
 Swimquip™ (08653-7) Skimmer Gasket  
 G-62R American (85001600) Liner Gasket (2 Required) Admiral Skimmer  
 G-63 Sta-Rite® (WC20-05) Filter Gasket  
 G-64P Baker Hydro (35B1136) Spa Pak Pump Gasket  
 Hayward® (SPX1500H) Power Flo Housing Gasket-Paper  
 G-64R Hayward® (SPX1500H) Power Flo Housing Gasket-Rubber  
 G-65 Hayward® (SPX0145G) Bracket Pump Gasket  
 G-66 Sta-Rite® (WC20-11) Filter Gasket  
 G-67 Sta-Rite® (C20-046) Pump Adapter Gasket D Series  
 G-68 Hayward® (SPX1250G) Pump Gasket  
 G-69 Swimquip™ (16800-11) Pump Gasket  
 Swimquip™ (16800-29) Old Style XLVI Cork Gasket  
 G-70 Purex (P10725/07-0940) Pot To Volute L Series Pump Gasket  
 G-71 Baker Hydro (35B1116) Spa Pak Pump Slinger Gasket  
 Hayward® (SPX0125F) Motor Shaft Slinger/Super Pump® II/Max-Flo  
 G-72 Sta-Rite® (WC20-16) Sand Filter Gasket  
 G-73 Purex (P-11200) Flo Valve Gasket  
 G-74 American (374058) Heater Gasket  
 Purex (P-11350/70951) Tube Seal Gasket/MiniMax NT/LN 6800 Controller/  
 DDT Controller  
 Swimrite (36-828-122) Heater Tube Gasket  
 G-75 Purex (P-11150/07-0943) Flange Gasket  
 G-76 Purex (P-11250) Valve Gasket  
 G-77 Purex (P-11175/07-0944) Valve Gasket  
 G-78 Sta-Rite® (WC20-15) Sand Filter Gasket  
 G-79 Sta-Rite® (WC20-02) Filter Gasket  
 Swimrite (30-828-911) Sight Glass Gasket  
 G-80 Sta-Rite® D Series Pump Gasket  
 G-81 Sta-Rite® (C20-077) C & CC Pump Gasket  
 G-82 Purex (P-10675) VF30 Gasket  
 G-83 Hayward® (SPX0145T) Pump Lid Gasket  
 G-84 Astral (00612R0001) Filter Gasket  
 Swimrite (14-828-381) Black Hose Washer  
 Swimrite (36-828-114) Heater Header Gasket  
 G-85 Ameson/PoolSweep (G-29) Gear Housing Gasket  
 G-86 Hayward® (SPX0603F) Cover Gasket  
 G-87 Hayward® (SPSTX340Z1) 6" In Line Trap Cover Gasket  
 G-88 Hayward® (SPX1411Z12) (SPX14114071) Gasket  
 G-89 American (87200200) Thin Line Spa Skimmer Gasket/Sandpiper Hub Gasket  
 American (87201200) 2" ID Thick Gasket Deck Jet Body Gasket  
 Hayward® (SPX0023Z12) Gasket For SP1023,1024,1025 Fittings  
 G-90 Hayward® (SPX0605F) Cover Gasket  
 G-91 Hayward® (SPSTX325F) 3" In Line Trap Cover Gasket  
 G-92 Hayward® (SPSTX330Z1) 4" In Line Trap Cover Gasket  
 G-93 Capitol (G-106) Chlorinator Gasket  
 Hayward® (SPX0102Z3) Gasket  
 G-94 Hayward® (SPSTX335Z1) 5" In Line Trap Lid Gasket  
 G-95 Baker Hydro (35B1108) Spa Pak Pump Housing Gasket  
 Hayward® (SPX1600T) Super Pump® Housing Gasket/Max-Flo  
 WMC (SS-1600-T) AT1600 Series Housing Gasket  
 G-96 Hayward® (SPX0506D) Gasket For PVC Niches & Shell Assemblies  
 G-97 American (39501200) Americana®, Noryl®, Bronze, Ultra-Flow® Pot To Volute  
 Pump Gasket  
 G-98 Doughboy (308-1139) Flat Lathe Cut Gasket  
 Lomart-Prest Metals (53-211) Filter Port Gasket  
 Pac Fab (154538) 2" Bulkhead Fitting Gasket-Triton II-TR100C & TR140C  
 Waterway (711-5300B) 2" Trap Gasket  
 G-99P Pac Fab (353512) 880-881 Pot Flange Gasket  
 Sta-Rite® (C20-103) Dura-Glas Pump Gasket-Paper  
 G-99R Sta-Rite® (C20-103) Dura-Glas Pump Gasket-Rubber  
 Sta-Rite® (C20-123) 6" Plastic Trap Gasket-JWPA Series  
 G-99RS Sta-Rite® (C20-103) Dura-Glas Pump Gasket-Rubber Skinny  
 G-100 Pac Fab (353513) 880-881 Pot To Volute Gasket  
 G-101 Pac Fab (353514) 880-881 Bracket Volute Gasket  
 G-103 Hayward® (SPSTX345H) 8" In Line Trap Lid Gasket  
 G-104 Hayward® (SPSTX315Z1) 2" In Line Trap Lid Gasket  
 G-105 Hayward® (SPSTX305F) 1 ½" In Line Trap Lid Gasket

G-106 Hayward® (SPX0602F) Gasket  
 G-107 Hayward® (SPX0072C2) Gasket  
 G-108 Hayward® (SPX107042) Gasket  
 G-109 American (79300600) Junction Box Sealing Gasket  
 G-110 American (79200400) Niche Gasket Standard Holes (3 Required)  
 Amerilite/Ameriquartz  
 Swimquip™ (05161-0006) Large Light Niche Liner Gasket  
 G-111 Sta-Rite® (C20-015) Pump Flange Gasket  
 G-112P Hayward® (SPX1048D) Vinyl Main Drain - Paper Gasket  
 G-112R Hayward® (SPX1048D) Vinyl Main Drain - Rubber Gasket  
 G-113 Hayward® (SPX1084B) Skimmer Gasket  
 Sta-Rite® (U9-366) U3 Vinyl Skimmer Gasket Model  
 07017-0126/07017-0127  
 G-114 Sta-Rite® (L21-1) Pump Diffuser Ring  
 G-115P Hayward® (SPX1090E) Vinyl Skimmer Gasket-Paper  
 Muskin (98-7235) Skimmer Gasket  
 G-115R Hayward® (SPX1090E) Vinyl Skimmer Gasket-Rubber  
 G-116 Swimrite (28-828-324) Bracket Mount Gasket  
 G-117 Swimrite (28-828-325) Washer  
 G-118 Swimrite (36-828-453) Washer  
 G-119 Swimrite (36-828-280) Washer  
 G-120 Swimrite (36-828-266) Pool Control Gasket  
 G-121 Swimrite (36-828-136) Mixing Box Heater Gasket  
 Swimrite (36-828-146) Mixing Box Cover Gasket  
 G-122 Jacuzzi® (13-0090-06-R) Check Valve Pump Gasket (8M, 10M)  
 G-123 Jacuzzi® (13-0178-01-R) U Pump Gasket  
 G-124 Jacuzzi® (13-0275-03-R) 4-Way Valve Gasket  
 G-125 Jacuzzi® (13-0273-05-R) 4-Way Valve Gasket  
 G-126 Jacuzzi® (13-0243-02-R) Gyromat Valve Gasket  
 G-127 Jacuzzi® (13-0314-06-R) Pump Gasket (8M, 10M, ULS) (3PJMCH25)  
 G-128 Jacuzzi® (23-0151-00-R) 1 ¼" Seal Ring  
 G-129 Jacuzzi® (23-0153-08-R) 2" Seal Ring  
 G-130 Jacuzzi® (13-0300-02-R) Flange Gasket  
 G-131 Jacuzzi® (13-0276-02-R) 4-Way Valve Gasket  
 G-132 Jacuzzi® (13-0277-01-R) 4-Way Valve Elbow Gasket  
 G-133 Jacuzzi® (13-0244-01-R) Filter Gasket  
 G-134 Jacuzzi® (13-0239-08-R) 5-Way Valve Gasket  
 G-135 Jacuzzi® (13-1223-04-R) Gasket  
 G-136 Jacuzzi® (13-0191-04-R) Gasket (C1 All Others Obsolete 12/1991) PJM  
 G-137 Jacuzzi® (13-0192-03-R) Gasket  
 G-138 Jacuzzi® (13-0329-09-R) Gasket  
 G-139 Jacuzzi® (13-0136-02-R) Flange Gasket (C1 3PJMCH25)  
 G-140 Jacuzzi® (13-0878-04-R) PMT Skimmer Flange Gasket  
 G-141 Jacuzzi® (13-0463-05-R) SL Skimmer, SD Suction Fitting Gasket  
 Jacuzzi® (13-0888-02-R) 5-Way Valve Gasket  
 G-142 Jacuzzi® (13-0880-00-R) Multiport Valve Gasket  
 G-143 Jacuzzi® (13-0872-06-R) Valve Gasket  
 G-144 Jacuzzi® (13-0881-09-R) Underdrain Gasket  
 G-145 Jacuzzi® (13-0378-09-R) 5-Way Valve Gasket/Laser System, MFM  
 15/17/20/24-E15MFM/E17MFM L Series Dial Valve  
 G-146 Jacuzzi® (13-0221-08-R) Flange Gasket  
 G-147 Jacuzzi® (13-0377-00-R) Multiport Valve Gasket  
 G-148 Jacuzzi® (42-0131-02-R) Collar Seal Gasket  
 G-149 Purex (P-29625) A62 Sleeve Pump Shaft  
 G-150 Hayward® (SPX1058D) Main Drain Gasket  
 G-151 Hayward® (SPX0058D) Main Drain Gasket  
 G-152 Hayward® (SPX0409C2) Fitting Gasket (2 Required)  
 G-153 Hayward® (SPX1039C2) Fitting Gasket (2 Required)  
 G-154 Hayward® (SPX0084M) Skimmer Gasket  
 G-155 Hayward® (SPX0097E) SP-1097, SP-1098 Skimmer Gasket  
 G-156 Hayward® (SPX0090E) Skimmer Gasket  
 G-157 Hayward® (SPX1085D) Skimmer Gasket  
 G-158 Hayward® (SPX0099E) Skimmer Gasket  
 G-159 Hayward® (SPX0577Z1) Deck Box Cover Gasket  
 G-160 Hayward® (SPX0710R) Multiport Valve Sight Glass Gasket  
 Pac Fab (271106) Praher Sight Glass Gasket 4 & 6 Way Hi Flo 1 ½"  
 G-161 Hayward® (SPX0071C2) Sight Glass Gasket (2 Required)  
 Muskin (038-3457) Flat Valve Body Gasket  
 G-162 Marlow 34EC-15D Tank Gasket

- G-163 Marlow 34EC-15D Tank Cover Gasket
- G-164 Baker Hydro (28486-0) Old Spa Pak Pump Slinger  
Marlow All AF Series Pump Slinger  
Rainbow (R172263) Comm Feeder Saddle Gasket
- G-165 Baker Hydro (31B9006) Sand Filter Bulkhead Gasket  
Purex (10344/07-0169) Bulkhead Gasket
- G-166 Baker Hydro (31B0015) Valve Top Plate Gasket  
Purex (10327/07-0152) Valve Index Plate  
Sta-Rite® (31B0015) Valve Top Plate Gasket
- G-167 Baker Hydro (51B1047) Skimmer Face Ring Gasket Holes (2 Required)  
Amerilite/Ameriquartz  
Purex (07-0192/51B1047) Face Ring Gasket
- G-168 American (79200300) Niche Gasket American Holes (2 Required)  
Amerilite/Ameriquartz  
Purex (P-24300/07-1446) Old Style Vinyl Niche Gasket
- G-169 Diaclear (C46251) MS18 Pump Gasket
- G-170 Baker Hydro (35B1150) Spa Pak Pump O-ring  
Little Giant (101601) Impeller Housing Gasket
- G-171 Doughboy (307-1005) MY205 Skimmer Gasket (2 Required)
- G-172 Regal (G-203) Chlorinator Gasket  
Sta-Rite® (P-64069) Pot To Volute Sight Glass Gasket
- G-173 Taylor Aqualite PL-89 1603 Gasket
- G-174 Hayward® (SPX0580BA) Cover Gasket
- G-175 Marlow 34EC-15D Pump Inlet Gasket
- G-176 Arneson/Pool sweep (A40) A-1 & A-60 Pump End Bell Gasket  
Letro (A40) End Ball Gasket
- G-177 Baker Hydro (15B0069) (1972) Sand Filter Lid Gasket  
Purex (10276/70101) U-Cup Lid Gasket
- G-178 Hayward® (ECX1003) DE Filter Diaphragm Gasket Perflex®
- G-179 Rainbow (R172015) Lifeguard Cartridge Filter Gasket/Standard & Hi Sq. Ft.  
Module Filter Standpipe Gasket
- G-180 American (53000400) Spin Filter Shaft Sleeve Gasket  
Marine Spin DE Filter Shaft Sleeve  
Premier Washer 122
- G-181 Aquarius Volute Gasket
- G-182 Hayward® (SX200Z9) Sand Filter Drain Gasket/Cartridge Filter/DE Filter/  
S240/S200/S245/S190T/Easy-Clear
- G-183 Misc. Pipe Flange Gasket 1 11/16" ID
- G-184 Misc. Pipe Flange Gasket 1 7/8" ID
- G-185 Misc. Pipe Flange Gasket 2 3/8" ID
- G-186 Misc. Pipe Flange Gasket 2 7/8" ID
- G-187 Misc. Pipe Flange Gasket 3 7/16" ID
- G-188 Misc. Pipe Flange Gasket 4 1/2" ID
- G-189 Misc. Pipe Flange Gasket 5 1/2" ID
- G-190 Misc. Pipe Flange Gasket 6 5/8" ID
- G-191 Hydro/Pac Fab 560-700 Series Gasket
- G-192 Pac Fab (352627) Backwash Valve Gasket  
Pac Fab (353500) Pump Gasket-Rubber
- G-193 Harmsco (635) 15 Hole Cover Gasket
- G-194 Purex (P-10825/07-0941) Uniseal & L Series Bracket To Volute Pump Gasket
- G-195 Doughboy (307-1002) MX60RP Inlet Fitting Gasket
- G-196 Doughboy (307-1007) Skim Filter Drain Cap Gasket
- G-197 Purex (P-10630) BT Series Backwash Valve Pump Gasket
- G-198 Harmsco (636) 15 Hole Cover Gasket
- G-199 Harmsco (671) 27 Hole Cover Gasket
- G-200 Harmsco (639) Cover Gasket
- G-201 F & W Sprinkler Pump Gasket
- G-202 Coleco (34023) Gasket  
Doughboy (308-1109) Rubber Washer  
Lomart-Prest Metals (53-029) Valve To Tank Gasket
- G-203 F & W Jet Pump Gasket  
Sta-Rite® (J-20-11) Well & Irrigation Pump Gasket
- G-204 Sears® & Sta-Rite® Sprinkler Gasket  
Sta-Rite® (C20-86) Sears Sprinkler Pump Gasket
- G-205 Jacuzzi® (13-0151-02-R) Pump Boot
- G-206 Pac Fab (273097) Brass Backwash Valve Cap Gasket
- G-207 Muskin (038-3416) Tank Tube Valve Gasket
- G-208 Laars By-Pass Round Gasket  
Muskin (038-3417) Inside Tank To Valve Washer
- G-209 Muskin (038-3435) Self Prime Pump Gasket

- G-210 Muskin (038-3436) 5" Position Valve Gasket
- G-211 Ampro (646) Pump Gasket
- G-212 Ampro (6-146) Gasket
- G-213 Muskin (037-5071) Grid Post Gasket  
Wallace & Tiernan (44122) Chlorinator O-ring
- G-214 Muskin (037-5002) Air Relief Valve Assembly Gasket
- G-215 American (39102100) Maxim™/Americana® II Slinger Gasket  
Sta-Rite® (C69-02) Dura-Glas Pump Slinger-JW Series
- G-216 Sta-Rite® (N20-25) Gasket
- G-217 American (51006500) Air Relief Valve Separation Tank Gasket  
Hayward® (SPX1700FG) Gasket Only For Drain Plug/Max-Flo/Matrix®/  
Power-Flo/ Power-Flo II
- G-219 Hydro Air (10-3804) Wall Fitting Gasket
- G-220 American (51004900) 2" Fiber Backwash Valve Cap Gasket  
Premier (21-391) 2" Valve Fiber Gasket
- G-221 Aqua-Flo (AF-11-01/91500100) 3 HP Volute Gasket  
Premier (35-271) Bracket To Volute Gasket  
Premier (39-271) 3" - 7 1/2" Bracket To Volute Gasket
- G-222 Sta-Rite® (PS20-11) Top Plate Gasket  
Sta-Rite® (PS20-18) Pump Gasket
- G-223 Sta-Rite® (C20-031B) LT Gasket-Seal Plate
- G-224 Hayward® (SPX1500RA1) Pump Check Valve Flap Gasket
- G-225 Hayward® (SPX1023Z3) Inlet Fitting Washer Gasket
- G-225R Hayward® (SPX1023Z12) Fitting Gasket
- G-226 Hayward® (SPX1408C) Vinyl Eyeball Gasket
- G-227 Jacuzzi® (47-0222-07-R) PM Filter Valve O-ring  
Pac Fab (192404) SCS Return Sleeve Gasket
- G-228 American (79204600) Spa Light Sealing Gasket (3 Required)
- G-229 Ampro (900-4) Upper Cap Washer
- G-230 Hayward® (SPX1500X) Pump Gasket/Power-Flo Strainer Gasket
- G-231 American (51001800/51008700) Multiport Valve Gasket & Washer  
(1 Rubber/1 Fiber) Sight Glass Washer (G-231R - Rubber)  
Swimquip™ (33455-8044) Impeller To Shaft Sleeve CSPH/CCSPH (Fiber Gasket Only)
- G-232 Laars (F-111) Heater Gasket
- G-233 American (85003400) Front Access Skimmer Front Gasket
- G-234 American (85003300) Front Access Skimmer Rear Gasket
- G-235 Wallace & Tiernan (40336) Chlorinator Gasket  
Swimquip™ (17351-0009) Water Slinger Dyna-Glas/Dyna-Max
- G-236 Regal (G-204) Chlorinator Gasket
- G-238 Regal (G202) Chlorinator Gasket (2 Required)
- G-239 Wallace & Tiernan (27594) Chlorinator Gasket
- G-240 Laars (E-1164) XE Electronic Temperature Control Bulb Gasket  
(1997-2000) Lite2 (Mfg. 2000-Present)  
Wallace & Tiernan (27593) Chlorinator Gasket
- G-241 Jacuzzi® (94-1104-67-R) SV Basic Skimmer Face Gasket  
Muskin (038-3448) Skimmer Frame/Body Standard Gasket
- G-242 Muskin (038-3447) Discharge Fitting Gasket-Thru Wall Return  
36" P Gasket
- G-243 Laars (S-159) Heater Gasket
- G-244 Laars (S-156) Heater Gasket
- G-245 Anthony (15448) Tube Seal Silicone
- G-245 Comfortzone/Hayward® (HX350GH9) Heatmaster Gasket 280-406  
(9 Required)
- G-246 South Seas Small Silicone Gasket
- G-247 Laars (E-244) Heater Gasket
- G-248 Pac Fab (192031) Crankshaft Sleeve Flat Gasket
- G-249 Laars (225) 3/16" Thick Washer  
Laars (S-057P) Heater Gasket
- G-250 American (51006100) Sight Glass Gasket
- G-251 Hayward® (SPX107242) Sight Glass Gasket  
Premier (SG364) Sight Glass Gasket
- G-252 Laars (S-157) Heater Gasket
- G-253 Laars (S-056P) Heater Gasket  
Laars Washer
- G-254 American (79104800) Neoprene Washer
- G-255 American (55000900) 18" & 24" Sandpiper Hub Gasket
- G-256 Anthony (15981) Heater Inlet/Outlet Gasket
- G-258 Anthony (SG-364) Sight Glass Gasket
- G-259 American (98208500) Washer
- G-260 Laars (E-327) Heater Gasket

- G-261 Laars (E-376) Heater Gasket
- G-262 Laars (E-325) Heater Gasket
- G-263 Laars (S-151) Heater Gasket
- G-264 Hydro VB-40 Volute Gasket
- G-265 Luitweiler Old Style Pump Gasket
- G-266 International Bonnet Flange Gasket
- G-267 Sta-Rite® VB35-1 Submersible Pump Gasket
- G-268 Jacuzzi® (13-0150-02-R) VB-21 Gasket
- G-269 Hayward® (SPX1094G) Skimmer Gasket
- G-270 American (42216000) Neoprene Washer  
Premier (21-108) Washer Neoprene Dynamic Series I/II/III  
Rainbow (R172222) RDC-25 Filter Body Gasket
- G-271 Pac Fab Washer
- G-272 American (51000400) Multiport Valve Cover Gasket
- G-273 Anthony (05156) Tank Gasket
- G-274 Laars (S-248) Heater Gasket
- G-275 Laars (S-246) Heater Gasket
- G-276 Doughboy (327-1007) Friction Washer
- G-277 Muskin (037-3408) Drain Cap Gasket
- G-278 Doughboy (310-1039) Tube to Spin-O-Cycle Handle Fiber Gasket  
Lomart-Prest Metals (53-047) Tube To Spin-O-Cycle Handle Fiber Gasket
- G-279 Lomart-Prest Metals (53-010) Disc O-ring
- G-280 Doughboy (307-1001) Gasket-Drain Cap 1120,40,1650,51,1400 & 1500  
Doughboy (308-1072) Gasket
- G-281 Doughboy (308-1145) Drain to Valve Gasket  
Lomart-Prest Metals (53-133) Drain To Valve Gasket
- G-282 Doughboy (308-1146) Viewport Lid Gasket  
Lomart-Prest Metals (53-120) Viewport Lid Gasket
- G-283 Doughboy (308-1147) Viewport Gasket  
Lomart-Prest Metals (53-140) Viewport Gasket
- G-284 Muskin (036-3400) 1/4" Gasket
- G-285 Muskin (036-3401) 1" Nut Gasket
- G-286 Premier (27-379) Hercules Filter Lid Gasket
- G-287 Anthony Inlet/Outlet 26 Gasket
- G-288 Raypak (80007) 2" Unitherm Gasket
- G-289 Purex (P11125) Tropic Inlet/Outlet Heater Gasket
- G-290 Purex (P-11050/07-0943) C Series Pot To Volute Gasket
- G-291 Pac Fab (154539) 1 1/2" Bulkhead Fitting Gasket
- G-292 Raypak (800075) 151,136T, THWS Header Gasket
- G-293 Laars (E-516) Thermostat Cover Gasket
- G-294 Pac Fab (273004) Screw Type Valve Cap Gasket
- G-295 Purex (P-72999) T-400 Guardex Washer
- G-296 Pac Fab (353515) Backwash Valve Pump Gasket
- G-297 Pac Fab (353506) 460-650 Pump Gasket
- G-298 Sta-Rite® (C20-102) ACP Pump Seal Plate Gasket
- G-299 A.O. Smith (99659-1) Inlet Manifold Gasket \*DISCONTINUED\*
- G-300 A.O. Smith (99659) Outlet Manifold Gasket \*DISCONTINUED\*
- G-301 A.O. Smith (23789) Spa Element Gasket \*DISCONTINUED\*
- G-303 Raypak (800014) Gemini Tube Seal Gasket
- G-304 Raypak (800013B) 1 1/2" Flange Gasket
- G-305 Raypak (800080B) 2" Flange Gasket
- G-306 Swimquip™ (08490-1) Turbo Head Quad Ring
- G-308 Jandy®(R0011400) Heater Flow Control Gasket By-Pass Valve Gasket  
(1993-1996) Series 2/ESC Heater  
Laars (S-154) AFJ Flange Gasket  
Laars (S-741) Flow Control Gasket (3 Required)
- G-309 Raypak (800187) Header Gasket
- G-310 Sta-Rite® (C69-12) C Pump Water Slinger
- G-311 Homelite (62363-A) Gasket  
Jacuzzi® (13-0414-05-R) C/F Filter Tube Gasket
- G-312 Raypak (800164) Element Gasket
- G-313 Pac Fab (513033) Skimmer Gasket
- G-314 Pac Fab (195004) Poly Gasket
- G-315 Swimquip™ (08652-5) Face Plate Skimmer Gasket
- G-316 Jacuzzi® (47-0462-06-R) ERC, RC, RTC Square Cut Diffuser Ring-PH & UPH
- G-317 Baker Hydro (00B7000) Control Plate Gasket  
Purex (07-0247) Housing Gasket Valve Actuator Control Plate
- G-318 Coleco (34027) Gauge Gasket
- G-319 Coleco Hydro Gasket

- G-320 Coleco (30484) Return Fitting Gasket
- G-321 Lomart -Prest Metals (43-013) Self Priming Pump Body Gasket
- G-322 Muskin (038-3446) Adapter Gasket
- G-323 Muskin (038-3434) Viewport Gasket-Fill Port Cap Gasket
- G-324 Ampro Selector Valve Gasket
- G-325 Lomart-Prest Metals (40-024) 4" Pump Gasket
- G-326 Lomart-Prest Metals (42-024) Body Gasket
- G-327 Muskin (038-3454) Valve Cover Gasket
- G-328 American (87102000) Drain Pump Gasket
- G-329 Muskin (038-3458) Skimmer Gasket
- G-330 American (85007700) Admiral Wide Mouth Skimmer Gasket
- G-331 Coleco (30483) Hydro Skim Gasket
- G-332 Muskin (038-3433) Viewport Gasket-Fill Port In & Out Gasket
- G-333 Muskin (038-3432) Viewport Gasket
- G-334 Muskin (038-3457) Tooled Valve Body Gasket
- G-335 Muskin (A-4372) Skimmer Gasket  
Muskin (A-4372F) Skimmer Gasket
- G-336 Misc. 2" Fire Hose Gasket
- G-337 American (510137) Caribe/Olympian/Quantum/Sandpiper 18 & 24/  
Titan Bulkhead Gasket  
Misc. 3" Fire Hose Gasket
- G-338 Hayward® (SPX0505G) Shell Assembly Gasket
- G-339 Doughboy (308-1076) Gasket  
Doughboy (308-1109) Silica Valve Body Port Gasket
- G-340 Doughboy (308-1083) Gasket
- G-341 Doughboy (348-1033) Slinger Washer  
Lomart-Prest Metals (46-029) Slinger Washer Gasket
- G-342 Raypak (800204) By-Pass 53 Gasket
- G-343 Purex (P10925/07-0942) Tropic Inlet/Outlet Gasket For All Models
- G-344 Doughboy (308-1081) Push Pull Valve Cover Gasket  
Lomart-Prest Metals (53-157) Plunger Cover Gasket
- G-345 Hayward® (SP3000T) Super Pump® II Gasket/Seal Plate O-ring NorthStar™
- G-346 Doughboy (307-1023) Deluxe Skimmer 90 Radius Fitting Gasket  
Doughboy (308-1110) Return Fitting Gasket
- G-347 Muskin (038-3457) 1 1/2" Backwash Cap Solid Gasket
- G-348 Hayward® (ECX1105) DE Filter Diaphragm Gasket/Perflex®
- G-349 Aqua Flo (FF-12-02/91500250) 100% Drain Gasket
- G-350 Misc. Pipe Flange Gasket 8" ID
- G-351 Hayward® (ECX2641D) DE Filter Diaphragm Gasket
- G-352 Hayward® (GMX400G) Valve Seat Gasket
- G-353 Hayward® (GMX600G) Valve Seat Gasket
- G-354 Homelite (62665-A) Impeller Housing Gasket
- G-355 Monarch (199696) Seal Gasket
- G-356 Hayward® (CX25003Z2) Gasket
- G-357 Hayward® (CX25005B1) Gasket
- G-358 Comfortzone (GKT-7401) Bucket Gasket (2 Required)  
Comfortzone (GKT-7402) Bucket Gasket-Large (1 G-361 Required)
- G-359 Purex (B-94) Aqua Brominator CB8-4 To CB8-45 Square Cut Ring
- G-361 Comfortzone (GKT-7402) Bucket Gasket-Small (1 G-360 Required)
- G-362 Hayward® (GMXC48G) Housing Gasket
- G-363 American (50140700) 1 1/2" Top Mount Series Multiport Valve Gasket  
Hayward® (CX900W) Washer For Knob/Cone Gasket  
Hayward® (SPX0710Z16) Multiport Valve Non-Metallic Bearing
- G-364 Baker Hydro (17B1085) Cartridge Filter Gasket
- G-365 Sta-Rite® (J-20-9) Well & Irrigation Pump Gasket
- G-366 Sta-Rite® (J-20-12) Well & Irrigation Pump Gasket
- G-367 Sta-Rite® (J-20-16) Well & Irrigation Pump Gasket
- G-368 Sta-Rite® (C20-87) Well & Irrigation Pump Gasket
- G-369 Hayward® (SPX1084B3) SP-10840M Gasket
- G-370 American (39204800) American Eagle Diffuser Gasket
- G-371 American (42216000) Power Glass Gasket  
Purex (75713) Rubber Washer For Shaft Set Screw On WhisperFlo  
American (550060) Sahara Filter Manhole Gasket
- G-372 American (550060) Sahara Filter Manhole Gasket
- G-373 Arneson/Pool sweep (G-29-B) Gear Housing Gasket
- G-374 Hayward® (SPX1432E) Jet Air Mini Jet Gasket
- G-375 American (45117000) Twin Port Sealing Gasket
- G-376 Buster Crabbe (20-1040) Pump Gasket  
C & R (20-1040) Pump Gasket  
Hayward® (SPX1438J) Pro Jet Gasket

- G-377 Hayward® (SPX1025Z12) SP-1025 Gasket (2 Required)
- G-378 Hayward® (SPX1025Z3) SP-1025 Fiber Slip Washer  
Hayward® (SPX1035C) SP-1035 AV Main Drain Fiber Sealing Gasket
- G-379 American (45333000) Pep Main Drain Gasket
- G-380 American (51013600) Caribe/Olympian/Quantum/Sandpiper/  
Titan Bulkhead Thick Gasket
- G-381 Hayward® (SPX1434L) Jet Air III Gasket
- G-382 Hayward® (SX180G) S164T,166T, 180T, 220T, 244T Sand Filter/Pro Series  
Drain Cap Gasket
- G-383 American (39000800) Power Pump Gasket
- G-384 Hayward® (DEX2400S5) Micro Clear Filter Relief Valve To Tank  
Gasket Super Star-Clear
- G-385 Hayward® (SPX1035B) SP-1035 AV Main Drain Neoprene Sealing Gasket
- G-387 Barracuda (ADG-5) Universal Pool Cleaner Floor Gasket  
Jandy® Universal Floor Cleaner Gasket  
Kreepy Krauly (12-866) Universal Pool Cleaner Gasket
- G-388 Speck Pump Sand/DE Filter Rim Gasket
- G-389 Aqua Leader Skimmer Face Plate Gasket
- G-390 Hayward® (SPX0710Z14) 715 & 716 Valve Non-Metallic Bearing  
Swimquip™ (14971-SM10E3) 1 1/2" & 2" Stem Washer Side Mount Models  
18202-0150/0150H 18201-0200/0200H
- G-391 Martec/Sonfarrel (420-512) Eyeball O-ring 7 PTFE Kit
- G-392 Waterway™ (7114000) 1 1/2" Union Gasket for All Cyclone Filters
- G-393 Waterway™ (7114010) 2" Union Gasket for All Cyclone Filters
- G-394 Waterway™ (7111930) 75/125/200 Sq. Ft. Filter Drain Cap Gasket
- G-395 Doughboy (308-1171) Silica I 4-Way Valve
- G-396 Doughboy (307-1022) Silica II Rotor Valve Gasket
- G-398 Hayward® (SPX0704D) Valve Key Gasket
- G-399 Hayward® (SPX0023Z2) Double Sided Gasket For Fitting  
Swimquip™ (09656-0154) Return Gasket Above Ground Skimmer
- G-400 Pac Fab (272409) 2" Valve Diverter Seal
- G-401 American (45222000) 2 1/2" Main Drain Single Port Double Standard  
Suction Fitting Gasket
- G-402 American (47064000) Luxury Air Control, Adjusta-Swirl Micro Jet,  
Adjusta-Flow Gasket
- G-403 American (79116800) Luminator 2000 Gasket (2 Required) Aqua Luminator/  
Quasar
- G-404 American (46134000) Mini Jet Gasket
- G-405 American (46135200) Thin Line Spa Skimmer Gasket/Funlite, Luxury Light/  
Moon-Glow/Mood Light/Luxury Suction Fitting/Luxury Swirl Blaster Jet
- G-406 American (51017000) 2" Multiport Valve Spider Gasket  
Swimquip™ (14971-0005) 2" Side Mount Seat Spider Gasket Model  
14971-0012/WC212-38/144P
- G-407 American (45313000) Double Port Spa Main Drain 1 1/2" Gasket
- G-408 American (46113000) 2" ID Thick Gasket/Double Port/Standard Suction/  
Standard Fitting/Redwood Inlet Fitting
- G-409 Hayward® (SPX1090WVG) Wide Mouth Skimmer Face Plate Gasket  
Olympic (ACM83W) Wide Mouth Skimmer Gasket  
Swimquip™ (09656-0152) Wide Mouth Gasket Above Ground Skimmer
- G-410 Aquamaster (12972) Return Gasket
- G-411 Hayward® (SPX0704HA) PTFE Piece Only (For O-483Kit)
- G-413 Jandy® (R0555900) Body Gasket JHP/PHP Series  
Pac Fab (357102) Seal Plate O-ring Fits Models (After 1994)  
Purex (07-5247) Whisper Flo® Seal Plate Gasket WFE Pump
- G-414 Pac Fab (65-0003) Spa Light Lens Gasket-Hatteras II Face Ring
- G-415 American (51021700) Eclipse/Meteor Clamp Gasket
- G-416 Pac Fab (271104) 1 1/2" Praher Diverter Gasket/Spider Gasket  
Top Mount Clamp (Part Of O-519Kit)  
Swimquip™ (14971-SM10E12) 1 1/2" Multiport Valve Spider Gasket
- G-417 Pac Fab (271148) 2" Praher Diverter Gasket-Spider Gasket  
Multiport Valve (Part Of O-520Kit)  
Swimquip™ (14971-SM20E12) 2" Multiport Valve Spider Gasket/Side  
Mount Models 18202-0150/0150H, 18201-0200/0200H
- G-418 Hayward® (SPX0740D) Valve Seat Gasket
- G-419 Comfortzone/Hayward® (HMXGKT2930) 2" Flange Gasket  
Jandy® (S0078000) Flange Gasket 2" (1993-1996) Series 2 ESC/ESG Heater  
Laars (S-780) 2" Flange Gasket (1997-Present) Lite (Mfg. 1997-2000)  
Lite2™ (Mfg. 2000-Present)
- G-420 Sta-Rite® (C69-23) Slinger JW Series/JS Series

- G-421 Sta-Rite® (WC9-2) Side Mount Valve Sight Glass O-ring Model  
WC212-150P/150PA
- G-422 Sta-Rite® (C20-100) Gasket For Impeller C/CC/D Series
- G-423 Swimquip™ (17150-0007) 4' Trap Assembly Lid Gasket-JS Series/Dura-Jet™
- G-424 Sta-Rite® (C20-101) Sleeve Gasket C/CC/D Series
- G-425 Swimquip™ (41301-0785) CL90/91L Chlorinator Scoop Gasket
- G-426 Sta-Rite® (C69-16) Water Slinger 3 Phase C/CC/D Series
- G-427 Swimquip™ (33455-8043) Impeller To Washer Gasket CSPH/CCSPH
- G-428 Sta-Rite® (L20-40) Bushing Gasket PLBC Series
- G-429 Swimquip™ (33450-8042) Volute Discharge Gasket CSPH/CCSPH
- G-430 Swimquip™ (33450-8041), 6" Bronze Suction Trap
- G-431 Sta-Rite® (S04757) Volute To Bracket Gasket CSPH/CCSPH
- G-432 Swimquip™ (09656-0150) Above Ground Skimmer Gasket
- G-433 Swimquip™ (05103-0101) SunStar/SunBrite Light Housing Gasket
- G-434 Swimquip™ (07017-0079) Drain Gasket
- G-435 Swimquip™ (05057-0667) Rubber Face Ring Gasket Vinyl Liner Niche
- G-436 Swimquip™ (14962-0017) Multiport Valve Plug Gasket/Spoke Gasket Top  
Mount Valve Swimquip™ (14965-0028) Plug & Gasket Assembly Model  
WC112-148
- G-437 Swimquip™ (14971-0011) Main 2" Side Mount Sight Glass Gasket Model  
14971-0012/WC212-38/144P
- G-438 Sta-Rite® (WC20-22) Side Mount Spider Gasket Model WC212-150P/150PA
- G-440 Swimquip™ (05301-0001) Sunburst Light Small Housing Lens Gasket
- G-441 Swimquip™ (05161-0001) Large Light Niche Integral Gasket For SS
- G-442 Swimquip™ (05166-0001) Small Light Niche Liner Gasket
- G-443 Swimquip™ (05166-0002) Small Light Niche Integral Gasket For SS Trim Ring
- G-444 Swimquip™ (05101-0008) Large Light Niche Liner Gasket
- G-446 Swimquip™ (35505-7432) Natural/LP Gas Manifold O-ring Model SR
- G-447 Waterway™ (711-4050) 1 1/2" O-Ring Gasket Heater Tail Piece with Rib
- G-448 Waterway™ (711-4030) 2" Heater Tail Piece O-Ring Gasket with Rib
- G-450 American (87206300) AquaLumin® Sealing Gasket
- G-451 American (86300500) Eclipse/Predator™/Warrior® Filter Side & Top Mount  
Drain Cap Gasket, Meteor, Clean & Clear®
- G-452 Purex (07-4015) Flow Valve Gasket
- G-453 Comfortzone (CZXGKT7627) C Spa XI Model Element Gasket
- G-454 Hayward® (SPX1085D2) 1085 Skimmer Gasket
- G-456 Comfortzone (CZXGKT7408) Bucket Gasket SG II Model (2 Required)
- G-457 Jandy® (R0050800) Header Gasket F  
Laars (R-508) Header Gasket (Set of 18)
- G-458 American (51015900) 2 & 3 Diverter Port Valve Gasket
- G-459 American (46135500) Gasket for Pleasure Jet
- G-460 Hayward® (ECX1039) Perflex® Diaphragm Gasket
- G-461 Hayward® (ECX5000G) EC-50C Diaphragm Gasket/Perflex®
- G-462 American (79204603) (Part of G-464KIT)
- G-463 American (79207900) Double Wall Gasket
- G-464KIT American (79207900/79204603) Kit for Small Niche Spa Brite / AquaLight®
- G-465 American (79207500) Double Wall Gasket
- G-466KIT American (79200700) Double Wall Gasket Kit
- G-467 Comfortzone (CZXFCG1930) Flange Compression Gasket
- G-468 Jandy® (S0078100) Flange Gasket 1 1/2" & 2" (1993-1996) Series 2  
ESC/ESG Heater  
Laars (S0078100) Flange Gasket 1 1/2" - 2"
- G-469 Laars (R0054800) 2" Flange Gasket and Sleeve
- G-470 Comfortzone (CZXGKT7406) Flange Compression Gasket (2 Required)
- G-471 American (78880200) Aqua Lumin I & II Lens Seal Gasket
- G-472 EZ Chlorinator - Flow Meter Top Gasket
- G-473 EZ Chlorinator - Flow Meter Bottom Gasket
- G-474 Jacuzzi® (13-1207-04-R) Vinyl Liner Main Drain Gasket
- G-475 Jacuzzi® (13-0411-08-R) Skimmer Face Plate  
Jacuzzi® (13-1230-05-R2) Face Flange Gasket
- G-476 EZ Chlorinator Float Arm Valve Seal Gasket
- G-478 Pentair (357100) Black Gasket for Seal Plate for Intelliflo® VF Pump VS  
& SVRS WhisperFlo Pump
- G-479 Intex® (10255/20255) Flat Strainer Rubber Washer
- G-480 Pentair (270038) Spacer Split Ring for 2-Way & 3-Way Diverter Valves
- G-482 Pentair (154715) Sand Drain Gasket
- G-483 Jacuzzi® (13-0870-02-R) Face Flange Gasket
- G-484 Waterway™ (806-1400B) SMF/56 Frame Volute Faceplate Gasket



# Go with the Flow!

## WorldPool® Replacement Cartridges



**Aladdin**  
EQUIPMENT COMPANY, INC.

900 Sarasota Center Blvd., Sarasota, FL 34240  
1.800.854.2466 | www.aladdin1950.com



# Go with the Flow!



**Aladdin**  
EQUIPMENT COMPANY, INC.

900 Sarasota Center Blvd., Sarasota, FL 34240  
1.800.854.2466 | www.aladdin1950.com



## Filter Wall Poster

## Basket Wall Poster



Aladdin Equipment Company  
900 Sarasota Center Boulevard  
Sarasota, FL 34240  
P: 941.371.3732 | F: 941.371.4165  
Toll Free: 1.800.854.2466  
E: [info@aladdin1950.com](mailto:info@aladdin1950.com)  
[www.aladdin1950.com](http://www.aladdin1950.com)

\$4.95