



**GECKO DEPOT**

# 2018 products & parts catalogue

 usa edition

control systems, keypads, pumps,  
accessories, parts & more!

for spa distributors, dealers,  
tech and trade professionals!









<b>Company Profile</b> .....	2	<b>Aqua-Flo Pumps for Spas</b> .....	23
<b>Spa Controls</b>		Flo-Master XP3 .....	24
Y series systems .....	3	Flo-Master XP2e.....	26
X series systems .....	6	Flo-Master XP2 .....	28
S-CLASS & M-CLASS systems .....	8	Flo-Master HP & CP .....	30
<b>Boards</b>		Circ-Master HP, CP & XP.....	32
MSPA .....	9	<b>Bathtub Controls</b>	
<b>Spa Keypads</b>		Litestreme series.....	35
Aeware keypads and overlays.....	10	<b>Bathtub Pumps</b>	
M-CLASS keypads and overlays .....	12	WhirlMaster.....	35
S-CLASS keypads and overlays .....	13	<b>Warranty</b> .....	36
<b>Spa Remote Control Module</b>		<b>Return Procedure</b> .....	37
in.touch 2 .....	14	<b>Product Return Form</b> .....	38
<b>Accessories</b>		<b>Low Level Configuration</b>	
in.mix 300.....	15	in.yt .....	39
in.grid .....	15	in.ye.....	40
<b>Spa Sanitizers</b>		in.yj .....	41
in.clear bromine generator .....	16	in.xm.....	42
Chemical products .....	17	in.xe.....	43
<b>Waterproof Audio</b>		<b>Price List</b> .....	44
in.stream 2.....	18		
<b>Spa Cables</b>			
in.link cables.....	20		
AMP & Quick Connect .....	21		

Aeware®, Gecko®, and their respective logos are Registered Trademarks of Gecko Alliance Group.  
 All products listed in the catalogue, and their respective logos, are Trademarks of Gecko Alliance Group.

All other product or company names that may be mentioned in this publication are tradenames, trademarks or registered trademarks of their respective owners.



### Our company

Gecko Depot provides retailers, repair technicians, and distributors with the opportunity to buy our products directly from the manufacturer. Our mission is to offer the best technical service in the industry and to provide replacement parts immediately. To do this, we keep standard items in stock for online and fax orders. There is no minimum order necessary, express delivery is available, and you receive a manufacturer's warranty. Visit us and create your industry professional's account: [www.geckodepot.com](http://www.geckodepot.com).



### Our products

Our electronic spa controls combine innovation and versatility, and work with a wide range of spas, from the simplest to the most complex. Easy to install, with configuration menus accessible from the keyboard — our replacement kits are great value, and are sure to be a must-have in the repair truck.

We also manufacture Aqua-Flo pumps, known for their energy efficiency and their superior hydraulic capacity. Whether you want to reduce your energy consumption without losing out on power, or to gain power without paying a bundle in energy bills, we have a pump for you.



### Our service

Gecko Depot strives to offer the highest level of services. Our team of technicians is there to help your company with any questions you may have on our products, our processes or follow up on an order.

Call us toll free: **1.800.784.3256** from 8:30 AM to 8 PM ET or email us: [techsupport@geckoal.com](mailto:techsupport@geckoal.com)



**GECKO DEPOT**



Y series  
whatever the spa, this is your control system

See  
Low Level  
Configuration  
at page 39,  
40 & 41.

in.yt-7  
WxHxD: 19.58" x 14.5" x 5.16"  
Weight: 12 lb

in.ye-5  
WxHxD: 19.58" x 10.75" x 4.98"  
Weight: 9.7 lb

in.yj-2  
WxHxD: 11.83" x 7.38" x 3.74"  
Weight: 9 lb with heater

- Each pack supports keypads, heater, a 12 V light, and configurable relays (2, 5 or 7, depending on model)
- Solid-state water flow detection: No pressure switch to adjust
- IPX5 rated waterproof design
- Preloaded configuration allows fast and easy installation
- Convertible 120/240 V
- Each output voltage can be configured 120/240 V
- Connector: AMP, Quick Connect, JJM adaptor available
- Standard 4 kW, 2" x 15" flow thru heater (minimum of 20GPM required)
- Aeware keypad compatible
- Temperature probe is built into the heater
- Kinetic heat, overheat & anti-freeze protections
- Self-Diagnostic
- Programmable filter cycles
- Corrosion-free enclosure



in.touch 2  
ready!

Y series product selector: number of configurable outputs defines supported optional accessories

Features	in.yj-2 (2 outputs)	in.ye-5 (5 outputs)	in.yt-7 (7 outputs)	
Model & PN	<b>0612-221032-316</b>	<b>0610-221046-355 (4 kW)</b> <b>0610-221066-363 (5.5 kW)</b>	<b>0611-221031-361</b>	
Receptacle type	Quick Connect only	AMP or Quick Connect	AMP or Quick Connect	
Optional accessories	Pump 1	Up to 2 out of the list. Dual speed pumps use 2 outputs	Up to 7 out of the list. Dual speed pumps use 2 outputs	
	Pump 2			
	Pump 3	Up to 5 out of the list. Dual speed pumps use 2 outputs	Up to 7 out of the list. Dual speed pumps use 2 outputs	
	Pump 4			
	Pump 5	Example using 2 outputs: <b>P1-2spd, Ozone tied to low speed</b>	Example using 5 outputs: <b>P1-2spd, P2-1spd, Blower and Ozone</b>	Example using 7 outputs: <b>P1 dual speed, P2 dual speed, P3-1spd, Blower and Ozone</b>
	Blower			
	CP			
Ozone				
Included	Direct outlet	•	•	
	Light	6 W @ 12 VDC	12 W @ 12 V AC	12 W @ 12 V AC
	Heater (20 GPM minimum water flow required)	4 kW @ 240 V 1 kW @ 120 V (0613-421001 - remote with cables 4')	4 kW @ 240 V 1 kW @ 120 V or 5.5 kW	4 kW @ 240 V 1 kW @ 120 V
Topside control	in.k100 auxiliary panel			
	in.k120 auxiliary panel	•	•	
	in.k200	•	•	
	in.k300	•	•	
	in.k19 - 35 - 45	•	•	
	in.k450	•	•	
	in.k600 ST 5 OP	•	•	
	in.k600 Graphic			
	in.k500 - 800	•	•	
	in.touch - in.touch 2	•	•	



**Y series exploded view**

Fuses, Y series:

F4 transformer 0.5 A (in.ye & in.yt only)

**430AC0222**

F1 & F3 Pump, 30 A

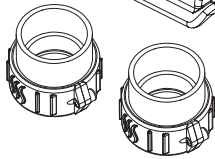
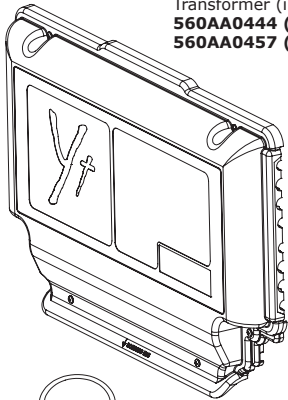
**430AC0186**

F2 ACC, 20 A

**430AE0027**



Transformer (in.ye & in.yt only):  
**560AA0444 (120 V AC)**  
**560AA0457 (240 V AC)**



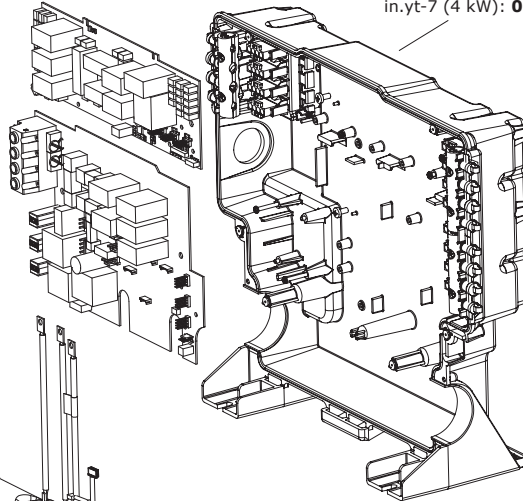
Split nuts, seal and tail piece for 2" heaters  
**BDLHTRSPLITNUT**

Y series packs:

in.ye-5 (4 kW): **0610-221046-355**

in.ye-5 (5.5 kW): **0610-221066-363**

in.yt-7 (4 kW): **0611-221031-361**

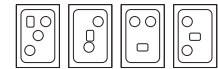
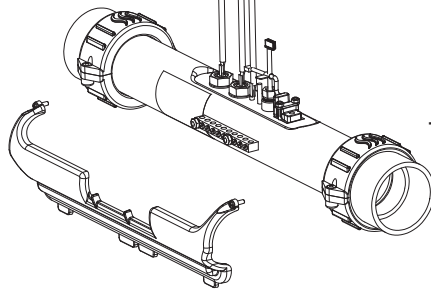


Light cable to socket  
**9920-400489 (8')**



Light cable to AMP 2 Pins  
**9920-401384 (8')**

Y series heat.wav heater  
**T9920-101435 (4.0 kW)**  
**9920-101449 (5.5 kW)**



AMP to JJM Receptacle  
**9920-101477 (kit of 4)**

**in.yj exploded view**

Fuses in.yj:

F2, pump, 20 A

**430AE0027**

Wall mount bracket in.yj (kit) includes:

in.yj's rectangular mounting plate,  
 2 x Tap screw type B,  
 #6 x 1/2" Phillips pan head, SS  
**9920-101490**

Z bracket in.yj  
**9917-106758**

Split nuts, seal and tail piece for 2" heaters  
**BDLHTRSPLITNUT**

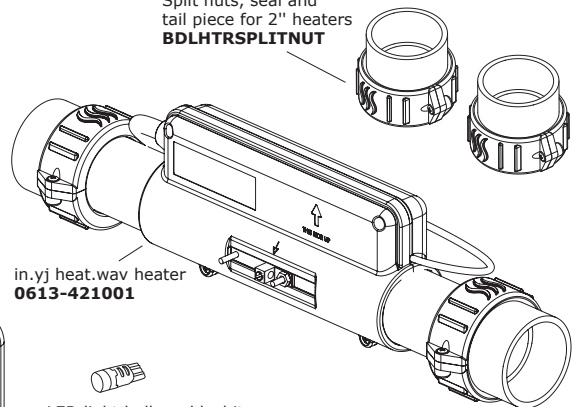
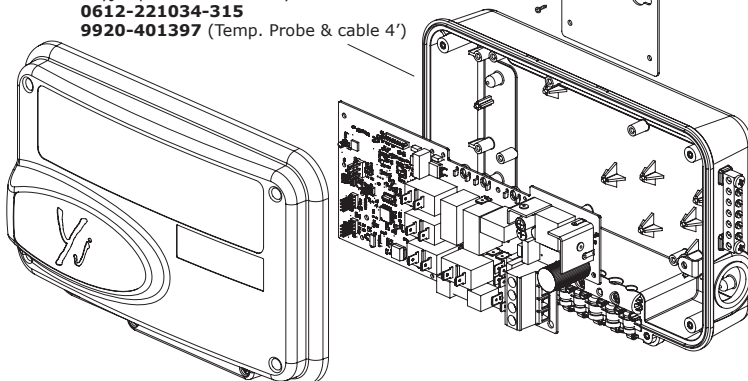
in.yj-2 pack

**0612-221032-316**

in.yj-2 pack heat recovery

**0612-221034-315**

**9920-401397 (Temp. Probe & cable 4')**



in.yj heat.wav heater  
**0613-421001**

LED light bulb: cold white  
**246AA0064**









Light cable to socket  
**9920-400489 (8')**



Light cable to AMP 2 Pins  
**9920-401384 (8')**



See  
Low Level  
Configuration  
at page 39,  
40 & 41.

Code	Description
 <b>BDLYE5K200</b>	<b>BUNDLE: IN.YE-5, IN.K200-2OP KEYPAD, CABLES</b> Spa pack: in.ye-5 (0610-221046-355) Keypad: in.k200-2OP (BDLK2002OP) Cables: 2 x dual spd AMP cables (95100519) & 2 x single spd AMP cable (95100517) & Light (9920-400489) Adaptor plate (9917-102053)
 <b>BDLYE5K353OP</b>	<b>BUNDLE: IN.YE-5, IN.K35-3OP KEYPAD, CABLES</b> Spa pack: in.ye-5 (0610-221046-355) Keypad: in.k35-3OP (BDLK353OP) Cables: 2 x dual spd AMP cable (95100519) & 2 x single spd AMP cable (95100517) & Light (9920-400489) Adaptor plate (9917-102122)
 <b>BDLYE5K450</b>	<b>BUNDLE: IN.YE-5, IN.K450-3OP KEYPAD, CABLES</b> Spa pack: in.ye-5 (0610-221046-355) Keypad: in.k450-3OP (BDLK4503OP) Cables: 2 x dual spd AMP cable (95100519) & 2 x single spd AMP cable (95100517) & Light (9920-400489) Adaptor plate (9917-102123)
 <b>BDLYJ2K200</b>	<b>BDLYJ2K200 IN.YJ-2 IN.K200 CABLES</b> Spa pack: in.yj-2 (0612-221032-316) Heater: 4kW (0613-421001) Keypad: in.k200-1OP (BDLK2001OP) Cables: AMP 2SPD receptacle (9920-401345), QC to QC dual speed (95100251), Light (9920-400489) and white LED bulb (246AA0064) k200 Adaptor plate (9917-102053) 2 x Mounting Bracket & screw kit (9920-101490)
 <b>BDLYJ2K300</b>	<b>BDLYJ2K300 IN.YJ-2 IN.K300 CABLES</b> Spa pack: in.yj-2 (0612-221032-316) Heater: 4kW (0613-421001) Keypad: in.k300-1OP (BDLK3001OP) Cables: AMP 2SPD receptacle (9920-401345), QC to QC dual speed (95100251), Light (9920-400489) and white LED bulb (246AA0064) k300 Adaptor plate (9917-10239) 2 x Mounting Bracket & screw kit (9920-101490)
 <b>BDLYT7K6005OP</b>	<b>BUNDLE: IN.YT-7, IN.K600-5OP KEYPAD, CABLES</b> Spa pack: in.yt-7 (0611-221031-361) Keypad: in.k600-5OP (BDLK6005OP) Cables: 2 x dual spd AMP cable (95100519) & 2 x single spd AMP cable (95100517) & Light (9920-400489)



# Spa Controls

## X series



X series rugged spa pack platform for high-end spas

- IPX5 waterproof rated
- Preloaded configurations allow fast and easy installation
- Large terminal block for easier electrical installation
- Each output voltage supports 120/240 V (in.link)
- Programmable filter cycles
- Solid state dry-fire protection (no pressure switch)
- Kinetic heat, overheat & anti-freeze protections

See Low Level Configuration at page 42 & 43.



in.touch 2 ready!

in.xm2  
WxHxD: 17.8" x 10" x 4"  
Weight: 7.6 lb

in.xe  
WxHxD: 19.58" x 11.75" x 5.1"  
Weight: 10.5 lb

### in.xm2

- Support up to: 5 pumps, blower, circ pump, ozone & stereo outlet
- 240 V required
- 2" electrical remote heater (sold separately from pack)

### in.xe

- Support up to: 2 pumps, blower, circ pump, ozone & stereo outlet
- 120/240 V convertible (neutral wire always required)
- 2" electrical heater includes temperature sensors and water flow sensor

### X series product selector

Features		in.xe (convertible 120/240V**)		in.xm2
Order info	Model & PN	<b>0602-221063-299</b>	<b>0602-221066-300</b>	<b>0601-221104</b> (The in.xm2 replaces the in.xm, and retains compatibility.)
	Receptacle type	in.link	in.link	in.link
Pumps	Pump 1	1 or 2 spd	1 or 2 spd	1 or 2* spd
	Pump 2	1 spd***	1 or 2 spd	1 or 2* spd
	Pump 3			1 spd
	Pump 4			1 spd
	Pump 5			1 spd
Accessories	Blower	2 accessories	1 accessory	•
	CP	2 accessories	1 accessory	•
	Ozone	2 accessories	1 accessory	•
	Direct outlet	•	•	•
	Light (12 W @ 12 V AC)	•	•	•
	Heater (20 GPM minimum water flow required)	4 kW @ 240 V 1 kW @ 120 V	4 kW @ 240 V 1 kW @ 120 V	<b>0603-416001</b> in.therm 4 kW
Topside control	in.k100 auxiliary panel			•
	in.k120 auxiliary panel	•	•	•
	in.k200	•	•	
	in.k300			
	in.k19 - 35	•	•	
	in.k450 - 45	•	•	•
	in.k600 ST 5 OP	•	•	•
	in.k600 Graphic			•
	in.k500 - 800	•	•	•
	in.touch - in.touch 2	•	•	•

in.link cable is 120 V or 240 V. Make sure to review the cable included when ordering a replacement kit. Allowed Current Draw is 7 A on 4 & 5 pump systems.

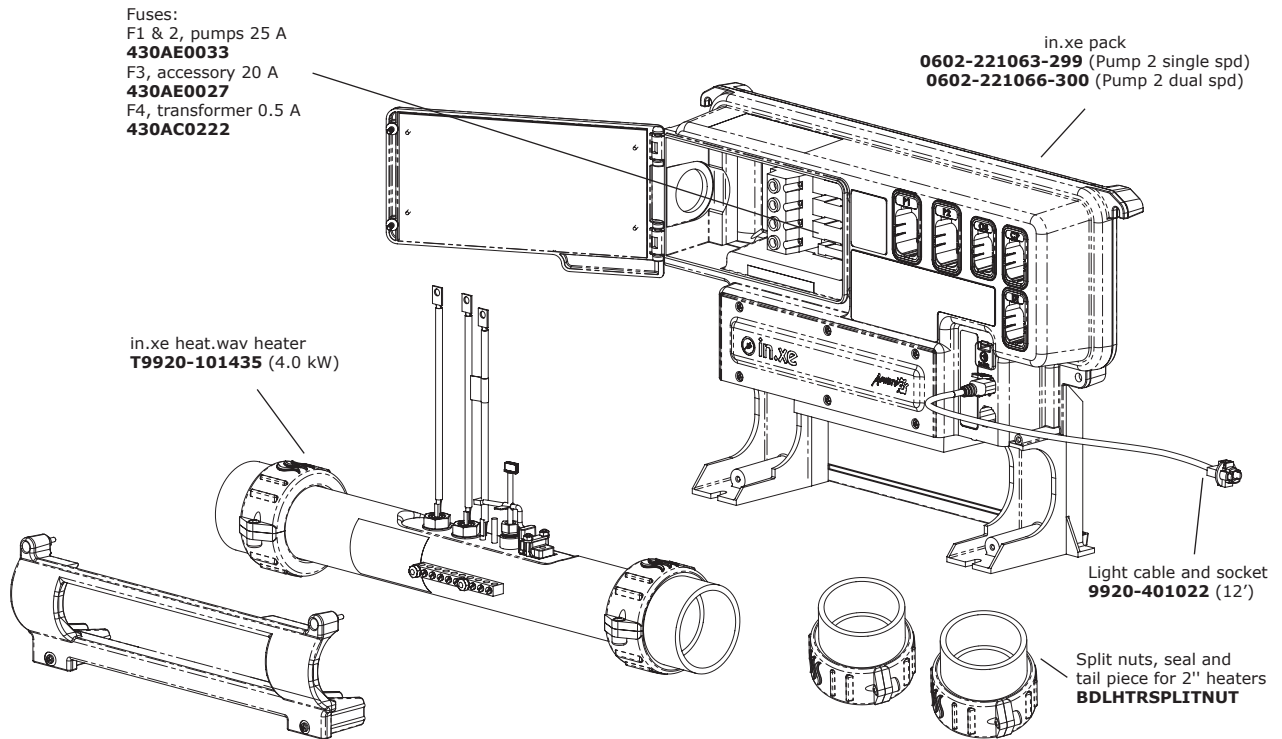
\* Pump 1 and 2 low speed relays can be used to control 5 single speed pump systems.

\*\* Neutral wire is required to run in 240 V configuration.

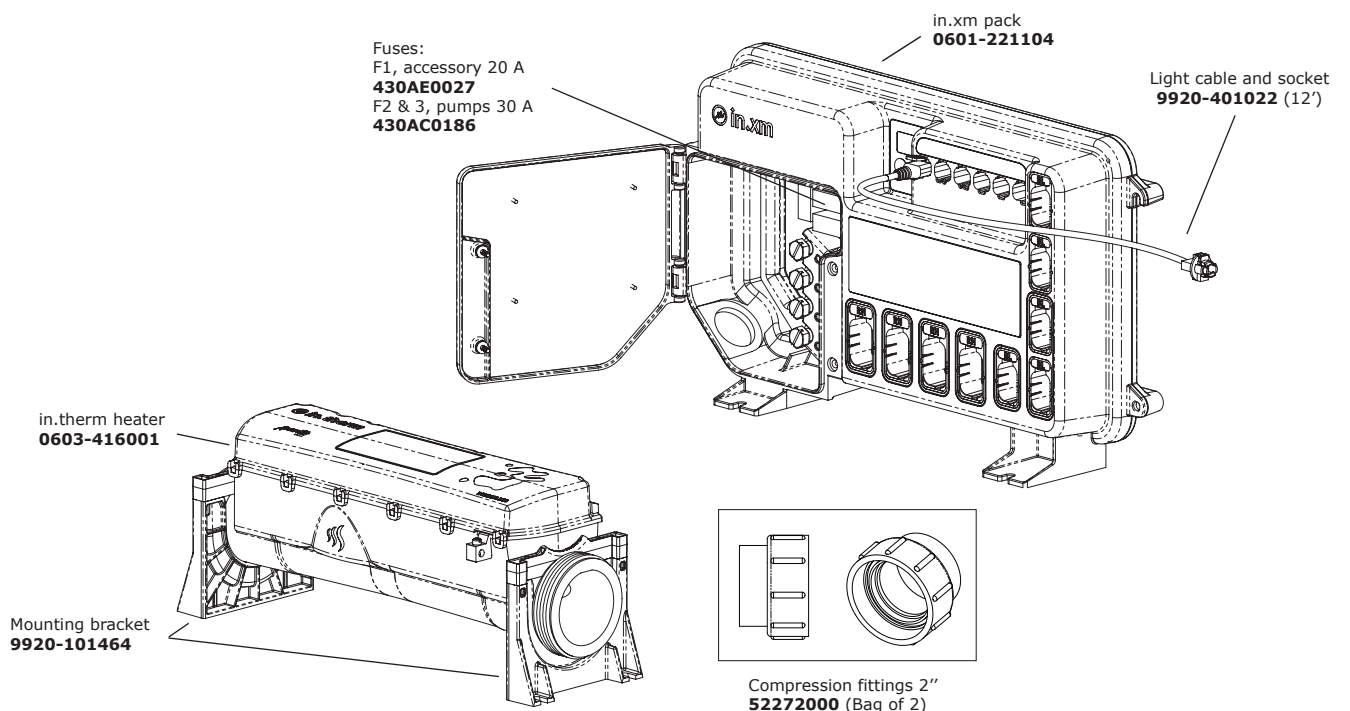
\*\*\* Pump 2 cannot be dual speed on PN **0602-221063-299**.



**in.xe exploded view**



**in.xm exploded view**



Spa Controls  
S-CLASS & M-CLASS



- Water Overheat and Smart winter Freeze protection
- 2" x 15", 4 kW electric heater
- Pressure switch based dry-fire protection
- Programmable filter cycles
- Self-diagnostic
- AMP or JJM receptacles available
- Each output output voltage can be configured 120/240 V

M-CLASS  
WxHxD: 18.38" x 15.75" x 4.25"  
Weight: 16 lb

S-CLASS  
WxHxD: 14.25" x 11.5" x 3.38"  
Weight: 11 lb

M-CLASS

- Supports up to 5 pumps, blower, ozone and optional circ pump
- Board replacement available
- Supports Auxiliary topside TSC-3

S-CLASS

- Supports up to 2 pumps, blower, ozone and optional circ pump
- 120/240 V convertible

CLASS series product selector

Features		S-CLASS				M-CLASS	
Order info	Model & PN (receptacle type)	0202-205212 (none)	0202-205209 (JJM)	0202-205162 (JJM)	3-72-7079 (JJM) 3-72-7078 (AMP)	0202-205160 (JJM) 0202-205163 (AMP)	3-74-7036 (JJM) 3-74-7035 (AMP)
	Pumps	Pump 1: 1 or 2* spd	Pump 2: 2 spd	Pump 3: 2 spd	Pump 4: 2 spd	Pump 5: 2 spd	Pump 1: 1 or 2 spd**
Accessories	Blower		•*	•*		•*	multi-speed
	CP	Always on*	•*	•*		•*	•*
	Ozone	•	•	•	•	•	•
	Direct outlet		•	•	•	•	•
	Light (12 W @ 12 V AC)	•	•	•	•	•	•
	Heater	4 kW @ 240 V 1 kW @ 120 V	None	4 kW @ 240 V 1 kW @ 120 V	4 kW @ 240 V 1 kW @ 120 V	4 kW @ 240 V 1 kW @ 120 V	4 kW @ 240 V 1 kW @ 120 V
Topside control	TSC-9	•	•	•	•		
	TSC-18	•	•	•	•		
	TSC-19	•	•	•	•		
	TSC-35		•	•			
	TSC-8 (7 keys)					•	
	TSC-8 (8-10keys)						•
Jumper configuration	JMP 1	Current HC/LC	Keypad 4 btn / TSC-35	Keypad 4 btn / TSC-35	Current HC/LC	Keypad std / reverse	Current HC/LC
	JMP 2	Pump 1 2 spd / 1 spd	Blower installed / not	Blower installed / not	Temp °F / °C	Blower installed / not	Keypad selection: Jmp2/jmp3/jmp4
	JMP 3	Circ. Pump not / installed	Circ. Pump installed / not	Circ. Pump installed / not	Pump 2 not / installed	Circ. Pump installed / not	TSC-8: R/R/R TSC-47: R/R/L TSC-8-10 keys: R/L/R
	JMP 4	n/a	n/a	n/a	n/a	n/a	TSC-4: R/L/L TSC-4-10 keys: L/R/L

\* Optional: Can be configured using on-board jumpers.

\*\* Pump 1 and 2 low speed relays are used to control 5 single speed pumps systems. Allowed Current draw is 7 on 4 and 5 pump systems.





**S-CLASS exploded view**

Fuses:

- F4, Transformer 0.75 A  
**430AD0066**
- F3, Light, 2.0 A  
**430AC0103**
- F1 & 2, Pumps, 25 A  
**430AE0033**
- F5, Accessory, 20 A  
**430AE0027**

Transformer\*\*  
**560AA0427** (120 V AC)

Heater cable  
**9920-401161** (3'')

High limit probe  
**9920-100317**

Pressure switch  
**510AD0167** (2 PSI)

S-CLASS heat.wav, 2 PSI pressure switch  
**9920-100338** (4.0 kW)  
**9920-100339** (5.5 kW)

S-CLASS pack\*

- 0202-205212** (No Receptacles)
- 3-72-7078, 0202-205163** (AMP Receptacles)
- 0202-205209, 0202-205162, 3-72-7079, 0202-205160** (JJM Receptacles)

Light cable & socket  
**9920-400178** (8'')

Temperature probe & cable  
**9920-400262** (10'')

**9920-400720** (25'')

Temperature probe holder  
**9920-100163**

\* Use our online replacement part finder tool at [www.geckodepot.com](http://www.geckodepot.com) or call us at 1-800-784-3256 to verify board compatibility.  
\*\* Transformer used to be soldered on the board and was not serviceable.

**M-CLASS exploded view**

Fuses, MSPA-MP:

- transformer 1.0 A  
**430AD0134**
- Light, 3 A  
**430AC0117**
- Pumps 1 & 2, 25 A  
**430AE0033**
- Blower, 10 A  
**430AC0069**

Replacement boards\*:

- MSPA-MP:  
**0201-300014**  
**0201-300031** (for MSPA-MP-BF & TSC14)
- MSPA-1:  
**0201-300045** (with xfo and probes)
- TSPA-MP:  
**9920-200526**

Transformer  
**9920-100225** (240 V AC)  
**9920-100212** (120 V AC)

MSPA-MP  
High limit probe  
**9920-100318**  
High limit probe & cable  
**9920-400446** (4')

Pressure switch  
**510AD0167** (2 PSI)

Pressure switch cable  
**9920-400124** (18'')

**9920-400864** (7')

Heater cable  
**9920-401161** (3'')

M-CLASS heat.wav, 2 PSI Pressure switch  
**9920-100346** (4.0 kW)  
**9920-100347** (5.5 kW)

M-CLASS control

- 3-74-7035** (AMP Receptacles)
- 3-74-7036** (JJM Receptacles)

Light cable & socket  
**9920-400178** (8')

MSPA-MP  
Temperature probe & cable  
**9920-400262** (10')

**9920-400720** (25')

Temperature probe holder  
**9920-100163**

Fuses, MSPA-1 & TSPA-1:  
Pumps, 30 A  
**430AC0186**

Sensors, MSPA-1 & TSPA-1:  
Temperature probe & cable  
**9920-400125** (10')

**9920-400245** (25')

High Limit probe & cable  
**9920-400122** (14')

**9920-400684** (6')

\* Use our online replacement part finder tool at [www.geckodepot.com](http://www.geckodepot.com) or call us at 1-800-784-3256 to verify board compatibility.

## Spa Keypads

### Aeware keypads



Code **0607-005024** (in.k1000) **0607-008062** (in.k1001)

#### IN.K1000-BLACK-GE1

Includes: in.k1000 color keypad with touch screen

Dimensions: 7-1/2" x 5-1/4"

or

Includes: in.k1001 color keypad with touch screen

Dimensions: 6-3/16" x 3-7/8"

Cord length: 10'

Compatible with: Y and X Series systems

Installation: MUST be installed on the OUTSIDE edge of the hot tub



Code **0607-008030**

#### IN.K800-CLEAR AND OVERLAY GE1

Includes: in.k800 Color keypad and overlay (**9916-101480**)

10 buttons: Settings/Mode/P1/P2/P3/AUX1/AUX2/Light/Up/Down

Dimensions: 8-3/4" x 4-1/4"

Cord length: 10'

Compatible with: Y and X Series systems

Installation: MUST be installed on the OUTSIDE edge of the hot tub



Code **0607-008033**

#### IN.K500-CLEAR AND OVERLAY GE1

Includes: in.k500 Color keypad and overlay (**9916-101495**)

7 buttons: Settings/Light/Mode/Pump 1/Pump 2/Up/Down

Dimensions: 7-1/8" x 3-3/8"

Cord length: 10'

Compatible with: Y and X Series systems

Installation: MUST be installed on the OUTSIDE edge of the hot tub.



Code **BDLK6005OP**

#### IN.K600-5OP AND OVERLAY

Includes: in.k600 keypad with streamlined interface (**0607-008064**), overlay (**9916-101382**)

11 buttons: Light/Pump 1 to 5/OK/+/-/Prog/Power

Dimensions: 8-3/4" x 4-1/4"

Cord length: 10'

Compatible with: in.xe, in.xm, in.xm2 & Y Series systems



Code **BDLK600GF**

#### IN.K600-GF AND OVERLAY

Includes: in.k600 keypad with menu-driven interface (**0607-008016**), overlay (**9916-101381**)

11 buttons: Functions 1 to 4/Left/Right/OK/+/-/Mode/Next

Dimensions: 8-3/4" x 4-1/4"

Cord length: 10'

Compatible with: in.xm, in.xm2 systems



Code **BDLK4503OP** **0607-005017** (25' cable)

**IN.K450-3OP AND OVERLAY**

Includes: in.k450 keypad (0607-005012), overlay (9916-101335)  
7 buttons: On/Pump 1/Pump 2/Pump 3/Light/Up/Down  
Dimensions: 7-1/4" x 3"  
Cord length: 10' (BDLK4503OP), 25' (0607-005017)  
Compatible with: in.xe, in.xm, in.xm2, Y Series systems



Code **BDLK83OP**

**IN.K8-3OP AND OVERLAY**

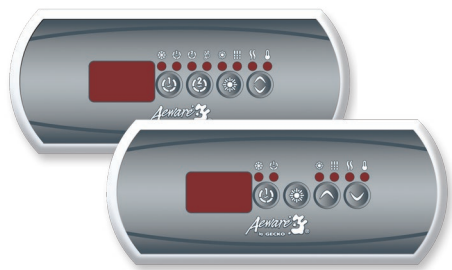
Includes: in.k8-3OP keypad (0607-007029), overlay  
8 buttons: Pump 1/Pump 2/Pump 3-Blower/Light/ Power/Prog/Up/Down  
Dimensions: 7" x 3-1/4"  
Cord length: 10'  
Compatible with: in.xe & Y Series systems



Code **BDLK3001OP** (1 pump) **BDLK3002OP** (2 pumps)

**IN.K300 AND OVERLAY**

Includes: in.k300-1OP keypad (0607-008039), overlay (9916-101499)  
4 buttons: Pump 1/Light/Up/Down  
or  
Includes: in.k300-2OP keypad (0607-008040), overlay (9916-101500)  
4 buttons: Pump 1/Pump 2/Light/Up-Down  
Dimensions: 6-1/4" x 2-1/4"  
Cord length: 10'  
Compatible with: Y Series systems



Code **BDLK2001OP** (1 pump) **BDLK2002OP** (2 pumps)

**IN.K200 AND OVERLAY**

Includes: in.k200-1OP keypad (0607-008003), overlay (9916-101203)  
4 buttons: Pump 1/Light/Up/Down  
or  
Includes: in.k200-2OP keypad (0607-008002), overlay (9916-101030)  
4 buttons: Pump 1/Pump 2/Light/Up,Down  
Dimensions: 4-3/4" x 2"  
Cord length: 10'  
Compatible with: in.xe & Y Series systems



Code **0607-005019**

**IN.K120-3OP AND OVERLAY**

Includes: in.k120 auxiliary keypad and overlay  
4 buttons: Pump 1/Pump 2/Pump 3/Light  
Dimensions: 2-5/8" x 2-1/8"  
Cord length: 20'  
Compatible with: in.xe, in.xm, in.xm2 & Y Series systems



Code **BDLTSC410K**

### TSC-4-10K-GE1 AND OVERLAY

Includes: TSC-4-10K keypad (0201-007044), overlay (9916-100761)  
10 buttons: Pump 3/Pump 1/Pump 2/Blower/Light/Clock/Economy/Filter/Up/Down  
Dimensions: 7" x 3-1/4"  
Cord length: 10'  
Compatible with: M-CLASS systems



Code **BDLTSC4GE1**

### TSC-4-GE1 AND OVERLAY

Includes: TSC-4 keypad (0200-007119), overlay (9916-100094)  
8 buttons: Up/Pump 1/Pump 2/Prog/Down/Blower/Light/Mode  
Dimensions: 7" x 3-1/4"  
Cord length: 10'  
Compatible with: M-CLASS systems



Code **BDLTSC810K**

### TSC-8-10K-GE1 AND OVERLAY

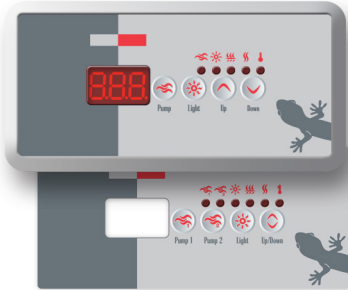
Includes: TSC-8-10K keypad (0201-007153), overlay (9916-100723)  
10 buttons: Power/Pump 1/Pump 2/Light/Up/Economy/Pump 3/Blower/Filter/Down  
Dimensions: 7" x 3-1/4"  
Cord length: 10'  
Compatible with: M-CLASS systems



Code **BDLTSC8GE1**

### TSC-8-GE1 AND OVERLAY

Includes: TSC-8 keypad (0200-007113), overlay (9916-100130)  
8 buttons: Pump 1/Pump 2/Blower/Light/Power/Filter/Up/Down  
Dimensions: 7" x 3-1/4"  
Cord length: 10'  
Compatible with: M-CLASS systems



Code **BDLTSC18PPD**

### TSC-18 AND OVERLAY KIT GE1-GE2

Includes: TSC-18 keypad (0202-007134), 1 pump overlay (9916-100239),  
2 pumps overlay (9916-100240)  
4 buttons: Pump 1/Light/Up/Down or Pump 1/Pump 2/Light/Up,Down  
Dimensions: 5.02" x 2.55"  
Cord length: 10'  
Compatible with: S-CLASS and U-CLASS systems



Code **BDLTSC19PPD**

### TSC-19 AND OVERLAY KIT GE1-GE2

Includes: TSC-19 keypad (0202-007140), 1 pump overlay (9916-100218),  
2 pump overlay (9916-100219)  
4 buttons: Pump 1/Light/Up/Down or Pump 1/Pump 2/Light/Up,Down  
Dimensions: 7" x 3-1/4"  
Cord length: 10'  
Compatible with: S-CLASS and U-CLASS systems



Code **BDLTSC35GE1**

### TSC-35-GE1 AND OVERLAY

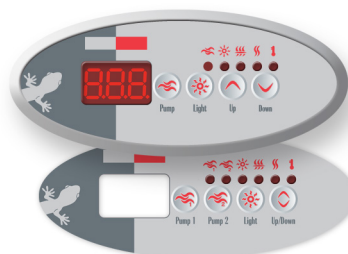
Includes: TSC-35 keypad (0202-007143), overlay (9916-100381)  
6 buttons: Pump 1/Pump 2/Blower/Light/Up/Down  
Dimensions: 7" x 3-1/4"  
Cord length: 10'  
Compatible with: S-CLASS systems



Code **BDLTSC8GE2**

### TSC-8-GE2 AND OVERLAY

Includes: TSC-8 keypad (0200-007113), overlay (9916-100331)  
7 buttons: Pump 1/Light/Pump 2/Blower/Up/Down/Economy  
Dimensions: 7" x 3-1/4"  
Cord length: 10'  
Compatible with: S-CLASS systems (0202-205160 & 163 only)



Code **BDLTSC9PPD**

### TSC-9 AND OVERLAY KIT GE1-GE2

Includes: TSC-9 keypad (0202-007154), 1 pump overlay (9916-100131),  
2 pumps overlay (9916-100186)  
4 buttons: Pump 1/Light/Up/Down or Pump 1/Pump 2/Light/Up,Down  
Dimensions: 4.45" x 1.96"  
Cord length: 10'  
Compatible with: S-CLASS and U-CLASS systems



# Spa Remote Control Module

## in.touch 2



in.touch 2  
ultimate wireless remote control for your spa

- Push notifications to alert consumers even when the app is not open
- Extended communication range:  
3 times longer than standard Wi-Fi signal
- Simple plug & play network connection through ethernet
- Intuitive app layout
- Control pumps, blower and light
- Control water temperature set point
- Water care settings to save energy
- Retail ready packaging



Compatible spa controllers:  
X and Y series versions 2012 and earlier

Compatible devices:  
For iOS and Android smartphones and tablets

\* iPad, iPhone and Android phones not included.



Find the in.touch 2 app  
on App Store or Google Play

## in.touch 2 complete solution:

Code	Description
------	-------------



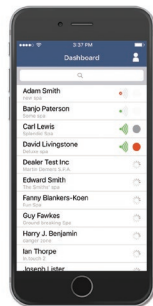
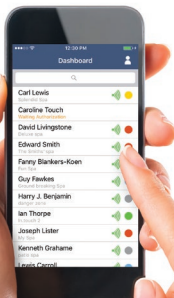
0608-521020

### IN.TOUCH 2: RF INTERFACE MODULE FOR SPA

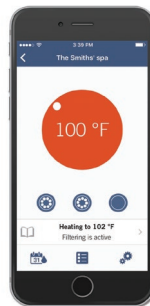
Control your hot tub from your iDevice: iPad, iPhone, iPod and Android devices  
The module connects to your home network to provide remote control of your spa.  
Kit includes: 2 communication modules (Spa unit (7' cable) & network unit), ethernet cable (3'),  
Wallmount power adaptor and wire (3')  
Compatible with: in.xm2, in.xe and Y Series



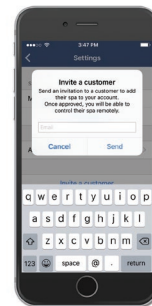
in.touch ic  
for spa and hot tub professionals



Dealer dashboard.



Customer spa pages.



Permission request.

Remote supervision  
of your spa and hot tub installed base.

**NEW**

More than a new pro app, a smarter way to work!

in.mix 300



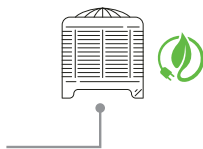
in.mix 300  
create stunning underwater color shows with our light system

- A lighting control console at your fingertips
- Lights up to 3 different color zones in, or around your spa
- Built-in power supply
- Up to 100 points of RGB, LED light sold separately
- Additional CO connector
- Compatible with: in.k1000, in.k800 and in.touch 2
- Dimensions (WxHxD): 7.03" x 6.13" x 2.22"
- Weight: 1.9 lb



in.touch 2 ready!

Code	Description
0609-521001	<b>IN.MIX-300: AMP POWER CORD, MOLEX 5VDC LED PORT</b> Compatible harness cable (1 per lighting zone): 9920-401478
0609-521003	<b>IN.MIX-300: AMP POWER CORD, MTA 12VDC LED PORT</b> Compatible harness cable (1 per lighting zone): 9920-401479
0609-521005	<b>IN.MIX-300: IN.LINK POWER CORD, JJ 5VDC LED PORT</b> Compatible with J&J Electronics, inc. Color Choice LED System



in.grid  
a flexible way to control your external heating source

- Perfect for selecting, using and synchronizing alternative heat sources
- 4 single switches and one CO connector for your accessories
- Energy saving
- The choice between 4 modes of operation:
  - Internal: electrical heater only
  - External: secondary heat source only
  - Both: electrical heater & secondary heat source
  - Smart: secondary heat source & electrical heater if needed (-2.5°F below set point)
- Compatible with: Y series specific software required
- Water must be heated by the external source after the spa pack
- Dimensions (WxHxD): 5.50" x 4.48" x 1.84"

Code	Description
0608-521033	<b>IN.GRID: 4 SWITCH + CO + HEAT PUMP CONTROL</b> The in.grid provides a connection to a normally open dry-contact relay through a spring-loaded female connector. Therefore an external heat source can be controlled by the in.grid. Relay is rated 24V, 4A. External heat source must be made compatible with this remote switching method.



BDLK110	<b>IN.K110 AND OVERLAY</b> Includes: in.k110 keypad (0607-007010), overlay (9916-100480) 1 button: control pump from each seat Dimensions: 1-1/2" diameter Cord length: 20' Compatible with: in.grid (0608-521033)
---------	---





WxHxD: 10.88" x 6.05" x 4.68"  
Weight: 5 lb



**in.clear200**

the most efficient, reliable and safest bromine based water sanitization system ever offered to spa owners.

**Features**

- Salt base bromine generator for spas
- Low maintenance, easy to handle
- Eliminates the need to add extra sanitizing chemicals




**New in.clear200**

- Replaces the in.clear100 and retains compatibility
- Connects to Gecko spa packs (X & Y series) to enhance self-management:
  - in.clear menu available from the in.k500, in.k800 and in.k1000 keypads.
  - The generator can extend filter cycle duration to meet bromine production.
  - When the spa is being used, the pack will start a boost if it was not started manually.

**Specifications**

- Input rating: 240V (not switched)
- in.clear flow rate must be a minimum of 3GPM and a maximum of 40GPM

**in.clear solutions:**

Code	Description
 0605-500008	<b>IN.CLEAR-200, IN.LINK CABLE &amp; COMMUNICATION CABLE WITH 1.5 PSI PRESSURE SWITCH</b> Includes a communication cable to connect to Gecko Y and X series. Product can still work in "stand alone mode" if communication cable is not connected. Voltage: 240 V Cord length: 8' Cord type: IN.LINK
 0605-500010	<b>IN.CLEAR-200, QUICK CONNECT CABLE &amp; COMMUNICATION CABLE WITH 1.5 PSI PRESSURE SWITCH</b> Includes a communication cable to connect to Gecko Y and X series. Product can still work in "stand alone mode" if communication cable is not connected. Voltage: 240 V Cord length: 8' Cord type: quick connect
 0607-008010	<b>IN.K200-2OP AND OVERLAY FOR IN.CLEAR</b> 4 buttons: Boost/Prog/Up/Down Dimensions: 4"-3/4 x 2" Cord length: 10' Compatible with: in.clear systems

**BDLCLEARLINKUSABUNDLE: IN.CLEAR WITH IN.LINK CABLE AND BROMICHARGE**



Includes: in.clear200 (0605-500005)  
in.clear keypad & overlay (0607-008010)  
2 BromiCharge bottles 3.5 lb (0699-300005)  
Cable type: in.link

**BDLCLEARQCUSA BUNDLE: IN.CLEAR WITH QUICK CONNECT CABLE AND BROMICHARGE**

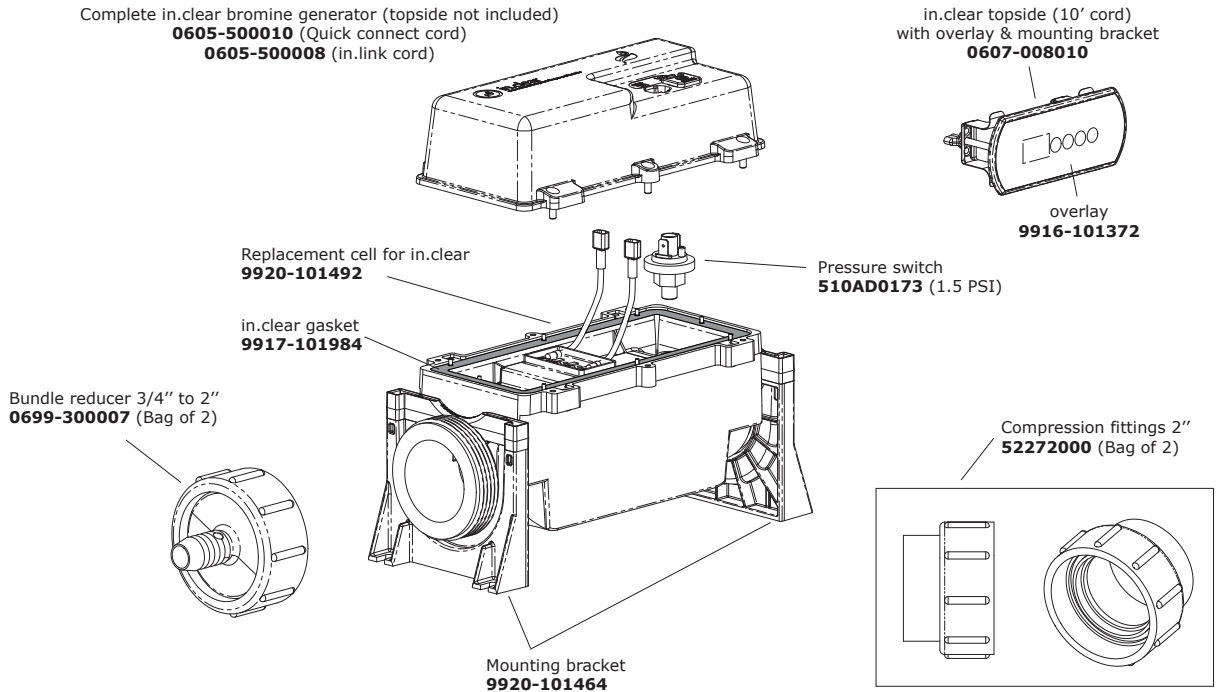


Includes: in.clear200 (0605-500007)  
in.clear keypad & overlay (0607-008010)  
2 BromiCharge bottles 3.5 lb (0699-300005)  
Cable type: quick connect





**in.clear exploded view**



**Chemical products:**



Code	Description
0699-300005	<b>BROMICHARGE BOTTLE 3.5 LB (USA LABEL)</b> EPA approved salt to run the in.clear bromine generator Weight: 3.5 lb Works with: in.clear systems
0699-300008	<b>BROMINE TEST KIT</b> Content: Bromine testing solution



WxHxD: 9.81" x 2.58" x 8.88"  
Weight: 3.6 lb



in.stream 2  
streamed from your spa, your favorite music never sounded so good!

Features

- Powerful and efficient class D amplifiers
  - Up to 4 speaker outputs (200W at 4 Ohms)
  - 1 subwoofer output (100W at 2 Ohms)
- Supported audio sources
  - Bluetooth streaming
  - Aux in
  - USB stick
  - FM radio
- Smartphone charger through USB connector
- Wall mount installation
- Built-in universal power supply
- Robust, fully splash proof (IPX5) enclosure

Code	Description
0799-105008	<b>IN.P4 SMARTPHONE DOCK WITH USB AND 1/8" STEREO MINI JACK</b>



Compatible with in.stream2

9920-401425	<b>CABLE: ADAPTOR IN.STREAM 2 TO IN.STREAM 1 &amp; IN.CHANT</b>
-------------	---



BDLSTRM2-IN	<b>IN.STREAM 2 AUDIO SYSTEM, WITH IN.LINK CABLES AND K175 KEYPAD</b>
-------------	--



Spa Audio System: built-in power supply (100-240VAC), Up to 4 speaker outputs, 1 subwoofer output.  
Sources in stand-alone mode: Bluetooth, Auxiliary input  
Sources if connected to a Gecko Pack with Color keypads: Bluetooth, Auxiliary input, USB, FM radio  
Kit includes: in.stream 2 audio System with in.link cable (0704-121007), in.k175 keypad with overlay (0707-005015), Cables: speakers & subwoofer bare wire (9920-401425), in.stream retrofit adaptor (9920-401428)

BDLSTRM2-QC	<b>IN.STREAM 2 AUDIO SYSTEM, WITH QUICK CONNECT CABLE AND K175 KEYPAD</b>
-------------	---



Spa Audio System: built-in power supply (100-240VAC), Up to 4 speaker outputs, 1 subwoofer output.  
Sources in stand-alone mode: Bluetooth, Auxiliary input  
Sources if connected to a Gecko Pack with Color keypads: Bluetooth, Auxiliary input, USB, FM radio  
Kit includes: in.stream 2 audio System with Quick connect cable (0704-121008), in.k175 keypad with overlay (0707-005015), Cables: speakers & subwoofer bare wire (9920-401425), in.stream retrofit adaptor (9920-401428)

0707-005015	<b>IN.K175 KEYPAD FOR IN.STREAM 2 AUDIO SYSTEM</b>
-------------	--



7 buttons: Power/Bluetooth/AUX/Volume Up - Down/Previous Track/Next Track  
Dimensions: 9 x 5.5 cm (3.58" x 2.15")  
Cord length: 6 m (20')  
Compatible with: in.stream 2 audio system



**in.touch ic**

Remote supervision  
of your spa and hot tub installed base.



**Installation Coverage**  
(installed base of spas and hot tubs)  
**IC all**



**Instant Connection**  
(pro-active customer service)  
**IC you**



**Immediate Contribution**  
(remote diagnostic & resolution)  
**IC now**

More than a new pro app, a smarter way to work!



Learn more about in.touch ic at [www.geckoalliance.com](http://www.geckoalliance.com)



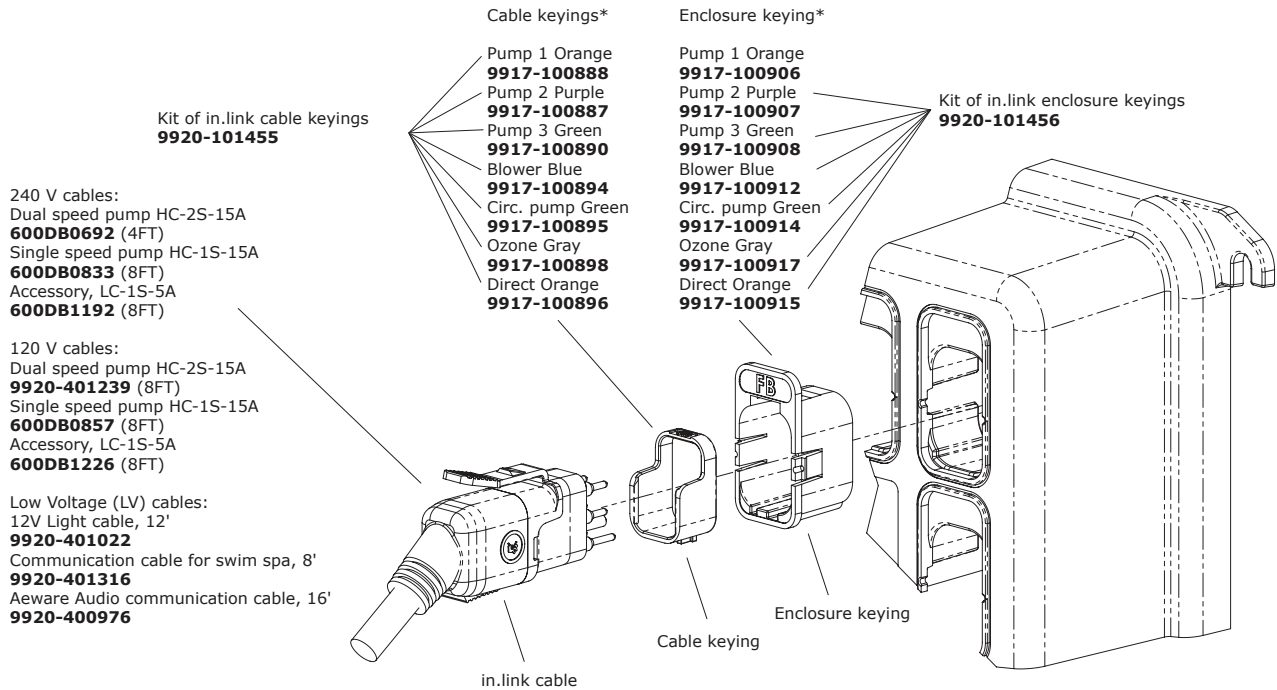


in.link  
ingenious output and input plugs and connectors



- IPX5 waterproof rated
- Color coded for easy connection
- Keyed connector to avoid miswiring
- Cable provides only one voltage (120 V or 240 V)
- 3 different formats available:
  - High-voltage, high-current (HC)
  - High-voltage, low-current (LC)
  - Low-voltage (LV)

**in.link exploded view**



\* Cable keyings and enclosure keyings are not available separately from the kits.

**Code Description**



**9920-101436 CABLE KIT: IN.LINK CORDS**

Includes:  
 Pump 1, 2 speeds, 240 V, 4' & 2 speeds 120 V, 8'  
 Pump 2, 1 speed, 240 V, 8'  
 ACC 240 V, 8' & ACC, 120 V, 8' & Light, 12'  
 Colored keyings for Pump 1, Pump 2, Blower, Ozonator  
 Works with: in.xe, in.xm, in.xm2 systems



**9920-401249 SPLITTER: IN.SPLIT LC**

Voltage: 120/240 V  
 Compatible with: in.xe, in.xm, in.xm2, in.clear systems



Code	Description
9920-401316	<b>COMMUNICATION CABLE FOR IN.XE &amp; IN.YE SWIM SPA SOLUTION, 8FT</b> Cable Length: 8'



**AMP & Quick Connect**

Code	Description
95100517	<b>CABLE: AMP-4P TO QC, SINGLE SPEED 14/3 4 FEET</b>
95100519	<b>CABLE: AMP-4P TO QC, DUAL SPEED 14/4 4 FEET</b>
9920-401345	<b>RECEPTACLE CABLE OUTPUT AMP 2 SPEED, 14AWG, LENGTH 8"</b>
9920-401346	<b>CABLE OUTPUT 1 SPD, AMP TO QUICK CONNECT, 14AWG, LENGTH 8"</b>
9920-401369	<b>CABLE SPLITTER PP-1 AMP MALE TO 2 FEMALE, LENGTH 6"</b>



Pumps

# Powerful, efficient, built for your spa



**aqua-flo**<sup>TM</sup>  
by **GECKO**



OP.HP stands for operational horse power and is a notation specific to Aqua-flo. If you replace an Aqua-flo pump, make sure the OP.HP rating matches the hp rating on the old pump. If you are replacing another brand of pump by one below, refer to the hp rating in the tables.

**Flo-Master XP3 Series, 60Hz, 56 Frame**



- Booster jet pumps
- 2 1/2" intake & discharge
- Flow rate 200-310 GPM
- 56 frame motor

Dual-speed, 2 1/2" intake & discharge

Part No.	hp	Volts	A (High)	A (Low)	OP.HP	Hi-Flo GPM
08326000-2041	3.0	230	10.0	3.2	2.5	200
08330002-5041	4.0	230	12.0	3.9	3.0	250
08342761-2041	5.0	230	15.0	4.5	4.0	325

**Flo-Master XP2e Series, 60Hz, 56 Frame**



- Booster jet pumps
- 2" intake & discharge
- Flow rate 170-260 GPM
- 56 frame motor

Dual-speed, 2" intake & discharge

Part No.	hp	Volts	A (High)	A (Low)	OP.HP	Hi-Flo GPM
05815001-2040	2.0	230	7.7	3.0	1.5	115
05320761-2040	3.0	230	8.4	3.0	2.0	170
05334012-2040	4.0	230	12.0	3.9	3.0	230
05340009-5040	5.0	230	15.0	4.5	4.0	260

Dual-speed, 2 1/2" intake & 2.0" discharge

Part No.	hp	Volts	A (High)	A (Low)	OP.HP	Hi-Flo GPM
05320762-5040	3.0	230	8.9	4.7	2.0	170
05334024-5040	4.0	230	12.8	4.8	3.0	230
05340011-5040	5.0	230	15.0	4.6	4.0	260

**Flo-Master XP2 Series, 60Hz, 48 Frame**



- Booster jet pumps
- 2" intake & discharge
- Dual-speed
- Flow rate 125-200 GPM
- 48 frame motor

Dual-speed, 2" intake & discharge

Part No.	hp	Volts	A (High)	A (Low)	OP.HP	Hi-Flo GPM
06610006-2040	1.5	115	10.5	3.2	1.0	115
06115000-1040	2.0	115	14.4	5.5	1.5	125
06115517-2040	2.0	230	6.8	2.5	1.5	125
06120500-2040	3.0	230	8.4	3.0	2.0	150
06125000-1040	4.0	230	10.0	2.6	2.5	180
06130395-2040	4.5	230	13.1	3.3	3.0	200

**Flo-Master Series, 60Hz, 48 Frame**



- Booster jet pumps
- 1 1/2" intake & discharge
- Dual-speed
- Flow rate 60-130 GPM
- 48 frame motor

Center discharge, dual-speed, 1 1/2" intake & discharge

Part No.	hp	Volts	A (High)	A (Low)	OP.HP	Hi-Flow GPM
02607000-1010	1.0	115	7.8	3.2	0.75	60
02610000-1010	1.5	115	9.8	3.8	1.0	80
02610001-5010	1.5	230	5.9	3.4	1.0	80
02615000-1010	2.0	115	14.4	5.5	1.5	100
02615005-1010	2.0	230	6.8	2.5	1.5	100
02620000-1010	3.0	230	8.4	3.0	2.0	125

Side discharge, dual-speed, 1 1/2" intake & discharge

Part No.	hp	Volts	A (High)	A (Low)	OP.HP	Hi-Flow GPM
02107000-1010	1.0	115	7.8	3.3	0.75	65
02110000-1010	1.5	115	9.8	3.8	1.0	85
02110005-1010	1.5	230	6.8	2.5	1.0	85
02115000-1010	2.0	115	14.4	5.5	1.5	105
02115005-1010	2.0	230	6.8	2.5	1.5	105
02120000-1010	3.0	230	8.4	3.0	2.0	130

**Circ-Master Series**



- Ideal 24/7 circ pump apps.
- Intake & discharge - CMHP & CP: 1 1/2" - CMXP: 2"
- Single-speed pump
- Flow rate 25-45 GPM
- 48 frame motor

Center discharge, single-speed, 1 1/2" intake & discharge

Part No.	hp	Volts	A	OP.HP	Flow (GPM)
02593000-2010	1/8	115	1.3	1/15	40
02593001-2010	1/8	230	0.6	1/15	40

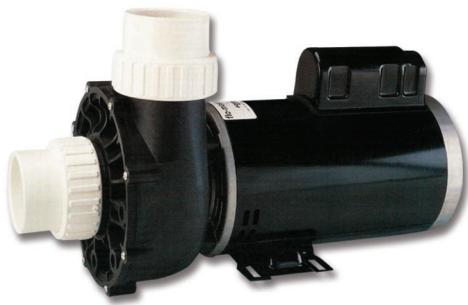
Side discharge, single-speed, 1 1/2" intake & discharge

Part No.	hp	Volts	A	OP.HP	Flow (GPM)
02093000-2010	1/8	115	1.3	1/15	40
02093001-2010	1/8	230	0.6	1/15	40

Side discharge, single-speed, 2" intake & discharge

Part No.	hp	Volts	A	OP.HP	Flow (GPM)
06093000-2000	1/8	230	0.8	1/12	50

Every pump comes with 2 compression fittings & without cord. Except for CMXP that come with a 5 ft 18/3 AMP-4P cord.



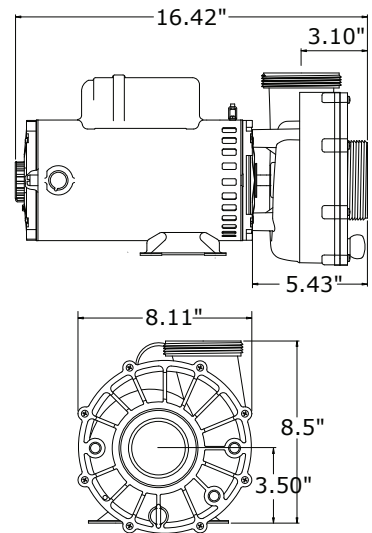
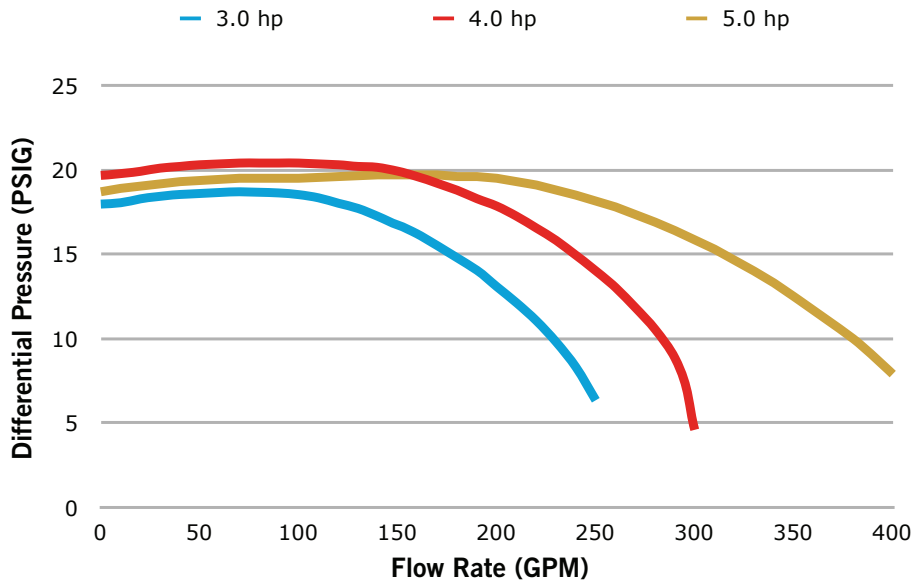
**XP3**

Flo-Master XP3  
 the power behind the performance of your spa

- Booster jet pumps
- Ideal for swim spas and high-flow requirements
- Dual-speed
- Flow rate up to 350 GPM
- 56 frame motor
- 2.5" intake and discharge
- Seal: Viton



**Dimension and Performance Curves XP3**



**Flo-Master XP3 Series, 60Hz, 56 Frame**

Dual-speed, 2 1/2" intake & discharge

Part No.	hp	Volts	A (High)	A (Low)	OP.HP*	Hi-Flow GPM
08326000-2041	3.0	230	10.0	3.2	2.5	200
08330002-5041	4.0	230	12.0	3.9	3.0	250
08342761-2041	5.0	230	15.0	4.5	4.0	325

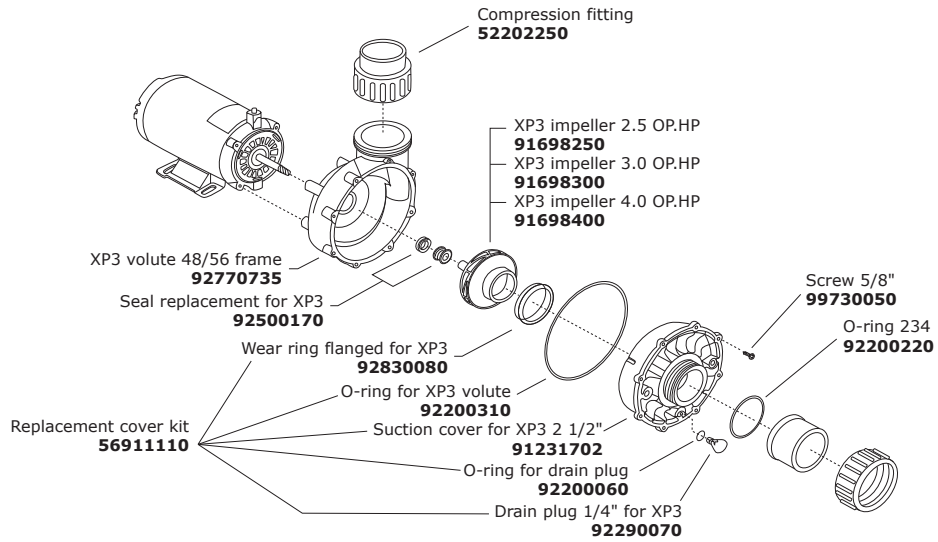
Every pump comes with 2 compression fittings & without cord.

\* OP.HP refers to operational duty horsepower.





**Flo-Master XP3 exploded view**



**Flo-Master XP3 Wet Ends 48FR/56FR, 2 1/2" intake & 2 1/2" side discharge**



Part No.	OP.HP*
91042125-000	2.5
91042130-000	3.0
91042140-000	4.0

\* OP.HP refers to operational duty horsepower.



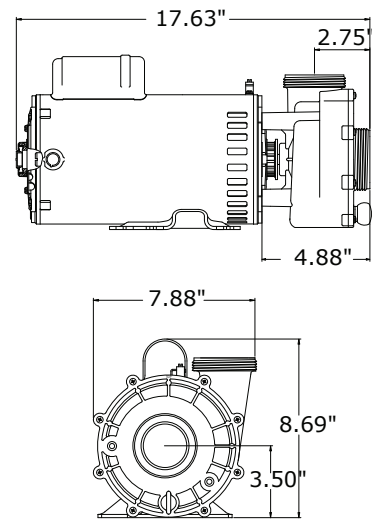
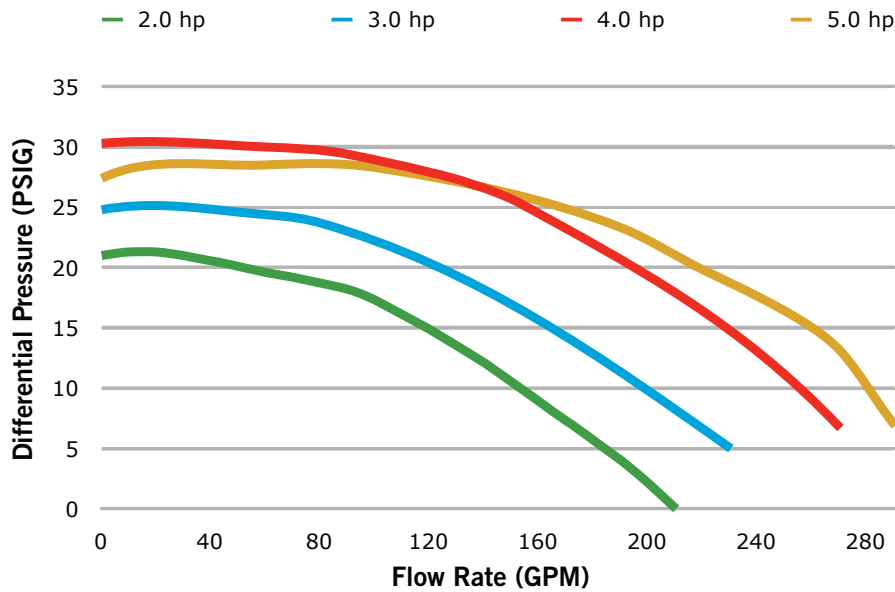
**XP2e**

Flo-Master XP2e  
greater flow-rates with overall energy efficiency

- Booster jet pumps
- Ideal for multi-jet applications
- Dual-speed
- Flow rate up to 280 GPM
- 56 frame motor
- 2" intake and discharge
- Seal: Viton



**Dimension and Performance Curves FM-XP2e**



**Flo-Master XP2e Series, 60Hz, 56 Frame**

**Dual-speed, 2" intake & discharge**

Part No.	hp	Volts	A (High)	A (Low)	OP.HP*	Hi-Flow GPM
05815001-2040	2.0	230	7.7	3.0	1.5	115
05320761-2040	3.0	230	8.4	3.0	2.0	170
05334012-2040	4.0	230	12.0	3.9	3.0	230
05340009-5040	5.0	230	15.0	4.5	4.0	260

**Dual-speed, 2.5" intake & 2" discharge**

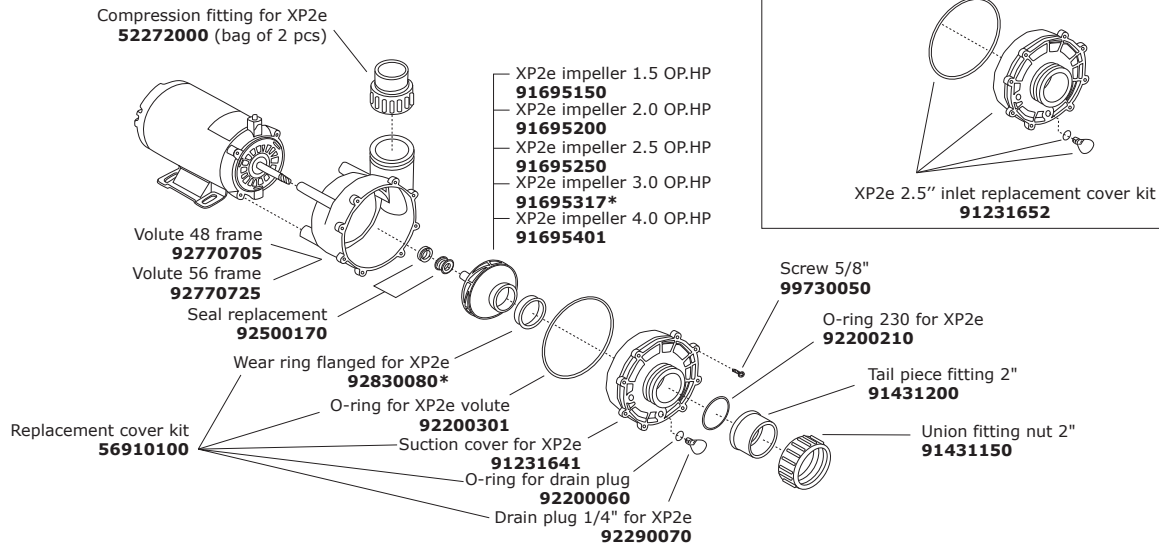
Part No.	hp	Volts	A (High)	A (Low)	OP.HP*	Hi-Flow GPM
05320762-5040	3.0	230	8.9	4.7	2.0	170
05334024-5040	4.0	230	12.8	4.8	3.0	230
05340011-5040	5.0	230	15.0	4.5	4.0	260

Every pump comes with 2 compression fittings & without cord.

\* OP.HP refers to operational duty horsepower.



**Flo-Master XP2e exploded view**



\*Note: 3.0 OP.HP impeller **91695317** needs a specific Wear ring **92830081**

**Flo-Master XP2e Wet Ends 48FR, 2" intake & side discharge**



Part No.	OP.HP*
91041815-000	1.5
91041820-000	2.0
91041825-000	2.5
91041830-000	3.0

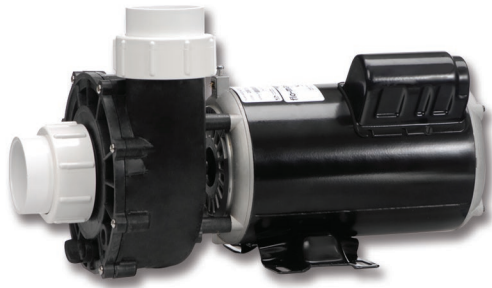
**Flo-Master XP2e Wet Ends 56FR, 2" intake & side discharge**



Part No.	OP.HP*
91041915-000	1.5
91041920-000	2.0
91041925-000	2.5
91041930-000	3.0
91041940-000	4.0

\* OP.HP refers to operational duty horsepower.

**Aqua-Flo Pumps for Spas**  
**Flo-Master XP2**

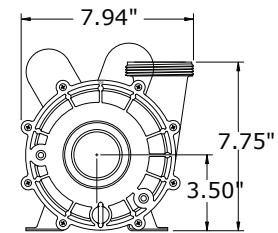
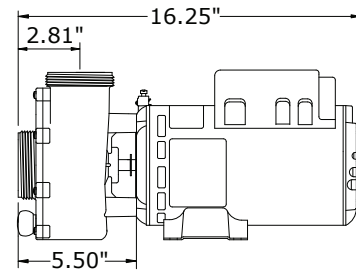
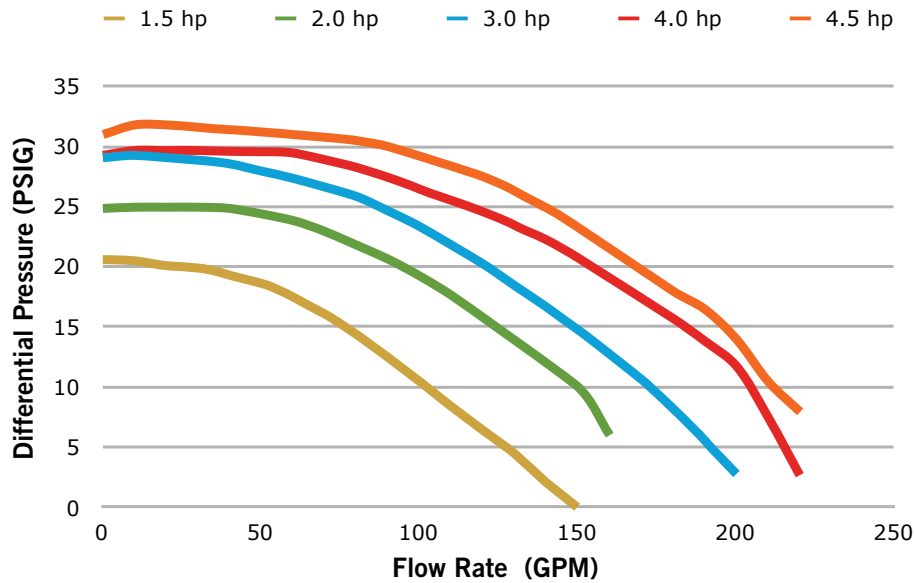


**XP2** Flo-Master XP2  
 high performance pump

- Booster jet pumps
- Dual-speed
- Flow rate up to 225 GPM
- 48 frame motor
- 2" intake and discharge
- Seal: Viton



**Dimension and Performance Curves XP2**



**Flo-Master XP2 Series, 60Hz, 48 frame**

Dual-speed, 2" intake & discharge

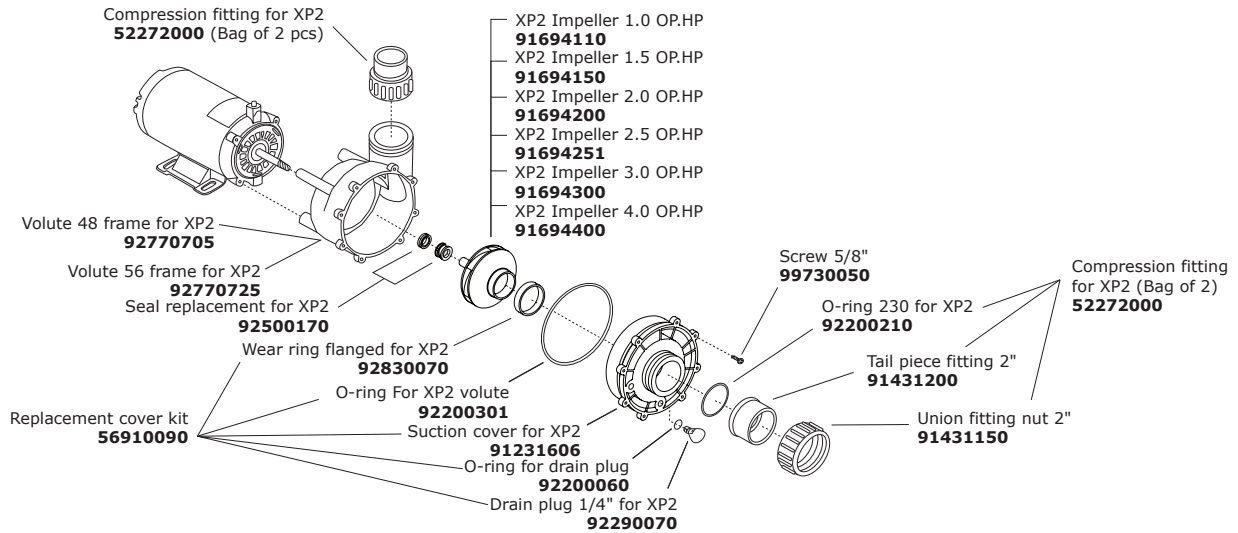
Part No.	hp	Volts	A (High)	A (Low)	OP.HP*	Hi-Flow GPM
06610006-2040	1.5	115	10.5	3.2	1.0	115
06115000-1040	2.0	115	14.4	5.5	1.5	125
06115517-2040	2.0	230	6.8	2.5	1.5	125
06120500-2040	3.0	230	8.4	3.0	2.0	150
06125000-1040	4.0	230	10.0	2.6	2.5	180
06130395-2040	4.5	230	13.1	3.3	3.0	200

Every pump comes with 2 compression fittings & without cord.

\* OP.HP refers to operational duty horsepower.



**Flo-Master XP2 exploded view**



**Flo-Master XP2 Wet Ends 48FR, 2" intake & side discharge**



Part No.	OP.HP*
91041608-000	1.0
91041815-000	1.5
91041820-000	2.0
91041825-000	2.5
91041830-000	3.0
91041613-000	4.0

**Flo-Master XP2 Wet Ends 56FR, 2" intake & side discharge**



Part No.	OP.HP*
91041915-000	1.5
91041920-000	2.0
91041925-000	2.5
91041930-000	3.0
91041940-000	4.0

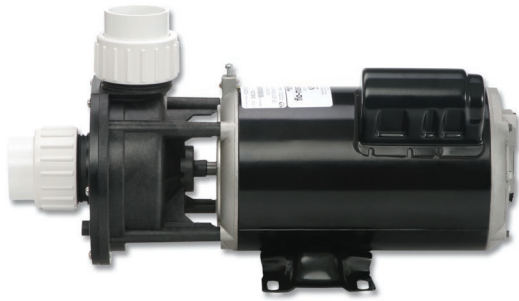
\* OP.HP refers to operational duty horsepower.

# Aqua-Flo Pumps for Spas

## Flo-Master HP & CP



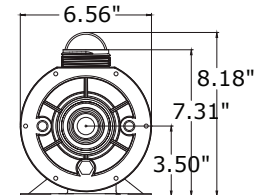
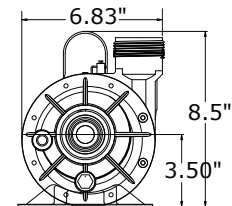
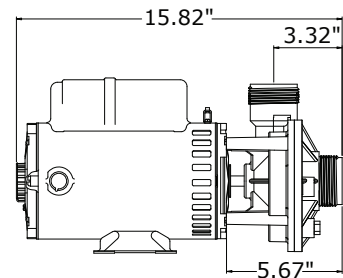
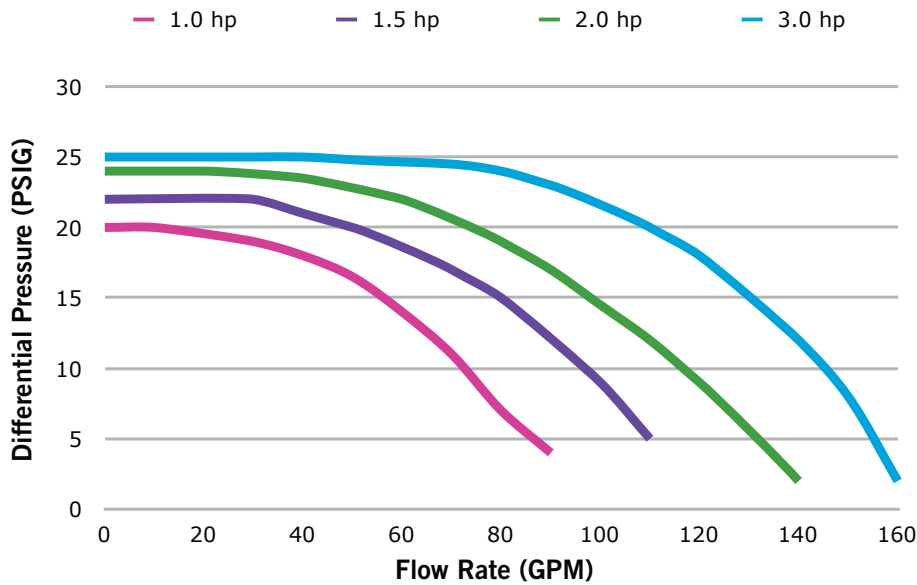
Flo-Master HP & CP  
high performance pumps for portable spas and hot tubs



- Booster jet pumps
- Dual-speed
- Flow rate up to 150 GPM
- 48 frame motor
- 1 1/2" intake and discharge
- Wet end available in center or side discharge configuration
- Seal: Viton



### Dimension and Performance Curves Flo-Master HP & CP



### Flo-Master Series, 60Hz, 48 Frame

#### Center discharge, Dual-speed, 1 1/2" intake & discharge

Part No.	hp	Volts	A (High)	A (Low)	OP.HP*	Hi-Flow GPM
02607000-1010	1.0	115	7.8	3.2	0.75	60
02610000-1010	1.5	115	9.8	3.8	1.0	80
02610001-5010	1.5	230	5.9	3.4	1.0	80
02615000-1010	2.0	115	14.4	5.5	1.5	100
02615005-1010	2.0	230	6.8	2.5	1.5	100
02620000-1010	3.0	230	8.4	3.0	2.0	125

#### Side discharge, Dual-speed, 1 1/2" intake & discharge

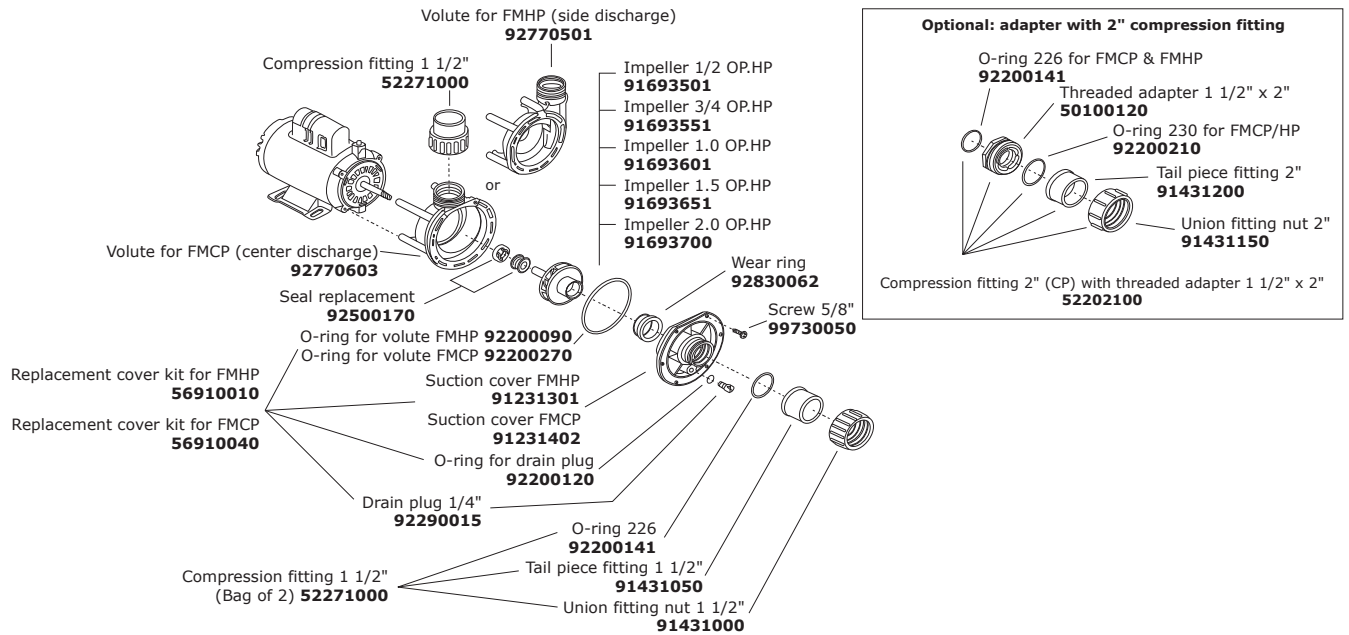
Part No.	hp	Volts	A (High)	A (Low)	OP.HP*	Hi-Flow GPM
02107000-1010	1.0	115	7.8	3.3	0.75	60
02110000-1010	1.5	115	9.8	3.8	1.0	85
02110005-1010	1.5	230	6.8	2.5	1.0	85
02115000-1010	2.0	115	14.4	5.5	1.5	105
02115005-1010	2.0	230	6.8	2.5	1.5	105
02120000-1010	3.0	230	8.4	3.0	2.0	130

Every pump comes with 2 compression fittings & without cord.



\* OP.HP refers to operational duty horsepower.



**Flo-Master HP & CP exploded view**



**Flo-Master Wet Ends 48FR, 1 1/2" intake & discharge**

	Part No.	OP.HP*	Discharge
	91040830-000	0.5	Center
	91040800-000	0.75	Center
	91040810-000	1.0	Center
	91040820-000	1.5	Center
	91040840-000	2.0	Center
	91040680-000	0.5	Side
	91040690-000	0.75	Side
	91040700-000	1.0	Side
	91040720-000	1.5	Side
	91040730-000	2.0	Side

\* OP.HP refers to operational duty horsepower.



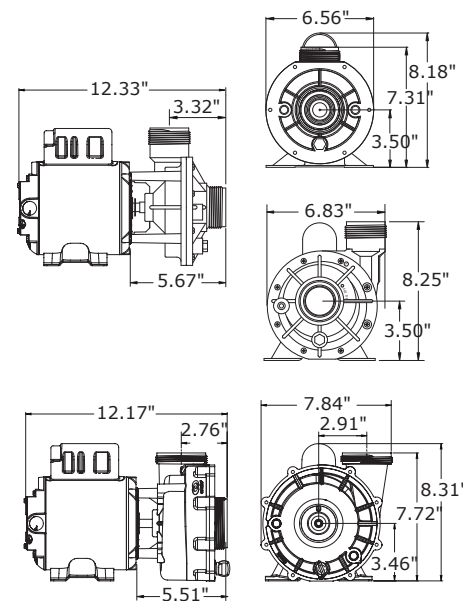
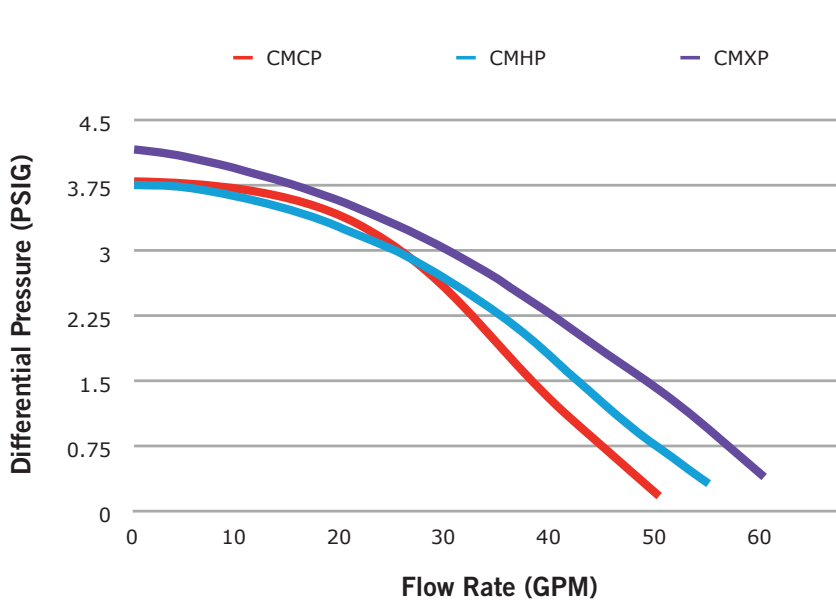
Circ-Master HP, CP & XP  
24-hour recirculation pumps

- Ideal for 24/7 circ pump applications
- Single speed
- Flow rate up to 50 GPM
- Intake and discharge
  - CMHP & CP: 1 1/2"
  - CMXP: 2"
- Wet end available in center or side discharger configuration
- Seal: Universal



Universal  
inside!

**Dimension and Performance Curves Circ-Master**



**Circ-Master CP**

Center discharge, single-speed, 1 1/2" intake & discharge

Part No.	hp	Volts	A	OP.HP*	Hi-Flow GPM
02593000-2010	1/8	115	1.3	1/15	35
02593001-2010	1/8	230	0.6	1/15	35

**Circ-Master HP**

Side discharge, single-speed, 1 1/2" intake & discharge

Part No.	hp	Volts	A	OP.HP*	Hi-Flow GPM
02093000-2010	1/8	115	1.3	1/15	40
02093001-2010	1/8	230	0.6	1/15	40

**Circ-Master XP**

Side discharge, single-speed, 2" intake & discharge

Part No.	hp	Volts	A	OP.HP*	Hi-Flow GPM
06093000-2000	1/8	230	0.8	1/12	50

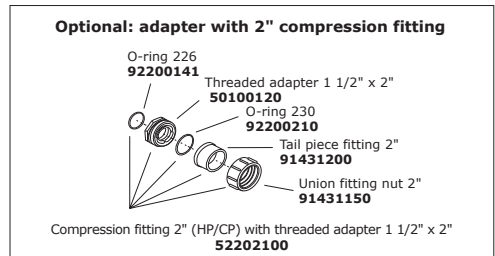
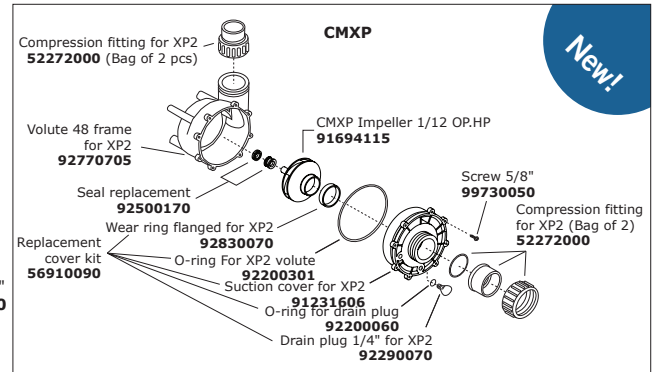
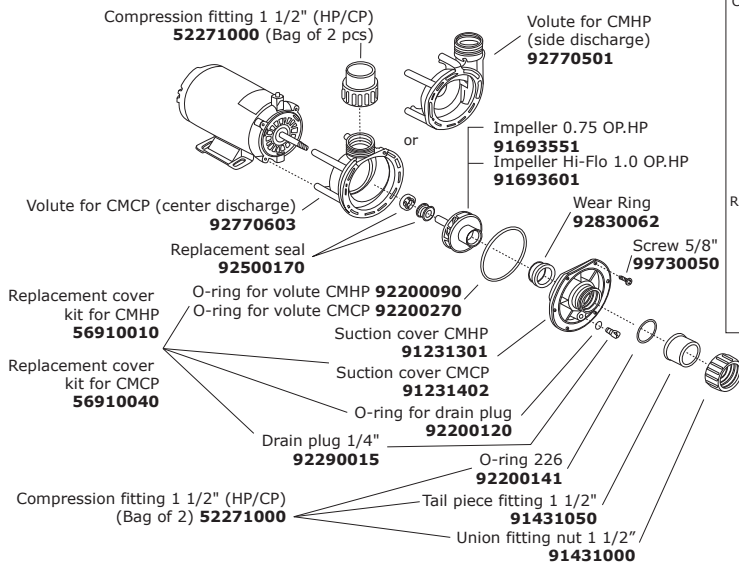
Every pump comes with 2 compression fittings & without cord. Except for CMXP that come with a 5 ft 18/3 AMP-4P cord.

\* OP.HP refers to operational duty horsepower.








**Circ-Master HP, CP & XP exploded view**



**Circ-Master HP & CP Wet Ends 48FR, 1 1/2\"/>**

	Part No.	OP.HP*	Discharge
	91040800-000	1/15	Center
	91040690-000	1/15	Side

**Circ-Master XP Wet Ends 48FR, 2\"/>**

	Part No.	OP.HP*	Discharge
	91041608-000	1/12	Side

\* OP.HP refers to operational duty horsepower.

# Sales and support programs

We offer tailored sales and support programs to help our distribution network bring to market and promote our controls, systems, pumps and accessories for spas.

- value price point
- best quality / price ratio
- low to no stock requirements
- 2 year warranty
- dropship program
- 5K\$ free freight offer
- highly qualified technical support
- documentation library
- tutorial video clips library
- www.geckodepot.com online store
- dedicated web-sites
- www.yseries.ca
- www.inclear.ca
- www.geckopumps.ca
- www.geckoseminars.com

## Eye catching p.o.p material

We're making available point of purchase promotional material, counter mats, wall posters, freestanding banners and display cabinets to create awareness and arouse interest in showrooms and stores. Log on [www.yseries.ca](http://www.yseries.ca) or [www.inclear.ca](http://www.inclear.ca) to order yours.



Freestanding display cabinets.



Counter mats and wall posters.



Freestanding banners.

# Everything you need for complete retrofit installations

Gecko's Y series offer the best retrofit control systems in the spa industry. in.ye and in.yj systems are available in bundles with everything you need to perform a complete installation: control systems, keypads, adaptor plates and cables.



## 5 relay in.ye

in.ye is the perfect solution to bring your customers' spas to the next level. in.ye is designed to fit in perfectly and to be easily installed, powered and connected to pumps and accessories of spas of all sizes and configurations.

### Featured in.ye bundle: BDLYE5K450

IN.YE-5, IN.K450-30P KEYPAD, CABLES

#### Bundle includes:

- system: in.ye-5 (0610-221046-355)
- keypad: in.k450-30P (BDLK45030P)
- cables: 2 x dual spd AMP cable (95100519), 2 x single spd AMP cable (95100517) and light (9920-400489)
- adaptor plate: for in.k450 keypad (9917-102123)



## 2 relay in.yj

Our new in.yj is perfect system for any small footprint spa, without losing out on functionality and options.

### Featured in.yj bundle: BDLYJ2K200

IN.YJ-2, 4KW HEATER, IN.K200-10P KEYPAD, CABLES & LIGHT

#### Bundle includes:

- system: in.yj-2 (0612-221032-316)
- heater: 4kW (0613-421001)
- keypad: in.k200-10P (BDLK20010P)
- cables: light (9920-400489) & 2 speed AMP receptacle (9920-401345)
- light: white LED bulb (246AA0064)
- adaptor plate: for in.k200 keypad (9917-102053)
- mounting brackets & screw kits (2 x 9920-101490)



**Litestreme**  
control for whirlpool bath with one speed pump

- Economical and compact design
- Easy-to-use single switch keypad
- Keypad lights up when the pump runs
- 20 minute auto shut-off
- Easy to install

Code	Description
<b>0101-002008</b>	<b>KEYPAD: SW-LS FOR LITESTREME MODULE</b>



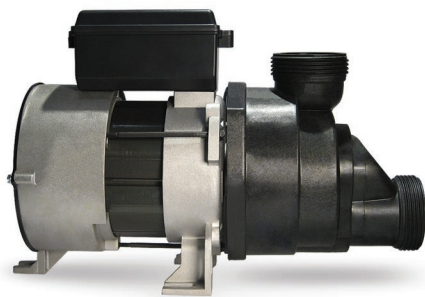
1 button: On  
Dimensions: 1.5" diameter  
Cord length: 6'  
Works with: Litestreme (0101-200023)

<b>0101-200023</b>	<b>LITESTREME LS-120 CONTROL MODULE FOR WATER PUMP</b>
--------------------	--



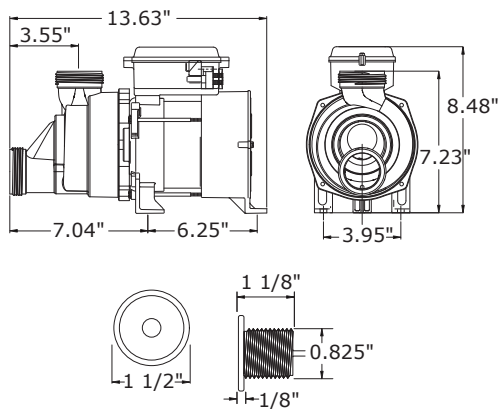
Voltage: 120 V  
Cord length: 3'  
Cord type: NEMA  
Timer: 20 minutes  
Works with: SW-LS (0101-002008)

**Bathtub Pumps**  
**WhirlMaster**



**WhirlMaster**  
low cost, high performance pumps for whirlpools

- Ideal pump for whirlpools
- Single speed pump
- Opt. air switch available
- Opt. electronic 30 min timer available
- NEMA 3' cord (standard US)
- 15 frame size motor
- 1 1/2" intake and discharge
- Whisper-quiet fine-tuned impeller



**WhirlMaster, center discharge, single-speed, 1 1/2" intake & discharge, 115V**

	Part No.	hp	A	GPM	Hz	Weight (lb)
<b>30 min timer</b>	<b>04207003-5010</b>	0.75	7	80	60	11.5
<b>3' cord</b>	<b>0110-001001</b>	SW-WM-WH-GE1 (compatible with WhirlMaster with 30 minute timer)				
<b>3' cord</b>	<b>04207001-5010</b>	0.75	7	80	60	11.5
<b>3' cord</b>	<b>04210001-5010</b>	1	9	102	60	14
<b>Air switch</b>	<b>04207002-5010</b>	0.75	7	90.5	60	11.5
<b>3' cord</b>	<b>04210002-5010</b>	1	9	102	60	14

Every pump comes with 2 compression fittings and NEMA 15P cord.



**GECKO DEPOT**

## **NORTH-AMERICAN WARRANTY SUMMARY**

**Two-year return and repair warranty  
Three month "showroom" grace period**

### **Gecko warranty and service agreement**

Gecko Depot warrants that all spa systems, spa packs, pumps (excluding seals), keypads and heaters shall be free of defects in workmanship and materials for a period of twenty-seven months (two-year product warranty and a three-month "showroom" grace period).

All Aeware accessories, including in.tune CD players, in.keys audio keypads, remote controls, in.clear, and air.wav blowers are covered by an eighteen-month warranty (one-year product warranty and a six-month "showroom" grace period).

### **Additional warranty provisions**

Gecko guarantees that products sold by Gecko Depot are free from defects in workmanship and materials. Gecko's warranty does not cover problems arising from misuse, abuse, neglect, miswiring or improper installation, problems caused by improper or inadequate electrical service, or damage caused by power surges or electrical failure. This warranty is not transferable and replacement or credits are made only to the original purchaser.

GECKO SHALL NOT BE LIABLE FOR ANY INCIDENTAL, SPECIAL OR CONSEQUENTIAL COSTS OR DAMAGES INCURRED BY THE PURCHASER OR OTHERS, INCLUDING WITHOUT LIMITATION, DAMAGES FOR LOST PROFITS, GOODWILL, INTERRUPTION OF BUSINESS, OR ANY OTHER INJURY OR DAMAGE NOT EXPRESSLY COVERED UNDER THIS LIMITED WARRANTY.

If any provision contained in this warranty is determined to be invalid or unenforceable, such provisions shall be deemed modified so as to be valid and enforceable to the fullest extent permitted by law.

#### **Canadian Customers:**

Gecko Alliance Repair Center  
450 des Canetons  
Quebec QC G2E 5W6  
Canada  
1.418.872.4411  
Fax: 1.866.759.0906

#### **US Customers:**

Gecko Alliance Repair Center  
c/o Rancourt Logistics LLC  
4 Walton Street  
Jackman ME 04945  
USA  
Fax: 1.866.759.0906



Need to return merchandise? Please follow our return procedure:

- 1 Complete the Return Form and fax it back to Gecko Depot at **1.866.759.0906**.
- 2 Upon reception of the Return Form, Gecko Depot will issue a Returned Merchandise Authorization Number (RMA#) and will fax it back to you.
- 3 Please note that:
  - you must write the RMA# on all boxes addressed and returned to Gecko Depot. Any merchandise returned without an RMA# will be sent back to its sender.
  - you must carefully pack the returned merchandise or you will be held responsible for all damage incurred during transportation.
- 4 Send the merchandise to Gecko Depot, freight prepaid. Please keep the waybill numbers of your shipment(s) in case the merchandise is lost and tracking is necessary.
- 5 Returned merchandise will be tested within a maximum of 2 weeks after receipt. If the cause of the problem is not covered by Gecko's warranty, the repair will be invoiced to you (see Warranty Statement).
- 6 Repaired merchandise will be returned. Products that cannot be repaired will be replaced by the same, or an equivalent, product. A service invoice is issued and mailed with each report.

**US customers:**

Gecko Alliance Repair Center  
c/o Rancourt Logistics LLC  
4 Walton Street  
Jackman ME 04945  
USA

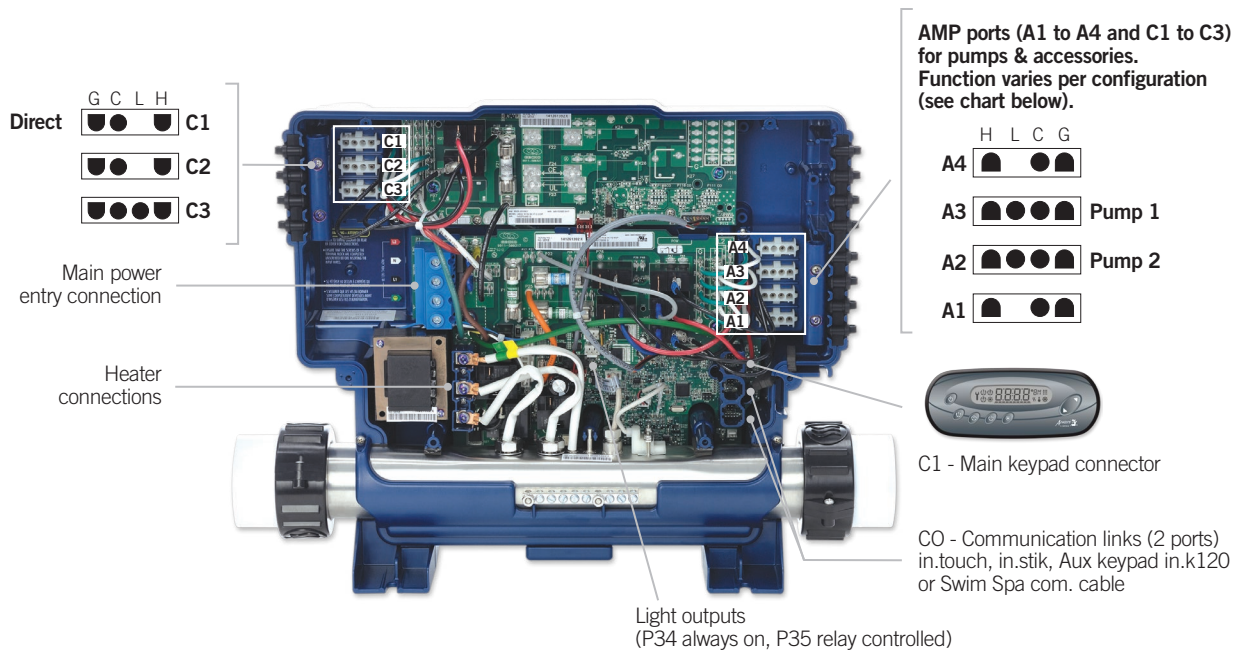
**Canadian customers:**

Gecko Alliance Repair Center  
450 des Canetons  
Quebec QC G2E 5W6  
Canada

For more assistance, call Gecko's Technical Support Department at **1.800.78.GECKO** or by email at **[techsupport@geckcoal.com](mailto:techsupport@geckcoal.com)**







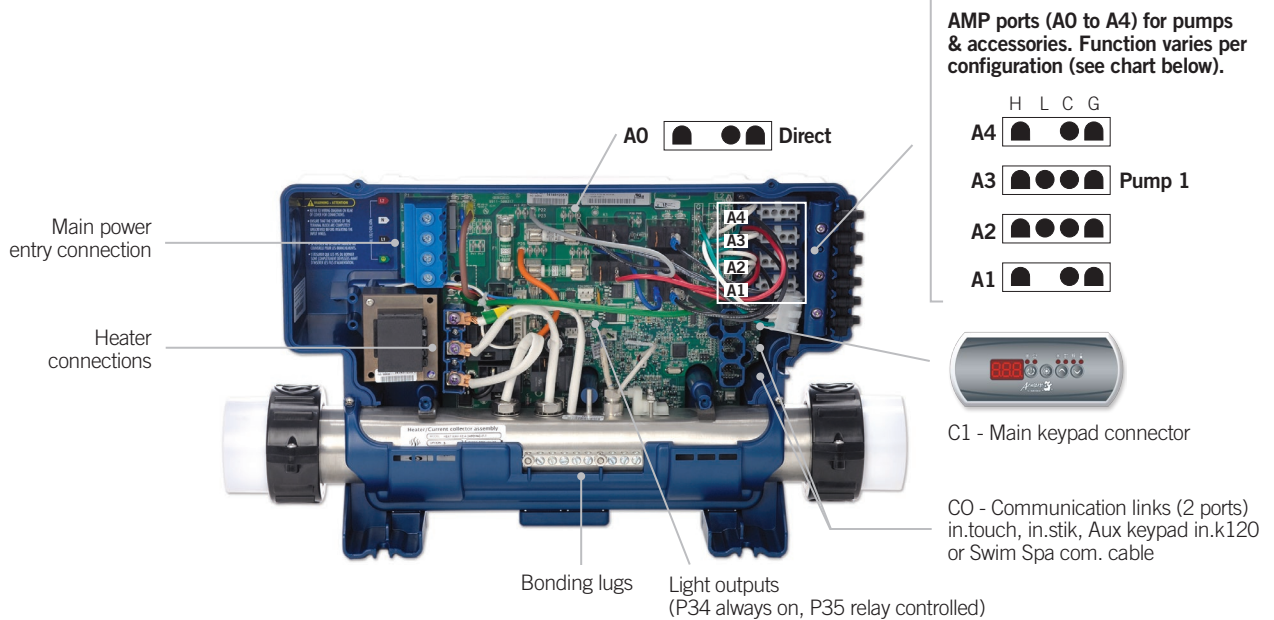
**Preloaded spa configurations, ID # 0611-221031-361, Software # 361 rev 2.0**

Information between ( ) indicates which AMP connector to use. See above drawing for connector's position.

Config. #	Pump 1	Pump 2	Pump 3	Pump 4	Pump 5	Blower	Circ. Pump (CP)	Ozone <sup>1</sup>	120 V Light	Filter Cycle (Daily)	Heater Pump
1	1sp (A3)	1sp (A2)	1sp (C3)				(C2)	(A1)		2 x 6 hours with CP	CP
2	1sp (A3)	1sp (A2)	1sp (C3)			(A4)	(C2)	(A1)		2 x 6 hours with CP	CP
3	1sp (A3)	1sp (A2)	1sp (C3)	1sp (A4)			(C2)	(A1)		2 x 6 hours with CP	CP
4	1sp (A3)	1sp (A2)	1sp (C3)	1sp (A4)		(A1)	(C2)	(K2-P tab) <sup>2</sup>		2 x 6 hours with CP	CP
5	1sp (A3)	1sp (A2)	1sp (C3)	1sp (A4)	1sp (A1)		(C2)	(K2-P tab) <sup>2</sup>		2 x 6 hours with CP	CP
6	1sp (A3)	1sp (A2)	1sp (C3)	1sp (A4)	1sp (A1)	(K2-P tab) <sup>2</sup>	(C2)			2 x 6 hours with CP	CP
7	2sp (A3)	1sp (A2)	1sp (C3)					(A1)		2 x 2 hours with P1L	Pump 1
8	2sp (A3)	1sp (A2)	1sp (C3)			(A4)		(A1)		2 x 2 hours with P1L	Pump 1
9	2sp (A3)	1sp (A2)	1sp (C3)				(C2)	(A1)		2 x 6 hours with CP	CP
10	2sp (A3)	1sp (A2)	1sp (C3)			(A4)	(C2)	(A1)		2 x 6 hours with CP	CP
11	2sp (A3)	1sp (A2)	1sp (C3)	1sp (A4)				(A1)		2 x 2 hours with P1L	Pump 1
12	2sp (A3)	1sp (A2)	1sp (C3)	1sp (A4)		(C2)		(A1)		2 x 2 hours with P1L	Pump 1
13	2sp (A3)	1sp (A2)	1sp (C3)	1sp (A4)			(C2)	(A1)		2 x 6 hours with CP	CP
14	2sp (A3)	1sp (A2)	1sp (C3)	1sp (A4)		(A1)	(C2)			2 x 6 hours with CP	CP
15	2sp (A3)	1sp (A2)	1sp (C3)	1sp (A4)	1sp (A1)			(C2)		2 x 2 hours with P1L	Pump 1
16	2sp (A3)	1sp (A2)	1sp (C3)	1sp (A4)	1sp (A1)	(C2)				2 x 2 hours with P1L	Pump 1
17	2sp (A3)	1sp (A2)	1sp (C3)	1sp (A4)	1sp (A1)		(C2)			2 x 6 hours with CP	CP
18	2sp (A3)	2sp (A2)	1sp (C3)					(A1)		2 x 2 hours with P1L	Pump 1
19	2sp (A3)	2sp (A2)	1sp (C3)			(C2)		(A1)		2 x 2 hours with P1L	Pump 1
20	2sp (A3)	2sp (A2)	1sp (C3)				(C2)	(A1)		2 x 6 hours with CP	CP
21	2sp (A3)	2sp (A2)	1sp (C3)			(A1)	(C2)			2 x 6 hours with CP	CP
22	2sp (A3)	2sp (A2)	2sp (C3)					(A1)		2 x 2 hours with P1L	Pump 1
23	2sp (A3)	2sp (A2)	2sp (C3)			(A1)				2 x 2 hours with P1L	Pump 1
24	2sp (A3)	2sp (A2)	2sp (C3)				(A1)			2 x 6 hours with CP	CP
25	2sp (A3)	1sp (A2)						(A1)	(A4)	2 x 2 hours with P1L	Pump 1
26	2sp (A3)	1sp (A2)				(C3)		(A1)	(A4)	2 x 2 hours with P1L	Pump 1
27	2sp (A3)	1sp (A2)					(C2)	(A1)	(A4)	2 x 6 hours with CP	CP
28	2sp (A3)	1sp (A2)				(C3)	(C2)	(A1)	(A4)	2 x 6 hours with CP	CP
29	2sp (A3)	2sp (A2)						(A1)	(C2)	2 x 2 hours with P1L	Pump 1
30	2sp (A3)	2sp (A2)				(C3)		(A1)	(C2)	2 x 2 hours with P1L	Pump 1

**Note 1:** When the Ozonator is not controlled by a relay, it can be tied to Pump 1 Low speed or Circ. Pump using AMP cable 9920-401369.

**Note 2:** This accessory does not have its own AMP connector. Wire an extra AMP connector 9920-401346 (not supplied) as follows: Black wire to P43 tab on the board, Green to any G tabs and white to any N tabs for 120 V accessory or any L2 tabs for 240 V.



**Preloaded spa configurations, ID # 0610-221046-355, Software # 355 rev 3.0**

Information between ( ) indicates which AMP connector to use. See above drawing for connector's position.

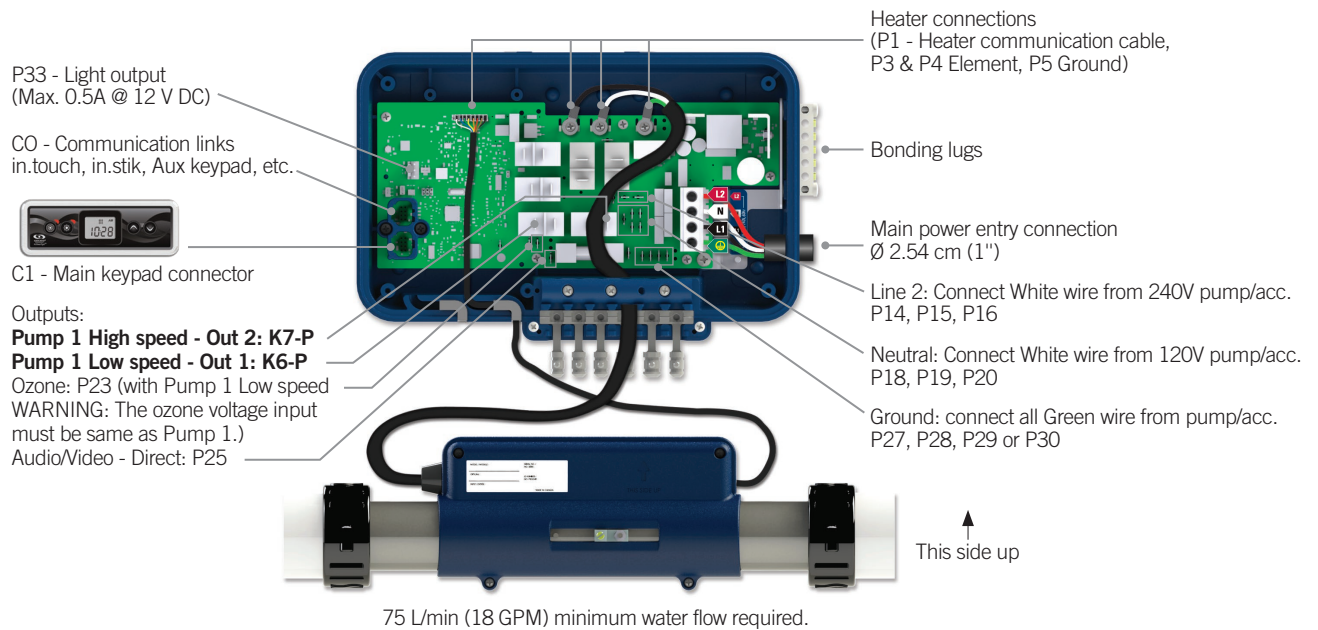
Config. #	Pump 1	Pump 2	Pump 3	Pump 4	Pump 5	Blower	Circ. Pump (CP)	Ozone <sup>1</sup>	Filter Cycle (Daily)	Heater Pump
1	2 sp (A3)							(A1)	2 x 2 hours with P1L	Pump 1
2	2 sp (A3)						(A1)	(A4)	2 x 6 hours with CP	CP
3	2 sp (A3)	1 sp (A2)						(A1)	2 x 2 hours with P1L	Pump 1
4	2 sp (A3)	1 sp (A2)					(A1)	(A4)	2 x 6 hours with CP	CP
5	2 sp (A3)					(A4)		(A1)	2 x 2 hours with P1L	Pump 1
6	2 sp (A3)					(A4)	(A1)	(A2)	2 x 6 hours with CP	CP
7 <sup>4</sup>	2 sp (A3)	1 sp (A2)				(A4)		(A1)	2 x 2 hours with P1L	Pump 1
8	2 sp (A3)	1 sp (A2)				(A4)	(A1)		2 x 6 hours with CP	CP
9	2 sp (A3)	2 sp (A2)						(A1)	2 x 2 hours with P1L	Pump 1
10	2 sp (A3)	2 sp (A2)					(A1)		2 x 6 hours with CP	CP
11	2 sp (A3)	2 sp (A2)				(A1)			2 x 2 hours with P1L	Pump 1
12	2 sp (A3)	2 sp (A2)				(A1)	(A0) <sup>2</sup>		2 purges, CP always on	CP
13	2 sp (A3)	1 sp (A2)	1 sp (A4)					(A1)	2 x 2 hours with P1L	Pump 1
14	2 sp (A3)	1 sp (A2)	1 sp (A4)				(A1)		2 x 6 hours with CP	CP
15	2 sp (A3)	1 sp (A2)	1 sp (A4)			(A1)			2 x 2 hours with P1L	Pump 1
16	2 sp (A3)	1 sp (A2)	1 sp (A4)			(A1)	(A0) <sup>2</sup>		2 purges, CP always on	CP
17	2 sp (A3)	2 sp (A2)	1 sp (A1)						2 x 2 hours with P1L	Pump 1
18	1 sp (A3)						(A1)	(A4)	2 x 6 hours with CP	CP
19	1 sp (A3)	1 sp (A2)					(A1)	(A4)	2 x 6 hours with CP	CP
20	1 sp (A3)	1 sp (A2)	1 sp (A4)				(A1)	(P43 tab) <sup>3</sup>	2 x 6 hours with CP	CP
21	1 sp (A3)	1 sp (A2)	1 sp (A4)	1 sp (A1)			(A0) <sup>2</sup>	(P43 tab) <sup>3</sup>	2 purges, CP always on	CP
<b>Swim Spa</b>										
51 (Master)	1 sp (A3)	1 sp (A2)					(A4)	(A1)	2 x 6 hours with CP	CP
51 (Slave)			1 sp (A3)	1 sp (A2)		(A4)				
52 (Master)	2 sp (A3)	1 sp (A2)						(A1)	2 x 2 hours with P1L	Pump 1
52 (Slave)			1 sp (A3)	1 sp (A2)		(A4)				
53 (Master)	1 sp (A3)	1 sp (A2)					(A4)	(A1)	2 x 6 hours with CP	CP
53 (Slave)			1 sp (A3)	1 sp (A2)	1 sp (A1)	(A4)				
54 (Master)	2 sp (A3)	1 sp (A2)						(A1)	2 x 2 hours with P1L	Pump 1
54 (Slave)			1 sp (A3)	1 sp (A2)	1 sp (A1)	(A4)				

**Note 1:** When the Ozonator is not controlled by a relay, it can be tied to Pump 1 Low speed or Circ. Pump using cable AMP 9920-401369.

**Note 2:** Circ. pump is connected to a Direct fused outlet. Pump will always be on and may overheat if oversized pump is used.

**Note 3:** This accessory does not have its own AMP connector. Rewire A0 if not used or order extra AMP connector 9920-401346 (Black wire to P43 tab on the board, Green to any G tabs and white to any N tabs for 120 V accessory or any L2 tabs for 240 V).

**Note 4:** Configuration 7 is preselected from factory.



By default, this pack runs on Low level 1. Pump 1 dual speed, a 12 V light and a 4kW heater at 240 V.

**Preloaded spa configurations, ID # 0612-221032-316, Software # 316 rev 1.0**

Information between ( ) indicates which connector/tab to use. See above drawing for connector's position.

Config. #	Pump 1	Pump 2	Circ. Pump (CP)	Ozone <sup>1</sup>	Filter Cycle (Daily)	Heater Pump
1	2 sp (High: K7-P, Low: K6-P)				2 x 1 hour with P1	Pump 1
2	1 sp (K7-P)			(K6-P)	2 x 1 hour with P1	Pump 1
3	1 sp (K7-P)	1sp (K6-P)			2 x 1 hour with P1	Pump 1
4	1 sp (K7-P)		(K6-P)		2 x 6 hours with CP	CP
5	2 sp (High: K7-P, Low: K6-P)		(P25) <sup>1</sup>		Always On, 2 x purges with P1H	CP

**Note 1:** Circulation pump is not controlled via a relay and will run 24/7. Circulation pumps must provide at least 75 L/min (18 GPM) without creating kinetic heating of the water (Gecko recommends using the Aqua-Flo Circ-Master - 1/15 HP).

# Low Level Configuration

in.xm



Don't forget that the voltage is determined by the cable used (120 or 240V cable)!

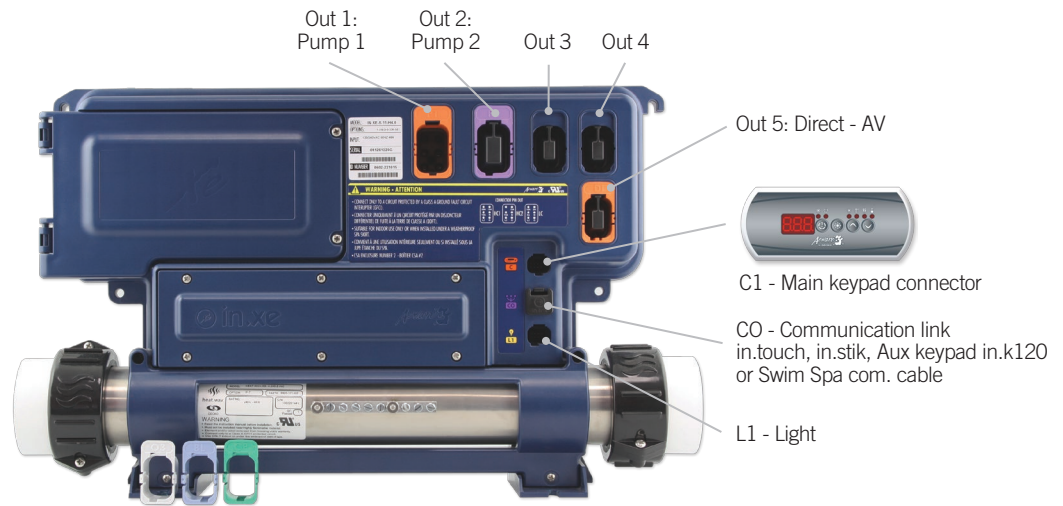
## Preloaded spa configurations, ID # 0601-221104, Software # 181 rev 3.0

Information between ( ) indicates which in.link port to use. See above drawing for port's position.

Config. #	Pump 1	Pump 2	Pump 3	Pump 4	Pump 5	Blower	TV lifter	Sanitation	Ozone	Circ. Pump	Filter Cycle (Daily)	Heater Pump
1	2 sp (Out 1)								(Out 4)		2 x 2 hours with P1L	P1
2	2 sp (Out 1)								(Out 4)	(Out 6)	2 x 12 hours with CP	CP
3	2 sp (Out 1)	2 sp (Out 2)							(Out 4)		2 x 2 hours with P1L	P1
4	2 sp (Out 1)	2 sp (Out 2)							(Out 4)	(Out 6)	2 x 12 hours with CP	CP
5	2 sp (Out 1)	2 sp (Out 2)				(Out 5)			(Out 4)		2 x 2 hours with P1L	P1
6	2 sp (Out 1)	2 sp (Out 2)				(Out 5)			(Out 4)	(Out 6)	2 x 12 hours with CP	CP
7	2 sp (Out 1)	2 sp (Out 2)	1 sp (Out 3)						(Out 4)		2 x 2 hours with P1L	P1
8	2 sp (Out 1)	2 sp (Out 2)	1 sp (Out 3)						(Out 4)	(Out 6)	2 x 12 hours with CP	CP
9	2 sp (Out 1)	2 sp (Out 2)	1 sp (Out 3)			(Out 5)			(Out 4)		2 x 2 hours with P1L	P1
10	2 sp (Out 1)	2 sp (Out 2)	1 sp (Out 3)			(Out 5)			(Out 4)	(Out 6)	2 x 12 hours with CP	CP
11	2 sp (Out 1)	2 sp (Out 2)	1 sp (Out 3)						(Out 4)		2 x 2 hours with P1L	P1
12	2 sp (Out 1)					(Out 5)			(Out 4)		2 x 2 hours with P1L	P1
13	2 sp (Out 1)					(Out 5)			(Out 4)	(Out 6)	2 x 2 hours with CP	CP
14	1 sp (Out 1)	1 sp (Out 2)							(Out 4)	(Out 6)	2 x 12 hours with CP	CP
15	1 sp (Out 1)	1 sp (Out 2)				(Out 5)			(Out 4)	(Out 6)	2 x 12 hours with CP	CP
16	1 sp (Out 1)	1 sp (Out 2)	1 sp (Out 3)						(Out 4)	(Out 6)	2 x 12 hours with CP	CP
17	1 sp (Out 1)	1 sp (Out 2)	1 sp (Out 3)			(Out 5)			(Out 4)	(Out 6)	2 x 12 hours with CP	CP
18	2 sp (Out 1)	1 sp (Out 2)							(Out 4)		2 x 2 hours with P1L	P1
19	2 sp (Out 1)	1 sp (Out 2)				(Out 5)			(Out 4)		2 x 2 hours with P1L	P1
20	2 sp (Out 1)	1 sp (Out 2)	1 sp (Out 3)						(Out 4)		2 x 2 hours with P1L	P1
21	2 sp (Out 1)	1 sp (Out 2)	1 sp (Out 3)			(Out 5)			(Out 4)		2 x 2 hours with P1L	P1
22	2 sp (Out 1)	1 sp (Out 2)							(Out 4)	(Out 6)	2 x 12 hours with CP	CP
23	2 sp (Out 1)	1 sp (Out 2)				(Out 5)			(Out 4)	(Out 6)	2 x 12 hours with CP	CP
24	2 sp (Out 1)	1 sp (Out 2)	1 sp (Out 3)						(Out 4)	(Out 6)	2 x 12 hours with CP	CP
25	2 sp (Out 1)	1 sp (Out 2)	1 sp (Out 3)			(Out 5)			(Out 4)	(Out 6)	2 x 12 hours with CP	CP
26	1 sp (Out 1)	1 sp (Out 2)	1 sp (Out 3)						(Out 4)	(Out 6)	2 x 12 hours with CP	CP
27	1 sp (Out 1)*	1 sp (Out 2)	1 sp (Out 3)	1 sp (Out 1)*					(Out 4)	(Out 6)	2 x 12 hours with CP	CP
28	1 sp (Out 1)*	1 sp (Out 2)*	1 sp (Out 3)	1 sp (Out 1)*	1 sp (Out 2)*				(Out 4)	(Out 6)	2 x 12 hours with CP	CP
29	VSP (Out 1)	2 sp (Out 2)	VSP (Out 3)			(Out 5)	(Out 6)	(Out 4)	(Out 4)		2 x 12 hours with P1	P1
30	VSP (Out 1)	2 sp (Out 2)				(Out 5)	(Out 6)	(Out 4)	(Out 4)		2 x 12 hours with P1	P1
31	VSP (Out 1)		VSP (Out 3)			(Out 5)	(Out 6)	(Out 4)	(Out 4)		2 x 12 hours with P1	P1

\* 2 Pumps connect to the same Output (Out) using in.split-HC  
VSP: Variable Speed Pump





Don't forget that the voltage is determined by the cable used (120 or 240V cable)!

**Preloaded spa configurations, ID # 0602-221063-299, Software # 299 rev 3.0**

Information between ( ) indicates which in.link port to use. See above drawing for port's position.

Config.#	Pump 1	Pump 2	Pump 3	Pump 4	Pump 5	Blower	Circ.Pump (CP)	Ozone <sup>1</sup>	Filter Cycle (Daily)	Heater Pump
1	2 sp (Out 1)							(Out 4)	2 x 2 hours with P1	P1
2	2 sp (Out 1)						(Out 3)	(Out 4)	2 x 6 hours with CP	CP
3	2 sp (Out 1)	1 sp (Out 2)						(Out 4)	2 x 2 hours with P1	P1
4	2 sp (Out 1)	1 sp (Out 2)					(Out 3)	(Out 4)	2 x 6 hours with CP	CP
5	2 sp (Out 1)					(Out 3)		(Out 4)	2 x 2 hours with P1	P1
6	2 sp (Out 1)					(Out 3)	(Out 4)		2 x 6 hours with CP	CP
7	2 sp (Out 1)	1 sp (Out 2)				(Out 3)		(Out 4)	2 x 2 hours with P1	P1
8	2 sp (Out 1)	1 sp (Out 2)				(Out 3)	(Out 4)		2 x 6 hours with CP	CP
9	1 sp (Out 1)						(Out 3)	(Out 4)	2 x 6 hours with CP	CP
10	1 sp (Out 1)	1 sp (Out 2)					(Out 3)	(Out 4)	2 x 6 hours with CP	CP
11	1 sp (Out 1)	1 sp (Out 2)				(Out 3)	(Out 4)		2 x 6 hours with CP	CP
12	1 sp (Out 1)	1 sp (Out 2)						(Out 4)	2 x 2 hours with P1	P1
13	1 sp (Out 1)	1 sp (Out 2)				(Out 3)		(Out 4)	2 x 2 hours with P1	P1
14	2 sp (Out 1)	1 sp (Out 2)				(Out 3)	(Out 4)		2 x 6 hours with CP	P1

**Swim Spa**

51	2 sp (Master Out 1)	1 sp (Master Out 2)	1 sp (Slave Out 1)	1 sp (Slave Out 2)			(Master Out 3)	(Master Out 4)	2 x 6 hours with CP	CP
52	2 sp (Master Out 1)	1 sp (Master Out 2)	1 sp (Slave Out 1)	1 sp (Slave Out 2)				(Master Out 4)	2 x 2 hours with P1	P1
53	2 sp (Master Out 1)	1 sp (Master Out 2)	1 sp (Slave Out 1)	1 sp (Slave Out 2)		1 sp (Slave Out 3)	(Master Out 3)	(Master Out 4)	2 x 6 hours with CP	CP
54	2 sp (Master Out 1)	1 sp (Master Out 2)	1 sp (Slave Out 1)	1 sp (Slave Out 2)		1 sp (Slave Out 3)		(Master Out 4)	2 x 2 hours with P1	P1
55	2 sp (Master Out 1)	1 sp (Master Out 2)	1 sp (Slave Out 1)				(Master Out 3)	(Master Out 4)	2 x 6 hours with CP	CP
56	2 sp (Master Out 1)	1 sp (Master Out 2)	1 sp (Slave Out 1)					(Master Out 4)	2 x 2 hours with P1	P1
57	2 sp (Master Out 1)	1 sp (Master Out 2)	1 sp (Slave Out 1)			1 sp (Slave Out 3)	(Master Out 3)	(Master Out 4)	2 x 6 hours with CP	CP
58	2 sp (Master Out 1)	1 sp (Master Out 2)	1 sp (Slave Out 1)			1 sp (Slave Out 3)		(Master Out 4)	2 x 2 hours with P1	P1
59 <sup>2</sup>	2 sp (Master Out 2)	1 sp (Master Out 1)	1 sp (Slave Out 1)	1 sp (Slave Out 1)	1 sp (Slave Out 2)		(Master Out 3)	(Master Out 4)	2 x 6 hours with CP	CP

**Preloaded spa configurations, ID # 0602-221066-300, Software # 300 rev 3.0**

Information between ( ) indicates which in.link port to use. See above drawing for port's position.

Config. #	Pump 1	Pump 2	Blower	Circ. Pump (CP)	Ozone <sup>1</sup>	Filter Cycle (Daily)	Heater Pump
1	2 sp (Out 1)				(Out 4)	2 x 2 hours with P1	Pump 1
2	2 sp (Out 1)			(Out 4)		2 x 6 hours with CP	Circulation Pump
3	2 sp (Out 1)		(Out 4)			2 x 2 hours with P1	Pump 1
4	2 sp (Out 1)	1 sp (Out 2)			(Out 4)	2 x 2 hours with P1	Pump 1
5	2 sp (Out 1)	1 sp (Out 2)		(Out 4)		2 x 6 hours with CP	Circulation Pump
6	2 sp (Out 1)	1 sp (Out 2)	(Out 4)			2 x 2 hours with P1	Pump 1
7	2 sp (Out 1)	2 sp (Out 2)			(Out 4)	2 x 2 hours with P1	Pump 1
8	2 sp (Out 1)	2 sp (Out 2)		(Out 4)		2 x 6 hours with CP	Circulation Pump
9	2 sp (Out 1)	2 sp (Out 2)	(Out 4)			2 x 2 hours with P1	Pump 1

**Note 1:** When the Ozonator is not controlled by a relay, it can be tied to Pump 1 Low speed or Circ. Pump.

**Note 2:** Slave (OUT 1) high and low speed dedicated to Pump 3 and pump 4 respectively.

## Price list



All prices are listed in US dollars.  
 Manufacturer's suggested retail price (MSRP).

\*These products are subject to a different discount level.  
 All prices are subject to change without notice.

Code	Description	Price
0101-002008	KEYPAD: SW-LS FOR LITESTREME MODULE	\$ 84.99
0101-200023	LITESTREME LS-120 CONTROL MODULE FOR WATER PUMP	\$ 151.21
0110-001001	KEYPAD: SW-WM FOR WHIRLMASTER PUMP WITH TIMER	\$ 79.07
01710502-2000	TMCP, 48FR, R0, 1.0 OP.HP / 1.5HP, 115V, 60HZ, 1SPD, AIR SWITCH	\$ 378.26
0201-300014	BOARD REPLACEMENT MSPA-MP-GE1	\$ 731.30
0201-300031	BOARD REPLACEMENT KIT FOR MSPA-MP-BF4	\$ 90 293.00
0201-300045	BOARD REPLACEMENT KIT FOR MSPA-1 AND MSPA-4	\$ 699.28
0202-205160	SC-MP-P122-P212-B1-CP1-01-AU11-H4.0-LCD-JJM-SBD	\$ 1 028.60
0202-205162	SC-MP-P122-P212-B1-CP1-01-AU11-H4.0-JJC-NE-SBD	\$ 1 028.60
0202-205163	SC-MP-P122-P212-B1-CP1-01-LCD-H4.0-AMP-SBD	\$ 1 041.86
0202-205209	SC-MP-P121-P211-B1-01-CP1-NE-LS-HR-JJC-SBD1	\$ 89 586.00
0202-205212	SC-CF-P12-O-CP-LS-H4.0-U-GE1	\$ 753.57
02093000-2010	CMHP, 48FR, R0, 1/15 OP.HP / 1/8HP, 115V, 60HZ, 1SPD	\$ 327.54
02093001-2010	CMHP, 48FR, R0, 1/15 OP.HP / 1/8HP, 230V, 60HZ, 1SPD	\$ 327.54
02107000-1010	FMHP, 48FR, R0, 0.75 OP.HP / 1.0HP, 115V, 60HZ, 2SPD	\$ 398.84
02110000-1010	FMHP, 48FR, R0, 1.0 OP.HP / 1.5HP, 115V, 60HZ, 2SPD	\$ 518.49
02110005-1010	FMHP, 48FR, R0, 1.0 OP.HP / 1.5HP, 230V, 60HZ, 2SPD	\$ 538.42
02115000-1010	FMHP, 48FR, R0, 1.5 OP.HP / 2.0HP, 115V, 60HZ, 2SPD	\$ 558.37
02115005-1010	FMHP, 48FR, R0, 1.5 OP.HP / 2.0HP, 230V, 60HZ, 2SPD	\$ 598.27
02120000-1010	FMHP, 48FR, R0, 2.0 OP.HP / 3.0HP, 230V, 60HZ, 2SPD	\$ 697.96
02593000-2010	CMCP, 48FR, R0, 1/15 OP.HP / 1/8HP, 115V, 60HZ, 1SPD	\$ 327.54
02593001-2010	CMCP, 48FR, R0, 1/15 OP.HP / 1/8HP, 230V, 60HZ, 1SPD	\$ 327.54
02607000-1010	FMCP, 48FR, R0, 0.75 OP.HP / 1.0HP, 115V, 60HZ, 2 SPD	\$ 438.73
02610000-1010	FMCP, 48FR, R0, 1.0 OP.HP / 1.5HP, 115V, 60HZ, 2SPD	\$ 518.49
02610001-5010	FMCP, 48FR, R0, 1.0 OP.HP / 1.5HP, 230V, 60HZ, 2SPD	\$ 538.42
02615000-1010	FMCP, 48FR, R0, 1.5 OP.HP / 2.0HP, 115V, 60HZ, 2SPD	\$ 558.37
02615005-1010	FMCP, 48FR, R0, 1.5 OP.HP / 2.0HP, 230V, 60HZ, 2SPD	\$ 598.27
02620000-1010	FMCP, 48FR, R0, 2.0 OP.HP / 3.0HP, 230V, 60HZ, 2SPD	\$ 697.96
04207001-5010	WHIRLMASTER, 15FR, R0, 0.75HP, 115V, 60HZ, 1 SPD, 3' NEMA CORD	\$ 269.00
04207002-5010	WHIRLMASTER, 15FR, R0, 0.75HP, 115V, 60HZ, 1 SPD, 3' NEMA CORD, AIR SWITCH	\$ 270.00
04207003-5510	WHIRLMASTER, 15FR, R0, 0.75HP, 115V, 60HZ, 1SPD, 3' NEMA CORD, TIMER	\$ 302.51
04210001-5010	WHIRLMASTER, 15FR, R0, 1.0HP, 115V, 60HZ, 1SPD, 3' NEMA CORD	\$ 300.29
04210002-5010	WHIRLMASTER, 15FR, R0, 1.0HP, 115V, 60HZ, 1SPD, 3' NEMA CORD, AIR SWITCH	\$ 262.92
05320761-2040	XP2e, 56FR, R0, 2.0 OP.HP / 3.0HP, 230V, 60HZ, 2SPD	\$ 560.99
05320762-5040	PUMP XP2e 56FR R0 3.0HP / 2.0 OP.HP 230V 2.5" INTAKE	\$ 560.99
05334012-2040	XP2e, 56FR, R0, 3.0 OP.HP / 4.0HP, 230V, 60HZ, 2SPD	\$ 604.99
05334024-5040	PUMP 56FR XP2e R0 4.0HP / 3.0 OP. HP 230V, 60hz, 2SPD, 2.5" INTAKE	\$ 604.99
05340009-5040	XP2e, 56FR, R0, 4.0 OP.HP / 5.0HP, 230V, 60HZ, 2SPD	\$ 658.09
05340011-5040	PUMP 56FR XP2e R0 5.0HP / 4.0 OP. HP 230V, 60HZ, 2SPD, 2.5" INTAKE	\$ 658.09
05815001-2040	XP2e, 56FR, R0, 1.5 OP.HP / 2.0HP, 230V, 60HZ, 2SPD	\$ 525.38
0601-221104	IN.XM2-8-1-2-K-K-B-K-O-K-R-GD1	\$ 820.99
0602-221063-299	IN.XE-5-11-H4.0-1-2-K-K-D-60K-V2-GD1	\$ 732.17
0602-221066-300	IN.XE-5-12-H4.0-1-2-K-K-D-60K-V2-GD1	\$ 732.17
0603-416001	IN.THERM-H4.0KW	\$ 487.70
0605-500008	IN.CLEAR-200, IN.LINK CABLE & COMMUNICATION CABLE WITH 1.5 PSI PRESSURE SWI...	\$ 783.77
0605-500010	IN.CLEAR-200, QUICK CONNECT CABLE & COMMUNICATION CABLE WITH 1.5 PSI PRESSU...	\$ 783.77
0607-005017	IN.K450-BK-3OP-ADB-25-AE1 25' cable	\$ 253.69
0607-005019	IN.K120-3OP AND OVERLAY	\$ 136.15
0607-005024	IN.K1000-BLACK-GE1	\$ 484.65
0607-008010	IN.K200-2OP AND OVERLAY FOR IN.CLEAR	\$ 134.16
0607-008030	IN.K800-CLEAR AND OVERLAY GE1	\$ 420.89
0607-008033	IN.K500-CLEAR AND OVERLAY GE1	\$ 272.81
0607-008062	IN.K1001-CLEAR-GE1	\$ 484.65
0608-521020	IN.TOUCH 2: RF INTERFACE MODULE FOR SPA	\$ 294.00
0608-521033	IN.GRID HEAT PUMP CONTROL MODULE	\$ 187.50
06093000-2000	CMXP-V26-48-0.6-R0-V-CUR-BK-60-AMP-PI	\$ 349.94
0609-521001	IN.MIX-300 LIGHTING SYSTEM, 5VDC, AMP, MOLEX	\$ 216.00
0609-521003	IN.MIX-300 LIGHTING SYSTEM, 12VDC, AMP, MTA	\$ 216.00
0609-521005	IN.MIX-300 LIGHTING SYSTEM, 5VDC, IN.LINK, JJ	\$ 216.00
0610-221046-355	IN.YE-5-H4.0-AMP-V2-GD3	\$ 695.02

## Price list



Gecko Depot

All prices are listed in US dollars.  
 Manufacturer's suggested retail price (MSRP).

\*These products are subject to a different discount level.  
 All prices are subject to change without notice.

Code	Description	Price
0610-221066-363	*IN.YE-5-H5.5-AMP-V2-GD3	\$ 700.45
0611-221031-361	*IN.YT-7-H4.0-AMP-1-V2-GD3	\$ 893.57
06115000-1040	XP2, 48FR, R0, 1.5 OP.HP / 2.0HP, 115V, 60HZ, 2SPD	\$ 478.60
06115517-2040	XP2, 48FR, R0, 1.5 OP.HP / 2.0HP, 230V, 60HZ, 2SPD	\$ 518.49
06120500-2040	XP2, 48FR, R0, 2.0 OP.HP / 3.0HP, 230V, 60HZ, 2SPD	\$ 538.42
0612-221032-316	IN.YJ-2-QC-V2-GD1	\$ 428.05
0612-221034-315	IN.YJ-2-RE-V2-GD1	\$ 428.05
06125000-1040	XP2, 48FR, R0, 2.5 OP.HP / 4.0HP, 230V, 60HZ, 2SPD	\$ 558.37
06130395-2040	XP2, 48FR, R0, 3.0 OP.HP / 4.0HP, 230V, 60HZ, 2SPD	\$ 618.20
0613-421001	HEATER: HEAT.WAV FOR IN.YJ, 4KW, 2", FLOW SENSOR, TEMPERATURE PROBE, 4FT C...	\$ 258.41
06610006-2040	XP2, 48FR, R0, 1.0 OP.HP / 1.5HP, 115V, 60HZ, 2SPD	\$ 458.92
0699-300005	BROMICHARGE BOTTLE 3.5 LB (USA LABEL)	\$ 44.72*
0699-300007	BUNDLE: IN.CLEAR REDUCER 2" TO 3/4"	\$ 19.16
0699-300008	BROMINE TEST KIT	\$ 44.60*
0704-121007	IN.STREAM2 AUDIO SYSTEM, POWER SUPPLY-IN.LINK CORD	\$ 351.80*
0704-121008	IN.STREAM2 AUDIO SYSTEM, POWER SUPPLY - QUICK CONNECT CORD	\$ 351.80*
0707-005015	IN.K175-BK-20-IN-SPA-AE3 FOR IN.STREAM2	\$ 119.66*
0799-105008	IN.P4 SMARTPHONE DOCK WITH USB AND 1/8" STEREO MINI JACK	\$ 69.51*
08326000-2041	XP3, 56FR, R0, 2.5 OP.HP / 3.0HP, 230V, 60HZ, 2SPD	\$ 658.09
08330002-5041	XP3, 56FR, R0, 3.0 OP.HP / 4.0HP, 230V, 60HZ, 2SPD	\$ 697.96
08342761-2041	XP3, 56FR, R0, 4.0 OP.HP / 5.0HP, 230V, 60HZ, 2SPD	\$ 737.85
246AA0064	LED 12V DC WHITE WEDGE-T10	\$ 12.71
3-72-7078	SSPA-1-P122-P212-O1-NE-LS-H4.0-AMP-PPD	\$ 935.68
3-72-7079	SSPA-1-P122-P212-O1-NE-LS-H4.0-JJM-PPD	\$ 935.68
3-74-7035	MC-MP-P122-P222-P312-B1-O1-CP1-NE-A11-A21-LS-H5.5-RTC-T2-AMP-SBD	\$ 1 524.54
3-74-7036	MC-MP-P122-P222-P312-B1-O1-CP1-NE-A11-A21-LS-H5.5-RTC-T2-JJC-SBD	\$ 1 549.19
430AC0069	FUSE: TIME DELAY, 10A, 250V	\$ 2.24
430AC0103	FUSE: SLOW BLOW, 2A, 250V	\$ 2.24
430AC0117	FUSE: FAST BLOW, 3A, 250V	\$ 2.24
430AC0186	FUSE: TIME DELAY, 30A, 480V	\$ 11.50
430AC0222	FUSE: FAST BLOW, 0.5A, 250V	\$ 2.24
430AD0066	FUSE: FAST BLOW, 0.75A, 250V	\$ 2.24
430AD0134	FUSE: FAST BLOW, 1A, 250V	\$ 2.24
430AE0027	FUSE: TIME DELAY, 20A, 300V	\$ 11.50
430AE0033	FUSE: TIME DELAY, 25A, 300V	\$ 11.50
50100120	THREADED ADAPTER: 1.5" X 2"	\$ 5.75
510AD0167	DTEC-1 PRESSURE SWITCH 2.0 PSI	\$ 41.11
510AD0173	DTEC-1 PRESSURE SWITCH 1.5 PSI	\$ 41.11
52202100	COMPRESSION FITTING 2" WITH THREADED ADAPTER 1.5" X 2"	\$ 17.26
52202250	COMPRESSION FITTING 2.5"	\$ 23.03
52271000	COMPRESSION FITTING 1.5" (BAG OF 2)	\$ 11.50
52272000	COMPRESSION FITTING 2" (BAG OF 2)	\$ 11.50
560AA0427	TRANSFORMER: 115V, 30VA, S-CLASS	\$ 116.30
560AA0444	TRANSFORMER: 115V, 32VA, Y SERIES	\$ 72.39
560AA0457	TRANSFORMER 230/240-10.0VAC 32VA WIRE FOR IN.YE AND IN.YT	\$ 72.39
56910010	SUCTION COVER KIT: FMHP & CMHP, 48FR	\$ 40.30
56910040	SUCTION COVER KIT: FMCP & CMCP, 48FR	\$ 46.04
56910090	SUCTION COVER KIT: XP2, 48/56FR	\$ 54.11
56910100	SUCTION COVER KIT: XP2e, 56FR	\$ 46.04
56911110	SUCTION COVER KIT: XP3, 48/56FR	\$ 57.57
600AF0001	CABLE: USB2.0 TYPE A-MALE RIGHT ANGLE TO A-FEMALE STD 8'	\$ 10.63*
600DB0692	CABLE: IN.LINK, HC, 2SPD, 15A, 240V, 4FT, CONNECTORS	\$ 27.21
600DB0833	CABLE: IN.LINK, HC, 1SPD, 15A, 240V, 8FT, CONNECTORS	\$ 32.12
600DB0857	CABLE: IN.LINK, HC, 1S, 15A, 120V, 8FT, CONNECTORS	\$ 32.07
600DB1192	CABLE: IN.LINK, LC, 1SPD, 5A, 240V, 8FT, CONNECTORS	\$ 20.97
600DB1226	CABLE: IN.LINK, LC, 1SPD, 5A, 120V, 8FT, CONNECTORS	\$ 20.97
91040680-000	WET END: FMHP, 48FR, 0.5HP	\$ 100.37
91040690-000	WET END: FMHP 0.75HP & CMHP 1/15HP, 48FR	\$ 100.37
91040700-000	WET END: FMHP, 48FR, 1.0HP	\$ 100.37
91040720-000	WET END: FMHP, 48FR, 1.5HP	\$ 100.37

## Price list



All prices are listed in US dollars.  
 Manufacturer's suggested retail price (MSRP).

\*These products are subject to a different discount level.  
 All prices are subject to change without notice.

Code	Description	Price
91040730-000	WET END: FMHP, 48FR, 2.0HP	\$ 100.37
91040800-000	WET END: FMCP 0.75HP & CMCP 1/15HP, 48FR	\$ 100.37
91040810-000	WET END: FMCP, 48FR, 1.0 HP	\$ 100.37
91040820-000	WET END: FMCP, 48FR, 1.5HP	\$ 100.37
91040830-000	WET END: FMCP, 48FR, 0.5HP	\$ 100.37
91040840-000	WET END: FMCP, 48FR, 2.0HP	\$ 100.37
91041608-000	WET END: XP2, 48FR, 1.0HP	\$ 114.03
91041613-000	WET END: XP2, 48FR, 4.0HP	\$ 110.72
91041815-000	WET END: XP2e, 48FR, 1.5HP	\$ 114.03
91041820-000	WET END: XP2e, 48FR, 2.0HP	\$ 114.03
91041825-000	WET END: XP2e, 48FR, 2.5HP	\$ 114.03
91041830-000	WET END: XP2e 48FR, 3.0 HP	\$ 114.03
91041915-000	WET END: XP2e, 56FR, 1.5 HP, 6.3"	\$ 112.91
91041920-000	WET END: XP2e, 56FR, 2.0 HP, 6.3"	\$ 112.91
91041925-000	WET END: XP2e, 56FR, 2.5HP	\$ 112.91
91041930-000	WET END: XP2e, 56FR, 3.0HP, 6.3"	\$ 110.72
91041940-000	WET END: XP2e 56FR, 4.0 HP	\$ 114.03
91042125-000	WET END: XP3, 48/56FR, 2.5HP	\$ 131.16
91042130-000	WET END: XP3, 48/56FR, 3.0HP	\$ 131.16
91042140-000	WET END: XP3, 48/56FR, 4.0 HP	\$ 131.16
91231301	SUCTION COVER: FMHP & CMHP	\$ 34.20
91231402	SUCTION COVER KIT: FMCP & CMCP	\$ 34.20
91231606	SUCTION COVER: XP2	\$ 45.60
91231641	SUCTION COVER: XP2e	\$ 22.79
91231652	SUCTION COVER: XP2e 2.5 INCHES	\$ 46.04
91231702	SUCTION COVER: XP3	\$ 45.60
91431000	UNION FITTING NUT 1.5"	\$ 5.75
91431050	TAIL PIECE FITTING 1.5"	\$ 5.75
91431150	UNION FITTING NUT 2"	\$ 5.75
91431200	TAIL PIECE FITTING 2"	\$ 5.75
91693501	IMPELLER: FMCP/HP, 0.5HP	\$ 28.48
91693551	IMPELLER: FMHP/CP & CMHP/CP, 3/4HP, STANDARD FLOW	\$ 28.76
91693601	IMPELLER: FMHP/CP & CMHP/CP, 1.0HP, HIGH FLOW	\$ 28.76
91693651	IMPELLER: FMCP/HP, 1.5HP	\$ 28.76
91693700	IMPELLER: FMCP/HP, 2.0HP	\$ 28.76
91694110	IMPELLER: XP2, 1.0HP	\$ 28.48
91694115	IMPELLER XP2 1.0HP TRIM 3.75 DIA	\$ 28.48
91694150	IMPELLER: XP2, 1.5HP	\$ 28.48
91694200	IMPELLER: XP2, 2.0HP	\$ 28.48
91694251	IMPELLER: XP2, 2.5HP	\$ 28.48
91694300	IMPELLER: XP2, 3.0HP	\$ 28.48
91694400	IMPELLER: XP2, 4.0HP	\$ 28.48
91695150	IMPELLER: XP2e, 1.5HP	\$ 28.48
91695200	IMPELLER: XP2e, 2.0HP	\$ 28.16
91695250	IMPELLER: XP2e, 2.5HP	\$ 28.48
91695317	IMPELLER: XP2e, 3.0HP	\$ 28.48
91695401	IMPELLER: XP2e, 4.0HP	\$ 28.48
91698250	IMPELLER: XP3, 2.5HP	\$ 28.48
91698300	IMPELLER: XP3, 3.0HP	\$ 28.48
91698400	IMPELLER: XP3, 4.0HP	\$ 28.48
92200060	O-RING: DRAIN PLUG, XP2 & XP2e & XP3	\$ 5.75
92200090	O-RING: VOLUTE, CMHP/CP	\$ 5.75
92200120	O-RING: DRAIN PLUG, FMHP/CP & CMHP/CP	\$ 5.75
92200141	O-RING: COMPRESSION FITTING, FMHP/CP & CMHP/CP	\$ 5.75
92200210	O-RING: COMPRESSION FITTING, XP2 & XP2e	\$ 2.30
92200220	O-RING: COMPRESSION FITTING, XP3	\$ 5.75
92200270	O-RING: VOLUTE, FMHP/CP	\$ 5.75
92200301	O-RING: VOLUTE, XP2 & XP2e	\$ 5.75
92200310	O-RING: VOLUTE, XP3	\$ 5.75
92290015	DRAIN PLUG: 1/4", FMHP/CP & CMHP/CP	\$ 5.75

## Price list



Gecko Depot

All prices are listed in US dollars.  
 Manufacturer's suggested retail price (MSRP).

\*These products are subject to a different discount level.  
 All prices are subject to change without notice.

Code	Description	Price
92290070	DRAIN PLUG: 1/4", XP2, XP2E & XP3	\$ 5.75
92500150	REPLACEMENT SEAL: FM & CM & XP2 & XP2e & XP3	\$ 22.79
92500170	VITON REPLACEMENT SEAL: FM & CM & XP2 & XP2e & XP3	\$ 22.79
92770501	VOLUTE: 48FR, 1.5HP, FMHP & CMHP	\$ 46.04
92770603	VOLUTE: 48FR, 1.5HP, FMCP & CMCP	\$ 46.04
92770705	VOLUTE: 48FR, 2HP, XP2 & XP2e	\$ 46.04
92770725	VOLUTE: 56FR, 2HP, XP2 & XP2e	\$ 57.02
92770735	VOLUTE: 48/56FR, 2.5HP, XP3	\$ 57.02
92830062	WEAR RING: FMCP/HP & CMCP/HP	\$ 5.75
92830070	WEAR RING: XP2, FLANGED	\$ 5.75
92830080	WEAR RING: XP2e & XP3, FLANGED	\$ 5.75
92830081	XP2e WEAR RING FOR IMPELLERS 91695310, 91695311 AND 91695313 ONLY.	\$ 5.64
95100251	CABLE: QC TO QC, DUAL SPEED 14/4 8 FEET	\$ 24.28
95100517	CABLE: AMP-4P TO QC, SINGLE SPEED 14/3 4 FEET	\$ 16.34
95100519	CABLE: AMP-4P TO QC, DUAL SPEED 14/4 4 FEET	\$ 16.50
9916-100094	OVERLAY: TSC-4-GE1	\$ 40.41
9916-100130	OVERLAY: TSC-8-GE1	\$ 28.52
9916-100131	OVERLAY: TSC-9-GE1	\$ 22.79
9916-100186	OVERLAY: TSC-9-GE2	\$ 30.09
9916-100218	OVERLAY: TSC-19-GE1	\$ 27.94
9916-100219	OVERLAY: TSC-19-GE2	\$ 27.94
9916-100239	OVERLAY: TSC-18 GE1, 1 PUMP	\$ 26.23
9916-100240	OVERLAY: TSC-18 GE2, 2 PUMPS	\$ 26.23
9916-100331	OVERLAY: TSC-8-GE2	\$ 28.52
9916-100381	OVERLAY: TSC-35-GE1	\$ 40.23
9916-100723	OVERLAY TSC-8-10K-SG1 (PC)	\$ 37.61
9916-100761	OVERLAY: TSC-4-10K-GE1, 3 PUMPS	\$ 32.45
9916-101030	OVERLAY: IN.K200-GE1	\$ 17.11
9916-101203	OVERLAY: IN.K200-1OP	\$ 17.11
9916-101335	OVERLAY: IN.K450-3OP	\$ 26.23
9916-101372	OVERLAY IN.K200-IN.CLEAR-GE1	\$ 16.96
9916-101381	OVERLAY: IN.K600-GRAPHIC AE1	\$ 28.77
9916-101382	OVERLAY: IN.K600-STATIC 5OP AE1	\$ 28.77
9916-101480	OVERLAY: IN.K800-GE1	\$ 28.22
9916-101495	OVERLAY: IN.K500-GE1	\$ 25.54
9916-101499	OVERLAY IN.K300-1OP-GE1	\$ 19.25
9916-101500	OVERLAY IN.K300-2OP-GE1	\$ 19.25
9917-101984	IN.CLEAR GASKET	\$ 4.10
9917-102053	ADAPTOR PLATE: IN.K200, TSC-9 & TSC-18	\$ 11.50
9917-102122	ADAPTOR PLATE: TSC-SL	\$ 11.50
9917-102123	ADAPTOR PLATE: IN.K450/455	\$ 11.50
9917-102239	ADAPTOR PLATE: IN.K300	\$ 11.50
9917-106758	Z-SHAPE WALL MOUNT BRACKET IN.YJ	\$ 9.36
9920-100163	TEMPERATURE PROBE HOLDER: TPH-1-CL	\$ 28.51
9920-100212	TRANSFORMER: 120V, M-CLASS-MP	\$ 117.43
9920-100225	TRANSFORMER: 240V, M-CLASS-MP	\$ 117.43
9920-100317	HI-LIMIT TEMPERATURE PROBE FOR S-CLASS	\$ 40.20
9920-100318	HI-LIMIT TEMPERATURE PROBE FOR M-CLASS MP	\$ 40.20
9920-100338	HEATER: HEAT.WAV, 4KW, 2", 2PSI, S-CLASS	\$ 176.19
9920-100339	HEATER: HEAT.WAV, 5.5KW, 2", 2PSI, S-CLASS	\$ 176.19
9920-100346	HEATER: HEAT.WAV, 4KW, 2", 2PSI, M-CLASS	\$ 177.92
9920-100347	HEATER: HEAT.WAV, 5.5KW, 2", 2PSI, M-CLASS	\$ 177.92
9920-101436	CABLE KIT: IN.LINK CORDS	\$ 99.89
9920-101449	HEATER: HEAT.WAV, 5.5KW, 2", FLOW SENSOR, TEMPERATURE PROBE, IN.XE & IN.YE	\$ 207.08
9920-101455	IN.LINK KEYING KIT (CABLES)	\$ 15.99
9920-101456	IN.LINK KEYING KIT (ENCLOSURE)	\$ 15.99
9920-101464	MOUNTING BRACKET FOR IN.CLEAR AND IN.THERM	\$ 23.32
9920-101477	CABLE KIT ADAPTOR AMP-M TO JJM-F 6IN	\$ 48.15
9920-101490	WALL MOUNT BRACKET IN.Y (KIT)	\$ 6.53
9920-101492	GRAPHITE CELL FOR IN.CLEAR	\$ 463.02



## Price list



All prices are listed in US dollars.  
 Manufacturer's suggested retail price (MSRP).

\*These products are subject to a different discount level.  
 All prices are subject to change without notice.

Code	Description	Price
9920-200526	BOARD: TSPA-MP	\$ 523.42
9920-400122	HI-LIMIT TEMPERATURE PROBE FOR MSPA-1, MSPA-4 AND TSPA-1, LENGTH 14"	\$ 90.44
9920-400124	CABLE: FLOW SWITCH TSPA AND MSPA - LENGTH 14"	\$ 15.06
9920-400125	TEMPERATURE PROBE FOR MSPA-1, MSPA-4 AND TSPA - LENGTH 10'	\$ 107.93
9920-400178	LIGHT SOCKET & CABLE FOR SSPA, MSPA-1, MSPA-4 AND TSPA - LENGTH 8'	\$ 24.95
9920-400245	TEMPERATURE PROBE FOR MSPA-1, MSPA-4 AND TSPA - LENGTH 25'	\$ 113.56
9920-400262	TEMPERATURE PROBE FOR SSPA - MSPA-MP - LENGTH 10'	\$ 70.14
9920-400446	CABLE AND HI-LIMIT THERMIS-JST - LENGTH 48"	\$ 59.99
9920-400489	CABLE LIGHT SOCKET TO MTA-156 3 PINS, LENGTH 8'	\$ 25.10
9920-400684	HI-LIMIT TEMPERATURE PROBE FOR MSPA-1, MSPA-4 AND TSPA - LENGTH 76"	\$ 101.59
9920-400720	TEMPERATURE PROBE FOR SSPA - MSPA-MP - LENGTH 25'	\$ 71.18
9920-400864	CABLE: FLOW SWITCH UNIVERSAL S-CLASS & M-CLASS - LENGTH 7'	\$ 21.06
9920-400976	AEWARE AUDIO COMMUNICATION CABLE	\$ 34.12*
9920-400997	CABLE: FLOW SWITCH SSPA - LENGTH 6"	\$ 15.06
9920-401022	CABLE: IN.LINK LIGHT-LV 12FT	\$ 16.75
9920-401161	HEATER OUTPUT CABLE / M-CLASS 3"	\$ 5.95
9920-401239	CABLE: IN.LINK HC 2S 15A 120V 8FT	\$ 36.90
9920-401249	SPLITTER: IN.SPLIT LC	\$ 65.86
9920-401316	COMMUNICATION CABLE FOR IN.XE & IN.YE SWIM SPA SOLUTION, 8FT	\$ 99.64
9920-401345	RECEPTACLE CABLE OUTPUT AMP 2 SPEED, 14AWG, LENGTH 8"	\$ 14.33
9920-401346	CABLE OUTPUT 1 SPD, AMP TO QUICK CONNECT, 14AWG, LENGTH 8"	\$ 13.56
9920-401369	CABLE SPLITTER PP-1 AMP MALE TO 2 FEMALE, LENGTH 6"	\$ 15.35
9920-401384	CABLE: LIGHT AMP2P TO MTA-156 3 PINS, LENGTH 8'	\$ 38.06
9920-401397	HI LIMIT & REGULATION SENSOR FOR IN.YJ-HEAT RECOVERY - LENGTH 4FT	\$ 61.30
9920-401425	CABLE: ADAPTOR IN.STREAM 2 TO IN.STREAM 1 & IN.CHANT	\$ 30.24*
99730050	AQUAFLO WETEND SCREW: 5/8"	\$ 0.75
BDLCLEARLINKUSA	BUNDLE: IN.CLEAR WITH IN.LINK CABLE AND BROMICHARGE	\$ 943.34
BDLCLEARQCUSA	BUNDLE: IN.CLEAR WITH QUICK CONNECT CABLE AND BROMICHARGE	\$ 943.34
BDLHTRSPLITNUT	BUNDLE SPLIT NUTS, SEAL AND TAIL PIECE FOR 2" HEATERS	\$ 19.02
BDLK110	IN.K110 AND OVERLAY	\$ 119.56*
BDLK2001OP	IN.K200-1OP AND OVERLAY	\$ 123.68
BDLK2002OP	IN.K200-2OP AND OVERLAY	\$ 123.68
BDLK3001OP	IN.K300-1OP AND OVERLAY	\$ 123.68
BDLK3002OP	IN.K300-2OP AND OVERLAY	\$ 123.68
BDLK4503OP	IN.K450-3OP AND OVERLAY	\$ 205.46
BDLK6005OP	IN.K600-5OP AND OVERLAY	\$ 292.85
BDLK600GF	IN.K600 GRAPHIC AND OVERLAY	\$ 411.15
BDLK83OP	IN.K8-3OP AND OVERLAY	\$ 221.44
BDLSTRM2-IN	IN.STREAM 2 AUDIO SYSTEM, WITH IN.LINK CABLES AND K175 KEYPAD	\$ 466.67*
BDLSTRM2-QC	IN.STREAM 2 AUDIO SYSTEM, WITH QUICK CONNECT CABLE AND K175 KEYPAD	\$ 466.67*
BDLTSC18PPD	TSC-18 AND OVERLAY KIT GE1-GE2	\$ 242.93
BDLTSC19PPD	TSC-19 AND OVERLAY KIT GE1-GE2	\$ 219.48
BDLTSC35GE1	TSC-35-GE1 AND OVERLAY	\$ 213.60
BDLTSC410K	TSC-4-10K-GE1 AND OVERLAY	\$ 343.71
BDLTSC4GE1	TSC-4-GE1 AND OVERLAY	\$ 309.16
BDLTSC810K	TSC-8-10K-GE1 AND OVERLAY	\$ 303.33
BDLTSC8GE1	TSC-8-GE1 AND OVERLAY	\$ 263.11
BDLTSC8GE2	TSC-8-GE2 AND OVERLAY	\$ 263.11
BDLTSC9PPD	TSC-9 AND OVERLAY KIT GE1-GE2	\$ 193.70
BDLXTEND	BUNDLE: IN.XTEND AEWARE KEYPAD EXTENTION	\$ 413.57
BDLYE5K200	BUNDLE: IN.YE-5, IN.K200-2OP KEYPAD, CABLES	\$ 816.83
BDLYE5K353OP	BUNDLE: IN.YE-5, IN.K35-3OP KEYPAD, CABLES	\$ 867.93
BDLYE5K450	BUNDLE: IN.YE-5, IN.K450-3OP KEYPAD, CABLES	\$ 867.93
BDLYJ2K200	BDLYJ2K200 IN.YJ-2 IN.K200 CABLES	\$ 681.71
BDLYJ2K300	BDLYJ2K300 IN.YJ-2 IN.K300 CABLES	\$ 681.71
BDLYT7K6005OP	BUNDLE: IN.YT-7, IN.K600-5OP KEYPAD, CABLES	\$ 1 252.54
T9920-101435	HEATER: HEAT.WAV, 4KW, 2", FLOW SENSOR, TEMPERATURE PROBE, IN.XE, IN.YE	\$ 207.08





**USA**

7215 Bermuda Road, Las Vegas NV 89119 USA  
Tel: 1.800.784.3256, Fax: 1.866.759.0906  
techsupport@geckoal.com

**Canada**

450 des Canetons, Quebec City QC G2E 5W6 Canada  
Tel: 1.800.784.3256, Fax: 1.866.759.0906  
techsupport@geckoal.com

**Europe**

Tel: +33 80 50 80 352  
techsupport@geckoal.com



© 2018 - Gecko Alliance Marketing Services  
Printed in Canada

**GECKO DEPOT**

[www.geckodepot.com](http://www.geckodepot.com)