

Aladdin



Flip through the Aladdin Catalog Online.



Aladdin
EQUIPMENT COMPANY, INC.

900 Sarasota Center Blvd., Sarasota, FL 34240
1.800.854.2466 | www.aladdin1950.com

Table of Contents



Aladdin's reputation for developing innovative products can be traced back to the beginning of the company, more than 60 years ago. Through the years, we have kept close to our roots by recognizing needs, filling them, also identifying problems and solving them. This symbol proudly identifies a product that is truly an Aladdin Original.

Page 4-5	Magic Lube®
Page 6-8	GO-KIT®s
Page 9	Gasket & O-Ring Kits
Page 10-11	PRO Boxes
Page 12-14	Replacement Seals
Page 15	Bearings/Capacitors/Pump Shafts & Drain King®
Page 16-17	Universal Switches
Page 18	Pump Cart/SCAMP
Page 19	Maintenance Products
Page 20	Hose Parts / Clamps
Page 21	Light Rings/Silicone Lens Gaskets
Page 22	Winterizing Plugs
Page 23	SkimSaver™
Page 24	GLUEMATE®/E-Z SCOOP®
Page 25	NO-NICHE® Skimmer
Page 26	The Wizard / Skimmer Weirs
Page 27	Pool Parts/White Goods
Page 28	Locking Lid Vac Master
Page 29	Basket Introduction
Page 30	Special Order Basket
Page 31-57	Baskets
Page 58	Service-PRO Cartridges
Page 59-113	WorldPool® Cartridges
Page 114-116	Filter O-Ring Kits (RO-KIT®)
Page 117-167	Cross Reference
Page 168-184	Reverse Cross Reference



MAGIC LUBE®

Twice the PTFE

MAGIC LUBE® II

A Silicone Based Lubricant/Sealant Formulated For Use Under The Most Adverse Conditions

MAGIC LUBE® GREEN

A PTFE based lubricant/sealant formulated with Aramid Fibers For use as an all purpose pool & spa lube.

Magic Lube® A Better Solution

Our Magic Line began almost by accident. After receiving a growing number of complaints concerning leaking gaskets and o-rings, we launched an intensive research program to discover the cause. We found that, in many situations, the leaking was due to corrosion caused by the use of petroleum based lubricants.

It is surprising how many people are not aware that petroleum based products corrode rubber. This can be a real problem because many of the most popular lubricants on the market are petroleum based. It was obvious that a solution was needed.

It has long been a tradition at Aladdin to provide positive solutions to our customer's problems. With that in mind, we set out to develop a very special line of lubricants and sealants capable of withstanding the unusual demands of pool and spa applications.

The result... Magic Lube® and Magic Lube® II... exceptional products for lubricating and sealing! They've been formulated to be corrosion free on many materials including rubber... even in the most adverse conditions such as salt water. Safety is also an important factor so, our formulas had to be very special... for your safety and for the safety of the environment! Magic Lube® and Magic Lube® II have received an environmental safety rating of H-1 by the USDA.

“The Only USDA H-1 Rated Lubes”



No.650

No.630

MAGIC LUBE®

Magic Lube® is a PTFE based, multipurpose sealant/lubricant that can be used in both wet and dry environments with a temperature range of -10° to 425°F. It forms a durable, adhesive film that prevents contact, even under severe shock loads. Specially formulated to be non-melting, non-volatile, and waterproof, Magic Lube® has been **USDA H-1 Rated** to be environmentally safe. It is chemical resistant and compatible with most metals, rubbers and plastics. It is commonly used on motors, o-rings, gaskets, bearings, water filters and much more.

- No. 630** Display Box (25 - 1oz. Tubes)
Master Carton 10 Display boxes (250 - 1oz. Tubes)
- No. 631** 5oz. Tube
Master Carton 50 - 5oz. Tubes
- No. 653** 1 Gallon
- No. 654** 5 Gallons

MAGIC LUBE® II

An extraordinary silicone based lubricant and sealer formulated for use under the most adverse conditions. This extremely durable synthetic compound is non-melting and ideal for valves and other special applications that require the added protection and lubrication of silicone. Magic Lube® II has been **USDA H-1 Rated** to be environmentally safe and is completely waterproof and chemical resistant.

- No. 650** Display Box (25 - 1oz. Tubes)
Master Carton 10 Display Boxes (250 - 1oz. Tubes)
- No. 651** 5 oz. Tube
Master Carton 50 - 5 oz. Tubes
- No. 656** 1 Gallon
- No. 657** 5 Gallons
- No. 658** 55 Gallons (440 lbs.)

MAGIC LUBE® GREEN

Magic Lube Green® has been specially formulated to do the job of an all-purpose Pool and Spa lubricant/sealant providing optimum sealing and lubrication properties. Aramid fiber provides enhanced sealing properties by a mechanism called "Bridging". During make-up, the Aramid fibers intertwine to help hold the PTFE particles in place. The webbing produced also guards against connection seizure by reducing the potential for metal-to-metal contact. The webbing also has the ability of self-healing any small leaks that may develop by entrapping other sealing particles. The bridging or webbing properties accelerates the "damaging" in the helical void in engaged threads. In layman's terms this means MAGIC LUBE® GREEN stays on the o-ring longer, providing greater protection.

- No. 640** 3oz. Display Tube (with hanger hole)
Master Carton 50 - 3oz. Tubes

Gasket and O-Ring Kits (GO-KIT®)

**ALL GO-KITS®
Available with
VITON® SEALS**

Kits



Aladdin's Pump & Valve Repair Kits are the easy and convenient way to service and repair pumps and valves. Aladdin has taken the guess work out of identifying and selecting the parts needed to service the most common pump and valve repair applications. All of the essential replacement parts are packaged together as one complete kit. Each kit contains the proper quantities of each of the parts needed including O-rings, gaskets, seals, and connectors. Each kit also contains a package of Aladdin's Magic Lube® - the PTFE-based sealant/lubricant with the USDA H-1 rating for environmental safety or Magic Lube® II - Silicone for valve kits.

PK-KIT version available for most GO-KIT®. A PK-KIT is an o-ring kit without the seal.

GO-KIT®1*

HAYWARD® MAX-FLO™ SERIES 1800-2800

- 1-AS-1521 Seal
- 1-G-95 Housing Gasket
- 1-O-141 Diffuser Gasket
- 1-O-76 Lid Gasket

GO-KIT®2*

HAYWARD® SUPER II™ PUMP SERIES 3000-3000X

- 1-AS-1521 Seal
- 1-O-141 Diffuser Gasket
- 1-O-12 Pump Lid O-Ring
- 1-G-345 Housing Gasket

GO-KIT®3*

HAYWARD® SUPER PUMP® SERIES 1600, 2600, 2600X

- 1-AS-1521 Seal
- 1-G-95 Housing Gasket
- 1-O-141 Diffuser Gasket
- 1-O-177 Lid Gasket

GO-KIT®4

NOW O-525KIT PAC FAB 2" SLIDE VALVE REBUILD KIT

- 1-O-41 Cap O-Ring
- 2-O-155 Shaft O-Ring
- 2-O-206 Piston O-Ring
- 5-E-Clips

GO-KIT®5*

PAC FAB CHALLENGER® PUMP REPAIR KIT

- 1-AS-200 Seal
- 1-O-301 Strainer O-Ring
- 1-O-302 Lid O-Ring
- 1-O-318 Lid O-Ring
- 1-O-395 Diffuser O-Ring
- 1-O-419 Housing O-Ring (Round)
- 1-O-421 Diffuser O-Ring

GO-KIT®6*

STA-RITE® P2RA & P2R DURA-GLAS™/MAXI-GLAS PUMP KIT (PRE-1998)

- 1-AS-100 Seal
- 1-O-240 Housing O-Ring
- 1-G-99RS Gasket
- 1-O-49 Diffuser O-Ring
- 1-O-218 Lid O-Ring
- 1-O-39 Drain Plug O-Ring

GO-KIT®7

NOW O-533KIT ANTHONY 2" PLASTIC SLIDE VALVE

- FITS PART #17810-17770
- 3-O-26 Piston O-Ring
- 3-O-39 Shaft O-Ring
- 2-O-24 Bulkhead Connector

GO-KIT®8

NOW O-534KIT ANTHONY 2" BRASS SLIDE VALVE REBUILD KIT

- 1-O-39 Shaft O-Ring
- 3-O-125 Cover/Piston O-Ring

GO-KIT®9

NOW O-535KIT ANTHONY 1 1/2" BRASS SLIDE VALVE REBUILD KIT

- 3-O-113 Piston O-Ring
- 1-O-39 Shaft O-Ring

GO-KIT®10

UNIVERSAL 5 SPOKE MULTIPORT REBUILD KIT SP0710X/712 AFTER 1976

- 1-O-176A 5 Spoke Gasket
- 1-O-48 Cover O-Ring
- 1-G-363 Non-Metallic Bearing
- 1-O-276 Stem O-Ring

GO-KIT®11

UNIVERSAL 6 SPOKE MULTIPORT REBUILD KIT SP710/711 1969-75

- 1-O-176 6 Spoke Gasket
- 1-O-139 Cover O-Ring
- 1-O-27 Shaft O-Ring
- 1-O-27A PTFE Washer

GO-KIT®12*

HAYWARD® TURBO-FLO™ 2000- 2100 & POWER-FLO® 1500 SERIES

- 1-AS-4702 Seal
- 1-AS-4702SH Seal Housing
- 1-G-64R Housing Gasket
- 1-O-139 Strainer Cover O-Ring
- 1-O-231 Strainer Cover O-Ring
- 1-O-128 Strainer O-Ring
- 1-O-237 Housing O-Ring

GO-KIT®13*

HAYWARD® POWER-FLO II™ 1700 SERIES

- 1-AS-4702 Seal
- 1-AS-4702SH Seal Housing
- 1-AS-1000 Seal
- 1-O-237 Housing O-Ring
- 1-O-231 Strainer O-Ring
- 1-O-128 Strainer O-Ring

GO-KIT®14*

JACUZZI® MAGNUM® PUMP

- 1-AS-972 Seal
- 1-O-263 Housing O-Ring
- 2-O-39 Plug O-Ring
- 1-O-336 Strainer O-Ring After 7/89
- 1-O-462 Diff. Sq. O-Ring

GO-KIT®15*

JACUZZI® R & RC SERIES

- 1-AS-972 Seal
- 2-O-264 Brkt/Case Sq. O-Ring
- 2-O-39 Plug O-Ring
- 1-G-316 Diff. Sq. O-Ring
- 1-O-336 Strainer O-Ring After 7/89

GO-KIT®16*

AMERICAN-AMERICANA® & BRONZE PUMP WITH NORLYL® IMPELLER

- 1-AS-201 Seal
- 1-O-300 Seal Plate O-Ring
- 1-O-136 Lid O-Ring
- 1-G-97 Pot to Volute Gasket
- 1-O-329 Volute O-Ring

*Viton® Version Available

ALL GO-KITS®
Available with
VITON® SEALS

Gasket and O-Ring Kits (GO-KIT®)

Kits

GO-KIT®17

AMERICAN UNIVERSAL SLIDE VALVE KIT 1 1/2" & 2" BRONZE & ABS
1-G-220 Valve Cap Gasket
1-O-325 Valve Cap Body O-Ring
2-O-39 Stem & Shaft Cap O-Rings
1-O-125 Valve Cap O-Ring
2-O-71 Valve Piston O-Rings
2-O-117 Valve Stem O-Rings
2-O-113 Valve O/S Piston O-Rings

GO-KIT®18

AMERICAN MULTIPOINT VALVE KIT BEFORE 1976
2-O-345 PTFE Backup O-Ring
2-O-27 Shaft O-Ring
1-O-389 N/S Quad O-Ring
1-O-392 6 Spoke Gasket Before 1976

GO-KIT®19

AMERICAN MULTIPOINT VALVE KIT AFTER 1976
2-O-345 PTFE Backup O-Ring
2-O-27 Shaft O-Ring
1-O-389 N/S Quad O-Ring
1-O-392A 5 Spoke Gasket After 1976

GO-KIT®20*

AMERICAN ULTRA FLOW® & BRONZE PUMP WITH BRONZE IMPELLER
1-AS-1000 Seal
1-O-244 Diffuser Gasket
1-O-240 Volute Gasket
1-G-97 Pot to Volute Gasket
1-O-136 Lid O-Ring
1-O-329 Volute O-Ring

GO-KIT®21*

AMERICAN EAGLE™ PUMP
1-AS-1000 Seal
1-O-330 Volute O-Ring
1-O-218 Lid O-Ring
1-G-370 Diffuser Gasket

GO-KIT®22*

PAC FAB HYDROPUMP™
1-AS-201 Seal
1-O-257 Volute O-Ring
1-O-24 Pot to Volute O-Ring
1-O-182 590 Lid O-Ring
1-O-302 700 N/S Lid O-Ring
1-O-318 700 O/S Lid O-Ring

GO-KIT®23

PAC FAB UNIVERSAL SLIDE VALVE KIT
5-E-Clips Retainer Clips
1-G-206 Valve Cap Gasket
1-O-155 Shaft O-Ring
2-O-211 N/S Piston O-Ring
2-O-206 Piston O-Ring
2-O-71 Shaft O-Ring
1-O-47 Diverter O-Ring
1-O-41 Valve Cap O-Ring

GO-KIT®24*

PAC FAB PINNACLE™
1-AS-200 Seal
1-O-465 Seal Bracket O-Ring
1-O-395 Diffuser O-Ring
1-O-318 Lid O-Ring

GO-KIT®25*

STA-RITE® PE & PEA SERIES/P2R & P2DRA/AJ SERIES
1-AS-100 Seal
1-O-240 Clamp O-Ring
1-O-49 Diffuser O-Ring
1-G-54 Seal Plate Gasket

GO-KIT®26*

STA-RITE® CF/CFA/CF6 SERIES
1-AS-1000 Seal
1-G-44 Volute Gasket
1-O-13 Lid O-Ring
1-O-19 Trap O-Ring

GO-KIT®27

STA-RITE®/SWIMQUIP™/BAKER HYDRO/PUREX/HYDROTECH UNIVERSAL SLIDE VALVE KIT FITS ALL 1 1/2" & 2" VALVES
3-O-207 Valve Piston O-Ring
1-O-245 Valve Cap O-Ring
2-O-130 Index Plate O-Ring
3-O-122 Valve Piston O-Ring
2-O-370 Valve Piston O-Ring
3-O-114 Valve Piston O-Ring
3-O-403 Valve Piston O-Ring

GO-KIT®28*

DOUGHBOY/LOMART DYNAFLOW POWER PAK® 1
1-AS-1000 Seal
1-O-72 Lid O-Ring
1-O-368 Volute O-Ring
1-O-282 Basket Port O-Ring

GO-KIT®29*

DOUGHBOY POWER PAK® II PUMP
1-AS-4702 Seal
1-AS-4702SH Seal Housing
1-O-303 Backplate O-Ring
1-O-108 Diffuser O-Ring
1-O-453 Strainer Body O-Ring
1-O-40 O-Ring

GO-KIT®30*

PUREX L SERIES & AH SERIES
1-AS-201 Seal
1-O-12 Lid O-Ring
1-G-70 Pot to Volute Gasket
1-G-194 Bracket to Volute Gasket
1-O-20 Bracket to Volute O-Ring

GO-KIT®31

PUREX "C" SERIES
1-AS-360 Seal
1-O-88 Lid O-Ring
1-G-75 Pot to Volute Gasket
1-O-161 Flange O-Ring

GO-KIT®32*

PUREX WHISPERFLO®/INTELLIFLO®
1-AS-1000 Seal
1-O-304 Seal Plate O-Ring
1-O-359 Diffuser O-Ring
1-O-186 Impeller O-Ring
1-O-108 Lid O-Ring
1-G-413 Seal Plate Gasket
1-O-318 Lid O-Ring
1-G-478 Seal Plate Gasket

GO-KIT®33

PUREX AQUATRON™
1-AS-501 Seal
1-O-108 Lid O-Ring
1-O-163 Brkt to Volute Flange O-Ring

GO-KIT®34*

AQUA-FLO FLO-MASTER® FMHP/FMCP/FMVP AND TUB-MASTER® TMCP/TMF
1-AS-200 Seal
1-O-257 Volute O-Ring
1-O-80 Lid O-Ring
1-O-228 Volute O-Ring
1-O-301 Flange O-Ring

GO-KIT®35*

AQUA-FLO STANDARD "A" SERIES 5"
1-AS-1000 Seal
1-G-44 Volute Gasket
1-G-57 Trap Gasket
1-O-80 Lid O-Ring

GO-KIT®36*

AQUA-FLO DOMINATOR HIGH AND MEDIUM HEAD & C SERIES PUMP - PRIOR TO 1995
1-AS-1000 Seal
1-O-240 Seal Plate O-Ring
1-O-301 Flange Volute O-Ring
1-O-48 Lid O-Ring
1-O-49 Diffuser O-Ring
1-O-277 Volute O-Ring

GO-KIT®37

ANTHONY UNIVERSAL SLIDE VALVE KIT 1 1/2" & 2" BRONZE & ABS
3-O-26 Plastic Valve Piston O-Ring
3-O-39 Valve Shaft O-Ring
3-O-113 Piston Cap 1-1/2" O-Ring
3-O-125 Piston Cap 2" O-Ring
2-O-24 Plastic Valve Bulkhead Connector

GO-KIT®38*

STA-RITE® P4E & P4EA SERIES MAXI-GLAS II & DURA-GLAS™ II
1-AS-1521 Seal
1-O-113 Seal Plate O-Ring
1-O-240 Seal Plate Housing O-Ring
1-O-83 Diffuser O-Ring
1-O-12 Lid O-Ring
1-O-39 Drain Plug O-Ring

GO-KIT®39

HAYWARD® #715 MULTIPOINT VALVE
1-G-390 Non Metallic Bearing
1-O-277 Cover O-Ring
1-O-418Kit PTFE Shaft Seal O-Ring
1-O-322 Valve Seat Gasket

GO-KIT®40*

PREMIER 555 NORYL®
1-AS-1000 Seal
1-O-301 2" Tailpiece O-Ring
1-O-287 2" Tailpiece O-Ring
1-O-80 5" Cover O-Ring
1-O-299 Volute O-Ring

GO-KIT®41*

JACUZZI® LR SERIES
1-AS-200 Seal
1-O-459 Lid O-Ring
1-O-39 Filter O-Ring
1-O-464 Pump Square O-Ring

GO-KIT®42*

HAYWARD® SP0410X SLIDE VALVE
1-O-168 Bonnet O-Ring
1-O-30 Shaft O-Ring
1-O-180 Large Piston O-Ring
1-O-26 Small Piston O-Ring
2-O-64 Bulkhead O-Ring

GO-KIT®43*

AMERICAN MAXIM - AMERICANA® II - POWER-GLAS™
1-AS-1000 Seal
1-O-400 Impeller O-Ring
1-O-286 Face Plate O-Ring
1-O-257 Volute O-Ring
1-O-19 Lid O-Ring
1-G-215 Water Slinger

GO-KIT®44*

STA-RITE® FLO TECH PUMP - AQUATOOLS - DYNA-GLAS™
1-AS-201 Seal
1-O-209 Water Slinger
1-O-83 Diffuser O-Ring
1-O-12 Cover O-Ring
1-O-469 Seal Plate O-Ring

GO-KIT®45*

AQUA-FLO DOMINATOR HIGH & MED HEAD & XP SERIES PUMP AFTER 1995
1-AS-200 Seal
1-O-240 Seal Plate O-Ring
1-O-301 Flange Volute O-Ring
1-O-48 Lid O-Ring
1-O-49 Diffuser O-Ring
1-O-299 Volute O-Ring for XP-D11 Series

GO-KIT®46*

PUREX - TRITON® DYNAMO®/ DYNAMITE™/DYNATRON™
1-AS-200 Seal
1-O-231 Housing O-Ring
1-O-41 Pot to Volute O-Ring
1-O-453 Diffuser O-Ring After 1993
1-O-163 Diffuser O-Ring Before 1993

GO-KIT®47*

STA-RITE® DYNA-GLAS™ & J SERIES
1-AS-201 Seal
1-O-83 Diffuser O-Ring
1-O-12 Lid O-Ring
1-O-402 Seal Plate O-Ring - J Series
1-O-469 Seal Plate O-Ring - Dynaglas

GO-KIT®48 (DISCONTINUED)

DOUGHBOY - CYCLOP II
1-AS-163 Seal
1-AS-3A208 Seal
1-O-299 O-Ring
1-O-231 O-Ring

*Viton® Version Available

Gasket and O-Ring Kits (GO-KIT®)

ALL GO-KITS®
Available with
VITON® SEALS

Kits

GO-KIT®49*

PREMIER 756 SERIES

- 1-AS-201 Seal
- 1-O-240 Volute O-Ring
- 1-O-13 Cover O-Ring
- 1-O-49 1 1/2" Tailpiece O-Ring
- 1-O-39 Shaft Extension O-Ring
- 1-O-301 2" Tailpiece O-Ring

GO-KIT®50*

PREMIER 355/225 MK2 PUMP

REPAIR KIT

- 1-AS-201 Seal
- 1-O-49 Tailpiece O-Ring
- 1-O-39 Drain Plug O-Ring
- 1-O-80 Lid O-Ring
- 1-O-257 Volute O-Ring
- 1-O-639 Volute O-Ring

GO-KIT®51*

WATERWAY™/LEISURE BAY 48

FRAME PUMP

- 1-AS-1000 Seal
- 1-O-139 Volute O-Ring
- 1-O-318 Lid O-Ring
- 1-O-39 Drain Plug O-Ring

GO-KIT®52*

WATERWAY™/LEISURE BAY PUMP KIT TO FIT 75-125-200 CYCLONE

- 1-AS-1000 Seal
- 1-O-25 Drain Plug O-Ring
- 1-O-318 Lid O-Ring
- 1-O-108 Volute O-Ring

GO-KIT®53

WATERWAY™/LEISURE BAY PUMP & FILTER UNION KIT FOR ALL 50- 100-150 & CYCLONE 75-125-200

- 2-G-392 1" Flat Gaskets
- 2-G-393 2" Flat Gaskets

GO-KIT®54*

STA-RITE® DURA-GLAS®/MAXI-GLAS P2RA AND P2R 1998 THRU PRESENT

- 1-AS-200 Seal
- 1-O-240 Housing O-Ring
- 1-O-49 Diffuser Gasket
- 1-G-99RS Pump Gasket
- 1-O-218 Lid O-Ring
- 1-O-39 Drain Plug O-Ring

GO-KIT®55

CHLORINATOR KIT HAYWARD® CLX200

- 1-O-231V Viton® O-Ring
- 1-O-416VKIT Viton® O-Ring Kit
- 1-G-217 Gasket

GO-KIT®56

HAYWARD® CHEMICAL FEEDER C250F - C500F - C1100CF -1800CF

- 1-O-12V Viton® O-Ring
- 1-O-27V Viton® O-Ring

GO-KIT®57

JACUZZI® PJM PUMP

- 1-AS-877 Seal
- 1-O-12 Lid O-Ring
- 1-G-127 Pump Gasket
- 1-O-461 Lid O-Ring
- 1-G-139 Flange Gasket
- 1-G-136 Gasket

*Viton® Version Available

GO-KIT®58

JACUZZI® ULSB & ULSC PUMP

- 1-AS-877 Seal
- 1-O-150 Lid O-Ring
- 1-G-127 Pump Gasket

GO-KIT®59*

JACUZZI® SLPH, SLTPH, LCU, LTCU, ULCU, LCM, L3, & L25 PUMP

- 1-AS-200 Seal
- 1-O-278 Lid O-Ring
- 2-O-39 O-Rings
- 1-O-464 Pump Square O-Ring

GO-KIT®60*

JACUZZI® LPH, LPC, LTPH, LH, & LTH PUMP

- 1-AS-200 Seal
- 1-O-464 Pump Square O-Ring
- 2-O-39 O-Rings
- 1-O-411 Lid O-Ring

GO-KIT®61*

JACUZZI® PH & UPH PUMP

- 1-AS-201 Seal
- 1-O-411 Lid O-Ring
- 2-O-39 O-Rings
- 1-G-316 Square Diffuser Gasket

GO-KIT®62

JACUZZI® P, PC, EP SERIES PUMP

- 1-AS-877 Seal
- 2-O-39 O-Rings
- 1-G-316 Square Diffuser Gasket
- 1-O-332 Square Seal O-Ring
- 1-O-264 Square Ring Case O-Ring

GO-KIT®63

JACUZZI® 8M & 10M PUMP

- 1-AS-877 Seal
- 1-G-127 Pump Gasket
- 1-G-122 Valve Pump Gasket

GO-KIT®64*

JACUZZI® CYGNET PUMP

- 1-AS-200 Seal
- 1-O-459 Lid O-Ring
- 2-O-39 Plug O-Rings
- 1-O-460 Case O-Ring

GO-KIT®65*

JACUZZI® J, JCM,K,& KM PUMP

- 1-AS-200 Seal
- 1-O-150 Pump Lid O-Ring

GO-KIT®66*

HAYWARD® Northstar™ PUMP 4000 SERIES (PRIOR 2007) SEE GO-KIT®84* FOR NEW

- 2-O-83 Union/Diffuser O-Ring
- 1-O-239 Seal Plate O-Ring
- 1-O-263 Pressure Test O-RING
- 1-O-504 Strainer Cover O-Ring
- 1-AS-201 Seal

GO-KIT®67*

WMC AT SERIES PUMP

- 1-AS-1521 Seal Assembly
- 1-O-141 Diffuser Gasket
- 1-O-177 Strainer Cover Gasket
- 1-G-95 Housing Gasket

GO-KIT®68*

WMC JS SERIES KIT

- 1-AS-200 Seal Assembly
- 1-O-40 Strainer O-Ring
- 1-O-108 Housing Gasket
- 1-O-336 Strainer Cover O-Ring
- 1-O-397 Knob O-Ring

GO-KIT®69

PAC FAB 1 1/2" MULTI PORT VALVES

- 1-G-416 Diverter Spider Gasket
- 1-G-160 Sight Glass Gasket
- 2-O-83 Valve Adaptor O-Rings
- 1-O-467 Valve Body O-Ring
- 1-O-108 Valve Adapter O-Ring
- 1-O-139 Valve Top O-Ring
- 2-O-276 Shaft Seal O-Rings

GO-KIT®70

PAC FAB 2" MULTI PORT VALVE

- 1-G-417 Diverter Spider Gasket
- 1-G-160 Sight Glass Gasket
- 2-O-83 Valve Adaptor O-Rings
- 1-O-284 Body O-Ring
- 1-O-160 Valve Adaptor O-Ring
- 1-O-479 Valve Top O-Ring
- 2-O-276 Shaft Seal O-Rings

GO-KIT®71*

POLARIS® BOOSTER PUMP (PRIOR TO DEC. 1, 2011)

- 1-AS-1000 Seal
- 1-O-299 Bracket O-Ring
- 1-O-39 Shaft Extension O-Ring

GO-KIT®72

JANDY® NEVER LUBE® 2/3 PORT VALVE

- 2-O-158 Valve Stem O-Ring
- 1-O-223 Valve Cover SSV
- 1-O-440 Valve Cover O-Ring

GO-KIT®73*

PAC FAB CHALLENGER®/PINNACLE™ PUMP REPAIR KIT

- 1-AS-200 Seal
- 1-O-301 Strainer O-Ring
- 1-O-302 New Style Lid O-Ring
- 1-O-318 Old Style Lid O-Ring
- 1-O-395 Diffuser O-Ring Pinnacle
- 1-O-421 Diffuser O-Ring Challenger
- 1-O-506 Housing O-Ring (Square)

GO-KIT®74*

HAYWARD® MATRIX®

- 1-AS-200 Seal
- 1-O-4 Strainer O-Ring
- 1-O-368 Housing O-Ring
- 1-O-453 Lid O-Ring

GO-KIT®75*

JANDY® MHP & MHPU

- 1-AS-601 Seal
- 1-O-4 Diffuser O-Ring
- 1-O-232 Lid O-Ring
- 2-O-83 Coupling Nut O-Ring
- 1-O-163 Body O-Ring

GO-KIT®76*

JANDY® HHP & HHPU

- 1-AS-601 Seal
- 1-O-229 Body O-Ring
- 2-O-4 Diffuser O-Ring
- 1-O-232 Lid O-Ring
- 2-O-83 Coupling Nut O-Ring

GO-KIT®77*

JANDY® JHP & JHPU

- 1-AS-601 Seal
- 1-G-413 Body Gasket
- 1-O-64 Diffuser O-Ring
- 1-O-275 Diffuser O-Ring
- 2-O-465 Lid O-Ring
- 1-O-652 Coupling Nut O-Ring

GO-KIT®78*

PENTAIR SUPERFLO®/SUPERMAX®

- 1-AS-200 Seal
- 2-O-130 Drain Plug O-Ring
- 1-O-150 Lid O-Ring
- 1-O-395 Diffuser O-Ring
- 1-O-465 Seal Plate O-Ring

GO-KIT®79*

STA-RITE® MAX-E-PRO®

- 1-AS-201V Seal
- 1-O-12 Trap Lid O-Ring
- 1-O-39 Drain Plug O-Ring
- 1-O-83 Diffuser O-Ring
- 1-O-240 Clamp O-Ring
- 1-O-627 Impeller Screw O-Ring

GO-Kit®80*

HAYWARD® ECOSTAR®/ ENERGYFLO/TRISTAR®

- 1-AS-3890 Seal
- 1-O-529 Housing O-Ring
- 1-O-83 Union O-Ring
- 1-O-530 Union Gasket
- 1-O-25 Valve O-Ring
- 1-O-13 Strainer Cover O-Ring

GO-KIT® 81*

HAYWARD® POWERFLO® & POWERFLO LX™

- 1-AS-4702KIT Seal W/Housing Cup
- 1-O-231 Lid O-Ring
- 1-O-128 Strainer Connector O-Ring
- 1-O-299 Housing O-Ring
- 1-G-64R Housing Gasket

GO-KIT® 82*

JANDY® SHPF & SHPM (SERIAL # P08FF0001 & LATER) (STEALTH™ PUMP)

- 1-AS-3890 Seal
- 1-O-142 Lid O-Ring
- 2-O-652 Coupling Nut O-Ring
- 1-O-654 Diffuser O-Ring
- 1-O-521 Seal Plate O-Ring

GO-KIT® 83*

JANDY® PHPF & PHPM

- 1-AS-4231 Seal
- 1-O-330 Lid O-Ring
- 2-O-244 Coupling Nut O-Ring
- 1-O-654 Di user O-Ring
- 1-O-521 Seal Plate O-Ring

GO-KIT® 84*

HAYWARD® NORTHSTAR™ (2007 & AFTER)

- 1-AS-3890 Seal
- 1-O-530 Union O-Ring
- 1-O-239 Seal Plate O-Ring
- 1-O-83 Diffuser O-Ring
- 1-O-3 Strainer O-Ring

GO-KIT® 85*

MAXFLO XL®

- 1-AS-200 Seal
- 1-O-19 Cover O-Ring
- 1-O-649 Diffuser O-Ring
- 1-O-263 Housing O-Ring

Gasket and O-Ring Kits

ALL GO-KITS®
Available with
VITON® SEALS

Kits



GO-KIT® 86*

- MAXFLO II®**
1-AS-200 Seal
1-O-18 Cover O-Ring
1-O-649 Diffuser O-Ring
1-O-263 Housing O-Ring

GO-KIT® 87*

- POLARIS® BOOSTER PUMP
PB4-600**
(AFTER DEC. 1, 2011)
1-AS-4231 Seal
1-O-284 Backplate O-ring
1-O-39 Drain Plug O-ring

GO-KIT® 88*

- JANDY® FLOPRO™ (FHPM)**
1-AS-3890 Seal
2-O-39 Drain Plug O-rings
1-O-224 Tailpiece O-ring
1-O-465 Backplate O-ring
1-O-654 Diffuser O-ring
1-O-658 Lid O-ring

GO-KIT® 89*

- Waterway™ SMF/56 Frame**
1 AS-1000V Seal
1 G-484 Faceplate Gasket
2 O-83 Union O-rings
1 O-130 Plug O-ring
1 O-318 Trap Lid O-ring
1 O-359 Diffuser O-ring

GO-KIT® 90*

- JANDY® SHPF & SHPM (BEFORE Serial # P08FF0001)**
(STEALTH™ PUMP)
1-AS-4231 Seal
1-O-142 Lid O-Ring
1-O-521 Back Plate O-Ring
2-O-652 Tail Piece O-Ring
1-O-654 Diffuser O-Ring

GO-KIT® 1001C PENTAIR EQ SERIES

- 1 AS-360V Seal
1 O-130 Drain Plug O-ring
1 O-318 Pot Flange O-ring
1 O-459 Diffuser O-ring
1 O-522 Seal Plate O-ring
1 O-537 Lid O-ring

GO-KIT® 1002C HAYWARD® HCP2000/2500

- 1 AS-3890V Seal
1 O-13 Cover O-ring
1 O-83 Diffuser O-ring
1 O-530 Union O-ring
1 O-529 Housing O-ring

GASKET KITS:

G-231KIT AMERICAN MULTIPOUR VALVE

- 1 G-231P Small Gasket
1 G-231R Large Gasket

G-464KIT AMERICAN - 79207900

- 2 G-462 Gasket
1 G-463 Double Wall Gasket

O-RING KITS:

O-178KIT

- HAYWARD® LIGHT LENS GASKET -
SPX0501HJ**
1 O-318 O-ring
1 .250 Extrusion

O-254KIT REGAL/WALLACE & TIERNAN CHLORINATOR

- 3 O-30V Chlorinator O-ring Viton®
6 O-243V Chlorinator O-ring Viton®

O-271KIT BAKER HYDRO PISTON VALVE

- 2 O-130 Valve Index Plate O-ring
3 O-207 Valve Piston O-ring

O-365KIT STA-RITE® PVC VALVE - WC298-88

- 1 O-50 O-ring
1 O-155 Valve Cap O-ring
3 O-431 O-ring
1 Metal Ring

O-416VKIT HAYWARD® CHLORINATOR O-RING KIT - CLX200LA Old Style

- 2 O-25V Chlorinator O-ring Viton®
1 O-30V Chlorinator O-ring Viton®

O-418KIT HAYWARD® VARI-FLO™ VALVE - SPX0735GA

- 1 O-276 Valve Stem O-ring
1 PTFE Piece

O-483KIT HAYWARD® SPX0704HA

- 1 G-411 PTFE Piece
1 O-225 O-ring

O-500KIT HAYWARD® RELIEF VALVE STEM - DEX2400Z3A

- 1 O-186 Valve Stem O-ring
2 O-446 Relief Valve Stem O-ring

O-508KIT HAYWARD® VARI-FLO™-SPX0733ZA

- 1 O-456 O-ring
1 O-507 PTFE Piece

O-509KIT HAYWARD® ACTUATOR SHAFT ASSEMBLY - PSXA

- 1 O-158 O-ring
1 O-220 O-ring

O-511KIT SWIMQUIP™ 2" SLIDE VALVE

- 1 O-130 Index Plate O-ring
1 O-245 Valve Cap O-ring
2 O-370 Piston O-ring

O-512KIT HAYWARD® 2" SLIDE VALVE

- 1 O-26 Small Piston O-ring
1 O-30 Shaft O-ring
1 O-168 O-ring
1 O-180 Large Piston O-ring

O-513KIT PAC FAB 2" UNIVERSAL SLIDE VALVE

- 1 O-41 Cap O-ring
1 O-47 Valve Diverter O-ring
2 O-71 Slide Valve Bottom
Shaft O-ring

O-514KIT HAYWARD® PRO-GRID - DEX2420Z8A

- 1 O-230 O-ring
1 O-442 O-ring

O-515KIT JANDY® VALVE PENTAIR 2-WAY & 3-WAY VALVES

- 2 O-158 Valve Stem O-ring
1 O-440 Valve Cover O-ring

O-516KIT CARETAKER™

- 2 O-179 Union O-ring
2 O-242 Large Body O-ring
5 O-287 Internal Seal Plate O-ring

O-517KIT ORTEGA 2" VALVE

- 2 O-39 Valve Stem O-ring
1 O-320 Valve Cover O-ring

O-518KIT AMERICAN 2" PISTON VALVE

- 1 O-39 Valve Stem & Shaft Cap
O-ring
2 O-71 Valve Piston O-ring
1 O-325 Valve Cap O-ring

O-519KIT PAC FAB/PRAHER 1 1/2" MULTIPOUR VALVE

- 1 G-416 Diverter Gasket
1 O-139 Valve Top O-ring
2 O-276 Stem O-ring

O-520KIT PAC FAB/PRAHER 2" MULTIPOUR VALVE

- 1 G-417 Diverter Gasket
2 O-276 Stem O-Ring
1 O-479 Valve Top O-ring

O-523KIT HAYWARD® PSV VALVE KEY & COVER PSXVZ2A

- 1 G-391 O-ring
2 O-158 O-ring
1 O-440 O-ring

O-525KIT (Prior GO-KIT®4) PAC FAB 2" SLIDE VALVE

- 5 E-CLIP
1 O-41 PVC Cap O-ring
2 O-155 PVC Valve Shaft O-ring
2 O-206 Piston O-ring

O-531KIT PENTAIR® BACKWASH/SLIDE/ PRE-PLUMBED VALVES

- 1 O-39 Stem O-ring
1 O-41 Cap O-ring
2 O-71 Piston O-ring

O-533KIT = Prior GO-KIT®7 O-534KIT = Prior GO-KIT®8 O-535KIT = Prior GO-KIT®9

O-536KIT PAC FAB/COMPOOL DIVERTER VALVE

- 1 G-480 Spacer Split Seal
2 O-158 Shaft O-ring
1 O-248 Valve O-ring

O-538KIT PENTAIR AIR RELIEF VALVE

- 1 O-247 Valve Stem O-ring
1 O-288 Valve Body O-ring
1 O-628 Valve Stem Tip O-ring

SYSTEM 3® O-RING KITS:

FK3-21 MODULAR KIT (S7 SERIES)

- 1 O-41 Elbow O-Ring
1 O-40 Small O-Ring
1 O-315 Adapter O-Ring
2 O-83 Drain Plug O-Ring
2 O-283 Bulkhead O-Ring
1 O-485 Tank O-Ring

FK3-25 MODULAR KIT (S8 SERIES)

- 1 O-41 Elbow O-Ring
1 O-40 Small O-Ring
1 O-315 Adapter O-Ring
2 O-83 Drain Plug O-Ring
2 O-283 Bulkhead O-Ring
1 O-486 Tank O-Ring

D.E. and Sand versions Available

O-Ring Identification Guide



The Magic Guide makes identifying O-rings and gaskets simple. Place the O-Ring against the Cross Section chart at the bottom of the page to determine the diameter, turn to the page marked with that diameter, and slide the O-ring along the page until you find its match.

Focus on the Service Professional

P.R.O. Box 1

P.R.O. Box 1 - Features 30 + small o-rings and gaskets with over 300 applications along with Magic Lube® and Universal Switches, both industry standards.

O-Rings & Gaskets:

O-24, O-26, O-27, O-30, O-39, O-41, O-43, O-47, O-49, O-64, O-71, O-83, O-122, O-125, O-128, O-130, O-141, O-158, O-168, O-180, O-248, O-276, O-301, O-320, O-325, O-370, O-421, O-424, O-440, O-441

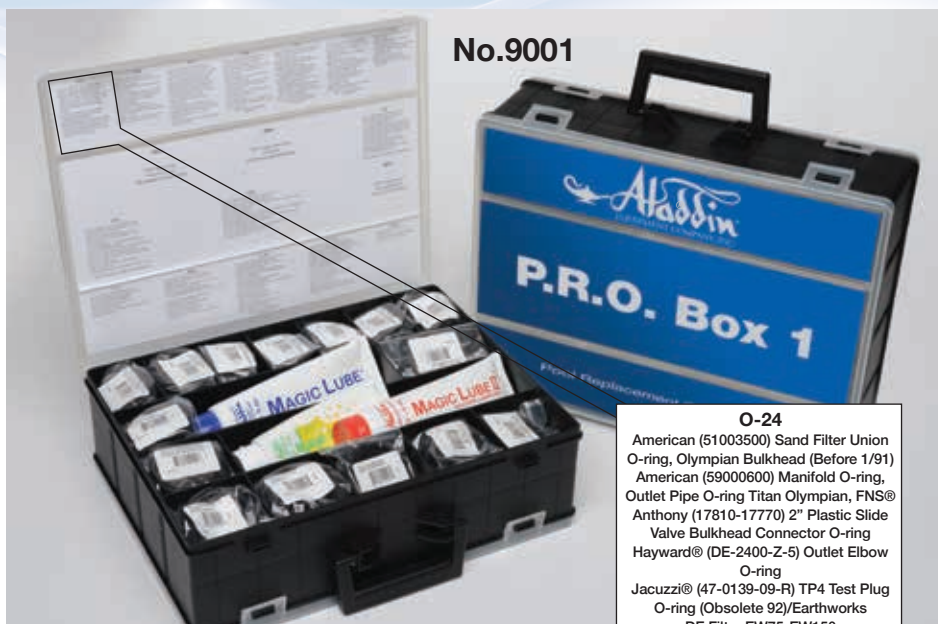
See Reverse Cross Reference for 300 plus applications.

Magic Lube®: 5 oz. Tube of the most popular PTFE Lubricant/Sealant. (631)

Magic Lube® II: 5oz. Tube of the top selling Silicone Lubricant. (651)

Magic Lube® Green: 3oz. Tube of PTFE Lubricant/Sealant with Aramid Fibers. (640)

Universal Switches: Universal Air and Pressure Switches (TBS-301/TBS-317)



- O-24**
- American (51003500) Sand Filter Union O-ring, Olympian Bulkhead (Before 1/91)
 - American (59000600) Manifold O-ring, Outlet Pipe O-ring Titan Olympian, FNS® Anthony (17810-17770) 2" Plastic Slide Valve Bulkhead Connector O-ring Hayward® (DE-2400-Z-5) Outlet Elbow O-ring Jacuzzi® (47-0139-09-R) TP4 Test Plug O-ring (Obsolete 92)/Earthworks DE Filter EW75-EW150 Manifold Assembly O-ring (Before 9/99) Pac Fab (19-2323) Filter/Pump O-ring-Hydropump™ Pot/Volute-Nautilus-FNS® Purex (P-24305) Center Tube O-ring Saurerman 2" Tube O-ring

P.R.O. Box 3



ALSO AVAILABLE WITH VITON® SEALS

B & 2	
American Hayward®	39500500 SPX1600Z2 3890/V
Jacuzzi®	10-0486-00-R 10-0477-00-R 10-0487-00-R 10-1502-09-R 10-1390-04-R
Jandy®	3890/V
Marlow	38592-00
Pac Fab	354001/354894
Premier	31-812
Purex/Hydrotech	P-28300 07-1728
Sta-Rite®/ Swimquip™	U109-358SS U109-372SS U9-358 17351-0101S 37400-0026/27/28S 37400-00275S 37407-0009

With **P.R.O. Box 3**, you can make pump seal replacing as easy as 1-2-3 and A-B-C. No more trying to figure out which pump seal is needed, just three different heads and seats is all you need to make most pump seal replacements.

P.R.O. Box 3 contains 33 seal assemblies with parts to spare and it fits into a 14" by 11" case with easy cross reference showing over 40 applications printed on the cover.

P.R.O. Box 4

The **P.R.O. Box 4** contains all of the Gaskets and O-Rings needed to repair most pool and spa pumps. Our Standard box contains an assortment of kits for American, Hayward®, Jacuzzi®, Pac Fab, Purex and Sta-Rite® pumps; or we can make a custom P.R.O. Box just for you.

Gaskets and O-Rings are packaged in a zip-lock bag showing part numbers and description. **P.R.O. Box 4** also contains packets of Magic Lube® and a re-order form.

When used with the P.R.O. Box 3, pump repairs are made easy, with everything you need in two self-contained carrying cases.

No.9004



Replacement Seals - Carded

UTILIZED MOSTLY FOR RETAIL PURPOSES

SEAL INSTALLATION GUIDE

Installation Instructions For Replacement Seals

1. Disassemble pump cavity to expose defective seal. Removal of old seal and assembly of new seal requires careful operations and precautions.

CAUTION: Lapped and polished faces of new seal are easily scratched and damaged. PROTECT FROM DAMAGE, DIRT and FINGER PRINTS.
2. Carefully remove old seal head and seat taking care not to scratch shaft or seat counterbore. NOTE HOW OLD SEAL IS ASSEMBLED, TO BE SURE REPLACEMENT SEAL IS INSTALLED IN IDENTICAL MANNER.
3. Clean shaft and counterbore surfaces using fine emery cloth or equivalent. Remove rust, burrs, and wipe clean.
4. Press seal seat firmly into counterbore to be sure it is bottomed square. SLIDE SEAL HEAD ALONG SHAFT MAKING SURE THAT SPRING IS CORRECTLY ENGAGED INTO SEAL.
5. Re-assemble pump and remember that trouble free operation of a pump includes making a correct seal installation.



AS-201

Advance 6C-201
 American, Bronze Noryl® 39500500
 Baker Hydro 38592-0/35B1109
 Harmsco 201
 Hayward® SPX1600Z2 Maxi-Flo™/
 Super Pump®/Super II™
 Jacuzzi® 10-0477/10-0486/10-0487/
 10-1502-09-R/Magnum RC Series™
 Luitweiler
 Marlow 38592 Argonaut® MarDur®
 Martec 320-119
 Pac Fab 350002, 354001
 Hydropump™/354894
 Premier 31-812 120T Series/225/255 MkII
 Series/325/355 Series/725/756 Series
 Purex P-28300/07-1728 AH Series, L Series
 Sta-Rite® U9-358/U109-358/Dura-Jet™/
 Dyna-Glas™/DJ/JS/JT/Dura-Glas™/
 Dura-Glas™ II/Dyna-Max™/JW/JWA5/
 JWPA/Maxi-Glas II
 Sta-Rite® U109-372 Maxi-Glas Pre1998/
 Dura-Glas™ Pre 1998
 Sta-Rite® Dyna-Jet™ 17351-0101
 Swimquip™ 37407-0009, XL, VI/XL, VII Series

ALSO AVAILABLE IN VITON®



AS-100

Anthony 004547
 East Side 5/8", P28322
 Purex P-28280/07-1733
 Sears 42G2377W
 Sta-Rite® U109-6A
 Sta-Rite® U109-093 AJ Series/
 Dura-Glas™/Maxi-Glas Before
 1998/PIBC Series 1995
 Sta-Rite® PLBC Series 17351-0102
 Swimquip™ P-61 XLII, XLIII, XLIV



AS-200

Advance 6C-200
 Ampro 60-78
 Aqua-Flo 92509020 Dominator
 High/Med Head Flo-Master®
 Tub-Master® 92500150
 Arneson A-8
 Baker Hydro 35B1178
 Doughboy 306-1006
 Hayward® SPX1250Z2 Cast Iron
 Hayward® SPX2700SA Max-Flo™ II
 Jacuzzi® 10-0002-06-R Cygnet-Pirahna
 J Series/K Series/KM Series,
 A Series/LR Series/Vector LVL
 Jacuzzi® 10-1436-00-R LCM/LCU Series
 Jacuzzi® 10-0476
 Letro A08
 Luitweiler
 Pac Fab 200
 Pac Fab 354545, Challenger®/
 Dynamite™/Dynamo®/Dynatron™/
 Pinnacle™



AS-299

Doughboy 1128-1030



AS-356



AS-358

Jacuzzi® 10-0479-00-R



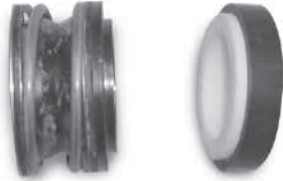
AS-131 (Use AS-358)

Replacement Seals - Carded

UTILIZED MOSTLY FOR RETAIL PURPOSES



AS-359 (Old AS-604)
Jacuzzi® 10-0478-00-R, 10-1202-00-R
Jacuzzi® 10-0506-00-R



AS-360
Purex C Series #P28175



AS-361 (USE AS-361-21)
Jacuzzi® 10-1434-02-R



AS-380
Sta-Rite® 3 & 5 hp D pump U109-047



AS-411 (Old AS-406)
Marlow 2AF Series, 25353 EC-B, EC -A2
Marlow 26661Z, 26469-2



AS-501 (Old AS-1212)
Purex P-28322 Aquatron™



AS-601
Acura Spa 1090-A Maqnaflow/Aquaheat
Supercharger
Jandy® HHP-HHPU, MHP-MHPU R0338200



AS-642
Doughboy® 306-1005



AS-702



PSR-750
Purex- Mac



AS-774
Sta-Rite® U109-170 O-Ring Style



AS-800



AS-910 (Use AS-100)
Sta-Rite®

AS-972 (Not Shown) (Use AS-201)
Aladdin AS - 851
Jacuzzi® 10-1390-04-R, 10-1502-09-R



AS-1000
American Americana® II/Maxim/Power-Glas™/
Ultra Flow®/39701200/39702000
American Eagle 39701200, 39702000
Ampro Dura-Flo®, Noryl® Turbo XL 600, 304
Anthony 04380
Aqua Flo A,B,C,D Series 92509040/
92500050/Dominator High/Med
Head (Pre 1995)
Doughboy 1128-1006, 306-1002
Martec 300-009, 310, 108,
Polaris® P-55
Premier 31-8113 220/225 Series Pre 1988/
300 Series Pre-1988/455/456 Series/
500 Series/600 Series
Purex P-28050, P-28323/07-1734 WhisperFlo®
Sta-Rite® U109-136SS, HF, HFA, HP, CF, CFA, BPA
Swimrite (all)
Waterway™ 111-0293, 811-1001, 319-3100B
Wet Institute



AS-1006 (Use AS-200)
Arneson Pool Sweep #A & B
Letro



AS-1521 (Use AS-201)
Baker Hydro 35B1109
Hayward® SPX1600Z2 Super Pump®
Marlow 38592
Sta-Rite® U109-372



AS-3890
Hayward® SPX3200SA/SPX4000X EcoStar®/NorthStar®/TriStar®
Jandy® R0479400/R0445500 ePump™/FloPro™/Polaris®/Stealth™



AS-4702 (Use AS-200)
Baker Hydro 35B1138
Doughboy® 306-1006
Hayward® SPX1500KA Power-Flo®
Pump Kit -O- ring (0-303) and seal
housing
AS-4702 Kit (Use AS-2131)
AS- 4702
AS- 4702SH

Replacement Seals - Boxed

VITON® & CARBON PSR® PREMIUM PLUS SEALS

For applications using ozonators
or chlorine salt generators

(When ordering Viton® Seals specify with a V at the end of the part number, Example: PSR-201V for a boxed Viton® seal or for a carded Viton® seal AS-201V)



PSR® Seals Are *Standard* With Carbon Face

PSR® - 100

Mfg.	Pump Type	OEM No.
Anthony		004547
Purex/Hydrotech		P-28280
Sta-Rite®	J Series, Dura-Glas® Max-E-Glas®, PLBC-Series	U109-93SS

PSR® - 601

Mfg.	Pump Type	OEM No.
Acura Spa		1090-A
Jandy®		R0338200
Waterco		634016

PSR® - 200

Mfg.	Pump Type	OEM No.
Aqua-Flo	FM-Series	92500150 92509020
Arneson	Pool Sweep	A-8
Baker-Hydro		35B1178
Doughboy		306-1006 306-1007
Hayward®	Max-Flo II™	SPX2700SA
Hayward®	Cast Iron, Matrix®	SPX1250XZ2
Jacuzzi®	LMC-Series, LCU-Series LR-Series, Vector Series	10-1436-00-R 10-0002-06-R
Pac Fab	Challenger®, Dynamite™, Dynamo® Dynatron™, Pinnacle™	354545
Sta-Rite®	Max-E-Glas®/Dura-Glas®	17304-0100

PSR® - 1000

Mfg.	Pump Type	OEM No.
American Products®	Americana® II, Bronze-Bronze	39701200
	Eagle, Maximum™, Power-Glas™ Ultra Flow®	39701200 39702000
Ampro-Diaclear	Dura-Flo®, Noryl® Turbo XL600	AP-304D
Anthony		004380
Aqua-Flo	A-Series, B-Series D-Series	92509040
Aqua-Flo	C-Series	92500050
Doughboy		1128-106 306-1002
Polaris®	Vac Sweep	P-55
Premier	455/456-Series 500-Series, 600-Series	31-813
Purex/Hydrotech	WhisperFlo™	P-28323/07-1734
Sta-Rite®	CF/CFA Series HP-Series	U109-136SS
Waterway		111-0293 319-3100B
Wet Institute		

PSR® - 201

Mfg.	Pump Type	OEM No.
American Products®	Americana® Bronze	39500500 39500500
Hayward®	Max-Flo™, Super Pump® Super II™	SPX1600Z2
Hayward®	NorthStar™ Prior 2003	SPX3200SA
ITT Marlow	Argonaut®, Mardur®	10-1502-09
Jacuzzi®	Magnum, RC-Series™	10-1390-04-R
Pac Fab	Hydropump®	354001
Premier	120T-Series, 225/255 MKII Series 300 Series, 725/756 Series	31-812
Purex/Hydrotech	AH-Series, L-Series	P-28300/07-1728
Sta-Rite®	JS/JT/JW - Series	37400-0026S
Sta-Rite® after 6/00	Dura-Glas II™, Max-E-Glas II® Dyna-Glas™/Dyna-Max™	37400-0027S 37400-0027S
Swimquip™	AS-201 XL VIXL VII - Series	AS-201 17351-0101

PSR® - 2131

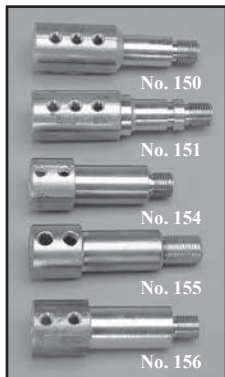
Mfg.	Pump Type	OEM No.
Aqua-Flo	Flo-Master®, Tub-Master®	91049000
Hayward®	Power-Flo®, Turbo-Flo™	SPX1500KA

PSR® - 3890

Mfg.	Pump Type	OEM No.
Hayward®	TriStar®, TriStar® VS, EcoStar®, EcoStar® SVRS	SPX3200SA
Jandy®	FHPM, JEP, MHPM, PHPF/PHPM, SHPF/SHPM, SWF, VSPHP, VS-FHP, WFR	R0479400

Pump Shafts, Bearings & Capacitors

Motor Parts



PUMP SHAFTS - Solid Brass Construction

Aladdin Pump Shafts are constructed from solid brass to withstand the punishment of a pump motor.

Some shafts may fit pumps other than the ones listed.

- No. 150** H & F Premier, Aqua Flo AF6, Sta-Rite® Set screw not included. #152
- No. 151** Swimrite, Premier P-8, 104, 475, Polaris P-45 Set screw not included. #152
- No. 154** Pac Fab 353750 Set screw not included. #152
- No. 155** Jacuzzi® 07-3610-09-R Set screw not included. #153
- No. 156** Swimquip™ 16800-0029 Set screw not included. #152
- No. 152 (Not Shown)** 1/4-20 stainless steel screw used with pump shafts.
- No. 153 (Not Shown)** 5/16-18 stainless steel screw used with pump shaft 155.

PRECISION BALL BEARINGS - The Finest Quality Stainless Steel Construction



The finest single row, deep grooved ball bearings feature double, non-contact seals (VV series) and a high temperature lubricant for quiet, long-life performance. Tight tolerances mean excellent sealing properties and ideal for pool and spa applications

minimum vibration.

Part No.	BORE (I.D.)	OUTER DIAMETER	WIDTH
6202	15mm .5906 in.	35 mm 1.3780 in.	11mm .4331 in.
6202-16	16mm .6299 in.	35mm 1.3780 in.	11mm .4331 in.
6203	17mm .6693 in.	40mm 1.5748 in.	11.99mm .4724 in.
6203-625	15.9mm .6260 in.	40mm 1.5748 in.	11.99mm .4724 in.
6204	20mm .7874 in.	47mm 1.8504 in.	14mm .5512 in.
6205	25mm .9843 in.	52mm 2.0472 in.	15mm .5906 in.
6206	30mm 1.1811 in.	62mm 2.4409 in.	15.99mm .6299 in.
6207	35mm 1.3780 in.	72mm 2.8346 in.	17mm .6693 in.
6303	17mm .6693 in.	47mm 1.8504 in.	14mm .5512 in.
6304	20mm .7874 in.	52mm 2.0472 in.	15mm .5906 in.

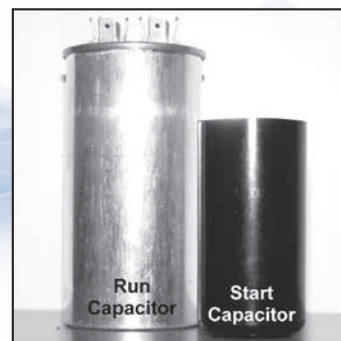
CAPACITORS

Run Capacitors, 370 Volt

Part Number	Diameter	Height	Mfd.
RD-15-370	1 3/4"	2 7/8"	15
RD-20-370	1 3/4"	2 7/8"	20
RD-25-370	1 3/4"	2 7/8"	25
5VR0303	1 3/4"	2 7/8"	30
RD-35-370	2"	3 3/4"	35
RD-50-370	2"	3 3/4"	50

Start Capacitors, 125 Volt

Part Number	Diameter	Height	Mfd.
BC-108	1 7/16"	2 3/4"	108-130
BC-124	1 7/16"	2 3/4"	124-149
BC-145	1 7/16"	2 3/4"	145-175
BC-161	1 7/16"	2 3/4"	161-193
BC-189	1 7/16"	2 3/4"	189-227
BC-216	1 7/16"	2 3/4"	216-259



Drain King®



No.962

DRAIN KING® No moving parts. Powered by water.

DRAIN KING® is used to unclog, prime, and flush swimming pool plumbing systems. It can be used for many household and commercial applications.

Easy to use: Attach to any garden hose, insert into pipe opening and turn on the water. The water pressure causes them to inflate, locking them in place and sealing the opening. The water pressure causes it to inflate, locking it into place and sealing the opening. The water will surge sending a powerful water pulse to loosen and clear blockages. When the pipe is clear, simply turn off the water and loosen the hose coupling. The Drain King® will deflate and can easily be removed.

•If your Drain King® does not inflate to its full size, your water pressure may not be strong enough. To correct this inflate and deflate the Drain King® several times to stretch it to its full size.

DRAIN KING®/GENIE JET No. 961

Fits 1" to 2" Pipe

DRAIN KING® No. 962

Fits 1 1/2" to 3" Pipe

Universal Switches

Aladdin is offering these switches as part of our on-going consolidation program designed to reduce the number of parts needed for servicing pools and spas. As the following listing shows, these new parts significantly reduce the number of replacements a service person needs to carry to handle on-site repairs. By keeping at least one of each Universal Switch with them at all times service personnel will be able to replace virtually any air switch or pressure switch they come across.

Switches



No. 3902 Universal Pressure Switch

One part replaces virtually every pilot duty pressure switch on gas and electric heaters, including electronic ignition and millivolt (standing Pilot)... here are a few of the features:

- combination terminal design allows electric connection with either 1/4" quick connection or #8 screw terminals.
- Field adjustable from 1 to 5 psi and equipped with a visual set point adjustable scale.
- The housing is constructed of rugged plastic and features a unimold mounting pan/pressure fitting for superior
- corrosion resistance.
- Floating contacts in a compact design

For spas, the 3902 Universal Pressure Switch is intended for pilot duty control of heater contactors. In applications where the pressure switch carries the full heater load,

- use our 3000 (3925) series pressure switches. The 3902 Universal Pressure Switch consists of a 3902 Pressure Switch with 1/8" NPT, a barb fitting and a 1/4" and a 3/16" compression fitting adapters.

3902 Replaces

3900	
3901	
3903	
3904	
3906	
3909	
PRS-1100	Comfortzone
PRS-1101	Comfortzone
M3218	Hobbs
71076	Hobbs
26775	Hobbs
26776	Hobbs
26777	Hobbs
26778	Hobbs
R-113	Laars
R-130	Laars
R-132B	Laars
S-19211/07-3328	Purex
B600025	Raypak
600025	Raypak



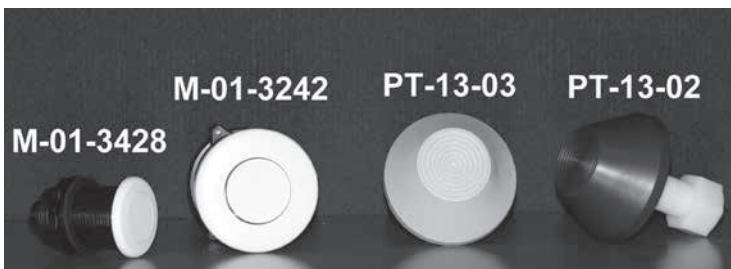
No. 4010P Universal Pressure Switch

The 4000P series switches utilizes an integral thermoplastic switch pan along with the thermoplastic mounting pan to produce the most resilient switch the Leisure Water Industry has seen to date.

Switch: Single Pole, normally open (SPNO)

Connection: .250 x .032 thick (6.35 x .813 mm) male quick connect.

Rating: 25 Amps, non-inductive, 120 to 277 VAC @ 190 F (88 C) for 30,000 cycles.



MPT SERIES AIR TRANSMITTERS

Featuring an integral bellows system, the MPT Series offers four basic configurations in a large variety of colors and plate finishes. Transmitters come complete with bellows, button, bezel and mounting nut.

M-01-3428 (1 5/8 x 7/8)

Compact low profile design featuring snap-on interchangeable metal and plastic trim parts. Cost effective, and compatible for use with second generation TBS 300 Series air switches.

M-01-3242 (2 1/2 x 1 1/4)

Low profile button and bezel permit mounting to rim of spa-minimizing risk of false actuation.

PT SERIES AIR TRANSMITTERS

The PT Air Transmitters feature a rugged, bulb-type actuator and mounts via an integral shaft and nut through panels up to 1 1/2" thick.

PT-13-01 White

PT-13-02 Brown

PT-13-03 Beige

No. 3925 Universal Pressure Switch

One part can virtually replace any pressure switch rated up to 25 amps. Here are a few of the features:

- Field adjustable from 1 to 5 psi and equipped with a visual set point adjustable scale.
- The mounting pan is constructed of rugged plastic and features a unimold pressure fitting for superior corrosion resistance.
- For spas, the 3925 Universal Pressure Switch is intended for pilot duty control of heater contactors or where the pressure carries the full heater load (up to 25 amps).
- The 3925 Universal Pressure Switch consists of a 3029P Pressure Switch with 1/8" NPT, a barb fitting and a 1/4" and a 3/16" compression fitting adapters.



3925 Replaces 1/8" NPT

3010
3010P
3026
3029
3037
3037-OOAS
3037P
3037P-OOAS
3053
3053P
3078
3078P
3095
3098
3098P-OOAS
3098P
3109
3113
3113P
3134P
3134P-OOCA
3135
DD05 Barksdale
DD05SS Barksdale
EE05 Barksdale
EE05SS Barksdale
73591 Hobbs

BARBED

3028
3028P
3044P3045
3045P
3133P
3133P-OOCA
DD05-P2 Barksdale
DD05-P3 Barksdale
DD05SS-P2 Barksdale
DD05SS-P3 Barksdale
EE05-P2 Barksdale
EE05-P3 Barksdale
EE05SS-P2 Barksdale
EE05SS-P3 Barksdale

1/4" COMP.

3001
3032
3037P-CFCK
3037P-OOCK
DD05-P4 Barksdale
DD05SS-P4 Barksdale
EE05-P4 Barksdale
EE05SS-P4 Barksdale

3/16" COMP.

3021
3022
3038
3038-OOAS
3099
DD05-P1 Barksdale
DD05SS Barksdale
EE05-P1 Barksdale
EE05SS-P1 Barksdale

Universal Air Switch

TBS-301, TBS-317

Aladdin has developed a unique fitting that adapts TBS-300 style switches to TBS-200 style applications. The TBS-301 Universal Air Switch will replace most 200 or 300 style, maintained contact, double pole air switches with a single part number.



TBS-301 Replaces

TBS-200
TBS-207
TBS-212
TBS-215
TBS-221
TBS-227
TBS-305
TBS-310
TBS-311
TBS-322
TBS-324
330-004
18-013-0020
18-013-0022
18-013-0023
59B9077
59B9339
34-0182
34-0192
2004-0018
PS052
35-0001
35-0012
08-0340001
5ZS103455SS-1
760049
760050
6861-AC
6871-AC
000369
700325
22121
133RC921
23-2000-007
WTO-10
Jag-4X
843911
Tva111A
TAV111A
E-00138
E-01139

Apollo Corp
Aquatherm
Aquatherm
Aquatherm
Baker Hydro
Baker Hydro
Brett Aqualine
Brett Aqualine
Coleman Spas
Conway
CRL
CRL
Florida Whirlpool G.E.
Hercules
Hercules
Herga
Herga
Hurricane
Hydra Baths
Hydro Quip
Intermatic
Jason Int'l
Jetster
Len Gordon
Morgan Spas
Pres-Air-Trol
Pres-Air-Trol
Teledyne Laars
Teledyne Laars

TBS-317 Replaces

TBS-213
TBS-220
TBS-222
TBS-317
TBS 318
18-013-0021
59B9098
34-0109
35-0006
2004-0013
760051
6862-AC
6872-AC
000370
22178
ATA211A
TVA211A

Aquatherm
Baker Hydro
Brett Aqualine
CRL
Coleman Spas
Hercules
Herga
Herga
Hurricane
Hydro Quip
Pres-Air-Trol
Pres-Air-Trol

Scamp & Pump Cart

“The Scamp” Portable Filter System

Mounted on a stainless steel cart with a top of the line self-priming pump and fitted with a 15 AMP GFI. The Scamp is supplied with a certified ¾ HP pump and 75 sq.ft. cartridge filter. A perfect tool for the pool service professional. **No. 725**

Pump Cart

- 710 Pump Cart Coated
 - 710SS Pump Cart Stainless Steel
 - 711 GFCI Plug with Cord
 - 763* Cart Base
 - 764* Cart Handle
 - 765SS Cart Axle Stainless Only
 - 766 Non-Corrosive Wheel Only
- *Also Available in Stainless Steel

All Carts Are Fitted
With Non Corrosive
Wheels



Pump Carts



The Ideal Way To Bring Equipment To The Pool

PORT - A - PUMP CART No. 710/710SS

Longer Handle For Added Convenience. The 25" x 16" (35" x 18" including handle on the length and wheels on the width) base and handle are constructed from heavy duty 18 gauge steel for durability. The parts are iron phosphate coated to help prevent rusting and then electrostatically painted with a blue enamel. The cart features two legs so it cannot easily be tipped over and to keep it from rolling while operating the pump.



OFFSET BRACKET No. 610B

The offset bracket makes it easy to get the attachment heads into those hard to reach areas like under precast, cantilever, or stone type copings.

The bracket features an interlocking design that allows turning the attachment head to several different angles and locking it in place. Service tested for durability and extremely lightweight.

Light/Medium Duty SCRUBBER No. 616

DISCONTINUED

Complete with Bracket & Wing Nut. Light for delicate scrubbing like vinyl or fiberglass and medium for general cleaning. Between the two scrubbers is a urethane sponge to hold cleaning solutions.



Tile Brush No. 614

DISCONTINUED

Complete with Bracket & Wing Nut. Used for industrial duty scrubbing on mineral build-up. Locked in abrasive particles provide extra scrubbing power.



SUPER SANDER No. 908

Ideal for removing stains from pool walls and floors without damaging the surface. Constructed from heavy duty rubber. The yoke handle allows the sanding head to swivel which keeps the sanding head flat when sanding at various angles.

Replacements

111	Super Sander Yoke
908A	Wet Sandpaper (4 sheet waterproof silicone carbide)



DELUXE VACUUM No. 140

Designed for efficiency with a 12" wide path that cleans in just one pass. It features a "Balanced Design", a unique 4-wheel suspension system, utilizing Delrin wheels and eccentrics. These non-marking wheels adjust to control the amount of suction. 1 1/2" Hose Fitting.

Replacements

102	Brush	108	Delrin Wheel & Eccentric
103	Brush Spring	109	Wheel Screw
104	Brush Screw	110	Skirt Rivet
105	Yoke Handle	112	Yoke Bushing
106	Short Skirt	113	Yoke Screw
107	Long Skirt		



ALC30 Leaf Canister

18" Leaf Canister with large capacity mesh bag. Easy opening lid allows emptying without disconnecting vacuum hose. Leaves and debris are trapped to prevent clogging the pump basket and filter. Attaches to suction type automatic pool cleaners.

Hose Parts and Clamps

Utility Hangers

These popular hangers are used as pole hangers, hose hangers and for a variety of other applications. Constructed from heavy duty plastic, these hangers are strong and durable. They are easy to install and come complete with wood screws. Attractively packaged in pairs.



No. 954 - One Loop



No. 955 - Two Loop



No. 956 - Three Loop



STAINLESS STEEL CLAMPS

A complete line of superior quality, worm-drive gear clamps. Constructed entirely from marine grade stainless steel to meet the stringent requirements most often specified by the OEM marketplace. The unique 'Interlock' design strengthens under tension to allow maximum torque during application for a safe, secure seal. Our hose clamps are constructed without spot welds to avoid corrosion in harsh environments. Ideal for applications where stainless steel is required to withstand corrosive elements other than underground use.

BAND: Full 9/16" wide - 300 marine grade stainless steel
SCREW: Shouldered 5/16" (8mm) hex head - SAE standards - 300 marine grade stainless steel.

Now Available Bagged in a 2 Pack or 10 Pack

Hose Cuff

The Hose Cuff is used as a replacement for hose ends.



No. 211 - 1 1/2" Threaded Cuff



No. 231 - 2" Threaded Cuff

Part No.	Size	Pack
269-4	7/32" - 5/8"	2 PK/10 PK
270-6	3/8" - 7/8"	2 PK/10 PK
271-8	7/16" - 1"	2 PK/10 PK
272-12	9/16" - 1 1/4"	2 PK/10 PK
273-16	1 1/16" - 1 1/2"	2 PK/10 PK
274-20	3/4" - 1 3/4"	2 PK/10 PK
275-24	1 1/16" - 2"	2 PK/10 PK
276-28	1 5/16" - 2 1/4"	2 PK/10 PK
277-32	1 9/16" - 2 1/2"	2 PK/10 PK
278-36	1 13/16" - 2 3/4"	2 PK/10 PK
279-40	2 1/16" - 3"	2 PK/10 PK

**Please Specify
2 Pack or 10 Pack
When Ordering**



ADAPTABLE LIGHT RINGS

Converts A Light Niche to Accept A Standard Replacement Light

Adaptable light rings will fit any metal or hand formed niche from 9-3/4" to 12" solving the problem of trying to repair an obsolete light, or trying to reconstruct a niche to fit a standard light. The unique feature of these light rings is that they can be installed in a few minutes and accept a standard light. Simply remove the old light, insert the Adaptable Light Ring, tighten the retaining screws, and install the new light. It's that easy.

The Adaptable Light Rings are part of our Consolidation Program. Instead of stocking hundreds of light parts to cover the multitude of possible replacement applications in the field, the Adaptable Light Ring allows you to stock a few of the most popular replacement lights.

500, 500B, 500C are Brass and Chrome Plated.

Part No.	Inside Diameter	Outside Diameter
500	10"	11 3/4"
500B	11"	12 7/8"
500C	10 1/8"	12"
500P	10 7/8"	12 5/8"

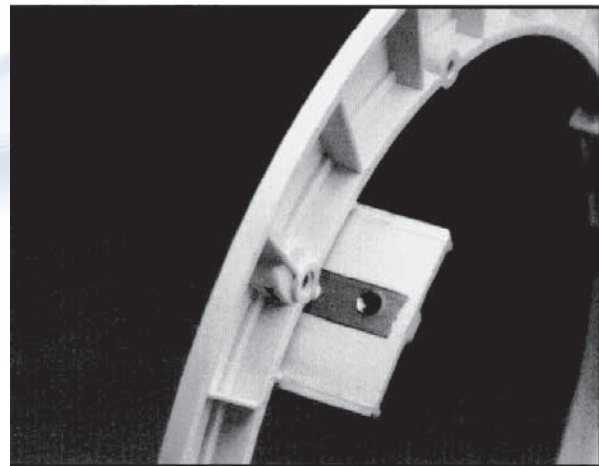


UNIVERSAL LIGHT RING

No. 500P (one size fits all)

As part of our Consolidation Program, our 500P model adapts to same lights that fit all 500, 500B, 500C models. Constructed from rugged ABS (plastic) for durability that offers the added benefit of light weight for easy handling and shipping. The unique design features a ground strap molded into the casing.

- No. 500** adapted for Purex, Wade and Pac Fab lights
- No. 500B** adapted for Hayward® AstroLite™/ColorLogic®/CrystaLogic™/DuraLite/StarLite
- No. 500C** American AmerLite®, Hayward® AstroLite™/ColorLogic®/CrystaLogic™ and Jandy® CP Series
- No. 500P** Universal Plastic Ring
- No. 500S** Replacement Brass Retaining Screws (Set of 3)



SILICONE LENS GASKETS

Premium quality *Silicone* lens gaskets outlast standard lens gaskets (designed to last an average of 50,000 hours). Great for use with LED or incandescent lighting. Provides superior chemical and weather resistance.

- O-170** Pentair-American #79101600 AmerLite®
- O-344** Pentair-American #79108500 SpaBrite®



Winterizing Plugs



Winterizing Test Plugs Featuring The Easy Grip Knob



Get ready for winter and keep pipes from freezing and bursting. Our winterizing plugs are made with soft rubber which allows for maximum expansion. They provide a tight seal even during expansion and contraction due to severe temperatures. They feature a tighter contour to make installation quick and easy and are available in 8 standard sizes to fit pipe from 3/4" to 2".

Our Easy-Grip, No-Slip (EGNS)[™] knob has been specifically designed to make hand tightening easier and less painful on the fingers. The larger grip also accepts a 1" socket making installation and removal a snap.



TESTING: Winterizing Plugs are ideal for testing applications. Once installed the system can be pressurized and tested for leaks.



EGNS[™] SIZE

800-4	3/4" Fitting & 1" Pipe
800-6	1" Fitting
800-7	1 1/4" Pipe
800-8	1 1/2" Pipe
800-9	1 1/4" Fitting & 1 1/2" Pipe
800-10	1 1/2" Fitting
800-11	2" Pipe
800-12	2" Fitting
888	EGNS [™] Knob Only

Winterizing Your Pool is a Snap!



- Saves Water!
- Saves Money!
- Saves Time!
- Saves the Skimmer!

Skimmer Guard also available for use during the summer!



Year-Round Features:

- Drain your skimmer, not your pool to prevent costly freeze damage to skimmer.
- Recessed lid design prevents shifting ice from removing the lid.
- Saves metal pool walls from corrosion year round.
- **Guaranteed not to leak!** UV and chemical-resistant, good to minus 80° F below zero.

MODELS AVAILABLE:

AG1090 Fits standard above ground skimmers, including: Hayward® 1090, 1092, 1094, PoolStyle™, Hydrotools™, American Products™, Jacuzzi®, Muskin™, Olympic®, Waterway™, and others

AG1090-L Replacement Lid for use ONLY with AG Standard AG1090 SkimSaver™ Faceplate

AG1091 Fits wide mouth above ground skimmers, including: Hayward® 1091, PoolStyle™, Hydrotools®, Pentair™, Waterway™, and others

AG1091-L Replacement Lid for use ONLY with AG Widemouth AG1091 SkimSaver™ Faceplate

AG2000 Fits Doughboy® skimmer standard and deluxe

AG2000-L Replacement Lid for use ONLY with AG Doughboy® AG2000 SkimSaver™ Faceplate

IG1084 Fits standard in ground skimmers, including: Hayward®, Kalko™, Pentair™, Waterway™, and others

IG1084-L Replacement Lid for use ONLY with IG Standard IG1084 SkimSaver™ Faceplate

IG1085 Fits wide mouth in ground skimmers, including: Hayward® 1085, Kalko™, Pentair™, Waterway™, and others

IG1085-L Replacement Lid for use ONLY with IG Widemouth IG1085 SkimSaver™ Faceplate



Winterizing

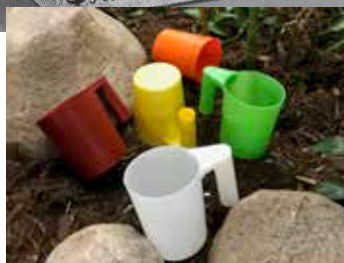
E-Z SCOOP®



The easy way to scoop diatomaceous earth from bag to filter.

The industry standard means the formula is measured by volume, not weight. The E-Z SCOOP® was originally developed and designed to match the volume of a 1lb coffee can.

The correct measuring instructions are molded on the bottom of the product:
For vertical filters, use one full scoop per 5 sq. ft.
For bump filters, use one full scoop per 7-1/2 sq. ft.



7 Scoops = 5 lbs. D.E.

GLUEMATE®



The GLUEMATE® is a dual cavity container that is designed to hold 36 ounces of glue and primer on each side and is constructed with a non-stick surface that will always keep a clean, professional look. The GLUEMATE® is manufactured from high-density polyethylene and condenses far less than steel cans which means... **LESS COAGULATED GLUE.** Buy your glue and primer by the gallon and start saving money today!

GLUEMATE® IS THE RIGHT TOOL FOR THE JOB!

**The Better Way to Carry
Your Glue and Primer!
DESIGNED TO BE EASY TO OPEN,
STABLE, LIGHTWEIGHT
AND VERY HANDY.**



The Skimmer That Operates Without A Niche

NO-NICHE® is no ordinary skimmer. It replaces the need for a niche - the weakest point in a pool's construction. Constructing a niche can substantially increase the cost of a pool. Operating in a confined niche, conventional skimmers often don't do an adequate job of keeping a pool clean.

NO-NICHE® is efficient. With 360° skimmer actions, NO-NICHE® has sufficient skimming power to allow opening of the main drain. Water filters faster, keeping the pool cleaner. NO-NICHE® works on a floatation system that automatically adjusts to average water level changes.

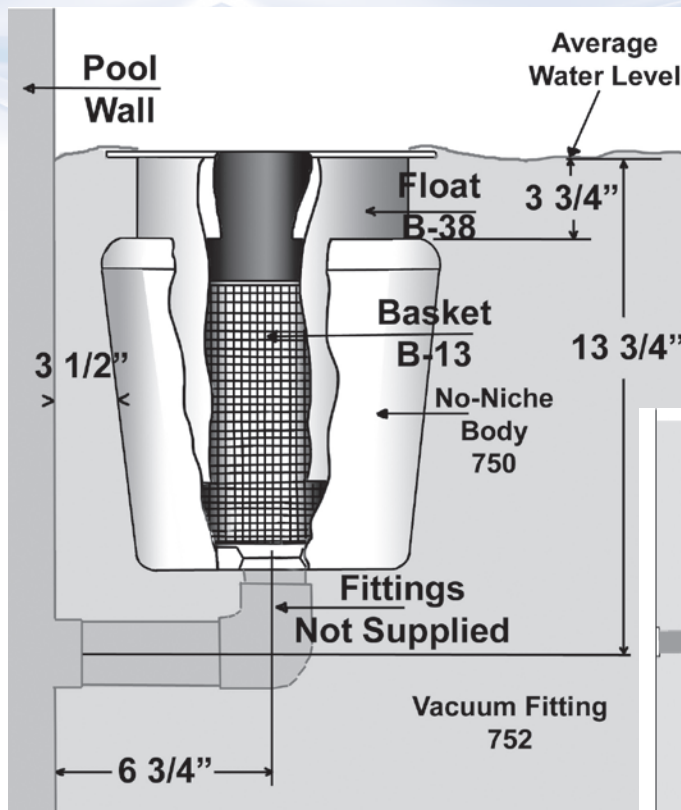
NO-NICHE® is compact. It does a big job while remaining unobstructive and almost invisible. NO-NICHE® utilizes an exceptionally large skimmer basket considering its compact size to filter more debris without clogging. It can be used in new pool construction, with existing VAC outlets, or in place of an inefficient skimmer.

NO-NICHE® is constructed from HIPS plastic for strength and durability. It comes complete with a vacuum fitting (No. 752). With the basket and float removed, the hose fitting attaches to the hose and the bottom of the skimmer without threading.



Bottom threaded inlet now accepts up to 2" Fittings

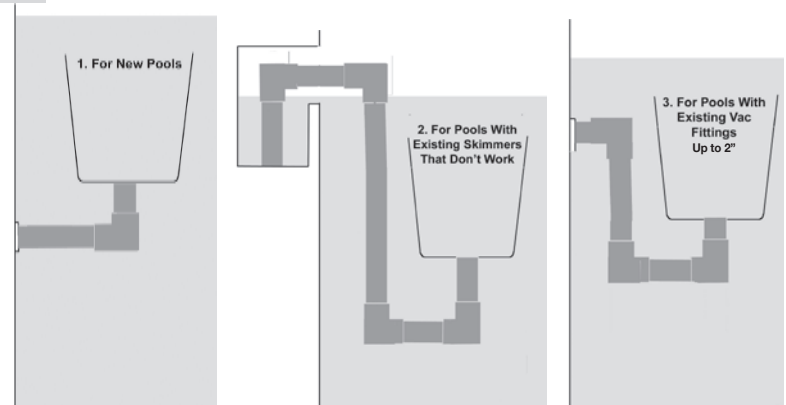
No.750



NOTE: AMERICAN VAC PLATE WORKS ON NO-NICHE®. (No. 920)

- No. 750** Complete Assembly
- No. 751** Top and Main Housing
- No. 752** Vacuum Fitting
- No. B-13** Basket Only
- No. B-38** Skimmer Weir

**Also available in
Black HIPS for KOI ponds. (No. 750B)**



No-Niche®

The Wizard and Skimmer Weirs



B - 104P
(Not Included
Order Separately)



The Wizard B - 104

We started with the popular Lily Pad Skimmer design and made some amazing changes to create a totally new concept in skimmers. One important improvement is that The Wizard has a larger skimming area without increasing the overall size of the product. The result is a skimmer that requires less water suction to operate. Restricting the water intake into the skimmer allows the main drain intake to be increased for the most efficient cycling of the water.

Note: In most applications, the water suction will probably have to be restricted in order for The Wizard to operate properly. After installing The Wizard, simply adjust the skimmer intake to allow just enough water to flow over the edges. Too much suction will cause The Wizard to cover the inlet and completely restrict the skimmer.

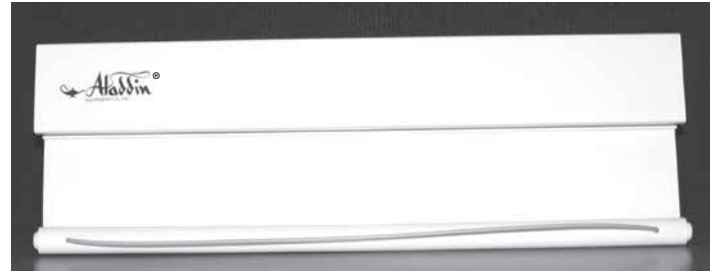
The Wizard is equipped with legs to prevent complete coverage of the inlet. These legs can be easily removed, if desired, to allow The Wizard to completely cover the inlet. With the legs removed, The Wizard automatically covers the inlet if the water level drops below the intake level. This prevents air, that can be harmful to the pump, from getting into the system.



No.933



No.929



No.932

SKIMMER WEIRS

Skimmer Weirs allow water to flow into the skimmer, but close down when the pump shuts off preventing the back-flow of debris from returning to the pool.

The String Release style works by simply positioning the weir into place and pulling out the string at each side. The rod springs and locks into place.

ALL WEIRS ARE 5¼ WIDE

No. 933	5 7/8" - Hayward®/American Products®
923	6"
924	7"
934	7 1/4" - Anthony/Pac Fab
941	7 3/8" - Hayward®
935	7 5/8" - Sylvan
936	7 13/16" - Hayward®
925	8"
937	8 1/8" - Jacuzzi®
938	8 3/8" - Swimquip™ U3
939	8 1/2" - Swimrite
926	9"
940	9 3/8" - Baker Hydro
927	10"
928	11"
929	12"
930	14"
931	15"
932	16"

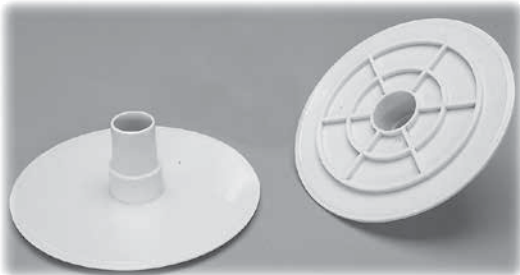
Molded Parts



**Raised Plug
SPX1022C
No. 801**



**Flush Plug
SPX1022B
No. 802**



**Olympic Vac Plate ACM89
No. 910 (6 3/4" OD)
Aqua Leader® Vac Plate ALS008
No. 911 (6 7/8" OD)
American FAS Vac Plate 85002800
No. 912 (6 9/16" OD)**



**Hayward® Vac Plate
SMALL
SPX1090, 1091, 1092
No. 913 (Shown with 915
and 916)**



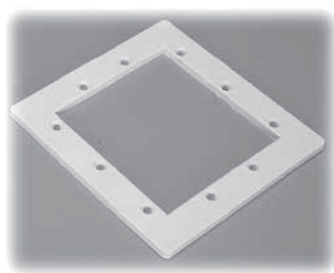
**Hayward® Vac Plate LARGE
SPX1075, 1084, 1085
No. 914 (Shown with 915 and
916)**



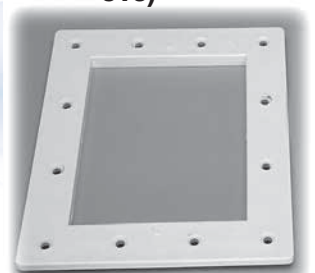
**Hayward® Vac Plate
Straight Connector
No. 915**



**Hayward® Vac Plate
Elbow Connector
No. 916**



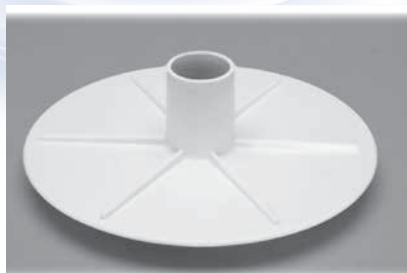
**Hayward® Skimmer Face
Plate SPX1090D
No. 917**



**Hayward® Skimmer Face
Plate SPX1084L
No. 918**



**Hose Adapter
No. 919**



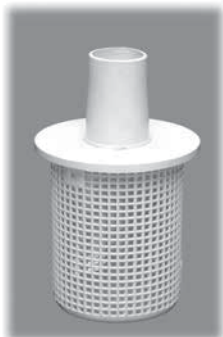
**American Admiral Vac Plate
85001900 (8" OD)
No. 920**



**Eyeball Seat Removal Tool
SPX1419T
No. 7000**



**Return Fitting Face Plate
SPX1408B
No. 7008**



**No. B-99
Inverted Skimmer Basket
With Cuff No. B-99C**

Parts/White Goods

Locking Lid Vac-Master



LOCKING LID VAC-MASTER

The Locking Lid VAC - MASTER can be used when vacuuming, as a conventional skimmer plus the locking lid feature allows the VAC - MASTER to work with automatic pool cleaners. The VAC-MASTER works by inserting into the skimmer and attaching the vacuum hose.

The VAC - MASTER has a clear lid which allows easy access to remove collected debris while allowing the skimmer continuous operation with the cleaner. VAC - MASTER can save valuable time by catching all large debris for easy removal at the skimmer rather than at the pump.

No. 780 COMPLETE ASSEMBLY

Center nipple-for American Products®, Anthony 8 x 8 and every conventional skimmer.

No. 781 COMPLETE ASSEMBLY

Offset nipple-for Swimquip™ U3, Jacuzzi®, Hayward®, Swimrite, Pac Fab, etc.

No. 782 Lid Only

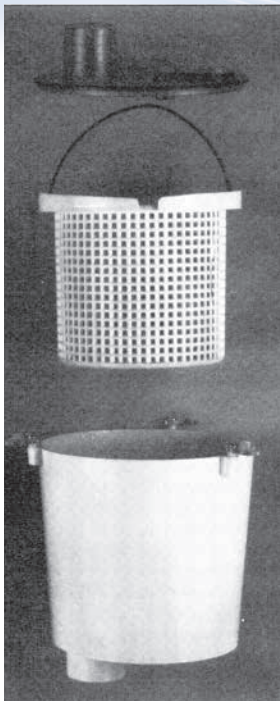
No. 783 Body Only (center nipple)

No. 784 Body Only (offset nipple)

No. B-34 Basket Only



No.780



No. 782

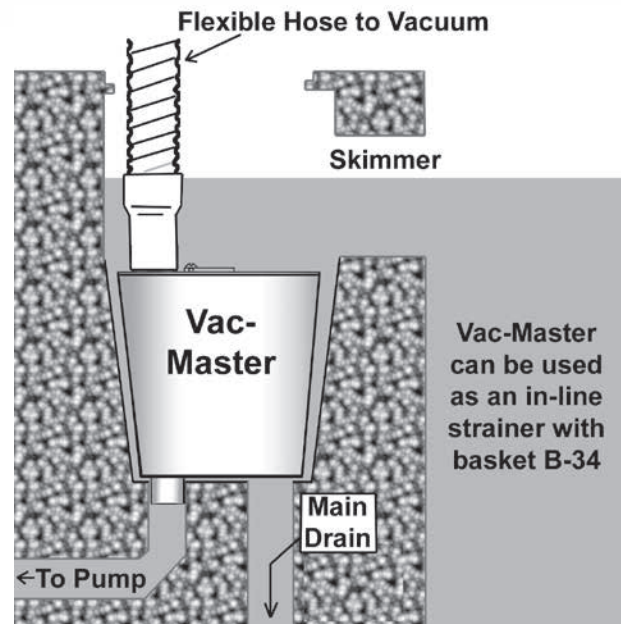
No. B-34

No.784



No.783

VAC-MASTER is commonly used as a conventional skimmer on skimmers that are not designed for a skimmer basket.



Vac-Master can be used as an in-line strainer with basket B-34

Parts/White Goods

Aladdin Equipment Manufactures More Basket Styles Than Anyone!



BASKETS ARE MADE IN U.S.A.

On the following pages we list over 200 stock baskets...from molded to custom welded (powder coated or stainless steel).

If you don't find the basket you need, just use our Special Basket Order Form on the next page and fax to our customer service department for a quote.

Special Order Basket

This form available on our website @ www.aladdin1950.com/documents. Our facility and equipment are geared to produce professional quality baskets. If you have a basket need, and the item is not listed as a standard item, send us the specifications and we will manufacture a basket to fit your requirements.

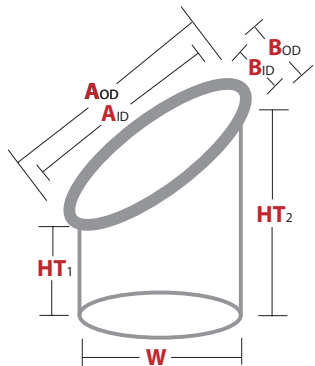
Metal Mesh Basket

Metal mesh baskets are powder coated and have 1/4" square holes. Please allow 4-6 weeks for delivery.

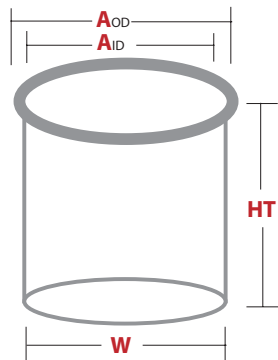
Stainless Steel Basket

Stainless steel baskets have 3/16" round holes. Please allow 1-2 weeks for delivery.

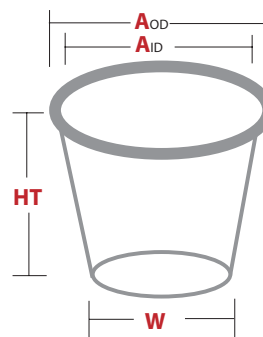
SPECIAL BASKET ORDER FORM



A_{OD} _____
A_{ID} _____
B_{OD} _____
B_{ID} _____
HT₁ _____
HT₂ _____
W _____

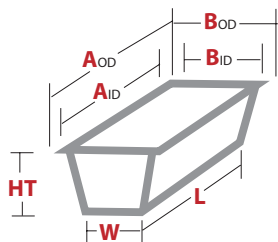


A_{OD} _____
A_{ID} _____
HT _____
W _____

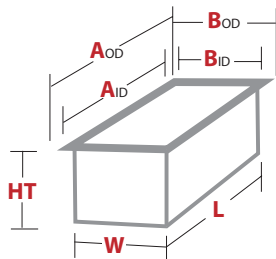


A_{OD} _____
A_{ID} _____
HT _____
W _____

OD = Outside Dimension ID = Inside Dimension



A_{OD} _____
A_{ID} _____
B_{OD} _____
B_{ID} _____
HT _____
L _____
W _____



A_{OD} _____
A_{ID} _____
B_{OD} _____
B_{ID} _____
HT _____
L _____
W _____

**PLEASE NOTE
TO PROVIDE YOU WITH
A QUOTE IN A TIMELY
MANNER, GIVE AS MANY
ACCURATE DIMENSIONS
AS POSSIBLE.**

Coated Metal

Stainless Steel

Handle

Arched Flat

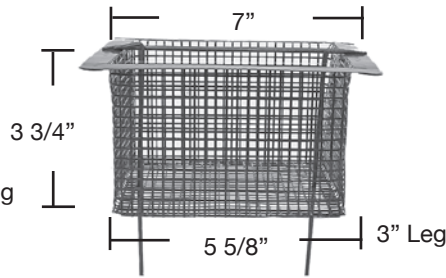
Company Name: _____ Contact: _____

Address: _____

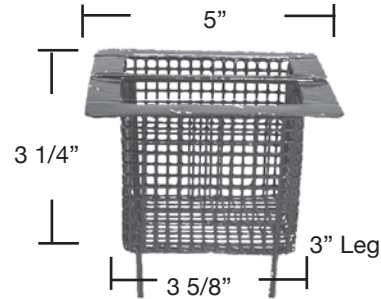
City: _____ State: _____ Zip Code: _____

Phone #: _____ Fax #: _____

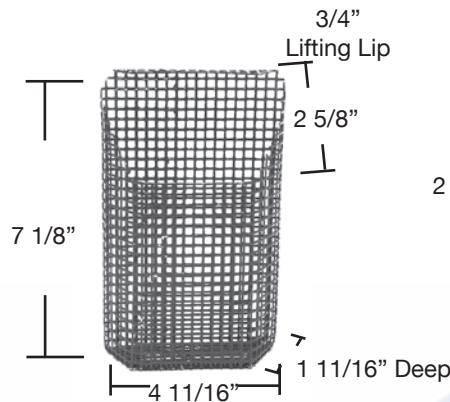
B - 1
 Anthony Pool 7x7"
 Skimmer
 (Powder Coated)
 Leg to Clear Vacuum Fitting
 See B-39 for Plastic



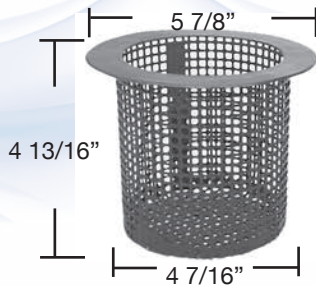
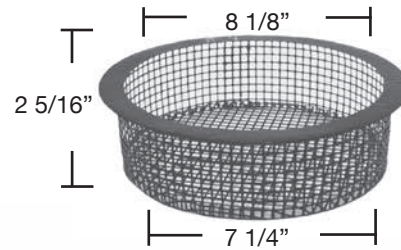
B - 2
 Anthony Pool 5x5"
 Skimmer
 (Powder Coated)



B - 3
 Jacuzzi® 16-0343-08-R
 (Powder Coated)



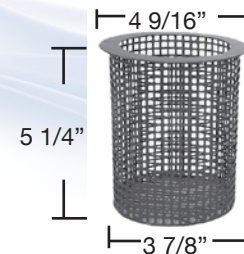
B - 4
 Landon New Type
 Skimmer (Powder
 Coated)



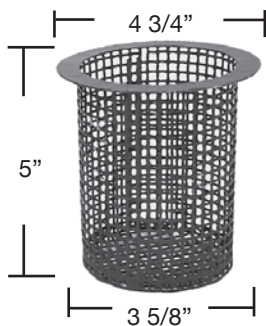
B - 5
 Hydro Pump 214
 Eastside 6"
 Sta-Rite® 6"
 Swimquip™ 16400 A
 (Powder Coated)



B - 6
 Hydro Pump 414
 Eastside 4"
 Sta-Rite® 4"
 Swimquip™ 1602-1
 (Powder Coated)



B - 7
 International PP 8102-15
 Early Style Pac. Pumping
 SD10106
 Berkeley Pump S-7297
 1 1/2" [4x5]
 (Powder Coated)



B - 8
 Harmon Pump HL-7-5" Latex
 (Powder Coated)

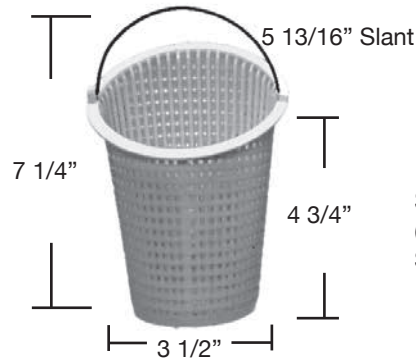
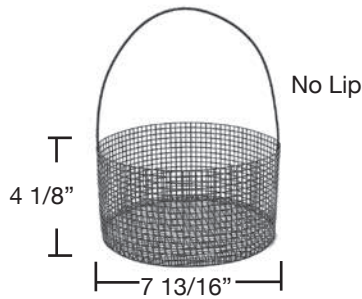


B - 9
 Hayward® SPX1070E
 Skim Master
 Swimquip™ U-3 Strainer
 08650-0007
 Swimrite 70-828-915
 (Plastic)
 See B-84 for Powder Coated

Baskets

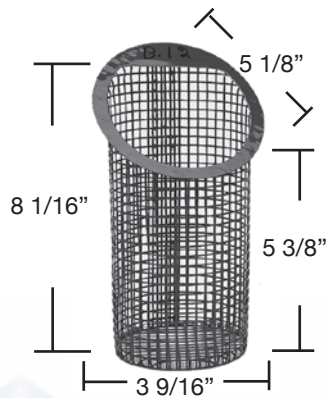
B - 10

Landon 2701-3
Over Flow - OLD
(Powder Coated)



B - 11

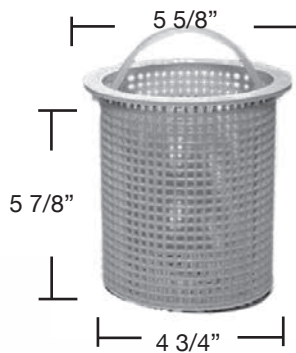
Swimquip™ P-61 Pump
(Plastic)
See B-162 for Powered Coated



B - 12

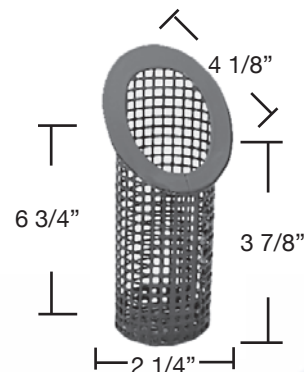
Luitweiler 2" Std.
Landon 1721-2 [2"]
(Powder Coated)

*For the same basket with Locating Hole in Bottom, See B - 51



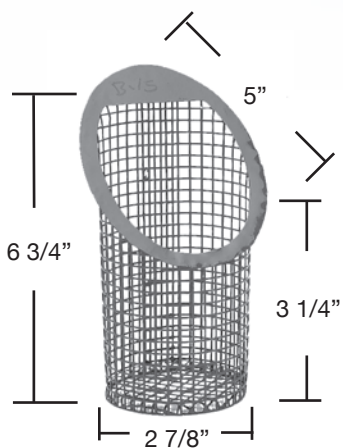
B - 13

(Plastic)
ALADDIN NO-NICHE® Skimmer
Same As B-206
See B-185 For Metal-
Powder Coated



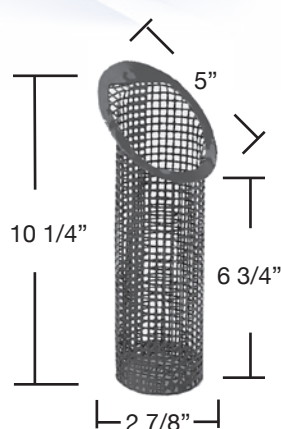
B - 14

Paddock 1 1/2"
(Powder Coated)



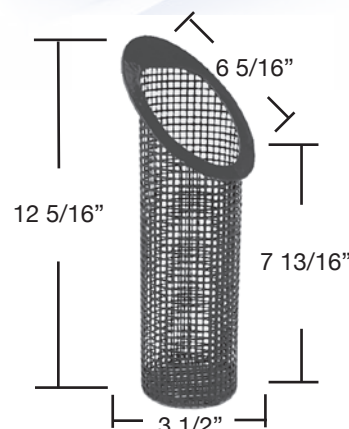
B - 15

Jacuzzi® 16-0344-00-R
[4" Slant] Moresta 1 1/2"
Paddock 2"
(Powder Coated)



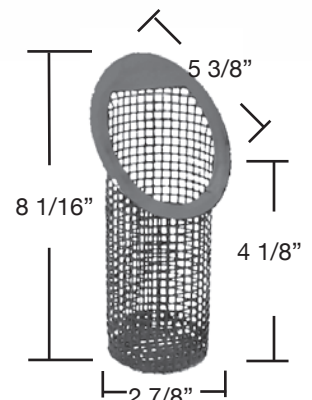
B - 16

Paddock 3"
(Powder Coated)



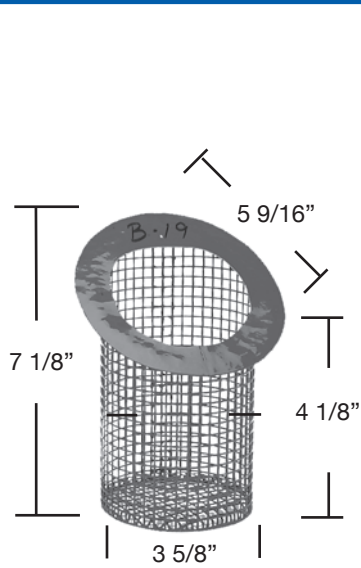
B - 17

Paddock 4"
(Powder Coated)

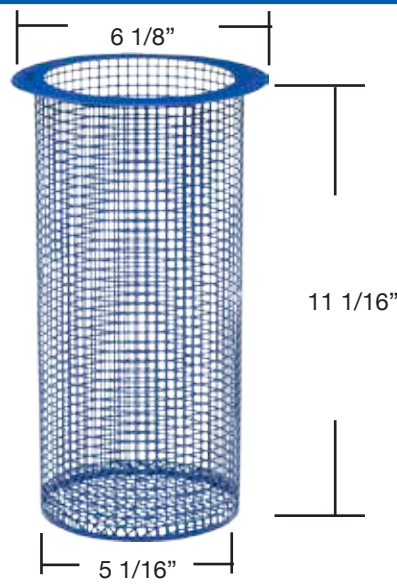


B - 18

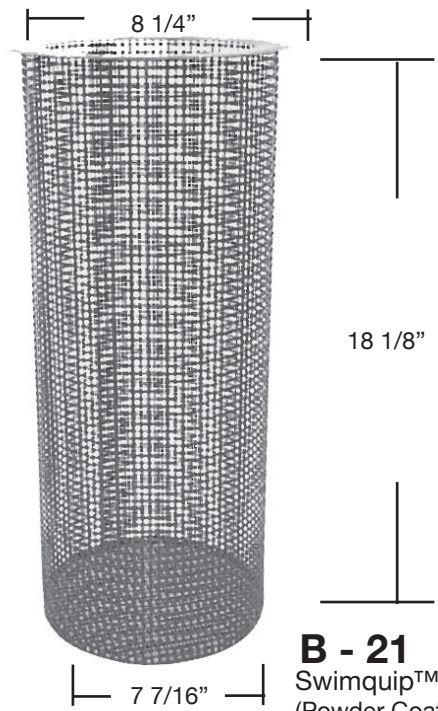
Swimquip™ 13020A
(Powder Coated)



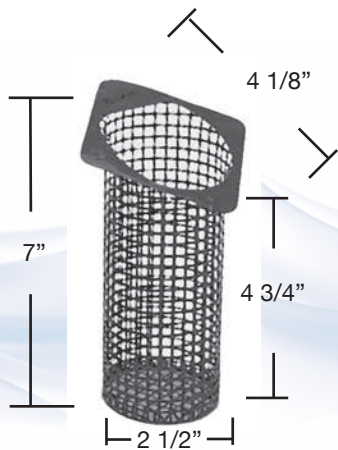
B - 19
Swimquip™ 13300A
(Powder Coated)



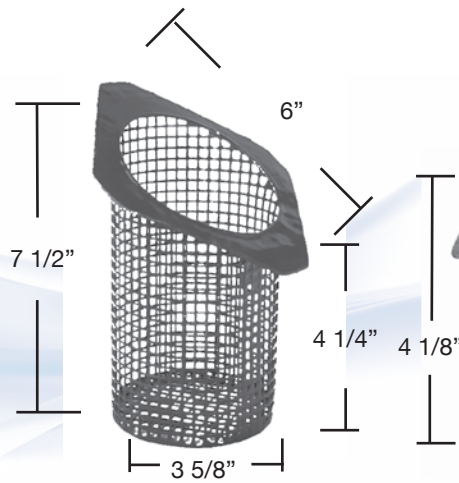
B - 20/70
Swimquip™ 1602-1/13400
(Powder Coated)



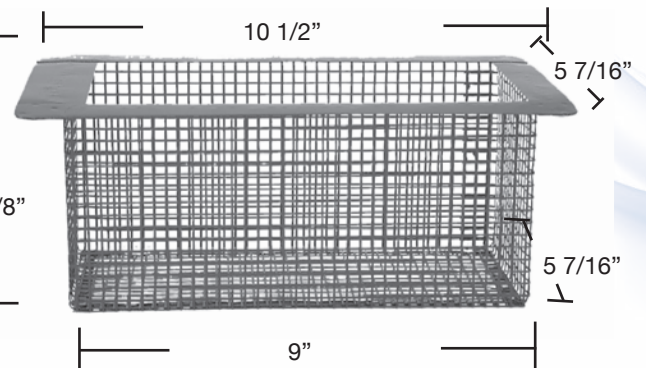
B - 21
Swimquip™ 13560-3
(Powder Coated)



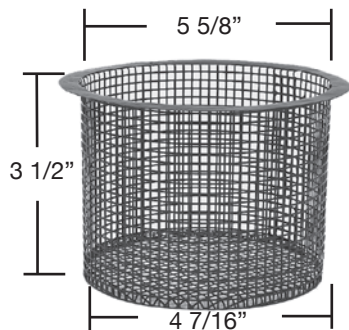
B - 22
Hydro Pump 508
4" Sq. Top
Swimquip™ 16400-2
(Powder Coated)



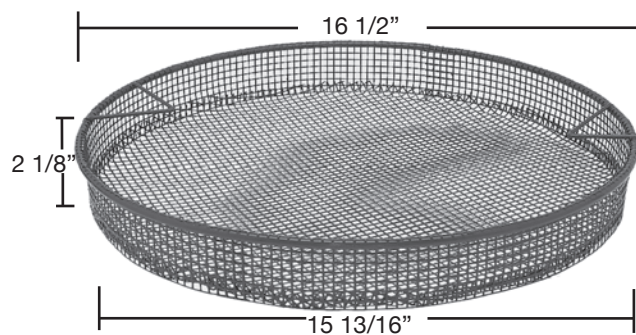
B - 23
Hydro Pump 517
6" Sq. Top
(Powder Coated)



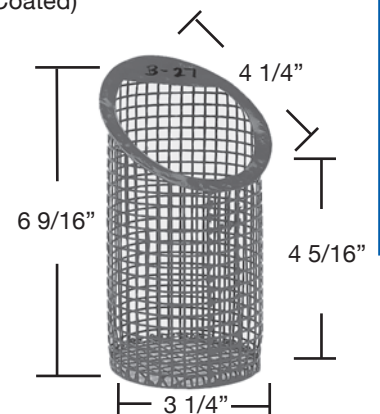
B - 24
International 8492-40
(Powder Coated)



B - 25
International 2442-40
(Powder Coated)

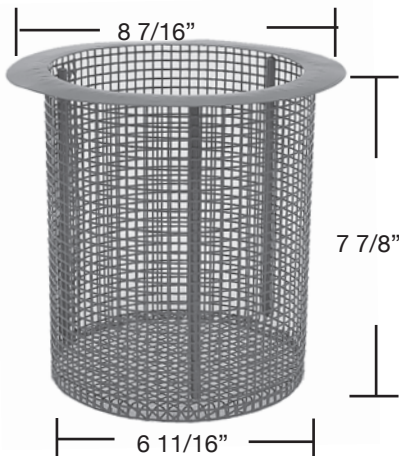


B - 26
International 1511-7 Skimmer
(Powder Coated)

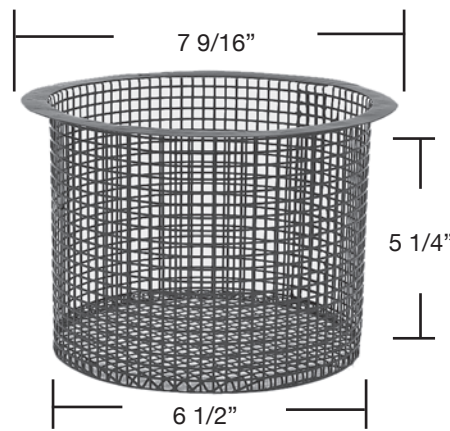


B - 27
Luitweiler 1 1/2"
(Powder Coated)

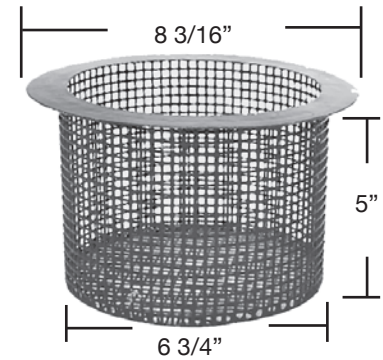
Baskets



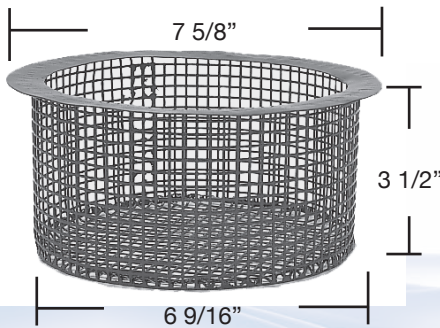
B - 28
American Concrete Skimmer
(Powder Coated)
See B-37 for Plastic Basket



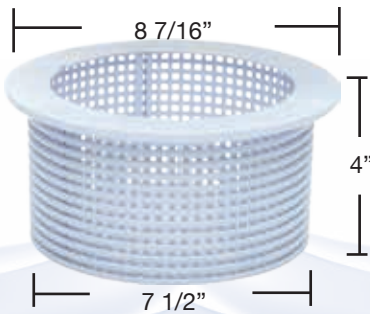
B - 29
Nor-Cal 7 5/8" Skimmer
(Powder Coated)



B - 30
Nor-Cal Eagle Skimmer
(Powder Coated)

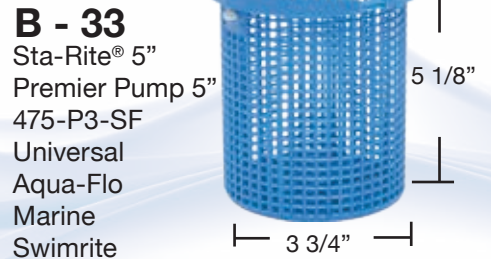


B - 31
Nor-Cal ME-2
(Powder Coated)



B - 32
American Stubby & Swimrite
85000200 - American S-10
Skimmer (Plastic)

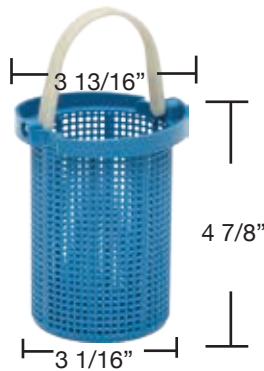
Lock Top Replaces
Flat Top
Basket



B - 33
Sta-Rite® 5"
Premier Pump 5"
475-P3-SF
Universal
Aqua-Flo
Marine
Swimrite
Berkeley Old Style H & F (Plastic)
See B-106 for small holes (Plastic)



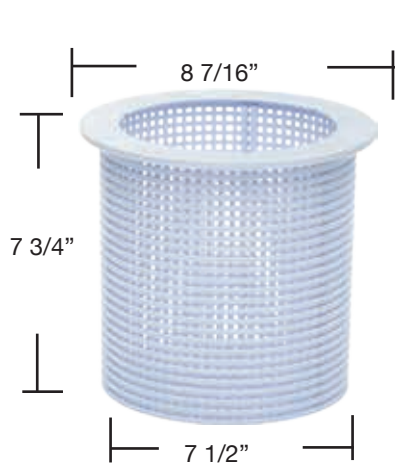
B-34/107
Aqua-Flo
Sta-Rite® 6"
Premier 6" & Commercial P-5
(Plastic)



B-35/105
Sta-Rite® 4"
Premier 4" #104 P-1
(Plastic)



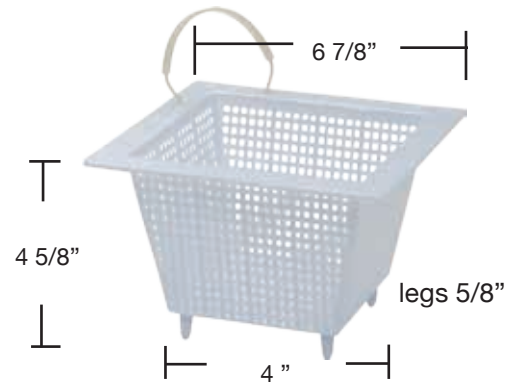
B - 36
Aqua-Flo
Purex/Eastside 6" Tapered
(Plastic)



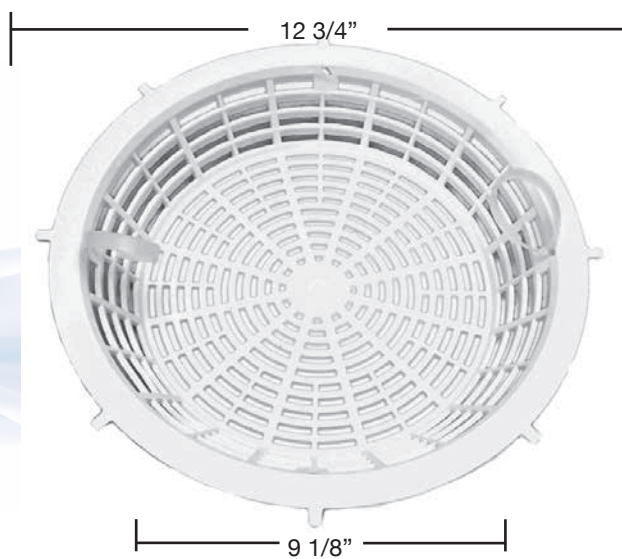
B - 37
 American Concrete Skimmer
 85000100 - S-10 Skimmer Basket
 (Plastic) See B-28 for Powder Coated



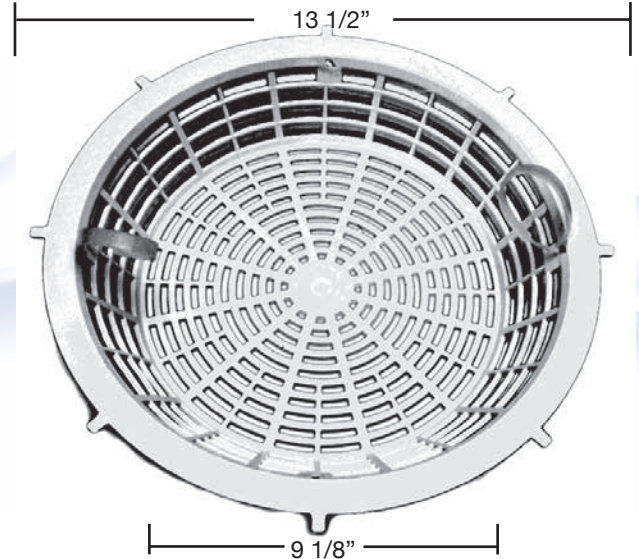
B - 38
 American Concrete Skimmer
 85001200 - S-10 Skimmer Weir
 (Plastic)



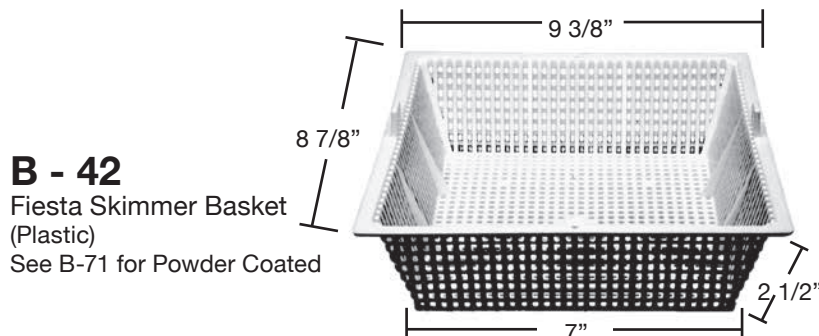
B - 39
 Anthony Pool 7x7 Skimmer
 (Plastic)
 See B-1 for Powder Coated



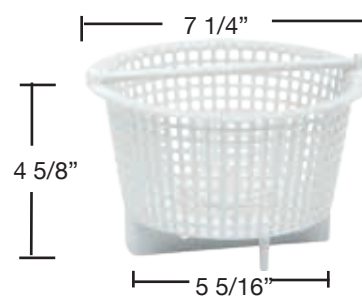
B - 40
 Landon Skimmer
 (Plastic)
 Use 0-11 Trimmer Lid Gasket



B - 41
 Paddock Skimmer
 (Plastic)

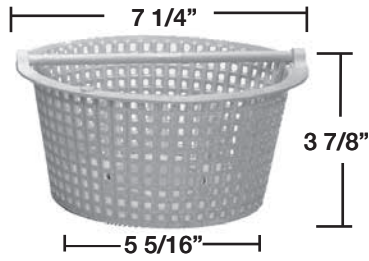


B - 42
 Fiesta Skimmer Basket
 (Plastic)
 See B-71 for Powder Coated



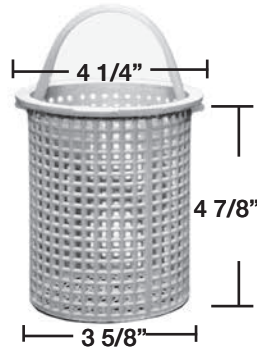
B - 43
 Pac Fab Skimmer
 Basket
 513036 (Plastic)

Baskets



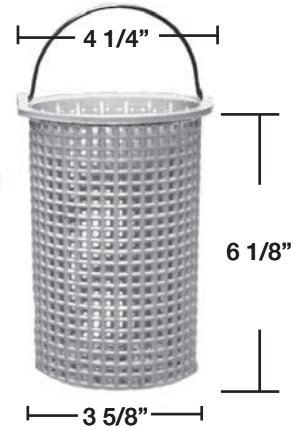
B - 43C

Commercial
Pac Fab 513151(Plastic)
See B-156 for Powder Coated



B - 44/187

HydroPump® 708-2,
Model 560 (Plastic)
Same as B-187



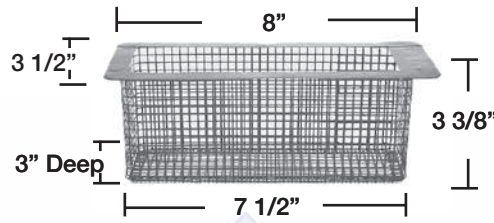
B - 45/188

HydroPump® 708-1
Model 700P2L
(Plastic)
See B-188 (Plastic)

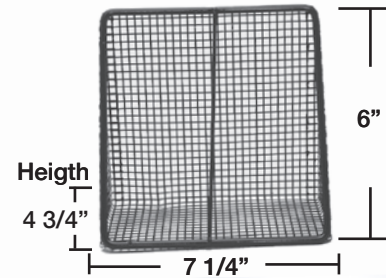


B - 46

Monarch Pump P-4M
(Plastic)

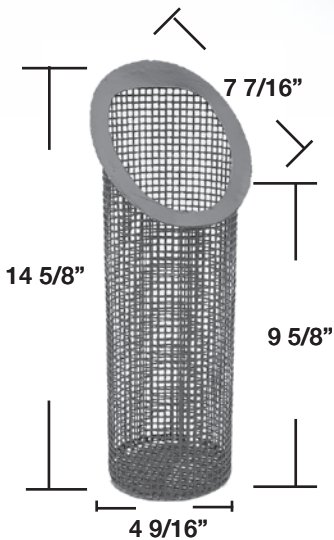


B - 47 Swimquip™ 8695 (Powder Coated)



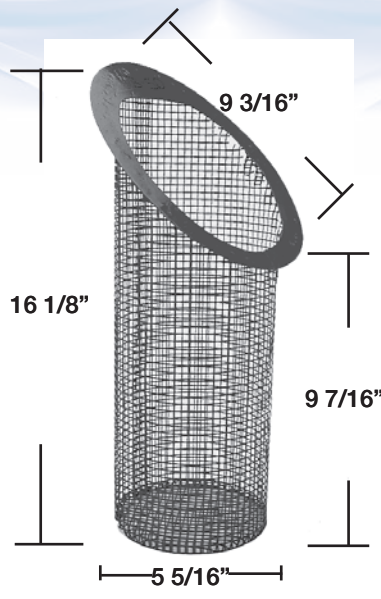
B - 48

Paddock Conv. AB0961
Skimmer
(Powder Coated)



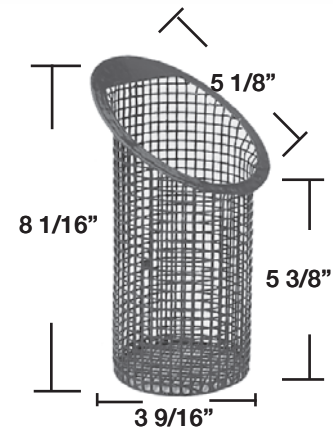
B - 49

Paddock 5"
(Powder Coated)



B - 50

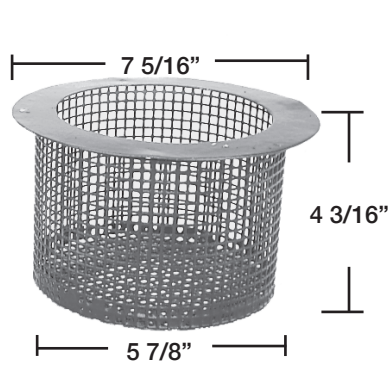
Paddock Filcore 6"
(Powder Coated)



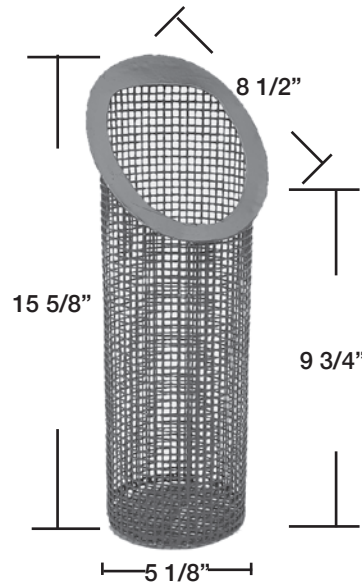
B - 51

Besler 2"
(Powder Coated)

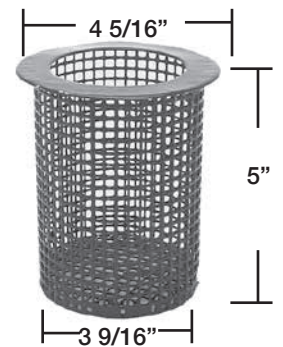
Note: Has Locating Hole
in Bottom



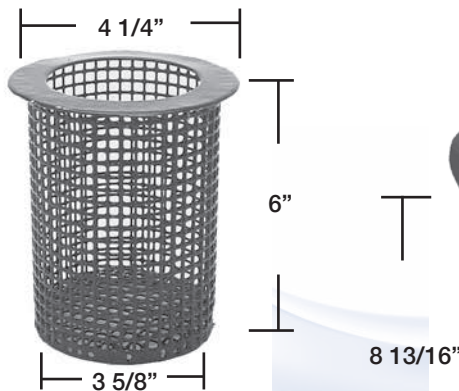
B - 52
Aqua Quip Skimmer
(Powder Coated)



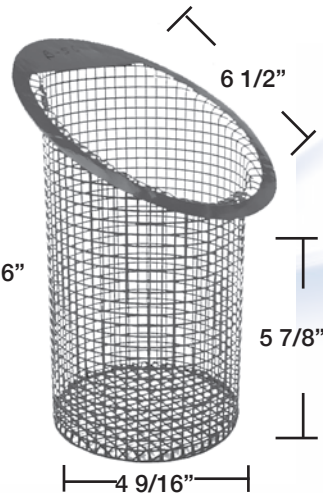
B - 53
HydroPump® 1014 Commercial
(Powder Coated)



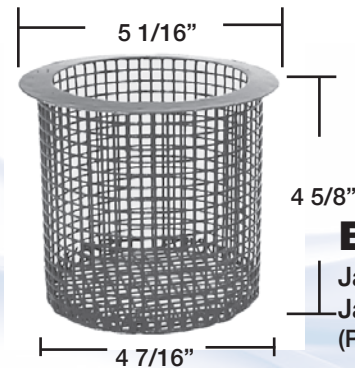
B - 54
HydroPump® 708-2
Model 560
(Powder Coated)



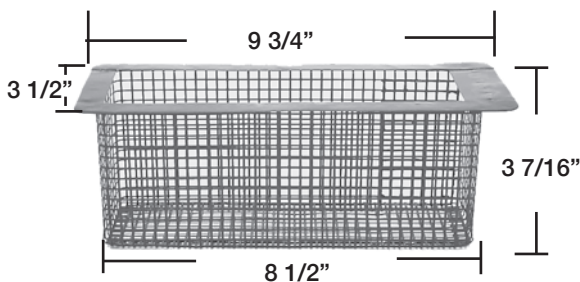
B - 55
HydroPump® 708-1
Model 700
(Powder Coated)



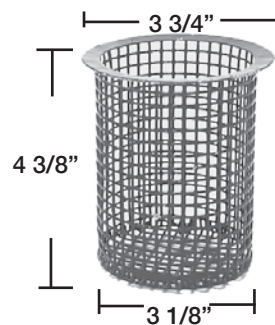
B - 56
Pacific Pump SD6738
Jacuzzi® 16-0345-06-R
(Powder Coated)



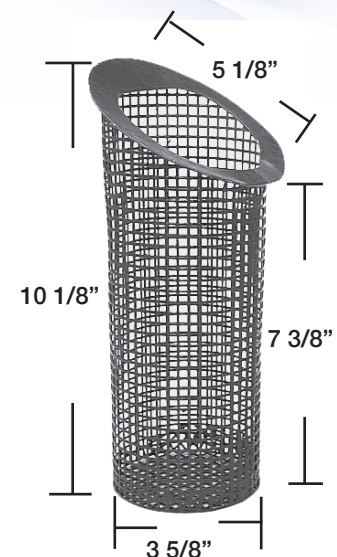
B - 57
Jacuzzi® 16-0354-00-R
Jacuzzi® 16-0470-03-R
(Powder Coated)



B - 58
Jacuzzi® 16-0363-03-R
Jacuzzi® 16-0455-02-R
(Rectangular Skimmer)
(Powder Coated)

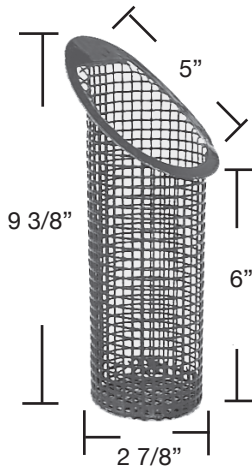


B - 59
Jacuzzi® 16-0444-00-R
Gyromat (Powder Coated)

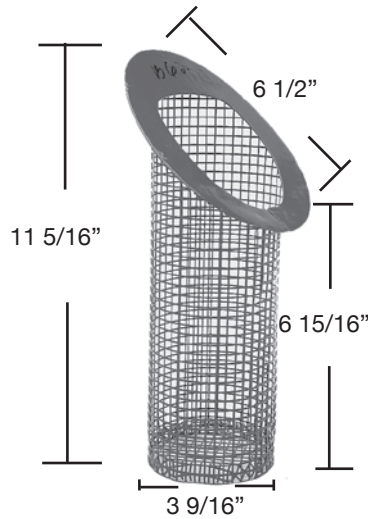


B - 60
Landon 1732-2
[3" Brass] (Powder Coated)

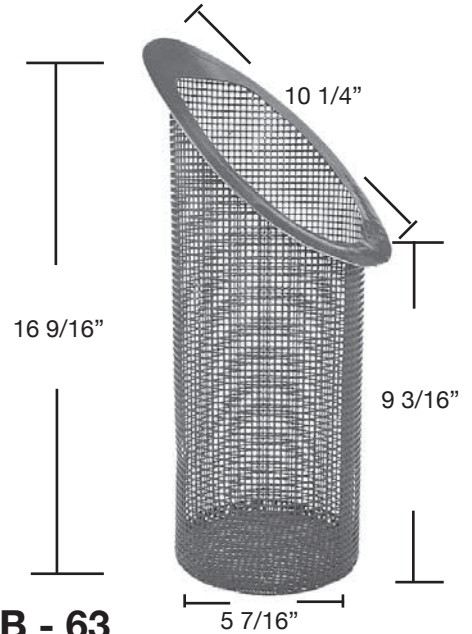
Baskets



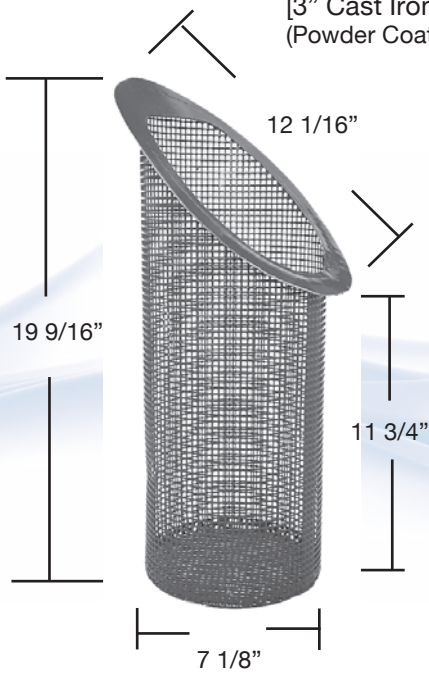
B - 61
Landon 1722-2
[3" Cast Iron]
(Powder Coated)



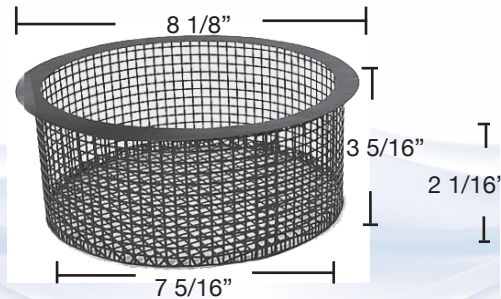
B - 62
Landon 1723-2
[4" Cast Iron]
(Powder Coated)



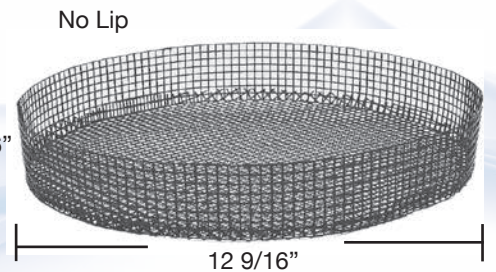
B - 63
Landon 1724-2
[6" Cast Iron]
(Powder Coated)



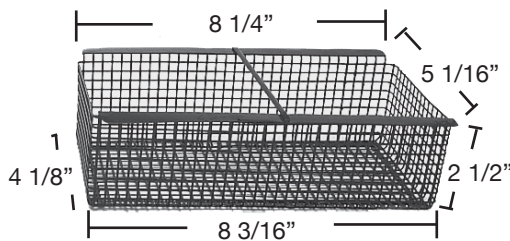
B - 64
Landon 1725-2 [8" Cast Iron]
Paddock 8"
(Powder Coated)



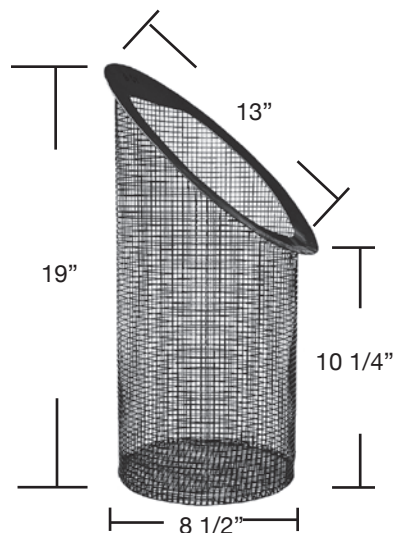
B - 65
Landon 2711-7 Over Flow - New
(Powder Coated)



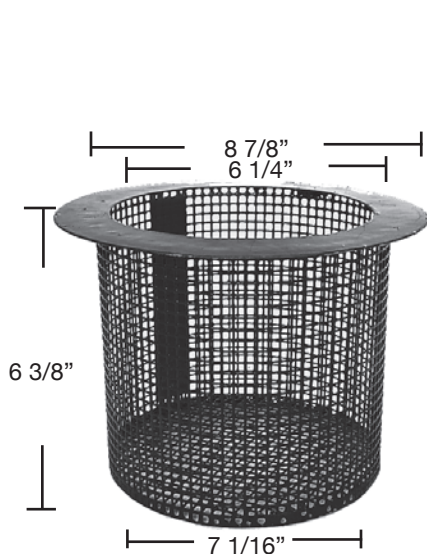
B - 66
Landon 201 A-9 Skim Filter
(Powder Coated)



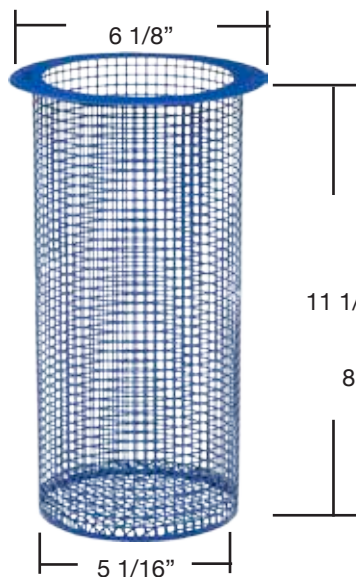
B - 67
Landon 2721-3
Rectangular Over Flow
(Powder Coated)



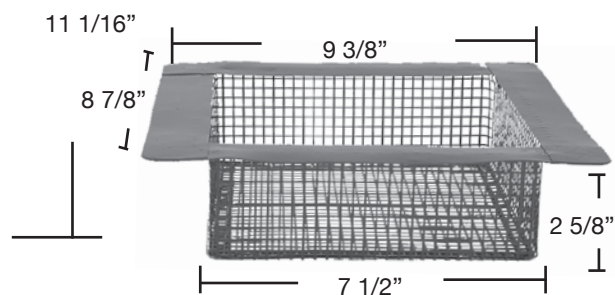
B - 68
Paddock 8" Commercial
(Powder Coated)



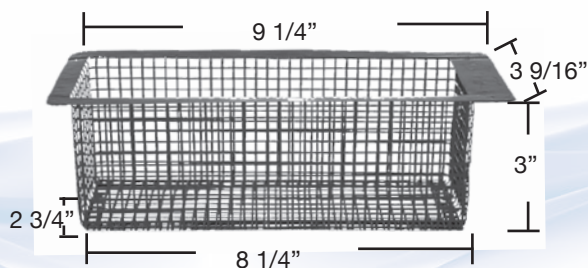
B - 69
Paddock 18-3850 Skimmer
will accept B-38 Float
(Powder Coated)



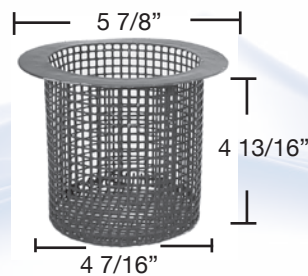
B - 70/20
Swimquip™ 13400
(Powder Coated)



B - 71
Fiesta 9x9 Skimmer Basket
(Powder Coated)
See B-42 for Plastic



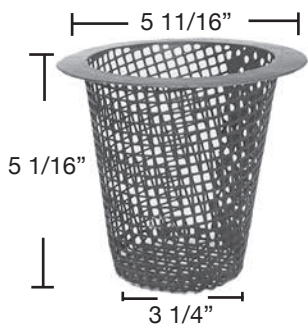
B - 72
Paddock 18-4256
(Powder Coated)



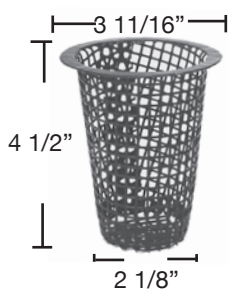
B - 73
Pacific Pump SD7394 6"
(Powder Coated)



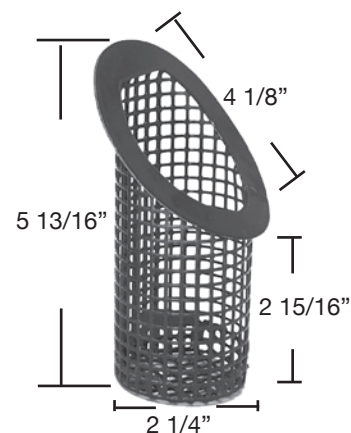
B - 74
Pacific Pump SD8409 4"
(Powder Coated)



B - 75
Eastside 6" Tapered
(Powder Coated)



B - 76
Jacuzzi® 16-0471-28-R
Eastside 4" Tapered
(Powder Coated)

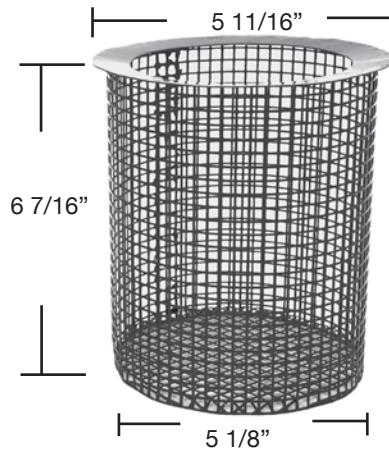
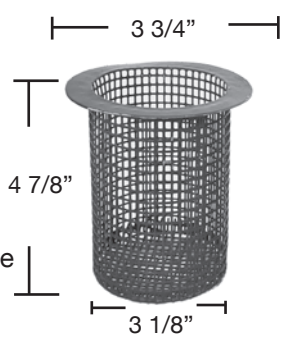


B - 77
Paddock 1 1/4"
(Powder Coated)

Baskets

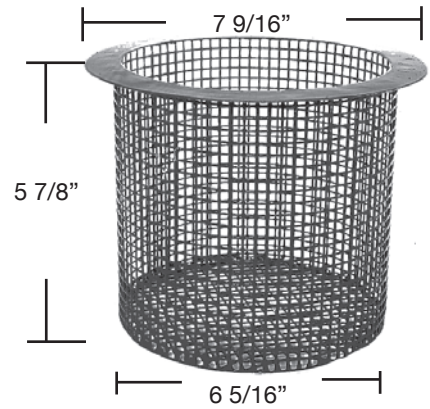
B - 78

Marlow "H" Line
(Powder Coated)



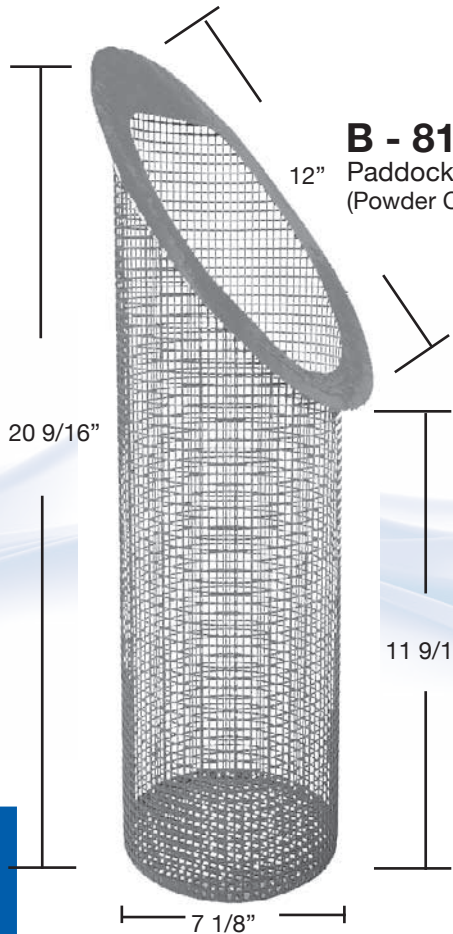
B - 79

Marlow "K" & "L" Line
(Powder Coated)



B - 80

American SP Skimmer
(Powder Coated)

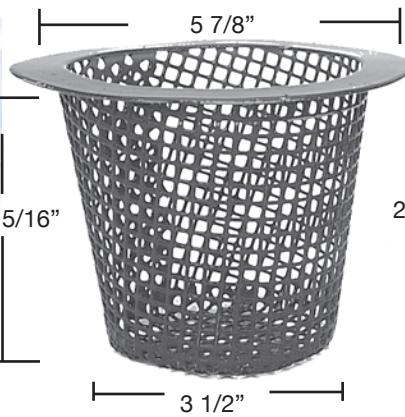


B - 81

12" Paddock 8"
(Powder Coated)

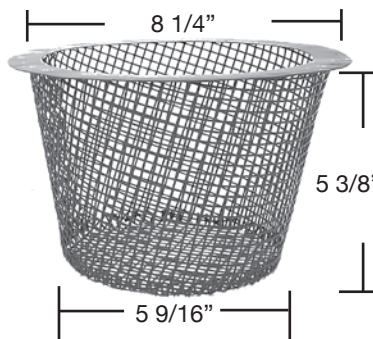
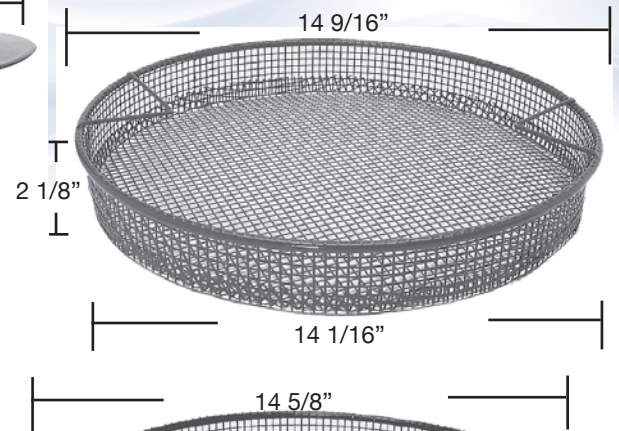
B - 82

Monarch 6" [Tapered]
(Powder Coated)



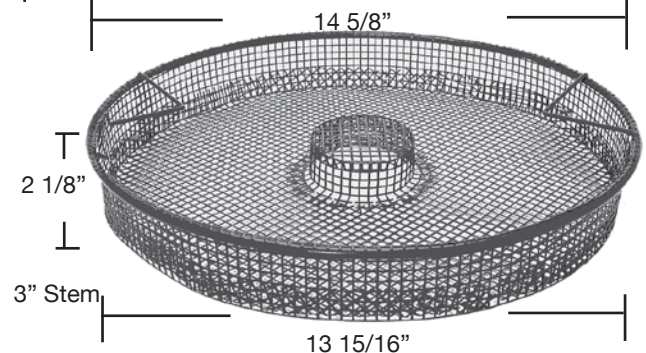
B - 83

Swimquip™ Skimmer Strainer
(Powder Coated)



B - 84

Swimquip™ 08650-0007
Swimrite 70-828-915
(Powder Coated)
See B-9 for Plastic

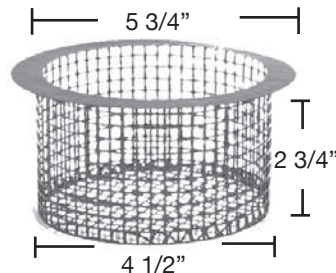


B - 85

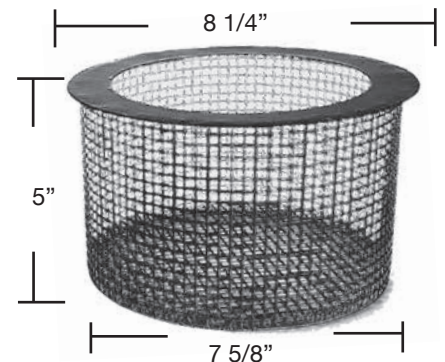
Swimquip™ Skimmer Strainer
(Powder Coated)



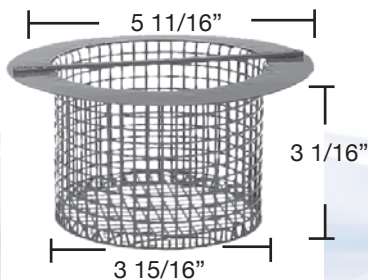
B - 86
Pool Water Skimmer [Tapered]
(Powder Coated)



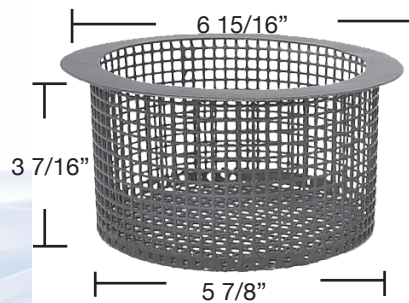
B - 87
Aqua Quip Skimmer
(Powder Coated)



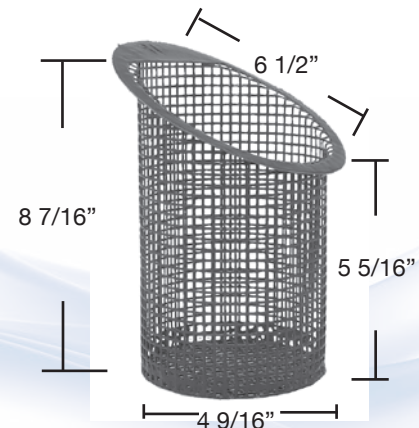
B - 88
Modern Heat and Pool Skimmer
(Powder Coated)



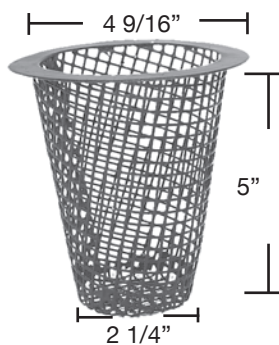
B - 89
Jacuzzi® 16-0347-04-R
(Powder Coated)



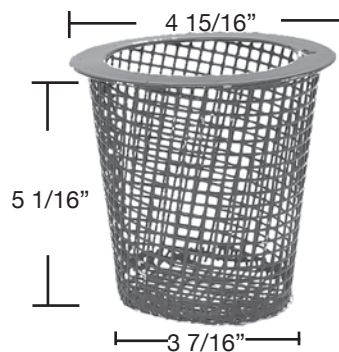
B - 90
Swimquip™ 8698 & 13402-3
(Powder Coated)



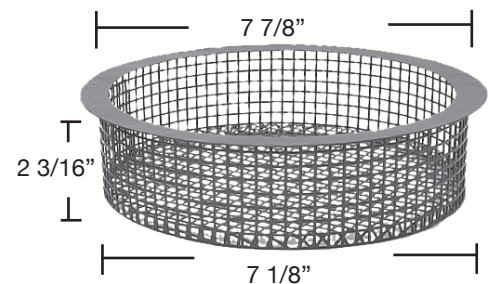
B - 91
Pacific Pump SD6738
(Powder Coated)



B - 92
Jacuzzi® 16-0471-00-R [Tapered]
International Early or Late Style
(Powder Coated)

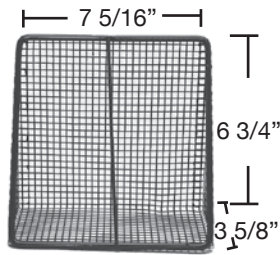


B - 93
Jacuzzi® 16-0947-08-R
Swimrite
Marine
(Powder Coated)

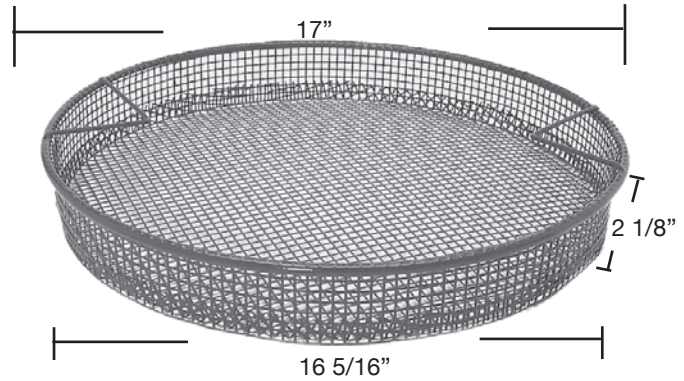


B - 94
Demott Skimmer [Swimrite]
Swimrite 70-000-100
(Powder Coated)

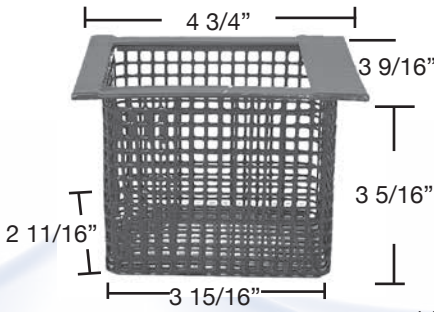
Baskets



B - 95
Paddock Skimmer AB1460
(Powder Coated)



B - 96
National Pool Skimmer
(Powder Coated)



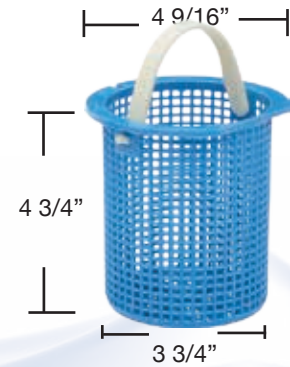
B - 97
Crestline Pump Basket
(Powder Coated)



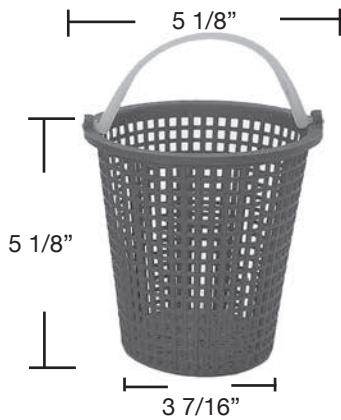
B - 99
Inverted
Skimmer Basket
(Plastic)

1 7/16" Dia.

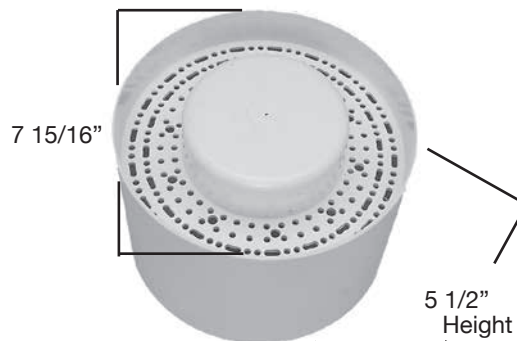
B - 99C
Cuff
Available Separately



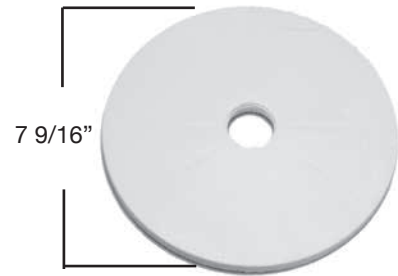
B - 101
H&F [Sta-Rite®] Harmon
International Swimrite
Non-locking PAC RP2 Model 590
(Plastic)



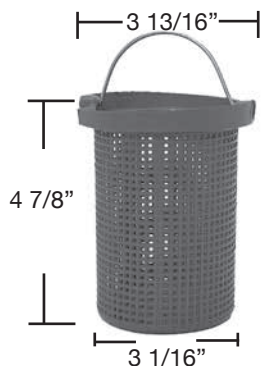
B - 103
Jacuzzi® 16-0470-00-R
P-21 [Tapered]
(Plastic)



B - 104
Aladdin Wizard
(interchangeable with existing Lilly
Pad skimmer installations) (Plastic)



B - 104P
Aladdin Plate Only
For The Wizard
1" F.P.T. in Center Hole
(Plastic)

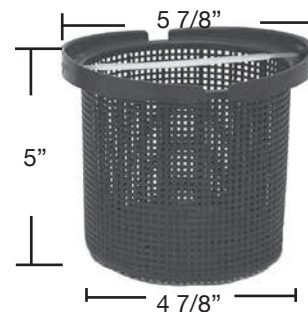


New
Smaller
Holes
Lock Top replaces
Flat Top baskets

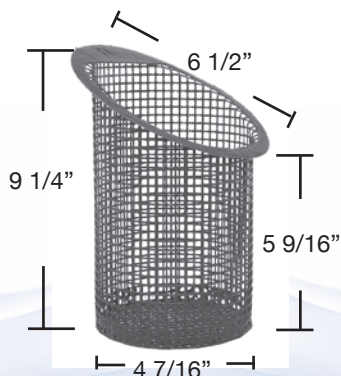
B105/35
Sta-Rite® 4"
Same as B-35
(Plastic)



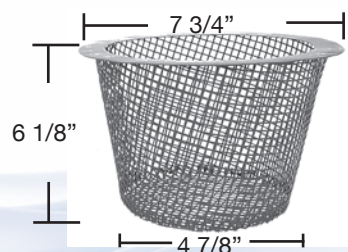
B - 106
American Products® 39000600
Sta-Rite® (5") Small Holes 1/16"
Dura-Glas® Pump Basket
Maxi-Glas (Plastic)
See B-33 for 1/8" Holes
(Plastic)



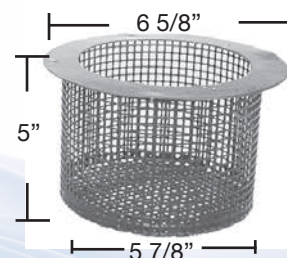
New Smaller Holes
B-107/34
Sta-Rite® 6"
(Plastic)
Same as B-34
(Plastic)



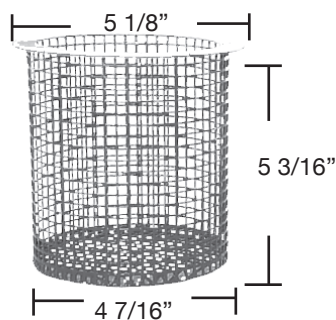
B - 109
Jacuzzi® 39-0226-03-R
(Powder Coated)



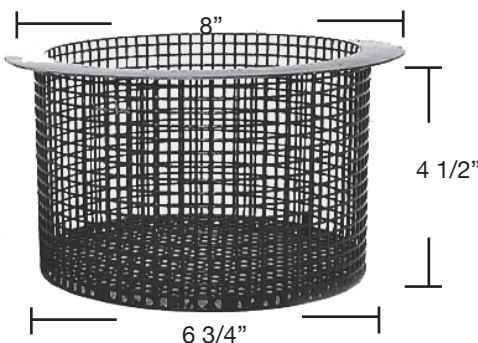
B - 110
Baker Hydro Skimmer 51B1026
(Powder Coated) See B-136 for Plastic



B - 111
Swimrite SR Series 60-828-095
For 7" S.S. Trap,
Also Marine Pump
(Powder Coated)



B - 112
Jacuzzi® 16-0064-06-R
& 16-0947-08-R
(Powder Coated)

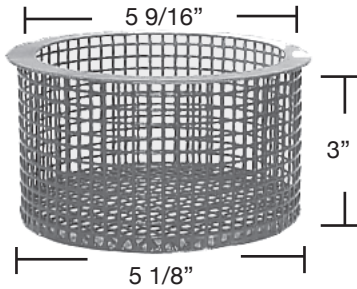


B - 113
Jacuzzi® 43-0507-07-R
(Powder Coated)
See B-183 for Plastic

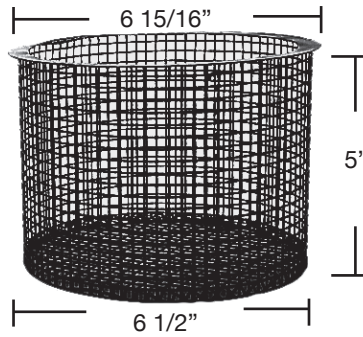


B - 114
Hayward® SPX1250RA
(Powder Coated)
See B-169 for Plastic

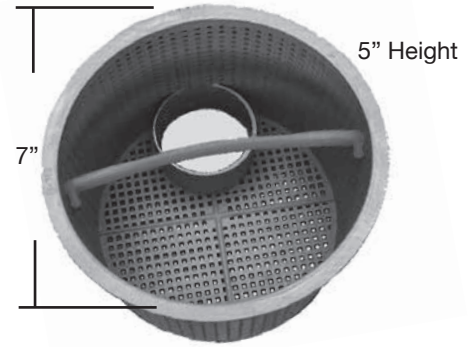
Baskets



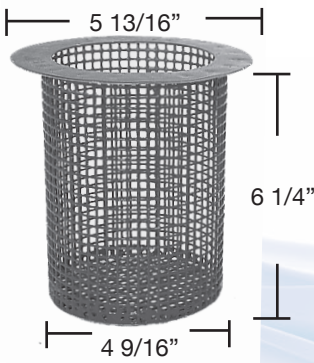
B - 115
Hayward® SPX1096CA
(Powder Coated)
See B-168 for Plastic



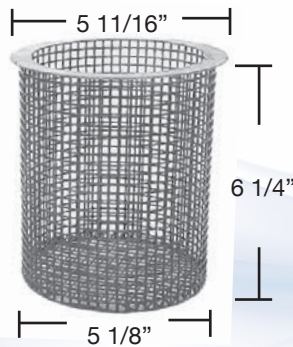
B - 116
Hayward® SPX1082C
(Powder Coated)
See B-152 for Plastic



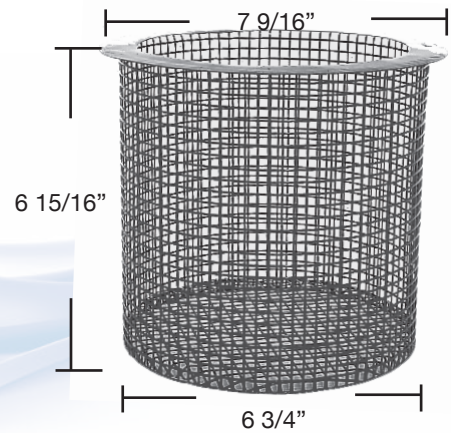
B - 117
Hayward® SPX1080E
(Plastic)



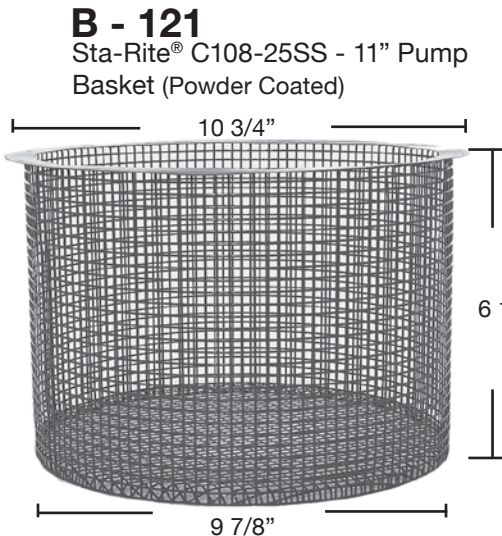
B - 118
Hayward® SPX0145RA
Swimquip™ 16550-7
(Powder Coated)



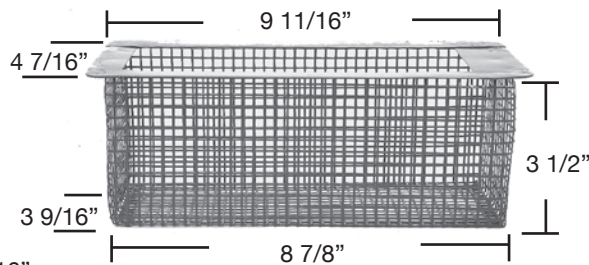
B - 119
Hayward® SPX0125RLX
(Powder Coated)



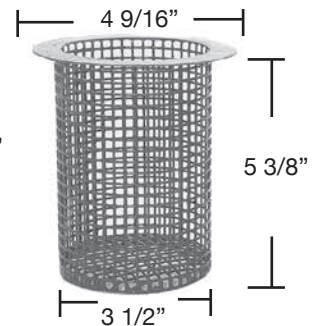
B - 120
Sta-Rite® C108-34SS - 8"
Pump Basket(Powder Coated)



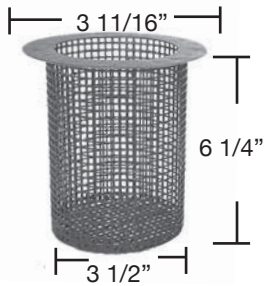
B - 121
Sta-Rite® C108-25SS - 11" Pump
Basket (Powder Coated)



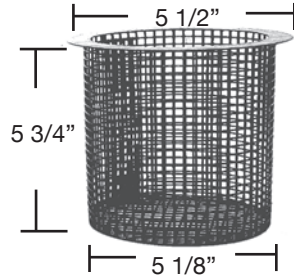
B - 122
Jacuzzi® 16-0455-02-R
(Powder Coated)



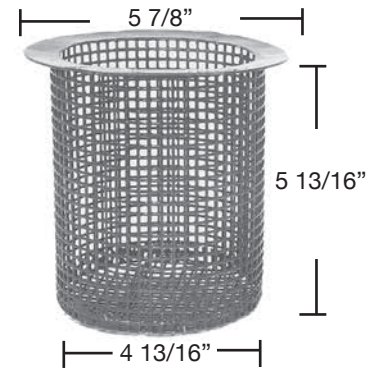
B - 123
Marlow A-3 Series
38075-00
(Powder Coated)



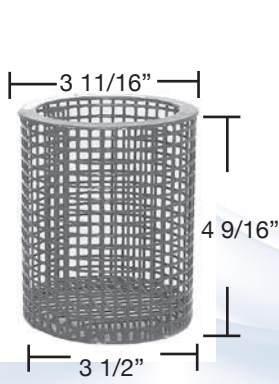
B - 124
Marlow 25771-00
(Powder Coated)



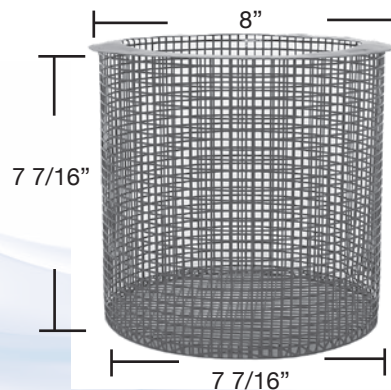
B - 125
Marlow 25774-00
(Powder Coated)



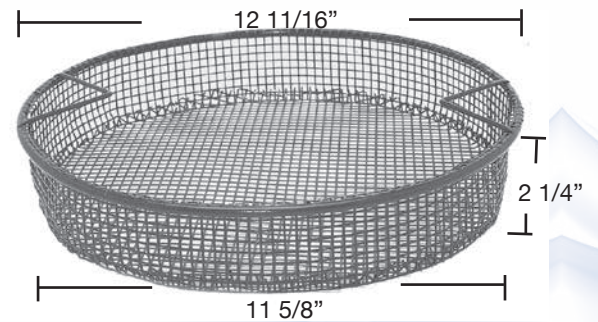
B - 126
Marlow 39323-00
(Powder Coated)



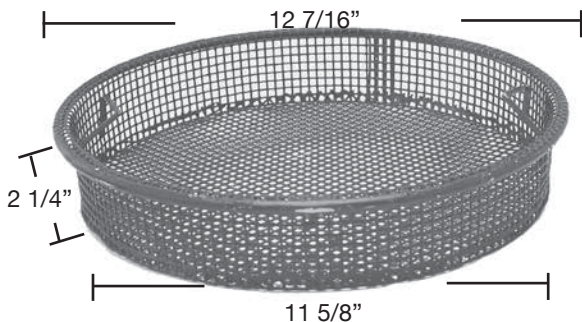
B - 127
Marlow A-2 Series
31660-00
(Powder Coated)



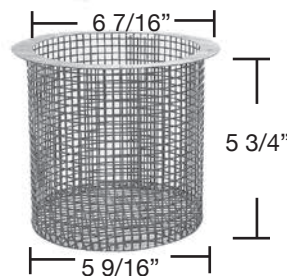
B - 128
Marlow 35890-00
(Powder Coated)



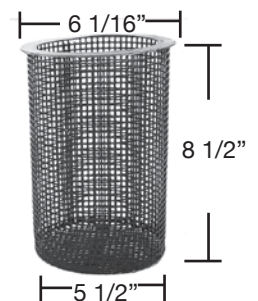
B - 129
Landon Skim Filter Basket (Powder Coated)



B - 130
Paddock Skim Filter Basket (Powder Coated)

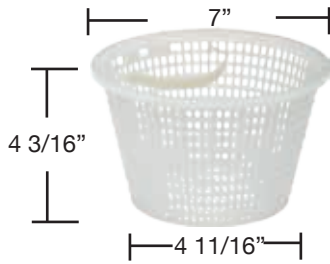


B - 131
Premier Pump 3 to 5 H.P.
39225-8"(Powder Coated)

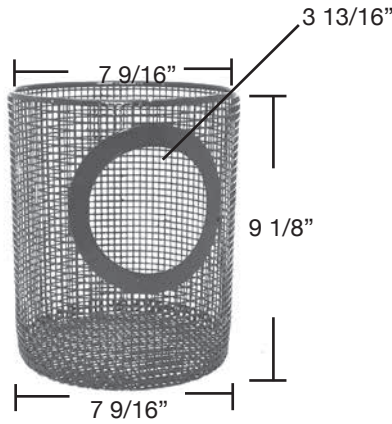


B - 132
Pac Fab 3 H.P. to 5 H.P.
353314
(Powder Coated)

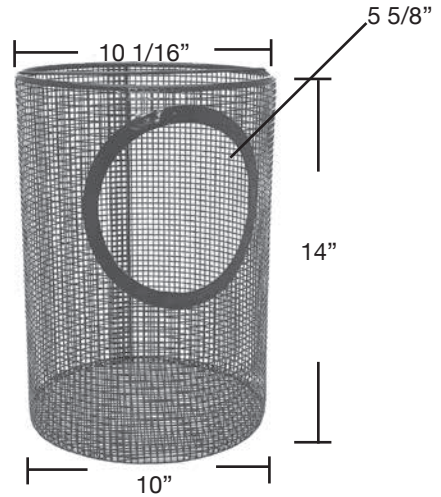
Baskets



B - 133
Sylvan Skimmer Basket
59200107
(Plastic)



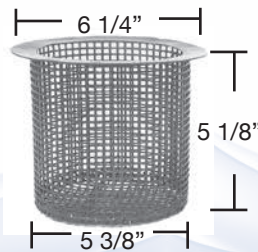
B - 134
Marlow 28049-00
(Powder Coated)



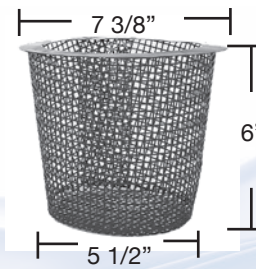
B - 135
Marlow 28160-00
(Powder Coated)



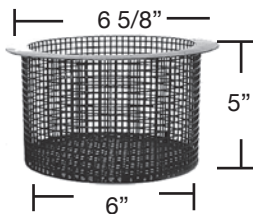
B - 136
Baker Hydro 51B1026
Purex P-01340
(Plastic)
See B-110 for Powder Coated



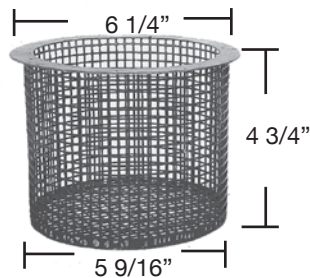
B - 137
Marine 7650-4
(Powder Coated)
See B-171 for Plastic



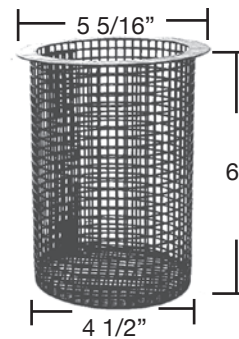
B - 138
Marine 7111-0
(Powder Coated)



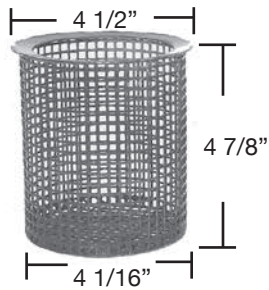
B - 139
Marine MSS-095
Swimrite 60-828-095
(Powder Coated)



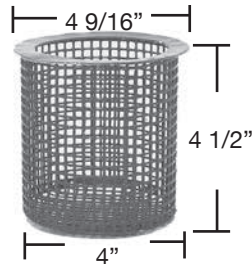
B - 140
Swimrite
Premier
(Powder Coated)



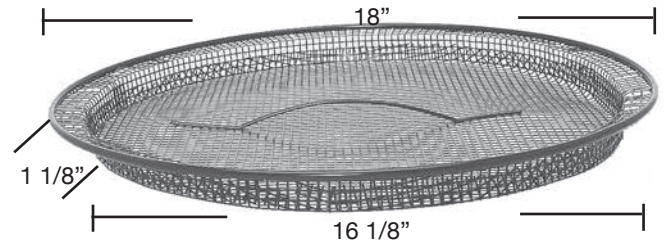
B - 141
Pac Fab 353308
(Powder Coated)



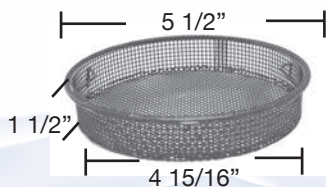
B - 142
Pac Fab 352861
Strainer for 590-460-700
(Powder Coated)



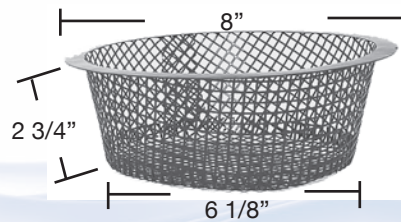
B - 143
Swimrite 60-828-094
(Powder Coated)



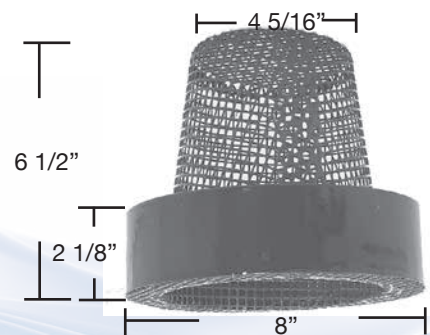
B - 144
Marine 18" Skimmer
99-0298-0
(Powder Coated)



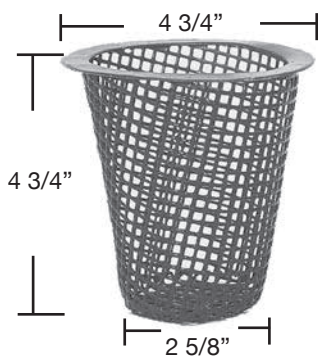
B - 145
Esther Williams Skim Basket
(Powder Coated)



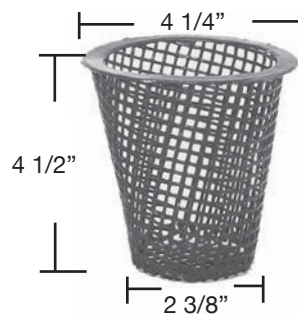
B - 146
Pool Quip Basket 1400-5
(Powder Coated)



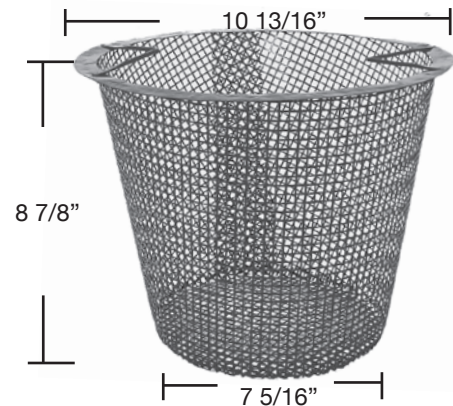
B - 147
National U-12 Skimmer Basket
(Powder Coated)



B - 148
International Old Style
10951-15
(Powder Coated)

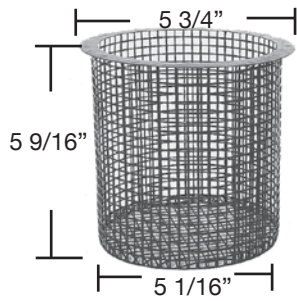


B - 149
Purex PA-29 P-01931
(Powder Coated)

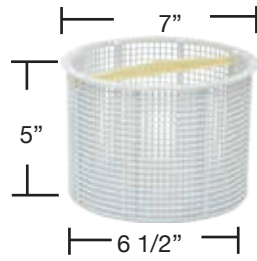


B - 150
Purex C-29 11 in. S-01200
Purex 'C' Series
(Powder Coated)

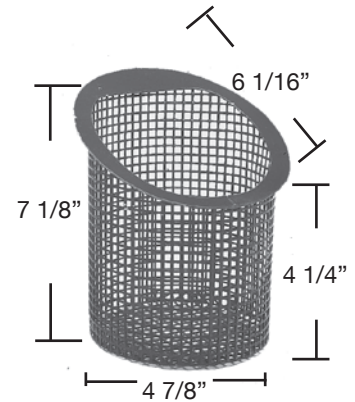
Baskets



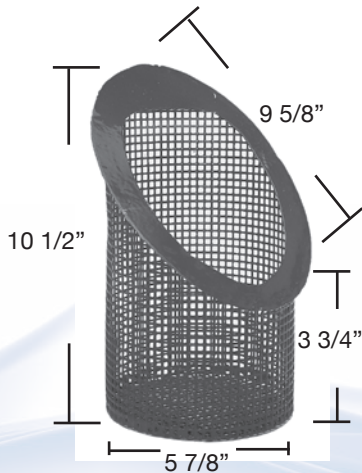
B - 151
Purex L29 S-01400
and AB-29 S-01100
(Powder Coated)



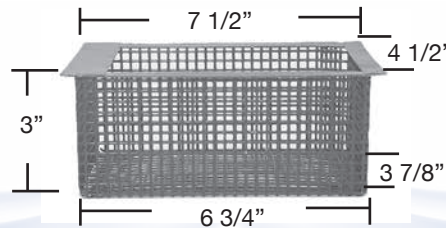
B - 152
Hayward® SPX1082CA
(Plastic)
See B-116 for Powder Coated



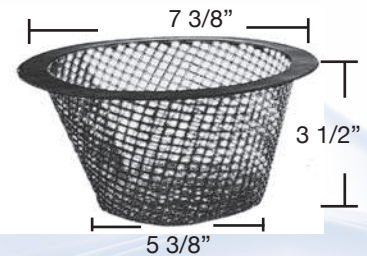
B - 153
(Powder Coated)



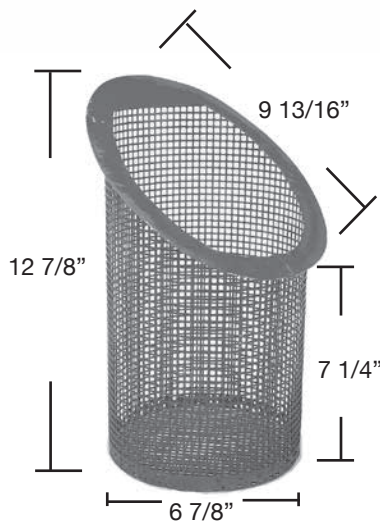
B - 154
(Powder Coated)



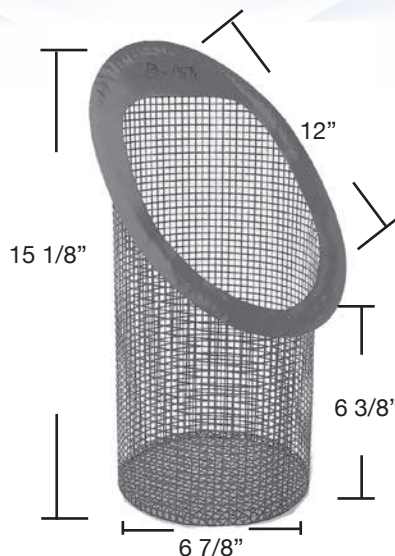
B - 155
(Powder Coated)



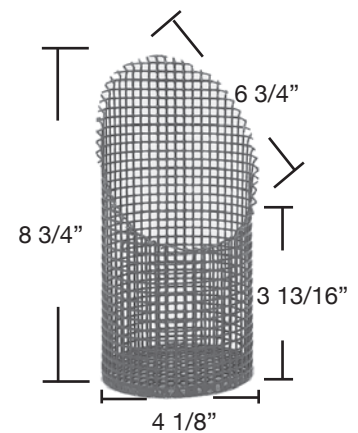
B - 156
Pac Fab 513151 Commercial
See B-43C for Plastic
(Powder Coated)



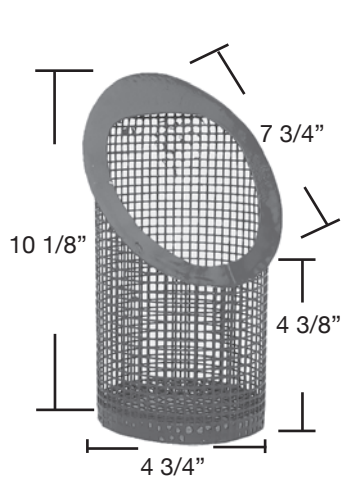
B - 157
Jacuzzi® 39-0227-02-R
Models 55-56-505-506
(Powder Coated)



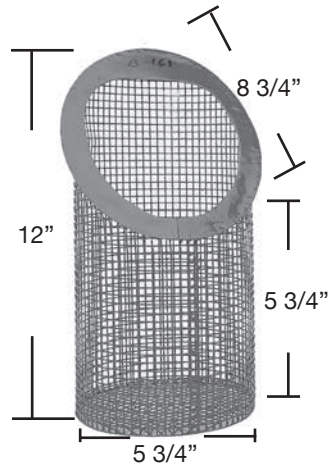
B - 158
(Powder Coated)



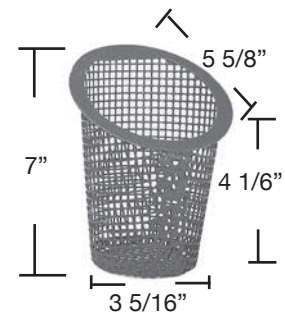
B - 159
4" Mueller
(Powder Coated)



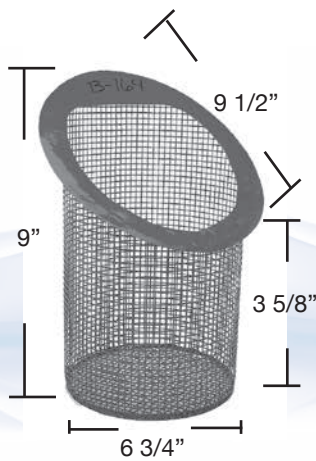
B - 160
5" Mueller
(Powder Coated)



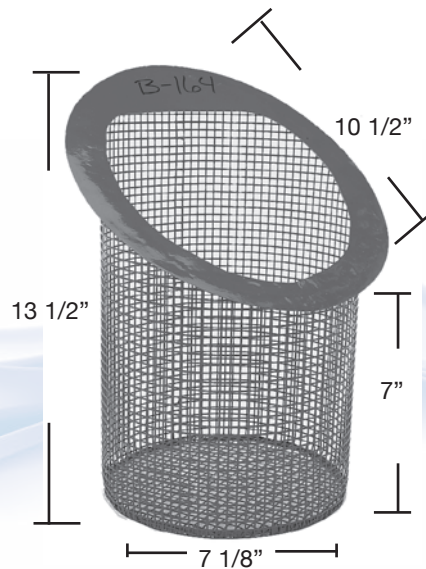
B - 161
6" Mueller
(Powder Coated)



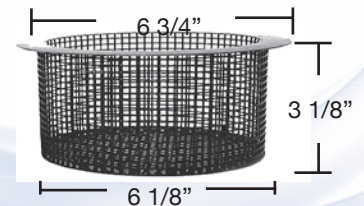
B - 162
Swimquip™ P-61
(Powder Coated)
See B-11 for Plastic



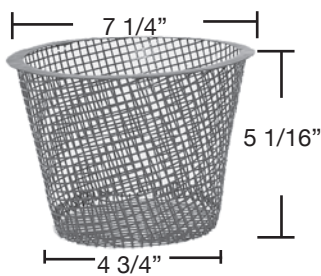
B - 163
(Powder Coated)



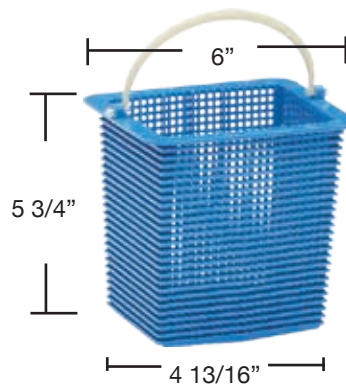
B - 164
(Powder Coated)



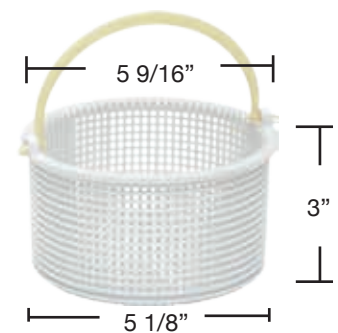
B - 165
American Sanitary 40587
(Powder Coated)



B - 166
Paragon Skimmer B24904
(Powder Coated)

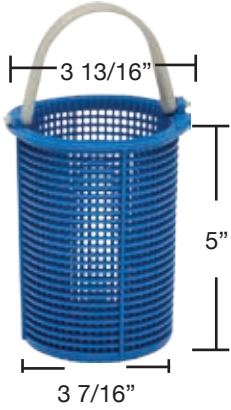


B - 167
Hayward® SPX1600M Super Pump®
(Plastic)

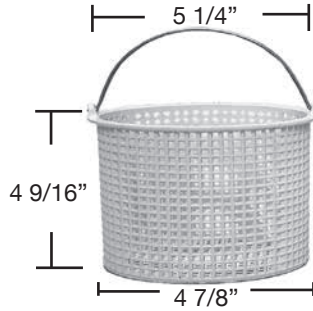


B - 168
Hayward® SPX1096CA Skimmer
(Plastic)
See B-115 for Powder Coated

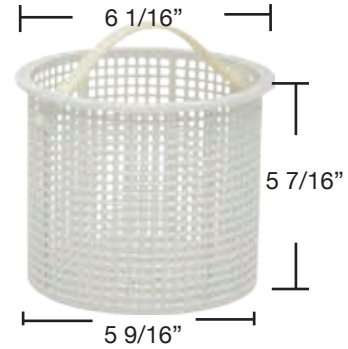
Baskets



B - 169
 Hayward® SPX1250RA Pump Basket
 (Plastic)
 See B-114 for Powder Coated



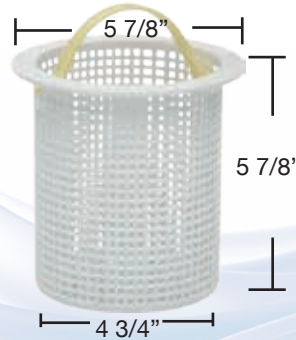
B - 170
 Pac Fab 790 Pump Basket 353312
 P-24
 (Plastic)



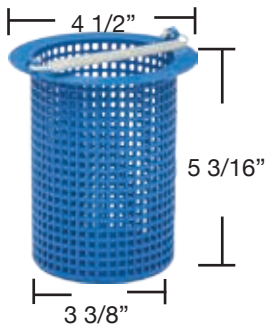
B - 171
 Marine 7650-4
 (Plastic)
 See B-137 for Powder Coated



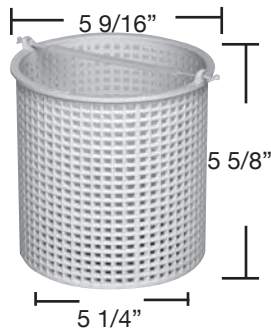
B - 172
 American Products® Skimmer 85003900
 (Plastic)



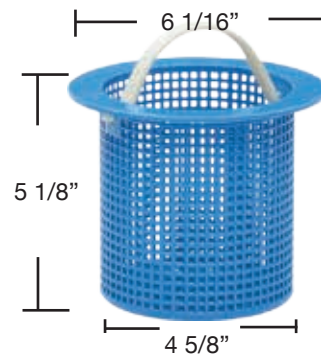
B - 174
 Marlow Noryl® 40584
 (Plastic)



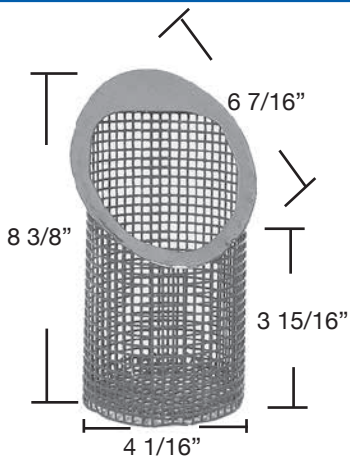
B - 175
 Marlow 38075
 Jacuzzi® 16-0240-02-R
 (Plastic)



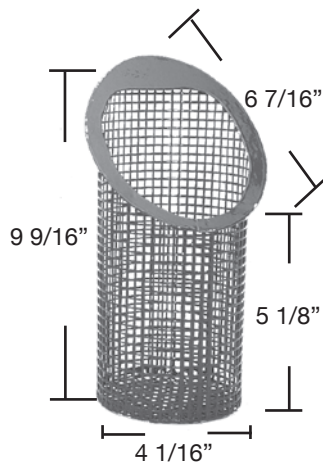
B - 176
 Marlow 25774-00
 (Plastic)



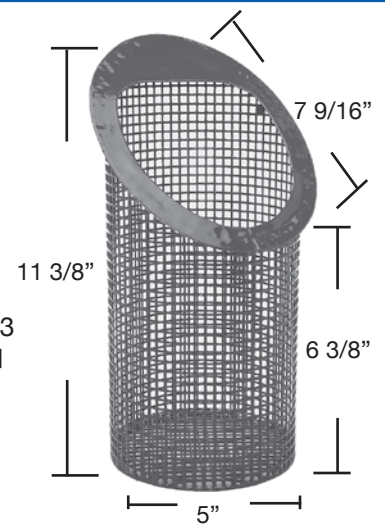
B - 177
 American Products® 39300400
 Noryl® Basket (Plastic)



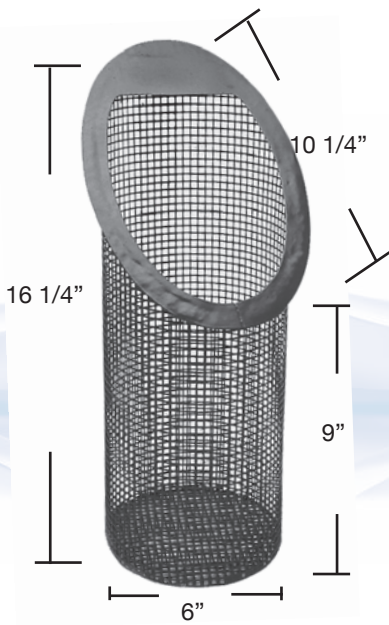
B - 178
Swimquip™ 13382-3
for 2 1/2" I.P.S. Screwed
(Powder Coated)



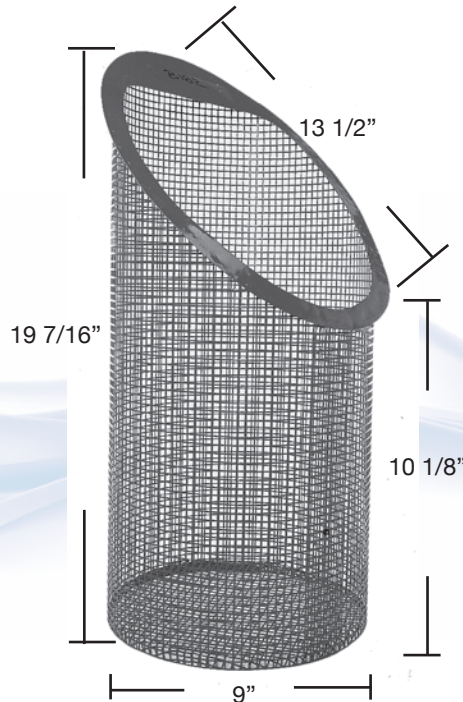
B - 179
Swimquip™ 13402-3
for 3" I.P.S. Flanged
(Powder Coated)



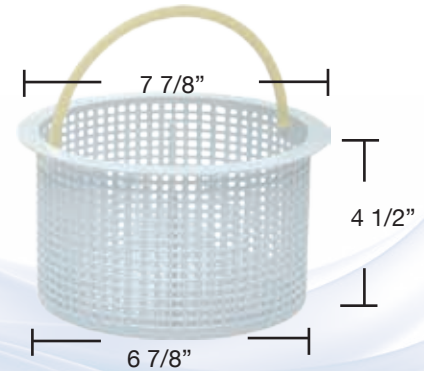
B - 180
Swimquip™ 13442-3
for 4" I.P.S. Flanged
(Powder Coated)



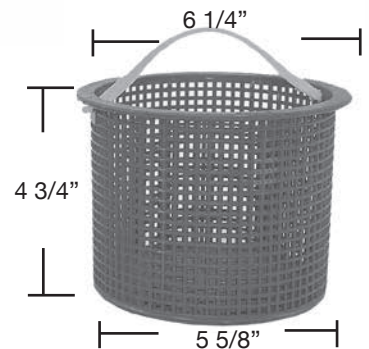
B - 181
Swimquip™ 13562-3
for 6" I.P.S. Flanged
(Powder Coated)



B - 182
Swimquip™ 13582-3
for 8" I.P.S. Flanged
(Powder Coated)



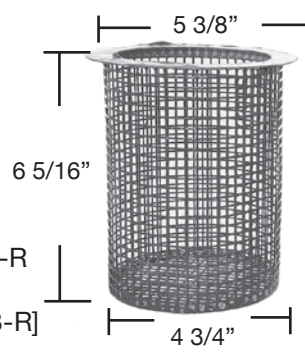
B - 183
Jacuzzi® 43-0507-07-R Skimmer Basket
(Plastic)
See B-113 for Powder Coated



B - 186
Wet Institute Pump Basket
(Plastic)

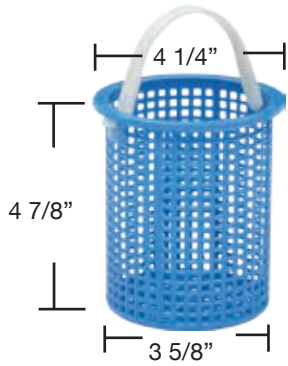


B - 184
Jacuzzi® 16-0964-06-R
Skimmer Basket
[replaced 16-0947-08-R]
(Plastic)



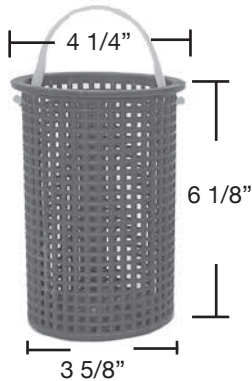
B - 185 (Powder Coated)
Hydro 700 Series
Pump 35-2670
See B-13 for Plastic

Baskets



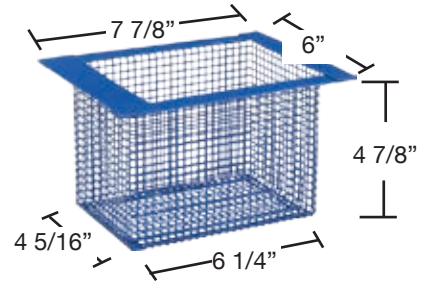
B - 187/44

Swimquip™ 16200-9 XL6 [short]
(Plastic)
Same as B-44



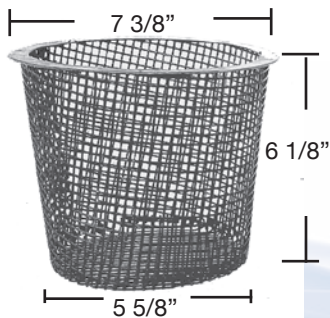
B - 188/45

Swimquip™ 16200-7 XL6 (Long)
(Plastic)
See B-45 (Plastic)



B - 189

Clayton-Lambert
Skimmer Basket
(Powder Coated)



B - 190

Marine Skimmer Basket 850106
(Powder Coated)

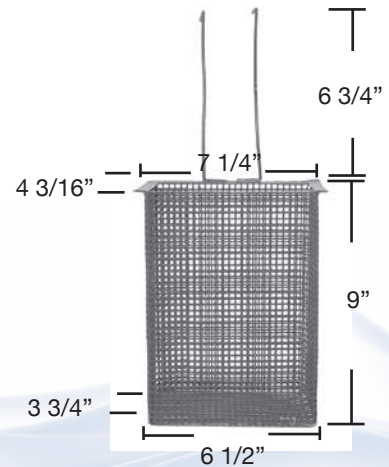


B - 191

(Plastic)
Buster Crabbe Aqua Genie
Doughboy® 340-1139

B - 191M

(Powder Coated)



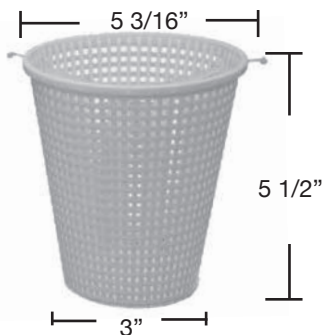
B - 192

American Concrete Deck Filter
Basket (Powder Coated)



B - 193

Lomart 46-018 Strainer Bskt.
(Plastic)



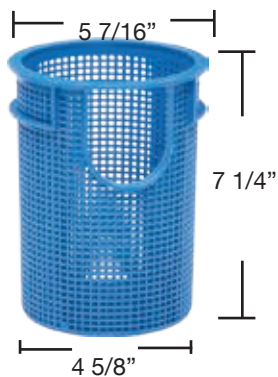
B - 194

Lomart 46-036
Strainer Bskt.
(Plastic)



B - 195

Lomart 43-044
Strainer Bskt.
(Plastic)



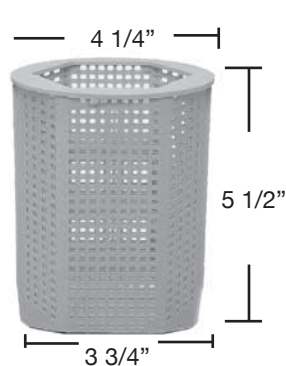
B - 196

Swimquip™ 16920-0017
for XL-VII (Plastic)



B - 197

Lomart Skimmer 95-006
Basket Model #4010
(Plastic)



B - 198

Doughboy® Skimmer
1119-1000
Sta-Rite® LT & LH
Series Pump Basket
C8-57P (Plastic)



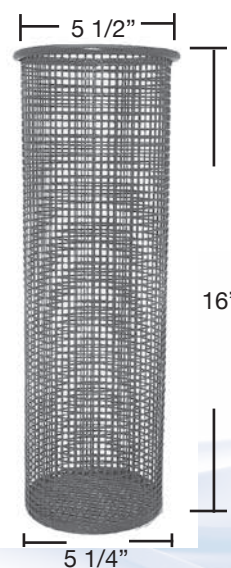
B - 199

Aqua-Flo Dominator Pump Basket
Purex Pump P-01325/07-0387
Aquatron™/WhisperFlo®/IntelliFlo®
(Plastic)



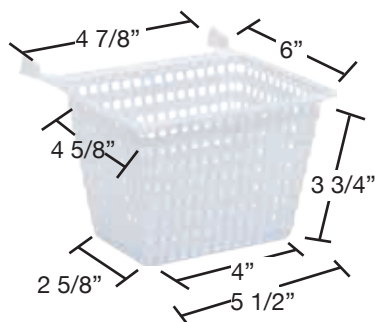
B - 200

American S-20
Skimmer 85014500
(Plastic)



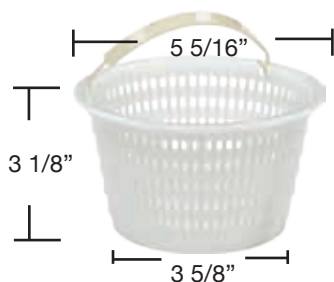
B - 201

Rainbow™ -
Leaf Trap 184
(Powder Coated)



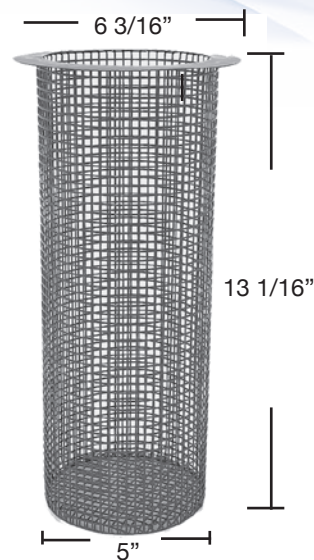
B - 202

SV Skimmer (Plastic)
Jacuzzi® 43-0676-02-R
Hayward® SPX1099B



B - 203

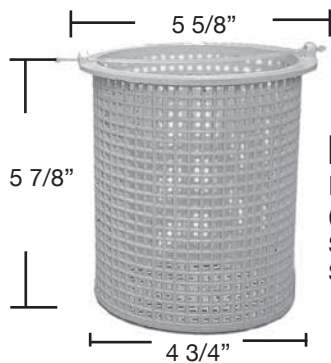
Hayward® SPX1094FA
(Plastic)



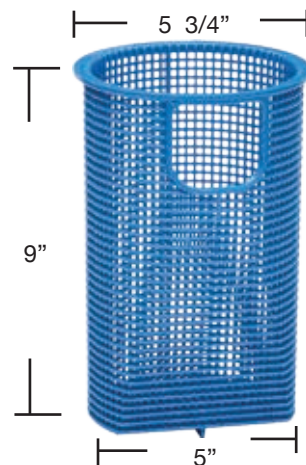
B - 204

Rainbow™ 179
In Line Leaf Trap
(Powder Coated)

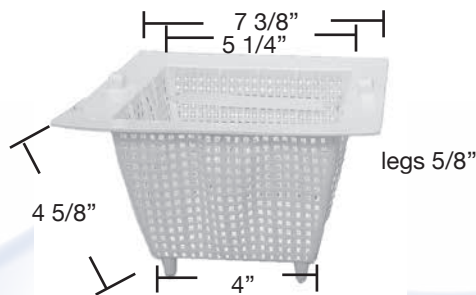
Baskets



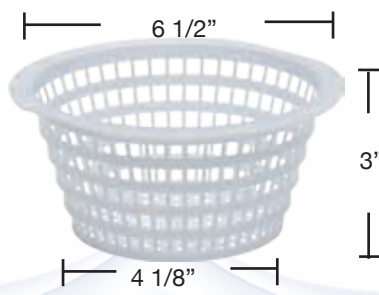
B - 206
Pac Fab 352670
(Plastic)
See B-185 for Powder Coated
Same as B-13



B - 207
Hayward® Super II™
SPX3000M
(Plastic)



B - 208
Swimquip™ Sentinel Skimmer 8660-2
(Plastic)



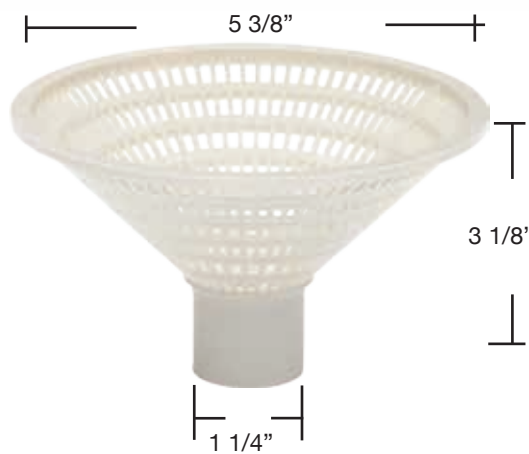
B - 209
Aqua Leader® Skimmer
Basket ALS003
(Plastic)



B - 210
Coleco Pump Basket 33591
(Plastic)



B - 211
Muskin Pump Basket 097-6902
(Plastic)

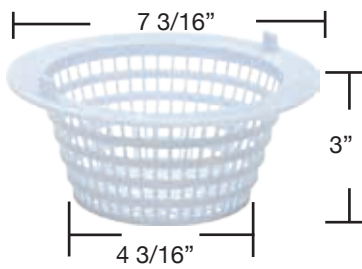


B - 212
Muskin Cone Strainer 098-7061
(Plastic)

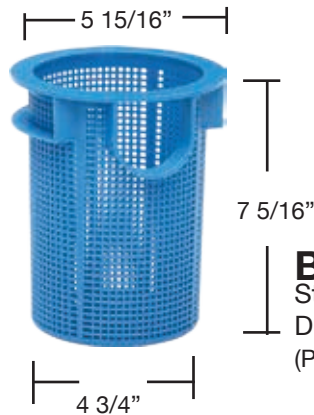


B - 213
Olympic Skimmer Basket
ACM88
(Plastic)

Baskets



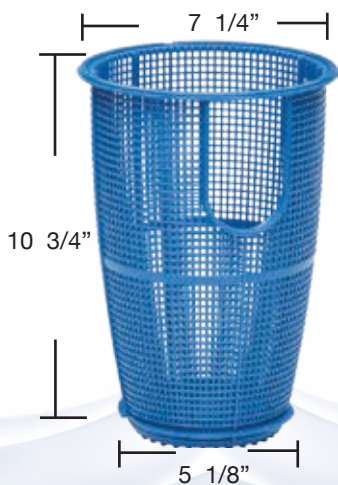
B - 214
Seasonmaster with tabs
SMS004
(Plastic)



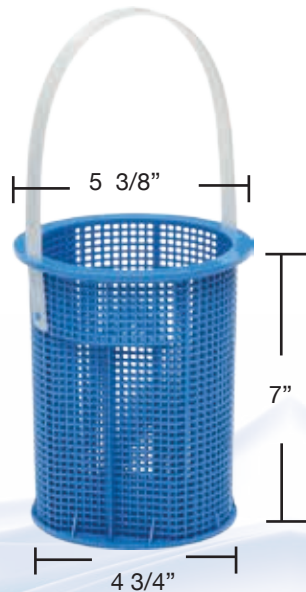
B - 215
Sta-Rite® Max-E-Glas® II
Dura-Glas® II C8-58P
(Plastic)



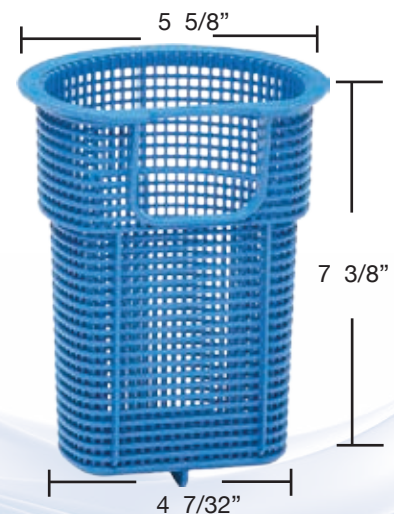
B - 217
Swimquip™ 09656-0114
Above Ground Skimmer
Basket (Plastic)



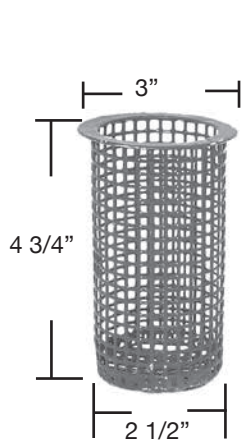
B - 218
Hayward® NorthStar™
SPX4000M (Plastic)



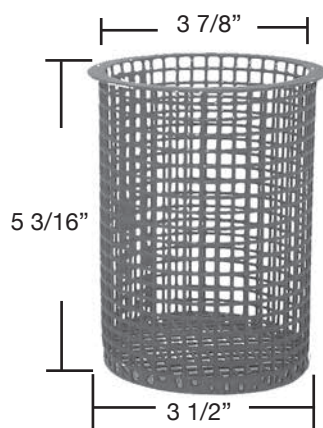
B - 219
Pac Fab Challenger®
355318 (Plastic)



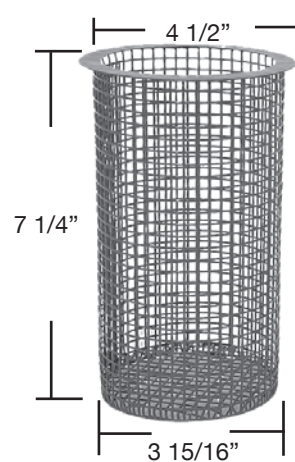
B - 220
Hayward® Power-Flo®
SPX1500LX (Plastic)



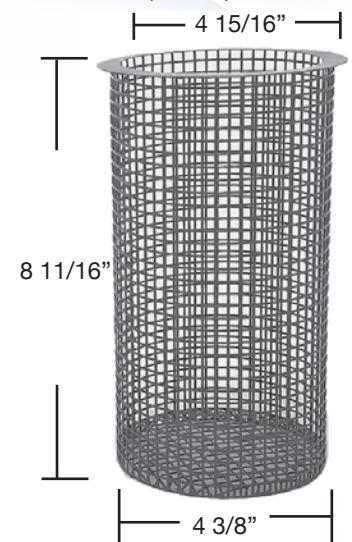
B - 310
Hayward® SPSTX310SHX
(Powder Coated)



B - 315
Hayward® SPSTX315SHX
(Powder Coated)

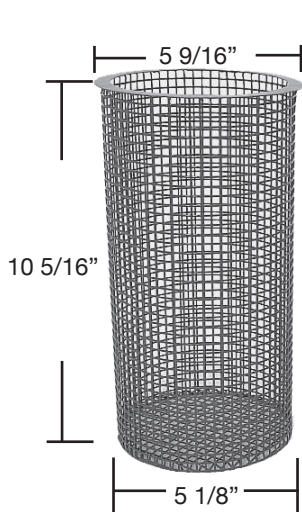


B - 325
Hayward® SPSTX325SHX
(Powder Coated)

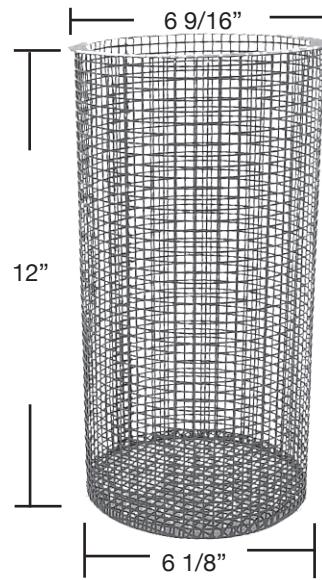


B - 330
Hayward® SPSTX330SHX
(Powder Coated)

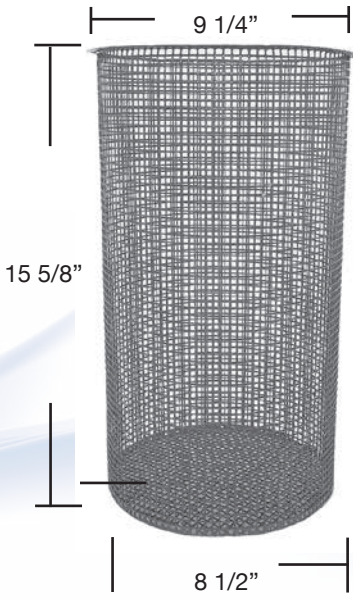
Baskets



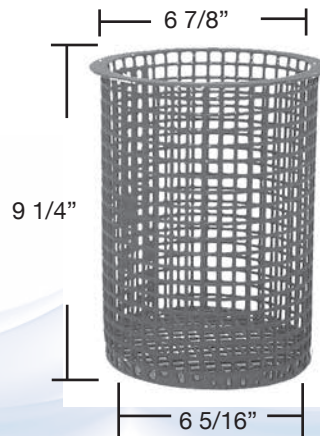
B - 335
Hayward® SPSTX335SHX
(Powder Coated)



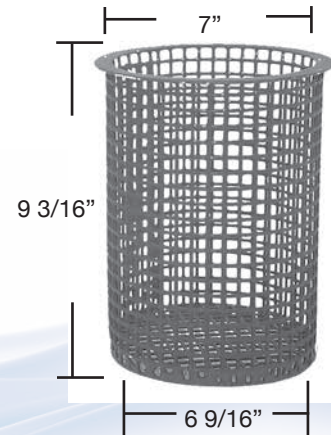
B - 340
Hayward® SPSTX340SHX
(Powder Coated)



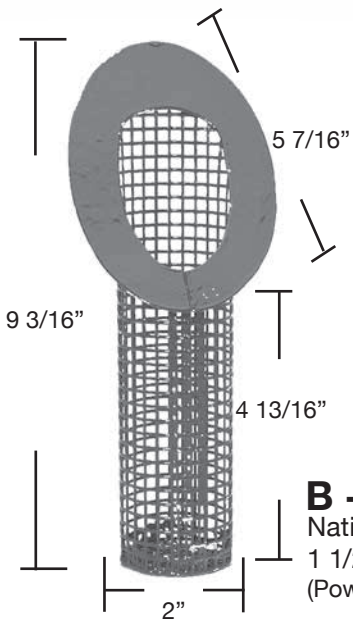
B - 345
Hayward® SPSTX345SHX
(Powder Coated)



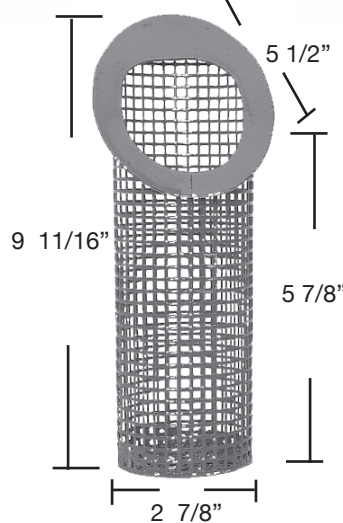
B - 350
Hayward® SPSTX350SHX
(Powder Coated)



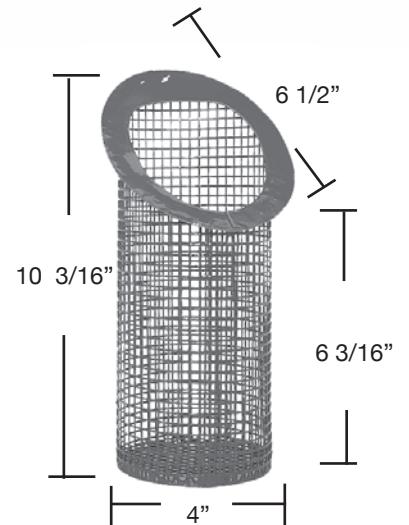
B - 355
Hayward® SPSTX355SHX
(Powder Coated)



B - 822
National
1 1/2" & 2" 53822
(Powder Coated)

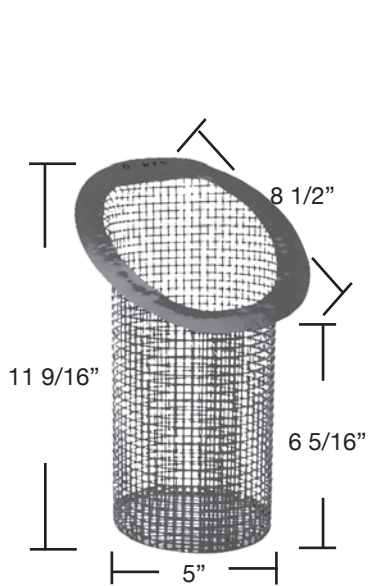


B - 823
National 3" 53823
(Powder Coated)

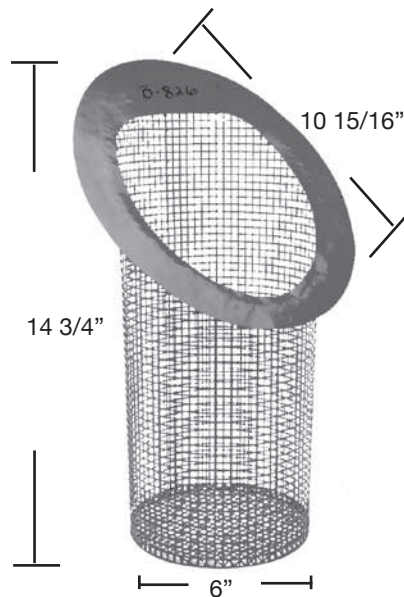


B - 824
National 4" 53824
(Powder Coated)

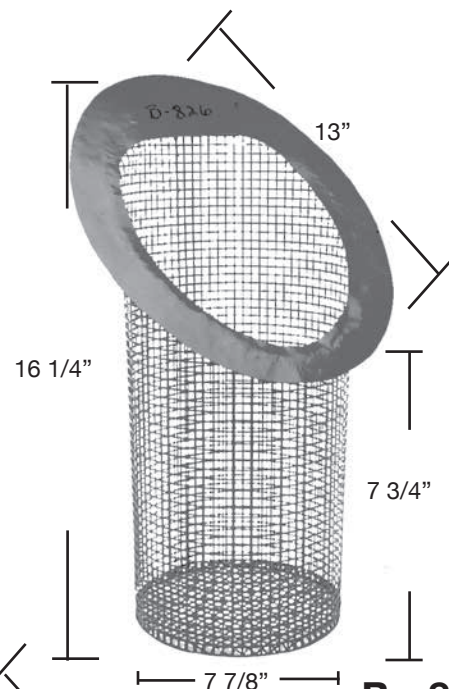
Baskets



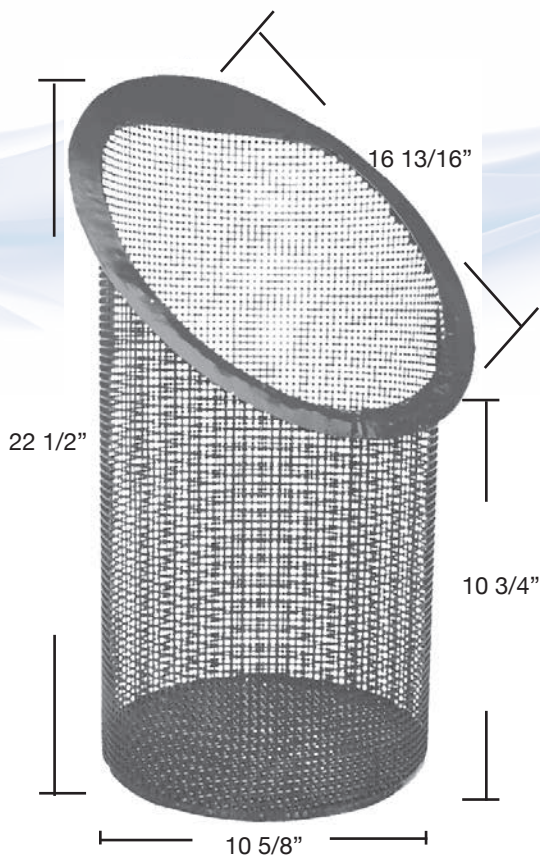
B - 825
National 5" 53825
(Powder Coated)



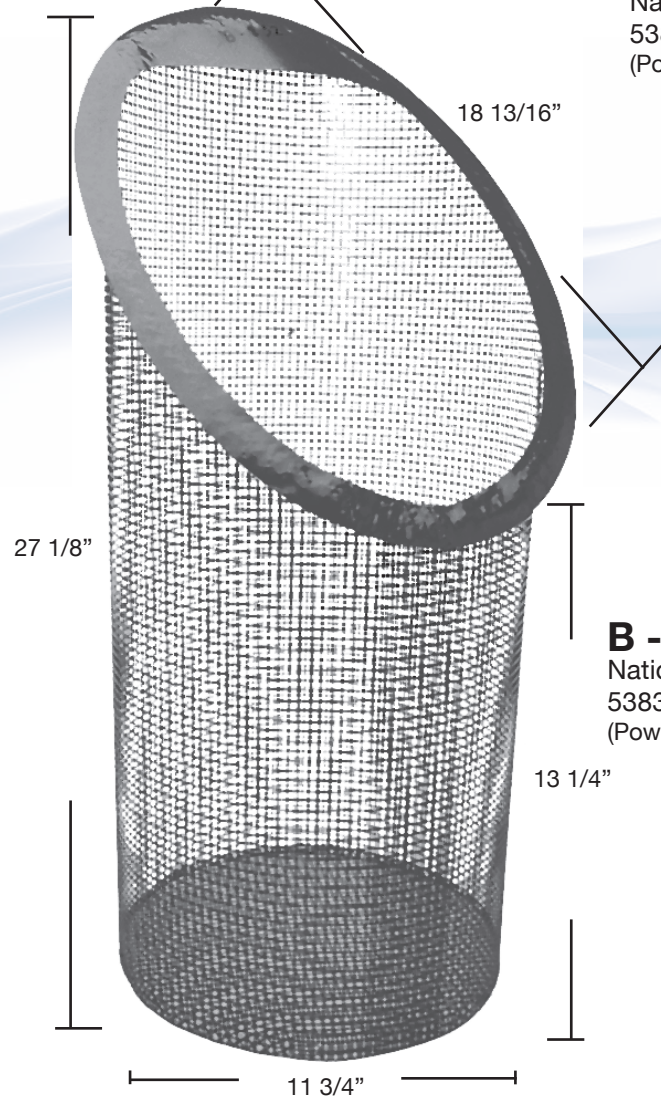
B - 826
National 6" 53826
(Powder Coated)



B - 828
National 8" 53828
(Powder Coated)



B - 830
National 10" 53830
(Powder Coated)

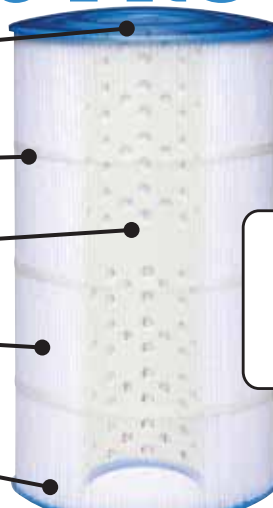


B - 832
National 12" 53832
(Powder Coated)

Replacement Cartridges

Service-PRO

- Top End Cap has Embossed Part Number
- Stretch and break resistant pleat bands
- Sure Flow Molded Core
- 100% Polyester Media 3 oz.
- High Impact End Caps with Antifungal Biocide Added



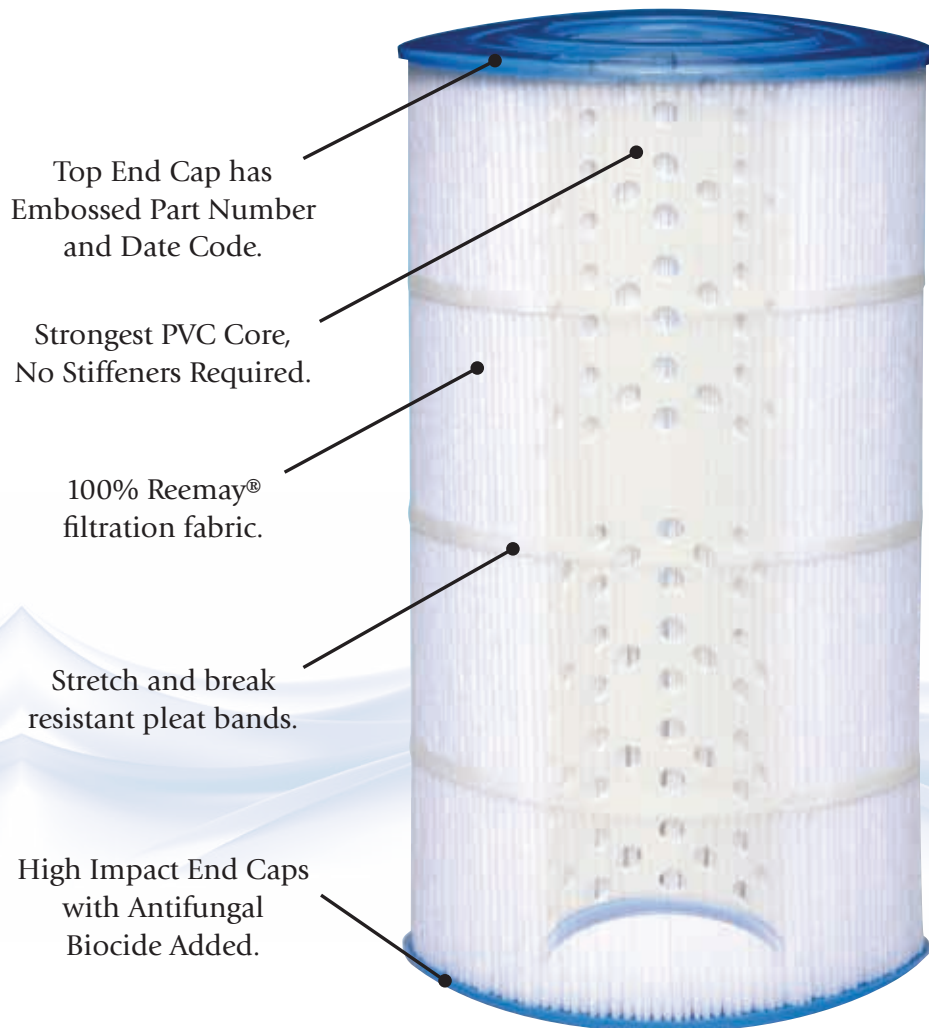
Now Made With



Aladdin	Manufacture	Description	Unicel® #	Pleatco #	O.D.	LGTH	I.D.	Sq. Ft.
19946SVP	HAYWARD®	CX100XREBVS	C-8408	PA100S	10 3/10"	19 1/2"	4	100
20526SVP	HAYWARD®	CX150XREBVS	C-8414	PA150S	10 3/10"	3 3/16"	4	150
29921SVP	HAYWARD®	CX200XREBVS	C-8420	PA200S	10 3/10"	28 5/16"	4	200
28002SVP	HAYWARD®	CX1900RE	C-8420	PA190	8 15/16"	28 3/16"	4	190
27501SVP	HAYWARD®	CX1750RE	C-8417	PA175-4	8 15/16"	28 3/16"	4	175
22002SVP	HAYWARD®	CX1200RE	C-8412	PA120-4	8 15/16"	23 3/8"	4	120
19002SVP	HAYWARD®	CX900RE	C-8409	PA90-4	8 15/16"	17 3/8"	4	90
19935SVP	HAYWARD®	CCX1000RE XStream®	C-8311	PXST100	8 15/16"	17 3/8"	4	100
25014SVP	HAYWARD®	CCX1500RE XStream®	C-8316	PXST150	8 15/16"	23 5/16"	4	150
27503SVP	HAYWARD®	CCX1750RE XStream®	C-8317	PXST175	8 15/16"	23 3/8"	4	175
19905SVP	HAYWARD®	CX1100RE	C-8610	PA100-4	8 1/2"	23 5/16"	4 1/16	100
17507SVP	HAYWARD®	CX1500RE 2X75	C-8600	PA80-4 (2)	8 1/2"	17 3/8"	4 1/16	75
17507SVP	HAYWARD®	CX800RE	C-8600	PA80-4	8 1/2"	17 3/8"	4 1/16	75
25014SVP	JANDY®	CS150	C-8414	PJANCS150-4	8 15/16"	23 5/16"	4	150
19939SVP	JANDY®	CS100	C-8410	PJANCS100-4	8 15/16"	23 5/16"	4	100
15036SVP	PENTAIR®	CLEAN & CLEAR® /PREDATOR™ 50	C-9405	PAP50-4	10 1/16 "	8 9/16 "	6	50
17525SVP	PENTAIR®	CLEAN & CLEAR® /PREDATOR™ 75	C-9407	PAP75-4	10 1/16 "	16 1/8"	6	75
19916SVP	PENTAIR®	CLEAN & CLEAR® /PREDATOR™ 100	C-9410	PAP100-4	10 1/16 "	23 5/8"	6	100
25005SVP	PENTAIR®	CLEAN & CLEAR® /PREDATOR™ 150	C-9415	PAP150-4	10 1/16 "	31 1/8 "	6	150
29902SVP	PENTAIR®	CLEAN & CLEAR® /PREDATOR™ 200	C-9419	PAP200-4	10 1/16 "	31 1/8 "	6	200
25019SVP	STA-RITE®	PXC-150	C-8416	PA175	8 15/16"	28 3/16"	4	150
22508SVP	STA-RITE®	PXC-125	C-8413	PWWPC125B	8 15/16"	28 3/16"	4	125
19002SVP	STA-RITE®	PXC-95	C-8409	PA90-4	8 15/16"	17 3/8"	4	90
17530SVP	STA-RITE®	PXC-75	C-8411	PA76-4	8 15/16"	17 3/8"	4	75
17201SVP	STA-RITE®	POSI-FLO 70	UHD-SR70	PSR70-4	8 11/16"	18 3/16"	4 3/16	70
20201SVP	STA-RITE®	POSI-FLO 100	UHD-SR100	PSR100-4	8 11/16"	25 11/16 "	4 3/16	100
25019SVP	WATERWAY™	PRO CLEAN 150	C-8416	PWWPC150B	8 15/16"	28 3/16"	4	150
22508SVP	WATERWAY™	PRO CLEAN 125	C-8413	PWWPC125B	8 15/16"	28 3/16"	4	125
27501SVP	WATERWAY™	PRO CLEAN 175	C-8417	PWWPC175-4	8 15/16"	28 3/16"	4	175
22002SVP	WATERWAY™	PRO CLEAN 125	C-8412	PWWPC125-4	8 15/16"	23 3/8"	4	120
22002SVP	WATERWAY™	CLEARWATER II 125	C-8412	PWWCT125-4	8 15/16"	23 3/8"	4	120
25014SVP	WATERWAY™	PRO CLEAN 150	C-8414	PWWCT150-4	8 15/16"	23 5/16"	4	150
29916SVP	WATERWAY™	CLEARWATER II 200	C-8419	PWWCT200	8 15/16"	23 5/16"	4	200
19002SVP	WATERWAY™	PRO CLEAN 100	C-8409	PA90-4	8 15/16"	17 3/8"	4	90
19002SVP	WATERWAY™	CLEARWATER II 100	C-8409	PA90-4	8 15/16"	17 3/8"	4	90
17530SVP	WATERWAY™	CLEARWATER II 75	C-8411	PA76-4	8 15/16"	17 3/8"	4	75
17530SVP	WATERWAY™	PRO CLEAN 75	C-8411	PA76-4	8 15/16"	17 3/8"	4	75
28002SVP	WATERWAY™	PRO CLEAN 200	C-8420	PWWPC200-4	8 15/16"	28 3/16"	4	200
25014SVP	WATERWAY™	CLEARWATER II 150	C-8414	PWWCT150	8 15/16"	23 5/16"	4	150

Filters

WorldPool® The Core of Our Success!



Top End Cap has Embossed Part Number and Date Code.

Strongest PVC Core, No Stiffeners Required.

100% Reemay® filtration fabric.

Stretch and break resistant pleat bands.

High Impact End Caps with Antifungal Biocide Added.

Our enhanced core design provides for optimal water flow, efficient filtration, and increased strength. Aladdin WorldPool® cartridges are made with Reemay® filtration fabric which is engineered for its efficiency, durability, and high dirt-holding capacity.



Now Made With



REEMAY® is a registered trademark of PGI Specialty Materials



Replacement Cartridges

Aber Hot Tub

Sq. Ft.	O.D.	Length	Filter	OEM	Unicel®	Pleatco	Aladdin
35	4-15/16"	9-1/4"			C-4335	PRB35-IN	13501
47	6"	9-1/8"			6CH-47	PTL47W-P4	14701
45	6"	8-1/4"			6CH-940	PWW50P3	14510

Accent Spas

Sq. Ft.	O.D.	Length	Filter	OEM	Unicel®	Pleatco	Aladdin
10	4-1/4"	4"			C-4310	PWW10	11003
25	4-15/16"	13-5/16"			C-4625	PRB25-IN-4	12502
40	4-15/16"	11-1/4"			C-4339	PWW40	14011
50	4-15/16"	13-5/16"			C-4950	PRB50-IN	15002

Acryx-Maax Spas (Canada)

Sq. Ft.	O.D.	Length	Filter	OEM	Unicel®	Pleatco	Aladdin
25	4-15/16"	13-5/16"			C-4625	PRB25-IN-4	12502
37	4-15/16"	13-5/16"			C-4637	PRB37-IN-4	13701
50	4-15/16"	13-5/16"			C-4950	PRB50-IN	15002
95	4-15/16"	23-5/8"			C-4995	PCAL100	19501

Addison Spas

Sq. Ft.	O.D.	Length	Filter	OEM	Unicel®	Pleatco	Aladdin
50	4-5/8"	14-3/4"			4CH-50	PTL50P4-4	15016

Advanced Spa Design

Sq. Ft.	O.D.	Length	Filter	OEM	Unicel®	Pleatco	Aladdin
25	4-5/8"	9-3/4"			4CH-24	PGS25P4	12519
50	4-5/8"	14-3/4"			4CH-50	PTL50P4-4	15016
22	5-3/16"	11-7/8"			C-5621	PTL25H-P4-4	12202
50	6"	9-1/8"			6CH-47	PTL47W-P4	14701
50	6"	13-7/16"			6CH-50	PTL50W-SV-P4-4	15017
75	6"	14-3/4"			C-6475	PTL50W-P4	17512

Advantage Mfg.

Sq. Ft.	O.D.	Length	Filter	OEM	Unicel®	Pleatco	Aladdin
25	4-15/16"	14-7/8"		ELE-25	C-4301	PMT27.5	12801
25	4-15/16"	14-9/16"		ELE-25-1	C-4308	POX25-IN	12532
50	4-15/16"	17-3/8"		ELE-50	C-4349	PAE50	15040
75	7-1/4"	14-9/16"		ELE-75	C-7301	PAE75	17535
100	7-1/4"	21-5/8"		ELE-100	C-7302	POX100	19923
150	7-1/4"	28-13/16"		ELE-150	C-7303	PAE150	25008

Advantage Spa see also Advantage Mfg.

Sq. Ft.	O.D.	Length	Filter	OEM	Unicel®	Pleatco	Aladdin
50	4-15/16"	17-3/8"		ELE-50	C-4349	PAE50	15040

After Hours Spas see Hydro Spas

Replacement Cartridges

Airwick

Sq. Ft.	O.D.	Length	Filter	OEM	Unicel®	Pleatco	Aladdin
50	10-1/16"	17-1/2"			C-9950	N/S	15037
70	10-1/16"	19-5/8"			C-9970	PVAC70-6	17001
100	10-1/16"	19-5/8"			C-9999	PVAC100-6	19917
150	10-1/16"	19-5/8"			N/S	N/S	25012

Aladdin

Sq. Ft.	O.D.	Length	Filter	OEM	Unicel®	Pleatco	Aladdin
75	8-1/2"	18-1/4"	Scamp Portable Filter System (before 2006)			N/S	17516
100	8-1/2"	18-1/4"	Scamp Portable Filter System (before 2006)			N/S	19912

Alcove

Sq. Ft.	O.D.	Length	Filter	OEM	Unicel®	Pleatco	Aladdin
19	4-5/8"	8"			4CH-21	PA17/PA13/ PTL18P4-4	11901
8	3-1/4"	9-3/4"			C-3608	PS9-4	10805

Alps Spas

Sq. Ft.	O.D.	Length	Filter	OEM	Unicel®	Pleatco	Aladdin
25	4-15/16"	13-5/16"			C-4625	PRB25-IN-4	12502
50	4-15/16"	13-5/16"			C-4950	PRB50-IN	15002

American Classic Spas

Sq. Ft.	O.D.	Length	Filter	OEM	Unicel®	Pleatco	Aladdin
50	4-5/8"	14-3/4"			4CH-50	PTL50P4-4	15016

American Products® see Pentair Pool Products® - American Products® Replacements

American Spas

Sq. Ft.	O.D.	Length	Filter	OEM	Unicel®	Pleatco	Aladdin
25	6"	7"			6CH-26	PTL25W-SV-P4-4	12521
50	6"	8-1/4"			6CH-940	PWW50P3	14510
50	4-15/16"	13-5/16"			C-4950	PRB50-IN	15002

Amish Country

Sq. Ft.	O.D.	Length	Filter	OEM	Unicel®	Pleatco	Aladdin
35	5-3/16"	11-7/8"			C-5423	PPM35TC	13401
60	5-3/16"	19-5/8"			C-5434	PPM60TC	15801
25	5-3/16"	11-7/8"			C-5626	PPM25-4	12518
40	5-3/16"	19-5/8"			C-5637	PPM40-4	14006

Apollo Spas

Sq. Ft.	O.D.	Length	Filter	OEM	Unicel®	Pleatco	Aladdin
25	4-5/8"	11-7/8"			C-4325	PA225-4	12501
25	4-15/16"	13-5/16"			C-4326	PRB25-IN-4	12502
25	4-5/8"	11-7/8"			C-4327	PA225-4	12511
35	4-15/16"	4-5/8"			C-4401	PRB17.5SF-JH-PAIR	11802
50	4-15/16"	13-5/16"			C-4950	PRB50-IN	15002
25	5-11/16"	10-3/8"			C-5601	PJW23-4	12512

Replacement Cartridges

Aqua Mystic

Sq. Ft.	O.D.	Length	Filter	OEM	Unicel®	Pleatco	Aladdin
25	4-15/16"	13-5/16"			C-4326	PRB25-IN-4	12502
50	4-15/16"	13-5/16"			C-4950	PRB50-IN	15002

Aqua Spa

Sq. Ft.	O.D.	Length	Filter	OEM	Unicel®	Pleatco	Aladdin
20	4-5/8"	9-3/4"			C-4402	PAQ25-N	12006
25	6"	9-3/4"			C-6601	PTL25W-P4-4	12529

Aqua Tech Spas

Sq. Ft.	O.D.	Length	Filter	OEM	Unicel®	Pleatco	Aladdin
50	4-5/8"	14-3/4"			4CH-50	PTL50P4-4	15016
35	4-15/16"	4-5/8"			C-4401	PRB17.5SF-JH-PAIR	11802
50	4-15/16"	13-5/16"			C-4950	PRB50-IN	15002

Aquatemp

Sq. Ft.	O.D.	Length	Filter	OEM	Unicel®	Pleatco	Aladdin
50	6-1/16"	12-1/16"	550	84-92028	C-6405	POX50	15027
50	6-1/16"	12-1/16"	650	84-92028	C-6405	POX50	15027
50	6-1/16"	12-1/16"	1050	84-92028	C-6405	POX50	15027
75	6-1/16"	18"	675	84-92029	C-6408	PAQ75	17534
75	6-1/16"	18"	575	84-92029	C-6408	PAQ75	17534
75	6-1/16"	18"	1075	84-92029	C-6408	PAQ75	17534
65	7-1/4"	14-3/4"	2065	84-92288	C-7619	PAQ65	16508
75	7-1/4"	21-13/16"	2075	84-92287	C-7620	N/S	17537
75	9"	11-7/16"	3075	84-92311	C-9601	N/S	17538
100	9"	15"	3100	84-92312	C-9602	N/S	19927
150	9"	22-5/8"	3150	84-92313	C-9603	N/S	25010

Aquatic Industries see Safari Spas

Aquiform-Infinity Spas

Sq. Ft.	O.D.	Length	Filter	OEM	Unicel®	Pleatco	Aladdin
50	4-15/16"	13-5/16"			C-4950	PRB50-IN	15002

Arctic Spas see Blue Falls Mfg. Ltd.

Aries Spas

Sq. Ft.	O.D.	Length	Filter	OEM	Unicel®	Pleatco	Aladdin
25	4-15/16"	13-5/16"			C-4625	PRB25-IN-4	12502

Arizona Pacific

Sq. Ft.	O.D.	Length	Filter	OEM	Unicel®	Pleatco	Aladdin
35	6"	9-7/8"			6CH-35	PTL35W-P4-4	13505
50	6"	13-7/16"			6CH-50	PTL50W-SV-P4-4	15017
35	4-15/16"	4-5/8"			C-4401	PRB17.5SF-JH-PAIR	11802
50	4-15/16"	6-5/8"			C-4405	PRB25SF-JH-PAIR	12504
50	4-15/16"	13-5/16"			C-4950	PRB50-IN	15002

Replacement Cartridges

Artesian Spas

Sq. Ft.	O.D.	Length	Filter	OEM	Unicel®	Pleatco	Aladdin
25	6"	7"			6CH-26	PTL25W-SV-P4-4	12521
35	7"	8"			7CH-322	PCS32-2/PAS35-2	13202

Associated Leisure Products see Alps Spas

Astral

Sq. Ft.	O.D.	Length	Filter	OEM	Unicel®	Pleatco	Aladdin
50	8-7/8"	10"	Terra 50	18218R0100	C-8449	PAST50	15039
75	8-7/8"	14-3/4"	Terra 75	18219R0100	C-8474	PAST75	17532
100	8-7/8"	19-1/2"	Terra 100	18112R0100	C-8499	PAST100	19921
150	8-7/8"	24"	Terra 150	18220R0100	C-8415	PAST150	25007
50	8-7/8"	11-13/16"	Z-Tech 50	FS78095	N/S	N/S	15055
75	8-7/8"	11-13/16"	Z-Tech 75	FS78096	N/S	N/S	17545
100	8-7/8"	19-3/4"	Z-Tech 100	FS78097	N/S	N/S	19940
155X2	8-7/8"	17-16/25"	Z-Tech 155/310	FS78088	N/S	N/S	25502
200	8-7/8"	27-9/16"	Z-Tech 200	FS78099	N/S	N/S	29914
250	8-7/8"	27-9/16"	Z-Tech 250	FS78094	N/S	N/S	35003
150	8-7/8"	19-3/4"	Z-Tech 150	FS78098	N/S	N/S	25017
150	8-7/8"	27-9/16"	Z-Tech 150	FS78098-Tall	N/S	N/S	25024

Baja Spas

Sq. Ft.	O.D.	Length	Filter	OEM	Unicel®	Pleatco	Aladdin
50	4-15/16"	13-5/16"			C-4950	PRB50-IN	15002
100	4-15/16"	26-11/16"			C-4999	PRB100	19901

Baker-Hydro

Sq. Ft.	O.D.	Length	Filter	OEM	Unicel®	Pleatco	Aladdin
32	4-15/16"	11-7/8"	Mini-Mite	17B1151	C-4332	PMT25/PMT35	13201
35	7"	9-13/16"	Ultra-Mite	17B1164	C-7404	PBH-UM35	13502
50	7"	14-3/4"	Ultra-Mite	17B1165	C-7405	PBH-UM50-4	15011
75	7"	19-5/8"	Ultra-Mite	17B1166	C-7406	PBH-UM75	17508
100	7"	29-3/8"	Ultra-Mite	17B1167	C-7407	PBH-UM100	19906
150	7"	39-3/8 (2x19-5/8)	Ultra-Mite	17B1168	C-7408	PBH-UM150	25002
13	7"	5"	Hydro-Mite	17B1163	C-7603	PBH12.5-4	11302
25	7"	9-13/16"	Hydro-Mite	17B2054	C-7604	PBH25-4	12514
50	7"	19-5/8"	Hydro-Mite	17B2055	C-7605	PBH50	15012
75	7"	29-3/8"	Hydro-Mite	17B2056	C-7606	PBH75	17510
100	7"	39-3/8(2x19-5/8)	Hydro-Mite	17B2071	C-7607	PBH100	19907

Beachcomber

Sq. Ft.	O.D.	Length	Filter	OEM	Unicel®	Pleatco	Aladdin
25	4-15/16"	13-5/16"			C-4326	PRB25-IN-4	12502
35	4-15/16"	4-5/8"			C-4401	PRB17.5SF-JH-PAIR	11802
50	4-15/16"	6-5/8"			C-4405	PRB25ASF-JH-PAIR	12504
50	4-15/16"	13-5/16"			C-4950	PRB50-IN	15002

Blue Falls Mfg. Ltd.(Canada)

Sq. Ft.	O.D.	Length	Filter	OEM	Unicel®	Pleatco	Aladdin
25	4-15/16"	13-5/16"			C-4326	PRB25-IN-4	12502
50	4-15/16"	13-5/16"			C-4950	PRB50-IN	15002

Replacement Cartridges

Blue Pacific

Sq. Ft.	O.D.	Length	Filter	OEM	Unicel®	Pleatco	Aladdin
30	4-5/8"	11-7/8"			4CH-30	PTL25P4-4	13005
50	6"	13-7/16"			6CH-50	PTL50W-SV-P4-4	15017
25	4-15/16"	13-5/16"			C-4625	PRB25-IN-4	12502
50	4-15/16"	13-5/16"			C-4950	PRB50-IN	15002

Blue Ridge Spas see also Gatsby Spas, Lowes

Sq. Ft.	O.D.	Length	Filter	OEM	Unicel®	Pleatco	Aladdin
25	4-5/8"	9-3/4"			4CH-24	PGS25P4	12519

Bullfrog Spas

Sq. Ft.	O.D.	Length	Filter	OEM	Unicel®	Pleatco	Aladdin
50	6"	8-1/4"			6CH-940	PWW50P3	14510
50	8"	6"		10-1035	8CH-950	PBF50-F2S	15052
35	4-15/16"	9-1/4"			C-4335	PRB35-IN	13501
50	4-15/16"	13-5/16"			C-4950	PRB50-IN	15002

Cal Spas

Sq. Ft.	O.D.	Length	Filter	OEM	Unicel®	Pleatco	Aladdin
50	4-15/16"	14-7/8"			C-4305	PMT50	15003
50	4-15/16"	13-5/16"			C-4950	PRB50-IN	15002
100	4-15/16"	23-5/8"			C-4995	PCAL100	19501
75	5-5/16"	14-3/16"			C-5374	PLBS75	17540
50	7"	19-5/8"			C-7656	PA50-4	15004
75	7"	29-1/8"			C-7677	PPC75	17503
75	8-1/2"	17-3/8"			C-8600	PA80-4	17507
100	8-1/2"	23-3/8"			C-8610	PA100-4	19905

Caldera Spas

Sq. Ft.	O.D.	Length	Filter	OEM	Unicel®	Pleatco	Aladdin
50	7"	10-3/4"			C-7350	PCD50N	15051
75	7"	14-3/4"		1019301	C-7375	PCD75N	17543
50	7"	10-3/4"			C-7451	PCD50	15034
75	7"	14-3/4"		033017	C-7479	PCD75	17523
100	7"	14-3/4"		033017	C-7479	PCD75	17523

California Cooperage see Coleman Spas

Caribbean Spas see Catalina Spas

Catalina Spas

Sq. Ft.	O.D.	Length	Filter	OEM	Unicel®	Pleatco	Aladdin
40	6"	8-1/4"			6CH-940	PWW50P3	14510
35	4-15/16"	4-5/8"			C-4401	PRB17.5SF-JH-PAIR	11802
50	4-15/16"	6-5/8"			C-4405	PRB25SF-JH-PAIR	12504

Charisma Spas

Sq. Ft.	O.D.	Length	Filter	OEM	Unicel®	Pleatco	Aladdin
30	4-5/8"	11-7/8"			4CH-30	PTL25P4-4	13005
50	6"	13-7/16"			6CH-50	PTL50W-SV-P4-4	15017
40	6"	8-1/4"			6CH-940	PWW50P3	14510
10	4-1/4"	4"			C-4310	PWW10	11003
50	4-15/16"	13-5/16"			C-4950	PRB50-IN	15002

Replacement Cartridges

Clearwater Spas

Sq. Ft.	O.D.	Length	Filter	OEM	Unicel®	Pleatco	Aladdin
40	6"	8-1/4"			6CH-940	PWW50P3	14510
35	4-15/16"	4-5/8"			C-4401	PRB17.5SF-JH-PAIR	11802
50	4-15/16"	6-5/8"			C-4405	PRB25SF-JH-PAIR	12504
50	5-11/16"	10-3/8"			C-5300	PJW50	15010

Coast Spas (Canada)

Sq. Ft.	O.D.	Length	Filter	OEM	Unicel®	Pleatco	Aladdin
50	4-15/16"	13-5/16"			C-4950	PRB50-IN	15002
95	4-15/16"	23-5/8"			C-4995	PCAL100	19501
100	4-15/16"	26-11/16"			C-4999	PRB100	19901

Coleco

Sq. Ft.	O.D.	Length	Filter	OEM	Unicel®	Pleatco	Aladdin
5	4-1/4"	8"	DR-7		C-4607	PC7-120	10502
5	4-1/4"	8"	F-120		C-4607	PC7-120	10502
5	4-3/4"	8"	F-108		C-4609	PC8	10504
5	4-3/4"	8"	F-110 (no core)		C-4608	PC8	10503
5	4-3/4"	8"	F-110		C-4609	PC8	10504
5	4-3/4"	8"	CR-8		C-4609	PC8	10504
8	4-3/4"	11"	DR-11		C-4611	PC11-4	10803
8	4-3/4"	11"	CF-11		C-4611	PC11-4	10803
8	4-3/4"	11"	F-112		C-4611	PC11-4	10803
8	4-3/4"	11"	F-350		C-4611	PC11-4	10803
12	4-3/4"	16"	F-750		C-4616	PC16	11205
12	4-3/4"	16"	F-775		C-4616	PC16	11205
12	4-3/4"	16"	F-875		C-4616	PC16	11205
12	4-3/4"	16"	DR-16		C-4616	PC16	11205
13	4-3/4"	18"	F-225		C-4618	PC18-4	11301
13	4-3/4"	18"	F-335		C-4618	PC18-4	11301
13	4-3/4"	18"	F-345		C-4618	PC18-4	11301
13	4-3/4"	18"	DR-18		C-4618	PC18-4	11301
23	6-1/2"	17"	F-355		C-6617	PC17-4	12302
23	6-1/2"	17"	F-360		C-6617	PC17-4	12302
23	6-1/2"	17"	F-455		C-6617	PC17-4	12302
23	6-1/2"	17"	F-460		C-6617	PC17-4	12302
23	6-1/2"	17"	DR-17		C-6617	PC17-4	12302
30	6-1/2"	22"	F-475		C-6622	PC22	13009
30	6-1/2"	22"	F-480		C-6622	PC22	13009
30	6-1/2"	22"	F-375		C-6622	PC22	13009
30	6-1/2"	22"	F-380		C-6622	PC22	13009
30	6-1/2"	22"	DR-22		C-6622	PC22	13009

Coleman Spas (Part # 3301-For 2001 & Before. 100-For After 2002)

Sq. Ft.	O.D.	Length	Filter	OEM	Unicel®	Pleatco	Aladdin
32	7"	8"		100432	7CH-32	PCS32P4	13205
32	7"	8"		3301-1018	7CH-32	PCS32P4	13205
32	7"	8"		3301-2109	7CH-322	PAS35-2/PCS32-2	13202
32	7"	8"		100520	7CH-322	PAS35-2/PCS32-2	13202
40	7"	9-3/4"		100433	7CH-40	PCS40/PVT40P-4	14007
40	7"	9-3/4"		3301-1019	7CH-40	PCS40/PVT40P-4	14007
40	7"	9-3/4"		3301-2110	7CH-402	PCS40-F2M	15018
40	7"	9-3/4"		100521	7CH-402	PCS40-F2M	15018
50	7"	14-3/4"		100434	7CH-50	PCS50/PTL50XW/PVT50P4	15021
50	7"	14-3/4"		3301-1020	7CH-50	PCS50/PTL50XW/PVT50P4	15021
50	7"	14-3/4"		3301-2111	7CH-502	PCS50-F2M	15019

Replacement Cartridges

Coleman Spas (cont'd)

Sq. Ft.	O.D.	Length	Filter	OEM	Unicel®	Pleatco	Aladdin
50	7"	14-3/4"		100522	7CH-502	PCS50-F2M	15019
25	4-15/16"	13-5/16"		3301-2242	C-4326	PRB25-IN-4	12502
25	4-15/16"	13-5/16"		100586	C-4326	PRB25-IN-4	12502
40	4-15/16"	11-1/4"		100585	C-4339	PWW40	14011
40	4-15/16"	11-1/4"		3301-2241	C-4339	PWW40	14011
50	4-15/16"	13-5/16"		3301-2145	C-4950	PRB50-IN	15002
50	4-15/16"	13-5/16"		100533	C-4950	PRB50-IN	15002
50	8"	9"		100593	C-8450	PCS50N	15014
50	8"	9"		3301-2261	C-8450	PCS50N	15014
75	8"	13"		3301-2262	C-8475	PCS75N	17513
75	8"	13"		100594	C-8475	PCS75N	17513

Comfort Line Spas

Sq. Ft.	O.D.	Length	Filter	OEM	Unicel®	Pleatco	Aladdin
12	4-5/8"	4-5/8"			C-4302	PSS17.5	11206

Conger Bros. see Santana

CTA Spas

Sq. Ft.	O.D.	Length	Filter	OEM	Unicel®	Pleatco	Aladdin
25	4-5/8"	9-3/4"			4CH-24	PGS25P4	12519

Custom Molded Products

Sq. Ft.	O.D.	Length	Filter	OEM	Unicel®	Pleatco	Aladdin
50	6"	8-1/4"	Single Port Front Access Skim	25252-800-000	6CH-940	PWW50P3	14510
2x50	6"	8-1/4"	Double Port Front Access Skim				
200	6"	8-1/4"	Double Port Front Access Skim				
100	6"	8-1/4"	Double Port Front Access Skim				
100	6"	8-1/4"	Single Port Front Access Skim				
200	6"	8-1/4"	Single Port Front Access Skim				
10	4-1/4"	4"	Front Access Skim	25249-800-000	C-4310	PWW10	11003
25	4-15/16"	13-5/16"	Top Mount Skim	25392-000-100	C-4326	PRB25-IN	12502
25	4-15/16"	13-5/16"	EZ Twist Top Mount Skim				
25	4-15/16"	13-5/16"	Top Load Pressure	25392-000-100	C-4326	PRB25-IN-4	12502
35	4-15/16"	9-1/4"	Top Mount Skim	25393-000-000	C-4335	PRB35-IN	13501
35	4-15/16"	9-1/4"	EZ Twist Top Mount Skim				
35	4-15/16"	9-1/4"	Top Load Pressure	25393-000-000	C-4335	PRB35-IN	13501
50	4-15/16"	13-5/16"	Top Mount Skim	25391-000-000	C-4950	PRB50-IN	15002
50	4-15/16"	13-5/16"	EZ Twist Top Mount Skim				
50	4-15/16"	13-5/16"	Top Mount Skim				
75	4-15/16"	20-1/8"	Top Mount Skim	25390-000-000	C-4975	PRB75	17501
75	4-15/16"	20-1/8"	EZ Twist Top Mount Skim				
75	4-15/16"	20-1/8"	Top Load Pressure	25390-000-000	C-4975	PRB75	17501

Dakota Spas

Sq. Ft.	O.D.	Length	Filter	OEM	Unicel®	Pleatco	Aladdin
45	6"	8-1/4"			6CH-940	PWW50P3	14510
45	4-15/16"	12-1/4"			C-4311	PDS45	14511
25	4-15/16"	13-5/16"			C-4326	PRB25-IN-4	12502
75	4-15/16"	20-1/8"			C-4975	PRB75	17501

Diamante Spas see US Tooling & Spas

Replacement Cartridges

Diamond Back Spas see Arizona Pacific

Dimension One Spas

Sq. Ft.	O.D.	Length	Filter	OEM	Unicel®	Pleatco	Aladdin
25	4-5/8"	11-7/8"		1561-14	4CH-30	PTL25P4-4	13005
50	4-5/8"	14-3/4"		1561-05	4CH-50	PTL50P4-4	15016
65	4-5/8"	19-5/8"		1561-06	4CH-65	PTL65-H	16505
80	4-5/8"	19-5/8"		1561-07	4CH-65	PTL65-H	16505
40	4-5/8"	15"		1561-13	4CH-940	PDO-UF40P2	14017
25	4-5/8"	12"		1561-04	4CH-950	PDO-UF25/PDO-UF25P2	15038
75	7"	10-1/2"		1561-10	7CH-552	PTL55XW-F2M	15501
75	7"	14-3/4"		1561-02	7CH-752	PTL75XW-F2M	17515
75	7"	10-1/2"		1561-12	7CH-975	PDO75P3	17527
40	4-15/16"	11-5/8"		1561-03	C-4340	PMT40	14009
25	5-1/2"	11-7/8"		1561-11	C-5402	PDO25-4	12526
40	5-1/2"	17"		1561-09	C-5404	PDO40	14010
75	7-1/8"	10-1/2"		1561-00	C-7367	PDO75-2000	17541

Discovery Spas

Sq. Ft.	O.D.	Length	Filter	OEM	Unicel®	Pleatco	Aladdin
60	8"	11-5/8"			8CH-60	PIF60-F2M	16006
50	4-5/8"	23-3/4"			C-4350	PDV50	15001
35	4-15/16"	4-5/8"			C-4401	PRB17.5SF-JH-PAIR	11802
50	4-15/16"	6-5/8"			C-4405	PRB25SF-JH-PAIR	12504
30	4-15/16"	10-3/8"			C-4431	DSF25-50TC	13006
50	4-15/16"	13-5/16"			C-4950	PRB50-IN	15002

DM Industries see Vita Spas

Dolphin Spas

Sq. Ft.	O.D.	Length	Filter	OEM	Unicel®	Pleatco	Aladdin
13	4-5/8"	4-5/8"			4CH-19	PSG13.5P4	11303
30	4-5/8"	11-7/8"			4CH-30	PTL25P4-4	13005
50	4-15/16"	14-7/8"			C-4305	PMT50	15003

Doughboy

Sq. Ft.	O.D.	Length	Filter	OEM	Unicel®	Pleatco	Aladdin
60	6-15/16"	22-3/8"		312-1003	C-6659	PD60-4	16008
20	7"	6-1/2"		2396-020	C-7401	PD20-SL-4	12005
40	7"	9-1/8"		2396-040	C-7402	PD40SL-4	14004
60	7"	17-5/8"		2396-060	C-7403	PD60SL-4	16003
90	7"	26-1/4"		2396-090	C-7409	PD90SL-4	19001

Dyna-Pure

Sq. Ft.	O.D.	Length	Filter	OEM	Unicel®	Pleatco	Aladdin
50	10-1/16"	17-1/2"			C-9950	N/S	15037
70	10-1/16"	19-5/8"			C-9970	PVAC70-6	17001
100	10-1/16"	19-5/8"			C-9999	PVAC100-6	19917
150	10-1/16"	19-5/8"			N/S	N/S	25012

Replacement Cartridges

Dynasty Spas

Sq. Ft.	O.D.	Length	Filter	OEM	Unicel®	Pleatco	Aladdin
50	4-5/8"	14-3/4"			4CH-50	PTL50P4-4	15016
35	4-15/16"	4-5/8"			C-4401	PRB17.5SF-JH-PAIR	11802
40	4-15-16"	11-1/4"			C-4339	PWW40	14011
50	4-15/16"	13-5/16"			C-4950	PRB50-IN	15002

Echo Series see Gatsby Spas

Emerald Spas

Sq. Ft.	O.D.	Length	Filter	OEM	Unicel®	Pleatco	Aladdin
9	2-7/8"	17-1/16"			C-2303	PRB8.5	10804
15	2-7/8"	17-1/16"			C-2302	PRB14.5	11501
25	4-5/8"	11-7/8"			C-4325	PA225-4	12501
25	4-15/16"	13-5/16"			C-4326	PRB25-IN-4	12502
32	4-15/16"	11-7/8"			C-4332	PMT25/PMT35	13201
75	4-15/16"	20-1/8"			C-4975	PRB75	17501
25	5"	13-5/16"			C-5625	PJ25-IN-4	12507

Encon Spas

Sq. Ft.	O.D.	Length	Filter	OEM	Unicel®	Pleatco	Aladdin
10	2-5/8"	19-15/16"			C2610	PW15WC	11002

Esther Williams

Sq. Ft.	O.D.	Length	Filter	OEM	Unicel®	Pleatco	Aladdin
50	6"	13-7/16"			6CH-50	PTL50W-SV-P4-4	15017
35	4-15/16"	4-5/8"			C-4401	PRB17.5SF-JH-PAIR	11802
25	4-15/16"	13-5/16"			C-4625	PRB25-IN-4	12502

Florida Whirlpool

Sq. Ft.	O.D.	Length	Filter	OEM	Unicel®	Pleatco	Aladdin
25	4-5/8"	13-15/16"			C-4326/C-4625	PRB25-IN-4	12502
30	4-5/8"	11-7/8"			4CH-30	PTL25P4-4	13005
50	4-5/8"	14-3/4"			4CH-50	PTL50P4-4	15016
50	5-11/16"	10-3/8"			C-5300	PJW50	15010

Fountain Valley Spas

Sq. Ft.	O.D.	Length	Filter	OEM	Unicel®	Pleatco	Aladdin
45	4-15/16"	17-3/4"			C-4346	PSI45-4	14504
45	6-7/8"	13-3/4"			C-6445	PFV40	14508

Four Seasons Spas

Sq. Ft.	O.D.	Length	Filter	OEM	Unicel®	Pleatco	Aladdin
25	6"	9-3/4"			C-6601	PTL25W-P4-4	12529
35	6"	14-3/4"			C-6603	PTL50W-SH	13506
50	6"	19-5/8"			C-6605	POX50	15029

Fox Wal-Pak

Sq. Ft.	O.D.	Length	Filter	OEM	Unicel®	Pleatco	Aladdin
80	7-7/8"	13-3/16"		F3-0880-2	C-7463	PFW60/PFW80	16009

Replacement Cartridges

Freedom Spas

Sq. Ft.	O.D.	Length	Filter	OEM	Unicel®	Pleatco	Aladdin
30	4-5/8"	11-7/8"	Franklin		4CH-30	PTL25P4-4	13005
45	6"	12-3/8"	Statesman, Lexington, Enterprise, Aristocrat, Franklin		6CH-45	PTL45W-P4-4	14506
35	4-15/16"	4-5/8"	Liberty		C-4401	PRB17.5SF-JH-PAIR	11802
50	4-15/16"	6-5/8"			C-4405	PRB25SF-JH-PAIR	12504
37	4-15/16"	13-5/16"	Concord, Patriot, Ambassador, Executive		C-4637	PRB37-IN-4	13701
50	4-15/16"	13-5/16"			C-4950	PRB50-IN	15002

Freeflow Spas

Sq. Ft.	O.D.	Length	Filter	OEM	Unicel®	Pleatco	Aladdin
25	4-15/16"	6-5/8"	Lagos	FF-150	4CH-22	PFF25P4	12535
25	4-15/16"	6-5/8"	Tempest	FF-150	4CH-22	PFF25P4	12535
25	4-15/16"	6-5/8"	Ciara	FF-100	4CH-23	PFF25TC-P4	12536

Ft. Wayne Spas see Master Spas

Garden Leisure

Sq. Ft.	O.D.	Length	Filter	OEM	Unicel®	Pleatco	Aladdin
45	5-5/16"	10-1/8"			C-5345	PLBS50	14513

Gatsby Spas

Sq. Ft.	O.D.	Length	Filter	OEM	Unicel®	Pleatco	Aladdin
25	4-5/8"	9-3/4"			4CH-24	PGS25P4	12519
25	4-5/8"	9-3/4"			C-4324	PTL20HS-P4/PTS35N	12523
25	5-11/16"	10-3/8"			C-5601	PJW23-4	12512

General Foam Plastics

Sq. Ft.	O.D.	Length	Filter	OEM	Unicel®	Pleatco	Aladdin
5	4-1/4"	8"			C-4306	PGF5	10506
7	4-3/4"	8"			C-4307	PGF7	10702
10	4-3/4"	8"			C-4309	PGF10	11004

Gerico Spas

Sq. Ft.	O.D.	Length	Filter	OEM	Unicel®	Pleatco	Aladdin
45	6-15/16"	17-5/8"			C-6645	PG45	14509

Goldkey

Sq. Ft.	O.D.	Length	Filter	OEM	Unicel®	Pleatco	Aladdin
50	7"	14-3/4"	Skim		C-7400	PTL50XW-OB	15031

GPM Industries

Sq. Ft.	O.D.	Length	Filter	OEM	Unicel®	Pleatco	Aladdin
25	4-15/16"	13-5/16"			C-4326	PRB25-IN-4	12502
50	4-15/16"	13-5/16"			C-4950	PRB50-IN	15002

Great Northern Engineering see OpuSpas, Rubadub Tub

Grecian Spas see Discovery Spas

H2O Recreation

Sq. Ft.	O.D.	Length	Filter	OEM	Unicel®	Pleatco	Aladdin
8	5"	8"			C-5301	N/S	10806

Replacement Cartridges

Harmsco

Sq. Ft.	O.D.	Length	Filter	OEM	Unicel®	Pleatco	Aladdin
6	2-3/4"	9-3/4"			T-380R	PH6-PAK7	10607
6	2-3/4"	9-3/4"		OTC/6-4	C-2306	PH63/PH6-4	10602
6	2-3/4"	9-3/4"		ST/6	T-380	PH6-4	10601

Haugh's

Sq. Ft.	O.D.	Length	Filter	OEM	Unicel®	Pleatco	Aladdin
25	4-15/16"	13-5/16"			C-4625	PRB25-IN-4	12502
50	4-15/16"	13-5/16"			C-4950	PRB50-IN	15002

Hawkeye Spas

Sq. Ft.	O.D.	Length	Filter	OEM	Unicel®	Pleatco	Aladdin
50	6"	8-1/4"			6CH-940	PWW50P3	14510
50	4-15/16"	13-5/16"			C-4950	PRB50-IN	15002

Hayward®

Sq. Ft.	O.D.	Length	Filter	OEM	Unicel®	Pleatco	Aladdin
12	4-5/8"	11-7/8"	Micro Star-Clear™ (in-line)	CX120RE	C-4312	PA12	11204
20	4-5/8"	11-7/8"	Micro Star-Clear™ C-200 (in-line)	CX200RE	C-4320	PA20-4	12001
25	4-5/8"	11-7/8"	Micro Star-Clear™ C-225 (in-line)	CX225RE	C-4325	PA225-4	12501
40	7"	14-1/8"	Easy-Clear™ C-400	CX410RE	C-7442	PA40-4	14003
4x50	7"	14-1/8"	Super Star-Clear™ 2000	CX470XRE	C-7447	PA50SV-4	15032
55	7"	19-5/8"	Easy-Clear™ C-550	CX550RE	C-7455	PA55	15503
4x56	7"	14-1/8"	Super Star-Clear™ / SwimClear™	CX480XRE	C-7458	PA56SV-4	15601
4x75	7"	19-5/8"	Super Star-Clear™ 3000	CX570XRE	C-7477	PA75SV	17509
4x81	7"	19-5/8"	Super Star-Clear™ / SwimClear™	CX580XRE	C-7483	PA81-4	18101
4x100	7"	25-1/2"	Super Star-Clear™ 4000	CX870XRE	C-7487	PA100N-4	19902
4x106	7"	25-1/2"	Super Star-Clear™ / SwimClear™	CX880XRE	C-7488	PA106-4	20601
4x125	7"	32-7/8"	Super Star-Clear™ 5000	CX1260XRE	C-7495	PA126-4	22506
4x131	7"	32-7/8"	Super Star-Clear™ / SwimClear™	CX1280XRE	C-7494	PA131-4	23101
25	7"	9-13/16"	Star-Clear™ C-250	CX250RE	C-7626	PA25/PA25-4	12509
4x93	7"	19"	Hayward®	CX591XRE	C-7481	N/A	19502
50	7"	19-5/8"	Star-Clear™ C-500	CX500RE	C-7656	PA50-4	15004
4x112	7"	25-1/2"	Super Star-Clear™ C-4500	CX875RE	C-7489	PA112-4	21201
75	7"	29-3/8"	Star-Clear™ C-750	CX750RE	C-7676	PA75/PA75-4	17506
100	7"	29-3/8"	Star-Clear™ C-1000	CX1000RE	C-7698	NS	19936
137	7"	32-13/16"	Super Star-Clear™ C-5500	CX1380XRE	C-7490	PA137-4	23705
40	8-1/2"	10-3/4"	Skim	CX400RE	C-8340	PA40SF	14015
2x75	8-1/2"	17-3/8"	Star-Clear™ II C-1500	CX1500RE	C-8600	PA80-4	17507
75	8-1/2"	17-3/8"	Star-Clear™ II C-800	CX800RE	C-8600	PA80-4	17507
100	8-1/2"	23-3/8"	Star-Clear™ II C-1100	CX1100RE	C-8610	PA100-4	19905
90	8-15/16"	17-3/8"	Star-Clear™ Plus C-900	CX900RE	C-8409	PA90-4	19002
75	8-15/16"	17-3/8"	Star-Clear™ Plus C-751	CX760RE	C-8411	PA76-4	17530
120	8-15/16"	23-3/8"	Star-Clear™ Plus C-1200	CX1200RE	C-8412	PA120-4	22002
175	8-15/16"	28-3/16"	Star-Clear™ Plus C-1750	CX1750RE	C-8417	PA175-4	27501
85	9-1/4"	14-3/16"	ASL™ Full-Flo C-850	CX850RE	C-9485	PA85-4	18503
120	9-1/4"	19-5/8"	ASL™ Full-Flo C-1250	CX1250RE	C-9499	PA125-4	22009
100	8-15/16"	17-3/8"	Xstream® CC-1000	CCX1000RE	C-8311	PXST100	19935
150	8-15/16"	23-5/16"	Xstream® CC-1500	CCX1500RE	C-8316	PXST150	25014
175	8-15/16"	23-5/16"	Xstream® CC-1750	CCX1750RE	C-8317	PXST175	27503
200	8-15/16"	29-3/8"	Xstream® CC-2000	CCX2000RE	C-8319	PXST200	29912
190	8-15/16"	28-3/16"	Star-Clear™ Plus C-1900	CX1900RE	C-8420	PA190	28002
100	10-3/10"	19-1/2"	SwimClear™ C100S	CX100XRE	C-8408	PA100S	19946
150	10-3/10"	23 3/16"	SwimClear™ C150S	CX150XRE	C-8414	PA100S	25026
200	10-3/10"	28-5/16"	SwimClear™ C200S	CX200XRE	C-8420	PA200S	29921

Heartland Spas

Sq. Ft.	O.D.	Length	Filter	OEM	Unicel®	Pleatco	Aladdin
25	4-5/8"	9-3/4"			4CH-24	PGS25P4	12519

Replacement Cartridges

Heldor Spas

Sq. Ft.	O.D.	Length	Filter	OEM	Unicel®	Pleatco	Aladdin
25	4-15/16"	13-5/16"			C-4625	PRB25-IN-4	12502
50	4-15/16"	13-5/16"			C-4950	PRB50-IN	15002
50	10-1/16"	17-1/2"			C-9950	N/S	15037
70	10-1/16"	19-5/8"			C-9970	PVAC70-6	17001
100	10-1/16"	19-5/8"			C-9999	PVAC100-6	19917
150	10-1/16"	19-5/8"			N/A	N/S	25012

Hollibaugh Spas

Sq. Ft.	O.D.	Length	Filter	OEM	Unicel®	Pleatco	Aladdin
10	4-1/4"	4"			C-4310	PWW10	11003
25	7"	9-13/16"			C-7626	PA25-4/PCM25/PPR25	12509
50	7"	19-5/8"			C-7656	PA50/PA50-4	15004
75	7"	29-3/8"			C-7676	PA75/PA75-4	17506

Hot Spot see also Hot Spring Spas

Sq. Ft.	O.D.	Length	Filter	OEM	Unicel®	Pleatco	Aladdin
25	4-15/16"	13-5/16"		33521	C-4326	PRB25-IN-4	12502

Hot Springs Spas

Sq. Ft.	O.D.	Length	Filter	OEM	Unicel®	Pleatco	Aladdin
35	4-5/8"	16"		31382	4CH-35	PTL35P4-4	13504
25	4-15/16"	13-5/16"		33521	C-4326	PRB25-IN-4	12502
30	5-1/8"	10-1/4"		31233	C-5431	PWK30V	13007
30	6"	10-1/2"		31489	C-6430	PWK30-4	13004
33	6"	9"		31250	C-6433	PWK35	13303
45	6-3/8"	11-7/8"		31115	C-6600	PWK40	14505
65	8-1/2"	10-1/2"		31114	C-8465	PWK65	16506

Hydro Pool Indus.

Sq. Ft.	O.D.	Length	Filter	OEM	Unicel®	Pleatco	Aladdin
35	4-15/16"	9-1/4"			C-4335	PRB35-IN	13501
25	4-15/16"	13-5/16"			C-4625	PRB25-IN-4	12502
75	4-15/16"	20-1/8"			C-4975	PRB75	17501

Hydro Spa

Sq. Ft.	O.D.	Length	Filter	OEM	Unicel®	Pleatco	Aladdin
25	4-5/8"	9-3/4"			4CH-24	PGS25P4	12519
35	4-15/16"	9-1/4"			C-4335	PRB35-IN	13501
2x17.5	4-15/16"	4-5/8"			C-4401	PRB17.5SF-JH-PAIR	11802
50	4-15/16"	13-5/16"			C-4950	PRB50-IN	15002

Icon Spas

Sq. Ft.	O.D.	Length	Filter	OEM	Unicel®	Pleatco	Aladdin
25	4-5/8"	9-3/4"			4CH-24	PGS25P4	12519
4	2-3/4"	6"		136629	C-2304	PH3.7-B	10304
10	4-1/4"	4"		146949	C-4310	PWW10	11003
15	4-1/4"	7-1/8"	Weslo Spas Model #207	16219	C-4315	PIC15	NS
25	4-1/4"	12"	Weslo Spas Model #410	176380	C-4329	PIC25	12537
50	4-1/4"	23-3/4"	Image Spa Model #631	179192	C-4351	PIC50N	15050
50	4-1/4"	23-3/4"	Image Spa Model #616	179192	C-4351	PIC50N	15050
50	4-1/4"	23-3/4"	Image Spa Model #615	179192	C-4351	PIC50N	15050

Replacement Cartridges

Icon Spas (cont'd)

Sq. Ft.	O.D.	Length	Filter	OEM	Unicel®	Pleatco	Aladdin
50	4-1/4"	23-3/4"	Image Spa Model #628	179192	C-4351	PIC50N	15050
60	4-1/4"	23-3/4"	Image Spa Model #739	163736	C-4360	PIC60	16014

Imperial Spas

Sq. Ft.	O.D.	Length	Filter	OEM	Unicel®	Pleatco	Aladdin
25	4-5/8"	9-3/4"			4CH-24	PGS25P4	12519

Infinity Spas see Acryx-Maax Spas (Canada)

Intex® Recreation

Sq. Ft.	O.D.	Length	Filter	OEM	Unicel®	Pleatco	Aladdin
5	4-1/4"	8"	Krystal Klear™ Model 108R	58600	C-4607	PC7-120	10502
5	4-1/4"	8"	Krystal Klear™ Model 12	58600	C-4607	PC7-120	10502
5	4-1/4"	8"	Intex® 58631	58600	C-4607	PC7-120	10502
5	4-1/4"	8"	Intex® 58623	58600	C-4607	PC7-120	10502
5	4-1/4"	8"	Krystal Klear™ Model 108R	59900	C-4607	PC7-120	10502
5	4-1/4"	8"	Krystal Klear™ Model 12	59900	C-4607	PC7-120	10502
5	4-1/4"	8"	Intex® 58631	59900	C-4607	PC7-120	10502
5	4-1/4"	8"	Intex® 58623	59900	C-4607	PC7-120	10502
5	4-1/4"	8"	Krystal Klear™ Model 108R	F18	C-4607	PC7-120	10502
5	4-1/4"	8"	Krystal Klear™ Model 12	F18	C-4607	PC7-120	10502
5	4-1/4"	8"	Intex® 58631	F18	C-4607	PC7-120	10502
5	4-1/4"	8"	Intex® 58623	F18	C-4607	PC7-120	10502
5	4-1/4"	8"	Intex® A & C (2 pack)		C-4607	NS	10522
15	5-3/4"	10"	Intex® B (2 pack)		C-5315	NS	11522
15	5-3/4"	10"	Intex® B (single pack)		C-5315	NS	11507
30	5-3/4"	12"	Krystal Klear™ Model 520	58601	C-5330	PIN28	13012
30	5-3/4"	12"	Krystal Klear™ Model 530	58601	C-5330	PIN28	13012
30	5-3/4"	12"	Intex® 58621	58601	C-5330	PIN28	13012
30	5-3/4"	12"	Krystal Klear™ Model 520	59901	C-5330	PIN28	13012
30	5-3/4"	12"	Krystal Klear™ Model 530	59901	C-5330	PIN28	13012
30	5-3/4"	12"	Intex® 58621	59901	C-5330	PIN28	13012
30	5-3/4"	12"	Krystal Klear™ Model 520	5F17	C-5330	PIN28	13012
30	5-3/4"	12"	Krystal Klear™ Model 530	5F17	C-5330	PIN28	13012
30	5-3/4"	12"	Intex® 58621	5F17	C-5330	PIN28	13012

J.E.M. Spas

Sq. Ft.	O.D.	Length	Filter	OEM	Unicel®	Pleatco	Aladdin
25	6"	7"			6CH-26	PTL25W-SV-P4-4	12521
25	4-15/16"	13-5/16"			C-4625	PRB25-IN-4	12502
50	4-15/16"	13-5/16"			C-4950	PRB50-IN	15002
95	4-15/16"	23-5/8"			C-4995	PCAL100	19501

Jacuzzi Brothers

Sq. Ft.	O.D.	Length	Filter	OEM	Unicel®	Pleatco	Aladdin
25	5-11/16"	10-3/8"	SF25 (Skim)	43-2954-01-R	C-5601	PJW23	12512
15	5"	13-5/16"	CFT-15 (in-line)	42-2782-00-R	C-5615	N/S	11503
25	5"	13-5/16"	CFR-25 (in-line)	42-2891-08-R	C-5625	PJ25-IN-4	12507
25	5"	13-5/16"	CFT-25 (in-line)	42-2891-08-R	C-5625	PJ25-IN-4	12507
37	5"	13-5/16"	CFR-37 (in-line)	42-3533-00-R	C-5635	PJ37-IN-4	13702
25	6-7/8"	11-7/8"	CF-25 (Crystal Flow)	23-2377-04-R	C-6625	PJ25-4	12508
40	6-15/16"	19-3/8"	CF-40 (Crystal Flow)	23-2214-01-R	C-6640	PJ40-4	14005
60	6-15/16"	29-3/8"	CF-60 (Crystal Flow)	23-2297-01-R	C-6660	PJ60-4	16004
40	7"	13-7/16"	CE Filter	42-3724-09-R	C-7304	PJB40	14016
60	7"	17-7/16"	CE Filter	42-3725-08-R	C-7306	PJB60	16013
200	9-15/16"	24"	CFR-200	42-3540-01-R	C-9420	PJ200-4	29901
75	9-15/16"	14-1/4"	CFR-75	42-3509-00-R	C-9475	PJ75-4	17514

Replacement Cartridges

Jacuzzi Brothers (cont'd)

Sq. Ft.	O.D.	Length	Filter	OEM	Unicel®	Pleatco	Aladdin
150	9-15/16"	24"	CFR-150	42-3508-01-R	C-9478	PJ150-4	25004
80	10"	14-9/16"	SHER 80 (Sherlok®)	42-3674-09-R	C-9480	PJ80-4	18004
120	10"	20-1/16"	SHER 120 (Sherlok®)	42-3675-08-R	C-9481	PJ120-4	22006
160	10"	24-5/16"	SHER 160 (Sherlok®)	42-3667-07-R	C-9482	PJ160-4	26001
200	10"	29-13/16"	SHER 200 (Sherlok®)	42-3668-08-R	C-9483	PJ200S-4	29903
50	9-15/16"	10"	CFR-50	42-2940-09-R	C-9650	PJ50-4	15015
50	9-15/16"	10"	CFT-50BY	42-2940-09-R	C-9650	PJ50-4	15015
50	9-15/16"	10"	CFR-50BY	42-2940-09-R	C-9650	PJ50-4	15015
50	9-15/16"	10"	CFT 50	42-2940-09-R	C-9650	PJ50-4	15015
100	9-15/16"	19-7/8"	CFT 100	42-2941-08-R	C-9699	PJ100-4	19910
100	9-15/16"	19-7/8"	CFT 100BY	42-2941-08-R	C-9699	PJ100-4	19910
100	9-15/16"	19-7/8"	CFR 100BY	42-2941-08-R	C-9699	PJ100-4	19910
100	9-15/16"	19-7/8"	CFR 100	42-2941-08-R	C-9699	PJ100-4	19910

Jacuzzi Leisure Products (Canada)

Sq. Ft.	O.D.	Length	Filter	OEM	Unicel®	Pleatco	Aladdin
5	4-1/4"	8"	D-8 Skim	1370046	C-4304	PC7-TC	10505
9	4-1/4"	10-7/8"	C-11 Cartridge Filter	1370012	C-4603	PHP11	10901
15	4-1/4"	17-7/8"	C-22 Cartridge Filter	1370031	C-4604	PHP18	11502
100	8-1/2"	15-3/16"	C-22 Cartridge Filter	1370031	C-8310	PRW100	19926
150	8-1/2"	22-11/16"	C-22 Cartridge Filter	1370031	C-8315	PRW150	25009

Jacuzzi® Premium

Sq. Ft.	O.D.	Length	Filter	OEM	Unicel®	Pleatco	Aladdin
52	6-5/8"	15-1/2"		6540-476	6CH-960	PJW60TL-F2S	15203

Jacuzzi Whirlpool Bath

Sq. Ft.	O.D.	Length	Filter	OEM	Unicel®	Pleatco	Aladdin
12	2-7/8"	19-1/2"	Cambio	294500	C-2612	PRB12-4	11203
25	5"	13-5/16"	Caressa (pre-1986), Espree, Espree II	547500	C-5625	PJ25-IN-4	12507
25	5-3/4"	11-7/8"	Avanza, Celeste, Meridian, Sienna, Virage	259000	C-5624	PJW2S	12517
25	5-11/16"	10-3/8"	Aero, Alexa, Arrow Plus, Caressa, Corisica, Dectra, Lazer II, Lexus LC, Lusux Plus, Meridian II, Palio, Palio Plus, Polara, Quantum, Quantum Plus, Razza, Santina, Santina Plus, Solaris, Solaris Plus, Tirage, Tirage Plus	6199000	C-5601	PJW23-4	12512
30	6-7/8"	14-7/8"	Plus Vectra, Vectra II Venterra, 380 Quanta	273000	C-6300	PJW30-4	13008
50	5-11/16"	10-3/8"	Aero, Alexa, Arrow Plus, Caressa, Corisica, Dectra, Lazer II, Lexus LC, Lusux Plus, Meridian II, Palio, Palio Plus, Polara, Quantum, Quantum Plus, Razza, Santina, Santina Plus, Solaris, Solaris Plus, Tirage, Tirage Plus		C-5300	PJW50	15010
			Vectra, Vectra II Venterra, 380				

Jandy®

Sq. Ft.	O.D.	Length	Filter	OEM	Unicel®	Pleatco	Aladdin
50	5-3/4"	11-7/8"	Teledyne Spa Pak		C-5302	N/S	15025
50	7-1/4"	14-5/8"	CT Series Cartridge Filter	R0342101	C-7448	PJAN50	15044
75	7-1/4"	19-5/8"	CT Series Cartridge Filter	R0342102	C-7473	PJAN75	17536
100	7-1/4"	29-1/2"	CT Series Cartridge Filter	R0342103	C-7497	PWC100SV/ PJAN100	19924

Replacement Cartridges

Jandy® (cont'd)

Sq. Ft.	O.D.	Length	Filter	OEM	Unicel®	Pleatco	Aladdin
4x85	7"	27"	CL340	R0554500	C-7459	PJAN85	18504
4x115	7"	27"	CL460	R0554600	C-7468	PJAN115	21501
4x145	7"	33"	CL580	R0357900	C-7482	PJAN145	24501
100	8-15/16"	23-5/16"	CS100	R0462200	C-8410	PJANCS100-4	19939
150	8-15/16"	23-5/16"	CS150	R0462300	C-8414	PWWCT150-4	25014
200	8-15/16"	33-1/8"	CS200	R0462400	C-8418	PJANCS200-4	35002
250	8-15/16"	33-1/8"	CS250	R0462500	C-8425	PJANCS250-4	29913
200	10-3/4"	28"	CJ 200	R0556800	C-9421	N/S	29909
250	10-3/4"	34"	CJ 250	R0556700	C-9422	N/S	35001
100	12-1/16"	8-1/2"	Pro Edge 100	R0342000	C-9490	N/S	19931
200	12-1/16"	17"	Pro Edge 200	R0341900	C-9498	N/S	29907

Jetta Spas

Sq. Ft.	O.D.	Length	Filter	OEM	Unicel®	Pleatco	Aladdin
60	6"	16-1/8"			6CH-60	PTL60W-P4	16005

JA SPAS see also Advance Spa Design

Sq. Ft.	O.D.	Length	Filter	OEM	Unicel®	Pleatco	Aladdin
25	4-5/8"	9-3/4"			4CH-24	PGS25P4	12519
47	6"	9-1/8"			6CH-47	PTL47W-P4	14701
50	6"	13-7/16"			6CH-50	PTL50W-SV-P4-4	15017

Legend Spas

Sq. Ft.	O.D.	Length	Filter	OEM	Unicel®	Pleatco	Aladdin
35	4-15/16"	4-5/8"			C-4401	PRB17.5SF-JH-PAIR	11802
50	4-15/16"	6-5/8"			C-4405	PRB25SF-JH-PAIR	12504

Leisure Bay Mfg. see Rec Warehouse

Leisure Bay Spas

Sq. Ft.	O.D.	Length	Filter	OEM	Unicel®	Pleatco	Aladdin
13	4-5/8"	4-5/8"			4CH-19	PSG13.5P4	11303
45	6"	8-1/4"			6CH-940	PWW50P3	14510
10	4-1/4"	4"			C-4310	PWW10	11003
50	4-15/16"	13-5/16"			C-4950	PRB50-IN	15002
75	4-15/16"	23-5/8"			C-4970	PCAL75	17519
45	5-5/16"	10-1/8"	S2/G2 Spa		C-5345	PLBS50	14513
75	5-5/16"	14-13/16"	S2/G2 Spa		C-5374	PLBS75	17540
100	5-5/16"	17-13/16"	S2/G2 Spa		C-5397	PLBS100	19930

Lifestyle Spas (Canada) see also Acryx-Maax Spas (Canada)

Sq. Ft.	O.D.	Length	Filter	OEM	Unicel®	Pleatco	Aladdin
40	7"	9-3/4"			7CH-40	PCS40P/PVT40P-4	14007
35	4-15/16"	4-5/8"			C-4401	PRB17.5SF-JH-PAIR	11802
50	4-15/16"	6-5/8"			C-4405	PRB25SF-JH-PAIR	12504

Lomart

Sq. Ft.	O.D.	Length	Filter	OEM	Unicel®	Pleatco	Aladdin
16	4-3/4"	18"		60-4316	C-4601	PL18-4	11601
16	4-3/4"	18"		60-4318	C-4601	PL18-4	11601
13	4-3/4"	18"		60-4314	C-4618	PC18-4	11301

Replacement Cartridges

Lowes

Sq. Ft.	O.D.	Length	Filter	OEM	Unicel®	Pleatco	Aladdin
25	4-5/8"	9-3/4"			4CH-24	PGS25P4/PTL20HS-P4	12519

Maax Spas of AZ see Coleman Spas

Majestic Industries see Artesian Spas, J.E.M. Spas

Marathon Spas

Sq. Ft.	O.D.	Length	Filter	OEM	Unicel®	Pleatco	Aladdin
30	4-5/8"	11-7/8"			4CH-30	PTL25P4-4	13005
50	4-15/16"	13-5/16"			C-4950	PRB50-IN	15002

Marquis Corp see Amish Country

Marquis Spas/Pacific Marquis

Sq. Ft.	O.D.	Length	Filter	OEM	Unicel®	Pleatco	Aladdin
35	5-3/16"	12-1/2"		370-0242	5CH-352	PPM35SC-F2M	13507
50	5-3/16"	12-1/2"		370-0237	5CH-502	PPM50SC-F2M	15049
36	5-3/16"	19-5/8"			C-5636	PPM40-4	13601
50	5-3/16"	14-1/8"		37-0217	C-5346	PPM50TC	15042
35	5-3/16"	11-7/8"		37-0215	C-5423	PPM35TC	13401
60	5-3/16"	19-5/8"		37-0216	C-5434	PPM60TC	15801
25	5-3/16"	11-7/8"			C-5626	PPM25-4	12518
40	5-3/16"	19-5/8"			C-5637	PPM40-4	14006

Martec see also Sonfarrel

Sq. Ft.	O.D.	Length	Filter	OEM	Unicel®	Pleatco	Aladdin
30	4-15/16"	14-7/8"		CL-2800	C-4301	PMT27.5	12801
25	4-15/16"	14-7/8"		CL-2200	C-4301	PMT27.5	12801
45	4-15/16"	14-7/8"		CL-2807	C-4305	PMT50	15003
50	4-15/16"	14-7/8"		CL-2810	C-4305	PMT50	15003
32	4-15/16"	11-7/8"		SC-3500	C-4332	PMT25/PMT35	13201
32	4-15/16"	11-7/8"		SC-2200	C-4332	PMT25/PMT35	13201
130	7-1/2"	28-15/16"		244-0130	C-7413	PLB130	23001
65	7-1/2"	14-13/16"		244-065	C-7415	PLB65	16504
65	7-1/2"	14"		244-064	C-7416	PMT 65	16501
100	7-1/2"	21-7/8"		244-0100	C-7419	PMT100	19909

Master Spas

Sq. Ft.	O.D.	Length	Filter	OEM	Unicel®	Pleatco	Aladdin
20	4-5/8"	6-3/4"			4CH-20	PHC25P4	12004
45	6"	12-3/8"			6CH-45	PTL45W-P4-4	14506
60	8"	9-1/4"		X268500	8CH-66	PMA60-F2M	16010
25	4-5/8"	9-3/4"			C-4324	PTS35N	12523

Millenium Spas

Sq. Ft.	O.D.	Length	Filter	OEM	Unicel®	Pleatco	Aladdin
50	6"	8-1/4"			6CH-940	PWW50P3	14510
40	4-15/16"	11-1/4"			C-4339	PWW40	14011
50	4-15/16"	13-5/16"			C-4950	PRB50-IN	15002

Replacement Cartridges

Moonwater Spas

Sq. Ft.	O.D.	Length	Filter	OEM	Unicel®	Pleatco	Aladdin
25	4-15/16"	13-5/16"			C-4326	PRB25-IN-4	12502
50	4-15/16"	13-5/16"			C-4950	PRB50-IN	15002

Moose Mountain Spas (Canada)

Sq. Ft.	O.D.	Length	Filter	OEM	Unicel®	Pleatco	Aladdin
35	4-15/16"	9-1/4"			C-4335	PRB35-IN	13501
50	4-15/16"	6-5/8"			C-4405	PRB25SF-JH-PAIR	12504

Morgan Spas

Sq. Ft.	O.D.	Length	Filter	OEM	Unicel®	Pleatco	Aladdin
37	4-15/16"	13-5/16"			C-4637	PRB37-IN-4	13701
50	4-15/16"	13-5/16"			C-4950	PRB50-IN	15002
37	5"	13-5/16"			C-5635	PJ37-IN-4	13702

Mountain Meadows Spa

Sq. Ft.	O.D.	Length	Filter	OEM	Unicel®	Pleatco	Aladdin
25	4-5/8"	9-3/4"			4CH-24	PGS25P4	12519

Mountain Springs Spa

Sq. Ft.	O.D.	Length	Filter	OEM	Unicel®	Pleatco	Aladdin
25	4-5/8"	9-3/4"			4CH-24	PGS25P4	12519

Muskin

Sq. Ft.	O.D.	Length	Filter	OEM	Unicel®	Pleatco	Aladdin
10	4-5/16"	8"	A2300		C-4600	PMS8TC	10507
6	4-5/16"	8"	195-8712		C-4605	PMS8	10606
6	4-5/16"	8"	A3808		C-4605	PMS8	10606
6	4-5/16"	8"	A3818		C-4605	PMS8	10606
10	6-1/4"	8"	A3810		C-6610	PMS10-4	11001
16	6-1/4"	8"	FE-30		C-6616	PMS16-4	11602
16	6-1/4"	8"	FE-40		C-6616	PMS16-4	11602
16	6-1/4"	8"	A3816		C-6616	PMS16-4	11602
20	6-1/4"	8"	A3821		C-6620	PMS20-4	12002
20	6-1/4"	8"	FD-20		C-6620	PMS20-4	12002
20	6-1/4"	8"	FD-40		C-6620	PMS20-4	12002
20	6-1/4"	8"	FE-20		C-6620	PMS20-4	12002
55	7"	19-5/8"	FE-127	58039	C-7455	PA55	15503
120	9-1/4"	19-5/8"	FE-129	58040	C-9499	PA125/PA125-4	22009

Nemco

Sq. Ft.	O.D.	Length	Filter	OEM	Unicel®	Pleatco	Aladdin
25	4-5/8"	9-3/4"			4CH-24	PGS25P4	12519
50	4-5/8"	14-3/4"			4CH-50	PTL50-4	15016
25	4-5/8"	11-5/8"			C-4403	PCP20-4	12524
30	4-15/16"	10-3/8"			C-4429	DSF25-50	13001
50	5-7/8"	15-5/8"			C-5405	PCP50	15026

Niagara Whirlpool see Haughs

Replacement Cartridges

Nordic Hot Tubs

Sq. Ft.	O.D.	Length	Filter	OEM	Unicel®	Pleatco	Aladdin
28	4-15/16"	14-7/8"			C-4301	PMT27.5	12801
25	4-15/16"	13-5/16"			C-4326	PRB25-IN-4	12502

Northwest Spas

Sq. Ft.	O.D.	Length	Filter	OEM	Unicel®	Pleatco	Aladdin
50	4-15/16"	13-5/16"			C-4950	PRB50-IN	15002

Onyx

Sq. Ft.	O.D.	Length	Filter	OEM	Unicel®	Pleatco	Aladdin
75	6-1/16"	17-3/4"			C-6407	POX75	17521

OpuSpas

Sq. Ft.	O.D.	Length	Filter	OEM	Unicel®	Pleatco	Aladdin
30	4-5/8"	11-7/8"			4CH-30	PTL25P4-4	13005
50	4-5/8"	14-3/4"			4CH-50	PTL50P4-4	15016

Orca Bay Spas

Sq. Ft.	O.D.	Length	Filter	OEM	Unicel®	Pleatco	Aladdin
25	4-15/16"	13-5/16"		2501	C-4326	PRB25-IN-4	12502
35	4-15/16"	9-1/4"		3501	C-4335	PRB35-IN	13501
50	4-15/16"	13-5/16"		5001	C-4950	PRB50-IN	15002

Pac Fab see Pentair Pool Products - Pac Fab Replacements

Pacific Spas By Aber (Canada)

Sq. Ft.	O.D.	Length	Filter	OEM	Unicel®	Pleatco	Aladdin
40	7"	14-3/4"			C-7641	PTL40XWT-4	14014
47	6"	9-1/8"			6CH-47	PTL47W-P4	14701

Pageant Spas

Sq. Ft.	O.D.	Length	Filter	OEM	Unicel®	Pleatco	Aladdin
19	4-5/8"	8"			4CH-21	PA13/PDM25P4/PTL18P4-4	11901
45	4-15/16"	14-7/8"			C-4305	PMT50	15003
45	4-15/16"	17-3/4"			C-4449	PSI45-O-4	14502
50	4-15/16"	13-5/16"			C-4950	PRB50-IN	15002
60	6"	16-1/8"			C-6602	PSI65	16007

PDC Spas

Sq. Ft.	O.D.	Length	Filter	OEM	Unicel®	Pleatco	Aladdin
10	4-1/4"	4"			C-4310	PWW10	11003
25	4-15/16"	13-5/16"			C-4326	PRB25-IN-4	12502
35	4-15/16"	4-5/8"			C-4401	PRB17.5SF-JH-PAIR	11802
25	7"	9-13/16"			C-7626	PA25/PA25-4/PPC25	12509
50	7"	19-5/8"			C-7656	PA50/PA50-4	15004

Pelican Rec

Sq. Ft.	O.D.	Length	Filter	OEM	Unicel®	Pleatco	Aladdin
8	5"	8"			C-5301	N/S	10806

Replacement Cartridges

Pentair Pool Products®

Sq. Ft.	O.D.	Length	Filter	OEM	Unicel®	Pleatco	Aladdin
4	2-7/8"	9-3/4"	Standard & High Sq.Ft. Filters	R173321	C-2604	PH6	10401
6	2-7/8"	9-3/4"	Standard & High Sq.Ft. Filters	R173220	C-2606	NS	10604
8	2-7/8"	19-1/2"	Standard & High Sq.Ft. Filters	R173325	C-2608	NS	10802
12	2-7/8"	19-1/2"	Standard & High Sq.Ft. Filters	R173326	C-2612	PRB12-4	11203
13	2-7/8"	29-1/4"	Standard & High Sq.Ft. Filters	R173327	C-2613	PRB12L-4	11201
18	2-7/8"	29-1/4"	Standard & High Sq.Ft. Filters	R173328	C-2618	PRB18-4	11801
25	4-15/16"	13-5/16"	Dynamic Series II & III RTL/RCF-25	R173428	C-4326	PRB25-IN-4	12502
25	4-15/16"	13-5/16"	Dynamic Series IV - DFM, DFML	R173429	C-4326	PRB25-IN-4	12502
25	4-15/16"	13-5/16"	Dynamic Series I RDC-25	R173429	C-4326	PRB25-IN-4	12502
25	4-15/16"	13-5/16"	Dynamic Series I RDC-25S	R173429	C-4326	PRB25-IN-4	12502
35	4-15/16"	9-1/4"	Dynamic Series IV - DFM, DFML	R173431	C-4335	PRB35-IN	13501
35	4-15/16"	4-5/8"	Dynamic Series IV - Model DSF	R173432	C-4401	PRB17.5SF-JH-PAIR	11802
50	4-15/16"	6-5/8"	Dynamic Series IV - DFML	R173433	C-4405	PRB25SF-JH-PAIR	12504
50	4-15/16"	6-5/8"	Dynamic Series IV - DSF	R173433	C-4405	PRB25SF-JH-PAIR	12504
37	4-15/16"	13-5/16"	Dynamic Series I RDC-25	R173430	C-4637	PRB37-IN-4	13701
37	4-15/16"	13-5/16"	Dynamic Series I RDC-25S	R173430	C-4637	PRB37-IN-4	13701
37	4-15/16"	13-5/16"	Dynamic Series IV - DFM, DFML	R173430	C-4637	PRB37-IN-4	13701
37	4-15/16"	13-5/16"	Dynamic Series II & III RTL/RCF-25	R173430	C-4637	PRB37-IN-4	13701
50	4-15/16"	13-5/16"	Dynamic Series IV - DFM, DFML	R173434	C-4950	PRB50-IN	15002
50	4-15/16"	13-5/16"	Dynamic Series II & III RTL/RCF-25	R173434	C-4950	PRB50-IN	15002
50	4-15/16"	13-5/16"	Dynamic Series I RDC-50	R173434	C-4950	PRB50-IN	15002
50	4-15/16"	13-5/16"	Dynamic Series I RDC-50S	R173434	C-4950	PRB50-IN	15002
75	4-15/16"	20-1/8"	Dynamic Series II & III RTL/RCF-25	R173435	C-4975	PRB75	17501
75	4-15/16"	20-1/8"	Dynamic Series V - DSC-75	R173435	C-4975	PRB75	17501
100	4-15/16"	26-11/16"	Dynamic Series V - DSC-100	R173436	C-4999	PRB100	19901
100	4-15/16"	26-11/16"	Dynamic Series II & III RTL/RCF-100	R173436	C-4999	PRB100	19901
100	7"	9-13/16"	Commander	R173208	C-7499	PCM100SV-4	19903
25	7"	9-13/16"	Commander	R173201	C-7425	PA25/PA25-4/PPC25	12509
35	7"	9-13/16"	Commander	R173209	C-7435	PCM35-4	13503
4x44	7"	11-13/16"	Quantum™ CM	R173212	C-7437	PCM44-4	14401
4x44	7"	11-13/16"	Quantum™ RPM™	R173212	C-7437	PCM44-4	14401
4x44	7"	11-13/16"	Quantum™ Stainless Steel	R173212	C-7437	PCM44-4	14401
3x40	7"	11-1/8"	CFW Filter CF-40/120	R173310	C-7440	PPF40	14002
3x40	7"	11-1/8"	CF-40	R173310	C-7440	PPF40	14002
3x40	7"	11-1/8"	CFM Filter CF-40/120	R173310	C-7440	PPF40	14002
50	7"	19-5/8"	Commander	R173203	C-7450	PCM50-4/PA50-4/PPF50-4	15004
75	7"	19-5/8"	Commander	R173210	C-7453	PCM75SV	17509
2x75	7"	19-5/8"	Commander	R173210	C-7453	PCM75SV	17509
3x60	7"	19-5/8"	CFM Filter CF-60/180	R173312	C-7460	PPF60-4	16002
60	7"	19-5/8"	CF-60	R173312	C-7460	PPF60-4	16002
3x60	7"	19-5/8"	CFW Filter CF-60/180	R173312	C-7460	PPF60-4	16002
6X67.5	7"	16"	CFW Filter CFW-67.5/405	R173314	C-7467	PPF67.5-4	16801
4x60	7"	14-1/8"	Clean & Clear® Plus	R173572	C-7469	PCC60	16011
4x80	7"	20"	Clean & Clear® Plus	R173573	C-7470	PCC80/PWW80	18005
4x105	7"	26-1/16"	Clean & Clear® Plus	R173576	C-7471	PCC105/PWW105	20503
4x125	7"	32-1/16"	Clean & Clear® Plus	R173578	C-7472	PCC130/PWW130	22505
4x87.5	7"	16-1/2"	Quantum™ Stainless Steel	R173218	C-7474	PCM88-4	18801
4x87.5	7"	16-1/2"	Quantum™ RPM™	R173218	C-7474	PCM88-4	18801
4x87.5	7"	16-1/2"	Quantum™ CM	R173218	C-7474	PCM88-4	18801
75	7"	29-3/8"	Commander	R173205	C-7475	PCM75	17506
4x90	7"	20"	Quantum™ RPM™	R173211	C-7476	PCM90	19005
4x90	7"	20"	Clean & Clear® Plus	R173211	C-7476	PCM90	19005
80	7"	19-5/8"	CF-80	R173313	C-7480	PPF80	18002
4x75	7"	18-7/16"	Sea Horse 300 (Stainless Steel)	R173316	C-7491	PFAB75-4	17524
4x75	7"	18-7/16"	Sea Horse FSH- 300 (Fiberglass)	R173316	C-7491	PFAB75-4	17524
4x100	7"	24-3/4"	Sea Horse FSH-400 (Fiberglass)	R173317	C-7492	PFAB100SH-4	19915
4x100	7"	24-3/4"	Sea Horse 400 (Stainless Steel)	R173317	C-7492	PFAB100SH-4	19915
4x125	7"	30-7/16"	Sea Horse FSH-500 (Fiberglass)	R173318	C-7493	PFAB125-4	22503
4x125	7"	30-7/16"	Sea Horse 500 (Stainless Steel)	R173318	C-7493	PFAB125-4	22503
3x105	7"	25-5/8"	CFW Filter CF-105/315	R173315	C-7496	PPF105-4	20501
3x105	7"	25-5/8"	CFM Filter CF-105/315	R173315	C-7496	PPF105-4	20501
4x125	7"	26"	Clean & Clear® Plus	R173577	C-7498	PCM125/PCC125-4	22501
4x125	7"	26"	Quantum™ RPM™	R173219	C-7498	PCM125/PCC125-4	22501

Replacement Cartridges

Pentair Pool Products® (cont'd)

Sq. Ft.	O.D.	Length	Filter	OEM	Unicel®	Pleatco	Aladdin
4x125	7"	26"	Quantum™ CM	R173219	C-7498	PCM125/PCC125-4	22501
100	7"	29-3/8"	Commander	R173208	C-7499	PCM100SV-4	19903
25	7"	9-13/16"	Commander	R173200	C-7625	PA25/PA25-4/PPR25	12509
50	7"	19-5/8"	Commander	R173409	C-7650	PCM50-4/PA50-4/PPF50-4	15004
60	7-7/8"	14"	Mitra 60 GPM MA-60/160	R173298	C-7660	PFAB60-4	16001
60	7-7/8"	14"	Mytilus 60 60 GPM MY 60	R173298	C-7660	PFAB60-4	16001
2x60	7-7/8"	14"	Mytilus-B 140 GPM MY 140	172810	C-7660	PFAB60-4	16001
60	7-7/8"	14"	Mytilus-B 60 GPM MY 60	R173298	C-7660	PFAB60-4	16001
75	7"	29-3/8"	Commander	R173204	C-7675	PCM75	17506
50	7-7/8"	11-1/8"	Mytilus FMY 50	R173297	C-7678	PFAB50	15009
80	7-7/8"	22-1/8"	Mytilus FMY 80	R173299	C-7680	PFAB80	18001
80	7-7/8"	22-1/8"	Mytilus 80 80 GPM MY 80	R173299	C-7680	PFAB80	18001
80	7-7/8"	22-1/8"	Mytilus-B 80 GPM MY 80	R173299	C-7680	PFAB80	18001
80	7-7/8"	22-1/8"	Mitra 80 GPM MA-80	R173299	C-7680	PFAB80	18001
100	7-7/8"	22-1/8"	Mytilus 100 100 GPM MY 100	R173300	C-7699	PFAB100	19904
100	7-7/8"	22-1/8"	Mitra 100 GPM MA-100/160	R173300	C-7699	PFAB100	19904
100	7-7/8"	22-1/8"	Mytilus-B 100 GPM MY 100	R173300	C-7699	PFAB100	19904
100	7-7/8"	22-1/8"	Mytilus FMY 100	R173300	C-7699	PFAB100	19904
75	8-7/8"	19-1/2"	DM-75 Filter	R173579	C-8401	PDM75	17529
90	8-7/8"	19-1/2"	DM-90 Filter	R173580	C-8402	PDM90	19004
120	8-7/8"	19-1/2"	DM-120 Filter	R173581	C-8403	PDM120	22008
180	8-7/8"	39"	DM-180 Filter	R173582	C-8405	N/S	28001
240	8-7/8"	39"	DM-240 Filter	R173583	C-8406	N/S	34001
50	10-1/16"	8-9/16"	Predator™-50	R173213	C-9405	PAP50-4	15036
50	10-1/16"	8-9/16"	Clean & Clear® 50	R173213	C-9405	PAP50-4	15036
75	10-1/16"	16-1/8"	Clean & Clear® 75	R173214	C-9407	PAP75-4	17525
75	10-1/16"	16-1/8"	Predator™-75	R173214	C-9407	PAP75-4	17525
100	10-1/16"	23-5/8"	Predator™-100	R173215	C-9410	PAP100-4	19916
100	10-1/16"	23-5/8"	Clean & Clear® 100	R173215	C-9410	PAP100-4	19916
150	10-1/16"	31-1/8"	Clean & Clear® 150	R173216	C-9415	PAP150-4	25005
150	10-1/16"	31-1/8"	Predator™-150	R173216	C-9415	PAP150-4	25005
200	10-1/16"	31-1/8"	Predator™-200	R173217	C-9419	PAP200-4	29902
200	10-1/16"	31-1/8"	Clean & Clear® 200	R173217	C-9419	PAP200-4	29902

Pentair Pool Products® - American Products® Replacements

Sq. Ft.	O.D.	Length	Filter	OEM	Unicel®	Pleatco	Aladdin
17x8	2-7/8"	9-3/4"	Caribe 133	57011400	C-2308	N/S	10801
23x8	2-7/8"	9-3/4"	Caribe 184	57011400	C-2308	N/S	10801
46x8	2-7/8"	9-3/4"	Caribe 368	57011400	C-2308	N/S	10801
18x6	2-7/8"	9-3/4"	Caribe 52	57000500	C-2606	N/S	10604
18x6	2-7/8"	9-3/4"	Caribe 104	57000500	C-2606	N/S	10604
20	4-5/8"	11-7/8"	Commander II (in-line)		C-4620	N/S	12003
20	4-5/8"	11-7/8"	Commander II (in-line)	57010200	C-4320	PA20/PA20-4	12001
25	4-5/8"	11-7/8"	Commander II (in-line)	57010500	C-4325	PA225-4	12501
25	7"	9-13/16"	Commander	57005700	C-7425	PA25/PA25-4/PPC25	12509
35	7"	9-13/16"	Commander	57014200	C-7435	PCM35-4	13503
4x44	7"	11-13/16"	Quantum™ CM	56627400	C-7437	PCM44-4	14401
4x44	7"	11-13/16"	Quantum™ RPM™	56627400	C-7437	PCM44-4	14401
4x44	7"	11-13/16"	Quantum™ Stainless Steel	56627400	C-7437	PCM44-4	14401
50	7"	19-5/8"	Commander	57005800	C-7450	PCM50	15004
75	7"	19-5/8"	Commander	57014300	C-7453	PCM75SV	17509
2x75	7"	19-5/8"	Commander	57014300	C-7453	PCM75SV	17509
4x60	7"	14-1/8"	Quantum™-240	178569	C-7469	PCC60	16011
4x87.5	7"	16-1/2"	Quantum™ Stainless Steel	56627800	C-7474	PCM88-4	18801
4x87.5	7"	16-1/2"	Quantum™ RPM™	56627800	C-7474	PCM88-4	18801
4x87.5	7"	16-1/2"	Quantum™ CM	56627800	C-7474	PCM88-4	18801
75	7"	29-3/8"	Commander	57007400	C-7475	PCM75	17506
4x90	7"	20"	Quantum™ RPM™	56628300	C-7476	PCM90	19005
4x125	7"	26"	Quantum™ RPM™	56627900	C-7498	PCC125-4/PCM125	22501
4x125	7"	26"	Quantum™ CM	56627900	C-7498	PCC125-4/PCM125	22501

Replacement Cartridges

Pentair Pool Products® - American Products® Replacements (cont'd)

Sq. Ft.	O.D.	Length	Filter	OEM	Unicel®	Pleatco	Aladdin
100	7"	29-3/8"	Commander	57014400	C-7499	PCM100SV-4	19903
50	10-1/16"	8-9/16"	Predator™-50	59054000	C-9405	PAP50-4	15036
75	10-1/16"	16-1/8"	Predator™-75	59054100	C-9407	PAP75-4	17525
100	10-1/16"	23-5/8"	Predator™-100	59054200	C-9410	PAP100-4	19916
150	10-1/16"	31-1/8"	Predator™-150	59054300	C-9415	PAP150-4	25005
200	10-1/16"	31-1/8"	Predator™-200	59054400	C-9419	PAP200-4	29902

Pentair Pool Products® - Pac Fab Replacements

Sq. Ft.	O.D.	Length	Filter	OEM	Unicel®	Pleatco	Aladdin
6	2-7/8"	9-3/4"		174865	C-2606	N/S	10604
6	2-7/8"	9-3/4"		174819	C-2606	N/S	10604
30	5-5/16"	13-9/16"	Mytilus MY-30	174821	C-5623	PFAB30	12301
2x23	5-5/16"	13-9/16"	Mytilus MY-50	174821	C-5623	PFAB30	12301
4x60	7"	14-1/8"	Clean & Clear® Plus	178569	C-7469	PCC60	16011
4x80	7"	20"	Clean & Clear® Plus	178580	C-7470	PCC80	18005
4X105	7"	26-1/16"	Clean & Clear® Plus	178584	C-7471	PCC105/PWW105	20503
4x125	7"	32-1/16"	Clean & Clear® Plus	178585	C-7472	PCC130/PWW130	22505
4x90	7"	20"	Clean & Clear® Plus	566283	C-7476	PCM90	19005
4x75	7"	18-7/16"	Sea Horse FSH-300 (Fiberglass)	172877	C-7491	PFAB75-4	17524
4x100	7"	24-3/4"	Sea Horse FSH-400 (Fiberglass)	172878	C-7492	PFAB100SH-4	19915
4x100	7"	24-3/4"	Sea Horse 400 (Stainless Steel)	172841	C-7492	PFAB100SH-4	19915
4x125	7"	30-7/16"	Sea Horse 500 (Stainless Steel)	172849	C-7493	PFAB125-4	22503
4x125	7"	30-7/16"	Sea Horse FSH-500 (Fiberglass)	172887	C-7493	PFAB125-4	22503
4x125	7"	26"	Clean & Clear® Plus	566279	C-7498	PCM125/PCC125-4	22501
60	7-7/8"	14"	Mitra 60 GPM MA-60/160	174983	C-7660	PFAB60-4	16001
			Mytilus 60 GPM MY 60				
			Mytilus B 60 GPM MA-60/160				
140	7-7/8"	14"	Mytilus B 140 GPM MY 140	172810	C-7660	PFAB60-4	16001
160	7-7/8"	14"	Mitra MA-60/160	174983 and 174985	C-7660	PFAB60-4	16001
50	7-7/8"	11-1/8"	Mytilus FMY 50	174981	C-7678	PFAB50	15009
150	7-7/8"	33-3/8"	Mytilus FMY 50	174980	C-7679	PFAB150	25001
80	7-7/8"	22-1/8"	Mytilus FMY 80	174984	C-7680	PFAB80	18001
80	7-7/8"	22-1/8"	Mytilus 80 GPM MY 80	172811	C-7680	PFAB80	18001
80	7-7/8"	22-1/8"	Mytilus B 80 GPM MA-80	174984	C-7680	PFAB80	18001
80	7-7/8"	22-1/8"	Mitra 80 GPM MA-80	174984	C-7680	PFAB80	18001
100	7-7/8"	22-1/8"	Mytilus 100 GPM MY 100	174985	C-7699	PFAB100	19904
100	7-7/8"	22-1/8"	Mitra 100 GPM MA-100/160	174985	C-7699	PFAB100	19904
100	7-7/8"	22-1/8"	Mytilus FMY 100	174985	C-7699	PFAB100	19904
100	7-7/8"	22-1/8"	Mytilus B 100 GPM MA-100/160	172812	C-7699	PFAB100	19904
50	10-1/16"	8-9/16"	Clean & Clear® 50	590540	C-9405	PAP50-4	15036
75	10-1/16"	16-1/8"	Clean & Clear® 75	590541	C-9407	PAP75-4	17525
100	10-1/16"	23-5/8"	Clean & Clear® 100	590542	C-9410	PAP100-4	19916
125	10-1/16"	23-5/8"	Clean & Clear® 125	178671	C-9412	PAP118-4	22510
150	10-1/16"	31-1/8"	Clean & Clear® 150	590543	C-9415	PAP150-4	25005
175	10-1/16"	31-1/8"	Clean & Clear® 175	R178672	C-9415	PAP150-4	25005
200	10-1/16"	31-1/8"	Clean & Clear® 200	590544	C-9419	PAP200-4	29902

Pentair Pool Products® - Purex Replacements

Sq. Ft.	O.D.	Length	Filter	OEM	Unicel®	Pleatco	Aladdin
33	7"	14"	CF-33/100	P-05237	C-7433	PPF33	13301
40	7"	11-1/8"	CF-40	07-0658	C-7440	PPF40	14002
3x40	7"	11-1/8"	CFM Filter CF-40/120	07-0658	C-7440	PPF40	14002
120	7"	11-1/8"	CFW Filter CF-40/120	07-0658	C-7440	PPF40	14002
180	7"	19-5/8"	CFW Filter CF-60/180	07-0657	C-7460	PPF60-4	16002
60	7"	19-5/8"	CF-60	07-0657	C-7460	PPF60-4	16002
6x67.5	7"	16"	CFW Filter CFW-67.5/405 (Tango)	07-4930	C-7467	PPF67.5-4	16801
3x80	7"	19-5/8"	CFW Filter	07-0656	C-7480	PPF80	18002
80	7"	19-5/8"	CF-80	07-0656	C-7480	PPF80	18002

Replacement Cartridges

Pentair Pool Products® - Purex Replacements (cont'd)

Sq. Ft.	O.D.	Length	Filter	OEM	Unicel®	Pleatco	Aladdin
3x80	7"	19-5/8"	CFM Filter	07-0656	C-7480	PPF80	18002
3x94	7"	19"	CFM Filter	175690	C-7481	N/S	19502
105	7"	25-5/8"	CFW Filter CF-105	07-0231	C-7496	PPF105-4	20501
3x105	7"	25-5/8"	CFW Filter CF-315	07-0231	C-7496	PPF105-4	20501
25	7"	11-1/8"	CF-25	P-05239	C-7610	PPF25	12516
33	7"	14"	CF-33	P-05237	C-7633	PPF33	13301
3x33	7"	14"	CF-100	P-05237	C-7633	PPF33	13301
2x33	7"	14"	CF-66	P-05237	C-7633	PPF33	13301
150	7"	19-5/8"	CF-150	07-0654	C-7651	PPF50/PPF50-4	15013
50	7"	19-5/8"	CF-50	07-0654	C-7651	PPF50/PPF50-4	15013
75	8-7/8"	19-1/2"	DM-75	175689	C-8401	PDM75	17529
90	8-7/8"	19-1/2"	DM-90	175652	C-8402	PDM90	19004
120	8-7/8"	19-1/2"	DM-120	175653	C-8403	PDM120	22008
180	8-7/8"	39"	DM-180	178571	C-8405	N/S	28001
240	8-7/8"	39"	DM-240	178572	C-8406	N/S	34001

Pentair Pool Products® - Rainbow™ Replacements

Sq. Ft.	O.D.	Length	Filter	OEM	Unicel®	Pleatco	Aladdin
15	2-7/8"	17-1/16"	Hi Flow Cartridge	R170051	C-2302	PRB14.5	11501
9	2-7/8"	17-1/16"	Chloro Cartridge	R170052	C-2303	PRB8.5	10804
8	2-7/8"	9-3/4"		172055	C-2308	N/S	10801
4	2-7/8"	9-3/4"	Lifeguard CL-9	172006	C-2604	PH6	10401
6	2-7/8"	9-3/4"	Lifeguard CL-9X	172048	C-2606	N/S	10604
8	2-7/8"	19-1/2"	Lifeguard CL-19	172021	C-2608	N/S	10802
13	2-7/8"	19-1/2"	Lifeguard CL-19X	172047	C-2612	PRB12-4	11203
13	2-7/8"	29-1/4"	Lifeguard CL-29	/R173326 R172010	C-2613	PRB12L-4	11201
18	2-7/8"	29-1/4"	Lifeguard CL-29X	172046	C-2618	PRB18-4	11801
13	2-7/8"	14-11/16"	Lifeguard 12.5	172056	C-2912	PRB12L-4	11202
25	4-15/16"	13-5/16"	Leaf Trap Cartridge	R172653	C-4321	PRB25-IN-TC	12533
25	4-15/16"	13-5/16"	Dynamic Series I - Model RDC	R172327	C-4326	PRB25-IN-4	12502
25	4-15/16"	13-5/16"	Dynamic Series IV - DFM, DFML	R172327	C-4326	PRB25-IN-4	12502
25	4-15/16"	13-5/16"	Dynamic Series II & III RTL/RCF	R172327	C-4326	PRB25-IN-4	12502
35	4-15/16"	9-1/4"	Dynamic Series IV - DFM, DFML	R173431/R172482	C-4335	PRB35-IN	13501
35	4-15/16"	4-5/8"	Dynamic Series IV - Model DSF	R172606	C-4401	PRB17.5SF-JH-PAIR	11802
50	4-15/16"	6-5/8"	Dynamic Series IV - Model DSF	R172464	C-4405	PRB25SF-JH-PAIR	12504
25	4-15/16"	13-5/16"	Dynamic Series II & III RTL/RCF	R172325	C-4625	PRB25-IN-4	12502
25	4-15/16"	13-5/16"	Dynamic Series I - Model RDC	R172325	C-4625	PRB25-IN-4	12502
50	4-15/16"	13-5/16"	Dynamic Series I - Model RDC	R172380	C-4950	PRB 50-IN	15002
50	4-15/16"	13-5/16"	Dynamic Series II & III - RTL/RCF	R172380	C-4950	PRB 50-IN	15002
75	4-15/16"	20-1/8"	Dynamic Series II & III - RTL/RCF	R172632	C-4975	PRB75	17501
75	4-15/16"	20-1/8"	Dynamic Series V-DSC-75	R172632	C-4975	PRB75	17501
100	4-15/16"	26-11/16"	Dynamic Series V - DSC-100	R172633	C-4999	PRB100	19901
100	4-15/16"	26-11/16"	Dynamic Series II & III - RTL/RCF	R172633	C-4999	PRB100	19901
45	5-5/16"	10-1/8"		R173584	C-5345	PLBS50	14513
75	5-5/16"	14-13/16"		R173600	C-5374	PLBS75	17540
100	5-5/16"	17-13/16"		R173601	C-5397	PLBS100	19930
25	4-15/16"	13-5/16"		R173428	C-4625	PRB25-IN-4	12502

Phoenix Spas

Sq. Ft.	O.D.	Length	Filter	OEM	Unicel®	Pleatco	Aladdin
37	4-15/16"	13-5/16"			C-4637	PRB37-IN-4	13701
2x50	6"	8-1/4"			6CH-940	PWW50P3	14510
200	6"	8-1/4"			6CH-941	PWW100-ST-P3	14018
200	6"	8-1/4"			6CH-942	PWW100-ST-P3	14019

Replacement Cartridges

Phoenix Spas (cont'd)

Sq. Ft.	O.D.	Length	Filter	OEM	Unicel®	Pleatco	Aladdin
50	4-15/16"	13-5/16"			C-4950	PRB50-IN	15002

Porta Spa

Sq. Ft.	O.D.	Length	Filter	OEM	Unicel®	Pleatco	Aladdin
5	4-1/4"	8"			C-4607	PC7-120	10502

Premier Springwater

Sq. Ft.	O.D.	Length	Filter	OEM	Unicel®	Pleatco	Aladdin
6	2-3/4"	9-3/4"			T-380R	PH6-PAK7	10607
6	2-7/8"	9-3/4"	Hercules	27-060	C-2606	N/S	10604
16	5-3/16"	9"			C-5616	N/S	11603
22	5-3/16"	11-7/8"	Hercules	27-077	C-5622	PPM25-4	12201
25	5-3/16"	9"	Hercules	27-072	C-5426	PLW25	12527
25	5-3/16"	11-7/8"			C-5427	PPR23-4	12528
4x75	5-3/16"	23-1/4"	Hercules 300	27-056	C-5371	PPR75	17511
3x75	5-3/16"	23-1/4"	Maxi-Sweep	27-056	C-5371	PPR75	17511
75	7"	19-5/8"	Hercules II	27-080	C-7453	PCM75SV	17509
2x75	7"	19-5/8"	Hercules II	27-080	C-7453	PCM75SV	17509
100	7"	29-3/8"	Hercules II	27-084	C-7499	PCM100SV-4	19903
25	7"	9-13/16"	Hercules II	27-078	C-7625	PA25/PA25-4/PPC25	12509
50	7"	19-5/8"	Hercules II	27-079	C-7650	PCM50-4/PA50-4	15004
75	7"	19-5/8"		27-080	C-7453	PCM75SV	17502

Purex see Pentair Pool Products® - Purex Replacements

QCA

Sq. Ft.	O.D.	Length	Filter	OEM	Unicel®	Pleatco	Aladdin
25	4-15/16"	13-5/16"			C-4326	PRB25-IN-4	12502
50	4-15/16"	13-5/16"			C-4950	PRB50-IN	15002
95	4-15/16"	23-5/8"			C-4995	PCAL100	19501

Quantum Spas

Sq. Ft.	O.D.	Length	Filter	OEM	Unicel®	Pleatco	Aladdin
25	4-5/8"	9-3/4"			C-4324	PTS35N	12523

Rainbow™ Plastics see Pentair Pool Products® - Rainbow™ Replacements

Rec Warehouse / Leisure Bay

Sq. Ft.	O.D.	Length	Filter	OEM	Unicel®	Pleatco	Aladdin
13	4-5/8"	4-5/8"		303575	4CH-19	PSG13.5P4	11303
45	6"	8-1/4"		378902	6CH-940	PWW50P3	14510
10	4-1/4"	4"		378900	C-4310	PWW10	11003
25	4-15/16"	13-15/16"		303909	C-4326	PRB25-IN-4	12502
35	4-15/16"	9-1/4"		303557	C-4335	PRB35-IN	13501
35	4-15/16"	13-5/16"		111793	C-4637	PRB37-IN	13701
45	5-5/16"	10-1/8"		R173584	C-5345	PLBS50	14513
75	5-5/16"	14-13/16"		303433	C-5374	PLBS75	17540
100	5-5/16"	17-13/16"		303434	C-5397	PLBS100	19930

Replacement Cartridges

Rec Warehouse / Leisure Bay (cont'd)

Sq. Ft.	O.D.	Length	Filter	OEM	Unicel®	Pleatco	Aladdin
130	7-1/2"	28-15/16"		111776	C-7413	PLB130	23001
150	7-1/2"	28-15/16"		111792	C-7414	PLB150	25003
65	7-1/2"	14-13/16"		111794	C-7415	PLB65	16504
50	7-1/2"	14-13/16"		111790	C-7417	PLB 50	15043
100	7-1/2"	20-13/16"		111791	C-7418	PLB100	19908
100	8-1/2"	15-3/16"		111063	C-8310	PRW100	19926
150	8-1/2"	22-11/16"		111064	C-8315	PRW150	25009
75	9-15/16"	13-5/16"		111831	C-9401	PWW75-4	17531
100	9-15/16"	19-5/16"		111832	C-9402	PWW100-4	19920
150	9-15/16"	25-5/16"		111833	C-9403	PWW150-4	25006

River Valley Spas

Sq. Ft.	O.D.	Length	Filter	OEM	Unicel®	Pleatco	Aladdin
25	4-15/16"	13-5/16"			C-4326	PRB25-IN-4	12502
50	4-15/16"	13-5/16"			C-4950	PRB50-IN	15002

Rogers Spas

Sq. Ft.	O.D.	Length	Filter	OEM	Unicel®	Pleatco	Aladdin
22	5-3/16"	11-7/8"			C-5622	PPM25-4	12201

Romanesque

Sq. Ft.	O.D.	Length	Filter	OEM	Unicel®	Pleatco	Aladdin
25	5-3/16"	11-7/8"			C-5622	PPM25-4	12201
27	5-3/16"	14-3/4"			C-5627	PPM 30	12701

Rubadub Tub

Sq. Ft.	O.D.	Length	Filter	OEM	Unicel®	Pleatco	Aladdin
25	4-15/16"	13-5/16"			C-4326	PRB25-IN-4	12502
50	4-15/16"	13-5/16"			C-4950	PRB50-IN	15002

Safari Spas

Sq. Ft.	O.D.	Length	Filter	OEM	Unicel®	Pleatco	Aladdin
25	4-15/16"	13-5/16"			C-4326	PRB25-IN-4	12502
50	4-15/16"	13-5/16"			C-4950	PRB50-IN	15002
25	5-11/16"	10-3/8"			C-5601	PJW23-4	12512

Santana

Sq. Ft.	O.D.	Length	Filter	OEM	Unicel®	Pleatco	Aladdin
25	4-15/16"	9-13/16"	Closed Top		C-4328	PPI25-4	12506
25	4-15/16"	9-13/16"	Open Top		C-4428	PPI25D-4	12510
45	4-15/16"	14-7/8"			C-4345	PST45	14503
45	4-15/16"	17-3/4"			C-4346	PSI45-4	14504
45	4-15/16"	14-7/8"			C-4347	PMT45	14501
30	4-15/16"	11-7/8"			C-4430	N/S	13002
45	4-15/16"	17-3/4"			C-4449	PSI45-O-4	14502

Replacement Cartridges

Saratoga Spas

Sq. Ft.	O.D.	Length	Filter	OEM	Unicel®	Pleatco	Aladdin
13	4-5/8"	4-5/8"			4CH-19	PSG13.5P4	11303
20	4-5/8"	6-3/4"		20241-238	4CH-20	PSG25P4/PHC25P4	12004
19	4-5/8"	8"		20245-238	4CH-21	PA17/PA13/PTL18P4-4	11901
25	4-5/8"	9-3/4"		20254-238	4CH-24	PGS25P4	12519
30	4-5/8"	11-7/8"		74407-98	4CH-30	PTL25P4-4	13005

Savannah Spas see Acryx-Maax Spas (Canada)

Seahorse Spas

Sq. Ft.	O.D.	Length	Filter	OEM	Unicel®	Pleatco	Aladdin
50	4-15/16"	13-5/16"			C-4950	PRB50-IN	15002

Sears see Muskin

Seascape Spas

Sq. Ft.	O.D.	Length	Filter	OEM	Unicel®	Pleatco	Aladdin
30	4-5/8"	11-7/8"			4CH-30	PTL25P4-4	13005

Seasonmaster

Sq. Ft.	O.D.	Length	Filter	OEM	Unicel®	Pleatco	Aladdin
25	5-7/8"	6"	Model 111 (before 1994)		C-5325	PLW25-4	12525
25	5-7/8"	6"	Model 111 (after 1994)		C-5326	PLW25-4	12534
50	5-7/8"	12-3/4"	Model 112 (before 1994)		C-5350	PLW50-4	15020
75	5-7/8"	19-1/4"	Model 131 (before 1994)		C-5375	PLW75-4	17520

Sequoia Design

Sq. Ft.	O.D.	Length	Filter	OEM	Unicel®	Pleatco	Aladdin
25	4-15/16"	13-5/16"			C-4625	PRB25-IN-4	12502
50	4-15/16"	13-5/16"			C-4950	PRB50-IN	15002

Serenity Spas see Hydro Pool Industries

Seven Seas

Sq. Ft.	O.D.	Length	Filter	OEM	Unicel®	Pleatco	Aladdin
50	5-11/16"	10-3/8"			C-5300	PJW50	15010
25	5-11/16"	10-3/8"			C-5601	PJW23-4	12512
25	5"	13-5/16"			C-5625	PJ25-IN-4	12507

Signature Spas

Sq. Ft.	O.D.	Length	Filter	OEM	Unicel®	Pleatco	Aladdin
25	4-15/16"	13-5/16"			C-4326	PRB25-IN-4	12502
50	4-15/16"	6-5/8"			C-4405	PRB25SF-JH-PAIR	12504
50	4-15/16"	13-5/16"			C-4950	PRB50-IN	15002

Replacement Cartridges

Softsider Spas

Sq. Ft.	O.D.	Length	Filter	OEM	Unicel®	Pleatco	Aladdin
12	4-5/8"	4-5/8"			C-4302	PSS17.5	11206
15	4-5/8"	6-3/4"			C-4303	PSG25	11505
32	7"	8"			C-7432	PCS32	13204
40	7"	9 3/4"			C-7439	PVT40	14013

Softub

Sq. Ft.	O.D.	Length	Filter	OEM	Unicel®	Pleatco	Aladdin
20	4-5/8"	6-3/4"			4CH-20	PHC25P4	12004
25	6"	5-1/2"		90-802	6CH-25	PTL20W-SV-P4-4	12520

Sonfarrel see also Martec

Sq. Ft.	O.D.	Length	Filter	OEM	Unicel®	Pleatco	Aladdin
25	4-15/16"	14-7/8"		220122	C-4301	PMT27.5	12801
30	4-15/16"	14-7/8"		220128	C-4301	PMT27.5	12801
30	4-15/16"	14-7/8"		220132	C-4301	PMT27.5	12801
45	4-15/16"	14-7/8"		220142	C-4305	PMT50	15003
45	4-15/16"	14-7/8"		220145	C-4305	PMT50	15003
50	4-15/16"	14-7/8"		220152	C-4305	PMT50	15003
50	4-15/16"	14-7/8"		220175	C-4305	PMT50	15003
25	4-15/16"	14-9/16"			C-4308	POX25-IN	12532
32	4-15/16"	11-7/8"		220032	C-4332	PMT25/PMT35	13201
32	4-15/16"	11-7/8"		220035	C-4332	PMT25/PMT35	13201
32	4-15/16"	11-7/8"		220042	C-4332	PMT25/PMT35	13201
130	7-1/2"	28-15/16"		2301630	C-7413	PLB130	23001
65	7-1/2"	14-13/16"		2310650	C-7415	PLB65	16504
100	7-1/2"	21-7/8"		2301750	C-7419	PMT100	19909
6	2-3/4"	9-3/4"		250006	T-380	PH6-4	10601

Sonoma Spas

Sq. Ft.	O.D.	Length	Filter	OEM	Unicel®	Pleatco	Aladdin
10	4-1/4"	4"			C-4310	PWW10	11003
25	4-5/8"	11-7/8"			C-4325	PA225-4	12501
50	4-15/16"	13-5/16"			C-4950	PRB50-IN	15002
100	4-15/16"	26-11/16"			C-4999	PRB100	19901
25	5-1/2"	11-7/8"			C-4340	PMT40	14009
40	5-1/2"	17"			C-5404	PDO40-4	14010
25	7"	9-13/16"			C-7626	PA25/PA25-4/PPC25	12509

Spa Crest

Sq. Ft.	O.D.	Length	Filter	OEM	Unicel®	Pleatco	Aladdin
50	4-15/16"	13-5/16"			C-4950	PRB50-IN	15002

Spa Manufacturers Inc.

Sq. Ft.	O.D.	Length	Filter	OEM	Unicel®	Pleatco	Aladdin
25	4-5/8"	9-3/4"			C-4324	PTS35N	12523

Speck Pumps (See Cross-Reference)

Spillway Spas see Florida Whirlpool

Replacement Cartridges

Sta-Rite®

Sq. Ft.	O.D.	Length	Filter	OEM	Unicef®	Pleatco	Aladdin
6	2-3/4"	9-3/4"	Swimquip™ 108	24101-19	T-380	PH6-4	10601
6	2-3/4"	9-3/4"	Swimquip™ 216	24101-19	T-380	PH6-4	10601
6	2-3/4"	9-3/4"	Swimquip™ 72	24101-19	T-380	PH6-4	10601
15	4-1/2"	9-3/4"	TX-15		C-4610	PSR15-4	11504
50	7"	14-1/8"	PRC 50	25200-0150S	C-7447	PA50SV/PA50SV-4	15032
75	7"	19-5/8"	PRC 75	25200-0175S	C-7477	PA75SV/PA75SV-4	17509
25	7"	9-13/16"	Posi-Clean RCB25B	WC108-140S1	C-7625	PA25/PA25-4/PPC25	12509
25	7"	9-13/16"	Posi-Clean RC925	24240-0016	C-7625	PA25/PA25-4/PPC25	12509
25	7"	9-13/16"	Posi-Clean TSC25	WC108-140S1	C-7625	PA25/PA25-4/PPC25	12509
25	7"	9-13/16"	Posi-Clean TSC25B	WC108-140S1	C-7625	PA25/PA25-4/PPC25	12509
50	7"	19-3/8"	Posi-Clean TXC50	WC108-141S1	C-7652	PPC50	15008
50	7"	19-3/8"	Posi-Clean TXC50B	WC108-141S1	C-7652	PPC50	15008
2x50	7"	19-3/8"	Posi-Clean TXC100	WC108-141S1	C-7652	PPC50	15008
50	7"	19-3/8"	Posi-Clean FCP50	24241-0016	C-7652	PPC50	15008
50	7"	19-3/8"	Posi-Clean FCP50B	WC108-141S1	C-7652	PPC50	15008
2x50	7"	19-3/8"	Posi-Clean TXC100	WC108-141S1	C-7652	PPC50	15008
75	7"	29-1/8"	Posi-Clean TSC75	24240-0016 & 24241-0016	C-7677	PPC75	17503
75	7"	29-1/8"	Posi-Clean FCP75	24240-0016 & 24241-0016	C-7677	PPC75	17503
37	8-11/16"	9-3/4"	35TX, 35TXR, 35GPM-TX	WC108-55S2X	SC3-SR35	PSR35-4	13703
52	8-11/16"	13-5/16"	50TX, 50GPM-TX, 50TXR, T-50TX, T-50TXR, PTM50	WC108-56S2X	SC3-SR50	PSR50-4	15201
72	8-11/16"	18-3/16"	70TX, 70GPM-TX, 70TXR, T-70TX T-70TXR, PTM70	WC108-57S2X	SC3-SR70	PSR70-4	17201
100	8-11/16"	25-11/16"	Posi-Flo II PTM 100	WC108-58S2X	UHDSR100	PSR100-4	20201
100	8-11/16"	25-11/16"	Posi-Flo T-100TX	WC108-58S2X	UHDSR100	PSR100-4	20201
100	8-11/16"	25-11/16"	Posi-Flo T-100TXR	WC108-58S2X	UHDSR100	PSR100-4	20201
100	8-11/16"	25-11/16"	Posi-Flo 100GPM-TX	WC108-58S2X	UHDSR100	PSR100-4	20201
100	8-11/16"	25-11/16"	Posi-Flo 100TX	WC108-58S2X	UHDSR100	PSR100-4	20201
100	8-11/16"	25-11/16"	Posi-Flo 100TXR	WC108-58S2X	UHDSR100	PSR100-4	20201
102	8-11/16"	25-11/16"	100TX, 100GPM-TX, 100TXR,		SC3-SR100	PSR100-4	20201
135	8-11/16"	34-1/2"	Posi-Flo T-135TX	WC108-59S2X	UHD-SR135	PSR135-4	23301
135	8-11/16"	34-1/2"	T-135TX (Posi-Flo)		SC3-SR135	PSR135-4	23301
137	8-11/16"	31-1/4"	135TX, 135GPM-TX, 135TXR PTM-135		SC3-SR137	PSR135-4	23701
137	8-11/16"	31-1/4"	Posi-Flo II PTM 135	WC108-70S2X	UHD-SR137	PSR137-4	23701
137	8-11/16"	31-1/4"	Posi-Flo 135GPM-TX	WC108-70S2X	UHD-SR137	PSR137-4	23701
137	8-11/16"	31-1/4"	Posi-Flo 135TX	WC108-70S2X	UHD-SR137	PSR137-4	23701
137	8-11/16"	31-1/4"	Posi-Flo 135TXR	WC108-70S2X	UHD-SR137	PSR137-4	23701
37	8-11/16"	9-3/4"	Posi-Flo 35GPM-TX	WC108-55S2X	UHD-SR35	PSR35-4	13703
37	8-11/16"	9-3/4"	Posi-Flo 35TX	WC108-55S2X	UHD-SR35	PSR35-4	13703
37	8-11/16"	9-3/4"	Posi-Flo 35TXR	WC108-55S2X	UHD-SR35	PSR35-4	13703
50	8-11/16"	13-5/16"	Posi-Flo 50 GPM-TX	WC108-56S2X	UHD-SR50	PSR50-4	15201
50	8-11/16"	13-5/16"	Posi-Flo 50TX	WC108-56S2X	UHD-SR50	PSR50-4	15201
50	8-11/16"	13-5/16"	Posi-Flo 50TXR	WC108-56S2X	UHD-SR50	PSR50-4	15201
50	8-11/16"	13-5/16"	Posi-Flo II PTM50	WC108-56S2X	UHD-SR50	PSR50-4	15201
50	8-11/16"	13-5/16"	Posi-Flo T-50TX	WC108-56S2X	UHD-SR50	PSR50-4	15201
50	8-11/16"	13-5/16"	Posi-Flo T-50TXR	WC108-56S2X	UHD-SR50	PSR50-4	15201
70	8-11/16"	18-3/16"	Posi-Flo T-70TX	WC108-57S2X	UHD-SR70	PSR70-4	17201
70	8-11/16"	18-3/16"	Posi-Flo T-70TXR	WC108-57S2X	UHD-SR70	PSR70-4	17201
70	8-11/16"	18-3/16"	Posi-Flo 88PTM70	WC108-57S2X	UHD-SR70	PSR70-4	17201
70	8-11/16"	18-3/16"	Posi-Flo 70GPM-TX	WC108-57S2X	UHD-SR70	PSR70-4	17201
70	8-11/16"	18-3/16"	Posi-Flo 70TX	WC108-57S2X	UHD-SR70	PSR70-4	17201
70	8-11/16"	18-3/16"	Posi-Flo 70TXR	WC108-57S2X	UHD-SR70	PSR70-4	17201
95	8-15/16"	17-3/8"	Posi-Clear® PXC-95	25230-0095S	C-8409	PA90/PA90-4	19002
75	8-15/16"	17-3/8"	Posi-Clear® PXC-75	25230-0075S	C-8411	PA76/PA76-4	17530
125	8-15/16"	28-3/16"	Posi-Clear® PXC-125	25230-0125S	C-8413	PWWPC125B	22508
150	8-15/16"	28-3/16"	Posi-Clear® PXC-150	25230-0150S	C-8416	PWWPC150B/ PWWPC150B-4	25019
175	8-15/16"	28-3/16"	Posi-Clear™	25230-0175S	C-8417	PA-175-4	27501

Replacement Cartridges

Starlight Spas see US Tooling & Spas

Statewood Spas see Acryx-Maax Spas (Canada)

Streamline Spas

Sq. Ft.	O.D.	Length	Filter	OEM	Unicel®	Pleatco	Aladdin
25	4-15/16"	13-5/16"			C-4326	PRB25-IN-4	12502
50	4-15/16"	13-5/16"			C-4950	PRB50-IN	15002

Sunbelt Spas

Sq. Ft.	O.D.	Length	Filter	OEM	Unicel®	Pleatco	Aladdin
45	6"	8-1/4"			6CH-940	PWW50P3	14510
2x45	6"	8-1/4"			6CH-940	PWW50P3	14510
200	6"	8-1/4"			6CH-941	PWW100ST-P3	14018
100	6"	8-1/4"			6CH-941	PWW100ST-P3	14018
100	6"	8-1/4"			6CH-942	PWW100ST-P3	14019
200	6"	8-1/4"			6CH-942	PWW100ST-P3	14019
50	4-15/16"	13-5/16"			C-4950	PRB50-IN	15002
75	4-15/16"	23-5/8"			C-4970	PCAL75	17519

Suncountry Spas

Sq. Ft.	O.D.	Length	Filter	OEM	Unicel®	Pleatco	Aladdin
50	4-15/16"	13-5/16"			C-4950	PRB50-IN	15002

Sundance Spas

Sq. Ft.	O.D.	Length	Filter	OEM	Unicel®	Pleatco	Aladdin
25	4-5/8"	11-7/8"		6540-484	4CH-30	PTL25P4-4	13005
40	4-5/8"	16"		6540-486	4CH-35	PTL35P4-4	13504
50	4-15/16"	14-7/8"		6540-497	C-4305	PMT50	15003
45	4-15/16"	4-5/8"		6000-134	C-4401	PRB17.5SF-JH-PAIR	11802
40	4-5/8"	16-3/4"		6540-495	C-4440	PSD40-4	14001
50	4-15/16"	13-5/16"		6540-471	C-4950	PRB50-IN	15002
50	6-15/16"	19-5/8"			C-6650	PSD50	15030
75	7-1/2"	17-3/4"		6540-483	C-7370	PSD75	17542
65	7-1/2"	14-3/4"		6540-480	C-7465	PSD65	16502
65	7-1/2"	14-3/4"		6540-481	C-7466	PSD65-2	16503
125	8-1/2"	19"		6540-488	C-8326	PSD125-2000	22507
80	8-1/2"	14"		6540-501	C-8380	PSD85-2002	18007
25	4-15/16"	6-5/8"			C-4405	PRB25SF-JH-PAIR	12504
120	8-1/2"	18-1/4"		6540-482	C-8320	PSD125	22001

Sunrise Spa

Sq. Ft.	O.D.	Length	Filter	OEM	Unicel®	Pleatco	Aladdin
32	7"	8"			7CH-32	PCS32P4	13205
50	4-15/16"	6-5/8"			C-4405	PRB25SF-JH-PAIR	12504
50	4-15/16"	13-5/16"			C-4950	PRB50-IN	15002

Replacement Cartridges

Sunset Spas

Sq. Ft.	O.D.	Length	Filter	OEM	Unicel®	Pleatco	Aladdin
50	4-15/16"	13-5/16"			C-4950	PRB50-IN	15002

Superior Spas

Sq. Ft.	O.D.	Length	Filter	OEM	Unicel®	Pleatco	Aladdin
45	6"	8-1/4"			6CH-940	PWW50P3	14510
40	6"	8-1/4"			6CH-941	PWW100ST-P3	14018
40	6"	8-1/4"			6CH-942	PWW100ST-P3	14019
11	4-1/4"	4"			C-4310	PWW10	11003
40	4-15/16"	11-1/4"			C-4339	PWW40	14011
50	4-15/16"	13-5/16"			C-4950	PRB50-IN	15002

Swimquip™ see Sta-Rite®

SwimRite

Sq. Ft.	O.D.	Length	Filter	OEM	Unicel®	Pleatco	Aladdin
6	2-3/4"	9-3/4"			T-380R	PH6-PAK7	10607

Sylvan

Sq. Ft.	O.D.	Length	Filter	OEM	Unicel®	Pleatco	Aladdin
12	3-1/4"	14-11/16"			C-3612	PS12	11207

Thermo Spas Of Connecticut

Sq. Ft.	O.D.	Length	Filter	OEM	Unicel®	Pleatco	Aladdin
25	6"	7"			6CH-26	PTL25W-SV-P4-4	12521
45	6"	8-1/4"			6CH-940	PWW50P3	14510
35	4-15/16"	4-5/8"			C-4401	PRB17.5SF-JH-PAIR	11802
10	4-1/4"	4"			C-4310	PWW10	11003
25	4-15/16"	13-5/16"			C-4326	PRB25-IN-4	12502
35	4-15/16"	4-5/8"			C-4401	PRB17.5SF-JH-PAIR	11802
50	4-15/16"	6-5/8"			C-4405	PRB25SF-JH-PAIR	12504
28	4-15/16"	14-7/8"			C-4301	PMT27.5	12801

Tiara Spas

Sq. Ft.	O.D.	Length	Filter	OEM	Unicel®	Pleatco	Aladdin
50	4-15/16"	13-5/16"			C-4950	PRB50-IN	15002

Tiger River

Sq. Ft.	O.D.	Length	Filter	OEM	Unicel®	Pleatco	Aladdin
65	8-1/2"	10-1/2"		31114	C-8465	PWK65	16506

US Spas

Sq. Ft.	O.D.	Length	Filter	OEM	Unicel®	Pleatco	Aladdin
25	4-15/16"	13-5/16"			C-4326	PRB25-IN-4	12502
50	4-15/16"	13-5/16"			C-4950	PRB50-IN	15002

Replacement Cartridges

US Tooling & Spa

Sq. Ft.	O.D.	Length	Filter	OEM	Unicel	Pleatco	Aladdin
10	4-1/4"	4"			C-4310	PWW10	11003
50	4-15/16"	6-5/8"			C-4405	PRB25SF-JH-PAIR	12504
50	4-15/16"	13-5/16"			C-4950	PRB50-IN	15002

Vak-Pak

Sq. Ft.	O.D.	Length	Filter	OEM	Unicel	Pleatco	Aladdin
50	10-1/16"	17-1/2"			C-9950	N/S	15037
70	10-1/16"	19-5/8"			C-9970	PVAC70-6	17001
100	10-1/16"	19-5/8"			C-9999	PVAC100-6	19917
150	10-1/16"	19-5/8"			N/S	N/S	25012
200	10-1/16"	26-5/8"			N/S	N/S	29911

Viking Spas

Sq. Ft.	O.D.	Length	Filter	OEM	Unicel	Pleatco	Aladdin
50	6"	8-1/4"			6CH-940	PWW50P3	14510
25	4-15/16"	13-5/16"			C-4326	PRB25-IN-4	12502
32	4-15/16"	11-7/8"			C-4332	PMT25/PMT35	13201

Vita Spas

Sq. Ft.	O.D.	Length	Filter	OEM	Unicel	Pleatco	Aladdin
25	4-5/8"	6-3/4"			4CH-20	PSG25P4/PHC25P4	12004
25	4-5/8"	8"			4CH-21	PA17/PA13/PTL18P4-4	11901
50	6"	8-1/4"			6CH-940	PWW50P3	14510
40	7"	9-3/4"			7CH-40	PCS40P/PVT40P-4	14007
50	7"	14-3/4"			7CH-50	PCS50 (W/PAD)	15021
15	4-5/8"	6-3/4"			C-4303	PSG25	11505
50	4-15/16"	13-5/16"			C-4950	PRB50-IN	15002
40	7"	9-3/4"			C-7439	PVT40	14013
50	7"	14-3/4"			C-7449	PVT50P4	15033
50	7"	19-5/8"			C-7450	PCM50	15004
50	8-1/2"	7-1/4"			C-8350	PVT 50W	15046

Warm Springs Spa

Sq. Ft.	O.D.	Length	Filter	OEM	Unicel	Pleatco	Aladdin
25	4-15/16"	13-5/16"			C-4625	PRB25-IN-4	12502
50	4-15/16"	13-5/16"			C-4950	PRB50-IN	15002

Waterco USA

Sq. Ft.	O.D.	Length	Filter	OEM	Unicel	Pleatco	Aladdin
25	7-1/4"	9-7/8"	Trimline C-25	62040	C-7427	PWC25	12530
50	7-1/4"	14-5/8"	Trimline CC-50	62048	C-7448	PJAN50	15044
50	7-1/4"	19-5/8"	Trimline C-50	62042	C-7457	PWC50	15035
2x50	7-1/4"	19-5/8"	Trimline C-100	62042	C-7457	PWC50	15035
75	7-1/4"	19-5/8"	Trimline CC-75	62049	C-7473	PWC75SV	17536
75	7-1/4"	29-1/2"	Trimline C-75	62044	C-7478	PWC75SV	17522
100	7-1/4"	29-1/2"	Trimline CC-100	62050	C-7497	PWC100SV	19924
100	12-1/6"	8-1/2"	FulFlo	62281	C-9490	N/S	19931

Waterpik see Jandy

Replacement Cartridges

Waterway™ Plastics

Sq. Ft.	O.D.	Length	Filter	OEM	Unicel®	Pleatco	Aladdin
2x50	6"	8-1/4"	Front Access Skim	817-0011	6CH-941	PWW100ST-P3	14018
2x50	6"	8-1/4"	Front Access Skim	817-0012	6CH-942	PWW100ST-P3	14019
200	6"	8-1/4"	Front Access Skim				
100	6"	8-1/4"	Front Access Skim				
100	6"	8-1/4"	Front Access Skim				
200	6"	8-1/4"	Front Access Skim				
10	4-1/4"	4"	Skim	817-0010	C-4310	PWW 10	11003
25	4-15/16"	13-5/16"	Top Load (in-line)	817-2500	C-4326	PRB25-IN-4	12502
25	4-15/16"	13-5/16"	TWM Cartridge Filter Pack	817-2500	C-4326	PRB25-IN-4	12502
35	4-15/16"	9-1/4"	Top Load (in-line)	817-3501	C-4335	PRB35-IN	13501
40	4-15/16"	11-1/4"	Top Load (in-line)	817-0040	C-4339	PWW40	14011
35	4-15/16"	4-5/8"	Skim	817-3510	C-4401	PRB17.5SF-JH-PAIR	11802
50	4-15/16"	6-5/8"	Skim	817-5010	C-4405	PRB25SF-JH-PAIR	12504
50	4-15/16"	13-5/16"	Top Load (in-line)	817-5000	C-4950	PRB50-IN	15002
50	4-15/16"	13-5/16"	TWM Cartridge Filter Pack	817-5000	C-4950	PRB50-IN	15002
75	4-15/16"	23-5/8"	Top Load (in-line)	817-7500	C-4970	PCAL75	17519
95	4-15/16"	23-5/8"	Top Load (in-line)	817-1000	C-4995	PCAL100	19501
45	5-5/16"	10-1/8"	Top Load	817-0014	C-5345	PLBS50	14513
75	5-5/16"	14-13/16"	Top Load	817-0015	C-5374	PLBS75	17540
100	5-5/16"	17-13/16"	Top Load	817-0016	C-5397	PLBS100	19930
75	8-15/16"	17-3/8"	ClearWater™ II 75/ProClean 75	817-0075N/P	C-8411	PA76/PA76-4	17530
100	8-15/16"	17-3/8"	ClearWater™ II 100/ProClean 100	817-0100N/P	C-8409	PA90/PA90-4	19002
125	8-15/16"	23-3/8"	ClearWater™ II 125/ProClean 125	817-0125N	C-8412	PA120/PA120-4	22002
150	8-15/16"	23-5/16"	ClearWater™ II 150/ProClean 150	817-0150N	C-8414	PWWCT150-4	25014
200	8-15/16"	23-5/16"	ClearWater™ II 200	817-0200N	C-8419	PWWCT200/ PWWPC200SV	29916
150	8-15/16"	28-3/16"	ProClean 150	817-0150P	C-8416	PWWPC150B/ PWWPC150B-4	25019
175	8-15/16"	28-3/16"	ProClean 175	817-0175P	C-8417	PA175/PA175-4	27501
200	8-15/16"	28-3/16"	ProClean 200	817-0200P	C-8420	PA190	29910
75	9-15/16"	13-5/16"	ClearWater™	817-0075	C-9401	PWW75-4	17531
100	9-15/16"	19-5/16"	ClearWater™	817-0100	C-9402	PWW100-4	19920
150	9-15/16"	25-5/16"	ClearWater™	817-0150	C-9403	PWW150-4	25006
80	7"	20"	Crystal Water	817-0081	C-7470	PCC80/PWW80	18005
125	7"	32-1/16"	Crystal Water	817-0131	C-7472	PCC130/PWW130	22505

Watkins Mfg. see Hot Springs Spas, Tiger River

Wet Institute

Sq. Ft.	O.D.	Length	Filter	OEM	Unicel	Pleatco	Aladdin
6	2-5/8"	14-11/16"	Modufilter M-66/M-165/M-330	32050202	C-2601	PW15	10608
6	2-7/8"	14-11/16"	Modufilter M-66	32050201	C-2607	PW15W/C	10603
6	2-7/8"	14-11/16"	Modufilter M-165	32050201	C-2607	PW15W/C	10603
6	2-7/8"	14-11/16"	Modufilter M-330	32050201	C-2607	PW15W/C	10603
3x60	7-7/8"	14"	Modufilter M-180	32050203	C-7660	PFAB60-4	16001
3x105	7-7/8"	22-1/8"	Modufilter M-330	32050204	C-7699	PFAB100	19904

White Springs Spas

Sq. Ft.	O.D.	Length	Filter	OEM	Unicel	Pleatco	Aladdin
25	4-5/8"	9-3/4"			4CH-24	PGS25P4	12519

Wind River Spas

Sq. Ft.	O.D.	Length	Filter	OEM	Unicel	Pleatco	Aladdin
50	4-15/16"	13-5/16"			C-4950	PRB50-IN	15002

Replacement Cartridges

2" - 3" Outside Diameter

O.D.	Length	Top/Bottom	Sq. Ft.	Pleats	Identification	Unicel®	Pleatco	Aladdin
2-5/8"	14-11/16"	1-1/16" I.D.	6	41	Modufilter M-66, M165, M330	C-2601	PW15WC	10608
2-5/8"	19-15/16"	1-1/16" I.D.	10	62	Encon Spas	C-2610	PW15WC	11002
2-3/4"	5-1/8"	1 1/16" I.D.	3.5	76	Spa-In-A-Box	C-2305	PSB3.5	10301
2-3/4"	6"	Closed 1-1/16" I.D.	3.7	75	Icon 3.7 Sq. Ft.	C-2304	PH3.7-B	10304
2-3/4"	9-3/4"	1-1/16" I.D.	6	75	Swimquip™ 72, 108, 216	T-380	PH6-4	10601
2-3/4"	9-3/4"	1-1/16" I.D.	6	75	Harmsco OTC/6-4	C-2306	PH6-4	10601
2-3/4"	9-3/4"	1-1/16" I.D.	6	75	Harmsco ST/6/American/Pac Fab Premier/Rainbow™/Swimquip™/SwimRite	T-380R	PH6-PAK7	10607
2-7/8"	9-3/4"	1-1/16" I.D.	4	41	Lifeguard CL-9 Standard & High Sq.Ft. Filters	C-2604	PH6	10401
2-7/8"	9-3/4"	1-1/16" I.D.	6	62	Caribe 52, 104 Hercules Lifeguard CL-9X Standard & High Sq.Ft. Filters (MX Series)	C-2606	N/S	10604
2-7/8"	9-3/4"	1-1/16" I.D.	8	84	Caribe 133, 184, 368	C-2308	N/S	10801
2-7/8"	14-11/16"	1-1/16" I.D.	6	41	Modufilter M-66, M165, M330	C-2607	PW15WC	10603
2-7/8"	14-11/16"	1-1/16" I.D.	13	84	Lifeguard 12.5	C-2912	PW15WC	11202
2-7/8"	17-1/16"	2-1/8" I.D.	9	150	Chloro Cartridge	C-2303	PRB8.5	10804
2-7/8"	17-1/16"	1-1/16" I.D. Spas: Emerald Spas	15	84	Hi Flow Cartridge	C-2302	PRB14.5	11501
2-7/8"	19-1/2"	1-1/16" I.D.	8	41	Lifeguard CL-19 Standard & High Sq.Ft. Filters	C-2608	N/S	10802
2-7/8"	19-1/2"	1-1/16" I.D. Spas: Jacuzzi Whirlpool Bath	12	62	Lifeguard CL-19X	C-2612	PJW12/PRB12-4	11203
2-7/8"	19-1/2"	1-1/16" I.D.	12	62	Standard & High Sq.Ft. Filters (MX Series)	C-2612	PJW12/PRB12-4	11203
2-7/8"	29-1/4"	1-1/16" I.D.	13	41	Lifeguard CL-29 Standard & High Sq.Ft. Filters	C-2613	PRB12L-4	11201
2-7/8"	29-1/4"	1-1/16" I.D.	18	62	Lifeguard CL-29X Standard & High Sq.Ft. Filters (MX Series)	C-2618	PRB18-4	11801

3" - 4" Outside Diameter

O.D.	Length	Top/Bottom	Sq. Ft.	Pleats	Identification	Unicel	Pleatco	Aladdin
3-1/4"	9-3/4"	1-1/16" I.D.	8	64	Alcove 8	C-3608	PS9-4	10805
3-1/4"	14-11/16"	1-1/16" I.D.	12	64	Sylvan	C-3612	PS12	11207

Replacement Cartridges

4" - 5" Outside Diameter

O.D.	Length	Top/Bottom	Sq. Ft. Pleats	Identification	Unicel®	Pleatco	Aladdin
4-1/4"	4"	1-15/16" I.D.	10 216	Skim Filter, Front Access Skimmer	C-4310	PWW10	11003
4-1/4"	7-1/8"	Semi-Circ. Handle 2" I.D.	15 163	Icon Spas	C-4315	PIC15	NS
Spas: Weslo Spa Model #207							
4-1/4"	8"	1-15/16" I.D.	5 51	Coleco F-120	C-4606	N/S	10502
4-1/4"	8"	1-15/16" I.D.	5 51	Coleco DR-7, F-120 Intex 58623, 58631 Krystal Klear Model 12, 108R	C-4607	PC7-120	10502
4-1/4"	8"	Closed 1-15/16" I.D.	5 51	D-8 Skim Filter	C-4304	PC7-TC	10505
4-1/4"	8"	1-3/4" I.D.	5 51	General Foam 5	C-4306	PGF5	10506
4-1/4"	10-7/8"	1-15/16" I.D.	9 65	C-11 Cartridge Filter	C-4603	PHP11	10901
4-1/4"	12"	Semi-Cir. Handle 2" I..D.	25 167	Icon Spas	C-4329	PIC25	12537
Spas: Weslo Spa Model #410							
4-1/4"	17-7/8"	1-15/16" I.D.	15 65	C-22 Cartridge Filter	C-4604	PHP18	11502
4-1/4"	23-3/4"	Semi-Circ. Handle 2-5/16" w/O-ring	50 202	Icon Spas	C-4351	PIC50N	15050
Spas: Image Spa Models #631, 616, 615/Weslo Spa Model #628							
4-1/4"	23-3/4"	Semi-Circ. Handle 2" I.D.	50 190	Icon Spas	C-4360	PIC60	16014
Spas: Image Spa Models #739 and 639							
4-5/16"	8"	Closed 2-3/16" I.D.	10 55	Muskin A2300	C-4600	PMS8TC	10507
4-5/16"	8"	2-3/16" I.D.	6 55	Muskin 8; No Core	C-4602	PMS 8N/C	10606
4-5/16"	8"	2-3/16" I.D.	6 55	Muskin A3808, A3818, 195-8712	C-4605	PMS8	10606
4-1/2"	9-3/4"	1-1/16" I.D.	15 80	Sta-Rite® TX-15	C-4610	PSR15-4	11504
4-5/8"	4-5/8"	Cone Handle 1.9" I.D.	12 177	Softsider Spas	C-4302	PSS17.5	11206
4-5/8"	4-5/8"	Cone Handle 1-1/2 Male Thd.	13 199	4CH - Top Load	4CH-19	PSG13.5P4	11303
Spas: Dolphin Spas/Leisure Bay Spas							
4-5/8"	6-3/4"	Cone Handle 1.9" I.D.	15 150	Softsider Spas/Vita Spas	C-4303	PSG25	11505
4-5/8"	6-3/4"	Cone Handle 1-1/2 Male Thd.	20 204	4CH - Top Load	4CH-20	PHC25P4	12004
Spas: Master Spas/Saratoga Spas/Softub, Vita Spas							
4-5/8"	8"	Cone Handle 1-1/2 Male Thd.	25 158	4CH - Top Load	4CH-21	PA17/PA13/ PTL18P4-4	11901
Spas: Alcove/Pageant Spas/Saratoga Spas/Vita Spas							
4-5/8"	9-3/4"	Cone Handle 1-7/8" I.D. w/Slots	20 138	Aqua Spa	C-4402	PAQ25N	12006

Replacement Cartridges

4" - 5" Outside Diameter (cont'd)

O.D.	Length	Top/Bottom	Sq. Ft.	Pleats	Identification	Unicef®	Pleatco	Aladdin
4-5/8"	9-3/4"	Cone Handle 1-1/2 Male Thd.	25	173	4CH - Top Load	4CH-24	PGS25P4	12519
Spas: Advanced Spa Design/Blue Ridge Spas/CTA Spas/Gatsby Spas/Heartland Spas/Hydro Spa/Icon Spas/Imperial Spas/LA Spas/Lowes/Mountain Mist Spa/Mountain Springs Spa/Mountain Meadows Spa/Mountain Stream Spa/Nemco/White Springs Spas/Mountain Stream Spa								
4-5/8"	9-3/4"	Cone Handle 1.9" I.D.	25	173	Gatsby Spas	C-4324	PTS35N	12523
4-5/8"	11-5/8"	Cone Handle 1-3/8" I.D.	25	143	Nemco 25 Sq. Ft.	C-4403	PCP20-4	12524
4-5/8"	11-7/8"	2-1/16" I.D.	12	66	MicroStar-Clear (in-line)	C-4312	PA12	11204
4-5/8"	11-7/8"	2-1/16" I.D.	20	111	Commander II (in-line) MicroStar-Clear™ C-200 (in-line)	C-4320	PA20/PA20-4	12001
4-5/8"	11-7/8"	2-1/16" I.D.	25	138	Commander II (in-line) MicroStar-Clear™ C-225 (in-line)	C-4325	PA225/PA225-4	12501
Spas: Apollo Spas/Emerald Spas/Sonoma Spas								
4-5/8"	11-7/8"	2-1/16" I.D.	25	142	American Commander II 25 Sq. Ft.	C-4327	PA225/PA225-4	12511
Spas: Apollo Spas								
4-5/8"	11-7/8"	Cone Handle 1-1/2 Male Thd.	30	158	4CH - Top Load Franklin/Statesman/Revere	4CH-30	PTL25P4-4	13005
Spas: Blue Pacific/Charisma Spas/Dimension One Spas/Dolphin Spas/Florida Whirlpool/Freedom Spas/Marathon Spas/Saratoga Spas/Seascape Spas/Sundance Spas								
4-5/8"	11-7/8"	2-1/16" I.D.	20	111	American Commander II (in-line)	C-4620	PA20	12003
4-5/8"	12"	Cone Handle 1-1/2 Male Thd.	25	139	4CH - Top Load	4CH-950	PDO-UF25/ PDO-UF25P2	15038
4-5/8"	14-3/4"	Cone Handle 1-1/2 Male Thd.	50	225	4CH - Top Load	4CH-50	PTL50P4-4	15016
Spas: Advanced Spa Design/Addison Spas/American Classic Spas/Aqua Tech Spas/Dimension One Spas/Nemco								
4-5/8"	15"	Cone Handle SAE Fitting	40	176	4CH - Top Load	4CH-940	PDO-UF40/ PDO-UF40P2	14017
4-5/8"	16"	Cone Handle 1-1/2 Male Thd.	35	145	4CH - Top Load	4CH-35	PTL35P4-4	13504
Spas: Hot Springs Spas/Sundance Spas								
4-5/8"	16-3/4"	Castle 2-1/16" I.D.	40	158	Sundance 40	C-4440	PSD40-4	14001
Spas: Sundance Spas								
4-5/8"	19-5/8"	Cone Handle 1-1/2 Male Thd.	65	217	4CH - Top Load	4CH-65	PTL65-H	16505
Spas: Dimension One Spas								
4-5/8"	23-3/4"	2-1/16" I.D.	50	138	Grecian Spa	C-4350	PDV50	15001
Spas: Discovery Spas								
4-3/4"	8"	1-1/8" I.D. 2-3/8" I.D.	5	51	Coleco CR-8, F-108, F-110	C-4609	PC8	10504
4-3/4"	8"	1-3/4" I.D.	7	71	General Foam Plastics	C-4307	PGF7	10702

Replacement Cartridges

4" - 5" Outside Diameter (cont'd)

O.D.	Length	Top/Bottom	Sq. Ft.	Pleats	Identification	Unicel®	Pleatco	Aladdin
4-3/4"	8"	1-3/4" I.D.	10	101	General Foam Plastics	C-4309	PGF10	11004
4-3/4"	8"	1-1/8" I.D. 2-3/8" I.D.	5	51	Coleco F-110. CR-8, Cyclone Pool	C-4608	PC8	10503
4-3/4"	11"	1-1/8" I.D. 2-3/8" I.D.	8	57	Coleco DR-11, CF-11, F-112, F-350	C-4611	PC11-4	10803
4-3/4"	16"	1-1/8" I.D. 2-3/8" I.D.	12	57	Coleco DR-16, F-750, F-775, F-850, F-875	C-4616	PC16	11205
4-3/4"	18"	1-1/8" I.D. 2-3/8" I.D.	13	69	60-4314, 60-4316, 60-4318	C-4601	PL18-4/PL18P-4	11601
4-3/4"	18"	1-1/8" I.D. 2-3/8" I.D.	13	57	Coleco DR-18, F-225, F-335, F-345	C-4618	PC18-4	11301
4-15/16"	4-5/8"	2-1/8" I.D.	35	158	Dynamic Series IV - Model DSF	C-4401	PRB17.5SF-JH-PAIR	11802
Spas: Apollo Spas/Aqua Tech Spas/Arizona Pacific/Beachcomber/Catalina/Caribbean/Clearwater Spas/Discovery Spas/Dynasty Spas/Esther Williams/Freedom Spas/Hydro Spa/Legend Spas/Lifestyle Spas/Sundance Spas/Thermo Spas								
4-15/16"	6-5/8"	2-1/8" I.D. 1-1/2" Male Thread/MPT I.D.	25	212	Free Flow Spas	4CH-22	PFF25P4	12535
Spas: Lagos/Tempest								
4-15/16"	6-5/8"	Closed 1-1/2" Male Thread/MPT I.D.	25	212	Free Flow Spas	4CH-23	PFF25TC-P4	12536
Spas: Ciaro								
4-15/16"	6-5/8"	2-1/8" I.D.	50	158	Dynamic Series IV - DFML, DSF	C-4405	PRB25SF-JH-PAIR	12504
Spas: Arizona Pacific/Beachcomber/Catalina/Caribbean/Clearwater Spas/Legend Spas/Lifestyle Spas/Moose Mountain Spas/Signature Spas/Sundance Spas/Sunrise Spas/Thermo Spas/US Tooling & Spa.								
4-15/16"	9-1/4"	2-1/8" I.D.	35	219	Rainbow™/Waterway™ Plastics Custom Molded Products	C-4335	PRB35-IN	13501
Spas: Bullfrog Spas, Hydro Pool Indus., Moose Mountain Spas								
4-15/16"	9-13/16"	Closed 2-1/8" I.D.	25	148	Santana 25 Sq. Ft. Closed Top	C-4328	PPI25-4	12506
Spas: Santana								
4-15/16"	9-13/16"	2-1/8" I.D.	25	148	Santana 25 Sq. Ft.	C-4428	PPI25D-4	12510
Spas: Santana								
4-15/16"	10-3/8"	2-1/8" I.D.	30	158	Nemco 30 Sq. Ft.	C-4429	DSF25-50	13001
Spas: Nemco								
4-15/16"	10-3/8"	Closed 2-1/8" I.D.	30	158	Skim Filter 30 Sq. Ft.	C-4431	DSF25-50TC	13006
4-15-16"	11-1/4"	2-1/8" I.D.	40	216	Sonfarrel 25-220022	C-4339	PWW40	14011
4-15/16"	11-5/8"	2-1/8" I.D.	40	197	Dimension One Spa	C-4340	PMT40	14009
4-15/16"	11-7/8"	2-1/8" I.D.	30	145	Santana 30	C-4430	PMT35	13002
Spas: Santana								
4-15/16"	11-7/8"	2-1/8" I.D.	25	154	Mini-Mite	C-4332	PMT25/PMT35	13201
Spas: Emerald Spas/Viking Spas								

Replacement Cartridges

4" - 5" Outside Diameter (cont'd)

O.D.	Length	Top/Bottom	Sq. Ft.	Pleats	Identification	Unicel®	Pleatco	Aladdin
4-15/16"	12-1/4"	2-1/8" I.D.	45	212	Dakota Spas 45	C-4311	PDS45	14511
4-15/16"	13-5/16"	2-1/8" I.D.	25	106	Dynamic Series I - Model RDC Dynamic Series II & III RTL/RCF Dynamic Series IV - DFM, DFML	C-4625	PRB25-IN-4	12502
Spas: Alps Spas/Aries Spas/Blue Pacific/Esther Williams/Haugh's/Heldor Spas/Hydro Pool Indus./J.E.M. Spas/Sequoia Design/Warm Springs Spa/Accent Spas/Acryx-Maax Spas (Canada)/Apollo Spas/Aqua Mystic/Blue Falls Mfg. Ltd./Dakota Spas/ EmeraldSpas,GPM Industries/Hot Springs Spas/Moonwater Spas/PDC Spas/Nordic Hot Tubs/QCA/River Valley Spas/Safari Spas/Signature Spas/Streamline Spas/Thermo Spas/US Spas/Viking Spas								
4-15/16"	13-5/16"	Closed 2-1/8" I.D.	25	106	Leaf Trap Cartridge	C-4321	PRB25-IN-TC	12533
4-15/16"	13-5/16"	2-1/8" I.D.	37	158	Dynamic Series I RDC-25 Dynamic Series II & III RTL/RCF-25 Dynamic Series IV - DFM, DFML Concord, Patriot, Ambassador, Executive	C-4637	PRB37-IN-4	13701
Spas: Acryx-Maax Spas (Canada)/Freedom Spas/Morgan Spas/Phoenix Spas								
4-15/16"	13-5/16"	2-1/8" I.D.	50	212	Dynamic Series I - Model RDC Dynamic Series II & III - RTL/ RCF Dynamic Series IV - DFM, DFML EZ Twist Top Mount Skim	C-4950	PRB50-IN	15002
Spas: Accent Spas/Acryx-Maax Spas (Canada)/Alps Spas/American Spas/Apollo Spas/Aqua Mystic/Aqua Tech Spas/Aquiform Infinity Spas/Arizona Pacific/Baja Spas/Blue Pacific/Blue Falls Mfg. Ltd./Bullfrog Spas/Cal Spas/Charisma Spas/Coast Spas (Canada)/Coleman Spas/Discovery Spas/Dynasty Spas/Freedom Spas/GPM Industries/Haugh's/Hawkeye Spas/Heldor Spas/Hydro Spa/J.E.M. Spas/Leisure Bay Spas/Marathon Spas/Millennium Spas/Moonwater Spas/Morgan Spas/Northwest Spas/Pageant Spas/Phoenix Spas/QCA/River Valley Spas./Safari Spas/Seahorse Spas/Sequoia Design/Signature Spas/Sonoma Spas/Spa Crest/Streamlinw Spas/Sunbelt Spas/Suncountry Spas/Sundance Spas/Sunrise Spa/Sunset Spas/Superior Spas/Tiara Spas/US Spas/US Tooling & Spa/Warm Springs Spa/Wind River Spas								
4-15/16"	14-9/16"	2-1/8" I.D.	25	94	Sonfarrel 25 Sq. Ft.	C-4308	POX25-IN	12532
4-15/16"	14-7/8"	2-1/8" I.D.	30	106	Martec/Sonfarrel 28 Sq. Ft.	C-4301	PMT27.5	12801
Spas: Nordic Hot Tubs/Thermo Spas								
4-15/16"	14-7/8"	2-1/8" I.D.	45	173	Santana 45 Sq. Ft.	C-4347	PMT45	14501
Spas: Santana								
4-15/16"	14-7/8"	Closed 2-1/8" I.D.	45	173	Santana 45 Sq. Ft.; C/Top	C-4345	PST45	14503
Spas: Santana								
4-15/16"	14-7/8"	2-1/8" I.D.	50	193	Martec/Sonfarrel 50 Sq. Ft.	C-4305	PTM50	15003
Spas: Cal Spas/Dolphin Spas/Pageant Spas/Sundance Spas								
4-15/16"	17-3/8"	2-1/8" I.D.	50	155	Advantage Electric 50 Sq. Ft.	C-4349	PAE50	15040
4-15/16"	17-3/4"	2-1/8" I.D.	45	143	Santana 45 Sq. Ft.	C-4449	PSI45-O-4	14502
Spas: Pageant Spas/Santana								

Replacement Cartridges

4" - 5" Outside Diameter (cont'd)

O.D.	Length	Top/Bottom	Sq. Ft.	Pleats	Identification	Unicel®	Pleatco	Aladdin
4-15/16"	17-3/4"	Closed 2-1/8" I.D.	45	143	Santana 45 Sq. Ft.; C/Top	C-4346	PSI45-4	14504
Spas: Fountain Valley Spas/Santana								
4-15/16"	20-1/8"	2-1/8" I.D.	75	210	Dynamic Series II & III - RTL?RCF Dynamic Series v-DSC-75 EZ Twist Top Mount Skim	C-4975	PRB75	17501
Spas: Dakota Spas/Hydro Pool Indus.								
4-15/16"	23-5/8"	2-1/8" I.D.	75	178	Waterway™ 75 Sq. Ft.	C-4970	PCAL75	17519
4-15/16"	23-5/8"	2-1/8" I.D.	100	222	Waterway™ 100 Sq. Ft.	C-4995	PCAL100	19501
Spas: Acryx-Maax Spas (Canada)/Cal Spas/Coast Spas (Canada)/J.E.M. Spas, QCA								
4-15/16"	26-11/16"	2-1/8" I.D.	100	210	Dynamic Series II, III and V - 100	C-4999	PRB100	19901
Spas: Baja Spas/Coast Spas (Canada)/Sonoma Spas								

5" - 6" Outside Diameter

O.D.	Length	Top/Bottom	Sq. Ft.	Pleats	Identification	Unicel®	Pleatco	Aladdin
5"	8"	Closed 2-1/4" I.D.	8	56	Pelican Rec/H2O Recreation	C-5301	N/S	10806
5"	13-5/16"	2-3/8" I.D.	25	103	CFR-25, CFT-25 (in-line) Caressa (pre-1986)/Espree/Espree II	C-5625	PJ25-IN-4	12507
Spas: Emerald Spas/Jacuzzi® Whirlpool Bath/Seven Seas								
5"	13-5/16"	2-3/8" I.D.	15	64	CFT-15 (in-line)	C-5615	N/S	11503
5"	13-5/16"	2-3/8" I.D.	37	158	CFR-37 (in-line)	C-5635	PJ37-IN-4	13702
Spas: Morgan Spas								
5-1/8"	10-1/4"	1-15/16" I.D.	30	157	Watkins 30 Sq. Ft.	C-5431	PWK30V	13007
5-3/16"	9"	1-5/8" I.D.	25	154	Hercules/Premier 27-072	C-5426	PLW25	12527
5-3/16"	9"	1-1/16" I.D. 1-5/8" I.D.	16	100	Premier	C-5616	N/S	11603
5-3/16"	11-7/8"	1-1/16" I.D. 1-5/8" I.D.	25	100	Premier 22 Sq. Ft.	C-5622	PPM25-4	12201
Spas: Rogers Spas/Romanesque								
5-3/16"	11-7/8"	Closed 1-15/16" I.D.	22	106	Advanced Spa 22 Sq. Ft.	C-5621	PTL25	12202
5-3/16"	11-7/8"	1-1/16" I.D. 1-5/8" I.D.	25	115	Marquis Spas 25 Sq. Ft.	C-5626	PPM25-4	12518
Spas: Amish Country/Marquis Spas								
5-3/16"	11-7/8"	Closed 1-5/8" I.D.	35	158	Marquis Spas 35 Sq. Ft.	C-5423	PPM35TC	13401
Spas: Amish Country/Marquis Spas								

Replacement Cartridges

5" - 6" Outside Diameter (cont'd)

O.D.	Length	Top/Bottom	Sq. Ft.	Pleats	Identification	Unicel®	Pleatco	Aladdin
5-3/16"	11-7/8"	1-5/8" I.D.	25	115	Premier	C-5427	PPR23-4	12528
5-3/16"	12-1/2"	Closed 2" Male Thread/MPT I.D.	50	197	Marquis Spas	5CH-502	PPM50SC-F2M	15049
5-3/16"	12-1/2"	Handle 2" MPT	37	151	Marquis Spas	5CH-352	PPM35SC-F2M	13507
5-3/16"	14-1/8"	Closed 1-5/8" I.D.	50	180	Pacific Marquis C/Top	C-5346	PPM50TC	15042
5-3/16"	14-3/4"	1-1/16" I.D. 1-5/8" I.D.	27	100	Marlin/Roman	C-5627	PPM 30	12701
5-3/16"	19-5/8"	1-1/16" I.D. 1-5/8" I.D.	40	109	Pacific Marquis 60 Sq. Ft.	C-5637	PPM40-4	14006
Spas: Amish Country/Marquis Spas								
5-3/16"	19-5/8"	Closed 1-5/8" I.D.	60	158	Pacific Marquis 60 Sq. Ft.; C/Top	C-5434	PPM60TC	15801
Spas: Amish Country/Marquis Spas								
5-3/16"	19-5/8"	1-1/16" I.D. 1-5/8" I.D.	36	100	Marquis Spas	C-5636	PPM40-4	13601
5-3/16"	23-1/4"	1-5/8" I.D.	4x75	172	Hercules 300	C-5371	PPR75	17511
5-5/16"	10-1/8"	2-1/8"	45	230	S2/G2 Spa	C-5345	PLBS50	14513
5-5/16"	13-9/16"	2" I.D.	30	84	Mytilus MY-30	C-5623	PFAB30	12301
5-5/16"	14-13/16"	2-1/8"	65	223	S2/G2 Spa	C-5374	PLBS75	17540
5-5/16"	17-13/16"	2-1/8"	100	223	S2/G2 Spa	C-5397	PLBS100	19930
5-5/16"	17-13/16"	2-1/8"	100	223	Top Load	C-5397	PLBS100	19930
5-1/2"	11-7/8"	1-15/16" I.D. 2-7/8" I.D.	25	133	Ozone Cartridge 25 Sq. Ft.	C-5402	PDO25-4	12526
5-1/2"	17"	1-15/16" I.D. 2-7/8" I.D.	40	133	Ozone Cartridge 40 Sq. Ft.	C-5404	PDO40-4	14010
5-11/16"	10-3/8"	Closed w/String 2-1/8" I.D.	25	100	SF25 (Skim Filter) Aero/Alexa/Arrow Plus/Caressa/ Corisica/Dectra/Lazer II	C-5601	PJW23/PJW23-4	12512
Spas: Apollo Spas/Gatsby Spas/Jacuzzi Whirlpool Bath/Safari Spas/Seven Seas								
5-11/16"	10-3/8"	Closed w/String 2-1/8" I.D.	50	224	Jacuzzi® Whirlpool 50 Sq. Ft. Aero/Alexa/Arrow Plus/Caressa/ Corisica/Dectra/Lazer II	C-5300	PJW50	15010
Spas: Clearwater Spas/Jacuzzi Whirlpool Bath/Seven Seas								
5-3/4"	11-7/8"	2-1/8" I.D.	25	98	Avanza/Celeste/Meridian/ Sienna/Virage	C-5624	PJW25	12517
Spas: Jacuzzi® Whirlpool Bath								
5-3/4"	11-7/8"	2-1/8" I.D.	50	196	Teledyne Spa Pak	C-5302	N/S	15025
5-3/4"	12"	1-7/8"	30	115	Intex® 58621 Krystal Klear™ Model 520, 530	C-5330	PIN28	13012

Replacement Cartridges

5" - 6" Outside Diameter (cont'd)

O.D.	Length	Top/Bottom	Sq. Ft.	Pleats	Identification	Unicel®	Pleatco	Aladdin
5-7/8"	6"	Semi-Circ. Handle Male Slip Fitting with Molded O-Ring	25	171	Seasonmaster Model 111 before 1994	C-5325	PLW25-4	12525
5-7/8"	6"	Semi-Circ. Handle Male Slip Fitting w/MPT	25	171	Seasonmaster Model 111 after 1994	C-5326	PLW25P-4	12534
5-7/8"	12-3/4"	Semi-Circ. Handle Male Slip Fitting with Molded O-Ring	50	161	Seasonmaster Model 112 before 1994	C-5350	PLW50-4	15020
5-7/8"	15-5/8"	Cone Handle 1-3/8" I.D.	50	136	Nemco 50 Sq. Ft.	C-5405	PCP50	15026
5-7/8"	19-1/4"	Closed Male Slip Fitting with Molded O-Ring	75	160	Seasonmaster Model 131 before 1994	C-5375	PLW75-4	17520

6" - 7" Outside Diameter

O.D.	Length	Top/Bottom	Sq. Ft.	Pleats	Identification	Unicel®	Pleatco	Aladdin
6"	5-1/2"	Semi-Circ. Handle 1-1/2 Male Thd.	25	205	6CH - Top Load	6CH-25	PTL20W-SV-P4-4	12520
Spas: Softub								
6"	7"	Semi-Circ. Handle 1-1/2 Male Thd.	25	158	6CH - Top Load	6CH-26	PTL25W-SV-P4-4	12521
Spas: American Spas/Artesian Spas/J.E.M. Spas/Thermo Spas								
6"	8-1/4"	Semi-Circ. Handle SAE Fitting	45	225	6CH - Top Load Front Access Skim Filter	6CH-940	PWW50P3	14510
6"	8-1/4"	Semi-Circ. Handle 1-3/4" Male Slip Fitting	40	225	Stacked Top Load, Waterway	6CH-941	PWW100ST-P3	14018
6"	8-1/4"	1-3/4" I.D. 1-1/2" SAE Thread	40	225	Stacked Top Load, Waterway	6CH-942	PWW100ST-P3	14019
6"	9"	1-15/16" I.D.	33	158	Hot Springs Spas/Watkins Mfg.	C-6433	PWK35	13303
Spas: Hot Springs Spas								
6"	9-1/8"	Semi-Circ. Handle 1-1/2 Male Thd.	47	225	6CH - Top Load	6CH-47	PTL47W-P4	14701
Spas: Advanced Spa Design/Aber Hot Tub/LA Spas/Pacific Spas								
6"	9-3/4"	Semi-Circ. Handle 1-7/8" I.D. w/Slots	25	111	Four Seasons 25 Sq. Ft.	C-6601	PTL25W-P4-4	12529
6"	9-7/8"	Semi-Circ. Handle 1-1/2 Male Thd.	35	156	6CH - Top Load	6CH-35	PTL35W-P4-4	13505
Spas: Advanced Spa Design								
6"	10-1/2"	1-15/16" I.D.	30	124	Watkins 30 Sq. Ft.	C-6430	PWK30-4	13004
Spas: Hot Springs Spas								

Replacement Cartridges

6" - 7" Outside Diameter (cont'd)

O.D.	Length	Top/Bottom	Sq. Ft.	Pleats	Identification	Unicel®	Pleatco	Aladdin
6"	12-3/8"	Semi-Circ. Handle 1-1/2 Male Thd.	45	158	6CH - Top Load Statesman/Lexington/Enterprise/ Aristocrat/Franklin	6CH-45	PTL45W-P4-4	14506
Spas: Freedom Spas/Master Spas								
6"	13-7/16"	Semi-Circ. Handle 1-1/2 Male Thd.	50	158	6CH - Top Load	6CH-50	PTL50W-SV-P4-4	15017
Spas: Advanced Spa Design/Advanced Spa Design/Blue Pacific/Charisma Spas/Esther Williams/LA Spas								
6"	13-7/16"	Cone Handle 1.9" I.D. w/Slots	50	101	Pleatco Skim Filter	C-6450	N/S	15028
6"	14-3/4"	Semi-Circ. Handle 1-7/8" I.D. w/Slots	35	101	Four Seasons 35 Sq. Ft.	C-6603	PTL50W-SH	13506
6"	14-3/4"	Semi-Circ. Handle 1-7/8" I.D.	75	215	Advanced Spa	C-6475	PTL50W-P4	17512
6"	16-1/8"	Semi-Circ. Handle 1-7/8" I.D. w/Slots	60	158	Pageant Spa 60 Sq. Ft.	C-6602	PSI65	16007
6"	16-1/4"	Semi-Circ. Handle 1-1/2 Male Thd.	60	158	6CH - Top Load	6CH-60	PTL60W-P4	16005
Spas: Jetta Spas								
6"	19-5/8"	Semi-Circ. Handle 1-7/8" I.D. w/Slots	50	107	Four Seasons	C-6605	POX50	15029
6"	19-3/4"	Semi-Circ. Handle 1-1/2 Male Thd.	75	158	6CH - Top Load	6CH-75	N/S	17526
6-1/16"	12-1/16"	1-15/16" I.D.	50	165	Onyx 50 Sq. Ft.	C-6405	POX50	15027
6-1/16"	17-3/4"	1-15/16" I.D.	75	167	Onyx	C-6407	POX75	17521
6-1/16"	18"	1-15/16" I.D.	75	167	Aquatemp 75 Sq. Ft.	C-6408	PAQ75	17534
6-1/4"	8"	2-5/8" I.D.	10	73	Muskin A3810, FE-90	C-6610	PMS10-4	11001
6-1/4"	8"	2-5/8" I.D.	16	117	Muskin A3816, FE-30, FE-40, 195-8717	C-6616	PMS16-4	11602
6-1/4"	8"	2-5/8" I.D.	20	146	Muskin A3821, FD-20, FD-40, FE-20	C-6620	PMS20-4	12002
6-3/8"	11-7/8"	3" I.D.	45	207	Watkins 45 Sq. Ft.	C-6600	PWK25-4/PWK40	14505
Spas: Hot Springs Spas								
6-1/2"	17"	3" I.D.	23	62	Coleco DR-17, F-355, F-360, F-455, F-460	C-6617	PC17-4	12302
6-1/2"	22"	3" I.D.	30	62	Coleco DR-22, F-375, F-380 F-475, F-480	C-6622	PC22	13009
6-15/16"	17-5/8"	2-1/16" I.D.	45	110	Fountain Valley	C-6645	PG45	14509

Replacement Cartridges

6" - 7" Outside Diameter (cont'd)

O.D.	Length	Top/Bottom	Sq. Ft.	Pleats	Identification	Unicel®	Pleatco	Aladdin
6-15/16"	19-3/8"	3-1/2" I.D.	40	88	CF-40 (Crystal Flow)	C-6640	PJ40-4	14005
6-15/16"	19-5/8"	2-1/16" I.D.	50	110	Sundance Spas	C-6650	PSD50	15030
6-15/16"	22-3/8"	Closed 2-1/16" I.D.	60	113	Doughboy 60 Sq. Ft.; C/Top	C-6659	PD60-4	16008
6-15/16"	29-3/8"	3-1/2" I.D.	60	88	CF-60 (Crystal Flow)	C-6660	PJ60-4	16004
6-5/8"	15-1/2"	Semi Circ. Handle 2" SAE Thread	52	113	Jacuzzi® Premium	6CH-960	PJW60TL-F2S	15203
6-7/8"	11-7/8"	3-1/2" I.D.	25	89	CF-25 (Crystal Flow)	C-6625	PJ25-4	12508
6-7/8"	13-3/4"	2" I.D.	45	123	Fountain Valley	C-6445	PFV 40	14508
6-7/8"	14-7/8"	3-1/2" I.D.	30	89	Quanta	C-6300	PJW30-4	13008

7" - 8" Outside Diameter

O.D.	Length	Top/Bottom	Sq. Ft.	Pleats	Identification	Unicel®	Pleatco	Aladdin
7"	5"	Knob Handle Cone Adapter	13	113	Hydro-Mite	C-7603	PBH12.5-4	11302
7"	6-1/2"	Knob Handle 1-1/2" I.D.	20	127	Doughboy-SkimLine	C-7401	PD20SL-4	12005
7"	8"	Semi-Circ. Handle 2 Male Thd.	32	175	7CH - Top Load	7CH-322	PCS32-2/PAS35-2/ PAS35-F2M	13202
Spas: Coleman Spas								
7"	8"	Cone Handle 1.9" I.D.	32	175	Softsider Spas	C-7432	PCS32	13204
7"	8"	Semi-Circ. Handle 1-1/2 Male Thd.	32	175	7CH - Top Load	7CH-32	PCS32P4	13205
7"	9-1/8"	Knob Handle 1-1/2" I.D.	40	191	Doughboy Skim-Line	C-7402	PD40SL-4	14004
7"	9-3/4"	Semi-Circ. Handle 1-1/2 Male Thd.	40	178	7CH - Top Load	7CH-40	PVT40P4	14007
7"	9-3/4"	Cone Handle 1.9" I.D.	40	178	Softsider Spas	C-7439	PVT40	14013
7"	9-3/4"	Cone Handle 1.9" I.D.	40	178	Vita Spas	C-7439	PVT40	14013
7"	9-3/4"	Semi-Circ. Handle 2 Male Thd.	40	178	7CH - Top Load	7CH-402	PCS40-F2M	15018
Spas: Coleman Spas								
7"	9-13/16"	3" I.D.	25	111	Star-Clear™ C-250	C-7626	PA25/PA25-4/PPC25	12509
Spas: Hollibaugh Spas/PDC Spas/Sonoma Spas								
7"	9-13/16"	3" I.D.	25	113	Commander	C-7425	PA25/PA25-4/PPC25	12509
7"	9-13/16"	Knob Handle Cone Adapter	25	113	Hydro-Mite	C-7604	PBH25-4	12514

Replacement Cartridges

7" - 8" Outside Diameter (cont'd)

O.D.	Length	Top/Bottom	Sq. Ft.	Pleats	Identification	Unicel®	Pleatco	Aladdin
7"	9-13/16"	3" I.D.	25	113	Commander/Hercules II Posi-Clean RCB25, TSC25	C-7625	PA25/PA25-4/PPC25	12509
7"	9-13/16"	Knob Handle Cone Adapter	35	156	Ultra-Mite	C-7404	PBH UM35	13502
7"	9-13/16"	3" I.D.	35	156	Commander	C-7435	PCM35-4	13503
7"	9-13/16"	Semi-Circ. Handle 2-1/16" I.D.	25	110	Top Load	C-7624	PTL25XW	12531
7"	10-1/2"	Semi-Circ. Handle 1-1/2 Male Thd.	52	216	7CH - Top Load	7CH-552	PTL55XW-F2M	15501
Spas: Dimension One Spas								
7"	10-1/2"	Semi-Circ. Handle 1-1/2 Male Thd.	75	216	7CH - Top Load	7CH-975	PDO75P3	17527
7"	10-3/4"	Semi-Circ. Handle	50	200	Caldera Spas	C-7350	PCD50N	15051
7"	10-3/4"	Semi-Circ. Handle Male Slip w/O-Ring	50	200	Caldera Spas	C-7451	PCD50	15034
7"	11-1/8"	2-15/16" I.D.	25	99	CF-25	C-7610	PPF25	12516
7"	11-1/8"	2-15/16" I.D.	40	155	CFM/CFW Filter CF-40/120	C-7440	PPF40	14002
7"	11-13/16"	3" I.D.	4x43.7	160	Quantum™ CM/RPM™	C-7437	PCM44-4	14401
7"	11-3/4"	Semi-Circ. Handle 3" I.D.	30	110	Skim Filter	C-7630	PTL30XW-4	13010
7"	13-7/16"	3" I.D.	40	119	CE Filter	C-7304	PJB40	14016
7"	14"	2-1/16" I.D.	33	99	Top Load	C-7632	N/S	13304
7"	14"	2-15/16" I.D.	33	99	CF-33, CF-66, CF-100	C-7633	PPF33	13301
7"	14"	2-15/16" I.D.	33	99	Purex CF-33/100	C-7433	PPF33	13301
7"	14-1/8"	3" I.D.	40	120	Easy-Clear™ C-400	C-7442	PA40/PA40-4	14003
7"	14-1/8"	3" I.D.	56	171	SwimClear™ C2025	C-7458	PA56SV/PA56SV-4	15601
7"	14-1/8"	3" I.D.	4x50	155	Super Star-Clear™ 2000	C-7447	PA50SV/PA50SV-4	15032
7"	14-1/8"	3" I.D.	4x60	167	Clean & Clear® Plus/Quantum™ 240	C-7469	PCC60	16011
7"	14-3/4"	Semi-Circ. Handle	75	216	Caldera Spa (New Style)	C-7375	PCD75	17543
7"	14-3/4"	Knob Handle Cone Adapter	50	144	Ultra-Mite	C-7405	PBH UM50	15011
7"	14-3/4"	Semi-Circ. Handle 2 Male Thd.	50	144	7CH - Top Load	7CH-502	PCS50-F2M	15019
Spas: Coleman Spas								
7"	14-3/4"	Semi-Circ. Handle 1-7/8" I.D.	50	143	Skim Filter	C-7400	PTL50XW-OB	15031
7"	14-3/4"	Cone Handle 1.9" I.D.	50	144	Vita Spas	C-7449	PVT50P4	15033

Replacement Cartridges

7" - 8" Outside Diameter (cont'd)

O.D.	Length	Top/Bottom	Sq. Ft.	Pleats	Identification	Unicef®	Pleatco	Aladdin
7"	14-3/4"	Semi-Circ. Handle 2 Male Thd. Spas: Dimension One Spas	75	216	7CH - Top Load	7CH-752	PTL75XW-F2M	17515
7"	14-3/4"	Semi-Circ. Handle Male Slip w/O-Ring	75	216	Caldera Spas	C-7479	PCD75	17523
7"	14-3/4"	Semi-Circ. Handle 3" I.D.	40	115	Skim Filter, Pacific Spas	C-7641	PTL40XWT-4	14014
7"	14-3/4"	Semi-Circ. Handle 1-1/2 Male Thd Spas: Coleman Spas/Vita Spas	50	144	7CH - Top Load	7CH-50	PCS50/PTL50XW/ PVT50P4	15021
7"	16"	2-15/16" I.D.	67.5	177	Purex CF-67.5 Sq. Ft.	C-7467	PPF67.5-4	16801
7"	16-1/2"	3" I.D.	4x87.5	225	Quantum™ CM/RPM™	C-7474	PCM88-4	18801
7"	17-7/16"	3" I.D.	60	137	CE Filter	C-7306	PJB60	16013
7"	17-5/8"	Knob Handle 1-1/2" I.D.	60	144	Doughboy 60 Sq. Ft.	C-7403	PD60SL-4	16003
7"	18-7/16"	2-5/8" I.D.	4x75	171	Sea Horse SH/FSH- 300	C-7491	PFAB75-4	17524
7"	19"	3" I.D.	4x93.5	206	CFM/CFW Filter	C-7481	N/S	19502
7"	19-3/8"	3" I.D.	50	110	Posi-Clean TXC/FCP 50/100	C-7652	PPC50	15008
7"	19-5/8"	3" I.D. Spas: Hollibaugh Spas/PDC Spas/Cal Spas	50	110	Star-Clear™ C-500	C-7656	PA50-4	15004
7"	19-5/8"	3" I.D.	50	110	Commander/Hercules II	C-7650	PCM50	15004
7"	19-5/8"	3" I.D. Spas: Vita Spas	50	110	American Commander 50 Sq. Ft.	C-7450	PCM50	15004
7"	19-5/8"	3" I.D.	4x81	61	SwimClear™ C3025	C-7483	PA81-4	18101
7"	19-5/8"	Knob Handle Cone Adapter	50	110	Hydro-Mite	C-7605	PBH50	15012
7"	19-5/8"	2-15/16" I.D.	50	110	CF-50, CF-150	C-7651	PPF50-4	15013
7"	19-5/8"	3" I.D.	55	118	Easy-Clear™ C-550	C-7455	PA55	15503
7"	19-5/8"	2-15/16" I.D.	60	129	CFM/CFW Filter CF-60/180	C-7460	PPF60-4	16002
7"	19-5/8"	3" I.D.	75	161	Commander/Hercules II	C-7453	PCM75SV	17509
7"	19-5/8"	3" I.D.	4x75	161	Super Star-Clear™ 3000	C-7477	PA75SV-4/PCM75SV-4/ PPF60/PPF80	17509
7"	19-5/8"	Knob Handle Cone Adapter	75	162	Ultra-Mite	C-7406	PBH-UM75	17508
7"	19-5/8"	2-15/16" I.D.	80	172	CFM/CFW 80	C-7480	PPF80	18002
7"	39-3/8"	Knob Handle Cone Adapter	150	162	Ultra-Mite	C-7408	PBH-UM150	25002

Replacement Cartridges

7" - 8" Outside Diameter (cont'd)

O.D.	Length	Top/Bottom	Sq. Ft.	Pleats	Identification	Unicel®	Pleatco	Aladdin
7"	2x19-5/8"	Knob Handle Cone Adapter	100	110	Hydro-Mite	C-7607	PBH100	19907
7"	20"	3" I.D.	4x80	170	Clean & Clear Plus/ Waterway™ Crystal Water 817-0081	C-7470	PCC80/PWW80	18005
7"	20"	3" I.D. 1-15/16" I.D.	4x90	190	Clean & Clear® Plus/ Quantum™ RPM™	C-7476	PCM90	19005
7"	24-3/4"	2-5/8" I.D.	4x100	171	Sea Horse SH/FSH-400	C-7492	PFAB100SH-4	19915
7"	25-1/2"	3" I.D.	4x100	164	Super Star-Clear™ 4000	C-7487	PA100N/PA100N-4	19902
7"	25-1/2"	3" I.D.	106	176	SwimClear™ C4025	C-7488	PA106/PA106-4	20601
7"	25-1/2"	3" I.D.	4x112	185	Super Star-Clear™ 4500	C-7489	PA112/PA112-4/	21201
7"	25-5/8"	2-15/16" I.D.	3x105	172	CFM/CFW Filter CF-105/315	C-7496	PPF105-4	20501
7"	26"	3" I.D.	4x125	202	Clean & Clear® Plus, Quantum™ CM/RPM™	C-7498	PCC125-4	22501
7"	26-1/16"	3" I.D.	4x105	168	Clean & Clear Plus/ Waterway™ Crystal Water 817-0106	C-7471	PCC105/PWW105	20503
7"	26-1/4"	Knob Handle 1-1/2" I.D.	90	144	Doughboy 90 Sq. Ft.	C-7409	PD90SL-4	19001
7"	27"	3" / Open I.D. 3" / Open I.D.	4x85	128	Jandy® CL340	C-7459	PJAN85	18504
7"	27"	3" / Open I.D. 3" / Open I.D.	4x115	174	Jandy® CL460	C-7468	PJAN115	21501
7"	29-1/8"	3" I.D.	75	110	Swimquip™ 75 Sq. Ft.	C-7677	PPC75	17503
7"	29-3/8"	3" I.D.	75	110	Commander	C-7675	PCM75-4	17504
7"	29-3/8"	3" I.D.	75	110	Commander	C-7475	PCM75	17505
7"	29-3/8"	3" I.D. Spas: Hollibaugh Spas	75	110	Star-Clear® C-750, C-1000	C-7676	PA75/PA75-4	17506
7"	29-3/8"	Knob Handle Cone Adapter	75	108	Hydro-Mite	C-7606	PBH75	17510
7"	29-3/8"	3" I.D.	100	142	Commander/Hercules II	C-7499	PCM100SV/ PCM100SV-4	19903
7"	29-3/8"	Knob Handle Cone Adapter	100	143	Ultra-Mite	C-7407	PBH-UM100	19906
7"	30-7/16"	2-5/8" I.D.	4x100	171	Sea Horse SH/FSH-500	C-7493	PFAB125-4	22503
7"	32-1/16"	3" I.D.	4x125	190	Clean & Clear Plus/ Waterway™ Crystal Water 817-0131	C-7472	PCC130/PWW130	22505
7"	32-3/4"	3" I.D.	137		Hayward® CX1380RE	C-7490	PA137-4	23705
7"	32-7/8"	3" I.D.	525	169	SwimClear™ C5025	C-7494	PA131/PA131-4	23101
7"	32-7/8"	3" I.D.	4x125	159	Super Star-Clear® 5000	C-7495	PA126/PA126-4	22506
7"	33	3"/Open 3"/Open	4x145	184	Jandy® CL580	C-7482	PJAN145	24501
7-1/8"	10-1/2"	Closed/w/ Y stand-offs 2" w/Twist Lock	75	215	Dimension One Spas	C-7367	PDO75-2000	17541

Replacement Cartridges

7" - 8" Outside Diameter (cont'd)

O.D.	Length	Top/Bottom	Sq. Ft.	Pleats	Identification	Unicel®	Pleatco	Aladdin
7-1/4"	9-7/8"	3-1/16" I.D.	25	103	Trimline C-25	C-7427	PWC25	12530
7-1/4"	14-9/16"	Step 2-15/16" I.D.	75	189	Advantage Electric 75 Sq. Ft.	C-7301	PAE75	17535
7-1/4"	14-5/8"	Step 3-1/16" I.D.	50	136	CT Series Cartridge Filter	C-7448	PJAN50	15044
7-1/4"	14-3/4"	Step 2-15/16" I.D.	65	175	Aquatemp 65 Sq. Ft.	C-7619	N/S	16508
7-1/4"	19-5/8"	3-1/16" I.D.	50	101	Trimline C-50, C-100	C-7457	PWC50	15035
7-1/4"	19-5/8"	Step 3-1/6" I.D.	75	154	CT Series Cartridge Filter Trimline CC-75	C-7473	PJAN75/PWC75SV	17536
7-1/4"	21-5/8"	Step 3-1/6" I.D.	100	169	Advantage Electric 100 Sq. Ft.	C-7302	POX100	19923
7-1/4"	21-13/16"	Step 2-15/16" I.D.	75	135	Aquatemp 75 Sq. Ft.	C-7620	N/S	17537
7-1/4"	28-13/16"	Step 2-15/16" I.D.	150	189	Advantage Electric 150 Sq. Ft.	C-7303	PAE150	25008
7-1/4"	29-1/2"	3-1/16" I.D.	75	101	Trimline C-75	C-7478	PWC75	17522
7-1/4"	29-1/2"	Step 3-1/16" I.D.	100	134	CT Series Cartridge Filter Trimline CC-100	C-7497	PWC100SV/PJAN100	19924
7-1/2"	14"	2-15/16" I.D.	65	174	Martec 65 Sq. Ft.	C-7416	PMT 65	16501
7-1/2"	14-3/4"	Castle 2-1/16" I.D.	65	164	Sundance 65 Sq. Ft.	C-7465	PSD65	16502
Spas: Sundance Spas								
7-1/2"	14-3/4"	Castle 2-5/8" I.D.	65	164	Sundance 65 Sq. Ft. 2 5/8" I.D.	C-7466	PSD65-2	16503
Spas: Sundance Spas								
7-1/2"	14-13/16"	2-15/16" I.D.	50	126	Leisure Bay 50 Sq. Ft.	C-7417	PLB50	15043
7-1/2"	14-13/16"	2-15/16" I.D.	65	163	Leisure Bay 65 Sq. Ft.	C-7415	PLB65/PMT65	16504
7-1/2"	17-3/4"	Castle 2-1/2" w/Beveled Edge	75	154	Sundance Spas	C-7370	PSD75	17542
7-1/2"	20-13/16"	2-15/16" I.D.	100	177	Leisure Bay 100 Sq. Ft.	C-7418	PLB100	19908
7-1/2"	21-7/8"	2-15/16" I.D.	100	168	Martec 100 Sq. Ft.	C-7419	PMT100	19909
7-1/2"	28-15/16"	2-15/16" I.D.	130	165	Leisure Bay 130 Sq. Ft.	C-7413	PLB130	23001
7-1/2"	28-15/16"	2-15/16" I.D.	150	189	Leisure Bay 150 Sq. Ft.	C-7414	PLB150	25003
7-7/8"	11-1/8"	3-1/16" I.D.	50	154	Mytilus FMY 50	C-7678	PFAB50	15009
7-7/8"	13-3/16"	Semi-Circ. Handle 3-1/16" I.D.	80	157	Fox Wal-Pak	C-7463	PFW60/PFW80	16009

Replacement Cartridges

7" - 8" Outside Diameter (cont'd)

O.D.	Length	Top/Bottom	Sq. Ft. Pleats		Identification	Unicel®	Pleatco	Aladdin
7-7/8"	14"	3-1/16" I.D.	60	146	Mytilus/Mytilus-B 60/140, Mitra 60/160	C-7660	PFAB60/ PFAB60-4	16001
7-7/8"	22-1/8"	3-1/16" I.D.	80	122	Mytilus/Mytilus-B 80, Mitra 80	C-7680	PFAB80	18001
7-7/8"	22-1/8"	3-1/16" I.D.	100	142	Mytilus/Mytilus-B 100, Mitra 100/160	C-7699	PFAB100-4	19904
7-7/8"	22-1/8"	3-1/16" I.D.	100	142	Mitra 100 GPM MA-100/160	C-7699	PFAB100-4	19904
7-7/8"	33-3/8"	3-1/16" I.D.	150	148	Mytilus FMY 50	C-7679	PFAB150	25001

8" - 9" Outside Diameter

O.D.	Length	Top/Bottom	Sq. Ft. Pleats		Identification	Unicel®	Pleatco	Aladdin
8"	6"	Handle 2" SAE	50	250	Bull Frog Sap 50 Sq. Ft.	8CH-950	PBF50-F2S	15052
8"	9"	2-1/16" I.D. 2 Male Slip Spas: Coleman Spas	50	193	Coleman 50 Sq. Ft.	C-8450	PCS50N	15014
8"	9-1/4"	Semi-Circ. Handle 2 Male Thd.	60	225	8CH - Top Load	8CH-66	PMA60-F2M	16010
8-1/2"	10-1/2"	3" I.D. Spas: Hot Springs Spas, Tiger River	65	234	Watkins 65 Sq. Ft.	C-8465	PWK65	16506
8-1/2"	10-3/4"	Knob Handle 4-1/16 ID w/Gasket	40	140	Skim Filter	C-8340	PA40SF	14015
8"	11-5/8"	Semi-Circ. Handle 2 Male Thd. Spas: Discovery Spas	60	177	8CH - Top Load	8CH-60	PIF60-F2M	16006
8"	13"	2-1/16" I.D. 2 Male Slip Spas: Coleman Spas	75	197	Coleman 75 Sq. Ft.	C-8475	PCS75N	17513
8-1/2"	7-1/4"	1.9" I.D. 2-3/8 w/Slot	50	230	Vita Spas	C-8350	PVT50W	15046
8-1/2"	14"	Closed w/ 2" SAE thread 2-1/2" w/Beveled Edge Spas: MicroClean	80	174	Sundance Spas	C-8380	PSD85-2002	18007
8-1/2"	15-3/16"	2-3/16" I.D. 3-1/8" I.D.	100	186	C-22 Cartridge Filter	C-8310	PRW100	19926
8-1/2"	17-3/8"	4-1/16 ID w/Gasket	75	154	Star-Clear™ II C-800, C-1500	C-8600	PA80/PA80-4	17507
8-1/2"	18-1/4"	Castle 2-1/2" w/Beveled Edge	120	200	Sundance Spas	C-8320	PSD125	22001
8-1/2"	18-1/4"	4-1/16" I.D.	75	160	Aladdin Scamp Portable Filter System(before 2006)	N/S		17516
8-1/2"	18-1/4"	4-1/16" I.D.	100	215	Aladdin Scamp Portable Filter System(before 2006)	N/S		19912
8-1/2"	19"	1-1/2" Male Slip Ftg 2-1/2" w/Beveled Edge	125	199	Sundance Spas	C-8326	PSD125-2000	22507

Replacement Cartridges

8" - 9" Outside Diameter (cont'd)

O.D.	Length	Top/Bottom	Sq. Ft.	Pleats	Identification	Unicef®	Pleatco	Aladdin
8-1/2"	22-11/16"	2-3/16" I.D. 3-1/8" I.D.	150	189	C-22 Cartridge Filter	C-8315	PRW15	25009
8-1/2"	23-3/8"	4-1/16 ID w/Gasket	100	154	Star-Clear™ II C-1100	C-8610	PA100/ PA100-4	19905
8-11/16"	9-3/4"	4-3/16" I.D.	37	110	Posi-Flo 35GPM-TX, 35TX, 35TXR	UHD-SR35	PSR35-4	13703
8-11/16"	9-3/4"	4-3/16" I.D.	37	195	Sta-Rite® 35TX, 35TXR, 35GPM-TX	SC3-SR35	N/S	13703
8-11/16"	13-5/16"	4-3/16" I.D.	50	110	Posi-Flo 50 TX/TXR/GPM-TX	UHD-SR50	PSR50-4	15201
8-11/16"	13-5/16"	4-3/16" I.D.	50	110	Posi-Flo II PTM50	UHD-SR50	PSR50-4	15201
8-11/16"	13-5/16"	4-3/16" I.D.	50	195	Sta-Rite® 50TX, 50GPM-TX, 50TXR T-50TX, T-50TXR, PTM50	SC3-SR50	N/S	15201
8-11/16"	18-3/16"	4-3/16" I.D.	70	195	Posi-Flo 70 TX/TXR, 88PTM70	UHD-SR70	PSR70-4	17201
8-11/16"	18-3/16"	4-3/16" I.D.	70	195	Sta-Rite® 70TX, 70GPM-TX, 70TXR T-70TX, T-70TXR, PTM70	SC3-SR70	N/S	17201
8-11/16"	25-11/16"	4-1/8" I.D.	100	195	Posi-Flo 100 TX/TXR Posi-Flo II PTM 100	UHD-SR100	PSR100-4	20201
8-11/16"	25-11/16"	4-1/8" I.D.	100	195	Sta-Rite® 100TX, 100GPM-TX 100TXR, T-100TX, T-100TXR, PTM100	SC3-SR100	N/S	20201
8-11/16"	31-1/4"	4-3/16" I.D.	137	216	Sta-Rite® 135TX, 135GPM-TX 135TXR, PTM-135	SC3-SR137	N/S	23701
8-11/16"	31-1/4"	4-3/16" I.D.	137	126	Posi-Flo 135 TX/TXR Posi-Flo II PTM 135	UHD-SR137	PSR137-4	23701
8-11/16"	34-1/2"	4-3/16" I.D.	135	110	Posi-Flo T-135TX	UHD-SR135	PSR135-4	23301
8-11/16"	34-1/2"	4-3/16" I.D.	135	195	Sta-Rite® T-135TX (Posi-Flo)	SC3-SR135	N/S	23301
8-7/8"	10"	3-3/4" I.D.	50	167	Astral 50 Sq Ft	C-8449	PAST50	15039
8-7/8"	11-13/16"	2-15/16" I.D.	50	196	Astral Z-Tech 50	N/S	N/S	15055
8-7/8"	11-13/16"	2-15/16" I.D.	75	193	Astral Z-Tech 75	N/S	N/S	17545
8-7/8"	14-3/4"	3-3/4" I.D.	75	159	Astral 75 Sq Ft	C-8474	PAST75	17532
8-7/8"	19-1/2"	3-3/4" I.D.	100	170	Astral 100 Sq Ft	C-8499	PAST100	19921
8-7/8"	19-1/2"	4" I.D.	75	117	DM-75	C-8401	PDM75	17529
8-7/8"	19-1/2"	4" I.D.	90	140	DM-90	C-8402	PDM90	19004
8-7/8"	19-1/2"	4" I.D.	120	186	DM-120	C-8403	PDM120	22008
8-7/8"	19-3/4"	2-15/16" I.D.	100	163	Astral Z-Tech 100	N/S	N/S	19940

Replacement Cartridges

8" - 9" Outside Diameter (cont'd)

O.D.	Length	Top/Bottom	Sq. Ft.	Pleats	Identification	Unicef®	Pleatco	Aladdin
8-7/8"	19-3/4"	2-15/16" I.D.	150	244	Astral Z-Tech 150	N/S	N/S	25017
8-7/8"	24"	2-15/16" I.D.	150	207	Astral 150 Sq Ft	C-8415	PAST150	25007
8-7/8"	17-16/25"	2-15/16" I.D.	155	250	Astral Z-Tech 155/310	N/S	N/S	25502
8-7/8"	27-9/16"	2-15/16" I.D.	150	170	Astral Z-Tech 150	N/S	N/S	25024
8-7/8"	27-9/16"	2-15/16" I.D.	200	232	Astral Z-Tech 200	N/S	N/S	29914
8-7/8"	27-9/16"	2-15/16" I.D.	250	250	Astral Z-Tech 250	N/S	N/S	35003
8-7/8"	39"	4" I.D.	180	139	DM-180 Filter	C-8405	N/S	28001
8-7/8"	39"	4" I.D.	240	186	DM-240 Filter	C-8406	N/S	34001
8-15/16"	17-3/8"	4" I.D.	75	145	Posi-Clear® PXC-75 Star-Clear™ Plus C-751	C-8411	PA76/PA76-4	17530
8-15/16"	17-3/8"	4" I.D.	75	145	ClearWater™ II 75, Pro Clean 75	C-8411	PA76/PA76-4	17530
8-15/16"	17-3/8"	4" I.D.	90	175	Posi-Clear® PXC-95 Star-Clear™ Plus C-900	C-8409	PA90/PA90-4	19002
8-15/16"	17-3/8"	4" I.D.	90	174	ClearWater™ II 100/Pro Clean 100	C-8409	PA90/PA90-4	19002
8-15/16"	17-3/8"	4" I.D.	100	194	XStream® CCX1000RE	C-8311	PXST100	19935
8-15/16"	23-5/16"	4" I.D.	100	173	Jandy® CS100	C-8410	PJANCS100-4	19939
8-15/16"	23-3/8"	4" I.D.	120	172	Star-Clear™ Plus C-1200	C-8412	PA120/PA120-4	22002
8-15/16"	23-3/8"	4" I.D.	125	172	ClearWater™ II 125/Pro Clean 125	C-8412	PA120/PA120-4	22002
8-15/16"	23-5/16"	4" I.D.	150	215	ClearWater™ II 150/Pro Clean 150	C-8414	PWWCT150/ PWWPC150-4	25014
8-15/16"	23-5/16"	4" I.D.	150	215	Jandy® CS150	C-8414	PWWCT150/ PWWPC150-4	25014
8-15/16"	23-5/16"	4" I.D.	150	215	XStream® CC1500	C-8316	PXST150	25014
8-15/16"	23-5/16"	4" I.D.	175	251	XStream® CC1750	C-8317	PXST175	27503
8-15/16"	23-5/16"	4" I.D.	200	285	Waterway ClearWater™ II 200	C-8419	PXST200/PWWCT200	29916
8-15/16"	28-3/16"	4" I.D.	150	177	Posi-Clear® PXC-150 Pro Clean 150	C-8416	PWWPC150B-4	25019
8-15/16"	28-3/16"	4" I.D.	125	148	Sta-Rite® PXC-125	C-8413	PWWPC125B	22508
8-15/16"	28-3/16"	4" I.D.	175	202	Pro Clean 175 Star-Clear™ Plus C-1750	C-8417	PA175/PA175-4	27501
8-15/16"	28-3/16"	4" I.D.	200	236	Pro Clean 200	C-8420	PWWPC200-4	29910
8-15/16"	28-3/16"	4" I.D.	190	236	Star-Clear™ Plus C-1900	C-8420	PA190	28002
8-15/16"	29 3/8"	4" I.D.	200	225	XStream® CC2000	C-8319	PXST200	29912
8-15/16"	33-1/8"	4" I.D.	200	200	Jandy® CS200	C-8418	PJANCS200-4	35002
8-15/16"	33-1/8"	4" I.D.	250	250	Jandy® CS250	C-8425	PJANCS250-4	29913

Replacement Cartridges

9" - 10" Outside Diameter

O.D.	Length	Top/Bottom	Sq. Ft.	Pleats	Identification	Unicel	Pleatco	Aladdin
9"	11-7/16"	Step 2-15/16" I.D.	75	212	Aquatemp 75 Sq. Ft.	C-9601	N/S	17538
9"	15"	Step 2-15/16" I.D.	100	226	Aquatemp 100 Sq. Ft.	C-9602	N/S	19927
9"	22-5/8"	2-15/16" I.D.	150	226	Aquatemp 150 Sq. Ft.	C-9603	N/S	25010
9-1/4"	14-3/16"	3" I.D.	85	145	ASL™ Full-Flo C-850	C-9485	PA85-4	18503
9-1/4"	19-5/8"	3" I.D.	120	156	ASL™ Full-Flo C-1250	C-9499	PA125/PA125-4	22009
9-15/16"	10"	5-13/16" I.D. 6-1/16" I.D.	50	196	CFR-50/50BY, CFT-50/50BY	C-9650	PJ50-4	15015
9-15/16"	13-5/16"	5-13/16" I.D. 6-1/16" I.D.	75	212	Clearwater™	C-9401	PWW75-4	17531
9-15/16"	14-1/4"	5-13/16" I.D. 6-1/16" I.D.	75	193	CFR-75	C-9475	PJ75-4	17514
9-15/16"	19-5/16"	5-13/16" I.D. 6-1/16" I.D.	100	192	Clearwater™	C-9402	PWW100-4	19920
9-15/16"	19-7/8"	5-13/16" I.D. 6-1/16" I.D.	100	196	CFR/CFT 100	C-9699	PJ100-4	19910
9-15/16"	24"	5-13/16" I.D. 6-1/16" I.D.	150	227	CFR-150	C-9478	PJ150-4	25004
9-15/16"	24"	5-13/16" I.D. 6-1/16" I.D.	200	303	CFR-200	C-9420	PJ200-4	29901
9-15/16"	25-5/16"	5-13/16" I.D. 6-1/16" I.D.	150	218	Clearwater™	C-9403	PWW 150-4	25006

10" - 11" Outside Diameter

O.D.	Length	Top/Bottom	Sq. Ft.	Pleats	Identification	Unicel	Pleatco	Aladdin
10"	14-9/16"	HANDLE 6" I.D.	80	200	SHER 80 (Sherlok®)	C-9480	PJ80-4	18004
10"	20-1/16"	HANDLE 6" I.D.	120	218	SHER 120 (Sherlok®)	C-9481	PJ120-4	22006
10"	24-5/16"	HANDLE 6" I.D.	160	240	SHER 160 (Sherlok®)	C-9482	PJ160-4	26001
10"	29-13/16"	HANDLE 6" I.D.	200	244	SHER 200 (Sherlok®)	C-9483	PJ200S-4	29903
10-1/16"	8-9/16"	6" I.D.	50	217	Clean & Clear® 50, Predator™ 50	C-9405	PAP50-4	15036
10-1/16"	16-1/8"	6" I.D.	75	171	Clean & Clear® 75, Predator™ 75	C-9407	PAP75-4	17525
10-1/16"	17-1/2"	3/8" Vent 6" I.D.	50	106	Airwick/Heldor/Vak-Pak/Dyna-Pure	C-9950	N/S	15037

Replacement Cartridges

10" - 11" Outside Diameter (cont'd)

O.D.	Length	Top/Bottom	Sq. Ft. Pleats		Identification	Unicel®	Pleatco	Aladdin
10-1/16"	19-5/8"	3/8" Vent 6" I.D.	70	133	Airwick/Heldor/Vak-Pak/Dyna-Pure	C-9970	PVAC70-6	17001
10-1/16"	19-5/8"	3/8" Vent 6" I.D.	100	190	Airwick/Heldor/Vak-Pak/Dyna-Pure	C-9999	PVAC100-6	19917
10-1/16"	19-5/8"	3/8" Vent 6" I.D.	150	285	Airwick/Heldor/Vak-Pak/Dyna-Pure	N/S	N/S	25012
10-1/16"	23-5/8"	6" I.D.	100	155	Clean & Clear® 100, Predator™ 100	C-9410	PAP100-4	19916
10-1/16"	23-5/8"	6" I.D.	125	194	Clean & Clear® 125	C-9412	PAP118-4	22510
10-1/16"	26-3/4"	6" I.D.	200	300	Vak Pak	N/S	N/S	29911
10-1/16"	31-1/8"	6" I.D.	150	175	Clean & Clear® 150/Predator™ 150	C-9415	PAP150-4	25005
10-1/16"	31-1/8"	6" I.D.	200	234	Clean & Clear® 200/Predator™ 200	C-9419	PAP200-4	29902
10-3/10"	19-1/2"	4" I.D.	100	131	SwimClear™	C-8408	PA100S	19946
10-3/10"	23-3/16"	4" I.D.	150	165	SwimClear™	C-8414	PA150S	25026
10-3/10"	28-5/16"	4" I.D.	200	180	SwimClear™	C-8420	PA200S	29921
10-3/4"	28"	5-15/16" I.D.	200	254	Jandy® CJ200	C-9421	N/S	29909
10-3/4"	34"	5-15/16" I.D.	250	260	Jandy® CJ250	C-9422	N/S	35001

12" - 13" Outside Diameter

O.D.	Length	Top/Bottom	Sq. Ft. Pleats		Identification	Unicel	Pleatco	Aladdin
12-1/16"	8-1/2"	3-1/16"	100	313	Pro Edge Cartridge Filter	C-9490	N/S	19931
12-1/16"	17"	3-1/16"	200	308	Pro Edge Cartridge Filter	C-9498	N/S	29907

Replacement Cartridges

Aladdin	Filbur®	Pleatco	Unicel®	Aladdin	Filbur®	Pleatco	Unicel®	Aladdin	Filbur®	Pleatco	Unicel®
10301	FC-3120	PSB3.5	C-2305	12520	FC-0305	PTL20W-SV-P4-4	6CH-25	14513	FC-2970	PLBS50	C-5345
10304	FC-3027	PH3.7B	C-2304	12521	FC-0310	PTL25W-SV-P4-4	6CH-26	14701	FC-0315	PTL47W-P4	6CH-47
10401	FC-2310	PH6	C-2604	12523	FC-0187	PTS35N	C-4324	15001	FC-3072	PDV50	C-4350
10502	FC-3710	PC7-120	C-4607	12524	FC-3073	PCP20-4	C-4403	15002	FC-2390	PRB50IN	C-4950
10503	FC-3726	PC8-N/C	C-4608	12525	FC-3100	PLW25-4	C-5325	15003	FC-1630	PMT50	C-4305
10504	FC-3725	PC8	C-4609	12526	FC-3096	PDO25-4	C-5402	15004	FC-1240	PCM50-4	C-7450
10505	FC-3711	PC7-TC	C-4304	12527	FC-2011	PLW25	C-5426	15004	FC-1240	PA50-4	C-7656
10506	FC-3742	PGF5	C-4306	12528	FC-2014	PPR23-4	C-5427	15008	FC-2580	PPC50	C-7652
10507	FC-3850	PMS8TC	C-4600	12529	FC-3083	PTL25W-P4-4	C-6601	15009	FC-1920	PFAB50	C-7678
10601	FC-3060	PH6-4	C-2306	12530	FC-5125	PWC25	C-7427	15010	FC-1320	PJW50	C-5300
10601	FC-3060	PH6-3	T-380	12531	FC-3086	PTL25XW	C-7624	15011	FC-0760	PBH-UM50-4	C-7405
10603	FC-3065	PW15WC	C-2607	12532	FC-6305	POX25-IN	C-4308	15012	FC-0720	PBH50	C-7605
10604	FC-3066	N/A	C-2606	12533	FC-2372	PLW25	C-4321	15013	FC-2140	PPF50-4	C-7651
10606	FC-3810	PMS8	C-4605	12534	FC-3107	PLW25P-4	C-5326	15014	FC-3310	PCS50N	C-8450
10607	FC-3061	PH6-PAK7	T-380R	12535	FC-2399	PFF25P4	4CH-22	15015	FC-1460	PJ50-4	C-9650
10608	FC-2301	PW15WC	C-2601	12536	FC-2400	PFF25TC-P4	4CH-23	15016	FC-0151	PTL50P4-4	4CH-50
10702	FC-3744	PGF7	C-4307	12537	FC-0210	PIC25	C-4329	15017	FC-0340	PTL50W-SV-P4-4	6CH-50
10801	FC-2308	N/A	C-2308	12701	FC-3070	PPM30	C-5627	15018	FC-0430	PCS40-F2M	7CH-402
10802	FC-2330	N/A	C-2608	12801	FC-1610	PMT27.5	C-4301	15019	FC-0460	PCS50-F2M	7CH-502
10803	FC-3730	PC11-4	C-4611	13001	FC-3082	DSF25-50	C-4429	15020	FC-3101	PLW50-4	C-5350
10804	FC-2324	PRB8.5	C-2303	13002	FC-2625	PMT35	C-4430	15021	FC-0463	PCS50/PVT50P4	7CH-50
10805	FC-3076	PS9-4	C-3608	13004	FC-3915	PWK30-4	C-6430	15025	FC-3092	N/A	C-5302
10806	FC-3712	N/A	C-5301	13005	FC-0141	PTL25P4-4	4CH-30	15026	FC-3090	PCP50	C-5405
10901	FC-3756	PHP11	C-4603	13006	FC-3078	DSF25-50TC	C-4431	15027	FC-3063	POX50	C-6405
11001	FC-3820	PMS10-4	C-6610	13007	FC-3910	PWK30V	C-5431	15028	N/A	N/A	C-6450
11002	FC-3067	PW15WC	C-2610	13008	FC-1340	PJW30-4	C-6300	15029	FC-3075	POX50	C-6605
11003	FC-3077	PWW10	C-4310	13009	FC-3746	PC22	C-6622	15030	FC-2725	PSD50	C-6650
11004	FC-3743	PGF10	C-4309	13010	FC-3080	PTL30XW-4	C-7630	15031	FC-3098	PTL50XW-OB	C-7400
11201	FC-2350	PRB12L-4	C-2613	13012	FC-3748	PIN28	C-5330	15032	FC-1235	PA50SV-4	C-7447
11202	FC-2365	PW15WC	C-2912	13201	FC-1620	PMT25/PMT35	C-4332	15033	FC-0491	PVT50P4	C-7449
11203	FC-2340	PRB12-4	C-2612	13202	FC-0420	PAS35-2/PCS32-2	7CH-322	15034	FC-3084	PCD50	C-7451
11204	FC-1210	PA12	C-4312	13204	FC-0483	PCS32/PCS-32P	C-7432	15035	FC-5150	PWC50	C-7457
11205	FC-3735	PC16	C-4616	13205	FC-0425	PCS32P4	7CH-32	15036	FC-0684	PAP50-4	C-9405
11206	FC-0183	PSS17.5	C-4302	13301	FC-2115	PPF33	C-7433	15037	FC-3104	PJAN100	C-9950
11207	FC-3069	PS12	C-3612	13301	FC-2120	PPF33	C-7633	15038	FC-0173	PDO-UFP2	4CH-950
11301	FC-3740	PC18-4	C-4618	13303	FC-3920	PWK35	C-6433	15039	N/A	PAST50	C-8449
11302	FC-0705	PBH12.5-4	C-7603	13304	FC-3087	N/A	C-7632	15040	FC-6310	PAE50	C-4349
11303	FC-0122	PSG13.5P4	4CH-19	13401	FC-3623	PPM35TC	C-5423	15042	FC-3638	PPM50TC	C-5346
11501	FC-2320	PRB14.5	C-2302	13501	FC-2385	PRB35-IN	C-4335	15043	FC-3525	PLB50	C-7417
11502	FC-3758	PHP18	C-4604	13502	FC-0750	PBHUM35	C-7404	15044	FC-5155	PJAN50	C-7448
11503	FC-1415	N/A	C-5615	13503	FC-0660	PCM35-4	C-7435	15046	FC-3053	PVT50W	C-8350
11504	FC-2510	PSR15-4	C-4610	13504	FC-0161	PTL35P4-4	4CH-35	15049	FC-0195	PPM50SC-F2M	5CH-502
11505	FC-0185	PSG25	C-4303	13505	FC-0320	PTL35W-P4-4	6CH-35	15050	FC-0184	PIC50N	C-4351
11601	FC-3745	PL18-4/PL18P-4	C-4601	13506	FC-3088	PTL50W-SH	C-6603	15051	FC-3963	PCD50N	C-7350
11602	FC-3830	PMS16-4	C-6616	13507	FC-0196	PPM35SC-F2M	5CH-352	15052	FC-0536	PBF50-F2S	8CH-950
11603	FC-2010	N/A	C-5616	13601	FC-3636	PPM40-4	C-5636	15201	FC-2530	NS	SC3-SR50
11801	FC-2360	PRB18-4	C-2618	13701	FC-2380	PRB37-IN-4	C-4637	15201	FC-2530	PSR50-4	UHD-SR50
11802	FC-2386	PRB17.5SF-JH-PAIR	C-4401	13702	FC-1437	PJ37-IN-4	C-5635	15203	FC-2800	PJW60TL-F2S	6CH-960
11901	FC-0121	PTL18P4-4/PDM25P4	4CH-21	13703	FC-2520	PSR35-4	SC3-SR35	15501	FC-0465	PTL55XW-F2M	7CH-552
11901	FC-0136	PA13/PA17	4CH-21	13703	FC-2520	PPM35SC-F2M	UHD-SR35	15503	FC-1245	PA55	C-7455
12001	FC-1215	PA20-4	C-4320	14001	FC-2710	PSD40-4	C-4440	15601	FC-1223	PA56SV-4	C-7458
12002	FC-3840	PMS20-4	C-6620	14002	FC-2130	PPF40	C-7440	15801	FC-3634	PPM60TC	C-5434
12003	FC-0645	PA20	C-4620	14003	FC-1228	PA40-4	C-7442	16001	FC-1930	PFAB60-4	C-7660
12004	FC-0125	PHC25P4/PSG25P4	4CH-20	14004	FC-4010	PD40SL-4	C-7402	16002	FC-2150	PPF60	C-7460
12005	FC-4005	PD20SL-4	C-7401	14005	FC-1440	PJ40-4	C-6640	16003	FC-4015	PD60SL-4	C-7403
12006	FC-3071	PAQ25N/PAQ25IN	C-4402	14006	FC-3637	PPM40-4	C-5637	16004	FC-1445	PJ60-4	C-6660
12201	FC-2015	PPM25-4	C-5622	14007	FC-0435	PCS40P/PVT40P-4	7CH-40	16005	FC-0350	PTL60W-P4	6CH-60
12202	FC-3091	PTL25H-P4	C-5621	14009	FC-3081	PMT40	C-4340	16006	FC-0510	PIF60-F2M	8CH-60
12301	FC-1910	PFAB30	C-5623	14010	FC-3097	PDO40-4	C-5404	16007	FC-3074	PSI65	C-6602
12302	FC-3741	PC17-4	C-6617	14011	FC-2915	PWW40	C-4339	16008	FC-4002	PD60-4	C-6659
12501	FC-1220	PA225-4	C-4325	14013	N/A	PVT40	C-7439	16009	FC-3112	PFW60/PFW80	C-7463
12502	FC-2370	PRB25-IN	C-4326	14014	FC-3079	PTL40XWT-4	C-7641	16010	FC-0515	PMA60-F2M	8CH-66
12502	FC-2375	PRB25-IN-4	C-4625	14015	FC-1295	PA40SF	C-8340	16011	FC-1975	PCC60	C-7469
12504	FC-2387	PRB25SF-JH-PAIR	C-4405	14016	FC-1450	PJB40	C-7304	16013	FC-1455	PJB60	C-7306
12506	FC-2650	PPI25-4	C-4328	14017	FC-0177	PDO-UF40P2	4CH-940	16014	FC-0179	PIC60	C-4360
12507	FC-1425	PJ25-IN-4	C-5625	14018	FC-0360	PWW100ST-P3	6CH-941	16501	FC-1660	PMT65	C-7416
12508	FC-1426	PJ25-4	C-6625	14019	FC-0361	PWW100ST-P3	6CH-942	16502	FC-2730	PSD65	C-7465
12509	FC-1230	PA25-4	C-7625	14401	FC-0680	PCM44-4	C-7437	16503	FC-2740	PSD65-2	C-7466
12509	FC-2620	PCM25	C-7626	14501	FC-2630	PMT45	C-4347	16504	FC-3530	PLB65/PMT65	C-7415
12510	FC-0640	PPI25D-4	C-4428	14502	FC-2640	PSI45-O-4	C-4449	16505	FC-0171	PTL65H	4CH-65
12511	FC-1330	PA225	C-4327	14504	FC-2670	PSI45-4	C-4346	16506	FC-3960	PWK45N	C-8465
12512	FC-0615	PJW23	C-5601	14505	FC-3930	PWK25-4/40	C-6600	16508	FC-6220	PAQ65	C-7619
12514	FC-0610	PBH25-4	C-7604	14506	FC-0330	PTL45W-P4-4	6CH-45	16801	FC-2170	PPF67.5-4	C-7467
12516	FC-2110	PPF25	C-7610	14508	FC-3095	PFV40	C-6445	17001	FC-3105	PVAC70-6	C-9970
12517	FC-1305	PJW25	C-5624	14509	FC-3093	PG45	C-4345	17201	FC-2540	PSR70	SC3-SR70
12518	FC-3626	PPM25-4	C-5626	14510	FC-0359	PST45	C-6645	17201	FC-2540	PSR70-4	UHD-SR70
12519	FC-0131	PGS25P4	4CH-24	14510	FC-0359	PWW50P3	6CH-940	17501	FC-2395	PRB75	C-4975
				14511	FC-2394	PDS45	C-4311	17503	FC-2590	PPC75	C-7677

Filters

Replacement Cartridges

Aladdin	Filbur®	Pleatco	Unicel®	Aladdin	Filbur®	Pleatco	Unicel®	Filbur®	Aladdin	Filbur®	Aladdin
17506	FC-1250	PA75-4	C-7475	20601	FC-1226	PA106-4	C-7488	FC-0435	14007	FC-1298	18503
17506	FC-1250	PCM75-4	C-7675	21201	FC-1275	P112-4	C-7489	FC-0460	15019	FC-1299	22009
17506	FC-1250	PCM75-4	C-7676	21501	FC-0810	PJAN115	C-7468	FC-0463	15021	FC-1305	12517
17507	FC-1280	PA80-4	C-8600	22001	FC-2750	PSD125	C-8320	FC-0465	15501	FC-1320	15010
17508	FC-0770	PBHUM75	C-7406	22002	FC-1293	PA120-4	C-8412	FC-0470	17515	FC-1330	12512
17509	FC-1260	PA75SV-4	C-7453	22006	FC-1401	PJ120-4	C-9481	FC-0475	17527	FC-1340	13008
17509	FC-1260	PCM75SV	C-7477	22008	FC-1972	PDM120	C-8403	FC-0483	13204	FC-1400	18004
17510	FC-0730	PBH75	C-7606	22009	FC-1299	PA125-4	C-9499	FC-0491	15033	FC-1401	22006
17511	FC-2018	PPR75	C-5371	22501	FC-0695	PCM125	C-7498	FC-0510	16006	FC-1402	26001
17512	FC-3089	PTL50W-P4	C-6475	22503	FC-2194	PFAB125-4	C-7493	FC-0515/6	16010	FC-1403	29903
17513	FC-3320	PCS75N	C-8475	22505	FC-1978	PCC130	C-7472	FC-0536	15052	FC-1415	11503
17514	FC-1480	PJ75-4	C-9475	22506	FC-1296	PA126-4	C-7495	FC-0610	12509	FC-1425	12507
17515	FC-0470	PTL75XW-F2M	7CH-752	22507	FC-2780	PSD125-2000	C-8326	FC-0615	12509	FC-1426	12508
17519	FC-2930	PCAL75	C-4970	22508	FC-2575	PWWPC125B	C-8413	FC-0640	12511	FC-1437	13702
17520	FC-3102	PLW75-4	C-5375	22510	FC-0696	PAP118-4	C-9412	FC-0645	12003	FC-1440	14005
17521	FC-3064	POX75	C-6407	23001	FC-1637	PMT130	C-7413	FC-0650	19903	FC-1445	16004
17522	FC-5175	PWC75	C-7478	23101	FC-1227	PA131	C-7494	FC-0660	13503	FC-1450	14016
17523	FC-3085	PCD75	C-7479	23301	FC-2560	PSR135-4	SC3-SR135	FC-0675	19005	FC-1455	16013
17524	FC-2190	PFAB75-4	C-7491	23301	FC-2520	N/A	UHD-SR135	FC-0680	14401	FC-1460	15015
17525	FC-0685	PAP75-4	C-9407	23701	FC-2570	PSR137-4	SC3-SR137	FC-0684	15036	FC-1480	17514
17526	FC-0358	N/A	6CH-75	23701	FC-2571	N/A	UHD-SR137	FC-0685	17525	FC-1490	19910
17527	FC-0475	PDO75P3	7CH-975	23705	FC-1297	PA137-4	C-7490	FC-0686	19916	FC-1495	25004
17529	FC-1970	PDM75	C-8401	24501	FC-0820	PJAN145	C-7482	FC-0687	25005	FC-1498	29901
17530	FC-1255	PA76-4	C-8411	25001	FC-1960	PFAB150	C-7679	FC-0688	29902	FC-1610	12801
17531	FC-2960	PWW75-4	C-9401	25002	FC-0790	PBHUM150	C-7408	FC-0690	18801	FC-1620	13201
17532	FC-0901	PAST75	C-8474	25003	FC-3560	PLB150	C-7414	FC-0695	22501	FC-1630	15003
17534	N/A	PAQ75	C-6408	25004	FC-1495	PJ150-4	C-9478	FC-0705	11302	FC-1637	23001
17535	FC-6315	PAE75	C-7301	25005	FC-0687	PAP150-4	C-9415	FC-0710	12514	FC-1660	16501
17536	FC-5177	PJAN75	C-7473	25006	FC-2969	PWW150-4	C-9403	FC-0720	15012	FC-1670	19909
17537	FC-6225	N/A	C-7620	25007	FC-0903	PAST150	C-8415	FC-0730	17510	FC-1910	12301
17538	FC-6245	N/A	C-9601	25008	FC-6325	PAE150	C-7303	FC-0740	19907	FC-1920	15009
17540	FC-2971	PLBS75	C-5374	25009	FC-3575	PRW150	C-8315	FC-0750	13502	FC-1930	16001
17541	FC-3059	PDO75-2000	C-7367	25010	FC-6255	N/A	C-9603	FC-0760	15011	FC-1940	18001
17542	FC-2760	PSD75	C-7370	25014	FC-1287	PWWCT150	C-8414	FC-0770	17508	FC-1950	19904
17543	FC-3964	PCD75-NEW	C-7375	25014	FC-1286	PXST150	C-8316	FC-0780	19906	FC-1960	25001
18001	FC-1940	PFAB80	C-7680	25019	FC-1286	PWWPC150B-4	C-8416	FC-0790	25002	FC-1970	17529
18002	FC-2160	PPF80	C-7480	25026	FC-0822	PA150S	C-8414	FC-0800	18504	FC-1971	19004
18004	FC-1400	PJ80-4	C-9480	26001	FC-1402	PJ160-4	C-9482	FC-0810	21501	FC-1972	22008
18005	FC-1976	PCC80/PWW80	C-7470	27501	FC-1294	PA175-4	C-8417	FC-0820	24501	FC-1973	28001
18007	FC-2810	PSD85-2002	C-8380	27503	N/A	PXST175	C-8317	FC-0824	29913	FC-1974	34001
18101	FC-1225	PA81-4	C-7483	28001	FC-1973	N/A	C-8405	FC-0825	29909	FC-1975	16011
18503	FC-1298	PA85	C-9485	28002	FC-1211	PA190	C-8420	FC-0830	35001	FC-1976	18005
18504	FC-0800	PJAN85	C-7459	29901	FC-1498	PJ200-4	C-9420	FC-0835	19931	FC-1977	20503
18801	FC-0690	PCM88-4	C-7474	29902	FC-0688	PAP200-4	C-9419	FC-0840	29907	FC-1978	22505
19001	FC-4020	PD90SL-4	C-7409	29903	FC-1403	PJ200S-4	C-9483	FC-0901	17532	FC-2010	11603
19002	FC-1292	PA90-4	C-8409	29907	FC-0840	N/A	C-9498	FC-0902	19921	FC-2011	12527
19004	FC-1971	PDM90	C-8402	29909	FC-0825	N/A	C-9421	FC-0903	25007	FC-2014	12528
19005	FC-0675	PCM90	C-7476	29910	FC-1211	PA90	C-8420	FC-1210	11204	FC-2015	12201
19501	FC-2940	PCAL100	C-4995	29912	FC-1288	PXST200	C-8319	FC-1211	28002	FC-2018	17511
19502	FC-2165	N/A	C-7481/85	29913	FC-0824	PJANCS250-4	C-8425	FC-1215	12001	FC-2110	12516
19901	FC-2397	PRB100	C-4999	29916	FC-1288	PWWCT200/	C-8419	FC-1220	12501	FC-2115	13301
19902	FC-1270	PA100N-4	C-7487			PWWPC200SV		FC-1223	15601	FC-2120	13301
19903	FC-0650	PCM100SV-4	C-7499	29921	N/S	PA200S	C-8420	FC-1225	18101	FC-2130	14002
19904	FC-1950	PFAB100-4	C-7699	34001	FC-1974	N/A	C-8406	FC-1226	20601	FC-2140	15013
19905	FC-1290	PA100-4	C-8610	35001	FC-0830	N/A	C-9422	FC-1227	23101	FC-2150	16002
19906	FC-0780	PBHUM100	C-7407	35002	FC-0823	PJANCS200-4	C-8418	FC-1228	14003	FC-2160	18002
19907	FC-0740	PBH100	C-7607					FC-1230	12509	FC-2165	19502
19908	FC-3540	PLB100	C-7418					FC-1235	15032	FC-2170	16801
19909	FC-1670	PMT100	C-7419					FC-1240	15004	FC-2180	20501
19910	FC-1490	PJ100-4	C-9699					FC-1245	15503	FC-2190	17524
19915	FC-2192	PFAB100SH-4	C-7492					FC-1250	17506	FC-2192	19915
19916	FC-0686	PAP100-4	C-9410					FC-1255	17530	FC-2194	22503
19917	FC-3106	PVAC100-6	C-9999					FC-1260	17509	FC-2301	10608
19920	FC-2965	PWW100-4	C-9402					FC-1270	19902	FC-2308	10801
19921	FC-0902	PAST100	C-8499					FC-1275	21201	FC-2310	10401
19923	FC-6320	POX100	C-7302					FC-1280	17507	FC-2320	11501
19924	FC-5180	PJAN100	C-7497					FC-1285	19935	FC-2324	10804
19926	FC-3570	PRW100	C-8310					FC-1286	25014	FC-2330	10802
19927	N/A	N/A	C-9602					FC-1287	25014	FC-2340	11203
19930	FC-2972	PLBS100	C-5397					FC-1288	29916	FC-2350	11201
19931	FC-0835	N/A	C-9490					FC-1290	19905	FC-2360	11801
19935	FC-1285	PXST100	C-8311					FC-1291	19936	FC-2365	11202
19936	FC-1291	N/A	C-7698					FC-1292	19002	FC-2370/5	12502
19939	FC-0821	PJANCS100-4	C-8410					FC-1293	22002	FC-2372	12533
19946	NS	PA100S	C-8408					FC-1294	27501	FC-2380	13701
20201	FC-2550	PSR100-4	SC3-SR100					FC-1295	14015	FC-2385	13501
20201	FC-2551	N/A	UHD-SR100					FC-1296	22506	FC-2386	11802
20501	FC-2180	PPF105-4	C-7496					FC-1297	23705	FC-2387	12504
20503	FC-1977	PCC105	C-7471								

Replacement Cartridges

Filbur®	Aladdin	Filbur®	Aladdin	Pleatco	Aladdin	Pleatco	Aladdin	Pleatco	Aladdin	Pleatco	Aladdin
FC-2390	15002	FC-3095	14508	DSF25-50	13001	PCD50	15034	PJ120-4	22006	PRB35-IN	13501
FC-2394	14511	FC-3096	12526	PA12	11204	PCD50N	15051	PJ150-4	25004	PRB37-IN-4	13701
FC-2395	17501	FC-3097	14010	PA20-4	12001	PCD75	17523	PJ160-4	26001	PRB50IN	15002
FC-2397	19901	FC-3098	15031	PA20	12003	PCD75-NEW	17543	PJ200-4	29901	PRB75	17501
FC-2399	12535	FC-3100	12525	PA25-4	12509	PCM25	12509	PJ200S-4	29903	PRB100	19901
FC-2400	12536	FC-3101	15020	PA40-4	14003	PCM35-4	13503	PJANCS150-4	25014	PRW100	19926
FC-2510	11504	FC-3102	17520	PA40SF	14015	PCM44-4	14401	PJAN50	15044	PRW150	25009
FC-2520	13703	FC-3104	15037	PA50-4	15004	PCM50	15004	PJAN85	18504	PS9-4	10805
FC-2530	15201	FC-3105	17001	PA50SV-4	15032	PCM75-4	17506	PJAN100	19924	PS12	11207
FC-2530	15201	FC-3106	19917	PA55	15503	PCM75SV-4	17509	PJAN115	21501	PSD40-4	14001
FC-2540	17201	FC-3107	12534	PA56SV-4	15601	PCM88-4	18801	PJAN145	24501	PSD50	15030
FC-2540	17201	FC-3112	16009	PA75-4	17506	PCM90	19005	PJB40	14016	PSD65	16502
FC-2550	20201	FC-3120	10301	PA75SV-4	17509	PCM100SV-4	19903	PJB60	16013	PSD65-2	16503
FC-2551	20201	FC-3310	15014	PA76-4	17530	PCM125	22501	PJW23-4	12512	PSD75	17542
FC-2560	23301	FC-3320	17513	PA80-4	17507	PCP20-4	12524	PJW25	12517	PSD85-2002	18007
FC-2570	23701	FC-3525	15043	PA81-4	18101	PCP50	15026	PJW30-4	13008	PSD125	22001
FC-2571	23701	FC-3530	16504	PA85	18503	PCS32-2	13202	PJW50	15010	PSD125-2000	22507
FC-2575	22508	FC-3540	19908	PA90-4	19002	PCS32P4	13205	PJW60TL-F2S	15203	PSG13.5P4	11303
FC-2580	15008	FC-3560	25003	PA100-4	19905	PCS40P	14007	PL18-4/PL18P-4	11601	PSG25	11505
FC-2590	17503	FC-3570	19926	PA100N-4	19902	PCS40-F2M	15018	PLB50	15043	PST45-4	14504
FC-2620	12510	FC-3575	25009	PA100S	19946	PCS50	15021	PLB65	16504	PSI45-0-4	14502
FC-2625	13002	FC-3623	13401	PA106-4	20601	PCS50-F2M	15019	PLB100	19908	PSI65	16007
FC-2630	14501	FC-3626	12518	PA112-4	21201	PCS50N	15014	PLB150	25003	PSR15-4	11504
FC-2640	14502	FC-3634	15801	PA120-4	22002	PCS75N	17513	PLBSS0	14513	PSR35-4	13703
FC-2650	12506	FC-3636	13601	PA125-4	22009	PD20SL-4	12005	PLBS75	17540	PSR50-4	15201
FC-2670	14504	FC-3637	14006	PA126-4	22506	PD40SL-4	14004	PLBS100	19930	PSR70-4	17201
FC-2710	14001	FC-3638	15042	PA131	23101	PD60-4	16008	PLW25-4	12525	PSR100-4	20201
FC-2725	15030	FC-3710	10502	PA137-4	23705	PD60SL-4	16003	PLW25P-4	12534	PST135-4	23301
FC-2730	16502	FC-3711	10505	PA150S	25026	PD90SL-4	19001	PLW50-4	15020	PSR137-4	23701
FC-2740	16503	FC-3712	10806	PA175-4	27501	PDM75	17529	PLW75-4	17520	PSS17.5	11206
FC-2750	22001	FC-3725	10504	PA190	28002	PDM90	19004	PMA60-F2M	16010	PTS35N	12523
FC-2760	17542	FC-3726	10503	PA200S	29921	PDM120	22008	PMS8	10606	PST45	14509
FC-2780	22507	FC-3730	10803	PA225-4	12501	PDO25-4	12526	PMS10-4	11001	PTL18	11901
FC-2800	15203	FC-3735	11205	PA225-4	12511	PDO40	14010	PMS16-4	11602	PTL25H-P4-4	13005
FC-2810	18007	FC-3740	11301	PAE50	15040	PDO75-2000	17541	PMS20-4	12002	PTL20HS-P4	12519
FC-2915	14011	FC-3741	12302	PAE75	17535	PDO75P3	17527	PMT25/25	13201	PTL20W-SV-P4-4	12520
FC-2930	17519	FC-3742	10506	PAE150	25008	PDO-UF25P2	15038	PMT27.5	12801	PTL25	12202
FC-2940	19501	FC-3743	11004	PAP50-4	15036	PDO-UF40P2	14017	PTL25W-SV-P4-4	12521	PTL25XW	12531
FC-2960	17531	FC-3744	10702	PAP75-4	17525	PDS45	14511	PTL25XW	12531	PMT40	14009
FC-2965	19920	FC-3745	11601	PAP100-4	19916	PDS45	14511	PMT45	14501	PMT45	14501
FC-2969	25006	FC-3746	13009	PAP150-4	25005	PDS45	14511	PMT50	15003	PMT50	15003
FC-2970	14513	FC-3748	13012	PAP200-4	29902	PFAB30	12301	PMT65	16501	PMT65	16501
FC-2971	17540	FC-3756	10901	PTL25W-P4-4	12529	PFAB50	15009	PMT100	19909	PMT100	19909
FC-2972	19930	FC-3758	11502	PAQ25-N	12006	PFAB60-4	16001	PMT130	23001	PFAB60-4	16001
FC-3027	10304	FC-3810	10606	PAQ65	16508	PFAB75-4	17524	POX25-IN	12532	PFAB75-4	17524
FC-3053	15046	FC-3820	11001	PAQ75	17534	PFAB80	18001	POX50	15027	PFAB80	18001
FC-3059	17541	FC-3830	11602	PAS35-F2M	13202	PFAB100-4	19904	POX75	17521	PFAB100-4	19904
FC-3060	10601	FC-3840	12002	PAST50	15039	PFAB100SH-4	19915	POX100	19923	PFAB100SH-4	19915
FC-3061	10607	FC-3850	10507	PAST75	17532	PFAB125-4	22503	PPC50	15008	PFAB125-4	22503
FC-3063	15027	FC-3910	13007	PAST100	19921	PFAB25P4	12535	PPC75	17503	PFF25TC-P4	12536
FC-3064	17521	FC-3915	13004	PAST150	25007	PFV40	14508	PPF25	12516	PFV40	14508
FC-3065	10603	FC-3920	13303	PBF50-F2S	15052	PFW60/80	16009	PPF33	13301	PFW60/80	16009
FC-3066	10604	FC-3930	14505	PBH12.5-4	11302	PG45	14509	PPF40	14002	PG45	14509
FC-3067	11002	FC-3960	16506	PBH25-4	12514	PGF5	10506	PPF50	15013	PGF5	10506
FC-3069	11207	FC-3963	15051	PBH50	15012	PGF7	10702	PPF60	16002	PGF7	10702
FC-3070	12701	FC-3964	17543	PBH75	17510	PGF10	11004	PPF67.5-4	16801	PGF10	11004
FC-3071	12006	FC-4002	16008	PBH100	19907	PGS25P4	12519	PPF80	18002	PGS25P4	12519
FC-3072	15001	FC-4005	12005	PBH100	19907	PH3.7B	10304	PPF105-4	20501	PH3.7B	10304
FC-3073	12524	FC-4010	14004	PBHUM35	13502	PH6	10401	PPI25-4	12506	PH6	10401
FC-3074	16007	FC-4015	16003	PBH-UM50-4	15011	PH6	10601	PPI25D-4	12510	PH6	10601
FC-3075	15029	FC-4020	19001	PBHUM75	17508	PH6	10607	PPM25-4	12201	PH6	10607
FC-3076	10805	FC-4020	19001	PBHUM100	19906	PH6-3	10601	PPM25-4	12518	PH6-3	10601
FC-3077	11003	FC-5125	12530	PBHUM150	25002	PFW60/80	12004	PPM30	12701	PFW60/80	12004
FC-3078	13006	FC-5155	15044	PC8	10504	PHP11	10901	PPM35TC	13401	PHP11	10901
FC-3079	14014	FC-5175	17522	PC8-N/C	10503	PHP18	11502	PPM40-4	13601	PHP18	11502
FC-3080	13010	FC-5177	17536	PC11-4	10803	PIC15	NS	PPM40-4	14006	PIC15	NS
FC-3081	14009	FC-5180	19924	PC16	11205	PIC25	12537	PPM50TC	15042	PIC25	12537
FC-3082	13001	FC-6225	17537	PC17-4	12302	PIC50N	15050	PPM50SC-F2M	15049	PIC50N	15050
FC-3083	12529	FC-6245	17538	PC18-4	11301	PIC60	16014	PPM60TC	15801	PIC60	16014
FC-3084	15034	FC-6305	12532	PC22	13009	PIF60-F2M	16006	PPR23-4	12528	PIF60-F2M	16006
FC-3085	17523	FC-6310	15040	PC7-120	10502	PIN28	13012	PPR75	17511	PIN28	13012
FC-3086	12531	FC-6315	17535	PC7-TC	10505	PJ25-4	12508	PRB8.5	10804	PJ25-4	12508
FC-3087	13304	FC-6320	19923	PMS8TC	10507	PJ25-IN-4	12507	PRB12-4	11203	PJ25-IN-4	12507
FC-3088	13506	FC-6325	25008	PCAL75	17519	PJ37-IN-4	13702	PRB12L-4	11201	PJ37-IN-4	13702
FC-3089	17512			PCAL100	19501	PJ40-4	14005	PRB14.5	11501	PJ40-4	14005
FC-3090	15026			PCC60	16011	PJ50-4	15015	PRB17.5SF-JH-PAIR	11802	PJ50-4	15015
FC-3091	12202			PCC80	18005	PJ60-4	16004	PRB18-4	11801	PJ60-4	16004
FC-3092	15025			PCC105	20503	PJ75-4	17514	PRB25IN	12502	PJ75-4	17514
FC-3093	14509			PCC125-4	22501	PJ80-4	18004	PRB25-IN-4	12502	PJ80-4	18004
				PCC130	22505	PJ100-4	19910	PRB25SF-JH-PAIR	12504	PJ100-4	19910

Filters

Replacement Cartridges

Unicel®	Aladdin	Unicel®	Aladdin	Unicel®	Aladdin	Unicel®	Aladdin	Unicel®	Aladdin
PWW105	20503	C-4328	12506	C-6405	15027	C-7474	18801	C-8420	28002
PWW130	22505	C-4329	12537	C-6407	17521	C-7475	17506	C-8420	29910
PWWPC150B-4	25019	C-4332	13201	C-6408	17534	C-7476	19005	C-8425	29913
PWWPC200-4	28002	C-4335	13501	C-6430	13004	C-7477	17509	C-8449	15039
4CH-19	11303	C-4339	14011	C-6433	13303	C-7478	17522	C-8450	15014
4CH-20	12004	C-4340	14009	C-6445	14508	C-7479	17523	C-8465	16506
4CH-21	11901	C-4345	14509	C-6450	15028	C-7480	18002	C-8474	17532
4CH-22	12535	C-4346	14504	C-6475	17512	C-7481	19502	C-8475	17513
4CH-23	12536	C-4347	14501	C-6600	14505	C-7482	24501	C-8499	19921
4CH-24	12519	C-4349	15040	C-6601	12529	C-7483	18101	C-8600	17507
4CH-30	13005	C-4350	15001	C-6602	16007	C-7485	19502	C-8610	19905
4CH-35	13504	C-4351	15050	C-6603	13506	C-7487	19902	C-9401	17531
4CH-50	15016	C-4360	16014	C-6605	15029	C-7488	20601	C-9402	19920
4CH-65	16505	C-4401	11802	C-6610	11001	C-7489	21201	C-9403	25006
4CH-940	14017	C-4402	12006	C-6616	11602	C-7490	23705	C-9405	15036
4CH-950	15038	C-4403	12524	C-6617	12302	C-7491	17524	C-9407	17525
5CH-352	13507	C-4405	12504	C-6620	12002	C-7492	19915	C-9410	19916
5CH-502	15049	C-4428	12510	C-6622	13009	C-7493	22503	C-9412	22510
6CH-25	12520	C-4429	13001	C-6625	12508	C-7494	23101	C-9415	25005
6CH-26	12521	C-4430	13002	C-6640	14005	C-7495	22506	C-9419	29902
6CH-35	13505	C-4431	13006	C-6645	14509	C-7496	20501	C-9420	29901
6CH-45	14506	C-4440	14001	C-6650	15030	C-7497	19924	C-9421	29909
6CH-47	14701	C-4449	14502	C-6659	16008	C-7498	22501	C-9422	35001
6CH-50	15017	C-4600	10507	C-6660	16004	C-7499	19903	C-8425	29913
6CH-60	16005	C-4601	11601	C-7301	17535	C-7603	11302	C-9475	17514
6CH-75	17526	C-4603	10901	C-7302	19923	C-7604	12514	C-9478	25004
6CH-940	14510	C-4604	11502	C-7303	25008	C-7605	15012	C-9480	18004
6CH-941	14018	C-4605	10606	C-7304	14016	C-7606	17510	C-9481	22006
6CH-942	14019	C-4607	10502	C-7306	16013	C-7607	19907	C-9482	26001
6CH-960	15203	C-4608	10503	C-7350	15051	C-7610	12516	C-9483	29903
7CH-32	13205	C-4609	10504	C-7367	17541	C-7619	16508	C-9485	18503
7CH-40	14007	C-4610	11504	C-7370	17542	C-7620	17537	C-9490	19931
7CH-50	15021	C-4611	10803	C-7375	17543	C-7624	12531	C-9498	29907
7CH-322	13202	C-4616	11205	C-7400	15031	C-7625	12509	C-9499	22009
7CH-402	15018	C-4618	11301	C-7401	12005	C-7626	12509	C-9601	17538
7CH-502	15019	C-4620	12003	C-7402	14004	C-7630	13010	C-9602	19927
7CH-552	15501	C-4625	12502	C-7403	16003	C-7632	13304	C-9603	25010
7CH-752	17515	C-4637	13701	C-7404	13502	C-7633	13301	C-9650	15015
7CH-975	17527	C-4950	15002	C-7405	15011	C-7641	14014	C-9699	19910
8CH-60	16006	C-4970	17519	C-7406	17508	C-7651	15013	C-9950	15037
8CH-66	16010	C-4975	17501	C-7407	19906	C-7652	15008	C-9970	17001
8CH-950	15052	C-4995	19501	C-7408	25002	C-7656	15004	C-9999	19917
C-2302	11501	C-4999	19901	C-7409	19001	C-7660	16001	SC3-SR35	13703
C-2303	10804	C-5300	15010	C-7413	23001	C-7675	17506	SC3-SR50	15201
C-2304	10304	C-5301	10806	C-7414	25003	C-7676	17506	SC3-SR70	17201
C-2305	10301	C-5302	15025	C-7415	16504	C-7677	17503	SC3-SR100	20201
C-2306	10601	C-5315	11507	C-7416	16501	C-7678	15009	SC3-SR135	23301
C-2308	10801	C-5325	12525	C-7417	15043	C-7679	25001	SC3-SR137	23701
C-2601	10608	C-5326	12534	C-7418	19908	C-7680	18001	T-380	10601
C-2604	10401	C-5330	13012	C-7419	19909	C-7698	19936	T-380R	10607
C-2606	10604	C-5345	14513	C-7427	12530	C-7699	19904	UHD-SR35	13703
C-2607	10603	C-5346	15042	C-7432	13204	C-8310	19926	UHD-SR50	15201
C-2608	10802	C-5350	15020	C-7433	13301	C-8311	19935	UHD-SR70	17201
C-2610	11002	C-5371	17511	C-7435	13503	C-8315	25009	UHD-SR100	20201
C-2612	11203	C-5374	17540	C-7437	14401	C-8316	25014	UHD-SR135	23301
C-2613	11201	C-5375	17520	C-7439	14013	C-8317	27503	UHD-SR137	23701
C-2618	11801	C-5397	19930	C-7440	14002	C-8319	29912		
C-2912	11202	C-5402	12526	C-7442	14003	C-8320/25	22001		
C-3608	10805	C-5404	14010	C-7447	15032	C-8326	22507		
C-3612	11207	C-5405	15026	C-7448	15044	C-8340	14015		
C-4301	12801	C-5423	13401	C-7449	15033	C-8350	15046		
C-4302	11206	C-5426	12527	C-7450	15004	C-8380	18007		
C-4303	11505	C-5427	12528	C-7451	15034	C-8401	17529		
C-4304	10505	C-5431	13007	C-7453	17509	C-8402	19004		
C-4305	15003	C-5434	15801	C-7455	15503	C-8403	22008		
C-4306	10506	C-5601	12512	C-7457	15035	C-8405	28001		
C-4307	10702	C-5615	11503	C-7458	15601	C-8406	34001		
C-4308	12532	C-5616	11603	C-7459	18504	C-8408	19946		
C-4309	11004	C-5621	12202	C-7460	16002	C-8409	19002		
C-4310	11003	C-5622	12201	C-7463	16009	C-8410	19939		
C-4311	14511	C-5623	12301	C-7465	16502	C-8411	17530		
C-4312	11204	C-5624	12517	C-7466	16503	C-8412	22002		
C-4315	NS	C-5625	12507	C-7467	16801	C-8413	22508		
C-4320	12001	C-5626	12518	C-7468	21501	C-8414	25014		
C-4321	12533	C-5627	12701	C-7469	16011	C-8415	25007		
C-4324	12523	C-5635	13702	C-7470	18005	C-8416	25019		
C-4325	12501	C-5636	13601	C-7471	20503	C-8417	27501		
C-4326	12502	C-5637	14006	C-7472	22505	C-8418	35002		
C-4327	12511	C-6300	13008	C-7473	17536	C-8419	29916		

Filter O-Ring Kits (RO-KIT®)

Filter O-Ring Kits

That Make Servicing Easy for Cartridge, Sand & DE Filters

Aladdin's Filter O-Ring Kits are the quick and easy way to service Cartridge, Sand and DE Filters. Aladdin has identified the parts needed to replace the O-ring seals in the most popular applications and packaged them together in one complete kit. Each kit also contains a package of Aladdin's Magic Lube® - the PTFE - based sealant/lubricant with the USDA H-1 rating for environmental safety.

REPLACEMENT O-RING KITS FOR CARTRIDGE FILTERS



RO-KIT®201

AMERICAN COMMANDER 4 & 6 OZ.

CARTRIDGE FILTER (25,35, 50, 75, 100 SQ.FT.)

- 1-O-155 Gauge Plug O-Ring
- 1-O-326 Knob Seal O-Ring
- 1-O-342 Tank O-Ring

RO-KIT®202

AMERICAN QUANTUM™

CARTRIDGE FILTER (43.7 & 87.5 SQ.FT.)

- 1-O-40 Drain Plug O-Ring
- 1-O-87 Tank O-Ring

RO-KIT®210

BAKER HYDRO ULTRA MITE

CARTRIDGE FILTER (50, 75, 100, 150 SQ.FT.)

- 1-O-241 U-Cup Lid Gasket

RO-KIT®211

BAKER HYDRO MITE

CARTRIDGE FILTER (25, 50, 75, 100 SQ.FT.)

- 1-O-215 Lid O-Ring

RO-KIT®220

HAYWARD® SUPER STAR-CLEAR™

3000 & 4000

CARTRIDGE FILTER (75, 100 SQ.FT.)

- 1-O-27 Air Relief O-Ring
- 2-O-43 Bulkhead O-Ring
- 2-O-64 Bulkhead O-Ring
- 1-O-429 Tank O-Ring

RO-KIT®221

HAYWARD® STAR-CLEAR™ II

CARTRIDGE FILTER (75, 100, 150 SQ.FT.)

- 1-O-327 Locking Knob O-Ring
- 1-O-366 Lid O-Ring
- 1-O-398 Drain Plug O-Ring

RO-KIT®222

HAYWARD® STAR-CLEAR™

CARTRIDGE FILTER (25, 50, 75, SQ.FT.)

- 1-O-305 Tank O-Ring
- 1-O-327 Locking Knob O-Ring
- 1-O-398 Drain Plug O-Ring

RO-KIT®223

HAYWARD® MICRO STAR-CLEAR™ IN-LINE

CARTRIDGE FILTER (12, 20, 25, SQ.FT.)

- 1-O-330 Lid O-Ring
- 1-O-341 Elbow O-Ring

RO-KIT®224

HAYWARD® SUPER STAR-CLEAR™

C-3000S & C-4000S S.S.

CARTRIDGE FILTER (12, 20, 25, SQ.FT.)

- 1-O-41 Ball Valve Union O-Ring
- 1-O-168 Ball Valve End O-Ring
- 1-O-186 Relief Valve O-ring
- 1-O-430 Tank O-Ring
- 2-O-446 Valve Stem O-Ring
- 1-G-384 Relief Valve to Tank Gasket

RO-KIT®225

HAYWARD® STAR-CLEAR™ PLUS C900 &

C1200 CARTRIDGE FILTER (90, 120 SQ.FT.)

- 1-O-240 Filter Head O-Ring
- 1-O-288 Locking Knob O-Ring
- 1-O-398 Drain Plug O-Ring
- 1-O-641 Directional Vent Valve O-Ring
- 2-G-363 Knob & Cone Gasket

RO-KIT®231

JACUZZI® CFR SERIES

CARTRIDGE FILTER (50, 75, 100, 150, 200 SQ.FT.)

- 1-O-39 Stem & Crank O-Ring
- 1-O-413 Lid O-Ring

RO-KIT®232

JACUZZI® CFR 25 IN-LINE

CARTRIDGE FILTER (25 SQ.FT.)

- 1-O-39 Stem & Crank O-Ring
- 1-O-330 Lid O-Ring

RO-KIT®233

JACUZZI® TRI-CLOPS ELEMENT & EARTHWORKS

FILTER CARTRIDGE FILTER (75, 150 SQ.FT.)

- 1-O-39 Air Relief O-Ring
- 1-O-64 Upper O-Ring
- 1-O-69 Manifold Knob O-Ring
- 1-O-101 Tank O-Ring

RO-KIT®241

PAC FAB/PUREX/TRITON® CF-25 & CF-150

CARTRIDGE FILTER (25, 150 SQ.FT.)

- 1-O-191 Tank O-Ring

RO-KIT®251

RAINBOW™ TOP LOAD

CARTRIDGE SPA FILTER KIT(25, 50 SQ.FT.)

- 1-O-30 Valve O-Ring
- 1-O-330 Lid O-Ring

RO-KIT®261

PAC FAB/PUREX/TRITON® MYTILUS & MITRA

CARTRIDGE FILTER (50, 80, 100 SQ.FT.)

- 1-O-25 Gauge & Air Bleeder Adapter O-Ring
- 1-O-99P Tank O-Ring

RO-KIT®262

PAC FAB/PUREX/TRITON® MITRA

CARTRIDGE FILTER (60 SQ.FT.)

- 1-O-25 Gauge & Air Bleeder Adapter O-Ring
- 1-O-292 Tank O-Ring

Filter O-Ring Kits (RO-KIT®)

RO-KIT®263

PAC FAB/PUREX/TRITON® MYTILUS FMY FIBERGLASS (80, 100, 150 SQ.FT.) & MYTILUS FIBERGLASS REINFORCED POLYMERIC CARTRIDGE FILTER (60, 80, 100 SQ.FT.)
1-O-25 Gauge & Air Bleeder Adapter O-Ring
2-O-83 Bulkhead Adapter O-Ring
1-O-99P Tank O-Ring
1-O-179 Bulkhead O-Ring
1-G-98 2" Bulkhead Fitting Gasket

RO-KIT®264

PAC FAB/PUREX/TRITON® MYTILUS B FIBERGLASS REINFORCED POLY MERIC CARTRIDGE FILTER (60, 80, 100 SQ.FT.)
1-O-25 Gauge & Air Bleeder Adapter O-Ring
1-O-99P Tank O-Ring
1-O-125 Filter O-Ring
1-O-442 Bottom Piping O-Ring

RO-KIT®265

PAC FAB/PUREX/TRITON® MITRA S.S. CARTRIDGE FILTER (60, 80, 100 SQ.FT.)
1-O-25 Gauge Air Bleeder O-Ring
2-O-83 Bulkhead Adapter O-Ring
1-O-179 2" Bulkhead O-Ring
1-O-292 Tank O-Ring
1-G-98 2" Bulkhead Fitting Gasket

RO-KIT®271

STA-RITE® POSI-FLO CARTRIDGE FILTER (35, 50 SQ.FT.)
1-O-239 Tank O-Ring

RO-KIT®272

STA-RITE® POSI-FLO II CARTRIDGE FILTER (70, 100 SQ.FT.)
1-O-239 Tank O-Ring
1-O-443 Top O-Ring

RO-KIT®273

STA-RITE® POSI-FLO EARLY & LATE CARTRIDGE FILTER (135 SQ.FT.)
1-O-39 Air Relief O-Ring
1-O-239 Tank O-Ring
1-O-419 Lid O-Ring

RO-KIT®274

STA-RITE® CARTRIDGE FILTER (TXC25, TXC25B, TXC50, TXC50B, TXC75, TXC100)
1-O-5 Knob O-Ring
1-O-305 Tank O-Ring

RO-KIT®275

ALADDIN SCAMP (Prior 2006)
1-O-39 Air Relief O-Ring
3-O-476 Tank O-Ring

RO-KIT®276

WATERWAY™/LEISURE BAY 50-100-150 SQ FT CARTRIDGE FILTER
1-O-473 Tank O-Ring
2-O-288 Drain Plug O-Ring

RO-KIT®277

LEISURE BAY CYCLONE 75-125-200 CARTRIDGE FILTER
1-O-474 Tank O-Ring
1-G-394 Drain Cap Gasket
1-O-273 Water Release O-Ring
2-O-186 Bleeder Valve O-Ring
1-O-249 Bleeder Valve O-Ring

RO-KIT®278

WATERWAY™ / LEISURE BAY UNDER CABINET CARTRIDGE SPA FILTER KIT
1-O-330 Lid O-Ring
1-O-39 Drain Plug O-Ring
2-G-392 Union Gasket

RO-KIT®279

WATERWAY™ / LEISURE BAY TOP LOAD CARTRIDGE FILTER
1-O-330 Lid O-Ring
1-O-27 Air Bleeder O-Ring

RO-KIT®280

ASTRAL TERRA 50, 75, 100, 150 SQ FT
1-O-155 Pressure Gauge O-Ring
1-O-283 Center Cap O-Ring
1-O-47 Air Bleed Valve O-Ring
3-O-49 1 1/2" Inlet/Outlet Ftg O-Ring & Drain Plug O-Ring
2-O-43 2" Inlet/Outlet Ftg O-Ring
1-O-496 Tank O-Ring

REPLACEMENT O-RING KITS FOR SAND FILTERS

RO-KIT®300

OLYMPIAN SAND FILTER
1-O-24 Bulkhead O-Ring (Before 1-1-91)
1-O-41 Bulkhead O-Ring (After 1-1-91)
1-O-218 Lid O-Ring
1-G-337 Bulkhead Gasket
1-G-380 Thin Gasket

RO-KIT®320

HAYWARD® GM SERIES SAND FILTER (GM 140, 142, 142-6, 152, 152HV)
1-O-69 Drain Plug O-Ring
1-O-263 Valve Lid O-Ring
1-O-384 Tank O-Ring

RO-KIT®321

HAYWARD® PRO SERIES PLUS SAND FILTER (S-164T, S166T, S140T, S220T, S244T, S144T, S310T, S180T, S210T, S311X, S311SXV, S360SX, S210S, S220S, S244S, S310S)
1-O-27 Air Relief Valve O-Ring
1-O-263 Valve Lid O-Ring
1-O-384 Tank Lid O-Ring
1-G-382 Drain Cap Gasket

RO-KIT®322

HAYWARD® SAND FILTER (S-160T)
1-O-27 Drain Plug O-Ring (Before 1980)
1-O-363 Drain Plug O-Ring (After 1980)
1-O-284 Valve Head O-Ring
1-O-339 Tank O-Ring
1-G-182 Filter Drain Gasket

RO-KIT®323

HAYWARD® SAND FILTER (S-200)
1-O-27 Air Relief O-Ring (Before 1980)
1-O-363 Air Relief O-Ring (After 1980)
1-O-103 Tank O-Ring
1-O-284 Cap O-Ring
1-G-182 Filter Drain Gasket

RO-KIT®324

HAYWARD® SAND FILTER (S-240)
1-O-27 Air Relief O-Ring (Before 1980)
1-O-363 Air Relief O-Ring (After 1980)
1-O-284 Cover O-Ring
1-O-340 Tank O-Ring
1-G-382 Drain Cap Gasket

RO-KIT®325

HAYWARD® SAND FILTER (S-245T & S-190T)
1-O-263 Valve Lid O-Ring
1-O-363 Drain Plug O-Ring
1-G-182 Filter Drain Gasket

RO-KIT®330

JACUZZI® LASER SAND FILTER (160L, 190L, 225L, 250L, LR3, LR6, MFM15)
1-O-39 Drain Plug O-Ring
1-O-302 Flange O-Ring
1-G-145 Adapter Flange Gasket

RO-KIT®360

PAC FAB/PUREX/TRITON® FIBERGLASS SAND FILTER
1-O-25 Gauge & Air Bleeder Adapter O-Ring
1-O-108 Closure O-Ring
1-O-130 Drain Plug O-Ring
1-O-179 Drain Plug & Bulkhead O-Ring
1-G-98 2" Bulkhead Fitting Gasket

RO-KIT®361

PAC FAB/PUREX/TRITON® TAHITIAN HI RATE SAND FILTER
1-O-64 Valve Collar O-Ring
1-O-390 Rotor Shaft O-Ring
1-O-393V Viton® Body O-Ring

Filter O-Ring Kits (RO-KIT®)

REPLACEMENT O-RING KITS FOR DE FILTERS

RO-KIT®362

PAC FAB/PUREX/TRITON® PF SAND FILTER & 35/30 S.S. SAND FILTER

1-O-4 1 1/2" Bulkhead O-Ring
1-O-25 Gauge & Air Bleeder O-Ring
1-O-179 2" Bulkhead O-Ring
1-O-184 18" Tank O-Ring
1-O-185 22" Tank O-Ring
1-G-291 Bulkhead Gasket

RO-KIT®363

PAC FAB/PUREX/TRITON® PF SAND FILTER & 100 S.S. SAND FILTER

1-O-25 Gauge Air Bleeder O-Ring
1-O-179 2" Bulkhead O-Ring
1-O-337 16" Tank O-Ring
1-G-98 2" Bulkhead Fitting Gasket

RO-KIT®364

PAC FAB/PUREX/TRITON® TAGELUS® FIBERGLASS SAND FILTER (TA30D, TA35D, TA40D, TA50D, TA60D, TA100D, TA30, TA35, TA40, TA50, TA60)

2-O-108 Valve Body & Valve Adapter O-Ring
1-O-130 Drain Plug O-Ring
1-O-284 Valve Body O-Ring
1-O-287 Stand pipe O-Ring
1-O-301 Stand pipe O-Ring
1-O-465 Valve Adapter O-Ring
1-O-467 Valve Body O-Ring

RO-KIT®370

STA-RITE® HIGH RATE 36" SAND FILTER

1-O-215 Lid O-Ring
1-O-435 Bulkhead O-Ring

RO-KIT®371

STA-RITE® PANTERA, PANTERA SKID SYSTEM & T-HRP SAND FILTER

1-G-307 Valve Square Ring (OEM Discontinued)

RO-KIT®372

STA-RITE® SEPARATION TANK ASSEMBLY (415SW-820SW) (DISCONTINUED IN 1992)

1-O-99 Tank O-Ring

RO-KIT®373

JACUZZI® MFM 17, 20, 24 SAND FILTER

1-G-145 Valve Gasket
1-O-39 Plug O-Ring
1-O-263 Bottom Drain O-Ring

RO-KIT®374

JACUZZI® RMST-24, ST27, ST33 SAND FILTER

1-O-411 Filter Lid O-Ring
1-O-449 Valve to Adapter O-Ring
1-O-466 Valve Lid O-Ring
3-O-122 Drain Plug O-Ring

RO-KIT®400

AMERICAN TITAN S.S. DE FILTER

1-O-24 Outlet Pipe O-Ring
1-O-40 Drain Plug O-Ring
1-O-41 Inlet Pipe O-Ring (After 1-1-90)
1-O-87 Tank O-Ring (Before 11/94)
1-O-325 Inlet Pipe O-Ring (Before 1-1-90)
1-G-337 Bulkhead Gasket
1-G-380 Bulkhead Gasket

RO-KIT®420

HAYWARD® PERFLEX® DE FILTER (EC-65 & EC-75)

3-O-30 Bump Shaft O-Ring
1-G-348 Diaphragm Gasket

RO-KIT®421

HAYWARD® MICRO CLEAR-VERTICAL GRID S.S. DE FILTER

1-O-24 Outlet Elbow O-Ring
1-O-41 Support Base O-Ring
1-O-430 Tank O-Ring
3-O-186 Relief Valve O-Ring
1-G-384 Relief Valve To Filter Head Gasket

RO-KIT®422

HAYWARD® PERFLEX® DE FILTER (EC-40 & EC-50)

1-O-30 Bump Shaft O-Ring
1-G-178 Diaphragm Gasket

RO-KIT®423

HAYWARD® MICRO CLEAR VERTICAL GRID DURALON, PERMAGLASS XL™ DE FILTER

1-O-24 Outlet Elbow O-Ring
1-O-186 Relief Valve Stem O-Ring
2-O-446 Relief Valve Stem O-Ring
1-O-429 Tank O-Ring

RO-KIT®430

JACUZZI® LANDSLIDE DE FILTER DE SEPARATION TANK

1-O-39 Drain Plug O-Ring
1-O-237 Support O-Ring
1-O-413 Tank & Cover O-Ring

RO-KIT®460

PAC FAB/PUREX/TRITON® STAR FIBERGLASS REINFORCED POLYMERIC DE FILTER

1-O-99P Tank O-Ring
2-O-125 Filter O-Ring
1-O-442 Bottom Center Pipe O-Ring
1-O-276 Shaft Seal O-Ring
1-O-287 Stand pipe O-Ring

RO-KIT®461

PAC FAB/PUREX/TRITON® SM/ SMBW 4000 SERIES™ DE FILTER

1-O-47 Rotor Valve O-Ring
1-O-333 Tank O-Ring

RO-KIT®462

PAC FAB/PUREX/TRITON® 2000 SERIES SAND FILTER, COLLECTOR & BW VALVE W/BRASS & NORYL ROTOR

1-O-47 Rotor Shaft O-Ring
3-O-64 Collar Rotor O-Ring
1-O-158 Brass Rotor O-Ring
1-O-163 Valve Body O-Ring
1-O-301 Collar Rotor O-Ring

RO-KIT®470

STA-RITE® VERTICAL DE FILTER (DEP36, HRP20, HRP20-01B)

1-O-4 Cap O-Ring
1-O-103 Tank O-Ring
1-O-109 Outlet Elbow O-Ring

RO-KIT®471

STA-RITE® VERTICAL DE FILTER (DEP51, HRP24, HRP24-01B)

1-O-4 Cap O-Ring
1-O-104 Tank O-Ring
1-O-109 Outlet Elbow O-Ring

RO-KIT®472

STA-RITE® VERTICAL DE FILTER (DEP83, HRP30, HRP30-01B)

1-O-4 Cap O-Ring
1-O-105 Tank O-Ring
1-O-109 Outlet Elbow O-Ring

RO-KIT®473

STA-RITE® VERTICAL SAND & DE FILTER (DES25, HRS16-01)

1-O-100 Tank O-Ring

RO-KIT®474

STA-RITE® VERTICAL SAND & DE FILTER (DES36, HRS20-01)

1-O-101 Tank O-Ring

RO-KIT®475

STA-RITE® VERTICAL SAND & DE FILTER (DES51, DES60, HRS24-01)

1-O-106 Tank O-Ring

RO-KIT®476

PAC FAB NAUTILUS® S/S DE FILTER

1-O-24 Filter Pump O-Ring
1-O-184 Tank O-Ring
1-O-83 Bulkhead Valve Adapter O-Ring
1-O-628 Bleeder Cartridge Filter O-Ring

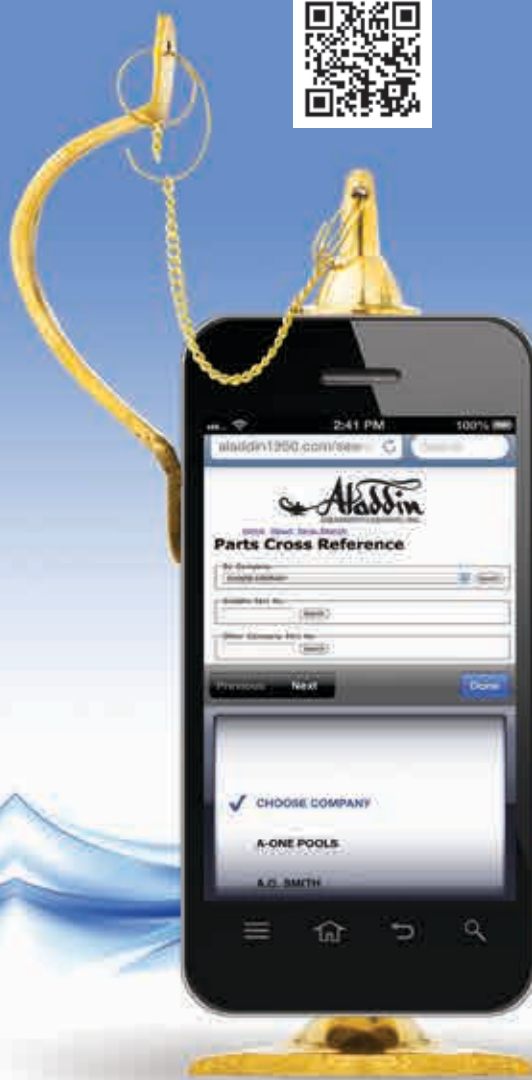
RO-KIT®477

JACUZZI® DE EARTHWORKS FILTER

1-O-39 Plug O-Ring
1-O-101 Tank O-Ring
1-O-69 Valve Shaft O-Ring
1-O-24 Test O-Ring

Now the Power of the Aladdin Lamp is in Your Hand.

The Aladdin catalog and cross reference are now searchable via your desktop computer or smart phone 24 hours a day, 7 days a week.



900 Sarasota Center Blvd., Sarasota, FL 34240
1.800.854.2466 | www.aladdin1950.com

ACTION SPAS (ASI)

3010P	Universal Pressure Switch	3925
3044P	Universal Pressure Switch	3925
CSC-1113	4-Function Air Switch(TBS-312 Required)	CSC-1101
FP-2001	Air Switch	TBS-312

ACURA SPA SYSTEMS

380	Aquaheat Pump 1"x 1" Gasket Kit	
1058	Drain Plug O-ring Magnaflow	
1059	Aquaheat Pump Large O-ring	
1061-M	Magnaflow Volute O-ring	
1081	Aquaheat Pump Diffuser O-ring	
1090-A	Aquaheat/Maverick/Magnaflow/Super Charger shaft seal	AS-601
3037-P	Universal Pressure Switch	3925
TBS-301	Air Switch	TBS-301
TBS-305	Air Switch	TBS-301
TBS-310	Air Switch	TBS-301
TBS-317	Air Switch	TBS-317

ADDISON

50 Sq. Ft. Cartridge Filter Element	15016
-------------------------------------	-------

ADVANCE

6C-200	Pump Seal	AS-200
6C-201	Pump Seal	AS-201
OV-11-006	Chlorinator Viton® O-ring	0-249V
OV-11-008	Chlorinator Viton® O-ring	0-243V
OV-11-009	Chlorinator Viton® O-ring	0-348V
OV-11-010	Chlorinator Viton® O-ring	0-186V
OV-11-011	Chlorinator Viton® O-ring	0-349V
OV-11-012	Chlorinator Viton® O-ring	0-30V
OV-11-028	Chlorinator Viton® O-ring	0-32V
OV-11-110	Chlorinator Viton® O-ring	0-155V
OV-11-112	Chlorinator Viton® O-ring	0-39V
OV-11-113	Chlorinator O-ring	0-47
OV-11-203	Chlorinator Viton® O-ring	0-355V
OV-11-210	Chlorinator Viton® O-ring	0-356V
OV-11-212	Chlorinator O-ring	0-276
OV-11-325	Chlorinator O-ring	0-71
OV-11-332	Chlorinator O-ring	0-83

ADVANCE SPAS

22 Sq. Ft. Cartridge Filter Element/Old	12202	
25 Sq. Ft. Cartridge Filter Element	12519	
50 Sq. Ft. Cartridge Filter Element	15016	
50 Sq. Ft. Cartridge Filter Element	14701	
50 Sq. Ft. Cartridge Filter Element	15017	
75 Sq. Ft. Cartridge Filter Element	17512	
3028	Universal Pressure Switch	3925
3045	Universal Pressure Switch	3925
3903	Universal Pressure Switch	3902
3903-AN	Universal Pressure Switch	3902
3903-AH	Universal Pressure Switch	3902
TBS-301	Air Switch	TBS-301
TBS-324	Air Switch	TBS-301
9300-06-06	3 Button Command Center & Retro-Fit Faceplate	CC3-120-10 & 20205
9300-06-07	3 Button Command Center & Retro-Fit Faceplate	CC3-120-10 & 20205
9350-06-07	3 Button Command Center & Retro-Fit Faceplate	CC3-120-10 & 20205

ADVANTAGE ELECTRIC

ELE-75	75 Sq. Ft. Cartridge Filter Element	17535
--------	-------------------------------------	-------

AFTER HOURS (SEE HYDRO SPAS)

25 Sq. Ft. Cartridge Filter Element	12519
35 (17.5) Sq. Ft. Cartridge Filter Element (2 Required)	11802
50 Sq. Ft. Cartridge Filter Element	15002

AIR ENERGY

3015	Pressure Switch	3015
TBS-213	Universal Air Switch	TBS-917

AKER® PLASTICS

3029	Universal Pressure Switch	3925
------	---------------------------	------

AIRQUATIC

5099-149	FG Filter Lid O-ring	0-160
----------	----------------------	-------

ALADDIN

AS-851	Pump Seal	AS-972
B-13	NO-NICHE® Skimmer Basket	B-13
O-39	System 2001 Cartridge Filter Drain Cap O-ring	0-39
O-408	Vac Master Lid O-ring	0-408
O-476	System 2001 Cartridge Filter Tank O-ring	0-476
17516	Scamp System Cartridge Filter Element 75 Sq. Ft. (Prior To 2006)	17516
17530	Scamp System Cartridge Filter Element 75 Sq. Ft. (2006-2013)	17530
19912	Scamp System Cartridge Filter Element 100 Sq. Ft. (Prior To 2006)	19912
22003	Scamp System Cartridge Filter Element 120 Sq. Ft. (Prior to 2006)	22003

ALADDIN PARAPORT VALVE

C-64001	1 ½" Complete Valve-Threaded	C-64001
C-64002	1 ½" Complete Valve-Slip	C-64002
C-64011	Handle Pin	C-64011
C-64017	Small Nameplate	C-64017
C-64018	Set Screw	C-64018
C-64052	Cover	C-64052
C-64053	Shaft Assembly	C-64053
C-64054	Handle	C-64054
C-64055	Paraport Gasket	C-64055
C-64057	Shaft O-ring	C-64057
C-64058	PTFE Washer	C-64058
C-64059	Zinc Washer	C-64059
C-64062	Large Nameplate	C-64062
C-64064	Spring	C-64064
C-64066	Body Bolts & Nut Set	C-64066
C-64067	Sight Glass	C-64067
C-64069	Sight Glass Gasket	C-64069
C-64070	Sight Glass Screw	C-64070
C-64071	Body-Threaded (With Gasket)	C-64071
C-64072	Body-Slip (With Gasket)	C-64072

ALCOVE

8 Sq. Ft. Cartridge Filter Element	10805
19 Sq. Ft. Cartridge Filter Element	11901

ALDEN LEEDS

Divert-o-trol Lid O-ring	0-278
--------------------------	-------

ALLSTATE

3029	Universal Pressure Switch	3925
------	---------------------------	------

AMERICAN PRODUCTS® (SEE PENTAIR®/PAC FAB)

2" Piston O-Ring Kit	0-518KIT
Classic Spas-50 Sq. Ft. Cartridge Filter Element	15016
Light Ring Adapter-Brass for SAM®/Spectrum/AmerLite® Light	500C
Universal Light Ring Adapter-Plastic	500P
Light Ring Screws (Set Of 3)	500S
Concrete Deck Filter Basket	B-192
SP Skimmer Basket-Metal	B-80
Air Relief Valve O-ring	0-243
Commander Air Relief O-ring	0-30
Crank O-ring	0-130
Multiport Valve Rotor Shaft O-ring	0-47

	Titan Manifold O-ring.....	0-325	46135200	Thin Line Spa Skimmer Gasket/Fun-Lite/Luxury Light/ Moon-Glow/Mood Light/Luxury Suction Fitting/ Luxury Swirl Blaster Jet	G-405
	Spacemaker Collection O-ring.....	0-227		Gasket for Pleasure Jet	G-459
	1 1/2" Collection O-ring	0-26	46212000	2 1/2" Standard Swim Jet Gasket (See 452220)	
23502000	O-Ring (SOSH -FO).....	0-410	46314000	Mini Jet Fitting Gasket	G-404
37405800	Heater Gasket.....	G-74	46713000	Diverta Port Valve Bobbin O-ring	0-155
39000400	Power Pump Lid O-ring.....	0-302	46715000	Diverta Port Valve Puck O-ring	0-122
39000500	Power Pump 3 HP Lid O-ring.....	0-481	46717000	Diverta Port Valve Cap O-ring.....	0-64
39000600	Power Pump Basket.....	B-106	46722000	Aquawave Gasket	
39000700	Power Pump 3 HP Basket.....	WIP	46815500	AquaLumin® O-ring	0-186
39000800	Power Pump Gasket.....	G-383	46824000	Power-Glas™ Slip Body O-ring	0-49
39002300	Power Pump Seal.....	WIP	46911500	Luxury Air Control O-ring	
39004000	Power Pump Diffuser O-ring.....	0-49	46913000	Standard Luxury Air Control Gasket.....	WIP
39005900	Ultra-Flow® Basket	WIP	46915000	Standard Air Control O-ring.....	0-437
39006000	Ultra-Flow® Pump Volute O-ring.....	0-240	46915800	Luxury Air Control Check Valve Gasket	
39006600	Ultra-Flow® Pump Diffuser O-ring	0-244	46923000	1" ID Mini Air Control Gasket	
39010000	Ultra-Flow® Impeller Lock O-ring.....	0-130	46925000	Mini Air Control O-ring	0-438
39010200	Clean & Clear® RPM™ Tank Clamp O-ring/Titan Bulkhead O-ring FNS® Plus Filter.....	0-497	47062600	Luxury Spa Fitting Gasket (See 461352)	
	Maxim™/Americana® II/Power-Glas™ Basket	WIP	47062800	Luxury Spa Fitting O-ring/Luxury Swirl Jet O-ring.....	0-285
39101200	Maxim™/Americana® II O-ring	0-400	47064000	Luxury Air Control/Adjusta-Swirl Micro Jet/ Adjusta-Flow Gasket.....	G-402
39101500	Americana® II/Power-Glas™ Body O-ring	0-286	47064200	Titan CM Lid/Quantum™ CM Filter O-ring	0-350
39101600	Americana® II Lid/Impeller O-ring.....	0-401	47064200	Titan CM Lid/Quantum™ CM Filter O-ring Viton®.....	0-350V
39101700	Maxim™/Americana® II/Power-Glas™ Lid O-ring.....	0-19	47224900	Diverter Jet Gasket	
39101900	Maxim™/Americana® II Slinger Gasket	G-215	47225300	Diverter Jet Gasket	
39102100	Maxim™/Warrior™ Union Swivel O-ring	0-64	47226400	Diverter Jet O-ring	
39102800	Titan CM/Sandpiper Filter 18" & 24" Thick O-ring (After 1/1/1990)		47473000	Plastic Adjusta-Swirl/Micro Jet/Adjusta-Flow O-ring	
39102900	Olympian Bulkhead O-ring (After 1/1/1991)		47721000	Cyclojet Small O-ring	0-130
	M/O Union O-ring	0-41	47721100	Cyclojet Large O-ring	0-439
39104500	Warrior™ Filter Union O-ring		50131000	5 & 8 Position Valve Spider Gasket	
39200100	Eagle Pump Basket	WIP	50140700	1 1/2" T/M Series Multiport Valve Gasket.....	G-363
39200300	Eagle Pump Plate to Volute O-ring/Olympian Filter Lid O-ring....	0-330	50141400	1 1/2" T/M Series Multiport Valve O-ring	0-276
39204100	Standard Lid O-ring (See 0-218 For Custom Molded O-ring)..	0-161	50141500	1 1/2" T/M Series Multiport Valve Lid O-ring.....	0-368
39204100	Eagle Pump/Olympian T/M Filter Lid O-ring For Multiport Valve (Custom Molded O-ring)	0-218	50141700	1 1/2" T/M Series Multiport Valve Spider Gasket	
39204800	Eagle Diffuser Gasket.....	G-370	50151700	5 & 8 Position Lid O-ring.....	0-48
39300300	Ultra-Flow®/Americana®/Noryl®/Bronze/SS H&L Pump Lid O-ring (Before 1994).....	0-136	50151900	5 & 8 Position Valve Rotor O-ring.....	0-276
39300400	Americana®/Noryl® Pump SS H&L Basket (Before 10/1987)	B-177	50152100	1 1/2" T/M Multiport Valve II O-ring.....	0-159
39300600	Ultra-Flow® Lid O-ring/Multiport Valve Base O-ring/ Eclipse Meteor Top Mount Valve Clamp O-ring	0-461	50152300	5 & 8 Position Valve B/W Sight Glass, Meteor Filter Hose Assembly O-ring.....	0-630
39301500	Pump Lid Quad Ring (Before 7/1975).....	0-133	51000400	Multiport Valve Cover Gasket.....	G-272
39303500	Ultra-Flow®/Americana®/Noryl®/Bronze Basket		51001000	Multiport Valve Lid N/S Quad Ring.....	0-389
39500100	Americana®/Noryl® Pump Slinger O-ring	0-73	51001200	Multiport Valve Shaft O-ring/ Directional Valve 2 & 3 Port O-ring	0-27
39500400	Seal Plate O-ring (Before 1975)	0-169	51001300	Multiport Valve Shaft PTFE Ring	0-345
39500500	Americana®/Noryl®/Bronze Pump Seal.....	AS-201	51001800	Multiport Valve Gasket & Washer (2 Required)	G-231
39501200	Americana®/Noryl®/Bronze/Ultra-Flow® Pot to Volute Pump Gasket.....	G-97	51002200	1 1/2" Multiport Valve Lid O-ring	0-139
39501300	Americana® Pump Seal Plate O-ring (After 7/1975)	0-300	51002300	2" Multiport Valve Lid O-ring	
39701200	Americana® II/Power-Glas™/Eagle/Bronze/Maxim™/ Ultra-Flow® Pump Seal	AS-1000	51002600	Multiport Valve Rotor O-ring	0-276
39701300	Pump Shaft Extension	150	51003100	Americana® Valve Stem & Shaft Cap O-ring (Part Of 0-518KIT).....	0-39
39702000	Eagle/Maxim™um/Power-Glas/Ultra-Flow® Pump Seal	AS-1000	51003200	Valve Stem O-ring.....	0-117
39702800	Bronze/Noryl® Seal Plate O-ring/Commander II Filter.....	0-329	51003400	Bronze Valve Cap O-ring/Americana® Valve/ Power Pump Adapter O-ring	0-125
40000100	Turbo Charger Res Blower 2" Hose Clamp	276-28	51003500	Sand Filter Union O-ring/Olympian Bulkhead (Before 1/1991) ..	0-24
42161200	Power-Glas™ Volute O-ring.....	0-257	51003600	1 1/2" Valve Spider Gasket	
42216000	Power-Glas™ Gasket	G-371	51003700	2" Valve Spider Gasket	
42216000	Neoprene Washer	G-270	51004900	2" Fiber Backwash Valve Cap Gasket	G-220
43216000	SuperFlo® II Cartridge Filter Knob O-ring	0-326	51005000	2" Backwash Valve Piston O-ring/Drain/Inspect Fittings O-ring/Eclipse SM & TM FNS® Filter/Titan/Warrior™/Meteor/ Predator™/Clean & Clear® (Part Of 0-518KIT)	0-71
45112000	Twinport Spa Skimmer Basket		51005400	Sight Glass Valve Gasket	
45115500	Skimmer Weir 5 7/8"	933	51005600	Small Separation Tank O-ring.....	0-371
45117000	Twin Port Sealing Gasket.....	G-375	51005800	1 1/2" Valve Standpipe O-ring	
45222000	2 1/2" Main Drain Single Port Double Standard Suction Fitting Gasket.....	G-401	51005900	Air Relief/Separation Tank MS6-60 O-ring	0-186
45313000	Double Port Spa Main Drain 1 1/2" Gasket.....	G-407	51006100	Sight Glass Gasket.....	G-250
45333000	Pep Main Drain Gasket.....	G-379	51006500	Air Relief Valve Separation Tank Gasket	G-217
46035700	Aqua-Fan Gasket		51007600	Separation Tank Lid O-ring.....	0-194
46113000	2" ID Thick Gasket/Double Port/Standard Suction/ Standard Fitting/Redwood Inlet Fitting.....	G-408	51008400	6 Spoke Spider Gasket (Before 1976).....	0-392
46135100	High Flow Fitting Gasket		51008400	5 Spoke Spider Gasket (After 1976)	0-392A

51008700	Sight Glass Washer.....	G-231
51010400	Americana® Valve Old Style Piston O-ring.....	0-113
51011600	Eclipse Filter Side Mount O-ring & Top Mount Clamp O-ring.....	0-461
51011900	Eclipse Meteor Filter Top Mount O-ring (Before 4/1995).....	0-232
51013300	Quantum™ Filter/Sandpiper 18" & 24"/Titan Bulkhead Gasket	
51013500	ABS Valve Body Cap/Sandpiper 18" & 24" (Before 1/1/1990)	
	Caribe/Titan 133, 184, 368, Union O-ring/Push	
	Pull Valve Cap O-ring (Part Of O-518KIT).....	0-325
51013600	Caribe/Olympian/Quantum™/Sandpiper/Titan Bulkhead	
	Thick Gasket.....	G-380
51013700	Caribe/Olympian/Quantum™/Sandpiper 18" & 24"/Titan	
	Bulkhead Gasket.....	G-337
51015900	2 & 3 Diverter Port Valve Gasket.....	G-458
51016200	2 & 3 Directional Port Valve O-ring.....	0-248
51016700	2" Slip Multiport Valve Lid O-ring.....	0-463
6020006	Cap O-Ring For Push Pull Valve.....	0-39
51017000	2" Multiport Valve Spider Gasket.....	G-406
51017300	1 ½" & 2" Top Mount Slip Multiport Valve Gasket/ Sight Glass Gasket	
51017500	2" Multiport Valve Slip Plug O-ring	
51017700	1 ½" & 2" Top Mount Slip Multiport Valve O-ring.....	0-276
51017900	2" Multiport Valve Slip O-ring	
51018300	2" Multiport Valve Threaded Lid O-ring.....	0-277
51018600	2" Multiport Valve Threaded Spider Gasket.....	0-322
51018900	2" Multiport Valve Threaded Sight Glass Gasket	
51021700	Eclipse Clamp Gasket/Meteor Filter.....	G-415
51021900	Side Mount Multiport Valve Shaft O-ring	
52000100	Eclipse Filter Bulkhead O-ring.....	0-246
52000200	Eclipse Side Mount Valve Bulkhead O-ring (2 Required)	
52000500	Eclipse Side/Top Mount Lid O-ring.....	0-268
53000400	Spin Filter Shaft Sleeve Gasket.....	G-180
53001800	Female Bell Quad O-ring.....	0-82
53002800	Caribe/Quantum™/Olympian/Sandpiper/Spin/ Titan 18" Tank O-ring.....	0-87
53008800	Quantum™/Titan Tank O-ring (Use After 11/1994)	
	Sandpiper Tank O-ring Blue Stripe.....	0-470
55000900	18" & 24" Sandpiper Hub Gasket.....	G-255
55001500	Sandpiper Tank O-ring (Before 11/1994).....	0-471
55001700	24" Sandpiper Tank O-ring.....	0-93
55006000	Sahara Filter Manhole Gasket.....	G-372
55006700	Sahara/Sandpiper Filter Drain O-ring.....	0-288
56627400	Quantum™ 175-43.7 Sq. Ft. Cartridge Filter Element (4 Required).....	14401
56627800	Quantum™ 350-87.5 Sq. Ft. Cartridge Filter Element (4 Required).....	18801
56627900	Quantum™ 500-125 Sq. Ft. Cartridge Filter Element (4 Required) (Prior to 11/1998).....	22501
56628300	Quantum™ 20" 360 Sq. Ft. Cartridge Filter Element.....	19005
57000500	Caribe 5.8 Sq. Ft. Cartridge Filter Element.....	10604
57002100	2" Hose Clamp.....	276-28
57003200	Caribe Filter 12" Tank O-ring & MS6-72 Separation Tank O-ring.....	0-96
57005700	Commander-25 Sq. Ft. Cartridge Filter Element.....	12509
57005800	Commander-50 Sq. Ft. Cartridge Filter Element.....	15007
57006500	Commander Gauge Plug & Maxim™ Pump O-ring/ Americana® II.....	0-155
57006700	Commander Knob Seal O-ring.....	0-326
57006800	Eclipse Side Mount Air Relief O-ring.....	0-288
57007300	Commander Tank O-ring.....	0-342
57007400	Commander-75 Sq. Ft. Cartridge Filter Element.....	17506
57007800	Commander Center Rod O-ring.....	0-391
57008200	Admiral Twin Port Skimmer S20 Equalizer O-ring.....	0-301
57008700	Olympian Filter Fiber Washer	
57009300	EPR 70 O-ring.....	0-628
57010200	Commander II (In Line)-19.7 Sq. Ft. Cartridge Filter Element.....	12001
57010500	Commander II (In Line)-25.2 Sq. Ft. Cartridge Filter Element.....	12501
57011300	Commander II (In-Line) Cartridge Filter Seal Drain O-ring.....	0-319

57011400	Caribe-8 Sq. Ft. Cartridge Filter Element.....	10801
57014200	Commander-35 Sq. Ft. Cartridge Filter Element.....	13503
57014300	Commander-75 Sq. Ft. Cartridge Filter Element-Upgrade.....	17509
57014400	Commander-100 Sq. Ft. Cartridge Filter Element.....	19903
59000600	Manifold O-ring/Outlet Pipe O-ring/Titan/Olympian/FNS®.....	0-24
59021000	Quantum™ CM/Titan CM Tank O-ring.....	0-498
59054000	Clean & Clear®/Predator™ 50 Sq. Ft. Cartridge Filter Element.....	15036
59054100	Clean & Clear®/Predator™ 75 Sq. Ft. Cartridge Filter Element.....	17525
59054200	Clean & Clear®/Predator™ 100 Sq. Ft. Cartridge Filter Element.....	19916
59054300	Clean & Clear®/Predator™ 150 Sq. Ft. Cartridge Filter Element.....	25005
59054400	Clean & Clear®/Predator™ 200 Sq. Ft. Cartridge Filter Element.....	29902
602006	Cap O-ring For Push Pull Valve.....	0-39
71100400	1 ½" Hose Clamp For Tagelus® Filter Flex Hose	
76500400	Old Style Marine Pump Basket.....	B-171
78880200	AquaLumin® Lens Seal & AquaLumin® II.....	G-471
79101600	Light Lens Gasket for SAM®/Spectrum/AmerLite®-Silicone...	0-170
79101601(Z)	Quartz Lens Gasket.....	0-170
79104800	Neoprene Washer.....	G-254
79108500	Spa Light Lens Gasket for SpaBrite®/AquaLight®/ SAL® Spectrum/ IntelliBrite® (Old # 0-344S) - Silicone.....	0-344
79108600	Spa Light Lens Gasket For AquaLight®/ SAL® Spectrum/ IntelliBrite® (Old # 0-344S) - Silicone.....	0-344S
79114300	Fun-Lite/Luxury/Moon-Glow/Mood Lite Gasket.....	WIP
79116800	Luminator 2000 Gasket (2 Required)/Aqua Luminator/Quasar.....	G-403
79116900	Luminator Bulb Assembly O-ring/Aqua Luminator/Quasar.....	0-114
79128900	O-Ring (Ep 40).....	0-246
79200300	Niche Gasket American Holes (2 Required)/ AmerLite®/Ameriquartz.....	G-168
79200400	Niche Gasket Standard Holes (3 Required) Amerlite®/Ameriquartz.....	G-110
79200500	Plastic Niche O-ring.....	0-446
79200700	Amerlite®/Ameriquartz 10 Hole Pattern Gasket.....	G-466KIT
79207500	Double Wall Gasket.....	G-465
79204600	Spa Light Sealing Gasket (3 Required).....	G-228
79204603	Gasket Only (Part of G-464KIT).....	G-462
79207100	HiLite® O-ring.....	0-246
79207300	QuickNiche™ Liner Gasket	
79207900	SpaBrite®/AquaLight® Small Niche Gasket.....	G-464KIT
79207900	Double Wall Gasket (Part of G-464KIT).....	G-463
79300600	Junction Box Sealing Gasket.....	G-109
79330000	Luminator J Box Gasket	
79401000	Aqua Luminator J Box Gasket	
81111700	Gasket Set Large 10 Hole Pattern Admiral Skimmer without Double Wall.....	G-62
81111800	Gasket Set Large 10 Hole Pattern Admiral Skimmer with Double Wall	
85000100	Admiral Skimmer Basket.....	B-37
85000100	Admiral Skimmer Basket-Metal.....	B-28
85000200	Stubby Skimmer Basket.....	B-32
85000500	9" Round Skimmer Cover/Deck Lid	
85000700	Admiral Skimmer Square Ring Seat 10 ½" x 10 ½"	
85001200	Admiral Floating Weir.....	B-38
85001300	Skimmer Floating Weir.....	B-38
85001500	8" Skimmer Weir.....	925
85001600	Liner Gasket (2 Required) Admiral Skimmer.....	G-62R
85001900	Admiral Vac Plate.....	920
85002800	American FAS Vac Plate.....	912
85003200	Front Access Skimmer Weir.....	923
85003300	Front Access Skimmer Rear Gasket.....	G-234
85003400	Front Access Skimmer Front Gasket.....	G-233
85003900	Front Load Skimmer Basket.....	B-172
85005700	Manifold O-ring/Caribe/Quantum™/Sandpiper 18" & 24" Titan CM Drain Plug O-ring.....	0-40

85007700	Admiral Wide Mouth Skimmer Gasket.....	G-330
85014500	S20 Skimmer Basket	B-200
85015100	S20 Skimmer Bottom O-ring	O-324
86006900	Titan RPM™/ FNS® Plus/Clean & Clear® Lower & Upper Bulkhead O-ring	O-180
86200500	Manifold O-ring.....	O-40
86202000	Clean & Clear® Plus Drain Plug O-ring Only	
86300500	Eclipse/Predator™/Warrior®™ Filter Side & Top Mount Drain Cap Gasket/Meteor/Clean & Clear®.....	G-451
87102000	Drain Pump Gasket	G-328
87200200	Thin Line Spa Skimmer Gasket/Sandpiper Hub Gasket.....	G-89
87201200	2" ID Thick Gasket Deck Jet Body Gasket.....	G-89
87203500	Deluxe Inlet Fitting Gasket	
87206300	AquaLumin® Sealing Gasket.....	G-450
87208600	Side Mount Multiport Valve P Series Spider Gasket	
87300400	Predator™/Warrior®™/Clean & Clear® Filter Body O-ring.....	O-343
98206900	Shaft Extension Set Screws.....	152
98208500	Washer.....	G-259
98209800	Air Relief Valve (Pentair Multiple Applications).....	O-538KIT
98220700	Side Mount Multiport Valve P Series Shaft O-ring	
98220800	Side Mount Multiport Valve P Series Lid O-ring	
98221400	Side Mount Multiport Valve P Series Sight Glass O-ring	

AMERICAN GRANBY

50-1100BSS	1 1/2" Heat Sink O-ring.....	O-125
55-1150BSS	2" Heat Sink O-ring.....	O-64

AMERICAN SANITARY

40587	Basket-Metal.....	B-165
-------	-------------------	-------

AMERICAN SPA MFG

	25 Sq. Ft. Cartridge Filter Element.....	12521
	50 Sq. Ft. Cartridge Filter Element.....	14510
	50 Sq. Ft. Cartridge Filter Element.....	15002
8400-10-000-06	4 Button Spa Side Controller & Retro-Fit Faceplate	CC4-120-10 & 20205
9400-10-000-06	4 Button Spa Side Controller & Retro-Fit Faceplate	CC4-120-10 & 20205

AMERICAN WHIRLPOOL

TBS-310	Air Switch.....	TBS-301
8750-10-301-06	3 Button Spa Side Controller & Retro-Fit Faceplate	CC3-120-10 & 20205
8755-10-301-06	3 Button Spa Side Controller & Retro-Fit Faceplate	CC3-120-10 & 20205

AMISH COUNTRY

	25 Sq. Ft. Cartridge Filter Element.....	12518
	34 Sq. Ft. Cartridge Filter Element.....	13401
	40 Sq. Ft. Cartridge Filter Element.....	14006
	58 Sq. Ft. Cartridge Filter Element.....	15801

AMPRO

	900-9S/8S/7S Large Spool O-ring.....	O-114
	900-9S/8S/7S Small Spool O-ring	O-253
1403	Cover Gasket.....	O-309
6-146	Gasket	G-212
200-3	Lexan Pump Body O-ring	O-277
300-6	Noryl® Pump Body O-ring	O-229
	Selector Valve Gasket.....	G-324
304-D	Pump Seal Dura-Flo/Noryl® Turbo/XL600	AS-1000
504-D	Pump Seal Die Cast/Lexan 200 Series	AS-163
600-57	H & L Pot Lid O-ring.....	O-74
606-78	Pump Seal.....	AS-200
646	Pump Gasket.....	G-211
900	Backwash O-ring	O-315
900-4	Upper Cap Washer.....	G-229
900-7 & 900-8	Small Spool O-ring.....	O-315
900-9	Large Spool O-ring	O-431

ANTHONY

	Kim Lens O-ring.....	O-3
	Kim Rear Seal O-ring	O-4
	Admiral Lid Gasket Oval	O-6
	6" Pump Lid O-ring.....	O-12
	4" Pump Lid O-ring.....	O-14
	1 1/2" Old Style Piston O-ring	O-252
	New Style Piston O-ring	O-282
	4 Hole Pot to Volute Pump Gasket.....	G-20
	7 x 7 Skimmer Basket-Metal	B-1
	5 x 5 Skimmer Basket-Metal	B-2
	7 x 7 Skimmer Basket-Plastic.....	B-39
	Old Style Light base O-ring	O-179
	Hydro H & L Lid O-ring	O-74
	Skimmer Weir 7 1/4".....	934
	Inlet/Outlet #26 Gasket.....	G-287
014118	Universal Lens Gasket.....	O-7
17810-17770	2" Plastic Slide Valve Piston O-ring.....	O-26
17810-17770	2" Plastic Slide Valve Bulkhead Connector O-ring	O-24
004278	Separation Tank Gasket	O-90
004380	Pump Seal.....	AS-1000
004412	AR Seal Plate O-ring.....	O-163
004465	AJ105 Sweep Pump Gasket.....	G-54
004547	Pump Seal.....	AS-100
005156	Tank Gasket.....	G-273
011027	Sweep Conversion Kit O-ring.....	O-397
012382	Ditron Tank O-ring	O-204
012388	Ditron Air Release Valve Gasket.....	G-34
015029	Heater Old Rear Header Gasket.....	G-59
015147	Heater Dual Housing Gasket.....	G-60
015448	Tube Seal Silicone.....	G-245
015981	Heater Inlet/Outlet Gasket.....	G-256
017433	18" Tank O-ring	O-293
017434	A-40 O-ring.....	O-200
017437	Valve Shaft O-ring.....	O-39
017606	3/16" Piston & 1 1/2" Cap Ring.....	O-113
017681	3/16" Piston & 2" Cap Ring.....	O-125
017786	Plastic Valve Plunger Rod O-ring.....	O-207
017791	1 1/2" Plastic Backwash Valve Stem O-ring	O-403
027111	Large Tube Seal Gasket	G-30
SG-364	Sight Glass Gasket.....	G-258

A-ONE POOLS

8300-10-000-06	2 Button Spa Side Controller	CC2-120-10
8750-10-000-06	3 Button Spa Side Controller & Retro-Fit Faceplate	CC3-120-10 & 20205
8400-10-000-06	4 Button Spa Side Controller & Retro-Fit Faceplate	CC4-120-10 & 20205

A.O. SMITH (CENTURY® - REGAL BELOIT)

Available Parts & Descriptions @ www.aladdin1950.com

APOLLO CORP

	25 Sq. Ft. Cartridge Filter Element.....	12501
	25 Sq. Ft. Cartridge Filter Element.....	12502
	25 Sq. Ft. Cartridge Filter Element.....	12511
	25 Sq. Ft. Cartridge Filter Element.....	12512
	35 Sq. Ft. Cartridge Filter Element (2 Required)	11802
	50 Sq. Ft. Cartridge Filter Element.....	15002
330-004	Universal Air Switch	TBS-901
330-018	4 Function Air Switch	SAS-109

APPLIED COMPUTER CONTROLS

TBS-301	Air Switch.....	TBS-301
3037-P	Universal Pressure Switch	3925

AQUA CAL®

19028	O-ring For Autopilot® APA003 Tri-Sensor	O-676
-------	---	-------

AQUADOR

Model 1010	SkimSaver™ Faceplate And Lid/L Seal Winterizes Skimmer.....	NS
Model 1020	SkimSaver™ Winterizing Faceplate/Lid/L Seal For Doughboy® Standard/Deluxe Above Ground	AG2000
Model 1030	SkimSaver™ Faceplate And Lid/L Seal Winterizes Skimmer.....	NS
Model 1040	SkimSaver™ Faceplate And Lid/L Seal Winterizes Skimmer.....	NS
Model 1050	SkimSaver™ Faceplate And Lid/L Seal Winterizes Skimmer.....	NS
Model 1084	SkimSaver™ Winterizing Faceplate/Lid/L Seal For Standard In-Ground.....	IG1084
Model 1085	SkimSaver™ Winterizing Faceplate/Lid/L Seal For Widemouth In-Ground.....	IG1085
Model 1090	SkimSaver™ Winterizing Faceplate/Lid/L Seal For Standard Above Ground.....	AG1090

AQUA DYNE (ALL LISTINGS UNDER LAARS)

AQUA-FLO

TBS-310	Air Switch.....	TBS-301
TBS-410-929	Air Switch.....	TBS-410
	Male Adapter O-ring	0-49
	6" Basket-Tapered	B-36
	Dominator Pump Basket.....	B-199
ACF-11	Commercial Volute Gasket.....	G-3
ACF-14	AC Series Shaft Seal	
AF-06	A Series Shaft Extension	150
AF-07	Set Screw 1/4"-20 x 5/16".....	152
AF-09	5" Basket	B-33
AF-09-01	A & AC Series 6" Basket	B-34
AF-09-02	A & AC Series 8" Basket	
AF-10	5" Lid O-ring	0-80
AF-10-01	6" Lid O-ring	0-12
AF-10-02	8" Lid O-ring	
AF-11	Volute Gasket	G-44
AF-11-01	3 HP Volute Gasket	G-221
AF-12	Trap Gasket.....	G-57
AF-12-01	3 HP Trap Gasket.....	G-18
AF-14	A Series Shaft Seal	AS-1000
CF-11	C Series Volute O-ring.....	0-277
FCF-11	Flo-Master® Volute O-ring.....	0-108
FF-11	Flo-Master® Volute O-ring.....	0-257
FF-12	Flo-Master® Suction O-ring.....	0-301
FF-12-01	Flo-Master® Suction O-ring.....	0-287
FF-12-02	100% Drain Gasket.....	G-349
FF-13-02	Drain Plug O-ring.....	0-445
FF-14	Flo-Master® Shaft Seal.....	AS-200
FF-14-02	Seal Cup O-ring.....	0-303
FF-17-03	Compress Union O-ring.....	0-49
	AQUA FLO PRODUCT NUMBERING AS OF 1988	
91049000	Flo-Master®/Tub-Master® Pump Seal	AS-2131
91110000	A Series 5" Basket.....	B-33
91110010	A & AC Series 6" Basket	B-34
91110020	A & AC Series 8" Basket	
91110040	Dominator 6" Basket.....	B-199
91500000	AC Series Volute Gasket.....	G-3
91500050	A Series 1/3 to 2 HP Volute Gasket.....	G-44
91500100	A Series 3 HP Volute Gasket.....	G-221
91500150	A Series 5" Trap Gasket	G-57
91500200	A Series 6" & 8" Trap Gasket	G-18
91500250	A Series 100% Drain Gasket	G-349
91500300	1.5 HP Volute Gasket	
92200000	A Series 5" Trap Cover O-ring	0-80
92200010	A & AC Series 6" Trap Cover O-ring.....	0-12
92200020	A & AC Series 8" Trap Cover O-ring.....	0-679
92200030	B-Series 6" Trap Cover O-ring	
92200050	C Series Volute O-ring.....	0-277
92200060	Clear Flo A/R Valve O-ring.....	0-25
92200070	Clear Flo Cap O-ring	0-130
92200080	Flo-Master® Volute O-ring.....	0-139
92200090	FMH Series Volute O-ring.....	0-257
92200100	FM Series Suction O-ring.....	0-301
92200110	FM Series Suction O-ring.....	0-287

92200120	Pipe Plug O-ring	0-445
92200130	Lexan Seal Cup O-ring Flowmeter Pump	
92200140	Dominator Diffuser O-ring, 1 1/2" Fitting O-ring.....	0-49
92200150	TMC Series Volute O-ring	
92200160	Clear Flo Handle O-ring.....	0-390
92200170	Clear Flo Lid O-ring	
92200180	Dominator Seal Plate O-ring	0-240
92200190	Dominator Trap Lid O-ring.....	0-48
92200200	FMCP Volute O-ring	0-139
92200210	Dominator Casing O-ring, 2" Fitting O-ring	0-43
92200220	Trap Lid O-ring	0-48
92200270	Tub-Master FMCP Volute O-ring.....	0-228
92200290	XP-DII Series Volute O-ring	0-299
92500000	AC Series Shaft Seal.....	AS-309
92500050	A Series Pump Seal/C Series/Dominator High Head/ Medium Head Pre 1995/D Series	AS-1000
92500150	Tub-Master® FMHP, FMVP, FMCP Seal/Dominator High/ Medium Head Flo-Master®.....	AS-200
92509020	FM Series Shaft Seal	AS-200
92509040	A Series Shaft Seal/B Series/D Series.....	AS-1000
92520000	A Series Shaft Extension	150
92520001	C Series Shaft Extension	
92520002	Dominator Medium Head Shaft Extension (Before 1995).....	150
92520040	Dominator Medium Head Shaft Extension (After 1995).....	
99730000	Shaft Extension Set Screw 1/4" - 20 x 5/16"	152

AQUA LEADER

ALS003	Skimmer Basket	B-209
ALS008	Vac Plate	911
ALS010	Return Gasket	
ALS012	Eyeball and Face Ring	7002
ALS504	Faceplate Gasket	
ASS001	Skimmer Weir	933
	Skimmer Weir	936
	Skimmer Face Plate Gasket.....	G-389

AQUAMASTER

12972	Return Gasket.....	G-410
12992	Face Plate Gasket.....	.WIP

AQUA-QUIP

	Basket-Metal.....	B-52
	Basket-Metal.....	B-87

AQUARIUS

	Volute Gasket	G-181
--	---------------------	-------

AQUA-TECH

8400-10-000-06	4 Button Spa Side Controller & Retro-Fit Faceplate	CC4-120-10 & 20205
8750-10-000-06	3 Button Spa Side Controller & Retro-Fit Faceplate	CC3-120-10 & 20205
ATP-300-000	3 Button Air Transmitter Panel.....	ATP-300
ATP-300-0606	3 Button Air Transmitter Panel.....	ATP-300

AQUATHERM

18-007-0004	4 Function Air Switch (TBS-312 Required).....	CSC-1101
18-007-005	Universal Pressure Switch	3925
18-013-0010	Universal Pressure Switch	3925
18-013-0020	Universal Air Switch	TBS-901
18-013-0021	Universal Air Switch	TBS-917
18-013-0022	Air Switch.....	TBS-301
18-013-0023	Air Switch.....	TBS-301
18-013-0400	4 Function Air Switch.....	SAS-101
FP-2001	Air Switch.....	TBS-312

AQUATIC INDUSTRIES

	25 Sq. Ft. Cartridge Filter Element.....	12503
	25 Sq. Ft. Cartridge Filter Element.....	12512
	50 Sq. Ft. Cartridge Filter Element.....	15002

3010	Universal Pressure Switch.....	3925
3037-P	Universal Pressure Switch.....	3925
TBS-212	Universal Air Switch.....	TBS-901
TBS-213	Universal Air Switch.....	TBS-917
TBS-305	Air Switch.....	TBS-301
TBS-310	Air Switch.....	TBS-301
8300-10-000-06	3 Button Spa Side Controller & Retro-Fit Faceplate.....	CC3-120-10 & 20205
8400-10-000-06	4 Button Spa Side Controller & Retro-Fit Faceplate.....	CC4-120-10 & 20205

AQUATIC TECHNOLOGIES

TBS-310	Air Switch.....	TBS-301
CSC-1103	4 Function Air Switch (TBS-312 Required).....	CSC-1101
8000-10-000-06	2 Button Spa Side Controller.....	CC2-120-10
8300-10-000-06	3 Button Spa Side Controller & Retro-Fit Faceplate.....	CC3-120-10 & 20205

AQUA VAC

7816	Cover O-ring
7813	Foam Gasket ¼" Oval

AQUAZONE

S-53-01-032	Ozone Generator, Venturi Model O-ring
-------------	---------------------------------------

ARJO MFG

TBS-207	Universal Air Switch.....	TBS-901
TBS-213	Universal Air Switch.....	TBS-917
TBS-301	Air Switch.....	TBS-301
9000932	Air Switch.....	TBS-312

ARNESON/HAYWARD®

A-05	A-28 Pump Endbell Gasket	
A-08	Pump Seal.....	AS-200
A-08A	Pump Seal.....	AS-1006
A-24	A-28 Pump Gasket	
A-40	A-1 & A-60 Pump Endbell Gasket.....	G-176
D-10	Hose Washer.....	G-42
E-13	O-ring For Housing Body Legend Platinum Cleaner 4 Wheel	
E-14	O-ring For Gear Assembly Legend Platinum Cleaner 4 Wheel	
E-18	O-ring For Thrust Jet, Jet Vac/Legend Platinum Cleaner ¾" Wheel	
E-21	O-ring For Wall Fitting Legend Platinum Cleaner/Jet Vac 4 Wheel	
E-43	Turbo-Sweep O-ring.....	O-158
EF-07	O-ring For Hose Connector JV3/Sweep I/Sweep II	
EJ-04	O-ring For Valve Drive Jet Sweep I/Sweep II	
EU-7	O-ring For Feed On Most Legend Platinum Cleaners ¾" Wheel	
F-7	Sweep Hose Connector O-ring.....	O-130
F-24	Backup Extension and Drive Valve O-ring.....	O-30
G-12/LG-12	Gear Axle O-ring.....	O-186
G-29	Gear Housing Gasket.....	G-85
G-29-B	Gear Housing Gasket.....	G-373
G-32	Lower Bearing O-ring.....	O-189
J-4	Valve Body O-ring.....	O-188
JV-11	O-ring For JV2 Gear Plate.....	O-623
K-964	Gasket	
K-965	Sweep I & II Body O-ring	
K-966	Sweep I & II Element O-ring	
L-01A	Sweep I & II Leaf Basket.....	B-20
L-12	Main Drain Gasket	
L-19	Main Drain Basket Only	
LF-24	O-ring For Back Up Extension Sweep I/Sweep II L79BL	
LG-12	O-ring For Gear Axle Sweep I/ Sweep II	
LG-32	O-ring For Lower Bearing Sweep I/Sweep II	
V-056	Pool Vac Main Turbine Gasket	
V-86	Port Plate Gasket	
W-427	W-410 Gasket (2 Required)	
W-430	Leaf Cannister Basket.....	WIP
W-431A	Leaf Basket for W-430 & W-560	
W-434	W-430 Leaf Cannister O-ring.....	O-251
W-542	Leaf Cannister O-ring.....	O-330

ARTESIAN

25 Sq. Ft. Cartridge Filter Element.....	12521
--	-------

ASTRAL

FS78095	Z-Tech 50 Sq. Ft. Cartridge Filter Element.....	15055
FS78096	Z-Tech 75 Sq. Ft. Cartridge Filter Element.....	17545
FS78097	Z-Tech 100 Sq. Ft. Cartridge Filter Element.....	19940
FS78098	Z-Tech 150 Sq. Ft. Cartridge Filter Element.....	25017
FS78098-Tall	Z-Tech 150 Sq. Ft. Cartridge Filter Element.....	25024
FS78088	Z-Tech 155/310 Sq. Ft. Cartridge Filter Element.....	25502
FS78099	Z-Tech 200 Sq. Ft. Cartridge Filter Element.....	29914
FS78094	Z-Tech 250 Sq. Ft. Cartridge Filter Element.....	35003
PG-201	Seal assembly 2000 Series US-1 In Ground Pump.....	AS-201
00249R0002	Economy Concrete Pool Skimmer Basket	
00249R0201	Economy Concrete Pool Skimmer Weir	
00470R0319	Pressure Gauge Gasket, Air Relief Millennium Filter/16" Side Mount 3000 Series Cantabric Filter/20" Side Mount/ 24" Side Mount/30" Side Mount/36" Side Mount/2 ½" Multiport Valve Plug O-ring/In Line-Off Line Chemical Feeder Drain Gasket	
00597R0102	1 ½" - 2" Multiport Valve Side Mount Spider Gasket.....	O-176A
00600R0001	1 ½" Multiport Valve Top Mount Sight Glass Gasket/2" Side Mount	
00600R0102	1 ½" Multiport Valve Top Mount Spider Gasket.....	WIP
00600R0203	1 ½" - 2" Multiport Valve Side Mount Handle Washer	
00600R0205	1 ½" - 2" Multiport Valve Side Mount Plug O-ring	
00610R0209	2 ½" Multiport Valve Spider Gasket	
00610R0302	2 ½" Multiport Valve Sight Glass Gasket	
01150-0202	Strainer Basket 200 Series US-1 In Ground Pump Sprint Series	
01150R0301	2" Union O-ring Sprint Series In Ground Pump	
0509R0010	Impeller Gasket Sprint Series In Ground Pump	
0509R9601	Assembly Seal Sprint Series In Ground Pump	
05280R0007	Flat Gasket EPDM 70 x 60 x 3 For Trimmer Valve Plate	
05280R0200	Weir For Deluxe Concrete Pool Skimmer	
05280R0400	Basket Deluxe Concrete Pool Skimmer	
0611R0001	1 ½" Multiport Valve Side Mount Union Connection Front O-ring	
0612R0001	2" Multiport Valve Side Mount Union Connection Front O-ring ..G-84	
06824R0005	Above Ground Skimmer Face Plate Gasket	
06824R0006	Above Ground Skimmer	
06824R0101	Above Ground Skimmer Weir	
07441R0002	2" Multiport Valve Side Mount Spider Gasket	
10501R0102	Halogen Lamp Lens Gasket	
11130R0006	Off Line Chemical Feeder Nipple Gasket	
15628R0202	Strainer Basket 1600 Series Astromax Above Ground Pump	
15628R09601	Seal Assembly 1600 Series Astromax Above Ground Pump	
15780R0603	Drain Plug at Tank Gasket 16" Top/Side Mount 3000 Series Cantabric Filter 20"/24" Top/Side Mount	
15780R0604	Sand Drain Plug Gasket 16"/20"/24"/30"/36" Top/Side Mount Cantabric Filter	
15784R0106	Drain Plug Gasket at Tank 30"/36" Side Mount Cantabric Filter	
18112R0100	100 Sq. Ft. Cartridge Filter Element 2500 Series Micron Media Filter.....	19921
18200600	721R O-ring.....	O-499
18218R0100	50 Sq. Ft. Cartridge Filter Element 2500 Series Micron Media Filter1.....	15039
18219R0100	75 Sq. Ft. Cartridge Filter Element 2500 Series Micron Media Filter.....	17532
18220R0100	150 Sq. Ft. Cartridge Filter Element 2500 Series Micron Media Filter.....	25007
24181-0006	Drain Plug O-ring Millennium Filter	
24561-0202	Bacpac Strainer Basket 1800 Series Sena Series Self Priming Pump	
27455-9601	Seal Assembly 1800 Series Sena Self Priming Pump	
711R1329035	In Line/Off Line Chemical Feeder Lid O-ring Viton®	
720R0323069	Tank O-ring 2500 Series Micron Media Filter.....	O-496
720R0900060	Lid Cap O-ring 2500 Series Micron Media Filter	
720R1517069	Strainer Lid O-ring 2000 Series U.S.-1 In Ground Pump Sprint Series.....	O-13
720R1750057	Valve to Tank O-ring Millennium Filter	
721R1820060	Valve to Tank O-ring 16" Top Mount/Side Mount 3000 Series Cantabric Filter and 20"/24"/30" Side and Top Mount.....	O-449
722R00220030	1 ½" - 2" Multiport Valve Rotor Axle O-ring	
722R0050020	2 ½" Multiport Valve Screw Gasket	

722R0140030	Air Bleed Valve O-ring 2500 Series Micron Media Filter	0-47
722R0160040	1 1/2" - 2" Multiport Valve Side Mount Valve Lid O-ring	
722R0198036	1 1/2" Multiport Valve Top Mount Rotor Axle O-ring	
722R0322035	2 1/2" Multiport Valve Rotor Axle O-ring	
722R0500035	1 1/2" Inlet/Outlet Fitting O-ring (2 Required) Drain Plug O-ring	0-49
722R0563053	1 1/2" - 2" Multiport Valve Side Mount Union Connection Back O-ring	
722R0620040	2" Inlet/Outlet Fitting O-ring (2 Required) 2500 Series Micron Media Filter	0-43
722R0840030	Center Cap O-ring 2500 Series Micron Media Filter	0-283
722R1000025	Pressure Gauge O-ring 2500 Series Micron Media Filter	0-155
722R1329000	Chlorinator Viton® O-ring.....	0-139V
722R1362035	1 1/2" Multiport Valve Top Mount Valve Lid O-ring	
722R2380060	2 1/2" Multiport Valve O-ring Valve Lid	
723R0130025	Drain Plug O-ring 1800 Series Sena Self Priming Pump	
723R0049003	Pipe O-ring 16" Top Mount 3000 Series Cantabric Filter 20"/24"/30".....	0-64
723R0470053	1 1/2" True Union Valve Adapter O-ring/1 1/2" Single Union Valve O-ring	
723R0567035	Diffuser O-ring 2000 Series U.S.-1 In Ground Pump Sprint/1 1/2" True Union Valve Body O-ring/1 1/2" Single Union Valve O-ring	
723R0597053	2" True Union Valve Adapter O-ring	
723R0599035	In Line/Off Line Chemical Feeder Union O-ring	
723R0758035	2" True Union Valve Body O-ring/2" Single Union Valve O-ring	
723R1330110	Lens Gasket	
723R155026	1 1/2" & 2" True Union Valve Shaft O-ring	
77A1180040	Lid O-ring 1800 Series Sena Self Priming Pump	
77A1800050	Bacap Motor Clamp O-ring 1800 Series Sena Self Priming Pump	
772R0810050	Threaded Pipe Connector O-ring 36" Side Mount 300 Series Cantabric Filter	
772R2330050	Tank Lid O-ring 36" Side Mount 3000 Series Cantabric Filter	
7730380050	Bacap Diffuser O-ring 1800 Series Sena Self Priming Pump	
7730540025	1 1/2" Union O-ring 1800 Series Sena Self Priming Pump	
7730599035	Housing Cover O-ring 1600 Series Astromax Above Ground Pump	
7731520035	Housing O-ring 1600 Series Astromax Above Ground Pump	
7731838026	Motor Clamp O-ring 200 Series U.S.-1 In Ground Pump Sprint Series	
7731392035	Strainer Lid O-ring 1600 Series Astromax Above Ground Pump	
773R0470030	2" Main Drain For Concrete Pool Pipe Plug O-ring 1 1/2"	

BAJA

50 Sq. Ft. Cartridge Filter Element.....	15002
100 Sq. Ft. Cartridge Filter Element.....	19901

BAKER HYDRO (SEE WATERCO)

Pump Seal.....	AS-100
Newport Valve Shaft O-ring.....	0-391
Valve Coupler O-ring.....	0-325
00B0008 UCup Gasket Ultra Mesh Bag Filter	
00B7000 Control Plate Gasket	G-317
00B7001 Bulkhead Fitting O-ring (Before 1981)	0-325
00B7013 Filter Lid O-ring (69-71).....	0-215
00B7014 Valve Piston O-ring (3 Required).....	0-207
00B7017 11.5 High Limit Plate O-ring	
00B7026 Newport Sand Filter Valve/Tank O-ring	0-328
00B7027 Old Style Bulkhead Adapter O-ring	0-41
00B7027 New Style Bulkhead Adapter O-ring-Lathe Cut.....	0-435
00B7028 Baker II Clamp O-ring.....	0-215
00B7031 Baker II Adapter Valve O-ring.....	0-425
00B7037 Tri Filter Lid O-ring.....	0-436
15B0069 1972 Sand Filter Lid Gasket	G-177
15B0100 UCup Filter Gasket (After 1972).....	0-241
17B1085 Cartridge Filter Gasket	G-364
17B1087 25 Sq. Ft. Filter Lid O-ring.....	0-330
17B1164 Ultra Mite 35 Sq. Ft. Cartridge Filter Element.....	13502
17B1165 Ultra Mite 50 Sq. Ft. Cartridge Filter Element.....	15011
17B1166 Ultra Mite 75 Sq. Ft. Cartridge Filter Element.....	17508
17B1167 Ultra Mite 100 Sq. Ft. Cartridge Filter Element.....	19906
17B1168 Ultra Mite 150 Sq. Ft. Cartridge Filter Element (2 Part).....	25002
17B2054 Mite 25 Sq. Ft. Cartridge Filter Element	12514

17B2055 Mite 50 Sq. Ft. Cartridge Filter Element.....	15012
17B2056 Mite 75 Sq. Ft. Cartridge Filter Element.....	17510
17B2071 Mite 100 Sq. Ft. Cartridge Filter Element (2 Part).....	19907
17B2080 Mite 12.5 Sq. Ft. Cartridge Filter Element	11302
25476-0 Old Spa Pak Pump Gasket.....	0-255
28486-0 Old Spa Pak Pump Slinger.....	G-164
30156-0 Old Spa Pak Pump Gasket.....	0-222
31B0005 Verti-Lever Valve Piston O-ring	
31B0015 Valve Top Plate Gasket.....	G-166
31B0024 Piston O-ring Kit	0-271
31B0035 P/P Valve Index Plate O-ring.....	0-130
31B0077 Verti-Lever Valve Adapter O-ring (After 1981)	
31B1107 Spa Pak Pump Diffuser Ring.....	0-141
31B9006 Sand Filter Bulkhead Gasket.....	G-165
31B9035 18" & 24" Bulkhead Gasket	
31B9036 30" & 36" Bulkhead Gasket	
35B1108 Spa Pak Pump Housing Gasket.....	G-95
35B1109 Spa Pak Pump Seal.....	AS-1521
35B1116 Spa Pak Pump Slinger.....	G-71
35B1117 Spa Pak Pump Lid Gasket	0-76
35B1120 Spa Pak Pump Gasket.....	B-169
35B1136 Spa Pak Pump Gasket-Paper.....	G-64
35B1136 Spa Pak Pump Gasket-Rubber	G-64R
35B1138 Spa Pak Pump Seal.....	AS-4702
35B1144 Spa Pak Pump Seal O-ring	
35B1150 Spa Pak Pump O-ring	G-170
35B1178 Pump Seal.....	AS-200
34-0192 Air Switch.....	TBS-301
37478-0 Old Spa Pak Pump Gasket.....	0-266
37479-0 Old Spa Pak Pump Gasket.....	0-267
37482-0 Old Spa Pak Pump Gasket.....	0-265
38075-0 Old Spa Pak Pump Basket.....	B-175
38592-0 Old Spa Pak Pump Seal.....	AS-201
39404-0 Old Spa Pak Pump Gasket.....	0-264
40891-0 Old Spa Pak Basket	B-174
51B1005 Skimmer Basket W/Handle-Plastic	B-136
51B1006 Skimmer Basket W/Handle-Plastic	B-136
51B1026 Skimmer Basket-Metal.....	B-110
51B1047 Skimmer Face Ring Gasket (2 Required)	G-167
51B1055 Skimmer Weir 9 3/8"	940
59B9013 Thermostat Bulb Well.....	AM-3518
59B9033 Thermostat Bulb Well.....	AM-3518
59B9077 Universal Air Switch	TBS-901
59B9078 1000' Roll Air Tubing	TU7-1000
59B9079 Bulb Style Air Transmitter.....	PT-13-02
59B9098 Universal Air Switch	TBS-917
59B9242 Air Transmitter.....	M-01-3428
59B9262 4 Function Air Switch.....	SAS-104
59B9296 Universal Pressure Switch	3925
59B9301 4 Function Air Switch (TBS-312 Required).....	CSC-1104
59B9302 Air Switch.....	TBS-312
59B9307 Universal Pressure Switch	3925
59B9321 2 Button Spa Side Controller	CC2-120-10
59B9339 Air Switch.....	TBS-301
59B9342 Air Switch.....	TBS-312
59B9351 4 Function Air Switch (TBS-312 Required).....	CSC-1185
88B7005 Hose Clamp 10 Pak	272-12
88B7006 High Limit Rod Clamp.....	275-24

BALBOA

30408	2 PSI Standard 1/8" Pressure Switch	3925
-------	---	------

BARKSDALE

DD05	Universal Pressure Switch	3925
DD05-P1	Universal Pressure Switch	3925
DD05-P2	Universal Pressure Switch	3925
DD05-P3	Universal Pressure Switch	3925
DD05-P4	Universal Pressure Switch	3925
DD15-P2	Pressure Switch.....	3069
DD15-P3	Pressure Switch.....	3069

NOTE: MSPS PRECEDES ALL NUMBERS

DD05SS	Universal Pressure Switch	3925
DD05SS-P1	Universal Pressure Switch	3925
DD05SS-P2	Universal Pressure Switch	3925
DD05SS-P3	Universal Pressure Switch	3925
DD05SS-P4	Universal Pressure Switch	3925
DD15SS-P2	Pressure Switch	3069
DD15SS-P3	Pressure Switch	3069
EE05	Universal Pressure Switch	3925
EE05-P1	Universal Pressure Switch	3925
EE05-P2	Universal Pressure Switch	3925
EE05-P3	Universal Pressure Switch	3925
EE05-P4	Universal Pressure Switch	3925
EE15-P2	Pressure Switch	3069
EE15-P3	Pressure Switch	3069
EE05SS	Universal Pressure Switch	3925
EE05SS-P1	Universal Pressure Switch	3925
EE05SS-P2	Universal Pressure Switch	3925
EE05SS-P3	Universal Pressure Switch	3925
EE05SS-P4	Universal Pressure Switch	3925
EE15SS-P2	Pressure Switch	3069
EE15SS-P3	Pressure Switch	3069
FF05	Pressure Switch	3015
FF05-P2	Pressure Switch	3036
FF05-P3	Pressure Switch	3036
FF05SS	Pressure Switch	3015
FF05SS-P2	Pressure Switch	3036
FF05SS-P3	Pressure Switch	3036
JJ05	Pressure Switch	3015
JJ05-P2	Pressure Switch	3036
JJ05-P3	Pressure Switch	3036
JJ05SS	Pressure Switch	3015
JJ05SS-P2	Pressure Switch	3036
JJ05SS-P3	Pressure Switch	3036

NOTE: SPS PRECEDES ALL NUMBERS

DD05	Universal Pressure Switch	3925
DD05-P1	Universal Pressure Switch	3925
DD05-P2	Universal Pressure Switch	3925
DD05-P3	Universal Pressure Switch	3925
DD05-P4	Universal Pressure Switch	3925
DD15-P2	Pressure Switch	3069
DD15S-P3	Pressure Switch	3069
EE05	Universal Pressure Switch	3925
EE05-P1	Universal Pressure Switch	3925
EE05-P2	Universal Pressure Switch	3925
EE05-P3	Universal Pressure Switch	3925
EE05-P4	Universal Pressure Switch	3925
EE15-P2	Pressure Switch	3069
EE15-P3	Pressure Switch	3069
FF05	Pressure Switch	3015
FF05-P2	Pressure Switch	3036
FF05-P3	Pressure Switch	3036
JJ05	Pressure Switch	3015
JJ05-P2	Pressure Switch	3036
JJ05-P3	Pressure Switch	3036

BARACUDA

ADG-5	Universal Pool Cleaner Gasket	G-387
-------	-------------------------------	-------

BATHCRAFT

TBS-310	Air Switch	TBS-301
---------	------------	---------

BEACH COMBER

35 Sq. Ft. Cartridge Filter Element (2 Required)	11802
50 Sq. Ft. Cartridge Filter Element (2 Required)	12504

BE-LITE

TBS-305	Air Switch	TBS-301
---------	------------	---------

BENITA SPRINGS TUBS

TBS-301	Air Switch	TBS-301
---------	------------	---------

BERKELEY

S-7297	5" H & L Pot Lid O-ring	O-18
	Old Style H & F Pump Basket	B-33
	Pump Basket	B-101

BESLER

Basket-Metal	B-51
--------------	------

BIO LAB

5470	Tygon Washer	G-34
25350	MA Chlorinator Can Closure O-ring	
25475	B94 Brominator Lid O-ring	
25484	B154 Brominator Air Vent Gasket	

BLUE HAVEN

Old Style 1 1/2" Piston O-ring	O-252
--------------------------------	-------

BLUE PACIFIC

25 Sq. Ft. Cartridge Filter Element	12502
30 Sq. Ft. Cartridge Filter Element	13005
50 Sq. Ft. Cartridge Filter Element	15017
50 Sq. Ft. Cartridge Filter Element	15002

BLUE WHITE

A-048	Shaft Seal For Parastalic Pump	
C-350	326 Check Ball O-ring	O-243
C-502	Tube Adapter O-ring	O-253
9003-003	Chlorinator O-ring	O-186
9003-009	Chlorinator O-ring	O-30
9003-030	Chlorinator O-ring	O-25
9003-067	Chlorinator O-ring	O-158

BRETT AQUALINE

TBS-314	Air Switch	TBS-302
TBS-317	Air Switch	TBS-317
ATP-303-06	3 Button Air Transmitter Panel	ATP-300
3037	Universal Pressure Switch	3925
3902	Universal Pressure Switch	3902
3903BP	Universal Pressure Switch	3902
10-0022	Housing O-ring	
34-0109	Universal Air Switch	TBS-917
34-0110	Universal Pressure Switch	3925
34-0110A	Universal Pressure Switch	3925
34-0112	4 Function Air Switch	SAS-101
34-0157	4 Function Air Switch (TBS-312 Required)	CSC-1131
34-0158	Air Switch	TBS-312
34-0182	Air Switch	TBS-301
34-0192	Air Switch	TBS-301
42-0045	Union O-ring	
60-0001	EM103 Heater & Pump O-ring	O-171
60-0002K	O-ring Current Collection Gasket Kit	
69-0005	Pump Seal	
9200-06-200-06	2 Button Spa Side Controller	CC2-120-10
9350-06-300-06	3 Button Spa Side Controller & Retro-Fit Faceplate	CC3-120-10 & 20205
9400-06-400-06	4 Button Spa Side Controller & Retro-Fit Faceplate	CC4-120-10 & 20205

BUSTER CRABBE

20-1040	Skimmer Basket-Metal	B-191M
	Skimmer Basket-Plastic	B-191
	Pump Gasket	G-376

C & R

3029	Universal Pressure Switch	3925
20-1011	Tail Piece O-ring	
20-1030	2" Tail Piece O-ring	
20-1040	Pump Gasket	G-376
20-1050	Snap Fitting O-ring	

20-3012	Retaining Gasket & O-ring	
20-5020	Universal Pressure Switch	3925
20-5028	Universal Pressure Switch	3925

CRL ELECTRONICS

3028	Universal Pressure Switch	3925
07-0108	Air Transmitter	M-01-3428
35-0001	Air Switch	TBS-301
35-0006	Universal Air Switch	TBS-917
35-0012	Universal Air Switch	TBS-901
42-0007	Universal Pressure Switch	3925
42-0025	Universal Pressure Switch	3925
TBS-301	Air Switch	TBS-301

C.T.A.

25 Sq. Ft. Cartridge Filter Element	12519
-------------------------------------	-------

GAL SPA

50 Sq. Ft. Cartridge Filter Element	15002
50 Sq. Ft. Cartridge Filter Element	15003
100 Sq. Ft. Cartridge Filter Element	19501

CALDERA SPAS

3010P	Universal Pressure Switch	3925
033017	75 & 100 Sq. Ft. Filter Cartridge	17523
1019301	New Style 75 Sq. Ft. Filter Cartridge	17543

CAM INDUSTRIES

3037	Universal Pressure Switch	3925
3113	Universal Pressure Switch	3925

CANTAR (ALL LISTINGS UNDER JACUZZI®)

CAPITOL

G106	Chlorinator Gasket	G-93
------	--------------------	------

CARETAKER™

1-13-1	Large Body O-ring Floor Cleaner System (Part Of O-516KIT)	0-532
1-13-2	Internal Seal Plate O-ring Floor Cleaner System (Part Of O-516KIT)	0-287
1-13-3	Union O-ring Floor Cleaner System (Part Of O-516KIT)	0-179

CASCADE SPAS (RAINTREE)

8002-10-001-06	2 Button Spa Side Controller	CC2-120-10
8400-10-001-06	4 Button Spa Side Controller & Retro-Fit Faceplate	CC4-120-10 & 20205
8403-10-001-06	4 Button Spa Side Controller & Retro-Fit Faceplate	CC4-120-10 & 20205
8752-10-001-06	4 Button Spa Side Controller & Retro-Fit Faceplate	CC4-120-10 & 20205
8754-10-001-06	4 Button Spa Side Controller & Retro-Fit Faceplate	CC4-120-10 & 20205
8761-10-001-06	4 Button Spa Side Controller & Retro-Fit Faceplate	CC4-120-10 & 20205
9300-10-001-06	3 Button Spa Side Controller & Retro-Fit Faceplate	CC3-120-10 & 20205
9400-10-001-06	4 Button Spa Side Controller & Retro-Fit Faceplate	CC4-120-10 & 20205
TBS-310	Air Switch	TBS-301

CATALINA/CARIBBEAN

35 Sq. Ft. Cartridge Filter Element	11802
40 Sq. Ft. Cartridge Filter Element	14017
50 Sq. Ft. Cartridge Filter Element	12504

CENTURY ELECTRIC/MAGNETEK

TBS-310	Air Switch	TBS-301
17464401	Air Switch	TBS-306
17800901	Air Switch	TBS-301

C H D (ALL LISTINGS UNDER PUREX)

CHARISMA SPAS

10 Sq. Ft. Cartridge Filter Element	11003
30 Sq. Ft. Cartridge Filter Element	13005
45 Sq. Ft. Cartridge Filter Element	14510
50 Sq. Ft. Cartridge Filter Element	15002
50 Sq. Ft. Cartridge Filter Element	15017

CHEM-TECH

27903	Chemical Feeder Gasket PTFE For Pulsafeeder
900064	Grease Can O-ring
9000802	Check Ball O-ring
9000902	Discharge Fitting O-ring Viton®

CLAYTON LAMBERT

Basket-Metal	B-189
--------------	-------

CLEARWATER SPAS

35 Sq. Ft. Cartridge Filter Element	11802
45 Sq. Ft. Cartridge Filter Element	14510
50 Sq. Ft. Cartridge Filter Element	12504
50 Sq. Ft. Cartridge Filter Element	15010

COATES HEATER CO

22007210	Universal Pressure Switch	3925
22007215	Universal Pressure Switch	3925
22007220	Universal Pressure Switch	3925
44000125	Gasket For In Line Heater	

COLECO (SEE LOMART)

F-120, DR-7 W/C-5 Sq. Ft. Cartridge Filter Element	10502
F-108, F-110, CR-8 N/C-5 Sq. Ft. Cartridge Filter Element	10503
F-108, F-110, CR-8 W/C-5 Sq. Ft. Cartridge Filter Element	10504
F-112/F-350/CF-11/DR-11-8 Sq. Ft. Cartridge Filter Element	10803
F-750/F-775/F-850/F-875/DR-16-12 Sq. Ft. Cartridge Filter Element	11205
F-225/F-345/F-335/DR-18-13 Sq. Ft. Cartridge Filter Element	11301
F-380/F-480/F-375/F-475/DR-22 Sq. Ft. Cartridge Filter Element	13009
F-355/F-360/F-455/F-460/DR-17 Sq. Ft. Cartridge Filter Element	12302
Hydro Gasket	G-319
30483 Hydro Skim Gasket	G-331
30484 Return Fitting Gasket	G-320
31953 Cart Gasket	0-311
31954 Top O-ring	0-69
31992 Top O-ring	0-113
33185 Cover O-ring	0-41
33221 Pump O-ring	0-402
33235 Cover O-ring	0-283
33236 Strainer Inlet O-ring	0-282
33591 Pump Basket	B-210
34023 Gasket	G-202
34027 Gauge Gasket	G-318

COLEMAN SPAS (PART # 3301-2001 & BEFORE, 100-AFTER 2002)

100432	32 Sq. Ft. Cartridge Filter Element	13205
100433	40 Sq. Ft. Cartridge Filter Element	14007
100434	50 Sq. Ft. Cartridge Filter Element	15021
100520	32 Sq. Ft. Cartridge Filter Element	13202
100521	40 Sq. Ft. Cartridge Filter Element	15018
2004-0005	Rubber Foot Pedal	PT-73208
2004-0013	Universal Air Switch	TBS-917
2004-0018	Universal Air Switch	TBS-901
3301-1018	32 Sq. Ft. Cartridge Filter Element	13205
3301-1019	40 Sq. Ft. Cartridge Filter Element	14007
3301-1020	50 Sq. Ft. Cartridge Filter Element	15021

3301-2109	32 Sq. Ft. Cartridge Filter Element.....	13202
3301-2110	40 Sq. Ft. Cartridge Filter Element.....	15018
3301-2111	50 Sq. Ft. Cartridge Filter Element.....	15019
3301-2145	50 Sq. Ft. Cartridge Filter Element.....	15002
3301-2241	40 Sq. Ft. Cartridge Filter Element.....	14011
3301-2261	50 Sq. Ft. Cartridge Filter Element (Models After 1992).....	15014
3301-2262	75 Sq. Ft. Cartridge Filter Element (Models After 1992).....	17513

COLUMBIA

Package Pool Pump Seal.....	AS-142
-----------------------------	--------

COMFORTZONE/HAYWARD®

3035	Universal Pressure Switch.....	3925
3053P	Universal Pressure Switch.....	3925
CHXPRS-1930	Pressure Switch	
CHXPRS-1931	H Series Pressure Switch	
CZXELP7622	Gasket Only For Element Hole Plug	
CZXFPG1930	Flange Compression Gasket (Set).....	G-467
CZXGKT2001	Cover Plate Gasket	
CZXGKT7401	Bucket Gasket (2 Required).....	G-358
CZXGKT7402	Bucket Gasket-Large (1 G-361 Required).....	G-358
CZXGKT7402	Bucket Gasket-Small (1 G-360 Required).....	G-361
CZXGKT7406	Flange Compression Gasket (Set of 2) SG11 60 Model.....	G-470
CZXGKT7408	Bucket Gasket SG II Model (2 Required).....	G-456
CZXGKT7409	Flange Compression Gasket	
CZXGKT7622	Element Hole Gasket Only	
CZXGKT7627	C Spa XI Model Element Gasket.....	G-453
CZXGKT9212	Inlet/Outlet Gasket	
CZXGKT9213	T & P Seal Gasket	
CZXGKT9214	Inlet/Outlet 45-54 KW Gasket	
CZXGKT9216	Inlet/Outlet Gasket C-Spa Models 1.5/5.5/11	
CZXGKT9216	C Spa XI Inlet Outlet	
CZXGKT9219	PSE 12-36KW Inlet/Outlet Gasket	
CZXGKT9220	PSE 45-54KW Inlet/Outlet Gasket	
CZXRHD1930	CZ Models 150-400 Rear Header Assembly Gasket	
GRS7007	PSE 12-36 Support Bracket Gasket	
GRS7008	PSE 45-54 Support Bracket Gasket	
GSC9312	1 1/2" Securing Clamp Gasket	
GSC9314	Securing Clamp Gasket	
HAXFOR1930	H Series Flange Pipe O-ring Electronic (New ED2 Style).....	0-43
HAXHOR1930	H Series Header O-ring Front/Rear Low Nox.....	0-502
HAXPSA1930	Pressure Switch (ED1 Millivolt) 4-Series	
HM350GTST	Thermostat Gasket	
HMXGKT2930	2" Flange Gasket.....	G-419
HMXGKT2931	Thermostat Gasket	
HPX05023549	Heat Pro Gasket	
	HP21002/2100TC02/21002C-HP11002/6002/380/ABG	
HPX2229	Heat Pro Cover Gasket HP2100/2100TC0/1100/600/ABGAELUXE	
HX350GCP	Heatmaster Cover Plate Gasket	
HX350GH9	Heatmaster Gasket 280-406 (9 Required).....	G-245
HX350GS10	Heatmaster Heat Ex Sealing Gasket	
HX350GTST	Thermostat Gasket	
HX350PSW1	Heatmaster Pressure Switch	
IDXBLG1930	H Series Blower Gasket	
IDXBRG1930	H Series Burner Gasket	
IDXGKT1930	Heat Exchanger Gasket	
IHXBLG1930	H Series Blower Gasket	
PRS-1100	Gas Models (Before 1985) Universal Pressure Switch.....	3902
PRS-1101	Gas Models (After 1985) PSG II Models 110-355, CPS/CPSE Models 520-1820, SG II 60 Model Universal Pressure Switch.....	3902
PRS-1102	See PRS-1104.....	3925
PRS-1104	CLC & Electric Prior to C-Spa, V, IX, X Universal Pressure Switch.....	3925
PRS-1105	C Spa XI, PSE Universal Pressure Switch.....	3925

COMPOOL/PAC FAB

270197	End Cap O-Ring For FullFloXF™ Backwash Valve	
OR-6	PTV Valve Cover O-ring.....	0-440
04-4	PTV Valve Shaft O-ring	
9142109	O-ring For Temperature Sensor	

CONGER BROTHERS (SEE SANTANA)

Mini Air Control O-ring.....	0-327
Large Air Control O-ring.....	0-113

CONELY CO

TBS-310	Air Switch.....	TBS-301
TBS-312	Air Switch.....	TBS-312
3902	Universal Pressure Switch.....	3902

CONWAY PRODUCTS

TBS-304	Air Switch.....	TBS-304
TBS-311	Air Switch.....	TBS-301
3029P	Universal Pressure Switch.....	3925
8753-10-000-06	3 Button Spa Side Controller & Retro-Fit Faceplate.....	CC3-120-10 & 20205
PS052	Air Switch.....	TBS-301

COUNTRY LEISURE

3044-P	Universal Pressure Switch.....	3925
--------	--------------------------------	------

CREATIVE ENERGY

AS170	Universal Air Switch.....	TBS-917
-------	---------------------------	---------

CRESTLINE

Pump Basket-Metal.....	B-97
------------------------	------

CRISPAIRE

3015P	Universal Pressure Switch.....	3925
3076	Pressure Switch.....	3076

CUE MASTER

8000-10-000-06	2 Button Spa Side Controller.....	CC2-120-10
8750-10-000-06	3 Button Spa Side Controller & Retro-Fit Faceplate.....	CC3-120-10 & 20205

CUSTOM MOLDED PRODUCTS (CMP®)

(Cross Reference @ www.aladdin1950.com)

D.F.A.

35 Sq. Ft. Cartridge Filter Element.....	11802
35 Sq. Ft. Cartridge Filter Element.....	13505
50 Sq. Ft. Cartridge Filter Element (2 Required).....	12504
50 Sq. Ft. Cartridge Filter Element.....	15002
50 Sq. Ft. Cartridge Filter Element.....	15017

DAKOTA SPAS

25 Sq. Ft. Cartridge Filter Element.....	12502
45 Sq. Ft. Cartridge Filter Element.....	14510
45 Sq. Ft. Cartridge Filter Element.....	14511
75 Sq. Ft. Cartridge Filter Element.....	17501

DELAIR GROUP

8752-10-000-06	3 Button Spa Side Controller & Retro-Fit Faceplate.....	CC3-120-10 & 20205
8754-10-000-06	3 Button Spa Side Controller & Retro-Fit Faceplate.....	CC3-120-10 & 20205

DEMOTT

Pump Basket-Metal.....	B-94
------------------------	------

DIACLEAR

36100	Pump Seal.....	AS-142
810128	Impeller.....	172
810136	Impeller.....	171
8256-11	ES-7 Gorman Rupp O-ring.....	0-256
835531	Pump O-ring	
C10139	MS-16 & MS-18 Cover O-ring.....	0-257
C10146	MS-12-18 O-ring For C10145.....	0-258
C30082	MS-18 Strainer Cover O-ring.....	0-15
C46222	MS-12-18 Channel O-ring.....	0-279
C46251	MS-18 Pump Gasket.....	G-169

DP10146	O-ring	0-115
DP35104	Seal Assembly	WIP
DP46350	Slide Valve Cover O-ring	0-285
DS35531	Basket	
DS46154	New Style Sand Filter Tank Cover O-ring	

DIAL MANUFACTURING

83361	Universal Pressure Switch	3925
-------	---------------------------------	------

DIMENSION ONE SPAS

	25 Sq. Ft. Cartridge Filter Element	12526
1561-00	75 Sq. Ft. Cartridge Filter Element	17541
1561-02	75 Sq. Ft. Cartridge Filter Element	17515
1561-03	40 Sq. Ft. Cartridge Filter Element-Discontinued	14009
1561-04	25 Sq. Ft. Cartridge Filter Element	15038
1561-05	50 Sq. Ft. Cartridge Filter Element	15016
1561-06	65 Sq. Ft. Cartridge Filter Element	16505
1561-09	40 Sq. Ft. Ozone Cartridge Element	14010
1561-10	55 Sq. Ft. Cartridge Filter Element	15501
1561-12	75 Sq. Ft. Cartridge Filter Element	17527
1561-13	40 Sq. Ft. Cartridge Filter Element	14017
1561-14	25 Sq. Ft. Cartridge Filter Element	13005

DISCOVERY

30 Sq. Ft. Cartridge Filter Element	13006
35 Sq. Ft. Cartridge Filter Element (2 Required)	11802
50 Sq. Ft. Cartridge Filter Element	15001
50 Sq. Ft. Cartridge Filter Element (2 Required)	12504
50 Sq. Ft. Cartridge Filter Element	15002
60 Sq. Ft. Cartridge Filter Element	16006

DIVERT-A-TROL

6030	Feeder Cap O-ring
------	-------------------

DM INDUSTRIES

3010-P-AM	Universal Pressure Switch	3925
8002-06-000-06	2 Button Spa Side Controller	CC2-120-10
CSC-1103	4 Function Air Switch (TBS-312 Required)	CSC-1101
TBS-312	Air Switch	TBS-312
TBS-322	Universal Air Switch	TBS-901
TBS-324	Air Switch	TBS-301

DOLPHIN

13 Sq. Ft. Cartridge Filter Element	11303
30 Sq. Ft. Cartridge Filter Element	13005
50 Sq. Ft. Cartridge Filter Element	15003

DOUGHBOY

NOTE: PPI=POWER PAK® PPII=POWER PAK® II
 Strainer Basket-PPI

1107-1018	2163/2164/2165 Basket PPI & PPII	WIP
1107-1275	Weir Assembly	
1116-1045	Deluxe	
340-1139	Skimmer Basket	B-136
1119-1059	20 Sq. Ft. Cartridge Filter Element (Gen 60) 0-2396-022	
1119-1060	20 Sq. Ft. Cartridge Filter Element (Gen 120) 0-2396-020 ...	12005
1119-1065	60 Sq. Ft. Cartridge Filter Element 0-2396-062	
1119-1066	120 Sq. Ft. Cartridge Filter Element 0-2396-063	
1121-1057	2163,2164,2165 Seal	
1121-1075	Skim 20 Skimmer Basket	WIP
1121-1194	Strainer Basket	
1121-1200	Cartridge Filter Element #1100 (Same As 2391) With Two Gaskets Replaces 1119-1034	
1121-1201	Cartridge Filter Element #1141, 1151 (Same As 2392) With Two Gaskets-Replaces 1119-1035	
1121-1203	20 Sq. Ft. Cartridge Filter Element 0-2396-020	12005
1121-1204	40 Sq. Ft. Cartridge Filter Element 0-2396-040	14004
1121-1205	60 Sq. Ft. Cartridge Filter Element 0-2396-062	16003
1121-1206	90 Sq. Ft. Cartridge Filter Element 0-2396-090	19001
1121-1207	60 Sq. Ft. Cartridge Filter Element 0-2396-000	
1121-1210	12 Sq. Ft. Cartridge Filter Element 0-2396-012	
1128-1006	Pump Seal-PPI	AS-1000

1128-1010	Pump Seal	AS-1046
1128-1030	5/8" Shaft Pump Seal-PPII	AS-299
1300-1001	Strainer Basket-PPII 1084-86	WIP
1300-1002	Silica I Strainer Basket	WIP
2396-020	Skim Line-20 Sq. Ft. Cartridge Filter Element	12005
2396-040	Skim Line-40 Sq. Ft. Cartridge Filter Element	14004
2396-060	Skim Line-60 Sq. Ft. Cartridge Filter Element	16003
2396-090	Skim Line-90 Sq. Ft. Cartridge Filter Element	19001
306-1002	Pump Seal	AS-1000
306-1005	Pump Seal-PPI	AS-642
306-1006	Pump Seal-PPII	AS-4702
306-1007	Pump Seal	AS-200
307-1001	Gasket Drain Cap 1120/40, 1650/51, 1400, 1500	G-280
307-1002	MX60RP Inlet Fitting Gasket	G-195
307-1003	Cartridge Gasket 1110-02	
307-1005	MY205 Skimmer Gasket (2 Required)	G-171
307-1007	Skim Filter Drain Cap Gasket	G-196
307-1022	Silica II Rotor Valve Gasket	G-396
307-1023	Deluxe Skimmer 90 Radius Fitting Gasket	G-346
307-1027	Skimmer Gasket Skim Line Face Plate	WIP
307-1028	Cartridge Gasket 1112	
308-1000	MY-220 Pump & Tank Gasket	
	387-1001 V-Band Clamp 1400-1500	0-306
308-1001	Manifold Seal O-ring	0-39
308-1002	Lid Bushing O-ring 1400,1500	0-225
308-1003	Manifold Bearing O-ring	0-303
308-1004	H & L Pot O-ring-PPI 1400, 1500, 1640/41, 1740/41	0-14
308-1005	¾ HP Pump O-ring-PPI	0-368
308-1006	Silica I Piston O-ring-PPI 1400, 1500, 1640, 1740	0-122
308-1008	Valve Body O-ring	0-301
308-1009	O-ring	0-39
308-1010	Pump O-ring 1110-02, 04 & 1112-00	0-256
308-1011	Volute O-ring 1110-02, 04 & 1112-00	0-25
308-1012	1110 Tank Cover O-ring 1110-02, 04 & 1112-00	0-307
308-1013	Pump Discharge O-ring	0-220
308-1014	1141, 1162, MY185 Cartridge O-ring Tank 1151, 1172	0-304
308-1016	Outlet Retainer O-ring	0-125
308-1018	Manifold Quad Seal 1400	
308-1035	O-ring Inverted "U" Cup Seal 1650	0-387
308-1038	O-ring	0-108
308-1039	Silica II Hose Adapter O-ring 1094/95/96, 1651, 1750	0-128
308-1040	Backplate O-ring-PPII Insulator	0-303
308-1041	Strainer Body O-ring	0-386
308-1043	Silica I & II Tank Drain O-ring 1640/41/50/51, 1740/41/50 ...	0-189
308-1044	O-ring Valve Rotor 1650/51, 1750	0-189
308-1046	O-ring-PPII Strainer Pot 1084/85/86	0-40
308-1050	Dynaflow Cover O-ring	
308-1052	1084, 1085, 1086 Strainer Body O-ring	0-453
308-1054	Drain Valve O-ring 1120 & 1140	
308-1056	Tank O-ring (Prior to 1987) 1640 & 1740	
308-1059	Dynaflow Cover O-ring	0-72
308-1061	Dynaflow Basket Port O-ring	0-282
308-1062	Cartridge Filter Coupling O-ring	0-69
308-1064	Pot To Volute O-ring	0-408
308-1065	2163, 2164, 2165 Lid O-ring	
308-1072	Gasket	G-280
308-1075	O-ring	0-412
308-1076	Gasket	G-339
308-1081	Push Pull Valve Cover Gasket 1640, 1740	G-344
308-1083	Gasket	G-340
308-1084	O-ring Grid Collector (Sequel II) 1651	
308-1089	Skimmer Gasket	
308-1097	Pump Seal 3/8" 1112	
308-1099	Diffuser O-ring-PPII	0-108
308-1106	Face Gasket-PPI & PPII With Program	WIP
308-1107	Body Gasket-PPI PPII With Program	
308-1109	Silica Valve Body Port Gasket 1640/41, 1740/41	G-339
308-1109	Rubber Washer	G-202
308-1110	Return Fitting Gasket	G-346

Cross Reference



308-1113	Silica I, Sand & DE Tank O-ring Sanoprene 1640/41, 1740/41.....	0-451
308-1114	Silica II Tank O-ring Sanoprene 1650/51, 1750.....	0-452
308-1122	Dynaflow Pump Seal.....	AS-163
308-1123	Cyclops II Ceramic Seal.....	AS-3A208
308-1124	Cyclops Mark 5 O-ring.....	0-299
308-1125	Cyclops/Pro X Strainer Cover O-ring/Dynamo/Power-Flo.....	0-231
308-1130	Valve O-ring	
308-1134	Pro X Series Backwash Valve Cap O-ring.....	0-213
308-1135	Pro X Ceramic Seal	
308-1136	O-ring Seal Selector Shaft 1650.....	0-388
308-1137	Pro Pump Sealing Plate O-ring.....	0-229
308-1138	Pro X Pump Seal	
308-1139	Flat Lathe Cut Gasket.....	G-98
308-1140	2" Inspection Port O-ring.....	0-417
308-1141	Filter Tank O-ring.....	0-297
308-1142	20" Tank O-ring.....	0-202
308-1143	20" Tank Ring	
308-1144	24" Tank Ring	
308-1145	Drain To Valve Gasket.....	G-281
308-1146	Viewport Lid Gasket.....	G-282
308-1147	Viewport Gasket.....	G-283
308-1148	SS Under Drain Support Gasket	
308-1149	Rubber Washer	
308-1150	O-ring.....	0-180
308-1151	Under Drain Sealing Gasket	
308-1152	Valve Cover Plunger O-ring.....	0-30
308-1153	Tube Support O-ring.....	0-410
308-1154	Center Pipe To Disk O-ring	
308-1155	Filter Drain Rubber Washer	
308-1157	1 1/2" Center Pipe O-ring	
308-1165	O-ring	
308-1167	Pump Lid-PPII 1084/85/86.....	WIP
308-1171	Silica I 4-Way Valve Gasket.....	G-395
308-1172	Main Drain Gasket	
308-1174	Silica I Valve Rotor O-ring 4 Position 1641, 1741	
308-1182	Silica I Valve Rotor Gasket 4 Position 1641, 1741.....	WIP
308-1188	Cover O-ring	
308-1202	3/4" Shaft Seal PPIII	
308-1204	O-ring	
308-1205	Replaced By 308-1251	
308-1206	O-ring	
308-1225	5/16" Threaded Seal	
308-1226	Drain Cap Gasket	
308-1227	O-ring PPIII.....	0-244
308-1228	O-ring PPIII.....	0-493
308-1229	O-ring PPIII.....	0-495
308-1230	Replaced By 308-1241	
308-1231	3/4" Pump Seal Seat PPIII	
308-1234	O-ring	
308-1241	O-ring	
308-1251	O-ring Gasket	
308-1252	O-ring.....	0-494
308-1263	Ceramic Seal 5/8" PPI	
308-1264	Spring Seal 5/8" PPI.....	AS-642
310-1039	Tube To Spin-O-Cycle Handle Fiber Gasket.....	G-278
310-1040	Diffuser Gasket	
312-1003	60 Sq. Ft. Cartridge Filter Element.....	16008
327-1007	Friction Washer.....	G-276
327-1048	Silica II 1 1/2" Hose Clamp.....	274-20
327-1053	PTFE Washer	
340-1139	Deluxe Skimmer Basket Skim Filter 2094-03, 1160-00.....	B-191
340-1438	Automatic Top Skimmer Basket	
340-1571	Cyclops II Basket.....	B-194
340-1988	Strainer Basket PPIII	
348-1033	Slinger Washer.....	G-341
348-1033	Ceramic Seal.....	AS-3A208
387-1017	1 1/2" SS Clamp.....	274-20
387-1018	1 1/2" SS Clamp.....	274-20

387-1019	1 1/2" SS Clamp.....	274-20
387-1071	1 1/2" SS Clamp.....	274-20
387-1087	1 1/4" SS Clamp.....	273-16

DURAFLEX INTERNATIONAL

C210	Hinge O-ring	
------	--------------	--

EZ CHLOR (SEE PAC FAB, PUREX)

	Chlorinator Flow Meter Top Gasket.....	G-472
	Chlorinator Flow Meter Bottom Gasket.....	G-473
	Chlorinator Float Arm Valve Seal Gasket.....	G-476
	Chlorinator Flow Meter O-ring.....	0-47
12690-09	Chlorinator Flow Meter Gasket.....	0-39
12690-26	Saddle Fitting Gasket.....	G-34
12690-28	Winterizing Plug	
918	Chlorinator Flow Meter Viton® O-ring.....	0-39V
5099-135	Richardson, Seablue, Helder 22" Filter Tank O-ring.....	0-433
6030	Nu Clo Cap O-ring	

EASTSIDE (ALL LISTINGS UNDER PUREX)

EDGEWOOD

	Inlet Heater Gasket.....	G-22
	Outlet Heater Gasket.....	G-23

ELECTROFEED

	25-A Fitting O-ring.....	0-288
--	--------------------------	-------

EMERALD SPAS

	9 Sq. Ft. Cartridge Filter Element.....	10804
	15 Sq. Ft. Cartridge Filter Element.....	11501
	25 Sq. Ft. Cartridge Filter Element.....	12501
	25 Sq. Ft. Cartridge Filter Element.....	12502
	25 Sq. Ft. Cartridge Filter Element.....	12507
	32 Sq. Ft. Cartridge Filter Element.....	13201

ENERGY UTILIZATION SYSTEMS

3029-P	Universal Pressure Switch.....	3925
--------	--------------------------------	------

ENVIRONMENTAL WATER PRODUCTS

3902	Universal Pressure Switch.....	3902
------	--------------------------------	------

ESTER WILLIAMS

	25 Sq. Ft. Cartridge Filter Element.....	12502
	35 Sq. Ft. Cartridge Filter Element.....	11802
	50 Sq. Ft. Cartridge Filter Element.....	15017
	Basket-Metal.....	B-145

EVERGREEN SOFT SPA (SOFT SIDER SPAS)

9200-04-000-06	2 Button Spa Side Controller.....	CC2-120-10
9202-06-000-06	2 Button Spa Side Controller.....	CC2-120-10
9204-06-000-06	2 Button Spa Side Controller.....	CC2-120-10

F & W

	Sprinkler Pump Gasket.....	G-201
	Jet Pump Gasket.....	G-203

FIESTA

	Skimmer Basket-Plastic.....	B-42
	Skimmer Basket-Metal.....	B-71

FISCHER-PORTER

101W701U01	Chlorinator Viton® O-ring.....	0-249V
101W704U01	Chlorinator Viton® O-ring.....	0-348V
101W705U01	Chlorinator Viton® O-ring.....	0-186V
101W706U01	Chlorinator Viton® O-ring.....	0-349V
101W707U01	Chlorinator Viton® O-ring.....	0-30V
101W709U01	Chlorinator Viton® O-ring.....	0-25V
101W710U01	Chlorinator Viton® O-ring.....	0-39V
101W711U01	Chlorinator O-ring.....	0-47
101W715U01	Chlorinator Viton® O-ring.....	0-356V
101W716U01	Chlorinator Viton® O-ring.....	0-288V
101W718U01	Chlorinator Viton® O-ring.....	0-357V
101W721U01	Chlorinator Viton® O-ring.....	0-225V

101W814U01	Chlorinator O-ring	0-364
101W816U01	Chlorinator O-ring	0-359
101W901U01	Chlorinator Viton® O-ring.....	0-253V
101W902U01	Chlorinator Viton® O-ring.....	0-130V
101W903U01	Chlorinator Viton® O-ring.....	0-350V
101W904U01	Chlorinator Viton® O-ring.....	0-188V
101W905U01	Chlorinator Viton® O-ring.....	0-351V
101W910U01	Chlorinator O-ring	0-220
101W918U01	Chlorinator Viton® O-ring.....	0-352V
101W920U01	Chlorinator Viton® O-ring.....	0-354V

FLEETWOOD (ALL LISTINGS UNDER EDGEWOOD)

FLEXFLOR CHEMICAL FEEDER

2008V	Check Valve Small O-ring
210GF	Check Valve Large O-ring

FLORIDA WHIRLPOOL

	30 Sq. Ft. Cartridge Filter Element (Spillway Spas).....	12502
	50 Sq. Ft. Cartridge Filter Element (Spillway Spas).....	15016
	50 Sq. Ft. Cartridge Filter Element (Spillway Spas).....	15010
CSC-1131	4 Function Air Switch (TBS-312 Required).....	CSC-1131
08-0340001	Universal Air Switch	TBS-901
08-0340007	Universal Pressure Switch	3925
9350-10-000-06	3 Button Spa Side Controller & Retro-Fit Faceplate	CC3-120-10 & 20205

FORT WAYNE POOLS

8002-06-000-06	2 Button Spa Side Controller	CC2-120-10
8752-10-000-06	3 Button Spa Side Controller & Retro-Fit Faceplate	CC3-120-10 & 20205
9350-06-000-06	3 Button Spa Side Controller & Retro-Fit Faceplate	CC3-120-10 & 20205
9400-06-000-06	4 Button Spa Side Controller & Retro-Fit Faceplate	CC4-120-10 & 20205
ATP-300-0000	3 Button Air Transmitter Panel.....	ATP-300

FORT WAYNE SPAS (MASTER SPAS)

	20 Sq. Ft. Cartridge Filter Element.....	12004
	45 Sq. Ft. Cartridge Filter Element.....	14506

FOUNTAIN VALLEY SPAS

	45 Sq. Ft. Cartridge Filter Element.....	14504
	45 Sq. Ft. Cartridge Filter Element.....	14508

FOX ENTERPRISES

TBS-410-882	Air Switch	TBS-410
-------------	------------------	---------

FRANKLIN ELECTRIC

275455101	Air Switch	TBS-306
-----------	------------------	---------

FREEDOM SPAS

	Ambassador/Concorde/Executive/ Patriot- 37 Sq. Ft. Cartridge Filter.....	13701
	Element Statesman/Lexington/Enterprise/Aristocrat Franklin-45 Sq. Ft. Cartridge Filter Element.....	14506
	Franklin/Revere/Statesman-30 Sq. Ft. Cartridge Element	13005
	Liberty-35 Sq. Ft. Cartridge Filter Element.....	11802
	50 Sq. Ft. Cartridge Filter Element (After 1993)	15002
	50 Sq. Ft. Cartridge Filter Element (After 1993) (2 Required)	12504

G G INDUSTRIES

TBS-310	Air Switch	TBS-301
---------	------------------	---------

GPM INDUSTRIES

	25 Sq. Ft. Cartridge Filter Element.....	12502
	50 Sq. Ft. Cartridge Filter Element.....	15002
ATP-301-0101	3 Button Air Transmitter Panel.....	ATP-300

9200-06-000-06	2 Button Spa Side Controller	CC2-120-10
9350-06-000-06	3 Button Spa Side Controller & Retro-Fit Faceplate	CC3-120-10 & 20205
9400-06-000-06	4 Button Spa Side Controller & Retro-Fit Faceplate	CC4-120-10 & 20205

GATSBY SPAS

	25 Sq. Ft. Cartridge Filter Element.....	12512
	25 Sq. Ft. Cartridge Filter Element.....	12519
	25 Sq. Ft. Cartridge Filter Element.....	12523
	35 Sq. Ft. Cartridge Filter Element (2 Required)	11802
3010-P-AM	Universal Pressure Switch	3925
8002-06-000-06	2 Button Spa Side Controller	CC2-120-10
8300-06-000-06	3 Button Spa Side Controller & Retro-Fit Faceplate	CC3-120-10 & 20205
SSAS-1101	4 Function Air Switch	SSAS-1101
TBS-301	Air Switch	TBS-301
TBS-305	Air Switch	TBS-301
TBS-312	Air Switch	TBS-312

GENERAL ELECTRIC MOTORS

5ZA103455AA-1	Air Switch	TBS-301
---------------	------------------	---------

GERICO SPAS

	Spa Skimmer Basket.....	B-37
	Spa Skimmer Float.....	B-38
3010	Universal Pressure Switch	3925
	45 Sq. Ft. Filter Cartridge.....	14509

GOLDMARC (ALL LISTINGS UNDER HAYWARD®)

GOULD

	Old Style Turbo Valve O-ring.....	0-313
--	-----------------------------------	-------

GRECIAN

	50 Sq. Ft. Cartridge Filter Element.....	15001
	45 Sq. Ft. Filter Cartridge.....	14509

GRUBER SYSTEMS

TBS-310	Air Switch.....	TBS-301
TBS-410-882	Air Switch	TBS-410

GUARDEX (SEE PAC FAB, PUREX)

P72999	Rubber Washer	G-295
--------	---------------------	-------

H & F

	Pump Lid O-ring	0-19
	Pot To Volute Gasket	G-11
	Thick Volute Gasket	G-44
	Thin Volute Gasket.....	G-44A
	Pump Seal.....	AS-1000

HARMON PUMP

HL-7-5	Basket-Metal.....	B-8
	Basket-Plastic	B-101

HARMSCO

OTC/6-4	6 Sq. Ft. Cartridge Filter Element-3 Oz	10601
ST/6	6 Sq. Ft. Cartridge Filter Element.....	10601
201	Pump Seal.....	AS-201
550	11" Rim Gasket.....	0-290
551	Standpipe O-ring	0-207
552	Holding Rod O-ring	0-273
635	15 Hole Cover Gasket.....	G-193
636	15 Hole Cover Gasket.....	G-198
639	Cover Gasket.....	G-200
671	27 Hole Cover Gasket	G-199
701	6 ½" Rim Gasket.....	0-291
782	9" Rim Gasket	
930	BF96, BF144 Cartridge Filter Holding Rod O-ring.....	0-83

HAUGH PRODUCTS

1370012	9 Sq. Ft. Cartridge Filter Element.....	10901
1370031	15 Sq. Ft. Cartridge Filter Element.....	11502
	Niagra, Whirlpool-25 Sq. Ft. Cartridge Filter Element	12502
	Niagra, Whirlpool-50 Sq. Ft. Cartridge Filter Element	15002

HAWKEYE SPAS

	50 Sq. Ft. Cartridge Filter Element.....	15002
3029P	Universal Pressure Switch	3925
8000-10-000-06	2 Button Spa Side Controller	CC2-120-10
8400-10-000-06	4 Button Spa Side Controller & Retro-Fit Faceplate	CC4-120-10 & 20205
8750-10-000-06	3 Button Spa Side Controller & Retro-Fit Faceplate	CC3-120-10 & 20205
TBS-301	Air Switch.....	TBS-301
TBS-304	Air Switch.....	TBS-304

HAYWARD® (SEE ARNESON & COMFORTZONE)

	Center Rod O-ring.....	0-391
	Brass Light Ring W/Screws.....	500B
	Universal Plastic Light Ring W/Screws.....	500P
	Goldmarc Model 181 & 241 Cover O-ring	0-268
AX5010G10	Wall Quick Connect O-ring For Phantom/Viper™	0-403
AX5010G18	Viper™ Cleaner Connector O-ring/Phantom/Phantom Turbo™	
AX5010G19	Phantom/Viper™ In Line Filter O-ring	
AX5010G20	Pipe Connector O-ring 6 Pack/Phantom/Phantom Turbo™	
AX5060GA	Volute Flat Gasket For Booster Pump For Viper™ Cleaner (Prior to 2004)	
AX5060J	Volute Ribbon Gasket (2004-Present) For Viper™-Booster Pump	
AX6060S	VIIO Turbo/Viper™ Booster Pump Volute O-ring.....	0-328
AXL12	Main Drain Gasket	
AXW431A	Leaf Basket For W430/W560	
AXW533A	Leaf Canister Lid O-ring Only	
AXW542	Leaf Canister O-ring For W530/W560	0-330
CX1000G	XStream® Body O-ring	0-542
CX1000RE	XStream® 100 Sq. Ft. Cartridge Filter Element.....	19935
CX1000V	O-ring Only For Air Relief Assembly XStream® Filter Series	
CX1000Z5	XStream® O-ring For Gauge Adapter and Air Relief	
CX1500RE	XStream® 150 Sq. Ft. Cartridge Filter Element.....	25014
CX1750RE	XStream® 175 Sq. Ft. Cartridge Filter Element.....	27503
CX2000RE	XStream® 200 Sq. Ft. Cartridge Filter Element.....	29912
CLX110K	Chlorine Feeder Viton® O-ring	0-442V
CLX200K	Chlorinator Viton® O-ring.....	0-231V
CLX200LA	Chlorinator Viton® O-ring Kit.....	0-416V
CXFHR1001	ASL™, ReGenXT™ Grid DE and SwimClear™ Filter Head O-Ring	
CX100XRE/BVS	SwimClear™ C100S Cartridge Filter Element	19946
CX120D	Cartridge Filter Lid O-ring Micro Star-Clear™.....	0-330
CX120RE	Micro Star-Clear™ In Line - 12 Sq. Ft. Cartridge Filter Element.....	11204
CX150XRE/BVS	SwimClear™ C150S Cartridge Filter Element.....	25026
CX200RE	Micro Star-Clear™ In Line-20 Sq. Ft. Cartridge Filter Element	12001
CX200XRE/BVS	SwimClear™ C200S Cartridge Filter.....	29921
CX225RE	Micro Star-Clear™ In Line-25 Sq. Ft. Cartridge Filter Element	12501
CX250F	Cartridge Filter Tank O-ring Star Clear	0-305
CX250RE	Star-Clear™ 25 Sq. Ft. Cartridge Filter Element.....	12509
CX250Z6	O-ring	0-165
CX250Z7	Cartridge Filter Locking Ring Star-Clear™.....	0-327
CX25003Z2	Gasket.....	G-356
CX25003Z5	Max-Pak System Heater Gasket	
CX25005B1	Gasket.....	G-357
CX400G	Easy-Clear™ Filter Head O-ring Strainer Cover O-ring	
	NorthStar™ (Prior to 2003) Micro Star-Clear™	0-504
CX400RE	Skim Filter 40 Sq. Ft. Cartridge Filter Element.....	14015
CX410RE	Easy-Clear™ 40 Sq. Ft. Cartridge Filter Element	14003
CX470XRE	Super Star-Clear™ 50 Sq. Ft. Cartridge Filter Element Super Star-Clear™ (4 Required).....	15032
CX480XRE	SwimClear™ (C2020/C2025) Super Star-Clear™ (C2000) Cartridge Filter Element	15601
CX500RE	Star-Clear™ 50 Sq. Ft. Cartridge Filter Element.....	15004
CX550RE	Easy-Clear™ 55 Sq. Ft. Cartridge Filter Element	15503
CX570XRE	Super Star-Clear™ 3000-75 Sq. Ft. Cartridge Filter Element	17509

CX580XRE	Super Star-Clear™ 3000/Swim Clear C3020/C3025 Cartridge Filter Element.....	18101
CX591XRE	Cartridge Filter Element	19502
CX750RE	Star-Clear™ 75 Sq. Ft. Cartridge Filter Element.....	17506
CX760RE	Star-Clear™ Plus 75 Sq. Ft. Cartridge Filter Element.....	17530
CX800F	800 & 1100 Cartridge Lid O-ring Star-Clear™ II	0-366
CX800RE	Star-Clear™ II-75 Sq. Ft. Cartridge Filter Element.....	17507
CX850RE	ASL™ Filter 85 Sq. Ft. Cartridge Filter Element.....	18503
CX870XRE	Super Star-Clear™ 4000-100 Sq. Ft. Cartridge Filter Element.....	19902
CX875XRE	SwimClear™ C4520 Series/Super Star-Clear™ C4500 Series Cartridge Filter Element	21201
CX880XRE	Super Star-Clear™ 4000/Swim-Clear™ C4020/C4025 Cartridge Filter Element	20601
CX900F	Star-Clear™ Plus Filter Head O-ring	0-240
CX900H	Star-Clear™ Plus Locking Knob O-ring	0-288
CX900J	Star-Clear™ Plus E-ring	
CX900RE	C900 Cartridge Filter Element/Star-Clear™ Plus	19002
CX900W	Washer For Knob/Cone Gasket	G-363
CX1000G	XStream® Filtration Series Body O-ring	
CX1000RE	Star-Clear™ 100 Sq. Ft. Cartridge Filter Element.....	19936
CX1000Z5	XStream® Filtration Series O-ring For Gauge Adapter and Air Relief	
CX1100RE	Star-Clear™ II 100 Sq. Ft. Cartridge Filter Element	19905
CX1200RE	Star-Clear™ Plus 120 Sq. Ft. Cartridge Filter Element.....	22002
CX1250RE	ASL™ Filter 120 Sq. Ft. Cartridge Filter Element	22009
CX1260XRE	Super Star-Clear™ 125 Sq. Ft. Cartridge Filter Element - (4 Required)	22506
CX1280XRE	SwimClear™ (C5020/C5025) Super Star-Clear™ C5000 Cartridge Filter Element.....	23101
CX1380XRE	SwimClear™ C5520 Series/Super Star-Clear™ C5500 Series Cartridge Filter Element	23705
CX1500RE	Star-Clear™ II C-1500-150 Sq. Ft. Cartridge Element (2 Required)	17507
CX1750RE	Star-Clear™ Plus 175 Sq. Ft. Cartridge Filter Element.....	27501
CX1900RE	Star-Clear™ Plus C1900 Series Cartridge Filter Element.....	28002
CZXGKT7408	Bucket Gasket SG II Model	G-456
DEX360E	Micro Clear Spacer & Vertical Grid DE 7200 Filter O-ring	0-130
DEX360K	Micro Clear & Vertical DE S/S, C3000S, C4000S Tank O-ring/SwimClear™/Super Star-Clear™	0-430
DEX360M	DE 7200 Filter Small Radius Connector O-ring.....	0-255
DEX2400K	C3000, C4000 Micro Clear Vertical Fiberglass Tank O-ring/Pro Grid Tank O-ring/SwimClear™	0-429
DEX2400S5	Micro Clear Filter Relief Valve To Tank Gasket Super Star-Clear™	G-384
DEX2400Z3A	Relief Valve Stem O-ring Kit Micro Clear /Pro Series/ Super Star-Clear™ (2 Required).....	0-500KIT
DEX2400Z5	Outlet Elbow O-ring/Micro Clear/SwimClear™	0-24
DEX2420MRC	Gauge Adapter O-ring For Pro-Grid/SwimClear™	
DEX2420Z8A	Pro-Grid O-ring Kit (Set of 2) SwimClear™	0-514KIT
ECX1003	DE Filter Diaphragm Gasket Perflex®	G-178
ECX1039	Perflex® Diaphragm Gasket.....	G-460
ECX1105	DE Filter Diaphragm Gasket.....	G-348
ECX1287	DE Filter Gauge O-ring Perflex® Adapter O-ring	0-424
ECX1321A	Micro/Star-Clear™ II (1988 & Prior) Filter Air Relief Valve O-ring.....	0-155
ECX1322A	Vent Valve O-ring Star-Clear™ (1989) Easy-Clear™ Air Relief	0-641
ECX18028	Hose Clamp	277-32
ECX2641D1	DE Filter Diaphragm Gasket Perflex®	WIP
ECX2641D	DE Filter Diaphragm Gasket Perflex®	G-351
ECX2899A	Perflex® Bump Shaft O-ring/SPX0722H	0-47
ECX5000G	EC-50C Diaphragm Gasket	G-461
ECX9611246	EC Filter Bump Shaft O-ring Perflex® (Part Of 0-512KIT)	0-30
GLX-Union	TurboCell Union O-ring.....	0-43
GMXC48G	Housing Gasket.....	G-362
GMX142CA	O-ring	0-408
GMX142DA2	Drain Cap O-ring (1970-1978)	
GMX142Z2	Pump O-ring.....	0-207
GMX152Z4A	Drain Cap O-ring	
GMX152Z5	Drain Plug O-ring (After 1979)	0-69

GMZ400D	Bearing Gasket.....	WIP
GMX400F	Valve To Tank Lid O-ring-S140T.....	0-384
GMX400G	Valve Seat Gasket.....	G-352
GMX400P	Valve Stem O-ring	
GMX600D	PTFE Bearing Washer.....	0-188
GMX600F	Valve To Filter Lid O-ring Pro Series-S144T/Pressure Test O-ring For NorthStar™.....	0-263
GMX600FST	Filter/Valve Threaded Lid O-ring.....	0-385
GMX600G	Valve Seat Gasket.....	G-353
GMX600P	Valve Stem O-ring	
HCPX338V60	Diffuser Viton® Gasket HCP3000.....	0-652V
HCPX369V70	Housing Viton® O-ring HCP3000.....	0-540V
HCPX6025A	Strainer Body O-ring.....	0-258
LPCUS11100A	ColorLogic® Adaptable Light Ring.....	500B/C/P
LPLUS11050	CrystalLogic™ Adaptable Light Ring.....	500B/P
PRX20007	O-ring Seal Pro Series Light	
PRX20008	Niche Gasket Pro Series Light (2 Required)	
PSXA	Actuator Shaft Assembly O-ring Kit.....	0-509KIT
PSXVZ2A	O-ring Kit For Cover Of PSV Valve.....	0-523KIT
RGX45G	ReGenX™, ASL™ Filter Head O-ring.....	0-88
SFX400C	Skim Filter Basket	
SFX400Z1	Upper Drain Valve O-ring-Skim Filter	
SP058050/S50	AstroLite™ Adaptable Light Ring.....	500B/C/P
SP3200EE	Seal.....	PSR-3890
SP3200X	Seal.....	PSR-3890
SP3200VSP/ND	Seal.....	PSR-3890
SP3600	Seal.....	PSR-3890
SP4000/X	Seal.....	PSR-3890
SPSTX262Z5B	H & L 1 ½" - 2" FIP O-ring	
SPSTX264Z5B	H & L 2" FIP O-ring	
SPSTX266Z5B	H & L 2 ½" - 4" FIP O-ring	
SPSTX269Z5B	6" & 8" Flange O-ring	
SPSTX305F	1 ½" In Line Trap Lid Gasket.....	G-105
SPSTX310SHX	In Line Trap Basket.....	B-310
SPSTX315SHX	In Line Trap Basket.....	B-315
SPSTX315Z1	2" In Line Trap Lid Gasket.....	G-104
SPSTX325F	3" In Line Trap Lid Gasket.....	G-91
SPSTX325SHX	In Line Trap Basket.....	B-325
SPSTX330SHX	In Line Trap Basket.....	B-330
SPSTX330Z1	4" In Line Trap Gasket.....	G-92
SPSTX335SHX	In Line Trap Basket.....	B-335
SPSTX335Z1	5" In Line Trap Gasket.....	G-94
SPSTX340SHX	In Line Trap Basket.....	B-340
SPSTX340Z1	6" In Line Trap Gasket.....	G-87
SPSTX345H	8" In Line Trap Gasket.....	G-103
SPSTX345SHX	In Line Trap Basket.....	B-345
SPSTX350SHX	In Line Trap Basket.....	B-350
SPSTX355SHX	In Line Trap Basket.....	B-355
SPX0023Z2	Double Sided Gasket For Fitting.....	G-399
SPX0023Z12	Gasket For SP1023, 1024, 1025 Fittings.....	G-89
SPX0058D	Main Drain Gasket.....	G-151
SPX0071C2	Sight Glass Gasket (2 Required).....	G-161
SPX0072C2	Gasket.....	G-107
SPX0072Z4	Sight Glass/Valve Stem O-ring (Part Of 0-500KIT).....	0-186
SPX0084M	Skimmer Gasket.....	G-154
SPX0090E	Skimmer Gasket.....	G-156
SPX0097E	SP-1097, 1098 Skimmer Gasket.....	G-155
SPX0099E	Skimmer Gasket.....	G-158
SPX0102Z3	Gasket.....	G-93
SPX0125F	Motor Shaft Slinger.....	G-71
SPX0125G	Pump Gasket.....	G-46
SPX0125H	Pump Gasket.....	G-47
SPX0125RLX	Pump Basket.....	B-119
SPX0125T	Pump Lid O-ring For Max-Flo™/Ultra Max.....	0-76
SPX0125Z2	Pump Seal (Before 1967).....	AS-372
SPX0125Z3	Pump Diffuser Ring Volute.....	0-79
SPX0145G	Bracket Pump Gasket.....	G-65
SPX0145T	Pump Lid Gasket.....	G-83
SPX0145RA	Pump Basket.....	B-118

SPX0145XF	Pump Diffuser Gasket	
SPX0404G	Winterizing Plug	
SPX0409C2	Fitting Gasket (2 Required).....	G-152
SPX0410X	2" Slide Valve O-ring Set.....	0-512KIT
SPX410X	Small Piston O-ring (Part Of 0-512KIT).....	0-26
SPX0410Z2	SPX410X Large Piston O-ring (Part Of 0-512KIT).....	0-180
SPX0501HJ	Light Lens Gasket (2 Pieces: 1 O-ring, 1 Piece Extrusion).....	0-178KIT
SPX0503W	Light Lens Gasket.....	0-174
SPX0505G	Shell Assembly Gasket.....	G-338
SPX0506D	Gasket For PVC Niches & Shell Assemblies.....	G-96
SPX0540Z2	Light Lens Gasket.....	0-172
SPX0550Z2	Starlite II Lens Gasket.....	0-406
SPX0577Z1	Deck Box Cover Gasket.....	G-159
SPX0580BA	Cover Gasket.....	G-174
SPX0580Z2	AstroLite™ Lens Gasket.....	0-172
SPX0590G	AstroLite™ II Lens Gasket.....	0-528
SPX0602F	Gasket.....	G-106
SPX0602Z2	Valve O-ring.....	0-25
SPX0602Z2A	PTFE Piece (0-25 Required).....	0-25A
SPX0602Z2	Valve O-ring (See 0-27A).....	0-37
SPX0603F	Cover Gasket.....	G-86
SPX0603Z2	Stem O-ring.....	0-27
SPX0603Z2A	PTFE Piece (0-27 Required).....	0-27A
SPX0605F	Cover Gasket.....	G-90
SPX0605Z2	Star-Clear™ Plus Drain Plug O-ring/Stem O-ring.....	0-398
SPX0605Z2	PTFE Piece (0-398 Required).....	0-27A
SPX0605Z2	Valve O-ring.....	0-27
SPX0605Z2V	Feeder Drain Plug O-ring.....	0-398
SPX0608G	AstroLite™ II Gasket	
SPX0704D	Valve Key Gasket.....	G-398
SPX0704F	1 ½" Vari-Flo™ Cover O-ring.....	0-48
SPX0704HA	PTFE Shaft Seal (G-411) & O-ring (0-225).....	0-483KIT
SPX0704HA	PTFE Piece Only For 0-483KIT.....	G-411
SPX0710D	6 Spoke Spider Gasket (Before 1977).....	0-176
SPX0710R	Multiport Valve Sight Glass Gasket.....	G-160
SPX0710XD	5 Spoke Spider Gasket (After 1977).....	0-176A
SPX710Z1	Non-Metallic Bearing.....	0-189
SPX0710XZ3	N/S Vari-Flo™ Valve Lid O-ring (After 1976)/Strainer Cover O-ring For Solid Cover Power-Flo® (Before 1978).....	0-48
SPX0710XZ5	Matrix® Housing O-ring.....	0-368
SPX0710Z3	Valve Lid O-ring (Before 1978) Power-Flo® Strainer Cover O-ring Solid Lid.....	0-139
SPX0710Z14	715 & 716 Valve Non-Metallic Bearing.....	G-390
SPX0710Z16	Multiport Valve Non-Metallic Bearing.....	G-363
SPX0714L	Vari-Flo™ XL Valve Cover O-ring.....	0-336
SPX0715D	2" Valve Seat Gasket.....	0-322
SPX0715Z1	2" Multiport Valve Lid O-ring.....	0-277
SPX0720P2	PTFE Ball Seal (Set of 2) - Before 1976	
SPX0722P2	PTFE Ball Seal (Set of 2)	
SPX0722G	Ball Valve End Connector Bonnet O-ring (Part Of 0-512KIT).....	0-168
SPX0722H	Stem O-ring (Before 1975).....	0-47
SPX0724G	End Connector O-ring.....	0-275
SPX0724H2	PTFE Ball Seal	
SPX0727H	Perflex® Diverter Valve Seal	
SPX0727K	Diverter Valve Cover O-ring.....	0-321
SPX0728H	1 ½" & 2" Backwash Valve End Connector O-ring.....	0-159
SPX0728F2	Ball Seal	
SPX0733E	Dial-A-Flo Valve Seal	
SPX0733Z1	Diverter Valve O-ring	
SPX0733Z1A	Vari-Flo™ SP715, 716 PTFE Piece For 0-508KIT.....	0-507
SPX0733Z2A	Vari-Flo™ SP715, 716 Cover O-ring	
SPX0733Z4	O-ring Key W/Washer 715, 716 Vari-Flo™ Kit.....	0-508
SPX0735G	Valve Stem O-ring.....	0-276
SPX0735GA	Vari-Flo™ Valve O-ring Kit PTFE Shaft Seal.....	0-418KIT
SPX0735H	Ball Valve Connector O-ring.....	0-245
SPX0735P2	PTFE Ball Seal.....	0-360
SPX0740D	Valve Seat Gasket.....	G-418
SPX1022B	Winterizing Plug-Flush.....	802

SPX1022C	Winterizing Plug-Raised	801	SPX1255	Pump Cart.....	710
SPX1022CZ2	SP-1022C Plug O-ring	0-125	SPX1408B	Return Fitting Face Plate	7008
SPX1023	ABS Wall Fitting.....	7006	SPX1408C	Vinyl Eyeball Gasket.....	G-226
SPX1023Z12	Fitting Gasket	G-225R	SPX1411Z12	SPX1411104071 Gasket.....	G-88
SPX1023Z3	Inlet Fitting Washer Gasket.....	G-225	SPX1419C	ABS Eyeball.....	7003
SPX1025Z3	SPX1025 Fiber Slip Washer.....	G-378	SPX1419T	Eyeball Seat Removal Tool.....	7000
SPX1025Z12	SPX1025 Gasket (2 Required).....	G-377	SPX1425Z6	Inlet Fitting O-ring (1989 & Prior)/ASL™ Filter Union O-ring/ Perflex®/Pro Series/S240/S200	0-49
SPX1035B	SPX1035AV Main Drain Neoprene Sealing Gasket.....	G-385	SPX1432E	Jet Air Mini Jet Gasket.....	G-374
SPX1035C	SPX1035AV Main Drain Fiber Sealing Gasket.....	G-378	SPX1434J	Vari-Flo™ Nozzle O-ring.....	0-247
SPX1039C2	Fitting Gasket (2 Required).....	G-153	SPX1434JA	Jet Air III Seal O-ring	
SPX1048D	Vinyl Main Drain-Paper Gasket.....	G-112P	SPX1434J2	Vari-Flo™ Nozzle O-ring	
SPX1048D	Vinyl Main Drain-Rubber Gasket.....	G-112R	SPX1434L	Jet Air III Gasket	G-381
SPX1058D	Main Drain Gasket	G-150	SPX1434TP	O-ring	0-122
SPX1070E	Skim Master Basket-Large.....	B-9	SPX1438FA	O-ring Only For Pro Jet Fitting	
SPX1070KHR	Skimmer Weir 8 3/8" For 1071 Series.....	938	SPX1438H	Pro Jet O-ring.....	0-441
SPX1070Z1	Float Valve Body O-ring		SPX1438J	Pro Jet Gasket.....	G-376
SPX1070Z2	Float Valve O-ring	0-223	SPX1441BA	Poppet O-ring	
SPX107042	Gasket.....	G-108	SPX1441Z1	1 1/2" 2 Way Backwash Valve Stem O-ring.....	0-25
SPX107242	Sight Glass Gasket.....	G-251	SPX1450G	Turbo Boost Spa Jet Gasket	
SPX1080E	Skimmer Basket W/Hole	B-117	SPX1450M	Test/Winterizing Plug O-ring	0-250
SPX1082C	Skimmer Basket-Metal.....	B-116	SPX1483C	Diverter Valve O-ring.....	0-40
SPX1082CA	Skimmer Basket-Plastic	B-152	SPX1485B6	Elbow Union O-ring.....	0-49
SPX1082K	Skimmer Weir 7 13/16" Skim Filter	936	SPX1485C	Sand Filter Elbow O-ring (1986 & Prior)/Micro Star-Clear™/ S240	0-341
SPX1082Z5B	Pump Housing O-ring (1986) Power-Flo® SPX1500UN Series 0-228		SPX1485G	Sand Filter Compression Gasket (1987)/Pro Series/ S240/S200	0-341
SPX1082Z410	Star-Clear™ Relief Valve O-ring/ReGenX™ Piston O-ring.....	0-155	SPX1491B	Econo Union O-ring.....	0-222
SPX1084B	Skimmer Gasket/SFX400/SPX1089.....	G-113	SPX1495Z1	Ball Valve Flush Union O-ring/Power-Flo® SP1500UN End Connector/Micro Clear Support Base O-ring/ Booster Pump/Viio Turbo/Viper.....	0-41
SPX1084B3	SPX10840M Gasket.....	G-369	SPX1500H	Power-Flo® Housing Gasket-Paper/Turbo-Flo™	G-64P
SPX1084C	Spacer Gasket		SPX1500H	Power-Flo® Housing Gasket-Rubber/Turbo-Flo™	G-64R
SPX1084L	Skimmer Face Plate For SPX1084 Skimmer.....	918	SPX1500KA	Pump Seal Power-Flo®/Power-Flo® II/Turbo Flo/Turbo-Flo™ LX	AS-4702
SPX1085D	Skimmer Gasket	G-157	SPX1500KA	Seal Housing Kit	AS-4702SH
SPX1085D2	SPX10850M Gasket.....	G-454	SPX1500LX	Power-Flo® Large Basket (1992 & After) Ultra Pro/Power-Flo® II.....	B-220
SPX1088GA	Skimmer Basket W/Collar		SPX1500M	SF400 Drain Valve Small Lower O-ring-Skim Filter.....	0-303
SPX1089K	Skimmer Weir 7 3/8"	941	SPX1500P	Power-Flo® Pump Lid O-ring For Clear Lid/Ultra Pro/Turbo-Flo™ Turbo-Flo™ LX/Power-Flo® LX/Power-Flo® II	0-231
SPX1090D	Skimmer Face Plate For SPX1090.....	917	SPX1500RA1	Pump Check Valve Flap Gasket	G-224
SPX1090E	Vinyl Skimmer Gasket-Paper	G-115P	SPX1500W	Strainer Connector O-ring/Perflex® 1990/Power-Flo®/Ultra Pro Turbo-Flo™/Power-Flo® LX/Xstream Filtration System.....	0-128
SPX1090E	Vinyl Skimmer Gasket-Rubber/SFX40090	G-115R	SPX1500X	Pump Gasket/Power-Flo® Strainer Gasket	G-230
SPX1090F	Spacer Gasket		SPX1500XL	Strainer Basket Large (1992)	
SPX1090WMSG	Skimmer Face Plate Wide Mouth Gasket.....	G-409	SPX1580Z1	Power-Flo® Housing O-ring/Ultra Pro/Turbo-Flo™ LX	0-299
SPX1090WMSB	Strainer Basket For Wide Mouth Skimmer		SPX1600M	Super Pump® Basket	B-167
SPX1090WMW	Weir For Wide Mouth Skimmer		SPX1600R	Super Pump®/Max-Flo™ Diffuser Gasket/Ultra Max/ Super Pump® II	0-141
SPX1091C1	Basket For 1091 LX Skimmer		SPX1600S	Super Pump® Lid Gasket.....	0-177
SPX1091G	Gasket Standard Butterfly		SPX1600T	Super Pump®/Max-Flo™ Housing Gasket/Ultra Max	G-95
SPX1091GW	Gasket Widemouth Butterfly		SPX1600Z2/VIT	Pump Seal NorthStar™/Super Pump®/ Super Pump® II/Max-Flo™/Ultra Max.....	AS-201/V (AS-1521)
SPX1091K1	Weir For 1091 LX Skimmer		SPX1680GA	1680 Series Basket/Power-Flo® LX	
SPX1091Z1	Skimmer Hose Adapter	919	SPX1700FG	Gasket Only For Drain Plug/Max-Flo™/Ultra Max/Matrix®/ Power-Flo®/Power-Flo® II	G-217
SPX1091Z6	Hose Clamp	274-20	SPX1705Z1	Pump Housing Gasket/Power-Flo® II/Turbo-Flo™	0-237
SPX1094FA	Skimmer Basket	B-203	SPX1720KA	Pump Seal Power-Flo® II 1 & 1 1/2 Horse Power.....	AS-1000
SPX1094G	Skimmer Gasket	G-269	SPX1905E	Self Draining Pump Housing O-ring Gasket/Housing O-ring Power-Flo®	
SPX1094K	Skimmer Weir 5 7/8"	933	SPX2300M	MaxFlo XL™ Strainer Basket	
SPX1096CA	Skimmer Basket	B-168	SPX2300Z4	MaxFlo XL® Strainer Cover O-ring	0-19
SPX1096CA	Skimmer Basket-Metal.....	B-115	SPX2700M	Max-Flo™ II Strainer Basket	
SPX1096K	Skimmer Weir 5 7/8" -Skim Filter.....	933	SPX2700SA/V	Seal Assembly For MaxFlo II®, XL™, VST™ Series & Booster Pump.....	AS-200/V
SPX1099B	1099 Spa Skimmer Basket.....	B-202	SPX2700Z4	Max-Flo™ II Strainer Cover O-ring	0-18
SPX1099E	1099 Spa Skimmer Gasket		SPX2800M	Max-Flo™ Basket (1995-Present) Ultra Max	
SPX1099K	1099 Spa Skimmer Weir		SPX2800TG	Pressure Test Gasket	
SPX1104	Small Vac Plate Complete With Straight and Elbow Connector For SPX1090, 1091, 1092.....	913	SPX3000M	Super Pump® II Basket.....	B-207
SPX1104A	Small Vac Plate Only	913A	SPX3000S	Super Pump® II Lid O-ring.....	0-12
SPX1104/7B	Vac Plate Straight Connector	915			
SPX1104/7C	Vac Plate Elbow	916			
SPX1107	Large Vac Plate Complete With Straight and Elbow Connector For SPX1070, 1075, 1082, 1084, 1085.....	914			
SPX1107A	Large Vac Plate Only	914A			
SPX1250G	Pump Gasket.....	G-68			
SPX1250RA	Pump Basket/Max-Flo™ (Prior To 1994)/Power-Flo® (Prior to 1992)/Turbo-Flo™/Turbo-Flo™ LX	B-169			
SPX1250RA	Pump Basket (Metal Version-See B-169 For Plastic).....	B-114			
SPX1250XZ2	Pump Seal (After 1967)	AS-200			
SPX1250XZ2C	Booster Pump Seal assembly	AS-200			

SPX3000SV	Bromine Feeder Cover Viton® O-ring.....	0-12V
SPX3000T	Super Pump® II Gasket/Seal Plate O-ring NorthStar™.....	G-345
SPX3200M	Basket For TriStar® Pump/EcoStar®.....	
SPX3200S	Strainer Cover O-ring TriStar® Pump.....	0-13
SPX3200SA/V	Shaft Seal Assembly For TriStar® Pump/NorthStar™/EcoStar®..AS-3890/V	
SPX3200T	Housing O-ring TriStar® Pump/EcoStar®/NorthStar™/Swim Clear/ Max Flo II/Universal H Series Low Nox.....	0-529
SPX3200UG	Union Gasket (T Seal) TriStar® Pump.....	0-530
SPX32712	Jack's Magic-Lubricant.....	630
SPX0410X	2" Slide Valve O-ring Set/Val-Pak.....	0-512KIT
SPX4000FG	Gasket Only For Drain Plug MaxFlo NorthStar™ & TriStar®.....	0-25
SPX4000M	Basket For NorthStar™.....	B-218
SPX4000S	NorthStar™ Strainer Cover O-ring (2008 And Later).....	0-3
SPX4000SA2/V	Seal Assembly For NorthStar™.....	AS-3890/V
SPX4000T	Seal Plate O-ring NorthStar™.....	0-239
SPX4000TS	Strainer Cover T-Seal (After 2003).....	0-510
SPX4000Z1	Union & Diffuser O-ring For NorthStar™/TriStar®/EcoStar®.....	0-83
SPX5500F	Matrix® Strainer Basket.....	
SPX5500H	Matrix® Strainer Cover O-ring.....	0-453
SPX5500K	Matrix® Strainer O-ring.....	0-4
SVX280070	Large O-ring Super Vision For Concrete and Vinyl.....	
SVX280080	Small O-ring Super Vision For Concrete and Vinyl.....	
SX160Z1	Sand Filter Tank O-ring.....	0-339
SX180G	S164T, 166T, 180T, 220T, 244T Sand Filter/Pro Series Drain Cap Gasket (2004 and Prior).....	G-382
SX180LA	O-ring Only For Drain Cap Assembly.....	
SX200Z3	Bulkhead Sand Filter O-ring/Micro Clear 2" Union O-ring, Super Star-Clear™ Bulkhead Fitting (1995 & Prior).....	0-43
SX200Z4/	Sand Filter O-ring/Vari-Flo™ Connector O-ring/Micro	
SX200Z4PAK2	Clear Bulkhead O-ring (1995 & Prior) Pro Grid/Super Star-Clear™.....	0-64
SX200Z5	Sand Filter O-ring/Pro Series & Micro Clear Air Relief O-ring Super Star-Clear™.....	0-27
SX200Z6	Sand Filter Lid O-ring.....	0-284
SX200Z7	S-200 Filter Tank O-ring.....	0-103
SX200Z8A	Drain Cap Gasket.....	
SX200Z9	Sand Filter Drain Gasket/Cartridge Filter/DE Filter/Gasket For Threaded Sight Glass 1700 Series.....	G-182
SX200Z14	Sand Filter Drain Pipe O-ring Before 1980 (Old Dome).....	0-27
SX200Z14	Sand Filter Drain Pipe O-ring After 1980 (New Dome).....	0-363
SX220Z2	Connector O-ring SwimClear™ Filter.....	0-649
SX220Z3	Large Pro Series O-ring (1995 & Prior).....	0-179
SX240Z1	Sand Filter Tank O-ring.....	0-340
SX360E	Pro Series Plus Spacer O-ring (After 1995).....	
SX360Z1	Microclear & Pro Series Bulkhead O-ring (1996 to Present) /Super Star-Clear™.....	0-246
V LX4008	Body O-ring for VL Series Pump.....	0-20

HELDOR (ADDITIONAL LISTINGS UNDER EZ-CHLOR)

	25 Sq. Ft. Cartridge Filter Element.....	12502
	50 Sq. Ft. Cartridge Filter Element.....	15002
12883-03	Dynapure DP Tank O-ring.....	0-405

HERCULES

3037P	Universal Pressure Switch.....	3925
3903-AN	Universal Pressure Switch.....	3902
3908-AN	Universal Pressure Switch.....	3925
TBS-301	Air Switch.....	TBS-301
TBS-317	Air Switch.....	TBS-317
ATP-300-06	3 Button Air Transmitter Panel.....	ATP-300
9200-06-000-06	2 Button Spa Side Controller.....	CC2-120-10
9200-10-000-06	2 Button Spa Side Controller.....	CC2-120-10
9350-10-000-06	3 Button Spa Side Controller & Retro-Fit Faceplate.....	CC3-120-10 & 20205
9400-06-000-06	4 Button Spa Side Controller & Retro-Fit Faceplate.....	CC4-120-10 & 20205
9400-10-000-06	4 Button Spa Side Controller & Retro-Fit Faceplate.....	CC4-120-10 & 20205
760047	Air Switch.....	TBS-312
760048	4 Function Air Switch (TBS-312 Required).....	CSC-1185
760049	Air Switch.....	TBS-301

760050	Universal Air Switch.....	TBS-901
760051	Universal Air Switch.....	TBS-917
760052	Air Switch.....	SAS-143
760057	4 Function Air Switch (TBS-312 Required).....	CSC-1131
760073	Universal Pressure Switch.....	3925
760140	2 Button Spa Side Controller.....	CC2-120-10
760145	3 Button Spa Side Controller & Retro-Fit Faceplate.....	CC3-120-10 & 20205
760502	Heater Element O-ring.....	0-226

HERGA

6861-AC	Air Switch.....	TBS-301
6861-00	Air Switch.....	TBS-402
6861-0C	Air Switch.....	TBS-302
6862-AC	Air Switch.....	TBS-317
6862-00	Air Switch.....	TBS-419
6863-0C	Air Switch.....	TBS-304
6869-FC	Air Switch.....	TBS-312
6871-AC	Air Switch.....	TBS-301
6871-0C	Air Switch.....	TBS-302
6872-AC	Air Switch.....	TBS-317
6872-00	Air Switch.....	TBS-419

HOBBS

26775	Universal Pressure Switch.....	3902
26776	Universal Pressure Switch.....	3902
26777	Universal Pressure Switch.....	3902
26778	Universal Pressure Switch.....	3902
71076	Universal Pressure Switch.....	3902
73591	Universal Pressure Switch.....	3925
M3218	Universal Pressure Switch.....	3902

HOLLIBAUGH

	10 Sq. Ft. Cartridge Filter Element.....	11003
	25 Sq. Ft. Cartridge Filter Element.....	12509
	50 Sq. Ft. Cartridge Filter Element.....	15004
	75 Sq. Ft. Cartridge Filter Element.....	17506

HOMELITE

62363-A	Gasket.....	G-311
62665-A	Impeller Housing Gasket.....	G-354
62772	O-ring.....	0-400

HOT TUB HEAVEN

ATP-300-01	3 Button Air Transmitter Panel.....	ATP-300
9350-10-000-06	3 Button Spa Side Controller & Retro-Fit Faceplate.....	CC3-120-10 & 20205

HUSTLER

A111	Small O-ring.....	0-25
A211	Large O-ring.....	0-288

HYDRA BATHS

700230	Air Switch.....	TBS-312
700325	Air Switch.....	TBS-301
700687	Air Switch.....	TBS-306

HYDREL (SEE PUREX)

8092-S	Lens Gasket.....	0-407
--------	------------------	-------

HYDRO (SEE PAC-FAB)

HYDRO AIR

	ADJ Flow Jet O-ring.....	0-50
	Air Control O-ring.....	0-362
10-010EP70	Adjustable Micro Jet Rotor Body Air O-ring.....	
10-014EP70	Adjustable Micro Jet Rotor-Water O-ring.....	
10-021EP70	Adjustable Micro Jet Rotor Body O-ring.....	
10-027EP70	Adjustable Micro Jet Wall Fitting O-ring.....	

10-2107	1" Micro Gasket	
10-2204	Slim Line Air Control ½" Gasket	
10-5847	Gasket Convertassage	
10-3705	Micro Magna/Micro Jet Fitting Gasket	
10-3804	Wall Fitting Gasket.....	G-219
10-5008	VSR Wall Fitting Gasket	
10-5857	ADJ Jet Test Plug Union O-ring	0-49
10-6003	Main Drain Gasket	
10-3439	1" Union & 1 ½" Pump Mark II O-ring	0-49
10-3469	1 ½" & 2" Union O-ring.....	0-301
16-5523	Therasage Canister Gasket	
30-027	Butterfly 3 Port O-ring	

HYDRO PUMP (ADDITIONAL LISTINGS UNDER PAC-FAB)

	5" H & L Trap O-ring	0-74
	6" H & L Trap O-ring	0-12
214	Basket-Metal.....	B-5
414	Basket-Metal.....	B-6
508	Basket-Metal.....	B-22
517	Basket-Metal.....	B-23
708-1	Pump Basket-Plastic.....	B-45
708-1	Pump Basket-Metal	B-55
708-2	Pump Basket-Plastic.....	B-44
708-2	Pump Basket-Metal	B-54
1014	Commercial Basket-Metal	B-53

HYDRO QUIP

3010-P	Universal Pressure Switch	3925
TBS-317	Air Switch.....	TBS-317
8400-10-000-06	4 Button Spa Side Controller & Retro-Fit Faceplate	CC4-120-10 & 20205
9400-10-000-06	4 Button Spa Side Controller & Retro-Fit Faceplate	CC4-120-10 & 20205
22101	4 Function Air Switch	SAS-101
22103	Universal Pressure Switch	3925
22121	Air Switch.....	TBS-301
22178	Universal Air Switch	TBS-917
24110	2 Button Spa Side Controller	CC2-120-10
24113	3 Button Spa Side Controller & Retro-Fit Faceplate	CC3-120-10 & 20205
CSC-1105	4 Function Air Switch (TBS-312 Required).....	CSC-1101
FP-2001	Air Switch.....	TBS-312
MPT-06-3242	Air Transmitter.....	M-06-3242
TBS-212	Universal Air Switch	TBS-901

HYDRO SPA

	25 Sq. Ft. Cartridge Filter Element (After Hours Spas).....	12519
	35 Sq. Ft. Cartridge Filter Element.....	11802
	50 Sq. Ft. Cartridge Filter Element.....	15002
3029	Universal Pressure Switch	3925
3029-P	Universal Pressure Switch	3925
TBS-301	Air Switch.....	TBS-301
TBS-312	Air Switch.....	TBS-312
TBS-317	Air Switch.....	TBS-317
8300-06-000-06	3 Button Spa Side Controller & Retro-Fit Faceplate	CC3-120-10 & 20205

HYDRO SURGE

PT-73208	Foot Pedal	PT-73208
TBS-317	Air Switch.....	TBS-317
TBS-324	Air Switch.....	TBS-301

HYDRO SYSTEMS

TBS-310	Air Switch.....	TBS-301
TBS-410-882	Air Switch.....	TBS-410

HYDRO TECH (SEE BAKER HYDRO, EASTSIDE, GUARDEX, HYDREL, PUREX)

HYPRIME

	Lid O-ring	0-48
--	------------------	------

Impeller O-ring.....	0-49
Pot To Volute O-ring.....	0-64
Large Impeller O-ring.....	0-41
Small Impeller O-ring	0-227

INLAND MFG

ATP-300	3 Button Air Transmitter Panel.....	ATP-300
8301-06-000-06	3 Button Spa Side Controller & Retro-Fit Faceplate	CC3-120-10 & 20205
8401-10-000-06	4 Button Spa Side Controller & Retro-Fit Faceplate	CC4-120-10 & 20205
8754-10-000-06	3 Button Spa Side Controller & Retro-Fit Faceplate	CC3-120-10 & 20205

INTERMATIC

CSC-1102	4 Function Air Switch (TBS-312 Required)	CSC-1102
133RC921	Air Switch.....	TBS-301
143RC93	4 Function Air Switch (TBS-312 Required).....	CSC-1102

INTERNATIONAL

	Collection Tube O-ring	0-32
	Crank O-ring.....	0-47
	Lower Piston O-ring	0-225
6721-9	Tank O-ring	0-197
6291-9	Tank O-ring	0-201
	Manifold O-ring.....	0-286
	Bonnet Flange Gasket	G-266
	Pump Basket-Plastic.....	B-101
PP8102-15	Basket-Metal.....	B-7
10951-15	Basket-Metal.....	B-148
1511-7	Skimmer Basket-Metal.....	B-26
2442-40	Basket-Metal.....	B-25
8492-40	Basket-Metal.....	B-24

INTEX®

Find Cross Reference on our website @ www.aladdin1950.com

JACUZZI® (CANTAR)

	Plastic Multiport Valve Stem O-ring	0-363
	Collection O-ring.....	0-50
	4 Way Valve Upper Disc Body O-ring	0-125
	ULSB Clear Lid O-ring.....	0-302
18189-R	Shaft Seal For PHP	
18190-R	Slinger For PHP	
18192-R	Seal Plate O-ring For PHP	
29726-R	SPP Submersible Sump Pump, APS/PBS Seal	
30198-R	SPP Submersible Sump Pump Housing Square Ring	
03-0903-05-R	Strainer Cartridge Element	WIP
03-1957-24-R	I Series Case Assembly Plug O-ring	
07-3610-09-R	Pump Shaft (8M) (3PJMCH25).....	155
07-5769-03-R	Shaft Seal (10M)	
07-5994-18-R	Pump Shaft (C1 All Others)	
07-5995-17-R	Pump Shaft (75PJMCH4-S)	
07-5769-03-R	Pump Shaft (10M)	
10-0002-06-R	Shaft Seal (Replaces 10143600) Cygnet, 5/8" Pirahna A Series, J, JCM Series, K, KM Series, LR Series, LPH/LPC/LTPH/LH LTH, Vector Series, SLPH/SLTPH, U Series, L Series, B Pump ...	AS-200
10-0369-03-R	Pump Seal (DB3 5-15 HP)	
10-0370-00-R	Pump Seal (DB3 20 HP)	
10-0380-00-R	Shaft Seal For Endura/Endura Plus	
10-0476-00-R	Pump Seal.....	AS-200
10-0477-00-R	Pump Seal.....	AS-201
10-0478-00-R	Pump Seal.....	AS-359
10-0479-00-R	Pump Seal.....	AS-358
10-0486-00-R	Pump Seal.....	AS-201
10-0487-00-R	Pump Seal.....	AS-201
10-0506-00-R	Pump Seal.....	AS-359
10-0602-06-R	Vector LVL Pump Seal.....	AS-200
10-0802-08-R	Seal Cygnet/Cygnet II Series/L Series/B Pump/K/KM.....	AS-200

10-1202-00-R	Pump Seal.....	AS-359
10-1203-01-R	Pump Seal (P, 8M, ULS, 3PJMCH25)	AS-877
10-1299-06-R	Pump Seal (10M).....	AS-235
10-1348-07-R	Pump Seal (C1 All Others) PJM (Discontinued)	PSR-758
10-1349-06-R	Pump Seal (75PJMCH4-S)	
10-1390-04-R	Pump Seal (Magnum, ERC, RC)(See 10-1502-09).....	AS-201
10-1434-02-R	Pump Seal.....	AS-361
10-1436-00-R	Pump Seal (L Series) LCM/LCU/LR Series (10-0002-06)	AS-200
10-1502-09-R	Shaft Seal (Replaces 10139004) PH & UPH Models ¾” Pirahna A Series/Magnum/RC Series	AS-201
10-1529-08-R	Shaft Seal & O-ring For Model Gas Contractor	
13-0001-04-R	Housing Gasket	
13-0002-03-R	Sleeve Gasket	
13-0003-02-R	Impeller Gasket	
13-0004-02-R	Rubber Diffuser Gasket	
13-0006-09-R	Vinyl Liner Return Fitting O-ring	
13-0007-08-R	Deckmate Standard Throat Gasket	
13-0010-03-R	Deckmate Wide Mouth Throat Gasket	
13-0011-02-R	Deckmate 2” Plug O-ring Sher 80 & 120/Avalanche	0-64
13-0013-00-R	Deckmate 1 ½” Plug O-ring/Avalanche.....	0-64
13-0014-09-R	Deckhand Skimmer Gasket (2 Required)	
13-0015-08-R	Deckhand Skimmer Return Fitting Gasket	
13-0061-01-R	Pump Gasket.....	G-4
13-0090-06-R	Check Valve Pump Gasket 8,10M.....	G-122
13-0091-05-R	FPLR Gasket	
13-0114-08-R	Niche Face Ring Gasket	
13-0115-07-R	Niche Channel Gasket	
13-0136-02-R	Flange Gasket (C1 3PJMCH25).....	G-139
13-0150-02-R	VB-21 Gasket.....	G-268
13-0151-02-R	Pump Boot.....	G-205
13-0178-01-R	U Pump Gasket.....	G-123
13-0190-05-R	Gasket	
13-0191-04-R	Gasket (C1 All Others Obsolete 12/1991) PJM.....	G-136
13-0192-03-R	Gasket.....	G-137
13-0197-08-R	JY JH Starline Gasket	
13-0220-09-R	Flange O-ring	0-239
13-0221-08-R	Flange Gasket.....	G-146
13-0235-02-R	Lens Gasket.....	0-482
13-0239-08-R	5 Way Valve Gasket	G-134
13-0243-02-R	Gyromat Valve Gasket	G-126
13-0244-01-R	Filter Gasket	G-133
13-0273-05-R	4 Way Valve Gasket	G-125
13-0275-03-R	4 Way Valve Gasket	G-124
13-0276-02-R	4 Way Valve Gasket	G-131
13-0277-01-R	4 Way Valve Elbow Gasket.....	G-132
13-0300-02-R	Flange Gasket.....	G-130
13-0301-01-R	Tank Clamp Gasket	0-235
13-0314-06-R	Pump Gasket (8M, 10M, ULS) (3PJMCH25).....	G-127
13-0329-09-R	Gasket.....	G-138
13-0377-00-R	Multiport Valve Gasket	G-147
13-0378-09-R	5 Way Valve Gasket/Laser Systems/MFM 15,17,20,24/ E15MFM/E17MFM/L Series Dial Valve	G-145
13-0379-08-R	Flange Gasket (C1 All Others) PJM	
13-0382-03-R	DEFL Gasket & Sight Glass Gasket For 7 Position Dial Valve	
13-0384-01-R	DB3 5-15 HP 1” Sleeve O-ring	
13-0385-00-R	DB3 20 HP 1 3/8” Sleeve O-ring	
13-0395-08-R	HT/WHT Fitting Gasket	
13-0396-07-R	Diaphragm Gasket	
13-0403-08-R	Gasket	
13-0407-04-R	Gasket	
13-0411-08-R	WL/WC/WB Skimmer Flange Gasket (2 Required).....	G-475
13-0414-05-R	CF Filter Tube Gasket.....	G-311
13-0417-02-R	CF Filter Cover O-ring	0-338
13-0428-09-R	SS-24 Filter Tank Ring	0-427
13-0456-04-R	Baffle Gasket	
13-0462-06-R	SV Skimmer Gasket	
13-0463-05-R	SL Skimmer/SD Suction Fitting Gasket.....	G-141
13-0478-08-R	SD Suction Fitting Cover Gasket	
13-0486-16-R	AC-2 Air Control Fitting Gasket (Obsolete 1991)	

13-0825-08-R	PMI Inlet Fitting Gasket	
13-0864-00-R	MOL Main Drain Gasket	
13-0870-02-R2	Face Flange Gasket IFL/IFD Directional Ball Inlets.....	G-483
13-0871-01-R	Face Flange Gasket IFA Directional Ball Inlets	
13-0872-06-R	Valve Gasket.....	G-143
13-0877-05-R	PMT Skimmer Valve Gasket & DTP/TP4 Test Plug Gasket F/Screw PO & WPO Series Suction Fitting (4 Required)	
13-0878-04-R	PMT Skimmer Flange Gasket	G-140
13-0880-00-R	Multiport Valve Gasket	G-142
13-0881-09-R	Underdrain Gasket.....	G-144
13-0888-02-R	5 Way Valve Gasket	G-141
13-0889-01-R	RP2 Cork Gasket	
13-1020-09-R	HT/WHT Fitting Gasket	
13-1021-08-R	Standard Suction Fitting Gasket PO/WPO	
13-1022-07-R	Laser Drain Cap Gasket	
13-1023-06-R	CFR Drain Gasket (2/1/1993 - 1/3/1996), Landslide For 85-8263-00 Drain Cap/Separation Tank/ Sandstorm/Laser Drain Nozzle	0-83
13-1074-04-R	Star Gasket Kraton 2” Dial Valve	
13-1075-03-R	Dial Valve Gasket For Waste Indicator	
13-1076-02-R	Spider Gasket 1 ½”	
13-1207-04-R	Main Drain Series Vinyl Liner Gasket.....	G-474
13-1223-04-R	Gasket.....	G-135
13-1230-05-R	Face Flange Gasket For WWFL Skimmer (Use 2) (Prior to 1998).....	G-475
13-1231-04-R	Vacuum Plate Gasket For WWF Skimmer	
13-1232-03-R	Vacuum Plate Plug Gasket For WWF Skimmer	
13-1300-00-R	Drain Nozzle Gasket	
13-1929-30-R	Double Sided Gasket For WWF Skimmer	
13-1929-50-R	Face Flange Gasket	
13-1929-70-R	Eyeball Nut Gasket (2 Required)	
13-1929-80-R	Flange Gasket (2 Required)	
13-1930-60-R	Face Flange Gasket PAW S12 Skimmer	
14-0002-02-R	Pump Shaft Ext. Screw	153
14-0003-01-R	Pump Shaft Screw	
14-0139-09-R	Earthworks Manifold Bottom Pipe O-ring (Effective 9/1998).....	0-24
14-4282-05-R	Air Bleed Knob With O-ring Boot	
16-0064-06-R	Basket-Metal	B-112
16-0139-06-R	R & RC Pump Basket-ULSB/ULSC/PH & UPH/P/PC/EP	B-184
16-0240-02-R	L & EP Series Pump Basket P, PL/SLPH & SLTPH/U Series/ B Pump	B-175
16-0337-06-R	Magnum Series™ Pump Basket	WIP
16-0343-08-R	Basket-Metal.....	B-3
16-0344-00-R	Basket-Metal.....	B-15
16-0345-06-R	Basket-Metal (3PJMCH25) (Obsolete 12/1990).....	B-56
16-0347-04-R	Basket-Metal.....	B-89
16-0354-00-R	Basket-Metal.....	B-57
16-0363-03-R	Basket-Metal.....	B-58
16-0444-00-R	Basket-Metal.....	B-59
16-0455-02-R	Basket-Metal.....	B-122
16-0470-03-R	Basket-Metal.....	B-57
16-0470-00-R	Tapered Basket.....	B-103
16-0471-28-R	4” Tapered Basket	B-102*
16-0471-28-R	Basket-Metal.....	B-76
16-0471-00-R	Basket-Metal.....	B-92
16-0707-08-R	VMC and VMB Pump Basket	
16-0729-02-R	B Pump Strainer Basket	
16-0947-08-R	Basket-Metal (B-184)	B-93
16-0964-06-R	Pump Basket W/Notch (B-93).....	B-184
16-1052-07-R	L & PH/UPH Pump Basket	
16-1052-15-R	PH & UPH Pump Strainer Basket Cygnet™ Series-LVL/LH & LTH/LPH/LPC/LTPH/L Series/Endura Plus.....	WIP
16-1086-06-R	Strainer Basket W/Flapper For Magnum Force, Magnum, Magnum Plus, Magnum Force 3 (Prior to 2/1/2003).....	WIP
16-1095-06-R	Magnum Basket	
16-1097-04-R	Magnum Basket W/Flapper For Magnum Plus & Magnum Force	
16-1099-02-R	Deckmate Basket	
16-1134-09-R	Strainer Basket With Flapper For Magnum Force (After 2/1/2003)	

22-2098-03-R Motor Slinger Gasket
 23-0151-00-R 1 1/4" Seal Ring G-128
 23-0153-08-R 2" Seal Ring G-129
 23-2214-01-R CF-40 Crystal Flow Disc-40 Sq. Ft. Cartridge Filter Element-6 Oz. 14005
 23-2297-01-R CF-60 Crystal Flow-60 Sq. Ft. Cartridge Filter Element-6 Oz 16004
 23-2377-04-R CF-25 Crystal Flow-25 Sq. Ft. Cartridge Filter Element-6 Oz 12508
 31-0024-05-R M/B Series Hose Clamp 274-20
 31-0105-07-R CFR System Hose Clamp..... 274-20
 31-0943-03-R Replaced By 47-0112-00 0-39
 31-1609-06-R 1/4" Magnum Plug O-ring Cygnet A Series/Pirahna/RC/CF25/CFR25 Plug O-ring PH & UPH/L Series/Model MF15/P/PC/EP/LH/L LPH L/LPH/LPC/LTPH/SLPH/SLTPH (See 47-0112-00 O-ring Only) 0-39
 31-1649-08-R RMST24/ST27 & 33 Plug With O-ring (47-0213-06) 0-122
 39-0226-03-R Basket-Metal (C1 All Other) PJM B-109
 39-0227-02-R Basket-Metal B-157
 39-0288-08-R Dial Valve Gasket O-ring Kit Plate WIP
 39-0344-00-R Gasket Plate (Obsolete 1992) 2" Dial Valve-Multiport
 39-2547-01-R Valve/Separation Tank O-ring (47-0106-08)..... 0-455
 42-0131-02-R Collar Seal Gasket..... G-148
 42-0214-49-R Earthworks Filter O-ring
 42-2782-00-R CFR-15 Disc In Line-15 Sq. Ft. Cartridge Filter Element..... 11503
 42-2828-06-R Magnum Retainer Ring
 42-2872-01-R Replaced By 42-2904-03
 42-2874-01-R RMST24 Drain Plug O-ring (47-0213-08/47-0326-02) 0-122
 42-2891-08-R CFR-25 In Line-25 Sq. Ft. Cartridge Filter Element 7/88 12507
 42-2904-03-R Inspection Plug O-ring (rep's #42-2872-01) RMST24 0-122
 42-2927-06-R Sand Trap Filter Adapter For Valve Lid O-ring W/ Hayward®/ST27, 33, Dial Valve Adapter O-ring 0-466
 42-2940-09-R CFR-50, CFT-50-50 Sq. Ft. Cartridge Filter Element..... 15015
 42-2941-08-R CFR-100, CFT-100-100 Sq. Ft. Cartridge Filter Element..... 19910
 42-3508-01-R CFR-150-150 Sq. Ft. Cartridge Filter Element 25004
 42-3509-00-R CFR-75-75 Sq. Ft. Cartridge Filter Element..... 17514
 42-3533-00-R CFR-37 In Line-37 Sq. Ft. Cartridge Filter Element (Upgrade)..... 13702
 42-3540-00-R CFR-200-200 Sq. Ft. Cartridge Filter Element 29901
 42-3541-00-R DE Scoop 300
 42-3667-07-R SherLok® 160 Sq. Ft. Cartridge Filter Element 26001
 42-3668-08-R SherLok® 200 Sq. Ft. Cartridge Filter Element 29903
 42-3674-09-R SherLok® 80 Sq. Ft. Cartridge Filter Element 18004
 42-3675-08-R SherLok® 120 Sq. Ft. Cartridge Filter Element 22006
 42-3724-09-R CE 40 Element Age System..... 14016
 42-3725-08-R CE 60 Element Age System..... 16013
 43-0507-07-R PMT Skimmer Basket..... B-183
 43-0507-07-R Basket-Metal B-113
 43-0510-02-R PMT Skimmer Weir 8 1/8" 937
 43-0573-06-R WL/WC/WB Skimmer Basket..... WIP
 43-0676-02-R SV Skimmer Basket Only B-202
 43-0785-00-R SV Skimmer Weir/Basket Assembly..... B-202
 43-1092-06-R Strainer Basket For WWF Skimmer
 43-1246-01-R Weir For WWF Skimmer
 43-1252-90-R Basket Deckhand Skimmer
 43-1253-20-R DHW-15 Skimmer Weir
 43-1255-10-R 25 Sq. Ft. Filter Cartridge Element For AGS6-25
 43-1255-20-R 50 Sq. Ft. Filter Cartridge Element For AGS12-50
 43-1256-50-R Basket For Deckhand Above Ground Skimmer
 43-1256-60-R Weir For Deckhand Above Ground Skimmer
 43-2953-02-R SF 25 Skimmer Filter Basket
 43-2954-01-R Whirlpool Bath (6199000)-25 Sq. Ft. Cartridge Filter Element SF25 Skimmer..... 12512
 43-2957-08-R SF-25 Skimmer Filter Weir
 43-3010-01-R SL Skimmer/SD Suction Fitting Gasket
 43-3036-01-R Flapper For Basket
 43-3056-06-R Weir For Deckmate Skimmer
 43-3091-03-R Drain Assembly 1 1/2" Plug O-ring For CFR,

Sher80/120/160/200 #47-0228-01 0-64
 43-3092-02-R Drain Assembly 2" Plug O-ring For CFR, Sher80/120/160/200 #47-0228-01 0-64
 43-3096-00-R 1 1/2" - 2" Plug Gasket For Deckmate Skimmer
 43-3098-06-R O-ring Boot-Avalanche
 43-3109-03-R Deckhand Skimmer Basket
 43-3112-08-R Weir For Deck Hand Skimmer
 47-0008-07-R O-ring 0-243
 47-0013-00-R MFM Filter Bottom Drain O-ring 0-253
 47-0020-01-R Filtromat Series K O-ring 0-219
 47-0021-00-R Air Cont Fitting Valve Seat O-ring NAC Series/AC-2 Series 0-454
 47-0022-09-R PVM, DB3 5-15 HP Shaft Sleeve O-ring..... 0-220
 47-0028-03-R Filter Valve O-ring 0-32
 47-0036-03-R Pump Case Union O-ring..... 0-395
 47-0080-76-R O-ring 0-243
 47-0106-08-R CFR 50/75/100/150 Filter Air Relief O-ring (1-88) For 39254701 Valve/Sher80 & 120 0-455
 47-0108-06-R Landslide DE Filter Cover/Rod O-ring
 47-0110-02-R Valve & Filter O-ring Spring Retainer Dial Valve 0-155
 47-0112-00-R Stem/Crank/Pump/Plug/Filter O-ring (Before 2/1/1993) Cygnet™/Magnum™ Earthworks/(Separation Tank LH-Units Prior 6/93) CFR25/CFT25 Triclops/SLPH/SLTPH/CFT 50/100-CFT5BY/100BY-Model MFM15 LH/LTH/LPH/LPC/LTPH/B Pump..... 0-39
 47-0115-07-R S/W Injector O-ring 0-5
 47-0116-06-R Filtromat O-ring 0-158
 47-0116-30-R Dial Valve O-ring 0-158
 47-0117-05-R 1 1/2" Valve O-ring Shaft Retainer Dial Valve 0-158
 47-0118-04-R S/W Injector O-ring..... 0-456
 47-0120-00-R RP2/RP3 Injector Cap (After 11/1/1991) 0-438
 47-0122-08-R S/W Injector O-ring 0-410
 47-0123-07-R RM2 Injector Cap (After 11/1/1991) 0-189
 47-0126-04-R DB3 20 HP Shaft Sleeve O-ring..... 0-360
 47-0129-01-R Skim Mat O-ring 0-222
 47-0131-07-R Gyro Flo O-ring 0-37
 47-0139-09-R TP4 Test Plug O-ring (Obsolete 92)Earthworks DE Filter EW75/EW150 Manifold Assembly O-ring (Effective 9/1999) 0-24
 47-0142-04-R 39-1619-06 Assembly O-ring Dial Valve 2" Multiport..... 0-168
 47-0143-03-R 2" Multiport Valve O-ring (After 8/1973) 39-0342-02 Assembly Dial Valve 0-223
 47-0144-02-R 2" Multiport Valve O-ring (Before 8/1973) 0-224
 47-0161-00-R DA1A-DA1B Case O-ring 0-307
 47-0165-06-R DB3/DB1 Case O-ring 0-457
 47-0175-04-R DC Series Case O-ring 0-458
 47-0211-00-R JY Tail Brg 0-288
 47-0212-09-R RM2, RM3 S/W Injectors 2" Dial Valve Head O-ring 0-276
 47-0212-66-R Manifold Return Knob O-ring Triclops-Dial Valve O-ring Earthworks..... 0-69
 47-0213-08-R RM2, RM3, RMST S/W Injectors 0-390
 47-0213-08-R RMST24 Drain Plug O-ring 0-122
 47-0214-07-R Dial Valve Shaft O-ring 0-69
 47-0214-49-R Earthworks Filter/Triclops Manifold Return Knob O-ring 0-69
 47-0216-05-R Venturi O-ring 0-225
 47-0218-11-R NAC Series Air Control Knob O-ring..... 0-282
 47-0218-45-R AC-2 Air Control Knob O-ring 0-282
 47-0220-09-R TP-1 Test Plug O-ring..... 0-113
 47-0221-08-R 4 Way Valve Body Disc O-ring 0-226
 47-0222-07-R PM Filter Valve O-ring 0-227
 47-0222-07-R PM Filter Valve Gasket G-227
 47-0223-06-R CF Filter Drain Plug O-ring 0-40
 47-0224-05-R PM Filter Valve O-ring/MO Main Drain..... 0-125
 47-0225-04-R Union Hose Assembly O-ring-Laser 0-287
 47-0226-03-R Inlet Union Fitting O-ring Seal..... 0-49
 47-0227-02-R Gyro Flo O-ring 0-41
 47-0227-36-R Gyromat Backwash Valve Lower O-ring 0-41
 47-0228-01-R 225A,B, C Jet Charger O-ring-Separation Tank Plug O-ring Sher80/120/160/200 For 1 1/2" - 2" Plug (43-3092-02/44-3091-03)..... 0-64

47-0228-35-R Gyromat Backwash Valve Upper O-ring..... 0-64
 47-0228-68-R DTP Test Plug O-ring/1 1/2" Union Adapter O-ring-LR9/
 CFR-SherLok® Avalanche Separation Tank 0-64
 47-0229-00-R 2" Dial Valve Bottom O-ring Only 0-301
 47-0232-54-R Magnum Pump Diffuser Square Ring 0-462
 47-0233-04-R H4 Booster O-ring..... 0-421
 47-0236-01-R Cover O-ring 1 1/2" Dial Valve
 O-ring 0-422
 47-0248-56-R Dial Valve Square Ring 0-266
 47-0250-05-R Pump Case O-ring For Endura/Endura Plus 0-115
 47-0251-01-R Lint Cat U Pump O-ring 0-228
 47-0254-08-R O-ring 0-48
 47-0255-07-R DVK-7 Dial Valve O-ring
 PM Filter Valve O-ring 0-108
 47-0256-06-R Filter O-ring 0-125
 47-0257-05-R Separation Tank Support O-ring 0-237
 47-0258-04-R O-ring 0-299
 47-0258-53-R L Series CFT & RPZ Pump Square Ring (After 5/1988) Pirahna CFR50, 75,
 100 & 150-Dial Valve 4 & 6-SLPH & SLTAH/6-7 Way Dial Valve Diverter
 O-ring A Series/LH/LTH/LPH/LPC/LTPH/U Series..... 0-464
 47-0258-61-R L Series Pump Square Ring (Before 5/1988) 0-332
 47-0262-08-R Deckmate Float Valve O-ring 0-328
 47-0262-57-R RM2/HJM/RM3 Square Ring
 47-0264-06-R 5 Way Valve O-ring 0-229
 47-0268-02-R PM/TMC Filter Lid/39-1619-06 Assembly O-ring
 Dial Valve 0-393
 47-0308-47-R Tank O-ring For CFT50,100, CFT5BY/100BY
 47-0326-02-R ST27/ST33/Sandtrap Drain Plug O-ring-RMST24 0-122
 47-0328-00-R LR9 Units O-ring CFR50, 75, 100 & 150 Interconnect
 Assembly Sherlok™/Avalanche Separation Tank 0-26
 47-0331-05-R 2" Union Adapter O-ring..... 0-370
 47-0347-07-R Gyromat O-ring 0-14
 47-0348-06-R Pump & Filter Multi Use O-ring 0-230
 47-0349-06-R PJM Cap O-ring..... 0-171
 47-0352-09-R Endura Plus Lid O-ring
 47-0352-41-R L Series Pump Lid O-ring Cygnet Series/B Pump 0-459
 47-0353-08-R L Series O-ring (47-0353-40) 12-86 For Lid 0-278
 47-0353-40-R EP Pump Lid O-ring SLPH & SLTPH, L Series/U Series P/PC..... 0-278
 47-0354-07-R U Series Pump O-ring/Dynamo®/Power-Flo® 0-231
 47-0355-06-R Sandtrap Filter Lid O-ring
 W/ Jacuzzi® 1 1/2" Valve-RMST24, ST27/33 0-411
 47-0355-16-R Dial Valve 6 1 1/2" Valve O-ring 0-411
 47-0355-48-R L & PH Series Lid O-ring/LH/LTH/LPH/LPC/LTPH..... 0-411
 47-0357-04-R Pump Lid O-ring 0-150
 47-0357-46-R JC Pump Housing O-ring (12-86) J/JCM/K/KM..... 0-150
 47-0358-03-R Magnum Pump Lid O-ring (After 7/1989)
 R, P, PC, UP Series 0-336
 47-0358-50-R Square Ring For Bracket B Pump
 47-0359-02-R Filter Valve O-ring 0-232
 47-0360-09-R CFT25/CFR25 Filter Lid O-ring 0-330
 47-0361-08-R RP3 Case O-ring/Cygnet Seal Plate O-ring 0-460
 47-0361-48-R Cygnet Pump O-ring 0-460
 47-0364-05-R 2" Dial Valve 39-0342-02 Assembly O-ring 0-263
 47-0364-47-R Magnum™ Energy Efficient/Standard Hi-HD Hi-Flow 2 SP
 Pump Housing O-ring 2" Dial Valve Cover
 O-ring/39-0342-02 Assembly..... 0-263
 47-0370-07-R 2" Multiport Valve Body O-ring/Dial
 Valve 39-0342-02 Assembly 0-233
 47-0371-06-R CE Age System Body O-ring
 47-0380-47-R CFT, CFR50/75/100/150 Filter Lid O-ring Sher80 & 120/160/200
 Landslide/Avalanche Separation Tank 0-413
 47-0433-02-R Filtramat O-ring 0-234
 47-0433-51-R 6" USLB/ULSC Lid O-ring 0-150
 47-0434-01-R Magnum Pump Lid O-ring (Before 7-1989) (Effective 4/29/1992)
 Laser Tank Adapter Valve Flange O-ring 0-302
 47-0438-07-R Cast Iron Pump Lid O-ring (3PJMCH25) (Obsolete 12/1991).... 0-12
 47-0439-06-R Cast Iron Pump Lid O-ring (Obsolete 6/1990) PJM 0-461
 47-0442-01-R H & L Strainer Pump O-ring..... 0-236
 47-0442-33-R Light Lens O-ring 0-236
 47-0443-00-R Sandtrap Filter Valve To Adapter O-ring

W/ 2" Hayward®- ST27, 33..... 0-449
 O-ring 0-239
 47-0462-06-R ERC/RC/RTC Square Diffuser Ring-PH & UPH G-316
 47-0463-05-R P Pump Square Seal O-ring..... 0-332
 47-0464-02-R 2" Praher Dial Valve Cover O-ring 0-263
 47-0465-03-R Dial Valve Diverter O-ring 0-276
 47-0466-02-R P/ERC/RC/RTC Square Ring-Case
 Assembly O-ring PH/UPH..... 0-264
 47-0466-03-R 2" Dial Valve PHR Body Square Ring
 47-0467-01-R Dial Valve O-ring 0-301
 47-0526-00-R Sandtrap Drain Plug O-ring
 47-0569-99-R Earthworks/Triclops Tank O-ring 0-101
 47-6172-04-R Sandstorm Dial Valve Tank O-ring
 47-6663-02-R Cygnet Seal Plate O-ring 0-284
 85-8263-00-R Drain Cap With Gasket
 (13-1023-06) -CFR Units (2/1/1993 - 1/3/1996) 0-83
 88-1580-01-R Filter Basket (Effective 11/1/90) For MFM17/20/24 Filter
 89-7000-09-R WL/WC/WB Skimmer Float Weir
 94-1100-38-R Float Valve O-ring Deckmate 0-328
 94-1104-67-R SV Basic Skimmer Face Gasket..... G-241

JANDY® (SEE CARETAKER, LAARS, POLARIS, ZODIAC®)
 Silicone Lubricant-5 Oz. Tube..... 651
 Leaf Trap Quick Disconnect O-ring 0-47
 Universal Floor Cleaner Gasket G-387
 1-020 G1000/G7500 Solenoid Cover Gasket
 1-110 G1000 Hopper Lid Gasket
 1-190 G7500 Collar Gasket
 1-370 G1000 Diverter Valve Assembly Gasket
 4-011 G7500 Lid Latch O-ring Set of 3 Old Style
 1-13-9 Leaf Trapper Concrete Body O-ring
 1-13-12 Ultra Flex Never Lube® Port Valve Molded Face Seal O-ring
 1-13-15 Ultra Flex Valve Manufactured Face Seal O-ring
 3-7-625 Ultra Flex 2 Valve Molded O-ring Kit Only
 4-7-4 Ultra Flex Valve Manufactured O-ring Kit
 5-13-1 Caretaker™/EmvironPoo®/Dust & Vac Valve O-ring Kit..... 0-516KIT
 1132 Valve Cover O-ring, Never Lube®
 2 & 3 Port Valve (Part Of 0-515KIT) 0-440
 1137 Hydro Timer O-ring 0-39
 1298 Valve Cover O-ring 0-440
 1307 Stem O-ring, Never Lube® 2 & 3 Port Shaft O-ring
 (Part Of 0-515KIT) 0-158
 1465 Hose Fitting Assembly O-ring Leaf Master Use #2167
 2300 Porpoise Hydro Timer Case O-ring..... 0-364
 2614 Energy Filter Bowl O-ring 0-281
 2644 Valve Actuator Gasket
 3293 Energy Filter-Vinyl/Fiberglass-Repair Kit O-ring..... 0-281
 3940 Actuator Valve O-ring 0-158
 4476 Vac Inner Tube O-ring
 6749 Cover O-ring SS/V 0-223
 70288 Hydro Timer Case O-ring
 70312 Hydro Timer Assembly O-ring
 BUL15UB-S Union O-ring For Return Fitting
 BUL3WV-S O-ring For Valve 700-3WV-LOB
 BUL94-2 Chlorinator Coupling O-ring
 BUL94-5 Chlorinator Cover O-ring
 BUL94-7 Chlorinator Valve O-ring
 BUL97G Main Drain Gasket (2 Required)
 BUL1096P Gasket For Skimmer Extension
 BUL4010C 2 & 3 Way Valve Cover O-ring
 BUL4010P 2 & 3 Way Valve Cam O-ring
 CPHVLED Series Universal Light Ring 500B/C/P
 CPLVLED Series Universal Light Ring 500B/C/P
 E0116400 Temperature Control Bulb O-ring (1993-1996) Series 2
 ESC/ESG Heater Gasket Impeller SUS/BLB..... G-240
 E0237700 Lite 2™ LJ Temperature Sensor Gasket
 JA83 Set of Gaskets For Skimmer/Return
 JA83R Return Fitting Cork Gaskets
 JA83C Set of Rubber Gaskets For Skimmer/

JA83CR	Return-JA91ABS/ABSB/ABSG Aqua Leader	R0342000	C300 Cartridge Filter Element 100 Sq. Ft.	19931
JA83W	Aqua Leader Return Fitting-2 Rubber & 1 Cork-Body Gasket	R0342101	CT50 Series Cartridge Filter Element 50 Sq. Ft.	15044
JA86ABS	Skimmer Extension Gasket For Skimmer Face and Return	R0342102	CT75 Series Cartridge Filter Element 75 Sq. Ft.	17536
JA86ABSB	JABUL96/96B/96ABS/96ABSB/96G/96ABSG	R0342103	CT100 Series Cartridge Filter Element 100 Sq. Ft.	19924
JA86BBSG	Skimmer Weir White For JA192/192ABS/92ABSD/9296ABSD	R0342104	CF120 Cartridge Filter Element 120 Sq. Ft.	
JA88ABS	Skimmer Weir Beige For JA192/192ABS/92ABSD/9296ABSD	R0349200	Pressure Relief Valve O-ring Only (Discontinued)	
JA88ABSD	Skimmer Weir Grey For JA192/192ABS/92ABSD/9296ABSD	R0349300	C/DE/ST-T/SF30-36/SF24-S-CT/C/SF-T Series	
JA88LA	Basket White For JA192/192ABS	R0350600	Pressure Gauge O-ring Only (Discontinued)	
JA88GLA	Basket White For JA92ABSD/9296ABSD	R0353400	SF24-S/ C/CT/DE/ST-T/SF30-36 Series-CT/C/SF-T Series	
JA97G	Aqua Leader Basket in White	R0354400	C200/300/400, DE27/36/48 Tank O-ring	
JABUL942	Aqua Leader Basket in Grey	R0354600	CT Series Filter Lid O-ring	
JABUL945	Main Drain JA97/97S Gasket (2 Required)	R0354800	SF24-S/SF30-S/SF36-S Gasket Half Union (2 Required)	
JABUL947	Chlorinator Coupling O-ring JA94	R0357800	SF24-S/SF30-S/SF36-S Top Cap O-ring	
JAGAS1096P	Chlorinator JA94 Cover O-ring	R0357900	Sand Filter SF-T/ST-T Series Multiport Valve O-ring	
JAGAS4010C	Chlorinator Valve O-ring JA94	R0358000	CL580/DE60 Cartridge Filter Tank O-ring DE Filter/DEV Series	
JAGAS4010P	Skimmer Extension Gasket JABUL95/95ABS	R0358100	(Replaces DE Filter DEL Series-CV Series Cartridge).....	0-524
M-0363	3 Way/2 Way/ Non Lube Valve 3" O-ring For Cover-Fits	R0358200	CL580 Cartridge Filter Element 145 Sq. Ft. (4 Required)	
N0006600	JANOAF100S/100T/100SG/100TG/200S/200T/200SG/	R0358400	CV Series Cartridge Filter	24501
PL1004	200TG/100SNL/100NL/200SNL/200TNL	R0358800	O-ring Replacement Kit CVCL Series Cartridge Filter/DE	
PL1024	3 Way/2 Way/Non Lube Valve 1" O-ring For Cam-Fits	R0374500	Filter/DEV Series (Replaces DE Filter/DEL Series)	
PL7130	JANAFT100S/100T/100SG/100TG/200S/200T/200SG/	R0374600	O-ring Only For CL580 Outlet Tube and Elbow Assembly	
R0011400	200TG/100SNL/100TNL/200SNL/200TNL	R0375800	CV Series/DE Filter/DEV Series (Replaces DE Filter/DEL Series)	
R0013200	Air Energy Heat Pump Controller Gasket	R0376500	DEL Series Bulkhead Assembly O-ring Only	0-246
R0015500	Burner Tube Gasket (1974-1998) XL2 Model DP Oil Fired Heater	R0386100	Inlet Elbow O-ring CL Series/DEL Series/CV Series/DE Filter/	
R0031900	COM25 3" Flange Gasket	R0387600	DEV Series (Replaces DE Filter/DEL Series)	
R0045400	Cloramatic 1 1/2" Union O-ring	R0390500	Drain Plug O-ring Only CL Series/DEL Series.....	0-227
R0050800	D'Light Lens O-ring	R0390600	Energy Filter O-ring Kit	
R0055000	Bypass Valve Gasket (1993-1996)	R0391600	Energy Filter Replacement Cartridge Filter	
R0205300	Series 2 ESC Heater Flow Control.....	R0392100	Ray Vac Latch O-ring	0-243
R0304300	Water Pressure Switch 2 psi (2007-Present) LXi™ Low Nox	R0392200	O-ring Only For Ray Vac Hydro Timer	
R0305703-05	Heater (1993 - 1996) Series 2 ESC Heater	R0395500	O-ring Kit Laars Hot Shot	
R0308700	Heater (1993 - 1996) Series 2 ESC Heater	R0398800	Gasket For Temp Control LX/LT®	
R0309100	Pressure Switch 1 - 10 psi (1993 - 1996) Series 2 ESC Heater	R0399800	(1999-2003) Heater/Low Nox (2003-Present)	
R0319000	Flange Assembly Gasket Only (1974 - 1998) KX2 Model	R0400500	Tube Gasket (1999-2007) XL3 Oil Fired Heater	
R0320400	DP Oil Fired Heater	R0400900	High Limit Switch Cover Gasket Only (1999-2007)	
R0322603	Pressure Switch 1 - 10 psi (1999 - 2007) XL3 Oil Fired Heater	R0408700	XL3 Oil Fired Heater	
R0322605	Header Assembly Gasket Only (1993 - 1996) Series 2	R0409600	ON/OFF Switch Cover Gasket Only	
R0327300	ESC/ESG Heater/Gasket F	R0411500	(1999-2007) XL3 Oil Fired Heater	
R0327301	Flange Assembly Gasket Only (1993 - 1996) Series 2 ESC/ESG Heater	R0411800	Electrical System Gasket Only (1999-2007) XL3 Oil Fired Heater	
R0327400	Hi-E2® Igniter Gasket	R0412700	Tube Gasket (1999-2007) XL3 Oil Fired Heater	
R0327500	Hi-E2® Header Gasket	R0413900	Flange Sleeve Gasket Only (1999-2007) XL3 Oil Fired Heater	
R0329900	Blower/Collector Gasket Hi-E2®	R0414000	Burner Tube Gasket (1999-2007) XL3 Oil Fired Heater	
R0334500	Vent Duct/Heater Top Gasket/Vent Collar Gasket Hi-E2®	R0414200	Large Tank Drain Adapter O-ring Only CL	
R0335900	Flange Assembly Gasket Only (1999-2007) XL3 Oil Fired Heater	R04142100	Series/DEL Series.....	0-227
R0336700	Hi-E2® Venturi O-ring	R04142200	Screw O-ring Only For Self Sealing JHP Series	
R0337600	LX/LT® Tube Assembly Gaskets Only	R04142200	Pool Light Lens Gasket (Old Part Number 9/2007 Or Earlier	
R0337601	LX/LT® Tube Assembly Gaskets Only	R04142200	For Use With Part Number JPL)	
R0338200	DEL Series Coupling Nut With Flange O-ring Only	R04142200	Spa Light Lens Gasket	
R0338600	2" X 2" Tailpiece Union Nut O-ring FHPM "FloPro"	R04142200	Gasket For Small Spa Incandescent Light	
R0338700	Coupling Gasket For LX/LT® Low Nox Heater	R04142200	Pilot Screw O-ring Only For Small Spa Colored Light	
R0338801	Front or Rear Header Gasket LX/LT®	R04142200	Center Plate O-ring From Kit Only	
R0338805	Blower Mounting Hardware Gasket Only LX/LT®	R04142200	JVA Gasket And O-ring From Kit Only	
R0338900	Blower Mounting Hardware Gasket Only LX/LT®	R04142200	Top Housing Gasket and O-ring From Kit	
R0338900	Pressure Switch LX/LT® Low Nox	R04142200	20' Cable Strain Relief O-ring From Kit Only	
R0339500	Header Drain Plug Gasket Only LX/LT® (Set of 3)	R04142200	75' Cable Strain Relief O-ring From Kit Only	
R0339600	By Pass Gasket LX/LT® (1999-2003)	R04142200	Aqua Pure 2 Port Cell 2" O-ring	
R0340400	Header Coupling O-ring LX Series	R04142200	Never Lube Valve Coupling O-ring Only From Kit	
R0340900	Header Coupling O-ring LX Series	R04142200	Plumbing Coupling O-ring For Never Lube® Backwash Valve	
R0341100	VS FloPro™ Pump Tailpiece O-ring	R04142200	Lid O-ring For Slide Valve	
R0341900	HHP/HHPU/MHP/MHPU/JHP/JHPU Pump Seal	R04142200	Shaft Top Black O-ring Slide Valve	
R0341900	HHP/HHPU Pot Basket MHP/MHPU	R04142200	Shaft Bottom Purple O-ring For Slide Valve	
R0341900	HHP/HHPU Body O-ring	R04142200	Union Tail Piece O-ring Slide Valve	
R0341900	HHP/HHPU/MHP/MHPU ¾ - 2 HP Diffuser O-ring	R04142200	**Duplicate Part Numbers Due To Item From Kit**	
R0341900	HHP/HHPU/MHP/MHPU 3 HP Diffuser O-ring.....	R04142200	Lid O-ring Slide Valve	
R0341900	HHP/HHPU/MHP/MHPU Pot Lid O-ring	R04142200	Shaft Top Black O-ring Slide Valve	
R0341900	HHP/HHPU/MHP/MHPU Pot Lid O-ring	R04142200	Shaft Bottom Purple O-ring Slide Valve	
R0341900	Coupling Nut O-ring Only (2 Required).....	R04142200	**Duplicate Part Numbers Due To Item From Kit**	
R0341900	JHP/JHPU/HHP/HHPU/MHP/MHPU Coupling Set of 2 O-ring....	R04142200	Lid O-ring Slide Valve	
R0341900	MHP/MHPU Body O-ring.....	R04142200	O-ring Kit For Outlet Tube Bulkhead Assembly DEL Series	
R0341900	Complete O-ring Set (6 Items)	R04142200	PDA J Box Screw Gaskets Only/Aqua Palm	
R0341900	O-ring Set Complete (6 Items) MHP/MHPU Series			
R0341900	C200/C400 200 Sq. Ft. Cartridge Filter Element.....			

R0445301-05 Screw O-ring For Diffuser PlusHP Series PHPF/PHPM
 R0445302-06 Screw O-ring For Diffuser Stealth Series SHPF/SHPM
 R0445400 Diffuser O-ring Only PlusHP Series PHPF/PHPM Stealth Series SHPF/SHPM Max HP Series MHPM
 R0445500 Seal PlusHP Series PHPF/PHPM, Stealth Series SHPF/SHPM, Max HP Series MHPM..... AS-201/AS-3890
 R0445800 Locking Ring Lid O-ring
 R0445900 Basket Stealth Series SHPF/SHPM/SWF
 R0446000 Drain Plug O-ring Only Plus HP Series PHPF/PHPM, Stealth Series SHPF/SHPM MaxHP Series MHPM/WFTR/SWF/MHPM.....0-39
 R0446101 Tail Piece (2" x 2 1/2") Coupling Nut O-ring JEP "ePump"/SHPF & SHPM Stealth/PHPF & PHPM PlushHP
 R0446102 Tail Piece (2 1/2" x 3") Coupling Nut O-ring JEP "ePump"/SHPF & SHPM Stealth/SWF
 R0446200 Lid O-ring Stealth Series SHPF/SHPM 0-142
 R0446300 Backplate O-ring PlusHP Series PHPF/PHPM, Stealth Series SHPF/SHPM, MaxHP Series MHPM..... 0-521
 R0446400 Tail Piece O-ring Stealth Series SHPF/SHPM0-652
 R0446500 Diffuser/Impeller O-ring Only PlusHP Series PHPF/PHPM, Stealth Series SHPF/SHPM, MaxHP Series MHPM
 R0448900 Basket PlusHP Series PHPF/PHPM, MaxHP Series MHPM/WFTR/SWF
 R0449000 Tail Piece (2" x 2 1/2") Coupling Nut O-ring MHPM MaxHP/WFTR "Water Feature"
 R0449100 Lid O-ring PlusHP Series PHPF/PHPM, MaxHP Series MHPM
 R0449200 Tail Piece O-ring PlusHP Series PHPF/PHPM, MaxHP Series MHPM.....0-244
 R0449501-05 Screw O-ring For Diffuser MaxHP Series MHPM
 R0450901 Pilot Screw O-ring Only For Small Spa LED Light
 R0451101 Gasket For Large Pool Incandescent Light (New Part Number 10/2007 Or Later For Use With Part Number CP)
 R0452100 Universal Union 3 Port Cell O-ring Only
 R0452200 Terminal Adapter 3 Port Cell O-ring Only
 R0452300 APURE700 3 Port Cell O-ring Only
 R0452400 APURE1400 3 Port Cell O-ring Only
 R0452500 Sensor Slotted 3 Port Cell O-ring Only
 R0453600 Front Header Gasket Only For LXi™ Low Nox (2007-Present) Heater
 R0453700 Bypass O-ring For LXi™ Low Nox (2007-Present) Heater
 R0453800 Bypass Assembly O-ring Only For LXi™ Low Nox (2007-Present) Heater
 R0454000 Coupling Nut O-ring Only LXi™ Low Nox (2007-Present) Heater Old Style/Legacy Model LRZM
 R0454100 Coupling O-ring LXi™ Low Nox (2007-Present) Heater New Style
 R0454300 Header (Front or Rear) Gasket For LXi™ Low Nox (2007-Present) Heater/Legacy Model LRZM
 R0454400 Header Drain Plug O-ring Only (3 Required) (2007-Present) LXi™ Low Nox Heater
 R0454500 Heat Exchanger Gasket Only (2007-Present) LXi™ Low Nox Heater
 R0454600 Return Header Cap O-ring Only (2007-Present) LXi™ Low Nox Heater
 R0454700 Burner Gasket Only (2007-Present) LXi™ Low Nox Heater
 R0455400 Cap Sensor/Pressure Switch O-ring (2007-Present) LXi™ Low Nox Heater
 R0455503-05 Flue Collector Gasket Only (2007-Present) LXi™ Low Nox Heater
 R0455600 Blower Assembly Gasket Only (2007-Present) LXi™ Low Nox Heater
 R0455801-02 Flue Vent Assembly Gasket Only (2007-Present) LXi™ Low Nox Heater
 R0456200 Flue Box Assembly Gasket Only (2007-Present) LXi™ Low Nox Heater
 R0456400 Air Pressure Switch (2007-Present) LXi™ Low Nox Heater
 R0456600 Temperature Sensor Gasket (2007-Present) LXi™ Low Nox Heater/Legacy Model LRZM Pool, Spa Heater/Lite 2™/LD, LG (discontinued) (Manufactured 2000-2009)
 R0457000 Water Pressure Switch Only (2007-Present) LXi™ Low Nox Heater
 R0458500 Display/Bezels Gasket (2007-Present) LXi™ Low Nox Heater
 R0461800 Half Union O-rings Only (Set of 3)
 R0462200 CS100 100 Sq. Ft. Cartridge Filter Element 19939
 R0462300 CS150 150 Sq. Ft. Cartridge Filter Element 25013
 R0462400 CS200 200 Sq. Ft. Cartridge Filter Element..... 35002
 R0462500 CS250 250 Sq. Ft. Cartridge Filter Element..... 29913
 R0462700 Tank Top O-rings CS Series
 R0465600 DE Filter DEV Series (Replaces DEL Series) Bulkhead Assembly O-ring Only

R0465700 CL Series Cartridge Filter O-ring For Bulkhead
 R0466300 Cover O-ring Large Jandy® Never Lube® 2/3 Port Valve..... 0-636
 R0476400 O-ring Set Cartridge Filter CS Series
 R0479000 Sensor Slotted 3 Port Cell O-ring Only
 R0479400 Blue Pressure O-ring JEP "ePump"/SHPF & SHPM Stealth/PHPM PlushHP
 R0480100 Mechanical Seal JEP "ePump"/SHPF & SHPM Stealth PSR-3890
 R0480200 Pump Basket FHPM "FloPro"
 R0480300 Lid O-ring..... 0-658
 R0536600 VS FloPro™ Backplate O-ring 0-465
 R0537000 Booster Pump Backplate O-ring.....0-284
 R0552000 Drain Plug O-ring.....0-39
 R0552000 Small O-ring for Tank Adapter O-ring Kit Only For CJ/CV/DEL/DEV and JS Series (Replaces DE Filter/DEL Series)0-39
 R0552000 Large O-ring for Tank Adapter O-ring Kit Only For CJ/CV/DEL/DEV and JS Series (Replaces DE Filter/DEL Series) 0-247
 R0552200 Back Wash Valve Cover O-ring 0-440
 R0552200 Back Wash Valve Shaft O-ring 0-158
 R0552400 Lid O-ring For Never Lube Backwash Valve 0-440
 R0552400 Diverter O-ring for Neverlube Backwash Valve 0-158
*****Duplicate Part Numbers Due To Item From Kit*****
 R0554500 CL340 Cartridge Filter Element 85 Sq. Ft. (4 Required)..... 18504
 R0554600 CL460 Cartridge Filter Element 115 Sq. Ft. (4 Required)21501
 R0555100 O-ring Only For CL460/340/DEL48 Outlet Tube and Elbow Assembly CV Series/DE Filter/DEV Series (Replaces DE Filter/DEL Series)
 R0555400 Pot Lid O-ring All JHP Series 0-465
 R0555500 JHP Series Basket
 R0555900 Body Gasket JHP/PHP Series.....G-413
 R0556500 O-ring Set Complete (7 Items) JHP/PHP Series
 R0556700 CJ Cartridge Filter Element 250 Sq. Ft. 35001
 R0556800 CJ Cartridge Filter Element 200 Sq. Ft.29909
 R0557900 Tank O-ring CJ Series Filter
 R0558100 Gasket Only For Plenum
 R0558200 Half Union O-ring Only CJ/CL Series Filter
 R0558300 O-ring Replacement Kit CJ Series Cartridge Filter
 R0558701 Diffuser O-ring JHP/PHP Series ¾ - 2 ½ HP..... 0-64
 R0558705 Diffuser O-ring JHP 3 HP0-275
 R0558800 PHP Series Pot Lid O-ring 0-330
 R0559000 PHP Series Basket.....WIP
 R0559900 Coupling Nut O-ring JHP Series (2 Required)0-652
 R0586300 Tri-Lobe O-ring For Nature2®.....0-283V
 R0622000 Diffuser O-ring FloPro™/JEP + more..... 0-654
 R3001000 AE-TI Heat Pump Pressure Switch
 S0053100 Flange Gasket 1 1/2" (1974-1998) XL2 Model DP Oil Fired HeaterWIP
 S0063400 Tube Gasket (1974-1998) XL2 Model DP Oil Fired Heater
 S0065300 Gasket For Water System (1974-1998) XL2 Model DP Oil Fired Heater
 S0070000 Temperature Control Gasket (1993-1996) Series 2 ESG Heater
 S0078000 Flange Gasket 2" (1993-1996) Series 2 ESC/ESG Heater G-419
 S0078100 Flange Gasket 1 1/2" & 2" (1993-1996) Series 2 ESC/ESG Heater G-468
 S0116000 Water System O-ring New Style Hot Shot Heater
 UNI-83 Set of Cork Gaskets For Skimmer/Return Fitting
 UNI-83C Set of Rubber Gaskets For Skimmer/Return Fitting
 UNI-83CD Double Rubber Gasket
 UNI-83CR 2 Rubber 1 Cork Gasket For Return Fitting
 UNI-83R Cork Gasket For Return Fitting
 UNI-86ABS White Weir
 UNI-86ABSG Grey Weir
 UNI88 Basket For WP-192 Skimmer
 W13035 Nature2® Professional G Inlet/Outlet O-ring (2 Required)
 W13061 Nature2® Model A/Premium M O-ring For One Piece Cap
 W13064 Nature2® Pro G Plus Canister O-ring
 W13068 Nature2® Pro G Plus Chlorine O-ring
 W13069 Nature2® Professional G Life Indicator O-ring
 W13073 Nature2® Professional G Vessel O-ring For One Piece Cap/Nature2® Premium M
 W13075 Nature2® Professional G Big Boy O-ring
 W13087 Nature2® Professional G Gasket
 W150021 C Series Salt Water Chlorinator Electrode Post O-ring

W150041	C Series Salt Water Chlorinator Cell Cap O-ring	
W150181	LM3 Salt Water Chlorinator Cell O-ring	
W151201	Nature2® DuoClear Canister O-ring	

JASON INTERNATIONAL

23-2000-003	Universal Pressure Switch	3925
3044-P	Universal Pressure Switch	3925
23-2000-007	Air Switch	TBS-301

JEDCO PRODUCTS, INC.

IG200	SkimSaver™ Winterizing FacePlate/Lid'L Seal™ For Standard In-Ground	IG1084
IG250	SkimSaver™ Winterizing FacePlate/Lid'L Seal™ For Widemouth In-Ground	IG1085
IGL200	SkimSaver™ Winterizing LID ONLY (Lid'L Seal™) For Standard In-Ground	IG1084-L
IGL250	SkimSaver™ Winterizing LID ONLY (Lid'L Seal™) For Widemouth In-Ground	IG1085-L
AG100	SkimSaver™ Winterizing FacePlate/Lid'L Seal™ For Standard Above Ground	AG1090
AG150	SkimSaver™ Winterizing FacePlate/Lid'L Seal™ For Widemouth Above Ground	AG1091
AG200	SkimSaver™ Winterizing FacePlate/Lid'L Seal™ For Doughboy® Standard/Deluxe Above Ground	AG2000
AGL100	SkimSaver™ Winterizing LID ONLY (Lid'L Seal™) For Standard Above Ground	AG1090-L
AGL150	SkimSaver™ Winterizing LID ONLY (Lid'L Seal™) For Widemouth Above Ground	AG1091-L
AGL200	SkimSaver™ Winterizing LID ONLY (Lid'L Seal™) For Doughboy® Standard/Deluxe Above Ground	AG2000-L

JEM SPA

Majestic Inds-25 Sq. Ft. Cartridge Filter Element	12502
Majestic Inds-25 Sq. Ft. Cartridge Filter Element	12521
Majestic Inds-50 Sq. Ft. Cartridge Filter Element	15002
Majestic Inds-95 Sq. Ft. Cartridge Filter Element	19501

JETSTER (SONOMA SPA)

3095	Universal Pressure Switch	3925
3098	Universal Pressure Switch	3925
TBS-213	Universal Air Switch	TBS-917
TBS-305	Air Switch	TBS-301
TBS-317	Air Switch	TBS-317
WTO-100	Air Switch	TBS-312
WTO-101	Air Switch	TBS-301
WTO-102	2 Button Spa Side Controller	CC2-120-10
WTO-201	Universal Pressure Switch	3925
8762-10-000-06	3 Button Spa Side Controller & Retro-Fit Faceplate	CC3-120-10 & 20205

JOHN MANSVILLE

JM & Amitek Filter O-ring	0-281
---------------------------	-------

KDI DYNALITE

B5928	100 Watt Lens Gasket
B5927	250 Watt Lens Gasket
P56804	Niche Gasket

KDI PARAPORT (ALL LISTINGS UNDER ALADDIN)

KENNY'S TILE

TBS-310	Air Switch	TBS-301
---------	------------	---------

KIM

Lens O-ring	0-3
Rear Seal O-ring	0-4

KINGFEEDER/KINGTECH/PPG CHLORINATOR

	Cam O-ring	0-327
B192	Performax/Cyclone Small Cap O-ring (01-22-1920) Above Ground Feeders #100/130/200/910/960/5100/5200	0-115V
PPG-N100-6-1	Cap O-ring Viton®	
PPG-N1006-10	1/2" Hose Clamp	

PPG3008/3012	Feeder Lid O-ring Viton®	0-250V
R259V	Body O-ring	0-163
119	Old Style Cap O-ring	0-396
122	Cap O-ring	0-223
106-016	New Style Cap O-ring	
735	Basket Only	
740-722	Basket O-ring	0-321
740-745	Body O-ring	
740-746	Cam O-ring	0-168
760-785	Performax Venturi Scoop Gasket	
769	Small Clamps	
794	Saniking Basket O-ring Kit	
942	Performax Feeder Body O-ring (Prior to 1991)	0-299
943	Performax Drain Plug O-ring	0-355V
945	Control Dial O-ring Kit	0-50
992	Performax Body O-ring, Replaces 942	0-329V
9920	Lid O-ring For Large In Ground Feeders #400/430/600/630/940/960/980/5400/5600	0-232V
9926	Cap O-ring	0-232
1221926	Frog Chlorinator Lid Viton® O-ring	0-115V

KOHLER

68610	Universal Pressure Switch	3925
-------	---------------------------	------

KREEPY KRAULY®

12-800	O-ring	0-40
12-866	Universal Pool Cleaner Gasket	G-387

L.A. SPAS

25 Sq. Ft. Cartridge Filter Element	12519
50 Sq. Ft. Cartridge Filter Element-3 Oz	14701
75 Sq. Ft. Cartridge Filter Element	17512

LAARS (SEE JANDY®)

	Control Well O-ring	0-5
	Universal Pressure Switch	3902
	By Pass Round Gasket	G-208
	By Pass Round Gasket	G-28
	Large Tube Round Gasket	G-29
	Small Tube Round Gasket	G-30
	Tube Late Style Gasket	G-37
	Washer	G-253
8752-10-000-06	3 Button Spa Side Controller & Retro-Fit Faceplate	CC3-120-10 & 20205
225	3/16" Thick Washer	G-249
E-244	Heater Gasket	G-247
E-325	Heater Gasket	G-262
E-327	Heater Gasket	G-260
E-363	Heater O-ring	0-165
E-376	Heater Gasket	G-261
E-516	Thermostat Cover Gasket	G-293
E-1138	Air Switch	TBS-301
E-1139	Air Switch	TBS-301
E-1140	Air Switch	TBS-312
E-1164	XE Electronic Temperature Control Bulb Gasket (1997-2000) Lite 2™ (Mfg. 2000-Present)	G-240
E-1203	Air Switch	TBS-306
F-111	Heater Gasket	G-232
N-066	Burner Tube Gasket Model DP Oil Fired Heater	
R-113	Universal Pressure Switch-Hobbs #1	3902
R-114	By Pass Valve Gasket EPH Hi E/Hi-E2®(1997-Present)	
R-130	Universal Pressure Switch-Hobbs #3	3902
R-132B	Universal Pressure Switch-Hobbs #2	3902
R-145	Universal Pressure Switch	3925
R-152	Universal Pressure Switch	3925
R-211	Flange Gasket Set	WIP
R-454	Heater Pressure Switch Barksdale	
R-508	Header Gasket (Set of 18) (1997-Present)/Lite 2™	G-457
R-545	1-10 PSI Model DP Oil Fired Heater	

R-548	2" Flange Gasket and Sleeve.....	G-469
R-2011	Inlet/Outlet Header Gasket EPH Hi E	
R-2012	Return Header Gasket EPH Hi E	
R-2053	Igniter Gasket EPH Hi E/Hi-E2®(1991-1996)	
R-2054	Venturi O-ring Model EPH Hi E (1991-1996)	
R-2055	Combustion Fan Gasket EPH Hi E (1991-1996)	
R-3043	Header Gasket Hi-E2® (1997-Present)	
R-3087	Blower/Collector Gasket Hi-E2®	
R-3091	Vent Duct/Heater Top Gasket or Heater Top/Indoor Vent Collar Gasket	
R-3095	Heater Top/Outdoor Exhaust Grille Gasket	
R-3204	Venturi O-ring Hi-E2® (1997-Present)	
R-3206	Venturi/Tailpipe Gasket Hi-E2® (1997-Present)	
R-3208	Mixing Chamber/Burner Gasket Hi-E2®	
S-007	Temperature Control Gasket Laars Lite (1997-2000)	
S-037	Tank Cover Gasket Elektra II.....	G-24
S-055	Heater Gasket.....	G-24
S-056	Heater Gasket.....	G-29
S-056P	Heater Gasket.....	G-253
S-057	Heater Gasket.....	G-30
S-057P	Heater Gasket.....	G-249
S-151	Heater Gasket.....	G-263
S-152	Heater Gasket.....	G-37
S-154	AFJ Flange Gasket.....	G-308
S-156	Heater Gasket.....	G-244
S-157	Heater Gasket.....	G-252
S-159	Heater Gasket.....	G-243
S-245	Heater Gasket.....	G-61
S-246	Heater Gasket.....	G-275
S-248	Heater Gasket.....	G-274
S-328	Heater O-ring.....	0-186
S-531	1 1/2" Flange Gasket.....	WIP
S-627	Rear Header Gasket	
S-628	Front Water Heater Mount Gasket	
S-629	Front Header Gasket	
S-634	Header O-ring	
S-653	Gasket Hi Limit Switch Model DP Oil Fired Heater	
S-690	Heater O-ring.....	0-26
S-708	Heater Header Gasket	
S-737	Tank Cover Gasket	
S-741	Flow Control Gasket (3 Required).....	G-308
S-780	2" Flange Gasket (1997-Present) Lite (Mfg. 1997-2000)	
	Lite 2™ (Mfg. 2000-Present).....	G-419
S-781	1 1/2"- 2" Flange Gasket Hi E2 (1997-Present) Lite (Mfg. 1997-2000)	
	Lite 2™ (Mfg. 2000-Present).....	G-468

LONDON

	Trimmer Lid Gasket.....	0-11
	Pump Lid O-ring.....	0-19
	Backwash O-ring.....	0-125
	Separation Tank O-ring.....	0-191
	Crank Shaft O-ring.....	0-130
	New Skimmer Basket-Metal.....	B-4
	Spin 1 1/2" Collection O-ring.....	0-26
	Spin 2" Collection O-ring.....	0-83
2701-3	Old Over Flow Basket-Metal.....	B-10
	Skimmer Basket-Plastic.....	B-40
1732-2	Basket-Metal.....	B-60
1722-2	Basket-Metal.....	B-61
1723-2	Basket-Metal.....	B-62
1724-2	Basket-Metal.....	B-63
1725-2	Basket-Metal.....	B-64
2711-7	Over Flow Basket-Metal.....	B-65
201A-9	Basket-Metal.....	B-66
2721-3	Rectangle Over Flow Basket-Metal.....	B-67
	Skimmer Filter Basket-Metal.....	B-129

LASCO

5126G	Union O-ring.....	0-49
83008	1 1/2" PVC Union O-ring.....	0-159
83009	2" PVC Union O-ring.....	0-168

80227	Union O-ring.....	0-41
80231	Union O-ring.....	0-244

LEISURE BAY DIST (ALL LISTINGS UNDER HURRICANE PRODUCTS/REC. FACTORY WAREHOUSE)

LEN GORDON

2001-2	2 Button Spa Side Controller.....	CC2-120-10
2001-2SS	2 Button Spa Side Controller.....	CC2-120-10
4001-3	3 Button Spa Side Controller & Retro-Fit Faceplate.....	CC3-120-10 & 20205
4001-3SS	3 Button Spa Side Controller & Retro-Fit Faceplate.....	CC3-120-10 & 20205
4001-4	4 Button Spa Side Controller & Retro-Fit Faceplate.....	CC4-120-10 & 20205
4001-4SS	4 Button Spa Side Controller & Retro-Fit Faceplate.....	CC4-120-10 & 20205
JAG-3X	Air Switch.....	TBS-312
JAX-4X	Air Switch.....	TBS-301

LETRO

A08	Pump Seal.....	AS-200
A08A	Pump Seal.....	AS-1006
A40	End Ball Gasket.....	G-176
D10	Hose Washer.....	G-42
E43	Turbo Sweep O-ring.....	0-158
F07	O-ring.....	0-130
F24	O-ring.....	0-30
G12/LG12	O-ring.....	0-186
G32	O-ring.....	0-189
J04	O-ring.....	0-188

LIFEGUARD (ALL LISTINGS UNDER RAINBOW™)

LIFESTYLE SPAS (CANADA)

	35 Sq. Ft. Cartridge Filter Element (2 Required).....	11802
	40 Sq. Ft. Cartridge Filter Element.....	14007
	50 Sq. Ft. Cartridge Filter Element (2 Required).....	12504

LITTLE GIANT

101601	Impeller Housing Gasket.....	G-170
--------	------------------------------	-------

LOCHINVAR

R153/10515323	Pressure Switch	
R155/10492202	Pressure Switch	

LOMART-PREST METALS

	Pump Seal.....	AS-150
	Pump Seal.....	AS-1000
4010	95-006 Skimmer Basket.....	B-197
19001	50-9550, 50-9750 Strainer Pot Basket Assembly	
24375	50-9550, 50-9750 Pump Seal Set	
33185	50-9550, 50-9750 Valve Cover O-ring.....	0-41
33397	50-9550, 50-9750 Hose Clamp	
33510	50-9550, 50-9750 Tank Cover O-ring.....	0-312
34023	50-9550, 50-9750 Tank Valve Gasket.....	G-202
86558	50-9550, 50-9750 Pump O-ring	
86559	50-9550, 50-9750 Strainer Pot O-ring	
40-024	4" Pump Gasket.....	G-325
40-027	Cyclops II Pump Seal.....	AS-163
40-029	Cyclops II Pump Seal Ceramic.....	AS-3A208
42-024	Body Gasket.....	G-326
43-013	Self Priming Pump Body Gasket.....	G-321
43-044	Strainer Basket.....	B-195
43-057	Pump Gasket-Cork	
46-018	Strainer Basket.....	B-193
46-029	Slinger Washer Gasket.....	G-341
46-036	Cyclops II Strainer Basket.....	B-194
46-062	Dynaflow Pump Basket	
46-063	Dynaflow Cover O-ring	
46-067	Dynaflow Basket Port O-ring	

47-003	Pro Pump Basket	
47-015	Pro X Pump Ceramic Seal	
47-016	Pro X Pump Seal	
53-001	Fiber Washer	
53-002	Fiber Washer	
53-010	Disc O-ring	G-279
53-014	Tank O-ring	0-296
53-015	Tank O-ring	0-294
53-017	Gasket	
53-019	Shaft O-ring	0-30
53-020	O-ring	
53-021	Fiber Washer	
53-026	Center Pipe O-ring	
53-027	Rubber Washer	
53-029	Valve To Tank Gasket	G-202
53-031	Center To Pipe Disk O-ring	
53-044	Pro X Series Backwash Valve Cap O-ring	0-213
53-045	Filter Intake Port O-ring	
53-046	Filter Outtake Port O-ring	
53-047	Tube To Spin O Cycle Handle Fiber Gasket	G-278
53-048	Fiber Washer	
53-049	Valve Cover Plunger O-ring	0-30
53-050	Backwash Valve O-ring	0-122
53-057	Rubber Washer	
53-058	Cycle I Strainer Cover O-ring	0-74
53-069	Fiber Washer	
53-074	Tank Gasket, Rubber 16" x 5/16"	0-298
53-075	Tube O-ring	0-362
53-076	O-ring	
53-086	Fiber Washer	
53-087	Rubber Washer	
53-097	Filter Tank O-ring	0-297
53-100	Diffuser Gasket/Fiber Washer	
53-101	Tube Support O-ring	0-410
53-102	Fiber Washer	
53-103	Fiber Washer	
53-111	O-ring	
53-114	Filter Drain Rubber Washer	
53-120	Viewport Lid Gasket	G-282
53-124	Fiber Washer	
53-132	Cyclops Mark 5 O-ring	0-299
53-133	Drain To Valve Gasket	G-281
53-140	Viewport Gasket	G-283
53-157	Plunger Cover Gasket	G-344
53-159	Cyclops II/Pro X Strainer O-ring/Dynamo/Power-Flo	0-231
53-170	SS Underdrain Support Washer	
53-174	20" Tank O-ring	0-202
53-180	Pro Pump O-ring	0-229
53-185	Air Relief O-ring	0-180
53-186	BW80 O-ring	
53-190	BW80 PTFE Washer	
53-193	Filter Bottom Elbow Gasket	
53-194	O-ring	
53-195	Pump O-ring	
53-200	Pro Pump Cover O-ring	0-330
53-202	6900-6905 Winterizing Plate Cork Gasket	
53-203	6901 Winterizing Plate Cork Gasket	
53-204	6903 Winterizing Plate Cork Gasket	
53-207	Tank Ring Rubber Gasket	
53-208	20" Tank Ring	
53-209	24" Tank Ring	
53-210	12" Tank Ring	0-414
53-211	Filter Port Gasket	G-98
53-212	Rubber Gasket	
53-215	2" Inspection Port O-ring	0-417
53-2211	6904 Winterizing Plate Cork Gasket	
53-223	Pro Pump O-ring	
53-226	Chlorinator Cover O-ring	
53-229	46-020 Dynaflo Pump Cover O-ring	
60-4314	13 Sq. Ft. Cartridge Filter Element	11301

60-4316	16 Sq. Ft. Cartridge Filter Element	11601
60-4318	16 Sq. Ft. Cartridge Filter Element	11601
90-096	1 1/2" SS Clamp	274-20
90-179	1 1/2" SS Clamp	274-20
90-218	1 1/2" SS Clamp	274-20
90-220	1 1/2" SS Clamp	274-20
90-245	1 1/4" SS Clamp	273-16
90-270	O-ring Lube	.631
90-273	1 1/2" SS Clamp	274-20
90-813	SS Underdrain Rubber Sealing Gasket	
95-006	Auto Top Skimmer Basket	

LUITWEILER

Pump Seal	AS-201
Pump Lid O-ring	0-19
Pump Lid O-ring	0-72
4 Hole Small Gasket	G-16
4 Hole Large Gasket	G-27
Pump Volute Gasket	G-43
N/S Pump Gasket	G-58
O/S Pump Gasket	G-265
Basket-Metal	B-12
Basket-Metal	B-27

MADDOX ENT

3903-AH	Universal Pressure Switch	3902
---------	---------------------------	------

MAGNETEK (ALL LISTINGS UNDER CENTURY)

MALIBU HYDRO

TBS-200	Air Switch	TBS-301
TBS-213	Universal Air Switch	TBS-917

MARATHON

30 Sq. Ft. Cartridge Filter Element	13005
50 Sq. Ft. Cartridge Filter Element	15002

MARINE

Spin DE Filter Shaft Sleeve	G-180	
Pump Basket	B-33	
Skimmer Basket-Metal	B-85	
Basket-Metal	B-93	
Valve Stem O-ring	0-39	
O/S Crank O-ring	0-398	
3/16" Valve Piston O-ring	0-113	
1 1/2" Valve Cap O-ring	0-125	
2" Valve Piston O-ring	0-122	
5" Clear Plastic H & L Lid O-ring	0-74	
5" Clear Lid O-ring (Special)	0-80	
1150	Locknut O-ring	0-69
1160	Bushing Cup Gasket	0-70
1220	Flat Rubber Bushing Gasket	0-68
1340	900 MS & BH Filter Quad O-ring	0-81
1350	990 MS & BH Filter Quad O-ring	0-82
1560	V-Cup O-ring	0-67
1560	Deck Filter Manifold O-ring	0-287
1666	Thermometer O-ring	0-243
3660	Flat Rubber Gasket	0-66
5260	Tank O-ring	0-87
5280	Bearing & Manifold O-ring	0-71
5740	MS Tank O-ring	0-202
6245	Sand Filter Tank O-ring	0-381
7111-0	Basket-Metal	B-138
7650-3	6 3/4" Pump Lid O-ring	0-314
7650-4	Basket-Metal	B-137
7650-4	Basket-Plastic	B-171
850106	Skimmer Basket-Metal	B-190
99-0298-0	18" Skimmer Basket-Metal	B-144
99-8088-5	Small Separation Tank O-ring	0-371

99-8660-5	Large Separation Tank O-ring.....	O-194
MSS-095	Basket-Metal.....	B-139

MARLOW

	H Series 2 HP Diffuser Gasket.....	O-4
	Mar-Dur 1/3 - 1 HP Diffuser O-ring.....	O-222
	Mar-Dur 1 1/2 - 2 HP Diffuser O-ring.....	O-255
	All AF Pump Cover Gasket.....	O-261
	AF 1 - 2 HP Pump Diffuser Gasket.....	O-262
	VP-153 Strainer Body Gasket.....	G-45
	34EC-15D Tank Gasket.....	G-162
	34EC-15D Tank Cover Gasket.....	G-163
	34EC-15D Pump Inlet Gasket.....	G-175
	H Line Pump Basket-Metal.....	B-78
	K & L Pump Series Basket-Metal.....	B-79
1521	AF Series 2AF17, 18 & 19ECB Diffuser Gasket	
21034-00	Tank To Lantern Gasket.....	G-50
21035-00	AF Series 2AF, 10ECB Diffuser Gasket	
21112-00	Large 8 Hole Cover Gasket.....	G-51
22991-00	Shim Motor To Lantern Gasket.....	G-49
23983-00	1 1/2H 14,15,20,21 Iron Diffuser Gasket	
23112-00	H Series Housing Gasket.....	G-46
25353-00	EC-B-EC-A2 Pump Seal/2AF Series.....	AS-411
25354-00	Seal Assembly	
25476-00	3/4 - 1 1/2 HP H Pump Diffuser Gasket.....	O-270
25771-00	Pump Basket-Metal.....	B-124
25774-00	Pump Basket-Metal.....	B-125
25774-00	Pump Basket-Plastic.....	B-176
25783-00	Cover Gasket.....	O-77
25784-00	Cover Gasket.....	O-78
26144-00	1 1/2H, 16, 17, 22 Iron Diffuser Gasket	
26469-00	Pump Seal.....	AS-406
26588-00	Discharge Gasket.....	G-48
26661-00	Pump Seal.....	AS-406
27223-00	5 - 7 1/2 HP 1 1/4" S Pump Seal/3B Series.....	AS-416A*
28049-00	Pump Basket-Metal.....	B-134
28160-00	Pump Basket-Metal.....	B-135
28219-00	3B-28EC-C1 6" Cover Gasket.....	O-260
28486-00	All AF Series Pump Slinger.....	G-164
29038-00	Cover Gasket.....	O-75
30156-00	1/2 & 1/3 H Pump Diffuser Gasket.....	O-269
31660-00	A-2 Series Pump Basket-Metal.....	B-127
32540-00	AF Series Strainer Cover Gasket	
32593-00	Lid O-ring.....	O-77
35890-00	Pump Basket-Metal.....	B-128
37478-00	Mar-Dur 1/3 - 1 HP Cover Gasket.....	O-266
37479-00	All Mar-Dur Pot Tank Gasket.....	O-267
37482-00	Mar-Dur Pump Seal Plate Gasket.....	O-265
38075-00	A-3 Series Pump Basket-Metal.....	B-123
38075-00	A-3 Series Pump Basket-Plastic.....	B-175
38592-00	Pump Seal-Argonaut-Mardur.....	AS-201
38592-00	Pump Seal.....	AS-1521
39323-00	Pump Basket-Metal.....	B-126
39404-00	Mar-Dur 1 1/2" & 2" Cover Gasket.....	O-264
40584-00	Pump Basket-Plastic.....	B-174
40891-00	Mar-Dur Pump Basket.....	B-175
4311700	Agronaut Diffuser O-ring.....	O-41
44305-00	Cover Gasket Argonaut	
4438210	Pump Basket Argonaut	
4480200	Agronaut Bracket O-ring.....	O-263
4567220	L Series Pump Seal.....	AS-978
4567320	L Series Pump Seal.....	AS-514

MARQUIS CORP

8765G10-000-06	3 Button Spa Side Controller & Retro-Fit Faceplate.....	CC3-120-10 & 20205
9300G10-000-06	3 Button Spa Side Controller & Retro-Fit Faceplate.....	CC3-120-10 & 20205
CSC-1178	4 Function Air Switch (TBS-312 Required).....	CSC-1185
SAS-105	4 Function Air Switch.....	SAS-101

TBS-212	Universal Air Switch.....	TBS-901
TBS-213	Universal Air Switch.....	TBS-917
TBS-305	Air Switch.....	TBS-901
TBS-309	Air Switch.....	TBS-306
TBS-312	Air Switch.....	TBS-312
3029-P	Universal Pressure Switch.....	3925

MARTEC/SONFARREL

CL-2200	25 Sq. Ft. Cartridge Filter Element (Pacific-See Sonfarrel).....	12801
CL-2800	30 Sq. Ft. Cartridge Filter Element (Pacific-See Sonfarrel).....	12801
CL-2807	45 Sq. Ft. Cartridge Filter Element (Pacific-See Sonfarrel).....	15003
CL-2810	50 Sq. Ft. Cartridge Filter Element (Pacific-See Sonfarrel).....	15003
SC-2200	25 Sq. Ft. Cartridge Filter Element (Pacific-See Sonfarrel).....	13201
SC-3500	35 Sq. Ft. Cartridge Filter Element (Pacific-See Sonfarrel).....	13201
201-002	Bleed Plug O-ring.....	O-158
201-004	Filter Body O-ring.....	O-336
201-010	Drain Plug O-ring.....	O-39
205-104	Bleeder O-ring.....	O-39
205-106	Filter Head O-ring.....	O-465
244-064	65 Sq. Ft. Cartridge Filter Element (Pacific-See Sonfarrel).....	16501
244-065	65 Sq. Ft. Cartridge Filter Element (Pacific-See Sonfarrel).....	16504
244-0100	100 Sq. Ft. Cartridge Filter Element (Pacific-See Sonfarrel).....	19909
244-0130	130 Sq. Ft. Cartridge Filter Element (Pacific-See Sonfarrel).....	23001
300-004	Wet End O-ring.....	O-139
300-009	Pump Seal.....	AS-1000
310-104	Booster Pump O-ring.....	O-228
310-108	Pump Seal.....	AS-1000
320-102	Trap Lid O-ring.....	O-13
320-108	Flange Gasket.....	G-18R
320-110	Pool Master Housing O-ring.....	O-240
320-119	Pump Seal.....	AS-201
400-102	Tornado Strip Spa Skimmer Series Jet Wall Fitting Gasket	
400-108	Reed Valve O-ring.....	O-456
410-504	O-ring.....	O-438
410-511	Bath Master Jet Body O-ring.....	O-49
420-512	Eyeball O-ring 7 PTFE Kit.....	G-391
700-103	Union O-ring.....	O-49
700-038	Tail 2" O-ring.....	O-301
700-203	Spa Master Side Discharge 2" Union O-ring	
700-408	Tail 1 1/2" O-ring.....	O-125
750-106	1 1/2" Port Valve O-ring	
750-107	1 1/2" Port Valve O-ring	
752-106	2" Port Valve O-ring	
752-107	2" Port Valve O-ring	

MASTER CORP

TBS-200	Universal Air Switch.....	TBS-901
TBS-305	Air Switch.....	TBS-305

MAVERICK BOAT CO

TBS-301	Air Switch.....	TBS-301
---------	-----------------	---------

MEC-O-MATIC

88004-73	H & J Baracuda Viton® Kit.....	O-254V
66-12013	Feeder V Black O-ring.....	O-274
900064	Grease Cap O-ring Pulsa Feeder	
9000802	Valve Washer Retainer Viton® O-ring	
9000902	Discharge Fitting Viton® O-ring	

MIAMI PRODUCTS

CF-104 20"	Tank O-ring.....	O-92
CF-52 16"	Tank O-ring.....	O-235
FG-18 & FG-24 24"	Lid O-ring.....	O-280

MODERN HEAT

Basket-Metal.....	B-88
-------------------	------

MONARCH

Old Style Impeller O-ring.....	O-41
--------------------------------	------

	New Style Impeller O-ring	0-40
	Pot To Volute O-ring	0-43
	Pump Gasket	G-14
	Pump Basket-Plastic	B-46
	6" Tapered Basket-Metal	B-82
199696	Seal Gasket	G-355

MORGAN

	35 Sq. Ft. Cartridge Filter Element	13702
	37 Sq. Ft. Cartridge Filter Element	13701
	50 Sq. Ft. Cartridge Filter Element	15002
TBS-305	Air Switch	TBS-301
TBS-317	Air Switch	TBS-317
3037-P	Universal Pressure Switch	3925
843121	4 Function Air Switch (TBS-312 Required)	CSC-1131
843229	Air Switch	TBS-312
843911	Air Switch	TBS-301
845221	Universal Pressure Switch	3925
9350-06-000-06	3 Button Spa Side Controller & Retro-Fit Faceplate	CC3-120-10 & 20205
9350-10-000-06	3 Button Spa Side Controller & Retro-Fit Faceplate	CC3-120-10 & 20205
9400-06-000-06	4 Button Spa Side Controller & Retro-Fit Faceplate	CC4-120-10 & 20205
9400-10-000-06	4 Button Spa Side Controller & Retro-Fit Faceplate	CC4-120-10 & 20205

MUELLER

	Basket-Metal	B-159
	Basket-Metal	B-160
	Basket-Metal	B-161

MUSKIN

	Valve Seat X Ring	0-399
NEW	8" HMLI Tank 3/32" Gasket	
NEW94	H&L Pot Lid PTFE O-ring	
NEW94	222 H&L Port Arm PTFE O-ring	
NEW94	Thru Wall Skimmer 94 Gasket	
NEW94	Thru Wall Returns Gasket	
NEW94	Skimmer Basket Short OPT 2/3	
NEW94	Skimmer Basket Long OPT 1	
NEW94	Mylar® Fabric Pool Gasket	
NEW94	MPA Chamber Septic 1 1/2" Gasket	
NEW94	MPA Chamber Separator Gasket	
NEW95	Winter Plate 95 Gasket	
NEW95	MPA Seal Cube 3 x 3 x 3 Gasket	
NEW95	Foam Gasket 1.5 Sq x 2.5 Sq Large	
NEW96	Skimmer/Filter Basket	
NEW98	7 Position Valve Large O-ring	
NEW98	7 Position Valve Rotor Gasket	
REVD96	Quad Ring For 5 Position Valve	
016-3102	Muskin Impeller	170
036-3400	1 1/4" Gasket	G-284
036-3401	1" Nut Gasket	G-285
037-3403	Tank Gasket	0-308
037-3405	Axle & Valve Shaft O-ring	0-27
037-3406	Spider O-ring	0-303
037-3408	Drain Cap Gasket	G-277
037-3410	18" Tank O-ring	0-87
037-3412	Strainer Pump Lid O-ring	0-171
037-3414	Valve O-ring	0-122
037-3417	Body O-ring	0-404
037-3422	9" Plastic Tank FE O-ring	
037-3424	14" Tank Lid O-ring	0-309
037-3430	20" Tank O-ring	0-383
037-3434	16" Tank O-ring	0-306
037-3435	Pump FP O-ring	0-276
037-3438	11" Tank O-ring	
037-3439	18" Resin Tank O-ring	

037-5002	A/R Valve Assembly Gasket	G-214
037-5071	Grid Post Gasket	G-213
038-3400	Valve Waste Cap Gasket	0-70
038-3403	3/4" Gasket Washer	
038-3408	FP Pump/Drain Fitting Gasket	
038-3413	Air Relief Bushing O-ring	
038-3416	Tank Tube Valve Gasket	G-207
038-3417	Inside Tank to Valve Washer	G-208
038-3419	Closure Nut FP's Gasket	
038-3432	Viewport Gasket	G-333
038-3433	Viewport Gasket-Fill Port In & Out Gasket	G-332
038-3434	Viewport Gasket-Fill Port Cap Gasket	G-323
038-3435	Self Prime Pump Face Gasket	G-209
038-3436	5" Position Valve Gasket	G-210
038-3440	Vac Attach Skimmer Gasket	
038-3446	Adapter Gasket	G-322
038-3447	Discharge Fitting Gasket	
038-3448	Skimmer Frame/Body Standard Gasket	G-241
038-3451	Tank Backwash Valve Outside Gasket	
038-3454	Valve Cover Gasket	G-327
038-3457	Tooled Valve Body Gasket	G-334
038-3457	Flat Valve Body Gasket	G-161
038-3457	1 1/2" Backwash Cap Solid Gasket	G-347
038-3458	Skimmer Gasket	G-329
038-3461	Skimmer Deluxe Gasket	
038-3463	Cartridge H Gasket	
038-3468	Skimmer Wall Knock Out Gasket	
038-3474	Back Wash Valve Cap & 6 position Valve Gasket	
038-3475	3/5 Position to Resin Tank Gasket	
038-3476	6 Position to Resin Tank Gasket	
038-3477	Discharge Fitting Gasket-Thru Wall Return 36" P Gasket	G-242
038-3478	Mini Skimmer Gasket	
038-5434	Backwash Valve Gasket	0-122
09-2001	Pump Seal	AS-163
09-2013	Pump Seal	AS-142
097-6902	H&L Pot Strainer Basket	B-211
098-7061	Muskin Cone Strainer-Standard/OVR Skimmer Basket	B-212
098-7061	6 position Valve Cover O-ring	
098-7235	Skimmer Gasket	G-115
098-7259	Deluxe Skimmer Basket	
098-7313	Skimmer Strainer Basket	
195-8710	A-3816/FE-30, FE-40-16 Sq. Ft. Cartridge Filter Element (Sears)	11602
195-8712	A-3821/FE-20, FD-20, FD-40-20 Sq. Ft. Cartridge Filter Element (Sears)	12002
195-8715	FP56-8-6 Sq. Ft. Cartridge Filter Element-No Core (Sears) ...	10606
195-8716	Coleco 5 Sq. Ft. Cartridge Filter Element-No Core	10503
195-8717	A3808, A3818-6 Sq. Ft. Cartridge Filter Element (Sears)	10606
195-8718	A3810/FE90-10 Sq. Ft. Cartridge Filter Element (Sears)	11001
275-0007	6 Position Valve Cover O-ring	
275-0020	6 Position Valve Rotor O-ring	
307-075	Fill Port Gasket	
437-3403	15" Metal Tank O-ring	
437-3422	9" Plastic Tank O-ring	
437-3424	14" Metal Tank O-ring	
700-1037	3 Position Valve Gasket	
700-1038	5 Position Valve Gasket	
700-1039	Standard Skimmer Gasket	
700-1040	Deluxe Skimmer Gasket	
700-1041	H & L Pot Cover O-ring	
700-1042	5 Position Resin Gasket/O-ring Kit	
700-1043	Cartridge Housing Gasket/O-ring Kit	
700-1044	Fill Port Gasket	
A-4372	Skimmer Gasket	G-335
A-4372F	Skimmer Gasket	G-335

NASSCOR

TBS-305	Air Switch	TBS-301
---------	------------------	---------

NATIONAL

	Lens Gasket (Discontinued).....	O-1
	Skimmer Basket-Metal.....	B-96
U-12	Skimmer Basket-Metal.....	B-147
53822	In Line Trap Basket-Metal.....	B-822
53823	In Line Trap Basket-Metal.....	B-823
53824	In Line Trap Basket-Metal.....	B-824
53825	In Line Trap Basket-Metal.....	B-825
53826	In Line Trap Basket-Metal.....	B-826
53828	In Line Trap Basket-Metal.....	B-828
53830	In Line Trap Basket-Metal.....	B-830
53832	In Line Trap Basket-Metal.....	B-832

NATIONAL TUBWORKS

TBS-310	Air Switch.....	TBS-301
---------	-----------------	---------

NEMCO

25 Sq. Ft. Cartridge Filter Element.....	12524
25 Sq. Ft. Cartridge Filter Element.....	12519
30 Sq. Ft. Cartridge Filter Element.....	13001
50 Sq. Ft. Cartridge Filter Element.....	15016
50 sq. Ft. Cartridge Filter Element.....	15026

NORCAL

Eagle Skimmer Basket-Metal.....	B-30
Skimmer Basket-Metal.....	B-29
ME-2 Basket-Metal.....	B-31

NU WAVE

3010-P	Universal Pressure Switch.....	3925
3028-P	Universal Pressure Switch.....	3925
3029-P	Universal Pressure Switch.....	3925
8002-10-000-06	2 Button Spa Side Controller.....	CC2-120-10
8400-10-000-06	4 Button Spa Side Controller & Retro-Fit Faceplate.....	CC4-120-10 & 20205
8750-10-000-06	3 Button Spa Side Controller & Retro-Fit Faceplate.....	CC3-120-10 & 20205
8752-10-000-06	3 Button Spa Side Controller & Retro-Fit Faceplate.....	CC3-120-10 & 20205
TBS-213	Universal Pressure Switch.....	TBS-917
TBS-212	Universal Pressure Switch.....	TBS-901
TBS-301	Air Switch.....	TBS-301
TBS-305	Air Switch.....	TBS-301
TBS-317	Air Switch.....	TBS-317

OGDEN MFG

3010	Universal Pressure Switch.....	3925
3037	Universal Pressure Switch.....	3925

OLYMPIC

39-AFT-601	Skimmer Hose Adapter SPX1091Z1.....	919
ACM-83W	Wide Mouth Skimmer Gasket.....	G-409
ACM-85ABS	Hayward® Skimmer Face Plate For SPX1084.....	918
ACM-88ABS/LA	Olympic Skimmer Basket.....	B-213
ACM-89ABS/LA	Olympic Vac Plate.....	910
ACM-90ABS/LA	Olympic Eyeball & Face Ring.....	7001
ACM-92	Hayward® Skimmer Face Plate For SPX1090 Skimmer (SPX1090D).....	917
ACM-94-2	Coupling O-ring For ACM 94.....	
ACM-94-5	Cover O-ring For ACM94.....	O-467
ACM-94-7	Valve O-ring For ACM 94.....	O-186
ACM-97R	Main Drain Gasket.....	

OMNI (ADDITIONAL LISTINGS UNDER BIO LAB)

O-5960	Chlorinator O-ring.....	O-179
--------	-------------------------	-------

ONECO

8002-10-021-06	2 Button Spa Side Controller.....	CC2-120-10
8030-10-021-06	2 Button Spa Side Controller.....	CC2-120-10

8752-10-021-06	3 Button Spa Side Controller & Retro-Fit Faceplate.....	CC3-120-10 & 20205
8769-10-021-06	3 Button Spa Side Controller & Retro-Fit Faceplate.....	CC3-120-10 & 20205
SAS-103	Air Switch.....	SAS-101
TBS-212	Universal Air Switch.....	TBS-901

ONYX WATER PRODUCTS

3010-P	Universal Pressure Switch.....	3925
TBS-301	Air Switch.....	TBS-301

ORTEGA (ALL LISTINGS UNDER PUREX)

O'RYAN

TBS-309	Air Switch.....	TBS-306
---------	-----------------	---------

PAC-FAB (PENTAIR®: AMERICAN, PUREX, STA-RITE®, SWIMQUIP™, TRITON®)

2" Universal Slide Valve O-ring Set.....	O-513KIT	
1 1/2" Multiport Valve O-ring Kit.....	O-519KIT	
2" Multiport Valve O-ring Kit.....	O-520KIT	
Hydro/Pac Fab 560/700 Series Gasket.....	G-191	
Hydro/Pac Fab Sweep Motor Gasket.....	G-53	
Hydro/Pac Fab 400 Model P/V.....	G-55	
Hydro/Pac Fab 650 Model Gasket.....	G-56	
Hydro VB-40 Volute Gasket.....	G-264	
Pac Fab Washer.....	G-271	
Crankshaft O-ring.....	O-5	
9/16" x 67 1/2" Tank O-ring.....	O-205	
1/2" x 66 7/8" Tank O-ring.....	O-203	
4" H & L Trap O-ring.....	O-14	
5" H & L Trap O-ring.....	O-182	
6" H & L Trap O-ring.....	O-12	
Nautilus® Manifold O-ring.....	O-325	
PVC B/V Cap O-ring.....	O-325	
RPZ Pot To Volute O-ring.....	O-325	
Mark Series Center Pipe O-ring.....	O-325	
FLO	Flowmeter O-ring Large	
FSO	Flowmeter O-ring Small	
LA375	O-ring For Drain Plug Booster Pump LA01N	
LA415	O-ring For Drain Plug Booster Pump LA01N	
LA1000	Seal For New Style Booster Pump LA01N.....	AS-1000
OR-4	Shaft Seal O-ring Compool Valves	
OR-6	Cover Seal O-ring Compool Valves.....	O-440
SP-710-X-D	Multiport Valve Seat Gasket.....	O-176A
SP-715-D	2" Valve Gasket.....	O-322
SP735-G	Multiport Valve Shaft Seal O-ring (Part Of O-519KIT/O-520KIT).....	O-276
TBS-310	Air Switch.....	TBS-301
200	Pump Seal.....	AS-200
2112	Crank Shaft O-ring.....	O-39
2116	Crank Shaft O-ring.....	O-158
71442	Nautilus® Clamp Ring O-ring.....	O-86
152038	PF-50 22" Tank O-ring.....	O-185
152122	O-ring (Part Of O-513KIT).....	O-71
152127	Nautilus PF-35 18" Tank O-ring.....	O-184
152235	PF-100 16" Tank O-ring.....	O-337
152501	TA100D Valve Adapter O-ring.....	O-160
152509	Tank To Buttress Square Ring-Waterfall Pump Lid O-ring AFP-180 TR100C/140C.....	O-505
154004	Triton® C3 Ring Flange O-ring.....	O-655
154005	Triton® C3 Spacer O-ring.....	O-283
154491	1 1/2" Bulkhead O-ring.....	O-4
154492	2" Bulkhead O-ring Nautilus/FNS®/Triton® II/TR100C/140C.....	O-179
154493	TA30/35/40/50/60 Filter Dome Lid O-ring-Hi Flow Multiport Valve Tagelus®.....	O-108
154494	Tagelus® Valve Adapter O-ring/FNS®/TR100C/140C/Triton® C-3.....	O-108
154495	Triton® II Closure O-ring.....	O-108
154538	2" Bulkhead Fitting Gasket/Triton® II/TR100C/140C.....	G-98

154539	1 1/2" Bulkhead Fitting Gasket.....	G-291	R173576	Cartridge Filter Element	20503
154661	Triton®/Nautilus DE/Mytilus/Mitra Cartridge Filter Gauge & Air Bleeder Adapter PF Sand 35/50/100.....	0-25	R173577	4 X 125 Sq. Ft. Cartridge Filter Element.....	22501
154713	Sand Dollar Sand Drain Gasket.....	G-29	R173578	4 X 125 Sq. Ft. Cartridge Filter Element.....	22505
154827	Air Relief O-ring.....	0-27	R173579	DM Filter 75 Sq. Ft. Cartridge Filter Element.....	17529
155064	TA30/35/40/50/60 Tagelus®/Star Stand Pipe O-ring.....	0-287	R173580	DM Filter 90 Sq. Ft. Cartridge Filter Element.....	19004
155154	1 1/4" Hose Clamp.....	273-16	R173581	DM Filter 120 Sq. Ft. Cartridge Filter Element.....	22008
155155	1 1/2" Hose Clamp (Use 711004).....	275-24	R173582	DM Filter 180 Sq. Ft. Cartridge Filter Element.....	28001
155564	Star Polymeric Filter Gauge O-ring.....	0-26	R173583	DM Filter 240 Sq. Ft. Cartridge Filter Element.....	34001
R172653	Leaf Trap 25 Sq. Ft. Cartridge Filter Element.....	12533	174704	Mytilus/Turbo/Star Tank O-ring.....	0-99P
R172654	Leaf Trap 50 Sq. Ft. Cartridge Filter Element.....	WIP	174819	Mytilus MY90 6 Sq. Ft. Cartridge Filter Element.....	10604
172810	Mytilus Cartridge Filter Element 140GPM MY120.....	16001	174821	Mytilus MY30 23 Sq. Ft. Cartridge Filter Element.....	12301
172811	Mytilus Cartridge Filter Element FMY80/MY80.....	18001	174821	Mytilus MY50 50 Sq. Ft. Cartridge Filter Element (2 Required).....	12301
172812	Mytilus Cartridge Filter Element FMY100/MY100.....	19904	174865	Mytilus MY140 6 Sq. Ft. Cartridge Filter Element.....	10604
172840	Seahorse Cartridge 300-SS Filter.....	17524	174961	Mytilus FMY50 50 Sq. Ft. Cartridge Filter Element.....	15009
172841	Seahorse Cartridge 400-SS Filter.....	19915	174980	Mytilus FMY150 150 Sq. Ft. Cartridge Filter Element.....	25001
172849	Seahorse Cartridge 500-SS Filter.....	22503	174981	Mytilus 50 Sq. Ft. Cartridge Filter Element.....	15009
172877	Seahorse FSH Cartridge 300-Fiberglass Filter.....	17524	174983	Mytilus FMY60, MA60 60 Sq. Ft. Cartridge Filter Element.....	16001
172878	Seahorse FSH Cartridge 400-Fiberglass Filter.....	19915	174983	Mitra MA160 160 Sq. Ft. Cartridge Filter Element (One Of Each).....	16001/19904
172887	Seahorse FSH Cartridge 500-Fiberglass Filter.....	22503	174984	Mitra FMY80, MA80 80 Sq. Ft. Cartridge Filter Element.....	18001
R173200	Commander 25 Sq. Ft. 6 Oz. Cartridge Filter Element.....	12509	174985	Mitra FMY100, MA100 100 Sq. Ft. Cartridge Filter Element.....	19904
R173201	Commander 25 Sq. Ft. 4 Oz. Cartridge Filter Element.....	12509	174985	Mitra MA160 160 Sq. Ft. Cartridge Filter Element.....	19904
R173203	Commander 50 Sq. Ft. 4 Oz. Cartridge Filter Element.....	15007	175652	DM Filter Cartridge 90 Sq. Ft. Model DM-90.....	19004
R173204	Commander 75 Sq. Ft. 6 Oz. Cartridge Filter Element.....	17506	175653	DM Filter Cartridge 120 Sq. Ft. Model DM-120.....	22008
R173205	Commander 75 Sq. Ft. 4 Oz. Cartridge Filter Element.....	17506	175680	DM Filter Drain Port O-ring.....	
R173208	Commander 100 Sq. Ft. Cartridge Filter Element.....	19903	175687	DM Filter Air Release O-ring.....	
R173208	Commander 100 Sq. Ft. Upgrade 6 Oz. Cartridge Filter Element.....	19903	175689	DM Filter Cartridge 75 Sq. Ft. Model DM-75.....	17529
R173209	Commander 35 Sq. Ft. Upgrade Cartridge Filter Element.....	13503	175690	CFW/CFM 280 Sq. Ft. Cartridge Filter Element.....	19502
R173210	Commander 75 Sq. Ft. 4 Oz. Upgrade Cartridge Filter Element.....	17509	178538	Clean & Clear® Plus 420 Sq. Ft. Cartridge Filter Element (Before 11/1998).....	WIP
R173211	Quantum™ 360 RPM™ (Before 11/1998) 90 Sq. Ft. Cartridge Filter Element.....	19005	178568	DM Filter Tank O-ring.....	0-89
R173212	Quantum™ 175 RPM™-SS-CM 43.7 Sq. Ft. Cartridge Filter Element (4 Required).....	14401	178569	Clean & Clear® Plus/Quantum™ RPM™ 240 Sq. Ft. Cartridge Filter Element.....	16011
R173213	Clean & Clear®/Predator™ 50 Sq. Ft. Cartridge Filter Element.....	15036	178571	DM Filter Cartridge 180 Model DM-180.....	28001
R173214	Clean & Clear®/Predator™ 75 Sq. Ft. Cartridge Filter Element.....	17525	178572	DM Filter Cartridge 240 Model DM-240.....	34001
R173215	Clean & Clear®/Predator™ 100 Sq. Ft. Cartridge Filter Element.....	19916	178580	Clean & Clear® Plus 320 Sq. Ft. Cartridge Filter Element (4 Required).....	18005
R173216	Clean & Clear®/Predator™ 150 Sq. Ft. Cartridge Filter Element.....	25005	178584	Clean & Clear® Plus 420 Sq. Ft. Cartridge Filter Element (After 11/1998).....	20503
R173217	Clean & Clear®/Predator™ 200 Sq. Ft. Cartridge Filter Element.....	29902	178585	Clean & Clear® Plus 520 Sq. Ft. Cartridge Filter Element (After 11/1998).....	22505
R173218	Quantum™ 350 RPM™-SS-CM 87.5 Sq. Ft. Cartridge Filter Element (4 Required).....	18801	R178671	Clean & Clear® 125 Sq. Ft.....	22510
R173219	Quantum™ 500 RPM™-CM 125 Sq. Ft. Cartridge Filter Element (4 Required).....	22501	191424	Star 40/Mytilus B Bottom Piping O-ring.....	0-442
R173297	Mytilus FMY 50 Sq. Ft. Cartridge Filter Element.....	15009	191474	Mytilus B Cartridge Filter/Star DE Filter O-ring.....	0-125
R173298	Mitra 60 GPM Cartridge Filter Element.....	16001	191479	Star DE Filter O-ring.....	0-276
R173299	Mytilus 80 GPM MA-80 Sq. Ft. Cartridge Filter Element.....	18001	191517	Center Pipe O-ring Star Polymeric Filter Shaft O-ring Optiflo.....	0-286
R173300	Mytilus 100 GPM MY 100 Sq. Ft. Cartridge Filter Element.....	19904	192031	Crank Shaft Sleeve Flat Gasket.....	G-248
173301	Mytilus FMY 150 Sq. Ft. Cartridge Filter Element.....	25001	192039	SCS Filter Crank O-ring-Full Flow Valve.....	0-158
R173310	Cartridge Filter Element.....	14002	192040	Crank Cap O-ring.....	0-69
R173312	Cartridge Filter Element.....	16002	192041	SCS Filter V Packing Ring.....	0-28
R173313	Cartridge Filter Element.....	18002	192115	Drain Plug Spin Filter Crank O-ring (After 03/1983)/Tagelus®/Sand Dollar/Challenger®/Water Fall Pump/Triton® II/Drain Plug O-ring EQ Series Commercial Strainer.....	0-130
R173314	Cartridge Filter Element.....	16801	192122	Filter Return O-ring.....	0-180
R173315	Cartridge Filter Element.....	20501	192300	Mytilus Connector & Bulk O-ring.....	0-325
R173316	Cartridge Filter Element.....	17524	192320	Bulkhead O-ring-Nautilus/FNS®/TR100C/140C.....	0-409
R173317	Cartridge Filter Element.....	19915	192323	Filter/Pump O-ring-Hydropump™ Pot/Volute-Nautilus/FNS®.....	0-24
R173318	Cartridge Filter Element.....	22503	192404	SCS Return Sleeve Gasket.....	G-227
173324	Chloro 8.5 Sq. Ft. Cartridge Filter Element.....	10804	193220	Bulkhead O-ring.....	0-468
173409	Commander 50 Sq. Ft. 6 Oz. Cartridge Filter Element.....	15004	195004	Poly Gasket.....	G-314
173425	Hi Flo 14.5 Sq. Ft. Cartridge Filter Element.....	11501	195007	4" Diameter Adapter O-ring.....	0-422
R173430	RDC/RTL/RCF/DFML 25 Upgrade Cartridge Filter Element.....	13701	195008	Nautilus FRP/FNS® Tank O-ring (AFTER 2001).....	0-420
R173572	4 X 60 Sq. Ft. Cartridge Filter Element.....	16011	195008	Old Style Nautilus® Tank O-ring (BEFORE 2001).....	0-200
R173573	Cartridge Filter Element.....	18005	195310	Nautilus New Style Tank O-ring.....	0-487
173574	4 X 90 Sq. Ft. Cartridge Filter Element.....	19005	242427	2" Valve Sight Glass Gasket.....	
			263042Z	O-ring Only For Check Valve Assembly.....	0-248
			263054	Backwash/Slide/Pre-Plumbed Valve Kit.....	0-531KIT
			270038	Spacer Split Ring 2-way/3-way Valve.....	G-480

271103 1 1/2" Valve Top O-ring (Part Of O-519KIT) 0-139
 271104 1 1/2" Praher Diverter Gasket/Spider Gasket Top Mount Clamp (Part Of O-519KIT) G-416
 271106 Praher Sight Glass Gasket-4 & 6 Way Hi Flo 1 1/2" G-160
 271148 2" Praher Diverter Gasket/Spider Gasket Multiport Valve (Part Of O-520KIT) G-417
 271151 2" Valve Top O-ring (Part Of O-520KIT)..... 0-479
 271162 1 1/2" & 2" Valve Stem O-ring..... 0-276
 272317 Flow Meter Sight Glass Gasket
 272404 2" Valve Plastic Washer
 272406 2" Valve Diverter O-ring (Part Of O-513KIT)..... 0-47
 272409 2" Valve Diverter Seal G-400
 272505 1 1/2" Valve Plastic Washer
 272510 1 1/2" Valve Top O-ring
 272511 1 1/2" Diverter Shaft O-ring 0-398
 272541 TA30, 35, 40, 50, 60 Valve Body O-ring/Tagelus® 1 1/2" Valve Body O-ring Sand Dollar 0-467
 272705 1 1/4" Valve Gasket
 272707 1 1/4" Valve Knob O-ring
 272708 1 1/4" & 1 1/2" Valve Body O-ring/Sand Dollar 0-467
 273004 Screw Type Valve Cap Gasket.....G-294
 273011 Brass Valve Shaft O-ring0-39
 273012 Old Style 1 1/2" Piston O-ring 0-210
 273057 SS E-Clip..... E-Clip
 273059 2" Piston O-ring.....0-206
 273060 2" PVC Valve Shaft O-ring.....0-155
 273062 2" PVC Cap O-ring-Dynamo® Pot/Housing O-ring (Part Of O-513KIT) 0-41
 273090 2" Slide Valve Bottom Shaft O-ring 0-71
 273097 Brass Backwash Valve Cap Gasket.....G-206
 273109 2" Universal Slide Valve O-ring Kit 0-513KIT
 273160 New Style 1 1/2" Piston O-ring..... 0-211
 273513 Nautilus Triton® 3, Seahorse Cartridge Filter O-ring/FNS®/TR100C/140C Air Bleeder Screw O-ring..... 0-628
 273515 Nautilus Float To Valve O-ring/Triton® C3/TR100C/140C Air Bleeder Screw O-ring
 274494 Bulkhead Valve Adapter O-ring-Elevated Base Kit-TR/NS-CHF Full Flow Valve 0-83
 275300 Full Flow Valve O-ring 0-636
 275333 TA100D Valve Body O-ring/Tagelus® 0-284
 313109 Old Style Separation Tank O-ring
 313225 Septic Tank O-ring 11" Mitra 0-292
 350013 WhisperFlo® AQ/WFE Cover O-ring/Challenger® Lid O-ring (After 11/1998) 0-318
 350037 Diffuser O-ring EQ Series Commercial Strainer 0-459
 350166 Gasket For Lid EQ Series Commercial Strainer 0-537
 350103 Shaft O-ring OptiFlo® 0-286
 351446 Seal Plate O-ring..... 0-541
 352600 Old Style 700 Pump Lid O-ring..... 0-318
 352600 New Style 700 Pump Lid O-ring 0-302
 352602 Old Style 590-RPZ 5" Quad Lid Ring 0-428
 352604 590 Pump Lid O-ring 0-182
 352607 Backwash Valve Pump Gasket
 352626 Hydropump™ Backwash Valve O-ring..... 0-257
 352627 Backwash Valve Gasket G-192
 352656 590-RPZ Pump Basket B-101
 352670 700-RPZ & RPF Basket-Metal..... B-185
 352670 Hydropump 700 RPZ & RPF Basket-Plastic..... B-206
 352861 Pump Basket B-142
 353308 Pump Basket B-141
 353312 790 Pump Basket B-170
 353314 Pump Basket B-132
 353500 Pump Gasket-Rubber G-192
 353501 400 Backwash Valve Pump Gasket..... G-9
 353502 540 Pump Gasket..... G-6
 353506 460-650 Pump Gasket G-297
 353512 880-881 Pot Flange Gasket..... G-99
 353513 880-881 Pot Volute Gasket..... G-100
 353514 880-881 Bracket Volute Gasket G-101
 353515 Backwash Valve Pump Gasket..... G-296

353525 Porpoise Filter Clear Lid O-ring..... 0-232
 353525 New Style Pump Clear Lid O-ring 0-302
 353750 Hydropump Shaft Extension 154
 354001 3/4" Hydropump Seal AS-201
 354052 540 Pump Lid O-ring 0-74
 354053 700 Glas Pump Lid & Multiport Valve Top O-ring..... 0-336
 354056 Pump Lid O-ring 0-183
 354256 Pump Shaft Extension Set Screws (2 Required) 152
 354533 Dynamo® Lid/Dyna-mite/Dynatron Housing O-ring 0-231
 354535 Dynamo® Bracket Diffuser O-ring..... 0-163
 354545 Challenger/Dynamo®/Dynatron/Dyna-mite (5/8") Pinnacle Seal/Waterfall Pump Seal AS-200
 354548 Dynamo® Basket B-101
 354571 Dyna-Mite/Dynatron/Dynamo®/Tagelus® Quick Connect O-ring 0-49
 354634 Bracket Diffuser O-ring-Dynamo® 0-453
 354894 Pump Seal..... AS-201
 355030 Challenger®/Pinnacle Medium Head Diffuser O-ring/Super Flo..... 0-395
 355318 Challenger® Pump Basket B-219
 355329 Challenger® Seal Plate Pump Housing O-ring-Waterfall Pump 0-419
 355329 Challenger® Seal Plate Pump Housing O-ring Square Cut 0-506
 355330 Challenger® Pump Strainer Pot Flange O-ring (Std Pipe TA 100D) NS/CH Base Kit-Waterfall Pump 0-301
 355331 Challenger® Diffuser O-ring-Waterfall Pump 0-421
 355332 Old Style Challenger®/Pinnacle Pump Lid O-ring..... 0-318
 355332 New Style Challenger® Pump Lid O-ring-Waterfall Pump..... 0-302
 355441 Challenger HP SS 3F Only Basket-Waterfall Pump AFP-150
 355619 Pinnacle™/Tagelus® Seal Bracket O-ring..... 0-465
 355622 Pinnacle™ Basket (Before 11/1994)..... B-101
 355667 New Style Pinnacle™ Basket-No Handle (After 11/1994) Challenger High Flow SS Strainer Basket-Waterfall Pump SS Strainer Basket AFP 180
 356766 Pot Flange O-ring EQ Series Commercial Strainer
 356780 Seal Plate O-ring EQ Series Commercial Strainer 0-522
 357038 Purex/Triton® RP/APF 400, 401 Lid O-ring 0-480
 357100 Seal Plate Gasket IntelliFlo®/WhisperFlo® G-478
 357102 Seal Plate O-ring Fits Models (After 1994)..... G-413
 357132 RPF & APF 500 & 501/RP & APF 400/401 Adapter Gasket... 0-642
 357184 Basket EQ Series Commercial Strainer
 357255 Lid O-ring Optiflo® 0-150
 400627 Power End O-ring 0-648
 471550 MiniMax® Viton® O-ring 0-315V
 471551 MiniMax® Heater O-ring 0-315
 471552 MiniMax® Heater O-ring 0-168
 471553 MiniMax® Heater O-ring..... 0-180
 513027 Skimmer Weir 7 1/4" 934
 513033 Skimmer Gasket G-313
 513036 Residential Skimmer Basket B-43
 513151 Commercial Skimmer Basket..... B-43C
 513151 Commercial Skimmer Basket-Metal..... B-156
 516103 Deluxe Gunite Weir
 516112 Deluxe Gunite Bermuda Skimmer & Bermuda Vinyl Skimmer Basket..... B-9
 516215 8" Round Skimmer Cover/Deck Lid
 516231 Bermuda Widemouth Throat Skimmer Gasket
 516232 B Skimmer Basket
 516238 B Skimmer Basket Assembly
 516244 Float Valve Large O-ring..... 0-328
 516252 Bermuda Gunite Weir Assembly (1 Weir/1 Float) 939
 516315 Bermuda Skimmer Weir Gate Assembly Black
 552401 Liner FG/Pool Gasket
 552406 Vinyl Liner Fitting Gasket
 552417 Plug O-ring
 552471 M/D Gasket For Vinyl
 552496 Vinyl Liner Wall Fitting Cork Gasket
 552566 Bermuda Skimmer Standard Throat 55-2518/55-2528 Gasket
 59054000 Clean & Clear® 50 Sq. Ft. Cartridge Filter Element 15036
 59054100 Clean & Clear® 75 Sq. Ft. Cartridge Filter Element 17525
 59054200 Clean & Clear® 100 Sq. Ft. Cartridge Filter Element 19916
 59054300 Clean & Clear® 150 Sq. Ft. Cartridge Filter Element 25005

59054400	Clean & Clear® 200 Sq. Ft. Cartridge Filter Element	29902
614516	Hatteras/Pool Star Light Lens Gasket	0-472
614562	Hatteras Light Neoprene Washer	
630025	QuickNiche™ Sealing Ring Gasket	
634562	Vinyl Niche Pool Face Ring Gasket Metal Rings	
634565	Vinyl Pool Channel Gasket	
634566	Vinyl Niche Frame Gasket	
634568	Vinyl Niche/Niche Ring Plastic Ring Gasket	
634755	Roto Hub Gasket	
650003	Spa Light Lens Gasket-Hatteras/Hatteras II Face Ring	G-414
670006	Vinyl Niche Spa Gasket Rubber	
670012	Vinyl Niche Spa Gasket Rubber-Liner Wall Panel	
670018	Vinyl Niche Spa Gasket Fiber-Back Up Ring	
840070	Wide Angle Lens O-ring Only	
885001	Old Style SCS Series Manifold V-ring	0-67
22103100	Photon Generator Seal Nut O-ring Only	
22103200	Photon Generator Spacer O-ring Only	

PACIFIC MARQUIS

25 Sq. Ft. Cartridge Filter Element	12518
34 Sq. Ft. Cartridge Filter Element	13401
35 Sq. Ft. Cartridge Filter Element	13507
36 Sq. Ft. Cartridge Filter Element	13601
40 Sq. Ft. Cartridge Filter Element	14006
58 Sq. Ft. Cartridge Filter Element	15801

PACIFIC PUMP

SD6738	Basket-Metal	B-91
SD7394	Basket-Metal	B-73
SD8409	Basket-Metal	B-74
SD10106	Basket-Plastic	B-101

PACIFIC SPAS (CANADA)

25 Sq. Ft. Cartridge Filter Element	12502
-------------------------------------	-------

PADDOCK

Clamp Type Lens Gasket	0-2	
Combination Lens Gasket	0-2	
Trimmer Lid Keyhole Gasket	0-10	
Trimmer Lid Gasket	0-11	
H & L 2" Flat Gasket	0-21	
1 ¼" - 2" Flat Gasket	0-22	
¾" Sight Glass Gasket	0-23	
Petite Spin Filter Tube O-ring	0-26	
Petite Spin Filter Crank O-ring	0-27	
Star Clear Tube O-ring	0-40	
Star Clear Manifold O-ring	0-40	
5" Basket-Metal	B-49	
6" Filcore Basket-Metal	B-50	
8" Basket-Metal	B-64	
8" Commercial Basket-Metal	B-68	
1 ½" Basket-Metal	B-14	
3" Basket-Metal	B-16	
4" Basket-Metal	B-17	
Skimmer Basket-Plastic	B-40	
1 ¼" Basket-Metal	B-77	
8" Basket-Metal	B-81	
Skimfilter Basket (See B-40)	B-130	
18-3850	Skimmer Basket-Metal	B-69
18-4256	Basket-Metal	B-72
AB0961	Skimmer Basket-Metal	B-48
AB1460	Skimmer Basket-Metal	B-95

PAGEANT SPAS

19 Sq. Ft. Cartridge Filter Element	11901
45 Sq. Ft. Cartridge Filter Element	14502
45 Sq. Ft. Cartridge Filter Element	15003
50 Sq. Ft. Cartridge Filter Element	15002

PARAGON

B24904	Basket-Metal	B-166
--------	--------------	-------

PARAMOUNT POOL & SPA

3044	Universal Pressure Switch	3925
------	---------------------------	------

PDC SPAS

25 Sq. Ft. Cartridge Filter Element	12502	
25 Sq. Ft. Cartridge Filter Element	12509	
50 Sq. Ft. Cartridge Filter Element	15004	
3903-CJ	Universal Pressure Switch	3902
TBS-301	Air Switch	TBS-301
TBS-305	Air Switch	TBS-301
TBS-310	Air Switch	TBS-301
TBS-312	Air Switch	TBS-312
8005-10-000-06	2 Button Spa Side Controller	CC2-120-10
9200-10-000-06	2 Button Spa Side Controller	CC2-120-10

PEERLESS

B/P 4 Hole Gasket	G-2
B/P Round Gasket	G-7
P/V 2 Hole Gasket	G-12

PENTAIR (SEE AMERICAN/KREEPY KRAULY®/PAC FAB/PUREX/RAINBOW™/STA-RITE®/SWIMQUIP™) - ADDITIONAL CROSS-REFERENCE ON OUR WEBSITE

System 3® Modular O-Ring Kit	FK3-21	
System 3® Modular O-Ring Kit	FK3-25	
System 3® D.E. O-Ring Kit	FK3-DE1	
System 3® D.E. O-Ring Kit	FK3-DE2	
System 3® Sand O-Ring Kit	FK3-SAND1	
System 3® Sand O-Ring Kit	FK3-SAND2	
154715	Sand Drain Gasket	G-482
263028	3-Way Valve O-Ring Kit	0-515KIT
263029	2-Way Valve O-Ring Kit	0-515KIT
98209800	Clean & Clear® FNS Kit	0-538KIT

PLASTILINE

¾" Union O-ring	0-282
1 ½" Union O-ring	0-4
2" Union O-ring	0-179

POLARIS® (ZODIAC®)

C-6	Large Wheel	400
C-125	C-120 Plastic Clamp	290-C
C-125	C-120 SS Clamp	271-8
C-140	Thrust Jet O-ring	0-47
D-24	Quick Connect O-ring	0-188
E13	Legend 4 Wheel Body O-ring	0-115
E14	Legend 4 Wheel Gear Asbly O-ring	0-228
E21	Legend 4 Wheel Wall Fitting O-ring	0-113
E-30	Back-up Valve Case O-ring (Before 1986)	0-248
E-31	Back-up Valve O-ring (1986-1991)	0-440
E-45	Back-up Valve Plate O-ring	0-39
I-020	Watermatic G1000 Feeder Solenoid Cover Gasket	
I-110	Watermatic G1000 Feeder Hopper Lid Gasket	
I-190	Watermatic G1000 Feeder Collar Gasket	
I-370	Watermatic G1000 Feeder Diverter Valve Assembly Gasket	
JV-11	O-ring for JV2C Gear Plate	0-623
LF24	Sweep I & II Back Up Ext. O-ring	0-30
LG12	Sweep I & II Gear Axle O-ring	0-186
LG32	Sweep I & II Lower Bearing O-ring	0-410
P-40	151 Pump Shaft Extension O-ring	0-39
P-45	Pump Shaft Extension	151
P-50	P-45, 151 Pump Shaft Extension Set Screws	152
P-55	Pump Seal	AS-1000
P-84	Mechanical Sea	PSR-3890
P-85	Seal Plate O-ring	0-393
P-88	Quiet Pump Drain Plug O-Ring only	0-39
P-95	Pump Volute O-ring	0-299

6-412-00	Chamber Assembly 165 & 65 O-ring	
6-505-00	UFW/QD O-ring	0-403
9-100-5105	Alternator Exit O-ring	
9-100-5108	Hose Nut, Cuffless Hose O-ring.....	0-447
9-100-5132	Timer O-ring.....	0-441
9-100-5139	Wall Bushing O-ring	0-122
9-100-5140	Filter Housing O-ring.....	0-431

POOL BUILDERS SUPPLY

3029	Universal Pressure Switch.....	3925
CSC-1131	4 Function Air Switch (TBS-312 Required).....	CSC-1131
9300-06-000-06	3 Button Spa Side Controller & Retro-Fit Faceplate	CC3-120-10 & 20205

POOLCO INDUSTRIES

1XLDP	Drain Plug With O-ring Vortex XL Pump/Air Relief Plug With O-ring CW65/90/120 Filter/0DE500/700 Filter
2XLXLVHOR	Pump Housing O-ring Vortex SL Pump/Twister XLV Pump
2XLXLVSEAL	Seal Housing Vortex SL Pump/Twister XLV Pump
3XLBASKET	Strainer Basket Vortex XL Pump
3XLSCOR	Strainer Cover O-ring Vortex XL Pump
3XLSOR	Threaded Strainer 1 1/2" O-ring Vortex XL Pump
3XLV	Strainer Basket Twister XLV Pump
3XLVSCOR	Strainer Cover O-ring Twister XLV Pump
7VDIVGAS	Diverter Spider Gasket 7 Way Multiport Valve
7VCORING	Valve Cover O-ring 7 Way Multiport Valve
7VDORING	Diverter O-ring 7 Way Multiport Valve
9CP111-01	End Cap With O-ring PV-75/100 Sand Filter Ultra Clean 167/177/197/217/247/257
16TVT	Valve To Tank O-ring PV-75/100 Sand Filter Ultra Clean 167/177/197/217/247/257 Tank-7 Way Multiport Valve
65CWF65	Cartridge Filter Element 65 Sq. Ft. Filter
65CWF90	Cartridge Filter Element 90 Sq. Ft. Filter
65CWF120	Cartridge Filter Element 120 Sq. Ft. Filter
65CWFHOR	Cartridge Filter Head O-ring CW65/90/120 Filter-DE500/700Filter
65CWPLUG	Threaded 1 1/2" Plug With O-ring PV-75/100 Sand Filter Ultra Clean 167/177/197/217/247/257-CW65/90/120 Filter/700 Filter

POOLQUIP

1400-5	Skimmer Basket-Metal.....	B-146
--------	---------------------------	-------

POOLSWEEP

05-009-1005	O-ring For All Models.....	0-47
-------------	----------------------------	------

POOLWATER

	Skimmer Basket-Metal.....	B-86
--	---------------------------	------

PPG CHLORINATOR (ADDITIONAL LISTINGS UNDER KINGFEEDER/FINGTECH)

PPG-N100-6-1	Cap O-ring Viton®
PPG-N100-6-10	1/2" Hose Clamp

PRAHER

3W10VK	1" PVC 3 Way Ball Valve Viton® O-ring Kit
3W15VK	1 1/2" PVC 3 Way Ball Valve Viton® O-ring Kit
3W20VK	2" PVC 3 Way Ball Valve Viton® O-ring Kit
150BA	1 1/2" Socket End Gasket
200BA	2" Socket End Gasket
E7S1	1 1/2" ABS Side Mount Multiport Valve Cover O-ring
E7S2	2" ABS Side Mount Multiport Valve Cover O-ring
E7S3	3" ABS Side Mount Multiport Valve Cover O-ring
E10S1	1 1/2"/2" ABS Side Mount Multiport Valve Diverter O-ring/O-ring For ECO Valve
E10S3	3" ABS Side Mount Multiport Valve Diverter O-ring
E10X2	1/2" Economy TU Ball Valve Stem O-ring/PVC True Union Ball Valve Stem O-ring
E12S1	1 1/2" ABS Side Mount Multiport Valve Spider Gasket

E12S2	2" ABS Side Mount Multiport Valve Spider Gasket
E12S3	3" ABS Side Mount Multiport Valve Spider Gasket
E16X2.5	1" Economy TU Ball Valve Stem O-ring
E18S1	1 1/2" ABS Side Mount Multiport Valve Plug O-ring
E18S2	2" ABS Side Mount Multiport Valve Plug O-ring
E18T1744	1 1/2"/2" Top Mount ABS Valve Square Flange Gasket For TM12E/22E 1/4" Thick
E18T439	1 1/2"/2" Top Mount ABS Valve Square Flange Gasket For TM12E/22E 1/8" Thick
E18256	1 1/2" Top Mount ABS Valve For TM12A/12B O-ring
E18442	1 1/2"/2" Top Mount ABS Valve For TM12L/22L O-ring
E19X2	1/2" PVC True Union Ball Valve Socket O-ring
E20T1	1 1/2" Top Mount ABS Valve O-ring For Standpipe
E20T2	2" Top Mount ABS Valve O-ring For Standpipe
E20X3	1/2" Ball Seat Retaining Ring O-ring
E024	1" PVC 3 Way Ball Valve Ball Seat O-ring
E24X3	2 1/2" Economy TU Ball Valve Stem O-ring/PVC True Union Ball Valve Stem O-ring
E25X2	3/4" PVC True Union Ball Valve Socket O-ring
E26X3	1/2" Ball Seat O-ring
E26X3.5	3/4" Economy TU Ball Valve Stem O-ring/Ball Seat Retaining Ring
E30X2	1" PVC True Union Ball Valve Socket O-ring
E32X3.5	1" Ball Seat Retaining Ring O-ring
E33X3	3/4" Ball Seat O-ring
E38X3	1" Ball Seat O-ring
E40X3.5	1 1/4" PVC Economy TU Ball Valves
E50X3	1 1/4" Ball Seat O-ring
E58X3	2" PVC True Union Ball Valve Socket O-ring
E60X3	1 1/2" Ball Seat O-ring
E75X6	2 1/2" PVC Economy TU Ball Valve
E78X3	2 1/2" PVC True Union Ball Valve Socket O-ring
E90X6	3/4" PVC Economy TU Ball Valve
E94X3	3/4" PVC True Union Ball Valve Socket O-ring
E98X4	2 1/2" Ball Seat O-ring
E111	3/4" Economy TU Ball Valve Stem O-ring/PVC True Union Ball Valve Stem O-ring/1" PVC3 Way Ball Valve Stem O-ring
E113	1 1/4" Economy TU Ball Valve Stem O-ring/PVC True Union Ball Valve Stem O-ring
E115	1 1/2"/2" Economy TU Ball Valve Stem O-ring/PVC True Union Ball Valve Stem O-ring
E116	1 1/2" PVC 3 Way Ball Valve Stem O-ring/2" PVC 3 Way Ball Valve Stem O-ring
E124X5.7	3 Port Valve Infinity-Perma Seal Rotor O-ring
E125X6	3/4" Ball Seat O-ring
E126	2 1/2" PVC Double Union Spring Check Valve Retainer O-ring
E128X6	1 1/4" PVC True Union Ball Valve Socket O-ring
E129	3" PVC Double Union Spring Check Valve Retainer O-ring
E135	1 1/2" PVC 3 Way Ball Valve Ball Seat O-ring
E151	1 1/2" PVC True Union Ball Valve Socket PTFE/2" PVC 3 Way Ball Valve Ball Seat O-ring
E214	3 Port Valve Infinity-Perma Seal Rotor O-ring
E217	3/4" PVC True Union Ball Valve Stem O-ring
E218	1/2" PVC Double Union Spring Check Valve Retainer O-ring
E220	1" PVC 3 Way Ball Valve Retainer O-ring
E223	3/4" PVC Double Union Spring Check Valve Retainer O-ring
E226	2" PVC, PP & PVDF Wafer Check Valve Disc O-ring
E228	1" PVC Double Union Spring Check Valve Retainer O-ring
E233	1 1/4" PVC Double Union Spring Check Valve Retainer O-ring
E235	1 1/2" PVC 3 Way Ball Valve Retainer O-ring
E241	2" PVC 3 Way Ball Valve Retainer O-ring/2" PVC, PP & PVDF Wafer Check Valve Body O-ring
E245	2 1/2" PVC, PP & PVDF Wafer Check Valve Body O-ring
E249	3" PVC, PP & PVDF Wafer Check Valve Body O-ring O-ring For ECO Valve
E250	O-ring For ECO Valve
E326	Cover O-ring For TM15 ECO Valve
E327	O-ring For ECO Valve
E328	2 1/2" PVC, PP & PVDF Wafer Check Valve Disc O-ring 1 1/2" PVC Economy TU Ball Valve

E331	2" PVC Economy TU Ball Valve/3" PVC, PP & PVDF Wafer Check Valve Disc O-ring
E332	1 1/2" PVC Double Union Spring Check Valve Retainer O-ring
E337	2" PVC Double Union Spring Check Valve Retainer O-ring
N9X2	1/2" PVC Single Union Ball Valve Stem O-ring
N20X3	1/2" PVC Single Union Ball Valve SA Socket O-ring
N26X3	1/2" PVC Single Union Ball Valve Retainer Ring O-ring
N33X3	3/4" PVC Single Union Ball Valve Retainer Ring O-ring
N38X3	1" PVC Single Union Ball Valve Retainer Ring O-ring
N74X6	3" Union Body O-ring
N031	1 1/2" PVC Single Union Ball Valve Ball Seat O-ring
N111	3/4"/1" PVC Single Union Ball Valve Stem O-ring
N113	1 1/2"/2" PVC Single Union Ball Valve Stem O-ring
N142	1 1/2" PVC Single Union Ball Valve Retainer Ring O-ring
N215	3/4" PVC Single Union Ball Valve SA Socket O-ring
N218	1" PVC Single Union Ball Valve SA Socket O-ring
N225	1 1/2" Union Body MPT O-ring
N228	1 1/2" PVC Single Union Ball Valve SA Socket O-ring
N232	2" PVC Single Union Ball Valve Retainer Ring O-ring
N328	1 1/2" Union Body O-ring/1 1/2" PVC Single Union Ball Valve SA Socket O-ring
N331	2" Union Body O-ring/2" Union Body MPT O-ring/2" PVC Single Union Ball Valve SA Socket O-ring
TU050VK	1/2" PVC True Union Ball Valve Viton® O-ring Kit
TU075VK	3/4" PVC True Union Ball Valve Viton® O-ring Kit
TU100VK	1" PVC True Union Ball Valve Viton® O-ring Kit
TU125VK	1 1/4" PVC True Union Ball Valve Viton® O-ring Kit
TU150VK	1 1/2" PVC True Union Ball Valve Viton® O-ring Kit
TU200VK	2" PVC True Union Ball Valve Viton® O-ring Kit
TU250VK	2 1/2" PVC True Union Ball Valve Viton® O-ring Kit
TU400VK	4" PVC True Union Ball Valve Viton® O-ring Kit
TU0505	1/2" PVC True Union Ball Valve Ball Seat PTFE
TU0755	3/4" PVC True Union Ball Valve Ball Seat PTFE
TU1005	1" PVC True Union Ball Valve Ball Seat PTFE
TU1255	1 1/4" PVC True Union Ball Valve Ball Seat PTFE
TU1300VK	3" PVC True Union Ball Valve Viton® O-ring Kit
TU1505	1 1/2" PVC True Union Ball Valve Ball Seat PTFE
TU2005	2" PVC True Union Ball Valve Ball Seat PTFE
TU2505	2 1/2" PVC True Union Ball Valve Ball Seat PTFE
TU3005	3" PVC True Union Ball Valve Ball Seat PTFE
V220	2" PVC, PP/PVDF Wafer Check Valve Disc O-ring Viton®
V235	2" PVC, PP/PVDF Wafer Check Valve Body O-ring Viton®
V241	2 1/2" PVC, PP/PVDF Wafer Check Valve Body O-ring Viton®
V245	3" PVC, PP & PVDF Wafer Check Valve Body O-ring Viton®
V327	2 1/2" PVC, PP/PVDF Wafer Check Valve Disc O-ring Viton®
V331	3" PVC, PP & PVDF Wafer Check Valve Disc O-ring Viton®
55109	Light Duty (S5.10) Actuator Housing Gasket
100265	1/2" Ball Seat PTFE
100266	3/4" Ball Seat PTFE
100267	1" Ball Seat PTFE
100268	1 1/4" Ball Seat PTFE
100570	2 1/2" Ball Seat PTFE
100579	3 1/4" Ball Seat PTFE
100871	1 1/2" Ball Seat PTFE
100872	2" Ball Seat PTFE
101063	1 1/2"/2" Superstar Shaft Extension W O-ring
141031	O-ring Kit For TM15ECO For ECO Valve
PREMIER	
	2" Backwash Valve O-ring..... 0-71
	1 1/2" Cap O-ring..... 0-113
	Crank O-ring..... 0-39
	Large & Small Spa II O-ring..... 0-301
	550 6" Lid O-ring..... 0-161
	550 Noryl® Bracket O-ring..... 0-408
	Noryl® Pump Pot To Volute O-ring
	2" Piston O-ring..... 0-122
	4" Pump Basket - Plastic..... B-35
	5" Pump Basket - Plastic..... B-33
	6" Pump Basket - Plastic..... B-34

	Shaft Extension O-ring..... 0-47
	1 1/2" Valve Cap O-ring..... 0-125
FP-2001	Air Switch..... TBS-312
P-13-6P	New Style Clear Lid O-ring..... 0-218
P-19-0	Pump Seal..... AS-1000
P-7515	1 1/2" Backwash Valve O-ring..... 0-117
SG364	Sight Glass Gasket..... G-251
TBS-212	Universal Air Switch..... TBS-901
TBS-213	Universal Air Switch..... TBS-917
TBS-221	Universal Air Switch..... TBS-901
VB38	Volute Gasket..... G-57
	Washer #122..... G-180
3029	Universal Pressure Switch..... 3925
21-108	Washer Neoprene..... G-270
21-391	2" Valve Fiber Gasket..... G-220
21-503	PVC Backwash Valve Cap O-ring
21-504	Brass Backwash Valve 1 1/2" Piston O-ring
21-505	PVC & Brass Backwash Valve Piston O-ring
23-110	Hercules 18" Retainer O-ring
23-671	18" Tank O-ring..... 0-87
25-229	2" Tailpiece O-ring (Kit 0-301 & 0-287)..... 0-301
25-311	Pump Lid O-ring..... 0-378
25-744	Hercules 300SS 15" Tank O-ring
25-745	24" Tank O-ring..... 0-93
27-056	Hercules-300 Sq. Ft. Cartridge Filter Element (4 Required)..... 17511
27-060	Hercules-6 Sq. Ft. Cartridge Filter Element-6 Oz..... 10604
27-077	Hercules-22 Sq. Ft. Cartridge Filter Element-6 Oz..... 12201
27-078	Hercules II-25 Sq. Ft. Cartridge Filter Element..... 12509
27-079	Hercules II-50 Sq. Ft. Cartridge Filter Element..... 15004
27-080	Hercules II-75 Sq. Ft. Cartridge Filter Element..... 17509
27-080	Hercules II-150 Sq. Ft. Cartridge Filter Element (2 Required)..... 17509
27-084	Hercules II-100 Sq. Ft. Cartridge Filter Element..... 19903
27-379	Hercules Filter Lid Gasket..... G-286
27-671	Hercules 18" Tank O-ring..... 0-87
27-678	Hercules II Tank O-ring..... 0-96
29-113	Series 220 Shaft Extension & Crank O-ring..... 0-39
29-225	Spin Filter Return O-ring..... 0-50
29-674	1 1/2" Tailpiece O-ring..... 0-49
29-869	Crank Bearing Gasket
30-261	Coupling O-ring
31-158	Volute O-ring..... 0-257
31-159	Volute O-ring..... 0-329
31-161	225 MK2 Series Volute O-ring..... 0-639
31-162	Booster Pump Volute O-ring..... 0-237
31-184	Shaft Extension..... 151
	151 Shaft Extension O-ring (Required W/ 151 Shaft Extension)..... 0-39
31-221	Strainer Basket
31-256	255 Series Volute O-ring..... 0-108
31-276	1/2 - 2 HP Volute Gasket..... G-44
31-346	4" Pump Lid O-ring..... 0-15
31-358	Volute O-ring..... 0-240
31-418	756 Series Lid O-ring..... 0-13
31-420	756 Series Volute O-ring
31-486	5" Cover O-ring..... 0-80
31-713	O-ring..... 0-214
31-812	Shaft Extension Set Screw..... 152
31-812	Discharge Spa Pump Seal/120T Series-225/255 MKII Series-325/355 Series-725/756 Series/300 Series..... AS-201
31-813	Shaft Seal-220/225 Series-300 Series (Prior to 1988) 455/456/500/600 Series..... AS-1000
32-248	Bronze Strainer To Volute Gasket..... G-18
33-222	Pump Basket..... B-34
33-229	Pump O-ring Set..... 0-287
33-229	1 1/2" Tailpiece O-ring (For Kit 0-287 & 0-301)..... 0-287
33-248	Volute To Pot Gasket..... G-18
33-489	6" Cover O-ring..... 0-161
35-162	Volute O-ring..... 0-299

35-271	Bracket To Volute Gasket.....	G-221
39-225	8" Trap Pump Basket.....	B-131
39-271	3 - 7 1/2 HP Bracket To Volute Gasket.....	G-221
39-441	8" Trap Lid O-ring.....	O-183

PREMIER PLASTICS

3029-P	Universal Pressure Switch.....	3925
8750-10-000-06	3 Button Spa Side Controller & Retro-Fit Faceplate.....	CC3-120-10 & 20205

PRES-AIR-TROL

ARM111A	Air Switch.....	TBS-402
ARM211A	Air Switch.....	TBS-419
ATA111A	Air Switch.....	TBS-301
ATA211A	Air Switch.....	TBS-317
ATM111A	Air Switch.....	TBS-302
TRM111A	Air Switch.....	TBS-402
TRM211A	Air Switch.....	TBS-419
TVA111A	Air Switch.....	TBS-301
TVA211A	Air Switch.....	TBS-317
TVM111A	Air Switch.....	TBS-302

PUREWATER CORP

3015-P	Air Switch.....	3015
3037-P	Universal Air Switch.....	3925

PUREX (PENTAIR®/ADDITIONAL LISTINGS: EASTSIDE/HYDROTECH/PAC FAB)

	Old Style Eastside 6 Hole P/V Gasket.....	G-15
	Old Style Eastside 8 Hole P/V Gasket.....	G-10
	Eastside 2 Hole P/V Gasket.....	G-19
	Eastside Seal Well Gasket.....	G-21
	Eastside Pump Gasket.....	G-5
	Old Light Lens Gasket.....	O-9
	A Series Pump Seal.....	AS-201
	Universal Pressure Switch.....	3902
	Old Style Eastside Volute Gasket.....	G-20
	Eastside 4" H & L Trap O-ring.....	O-14
	Eastside 6" H & L Trap O-ring.....	O-12
	Eastside 4" Pump Basket.....	B-33
	Eastside 6" Pump Basket Tapered.....	B-36
	Eastside 4" Pump Basket Tapered.....	B-102
	Eastside Seal Plate O-ring.....	O-20
	CHD Crank O-ring.....	O-25
	CHD Spin Collection O-ring.....	O-325
	CHD 2" Valve Cap O-ring.....	O-168
	New Style Tahitian Adapter O-ring.....	O-64
10276/07-0101	15B0069 U-cup Lid Gasket.....	G-177
10282/07-0107	15B0100 U-cup Lid Gasket.....	O-241
07-0147	Verti Lever Valve O-ring.....	
10327/07-0152	31B0015 BH Valve Index Plate.....	G-166
10330/07-0155	31B0024 BH Valve O-ring Kit.....	O-271
10331/07-0156	31B0035 BH Valve Index Plate.....	O-130
07-0161	Verti Lever Valve Adapter O-ring.....	
10344/07-0169	31B9006 Bulkhead Gasket.....	G-165
10353/07-0178	31B9035 24" Bulkhead Seal.....	
10354/07-0179	31B9036 30" Bulkhead Seal.....	
51B1005	Strainer Basket.....	B-136
51B1047	Face Ring Gasket (2 Required).....	G-167
07-0192	Face Ring Skimmer Gasket.....	G-167
07-0193	51B1055 Weir.....	940
07-0211	00B7013 V-Band Lid Gasket.....	O-215
07-0212	00B7014 Valve Piston O-ring.....	O-207
07-0213	00B7027 Old Style Bulkhead Union O-ring.....	O-41
07-0213	00B7027 New Style Bulkhead Union O-ring.....	O-435
07-0231	CFM315, CFW315-315 Sq. Ft. Cartridge Filter Element (3 Required).....	20501
07-0238	00B7001 Bulkhead O-ring.....	O-325
07-0247	00B7000 O-ring Adapter.....	G-317
07-0291	Housing Gasket Valve Actuator Control Plate.....	G-317
B-94	Aqua Brominator CB8-4 To CB8-45 Square Cut Ring.....	G-359
P-00996/07-03450	Old Style Tahitian Adapter O-ring.....	O-168

P-01325/07-0387	Aquatron™/WhisperFlo®/Quiet Flow Pump Basket.....	B-199
P-01340	Skimmer Basket.....	B-136
P-01931	PA-29 Pump Basket.....	B-149
P-02000/07-0393203	AH Bearing.....	6203
P-02005/07-0394304	AH Bearing.....	6304
P-02006/07-0395306	CH/CM Bearing.....	
P-05237	CF33, CF66, CF100-33 Sq. Ft. Cartridge Filter Element.....	13301
P-05237	CF100-100 Sq. Ft. Cartridge Filter Element (3 Required).....	13301
P-05239	CF25-25 Sq. Ft. Cartridge Filter Element.....	12516
07-0654	CF50-150-150 Sq. Ft. Cartridge Filter Element (3 Required).....	15013
P-05241/07-0656	CFM240, CFW240-240 Sq. Ft. Cartridge Filter Element (3 Required).....	18002
P-05241/07-0656	CF80-80 Sq. Ft. Cartridge Filter Element.....	18002
P-05242/07-0657	CF60-60 Sq. Ft. Cartridge Filter Element.....	16002
P-05242/07-0657	CFM180-180 Sq. Ft. Cartridge Filter Element (3 Required).....	16002
P-05243/07-0658	CF40-40 Sq. Ft. Cartridge Filter Element.....	14002
P-05243/07-0658	CFM120, CFW120-120 Sq. Ft. Cartridge Filter Element (3 Required).....	14002
P-08372/07-0802	Aquatron™ Pump Rubber Boot.....	WIP
P-08640	S-100 Skimmer O-ring Kit.....	
P-10618/07-0935	Purex Heater Electric Cover Gasket.....	
P-10621/07-0169	HRS-24 Bulkhead Gasket.....	
P-10622/07-0936	HRS-24 U-cup Gasket (70107).....	
P-10625	New Style Vinyl Niche Gasket.....	
P-10626/07-0938	Vinyl Niche New Pool Star Gasket.....	
P-10627/07-0947	Niche Spa Star Gasket.....	
P-10630	BT Series Backwash Valve Pump Gasket.....	G-197
P-10675	V/F 30 Gasket.....	G-82
P-10725/07-0940	L Series P/V Pump Gasket.....	G-70
P-10825/07-0941	Uniseal & L Bracket To Volute Gasket.....	G-194
P-10925/07-0942	Tropic In/Out Gasket-All Models.....	G-343
P-11050/07-0943	C Series P/V Pump Gasket P-135.....	G-290
P-11100	1200 Flange To Valve Gasket.....	
P-11125	Tropic Heater In/Out Gasket.....	G-289
P-11150/07-0943	450-900 Flange Gasket-C Series.....	G-75
P-11175/07-0944	Valve Gasket-Tropic Isle.....	G-77
P-11200	1200 Flo-Valve Gasket.....	G-73
P-11250	450-1050 Valve Gasket.....	G-76
P-11324/07-0945	Light Lens Gasket.....	O-172
P-11328/07-0946	Sunlite, Spa Star 8092-S2 Lens Gasket.....	
P-11329/07-0947	Sunlite, Spa Star Neoprene Gasket 8094-N.....	
P-11330/07-0948	Sunglo 8096 Door Gasket.....	
P-11332/07-0949	Sun Star 8099 Gasket.....	
P-11333/07-0946	'89 Sunlite 4026 Seal Gasket.....	
P-11350/07-0951	Tube Seal Gasket-Mini Max XL-Power Max-Tropic Isle-T160.....	G-74
P-11355/07-0952	Air Relief Fitting Tank Gasket/CFW Filters/800 Series/2000 Series.....	
P-11422/07-0953	Tahitian Gasket-Rubber.....	
P-11425/07-0954	Element Seal Replacement Gasket.....	
P-13000/07-0193	Skimmer Weir.....	
P-24000/07-1416	A-18 O-ring.....	O-20
P-24001/07-1417	AT Pump Backwash Valve Gasket.....	O-130
P-24002/07-1418	JT Adapter O-ring.....	O-400
P-24003/07-1419	WhisperFlo® Impeller Lock Screw O-ring.....	O-186
P-24010/07-1420	Soltron O-ring.....	O-446
P-24025/07-1421	PJ-18 Pump Lid O-ring.....	O-12
P-24030/07-1422	Aquatron™ Pump Lid O-ring/WhisperFlo® Lid O-ring/Quiet Flo (Before 11/1998).....	O-108
P-24050/07-1423	C-70 Flange O-ring.....	O-161
P-24100/07-1424	Cap O-ring.....	O-159
P-24102/07-1426	Collar & Rotor O-ring/SMBW 2000 Series/Warrior™ Union O-ring Clean & Clear®/Predator™.....	O-64
P-24103/07-1427	Aquatron™ Pump Backwash Valve O-ring.....	O-299
P-24103/07-1427	Valve Body O-ring/SMBW 2000 Series 3 Port Valve O-ring.....	O-163
P-24104/07-1428	Tahitian Cap O-ring.....	O-158
P-24104/07-1428	Rotor Shaft O-ring.....	O-158
P-24107/07-1430	WhisperFlo® Seal Vent O-ring.....	O-188
P-24108/07-1431	800 Series Manifold O-ring.....	O-40
P-24125/07-1432	2" Valve Cap O-ring.....	O-255
P-24150/07-1433	C-18 Cover O-ring.....	O-88

P-24195/07-1434	Noryl® Rotor Shaft O-ring.....	0-390
P-24199/07-1435	Noryl® Shaft O-ring/SMBW 2000 Series™ Rotor Shaft Valve O-ring.....	0-47
P-24200/07-1436	Selector Valve Shaft O-ring.....	0-155
P-24201	Skimmer Gasket	
P-24215/07-1437	CF-100 Tank O-ring.....	0-293
P-24218/07-1439	SM/SMBW 4000 Series™ Lid O-ring/Clamp O-ring Clean And Clear/FNS Plus Filter Tank O-ring.....	0-333
P-24219/07-1440	JT O-ring.....	0-287
P-24220/07-1441	CF-25/50 & 700 Tank O-ring.....	0-191
P-24225/07-1442(Z)	2000 Series Tank O-ring-Nautilus® Clamp Ring O-ring (Started 2002).....	0-86
P-24250/07-1443	800 Series Tank O-ring-Separation Tank.....	0-85
P-24260	Rainbow™ O-ring	
P-24261	Rainbow™ O-ring	
P-24262/07-1444	WhisperFlo® Diffuser O-ring.....	0-359
P-24263/07-1445	WhisperFlo® Seal Plate O-ring.....	0-304
P-24275	Filter Lid O-ring.....	0-191
P-24300/07-1446	Old Style Vinyl Niche Gasket.....	G-168
P-24301/07-1447	PA Pump Volute O-ring.....	0-277
P-24305	Center Tube O-ring.....	0-24
P-24306/07-1448	Tahitian Filter Neck O-ring.....	0-393
P-24308/07-1449	Tahitian Filter Shaft O-ring.....	0-165
P-24310/07-0178	HRS-24 Bulkhead O-ring	
P-25899/07-1578	Universal Pressure Switch.....	3902
P-28050	AT Series Shaft Seal.....	AS-1000
P-28125/07-1722	Piston O-ring.....	0-190
P-28128/07-1723	JT 6 5/8" Seal.....	AS-372
P-28150/07-1724	2" Piston O-ring	
P-28175/07-1725	C Series Pump Seal-R Series-RPF/RP & APF 500 & 501/400 & 401.....	AS-360
P-28280/07-1733	Seal.....	AS-100
P-28290/07-1727	Soltron Seal Complete Assembly	
P-28300/07-1728	Pump Seal-AH Series-L Series.....	AS-201
P-28321/07-1732	Seal WFE	
P-28322/07-1733	Aquatron™ Pump Seal.....	AS-501
P-28323/07-1734	PA Series Pump Seal/Ultra-Flow®/WhisperFlo®/Maxim™.....	AS-1000
P-28350/07-1747	Shaft L-6 Extension LH	
P-28351/07-1748	Shaft Extension L-6 Brass LH1PH	
P-28352/07-1749	Shaft Extension LK-6 Brass LH	
P-28475/07-1751	SV SS 2" Shaft	
P-28500	SV SS 1 1/2" Shaft	
P-29203/07-1862	1 1/2" Sight Glass Gasket	
P-29625	A62 Sleeve Pump Shaft.....	G-149
P-30400/07-1948	Air Switch.....	TBS-304
P-30412/07-1957	Pressure Switch.....	3041
P-30429/07-1965	Air Switch.....	TBS-312
P-35100/07-2185	Water Slinger C Pump C-115	
P-35110/07-2186	Soltron Water Slinger 3/8" x 1"	
P-35125/07-2187	Pump Water Slinger P-115.....	0-73
P-60335/07-2432	1 1/2" Valve O-ring	
P-60336/07-2431	2" Valve O-ring	
P-60364/07-2455	1 1/2" MO Valve Motorized Gasket	
P-60366/07-2457	2" MO Valve Motorized Gasket	
P-60367/07-2458	Ortega II Urethane Gasket	
P-60368/07-2459	Ortega II Multiport Valve 14" O-ring	
P-60563/07-2504	Ortega Rubber Pad	
P-60882/07-2549	Liftlock Mixing Valve O-ring-Ortega/Motor Box O-ring.....	0-248
P-60886/07-2552	Liftlock Shaft O-ring.....	0-158
P-62030/07-2553	1 1/2" Ortega Valve Cover O-ring.....	0-319
P-62034/07-2554	2" Ortega Valve Cover O-ring (Part Of O-517KIT).....	0-320
P-62112/07-2555	Ortega Valve Stem O-ring (Part Of O-517KIT).....	0-39
P-62130/07-2556	Eyeball Seal	
P-62136/07-2557	Ortega Valve Equalize O-ring.....	0-321
P-62227/07-2559	1 1/2" Ortega Valve Cap O-ring.....	0-41
P-62230/07-2560	2" Ortega Valve Cap O-ring.....	0-43
P-62240/07-2561	Ortega II Motor Slinger	
P-72999	T-400 Gaurdex Washer.....	G-295
S-01100	AB-29 Pump Basket.....	B-151
S-01200/07-2795	C-29 Pump Basket.....	B-150

S-01400/07-2797	L-29 Pump Basket.....	B-151
S-01600/07-2814	Old Eastside Pump Basket-AH Series P-29.....	B-36
S-12800/07-3030	120-400 Set Gasket-Tropic Isle	
S-19211/07-3328	Universal Pressure Switch.....	3902
S-3F	Clean Water Feeder O-ring.....	0-432
07-4015	Minimax Flow Valve Gasket-Power Max.....	G-452
07-4021	CFM Manifold O-ring.....	0-39
07-4590	SunSaver Lens Gasket 8782	
07-4591	SunSaver Niche Gasket-Amber	
07-4592	SunSaver Niche Gasket-White	
07-4593	SunSaver Niche Gasket-Black	
07-4629	WhisperFlo® Drain Plug Gasket APF 400/401 RP Series RPF/ADF 500/501 R Series	
07-4930	Cartridge Filter Element (6 Required).....	16801
07-4930	CFM200, CFW200-67.5 Sq. Ft. Cartridge Filter Element (3 Required).....	16801
07-5247	WhisperFlo® Seal Plate Gasket WFE Pump.....	G-413
07-5713	Rubber Washer For Shaft Set Screw On WhisperFlo®.....	G-371
07-5844	RP/APF 400/401 Pump Basket R Series	
07-5846	RP/RPF/APF/R Series 400/401/500/501 Seal Plate O-ring.....	0-477
07-5847	RP/APF/R Series 400/401 Pump Lid O-ring.....	0-478
07-5848	RP/RPF/APF/R Series 400/401/500/501 Diffuser O-ring.....	0-278

QCA

25 Sq. Ft. Cartridge Filter Element.....	12502
50 Sq. Ft. Cartridge Filter Element.....	15002
95 Sq. Ft. Cartridge Filter Element.....	19501

QUAD CITY POOLS

3029	Universal Pressure Switch.....	3925
3037	Universal Pressure Switch.....	3925
9400-06-000-06	4 Button Spa Side Controller & Retro-Fit Faceplate.....	CC4-120-10 & 20205
9400-10-000-06	4 Button Spa Side Controller & Retro-Fit Faceplate.....	CC4-120-10 & 20205
CSC-1113	4 Function Air Switch (TBS-312 Required).....	CSC-1101
CSC-1131	4 Function Air Switch (TBS-312 Required).....	CSC-1131
TBS-301	Air Switch.....	TBS-301
TBS-312	Air Switch.....	TBS-312
TBS-317	Air Switch.....	TBS-317

RAINBOW™ (PENTAIR®)

184	In Line Leaf Trap Basket.....	B-201
179	In Line Leaf Trap Basket.....	B-204
R170051	Hi Flow 4.5 Sq. Ft. Cartridge Filter Element.....	11501
R170052	Chloro Cartridge.....	10804
R170055	O-Ring.....	0-652
R170070	Filter To Niche O-ring Dynamic Series II/III-Also Locking Flange O-ring	
R170072	Niche To Spa O-ring Dynamic Series II/III	
172006	CL9 4 Sq. Ft. Cartridge Filter Element.....	10401
R172009	Lifeguard Cartridge Lid O-ring.....	0-283
R172009	Lifeguard Chlorinator Lid Viton® O-ring/Standard & High Sq. Ft. Module Filter Cap Viton® O-ring.....	0-283V
R172010	CL29 13 Sq. Ft. Cartridge Filter Element.....	11201
R172015	Lifeguard Cartridge Filter Gasket/Standard & High Sq. Ft. Module Filter Standpipe Gasket.....	G-179
172021	CL19 8 Sq. Ft. Cartridge Filter Element.....	10802
R172033	Tube Fitting Gasket.....	G-34
R172036	Silicone Lubricant.....	651
172046	CL29X 18 Sq. Ft. Cartridge Filter Element.....	11801
172047	CL19X 12 Sq. Ft. Cartridge Filter Element.....	11203
172048	CL9X 6 Sq. Ft. Cartridge Filter Element.....	10604
172055	8 Sq. Ft. Cartridge Filter Element.....	10801
172056	13 Sq. Ft. Cartridge Filter Element.....	11202
R172221	Air Vent Valve O-ring/Dynamic Series I/II/III.....	0-30
R172222	RDC-25 Filter Body Gasket/Dynamic Series I/II/III.....	G-270
R172223	25 Sq. Ft. Leaf Trap 179-179C & Predator™ Lid O-ring/	

172224	Bromine Dispenser Housing O-ring Dynamic Series I/II/III 0-330
172232	25 Sq. Ft. Filter Valve O-ring0-30
R172232X	Cartridge Filter Support Ring Gasket
R172240	Cartridge Filter Support Ring Gasket-Black
	High Capacity Auto Feeder Housing Lid O-ring/Model
	HC3315/3330/3340..... 0-330
R172263	Commercial Feeder Saddle Gasket G-164
R172318	#320 Chlorinator Bottom O-ring..... 0-444
R172319	Bottom O-ring New Style Model 320 Chlorinator..... 0-444
R172325	DFML25, RCF25, RDC25, RTL25 25 Sq. Ft.
	Cartridge Filter Element12502
R172327	DFML25, RCF25, RDC25, RTL25 25 Sq. Ft.
	Cartridge Filter Element12502
R172380	DFM50, DFML50, RCF50, RDC50, RTL50
	50 Sq. Ft. Cartridge Filter Element..... 15002
R172393	Access Plug For O-ring/Dynamic Series II/III..... 0-130
R172451	Check Valve O-ring 0-69
R172464	DFML25C, DSF50 25 Sq. Ft. Cartridge Filter Element
	(2 Required) 12504
R172467	Skim Filter Basket DSF
R172469	Weir Assembly DSF
R172470	Rear Gasket Skim Filter DSF
R172471	Front Face Plate Gasket DSF
R172479	Dynamic Series V Vac Plate O-ring
R172482	35 Sq. Ft. Cartridge Filter.....13501/13701
172541	Filter Locking Flange Gasket
R172606	DSF35 17.5 Sq. Ft. Cartridge Filter Element (2 Required) 11802
172632	DSC75, RCF75, RTL75 75 Sq. Ft. Cartridge Filter Element 17501
R172633	DSC100, RCF100, RTL100 100 Sq. Ft. Cartridge
	Filter Element19901
R172653	Leaf Trap 25 Sq. Ft. Cartridge Filter Element..... 12533
R172654	Leaf Trap 50 Sq. Ft. Cartridge Filter Element.....WIP
172810	Mytilus Filter 140 GPM MY140 Cartridge
	Filter Element (2 Required).....16001
172811	Mytilus FMY 80/MY80 Cartridge Filter Element 18001
172812	Mytilus FMY100/MY100 Cartridge Filter Element 19904
R173200	Commander 25 Sq. Ft. Cartridge Filter Element 12509
R173201	Commander 25 Sq. Ft. Cartridge Filter Element 12509
R173203	Commander 50 Sq. Ft. Cartridge Filter Element 15007
R173204	Commander 75 Sq. Ft. Cartridge Filter Element 17506
R173205	Commander 75 Sq. Ft. Cartridge Filter Element 17506
R173208	Commander 100 Sq. Ft. Cartridge Filter Element 19903
R173209	Commander 35 Sq. Ft. Cartridge Filter Element 13503
R173210	Commander 75 Sq. Ft. Cartridge Filter Element 17509
R173211	Quantum™ CM/RPM™ 360 Sq. Ft. Cartridge
	Filter Element (4 Required)..... 19005
R173212	Quantum™ CM/RPM™ 175 Sq. Ft. Cartridge
	Filter Element (4 Required)14401
R173213	Clean & Clear®/Predator™ 50 Sq. Ft. Cartridge Filter Element 15036
R173214	Clean & Clear®/Predator™ 75 Sq. Ft. Cartridge Filter Element 17525
R173215	Clean & Clear®/Predator™ 100 Sq. Ft. Cartridge Filter Element19916
R173216	Clean & Clear®/Predator™ 150 Sq. Ft. Cartridge Filter Element...25005
R173217	Clean & Clear®/Predator™ 200 Sq. Ft. Cartridge Filter Element...29902
173218	Quantum™ CM/RPM™ 350 Sq. Ft. Cartridge
	Filter Element (4 Required)18801
173219	Quantum™ CM/RPM™ 500 Sq. Ft. Cartridge
	Filter Element (4 Required)22501
R173297	Mytilus Filter 50 Sq. Ft. Cartridge Filter Element 15009
R173298	Mitra 60 GPM MA60/160 Mytilus Cartridge Filter Element.....16001
R173299	Mitra 80 GPM MA80 Mytilus Cartridge Filter Element 18001
R173300	Mitra 100 GPM MA100/160 Mytilus Cartridge Filter Element 19904
173301	Mytilus FMY150 Sq. Ft. Cartridge Filter Element25001
R173310	CF40 11 1/8" Cartridge Filter Element (3 Required) 14002
R173312	CF60 19 1/8" Cartridge Filter Element (3 Required) 16002
R173313	CF80 19 5/8" Cartridge Filter Element (3 Required)..... 18002
R173314	CFW67.5/405 16" Cartridge Filter Element (6 Required).....16801
R173315	CFM105/315 25 5/8" Cartridge Filter Element (3 Required) ..20501
R173316	Sea Horse 300 Sq. Ft. Cartridge Filter Element.....17524
R173317	Sea Horse 400 Sq. Ft. Cartridge Filter Element.....19915
R173318	Sea Horse 500 Sq. Ft. Cartridge Filter Element.....22503

R173321	Standard & High Sq. Ft. Module Filter 9 3/4" 4 Sq. Ft.
	Cartridge Filter Element 10401
173322	Standard & High Sq. Ft. Module Filter 9 3/4" 6 Sq. Ft.
	Cartridge Filter Element10601
173324	Chloro 8.5 Sq. Ft. Cartridge Filter Element..... 10804
R173325	Standard & High Sq. Ft. Module Filter
	19 1/2" 8 Sq. Ft. Cartridge Filter Element 10802
R173326	Standard & High Sq. Ft. Module Filter
	19 1/2" 12 1/2 Sq. Ft. Cartridge Filter Element.....11203
R173327	Standard & High Sq. Ft. Module Filter
	29 1/4" 12 1/2 Sq. Ft. Cartridge
	Filter Element 11201
R173328	Standard & High Sq. Ft. Module Filter 29 1/4" 18 3/4 Sq. Ft.
	Cartridge Filter Element 11801
R173409	Commander 50 Sq. Ft. Cartridge Filter Element 15004
173425	Hi Flo 14.5 Sq. Ft. Cartridge Filter Element 11501
R173428	Dynamic Series I Model RDC 25 Sq. Ft. Cartridge
	Filter Element Dynamic Series II & III RTL/RCF.....12502
R173428	Dynamic Series I Model Also Model DFM, DFML,RDC 13 1/4".
	25 Sq. Ft Cartridge Filter Element.....12502
173430	RDC/RTL/RCF/DFML 25 Upgrade Cartridge Filter Element 13701
R173431	Dynamic Series IV DFM/DFML
	9 1/4" 35 Sq. Ft. Cartridge Filter Element 13501
R173432	Dynamic Series IV DSF-35 17 1/2 Sq. Ft.
	Cartridge Filter Element (2) 11802
R173433	Dynamic Series IV DSF-50 Model 25 Sq. Ft.
	Cartridge Filter Element Also Model DFM, DFML (2 Per Set).. 12504
R173434	Dynamic Series I Model RDC 13 1/4" 50 Sq. Ft.
	Cartridge Filter Element Also Model DFM, DFML..... 15002
R173435	Dynamic Series II & III RTL/RCF 75 Sq. Ft. Cartridge
	Filter Element Also Series V-DSC/SWS Safety Wall Skimmer..17501
173436	Dynamic Series II & III RTL/RCF 100 Sq. Ft. Cartridge
	Filter Element Also Series V-DSC/SWS Safety Wall Skimmer..19901
R173572	Clean & Clear® Plus 240 Sq. Ft.
	Cartridge Filter Element (4 Required) 16011
R173573	Clean & Clear® Plus 320 Sq. Ft.
	Cartridge Filter Element (4 Required) 18005
173574	Clean & Clear® Plus 360 Sq. Ft.
	Cartridge Filter Element (4 Required) 19005
R173576	Clean & Clear® Plus 420 Sq. Ft.
	Cartridge Filter Element (4 Required) 20503
173577	Clean & Clear® Plus 520 Sq. Ft.
	Cartridge Filter Element (4 Required)22501
R173578	Clean & Clear® Plus 520 Sq. Ft.
	Cartridge Filter Element (4 Required) 22505
R173579	DM Filter 75 Sq. Ft. Cartridge Filter Element 17529
R173580	DM Filter 90 Sq. Ft. Cartridge Filter Element..... 19004
R173581	DM Filter 120 Sq. Ft. Cartridge Filter Element 22008
R173582	DM Filter 180 Sq. Ft. Cartridge Filter Element28001
R173583	DM Filter 240 Sq. Ft. Cartridge Filter Element..... 34001
R175690	CFW/CFM 280 Sq. Ft. Cartridge Filter Element (3 Required) . 19502
178569	Quantum™ 240 RPM™ 60 Sq. Ft. Cartridge Filter Element..... 16011
18508	185-08 Inlet Fitting O-ring 0-47
18511	185-11 Cleaner O-ring 0-130
R18608	Model 180 Canister O-ring..... 0-108
18658	Gasket For Leaf Trap Cartridge
R22113	Dynamic Series Basket Assembly Short
33016	1 1/2" P/V Cover O-ring
R33017	1 1/2" P/V Ball Crank O-ring/Control Valve O-ring
	Dynamic Series (Viton® Available 0-25V) 0-25
33023	2" P/V Cover O-ring
R36002	Large Vac Mate Gasket-Bottom/Nally/Filterite
R36009	Vac Mate Debris Basket
R36025	Small Vac Mate Gasket (Hayward® 1084)
R36027	Vac Mate Weir Assembly
36039	Top Seal Gasket Poolrite Filterite
36040	Bottom Seal Gasket Poolrite Filterite
36046	Gasket Baker Hydro Ring
36055	Vac Mate II Adjustable Plate Gasket

36056	Vac Mate II Gasket	
36057	Vac Mate II Basket-Jacuzzi® Weir, Equator Basket	
37009	Concorde Housing O-ring.....	0-615
37054	Cartridge Complete	
37055	Replacement Pleats Only	
37121	O-ring For Plate-Concorde	0-613
R38007	Debris Basket Pac Fab Style 50-1021-1022	
R38012	Debris Basket Hayward® Style (10/1975 - 10/1986)	B-152
R38013A	Basket.....	B-37
R38013B	Floating Weir	B-38
211236	Model 180 Lid O-ring	
211246	Model 180 Basket.....	B-201
211366	In Line Leaf Trap Lid O-ring.....	0-108
211526	Model B179C Basket/186 Basket.....	B-204
211600	Latch O-ring Kit	
221036	Pole Hanger.....	955
221046	Utility Hook, Hose Hanger.....	954
240006	Weir 6".....	923
240007	Weir 7".....	924
240008	Weir 8".....	925
240009	Weir 9".....	926
240010	Weir 10".....	927
240011	Weir 11".....	928
240012	Weir 12".....	929
240014	Weir 14".....	930
240016	Weir 16".....	932
240047	Weir 5 7/8".....	933
240058	Weir 7 ¼".....	934
240061	Weir 7 5/8".....	935
240063	Weir 7 13/16".....	936
240065	Weir 8 1/8".....	937
240067	Weir 8 3/8".....	938
240068	Weir 8 ½".....	939
240075	Weir 9 3/8".....	940
250039	Sun Sweep Clamp.....	271-8
250049	Sun Sweep PTFE O-ring	
270301	Booster Pump Water Slinger	
270308	Booster Pump Seal Plate O-ring	
270309	Booster Pump Seal	
59054000	Clean & Clear® 50 Sq. Ft. Cartridge Filter Element.....	15036
59054100	Clean & Clear® 75 Sq. Ft. Cartridge Filter Element.....	17525
59054200	Clean & Clear® 100 Sq. Ft. Cartridge Filter Element.....	19916
59054300	Clean & Clear® 150 Sq. Ft. Cartridge Filter Element.....	25005
59054400	Clean & Clear® 200 Sq. Ft. Cartridge Filter Element.....	29902

RAMCO MFG

3046	Pressure Switch.....	3046
------	----------------------	------

RAYPAK

	Manual By Pass O-ring	0-39
	U-G #H Gasket O-ring.....	0-41
	Solar Valve Body O-ring	0-41
	Control Well O-ring	0-5
B600025	Universal Pressure Switch	3902
001809F	Universal Pressure Switch	3925
600025	Universal Pressure Switch.....	3902
62236B	1 ½" Connector Flange Gasket	
62237B	Universal Pressure Switch.....	3925
80001	1" Tube O-ring.....	WIP
80004	1 ½" Unitherm Governor Gasket	G-25
80007	2" Unitherm Gasket	G-288
800014	Gemini Tube Seal Gasket.....	G-303
800031	By Pass Manual O-ring	0-47
800075	151,136T,THWS Header Gasket.....	G-292
800104	Raytemp Valve Piston O-ring	0-122
800164	Element Gasket.....	G-312
800187	Header Gasket.....	G-309
800204	By Pass 53 Gasket.....	G-342
800276	U.G. Gasket	

800013B	1 ½" Flange Gasket	G-304
800080B	2" Flange Gasket.....	G-305
800086B	Header Gasket	

REC FACTORY WAREHOUSE

TBS-312	Air Switch.....	TBS-312
3010	Universal Pressure Switch	3925
3010-P	Universal Pressure Switch.....	3925
3037	Universal Pressure Switch	3925
47	Canister Body O-ring Chlorinator Launcher	
49	O-ring Kit Chlorinator Launcher	
50	Drain Plug O-ring Chlorinator Launcher	
370	Air Switch.....	TBS-317
376	Universal Pressure Switch.....	3925
369	Air Switch.....	TBS-301
1133	Air Bleed O-ring 35 Sq. Ft. Filter	
1135	Lid O-ring For 35 Sq. Ft. Filter.....	0-330
2697	Body O-ring King Tech	0-163
2975	Fits All Large Cyclers Cap O-ring King Tech	0-232
4036	Wet End Housing O-ring.....	0-231
4305	O-ring	0-80
111063	100 Sq. Ft. Cartridge Filter Element.....	19926
111064	150 Sq. Ft. Cartridge Filter Element.....	25009
111730	Filter Lid O-ring For 50/100/150 Sq. Ft. Filter	
111732	Air Bleed Valve O-ring For 50/100/150 Sq. Ft. Filter.....	0-27
111733	Drain Plug O-ring 50/100/150 Sq. Ft. Filter.....	0-30
111774	65 Sq. Ft. Cartridge Filter Element.....	16504
111776	130 Sq. Ft. Cartridge Filter Element.....	23001
111790	50 Sq. Ft. Cartridge Filter Element.....	15043
111791	100 Sq. Ft. Cartridge Filter Element.....	19908
111792	150 Sq. Ft. Cartridge Filter Element.....	25003
111793	35 Sq. Ft. Cartridge Filter Element.....	13701
111831	75 Sq. Ft. Cartridge Filter Element.....	17531
111832	100 Sq. Ft. Cartridge Filter Element.....	19920
111833	150 Sq. Ft. Cartridge Filter Element.....	25006
111863	48 Frame Strainer Cover O-ring Wet End.....	0-318
111864	48 Frame Strainer Basket	
111867	Split Nut Gasket For 48 Frame Strainer	
111868	48 Frame Drain Plug O-ring	
111902	Drain O-ring 93 Model Waterway™	0-288
111904	1 ½" Union O-ring For 35 Sq. Ft. Filter	
111946	Rubber Gasket Turbo Jet	
173584	45 Sq. Ft. Cartridge Filter Element.....	14513
303172	Rainbow™ Brominator Cover O-ring	0-330
303416	Drain & Vent O-ring Rainbow	0-30
303420	Hayward® Strainer Lid O-ring	0-231
303433	75 Sq. Ft. Cartridge Filter Element.....	17540
303434	100 Sq. Ft. Cartridge Filter Element.....	19930
303557	35 Sq. Ft. Cartridge Filter Element.....	13501
303575	13 Sq. Ft. Cartridge Filter Element.....	11303
303909	25 Sq. Ft. Cartridge Filter Element.....	12502
377015	Vacuum Plate	
377016	Weir Door	
377020	Weir Body Gasket	
377027	Strainer Basket	
378900	10 Sq. Ft. Cartridge Filter Element.....	11003
378902	45 Sq. Ft. Cartridge Filter Element.....	14510
8002-06-000-06	2 Button Spa Side Controller	CC2-120-10
8005-10-000-06	2 Button Spa Side Controller	CC2-120-10
8300-06-000-06	3 Button Spa Side Controller & Retro-Fit Faceplate	CC3-120-10 & 20205
8301-06-000-06	3 Button Spa Side Controller & Retro-Fit Faceplate	CC3-120-10 & 20205
8400-06-000-06	4 Button Spa Side Controller & Retro-Fit Faceplate	CC4-120-10 & 20205
9200-06-000-06	2 Button Spa Side Controller	CC2-120-10
9300-06-000-06	3 Button Spa Side Controller & Retro-Fit Faceplate	CC3-120-10 & 20205
9350-06-000-06	3 Button Spa Side Controller &	

Retro-Fit Faceplate	CC3-120-10 & 20205
9400-06-000-06 4 Button Spa Side Controller & Retro-Fit Faceplate	CC4-120-10 & 20205

REGAL

G-202 Chlorinator Gasket (2 Required).....	G-238
G-203 Chlorinator Gasket	G-172
G-204 Chlorinator Gasket	G-236
S-301 Chlorinator Viton® O-ring.....	0-249V
S-302 Chlorinator Viton® O-ring.....	0-243V
S-401 Chlorinator Viton® O-ring.....	0-348V
S-402 Chlorinator Viton® O-ring.....	0-349V
S-403 Chlorinator Viton® O-ring.....	0-30V
S-404 Chlorinator O-ring	0-47
S-405 Chlorinator O-ring	0-363
S-406 Chlorinator O-ring	0-326
S-407 Chlorinator O-ring	0-360
S-408 Chlorinator O-ring	0-361
S-409 Chlorinator O-ring	0-301
S-410 Chlorinator O-ring	0-47
S-411 Chlorinator Viton® O-ring.....	0-32V
S-412 Chlorinator Viton® O-ring.....	0-355V
S-413 Chlorinator O-ring	0-362

RICHARDSON (ALL LISTINGS UNDER EZ-CHLOR)

RIO PLASTICS

TBS-301 Air Switch	TBS-301
--------------------------	---------

ROGERS SPA

25 Sq. Ft. Cartridge Filter Element-6 Oz	12201
--	-------

ROMANESQUE

25 Sq. Ft. Cartridge Filter Element-6 Oz	12201
--	-------

ROYAL SPAS

8002-10-001-06 2 Button Spa Side Controller	CC2-120-10
TBS-301 Air Switch	TBS-301
TBS-305 Air Switch	TBS-301

SANTANA

25 Sq. Ft. Cartridge Filter Element-Closed Top.....	12506
25 Sq. Ft. Cartridge Filter Element.....	12510
30 Sq. Ft. Cartridge Filter Element.....	13002
45 Sq. Ft. Cartridge Filter Element.....	14501
45 Sq. Ft. Cartridge Filter Element-17 ¾" Long.....	14502
45 Sq. Ft. Cartridge Filter Element-Closed Top.....	14503
45 Sq. Ft. Cartridge Filter Element-ClosedTop-17 ¾" Long....	14504

SARATOGA SPAS

19 Sq. Ft. Cartridge Filter Element.....	11901
20 Sq. Ft. Cartridge Filter Element.....	12004
25 Sq. Ft. Cartridge Filter Element.....	12519

SAURERMAN

2" Tube O-ring.....	0-24
2" Crank O-ring	0-25
1 ½" Tube O-ring.....	0-37
Backwash Valve O-ring	0-40
Manifold O-ring.....	0-50
Small Tank O-ring	0-198
Large Tank O-ring.....	0-199

SCANDIA MODULE

3010-P Universal Pressure Switch	3925
30037 Universal Pressure Switch	3925
TBS-301 Air Switch	TBS-301
TBS-305 Air Switch	TBS-301
TBS-317 Air Switch	TBS-317

SCHOTT POOLS

Floating Skimmer Cartridge.....	10505
---------------------------------	-------

SEABLUE (ALL LISTINGS UNDER EZ-CHLOR)

SEARS

Sears & Sta-Rite® Sprinkler	G-204
-----------------------------------	-------

SEASCAPE SPA

30 Sq. Ft. Cartridge Filter Element.....	13005
--	-------

SEASONMASTER INC

SMS 004 Basket With Tabs	B-214
--------------------------------	-------

SEQUOIA SPAS

25 Sq. Ft. Cartridge Filter Element.....	12502
50 Sq. Ft. Cartridge Filter Element.....	15002

SERENITY BATHS

TBS-310 Air Switch	TBS-301
--------------------------	---------

SEVEN SEAS

25 Sq. Ft. Cartridge Filter Element.....	12512
50 Sq. Ft. Cartridge Filter Element.....	15010

SHASTA

Dome O-ring.....	0-160
------------------	-------

SIGNATURE SPA

25 Sq. Ft. Cartridge Filter Element.....	12502
50 Sq. Ft. Cartridge Filter Element (2 Required)	12504
50 Sq. Ft. Cartridge Filter Element.....	15002

SKIMSAVER™ (SEE JEDCO)

SOFT TUB

20 Sq. Ft. Cartridge Filter Element.....	12004
90-802 25 Sq. Ft. Cartridge Filter Element.....	12520

SONFARREL/MARTEC

201010 Spa Master Side Discharge ¼" Bleed Plug O-ring	0-39
220022 25 Sq. Ft. Cartridge Filter Element.....	13201
220032 25 Sq. Ft. Cartridge Filter Element.....	13201
220035 35 Sq. Ft. Cartridge Filter Element.....	13201
220042 35 Sq. Ft. Cartridge Filter Element.....	13201
220122 25 Sq. Ft. Cartridge Filter Element.....	12801
220128 30 Sq. Ft. Cartridge Filter Element.....	12801
220132 30 Sq. Ft. Cartridge Filter Element.....	12801
220142 45 Sq. Ft. Cartridge Filter Element.....	15003
220145 45 Sq. Ft. Cartridge Filter Element.....	15003
220152 50 Sq. Ft. Cartridge Filter Element.....	15003
220175 50 Sq. Ft. Cartridge Filter Element.....	15003
220252 SS & ST Series Suction Skim Filter 50 Sq. Ft. Cartridge	
2301600 100 Sq. Ft. Cartridge Filter Element.....	19909
2301630 130 Sq. Ft. Cartridge Filter Element.....	23001
2301650 65 Sq. Ft. Cartridge Filter Element.....	16504
2301750 100 Sq. Ft. Cartridge Filter Element.....	19909
250006 6 Sq. Ft. Cartridge Filter Element.....	10601
300004 Spa Master Side Discharge Face Plate O-ring	0-139
300009 Spa Master Side Discharge Seal.....	AS-1000

SONOMA

25 Sq. Ft. Cartridge Filter Element.....	12501
25 Sq. Ft. Cartridge Filter Element.....	12509
50 Sq. Ft. Cartridge Filter Element.....	15002

SOUTH PACIFIC

Old Style Lid O-ring-Brown	0-142
Old Style Lid O-ring-White	0-316

New Style Lid O-ring-Brown..... 0-317

SOUTH SEAS

VB11 Heater Inlet Gasket G-31
 Heater Outlet Gasket.....G-32
 By Pass Inlet GasketG-33
 By Pass Gasket.....G-41
 Tube GasketG-42
 Small Silicone Gasket.....G-246

SPA CREST MFG

TBS-317 Air Switch..... TBS-317
 TBS-410-882 Air Switch.....TBS-410
 9200-10-000-06 2 Button Spa Side ControllerCC2-120-10

SPA MANUFACTURERS

3010-P-AM Universal Pressure Switch..... 3925
 CSC-1131 4 Function Air Switch (TBS-312 Required)..... CSC-1131
 8000-06-000-06 2 Button Spa Side ControllerCC2-120-10
 8400-06-000-06 4 Button Spa Side Controller &
 Retro-Fit Faceplate CC4-120-10 & 20205
 8750-06-000-06 3 Button Spa Side Controller &
 Retro-Fit Faceplate CC3-120-10 & 20205

SPA QUIP

8300-06-000-06 3 Button Spa Side Controller &
 Retro-Fit Faceplate CC3-120-10 & 20205
 8400-06-000-06 4 Button Spa Side Controller &
 Retro-Fit Faceplate CC4-120-10 & 20205

SPAS UNLIMITED

8000-10-000-06 2 Button Spa Side ControllerCC2-120-10

SPAVISION

3903 Universal Pressure Switch..... 3902
 TBS-301 Air Switch..... TBS-301
 TBS-317 Air Switch..... TBS-317

SPECK PUMPS

Sand/DE Filter Rim Gasket.....G-388
 3028-P Universal Pressure Switch..... 3925
 SSAS-1102 4 Function Air Switch..... SSAS-1102
 TBS-301 Air Switch..... TBS-301
 TBS-312 Air Switch..... TBS-312
 TBS-317 Air Switch..... TBS-317
 TBS-324 Air Switch..... TBS-301
 004700319N Gasket Pressure Gauge Model AS Sand
 Filter With 7 Position Valve
 241810006 Gasket Drain Plug Model AS Sand Filter With 7 Position Valve
 18122R0100 Cartridge Filter Element 19 1/2" x 9" Model AC2507/2510/2515
 18219R0100 Cartridge Filter Element 14 7/8" x 9" Model
 AC2507/2510/2515.....17523
 18220R0100 Cartridge Filter Element 24" x 9" Model
 AC2510/2507/2515.....25007
 2730014300 Basket Aquaskim Skimmer
 2730016011 Front Face Plate (Vinyl, Fiberglass Only) Aquaskim Skimmer
 2730016310 Back Face Plate (Vinyl, Fiberglass Only) Aquaskim Skimmer
 2730016311 Gasket (Vinyl, Fiberglass Only) Aquaskim Skimmer
 2730074600 Weir Aquaskim Skimmer
 2854000863 Union O-ring 2" Model S90.....0-631
 2920060603 Mechanical Seal Assembly.....AS-200
 2920114300 Basket Model E91
 2920141210 Adapter O-ring Model 21-80BS (Prior to 01/1995) Diffuser E90
 O-ring Model 98/Model 420-Casing O-ring/Model 90/433...0-442
 2920141240 Model 90 Drain Plug O-ring Model 433/Model E900-25
 2920241220 Union O-ring 1 1/2" Slip Model S90/E91 0-321
 2920314300 Basket Model S90/E90
 2920341220 Model 420 Housing O-ring/Model 433
 2920343310 Model 90 Complete Seal

2920741100 Plastic Motor Bolt Gasket Model 93
 2920741271 O-ring Strainer Tank Model 4330-370
 2920814300 Basket Model 98
 2920914300 Basket Complete Model 93
 2920941210 Lid O-ring Model 93/2180BS..... 0-494
 2921141210 Model 90 Lid O-ring/Model 420 Lid O-ring..... 0-402
 2921141215 Lid O-ring Model E90.....0-231
 2921141220 Model 90 Casing O-ring.....0-450
 2921141222 Casing O-ring Model S90/98/E90 0-504
 2921341250 O-ring Diffuser Model 930-230
 2921441210 Union O-ring Model 98.....0-631
 2921641210 Lid O-ring Model E91 0-15
 2921641223 Casing O-ring Model E910-284
 2921841210 O-ring Flange Adapter Model 930-182
 2923141000 Seal Housing Gasket Model 21-80G/21-80GS-Casing Gasket
 Model 21-80BS/21-80/30G
 2923241200 Casing O-ring Model 21-80GS0-160
 2923241231 Casing Drain Plug O-ring Model 433-Filter Plug O-ring
 Model 21-80GS/Strainer Tank Plug O-ring Model 21-80BS 0-69
 2923541220 Shaft O-ring Model 93/21-80BS (Before 3/2003) Casing
 Drain Plug O-ring Model 21-80G/21-80GS/21-80BS0-39
 2923541229 O-ring Shaft Model 93 Viton®/Model 21-80G/21-80GS
 21-80BS/21-80-/30G.....0-5V
 2926241210 Casing O-ring Model 93.....0-242
 582911013 Drain Plug IT Gasket
 7200323069 Cartridge Filter Lid O-ring Model AC2507/2510/2515
 7201750057 Valve/Tank O-ring Model AS Sand Filter With 7 Way Valve
 7220140030 Cartridge Filter Air Relief Plug O-ring Model AC2507/2510/2515
 7220620040 Cartridge Filter Drain Cap O-ring Model AC2507/2510/2515
 7221000025 Cartridge Filter Pressure Gauge O-ring Model AC2507/2510/2515
 7300002006 Tank O-ring Model AS With 6 Position Valve
 7300002122 Tank Drain Gasket 21"/25" AS With 6 Position Valve
 7300002123 Tank Drain Gasket 16" AS With 6 Position Valve

SPIN RITE

Collection Tube O-ring 0-50
 Crank O-ring.....0-39

SSC POOL GASKET & SEAL CO., INC. (CROSS REFERENCE @ WWW.ALADDIN1950.COM)

STARBRIGHT

Collection Tube Feed Ring 0-44
 Crank Quad Ring.....0-45
 20" Tank O-ring.....0-200
 Tank O-ring0-202
 Skim Filter Manifold O-ring.....0-285

STA-RITE® (PENTAIR®/ADDITIONAL LISTINGS UNDER SWIMQUIP™)

Vertical Filter Manifold O-ring.....0-180
 Sand Filter Cover O-ring.....0-108
 Delrin H & L Lid O-ring.....0-108
 PDC 4 & 6 Bottom O-ring.....0-139
 Aqua Flyte H & L Gasket.....0-16
 Delrin Hi Prime H & L O-ring..... 0-48
 D Series Pump GasketG-80
 VB35-1 Sub Pump Gasket.....G-267
 6 Sq. Ft. Cartridge Filter Element.....10601
 24101-19 HRP36 Filter O-ring0-215
 00B7013 Valve Piston O-ring0-207
 00B7014 HRP36 Bulkhead Connector O-ring-Slide Valve..... 0-435
 00B7027 Piston & Shaft Assembly L-O-ring Slide Valve Model WC212-137B
 31B0005 Valve Top Plate Gasket.....G-166
 31B0015 Rep Kit O-ring-Slide Valve0-271
 31B0024 Index Plate O-ring-Slide Valve0-130
 31B0035 Adapter L-O-ring-Slide Valve
 31B0077 Air Switch Dura-Jet™ Tub Pump
 62002-0001 LT & LH Series Pump Basket B-198
 C8-57P Max-E-Glas® II/Dyna-Wave®/Dyna-Glas™/
 C8-58P Dyna-Max™/Max-E-Pro® Dura-Glas™ II Basket B-215
 C108-11P 6" Pump Basket (See B-107)B-34

C108-11	6" Pump Basket-Small Holes.....	B-107
C108-13	4" Pump Basket (See B-105)	B-35
C108-13	4" Pump Basket-Small Holes.....	B-105
C108-25	11" Pump Basket.....	B-121
C108-33PA	5" Pump Basket (See B-106)-JWPA Series	B-33
C108-33P	5" Pump Basket-Small Holes-JWPA Series.....	B-106
C108-34SS	8" Pump Basket.....	B-120
C110-17	CF/CFA/HP/HPA Pump Shaft Extension.....	150
C20-009	Pump Gasket.....	G-8
C20-015	Pump Flange Gasket.....	G-111
C20-019	Dura-Glas™/HG Pump/Bronze Suction Trap/Flange Gasket	G-18
C20-021	Pump Gasket-Tank/Volute Cast Iron Series.....	G-3
C20-025	Tank To Volute Centrifugal Aluminum Series	
C20-031B	LT Gasket-Seal Plate.....	G-223
C20-035	Delrin Plastic Volute Gasket.....	G-36
C20-046	Pump Adapter Gasket D Series.....	G-67
C20-072	Pump Gasket-Thick.....	G-44
C20-072	Pump Gasket-Thin	G-44A
C20-077	C & CC Pump Gasket	G-81
C20-079	AJ Series Gasket	G-54
C20-86	Sears Sprinkler Pump Gasket.....	G-204
C20-87	Well & Irrigation Gasket.....	G-368
C20-97	Volute Gasket	O-284
C20-100	Impeller Gasket-CC/C Series/D Series.....	G-422
C20-101	CC, C, D Seal Sleeve Gasket	G-424
C20-102	ACP Pump Seal Plate Gasket.....	G-298
C20-103	Dura-Glas™ Pump Gasket-Paper	G-99P
C20-103	Dura-Glas™ Pump Gasket-Rubber	G-99R
C20-103	Dura-Glas™ Pump Gasket-Rubber-Skinny	G-99RS
C20-123	6" Plastic Trap Gasket-JWPA Series	G-99R
C21-2	Pump Diffuser Ring.....	O-208
C43-46	Stat O Seal Washer-CC/C Series/D Series.....	WIP
C69-2	Pump Slinger (Replaces N69-1) Dura-Jet™/Dyna-Jet™.....	O-209
C69-02	Dura-Glas™ Pump Slinger-JW Series	G-215
C69-07	LT Pump Water Slinger	
C69-12	C Pump Water Slinger	G-310
C69-15	Water Slinger 1 Phase CC/C/D.....	G-41
C69-16	Water Slinger 3 Phase CC/C/D.....	G-426
C69-23	Slinger JWA5 Series JSJW	G-420
C69-24	Dyna-Glas™ Slinger Pump/Dyna-Max™/Dyna-Jet™	O-209
C208-33	5" Plastic Trap Basket	
E13	O-ring For Housing Body Legend 4 Wheel	
E14	O-ring For Gear Assembly Legend 4 Wheel	
E21	O-ring For Wall Fitting Legend 4 Wheel	O-113
EU7	O-ring For Legend 4 Wheel Feed Mast	
EU18	O-ring For Legend 4 Wheel Thrust Jet	
GW9508	Vac Skirt Great White In Ground Pool Cleaner	WIP
J-20-9	Well & Irrigation Pump Gasket	G-365
J-20-11	Well & Irrigation Pump Gasket.....	G-203
J-20-12	Well & Irrigation Pump Gasket.....	G-366
J-20-16	Well & Irrigation Pump Gasket.....	G-367
L20-40	PLBC Series Pump Bushing Gasket	G-428
L21-1	Pump Diffuser Ring.....	G-114
L69-1	JS/JT/JSX Water Slinger	
N20-25	Gasket.....	G-216
N20-26	Pump Gasket.....	G-13
N20-35	Pump Gasket.....	G-40
N20-39	Pump Gasket.....	G-52
N69-1	Pump Slinger (C69-2 Replace).....	O-209
P19-30	1 ½" Hose Clamp Valve Pump	275-24
P-64057	P/V Seal O-ring.....	O-25
P-64069	P/V Sight Glass Gasket	G-172
PS20-01	Pump Gasket	
PS20-03	Pump Gasket	
PS20-09	Pump Gasket	
PS20-11	Top Plate Gasket.....	G-222
PS20-18	Pump Gasket.....	G-222
PS20-22	Submersible Pump Body Gasket	
S04757	CSPH/CCSPH Volute/Bracket Gasket.....	G-431

S32014	CSPH/CCSPH Pump Shaft Seal.....	AS-185
S32015	CSPH/CCSPH Series Shaft Seal	AS-446
TX15	Cartridge Filter Element	11504
U109-6A	Pump Seal.....	AS-100
U109-047	D Series Pump Seal	AS-380
U109-068	LT Pump Seal	AS-163
U109-093	PEA/AJ/AJP/PLBC Pump Seal/Maxi-Glas™/Dura-Glas™	
	(Prior to 1998).....	AS-100
U109-106	Centrifugal Pump Shaft Seal/ED Series	AS-516
U109-136	CF/CFA/HP/HPA Series Seal.....	AS-1000
U109-170	U-Cup Style Seal	AS-703
U109-170	C Series Pump Seal	AS-774
U109-184	PCB-10B Pump Seal	
U109-220	CC, C, D 3-7 ½ HP Seal (Prior to 08/2000).....	AS-185
U109-358	Dyna-Glas™, JW Shaft Seal/DJ/JS/JT Series/Dura-Glas™ II/ Dura-Jet™/Dyna-Max™/JWA5/JWPA/Maxi-Glas II	
	(Prior to 01/2001)	AS-201
U109-372	Maxi-Glas II/Dura-Glas™ II Shaft Seal (Prior to 1998).....	AS-1521
U109-433	Shaft Seal Self Priming D Series Pump (Replaces U109-220) (Effective 8/2000).....	AS-185
U178-920P	Drain Plug O-ring Only JW Series	O-39
U9-045	4" Pump Lid O-ring	O-15
U9-046	6" Pump Lid O-ring-Bronze/Cast Iron.....	O-13
U9-068	Pump Seal	
U9-103	Pump Seal	
U9-105	11" Trap Lid O-ring	O-89
U9-114	Pump O-ring.....	O-228
U9-145	18" Tank O-ring	O-87
U9-147	Bronze Valve Cap O-ring	O-39
U9-151	1 ½" Piston	O-113
U9-152	Valve O-ring.....	O-122
U9-154	1 ½" Hub O-ring	O-26
U9-156	2" Return Hub O-ring.....	O-83
U9-158	D Ring Drive Plate Filter O-ring	O-147
U9-160	20" Tank O-ring.....	O-92
U9-161	5" Pump Trap Lid O-ring	O-19
U9-165	24" Tank O-ring	O-93
U9-167	PCD-10B Pump O-ring.....	O-228
U9-169	O-ring	O-163
U9-170	Pump Seal	
U9-171	8" Trap Lid O-ring.....	O-142
U9-174	Valve O-ring.....	O-113
U9-175	Separation Tank O-ring	O-335
U9-185	Filter O-ring.....	O-83
U9-191	Separation Tank O-ring	O-90
U9-199	PLBC Diffuser O-ring	O-40
U9-200	PLBC Tank O-ring	O-343
U9-203	Sand Filter O-ring	O-151
U9-205	Sand Filter Riser Tube O-ring.....	O-64
U9-211	Sand Filter O-ring	O-150
U9-221	WC-212 Valve Cap O-ring	O-155
U9-226	Pump Diffuser O-ring-Maxi-Glas/Dura-Glas™ Quantum™ 2000 Spa Systems O-ring For Models: SK 110HXD,SK 110HXD 2A, SK 110HXD A, SK 100HXD 1A Union O-ring LT Series/ Cartridge Filter PS/JW Series PLM Series.....	O-49
U9-228	Dura-Glas™ Pump Clamp O-ring-Maxi-Glas/Max-E-Pro®.....	O-240
U9-229	Dura-Glas™ Pump Lid O-ring-JWPA Series	O-218
U9-239	Pump O-ring.....	O-319
U9-240	Pump O-ring.....	O-320
U9-241	Pump O-ring.....	O-160
U9-243	Side Mount Valve Cover O-ring Models WC212-150P/150PA	O-368
U9-244	Side Mount Valve Stem O-ring Models WC212-150P/150PA	O-418KIT
U9-259	Separation Tank O-ring	O-323
U9-265	CC/C/D Shaft O-ring.....	O-454
U9-269	Cobra/Falcon/FCP Filter Drain Plug O-ring	O-287
U9-285	6" Plastic Trap Adapter O-ring.....	O-180

U9-295	Pump Cover O-ring	0-15
U9-301	Posi-Flo Top O-ring	0-443
U9-327	System 110 O-ring	
U9-357	JS, JT, JSX O-ring-JW Series/Max-E-Pro®	0-402
U9-358	JS, JT, JSX, Dyna-Glas™ Pump Seal	AS-201
U9-359	Posi-Flo II Air Release O-ring-Separation Tank/Pipe Plug O-ring JWPA Series Air Relief PRC Above Ground Filter System/Drain Plug O-ring For Max-E-Glas® II Dura-Glas™ II/Dyna-Glas™/Dyna-Max™/Dyna-Jet™/ JW Series/JWPA Series	0-39
U9-362	Side Mount WC212, 143P, 144P, 138B, S7M120, S8M150 Valve O-ring/Union Collar O-ring System 3® DE Filter	0-244
U9-366	U-3 Vinyl Liner Gasket Model 07017-0126/07017-0127	G-113
U9-369	TBP Filter Valve Flange O-ring/WC112-147 Tank Flange O-ring Waterford System Tank O-ring Cristal-Flo™ High Rate Sand Filter	0-236
U9-370	TBP Filter Lateral O-ring-Waterford System/Gas Orifice O-ring T150/170/200 240-BP-1/Model SCR (Replaces 35505-1159) Cristal-Flo™ Sand Filter	0-363
U9-371	TBP Filter Drain Cap O-ring-Waterford System T150/170/200/240BP-1/Cristal-Flo™ Sand Filter	0-122
U9-373	Flo Tech/Aquatools/Dyna-Glas™ Seal Plate O-ring/Dyna-Jet™/Dyna-Max™/Dyna-Wave™	0-469
U9-374	Diffuser O-ring-Maxi-Glas/Dura-Glas™ II/Dyna-Jet™/Dyna-Max™/Dyna-Wave™/Max-E-Pro®	0-83
U9-375	Maxi-Glas Trap O-ring-Dura-Glas™ II/Dyna-Wave™	0-12
U9-376	Maxi-Glas II Shaft O-ring-Dura-Glas™ II Insert O-ring	0-113
U9-389	PLBC Tank O-ring	0-343
U9-399	PLBC Tank O-ring	0-343
U9-411	Submersible Pool Drain Body O-ring	
U9-434	Pump O-Ring	0-277/0-277V
U30-645	Pump Shaft Extension Set Screw	152
U30-754	CF Series CFA, HP, HPA Set Screw	152
WC9-2	Side Mount Valve Sight Glass O-ring Models WC212-150P/150PA	G-421
WC9-3	Cartridge Filter Tank O-ring-Posi Flo Separation Tank	0-239
WC9-7	Sand Filter O-ring	0-179
WC9-10	Control Box Sealing Ring	
WC9-11	Cartridge Filter Seal Ring	0-342
WC108-140S1	Posi-Clean TXC25B-25 Sq. Ft. Cartridge Filter Element	12509
WC108-140S	Posi-Clean TX25B 24240-0016-25 Sq. Ft. Cartridge Filter Element	12509
WC108-141S1	Posi-Clean TXC100 24241-0016-100 Sq. Ft. Cartridge Filter Element (2 Required)	15008
WC108-55S2X	Posi-Flo 35TXR-35 Sq. Ft. Cartridge Filter Element	13703
WC108-56S2X/PTM50	Posi-Flo 50TXR-50 Sq. Ft. Cartridge Filter Element	15201
WC108-57S2X/PTM70	Posi-Flo 70TXR-70 Sq. Ft. Cartridge Filter Element	17201
WC108-58S2X/PTM100	Posi-Flo 100TXR-100 Sq. Ft. Cartridge Filter Element	20201
WC108-59S2X	Posi-Flo 135TXR-135 Sq. Ft. Cartridge Filter Element (Early)	23301
WC108-70S2X	Posi-Flo II PTM135-137 Sq. Ft. Cartridge Filter Element (Late)	23701
WC17-57	Button Control Box	
WC17-58	25' Plastic Tubing-Control Box	
WC17-72	Electric Heater Element Gasket	
WC17-167	Logic Board Air Switch	
WC20-02	Filter Gasket	G-79
WC20-04	9.5" Separation Tank Gasket	0-194
WC20-05	Filter Gasket	G-63
WC20-11	Filter Gasket	G-66
WC20-15	Sand Filter Gasket	G-78
WC20-16	Sand Filter Gasket	G-72
WC20-20	Sand Filter Gasket	

WC20-21	Sand Filter Gasket	
WC20-22	Side Mount Valve Spider Gasket Models WC212-150P/150PA	G-438
WC20-24	Pump Gasket	0-49
WC20-30	Flow Valve Body Gasket	
WC298-88	PVC Valve Rep Parts	0-365Kit
WC43-42P	Thermostat Switch Gasket Seal	
WC43-49	Drain Plug Rubber Washer	
WC117-58B	SS220-S System Air Switch	

STEM WHIRL

TBS-305	Air Switch	TBS-301
---------	------------	---------

ST. LOUIS TUB & SPA

3010	Universal Pressure Switch	3925
3029-P	Universal Pressure Switch	3925
3902	Universal Pressure Switch	3902
8000-10-000-06	2 Button Spa Side Controller	CC2-120-10
CSC-1131	4 Function Air Switch (TBS-312 Required)	CSC-1131
TBS-213	Universal Air Switch	TBS-917
TBS-305	Air Switch	TBS-301
TBS-312	Air Switch	TBS-312

SUNDANCE SPAS

25 Sq. Ft. Cartridge Filter Element	13005	
40 Sq. Ft. Cartridge Filter Element	14001	
65 Sq. Ft. Cartridge Filter Element	16502	
65 Sq. Ft. Cartridge Filter Element	16503	
120 Sq. Ft. Cartridge Filter Element (After 1993)	22001	
3078	Universal Pressure Switch	3925

SUNROOMS & SPAS

3903-BP	Universal Pressure Switch	3925
9350-06-000-06	3 Button Spa Side Controller & Retro-Fit Faceplate	CC3-120-10 & 20205
TBS-310	Air Switch	TBS-301
TBS-318	Air Switch	TBS-317

SUNSET SPAS

3099	Universal Pressure Switch	3925
8000-10-000-06	2 Button Spa Side Controller	CC2-120-10
8752-10-000-06	3 Button Spa Side Controller & Retro-Fit Faceplate	CC3-120-10 & 20205
TBS-301	Air Switch	TBS-301
TBS-305	Air Switch	TBS-301
TBS-312	Air Switch	TBS-312

SUPERIOR

50 Sq. Ft. Cartridge Filter Element	15002
-------------------------------------	-------

SWEN SONIC CORP

TBS-317	Air Switch	TBS-317
---------	------------	---------

SWIMLINE

14118	Light Lens Gasket	0-2
-------	-------------------	-----

SWIMMIN' HOLE

9350-06-000-06	3 Button Spa Side Controller & Retro-Fit Faceplate	CC3-120-10 & 20205
9400-06-000-06	4 Button Spa Side Controller & Retro-Fit Faceplate	CC4-120-10 & 20205

SWIMQUIP™ (ADDITIONAL LISTINGS UNDER STA-RITE®)

Universal 2" Slide Valve O-ring Set	0-511KIT
HRV 24 Collection O-ring	0-179
MK GFV 15-20-25-33 Collection O-ring	0-83
XL-VII Bracket To Volute O-ring	0-228
Internal Float Valve O-ring	0-64
Dep 83 Valve Adapter O-ring	0-325

	Plastic Slide Valve Cap O-ring	0-245
	Universal Light Lens Gasket	0-1
	Old Pump 6" Lid O-ring	0-12
	Old Pump 4" Lid O-ring	0-14
	MK23 Filter Crank Quad	0-30
	Spin Filter Tube Quad Ring	0-33
	Common Light Lens Gasket	0-9
	Vacuum Lid Gasket	0-17
	Skimmer Tapered O-ring	0-31
	Upright Spin Crank Quad Ring	0-34
	XLVII H & L Pot O-ring	0-318
	Dial Valve O-ring	0-367
	Skimmer Strainer Basket-Metal	B-83
P-61	Pump Basket	B-11
P-61	Basket-Metal	B-162
05057-0118	Lens Gasket	0-173
05057-0667	Vinyl Liner Niche Gasket Rubber Face Ring	G-435
05101-0002	Sunsaver Light Housing O-ring (After 1999)	0-229
05101-0008	Large Niche Liner Gasket	G-444
05101-4590	Sunsaver Light Seal Housing O-ring (Before 1999)	WIP
05103-0101	SunstarLight/Sunbrite Housing Gasket	G-433
05161-0001	Large Light Niche Integral Gasket For SS	G-441
05161-0006	Large Light Niche Liner Gasket-ABS	G-110
05166-0001	Small Light Niche Liner Gasket	G-442
05166-0002	Small Light Niche Integral Gasket For SS Trim Ring	G-443
05301-0001	Sunburst Light Small Housing Lens Gasket	G-440
05501-0001	Sunbrite Light Lens Gasket/Sunglow-Grommet Style	0-492
05501-0005	Sunglow LTC Light Lens Gasket/Sunbrite™	
05501-0007	Clamp Repair Kit (05501-0001) Gasket Only	0-492
05601-0005	Sunlite Light Lens Gasket	0-407
05601-0014	Lens Gasket Sunlite LTC Light	0-407
07017-0079	Drain Gasket Vinyl Liner Main Drain	G-434
08490-1	Turbo Head Quad Ring	G-306
8650	Basket-Metal	B-84
08650-0007	U-3 Skimmer Basket-Vinyl Liner Skimmer	B-9
08650-22	Skimmer Weir 8 3/8" For U3 Skimmer	938
08652-5	Face Plate Skimmer Gasket	G-315
08653-7	Skimmer Gasket	G-62
08660-2	Sentinel Skimmer Basket	B-208
8695	Basket-Metal	B-47
8698	Basket-Metal	B-90
09656-0113	Above Ground Skimmer Weir	
09656-0114	Above Ground Skimmer Basket	B-217
09656-0150	Above Ground Skimmer Standard Gasket	G-432
09656-0152	Wide Mouth Gasket Above Ground Skimmer	G-409
09656-0154	Return Gasket Above Ground Skimmer	G-399
13020A	Basket-Metal	B-18
13300A	Basket-Metal	B-19
13382-3	Basket-Metal	B-178
13400	Basket-Metal	B-20
13402-3	Basket-Metal	B-90
13402-3	Basket-Metal	B-179
13442-3	Basket-Metal	B-180
13560-3	Basket-Metal	B-21
13562-3	Basket-Metal	B-181
13582-3	Basket-Metal	B-182
14930-32	Duetta Plastic Slide Valve, Large Index Plate O-ring	0-245
14930-32	Duetta Plastic Slide Valve, Small Index Plate O-ring	0-130
14930-33	Duetta Plastic Slide Valve Piston, Unitrol Valve O-ring	0-370
14960-09	1 1/2" Dial Valve Gasket	WIP
14961-09	2" Dial Valve Gasket	WIP
14962-04	Valve Non-Metallic Bearing	
14962-05	Valve Lid Washer	
14962-17	Multiport Valve Plug Gasket/Spoke Gasket Top Mount	G-436
14962-21	Caprice/Pantera Square Ring Gasket	G-307
14962-35	Small O-ring For Kit	0-225
14962-35	Large O-ring For Kit	0-367
14965-28	1-1/2" Multiport Valve Gasket Model WC112-148/A	G-436
14971-SM10E3	2" Multiport Valve Stem Washer & 1 1/2" Side Mount Models 18202-0150/0150H, 18201-0200/0200H	G-390

14971-SM10E7	1 1/2" Multiport Valve Cover O-ring/Side Mount Models 18202-0150/0150H, 18201-0200/0200H	0-139
14971-SM10E10	1 1/2" Multiport Valve Stem O-ring/Side Mount Models 18202-0150/0150H, 18201-0200/0200H	0-276
14971-SM10E12	1 1/2" Multiport Valve Spider Gasket/Side Mount Models 18202-0150/0150H, 18201-0200/0200H	G-416
14971-SM10E16	Sight Glass Gasket	
14971-SM10E17	1 1/2" Multiport Valve Sight Glass Gasket	
14971-SM20E7	2" Multiport Valve Cover O-ring/Side Mount Models 18202-0150/0150H, 18201-0200/0200H	0-479
14971-SM20E10	2" Multiport Valve Stem O-ring	
14971-SM20E12	2" Multiport Valve Spider Gasket/Side Mount Models 18202-0150/0150H, 18201-0200/0200H	G-417
14971-SM20E17	2" Multiport Valve Sight Glass Gasket	
14971-05	2" Slide Valve Side Mount Seat Gasket Model 14971-0012/WC212-38/144P	G-406
14971-11	2" Slide Valve Side Mount Sight Glass Gasket Model 14971-0012/WC212-38/144P	G-437
15410-09	Standard Sight Glass Gasket	
16002-1	Basket-Metal	B-20
16200-0	KL6 Pump Basket (See B-44)	B-187
16200-7	XL6 Pump Basket (See B-45)	B-188
16200-9	4" Trap Assembly Basket-JS Series/Dura-Jet™	B-187
16400-2	Basket-Metal	B-22
16401-0030	Bronze Suction 8" Trap Basket	B-120
16401-0102	Bronze Suction Trap Basket-Cast Iron	
16550-7	Basket-Metal	B-118
16800-11	Pump Gasket	G-69
16800-29	Pump Shaft Extension	156
16800-29	Old Style XLVI Cork Gasket	G-69
16920-12	XLVII Pump Lid O-ring	0-330
16920-17	XLVII Pump Basket	B-196
17140-0026	Delta Series Self Priming Casing Gasket/Seal Plate	0-464
17150-0007	4" Trap Assembly Lid Gasket-JS Series/Dura-Jet™	G-423
17304-0100	Seal Max-E-Glas®/Dura-Glas™	AS-200
17350-0100	Trap Basket ABG Series	B-105
17351-0009	Water Slinger Dura™, Dyna™, and Max-E® Series	G-235
17351-0101	Dyna-Jet™ Shaft Seal (After 1998)/TPE Series	AS-201
17351-0102	PLBC Series Shaft Seal (After 1995)	AS-100
23382-13	Model X Filter O-ring	0-102
23400-25	MK Series Lid O-ring	WIP
23568-15	Separation Tank O-ring (Discontinued 1992)	0-99
24101-0019	Cartridge Element Models 72,108, 216	10601
24240-0014	FCP Cartridge Filter Air Release Valve Gasket	
24240-4	Cobra & Falcon Body O-ring	0-394
24240-0016	Posi-Clean 75 Sq. Ft. Cartridge	17503
24241-0016	Posi-Clean 75 Sq. Ft. Cartridge	17503
24700-68	DES-25, HRS-16" Tank O-ring	0-100
24700-72	DES-36, HRS-20" Tank O-ring	0-101
24700-73	DES-51, 60 & HRS 24" O-ring	0-106
24700-74	Tank O-ring	0-377
24700-413	Filter O-ring For Plug-High Rate Sand	0-287
24750-5	DEP36, HRP20 20" Tank O-ring	0-103
24750-6	DEP36 Tank O-ring/HRPB20, HRPB Series Sand Filters	0-490
24751-5	DEP51, HRP24 24" Tank O-ring	0-104
24751-6	DEPB51 Tank O-ring-HRPB24	0-489
24752-5	DEPB3, HRP30 30" Tank O-ring	0-105
24752-6	DEPB83 Tank O-ring-HRPB30	0-491
24753-5	DEP-25, 216, 108, 72 Cartridge Filter Fits 16" Fiberglass Tank O-ring	0-334
24850-0008	Sand Tank O-ring-System 3®-Model S7S50/S7M120/S7D75/ De Filter	0-485
24850-0009	System 3® Sand Filter Modular/Media/DE Model S8M150/S8D110/S8570	0-486
25010-0200	Air Relief Valve O-ring Only For Posi Flo	0-39
25021-0200	S7M120 21" Cartridge Filter Element Small	
25021-0202	S8M150 25" Cartridge Filter Element Small	
25021-0223	S7M400 21" Cartridge Filter Element Small	
25021-0225	S8M500 25" Cartridge Filter Element Small	
25022-0201	S7M120 21" Cartridge Filter Element Large	

25022-0203	S8M150 25" Cartridge Filter Element Large	
25022-0224	S7M400 21" Cartridge Filter Element Large	
25022-0225	S8M500 25" Cartridge Filter Element Large	
25200-0011	Tank Lid O-ring PRC 50/75	0-236
25200-0150	Cartridge Filter Element PRC 50	15032
25200-0175	Cartridge Filter Element PRC 75	17509
25230-0010	Posi-Clear® Cartridge Filter Tank O-ring PX Series	
25230-0075	Posi-Clear® Cartridge Filter Element PX 75 Sq. Ft.	17530
25230-0095	Posi-Clear® Cartridge Filter Element PX 95 Sq. Ft.	19002
25230-0125	Posi-Clear® Cartridge Filter Element PX 125 Sq. Ft.	22508
25230-0150	Posi-Clear® Cartridge Filter Element PX 150 Sq. Ft.	25019
25230-0175S	Posi-Clear™/ProClean 175 Sq. Ft. Cartridge	27501
25575-0114	Drive Shaft O-ring	0-30
27001-0060	System 3® Modular Media/Modular DE Filter Tank O-ring (Prior to 03/1997) System 2™ Tank O-ring	0-488
27001-0061	System 3® Modular Media/Modular DE Filter Tank O-ring Model PLM100/150/PLD50/70 (After 03/1997) System 2™ Tank Oring	0-484
31787-0010	1 1/2" Clamp	275-24
31935-0001	Posi-Flo II Lid O-ring Separation Tank	0-419
33450-8041	CSPH/CCSPH Gasket Volute Suction, 6" Bronze Suction Trap	G-430
33450-8042	CSPH/CCSPH Volute Discharge Gasket	G-429
33455-1047	2 HP Dynaglass Gasket	
33455-1050	Spring Check Valve Gasket For System 2™	
33455-8043	CSPH/CCSPH Impeller Washer Gasket	G-427
33455-8044	CSPH/CCSPH Impeller Shaft Sleeve Gasket	G-231
33457-1051	Natural/LP Gas Upper Enclosure Gasket	WIP
34725-0013	O-ring Grease	630
35505-0114	Crank Shaft O-ring	0-30
35505-0198	3 Port Actuator O-ring	0-248
35505-0239	Skimaster Tube O-ring	0-32
35505-0325	Seal Ring/Union O-ring Cristal-Flo™ Sand Filter	
35505-0326	Inlet/Outlet Pipe O-ring Cristal-Flo™ Sand Filter	
35505-0421	Bronze Suction Trap O-ring-Lid/Cast Iron	0-503
35505-0422	Seal Plate Housing O-ring	0-240
35505-1007	FPS Hydro Val Inlet O-ring	0-249
35505-1009	FP Hydro Val Inlet O-ring	0-243
35505-1116	Piston Assembly Stem O-ring-Plastic Valve	0-130
35505-1121	Dial Valve O-ring	0-247
35505-1152	Dial Valve Shaft O-ring	0-155
35505-1157	Large Knob O-ring	0-5
35505-1157	Small Knob O-ring	0-27
35505-1175	Valve Connector O-ring	0-37
35505-1223	2" Valve Shaft Seal O-ring (2 Required)	0-288
35505-1228	Dial Valve O-ring	0-225
35505-1233	Index Piston O-ring	0-113
35505-1236	Silicone Seal & Capri Retainer O-ring	0-40
35505-1238	FCP Cartridge Drain Plug O-ring	0-287
35505-1243	O-ring	0-301
35505-1244	Union Collar O-ring	0-43
35505-1245	Turbo Clean Head O-ring	0-244
35505-1246	Turbo Clean Head O-ring-Plastic Valve	0-245
35505-1263	XLII Seal Plate O-ring	0-20
35505-1263	Old Style Brass Pucks 1 1/2" Piston O-ring	0-114
35505-1266	XLII Pump Seal Plate O-ring	0-115
35505-1272	Valve Lid O-ring	0-367
35505-1273	Float Valve O-ring	0-108
35505-1275	WC112-147 Multiport Valve Cover O-ring	0-299
35505-1281	Skimmer O-ring	0-242
35505-1313	2" Piston O-ring-Natural/LP Gas Thermal Regulator Cap O-ring	0-122
35505-1317	MK23 Tube & Fill Cap O-ring/HRPB Series/High Rate Sand Filter DEP36/51/83	0-4
35505-1318	2" Piston Plastic Slide Valve O-ring	0-370
35505-1323	Roto Trol Valve O-ring	0-246
35505-1332	O-ring	0-283
35505-1338	XLVI Pump Lid O-ring	0-74
35505-1344	O-ring	0-80

35505-1365	O-ring	0-239
35505-1401	Index Plate & Piston Brass Pucks O-ring	0-114
35505-1401	Index Plate & Piston Plastic Pucks O-ring	0-403
35505-1408	XLVII Pump Volute O-ring	0-139
35505-1409	Skimmer Lid O-ring	0-336
35505-1412	2" Multiport Valve Slide Lid Mount Valve O-ring	0-463
35505-1421	2" Side Mount Multiport Valve Lid O-ring	0-463
35505-1423	System 3® Sand Adapt O-ring-DE Filter	0-315
35505-1424	System 3® Sand Plug O-ring-DE Filter (2 Required) System 2™	0-83
35505-1425	System 3® Sand Tank Fitting O-ring-DE Filter/Modular Media Bulk Head Fitting (2 Required) System 2™	0-283
35505-1426	Max-E-Glas® Impeller Screw O-ring/Max-E-Pro®	0-627
35505-1428	Elbow Assembly O-ring-System 3® Large O-ring	0-41
35505-1429	Elbow Assembly O-ring-System 3® Small O-ring	0-40
35505-1437	Trap Lid O-ring ABG Series	0-171
35505-1438	Seal Plate O-ring ABG Series (As Of 11/2001) JW Series	0-336
35505-1440	Trap Lid O-ring Max-E-Pro®	0-12
35505-7430	Seal Plate O-ring Dura-Jet™ DJ Series	0-231
35505-7432	Natural/LP Gas Manifold O-ring Model SR	G-446
35505-7437	Manifold O-ring For Natural/LP Gas Heater Bulkhead Assembly O-ring System 3®	0-245
35505-7439	Air Vent Stem O-ring Cristal-Flo™ Sand Filter	0-644
35515-0114	Crankshaft Quad Ring	0-45
35515-0314	Q30 MK Adapt O-ring	0-207
35515-0317	Filter Collection Tube O-ring	0-112
35515-0318	Collection Tube O-ring	0-116
35515-0514	Collection Tube O-ring	0-116
35515-1296	Valve Connector O-ring-Quad Ring	0-109
35515-1297	DEP 25, HRP 16 Quad Ring Valve Connector CFP Cartridge Filter	0-395
37400-0026S	Shaft Seal JWPA Series	AS-201
37400-0027S	Shaft Seal Dyna-Glas™/Dyna-Max™/DJ/JS/JT Series/Dura-Glas™ II (After 6/2000)/Dura-Jet™ (After 1/2001)/JW, JWPA Series (After 1/2001)/Max-E-Glas® II (After 6/2000)	AS-201
37400-0028S	Viton® Shaft Seal For Max-E-Glas® II/Dura-Glas™ II/Dura-Jet™/DJ Series (After 2005)	AS-201V
37407-0009	Pump Seal	AS-201
37407-0019	Shaft Seal Delta Series	
38176-0105	Shaft Extension Screws	152
38907-0192	Flat Washer 3/8" Pantera Skid System Lid Gasket	
41301-0145	CL90/91L Chlorinator Control Dial O-ring Kit	0-362
41301-0192	CL90/91L Chlorinator Cap O-ring	0-115
41301-0785	CL90/91L Chlorinator Scoop Gasket	G-425
41301-0994	CL90/91L Chlorinator Drain Plug O-ring	0-641
42001-0065	Natural/LP Gas Flameholder Combustion Chamber Gasket	
42001-0066	Natural Gas/LP Gas Ignitor Gasket	
42001-0067	Natural/LP Gas Blower Adapter Plate Gasket	
42001-0084	Natural/LP Gas Flameholder Adapter Plate Gasket	
42001-0094	Blower Adapter Plate Gasket Kit	
77707-0011	SRC 200/333/400 Series Gas Heater Blower Adapter Plate Gasket Kit	
77707-0017	SRC 200/333/400 Connector Tube Kit	
77707-0117	Natural/LP Gas Coil Tubesheet Sealing O-ring Kit-Model SR SRC 200 Series (6 Required)	0-398
77707-0118	SRC 333 Series Coil Tubesheet Sealing O-ring Kit (Need 10)	
77707-0119	SRC 400 Series Coil Tubesheet Sealing O-ring Kit (Need 12)	
77707-0120	SRC 210/333/400 Manifold and Coil Tubesheet O-ring Kit	
77707-0411	SRC 400 Series Gas Heater Orifice Kit	
77707-0421	SRC 333 Series Gas Heater Orifice Kit	
77707-0431	SRC 200 Series Gas Heater Orifice Kit	
SWIMRITE		
5" Clear Lid O-ring		0-80
5" Clear H & L Lid O-ring		0-74
Old Style Lower Piston O-ring		0-225
Skimmer Weir		939
Pump Shaft Extension		151
#151 Pump Shaft Extension O-ring		0-39
Pump Shaft Extension Screws		152
Pump Basket-Plastic		B-101

	Basket-Metal.....	B-140
	Shaft O-ring.....	O-47
14-828-381	Black Hose Washer.....	G-84
28-828-021	O-ring.....	O-213
28-828-280	Marathon V Filter Lid Gasket.....	O-196
28-828-324	Bracket Mount Gasket.....	G-116
28-828-325	Washer.....	G-117
28-828-657	Return Hub O-ring.....	O-125
28-828-667	2" Return End Bell O-ring.....	O-125
28-828-668	Ref End Bell O-ring.....	O-216
28-828-671	18" Filter Tank O-ring.....	O-87
28-828-675	Spin Crank O-ring.....	O-39
28-828-678	Spin Filter Manifold O-ring.....	O-50
28-828-679	SRB 42-48 Return O-ring.....	O-125
28-828-681	Marathon Grid O-ring.....	O-69
28-828-687	Vertririte 18" Tank O-ring.....	O-86
28-828-689	Marathon Filter O-ring.....	O-289
28-828-745	24" Satellite Tank O-ring.....	O-93
30-828-670	Valve Stem O-ring.....	O-155
30-828-678	12" Separation Tank & Cartridge O-ring.....	O-90
30-828-750	1 1/2" x 1/2" Shaft O-ring.....	O-39
30-828-750	Valve Cap O-ring.....	O-113
30-828-750	F/Valve Kit (2 O-117, 2 O-120, 1 O-121)	
30-828-750	Piston O-ring.....	O-117
30-828-752	1 1/2" x 5/8" Shaft O-ring.....	O-27
30-828-752	1 1/2" Piston O-ring.....	O-117
30-828-752	See 750 Only Cap Diffuser O-ring.....	O-27
30-828-752	AFV Shaft Kit (2 O-117, 2 O-118, 1 O-119)	
30-828-754	Valve Kit (2 O-122, 2 O-123)	
30-828-756	1/2" V Crank Pump O-ring.....	O-39
30-828-757	1 1/2" Piston O-ring.....	O-117
30-828-759	2" Piston O-ring.....	O-122
30-828-911	Sight Glass Gasket.....	G-79
36-828-114	Heater Header Gasket.....	G-84
36-828-122	Heater Tube Gasket.....	G-74
36-828-136	Mixing Box Heater Gasket.....	G-121
36-828-146	Mixing Box Cover Gasket.....	G-121
36-828-266	Pool Control Gasket.....	G-120
36-828-280	Washer.....	G-119
36-828-453	Washer.....	G-118
38-828-680	10" Septic Tank O-ring.....	O-191
60-828-094	Basket-Metal.....	B-143
60-828-095	Old Pump Basket.....	B-173
60-828-095	SR Series Basket-Metal.....	B-111
60-828-095	Basket-Metal.....	B-139
60-828-274	P/V Pump Gasket.....	G-57
60-828-276	Backwash Valve Pump Gasket.....	G-44
60-828-486	5" Pump Clear Lid O-ring.....	O-182
60-828-487	7" Pump Clear Lid O-ring.....	O-136
60-828-713	7" SS Pump Lid O-ring.....	O-214
60-828-713	7" SS Pump Lid O-ring.....	O-217
60-828-715	5" Pump Lid O-ring.....	O-19
60-828-813	Pump Seal.....	AS-1000
70-000-100	Basket Metal.....	B-94
70-828-100	Basket-Metal.....	B-94
70-828-827	Large O-ring.....	O-212
70-828-828	Small O-ring.....	O-108
70-828-915	Skimmer Basket.....	B-9

SYLVAN

	Skimmer Weir 7 5/8".....	935
59200107	Skimmer Basket-Plastic.....	B-133

TAMPA BAY MFG

TBS-301	Air Switch.....	TBS-301
TBS-302	Air Switch.....	TBS-302

TAYLOR

	Aqualite PL-89 1603 Gasket.....	G-173
--	---------------------------------	-------

TECMARK (SEE TRIDELTA)

TESCO

	M/A Feeder Cap O-ring.....	O-244
--	----------------------------	-------

THERMO SPA

	25 Sq. Ft. Cartridge Filter Element.....	12502
	25 Sq. Ft. Cartridge Filter Element.....	12521
	30 Sq. Ft. Cartridge Filter Element.....	12801
	35 Sq. Ft. Cartridge Filter Element (2 Required).....	11802
	50 Sq. Ft. Cartridge Filter Element (2 Required).....	12504

TIARA SPA

	50 Sq. Ft. Cartridge Filter Element.....	15002
F-35	Pure Water Feeder Lid O-ring.....	O-358
H-301	Upper Case Widget O-ring.....	O-250
H-301	Lower Case O-ring.....	O-251

TOTAL SPA & BATH

3029-P	Universal Pressure Switch.....	3925
3099	Universal Pressure Switch.....	3925
8002-10-000-06	2 Button Spa Side Controller.....	CC2-120-10
8005-10-000-06	2 Button Spa Side Controller.....	CC2-120-10
SAS-101	Air Switch.....	SAS-101
SSAS-1101	4 Function Air Switch.....	SSAS-1101
TBS-212	Universal Air Switch.....	TBS-901
TBS-213	Universal Air Switch.....	TBS-917
TBS-301	Air Switch.....	TBS-301
TBS-312	Air Switch.....	TBS-312
TBS-322	Air Switch.....	TBS-301
TBS-410-882	Air Switch.....	TBS-410

TRIDELTA/TECMARK

3001	Universal Pressure Switch.....	3925
3010	Universal Pressure Switch.....	3925
3015	Universal Pressure Switch.....	3925
3021	Universal Pressure Switch.....	3925
3022	Universal Pressure Switch.....	3925
3026	Universal Pressure Switch.....	3925
3028	Universal Pressure Switch.....	3925
3029	Universal Pressure Switch.....	3925
3032	Universal Pressure Switch.....	3925
3035	Pressure Switch.....	3035
3036	Pressure Switch.....	3036
3037	Universal Pressure Switch.....	3925
3038	Universal Pressure Switch.....	3925
3041	Pressure Switch.....	3041
3042	Pressure Switch.....	3046
3043	Pressure Switch.....	3046
3044	Universal Pressure Switch.....	3925
3045	Universal Pressure Switch.....	3925
3046	Pressure Switch.....	3046
3047	Pressure Switch.....	3046
3048	Pressure Switch.....	3064
3049	Pressure Switch.....	3064
3052	Pressure Switch.....	3035
3053	Universal Pressure Switch.....	3925
3062	Pressure Switch.....	3062
3064	Pressure Switch.....	3064
3069	Pressure Switch.....	3069
3073	Pressure Switch.....	3073
3076	Pressure Switch.....	3076
3078	Universal Pressure Switch.....	3925
3092	Pressure Switch.....	3046
3095	Universal Pressure Switch.....	3925
3097	Universal Pressure Switch.....	3925
3098	Universal Pressure Switch.....	3925

3099	Universal Pressure Switch	3925
3102	Universal Pressure Switch	3925
3109	Universal Pressure Switch	3925
3113	Universal Pressure Switch	3925
3900	Universal Pressure Switch	3902
3901	Universal Pressure Switch	3902
3903	Universal Pressure Switch	3902
3904	Universal Pressure Switch	3902
3906	Universal Pressure Switch	3902
8000-10-0606	2 Button Spa Side Controller	CC2-120-10
8400-10-0606	4 Button Spa Side Controller & Retro-Fit Faceplate	CC4-120-10 & 20205
8750-10-0606	3 Button Spa Side Controller & Retro-Fit Faceplate	CC3-120-10 & 20205
9200-10-0606	2 Button Spa Side Controller	CC2-120-10
9300-10-0606	3 Button Spa Side Controller & Retro-Fit Faceplate	CC3-120-10 & 20205
9400-10-0606	4 Button Spa Side Controller & Retro-Fit Faceplate	CC4-120-10 & 20205
AM-3518	Plastic Thermostat Bulb Well	AM-3518
ATP-300	3 Button Air Transmitter Panel	ATP-300
CSC-1103	4 Function Air Switch (TBS-312 Required)	CSC-1101
CSC-1105	4 Function Air Switch (TBS-312 Required)	CSC-1101
CSC-1113	4 Function Air Switch (TBS-312 Required)	CSC-1101
CSC-1116	4 Function Air Switch (TBS-312 Required)	CSC-1102
CSC-1127	4 Function Air Switch (TBS-312 Required)	CSC-1104
CSC-1137	4 Function Air Switch (TBS-312 Required)	CSC-1101
CSC-1140	4 Function Air Switch (TBS-312 Required)	CSC-1101
CSC-1156	4 Function Air Switch (TBS-312 Required)	CSC-1131
CSC-1159	4 Function Air Switch (TBS-312 Required)	CSC-1102
CSC-1171	4 Function Air Switch (TBS-312 Required)	CSC-1102
CSC-1175	4 Function Air Switch (TBS-312 Required)	CSC-1104
CSC-1176	4 Function Air Switch (TBS-312 Required)	CSC-1131
CSC-1178	4 Function Air Switch (TBS-312 Required)	CSC-1185
FP-2001	Air Switch	TBS-312
SAS-103	4 Function Air Switch	SAS-101
SAS-105	4 Function Air Switch	SAS-101
SAS-107	4 Function Air Switch	SAS-102
SAS-114	4 Function Air Switch	SAS-101
SAS-116	4 Function Air Switch	SAS-102
SAS-127	4 Function Air Switch	SAS-104
SAS-128	4 Function Air Switch	SAS-104
SAS-139	4 Function Air Switch	SAS-102
SAS-145	4 Function Air Switch	SAS-101
SSAS-1103	4 Function Air Switch	SSAS-1101
SSAS-1105	4 Function Air Switch	SSAS-1101
SSAS-1113	4 Function Air Switch	SSAS-1101
SSAS-1127	4 Function Air Switch	SSAS-1104
SSAS-1156	4 Function Air Switch	SSAS-1131
SSAS-1175	4 Function Air Switch	SSAS-1104
SSAS-1176	4 Function Air Switch	SSAS-1131
SSAS-1178	4 Function Air Switch	SSAS-1185
TBS-200	Universal Air Switch	TBS-901
TBS-207	Universal Air Switch	TBS-901
TBS-212	Universal Air Switch	TBS-901
TBS-213	Universal Air Switch	TBS-917
TBS-215	Universal Air Switch	TBS-901
TBS-220	Universal Air Switch	TBS-917
TBS-221	Universal Air Switch	TBS-901
TBS-222	Universal Air Switch	TBS-917
TBS-227	Universal Air Switch	TBS-901
TBS-301	Air Switch	TBS-301
TBS-302	Air Switch	TBS-302
TBS-304	Air Switch	TBS-304
TBS-305	Air Switch	TBS-301
TBS-306	Air Switch	TBS-306
TBS-309	Air Switch	TBS-306
TBS-310	Universal Air Switch	TBS-901
TBS-311	Universal Air Switch	TBS-901
TBS-312	Air Switch	TBS-312

TBS-314	Air Switch	TBS-302
TBS-317	Universal Air Switch	TBS-917
TBS-318	Universal Air Switch	TBS-917
TBS-322	Universal Air Switch	TBS-901
TBS-324	Universal Air Switch	TBS-901
TBS-325	Air Switch	TBS-302
TBS-402	Air Switch	TBS-402
TBS-419	Air Switch	TBS-419
TU7-1000	1000 Foot Roll Air Tubing	TU7-1000

TRITON® (ALL LISTINGS UNDER PAC-FAB & PUREX)

TUBS UNLIMITED

8000-10-000-06	2 Button Spa Side Controller	CC2-120-10
8300-10-000-06	3 Button Spa Side Controller & Retro-Fit Faceplate	CC3-120-10 & 20205
TBS-410-920	Air Switch	TBS-410

TURNER LEISURE PRODUCTS

8006-10-000-06	2 Button Spa Side Controller	CC2-120-10
8400-10-000-06	4 Button Spa Side Controller & Retro-Fit Faceplate	CC4-120-10 & 20205
8750-10-000-06	3 Button Spa Side Controller & Retro-Fit Faceplate	CC3-120-10 & 20205
8752-10-000-06	3 Button Spa Side Controller & Retro-Fit Faceplate	CC3-120-10 & 20205

U.S. SEAL

PS-100	Seal	AS-100
PS-200	Seal	AS-200
PS-201	Seal	AS-201
PS-360	Seal	AS-360
PS-411	Seal	AS-411
PS-501	Seal	AS-501
PS-601	Seal	AS-601
PS-1000	Seal	AS-1000
PS-2131	Seal	AS-2131
PS-3865R	Seal Viton® version of PS-1000	AS-1000V
PS-3866	Seal Viton® version of PS-100	AS-100V
PS-3867	Seal Viton® version of PS-200	AS-200V
PS-3868	Seal Viton® version of PS-201	AS-201V
PS-3890	Seal	PSR-3890
PS-3986	Seal Viton® version of PS-601	AS-601V
PS-4280	Seal Viton® Verison of PS-3890	PSR-3890V
PSK-HA1	MaxFlo™ 1800-2800 Series Pump Repair Kit	GO-KIT®1
PSK-HA2	Super Pump® 1600, 2600/X Series Pump Repair Kit	GO-KIT®3
PSK-JC1	Magnum Series™ Pump Repair Kit	GO-KIT®14
PSK-PF1	Challenger® Pump Repair Kit	GO-KIT®5
PSK-PF2	Pinnacle™ Pump Repair Kit	GO-KIT®24
PSK-PF3	Challenger®/Pinnacle™ Pump Repair Kit	GO-KIT®73
PSK-PU1	WhisperFlo®/IntelliFlo® Pump Repair Kit	GO-KIT®32
PSK-ST1	Dura-Glas®/Maxi-Glas P2RA & P2R Series Pump Repair Kit	GO-KIT®6
PSK-ST2	AJ/PE/PEA/P2R/P2DRA Series Pump Repair Kit	GO-KIT®25
PSK-ST3	Dura-Glas® II/Maxi-Glas II P4E & P4EA Series Pump Repair Kit	GO-KIT®38
PSK-ST4	Dura-Glas®/Maxi-Glas P2RA & P2R Series Pump Repair Kit (After 1998)	GO-KIT®54

U.S. THERMO AMP

3029	Universal Pressure Switch	3925
3045-P	Universal Pressure Switch	3925

UNIVERSAL

Lens Gasket	0-7
Lens Gasket	0-2
Filter Tank O-ring	0-87
Valve Piston O-ring	0-117
Stem & Crank O-ring	0-39
Skid Pack Filter Tank O-ring	0-385

UNIVERSAL AQUA TECH

3037-P Universal Pressure Switch 3925

UNIVERSAL RUNDLE

TBS-306 Air Switch TBS-306

VICO PRODUCTS

3028-P Universal Pressure Switch 3925
 PPSFSEAL Ultima Shaft Seal-Superflo/Ultraflo AS-2136
 PPUFSLING Ultima Water Slinger
 PPUFV/OR Ultima Volute O-ring
 PPULPLUG Ultima Drain Plug O-ring
 TBS-212 Universal Air Switch TBS-901
 TBS-213 Universal Air Switch TBS-917
 TBS-301 Air Switch TBS-301
 TBS-310 Air Switch TBS-301
 TBS-410-882 Air Switch TBS-410

VIKING

32 Sq. Ft. Cartridge Filter Element 13201

VITA SPAS (DM INDUSTRIES)

50 Sq. Ft. Cartridge Filter Element 15004

VULCAN ELECTRIC

N24/3015-1 Universal Pressure Switch 3925

WMC

JS-1571 JS Series Knob O-ring 0-397
 JS-1702 JS Series Seal AS-200
 JS-1791 JS Series Housing O-ring 0-108
 JS-1902ST JS Series Strainer Basket B-169
 JS-1903 JS Series Cover O-ring 0-336
 JS-1904 JS Series Strainer O-ring 0-40
 SS-1600-M AT1600 Series Basket B-167
 SS-1600-R AT1600 Series Diffuser O-ring 0-141
 SS-1600-S AT1600 Series Lid O-ring 0-177
 SS-1600-T AT1600 Series Housing Gasket G-95
 SS-1600-Z-2 AT1600 Series Seal AS-1521

WALLACE & TIERNAN

20822 O-ring
 24161 Chlorinator Viton® O-ring 0-249V
 25900 Chlorinator Viton® O-ring 0-186V
 26234 Chlorinator Viton® O-ring 0-349V
 26345 Chlorinator Viton® O-ring 0-39V
 26482 Chlorinator Viton® O-ring 0-30V
 26784 Chlorinator Viton® O-ring 0-27V
 26822 Chlorinator Viton® O-ring 0-356V
 27409 Chlorinator O-ring 0-47
 27593 Chlorinator Gasket G-240
 27594 Chlorinator Gasket G-239
 30066 Chlorinator Viton® O-ring 0-25V
 30343 Chlorinator Viton® O-ring 0-243V
 31702 Chlorinator Viton® O-ring 0-155V
 31882 Chlorinator Viton® O-ring 0-188V
 32164 Gasket
 33049 O-ring
 33051 Chlorinator Viton® O-ring 0-348V
 34497 Chlorinator O-ring 0-358
 38354 Gasket
 38437 Chlorinator Viton® O-ring 0-253V
 39648 Chlorinator Viton® O-ring 0-130V
 40040 Chlorinator Viton® O-ring 0-352V
 40336 Chlorinator Gasket G-235
 41106 Chlorinator Viton® O-ring 0-186V
 411071 O-ring
 44045 Chlorinator Viton® O-ring 0-357V
 44119 Chlorinator Viton® O-ring 0-348V
 44121 Chlorinator O-ring 0-346
 44122 Chlorinator Gasket G-213

45336 Chlorinator Viton® O-ring 0-347V
 45773 Gasket
 46129 Chlorinator O-ring 0-276
 50063 Ring Gasket
 5745 Chlorinator Viton® O-ring 0-357V

WATER TECH

TBS-410-882 Air Switch TBS-410

WATERCO (ADDITIONAL LISTINGS UNDER BAKER HYDRO)

1216801 SS Bump Flange Gasket
 255002 Waterking Chlorinator Lid O-ring
 29261 Face Plate Gasket Supa Skimmer
 3651946 Commandomatic Support Basket
 61207 Top Mount Cartridge Air Release O-ring/Slim Line
 61208 Top Mount Cartridge Lid O-ring Slim Line
 62009 Top Mount/Slim Line 75 Sq. Ft. Cartridge Filter Element
 62010 Top Mount/Slim Line 50 Sq. Ft. Cartridge Filter Element
 62021 Trimline Cartridge Filter Lid O-ring
 62026 Lid O-ring Trimline Cartridge Filter/Bio Skid Pac
 62027 Opal Cartridge Filter Tank O-ring
 62040 Trimline 25 Sq. Ft. C25 Cartridge Filter Element 12530
 62042 Trimline 50 Sq. Ft. C50 Cartridge Filter Element 15035
 62044 Trimline 75 Sq. Ft. C75 Cartridge Filter Element 17522
 62048 Trimline 50 Sq. Ft. CC50 Cartridge Filter Element 15044
 62049 Trimline 75 Sq. Ft. CC75 Cartridge Filter Element 17536
 62050 Trimline 100 Sq. Ft. CC100 Cartridge Filter Element 19924
 62051 Trimline 150 Sq. Ft. CC150 Cartridge Filter Element
 62100 1 1/2" TM Valve Tank O-ring
 62248 FUL-FLO DE Filter Elbow End Adapter O-ring
 62250 Tank O-ring Ful Flo Cartridge Filter
 62281 100 Sq. Ft. Cartridge Filter Element 19931
 62282 180 Sq. Ft. Cartridge Filter Element
 62282 200 Sq. Ft. Cartridge Filter Element
 62468 Vacuum Plate O-ring
 63151 Lid O-ring Supatuf/Hydrostorm
 620221 1 1/2", 2", 3" SM & TM Valve Air Release O-ring Only
 620262 Lid O-ring Commandomatic Bag
 621142 3" SM & TM Valve Cover Gasket
 621151 2" SM & TM Valve Cover Gasket
 621152 2 1/2" SM & TM Valve Cover Gasket
 621201 2"/2 1/2" SM & TM Valve Rotor Shaft O-ring
 621202 3" SM & TM Valve Handle To Cover O-ring
 621233 2 1/2" SM & TM Valve Spider Gasket
 621261 2" SM & TM Valve Spider Gasket
 621272 3" SM & TM Valve Spider Gasket
 621320 2" TM Valve Center Stem O-ring
 621341 2"/2, 1/2", 3" SM & TM Valve Sight Glass Gasket
 621450 1 1/2" TM Valve Center Stem O-ring
 621454 1 1/2" SM & TM Valve Cover Gasket
 621457 1 1/2" SM & TM Valve Rotor Shaft O-ring
 621460 1 1/2" SM & TM Valve Spider Gasket
 621462 1 1/2" SM & TM Valve Sight Glass Gasket
 624024 Leaf Basket Supa Skimmer
 634001 Basket Supatuf/Hydrostorm
 634011 Diffuser Gasket 3/4 - 2 HP Hydrostar Pump
 634016 Mechanical Seal Aquamite/Aquastream/Supastream
 Supatuf Hydrostorm/Hydrostar AS-601
 634017 Mounting Bracket O-ring Hydrostorm/Hydrostar
 634063 Basket Hydrostar
 634070 Body O-ring Hydrostar
 634071 Lid O-ring Hydrostar
 634075 Lid O-ring For Hydrostar Pump
 635028 Body O-ring Supatuf
 635052 Lid O-ring Aquastream/Supastream
 635054 Basket Aquastream
 635060 Diffuser Gasket Aquamite/Aquastream/Supastream
 635084 Lid O-ring Aquamite
 635085 Basket Aquamite
 635086 Basket Supastream

701030	Opal 60 Sq. Ft. Cartridge Filter Element
701031	Opal 85 Sq. Ft. Cartridge Filter Element
701032	Opal 100 Sq. Ft. Cartridge Filter Element
701034	Opal 150 Sq. Ft. Cartridge Filter Element
701038	Opal 180 Sq. Ft. Cartridge Filter Element
823319	Plug O-ring Supa Skimmer/FUL-FLO Bottom Adapter O-ring BS332/Waterco 2" TN Valve Union O-ring
6211011	4" SM & TM Valve Cover O-ring
6211012	4" SM & TM Valve Rotor Spider Gasket
6211014	4" SM Valve Rotor Shaft O-ring
6211021	4" SM Valve Plug O-ring
6302550	3" SM & TM Valve Half Union O-ring
6340011	Diffuser O-ring Supatuf/Hydrostorm
6340113	Diffuser O-ring 3HP Hydrostorm
6340241	FUL-FLO Bottom Adapter O-ring BS332/Waterco 2" TN Valve Union O-ring
6340935	SS Pump Housing Gasket
63401627	5 HP Seal SS Pump
63401628	7 1/2" Seal SS Pump
69401003	ElectroHeat I/II/Plus 25-50 PSI Low Pressure Switch
69401006	ElectroHeat I/II/Plus Water Pressure Switch
69801504	ElectroHeat I/II/Plus Canister O-ring
69801505	ElectroHeat I/II/Plus Water Inlet/Outlet
15L0143	42" HRV Filter 3" Bulkhead Gasket (Pre 2007)
15L0154	Lid Gasket HRV 42" - 48" Filter
15L0161	Sand Port Gasket HRV 42" - 48" Filter
19B5017	Impeller Gasket 7 1/2, 10 and 15 HP Commercial Pump
19B5018	Impeller Gasket For 20 HP Commercial Pump
19B5025	Volute Gasket Commercial Pump
19B5026	Sleeve Gasket 7 1/2, 10 and 15 HP
19B5027	Sleeve Gasket 20 HP Commercial Pump
19B5032	Seal 7 1/2, 10 and 15 HP Commercial Pump
19B5033	Seal 20 HP Commercial Pump
19B5051	Lid O-ring Commercial Strainer
19B5052	Basket Commercial Strainer
30C3005	1 1/2" Valve Body Cover O-ring Multiport Valve Side/Top Mount/ 3" Valve Body Cover O-ring Side Mount
30C3009	1 1/2" 2" Shaft O-ring Multiport Valve/Side/Top Mount-3" Shaft O-ring/Multiport Valve Side Mount
30C3011	1 1/2" Spider Gasket Multiport Valve/Side/Top Mount-3" Spider Gasket/Multiport Valve Side Mount
30C3015	1 1/2" 2" Sight Glass Gasket Multiport Valve Side/Top Mount
30C3018	1 1/2" 2" Center Tube O-ring Multiport Valve Side/Top Mount
30C3019	1 1/2" 3" Plug O-ring Multiport Valve Side Mount
30C3105	2" Valve Body Cover O-ring Multiport Valve Side/Top Mount
30C3111	2" Spider Gasket Multiport Valve Side/Top Mount
30C3119	2" Plug O-ring Multiport Valve Side Mount
A69215	Electrochlor Cell Canister O-ring
AXF1018	Opal Cartridge Filter Union O-ring
S130551	Bead Filter Air Blower Motor Mount Gasket
S1226911	Pump Body O-ring Aquamite/Aquastream/Supastream
W02080	Micron Side Mount 2" Port Gasket
W02081	Bio Skid Pac 2" Nipple O-ring Only
W02210	Bio Skid Pac 1 1/2" Nipple O-ring Only
W02213	New HRV 42" 48" Filter O-ring For Nut To Bulkhead
W02250	New HRV 42" 48" Filter Part Gasket Internal Tank Well
W02267	New HRV 42" 48" Filter Drain Fitting Cap O-ring
W02268	New HRV 42" 48" Filter Drain Gasket 1 1/2" Port Gasket
W02280	Gauge Ring O-ring Commandomatic Bag
W02536	New HRV 42" 48" Filter Oval Style Lid O-ring
W12604	New HRV 42" 48" Filter Part Assembly 3" Gasket Only

WATERPIK (SEE JANDY®/ LAARS)

WATERWAY™ PLASTICS

Drain Plug O-ring 75/125/200 Cyclone	0-25
Water Release O-ring 75/125/200 Sq. Ft. Cartridge Filter.....	0-273
Bleeder Valve O-ring 75/125/200 Sq. Ft. Cartridge Filter.....	0-186
Bleeder Valve O-ring 75/125/200 Sq. Ft. Cartridge Filter.....	0-249

1110293	Seal 48 Frame Pump 75/125/200 Cyclone	AS-1000
111-0863	Lid O-ring 48 Frame Pump 75/125/200 Cyclone.....	0-318
303-0172	Volute O-ring 48 Frame Pump.....	0-139
303-0174	Drain Plug O-ring 48 Frame Pump.....	0-39
310-3210B	Basket.....	B-199
319-1310	SVL56 Basket	
319-1400	Champion Basket	
319-1530	Basket For Supreme Pump/CSA Supreme	
319-3010B	Seal For Supreme Pump/CSA Supreme	
319-3100B	SVL56 Pump Seal Set Viton® Hi Flo Side Discharge	AS-1000V
319-3110B	Seal Viton® For Champion 56 Frame Pump.....	AS-1000V
319-3210	Workman Pump 6" Basket	
319-3230	Mustang/Workhorse 6" Trap Basket/Hi-Flo Side Center Discharge 3/8" Drain Plug O-ring (Before 1999) 3/8" Drain Plug O-ring Only For 6" Trap (1999 & Earlier) O-ring Only For 6" Trap Lid	0-318
319-3250	2" Pump Union Assembly Gasket For 400-5570	
319-4100B	2" Pump Union Assembly Gasket For 400-9230	
400-5670	2" Plug Assembly O-ring Only For Drain Elbow	
400-5680	Crystal Water DE Filter	
400-6651	Dyno-Flo Top Mount Skim Filter Basket Compact	
500-2680	75 Sq. Ft. Cartridge Filter Element	
500-5210	100 Sq. Ft. Cartridge Filter Element	
500-5220	150 Sq. Ft. Cartridge Filter Element	
500-5230	Top Mount Skimfilter Round Weir	
519-2080	Top Mount Skimfilter Basket	
519-2090	Bayonet Skim Filter Round Weir-Bottom	
519-2600	5" Floating Weir Top For Bayonet Skim Filter	
519-2630	Dyno-Flo Top Mount Skim Filter Top Weir Compact	
519-2660	Dyno-Flo Top Mount Skim Filter Bottom Weir Compact	
519-2670	Front Access Skimmer Basket	
519-3000	Front Access Skimmer Weir Door/Flo-Pro II	
519-3060	Basket Renegade Skimmer	
519-3240	Spa Skimfilter Basket	
519-4030	Spa Skimfilter Floating Weir	
519-4050	100 Sq. Ft. Skim Filter Front Access Basket - White	
519-6610	100 Sq. Ft. Skim Filter Front Access Basket - Black	
519-6611	100 Sq. Ft. Skim Filter Front Access Basket - Gray	
519-6617	Bayonet Skim Filter Basket Top Mount	
519-8000	Bayonet Skim Filter Basket/519-9050 50 Sq. Ft. Skim Filter Basket	
519-8010	50 Sq. Ft. Skim Filter Basket	
519-9050	Flo-Pro II Weir Skimmer Door/Front Access Foam Weir	
542-3060	Renegade Skimmer & Vinyl Liner Basket	
542-3240	Renegade Gunite Skimmer Weir	
542-6300	Renegade Skimmer Venturi Basket	
542-9600	ProClean Filter Drain Cap Gasket Only	
550-0240	Flo-Pro II Basket	
550-1030	TWM Skim Filter Basket Assembly/Front Access Skim Filter Basket	
550-1220	Crystal Water DE Filter Slide Valve Piston O-ring Set	
550-4480	100 Sq. Ft. Front Access Weir - White	
550-6600	100 Sq. Ft. Front Access Weir - Black	
550-6601	100 Sq. Ft. Front Access Weir - Grey	
550-6607	50 Sq. Ft. Skim Filter Weir	
550-9000	50 Sq. Ft. Skim Filter Basket	
550-9050	Renegade Skimmer & Vinyl Liner Weir Door - White	
550-9950	Renegade Skimmer & Vinyl Liner Weir Door - Black	
550-9951	Renegade Skimmer & Vinyl Liner Weir Door - Gray	
550-9957	Renegade Skimmer & Vinyl Liner Weir Door - Dark Gray	
550-9959DKG	Renegade Skimmer & Vinyl Liner Weir Door - Beige	
550-9950BEI	Air Relief Valve Pro Clean O-ring Only	
600-0200	Adjustable Mini Jet Wall Fitting Gasket	
711-0010	Wall Protection Gasket Regular For Flo Pro II Skimmer	
711-0060B	Wall Protection Gasket Wide Mouth Flo Pro II Skimmer	
711-0070B	Filter Spacer Gasket/Cartridge Seal Ring Flo Pro Skim Filter	
711-1010	Filter Niche Gasket	
711-1030	Cad Jet Wall Fitting Gasket	
711-1290	Champion Face Plate Gasket	
711-1400	Gasket For Electrical Box Cover Santana Air Blower	
711-1650	Standard Gasket Poly Jet (Thin)	
711-1750		

711-1760	180 Degree Jet Wall Fitting Gasket
711-1910B	Diverter Spider Gasket Multiport Valve Carefree Sand Filter
711-1913	Drain Plug O-ring 50/100/150 Sq. Ft. Cartridge Filter.....0-288
711-1920B	Sand Filter Collar Gasket (Prior to 2001)
711-1930	Drain Cap Gasket 75/125/200 Sq. Ft. Cartridge Filter.....G-394
711-2600	Vinyl Liner Body Gasket For Main Drain (Stay In Place)
711-4000B	1 1/2" Flat Gasket Union Gasket Cyclone/Cartridge Filter Coupling Assembly Gasket/Heater Gasket/1 1/2" Buttress Gasket Carefree Sand Filter/ClearWater Sand FilterG-392
711-4010B	2" Flat Gasket Union Gasket Cyclone DE Filter/Sand Filter Gasket For Tailpiece 2" Gasket Heater Tailpiece/Mustang/Workhorse/ Hi Flo Side/Center Discharge 2" Trap Gasket/Cartridge Filter Coupling Assembly Gasket/Workman Pump Union Gasket/ Carefree Sand/ClearWater SandG-393
711-4020	1/4" Thick Gasket 2" Heater/Pump
711-4030	2" Heater Tailpiece O-ring Gasket..... G-448
711-4050	1 1/2" Heater Tailpiece O-ring Gasket..... G-447
711-4100	Front Access Skimmer Wide Mouth Rubber Gasket/Flo-Pro II
711-4200B	2 1/2" Beveled Gasket (2 Required)
711-4290	Faceplate Gasket SVL 56
711-4300	SVL/Champion Gasket For Left Hand Screw
711-4750	3/16" Gasket Poly Jet (Thick)
711-5000	Top Mount Skimmer Body Gasket
711-5110	Flo Pro II Wide Mouth Face Plate Gasket
711-5300B	2" gasket Workhorse Trap.....G-98
711-5310B	Drain Screen Gasket Carefree Sand Filter/SmartClean Sand Filter
711-5330	Drain Cap Gasket SmartClean Sand Filter/2" Workman Gasket
711-6020	2 1/2" Heater Union Gasket
711-6400	Skimmer Float Valve Gasket
711-9510B	Renegade Skimmer & Vinyl Liner Face Plate Gasket
711-9520B	Renegade Skimmer & Vinyl Liner Wide Mouth Face Gasket
711-9870	Ozone/Cluster Jet Gasket
800-7000	TWM Skim Filter Hose Clamp
805-0000B	Main Body O-ring Crystal Water DE Filter/Cartridge Filter
805-0001	Faceplate O-ring CSA Supreme
805-0011	Hi Flo Side/Center Discharge 6" Trap Drain Plug O-ring 0-446
805-0014	Hi Flo/SVL56 Drain Plug O-ring/Center Discharge Drain Plug O-ring/Champion.....0-130
805-0110B	Pressure Relief Valve O-ring Crystal Water DE Filter0-155
805-0111	Executive Wet End Drain Plug O-ring/High Flo Center Discharge-Mustang/Workhorse/Bath Pump0-25
805-0112	Drain Plug O-ring SVL56 Hi Flo Side Discharge Pump/Center Discharge Wet End Drain Plug/Workman 55 Frame Wet End Quarter Slot Drain Plug O-ring0-39
805-0113V	In Line Chlorinator Viton® O-ring (New Style)0-47V
805-0114B	In Line Filter 1 1/2" & 2" Top Load Air Bleed O-ring/TWM Filter Pack/Top Load Filter0-27
805-0116EPB	Diverter Truseal Seal O-ring/ClearWater II Cartridge Filter Lid Assembly Adapter O-ring.....0-158
805-0117SDB	DE Filter Plug Air Bleed Valve O-ring Cartridge Filter Air Relief O-ring/Drain O-ring 93 Model/Crystal/SmartClean0-288
805-0118VB	Dial Stem O-ring Above Ground In Line Chlorinator Viton® O-ring.....0-352V
805-0123	Union Assembly 1" O-ring0-189
805-0124VB	Dial Stem O-ring Above Ground In Line Chlorinator Viton® O-ring.....0-362V
805-0127SD	180 Jet Wrench/Test Plug O-ring 0-629
805-0132	Wrench/Test Plug Combo Fitting O-ring 1" Tailpiece 0-50
805-0133	Cartridge Filter Fitting O-ring/Sand Filter Waste Adapter O-ring.....0-630
805-0136B	ClearWater II Cartridge Filter Air Relief O-ring0-321
805-0145B	Union Assembly 2" Tailpiece O-ring/Wet End Union O-ring Outlet Elbow O-ring Crystal Water DE Filter.....0-151
805-0151B	Serviceable Check Valve O-ring/Truseal Cover O-ring 0-440
805-0158B	O-ring Faceplate-Spa Flo II..... NS
805-0164B	O-ring #164 NS
805-0206	Crystal Water DE Filter Slide Valve Top Nut O-ring (2 Required)0-391
805-0207B	Air Relief O-ring For ClearWater II Cartridge Filter

805-0215	DE Filter Knob O-ring0-273
805-0224B	1 1/2" Heater Tailpiece O-ring/35 Sq. Ft. Filter Union O-ring/ ClearWater DE 1/2" Buttress x 1 1/2" MPT Fitting O-ring Carefree Sand Filter 0-125
805-0226B	O-ring #7 Union, 1 1/2" Standard TWM Filter Pack/Flo Pro II Skim Filter-Connector Tailpiece O-ring 1 1/2" 0-49
805-0227	Crystal Water DE Cartridge Filter Ball Wall Fitting O-ring SmartClean Sand (2 Required) 0-41
805-0228	Crystal Water DE Filter Slide Valve Top Nut O-ring..... 0-64
805-0229	2" Heater O-ring0-301
805-0230B	Long Elbow With Venturi Air Bleeder O-ring Crystal Water Cartridge Filter.....0-43
805-0232B	Union Assembly 2 1/2" O-ring/Crystal Water DE Cartridge Filter (2 Required)0-245
805-0233B	Pressure Relief Valve Handle O-ring Crystal Water De Filter (2 Required) 0-41
805-0237V	In-Line & Off-Line Chlorinator Viton® Lid O-ring 0-647V
805-0238	Diffuser O-ring Champion/SVL56..... 0-359
805-0239B	Swing Valve O-ring 0-678
805-0241B	O-Ring For TruSeal 3" Check Valve.....0-281
805-0248B	Volute O-Ring-Spa Flo..... NS
805-0252B	Center Discharge Wet End Faceplate Volute O-ring/Bath Pump 0-139
805-0253	Face Plate O-ring For Supreme Pump
805-0254B	Valve Assembly Lid O-ring (Prior to 2001) ClearWater (2003). 0-48
805-0256B	Hi Flo Faceplate Volute O-ring Center Discharge 0-108
805-0261B	Executive Wet End Volute O-ring.....0-479
805-0264B	Volute O-Ring Viper Wet End NS
805-0268	O-Ring For Seal Plate Booster Pump..... 0-393
805-0330	Volute Cover O-ring Supreme Pump/CSA Supreme0-4
805-0268	O-Ring For Seal Plate Booster Pump 0-393
805-0332	O-Ring For Self Aligning Union 0-83
805-0339B	Crystal Water DE/Cartridge Filter/SmartClean Sand Filter Body CPL O-ring (2 Required)/Ultra Clean Pro Sand Filter Slide Valve Coupling O-ring..... 0-653
805-0339BN50B	O-ring (2 Required) UltraClean..... NS
805-0340V	Off Line Chlorinator Lid O-ring/In Line Chlorinator Viton® Lid O-ring (2002 And Before) 0-654V
805-0348VB	In Line Chlorinator Viton® Lid O-ring (New Style).....0-230V
805-0360B	In Line Top Load Filter Head O-ring/TWM Filter Pack Lid O-ring 1 1/2" and 2" 0-330
805-0377	SVL56 Housing Gasket
805-0383	Tank O-ring 50/100/150 Sq. Ft. Cartridge Filter0-473
805-0383	Tank O-ring 75/125/200 Cartridge Filter/DE Filter Lid O-ring.0-474
805-0435B	Multiport O-ring (Use With Split Nut Style) Carefree Sand Filter 0-161
805-0436	Lid O-ring 48 Frame Pump/Mustang/Workhorse 6" Trap O-ring/Hi-Flo Side/Center Discharge/Champion/Workman0-318
805-0439	SVL56 Lid O-ring/Supreme Pump/CSA Supreme0-13
805-0442B	Access Dome Cover O-ring Ultra Clean Pro Sand Filter/Smart Clean Sand Filter0-236
805-0448	Pro-Clean Filter Lid O-ring
805-0460B	ClearWater™ II Cartridge Filter Lid O-ring.....0-542
805-1014	Lid O-ring Pro-Clean
805-2116	Air Relief O-ring Ultra Clean Pro Sand Filter
806-0003B	Off-Line Chlorinator Gasket
806-0100	On/Off Valve 3/4" Gasket
806-1040	Front Access Skimmer Mounting Gasket/TWM Skim Filter Weir Body Gasket/Flo-Pro II
806-1070	Square Skimmer Mounting Plate Gasket
806-1070B	Flo-Pro II Face Plate Gasket
806-1400B	SMF/Champ. 56 Frame Volute Faceplate Gasket..... G-484
806-3000	Vinyl Liner Fiber Gasket For Main Drain
811-1001	Center Discharge/Hi Flo Shaft Seal/Executive Wet End/ Hi/Flo Side Discharge/Center Discharge/Bath Pump.....AS-1000
817-0010B	Skim Filter & Skimmer 10 Sq. Ft. Cartridge Element 5" Diameter11003
817-0011	50 Sq. Ft. Cartridge Filter Element 6" x 8 1/4" (2 Pieces Upper) 14018
817-0012	50 Sq. Ft. Cartridge Filter Element 6" x 8 1/4" (2 Pieces Lower) 14019

817-0014	50 Sq. Ft. Cartridge Filter Element 5 1/4" x 10 1/8"	14513
817-0015	50 Sq. Ft. Cartridge Filter Element 5 1/4" x 14 7/8"	17540
817-0016	100 Sq. Ft. Cartridge Filter Element 5 1/4" x 19"	19930
817-0040	40 Sq. Ft. Top Load In Line Cartridge Filter Element	14011
817-0050B	Skim Filter & Skimmer 50 Sq. Ft. Cartridge Filter Element 6" Diameter	14510
817-0075	ClearWater 75 Sq. Ft. Cartridge Filter Element (13.25" h X 10" Diameter)	17531
817-0075N	ClearWater II 75 Sq. Ft. Cartridge Filter Element	17530
817-0075PB	Pro-Clean 75 Sq. Ft. Cartridge Filter Element	17530
817-0081B	81 1/4" Sq. Ft. Cartridge Filter Element 325 Sq. Ft. Total (4 Required)	18005
817-0100	ClearWater 100 Sq. Ft. Cartridge Filter Element (19" h X 10" Diameter) Clean & Clear® Plus/Waterway™ Crystal Water	18005
817-0100N	ClearWater II 100 Sq. Ft. Cartridge Filter Element	19002
817-0100PB	Pro-Clean 100 Sq. Ft. Cartridge Filter Element	19002
817-0106B	106 1/4" Sq. Ft. Cartridge Filter Element 425 Sq. Ft. Total (4 Required) Clean & Clear® Plus/Waterway™ Crystal Water	20503
817-0125NB	Pro-Clean 125 Sq. Ft. Cartridge Filter Element	22002
817-0125P	Pro-Clean 125 Sq. Ft. Cartridge Filter Element	22508
817-0131B	131 1/4" Sq. Ft. Cartridge Filter Element 525 Sq. Ft. Total (4 Required) Clean & Clear® Plus/Waterway™ Crystal Water	22505
817-0150	ClearWater 150 Sq. Ft. Cartridge Filter Element (25" h X 10" Diameter)	25006
817-0150NB	ClearWater II 150 Sq. Ft. Cartridge Filter Element	25013
817-0150PB	Pro-Clean 150 Sq. Ft. Cartridge Filter Element	25019
817-0175PB	Pro-Clean 175 Sq. Ft. Cartridge Filter Element	27501
817-0200	200 Sq. Ft. Cartridge Filter Element	29915
817-0200NB	ClearWater II 200 Sq. Ft. Cartridge Filter Element	29916
817-0200PB	Pro-Clean 200 Sq. Ft. Cartridge Filter Element	29910
817-0250	250 Sq. Ft. Cartridge Filter Element	
817-0300	300 Sq. Ft. Cartridge Filter Element	
817-0400	400 Sq. Ft. Cartridge Filter Element	
817-1000B	95 Sq. Ft. Cartridge Filter Element-In Line	19501
817-2500B	M-43256-25 Sq. Ft. Cartridge Filter Element-Top Load 3 Oz. TWM Filter Flo-Pro II Skim Filter/Bayonet Skim Filter	12502
817-3501B	35 Sq. Ft. Cartridge Filter Element-In Line	13501
817-3510	Skim Filter 35 Sq. Ft. Cartridge Filter Element/Front Access Skim Filter	11802
817-5000B	50 Sq. Ft. Cartridge Filter Element-Top Load-InLine TWM Filter Flo-Pro II Skim Filter/Bayonet Skim Filter	15002
817-5010	Skim Filter 50 Sq. Ft. Cartridge Filter Element	12504
817-7500B	1 1/2" - 2" Top Load Filter Cartridge Filter Element 75 Sq. Ft. ..	17519
865-0800	Foam Ring CSA Supreme	
865-1000	Spa Skimmer & Skim Filter Foam Weir	
872-0011B	Hose Clamp For TWM Filter (4 Required)	
872-0042	SmartClean Sand Filter Multiport Valve O-ring Side Mount	
872-7001	Hose Clamp For TWM Filter	
872-7002	3/8" Hose Clamp	270-6
872-7022	1/2" Hose Clamp	270-6
873-E12S1B	1 1/2" SmartClean Sand & Crystal Water DE Multiport Valve Spider Gasket	
873-E12S2B	2 " SmartClean Sand & Crystal Water DE Multiport Valve Spider Gasket	
873-E16S1B	1 1/2" & 2" SmartClean Sand & Crystal Water DE Multiport Valve Sight Glass Gasket	
873-E7S2	SmartClean Sand & Crystal Water DE Multiport Valve Cover O-ring	
TBS-305	Air Switch	TBS-301
TBS-310	Air Switch	TBS-301

WATER WORLD

3029-P	Universal Pressure Switch	3925
CSC-1131	4 Function Air Switch (TBS-312 Required)	CSC-1131
TBS-212	Universal Air Switch	TBS-901
TBS-213	Universal Air Switch	TBS-917
TBS-301	Air Switch	TBS-301

TBS-305	Air Switch	TBS-301
TBS-314	Air Switch	TBS-302

WATKINS

31114	Tiger River 65 Sq. Ft. Cartridge Filter Element	16506
31115	Hot Spring Spas 45 Sq. Ft. Cartridge Filter Element	14505
31489	Hot Spring Spas 30 Sq. Ft. Cartridge Filter Element (After 1990)	13004
3029-AN-P	Universal Pressure Switch	3925
33521	Hot Spot 25 Sq. Ft. Cartridge Filter Element	12503
TBS-301	Air Switch	TBS-301

WEATHERKING

3423	Universal Pressure Switch	3925
------	---------------------------------	------

WET

	Pump Lid O-ring	0-136
	Pump Seal Plate O-ring	0-329
	Pump Basket-Plastic	B-186
	Pump Seal	AS-1000
26017434	20" O-ring M330AP-2 Cartridge Filter 52 Sq. Ft. DE Filter Tank O-ring	
32050002	O-ring For M-165 Filter Top Spreader	
32050201	M-66, M-165, M-330 Modufilter 6 Sq. Ft. Cartridge Filter Element With Core	10603
32050202	Module M-165 Filter Cartridge-No Core	10608
32050203	M180 Modufilter 60 Sq. Ft. Cartridge Filter Element (3 Required)	16001
32050204	M330 Modufilter 105 Sq. Ft. Cartridge Filter Element (3 Required)	19904
32050206	M100 Filter Module Cartridge	
32050502	Modufilter 10 Sq. Ft. Filter Cartridge	10608
32050715	Tank O-ring	0-87
V34-120	DE Filter 2" Selector Valve O-ring	

WHIRLPOOL BATH

	Whirlpool Bath 50 Sq. Ft. Cartridge Filter Element- Front Load	15010
25-9000-00	Whirlpool Bath 25 Sq. Ft. Cartridge Filter Element	12517
29-4500-00	Cambio 12 Sq. Ft. Cartridge Filter Element	11203

WIEDMANN IND

3095	Universal Pressure Switch	3925
TBS-213	Universal Air Switch	TBS-917

ZODIAC (ADDITIONAL LISTINGS UNDER JANDY®)

17-0061	Nature2® Cover O-ring	0-475
E13	Legend 4 Wheel Housing O-ring	0-115
E14	Legend 4 Wheel Gear Assembly O-ring	0-228

MISCELLANEOUS

	Light Deck Box Gasket	G-17
	Fire Hose Coupling Gasket	G-35
	Manhole 10" X 14" Gasket	G-38
	Handhole 4" x 6" Gasket	G-39
	Pipe Flange Gasket 1 11/16" ID	G-183
	Pipe Flange Gasket 1 7/8" ID	G-184
	Pipe Flange Gasket 2 3/8" ID	G-185
	Pipe Flange Gasket 2 7/8" ID	G-186
	Pipe Flange Gasket 3 7/16" ID	G-187
	Pipe Flange Gasket 4 1/2" ID	G-188
	Pipe Flange Gasket 5 1/2" ID	G-189
	Pipe Flange Gasket 6 5/8" ID	G-190
	Pipe Flange Gasket 8" ID	G-350
	2" Fire Hose Gasket	G-336
	3" Fire Hose Gasket	G-337

- 0-1 National Lens Gasket
Swimquip™ Universal Light Lens Gasket
- 0-2 Paddock Clamp Type Lens Gasket
Paddock Combination Lens Gasket
Universal Lens Gasket
Swimline (14118) Light Lens Gasket
- 0-3 Anthony/Kim Lens O-ring
Hayward® (SPX4000S) NorthStar™ Strainer Cover O-ring (2008 & Later)
- 0-4 Anthony/Kim Rear Seal O-ring
Hayward® (SPX5500K) Matrix® Strainer O-ring
Jandy® (R0338801) HHP/HHPU/MHP/MHPU 3/4 - 2 HP Diffuser O-ring
Jandy® (R0338805) HHP/HHPU 3 HP Diffuser O-ring
Marlow H Series 2 HP Diffuser Gasket
Pac Fab (154491) 1½" Bulkhead O-ring
Plasticline 1½" Union O-ring
Swimquip™ (35505-1317) MK23 Tube & Fill Cap O-ring
Waterway™ (805-0330) Volute Cover O-ring Supreme Pump/CSA Supreme
- 0-5 Jacuzzi® (47-0115-07-R) S/W Injector O-ring
Laars Control Well O-ring
Pac Fab Crankshaft O-ring
Raypak Control Well O-ring
Swimquip™ (35505-1157) Large Knob O-ring
- 0-5V Speck Pump (2923541229) Viton® O-ring Shaft
Model 93/21-80G/21-80GS/21-80BS/21-80/30G Viton®
- 0-6 Anthony Admiral Lid Gasket Oval
- 0-7 Universal Lens Gasket
Anthony (014118) Universal Lens Gasket
- 0-9 Purex Old Light Lens Gasket
Swimquip™ Common Light Lens Gasket
- 0-10 Paddock Trimmer Lid Keyhole Gasket
- 0-11 Landon Trimmer Lid Gasket
Paddock Trimmer Lid Gasket
- 0-12 Anthony 6" Pump Lid O-ring
Aqua Flo (AF-10-01) A & AC Series Trap Cover 6" Lid O-ring (92200010)
Hayward® (SPX3000S) Super Pump® II Lid O-ring
Hydro Pump 6" H & L Trap O-ring
Jacuzzi® (47-0438-07-R) Cast Iron Pump Lid O-ring
(3PJMCH25) (Obsolete 12-1991)
Pac Fab 6" H & L Trap O-ring
Purex Eastside 6" H & L Trap O-ring
Purex (P-24025/07-1421) PJ-18 Pump Lid O-ring
Sta-Rite® (U9-375) Maxi-Glas Trap O-ring Dura-Glas II
Swimquip™ Old Pump 6" Lid O-ring
Swimquip™ (35505-1440) Trap Lid O-ring Max-E-Pro
- 0-12V Hayward® (SPX3000SV) Bromine Feeder Cover O-ring Viton®
- 0-13 Astral (720R1517069) Sprint 2000 Pump Lid O-ring
Hayward® (SPX3200S) Strainer Cover O-Ring
Martec/Sonfarrel (320-102) Trap Lid O-ring
Premier (31-418) 756 Series Lid O-ring
Sta-Rite® (U9-046) 6" Pump Lid O-ring-Bronze, Cast Iron
Waterway™ (805-0439) SVL56 Lid O-ring/Supreme Pump/CSA Supreme
- 0-14 Anthony 4" Pump Lid O-ring
Doughboy (308-1004) H & L Pot O-ring-PPI/1400, 1500, 1640, 41, 1740
Jacuzzi® (47-0347-07-R) Gyromat O-ring
Pac Fab Eastside 4" H & L Trap O-ring
Purex/Eastside 4" H & L Trap O-ring
Swimquip™ Old Pump 4" Lid O-ring
- 0-15 Diaclear (C30082) MS-18 Strainer Cover O-ring
Premier (31-346) 4" Pump Lid O-ring
Speck Pump (2921641210) Lid O-ring Model E91
Sta-Rite® (U9-045) 4" Pump Lid O-ring
Sta-Rite® (U9-295) Pump Cover O-ring
- 0-16 Sta-Rite® Aqua Flyte H & L Gasket
- 0-17 Swimquip™ Vacuum Lid Gasket
- 0-18 Berkely 5" H & L Pot Lid O-ring
Hayward (SPX2700Z4) MaxFlo II Cover O-ring
- 0-19 American (39101900) Maxim™, Americana® II, Power-Glas Lid O-ring
H & F/Lando/Luitweiler Pump Lid O-ring
Hayward (SPX2300Z4) Strainer Cover O-ring
Sta-Rite® (U9-161) 5" Pump Trap Lid O-ring
Swimrite (60-828-715) 5" Pump Lid O-ring

- 0-20 Hayward® (VLX4008) Body O-ring for VL Series Pump™
Purex (P-24000/07-1416) A-18 O-ring
Swimquip™ (35505-1263) XLII Seal Plate O-ring
- 0-21 Paddock H & L 2" Flat Gasket
- 0-22 Paddock 1¼" - 2" Flat Gasket
- 0-23 Paddock ¾" Sight Glass Gasket
- 0-24 American (51003500) Sand Filter Union O-ring,
Olympian Bulkhead (Before 1/1991)
American (59000600) Manifold O-ring, Outlet Pipe O-ring Titan Olympian,
FNS
Anthony (17810-17770) 2" Plastic Slide Valve Bulkhead Connector O-ring
Hayward® (DEX2400Z5) Outlet Elbow O-ring /Micro Clear/Swim Clear
Jacuzzi® (14-0139-09-R) Earthworks Manifold Bottom Pipe O-ring
(Effective 9/1998)
Jacuzzi® (47-0139-09-R) TP4 Test Plug O-ring (Obsolete 1992) Earthworks
DE Filter EW75-EW150 Manifold Assembly O-ring (Before 9/1999)
Pac Fab (192323) Filter/Pump O-ring-Hydropump Pot/Volute-Nautilus
FNS/2" O-ring for 1952829 Plug on Bermuda Skimmer
Purex (P-24305) Center Tube O-ring
Saurerman 2" Tube O-ring
- 0-25 Aqua-Flo (92200060) Clear Flo A/R Valve O-ring
Blue White (9003-030) Chlorinator O-ring
Doughboy (308-1011) Volute O-ring
Hayward® (SPX0602Z2) Valve O-ring
Hayward® (SPX1441Z1) 1 1/2" 2 Way Backwash Valve Stem O-ring
Hayward® (SPX4000FG) Gasket Only For Drain Plug NorthStar™ & Tristar/
Eco Star/Max-Flo II/Booster Pump/Vio Turbo/Viper
Hustler (A111) Small O-ring
Pac Fab (154661) Triton, Nautilus DE, Mytilus, Mitra Cartridge Filter Gauge
& Air Bleeder Adapter-PF Sand 35/50/100
Purex CHD Crank O-ring
Rainbow (R33017) Ball Crank O-ring
Saurerman 2" Crank O-ring
Speck Pump (2920141240) Model 90 Drain Plug
O-ring/Model 433/Model E90
Sta-Rite® (P-64057) P/V Seal O-ring
Waterway™ 75/125/200 Cyclone Drain Plug O-ring
Waterway™ (805-0111) Executive Wet End Drain Plug
O-ring/High Flo Center Discharge
Mustang/Workhorse/Bath Pump
- 0-25A Hayward® (SPX0602Z2A) PTFE Piece (0-25 Required)
- 0-25V Fischer-Porter (101W709U01) Chlorinator Viton® O-ring
Wallace & Tiernan (30066) Chlorinator Viton® O-ring
- 0-26 American 1½" Collection O-ring
Anthony (17810-17770) 2" Plastic Slide Valve Piston O-ring
Hayward® (SPX0410Z1) SP410X Small Piston O-ring (Part Of 0-512Kit)
Jacuzzi® (47-0328-00-R) LR9 Units O-ring CFR50, 75, 100 & 150/
Inter-Connect Assembly-Sherlok® & Avalanche Separation Tank
Laars (S-690) Heater O-ring
Landon Spin 1½" Collection O-ring
Pac Fab (155564) Star Polymeric Filter Gauge O-ring
Paddock Petite Spin Filter Tube O-ring
Sta-Rite® (U9-154) 1½" Hub O-ring
- 0-27 American (51001200) M/4 Shaft O-ring, Directional Valve 2 & 3 Port O-ring
Hayward® (SX200Z5) Sand Filter/Pro Series Plus/S240/S200/S160T
O-ring/Pro Series & Micro Clear Air Relief O-ring
Hayward® (SPX0603Z2) Stem O-ring
Hayward® (SPX0605Z2) Valve O-ring
Hayward® (SX200Z14) Sand Filter Drain Pipe O-ring (Before 1980) Old Dome
Leisure Bay (111732) 50, 100, 150 Sq. Ft. Filter Air Bleed Valve O-ring
Muskin (037-3405) Axle & Valve Shaft O-ring
Pac Fab (154827) Air Relief O-ring
Paddock Petite Spin Filter Crank O-ring
Swimquip™ (35505-1157) Small Knob O-ring
Swimrite (30-828-752) 1½" x 5/8" Shaft O-ring
Waterway™ (805-0114) Inline Filter 1 1/2"-2" Top Load Air Bleed O-ring
TWM Filter Pack/Top Load Filter
- 0-27A Hayward® (SPX0603Z2A) PTFE Piece (0-27 Required)
Hayward® (SPX0605Z2) PTFE Piece (0-398 Required)

0-27V Wallace & Tiernan (26784) Chlorinator Viton® O-ring
 0-28 Pac Fab (192041) SCS Filter V Packing Ring
 0-30 American Commander Air Relief O-ring
 Arneson/PoolSweep (F24) Backup Extension & Drive Valve O-ring
 Blue White (9003-009) Chlorinator O-ring
 Doughboy (308-1152) Valve Cover Plunger O-ring
 Hayward® (ECX9611246) EC Filter Bump Shaft O-ring Perflex®
 (Part Of 0-512Kit)
 Leisure Bay (111733) Drain Plug O-ring 50, 100, 150 Sq. Ft. Filter
 Leisure Bay (303416) Drain & Vent O-ring Rainbow
 Letro (F24) O-ring
 Lomart-Prest Metals (53-019) Shaft O-ring
 Lomart-Prest Metals (53-049) Valve Cover Plunger O-ring
 Rainbow (R172221) Air Vent Valve O-ring Dynamic Series I/II/III
 Rainbow (172224) 25 Sq. Ft. Filter Valve O-ring
 Swimquip™ MK23 Filter Crank Quad
 Swimquip™ (25575-0114) Drive Shaft O-ring
 Swimquip™ (35505-0114) Crank Shaft O-ring
 0-30V Advance (OV-11-012) Chlorinator Viton® O-ring
 Fischer-Porter (101W707U01) Chlorinator Viton® O-ring
 Regal (S-403) Chlorinator Viton® O-ring
 Wallace & Tiernan (26482) Chlorinator Viton® O-ring
 0-31 Swimquip™ Skimmer Tapered O-ring
 0-32 International Collection Tube O-ring
 Jacuzzi® (47-0028-03-R) Filter Valve O-ring
 Swimquip™ (35505-0239) Skimmer Tube O-ring
 0-32V Advance (OV-11-028) Chlorinator Viton® O-ring
 Regal (S-411) Chlorinator Viton® O-ring
 0-33 Swimquip™ Spin Filter Tube Quad Ring
 0-34 Swimquip™ Upright Spin Crank Quad Ring
 0-37 Hayward® (SPX060222) Valve O-ring (See 0-27A)
 Jacuzzi® (47-0131-07-R) Gyro Flo O-ring
 Saurerman 1½" Tube O-ring
 Swimquip™ (35505-1175) Valve Connector O-ring
 0-39 American (51003100) American Valve Stem &
 Shaft Cap O-ring (Part Of 0-518 Kit)
 Anthony (17437) Valve Shaft O-ring
 Doughboy (308-1001) Manifold Seal O-ring
 Doughboy (308-1009) O-ring
 E-Z Chlor (12690-09) Flow Meter Gasket
 Jacuzzi® (31-1609-06-R) ¼" Magnum Plug O-ring
 Cygnet/Pirahna/RC/CF25 & CFT25 Plug O-ring PH & UPH
 Jacuzzi® (31-0943-03-R) Replaced by (47-0112-00-R)
 Jacuzzi® (47-0112-00-R) Stem, Crank, Pump, Filter O-ring (Before
 2/1/1993) Cygnet/Magnum-CFR25 & CFT25/Triclops SLPH & SLTPH/
 CFT 50/100-CFT 5BY-100BY, Plug O-ring Earthworks
 Separation Tank LH (Units Prior 6/1993)
 Jandy® (1137) Hydro Timer O-ring
 Jandy® (R0552000) Small O-ring for Tank Adapter Kit
 Jandy® (R0446000) Drain Plug O-ring
 Marine Valve Stem O-ring
 Martec/Sonfarrel (201-010) Drain Plug O-ring
 Martec/Sonfarrel (205-104) Bleeder O-ring
 Pac Fab (2112) Crankshaft O-ring
 Pac Fab (273011) Brass Valve Shaft O-ring
 Pentair (6020006) O-Ring
 Polaris (E-45) Back-Up Valve Plate O-ring
 Polaris (P-39/P-40/P-88) #151 Pump Shaft Extension O-ring
 Premier Crank O-ring
 Premier (29-113) #151 Shaft Extension O-ring
 Purex (07-4021) CFM Manifold O-ring
 Purex (P-62112/07-2555) Ortega Valve Stem O-ring(Part Of 0-517Kit)
 Raypak Manual By Pass O-ring
 Spin Rite Crank O-ring
 Sta-Rite® (U9-147) Bronze Cap Valve O-ring
 Sta-Rite® (U9-359) Posi Flo II Air Release O-ring-Separation Tank
 Sta-Rite® (U178-920P) Drain Plug O-ring JW Series
 Speck Pump (2923541220) Shaft O-ring Model 93 (Before 3/2000)
 Model 21-80BS
 Swimquip™ (25010-0200) Air Relief Valve O-ring Only For Posi Flo

Swimrite #151 Pump Shaft Extension O-ring
 Swimrite (28-828-675) Spin Crank O-ring
 Swimrite (30-828-750) 1½" x ½" Shaft O-ring
 Swimrite (30-828-756) ½" V Crank Pump O-ring
 Universal Stem & Crank O-ring
 Waterway™ (805-0112) Drain Plug O-ring SVL56 Hi Flo Side Discharge
 Pump/Center Discharge Wet End Drain Plug
 Waterway™ (3030174) 48 Frame Pump Drain Plug O-ring
 0-39V Advance (OV-11-112) Chlorinator Viton® O-ring
 E Z Chlor (918) Flometer O-ring
 Fischer-Porter (101W710U01) Chlorinator Viton® O-ring
 Wallace & Tiernan (26345) Chlorinator Viton® O-ring
 0-40 American (86200500) Manifold O-ring
 American (85005700) Manifold O-ring, Caribe, Quantum, Sandpiper
 18" & 24" Titan CM Drain Plug O-ring
 Doughboy (308-1046) O-ring-PPI Strainer Pot
 Hayward® (SPX1483C) Diverter Valve O-ring
 Jacuzzi® (47-0223-06-R) CF Filter Drain Plug O-ring
 Kreepy Krauly (12-800) O-ring
 Monarch New Style Impeller O-ring
 Paddock Star-Clear Tube O-ring
 Paddock Star-Clear Manifold O-ring
 Purex (P-24108/07-1431) 800 Series Manifold O-ring
 Saurerman Backwash Valve O-ring
 Sta-Rite® (U9-199) PLBC Diffuser O-ring
 Swimquip™ (35505-1236) Silicone Seal & Capri Retainer/Connector O-Ring
 Swimquip™ (35505-1429) Elbow Assembly O-ring-System 3 Small O-ring
 WMC (JS-1904) JS Series Strainer O-ring
 0-41 American (39102900) Titan CM, Sandpiper Filter 18" & 24" Thick O-ring
 (After 1/1/1990) Olympian Bulkhead O-ring (After 1/1/1991) M/O
 Union O-ring
 Baker Hydro (00B7027) Old Style Bulkhead Adapter O-ring
 Coleco (33185) Cover O-ring
 Hayward® (SPX1495Z1) Ball Valve Flush Union O-ring/Power Flo End
 Connector / Micro Clear Support Base O-ring/Booster Pump/
 Power Flo II/ Vio Turbo/Viper
 Hyprime Large Impeller O-ring
 Jacuzzi® (47-0227-02-R) Gyro-Flo O-ring
 Jacuzzi® (47-0227-36-R) Gyromat Backwash Valve Lower Valve O-ring
 Lasco (80227) Union O-ring
 Lomart (33185) Cover O-ring
 Marlow (4311700) Argonaut Diffuser O-ring
 Monarch Old Style Impeller O-ring
 Pac Fab (273062) 2" PVC Cap O-ring-Dynamo
 Pot/Housing O-ring (Part Of 0-513Kit)
 Purex (P-62227/07-2559) 1½" Ortega Valve Cap O-ring
 Purex (07-0213) 00B7027 Old Style Bulkhead Union O-ring
 Raypak U-G #H Gasket O-ring
 Raypak Solar Valve Body O-ring
 Swimquip™ (35505-1428) Elbow Assembly O-ring-System 3 Large O-ring
 Waterway™ (805-0233) Pressure Relief Valve Handle O-ring Crystal
 Water DE Filter (2 Required)
 Waterway™ (805-0227) Crystal Water DE/Cartridge
 Filter Ball Wall Fitting O-ring SmartClean Sand (2-Required)
 0-43 Aqua-Flo (92200210) Dominator Casing 2" Fitting O-ring
 Astral (722R0620040) 2" Inlet/Outlet Fitting O-ring (2 Required)
 Comfortzone/Hayward® (HAXFOR1930) H Series Flange Pipe
 O-ring Electronic (New ED2 Style)
 Hayward® (GLX-Union & SX200Z3) Bulkhead Sand Filter/S240/S200 O-ring/
 Micro Clear 2" Union O-ring/Super Star Clear/S240/S200 Bulkhead
 Fitting (1995 & Prior)/S240/S200
 Jacuzzi® (47-0230-07-R) 2" Slip Body Lock Nut O-ring/2" MBT Union Slip
 O-ring (50mm)/2" MBT Union Slip O-ring (63mm)
 Monarch Pot To Volute O-ring
 Purex (P-62230/07-2560) 2" Ortega Valve Cap O-ring
 Swimquip™ (35505-1244) Union Collar O-Ring
 Waterway™ (805-0230) Long Elbow With
 Venturi Air Bleeder O-ring Crystal Water Cartridge Filter
 0-44 Starbright Collection Tube Feed Ring
 0-45 Starbright Crank Quad O-ring

- O-47 Swimquip™ (35515-0114) Crankshaft Quad Ring
- Advance (OV-11-113) Chlorinator O-ring
- Astral (722R0140030) Air Bleed Valve O-ring
- American Multiport Valve Rotor Shaft O-ring
- E Z Chlor Flow Meter O-ring
- Fischer-Porter (101W711U01) Chlorinator O-ring
- Hayward® (ECX2899A) Small O-ring Also (SPX0722H) & Perflex® Bump Shaft O-ring
- Hayward® (SPX0722H) Stem O-ring (Before 1975)
- International Crank O-ring
- Jandy® Leaf Trap Quick Disconnect O-ring
- Pac Fab (272406) 2" Valve Diverter O-ring (Part Of O-513Kit)
- Polaris (C-140) Thrust Jet O-ring
- Polaris (JV18) SM & SMBW 4000 Roto Valve Shaft O-ring
- Pool Sweep (05-009-1005) O-ring For All Models
- Premier Shaft Extension O-ring
- Premier (29-113) Spin Filter Crank O-ring
- Purex (P-24199/07-1435) Noryl® Shaft O-ring-SMBW 2000
- Rainbow (18508) 185-08 Inlet Fitting O-ring
- Raypak (800031) Bypass Manual O-ring Series Rotor Shaft Valve O-ring
- Regal (S-404) Chlorinator O-ring
- Regal (S-410) Chlorinator O-ring
- Swimrite Shaft O-ring
- Wallace & Tiernan (27409) Chlorinator O-ring
- O-47V Waterway™ (805-0113V) In Line Chlorinator Viton® O-ring (New Style)
- O-48 American (50151700) 5 & 8 Position Lid O-ring
- Aqua-Flo (92200190) Dominator Trap Lid O-ring
- Aqua-Flo (92200220) Trap Lid O-ring
- Hayward® (SPX0704F) 1 1/2" Vari-Flo Cover O-ring
- Hayward® (SPX0710XZ3) New Style Vari-Flo Valve Lid O-ring (After 1976)
- Strainer Cover O-ring For Solid Cover Power Flo (Before 1978)
- Hyprime Lid O-ring
- Jacuzzi® (47-0254-08-R) O-ring
- Sta-Rite® Delrin Hi Prime H & L O-ring
- Waterway™ (805-0254) Valve Assembly Lid O-ring (2001 And Prior) ClearWater-2003
- O-49 American (39004000) Power Pump Diffuser O-ring
- American (46824000) Power-Glas Slip Body O-ring
- Aqua-Flo Male Adapter O-ring
- Aqua-Flo (FF-17-03) Compress Union O-ring
- Aqua-Flo (92200140) Dominator Diffuser O-ring, 1 1/2" Fitting O-ring
- Astral (722R0500035) 1 1/2" Inlet/Outlet Fitting O-ring (2 Required) and Drain Plug O-ring
- Hayward® (SPX1425Z6) Inlet Fitting O-ring (1989 and Prior)/Perflex®/Pro Series/S240/S200
- Hayward® (SPX1485B6) Elbow Union O-ring
- Hydro Air (10-5857) ADJ Jet Test Plug Mark II O-ring
- Hydro Air (10-3439) 1" Union & 1 1/2" Pump Union O-ring
- Hyprime Impeller O-ring
- Jacuzzi® (47-0226-03-R) Inlet Fitting O-ring Seal
- Lasco (5126G) O-ring
- Martec/Sonfarrel (410-511) Bath Master Jet Body O-ring
- Martec/Sonfarrel (700-103) Union O-ring
- Pac Fab (354571) Dyna-Mite/Dynatron/Dynamo/Tagelus Quick Connect O-ring
- Pentair (350099) SuperMax O-ring for Adapter (2 Required)
- Pentair (6020018) O-ring for Adapter SuperFlo Pentair (2 Required)
- Premier (29-674) 1 1/2" Tailpiece O-ring
- Sta-Rite® (U9-226) Pump Diffuser O-ring/Maxiglas/Dura-Glas
- Sta-Rite® (U9-226) Quantum 2000 Spa System O-ring For Models SK 110HXD, SK 110HXD A, SK 110HXD 1A SK 110HXD 2A Union O-ring
- Cartridge Filter PS/JW Series/PLM Series
- Sta-Rite® (WC20-24) Pump Gasket
- Waterway™ (805-0226) O-ring #7 Union 1 1/2" Standard TWM Filter Pack/ Flo-Pro II Skim Filter Connector Tailpiece O-ring 1 1/2"
- O-50 Hydro Air ADJ Flow Jet O-ring

- Jacuzzi® Collection O-ring
- Kingfeeder/Kingtech (945) Control Dial O-ring Kit
- Premier (29-225) Spin Filter Return O-ring
- Saurerman Manifold O-ring
- Spin Rite Collection Tube O-ring
- Swimrite (28-828-678) Spin Filter Manifold O-ring
- Waterway™ (805-0132) Wrench/Test Plug Combo Fitting O-ring 1" Tailpiece
- O-64 American (39102800) Maxim™/Warrior® Union Swivel O-ring
- American (46717000) Diverta Port Valve Cap O-ring
- American Granby (55-1150BSS) 2" Heat Sink O-ring
- Hayward® (SX200Z4) Sand Filter O-ring / Vari /Pro Series Plus/Pro series/S240/S200 Flo Connector O-ring/Micro Clear Bulkhead O-ring (1995 & Prior) /Pro Series Plus/Pro series/S240/S200
- Hyprime Pot to Volute O-ring
- Jacuzzi® (13-0011-02-R) Deckmate 2" Plug O-ring Sher 80 & 120/Avalanche
- Jacuzzi® (13-0013-00-R) Deckmate 1 1/2" Plug O-ring/Avalanche
- Jacuzzi® (43-3091-03-R) Drain Assembly 1 1/2" Plug O-ring For Sher 80/120/160/200 O-ring (47-0228-01R)
- Jacuzzi® (43-3092-02-R) Drain Assembly 2" Plug O-ring For CFR, Sher 80/120/160/200 O-ring (47-0228-01R)
- Jacuzzi® (47-0228-01-R) 225A, B, C Jet Charger O-ring/Separation Tank Plug O-ring
- Jacuzzi® (47-0228-35-R) Gyromat Backwash Valve Upper O-ring
- Jacuzzi® (47-0228-68-R) DTP Test Plug O-ring, 1 1/2" Union Adapter O-ring-LR9, CFR/Sherlock-Avalanche Separation Tank O-ring
- Jandy® (R0058701) Diffuser O-ring JHP/PHP Series 3/4 - 2 1/2 HP
- Purex New Style Tahitian Adapt O-ring
- Purex (P-24102/07-1426) Collar & Rotor O-ring-SMBW 2000 Series
- Sta-Rite® (U9-205) Sand Filter Riser Tube O-ring
- Swimquip™ Internal Float Valve O-ring
- Waterway™ (805-0228) Crystal Water DE Filter Slide Valve Top Mount O-ring
- O-66 Marine (3660) Flat Rubber Gasket
- O-67 Marine (1560) V Cup O-ring
- Pac Fab (88-500-1) Old Style SCS Series Manifold V-Ring
- O-68 Marine (1220) Flat Rubber Bushing Gasket
- O-69 Coleco (31954) Top O-ring
- Doughboy (308-1062) Cartridge Filter Coupling O-ring
- Hayward® (GMX152Z5) Drain Plug O-ring (After 1979)
- Jacuzzi® (47-0212-66-R) Manifold Return Knob O-ring Triclops-Dial Valve O-ring Earthworks
- Jacuzzi® (47-0214-07-R) Dial Valve Shaft O-ring
- Jacuzzi® (47-0214-49-R) Earthworks Filter/Triclops Manifold Return Knob O-ring
- Marine (1150) Locknut O-ring
- Pac Fab (192040) Crank Cap O-ring
- Rainbow (R172451) Check Valve O-ring
- Speck Pump (2923241231) Casing Drain Plug O-ring Model 433
- Swimrite (28-828-681) Marathon Grid O-ring
- O-70 Marine (1160) Bushing Cup Gasket
- Muskin (038-3400) Valve Waste Cap Gasket
- O-71 Advance (OV-11-325) Chlorinator O-ring
- American (51005000) 2" Backwash Valve Piston O-ring, Drain/Inspect Fittings O-ring, Eclipse SM & TM FNS Filter, Titian Warrior® (Part Of O-518 Kit)
- Marine (5280) Bearing & Manifold O-ring
- Pac Fab (152122) O-ring (Part Of O-513 Kit)
- Pac Fab (273090) 2" Slide Valve Bottom Shaft O-ring
- Premier 2" Backwash Valve O-ring
- O-72 Doughboy (308-1059) Dynaflow Cover O-ring
- Luitweiler Pump Lid O-ring
- O-73 American (39500100) Americana® Noryl® Pump Slinger O-ring
- Purex (P-35125/07-2187) Pump Water Slinger P-115
- O-74 Ampro (600-57) H & L Pot Lid O-ring
- Anthony Hydro & L Lid O-ring
- Hydro Pump 5" H & L Trap O-ring
- Lomart-Prest Metals (53-058) Cycle I Strainer Cover O-ring
- Marine 5" Clear Plastic H & L Lid O-ring
- Pac Fab (354052) 540 Pump Lid O-ring
- Swimquip™ (35505-1338) XLVI Pump Lid O-ring
- Swimrite 5" H & L Clear Lid O-ring

- 0-75 Marlow (29038) Cover Gasket
- 0-76 Baker Hydro (35B1117) Spa Pak Pump Lid Gasket
Hayward® (SPX01251) Pump Lid O-ring/Max-Flo
- 0-77 Marlow (25783) Cover Gasket
Marlow (32593) Lid O-ring
- 0-78 Marlow (25784) Cover Gasket
- 0-79 Hayward® (SPX0125Z3) Pump Diffuser Volute Ring
- 0-80 Aqua-Flo (AF-10) 5" Lid O-ring (92200000)
Leisure Bay (004305) O-ring
Marine 5" Clear Lid O-ring (Special)
Premier (31-486) 5" Cover O-ring
Rec Factory (4305) O-Ring
Swimquip™ (35505-1344) O-ring
Swimrite 5" Clear Lid O-ring
- 0-81 Marine (1340) 900 MS & BH Filter Quad O-ring
- 0-82 American (530018) Female Bell Quad O-ring
Marine (1350) 990 MS & BH Filter Quad O-ring
- 0-83 Advance (OV-11-332) Chlorinator O-ring
Harmsco (930) BF96, BF144 Cartridge Filter Holding Rod O-ring
Hayward® (SPX4000Z1) NorthStar™/TriStar Union/Diffuser O-ring/EcoStar
Jacuzzi® (13-1023-06-R) CFR Drain Gasket (2/1/1993-1/3/1996)/
Landslide For 85-8263-00 Drain Cap/Separation Tank/Sandstorm/
Laser Drain Nozzle
Jacuzzi® (85-8263-00-R) Drain Cap With Gasket (13-1023-06) CFR Units
(2/1/1993-1/3/1996)
Jandy® (R039500) Coupling Nut O-ring Only (2 Required)
Jandy® (R0339600) HHP/HHPU/MHP/MHPU Coupling (Set of 2 O-rings)
Landon Spin 2" Collection O-ring
Pac Fab (274494) Bulkhead Valve Adapter O-ring-Elevated Base
Kit-TR/NS-CH-Full Flow Valve
Sta-Rite® (U9-156) 2" Return Hub O-ring
Sta-Rite® (U9-185) Filter O-ring
Sta-Rite® (U9-374) Diffuser O-ring-Maxi-Glas/Dura-Glass II/Dyna-Jet
Sta-Rite®/Swimquip™ (35505-1424) Drain Plug O-ring System 3 DE Filter
Swimquip™ MK GFV 15-20-25-33 Collection O-ring
Waterway™ (805-0332) Self Aligning Union O-Ring
- 0-85 Purex (P-24250/07-1443) 800 Series Tank O-ring-Separation Tank
- 0-86 Pac Fab (07-1442(Z)) Nautilus Clamp Ring O-ring
Purex (P-24225/07-1442) 2000 Series Tank O-ring-Nautilus Clamp Ring
O-ring
Swimrite (28-828-687) Vertririte 18" Tank O-ring
- 0-87 American (53002800) Caribe, Quantum, Olympian, Sandpiper, Spin,
Titan 18" Tank O-ring
Marine (5260) Tank O-ring
Muskin (037-3410) 18" Tank O-ring
Premier (23-671) 18" Hercules Tank O-ring
Premier (27-671) 18" Hercules Tank O-ring
Sta-Rite® (U9-145) 18" Tank O-ring
Swimrite (28-828-671) 18" Filter Tank O-ring
Universal Filter Tank O-ring
Wet (32-050-715) Tank O-ring
- 0-88 Hayward® (RGX45G) Regenx, ASL™ Filter Head O-ring
Purex (P-24150/07-1433) C-18 Cover O-ring
- 0-89 Pac Fab (178568) DM Filter Tank O-ring
Sta-Rite® (U9-105) 11" Trap Lid O-ring
- 0-90 Anthony (04278) Separation Tank Gasket
Sta-Rite® (U9-191) Separation Tank O-ring
Swimrite (30-828-678) 12" Separation Tank & Cartridge O-ring
- 0-92 Miami Products (CF-104) 20" Tank O-ring
Sta-Rite® (U9-160) 20" Tank O-ring
- 0-93 American (55001700) 24" Sandpiper Tank O-ring
Premier (25-745) 24" Tank O-ring
Sta-Rite® (U9-165) 24" Tank O-ring
Swimrite (28-828-745) 24" Satellite Tank O-ring
- 0-96 American (57003200) Carbide Filter 12" Tank O-ring & MS6-72
Separation Tank O-ring
Premier (27-678) Hercules II Tank O-ring
- 0-99 Swimquip™ (23568-15) Separation Tank O-ring
- 0-99P Pac Fab (174704) Mytilus, Turbo, Star Tank O-ring
- 0-100 Swimquip™ (24700-68) DES-25, HRS 16" Tank O-ring
- 0-101 Jacuzzi® (47-0569-99-R) EarthWorks/Triclops Tank O-ring
Swimquip™ (24700-72) DES-36, HRS 20" Tank O-ring
- 0-102 Swimquip™ (23382-13) Model X Filter O-ring
- 0-103 Hayward® (SX200Z7) S-200 Filter Tank O-ring
Swimquip™ (24750-5) DEP-36, HRP20 20" Tank O-ring
- 0-104 Swimquip™ (24751-5) DEP-51, HRP24 24" Tank O-ring
- 0-105 Swimquip™ (24752-5) DEP-83, HRP30 30" Tank O-ring
- 0-106 Swimquip™ (24700-73) DES-51, 60 & HRS 24" Tank O-ring
- 0-108 Aqua-Flo (FCF-11) Flo Master Volute O-ring
Doughboy (308-1038) O-ring
Doughboy (308-1099) Diffuser O-ring-PPII
Jacuzzi® (47-0256-06-R) PM Filter Valve O-ring
Pac Fab (154493) TA30/35/40/50/60 Filter Dome Lid O-ring Hi Flow
Multiport Valve-Tagelus
Pac Fab (154494) Tagelus Valve Adapter O-ring-FNS-TR100C & TR140C
Triton C-3
Pac Fab (154495) Triton II Closure O-ring
Premier (31-256) 255 Series Volute O-ring
Purex (P-24030/07-1422) Aquatron Pump Lid O-ring-Whisper Flo® Lid O-ring
Quiet Flo (Prior to 11/1998)
Rainbow (211366) In Line Leaf Trap Lid O-ring
Rainbow (R18608) Model 180 Canister O-ring
Sta-Rite® Delrin H & L Lid O-ring
Sta-Rite® Sand Filter Cover O-ring
Swimquip™ (35505-1273) Float Valve O-ring
Swimrite (70-828-828) Small O-ring
WMC (JS-1791) JS Series Housing O-ring
Waterway™ (805-0256) 75/125/200 Cyclone Volute O-ring Hi Flo Faceplate
Center Discharge
- 0-109 Swimquip™ (35515-1296) Valve Connector O-ring-Quad Ring
- 0-112 Swimquip™ (35515-0317) Filter Collection Tube O-ring
- 0-113 American (51010400) Americana® Valve Old Style Piston O-ring
Anthony (17606) 3/16" Piston & 1½" Cap Ring
Coleco (31992) Top O-ring
Conger Brothers Large Air Control O-ring
Jacuzzi® (47-0220-09-R) TP-1 Test Plug O-ring
Marine 3/16" Valve Piston O-ring
Premier 1½" Cap O-ring
Sta-Rite® (E-21) O-ring For Wall Fitting Legend 4 Wheel
Sta-Rite® (U9-151) 1½" Piston O-ring
Sta-Rite® (U9-174) Valve O-ring
Sta-Rite® (U9-376) Max-Glas II Shaft O-ring Dura-Glas II Insert O-ring
Swimquip™ (35505-1233) Index Piston O-ring
Swimrite (30-828-750) Valve Cap O-ring
- 0-114 American (79116900) Luminator Bulb Assembly O-ring, Aqua Luminator/
Quasar
Ampro Large O-ring For Spool, 900-8S, 900-7S
Swimquip™ (35505-1263) Old Style Brass Pucks 1½" Piston O-ring
Swimquip™ (35505-1401) Index Plate & Piston Brass Pucks O-ring
- 0-115 Diaclear (DP10146) O-ring
Jacuzzi® (47-0250-05-R) Pump Case O-ring For Endura/Endura Plus
Sta-Rite®/Swimquip™ (41301-0192) CL90/91L Chlorinator Cap O-ring
Swimquip™ (35505-1266) XLII Pump Seal Plate O-ring
- 0-115V Kingfeeder/Kingtech (B192) Performax / Cyclone Small Cap Viton® O-ring
(01-22-1920)
Kingfeeder (01221926) Frog Chlorinator Lid Viton® O-ring
- 0-116 Swimquip™ (35515-0318) Collection Tube O-ring
Swimquip™ (35515-0514) Collection Tube O-ring
- 0-117 American (51003200) Valve Stem O-ring
Premier (P-7515) 1½" Backwash Valve O-ring
Swimrite (30-828-750) Piston O-ring
Swimrite (30-828-752) 1½" Piston O-ring
Swimrite (30-828-757) 1½" Piston O-ring
Universal Valve Piston O-ring
- 0-122 American (46715000) Diverta Port Valve Puck O-ring
A.O. Smith (98198/99660) Bypass O-ring *DISCONTINUED*
Doughboy (308-1006) Silica I Piston O-ring-PPI
Hayward® (SPX1434TP) O-ring

- Jacuzzi® (31-1649-08-R) RMST24/ST27 & 33 Plug With O-ring (47-0213-06)
- Jacuzzi® (42-2874-01-R) RMST24 Drain Plug O-ring (47-0213-08/47-0326-02)
- Jacuzzi® (47-0213-08-R) RMST24 Drain Plug O-ring
- Jacuzzi® (47-0326-02-R) ST27, ST33, Sandtrap Drain Plug O-ring-RMST24
- Jacuzzi® (42-2904-03-R) Inspection Plug O-ring (Rep's #42-2872-01) RMST24
- Lomart-Prest Metals (53-050) Backwash Valve O-ring
- Marine 2" Valve Cap O-ring
- Muskin (037-3414) Valve O-ring
- Muskin (038-5434) Backwash Valve Gasket
- Polaris (9-100-5139) Wall Bushing O-ring
- Premier 2" Piston O-ring
- Raypak (800104) Raytemp Valve Piston O-ring
- Sta-Rite® (U9-152) Valve O-ring
- Sta-Rite® (U9-371) Drain Cap O-ring
- Swimquip™ (35505-1313) 2" Piston O-ring-Natural/LP Gas Thermal Regulator Cap O-ring
- Swimrite (30-828-759) 2" Piston O-ring
- O-125 American (51003400) Bronze Valve Cap O-ring/Americana® Valve/Power Pump Adapter O-ring
- American Granby (50-1100BSS) 1½" Heat Sink O-ring
- Anthony (17681) 3/16" Piston & 2" Cap Ring
- Doughboy (308-1016) Outlet Retainer O-ring
- Hayward® (SPX1022CZ2) Seal Plug O-ring
- Jacuzzi® 4 Way Valve Upper Disc Body O-ring
- Jacuzzi® (47-0224-05-R) PM Filter Valve O-ring
- Jacuzzi® (47-0256-06-R) Filter O-ring
- Landon Backwash O-ring
- Marine 1½" Valve Cap O-ring
- Martec/Sonfarrel (700-408) Tail 1½" O-ring
- Pac Fab (191474) Mytilus B Cartridge Filter/Star DE Filter O-ring /O-ring for Drain Plug Clear & Clear/1 ½" O-ring for 191368 Plug for Bermuda Skimmer
- Premier 1½" Valve Cap O-ring
- Swimrite (28-828-657) Return Hub O-ring
- Swimrite (28-828-667) 2" Return End Bell O-ring
- Swimrite (28-828-679) SRV 42-48 Return O-ring
- Waterway™ (805-0224) 1 1/2" Heater Tailpiece O-ring/35 Sq. Ft. Filter Union O-ring/ClearWater DE 1/2" Buttress x 1 1/2" MPT Fitting O-ring
- Carefree Sand Filter
- O-128 Doughboy (308-1039) Silica II Hose Adapter O-ring
- Hayward® (SPX1500W) Strainer Connector Power Flo O-ring / Perflex® 1990 / Power-Flo II
- O-130 American (47721000) Cyclojet Small O-ring (Part Of O-511Kit)
- American Crank O-ring
- American Ultra-Flow® Impeller Lock O-ring (39010000)
- Aqua-Flo (92200070) Clear Flo Cap O-ring
- Arneson/PoolSweep (F-7) Sweep hose Connector O-ring
- Baker Hydro (31B0035) P/P Valve Index Plate O-ring
- Hayward® (DEX360E) Micro Clear Spacer & Vertical Grid DE 7200 Filter O-ring
- Landon Crank Shaft O-ring
- Letro (F07) O-ring
- Pac Fab (192115) Drain Plug Spin Filter Crank O-ring (After 3/1983)
- Tagelus, Sand Dollar, Challenger, Water Fall Pump/Triton II, Whisper-Flo Drain Plug O-ring Superflo/Whisper-Flo XF (2 Required)
- Purex (10331/07-0156) 31B0035 BH Valve Index Plate
- Purex (P-24001/07-1417) AT Pump Backwash Valve Gasket
- Rainbow (R172393) Access Plug O-ring Dynamic Series II/III
- Rainbow (18511) 185-11 Cleaner O-ring
- Sta-Rite® (31B0035) Index Plate O-ring-Slide Valve
- Swimquip™ (14930-32) Duetta Plastic Slide Valve, Small Index Plate O-ring
- Swimquip™ (35505-1116) Piston Assembly Stem O-ring-Plastic Valve
- Waterway™ (805-0014) Hi Flo/SVL56 Drain Plug O-ring/Center Discharge Drain Plug O-ring/Champion
- O-130V Fischer-Porter (101W902U01) Chlorinator Viton® O-ring
- Wallace & Tiernan (39648) Chlorinator Viton® O-ring

- O-133 American (39301500) Pump Lid Quad Ring (Before 7/1975)
- O-136 American (39300300) Ultra-Flow®, Americana®, Noryl®, Bronze, SS H & L Pump Lid O-ring (Including 1994 and Prior)
- Swimrite (60-828-487) 7" Pump Clear Lid Gasket
- Wet Pump Lid O-ring
- O-139 American (51002200) 1 ½" Multiport Valve Lid O-ring
- Aqua-Flo (92200080) Flo-Master Volute O-ring
- Aqua-Flo (92200200) FMCP Volute O-ring
- Hayward® (SPX0710Z3) Valve Lid O-ring (Prior to 1978)/Power-Flo Lid O-ring
- Martec/Sonfarrel (300-004) Wet End O-ring
- Pac Fab (271103) 1 1/2" Valve Top O-ring (Part Of O-519Kit)
- Sta-Rite® PDC 4 & 6 Bottom O-ring
- Sta-Rite®/Swimquip™ (14971-SM10E7) 1 ½" Multiport Valve Cover O-ring
- Swimquip™ (35505-1408) XLVII Pump Volute O-ring
- Waterway™ (3030172) 48 Frame Pump Volute O-ring
- Waterway™ (805-0252) Center Discharge Wet End Faceplate Volute O-ring Bath Pump
- O-141 Baker Hydro (31B1107) Spa Pak Pump Diffuser Ring
- Hayward® (SPX1600R) Super Pump® Diffuser Gasket/Max-Flo/Super Pump® II
- WMC (SS-1600-R) AT1600 Series Diffuser O-ring
- O-142 Jandy® (R0446200) Lid O-Ring
- South Pacific Old Style Lid O-ring-Brown
- Sta-Rite® (U9-171) 8" Trap Lid O-ring
- O-147 Premier (29-113) Spin Filter Crank O-ring
- Sta-Rite® (U9-158) D Ring Drive Plate Filter O-ring
- O-150 Jacuzzi® (47-0357-04-R) Pump Lid O-ring
- Jacuzzi® (47-0357-46-R) J, JLM, K, KM, JC Pump Housing O-ring (12/1986)
- Jacuzzi® (47-0433-51-R) USLB 6" Lid O-ring & ULSC
- Pac Fab (357255) Lid O-ring OptiFlo/SuperFlo Pump
- Sta-Rite® (U9-211) Sand Filter O-ring
- O-151 Sta-Rite® (U9-203) Sand Filter O-ring
- Waterway™ (805-0145) Union Assembly 2" O-ring/Outlet Elbow O-ring/Crystal Water DE Filter
- O-155 American (46713000) Diverta Port Valve Bobbin O-ring
- American (57006500) Commander Gauge Plug
- Maxim™ um Pump O-ring / Americana® II
- Astral (722R1000025) Pressure Gauge O-ring
- Hayward® (ECX1321A) Micro Star/Star-Clear II (1988 & Prior) Filter Air Relief Valve O-ring
- Hayward® (SPX1082Z410) Star-Clear Relief Valve O-ring / Regenex Piston O-ring
- Jacuzzi® (47-0110-02-R) Valve & Filter O-ring Spring Retainer/Dial Valve
- Pac Fab (273060) 2" PVC Valve Shaft O-ring
- Purex (P-24200/07-1436) Selector Valve Shaft O-ring
- Sta-Rite® (U9-221) WC-212 Valve Cap O-ring
- Swimquip™ (35505-1152) Dial Valve Shaft O-ring
- Swimrite (30-828-670) Valve Stem O-ring
- Waterway™ (805-0110) Pressure Relief Valve O-ring Crystal Water DE Filter
- O-155V Advance (OV-11-110) Chlorinator Viton® O-ring
- Wallace & Tiernan (31702) Chlorinator Viton® O-ring
- O-158 Arneson/Pool-Sweep (E-43) Turbo Sweep O-ring
- Blue White (9003-067) Chlorinator O-ring
- Compool (192039) O-ring Shaft Diverter Valve 1 ½" – 2"
- Jacuzzi® (47-0116-06-R) Filtromat O-ring (Part Of O-515Kit)
- Jacuzzi® (47-0116-30-R) Dial Valve O-ring
- Jacuzzi® (47-0117-05-R) 1½" Valve O-ring Shaft Retainer/Dial Valve
- Jandy® (1307) Stem O-ring Never Lube 2/3 Port Shaft O-ring (Part Of O-515Kit)
- Jandy® (3940) Actuator Valve O-ring
- Jandy® (R0487100) Never Lube Shaft O-ring
- Jandy® (R0552200) Backwash Valve Shaft O-ring
- Jandy® (R0552400) Diverter O-ring For Never Lube Backwash Valve
- Letro (E-43) Turbo Sweep O-ring
- Martec/Sonfarrel (201-002) Bleed Plug O-ring
- Pac Fab (2116) Crankshaft O-ring
- Pac Fab (192039) SCS Filter Crank O-ring-Full Flow Valve
- Purex (P-24104/07-1428) Tahitian Cap & Rotor Shaft O-ring
- Purex (P-60886/07-2552) Liftlock Shaft O-ring
- Waterway™ (805-0116EP) Diverter Truseal Seal O-ring/ClearWater II

- Cartridge Filter Lid Assembly Adapter O-ring
- 0-159 American (50152100) 1 1/2" T/M Multiport Valve II O-ring
Hayward® (SPX0728H) 1 1/2" & 2" Backwash Valve End Connector O-ring
Lasco (83008) 1 1/2" PVC Union O-ring
Purex (P-24100/07-1424) Cap O-ring
- 0-160 Airquatic (5099-149) FG Filter Lid O-ring
Pac Fab (152501) TA100D Valve Adapter O-ring
Shasta Dome O-ring
Speck Pump (2923241200) Casing O-ring Model 21-80 GS
Sta-Rite® (U9-241) Pump O-ring
- 0-161 American (39204100) Lid O-ring
Premier 550 6" Lid O-ring
Premier (33-489) 6" Cover O-ring
Purex (P-24050/07-1423) C-70 Flange O-ring
Waterway™ (805-0435) Multiport O-ring (Use With Split Nut Style)
Carefree Sand Filter
- 0-163 Jacuzzi® (47-0259-09-R) O-ring for Dominator Pump Bracket
Jandy® (R0340400) MHP/MHPU Body O-ring
Kingfeeder/King Tech (R259V) Body O-ring
Pac Fab (354535) Dynamo Bracket Diffuser O-ring
Purex (P-24103/07-1427) Valve Body O-ring-SMBW 2000 Series/
3 Port Valve O-ring
Rec Factory Warehouse (2697) Body O-ring Kingtech
Sta-Rite® (U9-169) O-ring
- 0-165 Hayward® (CX250Z6) O-ring
Laars (E-363) Heater O-ring
Purex (P-24308/71449) Tahitian Filter Shaft O-ring
- 0-168 Hayward® (SPX0722G) Ball Valve End Connector Bonnet O-ring
(Part Of O-512 Kit)
Jacuzzi® (47-0142-04-R) 39-1619-06 Assembly O-ring/Dial Valve
2" Multiport
Kingfeeder/Kingtech (740-746) Cam O-ring
Lasco (83009) 2" PVC Union O-ring
Pentair (471552) O-Ring
Purex CHD 2" Valve Cap O-ring
Purex (P-00996/07-0345) Old Style Tahitian Adapt O-ring
- 0-169 American (39500400) Seal Plate O-ring (Prior to 1975)
- 0-170 American (79101600) Amerilite Light Lens Gasket For Sam/Spectrum/
Amerilite - Silicone
- 0-171 Muskin (037-3412) Strainer Pump Lid O-ring
Sta-Rite®/Swimquip™ (35505-1437) Trap Lid O-ring ABG Series
- 0-172 Hayward® (SPX0540Z2) Light Lens Gasket
Hayward® (SPX0580Z2) Astrolite Lens Gasket
Purex (P-11324/07-0945) Light Lens Gasket
- 0-173 Swimquip™ (05057-0118) Lens Gasket
- 0-174 Hayward® (SPX0503W) Light Lens Gasket
- 0-176 Hayward® (SPX0710D) 6 Spoke Spider Gasket (Prior to 1977)
- 0-176A Hayward® (SPX0710XD) 5 Spoke Spider Gasket (After 1977)
Pac Fab (SP-710-X-D) Multiport Valve Seat Gasket
- 0-177 Hayward® (SPX1600S) Super Pump® Lid Gasket
WMC (SS-1600-S) AT1600 Series Lid O-ring
- 0-178 Hayward® (SPX0501HJ) Light Lens Gasket
- 0-179 Anthony Old Style Light Base O-ring
Caretaker (1-13-3) Union O-ring Floor Cleaner System (Part Of O-516 Kit)
Omni (0-5960) Chlorinator O-ring
Pac Fab (154492) 2" Bulkhead O-ring/Nautilus/FNS-Triton II-TR100C
& TR140C
Pentair (274495) TR100C & TR140C Filter Valve Body to Lid O-ring
Plasticline 2" Union O-ring
Sta-Rite® (WC9-7) Sand Filter O-ring
Swimquip™ HRV 24 Collection O-ring
- 0-180 American (86006900) Titan RPM/FNS Plus/Clean & Clear® Lower &
Upper Bulkhead O-ring
Doughboy (308-1150) O-ring
Hayward® (SPX0410Z2) SP410X Large Piston O-ring (Part Of O-512 Kit)
Lomart-Prest Metals (53-185) Air Relief O-ring
Pac Fab (192122) Filter Return O-ring
Pentair (471553) O-Ring
Sta-Rite® Vertical Filter Manifold O-ring
- Sta-Rite® (U9-285) Adapter O-ring Plastic Suction Trap
- 0-182 Pac Fab (352604) 590 Pump Lid O-ring
Pac Fab 5" H & L Trap O-ring
Speck Pump (2921841210) O-ring Flange Adapter Model 93
Swimrite (60-828-486) 5" Pump Clear Lid Gasket
- 0-183 Pac Fab (354056) Pump Lid O-ring
Premier (39441) 8" Trap Lid O-ring
- 0-184 Pac Fab (152127) Nautilus PF-35 18" Tank O-ring (After 2001)
- 0-185 Pac Fab (152038) PF-50 22" Tank O-ring
- 0-186 American (51005900) Air Relief Separation Tank MS 6-60 O-ring
American (46815500) AquaLumin/II Nicheless O-ring
Armeson/PoolSweep (G-12) Gear Axle O-ring
Blue White (9003-003) Chlorinator O-ring
Hayward® (SPX0072Z4) Sight Glass/Valve Stem O-ring (Part Of O-500Kit)
Laars (S-328) Heater O-ring
Letro (LG-12) O-ring
Olympic (ACM-94-7) Valve O-ring For ACM94
Polaris (LG-12) Gear O-ring
Purex (P-24003/07-1419) WhisperFlo Impeller Lock Screw O-ring
Waterway™ 75/125/200 Sq. Ft. Filter Bleeder Valve O-ring
- 0-186V Advance (OV-11-010) Chlorinator Viton® O-ring
Fischer-Porter (101W705U01) Chlorinator Viton® O-ring
Wallace & Tiernan (25900) Chlorinator Viton® O-ring
Wallace & Tiernan (41106) Chlorinator Viton® O-ring
- 0-188 Armeson/PoolSweep (J-4) Valve Body O-ring
Hayward® (GMX600D) PTFE Bearing Washer
Letro (J-04) O-ring
Polaris (D-24) Quick Connect O-ring
Purex (P-24107/07-1430) WhisperFlo Seal Vent O-ring
- 0-188V Fischer-Porter (101W904U01) Chlorinator Viton® O-ring
Wallace & Tiernan (31882) Chlorinator Viton® O-ring
- 0-189 Armeson/PoolSweep (G-32) Lower Bearing O-ring
Doughboy (308-1044) O-ring Valve Rotor
Doughboy (308-1043) Silica I & II Tank Drain O-ring
Hayward® (SPX710Z1) Non Metallic Bearing
Jacuzzi® (47-0123-07-R) RM2 Injector Cap (After 11/1/1991)
Letro (G-32) O-ring
Waterway™ (805-0123) Union Assembly 1" O-ring
- 0-190 Purex (P-28125/07-1722) Piston O-ring
- 0-191 Landon Separation Tank O-ring
Purex (P-24275) Filter Lid O-ring
Purex (P-24220/07-1441) CF-25, 50 & 700 Tank O-ring
Swimrite (38-828-680) 10" Septic Tank O-ring
- 0-194 American (51007600) Separation Tank Lid O-ring
Marine (99-8660-5) Large Separation Tank Gasket
Sta-Rite® (WC20-04) 9 1/2" Separation Tank Gasket
- 0-196 Swimrite (28-828-280) Marathon V Filter Lid Gasket
- 0-197 International (6721-9) Tank O-ring
- 0-198 Sauerman Small Tank O-ring
- 0-199 Sauerman Large Tank O-ring
- 0-200 Anthony (17434) A-40 O-ring
Pac Fab (195008) Old Style Nautilus Tank O-ring (After 2001)
Starbright 20" Tank O-ring
- 0-201 International (6291-9) Tank O-ring
- 0-202 Doughboy (308-1142) 20" Tank O-ring
Lomart-Prest Metals (53-174) 20" Tank O-ring
Marine (5740) MS Tank O-ring
Starbright Tank O-ring
- 0-203 Pac Fab 1/2" x 66 7/8" Tank O-ring
- 0-204 Anthony (12382) Ditron Tank O-ring
- 0-205 Pac Fab 9/16" x 67 1/2" Tank O-ring
- 0-206 Pac Fab (273059) 2" Piston O-ring
- 0-207 Baker Hydro (00B7014) Valve Piston O-ring (3 Required)
Harmsco (551) Standpipe O-ring
Hayward® (GMX142Z2) Pump O-ring
Purex (07-0212) Valve Piston O-ring
Sta-Rite® (00B7014) Valve Piston O-ring
Swimquip™ (35515-0314) Q30 MK Adapt O-ring
- 0-208 Sta-Rite® (C21-2) Pump Diffuser O-ring
- 0-209 Sta-Rite® (C69-2) Pump Slinger (Replaces N69-1) Dura-Jet™

- 0-210 Sta-Rite® (C69-24) Dyna-Glas Slinger Pump/Dyna-Max/Dyna-Jet
- 0-211 Pac Fab (273012) Old Style 1½" Piston O-ring
- 0-211 Pac Fab (273160) New Style 1½" Piston O-ring
- 0-212 Swimrite (70-828-827) Large O-ring
- 0-213 Doughboy (308-1134) Pro X Series Backwash Valve Cap O-ring
- 0-213 Lomart-Prest Metals (53-044) Pro X Series Backwash Valve Cap O-ring
- 0-213 Swimrite (28-828-021) O-ring
- 0-214 Premier (31-713) O-ring
- 0-214 Swimrite (60-828-713) 7" SS Pump Lid O-ring
- 0-215 Baker Hydro (00B7013) Filter Lid O-ring (1969-1971)
- 0-215 Baker Hydro (00B7028) Baker II Clamp O-ring
- 0-215 Purex (70211) Gasket V-Band Lid
- 0-215 Sta-Rite® (00B7013) HRP36 Filter O-ring
- 0-216 Swimrite (28-828-668) Ref End Bell O-ring
- 0-217 Swimrite (60-828-713) 7" SS Pump Lid O-ring
- 0-218 American (392041) Eagle Pump Olympian T/M Filter Lid O-ring For Multiport Valve
- 0-218 Premier (P-13-6P) New Style Clear Lid O-ring
- 0-218 Sta-Rite® (U9-229) Dura-Glas Pump Lid O-ring-JW/PA Cap Series
- 0-219 Jacuzzi® (47-0020-01-R) Filtromat Series K O-ring
- 0-220 Doughboy (308-1013) Pump Discharge O-ring
- 0-220 Fischer-Porter (101W910U01) Chlorinator O-ring
- 0-220 Jacuzzi® (47-0022-09-R) PVM/DV35-15 HP Shaft Sleeve O-ring
- 0-222 Baker Hydro (301560) Old Spa Pak Pump Gasket
- 0-222 Hayward® (SPX1491B) Econo Union O-ring
- 0-222 Jacuzzi® (47-0129-01-R) Skimmer Mat O-ring
- 0-222 Marlow Mar-Dur 1/3-1 HP Diffuser O-ring
- 0-223 Jacuzzi® (47-0143-03-R) 2" Multiport Valve O-ring (After 8/1973) (39-0342-02) Assembly Dial Valve
- 0-223 Jandy® (6749) Cover O-ring SSV
- 0-223 Kingfeeder/Kingtech (122) Cap O-ring
- 0-224 Jacuzzi® (47-0144-02-R) 2" Multiport Valve O-ring (Before 8/1973)
- 0-224 Jandy® (R0337600/R0337601) Tailpiece/Header Coupling O-ring
- 0-225 Doughboy (308-1002) Lid Bushing O-ring 1400,1500
- 0-225 Hayward® (SPX0704HA) O-ring Only For O-483Kit
- 0-225 International Lower Piston O-ring
- 0-225 Jacuzzi® (47-0216-05-R) Venturi O-ring
- 0-225 Swimquip™ (14962-35) Small O-ring For Kit
- 0-225 Swimquip™ (35505-1228) Dial Valve O-ring
- 0-225 Swimrite Old Style Lower Piston O-ring
- 0-225V Fischer-Porter (101W721U01) Chlorinator Viton® O-ring
- 0-226 Jacuzzi® (47-0221-08-R) 4-Way Valve Body Disc O-ring
- 0-227 American Spacemaker Collector O-ring
- 0-227 Hyprime Small Impeller O-ring
- 0-227 Jacuzzi® (47-0222-07-R) Filter Valve O-ring
- 0-227 Jandy® (R0358800) Drain Plug O-ring Only CL Series/DEL Series
- 0-227 Jandy® (R0395500) Large Tank Drain Adapter O-ring CL Series/DEL Series
- 0-228 Aqua-Flo (92200270) Tub-Master FMCP Volute O-ring
- 0-228 Hayward® (SPX1082Z5B) Pump Housing O-ring (1986) Power-Flo SP1500UN Series
- 0-228 Jacuzzi® (47-0251-01-R) Lint Catcher U Pump O-ring
- 0-228 Martec/Sonfarrel (310-104) Booster Pump O-ring
- 0-228 Sta-Rite® (U9-114) Pump O-ring
- 0-228 Sta-Rite® (U9-167) PCD-10B Pump O-ring
- 0-228 Swimquip™ XL-VII Bracket To Valve O-ring
- 0-229 Ampro (300-6) Noryl® Pump Body O-ring
- 0-229 Doughboy (308-1137) Pro Pump Sealing Plate O-ring
- 0-229 Jacuzzi® (47-0264-06-R) 5-Way Valve O-ring
- 0-229 Jandy® (R0338700) HHP/HHPU Body O-ring
- 0-229 Lomart-Prest Metals (53-180) Pro Pump O-ring
- 0-229 Swimquip™ (05101-0002) Sun saver Light Housing O-ring (After 1999)
- 0-230 Jacuzzi® (47-0348-06-R) Pump & Filter Multiuse O-ring (Part Of O-514Kit)
- 0-230 Speck Pump (2921341250) O-ring Diffuser Model 93
- 0-230V Waterway™ (805-0348V) In Line Chlorinator Lid Viton® O-ring (New Style)
- 0-231 Doughboy (308-1125) Cyclops/Pro X Strainer Cover O-ring
- 0-231 Hayward® (SPX1500P) Power-Flo Pump Lid O-ring /Power-Flo II
- 0-231 Jacuzzi® (47-0354-07-R) U Series Pump O-ring
- 0-231 Leisure Bay (004036) Wet End Housing O-ring
- 0-231 Leisure Bay (303420) Hayward® Strainer Lid O-ring
- 0-231 Lomart-Prest Metals (53-159) Cyclops II/Pro X Strainer O-ring

- Pac Fab (354533) Dynamo Lid/Dyna-mite/Dynatron Housing O-ring
- Rec. Fac. Warehouse (303420) Strainer Lid O-Ring
- Rec. Fac. Warehouse (4036) Wet End Housing O-Ring
- Speck Pump (2921141215) Lid O-ring Model E90
- Sta-Rite®/Swimquip™ (35505-7430) Seal Plate O-ring Dura-Jet™
- 0-231V Hayward® (CLX200K) Chlorinator Viton® O-ring
- 0-232 American (51011900) Eclipse Filter-Top Mount O-ring/Meteor Filter (Before 4/1995)
- 0-232 Jacuzzi® (47-0359-02-R) Filter Valve O-ring
- 0-232 Jandy® (R0338900) HHP/HHPU/MHP/MHPU Pot Lid O-ring
- 0-232 King Tech (9926) Cap O-ring
- 0-232 Leisure Bay (002975) Fits All Large Cyclers Cap O-ring King Tech
- 0-232 Pac Fab (353525) Porpoise Filter Clear Lid O-ring
- 0-232V Kingfeeder (9920) Lid O-ring For Large In Ground Feeders #400/430/600/630/940/960/980/5400/5600 Viton®
- 0-233 Jacuzzi® (47-0370-07-R) 2" Multiport Valve Body O-ring-Dial Valve (39-0342-02) Assembly
- 0-234 Jacuzzi® (47-0433-02-R) Filtromat O-ring
- 0-235 Jacuzzi® (13-0301-01-R) Tank Clamp Gasket
- 0-235 Miami Products CF-52 16" Tank O-ring
- 0-236 Jacuzzi® (47-0442-01-R) H & L Strainer Pump O-ring
- 0-236 Jacuzzi® (47-0442-33-R) Light Lens O-ring
- 0-236 Sta-Rite® (U9-369) TBP Filter Valve Flange O-ring/(WC112-147) Tank Flange O-ring Waterford System Tank O-ring
- 0-236 Sta-Rite®/Swimquip™ (25200-0011) Tank Lid O-ring PRC Model Waterway™ (805-0442) Access Dome Cover O-ring Ultra Clean Pro Sand Filter/SmartClean Sand Filter
- 0-237 Hayward® (SPX1705Z1) Pump Housing Gasket/Power-Flo II
- 0-237 Jacuzzi® (47-0257-05-R) Separation Tank Support O-ring
- 0-237 Premier (31-162) Booster Pump Volute O-ring
- 0-239 Hayward® (SPX4000T) Seal Plate O-ring NorthStar™
- 0-239 Jacuzzi® (13-0220-09-R) Flange O-ring
- 0-239 Jacuzzi® (47-0448-05-R) O-ring
- 0-239 Sta-Rite® (WC9-3) Cartridge Filter Tank O-ring Posi-Flo Separation Tank
- 0-239 Swimquip™ (35505-1365) O-ring
- 0-240 American (39006000) Ultra-Flow® Pump Volute O-ring
- 0-240 Aqua-Flo (92200180) Dominator Seal Plate O-ring
- 0-240 Hayward® (CX900F) Star-Clear Plus Filter Head O-ring
- 0-240 Martec/Sonfarrel (320-110) Pool Master Housing O-ring
- 0-240 Premier (31-358) Volute O-ring
- 0-240 Sta-Rite® (U9-228) Dura-Glas Pump Clamp O-ring Maxi-Glas
- 0-240 Swimquip™ (35505-0422) Seal Plate Housing O-ring
- 0-241 Baker Hydro (15B0100) U Cup Filter Gasket (After 1972)
- 0-241 Purex (10282/07-0107) (15B0100) U-Cup Lid Gasket
- 0-242 Caretaker (1-13-01) Large Body O-ring Floor Cleaner System (Part Of O-516Kit)
- 0-242 Speck Pump (2926241210) Casing O-ring Model 93
- 0-242 Swimquip™ (35505-1281) Skimmer O-ring
- 0-243 American Air Relief Valve O-ring
- 0-243 Blue White (C-350) 326 Check Ball O-ring
- 0-243 Jacuzzi® (47-0008-07-R) O-ring
- 0-243 Jacuzzi® (47-0080-76-R) O-ring
- 0-243 Jandy® (R0375800) Ray Vac Latch O-ring 008
- 0-243 Marine (1666) Thermometer O-ring
- 0-243 Swimquip™ (35505-1009) F/P Hydro Val Inlet O-ring
- 0-243V Advance (OV-11-008) Chlorinator Viton® O-ring
- 0-243 Regal (S-302) Chlorinator Chlorinator Viton® O-ring
- 0-243 Wallace & Tiernan (30343) Chlorinator Viton® O-ring
- 0-244 American (39006600) Ultra-Flow® Pump Diffuser O-ring
- 0-244 Doughboy (308-1227) O-ring PPIII
- 0-244 Jandy® (R0452100/R0449200) Universal Union 3 Port Cell O-ring Only
- 0-244 Lasco (80231) O-ring
- 0-244 Sta-Rite® (U9-362) Side Mount WC212-1438, 144P, 138B, S7M120, S8M150 Valve O-ring
- 0-244 Swimquip™ (35505-1245) Turbo Clean Head O-ring
- 0-244 Tesco M/A Feeder Cap O-ring
- 0-245 Hayward® (SPX0735H) Ball Valve Connector O-ring
- 0-245 Swimquip™ (14930-32) Duetta Plastic Slide Valve/Large Index Plate O-ring (Part Of O-511Kit)
- 0-245 Swimquip™ (35505-1246) Turbo Clean Head O-ring-Plastic Valve
- 0-245 Swimquip™ (35505-7438) System 3 Bulkhead Assembly O-Ring

- Waterway™ (805-0232) Union Assembly 2 1/2" O-ring/Crystal Water DE Cartridge Filter (2)
- 0-246 American (79207100) HiLite® O-ring
American (52000100) Eclipse Filter Bulkhead O-ring
American (79128900) O-Ring (EP 40)
Hayward® (SX360Z1) Micro Clear & Pro Series Bulkhead O-ring (1996-Present) /Super Star-Clear/Pro Series Plus
Jandy® (R0358200) DEL Series Bulkhead Assembly O-ring Only
Swimquip™ (35505-1323) Roto Trol Valve O-ring
- 0-247 Swimquip™ (35505-1121) Dial Valve O-ring
Jandy® (R0552000) Large O-ring Only For Tank Adapter Kit
Pentair (98209800) Air Relief Valve Stem O-Ring (O-538KIT)
- 0-248 American/Pentair (51016200) 2 & 3 Directional Port Valve O-ring
Pentair (263042Z) O-ring Only For Check Valve Assembly
Polaris (E-30) Backup Valve Case O-ring (Prior to 1986)
Purex (P-60882/07-2549) Liftlock Mixing Valve O-Ring/Ortega Motor Box O-Ring
Swimquip™ (35505-0198) 3 Port Actuator O-ring
- 0-249 Swimquip™ (35505-1007) FPS Hydro Val Inlet O-ring
Waterway™ 75/125/200 Sq. Ft. Filter Bleeder Valve O-ring
- 0-249V Advance (OV-11-006) Chlorinator Viton® O-ring
Fischer-Porter (101W701U01) Chlorinator Viton® O-ring
Regal (S-301) Chlorinator Viton® O-ring
Wallace & Tiernan (24161) Chlorinator Viton® O-ring
- 0-250 Tiara Spa (H-301) Upper Case Widget O-ring
- 0-250V Kingfeeder (PPG3008/3012) Feeder Lid O-ring V for Viton®
- 0-251 Arneson/Poolswep (W-430/W-434) Leaf Canister O-ring
Tiara Spa (H-301) Lower Case O-ring
- 0-252 Anthony Old Style 1 1/2" Piston O-ring
Blue Haven 1 1/2" Old Style Piston O-ring
- 0-253 Ampro 900-9S, 900-8S & 900-7S Small Spool O-ring
Blue White (C-502) Tube Adapter O-ring
Jacuzzi® (47-0013-00-R) MFM Filter Bottom Drain O-ring
- 0-253V Fischer-Porter (101W901U01) Chlorinator Viton® O-ring
Wallace & Tiernan (38437) Chlorinator Viton® O-ring
- 0-254V Mec-O-Matic (88004-73) HJ & Barracuda Kit Viton®
- 0-255 Baker Hydro (254760) Old Style Spa Pak Pump Gasket
Hayward® (DEX360M) DE 7200 Filter Small Radius Connector O-ring/Swim Clear/Super Star-Clear
Marlow Mar-Dur 1 1/2 - 2 HP Diffuser O-ring
Purex (P-24125/07-1432) 2" Valve Cap O-ring
- 0-256 Diaclear (8256-11) ES-7 Gorman Rupp O-ring
Doughboy (308-1010) Pump O-ring
- 0-257 American (421612) Power Glas Volute O-ring
Aqua-Flo (FF-11)/(92200090) Flo-Master Volute O-ring
Diaclear (C-10139) MS-16 & MS-18 Cover O-ring
Pac Fab (352626) Hydropump Backwash Valve O-ring
Premier (31-158) Volute O-ring
- 0-258 Diaclear (C-10146) MS-12-18 O-ring For C10145
Hayward® (HCXP6025A) Strainer Body O-ring
- 0-260 Marlow (28219) 3B-28EC-C1 6" Cover Gasket
- 0-261 Marlow All AF Pump Cover Gasket
- 0-262 Marlow AF 1-2 HP Pump Diffuser Gasket
- 0-263 Hayward® (GMX600F) Valve To Filter Lid O-ring Pro Series-S144T/Pressure Test O-ring For NorthStar™/Max-Flo II/Pro Series Plus/S245/S190T
Jacuzzi® (47-0464-04-R) 2" Praher DV Cover O-ring
Jacuzzi® (47-0364-05-R) 2" Dial Valve (39-0342-02) Assembly O-ring
Jacuzzi® (47-0364-47-R) Magnum Energy Efficient /Standard Hi-Hd Hi-Flo 2SP Pump Housing O-ring-2" Dial Valve Cover O-ring (39-0342-02) Assembly
Marlow (4480200) Argonaut Bracket O-ring
- 0-264 Baker Hydro (39404-0) Old Spa Pak Pump Gasket
Jacuzzi® (47-0466-02-R) P, ERC, RC, RTC Square Ring-Case Assembly O-ring PH
Marlow (39404) Mar-Dur 1 1/2" & 2" Cover Gasket
- 0-265 Baker Hydro (37482-0) Old Spa Pak Pump Gasket
Marlow (37482) Mar-Dur Pump Seal Plate Gasket
- 0-266 Baker Hydro (37478-0) Old Spa Pak Pump Gasket

- Jacuzzi® (47-0248-56-R) Dial Valve Square Ring
- 0-267 Marlow (39478) Mar-Dur 1/3-1 HP Pump Cover Gasket
Baker Hydro (37479-0) Old Spa Pak Pump Gasket
Marlow (37479) All Mar-Dur Pot Tank Gasket
- 0-268 American (52000500) Eclipse Side/Top Mount Lid O-ring
Gold Marc/Hayward® Model 181 & 241 Cover O-ring
- 0-269 Marlow (30156) 1/2 & 1/3 HP H Pump Diffuser Gasket
- 0-270 Marlow (25476) 3/4 & 1 1/2 HP H Pump Diffuser Gasket
- 0-271 Baker Hydro (00B7015) Piston O-ring Kit
Baker Hydro (31B0024) Piston O-ring Kit
Purex (10330/70155) 31B0024 BH Valve O-ring Kit
Sta-Rite® (31B0024) Rep Kit O-ring-Slide Valve
- 0-273 Harmsco (552) Holding Rod O-ring
Waterway™ 75/125/200 Sq. Ft. Filter Water Release O-ring
Waterway™ (805-0215) DE Filter Knob O-ring
- 0-274 Mec-O-Matic (66-12013) Feeder V Black O-ring
- 0-275 Hayward® (SPX0724G) End Connector O-ring
Jandy® (R0558705) Diffuser O-ring JHP 3 HP
- 0-276 Advance (OV-11-212) Chlorinator O-ring
American (50141400) 1 1/2" T/M Series Multiport Valve O-ring
American (50151900) 5 & 8 Position Valve Rotor O-ring
American (51002600) Multiport Valve Rotor O-ring
American (51017700) 1 1/2" & 2" T/M Slip Multiport Valve O-ring
Hayward® (SPX0735G) Valve Stem O-ring
Jacuzzi® (47-0212-09-R) RM2, RM3 S/W Injectors 2" Dial Valve Head O-ring
Jacuzzi® (47-0465-03-R) Dial Valve Diverter O-ring
Muskin (037-3435) Pump FP O-ring
Pac Fab (SP735-G) Multiport Valve Shaft Seal O-ring (Part Of O-519Kit) (Part Of O-520Kit)
Pac Fab (191479) Star DE Filter O-ring
Pac Fab (271162) 1 1/2" & 2" Valve Stem O-ring
Sta-Rite®/Swimquip™ (14971-SM10E10) 1 1/2" Multiport Valve Stem O-ring
Wallace & Tiernan (46129) Chlorinator O-ring
- 0-277 American (51018300) 2" Multiport Valve Threaded Lid O-ring
Ampro (200-3) Lexan Pump Body O-ring
Aqua-Flo (CF-11) C Series Volute O-ring
Aqua-Flo (92200050) C Series Volute O-ring
Hayward® (SPX0715Z1) 2" Multiport Valve Lid O-ring
Purex (P-24301/07-1447) PA Pump Volute O-ring
- 0-278 Alden Leeds Divert-o-trol Lid O-ring
Jacuzzi® (47-0353-08-R) L Series O-ring (47-0353-40) (12/1986) For Lid
Jacuzzi® (47-0353-40-R) EP Pump Lid O-ring SLPH & SLTPH, L Series, U Series
Purex (07-5848) RP/RPF/APF/R Series 400/401/500/501 Diffuser O-ring
- 0-279 Diaclear (C46222) MS 12-18 Channel Gasket
- 0-280 Miami Products FG-18 & FG-24 24" Lid O-ring
- 0-281 Jandy® (2614) Energy Filter Bowl O-ring
John Mansville JM & Amitek Filter O-ring
Waterway™ (805-0241B) TruSeal 3" Check Valve O-Ring
- 0-282 Anthony New Style Piston O-ring
Coleco (33236) Strainer Inlet O-ring
Doughboy (308-1061) Dynaflo Basket Port O-ring
Jacuzzi® (47-0218-11-R) NAC Series Air Control Knob O-ring
Jacuzzi® (47-0218-45-R) AC-2 Air Control Knob O-ring
Plasticline 3/4" Union O-ring
- 0-283 Astral (722R0840030) Center Cap O-ring
Coleco (33235) Cover O-ring
Pac Fab (154005) Triton C3 Spacer O-ring
Rainbow (R172009) Lifeguard Cartridge Lid O-ring
Sta-Rite®/Swimquip™ (35505-1332) O-ring
Sta-Rite®/Swimquip™ (35505-1425) System 3 Sand Tank Fitting O-ring-DE Filter/Modular Media Bulk Head Fitting (2 Required) System 2
- 0-283V Rainbow (R172009) Lifeguard Chlorinator Lid O-ring Viton®/Standard & Hi Sq. Ft. Module Filter Cap O-ring
- 0-284 Jandy® (R0586300) Tri-Lobe O-ring for Nature2®
Hayward® (SPX200Z6) Sand Filter Lid O-ring /S240/S200/S160T
Jacuzzi® (47-6663-02-R) Cygnet Seal Plate O-ring
Pac Fab (275333) TA100D Valve Body O-ring-Tagelus
Speck Pump (2921641223) Casing O-ring Model E91

- O-285 Sta-Rite® (C20-97) Gasket Volute
American (47062800/350103) Luxury Spa Fitting O-ring, Luxury Swirl Jet O-ring
Diaclear (DP46350) Slide Valve Cover O-ring
Starbright Skim Filter Manifold O-ring
- O-286 American (39101600) Americana® II Power-Glas Body O-ring
International Manifold O-ring
Pac Fab (191517/350103) Center Pipe O-ring Star Polymeric Filter/Shaft O-ring
Opti-Flo
- O-287 Aqua-Flo (FF 12-1)/(92200110) Flo-Master Suction O-ring
Caretaker (1-13-2) Internal Seal Plate O-ring Floor Cleaner System
(Part Of O-516Kit)
Jacuzzi® (47-0225-04-R) Union Hose Assembly O-ring Laser
Marine (1560) Deck Filter Manifold O-ring
Pac Fab (155064) TA30/35/40/50/60 Tagelus/Star Stand Pipe O-ring
Premier (33-229) Pump O-ring Set & 1½" Tailpiece O-ring (For Kit O-287
& O-301)
Purex (P-24219/71440) JT O-ring
Sta-Rite® (U9-269) FCP Filter Drain O-Ring
Swimquip™ (24700-0413) Plug O-ring Only High Rate Sand Filter
Swimquip™ (35505-1238) FCP Cartridge Drain Plug O-ring
- O-288 American (550067) Sahara Sandpiper Filter Drain O-ring
American (570068) Eclipse Side Mount Air Relief O-ring
Electrofeed 25-A-Fitting O-ring
Hayward® (CX900H) Star Clear Plus Locking Knob O-ring
Hustler (A211) Large O-ring
Jacuzzi® (47-0211-00-R) JY Tail Brg
Leisure Bay (111902) Drain O-ring 93 Model Waterway™
Pentair (98209800) Air Relief Valve Body O-ring (O-538KIT)
Swimquip™ (35505-1223) 2" Valve Shaft Seal O-ring
Waterway™ (711-1930) 50/100/150 Sq. Ft. Filter Drain Plug O-ring
Waterway™ (805-0117SD) DE Filter Plug Air Bleed Valve O-ring Cartridge
Filter Air Relief O-ring/Drain O-ring 93 Model/Crystal/Smart-Clean
- O-288V Fischer-Porter (101W716U01) Chlorinator Viton® O-ring
- O-289 Swimrite (28-828-689) Marathon Filter O-ring
- O-290 Harmsco (550) 11" Rim Gasket
- O-291 Harmsco (701) 6 ½" Rim Gasket
- O-292 Pac Fab (313225) 11" Mitra Separation Tank O-ring
- O-293 Anthony (17433) 18" Tank O-ring
Purex (P-24215/07-1437) CF-100 Tank O-ring
- O-294 Lomart-Prest Metals (53-015) Tank Gasket
- O-296 Lomart-Prest Metals (53-014) Tank Gasket
- O-297 Doughboy (308-1141) Filter Tank O-ring
Lomart-Prest Metals (53-097) Filter Tank O-ring
- O-298 Lomart-Prest Metals (53-074) Tank Gasket
- O-299 Aqua-Flo (92200290) XP-DII Series Volute O-ring
Doughboy (308-1124) Cyclops Mark 5 O-ring
Hayward® (SPX1580Z1) Power-Flo Housing O-ring
Jacuzzi® (47-0258-04-R) O-ring
Kingfeeder/Kingtech (942) Performax Feeder Body O-ring (Prior to 1991)
Lomart-Prest Metals (53-132) Cyclops Mark 5 O-ring
Polaris (P-95) Pump Volute O-ring
Premier (35-162) Volute O-ring
Purex (P-24103/07-1427) Aquatron Pump Backwash Valve O-ring
Swimquip™ (35505-1275) WC112-147 Multiport Valve Cover O-ring
- O-300 American (39501300) American Pump Seal Plate O-ring (After 7/1975)
- O-301 American (57008200) Admiral Twin Port Skimmer S20 Equalizer O-ring
Aqua-Flo (FF-12/92200100) Flo-Master Suction O-ring
Doughboy (308-1008) Valve Body O-ring
Hydro Air (10-3469) 1 ½" & 2" Union O-ring
Jacuzzi® (47-0229-00-R) 2" Dial Valve Bottom Only O-ring
Jacuzzi® (47-0467-01-R) Dial Valve O-ring
Martec/Sonfarrel (700-038) Tail 2" O-ring
Pac Fab (355330) Challenger Pump Strainer Pot Flange O-ring
(Std Pipe TA100D) NS/CH Base Kit-Waterfall Pump /Equalizer O-ring
for Admiral Skimmer
Premier Large & Spa II O-ring
Premier (25-229) 2" Tailpiece O-ring (For Kit O-301 & O-287)
Regal (S-409) Chlorinator O-ring

- Swimquip™ (35505-1243) Standard Pipe O-ring for 2" Multiport Valve
Waterway™ (805-0229) 2" Heater O-ring
- O-302 American (39000400) Power Pump Lid O-ring
Jacuzzi® UL5B Clear Lid O-ring
Jacuzzi® (47-0434-01-R) Magnum Pump Lid O-ring (Prior To 7/1989)
(Effective 4/29/1992) Laser Tank Adapter Valve Flange O-ring
Pac Fab (352600) New Style 700 Pump O-ring
Pac Fab (353525) New Style Pump Clear Lid O-ring
Pac Fab (355332) New Style Challenger Pump Lid O-ring-Waterfall Pump
- O-303 Aqua-Flo (FF-14-02) Seal Cup O-ring
Doughboy (308-1003) Manifold Bearing O-ring
Doughboy (308-1040) Backplate O-ring-PPII Insulator
Hayward® (SPX1500M) SF400 Drain Valve Small Valve O-ring
Muskin (037-3406) Spider O-ring
- O-304 Doughboy (308-1014) 1141, 1162, MY185 Cartridge O-ring
Purex (P-24263/07-1445) Whisper Flo® Seal Plate O-ring
- O-305 Hayward® (CX250F) Cartridge Filter Tank O-ring Star-Clear
- O-306 Doughboy (308-1000) MY-220 Pump & Tank Gasket/387-1001
V-BandClip-1400-1500
Muskin (037-3434) 16" Tank Ring
- O-307 Doughboy (308-1012) 1110D Tank Cover O-ring
Jacuzzi® (47-0161-00-R) DA1A-DA1B Case O-ring
- O-308 Muskin (037-3403) Tank Gasket
- O-309 Ampro (1403) Cover Gasket
Muskin (037-3424) 14" Tank Lid O-ring
- O-311 Coleco (31953) Cartridge Gasket
- O-313 Gould Old Style Turbo Valve O-ring
- O-314 Marine (7650-3) 6 ¾" Pump Lid O-ring
- O-315 Ampro (900) Backwash O-ring
Ampro (900-7/8) Small Spool O-ring
Swimquip™ (35505-1423) System 3 Sand Adapt O-ring-DE Filter
Pentair (471550) O-Ring
- O-315V Pentair (471551) Viton® O-Ring
- O-316 South Pacific Old Style Lid O-ring-White
- O-317 South Pacific New Style Lid O-ring-Brown
- O-318 Leisure Bay (111863) 48 Frame Strainer Cover O-ring Wet End
Pac Fab (350013) WhisperFlo AQ/WFE Cover O-ring/Challenger Lid
O-ring (After 11/1998)
Pac Fab (355332) Old Style Challenger/Pinnacle Pump Lid O-ring
Pac Fab (352600) Old Style 700 Pump Lid O-ring
Pentair (350013) Pot Flange O-ring EQ Series
Swimquip™ XL-VII H & L Pot O-ring
Waterway™ (8050436) 48 Frame Pump Lid O-ring/Mustang/Workhorse
6" Trap O-ring/Hi Flo Side/Center Discharge/Champion/Workman
Waterway™ (319-4100B) O-ring ONLY for 6" Trap Champion/PD/SMF
Waterway™ (1110863) 75/125/200 Cyclone Lid O-ring
- O-319 American (57011300) Commander II (In Line) Cartridge Filter Seal Drain O-ring
Purex (P-62030/07-2553) 1½" Ortega Valve Cover O-ring
Sta-Rite® (U9-239) Pump O-ring
- O-320 Purex (P-62034/07-2554) 2" Ortega Valve Cover O-ring(Part Of O-517Kit)
Sta-Rite® (U9-240) Pump O-ring
- O-321 Hayward® (SPX0727K) Diverter Valve Cover O-ring
Kingfeeder/Kingtech (740-722) Basket O-ring
Purex (P-26136/07-2557) Ortega Valve Equalize O-ring
Speck Pump (2920241220) Union O-ring 1 1/2" Slip Model
S90/98/E90/E91
Waterway™ (805-0136) Clearwater II Cartridge Filter Air Relief O-ring
- O-322 American (51018600) 2" Multiport Valve Threaded Spider Gasket
Hayward® (SPX0715D) 2" Valve Seat Gasket
Pac Fab (SP-715-D) 2" Valve Gasket
- O-323 Sta-Rite® (U9-259) Separation Tank O-ring
- O-324 American (85015100) S-20 Skimmer Bottom O-ring
- O-325 American (51013500) ABS Valve Body Cap, Sandpiper 18" & 24"
(Before 1/1/1990) Caribe / Titan 133,184,368 / Union O-ring /
Push Pull Valve Cap O-ring American Titan Manifold O-ring
Baker Hydro Valve Coupler O-ring
Baker Hydro (00B7001) Bulkhead Fitting O-ring (Prior to 1981)

<p>Pac Fab Nautilus Manifold O-ring Pac Fab PVC Backwash Valve Cap O-ring Pac Fab RPZ Pot To Volute O-ring Pac Fab Mark Series Center Pipe O-ring Pac Fab (192300) Mytilus Connector & Bulk O-ring Purex CHD Spin Collection O-ring Purex (07-0238) Bulkhead O-ring Swimquip™ DEP83 Valve Adapter O-ring 0-326 American (43216000) Super-Flo II Cartridge Filter Knob O-ring American (57006700) Commander Knob Seal O-ring Regal (S-406) Chlorinator O-ring 0-327 Conger Brothers Mini Air Control O-ring Hayward® (CX250Z7) Cartridge Filter Locking Ring Star-Clear /Star-Clear II Kingfeeder/Kingtech Cam O-ring 0-328 Baker Hydro (00B7026) Newport Sand Filter Valve Tank O-ring Hayward® (AX6060S) Turbo/Viper Booster Pump Volute O-ring Jacuzzi® (47-0262-08-R) Deckmate Float Valve O-ring Jacuzzi® (94-1100-38-R) Float Valve O-ring Deckmate Pac Fab (516244) Float Valve Large O-ring 0-329 American (39702800) Bronze/Noryl® Seal Plate O-ring/Commander II Filter Premier (31-159) Volute O-ring Wet Pump Seal Plate O-ring 0-329V Kingfeeder/Kingtech (992) Performax Body O-ring Viton®, Replaces (942) 0-330 American (39200300) Eagle Pump Plate To Volute O-ring/Olympian Filter Lid O-ring Ameson/Hayward® (W-542) Leaf Canister O-ring Baker Hydro (17B1087) 25 Sq. Ft. Filter Lid O-ring Hayward® (AXW542) Leaf Canister O-ring For W530/W560 Hayward® (CX120D) Cartridge Filter Lid O-ring Micro Star Clear Jacuzzi® (47-0360-09-R) CFT, CFR Filter Lid O-ring Jandy® (R0558800) PHP Series Pot Lid O-ring Lomart-Prest Metals (53-200) Pro Pump Cover O-ring Rainbow (R172223) 25 Sq. Ft. Filter Lid O-ring Dynamic Series I/II/III-Bromine Dispenser Housing O-ring Rainbow (R172240) High Capacity Auto Feeder Housing Lid O-ring/ Model HC3315/3330/3340 Rec Factory Warehouse (1135) Lid O-ring For 35 Sq. Ft. Filter Swimquip™ (16920-12) XL-VII Pump Lid O-ring Waterway™ (805-0360) Inline Top Load Filter Head O-ring/TWM Filter Pack Lid O-ring 1 1/2" & 2" 0-332 Jacuzzi® (47-0258-61-R) L Series Pump Square Ring (Prior to 5/1988) Jacuzzi® (47-0463-05-R) P Pump Square Seal O-ring 0-333 Purex (P-24218/07-1439) SM/SMBW 4000 Series Lid O-ring 0-334 Swimquip™ (24753-5) DEP-25, 72, 108, 216, Cartridge Filter Fits 16" Fiberglass Tank O-ring 0-335 Sta-Rite® (U9-175) Separation Tank O-ring 0-336 Hayward® (SPX0714L) Vari Flo XL Valve Cover O-ring Jacuzzi® (47-0358-03-R) Magnum Pump Lid O-ring (After 7/1989) R, P, PC, UP Series Martec/Sonfarrel (201-004) Filter Body O-ring Pac Fab (354053) 700 Glas Pump Lid Multiport Valve Top O-ring Swimquip™ (35505-1409) Skimmer Lid O-ring Swimquip™ (35505-1438) Seal Plate O-ring ABG Series WMC (JS-1903) JS Series Cover O-ring 0-337 Pac Fab (152235) PF-100 16" Tank O-ring 0-338 Jacuzzi® (13-0417-02-R) C/F Filter Cover O-ring 0-339 Hayward® (SX160Z1) Sand Filter Tank O-ring/S160T 0-340 Hayward® (SX240Z1) Sand Filter Tank O-ring/S240 0-341 Hayward® (SPX1485C) Sand Filter Elbow O-ring/S240 Hayward® (SPX1485G) Sand Filter Compression Gasket (1987)/Pro Series/ S240/S200 0-342 American (57007300) Commander Tank O-ring Sta-Rite® (WC9-11) Cartridge Filter Seal O-ring 0-343 American (87300400) Predator™/Warrior®/Clean & Clear® Filter Body O-ring Sta-Rite® (U9-200) PLBC Tank O-ring Sta-Rite® (U9-389) PLBC Tank O-ring Sta-Rite® (U9-399) PLBC Tank O-ring</p>	<p>0-344 American (79108500) Spa Light Lens Gasket for SpaBrite/AquaLight®/ Spectrum – Silicone American (79108600) AquaLight® Gasket SpaBrite - Silicone 0-345 American (51001300) Multiport Valve Shaft PTFE Ring 0-346 Wallace & Tiernan (44121) Chlorinator O-ring 0-347V Wallace & Tiernan (45336) Chlorinator Viton® O-ring 0-348V Advance (OV-11-009) Chlorinator Viton® O-ring Fischer-Porter (101W704U01) Chlorinator Viton® O-ring Regal (S-401) Chlorinator Viton® O-ring Wallace & Tiernan (33051) Chlorinator Viton® O-ring Wallace & Tiernan (44119) Chlorinator Viton® O-ring 0-349V Advance (OV-11-011) Chlorinator Viton® O-ring Fischer-Porter (101W706U01) Chlorinator Viton® O-ring Regal (S-402) Chlorinator Viton® O-ring Wallace & Tiernan (26234) Chlorinator Viton® O-ring 0-350 American (470642) Titan CM Lid, Quantum CM Filter O-ring 0-350V American (470642) Titan CM Lid, Quantum CM Filter O-ring Viton® Fischer-Porter (101W903U01) Chlorinator Viton® O-ring 0-351V Fischer-Porter (101W905U01) Chlorinator Viton® O-ring 0-352V Fischer-Porter (101W918U01) Chlorinator Viton® O-ring Wallace & Tiernan (40040) Chlorinator Viton® O-ring Waterway™ (805-0118V) Dial Stem O-ring Above Ground In Line Chlorinator Viton® 0-354V Fischer-Porter (101W920U01) Chlorinator Viton® O-ring 0-355V Advance (OV-11-203) Chlorinator Viton® O-ring Kingfeeder/Kingtech (943) Performax Drain Plug O-ring Viton® Regal (S-412) Chlorinator Viton® O-ring 0-356V Advance (OV-11-210) Chlorinator Viton® O-ring Fischer-Porter (101W715U01) Chlorinator Viton® O-ring Wallace & Tiernan (26822) Chlorinator Viton® O-ring 0-357V Fischer-Porter (101W718U01) Chlorinator Viton® O-ring Wallace & Tiernan (44045) Chlorinator Viton® O-ring Wallace & Tiernan (5745) Chlorinator Viton® O-ring 0-358 Compool/Pac Fab (270197Z) End Cap O-ring Full Flo XP Backwash Valve (2 Required) Tiara Spa (F-35) Pure Water Feeder Lid O-ring Wallace & Tiernan (34497) Chlorinator O-ring 0-359 Fischer-Porter (101W816U01) Chlorinator O-ring Pentair (355227) Diffuser O-ring WhisperFlo WFE for Intelliflo VF VS & SVRS Pump Purex (P-24262/07-1444) WhisperFlo Diffuser O-ring Waterway™ (805-0238) SVL56 Diffuser O-ring Tailpiece 0-360 Hayward® (SPX0735P2) PTFE Ball Seal Jacuzzi® (47-0126-04-R) DB3 20 HP Shaft Sleeve O-ring Regal (S-407) Chlorinator O-ring 0-361 Regal (S-408) Chlorinator O-ring 0-362 Hydro Air Air Control O-ring Lomart-Prest Metals (53-075) Tube O-ring Regal (S-413) Chlorinator O-ring Swimquip™ (41301-0145) CL90/91L Chlorinator Control Dial O-ring 0-362V Waterway™ (805-0124V) Dial Stem O-ring Above Ground In Line Chlorinator Viton® 0-363 Hayward® (SPX200Z14) Sand Filter Drain Pipe O-ring (After 1980) New Dome/S240/S160T/S245/S190T Jacuzzi® Plastic Multiport Valve Stem O-ring Regal (S-405) Chlorinator O-ring Sta-Rite® (U9-370) Lateral O-ring Sand Filter T150/170/200/240/BP1 Sta-Rite® (U9-370) Gas Orifice O-ring (Replaces 35505-1159) Model SCR 0-364 Fischer-Porter (101W814U01) Chlorinator O-ring Jandy® (2300) Porpoise Hydro Timer Case O-ring 0-365 Sta-Rite® (WC-298-88) PVC Valve Rep Parts (3 Required) 0-366 Hayward® (CX800F) 800 & 1100 Cartridge Lid O-ring Star-Clear II 0-367 Swimquip™ Dial Valve O-ring Swimquip™ (14962-35) Large O-ring For Kit Swimquip™ (35505-1272) Valve Lid O-ring 0-368 American (50141500) 1 1/2" T/M Series Lid O-ring Multiport Valve Doughboy (308-1005) 3/4 HP Pump O-ring-PP1 Hayward® (SPX0710XZ5) Matrix® Housing O-ring Sta-Rite® (U9-243) Cover O-ring WC Model Valve WC212-150P/150PA</p>
---	--

- 0-370 Jacuzzi® (47-0331-05-R) 2" Union Adapter O-ring
Speck Pump (2920741271) O-ring Strainer Tank Model 433
Swimquip™ (14930-33) Duetta Plastic Slide Valve Piston, Unित्रol Valve
O-ring (Part Of 0-511Kit)
Swimquip™ (35505-1318) 2" Piston Plastic Slide Valve O-ring
- 0-371 American (51005600) Small Separation Tank O-ring
Marine (99-8088-5) Small Separation Tank O-ring
- 0-377 Swimquip™ (24700-74) Tank O-ring
- 0-378 Premier (25-311) Pump Lid O-ring
- 0-381 Marine (6245) Sand Filter Tank O-ring
- 0-383 Muskin (037-3430) 20" Tank O-ring
- 0-384 Hayward® (GMX400F) Valve To Tank Lid O-ring
- 0-385 Hayward® (GMX600FST) Filter/Valve Threaded Lid O-ring
Universal Skid Pack Filter Tank O-ring
- 0-386 Doughboy (308-1041) Strainer Body O-ring
- 0-387 Doughboy (308-1035) O-ring/Inverted "U" Cup Seal 1650
- 0-388 Doughboy (308-1136) O-ring Seal Selector Shaft 1650
- 0-389 American (51001000) Multiport Valve Lid New Style Quad Ring
- 0-390 Aqua-Flo (92200160) Clear Flo Handle O-ring
Jacuzzi® (47-0213-08-R) RM2, RM3, RMST S/W Injectors
Purex (P-24195/07-1434) Noryl® Rotor Shaft O-ring
- 0-391 American (57007800) Commander Center Rod O-ring
Baker Hydro Newport Valve Shaft O-ring
Hayward® Center Rod O-ring
Waterway™ (805-0206) Crystal Water De Filter Slide Valve Top Mount
O-ring (2 Required)
- 0-392 American (51008400) 6 Spoke Spider Gasket (Prior to 1976)
- 0-392A American (51008400) 5 Spoke Spider Gasket (After 1976)
- 0-393 Jacuzzi® (47-0268-02-R) PM/TMC Filter Lid/39-1619-06 Assembly
O-ring/Dial Valve
Polaris (P-85) Seal Plate O-ring
Purex (P-24306/07-1448) Tahitian Filter Neck O-ring
Waterway™ (805-0268) Seal Plate Booster Pump O-ring
- 0-394 Swimquip™ (24240-4) Cobra & Falcon Body O-ring
- 0-395 Jacuzzi® (47-0036-03-R) Pump Case Union O-ring
Pac Fab (35-5030) Challenger/Pinnacle Medium Head Diffuser O-ring
Swimquip™ (35515-1297) DEP 25/HRP 16 Quad Ring Valve Connector
CFP Cartridge Filter
- 0-396 Kingfeeder/Kingtech (119) Old Style Cap O-ring
- 0-397 Anthony (11027) Sweep Conversion Kit O-ring
WMC (JS-1571) JS Series Knob O-ring
- 0-398 Hayward® (SPX0605Z2) Star-Clear Plus Drain Plug O-ring/Stem O-ring
Marine Old Style Crank O-ring
Pac Fab (272511) 1 1/2" Diverter Shaft O-ring
Swimquip™ (77707-0117) Natural/LP Gas Coil/Tubesheet Sealing O-ring
Model SR SRC 200 Series (6 Required)
- 0-399 Muskin Valve Seat X Ring
- 0-400 American (39101500) Americana® II/Maxim™ O-ring
Homelite (62772) O-ring
Purex (P-24002/07-1418) JT Adapter O-ring
- 0-401 American (39101700) Americana® II Lid O-ring
- 0-402 Coleco (33221) Pump O-ring
Speck Pump (2921141210) Lid O-ring Model 90/S90
Sta-Rite® (U9-357) JS, JT, JSX O-ring-JW Series
- 0-403 Anthony (17791) 1½" Plastic Backwash Valve Stem O-ring
Hayward® (AX5010G10) Wall Quick Connect O-ring For Phantom/Viper
Polaris (6-505-00) UWF/QD O-ring
Swimquip™ (35505-1401) Index Plate & Piston Plastic Pucks O-ring
- 0-404 Muskin (037-3417) Body O-ring
- 0-405 Helder (12883-03) Dynapure DP Tank O-ring
- 0-406 Hayward® (SPX0550Z2) Starlight II Lens Gasket
- 0-407 Hydrel (8092-S) Lens Gasket
Swimquip™ (05601-0005) Lens Gasket Sunlite Pool Light
Swimquip™ (05601-0014) Lens Gasket Sunlite LTC Light
- 0-408 Aladdin Vac Master Lid O-ring
Doughboy (308-1064) Pot To Volute O-ring
Hayward® (GMX142C8) O-ring
Premier (550) Noryl® Bracket O-ring
- 0-409 Pac Fab (192320) Bulkhead O-ring-Nautlius-FNS-TR100C & TR140C/
O-ring Upper Bulkhead Clean & Clear®

- 0-410 American (23502000) O-Ring (SOSH FO)
Doughboy (308-1153) Tube Support O-ring
Jacuzzi® (47-0122-08-R) S/W Injector O-ring
Lomart-Prest Metals (53-101) Tube Support O-ring
- 0-411 Jacuzzi® (47-0355-06-R) Sandtrap Filter Lid O-ring W/ Jacuzzi®
1 ½" Valve-RMST24, ST27/33
Jacuzzi® (47-0355-16R) DV6 1 1/2" Valve O-ring
Jacuzzi® (47-0355-48-R) L & PH Series O-ring/LH & LTH, LPH, LPC, LTPH
- 0-412 Doughboy (308-1075) O-ring
- 0-413 Jacuzzi® (47-0380-47-R) CFT, CFR Filter Lid O-ring Sher 80 & 120,
Landslide/Avalanche Separation Tank
- 0-414 Lomart-Prest Metals (53-210) 12" Tank O-ring
- 0-416V Hayward® (CLX200LA) Chlorinator Viton® O-ring Kit
- 0-417 Doughboy (308-1140) 2" Inspection Port O-ring
Lomart-Prest Metals (53-215) 2" Inspection Port O-ring
- 0-418KIT Hayward® (SPX0735GA) Vari-Flo Valve O-ring Kit PTFE Shaft Seal
Sta-Rite® (U9-244) O-ring & PTFE For Stem Model WC212-150P/150PA
- 0-419 Pac Fab (355329) Challenger Seal Plate Pump Housing O-ring
Waterfall Pump
Swimquip™ (31935-0001) Posi-Flo II Lid O-ring Separation Tank
- 0-420 Pac Fab (195008) Nautilus FRP/FNS Tank O-ring (After 2001)
- 0-421 Jacuzzi® (47-0233-04-R) H4 Booster O-ring
Pac Fab (355331) Challenger Diffuser O-ring-Waterfall Pump
- 0-422 Jacuzzi® (47-0240-05-R) O-ring
Pac Fab (195007) 4" Diameter Adapter O-ring
- 0-424 Hayward® (ECX1287) DE Filter Gauge O-ring Perflex® Adapter O-ring
- 0-425 Baker Hydro (00B7031) Baker II Adapter Valve O-ring
- 0-427 Jacuzzi® (13-0428-09-R) SS-24 Filter Tank Ring
- 0-428 Pac Fab (352602) Old Style (590-RPZ) 5" Quad Lid Ring
- 0-429 Hayward® (DEX2400K) C3000, C4000 Micro Clear Vertical
Fiberglass Tank/Pro Grid Tank O-ring/Super Star-Clear - After 2007
- 0-430 Hayward® (DEX360K) Micro Clear & Vertical DE S/S, C3000S, C4000S
Tank Ring "Old Style"
- 0-431 Ampro (900-9) Large Spool O-ring
Polaris (9-100-5140) Filter Housing O-ring
- 0-432 Purex (S-3F) Clean Water Feeder O-ring
- 0-433 E-Z Chlor (5099-135) Richardson Sea Blue Helder 22" Filter Tank O-ring
- 0-435 Baker Hydro (00B7027) New Style Bulkhead Adapter O-ring-Lathe Cut
Purex (70213) 00B7027 New Style Bulkhead Union O-ring
Sta-Rite® (00B7027) HRP36 Bulkhead Connection O-ring-Slide Valve
- 0-436 Baker Hydro (00B7037) Tri-Filter Lid O-ring
- 0-437 American (46915000) Standard Air Control O-ring
- 0-438 American (46925000) Mini Air Control O-ring
Jacuzzi® (47-0120-00-R) RP2, RP3 Injector Cap (After 11/1/1991)
Martec (410-504) O-ring
- 0-439 American (47721100) Cyclojet Large O-ring
Compool (270116Z) Cover O-ring Diverter Valve 2 ½" - 3"
- 0-440 Compool/Pac Fab (OR-6) PTV Valve Cover O-ring
Jacuzzi® (47-0248-56-R) Dial Valve Square Ring
Jandy® (1132) Valve Cover O-ring/Never Lube 2/3 Port Valve
(Part Of 0-515Kit)
Jandy® (1298) Valve Cover O-ring
Jandy® (R0552200) Back Wash Valve Cover O-ring
Jandy® (R0552400) Lid O-ring for Never Lube Backwash Valve
Pac Fab (OR-6) Cover Seal O-ring Compool Valves
Polaris (E-31) Back Up Valve O-ring (1986-1991)
Waterway™ (805-0151) Serviceable Check Valve O-ring Truseal Cover O-ring
- 0-441 Hayward® (SPX1438H) Pro Jet O-ring
Polaris (9-100-5132) Timer O-ring
- 0-442 Pac Fab (191424) Star 40, Mytilus B Bottom Piping O-ring
(Part Of 0-514Kit)
Speck Pump Casing O-ring Model 420/90/433/S90/98/E90
Speck Pump (2920141210) Adapter O-ring Model 21-80BS ()
Prior to 1/1995) Diffuser E90 O-ring Model 98/Model 90/433
- 0-442V Hayward® (CLX110K) Chlorine Feeder Viton® O-ring
- 0-443 Starite (U9-301) Posi-Flo Top O-ring
- 0-444 Rainbow (R172318) 320 Chlorinator Bottom O-ring
Rainbow (R172319) Bottom O-ring New Style Model 320 Chlorinator
- 0-445 American (79200500) Plastic Niche O-ring

- Aqua-Flo (FF-13-02) Drain Plug O-ring
- Aqua-Flo (92200120) Pipe Plug O-ring
- 0-446 Hayward® (DEX2400Z3A) Relief Valve Stem O-ring (2 Required)
(Part Of O-500Kit)
Purex (P-24010/07-1420) Soltron O-ring
Waterway™ (805-0011) Hi Flo Side/Center Discharge 6" Trap Drain Plug O-ring
- 0-447 Polaris (9-100-5108) Hose Nut, Cuffless Hose O-ring
- 0-449 Jacuzzi® (47-0443-00-R) Sandtrap Filter Valve to Adapter O-ring
W/ 2" Hayward® -ST27, 33
- 0-450 Speck Pump (2921141220) Model 90 Casing O-ring
- 0-451 Doughboy (308-1113) Silica I, Sand & DE Tank O-ring
- 0-452 Doughboy (308-1114) Silica II Tank O-ring
- 0-453 Doughboy (308-1052) 1084,1085,1086 Strainer Body O-ring
Hayward® (SPX5500H) Matrix® Strainer Cover O-ring
Pac Fab (354634) Bracket Diffuser Dynamo O-ring
- 0-454 Jacuzzi® (47-0021-00-R) Air Cont Fitting Valve Seat O-ring NAC Series/
AC2 Series
Sta-Rite® (U9-265) Shaft O-ring D Series
- 0-455 Jacuzzi® (39-2547-01-R) Valve/Separation Tank O-ring (47-0106-08)
Jacuzzi® (47-0106-08-R) CFR Filter Air Relief O-ring (1/1988)
For (39254701) Valve/Sher 80 & 120
- 0-456 Jacuzzi® (47-0118-04-R) S/W Injector O-ring
Martec/Sonfarrel (400-108) Reed Valve O-ring
- 0-457 Jacuzzi® (47-0165-06-R) DB3, DB1 Case O-ring
- 0-458 Jacuzzi® (47-0175-04-R) DC Series Case O-ring
- 0-459 Jacuzzi® (47-0352-41-R) L Series Pump Lid O-ring Cygnet Series
Pac Fab (350037) Diffuser O-ring EQ Series Strainer
- 0-460 Jacuzzi® (47-0361-08-R) RP3 Case O-ring-Cygnet Seal Plate O-ring
Jacuzzi® (47-0361-48-R) Cygnet Pump O-ring
- 0-461 American (39300600) Ultra-Flow® Lid O-ring/Multiport Valve Base O-ring/
Eclipse Meteor Top Mount Valve Clamp O-ring
American (51011600) Eclipse Filter-Side Mount O-ring, Eclipse Filter-
Top Mount Clamp O-ring
Jacuzzi® (47-0439-06-R) Cast Iron Pump Lid O-ring (Obsolete 6/1990) PJM
- 0-462 Jacuzzi® (47-0232-54-R) Magnum Pump Diffuser Square Ring
- 0-463 American (51016700) 2" Slip Multiport Valve Lid O-ring
Swimquip™ (35505-1412) 2" Multiport Valve Slide Mount Valve O-ring
Swimquip™ (35505-1421) 2" Side Mount Multiport Valve Lid O-ring
- 0-464 Jacuzzi® (47-0258-53-R) L Series CFT & RPZ Pump Square Ring
(After 5/1988) Piranha CFR50, 75, 100 & 150-DV 4 & 6-SLPH &
SLTPH/A Series LH & LTH/LPH, LPC, LTPH/U Series/6-7 Way Dial
Valve Diverter O-ring
Swimquip™ (17140-0026) Delta Series Self Priming Casing Gasket/Seal Plate
- 0-465 Jacuzzi® (47-0368-02) Tank to Valve O-ring Laser II Sand Filter
Jandy® (R0480300) VS FloPro™ Pump Backplate O-Ring
Jandy® (R0555400) Pot Lid O-ring All JHP Series
Martec/Sonfarrel (205-106) Filter Head O-ring
Pac Fab (355619) Pinnacle/Tagelus Seal Bracket O-ring/Superflo Pump
- 0-466 Jacuzzi® (42-2927-06-R) Sandtrap Filter Adapter For Valve Lid
O-ring W/ Hayward® ST27, 33
- 0-467 Olympic (ACM-94-5) Cover O-ring For ACM94
Pac Fab (272708) 1 1/4" - 1 1/2" Valve Body O-ring/Sand Dollar
Pac Fab (272541) TA30/35/40/50/60 Valve Body O-ring-Tagelus/Meteor
Body O-ring Mfg 2009 & Beyond/Cristal Flo II/Cristal-Flo II High Rate
Sand Filter
- 0-468 Pac Fab (193220) Bulkhead O-ring
- 0-469 Sta-Rite® (U9-373) Flo Tech/Aquatools/Dyna-Glas/Dyna-Jet Seal Plate
O-ring
- 0-470 American (53008800) Quantum/Titan Tank O-ring (After 11/1994)/
Sandpiper Tank O-ring/Blue Stripe
- 0-471 American (55001500) Sandpiper Tank O-ring (Prior to 11/1994)
- 0-472 Pac Fab (614516) Hatteras Pool Star Light Lens Gasket
- 0-473 Waterway™ (8050383) 50/150 Sq. Ft. Tank O-ring
- 0-474 Waterway™ (8050383) 75/125/200 Sq. Ft. Filter Tank O-ring
- 0-475 Zodiac Nature 2 (17-0061) Cover O-ring
- 0-476 Aladdin System 2001 Filter Tank O-ring
- 0-477 Purex (07-5846) RP/RPF/APF/R Series 400/401/500/501 Seal Plate O-ring
- 0-478 Purex (07-5847) RP/APF/R Series 400/401 Pump Lid O-ring
- 0-479 Pac Fab (271151) 2" Valve Top O-ring (Part Of O-520Kit)

- Swimquip™ (14971-SM20E7) 2" Cover O-ring
- Waterway™ (805-0261) Executive Wet End Volute O-ring
- 0-480 Pac Fab (357038) Purex Triton RP & APF 400, 401 Lid O-ring
- 0-481 American (39000500) Power Pump 3 HP Lid O-ring
- 0-482 Jacuzzi® (13-0235-02-R) Lens Gasket
- 0-483KIT Hayward® (SPX0704HA) PTFE Shaft Seal & O-ring (Kit)
- 0-484 Swimquip™ (27001-0061) System 3 Modular Media/DE Filter Tank O-ring
Model PLM100/150-ALD50/70 (After 3/1997) System 2 Tank O-ring
- 0-485 Swimquip™ (24850-0008) Sand Tank O-ring System 3
Model S7S50/S7M120/S7D75
- 0-486 Swimquip™ (24850-0009) S8M150 25" Filter Tank Ring System 3 Modular
Media Filter
- 0-487 Pac Fab (195310) Nautilus New Style Tank O-ring
- 0-488 Swimquip™ (27001-0060) System 3 Modular Media/DE Filter Tank O-ring
(Prior to 3/1997)
- 0-489 Swimquip™ (24751-0006) Tank Ring HRPB24
- 0-490 Swimquip™ (24750-0006) Tank Ring HRPB20, HRPB Series Sand Filters
- 0-491 Swimquip™ (24752-0006) Tank Ring HRPB30
- 0-492 Swimquip™ (05501-0001/05501-0007) Lens Gasket Sunbrite Light
- 0-493 Doughboy (308-1228) O-ring PP111
- 0-494 Doughboy (308-1252) O-ring
Speck Pump (2920941210) Lid O-ring Model 93/21-80BS
- 0-495 Doughboy (308-1229) O-ring PP111
- 0-496 Astral (72R0323069) Tank O-ring
- 0-497 American (39010200) RPM Tank Clamp O-ring/Titan Bulkhead O-ring
- 0-498 American (59021000) Quantum CM/Titan CM Tank O-ring
- 0-499 Astral (18200600) 721 R Tank O-ring
- 0-500KIT Hayward® (DEX2400Z3A) O-ring Air Relief (Kit)/Pro Series Plus/
Super Star-Clear
- 0-502 Comfortzone (HAXHOR1930) H Series Header O-ring Front/Rear LowNox
Header
- 0-503 Swimquip™ (35505-0421) Bronze Suction Trap O-ring Lid/Cast Iron
- 0-504 Hayward® (CX400G) Easy-Clear Filter Head O-ring/Strainer Cover O-ring
NorthStar™ (Prior to 2003)
Speck Pump (2921141222) Casing O-ring Model S90/98/E90
- 0-505 Pac Fab (152509) Tank to Buttress Square Ring-Waterfall Pump Lid O-ring
AFP-180 TR100C/140C/Challenger High Flo
- 0-506 Pac Fab (355329) Challenger Seal Plate Pump Housing O-ring Square Cut
- 0-507 Hayward® (SPX0733Z1A) Vari-Flo SP715, 716 PTFE Piece (For O-508KIT)
- 0-508KIT Hayward® (SPX0733ZA) O-ring Key W/Washer 715, 716 Vari-Flo Kit
- 0-509KIT Hayward® (PSXA) Actuator Shaft Assembly O-ring Kit
- 0-510 Hayward® (SPX4000TS) Strainer Cover T-Seal (After 2003) T Ring
- 0-511KIT Swimquip™ Universal 2" Slide Valve O-ring Set
- 0-512KIT Hayward® (SPX0410X) 2" Slide Valve O-ring Set
- 0-513KIT Pac Fab (273109) 2" Universal Slide Valve O-ring Set
- 0-514KIT Hayward® (DEX2420Z8A) Pro Grid O-ring Kit (Set of 2) SwimClear
- 0-515KIT Jandy® (1307/1298) Valve Kit
Pentair (263028) 3-Way Valve
Penair (263029) 2-Way Valve
- 0-516KIT Caretaker (5-13-1) O-ring Kit
- 0-517KIT Purex Ortega 2" Valve Kit
- 0-518KIT American (51003100/51005000/51013500) 2" Piston O-ring Kit
- 0-519Kit Pac Fab (271104) Praher 1 1/2" Multiport Valve O-ring Kit
- 0-520KIT Pac Fab (271148) Praher 2" Multiport Valve O-ring Kit
- 0-521 Jandy® (R0446300) SHPF/SHPM Stealth Pump Back Plate O-ring
Jandy® (R0480400) VS FloPro Pump Diffuser O-ring/Backplate O-ring
FHPM/FloPro
- 0-522 Pac Fab (356780) Seal Plate O-ring EQ Series Commercial Strainer
- 0-523KIT Hayward® (PSXV22A) PSV Valve Key & Cover Kit
- 0-524 Jandy® (R0357800) CL580/DE60 Cartridge Filter Tank O-ring
DE Filter/DEV Series
- 0-525KIT Pac Fab 2" Slide Valve Kit
- 0-526 Jacuzzi® (47-0447-06-R) Crystal Clear Cartridge Filter Ring Lock O-ring
NEW: O-533KIT/O-534KIT/O-535KIT
- 0-528 Hayward® (SPX0590G) AstroLite™ II Lens Gasket
- 0-529 Hayward® (SPX3200T) Housing O-ring EcoStar/TriStar®
- 0-530 Hayward® (SPX3200UG) Union Gasket Eco-/North-/TriStar®
- 0-531KIT Pentair Backwash/Slide/Pre-Plumbed Valves
- 0-536KIT PAC FAB Diverter Valve

0-537 EQ Series® Commercial Strainer Gasket Lid
 0-538KIT Pentair (98209800) Air Relief Valves
 0-539 Hayward® (HCXP369U70) O-ring
 0-540V Hayward® (HCXP369V70) Comm. Pump Housing O-ring
 0-541 Pentair (351446) Seal Plate O-ring
 0-542 Hayward® (CCX1000G) XStream® Body O-ring
 Waterway™ (805-0460B) ClearWater II Filter Lid O-ring
 0-613 Rainbow (37121) O-ring For Plate-Concorde
 0-614 O-ring For Lasco 2" Schedule 80 Union
 0-615 Rainbow (37009) Concorde Housing O-ring
 0-623 Hayward®/Arneson O-ring For JV2 Gear Plate
 Polaris® (JV11) O-ring For JV2 Gear Plate
 0-627 Swimquip™ (35505-1426) Max E Glas Impeller Screw O-ring/Max E Pro
 0-628 American (57009300) O-Ring (EPR 70)
 Compool (9142109) O-ring for Temperature Sensor
 Pac Fab (273513/98209800) Nautilus Bleeder, Seahorse Cartridge Filter
 O-ring/FNS/TR100C & TR140C Air Bleeder Screw O-ring/Triton C3
 0-629 Waterway™ (805-0127SD) 180 Jet Wrench/Test Plug O-ring
 0-630 American (50152300) 5 & 8 Position Backwash Valve Sight Glass/
 Meteor Filter Hose Assembly O-ring
 Waterway™ (805-0133) Cartridge Filter Fitting O-ring/Sand Filter Waste
 Adapter O-ring
 0-631 Cartridge Filter Fitting O-ring/Sand Filter Waste Adapter O-ring
 Speck Pump (2854000863) Union O-ring 2" Model S90
 Speck Pump (2921441210) Union O-ring Model 98
 0-634 Pentair (620013Z) Intellibrite Color LED Landscape Light O-ring
 0-636 Jandy® (R0465700) Cover O-ring Large Jandy® Neverlube 2/3 Port Valve
 Pac Fab (275300) Full Flow Valve O-ring
 0-639 Premier (31-161) 225 MK2 Series Volute O-ring
 0-641 Swimquip™ (41301-0994) CL90/91L Chlorinator Drain Plug O-ring
 Hayward® (ECX1320A) C800 Vent Valve O-ring Star-Clear/Easy-Clear Air Relief
 0-642 Pac Fab (357132) RPF & APF 500 & 501/RP & APF 400 & 401
 Adapter Gasket
 Pentair (520272) Air/Water Temp Sensor O-ring
 0-644 Swimquip™ (35505-7439) Air Vent Stem O-ring
 0-647V Waterway™ (805-0237V) In Line & Off Line Chlorinator Lid O-ring Viton®
 0-648 Pentair (400627) O-Ring (70 FDA)
 0-649 Hayward® (SX220Z2) Bulkhead O-ring/Max-Flo II/Pro Grid
 0-652 Jandy® (R0559900/R0446400) Coupling Nut O-ring JHP Series (2 Required)
 Pentair (R170055) O-Ring
 0-652V Hayward® (HCXP338V60) Comm. Diffuser Gasket
 0-653 Waterway™ (805-0339) Crystal Water DE/Cartridge Filter Body CPL O-ring
 (2 Required) Smart-Clean Sand Filter/Ultra Clean Pro Sand Filter Slide
 Valve Coupling O-ring
 0-654 Jandy® (R0622000) Diffuser O-ring
 0-654V Waterway™ (805-0340V) Off Line Chlorinator Lid O-ring/In Line Chlorinator
 Lid O-ring (Prior To 2002) Viton®
 0-655 Pac Fab (154004) Triton C3 Ring Flange O-ring
 0-658 Jandy® (R0480200) FloPro Lid O-ring
 0-676 Aqua Cal®/AutoPilot® (19028) APA003 Tri-Sensor O-ring
 0-678 Waterway™ (805-0239) Swing Valve O-ring
 0-679 Aqua-Flo (92200020) A & AC Series 8" Trap Cover O-ring
 G-2 Peerless Bracket to Pot Hole Gasket
 G-3 Aqua-Flo (ACF-11/91500000) Commercial Volute Gasket
 Sta-Rite® (C20-021) Pump Gasket/Tank to Volute Cast Iron Series
 G-4 Jacuzzi® (13-0061-01-R) Pump Gasket
 G-5 Purex Eastside Pump Gasket
 G-6 Pac Fab (353502) 540 Pump Gasket
 G-7 Peerless Bracket to Pot Round Gasket
 G-8 Sta-Rite® (C20-009) Pump Gasket
 G-9 Pac Fab (353501) 400 Backwash Valve Pump Gasket
 G-10 Purex Old Style Eastside 8 Hole Pot Volute Gasket
 G-11 H & F Pot To Volute Gasket
 G-12 Peerless Pot To Volute 2 Hole Gasket
 G-13 Sta-Rite® (N20-26) Pump Gasket
 G-14 Monarch Pump Gasket
 G-15 Purex Old Style Eastside 6 Hole Pot To Volute Gasket
 G-16 Luitweiler 4 Hole Small Gasket
 G-17 Misc. Light Deck Box Gasket

G-18 Aqua-Flo (AF-12-01/91500200) 6" & 8" 3 HP Trap Gasket
 Premier (33-248) Pot To Volute Gasket
 Sta-Rite® (C20-019) Dura-Glas/HG Pump Flange Gasket
 G-18R Martec/Sonfarrel (320-108) Flange Gasket
 G-19 Purex Eastside 2 Hole Pot To Volute Gasket
 G-20 Anthony 4 Hole Pot To Volute Pump Gasket
 Purex Old Style Eastside Volute Gasket
 G-21 Purex Eastside Seal Well Gasket
 G-22 Edgewood Inlet Heater Gasket
 G-23 Edgewood Outlet Heater Gasket
 G-24 Laars (S-037/S-055) Heater Gasket
 G-25 Raypak (800004) 1½" Unitherm Governor Gasket
 G-27 Luitweiler 4 Hole Large Gasket
 G-28 Laars Bypass Round Gasket
 G-29 Laars (S-056) Heater Gasket
 Laars Large Tube Round Gasket
 Pac Fab (154713) Sand Dollar Sand Drain Gasket
 G-30 Anthony (27111) Large Tube Seal Gasket
 Laars (S-057) Heater Gasket
 Laars Small Tube Round Gasket
 G-31 South Seas (VB11) Heater Inlet Gasket
 G-32 South Seas Heater Outlet Gasket
 G-33 South Seas By Pass Inlet Gasket
 G-34 Anthony (12388) Ditron Air Release Valve Gasket
 Bio Lab (5470) Tygon Washer
 E-Z Chlor (12690-26) Saddle Fitting Gasket
 Rainbow (R172033) Tube Fitting Gasket
 G-35 Misc. Fire Hose Coupling Gasket
 G-36 Sta-Rite® (C20-035) Delrin Plastic Volute Gasket
 G-37 Laars (S-152) Heater Gasket
 Laars Tube Late Style Gasket
 G-38 Misc. Manhole 10" x 14" Gasket
 G-39 Misc. Manhole 4" x 6" Gasket
 G-40 Sta-Rite® (N20-35) Pump Gasket
 G-41 South Seas By Pass Gasket
 Sta-Rite® (C69-15) Water Slinger D Series
 G-42 Arneson/PoolSweep Hose Washer
 Letro (D-10) Hose Washer
 South Seas Tube Gasket
 G-43 Luitweiler Pump Volute Gasket
 G-44 Aqua-Flo (AF-11/91500050) A Series 1/3 To Volute Gasket
 H & F Thick Volute Gasket
 Premier (31-276) ½ - 2 HP Volute Gasket
 Sta-Rite® (C20-72) Pump Gasket-Thick
 Swimrite (60-828-276) Backwash Valve Pump Gasket
 G-44A H & F Thin Volute Gasket
 Sta-Rite® (C20-72) Pump Gasket-Thin
 G-45 Marlow VP-153 Strainer Body Gasket
 G-46 Hayward® (SPX0125G) Pump Gasket
 Marlow (23112) H Series Housing Gasket
 Hayward® (SPX0125H) Pump Gasket
 G-47 Hayward® (26588) Discharge Gasket
 G-48 Marlow (26588) Discharge Gasket
 G-49 Marlow (22991) Shim Motor To Lantern Gasket
 G-50 Marlow (21034) Tank To Lantern Gasket
 G-51 Marlow (21112) Large 8 Hole Cover Gasket
 G-52 Sta-Rite® (N20-39) Pump Gasket
 G-53 Hydro/Pac Fab Sweep Motor Gasket
 G-54 Anthony (04465) AJ 105 Sweep Pump Gasket
 Sta-Rite® (C20-079) AJ Series Gasket
 G-55 Hydro/Pac Fab 400 Model Pot To Volute Gasket
 G-56 Hydro/Pac Fab 650 Model Gasket
 G-57 Aqua-Flo (AF-12/91500150) 5" Trap Gasket
 Premier (VB38) Volute Gasket
 Swimrite (60-828-274) Pot To Volute Pump Gasket
 G-58 Luitweiler New Style Pump Gasket
 G-59 Anthony (15029) Heater Old Rear Header Gasket
 G-60 Anthony (15147) Heater Dual Housing Gasket
 G-61 Laars (S-245) Heater Gasket
 G-62 American (81111700) Gasket Set Large 10 Hole Pattern Admiral

Skimmer W/O Double Wall
 American (85001600) Liner Gasket (2 Required) Admiral Skimmer
 Swimquip™ (08653-7) Skimmer Gasket
 G-62R American (85001600) Liner Gasket (2 Required) Admiral Skimmer
 G-63 Sta-Rite® (WC20-05) Filter Gasket
 G-64P Baker Hydro (35B1136) Spa Pak Pump Gasket
 Hayward® (SPX1500H) Power Flo Housing Gasket-Paper
 G-64R Hayward® (SPX1500H) Power Flo Housing Gasket-Rubber
 G-65 Hayward® (SPX0145G) Bracket Pump Gasket
 G-66 Sta-Rite® (WC20-11) Filter Gasket
 G-67 Sta-Rite® (C20-046) Pump Adapter Gasket D Series
 G-68 Hayward® (SPX1250G) Pump Gasket
 G-69 Swimquip™ (16800-11) Pump Gasket
 Swimquip™ (16800-29) Old Style XLVI Cork Gasket
 G-70 Purex (P10725/07-0940) Pot To Volute L Series Pump Gasket
 G-71 Baker Hydro (35B1116) Spa Pak Pump Slinger Gasket
 Hayward® (SPX0125F) Motor Shaft Slinger/Super Pump® II/Max-Flo
 G-72 Sta-Rite® (WC20-16) Sand Filter Gasket
 G-73 Purex (P-11200) Flo Valve Gasket
 G-74 American (374058) Heater Gasket
 Purex (P-11350/70951) Tube Seal Gasket/MiniMax NT/LN 6800 Controller/
 DDTC Controller
 Swimrite (36-828-122) Heater Tube Gasket
 G-75 Purex (P-11150/07-0943) Flange Gasket
 G-76 Purex (P-11250) Valve Gasket
 G-77 Purex (P-11175/07-0944) Valve Gasket
 G-78 Sta-Rite® (WC20-15) Sand Filter Gasket
 G-79 Sta-Rite® (WC20-02) Filter Gasket
 Swimrite (30-828-911) Sight Glass Gasket
 G-80 Sta-Rite® D Series Pump Gasket
 G-81 Sta-Rite® (C20-077) C & CC Pump Gasket
 G-82 Purex (P-10675) VF30 Gasket
 G-83 Hayward® (SPX0145T) Pump Lid Gasket
 G-84 Astral (00612R0001) Filter Gasket
 Swimrite (14-828-381) Black Hose Washer
 Swimrite (36-828-114) Heater Header Gasket
 G-85 Ameson/PoolSweep (G-29) Gear Housing Gasket
 G-86 Hayward® (SPX0603F) Cover Gasket
 G-87 Hayward® (SPSTX340Z1) 6" In Line Trap Cover Gasket
 G-88 Hayward® (SPX1411Z12) (SPX141114071) Gasket
 G-89 American (87200200) Thin Line Spa Skimmer Gasket/Sandpiper Hub Gasket
 American (87201200) 2" ID Thick Gasket Deck Jet Body Gasket
 Hayward® (SPX0023Z12) Gasket For SP1023,1024,1025 Fittings
 G-90 Hayward® (SPX0605F) Cover Gasket
 G-91 Hayward® (SPSTX325F) 3" In Line Trap Cover Gasket
 G-92 Hayward® (SPSTX330Z1) 4" In Line Trap Cover Gasket
 G-93 Capitol (G-106) Chlorinator Gasket
 Hayward® (SPX0102Z3) Gasket
 G-94 Hayward® (SPSTX335Z1) 5" In Line Trap Lid Gasket
 G-95 Baker Hydro (35B1108) Spa Pak Pump Housing Gasket
 Hayward® (SPX1600T) Super Pump® Housing Gasket/Max-Flo
 WMC (SS-1600-T) AT1600 Series Housing Gasket
 G-96 Hayward® (SPX0506D) Gasket For PVC Niches & Shell Assemblies
 G-97 American (39501200) Americana®, Noryl®, Bronze, Ultra-Flow® Pot To Volute
 Pump Gasket
 G-98 Doughboy (308-1139) Flat Lathe Cut Gasket
 Lomart-Prest Metals (53-211) Filter Port Gasket
 Pac Fab (154538) 2" Bulkhead Fitting Gasket-Triton II-TR100C & TR140C
 Waterway (711-5300B) 2" Trap Gasket
 G-99P Pac Fab (353512) 880-881 Pot Flange Gasket
 Sta-Rite® (C20-103) Dura-Glas Pump Gasket-Paper
 G-99R Sta-Rite® (C20-103) Dura-Glas Pump Gasket-Rubber
 Sta-Rite® (C20-123) 6" Plastic Trap Gasket-JWPA Series
 G-99RS Sta-Rite® (C20-103) Dura-Glas Pump Gasket-Rubber Skinny
 G-100 Pac Fab (353513) 880-881 Pot To Volute Gasket
 G-101 Pac Fab (353514) 880-881 Bracket Volute Gasket
 G-103 Hayward® (SPSTX345H) 8" In Line Trap Lid Gasket
 G-104 Hayward® (SPSTX315Z1) 2" In Line Trap Lid Gasket
 G-105 Hayward® (SPSTX305F) 1 1/2" In Line Trap Lid Gasket

G-106 Hayward® (SPX0602F) Gasket
 G-107 Hayward® (SPX0072C2) Gasket
 G-108 Hayward® (SPX107042) Gasket
 G-109 American (79300600) Junction Box Sealing Gasket
 G-110 American (79200400) Niche Gasket Standard Holes (3 Required)
 Amerilite/Ameriquartz
 Swimquip™ (05161-0006) Large Light Niche Liner Gasket
 G-111 Sta-Rite® (C20-015) Pump Flange Gasket
 G-112P Hayward® (SPX1048D) Vinyl Main Drain - Paper Gasket
 G-112R Hayward® (SPX1048D) Vinyl Main Drain - Rubber Gasket
 G-113 Hayward® (SPX1084B) Skimmer Gasket
 Sta-Rite® (U9-366) U3 Vinyl Skimmer Gasket Model
 07017-0126/07017-0127
 G-114 Sta-Rite® (L21-1) Pump Diffuser Ring
 G-115P Hayward® (SPX1090E) Vinyl Skimmer Gasket-Paper
 Muskin (98-7235) Skimmer Gasket
 G-115R Hayward® (SPX1090E) Vinyl Skimmer Gasket-Rubber
 G-116 Swimrite (28-828-324) Bracket Mount Gasket
 G-117 Swimrite (28-828-325) Washer
 G-118 Swimrite (36-828-453) Washer
 G-119 Swimrite (36-828-280) Washer
 G-120 Swimrite (36-828-266) Pool Control Gasket
 G-121 Swimrite (36-828-136) Mixing Box Heater Gasket
 Swimrite (36-828-146) Mixing Box Cover Gasket
 G-122 Jacuzzi® (13-0090-06-R) Check Valve Pump Gasket (8M, 10M)
 G-123 Jacuzzi® (13-0178-01-R) U Pump Gasket
 G-124 Jacuzzi® (13-0275-03-R) 4-Way Valve Gasket
 G-125 Jacuzzi® (13-0273-05-R) 4-Way Valve Gasket
 G-126 Jacuzzi® (13-0243-02-R) Gyromat Valve Gasket
 G-127 Jacuzzi® (13-0314-06-R) Pump Gasket (8M, 10M, ULS) (3PJMCH25)
 G-128 Jacuzzi® (23-0151-00-R) 1 1/4" Seal Ring
 G-129 Jacuzzi® (23-0153-08-R) 2" Seal Ring
 G-130 Jacuzzi® (13-0300-02-R) Flange Gasket
 G-131 Jacuzzi® (13-0276-02-R) 4-Way Valve Gasket
 G-132 Jacuzzi® (13-0277-01-R) 4-Way Valve Elbow Gasket
 G-133 Jacuzzi® (13-0244-01-R) Filter Gasket
 G-134 Jacuzzi® (13-0239-08-R) 5-Way Valve Gasket
 G-135 Jacuzzi® (13-1223-04-R) Gasket
 G-136 Jacuzzi® (13-0191-04-R) Gasket (C1 All Others Obsolete 12/1991) PJM
 G-137 Jacuzzi® (13-0192-03-R) Gasket
 G-138 Jacuzzi® (13-0329-09-R) Gasket
 G-139 Jacuzzi® (13-0136-02-R) Flange Gasket (C1 3PJMCH25)
 G-140 Jacuzzi® (13-0878-04-R) PMT Skimmer Flange Gasket
 G-141 Jacuzzi® (13-0463-05-R) SL Skimmer, SD Suction Fitting Gasket
 Jacuzzi® (13-0888-02-R) 5-Way Valve Gasket
 G-142 Jacuzzi® (13-0880-00-R) Multiport Valve Gasket
 G-143 Jacuzzi® (13-0872-06-R) Valve Gasket
 G-144 Jacuzzi® (13-0881-09-R) Underdrain Gasket
 G-145 Jacuzzi® (13-0378-09-R) 5-Way Valve Gasket/Laser System, MFM
 15/17/20/24-E15MFM/E17MFM L Series Dial Valve
 G-146 Jacuzzi® (13-0221-08-R) Flange Gasket
 G-147 Jacuzzi® (13-0377-00-R) Multiport Valve Gasket
 G-148 Jacuzzi® (42-0131-02-R) Collar Seal Gasket
 G-149 Purex (P-29625) A62 Sleeve Pump Shaft
 G-150 Hayward® (SPX1058D) Main Drain Gasket
 G-151 Hayward® (SPX0058D) Main Drain Gasket
 G-152 Hayward® (SPX0409C2) Fitting Gasket (2 Required)
 G-153 Hayward® (SPX1039C2) Fitting Gasket (2 Required)
 G-154 Hayward® (SPX0084M) Skimmer Gasket
 G-155 Hayward® (SPX0097E) SP-1097, SP-1098 Skimmer Gasket
 G-156 Hayward® (SPX0090E) Skimmer Gasket
 G-157 Hayward® (SPX1085D) Skimmer Gasket
 G-158 Hayward® (SPX0099E) Skimmer Gasket
 G-159 Hayward® (SPX0577Z1) Deck Box Cover Gasket
 G-160 Hayward® (SPX0710R) Multiport Valve Sight Glass Gasket
 Pac Fab (271106) Praher Sight Glass Gasket 4 & 6 Way Hi Flo 1 1/2"
 G-161 Hayward® (SPX0071C2) Sight Glass Gasket (2 Required)
 Muskin (038-3457) Flat Valve Body Gasket
 G-162 Marlow 34EC-15D Tank Gasket

- G-163 Marlow 34EC-15D Tank Cover Gasket
- G-164 Baker Hydro (28486-0) Old Spa Pak Pump Slinger
Marlow All AF Series Pump Slinger
Rainbow (R172263) Comm Feeder Saddle Gasket
- G-165 Baker Hydro (31B9006) Sand Filter Bulkhead Gasket
Purex (10344/07-0169) Bulkhead Gasket
- G-166 Baker Hydro (31B0015) Valve Top Plate Gasket
Purex (10327/07-0152) Valve Index Plate
Sta-Rite® (31B0015) Valve Top Plate Gasket
- G-167 Baker Hydro (51B1047) Skimmer Face Ring Gasket Holes (2 Required)
Amerilite/Ameriquartz
Purex (07-0192/51B1047) Face Ring Gasket
- G-168 American (79200300) Niche Gasket American Holes (2 Required)
Amerilite/Ameriquartz
Purex (P-24300/07-1446) Old Style Vinyl Niche Gasket
- G-169 Diaclear (C46251) MS18 Pump Gasket
- G-170 Baker Hydro (35B1150) Spa Pak Pump O-ring
Little Giant (101601) Impeller Housing Gasket
- G-171 Doughboy (307-1005) MY205 Skimmer Gasket (2 Required)
- G-172 Regal (G-203) Chlorinator Gasket
Sta-Rite® (P-64069) Pot To Volute Sight Glass Gasket
- G-173 Taylor Aqualite PL-89 1603 Gasket
- G-174 Hayward® (SPX0580BA) Cover Gasket
- G-175 Marlow 34EC-15D Pump Inlet Gasket
- G-176 Arneson/Pool sweep (A40) A-1 & A-60 Pump End Bell Gasket
Letro (A40) End Ball Gasket
- G-177 Baker Hydro (15B0069) (1972) Sand Filter Lid Gasket
Purex (10276/70101) U-Cup Lid Gasket
- G-178 Hayward® (ECX1003) DE Filter Diaphragm Gasket Perflex®
- G-179 Rainbow (R172015) Lifeguard Cartridge Filter Gasket/Standard & Hi Sq. Ft.
Module Filter Standpipe Gasket
- G-180 American (53000400) Spin Filter Shaft Sleeve Gasket
Marine Spin DE Filter Shaft Sleeve
Premier Washer 122
- G-181 Aquarius Volute Gasket
- G-182 Hayward® (SX200Z9) Sand Filter Drain Gasket/Cartridge Filter/DE Filter/
S240/S200/S245/S190T/Easy-Clear
- G-183 Misc. Pipe Flange Gasket 1 11/16" ID
- G-184 Misc. Pipe Flange Gasket 1 7/8" ID
- G-185 Misc. Pipe Flange Gasket 2 3/8" ID
- G-186 Misc. Pipe Flange Gasket 2 7/8" ID
- G-187 Misc. Pipe Flange Gasket 3 7/16" ID
- G-188 Misc. Pipe Flange Gasket 4 1/2" ID
- G-189 Misc. Pipe Flange Gasket 5 1/2" ID
- G-190 Misc. Pipe Flange Gasket 6 5/8" ID
- G-191 Hydro/Pac Fab 560-700 Series Gasket
- G-192 Pac Fab (352627) Backwash Valve Gasket
Pac Fab (353500) Pump Gasket-Rubber
- G-193 Harmsco (635) 15 Hole Cover Gasket
- G-194 Purex (P-10825/07-0941) Uniseal & L Series Bracket To Volute Pump Gasket
- G-195 Doughboy (307-1002) MX60RP Inlet Fitting Gasket
- G-196 Doughboy (307-1007) Skim Filter Drain Cap Gasket
- G-197 Purex (P-10630) BT Series Backwash Valve Pump Gasket
- G-198 Harmsco (636) 15 Hole Cover Gasket
- G-199 Harmsco (671) 27 Hole Cover Gasket
- G-200 Harmsco (639) Cover Gasket
- G-201 F & W Sprinkler Pump Gasket
- G-202 Coleco (34023) Gasket
Doughboy (308-1109) Rubber Washer
Lomart-Prest Metals (53-029) Valve To Tank Gasket
- G-203 F & W Jet Pump Gasket
Sta-Rite® (J-20-11) Well & Irrigation Pump Gasket
- G-204 Sears® & Sta-Rite® Sprinkler Gasket
Sta-Rite® (C20-86) Sears Sprinkler Pump Gasket
- G-205 Jacuzzi® (13-0151-02-R) Pump Boot
- G-206 Pac Fab (273097) Brass Backwash Valve Cap Gasket
- G-207 Muskin (038-3416) Tank Tube Valve Gasket
- G-208 Laars By-Pass Round Gasket
Muskin (038-3417) Inside Tank To Valve Washer
- G-209 Muskin (038-3435) Self Prime Pump Gasket

- G-210 Muskin (038-3436) 5" Position Valve Gasket
- G-211 Ampro (646) Pump Gasket
- G-212 Ampro (6-146) Gasket
- G-213 Muskin (037-5071) Grid Post Gasket
Wallace & Tiernan (44122) Chlorinator O-ring
- G-214 Muskin (037-5002) Air Relief Valve Assembly Gasket
- G-215 American (39102100) Maxim™/Americana® II Slinger Gasket
Sta-Rite® (C69-02) Dura-Glas Pump Slinger-JW Series
- G-216 Sta-Rite® (N20-25) Gasket
- G-217 American (51006500) Air Relief Valve Separation Tank Gasket
Hayward® (SPX1700FG) Gasket Only For Drain Plug/Max-Flo/Matrix®/
Power-Flo/ Power-Flo II
- G-219 Hydro Air (10-3804) Wall Fitting Gasket
- G-220 American (51004900) 2" Fiber Backwash Valve Cap Gasket
Premier (21-391) 2" Valve Fiber Gasket
- G-221 Aqua-Flo (AF-11-01/91500100) 3 HP Volute Gasket
Premier (35-271) Bracket To Volute Gasket
Premier (39-271) 3" - 7 1/2" Bracket To Volute Gasket
- G-222 Sta-Rite® (PS20-11) Top Plate Gasket
Sta-Rite® (PS20-18) Pump Gasket
- G-223 Sta-Rite® (C20-031B) LT Gasket-Seal Plate
- G-224 Hayward® (SPX1500RA1) Pump Check Valve Flap Gasket
- G-225 Hayward® (SPX1023Z3) Inlet Fitting Washer Gasket
- G-225R Hayward® (SPX1023Z12) Fitting Gasket
- G-226 Hayward® (SPX1408C) Vinyl Eyeball Gasket
- G-227 Jacuzzi® (47-0222-07-R) PM Filter Valve O-ring
Pac Fab (192404) SCS Return Sleeve Gasket
- G-228 American (79204600) Spa Light Sealing Gasket (3 Required)
- G-229 Ampro (900-4) Upper Cap Washer
- G-230 Hayward® (SPX1500X) Pump Gasket/Power-Flo Strainer Gasket
- G-231 American (51001800/51008700) Multiport Valve Gasket & Washer
(1 Rubber/1 Fiber) Sight Glass Washer (G-231R - Rubber)
Swimquip™ (33455-8044) Impeller To Shaft Sleeve CSPH/CCSPH (Fiber Gasket Only)
- G-232 Laars (F-111) Heater Gasket
- G-233 American (85003400) Front Access Skimmer Front Gasket
- G-234 American (85003300) Front Access Skimmer Rear Gasket
- G-235 Wallace & Tiernan (40336) Chlorinator Gasket
Swimquip™ (17351-0009) Water Slinger Dyna-Glas/Dyna-Max
- G-236 Regal (G-204) Chlorinator Gasket
- G-238 Regal (G202) Chlorinator Gasket (2 Required)
- G-239 Wallace & Tiernan (27594) Chlorinator Gasket
- G-240 Laars (E-1164) XE Electronic Temperature Control Bulb Gasket
(1997-2000) Lite2 (Mfg. 2000-Present)
Wallace & Tiernan (27593) Chlorinator Gasket
- G-241 Jacuzzi® (94-1104-67-R) SV Basic Skimmer Face Gasket
Muskin (038-3448) Skimmer Frame/Body Standard Gasket
- G-242 Muskin (038-3447) Discharge Fitting Gasket-Thru Wall Return
36" P Gasket
- G-243 Laars (S-159) Heater Gasket
- G-244 Laars (S-156) Heater Gasket
- G-245 Anthony (15448) Tube Seal Silicone
- G-245 Comfortzone/Hayward® (HX350GH9) Heatmaster Gasket 280-406
(9 Required)
- G-246 South Seas Small Silicone Gasket
- G-247 Laars (E-244) Heater Gasket
- G-248 Pac Fab (192031) Crankshaft Sleeve Flat Gasket
- G-249 Laars (225) 3/16" Thick Washer
Laars (S-057P) Heater Gasket
- G-250 American (51006100) Sight Glass Gasket
- G-251 Hayward® (SPX107242) Sight Glass Gasket
Premier (SG364) Sight Glass Gasket
- G-252 Laars (S-157) Heater Gasket
- G-253 Laars (S-056P) Heater Gasket
Laars Washer
- G-254 American (79104800) Neoprene Washer
- G-255 American (55000900) 18" & 24" Sandpiper Hub Gasket
- G-256 Anthony (15981) Heater Inlet/Outlet Gasket
- G-258 Anthony (SG-364) Sight Glass Gasket
- G-259 American (98208500) Washer
- G-260 Laars (E-327) Heater Gasket

- G-261 Laars (E-376) Heater Gasket
- G-262 Laars (E-325) Heater Gasket
- G-263 Laars (S-151) Heater Gasket
- G-264 Hydro VB-40 Volute Gasket
- G-265 Luitweiler Old Style Pump Gasket
- G-266 International Bonnet Flange Gasket
- G-267 Sta-Rite® VB35-1 Submersible Pump Gasket
- G-268 Jacuzzi® (13-0150-02-R) VB-21 Gasket
- G-269 Hayward® (SPX1094G) Skimmer Gasket
- G-270 American (42216000) Neoprene Washer Premier (21-108) Washer Neoprene Dynamic Series I/II/III Rainbow (R172222) RDC-25 Filter Body Gasket
- G-271 Pac Fab Washer
- G-272 American (51000400) Multiport Valve Cover Gasket
- G-273 Anthony (05156) Tank Gasket
- G-274 Laars (S-248) Heater Gasket
- G-275 Laars (S-246) Heater Gasket
- G-276 Doughboy (327-1007) Friction Washer
- G-277 Muskin (037-3408) Drain Cap Gasket
- G-278 Doughboy (310-1039) Tube to Spin-O-Cycle Handle Fiber Gasket Lomart-Prest Metals (53-047) Tube To Spin-O-Cycle Handle Fiber Gasket
- G-279 Lomart-Prest Metals (53-010) Disc O-ring
- G-280 Doughboy (307-1001) Gasket-Drain Cap 1120,40,1650,51,1400 & 1500 Doughboy (308-1072) Gasket
- G-281 Doughboy (308-1145) Drain to Valve Gasket Lomart-Prest Metals (53-133) Drain To Valve Gasket
- G-282 Doughboy (308-1146) Viewport Lid Gasket Lomart-Prest Metals (53-120) Viewport Lid Gasket
- G-283 Doughboy (308-1147) Viewport Gasket Lomart-Prest Metals (53-140) Viewport Gasket
- G-284 Muskin (036-3400) 1/4" Gasket
- G-285 Muskin (036-3401) 1" Nut Gasket
- G-286 Premier (27-379) Hercules Filter Lid Gasket
- G-287 Anthony Inlet/Outlet 26 Gasket
- G-288 Raypak (80007) 2" Unitherm Gasket
- G-289 Purex (P11125) Tropic Inlet/Outlet Heater Gasket
- G-290 Purex (P-11050/07-0943) C Series Pot To Volute Gasket
- G-291 Pac Fab (154539) 1 1/2" Bulkhead Fitting Gasket
- G-292 Raypak (800075) 151,136T, THWS Header Gasket
- G-293 Laars (E-516) Thermostat Cover Gasket
- G-294 Pac Fab (273004) Screw Type Valve Cap Gasket
- G-295 Purex (P-72999) T-400 Guardex Washer
- G-296 Pac Fab (353515) Backwash Valve Pump Gasket
- G-297 Pac Fab (353506) 460-650 Pump Gasket
- G-298 Sta-Rite® (C20-102) ACP Pump Seal Plate Gasket
- G-299 A.O. Smith (99659-1) Inlet Manifold Gasket *DISCONTINUED*
- G-300 A.O. Smith (99659) Outlet Manifold Gasket *DISCONTINUED*
- G-301 A.O. Smith (23789) Spa Element Gasket *DISCONTINUED*
- G-303 Raypak (800014) Gemini Tube Seal Gasket
- G-304 Raypak (800013B) 1 1/2" Flange Gasket
- G-305 Raypak (800080B) 2" Flange Gasket
- G-306 Swimquip™ (08490-1) Turbo Head Quad Ring
- G-308 Jandy®(R0011400) Heater Flow Control Gasket By-Pass Valve Gasket (1993-1996) Series 2/ESC Heater Laars (S-154) AFJ Flange Gasket Laars (S-741) Flow Control Gasket (3 Required)
- G-309 Raypak (800187) Header Gasket
- G-310 Sta-Rite® (C69-12) C Pump Water Slinger
- G-311 Homelite (62363-A) Gasket Jacuzzi® (13-0414-05-R) C/F Filter Tube Gasket
- G-312 Raypak (800164) Element Gasket
- G-313 Pac Fab (513033) Skimmer Gasket
- G-314 Pac Fab (195004) Poly Gasket
- G-315 Swimquip™ (08652-5) Face Plate Skimmer Gasket
- G-316 Jacuzzi® (47-0462-06-R) ERC, RC, RTC Square Cut Diffuser Ring-PH & UPH
- G-317 Baker Hydro (00B7000) Control Plate Gasket Purex (07-0247) Housing Gasket Valve Actuator Control Plate
- G-318 Coleco (34027) Gauge Gasket
- G-319 Coleco Hydro Gasket

- G-320 Coleco (30484) Return Fitting Gasket
- G-321 Lomart -Prest Metals (43-013) Self Priming Pump Body Gasket
- G-322 Muskin (038-3446) Adapter Gasket
- G-323 Muskin (038-3434) Viewport Gasket-Fill Port Cap Gasket
- G-324 Ampro Selector Valve Gasket
- G-325 Lomart-Prest Metals (40-024) 4" Pump Gasket
- G-326 Lomart-Prest Metals (42-024) Body Gasket
- G-327 Muskin (038-3454) Valve Cover Gasket
- G-328 American (87102000) Drain Pump Gasket
- G-329 Muskin (038-3458) Skimmer Gasket
- G-330 American (85007700) Admiral Wide Mouth Skimmer Gasket
- G-331 Coleco (30483) Hydro Skim Gasket
- G-332 Muskin (038-3433) Viewport Gasket-Fill Port In & Out Gasket
- G-333 Muskin (038-3432) Viewport Gasket
- G-334 Muskin (038-3457) Tooled Valve Body Gasket
- G-335 Muskin (A-4372) Skimmer Gasket Muskin (A-4372F) Skimmer Gasket
- G-336 Misc. 2" Fire Hose Gasket
- G-337 American (510137) Caribe/Olympian/Quantum/Sandpiper 18 & 24/ Titan Bulkhead Gasket Misc. 3" Fire Hose Gasket
- G-338 Hayward® (SPX0505G) Shell Assembly Gasket
- G-339 Doughboy (308-1076) Gasket Doughboy (308-1109) Silica Valve Body Port Gasket
- G-340 Doughboy (308-1083) Gasket
- G-341 Doughboy (348-1033) Slinger Washer Lomart-Prest Metals (46-029) Slinger Washer Gasket
- G-342 Raypak (800204) By-Pass 53 Gasket
- G-343 Purex (P10925/07-0942) Tropic Inlet/Outlet Gasket For All Models
- G-344 Doughboy (308-1081) Push Pull Valve Cover Gasket Lomart-Prest Metals (53-157) Plunger Cover Gasket
- G-345 Hayward® (SP3000T) Super Pump® II Gasket/Seal Plate O-ring NorthStar™
- G-346 Doughboy (307-1023) Deluxe Skimmer 90 Radius Fitting Gasket Doughboy (308-1110) Return Fitting Gasket
- G-347 Muskin (038-3457) 1 1/2" Backwash Cap Solid Gasket
- G-348 Hayward® (ECX1105) DE Filter Diaphragm Gasket/Perflex®
- G-349 Aqua Flo (FF-12-02/91500250) 100% Drain Gasket
- G-350 Misc. Pipe Flange Gasket 8" ID
- G-351 Hayward® (ECX2641D) DE Filter Diaphragm Gasket
- G-352 Hayward® (GMX400G) Valve Seat Gasket
- G-353 Hayward® (GMX600G) Valve Seat Gasket
- G-354 Homelite (62665-A) Impeller Housing Gasket
- G-355 Monarch (199696) Seal Gasket
- G-356 Hayward® (CX25003Z2) Gasket
- G-357 Hayward® (CX25005B1) Gasket
- G-358 Comfortzone (GKT-7401) Bucket Gasket (2 Required) Comfortzone (GKT-7402) Bucket Gasket-Large (1 G-361 Required)
- G-359 Purex (B-94) Aqua Brominator CB8-4 To CB8-45 Square Cut Ring
- G-361 Comfortzone (GKT-7402) Bucket Gasket-Small (1 G-360 Required)
- G-362 Hayward® (GMXC48G) Housing Gasket
- G-363 American (50140700) 1 1/2" Top Mount Series Multiport Valve Gasket Hayward® (CX900W) Washer For Knob/Cone Gasket Hayward® (SPX0710Z16) Multiport Valve Non-Metallic Bearing
- G-364 Baker Hydro (17B1085) Cartridge Filter Gasket
- G-365 Sta-Rite® (J-20-9) Well & Irrigation Pump Gasket
- G-366 Sta-Rite® (J-20-12) Well & Irrigation Pump Gasket
- G-367 Sta-Rite® (J-20-16) Well & Irrigation Pump Gasket
- G-368 Sta-Rite® (C20-87) Well & Irrigation Pump Gasket
- G-369 Hayward® (SPX1084B3) SP-10840M Gasket
- G-370 American (39204800) American Eagle Diffuser Gasket
- G-371 American (42216000) Power Glass Gasket Purex (75713) Rubber Washer For Shaft Set Screw On WhisperFlo American (550060) Sahara Filter Manhole Gasket
- G-373 Arneson/PoolSweep (G-29-B) Gear Housing Gasket
- G-374 Hayward® (SPX1432E) Jet Air Mini Jet Gasket
- G-375 American (45117000) Twin Port Sealing Gasket
- G-376 Buster Crabbe (20-1040) Pump Gasket C & R (20-1040) Pump Gasket Hayward® (SPX1438J) Pro Jet Gasket

- G-377 Hayward® (SPX1025Z12) SP-1025 Gasket (2 Required)
- G-378 Hayward® (SPX1025Z3) SP-1025 Fiber Slip Washer
Hayward® (SPX1035C) SP-1035 AV Main Drain Fiber Sealing Gasket
- G-379 American (45333000) Pep Main Drain Gasket
- G-380 American (51013600) Caribe/Olympian/Quantum/Sandpiper/
Titan Bulkhead Thick Gasket
- G-381 Hayward® (SPX1434L) Jet Air III Gasket
- G-382 Hayward® (SX180G) S164T,166T, 180T, 220T, 244T Sand Filter/Pro Series
Drain Cap Gasket
- G-383 American (39000800) Power Pump Gasket
- G-384 Hayward® (DEX2400S5) Micro Clear Filter Relief Valve To Tank
Gasket Super Star-Clear
- G-385 Hayward® (SPX1035B) SP-1035 AV Main Drain Neoprene Sealing Gasket
- G-387 Barracuda (ADG-5) Universal Pool Cleaner Floor Gasket
Jandy® Universal Floor Cleaner Gasket
Kreepy Krauly (12-866) Universal Pool Cleaner Gasket
- G-388 Speck Pump Sand/DE Filter Rim Gasket
- G-389 Aqua Leader Skimmer Face Plate Gasket
- G-390 Hayward® (SPX0710Z14) 715 & 716 Valve Non-Metallic Bearing
Swimquip™ (14971-SM10E3) 1 1/2" & 2" Stem Washer Side Mount Models
18202-0150/0150H 18201-0200/0200H
- G-391 Martec/Sonfarrel (420-512) Eyeball O-ring 7 PTFE Kit
- G-392 Waterway™ (7114000) 1 1/2" Union Gasket for All Cyclone Filters
- G-393 Waterway™ (7114010) 2" Union Gasket for All Cyclone Filters
- G-394 Waterway™ (7111930) 75/125/200 Sq. Ft. Filter Drain Cap Gasket
- G-395 Doughboy (308-1171) Silica I 4-Way Valve
- G-396 Doughboy (307-1022) Silica II Rotor Valve Gasket
- G-398 Hayward® (SPX0704D) Valve Key Gasket
- G-399 Hayward® (SPX0023Z2) Double Sided Gasket For Fitting
Swimquip™ (09656-0154) Return Gasket Above Ground Skimmer
- G-400 Pac Fab (272409) 2" Valve Diverter Seal
- G-401 American (45222000) 2 1/2" Main Drain Single Port Double Standard
Suction Fitting Gasket
- G-402 American (47064000) Luxury Air Control, Adjusta-Swirl Micro Jet,
Adjusta-Flow Gasket
- G-403 American (79116800) Luminator 2000 Gasket (2 Required) Aqua Luminator/
Quasar
- G-404 American (46134000) Mini Jet Gasket
- G-405 American (46135200) Thin Line Spa Skimmer Gasket/Funlite, Luxury Light/
Moon-Glow/Mood Light/Luxury Suction Fitting/Luxury Swirl Blaster Jet
- G-406 American (51017000) 2" Multiport Valve Spider Gasket
Swimquip™ (14971-0005) 2" Side Mount Seat Spider Gasket Model
14971-0012/WC212-38/144P
- G-407 American (45313000) Double Port Spa Main Drain 1 1/2" Gasket
- G-408 American (46113000) 2" ID Thick Gasket/Double Port/Standard Suction/
Standard Fitting/Redwood Inlet Fitting
- G-409 Hayward® (SPX1090WVG) Wide Mouth Skimmer Face Plate Gasket
Olympic (ACM83W) Wide Mouth Skimmer Gasket
Swimquip™ (09656-0152) Wide Mouth Gasket Above Ground Skimmer
- G-410 Aquamaster (12972) Return Gasket
- G-411 Hayward® (SPX0704HA) PTFE Piece Only (For O-483Kit)
- G-413 Jandy® (R0555900) Body Gasket JHP/PHP Series
Pac Fab (357102) Seal Plate O-ring Fits Models (After 1994)
Purex (07-5247) Whisper Flo® Seal Plate Gasket WFE Pump
- G-414 Pac Fab (65-0003) Spa Light Lens Gasket-Hatteras II Face Ring
- G-415 American (51021700) Eclipse/Meteor Clamp Gasket
- G-416 Pac Fab (271104) 1 1/2" Praher Diverter Gasket/Spider Gasket
Top Mount Clamp (Part Of O-519Kit)
Swimquip™ (14971-SM10E12) 1 1/2" Multiport Valve Spider Gasket
- G-417 Pac Fab (271148) 2" Praher Diverter Gasket-Spider Gasket
Multiport Valve (Part Of O-520Kit)
Swimquip™ (14971-SM20E12) 2" Multiport Valve Spider Gasket/Side
Mount Models 18202-0150/0150H, 18201-0200/0200H
- G-418 Hayward® (SPX0740D) Valve Seat Gasket
- G-419 Comfortzone/Hayward® (HMXGKT2930) 2" Flange Gasket
Jandy® (S0078000) Flange Gasket 2" (1993-1996) Series 2 ESC/ESG Heater
Laars (S-780) 2" Flange Gasket (1997-Present) Lite (Mfg. 1997-2000)
Lite2™ (Mfg. 2000-Present)
- G-420 Sta-Rite® (C69-23) Slinger JW Series/JS Series

- G-421 Sta-Rite® (WC9-2) Side Mount Valve Sight Glass O-ring Model
WC212-150P/150PA
- G-422 Sta-Rite® (C20-100) Gasket For Impeller C/CC/D Series
- G-423 Swimquip™ (17150-0007) 4' Trap Assembly Lid Gasket-JS Series/Dura-Jet™
- G-424 Sta-Rite® (C20-101) Sleeve Gasket C/CC/D Series
- G-425 Swimquip™ (41301-0785) CL90/91L Chlorinator Scoop Gasket
- G-426 Sta-Rite® (C69-16) Water Slinger 3 Phase C/CC/D Series
- G-427 Swimquip™ (33455-8043) Impeller To Washer Gasket CSPH/CCSPH
- G-428 Sta-Rite® (L20-40) Bushing Gasket PLBC Series
- G-429 Swimquip™ (33450-8042) Volute Discharge Gasket CSPH/CCSPH
- G-430 Swimquip™ (33450-8041), 6" Bronze Suction Trap
- G-431 Sta-Rite® (S04757) Volute To Bracket Gasket CSPH/CCSPH
- G-432 Swimquip™ (09656-0150) Above Ground Skimmer Gasket
- G-433 Swimquip™ (05103-0101) SunStar/SunBrite Light Housing Gasket
- G-434 Swimquip™ (07017-0079) Drain Gasket
- G-435 Swimquip™ (05057-0667) Rubber Face Ring Gasket Vinyl Liner Niche
- G-436 Swimquip™ (14962-0017) Multiport Valve Plug Gasket/Spoke Gasket Top
Mount Valve Swimquip™ (14965-0028) Plug & Gasket Assembly Model
WC112-148
- G-437 Swimquip™ (14971-0011) Main 2" Side Mount Sight Glass Gasket Model
14971-0012/WC212-38/144P
- G-438 Sta-Rite® (WC20-22) Side Mount Spider Gasket Model WC212-150P/150PA
- G-440 Swimquip™ (05301-0001) Sunburst Light Small Housing Lens Gasket
- G-441 Swimquip™ (05161-0001) Large Light Niche Integral Gasket For SS
- G-442 Swimquip™ (05166-0001) Small Light Niche Liner Gasket
- G-443 Swimquip™ (05166-0002) Small Light Niche Integral Gasket For SS Trim Ring
- G-444 Swimquip™ (05101-0008) Large Light Niche Liner Gasket
- G-446 Swimquip™ (35505-7432) Natural/LP Gas Manifold O-ring Model SR
- G-447 Waterway™ (711-4050) 1 1/2" O-Ring Gasket Heater Tail Piece with Rib
- G-448 Waterway™ (711-4030) 2" Heater Tail Piece O-Ring Gasket with Rib
- G-450 American (87206300) AquaLumin® Sealing Gasket
- G-451 American (86300500) Eclipse/Predator™/Warrior® Filter Side & Top Mount
Drain Cap Gasket, Meteor, Clean & Clear®
- G-452 Purex (07-4015) Flow Valve Gasket
- G-453 Comfortzone (CZXGKT7627) C Spa XI Model Element Gasket
- G-454 Hayward® (SPX1085D2) 1085 Skimmer Gasket
- G-456 Comfortzone (CZXGKT7408) Bucket Gasket SG II Model (2 Required)
- G-457 Jandy® (R0050800) Header Gasket F
Laars (R-508) Header Gasket (Set of 18)
- G-458 American (51015900) 2 & 3 Diverter Port Valve Gasket
- G-459 American (46135500) Gasket for Pleasure Jet
- G-460 Hayward® (ECX1039) Perflex® Diaphragm Gasket
- G-461 Hayward® (ECX5000G) EC-50C Diaphragm Gasket/Perflex®
- G-462 American (79204603) (Part of G-464KIT)
- G-463 American (79207900) Double Wall Gasket
- G-464KIT American (79207900/79204603) Kit for Small Niche Spa Brite / AquaLight®
- G-465 American (79207500) Double Wall Gasket
- G-466KIT American (79200700) Double Wall Gasket Kit
- G-467 Comfortzone (CZXFCG1930) Flange Compression Gasket
- G-468 Jandy® (S0078100) Flange Gasket 1 1/2" & 2" (1993-1996) Series 2
ESC/ESG Heater
Laars (S0078100) Flange Gasket 1 1/2" - 2"
- G-469 Laars (R0054800) 2" Flange Gasket and Sleeve
- G-470 Comfortzone (CZXGKT7406) Flange Compression Gasket (2 Required)
- G-471 American (78880200) Aqua Lumin I & II Lens Seal Gasket
- G-472 EZ Chlorinator - Flow Meter Top Gasket
- G-473 EZ Chlorinator - Flow Meter Bottom Gasket
- G-474 Jacuzzi® (13-1207-04-R) Vinyl Liner Main Drain Gasket
- G-475 Jacuzzi® (13-0411-08-R) Skimmer Face Plate
Jacuzzi® (13-1230-05-R2) Face Flange Gasket
- G-476 EZ Chlorinator Float Arm Valve Seal Gasket
- G-478 Pentair (357100) Black Gasket for Seal Plate for Intelliflo® VF Pump VS
& SVRS WhisperFlo Pump
- G-479 Intex® (10255/20255) Flat Strainer Rubber Washer
- G-480 Pentair (270038) Spacer Split Ring for 2-Way & 3-Way Diverter Valves
- G-482 Pentair (154715) Sand Drain Gasket
- G-483 Jacuzzi® (13-0870-02-R) Face Flange Gasket
- G-484 Waterway™ (806-1400B) SMF/56 Frame Volute Faceplate Gasket

Go with the Flow!

WorldPool® Replacement Cartridges



Aladdin
EQUIPMENT COMPANY, INC.

900 Sarasota Center Blvd., Sarasota, FL 34240
1.800.854.2466 | www.aladdin1950.com



Go with the Flow!



Aladdin
EQUIPMENT COMPANY, INC.

900 Sarasota Center Blvd., Sarasota, FL 34240
1.800.854.2466 | www.aladdin1950.com



Filter Wall Poster

Basket Wall Poster



Aladdin Equipment Company
900 Sarasota Center Boulevard
Sarasota, FL 34240
P: 941.371.3732 | F: 941.371.4165
Toll Free: 1.800.854.2466
E: info@aladdin1950.com
www.aladdin1950.com

\$4.95