



3-WAY DIVERTER VALVE

SPECIFICATIONS:

Sizes: 1.5" - 2" Slip / 2" - 2.5" Spigot
 1.5" FPT x 2" Spigot
 Body: CPVC
 O-Rings: EPDM or NBR
 Rotor Gasket: Teflon Coated

Max Operating Pressure:

1.5": 50 PSI @ 73 F
 2": 50 PSI @ 73 F

Valve Ends:

-solvent cement socket

Features:

- permanently lubricated rotor seal
- extreme wear resistant rotor seal
- position locking
- universal shaft spline pattern adapts to most actuators
- all wetted materials are of NSF 50 or 61 designation
- chlorine, acid and ozone resistant

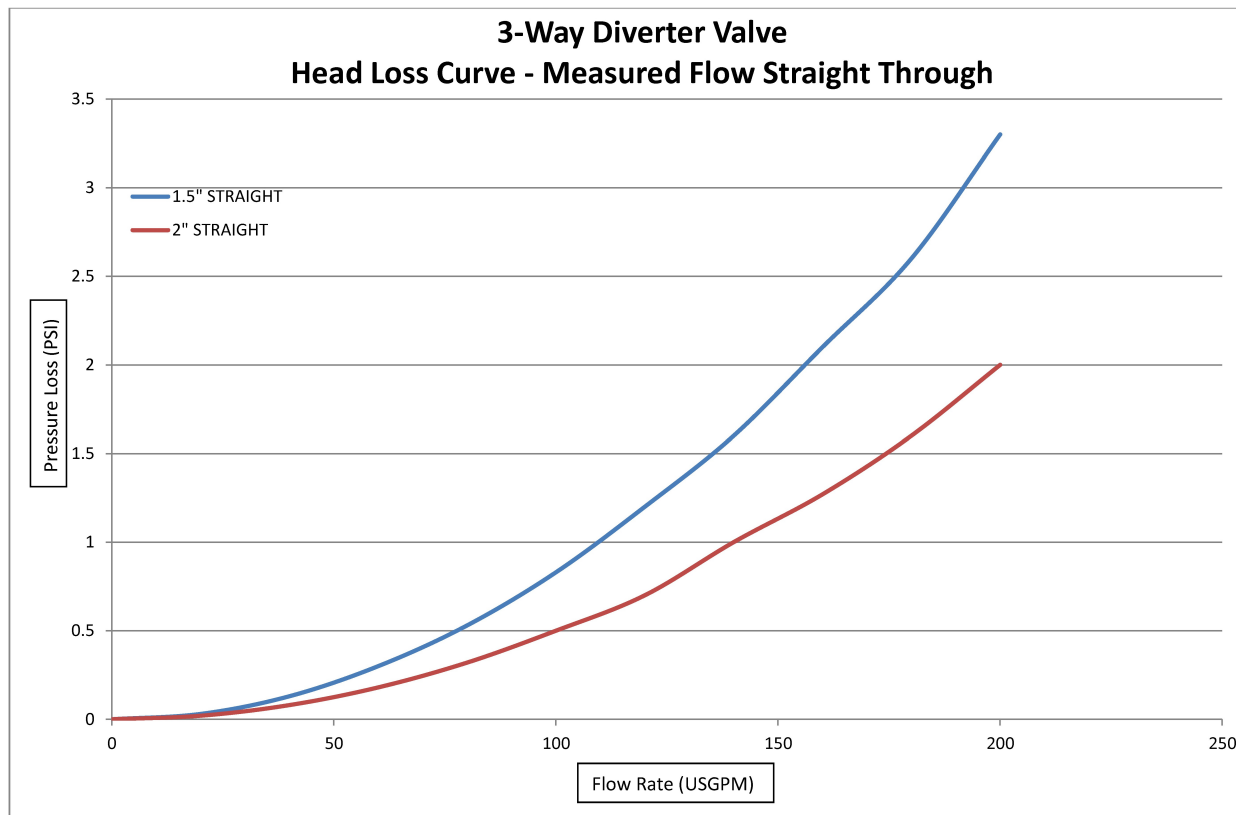


Sample Specification:

The Praher 3-Way Rotor Valves are available in sizes 1.5" & 2" slip. The unique design allows the 1.5" slip models to also allow for a 2" spigot connection and the 2" slip models to also allow for a 2.5" spigot connection. The position indicator plate gives operators a clear read out of the valve position. Tightening the handle knob allows you to lock the valve in a desired position. All O-rings shall be EPDM or NBR. Patented design US 6497250.

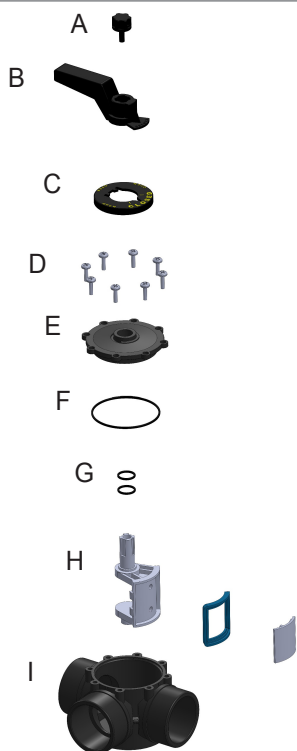
Cv Values

1.5": 110
 2": 142

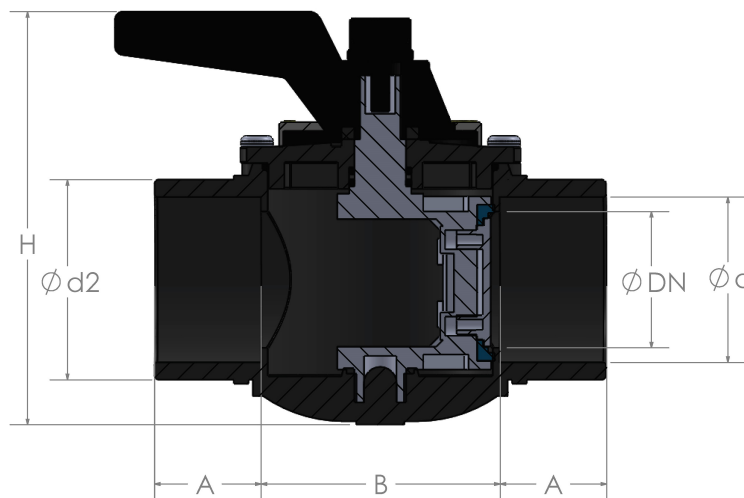
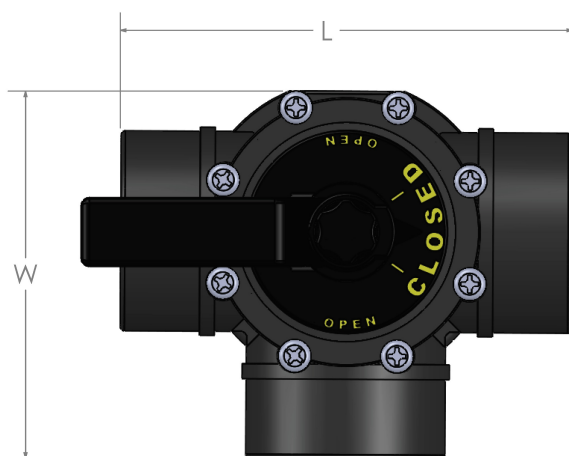




3-WAY DIVERTER VALVE



ITEM	DESCRIPTION
A	HANDLE KNOB
B	HANDLE
C	INDICATOR COVER
D	LID SCREWS
E	LID
F	LID O-RING
G	ROTOR STEM O-RINGS
H	ROTOR
I	BODY



MODEL	d	d2	DN	A	B	H	L	W
OV3-1500	1.5"	2"	40	39mm 1.53"	87.5mm 3.44"	151mm 5.95"	166mm 6.53"	135mm 5.31"
OV3-1503	1.5" THRD	2"	40	39mm 1.53"	87.5mm 3.44"	151mm 5.95"	166mm 6.53"	135mm 5.31"
OV3-2010	2"	2.5"	50	35.5mm 1.4"	95mm 3.74"	151mm 5.95"	166mm 6.53"	135mm 5.31"