

**Century<sup>®</sup> PRO**  
PREMIUM POOL & SPA MOTORS

# CENTURION<sup>®</sup> PRO PREMIUM REPLACEMENT POOL & SPA MOTORS

Durable and easy to install, no other replacement pump motor comes close to a superbly crafted Centurion<sup>®</sup> PRO pool and spa motor.

The new Triple Seal<sup>™</sup> protection feature is designed into the pump end of the motor to protect the bearings from water, pests and debris, extending the life of the motor.

## FEATURES

- Premium sealed 203 bearings both ends
- Open and accessible terminal board & wiring compartment
- New Triple Seal protection on pump-end bearing
- Voltage change device
- Definitive shaft access (7/16" wrench)
- Auto protector
- UL 1081 design
- 60 Hz
- 50°C ambient
- Rotation: CCW pump end
- 303 stainless steel threaded shaft
- Open dripproof



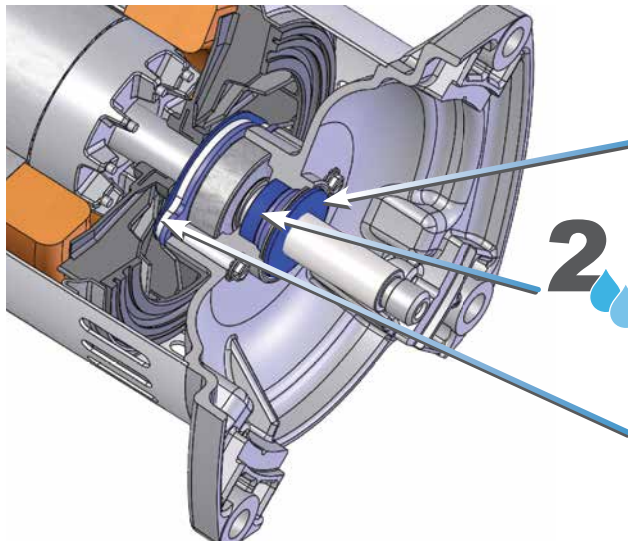
THP	RPM	Volts	AMPS	Service Factor	Frame	Flange	Centurion <sup>®</sup> PRO Motor Stock Number	Century <sup>®</sup> Motors Cross Ref.	Nidec U.S. Motors <sup>®</sup> Cross Ref. *	SN Tech <sup>™</sup> Cross Ref. **
0.95	3450	115/230	12.2/6.1	1.0	48Y	Square	<b>HSQ095</b>	SQ1052 USQ1072	ESQ1052 EUSQ1072	C1304 C1224
1.25	3450	115/230	14.8/7.4	1.0	48Y	Square	<b>HSQ125</b>	SQ1072 USQ1102	ESQ1072 EUSQ1102	C1305 C1245
1.65	3450	115/230	18.8/9.4	1.0	48Y	Square	<b>HSQ165</b>	SQ1102 USQ1152	ESQ1102 EUSQ1152	C1306 C1246
2.20	3450	230	9.7	1.0	48Y	Square	<b>HSQ220</b>	SQ1152 USQ1202	ESQ1152 EUSQ1202	N/A N/A
2.60	3450	230	11.4	1.0	48Y	Square	<b>HSQ260</b>	SQ1202 USQ1252	ESQ1202 EUSQ1252	C1308 C1335
0.80	3450	115/230	10.8/5.4	1.0	56J	C-Face	<b>HST080</b>	ST1052 UST1072	EST1052 EUST1072	C1098 C1321
1.10	3450	115/230	13.6/6.8	1.0	56J	C-Face	<b>HST110</b>	ST1072 UST1102	EST1072 EUST1102	C1099 C1318
1.50	3450	115/230	17.2/8.6	1.0	56J	C-Face	<b>HST150</b>	ST1102 UST1152	EST1102 EUST1152	C1100 C1319
2.25	3450	115/208-230	20.4/10.9-10.2	1.0	56J	C-Face	<b>HST225</b>	ST1152 UST1202	EST1152 EUST1202	C1101 C1320
2.75	3450	208-230	12.3-11.3	1.0	56J	C-Face	<b>HST275</b>	ST1202 UST1252	EST1202 EUST1252	C1102 C1149

# CENTURION® PRO PREMIUM REPLACEMENT POOL & SPA MOTORS

## TRIPLE SEAL™ PROTECTION

Triple Seal protection was developed and patented by Regal's innovative engineering staff to combat premature motor failures associated with pump end bearing failures due to water ingress. Triple Seal protection is a robust design that protects the pump end bearing on both the outboard and inboard facing seal of the bearing using three distinct sealing systems (See image below).

While Triple Seal protection is designed to protect the pump end bearing from general water ingress, dust and debris, it is not designed to protect against leaky pump seals, constant spray from irrigation systems, or other extraneous conditions. Triple Seal protection is another line of defense from moisture intrusion into the pump end bearing system.



**1 THE CENTURY® SEAL**  
The first line of defense in preventing moisture from washing the grease out of a bearing.

**2 IP-55 RATED LIP SEAL**  
Located behind the Century seal to ensure any moisture that might make it past is stopped in its tracks.

**3 BEARING LOCK PLATE**  
To protect the inboard seal of the bearing, a sealing system is integrated into the bearing lock plate, preventing moisture ingress to the back side of the bearing.

## WARRANTY PERIOD

All Century® motors are warranted against defects in materials and workmanship for a period of 12 months from the date of installation or 24 months from the date of manufacture, whichever comes first.



Regal Beloit America, Inc.

1325 Heil Quaker Blvd.

LaVergne, TN 37086

Customer Service: 866-887-5216

Fax: 800-468-2062

[www.regalbeloit.com](http://www.regalbeloit.com)

[www.pool-motors.com](http://www.pool-motors.com)



## APPLICATION CONSIDERATIONS

The proper selection and application of power transmission products and components, including the related area of product safety, is the responsibility of the customer. Operating and performance requirements and potential associated issues will vary appreciably depending upon the use and application of such products and components. The scope of the technical and application information included in this publication is necessarily limited. Unusual operating environments and conditions, lubrication requirements, loading supports, and other factors can materially affect the application and operating results of the products and components and the customer should carefully review its requirements. Any technical advice or review furnished by Regal Beloit America, Inc. and/or its affiliates ("Regal") with respect to the use of products and components is given in good faith and without charge, and Regal assumes no obligation or liability for the advice given, or results obtained, all such advice and review being given and accepted at customer's risk.

For a copy of our Standard Terms and Conditions of Sale, please visit <http://www.regalbeloit.com> (please see link at bottom of page to "Standard Terms and Conditions of Sale"). These terms and conditions of sale, disclaimers and limitations of liability apply to any person who may buy, acquire or use a Regal product referred to herein, including any person who buys from a licensed distributor of these branded products.

\* Nidec and U.S. Motors are believed to be the trademarks of Nidec Corporation and are not owned or controlled by Regal Beloit Corporation.

\*\* SNTech is believed to be the trademark or trade name of SNTech Ltd. and is not owned or controlled by Regal Beloit Corporation.

APSP is believed to be the trademark of The Association of Pool and Spa Professionals Corporation Virginia or one of its global affiliates and is not controlled by Regal Beloit Corporation. Regal, Century, VGreen and VLink are trademarks of Regal Beloit Corporation or one of its affiliated companies.

Regal, Century, Centurion and Triple Seal are trademarks of Regal Beloit Corporation or one of its affiliated companies.

©2012, 2018 Regal Beloit Corporation, All Rights Reserved. MCSSP18079E • Form# C2875E

**REGAL**®