

DMS custom rail **request**

Project Name _____

Residential Commercial

Distributor Name _____

Distributor Contact Name _____

Distributor Address _____

City _____

State _____

Zip _____

Distributor Phone _____

Fax _____

Distributor Email _____

Tubing: Outside Diameter 1.90"

Wall Thickness .049" (res. only) .065" .109" .145" (304 only)

1.50" ONLY
 .120" ONLY

Grade 304 (standard) 316L (marine grade)

Coating: SealedSteel Vinyl* None White Taupe Gray Dark Gray

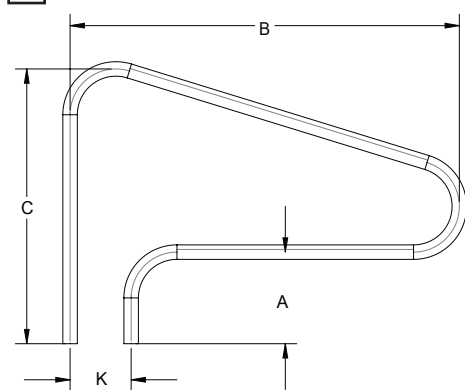
Powder Coating* None White Taupe Silver Gray Rock Gray

*Escutcheons not included

Copper Vein Hammertone Black

Requested Handrail Pattern:

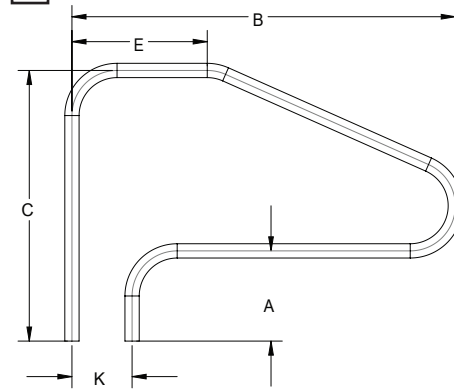
DMS-100



Qty: _____

A: _____
B: _____
C: _____
K: _____

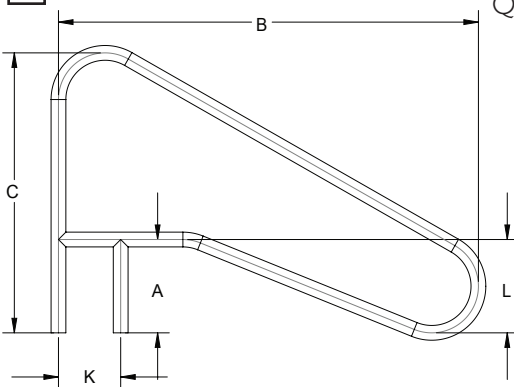
DMS-101



Qty: _____

A: _____
B: _____
C: _____
E: _____
K: _____

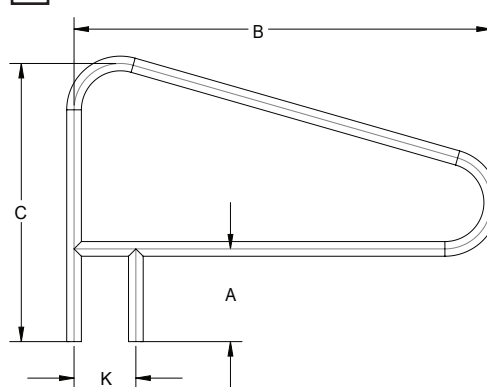
DMS-102



Qty: _____

A: _____
B: _____
C: _____
K: _____
L: _____

DMS-103



Qty: _____

A: _____
B: _____
C: _____
K: _____

Please fax to 615.323.1573 or email customrails@srsmith.com

toll free 877.325.0768
fax 615.323.1573
email customrails@srsmith.com

