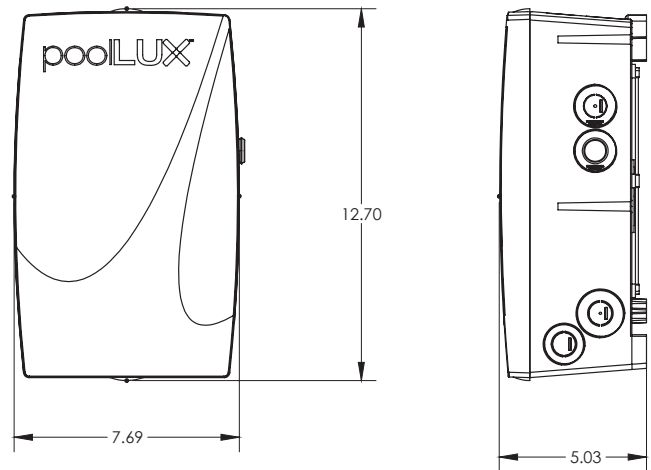


poolLUX™ Plus

poolLUX Plus combines power and lighting control in one simple system.

- Spread-spectrum wireless remote control with one-touch color sync for S.R.Smith LED lighting products
- (6) Colors and (2) Light Shows when used with S.R.Smith LED lights
- Built-in on/off switch increases convenience and can save on electrician costs
- Oversized wiring area for easy installation
- Convenient terminal strip wiring – no wire nuts required
- Corrosion resistant polycarbonate housing for harsh pool environments
- 60W or 100W options
- ETL Listed - Conforms to UL379 (Pool, Spa and Fountain Power Unit Standard) and certified to CSA C22.2#218.1



Model No.	Description	Shipping		
		Length	Width	Height
pLX-PL60	(1) poolLUX Plus 60 Watt with spread-spectrum wireless remote	15" / 38cm	12" / 30cm	8" / 20cm
pLX-PL100	(1) poolLUX Plus 100 Watt with spread-spectrum wireless remote	15" / 38cm	12" / 30cm	8" / 20cm
poolLUX Plus Kits				
2TR-pLX-PL60	(1) poolLUX Plus 60 Watt with spread-spectrum wireless remote (2) Treo 80' RGB LED pool lights (1) Free Treo Micro 80' RGB LED pool light	24" 61cm	15" 38cm	18" 46cm
3TR-pLX-PL60	(1) poolLUX Plus 60 Watt with spread-spectrum wireless remote (3) Treo 80' RGB LED pool lights (1) Free Treo Micro 80' RGB LED pool light	24" 61cm	15" 38cm	18" 46cm
2TR-pLX-PL100	(1) poolLUX Plus 100 Watt with spread-spectrum wireless remote (2) Treo 80' RGB LED pool lights (1) Free Treo Micro 80' RGB LED pool light	24" 61cm	15" 38cm	18" 46cm
3TR-pLX-PL100	(1) poolLUX Plus 100 Watt with spread-spectrum wireless remote (3) Treo 80' RGB LED pool lights (1) Free Treo Micro 80' RGB LED pool light	24" 61cm	15" 38cm	18" 46cm



S.R.Smith, LLC P.O. Box 400, Canby, OR 97013
P 503.266.2231 TF 800.824.4387 srsmith.com

© 2017 S.R.Smith. All rights reserved.

M-E-BRO-621 5M 0517