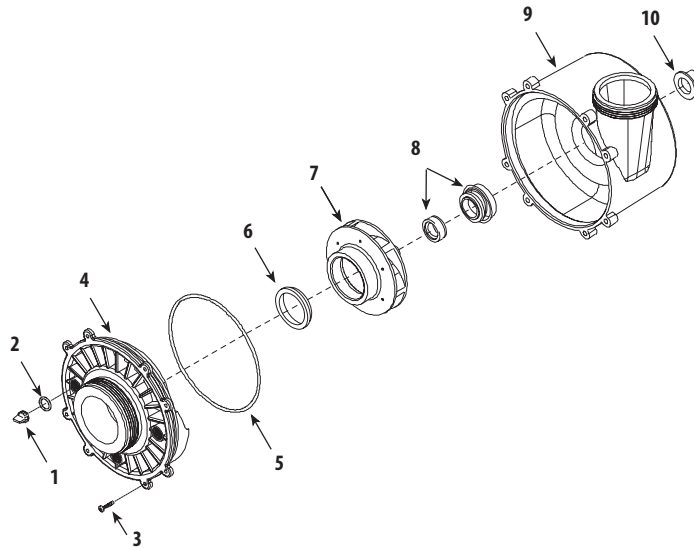




Replacement Parts / Executive Wet End

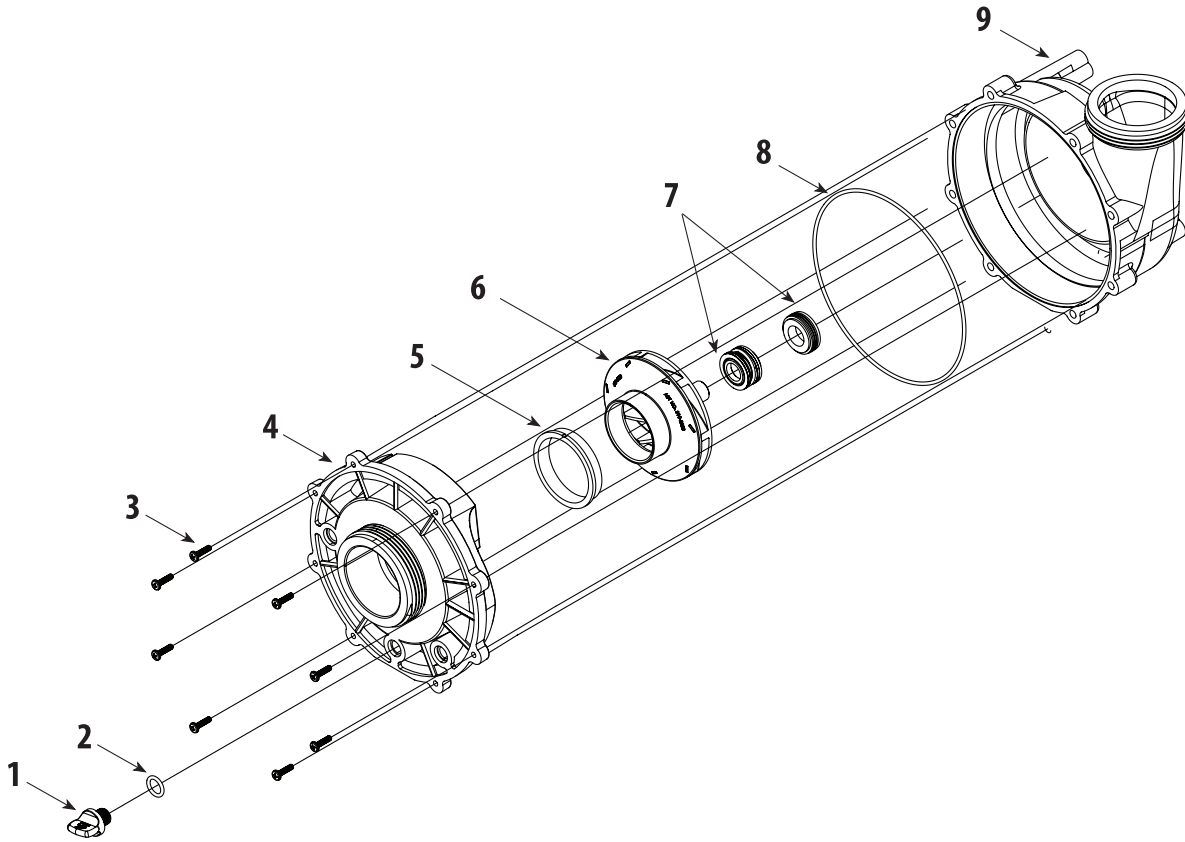


Executive 56-Frame Wet End Replacement Parts

Item	Part No.	Description	List (US \$)
1	715-1201	3/8" Quarter Slot Plug - Air Relief	2.18
2	805-0112	O-Ring - #111 - Pump Drain Plug	0.49
3	819-1110	Screw - #8 - 32 x 7/16" PPH	1.24
4	311-1210	Executive Faceplate 2 1/2"	40.38
	311-1220	Executive Faceplate 2"	40.38
5	805-0261	O-Ring 261 - Volute for Executive Faceplate	4.06
6	319-1370	Wear Ring - Executive Pump 4 & 5 HP	5.72
	319-1380	Wear Ring - Executive Pump 3/4, 1, 2, and 3 HP	5.72
7	310-4220	1 HP Impeller Assembly	27.94
	310-4210	2 HP Impeller Assembly	27.94
	310-4200	3 HP Impeller Assembly	27.94
	310-4190	4 HP Impeller Assembly	27.94
	310-4180	5 HP Impeller Assembly	27.94
8	319-3100B	Pump Seal Set	20.40
9	315-1220	Executive Volute 56-Frame with Inserts	38.41
10	313-1400	Slinger	1.06

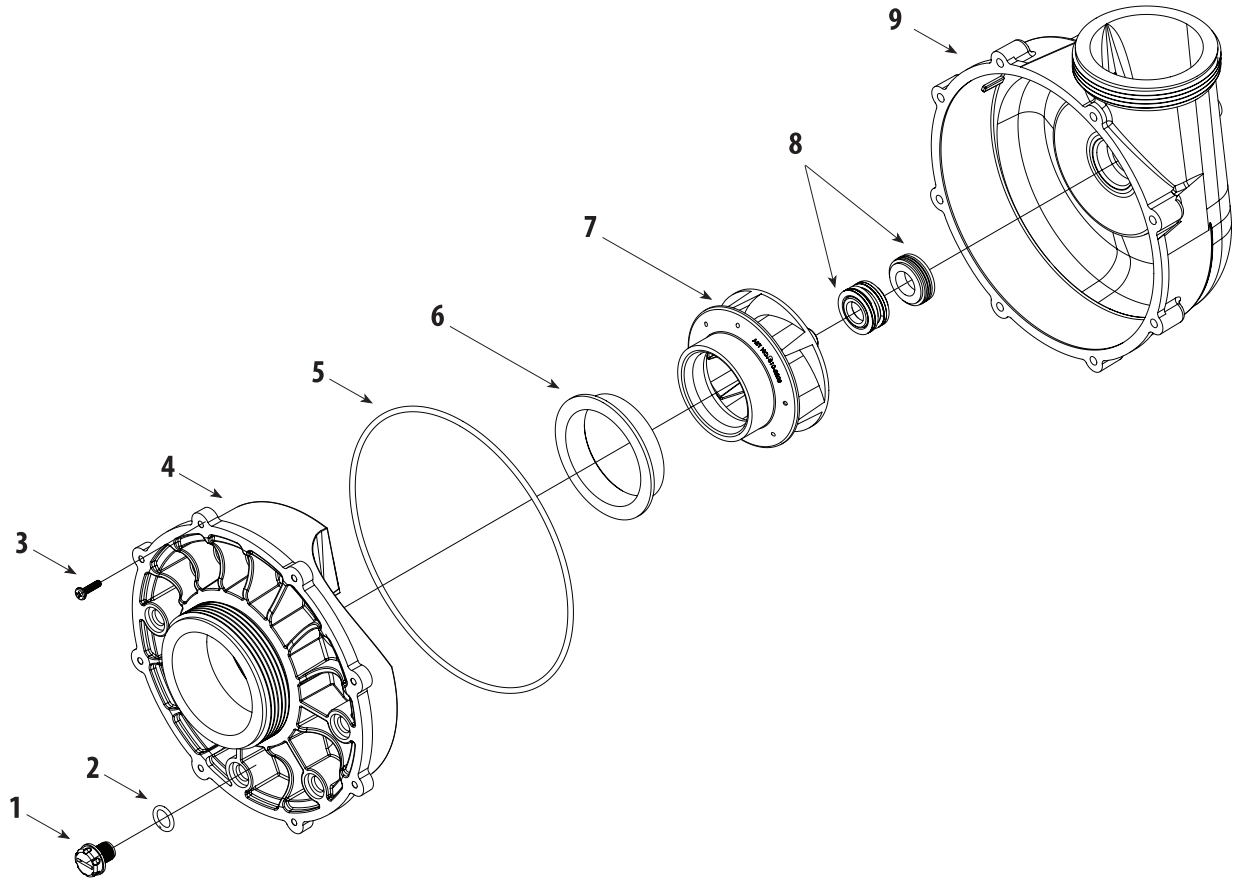
Executive 48-Frame Wet End Replacement Parts

Item	Part No.	Description	List (US \$)
1	715-1201	3/8" Quarter Slot Plug - Air Relief	2.18
2	805-0112	O-Ring - #111 - Pump Drain Plug	0.49
3	819-1110	Screw - #8 - 32 x 7/16" PPH	1.24
4	311-1210	Executive Faceplate 2 1/2"	40.38
	311-1220	Executive Faceplate 2"	40.38
5	805-0261	O-Ring 261 - Volute for Executive Faceplate	4.06
6	319-1370	Wear Ring - Executive Pump 4 & 5 HP	5.72
	319-1380	Wear Ring - Executive Pump 3/4, 1, 2 and 3 HP	5.72
7	310-4230	1 HP Motor - 3/4 HP Impeller Assembly	27.94
	310-4220	1 1/2 HP Motor - 1 HP Impeller Assembly	27.94
	310-4210	2 HP Motor - 2 HP Impeller Assembly	27.94
	310-4210	3 HP Motor - 2 HP Impeller Assembly	27.94
	310-4200	4 HP Motor - 3 HP Impeller Assembly	27.94
8	319-3100B	Pump Seal Set	20.40
9	315-1240	Executive Volute 48-Frame with Inserts	31.82
10	313-1400	Slinger	1.06



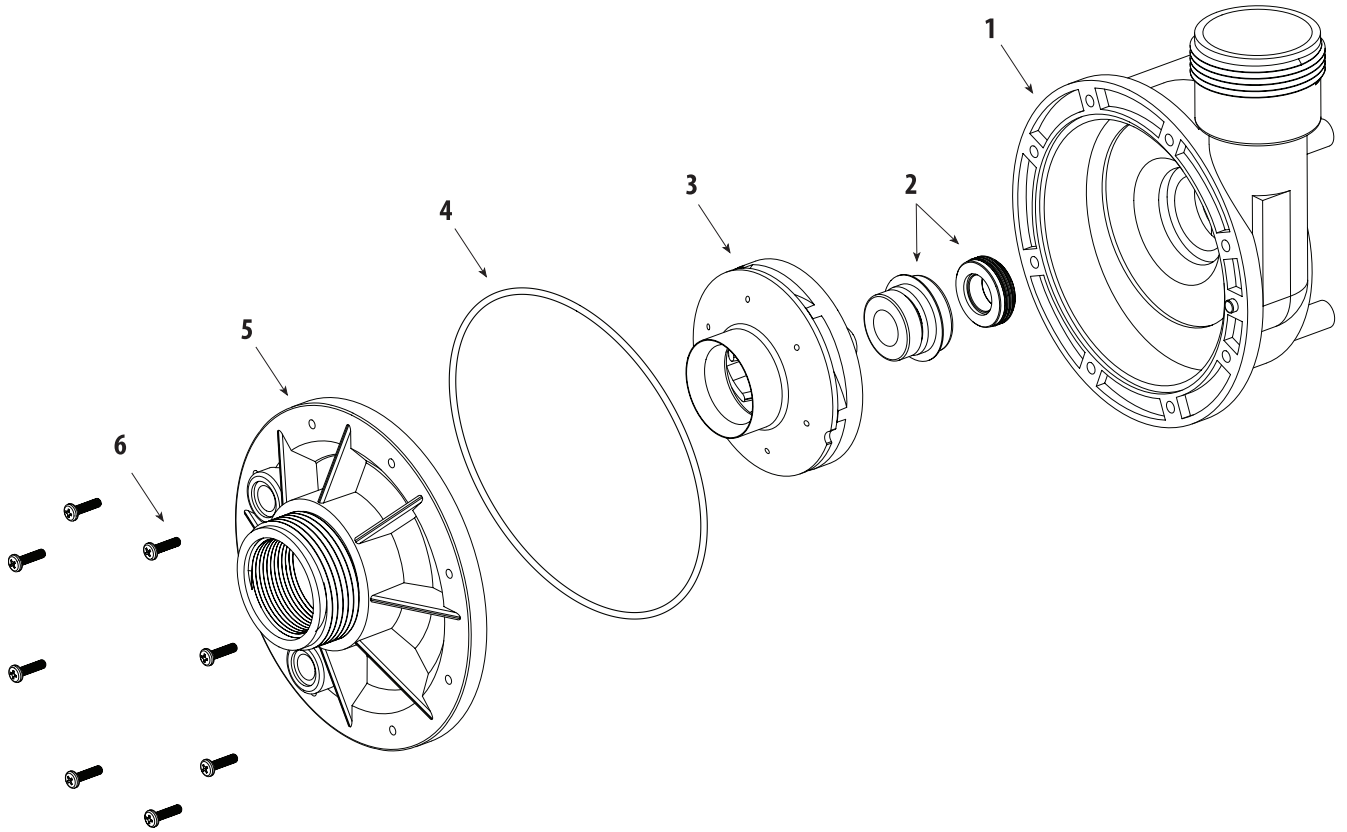
EX2 Wet End Replacement Parts

Item	Part No.	Description	List (US \$)
1	715-4020	Pump Drain Plug	2.18
2	805-0112	O-Ring - Pump Drain Plug	0.49
3	819-1110	Screw #8-32	1.24
4	311-2311	Volute Faceplate	40.38
5	319-1270	Wear Ring	5.72
6	310-2330	Impeller Assembly - 1 ½ HP	27.94
	310-2340	Impeller Assembly - 2 HP	27.94
	310-2300	Impeller Assembly - 2 ½ HP	27.94
	310-2350	Impeller Assembly - 3 HP	27.94
7	319-3010B	Pump Seal Kit	21.57
8	805-0164	O-Ring #164	4.35
9	315-2301	Volute Housing	38.41



Viper Wet End Replacement Parts

Item	Part No.	Description	List (US \$)
1	715-1201	¾" Quarter Slot Pump Drain Plug	2.18
2	805-0112	O-Ring - Pump Drain Plug	0.49
3	819-1110	Screw #8-32	1.24
4	311-1510	Volute Faceplate	40.38
5	805-0264	Volute O-Ring	5.25
6	313-3210	Wear Ring	5.72
7	310-2260	Impeller Assembly - 2 HP	27.94
	310-2270	Impeller Assembly - 3 HP	27.94
	310-2200	Impeller Assembly - 4 HP	27.94
	310-2280	Impeller Assembly - 5 HP	27.94
8	319-3010B	Pump Seal Kit	21.55
9	315-1500	Volute	46.87

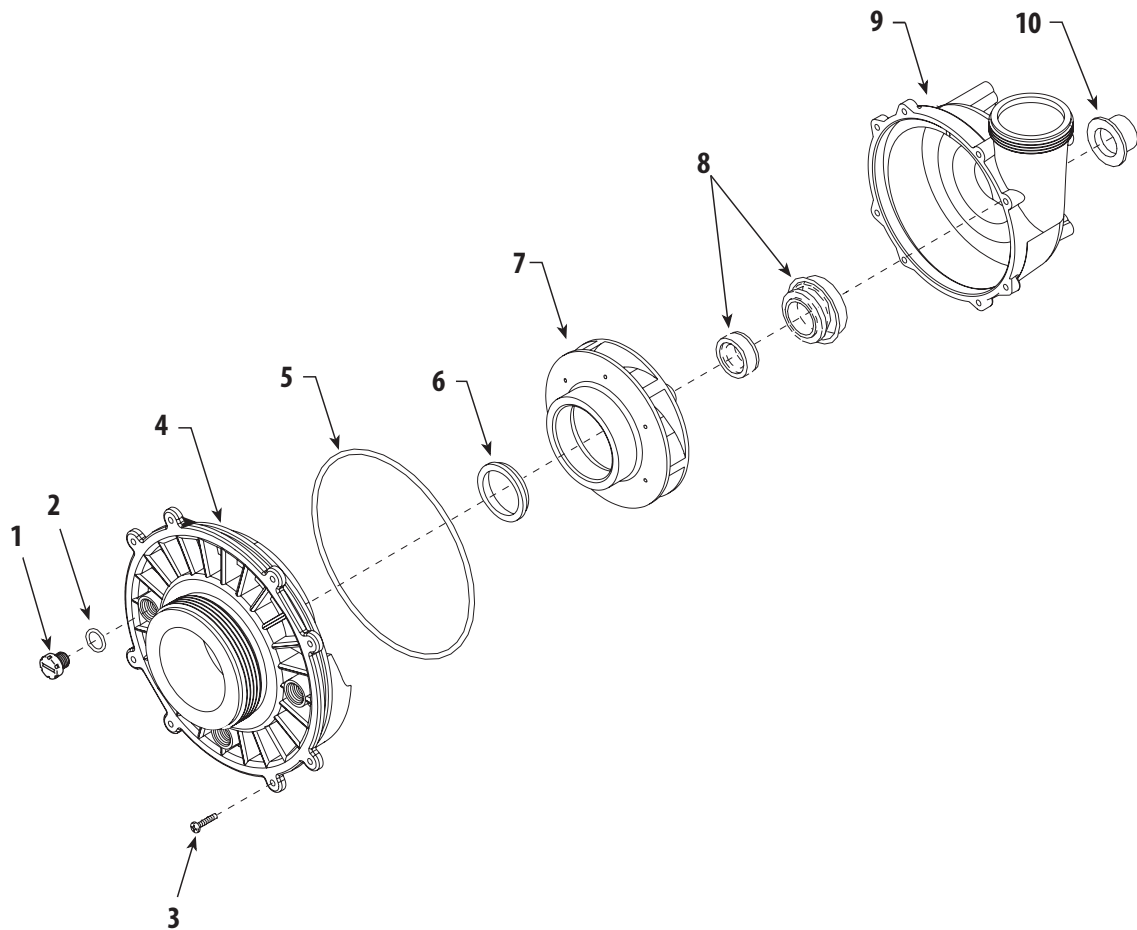


Spa Flo and Iron Might Wet End Replacement Parts

Item	Part No.	Description	List (US \$)
1	315-1060	Volute	40.94
2	319-3100B	Puma Seal Kit	19.76
3	310-0900	Iron Might Impeller Assembly	24.13
	310-4060	Spa Flo Impeller Assembly - 1 HP	24.13
	310-4070	Spa Flo Impeller Assembly - 1.5 HP	24.13
	310-4090	Spa Flo Impeller Assembly - 2 HP	24.13
4	805-0248	Volute O-Ring	7.80
5	311-1060	Faceplate	30.75
6	819-1110	#8-32 Screw (8 required)	1.24

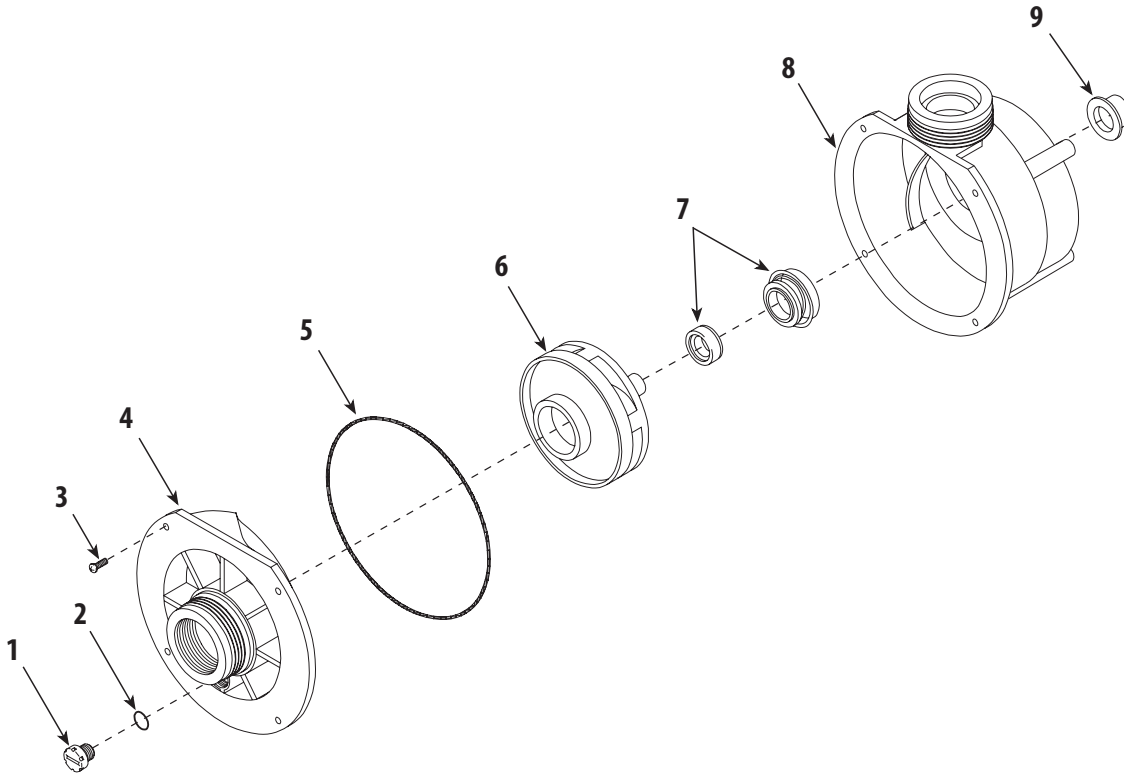


Replacement Parts / Hi-Flo Side Discharge Wet End



Hi-Flo Side Discharge Wet End Replacement Parts

Item	Part No.	Description	List (US \$)
1	715-1201	¾" Quarter Slot Drain Plug	2.18
2	805-0112	O-Ring - Pump Drain Plug	0.49
3	819-1110	Screw	1.24
4	311-2140	2" Intake Faceplate	30.75
5	805-0256	O-Ring - Faceplate	4.34
6	319-1390	Wear Ring	6.58
7	310-4000	1 HP Impeller "C" Assembly	24.13
	310-4010	1 ½ HP Impeller "D" Assembly	24.13
	310-4030	2 HP Impeller Assembly	24.13
	310-4020	3 HP Impeller Assembly	24.13
	310-4050	4 HP Impeller Assembly	24.13
8	319-3100B	Pump Seal Kit	20.40
9	315-2500	Side Discharge Volute with Inserts	40.94
10	313-1400	Slinger	1.06

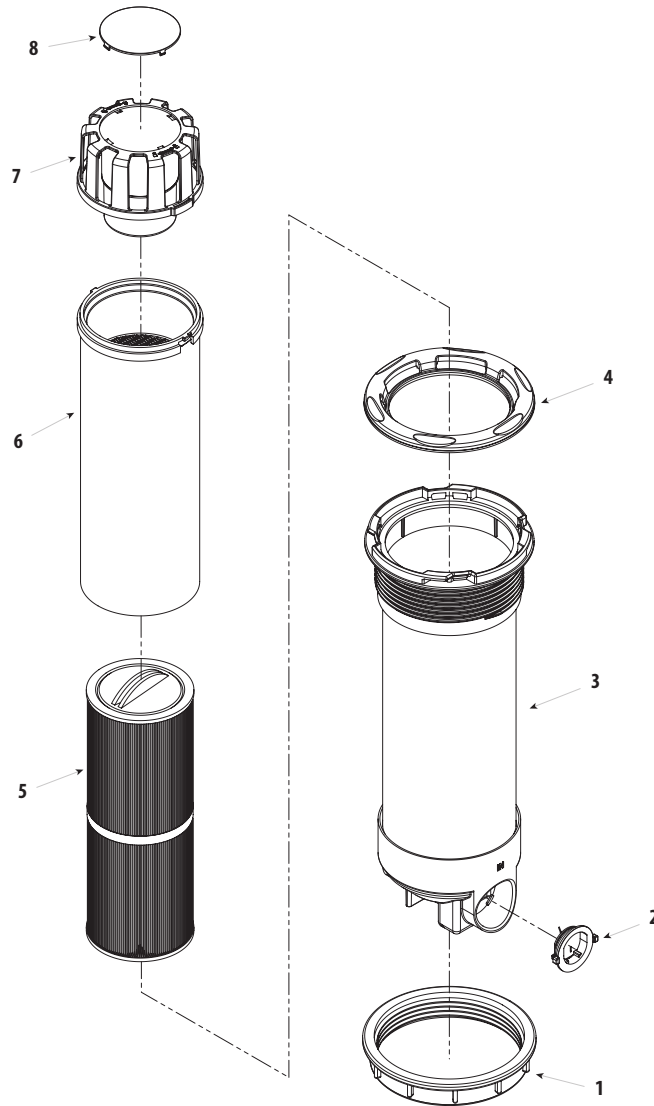


Center Discharge Wet End Replacement Parts

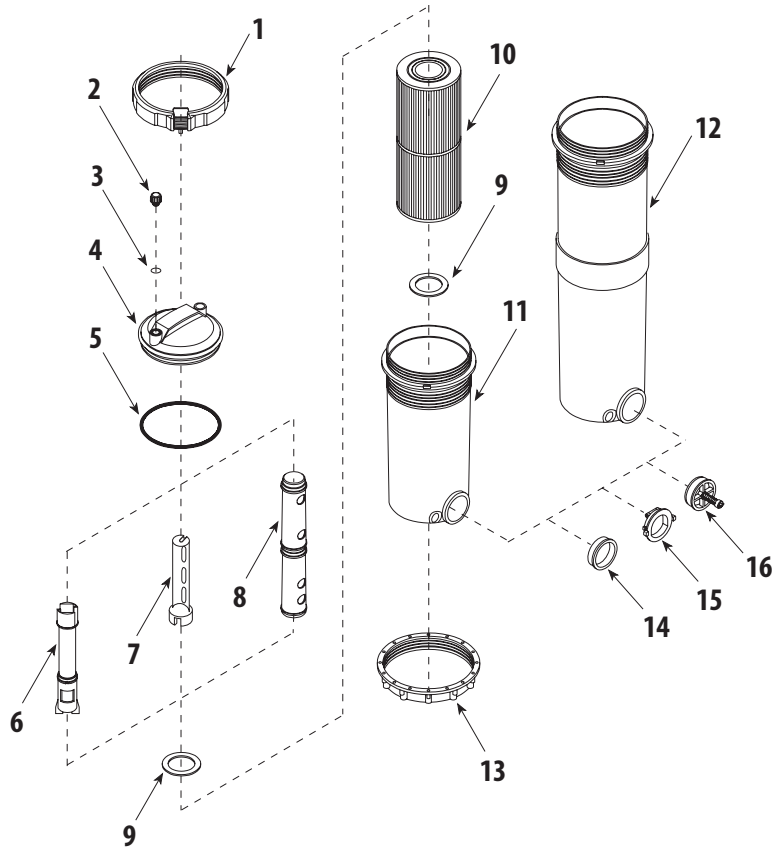
Item	Part No.	Description	List (US \$)
1	715-1201	3/8" Quarter Slot Drain Plug	2.18
2	805-0112	O-Ring - Pump Drain Plug	0.49
3	819-1110	Screw #8-32	1.24
4	311-1110	Faceplate - Spa Series	30.75
5	805-0252	O-Ring - Faceplate	4.06
6	310-5120	3/4 HP Impeller Assembly	24.13
	310-5130	1 HP Impeller Assembly	24.13
	310-5140	1 1/2 HP Impeller Assembly	24.13
	310-5200	2 HP Impeller Assembly	24.13
7	319-3100B	Pump Seal Kit	20.40
8	315-1120	Spa & Bath Volute	40.94
9	313-1400	Slinger	1.06



Replacement Parts / Teleweir



Teleweir			
Item	Part No.	Description	List (US \$)
1	718-1000	Top-Mount Filter Nut	12.62
2	600-1040	2" Bypass Valve	8.30
3	550-5735-1	35 sq. ft. Teleweir Body Assembly	68.67
	550-5750-1	50 sq. ft. Teleweir Body Assembly	68.67
	550-5775-1	75 sq. ft. Teleweir Body Assembly	68.67
4	519-8310	Teleweir Trim Ring - 6-Scallop	14.63
5	817-4035	35 sq. ft. Teleweir Cartridge	43.07
	817-4050	50 sq. ft. Teleweir Cartridge	69.53
	817-4075	75 sq. ft. Teleweir Cartridge	99.26
6	550-5835-1	35 sq. ft. Inner Pipe & Basket Assembly	34.33
	550-5850-1	50 sq. ft. Inner Pipe & Basket Assembly	34.33
	550-5875-1	75 sq. ft. Inner Pipe & Basket Assembly	34.33
7	550-5735-1	35 sq. ft. Outer Pipe & Upper Weir Assembly	68.67
	550-5750-1	50 sq. ft. Outer Pipe & Upper Weir Assembly	68.67
	550-5775-1	75 sq. ft. Outer Pipe & Upper Weir Assembly	68.67
8	519-0300	Teleweir Cap	3.50

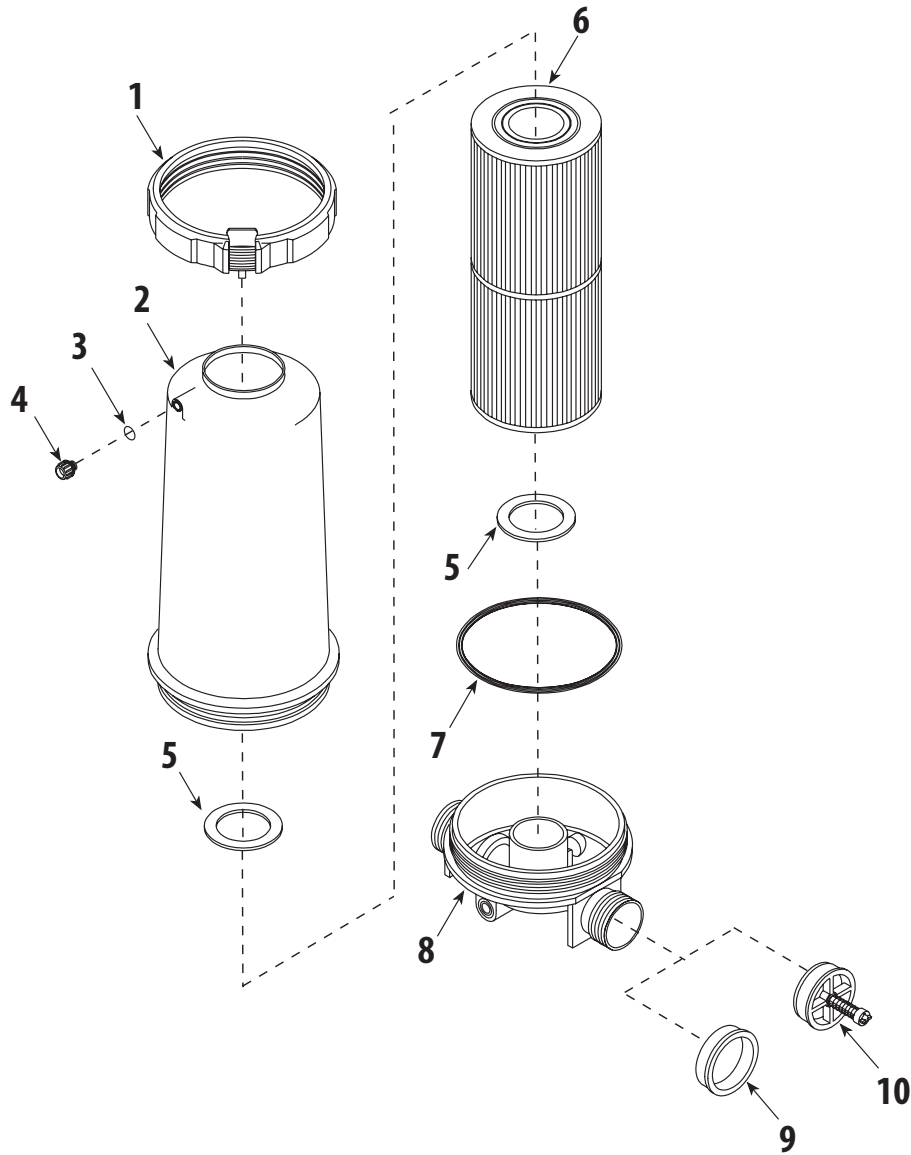


1 1/2" and 2" Top-Load Filter Replacement Parts

Item	Part No.	Description	List (US \$)
1	500-1000	Lock Ring Assembly	15.08
2	715-1001	Plug - Air Relief	2.54
3	805-0114	O-Ring - Air Relief Plug	0.49
4	511-1000	Filter Lid with Handle	25.18
5	805-0360	O-Ring - Filter Lid	4.88
6	500-1070	Brominator Assembly - 10 Tablet	23.91
7	519-1051	Mineral Purifier Canister Holder	23.91
8	500-1060	Flow Restriction Tube	15.08
9	711-1010	Spacer Ring	2.54
10	817-2500	Filter Cartridge - 25 sq. ft. - 4 15/16" OD x 13 5/16" L	46.61
	817-5000	Filter Cartridge - 50 sq. ft. - 4 15/16" OD x 13 5/16" L	67.02
	817-7500	Filter Cartridge - 75 sq. ft. - 4 15/16" OD x 23 5/8" L	92.32
	817-1000	Filter Cartridge - 100 sq. ft. - 4 15/16" OD x 23 5/8" L	101.31
11	550-5000	1 1/2" Filter Body - with Bypass	94.39
	550-4990	1 1/2" Filter Body - with Plug	94.39
	550-5010	2" Filter Body - with Bypass	94.39
	550-5060	2" Filter Body - with Plug	94.39
12	550-5110	1 1/2" Extended Filter Body - with Bypass	142.33
	550-5150	1 1/2" Extended Filter Body - with Plug	142.33
	550-5230	2" Extended Filter Body - with Bypass	151.96
	550-5220	2" Extended Filter Body - with Plug	151.96
13	718-1000	Nut - Filter Body	12.62
14	715-1010	1 1/2" Plug	2.54
	715-9900	2" Plug	2.54
15	600-1040	2" Bypass Valve Assembly	8.30
16	600-1000	1 1/2" Bypass Valve Assembly	8.30

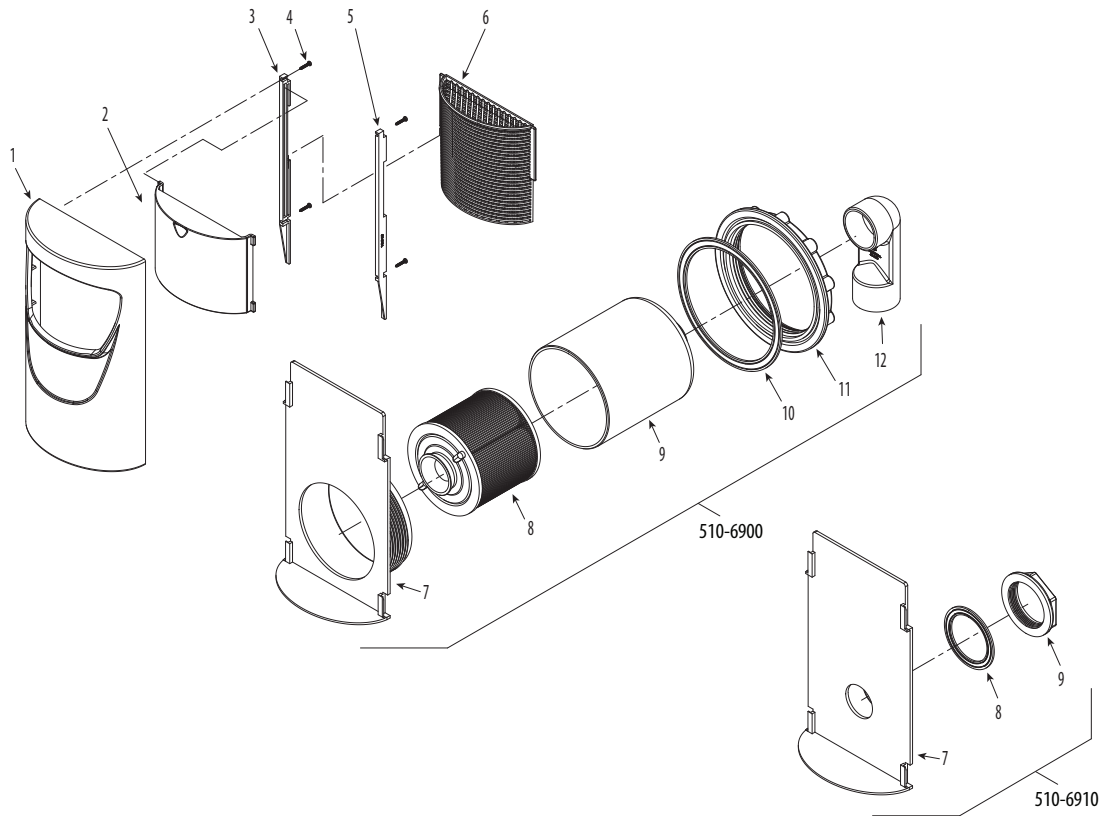


Replacement Parts / 1 1/2" In-Line Filter



1 1/2" In-Line Filter Replacement Parts

Item	Part No.	Description	List (US \$)
1	500-1000	Lock Ring Assembly	15.08
2	515-1010	In-line Filter Body	85.56
3	805-0114	O-Ring - Air Relief Plug	0.49
4	715-1001	Plug - Air Relief	2.54
5	711-1010	Spacer Ring	2.54
6	817-2500	Filter Cartridge - 25 sq. ft. - 4 15/16" OD x 13 3/16" L	46.61
	817-5000	Filter Cartridge - 50 sq. ft. - 4 15/16" OD x 13 3/16" L	67.02
7	805-0360	O-Ring - Filter Lid	4.88
8	511-1010	1 1/2" Filter Lid	15.10
9	715-1010	1 1/2" Plug	2.54
10	600-1000	1 1/2" Bypass Valve	8.30



510-6910 - Deluxe Strip Skimmer Replacement Parts

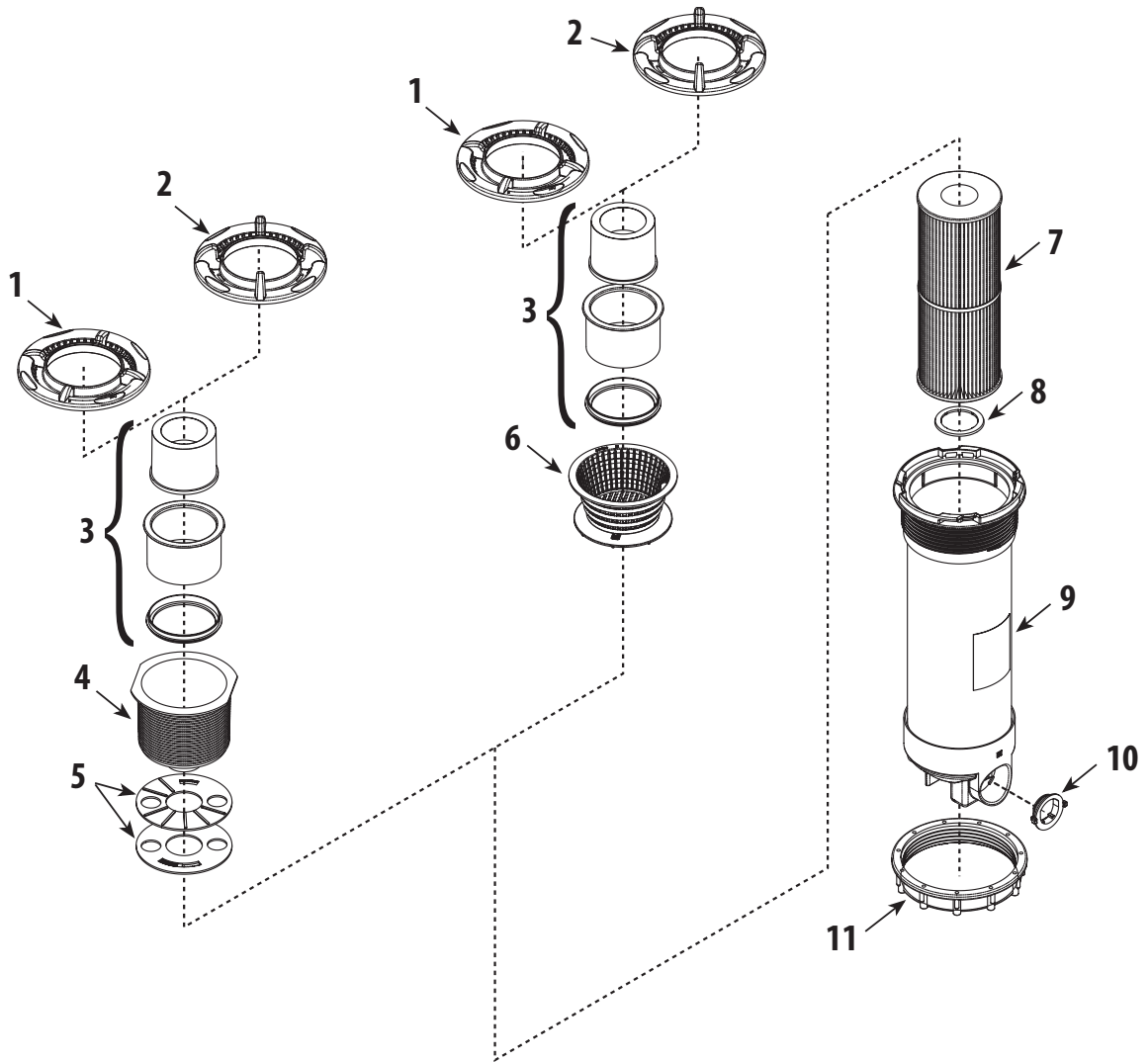
Item	Part No.	Description	List (US \$)
1	519-6900	Weir Frame	20.60
2	550-6910	Weir Door Assembly	15.55
3	519-6940.R	Guide Frame - Right	3.40
4	819-0114	Screw (4 required)	0.15
5	519-6940.L	Guide Frame - Left	3.40
6	519-6950	Basket	12.01
7	519-6980	Weir Plate Outlet	16.07
8	711-4350	Wall Fitting Gasket	0.50
9	718-3150	Wall Fitting Nut	2.53

510-6900 - Deluxe Skim Filter Replacement Parts

Item	Part No.	Description	List (US \$)
1	519-6900	Weir Frame	20.60
2	550-6910	Weir Door Assembly	15.10
3	519-6940.R	Guide Frame - Right	3.40
4	819-0114	Screw (4 required)	0.15
5	519-6940.L	Guide Frame - Left	3.40
6	519-6950	Basket	12.01
7	519-6960	Weir Plate Outlet	18.03
8	817-0009	10 sq. ft. Cartridge	31.90
9	519-6970	Weir Filter Housing	10.51
10	711-7000	Wall Fitting Gasket	4.99
11	718-7000	Wall Fitting Nut	12.34
12	411-6900	90° Ell - 1 1/2" S x 1 1/2" S	12.88

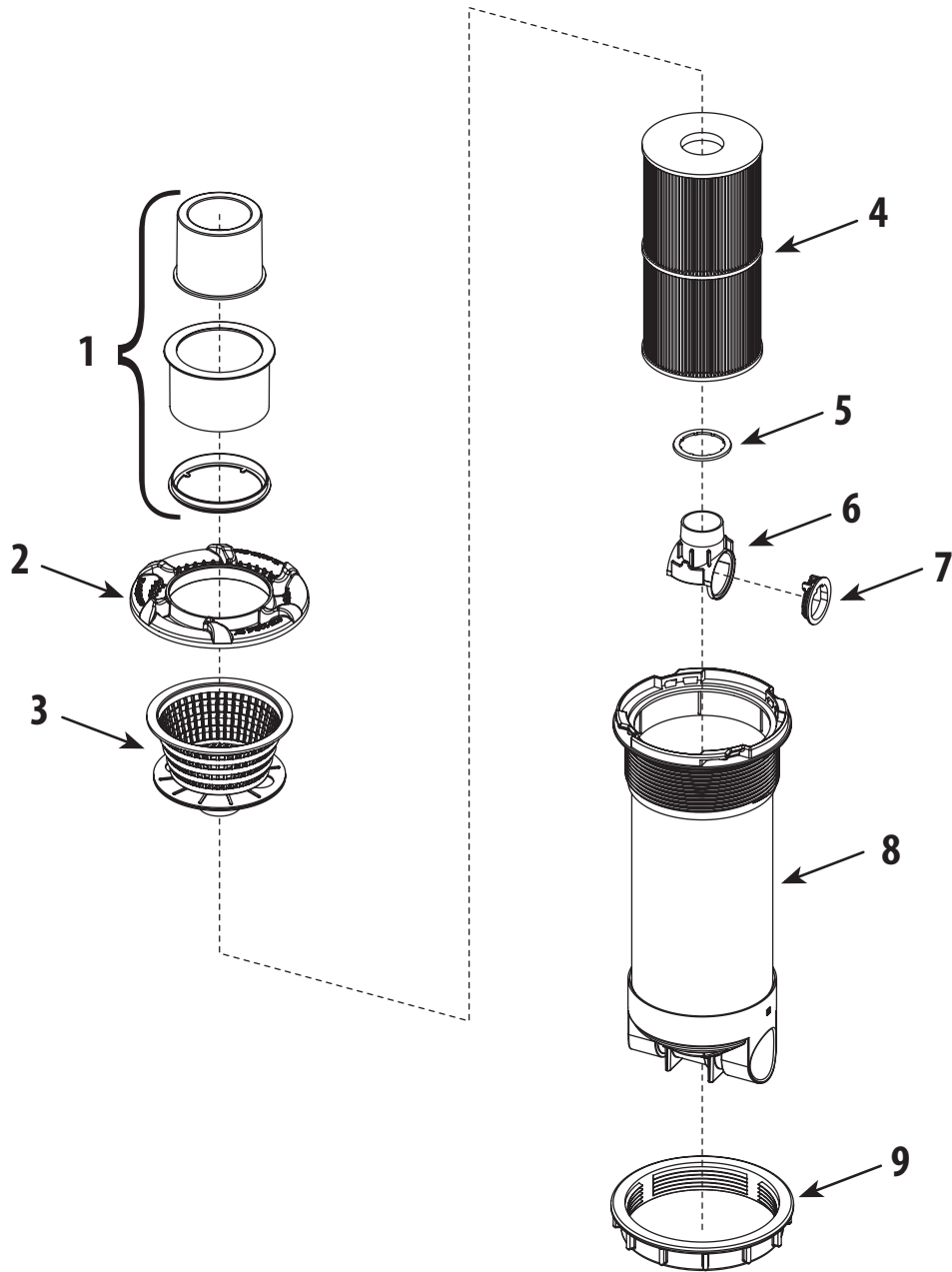


Replacement Parts / Dyna-Flo Top Mount Skim Filter



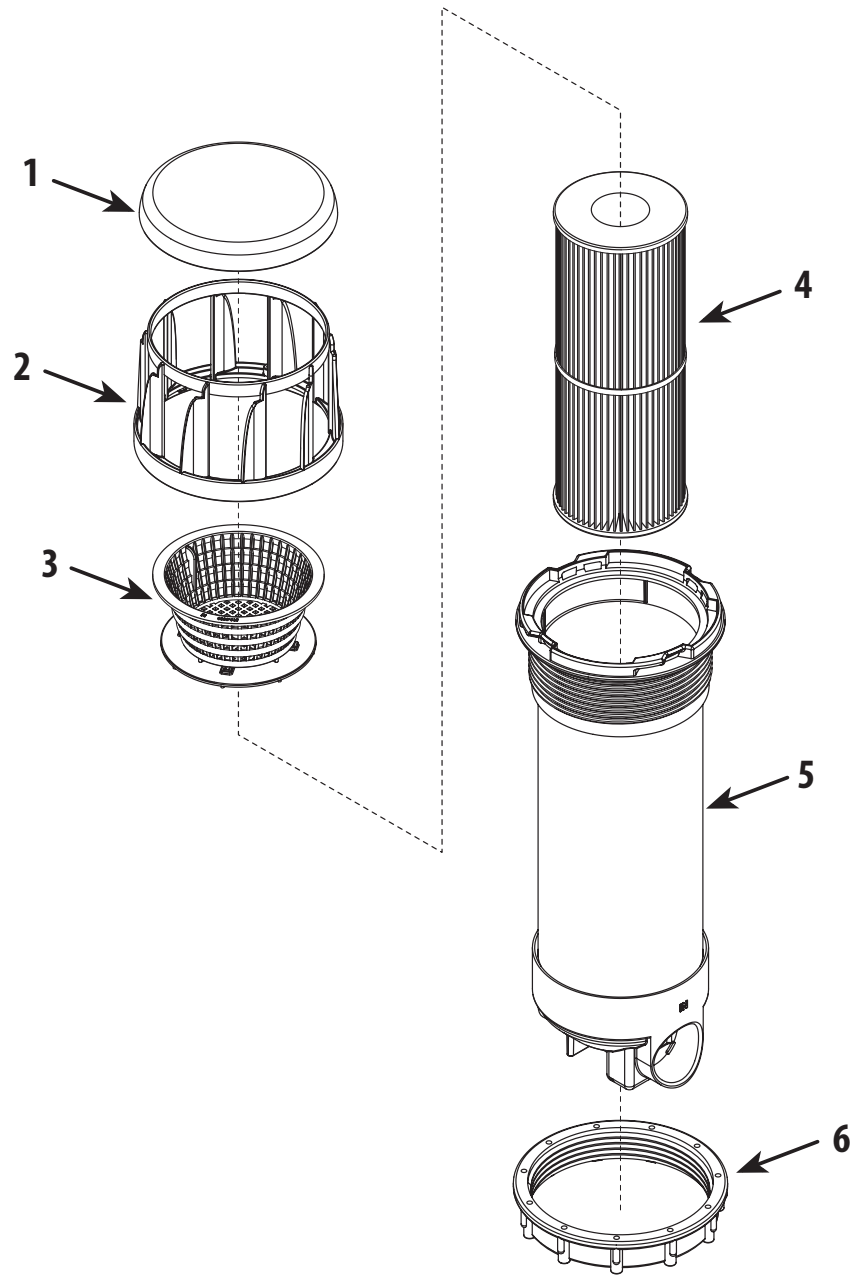
Dyna-Flo Top Mount Skim Filter Replacement Parts

Item	Part No.	Description	List (US \$)
1	519-8070	4-Scalloped Trim Ring - Low Volume - White	13.42
2	519-8050	4-Scalloped Trim Ring - High Volume - White	10.64
3	550-2630	Weir Assembly - 3-Piece - White	21.67
4	519-8000	Basket - White - 6.4" diameter x 5.62" H	9.77
5	519-3010	Diverter Plate	7.55
6	500-2680	Low Profile Basket Assembly - White - 6.35" diameter x 2.75" H	26.57
7	817-2500	Filter Cartridge - 25 sq. ft. - 4 15/16" OD x 13 5/16" L	46.61
	817-3501	Filter Cartridge - 40 sq. ft. - 4 15/16" OD x 9 1/4" L	44.22
	817-5000	Filter Cartridge - 50 sq. ft. - 4 15/16" OD x 13 5/16" L	67.02
8	711-1010	Spacer Ring	2.54
9	--	Body	--
10	600-1040	2" Bypass Valve	8.30
11	718-1000	Nut - Filter Body	12.62



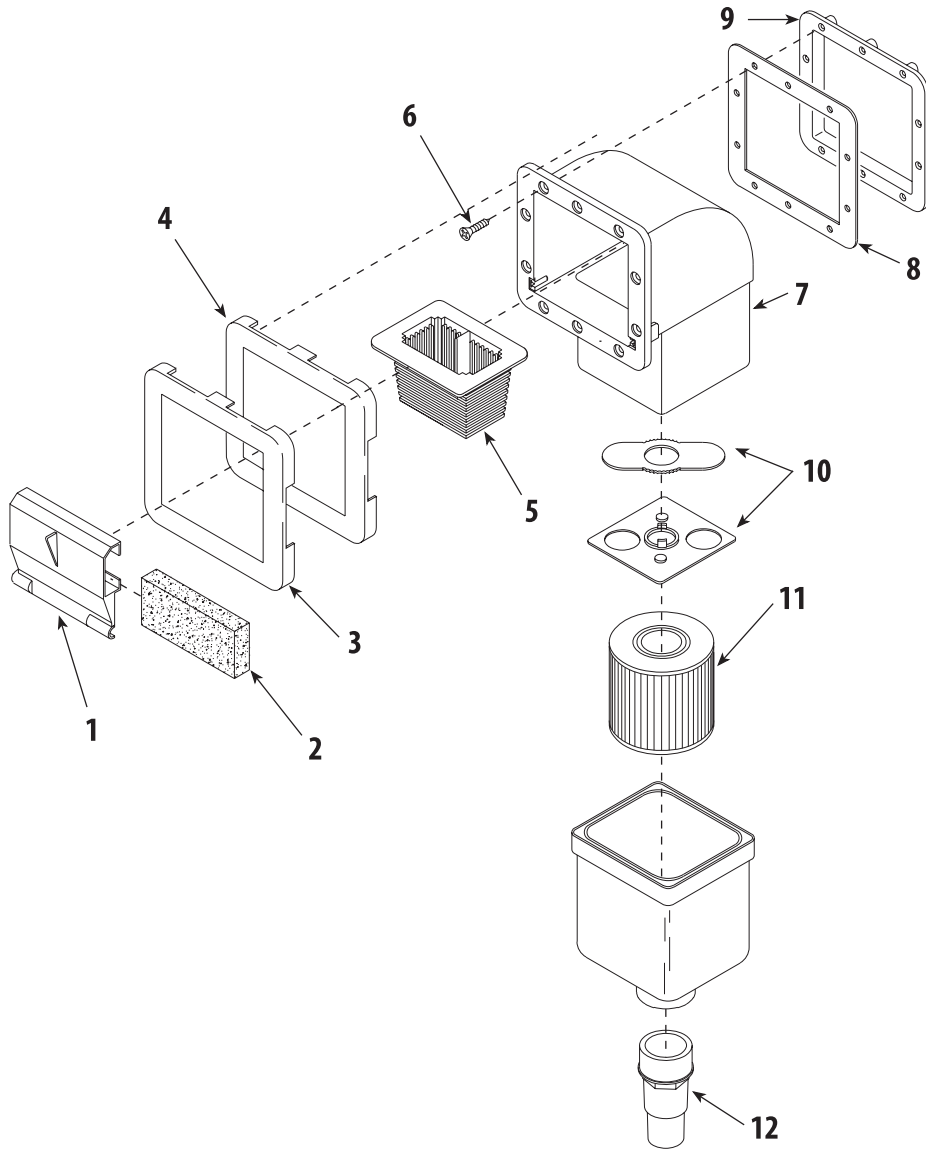
Dyna-Flo XL Skim Filter Replacement Parts

Item	Part No.	Description	List (US \$)
1	550-8620	Weir Assembly	28.17
2	519-8260	Scalloped Trim Ring	14.63
3	550-8631	Basket Assembly - Black - 8.0" diameter x 3.5" H	38.60
4	817-0017	Dyna-Flo XL Cartridge - 50 sq. ft. - 2 3/8" x 6 9/16" OD x 13 5/16" L	96.19
	817-0018	Dyna-Flo XL Cartridge - 75 sq. ft. - 2 3/8" x 6 9/16" OD x 13 5/16" L	122.81
	817-0019	Dyna-Flo XL Cartridge - 100 sq. ft. - 2 3/8" x 6 9/16" OD x 17 13/16" L	152.83
5	711-8200	Spacer Ring	9.02
6	602-8210	Bottom Body Insert with Bypass Valve	15.59
7	600-1020	2 1/2" Bypass Valve	8.30
8	--	Body	--
9	718-8200	Nut	15.77



Ultra Skim Filter Replacement Parts

Item	Part No.	Description	List (US \$)
1	519-8160	Lid	17.54
2	519-8150	Turbine	46.78
3	500-2697	Basket Assembly - 6.35" diameter x 2.75" H	26.57
4	817-2500	Filter Cartridge - 25 sq. ft. - 4 15/16" OD x 13 5/16" L	46.61
	817-3501	Filter Cartridge - 40 sq. ft. - 4 15/16" OD x 9 1/4" L	44.22
	817-5000	Filter Cartridge - 50 sq. ft. - 4 15/16" OD x 13 5/16" L	67.02
5	--	Body	--
6	718-1000	Filter Body Nut	12.62

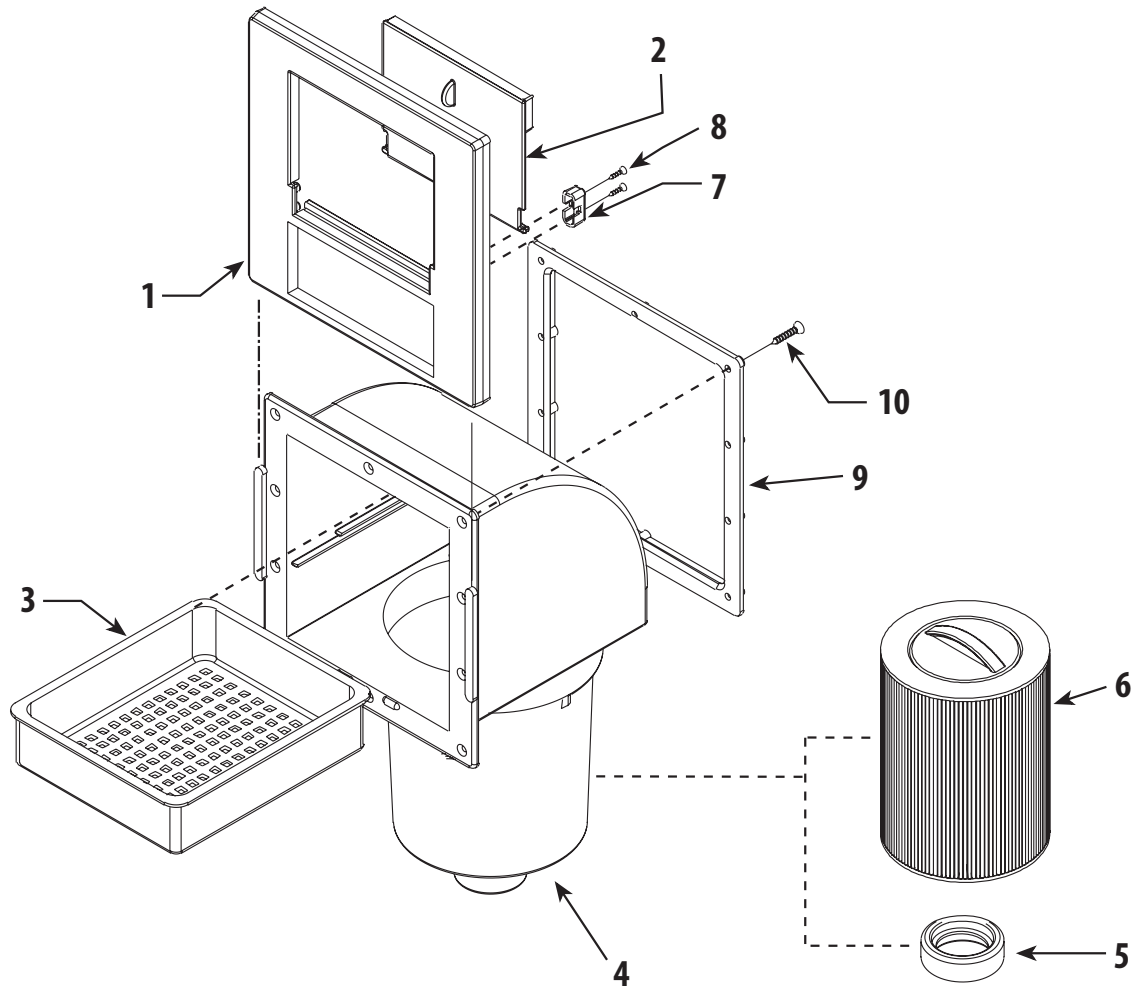


Spa Skimmer and Skim Filter Replacement Parts

Item	Part No.	Description	List (US \$)
1	519-4050	Floating Weir - Square Door	12.09
2	865-1000	Foam - Weir - 0.86" x 2.35" x 5.5"	3.99
3	916-1010	Stainless Steel Escutcheon (optional)	25.18
4	519-4090	Square Trim Plate - Plastic - Old Style	12.59
5	519-4030	Basket - 4.80" x 5.10" x 3.45" H	10.56
6	819-6930	Screw - #8 x 1 1/2" Flathead Phillips	0.49
7	550-4060	1 1/2" Square Body with Base	46.56
	550-4080	1 1/2" Square Body - 10 sq. ft. Skim Filter	71.88
	550-4090	1 1/2" Square Body - 20 sq. ft. Skim Filter	102.41
8	806-1070	Gasket - Mounting Plate	2.72
9	519-1600	Mounting Plate (optional)	12.55
10	550-1500	Diverter Plate Assembly	17.36
11	817-0010	Filter Cartridge - 10 sq. ft. - 4 1/4" OD x 4" L	29.32
12	417-6080	Hose Adapter Fitting - 1 1/2" Spigot x 1 1/4" Hose (optional)	1.93

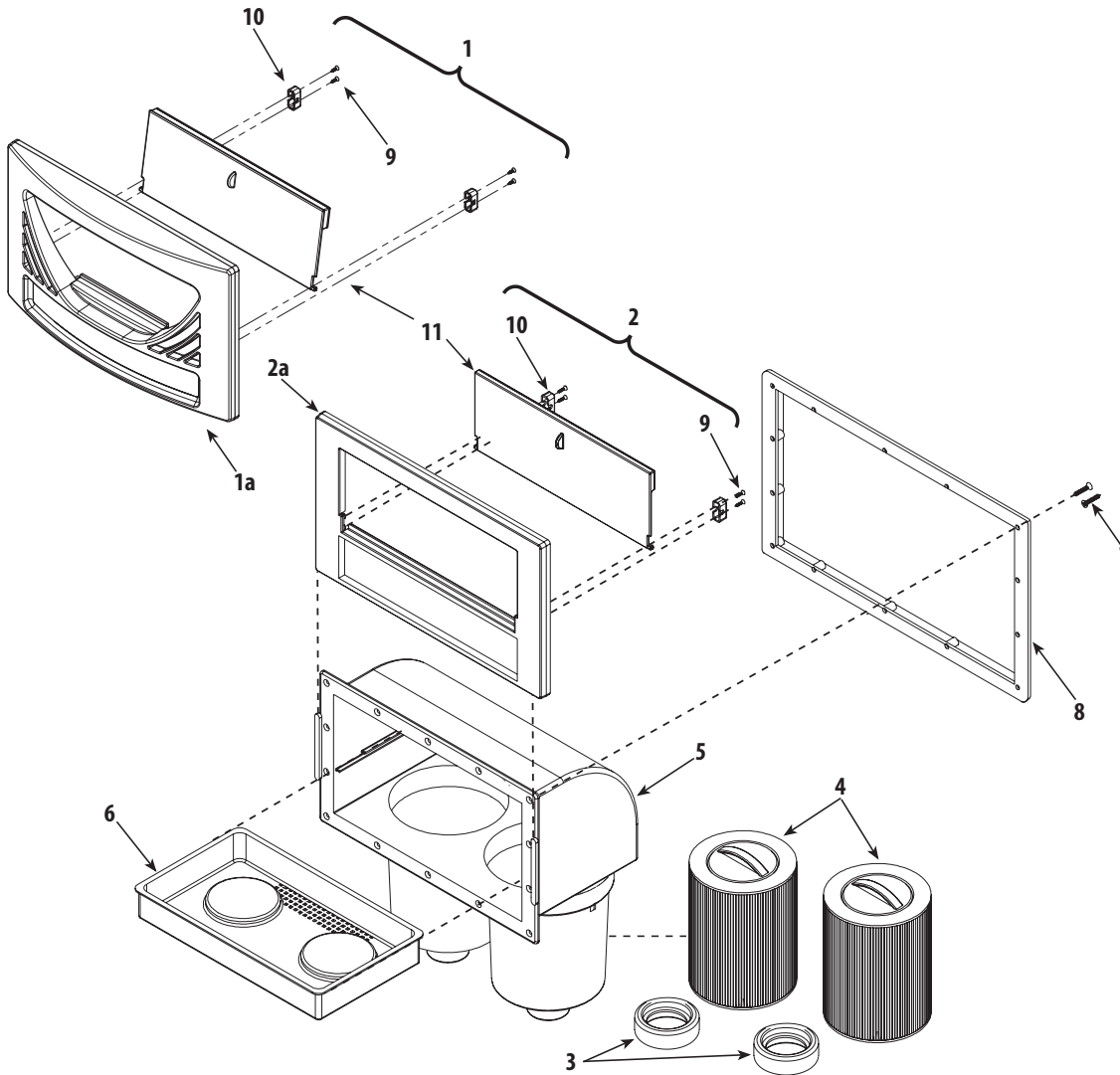


Replacement Parts / 50 sq. ft. Skim Filter



50 sq. ft. Skim Filter Replacement Parts

Item	Part No.	Description	List (US \$)
1	519-9010	Front Plate	37.39
2	550-9000	Weir Door Assembly	22.10
3	519-9050	Basket	15.01
4	550-9010	Filter Body Assembly - 50 sq. ft.	90.38
5	519-6640	Retainer Ring	10.71
6	817-0050	50 sq. ft. Filter Cartridge - 6" OD x 8 1/4" L	66.65
7	519-6240	Hinge Mount	0.69
8	819-3260	Screw - #6 - 20 x 5/8" POH	0.12
9	519-9040	Mounting Plate	10.90
10	819-0006	Screw - #12 x 1 1/4" PFH	0.55



100 sq. ft. Skim Filter Replacement Parts

Item	Part No.	Description	List (US \$)
1	550-6630	Front Access Plate Assembly - Oval	74.56
1a	519-6630	Blank Front Access Plate - Oval	55.86
2	550-6610	Front Access Plate Assembly - Flat	69.81
2a	519-6650	Blank Front Access Plate	55.86
3	519-6640	Retainer Ring	10.71
4	817-0050	50 sq. ft. Filter Cartridge - 6" OD x 8 1/4" L	66.65
5	550-6620	Filter Body Assembly	112.99
6	519-6610	Basket	46.57
7	819-0030	Screw - #12 x 1 1/4" PFH	0.55
8	519-6680	Mounting Plate	18.60
9	819-3260	Screw - #6 -20 x 5/8" POH	0.12
10	519-6240	Hinge Mount	0.69
11	550-6600	Weir Door Assembly	55.86