



— CMP —

**POOL PRODUCTS  
CATALOG**

— 2019 —

# CUSTOMER RESOURCES

## LOCATIONS

*CORPORATE HEADQUARTERS*

CMP EAST DISTRIBUTION

36 HERRING ROAD, NEWNAN, GA 30265

TOLL FREE: 1-800-733-9060

LOCAL: 770-632-7112

FAX: 770-632-7115

[INFO@C-M-P.COM](mailto:INFO@C-M-P.COM)

CMP WEST DISTRIBUTION

5100 WESTERN WAY, PERRIS, CA 92571

CMP AUSTRALIA & NEW ZEALAND

(CSN GLOBAL PARTY LTD)

[SALES@CSNGLOBAL.COM.AU](mailto:SALES@CSNGLOBAL.COM.AU)

ONLINE: [CSNGLOBAL.COM.AU](http://CSNGLOBAL.COM.AU)

CMP EUROPE DISTRIBUTION

VELUWEZOOM 32, 1327 AH ALMERE, NL

[INTERNATIONAL@C-M-P.COM](mailto:INTERNATIONAL@C-M-P.COM)

## POOL SALES / PRODUCT INFO

MONDAY - FRIDAY: 8:00AM - 5:00PM (EST)

[POOLSALES@C-M-P.COM](mailto:POOLSALES@C-M-P.COM)

ONLINE: [C-M-P.COM/FIND-A-REPRESENTATIVE](http://C-M-P.COM/FIND-A-REPRESENTATIVE)

## CUSTOMER SERVICE / ORDERS

MONDAY - FRIDAY: 8:00AM - 6:00PM (EST)

1-800-733-9060

[CS@C-M-P.COM](mailto:CS@C-M-P.COM)

FAX: 770-632-7115

ONLINE: [C-M-P.COM/CUSTOMER-SERVICE](http://C-M-P.COM/CUSTOMER-SERVICE)

## TECHNICAL SUPPORT

MONDAY - FRIDAY: 8:00AM - 5:00PM (EST)

1-800-733-9060 EXT 220

[SUPPORT@C-M-P.COM](mailto:SUPPORT@C-M-P.COM)

WARRANTY/RMA

[RMA@C-M-P.COM](mailto:RMA@C-M-P.COM)

## MARKETING

To request brochures and other CMP Marketing resources, contact your pool sales rep.

## ONLINE

Visit [WWW.C-M-P.COM](http://WWW.C-M-P.COM) for product info, resources, videos, news and support.

VIEW THIS CATALOG ON THE WEB:

[C-M-P.COM/CATALOG](http://C-M-P.COM/CATALOG)



# TABLE OF CONTENTS

Welcome 4  
Catalog Information 6  
Color Reference 7

VISIT [C-M-P.COM](http://C-M-P.COM) FOR VIDEOS, PHOTOS, LITERATURE  
AND CURRENT PRODUCT INSTRUCTIONS

## POOL WATER FEATURES 9

Natural Wonders® Waterfalls 11  
Natural Wonders® Deck & Wall Jets 22  
Natural Wonders® Pool Fountains 33

## LED PRODUCTS 35

LED Product Features 36  
Brilliant Wonders® LED Control 38  
Brilliant Wonders® LED Waterfalls 40  
Brilliant Wonders® LED Bubblers 52  
Brilliant Wonders® LED Laminars 60  
Brilliant Wonders® LED Light 63

## POOL SANITIZER SYSTEMS 67 NEW

About CMP Sanitizer Products 68  
DEL™ AOP 70  
DEL™ Ozone 72  
DEL™ UV-C 76  
Powerclean™ Tab Chemical Feeders 78  
Powerclean™ Salt Chlorine Generators 78

## POOL VALVES 89

Hydroseal™ Diverter Valves 90  
Hydroseal™ Serviceable Check Valves 92  
Hydroseal™ Slice Valves 94  
Hydroseal™ Ball Valves 95  
Hydroseal™ Multiport Valves 96  
Hydroseal™ Slide Valves 98  
Hydroseal™ Air Relief Valves 100

## IN GROUND SPA SYSTEMS 101

Spa Master™ 2" Gunitite Jets 102  
Spa Master™ 2½" Gunitite Jets 106  
Spa Master™ 1½" Gunitite Jets 111  
Spa Master™ Venturi Tees 112  
Spa Master™ Swim Jets 114  
Spa Master™ Step Jets 115  
JetArray® 116

## WHITE GOODS 119

In Ground Skimmers 120  
VGB Drains & Suctions 133  
Pool Deck White Goods 148  
Aussie Self-Aligning Insiders 149  
Eyeball Fittings 150  
Wall Fittings 153  
Water Stops 154  
Unions 156  
Plumbing Fittings 159  
Repair Fittings 160

## ACCESSORIES 165

Aqua Elements® Pool Tools 166  
Pool Care Accessories 172  
Ladder & Rope Accessories 175  
Pool Plugs & Winterizing Accessories 176  
Aqualevel™ Auto Levelers 177  
Pool Defender® Anodes & Water Bonds 180

## OEM POOL PARTS 183

Flowskim™ Baskets 184  
Heavy Duty Pool Baskets 185  
Auto Cleaner Parts 188  
JZ-Style Fittings 193  
Heavy Duty Manifolds 194  
Pool Equipment Parts 199

*Technical References 203*  
*Replacement Parts 215*  
*Cross Reference Tables 250*  
*Part Number Index 263*  
*Cross Reference Index 268*  
*Terms & Conditions 269*  
*CMP Limited Warranty 270*  
*Content & Trademark Disclaimers 272*  
*ISO 9001 Certification 274*



# WELCOME TO THE 2019 POOL PRODUCTS CATALOG

## CMP 2019 POOL PRODUCTS CATALOG

### SENIOR EDITOR

Victor Walker

### SENIOR EDITOR

Rich Simpson

### DESIGN EDITOR

Stephen Boswell

### CATALOG DESIGNER

Alison Bright

### ENGINEERING & I.P. EDITOR

Zack Vogtner

### WEBSITE CONTENT

Susie Cuebas

### CATALOG SUPPORT

Jacob Heaven

Ted Thompson

Sue Smith

*The CMP Pool Products Catalog is a team project that included CMP Marketing, Engineering, Sales and Customer Service. Thank you to the entire team and to each individual that has contributed to the 2019 CMP Pool Products Catalog.*

- EVERYTHING MATTERS®

©2019 CMP, LLC  
All rights reserved

*This annual catalog is one of our most important customer tools, in combination with award-winning customer service and tech support. CMP is committed to supporting pool professionals with systems and programs that set you up for success. Because when the difference is in the details, everything matters®.*



## NEW FOR 2019: SANITIZER SYSTEMS FROM CMP

### DEL ADVANCED SANITIZERS

DEL has been an innovator in pool ozone products for over 30 years. Now DEL offers even more than ozone with powerful AOP systems and brand new UV-C sanitizers.

Built on commercial-grade technology, DEL products keep water clearer, cleaner and safer.

**View products on page 70**



### NEW POWERCLEAN SALT SYSTEMS

Powerclean has been a preferred name in chlorine for years. Now with the addition of innovative chlorine generators, Powerclean is the complete system for residual sanitizers.

**View products on page 85**



# CMP POOL PRODUCTS BRANDS



WATER FEATURES & ACCENT DECOR: PAGE 11



LED WATER FEATURES & LIGHTING: PAGE 45



ADVANCED SANITIZER SYSTEMS: PAGE 70



RESIDUAL SANITIZER SYSTEMS: PAGE 78



POOL VALVES: PAGE 90



IN GROUND SPA SYSTEMS: PAGE 101



PRO QUALITY TOOLS & PARTS: PAGE 155



RETAIL POOL TOOLS: PAGE 166



AUTOMATIC WATER LEVELERS: PAGE 177



WATER BONDS & ANODES: PAGE 180



POOL SKIMMER BASKETS & HANDLES: 184

The CMP logo, division lockup and tagline everything matters® are registered trademarks of Custom Molded Products, LLC. All CMP Pool Products logos and trademarks are property of CMP. *Natural Wonders*®, *Brilliant Wonders*®, *AquaLevel*™, *Powerclean*™, *Hydroseal*™, *Spa Master*™, *Aqua Elements*®, *Pool Defender*®, *Flowskim*™, *Smart Sync*® and *Pro Tools*™, *Smart Stitch*™, *Galaxy*™, *Nova*™ are trademarks and/or registered trademarks of CMP.

The absence of a trademark, trade name or service mark from the above list does not constitute a waiver of our intellectual property rights concerning that trademark, trade name or service mark. All custom graphics, icons, logos and words listed above are trade names, trademarks or service marks of Custom Molded Products in the United States and/or other countries.

The trademarks and names of other companies and products mentioned herein are the property of their respective owners.

# CATALOG INFORMATION

## ABBREVIATION GUIDE

<i>S = SOCKET</i>	<i>SS = STAINLESS STEEL</i>
<i>SP = SPIGOT</i>	<i>ASSY = ASSEMBLY</i>
<i>WTR = WATER</i>	<i>GPM = GALLONS PER MINUTE</i>
<i>EXT = EXTENDED</i>	<i>FG = FIBERGLASS</i>
<i>ID = INSIDE DIAMETER</i>	<i>ABG = ABOVE GROUND</i>
<i>OD = OUTSIDE DIAMETER</i>	<i>ING/IG = IN GROUND</i>
<i>FIP = FEMALE IRON PIPE THREAD</i>	<i>HD = HEAVY DUTY</i>
<i>MIP = MALE IRON PIPE THREAD</i>	



*Indicates CMP New for 2019 Products*



*Indicates Energy Efficient Products*

## CMP PRODUCT CROSS REFERENCES

Cross references are a useful tool for making the switch to CMP Products. PLEASE NOTE: The Cross References Charts previously near the front of the catalog have moved to page 250

## BOX AND BAG QUANTITIES

Box Quantities are listed for most items. If a bag quantity is also available, it will be indicated as "box/bag," such as "24/6" where "24" is the box quantity, and "6" is the bag quantity.

Currently CMP does not apply a surcharge for broken carton orders. Please help us maintain this policy by ordering in full carton quantities. **Thank you for your cooperation.**

## FOR MORE INFORMATION

Terms & Conditions pg 269

CMP Limited Warranty pg 270

Content & Trademark Disclaimers pg 272

ISO 9001 Certification pg 274

All illustrations, photographs, product details and specifications in this catalog are current as of available information at the time of printing.

*To access the digital version of this catalog, you may view or download online at [www.c-m-p.com/catalog](http://www.c-m-p.com/catalog).*

**THANK YOU FOR USING THE 2019 CMP POOL PRODUCTS CATALOG**

# COLOR REFERENCE

The standard CMP numbering scheme for designating the color of plastic products is indicated within the part number as follows:

A B C D E - F G H - I J K

The standard colors for pool products are determined by the "H" digit where:

- 0 = White
- 1 = Light Gray
- 2 = Chrome / Stainless Steel
- 3 = Brass
- 4 = Black
- 7 = Dark Gray
- 9 = Non-Standard / Custom

EXAMPLE: 23500-001-000 (1 = LIGHT GRAY)



LIGHT GRAY



BLACK

LOOK FOR THESE ICONS  
THROUGHOUT THE CATALOG  
INDICATING AVAILABLE COLORS



DARK GRAY



TAN



LIGHT BLUE



DARK BLUE

Product color examples above are for approximate reference only.

## NON - STANDARD COLORS

Non-standard colors for pool products are determined by the combination of the "G" and the "H" digits. The "H" digit of "9" indicates Non-Standard, and the "G" digit, specifies color. Non-standard colors include Tan, Clear, Light Blue, Dark Blue, etc. For details on ordering specific non-standard colors, call or email CS@c-m-p.com

## CUSTOM COLORS

Additional colors are available upon request. Custom colors can be provided. Please call for details. Minimum order required.

## FITTINGS

Unless otherwise specified fitting bodies and other undershirt components are molded in white or gray.

## METAL FINISHES

CMP uses polished and plated stainless steel in metal finish components. Additional metal finishes are available upon request.





# NATURAL WONDERS® WATER FEATURES

Natural Wonders® Waterfalls 11

Natural Wonders® Deck & Wall Jets 22

Natural Wonders® Pool Fountains 33

Water Feature Filter 34

# NW

# NATURAL WONDERS

## WATERFALL COLLECTION

### THE BEST POOL WATER FEATURES ARE GETTING EVEN BETTER

CMP is proud to be the leading manufacturer of pool waterfalls. Natural Wonders® Waterfalls are available in five styles including the new clear waterfall style.

VIDEOS & MORE ONLINE AT  
[C-M-P.COM/NATURAL-WONDERS-WATERFALLS](http://C-M-P.COM/NATURAL-WONDERS-WATERFALLS)

### WATERFALL

- Lips Available In 1", 6", 9" & 12" Sizes
- Lip Can Be Radius Curve Cut
- Available in Clear, White, Gray, & Tan in Select Sizes
- Back Port or Bottom Port Inlet Options
- Only Requires One GPM Per Inch
- Sizes up to 8' Long



### ARCH WATERFALL

- Exciting Arch Flow Style
- Lips Length Available in 1" or 6" sizes
- Back Port or Bottom Port Inlet Options
- Sizes up to 4' Long



### RAINFALL

- Two Rows of Water Streams
- Clear Lip Blends into Pool Surroundings
- Back Feed Inlet, 1.5" Spigot
- Sizes up to 4' Long



### STREAMFALL

- Multiple Miniature Sheer Streams
- Bigger Openings Prevent Clogging
- Lip Can Be Radius Curve Cut
- Back Feed 1.5" Spigot
- Sizes up to 4' Long



For technical details and performance guides see page 17

**\*IMPORTANT: NATURAL WONDERS WATERFALLS ARE TO BE USED ONLY WITH FILTERED WATER.**  
USE THE POOL SYSTEM FILTER OR THE CMP WATER FEATURE FILTER (PAGE 34)

# NATURAL WONDERS® WATERFALLS



## PRODUCT FEATURES

- Clear Lip Style Available
- Heavy-duty PVC Construction
- White, Gray, Tan & Clear
- Requires Only One GPM Per Inch
- 6", 9" & 12" Can be Radius Cut (pg 19)



## BACK PORT ORDERING GUIDE

NATURAL WONDERS® WATERFALLS (BACK PORT)						
CLEAR LIP	WHITE	TAN	GRAY	DESCRIPTION	WIDTH (W)	LENGTH (L)*
25577-125-000	25577-120-000	25577-129-000	25577-121-000	12" WATERFALL WITH 1" LIP	3.15"	12.36"
25577-135-600	25577-130-000	25577-139-000	25577-131-000	12" WATERFALL WITH 6" LIP	8.07"	
25577-135-900	25577-130-900	25577-139-900	25577-131-900	12" WATERFALL WITH 9" LIP	11.07"	
25577-135-120	25577-130-120	25577-139-120	25577-131-120	12" WATERFALL WITH 12" LIP	14.07"	
25577-175-000	25577-170-000	25577-179-000	25577-171-000	18" WATERFALL WITH 1" LIP	3.15"	18.23"
25577-185-600	25577-180-000	25577-189-000	25577-181-000	18" WATERFALL WITH 6" LIP	8.07"	
25577-185-900	25577-180-900	25577-189-900	25577-181-900	18" WATERFALL WITH 9" LIP	11.07"	
25577-185-120	25577-180-120	25577-189-120	25577-181-120	18" WATERFALL WITH 12" LIP	14.07"	
25577-225-000	25577-220-000	25577-229-000	25577-221-000	24" WATERFALL WITH 1" LIP	3.15"	24.13"
25577-235-600	25577-230-000	25577-239-000	25577-231-000	24" WATERFALL WITH 6" LIP	8.07"	
25577-235-900	25577-230-900	25577-239-900	25577-231-900	24" WATERFALL WITH 9" LIP	11.07"	
25577-235-120	25577-230-120	25577-239-120	25577-231-120	24" WATERFALL WITH 12" LIP	14.07"	
25577-325-000	25577-320-000	25577-329-000	25577-321-000	36" WATERFALL WITH 1" LIP	3.15"	35.67"
25577-335-600	25577-330-000	25577-339-000	25577-331-000	36" WATERFALL WITH 6" LIP	8.07"	
25577-335-900	25577-330-900	25577-339-900	25577-331-900	36" WATERFALL WITH 9" LIP	11.07"	
25577-335-120	25577-330-120	25577-339-120	25577-331-120	36" WATERFALL WITH 12" LIP	14.07"	
25577-425-000	25577-420-000	25577-429-000	25577-421-000	48" WATERFALL WITH 1" LIP	3.15"	47.36"
25577-435-600	25577-430-000	25577-439-000	25577-431-000	48" WATERFALL WITH 6" LIP	8.07"	
25577-435-900	25577-430-900	25577-439-900	25577-431-900	48" WATERFALL WITH 9" LIP	11.07"	
25577-435-120	25577-430-120	25577-439-120	25577-431-120	48" WATERFALL WITH 12" LIP	14.07"	
25577-525-000	25577-520-000	25577-529-000	25577-521-000	60" WATERFALL WITH 1" LIP	3.15"	59.88"
25577-535-600	25577-530-000	25577-539-000	25577-531-000	60" WATERFALL WITH 6" LIP	8.07"	
25577-535-900	25577-530-900	—	—	60" WATERFALL WITH 9" LIP	11.07"	
25577-535-120	25577-530-120	—	—	60" WATERFALL WITH 12" LIP	14.07"	
25577-625-000	25577-620-000	—	—	72" WATERFALL WITH 1" LIP	3.15"	71.57"
25577-635-600	25577-630-000	—	25577-631-000	72" WATERFALL WITH 6" LIP	8.07"	
25577-635-900	25577-630-900	—	—	72" WATERFALL WITH 9" LIP	11.07"	
25577-635-120	25577-630-120	—	—	72" WATERFALL WITH 12" LIP	14.07"	
25577-725-000	25577-720-000	—	—	84" WATERFALL WITH 1" LIP	3.15"	83.24"
25577-735-600	25577-730-000	—	—	84" WATERFALL WITH 6" LIP	8.07"	
25577-735-900	25577-730-900	--	—	84" WATERFALL WITH 9" LIP	11.07"	
25577-735-120	25577-730-120	—	—	84" WATERFALL WITH 12" LIP	14.07"	
25577-825-000	25577-820-000	--	—	96" WATERFALL WITH 1" LIP	3.15"	95.13"
25577-835-600	25577-830-000	—	—	96" WATERFALL WITH 6" LIP	8.07"	
25577-835-900	25577-830-900	---	—	96" WATERFALL WITH 9" LIP	11.07"	
25577-835-120	25577-830-120	—	—	96" WATERFALL WITH 12" LIP	14.07"	

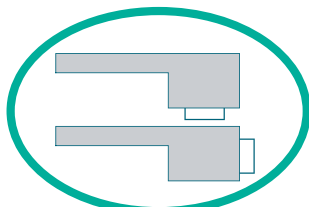
\*All "L" dimensions are +/- 0.33"



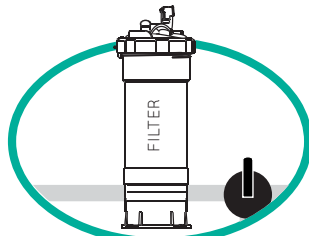
## BOTTOM PORT ORDERING GUIDE

NATURAL WONDERS® WATERFALLS (BOTTOM PORT)					
WHITE	TAN	GRAY	DESCRIPTION	WIDTH (W)	LENGTH (L)*
25576-120-000	—	25576-121-000	12" WATERFALL WITH 1" LIP	3.15"	12.36"
25576-130-000	—	25576-131-000	12" WATERFALL WITH 6" LIP	8.07"	
25576-130-900	—	25576-131-900	12" WATERFALL WITH 9" LIP	11.07"	
25576-130-120	—	25576-131-120	12" WATERFALL WITH 12" LIP	14.07"	
25576-170-000	—	25576-171-000	18" WATERFALL WITH 1" LIP	3.15"	18.23"
25576-180-000	—	25576-181-000	18" WATERFALL WITH 6" LIP	8.07"	
25576-180-900	—	25576-181-900	18" WATERFALL WITH 9" LIP	11.07"	
25576-180-120	—	25576-181-120	18" WATERFALL WITH 12" LIP	14.07"	
25576-220-000	—	25576-221-000	24" WATERFALL WITH 1" LIP	3.15"	24.13"
25576-230-000	—	25576-231-000	24" WATERFALL WITH 6" LIP	8.07"	
25576-230-900	—	25576-231-900	24" WATERFALL WITH 9" LIP	11.07"	
25576-230-120	—	25576-231-120	24" WATERFALL WITH 12" LIP	14.07"	
25576-320-000	—	25576-321-000	36" WATERFALL WITH 1" LIP	3.15"	35.67"
25576-330-000	—	25576-331-000	36" WATERFALL WITH 6" LIP	8.07"	
25576-330-900	—	25576-331-900	36" WATERFALL WITH 9" LIP	11.07"	
25576-330-120	—	25576-331-120	36" WATERFALL WITH 12" LIP	14.07"	
25576-420-000	—	25576-421-000	48" WATERFALL WITH 1" LIP	3.15"	47.36"
25576-430-000	—	25576-431-000	48" WATERFALL WITH 6" LIP	8.07"	
25576-430-900	—	25576-431-900	48" WATERFALL WITH 9" LIP	11.07"	
25576-430-120	—	25576-431-120	48" WATERFALL WITH 12" LIP	14.07"	
—	—	25576-521-000	60" WATERFALL WITH 1" LIP	3.15"	59.88"
—	—	25576-531-000	60" WATERFALL WITH 6" LIP	8.07"	
—	—	25576-531-900	60" WATERFALL WITH 9" LIP	11.07"	
—	—	25576-531-120	60" WATERFALL WITH 12" LIP	14.07"	
—	—	25576-621-000	72" WATERFALL WITH 1" LIP	3.15"	71.57"
—	—	25576-631-000	72" WATERFALL WITH 6" LIP	8.07"	
—	—	25576-631-900	72" WATERFALL WITH 9" LIP	11.07"	
—	—	25576-631-120	72" WATERFALL WITH 12" LIP	14.07"	

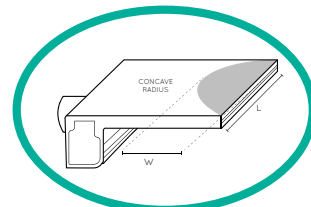
WINTERIZING STRIP					
12"	18"	24"	36"	48"	
26677-128-041	26677-178-041	26677-208-041	26677-328-041	26677-428-041	WATERFALL WINTERIZING STRIP
60"	72"	84"	96"	—	
26677-528-041	26677-628-041	26677-728-041	26677-828-041	—	WATERFALL WINTERIZING STRIP



BACK OR BOTTOM PORT



FILTERED WATER ONLY



RADIUS CUT COMPATIBLE

**IMPORTANT:** Natural Wonders waterfalls are to be used only with filtered water. Use the pool system filter or see the CMP water feature filter page 34. The rock trap is always recommended to capture large debris in the pipes. 12" and 18" waterfalls should be no more than 12" above the water line. Waterfalls over 36" have multiple water inlets. As a waterfall is installed higher above the pool water level the base of the flume will narrow and begin to "break up." Call customer service for more information.

# NATURAL WONDERS® ARCH WATERFALLS



CMP Natural Wonders® Arch Waterfalls create a beautiful arching sheet of water. A powerful display that enhances any backyard.

## PRODUCT FEATURES

- Back port or bottom port
- Heavy-duty PVC construction



BOTTOM PORT SHOWN

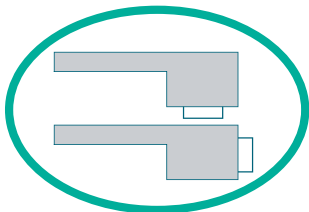
## ORDERING GUIDE

### NATURAL WONDERS® ARCH WATERFALLS (BACK PORT)

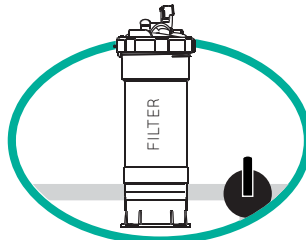
WHITE	DESCRIPTION	WIDTH (W)	LENGTH (L)*
25577-150-000	12" ARCH WATERFALL WITH 1" LIP	3.15"	
25577-150-600	12" ARCH WATERFALL WITH 6" LIP	8.07"	12.6"
25577-150-900	12" ARCH WATERFALL WITH 9" LIP	14.07"	
25577-190-000	18" ARCH WATERFALL WITH 1" LIP	3.15"	
25577-190-600	18" ARCH WATERFALL WITH 6" LIP	8.07"	18.5"
25577-190-900	18" ARCH WATERFALL WITH 9" LIP	14.07"	
25577-260-000	24" ARCH WATERFALL WITH 1" LIP	3.15"	
25577-260-600	24" ARCH WATERFALL WITH 6" LIP	8.07"	24.5"
25577-260-900	24" ARCH WATERFALL WITH 9" LIP	14.07"	
25577-360-000	36" ARCH WATERFALL WITH 1" LIP	3.15"	
25577-360-600	36" ARCH WATERFALL WITH 6" LIP	8.07"	35.18"
25577-360-900	36" ARCH WATERFALL WITH 9" LIP	14.07"	
25577-460-000	48" ARCH WATERFALL WITH 1" LIP	3.15"	
25577-460-600	48" ARCH WATERFALL WITH 6" LIP	8.07"	47.5"
25577-460-900	48" ARCH WATERFALL WITH 9" LIP	14.07"	

### NATURAL WONDERS® ARCH WATERFALLS (BOTTOM PORT)

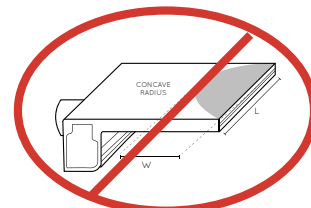
25576-150-000	12" ARCH WATERFALL WITH 1" LIP	3.15"	12.6"
25576-150-600	12" ARCH WATERFALL WITH 6" LIP	8.07"	
25576-190-000	18" ARCH WATERFALL WITH 1" LIP	3.15"	18.5"
25576-190-600	18" ARCH WATERFALL WITH 6" LIP	8.07"	
25576-260-000	24" ARCH WATERFALL WITH 1" LIP	3.15"	24.5"
25576-260-600	24" ARCH WATERFALL WITH 6" LIP	8.07"	
25576-360-000	36" ARCH WATERFALL WITH 1" LIP	3.15"	35.18"
25576-360-600	36" ARCH WATERFALL WITH 6" LIP	8.07"	
25576-460-000	48" ARCH WATERFALL WITH 1" LIP	3.15"	47.5"
25576-460-600	48" ARCH WATERFALL WITH 6" LIP	8.07"	



BACK OR BOTTOM PORT



FILTERED WATER ONLY



NOT RADIUS CUT COMPATIBLE

**IMPORTANT:** Natural Wonders waterfalls are to be used only with filtered water. Use the pool system filter or see the CMP water feature filter page 34. The rock trap is always recommended for installation. The rock trap will capture debris in the pipes. 12" and 18" waterfalls should be no more than 12" above the water line. Waterfalls over 36" have multiple water inlets. Call customer service for more information. ARCH WATERFALL LIP CANNOT BE CUT. \*All "L" dimensions are +/- 0.33"



The Natural Wonders® RainFall clear lip design allows it to blend into any surroundings. Colors from adjacent tile, rock, or concrete transmit through the clear material and reflect throughout the lip. This blends the RainFall into any installation application.

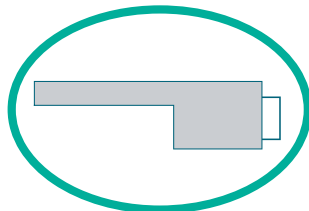
## PRODUCT FEATURES

- Two Rows of Water Streams
- Clear Lip Face
- Heavy-Duty PVC Construction
- Back Port 1.5" Spigot
- 6-15 GPM per Foot

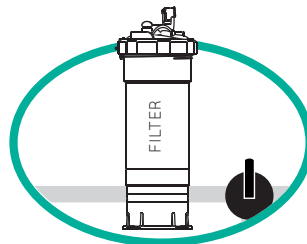


## ORDERING GUIDE

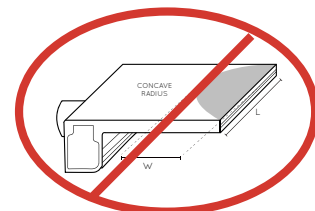
NATURAL WONDERS® RAINFALLS (BACK PORT)			
CMP P/N	DESCRIPTION	WIDTH (W)	LENGTH (L)*
25587-130-000	12" RAINFALL WITH 6" LIP	8.07"	12.75"
25587-130-900	12" RAINFALL WITH 9" LIP	11.07"	
25587-130-120	12" RAINFALL WITH 12" LIP	14.07"	
25587-230-000	24" RAINFALL WITH 6" LIP	8.07"	25.25"
25587-230-900	24" RAINFALL WITH 9" LIP	11.07"	
25587-230-120	24" RAINFALL WITH 12" LIP	14.07"	
25587-330-000	36" RAINFALL WITH 6" LIP	8.07"	37.875"
25587-330-900	36" RAINFALL WITH 9" LIP	11.07"	
25587-330-120	36" RAINFALL WITH 12" LIP	14.07"	
25587-430-000	48" RAINFALL WITH 6" LIP	8.07"	50.25"
25587-430-900	48" RAINFALL WITH 9" LIP	11.07"	
25587-430-120	48" RAINFALL WITH 12" LIP	14.07"	



BACK PORT ONLY



FILTERED WATER ONLY



NOT RADIUS CUT COMPATIBLE

**IMPORTANT:** Natural Wonders waterfalls are to be used only with filtered water. Use the pool system filter or see the CMP water feature filter page 34. The rock trap is always recommended for installation. The rock trap will capture debris in the pipes. 12" and 18" waterfalls should be no more than 12" above the water line. Waterfalls over 36" have multiple water inlets. Call customer service for more information. RAINFALL LIP CANNOT BE CUT. Please refer to the instructions included with the waterfall. \*All "L" dimensions are +/- 0.33"

# NATURAL WONDERS® STREAMFALLS



Natural Wonders® Streamfalls are a unique pool water feature: a series of miniature sheer descents adds character and style. Large openings minimize the chance of any clogging from debris.

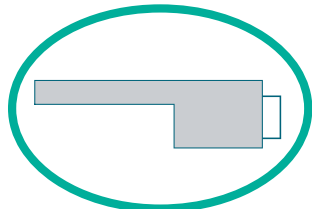
## PRODUCT FEATURES

- Wide Openings Prevent Clogging
- Individual Streams 1/4" x 1/2"
- Heavy-Duty PVC Construction
- Lip Can Be Radius Cut (see pg 34)
- Back Port 1.5" Spigot
- 6-20 GPM per Foot

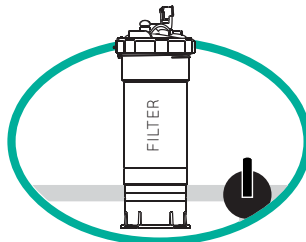


## ORDERING GUIDE

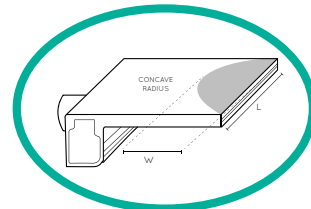
NATURAL WONDERS® STREAMFALLS (BACK PORT)			
WHITE	DESCRIPTION	WIDTH (W)	LENGTH (L)*
25588-130-000	12" STREAMFALL WITH 6" LIP	8.07"	12.75"
25588-130-900	12" STREAMFALL WITH 9" LIP	11.07"	
25588-130-120	12" STREAMFALL WITH 12" LIP	14.07"	
25588-180-000	18" STREAMFALL WITH 6" LIP	8.07"	18.5"
25588-180-900	18" STREAMFALL WITH 9" LIP	11.07"	
25588-180-120	18" STREAMFALL WITH 12" LIP	14.07"	
25588-230-000	24" STREAMFALL WITH 6" LIP	8.07"	24.5"
25588-230-900	24" STREAMFALL WITH 9" LIP	11.07"	
25588-230-120	24" STREAMFALL WITH 12" LIP	14.07"	
25588-330-000	36" STREAMFALL WITH 6" LIP	8.07"	36.12"
25588-330-900	36" STREAMFALL WITH 9" LIP	11.07"	
25588-330-120	36" STREAMFALL WITH 12" LIP	14.07"	
25588-430-000	48" STREAMFALL WITH 6" LIP	8.07"	47.8"
25588-430-900	48" STREAMFALL WITH 9" LIP	11.07"	



BACK PORT ONLY



FILTERED WATER ONLY



RADIUS CUT COMPATIBLE

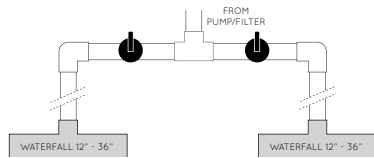
**IMPORTANT:** Natural Wonders waterfalls are to be used only with filtered water. Use the pool system filter or see the CMP water feature filter page 34. The rock trap is always recommended for installation. The rock trap will capture debris in the pipes. 12" and 18" waterfalls should be no more than 12" above the water line. Waterfalls over 36" have multiple water inlets. Call customer service for more information. Lip may be radius cut. \*All "L" dimensions are +/- 0.33"



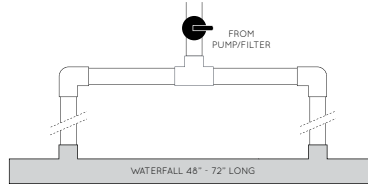


## RECOMMENDED PIPE CONFIGURATION

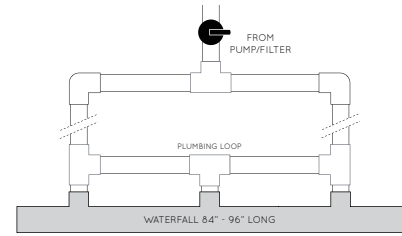
2-WAY VALVE



UP TO 36" LONG

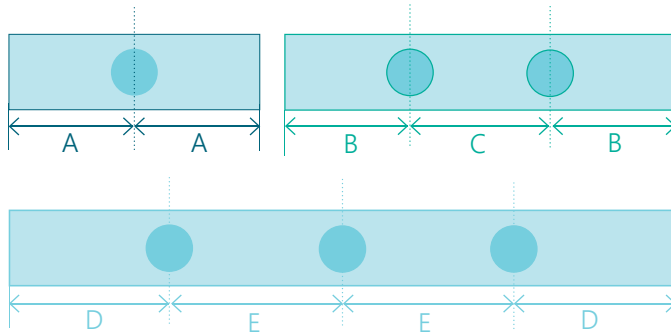


48" - 72" LONG



OVER 72" LONG

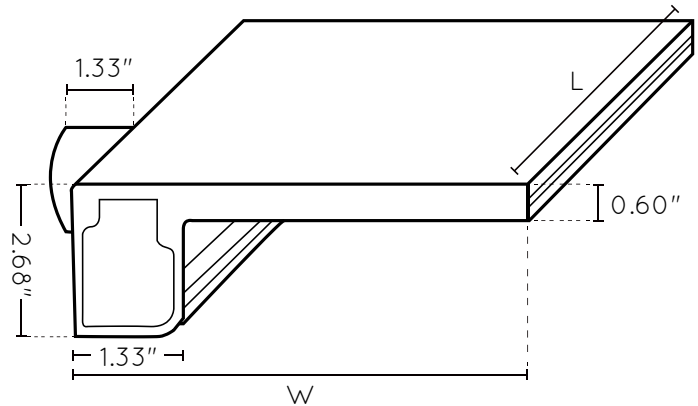
## INLET SPACING GUIDE



- 12" FALLS A = 6-11/32"
- 18" FALLS A = 9-9/32"
- 24" FALLS A = 12-3/16"
- 36" FALLS A = 18-1/8"
- 48" FALLS B = 15-1/16", C = 18-7/16"
- 60" FALLS B = 18-1/4", C = 23-11/32"
- 72" FALLS B = 19-27/32", C = 31-15/16"
- 84" FALLS D = 18-1/32", E = 23-5/8"
- 96" FALLS D = 19-31/32", E = 27-9/16"

## WATERFALL DIMENSIONS

See Product Pages for "L" Dimensions.  
All "L" dimensions are +/- 0.33"

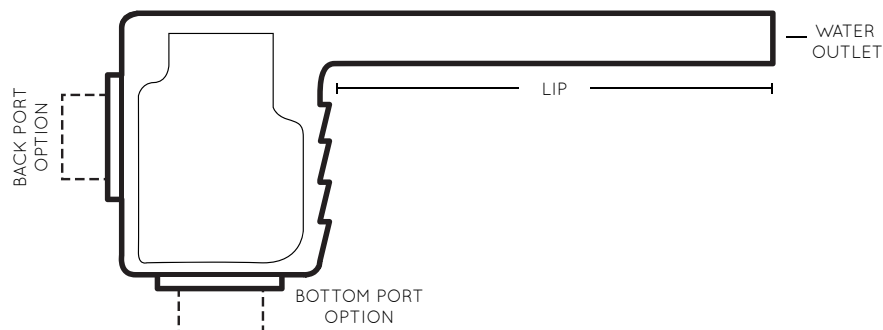


## ROCK TRAP

The rock trap is always recommended for installation.  
Using the rock trap will capture large debris in the pipes.  
Rock Trap P/N 25577-950-000

## WINTERIZATION

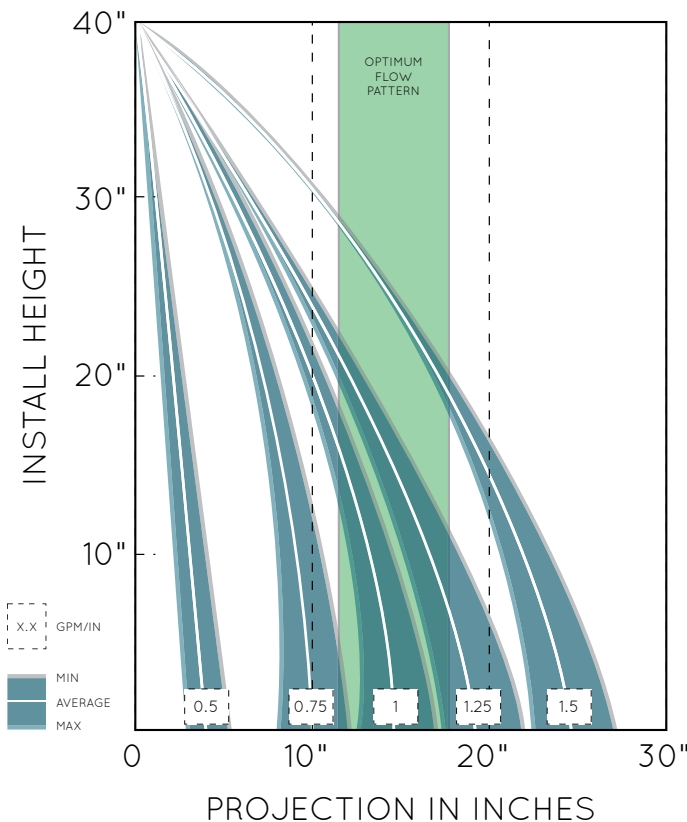
To protect the waterfall body during winter, plug the slot with a winterizing guard strip. One strip is included with each waterfall.  
Replacements can be ordered below. Winterizing guard strips are for use with standard waterfalls only; not compatible with Arch, Rainfall or Streamfall styles.



**IMPORTANT:** For use only with filtered water. Use the pool system filter or see the CMP water feature filter page 34.



WATERFALL PERFORMANCE										
RESULTS AT 40IN HEIGHT		12"	18"	24"	36"	48"	60"	72"	84"	96"
CLASSIC	GPM (+/-1)	12 gpm	18 gpm	24 gpm	36 gpm	48 gpm	60 gpm	72 gpm	84 gpm	96 gpm
	PROJECTION	14"	12"	13"	13"	17"	18"	14"	15"	17"
STREAMFALL	GPM (+/-1)	10 gpm	10 gpm	15 gpm	21 gpm	35 gpm				
	PROJECTION	19"	16"	15"	15"	20"				
RAINFALL	GPM (+/-1)	10 gpm	n/a	23 gpm	32 gpm	43 gpm				
	PROJECTION	22"	n/a	18"	18"	20"				
ARCH FALL	GPM (+/-1)	14 gpm	22 gpm	26 gpm	35 gpm	43 gpm				
	ARCH HEIGHT ABOVE LIP	1.5"	1.5"	1.5"	1.5"	1"				
	PROJECTION	17"	17"	15"	15"	12"				



GRAPH REPRESENTS PROJECTION RANGE, NOT STREAM PATTERN

### 12" & 18" STYLES

At the tested 40" height, the flume on these sizes of classic waterfall is very narrow. For a more traditional appearance, we recommend installing the 12" at max height of 18" (8" projection) and 18" at max height of 24" (9" projection).

### DRY WALL EFFECT

Low flow installations may cause the mounting surface to become wet when the waterfall is flowing. To achieve a dry wall effect, it is best to aim for the higher end of the recommended GPM range. At the low end of the recommended GPM range the waterfall flume will still appear good, but you may be in the potential "drip zone." (Example: For a dry wall on a 36" waterfall, 36 GPM will give the best results.)

### EXTENDED HEIGHTS AND PROJECTION

For a more dramatic effect, it is possible to achieve increased projection and heights above 40" by increasing the gallons per minute. Results outside of tested parameters may vary.

### TEST CONDITIONS

Testing was performed in a laboratory setting under optimum conditions. Environmental factors such as weather, construction method and hydraulic variations can alter appearance.

# NATURAL WONDERS® CUSTOM CUT QUOTE FORM

COMPANY NAME \_\_\_\_\_ PHONE \_\_\_\_\_  
 ADDRESS \_\_\_\_\_ FAX \_\_\_\_\_  
 CONTACT \_\_\_\_\_ DATE \_\_\_\_\_ DISTRIBUTOR \_\_\_\_\_  
 FAX COMPLETED OR M TO 770-632-7115, EMAIL TO CS@C-M-P.COM  
 OR FILL OUT ONLINE AT **C-M-P.COM/SUPPORT** P.O NUMBER \_\_\_\_\_

## 1. CHOOSE COLOR (If Available)

White PVC   
 Gray PVC   
 Tan PVC

## 2. CHOOSE SIZE†

12"  18"  24"   
 36"  48"  60"   
 72"  84"  96"

†Size corresponds to water only. For actual fixture measurement refer to the CMP Pool Catalog.

## 3. CHOOSE INLET POSITION††

1.5" Spigot BACK   
 1.5" Spigot BOTTOM

††12"-48" = one port 60"-72" = two ports 84"-96" = three ports  
 For Bottom Port please call for lead times

## 4. CHOOSE FLOW STYLE

Waterfall (Sheeting)   
 25577-xxx-xxx  
 1 GPM/in



Streamfall (up to 48")   
 25588-xxx-xxx  
 6-15 GPM/ft



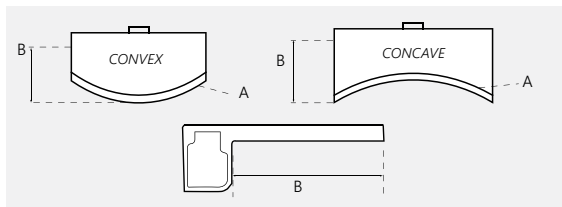
## 5. CHOOSE SHAPE

CONVEX  CONCAVE  CUSTOM\*

\*Any custom cuts besides convex/concave require a template to be mailed to CMP, 36 Herring Rd, Newnan, GA attn: Customer Service. Please include and record a tracking number.

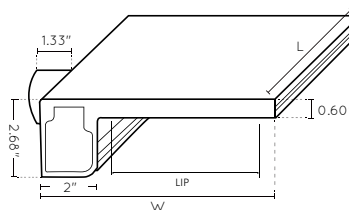
## 6. RADIUS MEASUREMENT

RADIUS (A) \_\_\_\_\_ LIP LENGTH (B) \_\_\_\_\_  
SEE CHART FOR RADIUS LIMITS PLEASE ROUND RADIUS TO NEAREST INCH 3.5" MINIMUM



## REFERENCE INFORMATION

LENGTH	MINIMUM RADIUS		
	6" LIP	9" LIP	12" LIP
12	8.50	6.00	6.00
18	17.50	10.00	9.00
24	30.00	15.75	12.75
36	66.00	32.25	23.25
48	116.50	55.00	38.00
60	181.25	84.50	57.00
72	260.50	120.50	80.50
84	354.00	163.00	108.00
96	462.00	212.25	139.75



7. QUANTITY ORDERED \_\_\_\_\_

## FOR CMP USE ONLY

CUSTOM PART # \_\_\_\_\_ DATE \_\_\_\_\_  
 DESCRIPTION \_\_\_\_\_  
 QUOTATION AMOUNT: \$ \_\_\_\_\_ ORDER # \_\_\_\_\_  
Price is for cost of waterfall plus \$35 up-charge for 12"-48" lengths or \$60 for 60"-96" lengths

CUSTOMER APPROVAL SIGNATURE: \_\_\_\_\_ DATE \_\_\_\_\_

CHECK THIS FORM CAREFULLY. Custom units are non-returnable. Quotes are good for 30 days and do not include freight. This form is for quotation purposes only. A purchase order is required to begin order processing. FILTERED WATER MUST BE USED ON ALL CMP WATERFALLS.

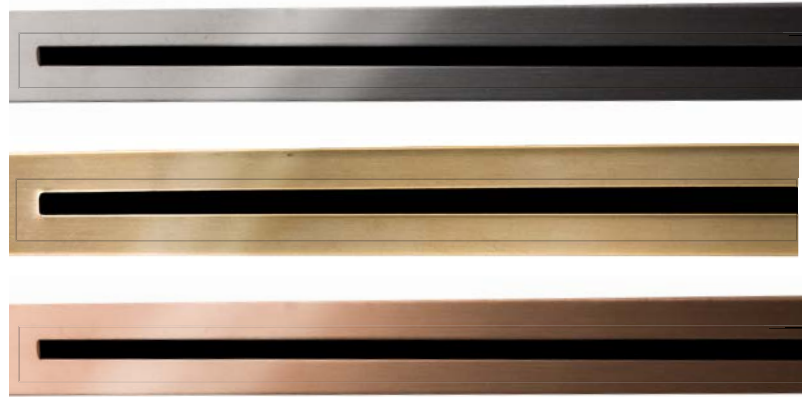
FOR ASSISTANCE WITH ONLINE CUSTOM CUT FORM, PLEASE VISIT: [HTTP://WWW.C-M-P.COM/SUPPORT/](http://www.c-m-p.com/support/)

# WATERFALL METAL FACE TRIM PLATES

Beautiful real metal accents for your waterfall. CMP Metal Face Trim Plates are available in three different finishes to fit any outdoor decor. They are the perfect way to complement and enhance your pool design.

## PRODUCT FEATURES

- Complements Any Pool Finish
- Quick & Easy Installation
- Durable, Real Metal Trim Plates
- Available for 12"-48" Sizes
- For Natural Wonders Waterfalls and original LED Waterfall.



## NATURAL WONDERS WATERFALL ORDERING GUIDE

NATURAL WONDERS® METAL FACE TRIM PLATES			
STAINLESS STEEL	BRASS	COPPER	DESCRIPTION
25577-122-890	25577-123-890	25577-128-890	12" NATURAL WONDERS METAL FACEPLATE
25577-172-890	25577-173-890	25577-178-890	18" NATURAL WONDERS METAL FACEPLATE
25577-222-890	25577-223-890	25577-228-890	24" NATURAL WONDERS METAL FACEPLATE
25577-322-890	25577-323-890	25577-328-890	36" NATURAL WONDERS METAL FACEPLATE
25577-422-890	25577-423-890	25577-428-890	48" NATURAL WONDERS METAL FACEPLATE

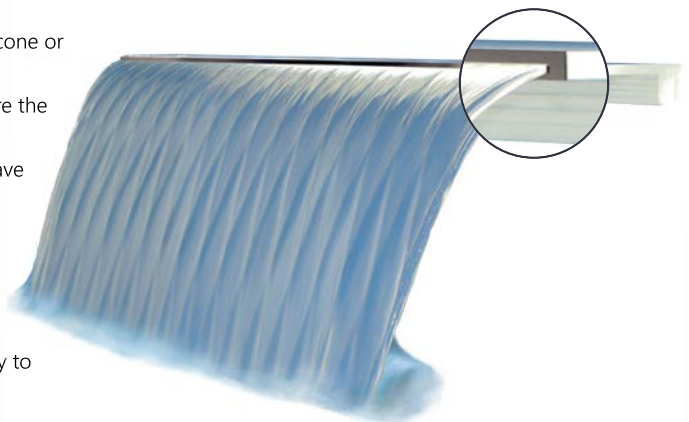
## BRILLIANT WONDERS LED WATERFALL ORDERING GUIDE

BRILLIANT WONDERS® METAL FACE TRIM PLATES*			
STAINLESS STEEL	BRASS	COPPER	DESCRIPTION
25677-122-870	25677-123-870	25677-128-870	12" BRILLIANT WONDERS METAL FACEPLATE
25677-172-870	25677-173-870	25677-178-870	18" BRILLIANT WONDERS METAL FACEPLATE
25677-222-870	25677-223-870	25677-228-870	24" BRILLIANT WONDERS METAL FACEPLATE
25677-322-870	25677-323-870	25677-328-870	36" BRILLIANT WONDERS METAL FACEPLATE
25677-422-870	25677-423-870	25677-428-870	48" BRILLIANT WONDERS METAL FACEPLATE

*\*not designed for LED Waterfall 2*

## FAST INSTALLATION INSTRUCTIONS

1. Clean surface of waterfall lip. Make sure there is no debris, silicone or other material covering the lip. Also make sure the lip is dry.
2. Peel just a little of the protective tape on the front to make sure the waterfall plate is the correct color.
3. Turn plate over and remove RED tape on back of the plate (leave the tape on the other side in place until after plate is installed)
4. Carefully place the plate over opening. Do not press down until you are sure the plate is directly over the opening and is covering all the waterfall face (use the lip guard if it is still available)
5. Once you are sure the plate is positioned correctly, press firmly to secure to the waterfall and remove protective tape.



**WARNING:** Edges are very sharp, please use care when handling and installing.



The Natural Wonders® Laminar Deck Jet is a precision engineered water feature, designed for high performance and ease of service. A laminar creates a large, smooth rod of water as opposed to the more playful stream of a standard deck jet.

The Laminar Deck Jet has been carefully developed by CMP engineers to achieve a precise balance of performance and reliability. Upgrade from a standard deck jet to a premier, high end Laminar Deck Jet design.

## PRODUCT FEATURES

- Upgrade From Standard Deck Jets
- Larger, Smooth Laminar Stream
- Durable Stainless Steel Nozzle
- Easy to Install, Clean and Service
- Flush Install Deck Cover in Three Colors
- Install in Pool Deck or Landscaping Areas
- 8.5" Cover Diameter

## STAINLESS STEEL PRECISION JET NOZZLE

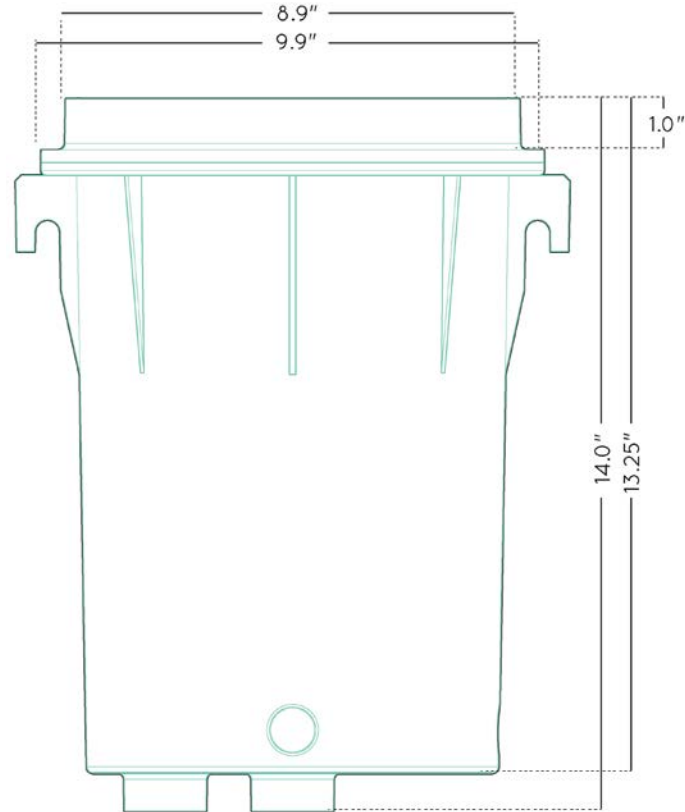
A high performance stainless steel nozzle is the premier choice for quality and durability.

## PREMIER FILTER MEDIA

Six layers of soft and safe filtration media that are easy to clean and inexpensive to replace.

## TANGENTIAL FLOW ENGINEERING

Precisely engineered internal flow reduces turbulence for a glass-like laminar flow, maximizing the high-end style while minimizing water entry splash.



LAMINAR DECK JET PERFORMANCE GUIDE			
	2.5 GPM	3.0 GPM	3.5 GPM
INLET PRESSURE	3.8 PSI	5.0 PSI	6.5 PSI
HEIGHT	2 FT	3 FT	4 FT
DISTANCE	3 FT	4.5 FT	6 FT
STREAM DIAMETER	0.35 INCHES Ø		

- Ships fully assembled
- Max stream height 4 feet
- Max stream distance 6 feet
- Vertical adjustable up to 30 degrees in 5 degree increments
- Full range of horizontal adjustability
- Deck or landscaping installation

## ORDERING GUIDE

CMP P/N	DESCRIPTION	BOX QTY
25597-700-000	NATURAL WONDERS LAMINAR DECK JET WITH WHITE COVER	EACH
25597-701-000	NATURAL WONDERS LAMINAR DECK JET WITH GRAY COVER	EACH
25597-709-000	NATURAL WONDERS LAMINAR DECK JET WITH TAN COVER	EACH

COVERED BY ONE OR MORE U.S. PATENTS OR PENDING PATENT APPLICATIONS. SEE [WWW.C-M-P.COM/PATENTS](http://WWW.C-M-P.COM/PATENTS) FOR DETAILS.

# MULTI-NOZZLE ADJUSTABLE DECK & WALL JETS

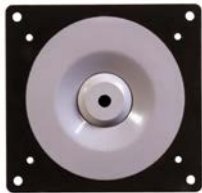


The most advanced and versatile deck jet in the industry for customers who only want the best. Four color options, five interchangeable nozzles, and four body styles. There is a perfectly matched style and water effect for every project.

[C-M-P.COM/DECK-WALL-JETS](http://C-M-P.COM/DECK-WALL-JETS)

## PRODUCT FEATURES

- Adjustable Flow at the Jet
- Five Interchangeable Nozzles
- Square or Round Face
- Two Flange Options (pg 24)
- Five Color Options
- Simple to Install and Operate



GRAY



TAN



TEXTURED BRASS



WHITE



TEXTURED CHROME



## NATURAL WONDERS® DECK COVERS

Nature inspired fiberglass deck lids mimic natural stone for a beautiful pool deck finish. Available in four natural color designs. See page 32 for details. (sold separately)

## ORDERING GUIDE

MULTI-NOZZLE ADJUSTABLE DECK JETS						
WHITE	GRAY	TAN	SOLID BRASS/ BLACK NOZZLE	CHROME PLATE/ BLACK NOZZLE	DESCRIPTION	BOX QTY
25598-300-000	25598-301-000	25598-309-000	25598-343-000	--	SQUARE FACE WITH FLANGE	1
25598-310-000	35598-311-000	25598-319-000	25598-363-000	--	SQUARE FACE FLANGELESS	1
25597-300-000	25597-301-000	25597-309-000	25597-343-000	25597-342-000	ROUND FACE WITH FLANGE	1
25597-310-000	25597-311-000	25597-319-000	25597-363-000	25597-362-000	ROUND FACE FLANGELESS	1

REPLACEMENT PARTS ON PAGE 222

NATURAL WONDERS® DECK COVERS (SOLD SEPARATELY)				
WHITE STONE	SAND STONE	GRAY STONE	BRICK STONE	DESCRIPTION
25597-330-020	25597-339-020	25597-331-020	25597-337-020	MULTI-NOZZLE DECK JET COVER, ROUND

COVERED BY ONE OR MORE U.S. PATENTS OR PENDING PATENT APPLICATIONS. SEE [WWW.C-M-P.COM/PATENTS](http://WWW.C-M-P.COM/PATENTS) FOR DETAILS.

# ADJUSTABLE BRASS DECK FOUNTAIN



The Adjustable Brass Deck Fountain creates a beautiful two-tier water effect that will blow you away. Unlike the competition, it has adjustable flow, adjustable angle & accepts the CMP interchangeable nozzles. (sold separately)



## PRODUCT FEATURES

- Beautiful Fountain Effect
- Adjustable Flow and Direction
- Solid Brass Face & Nozzle
- Simple to Install and Operate

## ORDERING GUIDE

CMP P/N	DESCRIPTION	BOX QTY
25598-333-000	SQUARE FACE WITH FLANGE	1
25598-353-000	SQUARE FACE FLANGELESS	1
25597-333-000	ROUND FACE WITH FLANGE	1
25597-353-000	ROUND FLANGELESS	1
25598-304-800	BLACK FIVE-NOZZLE SET (SOLD SEPARATELY)	50
25598-309-800	TAN FIVE-NOZZLE SET (SOLD SEPARATELY)	50

COVERED BY ONE OR MORE U.S. PATENTS OR PENDING PATENT APPLICATIONS. SEE [WWW.C-M-P.COM/PATENTS](http://WWW.C-M-P.COM/PATENTS) FOR DETAILS.

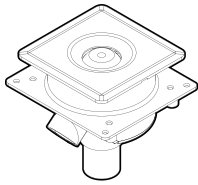


# MULTI-NOZZLE ADJUSTABLE DECK & WALL JETS

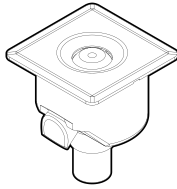


## COVER & FLANGE REFERENCE

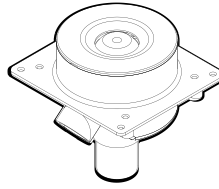
Choose the perfect deck jet for your installation. The square cover is great for paver decks; all flangeless are easier to install in paver decks. The flange style is useful to tie the jet in place.



SQUARE COVER W/ FLANGE



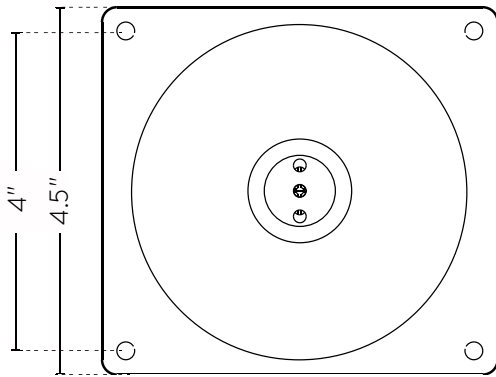
SQUARE COVER FLANGELESS



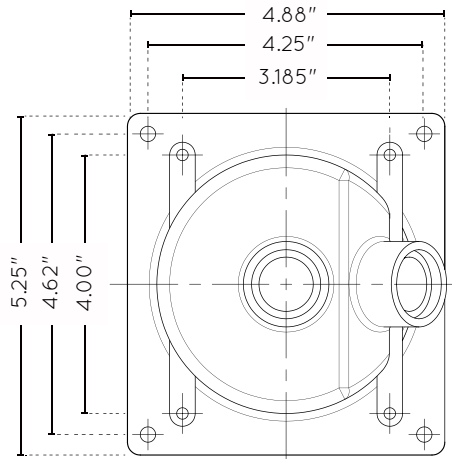
ROUND COVER W/ FLANGE



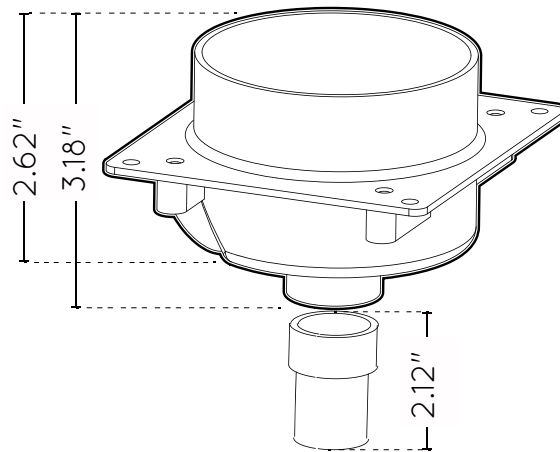
ROUND COVER FLANGELESS



TOP VIEW



BOTTOM VIEW



SIDE VIEW





## INSTALLATION GUIDE

1. Determine the proper size of the main feed pipe: Use 1-1/2" pipe for up to 8 Deck Jets; Use 2" pipe for up to 12 Deck Jets; Use 2-1/2" pipe for up to 16 Deck Jets
2. Install a ball valve on the main feed pipe near the pump to adjust the total water pressure delivered to the deck jets.
3. Reduce the piping to 3/4" pipe. When installing more than one deck jet it is necessary to create an equal pressure loop to equalize the pressure in the line.
4. The body is ABS plastic and designed to allow for 3/4" plumbing with straight pipe or an elbow. Use only PVC/ABS glue to secure.
5. Anchor the deck jet body and protective cover so that the top is level with the height of the finished deck. Use protective cover to protect deck jet while working on pool and laying deck.
6. Remove protective cover, wrap the threaded plug with Teflon tape, and install into the deck jet body. Be sure not to over tighten. Replace the protective cover. Leave the plug installed and keep the pipe pressurized during installation.
7. Once the deck is finished, remove the protective cover and remove the plug. Turn on the pump, open the valves, and run water through the lines to remove any debris that may have collected.
8. Take the jet nozzle housing assembly and install in the body by turning the installation tabs (*fig 1*). Hand tighten only. Do not overtighten.

## PERFORMANCE GUIDE

		2	3	4	5	6	7
FAN	GPM	--	1	1.2	1.3	1.5	1.9
	PSI	--	1.8	2.2	2.6	3.6	4.8
	SPREAD	--	12"	24"	36"	60"	96"
	HEIGHT	--	12"	18"	24"	36"	48"
TRIPLE STREAM	GPM	1.3	1.6	1.9	2.2	2.5	2.8
	PSI	2	2.5	3.5	4.2	5	6
	SPREAD	8"	12"	18"	20"	24"	30"
	HEIGHT	9"	14"	20"	24"	30"	36"
3/16" SINGLE	GPM	0.4	0.5	0.7	0.7	0.8	0.9
	PSI	1.5	2	2.4	2.8	3.2	3.6
	HEIGHT	10"	15"	21"	25"	31"	38"
1/4" SINGLE	GPM	1.2	1.5	1.8	2.0	2.2	2.5
	PSI	2	2.5	3.2	4	4.6	5.5
	HEIGHT	10"	16"	22"	27"	32"	40"
5/16" SINGLE	GPM	1.5	1.9	2.3	2.6	2.9	3.2
	PSI	2	2.8	3.8	4.5	5.4	6.2
	HEIGHT	6"	9"	14"	17"	20"	26"

### IMPORTANT, PLEASE NOTE:

This product must be installed and serviced by a pool and spa professional. These instructions must be followed exactly to ensure proper function of the parts.

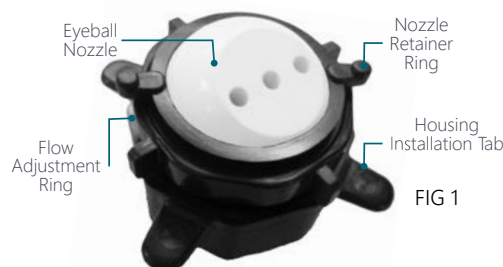


FIG 1



# NATURAL WONDERS

DECK & WALL JET COLLECTION

# MULTI-NOZZLE VINYL LINER WALL JET



A vinyl liner pool version of the CMP Multi Nozzle Deck & Wall Jets. Five nozzles and six color options to match popular vinyl liner patterns

## PRODUCT FEATURES

- Includes Five Interchangeable Nozzles, Wall Fitting, Flange, Gasket & Filter
- Six Color Options: White, Gray, Black, Tan, Dark Blue and Light blue
- Installs Above the Water Level
- Control the Flow with a Separate Valve



## ORDERING GUIDE

REF	CMP P/N	DESCRIPTION	BOX QTY
A	25553-900-000	WHITE VINYL LINER WALL JET	1
A	25553-901-000	GRAY VINYL LINER WALL JET	1
A	25553-939-000	TAN VINYL LINER WALL JET	1
A	25553-969-000	DARK BLUE VINYL LINER WALL JET	1
A	25553-909-000	LIGHT BLUE VINYL LINER WALL JET	1
A	25553-904-000	BLACK VINYL LINER WALL JET	1
B	23315-100-000	ROTATING EYEBALL INSERT ONLY (SOLD SEPARATELY)	1

# ADJUSTABLE & NON-ADJUSTABLE DECK JETS



**The ONLY deck jet that can be adjusted at the nozzle while running.** Simply set the water flow at the pump, and then fine tune with the built in adjustable nozzle. Designed for simple installation and trouble-free use in residential and commercial pools.

This water feature has an eyeball nozzle hidden from view by a decorative cap. Multiple plumbing options make this deck jet easier to install. Just 3-5 GPM creates a stream up to 10 feet high. Also available in non-adjustable with interchangeable nozzles.

## C-M-P.COM/DECK-WALL-JETS

### ADJUSTABLE DECK JETS

- Includes Body, Moveable Adjustable Nozzle and Four Round Decorative caps (White, Black, Gray, Tan)
- Individually Packaged

### NON-ADJUSTABLE DECK JETS

- Includes Body, Two Moveable Nozzles (single & dual streams) and Four Round Decorative caps (White, Black, Gray, Tan)
- Individually Packaged

### PERFORMANCE & PLUMBING GUIDE

- 4" Hole Size
- Cap is 2.5" diameter
- 3/4" Water Line (adjustable)
- 3/4" or 1/2" Water Line (non-adjustable)
- To adjust, first control flow with a ball valve, then fine tune at the nozzle

	3 GPM	4 GPM	5 GPM
HEAD	3.9 FT	7.9 FT	11 FT
HEIGHT	3 FT	6.5 FT	10 FT



### ORDERING GUIDE

NATURAL WONDERS® ADJUSTABLE DECK JETS		
CMP P/N	DESCRIPTION	BOX QTY
25597-200-000	ADJUSTABLE DECK JET ASSEMBLY & FOUR DECORATIVE CAPS	50
25597-223-000	ADJUSTABLE DECK JET ASSEMBLY & BRASS DECORATIVE COVER	—
25597-304-010	DECK JET WRENCH (INCLUDED WITH ADJUSTABLE DECK AND WALL JET KITS)	200
NATURAL WONDERS® NON-ADJUSTABLE DECK JETS		
25597-000-000	NON-ADJUSTABLE DECK JET ASSEMBLY & FOUR DECORATIVE CAPS	50
25597-023-000	NON-ADJUSTABLE DECK JET ASSEMBLY & BRASS DECORATIVE COVER	—

ACCESSORIES PAGE 30

COVERED BY ONE OR MORE U.S. PATENTS OR PENDING PATENT APPLICATIONS. SEE WWW.C-M-P.COM/PATENTS FOR DETAILS.

# ADJUSTABLE & NON-ADJUSTABLE WALL JETS



CMP wall jets are available for both gunite and fiberglass pool; featuring patented technology, this is the industry's ONLY wall jet that can be adjusted at the nozzle while running. Each wall jet comes with four attractive square decorative caps designed to complement popular pool colors and finishes.

## ADJUSTABLE WALL JETS

- Includes Body, Plumbing Coupling, Moveable Nozzles (single & dual streams) and 4 Square Decorative caps (White, Black, Gray, Tan)
- Round Face for Easier Install (Decorative Cap is Square)
- Individually Packaged



## NON-ADJUSTABLE WALL JETS

- Includes Body, Plumbing Coupling, Moveable Nozzles (single & dual streams) and 4 Square Decorative caps (White, Black, Gray, Tan)
- Round Face for Easier Install (Decorative Cap is Square)
- Individually Packaged



## PERFORMANCE & PLUMBING GUIDE

- 4" Hole Size, 3/4" Water Line
- To adjust, first control flow with a ball valve, then fine tune at the nozzle

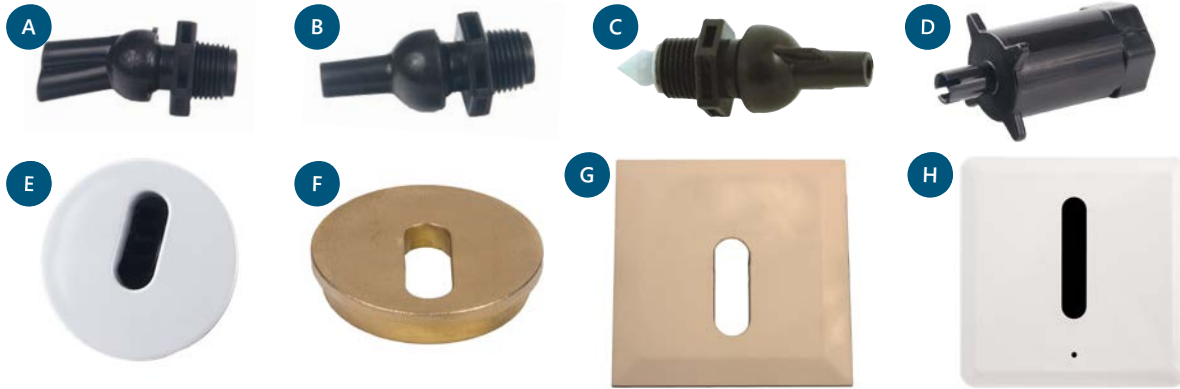
	3 GPM	4 GPM	5 GPM
HEAD	3.9 FT	7.9 FT	11 FT
HEIGHT	3 FT	6.5 FT	10 FT

## ORDERING GUIDE

NATURAL WONDERS® ADJUSTABLE WALL JETS		
CMP P/N	DESCRIPTION	BOX QTY
25598-200-000	ADJUSTABLE WALL JET	18
25598-920-000	FIBERGLASS ADJ WALL JET	1
25597-304-010	DECK JET WRENCH (INCLUDED WITH ADJUSTABLE DECK AND WALL JET KITS)	200
NATURAL WONDERS® NON-ADJUSTABLE WALL JETS		
25598-000-000	NON-ADJ WALL JET	18
25598-900-000	NON-ADJ FIBERGLASS WALL JET (INCLUDES PLUMBING ADAPTER, GASKETS, & SCREWS)	1

COVERED BY ONE OR MORE U.S. PATENTS OR PENDING PATENT APPLICATIONS. SEE [WWW.C-M-P.COM/PATENTS](http://WWW.C-M-P.COM/PATENTS) FOR DETAILS.

# DECK & WALL JETS ACCESSORIES

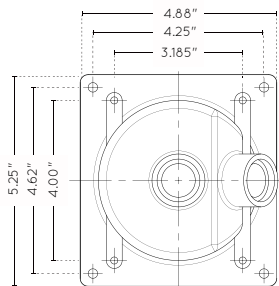


## ORDERING GUIDE

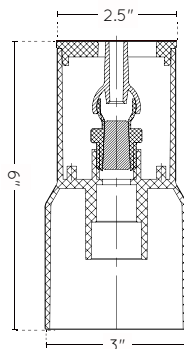
REF	CMP P/N	DESCRIPTION
A	25597-100-900	DUAL DECK AND WALL JET NOZZLE (NON-ADJ)
B	25597-000-900	DECK AND WALL JET NOZZLE (NON-ADJ)
C	25597-200-900	ADJUSTABLE DECK AND WALL JET NOZZLE ASSEMBLY
D	25597-304-010	DECK AND WALL JET WRENCH (INCLUDED WITH ADJUSTABLE DECK AND WALL JET KITS)
E	25597-000-020	ROUND DECK JET COVER (WHITE)
E	25597-001-020	ROUND DECK JET COVER (GRAY)
E	25597-004-020	ROUND DECK JET COVER (BLACK)
E	25597-009-020	ROUND DECK JET COVER (TAN)
F	25597-000-220	ROUND DECK JET COVER (BRASS)*
G	25597-000-120	3.5" SQUARE DECK JET COVER (WHITE)*
G	25597-000-121	3.5" SQUARE DECK JET COVER (GRAY)*
G	25597-000-129	3.5" SQUARE DECK JET COVER (TAN)*
H	25598-000-020	WALL JET COVER (WHITE)
H	25598-001-020	WALL JET COVER (GRAY)
H	25598-004-020	WALL JET COVER (BLACK)
H	25598-009-020	WALL JET COVER (TAN)

\* not included with deck jet kit

## DECK & WALL JET TECHNICAL GUIDE



WALL JET  
BOTTOM DIMENSIONS



DECK JET  
DIMENSIONS



**DECK JET WRENCH**  
Use for nozzle removal and installation for both adjustable and non-adjustable jets. Can also be used to assist in adjusting nozzle flow and direction. May also be adjusted by hand without the wrench.



# NATURAL WONDERS™

DECK JET COLLECTION

# NATURAL WONDERS® DECK COVERS



Add a custom design element to any pool deck. Natural Wonders® Fiberglass Deck Covers from CMP are a brand new way to upgrade your pool deck. Exclusive heavy duty designs from CMP in four popular natural finishes.

## PRODUCT FEATURES

- Enhanced Natural Texture
- Heavy Duty Fiberglass Construction
- Upgrades for Plastic Deck Covers
- Easy Access Finger Grip
- Attractive Retail Packaging
- Perfect for Aftermarket Upgrade
- Matching Lids for Skimmers & Deck Jets
- Complement Popular Pool Deck Finishes



Shown in Sand Stone



Shown in White Stone



Shown in Gray Stone

## ORDERING GUIDE

REF	WHITE STONE	SAND STONE	GRAY STONE	BRICK STONE	DESCRIPTION
A	25544-200-000	25544-209-000	25544-201-000	25544-207-000	ROUND SKIMMER / CMP AUTOLEVEL COVER
B	25538-200-000	25538-209-000	25538-201-000	25538-207-000	SQUARE SKIMMER COVER
C	25597-330-020	25597-339-020	25597-331-020	25597-337-020	MULTI-NOZZLE DECK JET COVER

## DECK COVER FINISH GUIDE

- 0 - White Stone (White/Off White)
- 9 - Sand Stone (Tan)
- 1 - Gray Stone (Light Gray/Granite)
- 7 - Brick Stone (Dark Red/Brick)



*NOTE: Natural Wonders® Deck Covers have been artfully crafted to mimic natural materials. Slight variations in color and finish that enhance the natural appearance of these accents should be expected. Like real stone, they may be damaged if dropped from a great height onto a hard surface.*



# NATURAL WONDERS® GUNITE FOUNTAINS



Natural Wonders Gunite Pool Fountains are a great way to add natural beauty to your pool install. Simply adjust the flow with a CMP ball valve to achieve the perfect look. Add an air blower for increased power. These fountains install simply with standard size fittings. Add a fresh new dimension to beach entries, spas, sun shelves, tanning ledges, and landscape features.

## FLUSH BUBBLER FOUNTAIN

- Installs Flush with Pool Floor; No Exposed Components Above the Waterline
- Featured on *Extreme Home Makeover*
- Available in Four Color Options
- 1-1/2" MIP
- Pictured with Air Blower Inline



## 3-TIER POOL FOUNTAIN

- Includes 3/4" FIP Fountain Head
- Eyeball Fitting 1-1/2" MIP
- Threaded Adapter 3/4" FIP



## ORDERING GUIDE

NATURAL WONDERS® BUBBLER			
REF	CMP P/N	DESCRIPTION	BOX QTY
A	25503-000-000	WHITE POOL BUBBLER	400
A	25503-001-000	GRAY POOL BUBBLER	400
A	25503-039-000	TAN POOL BUBBLER	400
A	25503-004-000	BLACK POOL BUBBLER	400
NATURAL WONDERS® 3-TIER POOL FOUNTAIN			
B	25565-009-000	CLEAR 3-TIER POOL FOUNTAIN	100

# WATER FEATURE FILTER

All water features must use filtered water for optimum performance and to prevent damage to the feature. The CMP water feature filter is the perfect accessory for waterfalls, deck jets, bubblers and other water features.

## PRODUCT FEATURES

- 25 or 50 Square Foot Filtration
- Includes Pressure Gauge
- Ergonomic Lock Ring: Easy Lid Removal for Quick Filter Cleaning
- Unibody Construction

PROTECT YOUR WATER FEATURE PERFORMANCE: ONLY USE FILTERED POOL WATER

## TECHNICAL GUIDE

- 6-7/8" Wide
- 15-1/8" Height
- 2" Inlet/Outlet
- Max Pressure 50psi
- Cover Air Relief Plug
- Not Designed for Whole Pool Filtration



## ORDERING GUIDE

REF	CMP P/N	DESCRIPTION	BOX QTY
A	25504-650-000	WATER FEATURE FILTER AND 50 SQ FT FILTER ELEMENT	6
A	25504-625-000	WATER FEATURE FILTER AND 25 SQ FT FILTER ELEMENT	6
B	25391-000-000	REPLACEMENT 50 SQ FT FILTER ELEMENT ONLY (C-4950)	16
B	25391-200-000	REPLACEMENT 50 SQ FT FILTER ELEMENT WITH MICROBAN® ONLY (C-4950AM)	16
B	25392-000-000	REPLACEMENT 25 SQ FT FILTER ELEMENT ONLY (C-4326)	16

# BRILLIANT WONDERS® LED PRODUCTS

LED Product Features 36

Brilliant Wonders® LED Control 38

Brilliant Wonders® LED Waterfalls 40

Brilliant Wonders® LED Bubblers 52

Brilliant Wonders® LED Laminar 60

Brilliant Wonders® LED Light 62

| LED Lighting Guide 211

| Replacement Parts 216

# THE PREMIER LED POOL LIGHTING FAMILY

## HIGH PERFORMANCE: DESIGNED FOR STYLE AND EFFICIENCY

Every Brilliant Wonders® LED Product has a light that is specifically engineered to each application. In fact we purposefully control the shape of the light and the shape of the water to create beautiful LED lighting effects.

## SMART SYNC: LIGHTING FOR EVERY POOL

With Smart Sync® technology, you can synchronize Brilliant Wonders® brand LED Products with every major pool control system. Simply order the correct programming style for your pool controls system, install according to the pool control OEM guidelines and it just works.



## GUNITE, VINYL, FIBERGLASS: INSTALL IN ANY POOL

Brilliant Wonders® products are also designed for a seamless installation. All of our fittings are available in a variety of colors and styles to match any pool design including flush installation options.

## FRONTSIDE SERVICEABLE: EASY MAINTENANCE

Every Brilliant Wonders® product is designed to be serviceable right at the light. Each product is designed with a removable light module or LED strip that is easily accessible.

## QUICK DISCONNECT WIRING: SIMPLE INSTALL & SERVICE

Why remove hundreds of feet of cord when a light has to be changed or serviced? You will save time and money with a Brilliant Wonders® quick disconnect for easy replacement and simple winterization. Brilliant Wonders quick disconnect cords are rated for safe outdoor pool and spa use.

**THE NEXT POOL YOU BUILD  
SHOULD BE BRILLIANT™**

*Waterproof Quick  
Disconnects*





© Mark Boisclair

PHOTO COURTESY SUPREME POOLS & SAUNAS  
SCOTTSDALE, AZ



PHOTO COURTESY FOX POOLS  
OKLAHOMA CITY, OK



PHOTO COURTESY BLUE HAVEN POOLS  
ST LOUIS, MO

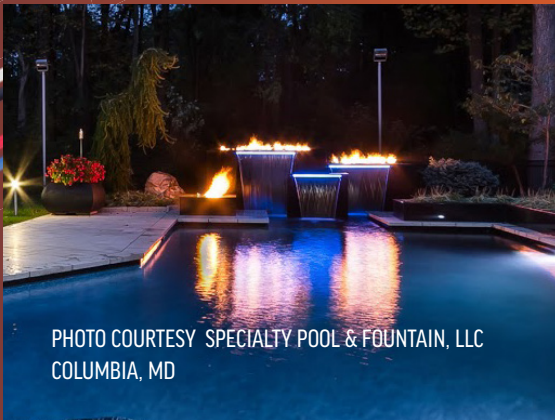


PHOTO COURTESY SPECIALTY POOL & FOUNTAIN, LLC  
COLUMBIA, MD



PHOTO COURTESY DC POOL SERVICE  
POWDER SPRINGS, GA

WANT TO SEE YOUR POOL FEATURED?  
CONTACT PHOTOS@C-M-P.COM.

## A NEW CLASS OF LED LIGHTING AUTOMATION

The first compact pool LED lighting control with an interactive digital screen. Easily control lights, create schedules and build custom shows.

# Brilliant Wonders®

LED CONTROL



PATENT  
PENDING



### FULL COLOR DIGITAL LCD DISPLAY

Instant feedback and control with a modern interactive user interface. The colorful display is easy to read and simple to operate.

### DIGITAL DIAL OPERATION

The advanced Digital Dial is used to interact with all options on the LCD screen. Scroll to move through menus and press to make a selection. The dial has a built in LED feedback light that previews the selected pool light scene.

### HIGH END FEATURES IN A COMPACT SIZE

This is the only compact pool lighting control to offer features like advanced scheduling, custom light shows and an interactive screen. Every pool can take advantage of high end features without the high end price.

### SMART SYNC® TECHNOLOGY IS BUILT IN

Select your program style at start-up to control LED lighting products from CMP and all major pool lighting manufacturers.

### INDOOR AND OUTDOOR INSTALLATION

The control installs or retrofits directly in a single or multi gang light switch box. Install indoors with the included plate cover or install outdoors in an approved outdoor weatherproof box.



INDOOR INSTALLATION



OUTDOOR INSTALLATION



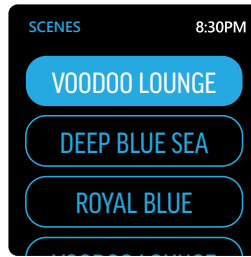
RETAIL PACKAGING

# BRILLIANT WONDERS® LED LIGHTING CONTROL

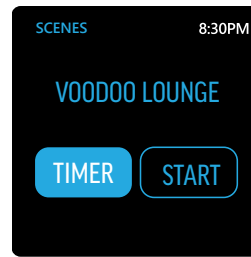
## MODERN USER INTERFACE WITH ADVANCED FEATURES

### SELECT SCENES

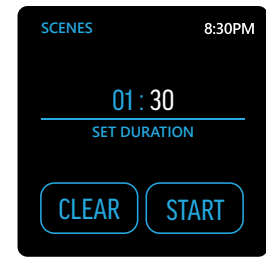
- Select from popular pre-programmed colors & light shows
- Colors & shows match selected OEM lighting style
- Set an optional light timer



Scenes Menu



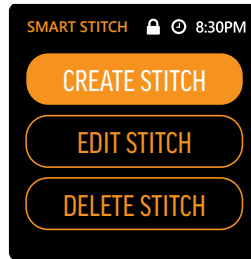
Scene Start



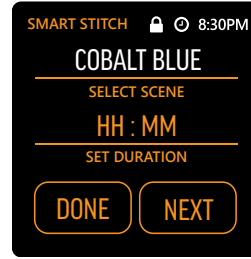
Timer Settings

### SMART STITCH™

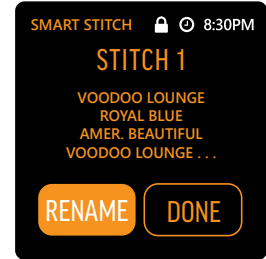
- Combine colors and shows to create custom light show sequences
- Save multiple custom Stitch programs
- Customize for special events or save favorite sequences



Smart Stitch Menu



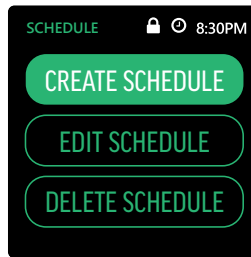
Stitch Creation



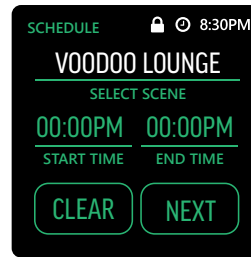
Stitch Program Confirmation

### CREATE SCHEDULES

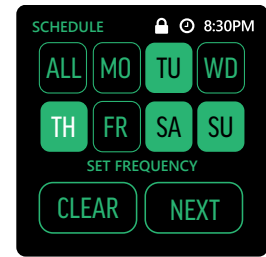
- Create and edit multiple custom lighting schedules
- Turn lights on/off at your set day and time
- Perfect for weekends, rental properties, vacation homes & more



Schedule Menu



Schedule Settings



Schedule Calendar

## SPECIFICATIONS

### ELECTRICAL

WATTAGE	300 Watt Max
VOLTAGE	120VAC 60Hz
TRANSFORMER	120VAC Transformer Recommended
COMPATIBILITY	<ul style="list-style-type: none"> <li>- All Brilliant Wonders® LED Lighting Products. Waterfalls Require Smart Sync Adapter.</li> <li>- LED Lighting from Zodiac International</li> <li>- LED Lighting from Pentair Water Pool &amp; Spa, Inc.</li> <li>- UCL LED Lighting from Hayward Industries (Not compatible with Networked Lights or 4.0 mode)</li> </ul>

### INSTALLATION

ELECTRICAL BOX SIZE	<ul style="list-style-type: none"> <li>- Single or Double Gang</li> <li>- Min 18in<sup>3</sup> Volume</li> <li>- Min 2in Deep</li> </ul>
CSA ENCLOSURE	Type 2, ENCL 2 or Equivalent
CERTIFICATION	UL

### EVERY LED CONTROL INCLUDES:

- One LED Control Unit
- Faceplate Cover
- Lever Style Terminal Block Connectors

## ORDERING GUIDE

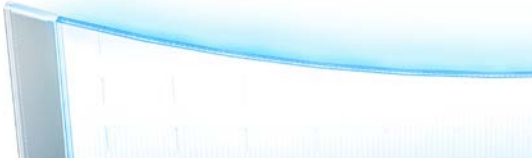
CMP P/N	DESCRIPTION
25650-201-000	BRILLIANT WONDERS® LED LIGHTING CONTROL

## THE NEXT GENERATION LED WATERFALL

How do you take the most popular lighted waterfall for pools and make it even better? Sometimes you just have to throw a curve. Introducing the industry's first cut-able, service-able, LED light-able waterfall.

# Brilliant Wonders<sup>2</sup>

LED WATERFALL



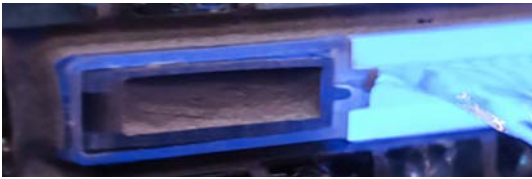
### 1. CUSTOM CUTTABLE LED WATERFALL

For the first time an LED Waterfall that can be factory cut or custom cut in the field that also remains completely serviceable after installation.



### 2. ENHANCED "SAWTOOTH" WATER TEXTURE

The improved sawtooth embedded lip textures the flow of the waterfall. This enhances the LED light and color effects, creating unique smooth ribbons of water and light in the waterfall flume.



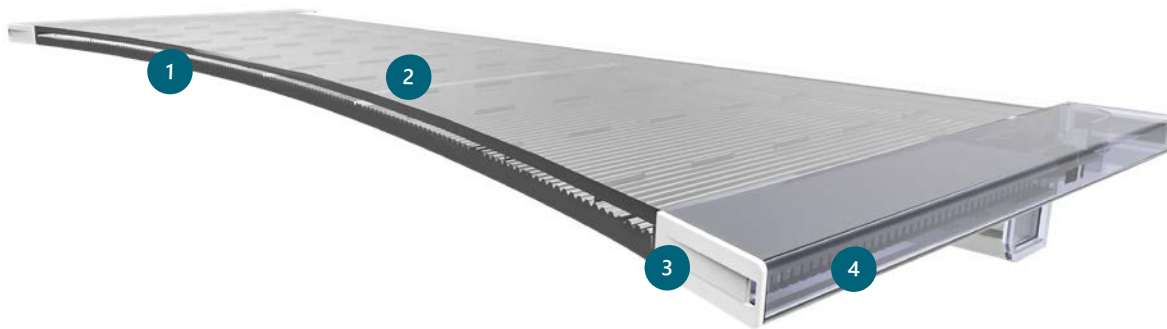
### 3. SLIM PROFILE WITH BESPOKE DOOR COVERS

This brand new design is 30% thinner for a minimal profile, with a clear face for a seamless installation. The innovative sliding service doors can be customized in the field with plaster, grout or stone. Optional LED access door covers in five colors are also included.



### 4. SERVICEABLE LIGHTING AFTER INSTALLATION

Even on a custom cut the internal LED strip is accessible through the built-in frontside access doors. The attached service cable and quick-disconnect mean accessing and installing the LED light is a breeze.



FOR INSTALL VIDEOS & MORE VISIT [C-M-PCOM/LED-WATERFALL-2](http://C-M-PCOM/LED-WATERFALL-2)

**PLEASE NOTE:** A SMART SYNC® ADAPTER OR COLORWHEEL CONTROL MUST BE PURCHASED TO OPERATE LED WATERFALLS



# BRILLIANT WONDERS® LED WATERFALL 2

## PRODUCT FEATURES

- Can Be Custom Cut
- Customizable Door Covers
- Front-side Serviceable
- LED Strip 2 with Improved Quick Disconnect & Over-molded Ends
- Use Smart Sync® Adapter (sold separately) for Compatibility with CMP, & Major Pool Lighting Manufacturers. (see page 66 for more info on Smart Sync)
- Waterfall Sizes up to 36" Long
- 12" Lip Length
- ETL Certified\*

## EVERY LED WATERFALL 2 INCLUDES:

- One Waterfall Unit
- LED Strip (pre-installed)
- 100' Quick Disconnect Cord
- Five Colored Door Covers
- Rock Trap
- Sliding Door Unlocking Tool
- Cut Clean-out Tool

**Controls sold separately. (required) See pages 48-51**

## SPECIFICATIONS

### ELECTRICAL

WATTAGE	5 Watts Per Foot
VOLTAGE	- 12VDC = Colorwheel Control - 12VAC = Smart Sync Adapter
LIGHTING	Quick Disconnect LED Strip
CORD LENGTH	100'

### INSTALLATION & PLUMBING

GPM	1.25 GPM Per Inch
LIP LENGTH	12"
RADIUS CUT	3' - 4' Min Depending on Size
WIDTH	Sizes 12" - 36"
PORT	- 1.5" SP Back Port - 1.5" SP Bottom Port
FRONT PROFILE	0.79"
FINISH	- Clear Waterfall Lip - Customizable Doors

### LED LIGHTING

SMART SYNC	J-STYLE: 5 Shows, 9 Colors H-STYLE: 7 Shows, 10 Colors P-STYLE: 7 Shows, 5 Colors
COLORWHEEL	- 5 Shows, 100s of Colors - Dimmable, Programmable - Remote Color Control
CERTIFICATION*	ETL certified installed with Smart Sync Adapter or Colorwheel Control

## ORDERING GUIDE

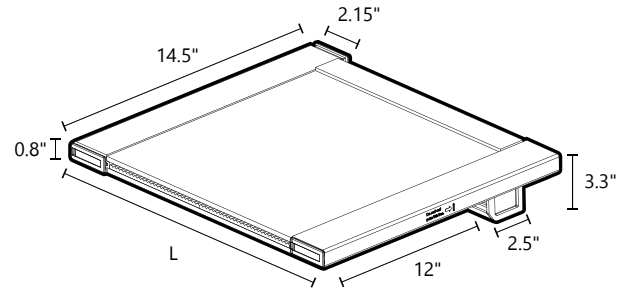
BRILLIANT WONDERS® LED WATERFALL 2 - BACK PORT	
CMP P/N	DESCRIPTION
25777-130-120	12" LED WATERFALL 2 WITH 12" LIP
25777-180-120	18" LED WATERFALL 2 WITH 12" LIP
25777-230-120	24" LED WATERFALL 2 WITH 12" LIP
25777-330-120	36" LED WATERFALL 2 WITH 12" LIP
BRILLIANT WONDERS® LED WATERFALL 2 - BOTTOM PORT	
25776-130-120	12" LED WATERFALL 2 WITH 12" LIP
25776-180-120	18" LED WATERFALL 2 WITH 12" LIP
25776-230-120	24" LED WATERFALL 2 WITH 12" LIP
25776-330-120	36" LED WATERFALL 2 WITH 12" LIP

**PLEASE NOTE:** A SMART SYNC® ADAPTER OR COLORWHEEL CONTROL MUST BE PURCHASED TO OPERATE LED WATERFALLS COVERED BY ONE OR MORE U.S. PATENTS OR PENDING PATENT APPLICATIONS. SEE [WWW.C-M-P.COM/PATENTS](http://WWW.C-M-P.COM/PATENTS) FOR DETAILS.

# LED WATERFALL 2 INSTALLATION

## DIMENSIONS

CMP P/N	SIZE	PORT COUNT	LENGTH (L)	FLOW RATE* (GPM)
2577x-130-xxx	12"	1	16-5/8	15-18
2577x-180-xxx	18"	1	22-5/8	22.5-26
2577x-230-xxx	24"	1	28-5/8	30-35
2577x-330-xxx	36"	1	40-5/8	45-52



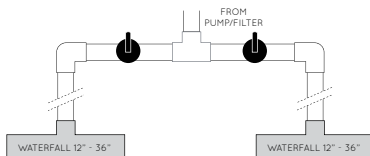
\*Recommended flow rate. Actual flow setting should be determined by the visual aesthetic the builder wishes to achieve. It is best to start with the CMP recommended flow and adjust as needed for each application.

## CUSTOM CUT MIN RADIUS GUIDE

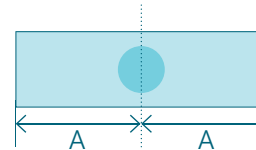
SIZE	12" LIP
12"	3 FT RADIUS
18"	3 FT RADIUS
24"	3 FT RADIUS
36"	4 FT RADIUS

## RECOMMENDED PIPE CONFIGURATION

2-WAY VALVE 



## INLET SPACING GUIDE

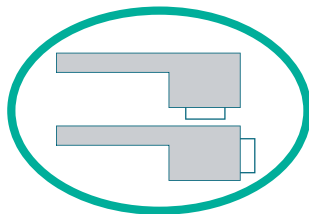


12" FALLS A = 8-5/16"  
 18" FALLS A = 11-5/16"  
 24" FALLS A = 14-5/16"  
 36" FALLS A = 20-5/16"

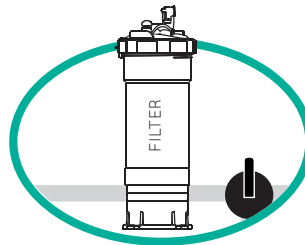
## ROCK TRAP

The rock trap is always recommended for installation. Using the rock trap will capture large debris in the pipes.

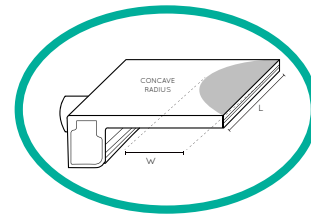
Rock Trap P/N 25577-950-000



BACK OR BOTTOM PORT



FILTERED WATER ONLY



RADIUS CUT COMPATIBLE

**IMPORTANT:** Brilliant Wonders waterfalls are to be used only with filtered water. Use the pool system filter or see the CMP water feature filter page 34. The rock trap is always recommended for installation. The rock trap will capture debris in the pipes. 12" and 18" waterfalls should be no more than 12" above the water line. Call customer service for more information. Lip may be radius cut.

# LED WATERFALL 2 CUSTOM CUT FORM

COMPANY NAME \_\_\_\_\_

PHONE \_\_\_\_\_

ADDRESS \_\_\_\_\_

FAX \_\_\_\_\_

CONTACT \_\_\_\_\_ DATE \_\_\_\_\_

DISTRIBUTOR \_\_\_\_\_

FAX COMPLETED FORM TO 770-632-7115 OR SCAN & EMAIL TO CS@C-M-P.COM  
OR FILL OUT ONLINE AT [C-M-P.COM/SUPPORT](http://C-M-P.COM/SUPPORT)

## 1. CHOOSE SIZE†

12"  18"  24"   
36"

†Length corresponds to water only. For actual fixture measurement refer to the CMP Pool Catalog.

## 2. CHOOSE INLET POSITION

1.5" Spigot BACK   
1.5" Spigot BOTTOM

## 3. CHOOSE LIP FINISH

FROSTED  CLEAR♦

## 4. CHOOSE SHAPE

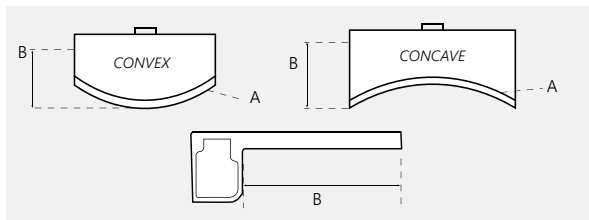
CONVEX  CONCAVE  CUSTOM\*

\*Any custom cuts besides convex/concave require a template to be mailed to CMP, 36 Herring Rd, Newnan, GA attn: Customer Service. Please include and record a tracking number.

## 5. MEASUREMENTS

RADIUS (A) \_\_\_\_\_ LIP LENGTH (B) \_\_\_\_\_  
4" MINIMUM

SEE CHART FOR RADIUS LIMITS  
PLEASE ROUND RADIUS TO NEAREST INCH



## 6. TOTAL QTY ORDERED

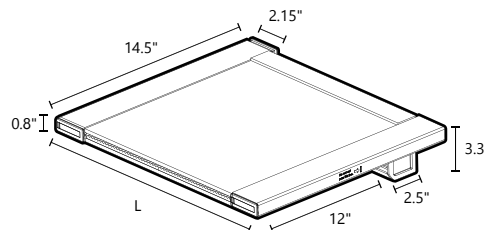
\_\_\_\_\_

## REFERENCE INFORMATION

SIZE	12" LIP MIN RADIUS
12"	3 FT RADIUS
18"	3 FT RADIUS
24"	3 FT RADIUS
36"	4 FT RADIUS

**CHECK YOUR NUMBERS:** Radius cut limitations for the LED Waterfall 2 are not the same as for Natural Wonders Waterfalls.

CMP P/N	SIZE	PORT COUNT	LENGTH (L)	FLOW RATE* (GPM)
2577x-130-xxx	12"	1	16-5/8	15-18
2577x-180-xxx	18"	1	22-5/8	22.5-26
2577x-230-xxx	24"	1	28-5/8	30-35
2577x-330-xxx	36"	1	40-5/8	45-52



## FOR CMP USE ONLY

CUSTOM PART # \_\_\_\_\_ DATE \_\_\_\_\_

DESCRIPTION \_\_\_\_\_

QUOTATION AMOUNT: \$ \_\_\_\_\_ ORDER # \_\_\_\_\_

Price is for cost of waterfall plus charge for custom cut and finishing. Custom cut charge for LED Waterfall 2 up to 36" is \$58. ♦ Clear lip finish cost is \$20.

CUSTOMER APPROVAL SIGNATURE: \_\_\_\_\_ DATE \_\_\_\_\_

CHECK THIS FORM CAREFULLY. Custom units are non-returnable. Quotes are good for 30 days and do not include freight. This form is for quotation purposes only. A purchase order is required to begin order processing. FILTERED WATER MUST BE USED ON ALL CMP WATERFALLS.

FOR ASSISTANCE WITH ONLINE CUSTOM CUT FORM, PLEASE VISIT: [HTTP://WWW.C-M-P.COM/SUPPORT/](http://WWW.C-M-P.COM/SUPPORT/)

## THE ORIGINAL BEST SELLING LED WATERFALL

CMP Brilliant Wonders® LED Waterfalls are the premier lighted waterfalls in the pool industry. The LED strip is built into the unit (instead of using external fiber optics) placing the light as close to the water as possible. This design makes a separate light source unnecessary.

# Brilliant Wonders®

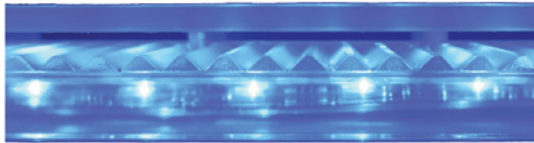
LED WATERFALLS

[C-M-P.COM/BRILLIANT-WONDERS-LED-WATERFALL](http://C-M-P.COM/BRILLIANT-WONDERS-LED-WATERFALL)



### SERVICEABLE LED LIGHTING

- Front-side Door for LED Strip and Wiring Access
- Quick-Disconnect LED Strip is Easy to Service and Easy to Replace
- All LEDs are Contained and Protected Inside the Waterfall Unit



### DESIGNED TO OUT-SHINE

- "Sawtooth" Lip Design
- Churns the Water, Enhancing LED Light and Color
- Creates Smooth Ribbons of Water and Light

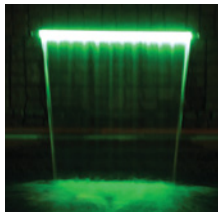


### SMART SYNC® LED WATERFALL ADAPTER

- Synchronize with Other Brilliant Wonders LED Products
- Also Sync with LED Products and Controls from other Pool Product OEMs
- One Adapter for up to 8ft of LED Waterfalls



US & INTL  
PATENTS



**PLEASE NOTE:** A SMART SYNC® ADAPTER OR COLORWHEEL CONTROL MUST BE PURCHASED TO OPERATE LED WATERFALLS

PATENTED U.S. 9505018, AUS. 2013338375, CA. 2890141

# BRILLIANT WONDERS® LED WATERFALL

## PRODUCT FEATURES

- Front-side Serviceable
- Long-Lasting LED Strip
- Bright LED Colors & Light Shows
- Sizes up to 96" Long
- ETL Certified\*

## EVERY LED WATERFALL INCLUDES:

- One Waterfall Unit
- LED Strip (pre-installed)
- 100' Quick Disconnect Cord
- Rock Trap

**Controls sold separately. (required) See pages 48-51**

## SPECIFICATIONS

### ELECTRICAL

WATTAGE	5 Watts Per Foot
VOLTAGE	- 12VDC = Colorwheel Control - 12VAC = Smart Sync Adapter
LIGHTING	Quick Disconnect LED Strip
CORD LENGTH	100'

### INSTALLATION & PLUMBING

GPM	1.25 GPM Per Inch
LIP LENGTH	6"
WIDTH	Sizes 12" - 96"
PORT	- 1.5" SP Back Port - 1.5" SP Bottom Port
FRONT PROFILE	1-1/8"
FINISH	- White, Gray, Black, Dark Gray or Tan - Metal Faceplates Available

### LED LIGHTING

SMART SYNC	J-STYLE: 5 Shows, 9 Colors H-STYLE: 7 Shows, 10 Colors P-STYLE: 7 Shows, 5 Colors
COLORWHEEL	- 5 Shows, 100s of Colors - Dimmable, Programmable - Remote Color Control
CERTIFICATION*	ETL certified installed with Smart Sync Adapter or Colorwheel Control

## ORDERING GUIDE

### BRILLIANT WONDERS® LED WATERFALL - BACK PORT

WHITE	GRAY	BLACK	DARK GRAY	TAN	DESCRIPTION
25677-130-000	25677-131-000	25677-134-000	25677-137-000	25677-139-000	12" LED WATERFALL
25677-180-000	25677-181-000	25677-184-000	25677-187-000	25677-189-000	18" LED WATERFALL
25677-230-000	25677-231-000	—	25677-237-000	25677-239-000	24" LED WATERFALL
25677-330-000	25677-331-000	—	25677-337-000	25677-339-000	36" LED WATERFALL
25677-430-000	25677-431-000	25677-434-000	25677-437-000	25677-439-000	48" LED WATERFALL
25677-530-000	25677-531-000	—	25677-537-000	25677-539-000	60" LED WATERFALL
25677-630-000	25677-631-000	25677-634-000	25677-637-000	25677-639-000	72" LED WATERFALL
25677-730-000	25677-731-000	—	25677-737-000	25677-739-000	84" LED WATERFALL
25677-830-000	25677-831-000	25677-834-000	25677-837-000	25677-839-000	96" LED WATERFALL

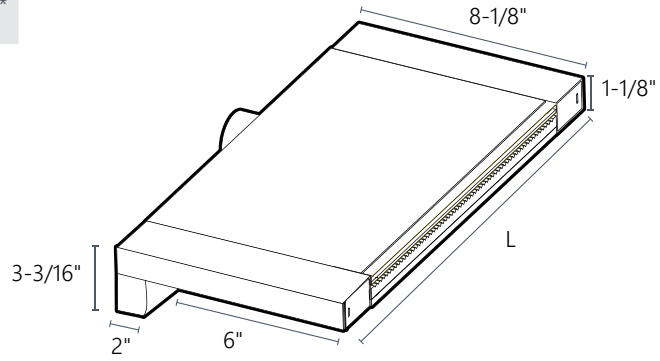
### BRILLIANT WONDERS® LED WATERFALL - BOTTOM PORT

25676-130-000	25676-131-000	—	25676-137-000	25676-139-000	12" LED WATERFALL
25676-180-000	25676-181-000	—	25676-187-000	25676-189-000	18" LED WATERFALL
25676-230-000	25676-231-000	—	25676-237-000	25676-239-000	24" LED WATERFALL
25676-330-000	25676-331-000	25676-334-000	25676-337-000	25676-339-000	36" LED WATERFALL
25676-430-000	25676-431-000	25676-434-000	25676-437-000	25676-439-000	48" LED WATERFALL
25676-530-000	25676-531-000	25676-534-000	25676-537-000	25676-539-000	60" LED WATERFALL
25676-630-000	25676-631-000	—	25676-637-000	25676-639-000	72" LED WATERFALL
25676-730-000	25676-731-000	—	25676-737-000	25676-739-000	84" LED WATERFALL
25676-830-000	25676-831-000	25676-834-000	25676-837-000	25676-839-000	96" LED WATERFALL

REPLACEMENT PARTS ON PAGE 199

# LED WATERFALL INSTALLATION

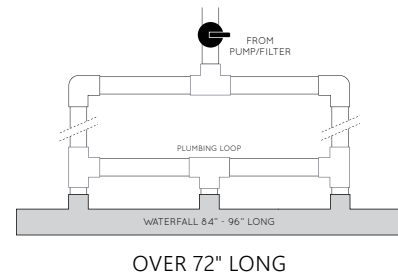
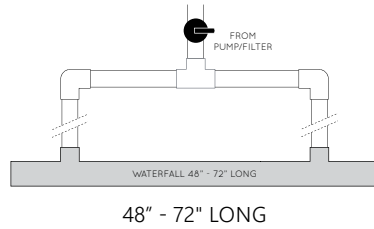
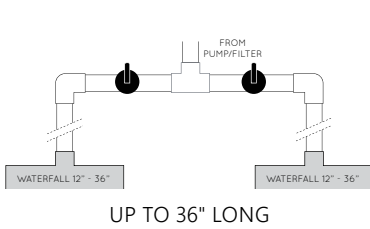
CMP P/N	SIZE	PORT COUNT	LENGTH (L)	FLOW RATE* (GPM)
25677-13X-000	12"	1	16.43"	12-15
25677-18X-000	18"	1	22.29"	18-22.5
25677-23X-000	24"	1	28.83"	24-30
25677-33X-000	36"	1	41.23"	26-45
25677-43X-000	48"	2	53.63"	48-60
25677-53X-000	60"	2	65.94"	60-75
25677-63X-000	72"	2	75.44"	70-85
25677-73X-000	84"	3	87.37"	80-95
25677-83X-000	96"	3	96.50"	90-105



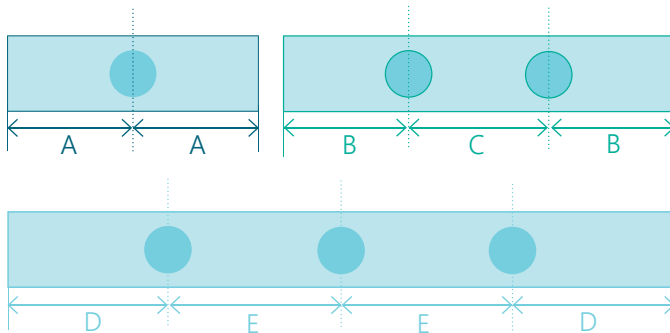
\*Recommended flow rate. Actual flow setting should be determined by the visual aesthetic the builder wishes to achieve. It is best to start with the CMP recommended flow and adjust as needed for each application.

## RECOMMENDED PIPE CONFIGURATION

2-WAY VALVE



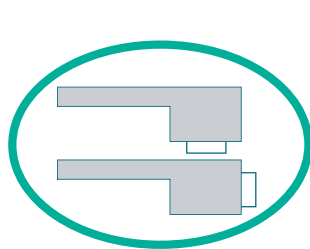
## INLET SPACING GUIDE



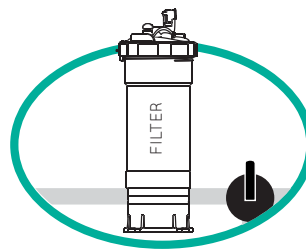
- 12" FALLS A = 6-11/32"
- 18" FALLS A = 9-9/32"
- 24" FALLS A = 12-3/16"
- 36" FALLS A = 18-1/8"
- 48" FALLS B = 15-1/16", C = 18-7/16"
- 60" FALLS B = 18-1/4", C = 23-11/32"
- 72" FALLS B = 19-27/32", C = 31-15/16"
- 84" FALLS D = 18-1/32", E = 23-5/8"
- 96" FALLS D = 19-31/32", E = 27-9/16"

## ROCK TRAP

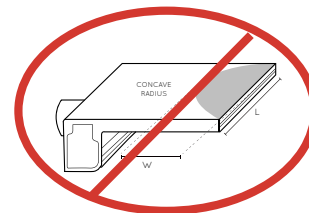
The rock trap is always recommended for installation. Using the rock trap will capture large debris in the pipes.  
Rock Trap P/N 25577-950-000



BACK OR BOTTOM PORT



FILTERED WATER ONLY



NOT RADIUS CUT COMPATIBLE



# Brilliant Wonders®

LED WATERFALLS

Lighting water is extremely difficult. CMP has many examples available of how our LED waterfalls look at night. However, each pool setting is very different. CMP offers lighting for backyard ambiance and can make no guarantee as to how bright the water will appear in each individual pool.

# LED WATERFALL SMART SYNC® ADAPTER

With one control box, synchronize your waterfall with LED products from CMP® and the most popular pool LED lighting and automation. Simple to install, and field-programmable with a built-in control dial.



## OUR LIGHTING + YOUR CONTROLS = SMART SYNC

With Smart Sync® programming built into the adapter, you can synchronize with lighting and controls from major pool OEMs.

## UNIVERSAL PROGRAMMING

The Smart Sync® adapter acts as the "external brain" for the LED Waterfall. Multiple programs are built in to synchronize with different lighting and control styles. Simply select your desired programming using the built-in dial switch.

## PRODUCT FEATURES

- Brilliant Wonders® Smart Sync® Technology
- Compatible with Lighting and Controls from all Major Pool OEMs
- Compact Size For Easy Installation, No Specialized Tools Required
- Program in the Field with a Simple Dial Control
- LED Color Indicator Light Built In for Easy Reference
- One Box Controls up to 8ft of LED Waterfalls

## TECHNICAL GUIDE

- For Brilliant Wonders® LED Waterfall ONLY
- One Control per 8 Linear Feet of Waterfalls
- Combine multiple Smart Sync units to control over 8ft of waterfalls
- ETL Certified
- Rated Max 3.0A @ 12VAC
- Always Use with Class 2 Isolated transformer in between Pool Controls and Smart Sync Box.
- Smart Sync LED Waterfall Control is not designed to control other Brilliant Wonders LED products.

## ORDERING GUIDE

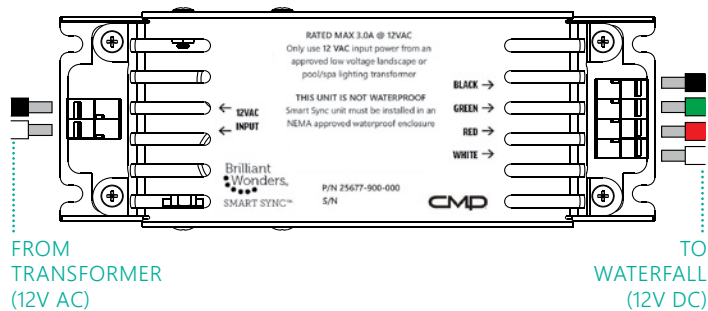
P/N	DESCRIPTION
25677-900-000	SMART SYNC LED WATERFALL ADAPTER

**IMPORTANT!** The Smart Sync LED Waterfall Adapter should not be used with any other Brilliant Wonders products. Never use in conjunction with the LED Waterfall Colorwheel Controls. Use of the LED Waterfall Smart Sync Adapter requires connection to an OEM control system or control switch.



# LED WATERFALL SMART SYNC® ADAPTER

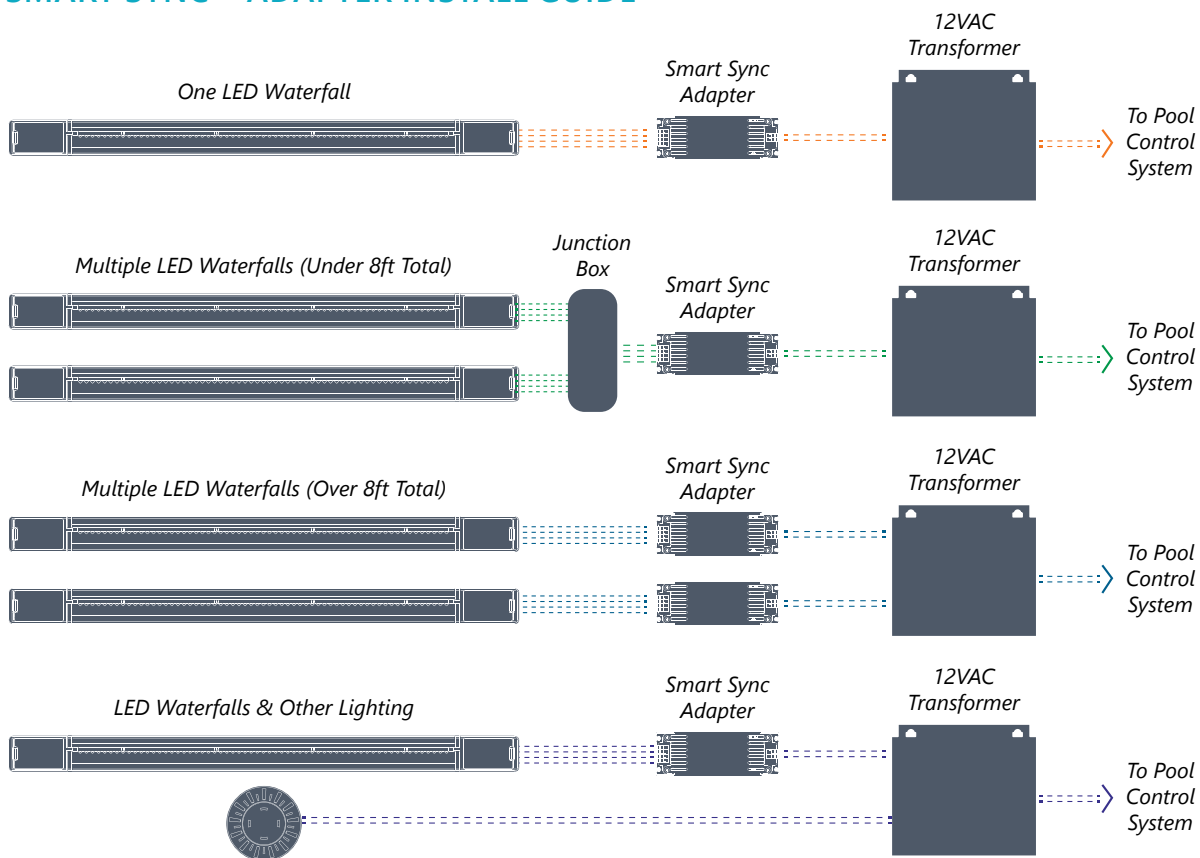
- Smart Sync is Installed Between 12VAC Power Source and LED Waterfall
- Must be Mounted in a NEMA approved weatherproof enclosure
- Select Program Mode to Match CMP or OEM Lighting and Controls



## WHEN SHOULD I USE THE SMART SYNC® ADAPTER?

1. Install the Smart Sync Adapter to use controls or synchronize with lighting from CMP, Zodiac International, Pentair Water Pool & Spa, Inc or Hayward Industries.
2. You can also use the Smart Sync Adapter if you will be controlling your lighting with a switch.
3. DO NOT use the Smart Sync Adapter if you are using the LED Waterfall Colorwheel controls. These are not compatible and may cause permanent damage to the controls.

## SMART SYNC® ADAPTER INSTALL GUIDE



NOT COMPATIBLE

# COLORWHEEL LED WATERFALL CONTROL

## PRODUCT FEATURES

- Advanced Programmable Lighting Control
- Remote with Touch-sensitive Color Control Wheel
- Total Control of LED Colors
- Program and Save Settings
- Control Color, Brightness and Cycle Speed
- Up to 90ft Range Depending on Installation
- Remote Charges via USB
- UL Recognized DC Power Supply

## FULLY PROGRAMMABLE

Save and recall your favorite colors and shows at any time using the remote control

## TOTAL COLOR & DIMMING CONTROL

With the touch sensitive Colorwheel Remote, select any custom color in the rainbow, set custom brightness with the dimming controls and control color changing speed.



B



C



D



## ORDERING GUIDE

REF	P/N	DESCRIPTION
A-D	25650-130-300	100W 12V DC POWER SUPPLY, REMOTE, CONTROLLER, CONTROL BOX KIT
A-C	25650-110-300	100W 12V DC POWER SUPPLY, REMOTE, CONTROLLER KIT
A,C	25650-100-300	REMOTE & CONTROLLER ONLY
A	25650-100-000	COLORWHEEL REMOTE ONLY
B	25650-110-200	100W 12V DC POWER SUPPLY ONLY
C	25650-100-100	CONTROLLER ONLY
D	25650-100-210	PLASTIC POWER SUPPLY BOX (NEVER USE A METAL BOX OR INSTALL IN CONTROLS BOX)

**IMPORTANT!** The Colorwheel LED Waterfall Control should not be used with any other Brilliant Wonders products. Never use in conjunction with the Smart Sync LED Waterfall Adapter. Always use 12V DC power.

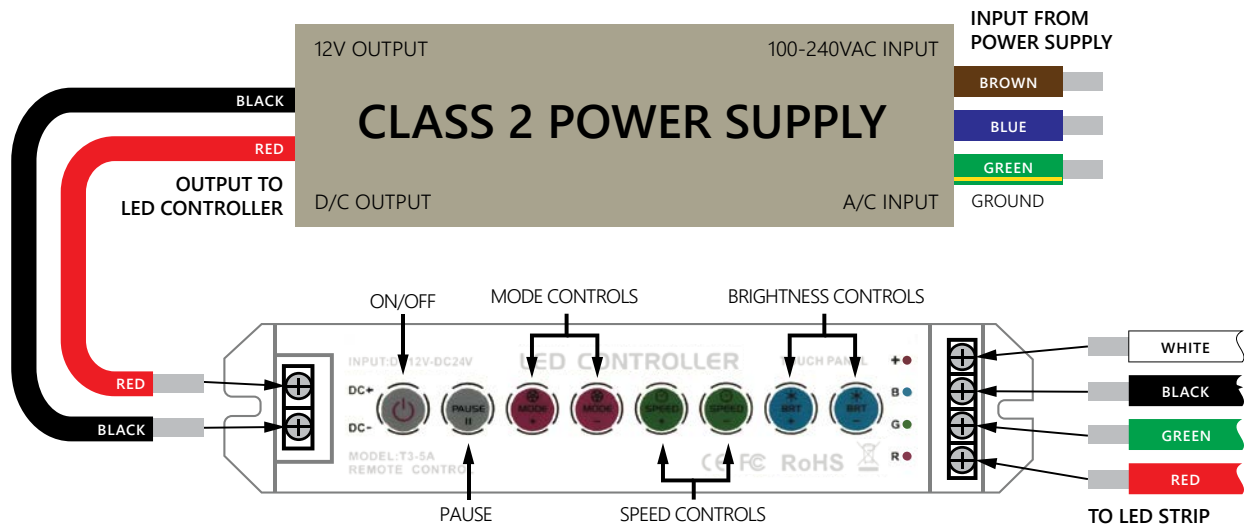
# COLORWHEEL LED WATERFALL CONTROL

## SPECIFICATIONS

- For Brilliant Wonders® LED Waterfall ONLY
- 12 Volt DC
- ETL Certified when installed with LED Waterfall
- Must be Mounted in a NEMA approved weatherproof enclosure
- Do not install in pool controls box or any metal box. Metal will block the signal from the remote.
- Control must be within 90ft for remote to operate.
- Controller and power supply is not compatible with other CMP controls or LED lighting products. To synchronize with other products use the Smart Sync LED Waterfall Control.

KEY	DESCRIPTION
ON/OFF	Turn on and off the receiver (or LED light).
PAUSE	Press to stay on current color.
MODE	Press to select next or previous mode.
SPEED	Press to adjust program speed
BRIGHTNESS	Press to increase or decrease brightness.
TOUCH CIRCLE	Touch to select a color.
SCENE MODE	Press 1-9 to load stored modes. Hold for three seconds to store current mode. Press Play to cycle modes.

## COLORWHEEL CONTROL INSTALL GUIDE



## COLORWHEEL REMOTE SETUP

1. Power off the controller and remote
2. Turn on controller
3. Press and hold the On/Off button on controller until you hear a tone (keep holding)
4. Within 5 seconds turn on the remote. Press and hold #1 Key until remote flashes green
5. You should now be back in sync.



NOT COMPATIBLE

## FULL-SIZED BRILLIANCE IN A SMALL-SIZED PACKAGE

### PRODUCT FEATURES

- Bright and Efficient Cree® RGBW LED Light
- Installs in Gunite, Fiberglass & Vinyl Pools
- Compact Size is Versatile and Economical
- Light-focusing for Bright Lighting Using Only 8 Watts
- Built in Smart Sync® Technology
- Stream Shoots over 30 inches High
- Non-Metallic Design: No Bonding, No Grounding
- Flush Finish Installation
- Completely Serviceable from the Top
- ETL Listed

### 1. BEAM-FOCUSING LENS

Our unique beam-focusing lens design focuses the light directly on the bubbler "flume," concentrating every photon for maximum LED light transfer and eye popping brightness.

### 2. SMART SYNC® TECHNOLOGY

Available with Brilliant Wonders® Smart Sync programming to synchronize with lighting and controls from major pool OEMs.

### 3. IP68 WATERPROOF QUICK DISCONNECT

Use the waterproof quick-disconnect cord to remove the light module for service or winterization without pulling up to 150 feet of cord.



4" LED Bubbler Light Module

# Brilliant Wonders®

LED BUBBLERS



### 4. MINIMALIST, FLUSH INSTALLATION

The 4" LED Bubbler installs flush with the pool floor in a gunite pool with the housing completely hidden from view for a clean installed appearance.

### 5. DIRECTIONAL NOZZLE

Take control over flume direction, even on inclined beach entries. Every kit also includes nozzle reducers for perfect flow adjustment.

### 6. GUNITE, FIBERGLASS & VINYL INSTALLATION

Vinyl/Fiberglass kits are available in five different colors to match and complement any pool finish. Attaches using heavy duty brass inserts in the Bubbler body for a secure and durable installation.

# BRILLIANT WONDERS® 4" LED BUBBLER

## SPECIFICATIONS

### ELECTRICAL SPECIFICATIONS

- ETL Certified
- 8 Watts
- Non-metallic design; no bonding; no grounding
- CMP style includes nine colors, five light shows
- 12V AC transformer required (not included)
- Water-cooled
- Synchronize with other pool OEM lighting systems

### INSTALLATION SPECIFICATIONS

- 4" minimum water depth
- Durable "bayonet" LED module install
- 6" waterproof quick disconnect IP68 cord
- Height adjustable body
- Nozzle orifice reducers included
- Body includes housing, directional eyeball & install tool. Light sold separately.
- Winterizable design

## ORDERING GUIDE

BRILLIANT WONDERS® 4" LED BUBBLER BODY KITS					
WHITE	GRAY	BLACK	TAN	DARK BLUE	DESCRIPTION
25503-460-000	—	—	—	—	4" LED BUBBLER GUNITE BODY KIT
25503-470-000	25503-471-000	25503-474-000	25503-479-000	25503-479-690	4" LED BUBBLER VINYL BODY KIT

BRILLIANT WONDERS® 4" LED BUBBLER LED MODULE				
25 FT CORD	50 FT CORD	100 FT CORD	150 FT CORD	DESCRIPTION
25503-465-025J	25503-465-050J	25503-465-100J	25503-465-150J	4" LED BUBBLER LED MODULE (J-STYLE)
25503-465-025P	25503-465-050P	25503-465-100P	25503-465-150P	4" LED BUBBLER LED MODULE (P-STYLE)
25503-465-025H	25503-465-050H	25503-465-100H	25503-465-150H	4" LED BUBBLER LED MODULE (H-STYLE)

REPLACEMENT PARTS PAGE 218



SMART SYNC®: For more information on H, P and J style see page 66



COVERED BY ONE OR MORE U.S. PATENTS OR PENDING PATENT APPLICATIONS. SEE [WWW.C-M-P.COM/PATENTS](http://WWW.C-M-P.COM/PATENTS) FOR DETAILS.

The original LED Bubbler for Vinyl, Gunite & Fiberglass pools. This is the perfect feature for sun shelves, tanning ledges, beach entries, ponds, fountains and more.

[C-M-P.COM/BRILLIANT-WONDERS-LED-BUBBLER](http://C-M-P.COM/BRILLIANT-WONDERS-LED-BUBBLER)

### PRODUCT FEATURES

- Bright & Efficient Cree® LEDs
- Uses Only 20 Watts for High Output LED Performance
- Built in Smart Sync® Technology
- Stream Shoots over 30 inches High
- Non-Metallic Design: No Bonding, No Grounding
- Flush Finish Installation
- Completely Serviceable from the Top
- LED Light is Below the Water Surface 4-12 inches
- ETL Listed

### VINYL & FIBERGLASS INSTALLATION OPTIONS

Choose a Gunite Bubbler from above and Vinyl/Fiberglass Kit. Every complete kit includes everything needed to install in a vinyl or fiberglass in ground pool.

### BUILT-IN CMP SMART SYNC® TECHNOLOGY

Available with Smart Sync programming to synchronize with lighting and controls from major pool OEMs.

### EXCLUSIVE FOUNTAIN EFFECT ACCESSORIES

Combine with our fountain accessories to create the only LED fountain for in ground pools. Brilliant Wonders® Fountain Accessories come fully assembled and ready to install. (see page 58)

# Brilliant Wonders®

LED BUBBLERS



*Gunite Unit*



*Gunite Unit with optional vinyl/fiberglass kit*



# BRILLIANT WONDERS® 8" LED BUBBLER



## ORDERING GUIDE

BRILLIANT WONDERS® LED BUBBLER (J-STYLE)					
REF	25 FT CORD	50 FT CORD	100 FT CORD	150 FT CORD	DESCRIPTION
A	25503-025-000J	25503-050-000J	25503-100-000J	25503-150-000J	GUNITE BUBBLER UNIT (J-STYLE)
—	25503-025-200J	25503-050-200J	25503-100-200J	25503-150-010J	LED MODULE ONLY (J-STYLE)
BRILLIANT WONDERS® LED BUBBLER (P-STYLE)					
A	25503-025-000P	25503-050-000P	25503-100-000P	25503-150-000P	GUNITE BUBBLER UNIT (P-STYLE)
—	25503-025-200P	25503-050-200P	25503-100-200P	25503-150-010P	LED MODULE ONLY (P-STYLE)
BRILLIANT WONDERS® LED BUBBLER (H-STYLE)					
A	25503-025-000H	25503-050-000H	25503-100-000H	25503-150-000H	GUNITE BUBBLER UNIT (H-STYLE)
—	25503-025-200H	25503-050-200H	25503-100-200H	25503-150-010H	LED MODULE ONLY (H-STYLE)
BRILLIANT WONDERS® LED BUBBLER ACCESSORIES (SOLD SEPARATELY)					
REF	CMP P/N	DESCRIPTION			
—	25503-100-040	LED BUBBLER BODY ONLY (WITHOUT LED MODULE)			
B	25503-300-000	WHITE VINYL/FIBERGLASS KIT (BUBBLER SOLD SEPARATELY)			
B	25503-301-000	GRAY VINYL/FIBERGLASS KIT (BUBBLER SOLD SEPARATELY)			
B	25503-304-000	BLACK VINYL/FIBERGLASS KIT (BUBBLER SOLD SEPARATELY)			
B	25503-309-000	TAN VINYL/FIBERGLASS KIT (BUBBLER SOLD SEPARATELY)			
B	25503-369-000	DARK BLUE VINYL/FIBERGLASS KIT (BUBBLER SOLD SEPARATELY)			
C	25503-999-998	BUBBLER ATTACHMENT & EYEBALL WRENCH			
D	25503-110-999	BUBBLER LIGHT UNIT REMOVAL SERVICE TOOL			

REPLACEMENT PARTS PAGE 219

SMART SYNC®: For more information on H, P and J style see page 66

# 4" & 8" LED BUBBLER TECHNICAL GUIDES

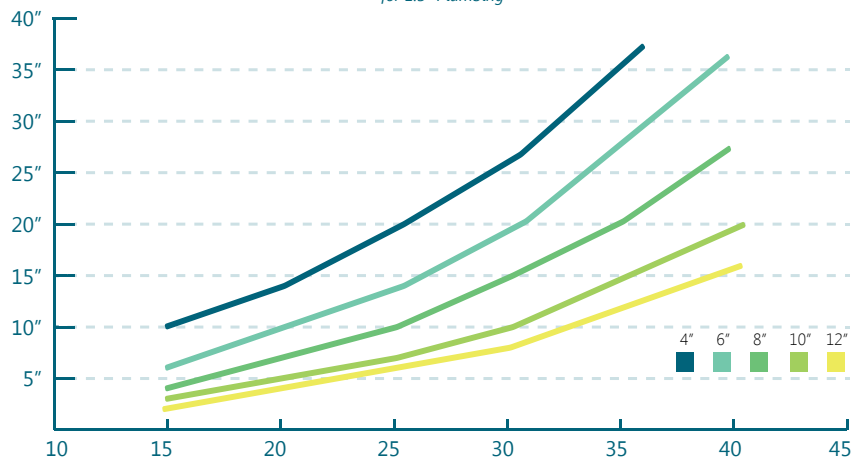
## PERFORMANCE GUIDE

Plume Height At Given Water Depths

	1/2" REDUCER					3/4" REDUCER				
	4"	6"	8"	10"	12"	4"	6"	8"	10"	12"
10gpm	13	7								
15gpm	30	20	13	10	8	9	6	4.5	3.5	2
20gpm	55	34	24	18	13	13.5	10	8	6.5	4.5
25gpm	-	-	38	28	20	20	15	12	9.5	7
30gpm	-	-	-	-	-	28	21	16	12.5	10
35gpm	-	-	-	-	-	38	29	20.5	16	13
40gpm	-	-	-	-	-	-	37	26	20	16

21.1mm Nozzle with 2" Piping | Water height may vary

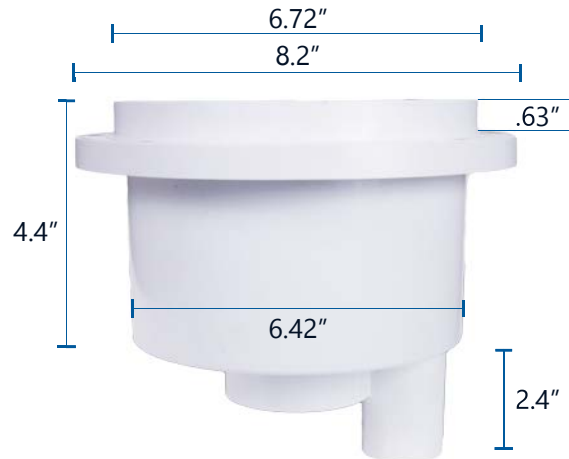
Flow Rate vs Water Height  
for 1.5" Plumbing



## SPECIFICATIONS



- 1" conduit
- 1.5" or 2" PVC pipe (1.5" S x 2" SP)
- 3/4" or 1/2" adjustable eyeball
- 10-40 Gallons Per Minute
- 4" to 12" water depth
- 25, 50, 100 or 150 foot cord
- 12 Volt AC
- Requires 12V AC Transformer (not included)



8" LED Bubbler Dimensions



# Brilliant Wonders.<sup>®</sup>

LED BUBBLERS

THE NEXT  
POOL YOU  
BUILD SHOULD  
BE BRILLIANT™

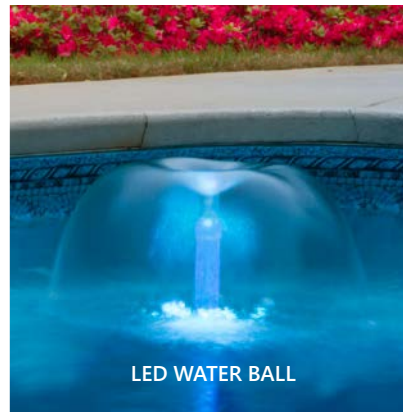


# BRILLIANT WONDERS® LED FOUNTAIN ACCESSORIES

Create exciting LED fountains with the LED Bubbler. Choose from three fountain features that can be adjusted for a perfect fit on any pool. *The only true LED traditional fountains for pools.*

## PRODUCT FEATURES

- Beautiful LED Fountain Styles Day and Night
- Soft "breakaway" Attachment Style Protects Bubbler
- Water Ball is "Fine Tune" Adjustable at the Nozzle
- Extensions from 12-48". For Installation in Swimming Areas Use Flexible Extender (sold separately)
- **8" LED Bubbler Unit Required**



## ORDERING GUIDE

REF	CMP P/N	DESCRIPTION	MIN. RECOMMENDED			MAX. RECOMMENDED		
			MIN GPM†	WATER HEIGHT*	WATER DIAM	MAX GPM	WATER HEIGHT*	WATER DIAM
A	25503-920-000	WATER COLUMN KIT & REDUCER	45 GPM	4.5ft	6"	60 GPM	8ft	12"
A	25503-921-000	12" EXTENSION WATER COLUMN KIT	45 GPM	1.5ft	6"	60 GPM	3.5ft	12"
A	25503-922-000	24" EXTENSION WATER COLUMN KIT	45 GPM	1.5ft	6"	60 GPM	3.5ft	12"
A	25503-923-000	36" EXTENSION WATER COLUMN KIT	45 GPM	1.5ft	6"	60 GPM	3.5ft	12"
A	25503-924-000	48" EXTENSION WATER COLUMN KIT	45 GPM	1.5ft	6"	60 GPM	3.5ft	12"
B	25503-930-000	5-1/4" THREE-TIER ATTACHMENT KIT	10 GPM	3.5ft	1.5ft	25 GPM	10ft	12ft
B	25503-931-000	12" THREE-TIER ATTACHMENT KIT	10 GPM	3.5ft	1.5ft	25 GPM	10ft	12ft
B	25503-932-000	24" THREE-TIER ATTACHMENT KIT	10 GPM	3.5ft	1.5ft	25 GPM	10ft	12ft
B	25503-933-000	36" THREE-TIER ATTACHMENT KIT	10 GPM	3.5ft	1.5ft	25 GPM	10ft	12ft
B	25503-934-000	48" THREE-TIER ATTACHMENT KIT	10 GPM	3.5ft	1.5ft	25 GPM	10ft	12ft
C	25503-910-000	8" EXTENSION WATER BALL KIT	5 GPM	1"	16"	10 GPM	2"	36"
C	25503-911-000	12" EXTENSION WATER BALL KIT	5 GPM	1"	16"	10 GPM	2"	36"
C	25503-912-000	24" EXTENSION WATER BALL KIT	5 GPM	1"	16"	10 GPM	2"	36"
C	25503-913-000	36" EXTENSION WATER BALL KIT	5 GPM	1"	16"	10 GPM	2"	36"
C	25503-914-000	48" EXTENSION WATER BALL KIT	5 GPM	1"	16"	10 GPM	2"	36"
D	25503-909-000	12" FLEXIBLE CLEAR NOZZLE EXTENDER	—	—	—	—	—	—

\* test installed bubbler 4" below surface. Water height measured from end of nozzle ‡ recommended

# Brilliant Wonders®

LED BUBBLERS

VIDEOS & MORE ONLINE AT  
[C-M-P.COM/BRILLIANT-WONDERS-LED-BUBBLER](http://C-M-P.COM/BRILLIANT-WONDERS-LED-BUBBLER)

LED THREE-TIER FOUNTAIN

## IT'S BACK . . . AND BETTER THAN EVER

The LED Laminar has been upgraded for even better performance with optimized internals that improve smooth laminar flow

# Brilliant Wonders®

LED LAMINARS

### 1. STAINLESS STEEL PRECISION NOZZLE

A high performance stainless steel nozzle is the premier choice for quality and durability.

### 2. NEW SMART SCREENS

Fine mesh screens calm the water like never before for a smooth water stream. Unlike other laminar screens, Brilliant Wonders Smart Screens are simple to install with soft molded edges for easy handling.

### 3. PREMIER FILTER MEDIA

Soft and safe layers of built-in filtration media that are easy to clean and inexpensive to replace.

### 4. TANGENTIAL FLOW ENGINEERING

Precisely engineered flow minimizes turbulence for a glass-like laminar flow, increasing light transfer and minimizing water entry splash.



LED Light Assembly

### 5. BEAM-FOCUSING LENS

Our unique beam-focusing lens design places the light source closer to the nozzle

### 6. SMART SYNC®

Available with Brilliant Wonders® Smart Sync programming to synchronize with lighting and controls from major pool OEMs.

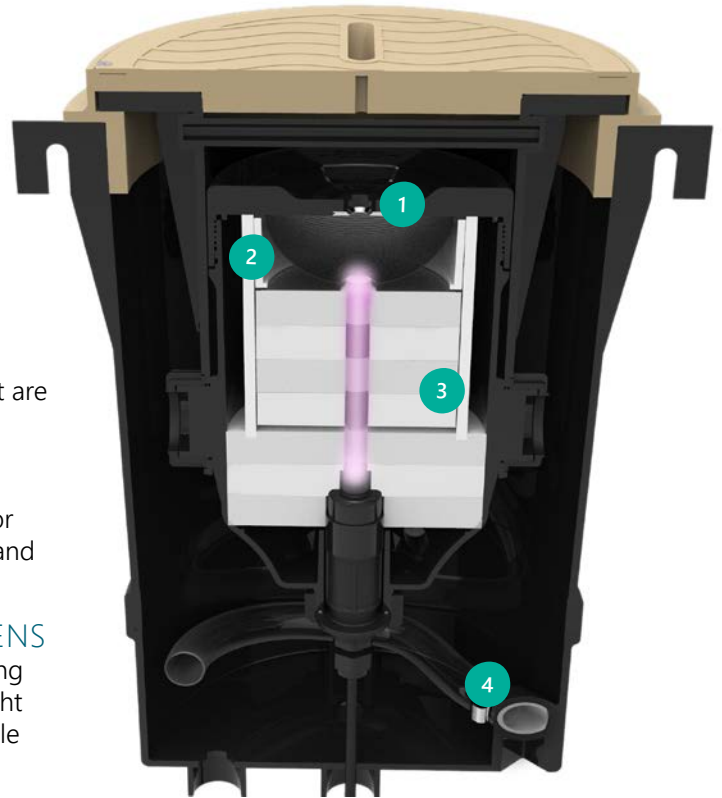
### 7. IP68 WATERPROOF QUICK DISCONNECT

Absolutely the easiest LED laminar light to install and service. For the first time ever, you can use the quick-disconnect cord to remove the laminar cannon for service or winterization without pulling 100 feet of cord.



### PRODUCT FEATURES

- Bright and Efficient Cree® RGBW LED Light
- High End Stainless Steel Nozzle
- Easy to Install, Clean and Service
- Flush Install Deck Cover in Three Color Options
- Install in Pool Deck or Landscaping Areas
- ETL Listed



LED Laminar Cross Section View

COVERED BY ONE OR MORE U.S. PATENTS OR PENDING PATENT APPLICATIONS. SEE [WWW.C-M-P.COM/PATENTS](http://WWW.C-M-P.COM/PATENTS) FOR DETAILS.

# BRILLIANT WONDERS® LED LAMINARS

## SPECIFICATIONS

### ELECTRICAL

WATTAGE	8 Watt
VOLTAGE	12VAC; 12VAC Transformer Required
COLOR	RGBW
GROUNDING	Non-metallic design; no bonding; no grounding*
CERTIFICATION	ETL
COOLING	Water cooled
SMART SYNC	J-STYLE: 5 Shows, 9 Colors H-STYLE: 7 Shows, 10 Colors P-STYLE: 7 Shows, 5 Colors

### INSTALLATION

MAX HEIGHT	7ft
MAX WIDTH	8ft
DECK COVER SIZE	12" Diameter
ADJUSTABILITY	Vertical adjustable up to 30 degrees in 5 degree increments
LOCATION	Pool-side, deck or landscaping installation
CORD	6" waterproof IP68 quick disconnect; 100ft cord

**LIGHTING NOTES:** Ambient lighting effects the appearance of all laminars. CMP does not offer a “thumper” feature so the light will be in the clear stream only. The appearance of the light in all Laminars will change depending on surroundings, time of day and viewing angles. CMP takes extreme care to ensure all photos and videos of LED Products accurately represent the appearance of the real installation.

## ORDERING GUIDE

WHITE	GRAY	TAN	DESCRIPTION
25597-620-100J	25597-621-100J	25597-629-100J	LED LAMINAR J-STYLE
25597-620-100P	25597-621-100P	25597-629-100P	LED LAMINAR P-STYLE
25597-620-100H	25597-621-100H	25597-629-100H	LED LAMINAR H-STYLE

REPLACEMENT PARTS PAGE 220



The *Brilliant Wonders*® 1.5" nicheless LED pool and spa light is versatile, easy to install and designed to sell. Illuminate a pool, accent a spa or showcase steps, swim-outs and spill overs.

# Brilliant Wonders®

LED LIGHTING



## 1. HIGH PERFORMANCE. ENERGY EFFICIENT.

Precise engineering delivers a perfect balance of brightness, energy savings and longevity. Over 50,000 hours of low voltage LED life saves customers' money and reduces service calls.

## 2. BUILT-IN CMP SMART SYNC® TECHNOLOGY

Automatically synchronize with lighting and controls from most pool OEMs.

## 3. THE PERFECT DESIGN FOR ANY POOL TYPE

Choose the right fitting for the perfect look in any pool. For gunite pools, the flush fitting creates the most seamless 1.5" LED light install on the market. For vinyl and fiberglass, faceplates in fifteen different styles completely disguise the wall fitting.

## 4. SIMPLE INSTALLATION & SERVICE

Installs in any 1.5" pool wall fitting and locks in place with a quarter-turn. Industry-first waterproof quick disconnect IP68 connection for rapid service, winterizing or replacement.



## PRODUCT FEATURES

- Installs in Gunite, Fiberglass & Vinyl Pools
- **NEW** wall fitting option for dry conduit installations
- Bright & Efficient Cree® LEDs Outlast and Outperform Other Lights
- Maximized LED Projection & Precise Beam Angle Minimizes Shadows
- Full Color, Full Stainless and Color Accent Stainless Faceplate Options
- Small Size can Retrofit and Replace Almost Any Nicheless Light



## SPECIFICATIONS



### ELECTRICAL

WATTAGE	11 or 8 Watt
VOLTAGE	12VAC; 12VAC Transformer Required
COLOR	RGBW or White
GROUNDING	Non-metallic design; no bonding; no grounding*
CERTIFICATION	ETL
COOLING	Water cooled
SMART SYNC	J-STYLE: 5 Shows, 9 Colors H-STYLE: 7 Shows, 10 Colors P-STYLE: 7 Shows, 5 Colors

### INSTALLATION

DEPTH	4" Minimum
LOCATION	Floor or wall installation
FITTING	Install in any 1.5" wall fitting or CMP dry niche fitting
DEPTH	4.5" deep body
CORD	6" waterproof IP68 quick disconnect; 25, 50, 100 or 150ft cord

COVERED BY ONE OR MORE U.S. PATENTS OR PENDING PATENT APPLICATIONS.  
SEE [WWW.C-M-P.COM/PATENTS](http://WWW.C-M-P.COM/PATENTS) FOR DETAILS.

# BRILLIANT WONDERS® 1.5" NICHELESS LED LIGHT

## LED LIGHT WITH DESIGNER FACEPLATE

- Installs in Gunite, Fiberglass & Vinyl Pools
- Designer faceplate completely covers the wall fitting for an attractive seamless installation
- Complete kit includes light, cord, install tool & white or color plastic faceplate
- For Accent or Stainless Style, order kit with no faceplate and select faceplate on page 64



## ORDERING GUIDE

COMPLETE KITS WITH WHITE FACEPLATE					
25 FT KIT	50 FT KIT	100 FT KIT	150 FT KIT	DESCRIPTION	ENERGY
25503-560-025J	25503-560-050J	25503-560-100J	25503-560-150J	11C BRILLIANT COLOR LIGHT KIT, J-STYLE	11 WATTS
25503-520-025J	25503-520-050J	25503-520-100J	25503-520-150J	8C BRILLIANT COLOR LIGHT KIT, J-STYLE	8 WATTS
25503-560-025P	25503-560-050P	25503-560-100P	25503-560-150P	11C BRILLIANT COLOR LIGHT KIT, P-STYLE	11 WATTS
25503-520-025P	25503-520-050P	25503-520-100P	25503-520-150P	8C BRILLIANT COLOR LIGHT KIT, P-STYLE	8 WATTS
25503-560-025H	25503-560-050H	25503-560-100H	25503-560-150H	11C BRILLIANT COLOR LIGHT KIT, H-STYLE	11 WATTS
25503-520-025H	25503-520-050H	25503-520-100H	25503-520-150H	8C BRILLIANT COLOR LIGHT KIT, H-STYLE	8 WATTS
25503-500-025	25503-500-050	25503-500-100	25503-500-150	BRILLIANT WHITE LIGHT KIT	5 WATTS

COMPLETE 11C KIT WITH 100FT CORD & COLOR FACEPLATE (11W)							
WHITE/OTHER	GRAY	BLACK	DARK GRAY	LIGHT BLUE	DARK BLUE	TAN	DESCRIPTION
25503-560-100J	25503-561-100J	25503-564-100J	25503-567-100J	25503-569-159J	25503-569-169J	25503-569-100J	100FT LIGHT KIT (J-STYLE)
25503-560-100P	25503-561-100P	25503-564-100P	25503-567-100P	25503-569-159P	25503-569-169P	25503-569-100P	100FT LIGHT KIT (H-STYLE)
25503-560-100H	25503-561-100H	25503-564-100H	25503-567-100H	25503-569-159H	25503-569-169H	25503-569-100H	100FT LIGHT KIT (P-STYLE)

COMPLETE KITS WITH NO FACEPLATE*						
—	—	25503-565-100	—	—	100FT KIT - NO FACEPLATE	11 WATTS
—	—	25503-565-100H	—	—	100FT KIT - NO FACEPLATE, H-STYLE	11 WATTS
—	—	25503-565-100P	—	—	100FT KIT - NO FACEPLATE, P-STYLE	11 WATTS

\*faceplate or fitting required, sold separately on page 64

## LED LIGHT WITH FLUSH GUNITE FITTING

- Installs in Gunite Pools
- Wall fitting is hidden by the lens for a seamless install
- Includes LED light, fitting, clear water stop and cord.
- Available in kits with 50, 100 & 150ft cord



## ORDERING GUIDE

COMPLETE KITS WITH FLUSH GUNITE FITTING					
50 FT KIT	100 FT KIT	150 FT KIT	DESCRIPTION	ENERGY	
25503-568-059J	25503-568-109J	25503-568-159J	11C RGBW COLOR LIGHT FLUSH KIT, J-STYLE	11 WATTS	
—	25503-528-109J	25503-528-159J	8C RGBW COLOR LIGHT FLUSH KIT, J-STYLE	8 WATTS	
25503-568-059P	25503-568-109P	25503-568-159P	11C RGBW COLOR FLUSH LIGHT KIT, P-STYLE	11 WATTS	
—	25503-528-109P	25503-528-159P	8C RGBW COLOR FLUSH LIGHT KIT, P-STYLE	8 WATTS	
25503-568-059H	25503-568-109H	25503-568-159H	11C RGBW COLOR FLUSH LIGHT KIT, H-STYLE	11 WATTS	
—	25503-528-109H	25503-528-159H	8C RGBW COLOR FLUSH LIGHT KIT, H-STYLE	8 WATTS	

# 1.5" NICHELESS LED LIGHT ACCESSORIES

## DRY CONDUIT WALL FITTING

Installed "out of the box," CMP 1.5" LED Lights are designed to install in any wall fitting with 1.5" female threads with a flooded conduit. In some environments a dry conduit install may be preferred. These specialized 1.5" wall fittings trap water around the light and prevent water flowing into the conduit line.

- Use in place of a regular 1.5" wall fitting
- Options for gunite, fiberglass and vinyl pools
- LED Light must be installed at least 4" below the water line
- As with standard wall fittings, use LED Light faceplates when needed to cover the white wall fitting.



### 1.5" LED LIGHT DRY CONDUIT WALL FITTING

REF	CMP P/N	DESCRIPTION
A	25503-509-400	GUNITE POOL DRY CONDUIT WALL FITTING
B	25503-510-100	VINYL POOL DRY CONDUIT WALL FITTING
C	25503-510-500	FIBERGLASS POOL DRY CONDUIT WALL FITTING
—	26102-029-017	O-RING TWO-PACK

## LED LIGHT FACEPLATES & FITTINGS

- More color and style options for the 1.5" LED Light
- Order LED Light without fitting included to use Stainless Steel or Accent styles



### 1.5" LED LIGHT ACCENT FACEPLATES & FITTINGS

REF	WHITE/OTHER	GRAY	BLACK	DARK GRAY	LIGHT BLUE	DARK BLUE	TAN	DESCRIPTION
D	25503-510-000	25503-511-000	25503-514-000	25503-517-000	25503-559-000	25503-569-000	25503-519-000	PLASTIC FACEPLATE
E	25503-510-200	—	—	—	—	—	—	STAINLESS STEEL FACEPLATE
F	25503-510-220	25503-511-220	25503-514-220	25503-517-220	25503-559-220	25503-569-220	25503-519-220	SS ACCENT COLOR FACEPLATE
G	25503-519-300	—	—	—	—	—	—	CLEAR FLUSH FITTING
—	25503-510-300	—	—	—	—	—	—	WHITE FLUSH FITTING
—	25575-509-000	—	—	—	—	—	—	CLEAR WATER STOP ADAPTER

SMART SYNC®: For more information on H, P and J style see page 66





Photo Courtesy Piereth Sales Associates



# SMART SYNC® GUIDE

## J-STYLE

J-Style is designed to match systems from Zodiac International.

- 9 Colors & 5 Shows
- P/N sequence is XXXXX-XXX-XXXJ
- Manual Re-sync: Turn off 4 to 6 seconds, then turn back on.

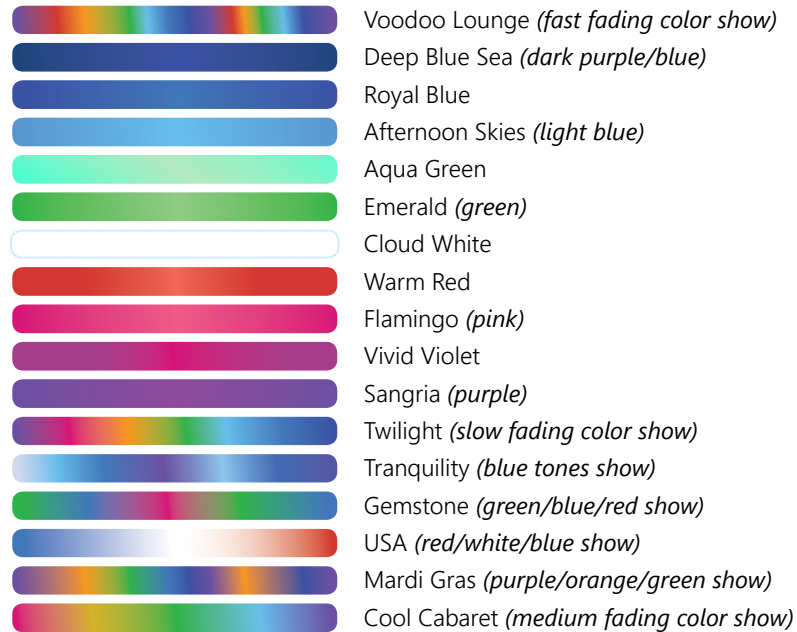


Alpine White  
 Sky Blue (*primary blue*)  
 Cobalt Blue (*dark blue*)  
 Caribbean Blue (*light blue*)  
 Spring Green (*light green*)  
 Emerald Green (*primary green*)  
 Emerald Rose (*warm yellow*)  
 Magenta  
 Violet  
 Slow Color Splash (*slow fading color show*)  
 Fast Color Splash (*fast fading color show*)  
 America the Beautiful (*red/white/blue show*)  
 Fat Tuesday (*blue/pink/light green show*)  
 Disco Tech (*rapid exciting color show*)

## H-STYLE

H-Style Lighting is designed to match systems from Hayward Industries.

- 10 Colors & 7 Shows
- After 60+ seconds power off, light remains white for 10 seconds before resuming.
- P/N sequence is XXXXX-XXX-XXXH
- Manual Re-sync: Turn off 11 to 14 seconds, then turn back on.



Voodoo Lounge (*fast fading color show*)  
 Deep Blue Sea (*dark purple/blue*)  
 Royal Blue  
 Afternoon Skies (*light blue*)  
 Aqua Green  
 Emerald (*green*)  
 Cloud White  
 Warm Red  
 Flamingo (*pink*)  
 Vivid Violet  
 Sangria (*purple*)  
 Twilight (*slow fading color show*)  
 Tranquility (*blue tones show*)  
 Gemstone (*green/blue/red show*)  
 USA (*red/white/blue show*)  
 Mardi Gras (*purple/orange/green show*)  
 Cool Cabaret (*medium fading color show*)

## P-STYLE

P-Style Lighting is designed to match systems from Pentair Water Pool and Spa, Inc.

- 5 Colors & 7 Shows
- Hold & Recall available with automation
- P/N sequence is XXXXX-XXX-XXXP



SAM® Mode (*blue/magenta/white/green show*)  
 Party Mode (*fast fading color show*)  
 Romance Mode (*medium fading color show*)  
 Caribbean Mode (*green/white/blue show*)  
 American Mode (*red/white/blue show*)  
 California Sunset Mode (*warm tone color show*)  
 Royal Mode (*purple/orange/green show*)  
 Blue  
 Green  
 Red  
 White  
 Magenta

# POOL SANITIZERS

About CMP Sanitizer Products 68

DEL™ AOP 70

DEL™ Ozone 72

DEL™ UV-C 76

Powerclean™ Tab Chemical Feeders 78

Powerclean™ Salt Chlorine Generators 78

| Replacement Parts 223

[WWW.C-M-P.COM/POOL-PRODUCTS/POOL-SANITIZERS](http://WWW.C-M-P.COM/POOL-PRODUCTS/POOL-SANITIZERS)

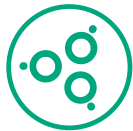
NEW  
SECTION

# INTRODUCING CMP POOL SANITIZER PRODUCTS

CMP is proud to offer a complete suite of sanitizer systems for pools. Our product line now includes the most advanced brands for keeping a pool safe, clean and clear.

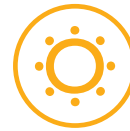
We strongly believe that every pool needs two sanitizers working together: a Residual system and an Advanced Sanitizers system. Residual systems include chlorine feeders and generators that maintain active chlorine in the water. Advanced Sanitizer systems include AOP, Ozone and UV-C products that destroy chlorine-resistant microbes and clear up chloramines.

## ADVANCED SANITIZER SYSTEMS



**DEL:AOP**

Ozone + UV-C systems that generate powerful hydroxyl radicals



**DEL:UV-C**

Precision-tuned UV-C light cleans water with zero residual



**DEL:Ozone**

Ozone is generated in the water to oxidize contaminants

## RESIDUAL SANITIZER SYSTEMS



**POWERCLEAN SALT**

Pure chlorine is generated from small amounts of salt in the water



**POWERCLEAN TAB**

Inline and offline chlorine tablet feeders for standard and variable speed pools

# THE COMPLETE MODERN POOL™



	ADVANCED SANITIZER SYSTEM	CHLORINE SYSTEM	COMPLETE SYSTEM
Destroys or Inactivates Chlorine Resistant Organisms	✓		✓
Residual Sanitation in Pool		✓	✓
High Oxidation Potential*	✓		✓
Continues Sanitizing When the Pump is Off		✓	✓
Quickly Breaks Down Chloramines	✓		✓

## ADVANCED SANITIZERS ARE POWERFUL

Advanced Sanitizers are excellent for destroying or inactivating dangerous contaminants that can be present in any backyard pool. They are effective on microorganisms, viruses, bacteria and other pathogens. Chlorine can also be slow to work, and its effectiveness is lowered by the presence of chloramines and unbalanced pool water. Advanced Sanitizers break down chloramines and work in a wide pH range.

## THE IMPORTANCE OF A RESIDUAL

Chlorine has a long history of use in pool sanitization, and it has one great trick. It is excellent for maintaining an active residual in the water itself. That means the moment a contaminant enters the water chlorine gets to work. Chlorine is also just as effective when the pump is off, as long as a proper residual level is maintained in the water.

## THE COMPLETE MODERN POOL™

The goal when designing a sanitizing system for a backyard pool is to create the best possible installation. Every tool has strengths and weaknesses—the key is to choose components that work together to achieve the best result!

\*UV-C systems inactivate microorganisms, but do not fully oxidize

## DEL AOP™ SANITIZERS



# DEL AOP 25™

- LIGHTWEIGHT AND COMPACT DESIGN
- AOP POWER FOR SMALLER POOLS
- TREATS POOLS UP TO 25,000 GALLONS

### PRODUCT DETAILS

- Patented APG Ozone Cells
- Germicidal UV-C Lamp
- 110/240 VAC Universal Voltage
- 20 GPM Max Flow Rate
- UL, cUL Certified
- CSA/NEMA 3 Metal Enclosure
- Injector Included



# DEL AOP 50™

- COMPLETE NSF CERTIFIED AOP OXIDATION
- THE ORIGINAL RESIDENTIAL AOP SOLUTION
- AOP POWER FOR POOLS UP TO 50,000 GALLONS

### PRODUCT DETAILS

- Variable Speed Check Valve and Injector Manifold are Built into the Unit
- Patented APG Ozone Cells
- Germicidal UV-C Lamp
- 240 VAC
- 50 GPM Max Flow Rate
- NSF, UL, cUL Certified
- CSA/NEMA 3 Metal Enclosure



### ORDERING GUIDE

CMP P/N	DESCRIPTION
SEC-50	DEL AOP 25
SEC-110-26	DEL AOP 50
MDV-10-08	MDV WITH AOP 25 INSTALL KIT
MDV-100	MDV XL WITH AOP 50 INSTALL KIT

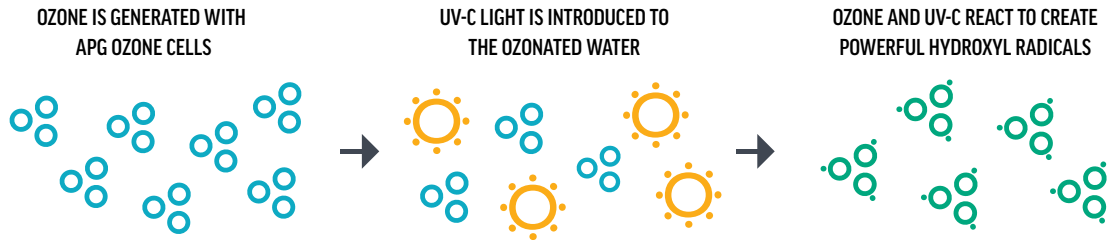
THE COMPLETE MODERN POOL™ ADD A POWERCLEAN SYSTEM FOR A RESIDUAL SANITIZER

# AOP SPECIFICATIONS



## THE SCIENCE OF AOP

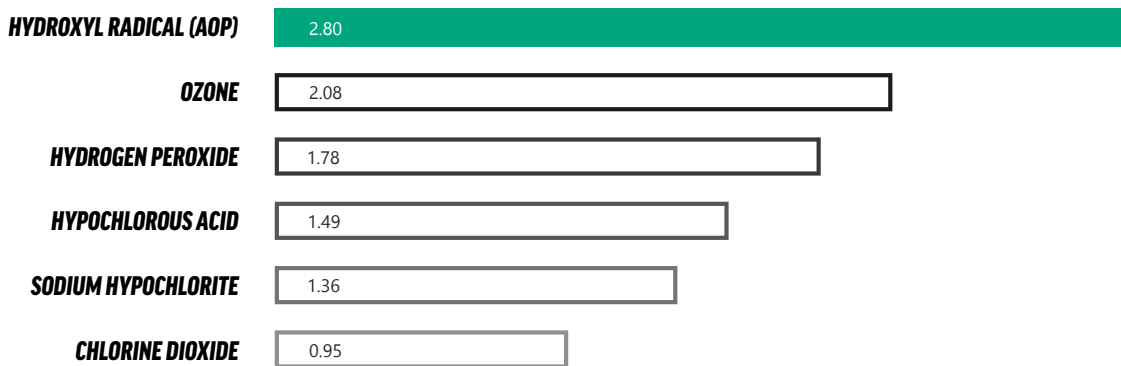
When germicidal UV light (UV-C) and ozone react, the result is the production of hydroxyl radicals. This reaction is known as Advanced Oxidation Process, or AOP.



## THE POWER OF AOP

AOP is more powerful than Chlorine and other sanitizers, and even more powerful than Ozone alone. Hydroxyl radicals ( $\cdot\text{OH}$ ) are the most powerful oxidation agents available, quickly destroying bacteria, viruses, pathogens and other contaminants that occur in water. Hydroxyl radicals also destroy chlorine resistant microorganisms, such as *Cryptosporidium Parvum*, *Giardia* and *E.Coli*.

OXIDATION POTENTIAL COMPARISON: (ELECTRON VOLTS - eV )



## SPECIFICATIONS

	DEL AOP 25	DEL AOP 50
VOLTAGE	110/240VAC 50/60 HZ, 1Ø, 0.3 Amps	240 VAC, 60 HZ, 1Ø, 0.6 Amps
WATTS	33 Watt (110V), 72 Watt (240V)	144 Watt
PLUMBING	Inlet and Outlet 3/4 inch PVC Socket	Inlet and Outlet 2" PVC Unions
MAX FLOW	20 GPM	50 GPM
MOUNTING	Ground or Wall Mount	Ground Mount
ENCLOSURE	CSA/NEMA 3   Indoor/Outdoor Installation	CSA/NEMA 3   Indoor/Outdoor Installation
DIMENSIONS	16.7" H x 11.9" W x 3.2" D	17" H x 9.5" W x 13.5" D
WEIGHT	9.2lbs	45lbs
UV-C LAMP	Low Pressure/High Output UV-C Germicidal	Low Pressure/High Output UV-C Germicidal
CERTIFICATIONS	UL, cUL	NSF, UL, cUL
MDV UNIT	MDV	MDV XL

# DEL OZONE™ SANITIZERS



## DEL:OZONE™

- DESTROYS 99.9% OF VIRUSES & BACTERIA
- REDUCES CHEMICAL REQUIREMENTS BY 60-90%
- REMOVES EYE AND SKIN IRRITANTS FROM WATER

### PRODUCT DETAILS

- Patented Advanced Plasma Gap Technology™ (APG)
- 110/240 Universal Voltage
- Wall Mount Installation
- UL, cUL Classified
- Injector Manifold Kit Available
- MDV Kit Available



### DEL:OZONE ABG25

For above ground pools up to 25,000 gallons

### DEL:OZONE 25

For pools up to 25,000 gallons

### DEL:OZONE 50

For pools up to 50,000 gallons

### DEL:OZONE 100

For pools up to 100,000 gallons

### ORDERING GUIDE

CMP P/N	DESCRIPTION	APPLICATION
EC-AG1U	DEL OZONE ABG 25	ABOVE GROUND POOLS UP TO 25,000 GALLONS
EC-10	DEL OZONE 25	POOLS UP TO 25,000 GALLONS
EC-20	DEL OZONE 50	POOLS UP TO 50,000 GALLONS
EC-40	DEL OZONE 100	POOLS UP TO 100,000 GALLONS
MDV-10	MDV WITH SINGLE SPEED OZONE KIT	SINGLE SPEED PUMP SYSTEMS
MDV-10-04	MDV WITH VARIABLE SPEED OZONE KIT	VARIABLE SPEED PUMP SYSTEMS
9-0210-11	PARTS BAG: 2" UNIVERSAL INJECTOR MANIFOLD	—
9-0210E	PARTS BAG: #978 INJECTOR, NO BYPASS	—
9-0150E	PARTS BAG: NO INJECTOR	—


DEL OZONE 25, 50, 100 PREVIOUSLY SOLD AS ECLIPSE 10, 20, 40

THE COMPLETE MODERN POOL™ ADD A POWERCLEAN SYSTEM FOR A RESIDUAL SANITIZER



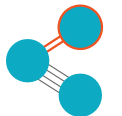
# DEL OZONE INSTALLATION & SPECIFICATIONS

## THE SCIENCE OF OZONE




$O_2 + \text{ENERGY} = O_1 + O_1$

Energy created in the patented APG cell splits molecular oxygen ( $O_2$ ) into atomic oxygen ( $O_1$ )



$O_1 + O_2 = O_3$

The single oxygen atoms form a weak bond with free oxygen molecules to create ozone ( $O_3$ )



$O_3 = \text{OXIDATION}$

Once ozone contacts contaminants, the weak bond is broken, and the free oxygen atom destroys the foreign bodies & contaminants.

## MDV KIT INSTALLATION

To install a DEL system with the Mixing De-Gas Vessel (MDV), connect the ozone generator to a regular Venturi injector included in the MDV install kit. This flows into the MDV and back out to a dedicated or main return.



## INJECTOR MANIFOLD KIT INSTALLATION

The Injector Manifold Kit should be plumbed into the pool line. Ozone is injected through a venturi while the pool circulation system is operating.



## SPECIFICATIONS

	DEL OZONE 25	DEL OZONE 50	DEL OZONE 100
Application	Up to 25,000 Gallons	Up to 50,000 Gallons	Up to 100,000 Gallons
Ozone Output (Nominal)	0.25 g/hr	0.5 g/hr	1.0 g/hr
APG Cell Quantity	2	4	6
Standard Air Flow	15 scfh	15 scfh	15 scfh
Voltage	110/240 VAC Universal	110/240 VAC Universal	110/240 VAC Universal
Watts	12 Watts	24 Watts	38 Watts
Mounting	Wall	Wall	Wall
Dimensions	7.8" × 14.1" × 3.2"	7.8" × 14.1" × 3.2"	7.8" × 21.3" × 3.2"
Weight	8.2 lbs.	9.0 lbs.	13.2 lbs.
Certifications	UL, cUL	UL, cUL	UL, cUL
Ozone Cell Life	+ 5 Years	+ 5 Years	+ 5 Years

# OZONE AND AOP MDV UNITS

## WHAT IS AN MDV?

Available exclusively with DEL products, a Mixing De-Gas Vessel is a special chamber designed to remove all excess gas from the water. This has many advantages and in most cases is the preferred way to integrate an Ozone or AOP system.

## WHEN SHOULD I USE AN MDV?

- To protect a pool cover from possible damage
- To protect pool components, fittings and surfaces
- With indoor or enclosed pools
- When an "oversized" ozone unit is installed
- Any time all ozone bubbles must be removed from the water



### MDV

When used with the DEL Ozone or AOP lineup, the MDV prevents ozone bubbles from returning to the pool. It prevents bubbles from gathering under the cover or inside plumbing.

In each MDV, a GAC carbon destruct cartridge destroys excess ozone as it is removed.

#### COMPATIBILITY

- AOP 25
- OZONE 25
- OZONE 50
- OZONE 100



### MDV-XL

The MDV-XL is a high-flow Mixing De-Gas Vessel suited for larger pools and high flow rates.

To install, connect the DEL AOP 50 outlet to the DEL MDV-XL inlet. This flows into the MDV and back out to a dedicated or main return.

#### COMPATIBILITY

- AOP 50

## ORDERING GUIDE

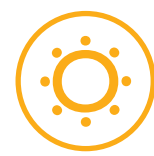
CMP P/N	DESCRIPTION
MDV-10	MDV WITH SINGLE SPEED OZONE INSTALL KIT
MDV-10-04	MDV WITH VARIABLE SPEED OZONE INSTALL KIT
MDV-10-08	MDV WITH AOP 25 INSTALL KIT
MDV-100	MDV XL WITH AOP 50 INSTALL KIT



NEW  
SECTION

SANITIZERS | DEL ADVANCED SANITIZER SYSTEMS

# DEL UV-C™ SANITIZERS



## DEL UV-C50™

- GERMICIDAL UV-C TECHNOLOGY
- HIGH FLOW RATES UP TO 100 GPM
- TREATS POOLS UP TO 50,000 GALLONS



### 1. INTELLIGENT COVER DESIGN

Integrated cover interlock cuts power when the cover is removed. A heat shield protects the cover from ballast heat, secures lamp connections & protects from moisture.

### 2. VENTILATED 360 GLOW RING

The integrated patent-pending glow ring allows for safe, visual confirmation that the UV lamps are working. The built-in ventilation allows air in and keeps moisture out, protecting the ballast.

### 3. BUILT-IN TOTAL DRAIN VALVE

Service and winterize the UV-C 50 without disconnecting from the system plumbing. The system internals are specially designed to ensure complete drainage.

### PRODUCT DETAILS

- Treats up to 50,000 Gallons
- Hard wired and Plug-in Styles Available
- Hard wired is 120/240 Universal Voltage
- Option for plumbing ports (inlet/outlet) on the same side or opposite sides
- Note: Flow Switch Required for Below Water Installations

### ORDERING GUIDE

CMP P/N	DESCRIPTION	VOLTAGE	PLUMBING LOCATIONS
EUV-01-01	DEL UV-C 50 HARD WIRED	120/240V	SAME SIDE
EUV-01-21	DEL UV-C 50 HARD WIRED	120/240V	OPPOSITE SIDE
EUV-16-01	DEL UV-C 50 PLUG-IN	120V	SAME SIDE
EUV-16-21	DEL UV-C 50 PLUG-IN	120V	OPPOSITE SIDE
EUV-FS-01	UV-C 50 FLOW SWITCH KIT	—	N/A

COVERED BY ONE OR MORE U.S. PATENTS OR PENDING PATENT APPLICATIONS. SEE [WWW.C-M-P.COM/PATENTS](http://WWW.C-M-P.COM/PATENTS) FOR DETAILS.

**THE COMPLETE MODERN POOL™** ADD A POWERCLEAN SYSTEM FOR A RESIDUAL SANITIZER

# UV-C TECHNICAL SPECIFICATIONS

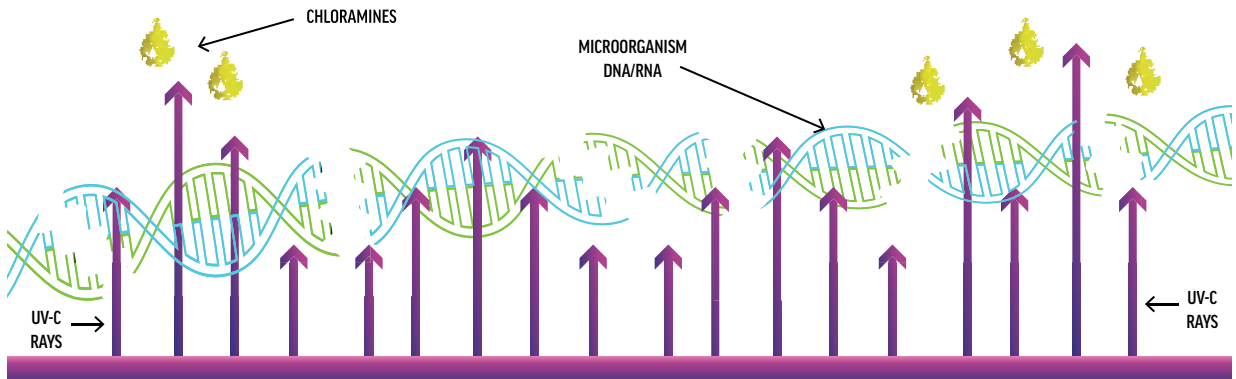
## THE ADVANTAGES OF UV-C

With the use of UV-C microorganisms are destroyed, chloramines are broken down, chlorine dependence is significantly reduced, and water clarity is optimized to produce crystal clear results.

- Destroys harmful contaminants
- Inactivates Cryptosporidium, Giardia and other chlorine resistant microorganisms
- Dramatically reduces chemical demand and increases effectiveness of residual sanitizers
- Eliminates chemical odors, irritation and damage to pool systems

## THE SCIENCE OF UV-C

The UV-C 50 lamp emits safe, high intensity light rays tuned to germicidal 254 nanometers. Using natural rays of light, UV-C breaks apart the DNA and RNA of microorganisms, harmful bacteria, viruses, cysts and protozoa. This inactivates the contaminants to leave water safe and sanitized. UV-C does not create ozone. The highly concentrated electromagnetic energy also destroys organic matter—like urine and sweat—to eliminate the formation of harmful chlorine by-products.



## SPECIFICATIONS

VOLTAGE	120/240 VAC, 50-60Hz, 0.8 Amps
WATTS	96 W
DIMENSIONS	11.5" Diameter × 33.8" Height
ENCLOSURE RATING	NEMA 3
LAMPS	Two 540mm, 58 Watt UV-C Lamps
LAMP LIFE	18 Months
PRESSURE	50 psi
FLOW	100 GPM
REGULATORY	UL, cUL

Covered by one or more U.S. patents or pending patent applications. See [www.c-m-p.com/patents](http://www.c-m-p.com/patents) for details.

# POWERCLEAN™ TAB ULTRA VS



## THE HIGH FLOW CHLORINATOR ENGINEERED FOR VARIABLE SPEED PUMPS



You've given us feedback on variable speed pumps, and we've been listening. Variable speed is great for energy efficiency, but not for chlorine flow. Introducing Powerclean™ Ultra VS. Now, maintain high chlorine flow on a low flow variable speed system.

### PRODUCT FEATURES

- High chlorine flow with system flow as low as 20 GPM
- Increases flow rate over the chlorine tablets in a low flow or variable speed system
- Quick installation or removal of VS option with no tools required
- Available for Powerclean™ Ultra and Econ
- VS Kit also available for CMP retrofit
- Ideal for use between 20 and 50 system GPM
- High flow without elevated system back pressure

### FREQUENTLY ASKED QUESTIONS

**AT WHAT "RPM" DOES POWERCLEAN VS PERFORM?**  
 Powerclean VS operates at a pumps low and medium RPM settings, in the 20 - 50GPM range.

**CAN AN EXISTING CHLORINATOR BE UPGRADED?**  
 Any Powerclean Ultra or Econ In-Line model can be upgraded with the VS Conversion Kit.

**HOW DOES THIS IMPROVE SANITATION?**  
 The advanced VS engineering accelerates the flow inside the feeder chamber, improving dissolve rates for chlorine and bromine tablets.

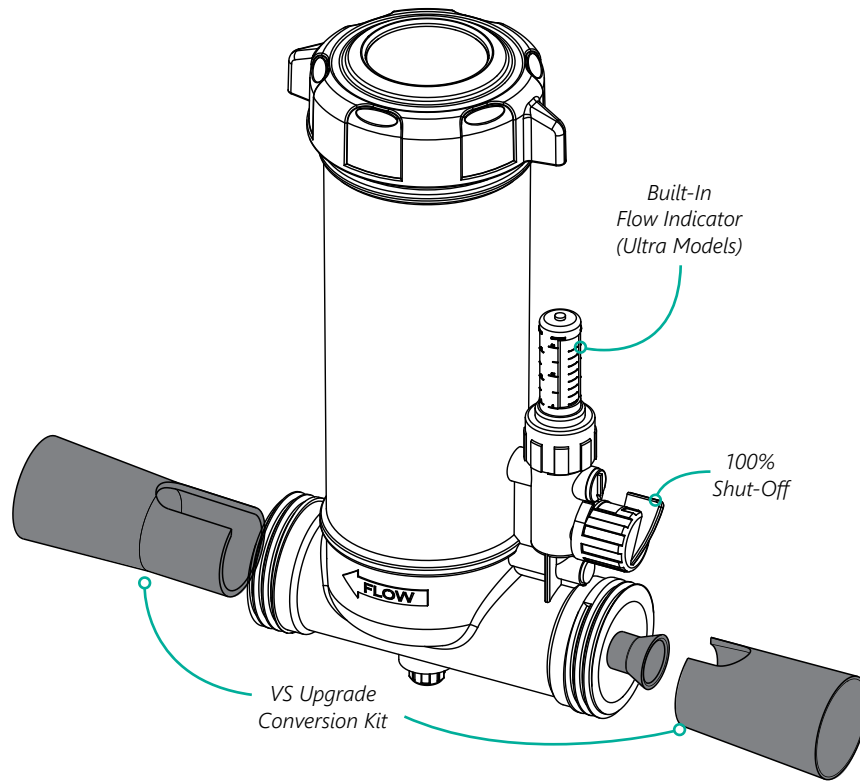


### ORDERING GUIDE

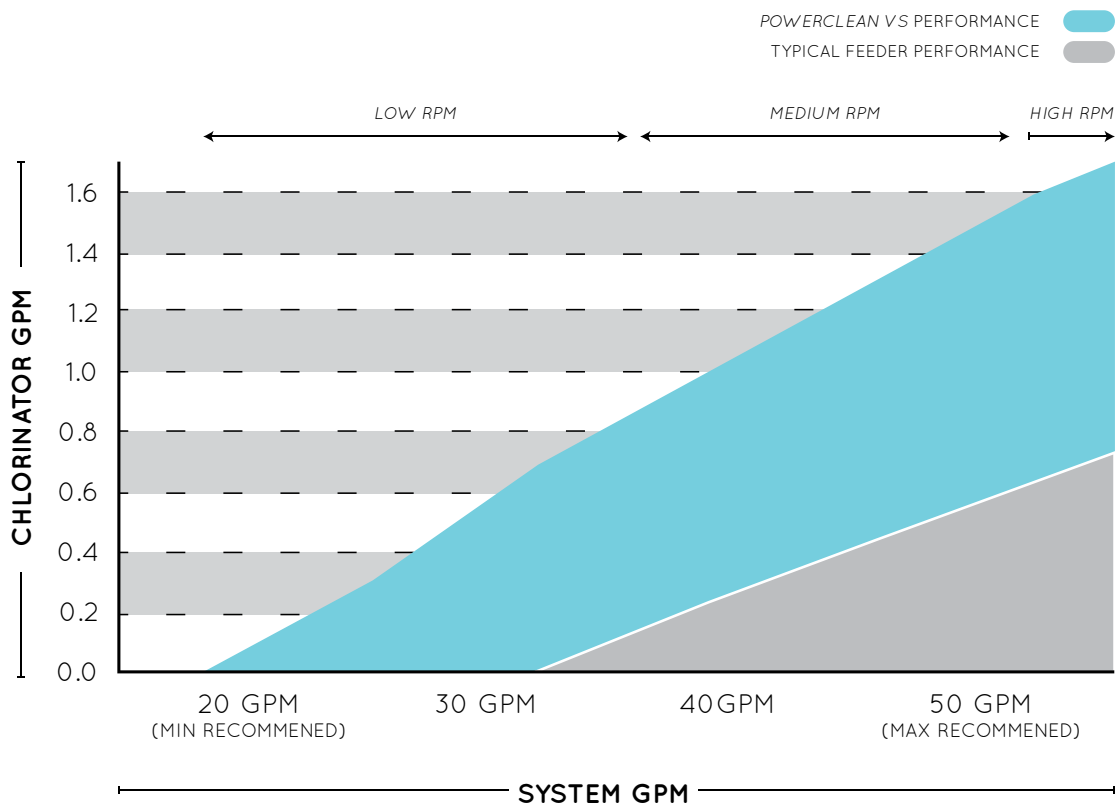
CMP P/N	DESCRIPTION	BOX QTY
25280-150-000	POWERCLEAN™ TAB ULTRA VS IN-LINE, CLEAR GLASS LID	1
25280-160-000	POWERCLEAN™ TAB ULTRA VS IN-LINE, WHITE LID	1
25280-170-000	POWERCLEAN™ TAB ECON VS IN-LINE	1
25280-107-100	POWERCLEAN™ TAB VS UPGRADE CONVERSION KIT	6

WARNING: NEVER MIX CHLORINE AND BROMINE

# POWERCLEAN™ TAB ULTRA VS



## POWERCLEAN VS PERFORMANCE



# POWERCLEAN™ TAB ULTRA



## POWERCLEAN TAB ULTRA

[C-M-P.COM/POWERCLEAN](http://C-M-P.COM/POWERCLEAN)

### PRODUCT FEATURES

- Treats Pools from 5,000-50,000 Gallons
- All Piping is Inside the Unit to Eliminate Leaks
- Holds Twelve 3" Tablets or 5lbs of 1" Tablets
- Clear Glass or Plastic\* Lid Options for Easy Service or Inspection
- Superior 100% Shut-Off Dial
- Built-In Flow Indicator
- Bottom Drain Plug
- 1.5 & 2" Unions for Quick Disconnect

### OFF-LINE FEATURES

- **NEW** 2.5 - 3" Pipe Adapter Sizes
- Larger Hose Than Comparable Brands
- Includes Base, Two Mounting Brackets and Tubing plus 3/4" Fittings for Hard Plumbing Installation



Choose the Glass Lid Option for the Best Visibility



Improved offline clamp design, now up to 3"

### ORDERING GUIDE

POWERCLEAN TAB ULTRA IN-LINE CHLORINATOR					
REF	CMP P/N	DESCRIPTION	CLAMP SIZE	LID STYLE	BOX QTY
A	25280-100-000	POWERCLEAN TAB ULTRA IN-LINE CHLORINATOR	N/A	CLEAR GLASS	1
A	25280-109-000	POWERCLEAN TAB ULTRA IN-LINE CHLORINATOR	N/A	CLEAR PLASTIC	1
A	25280-110-000	POWERCLEAN TAB ULTRA IN-LINE CHLORINATOR	N/A	WHITE	1
POWERCLEAN TAB ULTRA OFF-LINE CHLORINATOR					
B	25280-300-000	POWERCLEAN TAB ULTRA OFF-LINE CHLORINATOR	1.5" - 2"	CLEAR GLASS	6
B	25280-309-000	POWERCLEAN TAB ULTRA OFF-LINE CHLORINATOR	1.5" - 2"	CLEAR PLASTIC	6
B	25280-310-000	POWERCLEAN TAB ULTRA OFF-LINE CHLORINATOR	1.5" - 2"	WHITE	6
—	25280-300-300	POWERCLEAN TAB ULTRA OFF-LINE CHLORINATOR <b>NEW</b>	2.5" - 3"	CLEAR GLASS	—
—	25280-309-300	POWERCLEAN TAB ULTRA OFF-LINE CHLORINATOR <b>NEW</b>	2.5" - 3"	CLEAR PLASTIC	—
—	25280-310-300	POWERCLEAN TAB ULTRA OFF-LINE CHLORINATOR <b>NEW</b>	2.5" - 3"	WHITE	—

REPLACEMENT PARTS PAGE 223

\*clear plastic lids will cloud over time

**WARNING: NEVER MIX CHLORINE AND BROMINE**



# POWERCLEAN™ TAB ECON & MINI



## PRODUCT FEATURES

- Removable Rapid-Dissolve Tube
- Built In Heavy-Duty Screen
- Holds Twelve 3" Tablets or 5lbs of 1" Tablets
- Treats Pools from 5,000 - 50,000 Gallons
- Superior 100% Shut-Off Dial
- No External Hoses: Eliminates Leaks
- Unions Sold Separately



## PRODUCT FEATURES

- Great for Above Ground Pools
- Holds Five 3" Tablets or 2lbs of 1" Tablets
- Treats Pools from 5,000 - 20,000 Gallons
- No External Hoses: Eliminates Leaks
- 1.5" Hose Adapter Included
- 1.5" Threaded Fitting Included



## ORDERING GUIDE

REF	CMP P/N	DESCRIPTION	BOX QTY
A	25280-120-000	POWERCLEAN TAB ECON IN-LINE	1
—	21023-000-000	2" UNIONS FOR POWERCLEAN TAB ECON	190
B	25280-200-000	POWERCLEAN TAB MINI	1

REPLACEMENT PARTS PAGE 223

WARNING: NEVER MIX CHLORINE AND BROMINE

# POWERCLEAN™ TAB MAX



## POWERCLEAN TAB Max

Powerclean™ Tab Max is a high capacity feeder. This is the chlorinator of choice for large or heavy bather load pools that need an extra punch of power. Designed for residential use only.

### PRODUCT FEATURES

- Holds up to 15lbs of 3" or 1" Tablets
- Precise Quick Disconnect Flow Control Valve
- Safety Locking Vent-able Lid with Clear Glass Viewport
- Off-Line Installation with 1" Pipe
- Includes 1" Quick Disconnect Union Fitting
- Built-In Drain Valve for Easy Service or Winterization



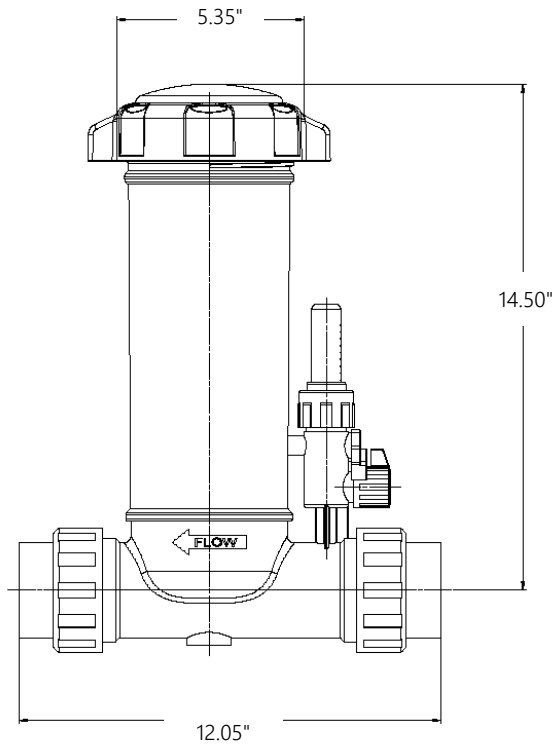
### ORDERING GUIDE

REF	CMP P/N	DESCRIPTION	BOX QTY
A	25280-615-000	POWERCLEAN TAB MAX	1
B	25280-615-500	POWERCLEAN TAB MAX LID ASSY & O-RING (INCLUDED WITH FEEDER)	—
C	25280-615-300	1" FLOW CONTROL VALVE (INCLUDED WITH FEEDER)	—
D	25280-615-600	FLOW METER ASSEMBLY (INCLUDED WITH FEEDER)	—
—	25280-615-106	SCREEN COVER FOR POWERCLEAN TAB MAX (INCLUDED WITH FEEDER)	—

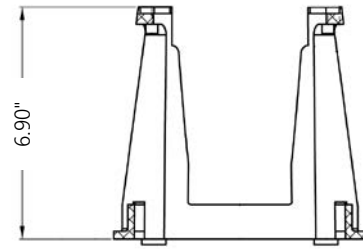
WARNING: NEVER MIX CHLORINE AND BROMINE

# POWERCLEAN™ TAB DIMENSIONS

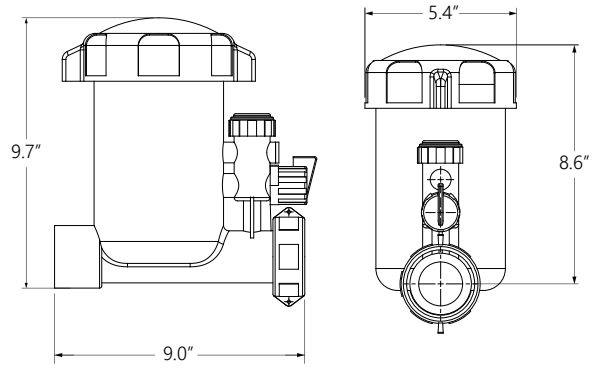
### POWERCLEAN ULTRA & ECON



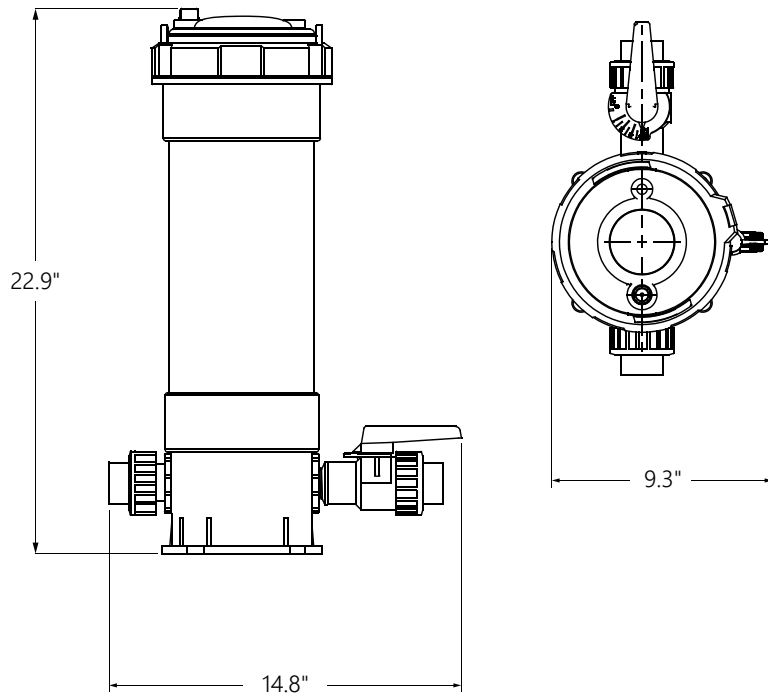
### POWERCLEAN BASE



### POWERCLEAN MINI



### POWERCLEAN MAX



## YOUR FRIENDLY, BACKYARD CHLORINE GENERATOR



# POWERCLEAN SALT

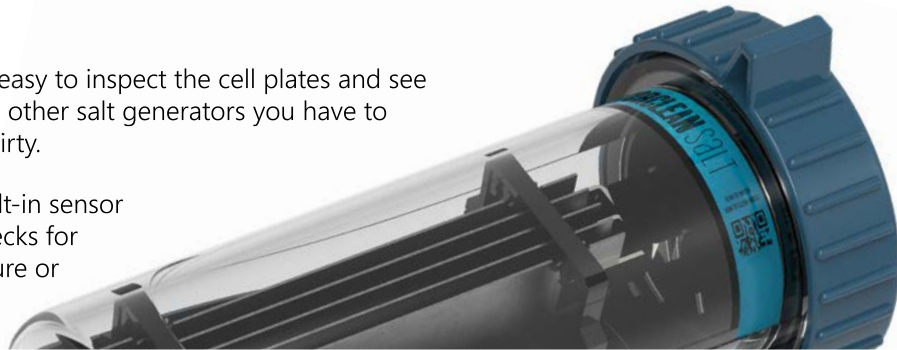
- With simple salt, produce pure chlorine without aggressive chlorine tablets or shock
- Salt chlorination leaves water feeling smooth and soft
- Innovative products take the guess-work out of salt system maintenance

As a part of CMP Pool Products, SGS is now *Powerclean Salt™*. This is the next generation salt chlorine system: designed to be durable, affordable and serviceable. Building on impressive SGS technology, Powerclean Salt™ has been upgraded for an even better experience.

### SMART FEATURES

**CLEAR CELL HOUSING:** It's easy to inspect the cell plates and see when it's time to clean. With other salt generators you have to guess when the plates are dirty.

**UNIVERSAL SENSOR:** A built-in sensor inside the cell constantly checks for faults due to flow, temperature or calcium build-up.



### DESIGNED WITH MAINTENANCE IN MIND

**CLEAN WITH ZERO ACID:** Cell plates are completely removable for easy cleaning with no dangerous chemicals.

**SUPERIOR CELL PLATES:** Wide-set individually powered cell plates help prevent scale "bridging" that reduces the life of competing salt cells.

### SGS INNOVATION, PLUS NEW IMPROVEMENTS FROM CMP

- Upgraded & reinforced salt cell body adds strength and durability
- Enhanced design for Ultra (formerly Breeze) with self-aligning unions
- Easy to read upgraded design for control units
- New grab handles on cell cap for easier removal
- Heavy duty custom cleaning tool now included

### THE COMPLETE MODERN POOL™

#### ADD A DEL™ ADVANCED SANITIZER SYSTEM

Lower overall chlorine demand  
 Destroy chlorine resistant bacteria  
 Reduce output level & extend the life of the cell

**DEL** + **POWERCLEAN**  
ADVANCED SANITIZER SOLUTIONS

# POWERCLEAN™ SALT ULTRA



## POWERCLEAN SALT ULTRA

### UPGRADED SALT CELL DESIGN

The Ultra cell adds extra strength and durability. Self-aligning unions ease installation, service and winterization.

### COMMERCIAL QUALITY CONTROL

This control center is NSF Certified. Get a commercial grade control for a backyard pool.

### SUPERIOR PRODUCT WARRANTY

Every Ultra unit includes a 3 year 100% warranty. Upgrade to the Extended Life cell for four year 100% coverage.



### PRODUCT FEATURES

- Pools up to 60,000 gallons\*
- Produces up to almost 2lbs of chlorine/day
- NEW 15,000 Hour Extended Life Plate options
- Four output levels plus Chlorine Boost
- Auto shut-off for low salt, low temp or low flow
- Certified to UL-1081 and NSF/ANSI-50

#### RESIDENTIAL SIZING CHART

CELL SIZE	POOL SIZE - STANDARD	POOL SIZE - HIGH DEMAND*	CHLORINE PER DAY
320/320EXT	20,000 GAL	14,000 GAL	0.78LB
540/540EXT	40,000 GAL	28,000 GAL	1.35LB
760/760EXT	60,000 GAL	43,000 GAL	1.88LB

\*High demand pools may require more output to maintain a proper chlorine residual. High demand may include hot or humid climates, high bathers loads, or environmental factors. Also add a DEL Advanced Sanitizer system to reduce demand in high demand environments.

### ORDERING GUIDE

CMP P/N	DESCRIPTION	BOX QTY
52000-220-000	POWERCLEAN SALT ULTRA 320	1
52000-320-000	POWERCLEAN SALT ULTRA 320 EXTENDED LIFE	1
52000-240-000	POWERCLEAN SALT ULTRA 540	1
52000-340-000	POWERCLEAN SALT ULTRA 540 EXTENDED LIFE	1
52000-260-000	POWERCLEAN SALT ULTRA 760	1
52000-360-000	POWERCLEAN SALT ULTRA 760 EXTENDED LIFE	1

REPLACEMENT PARTS PAGE 225

# POWERCLEAN™ SALT ECON



## PRODUCT FEATURES

- Pools up to 40,000 gallons\*
- Produces up to 1.3lbs of chlorine/day
- Four output levels plus Chlorine Boost
- Auto shut-off for low salt, low temp or low flow
- 3 Year Warranty
- Certified to UL-1081



### RESIDENTIAL SIZING CHART

CELL SIZE	POOL SIZE - STANDARD	POOL SIZE - HIGH DEMAND*	CHLORINE PER DAY
320	20,000 GAL	14,000 GAL	0.78LB
540	40,000 GAL	28,000 GAL	1.35LB

\*High demand pools may require more output to maintain a proper chlorine residual. High demand may include hot or humid climates, high bathers loads, or environmental factors. Also add a DEL Advanced Sanitizer system to reduce demand in high demand environments.

## ORDERING GUIDE

CMP P/N	DESCRIPTION	BOX QTY
52000-120-000	POWERCLEAN SALT ECON 320	1
52000-140-000	POWERCLEAN SALT ECON 540	1

REPLACEMENT PARTS PAGE 225

# POWERCLEAN™ SALT TECHNICAL INFO

## SPECIFICATIONS

### ELECTRICAL

AMPS	2.2A@220V / 4.4A@120V
VOLTAGE	120/220V Universal (Ships ready for 220)
CELL CORD LENGTH	10ft

### INSTALLATION & PLUMBING

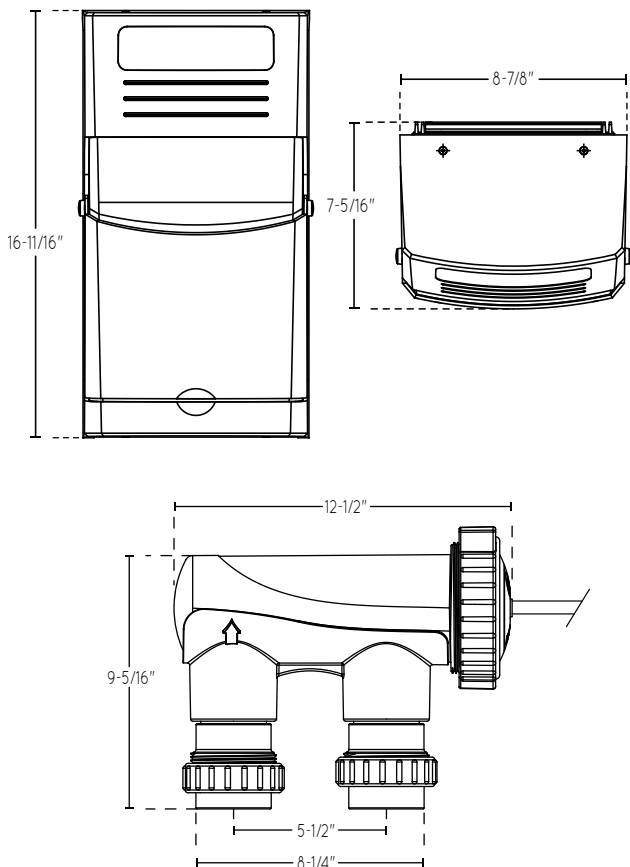
CELL MOUNTING	HORIZONTAL: Ports down VERTICAL: Cap up
PLUMBING SIZE	2" Socket
ACCESSORIES	- Pool Defender Zinc Anodes recommended for ALL Powerclean Salt installations (see page 180) - Hydroseal Corrosion Resistant check valves recommended (see page 93)

## WARRANTY

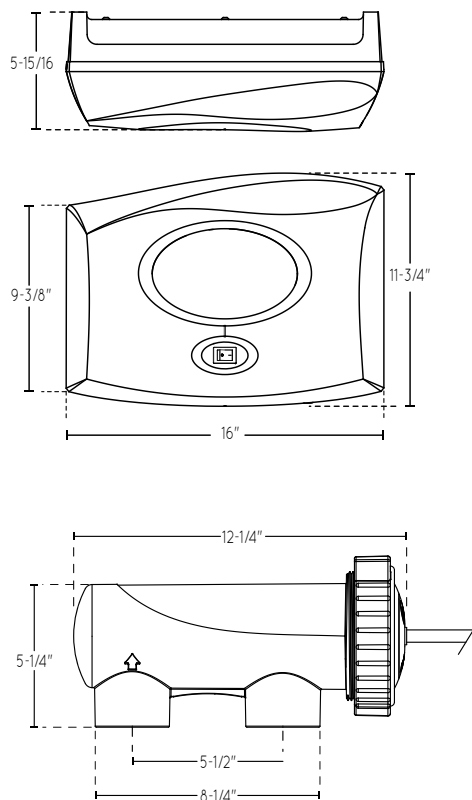
- Powerclean Salt Ultra: 3 Years 100% Parts & Labor
- Powerclean Salt Ultra Extended Life: 4 Years 100% Parts & Labor
- Powerclean Salt Econ: 2 Year 100% Parts & Labor
- Product must be installed and maintained properly to qualify for warranty
- See complete warranty for full terms & conditions

## DIMENSIONS

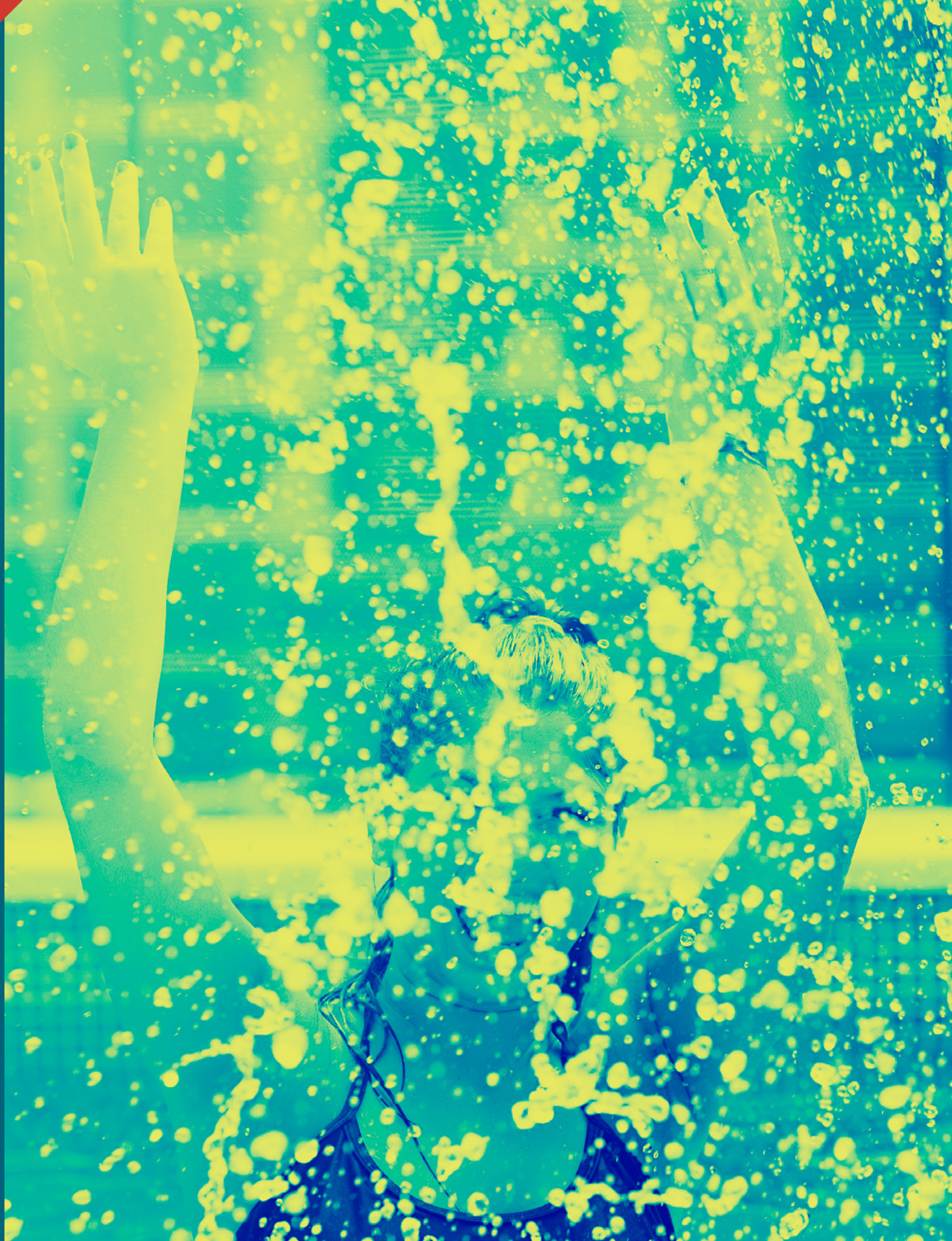
POWERCLEAN SALT ULTRA



POWERCLEAN SALT ECON



SANITIZERS





# HYDROSEAL™ POOL VALVES

Diverter Valves 90

Serviceable Check Valves 92

Slice Valves 94

Ball Valves 95

Multiport Valves 96

Air Relief Valves 100

Slide Valves 98

| Replacement Parts 226

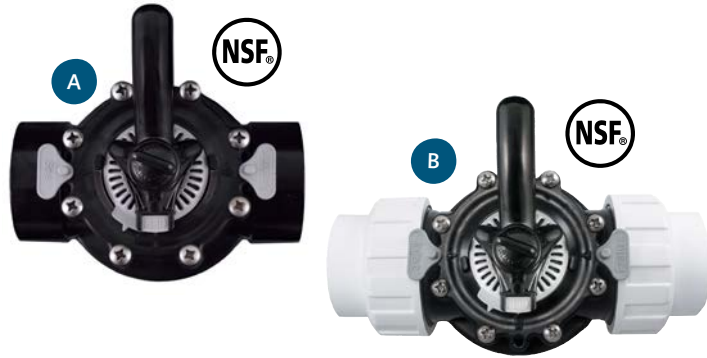
| Cross Reference Charts 250

# POOL DIVERTER VALVES

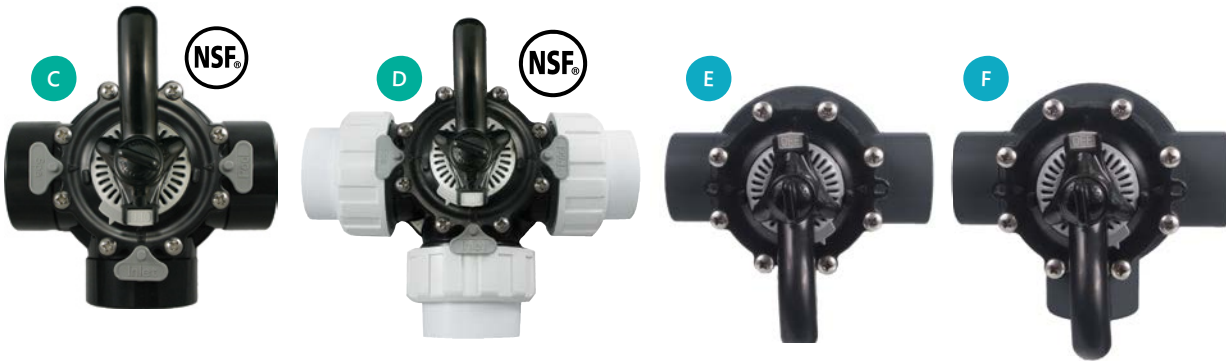


## PRODUCT FEATURES

- LifeSeals™ Never Need Lubrication
- Exclusive 32 Dial Stop Adjustable Indicator Plate for Precise Flow Control
- Interchangeable Flow Tabs for Marking Ports (English & Spanish Included)
- T-Gasket Seal on Union Valves
- CPVC Valves Awarded the NSF International Seal



[C-M-P.COM/HYDROSEAL](http://C-M-P.COM/HYDROSEAL)



## ORDERING GUIDE

*PVC Body Valves should not be used in temperatures over 104°*

2-WAY BLACK CPVC DIVERTER VALVES (NSF)			
REF	CMP P/N	DESCRIPTION	BOX QTY
A	25912-154-000	1.5" SOCKET × 2" SPIGOT 2-WAY CPVC DIVERTER	18
A	25912-204-000	2" SOCKET × 2.5" SPIGOT 2-WAY CPVC DIVERTER	18
A	25912-254-000	2.5" SOCKET × 3" SPIGOT 2-WAY CPVC DIVERTER	18
B	25922-154-000	1.5" SOCKET WITH UNIONS 2-WAY CPVC DIVERTER	12
B	25922-204-000	2" SOCKET WITH UNIONS 2-WAY CPVC DIVERTER	16
3-WAY BLACK CPVC DIVERTER VALVES (NSF)			
C	25913-154-000	1.5" SOCKET × 2" SPIGOT 3-WAY CPVC DIVERTER	16
C	25913-204-000	2" SOCKET × 2.5" SPIGOT 3-WAY CPVC DIVERTER	16
C	25913-254-000	2.5" SOCKET × 3" SPIGOT 3-WAY CPVC DIVERTER	16
D	25923-154-000	1.5" SOCKET WITH UNIONS 3-WAY CPVC DIVERTER	16
D	25923-204-000	2" SOCKET WITH UNIONS 3-WAY CPVC DIVERTER	16
GRAY PVC DIVERTER VALVES			
E	25932-151-000	1.5" SOCKET × 2" SPIGOT 2-WAY PVC DIVERTER	18
E	25932-201-000	2" SOCKET × 2.5" SPIGOT 2-WAY PVC DIVERTER	18
F	25933-151-000	1.5" SOCKET × 2" SPIGOT 3-WAY PVC DIVERTER	16
F	25933-201-000	2" SOCKET × 2.5" SPIGOT 3-WAY PVC DIVERTER	16

REPLACEMENT PARTS PAGE 226

# CLEAR HYDROSEAL™ DIVERTER VALVES

## PRODUCT FEATURES

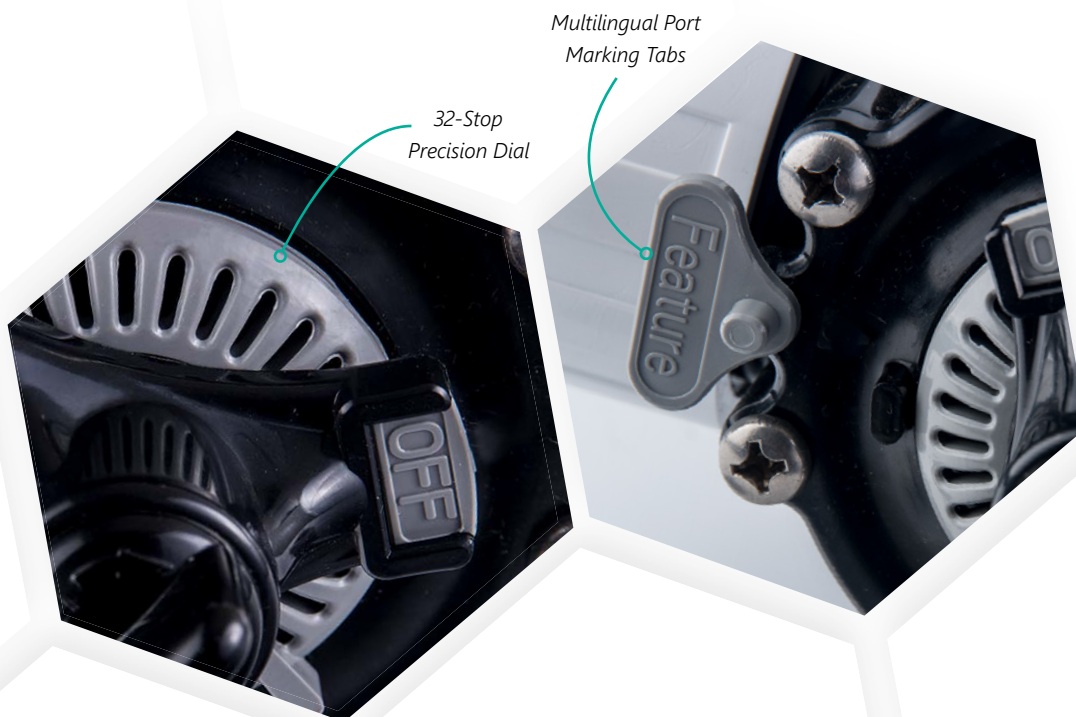
- Clear PVC Body\*
- Easily Inspect for Internal Debris
- Visibly Set the Diverter for Precise Flow Control



## ORDERING GUIDE

CMP P/N	DESCRIPTION	BOX QTY
25923-159-000	1.5" SOCKET WITH UNIONS 3-WAY CLEAR DIVERTER	12
25923-209-000	2" SOCKET WITH UNIONS 3-WAY CLEAR DIVERTER	12

\*PVC Body Valves should not be used in temperatures over 104°



# SERVICEABLE CHECK VALVES



CMP Hydroseal Serviceable Check Valves are designed for demanding pool and spa applications. Dependable quality with a union lid nut for easy removal and service, clear lid for easy inspection, and high temp PVC body with longer sockets for better glue joints.

[C-M-P.COM/CHECK-VALVES](http://C-M-P.COM/CHECK-VALVES)

## CPVC CHECK VALVES

- High Temp CPVC Body
- Serviceable Clear Lid with Lock Nut
- Corrosion Proof Pin
- Longer Sockets for Better Glue Joints
- Check Valve is Reversible while Installed
- Silicone Check Seal Never Requires Lubrication
- Awarded the NSF International Seal



## CORROSION RESISTANT CHECK VALVES

Hydroseal Corrosion Resistant check valves are a durable, pro-level option that stand up to harsh chemical conditions. The best solution for systems with a chlorinator or brominator installed.

- Ceramic Pin for Corrosion Protection
- Hastelloy Spring for High Stress and Corrosive Environments
- White PVC Option (max temp 104°)
- Use with Powerclean Salt (page 85)



## ORDERING GUIDE

THREAD-ON SERVICEABLE CHECK VALVES						
REF	CMP P/N	SPRING	MAX FLOW	MAX PSI	DESCRIPTION	BOX QTY
A	25830-150-000	2 POUND	100gpm	50psi	1.5" SOCKET × 2" SPIGOT BLACK CPVC	12
A	25830-200-000	2 POUND	100gpm	50psi	2" SOCKET × 2.5" SPIGOT BLACK CPVC	12
A	25830-450-000	1/4 POUND	100gpm	50psi	1.5" SOCKET × 2" SPIGOT BLACK CPVC	12
A	25830-500-000	1/4 POUND	100gpm	50psi	2" SOCKET × 2.5" SPIGOT BLACK CPVC	12
THREAD-ON SERVICEABLE CORROSION RESISTANT CHECK VALVES						
B	25830-350-000	2 POUND	100gpm	50psi	1.5" SOCKET × 2" SPIGOT BLACK CPVC	12
B	25830-400-000	2 POUND	100gpm	50psi	2" SOCKET × 2.5" SPIGOT BLACK CPVC	12
C	25830-360-000	2 POUND	100gpm	50psi	1.5" SOCKET × 2" SPIGOT WHITE PVC	12
C	25830-410-000	2 POUND	100gpm	50psi	2" SOCKET × 2.5" SPIGOT WHITE PVC	12

REPLACEMENT PARTS PAGE 227

# HYDROSEAL™ SERVICEABLE CHECK VALVES

## STANDARD CPVC CHECK VALVES

- Black CPVC Body
- Serviceable Standard Clear Lid
- High temp CPVC and Longer Sockets for Better Glue Joints
- Silicone Check Seal Never Requires Lubrication
- Awarded the NSF International Seal



## ORDERING GUIDE

STANDARD STYLE CPVC SERVICEABLE CHECK VALVES						
REF	CMP P/N	SPRING	MAX FLOW	MAX PSI	DESCRIPTION	BOX QTY
A	25830-704-000	2 POUND	125gpm	50psi	180° 1.5" SOCKET × 2" SPIGOT BLACK CPVC	12
A	25830-714-000	2 POUND	125gpm	50psi	180° 2" SOCKET × 2.5" SPIGOT BLACK CPVC	12
A	25830-250-000	2 POUND	125gpm	50psi	180° 2.5" SOCKET × 3" SPIGOT BLACK CPVC	12
A	25830-804-000	1/2 POUND	125gpm	50psi	180° 1.5" SOCKET × 2" SPIGOT BLACK CPVC	12
A	25830-814-000	1/2 POUND	125gpm	50psi	180° 2" SOCKET × 2.5" SPIGOT BLACK CPVC	12
B	25830-764-000	2 POUND	125gpm	50psi	90° 1.5" SOCKET × 2" SPIGOT BLACK CPVC	12
B	25830-774-000	2 POUND	125gpm	50psi	90° 2" SOCKET × 2.5" SPIGOT BLACK CPVC	12
B	25830-864-000	1/2 POUND	125gpm	50psi	90° 1.5" SOCKET × 2" SPIGOT BLACK CPVC	12
B	25830-874-000	1/2 POUND	125gpm	50psi	90° 2" SOCKET × 2.5" SPIGOT BLACK CPVC	12
C	25830-724-000	2 POUND	125gpm	50psi	1.5" SOCKET UNION VALVE, BLACK CPVC	12
C	25830-734-000	2 POUND	125gpm	50psi	2" SOCKET UNION VALVE, BLACK CPVC	12
BASIC CHECK VALVES						
D	25552-500-000	—	—	—	WHITE RETURN FITTING CHECK VALVE	400
D	25552-501-000	—	—	—	GRAY RETURN FITTING CHECK VALVE	400
D	25552-504-000	—	—	—	BLACK RETURN FITTING CHECK VALVE	400
D	25552-507-000	—	—	—	DK GRAY RETURN FITTING CHECK VALVE	400
E	25067-000-000	1/4 POUND	—	—	AIR CHECK VALVE 2" SPIGOT × 1.5" SOCKET	150
F	25062-159-000	—	—	—	CLEAR SWING CHECK VALVE 1.5" SOCKET	120
F	25062-209-000	—	—	—	CLEAR SWING CHECK VALVE 2" SOCKET	40
F	25062-000-000	—	—	—	WHITE SWING CHECK VALVE 1" SOCKET	120
F	25062-150-000	—	—	—	WHITE SWING CHECK VALVE 1.5" SOCKET	120

REPLACEMENT PARTS PAGE 228

# HYDROSEAL™ LOCKING SLICE VALVES

A complete line of slice valves in a variety of configurations for pool and spa applications. CMP slice valves are assembled as one complete unit with 100% shut-off capabilities. Attention to design details makes these the best line of slice valves for every installation.

## PRODUCT FEATURES

- 100% Shut-Off
- Lockable in Open Position
- Press-Fit Valve Lock Ensures Constant Full Flow Open Position



Press-Fit  
Lock



## ORDERING GUIDE

REF	WHITE	BLACK	DESCRIPTION	BOX/BAG
A	25850-150-000	—	1.5" SOCKET × SOCKET	18
A	25850-200-000	—	2" SOCKET × SOCKET	18
A	25850-250-000	—	2.5" SPIGOT × SOCKET	18
A	25851-150-000	—	1.5" SPIGOT × SPIGOT	70
A	25851-200-000	—	2" SPIGOT × SPIGOT	64
A	25851-250-000	—	2.5" SPIGOT × SPIGOT	42
A	25852-150-000	—	1.5" SPIGOT × SOCKET	70
A	25852-200-000	—	2" SPIGOT × SOCKET	64
A	25852-250-000	—	2.5" SPIGOT × SOCKET	42
A	25853-150-000	—	1.5" SPIGOT × MALE UNION	70
A	25853-200-000	—	2" SPIGOT × MALE UNION	64
A	25853-250-000	—	2.5" SPIGOT × MALE UNION	42
A	25858-150-000	—	1.5" SOCKET × MALE UNION	70
A	25858-200-000	—	2" SOCKET × MALE UNION	64
A	25858-250-000	—	2.5" SOCKET × MALE UNION	42
B	25854-150-000	25854-154-000	1.5" MIP × FIP	70
C	25855-150-000	—	1.5" FIP × SPLIT NUT	55
D	25856-150-000	25856-154-000	1.5" MIP × HOSE ADAPTER	70
E	25857-150-000	25857-154-000	1.5" SPLIT NUT × HOSE ADAPTER	55
—	25850-000-100	—	REPLACEMENT SLICE VALVE LOCK	1000/200

\*All slice valves are white unless otherwise noted

# HYDROSEAL™ TWO-WAY BALL VALVES

The CMP collection of ball valves includes one of the largest varieties in the industry. Our two-way ball valves include easy to adjust replaceable handles.

## PRODUCT FEATURES

- Durable PVC Construction
- Socket x Socket in 3/4" to 4" Sizes
- Unionized Valves in 1.5" to 2" Sizes



## ORDERING GUIDE

SOCKET × SOCKET BALL VALVES			
REF	CMP P/N	DESCRIPTION	BOX/BAG
A	25800-751-000	3/4" S × S BALL VALVE	100
B	25800-110-000	1" S × S BALL VALVE	100
C	25800-151-000	1.5" S × S BALL VALVE	50
D	25800-210-000	2" S × S BALL VALVE	30
E	25800-251-000	2.5" S × S BALL VALVE	30
F	25800-310-000	3" S × S BALL VALVE	30
G	25800-410-000	4" S × S BALL VALVE	30
UNIONIZED BALL VALVES			
H	25802-151-000	1.5" SOCKET UNION BALL VALVE	32
H	25802-210-000	2" SOCKET UNION BALL VALVE	32
I	25802-651-000	1.5" FIP × MIP UNION BALL VALVE	12
J	25802-415-000	1.5" SOCKET DOUBLE UNION BALL VALVE	—
J	25802-420-000	2" SOCKET DOUBLE UNION BALL VALVE	—
BALL VALVE ACCESSORIES			
—	25800-751-130	SILVER HANDLE FOR 3/4" BALL VALVE	550
—	25800-101-130	SILVER HANDLE FOR 1" BALL VALVE	550
—	25800-151-130	SILVER HANDLE FOR 1.5" BALL VALVE	250
—	25800-201-130	SILVER HANDLE FOR 2" BALL VALVE	250
—	25800-251-130	RED HANDLE FOR 2.5" BALL VALVE	200
—	25800-310-130	RED HANDLE FOR 3" BALL VALVE	30
—	25800-410-130	RED HANDLE FOR 4" BALL VALVE	30
—	25802-151-080	HANDLE FOR 1.5" UNION BALL VALVE	180
—	25802-651-080	HANDLE FOR 1.5" FIP × MIP	180
—	26100-530-462	O-RING FOR 1.5" UNION BALL VALVE	200
—	26100-651-462	INSIDE O-RING FOR 1.5" FIP × MIP	200

# COMPLETE MULTIPOINT VALVES

## 262 TOP MOUNT VALVE ( 1½" × 2" )

- CMP Replacement for Tagelus® TA 40D, TA 50D, or TA 60D
- Seven Multiport Functions
- Top Half Assembly Available
- Includes Valve & Clamp
- 1.5" FPT X 2" Buttress Fittings
- 50 PSI Max Pressure
- 75 GPM Max Flow



## 714 TOP MOUNT VALVE (1.5")

- CMP Replacement for Hayward's SP714T
- Seven Multiport Functions
- Top Half Assembly Available
- 1.5" FPT Fittings
- 50 PSI Max Pressure
- 75 GPM Max Flow



## ORDERING GUIDE

262 TOP MOUNT VALVES ( 1.5" × 2" )						
REF	CMP P/N	COMPARE TO	DESCRIPTION		COMPATIBLE FILTERS	BOX QTY
A,B,C	27500-154-000	262504	TM 1.5" FPT × 2" BUTTRESS, 6" BUTTRESS ADPT, WRENCH		TAGELUS® AFTER '91	1
A,B,D	27501-154-000	262505	TM 1.5" FPT × 2" BUTTRESS, 6" V-THREAD ADPT, WRENCH		TAGELUS® BEFORE '91	1
A,B	27502-154-000	262506	TM 1.5" FPT × 2" BUTTRESS, CLAMP		TAGELUS® BEFORE '91	1
B	27500-154-079	152165	MULTIPOINT CLAMP ONLY		TAGELUS®	—
REPLACEMENT PARTS PAGE 229						
714 TOP MOUNT VALVE (1.5")						
E	27515-154-000	SP0714T	1.5" TM, FPT, SAND	HAY S166T, S180T, S210T, S220T, S244T		1
F	27515-154-070	GMX600MN	REPLACEMENT CLAMP	HAY S166T, S180T, S210T, S220T, S244T		—
REPLACEMENT PARTS PAGE 230						

For other Multiport Valve replacement components & top halves see page 195



# COMPLETE MULTIPOINT VALVES

## 261 TOP MOUNT VALVE (2" )

- CMP Replacement for Tagelus® & Tagelus® D
- Six Multiport Functions
- Top Half Assembly Available
- 2" FPT Fittings
- 50 PSI Max Pressure
- 125 GPM Max Flow



## 261 SIDE MOUNT VALVE

- CMP Replacement for Triton®, Quad®, FNS® Plus, Nautilus™ PLUS NSP
- Six Multiport Functions
- Top Half Assembly Available
- 2" and Bulkhead Fittings
- 7½" Centerline Distance
- 50 PSI Max Pressure
- 125 GPM Max Flow



## ORDERING GUIDE

261 TOP MOUNT VALVE (2")					
REF	CMP P/N	COMPARE TO	DESCRIPTION	COMPATIBLE FILTERS	BOX QTY
A	27510-204-000	261185	2" FPT TM SAND, CLAMP	TAGELUS® TA 100D	1
REPLACEMENT PARTS PAGE 231					
261 SIDE MOUNT VALVE (2")					
B	27504-200-000	261050	2" SM, SOCKET, SAND/DE	QUAD D.E.®, TRITON®	1
REPLACEMENT PARTS PAGE 232					
261 SIDE MOUNT VALVE (2" FPT)					
C	27505-200-000	261055	2" SM, FPT, SAND	QUAD D.E.®, TRITON®	1
REPLACEMENT PARTS PAGE 233					

\* Tagelus®, Triton®, Quad®, FNS®, Nautilus™ are trademarks and/or registered trademarks of Pentair Water Pool and Spa, Inc.

# SLIDE VALVES

## PRODUCT FEATURES

- Replacements for Common and Hard to Find Slide Valves
- Complete Assemblies and Internals Only
- Stainless Steel Slide Valves Include Double-Back Quality Guarantee (details next page)
- One per Box



# SLIDE VALVES

## ORDERING GUIDE

7.5" P-STYLE SLIDE VALVE ASSEMBLY				
REF	CMP P/N	COMPARE TO	DESCRIPTION	COMPATIBLE FILTERS
A	25831-119-750	263064	CREAM 7.5" SLIDE VALVE ASSY (PICTURED)	TRITON®, FNS® NAUTILUS™
A	25831-114-750	263064	BLACK 7.5" SLIDE VALVE ASSY	TRITON®, FNS® NAUTILUS™
A	25831-119-790	263079	CREAM 7.5 SLIDE VALVE ASSY (LESS UNION)	TRITON®, FNS® NAUTILUS™
—	25831-119-200	—	CREAM 7.5" SLIDE VALVE BODY ONLY	TRITON®, FNS® NAUTILUS™
SLIDE VALVE INTERNALS FOR 7.5" P-STYLE SLIDE VALVE BODIES				
B	25831-110-100	263055	7.5" SLIDE VALVE INTERNAL	TRITON®, FNS® NAUTILUS™
C	25831-112-100	263055 (SS)	STAINLESS STEEL 7.5" SLIDE VALVE INTERNAL	TRITON®, FNS® NAUTILUS™
P-STYLE REPLACEMENT SLIDE VALVE INTERNALS				
D	25831-120-100	273241	INTERNAL FOR 261165 BODY	—
E	25831-122-100	273241 (SS)	STAINLESS STEEL INTERNAL FOR 261165	—
—	25831-130-100	51013811	INTERNAL FOR 263034 BODY 7.5"	TRITON®, FNS®, NAUTILUS™
—	25831-124-170	27089	P-STYLE SLIDE VALVE HANDLE	—
H-STYLE SLIDE VALVE ASSEMBLY				
F	25831-004-000	SP0410X502S	BLACK DE SLIDE VALVE ASSY	MICRO-CLEAR, PRO-GRID
F	25831-014-000	SP0410X602S	BLACK SAND SLIDE VALVE ASSY	S311SX, S311SXV, S360SX,
SLIDE VALVE INTERNALS FOR H-STYLE SLIDE VALVE BODIES				
G	25831-000-100	SPX0410BA	H-STYLE SLIDE VALVE INTERNAL	FITS ABOVE "H" STYLES
—	25831-004-171	SPX0722D2	H-STYLE SLIDE VALVE NUT	—
—	25831-004-172	—	H-STYLE SLIDE VALVE HANDLE	—

## STAINLESS STEEL DOUBLE-BACK QUALITY PRODUCT GUARANTEE

*If a CMP Stainless Steel replacement shaft fails within **four years** after installation, CMP will replace with TWO new slide valve internals. <sup>1</sup>*

<sup>1</sup> -Four year guarantee applies to the stainless steel shaft only.  
Always refer to your filter model for correct sizing and replacement.

Triton®, FNS®, Nautilus™ are trademarks and/or registered trademarks of Pentair Water Pool and Spa, Inc.

# AIR RELIEF VALVES

## PRODUCT FEATURES

- Replacements for OEM Air Relief Valves
- Select Styles Available with Pressure Gauge
- Pressure Gauge Includes Built-In Range Indicator



## ORDERING GUIDE

REF	CMP P/N	COMPARE TO	DESCRIPTION
A	25357-154-000	154689	BLACK AIR RELIEF VALVE
B	25357-983-000	154687	BLACK AIR RELIEF VALVE
C	25357-240-000	DEX2400S	BLACK AIR RELIEF VALVE
D	25357-982-000	98209800	BLACK AIR RELIEF VALVE & GAUGE
E	25357-357-000	R0357200	BLACK AIR RELIEF VALVE & GAUGE
F	25357-273-564	273564	CLEAR AIR RELIEF VALVE & GAUGE
F	25357-273-550	273550	BLACK AIR RELIEF VALVE & GAUGE
—	25357-273-003	154412	AIR RELIEF VALVE NUT

Always refer to your filter model instructions for correct sizing.

# SPA MASTER™ SPA SYSTEMS

2" Gunitite Jets 102

2½" Gunitite Jets 106

1½" Gunitite Jets 111

Venturi Tees 112

Swim Jets 114

Step Jets 115

JetArray® 116

| Swim Jet Guide 210

| Cross Reference Chart 252

# SPA MASTER™ 2" INSIDER GUNITE JET INTERNALS

Get a true spa experience with these interchangeable jet internals modeled after the popular CMP wave style jets. The wave style is a popular design for many major hot tub manufacturers. Benefit from the same quality design with the new 2" jet internals for in ground gunite pools.

[C-M-P.COM/2-INCH-GUNITE-JETS](http://C-M-P.COM/2-INCH-GUNITE-JETS)

## PRODUCT FEATURES

- CMP Wave Jet Design
- 4.25" Face Diameter
- Three Flow Orifices (FIG 1 - flow chart and diagram page 105)
- High-End Stainless Steel Spa Jet Design
- Three Color Options Available
- Standard or Deep Dish Niche Installation



Figure 1



## ORDERING GUIDE

REF	SS/WHITE	SS/GRAY	SS/BLACK	STYLE	BOX QTY
A	25591-110-000	25591-111-000	25591-114-000	DIRECTIONAL INTERNAL	100
B	25591-120-000	25591-121-000	25591-124-000	ROTATIONAL INTERNAL (SPINS)	100
C	25591-130-000	25591-131-000	25591-134-000	DOUBLE ROTO INTERNAL (SPINS)	100
D	25591-140-000	25591-141-000	25591-144-000	MASSAGE INTERNAL	100
E	25591-150-000	25591-151-000	25591-154-000	VTX INTERNAL (SOFT DIRECTIONAL)	100

# SPA MASTER™ 2" INSIDER GUNITE JET BODIES

## INSTALL GUNITE SPA JETS WITH 2" PIPE

A complete Gunite Jet system from CMP that is easier to install using the more standard 2" plumbing sizes. Available for gunite pool installations. All 2" jets plumb with 2" pipe and accept the new wave style jet internals. A more genuine spa experience for in ground gunite pools.

### 2" STRAIGHT BODY

- Installs with 2" Pipe
- 1.5" Spigot (1" S) Water
- 1" Spigot (0.5" S) Air
- With or Without Niche
- For Gunite Pools



### 2" GUNITE BODY

- Installs with 2" Pipe
- 2" Socket Water
- 1.5" Socket Air
- With or Without Niche
- For Gunite Pools



## ORDERING GUIDE

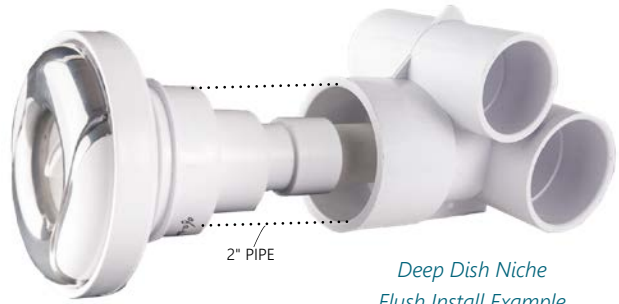
2" STRAIGHT BODY			
REF	CMP P/N	DESCRIPTION	BOX QTY
A-D	25581-290-000	2" STRAIGHT BODY, WALL FITTING, THREADED RING WITH WHITE STD NICHE	50
A-C	25581-200-000	2" STRAIGHT BODY, WALL FITTING, THREADED RING WITHOUT NICHE	50
2" GUNITE BODY			
E-H	25580-290-000	2" GUNITE BODY, WALL FITTING, THREADED RING WITH WHITE STD NICHE	25
E-G	25580-200-000	2" GUNITE BODY, WALL FITTING, THREADED RING WITHOUT NICHE	25

INTERCHANGEABLE INTERNALS 2" JETS PAGE 102

# SPA MASTER™ 2" INSIDER PARTS & ACCESSORIES

## DEEP DISH NICHE

- Internal Fits Flush in the Wall
- Cleaner Installed Appearance
- Sold Separately



*Deep Dish Niche  
Flush Install Example*

## 2" GUNITE JET PARTS & ACCESSORIES



## ORDERING GUIDE

REF	WHITE	GRAY	BLACK	DESCRIPTION
A	25580-920-190	25580-921-190	25580-924-190	DEEP DISH NICHE & PLASTER CAP FOR 2" JETS
B	25580-200-190	25580-201-190	25580-204-190	STANDARD NICHE & PLASTER CAP FOR 2" JETS
C	25580-200-030	25580-201-030	25580-204-000	WALL FITTING FOR 2" JETS
D	25590-000-200	—	—	JET TOOL & PLUG FOR 2" JETS
E	25580-000-120	—	—	THREADED RING

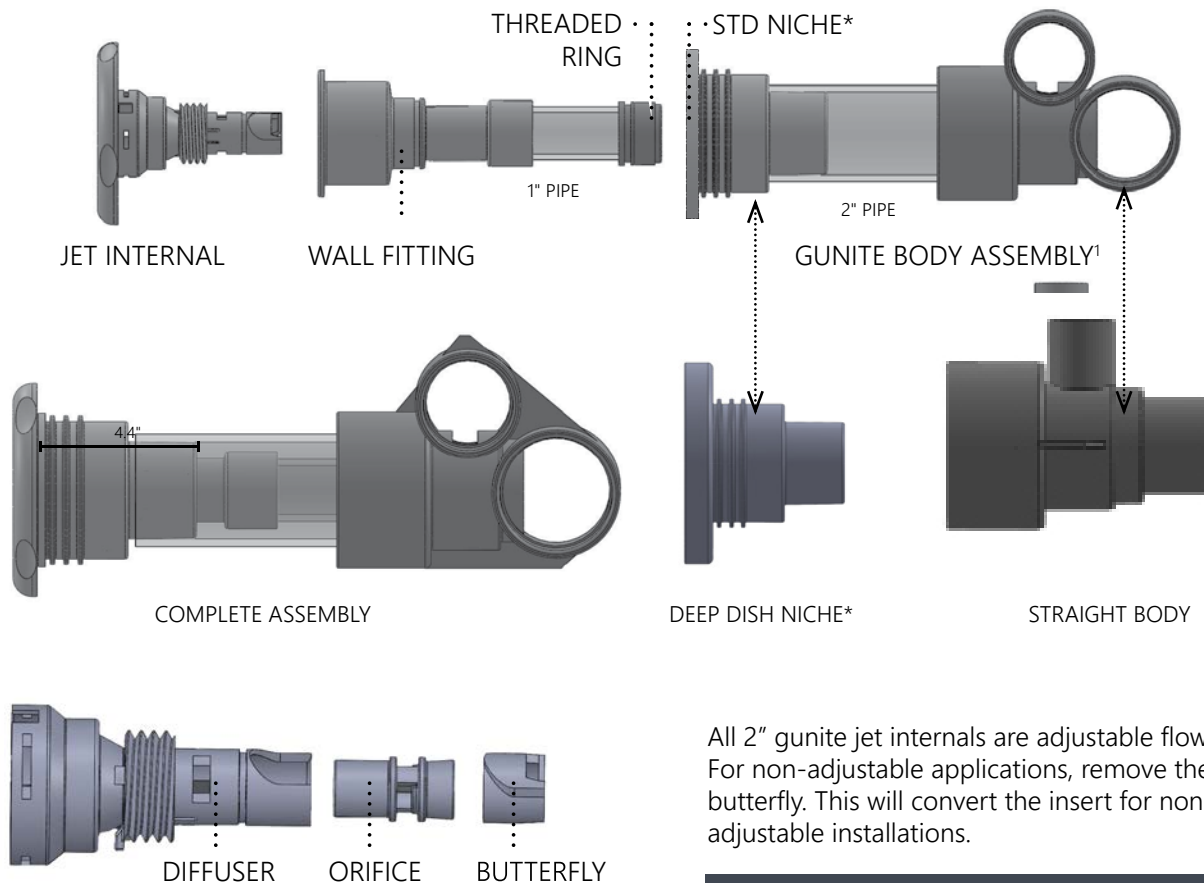




# SPA MASTER™ 2" INSIDER JET INSTALLATION

## GUNITE INSTALLATION & PRESSURE TEST GUIDE

1. Run ties through holes in the Jet Body braces, and attach to the rebar
2. Glue the 2" PVC pipe into the Jet Body. Cap the other end of the 2" pipe for pressure testing. (PVC pipe is not included)
3. After the pool is gunited, chip out the wall around the pipe to provide enough area for the Niche. Cut the pipe so that the Niche will be at the finished level of the wall. Glue the Niche into the 2" pipe. Tape over niche and plaster.
4. Glue the Threaded Ring onto the 1" pipe. Thread into jet and draw a mark on the 1" pipe even with the opening of the niche. Unthread and cut pipe. Glue the Wall Fitting to the end of the 1" pipe. Lubricate the o-ring. Insert this assembly back through the Niche and the 2" pipe and thread clockwise into the Jet Body. Tighten with the Gunite Jet Tool. (sold separately) Pressure testing can now be done by threading the Gunite Jet Wrench into the Wall Fitting.
5. Choose the desired jet face internal and the desired Jet Orifice. (see flow chart below) Insert the Jet Orifice into the back of the Diffuser, long tube first. Insert the Butterfly. Thread the jet internal into the Wall Fitting until the stop.



All 2" gunite jet internals are adjustable flow. For non-adjustable applications, remove the butterfly. This will convert the insert for non-adjustable installations.

ORIFICE FLOW RATES			
STYLE	1/4" GPM	3/8" GPM	1/2" GPM
DIRECTIONAL/VTX	7-10	13-17	22-26
SINGLE/DBL ROTO	8-11	13-17	22-26
MASSAGE	7-10	13-17	N/A

NOTE: Distance between the end of the niche and the 1" PVC pipe must be 4.4"

<sup>1</sup>standard niche only included with P/N 25580-290-000,25581-290-000

<sup>2</sup>deep dish niche sold separately

# SPA MASTER™ 2½" GUNITE/FIBERGLASS INTERNALS

## SCALLOPED JET INTERNALS

- 3-1/2" Scalloped Style Jet Face Flange
- Fits in All Spa Master 2-1/2" Bodies
- Adjustable Air & Water
- 5/16" Orifice = 10 GPM



## HIGH FLOW JET INTERNALS

### POWER JET INTERNALS

- Non-Adjustable
- Includes Four Orifices:
  - 5/16" = 10 GPM
  - 3/8" = 13 GPM
  - 7/16" = 17 GPM
  - 1/2" = 22 GPM



### WHIRLPOOL INTERNALS

- Non-Adjustable
- 3/4" Orifice
- 40-60 GPM



## ORDERING GUIDE

2.5" SCALLOPED JET INTERNALS								
REF	WHITE	GRAY	BLACK	DARK GRAY	TAN	TWO-TONE LT/DK GRAY	STYLE	BOX QTY
A	25591-210-000	25591-211-000	25591-214-000	25591-217-000	25591-219-000	25591-211-700	DIRECTIONAL	100
B	25591-220-000	25591-221-000	25591-224-000	25591-227-000	25591-229-000	25591-221-700	ROTATIONAL	100
C	25591-230-000	25591-231-000	25591-234-000	25591-237-000	25591-239-000	25591-231-700	PULSATOR	100
D	25591-240-000	25591-241-000	25591-244-000	25591-247-000	25591-249-000	25591-241-700	MASSAGE	100
E	25591-250-000	25591-251-000	25591-254-000	25591-257-000	25591-259-000	25591-251-700	TWIN-SPIN	100
HIGH FLOW JET INTERNALS								
F	25582-000-000	25582-001-000	25582-004-000	25582-007-000	25582-009-000	—	POWER JET	50
G	25583-000-000	25583-001-000	25583-004-000	25583-007-000	25583-009-000	—	WHIRLPOOL	150

# SPA MASTER™ 2½" JET BODIES

The original CMP Spa Master™ Jet system. Available in Gunite or Fiberglass installation options. All 2.5" jets plumb with 2.5" pipe, and accept all CMP 2.5" jet internals on the previous page.

## 2.5" STRAIGHT BODY

- Installs with 2.5" Pipe
- 1.5" SP(1" S) Water
- 1" SP (0.5" S) Air
- With or Without Niche
- For Gunite Pools



## 2.5" GUNITE BODY

- Installs with 2.5" Pipe
- 2" Socket Water
- 1.5" Socket Air
- With or Without Niche
- For Gunite Pools



## 2.5" FIBERGLASS BODY

- Installs with 2.5" Pipe
- Three Fitting Styles
- Complete Assembly
- For Fiberglass Pools



## ORDERING GUIDE

2.5" STRAIGHT BODY			
REF	CMP P/N	DESCRIPTION	BOX QTY
A-D	25581-090-000	2.5" STRAIGHT BODY, WALL FITTING, THREADED RING WITH WHITE STD NICHE	50
A-C	25581-000-000	2.5" STRAIGHT BODY, WALL FITTING, THREADED RING WITHOUT NICHE	50
A	25581-000-010	STRAIGHT BODY ONLY	100
2.5" GUNITE BODY			
E-H	25580-090-000	2.5" GUNITE BODY, WALL FITTING, THREADED RING W/ WHITE NICHE	25
E-G	25580-000-000	2.5" GUNITE BODY, WALL FITTING, THREADED RING WITHOUT NICHE	25
E	25580-000-010	GUNITE BODY ONLY	30
FIBERGLASS BODY JETS			
I	25594-150-000	FIBERGLASS JET ASSEMBLY 1" S AIR × 1.5" S WATER	50
J	25594-100-000	FIBERGLASS JET ASSEMBLY 1" S AIR × 1" S WATER	50
K	25594-160-000	FIBERGLASS JET ASSEMBLY .5" S AIR × 1.5" S WATER, WHITE FACEPLATE	50
K	25594-180-000	FIBERGLASS JET ASSEMBLY .5" S AIR × 1.5" S WATER, DARK GRAY FACEPLATE	50

# SPA MASTER™ 2½" JETS

## DEEP DISH NICHE

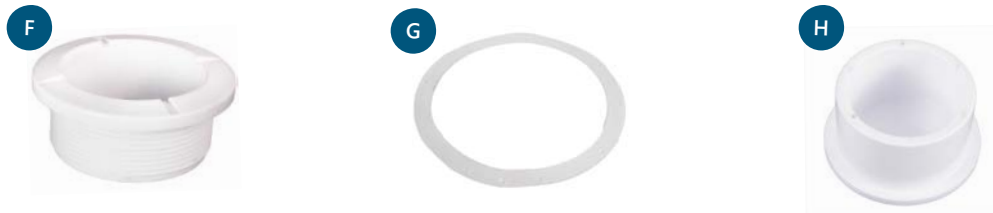
- Internal Fits Flush in the Wall
- Cleaner Installed Appearance
- Sold Separately



## 2.5" GUNITE JET PARTS & ACCESSORIES



## 2.5" FIBERGLASS JET PARTS & ACCESSORIES



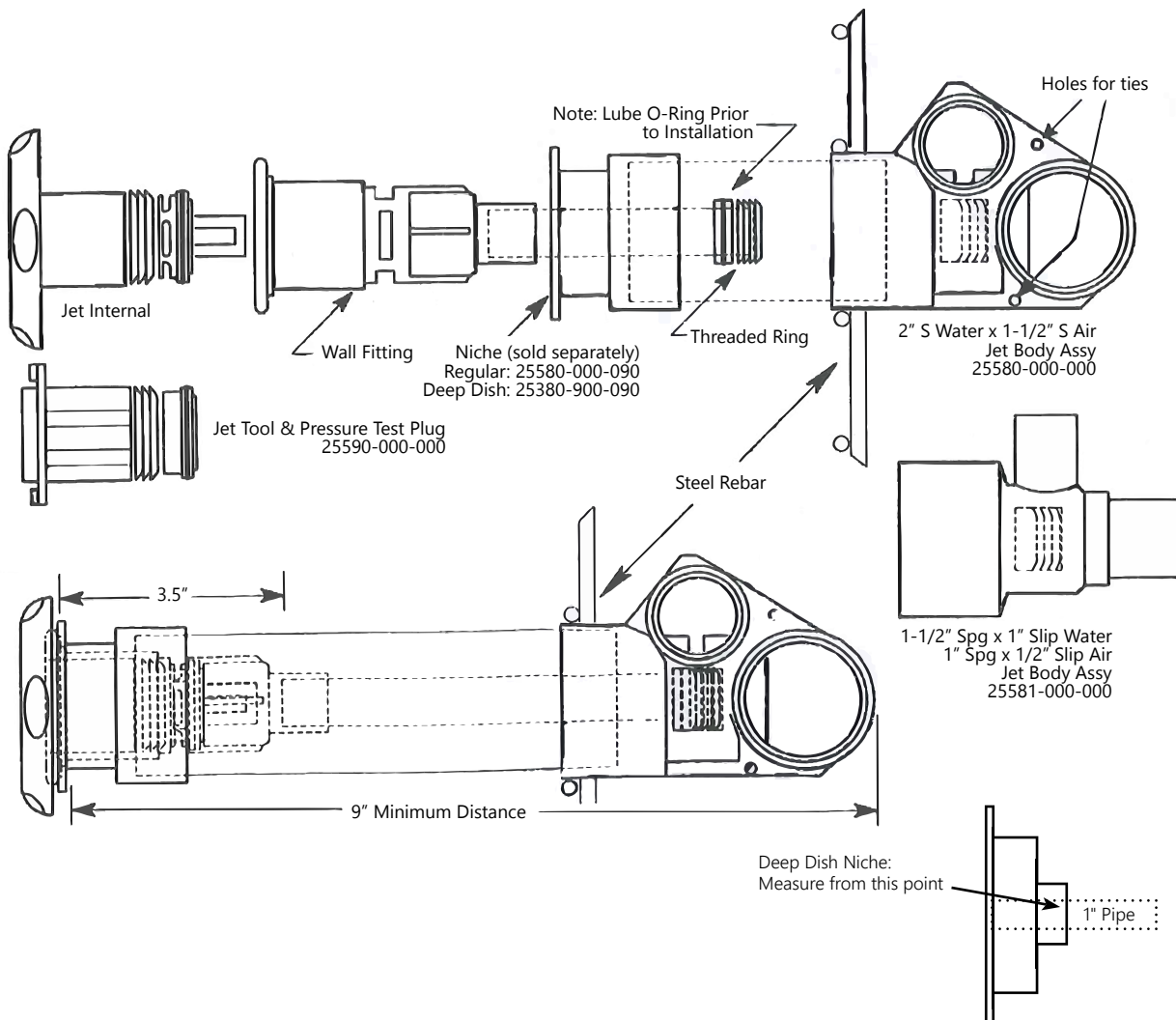
## ORDERING GUIDE

REF	WHITE	GRAY	BLACK	DARK GRAY	TAN	DESCRIPTION	BOX QTY
A	25580-900-090	25580-901-090	25580-904-090	25580-907-090	25580-909-090	DEEP DISH NICHE	100
B	25580-000-090	25580-001-090	25580-004-090	25580-007-090	25580-009-090	GUNITE STD JET NICHE	100
C	25580-000-030	25580-001-030	25580-004-030	25580-007-030	25580-009-030	GUNITE WALL FITTING	150
D	25590-000-000	—	—	—	—	JET WRENCH & PLUG	200
E	25580-000-120	—	—	—	—	THREADED RING (1" S)	1000
F	25594-100-000	—	—	—	—	FG JET WALL FITTING	50
G	26200-234-421	—	—	—	—	EPDM L-GASKET	1800
H	25577-950-020	—	—	—	—	1.5" SOCKET PLUG	600

# SPA MASTER™ 2½" JET INSTALLATION

## GUNITE INSTALLATION & PRESSURE TEST GUIDE

1. Run ties through holes in jet body braces and attach to rebar.
2. Estimate length of 2.5" PVC pipe as needed for wall thickness. Cut pipe longer than needed. Glue the 2.5" PVC pipe into jet body. Cap other end of 2.5" pipe for pressure testing.
3. After pool gunite work is complete, chip out wall around pipe to provide enough area to glue on niche. Cut pipe flush with wall and glue niche onto pipe.
4. Glue the threaded ring onto one end of the 1" PVC pipe. Do not cut 1" pipe yet. Lube the o-ring on the threaded ring. Insert the threaded ring end of this assembly inside the 2.5" PVC and thread clockwise into jet body until tight. Make a mark on the 1" PVC pipe that is flush with the end of the niche or inside the deep dish niche (see below), then remove this assembly from jet body by turning counterclockwise.
5. Shorten the length of the 1" PVC pipe by measuring 3.5" back from the mark on the pipe and cut. Glue wall fitting onto this cut end. Lube o-ring on threaded ring, if needed, add teflon tape onto threads and insert this new assembly back through the 2.5" PVC pipe and thread clockwise into jet body. Tighten with Gunite Jet Tool. Pressure testing can now be done by threading the Gunite Jet Tool into wall fitting until tight.
6. Choose desired jet face internal. Thread jet internal into wall fitting until tight.



# SPA MASTER™ 2" GUNITE MINI SPA JET

## PRODUCT FEATURES

- Small Jet Face Footprint
- Plumbs with 2" PVC Pipe
- Assembly Includes Jet, Body, & Wall Fitting
- 2" Water × 1.5" Air
- 10 GPM
- *Note: 2" Pipe Not Included*



\*B-D Not Sold Separately



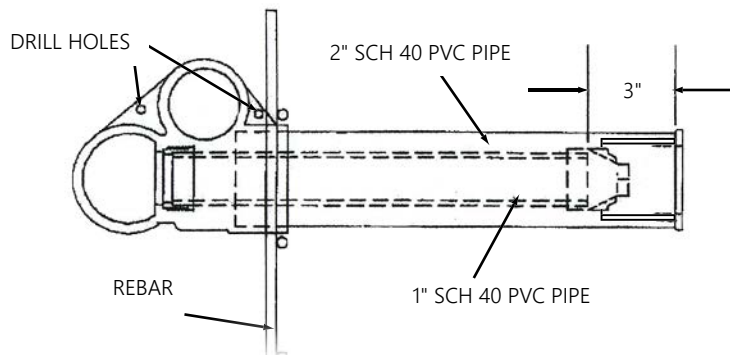
## ORDERING GUIDE

REF	CMP P/N	DESCRIPTION	BOX QTY
A,B	25592-010-000	DIRECTIONAL 2" JET ASSEMBLY	30
A,C	25592-020-000	"WHIRLY" ROTO 2" JET ASSEMBLY	30
A,D	25592-030-000	PULSATOR 2" JET ASSEMBLY	30

## INSTALLATION GUIDE

1. Drill holes Jet Body as shown in the figure below. Run ties through the holes to attach the body to rebar.
2. Based on the thickness of the pool wall, estimate the lengths of 1" and 2" PVC Pipe required. Cut both sizes of PVC Pipe to the same length to be at least 4" longer than estimated. Glue the 2" PVC Pipe to the Jet Body as shown.
3. After plastering the pool, cut the 2" PVC pipe to be flush with the wall and glue Gunite Wall Fitting to the inside of 2" PVC Pipe.
4. Glue the Retainer Ring to one end of the 1" PVC Pipe. To pressure test, plug the other end with a 1" cap. Insert the 1" PVC Pipe assembly with the cap installed into the Jet Body (tighten clockwise) then perform pressure test.
5. After pressure testing, mark the 1" PVC Pipe where it is flush with the pool wall. Remove the 1" PVC Pipe Assembly from the Jet Body, measure back 3" from the mark and cut. Glue the Nozzle to the 1" PVC Pipe to complete the assembly.
6. Insert the 1" PVC Pipe Assembly into the 2" PVC Pipe Assembly and tighten with a 5/8" socket, or cut a slot in a piece of 1" PVC pipe to match the tabs on the nozzle and use it to tighten the assembly.
7. Screw the Eyeball Wall Fitting into the Gunite Wall Fitting.
8. Carefully insert the desired Jet Face into the Eyeball Wall Fitting making sure the legs of the Jet Face are not forced onto the tabs of the Nozzle which can cause damage.

**NOTE: The distance from the end of the 2" PVC Pipe and the 1" PVC Pipe must be 3" ; any other distance will result in Jet malfunction. Jet may not aspirate or the Jet Face may be blown out.**



# SPA MASTER™ 1½" JET INTERNALS

The fast and easy way to add enhanced therapy performance using standard pool fittings. Spa Master 1-1/2" Jet Internals install simply using standard wall fittings with 1.5" FPT threads. An easy way to expand your wall return options beyond a typical directional eyeball fitting.

## PRODUCT FEATURES

- Stainless Steel Options
- Install in any 1.5" wall fitting
- Therapy massage style performance
- For maximum enhanced performance, combine with CMP Venturi Tees



**PULSATOR: EXCITING SPINNING ACTION**

**MASSAGE: RELAXING SOFT ROTATION**

**RAIN: GENTLE THERAPY, ROTATION OPTIONAL**

## ROTATING PULSATOR EYEBALL

- Add Spinning Action to a 1.5" Return
- Replaces Directional Eye
- Eyeball Only (fitting sold separately)



## ORDERING GUIDE

1.5" JET INTERNALS								
REF	WHITE	GRAY	BLACK	DARK GRAY	TAN	DARK BLUE	DESCRIPTION	BOX QTY
A	23315-030-000	23315-031-000	23315-034-000	23315-037-000	23315-039-000	23315-069-000	PULSATOR	500
B	23315-030-200	23315-031-200	23315-034-200	—	—	—	SS PULSATOR	—
C	23315-240-000	23315-241-000	23315-244-000	23315-247-000	23315-249-000	—	MASSAGE	—
D	23315-240-200	23315-241-200	23315-244-200	—	—	—	SS MASSAGE	—
E	23315-300-000	23315-301-000	23315-304-000	23315-307-000	23315-309-000	—	RAIN	200
E	23315-340-000	23315-341-000	23315-344-000	23315-347-000	23315-349-000	—	RAIN (SPINNING)	200
F	23315-300-200	23315-301-200	23315-304-200	—	—	—	SS RAIN	—
F	23315-340-200	23315-341-200	23315-344-200	—	—	—	SS RAIN (SPINNING)	—

ROTATING PULSATOR EYEBALL ONLY								
REF	WHITE	GRAY	BLACK	DARK GRAY	TAN	LIGHT BLUE	DESCRIPTION	BOX QTY
D	23315-100-000	23315-101-000	23315-104-000	23315-107-000	23315-109-000	23315-119-000	ROTATING EYEBALL	—

## SPA MASTER™ VENTURI TEES



## ORDERING GUIDE

REF	CMP P/N	DESCRIPTION	FLOW (GPM)	PLUMBING SIZE	BOX QTY
A	23306-100-000	VENTURI TEE, 1/4" TWIST-LOCK	7-10	1.5" S × 1.5" S × 3/4" S	160
—	23306-100-020	1/4" NOZZLE ONLY (FOR 23306-100)	7-10	—	1000
A	23306-120-000	VENTURI TEE, 1/2" TWIST-LOCK	22-26	1.5" S × 1.5" S × 3/4" S	160
—	23306-120-020	1/2" NOZZLE ONLY (FOR 23306-120)	22-26	—	500
B	23307-000-000	GUNITE VENTURI TEE, THREADED 7/16"	17-20	1.5" S × 1.5" SP × 1" SP (1/2" S)	150
B	23307-100-000	GUNITE VENTURI TEE, THREADED 7/16"	17-20	1.5" S × 1.5" SP × 3/4" SP	140
C	23307-200-000	GUNITE VENTURI TEE, THREADED 7/16"	17-20	1.5" S × 1.5" SP × 1/2" SP	140
D	23309-000-000	VENTURI TEE #7 WITH NOZZLE, 3/8" ORIFICE	13-17	1" S × 1" SP × 1" S	350
E	23308-000-000	GUNITE VENTURI TEE, THREADED 7/16"	17-20	1.5"S (1.5" SP) × 1" SP (1/2" S)	50
—	23301-000-030	4" NOZZLE ONLY (FOR 23308-000)	17-20	—	300
—	23308-100-000	EXTENDED VENTURI TEE, 7/16" TWIST-LOCK	17-20	1.5" S × 1.5" SP × 3/4" SP	50
—	23308-100-020	4" TWIST-LOCK NOZZLE (FOR 23308-100)	17-20	—	1000
F	23308-200-000	GUNITE VENTURI TEE, THREADED 5/16"	9-14	1.5"S (1.5" SP) × 1" SP (1/2" S)	50
—	23308-200-030	1/2" NOZZLE ONLY (FOR 23308-200)	9-14	—	500
G	23308-100-100	EXT. VENTURI TEE JET ASSY, TWIST-LOCK 7/16" & INSIDER	17-20	1.5" S × 1.5" SP × 3/4" SP	50
—	23308-110-110	WHITE DIRECTIONAL FACEPLATE (FOR 23308-000-100)	—	—	150
H	23304-100-000	DOUBLE TEE JET 3/8" THREADED NOZZLE (1.5" SPIGOT)	13-17	1.5"S × 1.5" S × 1.5"SP	60
H	23304-000-000	DOUBLE TEE JET 3/8" THREADED NOZZLE (1.5"SOCKET)	13-17	1.5"S × 1.5"S × 1.5"S	60
I	23308-100-050	12" TWIST-LOCK EXT. NOZZLE FOR GUNITE VENTURI TEE	17-20	7/16" ORIFICE	180
I	23308-100-040	12" THREADED EXT. NOZZLE FOR GUNITE VENTURI TEE	17-20	7/16" ORIFICE	180
I	23304-000-040	12" EXTENDED NOZZLE	13-17	3/8"ORIFICE	180
J	23302-000-040	NOZZLE REDUCER FOR 7/16" ORIFICE	13-17	3/8" ORIFICE	2000
J	23302-100-040	NOZZLE REDUCER FOR 7/16" ORIFICE	7-10	1/4" ORIFICE	2000



# SPA MASTER™ GUNITE SPA JETS



## ORDERING GUIDE

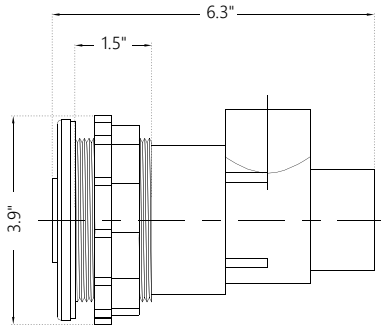
REF	CMP P/N	DESCRIPTION	FLOW (GPM)	PLUMBING SIZE	BOX QTY
A	23300-000-000	1.5" FIP HYDROTHERAPY BODY, 3/8" THREADED NOZZLE	13-17	1.5" S WATER x .5" S AIR	50
B	23301-000-000	HYDROTHERAPY BODY WITH 4" NOZZLE	17-20	1.5" S WATER x 1.5" S AIR	50
B	<i>included w/ above</i>	1" NOZZLE FOR 23301-000-000	13-17	1.5" S WATER x .5" S AIR	—
—	23300-040-000	GUNITE SPA JET WATER PLUG	—	—	—
—	23300-030-000	GUNITE SPA JET AIR PLUG	—	—	—
C	23300-200-000	WHITE DIR. WALL FITTING (2 GASKETS)	—	1.5"	100
C	23300-210-000	WHITE DIR. WALL FITTING (2 GASKETS & NUT)	—	1.5"	100
—	23300-220-000	WHITE DIRECTIONAL WALL FITTING 3.5" FACE EYE & RING	—	—	—
D	23300-250-000	WHITE LONG DIR. WALL FITTING (EYE, NUT, 2 GASKETS)	—	1.5"	50
D	23300-240-000	WHITE LONG DIR. WALL FITTING (EYE, 2 GASKETS)	—	1.5"	—
—	23300-200-040	GASKET ONLY FOR 23300-250	—	—	100
E	23300-100-000	GUNITE JET ASSEMBLY & WALL FITTING	13-17	1.5" S WATER x 1.5" S AIR	50
E	23300-450-000	GUNITE JET ASSEMBLY & EXTENDED WALL FITTING	13-17	1.5" S WATER x 1.5" S AIR	50
F	23300-300-000	GUNITE JET EXTENSION FOR 23301 W/ NUT & 4" NOZZLE	—	—	50
—	23301-000-030	GUNITE JET BODY 4" EXTENSION NOZZLE	17-20	—	50
G	23305-000-000	OVER/UNDER BODY, BLOWER ONLY, 7/16" NOZZLE	17-20	1.5" SP x 1.5" S WTR x 1.5" S AIR	50
H	23302-000-000	2" x 2" GUNITE JET WITH 4" & 1" NOZZLES	13-20	2" S x 2" S WTR x 1.5" S AIR	30
I	23310-000-000	TEE JET, 1/4" NOZZLE (50 PER BAG)	7-10	FITS IN 1.5" TEE	600
J	25556-100-000	EYEBALL WITH BLUE NOZZLE	—	1.5" MIP	200
K	25556-300-000	JET AIR FITTING KIT (FITTING, EYEBALL, NOZZLE, 5/16" ORIFICE)	22-26*	1.5" MIP	50
K	25556-000-000	JET AIR FITTING ONLY, 1/2" ORIFICE	22-26	1.5" MIP	200
—	26100-255-630	BLUE NOZZLE ONLY	—	—	—

MORE GUNITE JETS ON NEXT PAGE | S=SOCKET SP=SPIGOT | \*9-14 WITH 5/16" ORIFICE

# SPA MASTER™ SWIM JETS

## WHIRLPOOL SWIM JET

- 1" Orifice (90-110 GPM)
- 1" Socket Air x 1.5" Spigot Water
- 3½" Hole Saw Size



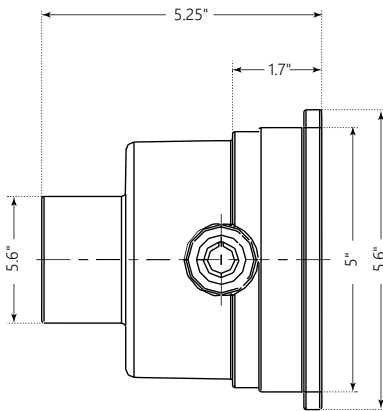
A



## TURBO POWER SWIM JET

*Turbo Technology: More Powerful Than the Average Jet*

- 2" SP/1.5" S Water x 1" SP/.5" S Air
- 4½" Hole Saw Size
- Three Different Orifice Sizes Included:
  - 5/8" (30-40 GPM)
  - 3/4" (60-75 GPM)
  - 1" (90-110 GPM)



B



C



## ORDERING GUIDE

WHIRLPOOL SWIM JET			
REF	CMP P/N	DESCRIPTION	BOX QTY
A	23312-000-000	WHITE WHIRLPOOL SWIM JET	60
A	23312-001-000	GRAY WHIRLPOOL SWIM JET	60
TURBO POWER SWIM JET			
B	23551-660-000	WHITE TURBO POWER SWIM JET	30
B	23551-661-000	GRAY TURBO POWER SWIM JET	30
C	23551-699-999	SWIM JET WRENCH	—

SWIM JET INSTALLATION REFERENCE PAGE 210

# SPECIALTY JETS & ACCESSORIES

## 3.5" STEP JET KITS

### PRODUCT FEATURES

- Directional or Pulsator Jets
- Available in White or Gray
- Complete Install Kit Includes:
  - (2) Jets, (2) Air Controls
  - (2) 1-1/2" Plugs, (2) 1" Plugs
  - (1) 1-1/2" Tee, (2) Fitting Wrenches
  - (2) 3ft lengths of 1" Flex Pipe
  - (2) Winterizing Plugs, (1) Can of glue



## SPA AIR CONTROLS

### PRODUCT FEATURES

- 5-Scallop Topside Design
- Top Draw
- 0.5" Socket Style Fits Inside 1.5" Pipe
- Four Color Options



## ORDERING GUIDE

REF	CMP P/N	DESCRIPTION	BOX QTY
A	25591-910-000	WHITE DIRECTIONAL STEP JET KIT (TWO JETS)	—
A	25591-911-000	GRAY DIRECTIONAL STEP JET KIT (TWO JETS)	—
A	25591-930-000	WHITE PULSATOR STEP JET KIT (TWO JETS)	—
A	25591-931-000	GRAY PULSATOR STEP JET KIT (TWO JETS)	—
B	25098-000-000	WHITE GUNITE/FIBERGLASS SPA AIR CONTROL (1" SOCKET)	300
B	25098-001-000	GRAY GUNITE/FIBERGLASS SPA AIR CONTROL (1" SOCKET)	300
B	25098-004-000	BLACK GUNITE/FIBERGLASS SPA AIR CONTROL (1" SOCKET)	300
B	25098-009-000	TAN GUNITE/FIBERGLASS SPA AIR CONTROL (1" SOCKET)	300
C	25099-000-000	WHITE SLIM GUNITE SPA AIR CONTROL (1/2" SOCKET)	400
C	25099-001-000	GRAY SLIM GUNITE SPA AIR CONTROL (1/2" SOCKET)	400
C	25099-004-000	BLACK SLIM GUNITE SPA AIR CONTROL (1/2" SOCKET)	400
C	25099-009-000	TAN SLIM GUNITE SPA AIR CONTROL (1/2" SOCKET)	400

# JETARRAY® INLINE

The JetArray® is a professional system that speeds up the installation of multiple jets and creates an even water flow distribution.

This patented system prevents under performing jets caused by plumbing high and low. The JetArray® is the best way to achieve a consistent, powerful spa seat installation.

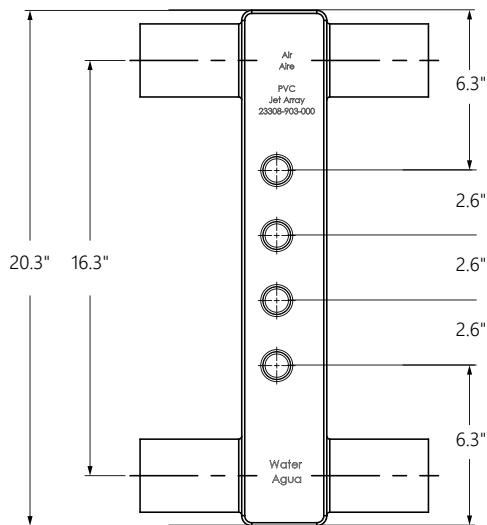


## PRODUCT FEATURES

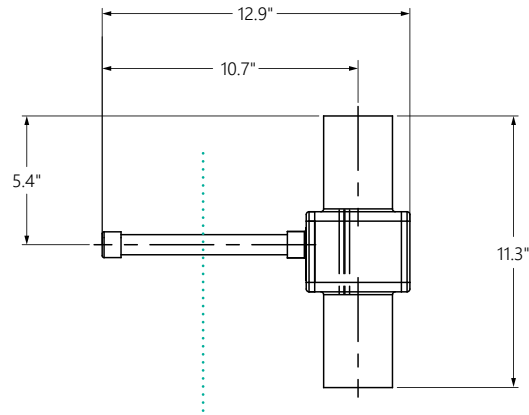
- As Low as 25 GPM for One JetArray
- Vertical or Horizontal Layout
- 1/2" Jet Line Pre-Installed
- U.S PATENT #6,804,841
- U.S PATENT #7,493,665
- U.S PATENT #9,056,322



Shown with Insider Fittings (sold separately)



INSTALL VERTICAL OR HORIZONTAL



1/2" LINE SHOULD BE TRIMMED AT INSTALL TO BE FLUSH WITH PLASTER

## ORDERING GUIDE

REF	CMP P/N	DESCRIPTION	BOX QTY
A	23308-930-000	JETARRAY® INLINE UNIT	1
B	25523-750-000	WHITE 1/2" INSIDER FITTING	—
B	25523-751-000	GRAY 1/2" INSIDER FITTING	—
B	25523-754-000	BLACK 1/2" INSIDER FITTING	—
B	25523-757-000	DARK GRAY 1/2" INSIDER FITTING	—
B	25523-759-000	TAN 1/2" INSIDER FITTING	—

JETARRAY® IS A REGISTERED TRADEMARK OF SULTAN PRODUCTS

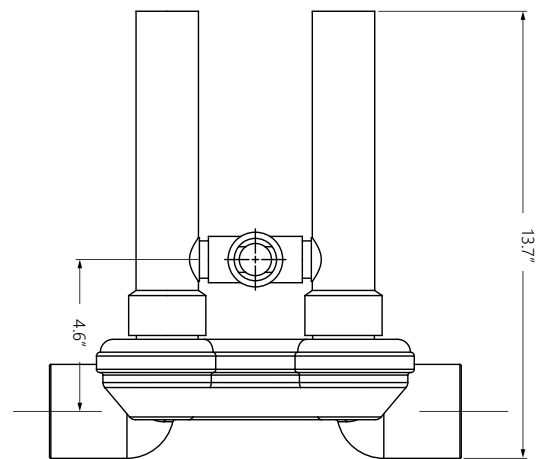
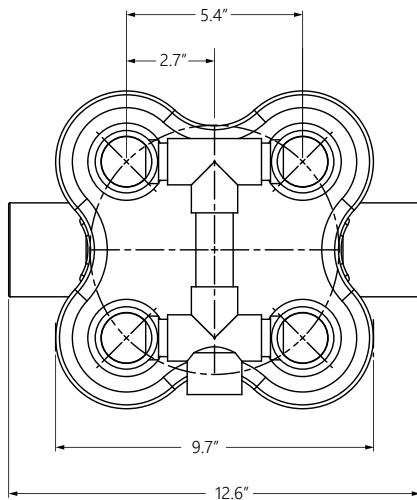
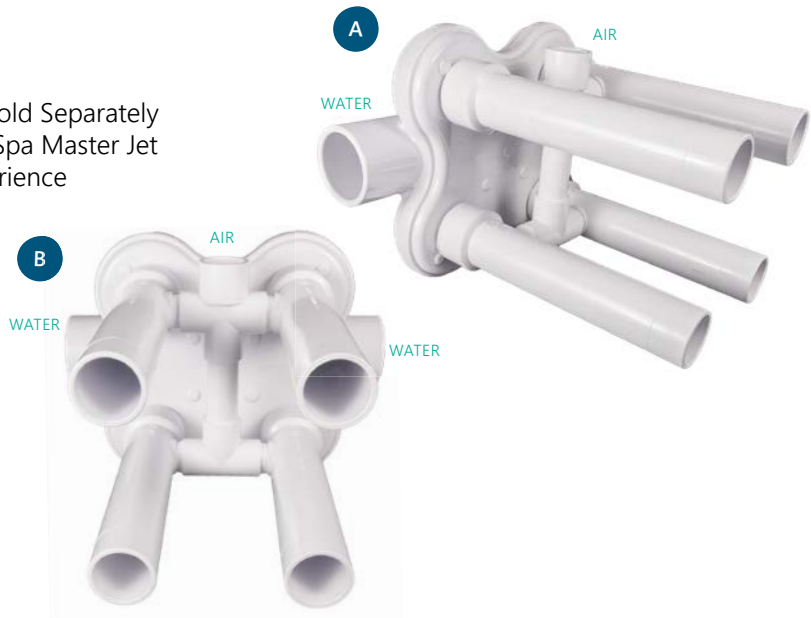
# JETARRAY® 2×2 CLUSTER

## PRODUCT FEATURES

- Includes 1", 1.5", & 2" Adapters
- Jets Can Be Trimmed To Fit
- Nozzle Extenders & Reducers Sold Separately
- Accepts 1-1/2 Fittings; Use 1.5" Spa Master Jet Internals for a Therapy Jet Experience
- U.S. PATENT #6,804,841

## TECHNICAL GUIDE

- 70-80 GPM (without reducer)
- Includes 1", 1.5", & 2" Adapters
- 2" Socket (Water)
- 3/4" Socket (Air)



## ORDERING GUIDE

REF	CMP P/N	DESCRIPTION	BOX QTY
A	23308-910-000	JETARRAY® 2 × 2 SINGLE PORT (WATER ON BOTTOM)	1
B	23308-900-000	JETARRAY® 2 × 2 DUAL PORT (WATER ON SIDES)	1
—	23302-000-040	55-65 GPM REDUCER (4 REQUIRED PER UNIT)	2000
—	23302-100-040	45-55 GPM REDUCER (4 REQUIRED PER UNIT)	2000
—	23308-100-050	NOZZLE EXTENDER 12"	250
—	23308-100-020	NOZZLE EXTENDER 4"	1000
—	25523-100-000	WALL FITTING	50
—	25575-500-000	WATER STOP ADAPTER	200
—	SEE PAGE 111	1.5" JET INTERNALS	500

COVERED BY ONE OR MORE U.S. PATENTS OR PENDING PATENT APPLICATIONS. SEE [WWW.C-M-P.COM/PATENTS](http://WWW.C-M-P.COM/PATENTS) FOR DETAILS.

# SpaMASTER™

CMP is totally committed to providing the most complete and innovative selection of in ground spa products in the pool industry. That's why we continue to add each year to our already expansive line of products for in ground spas.

With the Spa Master™ brand you can always expect:

- The **largest selection** of in ground spa components & systems in the industry
- Professional level systems designed to make installations simpler and faster
- Complete component systems for gunite, vinyl & fiberglass in ground pools

# WHITE GOODS

In Ground Skimmers *120*

VGB Drains & Suctions *133*

Pool Deck White Goods *148*

Eyeball Fittings *149*

Wall Fittings *153*

Water Stops *154*

Unions *156*

Plumbing Fittings *159*

Repair Fittings *160*

| Replacement Parts *236*

| Cross Reference Charts *253*

# IN GROUND GUNITE SKIMMERS | UNIBODY STYLE

CMP manufactures a premier selection of skimmers for in ground gunite pools. Our skimmers are available in multiple trim color options for a more attractive installed appearance.

[C-M-P.COM/INGROUND-SKIMMERS](http://C-M-P.COM/INGROUND-SKIMMERS)

## PRODUCT FEATURES

- ABS Unibody Skimmers have no Glue Joints
- FIP or Socket Connections
- Use ABS to PVC Glue for Socket Ports
- Available With Float Valve
- Available with Flowskim Basket Upgrade



## ORDERING GUIDE

ABS UNIBODY SKIMMERS									
CMP P/N	BODY STYLE	BODY COLOR	COVER COLOR*	COVER TYPE	GPM	PORTS	PORT TYPE	FLOAT VALVE	BASKET STYLE
25100-040-000	ABS UNIBODY	WHITE	WHITE	ROUND	65 GPM	2	2" FIP	●	FLOWSKIM
25100-140-000	ABS UNIBODY	WHITE	WHITE	ROUND	65 GPM	2	2" SOCKET	●	FLOWSKIM
25100-000-000	ABS UNIBODY	WHITE	WHITE	ROUND	65 GPM	2	2" FIP	●	STANDARD
25100-100-000	ABS UNIBODY	WHITE	WHITE	ROUND	65 GPM	2	2" SOCKET	●	STANDARD
25100-050-000	ABS UNIBODY	WHITE	WHITE	ROUND	65 GPM	2	2" FIP	—	FLOWSKIM
25100-150-000	ABS UNIBODY	WHITE	WHITE	ROUND	65 GPM	2	2" SOCKET	—	FLOWSKIM
25100-010-000	ABS UNIBODY	WHITE	WHITE	ROUND	65 GPM	2	2" FIP	—	STANDARD
25100-110-000	ABS UNIBODY	WHITE	WHITE	ROUND	65 GPM	2	2" SOCKET	—	STANDARD
25100-009-000	ABS UNIBODY	WHITE	TAN	ROUND	65 GPM	2	2" FIP	●	STANDARD
25100-109-000	ABS UNIBODY	WHITE	TAN	ROUND	65 GPM	2	2" SOCKET	●	STANDARD
25100-159-000	ABS UNIBODY	WHITE	TAN	ROUND	65 GPM	2	2" FIP	—	FLOWSKIM
25100-019-000	ABS UNIBODY	WHITE	TAN	ROUND	65 GPM	2	2" FIP	—	STANDARD
25100-119-000	ABS UNIBODY	WHITE	TAN	ROUND	65 GPM	2	2" SOCKET	—	STANDARD
25100-104-400	ABS UNIBODY	BLACK	BLACK	ROUND	65 GPM	2	2" SOCKET	●	STANDARD
25100-154-400	ABS UNIBODY	BLACK	BLACK	ROUND	65 GPM	2	2" SOCKET	—	FLOWSKIM
25100-114-400	ABS UNIBODY	BLACK	BLACK	ROUND	65 GPM	2	2" SOCKET	—	STANDARD
25100-119-400	ABS UNIBODY	BLACK	TAN	ROUND	65 GPM	2	2" SOCKET	—	STANDARD

\*includes cover and collar unless noted otherwise

### ABOUT FLOAT VALVES

- Float valves automatically regulate skimmer flow, sending more water to the main drain for better circulation.
- If the water level drops below skimmer level, the float valve shuts off the skimmer to prevent the pump running dry.

### ABOUT FLOWSKIM BASKETS

- Aids in basket removal without touching dirty, wet debris
- Provides a flow path even when the skimmer is full, protecting the pump from running dry.
- Side handle orientation allows you to empty the basket while keeping your hands clear of the debris.
- U.S. and International Patents

QUICKLY FIND THE PERFECT SKIMMER AT [C-M-P.COM/SELECT-A-SKIMMER](http://C-M-P.COM/SELECT-A-SKIMMER)



# IN GROUND GUNITE SKIMMERS | ABS/PVC STYLE

CMP offers a wide selection of skimmers with an ABS Body and PVC port. The skimmers are easier to install using regular PVC glue, and are available in a wider range of options and colors.



## PRODUCT FEATURES

- ABS with PVC port skimmers use regular PVC glue Available With Float Valve
- Available with FlowSkim Basket Upgrade
- Water Bond Skimmers (page 123)

## ORDERING GUIDE

ABS BODY / PVC PORT SKIMMERS									
CMP P/N	BODY STYLE	BODY COLOR	COVER COLOR*	COVER TYPE	GPM	PORTS	PORT TYPE	FLOAT VALVE	BASKET STYLE
25140-050-000	ABS BODY, PVC PORT	WHITE	WHITE	ROUND	75 GPM	2	2"S×2.5"SP	—	FLOWSKIM
25140-000-000	ABS BODY, PVC PORT	WHITE	WHITE	ROUND	75 GPM	2	2"S×2.5"SP	●	STANDARD
25140-250-000	ABS BODY, PVC PORT	WHITE	WHITE	ROUND	75 GPM	1	2"S×2.5"SP	—	FLOWSKIM
25140-010-002	ABS BODY, PVC PORT	WHITE	WHITE	SQUARE	75 GPM	2	2"S×2.5"SP	—	STANDARD
25140-010-000	ABS BODY, PVC PORT	WHITE	WHITE	ROUND	75 GPM	2	2"S×2.5"SP	—	STANDARD
25140-210-000	ABS BODY, PVC PORT	WHITE	WHITE	ROUND	75 GPM	1	2"S×2.5"SP	—	STANDARD
25140-009-000	ABS BODY, PVC PORT	WHITE	TAN	ROUND	75 GPM	2	2"S×2.5"SP	●	STANDARD
25140-259-000	ABS BODY, PVC PORT	WHITE	TAN	ROUND	75 GPM	1	2"S×2.5"SP	—	FLOWSKIM
25140-019-000	ABS BODY, PVC PORT	WHITE	TAN	ROUND	75 GPM	2	2"S×2.5"SP	—	STANDARD
25140-019-002	ABS BODY, PVC PORT	WHITE	TAN	SQUARE	75 GPM	2	2"S×2.5"SP	—	STANDARD
25140-219-000	ABS BODY, PVC PORT	WHITE	TAN	ROUND	75 GPM	1	2"S×2.5"SP	—	STANDARD
25140-239-000	ABS BODY, PVC PORT	WHITE	TAN	SQUARE	75 GPM	1	2"S×2.5"SP	—	STANDARD
25140-210-500	ABS BODY, PVC PORT	WHITE	NONE	NONE	75 GPM	1	2"S×2.5"SP	—	STANDARD
25140-009-900	ABS BODY, PVC PORT	TAN	TAN	ROUND	75 GPM	2	2"S×2.5"SP	●	STANDARD
25140-019-900	ABS BODY, PVC PORT	TAN	TAN	ROUND	75 GPM	2	2"S×2.5"SP	—	STANDARD
25140-019-902	ABS BODY, PVC PORT	TAN	TAN	SQUARE	75 GPM	2	2"S×2.5"SP	—	STANDARD
25140-219-900	ABS BODY, PVC PORT	TAN	TAN	ROUND	75 GPM	1	2"S×2.5"SP	—	STANDARD
25140-019-500	ABS BODY, PVC PORT	TAN	NONE	NONE	75 GPM	2	2"S×2.5"SP	—	STANDARD
25140-219-500	ABS BODY, PVC PORT	TAN	NONE	NONE	75 GPM	1	2"S×2.5"SP	—	STANDARD
25140-017-700	ABS BODY, PVC PORT	DK GRAY	DK GRAY	ROUND	75 GPM	2	2"S×2.5"SP	—	STANDARD
25140-217-700	ABS BODY, PVC PORT	DK GRAY	DK GRAY	ROUND	75 GPM	1	2"S×2.5"SP	—	STANDARD
25140-217-500	ABS BODY, PVC PORT	DK GRAY	NONE	NONE	75 GPM	1	2"S×2.5"SP	—	STANDARD
25140-014-400	ABS BODY, PVC PORT	BLACK	BLACK	ROUND	75 GPM	2	2"S×2.5"SP	—	STANDARD
25140-019-400	ABS BODY, PVC PORT	BLACK	TAN	ROUND	75 GPM	2	2"S×2.5"SP	—	STANDARD
25140-214-400	ABS BODY, PVC PORT	BLACK	BLACK	ROUND	75 GPM	1	2"S×2.5"SP	—	STANDARD
25140-214-500	ABS BODY, PVC PORT	BLACK	NONE	NONE	75 GPM	1	2"S×2.5"SP	—	STANDARD
25140-001-000	ABS BODY, PVC PORT	GRAY	GRAY	ROUND	75 GPM	2	2"S×2.5"SP	●	STANDARD
25140-011-100	ABS BODY, PVC PORT	GRAY	GRAY	ROUND	75 GPM	2	2"S×2.5"SP	—	STANDARD
25140-011-102	ABS BODY, PVC PORT	GRAY	GRAY	SQUARE	75 GPM	2	2"S×2.5"SP	—	STANDARD
25140-211-100	ABS BODY, PVC PORT	GRAY	GRAY	SQUARE	75 GPM	1	2"S×2.5"SP	—	STANDARD
25140-009-100	ABS BODY, PVC PORT	GRAY	TAN	ROUND	75 GPM	2	2"S×2.5"SP	●	STANDARD
25140-019-100	ABS BODY, PVC PORT	GRAY	TAN	ROUND	75 GPM	2	2"S×2.5"SP	—	STANDARD
25140-019-102	ABS BODY, PVC PORT	GRAY	TAN	SQUARE	75 GPM	2	2"S×2.5"SP	—	STANDARD
25140-259-100	ABS BODY, PVC PORT	GRAY	TAN	ROUND	75 GPM	1	2"S×2.5"SP	—	FLOWSKIM
25140-219-100	ABS BODY, PVC PORT	GRAY	TAN	ROUND	75 GPM	1	2"S×2.5"SP	—	STANDARD
25140-011-500	ABS BODY, PVC PORT	GRAY	NONE	NONE	75 GPM	2	2"S×2.5"SP	—	STANDARD
25140-211-500	ABS BODY, PVC PORT	GRAY	NONE	NONE	75 GPM	1	2"S×2.5"SP	—	STANDARD

QUICKLY FIND THE PERFECT SKIMMER AT [C-M-P.COM/SELECT-A-SKIMMER](http://C-M-P.COM/SELECT-A-SKIMMER)

# IN GROUND VINYL & FIBERGLASS SKIMMERS

## PRODUCT FEATURES

- 2" Socket x 2.5" Spigot
- ABS Body with PVC Ports
- Removable Face Spacer
- Now Includes Collar Extension
- Round Cover Options on Select Models
- Color Trim Plates Available (see page 130)
- Water Bond Skimmer Options (page 123)

## DELUXE MODELS

Deluxe Model Includes Extra Accessories

- Skimmer Vacuum Plate
- Matching Faceplate Cover



## ORDERING GUIDE

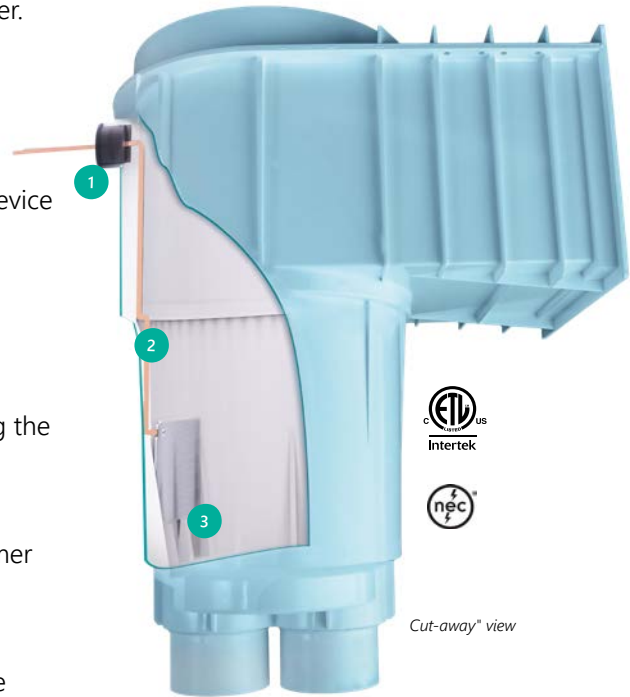
REGULAR MOUTH VINYL & FIBERGLASS SKIMMERS						
REF	WHITE	GRAY	DARK GRAY	DESCRIPTION	BOX QTY	
A	25160-010-000	25160-011-100	—	VINYL LINER REGULAR MOUTH, SQUARE COVER	1	
A	25160-010-200	—	—	DELUXE VINYL LINER REGULAR MOUTH, SQUARE COVER	1	
A	25160-020-000	25160-021-100	—	VINYL LINER REGULAR MOUTH, ROUND COVER	1	
A	25160-010-001	25160-011-101	—	FIBERGLASS REGULAR MOUTH, SQUARE COVER	1	
WIDE MOUTH VINYL LINER SKIMMERS						
B	25160-110-000	25160-111-100	25160-117-700	VINYL LINER WIDE MOUTH, SQUARE COVER	1	
B	25160-110-200	—	—	DELUXE VINYL LINER WIDE MOUTH, SQUARE COVER	1	
B	25160-120-000	25160-121-000	—	VINYL LINER WIDE MOUTH, ROUND COVER	1	
B	25160-150-000	25160-151-000	—	VINYL LINER WIDE MOUTH, SQUARE COVER, FLOWSKIM BASKET	1	
C	25160-210-000	—	—	EXTENDED THROAT VINYL LINER WIDE MOUTH, SQUARE COVER	1	

REPLACEMENT PARTS ON PAGE 237

# POOL DEFENDER® WATER BOND SKIMMER

Since 2008 the National Electrical Code (NEC) has mandated that pool water must be electrically bonded, not just metals in the structure of the pool itself. Many pools are bonded at the pool light, but this isn't always an option.

The easy alternative is to bond the pool at the skimmer. Meet all water bonding code requirements with Pool Defender skimmers with an integrated water bond.



Cut-away® view

## PRODUCT FEATURES

- ETL Certified
- Meets NEC2008 680.26(C) as a Water Bonding Device
- Conforms to UL 1081, UL 1563, CAN/CSA-C22.2
- If corrosion is visible replace stainless steel plate immediately. (listed below)
- Learn More at [c-m-p.com/defender](http://c-m-p.com/defender).

### 1. CONNECTS TO POOL BONDING WIRE

Designed to attach to the bonding wire, protecting the entire pool. A built in rubber plug prevents leaks.

### 2. EMBEDDED COPPER WIRE

Copper bonding wire runs safely behind the skimmer basket to the bottom of the skimmer body.

### 3. STAINLESS STEEL BONDING PLATE

304 Stainless steel plate is safely placed behind the pool basket, and locks into specially designed grooves.

COVERED BY ONE OR MORE U.S. PATENTS OR PENDING PATENT APPLICATIONS. SEE [WWW.C-M-P.COM/PATENTS](http://WWW.C-M-P.COM/PATENTS) FOR DETAILS.

## ORDERING GUIDE

CMP P/N	BODY STYLE	BODY COLOR	COVER COLOR*	COVER TYPE	PORTS	PORT TYPE	ZINC ANODE	FLOAT VALVE	POOL TYPE
25140-500-000	ABS BODY, PVC PORT	WHITE	WHITE	ROUND	2	2"S×2.5"SP	—	●	GUNITE
25140-510-000	ABS BODY, PVC PORT	WHITE	WHITE	ROUND	2	2"S×2.5"SP	—	—	GUNITE
25140-520-000	ABS BODY, PVC PORT	WHITE	WHITE	ROUND	1	2"S×2.5"SP	—	—	GUNITE
25140-509-000	ABS BODY, PVC PORT	WHITE	TAN	ROUND	2	2"S×2.5"SP	—	●	GUNITE
25140-529-000	ABS BODY, PVC PORT	WHITE	TAN	ROUND	1	2"S×2.5"SP	—	—	GUNITE
25140-519-000	ABS BODY, PVC PORT	WHITE	TAN	ROUND	2	2"S×2.5"SP	—	—	GUNITE
25140-510-500	ABS BODY, PVC PORT	WHITE	NONE	NONE	2	2"S×2.5"SP	—	—	GUNITE
25140-509-900	ABS BODY, PVC PORT	TAN	TAN	ROUND	2	2"S×2.5"SP	—	●	GUNITE
25140-501-100	ABS BODY, PVC PORT	GRAY	GRAY	ROUND	2	2"S×2.5"SP	—	●	GUNITE
25140-511-100	ABS BODY, PVC PORT	GRAY	GRAY	ROUND	2	2"S×2.5"SP	—	—	GUNITE
25140-509-100	ABS BODY, PVC PORT	GRAY	TAN	ROUND	2	2"S×2.5"SP	—	●	GUNITE
25140-511-500	ABS BODY, PVC PORT	GRAY	NONE	NONE	2	2"S×2.5"SP	—	—	GUNITE
25160-510-000	ABS UNIBODY	WHITE	WHITE	SQUARE	2	2"S×2.5"SP	—	—	VINYL
25160-511-100	ABS UNIBODY	GRAY	GRAY	SQUARE	2	2"S×2.5"SP	—	—	VINYL
25160-610-000	ABS UNIBODY, WIDE	WHITE	WHITE	SQUARE	2	2"S×2.5"SP	—	—	VINYL
25160-611-100	ABS UNIBODY, WIDE	GRAY	GRAY	SQUARE	2	2"S×2.5"SP	—	—	VINYL

FOR OTHER POOL DEFENDER® BRAND ITEMS SEE PAGE 180

# IN GROUND VINYL POOL SKIMMER BUILDER PACKS

CMP Vinyl Pool Skimmer Builder Packs put together every in-pool white good needed for a standard vinyl pool install. These are pre-packaged kits for standard and wide mouth skimmers, available in white or gray finish. CMP is committed to providing professional level options for pool builders. **Stop** ordering, stocking and tracking a dozen different parts; **start** stocking CMP Vinyl Pool Builder Packs instead.

## EVERY VINYL SKIMMER BUILDER PACK BELOW INCLUDES:

- 1 Complete ABS Skimmer (Clear Gaskets, 2" Socket, 1.5" Socket Reducers)
- 1 Extension Collar
- 1 Faceplate Cover
- 2 Galaxy 2" Main Drains (Body, Lid, Ring, 1.5" Reducer Bushings, Plug)\*
- Eyeball Fittings (1.5" MIP w/ FLANGE)
- 1.5" FPT I/O Fittings (Faceplate, Locknut, Gaskets)



## ORDERING GUIDE

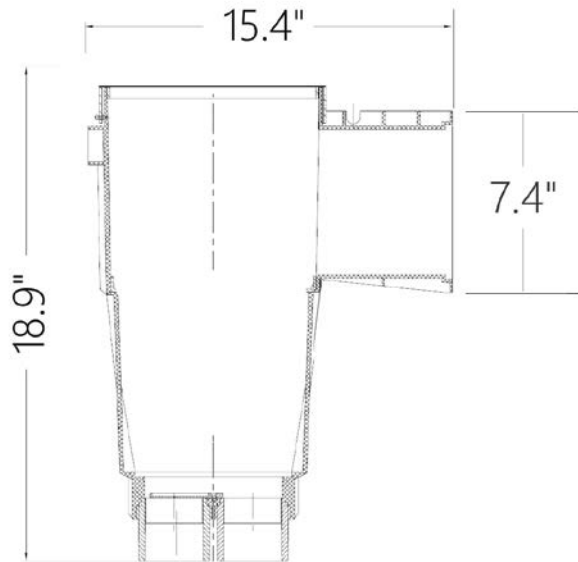
WHITE	GRAY	SKIMMER DESCRIPTION	FLOWSKIM BASKET	2" FIP DRAIN	2" SP DRAIN	RETURN QTY
25160-010-900	25160-011-900	25160-01X-X00 STD SKIMMER & SQUARE LID	—	●	—	3
25160-010-900S	25160-011-900S	25160-01X-X00 STD SKIMMER & SQUARE LID	—	—	●	3
25160-110-900	25160-111-900	25160-11X-X00 WIDE SKIMMER & SQUARE LID	—	●	—	3
25160-110-900S	25160-111-900S	25160-11X-X00 WIDE SKIMMER & SQUARE LID	—	—	●	3
25160-110-920	25160-111-920	25160-12X-X00 WIDE SKIMMER & ROUND LID	—	●	—	3
25160-150-900	25160-151-900	25160-15X-X00 WIDE SKIMMER & SQUARE LID	●	●	—	3
25160-150-920	25160-151-920	25160-12X-X50 WIDE SKIMMER & ROUND LID	●	●	—	3
25160-410-900	25160-411-900	25160-11X-X00 WIDE SKIMMER & SQUARE LID	—	●	—	4
25160-450-900	25160-451-900	25160-15X-X00 WIDE SKIMMER & SQUARE LID	●	●	—	4
—	25160-154-920	25160-121-151 WIDE SKIMMER & ROUND LID	●	●	—	4

\*Builder packs also available without main drains included, contact [poolsales@c-m-p.com](mailto:poolsales@c-m-p.com) for more information

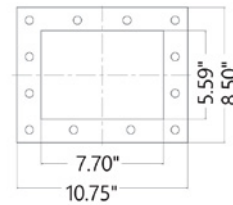
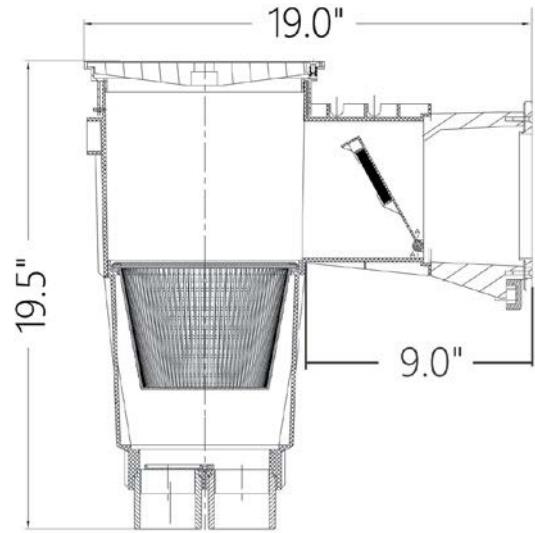
**FOR VINYL FITTING AND FACEPLATE KITS SEE PAGE 131**

# IN GROUND SKIMMERS DIMENSIONS

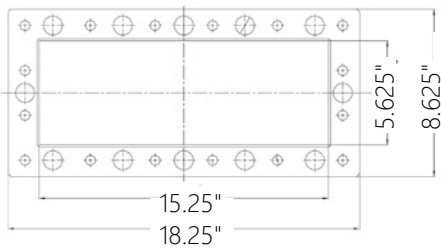
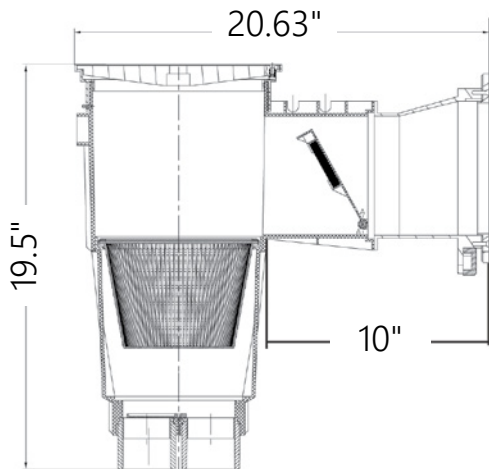
CMP GUNITE SKIMMER



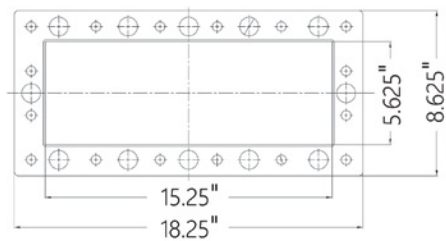
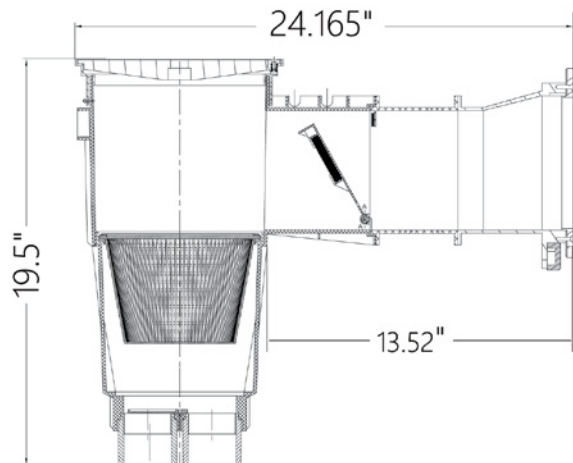
STANDARD VINYL SKIMMER



WIDE MOUTH VINYL SKIMMER



WIDE MOUTH EXTENDED VINYL SKIMMER

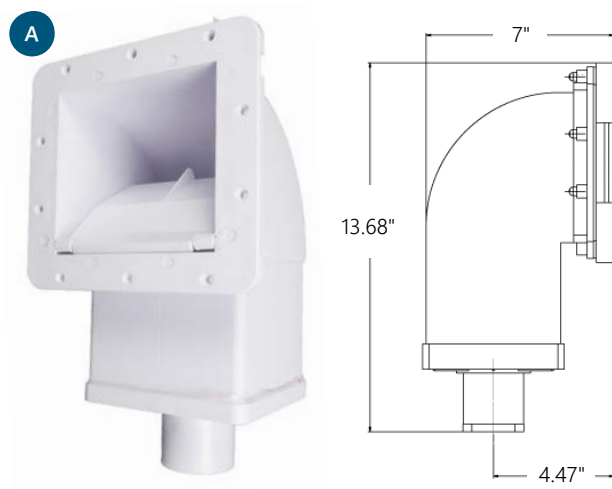
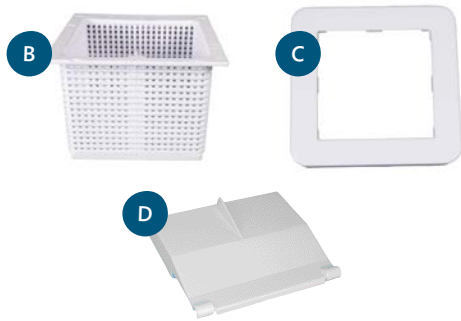


# FRONT ACCESS & ABOVE GROUND SKIMMERS

## FRONT ACCESS SKIMMER

### PRODUCT FEATURES

- Complete Kit Includes Diverter Plate, Trim Plate, Mounting Plate, Gasket, Plug & Screws
- 1.5" Socket
- 1.5" Female Inside Threads for Pressure Test
- Face: 7"H x 7-3/8"W
- Throat: 1-1/4"



## ABOVE GROUND SKIMMER KITS

### PRODUCT FEATURES

- Complete Kits Include:
- Skimmer Basket
- Weir Door
- Wall Fitting
- Hose Adapter
- Pool Return



### ORDERING GUIDE

FRONT ACCESS SKIMMER						
REF	WHITE	GRAY	BLACK	DESCRIPTION	BOX QTY	
A	25248-000-000	25248-001-000	25248-004-000	FRONT ACCESS SKIMMER KIT	6	
B	25248-000-051	—	—	FRONT ACCESS SKIMMER BASKET	60	
C	25248-020-000	25248-021-000	—	FRONT ACCESS SKIMMER TRIM PLATE	—	
D	25248-920-000	25248-921-000	25248-924-000	FRONT ACCESS SKIMMER WEIR DOOR	—	
—	25248-000-040	25248-001-040	—	WEIR DOOR PIN (2)	—	
ABOVE GROUND POOL SKIMMERS						
E	25512-000-950	25512-001-950	—	STD ABG SKIMMER KIT (7.5"Hx7-3/4"W)	1	
F	25511-000-900	25511-001-900	—	WIDE ABG SKIMMER KIT (7.5"Hx14"W)	1	

REPLACEMENT PARTS ON PAGE 122

# SPRING-LOCK WEIR DOORS



Replacing a broken weir can be very difficult. The correct weir may be hard to find, and if the skimmer itself is broken it can be a serious problem. CMP Replacement Weir Doors use a stainless steel spring-loaded mechanism that will install universally. No tools are required for installation! We carry weirs sized for common and hard-to-find skimmer sizes. CMP Weirs are available in white, black and gray in select sizes.

## PRODUCT FEATURES

- Easily Replace Any Broken Skimmer Weir Door
- No Tools Required for Installation
- Get a Perfect Fit Every Time
- Deluxe Foam Float Material
- Stainless Steel Springs
- Retail Style Header Card Packaging
- Simple Solution for Consumers



## ORDERING GUIDE

CMP P/N	WIDTH	COLOR	FITS SKIMMER MODEL	BOX QTY
25141-160-000	5-3/4" WEIR	WHITE	—	150
25141-170-000	5-7/8" WEIR	WHITE	—	150
25141-200-000	6" WEIR	WHITE	—	150
25141-300-000	7" WEIR	WHITE	—	150
25141-320-000	7-1/4" WEIR	WHITE	—	150
25141-350-000	7-5/8" WEIR	WHITE	—	120
25141-360-000	7-13/16" WEIR	WHITE	SP1084	120
25141-364-000	7-13/16" WEIR	BLACK	SP1084	120
25141-400-000	8" WEIR	WHITE	—	120
25141-404-000	8" WEIR	BLACK	—	120
25141-401-000	8" WEIR	GRAY	—	120
25141-410-000	8-1/8" WEIR	WHITE	JZ-STYLE SKIMMERS	120
25141-440-000	8-3/8" WEIR	WHITE	CMP, U-3, SP1070	120
25141-444-000	8-3/8" WEIR	BLACK	CMP, U-3, SP1070	120
25141-441-000	8-3/8" WEIR	GRAY	CMP, U-3, SP1070	120
25141-450-000	8-1/2" WEIR	WHITE	—	110
25141-500-000	9" WEIR	WHITE	—	100
25141-540-000	9-3/8" WEIR	WHITE	BAKER-HYDRO	110
25141-600-000	10" WEIR	WHITE	—	96
25141-700-000	11" WEIR	WHITE	—	96
25141-800-000	12" WEIR	WHITE	—	20

# SKIMMER LIDS & COLLARS



## ORDERING GUIDE

SKIMMER LIDS & COLLARS						
REF	WHITE	GRAY	BLACK	TAN	DESCRIPTION	BOX QTY
A	25538-900-000	25538-901-000	25538-904-000	25538-909-000	SQUARE SKIMMER COVER & COLLAR	20
B	25544-900-000	25544-901-000	25544-904-000	25544-919-000	ROUND SKIMMER COVER & COLLAR	50
—	25544-000-000	25544-001-000	25544-004-000	25544-019-000	ROUND SKIMMER COVER FOR INSERT	50
C	25538-500-000	25538-501-000	—	—	SQUARE SKIMMER COVER FOR INSERT	—
D	25544-020-010	25544-021-010	25544-024-010	25544-029-010	TEXTURED BLANK LOGO INSERT	—
D	25544-030-010	—	—	—	SMOOTH BLANK LOGO INSERT	—
E	SEE PRODUCT ON PAGE 32				NATURAL WONDERS™ DECK COVERS	—
F	25840-000-000	25840-001-000	—	25840-009-000	6" VALVE ACCESS LID & COLLAR	36

IN GROUND SKIMMER EXTENSION COLLARS				
REF	CMP P/N	DESCRIPTION	FITS SKIMMER MODEL	BOX QTY
G	25526-200-000	WHITE 1-1/4" STACKABLE COLLAR	CMP SKIMMERS, SP1070P	20
G	25526-201-000	GRAY 1-1/4" STACKABLE COLLAR	CMP SKIMMERS, SP1070P	20
G	25526-204-000	BLACK 1-1/4" STACKABLE COLLAR	CMP SKIMMERS, SP1070P	20
G	25526-209-000	TAN 1-1/4" STACKABLE COLLAR	CMP SKIMMERS, SP1070P	20
H	25526-000-000	4" EXTENSION COLLAR	SR W337-503P	20
I	25526-100-000	SP1084 VINYL LINER EXTENSION COLLAR	SP1084P1	20



# SKIMMER ACCESSORIES



## ORDERING GUIDE

REF	CMP P/N	DESCRIPTION	OD	COMPARE TO	BOX QTY
A	25576-000-000	IN GROUND VAC PLATE ( H-STYLE)	8.05"	—	50
B	25573-000-000	IN GROUND SKIMMER VACUUM PLATE	7.89"	SP1106	20
C	25579-000-010	ABOVE GROUND VACUUM PLATE ADAPTER	—	—	50
D	25573-100-000	IN GROUND VAC PLATE FOR CMP SKIMMER	8.27"	—	20
E	25573-510-000	SKIMMER VAC PLATE 1.5" × 1.5" RB	6.10"	SP11051	—
—	21093-160-000	1.5" × 1.5" RB HOSE ADAPTER ONLY	—	—	—
F	25573-520-000	SKIMMER VAC PLATE 1.5" × 1.25" 90 DEGREE	6.10"	SP11052	—
—	21093-900-000	1.5" × 1.25" 90 DEGREE HOSE ADAPTER ONLY	—	—	—
G	25573-410-000	SKIMMER VAC PLATE 90 TWIST, 1.5" × 1.25"	6"	SP11041	—
H	25573-540-000	SKIMMER VAC PLATE, 1.5" × 1.5" × 1-1/4"	6.10"	SP11054	—
I	25140-000-700	SKIMMER FLOAT VALVE ASSEMBLY	—	—	50
J	25251-000-500	WEIR DOOR (ADM S20)	—	85001500	100
K	27180-152-300	BASKET SUPPORT RING	—	SPX1082D	—

# VINYL SKIMMER FACEPLATES & COVERS

## STANDARD SKIMMER FACEPLATES

- For Regular Mouth Skimmers
- Twelve Screw Faceplate
- Faceplate Finishing Covers
- Available in Six Different Colors
- Faceplate ID 5¾" × 7¾"
- Faceplate OD 8½" × 10¾"
- Cover ID 5½" × 7 ½"
- Cover OD 8¼" × 1 0½"



## WIDE SKIMMER FACEPLATES

- For Wide Mouth Skimmers
- Sixteen Screw Faceplate
- Faceplate Finishing Covers
- Available in Six Different Colors
- Faceplate ID 5⅝" × 15¼"
- Faceplate OD 8⅝" × 18¼"
- Cover ID 5⅜" × 15"
- Cover OD 8⅞" × 18½"



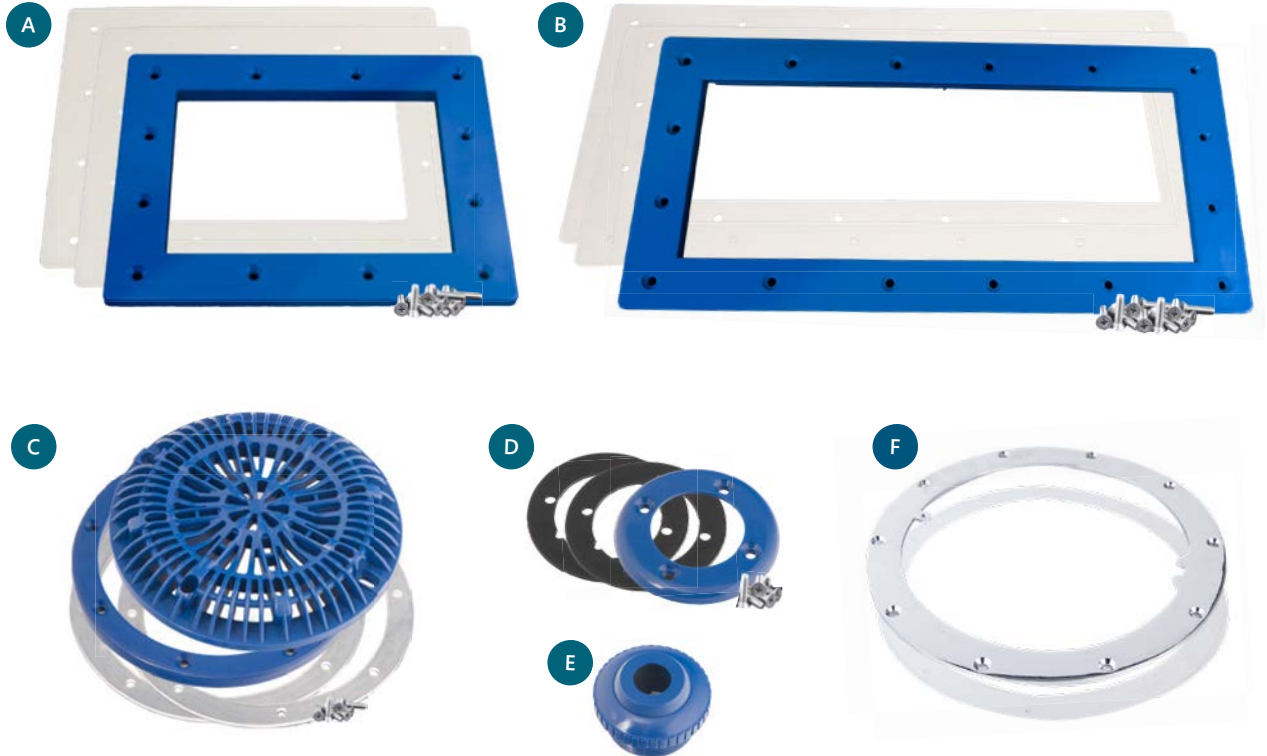
## ORDERING GUIDE

REF	WHITE	GRAY	BLACK	TAN	LIGHT BLUE	DARK BLUE	DESCRIPTION	CASE/BOX
A	25540-000-010	25540-001-010	25540-004-010	25540-039-010	25540-059-010	25540-069-010	STANDARD FACEPLATE	100/5
B	25540-000-020	25540-001-020	25540-004-020	25540-039-020	25540-009-020	25540-069-020	STANDARD COVER	100/5
C	25160-010-060	—	—	—	—	—	STANDARD GASKET	300
D	25541-000-010	25541-001-010	25541-004-010	25541-039-010	25541-059-010	25541-069-010	WIDE FACEPLATE	80/10
E	25541-000-020	25541-001-020	25541-004-020	25541-039-020	25541-009-020	25541-069-020	WIDE COVER	80/10
F	25160-110-030	—	—	—	—	—	WIDE GASKET	200

# VINYL POOL FACEPLATE & FITTING KITS

## PRODUCT FEATURES

- Six Colors for a Perfect Match or Accent
- Complete Kits for a Standard Vinyl Pool
- Wide or Regular Mouth Skimmer Options
- Includes All Required Gaskets
- Includes All Required Stainless Steel Screws



## ORDERING GUIDE

REF	WHITE	GRAY	BLACK	TAN	LIGHT BLUE	DARK BLUE	DESCRIPTION	BOX QTY
A	25540-100-000	25540-101-000	25540-104-000	25540-139-000	25540-109-000	25540-169-000	REG FACEPLATE KIT	80
B	25541-100-000	25541-101-000	25541-104-000	25541-139-000	25541-109-000	25541-169-000	WIDE FACEPLATE KIT	80
C	25548-100-000	25548-101-000	25548-104-000	25548-109-000	25548-159-000	25548-169-000	VINYL DRAIN KIT	60
D	25545-100-000	25545-101-000	25545-104-000	25545-139-000	25545-159-000	25545-169-000	RETURN FACE KIT	225
E	25552-300-000	25552-301-000	25552-304-000	25552-339-000	25552-359-000	25552-369-000	3/4" EYEBALL ONLY	50
F	25549-200-100	25549-201-100	—	—	—	25549-269-100	LIGHT RING KIT	20
F	25549-100-000	—	—	—	—	—	CHROME LIGHT KIT	20

# VINYL POOL COMPLETE FACEPLATE KITS

CMP Vinyl Pool Kits include every part you need to repair and replace common vinyl pool fittings. These kits simplify inventory and are a perfect item to keep stocked in tool kits or service vehicles.

*For complete builder kits see page 124.*

## PRODUCT FEATURES

- Six Colors for a Perfect Match or Accent
- Complete Kits for a Standard Vinyl Pool
- Wide or Regular Mouth Skimmer Options



**All Required Gaskets & Stainless Steel Screws are included in every kit**

## SIX DIFFERENT COLOR OPTIONS

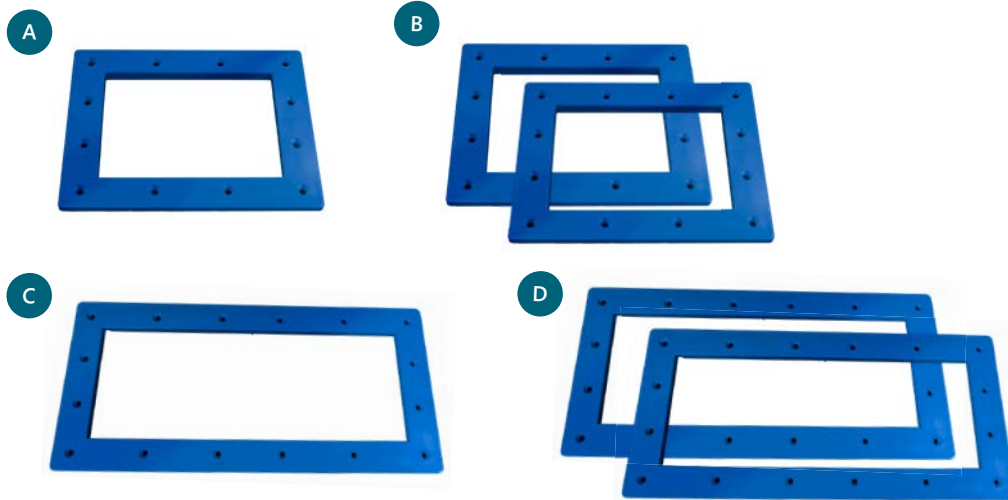


## ALL VINYL POOL KITS INCLUDE THESE ITEMS . . .



- 2 Galaxy VGB Main Drains
- 3 Return Faceplates
- 3 Directional Return Eyeballs

## . . . PLUS ONE OF THE SETS BELOW



## ORDERING GUIDE

	WHITE	GRAY	BLACK	TAN	LIGHT BLUE	DARK BLUE	DESCRIPTION
A	25540-200-000	25540-201-000	25540-204-000	25540-209-000	25540-259-000	25540-269-000	ONE SKIMMER STANDARD KIT
B	25540-200-200	25540-201-200	25540-204-200	25540-209-200	25540-259-200	25540-269-200	TWO SKIMMER STANDARD KIT
C	25541-200-000	25541-201-000	25541-204-000	25541-209-000	25541-259-000	25541-269-000	ONE SKIMMER WIDE KIT
D	25541-200-200	25541-201-200	25541-204-200	25541-209-200	25541-259-200	25541-269-000	TWO SKIMMER WIDE KIT

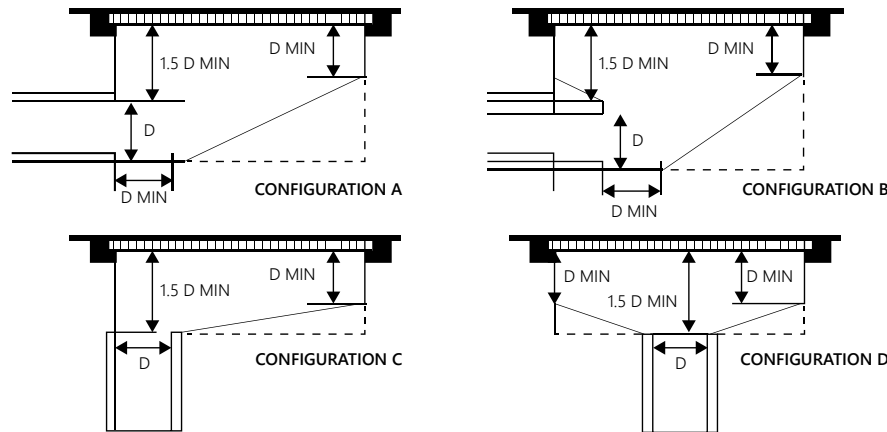
All Custom Molded Products main drains are listed and tested in strict accordance to the requirements of ANSI/APSP - 16 2011, the current standard of reference for the Virginia Graeme Baker Act, and compliant to the latest Consumer Product Safety Commission (CPSC) requirements.



VGB INFO, INSTRUCTIONS & MORE DOWNLOADABLE AT [WWW.C-M-P.COM/VGB-DRAINS-AND-SUCTIONS](http://WWW.C-M-P.COM/VGB-DRAINS-AND-SUCTIONS)

## INSTALLATION NOTES:

1. Mount suction outlets on the wall or floor. DO NOT locate suction outlets on seating areas or on backrests for seating areas.
2. Always use multiple suction outlets. DO NOT use with single drain applications. Use with single drain applications will void any and all warranties.
3. When using two or more suction fittings on a common suction line, suction must be separated by a minimum of 3 ft or must be located on two different planes (i.e. one on floor and one on the wall).
4. To reduce the risk of drowning from hair and body entrapment, install suction fittings with a marked flow rate in gallons per minute that exceeds the flow rate of your system by at least 25%. Increasing size of the pump may increase flow rate of suction beyond rated safety limits causing entrapment or death.
5. CMP drain covers are only certified for use with CMP sumps and frames. Do not mismatch with parts from other manufacturers.



### GENERAL NOTES

1. D = inside pipe diameter
2. All dimensions show are recommended minimums
3. A broken line ( - - ) indicates the suggested sump configuration

## CAUTION

Children should never be left unattended at any time in a swimming pool, spa, or bathtub. Be sure the temperature of the water never exceeds the manufacturer's recommendations.

## DANGER

Hair or body parts blocking the spa or pool suction may become trapped and held against the suction fitting. Keep hair and clothing a minimum of 12 inches from all suction fittings and drains at all times. Entrapment against the suction fittings can result in drowning or other severe injury. Never sit on or lean up against suction fittings.



# 32" UNBLOCKABLE CHANNEL DRAIN



## PRODUCT FEATURES

- Unblockable Safety Drain Design
- Integrated Water Stop Design Prevents Plaster Separation & Retains Drain Shape
- Body Shape Reinforcing Ribs
- Finishing Plugs for Unused Screws
- Black Drains Include Matching Black Sump
- Covers Completely Hide the White Sump
- Color Covers Will Retrofit to Competing Channel Drains
- Installation Debris Guard Included
- IAPMO Listed VGB Suction: Compliant to ANSI/APSP - 16 2011 & CPSC Requirements



## DRAIN AND COLLAR KIT

- Unblockable Safety Drain Design
- Installs Over Pipe in Plaster
- For Field Built Sumps



## ORDERING GUIDE

REF	WHITE	GRAY	BLACK	DARK GRAY	TAN	DARK BLUE*	DESCRIPTION	BOX QTY
A	25506-320-000	25506-321-000	25506-324-000	25506-327-000	25506-329-000	25506-369-000	DRAIN & SUMP	40
—	25506-320-800	25506-321-800	25506-324-800	25506-327-800	25506-329-800	25506-369-800	32" COVER ONLY	20
—	25506-320-900	—	25506-324-900	—	—	—	32" BODY ASSY	1
B	25506-320-100	25506-321-100	25506-324-100	25506-327-100	25506-329-100	25506-369-100	COVER & FRAME	1
—	25506-320-045	25506-321-045	25506-324-045	25506-327-045	25506-329-045	25506-369-045	SCREW PLUG KIT	—

REPLACEMENT PARTS PAGE 239

\*for light blue order 25506-359-xxx

# 32" UNBLOCKABLE CHANNEL DRAIN



## HYDROSTATIC RELIEF VALVE

- Equalizes Underground Water Pressure
- Helps Prevent Serious Structure Damage
- 1.5" MIP



## ADJUSTABLE COLLAR ADAPTER

- Use for Pool Refinish & Remodel
- Adds 1/2" - 3/4" Height
- Fits the CMP 32" Channel Drain
- Creates a Perfect Drain Cover Fit and Finish

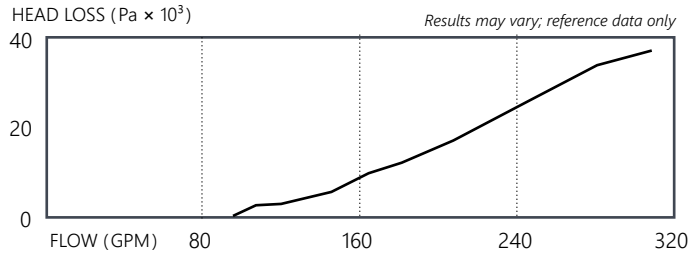


## ORDERING GUIDE

32" CHANNEL MAIN DRAIN ACCESSORIES			
REF	CMP P/N	DESCRIPTION	BOX QTY
A	25620-320-000	2" HYDROSTATIC RELIEF VALVE	250
B	25506-320-150	ADJUSTABLE COLLAR ADAPTER	—
—	25520-050-020	2" NPT PLUG	450
—	25506-320-030	INSTALLATION DEBRIS GUARD FOR 32" CHANNEL DRAIN	—

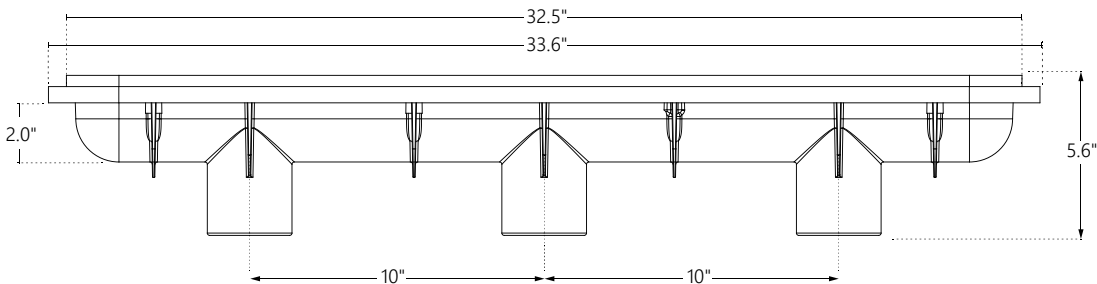
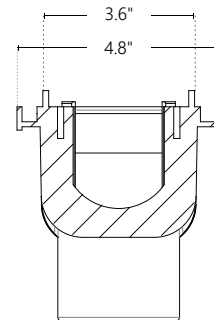
## TECHNICAL GUIDE

- Single or Multiple Drain Use
- Seven Year Life on Cover
- Floor or Wall Installation
- Three 2" Socket x 2.5" Spigot Ports
- PVC Sump Body
- IAPMO Listed
- 38.79in<sup>2</sup> Open Area
- 181 GPM at 1.5 FPS



IAPMO LISTED MAX FLOW RATES			
PLUMBING	PORTS	FLOOR FLOW RATE	WALL FLOW RATE
2.5"	OUTER	308 GPM	212 GPM
2.5"	CENTER	200 GPM	168 GPM
2"	OUTER	268 GPM	192 GPM
2"	CENTER	184 GPM	176 GPM

FLOW RATE VERIFIED MAY 2011 TO CPSC TEST PROTOCOL



# SQUARE GRATES & FRAMES

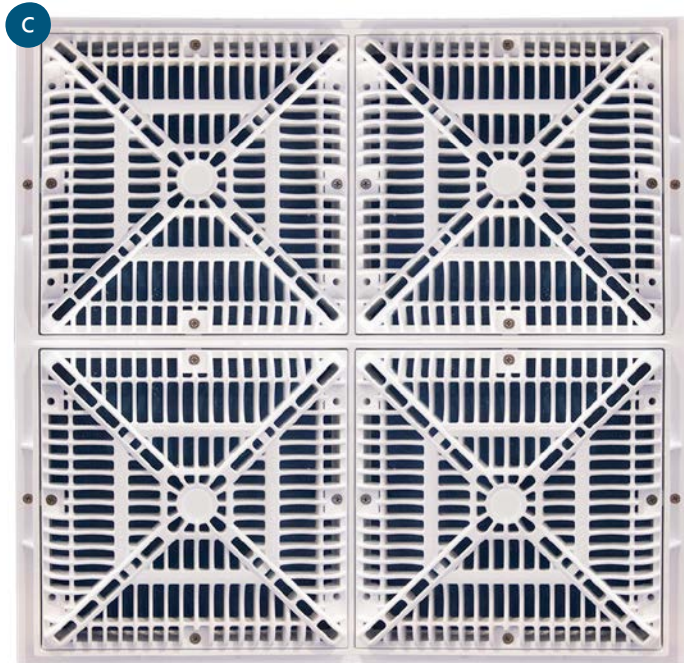
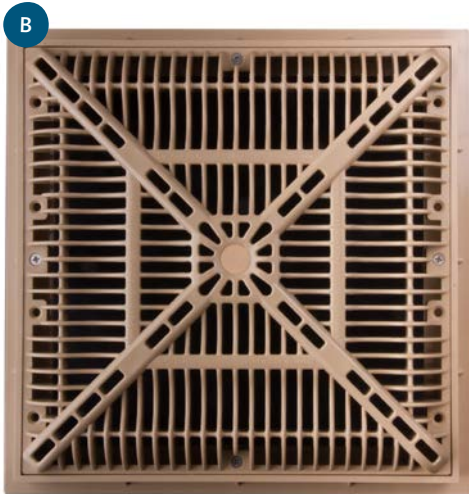


CMP Square Grate Main Drains are perfect for commercial applications and can be used for single or multiple drain applications. 9" and 12" drains are available in five different color options.

Our square drains are also designed for maximum open area with an unobtrusive appearance, and high flow rates at 1.5 feet per second water velocity.

## PRODUCT FEATURES

- Maximum Open Area
- Five Color Choices to Match Pool Finish
- IAPMO Listed VGB Suction: Compliant to ANSI/APSP - 16 2011 & CPSC Requirements



## ORDERING GUIDE

REF	WHITE	GRAY	BLACK	DARK GRAY	TAN	DESCRIPTION	BOX QTY
A	25508-090-000L	25508-091-000L	25508-094-000L	25508-097-000L	25508-099-000L	9" x 9" GRATE & FRAME	24
A	25508-090-010	25508-091-010	25508-094-010	25508-097-010	25508-099-010	9" x 9" GRATE ONLY	—
B	25508-120-000L	25508-121-000L	25508-124-000L	25508-127-000L	25508-129-000L	12" x 12" GRATE & FRAME	10
B	25508-120-010	25508-121-010	25508-124-010	25508-127-010	25508-129-010	12" x 12" GRATE ONLY	—
C	25508-180-000L	—	—	—	—	18" x 18" GRATE & FRAME	—

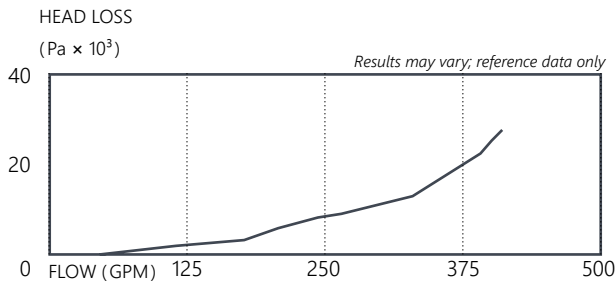
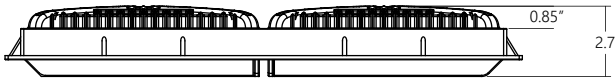
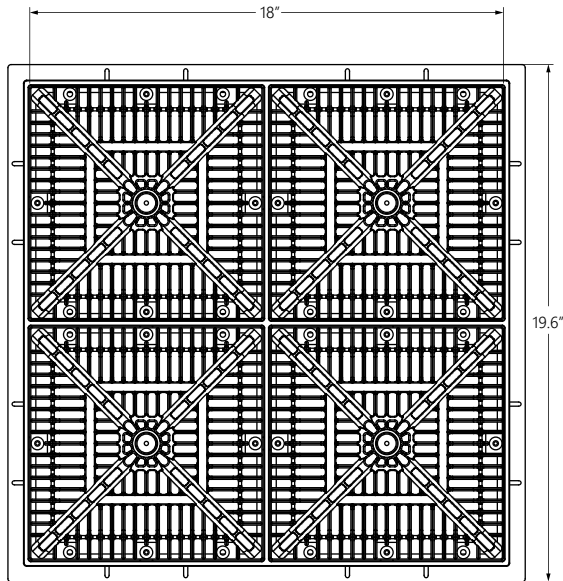


# SQUARE GRATES & FRAMES

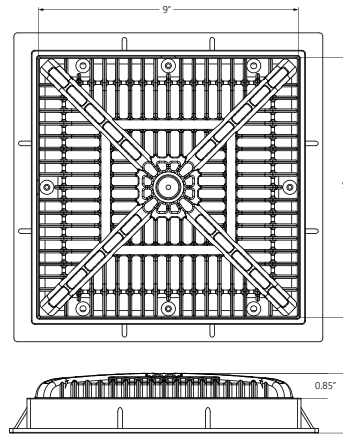
## TECHNICAL GUIDE

- Single or Multiple Drain Use
- Seven Year Life
- IAPMO Listed
- Floor or Wall Installation
- Safety Back-up Device Required for Single Drain Use

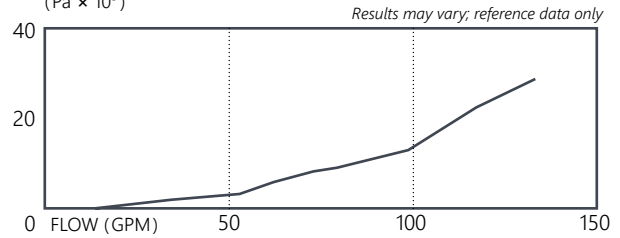
18" X 18"



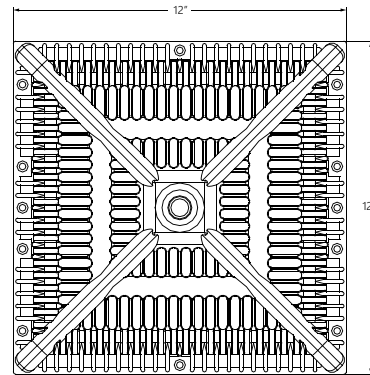
9" x 9"



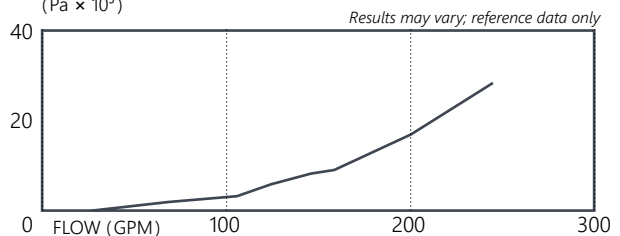
HEAD LOSS  
(Pa × 10<sup>3</sup>)



12" x 12"



HEAD LOSS  
(Pa × 10<sup>3</sup>)



### SQUARE DRAIN SPECS

DRAIN SIZE	MIN SIZE PLUMBING	OPEN AREA	MAX FLOW 1.5 FPS
9" × 9"	3"	38.9in <sup>2</sup>	120 GPM
12" × 12"	5"	70.8in <sup>2</sup>	232 GPM
18" × 18"	5"	155.6in <sup>2</sup>	424 GPM

# GALAXY™ MAIN DRAINS | GUNITE



## PRODUCT FEATURES

- 8" Gunite Pool Main Drain
- Color Cover Options to Match Any Pool Finish
- Extra Deep Threads for Easier Pressure Testing
- 2" FPT Port Size
- Also Available For Vinyl Pools (page 140)
- IAPMO Listed VGB Suction: Compliant to ANSI/APSP-16 2011 & CPSC Requirements



## ORDERING GUIDE

GUNITE POOL MAIN DRAINS WITH GALAXY LID							
REF	WHITE	GRAY	BLACK	DARK GRAY	TAN	DESCRIPTION	BOX QTY
A	25519-000-000	25519-001-000	25519-004-000	25519-007-000	—	GALAXY MAIN DRAIN	8
B	25514-000-000	25514-001-000	25514-004-000	25514-007-000	25514-009-000	DEEP BODY GALAXY DRAIN	8

REPLACEMENT PARTS ON PAGE 240

GALAXY 8" LID & SCREWS KIT							
WHITE	GRAY	BLACK	DARK GRAY	TAN	DARK BLUE	LIGHT BLUE*	BOX QTY
25507-100-000	25507-101-000	25507-104-000	25507-107-000	25507-139-000	25507-169-000	25507-159-000	50

\*For "Caymen Blue" order 25531-009-000

**NOTE:** THE COVER MAY BE CALLED A "LID" OR A "GRATE." THE RING MAY BE CALLED A "FRAME" OR "COLLAR"

## GALAXY LID & FRAMES

- Lid with Frame for Renovations or Installation with Field Built Sumps
- 8" Frame for Galaxy Frame Sump
- 7-3/4" Lid & Frames
- Standard Flow Rate
- IAPMO Listed VGB Suction: Compliant to ANSI/APSP-16 2011 & CPSC requirements



## 8" GALAXY LID & FRAME SUMP

- For Use With 8" Galaxy Lid & Frames
- Multiple Color Options for Clean Finish Installation
- Available Side Port Only or Side/Bottom Port
- Includes Plugs & Bushings



## ORDERING GUIDE

GUNITE POOL MAIN DRAINS LID & FRAMES							
REF	WHITE	GRAY	BLACK	DARK GRAY	TAN	DESCRIPTION	BOX QTY
A	25531-000-000	25531-001-000	25531-004-000	25531-007-000	25531-039-000	8" GALAXY LID & FRAME	50
A	25537-000-000	25537-001-000	25537-004-000	25537-007-000	—	8" GALAXY LID & FLAT FRAME	50
A	25539-000-000	—	—	—	—	7-3/4" GALAXY LID & FRAME	50
A	25539-100-000	—	—	—	—	7-3/4" GALAXY LID & FLAT FRAME	50

SUMP FOR 8" GALAXY LID & FRAME							
REF	WHITE	GRAY	BLACK	DARK GRAY	TAN	DESCRIPTION	BOX QTY
B	25520-000-000	25520-001-000	25520-004-000	25520-007-000	25520-007-000	2" FIP/1.5" FIP SIDE/BOTTOM PORT	18
B	25521-000-000	25521-001-000	25521-004-000	—	—	2" FIP SIDE PORT	18

# GALAXY™ MAIN DRAINS | VINYL



CMP Galaxy Main Drains for Vinyl Pools offer the same features and quality as our gunite main drains for vinyl pool applications. Use a CMP Vinyl Main Drain Cover Kit and retrofit CMP color covers to other main drain bodies.

## PRODUCT FEATURES

- FPT Style Includes 1.5" Bushings & Plug
- Extra Deep Threads for Easy Pressure Testing
- Seven Color Options to Match Any Pool Finish
- 2" Socket/Slip Style Option
- IAPMO Listed VGB Suction: Compliant to ANSI/APSP - 16 2011 & CPSC Requirements



## VINYL MAIN DRAIN COVER KIT

- KIT INCLUDES
- Galaxy Drain Lid
- Galaxy Drain Ring
- 2 Gaskets
- 8 Screws
- 8" Ring Fits Other Drain Bodies
- 8" Ring Only Accepts CMP Drain Lids



## FOR MORE CMP VINYL POOL KITS SEE PAGE 131



## ORDERING GUIDE

VINYL POOL MAIN DRAINS WITH GALAXY LID							
REF	WHITE	GRAY	BLACK	DARK GRAY	TAN	DESCRIPTION	BOX QTY
A*	25515-000-000	25515-001-000	25515-004-000	25515-007-000	25515-009-000	2" FPT VINYL GALAXY DRAIN	8
A*	25515-000-200	25515-001-200	25515-004-200	25515-007-200	25515-009-200	2" FPT VNL GALAXY DRAIN (2PK)	—
A*	25515-200-000	25515-201-000	25515-204-000	25515-207-000	25515-209-000	2" SOCKET VINYL GALAXY DRAIN	8
A*	25515-200-200	25515-201-200	25515-204-200	25515-207-200	25515-209-200	2" SOCKET VINYL GALAXY DRAIN (2PK)	—
B & D	25548-000-000	25548-001-000	25548-004-000	25548-007-000	25548-009-000	GALAXY VINYL COVER & RING ONLY	60
C	25515-000-011	—	—	—	—	MAIN DRAIN GASKET ONLY	400
D	25532-800-000	25532-801-000	—	—	—	GALAXY 8" RING ONLY	—

REPLACEMENT PARTS ON PAGE 240

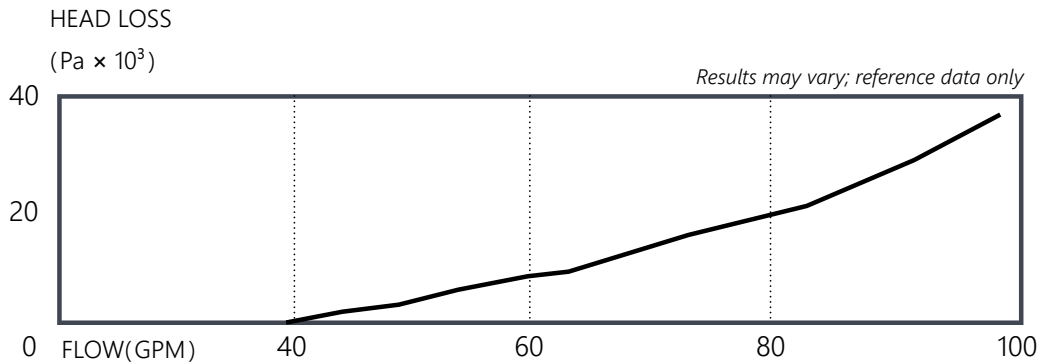
GALAXY 8" LID & RING KIT								
REF	WHITE	GRAY	BLACK	DARK GRAY	TAN	DARK BLUE	LIGHT BLUE	BOX QTY
B-D	25548-100-000	25548-101-000	25548-104-000	—	25548-109-000	25548-169-000	25548-159-000	60

\* for Light Blue use xxxx-x59-xxx, for Dark Blue use xxxx-x69-xxx

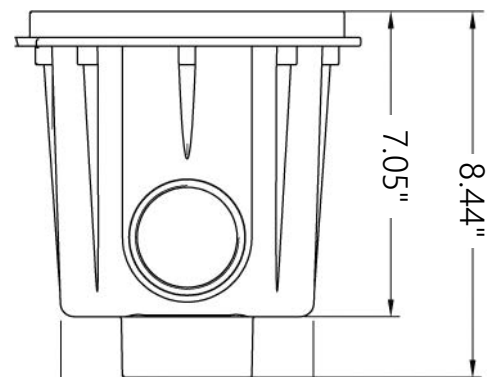
**NOTE: THE COVER MAY BE CALLED A "LID" OR A "GRATE." THE RING MAY BE CALLED A "FRAME" OR "COLLAR"**

- For Multiple Drain Use Only
- Floor or Wall Installation
- Seven Year Life
- IAPMO Listed
- PVC Bodies
- 2" FIP or 2" Socket
- 13.2in<sup>2</sup> Open Area
- 61 GPM at 1.5FPS
- IAPMO Listed Max Flow Rates:
  - 84 GPM (Wall)
  - 95 GPM (Floor)

All CMP main drains are listed and tested in strict accordance to the requirements of ANSI/APSP-16 2011, the current standard of reference for the Virginia Graeme Baker Act, and compliant to the latest Consumer Product Safety Commission (CPSC) requirements.



GALAXY MAIN DRAIN



DEEP BODY

# NOVA™ GUNITE MAIN DRAINS



CMP Nova Gunite Main Drains are designed especially for high flow rates up to 118 GPM. Nova Drains are available in multiple styles including bottom port and large outlet options.

## PRODUCT FEATURES

- High Flow Rate Gunite Main Drains
- Bottom Port and Side Port Options
- Available with Adjustable Extension Collar
- Includes Bushings & Plug
- Color Lids Available to Match Pool Colors
- PVC Body
- IAPMO Listed VGB Suction: Compliant to ANSI/APSP - 16 2011 & CPSC Requirements



## ORDERING GUIDE

\*for color drains, order body only and choose lid/collar assembly

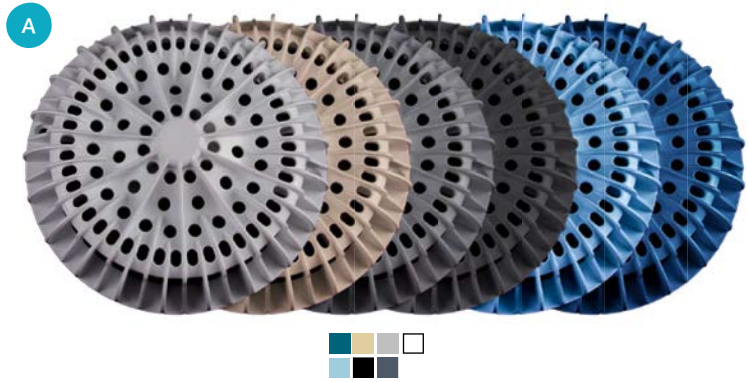
GUNITE MAIN DRAINS WITH NOVA LID			
REF	CMP P/N	DESCRIPTION	BOX QTY
A	25513-500-000	GUNITE NOVA MAIN DRAIN, 2" FIP*	8
A	25513-600-000	GUNITE NOVA MAIN DRAIN, 2" SOCKET*	8
B	25517-500-000	GUNITE NOVA DRAIN, 1.5" S/2" SP DOUBLE BOTTOM PORT (WHITE LID & FRAME)	8
B	25517-501-000	GUNITE NOVA DRAIN, 1.5" S/2" SP DOUBLE BOTTOM PORT (GRAY LID & FRAME)	8
B	25517-504-000	GUNITE NOVA DRAIN, 1.5" S/2" SP DOUBLE BOTTOM PORT (BLACK LID & FRAME)	8
—	25516-000-010	DRAIN BODY ONLY 2" SOCKET EXTENDED COLLAR	8
—	25518-000-000	DRAIN BODY ONLY 1.5" S × 2" SP DOUBLE BOTTOM PORT	15

REPLACEMENT PARTS ON PAGE 240

GUNITE NOVA MAIN DRAIN WITH EXTENSION COLLAR (2" SOCKET)								
REF	WHITE	GRAY	BLACK	DARK GRAY	TAN	DARK BLUE	LIGHT BLUE	BOX QTY
C	25516-500-000	25516-501-000	25516-504-000	25516-507-000	25516-509-000	25516-569-000	25516-559-000	8

## NOVA LID & SCREWS KITS

- Add to Nova Gunite Main Drains to Match Popular Pool Finishes
- Complete Kit Includes Screws
- Seven Color Options
- IAPMO Listed VGB Suction: Compliant to ANSI/APSP-16 2011 & CPSC Requirements



## NOVA LID & FRAMES

- Lid with Frame for Renovations or Installation with Field Built Sumps
- High Flow Rate Design
- 150 GPM (Floor) / 118 GPM (Wall)
- Seven Color Options
- Includes Lid, Frame and Screws
- IAPMO Listed VGB Suction: Compliant to ANSI/APSP-16 2011 & CPSC Requirements



## ORDERING GUIDE

NOVA LID & FRAME ASSEMBLY								
REF	WHITE	GRAY	BLACK	DARK GRAY	TAN	DARK BLUE	LIGHT BLUE	BOX QTY
A	25539-500-000	25539-501-000	25539-504-000	25539-507-000	25539-509-000	25539-569-000	25539-559-000	50
NOVA LID & FLAT FRAME ASSEMBLY								
—	25539-600-000	25539-601-000	25539-604-000	25539-607-000	25539-609-000	—	—	50
NOVA LID & SCREWS KITS								
B	25539-700-100	25539-701-100	25539-704-100	25539-707-100	25539-709-100	25539-769-100	25539-759-100	50

**NOTE:** THE COVER MAY BE CALLED A "LID" OR A "GRATE." THE RING MAY BE CALLED A "FRAME" OR "COLLAR"

# NOVA™ LARGE OUTLET DRAINS



## PRODUCT FEATURES

- 2.5" and 3" Drain Sizes
- PVC Body
- Color Options for Any Pool Finish
- For White, Gray, & Black: Sump Body Color Matches Cover
- For Special Colors Order Body then Order Color Lid & Frame Separately
- IAPMO Listed VGB Suction: Compliant to ANSI/APSP - 16 2011 & CPSC Requirements



## ORDERING GUIDE

LARGE OUTLET DRAINS					
REF	WHITE	GRAY	BLACK	DESCRIPTION	BOX QTY
A	25513-260-000	25513-261-000	25513-264-000	2.5" NOVA MAIN DRAIN	12
A	25513-400-000	25513-401-000	25513-404-000	3" NOVA MAIN DRAIN	12
—	25513-300-100	—	—	3" NOVA MAIN DRAIN, WITHOUT LID	—
B	25516-260-000	—	—	2.5" NOVA DRAIN & ADJUSTABLE EXTENSION	—
B	25516-400-000	—	—	3" NOVA DRAIN & ADJUSTABLE EXTENSION	—
—	25516-250-010	—	—	2.5" ADJUSTABLE COLLAR BODY ONLY	—
—	25516-300-010	—	—	3" ADJUSTABLE COLLAR BODY ONLY	8
C	25620-250-000	—	—	HYDROSTATIC VALVE, 2-1/2"×3"	—

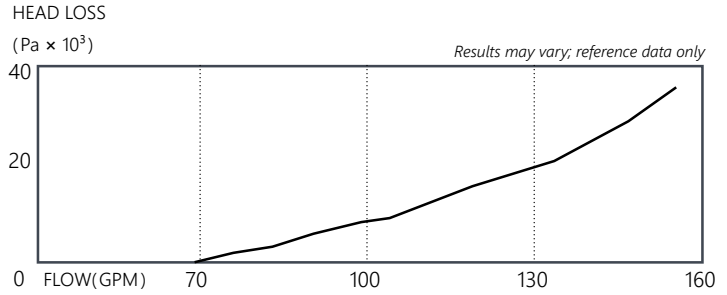
NOVA LID WITH ADJUSTABLE EXTENSION COLLAR								
REF	WHITE	GRAY	BLACK	DARK GRAY	TAN	DARK BLUE	LIGHT BLUE	BOX QTY
—	25516-500-100	25516-501-100	25516-504-100	25516-507-100	25516-509-100	25516-569-100	25516-559-100	50

**NOTE:** THE COVER MAY BE CALLED A "LID" OR A "GRATE." THE RING MAY BE CALLED A "FRAME" OR "COLLAR"



# NOVA™ GUNITE MAIN DRAINS TECHNICAL GUIDE

- For Multiple Drain Use Only
- Seven Year Life on Cover
- PVC Body
- IAPMO Listed
- Floor or Wall Installation
- 14.57 in<sup>2</sup> Open Area
- 68 GPM at 1.5FPS
- IAPMO Listed Max Flow Rates Below

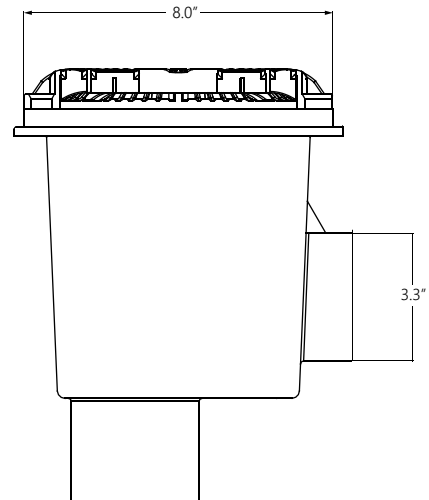
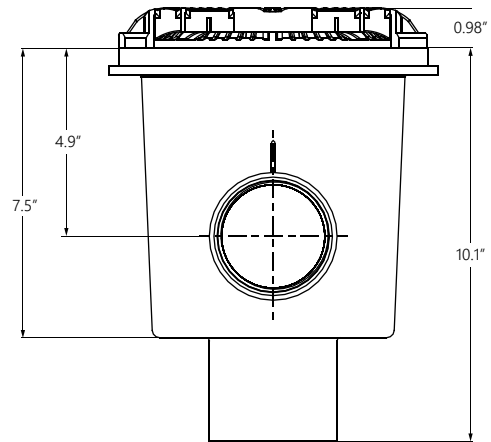
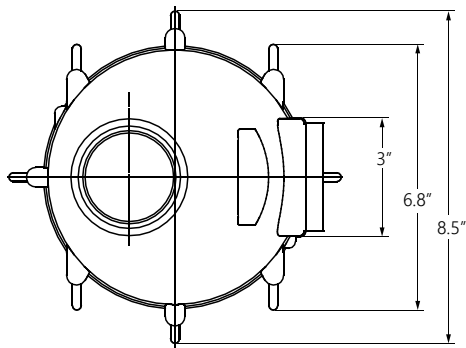
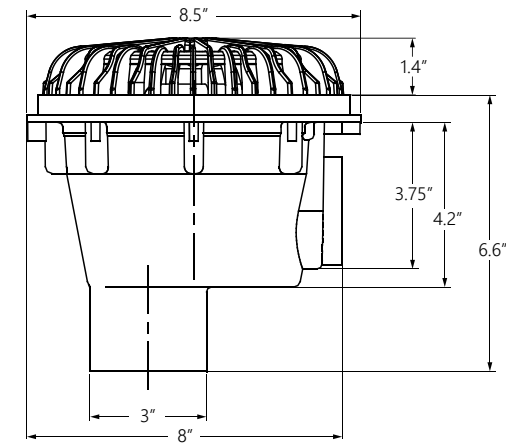


GUNITE NOVA MAIN DRAINS		
PLUMBING	MAX FLOW FLOOR	MAX FLOW WALL
1.5" PIPE	140 GPM	118 GPM
2" PIPE	150 GPM	118 GPM

REPLACEMENT PARTS ON PAGE 240

LARGE OUTLET DRAINS			
DRAIN SIZE	OPEN AREA	MAX FLOW FLOOR	MAX FLOW WALL
3" DRAIN	13.4in <sup>2</sup>	150 GPM	118 GPM
2.5" DRAIN	13.4in <sup>2</sup>	150 GPM	118 GPM

REPLACEMENT PARTS ON PAGE 240



# VGB DRAINS & SUCTIONS



## FIBERGLASS MAIN DRAIN

### PRODUCT FEATURES

- Six Colors to Match Any Pool Finish
- 2" Socket
- Lock Nut
- 175 GPM



## EQUALIZER SUCTION



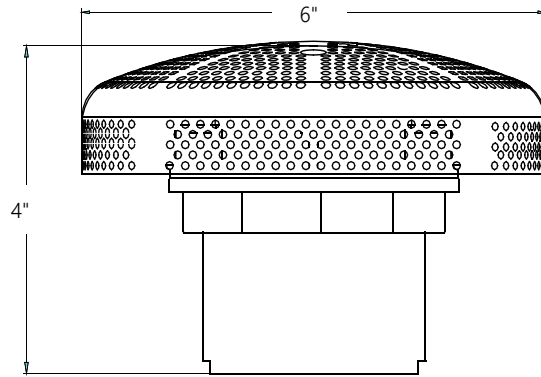
### ORDERING GUIDE

VGB FIBERGLASS MAIN DRAIN								
REF	WHITE	GRAY	BLACK	DARK GRAY	TAN	DARK BLUE	DESCRIPTION	BOX QTY
A	25215-000-000	25215-001-000	25215-004-000	—	25215-009-000	25215-069-000	2" S FG MAIN DRAIN	40
B	25215-000-003	25215-001-003	25215-004-003	—	25215-009-003	25215-069-003	FG DRAIN COVER ONLY	60
—	25215-900-000	—	—	—	—	—	FG DRAIN PLUG	—

VGB EQUALIZER SUCTION									
REF	WHITE	GRAY	BLACK	DARK GRAY	TAN	LIGHT BLUE	DARK BLUE	DESCRIPTION	BOX QTY
C	25207-700-000	25207-701-000	25207-704-000	25207-707-000	25207-709-000	25207-759-000	—	2" IN SUCTION	100
D	25207-800-000	25207-801-000	25207-804-000	25207-807-000	25207-809-000	25207-859-000	—	1.5" MIP SUCTION	100
E	25207-700-900	—	—	—	—	—	—	SUCTION PLUG	25

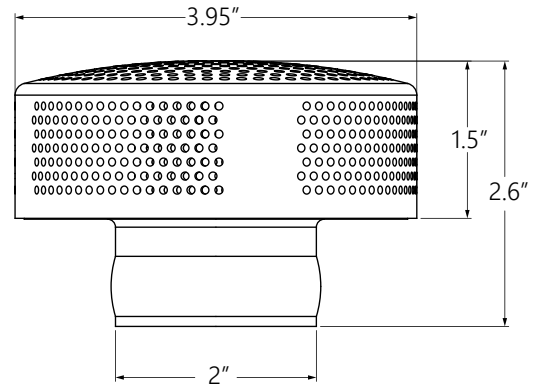
## FIBERGLASS DRAIN TECHNICAL GUIDE

- Fits in 3" Hole
- Seven Year Life on Cover
- Wall or Floor Installation
- 6" x 1.5" Cover
- UL Listed VGB Suction: Compliant to ANSI/APSP - 16 2011 & CPSC Requirements
- 2" Socket
- 12.88in<sup>2</sup> Open Area
- 60 GPM at 1.5FPS
- 175 GPM UL Listed Max Flow Rate



## SUCTION TECHNICAL GUIDE

- Seven Year Life on Cover
- IAPMO Listed VGB Suction: Compliant to ANSI/APSP - 16 2011 & CPSC Requirements
- 6.82in<sup>2</sup> Open Area
- 31 GPM at 1.5FPS
- 50 GPM IAPMO Listed Max Flow Rate



## HYDROSTATIC RELIEF VALVES

- Equalizes Underground Water Pressure
- Helps Prevents Serious Structure Damage
- Three Fitting Sizes Available



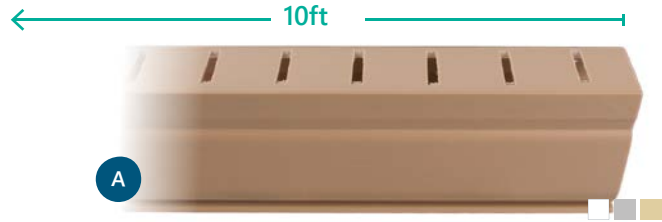
## ORDERING GUIDE

HYDROSTATIC RELIEF VALVES			
REF	WHITE	DESCRIPTION	BOX QTY
A	25620-000-000	1.5/2" CYC HYDRO RELIEF	25
B	25620-250-000	2-1/2" x 3" HYDROSTATIC RELIEF VALVE	—
C	25620-320-000	2" MIP HYDROSTATIC RELIEF VALVE	250

# POOL DECK GOODS

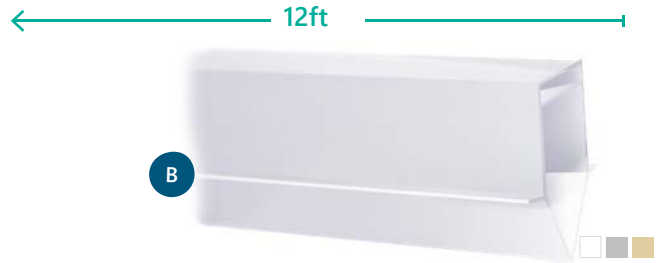
## 10FT DECK DRAINS

- 3.25in × 1.65in × 10ft
- Eight Couplers per Box
- Four End Adapters per Box
- Sold in Box Quantities Only
- **10 Foot Lengths**



## 12FT DECK EXPANSION JOINTS

- .61in × 1.325in × 12ft
- Three Colors Available
- Sold in Box Quantities Only
- **12 Foot Lengths**



## COMPACT DECK DRAINS



## DECK MOUNTED JUNCTION BOX

- O-ring Built Into the Box Lid
- Watertight Design
- For Low Voltage (12 Volt) Power Only
- Includes Fittings
- For Canada & International (Not Listed for U.S)



## ORDERING GUIDE

REF	WHITE	GRAY	BLACK	TAN	DESCRIPTION	BOX QTY
A	25533-100-000	25533-101-000	—	25533-108-000	10FT DECK DRAIN	8*
B	25900-120-000	25900-121-000	—	25900-128-000	12FT DECK EXPANSION JOINTS	20*
C	25533-200-000	25533-201-000	25533-204-000	25533-209-000	3-BAR GRATE & FRAME	50
D	25533-000-000	25533-001-000	25533-004-000	25533-009-000	2" × 4" DECK DRAIN, 2" FIP × 2" S	50
D	25533-000-010	25533-001-010	25533-004-010	25533-009-010	2" × 4" GRATE ONLY	500
E	25533-300-000	25533-301-000	—	25533-309-000	3" ROUND DECK DRAIN	—
E	25533-300-010	25533-301-010	—	25533-309-010	3" COVER ONLY	—
F	25840-100-000	—	—	—	DECK JUNCTION BOX	—

\*sold in box quantities only

# AUSSIE INSIDERS

Aussie Insiders, or "Pound-In Fittings," have been available for years in 1½" and 1" inside pipe styles. Aussie Insiders are self-aligning. CMP also offers the industry's first 2" Aussie Insider.

## 1" AUSSIE INSIDER

### PRODUCT FEATURES

- .5" Eye Opening
- Five Color Options



## 1.5" AUSSIE INSIDER

### PRODUCT FEATURES

- .75" Eye Opening
- Includes Two Snap-In Reducers
- Seven Color Options



## 2" AUSSIE INSIDER

### PRODUCT FEATURES

- Industry's Only 2" Aussie Insider
- 1.25" Eye Opening
- Includes 1" Snap-In Reducer
- Includes Slotted Eye Snap-In Reducer
- Three Color Options



## ORDERING GUIDE

AUSSIE INSIDER "POUND-IN" FITTINGS									
REF	WHITE	GRAY	BLACK	DARK GRAY	TAN	LIGHT BLUE	DARK BLUE	DESCRIPTION	BOX/BAG
A	25559-110-000	25559-111-000	25559-114-000	25559-117-000	25559-119-000	—	—	1" AUSSIE	400/50
B	25559-000-000	25559-001-000	25559-004-000	25559-007-000	25559-009-000	25559-059-000	25559-069-000	1.5" AUSSIE	400/50
C	25559-200-000	25559-201-000	25559-204-000	—	—	—	—	2" AUSSIE	400/50

# DIRECTIONAL RETURN FITTINGS

## THREADED DIRECTIONAL RETURNS

### PRODUCT FEATURES

- With or Without Flange
- Five Opening Sizes
- 1.5" MIP
- Solid Cap Available to Drill a Custom Eye Size
- All directional returns are sold in boxes of 400 or 50.



## SELF-ALIGNING DIRECTIONAL RETURNS

### PRODUCT FEATURES

- Fits Inside 1.5" SCH40 Pipe
- Five Opening Sizes
- Self-Aligning
- All directional returns are sold in boxes of 400 or 50.



## ORDERING GUIDE

1.5" MIP DIRECTIONAL FLOW OUTLETS									
REF	WHITE	GRAY	BLACK	DARK GRAY	LT BLUE	DK BLUE	TAN	CLEAR	EYE SIZE
A	25552-100-000	25552-101-000	25552-104-000	25552-107-000	—	—	25552-139-000	—	3/8"
B	25552-200-000	25552-201-000	25552-204-000	25552-207-000	—	—	25552-239-000	—	1/2"
C	25552-300-000	25552-301-000	25552-304-000	25552-307-000	25552-359-000	25552-369-000	25552-339-000	25552-309-000	3/4"
D	25552-400-000	25552-401-000	25552-404-000	25552-407-000	—	—	25552-439-000	25552-409-000	1"
E	25552-000-000	25552-001-000	25552-004-000	25552-007-000	—	—	—	25552-009-000	SLOT
F	25552-020-300	25552-021-300	25552-024-300	—	—	—	25552-029-300	—	CAP
1.5" MIP DIRECTIONAL FLOW OUTLETS WITH FLANGE									
G	25553-200-000	25553-201-000	—	—	—	—	—	—	1/2"
G	25553-300-000	25553-301-000	25553-304-000	25553-307-000	25553-309-000	25553-369-000	25553-339-000	—	3/4"
G	25553-400-000	25553-401-000	25553-404-000	—	—	—	—	—	1"
1.5" INSIDER DIRECTIONAL FLOW OUTLETS									
H	25554-100-000	25554-101-000	25554-104-000	—	—	—	25554-139-000	—	3/8"
I	25554-200-000	25554-201-000	25554-204-000	—	—	—	25554-239-000	—	1/2"
J	25554-300-000	25554-301-000	25554-304-000	25554-307-000	—	—	25554-339-000	25554-309-000	3/4"
K	25554-400-000	25554-401-000	25554-404-000	25554-407-000	—	—	25554-439-000	25554-409-000	1"
L	25554-000-000	25554-001-000	25554-004-000	—	—	—	25554-039-000	25554-009-000	SLOT
1.5" INSIDER DIRECTIONAL FLOW OUTLETS WITH FLANGE									
M	25553-350-000	25553-351-000	25553-354-000	—	—	—	—	—	3/4"
M	25553-450-000	25553-451-000	25553-454-000	—	—	—	—	—	1"

# RETURN & INLET FITTINGS

## FLUSH MOUNT RETURN

- Flush Mount in Gunite
- 1.5" Insider
- 1" or 1.5" Socket Options
- Available w/ Plaster Cap
- Five Color Options



## INSERT INLET

- Insert Inlet Fits Inside 1.5" Pipe
- 1.5" Insider x 1" Socket
- Available with Slotted, 3/4" or 1" Eyeball
- Five Color Options



## 1.5" SOCKET INLET

- Fits 1.5" Pipe
- Includes Set of Reducers
- Octagon Shape Flange
- Three Available Color Options



## ORDERING GUIDE

EYEBALL RETURN FITTINGS & ACCESSORIES							
REF	WHITE	GRAY	BLACK	DARK GRAY	TAN	DESCRIPTION	BOX QTY
A	25555-300-000	25555-301-000	25555-304-000	25555-307-000	25555-309-000	1" S FLUSH RETURN, 3/4" EYE	220
B	25555-000-000	25555-001-000	25555-004-000	25555-007-000	25555-009-000	1" S FLUSH RETURN, 1" EYE	220
B, D	25555-700-000	25555-701-000	25555-704-000	25555-707-000	25555-709-000	1" S FLUSH RETURN & PLASTER CAP	220
C, D	25557-000-000	25557-001-000	25557-004-000	25557-007-000	—	1.5" S FLUSH RETURN & PLASTER CAP	220
D	—	—	25557-014-010	—	—	PLASTER CAP FOR FLUSH RETURN	—
E	25551-300-000	25551-301-000	25551-304-000	25551-307-000	25551-309-000	INSERT INLET, 3/4" EYE (PICTURED)	400
E	25551-000-000	25551-001-000	—	—	—	INSERT INLET, SLOTTED EYE	—
E	25551-400-000	25551-401-000	25551-404-000	25551-407-000	25551-409-000	INSERT INLET, 1" EYE	400
F	25609-300-000	25609-301-000	25609-304-000	—	—	1.5" S INLET & REDUCERS	400

# INLET FITTINGS & ACCESSORIES



## ORDERING GUIDE

EYEBALL RETURN FITTINGS & ACCESSORIES							
REF	WHITE /OTHER	GRAY	BLACK	DARK GRAY	TAN	DESCRIPTION	BOX QTY
A,B	25606-000-000	—	25606-004-000	25606-007-000	—	INLET EYEBALL FITTING KIT	400
B	25606-100-000	—	25606-104-000	25606-107-000	—	INLET EYEBALL REPLACEMENT KIT	400
C	25527-000-000	—	—	—	—	FLOOR INLET 1.5" S×2" MIP	50
—	25527-000-030	—	—	—	—	COVER FOR 25527-000-000	—
D	25527-100-000	25527-101-000	25527-104-000	25527-107-000	25527-109-000	FLOOR INLET 2" S w/ 1.5" REDUCER	50
—	25527-100-100	25527-101-100	25527-104-100	25527-107-100	25527-109-100	COVER & SCREWS FOR 25527-100-000	50
—	61050-042-025	—	—	—	—	SCREWS FOR 25527-100-000	—
E	25560-000-000	25560-001-000	25560-004-000	25560-007-000	25560-009-000	1.5" MIP GRATE INSERT*	1000/50
F	25552-500-000	25552-501-000	25552-504-000	25552-507-000	25552-509-000	1.5" MIP CHECK VALVE	400
G	25551-000-100	—	—	—	—	INLET SEAT REMOVAL TOOL	100
H	25590-250-000	—	—	—	—	POOL FITTING "MULTITOOL"	—

\*for safety, we recommend using the grate insert with 25207-800-000 equalizer suction



# WALL RETURN FITTINGS



## ORDERING GUIDE

All Vinyl Fittings Include Nut & Gaskets

1.5" FIP VINYL WALL FITTINGS							
REF	WHITE	GRAY	BLACK	DK GRAY	DESCRIPTION	PIPE SIZE	HOLE SIZE
A	25550-000-000	25550-001-000	25550-004-000	—	VINYL LOCKNUT I/O FITTING	1.5" S	2-3/8"
B	25522-500-000	25522-501-000	25522-504-000	25522-507-000	EXTENDED VINYL FITTING	1.5" S	2-3/8"
C	25522-000-000	25522-001-000	25522-004-000	—	VINYL I/O FITTING	1.5" FIP	3"
C	25522-100-000	25522-101-000	—	—	VINYL I/O FITTING	1.5" S	3"

3.5" VINYL FACEPLATES							
REF	WHITE	GRAY	BLACK	TAN	DK BLUE	LT BLUE	DESCRIPTION
D	25545-100-000	25545-101-000	25545-104-000	25545-139-000	25545-169-000	25545-159-000	FACEPLATE KIT
D	25545-000-000	25545-001-000	25545-004-000	25545-049-000	25545-069-000	25545-009-000	FACEPLATE ONLY
D	25546-100-000	25546-101-000	25546-104-000	—	—	—	THREADED FACEPLATE KIT
D	25546-000-000	25546-001-000	25546-004-000	—	—	—	THREADED FACEPLATE ONLY

1.5" FIP FIBERGLASS WALL FITTINGS							
REF	WHITE	GRAY	BLACK	TAN	DESCRIPTION	PIPE SIZE	HOLE SIZE
E	25523-500-000	25523-501-000	25523-504-000	25523-539-000	1.5" FG FITTING	1.5"S×2"SP	2-3/8"
E	25523-600-000	25523-601-000	25523-604-000	25523-639-000	2" FG FITTING	2"S×2.5"SP	2-7/8
F	25523-700-000	25523-701-000	25523-704-000	—	1.5" FG FITTING & FLUSH EYE	1.5"S×2"SP	2-3/8"
G	25523-500-200	25523-501-200	25523-504-200	—	1.5" FG FITTING & 3/4" EYE	1.5"S×2"SP	2-3/8"
G	25523-600-200	25523-601-200	25523-604-200	—	2" FG FITTING & 3/4" EYE	2"S×2.5"SP	2-7/8
—	25523-500-100	25523-501-100	—	—	1.5" FG FITTING & GASKET	1.5"S×2"SP	—
—	—	—	23300-200-040	—	FG FITTING GASKET ONLY	—	—

1.5" FIP GUNITE WALL FITTINGS									
REF	WHITE	GRAY	BLACK	DARK GRAY	TAN	LIGHT BLUE	DARK BLUE	DESCRIPTION	SIZE
H	25550-000-060	25550-001-060	25550-004-060	25550-007-000	25550-009-000	—	—	THREADED FITTING	1.5" FIP
I	25523-000-000	25523-001-000	25523-004-000	—	25523-039-000	—	—	I/O FITTING	1.5" S
J	25529-150-000	25529-151-000	25529-154-000	25529-157-000	25529-159-000	—	—	INSIDER FITTING	1.5" SP x 1.5" FIP
K	25524-200-000	25524-201-000	25524-204-000	25524-207-000	25524-239-000	—	—	INSIDER FITTING	2" INS x 1.5" FIP
L	25523-100-000	25523-101-000	25523-104-000	25523-107-000	25523-139-000	25523-159-000	25523-169-000	I/O FITTING	1.5" S

# GUNITE POOL WATER STOPS

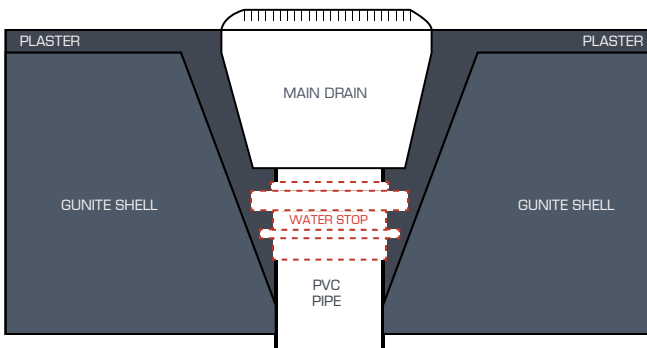
Water Stops prevent common leaks that occur when plaster separates from the installed pipe.

## PRODUCT FEATURES

- Easy to Install
- Sizes Available up to 3"

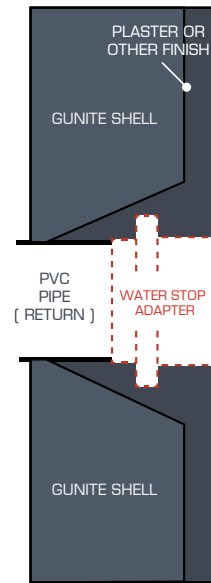


## INSTALLATION GUIDE



**WATER STOP:**  
Glue the water stop onto the pipe for the plaster to adhere

**WATER STOP ADAPTER:**  
Glue the water stop adapter fitting onto the end of the pipe and plaster over.



## ORDERING GUIDE

GUNITE POOL WATER STOPS			
REF	CMP P/N	DESCRIPTION	BOX/BAG
A	25574-100-000	1" WATER STOP	1000/20
A	25574-000-000	1.5" WATER STOP	1000/20
A	25575-000-000	2" WATER STOP	500/20
A	25575-250-000	2.5" WATER STOP	500/20
A	25575-300-000	3" WATER STOP	500/20
B	25575-600-000	WATER STOP ADAPTER FITTING, 1.5" FIP × 2" SOCKET (WHITE)	300/20
B	25575-609-000	WATER STOP ADAPTER FITTING, 1.5" FIP × 2" SOCKET (CLEAR)	300/20
C	25575-500-000	WATER STOP ADAPTER FITTING, 1.5" FIP × 1.5" SOCKET	500/20
C	25575-509-000	CLEAR WATER STOP ADAPTER FITTING, 1.5" FIP × 1.5" SOCKET	500/20



# PREMIER QUALITY TOOLS & COMPONENTS DESIGNED FOR POOL PROFESSIONALS

CMP PRO TOOLS is a special collection of pool replacement parts, tools and specialty fittings designed for superior performance. These special components include heavy duty components, extreme durability fittings, specialty repair tools and upgraded replacement parts.

## **LOOK FOR PRO TOOLS ITEMS THROUGHOUT THE CMP CATALOG**

**SPRING-LOCK WEIR DOORS** 127

**HIGH TEMP SELF-SEALING UNIONS** 156

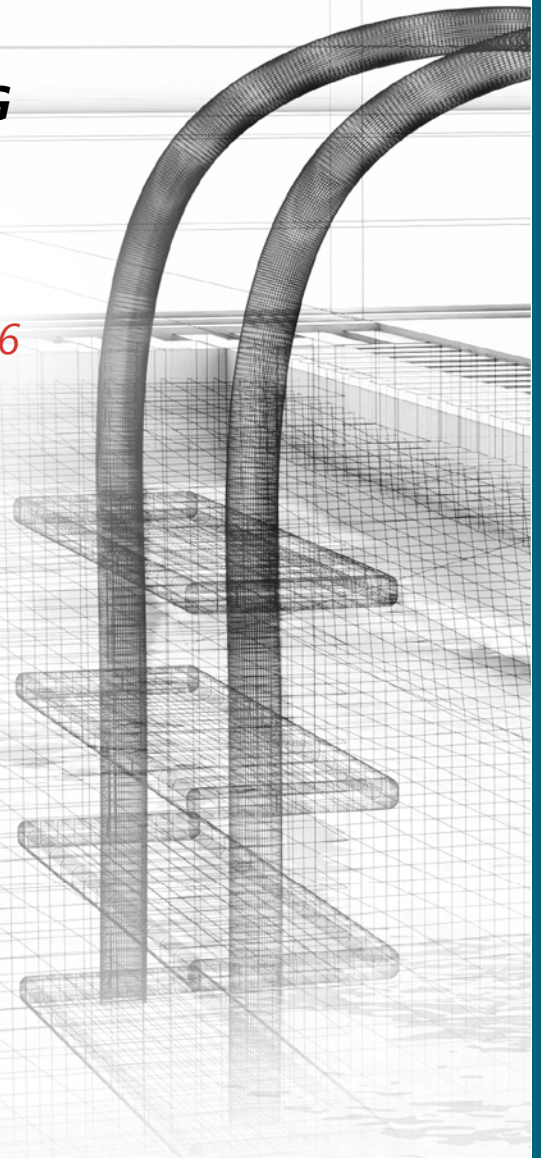
**SPECIALTY REPAIR FITTINGS** 160

**LIGHT REPAIR FITTINGS** 163

**FLOWSKIM™ BASKET** 184

**HEAVY DUTY BASKETS** 185

**HEAVY DUTY FILTER MANIFOLDS** 194



# HIGH TEMP SELF-SEALING UNIONS



## PRODUCT FEATURES

- Professional Grade Unions for Durable Installations and Repairs
- High Temp Black NORYL® Brand Resin: The Same Tough Material Used for Pool Pump Bodies
- Self-Sealing: No Sealing Tape or Pipe Dope Needed
- Union T-Gasket Provides a Better Seal



## ORDERING GUIDE

REF	CMP P/N	DESCRIPTION	BOX QTY
A	21063-750-000	3/4" MIP, 3/4" SOCKET TAIL, HI-TEMP UNION	30
A	21063-100-000	1" MIP, 1" SOCKET TAIL HI-TEMP UNION	—
B	21063-150-000	1.5" MIP, 1.5" SOCKET (2" SPIGOT) HI-TEMP UNION	50
B	21063-160-000	1.5" MIP, 2" SOCKET HI-TEMP UNION	50
C	21063-154-000	1.5" MIP, 1.5" SOCKET (2" SPIGOT) LONG HI-TEMP UNION	50
C	21063-164-000	1.5" MIP, 2" SOCKET LONG HI-TEMP UNION	50
D	21063-200-000	2" MIP, 2" SOCKET HI-TEMP UNION	50
E	21063-284-000	2" MIP, 2" SOCKET HI-TEMP SWIVEL UNION	50
F	21063-204-000	2" MIP, 2" SOCKET LONG HI-TEMP UNION	50
G	21063-250-000	2" MIP, 2.5" SOCKET HI-TEMP UNION	50
G	21063-230-000	2" MIP, 3" SOCKET HI-TEMP UNION	50
I	21063-290-000	2" MIP, 2" SOCKET TAIL, 90 DEG ELL HI-TEMP UNION	50

REPLACEMENT PARTS ON PAGE 243

# STANDARD UNIONS



## ORDERING GUIDE

REF	CMP P/N	DESCRIPTION	BOX QTY
A	21063-170-000	1.5" MIP × 1.5" SOCKET SELF-SEALING UNION	50
A	21063-180-000	1.5" MIP × 2" SOCKET SELF-SEALING UNION	25
A	21063-210-000	2" MIP × 2" SOCKET SELF-SEALING UNION	190
B	21063-179-000	1.5" MIP × 1.5" SOCKET SELF-SEALING UNION (LONG)	50
B	21063-189-000	1.5" MIP × 2" SOCKET SELF-SEALING UNION (LONG)	25
C	21063-280-000	2" MIP × 2" SOCKET SWIVEL SELF-SEALING UNION	—
D	21021-000-000	1.5" PUMP UNION (T-GASKET)	300
D	21023-000-000	2" PUMP UNION (T-GASKET)	190
E	21053-150-000	1.5" SOCKET × SOCKET FLUSH UNION	50
E	21053-200-000	2" SOCKET × SOCKET FLUSH UNION	50
F	21055-150-000	1.5" SOCKET × MIP FLUSH UNION	50
G	21058-000-000	1.5" HOSE BARB × MIP ECON UNION	50
H	21058-100-000	1.5" SMOOTH HOSE BARB × MIP ECON UNION	50
I	21054-150-000	1.5" MIP × 1.5" NPT SWIVEL UNION	50
J	21056-150-000	1.5" MIP × 1.5" SOCKET/2" SPIGOT SWIVEL UNION	50
—	21056-154-000	1.5" MIP X 1.5" MIP HI-TEMP SWIVEL UNION (BLACK)	50
J	21059-150-000	1.5" MIP × 1.5" SPIGOT UNION	50
K	21058-200-000	1.5" HOSE BARB × MIP 90° ELL ECON UNION	50
K	21058-300-000	1.5" SMOOTH HOSE BARB × MIP 90° ELL ECON UNION	50
L	21057-150-000	1.5" MIP FLUSH UNION WITH 90° SWEEP	20

# STANDARD UNIONS

## PRODUCT FEATURES

- Complete Selection of Popular and Common Sizes Up to 3"
- Self-Aligning Unions Available in 1.5 and 2" Sizes
- Sizes Available up to 3"



## ORDERING GUIDE

REF	CMP P/N	DESCRIPTION	BOX QTY
A	27288-070-000	3/4" SOCKET × SOCKET UNION	10
B	21049-150-000	1.5" SOCKET (2"SPIGOT) SELF-ALIGNING INLINE UNION	100
B	21047-000-000	1.5" SOCKET × SOCKET INLINE UNION	200
C	21049-200-000	2" SOCKET × SOCKET SELF-ALIGNING INLINE UNION	100
C	21048-000-000	2" SOCKET × SOCKET INLINE UNION	200
D	21063-225-000	2.5" SOCKET × SOCKET UNION	30
E	21063-330-000	3" SOCKET × SOCKET UNION	30
F	21003-000-000	2"FIIP, 2" SOCKET TAIL, SWEEP 90 UNION	60
F	21003-100-000	2"FIIP, 2" SPIGOT TAIL, SWEEP 90 UNION	60
G	21063-801-000	006723F HEATER UNION KIT (RAYPAK)	50
H	21063-350-000	350157 UNION KIT (SUPERFLO® PUMP)	—
I	21046-000-000	1.5" UNION TAILPIECE ONLY	—
J	25300-004-070	1.5" SPLIT UNION NUT & SCREWS	400/20
J	25301-004-070	2" SPLIT UNION NUT & SCREWS	400/20

# PLUMBING FITTINGS



## ORDERING GUIDE

REF	CMP P/N	DESCRIPTION	FITTING SIZE	BOX QTY
A	21005-000-000	2" SOCKET SWEEP 90° ELL	2" SOCKET × 2" SOCKET	100
A	21006-000-000	2" SPIGOT SWEEP 90° ELL	2" SOCKET × 2" SPIGOT	100
A	21105-000-000	1.5" SOCKET SWEEP 90° ELL	1.5" SOCKET × 1.5" SOCKET	100
A	21106-000-000	1.5" SPIGOT SWEEP 90° ELL	1.5" SOCKET × 1.5" SPIGOT	100
B	21013-200-000	2" STREET 90° ELL	2" SOCKET × 2" SPIGOT	100
B	21013-000-000	1.5" STREET 90° ELL	1.5" SOCKET × 1.5" SPIGOT	150
C	21010-200-000	2" STREET 45° ELL	2" SOCKET × 2" SPIGOT	100
C	21010-000-000	2" STREET 90° ELL	1.5" SOCKET × 1.5" SPIGOT	200
D	21004-000-000	2" 3-WAY WYE	2" SOCKET	50
D	21004-150-000	1.5" × 2" SOCKET 120 DEGREE 3-WAY WYE	1.5" S × 1.5" S × 2" S	50
E	21007-000-000	2" SOCKET NARROW 3-WAY WYE	2" SOCKET	50
F	21097-150-000	1.5" U-BEND VENT GRATE ASSEMBLY	1.5" SOCKET	100
F	21097-200-000	2" U-BEND VENT GRATE ASSEMBLY	2" SOCKET	100
F	21044-000-000	1.5"/2" VENTED PLUG FOR U-BEND	1.5"/2" SPIGOT	600/30
G	25398-010-000	1.5" / 2" REDUCER BUSHING	1.5" SOCKET × 2" SPIGOT	200
H	21098-150-000	1.5" COPPER TO PVC ADAPTER	1.5" SOCKET	80
H	21098-200-000	2" COPPER TO PVC ADAPTER	2" SOCKET	80
I	25501-100-000	2" PRESSURE TEST KIT	2"	100
-	69025-501-001	VALVE FOR 2" PRESSURE TEST KIT (BRASS)	2"	100
J	25501-000-800	0-60 PRESSURE GAUGE SIDE MOUNT	1/4" NPT	100
J	25501-020-800	0-60 PRESSURE GAUGE SIDE MOUNT (CLAMSHELL)	1/4" NPT	—
K	25501-000-900	0-60 PRESSURE GAUGE BACK MOUNT	1/4" NPT	100
K	25501-020-900	0-60 PRESSURE GAUGE BACK MOUNT (CLAMSHELL)	1/4" NPT	—
L	25501-100-800	0-60 PRESSURE GAUGE SIDE MOUNT W/ GUIDE	1/4" NPT	—
L	25501-120-800	0-60 PRESSURE GAUGE SIDE MOUNT W/ GUIDE (CLAMSHELL)	1/4" NPT	—
M	25501-100-900	0-60 PRESSURE GAUGE BACK MOUNT W/ GUIDE	1/4" NPT	—
M	25501-120-900	0-60 PRESSURE GAUGE BACK MOUNT W/ GUIDE (CLAMSHELL)	1/4" NPT	—

# CLIP-ON PIPE SEAL



Leaky joints are a thing of the past! CMP Clip-On Pipe Seals stop leaks at glue joints for schedule 40 fittings, couplings, elbows, and more. CMP Clip-On Pipe Seals are cleaner, more professional and more effective.

## PRODUCT FEATURES

- Snaps Into Place over Leaking Joints
- One-Piece Repair Fitting Design
- Complete set of sizes from 3/4" to 2-1/2"



## INSTALLATION GUIDE



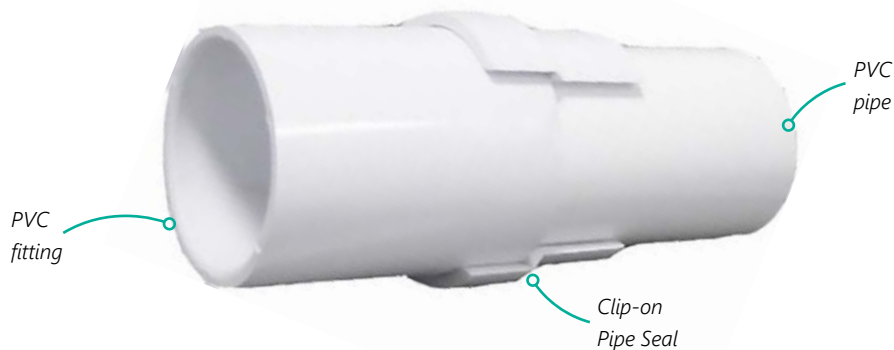
Examine the area of the leak on the socket. Make sure there are no raised letters or bumps on the fitting. They will have to be sanded off to use the CMP Clip-On Pipe Seal.

Liberal apply glue to the area of the leak and onto the Clip-On Seal. **DON'T BE SHY WITH THE GLUE.** Choose the proper sized Clip-On Seal and snap over the leaking area.



**NO MORE MESSY REPAIRS**

**NO CUTTING, NO MEASURING. . . FAST & SIMPLE**



## ORDERING GUIDE

CMP P/N	DESCRIPTION	BOX/BAG
21184-750-000	3/4" CLIP-ON PIPE SEAL	750
21184-100-000	1" CLIP-ON PIPE SEAL	500
21184-150-000	1-1/2" CLIP-ON PIPE SEAL	100/25
21184-200-000	2" CLIP-ON PIPE SEAL	100
21184-250-000	2-1/2" CLIP-ON PIPE SEAL	100
21184-230-000	2" PIPE × 2" SPIGOT CLIP-ON PIPE SEAL	200



# FITTING EXTENDERS



CMP fitting extenders simplify pool service. Reduce the amount of cut and wasted PVC pipe. Instead use a fitting extender on existing plumbing. A far better solution than using slip fittings.

Continuing our commitment to offer the products that the professional really needs, CMP is the only manufacturer offering a true 2" socket fitting extender.



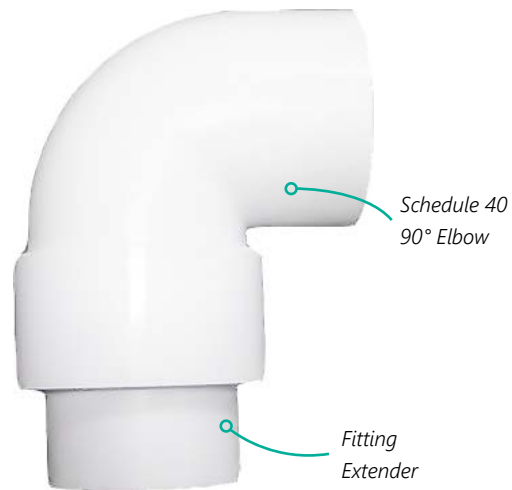
## PRODUCT FEATURES

- A More Professional Repair
- No Loss of Flow
- CMP Exclusive True 2" Socket Extender

## INSTALLATION GUIDE

Make sure there are no raised letters or bumps on the fitting. If so, they may need to be sanded off prior to installation.

Try the fitting extender over the fitting without glue first to make sure it will fit. If the extender fits too tight, the inside of the extender may be sanded to fit. Once you have confirmed a proper fit, glue the extender to the fitting. When using with 2" pipe glue a coupler or 90° elbow to the small end. The larger end fits over Schedule 40 fittings.



## ORDERING GUIDE

REF	CMP P/N	DESCRIPTION	FITTING SIZE	BOX QTY
A	21182-150-000	1.5" FITTING EXTENSION	1.5" FITTING × 1.5" SOCKET/2" SPIGOT	100
B	21182-200-000	2" FITTING EXTENSION	2" FITTING × 1.5" SOCKET/2" SPIGOT	100
C	21182-220-000	2" FITTING EXTENSION	2" FITTING × 2" SOCKET	100
D	21182-250-000	2.5" FITTING EXTENSION	2.5" FITTING × 2.5" SOCKET	100

# REPAIR FITTINGS

## PIPE EXTENDERS

- Add Length Back to Pipe After Cutting or Trimming
- Small End Fits Inside PVC Pipe
- Large End is Equivalent to the Pipe Size



## INSIDE COUPLERS

- Both Ends Fit Inside the PVC Pipe
- Space-Saving Design
- Cleaner Appearance than Outside Couplers



## ORDERING GUIDE

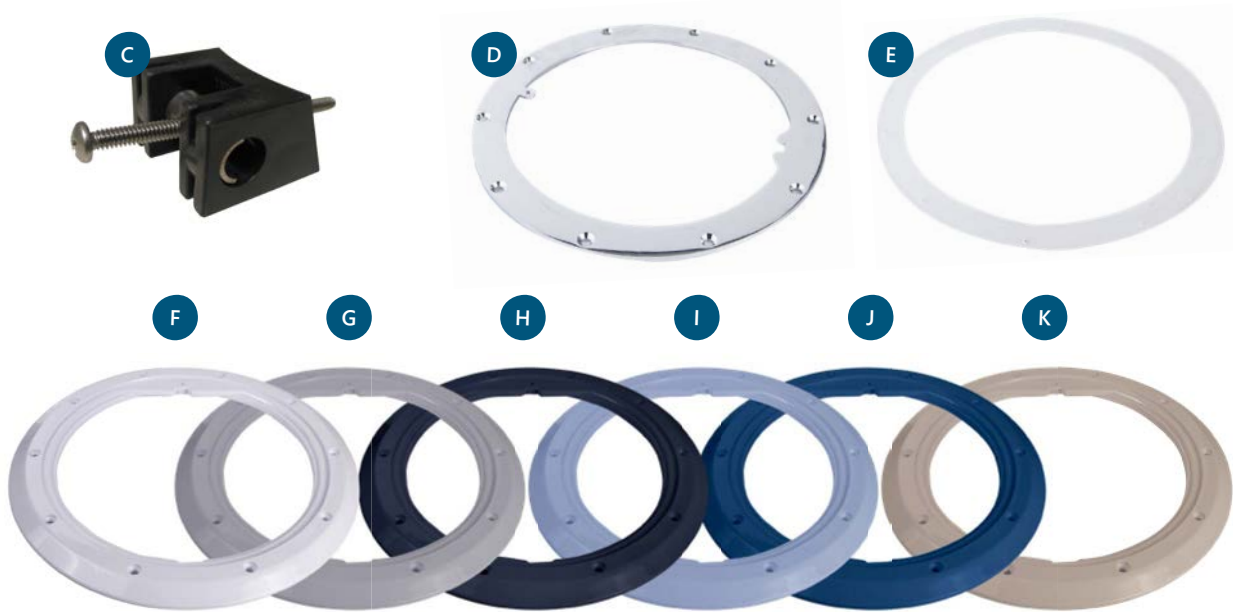
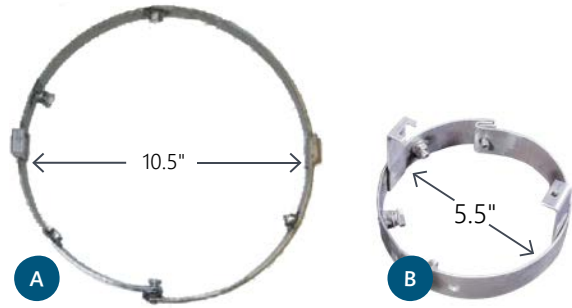
PIPE EXTENDERS		
CMP P/N	DESCRIPTION	BOX QTY
21181-750-000	3/4" PIPE EXTENSION	750
21181-100-000	1" PIPE EXTENSION	500
21181-150-000	1.5" PIPE EXTENSION	100/25
21181-200-000	2" PIPE EXTENSION	100
21181-250-000	2.5" PIPE EXTENSION	60
21181-300-000	3" PIPE EXTENSION	25
21181-400-000	4" PIPE EXTENSION	20
INSIDE COUPLERS		
21183-100-000	1" INSIDE COUPLER	1000
21183-150-000	1.5" INSIDE COUPLER	200
21183-200-000	2" INSIDER COUPLER	200

# LIGHT REPAIR FITTINGS



## IN GROUND LIGHT ADAPTER

- The Easiest Way to Fix a Stripped Pool Light
- Plaster Does Not Have to be Scraped Away to Install the Original Manufacturer Light Ring
- 100% Stainless Steel



## ORDERING GUIDE

REF	CMP P/N	DESCRIPTION	COMPARE TO	BOX QTY
A	25549-500-000	IN GROUND POOL LIGHT ADAPTER	—	20
B	25549-540-000	IN GROUND SPA LIGHT ADAPTER	—	30
C	25549-600-000	LIGHT REPAIR WEDGE	—	—
D	25549-002-000	VINYL LINER LIGHT SEALING RING (10 HOLE)	79200200	20
E	25549-000-011	VINYL LINER LIGHT RING GASKET	—	20
D,E	25549-100-000	VINYL LINER LIGHT RING KIT	—	—
F	25549-200-000	WHITE LIGHT FRONT FACEPLATE	SPX0507A1	20
G	25549-201-000	GRAY LIGHT FRONT FACEPLATE	SPX0507A1	20
H	25549-204-000	BLACK LIGHT FRONT FACEPLATE	SPX0507A1	20
I	25549-259-000	LIGHT BLUE LIGHT FRONT FACEPLATE	SPX0507A1	20
J	25549-269-000	DARK BLUE LIGHT FRONT FACEPLATE	SPX0507A1	20
K	25549-209-000	TAN LIGHT FRONT FACEPLATE	SPX0507A1	20

COVERED BY ONE OR MORE U.S. PATENTS OR PENDING PATENT APPLICATIONS. SEE [WWW.C-M-P.COM/PATENTS](http://WWW.C-M-P.COM/PATENTS) FOR DETAILS.



# POOL TOOLS & ACCESSORIES

Aqua Elements® Pool Tools *166*

Pool Care Accessories *172*

Ladder & Rope Accessories *175*

Pool Plugs & Winterizing Accessories *176*

Aqualevel™ Auto Levelers *177*

Pool Defender® Anodes & Water Bonds *180*

AQUA ELEMENTS® is the CMP Pool Products brand of quality, retail friendly pool tools and accessories. The perfect choice for attractive retail products with the quick shipping guarantee of CMP Pool Products.

- Total Brand of Retail Products Designed to be Displayed as a Complete Family
- Options from Pro Level to Basic Pool Tools

# AQUA elements®

## POOL VACUUMS



### ORDERING GUIDE

REF	CMP P/N	DESCRIPTION	BOX QTY
A	58410-120-048	TRIANGULAR VINYL LINER VACUUM WITH SWIVEL CUFF	12
B	58410-140-052	DELUXE TRANSPARENT CAST IRON WEIGHT VACUUM WITH SWIVEL CUFF	6
C	58410-110-023	DELUXE WEIGHTED LINER BUMPER VACUUM	12
D	58480-120-047	STANDARD PLASTIC REPLACEMENT VACUUM HANDLE	12
E	58410-130-051	14" FLEXIBLE VACUUM	12
F	58410-150-302	14" FLEXIBLE VACUUM WITH METAL HANDLE	12
G	58410-180-763	19" FLEXIBLE COMMERCIAL VAC HEAD WITH METAL HANDLE	—

\*sold in box quantities only

## VACUUM LEAF TRAP

- Captures Vacuum Debris for Easy Cleaning
- Twist-On Quick Release Lid
- Includes 9' of Vacuum Hose
- Heavy-Duty Molded Handle for Added Strength
- Male Port Bottom × Female Port Lid
- Heavy Duty Basket or Debris Net Options



## VACUUM HOSE WITH SWIVEL

- Spiral Wound Construction
- UV Resistant
- Heavy Duty Swivel Cuff
- Crush Proof Durability



## ORDERING GUIDE

REF	CMP P/N	DESCRIPTION	BOX QTY
A	58309-000-000	LEAF TRAP WITH FINE MESH BAG	6
B	58309-300-000	LEAF TRAP WITH BASKET	6
—	27182-010-000	HEAVY DUTY REPLACEMENT BASKET FOR LEAF TRAP	EA
C	58410-150-025	POOL VAC HOSE 1.5" x 25' WITH SWIVEL CUFF	—
C	58410-150-035	POOL VAC HOSE 1.5" x 35' WITH SWIVEL CUFF	—
C	58410-150-050	POOL VAC HOSE 1.5" x 50' WITH SWIVEL CUFF	—
—	58410-150-010	REPLACEMENT SWIVEL CUFF	—

LEAF TRAP REPLACEMENT PARTS ON PAGE 246

# POOL CLEANING TOOLS

**AQUA**  
elements.

The CLEANPRO™ S-2000 automatic suction-side pool cleaner is a tough and durable automatic pool vacuum. Setup is fast and easy, and the durable one-moving-part design lasts for years of continual use. The S-2000 follows a random pattern to clean 100% of the pool floor with ease and efficiency.

## S-2000 AUTOMATIC SUCTION CLEANER

- Automatic Suction-Side Cleaner
- Quick Easy Setup
- Cleans 100% of the Pool Floor
- Attractive Retail Packaging
- Includes 32 Feet of Hose
- For In Ground or Above Ground Pools



## HANDHELD POOL & SPA QUICK-VAC

- Cleans with No Hoses and No Pumps
- Includes Four Attachments: Angle Nozzle, Wide Nozzle, Brush and Skimmer
- Wall Mount Bracket and Screws Included
- Attractive & Branded Retail Packaging Design
- Clear View Filter



## VENTURI LEAF EATER

- Clean with Venturi Suction from a Standard Garden Hose, no Pump Required
- Wheels & Brushes on Bottom
- Service Pro Favorite for Large Clean-up Jobs
- Includes Garden Hose Quick Releaser
- Fits Any Standard Tele-pole



## ORDERING GUIDE

REF	CMP P/N	DESCRIPTION	BOX QTY
A	25563-800-000	S-2000 AUTOMATIC SUCTION VACUUM KIT	2
—	25563-810-046	SUCTION CLEANER 3FT FEED HOSE	10
—	25563-810-047	SUCTION CLEANER 3FT LEAD HOSE	10
B	58306-009-000	HANDHELD POOL AND SPA QUICK-VAC	4
C	58410-160-409	VENTURI LEAF EATER	6
—	58410-170-454	LEAF EATER REPLACEMENT MESH BAG	24

REPLACEMENT PARTS ON PAGE 248 **NEW**

\*sold in box quantities only



# POOL BRUSHES & NETS



## ORDERING GUIDE

REF	CMP P/N	DESCRIPTION	BOX QTY
A	58420-120-166	18" CURVED POLY-BRISTLE WALL BRUSH	24
B	58420-110-025	18" DELUXE METAL BACK BRUSH	24
C	58420-130-316	10" ALGAE BRUSH	12
D	58420-130-318	18" ALGAE BRUSH	12
E	58430-150-100	LEAF SKIMMER WITH DEBRIS MAGNET	24
F	58430-140-087	ALUMINUM LEAF SKIMMER	24
G	58430-160-146	4' TELEPOLE SKIMMER NET WITH DEBRIS MAGNET	12
H	58430-100-035	DEEP NET LEAF RAKE	24
I	58430-110-043	DELUXE ALUMINUM DEEP NET LEAF RAKE	24
J	58480-130-079	ALUMINUM POLE HANGERS & SCREWS SET	24
K	58480-110-039	QUICK SNAP BUTTERFLY CLIPS (3 PIECE SET)	24

\*sold in box quantities only

# TELE-POLES & PRO SERIES POOL TOOLS



## ORDERING GUIDE

REF	CMP P/N	DESCRIPTION	BOX QTY
A	58490-110-530	FIVE PIECE MAINTENANCE KIT FOR GUNITE POOLS	6
B	58490-120-540	FIVE PIECE MAINTENANCE KIT FOR VINYL POOLS	6
C	58420-140-494	18" PRO SERIES POOL BRUSH	24
D	58430-190-548	PRO SERIES SOLID TUBE FRAME DEEP LEAF RAKE	24
E	58430-180-161	PRO SERIES ALUMINUM LEAF SKIMMER	12
F	58430-120-065	PRO SERIES XL "SCOOP" PLASTIC LEAF RAKE	12
G	58430-130-066	PRO SERIES XL "SCOOP" PLASTIC SKIMMER	12
H	58450-110-095	8-16' TELESCOPIC POLE W/ LOCK & GRIP, SMOOTH	12
I	58450-120-132	8-16' TELESCOPIC POLE W/ LOCK & GRIP, RIBBED	12

\*sold in box quantities only



## ORDERING GUIDE

REF	CMP P/N	DESCRIPTION	BOX QTY
A	58490-130-257	VINYL POOL REPAIR KIT	24
B	58440-120-083	FLOATING ANIMAL THERMOMETERS SET	12
C	58440-110-082	DELUXE ROUND THERMOMETER	24
D	58440-130-084	DELUXE FLOATING THERMOMETER	12
E	58440-140-080	BUOY THERMOMETER	24
F	58490-110-530	FIVE PIECE MAINTENANCE KIT FOR GUNITE POOLS	6
G	58490-120-540	FIVE PIECE MAINTENANCE KIT FOR VINYL POOLS	6

\*sold in box quantities only

# POOL CARE ACCESSORIES

## CMP SMART SCOOP

Application Guides are Molded Into the Scoop For:  
Sodium Bicarbonate, Soda Ash, Cyanuric Acid (CYA), D.E. Powder, and  
Standard Cup Measurements

### PRODUCT FEATURES

- Large scoop that holds over six cups
- Application guides are molded into the scoop
- Clear so you can see exactly what you are measuring
- Chemical resistant, BPA free material
- Durable scoop handle for a firm grip to ease the application of large chemical doses.

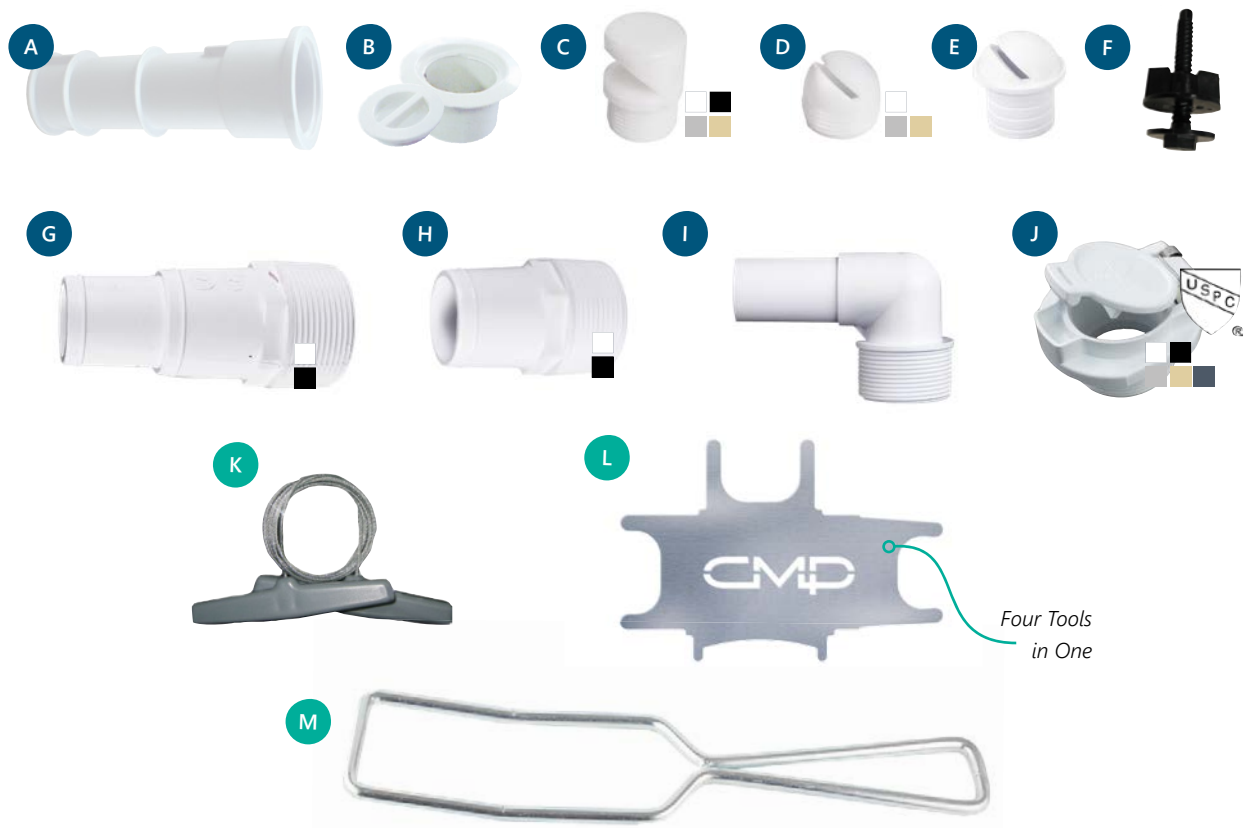


Tilts when Empty!

### ORDERING GUIDE

REF	CMP P/N	DESCRIPTION	CAPACITY	BOX QTY
A	25600-411-000	CMP CLEAR SMART SCOOP	SIX CUPS	—
B	27052-019-000	BLUE BOTTOM LOAD ADJUSTABLE CHLORINATOR	TEN 1" TABLETS	45
C	27052-029-000	TAN BOTTOM LOAD ADJUSTABLE CHLORINATOR	TEN 1" TABLETS	45
D	27052-039-000	GRAY BOTTOM LOAD ADJUSTABLE CHLORINATOR	TEN 1" TABLETS	45
E	27051-009-000	GRAY/WHITE TOP LOAD ADJUSTABLE CHLORINATOR	TEN 1" TABLETS	45
F	27051-019-000	BLUE/WHITE TOP LOAD ADJUSTABLE CHLORINATOR	TEN 1" TABLETS	45
G	25600-009-000	ORANGE 1LB DE SCOOP	1 LB OF DE POWDER	50
H	58470-110-690	STANDARD TOP LOAD ADJUSTABLE FLOATING CHLORINATOR	3" TABLETS	12
I	58470-110-700	LARGE TOP LOAD ADJUSTABLE FLOATING CHLORINATOR	EIGHT 3" TABLETS (4LB)	12
J	58307-000-000	FILTER SAVER SKIMMER SOCKS (5-PACK)	—	20
K	58307-100-000	LARGE FILTER SAVER SKIMMER SOCKS (5-PACK)	—	20
L	25300-200-000	CARTRIDGE FILTER CLEANING TOOL	—	—

# POOL ACCESSORY FITTINGS & TOOLS



Four Tools in One

## ORDERING GUIDE

SPECIALTY POOL FITTINGS							
REF	WHITE	GRAY	BLACK	DARK GRAY	TAN	DESCRIPTION	BOX/BAG
A-B	25570-100-000	25570-101-000	25570-104-000	25570-107-000	25570-119-000	VOLLEYBALL POLE HOLDER ASSY	35
A	25570-000-000	—	—	—	—	VOLLEYBALL POLE HOLDER	36
B	25571-000-000	25571-001-000	25571-004-000	25571-007-000	25571-019-000	VOLLEYBALL FLANGE & FLUSH CAP	280/35
C	25558-000-000	25558-001-000	25558-004-000	—	25558-009-000	3/4" MIP AERATOR	1000/50
D	25558-100-000	25558-101-000	—	—	25558-109-000	3/4" ROUND AERATOR	1000/50
E	25558-170-000	25558-171-000	—	—	25558-179-000	3/4" INSIDER AERATOR	1000/50
F	25589-200-000	—	—	—	—	2" NYLON WALL FASTENER	25*
G	21093-000-000	—	21093-004-000	—	—	1.25"/1.5" HOSE ADAPTER	390
H	21093-150-000	—	21093-154-000	—	—	1.5" HOSE ADAPTER SMOOTH BARB	390
—	21093-160-000	—	—	—	—	1.5" HOSE ADAPTER RIBBED BARB	—
I	21093-900-000	—	—	—	—	90 DEG HOSE ADAPTER	—
—	21093-940-000	—	—	—	—	90 DEG TWIST HOSE ADAPTER	—
J	25505-000-000	25505-001-000	25505-004-000	25505-007-000	25505-009-000	1.5" MIPx1.25" VAC COVER (IAPMO)	100

POOL SERVICE TOOLS			
REF	CMP P/N	DESCRIPTION	BOX/BAG
K	58308-100-000	36" CABLE SAW	100
L	25590-250-000	POOL FITTING MULTITool	—
M	25300-100-000	PUMP LID REMOVAL TOOL	—

\*sold in bag quantities only

# POOL SAFETY ROPE ACCESSORIES



## ORDERING GUIDE

### POOL SAFETY ROPE ACCESSORIES

REF	CMP P/N	DESCRIPTION	BOX QTY
A	25569-100-000	18' × 5/16" POOL SAFETY ROPE KIT WITH TWO HOOKS	18
A	25569-000-000	22' × 5/16" POOL SAFETY ROPE KIT WITH TWO HOOKS	18
B	25564-000-300	SMALL FLOAT FOR 5/16" POOL SAFETY ROPE	100
B	58460-110-688	LARGE FLOAT FOR 3/4" POOL SAFETY ROPE	24
C	25569-000-100	RATCHET-LOCK ROPE HOOKS ( SET OF TWO )	—

### VINYL & FIBERGLASS POOL ROPE EYES

REF	WHITE	GRAY	DARK BLUE	BLACK	LIGHT BLUE	TAN	DESCRIPTION	BOX QTY
D	25568-400-000	25568-401-000	25568-469-000	25568-404-000	25568-409-000	25568-439-000	FLUSH ROPE EYE	50
E	25568-500-000	25568-501-000	—	—	—	—	F-GLASS FLUSH ROPE EYE	50
F	25568-300-000	25568-301-000	25568-369-000	—	—	—	MALE RECEPTOR ROPE EYE	100
G	25568-300-010	25568-301-010	25568-369-010	—	—	—	BASIC ROPE EYE	100

### COPING MOUNTED ROPE EYES

REF	WHITE	GRAY	CHROME	DESCRIPTION	BOX QTY
H	25568-200-000	25568-201-000	—	COPING MOUNT ROPE EYE (2)	200
H	—	—	25568-700-000	CHROME COPING MOUNT ROPE EYE (2)	100
I	—	—	25568-750-000	14" CHROME RING ROPE EYE (STRAP)	100

### GUNITE POOL ROPE ANCHORS

REF	WHITE/OTHER	GRAY	DARK GRAY	BLACK	TAN	DESCRIPTION	BOX QTY
J	25567-000-000	25567-001-000	25567-007-000	25567-004-000	25567-039-000	PLASTIC PIN ANCHOR	50
K	25568-000-000	25568-001-000	25568-007-000	25568-004-000	25568-039-000	STEEL PIN ANCHOR	50
L	25567-100-000	25567-101-000	25567-107-000	25567-104-000	25567-139-000	MINI ANCHOR	50
L	25567-109-000	—	—	—	—	CLEAR MINI ROPE ANCHOR	50

# IN GROUND LADDER ACCESSORIES

## PLASTIC LADDER ANCHOR

- Plastic Anchor Prevents Typical Corrosion Issues Associated with Metal Ladder Anchors
- Electrical Ground is Built into Anchor



## ORDERING GUIDE

LADDER ANCHORS & BOLT KITS			
REF	CMP P/N	DESCRIPTION	BOX QTY
A	25572-420-000	20" PLATE & TWO 4" ANCHOR SOCKETS	10
A	25572-480-000	8" PLATE & TWO 4" ANCHOR SOCKETS	10
A	25572-400-000	4" HEAVY DUTY PLASTIC ANCHOR 1.9" SOCKET (SINGLE)	50
A	25572-600-000	6" HEAVY DUTY PLASTIC ANCHOR 1.9" SOCKET (SINGLE)	38
B	25572-400-100	HEAVY DUTY PLASTIC ANCHOR WEDGE & BOLT	100
C	25562-500-000	MALE LADDER BUMPER FOR 1.9" OD RAIL	300
C	25562-500-100	MALE BUMPER 2-PACK (RETAIL PACKAGING)	80
C	25562-600-000	FEMALE LADDER BUMPER FOR 1.9" OD RAIL	300
C	25562-600-100	FEMALE BUMPER 2-PACK (RETAIL PACKAGING)	80
D	25562-720-000	ELITE LADDER BOLT KIT (60-702)	—
D	25562-740-000	ECONOMY LADDER BOLT KIT (60-704)	—

LADDER ANCHORS & BOLT KITS						
REF	WHITE	GRAY	TAN	CHROME/SS	DESCRIPTION	BOX QTY
E	25572-050-000	25572-051-000	25572-059-000	—	5.75" ESCUTCHEON (FITS 1.9")	—
E	25572-000-000	25572-001-000	25572-009-000	25572-002-000	5" ESCUTCHEON (FITS 1.9")	—
F	—	—	—	25572-100-000	SS ESCUTCHEON (FITS 1.9")	—
G	25572-200-000	25572-201-000	25572-209-000	25572-202-000	CLIP-ON ESCUTCHEON (FITS 1.9")	—
H	25562-100-000	—	—	—	20" LADDER TREAD (SRS-A42073-0)	—
I	25562-000-000	—	—	—	17-1/4" TREAD (SWAN 60-704, LTDF-101)	—

IN POOL WALL STEPS (15"×6"×6", 3" DEEP)								
REF	WHITE	GRAY	DARK GRAY	LIGHT BLUE	BLACK	TAN	DESCRIPTION	BOX QTY
J	25578-000-000	25578-001-000	25578-007-000	25578-009-000	25578-004-000	25578-019-000	IN POOL STEPS	6

# POOL PLUGS & WINTERIZING TOOLS



## DELUXE WINTERIZING TUBE

- Pool Plumbing Blow-Out Hole
- Includes Cap
- Fits 1.5" or 2" MIP



## ORDERING GUIDE

POOL PLUGS								
REF	WHITE	GRAY	DARK GRAY	TAN	BLACK	DARK BLUE	DESCRIPTION	BOX /BAG
A	25543-000-000	25543-001-000	—	—	25543-004-000	—	1.5" PLUG W/ O-RING	700/50
B	25542-000-000	25542-001-000	25542-007-000	25542-009-000	25542-004-000	25542-059-000	1.5" FLAT PLUG W/ GASKET	1000/50
B	25542-500-000	—	—	25542-504-000	—	—	1.5" FLAT PLUG (EXT THREAD)	1000/50
C	25597-000-030	—	—	—	—	—	3/4" MALE THREADED PLUG	450/18
C	25520-040-000	—	—	—	—	—	1.5" MALE THREADED PLUG	450/18
C	25520-050-020	—	—	—	—	—	2" MALE THREADED PLUG	450/18
C	25513-250-020	—	—	—	—	—	2.5" MALE THREADED PLUG	450/18
C	25513-300-020	—	—	—	—	—	3" MALE THREADED PLUG	450/18
D	25525-000-000	—	—	—	—	—	2" MIP PLUG WITH O-RING	450/18
E	25528-000-000	—	—	—	25523-900-000	—	1.5" MIP TEST PLUG (SP1434TP)	160
F	25523-900-000	—	—	—	25523-904-000	—	1.5" MIP JOSAM PLUG	160
G	25552-020-300	—	—	—	—	—	SOLID CAP	400

WINTERIZING TUBES			
REF	CMP P/N	DESCRIPTION	BOX QTY
H	25251-120-000	1.5" / 2" DELUXE WINTERIZING TUBE (BLUE)	36
I	25251-100-000	1.5" / 2" IN GROUND WINTERIZING TUBE (BLUE)	36
J	25251-110-000	1.5" ABOVE GROUND WINTERIZING TUBE (BLUE)	72



# AQUALEVEL™

PORTABLE AUTOMATIC WATER LEVELER

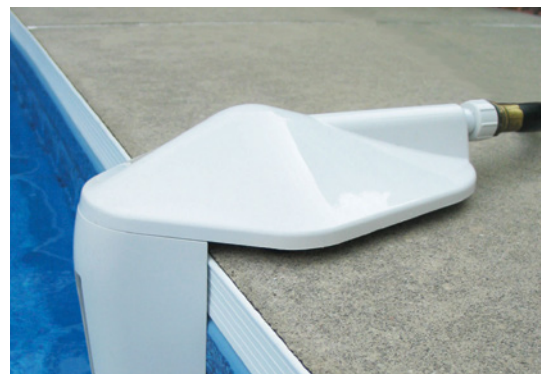
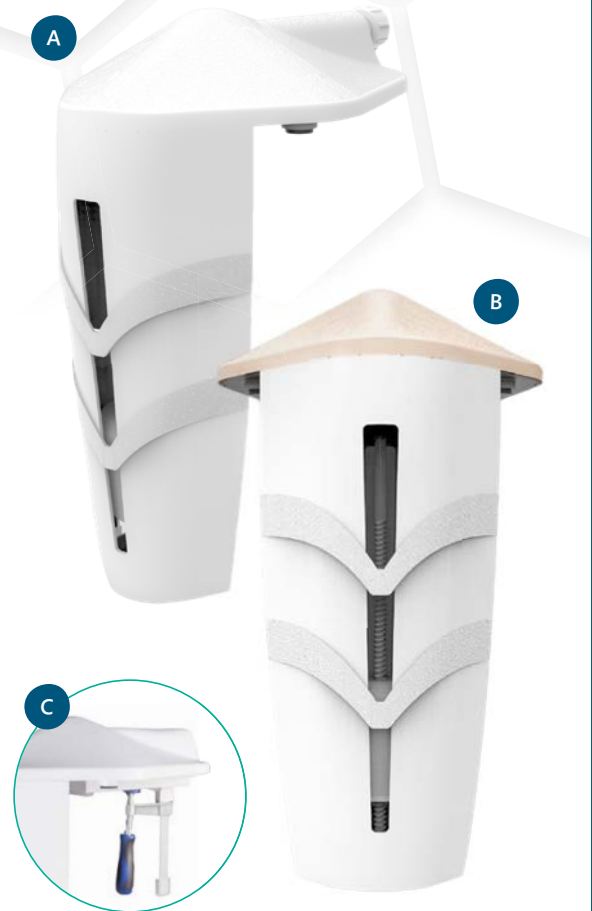
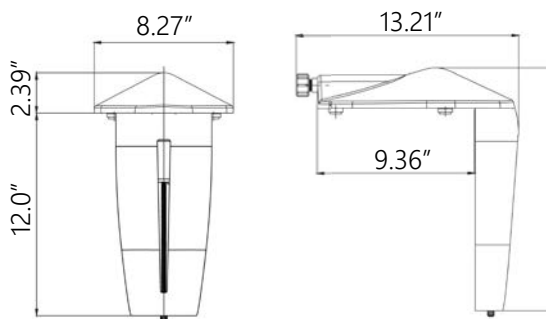
The AQUALEVEL™ Portable Auto Water Leveler is the fast and simple way to protect your pool from summer evaporation. Anyone can install the AquaLevel in minutes with a standard garden hose. Since it's fully portable, the AquaLevel can be used as needed.

[C-M-P.COM/AUTO-LEVELERS](http://C-M-P.COM/AUTO-LEVELERS)

## PRODUCT FEATURES

- NEW PACKAGING: Now Ships Fully Assembled
- Fills Pool Automatically to Set Level and Protects the Pump from Running Dry
- Fits a Standard Hose Connection: No Tools Required
- Fully Portable: A Great Solution for Rental and Vacation Properties
- Add Rock/Sand Bag Weights to Secure to Pool Deck
- Above Ground Model Includes Clamp to Secure to Pool Wall and Top Rails (B)

## PRODUCT DIMENSIONS



## ORDERING GUIDE

REF	CMP P/N	DESCRIPTION	BOX QTY
A	25604-000-000	WHITE LID AQUALEVEL FOR IN GROUND POOL	6
B	25604-009-000	TAN LID AQUALEVEL FOR IN GROUND POOL	6
C	25604-100-000	WHITE LID AQUALEVEL FOR ABOVE GROUND POOL (CLAMP-ON STYLE)	6

REPLACEMENT PARTS PAGE 244

# AQUALEVEL™ NEW CONSTRUCTION LEVELER

For new construction pools, an auto water leveler provides peace of mind for pool owners. Automatically adjust the water level to prevent damage to pool equipment.

## PRODUCT FEATURES

- Lid Design Matches CMP Skimmers
- Easy to Install in New Construction Pools
- All Plastic Worry-Free 3/8" Float Valve
- 3/4" or 1/2" Water Inlet
- 1" Socket Bottom Port Equalizer Line
- 1/2" Socket Optional Overflow Line
- Includes 2" and 1.5" Adapters



## ORDERING GUIDE

REF	CMP P/N	DESCRIPTION	BOX QTY
A	25504-100-000	ROUND LID AUTOLEVEL WITH WHITE LID & COLLAR	1
A	25504-101-000	ROUND LID AUTOLEVEL WITH GRAY LID & COLLAR	1
A	25504-109-000	ROUND LID AUTOLEVEL WITH TAN LID & COLLAR	1
—	25504-300-000	SQUARE LID AUTOLEVEL WITH WHITE LID & COLLAR	1
—	25504-301-000	SQUARE AUTOLEVEL LID WITH GRAY LID & COLLAR	1
—	25504-309-000	SQUARE AUTOLEVEL LID WITH TAN LID & COLLAR	1
B	25504-000-100	3/8" MIP THERMOPLASTIC FLOAT ASSEMBLY FOR CMP UNITS	1
B	25504-000-200	1/2" MIP THERMOPLASTIC FLOAT ASSEMBLY	1
C	25504-000-400	3/8" MIP BRASS FLOAT ASSEMBLY	1
—	25590-100-000	FLOAT ASSEMBLY REMOVAL TOOL	1
—	25504-200-001	EXTENSION COLLAR	1

REPLACEMENT PARTS PAGE 245



# POOL DEFENDER

ANODES & WATER BONDS



Pool Defender®  
Skimmer p123

**WATER BONDING:**  
PROTECT  
SWIMMERS FROM  
STRAY ELECTRICAL  
CURRENTS

**SACRIFICIAL ANODES:**  
PROTECT EVERY  
POOL FROM  
GALVANIC  
CORROSION



ELECTRICAL POOL SAFETY IS SERIOUS. POOL DEFENDER® IS THE EASY WAY TO SAFEGUARD ANY POOL.

**EVERY POOL NEEDS A DEFENDER™**



# POOL DEFENDER® INLINE ANODE & WATER BOND

Preventing damage from salt water sanitation systems is a key step in building a quality modern pool. Protect the pool from galvanic corrosion combined with an NEC Approved water bonding device. For more info on corrosion problems see page 182.

[C-M-P.COM/POOL-DEFENDER](http://C-M-P.COM/POOL-DEFENDER)

## PRODUCT FEATURES

- Connects to Pool Bonding Wire
- Complies With: *UL-1081, UL-1563, CSA C22.2-218.1*
- Meets NEC2008 680.26(C) as a Water Bonding Device
- Available with 4ft of Solid Copper Ground Wire
- Must Remain in Contact with Water at All Times To Meet Water Bonding Requirements
- Zinc Bar Protects the Entire Pool from Galvanic Corrosion - use with Powerclean Salt (page 85)



Bottom View



Top View



## ORDERING GUIDE

CMP P/N	DESCRIPTION	BOX QTY
25810-400-050	2" POOL DEFENDER COMPACT WITH COPPER WIRE (2" S × 2.5" SP)	—
25810-350-050	2" POOL DEFENDER COMPACT WITHOUT COPPER WIRE (2" S × 2.5" SP)	—
25398-010-000	1.5" / 2" REDUCER BUSHING (SEE PAGE 159)	200
25810-400-950	REPLACEMENT ZINC ELEMENT FOR COMPACT POOL DEFENDER INLINE ZINC ANODE	—
25180-200-950	REPLACEMENT ZINC ELEMENT FOR DELUXE ANODE (OLD STYLE)	—

REPLACEMENT PARTS PAGE 247

COVERED BY ONE OR MORE U.S. PATENTS OR PENDING PATENT APPLICATIONS. SEE [WWW.C-M-P.COM/PATENTS](http://WWW.C-M-P.COM/PATENTS) FOR DETAILS.

## ABOVE GROUND PUMP WATER BOND

- Install Pool Bonding to a Standard Above Ground Pool Pump through the Strainer Drain Plug (Fig 1)
- No Special Tools Required for Installation
- Stainless Steel Coil Sits Below Pump Basket
- Bolt Connector Attaches to Pool Bonding Wire
- Meets Requirements of NEC 680.26 (C)

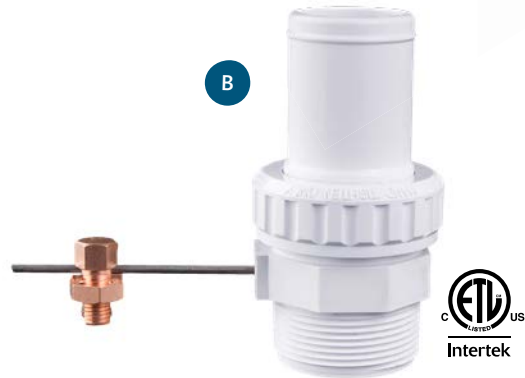


Figure 1



## ECON UNION WATER BOND

- Install Pool Bonding to a Standard Above Ground Pool Filter at the Hose Connection
- No Special Tools Required for Installation
- Bolt Connector Attaches to Pool Bonding Wire
- Meets Requirements of NEC 680.26 (C)



## POOL BASKET ZINC ANODE

- Attach a Zinc Anode to Any Pool Skimmer Basket
- Sacrificial Anode Helps Fight Galvanic Corrosion in "Saltwater" Pools
- "Puck" Weighs Down Basket to Prevent Floating
- Retail Style Packaging



## ORDERING GUIDE

REF	CMP P/N	DESCRIPTION	BOX QTY
A	25810-500-000	ABG PUMP BOND (SS WIRE, CONNECTOR, RELIEF FITTING)	—
B	25810-850-000	ECON UNION WITH STAINLESS STEEL POOL BOND	—
C	25810-009-950	ZINC ANODE "PUCK" FOR SKIMMER BASKETS	100

COVERED BY ONE OR MORE U.S. PATENTS OR PENDING PATENT APPLICATIONS. SEE [WWW.C-M-P.COM/PATENTS](http://WWW.C-M-P.COM/PATENTS) FOR DETAILS.

# POOL DEFENDER® TECHNICAL INFO



## ABOUT POOL BONDING REQUIREMENTS

Since 2008 the National Electrical Code (NEC) has mandated that pool water shall be electrically bonded, not just metals in the structure of the pool itself.

As required in NEC Section 680.26(C) the Bonding Device shall:

- Consist of at least 9 sq. in. of conductive material
- Shall be in contact with the water 24/7, whether the circulation system is running or not
- The Connector (lug) must be unable to “back off” (due to vibration, etc.) at any time

Code enforcement for these requirements is consistently increasing. High level pool professionals should already be meeting these requirements for all pool service and installations. To ease this process CMP is developing a complete line of cost effective, easily installed pool bonding devices for in ground and above ground pools.

## ABOUT CORROSION DAMAGE TO “SALT WATER” POOLS

Salt water generators have greatly gained in popularity as a replacement for traditional pool sanitation methods. These systems are a great solution for many homeowners that prefer storing fewer harsh chemicals and who also enjoy more “automated” pool care. It is important to note that swimming pool “salt water” can create a corrosive environment for metal pool components and equipment in certain conditions.

### WHY DOES THIS HAPPEN?

Any time different metals are present in your salt water pool, a small amount of electrical current is created between them. Over time this will actually cause metal ions to release into the pool water. As this “galvanic corrosion” builds over time, you will experience:

- Metal erosion and damage
- Plaster discoloration
- Pool surface stains

This can effect all metal parts, including but not limited to heaters, lights, niches, automatic covers and safety rails.

### HOW CAN DAMAGE BE PREVENTED?

The electrical current generated effects high grade metals more slowly than weaker metals. Zinc is a weak metal that will erode faster than other metals, essentially “sacrificing” itself to prevent corrosion and staining in other areas of the pool. The Pool Defender Sacrificial Zinc Anode is designed to prevent the damage caused by salt water sanitation systems.

- The zinc anode will erode instead of your expensive pool components
- The Pool Defender Sacrificial Anode is tied into the pool bonding wire, thereby protecting the entire pool
- Simply replace the anode after half of it has eroded, typically in about three years
- Certified for use as a water bonding device by NEC2008 680.26(C) building code requirements

Notes are for general information purposes only. Always install professionally and refer to local and national code requirements for installation guidelines. You can visit [www.nfpa.org](http://www.nfpa.org) for more information.

# OEM REPLACEMENT POOL PARTS

Flowskim™ Baskets *184*

Heavy Duty Pool Baskets *185*

Auto Cleaner Parts *188*

JZ-Style Fittings *193*

Heavy Duty Manifolds *194*

Pool Equipment Parts *199*

| Cross Reference Charts *258*

# FLOWSKIM™ BASKET HANDLE



The Flowskim Skimmer Basket Handle provides a path for water flow when your skimmer basket is full of debris. It can also be removed and emptied without touching wet leaves, bugs and other debris inside the skimmer basket.

## PRODUCT FEATURES

- Protects Pump from Running Dry
- Easier Removal and Cleaning
- 12", 14" and 16" Handle Options
- U.S AND INTERNATIONAL PATENTS



## ORDERING GUIDE

REF	12" HANDLE	14" HANDLE	16" HANDLE	DESCRIPTION	COMPARE TO	BOX QTY
A	27182-300-000	27182-310-000	27182-320-000	CMP STYLE FLOWSKIM BASKET	SP1070 OR U-3	60
B	27182-352-000	27182-362-000	27182-372-000	H-STYLE FLOWSKIM BASKET	SP1082CA	36
C	27180-336-000	27180-337-000	27180-338-000	BAKER-HYDRO STYLE FLOWSKIM BASKET	51B1026	—
D	25573-300-000	25573-310-000	25573-320-000	FLOWSKIM HANDLE & SCREWS KIT	—	50

COVERED BY ONE OR MORE U.S. PATENTS OR PENDING PATENT APPLICATIONS. SEE [WWW.C-M-P.COM/PATENTS](http://WWW.C-M-P.COM/PATENTS) FOR DETAILS.



# HEAVY DUTY POOL BASKETS



Let's face it, pool baskets can really take a beating. They are forever under attack from harsh chemicals, erosion, UV sunlight, and the occasionally over-excited Shih Tzu. Pump and skimmer baskets protect your customer's equipment from serious damage. Why would you trust anything other than the absolute best?

## PRODUCT FEATURES

- Better Than OEM Originals: Twice as Thick
- Metal Weight Prevents Floating Baskets
- Extra Support Feet on Pump Baskets
- Heavy Duty Replacement for OEM Baskets



Anode on Select Baskets



## ORDERING GUIDE

Available with Pool Defender™ Anode

HEAVY DUTY REPLACEMENTS FOR POOL BASKETS					
REF	CMP P/N	DESCRIPTION*	DIMENSIONS A x B x C	COMPARE TO	BOX QTY
A	27182-009-000	HD U-3 STYLE SKIMMER BASKET	8¼" x 5¾" x 6⅝"	SP1070, U-3, B-9	24
A	27182-009-200	HD U-3 STYLE BASKET & ZINC ANODE PUCK	8¼" x 5¾" x 6⅝"	SP1070, U-3, B-9	24
B	27182-019-000	HD W-STYLE SKIMMER BASKET	7⅞" x 5½" x 6⅝"	542-3240	30
C	27182-152-000	HD 1082 STYLE BASKET	7⅞" x 5" x 6⅝"	SPX1082CA, B-152	24
C	27182-152-200	HD 1082 STYLE BASKET WITH ZINC ANODE PUCK	7⅞" x 5" x 6⅝"	SPX1082CA, B-152	24
D	27182-200-000	HD AMERICAN PRODUCTS™ S20 STYLE BASKET	8½" x 6" x 5½"	S-20, B-200	120
E	27182-037-000	HD AMERICAN PRODUCTS™ STYLE SKIMMER BASKET	7¼" x 7⅞" x 7¼"	AP 850001, B-37	12
F	27180-219-000	HD CHALLENGER® STYLE PUMP BASKET	5½" x 9⅞" x 4⅜"	355318, B-219	30
G	27182-199-000	HD WHISPERFLO® STYLE PUMP BASKET	5¾" x 8½" x 3⅜"	070387, B-199	36
H	27182-207-000	HD SUPER II™ STYLE PUMP BASKET	5¾" x 9⅞" x 5"	SPX3000M, B-207	25
I	27182-167-000	HD SUPER PUMP® STYLE BASKET	6¼" x 6" x 3⅞"	SPX1600M, B-167	27
J	27182-215-000	HD MAX-E-PRO® STYLE PUMP BASKET	5⅞" x 7¼" x 4¾"	C8-58P, B-215	25
K	27182-010-000	HD CMP LEAF TRAP CANISTER BASKET	5½" x 11¾" x 4¾"	—	30
L	27182-020-000	HD LEAF TRAP CANISTER BASKET	6¼" x 13¾" x 4½"	R211526, B-204, W530	30
—	25810-009-950	ZINC ANODE "PUCK" KIT (SEE PG 181)	n/a	—	25

\* Hayward®, Power-Flo®, Super Pump®, Super II® are registered trademarks of Hayward Industries, Inc.

Challenger®, Whisperflo®, Max-E-Pro®, American Products™ are trademarks and/or registered trademarks of Pentair Water Pool and Spa, Inc.

# POOL PUMP & SKIMMER BASKETS



Available with Pool Defender™ Anode

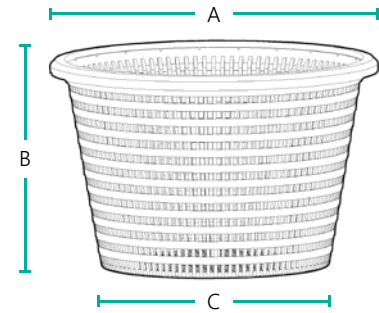


Also available in Pro Tools Heavy Duty

# POOL PUMP & SKIMMER BASKETS

## PRODUCT FEATURES

- Popular and difficult to find direct replacements for OEM baskets
- Popular styles also offered in Pro Tools Heavy Duty
- Select baskets available with Zinc Anode option
- As of late 2015, all replacement baskets are white



## ORDERING GUIDE

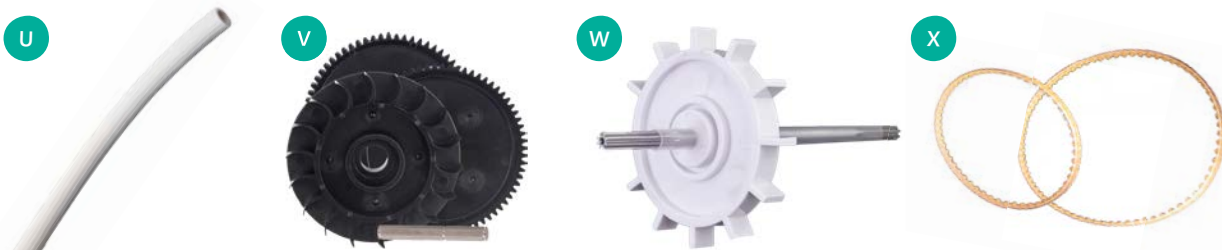
REPLACEMENTS FOR STANDARD SKIMMER BASKETS					
REF	CMP P/N	DESCRIPTION*	DIMENSIONS A x B x C	COMPARE TO	BOX QTY
A	27180-136-000	BAKER-HYDRO SKIMMER STYLE	7¾" x 5½" x 4¾"	51B1026, 340-1139, B-136	36
B	27180-152-000	HAYWARD® 1082 SKIMMER STYLE	7½" x 5" x 6½"	SPX1082CA, B-152	24
C	25140-000-900	W-STYLE SKIMMER BASKET	7¾" x 5½" x 5½"	542-3240	16
D	27180-200-000	ADMIRAL™/AMERICAN PRODUCTS™ SKIMMER STYLE	8¾" x 6" x 5½"	S-20, B-200	24
E	27180-109-000	HAYWARD® STYLE SKIMMER BASKET <b>NEW</b>	5¾" x 3¾" x 4½"	SPX1091C	48
F	27180-203-000	HAYWARD® 1094 SKIMMER STYLE	5½" x 3" x 3½"	SPX1094FA, B-203	60
G	25512-000-991	CMP ABOVE GROUND SKIMMER	6¾" x 3" x 3¾"	—	—
H	27180-168-000	HAYWARD® 1096 SKIMMER STYLE	5½" x 3½" x 5¼"	SPX1096CA, B-168	58
I	27180-163-000	KAFKO® SKIMMER STYLE	7½" x 6½" x 6¾"	19-0163-1	12
J	27180-009-000	HAYWARD® 1070, U-3 SKIMMER STYLE	8¼" x 5½" x 5¾"	SP1070, U-3, B-9	100
J	27180-009-200	HAYWARD® 1070, U-3 SKIMMER STYLE & ANODE	8¼" x 5½" x 5¾"	SP1070, U-3, B-9	100
K	27180-043-000	PACFAB™ ABG SKIMMER STYLE	7¾" x 4½" x 5½"	51-3036, B-43	40
L	27180-099-000	INVERTED SKIMMER	4½" x 4½" x 3¾"	B-99	32
L	27180-099-030	CUFF ONLY FOR INVERTED SKIMMER BASKET	n/a	—	—
M	25512-000-900	HAYWARD® ABG SKIMMER STYLE	6" x 3" x 5"	SPX1096CA	60
N	27180-037-000	AMERICAN PRODUCTS™ SKIMMER STYLE	7¼" x 7½" x 7¼"	R38013A, 850001, B-37	12
O	27180-038-000	AMERICAN PRODUCTS™ STYLE FLOATING WEIR	6¾" x 7½" x 6"	R38013B, 850012, B-38	16
—	25810-009-950	ZINC ANODE "PUCK" KIT (SEE PG 181)	n/a	—	25

REPLACEMENTS FOR STANDARD PUMP BASKETS					
P	27180-167-000	SUPER PUMP® STYLE	6¼" x 6" x 3½"	SPX1600M, B-167	24
Q	27180-207-000	SUPER II® PUMP STYLE	5¾" x 8½" x 5½"	SPX3000M, B-207	25
R	27180-199-000	WHISPERFLO® PUMP STYLE	5¾" x 7½" x 3¾"	070387, B-199	36
S	27180-215-000	MAX-E-GLAS™ II PUMP STYLE	5½" x 7¼" x 4¾"	C8-58P, B-215	25
T	27180-220-000	POWER-FLO® PUMP STYLE	5½" x 7¾" x 4¼"	SPX1500LX, B-220	30
U	27180-355-000	SUPERFLO® PUMP STYLE	5¾" x 7½" x 3¾"	355667	30
V	27180-280-000	MAX-FLO™ PUMP STYLE	4½" x 7½" x 3¾"	SPX2800M	30
W	27180-033-000	5" PUMP / PRE / AQF STYLE	4½" x 5" x 3¾"	91110000, C180-33P, B-33	60
X	27180-036-000	6" PUMP, TAPERED, AQUA-FLO / PUREX STYLE	5½" x 4¾" x 3½"	B-36	90
Y	27180-106-000	5" PUMP, STA-RITE® / PRE/AQF STYLE	4½" x 5¼" x 3¾"	C108-33P, B-106	60
Z	27180-039-000	A&S STYLE PUMP STYLE, 7" x 7"	6¾" x 4½" x 3½"	B-39	30

\* Hayward®, Power-Flo®, Super Pump®, Super II® are registered trademarks of Hayward Industries, Inc.  
 Challenger®, Whisperflo®, Max-E-Pro®, Pacfab™, American Products™, Admiral™, Sta-Rite®, SuperFlo®, Purex, Max-E-Glas™ are trademarks and/or registered trademarks of Pentair Water Pool and Spa, Inc.  
 Kafko® is a registered trademark of Latham Splash Canada, Inc.

# POOL AUTO CLEANER PARTS



# POOL AUTO CLEANER PARTS

## PRODUCT FEATURES

- Premier Replacements for OEM Pool Cleaner Parts
- CMP Quality Replacement Guarantee
- One Year CMP Warranty
- Factory Standards Quality

REF	WHITE/OTHER	BLACK	DESCRIPTION	COMPARE TO	BOX QTY
<b>REPLACEMENTS FOR CLEANER HOSE PARTS</b>					
A	25563-200-000	25563-204-000	HOSE SWIVEL (SINGLE)	D20	300
A	25563-240-000	25563-244-000	HOSE SWIVEL (4-PACK)	D20	100
—	25563-210-000	25563-214-000	360 STYLE HOSE SWIVEL (SINGLE)	9-100-3002	—
—	25563-210-400	—	360 STYLE HOSE SWIVEL (4-PACK)	9-100-3002	—
B	25563-115-000	25563-115-400	HOSE NUT	D15	1000
—	25563-120-050	—	360 STYLE HOSE NUT	9-100-3109	—
C	25563-100-000	25563-104-000	HOSE FLOAT (SINGLE)	D10/D11	200
C	25563-400-000	—	HOSE FLOAT (4-PACK)	D10	80
D	25563-133-000	—	PUMP QUICK DISCONNECT	P133	50
E	—	25563-134-000	BOOSTER PUMP QUICK DISCONNECT <b>NEW</b>	R0621000	—
F	25563-052-000	25563-054-000	BACK-UP VALVE	G52/G62	—
F	25563-052-360	25563-054-360	360 STYLE BACK-UP VALVE	9-100-1200/9-100-1201	—
—	25563-052-053	—	BACK-UP MECHANISM	G53	—
—	25563-052-054	25563-054-064	BACK-UP VALVE BODY ONLY	G54/G64	—
—	25563-050-024	25563-054-024	BACK-UP VALVE COLLAR	G57	—
G	25563-080-000	25563-084-000	IN-LINE FILTER ASSEMBLY	48-080/48-085	—
—	25563-080-040	—	IN-LINE FILTER, SCREEN ONLY	48-222	—
H	25563-150-000	25563-154-000	UWF ASSEMBLY COMPLETE	9-100-9001	100
H	25563-150-360	25563-154-360	360 STYLE UWF ASSEMBLY	9-100-3008	—
—	25563-029-000	25563-029-004	UWF BODY & O-RING ONLY	D29/D30	100
—	25563-029-360	25563-029-364	360 STYLE UWF BODY & O-RING ONLY	9-100-3006/9-100-3007	—
I	25563-160-000	25563-164-000	UWF WALL FITTING	6-500-00	500
I	25563-161-000	—	GRAY WALL FITTING	6-500-00	—
J	25563-150-100	25563-154-100	UWF RELIEF VALVE	9-150-1002	—
J	25563-150-210	25563-154-210	360 STYLE UWF RELIEF VALVE	9-100-3009/ 9-100-3011	—
K	25563-150-200	—	UWF SCREEN	6-504-00	100
L	25563-150-112	—	REDUCER SET	10-112-00	—
M	25563-120-000	25563-124-000	"HEAD" FLOAT	A20	—
<b>REPLACEMENTS FOR CLEANER WHEELS AND GEARS</b>					
N	25563-170-000	25563-174-000	WHEEL AXLE	C65	500
O	25563-250-000	—	WHEEL BEARING (SINGLE)	C60	100
O	25563-280-000	—	WHEEL BEARING (8-PACK)	C60	50
P	25563-260-000	—	TURBINE BEARING	C80	500
Q	25563-270-000	—	360/380 STYLE WHEEL BEARING (SINGLE)	9-100-1108	100
Q	25563-270-800	—	360/380 STYLE WHEEL BEARING (8-PACK)	9-100-1108	50
R	25563-340-030	25563-344-030	HUB CAP	9-100-1114/9-100-1115	100
S	25563-380-000	25563-384-000	WHEEL WASHER (2-PACK)	C64/C67	360
T	25563-370-000	25563-374-000	WHEEL SCREW	C55/C56	1000
T	25563-370-400	—	WHEEL SCREW (4-PACK)	C55	—
U	25563-020-000	—	TURBINE HOSE 7-1/2"	C120	—
V	25563-089-000	—	DRIVE TRAIN GEAR KIT	9-100-1132	—
W	25563-086-000	—	DRIVE SHAFT ASSEMBLY	C86	—
X	25563-017-000	—	360/380 STYLE BELT KIT	9-100-1017	100

# POOL AUTO CLEANER PARTS



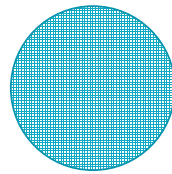
## ORDERING GUIDE

REF	WHITE/OTHER	BLACK	DESCRIPTION	COMPARE TO	BOX QTY
<b>REPLACEMENTS FOR CLEANER WHEELS</b>					
A	25563-360-000	25563-364-000	WHEEL	C6/C7	120
A	25563-340-000	25563-344-000	DOUBLE WHEEL	1008/1004	40
B	25563-350-000	25563-354-000	SINGLE WHEEL	1116/1117	60
C	25563-660-400	25563-684-000	AXLE & GUARD	C66/C68	—
D	25563-310-000	25563-314-000	TIRE	C10/C11	50
E	25563-460-000	25563-464-000	SMALL IDLER WHEEL	C16	—
<b>REPLACEMENTS FOR CLEANER HOSES</b>					
F	25563-005-000	25563-005-060	4FT SWEEP HOSE	B5/B6	—
G	25563-040-000	25563-044-000	30FT COMPLETE HOSE KIT (NO VALVE)	G5/G6	—
G	25563-040-100	25563-044-100	10FT FEED HOSE	D45/D47	—
G	25563-040-200	25563-044-200	10FT LEADER HOSE	D50/D52	—
H	25563-010-000	25563-014-000	WEAR RING FOR SWEEP HOSE (SINGLE)	B10	—
H	25563-010-800	—	WEAR RING FOR SWEEP HOSE (8-PACK)	B10	—
I	25563-025-000	—	ORIFICE TIP AND GUARD FOR SWEEP HOSE	B25	—
J	25563-110-000	25563-114-000	HOSE CLAMP	B15	2400
K	25563-300-000	—	HOSE SCRUBBER (SINGLE)	9-100-3105	200
K	25563-300-500	—	HOSE SCRUBBER (5-PACK)	9-100-3105	70
K	25563-300-110	—	FLOW DIFFUSER SCRUBBER (SINGLE)	—	—
K	25563-300-150	—	FLOW DIFFUSER SCRUBBER (5-PACK)	—	—
L	25563-300-100	—	FLOW DIFFUSER+ <b>NEW</b>	TSP10P	—

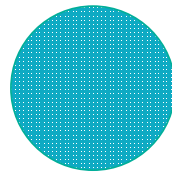
# AUTO CLEANER REPLACEMENT BAGS

## NEW DURACLEAN™ REPLACEMENT BAG

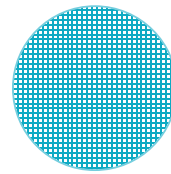
- Replacement for 280 Style Bag with Clip
- Patent-Pending Flap Design Prevents Debris from Damaging or Clogging Closures
- Easy-to-use Heavy Duty Snap Closure
- Two Pack Available for Bag Rotation
- Double Strap Velcro Hose Loops
- Heavy Duty Snap-in Clip



Standard Mesh



Sand/Silt Mesh



Heavy Duty Leaf Mesh



Reuses the original clip



## ORDERING GUIDE

REF	WHITE/OTHER	BLACK	DESCRIPTION	COMPARE TO	BOX QTY
<b>REPLACEMENTS FOR CLEANER BAGS</b>					
A	58307-280-300	—	DURACLEAN™ 280 STYLE BAG <b>NEW</b>	K16	—
A	58307-280-302	—	DURACLEAN™ 280 STYLE BAG (2-PACK) <b>NEW</b>	K16	—
B	58307-280-200	58307-284-200	280 STYLE VELCRO BAG, STANDARD MESH	K16/K17	—
B	58307-280-202	—	280 STYLE VELCRO BAG, STANDARD MESH (2-PACK)	K16	25
B	58307-280-220	—	280 STYLE VELCRO BAG, SAND/SILT MESH	K14	—
B	58307-280-500	—	280 STYLE VELCRO BAG, HEAVY DUTY LEAF MESH	K15	—
—	58307-280-900	58307-284-900	280 STYLE REPLACEMENT CLIP ONLY	—	—
C	58307-280-100	—	280 STYLE VELCRO BAG FOR EXISTING CLIP	K16	—
D	58307-280-000	—	280 STYLE VELCRO BAG, ADJUSTABLE STRAP (NO CLIP)	K16	20
D	58307-180-000	—	180 STYLE VELCRO BAG, ADJUSTABLE STRAP (NO CLIP)	A16	100
E	58307-380-000	—	360/380 STYLE VELCRO BAG, STANDARD MESH	9-100-1014	100

# POOL AUTO CLEANER PARTS



## ORDERING GUIDE

REF	CMP P/N	DESCRIPTION*	COMPARE TO	BOX QTY
<b>REPLACEMENTS FOR SUCTION POOL CLEANER PARTS</b>				
A	25563-809-000	BARACUDA® STYLE BLUE FINNED DISC	W4666	100
B	25563-820-000	BARACUDA® STYLE BLUE FOOT PAD	W70327	25
C	25563-810-100	BARACUDA® STYLE DIAPHRAGM RING	W81600	1000
D	25563-810-000	BARACUDA® STYLE DIAPHRAGM	W69698	100
<b>REPLACEMENTS FOR ROBOTIC POOL CLEANER PARTS</b>				
E	25563-800-201	AQUABOT® STYLE BLUE DRIVE TRACK	3201	56
F	25563-800-300	AQUABOT® STYLE BLUE BRUSH	3002B	50
G	25563-800-302	AQUABOT® STYLE DRIVE BELT	3302	1000
H	58307-300-812	AQUABOT® STYLE STANDARD MESH BAG	8112	50
H	58307-300-811	AQUABOT® STYLE FINE MESH BAG	8101	50

\* Baracuda® is a registered trademark of Zodiac International  
 Aquabot® is a registered trademark of Aqua Products, Inc.



# JZ-STYLE VINYL POOL FITTINGS

## PRODUCT FEATURES

- White Goods CMP Replacements for Hard-to-find Jacuzzi® Style Components
- Available in White or Gray Color Choices
- Use CMP Galaxy™ Drain with CMP Drain Ring for Jacuzzi® Main Drain Bodies



## ORDERING GUIDE

REF	WHITE	GRAY	DESCRIPTION	COMPARE TO	BOX QTY
A	25545-300-800	25545-301-800	IFL/IFD RETURN INLET FACE FLANGE & SCREWS	43061902R	100
B	25545-300-850	25545-301-850	ORIFICE LOCKING KIT (EYEBALL, REDUCERS & LOCKING RING)	43061803K	100
A-B	25545-300-000	25545-301-000	RETURN INLET FACE FLANGE & ORIFICE LOCKING KIT	—	100
—	25545-300-022	—	JZ RETURN LOCKING RING	43-0618-03-R	—
—	25545-300-025	—	JZ RETURN EYEBALL	88-1943-10-R	—
C	25541-300-010	25541-301-010*	SKIMMER FACEPLATE	43114404R	60
D	25532-300-000	25532-301-000*	VINYL MAIN DRAIN RING	23112903R	100
E	25507-100-000	25507-101-000	GALAXY COVER (USE W/ VINYL DRAIN RING FOR RETROFIT)	43112804K	50
—	25141-360-000	25141-361-000*	SKIMMER WEIR DOOR	43124601R	120
—	25548-300-000	—	JZ VINYL MAIN DRAIN RING & GALAXY LID, WHITE	—	—
—	25507-100-000	—	8" GALAXY DRAIN LID W/ SCREW KIT, WHITE	—	50

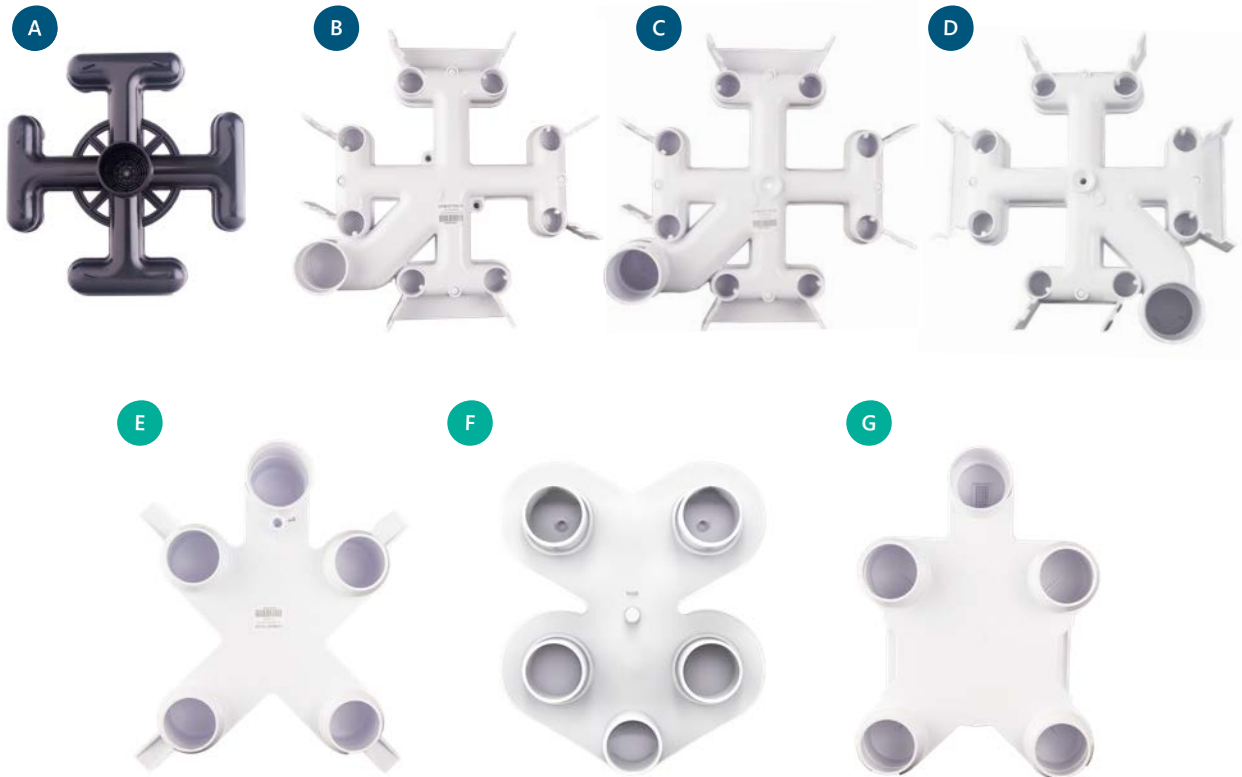
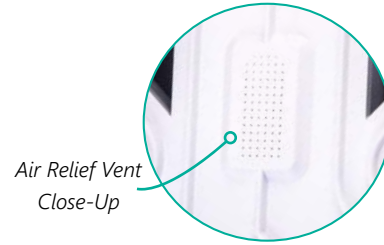
\*Special order only. Minimum quantities may apply. For non special order items box quantity orders are not required.

# HEAVY DUTY FILTER MANIFOLDS



## PRODUCT FEATURES

- Heavy Duty Design: Stronger, Thicker and More Durable than OEM Original Designs
- Built in Air Relief Vent Simplifies Service & Removes the Need for a Fragile Air Relief Attachment Hose Line
- Replacement Manifolds Available for Popular D.E & Cartridge Filter Models



## ORDERING GUIDE

REPLACEMENTS FOR DE FILTER HEAVY DUTY MANIFOLDS					
REF	CMP P/N	DESCRIPTION	COMPARE TO	FITS FILTER MODELS	BOX QTY
A	25357-624-000	2000 SERIES DE MANIFOLD	073270Z	SMBW 2000	3
B	25357-600-000	FNS® STYLE DE MANIFOLD	—	FNS®	5
C	25357-700-000	H-STYLE DE MANIFOLD	DEX2400C	PRO-GRID, MICRO-CLEAR	4
D	25357-800-000	J-STYLE DE MANIFOLD	R0359000	DEL48, DEL60, DEV48, DEV60	4
—	25357-100-000	FILTER GRID GUIDE TEMPLATE	—	UNIVERSAL	—
REPLACEMENTS FOR CARTRIDGE FILTER HEAVY DUTY MANIFOLDS					
E	25357-750-000	H-STYLE BOTTOM MANIFOLD	CX3000C	SWIMCLEAR, SUPERSTAR-CLEAR	4
F	25357-760-000	H-STYLE TOP MANIFOLD	CX3030C	C2030, C3030, C4030	4
F	25357-770-000	H-STYLE TOP MANIFOLD	CX5030C	C5030, C7030	4
G	25357-850-000	J-STYLE CARTRIDGE MANIFOLD	R03576000	CV340, CV460, CV580, CL340, CL460, CL580	4

\* FNS® is a registered trademarks of Pentair Water Pool and Spa, Inc.

# MULTIPOINT VALVE TOP HALF KEY ASSEMBLIES

## PRODUCT FEATURES

- Replacement Top Half Key Assemblies for Common Pool Filter Multiport Valves.
- White and Black Top Halves Match Original Multiport
- Easy To Read User Friendly Label Design
- Labels Include English, Spanish & French
- Replacements for Multiport Valves from Hayward International and Pentair Water Pool and Spa, Inc.



## MULTIPOINT VALVE FUNCTIONS\*

VALVE SETTING	WATER FLOW PATH
<b>FILTER</b> For normal filter operation and vacuuming pool through filter.	Pump ► Sand Top/De Bottom ► Through Filter ► Sand Bottom/De Top ► Pool Returns
<b>BACKWASH</b> For cleaning filter by reversing flow.	Pump ► Sand Bottom/De Top ► Through Filter ► Sand Top/De Bottom ► Waste Line
<b>RINSE</b> For start-up cleaning and resetting filter bed after backwashing.	Pump ► Sand Bottom/De Top ► Through Filter ► Sand Bottom/De Top ► Waste Line
<b>WASTE</b> For vacuuming directly to waste, lowering pool level or draining pool.	Pump ► Waste Line
<b>CLOSED</b> For shutting off all flow to filter and pool.	No Flow. Do Not Use When Pump Is In Operation.
<b>RECIRCULATE</b> For circulating water without going through filter.	Pump ► Pool Return

\*Available functions vary by model. Always refer to the multiport filter valve model instructions for correct sizing.

## ORDERING GUIDE

CMP P/N	COMPARE TO	DESCRIPTION	COMPATIBLE FILTERS
27513-154-100	SPX0710XBA17	TOP HALF KEY ASSEMBLY	HAYWARD® 1.5" SIDE MOUNT
27507-200-100	270067	TOP HALF KEY ASSEMBLY	TRITON®, QUAD®, FNS®, NAUTILUS™
27516-204-100	SPX0715BA3	TOP HALF KEY ASSEMBLY	HAYWARD® 2" SIDE MOUNT
27508-150-100	270068	TOP HALF KEY ASSEMBLY	TRITON®, QUAD®, FNS® PLUS, NAUTILUS™ PLUS
27515-154-100	SPX0714BA	TOP HALF KEY ASSEMBLY	HAY S166T, S180T, S210T, S220T, S244T
27518-204-100	SPX715BA	TOP HALF KEY ASSEMBLY	HAY S220T/T2, S244T/T2, S270T/T2, S310T2, S360T2
27500-154-100	272531	TOP HALF KEY ASSEMBLY	TAGELUS®
27503-200-100	272422	TOP HALF KEY ASSEMBLY	TRITON®, QUAD D.E®, FNS® PLUS, NAUTILUS™ PLUS
27510-204-100	271152B	TOP HALF KEY ASSEMBLY	TAGELUS® TA 100D
27507-200-100	270067	TOP HALF KEY ASSEMBLY	TAGELUS® TA 100D

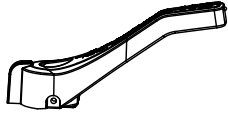
\* Hayward® is a registered trademarks of Hayward Industries, Inc.

Triton®, Quad®, FNS®, Nautilus™, Tagelus® are trademarks and/or registered trademarks of Pentair Water Pool and Spa, Inc.

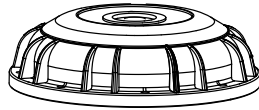
# MULTIPOINT VALVE PARTS

## PRODUCT FEATURES

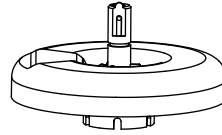
- Replacement Components for Multiport Valves
- Factory Standards Quality
- Parts for Multiport Valves from Hayward International and Pentair Water Pool and Spa, Inc.



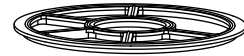
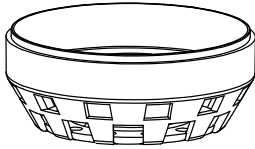
HANDLE



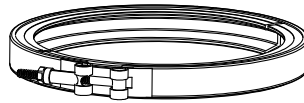
TOP COVER



VALVE KEY

MAIN GASKET/  
SPIDER GASKET

DIFFUSER NET



CLAMP ASSEMBLY



PLUG



SIGHT GLASS

HEAVY DUTY  
SPRING

## ORDERING GUIDE

CMP P/N	COMPARE TO OEM #	DESCRIPTION
26105-057-360	SPX1483C	O-RING 2 PACK
26105-060-355	274494	DIFFUSER O-RING
26105-060-530	274494	ADAPTER O-RING 2 PACK
26105-118-530	272541	O-RING
26105-136-400	271103, SPX0710XZ3	O-RING
26105-143-530	354053, SPX0714L	O-RING
26105-145-265	JVL8	O-RING
26105-160-360	154493, SPX0715Z1	O-RING ONE PACK
26105-164-530	275333	O-RING
26105-171-535	GMX600F	O-RING
26105-172-400	271151	TOP COVER O-RING
26105-185-363	272511	DIVERter O-RING
26105-216-362	191479 SPX0735GA	O-RING 2 PACK
26202-651-535	SX200Z9	SIGHT GLASS GASKET
27500-154-040	272512	DIVERter & CO-MOLDED GASKET
27500-154-060	—	DIFFUSER NET
27500-154-079	152165	CLAMP ASSEMBLY
27500-154-080	272505	PLASTIC WASHER 2 PACK
27500-154-110	354541, 272555	SCREWS, WASHERS AND NUTS
27500-154-120	273512	AIR BLEEDER WITH O-RING
27500-154-130	154493, SPX0715Z1	O-RING 25 PACK
27500-154-300	272520 & 272405	HANDLE AND SCREW, BLACK
27500-154-500	270085	TOP COVER
27500-154-800	272511	DIVERter O-RING 100 PACK
27500-154-900	272541	O-RING 25 PACK
27503-200-500	272412	TOP COVER

# MULTIPOINT VALVE PARTS

## ORDERING GUIDE

CMP P/N	COMPARE TO OEM #	DESCRIPTION
27504-200-500	272412	TOP COVER SAND
27505-200-080	271160, SPX0710Z16	WASHER
27506-200-040	272413	DIVERTER
27506-200-050	272409	MAIN GASKET
27506-200-060	274407	NUT 2 PACK
27506-200-070	274404	ADAPTER 2 PACK
27506-200-080	272402	PLASTIC WASHER
27506-200-090	154566	SIGHT GLASS
27506-200-110	272403, 98211400	SCREWS AND NUTS
27506-200-300	272520, 272405	HANDLE AND SCREW WHITE
27506-200-500	272412	TOP COVER DE
27506-200-600	272409	MAIN GASKET 25 PACK
27506-200-700	272413, JVL8	DIVERTER WITH O-RING
27506-200-800	JVL8	O-RING 100 PACK
27506-200-900	274494	O-RING 50 PACK
27507-200-050	271148	MAIN GASKET
27518-204-110	152167, 152168	SCREWS AND NUTS
27507-200-150	271148	MAIN GASKET 25 PACK
27507-200-160	274556	2 SOCKET & 2 SPIGOT ADAPTERS
27507-200-200	271168, 191479	DIVERTER O-RINGS & MAIN GASKET
27507-200-300	271156, 271164	HANDLE AND DOWEL PIN
27507-200-500	271166	TOP COVER WHITE
27507-200-600	271151	TOP COVER O-RING 25 PACK
27507-200-700	271168, 191479	DIVERTER WITH O-RINGS
27507-204-500	271166	TOP COVER
27514-154-050	271104, SPX0710XD	MAIN GASKET
27508-150-110	152167, SPX0710Z1A	SCREWS AND NUTS
27514-154-150	271104, SPX0710XD	MAIN GASKET 25 PACK
27514-154-200	271163, 191479, 271104, SPX0710X, SPX0735GA, SPX0710XD	DIVERTER, O-RINGS AND MAIN GASKET
27508-150-500	271158	TOP COVER
27508-150-600	271103, SPX0710XZ3	TOP COVER O-RING 25 PACK
27514-154-200	271163, 191479, SPX0710XC, SPX0735GA	DIVERTER WITH O-RINGS
27508-150-900	274404	ADAPTER 4 PACK
27508-154-085	—	ADAPTER 2 PACK
27509-150-500	270068	TOP COVER
27510-200-080	271157	PLASTIC WASHER
27510-204-090	152165, 152130	CLAMP ASSEMBLY
27510-204-100	271152B	TOP HALF ASSEMBLY
27510-204-300	271156, SPX0710XF/ 271164, SPX0710XZ7	HANDLE AND DOWEL PIN
27510-204-700	—	DIFFUSER O-RING 25 PACK
27510-204-800	275333	O-RING 25 PACK
27513-154-500	—	TOP COVER
27514-154-500	—	TOP COVER
27515-154-070	GM600-NM	CLAMP ASSEMBLY
27515-154-800	191479, SPX0735GA	O-RING 100 PACK
27515-154-120	SX200Z9	SIGHT GLASS GASKET 100 PACK
27515-154-300	SPX710XF, SPX710XZ7	HANDLE AND DOWEL PIN

## MULTIPOINT VALVE PARTS

## ORDERING GUIDE

CMP P/N	COMPARE TO OEM #	DESCRIPTION
27515-154-350	98206400, SPX710K	PLUG WITH O-RING
27515-154-400	272550, 271106, SPX0710MA	SIGHT GLASS WITH GASKET
27515-154-500	—	TOP COVER
27515-154-600	354053, SPX0714L	O-RING 25 PACK
27507-200-700	SPX0714CA	DIVERTER WITH O-RINGS
27515-154-900	191479, SPX0735GA	O-RING 25 PACK
27516-200-080	SPX0710Z16	PLASTIC WASHER
27516-204-900	SPX1483C	O-RING 50 PACK
27517-200-085	SPX710FL	HANDLE
27517-204-060	SPX0727E	NUT 2 PACK
27517-204-070	—	ADAPTER 2 PACK
27518-204-050	SPX0715D	MAIN GASKET
27518-204-110	SPX0710Z1A	SCREWS AND NUTS
27518-204-150	SPX0715D	MAIN GASKET 25 PACK
27518-204-200	SPX0715C	DIVERTER, O-RING, PLASTIC WASHER, GASKET
27518-204-500	—	TOP COVER
61000-406-225	SPX0714Z1	SCREWS 6 PACK
61130-342-811	SPX0710Z62	WASHER 2 PACK
61134-547-811	272401	SPRING WASHER 3 PACK
61204-547-537	272400	HEAVY DUTY SPRING
61237-634-283	272535	HEAVY DUTY SPRING
61247-542-333	271161, SPX0603S	HEAVY DUTY SPRING
25501-000-800	190059, ECX2712-B1	PRESSURE GAUGE
27507-200-990	273207	PENTAIR® MPV DECAL (10 PACK)
27500-154-990	272599	PENTAIR® MPV DECAL (10 PACK)
27503-200-990	272101	PENTAIR® MPV DECAL (10 PACK)
27515-154-990	SPX0714G	HAYWARD® MPV DECAL (10 PACK)
27508-150-990	271141, SPX0710G SAND	PENTAIR® MPV DECAL (10 PACK)
27509-150-990	271141, SPX0710G DE	PENTAIR® MPV DECAL (10 PACK)
27516-204-990	SPX0715G DE	HAYWARD® MPV DECAL (10 PACK)
27517-204-990	SPX0715G SAND	HAYWARD® MPV DECAL (10 PACK)



## QUALITY REPLACEMENT PARTS GENUINE FREEDOM

*You and your customers should have a true option when it's time to repair and upgrade pool cleaners, pumps and filters. CMP Replacement Parts give you the quality, reliable alternative that you deserve.*

# POOL EQUIPMENT PARTS



## ORDERING GUIDE

REF	CMP P/N	DESCRIPTION	COMPARE TO	BOX QTY
A	25307-500-020	RAINBOW™ STYLE CHLORINATOR LID	R172008W	30
B	25625-200-000	2" SIGHT GLASS	SP1074S	50
—	25357-154-000	AIR RELIEF TEE VALVE	154689	300
C	25356-502-000	SEAT ASSEMBLY FOR 2IN PVC HOUSING	073502	—
D	21063-801-000	RAYPAK® STYLE HEATER UNION KIT	006723F	50
E	21063-350-000	SUPERFLO® STYLE PUMP UNION KIT	350157	—
F	25544-500-000	ADMIRAL™ STYLE SKIMMER LID (WHITE)	S-20	45
F	25544-509-000	ADMIRAL™ STYLE SKIMMER LID (TAN)	S-20	45
—	25544-500-100	LID & BLANK LOGO INSERT ADMIRAL™ STYLE	—	—
—	25280-200-999	CHLORINATOR LID REMOVAL TOOL	—	—

\* Admiral™, SuperFlo®, Rainbow™ are trademarks and/or registered trademarks of Pentair Water Pool and Spa, Inc. Raypak® is a registered trademark of Raypak, Inc

# POOL PUMP PARTS



## ORDERING GUIDE

REF	CMP P/N	DESCRIPTION	COMPARE TO	BOX QTY
A	25356-100-000	MAX-E-GLAS®/DURA-GLAS® STYLE PUMP DIFFUSER	C1-200PA	100
B	25357-004-000	CHALLENGER® STYLE PUMP HOUSING	355302	10
C	25357-300-000	WHISPERFLO® STYLE SEAL PLATE	074564	—
D	25355-004-000	ULTRA-FLO® STYLE SEAL PLATE	357143	—
—	26100-357-100	WHISPERFLO® STYLE SEAL PLATE GASKET	357100	—
E	25305-126-000	WHISPERFLO® STYLE 1/2 - 3/4 HP IMPELLER,	073126 WFE-2	—
E	25305-127-000	WHISPERFLO® STYLE 3/4 HP - 1HP IMPELLER,	073127 WFE-3	—
E	25305-128-000	WHISPERFLO® STYLE 1 HP - 1.5HP IMPELLER,	073128 WFE-4	—
E	25305-129-000	WHISPERFLO® STYLE 1.5 HP - 2HP IMPELLER,	073129 WFE-6	—
E	25305-130-000	WHISPERFLO® STYLE 2 HP - 2.5HP IMPELLER,	073130 WFE-8	—
E	25305-131-000	WHISPERFLO® / INTELLIFLO® STYLE 3 HP IMPELLER	073131 WFE-12	—
—	25305-043-000	SUPERFLO® / CHALLENGER® STYLE 1/2 - 3/4 HP IMPELLER	355043	—
—	25305-067-000	SUPERFLO® / CHALLENGER® STYLE 1 HP IMPELLER	355067	—
—	25305-074-000	SUPERFLO® / CHALLENGER® STYLE 1.5 HP IMPELLER	355074	—
—	25305-086-000	SUPERFLO® / CHALLENGER® STYLE 2 HP IMPELLER	355086	—
—	25305-093-000	SUPERFLO® / CHALLENGER® STYLE 2.5 HP IMPELLER	355093	—
—	25305-068-000	SUPERFLO® / CHALLENGER® STYLE 3 HP IMPELLER	355068	—
F	25305-600-000	SUPER PUMP® STYLE 1/2 HP IMPELLER	SPX2600C	—
F	25305-605-000	SUPER PUMP® STYLE 3/4 HP IMPELLER	SPX2605C	—
F	25305-607-000	SUPER PUMP® STYLE 1 HP IMPELLER	SPX2607C	80
F	25305-610-000	SUPER PUMP® STYLE 1.5 HP IMPELLER	SPX2610C	—
F	25305-615-000	SUPER PUMP® STYLE 2 HP IMPELLER	SPX2615C	—
F	25305-621-000	SUPER PUMP® STYLE 2.5 HP IMPELLER	SPX1621C	—



# POOL PUMP PARTS



## ORDERING GUIDE

REF	CMP P/N	DESCRIPTION	COMPARE TO	BOX QTY
A	25303-054-000	DURA-GLAS® STYLE PUMP HOUSING	C153-53P1	—
B	25302-054-000	DYNAMO® STYLE PUMP HOUSING	354530	12
C	25300-004-000	PUMP STRAINER 1.5" INLET × 1.5" OUTLET	—	6
C	25301-004-000	PUMP STRAINER 2" INLET × 2" OUTLET	—	6
D	21062-154-000	1.5" MIP × 1.5" UNION FITTING	—	300
D	21063-200-900	2" MIP × 2" UNION FITTING	—	300
E	21021-000-000	1.5" SOCKET PUMP UNION (NUT,SLEEVE, T-GASKET)	—	200
E	21023-000-000	2" SOCKET PUMP UNION (NUT,SLEEVE, T-GASKET)	—	190
F	25357-054-000	CHALLENGER® STYLE PUMP 1/4" PLUG	154699	3000
G	25300-100-000	PUMP LID REMOVAL TOOL	—	—
H	25304-000-020	STA-RITE® STYLE PUMP LID	C3-1391P1, DYNA-GLAS™	40
I	25305-000-020	CHALLENGER®/PINNACLE™ STYLE PUMP LID	355301	40
J	25306-000-020	HAYWARD® POWER-FLO® STYLE PUMP LID	SPX1500D2A	40
—	26101-320-530	O-RING FOR POWER-FLO® STYLE PUMP LID	—	—
K	25307-000-020	DYNAMO® STYLE PUMP LID	354531	40

REPLACEMENT PARTS ON PAGE 246

\* Power-Flo®, Super Pump® are registered trademarks of Hayward Industries, Inc.  
 Challenger®, Whisperflo®, Intelliflo®, Sta-Rite®, Ultra-Flo®, Max-E-Glas®, SuperFlo®, Dynamo® are trademarks and/or registered trademarks of Pentair Water Pool and Spa, Inc.



# TECHNICAL REFERENCES

POOL CAPACITY CALCULATIONS *204*

HYDRAULIC CALCULATIONS *205*

FRICTION LOSS CHARTS *206*

SWIM JET INSTALLATION REFERENCE *210*

LED LIGHTING DESIGN GUIDE *211*

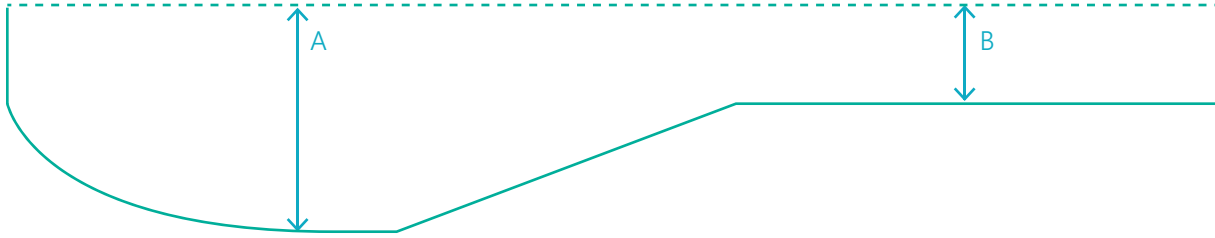
MEASUREMENTS & CONVERSIONS *214*

# HOW TO ESTIMATE TOTAL POOL GALLONS

1. Calculate the Average Depth (A.D.)
2. Calculate the pool or spa surface Area
3. Use the formulas below to convert to total Gallons

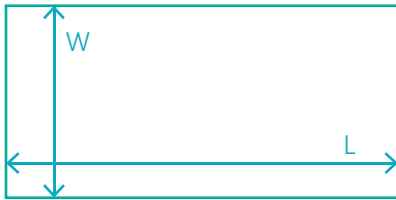
## CALCULATING AVERAGE DEPTH

$$A.D = (A + B) / 2$$



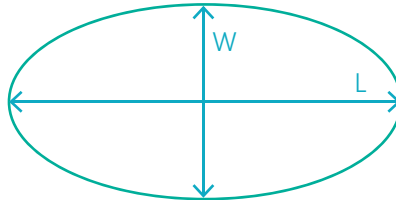
## CALCULATING SURFACE AREA & GALLONS

$$AREA = L \times W$$



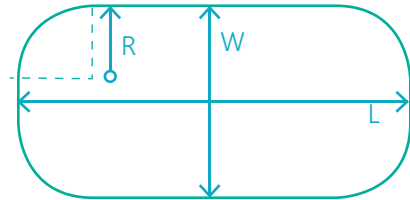
$$GALLONS = AREA \times A.D. \times 7.5$$

$$AREA = L/2 \times W/2 \times 3.14$$



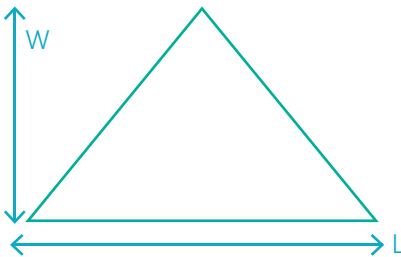
$$GALLONS = AREA \times A.D. \times 7.6$$

$$AREA = (L \times W) - (4 \times R^2) + (3.14 \times R^2)$$



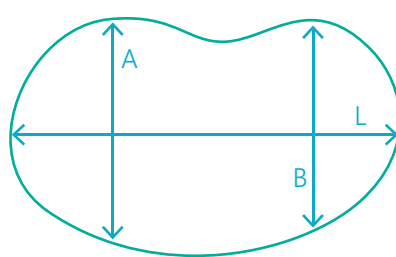
$$GALLONS = AREA \times A.D. \times 7.48$$

$$AREA = (L \times W) / 2$$



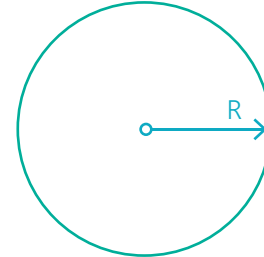
$$GALLONS = AREA \times A.D. \times 7.48$$

$$AREA = (A + B) \times L \times .45$$



$$GALLONS = AREA \times A.D. \times 7$$

$$AREA = R^2 \times 3.14$$



$$GALLONS = AREA \times A.D. \times 7.5$$

### COMMON ABOVE GROUND POOL CAPACITY

ABOVE GROUND POOL SIZE	GALLONS
15' ROUND ABOVE GROUND	5,300
18' ROUND ABOVE GROUND	7,600
21' ROUND ABOVE GROUND	10,400
24' ROUND ABOVE GROUND	13,600
27' ROUND ABOVE GROUND	17,200
12 x 24' ABOVE GROUND	8,600

### COMMON IN GROUND POOL CAPACITY

IN GROUND POOL SIZE	GALLONS
12 x 24' RECTANGLE	11,900
16 x 32' RECTANGLE	21,000
18 x 36' RECTANGLE	26,700
20 x 40' RECTANGLE	33,000

# HYDRAULIC CALCULATIONS

## CALCULATING FLOW RATE

### STEP ONE: CALCULATE GALLONS PER HOUR (GPH)

Pool Capacity (Gallons) / Desired Turnover Rate (Hours) = *GPH*

### STEP TWO: CALCULATE MINIMUM FLOW RATE (GPM)

Gallons Per Hour (GPH) / 60 = *MINIMUM GPM*

MAXIMUM RECOMMENDED FLOW RATES			
PIPE SIZE	6FT / SECOND	8FT / SECOND	10 FT / SECOND
1-1/2"	38 GPM	51 GPM	63 GPM
2"	63 GPM	84 GPM	105 GPM
2-1/2"	90 GPM	119 GPM	149 GPM
3"	138 GPM	184 GPM	230 GPM
4"	238 GPM	317 GPM	—

## CALCULATING FRICTION LOSS (EXISTING POOL)

For new construction, you can also use the tables on the following pages

### STEP ONE: CALCULATE SUCTION LOSS FRICTION LOSS\*

Vacuum Reading (Inches of Mercury) × 1.13 = *VACUUM RESISTANCE*

PRESSURE AND EQUIVALENT FEET HEAD OF WATER							
POUNDS PER SQ. INCH	FEET HEAD	POUNDS PER SQ. INCH	FEET HEAD	POUNDS PER SQ. INCH	FEET HEAD	POUNDS PER SQ. INCH	FEET HEAD
1	2.31	20	46.18	120	276.42	225	519.23
2	4.62	25	57.72	125	288.46	250	576.92
3	6.93	30	69.27	130	300.00	275	634.62
4	9.24	40	92.36	140	323.08	300	692.31
5	11.54	50	115.38	150	346.15	325	750.00
6	13.85	60	138.46	160	369.23	350	807.69
7	16.16	70	161.53	170	392.31	375	865.38
8	18.47	80	184.62	180	415.38	400	923.08
9	20.78	90	207.69	190	438.46	500	1153.85
10	23.09	100	230.77	200	461.54	1000	2307.69
15	34.63	110	253.85	—	—	—	—

### STEP TWO: CALCULATE PRESSURE SIDE FRICTION LOSS

Filter Pressure (PSI) × 2.31 = *PRESSURE RESISTANCE*

\*If a vacuum reading is unavailable, you can estimate using the Common Friction Loss chart below

COMMON FRICTION LOSS FACTORS (SUCTION SIDE, 2" PIPE)	
PUMP SIZE	AVERAGE HEAD LOSS FACTOR
3/4 HP FULL-RATED PUMP	4.5 - 5.5 FT OF WATER
1 HP FULL-RATED PUMP	7 - 9 FT OF WATER
1-1/2 HP FULL-RATED PUMP	10 - 12.5 FT OF WATER
2 HP FULL-RATED PUMP	13.5 - 16 FT OF WATER

### STEP THREE: CALCULATE TOTAL DYNAMIC HEAD

Vacuum Resistance + Pressure Resistance = *TOTAL DYNAMIC HEAD*

# FRICITION/HEAD LOSS CHARTS

FRICITION/FLOW CHART FOR SCHEDULE 40 RIGID PVC PIPE (PER 100 FEET)

US GPM	3/4" PIPE		1" PIPE		1.5" PIPE		2" PIPE		2.5" PIPE		3" PIPE		3.5" PIPE		4" PIPE		5" PIPE		6" PIP	
	FEET PER SEC	LOSS IN FEET	FEET PER SEC	LOSS IN FEET	FEET PER SEC	LOSS IN FEET	FEET PER SEC	LOSS IN FEET	FEET PER SEC	LOSS IN FEET	FEET PER SEC	LOSS IN FEET	FEET PER SEC	LOSS IN FEET	FEET PER SEC	LOSS IN FEET	FEET PER SEC	LOSS IN FEET	FEET PER SEC	LOSS IN FEET
1	0.71	0.40	0.40	0.10	0.26	0.03														
2	1.43	1.44	0.80	0.35	0.51	0.12	0.36	0.05												
3	2.14	3.05	1.20	0.75	0.77	0.25	0.53	0.10												
4	2.85	5.19	1.60	1.28	1.03	0.43	0.71	0.18												
5	<b>3.56</b>	<b>7.85</b>	2.00	1.94	1.28	0.65	0.89	0.27	0.50	0.07	0.32	0.02	0.22	0.01						
6	<b>4.28</b>	<b>11.01</b>	2.41	2.71	1.54	0.92	1.07	0.38	0.60	0.09	0.38	0.03	0.27	0.01						
8	<b>5.70</b>	<b>18.75</b>	<b>3.21</b>	<b>4.62</b>	2.05	1.56	1.43	0.64	0.80	0.16	0.51	0.05	0.36	0.02						
10	<b>7.13</b>	<b>28.34</b>	<b>4.01</b>	<b>6.99</b>	2.57	2.36	1.78	0.97	1.00	0.24	0.64	0.08	0.45	0.03						
15	10.69	60.06	<b>6.01</b>	<b>14.81</b>	<b>3.85</b>	<b>5.00</b>	2.67	2.06	1.50	0.51	0.96	0.17	0.67	0.07						
20			<b>8.02</b>	<b>25.24</b>	<b>5.13</b>	<b>8.52</b>	3.56	3.51	2.00	0.87	1.28	0.29	0.89	0.12	0.50	0.03				
25			10.02	38.16	<b>6.41</b>	<b>12.88</b>	4.45	5.31	2.51	1.31	1.60	0.44	1.11	0.18	0.63	0.04				
30			12.03	53.48	<b>7.70</b>	<b>18.06</b>	<b>5.34</b>	<b>7.44</b>	<b>3.01</b>	<b>1.83</b>	1.92	0.62	1.34	0.26	0.75	0.06	0.48	0.02		
35					8.98	24.03	<b>6.24</b>	<b>9.89</b>	<b>3.51</b>	<b>2.44</b>	2.24	0.82	1.56	0.34	0.88	0.08	0.56	0.03		
40					10.26	30.77	<b>7.13</b>	<b>12.67</b>	<b>4.01</b>	<b>3.13</b>	2.57	1.06	1.78	0.43	1.00	0.11	0.64	0.04		
45					11.54	38.27	<b>8.02</b>	<b>15.76</b>	<b>4.51</b>	<b>3.89</b>	2.89	1.31	2.00	0.54	1.13	0.13	0.72	0.05		
50					12.83	46.51	8.91	19.16	<b>5.01</b>	<b>4.72</b>	<b>3.21</b>	<b>1.60</b>	2.23	0.66	1.25	0.16	0.80	0.05	0.56	0.02
60							10.69	26.85	<b>6.01</b>	<b>6.62</b>	<b>3.85</b>	<b>2.24</b>	2.67	0.92	1.50	0.23	0.96	0.08	0.67	0.03
70									<b>7.01</b>	<b>8.81</b>	<b>4.49</b>	<b>2.98</b>	<b>3.12</b>	<b>1.23</b>	1.75	0.30	1.12	0.10	0.78	0.04
80									<b>8.02</b>	<b>11.28</b>	<b>5.13</b>	<b>3.81</b>	<b>3.56</b>	<b>1.57</b>	2.00	0.39	1.28	0.13	0.89	0.05
90									9.02	14.03	<b>5.77</b>	<b>4.74</b>	<b>4.01</b>	<b>1.95</b>	2.25	0.48	1.44	0.16	1.00	0.07
100									10.02	17.06	<b>6.41</b>	<b>5.76</b>	<b>4.45</b>	<b>2.37</b>	2.51	0.59	1.60	0.20	1.11	0.08
125											<b>8.02</b>	<b>8.71</b>	<b>5.57</b>	<b>3.59</b>	<b>3.13</b>	<b>0.88</b>	2.00	0.30	1.39	0.12
150											9.62	12.20	<b>6.68</b>	<b>5.03</b>	<b>3.76</b>	<b>1.24</b>	2.41	0.42	1.67	0.17
175													<b>7.79</b>	<b>6.69</b>	<b>4.38</b>	<b>1.65</b>	2.81	0.56	1.95	0.23
200													8.91	8.56	<b>5.01</b>	<b>2.11</b>	3.21	0.71	2.23	0.29
225													10.02	10.65	<b>5.64</b>	<b>2.63</b>	<b>3.61</b>	<b>0.89</b>	2.51	0.37
250													11.13	12.95	<b>6.26</b>	<b>3.19</b>	<b>4.01</b>	<b>1.08</b>	2.78	0.44
275															<b>6.89</b>	<b>3.81</b>	<b>4.41</b>	<b>1.29</b>	3.06	0.53
300															<b>7.52</b>	<b>4.48</b>	<b>4.81</b>	<b>1.51</b>	3.34	0.62
325															<b>8.14</b>	<b>5.19</b>	<b>5.21</b>	<b>1.75</b>	3.62	0.72
350															8.77	5.95	<b>5.61</b>	<b>2.01</b>	3.90	0.83
375															9.39	6.77	<b>6.01</b>	<b>2.28</b>	4.18	0.94
425																	<b>6.81</b>	<b>2.88</b>	4.73	1.19
450																	<b>7.22</b>	<b>3.20</b>	5.01	1.32
475																	<b>7.62</b>	<b>3.54</b>	5.29	1.46

(CONTINUED ON NEXT PAGE)

# FRICION/HEAD LOSS CHARTS

FRICION/FLOW CHART FOR SCHEDULE 40 RIGID PVC PIPE (PER 100 FEET)																				
US GPM	3/4" PIPE		1" PIPE		1.5" PIPE		2" PIPE		2.5" PIPE		3" PIPE		3.5" PIPE		4" PIPE		5" PIPE		6" PIPE	
	FEET PER SEC	LOSS IN FEET	FEET PER SEC	LOSS IN FEET	FEET PER SEC	LOSS IN FEET	FEET PER SEC	LOSS IN FEET	FEET PER SEC	LOSS IN FEET	FEET PER SEC	LOSS IN FEET	FEET PER SEC	LOSS IN FEET	FEET PER SEC	LOSS IN FEET	FEET PER SEC	LOSS IN FEET	FEET PER SEC	LOSS IN FEET

(CONTINUED FROM PREVIOUS PAGE)

500																		8.02	3.89	5.57	1.60
550																		8.82	4.64	6.12	1.91
600																		9.62	5.46	6.68	2.25
650																				7.24	2.61
700																				7.79	2.99
750																				8.35	3.40
1000																				11.13	5.79

FRICION/HEAD LOSS PER COMPONENT										
COMPONENT	20 GPM	30 GPM	40 GPM	50 GPM	60 GPM	70 GPM	75 GPM	80 GPM	100 GPM	120 GPM
MAIN DRAIN, 1.5" OUTLET	0.5	1.0	1.5	2.0	2.5	—	—	—	—	—
MAIN DRAIN, 2" OUTLET	—	—	1.0	1.5	2.0	3.0	—	4.0	—	—
SKIMMER, 1.5" OUTLET	1.0	2.0	3.0	4.0	5.5	—	—	—	—	—
SKIMMER, 2" OUTLET	0.5	1.0	2.0	3.0	4.0	5.0	—	6.0	—	—
PUSH/PULL VALVE, 1.5"	—	—	—	6.0	—	—	13.5	—	—	—
PUSH/PULL VALVE, 2"	—	—	—	—	—	—	7.0	—	—	17.6
MULTIPOINT, 1.5"	—	—	—	5.0	—	—	10.0	—	—	—
MULTIPOINT, 2"	—	—	—	—	—	—	3.5	—	6.0	8.5

FRICION/HEAD LOSS IN FITTINGS										
FITTING TYPE	3/8" PIPE	1/2" PIPE	3/4" PIPE	1" PIPE	1-1/4" PIPE	1.5" PIPE	2" PIPE	2.5" PIPE	3" PIPE	4" PIPE
90° ELBOW	3.1	3.6	4.4	5.2	6.6	7.4	8.5	9.3	11.0	13.0
90° SWEEP ELBOW	2.0	2.2	2.3	2.7	3.2	3.4	3.6	3.6	4.0	4.6
45° ELBOW	0.52	0.71	0.92	1.3	1.7	2.1	2.7	3.2	4.0	5.5
TEE (STRAIGHT THROUGH)	1.2	1.7	2.4	3.2	4.6	5.6	7.7	9.3	12.0	17.0
TEE (THROUGH SIDE)	3.5	4.2	5.3	6.6	8.7	9.9	12.0	13.0	17.0	21.0
180° RETURN BEND	3.1	3.6	4.4	5.2	6.6	7.4	8.5	9.3	11.0	13.0
SLICE/GATE VALVE	0.45	0.56	0.67	0.84	1.1	1.2	1.5	1.7	1.9	2.5
SWING CHECK VALVE	7.3	8.0	8.8	11.0	13.0	15.0	19.0	22.0	27.0	38.0
COUPLING / UNION	0.18	0.21	0.24	0.29	0.36	0.39	0.45	0.47	0.53	0.65

TYPICAL FLOW PERFORMANCE AT 50 FEET OF HEAD					
1/2 HP	3/4 HP	1 HP	1.5 HP	2 HP	3 HP
26 gpm	58 gpm	68 gpm	93 gpm	106 gpm	140 gpm

POWERCLEAN SALT CELL HEAD LOSS		
DESIGNED FLOW RATE	GPM	ACTUAL HEAD LOSS
20%	20	.20 FT
40%	40	.41 FT
60%	60	1.54 FT
80%	80	2.28 FT
100%	100	3.71 FT

# WATER BALANCE GUIDELINES

## SALT CONCENTRATION FOR POWERCLEAN SALT SYSTEMS

POUNDS OF SALT PER GALLON REQUIRED TO REACH 4,000 - 4,500 PPM																		
CURRENT POOL SALT CONCENTRATION (PPM)	POOL SIZE (GALLONS)																	
	8000	10000	12000	14000	16000	18000	20000	22000	24000	26000	28000	30000	32000	34000	36000	38000	40000	
0	266	334	400	466	533	600	637	733	800	867	933	1000	1067	1113	1200	1267	1335	
200	253	315	380	443	507	570	633	697	760	823	887	950	1013	1076	1140	1203	1267	
400	240	300	360	420	480	540	600	660	720	780	840	900	960	1020	1080	1140	1200	
600	227	283	340	397	453	510	567	623	680	737	793	850	907	964	1020	1077	1135	
800	213	266	320	374	427	480	533	587	640	693	747	800	853	907	960	1013	1067	
1000	200	250	300	350	400	450	500	550	600	650	700	750	800	850	900	950	1000	
1200	185	232	280	328	373	420	467	513	560	607	653	700	747	793	840	887	933	
1400	171	215	260	305	347	390	433	477	520	563	607	650	693	737	780	823	867	
1600	160	198	240	282	320	360	400	440	480	520	560	600	640	680	720	760	800	
1800	147	182	220	258	293	330	367	403	440	477	513	550	587	623	660	697	733	
2000	133	166	200	234	267	300	333	367	400	433	467	500	533	567	600	633	667	
2200	120	150	180	210	240	270	300	330	360	390	420	450	480	510	540	570	600	
2400	107	132	160	188	213	240	267	293	320	347	373	400	427	453	480	507	533	
2600	93	116	140	164	187	210	233	257	280	303	327	350	373	397	420	443	466	
2800	80	100	120	140	160	180	200	220	240	260	280	300	320	340	360	380	400	
3000	67	84	100	116	133	150	167	183	200	217	233	250	267	283	300	317	333	
3200	53	68	80	93	107	120	133	147	160	173	187	200	213	227	240	253	266	
3400	40	50	60	70	80	90	100	110	120	130	140	150	160	170	180	190	200	
3600	27	33	40	46	53	60	66	73	80	86	93	100	106	113	120	127	133	
3800	13	16	20	23	26	30	33	36	40	43	47	50	53	57	60	63	67	
4000	ok	ok	ok	ok	ok	ok	ok	ok	ok	ok	ok	ok	ok	ok	ok	ok	ok	

### RESIDENTIAL POOL WATER BALANCE GUIDELINES

In accordance with The Association of Pool and Spas Professionals (APSP) standards, we recommend the following water balance conditions be maintained on an ongoing basis to protect the pool finish and equipment, and ensure a pleasing appearance of the water. CMP Sanitizer Systems are guaranteed and warranted to operate properly only if these conditions are met.

MEASUREMENT	RECOMMENDED LEVEL	DETAILS
FREE CHLORINE	1.0 - 3.0 PPM	Recommended level for residential pools to keep chlorine at a proper range for sanitization
pH	7.2 - 7.6	High pH reduces sanitizer efficiency. Low pH damages pool surfaces and irritates skin and eyes
TOTAL ALKALINITY (TA)	80 - 100 PPM	Protects pH and prevents rapid pH "bounce"
CYANURIC ACID / STABILIZER	30 - 50 PPM	Protects chlorine from destruction by sunlight. Must be added manually with salt chlorine systems
CALCIUM HARDNESS	200 - 400 PPM	Excess calcium can increase scaling problems, Low calcium (soft water) can damage surfaces
	ZERO	Can deplete free available chlorine
SALT RESIDUAL	4,000 - 4,500 PPM	Ideal level for chlorine production. Powerclean Salt systems will operate at 3,000 - 35,000 PPM



# SANITIZER SYSTEM INSTALLATION

## GENERAL GUIDELINES\*

All DEL sanitizer systems must be installed in the pool return line and located after the pool pump and filter (pressure side). Ensure that DEL Ozone or AOP return lines are installed after the chlorine feeder or booster pump line.

### OZONE SYSTEMS

Ozone gas is introduced to the pool circulation line using a venturi injector. Suction developed by the venturi allows the DEL Ozone generator to operate safely under vacuum.

### AOP SYSTEMS

The DEL AOP 50 must be installed in the main return line after all other pool equipment (pump, filter, heater and cleaner line). The outlet of the unit or MDV must be at least ten feet from the first return to the pool.

### UV-C SYSTEMS

Install in the main return line using included 2" union connections. It is preferred to install after the filter but before the heater. Available with same side plumbing (as shown) or opposite side for flow through.

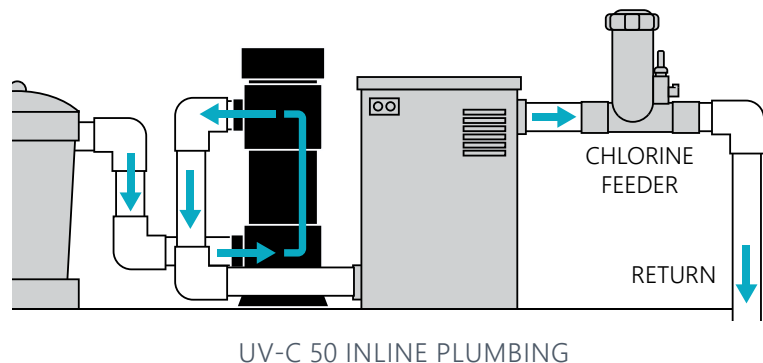
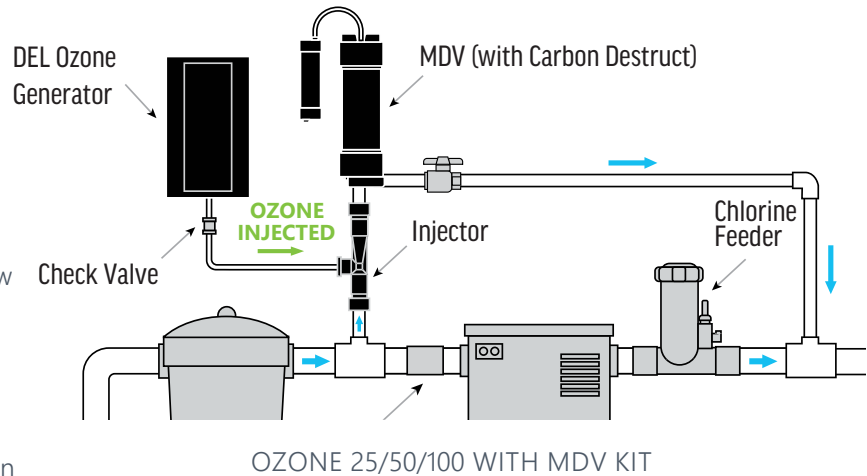
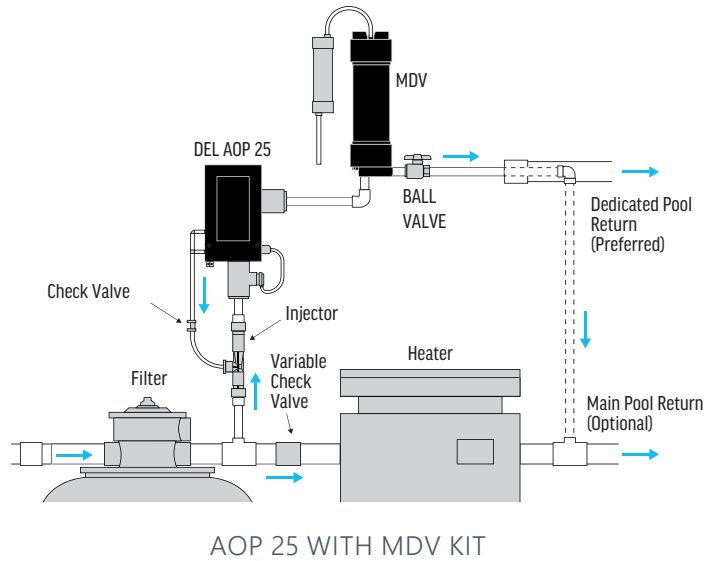
### POWERCLEAN SALT

Install as the last item in the system before the pool return. Ensure at least two feet between an Ozone or AOP system and the salt generator cell.

### POWERCLEAN TAB

Install chlorine feeders before Ozone or AOP systems. Ozone bubbles created in the system can gather in the feeder and reduce chlorine flow.

\*Installation diagrams are for quick reference only. For details consult product manuals or contact tech support.



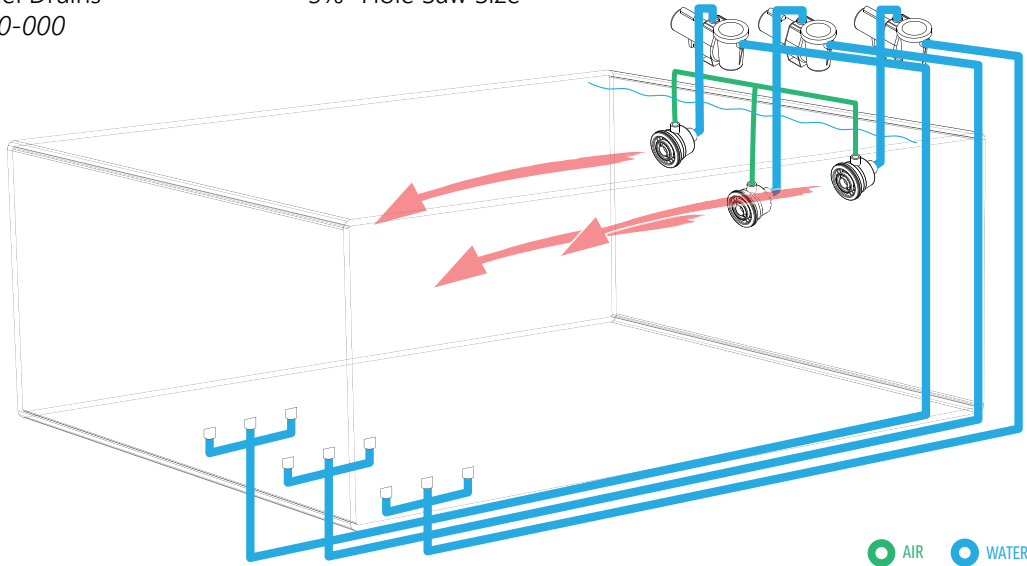
# SWIM JET INSTALLATION REFERENCE

CMP recommends installing our swim jet's opposite the drain system for maximum circulation. This install creates a flow where the suction side of the system enhances the pressure side flow.

- A minimum of three pumps required for full flow
- Drains must be installed at least 3' apart
- Top row of swim jets are installed 4" below the water line and 12" apart. Bottom row of swim jets are installed 12" below the water line

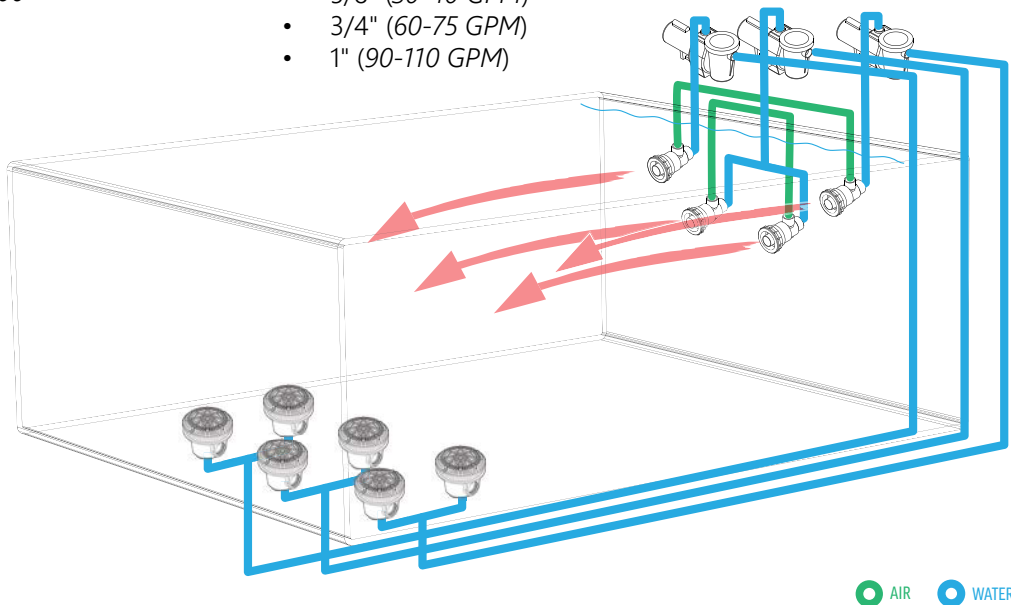
## WHIRLPOOL SWIM JET SETUP

- x3 Whirlpool Swim Jets  
23312-000-000
- x3 Channel Drains  
25506-320-000
- 1" Orifice (90-110 GPM)
- 1" Socket Air x 1.5" Spigot Water
- 3 1/8" Hole Saw Size



## TURBO POWER SWIM JET SETUP

- x4 Turbo Power Swim Jets  
23551-660-000
- x6 Nova Drains  
25513-500-000
- 2" SP/1.5" S Water x 1" SP/0.5" S Air
- 4 5/8" Hole Saw Size
- Three Orifice Sizes Included:
  - 5/8" (30-40 GPM)
  - 3/4" (60-75 GPM)
  - 1" (90-110 GPM)



# LED LIGHTING DESIGN REFERENCE GUIDE

Lighting in water can be very different than lighting design in other environments. The "brightness" of the light itself is not the only factor. There are multiple considerations when designing underwater lighting, and each of them must be equally considered.

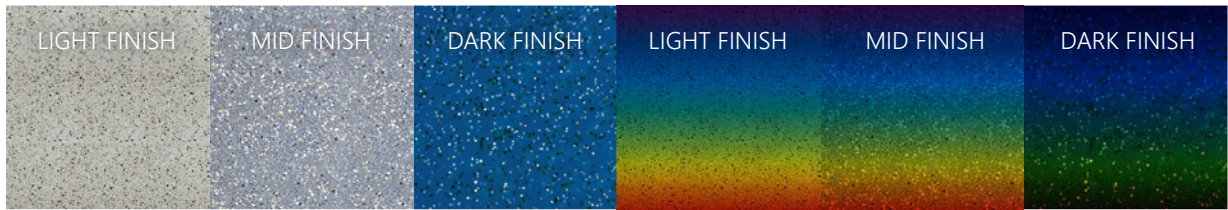
The factors you must consider when planning your pool lighting include:

- Lighting in the surrounding area
- Illumination of the pool walls, floor, objects and swimmers in the water
- Illumination of the water itself
- Color value of the lights (when using multi-color lighting)
- The shape, color and texture of the pool
- The clarity of the pool water
- The balance between bright and dim areas of the pool

Some of these factors have to be managed, and some can be controlled directly. An awareness of each of these potential inputs can lead to effective, beautiful and consistent lighting design.

## COLOR ABSORPTION: COLOR & FINISH

The interior color and texture of a pool can have a strong effect on the quality of light in the pool. Darker pool surfaces will absorb more light, and lighter surfaces will reflect it. As a rule of thumb, you should expect to use 1.5 lights in a darker pool for every 1 light used in a lighter pool.



POOL FINISHES: DAYLIGHT

POOL FINISHES: ABSORPTION VS REFLECTANCE

## COLOR ABSORPTION: WATER

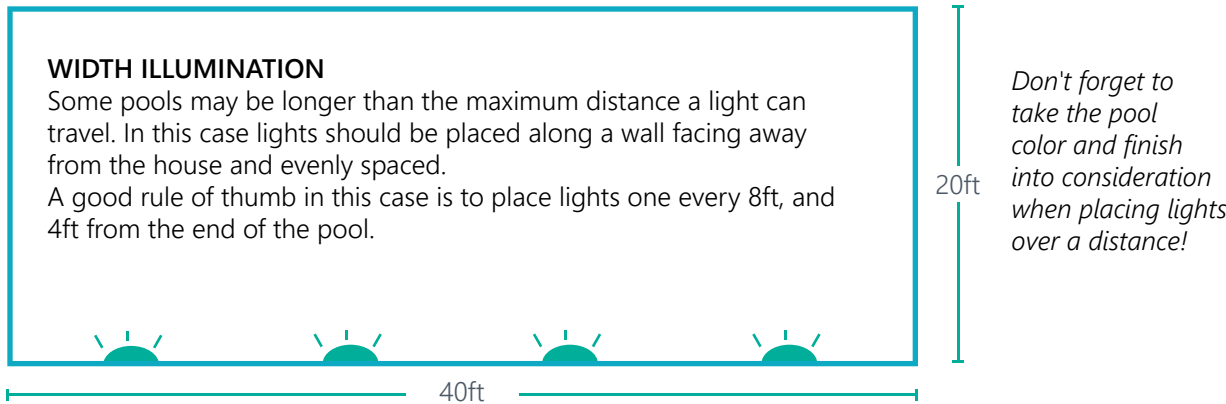
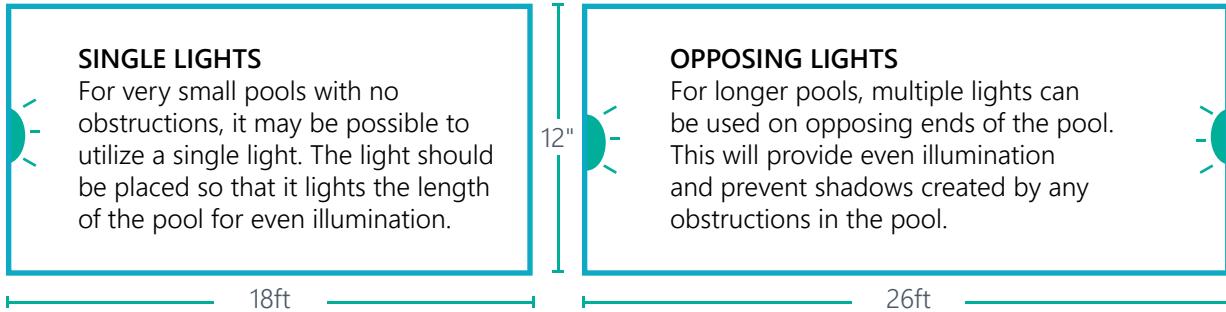
It may be surprising, but even when it seems perfectly clear the water itself can absorb light. The rate of absorption varies from color to color. Each light color has a wavelength that is absorbed by water at different rates. For example, a blue light may appear 5x brighter than a red light even if they have identical output. The "brightness" you experience will change dramatically between different colors and programmed light shows.

LIGHT ABSORPTION IN WATER OVER DISTANCE							
COLOR	3FT	6FT	12FT	20FT	26FT	32FT	40FT
BLUE ABSORPTION %	3%	6%	11%	17%	22%	26%	31%
GREEN ABSORPTION %	5%	10%	19%	26%	34%	40%	46%
RED ABSORPTION %	16%	29%	50%	65%	75%	83%	88%

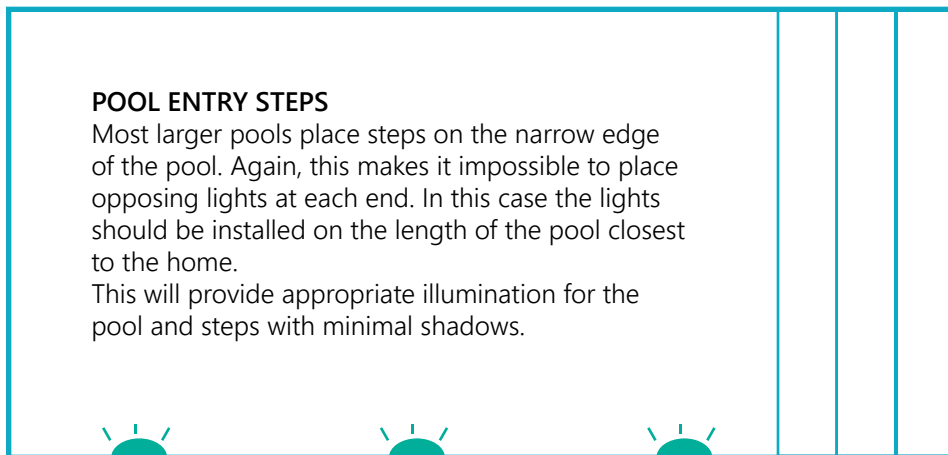
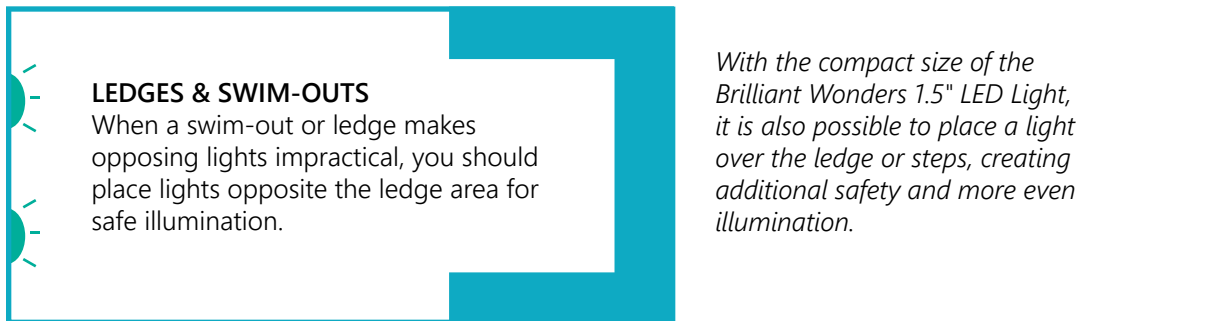


# LED LIGHTING DESIGN REFERENCE GUIDE

## LIGHT PLACEMENT: BASIC SHAPES

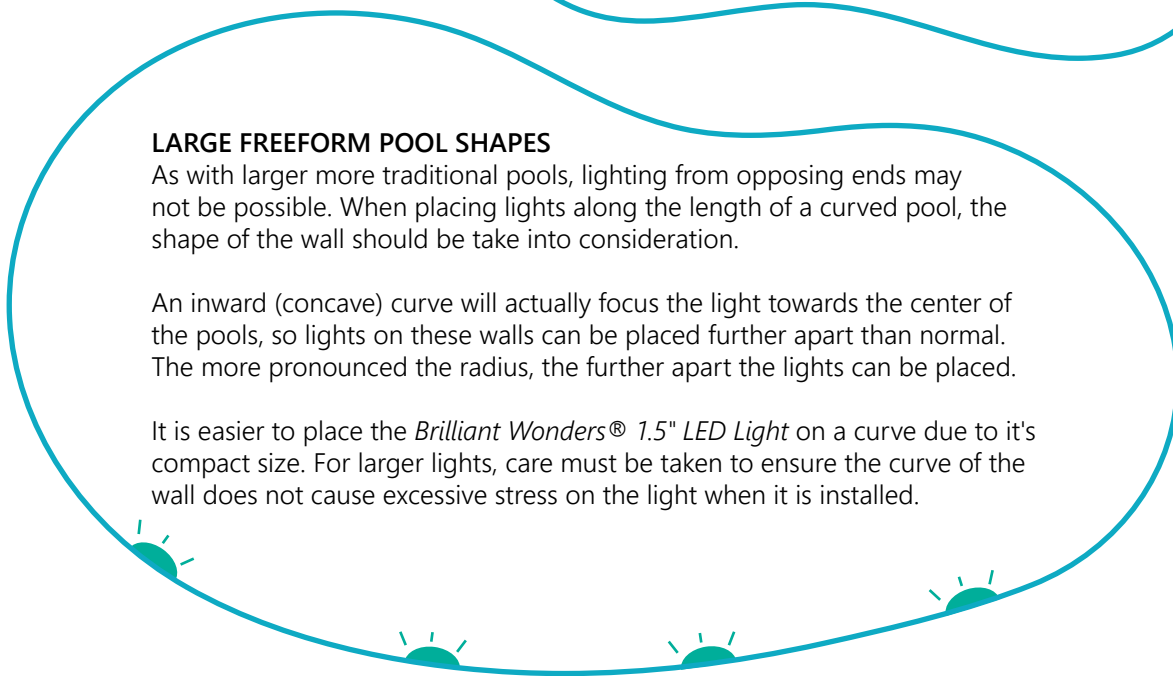
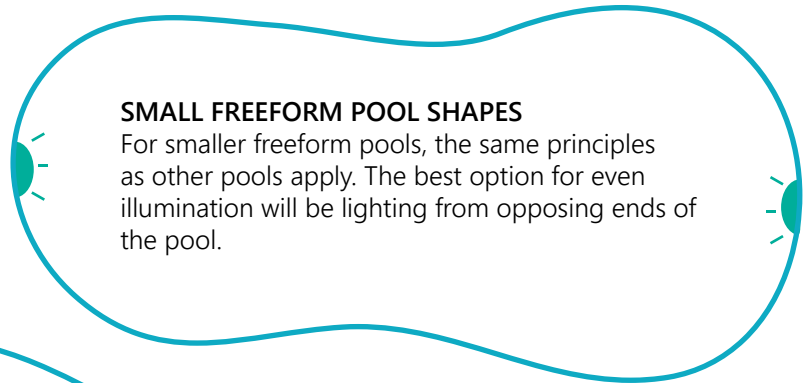
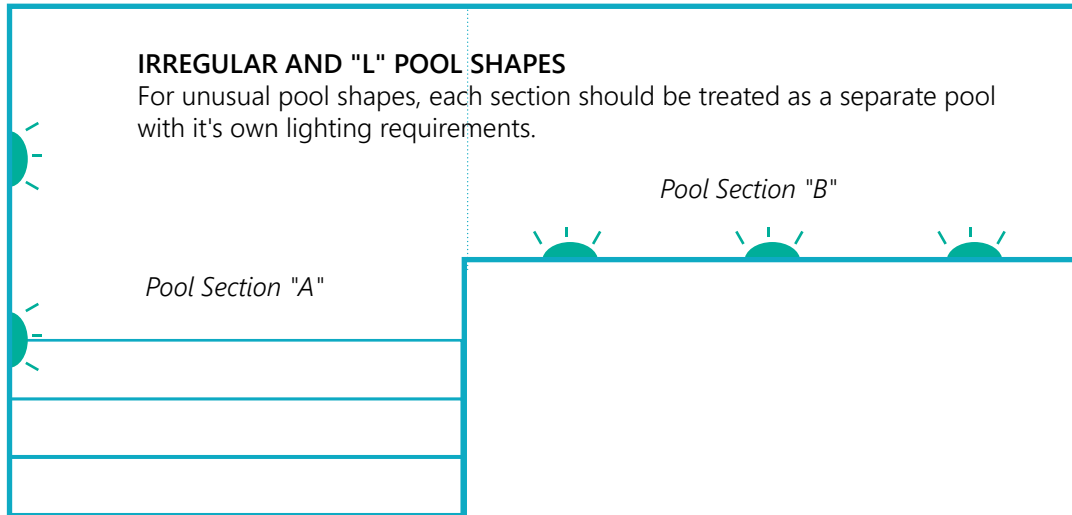


## LIGHT PLACEMENT: STEPS, SWIM-OUTS & LEDGES



LIGHTING RECOMMENDATIONS BASED ON WHITE LED LIGHT PERFORMANCE

## LIGHT PLACEMENT: IRREGULAR AND FREEFORM SHAPES



LIGHTING RECOMMENDATIONS BASED ON WHITE LED LIGHT PERFORMANCE

# MEASUREMENTS & CONVERSIONS

## UNIT CONVERSION CHARTS

LENGTH MEASUREMENTS				
	INCH	FOOT	YARD	METER
INCH	—	0.0833	0.0278	0.0254
FOOT	12.0	—	0.33	0.305
YARD	36.0	3.0	—	0.9144
METER	39.37	3.281	1.094	—

AREA MEASUREMENTS				
	SQUARE INCH	SQUARE FOOT	SQUARE YARD	SQUARE METER
SQUARE INCH	—	0.00694	0.000772	0.000645
SQUARE FOOT	144.0	—	0.111	0.929
SQUARE YARD	1296.0	9.0	—	0.836
SQUARE METER	1550.0	10.76	1.196	—

FLOW MEASUREMENTS				
	GPM (U.S.)	GPM (IMPERIAL)	CUBIC FT PER SECOND	LITERS PER SECOND
GPM (U.S.)	—	0.833	0.00223	0.0631
GPM (IMPERIAL)	1.2	—	0.00268	0.0757
CUBIC FT PER SECOND	448.8	374.0	—	28.32
LITERS PER SECOND	15.85	13.21	0.0353	—

PRESSURE MEASUREMENTS				
	INCHES OF WATER	FEET OF WATER	LBS PER SQUARE INCH	INCHES OF MERCURY
INCHES OF WATER	—	0.0833	0.0361	0.0736
FEET OF WATER	12.0	—	0.433	.883
LBS PER SQUARE INCH	27.72	2.31	—	2.04
INCHES OF MERCURY	13.596	1.133	0.4906	—

## COMMON MEASUREMENT CALCULATIONS

**AMPERAGE = WATTS / VOLTS**

**WATTS = VOLTS × AMPS**

**TOTAL HEAD = DISCHARGE HEAD + PUMPING WATER LEVEL (FT)**

**DISCHARGE HEAD = DISCHARGE PRESSURE (PSI) × 2.31 FT OF HEAD**

# CMP REPLACEMENT PARTS & INDEX

BRILLIANT WONDERS® LED PRODUCTS 217

MULTI-NOZZLE DECK JETS 222

WATER LEVELERS 244

POWERCLEAN™ CHLORINATORS 223

VALVES 226

MULTIPOINT VALVES 229

SKIMMERS 236

MAIN DRAINS 239

POOL ACCESSORIES 247

CROSS REFERENCE CHARTS 251

PART NUMBER INDEX 263

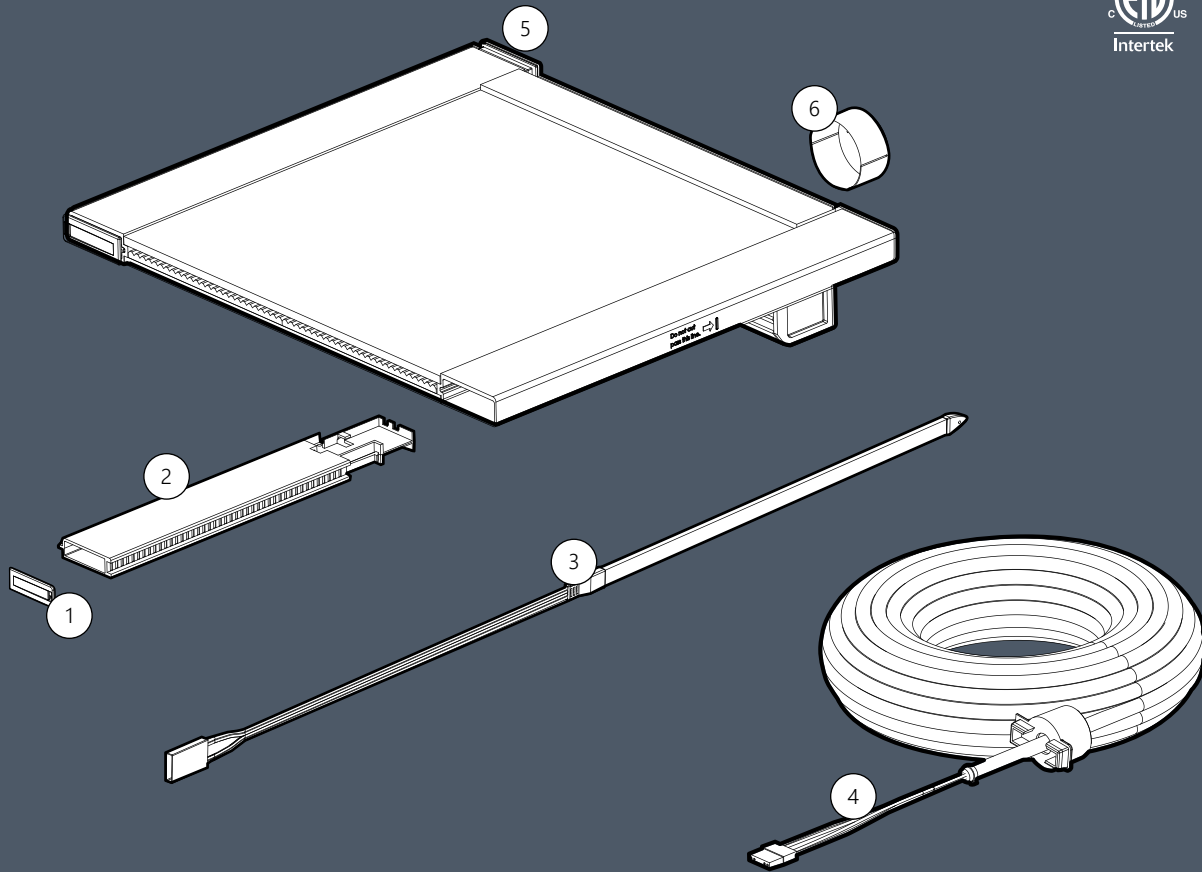
CROSS REFERENCE INDEX 251

TERMS & CONDITIONS 269

CMP LIMITED WARRANTY 270

ISO 9001 CERTIFICATION 274

# BRILLIANT WONDERS® LED WATERFALL 2 PARTS



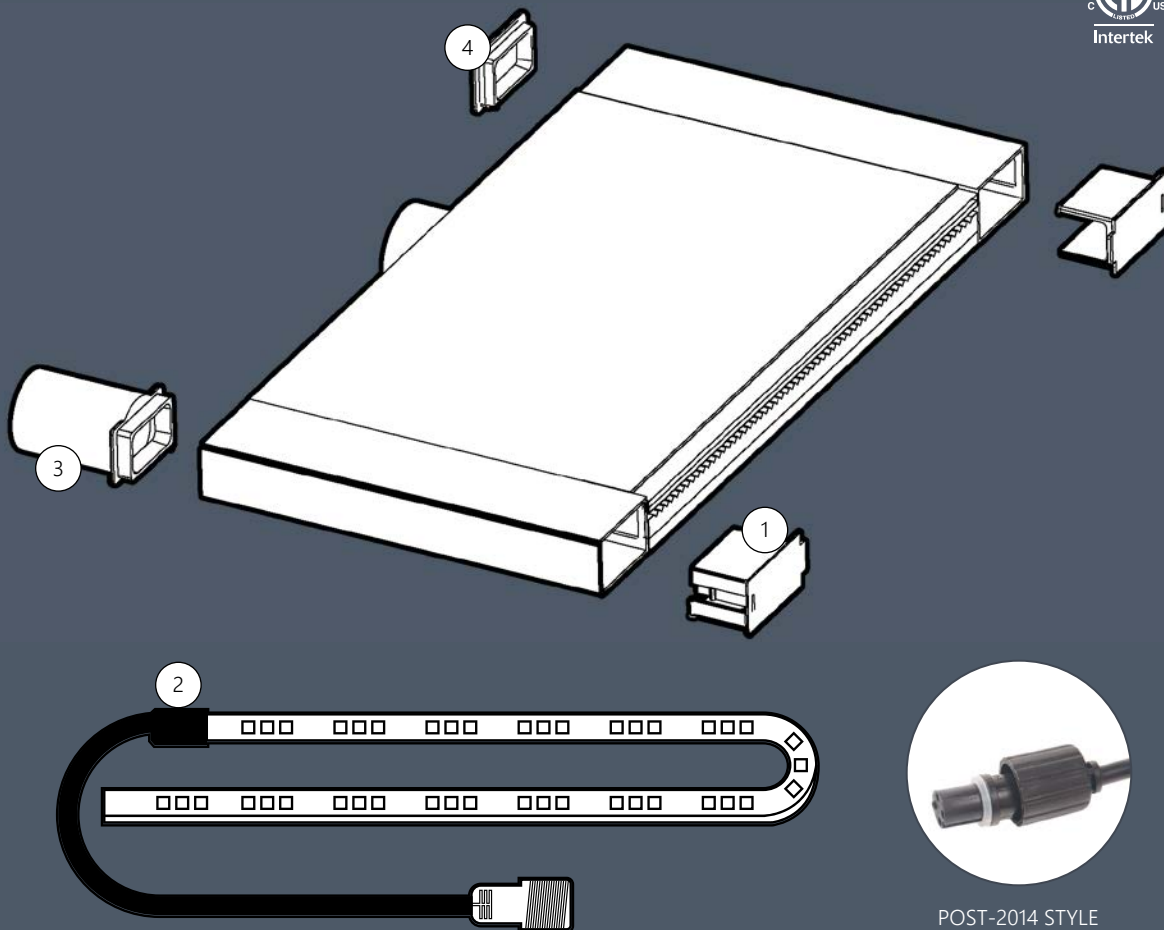
## BRILLIANT WONDERS® LED WATERFALL 2

REF	CMP P/N	DESCRIPTION
1	25777-009-100	DOOR COVER, 10 PACK (2 EA WHITE, LT GRAY, DK GRAY, BLACK, TAN)
2	25777-130-007	CUTTABLE SLIDING DOOR
3	25777-130-100	12" LED WATERFALL LIGHT STRIP 2
3	25777-180-100	18" LED WATERFALL LIGHT STRIP 2
3	25777-230-100	24" LED WATERFALL LIGHT STRIP 2
3	25777-330-100	36" LED WATERFALL LIGHT STRIP 2
4	25777-130-200	100' LED POWER CABLE
5	25777-130-071	CONDUIT BACK PLUG
6	25777-130-074	FLAT BACK PLUG
—	25777-130-030	TRIMMING/CLEANING TOOL
—	25777-130-030	DOOR OPENING TOOL

PRODUCT ON PAGE 41



# BRILLIANT WONDERS® LED WATERFALL PARTS



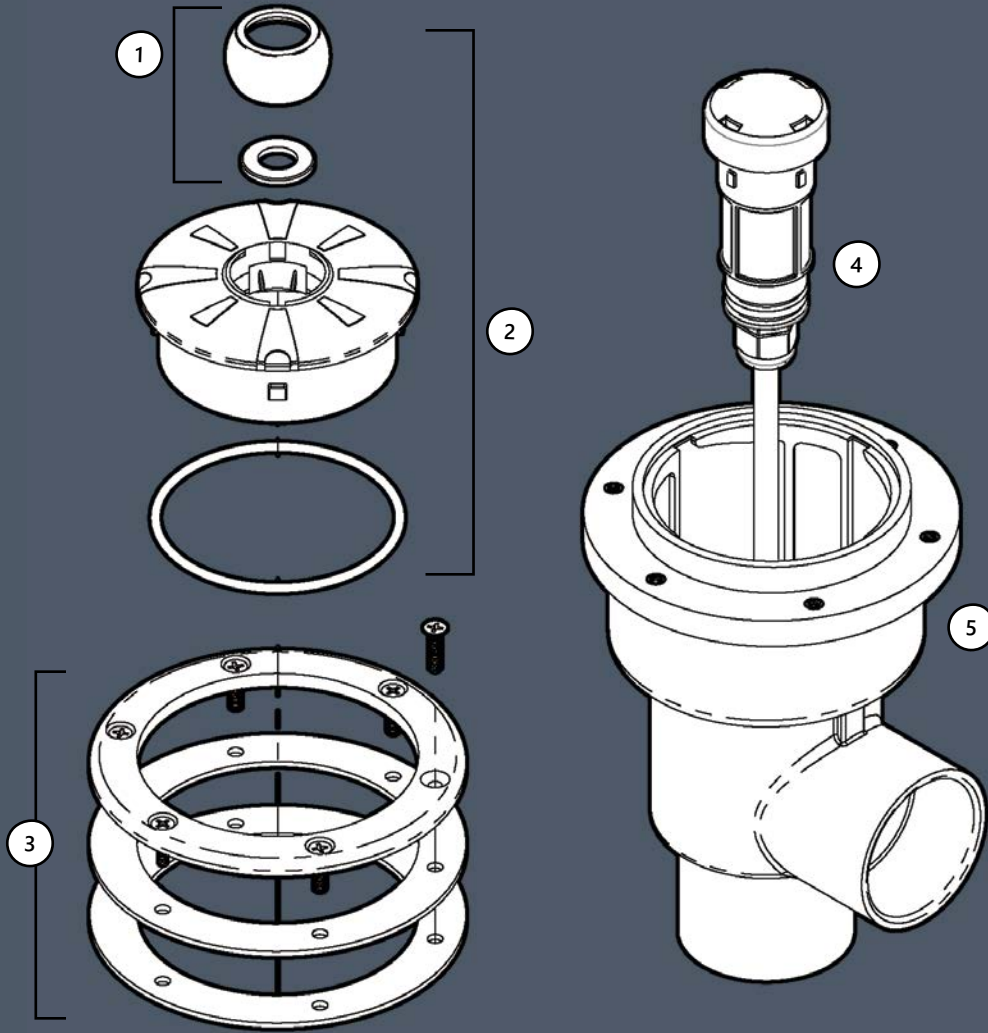
## BRILLIANT WONDERS® LED WATERFALL

REF	CMP P/N	DESCRIPTION
1	25677-100-970	LED WATERFALL DOOR COVER, WHITE
1	25677-101-970	LED WATERFALL DOOR COVER, GRAY
1	25677-104-970	LED WATERFALL DOOR COVER, BLACK
1	25677-107-970	LED WATERFALL DOOR COVER, DARK GRAY
1	25677-109-970	LED WATERFALL DOOR COVER, TAN
2	25677-130-950	12" LED WATERFALL LIGHT STRIP (POST-2014 PLUG STYLE*)
2	25677-180-950	18" LED WATERFALL LIGHT STRIP (POST-2014 PLUG STYLE*)
2	25677-230-950	24" LED WATERFALL LIGHT STRIP (POST-2014 PLUG STYLE*)
2	25677-330-950	36" LED WATERFALL LIGHT STRIP (POST-2014 PLUG STYLE*)
2	25677-430-950	48" LED WATERFALL LIGHT STRIP (POST-2014 PLUG STYLE*)
—	25677-000-100	100' LED POWER CABLE (NOT PICTURED)
3	25677-130-073	CONDUIT BACK PLUG
4	25677-130-074	FLAT BACK PLUG

PRODUCT ON PAGE 45

\*FOR ORIGINAL PLUG STYLE CONTACT CMP CUSTOMER SUPPORT

# BRILLIANT WONDERS® 4" LED BUBBLER PARTS

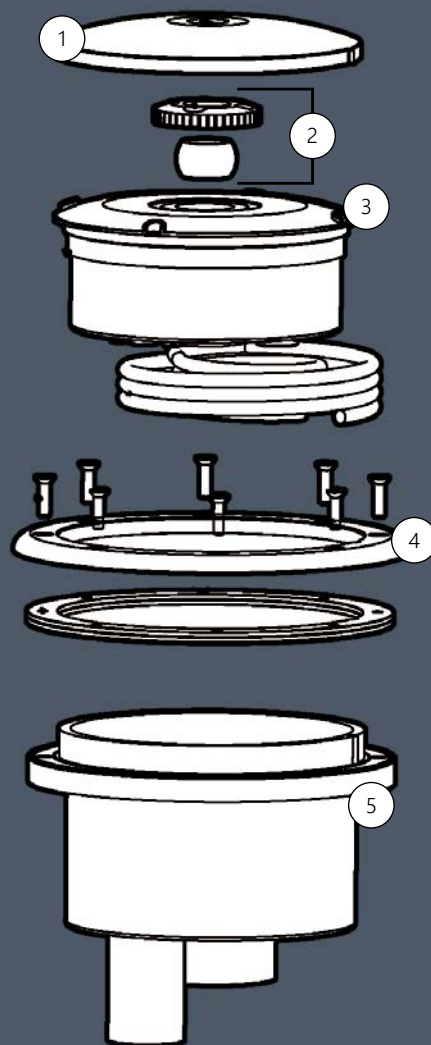


BRILLIANT® WONDERS 4" LED BUBBLER		
REF	CMP P/N	DESCRIPTION
1	25503-469-030	4" LED BUBBLER EYEBALL & ORIFICE KIT
2	25503-469-253	4" LED BUBBLER LENS KIT (LENS, EYEBALL & O-RING)
3	25503-300-460	4" LED BUBBLER VINYL LINER KIT - WHITE
3	25503-301-460	4" LED BUBBLER VINYL LINER KIT - GRAY
3	25503-304-460	4" LED BUBBLER VINYL LINER KIT - BLACK
3	25503-309-460	4" LED BUBBLER VINYL LINER KIT - TAN
3	25503-369-460	4" LED BUBBLER VINYL LINER KIT - DARK BLUE
4	25503-460-900J	4" LED BUBBLER LIGHT MODULE (J-STYLE)
4	25503-460-900H	4" LED BUBBLER LIGHT MODULE (H-STYLE)
4	25503-460-900P	4" LED BUBBLER LIGHT MODULE (P-STYLE)
5	25503-460-000	4" LED BUBBLER BODY ASSEMBLY (WITHOUT LED MODULE)
—	25500-000-025	BRILLIANT WONDERS POWER SUPPLY CABLE, 25FT
—	25500-000-050	BRILLIANT WONDERS POWER SUPPLY CABLE, 50FT
—	25500-000-100	BRILLIANT WONDERS POWER SUPPLY CABLE, 100FT
—	25500-000-150	BRILLIANT WONDERS POWER SUPPLY CABLE, 150FT
—	25500-104-007	LED MODULE INSTALLATION TOOL

PRODUCT ON PAGE 53

Parts not listed in product table are only available as part of a complete assembly

# BRILLIANT WONDERS® 8" LED BUBBLER PARTS



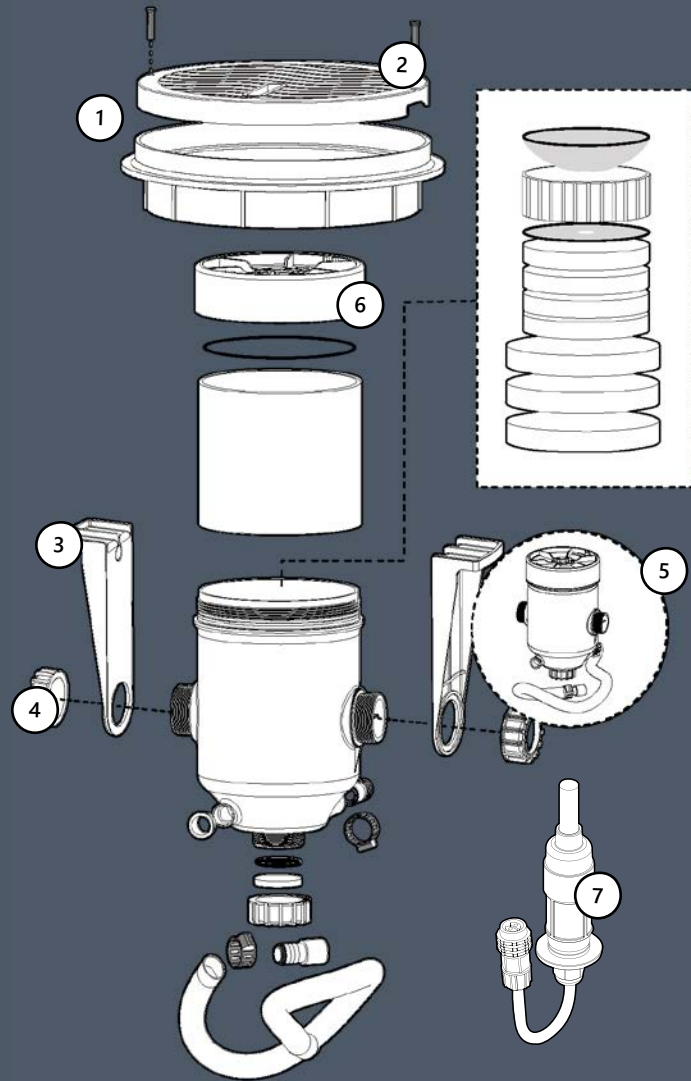
## BRILLIANT® WONDERS 8" LED BUBBLER

REF	CMP P/N	DESCRIPTION
1	N/A	PROTECTIVE COVER
2	25503-100-900	EYEBALL & REDUCERS KIT
3	SEE PG 54	REPLACEMENT LIGHT MODULES
—	61050-100-316	8" BUBBLER MODULE SCREW
4	25503-300-000	WHITE VINYL LINER/FIBERGLASS KIT
4	25503-301-000	GRAY VINYL LINER/FIBERGLASS KIT
4	25503-304-000	BLACK VINYL LINER/FIBERGLASS KIT
4	25503-309-000	TAN VINYL LINER/FIBERGLASS KIT
4	25503-369-000	DARK BLUE VINYL LINER/FIBERGLASS KIT
5	25503-100-040	BODY ONLY

PRODUCT ON PAGE 54

Parts not listed in product table are only available as part of a complete assembly

# BRILLIANT WONDERS® LED LAMINAR PARTS

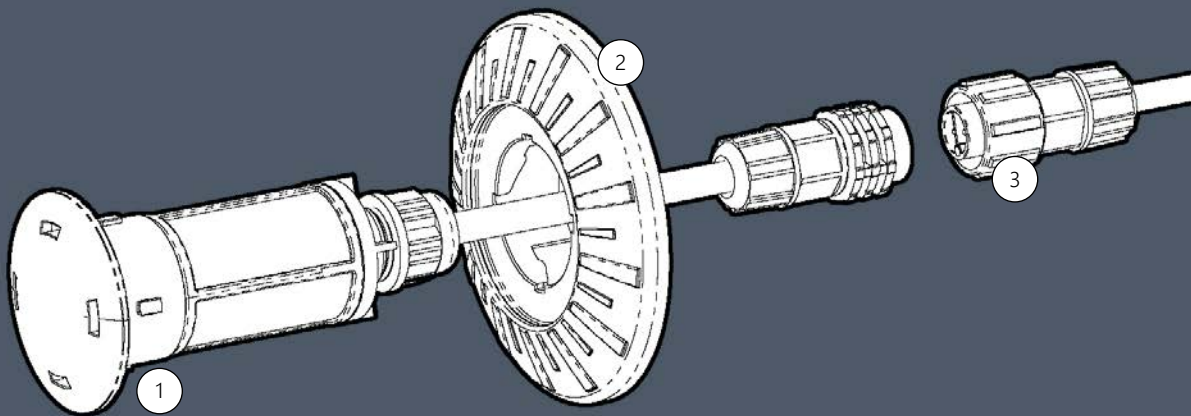


## BRILLIANT® WONDERS 12" LED LAMINAR

REF	CMP P/N	DESCRIPTION
1	27600-600-140	WHITE DECK COVER ASSEMBLY & SCREWS
1	27600-601-140	GRAY DECK COVER ASSEMBLY & SCREWS
1	27600-609-140	TAN DECK COVER ASSEMBLY & SCREWS
2	27600-600-145	WHITE DECK COVER & SCREWS
2	27600-601-145	GRAY DECK COVER & SCREWS
2	27600-609-145	TAN DECK COVER & SCREWS
3	25597-600-050	SIDE BRACKET (EACH, TWO REQUIRED)
4	27600-004-059	BRACKET NUT (EACH, TWO REQUIRED)
5	25597-600-500	CANNON ASSEMBLY
6	25597-600-541	CANNON COVER & O-RINGS
7	25597-620-900	12" LAMINAR REPLACEMENT LIGHT MODULE
—	25500-000-025	POWER SUPPLY CABLE, 25FT
—	25500-000-050	POWER SUPPLY CABLE, 50FT
—	25500-000-100	POWER SUPPLY CABLE, 100FT
—	25500-000-150	POWER SUPPLY CABLE, 150FT

PRODUCT ON PAGE 67

# BRILLIANT WONDERS® 1.5" LED LIGHT



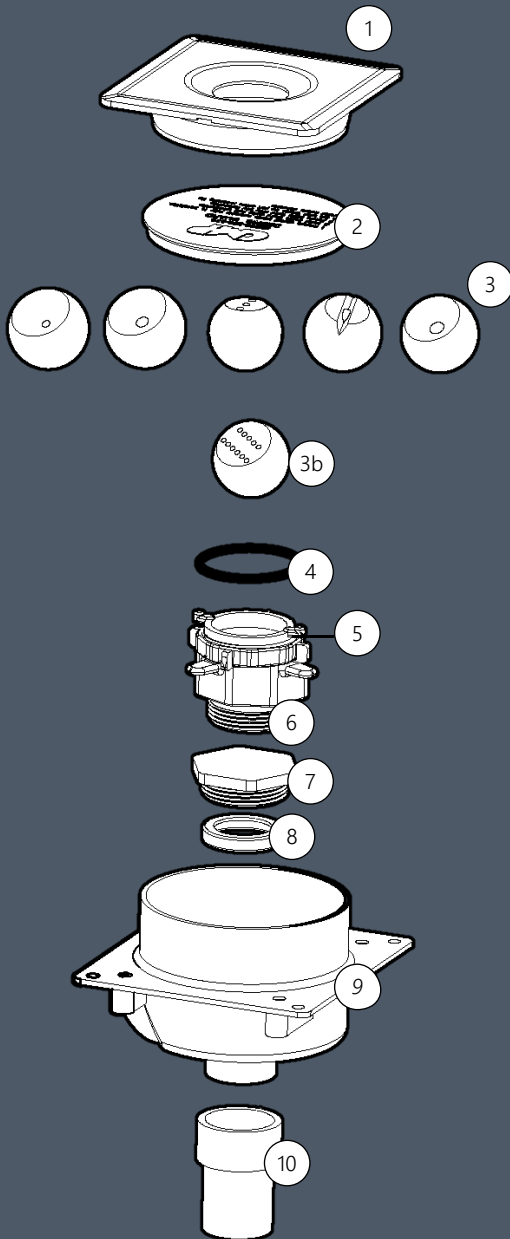
## BRILLIANT® WONDERS 1.5" LED LIGHT

REF	CMP P/N	DESCRIPTION
1	25503-560-000J	11C LED LIGHT MODULE (J-STYLE)
1	25503-560-000H	11C LED LIGHT MODULE (H-STYLE)
1	25503-560-000P	11C LED LIGHT MODULE (P-STYLE)
1	25503-520-000	8C LED LIGHT MODULE (CMP/ J-STYLE)
1	25503-520-000H	8C LED LIGHT MODULE (H-STYLE)
1	25503-520-000P	8C LED LIGHT MODULE (P-STYLE)
1	25503-500-000	WHITE LED LIGHT MODULE
—	25500-104-007	1.5" LED LIGHT INSTALLATION TOOL
2	SEE PAGE 63	INSTALLATION FLANGES / FITTINGS
3	25500-000-025	BRILLIANT WONDERS POWER SUPPLY CABLE, 25FT
3	25500-000-050	BRILLIANT WONDERS POWER SUPPLY CABLE, 50FT
3	25500-000-100	BRILLIANT WONDERS POWER SUPPLY CABLE, 100FT
3	25500-000-150	BRILLIANT WONDERS POWER SUPPLY CABLE, 150FT
—	25500-100-015	BRILLIANT WONDERS POWER SUPPLY CABLE CAP

PRODUCT ON PAGE 63

Parts not listed in product table are only available as part of a complete assembly

# MULTI-NOZZLE DECK JET PARTS

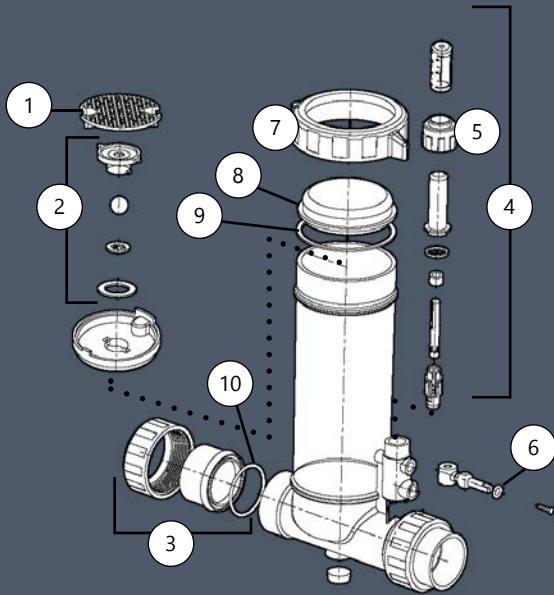


MULTI-NOZZLE DECK JET		
REF	CMP P/N	DESCRIPTION
1	25597-300-020	WHITE DECK JET COVER, ROUND
1	25597-301-020	GRAY DECK JET COVER, ROUND
1	25597-309-020	TAN DECK JET COVER, ROUND
1	25597-303-020	BRASS DECK JET COVER, ROUND
1	25597-302-020	CHROME DECK JET COVER, ROUND
1	25598-300-020	WHITE DECK JET COVER, SQUARE
1	25598-303-220	BRASS DECK JET COVER, SQUARE
1	25598-301-020	GRAY DECK JET COVER, SQUARE
1	25597-330-020	WHITE STONE DECK COVER, ROUND
1	25597-339-020	SAND STONE DECK COVER, ROUND
1	25597-331-020	GRAY STONE DECK COVER, ROUND
1	25597-337-020	BRICK STONE DECK COVER, ROUND
1	25598-309-020	TAN DECK JET COVER, SQUARE
2	25598-300-070	PROTECTION PLATE
3	25598-300-800	WHITE EYEBALL SET
3	25598-301-800	GRAY EYEBALL SET
3	25598-304-800	BLACK EYEBALL SET
3	25598-309-800	TAN EYEBALL SET
3b	25598-333-030	BRASS FOUNTAIN EYEBALL
4	26100-300-150	O-RING
5	25598-300-050	LOCKING RING
6	25598-300-900	NOZZLE HOUSING, LESS EYE
7	25598-300-080	PLUG
8	25598-300-090	GASKET SEAL RING
9	N/A	BODY ONLY
10	25598-000-030	COUPLING FOR 1/2" OR 3/4" PIPE

PRODUCT ON PAGE 22

Parts not listed in product table are only available as part of a complete assembly

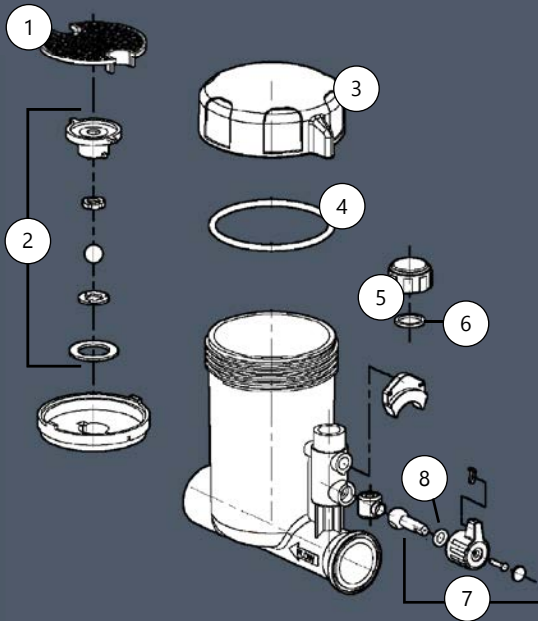
# POWERCLEAN™ TAB PARTS



## POWERCLEAN™ TAB ULTRA CHLORINATOR

	CMP P/N	DESCRIPTION
1	25280-100-005	GRATE
2	25280-000-920	CHECK VALVE ASSY
3	21023-000-000	2" UNION
4	25280-100-955	FLOW INDICATOR ASSY
5	25280-000-910	NUT
6	26100-100-330	O-RING, DIAL
7	25280-100-001	COVER NUT
7-8	25280-109-200	CLEAR GLASS COVER ASSY
7-8	25280-100-200	WHITE COVER ASSY
7-8	25280-100-002	CLEAR PLASTIC COVER ASSY
9	26101-060-530	O-RING, COVER
10	21023-030-000	UNION GASKET

PRODUCT ON PAGE 80



## POWERCLEAN™ TAB MINI CHLORINATOR

	CMP P/N	DESCRIPTION
1	25280-100-005	GRATE
2	25280-000-920	CHECK VALVE ASSY
—	21023-000-000	2" UNION (NOT PICTURED)
3	25280-200-002	WHITE COVER
4	26101-060-530	O-RING, COVER
5	25280-200-960	FLOW CHAMBER CAP ASSY
6	26203-021-250	O-RING, FLOW CHAMBER
7	25280-100-930	DIAL ASSEMBLY
8	26100-100-330	O-RING, DIAL ASSY (MINI ONLY)
—	21093-000-000	HOSE ADAPTER
—	25300-004-070	SPLIT NUT UNION

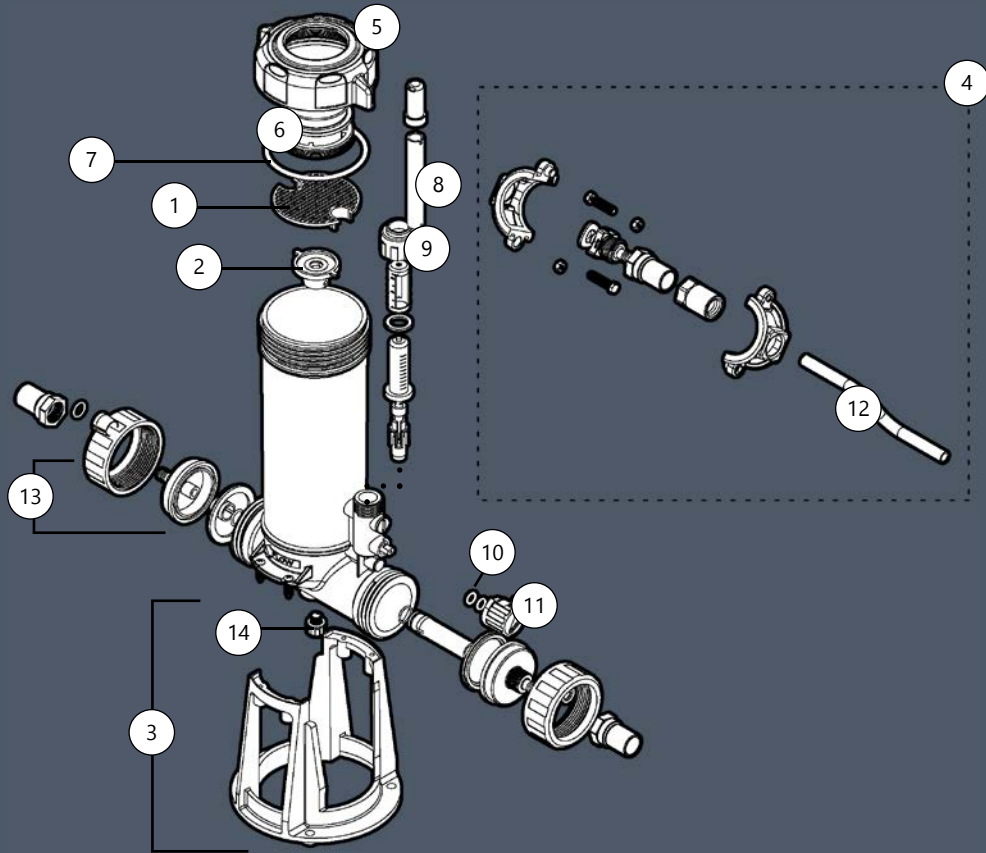
PRODUCT ON PAGE 81

## 2010 & EARLIER FLOW METER & DIAL

	CMP P/N	DESCRIPTION
1	25280-100-950	FLOW METER ASSY
2	26100-100-330	O-RING DIAL
3	25280-100-930	DIAL ASSY

Parts not listed in product table are only available as part of a complete assembly

# POWERCLEAN™ TAB OFF-LINE PARTS



## POWERCLEAN™ TAB OFF-LINE

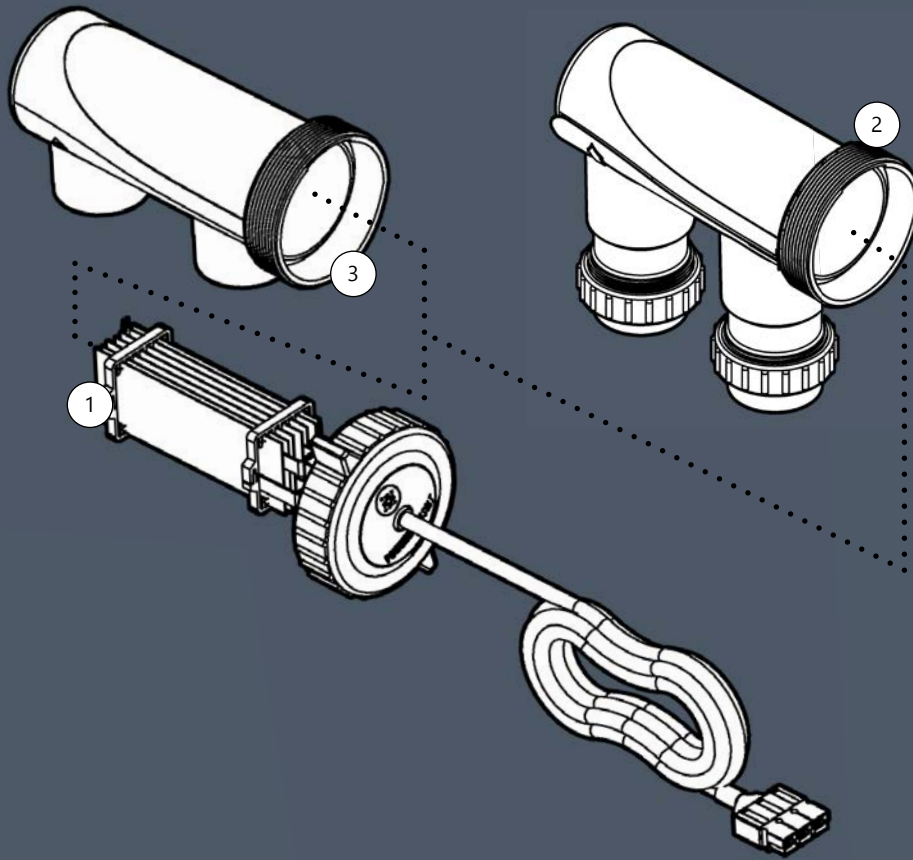
	CMP P/N	DESCRIPTION
1	25280-100-005	GRATE
2	25280-000-920	CHECK VALVE ASSY
3	25280-300-970	BASE ASSY
4	25280-300-980	OFF-LINE HOSE CLAMP ASSY
5	25280-100-001	COVER NUT
5-6	25280-109-200	CLEAR GLASS COVER ASSY
5-6	25280-100-200	WHITE COVER ASSY
5-6	25280-109-002	CLEAR PLASTIC COVER ASSY
7	26101-060-530	O-RING, COVER
8	25280-100-955	FLOW INDICATOR ASSY
9	25280-100-019	NUT
10	26100-100-330	O-RING, DIAL
11	25280-100-916	DIAL
12	27233-101-328	HOSE
13	25280-300-960	UNION ASSEMBLY
—	21023-030-000	UNION GASKET
14	25376-900-500	DRAIN PLUG W/ O-RING
—	25280-150-900	1.5" OFF-LINE CLAMP KIT <b>NEW</b>
—	25280-200-900	2" OFF-LINE CLAMP KIT <b>NEW</b>
—	25280-250-900	2.5" OFF-LINE CLAMP KIT <b>NEW</b>
—	25280-300-900	3" OFF-LINE CLAMP KIT <b>NEW</b>
—	25280-300-909	HOSE TAP FOR OFF-LINE CLAMP KIT <b>NEW</b>
—	25280-901-406	GASKET FOR OFF-LINE CLAMP KIT <b>NEW</b>

PRODUCT ON PAGE 82

Parts not listed in product table are only available as part of a complete assembly



# POWERCLEAN™ SALT PARTS



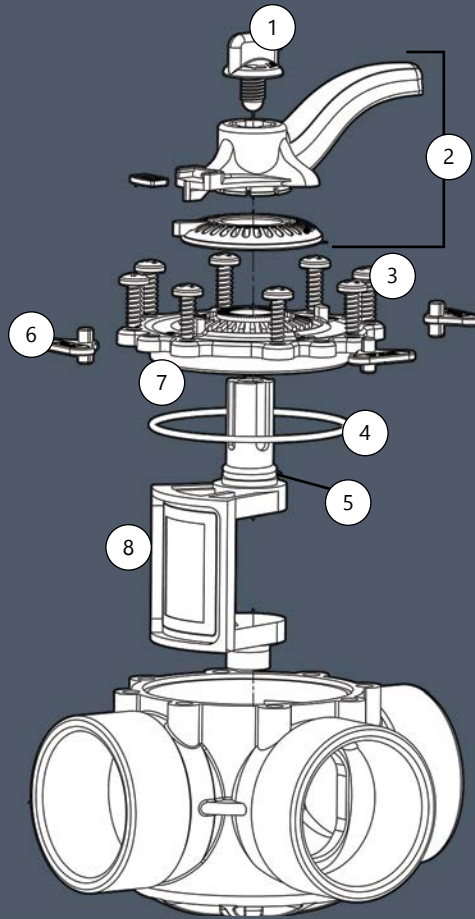
## POWERCLEAN™ SALT

	CMP P/N	DESCRIPTION
1	52000-220-110	20,000 GALLON POWERCLEAN SALT REPLACEMENT CELL
1	52000-240-110	40,000 GALLON POWERCLEAN SALT REPLACEMENT CELL
1	52000-260-110	60,000 GALLON POWERCLEAN SALT REPLACEMENT CELL
1	52000-220-160	20,000 GALLON POWERCLEAN SALT EXTENDED LIFE REPLACEMENT CELL
1	52000-240-160	40,000 GALLON POWERCLEAN SALT EXTENDED LIFE REPLACEMENT CELL
1	52000-260-160	60,000 GALLON POWERCLEAN SALT EXTENDED LIFE REPLACEMENT CELL
—	52000-200-101	O-RING FOR POWERCLEAN SALT MODELS
2	52000-200-102	POWERCLEAN SALT ULTRA CELL HOUSING
3	52000-200-103	POWERCLEAN SALT ECON CELL HOUSING

PRODUCT ON PAGE 85

Parts not listed in product table are only available as part of a complete assembly

# HYDROSEAL™ VALVE REPLACEMENT PARTS



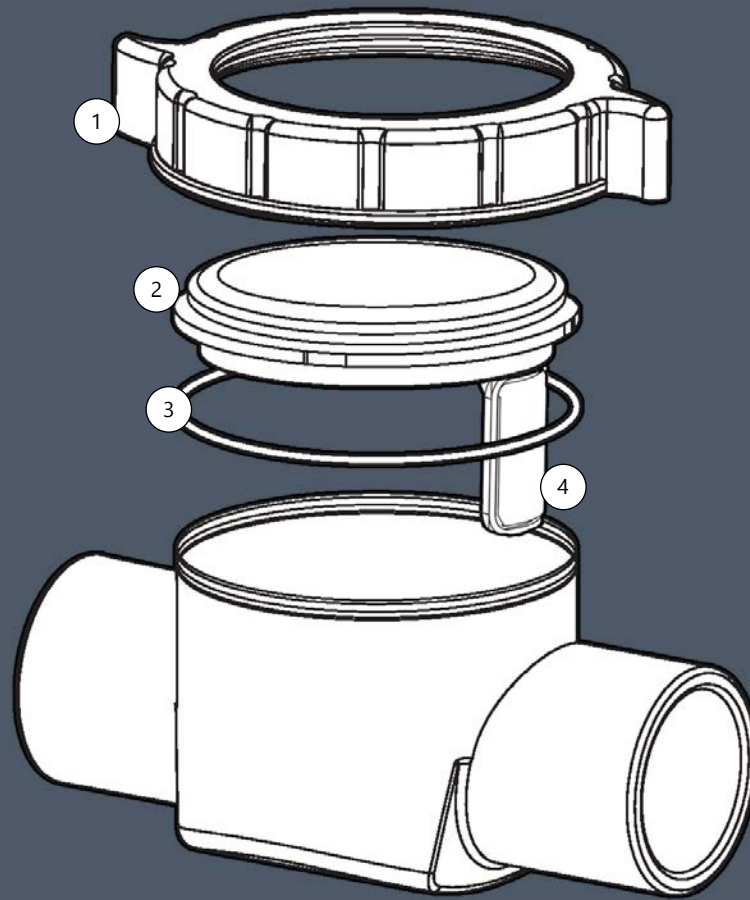
## HYDROSEAL™ DIVERTER VALVE

CMP P/N		DESCRIPTION
1	25913-204-070	KNOB, BLACK
2	25913-204-300	HANDLE & RING ASSEMBLY, BLACK
3	61050-620-185	HOUSING SCREW
4	26100-780-265	HOUSING O-RING, BLACK
5	26100-171-024	DIVERTER O-RING, BLACK
6	25913-204-900	PORT MARKER KIT
7	25913-204-020	COVER FOR 1.5-2", BLACK
7	25913-254-020	COVER FOR 2.5"
7	25913-204-920	COVER & PORT MARKER KIT
8	25913-204-800	DIVERTER ASSEMBLY (C-STYLE)
8	25913-204-850	DIVERTER ASSEMBLY (J-STYLE)
8	25913-254-800	DIVERTER ASSEMBLY FOR 2.5"

PRODUCT ON PAGE 90

*Parts not listed in product table are only available as part of a complete assembly*

# HYDROSEAL™ THREADED CHECK VALVE PARTS



## 1.5" & 2" SERVICEABLE CHECK VALVE THREAD-ON

	CMP P/N	DESCRIPTION
1	25830-201-030	NUT
2	25830-209-020	COVER
2,3	26100-096-333	O-RING, COVER
2,4	25830-150-800	FLAPPER ASSEMBLY & COVER

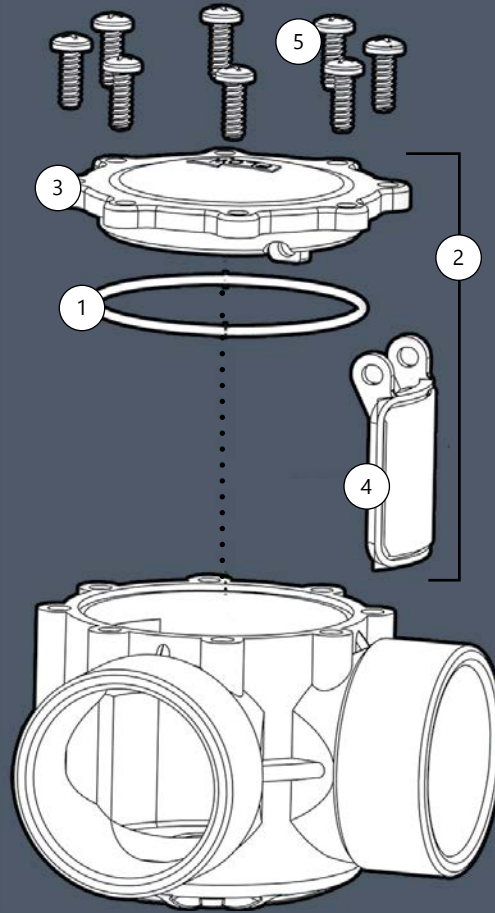
## 1.5" & 2" CR SERVICEABLE CHECK VALVE THREAD-ON

1	25830-201-030	NUT
2	25830-209-020	COVER
2,3	26100-096-333	CORROSION RESISTANT O-RING, COVER
2,4	25830-350-800	FLAPPER ASSEMBLY & COVER

PRODUCT ON PAGE 92

Parts not listed in product table are only available as part of a complete assembly

# HYDROSEAL™ STANDARD CHECK VALVE PARTS



## 1.5" & 2" SERVICEABLE CHECK VALVE STANDARD

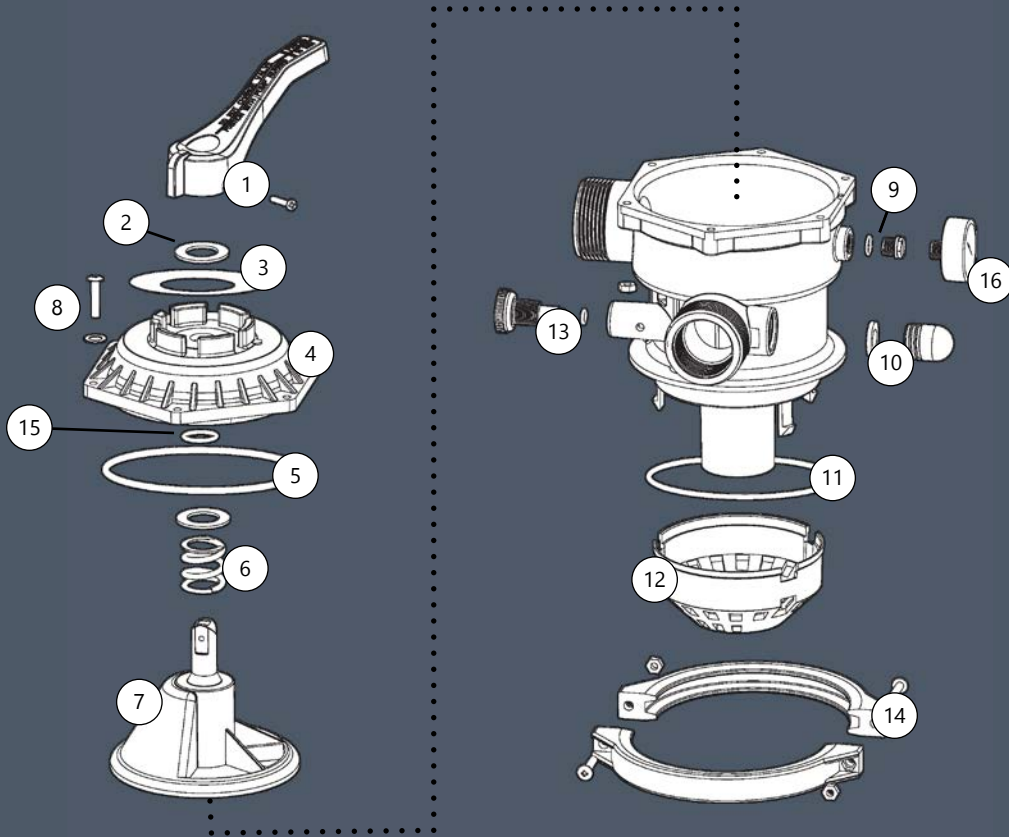
	CMP P/N	DESCRIPTION
1	26100-780-265	COVER O-RING
2	25830-704-800	FLAPPER & COVER W/ O-RING (FITS 1.5"-2")
PRODUCT ON PAGE 93		

## 2.5" SERVICEABLE CHECK VALVE STANDARD

	CMP P/N	DESCRIPTION
1	26100-100-355	O-RING, COVER
2	25830-250-800	FLAPPER ASSEMBLY, COVER, & O-RING
3	25830-259-010	2.5 "CHECK VALVE COVER
4	25830-250-900	FLAPPER ASSEMBLY
—	61064-071-100	STAINLESS STEEL SPRING
5	N/A	SCREWS
PRODUCT ON PAGE 93		

*Parts not listed in product table are only available as part of a complete assembly*

# MULTIPOINT VALVE PARTS



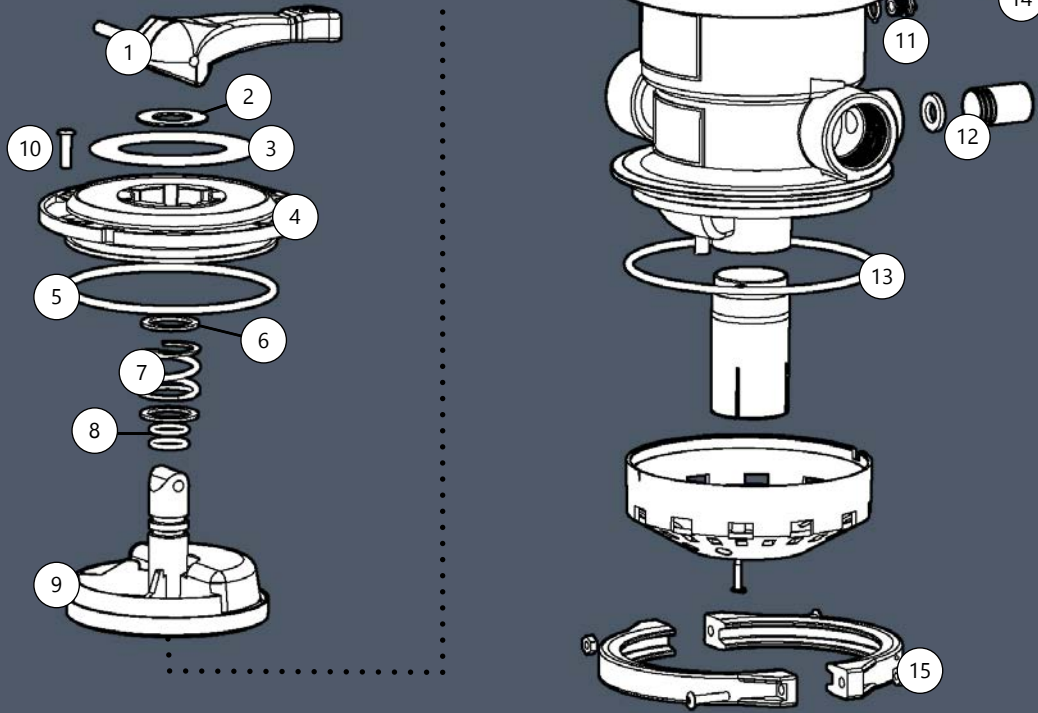
27500-154-000, 27501-154-000, 27502-154-000

	CMP P/N	DESCRIPTION
—	27500-154-100	TOP HALF ASSEMBLY
1	27500-154-300	HANDLE AND SCREW
2	27500-154-080	PLASTIC WASHER (2 PACK)
3	27500-154-990	DECAL 10 PACK
4	27500-154-500	TOP COVER
5	27515-154-600	TOP COVER O-RING (25 PACK)
5	26105-143-530	TOP COVER O-RING
6	61237-634-283	HEAVY DUTY SPRING
7	27500-154-040	DIVERTER WITH CO-MOLDED GASKET
8	27500-154-110	SCREWS, WASHERS AND NUTS
9	27515-154-350	PLUG WITH O-RING
10	27515-154-400	SIGHT GLASS WITH GASKET
11	27500-154-900	FLANGE O-RING (25 PACK)
11	26105-118-530	FLANGE O-RING
12	27500-154-060	DIFFUSER NET
13	27500-154-120	AIR BLEEDER WITH O-RING
14	27500-154-079	CLAMP ASSEMBLY
15	27500-154-800	DIVERTER O-RING (100 PACK)
15	26105-185-363	DIVERTER O-RING
16	25501-000-800	PRESSURE GAUGE
—	27501-154-200	CLAMP, V THREAD ADAPTER & WRENCH
—	27500-154-200	CLAMP, 6" BUTTRESS ADAPTER & WRENCH

PRODUCT ON PAGE 96

Parts not listed in product table are only available as part of a complete assembly

# MULTIPOINT VALVE PARTS



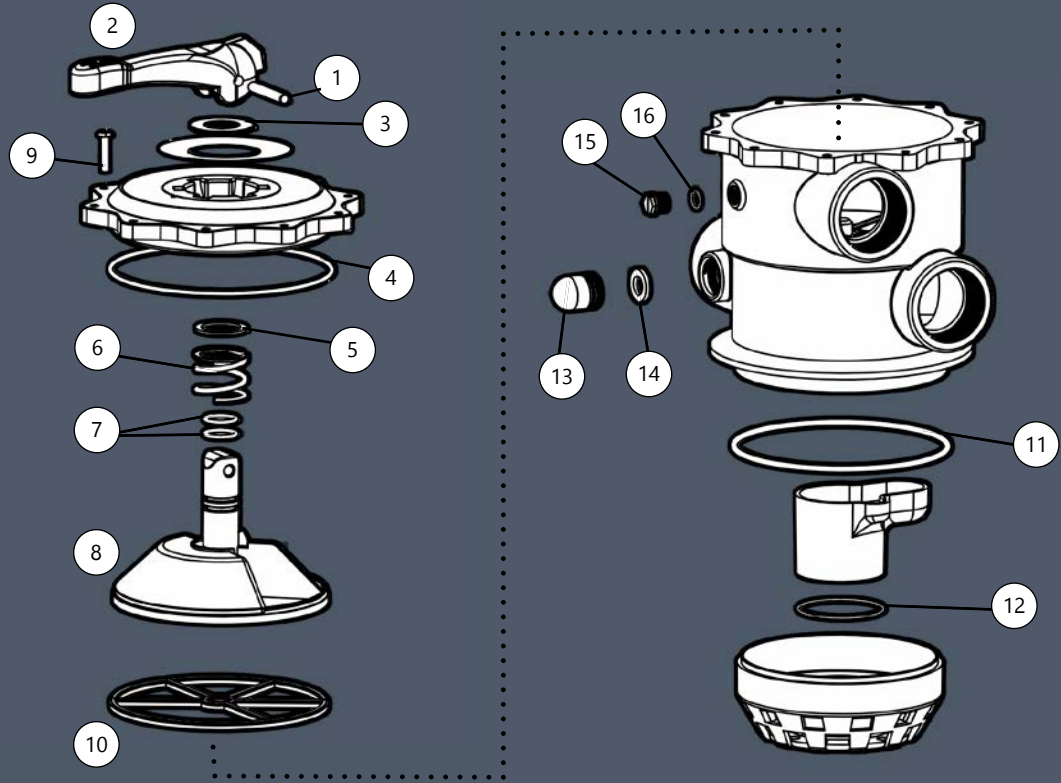
27515-154-000

	CMP P/N	DESCRIPTION
--	27515-154-100	TOP HALF ASSEMBLY
1	27515-154-300	HANDLE AND DOWEL PIN
2	27505-200-080	PLASTIC WASHER
3	27515-154-990	DECAL 10 PACK
4	27515-154-500	TOP COVER
5	27515-154-600	TOP COVER O-RING (25 PACK)
5	26105-143-530	TOP COVER O-RING
6	61130-342-811	SPRING WASHER (2 PACK)
7	61247-542-333	HEAVY DUTY SPRING
8	27515-154-800	DIVERTER O-RING (100 PACK)
8	26105-216-362	DIVERTER O-RING (2 PACK)
8-9	27515-154-700	DIVERTER WITH O-RINGS
10	61000-406-225	SCREWS (6 PACK)
11	27515-154-350	PLUG WITH O-RING
12	27515-154-400	SIGHT GLASS WITH GASKET
13	27515-154-900	FLANGE O-RING (25 PACK)
13	26105-171-535	FLANGE O-RING
14	25501-000-800	PRESSURE GAUGE
15	27515-154-070	CLAMP ASSEMBLY

PRODUCT ON PAGE 96

Parts not listed in product table are only available as part of a complete assembly

# MULTIPOINT VALVE PARTS



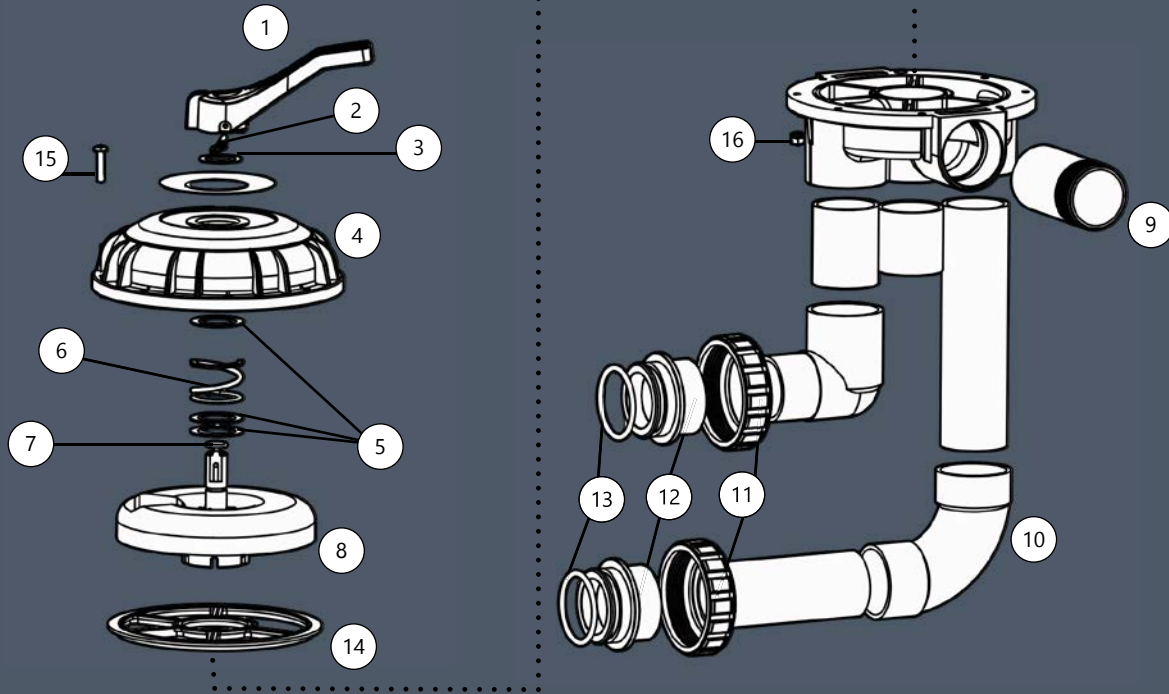
27510-204-000

	CMP P/N	DESCRIPTION
1-9	27510-204-100	TOP HALF ASSEMBLY
1-2	27510-204-300	HANDLE AND DOWEL PIN 271156/271164
3	27505-200-080	PLASTIC WASHER 271160
4	27507-200-600	TOP COVER O-RING (25 PACK) 271151
4	26105-172-400	TOP COVER O-RING 271151
5	27505-200-080	SPRING WASHER 271160
6	61247-542-333	HEAVY DUTY SPRING 271161
7	27515-154-800	DIVERTER O-RING (100 PACK) 191479
7	26105-216-362	DIVERTER O-RING (2 PACK) 191479
7-8	27515-154-700	DIVERTER WITH O-RINGS
9	27507-200-110	SCREWS AND NUTS 152167 & 152168
10	27507-200-150	MAIN GASKET (25 PACK) 271148
10	27507-200-050	MAIN GASKET 271148
11	27510-204-800	O-RING (25 PACK) 275333
11	26105-164-530	O-RING 275333
12	27510-204-700	DIFFUSER O-RING (25 PACK)
12	26105-060-355	DIFFUSER O-RING
13-14	27515-154-400	SIGHT GLASS WITH GASKET 272550 & 271106
15-16	27515-154-350	PLUG WITH O-RING U178-920P
—	27510-204-090	CLAMP ASSEMBLY 152165 OR 152130

PRODUCT ON PAGE 97

Parts not listed in product table are only available as part of a complete assembly

# MULTIPOINT VALVE PARTS



## 27504-200-000

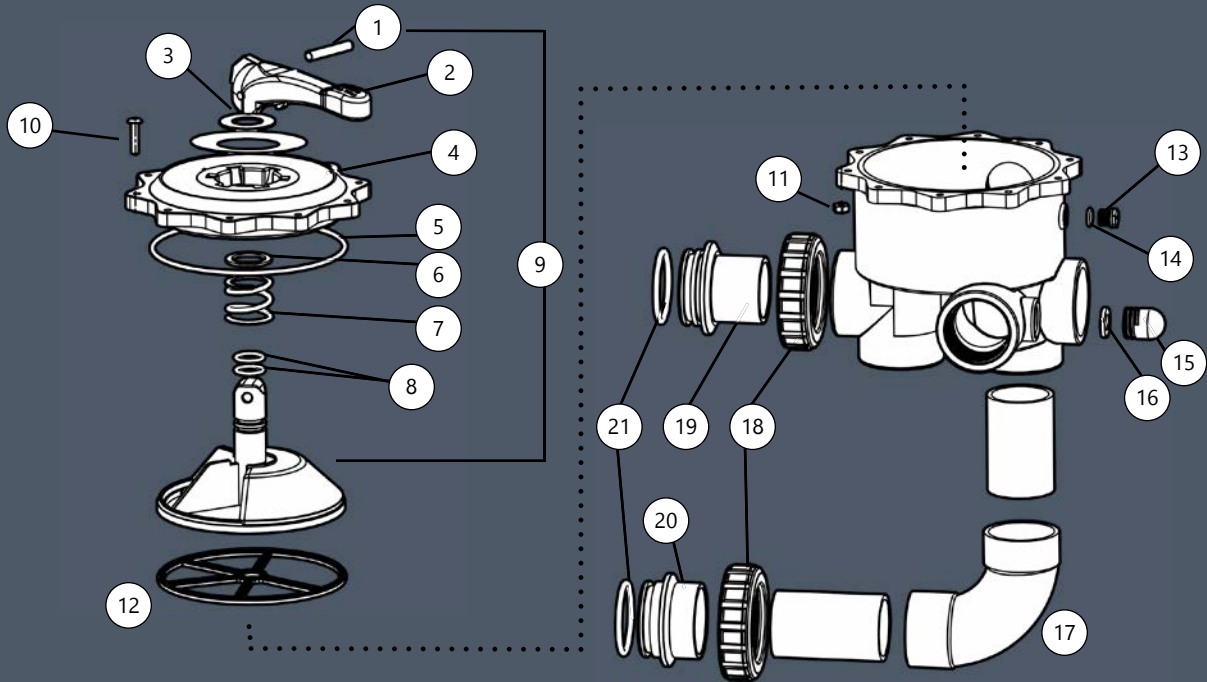
	CMP P/N	DESCRIPTION
1-8	27503-200-100	TOP HALF ASSEMBLY
1-2	27506-200-300	HANDLE AND SCREW
3	27506-200-080	PLASTIC WASHER
4	27504-200-500	TOP COVER
5	61134-547-811	SPRING WASHER (3 PACK)
6	61204-547-537	HEAVY DUTY SPRING
7	27506-200-800	DIVERTER O-RING (100 PACK)
7	26105-145-265	DIVERTER O-RING
7-8	27506-200-700	DIVERTER WITH O-RING
8	27506-200-040	DIVERTER
9	27506-200-090	SIGHT GLASS
10	21005-000-000	2" SWEEP 90 DEGREE ELL
11	27506-200-060	NUT (2 PACK)
12	27506-200-070	ADAPTER ( 2 PACK)
13	27506-200-900	ADAPTER O-RING (50 PACK)
13	26105-060-530	ADAPTER O-RING (2 PACK)
14	27506-200-600	MAIN GASKET (25 PACK)
14	27506-200-050	MAIN GASKET
15-16	27506-200-110	SCREWS AND NUTS

PRODUCT ON PAGE 97

*Parts not listed in product table are only available as part of a complete assembly*



# MULTIPOINT VALVE PARTS



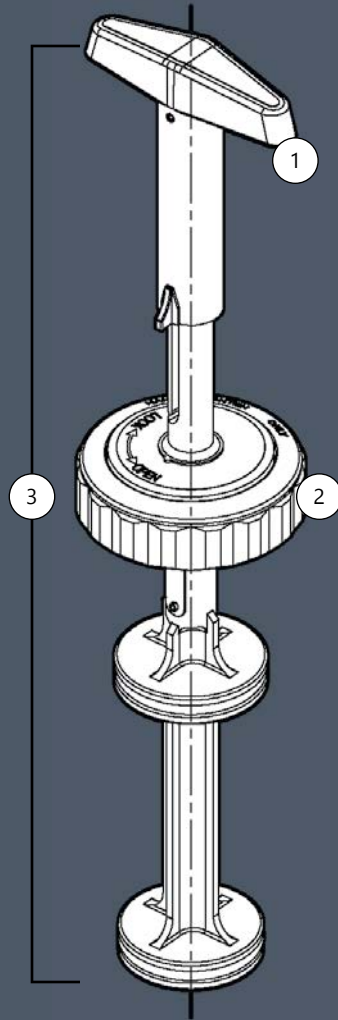
27505-200-000

	CMP P/N	DESCRIPTION
1-9	27507-200-100	TOP HALF ASSEMBLY
1-2	27507-200-300	HANDLE AND DOWEL PIN
3	27510-200-080	PLASTIC WASHER
4	27507-200-500	TOP COVER; WHITE
5	27507-200-600	TOP COVER O-RING (25 PACK)
5	26105-172-400	TOP COVER O-RING
6	27505-200-080	SPRING WASHER
7	61247-542-333	HEAVY DUTY SPRING
8	27515-154-800	DIVERTER O-RING (100 PACK)
8	26105-216-362	DIVERTER O-RINGS ( 2 PACK)
8-9	27507-200-700	DIVERTER WITH O-RINGS
8,9,12	27507-200-200	DIVERTER; O-RINGS AND MAIN GASKET
10-11	27507-200-110	SCREWS AND NUTS
12	27507-200-150	MAIN GASKET (25 PACK)
12	27507-200-050	MAIN GASKET
13-14	27515-154-350	PLUG WITH O-RING
15-16	27515-154-400	SIGHT GLASS WITH GASKET
17	21005-000-000	2" SWEEP 90 DEGREE ELL
18	27506-200-060	NUT (2 PACK)
19-20	27507-200-160	2" SOCKET ADAPTER & 2" SPIGOT ADAPTER
21	27506-200-900	ADAPTER O-RING (50 PACK)
21	26105-060-530	ADAPTER O-RING

PRODUCT ON PAGE 97

Parts not listed in product table are only available as part of a complete assembly

# SLIDE VALVE PARTS



## 7.5" "P" STYLE 25831-114-750 & 25831-119-750

CMP P/N		DESCRIPTION
1	25831-114-160	HANDLE WITH PIN
2	25831-114-170	SLIDE VALVE NUT
3	25831-110-100	PISTON SHAFT ASSEMBLY
—	61000-320-288	PIN ONLY

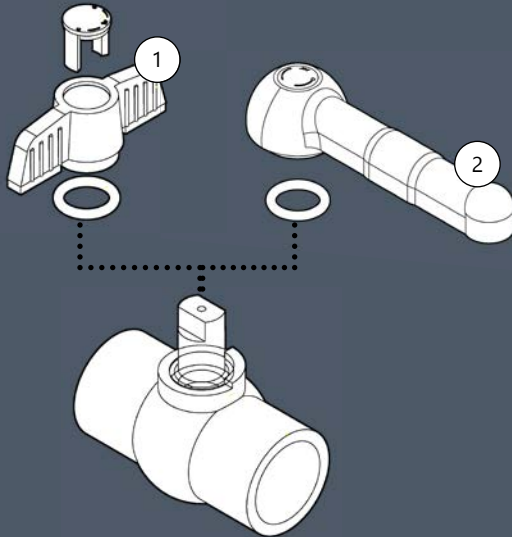
## "H" STYLE 25831-004-000 & 25831-014-000

2	25831-004-170	SLIDE VALVE NUT
3	25831-000-100	PISTON SHAFT ASSEMBLY

PRODUCT ON PAGE 99

*Parts not listed in product table are only available as part of a complete assembly*

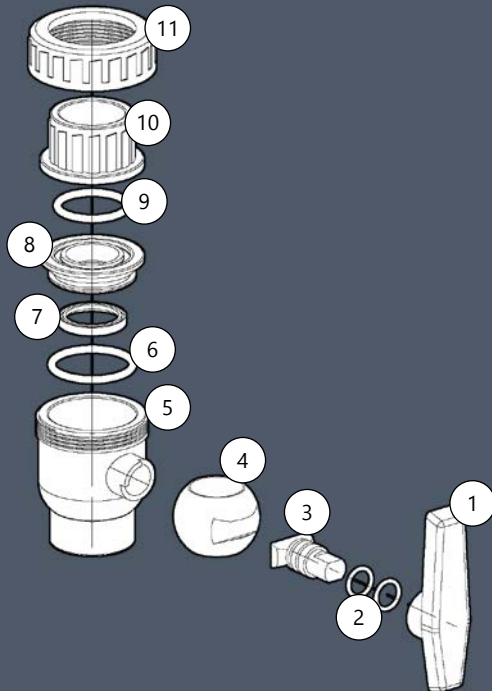
# BALL VALVE PARTS



BALL VALVES		
	CMP P/N	DESCRIPTION
1	25800-101-130	1" BALL VALVE TEE HANDLE
1	25800-151-130	1.5" BALL VALVE TEE HANDLE
1	25800-201-130	2" BALL VALVE TEE HANDLE
1	25800-751-130	3/4" BALL VALVE TEE HANDLE

BALL VALVES		
	CMP P/N	DESCRIPTION
2	25800-251-130	2.5" BALL VALVE HANDLE
2	25800-310-130	3" BALL VALVE HANDLE
2	25800-410-130	4" BALL VALVE HANDLE

PRODUCT ON PAGE 95

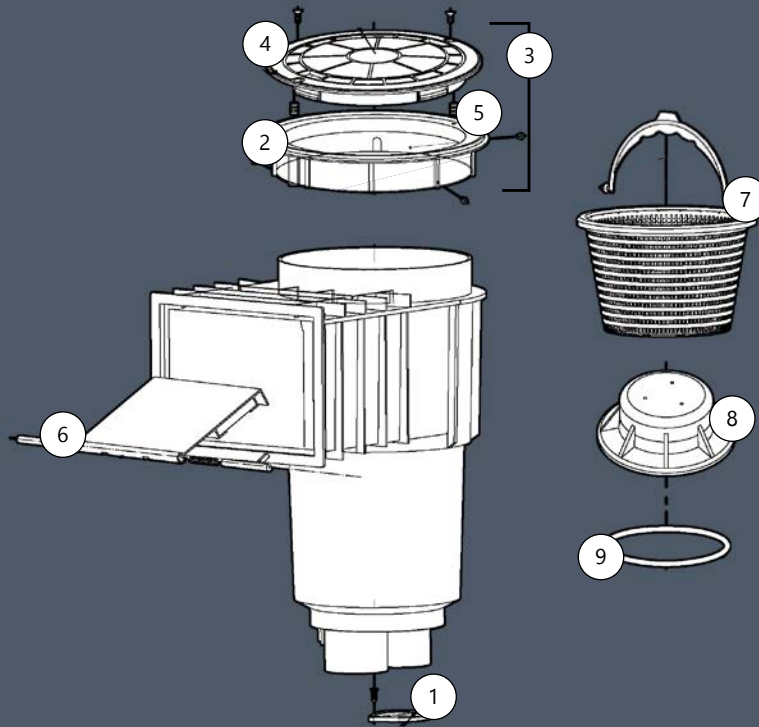


SINGLE UNIONIZED BALL VALVE		
	CMP P/N	DESCRIPTION
1	25802-651-080	HANDLE FOR 1.5" SOCKET
1	25802-210-080	HANDLE FOR 2" SOCKET
1	25802-651-080	HANDLE FOR 1.5" FIP (25802-651)
6	26100-530-545	O-RING, BODY
8	25802-150-030	1.5" SOCKET PVC TAILPIECE
9	26100-530-462	O-RING, TAILPIECE
9	26100-651-462	INSIDE O-RING FOR 1.5" FIP (25802-651)
11	25802-150-020	NUT

PRODUCT ON PAGE 95

Parts not listed in product table are only available as part of a complete assembly

# GUNITE SKIMMER PARTS



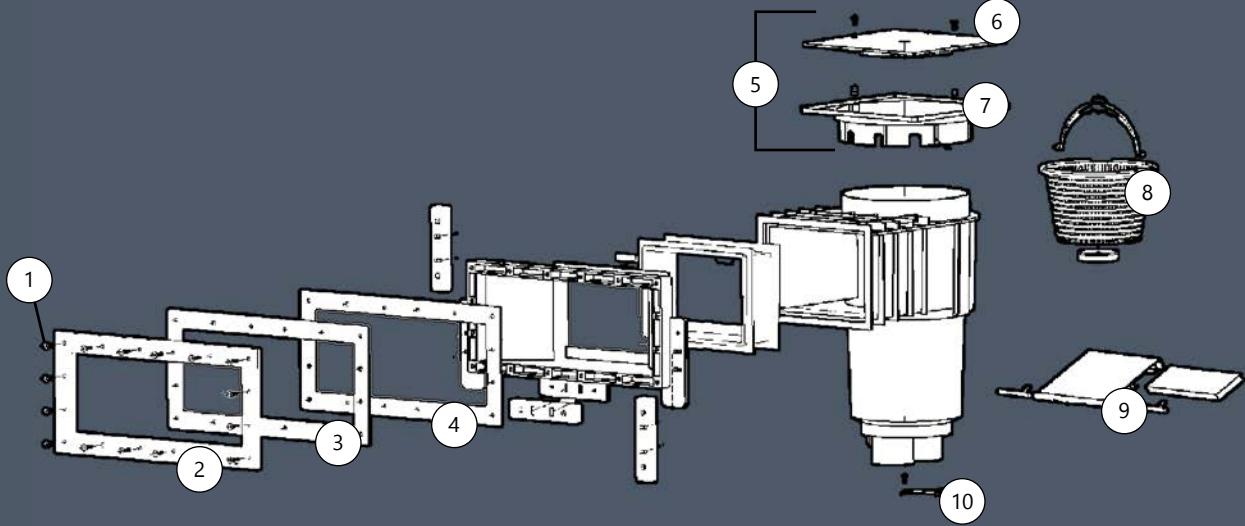
## IN GROUND GUNITE SKIMMER

CMP P/N		DESCRIPTION
1	25140-000-060	DIVERTER PLATE (FOR ALL STYLES)
2	25547-000-000	WHITE SKIMMER COLLAR, ROUND
3	25544-900-000	WHITE SKIMMER COVER & COLLAR, ROUND
4	25544-020-010	WHITE SKIMMER LID LOGO INSERT, BLANK, TEXTURED
4	25544-029-010	TAN SKIMMER LID LOGO INSERT, BLANK, TEXTURED
5	25544-000-000	WHITE SKIMMER LID, ROUND
2,3,5	—	FOR SKIMMER COLLAR & COVER COLOR OPTIONS SEE PAGE 128
6	25100-000-800	WEIR DOOR, UNIBODY WHITE
6	25100-004-800	WEIR DOOR, UNIBODY BLACK
6	25140-000-800	WEIR DOOR, ABS/PVC, WHITE
6	25140-001-800	WEIR DOOR, ABS/PVC, GRAY
6	25140-004-800	WEIR DOOR, ABS/PVC, BLACK
6	25140-007-800	WEIR DOOR, ABS/PVC, DARK GRAY
6	25140-009-800	WEIR DOOR, ABS/PVC, TAN
7	25100-000-900	BASKET, UNIBODY
7	25140-000-900	BASKET, ABS/PVC
7	25140-000-900	BASKET FOR WATER BOND SKIMMER (WHITE)
7	25140-001-900	BASKET FOR WATER BOND SKIMMER (GRAY)
8	25140-000-700	FLOAT VALVE ASSY (FOR ALL STYLES)
9	25140-000-040	FLOAT VALVE GASKET (FOR ALL STYLES)

PRODUCT ON PAGE 120

Parts not listed in product table are only available as part of a complete assembly

# VINYL LINER SKIMMER PARTS



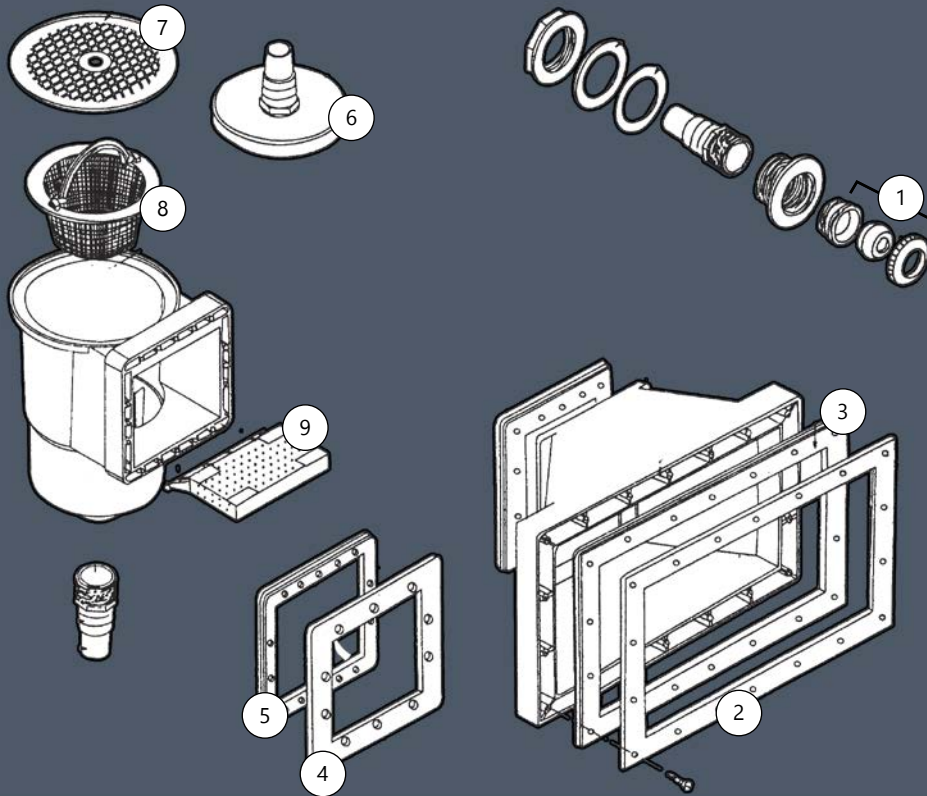
## IN GROUND VINYL SKIMMER

CMP P/N	DESCRIPTION
1	61051-058-030 FACE PLATE SCREWS (12 FOR REGULAR, 16 FOR WIDE)
2	25541-000-010 FACE PLATE, WIDE MOUTH
2	25540-000-010 FACE PLATE, REGULAR MOUTH
3	25160-110-030 FRONT GASKET, WIDE MOUTH
3	25160-010-060 FRONT GASKET, REGULAR MOUTH
4	25160-110-020 BACK GASKET, WIDE MOUTH, W/ TABS
4	25160-110-030 BACK GASKET, WIDE MOUTH, W/O TABS
4	25160-010-050 BACK GASKET, REGULAR MOUTH, W/ TABS
4	25160-010-060 BACK GASKET, REGULAR MOUTH, W/O TABS
5	25538-900-000 COVER & COLLAR ASSEMBLY, WHITE
5	25538-901-000 COVER & COLLAR ASSEMBLY, GRAY
5	25538-909-000 COVER & COLLAR ASSEMBLY, TAN
6	25538-000-000 COVER, WHITE
6	25538-001-000 COVER, GRAY
6	25538-009-000 COVER, TAN
7	25160-000-040 SKIMMER COLLAR, SQUARE, WHITE
7	25160-001-040 SKIMMER COLLAR, SQUARE, GRAY
7	25160-009-040 SKIMMER COLLAR, SQUARE, TAN
8	25140-000-900 BASKET ASSEMBLY
9	25140-000-800 WEIR ASSEMBLY, WHITE
9	25140-001-800 WEIR ASSEMBLY, GRAY
10	25140-000-060 DIVERTER PLATE

PRODUCT ON PAGE 122

Parts not listed in product table are only available as part of a complete assembly

# ABOVE GROUND SKIMMER PARTS



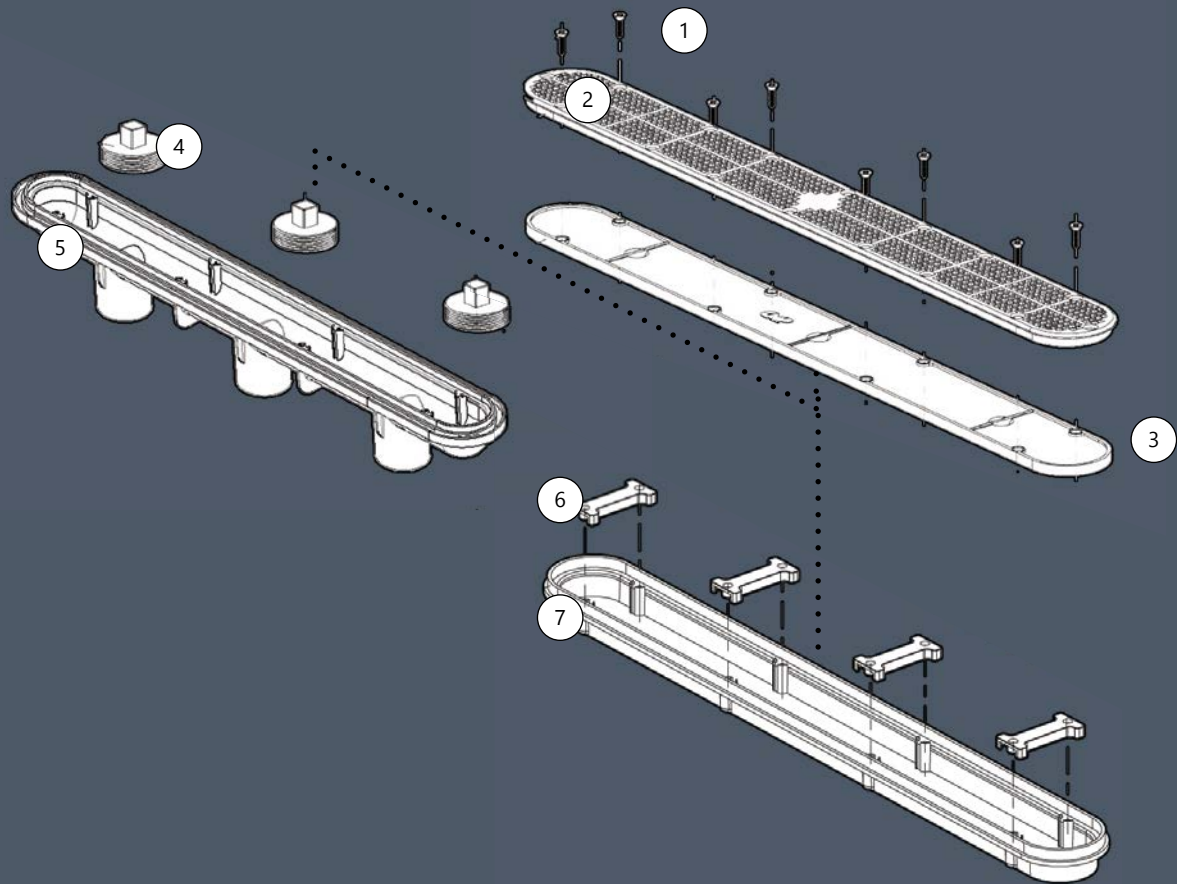
## ABOVE GROUND SKIMMER

	WHITE	GRAY	DESCRIPTION
1	25550-000-900	25550-001-900	RETURN INLET
2	25511-030-930	25511-031-930	WIDE MOUTH ABOVE GROUND FACE PLATE
3	25512-020-920	—	DOUBLE LAYER WIDE ABOVE GROUND GASKET
4	25512-010-990	25512-011-990	STANDARD ABOVE GROUND FACE PLATE
5	25512-010-980	25512-011-980	DOUBLE LAYER STANDARD ABOVE GROUND GASKET
6	25579-000-912	25579-001-912	ABOVE GROUND VAC PLATE
7	25512-010-992	25512-011-992	ABOVE GROUND LID
8	25512-000-991	25512-001-991	ABOVE GROUND BASKET
9	25511-000-908	25511-001-908	ABOVE GROUND WEIR

PRODUCT ON PAGE 126

Parts not listed in product table are only available as part of a complete assembly

# 32" CHANNEL DRAIN PARTS



## 32" CHANNEL DRAIN 25506-32X-000

	CMP P/N	DESCRIPTION
1	61008-042-022	SCREWS
2	25506-320-020	32" COVER
3	25506-320-030	DEBRIS GUARD
4	25520-050-020	2 NPT PLUG
5	25506-320-010	SUMP BODY

PRODUCT ON PAGE 134

## 32" FRAME & COVER 25506-32X-100

	CMP P/N	DESCRIPTION
6	25506-320-120	FRAME SUPPORT
7	25506-320-110	FRAME

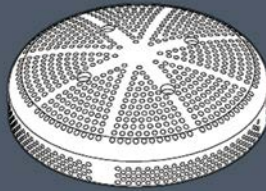
PRODUCT ON PAGE 134

*Parts not listed in product table are only available as part of a complete assembly*

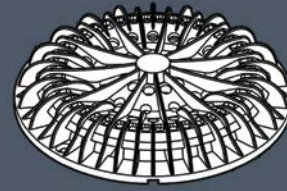
# MAIN DRAIN COVERS & SCREWS



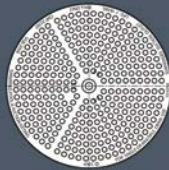
GALAXY



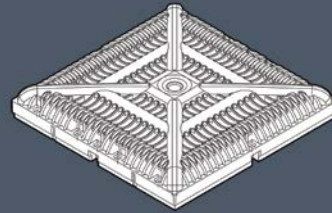
FIBERGLASS MAIN DRAIN



NOVA



EQUALIZER



SQUARE COVERS

## MAIN DRAIN REPLACEMENT COVERS

CMP P/N	DESCRIPTION
25507-000-010	7-3/4" GALAXY COVER, WHITE
25507-100-010	8" GALAXY COVER, WHITE
25539-700-011	7-3/4" NOVA COVER, WHITE
25215-000-003	6" FIBERGLASS DRAIN, WHITE
25207-020-000	4" EQUALIZER SUCTION, WHITE
25508-090-010	9" x 9" SQUARE COVER, WHITE
25508-120-010	12" x 12" SQUARE COVER, WHITE
25508-090-010	18" x 18" SQUARE (USE FOUR 9x9), WHITE

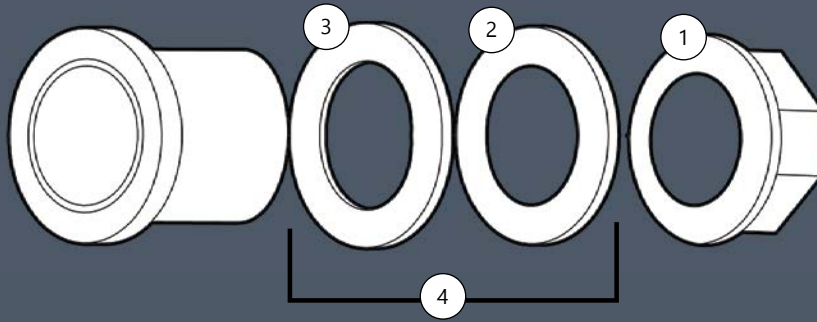
FOR COLOR OPTIONS SEE MAIN DRAINS STARTING ON PAGE 134

## MAIN DRAIN REPLACEMENT SCREWS

61004-083-212	SCREWS FOR 25513-250, 25513-300, 25513-700, 25513-800, 25515-000, 25516-000, 25516-700, 25539-000, 25539-700, 61054-048-019, 25548-000
61050-550-250	#3 1" SCREWS FOR 25514-000
61050-048-025	#2 1" SCREWS FOR 25517-000
61051-058-030	#4 1-1/5" SCREWS FOR 25519-000
61008-102-420	UNC 10-24 3/4" SCREWS FOR 25531-000, 25537-100
61054-048-019	#2 7/8" SCREWS FOR 25539-100
61000-050-012	#8-32*1/2" SCREWS FOR 25207-700, 25207-800
61008-083-200	#8-32 1/2" SCREWS FOR 25215-000
61008-042-022	#1 7/8" SCREWS FOR 25508-090, 25508-180
61008-042-028	#1 1-1/10" SCREWS FOR 25508-120



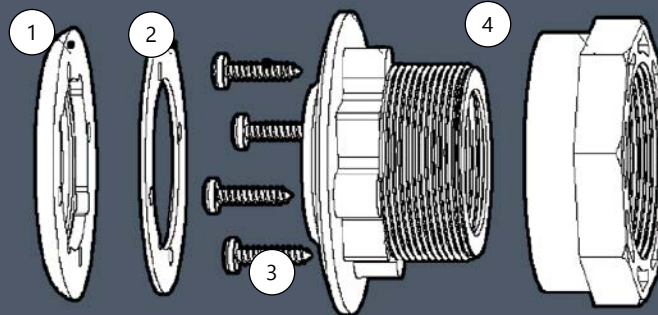
# POOL FITTING PARTS



## VINYL POOL FITTING 25550-000-000

	CMP P/N	DESCRIPTION
1	25550-050-010	2" LOCK NUT
2	25550-070-000	FIBER GASKET
3	25550-040-000	RUBBER GASKET
4	25550-000-100	GASKET KIT

PRODUCT ON PAGE 153



## VINYL POOL FITTING 25522-000-000

	CMP P/N	DESCRIPTION
1	25545-000-000	FACE PLATE
2	25522-040-000	GASKET
3	61008-552-500	SCREW
4	25522-060-000	WALL FITTING

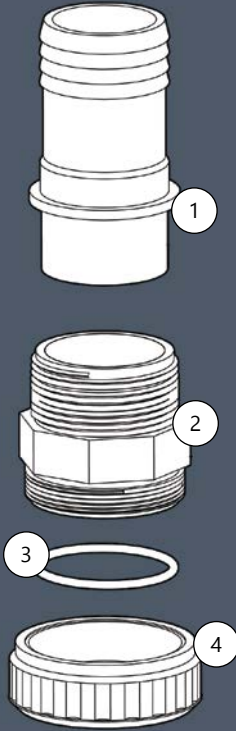
## VINYL POOL FITTING 25522-100-000

	CMP P/N	DESCRIPTION
1	25545-000-000	FACE PLATE
2	25522-040-000	GASKET
3	61008-552-500	SCREW
4	25522-100-010	WALL FITTING

PRODUCT ON PAGE 153

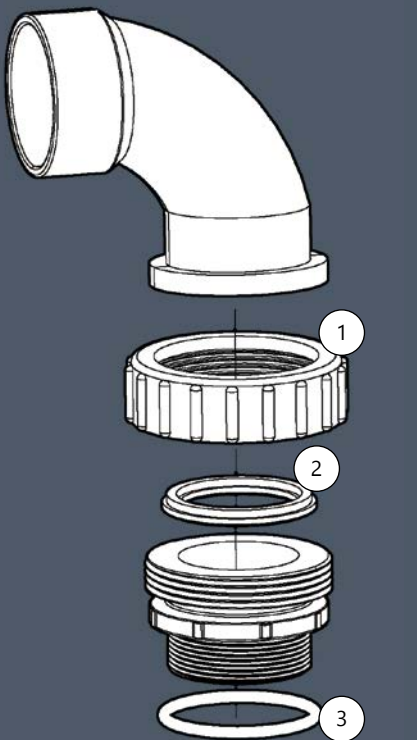
Parts not listed in product table are only available as part of a complete assembly

# UNION PARTS



ECON UNION		
	CMP P/N	DESCRIPTION
1	21058-000-030	PORT, RIBBED
1	21058-100-030	PORT, SMOOTH
2	21058-000-020	STRAIGHT BODY
3	26100-412-265	O-RING, BULK
4	21058-000-010	NUT

PRODUCT ON PAGE 157

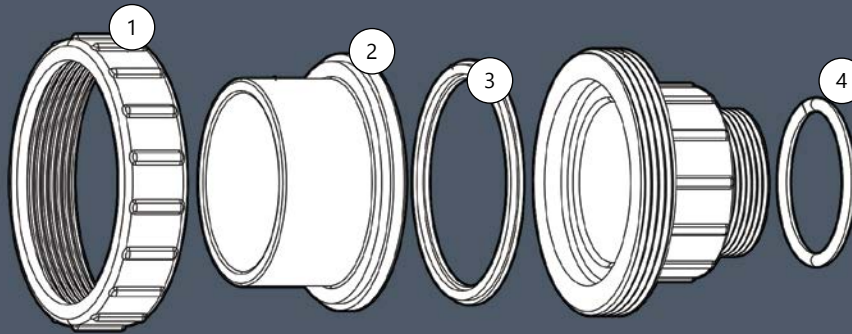


21063-290-000 UNION		
	CMP P/N	DESCRIPTION
1	21048-000-010	NUT
2	21092-050-000	T-GASKET
3	26100-590-500	O-RING, BULK

PRODUCT ON PAGE 157

Parts not listed in product table are only available as part of a complete assembly

# SELF-SEALING UNION PARTS

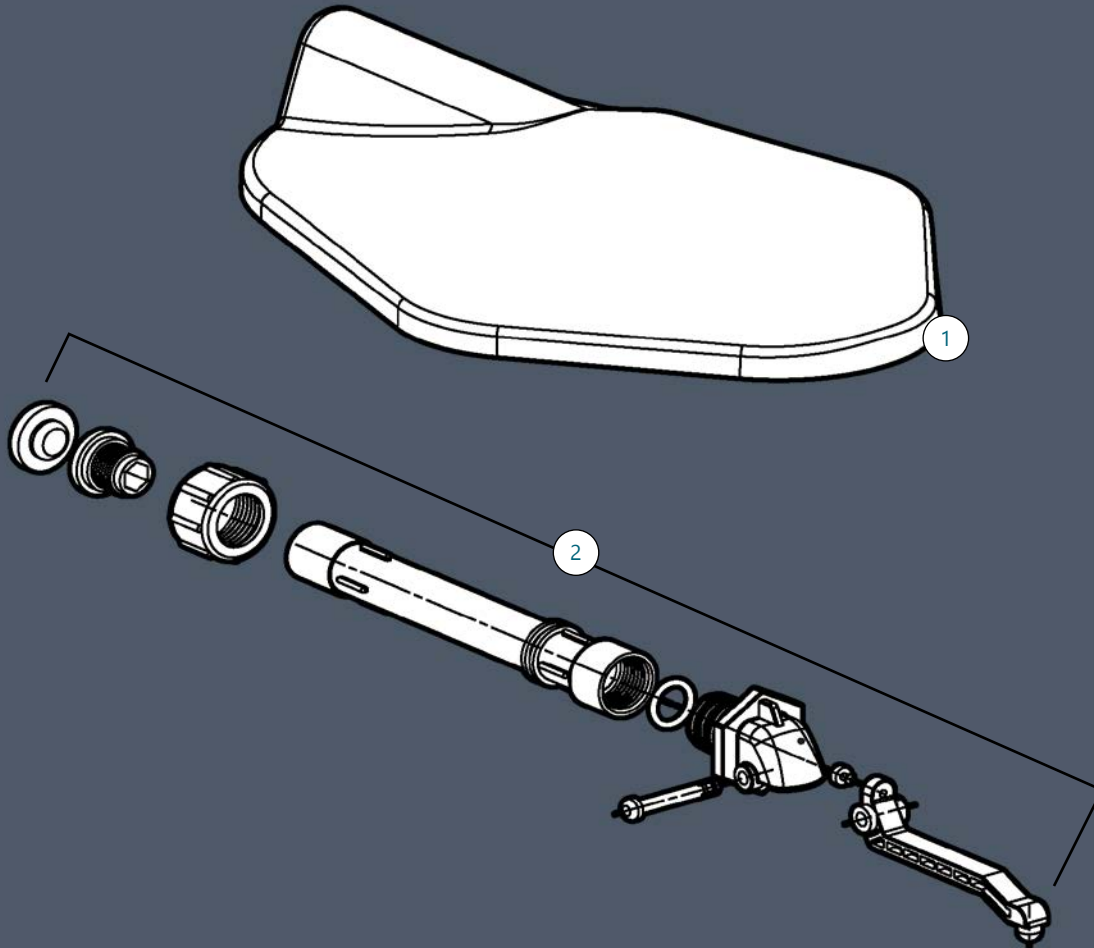


3/4" MIP 21063-750-000 UNION		
	CMP P/N	DESCRIPTION
1	21063-754-030	NUT
3	26200-227-038	T-GASKET
4	21063-754-010	3/4" MIP THREADED PIECE
4	26100-240-300	O-RING, BULK
1.5" MIP × 1.5" S/2" SP 21063-150-000 UNION		
3	26200-210-631	T-GASKET
4	26100-470-400	O-RING, BULK
1.5" MIP × 2" S 21063-160-000 UNION		
2	21049-200-010	2" SOCKET PVC TAILPIECE
3	26200-210-632	T-GASKET
4	26100-470-400	O-RING, BULK
2" MIP × 2.5" S 21063-250-000 UNION		
3	26100-590-500	O-RING, BULK
2" MIP × 2" S 21063-200-000 UNION		
2	21049-200-010	2" SOCKET PVC TAILPIECE
3	26200-210-632	T-GASKET
4	26100-590-500	O-RING, BULK
2" MIP × 3" S 21063-230-000 UNION		
1	21063-234-030	NUT
2	21063-230-020	3" SOCKET PVC TAILPIECE
3	26200-289-049	T-GASKET
4	26100-590-500	O-RING, BULK

PRODUCT ON PAGE 156

Parts not listed in product table are only available as part of a complete assembly

# AQUALEVEL™ PORTABLE WATER LEVELER PARTS



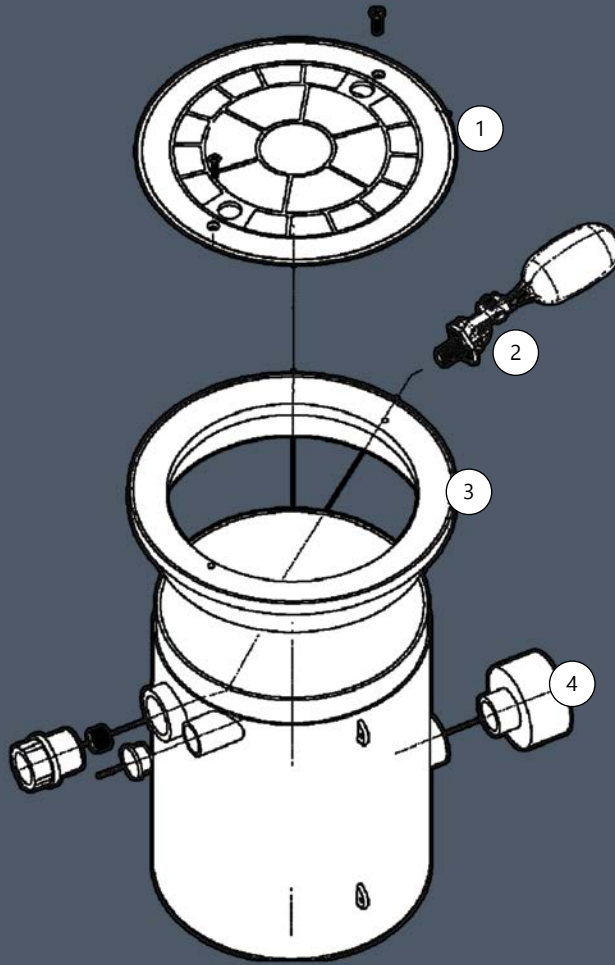
## AQUALEVEL PORTABLE WATER LEVELER

REF	CMP P/N	DESCRIPTION
1	25604-000-010	WHITE COVER FOR AQUALEVEL
1	25604-009-010	TAN COVER FOR AQUALEVEL
2	25604-000-100	FLOAT VALVE ASSEMBLY

PRODUCT ON PAGE 177

*Parts not listed in product table are only available as part of a complete assembly*

# NEW CONSTRUCTION LEVELER PARTS



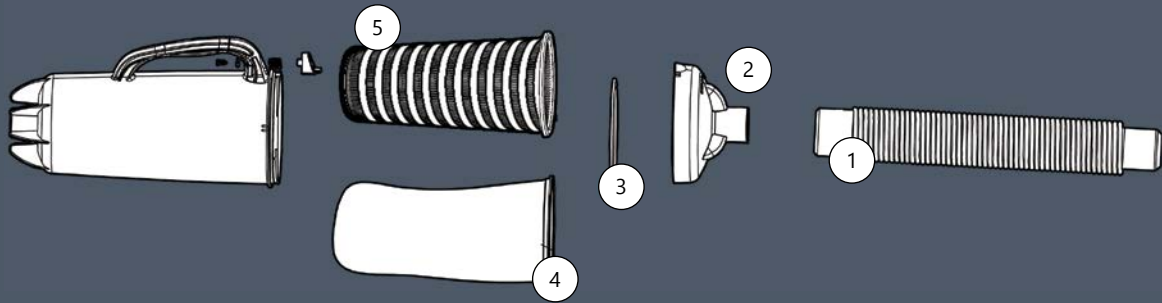
## AQUALEVEL NEW CONSTRUCTION WATER LEVELER

CMP P/N	DESCRIPTION	
1	25544-000-000	WHITE COVER FOR WATER LEVELER/ SKIMMER (2015 & AFTER)
1	25544-001-000	GRAY COVER FOR WATER LEVELER/ SKIMMER (2015 & AFTER)
1	25544-004-000	BLACK COVER FOR WATER LEVELER/ SKIMMER (2015 & AFTER)
1	25544-019-000	TAN COVER FOR WATER LEVELER/ SKIMMER (2015 & AFTER)
1	25504-000-010	WHITE COVER FOR WATER LEVELER (BEFORE 2015)
1	25504-001-010	GRAY COVER FOR WATER LEVELER (BEFORE 2015)
1	25504-009-010	TAN COVER FOR WATER LEVELER (BEFORE 2015)
2	25504-000-100	THERMOPLASTIC FLOAT
3	25504-100-020	WHITE COLLAR FOR WATER LEVELER (2015 & AFTER)
3	25504-101-020	GRAY COLLAR FOR WATER LEVELER (2015 & AFTER)
3	25504-109-020	TAN COLLAR FOR WATER LEVELER (2015 & AFTER)
3	25504-000-020	WHITE COLLAR FOR WATER LEVELER (BEFORE 2015)
3	25504-001-020	GRAY COLLAR FOR WATER LEVELER (BEFORE 2015)
3	25504-009-020	TAN COLLAR FOR WATER LEVELER (BEFORE 2015)
4	25504-000-070	1.5" SOCKET × 1" SPIGOT ADAPTER
4	25504-000-080	2" SOCKET × 1" SPIGOT ADAPTER

PRODUCT ON PAGE 178

Parts not listed in product table are only available as part of a complete assembly

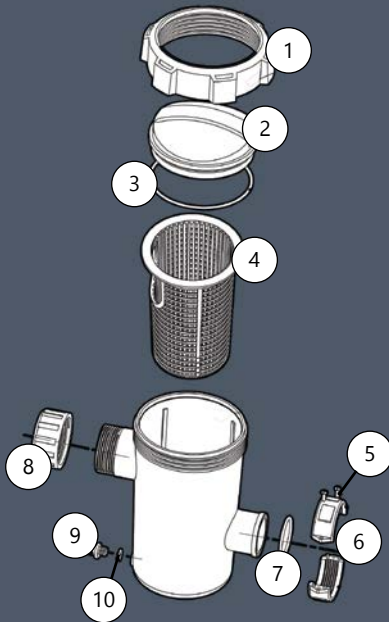
# POOL ACCESSORY PARTS



## POOL VACUUM LEAF TRAP

	CMP P/N	DESCRIPTION
1	58309-000-040	1.5" MALE X 1.5" MALE HOSE
2	58309-000-010	LEAF TRAP LID
3	58309-000-020	O-RING, LID
4	58309-000-030	MESH BAG, STANDARD
4	58309-000-130	MESH BAG, SAND/SILT
5	27182-010-000	HEAVY DUTY BASKET

PRODUCT ON PAGE 230



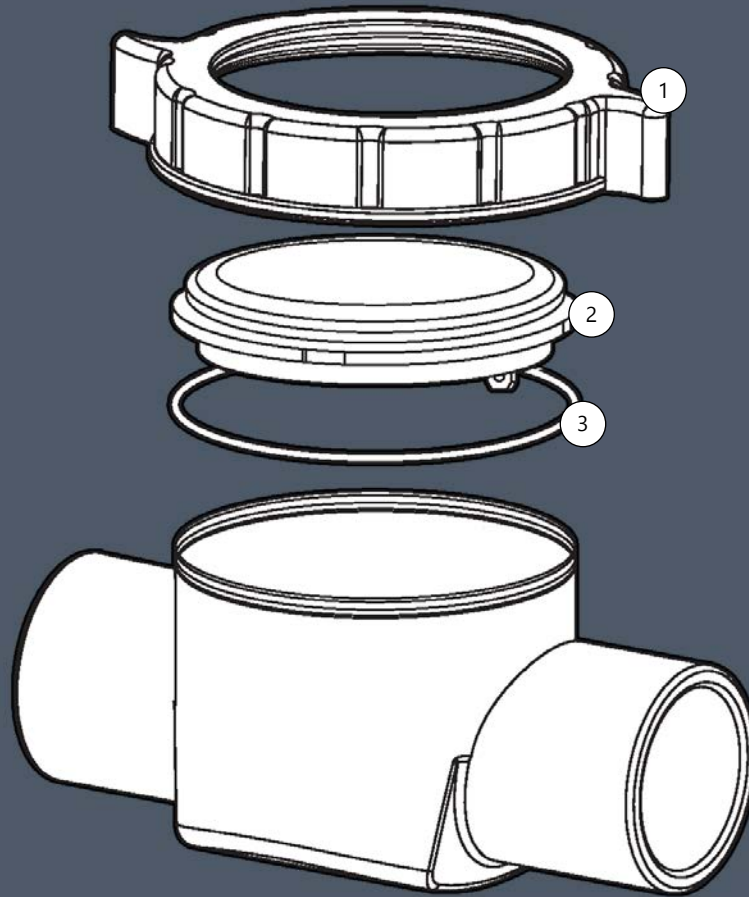
## ABOVE GROUND PUMP LEAF TRAP

	CMP P/N	DESCRIPTION
1	25300-000-010	TIGHTENING RING
2	25300-000-020	CLEAR LID
3	25300-000-030	TOP LID O-RING, BULK
4	25300-000-040	BASKET
5	61052-039-015	SCREWS
6	25300-004-070	1.5" SPLIT UNION NUT
6	25301-004-070	2" SPLIT UNION NUT
7	26100-495-350	1.5" SPLIT UNION O-RING
7	26100-570-355	2" SPLIT UNION O-RING
8	25300-000-060	1.5" UNION NUT
9	25300-000-090	PLUG
10	26100-125-265	PLUG O-RING, BULK

PRODUCT ON PAGE 207

Parts not listed in product table are only available as part of a complete assembly

# POOL DEFENDER® DELUXE INLINE ANODE



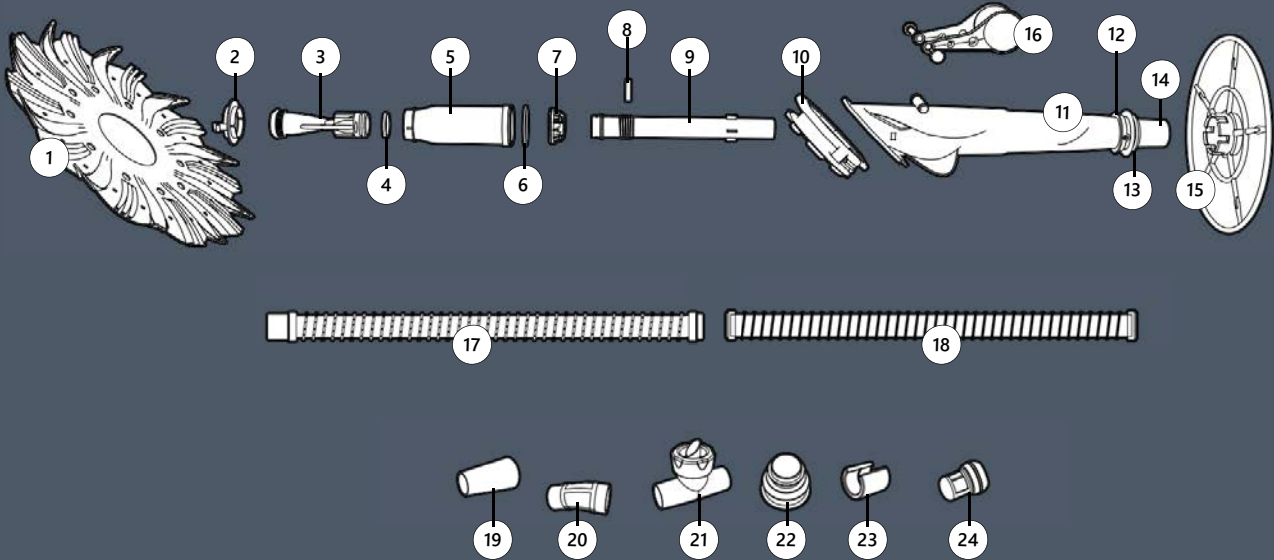
## POOL DEFENDER® DELUXE INLINE SACRIFICIAL ZINC ANODE

	CMP P/N	DESCRIPTION
1	25830-201-030	NUT
2	25810-200-920	COVER
3	26100-965-300	COVER O-RING
—	25810-200-900	COVER WITH ZINC BAR

PRODUCT ON PAGE 181

*Parts not listed in product table are only available as part of a complete assembly*

# S-2000 CLEANER PARTS



## S-2000 SUCTION CLEANER

	CMP P/N	DESCRIPTION	BOX QTY
1	25563-809-000	FINNED DISC	100
2	25563-810-002	DIAPHRAGM RETAINING CLIP	1000
3	25563-810-000	DIAPHRAGM	100
4	25563-810-004	SUCTION PIPE CLIP RING	200
5	25563-810-005	ROUND BUCKET SUCTION PIPE	50
6	25563-810-006	LARGE GASKET	200
7	25563-810-007	LARGE NUT	200
8	25563-810-008	C-CLIP	200
9	25563-810-009	INNER LONG TUBE	100
10	25563-820-000	BLUE FOOT PAD	25
11	25563-810-010	MAIN BODY	25
12	25563-810-011	GASKET RING	25
13	25563-810-012	TOP SWIVEL TUBE CONNECTOR	25
14	25563-810-013	TOP SWIVEL TUBE	25
15	25563-810-045	BUMPER "STEERING" WHEEL	30
16	25563-810-054	FLOAT BALL RACKET KIT	50
17	25563-810-046	FEED HOSE	10
18	25563-810-047	LEAD HOSE	10
19	25563-810-052	ROUND HOSE ADAPTER	200
20	25563-810-048	TWO-WAY ELBOW	50
21	25563-810-050	THREE-WAY CONNECTOR	50
22	25563-810-049	STAIR-STEP ADAPTER	50
23	25563-810-053	HALF CIRCLE PIPE WEIGHT	200
24	25563-810-051	EYEGGLASS WINDOW	200

PRODUCT ON PAGE 168





# CROSS REFERENCE TO OTHER BRANDS | VALVES

## DIVERTER VALVES | PAGE 90

JANDY®	PRAHER	DESCRIPTION	CMP P/N
4724	OV2-1500	2 WAY DIVERTER 1.5" x 2"	25912-154-000
4716	OV2-2000	2 WAY DIVERTER 2" x 2.5"	25912-204-000
4720		DIVERTER KIT	25913-204-850
4715	OV3-1500	3 WAY DIVERTER 1.5" x 2" S	25913-154-000
4717	OV3-2000	3 WAY DIVERTER 2" x 2.5"	25913-204-000
4606		DIVERTER COVER 3 WAY	25913-204-020
4720		DIVERTER KIT J STYLE	25913-204-850
	OV3-1500U	1.5" SOCKET WITH UNIONS 3-WAY CVPC DIVERTER	25923-154-000
	OV3-2010U	2" SOCKET WITH UNIONS 3-WAY CVPC DIVERTER	25923-204-000

## SERVICEABLE CHECK VALVES | PAGE 92

PENTAIR®	STA-RITE®	VAL-PAK	MAGIC PLASTICS	JANDY®	PRAHER	DESCRIPTION	CMP P/N
			0830-15			AIR CHECK VALVE 1.5" x 2"	25067-000-000
87204600	08655-0017					2" SPRING CHECK VALVE	25120-100-900
		V20-339				SPA CHECK VALVE WHITE	25552-500-000
					FCV-2010	SVC CHECK VALVE 2x2.5"	25830-500-000
				7235		CHECK VALVES W/ SCREWS	25830-704-000
				7056		CHECK VALVES W/ SCREWS	25830-704-800
				7305		CHECK VALVES W/ SCREWS	25830-714-000
				7511		CHECK VALVES W/ SCREWS	25830-764-000
				7512		CHECK VALVES W/ SCREWS	25830-774-000
				7307		CHECK VALVE J STYLE 2-1/2" x 3"	25830-250-000
				R0466000		FLAPPER KIT 2-1/2" x 3"	25830-250-800
				7056		FLAPPER KIT 1-1/2" x 2", 2" x 2-1/2"	25830-704-800

## BALL VALVES & SLICE VALVES | PAGE 95

MAGIC PLASTICS	JANDY®	PRAHER	DESCRIPTION	CMP P/N
0250-10	6953	100-ES00	BALL VALVE 1" S	25800-110-000
0250-15	6954	150-ES00	BALL VALVE 1.5" S	25800-151-000
0250-20	6956	200-ES00	BALL VALVE 2" S	25800-210-000
0250-07	6952		BALL VALVE 3/4" S	25800-751-000
	6955	150-010	UNION BALL VALVE 1.5" S	25802-151-000
	6957	200-010	UNION BALL VALVE 2" S	25802-210-000
		BV6-1501PES	1.5" SOCKET DOUBLE UNION BALL VALVE	25802-415-000
		BV6-2001PES	2" SOCKET DOUBLE UNION BALL VALVE	25802-420-000
0401-15			SLICE VALVE S x S 1.5"	25850-150-000
0401-20			SLICE VALVE S x S 2"	25850-200-000
0402-15			SLICE VALVE SP x SP 1.5"	25851-150-000
0402-20			SLICE VALVE SP x SP 2"	25851-200-000
0412-15			SLICE VALVE S x SP 1.5"	25852-150-000
0412-20			SLICE VALVE S x SP 2"	25852-200-000
0434-15			SLICE VALVE MIP x FIP 1.5" WHITE	25854-150-000

For trademark or registered trademark disclaimers see page 272

CHECK CROSS REFERENCES QUICKLY & EASILY ONLINE AT [C-M-P.COM/SEARCH](http://C-M-P.COM/SEARCH)

# CROSS REFERENCE TO OTHER BRANDS | VALVES

## BALL VALVES & SLICE VALVES | PAGE 225

MAGIC PLASTICS	JANDY®	PRAHER	DESCRIPTION	CMP P/N
B434-15			SLICE VALVE MIP × FIP 1.5" BLACK	25854-154-000
0423-15			SLICE VALVE HOSE ADAPTER × MIP WHITE	25856-150-000
B423-15			SLICE VALVE HOSE ADAPTER × MIP BLACK	25856-154-000

## MULTIPOINT VALVES | PAGE 96

PENTAIR®	HAYWARD®	PRAHER	DESCRIPTION	CMP P/N
262504		TM-12-A	262 TOP MOUNT VALVE	27500-154-000
262505		TM-12-PB	262 TOP MOUNT VALVE	27501-154-000
262506		TM-12-PB	262 TOP MOUNT VALVE	27502-154-000
	SP0714T	TM-12-H8	714 TOP MOUNT VALVE	27515-154-000

## SLIDE VALVES | PAGE 98

PENTAIR®	HAYWARD®	DESCRIPTION	CMP P/N
	SPX0410BA	SLIDE VALVE INTERNALS	25831-000-100
263055		SLIDE VALVE INTERNALS	25831-110-100
273241		SLIDE VALVE INTERNALS	25831-120-100
273241		SLIDE VALVE INTERNALS (STAINLESS STEEL)	25831-122-100
263064		SLIDE VALVE ASSEMBLY	25831-119-750
	SP0410X502S	SLIDE VALVE ASSEMBLY	25831-004-000
	SP0410X602S	SLIDE VALVE ASSEMBLY	25831-014-000
	SP0410X502S	SLIDE VALVE DE	25831-004-000
	SPX0722D2	SLIDE VALVE NUT	25831-004-170
	SP0410X602S	SLIDE VALVE SAND	25831-014-000

CHECK CROSS REFERENCES QUICKLY & EASILY ONLINE AT [C-M-P.COM/SEARCH](http://C-M-P.COM/SEARCH)

# CROSS REFERENCE TO OTHER BRANDS | SPA PARTS

## IN GROUND SPA COMPONENTS | PAGE 101

WATERWAY®	PENTAIR®	HYDRO AIR®	DESCRIPTION	CMP P/N
210-4100		10-4100	HYDROTHERAPY JET 1.5"S × 1.5"S × 1.5" FPT	23300-000-000
210-4120		10-5100	GUNITE JET ASSY W/ WALL FITTING 1.5"S × 1.5"S FOO	23300-100-000
		10-4400	GUNITE JET EXTENSION (1.5IN MIP × 1.5IN FIP)	23300-300-000
		10-5300	GUNITE JET ASSY W/ EXTENDED WALL FITTING	23300-450-000
210-4110		10-4100S	JET BODY 1.5" S	23301-000-000
		10-4401	GUNITE JET 4IN THREADED NOZZLE	23301-000-030
212-3370			DOUBLE TEE GUNITE JET (S×S×S)	23304-000-000
212-3300			DOUBLE TEE GUNITE JET (S×S×SP)	23304-100-000
		10-4310	VENTURI TEE 1/4" NOZZLE (1.5"S×1.5"S×3/4"S)	23306-100-000
		10-4315	VENTURI 1/2" NOZZLE (1.5"S×1.5"S×3/4"S)	23306-120-000
212-3470			GUNITE VENTURI TEE (1.5"S×1.5"SP×1"SP/3/4"S)	23307-000-000
			GUNITE VENTURI TEE (1.5"S×1.5"SP×3/4"SP)	23307-100-000
212-3340			EXT. VENTURI TEE (1.5"SP×1.5"S/2"SP×1"SP/0.5"S)	23308-000-000
		10-4320	EXT. VENTURI TEE (1.5"SP×1.5"S/2"SP×3/4"SP/0.5"S)	23308-100-000
		10-4401T	GUNITE JET 4IN TWIST-LOCK NOZZLE	23308-100-020
		10-4325	EXT. VENTURI TEE (1.5"SP×1.5"S ×1/2"S) WHT	23308-100-100
		10-3420/50-3420	VENTURI TEE JET RETURN FITTING (FITS 23308)	23308-110-110
	46540000		GUNITE JET AMERICAN PRODUCTS™	23308-200-000
210-3330			VENTURI TEE #7 (1"S×1"SP×1"SP 3/4"S)	23309-000-000
		16-5749	4IN SWIM JET (SMOOTH; 1IN S × 1.5IN SP; 1IN AIR)	23312-000-000
212-9170			GUNITE SPA JET 1.5" MIP FITTING	23315-030-000
		10-2100	GUNITE SPA AIR CONTROL 1" S WHITE	25098-000-000
		10-2200	GUNITE SPA AIR CONTROL 1/2" S WHITE	25099-000-000
218-7650			GUNITE NICHE 5"	25580-000-070
215-6660			GUNITE JET WALL FITTING 5"	25580-000-080
425-5030			2-1/2" GUNITE JET NICHE WHITE	25580-000-090
210-3700			2.5" GUNITE BODY ASSY & NICHE WHITE	25580-090-000
			2.5" GUNITE STRAIGHT BODY ASSY LESS NICHE	25581-000-000
210-3830			2.5" GUNITE STRAIGHT BODY ASSY & NICHE WHITE	25581-090-000
210-8750			POWER JET INTERNAL WHITE	25582-000-000
210-9790			WHIRLPOOL JET INTERNAL WHITE	25583-000-000
218-1770A			JET TOOL	25590-000-000
210-6080			3" DIRECTIONAL GUNITE JET FACE PLATE WHITE	25591-210-000
210-6090			3" ROTATIONAL GUNITE JET FACE PLATE WHITE	25591-220-000
210-6070			3" PULSATOR GUNITE JET FACE PLATE WHITE	25591-230-000
210-6700			3" MASSAGE GUNITE JET FACE PLATE WHITE	25591-240-000
212-7600G			5" ROTATIONAL GUNITE FACE PLATE	25595-020-000
212-7740G			5" MASSAGE GUNITE JET FACE PLATE	25595-040-000
212-7610G			5" TWIN SPIN GUNITE JET FACE PLATE	25595-050-000
210-3400			2 INCH GUNITE MINI JET DIR WHT	25592-010-000
210-5830			FIBERGLASS JET 1" X 1" LESS INTERNAL	25594-100-000
210-5860			FIBERGLASS JET 1-1/2" X 1" LESS INTERNAL	25594-150-000

# CROSS REFERENCE TO OTHER BRANDS | SKIMMERS

SKIMMERS & ACCESSORIES   PAGE 120						
WATERWAY®	PENTAIR®	STA-RITE®	HYDRO AIR®	HAYWARD®	DESCRIPTION	CMP P/N
				SP10712FVA	SKIMMASTER WHT 2" FIP W/FLOAT VLV	25100-000-000
				SP1071210FVA	SKIMMASTER TAN 2" FIP & FLOAT VLV	25100-009-000
				SP10712	SKIMMASTER WHT 2" FIP	25100-010-000
				SP1071210	SKIMMASTER TAN LID/COLLAR 2" FIP	25100-019-000
				SP10712SFVA	SKIMMASTER WHT 2" S W/FLOAT VLV	25100-100-000
				SP10712S10FVA	SKIMMASTER TAN 2" S & FLOAT VLV	25100-109-000
				SP10712S	SKIMMASTER WHT 2" S	25100-110-000
				SP10712S10	SKIMMASTER TAN LID/COLLAR 2" S	25100-119-000
540-6610					WW RENEGADE 2"S/2.5"SP W/FLOAT VLV	25140-000-000
	08650-0079	08650-0079		SP1070FV	FLOAT VALVE ASSEMBLY	25140-000-700
542-3240					SKIMMER BASKET ASSEMBLY	25140-000-900
540-6510					WW RENEGADE 2"S/2.5"SP	25140-210-000
			10-6500		SPA STRIP SKIMMER	25245-000-000
				SP1099S	FRONT ACCESS SPA SKIMMER WHITE	25248-000-000
				SP1090	SKIMMER GRAY ABS ABV/GRND	25510-000-000
				SP1090WM	SKIMMER WIDE GRAY ABS ABV/GRND	25511-000-900
				SP1090WM	SKIMMER WIDEMTH ABS ABV/GRND	25511-001-900
				SP1091ES	SKIMMER 1.5"THRD W/PKG & PLATE	25512-000-950
				SP1090	SKIMMER GRAY ABS ABV/GRND	25512-001-950
				SP1082D	SKIMMER COVER SQUARE; WHITE	25538-000-000
540-6410					GUNITE SKIMMER 2"S/2.5"SP	25140-010-000
				SP1091ES	1.5" THREAD W/PKG & PLATE	25512-000-000
				SP1091	ABOVE GROUND SKIMMER BASKET	25512-000-900
				SP1082D	SKIMMER COVER	25538-000-000
				SP1084L	SKIMMER FACE PLATE (8.5IN x 10.75IN)	25540-000-010
				SP1084F	FACEPLATE TRIM COVER (8.5IN x 10.75IN)	25540-000-020
				SPX1085B	FACEPLATE WIDE MOUTH WHITE	25541-000-010
				SP1085F	WIDE FACEPLATE TRIM COVER WHITE	25541-000-020
				SP1070C	ROUND SKIMMER COVER U3 AND SP1070	25544-000-000
	85007400				SKIMMER LID ADMIRAL S20 WHITE	25544-500-000 ●
	85007430				SKIMMER LID S20 TAN	25544-509-000 ●
				SPX1070B	ROUND SKIMMER COVER COLLAR	25547-000-000
				SP1106 (IG)	SKIM-VAC W/GASKET (STRAIGHT)	25573-000-000
				SP11041	VACUUM PLATE 90 TWIST, 1.5"×1.25"	25573-410-000
				SP11051	VACUUM PLATE 1.5"×1.5"	25573-510-000
				SP11052	VACUUM PLATE 1.5"×1.25" 90DEG	25573-520-000
				SP11054	VACUUM PLATE 1.5"×1.5"×1.25"	25573-540-000
		WC37-503P			EXTENSION COLLAR (SR)	25526-000-000
				SP1084P1	EXTENSION COLLAR VINYL	25526-100-000
				SP1070P	EXTENSION COLLAR GUNITE	25526-200-000

● CMP part differs from OEM design. For details contact [poolsales@c-m-p.com](mailto:poolsales@c-m-p.com).

CHECK CROSS REFERENCES QUICKLY & EASILY ONLINE AT [C-M-P.COM/SEARCH](http://C-M-P.COM/SEARCH)

# CROSS REFERENCE TO OTHER BRANDS | DRAINS

## MAIN DRAINS & DRAIN ACCESSORIES | PAGE 133

WATERWAY®	PENTAIR®	STA-RITE®	HYDRO AIR®	HAYWARD®	S.R. SMITH™	ALADDIN®	DESCRIPTION	CMP P/N
			10-6204				175 GPM FG DRAIN	25215-000-000
				W400BWHP			VAC-LOCK 1.5" WHITE	25505-000-000
				W400BLGP			VAC-LOCK 1.5" GRAY	25505-001-000
640-1360V							32" DRAIN W/BODY	25506-320-000
640-1370V							32" DRAIN W/FRAME	25506-320-100
	WGX1048E			WGX1048E			8" DRAIN COVER	25507-100-000
							9"×9" FRAME & GRATE	25508-090-000L
				WG1032PAK2			12"×12" FRAME & GRATE	25508-120-000L
				WG1033PAK2			18"×18" FRAME & GRATE	25508-180-000L
640-2550						B-43	SHALLOW GNT DRAIN	25513-500-000
				SP1048AV*			VINYL LINER DRAIN	25515-000-000
				SP1049AV			VINYL LINER DRAIN	25515-000-000
640-2920							SHALLOW GUN. DRAIN	25516-500-000
640-2320	542031						1.5"S PORTS DRAIN	25517-500-000
				SP1054AV			GNT DRAIN	25519-000-000
				SP1051AV			GNT DRAIN (1.5" × 1.5")	25519-000-000
				SP1052AV			GNT DRAIN (2" × 1.5")	25519-000-000
				SP1053AV			GNT DRAIN (1.5" × 2")	25519-000-000
		07017-0103					2"× 1.5" SUMP	25520-000-000
		07017-0093					2" SIDE PORT SUMP	25521-000-000
		WC37-503P					EXT COLLAR (SR)	25526-000-000
				SP1084P1			VINYL EXT COLLAR	25526-100-000
				SP1070P			GNT EXT COLLAR	25526-200-000
				SP1030AV			7-7/8" FRAME & GRATE	25531-000-000
				SP1048B			VINYL LINER RING	25532-000-000
640-2900	540063			SP1019			GUTTER DRAIN 2" × 4"	25533-000-000
640-2800				SP1019BA			GRATE 2" × 4"	25533-000-010
	542038						3-BAR GRATE & FRAME	25533-200-000
				SP1030AV			8" LID & FLAT FRAME	25537-000-000
640-2310	86105000						8" A/V LID & FRAME	25539-500-000
					WRB-101A		1.5"S DRAIN & A/V LID	25562-600-000
				SP1056			HYDRO. RELIEF VALVE	25620-000-000

CHECK CROSS REFERENCES QUICKLY & EASILY ONLINE AT [C-M-P.COM/SEARCH](http://C-M-P.COM/SEARCH)

# CROSS REFERENCE TO OTHER BRANDS | FITTINGS

## UNIONS | PAGE 157

WATERWAY®	HYDRO AIR®	HAYWARD®	PRAHER	DESCRIPTION	CMP P/N
400-4060				1.5" PUMP UNION	21021-000-000
400-5570				2" PUMP UNION	21023-000-000
400-3090	11-3440			SELF ALIGNING 1.5" S × S UNION	21049-150-000
400-5090	11-3460			SELF ALIGNING 2" S × S UNION	21049-200-000
		SP14952S		FLUSH UNION 1.5"/2"	21053-150-000
		SP14982S		FLUSH UNION 2" SLIP × SLIP PVC	21053-200-000
		SP1480		MALE UNION 1.5" MIP × MIP ABS	21054-150-000
		SP14953S		FLUSH UNION 1.5" MIP × 1.5" S ABS	21055-150-000
		SP1484		MALE UNION 1.5" MIP × 1.5" S ABS	21056-150-000
		SP1485		FLUSH UNION 1.5" MIP × MIP SWEEP 90	21057-150-000
		SP1493		ECONO UNION 1.5" BARB × MIP ABS	21058-000-000
		SP1482		FLUSH UNION 1.5" MIP × SP ABS	21059-150-000
			150-906	HI-TEMP UNION 1.5" MIP × S	21063-150-000
			215-906	HI-TEMP UNION 2" S × 1.5" MIP	21063-160-000
			150-903	UNION 1.5" MIP × S	21063-170-000
			200-906	HI-TEMP UNION 2" MIP × S	21063-200-000
			200-903	UNION 2" MIP × S	21063-210-000
			225-9061	2" MIP × 2.5" S UNION HIGH TEMP	21063-250-000
400-4481-CPVC				SWIVEL UNION	21063-284-000
			200-996	2" MIP × 2" 90° UNION HIGH TEMP	21063-290-000
			075-906	3/4" MIP × 3/4" S UNION HIGH TEMP	21063-750-000
				UNION KIT (RAYPAK 006723F)	21063-801-000
			215-906	EXT. UNION 2" S × 1.5" MIP HIGH TEMP	21063-164-000
			200-9061	EXT. UNION 2" MIP × S HIGH TEMP	21063-204-000
			225-9061	2" MIP × 2.5" S UNION HIGH TEMP	21063-250-000

## REPAIR FITTINGS & ADAPTERS | PAGE 160

WATERWAY®	PENTAIR®	HAYWARD®	MAGIC PLASTICS	POOL TOOL	DESCRIPTION	CMP P/N
417-6060		SPX1091Z7			HOSE ADAPTER COMBO 1.5"/1.25"	21093-000-000
		SPX1091Z14			HOSE ADAPTER 1.5"	21093-150-000
418-3000			0301-10		PIPE EXTENDER 1"	21181-100-000
418-5000			0301-15		PIPE EXTENDER 1-1/2"	21181-150-000
418-6000			0301-20		PIPE EXTENDER 2"	21181-200-000
418-7000			0301-25		PIPE EXTENDER 2-1/2"	21181-250-000
			0301-30		PIPE EXTENDER 3"	21181-300-000
			0301-40		PIPE EXTENDER 4"	21181-400-000
418-2000			0301-07		PIPE EXTENDER 3/4"	21181-750-000
429-2000			0303-15		FITTING EXTENDER 1-1/2"	21182-150-000
429-2010			0303-20		FITTING EXTENDER 2"	21182-200-000
419-4100			0302-10		INSIDE PIPE COUPLER 1"	21183-100-000
419-4110			0302-15		INSIDE PIPE COUPLER 1-1/2"	21183-150-000
419-4120			0302-20		INSIDE PIPE COUPLER 2"	21183-200-000

# CROSS REFERENCE TO OTHER BRANDS | RETURNS

## REPAIR FITTINGS & ADAPTERS | PAGE 160

WATERWAY®	PENTAIR®	HAYWARD®	MAGIC PLASTICS	POOL TOOL	DESCRIPTION	CMP P/N
	79200200				VNL LIGHT RING 10 HOLE; CHROME	25549-002-000
		SPX0507A1			LIGHT FRONT FRAME	25549-200-000
				PT132	LIGHT WEDGE	25549-600-000

## RETURNS, INLETS & WALL FITTINGS | PAGE 151

WATERWAY®	PENTAIR®	STA-RITE®	HYDRO AIR®	HAYWARD®	DESCRIPTION	CMP P/N
			10-3500		DIR WF ASSY (1.5" MIP; 3.5" FACE) LESS NUT	23300-200-000
			10-3100		DIR WF ASSY (1.5" MIP; 3.5" FACE) W/NUT	23300-210-000
			10-3600		DIR WF EXT THREADS (1.5" MIP) W/EYE LESS NUT	23300-240-000
			10-3300		DIR WF EXT THREADS (1.5" MIP) W/EYE & NUT	23300-250-000
400-9160B				SP1408	IG VINYL INLET WF 1.5"	25522-000-000
				SP1023S*	VINYL FITTING 1.5" S, 2" MIP	25522-500-000
215-9150	542405			SP1022S	GUNITE WALL FITTING 1.5" S	25523-100-000 ●
215-9890	542423				GNT INSIDER WALL FITTING 2" × 1.5" FIP	25524-200-000
				SP1425S	FLOOR INLET FITTING 1.5" S × 2" MIP	25527-000-000
				SPX1425B	FLOOR INLET FITTING COVER WHITE	25527-000-030
		08417-0000			FLOOR INLET FITTING 2" S W/1.5" REDUCER	25527-100-000
		08417-0005E			FLOOR INLET FITTING COVER WITH SCREW	25527-100-100
		08429-0000			INLET FITTING COMPLETE SQ	25606-000-000
		08428-0125			INLET FITTING REPLACEMENT KIT	25606-100-000
	542002				INLET FITTING INSIDER 1.5"	25609-300-000
	542003				INLET FITTING INSIDER 1.5" (BLACK)	25609-304-000
				SP1022"S	INSIDER WF 1.5" FIP FACE × 1.5" INSIDER	25529-150-000
218-1430				SPX1408B	IG VNL RETURN FACE PLATE - NO THREAD	25545-000-000
				SPX1411B	IG VNL RETURN FACE PLATE - THREADED	25546-000-000
400-9170B				SP1023	VINYL POOL INLET/OUTLET FITTING (1.5" FIP)	25550-000-000
	542404			SP1022	GUNITE WALL FITTING, THREADED	25550-000-060 ●
			10-3807		2" LOCK NUT FOR WALL FITTING	25550-050-010
				SP1419T	INLET SEAT REMOVAL TOOL	25551-000-100
400-1420D				SP1421D	INSIDER FITTING 3/4" EYE	25551-300-000
400-1420E				SP1421E	INSIDER FITTING 1" EYE	25551-400-000
400-1410A				SP1419A	H-STREAM SLOTTED EYE 1.5" MIP	25552-000-000
400-1410B				SP1419B	H-STREAM 3/8" EYE 1.5" MIP	25552-100-000
400-1410C				SP1419C	H-STREAM 1/2" EYE 1.5" MIP	25552-200-000
400-1410D	540021			SP1419D	H-STREAM 3/4" EYE 1.5" MIP	25552-300-000
400-1410E	540028			SP1419E	H-STREAM 1" EYE 1.5" MIP	25552-400-000
				SP1418D	H-STREAM 3/4" FLANGE 1.5" EYE 1.5" MIP	25553-300-000
				SP1422D	H-STREAM 3/4" FLANGE 1.5" EYE INSIDER	25553-350-000
				SP1418E	H-STREAM 3/4" FLANGE 1" EYE 1.5" MIP	25553-400-000
				SP1422E	H-STREAM 3/4" FLANGE 1" EYE INSIDER	25553-450-000

● CMP part differs from OEM design. For details contact [poolsales@c-m-p.com](mailto:poolsales@c-m-p.com).

**CHECK CROSS REFERENCES QUICKLY & EASILY ONLINE AT [C-M-P.COM/SEARCH](http://C-M-P.COM/SEARCH)**



# CROSS REFERENCE TO OTHER BRANDS | ACCESS.

## RETURN FITTINGS & ACCESSORIES | PAGE 151

WATERWAY®	PENTAIR®	HAYWARD®	DESCRIPTION	CMP P/N
400-9190	86204200		FLUSH MOUNT RETURN FITTING 1.5" INSIDER / 1" S	25555-000-000
		SP1430	JET AIR FITTING PVC	25556-000-000
		SP1420	HYDROSTREAM FITTING W/ BLUE NOZZLE	25556-100-000
		SP1433S	JET AIR FITTING KIT PVC	25556-300-000
400-9390P			RETURN FTG FLUSH MOUNT	25557-000-000
	86201500		AERATOR INLET WHT 3/4"	25558-000-000
550-9230			RETURN FITTING SELF ALIGN AUSSIE 1.5" INSIDER	25559-000-000
550-9231			RETURN FITTING SELF ALIGN AUSSIE 1.5" INSIDER	25559-004-000
400-9180	542000		1" INSIDER FITTING	25559-110-000 ●
602-3160B		SP1026	GRATE INSERT 1.5" MIP	25560-000-000
429-3010			WATER STOP 1.5"	25574-000-000
429-3000			WATER STOP 1"	25574-100-000
429-3020			WATER STOP 2"	25575-000-000

## POOL ACCESSORIES | PAGE 173

WATERWAY®	PENTAIR®	HAYWARD®	S.R. SMITH™	POOL TOOL	DESCRIPTION	CMP P/N
		SP1434TP			TEST PLUG ABS	25528-000-000
400-4140	552572	SP1022B			FLAT PLUG W/ GASKET 1.5" MIP	25542-000-000
400-6600	552417	SP1022C			PLUG W/ O-RING	25543-000-000
			LTDF-101		LADDER TREAD 19"	25562-000-000
			A42073-0		LADDER TREAD 20"	25562-100-000
			WRB-100A		RUBBER BUMPER MALE	25562-500-000
			60-702		ELITE LADDER BOLT LIT	25562-720-000
			60-704		ECONOMY LADDER BOLT KIT	25562-740-000
400-9290	86201200				ROPE ANCHOR & PLASTIC PIN	25567-000-000
	542044	SP1040			ROPE ANCHOR & SS PIN	25568-000-000
540-6700					V-BALL POLE SLEEVE & CAP ASSY	25570-100-000
519-6710					V-BALL POLE CAP & FLUSH CAP	25571-000-000
429-4010	542049	SP1041			5" LADDER ESCUTCHEON WHT	25572-000-000
	542048	SP1042			5" LADDER ESCUTCHEON CHR	25572-002-000
			EP-200-PW		CLIP-ON LADDER ESC WHT	25572-200-000
			EP-200-SG		CLIP-ON LADDER ESC GR	25572-201-000
			EP-200-MC		CLIP-ON LADDER ESC CHR	25572-202-000
				PT139	CABLE SAW 36"	58308-100-000
	86300100				6" VALVE LID & RING WHITE	25840-000-000
	86300130				6" VALVE LID & RING TAN	25840-009-000
			AS-100P		6" PLASTIC ANCHOR	25572-600-000
				PT104A	ZINC SKIMMER BASKET PUCK	25810-009-950
				PT104D	ZINC ANODE TEE	25810-400-050
				PT110	PUMP LID WRENCH	25300-100-000

● CMP part differs from OEM design. For details contact [poolsales@c-m-p.com](mailto:poolsales@c-m-p.com).

**CHECK CROSS REFERENCES QUICKLY & EASILY ONLINE AT [C-M-P.COM/SEARCH](http://C-M-P.COM/SEARCH)**

# CROSS REFERENCE TO OTHER BRANDS | PARTS

## POOL ACCESSORIES | PAGE 173

WATERWAY®	PENTAIR®	STA-RITE®	HAYWARD®	ALADDIN®	DESCRIPTION	CMP P/N
			SP1392		ANCHOR SOCKET	25572-400-000 ●
532-2010B		039880000			WALL STEP (SET OF 3)	25578-000-000
			EC 10-SC	ALD300	DE SCOOP - 1LB ORANGE	25600-009-000
	R171074				FLOATING DISPENSER BLUE	27052-019-000
	R171090				FLOATING DISPENSER TAN	27052-029-000
	R211084		W530		LEAF CANISTER & NET	58309-000-000 ●

## OEM REPLACEMENT PARTS | PAGE 199

PENTAIR®	STA-RITE®	HAYWARD®	VAL-PAK	JANDY®	PRAHER	DESCRIPTION	CMP P/N
		SP1074S				IN-LINE SIGHT GLASS 2"	25625-200-000
		SP1072S				IN-LINE SIGHT GLASS 2"	25625-350-000
354530						PUMP STRAINER	25302-054-000
	C3-139P1					CLEAR STRAINER COVER	25304-000-020
355301						CLEAR STRAINER COVER	25305-000-020
		SPX1500DA				CLEAR STRAINER COVER	25306-000-020
354531						CLEAR STRAINER COVER	25307-000-020
R172008W						CHLOR LID	25307-500-020
	C1-200PA					PUMP DIFFUSER W/O-RING	25356-100-000
355468						PUMP HOUSING	25357-004-000
154699						PLUG 1/4"	25357-054-000
154689						AIR RELEASE TEE VALVE	25357-154-000
		DEX2400S				AIR RELEASE TEE VALVE	25357-240-000
074564						SEAL PLATE, WHISPERFLO®	25357-300-000
59023700						DE MANIFOLD TOP	25357-600-000
			V38-140			DE MANIFOLD	25357-600-000
		DEX2400C				DE MANIFOLD TOP	25357-700-000
			V60-105			DE MANIFOLD	25357-700-000
		CX3000C				CARTRIDGE MANIFOLD BOTTOM	25357-750-000
			V60-550			CARTRIDGE MANIFOLD	25357-750-000
						DE MANIFOLD PUREX 2000 SERIES	25357-624-000
		CX3030C				CARTRIDGE MANIFOLD TOP	25357-760-000
		CX5030C				CARTRIDGE MANIFOLD TOP	25357-770-000
				R0359000		DE MANIFOLD	25357-800-000
			V38-141			DE MANIFOLD TEMPLATE	25357-100-000
				R0357600		CARTRIDGE MANIFOLD	25357-850-000

● CMP part differs from OEM design. For details contact [poolsales@c-m-p.com](mailto:poolsales@c-m-p.com).

**CHECK CROSS REFERENCES QUICKLY & EASILY ONLINE AT [C-M-P.COM/SEARCH](http://C-M-P.COM/SEARCH)**

# CROSS REFERENCE TO OTHER BRANDS | PARTS

OEM REPLACEMENT PARTS   PAGE 199						
PENTAIR®	VAL-PAK	JANDY®	ALADDIN®	PRAHER	DESCRIPTION	CMP P/N
98209800					AIR RELEASE TEE VALVE	25357-982-000 ●
154687					AIR RELEASE TEE VALVE	25357-983-000
273550					AIR RELEASE VALVE W/GAUGE	25357-273-550
273564					AIR RELEASE VALVE W/GAUGE	25357-273-564
		1307			O-RING SHAFT	26100-171-024
				PRVN224	O-RING OUTSIDE 1.5" UNION	26100-470-400
				PRVN331	O-RING OUTSIDE 2" UNION	26100-590-500
		1132			O-RING DIVERTER COVER	26100-780-250
073126	V20-201				WHISPERFLO® STYLE IMPELLER 1/2 HP	25305-126-000
073127	V20-202				WHISPERFLO® STYLE IMPELLER 3/4 HP	25305-127-000
073128	V20-203				WHISPERFLO® STYLE IMPELLER 1 HP	25305-128-000
073129	V20-204				WHISPERFLO® STYLE IMPELLER 1-1/2 HP	25305-129-000
073130	V20-205				WHISPERFLO® STYLE IMPELLER 2 HP	25305-130-000
073131	V20-206				WHISPERFLO® STYLE IMPELLER 2-1/2 HP	25305-131-000
	V20-068				ORTEGA VALVE 2 INCH SEAT ASSY	25356-502-000
074564	V20-208				WHISPERFLO® STYLE PUMP SEAL PLATE	25357-300-000
			933		WEIR DOOR 5-7/8"	25141-170-000
			923		WEIR DOOR 6"	25141-200-000
			924		WEIR DOOR 7"	25141-300-000
			934		WEIR DOOR 7-1/4"	25141-320-000
			935		WEIR DOOR 7-5/8"	25141-350-000
			936		WEIR DOOR 7-13/16"	25141-360-000
			925		WEIR DOOR 8"	25141-400-000
			937		WEIR DOOR 8-1/8"	25141-410-000
			938		WEIR DOOR 8-3/8"	25141-440-000
			939		WEIR DOOR 8-1/2"	25141-450-000
			926		WEIR DOOR 9"	25141-500-000
			940		WEIR DOOR 9-3/8"	25141-540-000
			927		WEIR DOOR 10"	25141-600-000
			928		WEIR DOOR 11"	25141-700-000
			929		WEIR DOOR 12"	25141-800-000
	V38-136				HEAVY DUTY PRO SERIES AP FLOATING WEIR	27182-038-000

# CROSS REFERENCE TO OTHER BRANDS | BASKETS

## SKIMMER REPLACEMENT BASKETS | PAGE 185

WATERWAY®	PENTAIR® / STA-RITE®	KAFKO™	HAYWARD®	VAL-PAK	ALADDIN®	DESCRIPTION	CMP P/N
	08650-0007		SPX1070E		B-9	U-3 BASKET	27180-009-000
			SP1070	V22-110	B-9	HD U3 BASKET	27182-009-000
	R38013A	850001			B-37	AP BASKET	27180-037-000
	R38013A	850001			B-37	HD AP BASKET	27182-037-000
	R38013B	850012			B-38	FLOATING WEIR	27180-038-000
					B-39	SKIMMER BASKET	27180-039-000
	513036				B-43	SKIMMER BASKET	27180-043-000
					B-99	INVERTED BASKET	27180-099-000
340-1139					B-136	SKIMMER BASKET	27180-136-000
			SPX1082CA		B-152	1082 BASKET	27180-152-000
			SPX1082CA	V60-555	B-152	HD 1082 BASKET	27182-152-000
			SPX1082D			SUPPORT RING	27182-152-300
			SPX1096CA		B-168	1096 BASKET	27180-168-000
		19-0163-1				SKIMMER BASKET	27180-163-000
	S-20				B-200	S20 BASKET	27180-200-000
	S-20				B-200	HD AP BASKET	27182-200-000
			SPX1094FA		B-203	1094 BASKET	27180-203-000
542-3240						HD SKIMMER BASKET	27182-019-000
	R211526		W530	V50-600	B-204	LEAF TRAP BASKET	27182-020-000

## PUMP REPLACEMENT BASKETS | PAGE 185

PENTAIR®	STA-RITE®	HAYWARD®	VAL-PAK	ALADDIN®	DESCRIPTION	CMP P/N
91110000	C108-33P			B-33	5" PUMP BASKET	27180-033-000
				B-36	6" PUMP BASKET	27180-036-000
				B-106	5" PUMP BASKET	27180-106-000
		SPX1600M		B-167	SUPER BASKET	27180-167-000
		SPX1600M	V60-500	B-167	HD BASKET	27182-167-000
070387				B-199	PUMP BASKET	27180-199-000
070387			V20-200	B-199	HD PUMP BASKET	27182-199-000
		SPX3000M		B-207	PUMP BASKET	27180-207-000
		SPX3000M	V60-300	B-207	HD BASKET	27182-207-000
	C8-58P			B-215	PUMP BASKET	27180-215-000
355318			V36-192	B-219	HD BASKET	27180-219-000 ●
		SPX1500LX		B-220	PUMP BASKET	27180-220-000
		SPX2800M			PUMP BASKET	27180-280-000
355667					PUMP BASKET	27180-355-000
			V26-370	B-215	HD BASKET	27182-215-000

● CMP part differs from OEM design. For details contact [poolsales@c-m-p.com](mailto:poolsales@c-m-p.com).

CHECK CROSS REFERENCES QUICKLY & EASILY ONLINE AT [C-M-P.COM/SEARCH](http://C-M-P.COM/SEARCH)

# CROSS REFERENCE TO OTHER BRANDS | CLEANERS

AUTO CLEANER PARTS   PAGE 206			
PENTAIR®	ZODIAC® / POLARIS®	DESCRIPTION	CMP P/N
EB5L	B5	4' SWEEP HOSE	25563-005-000
EB10	B10	SWEEP HOSE WEAR RING	25563-010-000
	9-100-1017	BELT KIT	25563-017-000
EC120	C120	7 1/2" TURBINE HOSE	25563-020-000
EB25	B25	ORIFICE TIP GUARD	25563-025-000
	D29	UWF CONNECTOR BODY AND O-RING	25563-029-000
LL209	G5	30' COMPLETE HOSE KIT (NO BACK UP VALVE)	25563-040-000
D50	D45	10' LEADER HOSE	25563-040-100
D45	D50	10' FEED HOSE	25563-040-200
E10	G52	BACK UP VALVE	25563-052-000
H2	9-100-1200	BACK UP VALVE 360	25563-052-360
	48-080	IN LINE FILTER	25563-080-000
	C86	CLEANER DRIVE SHAFT	25563-086-000
	9-100-1132	CLEANER DRIVE TRAIN GEAR KIT	25563-089-000
	D10	HOSE FLOAT, SINGLE, WHITE	25563-100-000
	D11	HOSE FLOAT, SINGLE, BLACK	25563-104-000
EB15	B15	HOSE FEED CLAMP	25563-110-000
ED15	D15	HOSE FEED NUT	25563-115-000
EA20	A20	FLOAT HEAD	25563-120-000
	P-133	PUMP SOFTUBE QUICK CONNECT	25563-133-000
EW22	9-100-9001	UWF CONNECTOR ASSEMBLY	25563-150-000
	9-100-1002	UWF CONNECTOR VALVE	25563-150-100
E24	6-504-00	UWF CONNECTOR SCREEN	25563-150-200
	9-100-3009	PRESSURE RELIEF VALVE 360	25563-150-210
	9-100-3008	PRESSURE RELIEF VALVE 360	25563-150-360
	9-100-3011	PRESSURE RELIEF VALVE BLACK 360	25563-154-210
	9-100-3010	CLEANER UWF CONNECTOR ASSY 360	25563-154-360
E23	6-500-00	WALL FITTING CONNECTION	25563-160-000
EC65	C65	LARGE AXLE FOR REAR WHEEL	25563-170-000
D05	D20	HOSE SWIVEL	25563-200-000
	D20 (4PK)	HOSE SWIVEL FOUR PACK	25563-240-000
	C60	C60 BEARING SINGLE PACK	25563-250-000
EC80	C80	TURBINE BEARING	25563-260-000
EC60	C60 (8PK)	C60 BEARING EIGHT PACK	25563-280-000
	9-100-3105	SWEEP HOSE END SCRUB	25563-300-000
	R05224	TAILFLOW® EXTENDED REPLACEMENT SCRUBBER	25563-300-110

**NOTE:** Many cleaner parts are also available in black. See page 206 for complete product availability list.

**CHECK CROSS REFERENCES QUICKLY & EASILY ONLINE AT [C-M-P.COM/SEARCH](http://C-M-P.COM/SEARCH)**

# CROSS REFERENCE TO OTHER BRANDS | CLEANERS

## AUTO CLEANER PARTS | PAGE 206

PENTAIR®	ZODIAC® / POLARIS®	DESCRIPTION	CMP P/N
	9-100-3105	SWEEP HOSE END SCRUB FINE PACK	25563-300-500
EC10	C10	CLEANER WHEEL TIRE	25563-310-000
	C11	CLEANER WHEEL TIRE, BLACK	25563-314-000
	9-100-1008	WHEEL DOUBLE W/ E-CLIP & HUB CAP, WHITE	25563-340-000 ●
	9-100-1114	WHEEL HUB CAP WHITE	25563-340-030
	9-100-1004	WHEEL DOUBLE W/ E-CLIP & HUB CAP, BLACK	25563-344-000 ●
	9-100-1115	WHEEL HUB CAP BLACK	25563-344-030
	9-100-1116	WHEEL SINGLE W/ E-CLIP & HUB CAP, WHITE	25563-350-000 ●
	9-100-1117	WHEEL SINGLE W/ E-CLIP & HUB CAP, BLACK	25563-354-000 ●
EC6L	C6	WHEEL, WHITE	25563-360-000 ●
	C7	WHEEL, BLACK	25563-364-000 ●
EC55	C55	WHEEL SCREW WHITE	25563-370-000
	C56	WHEEL SCREW BLACK	25563-374-000
EC64	C64	WHEEL WASHER WHITE	25563-380-000
	C67	WHEEL WASHER BLACK	25563-384-000
ED10P	D10	HOSE FLOAT WHITE (4 PK)	25563-400-000
	C16	SMALL WHEEL	25563-460-000
	W46666	DISC BLUE (BARACUDA® STYLE)	25563-809-000
	W69698	DIAPHRAGM; STRAIGHT (BARACUDA® STYLE)	25563-810-000
	W81600	DIAPHRAGM RING (BARACUDA® STYLE)	25563-810-100
	W70327	FOOT PAD (BARACUDA®)	25563-820-000
	A16	180 STYLE BAG, VELCRO®	58307-180-000
	K16	280 STYLE BAG, VELCRO®	58307-280-200 ●
	9-100-1014	360/380 STYLE BAG, VELCRO®	58307-380-000

**NOTE:** Many cleaner parts are also available in black. See page 188 for complete product availability list.

● *CMP part differs from OEM design. For details contact [poolsales@c-m-p.com](mailto:poolsales@c-m-p.com).*

**CHECK CROSS REFERENCES QUICKLY & EASILY ONLINE AT [C-M-P.COM/SEARCH](http://C-M-P.COM/SEARCH)**

**FOR CROSS REFERENCE PAGE INDEX SEE PG 268**

PART#	PG	PART#	PG	PART#	PG	PART#	PG
9-0150E	72	21181-150-000	162	25062-000-000	93	25140-511-100	123
9-0210-11	72	21181-200-000	162	25062-159-000	93	25140-511-500	123
9-0210E	72	21181-250-000	162	25067-000-000	93	25140-519-000	123
21003-000-000	158	21181-300-000	162	25098-000-000	115	25140-520-000	123
21003-100-000	158	21181-400-000	162	25099-000-000	115	25140-529-000	123
21004-000-000	159	21181-750-000	162	25100-000-000	120	25140-600-000	123
21004-150-000	159	21182-150-000	161	25100-009-000	120	25140-610-000	123
21005-000-000	159	21182-200-000	161	25100-010-000	120	25141-160-000	127
21006-000-000	159	21182-220-000	161	25100-019-000	120	25141-170-000	127
21007-000-000	159	21182-250-000	161	25100-040-000	120	25141-200-000	127
21010-000-000	159	21183-100-000	162	25100-100-000	120	25141-300-000	127
21010-200-000	159	21183-150-000	162	25100-104-400	120	25141-320-000	127
21013-000-000	159	21183-200-000	162	25100-109-000	120	25141-350-000	127
21013-200-000	159	21184-100-000	160	25100-110-000	120	25141-360-000	127
21021-000-000	157, 201	21184-150-000	160	25100-114-400	120	25141-400-000	127
21023-000-000	157, 201	21184-200-000	160	25100-119-000	120	25141-410-000	127
21044-000-000	159	21184-230-000	160	25100-119-400	120	25141-440-000	127
21046-000-000	158	21184-250-000	160	25100-140-000	120	25141-450-000	127
21047-000-000	158	21184-750-000	160	25100-150-000	120	25141-500-000	127
21048-000-000	158	23300-000-000	113	25100-154-400	120	25141-540-000	127
21049-150-000	158	23300-100-000	113	25100-159-000	120	25141-600-000	127
21049-200-000	158	23300-200-000	113	25140-000-000	121	25141-700-000	127
21053-150-000	157	23300-200-040	113, 153	25140-000-700	129	25141-800-000	127
21053-200-000	157	23300-210-000	113	25140-000-900	187	25160-010-000	122
21054-150-000	157	23300-240-000	113	25140-001-000	121	25160-010-001	122
21055-150-000	157	23300-250-000	113	25140-009-000	121	25160-010-060	130
21056-150-000	157	23300-300-000	113	25140-009-100	121	25160-010-900	124
21057-150-000	157	23300-450-000	113	25140-009-900	121	25160-020-000	122
21058-000-000	157	23301-000-000	113	25140-010-000	121	25160-110-000	122
21058-100-000	157	23301-000-030	113	25140-010-002	121	25160-110-030	130
21058-200-000	157	23302-000-000	113	25140-011-100	121	25160-110-900	124
21058-300-000	157	23302-000-040	112, 117	25140-011-102	121	25160-110-920	124
21059-150-000	157	23302-100-040	112, 117	25140-011-500	121	25160-120-000	122
21062-154-000	201	23304-000-000	112	25140-014-400	121	25160-150-000	122
21063-150-000	156	23304-000-040	112	25140-017-700	121	25160-150-900	124
21063-154-000	156	23304-100-000	112	25140-019-000	121	25160-150-920	124
21063-160-000	156	23305-000-000	113	25140-019-002	121	25160-210-000	122
21063-164-000	156	23306-100-000	112	25140-019-100	121	25160-450-900	124
21063-170-000	157	23306-100-020	112	25140-019-102	121	25160-510-000	123
21063-179-000	157	23306-120-000	112	25140-019-500	121	25160-511-100	123
21063-180-000	157	23306-120-020	112	25140-019-900	121	25160-610-000	123
21063-189-000	157	23307-000-000	112	25140-019-902	121	25160-611-100	123
21063-200-000	156	23307-100-000	112	25140-050-000	121	25207-700-000	146
21063-200-900	201	23307-200-000	112	25140-210-000	121	25207-700-900	146
21063-204-000	156	23308-000-000	112	25140-210-500	121	25207-800-000	146
21063-210-000	157	23308-100-000	112	25140-211-100	121	25215-000-000	146
21063-225-000	158	23308-100-020	112, 117	25140-211-500	121	25215-000-003	146
21063-230-000	156	23308-100-040	112	25140-214-400	121	25215-900-000	146
21063-250-000	156	23308-100-050	112, 117	25140-214-500	121	25248-000-000	126
21063-280-000	157	23308-100-100	112	25140-217-500	121	25248-000-040	126
21063-284-000	156	23308-110-110	112	25140-217-700	121	25248-000-051	126
21063-290-000	156	23308-200-000	112	25140-219-000	121	25248-020-000	126
21063-330-000	158	23308-200-030	112	25140-219-100	121	25248-920-000	126
21063-350-000	158, 199	23308-900-000	117	25140-219-500	121	25251-000-500	129
21063-750-000	156	23308-910-000	117	25140-219-900	121	25251-100-000	176
21063-801-000	158, 199	23308-930-000	116	25140-239-000	121	25251-110-000	176
21093-000-000	173	23309-000-000	112	25140-250-000	121	25251-120-000	176
21093-150-000	173	23310-000-000	113	25140-259-000	121	25280-100-000	80
21093-900-000	173	23312-000-000	114, 210	25140-259-100	121	25280-107-100	78
21097-150-000	159	23315-030-000	111	25140-500-000	123	25280-109-000	80
21097-200-000	159	23315-100-000	27, 111	25140-501-100	123	25280-110-000	80
21098-150-000	159	23315-240-000	111	25140-509-000	123	25280-120-000	81
21098-200-000	159	23315-300-000	111	25140-509-100	123	25280-150-000	78
21105-000-000	159	23315-300-200	111	25140-509-900	123	25280-160-000	78
21106-000-000	159	23551-660-000	114, 210	25140-510-000	123	25280-200-000	81
21181-100-000	162	23551-699-999	114	25140-510-500	123	25280-200-999	199

PART#	PG	PART#	PG	PART#	PG	PART#	PG
25280-300-000	80	25501-100-000	159	25512-000-991	187	25540-000-010	130
25280-309-000	80	25501-100-800	159	25513-250-020	176	25540-000-020	130
25280-310-000	80	25501-100-900	159	25513-260-000	144	25540-100-000	131
25280-410-000	78	25501-120-800	159	25513-300-020	176	25540-200-000	132
25280-615-000	82	25503-000-000	33	25513-400-000	144	25541-000-010	130
25300-004-000	201	25503-025-000	55	25513-500-000	142, 210	25541-000-020	130
25300-004-070	158	25503-025-000H	55	25513-600-000	142	25541-100-000	131
25300-100-000	173, 201	25503-025-000P	55	25514-000-000	138	25541-200-000	132
25300-200-000	172	25503-110-999	55	25515-000-000	140	25541-300-010	193
25301-004-000	201	25503-300-000	55	25515-000-011	140	25542-000-000	176
25301-004-070	158	25503-300-460	53	25515-000-200	140	25542-500-000	176
25302-054-000	201	25503-460-025	53	25516-000-010	142	25543-000-000	176
25303-054-000	201	25503-460-025P	53	25516-250-010	144	25544-000-000	128
25304-000-020	201	25503-500-025	63	25516-260-000	144	25544-020-010	128
25305-000-020	201	25503-509-400	64	25516-300-010	144	25544-030-010	128
25305-043-000	200	25503-510-000	64	25516-400-000	144	25544-200-000	32
25305-067-000	200	25503-510-100	64	25516-500-000	142	25544-500-000	199
25305-068-000	200	25503-510-200	64	25516-500-100	144	25544-500-100	199
25305-074-000	200	25503-510-220	64	25517-500-000	142	25544-509-000	199
25305-086-000	200	25503-510-300	64	25518-000-000	142	25544-900-000	128
25305-093-000	200	25503-510-500	64	25519-000-000	138, 210	25545-000-000	153
25305-126-000	200	25503-519-300	64	25520-000-000	139	25545-100-000	131, 153
25305-127-000	200	25503-520-025	63	25520-040-000	176	25545-300-000	193
25305-128-000	200	25503-520-025H	63	25520-050-020	135, 176	25545-300-800	193
25305-129-000	200	25503-520-025P	63	25521-000-000	139	25545-300-850	193
25305-130-000	200	25503-560-025	63	25522-000-000	153	25546-000-000	153
25305-131-000	200	25503-560-025H	63	25522-100-000	153	25548-100-000	131, 140
25305-600-000	200	25503-560-025P	63	25522-500-000	153	25549-000-011	163
25305-605-000	200	25503-910-000	58	25523-000-000	153	25549-002-000	163
25305-607-000	200	25503-911-000	58	25523-100-000	117, 153	25549-100-000	131, 163
25305-610-000	200	25503-912-000	58	25523-500-000	153	25549-200-000	163
25305-615-000	200	25503-913-000	58	25523-500-100	153	25549-200-100	131
25305-621-000	200	25503-914-000	58	25523-500-200	153	25549-259-000	163
25306-000-020	201	25503-920-000	58	25523-600-000	153	25549-500-000	163
25307-000-020	201	25503-921-000	58	25523-600-200	153	25549-540-000	163
25307-500-020	199	25503-923-000	58	25523-700-000	153	25549-600-000	163
25355-004-000	200	25503-924-000	58	25523-750-000	116	25550-000-000	153
25356-100-000	200	25503-930-000	58	25523-900-000	176	25550-000-060	153
25356-502-000	199	25503-931-000	58	25524-200-000	153	25551-000-000	151
25357-004-000	200	25503-932-000	58	25525-000-000	176	25551-000-100	152
25357-054-000	201	25503-933-000	58	25526-000-000	128	25551-300-000	151
25357-100-000	194	25503-934-000	58	25526-100-000	128	25551-400-000	151
25357-154-000	100, 199	25503-999-998	55	25526-200-000	128	25552-000-000	150
25357-240-000	100	25504-000-100	178	25527-000-000	152	25552-020-300	150, 176
25357-273-003	100	25504-000-200	178	25527-000-030	152	25552-100-000	150
25357-273-550	100	25504-100-000	178	25527-100-000	152	25552-200-000	150
25357-273-564	100	25504-200-001	178	25527-100-100	152	25552-300-000	131, 150
25357-300-000	200	25504-300-000	178	25528-000-000	176	25552-400-000	150
25357-357-000	100	25504-625-000	34	25529-150-000	153	25552-500-000	93, 152
25357-600-000	194	25504-650-000	34	25531-000-000	139	25553-200-000	150
25357-624-000	194	25505-000-000	173	25532-300-000	193	25553-300-000	150
25357-700-000	194	25506-320-000	134, 210	25532-800-000	140	25553-350-000	150
25357-750-000	194	25506-320-030	135	25533-000-000	148	25553-400-000	150
25357-760-000	194	25506-320-100	134	25533-000-010	148	25553-450-000	150
25357-770-000	194	25506-320-150	134	25533-100-000	148	25553-900-000	27
25357-800-000	194	25506-320-800	134	25533-200-000	148	25553-901-000	27
25357-850-000	194	25506-320-900	134	25533-300-000	148	25554-000-000	150
25357-982-000	100	25507-100-000	138, 193	25533-300-010	148	25554-100-000	150
25357-983-000	100	25508-090-000L	136	25537-000-000	139	25554-200-000	150
25391-000-000	34	25508-090-010	136	25538-000-000	128	25554-300-000	150
25391-200-000	34	25508-120-000L	136	25538-200-000	32	25554-400-000	150
25398-010-000	159, 180	25508-120-011	136	25538-900-000	128	25555-000-000	151
25501-000-800	159	25508-180-000L	136	25539-000-000	139	25555-300-000	151
25501-000-900	159	25511-000-900	126	25539-100-000	139	25555-700-000	151
25501-020-800	159	25512-000-900	187	25539-500-000	143	25556-000-000	113
25501-020-900	159	25512-000-950	126	25539-700-100	143	25556-100-000	113



PART#	PG	PART#	PG	PART#	PG	PART#	PG
25556-300-000	113	25563-800-302	192	25576-260-000	14	25577-520-000	12
25557-000-000	151	25563-809-000	192	25576-260-600	14	25577-525-000	12
25557-014-010	151	25563-810-000	192	25576-320-000	13	25577-530-000	12
25558-000-000	173	25563-810-046	168	25576-330-000	13	25577-530-120	12
25558-100-000	173	25563-810-047	168	25576-330-120	13	25577-530-900	12
25558-170-000	173	25563-810-100	192	25576-330-900	13	25577-535-000	12
25559-000-000	149	25563-820-000	192	25576-360-000	14	25577-535-120	12
25559-110-000	149	25564-000-300	174	25576-360-600	14	25577-620-000	12
25559-200-000	149	25565-009-000	33	25576-420-000	13	25577-625-000	12
25560-000-000	152	25567-000-000	174	25576-430-000	13	25577-630-000	12
25562-000-000	175	25567-100-000	174	25576-430-120	13	25577-630-120	12
25562-100-000	175	25567-109-000	174	25576-430-900	13	25577-630-900	12
25562-500-000	175	25568-000-000	174	25576-460-000	14	25577-635-000	12
25562-600-000	175	25568-200-000	174	25576-460-600	14	25577-635-120	12
25562-720-000	175	25568-300-000	174	25577-120-000	12	25577-635-900	12
25562-740-000	175	25568-300-010	174	25577-122-890	20	25577-720-000	12
25563-005-000	190	25568-400-000	174	25577-125-000	12	25577-725-000	12
25563-010-000	190	25568-500-000	174	25577-130-000	12	25577-730-000	12
25563-010-800	190	25568-700-000	174	25577-130-120	12	25577-730-120	12
25563-017-000	189	25568-750-000	174	25577-130-900	12	25577-730-900	12
25563-025-000	190	25569-000-000	174	25577-135-000	12	25577-735-120	12
25563-029-000	189	25569-000-100	174	25577-135-120	12	25577-735-600	12
25563-029-360	189	25569-100-000	174	25577-150-000	14	25577-735-900	12
25563-040-000	190	25570-000-000	173	25577-150-600	14	25577-820-000	12
25563-040-100	190	25570-100-000	173	25577-150-900	14	25577-825-000	12
25563-040-200	190	25571-000-000	173	25577-170-000	12	25577-830-000	12
25563-050-024	189	25572-000-000	175	25577-172-890	20	25577-830-120	12
25563-052-000	189	25572-050-000	175	25577-180-000	12	25577-830-900	12
25563-052-053	189	25572-100-000	175	25577-180-120	12	25577-835-120	12
25563-052-054	189	25572-200-000	175	25577-180-900	12	25577-835-600	12
25563-052-360	189	25572-400-000	175	25577-185-000	12	25577-835-900	12
25563-080-000	189	25572-400-100	175	25577-185-120	12	25577-950-000	17, 42
25563-100-000	189	25572-420-000	175	25577-190-000	14	25577-950-020	108
25563-110-000	189	25572-480-000	175	25577-190-600	14	25578-000-000	175
25563-115-000	189	25573-000-000	129	25577-190-900	14	25579-000-010	129
25563-120-000	189	25573-100-000	129	25577-220-000	12	25580-000-000	107
25563-133-000	189	25573-300-000	184	25577-222-890	20	25580-000-010	107
25563-150-000	189	25573-410-000	129	25577-225-000	12	25580-000-030	108
25563-150-100	189	25573-510-000	129	25577-230-000	12	25580-000-090	108
25563-150-112	189	25573-520-000	129	25577-230-120	12	25580-000-120	104, 108
25563-150-200	189	25573-540-000	129	25577-230-900	12	25580-090-000	107
25563-150-360	189	25574-000-000	154	25577-235-000	12	25580-200-000	103
25563-160-000	189	25574-100-000	154	25577-235-120	12	25580-200-030	104
25563-161-000	189	25575-000-000	154	25577-260-000	14	25580-200-190	104
25563-170-000	189	25575-250-000	154	25577-260-600	14	25580-290-000	103
25563-200-000	189	25575-300-000	154	25577-260-900	14	25580-900-090	108
25563-210-000	189	25575-500-000	117	25577-320-000	12	25580-920-190	104
25563-210-400	189	25575-509-000	64, 154	25577-322-890	20	25581-000-000	107
25563-240-000	189	25575-600-000	154	25577-325-000	12	25581-000-010	107
25563-250-000	189	25576-000-000	129	25577-330-000	12	25581-090-000	107
25563-260-000	189	25576-120-000	13	25577-335-000	12	25581-200-000	103
25563-270-000	189	25576-130-000	13	25577-335-120	12	25581-290-000	103
25563-270-800	189	25576-130-120	13	25577-360-000	14	25582-000-000	106
25563-300-000	190	25576-130-900	13	25577-360-600	14	25583-000-000	106
25563-300-110	190	25576-150-000	14	25577-360-900	14	25587-130-000	15
25563-300-500	190	25576-150-600	14	25577-420-000	12	25587-130-120	15
25563-310-000	190	25576-170-000	13	25577-422-890	20	25587-130-900	15
25563-340-000	190	25576-180-000	13	25577-425-000	12	25587-230-000	15
25563-350-000	190	25576-180-120	13	25577-430-000	12	25587-230-120	15
25563-360-000	190	25576-180-900	13	25577-430-120	12	25587-230-900	15
25563-400-000	189	25576-190-000	14	25577-430-900	12	25587-330-000	15
25563-460-000	190	25576-190-600	14	25577-435-000	12	25587-330-120	15
25563-660-400	190	25576-220-000	13	25577-435-120	12	25587-330-900	15
25563-800-000	168	25576-230-000	13	25577-460-000	14	25587-430-000	15
25563-800-201	192	25576-230-120	13	25577-460-600	14	25587-430-120	15
25563-800-300	192	25576-230-900	13	25577-460-900	14	25587-430-900	15

PART#	PG	PART#	PG	PART#	PG	PART#	PG
25588-130-000	16	25598-333-000	23	25810-009-950	181, 185	25913-254-000	90
25588-130-120	16	25598-353-000	23	25810-350-050	180	25922-154-000	90
25588-130-900	16	25598-900-000	29	25810-400-050	180	25922-204-000	90
25588-180-000	16	25598-920-000	29	25810-500-000	181	25923-154-000	90
25588-180-120	16	25600-009-000	172	25810-850-000	181	25923-159-000	91
25588-180-900	16	25600-411-000	172	25830-150-000	92	25923-204-000	90
25588-230-000	16	25604-000-000	177	25830-200-000	92	25923-209-000	91
25588-230-120	16	25604-100-000	177	25830-250-000	93	25932-151-000	90
25588-230-900	16	25606-000-000	152	25830-350-000	92	25932-201-000	90
25588-330-000	16	25606-100-000	152	25830-360-000	92	25933-151-000	90
25588-330-120	16	25609-300-000	151	25830-400-000	92	25933-201-000	90
25588-330-900	16	25620-000-000	147	25830-410-000	92	26100-255-630	113
25588-430-000	16	25620-250-000	144	25830-450-000	92	26100-357-100	200
25588-430-900	16	25620-320-000	135	25830-500-000	92	26101-320-530	201
25589-200-000	173	25625-200-000	199	25830-704-000	93	26200-234-421	108
25590-000-000	108	25650-100-000	50	25830-714-000	93	26677-128-041	13
25590-000-200	104	25650-100-100	50	25830-724-000	93	26677-178-041	13
25590-100-000	178	25650-100-210	50	25830-734-000	93	26677-208-041	13
25590-250-000	152, 173	25650-100-300	50	25830-764-000	93	26677-328-041	13
25591-110-000	102	25650-110-200	50	25830-774-000	93	26677-428-041	13
25591-120-000	102	25650-110-300	50	25830-804-000	93	27051-009-000	172
25591-130-000	102	25650-130-300	50	25830-814-000	93	27052-019-000	172
25591-140-000	102	25676-130-000	45	25830-864-000	93	27180-009-000	187
25591-150-000	102	25676-180-000	45	25830-874-000	93	27180-009-200	187
25591-210-000	106	25676-230-000	45	25831-000-100	99	27180-033-000	187
25591-220-000	106	25676-330-000	45	25831-004-000	99	27180-036-000	187
25591-230-000	106	25676-430-000	45	25831-004-171	99	27180-037-000	187
25591-240-000	106	25676-530-000	45	25831-004-172	99	27180-038-000	187
25591-250-000	106	25676-630-000	45	25831-014-000	99	27180-039-000	187
25591-910-000	115	25676-730-000	45	25831-110-100	99	27180-043-000	187
25591-930-000	115	25676-830-000	45	25831-112-100	99	27180-099-000	187
25592-010-000	110	25677-122-870	20	25831-119-200	99	27180-099-030	187
25592-020-000	110	25677-130-000	45	25831-119-750	99	27180-106-000	187
25592-030-000	110	25677-172-870	20	25831-119-790	99	27180-136-000	187
25594-100-000	107, 108	25677-180-000	45	25831-120-100	99	27180-152-000	187
25594-150-000	107	25677-222-870	20	25831-122-100	99	27180-163-000	187
25594-160-000	107	25677-230-000	45	25831-124-170	99	27180-167-000	187
25597-000-000	28	25677-322-870	20	25831-130-100	99	27180-168-000	187
25597-000-020	30	25677-330-000	45	25840-000-000	128	27180-199-000	187
25597-000-030	176	25677-422-870	20	25840-100-000	148	27180-200-000	187
25597-000-120	30	25677-430-000	45	25850-000-100	94	27180-203-000	187
25597-000-900	30	25677-530-000	45	25850-150-000	94	27180-207-000	187
25597-001-020	30	25677-630-000	45	25850-200-000	94	27180-215-000	187
25597-004-020	30	25677-730-000	45	25850-250-000	94	27180-219-000	185
25597-023-000	28	25677-830-000	45	25851-150-000	94	27180-220-000	187
25597-100-900	30	25677-900-000	48	25851-200-000	94	27180-280-000	187
25597-200-000	28	25776-130-120	41	25851-250-000	94	27180-336-000	184
25597-200-900	30	25776-180-120	41	25852-150-000	94	27180-355-000	187
25597-223-000	28	25776-230-120	41	25852-200-000	94	27182-009-000	185
25597-300-000	22	25776-330-120	41	25852-250-000	94	27182-009-200	185
25597-304-010	29, 30	25777-130-120	41	25853-150-000	94	27182-010-000	167, 185
25597-310-000	22	25777-180-120	41	25853-200-000	94	27182-019-000	185
25597-330-020	32	25777-230-120	41	25853-250-000	94	27182-020-000	185
25597-333-000	23	25777-330-120	41	25854-150-000	94	27182-037-000	185
25597-353-000	23	25800-110-000	95	25855-150-000	94	27182-152-000	185
25597-620-100	61	25800-151-000	95	25856-150-000	94	27182-152-200	185
25597-620-100H	61	25800-210-000	95	25857-150-000	94	27182-167-000	185
25597-620-100P	61	25800-251-000	95	25858-150-000	94	27182-199-000	185
25597-700-000	21	25800-310-000	95	25858-200-000	94	27182-200-000	185
25598-000-000	29	25800-410-000	95	25858-250-000	94	27182-207-000	185
25598-000-020	30	25800-751-000	95	25900-120-000	148	27182-215-000	185
25598-200-000	29	25802-151-000	95	25912-154-000	90	27182-300-000	184
25598-300-000	22	25802-210-000	95	25912-204-000	90	27182-352-000	184
25598-304-800	23	25802-415-000	95	25912-254-000	90	27288-070-000	158
25598-309-800	23	25802-420-000	95	25913-154-000	90	27500-154-000	96
25598-310-000	22	25802-651-000	95	25913-204-000	90	27500-154-079	96

PART#	PG	PART#	PG	PART#	PG	PART#	PG
27500-154-100	195	58450-120-132	170				
27501-154-000	96	58460-110-688	174				
27502-154-000	96	58470-110-690	172				
27503-200-100	195	58470-110-700	172				
27507-200-100	195	58480-110-039	169				
27508-150-100	195	58480-130-079	169				
27510-204-000	97	58490-110-530	170, 171				
27513-154-100	195	58490-120-540	170				
27515-154-000	96, 97	58490-130-257	171				
27515-154-070	96	61050-042-025	152				
27515-154-100	195	EC-10	72				
27516-204-100	195	EC-20	72				
27518-204-100	195	EC-40	72				
52000-220-100	85	EC-AG1U	72				
52000-220-101	86	EUV-01-01	76				
52000-220-150	85	EUV-01-21	76				
52000-240-100	85	EUV-16-01	76				
52000-240-101	86	EUV-16-21	76				
52000-240-150	85	EUV-FS-01	76				
52000-260-100	85	MDV-10	72, 74				
52000-260-150	85	MDV-10-04	72, 74				
58306-009-000	168	MDV-10-08	70, 74				
58307-000-000	172	MDV-100	70, 74				
58307-180-000	191	SEC-50	70				
58307-280-000	191	SEC-110-26	70				
58307-280-100	191						
58307-280-202	191						
58307-280-220	191						
58307-280-300	191						
58307-280-500	191						
58307-300-811	192						
58307-300-812	192						
58307-380-000	191						
58308-100-000	173						
58309-300-000	167						
58410-110-023	166						
58410-120-047	166						
58410-120-048	166						
58410-130-051	166						
58410-140-052	166						
58410-150-010	167						
58410-150-035	167						
58410-150-050	167						
58410-150-302	166						
58410-160-409	167, 168						
58410-170-454	168						
58410-180-763	166						
58420-110-025	169						
58420-120-166	169						
58420-130-316	169						
58420-130-318	169						
58420-140-494	170						
58430-100-035	169						
58430-110-043	169						
58430-120-065	170						
58430-130-066	170						
58430-140-087	169						
58430-150-100	169						
58430-160-146	169						
58430-180-161	170						
58430-190-548	170						
58440-110-082	171						
58440-120-083	171						
58440-130-084	171						
58440-140-080	171						
58450-110-095	170						

# INDEX BY "COMPARE TO" CROSS REFERENCE

OEM #	PG	OEM #	PG	OEM #	PG	OEM #	PG
6-500-00	189	271141	198	B-9	185, 187	R38013B	187
6-504-00	189	271148	197	B10	190	R172008W	199
9-100-1014	191	271151	196, 197	B15	189	R211526	185
9-100-1017	189	271152B	195, 197	B25	190	R0357200	100
9-100-1108	189	271156	197	B-33	187	R0359000	194
9-100-1114	189	271157	197	B-36	187	R0621000	190
9-100-1115	189	271158	197	B-37	185, 187	R03576000	194
9-100-1132	189	271160	197	B-38	187	S-20	185, 187, 199
9-100-1200	189	271161	198	B-39	187	SP0410X502S	99
9-100-1201	189	271163	197	B-43	187	SP0410X602S	99
9-100-3002	189	271164	197	B-99	187	SP0714T	96
9-100-3006	189	271166	197	B-106	187	SP1070	184, 185, 187
9-100-3007	189	271168	197	B-136	187	SP1074S	199
9-100-3008	189	272101	198	B-152	185, 187	SP1082CA	184
9-100-3009	189	272400	198	B-167	185, 187	SP1106	129
9-100-3011	189	272401	198	B-168	187	SP11041	129
9-100-3105	190	272402	197	B-199	185, 187	SP11051	129
9-100-3109	189	272403	197	B-200	185, 187	SP11052	129
9-100-9001	189	272405	196, 197	B-203	187	SP11054	129
9-150-1002	189	272409	197	B-204	185	SPX0410BA	99
10-112-00	189	272412	196, 197	B-207	185, 187	SPX0507A1	163
19-0163-1	187	272413	197	B-215	185, 187	SPX0603S	198
43-0618-03-R	193	272422	195	B-219	185	SPX710FL	198
48-080	189	272505	196	B-220	187	SPX0710G DE	198
48-085	189	272511	196	C1-200PA	200	SPX0710G Sand	198
48-222	189	272512	196	C3-1391P1	201	SPX710K	198
51-3036	187	272520	196, 197	C6	190	SPX0710MA	198
51B1026	184, 187	272531	195	C7	190	SPX0710X	197
88-1943-10-R	193	272535	198	C8-58P	185, 187	spx0710xba17	195
340-1139	187	272541	196	C10	190	SPX0710XC	197
542-3240	185, 187	272550	198	C11	190	SPX0710XD	197
1004	190	272555	196	C16	190	SPX710XF	197
1008	190	272599	198	C55	189	SPX0710XZ3	196, 197
1116	190	273207	198	C56	189	SPX0710XZ7	197
1117	190	273241	99	C60	189	SPX0710Z1A	197, 198
3002B	192	273241 (SS)	99	C64	189	SPX0710Z16	197, 198
3201	192	273512	196	C65	189	SPX0710Z26	198
3302	192	273550	100	C66	190	spx0714ba	195
006723F	199	273564	100	C67	189	SPX0714CA	198
8101	192	274404	197	C68	190	SPX0714G	198
8112	192	274407	197	C80	189	SPX0714L	196, 198
27089	99	274494	196, 197	C86	189	SPX0714Z1	198
070387	185, 187	274556	197	C108-33P	187	SPX715BA	195
073126 WFE-2	200	275333	196, 197	C120	189	SPX0715BA3	195
073127 WFE-3	200	350157	199	C153-53P1	201	SPX0715C	198
073128 WFE-4	200	354053	196, 198	C180-33P	187	SPX0715D	198
073129 WFE-6	200	354530	201	CX3000C	194	SPX0715G DE	198
073130 WFE-8	200	354531	201	CX3030C	194	SPX0715G Sand	198
073131 WFE-12	200	354541	196	CX5030C	194	SPX0715Z1	196
073270Z	194	355043	200	D10	189	SPX0722D2	99
073502	199	355067	200	D11	189	SPX0727E	198
074564	200	355068	200	D15	189	SPX0735GA	196, 197, 198
152130	197	355074	200	D20	189	SPX1082CA	185, 187
152165	96, 196, 197	355086	200	D29	189	SPX1082D	129
152167	197	355093	200	D30	189	SPX1091C	187
152168	197	355301	201	D45	190	SPX1094FA	187
154412	100	355302	200	D47	190	SPX1096CA	187
154493	196	355318	185	D50	190	SPX1483C	196, 198
154566	197	355667	187	D52	190	SPX1500D2A	201
154687	100	357100	200	DEX2400C	194	SPX1500LX	187
154689	100, 199	357143	200	DEX2400S	100	SPX1600M	185, 187
154699	201	850001	187	EcX2712-b1	198	SPX1621C	200
190059	198	850012	187	G5	190	SPX2600C	200
191479	196, 197, 198	23112903R	193	G6	190	SPX2605C	200
261050	97	43061803K	193	G52	189	SPX2607C	200
261055	97	43061902R	193	G53	189	SPX2610C	200
261185	97	43112804K	193	G54	189	SPX2615C	200
262504	96	43114404R	193	G57	189	SPX2800M	187
262505	96	43124601R	193	G62	189	SPX3000M	185, 187
262506	96	51013811	99	G64	189	SX200Z9	196, 197
263055	99	85001500	129	GM600-NM	197	TSP10P	190
263055 (SS)	99	91110000	187	GMX600F	196	U-3	184, 185, 187
263064	99	98206400	198	GMX600MN	96	W530	185
263079	99	98209800	100	196, 197	197	W4666	192
270067	195	98211400	197	191	191	W69698	192
270068	195, 197	A16	191	191	191	W70327	192
270085	196	A20	189	191	191	W81600	192
271103	196, 197	AP 850001	185	191	191		
271104	197	B5	190	189	189		
271106	198	B6	190	187	187		

# TERMS & CONDITIONS

---

- CONTACT** For written communication, including payment of invoices, please send to:  
Custom Molded Products, Inc.  
36 Herring Road  
Newnan, GA 30265  
Phone: 770-632-7112 Fax: 770-632-7115
- ORDERING** Customers should place orders directly with CMP at the phone or fax numbers presented above. To ensure prompt and proper shipment, please order by using complete part numbers and descriptions. All telephone orders must be followed up with a written confirmation purchase order.  
Our catalog and price list contain box/bag quantities for most parts. Currently CMP does not apply a surcharge for broken carton orders. Please help us maintain this policy by ordering in full carton quantities.  
*Thank you for your cooperation!*
- TERMS** Payment for products is C.O.D. Net terms may be established upon completion of a satisfactory credit check. Past due accounts will be C.O.D. Customers with unpaid balances will be considered delinquent and will be subject to a service charge of 1-1/2% per month on the past due amount.
- FREIGHT** Pricing and terms are FOB–Newnan, Georgia unless otherwise specified. Freight charges are Pre-Pay and Add unless otherwise specified. All claims for lost or damaged freight must be made by the purchaser and directly to the freight carrier within the carrier’s established time limit.
- INVOICES** Please pay by invoice per the terms on the sales invoice. There will be a \$20.00 minimum service charge on all NSF or returned checks.
- BILLING ERRORS** Appropriate debits or credits will be applied to accounts or invoices that are in error. Please contact Custom Molded Products if you have questions regarding your invoice or if you think your account is in error.
- RETURNED GOODS** Merchandise will not be accepted for return without a Returned Materials Authorization (RMA) number issued by Custom Molded Products, which should be marked on all returned cartons. Returned shipments not having prior authorization will be refused. All returned merchandise must be new and unused with the exception of defective goods. A 25% restocking charge will be applied against any credit issued for salable merchandise. All goods must be returned freight pre-paid within 30 days after receipt of shipment.
- NOTICE** CMP reserves the right to change at any time and without notice colors, materials, specifications, part numbers and prices to any products appearing in this publication

# CMP LIMITED WARRANTY

Custom Molded Products, LLC takes great pride in the quality products that it manufactures. The company maintains high standards for the materials and workmanship that it invests in its products. Accordingly, Custom Molded Products makes this express Limited Warranty with respect to products manufactured solely by Custom Molded Products, LLC, as follows:

Custom Molded Products warrants its products to be free of defects in material and workmanship for a period of one (1) year from the date of original purchase of the Custom Molded Products product unless otherwise noted.

Exceptions to standard CMP one (1) year warranty:

- DEL UV-C 50: 2 year warranty
- UV-C Bulbs for DEL AOP & UV-C 50: 18 months
- Powerclean Salt Ultra: 3 year warranty
- Powerclean Salt Ultra Extended Life: 4 year warranty
- Powerclean Salt Econ: 2 year warranty

This Limited Warranty will be applicable only if the product manufactured by Custom Molded Products is the sole and exclusive cause of a defect which is covered by this Limited Warranty. Your sole and exclusive remedy against Custom Molded Products, LLC, arising from the purchase or use of a product manufactured by Custom Molded Products, LLC is limited to the repair or supply of a replacement product in substitution of the product which is determined to be defective (after examination, verification and approval by Custom Molded Products, LLC) with a product of equivalent quality. All other compensation of whatever nature is hereby expressly excluded. This Limited Warranty begins on the date of first purchase of a product from Custom Molded Products, LLC.

The Limited Warranty is extended to the party making the original purchase of products from Custom Molded Products, LLC and no warranty is made nor authorized to be made assignable on resale by the original purchaser of products from Custom Molded Products, LLC. The repair or replacement product issued by Custom Molded Products, LLC pursuant to this Limited Warranty shall be warranted for only the unexpired portion of the original Limited Warranty.

This Limited Warranty does not apply to component parts manufactured by others or for damage to products manufactured by Custom Molded Products, LLC if such damage is caused by component parts manufactured by others. For component products manufactured by others the warranty established by that respective manufacturer, if any, will be applicable.

THIS LIMITED WARRANTY DOES NOT COVER:

- Costs incurred in the shipment or cartage, removal and/or reinstallation (including but not limited to labor costs) with respect to the replacement product made available by Custom Molded Products, LLC pursuant to this Limited Warranty.
- Damage or improper operation of a product governed by this Limited Warranty to the extent same is caused by customer abuse, misuse, negligence, or failure to follow installation or operation instructions.
- Use for which the product is not designed.
- Fire, explosion, weather conditions or natural disasters.
- Faulty or improper installation.
- Ordinary wear and tear.
- Damage caused by negligent or improper maintenance procedures and other causes not specified, by beyond the control of Custom Molded Products, LLC.
- Improper packaging, repackaging or damage incurred in shipping.

# CMP LIMITED WARRANTY

---

In order for this Limited Warranty to be effective you must:

- Be the original purchaser of the product from Custom Molded Products, LLC.
- Have not structurally modified, misused or misapplied the product manufactured by Custom Molded Products.
- Have maintained the Custom Molded Products product in accordance with the instructions from Custom Molded Products, LLC or as described in maintenance materials provided by Custom Molded Products, LLC to you.
- Have complied with all terms for the payment of the Custom Molded Products product.
- Made your claim in writing to Custom Molded Products within the time provided and in accordance with the terms of this Limited Warranty.

THERE ARE NO WARRANTIES APPLICABLE TO PRODUCTS MANUFACTURED BY CUSTOM MOLDED PRODUCTS EXCEPT AS EXPRESSLY STATED HEREIN AND THIS WARRANTY IS IN SUBSTITUTION FOR AND IN LIEU OF ALL OTHER WARRANTIES, WHETHER EXPRESSED OR IMPLIED, INCLUDING WITHOUT LIMITATION, ANY WARRANTIES OF MERCHANTABILITY OR FITNESS FOR A PARTICULAR PURPOSE.

UNDER NO CIRCUMSTANCES SHALL CUSTOM MOLDED PRODUCTS BE LIABLE FOR ANY LOSS OR ANY DIRECT, INDIRECT, INCIDENTAL, SPECIAL OR CONSEQUENTIAL DAMAGE OR COSTS. CUSTOM MOLDED PRODUCTS SHALL NOT BE LIABLE FOR ANY LOSS OF USE, INCOME OR PROFIT, DAMAGE TO OTHER PROPERTY, ATTORNEY'S FEES OR THIRD PERSON CLAIMS NOT WITHSTANDING A PRIOR NOTICE TO THAT EFFECT FROM THE BUYER OR UNDER ANY OTHER CIRCUMSTANCES.

CUSTOM MOLDED PRODUCTS SHALL HAVE NO LIABILITY TO THE BUYER AND SHALL HAVE NO RESPONSIBILITY FOR THE COSTS OF LABOR, TRANSPORTATION OR OTHER COST INCURRED IN THE REMOVAL AND/OR INSTALLATION OF PRODUCTS MANUFACTURED BY CUSTOM MOLDED PRODUCTS COVERED BY THIS WARRANTY.

THE SOLE AND EXCLUSIVE REMEDY FOR CUSTOM MOLDED PRODUCTS' LIABILITY OF ANY KIND AND THE SOLE AND EXCLUSIVE REMEDY OF THE BUYER, WHETHER IN LAW OR IN EQUITY FOR A BREACH BY CUSTOM MOLDED PRODUCTS OF ANY AND ALL WARRANTIES SHALL BE LIMITED TO THE REPAIR OF, OR AT CUSTOM MOLDED PRODUCTS' OPTION, THE REPLACEMENT OF PRODUCTS MANUFACTURED BY CUSTOM MOLDED PRODUCTS WHICH ARE COVERED BY THIS WARRANTY.

This warranty is valid only in the United States of America.

## TIME LIMIT ON COMMENCING LEGAL ACTION

It is agreed that you have 30 days from the accrual of a claim to inform CUSTOM MOLDED PRODUCTS, LLC. by registered mail with acknowledgement of receipt. It is agreed that you have one year from the accrual of a claim to commence any legal action arising from the purchase of a product manufactured by CUSTOM MOLDED PRODUCTS, LLC.

This Limited Warranty shall be governed by and construed in accordance with laws of the State of Georgia, except as to its principles of conflicts of laws, and CUSTOM MOLDED PRODUCTS, LLC and you irrevocably submit to the jurisdiction of the State of Georgia and the venue of Coweta County in any action brought by the parties hereto concerning this Limited Warranty or the performance by CUSTOM MOLDED PRODUCTS, LLC thereunder.

For communication related to replacement products or other issues respecting this Limited Warranty, please contact:

Custom Molded Products, LLC.  
36 Herring Road, Newnan, Georgia 30265  
Phone: 770.632.7112 FAX: 770.632.7115

# CONTENT & TRADEMARK DISCLAIMERS

## CATALOG CONTENT AND SPECIFICATIONS

All illustrations, photographs, product details and specifications in this catalog are current as of available information at the time of printing.

CMP reserves the right to change at any time and without notice colors, materials, specifications, part numbers and prices to any products appearing in this publication.

For regularly updated and the most current product information visit CMP online at [www.c-m-p.com](http://www.c-m-p.com)

## TRADEMARKS

The CMP logo, division lockup and everything matters® tagline are registered trademarks of Custom Molded Products, LLC. All CMP Pool Product logos and trademarks are property of CMP. Natural Wonders™, Brilliant Wonders®, Smart Sync®, AquaLevel™, Powerclean™, Hydroseal™, Spa Master™, AquaElements®, Pool Defender®, Flowskim™, Pro Tools™, DEL AOP™, DEL UV-C™, DEL Ozone™ and The Complete Modern Pool™ are trademarks and/or registered trademarks of CMP.

The absence of a trademark, trade name or service mark from the above list does not constitute a waiver of our intellectual property rights concerning that trademark, trade name or service mark. All custom graphics, icons, logos and words listed above are trade names, trademarks or service marks of Custom Molded Products in the United States and/or other countries.

The trademarks and names of other companies and products mentioned and/or referenced herein are the property of their respective owners.

All Pentair trademarks and logos are owned by Pentair or one of its global affiliates. Pentair®, SuperFlo®, Dynamo®, Sta-Rite®, Challenger®, Rainbow™, FNS®, Admiral™, Tagelus®, Triton®, Quad D.E.®, Nautilus™, American Products™, WhisperFlo®, Max-E-Pro®, PacFab™, Max-E-Glas®, Dyna-Glas™, SAm® are trademarks and/or registered trademarks of Pentair Water Pool and Spa, Inc. and/or its affiliated companies in the United States and/or other countries.

Polaris®, Tailsweep Pro® Baracuda® and Jandy® are registered trademarks of Zodiac International. Zodiac® is a registered trademark of Zodiac International, S.A.S.U.

Jacuzzi® is a registered trademark of Carvin Pool Equipment, Inc.

Hayward®, Power-Flo®, Super Pump®, Super II® are registered trademarks of Hayward Industries, Inc.

Waterway® is a registered trademark of B & S Plastics, Inc

Aquabot® is a registered trademark of Aqua Products, Inc

Aladdin® is a registered trademark of Aladdin Equipment Company

JetArray® is a registered trademark of Sultan Products, LLC

Hydro Air® is a registered trademark of Balboa Water Group

Raypak® is a registered trademark of Raypak, Inc







## Custom Molded Products, LLC

announces that the quality management system of Custom Molded Products, Inc, a wholly-owned subsidiary of CMP, has been assessed and registered by Intertek as conforming to the requirements of:

### ISO 9001:2015

The facility is thereby an ISO certified and Intertek registered company. This registration is subject to the company maintaining a Quality Management System to the above standard, which will be monitored by Intertek.

Please consult the website <http://www.cnca.gov.cn> for further information.



Certificate Number:	111511012
Date:	04 January 2017
Valid Until:	08 January 2019
EAC Code:	14

# CHECK OUT THE BRAND NEW C-M-P.COM

## WE DESIGNED THE NEW WEBSITE JUST FOR YOU

We've gone and taken our website to the next level. Our improved design isn't just a pretty facelift. Our goal is to continue building a website that you will love to use.

## NEW FEATURE: USER ACCOUNTS

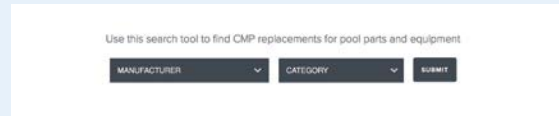
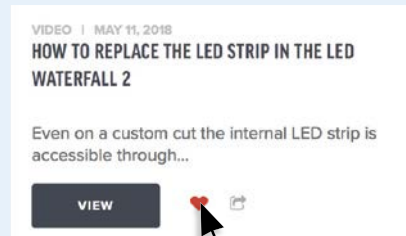
Create your FREE user account at [www.c-m-p.com/register](http://www.c-m-p.com/register)

### SAVE IT FOR LATER

Just click the heart icon and you can save videos, brochures, product manuals and favorite products to your account. Find exactly what you need when you need it later.

### REPLACEMENT PART TOOLBOX

With a free account get access to this great tool to easily find CMP factory quality replacement parts for pool equipment and more.



## ALL NEW, REDESIGNED, INTERACTIVE CONTENT

Every page has been enhanced with more product info, interactive images, technical info and infographics.



## NEW FEATURE: RESOURCE CENTER

Find all CMP Videos, Articles, and Downloadable Resources all in one place  
[C-M-P.COM/RESOURCE-CENTER](http://C-M-P.COM/RESOURCE-CENTER)



## EVEN MORE . . .

INTERACTIVE IMAGES  
IMPROVED SEARCH  
BETTER MOBILE EXPERIENCE

PRODUCT GUIDE GRID VIEW  
DISTRIBUTOR LOCATOR  
SEARCH FILTERS  
MORE SUPPORT PAGES

SIMPLER ORGANIZATION  
ALL NEW CAREERS PAGE  
RECOMMENDED PRODUCTS

# THE PREMIER SUPPLIER OF POOL, SPA & BATH COMPONENTS

Pool, Spa and Bath industry professionals around the world all depend on CMP.  
If you are a spa designer, pool builder, bath manufacturer or retail store owner,  
you can depend on CMP products, service and support. Because when the  
difference is in the details, everything matters®.

**CMP**® everything matters.

[www.c-m-p.com](http://www.c-m-p.com)

1-800-733-9060

ORDERS: [CS@c-m-p.com](mailto:CS@c-m-p.com)

PRODUCT INFO: [PoolSales@c-m-p.com](mailto:PoolSales@c-m-p.com)

36 HERRING ROAD, NEWNAN, GA 30265