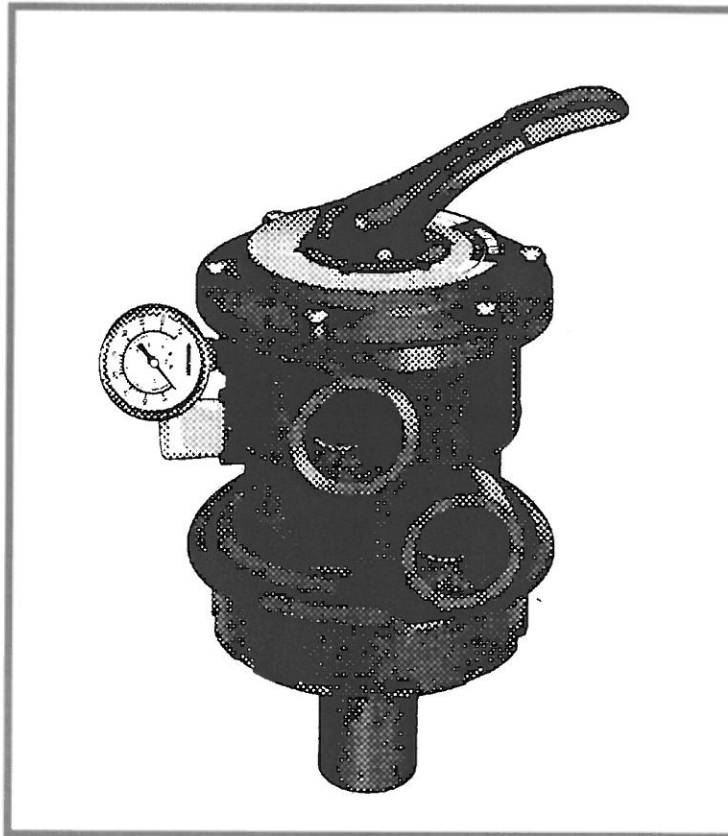


SERIES Vari-Flo® XL



OWNER'S MANUAL

Models **SP0714TC/SP0714TE/SP0714T**

IMPORTANT SAFETY INSTRUCTIONS

Basic safety precautions should always be followed, including the following: Failure to follow instructions can cause severe injury and/or death.

⚠ This is the safety-alert symbol. When you see this symbol on your equipment or in this manual, look for one of the following signal words and be alert to the potential for personal injury.

⚠ **WARNING** warns about hazards that could cause serious personal injury, death or major property damage and if ignored presents a potential hazard.

⚠ **CAUTION** warns about hazards that will or can cause minor or moderate personal injury and/or property damage and if ignored presents a potential hazard. It can also make consumers aware of actions that are unpredictable and unsafe.

The **NOTICE** label indicates special instructions that are important but not related to hazards.



WARNING - Read and follow all instructions in this owner's manual and on the equipment. Failure to follow instructions can cause severe injury and/or death.

WARNING – Suction Entrapment Hazard.



Suction in suction outlets and/or suction outlet covers which are, damaged, broken, cracked, missing, or unsecured can cause severe injury and/or death due to the following entrapment hazards:



Hair Entrapment- Hair can become entangled in suction outlet cover.

Limb Entrapment- A limb inserted into an opening of a suction outlet sump or suction outlet cover that is damaged, broken, cracked, missing, or not securely attached can result in a mechanical bind or swelling of the limb.



Body Suction Entrapment- A negative pressure applied to a large portion of the body or limbs can result in an entrapment. Evisceration/ Disembowelment - A negative pressure applied directly to the intestines through an unprotected suction outlet sump or suction outlet cover which is, damaged, broken, cracked, missing, or unsecured can result in evisceration/ disembowelment.



Mechanical Entrapment- There is potential for jewelry, swimsuit, hair decorations, finger, toe or knuckle to be caught in an opening of a suction outlet cover resulting in mechanical entrapment.

WARNING - To Reduce the risk of Entrapment Hazards:

o When outlets are small enough to be blocked by a person, a minimum of two functioning suction outlets per pump must be installed. Suction outlets in the same plane (i.e. floor or wall), must be installed a minimum of three feet (3') [1 meter] apart, as measured from near point to near point.

o Dual suction fittings shall be placed in such locations and distances to avoid "dual blockage" by a user.

o Dual suction fittings shall not be located on seating areas or on the backrest for such seating areas.

o The maximum system flow rate shall not exceed the flow rating of as listed on Table 1.

o Never use Pool or Spa if any suction outlet component is damaged, broken, cracked, missing, or not securely attached.

o Replace damaged, broken, cracked, missing, or not securely attached suction outlet components immediately.

o In addition two or more suction outlets per pump installed in accordance with latest ASME, APSP Standards and CPSC guidelines, follow all National, State, and Local codes applicable.

o Installation of a vacuum release or vent system, which relieves entrapping suction, is recommended.

WARNING – Failure to remove pressure test plugs and/or plugs used in winterization of the pool/spa from the suction outlets can result in an increase potential for suction entrapment as described above.

WARNING – Failure to keep suction outlet components clear of debris, such as leaves, dirt, hair, paper and other material can result in an increase potential for suction entrapment as described above.

WARNING – Suction outlet components have a finite life, the cover/grate should be inspected frequently and replaced at least every ten years or if found to be damaged, broken, cracked, missing, or not securely attached.

CAUTION – Components such as the filtration system, pumps and heater must be positioned so as to prevent their being used as means of access to the pool by young children.

WARNING – Never operate or test the circulation system at more than 50 PSI.

WARNING – Never change the filter control valve position while the pump is running.

WARNING – To reduce risk of injury, do not permit children to use or climb on this product. Closely supervise children at all times. Components such as the filtration system, pumps, and heaters must be positioned to prevent children from using them as a means of access to the pool.



WARNING – Hazardous Pressure. Pool and spa water circulation systems operate under hazardous pressure during start up, normal operation, and after pump shut off. Stand clear of circulation system equipment during pump start up. Failure to follow safety and operation instructions could result in violent separation of the pump housing and cover, and/or filter housing and clamp due to pressure in the system, which could cause property damage, severe personal injury, or death. Before servicing pool and spa water circulation system, all system and pump controls must be in off position and filter manual air relief valve must be in open position. Before starting system pump, all system valves must be set in a position to allow system water to return back to the pool. Do not change filter control valve position while system pump is running. Before starting system pump, fully open filter manual air relief valve. Do not close filter manual air relief valve until a steady stream of water (not air or air and water) is discharged.



WARNING – Separation Hazard. Failure to follow safety and operation instructions could result in violent separation of pump and/or filter components. Strainer cover must be properly secured to pump housing with strainer cover lock ring. Before servicing pool and spa circulation system, filters manual air relief valve must be in open position. Do not operate pool and spa circulation system if a system component is not assembled properly, damaged, or missing. Do not operate pool and spa circulation system unless filter manual air relief valve body is in locked position in filter upper body.



⚠ WARNING – Risk of Electric Shock. All electrical wiring **MUST** be in conformance with applicable local codes, regulations, and the National Electric Code (NEC). Hazardous voltage can shock, burn, and cause death or serious property damage. To reduce the risk of electric shock, do **NOT** use an extension cord to connect unit to electric supply. Provide a properly located electrical receptacle. Before working on any electrical equipment, turn off power supply to the equipment.

⚠ WARNING – To reduce the risk of electric shock replace damaged wiring immediately. Locate conduit to prevent abuse from lawn mowers, hedge trimmers and other equipment.

⚠ WARNING – Electrical ground all electrical equipment before connecting to electrical power supply. Failure to ground all electrical equipment can cause serious or fatal electrical shock hazard.

⚠ WARNING – Do **NOT** ground to a gas supply line.

⚠ WARNING – To avoid dangerous or fatal electrical shock, turn **OFF** power to all electrical equipment before working on electrical connections.

⚠ WARNING – Failure to bond all electrical equipment to pool structure will increase risk for electrocution and could result in injury or death. To reduce the risk of electric shock, see installation instructions and consult a professional electrician on how to bond all electrical equipment. Also, contact a licensed electrician for information on local electrical codes for bonding requirements.

Notes to electrician: Use a solid copper conductor, size 8 or larger. Run a continuous wire from external bonding lug to reinforcing rod or mesh. Connect a No. 8 AWG (8.4 mm²) [No. 6 AWG (13.3 mm²) for Canada] solid copper bonding wire to the pressure wire connector provided on the electrical equipment and to all metal parts of swimming pool, spa, or hot tub, and metal piping (except gas piping), and conduit within 5 ft. (1.5 m) of inside walls of swimming pool, spa, or hot tub. **IMPORTANT** - Reference NEC codes for all wiring standards including, but not limited to, grounding, bonding and other general wiring procedures.

⚠ WARNING – Risk of Electric Shock. Connect only to a branch circuit protected by a ground-fault circuit-interrupter (GFCI). Contact a qualified electrician if you cannot verify that the circuit is protected by a GFCI.

⚠ WARNING – Risk of Electric Shock. The electrical equipment must be connected only to a supply circuit that is protected by a ground-fault circuit-interrupter (GFCI). Such a GFCI should be provided by the installer and should be tested on a routine basis. To test the GFCI, push the test button. The GFCI should interrupt power. Push reset button. Power should be restored. If the GFCI fails to operate in this manner, the GFCI is defective. If the GFCI interrupts power to the electrical equipment without the test button being pushed, a ground current is flowing, indicating the possibility of an electrical shock. Do not use this electrical equipment. Disconnect the electrical equipment and have the problem corrected by a qualified service representative before using.

⚠ CAUTION – This pump is intended for use with permanently-installed pools and may be used with hot tubs and spas if so marked. Do not use with storable pools. A permanently-installed pool is constructed in or on the ground or in a building such that it cannot be readily disassembled for storage. A storable pool is constructed so that it is capable of being readily disassembled for storage and reassembled to its original integrity.

SAVE THESE INSTRUCTIONS

HAYWARD® Pool Products Limited Warranty

To original purchasers of this equipment, Hayward Pool Products, Inc. warrants its products to be free from defects in materials and workmanship for a period of ONE (1) year from the date of purchase, when used in single family residential applications.

The limited warranty excludes damage from freezing, negligence, improper installation, improper use or care or any Acts of God. Parts that fail or become defective during the warranty period shall be repaired or replaced, at our option, within 90 days of the receipt of defective product, barring unforeseen delays, without charge.

Proof of purchase is required for warranty service. In the event proof of purchase is not available, the manufacturing date of the product will be the sole determination of the purchase date.

To obtain warranty service, please contact the place of purchase or the nearest Hayward Authorized Service Center. For assistance on your nearest Hayward Authorized Service Center please visit us at www.haywardpool.com.

Hayward shall not be responsible for cartage, removal, repair or installation labor or any other such costs incurred in obtaining warranty replacements or repair.

The Hayward Pool products warranty does not apply to components manufactured by others. For such products, the warranty established by the respective manufacturer will apply.

The express limited warranty above constitutes the entire warranty of Hayward Pool Products with respect to its' pool products and is in lieu of all other warranties expressed or implied, including warranties of merchantability or fitness for a particular purpose. In no event shall Hayward Pool products be responsible for any consequential, special or incidental damages of any nature.

Some states do not allow a limitation on how long an implied warranty lasts, or the exclusion of incidental or consequential damages, so the above limitation may not apply to you. This warranty gives you specific legal rights, and you may also have other rights, which vary from state to state.

*Supersedes all previous publications.

Hayward Pool Products
620 Division Street
Elizabeth, NJ 07207

USE ONLY HAYWARD GENUINE REPLACEMENT PARTS

CAUTION: SHUT OF PUMP BEFORE OPERATING VALVE OR SERVICING.

FUNCTIONS OF VALVE POSITIONS

VALVE SETTING	FLOW DIRECTION THROUGH VALVE
FILTER	PUMP - TOP - THROUGH FILTER - BOTTOM - RETURN For normal filtration and vacuuming pool through filter.
BACKWASH	PUMP - BOTTOM - THROUGH FILTER - TOP - WASTE For cleaning filter.
RINSE	PUMP - TOP - THROUGH VALVE - WASTE For initial start-up and clearing valve of debris after backwashing.
WASTE	PUMP – THROUGH VALVE - WASTE For vacuuming directly to waste, lowering pool level and/or draining pool.
CLOSED	NO CIRCULATION PAST PUMP PORT For shutting off all flow to filter and pool.
RECIRCULATE	PUMP – THROUGH VALVE - RETURN For bypassing filter, but circulating pool water.
WINTER	VALVE NOT IN USE For winterizing.

GENERAL

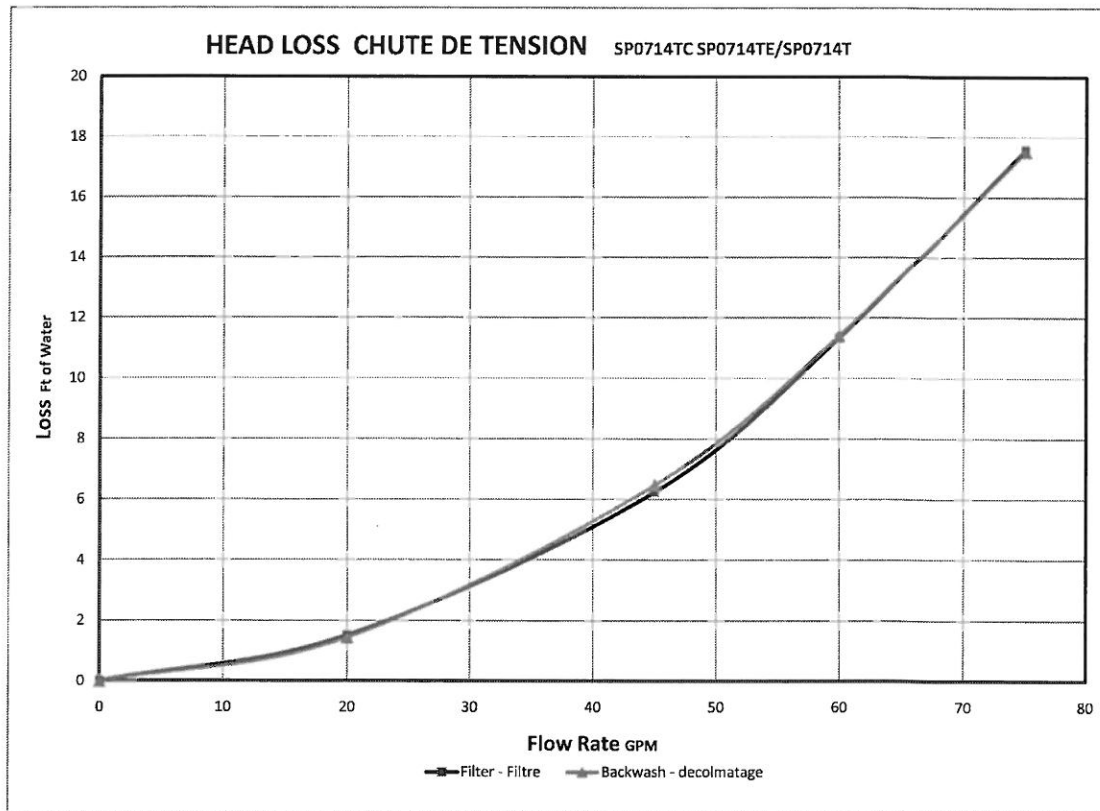
1. A 1/4" NPT pipe tapped port is provided for use of a pressure gauge. (Optional pipe plug provided)
2. **Proper fitting make-up is hand tight plus one to 1-1/2 turns maximum.** Always use Teflon pipe tape or Permatex No.2 for connections to provide a good, "living" seal.

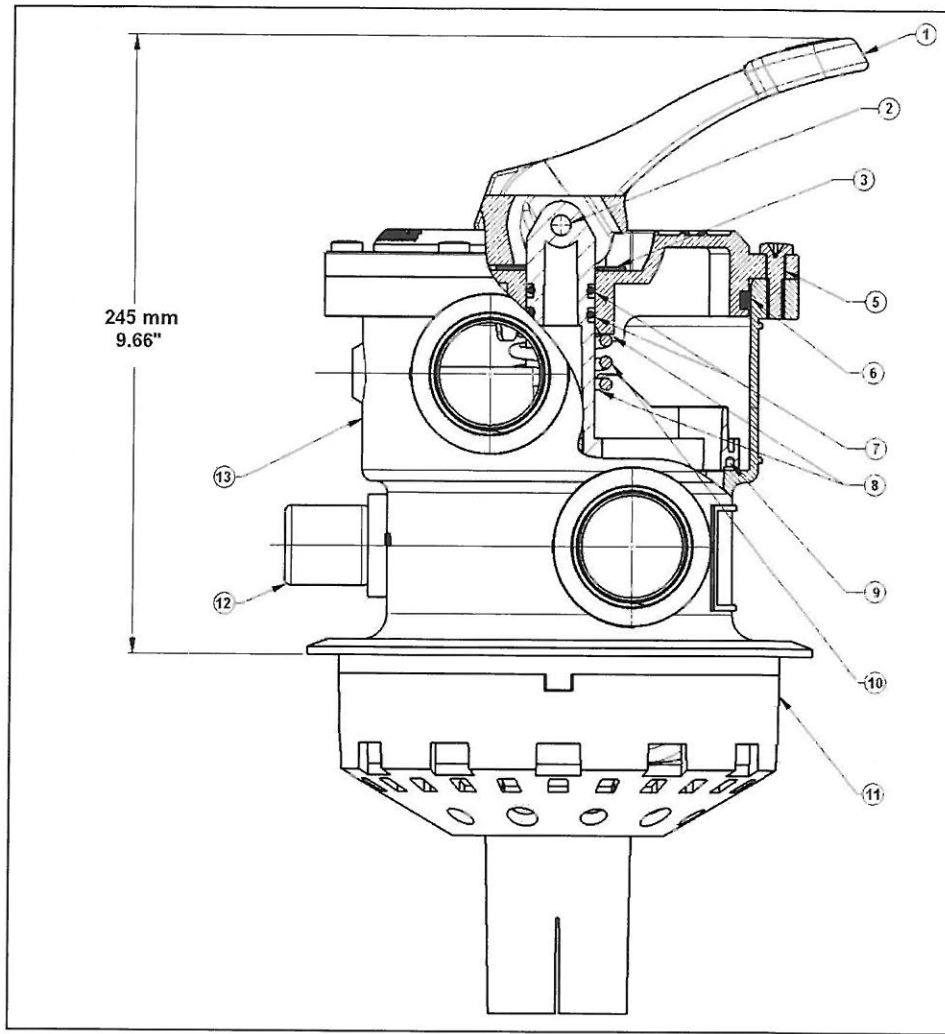
IMPORTANT: Do not over tighten pipe fittings.

3. **WINTERIZING:** Drain and winterize filter and pump per manufacturer's instructions. To drain water from Vari-Flo®XL —depress and rotate valve handle and place handle pointer on raised portion of index hubs at "Winter" position.
4. **SERVICING VALVE:** If it becomes necessary to service or gain access to the key or valve seat gasket:
 - a. Set handle in "Winter" position.
 - b. Remove cover screws.
 - c. Lift cover and key assembly out.
5. **RE-ASSEMBLY VALVE:**
 - a. Wipe debris from cover o-ring.
 - b. Set handle in "Winter" position. Align notch on cover with tab on body. Press down to seat assembly.
 - c. Secure assembly to body with cover screws. Start screw thread in existing thread in body. Tighten cover screws evenly and alternately. Do not over tighten.

CLAMP INSTALLATION:

1. To install clamp, loosely pre-assemble both halves of the clamp with one screw and nut, turning the nut 2 or 3 turns.
2. Install the clamp around the tank and the valve flange, and then assemble the second screw and nut.
3. Tighten both sides of the clamp alternately and evenly. Use a properly sized large screwdriver. Tighten firmly to obtain a good seal.
4. Be sure to place the vinyl protector caps over the exposed ends of the screw.



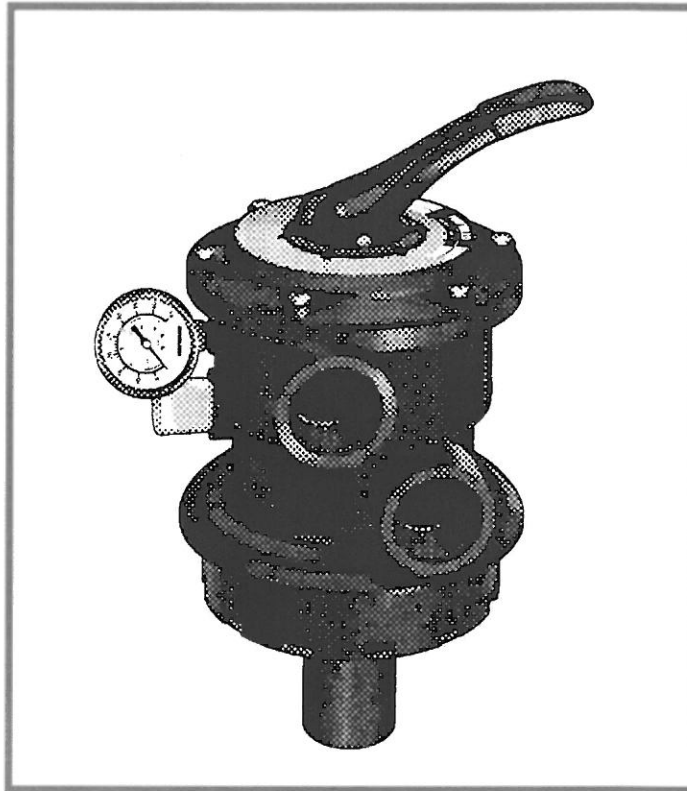


REPLACEMENT PARTS

ITEM	Part Number	Description	Qty
1	SPX0710XF	Handle	1
2	SPX0710XZ7	Handle Pin	1
3	SPX0710Z16	Non-Metallic Bearing	1
4	SPX0714BA	Key, Cover and Handle Assembly	1
5	SPX0714Z1	Cover Screw Pack (Set of 6)	1
6	SPX0714L	Cover O-Ring	1
7	SPX0735GA	O-Ring Shaft Seal Assembly	2
8	SPX0710Z62	Spring Washers (Set of 2)	1
9	SPX0714CA	Key/Seal Assembly	1
10	SPX0603S	Spring	1
11	SPX0714D	Diffuser	1
12	SPX0710MA	Sight Glass w/ Gasket and O-Ring	1
13	SPX0714A	Valve Body with Sight Glass (For SP0714T or SP0714TC)	1

USE ONLY HAYWARD GENUINE REPLACEMENT PARTS

SÉRIE Vari-Flo® XL



MANUEL DU PROPRIÉTAIRE

Modèles **SP0714TC/SP0714TE/SP0714T**

INSTRUCTIONS IMPORTANTES DE SÉCURITÉ

Des précautions de sécurité de base devraient toujours être suivies, y compris la suivante : le non-respect de ces instructions peut causer des blessures graves et/ou la mort.

⚠ Ceci est le symbole d'alerte de sécurité. Lorsque vous voyez ce symbole sur votre équipement ou dans ce manuel, recherchez l'un des termes d'avertissement suivants et soyez conscient des risques de blessures.

⚠ **AVERTISSEMENT** avertit des dangers qui pourraient causer des blessures graves, la mort ou des dommages matériels majeurs et qui, s'ils sont ignorés, présentent un risque potentiel.

⚠ **PRÉCAUTION** avertit des dangers qui causeront ou qui peuvent causer des blessures mineures ou modérées et/ou des dommages matériels et qui, s'ils sont ignorés, présentent un risque potentiel. Il peut aussi permettre aux consommateurs de prendre conscience des actions qui sont imprévisibles et dangereuses.

L'étiquette de NOTICE indique des instructions spéciales qui sont importantes mais qui ne sont pas associées à des dangers.



⚠ AVERTISSEMENT - Veuillez lire et suivre toutes les instructions dans ce manuel du propriétaire et sur l'équipement. Le non-respect de ces instructions peut causer des blessures graves et/ou la mort.

⚠ AVERTISSEMENT – Danger de coincement par aspiration.

L'aspiration dans les sorties d'aspiration et/ou les couvercles de sortie d'aspiration qui sont endommagés, cassés, fissurés, manquants ou non sécurisés peuvent causer des blessures graves et/ou la mort à cause des dangers de coincement suivants :



Coincement des cheveux- Les cheveux peuvent devenir entremêlés dans le couvercle de sortie.



Coincement de membre- Un membre introduit dans l'ouverture d'un puisard de sortie d'aspiration ou un couvercle de sortie d'aspiration qui est endommagé, cassé, fissuré, manquant ou non attaché de façon sécurisée peut causer un grippage mécanique ou l'enflure du membre.



Coincement par aspiration du corps- Une pression négative exercée sur une grande partie du corps ou des membres peut conduire à un coincement.



Éviscération / éventrement - une pression négative exercée directement sur les intestins par l'intermédiaire d'un puisard de sortie d'aspiration non protégé ou un couvercle de sortie d'aspiration qui est endommagé, cassé, fissuré, manquant ou non sécurisé peut conduire à l'éviscération / éventrement.

Coincement mécanique- Les bijoux, les maillots de bain, les décorations des cheveux, les doigts de la main ou du pied ou le talon peuvent être coincés dans l'ouverture d'un couvercle de sortie d'aspiration et causer un coincement mécanique.

⚠ AVERTISSEMENT - Pour réduire le risque des dangers de coincement :

o Lorsque les sorties sont suffisamment petites pour qu'une personne puisse les bloquer, il faut installer un minimum de deux sorties d'aspiration opérationnelles par pompe. Les sorties d'aspiration dans un même plan (c.-à-d. plancher ou mur) doivent être installées à un intervalle minimum de 1 (un) mètre [3 pieds], mesuré entre les points les plus proches.

o Les raccords à double aspiration seront placés dans des lieux et à des distances permettant d'éviter le « double blocage » par un utilisateur.

o Les raccords à double aspiration ne seront pas situés sur les zones de portage ou sur le dossier pour ces zones de portage.

o Le débit maximum du système ne doit pas dépasser le débit indiqué sur le Tableau 1.

o N'utilisez jamais la piscine ou le spa si tout composant de la sortie d'aspiration est endommagé, cassé, fissuré, manquant ou non attaché de façon sécurisée.

o Remplacez immédiatement les composants de la sortie d'aspiration qui sont endommagés, cassés, manquants ou non attachés de façon sécurisée.

o En plus de l'installation de deux sorties d'aspiration ou plus par pompe, conformément aux normes ASME et APSP et aux directives CPSC les plus récentes, suivez tous les codes nationaux, provinciaux et locaux en vigueur.

o Il est recommandé d'installer un système de détente de vide ou d'évent pour détendre l'aspiration causant les coincements.

⚠ AVERTISSEMENT – Ne pas retirer les bouchons de test de pression et/ou les bouchons utilisés pour la protection contre le froid de la piscine/spa sur les sorties d'aspiration peut causer l'augmentation des risques de coincement par aspiration décrits ci-dessus.

⚠ AVERTISSEMENT – Ne pas conserver les composants des sorties d'aspiration dépourvus de débris tels que les feuilles, les impuretés, les cheveux, le papier ou autres matières peut causer l'augmentation des risques de coincement par aspiration décrits ci-dessus.

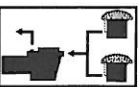
⚠ AVERTISSEMENT – Les composants de sortie d'aspiration ont une durée de vie limitée; le couvercle/la grille devraient être inspectés fréquemment et remplacés au moins tous les dix ans ou s'ils s'avèrent être endommagés, cassés, fissurés, manquants ou non attachés de façon sécurisée.

⚠ PRÉCAUTION – Les composants tels que le système de filtration, les pompes et le réchauffeur doivent être positionnés de façon à empêcher qu'ils soient utilisés comme moyens d'accès à la piscine par les jeunes enfants.

⚠ AVERTISSEMENT – Ne faites jamais marcher le système de circulation et ne faites jamais son essai à plus de 50 PSI.

⚠ AVERTISSEMENT – Ne changez jamais la position de la soupape de commande du filtre pendant que la pompe est en marche.

⚠ AVERTISSEMENT – Pour réduire les risques de blessure, ne permettez jamais aux enfants d'utiliser ou de monter sur ce produit. Supervisez étroitement les enfants de façon permanente. Les composants tels que le système de filtration, les pompes et les réchauffeurs doivent être positionnés pour empêcher que les enfants les utilisent comme moyens d'accéder à la piscine.





▲ **AVERTISSEMENT – Pression dangereuse.** Les systèmes de circulation d'eau de piscine et de spa fonctionnent avec des pressions dangereuses pendant leur démarrage, leur fonctionnement normal et après l'arrêt de la pompe. Éloignez-vous de l'équipement du système de circulation pendant le démarrage de la pompe. Le non-respect des instructions de sécurité et d'utilisation pourrait conduire à la séparation brusque du boîtier de la pompe et du couvercle, et/ou du boîtier du filtre et du collier à cause de la pression dans le système, ce qui pourrait causer des dommages matériels, des blessures graves ou la mort. Avant d'effectuer l'entretien des systèmes de circulation d'eau de piscine et de spa, toutes les commandes du système et de la pompe doivent être en position d'arrêt et la soupape manuelle de détente d'air du filtre doit être en position ouverte. Avant de démarrer la pompe du système, toutes les soupapes du système doivent être réglées à la position qui permettra à l'eau du système de retourner dans la piscine. Ne changez pas la position de la soupape de commande du filtre pendant que la pompe du système est en marche. Avant de démarrer la pompe du système, ouvrez complètement la soupape manuelle de détente d'air du filtre. Ne fermez pas la soupape manuelle de détente d'air du filtre tant qu'un débit d'eau régulier (pas d'air ou de mélange eau-air) n'est pas refoulé.



▲ **AVERTISSEMENT – Danger de séparation** Le non-respect des instructions de sécurité et d'utilisation pourrait conduire à la séparation brusque de la pompe et/ou des composants du filtre. Le couvercle de la crépine doit être attaché en toute sécurité au boîtier de la pompe avec la bague de retenue du couvercle de la crépine. Avant d'effectuer l'entretien du système de circulation de la piscine ou du spa, la soupape manuelle de détente d'air du filtre doit être en position ouverte. N'utilisez pas le système de circulation de la piscine ou du spa si tout composants du système n'est pas monté correctement ou est endommagé ou manquant. N'utilisez pas le système de circulation de la piscine ou du spa si le corps de la soupape manuelle de détente d'air du filtre est en position verrouillée dans le corps supérieur du filtre.



▲ **AVERTISSEMENT – Risque de choc électrique** L'ensemble du câblage électrique DOIT être conforme aux codes locaux et à la réglementation en vigueur, ainsi qu'au Code national de l'électricité (NEC). Une tension dangereuse peut causer une électrocution et des brûlures et conduire à la mort ou des dommages matériels graves. Pour réduire le risque de choc électrique, n'utilisez PAS de rallonge pour connecter l'unité à l'alimentation électrique. Fournissez un réceptacle électrique correctement situé. Avant de travailler sur tout équipement électrique, coupez l'alimentation électrique de l'équipement.

▲ **AVERTISSEMENT –** Pour réduire le risque de choc électrique, remplacez immédiatement le câblage endommagé. Placez le conduit de façon à empêcher son abus causé par les tondeuses à gazon, les taille-haies et autre équipement.

▲ **AVERTISSEMENT –** Mettez à la terre tout l'équipement électrique avant de le connecter à l'alimentation électrique. Ne pas mettre à la terre tout l'équipement électrique peut causer un danger grave ou mortel de choc électrique.

▲ **AVERTISSEMENT –** Ne mettez PAS à la terre en connectant à une conduite d'alimentation de gaz.

▲ **AVERTISSEMENT –** Pour éviter un choc électrique dangereux ou mortel, coupez (OFF) l'alimentation de tout l'équipement électrique avant de travailler sur les connexions électriques.

▲ **AVERTISSEMENT –** Ne pas connecter tout l'équipement électrique à la structure de la piscine augmentera le risque d'électrocution et pourrait conduire à des blessures ou la mort. Pour réduire le risque de choc électrique, voir les instructions d'installation et consultez un électricien professionnel sur la façon de connecter tout l'équipement électrique. Contactez aussi un électricien agréé pour des informations sur les codes électriques locaux concernant les exigences de connexion.

▲ **Remarques à l'attention de l'électricien :** Utilisez un conducteur en cuivre massif de calibre 8 ou plus. Raccordez un fil continu entre la cosse de connexion externe et la tige ou la maille de renfort. Connectez un fil de connexion en cuivre massif no 8 AWG (8,4 mm²) [no 6 AWG (13,3 mm²) pour le Canada] au connecteur de fil de pression fourni sur l'équipement électrique et à toutes les parties métalliques de la piscine, du spa ou du bain chaud, et à la tuyauterie métallique (sauf la tuyauterie de gaz) et aux conduits situés à moins de 1,5 m (5 pieds) des parois intérieures de la piscine, du spa ou du bain chaud.

IMPORTANT - Référez-vous aux codes NEC pour toutes les normes de câblage, y compris, sans limitation, la mise à la terre, la connexion et les autres procédures générales de câblage.

▲ **AVERTISSEMENT –** Risque de choc électrique Connectez seulement à un circuit de dérivation protégé par un disjoncteur de fuite à la terre (GFCI). Contactez un électricien qualifié si vous ne pouvez pas vérifier que le circuit est protégé par un GFCI.

▲ **AVERTISSEMENT –** Risque de choc électrique L'équipement électrique doit être connecté uniquement à un circuit d'alimentation qui est protégé par un disjoncteur de fuite à la terre (GFCI). Un tel GFCI devrait être fourni par l'installateur et devrait être testé régulièrement. Pour tester le GFCI, appuyez sur le bouton de test. Le GFCI devrait couper l'alimentation. Appuyez sur le bouton de réarmement. L'alimentation devrait être rétablie. Si le GFCI ne fonctionne pas de cette façon, il est défectueux. Si le GFCI coupe l'alimentation de l'équipement électrique sans que le bouton de test n'ait été poussé, un courant de terre est présent, ce qui indique la possibilité d'un choc électrique. N'utilisez pas cet équipement électrique. Déconnectez l'équipement électrique et demandez à un représentant de service d'entretien qualifié de corriger le problème avant l'utilisation.

▲ **PRÉCAUTION –** Cette pompe est conçue pour être utilisée avec une piscine installée de façon permanente et peut être utilisée avec des bains chauds ou des spas si elle est marquée pour cela. Ne l'utilisez pas avec des piscines pouvant être remisées. Une piscine installée de façon permanente est construite dans ou sur le sol ou dans un bâtiment, de sorte qu'elle ne peut pas être facilement démontée pour son remisage. Une piscine pouvant être remisée est construite de façon qu'elle puisse être démontée facilement pour son remisage et remontée en reprenant son intégrité d'origine.

CONSERVEZ CES INSTRUCTIONS

UTILISER UNIQUEMENT DES PIÈCES DE RECHANGE HAYWARD AUTHENTIQUES

**PRÉCAUTION : ARRÊTEZ LA POMPE AVANT D'ACTIONNER LA SOUPAPE
OU D'EFFECTUER L'ENTRETIEN.**

FONCTIONS DES POSITIONS DE SOUPAPE

RÉGLAGES DE SOUPAPE	SENS DE L'ÉCOULEMENT TRAVERSANT LA SOUPAPE
FILTRE	POMPE - EN HAUT - TRAVERSÉE DU FILTRE - EN BAS - RETOUR Pour la filtration normale et l'aspiration de la piscine à travers le filtre.
DÉCOLMATAGE	POMPE - EN BAS - TRAVERSÉE DU FILTRE - EN HAUT - EAU USÉE Pour nettoyer le filtre.
RINÇAGE	POMPE - EN HAUT - TRAVERSÉE DE LA SOUPAPE - EAU USÉE Pour le démarrage initial et pour nettoyer la soupape des débris après le décolmatage.
EAU USÉE	POMPE – TRAVERSÉE DE LA SOUPAPE - EAU USÉE Pour aspirer directement vers l'évacuation de l'eau usée, pour abaisser le niveau de la piscine et/ou pour vider la piscine.
FERMÉE	PAR DE CIRCULATION AU-DELÀ DE L'ORIFICE DE LA POMPE Pour arrêter tout le débit vers le filtre et la piscine.
RECIRCULATION	POMPE – TRAVERSÉE DE LA SOUPAPE - RETOUR Pour contourner le filtre mais faire circuler l'eau de la piscine.
HIVER	SOUPAPE NON UTILISÉE Pour la protection contre le froid.

GÉNÉRALITÉS

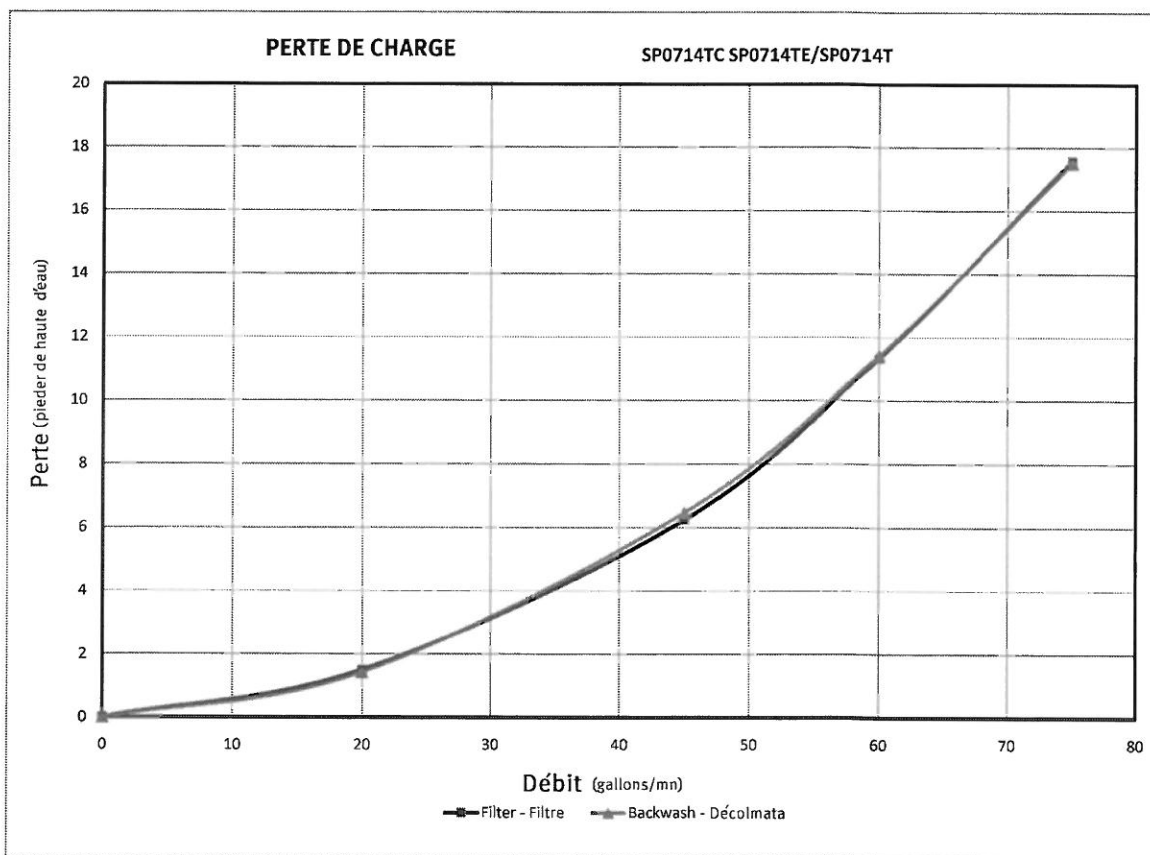
- Un orifice taraudé de tuyau de ¼ po NPT est fourni pour l'utilisation d'un manomètre. (Bouchon de tuyau facultatif fourni)
- Le raccordement correct consiste à serrer à la main, plus un à 1 1/2 tours maximum. Utilisez toujours un ruban de tuyau en téflon ou en Permatex no 2 pour les connexions afin de fournir un bon joint cinétique.

IMPORTANT : Ne serrez pas trop les raccords de tuyau.

- PROTECTION CONTRE LE FROID :** Vidangez et protégez le filtre et la pompe selon les instructions du fabricant. Pour vider l'eau de la Vari-Flo®XL — enfoncez et tournez la poignée de la soupape et placez l'indicateur de la poignée sur la portion soulevée du moyeu à la position « Winter » (hiver).
- ENTRETIEN DE LA SOUPAPE :** S'il devient nécessaire d'effectuer l'entretien de la soupape ou d'avoir accès à la clavette ou au joint d'étanchéité de soupape :
 - Réglez la poignée à la position « Winter ».
 - Retirez les vis du couvercle.
 - Soulevez l'ensemble du couvercle et de la clavette.
- REMONTAGE DE LA SOUPAPE :**
 - Essuyez les débris du joint torique du couvercle.
 - Réglez la poignée à la position « Winter ». Alignez l'encoche du couvercle avec la languette sur le corps. Enfoncez pour installer l'ensemble.
 - Attachez l'ensemble au corps avec les vis du couvercle. Engagez les filets de vis dans les filets existants du corps. Serrez les vis du couvercle uniformément et en alternant. Ne serrez pas trop.

INSTALLATION DU COLLIER :

1. Pour installer le collier, assemblez au préalable sans serrer les deux parties du collier avec une vis et un écrou, en tournant l'écrou de 2 ou 3 tours.
2. Installez le collier autour du réservoir et de la bride de soupape, puis montez la deuxième vis et le deuxième écrou.
3. Serrez les deux côtés du collier uniformément et en alternant. Utilisez un gros tournevis de taille appropriée. Serrez fermement pour obtenir une bonne étanchéité.
4. Assurez-vous de placer les capuchons de protection en vinyle au-dessus des extrémités exposées de la vis.



GARANTIE LIMITÉE DE HAYWARD® Pool Products

Aux acheteurs d'origine de cet équipement, Hayward Pool Products, Inc. garantit que ses produits sont dépourvus de vices de matériau et de main d'œuvre pendant une période d'UN (1) an après la date d'achat, lorsqu'ils sont utilisés dans des installations de maison individuelle.

La garantie limitée exclut les dommages dus au gel, à la négligence, à l'installation incorrecte, à l'utilisation ou l'entretien incorrect, ou à toute Force majeure. Les pièces qui sont défectueuses ou deviennent défectueuses pendant la période de garantie seront réparées ou remplacées gratuitement, selon notre choix, dans un délai de 90 jours après réception du produit défectueux, à l'exception de tout retard non anticipé.

Le justificatif d'achat est requis pour le service de garantie. Si le justificatif d'achat n'est pas disponible, seule la date de fabrication du produit sera utilisée pour déterminer la date d'achat.

Pour obtenir un service sous garantie, veuillez contacter le lieu d'achat ou le Centre d'entretien autorisé Hayward le plus proche. Pour obtenir de l'aide afin de localiser votre Centre d'entretien autorisé Hayward le plus proche, veuillez nous rendre visite à www.haywardpool.com.

Hayward ne sera pas responsable pour la main d'œuvre de transport, de dépose, de réparation ou d'installation ou tout autre frais de ce type encouru pour obtenir un remplacement ou une réparation sous garantie.

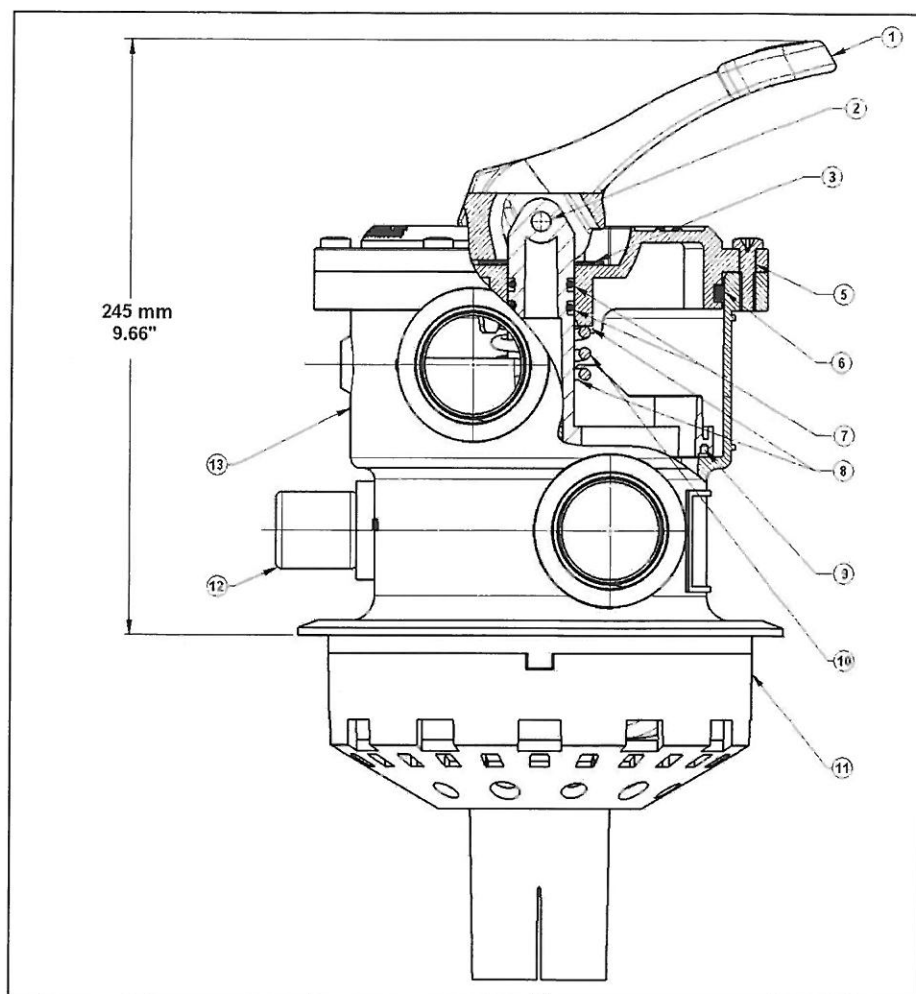
La garantie de Hayward Pool Products ne concerne pas tout composant fabriqué par des tiers. Pour ces produits, la garantie établie par le fabricant concerné est applicable.

La garantie limitée expresse indiquée ci-dessus constitue l'entière garantie de Hayward Pool Products concernant ses produits de piscine et remplace toutes les autres garanties explicites ou implicites, y compris les garanties de valeur marchande ou d'adaptation à un usage particulier. Hayward Pool Products ne sera en aucun cas responsable pour les dommages indirects, spéciaux ou accessoires de toute nature.

Certaines régions ne permettent pas de limitation sur la durée d'une garantie implicite, ou l'exclusion des dommages indirects ou accessoires, aussi la limitation ci-dessus peut ne pas vous être applicable. Cette garantie vous donne des droits juridiques spécifiques et vous pouvez aussi avoir d'autres droits qui varient d'une région à l'autre.

***Remplace toutes les publications précédentes**

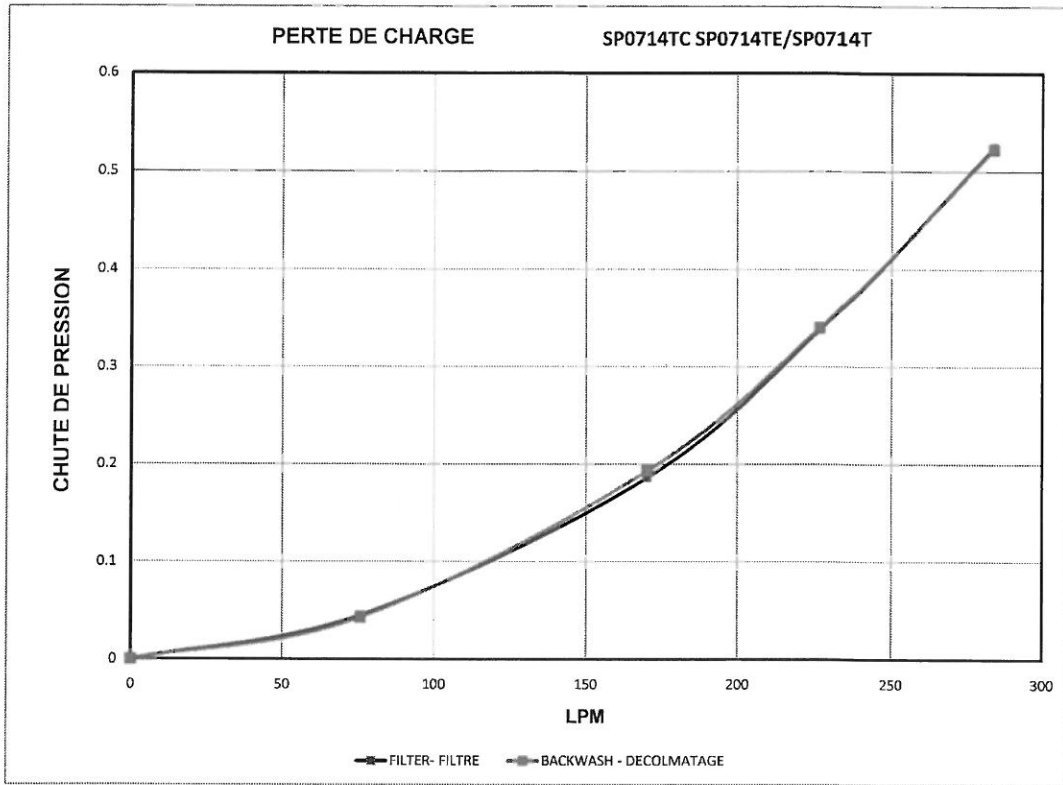
Hayward Pool Products
620 Division Street
Elizabeth, New Jersey 07207



PIÈCES DE RECHANGE

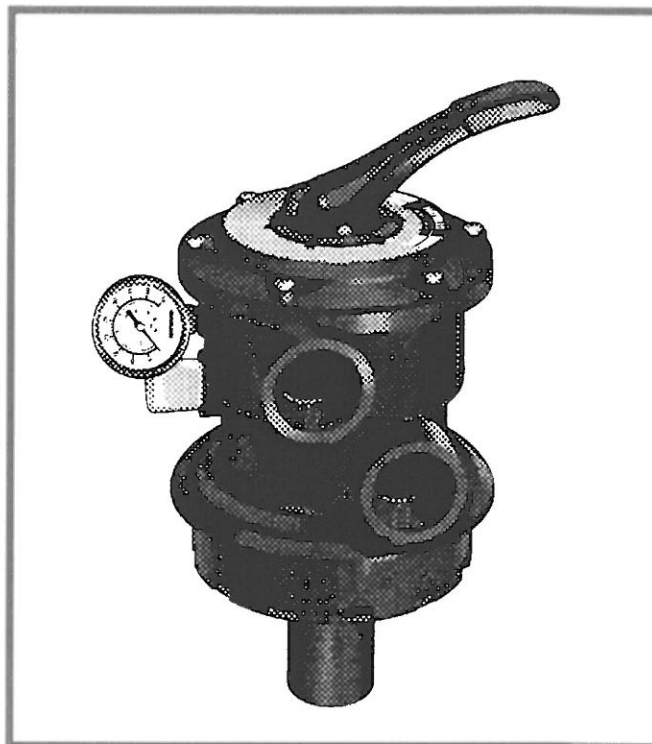
ARTICLE	Numéro de pièce	Description	Qté
1	SPX0710XF	Poignée	1
2	SPX0710XZ7	Goupille de poignée	1
3	SPX0710Z16	Roulement non métallique	1
4	SPX0714BA	Ensemble de clavette, couvercle et poignée	1
5	SPX0714Z1	Jeu de vis de couvercle (6)	1
6	SPX0714L	Joint torique de couvercle	1
7	SPX0735GA	Ensemble de joint d'arbre à joint torique	2
8	SPX0710Z62	Rondelles élastiques (jeu de 2)	1
9	SPX0714CA	Ensemble de clavette/joint	1
10	SPX0603S	Ressort	1
11	SPX0714D	Diffuseur	1
12	SPX0710MA	Hublot avec joint et joint torique	1
13	SPX0714A	Corps de soupape avec hublot (pout SP0714T ou SP0714TC)	1

UTILISER UNIQUEMENT DES PIÈCES DE RECHANGE HAYWARD AUTHENTIQUES



UTILISER UNIQUEMENT DES PIÈCES DE RECHANGE HAYWARD AUTHENTIQUES

SERIE Vari-Flo® XL



MANUAL DEL USUARIO

Modelos **SP0714TC/SP0714TE/SP0714T**

INSTRUCCIONES IMPORTANTES DE SEGURIDAD

Siempre se debe seguir las precauciones básicas de seguridad, incluido lo siguiente: No seguir las instrucciones puede causar lesiones graves y/o la muerte.

⚠ Éste es el símbolo de alerta de seguridad. Cuando vea este símbolo en el equipo o en este manual, busque una de las siguientes palabras de aviso y esté alerta a las posibles lesiones físicas.

⚠ **ADVERTENCIA** avisa sobre los peligros que podrían causar lesiones físicas graves, muerte o daños importantes a la propiedad y que, si se los ignora, pueden constituir un posible peligro.

⚠ **PRECAUCIÓN** avisa sobre peligros que van a o que pueden causar lesiones físicas menores o moderadas y/o daños a la propiedad y que si se los ignora presentan un peligro potencial. También puede hacer que los consumidores se den cuenta de las acciones que son impredecibles y no seguras.

El rótulo **AVISO** indica instrucciones especiales que son importantes pero que no están relacionadas con peligros.



⚠ ADVERTENCIA - Lea y siga todas las instrucciones en este manual del usuario y en el equipo. No seguir las instrucciones puede causar lesiones graves y/o la muerte.

⚠ ADVERTENCIA – Peligro de ser atrapado por la succión.

La succión de las tomas de succión y/o cubiertas de las tomas de succión dañadas, rotas, agrietadas, faltantes o no aseguradas puede causar lesiones graves y/o muerte debido a los peligros siguientes de ser atrapado:



Pelo atrapado- Es posible que el pelo se enrede en la cubierta de la salida de la succión.



Extremidad atrapada- Una extremidad insertada en una abertura de una toma de succión o en una cubierta de toma de succión dañada, rota, agrietada o faltante, o que no está bien asegurada puede resultar en un atasco mecánico o en que se hinche la extremidad.



Cuerpo atrapado por la succión- Una presión negativa aplicada a una parte grande del cuerpo o de las extremidades puede resultar en que quede atrapado.



Evisceración - Una presión negativa aplicada directamente a los intestinos a través de la toma de succión o un sumidero desprotegidos una cubierta de la toma de succión dañada, rota, agrietada o faltante o sin asegurar puede resultar en la evisceración.

Atrapamiento mecánico- Existe el potencial de que joyería, los trajes de baño, decoraciones del pelo, dedos o dedos del pie o nudillos se atasquen en la abertura de la cubierta de una toma de de succión, resultando en atrapamiento mecánico.

⚠ ADVERTENCIA - Para reducir el riesgo de los peligros de atrapamiento:

o Cuando las tomas son suficientemente pequeñas para que las bloquee una persona, se debe instalar un mínimo de dos tomas de succión funcionales por bomba. Se debe instalar las tomas de succión en el mismo plano (como en el piso o la pared), a un mínimo de tres pies (3 pies) [1 metro] de distancia, medida desde un punto cercano a otro punto cercano.

o Se debe colocar tomas de succión dobles en sitios y a distancias tales que se evite que un usuario "bloquee ambas".

o Los accesorios de succión dobles no se deben situar en áreas para sentarse ni en el respaldo de dichas áreas.

o El caudal máximo del sistema no debe exceder el caudal nominal indicado en la Tabla 1.

o Nunca use la piscina ni el spa si hay un componente de la toma de succión dañado, roto, agrietado, faltante o que no está fijado de manera segura.

o Reemplace inmediatamente los componentes de la toma de succión dañados, rotos, agrietados o que no estén instalados de manera segura.

o Además de dos o más tomas de succión por bomba instaladas de acuerdo a las últimas normas de ASME, APSP y las directrices CPSC, siga todos los códigos nacionales, estatales y locales aplicables.

o Se recomienda la instalación de un alivio de vacío o sistema de ventilación, que alivia la succión de atrapamiento.

⚠ ADVERTENCIA – No quitar los tapones de prueba de presión y/o los tapones usados en las tomas de succión para acondicionar la piscina/spa para el invierno puede resultar en un aumento potencial en la posibilidad de verse atrapado por la succión como se describió anteriormente.

⚠ ADVERTENCIA – No mantener los componentes de la toma de succión libres de basura, como hojas, suciedad, pelo, papel y otro material puede resultar en un aumento potencial de la posibilidad de verse atrapado como se describió anteriormente.

⚠ ADVERTENCIA – Los componentes de la toma de succión tienen una vida limitada, se debe inspeccionar con frecuencia cubiertas y rejillas, y se las debe cambiar por lo menos cada diez años o si se determina que están dañadas, rotas, agrietadas o faltan o no están instaladas de manera segura.

⚠ PRECAUCIÓN – Los componentes como el sistema de filtración, las bombas y el calentador se deben colocar de tal manera que eviten que niños jóvenes los usen como un medio de acceso a la piscina.

⚠ ADVERTENCIA – Nunca opere ni pruebe el sistema de circulación a más de 50 PSI.

⚠ ADVERTENCIA – Nunca cambie la posición de la válvula de control del filtro mientras la bomba esté en funcionamiento.

⚠ ADVERTENCIA – Para reducir el riesgo de lesiones, no permita que los niños use ni que se suban a este producto.

Supervise de cerca a los niños en todo momento. Se debe colocar los componentes como el sistema de filtración, las bombas, y los calentadores de manera que se evite que los niños los usen como un medio para acceder a la piscina.



⚠ ADVERTENCIA—Presión peligrosa. Los sistemas de circulación de agua de la piscina o del spa funcionan bajo presiones peligrosas durante la puesta en marcha, durante el funcionamiento normal, y después que se apague la bomba. Permanezca alejado del equipo del sistema de circulación de agua durante el arranque de la bomba. No seguir las instrucciones de seguridad y operación podría resultar en la separación violenta del alojamiento de la bomba y la cubierta, y/o del alojamiento del filtro y la abrazadera debido a la presión existente en el sistema, que podría causar daños a la

propiedad, lesiones físicas graves o la muerte. Antes de dar servicio al sistema de circulación de agua de la piscina o del spa, se debe poner en apagados todos los controles del sistema y la válvula de alivio manual de aire del filtro debe estar en la posición de abierta. Antes de poner en marcha la bomba del sistema, se debe colocar todas las válvulas del sistema en una posición que permita que el agua del sistema vuelva de nuevo a la piscina. No cambie la posición de la válvula de control del filtro mientras la bomba del sistema esté funcionando. Antes de poner en marcha la bomba del sistema, abra completamente la válvula de alivio manual de aire del filtro. No cierre la válvula de alivio manual de aire del filtro hasta que se descargue un flujo continuo de agua (no aire ni aire con agua).



⚠ ADVERTENCIA – Peligro de separación. No seguir cuidadosamente las instrucciones de seguridad y operación puede resultar en la separación violenta de componentes de la bomba y/o del filtro. La cubierta del cedazo debe estar correctamente fijada al alojamiento de la bomba con el anillo de bloqueo de la cubierta del cedazo. Antes de dar servicio al sistema de circulación de la piscina o del spa, la válvula de alivio del aire del filtro manual debe estar en la posición de abierta. No opere el sistema de circulación de piscina o spa si hay un componente del sistema que no está correctamente montado, está dañado o faltante. No opere el sistema de circulación de piscina o spa a menos que el cuerpo de la válvula manual de alivio de aire del filtro se encuentre en la posición de bloqueada en el cuerpo superior del filtro.



⚠ ADVERTENCIA – Riesgo de descarga eléctrica. Todo el cableado eléctrico TIENE que cumplir con los códigos y normas locales aplicables y con el Código Eléctrico Nacional (NEC). Un voltaje peligroso puede causar una descarga, quemaduras y muerte o daños graves a la propiedad. Para reducir el riesgo de una descarga eléctrica NO use un cordón de extensión para conectar la unidad al suministro de energía eléctrica. Se debe proporcionar un receptáculo eléctrico situado adecuadamente. Antes de trabajar en equipo eléctrico, apague la alimentación eléctrica al equipo.

⚠ ADVERTENCIA – Para reducir el riesgo de descargas eléctricas cambie inmediatamente el cableado dañado. Instale el conducto de manera que se evite el abuso por parte de cortadoras de pasto, recortadoras de setos u otro equipo.

⚠ ADVERTENCIA – Conecte a una tierra eléctrica todo el equipo eléctrico antes de conectar a la fuente de energía eléctrica. No conectar a tierra todo el equipo eléctrico puede causar un peligro de descarga eléctrica grave o mortal.

⚠ ADVERTENCIA – NO conecte la tierra a una tubería de suministro de gas.

⚠ ADVERTENCIA – Para evitar descargas eléctricas peligrosas o mortales, APAGUE la alimentación eléctrica a todo el equipo eléctrico antes de trabajar en las conexiones eléctricas.

⚠ ADVERTENCIA – No unir todo el equipo eléctrico a la estructura de la piscina aumentará el riesgo de electrocución y podría resultar en lesiones o muerte. Para reducir el riesgo de descargas eléctricas, consulte las instrucciones de instalación y consulte a un electricista profesional sobre cómo unir todo el equipo eléctrico. Comuníquese también con un electricista local para obtener información sobre los códigos eléctricos locales por los requisitos de unión.

Notas al electricista: Use un conductor de cobre sólido calibre 8 o mayor. Tienda un cable continuo desde una orejeta externa de unión a una varilla o malla de refuerzo. Conecte un cable de cobre sólido de unión No. 8 AWG (8.4 mm²) [No. 6 AWG (13.3 mm²) para Canadá] al conector de alambre a presión proporcionado en el equipo eléctrico y a todas las partes de metal de piscinas de natación, spa, o bañera de hidromasaje, y a la tubería de metal (excepto la tubería de gas), y conductos dentro de 5 pies (1.5 m) de las paredes interiores de piscinas de natación, spa, o bañera de hidromasaje.

IMPORTANTE - Consulte los códigos NEC por todas las normas de cableado incluidas de manera no excluyente, la conexión a tierra, la unión, y otros procedimientos generales de cableado.

⚠ ADVERTENCIA – Riesgo de descargas eléctricas. Conecte sólo a un ramal del circuito que esté protegido por un interruptor contra tierra accidental (GFCI). Comuníquese con un electricista calificado si no puede comprobar que el circuito está protegido por un GFCI.

⚠ ADVERTENCIA – Riesgo de descargas eléctricas. El equipo eléctrico debe estar conectado sólo a un circuito de suministro que esté protegido por un interruptor contra tierra accidental (GFCI). El instalador debe proporcionar este GFCI y lo debe probar de manera rutinaria. Para probar el GFCI, apriete el botón de prueba. El GFCI debe interrumpir la energía eléctrica. Presione el botón de reposición. Se debe restablecer la alimentación. Si el GFCI no funciona de esta manera, es que está defectuoso. Si el GFCI interrumpe la alimentación al equipo eléctrico sin que se presione el botón de prueba, quiere decir que hay una corriente a tierra fluyendo, indicando la posibilidad de una descarga eléctrica. No utilice este equipo eléctrico. Desconecte el equipo eléctrico y haga que un representante de servicio calificado corrija el problema antes de usarlo.

⚠ PRECAUCIÓN – Esta bomba es para usar con piscinas instaladas permanentemente y se puede usar con bañeras de hidromasajes (s) y spas si está marcado. No se debe usar con piscinas que se pueden almacenar. Una piscina instalada permanentemente está construida adentro o sobre el terreno o en un edificio de manera que no se la puede desmontar fácilmente para almacenar. Una piscina para almacenar está construida de manera que se la pueda desmontar fácilmente para almacenarla y luego volver a montarla para que tenga su integridad original.

GUARDE ESTAS INSTRUCCIONES

GARANTÍA LIMITADA DE HAYWARD® Pool Products

Hayward Pool Products, Inc. garantiza al comprador original de este equipo que sus productos están libres de defectos de materiales y de mano de obra durante un período de UN (1) año a partir de la fecha de compra, cuando los productos se usan en aplicaciones residenciales de una sola familia.

La garantía limitada excluye daños debidos al congelamiento, negligencia, instalación indebida, uso o atención indebidos o cualquier acto de fuerza mayor (Acto de Dios). Las piezas que fallen o se resulten defectuosas durante el período de la garantía se reemplazarán o repararán gratis, a nuestra opción, dentro de un plazo de 90 días de haberse recibido el producto defectuoso, a menos que ocurran demoras inesperadas. Se exige una prueba de compra para el servicio bajo la garantía. En caso de que no haya disponible una prueba de compra, la fecha de fabricación del producto será la determinación exclusiva de la fecha de compra.

Para obtener servicio bajo la garantía, comuníquese con el lugar de compra o con el Centro de Servicio Autorizado de Hayward más cercano. Para obtener ayuda de su centro de servicio autorizado de Hayward más cercano, visítenos en www.haywardpool.com.

Hayward no será responsable del acarreo, extracción, reparación o mano de obra para la instalación ni de ningún costo incurrido para obtener el reemplazo o la reparación bajo la garantía.

La garantía de los productos Hayward Pool no se aplica a los componentes fabricados por otros. Para estos productos, se aplicará la garantía establecida por el fabricante respectivo.

La garantía limitada expresa anterior constituye la garantía en su totalidad ofrecida por Hayward Pool Products con respecto a sus productos de piscina y reemplaza todas las demás garantías expresas o implícitas, incluidas las garantías de comerciabilidad o de aptitud para un propósito en particular. Los productos de Hayward Pool no serán responsables en ningún caso de daños consecuentes, especiales o imprevistos de ningún tipo.

Algunos estados no permiten una limitación sobre la duración de una garantía implícita, o la exclusión de daños imprevistos o consecuentes, de manera que es posible que la limitación anterior no se aplique a usted. Esta garantía le proporciona derechos legales específicos, y cabe la posibilidad de que usted tenga otros derechos que pueden variar de un estado al otro.

Hayward Pool Products.
620 Division Street
Elizabeth, NJ 07207

***Reemplaza todas las publicaciones anteriores.**

PRECAUCIÓN: APAGUE LA BOMBA ANTES DE OPERAR LA VÁLVULA O DAR SERVICIO.

FUNCIONES DE LAS POSICIONES DE LA VÁLVULA

AJUSTES DE LA VÁLVULA	DIRECCIÓN DEL FLUJO A TRAVÉS DE LA VÁLVULA
FILTRO	BOMBA - ARRIBA - A TRAVÉS DEL FILTRO - PARTE INFERIOR - REGRESO Para la filtración y aspiración de la piscina a través del filtro.
LAVADO A CONTRACORRIENTE	BOMBA - ABAJO - A TRAVÉS DEL FILTRO - ARRIBA - DESECHOS Para limpiar el filtro.
ENJUAGAR	BOMBA - ARRIBA - A TRAVÉS DE LA VÁLVULA - DESECHOS Para el arranque inicial y para limpiar la válvula de desechos después del lavado a contracorriente.
DESECHOS	BOMBA – A TRAVÉS DE LA VÁLVULA - DESECHOS Para aspirar directamente a los desechos, bajar el nivel de la piscina y/o drenar la piscina.
CERRADA	NO HAY CIRCULACIÓN PASANDO LA LUMBRERA DE LA BOMBA Para apagar todo el flujo al filtro y a la piscina.
RECIRCULAR	BOMBA – A TRAVÉS DE LA VÁLVULA - REGRESO Para omitir el filtro, pero circulando el agua de la piscina.
INVIERNO	LA VÁLVULA NO ESTA EN USO Para preparar para el invierno.

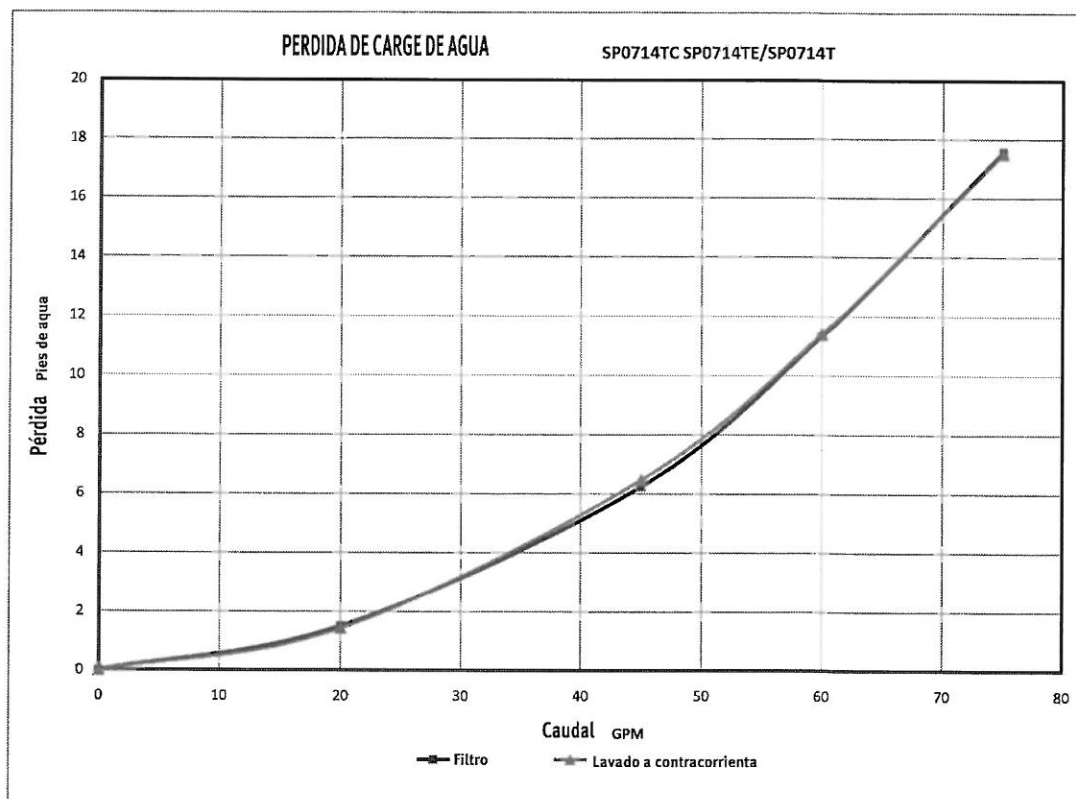
INFORMACIÓN GENERAL

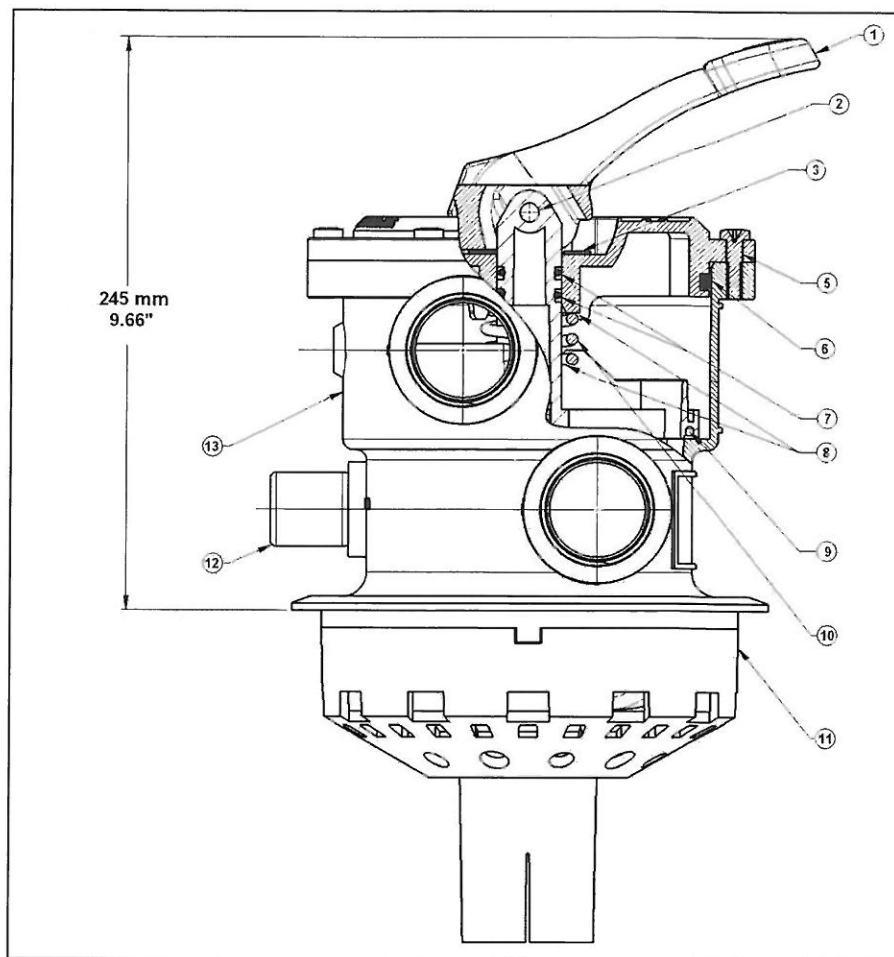
1. Se proporciona una lumbrera roscada para tubería NPT de 1/4 pulgada para usar con un manómetro. (Se proporciona un tapón opcional para la tubería)
2. El ajuste correcto se hace apretando a mano a 1-1/2 giro máximo. Use siempre cinta de teflón para tuberías Permatex No.2 para los conectores para tener un sello "vivo" bueno.
IMPORTANTE: No apriete demasiado los accesorios de la tubería.
3. **PREPARACIÓN PARA EL INVIERNO:** Drene y prepare para el invierno el filtro y la bomba de acuerdo a las instrucciones del fabricante. Para drenar agua del Vari-Flo®XL —presione y haga girar la manija de la válvula y coloque el punto de la válvula en la posición elevada de los cubos del índice en la posición "Winter" (invierno).
4. **PARA DAR SERVICIO A LA VÁLVULA:** Si es necesario dar servicio o acceder a la llave o al asiento de la junta de la válvula.
 - a. Coloque la manija en la posición "Winter" (invierno).
 - b. Extraiga los tornillos de la cubierta.
 - c. Levante y extraiga el montaje de cubierta y llave.
5. **VUELVA A MONTAR LA VÁLVULA:**
 - a. Limpie la suciedad de la junta tórica (o-ring) de la cubierta.
 - b. Coloque la manija en la posición "Winter" (invierno). Alinee la muesca de la cubierta con la lengüeta del cuerpo. Presione hacia abajo para asentar el montaje.
 - c. Asegure el montaje al cuerpo usando los tornillos de la cubierta. Comience a enroscar el tornillo en la rosca existente en el cuerpo. Apriete los tornillos de la cubierta de manera uniforme y alternada. No apriete demasiado.

USE SOLAMENTE REPUESTOS GENUINOS HAYWARD

INSTALACIÓN DE LA ABRAZADERA:

1. Para instalar la abrazadera, monte sin apretar ambas mitades de la abrazadera con un tornillo y una tuerca, haciendo girar 2 o 3 giros la tuerca.
2. Instale la abrazadera alrededor del tanque y la brida de la válvula, y luego monte el segundo tornillo y su tuerca.
3. Apriete ambos lados de la abrazadera de manera alternada y uniforme. Utilice un destornillador grande de tamaño adecuado. Apriete firmemente para obtener un buen sello.
4. Asegúrese de colocar las tapas protectoras de vinilo sobre los extremos expuestos de los tornillos.





REPUESTOS

ÍTEM	Número de parte	Descripción	Cant.
1	SPX0710XF	Manija	1
2	SPX0710XZ7	Pasador de la manija	1
3	SPX0710Z16	Cojinete no metálico	1
4	SPX0714BA	Montaje de llave, cubierta y manija	1
5	SPX0714Z1	Paquete de tornillos de la cubierta (Juego de 6)	1
6	SPX0714L	Junta tórica (O-ring)	1
7	SPX0735GA	Junta tórica (O-ring) del montaje de sello del eje	2
8	SPX0710Z62	Arandelas de resorte (Juego de 2)	1
9	SPX0714CA	Conjunto de llave/sello	1
10	SPX0603S	Resorte	1
11	SPX0714D	Difusor	1
12	SPX0710MA	Conjunto de mirilla con junta y junta tórica (O-Ring)	1
13	SPX0714A	Cuerpo de la válvula con mirilla (Para SP0714T o SP0714TC)	1

USE SOLAMENTE REPUESTOS GENUINOS HAYWARD

