



Skimmers and Accessories

FOR CONCRETE/GUNITE & VINYL POOLS



WHITE GOODS

To take a closer look at Hayward Skimmers and Accessories, go to www.haywardnet.com or call 1-888-HAYWARD



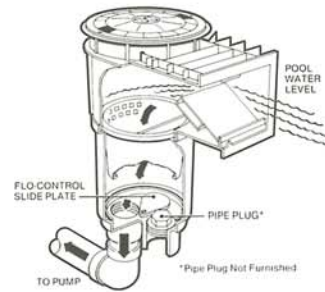
More satisfaction/with Hayward.



All skimmers can be assembled in the following three configurations.

Hayward in-ground and above ground pool skimmers and accessories are the preferred choice of professional pool builders. Engineered for residential and commercial applications, these large capacity skimmers are manufactured to Hayward's rigorous quality standards. Their durable, unibody construction is molded of rugged ABS, and they've been designed without submerged joints. All Hayward skimmers are non-corrosive, non-conductive and virtually indestructible no matter what Mother Nature dishes out. Ideal for concrete, gunite, vinyl, fiberglass and metal pools, Hayward skimmers come with multiple plumbing connections for easier installation.

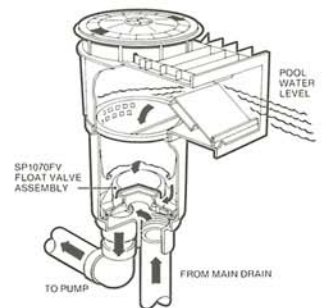
Assembly Configurations (Applicable for all skimmers)



Standard Skimmer Unit.

Standard unit, with single pump connection, provides regulation of water flow by Flo-Control slide plate. When two or more skimmers are installed on a common suction line, flow is balanced by adjusting Flo-Control plate.

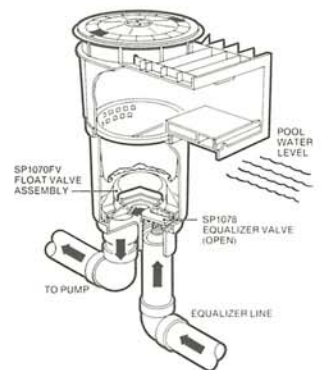
Flow Adjustment - For full flow, move Flo-Control Slide Plate to full open. To adjust flow, move Slide Plate to desired position over pump outlet. **To Vacuum** - Remove cover and basket. Screw hose adapter into pump outlet. Fill vacuum hose with water and insert over hose adapter. **Skim-Vac over-basket vacuuming plates** - Models SP1106 and SP1107 are available for all Auto-Skim skimmers.



Skimmer with Main Drain Connection and Float Valve/Safety Bypass.

Skimmer with SP1070FV Float Valve provides proportioning of skimmer surface water and main drain flow and prevents possible air lock. If the water level in the skimmer drops, float automatically closes and diverts all flow to the pump and the main drain.

Full Skim - Place Valve Lever in straight-up position. Open Slide plate. **Full Main Drain (sweep)** - Place Valve Lever down. Close Slide Plate. **1/2 Skim - 1/2 Main Drain** - Place Valve Lever at 45° (half down). Open Slide Plate. **To Vacuum** - Remove cover and basket. Place Valve Lever straight-up. Fill vacuum hose with water, and insert into opening in Valve Chamber.



Skimmer with SP1078 Equalizer Valve and Float Valve Assembly.

Equalizer - Model SP1078 Equalizer Check Valve Assembly installs over front port, and is used in conjunction with the SP1082FV Float Valve Assembly. If water level drops below skimmer opening, or if skimmer flow is obstructed, the float will automatically snap shut and the equalizer valve will open. This diverts all flow to the pump from the equalizer line and prevents airlock in the pump. When the pump is shut off, and the water level condition is corrected, the float will rise and the equalizer valve will close, allowing normal skimming operation when the pump is restarted.

To Vacuum - Select one convenient skimmer and remove cover, basket and float valve assembly. Screw hose adapter into pump outlet. Fill vacuum hose with water and insert over hose adapter. Throttle down flow from other skimmer(s) until desired suction is obtained through vacuum.



SP1082FVEKIT

Accessories

Concrete/Gunite

Model Number	Description	Ctn. Qty.	Ctn. Weight
SP1070FV	Float Valve Assembly for SP1070 Series	24	25 lbs.
SP1070FVEKIT	Float Valve and Equalizer Kit for SP1070 Series Skimmers (NSF listed for commercial applications*)		
SP1070P	Extension Collar for SP1070 Series	50	30 lbs.
SP1078	Equalizer Valve for SP1080 and SP1070 Series	25	4 lbs.
SP1082FV	Float Valve Assembly for SP1080 Series	24	36 lbs.
SP1080FVEKIT	Float Valve and Equalizer Kit for SP1080 Series Skimmer (NSF listed for commercial applications*)		
SP1082GV	Skimmer-to-Main Drain Valve Assembly for SP1082, SP1084 and SP1075 Series	24	18 lbs.
SP1084PI	Extension Collar for SP1082, 1083, 1084, 1085 and 1086 Series	50	38 lbs.

*For commercial applications add the kit to any SP1070 or SP1080 Series Skimmer to make a commercial skimmer.

Vinyl/Fiberglass

SP1084F	Face Plate Cover - "Snap On", for SP1084 Skimmers - white	30	11 lbs.
SP1085F	Face Plate Cover - "Snap On", for SP1085 Skimmers - white	30	16 lbs.
SP1078	Equalizer Valve for SP1080 and SP1070 Series	25	4 lbs.
SP1082FV	Float Valve Assembly. For SP1080 Series	24	1 1/2 lbs.
SP1080FVEKIT	Float valve and equalizer kit for SP1080 Series skimmer (NSF listed for commercial applications*)		
SP1082GV	Skimmer-to-Main Drain Valve Assembly for SP1082, SP1084 and SP1075 Series	24	18 lbs.
SP1084PI	Extension Collar for SP1082, 1083, 1084, 1085 and 1086 Series	50	38 lbs.

*For commercial applications, add the kit to any SP1080 Series skimmer to make a commercial skimmer.

Vac Lock Kits (Safety Feature)



If the cleaner hose becomes disengaged, Hayward's Vac Lock automatically snaps a spring-loaded cover over the suction line, reducing the chance of entrapment. Will retrofit to existing drains or add to new ones so any pool can comply with the latest safety standards.

W400ABKP	Vac Lock safety wall fitting, Black	10	2 1/2 lbs.
W400AWHP	Vac Lock safety wall fitting, White	10	2 1/2 lbs.
W400ALGP	Vac Lock safety wall fitting, Lt. Grey	10	2 1/2 lbs.

Skim Vacs

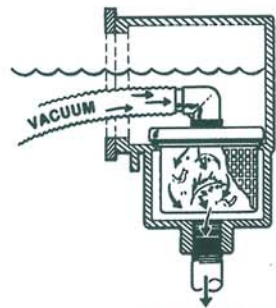
In-Ground and Above-Ground



SPI 107 Series/
SPI 1041

Skim-Vacs have revolutionized pool cleaning, and Hayward Skim Vacs set the standard. When attached to a vacuum hose and inserted in the skimmer over the basket, they allow the end-user to clean conveniently through the skimmer basket. Since there's no need for a pump strainer basket, there's no need to turn the pump on and off for cleaning — saving wear and tear, extending pump life, and potentially eliminating hose re-priming.

In-Ground



TO PUMP & FILTER
Skim Vac Action

Model Number	Skimmer Application	Hose Connection	Rubber Gasket	Ctn. Qty.	Ctn. Weight	Product Descriptions
SPI 106	SPI 082, 1084, 1085, 1075	1 1/2" Straight	Yes	20	15 lbs.	Furnished with 1 1/2" straight hose connection.
SPI 1063	SPI 070	1 1/2" Straight	No	20	16 lbs.	
SPI 107	SPI 082, 1084, 1085, 1070 and 1075	1 1/2" Straight	No	20	11 lbs.	Furnished with 1 1/2" straight hose connection.
SPI 1071	SPI 089	1 1/4"/1 1/2" Elbow	No	20	14 lbs.	Furnished with 1 1/4"/1 1/2" Combo Hose Elbow.

Above-Ground

SPI 094D	SPI 094, 1095	1 1/4"/1 1/2" Elbow	No	20	6 lbs.	Furnished with 1 1/4"/1 1/2" Combo Hose Elbow.
SPI 1041	SPI 090, 1091, 1092	1 1/4"/1 1/2" Elbow	No	50	27 lbs.	Furnished with 1 1/4"/1 1/2" Combo Hose Elbow.
SPI 1051	SPI 090, 1091, 1096, 1097 and 1098	1 1/2" Straight Barb	Yes	50	28 lbs.	Furnished with 1 1/2" x 1 1/2" Hose straight adapter.
SPI 1052	SPI 090, 1091, 1092	1 1/2" Elbow	Yes	50	28 lbs.	Furnished with 1 1/2" FIP x 1 1/2" Hose Elbow.
SPI 1054	SPI 090, 1091, 1092	1 1/4"/1 1/2" Combo Adapter	Yes	50	27 lbs.	Same as SPI 1051, but 1 1/4"/1 1/2" Combo Hose.

In-Ground Concrete/Gunite

SPI 071/1070 Skim-Master™ Series



NSF. SPI 0712



Overflow Port

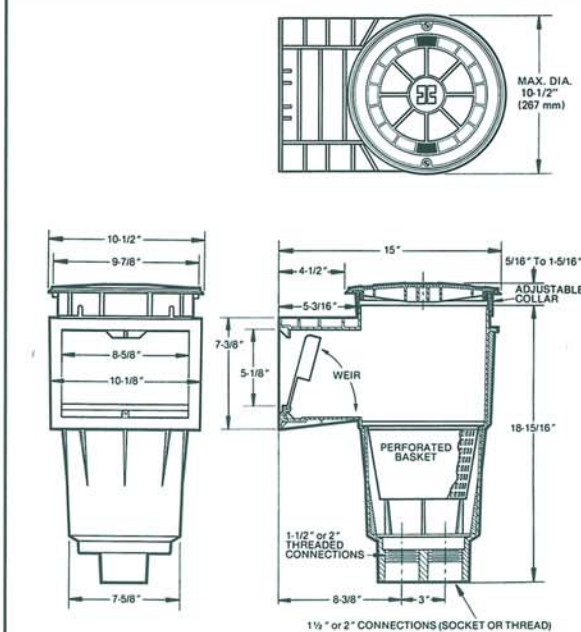
Skim Master is a non-corrosive, large capacity automatic surface skimmer featuring a round, tamper-proof access cover, self-adjusting 8" weir with stainless steel spring for added strength, dual outlets, and threaded internal connections for pressure testing. The optional float/bypass valve provides a main drain-thru-skimmer system and an automatic safety bypass for low water conditions. No glue is used in manufacturing, promoting maximum strength and longevity. Both the SPI 071 and SPI 070 Series provide a knockout overflow port that guards against overflow or pool water refill. All Skim-Master Series Skimmers are available with Float Valve and Equalizer Kit to meet specific NSF commercial requirements.

Model Number	Pipe Size	Cover Style	Throat Length	Ctn. Qty.	Ctn. Weight	Product Descriptions
SPI 070	1 1/2" FIP	Round	4 1/2"	1	8 lbs.	ABS Body adjustable cover (deck) collar. Round tamper-proof cover, basket, weir, overflow port, Flo-Control plate. Dual outlets, have threaded internal cZons for pressure testing.
SPI 070S	1 1/2" SKT	Round	4 1/2"	1	8 lbs.	
SPI 0712*	2" FIP	Round	4 1/2"	1	8 lbs.	Same as SPI 070 plus weir incorporated with Stainless Steel Spring
SPI 0712S**	2" SKT	Round	4 1/2"	1	8 lbs.	

Available with ten cover and collars - add -10 to model number. Available packaged with float valve - add FVA to model number.

NOTE: All SPI 071/1070 Series Skimmers have a minimum flow rate of 10 GPM and maximum flow rate of 55 GPM.

*Replaces SPI 0702. **Replaces SPI 0702S



Measurements are for reference only.

In-Ground Concrete/Gunite

SP1080 Auto-Skim™ Series

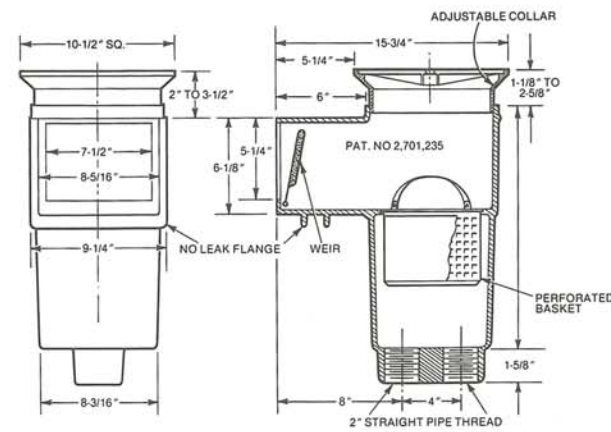


SP1082

Auto-Skim features include an automatic by-pass for low water conditions, adjustable cover collar, snap-in weir that adjusts automatically to water level fluctuations up to 4 1/2", a rigid, 1.63 cubic inch basket, integral Flo-Control slide plate and a choice of threads for piping versatility. Molded of 3/8" ABS, they are ideal for pools located in colder climates. All SP1080 Series Skimmers are available with Float Valve and Equalizer Kit to meet specific NSF commercial requirements.

Model Number	Pipe Size	Cover Style	Throat Length	Ctn. Qty.	Ctn. Weight	Product Descriptions
SP10821	1 1/2" FIP	Square	5 1/4"	1	10 lbs.	ABS Body, adjustable cover collar, Tamper-proof cover, basket, weir, Flo-control slide plate.
SP1082	2" FIP	Square	5 1/4"	1	10 lbs.	
SP10821R	1 1/2" FIP	Round	5 1/4"	1	10 lbs.	Same as SP10821, but with 9 1/4" diameter ROUND cover.
SP1082RC	2" FIP	Round	5 1/4"	1	10 lbs.	

NOTE: All SP1082 Series Skimmers have a minimum flow rate of 10 GPM and maximum flow rate of 55 GPM.



Measurements are for reference only.

Above-Ground

Dyna-Skim™ Series



SP1091LX

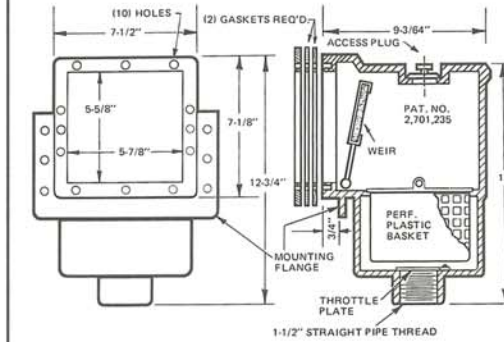


SP1092

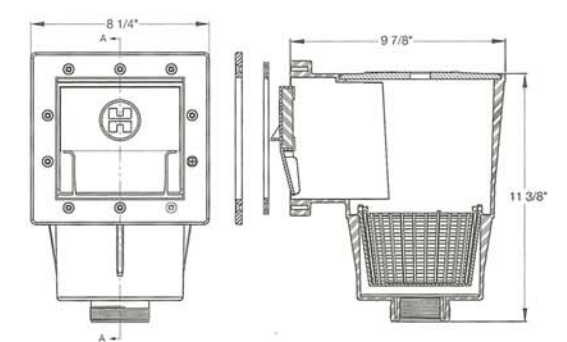
Model Number	Front/Top Basket Access	Low Profile	Hydrosweep Recirculation Pkg.	Pipe Size	Ctn. Qty.	Ctn. Weight	Product Descriptions
SP1091LX	•	•	2	1 1/2" FPT	1	6 1/2 lbs.	ABS Body, low profile, cover, weir, basket. Face plate, gaskets and screws, plus recirculation package.
SP1092	Front Only	•	—	1 1/2" FPT	1	5 lbs.	ABS Body, low profile closed top, weir, basket. Face plate (white), gaskets, screws, and drilled mounting flange.
SP1094WF	•	—	4	1 1/2" FPT	1	4 lbs.	ABS Body, cover, basket, weir, face plate, gaskets and screws. Complete with 90° Skim-Vac for 1 1/2" and 1 1/4" vacuum hose.

1—Includes SP1071 Skim Vac.
 2—Includes SP1023, SP1419D, (2) 1 1/2" x 1 1/2"/1 1/4" hose adapters, and SP11041 Skim Vac.
 3—Includes SP1094D Skim Vac.

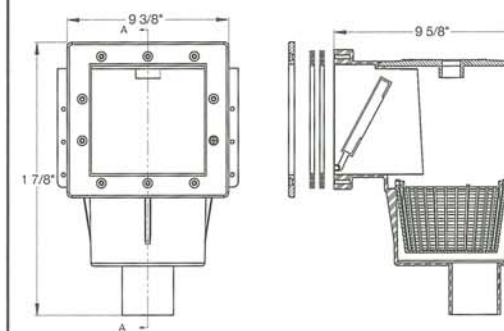
SP1090 / SP1092



SP1091LX



SP1094WF



Measurements are for reference only.

Above-Ground

Dyna-Skim™ Series

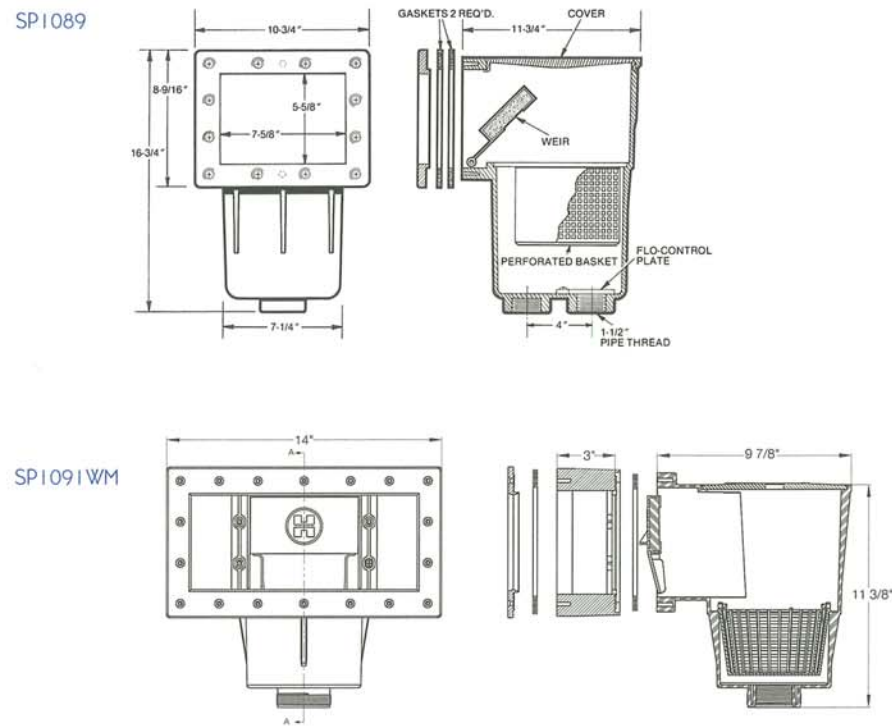


SP1091WM

Hayward Dyna-Skim™ Automatic skimmers are non-corrosive skimmer packages designed for the gamut of above ground pool applications. A smooth, contoured body, combined with their advanced, patented weir, removes debris more completely and efficiently. The low profile design gives you the flexibility of maximum installation height on decks and ledges.

Model Number	Front/Top Basket Access	Low Profile	Hydrosweep Recirculation Pkg.	Pipe Size	Ctn. Qty.	Ctn. Weight	Product Descriptions
SP1089	•	—	1	1 1/2" FPT	1	9 lbs.	ABS Body, cover, basket, weir, face plate (white), gaskets and screws. Complete with SP11071 Elbow-Type Skim-Vac™.
SP1091WM	•	Wide-Mouth	2	1 1/2" FPT	1	7 lbs.	ABS body, wide month, cover, weir, basket. Face plate (white), gaskets and screws. Complete with Skim Vac and recirculation package.

1—Includes SP11071 Skim Vac.
2—Includes SP1023, SP1419D, (2) 1 1/2" x 1 1/2"/1 1/2" x 1 1/4" hose adapters, and SP11041 Skim Vac.



Measurements are for reference only.

In-Ground Concrete/Gunite

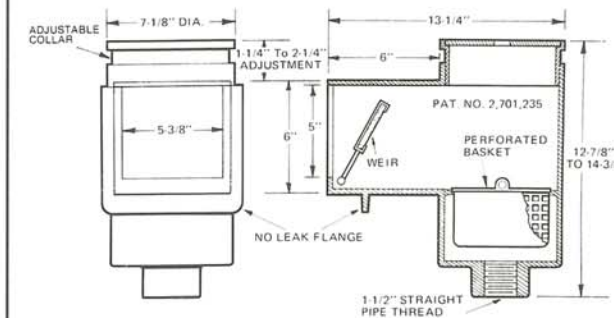
SP1096 Auto-Skim™ PT & Economy Series



SP1096

The PT Skimmer features a tamper-proof cover with a stackable deck collar that allows 2 1/2" vertical height extension, a snap-in, self-adjusting weir which accommodates fluctuations in water level, integral flow control slide plate, and a rigid basket with load extender ribs. Dual ports for pump and main drain connection are compatible with both 1 1/2" and 2" piping. Can be used with the same installation selections as standard Auto-Skim.

Model Number	Pipe Size	Cover Style	Throat Length	Ctn. Qty.	Ctn. Weight	Product Descriptions
SP1096	1 1/2" FIP	Round	6"	1	6 lbs.	ABS Body, adjustable cover collar, cover basket, weir



Measurements are for reference only.

In-Ground Vinyl/Fiberglass

All vinyl/fiberglass pool skimmers are packaged with face plate, gaskets and screws.

SP1080 Auto-Skim™ Series



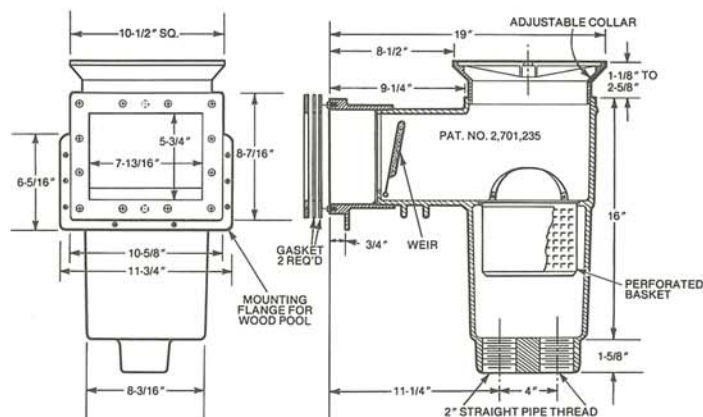
NSF SP1084

Auto-Skim features include an automatic by-pass for low water conditions, adjustable cover collar, snap-in weir that adjusts automatically to water level fluctuations up to 4 1/2", a rigid, 1.63 cubic inch basket, integral Flo-Control slide plate and a choice of threads for piping versatility. The SP1084 line — engineered for in-ground vinyl/fiberglass applications — offers an 8 1/2" throat, a weather-beating ABS face rim for longevity, and 9 1/2" diameter round cover (1084IR). They are also available with Float Valve and Equalizer Kit to meet specific NSF commercial requirements.

Model Number	Pipe Size	Cover Style	Throat Length	Ctn. Qty.	Ctn. Weight	Product Descriptions
SP1084	2" FIP	Square	8 1/2"	1	13 lbs.	ABS Body, adjustable cover collar, Tamper-proof cover, basket, weir, Flo-control slide plate. ABS face rim (white), gaskets, screws, plus drilled mounting flange for wood pools.
SP1084I*	1 1/2" FIP	Square	8 1/2"	1	13 lbs.	
SP1084IOM	1 1/2" FIP	Square	8 1/2"	1	13 lbs.	Same as 1084I except thru wall outside mount on metal wall pools.
SP1084IR	1 1/2" FIP	Round	8 1/2"	1	13 lbs.	Same as SP1084I, but with 9 1/2" diameter ROUND cover.

*Skimmer package will also include extra long 1 1/4" screws.

NOTE: All SP1084 Series Skimmers have a minimum flow rate of 10 GPM and maximum flow rate of 55 GPM.



Measurements are for reference only.

In-Ground Vinyl/Fiberglass

All vinyl/fiberglass pool skimmers are packaged with face plate, gaskets and screws.

Auto-Skim™ Wide Track Series



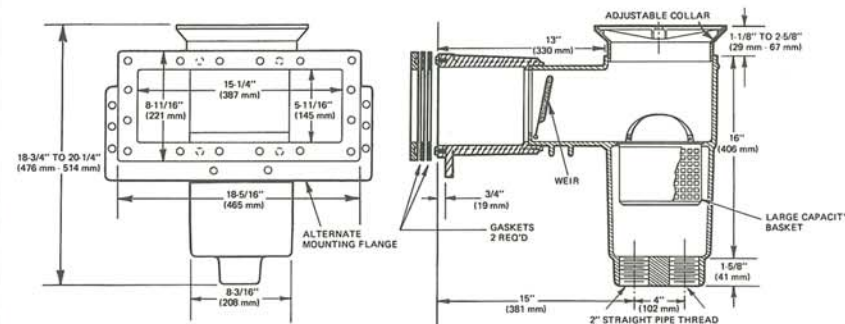
NSF SP10852

Manufactured to Hayward's uncompromising standards, these tough, large capacity skimmers install easily and perform flawlessly in your in-ground vinyl and fiberglass jobs. Molded of 3/8" ABS, they're unaffected by even the most extreme variations in climate. The Wide Track Series includes a broad, 1 5/8" skimmer face opening that efficiently swallows debris, a square cover, and a choice of throat lengths from 9 1/4" to 12 1/4". Auto-Skim Wide Track Series Skimmers are available with Float Valve and Equalizer Kit to meet specific NSF commercial requirements.

Model Number	Pipe Size	Cover Style	Throat Length	Ctn. Qty.	Ctn. Weight	Product Descriptions
SP10851OM	1 1/2" FIP	Square	12 1/4"	1	17 lbs.	ABS Body, adjustable cover collar, Tamper-proof cover, basket, weir, Flo-Control Plate. 12 1/4" long throat and 1 5/8" wide skimmer opening. Face rim, gaskets and screws.
SP10852*	1 1/2" FIP	Square	9 1/4"	1	16 lbs.	Same as SP10851, but with 9 1/4" (235mm) long throat and mounting flange for up to 1" thick walls.
SP10852OM	1 1/2" FIP	Square	9 1/4"	1	16 lbs.	Same as SP10852, but packaged complete with SP1082FV Float Valve and SP1087 Equalizer Valve (NSF Listed)

*OM Designation denotes thru wall outside mount on metal wall pools. *Skimmer package will also include extra long 1 1/4" screws.

NOTE: All SP1085 Series Skimmers have a minimum flow rate of 10 GPM and maximum flow rate of 55 GPM.



Measurements are for reference only.

Auto-Skim™ PT & Economy Series



SP1097

Model Number	Pipe Size	Cover Style	Throat Length	Ctn. Qty.	Ctn. Weight	Product Descriptions
SP1097	1 1/2" FIP	Round	12 1/2"	1	9 lbs.	ABS Body, adjustable cover collar, cover basket, weir 1 1/2" throat. Face rim (white), gaskets and screws.

Note: SP1098 can be replaced by SP1097 — the only difference is skimmer throat length.