

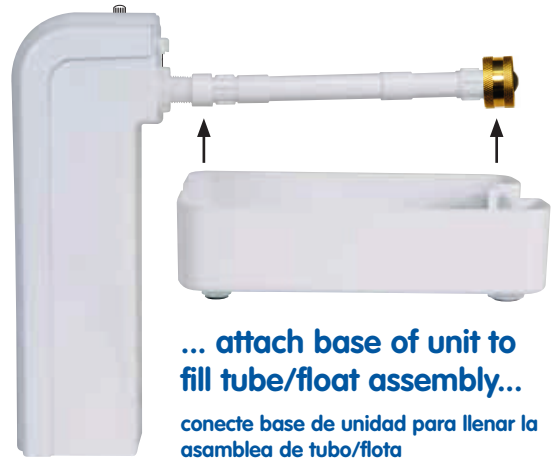
1.



**Attach fill tube to float assembly...**

Conecte llene tubo para flotar la asamblea  
Attacher remplir le tube pour flottes l'assemblée

2.



**... attach base of unit to fill tube/float assembly...**

conecte base de unidad para llenar la asamblea de tubo/flota  
attacher la base d'unité pour remplir l'assemblée de tube/flotteur

3.



**...place small rocks or pea gravel into base of unit...**

coloque pequeño grava de piedras o guisante en la base de unidad  
placer de petits rochers ou le gravier de pois dans la base d'unité

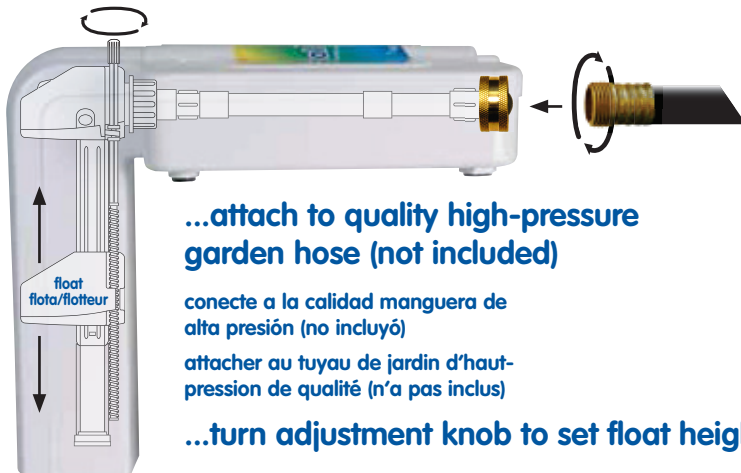
4.



**...attach top cover to base of unit/float assembly...**

conecte cubierta superior para basarse de la asamblea de unidad/flota  
attacher la première couverture pour baser d'assemblée d'unité/flotteur

5.



**...attach to quality high-pressure garden hose (not included)**

conecte a la calidad manguera de alta presión (no incluyó)  
attacher au tuyau de jardin d'haute-pression de qualité (n'a pas inclus)

**...turn adjustment knob to set float height**

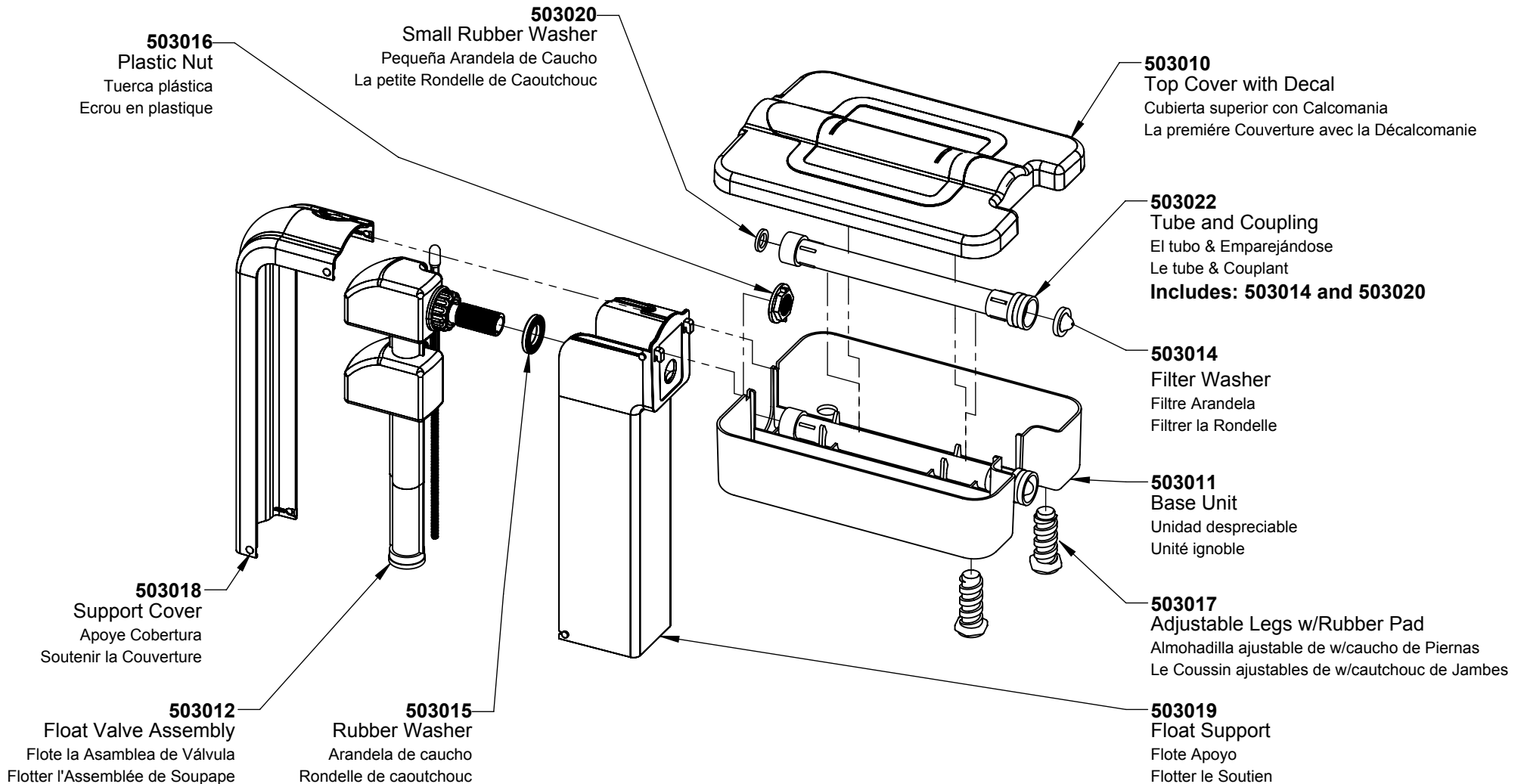
### NEW PRODUCT LIMITED 12 MONTH WARRANTY

**ROLA-CHEM® • PARADISE INDUSTRIES,** as manufacturer, warrants each The Pool Sentry™ unit delivered to the original consumer/purchaser to be free from defects in material and workmanship under the intended normal use as described in The Pool Sentry™ unit assembly and operating instructions enclosed with each unit, for a period of one year from the date of purchase.

#### During the warranty period ROLA-CHEM®

• PARADISE INDUSTRIES agrees to repair or, at its own option, replace the unit or any part of it without charge for labor or parts. **This warranty shall not apply if the unit is subjected to misuse, neglect or accident. DO NOT RETURN THIS PRODUCT TO STORE.** For warranty claims please call Rola-Chem Corporation • Paradise Industries at (800) 549-4473. Ask for the customer service department.

## M3000 POOL SENTRY PARTS



**Replacement parts can be ordered on the website listed.**

**ROLA-CHEM® • PARADISE Industries**

5858 Centerville Road • St. Paul, Minnesota 55127 • 651.653.5031 • 1.800.549.4473  
FAX: 651.653.0989 • WEB: [www.rola-chem.com](http://www.rola-chem.com) • E-MAIL: [info@rola-chem.com](mailto:info@rola-chem.com)