

CMP POOL
PRODUCTS

2016

CUSTOMER RESOURCES

LOCATIONS

CORPORATE HEADQUARTERS

CMP EAST DISTRIBUTION

36 HERRING ROAD, NEWNAN, GA 30265

TOLL FREE: 1-800-733-9060

LOCAL: 770-632-7112

FAX: 770-632-7115

INFO@C-M-P.COM

CMP WEST DISTRIBUTION

1651 SOUTH CARLOS AVE, ONTARIO, CA 91761

CMP AUSTRALIA & NEW ZEALAND

(CSN GLOBAL PARTY LTD)

SALES@CSNGLOBAL.COM.AU

ONLINE: CSNGLOBAL.COM.AU

CMP EUROPE DISTRIBUTION

VELUWEZOOM 32, 1327 AH ALMERE, NL

INTERNATIONAL@C-M-P.COM

POOL SALES / PRODUCT INFO

MONDAY - FRIDAY: 8:00AM - 5:00PM (EST)

POOLSALES@C-M-P.COM

ONLINE: C-M-P.COM/FIND-A-REPRESENTATIVE

CUSTOMER SERVICE / ORDERS

MONDAY - FRIDAY: 8:00AM - 6:00PM (EST)

1-800-733-9060

CS@C-M-P.COM

FAX: 770-632-7115

ONLINE: C-M-P.COM/CUSTOMER-SERVICE

For Ordering Terms & Details, See Page 222

TECHNICAL SUPPORT

MONDAY - FRIDAY: 8:00AM - 5:00PM (EST)

1-800-733-9060 EXT 220

SUPPORT@C-M-P.COM

WARRANTY/RMA

RMA@C-M-P.COM

MARKETING

To request product literature and other CMP Marketing resources, contact CMP Customer Service or your pool sales rep.

ONLINE

Visit WWW.C-M-P.COM for product info, resources, videos, news and support.

CATALOG: C-M-P.COM/CATALOG

ONLINE RESOURCES: C-M-P.COM/DOWNLOADS



TABLE OF CONTENTS

Welcome 4
New for 2016 6
Catalog Information 8
Color Reference 9
Cross Reference Table 10

VISIT C-M-P.COM FOR VIDEOS, PHOTOS, LITERATURE
AND CURRENT PRODUCT INSTRUCTIONS

WATER FEATURES & ACCENT DECOR 23

Natural Wonders™ Waterfalls 25
Natural Wonders™ Deck & Wall Jets 35
Natural Wonders™ Pool Fountains 47
Natural Wonders™ Sconces 48
Brilliant Wonders® LED Waterfall 51
Brilliant Wonders® LED Bubbler 57
Brilliant Wonders® LED Laminar 63
Brilliant Wonders® LED Light 65
Water Feature Filter 66

POOL EQUIPMENT 67

Aqualevel™ Auto Levelers 68
Powerclean™ Chemical Feeders 70
Pool Equipment Accessories 74

HYDROSEAL™ POOL VALVES 75

Diverter Valves 76
Serviceable Check Valves 78
Slice Valves 80
Ball Valves 81
Multiport Valves 82
Slide Valves 88
Air Relief Valves 90

SPA MASTER™ SPA SYSTEMS 91

2" Gunite Jets 92
2½" Gunite Jets 96
1½" Gunite Jets 101
Venturi Tees 102
Swim Jets 104
Step Jets 105
JetArray® 107

WHITE GOODS 109

In Ground Skimmers 110
VGB Drains & Suctions 121
Deck Drains 137
Aussie Self-Aligning Insiders 139
Eyeball Fittings 140
Wall Fittings 143
Water Stops 144
Unions 146
Plumbing Fittings 149
Repair Fittings 150

ACCESSORIES 155

Aqua Elements® Pool Tools 156
Pool Care Accessories 164
Ladder & Rope Accessories 167
Pool Plugs & Winterizing Accessories 168
Pool Defender™ Anodes & Water Bonds 170

OEM POOL PARTS 173

Flowskim™ Basket 174
Heavy Duty Pool Baskets 175
Auto Cleaner Parts 178
JZ-Style Fittings 182
Heavy Duty Manifolds 183
Pool Equipment Parts 184

Replacement Parts 187
Part Number Index 217
Cross Reference Index 221
Terms & Conditions 222
CMP Limited Warranty 224
Content & Trademark Disclaimers 223
ISO 9001 Certification 226



WELCOME TO THE 2016 POOL PRODUCTS CATALOG

CMP 2016 POOL PRODUCTS CATALOG

SENIOR EDITOR

Victor Walker

SENIOR EDITOR

Rich Simpson

DESIGN & CONTENT EDITOR

Stephen Boswell

ENGINEERING EDITOR

Zack Vogtner

TECHNICAL EDITOR

Hal Murk

PRODUCT EDITOR

Kate South

PROJECT MANAGEMENT & WEB EDITOR

Susie Cuebas

RESEARCH ASSISTANT

Alison Bright

TECHNICAL ILLUSTRATION

Jacob Heaven

The CMP Pool Products Catalog is a team project that included CMP Marketing, Engineering, Sales and Customer Service. Thank you to the entire team and to each individual that has contributed to the 2016 CMP Pool Products Catalog.
- EVERYTHING MATTERS®

©2016 CMP, LLC
All rights reserved

We began work on the 2016 Edition of the *CMP Pool Products Catalog* with one goal in mind: to support pool professionals by making this our best product catalog yet. That meant bringing together a dedicated, cross-functional team that could brainstorm solutions to make our catalog more accurate and user friendly.

AN ENHANCED CATALOG

For your everyday use that means improved cross references, clearer section divisions, more accurate data, enhanced product tables, high resolution photography and more. No detail has been overlooked and hundreds of hours have been dedicated to organizing a catalog that will make your job easier.

NEW PRODUCTS

Of course, a new catalog also means new products! The *Natural Wonders™* brand has grown into a complete product line of water features and accent decor. In response to advancements in LED pool lighting we are introducing a high performance nicheless LED light and a precision-engineered LED Laminar, both featuring an industry first waterproof IP68 quick disconnect. And now our entire *Brilliant Wonders®* product line features *Smart Sync™ Technology*, making our LED lights compatible with the most popular LED systems from other pool OEMs.

Our LED lighting is complemented by the *Pool Defender™* product line. We've made pool electrical safety easier than ever before with our innovative water bonding in ground skimmer.

SUPPORTING POOL PROFESSIONALS

Our team is excited to be expanding our flagship brands with products that are focused on the modern pool industry. The goal with each new product is to provide innovative solutions to the challenges faced by today's pool professionals.

This annual product catalog is one of our most important customer tools, in combination with our award winning customer service and experienced tech support. CMP is committed to supporting pool professionals with systems and programs that set you up for success. Because when the difference is in the details, *everything matters®*.



CMP POOL PRODUCTS BRANDS



WATER FEATURES & ACCENT DECOR: PAGE 25



LED WATER FEATURES & LIGHTING: PAGE 51



AUTOMATIC WATER LEVELERS: PAGE 68



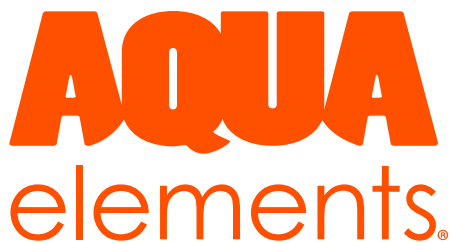
AUTOMATIC CHEMICAL FEEDERS: PAGE 70



POOL VALVES: PAGE 76



IN GROUND SPA SYSTEMS: PAGE 91



RETAIL READY POOL TOOLS & ACCESSORIES: PAGE 156



PRO QUALITY TOOLS & REPLACEMENT PARTS: PAGE 145



POOL WATER BONDS AND ZINC ANODES



POOL SKIMMER BASKETS & HANDLES: 174

The CMP logo, division lockup and tagline everything matters® are registered trademarks of Custom Molded Products, LLC. All CMP Pool Products logos and trademarks are property of CMP. *Natural Wonders™, Brilliant Wonders®, AquaLevel™, Powerclean™, Hydroseal™, Spa Master™, Aqua Elements®, Pool Defender™, Flowskin™* and *Pro Tools™* are trademarks and/or registered trademarks of CMP.

The absence of a trademark, trade name or service mark from the above list does not constitute a waiver of our intellectual property rights concerning that trademark, trade name or service mark. All custom graphics, icons, logos and words listed above are trade names, trademarks or service marks of Custom Molded Products in the United States and/or other countries.

The trademarks and names of other companies and products mentioned herein are the property of their respective owners.

NEW FOR 2016

Brilliant Wonders®

LED LIGHTING

WE ARE PROUD TO INTRODUCE OUR EXPANDED LINE OF LED LIGHTING PRODUCTS FOR POOLS INCLUDING NICHELESS LED LIGHTING, LED LAMINARS & SMART SYNC™ TECHNOLOGY.

BRILLIANT LED POOL & SPA LIGHTING; HIGH PERFORMANCE NICHELESS DESIGN



Intertek



BRILLIANT WONDERS® 1.5" LED LIGHT p 65



SMART SYNC™ LED WATERFALL CONTROL p54

- Universal control for Brilliant Wonders® LED Waterfall
- Synchronize with products from CMP®, Pentair®, Hayward® & Jandy®.
- Simple to install and field-programmable

WE DECIDED TO MAKE LED LAMINAR FOUNTAINS BRILLIANT

BRILLIANT WONDERS® LED LAMINAR p 63

- Waterproof Quick-Disconnect IP68 Cord
- Simple Service and Cleaning
- Smooth Tangential Flow Engineering
- Smart Sync™ Programming Technology
- Precision LED Light Focusing Lens



Intertek



NEW FOR 2016

NATURAL WONDERS



NEW CLEAR LIP WATERFALLS *p25*



NEW DECK COVERS *p 46*



NEW SCENCE DESIGNS *p 48*

IN GROUND POOL
WATER BONDING:
NOW MADE EASIER



POOL DEFENDER WATER BOND SKIMMER

Easily meet water bonding building code requirements with these brand new in ground skimmers with an integrated water bond.

More info on page 112.

- Connects to Pool Bonding Wire
- Water Bond the Entire Pool
- ETL, UL, CSA Certified
- Meets NEC2008 Requirements



**EVERY POOL NEEDS
A DEFENDER™**

CATALOG INFORMATION

ABBREVIATION GUIDE

S = SOCKET

SP = SPIGOT

WTR = WATER

EXT = EXTENDED

ID = INSIDE DIAMETER

OD = OUTSIDE DIAMETER

FIP = FEMALE IRON PIPE THREAD

MIP = MALE IRON PIPE THREAD

SS = STAINLESS STEEL

ASSY = ASSEMBLY

GPM = GALLONS PER MINUTE

FG = FIBERGLASS

ABG = ABOVE GROUND

ING/IG = IN GROUND

HD = HEAVY DUTY



*Indicates CMP New
for 2016 Products*



*Indicates Energy
Efficient Products*

BOX AND BAG QUANTITIES

Box Quantities are listed for most items. If a bag quantity is also available, it will be indicated as "box/bag," such as "24/6" where "24" is the box quantity, and "6" is the bag quantity.

Currently CMP does not apply a surcharge for broken carton orders. Please help us maintain this policy by ordering in full carton quantities. **Thank you for your cooperation.**

FOR MORE INFORMATION

Terms & Conditions pg 222

CMP Limited Warranty pg 224

Content & Trademark Disclaimers pg 223

ISO 9001 Certification pg 226

All illustrations, photographs, product details and specifications in this catalog are current as of available information at the time of printing.

To access the digital version of this catalog, you may view or download online at www.c-m-p.com/catalog.

THANK YOU FOR USING THE 2016 CMP POOL PRODUCTS CATALOG

COLOR REFERENCE

The standard CMP numbering scheme for designating the color of plastic products is indicated within the part number as follows:

A B C D E - F G H - I J K

The standard colors for pool products are determined by the "H" digit where:

- 0 = White
- 1 = Light Gray
- 2 = Chrome / Stainless Steel
- 3 = Brass
- 4 = Black
- 7 = Dark Gray
- 9 = Non-Standard / Custom

EXAMPLE: 23500-001-000 (1 = LIGHT GRAY)



LIGHT GRAY



BLACK

LOOK FOR THESE ICONS
THROUGHOUT THE CATALOG
INDICATING AVAILABLE COLORS



DARK GRAY



TAN



LIGHT BLUE



DARK BLUE

Product color examples above are for approximate reference only.

NON - STANDARD COLORS

Non-standard colors for pool products are determined by the combination of the "G" and the "H" digits. The "H" digit of "9" indicates Non-Standard, and the "G" digit, specifies color. Non-standard colors include Tan, Clear, Light Blue, Dark Blue, etc. For details on ordering specific non-standard colors, call or email CS@c-m-p.com

CUSTOM COLORS

Additional colors are available upon request. Custom colors can be provided. Please call for details. Minimum order required.

FITTINGS

Unless otherwise specified fitting bodies and other undershirt components are molded in white or gray.

METAL FINISHES

CMP uses polished and plated stainless steel in metal finish components. Additional metal finishes are available upon request.

CROSS REFERENCE CHART | VALVES

DIVERTER VALVES | PAGE 76

JANDY®	PRAHER	DESCRIPTION	CMP P/N
4724	OV2-1500	2 WAY DIVERTER 1.5" × 2"	25912-154-000
4716	OV2-2000	2 WAY DIVERTER 2" × 2.5"	25912-204-000
4720		DIVERTER KIT	25913-100-850
4715	OV3-1500	3 WAY DIVERTER 1.5" × 2" S	25913-154-000
4717	OV3-2000	3 WAY DIVERTER 2" × 2.5"	25913-204-000
4606		DIVERTER COVER 3 WAY	25913-204-020

SERVICEABLE CHECK VALVES | PAGE 78

PENTAIR®	STA-RITE®	VAL-PAK	MAGIC PLASTICS	JANDY®	PRAHER	DESCRIPTION	CMP P/N
			0830-15			AIR CHECK VALVE 1.5" × 2"	25067-000-000
87204600	08655-0017					2" SPRING CHECK VALVE	25120-100-900
		V20-339				SPA CHECK VALVE WHITE	25552-500-000
					FCV-2010	SVC CHECK VALVE 2×2.5"	25830-500-000
				7235		CHECK VALVES W/ SCREWS	25830-704-000
				7305		CHECK VALVES W/ SCREWS	25830-714-000
				7511		CHECK VALVES W/ SCREWS	25830-764-000
				7512		CHECK VALVES W/ SCREWS	25830-774-000

BALL VALVES & SLICE VALVES | PAGE 81

MAGIC PLASTICS	JANDY®	PRAHER	DESCRIPTION	CMP P/N
0250-10	6953	100-ES00	BALL VALVE 1" S	25800-110-000
0250-15	6954	150-ES00	BALL VALVE 1.5" S	25800-151-000
0250-20	6956	200-ES00	BALL VALVE 2" S	25800-210-000
0250-07	6952		BALL VALVE 3/4" S	25800-751-000
	6955	150-010	UNION BALL VALVE 1.5" S	25802-151-000
	6957	200-010	UNION BALL VALVE 2" S	25802-210-000
0401-15			SLICE VALVE S × S 1.5"	25850-150-000
0401-20			SLICE VALVE S × S 2"	25850-200-000
0402-15			SLICE VALVE SP × SP 1.5"	25851-150-000
0402-20			SLICE VALVE SP × SP 2"	25851-200-000
0412-15			SLICE VALVE S × SP 1.5"	25852-150-000
0412-20			SLICE VALVE S × SP 2"	25852-200-000
0434-15			SLICE VALVE MIP × FIP 1.5" WHITE	25854-150-000
B434-15			SLICE VALVE MIP × FIP 1.5" BLACK	25854-154-000
0423-15			SLICE VALVE HOSE ADAPTER × MIP WHITE	25856-150-000
B423-15			SLICE VALVE HOSE ADAPTER × MIP BLACK	25856-154-000

CHECK CROSS REFERENCES QUICKLY & EASILY ONLINE AT C-M-P.COM/SEARCH

CROSS REFERENCE CHART | VALVES

MULTIPOINT VALVES | PAGE 82

WATERWAY®	PENTAIR®	STA-RITE®	HAYWARD®	JANDY®	PRAHER	DESCRIPTION	CMP P/N
					TM12L	1.5" MIP VALVE	27200-000-000
	262504				TM-12-A	262 TOP MOUNT VALVE	27500-154-000
	262505				TM-12-PB	262 TOP MOUNT VALVE	27501-154-000
	262506				TM-12-PB	262 TOP MOUNT VALVE	27502-154-000
	261049					261 SIDE MOUNT VALVE	27503-200-000
	261050					261 SIDE MOUNT VALVE	27504-200-000
	261055				SM2-PP3	261 SIDE MOUNT VALVE	27505-200-000
	261142					261 SIDE MOUNT VALVE	27506-200-000
	261152				SM2-PP2	261 SIDE MOUNT VALVE	27507-200-000
	261173				SM1-PP3	261 SIDE MOUNT VALVE	27508-150-000
	261177				SM1-PP2	261 SIDE MOUNT VALVE	27509-150-000
	261185				TM22-PB	261 TOP MOUNT VALVE	27510-204-000
	18201-0200	18201-0200			SM2-SR2	18201 SIDE MOUNT VALVE	27511-200-000
			SP0710X32		SM1-HP3	710 SIDE MOUNT VALVE	27512-154-000
			SP0710XR50		SM1-HP2	710 SIDE MOUNT VALVE	27513-154-000
			SP0710X62		SM1-HPX62	710 SIDE MOUNT VALVE	27514-154-000
			SP0714T		TM-12-H8	714 TOP MOUNT VALVE	27515-154-000
			SP0715XR50		SM1-HPXR50	715 SIDE MOUNT VALVE	27516-204-000
			SP0715X62		SM2-HPX62	715 SIDE MOUNT VALVE	27517-204-000
			SP071621		TM-22-H8	716 TOP MOUNT VALVE	27518-204-000
				BWVL-MPV		2" SIDE MOUNT VALVE	27519-204-000
WVS003						1.5" TOP MOUNT VALVE	27520-154-000

SLIDE VALVES | PAGE 88

PENTAIR®	HAYWARD®	DESCRIPTION	CMP P/N
	SPX0410BA	SLIDE VALVE INTERNALS	25831-000-100
263055		SLIDE VALVE INTERNALS	25831-110-100
273241		SLIDE VALVE INTERNALS	25831-120-100
273241		SLIDE VALVE INTERNALS (STAINLESS STEEL)	25831-122-100
263064		SLIDE VALVE ASSEMBLY	25831-119-750
	SP0410X502S	SLIDE VALVE ASSEMBLY	25831-004-000
	SP0410X602S	SLIDE VALVE ASSEMBLY	25831-014-000

CHECK CROSS REFERENCES QUICKLY & EASILY ONLINE AT C-M-P.COM/SEARCH

CROSS REFERENCE CHART | IN GROUND SPA

IN GROUND SPA COMPONENTS PAGE 91				
WATERWAY®	PENTAIR®	HYDRO AIR®	DESCRIPTION	CMP P/N
210-4100		10-4100	HYDROTHEREPY JET 1.5"S × 1.5"S × 1.5" FPT	23300-000-000
210-4120		10-5100	GUNITE JET ASSY W/ WALL FITTING 1.5"S × 1.5"S	23300-100-000
		10-4400	GUNITE JET EXTENSION (1.5IN MIP × 1.5IN FIP)	23300-300-000
		10-5300	GUNITE JET ASSY W/ EXTENDED WALL FITTING	23300-450-000
210-4110		10-4100S	JET BODY 1.5" S	23301-000-000
		10-4401	GUNITE JET 4IN THREADED NOZZLE	23301-000-030
212-3370			DOUBLE TEE GUNITE JET (S×S×S)	23304-000-000
212-3300			DOUBLE TEE GUNITE JET (S×S×SP)	23304-100-000
		10-4310	VENTURI TEE 1/4" NOZZLE (1.5"S×1.5"S×3/4"S)	23306-100-000
		10-4315	VENTURI 1/2" NOZZLE (1.5"S×1.5"S×3/4"S)	23306-120-000
212-3470			GUNITE VENTURI TEE (1.5"S×1.5"SP×1"SP/3/4"S)	23307-000-000
			GUNITE VENTURI TEE (1.5"S×1.5"SP×3/4"SP)	23307-100-000
212-3340			EXT. VENTURI TEE (1.5"SP×1.5"S/2"SP×1"SP/0.5"S)	23308-000-000
		10-4320	EXT. VENTURI TEE (1.5"SP×1.5"S/2"SP×3/4"SP/0.5"S)	23308-100-000
		10-4401T	GUNITE JET 4IN TWIST-LOCK NOZZLE	23308-100-020
		10-4325	EXT. VENTURI TEE (1.5"SP×1.5"S ×1/2"S) WHT	23308-100-100
		10-3420/50-3420	VENTURI TEE JET RETURN FITTING (FITS 23308)	23308-110-110
	46540000		GUNITE JET AMERICAN PRODUCTS™	23308-200-000
210-3330			VENTURI TEE #7 (1"S×1"SP×1"SP 3/4"S)	23309-000-000
		16-5749	4IN SWIM JET (SMOOTH; 1IN S × 1.5IN SP; 1IN AIR)	23312-000-000
212-9170			GUNITE SPA JET 1.5" MIP FITTING	23315-030-000
		10-2100	GUNITE SPA AIR CONTROL 1" S WHITE	25098-000-000
		10-2200	GUNITE SPA AIR CONTROL 1/2" S WHITE	25099-000-000
218-7650			GUNITE NICHE 5"	25580-000-070
215-6660			GUNITE JET WALL FITTING 5"	25580-000-080
425-5030			2-1/2" GUNITE JET NICHE WHITE	25580-000-090
210-3700			2.5" GUNITE BODY ASSY & NICHE WHITE	25580-090-000
			2.5" GUNITE STRAIGHT BODY ASSY LESS NICHE	25581-000-000
210-3830			2.5" GUNITE STRAIGHT BODY ASSY & NICHE WHITE	25581-090-000
210-8750			POWER JET INTERNAL WHITE	25582-000-000
210-9790			WHIRLPOOL JET INTERNAL WHITE	25583-000-000
218-1770A			JET TOOL	25590-000-000
210-6080			3" DIRECTIONAL GUNITE JET FACE PLATE WHITE	25591-210-000
210-6090			3" ROTATIONAL GUNITE JET FACE PLATE WHITE	25591-220-000
210-6070			3" PULSATOR GUNITE JET FACE PLATE WHITE	25591-230-000
210-6700			3" MASSAGE GUNITE JET FACE PLATE WHITE	25591-240-000
			3" TWIN SPIN GUNITE JET FACE PLATE	25591-250-000
212-7600G			5" ROTATIONAL GUNITE FACE PLATE	25595-020-000
212-7740G			5" MASSAGE GUNITE JET FACE PLATE	25595-040-000
212-7610G			5" TWIN SPIN GUNITE JET FACE PLATE	25595-050-000

CROSS REFERENCE CHART | SKIMMERS

SKIMMERS & ACCESSORIES PAGE 110						
WATERWAY®	PENTAIR®	STA-RITE®	HYDRO AIR®	HAYWARD®	DESCRIPTION	CMP P/N
				SP10712FVA	SKIMMASTER WHT 2" FIP W/FLOAT VLV	25100-000-000
				SP1071210FVA	SKIMMASTER TAN 2" FIP & FLOAT VLV	25100-009-000
				SP10712	SKIMMASTER WHT 2" FIP	25100-010-000
				SP1071210	SKIMMASTER TAN LID/COLLAR 2" FIP	25100-019-000
				SP10712SFVA	SKIMMASTER WHT 2" S W/FLOAT VLV	25100-100-000
				SP10712S10FVA	SKIMMASTER TAN 2" S & FLOAT VLV	25100-109-000
				SP10712S	SKIMMASTER WHT 2" S	25100-110-000
				SP10712S10	SKIMMASTER TAN LID/COLLAR 2" S	25100-119-000
540-6610					WW RENEGADE 2"S/2.5"SP W/FLOAT VLV	25140-000-000
	08650-0079	08650-0079		SP1070FV	FLOAT VALVE ASSEMBLY	25140-000-700
542-3240					SKIMMER BASKET ASSEMBLY	25140-000-900
540-6510					WW RENEGADE 2"S/2.5"SP	25140-210-000
			10-6500		SPA STRIP SKIMMER	25245-000-000
				SP1099S	FRONT ACCESS SPA SKIMMER WHITE	25248-000-000
				SP1090	SKIMMER GRAY ABS ABV/GRND	25510-000-000
				SP1090WM	SKIMMER WIDE GRAY ABS ABV/GRND	25511-000-000
				SP1091ES	1.5" THREAD W/PKG & PLATE	25512-000-000
				SP1091	ABOVE GROUND SKIMMER BASKET	25512-000-900
				SP1082D	SKIMMER COVER	25538-000-000
				SP1084L	SKIMMER FACE PLATE (8.5IN × 10.75IN)	25540-000-010
				SP1084F	FACEPLATE TRIM COVER (8.5IN × 10.75IN)	25540-000-020
				SPX1085B	FACEPLATE WIDE MOUTH WHITE	25541-000-010
				SP1085F	WIDE FACEPLATE TRIM COVER WHITE	25541-000-020
				SP1070C	ROUND SKIMMER COVER U3 AND SP1070	25544-000-000
	85007400				SKIMMER LID ADMIRAL S20 WHITE	25544-500-000 ●
	85007430				SKIMMER LID S20 TAN	25544-509-000 ●
				SPX1070B	ROUND SKIMMER COVER COLLAR	25547-000-000
				SP1106 (IG)	SKIM-VAC W/GASKET (STRAIGHT)	25573-000-000
				SP11041	VACUUM PLATE 90 TWIST, 1.5"×1.25"	25573-410-000
				SP11051	VACUUM PLATE 1.5"×1.5"	25573-510-000
				SP11052	VACUUM PLATE 1.5"×1.25" 90DEG	25573-520-000
				SP11054	VACUUM PLATE 1.5"×1.5"×1.25"	25573-540-000

● CMP part differs from OEM design. For details contact poolsales@c-m-p.com.

CHECK CROSS REFERENCES QUICKLY & EASILY ONLINE AT C-M-P.COM/SEARCH

CROSS REFERENCE CHART | DRAINS & SUCTIONS

MAIN DRAINS & DRAIN ACCESSORIES | PAGE 121

WATERWAY®	PENTAIR®	STA-RITE®	HYDRO AIR®	HAYWARD®	S.R. SMITH™	ALADDIN®	DESCRIPTION	CMP P/N
			10-6204				175 GPM FG DRAIN	25215-000-000
				W400BWHP			VAC-LOCK 1.5" WHITE	25505-000-000
				W400BLGP			VAC-LOCK 1.5" GRAY	25505-001-000
640-1360V							32" DRAIN W/BODY	25506-320-000
640-1370V							32" DRAIN W/FRAME	25506-320-100
	WGX1048E			WGX1048E			8" DRAIN COVER	25507-100-010
							9"×9" FRAME & GRATE	25508-090-000L
				WG1032PAK2			12"×12" FRAME & GRATE	25508-120-000L
				WG1033PAK2			18"×18" FRAME & GRATE	25508-180-000L
640-2550						B-43	SHALLOW GNT DRAIN	25513-500-000
				SP1048AV*			VINYL LINER DRAIN	25515-000-000
				SP1049AV			VINYL LINER DRAIN	25515-000-000
640-2920							SHALLOW GUN. DRAIN	25516-500-000
640-2320	542031						1.5"S PORTS DRAIN	25517-500-000
				SP1054AV			GNT DRAIN	25519-000-000
				SP1051AV			GNT DRAIN (1.5" × 1.5")	25519-000-000
				SP1052AV			GNT DRAIN (2" × 1.5")	25519-000-000
				SP1053AV			GNT DRAIN (1.5" × 2")	25519-000-000
		07017-0103					2" × 1.5" SUMP	25520-000-000
		07017-0093					2" SIDE PORT SUMP	25521-000-000
		WC37-503P					EXT COLLAR (SR)	25526-000-000
				SP1084P1			VINYL EXT COLLAR	25526-100-000
				SP1070P			GNT EXT COLLAR	25526-200-000
				SP1030AV			7-7/8" FRAME & GRATE	25531-000-000
				SP1048B			VINYL LINER RING	25532-000-000
640-2900	540063			SP1019			GUTTER DRAIN 2" × 4"	25533-000-000
640-2800				SP1019BA			GRATE 2" × 4"	25533-000-010
	542038						3-BAR GRATE & FRAME	25533-200-000
				SP1030AV			8" LID & FLAT FRAME	25537-000-000
640-2310	86105000						8" A/V LID & FRAME	25539-500-000
					WRB-101A		1.5"S DRAIN & A/V LID	25562-600-000
				SP1056			HYDRO. RELIEF VALVE	25620-000-000

CHECK CROSS REFERENCES QUICKLY & EASILY ONLINE AT C-M-P.COM/SEARCH

CROSS REFERENCE CHART | UNIONS & FITTINGS

UNIONS PAGE 146					
WATERWAY®	HYDRO AIR®	HAYWARD®	PRAHER	DESCRIPTION	CMP P/N
400-4060				1.5" PUMP UNION	21021-000-000
400-5570				2" PUMP UNION	21023-000-000
400-3090	11-3440			SELF ALIGNING 1.5" S × S UNION	21049-150-000
400-5090	11-3460			SELF ALIGNING 2" S × S UNION	21049-200-000
		SP14952S		FLUSH UNION 1.5"/2"	21053-150-000
		SP14982S		FLUSH UNION 2" SLIP × SLIP PVC	21053-200-000
		SP1480		MALE UNION 1.5" MIP × MIP ABS	21054-150-000
		SP14953S		FLUSH UNION 1.5" MIP × 1.5" S ABS	21055-150-000
		SP1484		MALE UNION 1.5" MIP × 1.5" S ABS	21056-150-000
		SP1485		FLUSH UNION 1.5" MIP × MIP SWEEP90	21057-150-000
		SP1493		ECONO UNION 1.5" BARB × MIP ABS	21058-000-000
		SP1482		FLUSH UNION 1.5" MIP × SP ABS	21059-150-000
			150-906	HI-TEMP UNION 1.5" MIP × S	21063-150-000
			215-906	HI-TEMP UNION 2" S × 1.T" MIP	21063-160-000
			150-903	UNION 1.5" MIP × S	21063-170-000
			200-906	HI-TEMP UNION 2" MIP × S	21063-200-000
			200-903	UNION 2" MIP × S	21063-210-000
				UNION KIT (RAYPAK 006723F)	21063-801-000

REPAIR FITTINGS & ADAPTERS PAGE 149						
WATERWAY®	PENTAIR®	HAYWARD®	MAGIC PLASTICS	POOL TOOL	DESCRIPTION	CMP P/N
417-6060		SPX1091Z7			HOSE ADAPTER COMBO 1.5"/1.25"	21093-000-000
		SPX1091Z14			HOSE ADAPTER 1.5"	21093-150-000
418-3000			0301-10		PIPE EXTENDER 1"	21181-100-000
418-5000			0301-15		PIPE EXTENDER 1-1/2"	21181-150-000
418-6000			0301-20		PIPE EXTENDER 2"	21181-200-000
418-7000			0301-25		PIPE EXTENDER 2-1/2"	21181-250-000
			0301-30		PIPE EXTENDER 3"	21181-300-000
			0301-40		PIPE EXTENDER 4"	21181-400-000
418-2000			0301-07		PIPE EXTENDER 3/4"	21181-750-000
429-2000			0303-15		FITTING EXTENDER 1-1/2"	21182-150-000
429-2010			0303-20		FITTING EXTENDER 2"	21182-200-000
419-4100			0302-10		INSIDE PIPE COUPLER 1"	21183-100-000
419-4110			0302-15		INSIDE PIPE COUPLER 1-1/2"	21183-150-000
419-4120			0302-20		INSIDE PIPE COUPLER 2"	21183-200-000
	79200200				VNL LIGHT RING 10 HOLE; CHROME	25549-002-000
		SPX0507A1			LIGHT FRONT FRAME	25549-200-000
				PT132	LIGHT WEDGE	25549-600-000

CROSS REFERENCE CHART | RETURNS & INLETS

RETURNS, INLETS & WALL FITTINGS PAGE 139						
WATERWAY®	PENTAIR®	STA-RITE®	HYDRO AIR®	HAYWARD®	DESCRIPTION	CMP P/N
			10-3500		DIR WF ASSY (1.5" MIP; 3.5" FACE) LESS NUT	23300-200-000
			10-3100		DIR WF ASSY (1.5" MIP; 3.5" FACE) W/NUT	23300-210-000
			10-3600		DIR WF EXT THREADS (1.5" MIP) W/EYE LESS NUT	23300-240-000
			10-3300		DIR WF EXT THREADS (1.5" MIP) W/EYE & NUT	23300-250-000
400-9160B				SP1408	IG VINYL INLET WF 1.5"	25522-000-000
				SP1023S*	VINYL FITTING 1.5" S, 2" MIP	25522-500-000
215-9150	542405			SP1022S	GUNITE WALL FITTING 1.5" S	25523-100-000 ●
215-9890	542423				GNT INSIDER WALL FITTING 2" × 1.5" FIP	25524-200-000
				SP1425S	FLOOR INLET FITTING 1.5" S × 2" MIP	25527-000-000
		08417-0000			FLOOR INLET FITTING 2" S W/1.5" REDUCER	25527-100-000
		08417-0005E			FLOOR INLET FITTING COVER WITH SCREW	25527-100-100
		08429-0000			INLET FITTING COMPLETE SQ	25606-000-000
		08428-0125			INLET FITTING REPLACEMENT KIT	25606-100-000
	542002				INLET FITTING INSIDER 1.5"	25609-300-000
	542003				INLET FITTING INSIDER 1.5" (BLACK)	25609-304-000
				SP1022"S	INSIDER WF 1.5" FIP FACE × 1.5" INSIDER	25529-150-000
218-1430				SPX1408B	IG VNL RETURN FACE PLATE - NO THREAD	25545-000-000
				SPX1411B	IG VNL RETURN FACE PLATE - THREADED	25546-000-000
400-9170B				SP1023	VINYL POOL INLET/OUTLET FITTING (1.5" FIP)	25550-000-000
	542404			SP1022	GUNITE WALL FITTING, THREADED	25550-000-060 ●
			10-3807		2" LOCK NUT FOR WALL FITTING	25550-050-010
				SP1419T	INLET SEAT REMOVAL TOOL	25551-000-100
400-1420D				SP1421D	INSIDER FITTING 3/4" EYE	25551-300-000
400-1420E				SP1421E	INSIDER FITTING 1" EYE	25551-400-000
400-1410A				SP1419A	H-STREAM SLOTTED EYE 1.5" MIP	25552-000-000
400-1410B				SP1419B	H-STREAM 3/8" EYE 1.5" MIP	25552-100-000
400-1410C				SP1419C	H-STREAM 1/2" EYE 1.5" MIP	25552-200-000
400-1410D	540021			SP1419D	H-STREAM 3/4" EYE 1.5" MIP	25552-300-000
400-1410E	540028			SP1419E	H-STREAM 1" EYE 1.5" MIP	25552-400-000
				SP1418D	H-STREAM 3/4" FLANGE 1.5" EYE 1.5" MIP	25553-300-000
				SP1422D	H-STREAM 3/4" FLANGE 1.5" EYE INSIDER	25553-350-000
				SP1418E	H-STREAM 3/4" FLANGE 1" EYE 1.5" MIP	25553-400-000
				SP1422E	H-STREAM 3/4" FLANGE 1" EYE INSIDER	25553-450-000

● CMP part differs from OEM design. For details contact poolsales@c-m-p.com.

CHECK CROSS REFERENCES QUICKLY & EASILY ONLINE AT C-M-P.COM/SEARCH

CROSS REFERENCE CHART | ACCESSORIES

RETURN FITTINGS & ACCESSORIES | PAGE 139

WATERWAY®	PENTAIR®	HAYWARD®	DESCRIPTION	CMP P/N
400-9190	86204200		FLUSH MOUNT RETURN FITTING 1.5" INSIDER / 1" S	25555-000-000
		SP1430	JET AIR FITTING PVC	25556-000-000
		SP1420	HYDROSTREAM FITTING W/ BLUE NOZZLE	25556-100-000
		SP1433S	JET AIR FITTING KIT PVC	25556-300-000
400-9390P			RETURN FTG FLUSH MOUNT	25557-000-000
	86201500		AERATOR INLET WHT 3/4"	25558-000-000
550-9230			RETURN FITTING SELF ALIGN AUSSIE 1.5" INSIDER	25559-000-000
550-9231			RETURN FITTING SELF ALIGN AUSSIE 1.5" INSIDER	25559-004-000
400-9180	542000		1" INSIDER FITTING	25559-110-000 ●
602-3160B		SP1026	GRATE INSERT 1.5" MIP	25560-000-000
429-3010			WATER STOP 1.5"	25574-000-000
429-3000			WATER STOP 1"	25574-100-000
429-3020			WATER STOP 2"	25575-000-000

POOL ACCESSORIES | PAGE 155

WATERWAY®	PENTAIR®	HAYWARD®	S.R. SMITH™	POOL TOOL	DESCRIPTION	CMP P/N
		SP1434TP			TEST PLUG ABS	25528-000-000
400-4140	552572	SP1022B			FLAT PLUG W/ GASKET 1.5" MIP	25542-000-000
400-6600	552417	SP1022C			PLUG W/ O-RING	25543-000-000
			LTDF-101		LADDER TREAD 19"	25562-000-000
			A42073-0		LADDER TREAD 20"	25562-100-000
			WRB-100A		RUBBER BUMPER MALE	25562-500-000
			60-702		ECONOMY LADDER BOLT LIT	25562-720-000
			60-704		ELITE LADDER BOLT KIT	25562-740-000
400-9290	86201200				ROPE ANCHOR & PLASTIC PIN	25567-000-000
	542044	SP1040			ROPE ANCHOR & SS PIN	25568-000-000
540-6700					V-BALL POLE SLEEVE & CAP ASSY	25570-100-000
519-6710					V-BALL POLE CAP & FLUSH CAP	25571-000-000
429-4010	542049	SP1041			5" LADDER ESCUTCHEON WHT	25572-000-000
	542048	SP1042			5" LADDER ESCUTCHEON CHR	25572-002-000
			EP-200-PW		CLIP-ON LADDER ESC WHT	25572-200-000
			EP-200-SG		CLIP-ON LADDER ESC GR	25572-201-000
			EP-200-MC		CLIP-ON LADDER ESC CHR	25572-202-000
				PT139	CABLE SAW 36"	58308-100-000
	86300100				6" VALVE LID & RING WHITE	25840-000-000
	86300130				6" VALVE LID & RING TAN	25840-009-000

● CMP part differs from OEM design. For details contact poolsales@c-m-p.com.

CHECK CROSS REFERENCES QUICKLY & EASILY ONLINE AT C-M-P.COM/SEARCH

CROSS REFERENCE CHART | PARTS

POOL ACCESSORIES | PAGE 155

WATERWAY®	PENTAIR®	STA-RITE®	HAYWARD®	ALADDIN®	DESCRIPTION	CMP P/N
			SP1392		ANCHOR SOCKET	25572-400-000 ●
532-2010B		039880000			WALL STEP (SET OF 3)	25578-000-000
			EC 10-SC	ALD300	DE SCOOP - 1LB ORANGE	25600-009-000
	R171074				FLOATING DISPENSER BLUE	27052-019-000
	R171090				FLOATING DISPENSER TAN	27052-029-000
	R211084		W530		LEAF CANISTER & NET	58309-000-000 ●

OEM REPLACEMENT PARTS | PAGE 173

PENTAIR®	STA-RITE®	HAYWARD®	VAL-PAK	JANDY®	PRAHER	DESCRIPTION	CMP P/N
		SP1074S				IN-LINE SIGHT GLASS 2"	25625-200-000
		SP1072S				IN-LINE SIGHT GLASS 2"	25625-350-000
354530						DYNAMO® PUMP STRAINER	25302-054-000
	C3-139P1					CLEAR STRAINER COVER	25304-000-020
355301						CLEAR STRAINER COVER	25305-000-020
		SPX1500DA				CLEAR STRAINER COVER	25306-000-020
354531						CLEAR STRAINER COVER	25307-000-020
R172008W						RAINBOW™ CHLOR LID	25307-500-020
R172008W						RAINBOW™ CHLOR LID	25307-500-020
	C1-200PA					PUMP DIFFUSER W/O-RING	25356-100-000
355468						CHALLENGER® PUMP HOUSING	25357-004-000
154699						PENTAIR® 1/4" PLUG BLACK	25357-054-000
154699						PLUG 1/4"	25357-054-000
154689						AIR RELEASE TEE VALVE	25357-154-000
		DEX2400S				AIR RELEASE TEE VALVE	25357-240-000
074564						SEAL PLATE, WHISPERFLO®	25357-300-000
59023700						DE MANIFOLD TOP	25357-600-000
			V38-140			DE MANIFOLD	25357-600-000
		DEX2400C				DE MANIFOLD TOP	25357-700-000
			V60-105			DE MANIFOLD	25357-700-000
		CX3000C				CARTRIDGE MANIFOLD BOTTOM	25357-750-000
			V60-550			CARTRIDGE MANIFOLD	25357-750-000
				R0359000		DE MANIFOLD	25357-800-000
				R0357600		CARTRIDGE MANIFOLD	25357-850-000
98209800						AIR RELEASE TEE VALVE	25357-982-000 ●
154687						AIR RELEASE TEE VALVE	25357-983-000
				1307		O-RING SHAFT	26100-171-024
					PRVN224	O-RING OUTSIDE 1.5" UNION	26100-470-400
					PRVN331	O-RING OUTSIDE 2" UNION	26100-590-500
				1132		O-RING DIVERTER COVER	26100-780-250

● CMP part differs from OEM design. For details contact poolsales@c-m-p.com.

CHECK CROSS REFERENCES QUICKLY & EASILY ONLINE AT C-M-P.COM/SEARCH

CROSS REFERENCE CHART | BASKETS

SKIMMER REPLACEMENT BASKETS | PAGE 175

WATERWAY®	PENTAIR® / STA-RITE®	KAFKO™	HAYWARD®	VAL-PAK	ALADDIN®	DESCRIPTION	CMP P/N
	08650-0007	08650-0007	SPX1070E		B-9	U-3 BASKET	27180-009-000
			SP1070	V22-110	B-9	HD U3 BASKET	27182-009-000
	R38013A	850001			B-37	AP BASKET	27180-037-000
	R38013A	850001			B-37	HD AP BASKET	27182-037-000
	R38013B	850012			B-38	FLOATING WEIR	27180-038-000
					B-39	ANTHONY BASKET	27180-039-000
	513036				B-43	PACFAB® BASKET	27180-043-000
					B-99	INVERTED BASKET	27180-099-000
340-1139					B-136	BAKER BASKET	27180-136-000
			SPX1082CA		B-152	1082 BASKET	27180-152-000
			SPX1082CA	V60-555	B-152	HD 1082 BASKET	27182-152-000
			SPX1082D			SUPPORT RING	27182-152-300
			SPX1096CA		B-168	1096 BASKET	27180-168-000
		19-0163-1				KAFKO™ BASKET	27180-163-000
	S-20				B-200	S20 BASKET	27180-200-000
	S-20				B-200	HD AP BASKET	27182-200-000
			SPX1094FA		B-203	1094 BASKET	27180-203-000
542-3240						HD RENEGADE BASKET	27182-019-000
	R211526		W530	V50-600	B-204	LEAF TRAP BASKET	27182-020-000

PUMP REPLACEMENT BASKETS | PAGE 175

PENTAIR®	STA-RITE®	HAYWARD®	VAL-PAK	ALADDIN®	DESCRIPTION	CMP P/N
91110000	C108-33P			B-33	5" PUMP BASKET	27180-033-000
				B-36	6" PUMP BASKET	27180-036-000
				B-106	5" PUMP BASKET	27180-106-000
		SPX1600M		B-167	SUPER PUMP® BASKET	27180-167-000
		SPX1600M	V60-500	B-167	HD SUPER PUMP® BASKET	27182-167-000
070387				B-199	PUMP BASKET WHISPERFLO®	27180-199-000
070387			V20-200	B-199	HD WHISPERFLO®	27182-199-000
		SPX3000M		B-207	PUMP BASKET SUPER II	27180-207-000
		SPX3000M	V60-300	B-207	HD SUPER II BASKET	27182-207-000
	C8-58P			B-215	PUMP BASKET MAX II	27180-215-000
355318			V36-192	B-219	HD CHALLENGER® BASKET	27180-219-000 ●
		SPX1500LX		B-220	PUMP BASKET - POWER-FLO®	27180-220-000
		SPX2800M			PUMP BASKET - MAX-FLO™	27180-280-000
355667					PUMP BASKET - SUPERFLO®	27180-355-000
			V26-370	B-215	HD MAX-E-GLAS® BASKET	27182-215-000

● CMP part differs from OEM design. For details contact poolsales@c-m-p.com.
CHECK CROSS REFERENCES QUICKLY & EASILY ONLINE AT C-M-P.COM/SEARCH

CROSS REFERENCE CHART | CLEANER PARTS

AUTO CLEANER PARTS | PAGE 178

PENTAIR®	ZODIAC® / POLARIS®	DESCRIPTION	CMP P/N
EB5L	B5	4' SWEEP HOSE	25563-005-000
EB10	B10	SWEEP HOSE WEAR RING	25563-010-000
	9-100-1017	BELT KIT	25563-017-000
EC120	C120	7 1/2" TURBINE HOSE	25563-020-000
EB25	B25	ORIFICE TIP GUARD	25563-025-000
	D29	UWF CONNECTOR BODY AND O-RING	25563-029-000
LL209	G5	30' COMPLETE HOSE KIT (NO BACK UP VALVE)	25563-040-000
D50	D45	10' LEADER HOSE	25563-040-100
D45	D50	10' FEED HOSE	25563-040-200
E10	G52	BACK UP VALVE	25563-052-000
H2	9-100-1200	BACK UP VALVE 360	25563-052-360
	48-080	IN LINE FILTER	25563-080-000
	C86	CLEANER DRIVE SHAFT	25563-086-000
	9-100-1132	CLEANER DRIVE TRAIN GEAR KIT	25563-089-000
	D10	HOSE FLOAT, SINGLE, WHITE	25563-100-000
	D11	HOSE FLOAT, SINGLE, BLACK	25563-104-000
EB15	B15	HOSE FEED CLAMP	25563-110-000
ED15	D15	HOSE FEED NUT	25563-115-000
EA20	A20	FLOAT HEAD	25563-120-000
	P-133	PUMP SOFTUBE QUICK CONNECT	25563-133-000
EW22	9-100-9001	UWF CONNECTOR ASSEMBLY	25563-150-000
	9-100-1002	UWF CONNECTOR VALVE	25563-150-100
E24	6-504-00	UWF CONNECTOR SCREEN	25563-150-200
E23	6-500-00	WALL FITTING CONNECTION	25563-160-000
EC65	C65	LARGE AXLE FOR REAR WHEEL	25563-170-000
D05	D20	HOSE SWIVEL	25563-200-000
	D20 (4PK)	HOSE SWIVEL FOUR PACK	25563-240-000
	C60	C60 BEARING SINGLE PACK	25563-250-000
EC80	C80	TURBINE BEARING	25563-260-000
EC60	C60 (8PK)	C60 BEARING EIGHT PACK	25563-280-000
	9-100-3105	SWEEP HOSE END SCRUB	25563-300-000
	R05224	TAILFLOW® REPLACEMENT SCRUBBER	25563-300-110

NOTE: Many cleaner parts are also available in black. See page 178 for complete product availability list.

CHECK CROSS REFERENCES QUICKLY & EASILY ONLINE AT C-M-P.COM/SEARCH

CROSS REFERENCE CHART | CLEANER PARTS

AUTO CLEANER PARTS PAGE 178			
PENTAIR®	ZODIAC® / POLARIS®	DESCRIPTION	CMP P/N
	9-100-3105	SWEEP HOSE END SCRUB FINE PACK	25563-300-500
EC10	C10	CLEANER WHEEL TIRE	25563-310-000
	C11	CLEANER WHEEL TIRE, BLACK	25563-314-000
	9-100-1008	WHEEL DOUBLE W/ E-CLIP & HUB CAP, WHITE	25563-340-000 ●
	9-100-1114	WHEEL HUB CAP WHITE	25563-340-030
	9-100-1004	WHEEL DOUBLE W/ E-CLIP & HUB CAP, BLACK	25563-344-000 ●
	9-100-1115	WHEEL HUB CAP BLACK	25563-344-030
	9-100-1116	WHEEL SINGLE W/ E-CLIP & HUB CAP, WHITE	25563-350-000 ●
	9-100-1117	WHEEL SINGLE W/ E-CLIP & HUB CAP, BLACK	25563-354-000 ●
EC6L	C6	WHEEL, WHITE	25563-360-000 ●
	C7	WHEEL, BLACK	25563-364-000 ●
EC55	C55	WHEEL SCREW WHITE	25563-370-000
	C56	WHEEL SCREW BLACK	25563-374-000
EC64	C64	WHEEL WASHER WHITE	25563-380-000
	C67	WHEEL WASHER BLACK	25563-384-000
ED10P	D10	HOSE FLOAT WHITE (4 PK)	25563-400-000
	C16	SMALL WHEEL	25563-460-000
	W46666	DISC BLUE (BARACUDA®)	25563-809-000
	W69698	DIAPHRAGM; STRAIGHT (BARACUDA®)	25563-810-000
	W81600	DIAPHRAGM RING (BARACUDA®)	25563-810-100
	W70327	FOOT PAD (BARACUDA®)	25563-820-000
	A16	180 BAG, VELCRO	58307-180-000
	K16	280 BAG, VELCRO	58307-280-000 ●
	9-100-1014	360/380 BAG, VELCRO	58307-380-000

NOTE: Many cleaner parts are also available in black. See page 178 for complete product availability list.

● CMP part differs from OEM design. For details contact poolsales@c-m-p.com.

CHECK CROSS REFERENCES QUICKLY & EASILY ONLINE AT C-M-P.COM/SEARCH

FOR CROSS REFERENCE PAGE INDEX SEE PG 221



WATER FEATURES & ACCENT DECOR

Natural Wonders™ Waterfalls 25

Natural Wonders™ Deck & Wall Jets 35

Natural Wonders™ Deck Covers 46

Natural Wonders™ Pool Fountains 47

Natural Wonders™ Sconces 48

Brilliant Wonders® LED Waterfall 51

Brilliant Wonders® Controls 55

Brilliant Wonders® LED Bubbler 57

Brilliant Wonders® LED Laminar 63

Brilliant Wonders® LED Light 65

Water Feature Filter 66

NW

NATURAL WONDERS

WATERFALL COLLECTION

THE BEST POOL WATER FEATURES ARE GETTING EVEN BETTER

CMP is proud to be the leading manufacturer of pool waterfalls. Natural Wonders™ Waterfalls are available in five styles including the new clear waterfall style.

VIDEOS & MORE ONLINE AT
C-M-P.COM/NATURAL-WONDERS-WATERFALLS

WATERFALL

- **NEW CLEAR WATERFALLS**
- Lips Available In 1", 6", 9" & 12" Sizes
- Lip Can Be Radius Curve Cut
- Available in White, Gray, & Tan
- Bottom Port Inlet Option Available
- Only Requires One GPM Per Inch



ARCH WATERFALL

- Exciting Arch Flow Style
- Lips Length Available in 1" or 6" sizes
- Back Port or Bottom Port Inlet Options



RAINFALL

- Two Rows of Water Streams
- Clear Lip Blends into Pool Surroundings
- Back Feed Inlet, 1.5" Spigot



STREAMFALL

- Multiple Miniature Sheer Streams
- Bigger Openings Prevent Clogging
- Lip Can Be Radius Curve Cut
- Back Feed 1.5" Spigot



For technical details and illustrations see page 31

***IMPORTANT:** NATURAL WONDERS WATERFALLS ARE TO BE USED ONLY WITH FILTERED WATER.
USE THE POOL SYSTEM FILTER OR THE CMP WATER FEATURE FILTER (PAGE 66)

NATURAL WONDERS™ WATERFALLS



PRODUCT FEATURES

- **NEW** Clear Lip Style
- Heavy-duty PVC Construction
- White, Gray, Tan & Clear
- Requires Only One GPM Per Inch
- 6", 9" & 12" Can be Radius Cut (pg 32)
- Bottom Port Available on 48" & Smaller



ORDERING GUIDE

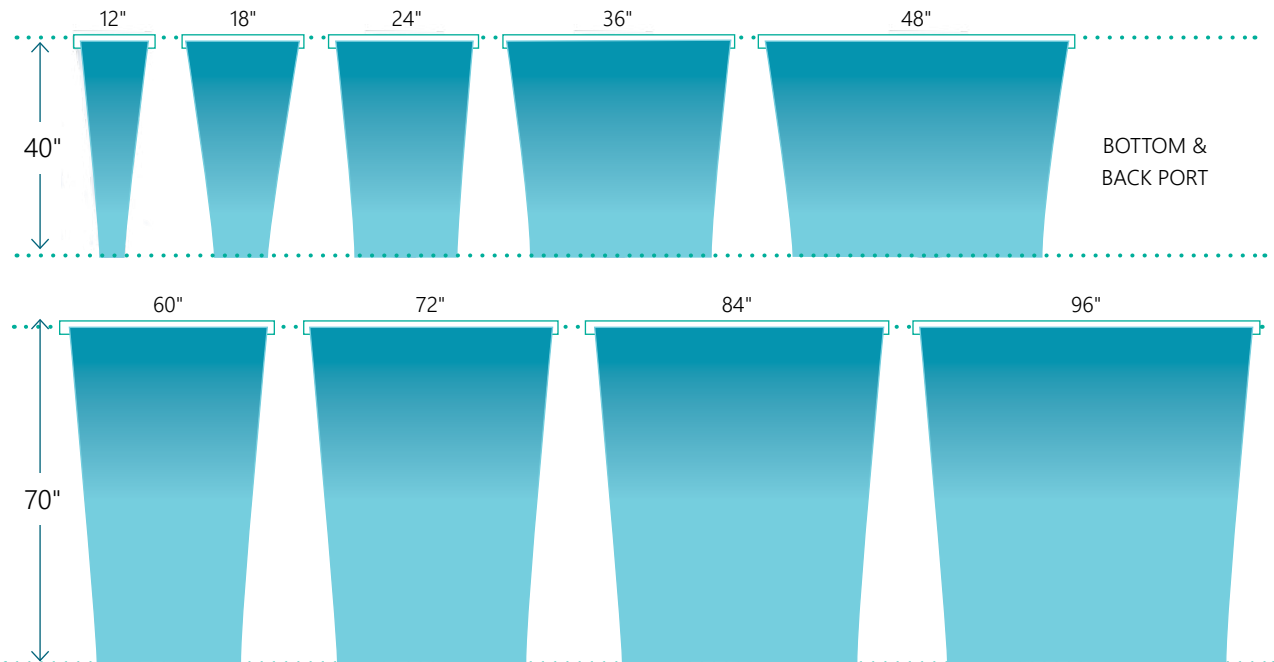
NATURAL WONDERS™ WATERFALLS (BACK PORT)						
CLEAR (NEW)	WHITE	TAN	GRAY	DESCRIPTION	WIDTH (W)	LENGTH (L)*
25577-125-000	25577-120-000	25577-129-000	25577-121-000	12" WITH 1" LIP	3.15"	12.36"
25577-135-000	25577-130-000	25577-139-000	25577-131-000	12" WITH 6" LIP	8.07"	
—	25577-130-900	25577-139-900	25577-131-900	12" WITH 9" LIP	11.07"	
25577-135-120	25577-130-120	25577-139-120	25577-131-120	12" WITH 12" LIP	14.07"	18.23"
25577-185-000	25577-170-000	25577-179-000	25577-171-000	18" WITH 1" LIP	3.15"	
—	25577-180-000	25577-189-000	25577-181-000	18" WITH 6" LIP	8.07"	
25577-185-120	25577-180-900	25577-189-900	25577-181-900	18" WITH 9" LIP	11.07"	24.13"
25577-225-000	25577-180-120	25577-189-120	25577-181-120	18" WITH 12" LIP	14.07"	
25577-235-000	25577-220-000	25577-229-000	25577-221-000	24" WITH 1" LIP	3.15"	
—	25577-230-000	25577-239-000	25577-231-000	24" WITH 6" LIP	8.07"	35.67"
25577-235-120	25577-230-900	25577-239-900	25577-231-900	24" WITH 9" LIP	11.07"	
25577-325-000	25577-230-120	25577-239-120	25577-231-120	24" WITH 12" LIP	14.07"	
25577-335-000	25577-320-000	25577-329-000	25577-321-000	36" WITH 1" LIP	3.15"	47.36"
—	25577-330-000	25577-339-000	25577-331-000	36" WITH 6" LIP	8.07"	
25577-335-120	25577-330-900	25577-339-900	25577-331-900	36" WITH 9" LIP	11.07"	
25577-425-000	25577-330-120	25577-339-120	25577-331-120	36" WITH 12" LIP	14.07"	59.88"
25577-435-000	25577-420-000	25577-429-000	25577-421-000	48" WITH 1" LIP	3.15"	
—	25577-430-000	25577-439-000	25577-431-000	48" WITH 6" LIP	8.07"	
25577-435-120	25577-430-900	25577-439-900	25577-431-900	48" WITH 9" LIP	11.07"	71.57"
25577-525-000	25577-430-120	25577-439-120	25577-431-120	48" WITH 12" LIP	14.07"	
25577-535-000	25577-520-000	25577-529-000	25577-521-000	60" WITH 1" LIP	3.15"	
—	25577-530-000	25577-539-000	25577-531-000	60" WITH 6" LIP	8.07"	83.24"
25577-535-120	25577-530-900	—	—	60" WITH 9" LIP	11.07"	
25577-625-000	25577-530-120	—	—	60" WITH 12" LIP	14.07"	
25577-635-000	25577-620-000	--	--	72" WITH 1" LIP	3.15"	83.24"
25577-635-900	25577-630-000	--	25577-631-000	72" WITH 6" LIP	8.07"	
25577-635-120	25577-630-900	--	--	72" WITH 9" LIP	11.07"	
25577-725-000	25577-630-120	--	--	72" WITH 12" LIP	14.07"	95.13"
25577-735-600	25577-720-000	--	--	84" WITH 1" LIP	3.15"	
25577-735-900	25577-730-000	--	--	84" WITH 6" LIP	8.07"	
25577-735-120	25577-730-900	--	--	84" WITH 9" LIP	11.07"	95.13"
25577-825-000	25577-730-120	--	--	84" WITH 12" LIP	14.07"	
25577-835-600	25577-820-000	--	--	96" WITH 1" LIP	3.15"	
25577-835-900	25577-830-000	--	--	96" WITH 6" LIP	8.07"	95.13"
25577-835-120	25577-830-900	--	--	96" WITH 9" LIP	11.07"	
	25577-830-120	--	--	96" WITH 12" LIP	14.07"	

*All "L" dimensions are +/- 0.33"



NATURAL WONDERS™ WATERFALLS (BOTTOM PORT)					
WHITE	TAN	GRAY	DESCRIPTION	WIDTH (W)	LENGTH (L)*
25576-120-000	—	—	12" WITH 1" LIP	3.15"	12.36"
25576-130-000	—	25576-131-000	12" WITH 6" LIP	8.07"	
25576-130-900	—	—	12" WITH 9" LIP	11.07"	
25576-130-120	—	—	12" WITH 12" LIP	14.07"	18.23"
25576-170-000	—	—	18" WITH 1" LIP	3.15"	
25576-180-000	—	25576-181-000	18" WITH 6" LIP	8.07"	
25576-180-900	—	—	18" WITH 9" LIP	11.07"	24.13"
25576-180-120	—	—	18" WITH 12" LIP	14.07"	
25576-220-000	—	—	24" WITH 1" LIP	3.15"	
25576-230-000	—	25576-231-000	24" WITH 6" LIP	8.07"	35.67"
25576-230-900	—	—	24" WITH 9" LIP	11.07"	
25576-230-120	—	—	24" WITH 12" LIP	14.07"	
25576-320-000	—	25576-321-000	36" WITH 1" LIP	3.15"	47.36"
25576-330-000	—	25576-331-000	36" WITH 6" LIP	8.07"	
25576-330-900	—	—	36" WITH 9" LIP	11.07"	
25576-330-120	—	—	36" WITH 12" LIP	14.07"	47.36"
25576-420-000	—	25576-421-000	48" WITH 1" LIP	3.15"	
25576-430-000	—	25576-431-000	48" WITH 6" LIP	8.07"	
25576-430-900	—	—	48" WITH 9" LIP	11.07"	47.36"
25576-430-120	—	—	48" WITH 12" LIP	14.07"	

PERFORMANCE GUIDE



IMPORTANT: Natural Wonders waterfalls are to be used only with filtered water. Use the pool system filter or see the CMP water feature filter page 66. The rock trap is always recommended to capture large debris in the pipes. 12" and 18" waterfalls should be no more than 12" above the water line. Waterfalls over 60" have multiple water inlets. As a waterfall is installed higher above the pool water, level the base of the flume will narrow and begin to "break up." Call customer service for more information.

NATURAL WONDERS™ ARCH WATERFALLS



CMP Natural Wonders™ Arch Waterfalls create a beautiful arching sheet of water. A powerful display that enhances any backyard.

PRODUCT FEATURES

- Back port or bottom port
- Heavy-duty PVC construction



BOTTOM PORT SHOWN

ORDERING GUIDE

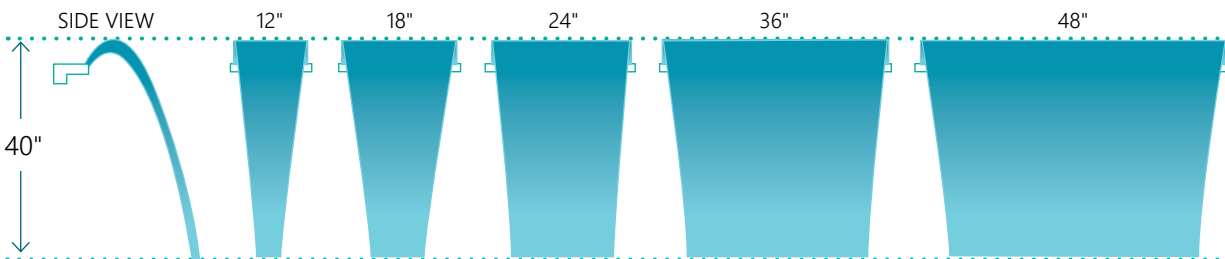
NATURAL WONDERS™ ARCH WATERFALLS (BACK PORT)

WHITE	DESCRIPTION	WIDTH (W)	LENGTH (L)*
25577-150-000	12" WITH 1" LIP	3.15"	
25577-150-600	12" WITH 6" LIP	8.07"	12.6"
25577-150-900	12" WITH 9" LIP	14.07"	
25577-190-000	18" WITH 1" LIP	3.15"	
25577-190-600	18" WITH 6" LIP	8.07"	18.5"
25577-190-900	18" WITH 9" LIP	14.07"	
25577-260-000	24" WITH 1" LIP	3.15"	
25577-260-600	24" WITH 6" LIP	8.07"	24.5"
25577-260-900	24" WITH 9" LIP	14.07"	
25577-360-000	36" WITH 1" LIP	3.15"	
25577-360-600	36" WITH 6" LIP	8.07"	35.18"
25577-360-900	36" WITH 9" LIP	14.07"	
25577-460-000	48" WITH 1" LIP	3.15"	
25577-460-600	48" WITH 6" LIP	8.07"	47.5"
25577-460-900	48" WITH 9" LIP	14.07"	

NATURAL WONDERS™ ARCH WATERFALLS (BOTTOM PORT)

25576-150-000	12" WITH 1" LIP	3.15"	12.6"
25576-150-600	12" WITH 6" LIP	8.07"	
25576-190-000	18" WITH 1" LIP	3.15"	18.5"
25576-190-600	18" WITH 6" LIP	8.07"	
25576-260-000	24" WITH 1" LIP	3.15"	24.5"
25576-260-600	24" WITH 6" LIP	8.07"	
25576-360-000	36" WITH 1" LIP	3.15"	35.18"
25576-360-600	36" WITH 6" LIP	8.07"	
25576-460-000	48" WITH 1" LIP	3.15"	47.5"
25576-460-600	48" WITH 6" LIP	8.07"	

PERFORMANCE GUIDE



IMPORTANT: Natural Wonders Arch Waterfalls are to be used only with filtered water. The rock trap is always recommended. 12" & 18" waterfalls should be no more than 12" above water line. ARCH WATERFALL LIP CANNOT BE CUT. *All "L" dimensions are +/- 0.33"

NATURAL WONDERS™ RAINFALLS



The Natural Wonders™ RainFall clear lip design allows it to blend into any surroundings. Colors from adjacent tile, rock, or concrete transmit through the clear material and reflect throughout the lip. This blends the RainFall into any installation application.

PRODUCT FEATURES

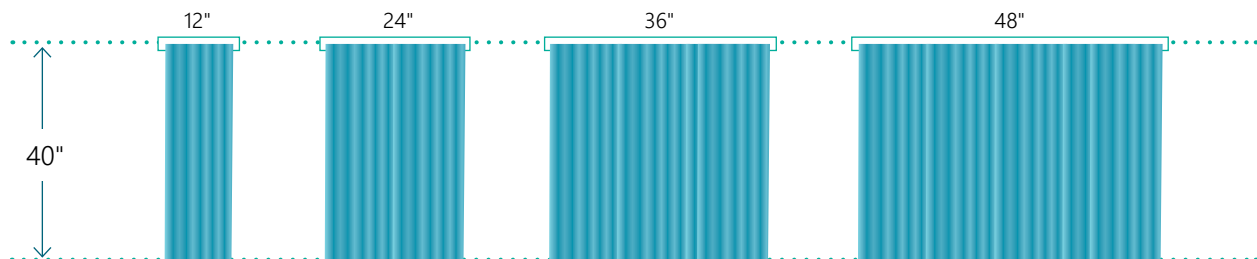
- Two Rows of Water Streams
- Clear Lip Face
- Heavy-Duty PVC Construction
- Back Feed 1.5" Spigot
- 6-15 GPM per Foot



ORDERING GUIDE

NATURAL WONDERS™ RAINFALLS (BACK PORT)				
CMP P/N	DESCRIPTION	WIDTH (W)	LENGTH (L)*	
25587-130-000	12" WITH 6" LIP	8.07"	12.75"	
25587-130-900	12" WITH 9" LIP	11.07"		
25587-130-120	12" WITH 12" LIP	14.07"		
25587-230-000	24" WITH 6" LIP	8.07"	25.25"	
25587-230-900	24" WITH 9" LIP	11.07"		
25587-230-120	24" WITH 12" LIP	14.07"		
25587-330-000	36" WITH 6" LIP	8.07"	37.875"	
25587-330-900	36" WITH 9" LIP	11.07"		
25587-330-120	36" WITH 12" LIP	14.07"		
25587-430-000	48" WITH 6" LIP	8.07"	50.25"	
25587-430-900	48" WITH 9" LIP	11.07"		
25587-430-120	48" WITH 12" LIP	14.07"		

PERFORMANCE GUIDE



IMPORTANT: Natural Wonders waterfalls are to be used only with filtered water. Use the pool system filter or see the CMP water feature filter page 66. The rock trap is always recommended for installation. The rock trap will capture debris in the pipes.. 12" and 18" waterfalls should be no more than 12" above the water line. Waterfalls over 60" have multiple water inlets. Call customer service for more information. RAINFALL LIP CANNOT BE CUT. Please refer to the instructions included with the waterfall. *All "L" dimensions are +/- 0.33"

NATURAL WONDERS™ STREAMFALLS



Natural Wonders Streamfalls are a unique pool water feature: a series of miniature sheer descents adds character and style. Large openings minimize the chance of any clogging from debris.

PRODUCT FEATURES

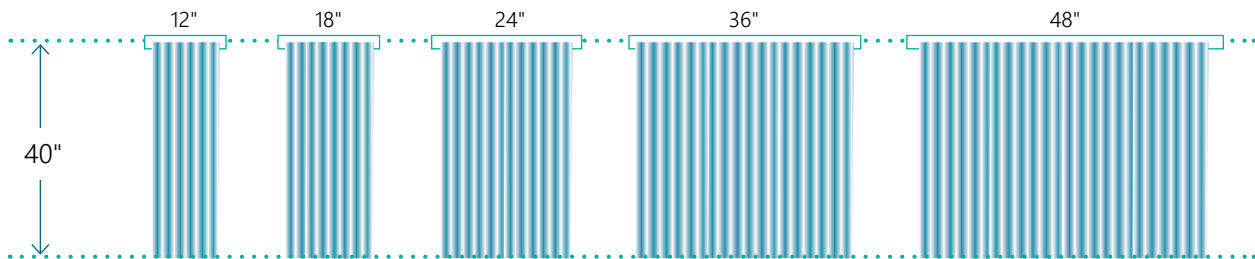
- Wide Openings Prevent Clogging
- Individual Streams 1/4" x 1/2"
- Heavy-Duty PVC Construction
- Lip Can Be Radius Cut (see pg 32)
- Back Feed 1.5" Spigot
- 6-20 GPM per Foot



ORDERING GUIDE

NATURAL WONDERS™ STREAMFALLS (BACK PORT)				
WHITE	DESCRIPTION	WIDTH (W)	LENGTH (L)*	
25588-130-000	12" WITH 6" LIP	8.07"	12.75"	
25588-130-900	12" WITH 9" LIP	11.07"	18.5"	
25588-130-120	12" WITH 12" LIP	14.07"	24.5"	
25588-180-000	18" WITH 6" LIP	8.07"	36.12"	
25588-180-900	18" WITH 9" LIP	11.07"	47.8"	
25588-180-120	18" WITH 12" LIP	14.07"	47.8"	
25588-230-000	24" WITH 6" LIP	8.07"	47.8"	
25588-230-900	24" WITH 9" LIP	11.07"	47.8"	
25588-230-120	24" WITH 12" LIP	14.07"	47.8"	
25588-330-000	36" WITH 6" LIP	8.07"	47.8"	
25588-330-900	36" WITH 9" LIP	11.07"	47.8"	
25588-330-120	36" WITH 12" LIP	14.07"	47.8"	
25588-430-000	48" WITH 6" LIP	8.07"	47.8"	
25588-430-900	48" WITH 9" LIP	11.07"	47.8"	
25588-430-120	48" WITH 12" LIP	14.07"	47.8"	

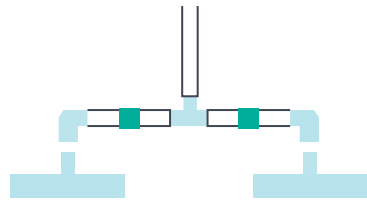
PERFORMANCE GUIDE



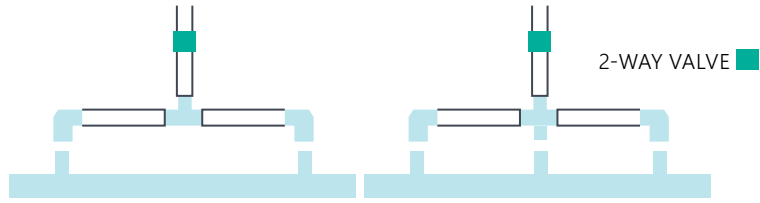
IMPORTANT: Natural Wonders Rainfalls are to be used only with filtered water. Use the pool system filter or see the CMP water feature filter page 66. The rock trap is always recommended for installation. Using the rock trap will capture large debris in the pipes. 12" and 18" waterfalls should be no more than 12" above the water line. Lip may be radius cut. *All "L" dimensions are +/- 0.33"



PLUMBING GUIDE

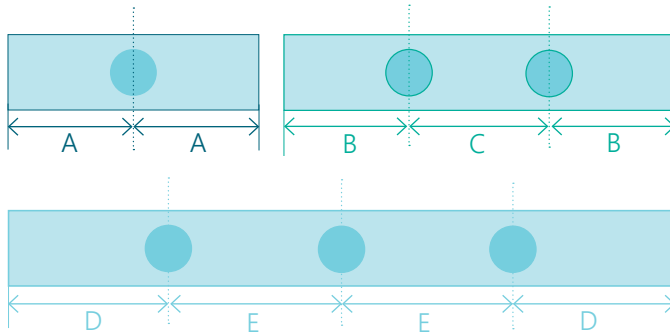


PLUMBING WATERFALLS UP TO 3FT LONG



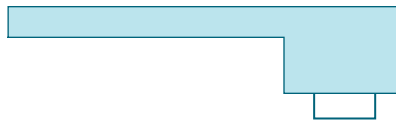
PLUMBING WATERFALLS OVER 3FT LONG

INLET SPACING GUIDE

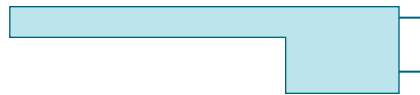


- 12" FALLS A = 6-11/32"
- 18" FALLS A = 9-9/32"
- 24" FALLS A = 12-3/16"
- 36" FALLS A = 18-1/8"
- 48" FALLS B = 15-1/16", C = 18-7/16"
- 60" FALLS B = 18-1/4", C = 23-11/32"
- 72" FALLS B = 19-27/32", C = 31-15/16"
- 84" FALLS D = 18-1/32", E = 23-5/8"
- 96" FALLS D = 19-31/32", E = 27-9/16"

BOTTOM PORT STYLE



BACK PORT STYLE

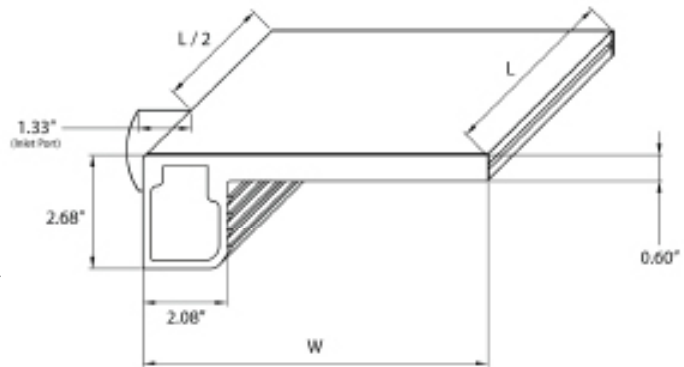


WATERFALL DIMENSIONS

See Product Pages for "L" Dimensions.
All "L" dimensions are +/- 0.33"

ROCK TRAP

The rock trap is always recommended for installation.
Using the rock trap will capture large debris in the pipes.
Rock Trap P/N 25577-950-000



WINTERIZATION

To protect the waterfall body during winter, plug the slot with a winterizing guard strip. One strip is included with each waterfall.
Replacements can be ordered below. Winterizing guard strips are for use with standard waterfalls only; not compatible with Arch, Rainfall or Streamfall styles.

WINTERIZING STRIP					
12"	18"	24"	36"	48"	
26677-128-041	26677-178-041	26677-208-041	26677-328-041	26677-428-041	WATERFALL WINTERIZING STRIP
60"	72"	84"	96"		
26677-528-041	26677-628-041	26677-728-041	26677-828-041		WATERFALL WINTERIZING STRIP

IMPORTANT: For use only with filtered water. Use the pool system filter or see the CMP water feature filter page 66.

NATURAL WONDERS™ CUSTOM CUT QUOTE FORM

COMPANY NAME _____ PHONE _____

ADDRESS _____ FAX _____

CONTACT _____ DATE _____ DISTRIBUTOR _____

FAX FORM TO 770-632-7115 OR EMAIL TO CS@C-M-P.COM

1. CHOOSE COLOR

(If Available)

White PVC

Gray PVC

Tan PVC

2. CHOOSE LENGTH†

12" 18" 24"

36" 48" 60"

72" 84" 96"

†Length corresponds to water only. For actual dimensions measurement refer to the CMP Pool Catalog.

3. CHOOSE INLET POSITION††

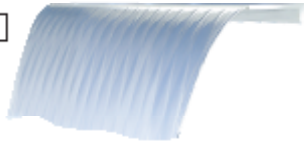
1.5" Spigot BACK

1.5" Spigot BOTTOM

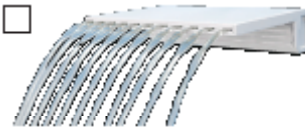
††12"-48" = one port 60"-72" = two ports 84"-96" = three ports
For Bottom Port please call for lead time

4. CHOOSE FLOW STYLE

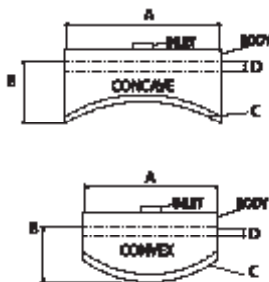
Waterfall (Sheeting)
25577-xxxx-xxxx
1 GPM/in



Streamfall (up to 48")
25588-xxxx-xxxx
6-15 GPM/ft



5. RADIUS MEASUREMENT



MINIMUM RADIUS				
LENGTH	6" LIP	9" LIP	12" LIP	
12	8.50	6.00	6.00	
18	17.50	10.00	9.00	
24	30.00	15.75	12.75	
36	66.00	32.25	23.25	
48	116.50	55.00	38.00	
60	161.25	84.50	57.00	
72	260.50	120.50	80.50	
84	354.00	163.00	108.00	
96	462.00	212.25	139.75	

CONVEX

CONCAVE

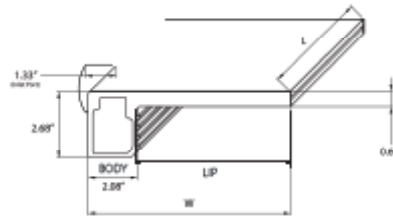
NOTE MEASUREMENTS BELOW AS NEEDED:

Any custom cuts besides convex/concave require a customer template to be faxed or mailed to CMP

LENGTH (A) _____ RADIUS (C) _____

LIP (B) _____ UNCUT LIP (D) _____

min 3.5"



6. QUANTITY ORDERED _____

FOR CMP USE ONLY

CUSTOM PART # _____

DATE _____

DESCRIPTION _____

QUOTATION AMOUNT: \$ _____ ORDER # _____

Price is for cost of waterfall plus \$35 up-charge for 12"-48" lengths or \$60 for 60"-96" lengths

CUSTOMER APPROVAL SIGNATURE: _____ DATE _____

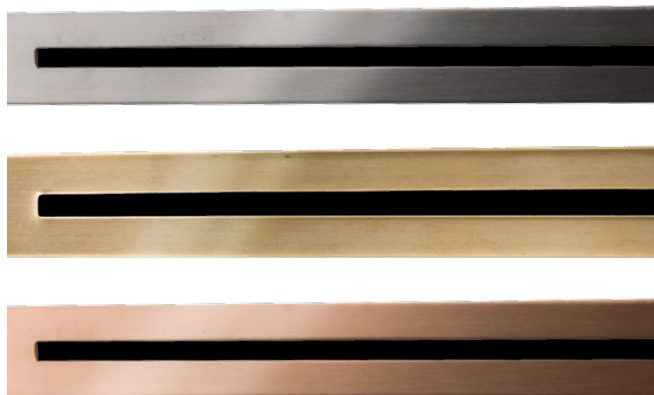
CHECK THIS FORM CAREFULLY. Custom units are non-returnable. Quotes are good for 30 days and do not include freight. This form is for quotation purposes only. A purchase order is required to begin order processing. ENTERTAINMENT WATER MUST BE USED FOR ALL CMP MATERIALS.

WATERFALL METAL FACE TRIM PLATES

Beautiful real metal accents for your waterfall. CMP Metal Face Trim Plates are available in three different finishes to fit any outdoor decor. They are the perfect way to complement and enhance your pool design.

PRODUCT FEATURES

- Complements Any Pool Finish
- Quick & Easy Installation
- Durable, Real Metal Trim Plates
- Available for 12"-48" Sizes

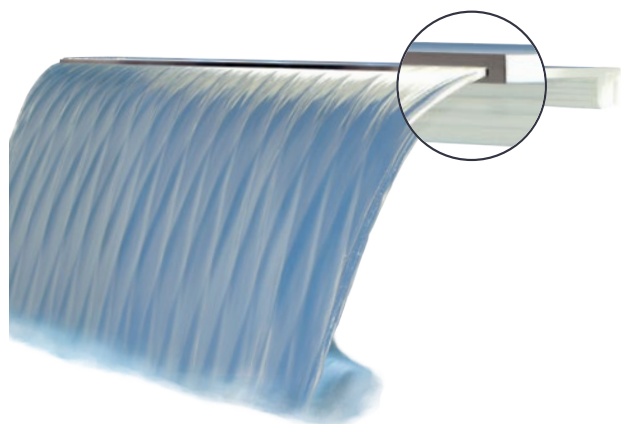


NATURAL WONDERS ORDERING GUIDE

NATURAL WONDERS™ METAL FACE TRIM PLATES			
STAINLESS STEEL	BRASS	COPPER	DESCRIPTION
25577-122-890	25577-123-890	25577-128-890	12" NATURAL WONDERS METAL FACEPLATE
25577-172-890	25577-173-890	25577-178-890	18" NATURAL WONDERS METAL FACEPLATE
25577-222-890	25577-223-890	25577-228-890	24" NATURAL WONDERS METAL FACEPLATE
25577-322-890	25577-323-890	25577-328-890	36" NATURAL WONDERS METAL FACEPLATE
25577-422-890	25577-423-890	25577-428-890	48" NATURAL WONDERS METAL FACEPLATE

BRILLIANT WONDERS ORDERING GUIDE

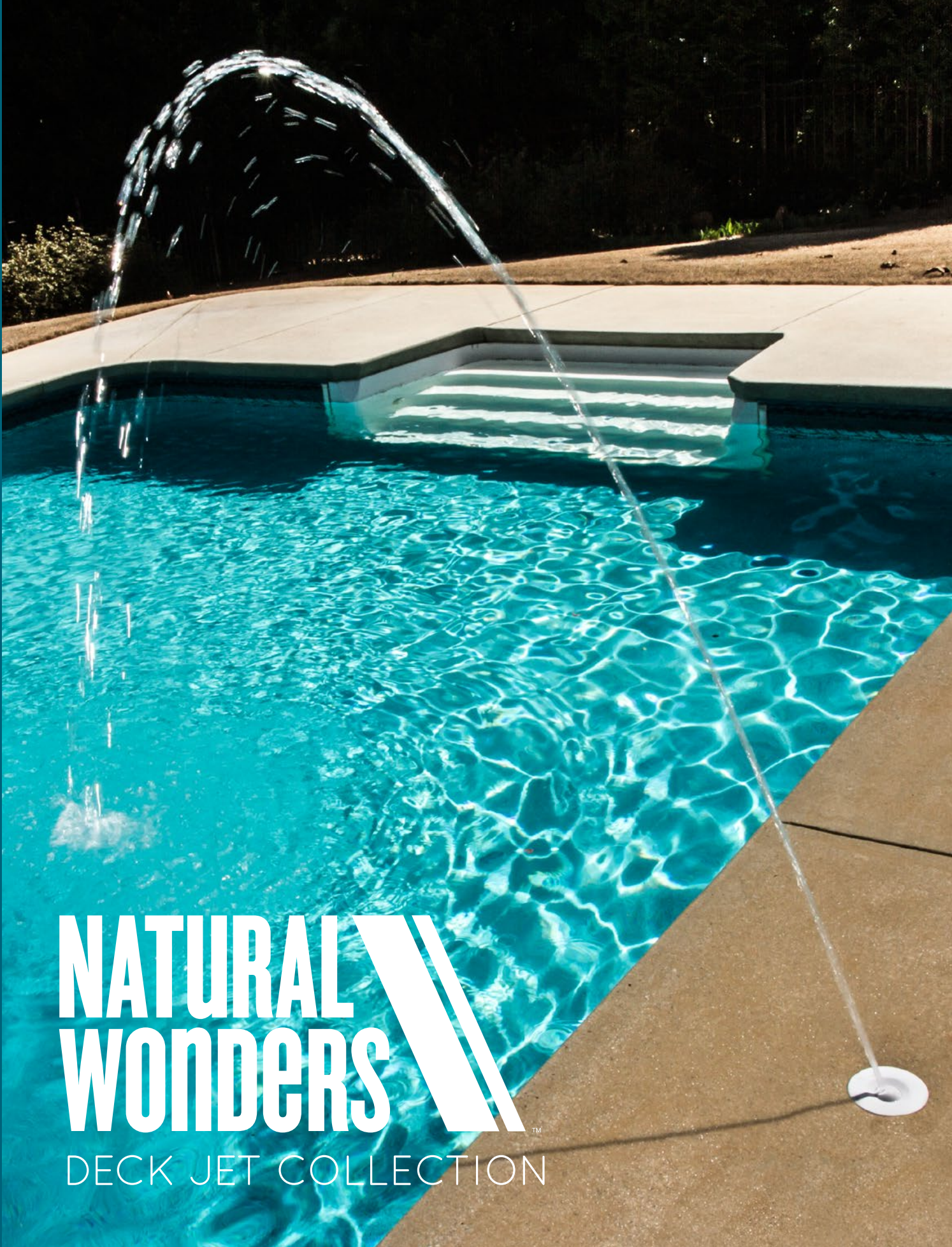
BRILLIANT WONDERS® METAL FACE TRIM PLATES			
STAINLESS STEEL	BRASS	COPPER	DESCRIPTION
25677-122-870	25677-123-870	25677-128-870	12" BRILLIANT WONDERS METAL FACEPLATE
25677-172-870	25677-173-870	25677-178-870	18" BRILLIANT WONDERS METAL FACEPLATE
25677-222-870	25677-223-870	25677-228-870	24" BRILLIANT WONDERS METAL FACEPLATE
25677-322-870	25677-323-870	25677-328-870	36" BRILLIANT WONDERS METAL FACEPLATE
25677-422-870	25677-423-870	25677-428-870	48" BRILLIANT WONDERS METAL FACEPLATE



WARNING: Edges are very sharp, please use care when handling and installing.

FAST INSTALLATION INSTRUCTIONS

1. Clean surface of waterfall lip. Make sure there is no debris, silicone or other material covering the lip. Also make sure the lip is dry.
2. Peel just a little of the protective tape on the front to make sure the waterfall plate is the correct color.
3. Turn plate over and remove RED tape on back of the plate (leave the tape on the other side in place until after plate is installed)
4. Carefully place the plate over opening. Do not press down until you are sure the plate is directly over the opening and is covering all the waterfall face (use the lip guard if it is still available)
5. Once you are sure the plate is positioned correctly, press firmly to secure to the waterfall.



NATURAL WONDERS

DECK JET COLLECTION

MULTI-NOZZLE ADJUSTABLE DECK & WALL JETS



The most advanced and versatile deck jet in the industry for customers who only want the best. Four color options, five interchangeable nozzles, and four body styles. There is a perfectly matched style and water effect for every project.

C-M-P.COM/DECK-WALL-JETS

PRODUCT FEATURES

- Adjustable Flow at the Jet
- Five Interchangeable Nozzles
- Square or Round Face
- Two Flange Options (pg 37)
- Five Color Options
- Simple to Install and Operate
- **U.S. PATENT #8,366,016**



3/16" SINGLE



1/4" SINGLE



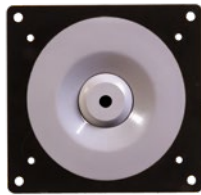
5/16" SINGLE



FAN
STREAM



TRIPLE
STREAM



GRAY



TAN



TEXTURED
BRASS



WHITE



TEXTURED
CHROME

NATURAL WONDERS™ DECK COVERS

Nature inspired fiberglass deck lids mimic natural stone for a beautiful pool deck finish. Available in four natural color designs. See page 46 for details. (sold separately)



ORDERING GUIDE

MULTI-NOZZLE ADJUSTABLE DECK JETS						
WHITE	GRAY	TAN	SOLID BRASS/ BLACK NOZZLE	CHROME PLATE/ BLACK NOZZLE	DESCRIPTION	BOX QTY
25598-300-000	25598-301-000	25598-309-000	25598-343-000	--	SQUARE FACE WITH FLANGE	1
25598-310-000	35598-311-000	25598-319-000	25598-363-000	--	SQUARE FACE FLANGELESS	1
25597-300-000	25597-301-000	25597-309-000	25597-343-000	25597-342-000	ROUND FACE WITH FLANGE	1
25597-310-000	25597-311-000	25597-319-000	25597-363-000	25597-362-000	ROUND FACE FLANGELESS	1

REPLACEMENT PARTS ON PAGE 190

NATURAL WONDERS™ DECK COVERS (SOLD SEPARATELY)				
WHITE STONE	SAND STONE	GRAY STONE	BRICK STONE	DESCRIPTION
25597-330-020	25597-335-020	25597-331-020	25597-337-020	MULTI-NOZZLE DECK JET COVER

ADJUSTABLE BRASS DECK FOUNTAIN

The Adjustable Brass Deck Fountain creates a beautiful two-tier water effect that will blow you away. Unlike the competition, it has adjustable flow, adjustable angle & accepts the CMP interchangeable nozzles. (sold separately)



PRODUCT FEATURES

- Beautiful Fountain Effect
- Adjustable Flow and Direction
- Solid Brass Face & Nozzle
- Simple to Install and Operate
- **U.S. PATENT #8,366,016**

ORDERING GUIDE

ADJUSTABLE BRASS DECK FOUNTAIN		
CMP P/N	DESCRIPTION	BOX QTY
25598-333-000	SQUARE FACE WITH FLANGE	1
25598-353-000	SQUARE FACE FLANGELESS	1
25597-333-000	ROUND FACE WITH FLANGE	1
25597-353-000	ROUND FLANGELESS	1
25598-304-800	BLACK FOUR NOZZLE SET (SOLD SEPARATELY)	50
25598-309-800	TAN FOUR NOZZLE SET (SOLD SEPARATELY)	50

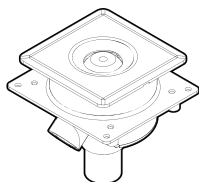


ADJUSTABLE
BRASS DECK FOUNTAIN

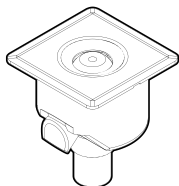
MULTI-NOZZLE ADJUSTABLE DECK & WALL JETS

COVER & FLANGE REFERENCE

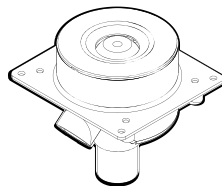
Choose the perfect deck jet for your installation. The square cover is great for paver decks; all flangeless are easier to install in paver decks. The flange style is useful to tie the jet in place.



SQUARE COVER W/ FLANGE



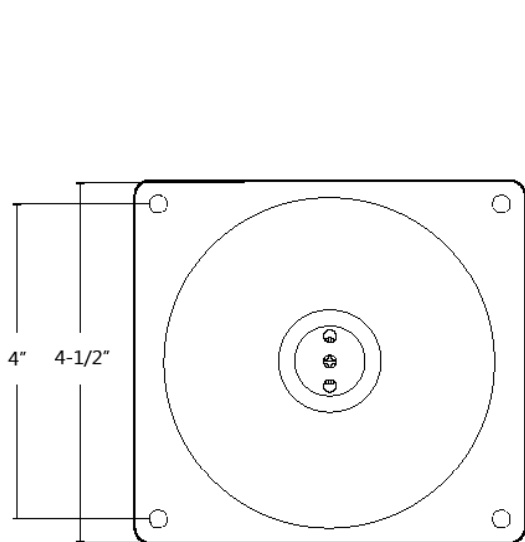
SQUARE COVER FLANGELESS



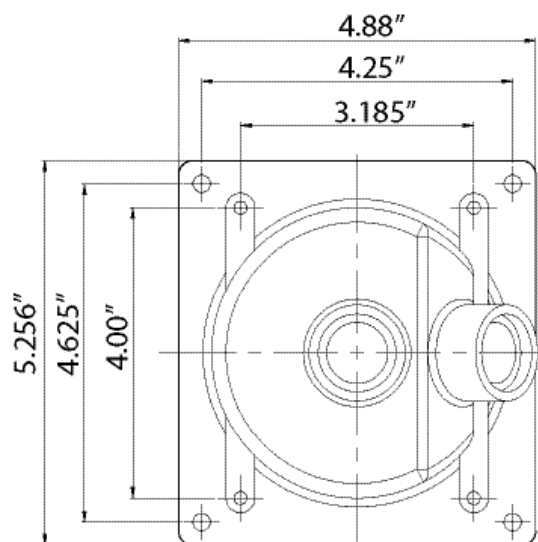
ROUND COVER W/ FLANGE



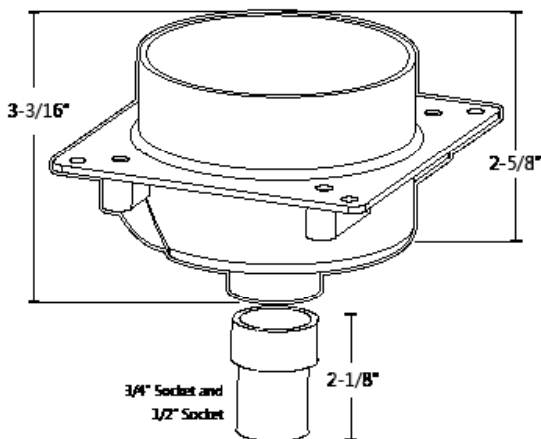
ROUND COVER FLANGELESS



TOP VIEW



BOTTOM VIEW

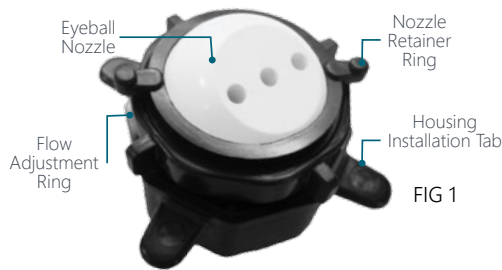


SIDE VIEW

MULTI-NOZZLE ADJUSTABLE DECK & WALL JETS

INSTALLATION GUIDE

1. Determine the proper size of the main feed pipe: Use 1-1/2" pipe for up to 8 Deck Jets; Use 2" pipe for up to 12 Deck Jets; Use 2-1/2" pipe for up to 16 Deck Jets
2. Install a ball valve on the main feed pipe near the pump to adjust the total water pressure delivered to the deck jets.
3. Reduce the piping to 3/4" pipe. When installing more than one deck jet it is necessary to create an equal pressure loop to equalize the pressure in the line.
4. The body is ABS plastic and designed to allow for 3/4" plumbing with straight pipe or an elbow. Use only PVC/ABS glue to secure.
5. Anchor the deck jet body and protective cover so that the top is level with the height of the finished deck. Use protective cover to protect deck jet while working on pool and laying deck.
6. Remove protective cover, wrap the threaded plug with Teflon tape, and install into the deck jet body. Be sure not to over tighten. Replace the protective cover. Leave the plug installed and keep the pipe pressurized during installation.
7. Once the deck is finished, remove the protective cover and remove the plug. Turn on the pump, open the valves, and run water through the lines to remove any debris that may have collected.
8. Take the jet nozzle housing assembly and install in the body by turning the installation tabs (*fig 1*). Hand tighten only. Do not overtighten.



		2	3	4	5	6	7
FAN	GPM	--	1	1.2	1.3	1.5	1.9
	PSI	--	1.8	2.2	2.6	3.6	4.8
	SPREAD	--	12"	24"	36"	60"	96"
	HEIGHT	--	12"	18"	24"	36"	48"
TRIPLE STREAM	GPM	1.3	1.6	1.9	2.2	2.5	2.8
	PSI	2	2.5	3.5	4.2	5	6
	HEIGHT	9"	14"	20"	24"	30"	36"
3/16" SINGLE	GPM	0.4	0.5	0.7	0.7	0.8	0.9
	PSI	1.5	2	2.4	2.8	3.2	3.6
	HEIGHT	10"	15"	21"	25"	31"	38"
1/4" SINGLE	GPM	1.2	1.5	1.8	2.0	2.2	2.5
	PSI	2	2.5	3.2	4	4.6	5.5
	HEIGHT	10"	16"	22"	27"	32"	40"
5/16" SINGLE	GPM	1.5	1.9	2.3	2.6	2.9	3.2
	PSI	2	2.8	3.8	4.5	5.4	6.2
	HEIGHT	6"	9"	14"	17"	20"	26"

IMPORTANT, PLEASE NOTE: This product must be installed and serviced by a pool and spa professional. These instructions must be followed exactly to ensure proper function of the parts.

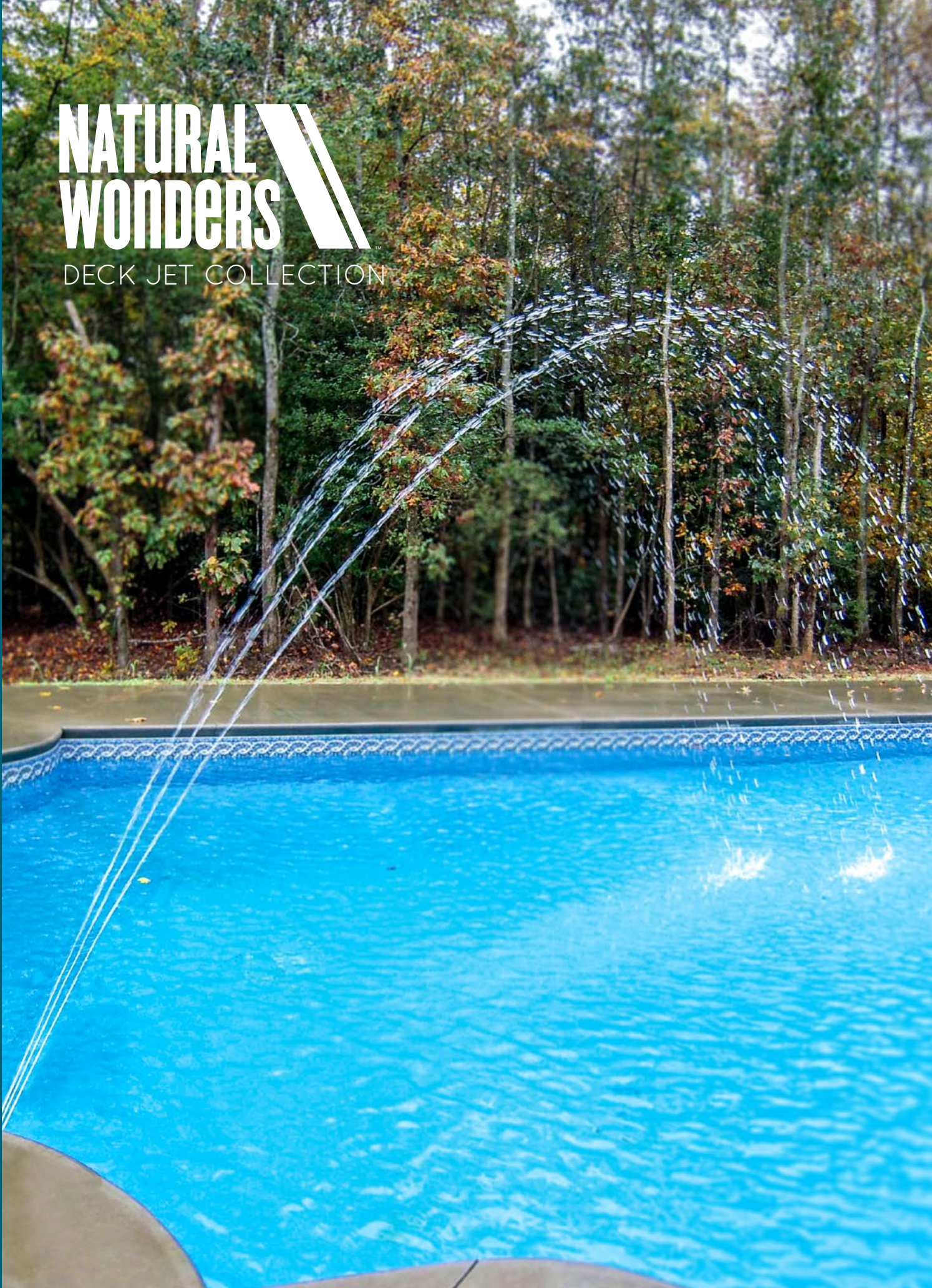


**NATURAL
WONDERS**

TM

NATURAL WONDERS

DECK JET COLLECTION



MULTI-NOZZLE VINYL LINER WALL JET



A vinyl liner pool version of the CMP Multi Nozzle Deck & Wall Jets. Five nozzles and six color options to match popular vinyl liner patterns

PRODUCT FEATURES

- Includes Five Interchangeable Nozzles, Wall Fitting, Flange, Gasket & Filter
- Six Color Options: White, Gray, Black, Tan, Dark Blue and Light blue
- Installs Above the Water Level
- Control the Flow with a Separate Valve



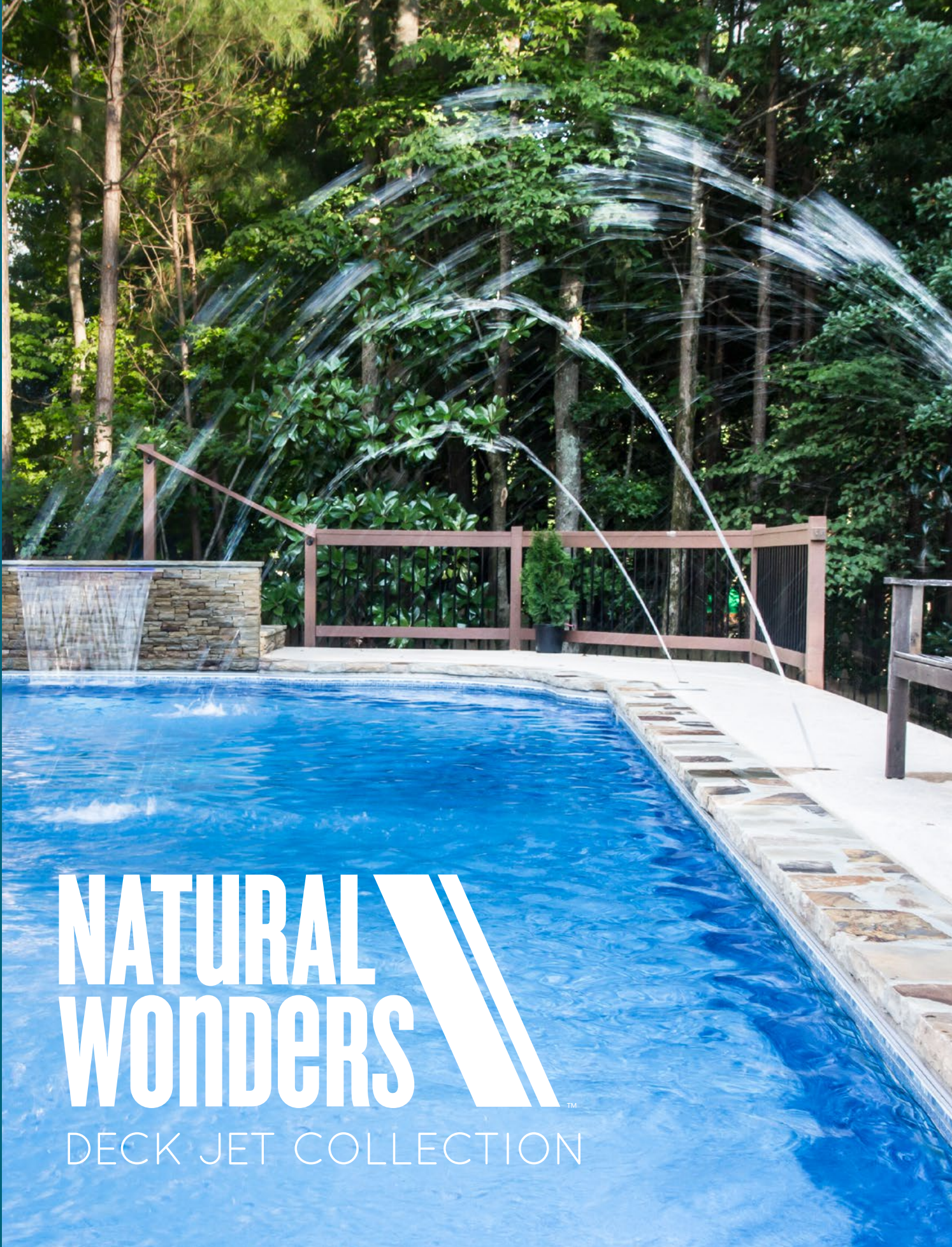
PERFORMANCE GUIDE

		2	3	4	5	6	7
FAN	GPM	--	1	1.2	1.3	1.5	1.9
	PSI	--	1.8	2.2	2.6	3.6	4.8
	SPREAD	--	12"	24"	36"	60"	96"
	HEIGHT	--	12"	18"	24"	36"	48"
TRIPLE STREAM	GPM	1.3	1.6	1.9	2.2	2.5	2.8
	PSI	2	2.5	3.5	4.2	5	6
	SPREAD	8"	12"	18"	20"	24"	30"
	HEIGHT	9"	14"	20"	24"	30"	36"
3/16" SINGLE	GPM	0.4	0.5	0.7	0.7	0.8	0.9
	PSI	1.5	2	2.4	2.8	3.2	3.6
	HEIGHT	10"	15"	21"	25"	31"	38"
1/4" SINGLE	GPM	1.2	1.5	1.8	2.0	2.2	2.5
	PSI	2	2.5	3.2	4	4.6	5.5
	HEIGHT	10"	16"	22"	27"	32"	40"
5/16" SINGLE	GPM	1.5	1.9	2.3	2.6	2.9	3.2
	PSI	2	2.8	3.8	4.5	5.4	6.2
	HEIGHT	6"	9"	14"	17"	20"	26"



ORDERING GUIDE

MULTI-NOZZLE VINYL LINER WALL JET			
REF	CMP P/N	DESCRIPTION	BOX QTY
A	25553-900-000	WHITE VINYL LINER WALL JET	1
A	25553-901-000	GRAY VINYL LINER WALL JET	1
A	25553-939-000	TAN VINYL LINER WALL JET	1
A	25553-969-000	DARK BLUE VINYL LINER WALL JET	1
A	25553-909-000	LIGHT BLUE VINYL LINER WALL JET	1
A	25553-904-000	BLACK VINYL LINER WALL JET	1
B	23315-100-000	ROTATING EYEBALL INSERT ONLY (SOLD SEPARATELY)	1



NATURAL WONDERS

DECK JET COLLECTION

ADJUSTABLE & NON-ADJUSTABLE DECK JETS



The ONLY deck jet that can be adjusted at the nozzle while running. Simply set the water flow at the pump, and then fine tune with the built in adjustable nozzle. Designed for simple installation and trouble-free use in residential and commercial pools.

This water feature has an eyeball nozzle hidden from view by a decorative cap. Multiple plumbing options make this deck jet easier to install. Just 3-5 GPM creates a stream up to 10 feet high. Also available in non-adjustable with interchangeable nozzles.

C-M-P.COM/DECK-WALL-JETS

ADJUSTABLE DECK JETS

- Includes Body, Movable Adjustable Nozzle and Four Round Decorative caps (White, Black, Gray, Tan)
- Individually Packaged
- U.S. Patent #8,500,037

NON-ADJUSTABLE DECK JETS

- Includes Body, Two Moveable Nozzles (single & dual streams) and Four Round Decorative caps (White, Black, Gray, Tan)
- Individually Packaged

PERFORMANCE & PLUMBING GUIDE

- 4" Hole Size
- Cap is 2.5" diameter
- 3/4" Water Line (adjustable)
- 3/4" or 1/2" Water Line (non-adjustable)
- To adjust, first control flow with a ball valve, then fine tune at the nozzle

	3 GPM	4 GPM	5 GPM
HEAD	3.9 FT	7.9 FT	11 FT
HEIGHT	3 FT	6.5 FT	10 FT



ORDERING GUIDE

NATURAL WONDERS™ ADJUSTABLE DECK JETS		
CMP P/N	DESCRIPTION	BOX QTY
25597-200-000	ADJUSTABLE DECK JET ASSEMBLY & FOUR DECORATIVE CAPS	50
25597-223-000	ADJUSTABLE DECK JET ASSEMBLY & BRASS DECORATIVE COVER	—
25597-304-010	DECK JET WRENCH (INCLUDED WITH ADJUSTABLE DECK AND WALL JET KITS)	200
NATURAL WONDERS™ NON-ADJUSTABLE DECK JETS		
25597-000-000	NON-ADJUSTABLE DECK JET ASSEMBLY & FOUR DECORATIVE CAPS	50
25597-023-000	NON-ADJUSTABLE DECK JET ASSEMBLY & BRASS DECORATIVE COVER	—

ACCESSORIES PAGE 45

ADJUSTABLE & NON-ADJUSTABLE WALL JETS



CMP wall jets are available for both gunite and fiberglass pool; featuring patented technology, this is the industries ONLY wall jet that can be adjusted at the nozzle while running. Each wall jet comes with four attractive square decorative caps designed to complement popular pool colors and finishes.

ADJUSTABLE WALL JETS

- Includes Body, Plumbing Coupling, Moveable Nozzles (single & dual streams) and 4 Square Decorative caps (White, Black, Gray, Tan)
- Round Face for Easier Install (Decorative Cap is Square)
- Individually Packaged
- **U.S. Patent #8,366,016**



NON-ADJUSTABLE WALL JETS

- Includes Body, Plumbing Coupling, Moveable Nozzles (single & dual streams) and 4 Square Decorative caps (White, Black, Gray, Tan)
- Round Face for Easier Install (Decorative Cap is Square)
- Individually Packaged



PERFORMANCE & PLUMBING GUIDE

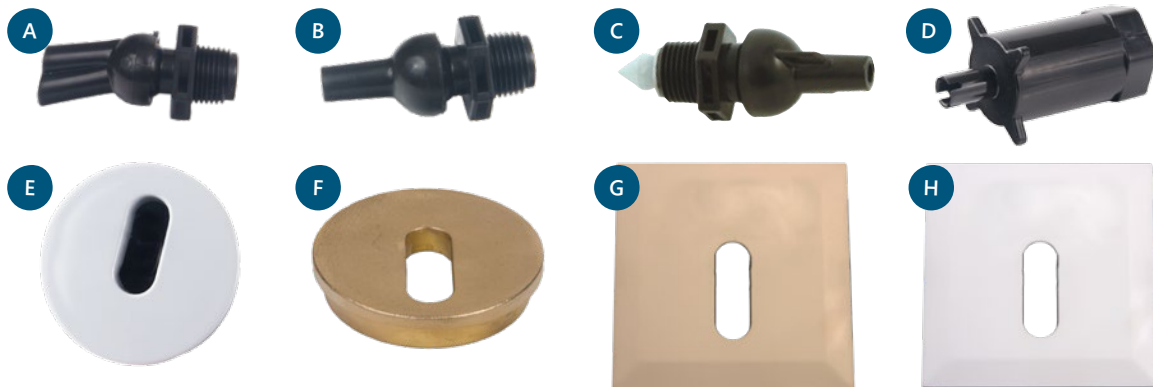
- 4" Hole Size, 3/4" Water Line
- To adjust, first control flow with a ball valve, then fine tune at the nozzle

	3 GPM	4 GPM	5 GPM
HEAD	3.9 FT	7.9 FT	11 FT
HEIGHT	3 FT	6.5 FT	10 FT

ORDERING GUIDE

NATURAL WONDERS™ ADJUSTABLE WALL JETS		
CMP P/N	DESCRIPTION	BOX QTY
25598-200-000	ADJUSTABLE WALL JET	18
25598-920-000	FIBERGLASS ADJ WALL JET	1
25597-304-010	DECK JET WRENCH (INCLUDED WITH ADJUSTABLE DECK AND WALL JET KITS)	200
NATURAL WONDERS™ NON-ADJUSTABLE WALL JETS		
25598-000-000	NON-ADJ WALL JET	18
25598-900-000	NON-ADJ FIBERGLASS WALL JET (INCLUDES PLUMBING ADAPTER, GASKETS, & SCREWS)	1

DECK & WALL JETS ACCESSORIES

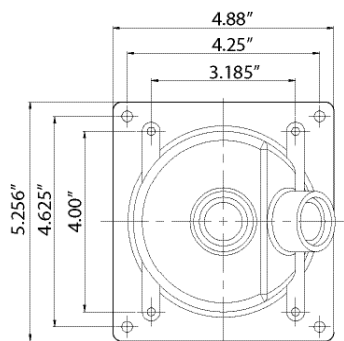


ORDERING GUIDE

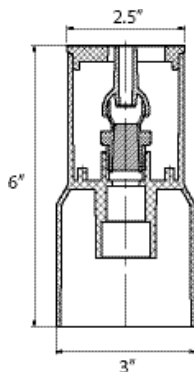
DECK AND WALL JET ACCESSORIES		
REF	CMP P/N	DESCRIPTION
A	25597-100-900	DUAL DECK JET NOZZLE (NON-ADJ)
B	25597-000-900	DECK JET NOZZLE (NON-ADJ)
C	25597-200-900	ADJUSTABLE DECK JET NOZZLE ASSEMBLY
D	25597-304-010	DECK JET WRENCH (INCLUDED WITH ADJUSTABLE DECK AND WALL JET KITS)
E	25597-000-020	ROUND DECK JET COVER (WHITE)
E	25597-001-020	ROUND DECK JET COVER (GRAY)
E	25597-004-020	ROUND DECK JET COVER (BLACK)
E	25597-009-020	ROUND DECK JET COVER (TAN)
F	25597-000-220	ROUND DECK JET COVER (BRASS)*
G	25597-000-120	3.5" SQUARE DECK JET COVER (WHITE)*
G	25597-000-121	3.5" SQUARE DECK JET COVER (GRAY)*
G	25597-000-129	3.5" SQUARE DECK JET COVER (TAN)*
H	25598-000-020	WALL JET COVER (WHITE)
H	25598-001-020	WALL JET COVER (GRAY)
H	25598-004-020	WALL JET COVER (BLACK)
H	25598-009-020	WALL JET COVER (TAN)

* not included with deck jet kit

DECK & WALL JET TECHNICAL GUIDE



WALL JET
BOTTOM DIMENSIONS



DECK JET
DIMENSIONS



DECK JET WRENCH
Use for nozzle removal and installation for both adjustable and non-adjustable jets. Can also be used to assist in adjusting nozzle flow and direction. May also be adjusted by hand without the wrench.

NATURAL WONDERS™ DECK COVERS



Add a custom design element to any pool deck. Natural Wonders™ Fiberglass Deck Covers from CMP are a brand new way to upgrade your pool deck. Exclusive heavy duty designs from CMP in four popular natural finishes.

PRODUCT FEATURES

- Heavy Duty Fiberglass Construction
- Upgrades for Plastic Deck Covers
- Easy Access Finger Grip
- Attractive Retail Packaging
- Perfect for Aftermarket Upgrade
- Matching Lids for Skimmers & Deck Jets
- Complement Popular Pool Deck Finishes

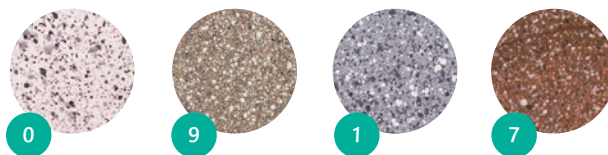


ORDERING GUIDE

NATURAL WONDERS™ DECK COVERS					
REF	WHITE STONE	SAND STONE	GRAY STONE	BRICK STONE	DESCRIPTION
A	25544-200-000	25544-209-000	25544-201-000	25544-207-000	ROUND SKIMMER / CMP AUTOLEVEL COVER
B	25538-200-000	25538-209-000	25538-201-000	25538-207-000	SQUARE SKIMMER COVER
C	25597-330-020	25597-339-020	25597-331-020	25597-337-020	MULTI-NOZZLE DECK JET COVER

DECK COVER FINISH GUIDE

- 0 - White Stone (White/Off White)
- 9 - Sand Stone (Tan)
- 1 - Gray Stone (Light Gray)
- 7 - Brick Stone (Dark Red/Brick)



NOTE: Natural Wonders™ Deck Covers have been artfully crafted to mimic natural materials. Slight variations in color and finish that enhance the natural appearance of these accents should be expected.

NATURAL WONDERS™ GUNITE FOUNTAINS



Natural Wonders Gunite Pool Fountains are a great way to add natural beauty to your pool install. Simply adjust the flow with a CMP ball valve to achieve the perfect look. Add an air blower for increased power. These fountains install simply with standard size fittings. Add a fresh new dimension to beach entries, spas, sun shelves, tanning ledges, and landscape features.

FLUSH BUBBLER FOUNTAIN

- Installs Flush with Pool Floor; No Exposed Components Above the Waterline
- Featured on *Extreme Home Makeover*
- Available in Four Color Options
- 1-1/2" MIP
- Holes have an area of .68²in totaling 6.15²in open hole area



3-TIER POOL FOUNTAIN

- Includes 3/4" FIP Fountain Head
- Eyeball Fitting 1-1/2" MIP
- Threaded Adapter 3/4" FIP



ORDERING GUIDE

NATURAL WONDERS™ BUBBLER			
REF	CMP P/N	DESCRIPTION	BOX QTY
A	25503-000-000	WHITE POOL BUBBLER	400
A	25503-001-000	GRAY POOL BUBBLER	400
A	25503-039-000	TAN POOL BUBBLER	400
A	25503-004-000	BLACK POOL BUBBLER	400
NATURAL WONDERS™ 3-TIER POOL FOUNTAIN			
B	25565-009-000	CLEAR 3-TIER POOL FOUNTAIN	100

NATURAL WONDERS™ WALL SCONCES



NEW & IMPROVED FOR 2016

Natural Wonders™ Wall Sconces combine the sound of falling water with the beauty of classic sconce styles. These decorative accents are easy to install and require no special care.

NEW FOR 2016: Natural Metallic finishes for a true high-end look. Every sconce has been upgraded with finer details and enhanced color finishes.

C-M-P.COM/NATURAL-WONDERS-SCONCES

PRODUCT FEATURES

- Natural Matte & Metallic Finishes
- Hand-Cut Design Precision
- NEW COLOR: Tuscan Bronze
- Seven Color & Finish Options
- Durable Fiberglass Construction
- Simple 3/4" Pipe Installation





ORDERING GUIDE

LION HEAD SCONCES								
REF	NATURAL	WHITE	GRAY	TUSCAN BRONZE	BRASS	COPPER	BRONZE	STYLE
A	25599-515-030	25599-500-030	25599-501-030	25599-511-030	25599-503-030	25599-533-030	25599-513-030	VICTORIAN LION
B	25599-515-010	25599-500-010	25599-501-010	25599-511-010	25599-503-010	25599-533-010	25599-513-010	M BAROQUE LION
C	25599-515-020	25599-500-020	25599-501-020	25599-511-020	25599-503-020	25599-533-020	25599-513-020	L BAROQUE LION
ORNAMENTAL SCONCES								
D	25599-315-020	25599-300-020	25599-301-020	25599-311-020	25599-303-020	25599-333-020	25599-313-020	SCALLOPED
E	25599-315-030	25599-300-030	25599-301-030	25599-311-030	25599-303-030	25599-333-030	25599-313-030	BASQUE
F	25599-315-050	25599-300-050	25599-301-050	25599-311-050	25599-303-050	25599-333-050	25599-313-050	AEGEAN
G	25599-315-060	25599-300-060	25599-301-060	25599-311-060	25599-303-060	25599-333-060	25599-313-060	BISCAYNE
H	25599-315-040	25599-300-040	25599-301-040	25599-311-040	25599-303-040	25599-333-040	25599-313-040	STAR
I	25599-315-070	25599-300-070	25599-301-070	25599-311-070	25599-303-070	25599-333-070	25599-313-070	OAK LEAF ROSETTE
SHELF SCONCES								
J	25599-415-020	25599-400-020	25599-401-020	25599-411-020	25599-403-020	25599-433-020	25599-413-020	FLEUR DE COULER
K	25599-415-010	25599-400-010	25599-401-010	25599-411-010	25599-403-010	25599-433-010	25599-413-010	POLYNESIA

SCONCE FINISH AND SIZING GUIDE

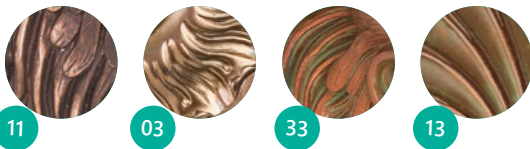
MATTE FINISH SERIES

- 15 - Natural (*Off White*)
- 00 - White (*Clean White*)
- 01 - Gray (*Light Natural Gray*)



METALLIC FINISH SERIES

- 11 - Tuscan Bronze (*Light Bronze/Dark Patina*)
- 03 - Brass (*Polished Brass*)
- 33 - Copper (*Red Tones/Green Patina*)
- 13 - Bronze (*Dark Bronze/Green Patina*)



SCONCE MEASUREMENTS

DESCRIPTION	LENGTH	WIDTH	DEPTH
VICTORIAN LION	6½"	6½"	4½"
MED BAROQUE LION	8"	9"	4¾"
LG BAROQUE LION	12"	10¼"	4¼"
SCALLOPED	8¾"	8¾"	1"
BASQUE	7"	7"	1"
AEGEAN	7½"	6⅝"	1¼"
STAR	6½"	6½"	1"
BISCAYNE	7"	7"	1½"
FLEUR DE COULER	7"	8¾"	4"
POLYNESIA	6¾"	7⅞"	4¼"
OAK LEAF ROSETTE	4¾"	4¾"	1"

NOTE: Natural Wonders™ Wall Sconces have been artfully crafted to mimic natural materials. Slight variations in color and finish that enhance the natural appearance of these accents should be expected.



Brilliant Wonders[®]

LED WATERFALLS

Lighting water is extremely difficult. CMP has many examples available of how our LED waterfalls look at night. However, each pool setting is very different. CMP offers lighting for backyard ambiance and can make no guarantee as to how bright the water will appear in each individual pool.

CMP Brilliant Wonders® LED Waterfalls are the premier lighted waterfalls in the pool industry. The LED strip is built into the unit (instead of using external fiber optics) placing the light as close to the water as possible. This design makes a separate light source unnecessary.

Brilliant Wonders®

LED WATERFALLS

C-M-P.COM/BRILLIANT-WONDERS-LED-WATERFALL

PRODUCT FEATURES

- Front-side Serviceable
- Long-Lasting LED Strip
- Bright LED Colors & Light Shows
- Sizes up to 96" Long
- ETL Certified*
- **US & INTERNATIONAL PATENT PENDING**



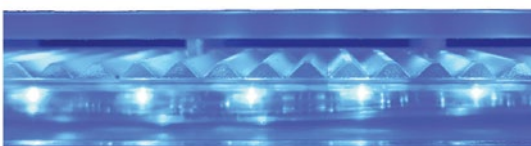
SMART SYNC™ LED WATERFALL CONTROL

- Universal Control for Brilliant Wonders LED Waterfall
- Synchronize with Other Brilliant Wonders LED Products
- Also Sync with LED Products and Controls from other Pool Product OEMs
- One Control Operates up to 10ft of LED Waterfalls
- **OR** Colorwheel Waterfall Control Also Available



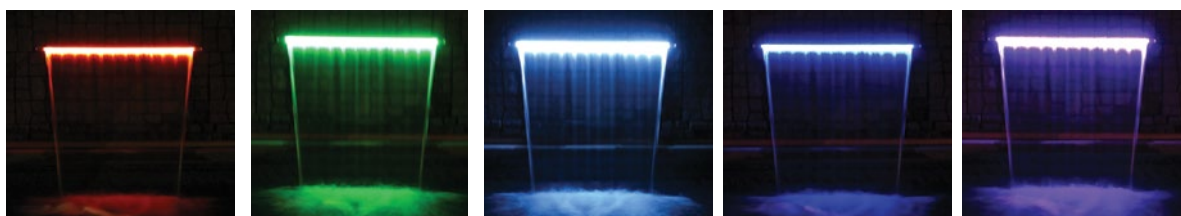
SERVICEABLE LED LIGHTING

- Front-side Door for LED Strip and Wiring Access
- Quick-Disconnect LED Strip is Easy to Service and Easy to Replace
- All LEDs are Contained and Protected Inside the Waterfall Unit



DESIGNED TO OUT-SHINE

- Exclusive "Sawtooth" Lip Design
- Churns the Water, Enhancing LED Light and Color
- Creates Smooth Ribbons of Water and Light



PLEASE NOTE: A BRILLIANT WONDERS CONTROL SYSTEM MUST BE PURCHASED TO OPERATE LED WATERFALLS (page 54)

**Smart Sync Control and 100W Colorwheel Control only*

BRILLIANT WONDERS® LED WATERFALLS

ORDERING GUIDE

BRILLIANT WONDERS® WATERFALLS BACK PORT					
WHITE	GRAY	BLACK	DARK GRAY	TAN	DESCRIPTION
25677-130-000	25677-131-000	25677-134-000	25677-137-000	25677-139-000	12" LED WATERFALL
25677-180-000	25677-181-000	25677-184-000	25677-187-000	25677-189-000	18" LED WATERFALL
25677-230-000	25677-231-000	25677-234-000	25677-237-000	25677-239-000	24" LED WATERFALL
25677-330-000	25677-331-000	25677-334-000	25677-337-000	25677-339-000	36" LED WATERFALL
25677-430-000	25677-431-000	25677-434-000	25677-437-000	25677-439-000	48" LED WATERFALL
25677-530-000	25677-531-000	25677-534-000	25677-537-000	25677-539-000	60" LED WATERFALL
25677-630-000	25677-631-000	25677-634-000	25677-637-000	25677-639-000	72" LED WATERFALL
25677-730-000	25677-731-000	25677-734-000	25677-737-000	25677-739-000	84" LED WATERFALL
25677-830-000	25677-831-000	25677-834-000	25677-837-000	25677-839-000	96" LED WATERFALL

BRILLIANT WONDERS® WATERFALLS BOTTOM PORT					
25676-130-000	25676-131-000	25676-134-000	25676-137-000	25676-139-000	12" LED WATERFALL
25676-180-000	25676-181-000	25676-184-000	25676-187-000	25676-189-000	18" LED WATERFALL
25676-230-000	25676-231-000	25676-234-000	25676-237-000	25676-239-000	24" LED WATERFALL
25676-330-000	25676-331-000	25676-334-000	25676-337-000	25676-339-000	36" LED WATERFALL
25676-430-000	25676-431-000	25676-434-000	25676-437-000	25676-439-000	48" LED WATERFALL
25676-530-000	25676-531-000	25676-534-000	25676-537-000	25676-539-000	60" LED WATERFALL
25676-630-000	25676-631-000	25676-634-000	25676-637-000	25676-639-000	72" LED WATERFALL
25676-730-000	25676-731-000	25676-734-000	25676-737-000	25676-739-000	84" LED WATERFALL
25676-830-000	25676-831-000	25676-834-000	25676-837-000	25676-839-000	96" LED WATERFALL

REPLACEMENT PARTS ON PAGE 188



PLEASE NOTE: A BRILLIANT WONDERS CONTROL SYSTEM MUST BE PURCHASED TO OPERATE LED WATERFALLS (page 54)

BRILLIANT WONDERS® LED WATERFALLS

Every LED Waterfall Includes:

- One Waterfall Unit
- One Rock Trap
- 100' of 12 Volt Cord
- Controls sold separately (see below)

TECHNICAL GUIDE

- 12 Volt
- 1.5" Spigot Plumbing
- 1.25 GPM Per Inch Recommended
- 6" Lip - **CANNOT BE CUT**
- White or Color Face with Clear Sawtooth Lip
- ETL Certified Class 2 (Smart Sync Control or 100 Watt Colorwheel Only)
- Must be Mounted in a NEMA approved weatherproof enclosure
- Do Not Install Controller in Pool Controls Box or Any Metal Box

CONTROL SIZING GUIDE

TWO CONTROL SYSTEM OPTIONS FOR LED WATERFALLS

OPTION A: SMART SYNC WATERFALL CONTROL 25677-900-000 (NEW FOR 2016)

One Control Required per 10 Linear Feet of Waterfalls (ETL CERTIFIED)

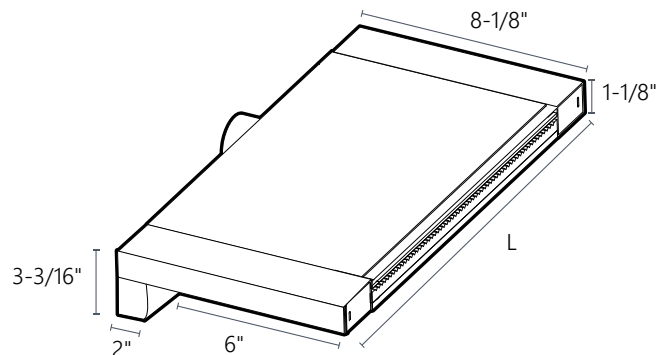
OPTION B: COLORWHEEL WATERFALL CONTROL

- **For 12ft or less total length:** 100W Controls 25650-110-200 (ETL CERTIFIED)
- **For 12ft to 20ft max total length:** 150W Controls 25650-100-200 (NOT ETL CERTIFIED)

CMP P/N	DESCRIPTION	LENGTH (L)	RECOMMENDED FLOW RATE
25677-13X-000	12" BRILLIANT WONDERS WATERFALL	16.43"	12-15 GPM
25677-18X-000	18" BRILLIANT WONDERS WATERFALL	22.29"	18-22.5 GPM
25677-23X-000	24" BRILLIANT WONDERS WATERFALL	28.83"	24-30 GPM
25677-33X-000	36" BRILLIANT WONDERS WATERFALL	41.23"	26-45 GPM
25677-43X-000	48" BRILLIANT WONDERS WATERFALL	53.63"	48-60 GPM
25677-53X-000	60" BRILLIANT WONDERS WATERFALL	65.94"	60-75 GPM
25677-63X-000	72" BRILLIANT WONDERS WATERFALL	75.44"	70-85 GPM
25677-73X-000	84" BRILLIANT WONDERS WATERFALL	87.37"	80-95 GPM
25677-83X-000	96" BRILLIANT WONDERS WATERFALL	96.50"	90-105 GPM

IMPORTANT: ONLY USE FILTERED WATER.

Failure to do so will result in a plugged or damaged waterfall. Use the pool system filter or see the CMP water feature filter page 66. Actual flow setting should be determined by the visual aesthetic the builder wishes to achieve. It is best to start with the CMP recommended flow and adjust as needed for each application.



PLEASE NOTE: A BRILLIANT WONDERS CONTROL SYSTEM MUST BE PURCHASED TO OPERATE LED WATERFALLS (page 54)

BRILLIANT WONDERS® LED WATERFALL CONTROLS

SMART SYNC™ LED WATERFALL CONTROL

ONE CONTROL: MULTIPLE SOLUTIONS

NEW FROM CMP. The Universal control for Brilliant Wonders® LED Waterfalls. With one control box, sync your waterfall with LED products from CMP®, Pentair®, Hayward®* and Jandy®. Simple to install, and field-programmable with a built-in control dial.



PRODUCT FEATURES

- Brilliant Wonders® Smart Sync™ Technology
- Sync Brilliant Wonders® LED Waterfall with all CMP LED Products
- Compatible with Lighting and Controls from all Major Pool OEMs
- Compact Size For Easy Installation, No Specialized Tools Required
- Program in the Field with a Simple Dial Control
- One Box Controls up to 10ft of LED Waterfalls

TECHNICAL GUIDE

- For Brilliant Wonders® LED Waterfall ONLY
- One Control per 10 Linear Feet of Waterfalls
- Combine multiple Smart Sync units to control over 10ft of waterfalls
- ETL Certified Class 2
- Rated Max 3.0A @ 12VAC
- Always Use Low Voltage 12VAC Transformer in Between Pool Controls and Smart Sync Box.
- Do not install in pool controls box or any metal box
- Smart Sync LED Waterfall Control is not designed to control other Brilliant Wonders LED products.

INSTALLATION

- Simple and Easy to Install
- Smart Sync is Installed Between 12VAC Power Source and LED Waterfall
- Must be Mounted in a NEMA approved weatherproof enclosure
- Select Program Mode to Match CMP or OEM Lighting and Controls



ORDERING GUIDE

BRILLIANT WONDERS® SMART SYNC™ LED WATERFALL CONTROL	
P/N	DESCRIPTION
25677-900-000	SMART SYNC UNIVERSAL LED WATERFALL CONTROL

* Not compatible with Hayward® Networked Controls

BRILLIANT WONDERS® LED WATERFALL CONTROLS

COLORWHEEL LED WATERFALL CONTROL

PRODUCT FEATURES

- Advanced Programmable Lighting Control
- Remote with Touch-sensitive Color Control Wheel
- Total Control of LED Colors
- Program and Save Settings
- Control Color, Brightness and Cycle Speed
- Up to 90ft Range Depending on Installation
- Remote Charges via USB

TECHNICAL GUIDE



- For Brilliant Wonders® LED Waterfall ONLY
- 12 Volt DC
- ETL Certified Class 2 (100 Watt Only)
- Must be Mounted in a NEMA approved weatherproof enclosure
- Do not install in pool controls box or any metal box
- Control must be within 90ft for remote to operate.
- Controller/power supply is not compatible with other CMP controls or LED lighting products. To synchronize with other products use the Smart Sync LED Waterfall Control.
- For power supply wattage guidelines see page 53



B



C



D



ORDERING GUIDE

BRILLIANT WONDERS® LED WATERFALL CONTROLS & ACCESSORIES

REF	P/N	DESCRIPTION
A-D	25650-130-300	100W 12V DC POWER SUPPLY, REMOTE, CONTROLLER, CONTROL BOX KIT (ETL CERTIFIED)
A-D	25650-150-300	150W 12V DC POWER SUPPLY, REMOTE, CONTROLLER, CONTROL BOX KIT
A-C	25650-120-300	150W 12V DC POWER SUPPLY, REMOTE, CONTROLLER KIT
A-C	25650-110-300	100W 12V DC POWER SUPPLY, REMOTE, CONTROLLER KIT (ETL CERTIFIED)
A,B	25650-100-300	REMOTE & CONTROLLER ONLY
A	25650-100-000	COLORWHEEL REMOTE ONLY
B	25650-100-100	CONTROLLER ONLY
C	25650-100-200	12V DC POWER SUPPLY ONLY (150 WATT)
C	25650-110-200	12V DC POWER SUPPLY ONLY (100 WATT <i>ETL CERTIFIED</i>)
D	25650-100-210	PLASTIC POWER SUPPLY BOX (<i>NEVER USE A METAL BOX OR INSTALL IN CONTROLS BOX</i>)

Brilliant Wonders.®

LED BUBBLERS

THE ONLY
LED BUBBLER FOR
GUNITE, VINYL
& FIBERGLASS
POOLS



Brilliant Wonders® LED Bubblers shoot dramatic streams of water into the air in vivid display of LED color. This is the perfect feature for sun shelves, tanning ledges, beach entries, ponds, fountains and more. The ONLY LED Bubbler that can be installed in gunite, vinyl & fiberglass pools.

Brilliant Wonders®

LED BUBBLERS

C-M-P.COM/BRILLIANT-WONDERS-LED-BUBBLER



PRODUCT FEATURES

- Bright & Efficient Cree® LEDs
- Uses Only 20 Watts for High Output LED Performance
- Built in Smart Sync™ Technology
- Stream Shoots over 30 inches High (see flow chart page 59)
- Non-Metallic Design: No Bonding, No Grounding
- Flush Finish Installation
- Completely Serviceable from the Top
- LED Light is Below the Water Surface 4-12 inches
- ETL Listed

VINYL & FIBERGLASS INSTALLATION OPTIONS

Choose a Gunite Bubbler from above and Vinyl/Fiberglass Kit. Every complete kit includes everything needed to install in a vinyl or fiberglass in ground pool

BUILT-IN CMP SMART SYNC™ TECHNOLOGY

Available with Smart Sync programming to synchronize with lighting and controls from major pool OEMs.

EXCLUSIVE FOUNTAIN EFFECT ACCESSORIES

Combine with our fountain accessories to create the only LED fountain for pool. Brilliant Wonders® Fountain Accessories come fully assembled and ready to install. (see page 61)



Gunite Unit



Gunite Unit with optional vinyl/fiberglass kit



BRILLIANT WONDERS® LED BUBBLER



ORDERING GUIDE

BRILLIANT WONDERS® LED BUBBLER (CMP / J-STYLE)					
REF	25 FT CORD	50 FT CORD	100 FT CORD	150 FT CORD	DESCRIPTION
A	25503-025-000	25503-050-000	25503-100-000	25503-150-000	GUNITE BUBBLER UNIT (CMP / J-STYLE)
BRILLIANT WONDERS® LED BUBBLER (P-STYLE)					
A	25503-025-000P	25503-050-000P	25503-100-000P	25503-150-000P	GUNITE BUBBLER UNIT (P-STYLE)
BRILLIANT WONDERS® LED BUBBLER (H-STYLE)					
A	25503-025-000H	25503-050-000H	25503-100-000H	25503-150-000H	GUNITE BUBBLER UNIT (H-STYLE)
BRILLIANT WONDERS® LED BUBBLER ACCESSORIES (SOLD SEPARATELY)					
REF	CMP P/N	DESCRIPTION			
B	25503-300-000	WHITE VINYL/FIBERGLASS KIT (BUBBLER SOLD SEPARATELY)			
B	25503-301-000	GRAY VINYL/FIBERGLASS KIT (BUBBLER SOLD SEPARATELY)			
B	25503-304-000	BLACK VINYL/FIBERGLASS KIT (BUBBLER SOLD SEPARATELY)			
B	25503-309-000	TAN VINYL/FIBERGLASS KIT (BUBBLER SOLD SEPARATELY)			
B	25503-369-000	DARK BLUE VINYL/FIBERGLASS KIT (BUBBLER SOLD SEPARATELY)			
C	25503-910-000	12" FLEXIBLE CLEAR NOZZLE EXTENDER			
D	25503-999-998	BUBBLER ATTACHMENT & EYEBALL WRENCH			
E	25503-110-999	BUBBLER LIGHT UNIT REMOVAL SERVICE TOOL			

REPLACEMENT PARTS PAGE 189

BRILLIANT WONDERS® LED BUBBLER

PERFORMANCE GUIDE

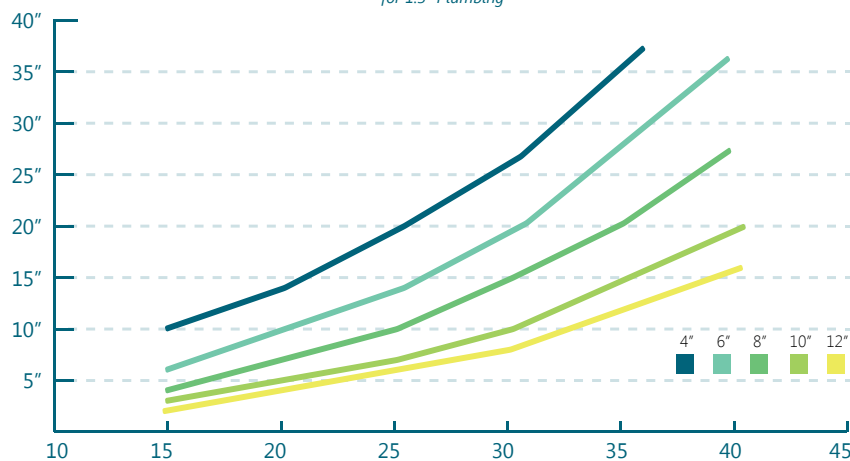
Plume Height At Given Water Depths

	1/2" REDUCER					3/4" REDUCER				
	4"	6"	8"	10"	12"	4"	6"	8"	10"	12"
10gpm	13	7								
15gpm	30	20	13	10	8	9	6	4.5	3.5	2
20gpm	55	34	24	18	13	13.5	10	8	6.5	4.5
25gpm	-	-	38	28	20	20	15	12	9.5	7
30gpm	-	-	-	-	-	28	21	16	12.5	10
35gpm	-	-	-	-	-	38	29	20.5	16	13
40gpm	-	-	-	-	-	-	37	26	20	16

21.1mm Nozzle with 2" Piping | Water height may vary

Flow Rate vs Water Height

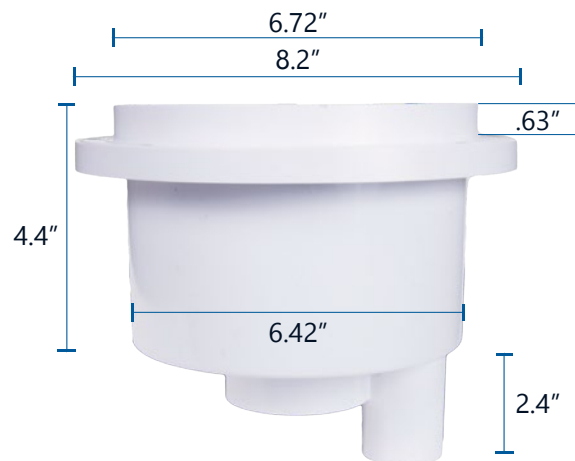
for 1.5" Plumbing



TECHNICAL GUIDE



- 1" conduit
- 1½" or 2" PVC pipe
- ¾" or ½" adjustable eyeball
- 10-40 Gallons Per Minute
- 4" to 12" water depth
- 25, 50, 100 or 150 foot cord
- 12 Volt AC, 1.6 AMP, 20 Watts
- Requires 12V AC Transformer (not included)



Brilliant Wonders[®]

LED BUBBLERS

VIDEOS & MORE ONLINE AT
C-M-P.COM/BRILLIANT-WONDERS-LED-BUBBLER

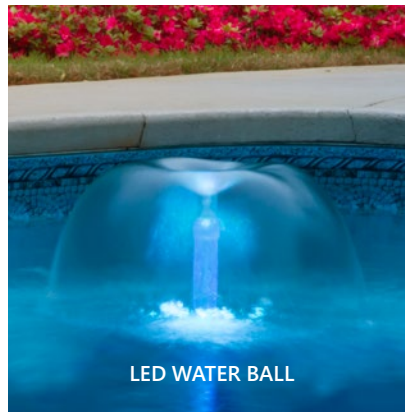
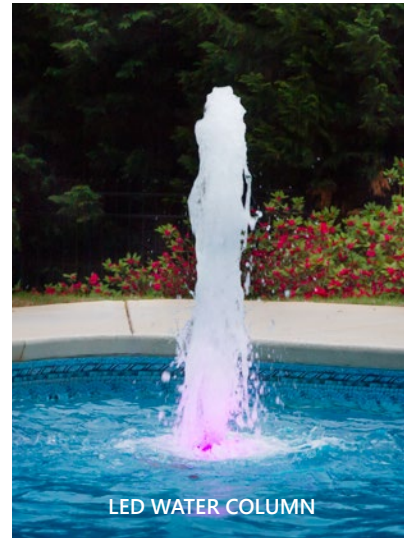
LED THREE-TIER FOUNTAIN

BRILLIANT WONDERS® LED FOUNTAIN ACCESSORIES

Create exciting LED fountains with the LED Bubbler. Choose from three fountain features that can be adjusted for a perfect fit on any pool. *The only true LED traditional fountains for pools.*

PRODUCT FEATURES

- *Water Column:* Frothy Vertical Column
- *Water Ball:* Relaxing Soft "Bubble" of Water
- *Three-Tier:* Classic Tiered Centerpiece
- Beautiful Fountain Styles Day and Night
- Soft "breakaway" Attachment Style Protects Bubbler
- Water Ball is "Fine Tune" Adjustable at the Nozzle
- Extensions from 12-48"
- Not For Installation in Swimming Areas*
- *LED Bubbler Unit Required*



ORDERING GUIDE

BRILLIANT WONDERS® LED BUBBLER FOUNTAIN ACCESSORIES								
REF	CMP P/N	DESCRIPTION	MIN. RECOMMENDED			MAX. RECOMMENDED		
			MIN GPM†	WATER HEIGHT*	WATER DIAM	MAX GPM	WATER HEIGHT*	WATER DIAM
A	25503-920-000	WATER COLUMN KIT & REDUCER	45 GPM	4.5ft	6"	60 GPM	8ft	12"
A	25503-921-000	12" EXTENSION WATER COLUMN KIT	45 GPM	1.5ft	6"	60 GPM	3.5ft	12"
A	25503-922-000	24" EXTENSION WATER COLUMN KIT	45 GPM	1.5ft	6"	60 GPM	3.5ft	12"
A	25503-923-000	36" EXTENSION WATER COLUMN KIT	45 GPM	1.5ft	6"	60 GPM	3.5ft	12"
A	25503-924-000	48" EXTENSION WATER COLUMN KIT	45 GPM	1.5ft	6"	60 GPM	3.5ft	12"
B	25503-930-000	5-1/4" THREE-TIER ATTACHMENT KIT	10 GPM	3.5ft	1.5ft	25 GPM	10ft	12ft
B	25503-931-000	12" THREE-TIER ATTACHMENT KIT	10 GPM	3.5ft	1.5ft	25 GPM	10ft	12ft
B	25503-932-000	24" THREE-TIER ATTACHMENT KIT	10 GPM	3.5ft	1.5ft	25 GPM	10ft	12ft
B	25503-933-000	36" THREE-TIER ATTACHMENT KIT	10 GPM	3.5ft	1.5ft	25 GPM	10ft	12ft
B	25503-934-000	48" THREE-TIER ATTACHMENT KIT	10 GPM	3.5ft	1.5ft	25 GPM	10ft	12ft
C	25503-910-000	8" EXTENSION WATER BALL KIT	5 GPM	1"	16"	10 GPM	2"	36"
C	25503-911-000	12" EXTENSION WATER BALL KIT	5 GPM	1"	16"	10 GPM	2"	36"
C	25503-912-000	24" EXTENSION WATER BALL KIT	5 GPM	1"	16"	10 GPM	2"	36"
C	25503-913-000	36" EXTENSION WATER BALL KIT	5 GPM	1"	16"	10 GPM	2"	36"
C	25503-914-000	48" EXTENSION WATER BALL KIT	5 GPM	1"	16"	10 GPM	2"	36"

For swimming area use 25503-910-000 flexible nozzle instead.

* test installed bubbler 4" below surface. Water height measured from end of nozzle ‡ recommended

Laminar fountains are beautiful water features that create a smooth glass-like rod of water and light. The Brilliant Wonders® LED Laminar is precisely engineered for superior performance and designed for brilliance.

Brilliant Wonders®

LED LAMINARS

PRODUCT FEATURES

- Bright and Efficient Cree® Color LED Light
- High End Stainless Steel Nozzle
- Easy to Install, Clean and Service
- Flush Install Deck Cover in Three Color Options
- Install in Pool Deck or Landscaping Areas
- ETL Listed
- **PATENT PENDING**

1. STAINLESS STEEL PRECISION NOZZLE

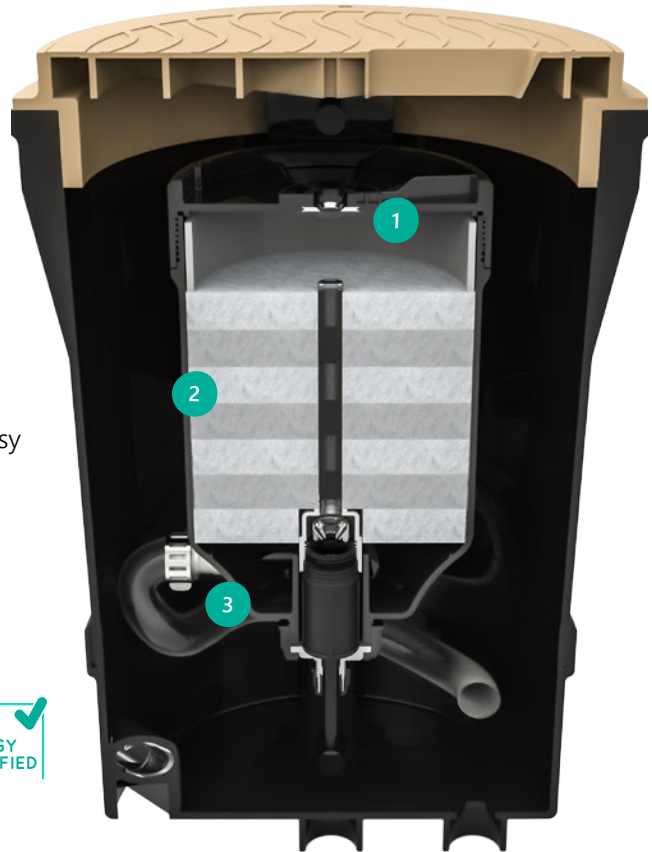
A high performance stainless steel nozzle is the premier choice for quality and durability.

2. PREMIER FILTER MEDIA

Six layers of soft and safe filtration media that are easy to clean and inexpensive to replace.

3. TANGENTIAL FLOW ENGINEERING

Precisely engineered flow minimizes turbulence for a glass-like laminar flow, increasing light transfer and minimizing water entry splash.



LED Laminar Cross Section View



LED LIGHT ASSEMBLY



4. BEAM-FOCUSING LENS

Our unique beam-focusing lens design places the light source closer to the laminar nozzle, concentrating every photon for maximum LED light transfer and eye popping brightness.

5. SMART SYNC™ TECHNOLOGY

Available with Brilliant Wonders® Smart Sync programming to synchronize with lighting and controls from major pool OEMs.

6. IP68 WATERPROOF QUICK DISCONNECT

Absolutely the easiest LED laminar light to install and service. For the first time ever, you can use the quick-disconnect cord to remove the laminar cannon for service or winterization without pulling 100 feet of cord.

BRILLIANT WONDERS® LED LAMINAR

TECHNICAL GUIDE

ELECTRICAL SPECIFICATIONS

- ETL Certified
- 8 Watt multi-color LED light
- Also available with no LED (8.5" compact only)
- 100 ft cord length with IP68 quick disconnect
- Requires a 12V AC Transformer (not included)
- Water-cooled
- Synchronize with other pool OEM lighting systems
- No bonding or grounding required
- Standard model includes nine colors, five light shows

INSTALLATION SPECIFICATIONS

- Ships fully assembled
- Maximum stream height 7 feet
- Maximum stream distance 8 feet
- Vertical adjustable up to 30 degrees in 5 degree increments
- Full range of horizontal adjustability
- Deck or landscaping installation

ORDERING GUIDE

BRILLIANT WONDERS® LED LAMINAR (CMP / J-STYLE)			
WHITE	GRAY	TAN	DESCRIPTION
25597-620-100	25597-621-100	25597-629-100	12" LED LAMINAR
25597-720-100	25597-721-100	25597-729-100	8.5" COMPACT LED LAMINAR
25597-700-000	25597-701-000	25597-709-000	8.5" COMPACT LAMINAR (LESS LED LIGHTING)
BRILLIANT WONDERS® LED LAMINAR (P-STYLE)			
25597-620-100P	25597-621-100P	25597-629-100P	12" LED LAMINAR P-STYLE
25597-720-100P	25597-721-100P	25597-729-100P	8.5" COMPACT LED LAMINAR P-STYLE
BRILLIANT WONDERS® LED LAMINAR (H-STYLE)			
25597-620-100H	25597-621-100H	25597-629-100H	12" LED LAMINAR H-STYLE
25597-720-100H	25597-721-100H	25597-729-100H	8.5" COMPACT LED LAMINAR H-STYLE



The *Brilliant Wonders*® 1.5" nicheless LED pool and spa light is versatile, easy to install and designed to sell. Illuminate a pool, accent a spa or showcase steps, swim-outs and spill overs.

PRODUCT FEATURES

- Installs in Gunite, Fiberglass & Vinyl Pools
- Non-Metallic Design: No Bonding, No Grounding
- Bright & Efficient Cree® LEDs Outlast and Outperform Other Lights
- Maximized LED Projection & Precise Beam Angle Minimizes Shadows
- Full Color, Full Stainless and Color Accent Stainless Faceplate Options
- Small Size can Retro-fit and Replace Almost Any Nicheless Light

Brilliant Wonders®

LED LIGHTING

BRILLIANT LED POOL & SPA LIGHTING, HIGH PERFORMANCE NICHELESS DESIGN



SIMPLE INSTALLATION & SERVICE

Installs in any 1.5" pool wall fitting and locks in place with a quarter-turn. Industry-first waterproof quick disconnect IP68 connection for rapid service, winterizing or replacement.

HIGH PERFORMANCE. ENERGY EFFICIENT.

Precise engineering delivers a perfect balance of brightness, energy savings and longevity. Over 50,000 hours of low voltage LED life saves customers' money and reduces service calls.

BUILT-IN CMP SMART SYNC™ TECHNOLOGY

Available with Smart Sync programming to synchronize with lighting and controls from major pool OEMs.

INTERCHANGEABLE DESIGNER FACEPLATES

Consumer-targeted designer faceplates completely hide the wall fitting & look great day or night. Styles include seven full color faceplates, seven color accents and full stainless.



TECHNICAL GUIDE

ELECTRICAL SPECIFICATIONS

- ETL Certified
- Available in 11 or 8 watt configurations
- Non-metallic design; no bonding; no grounding
- Standard model includes nine colors, five light shows
- 12VAC transformer required
- Water-cooled
- Synchronize with other pool OEM lighting systems
- Available in color or white LED styles

INSTALLATION SPECIFICATIONS

- 4" minimum water depth
- Wall or floor installation
- Install in any 1.5" wall fitting (vinyl, fiberglass or gunite)
- Durable "bayonet" quarter turn install
- 4.5" deep light body
- 6" waterproof quick disconnect IP68 cord
- Kit includes LED light, white faceplate, cord & install tool

BRILLIANT WONDERS® 1.5" NICHELESS LED LIGHT

ORDERING GUIDE

1. Select light kit. Available with four cord lengths and three LED styles. Each kit includes led light, cord, white sunburst faceplate & installation multi-tool.
2. Smart Sync Technology: Order to match CMP or other OEM lighting. Simply append the CMP Part number with "P" or "H" to indicate lighting sync style.
3. Select a custom faceplate. Choose from three styles in seven colors.



BRILLIANT WONDERS® 1.5" LED LIGHT (CMP / J-STYLE)

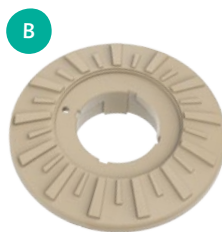
REF	25 FT KIT	50 FT KIT	100 FT KIT	150 FT KIT	DESCRIPTION	ENERGY
A	25503-560-025	25503-560-050	25503-560-100	25503-560-150	11C BRILLIANT COLOR LIGHT KIT	11 WATTS
A	25503-520-025	25503-520-050	25503-520-100	25503-520-150	8C BRILLIANT COLOR LIGHT KIT	8 WATTS
A	25503-500-025	25503-500-050	25503-500-100	25503-500-150	BRILLIANT WHITE LIGHT KIT	5 WATTS

BRILLIANT WONDERS® 1.5" LED LIGHT (P-STYLE)

A	25503-560-025P	25503-560-050P	25503-560-100P	25503-560-150P	11C BRILLIANT COLOR LIGHT KIT, P-STYLE	11 WATTS
A	25503-520-025P	25503-520-050P	25503-520-100P	25503-520-150P	8C BRILLIANT COLOR LIGHT KIT, P-STYLE	8 WATTS

BRILLIANT WONDERS® 1.5" LED LIGHT (H-STYLE)

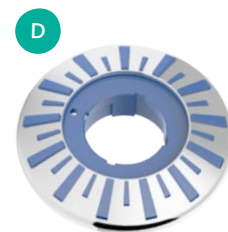
A	25503-560-025H	25503-560-050H	25503-560-100H	25503-560-150H	11C BRILLIANT COLOR LIGHT KIT, H-STYLE	11 WATTS
A	25503-520-025H	25503-520-050H	25503-520-100H	25503-520-150H	8C BRILLIANT COLOR LIGHT KIT, H-STYLE	8 WATTS



FULL COLOR PLASTIC



FULL STAINLESS STEEL



STAINLESS STEEL COLOR ACCENT

BRILLIANT WONDERS® 1.5" LED LIGHT FACEPLATE

REF	WHITE/OTHER	GRAY	BLACK	DARK GRAY	LIGHT BLUE	DARK BLUE	TAN	DESCRIPTION
B	25503-510-000	25503-511-000	25503-514-000	25503-517-000	25503-559-000	25503-569-000	25503-519-000	FULL COLOR
C	25503-510-200	—	—	—	—	—	—	STAINLESS STEEL
D	25503-510-220	25503-511-220	25503-514-220	25503-517-220	25503-559-220	25503-569-220	25503-519-220	SS COLOR ACCENT

50 SQ FT WATER FEATURE FILTER

All water features must use filtered water for optimum performance and to prevent damage to the feature. The CMP water feature filter is the perfect accessory for waterfalls, deck jets, bubblers and other water features.

PRODUCT FEATURES

- 50 Square Foot Filtration
- Includes Pressure Gauge
- Ergonomic Lock Ring: Easy Lid Removal for Quick Filter Cleaning
- Unibody Construction

PROTECT YOUR WATER FEATURE PERFORMANCE: ONLY USE FILTERED POOL WATER

TECHNICAL GUIDE

- 6-7/8" Wide
- 15-1/8" Height
- 2" Inlet/Outlet
- Max Pressure 50psi
- Cover Air Relief Plug
- Not Designed for Whole Pool Filtration



ORDERING GUIDE

50 SQ FT WATER FEATURE FILTER			
REF	CMP P/N	DESCRIPTION	BOX QTY
A	25504-600-000	WATER FEATURE FILTER AND 50 SQ FT FILTER ELEMENT	6
B	25391-000-000	REPLACEMENT 50 SQ FT FILTER ELEMENT ONLY (C-4950)	16
B	25391-200-000	REPLACEMENT 50 SQ FT FILTER ELEMENT WITH MICROBAN® ONLY (C-4950AM)	16

POOL EQUIPMENT

Aqualevel™ Auto Levelers 68

Powerclean™ Chemical Feeders 70

Pool Equipment Accessories 74

POOL EQUIPMENT

WWW.C-M-P.COM/POOL-PRODUCTS/POOL-EQUIPMENT

AQUALEVEL™

PORTABLE AUTOMATIC WATER LEVELER

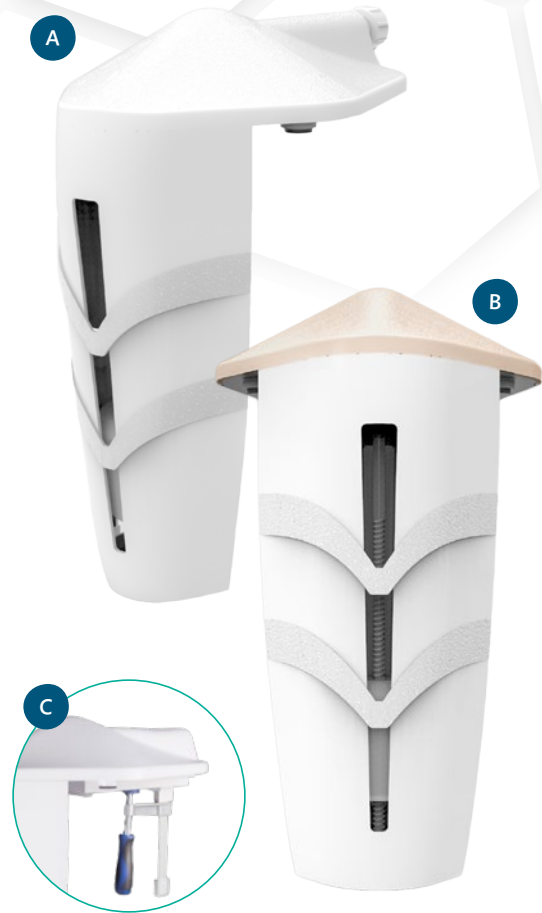
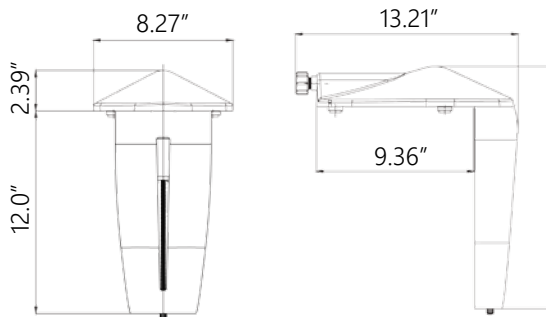
The AQUALEVEL™ Portable Auto Water Leveler is the fast and simple way to protect your pool from summer evaporation. Anyone can install the AquaLevel in minutes with a standard garden hose. Since it's fully portable, the AquaLevel can be used as needed.

C-M-P.COM/AUTO-LEVELERS

PRODUCT FEATURES

- NEW AND IMPROVED Design for 2016
- Fills Pool Automatically to Set Level and Protects the Pump from Running Dry
- Fits a Standard Hose Connection: No Tools Required
- Fully Portable: A Great Solution for Rental and Vacation Properties
- Add Rock/Sand Bag Weights to Secure to Pool Deck
- Above Ground Model Includes Clamp to Secure to Pool Wall and Top Rails (B)

PRODUCT DIMENSIONS



ORDERING GUIDE

AQUALEVEL™ PORTABLE AUTO LEVELER			
REF	CMP P/N	DESCRIPTION	BOX QTY
A	25604-000-000	WHITE LID AQUALEVEL FOR IN GROUND POOL	6
B	25604-009-000	TAN LID AQUALEVEL FOR IN GROUND POOL	6
C	25604-100-000	WHITE LID AQUALEVEL FOR ABOVE GROUND POOL (CLAMP-ON STYLE)	6

REPLACEMENT PARTS PAGE 191

AQUALEVEL™ NEW CONSTRUCTION LEVELER

For new construction pools, an auto water leveler provides peace of mind for pool owners. Automatically adjust the water level to prevent damage to pool equipment.

PRODUCT FEATURES

- Lid Design Matches CMP Skimmers
- Easy to Install in New Construction Pools
- All Plastic Worry-Free 3/8" Float Valve
- 3/4" or 1/2" Water Inlet
- 1" Socket Bottom Port Equalizer Line
- 1/2" Socket Optional Overflow Line
- Includes 2" and 1.5" Adapters



ORDERING GUIDE

AUTOMATIC WATER LEVELER (NEW CONSTRUCTION)			
REF	CMP P/N	DESCRIPTION	BOX QTY
A	25504-100-000	ROUND LID AUTOLEVEL WITH WHITE LID & COLLAR	1
A	25504-101-000	ROUND LID AUTOLEVEL WITH GRAY LID & COLLAR	1
A	25504-109-000	ROUND LID AUTOLEVEL WITH TAN LID & COLLAR	1
—	25504-300-000	SQUARE LID AUTOLEVEL WITH WHITE LID & COLLAR	1
—	25504-301-000	SQUARE AUTOLEVEL LID WITH GRAY LID & COLLAR	1
—	25504-309-000	SQUARE AUTOLEVEL LID WITH TAN LID & COLLAR	1
B	25504-000-100	3/8" MIP THERMOPLASTIC FLOAT ASSEMBLY FOR CMP UNITS	1
B	25504-000-200	1/2" MIP THERMOPLASTIC FLOAT ASSEMBLY	1
—	25504-000-400	3/8" MIP BRASS FLOAT ASSEMBLY	1
—	25590-100-000	FLOAT ASSEMBLY REMOVAL TOOL	1
—	25504-200-001	EXTENSION COLLAR	1

REPLACEMENT PARTS PAGE 192

POWERCLEAN™ ULTRA CHEMICAL FEEDER



C-M-P.COM/POWERCLEAN

PRODUCT FEATURES

- Treats Pools from 5,000-50,000 Gallons
- All Piping is Inside the Unit to Eliminate Leaks
- Holds Twelve 3" Tablets or 5lbs of 1" Tablets
- Clear Glass or Plastic* Lid Options for Easy Service or Inspection
- Superior 100% Shut-Off Dial
- Built-In Flow Indicator for Easy Adjustment
- Bottom Drain Plug
- 1.5 & 2" Unions for Quick Disconnect

OFF-LINE FEATURES

- Installs Easily Onto Existing Equipment
- Larger Hose Than Comparable Brands
- Includes Base, Two Mounting Brackets and Tubing plus 3/4" Fittings for Hard Plumbing Installation



Glass Lid Option for the Best Quality



ORDERING GUIDE

*clear plastic lids will cloud over time

POWERCLEAN ULTRA IN-LINE CHLORINATOR			
REF	CMP P/N	DESCRIPTION	BOX QTY
A	25280-100-000	POWERCLEAN ULTRA, CLEAR GLASS LID	1
A	25280-109-000	POWERCLEAN ULTRA, CLEAR PLASTIC LID	1
A	25280-110-000	POWERCLEAN ULTRA, WHITE LID	1
B	25280-400-000	POWERCLEAN ULTRA WITH BASE, CLEAR GLASS LID	1
B	25280-409-000	POWERCLEAN ULTRA WITH BASE, CLEAR PLASTIC LID	1
B	25280-410-000	POWERCLEAN ULTRA WITH BASE, WHITE LID	1
POWERCLEAN ULTRA OFF-LINE CHLORINATOR			
C	25280-300-000	POWERCLEAN ULTRA OFF-LINE, CLEAR GLASS LID	6
C	25280-309-000	POWERCLEAN ULTRA OFF-LINE, CLEAR PLASTIC LID	6
C	25280-310-000	POWERCLEAN ULTRA OFF-LINE, WHITE LID	6
REPLACEMENT PARTS PAGE 193			

WARNING: NEVER MIX CHLORINE AND BROMINE

POWERCLEAN™ ECON & MINI CHEMICAL FEEDER

For smaller pools or when cost is a factor, CMP Powerclean Mini and PowerClean Econ In-line chlorinators are perfect for the job. Both offer select features from the Ultra chlorinator line at a lower cost.



POWERCLEAN ECON IN-LINE

- Removable Rapid-Dissolve Tube
- Built In Heavy-Duty Screen
- Holds Twelve 3" Tablets or 5lbs of 1" Tablets
- Treats Pools from 5,000 - 50,000 Gallons
- Superior 100% Shut-Off Dial
- No External Hoses: Eliminates Leaks
- Unions Sold Separately



POWERCLEAN MINI IN-LINE

- Great for Above Ground Pools
- Holds Five 3" Tablets or 2lbs of 1" Tablets
- Treats Pools from 5,000 - 20,000 Gallons
- No External Hoses: Eliminates Leaks
- 1.5" Hose Adapter Included
- 1.5" Threaded Fitting Included



ORDERING GUIDE

POWERCLEAN ECON AND MINI			
REF	CMP P/N	DESCRIPTION	BOX QTY
A	25280-120-000	POWERCLEAN ECON IN-LINE	1
—	21023-000-000	2" UNIONS FOR POWERCLEAN ECON	190
B	25280-200-000	POWERCLEAN MINI	1

REPLACEMENT PARTS PAGE 193

WARNING: NEVER MIX CHLORINE AND BROMINE

POWERCLEAN™ MAX IN-LINE FEEDER



PowerClean™ MAX high capacity feeders are the chlorinator of choice for large or heavy bather load pools that need an extra punch of power. Designed for residential use only.

PRODUCT FEATURES

- Precise Flow Control Valve
- Safety Locking Vent-able Lid
- Off-Line Installation with 1" pipe
- Includes 1" Quick Disconnect Fittings
- Built-In Drain Valve for Easy Service or Winterization



*Includes quick disconnect
precise flow control valve*



*Includes 1" quick disconnect
union fitting*



*Clear glass lid with
locking tab feature*



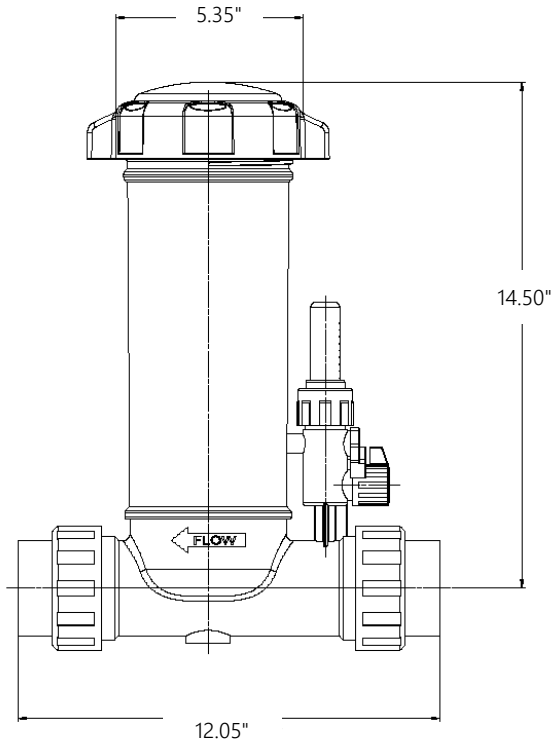
ORDERING GUIDE

POWERCLEAN MAX			
REF	CMP P/N	DESCRIPTION	BOX QTY
A	25280-640-000	40LB POWERCLEAN MAX	1
B	25280-630-000	30LB POWERCLEAN MAX	1
C	25280-615-000	15LB POWERCLEAN MAX	1

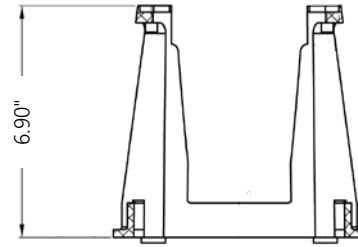
WARNING: NEVER MIX CHLORINE AND BROMINE

POWERCLEAN™ DIMENSIONS

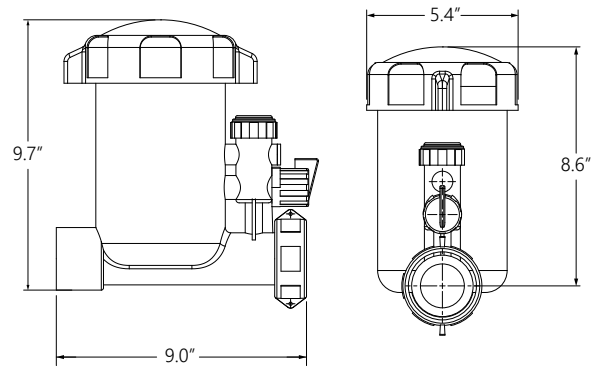
POWERCLEAN ULTRA & ECON



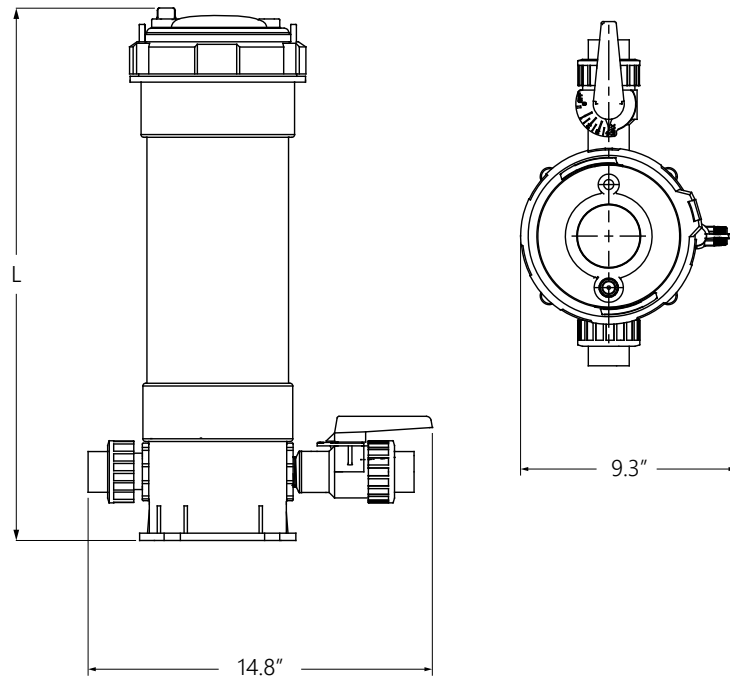
POWERCLEAN BASE



POWERCLEAN MINI



POWERCLEAN MAX



POWERCLEAN MAX HEIGHT

CMP P/N	"L"
25280-615-000	22.9"
25280-630-000	37.9"
25280-640-000	48.9"

POOL EQUIPMENT ACCESSORIES

ABG PUMP STRAINER

- For Standard Above Ground Pumps
- Includes Lid, Basket & Plug
- 1.5" or 2" Inlet/Outlet



DECK MOUNTED JUNCTION BOX

- Designed to Mount in Pool Deck
- O-ring Built Into the Box Lid
- Watertight Design
- For Low Voltage (12 Volt) Power Only
- Includes Fittings
- For Canada & International (Not Listed for U.S)



ORDERING GUIDE

EQUIPMENT ACCESSORIES			
REF	CMP P/N	DESCRIPTION	BOX QTY
A	25300-004-000	PUMP STRAINER 1.5" INLET × 1.5" OUTLET	6
A	25301-004-000	PUMP STRAINER 2" INLET × 2" OUTLET	6
B	21062-154-000	1.5" MIP × 1.5" UNION FITTING	300
B	21063-200-900	2" MIP × 2" UNION FITTING	300
C	21021-000-000	1.5" SOCKET PUMP UNION (NUT,SLEEVE, T-GASKET)	200
C	21023-000-000	2" SOCKET PUMP UNION (NUT,SLEEVE, T-GASKET)	190
D	25840-100-000	DECK MOUNTED JUNCTION BOX NEW	—

REPLACEMENT PARTS ON PAGE 216

HYDROSEAL™ POOL VALVES

Diverter Valves 76

Serviceable Check Valves 78

Slice Valves 80

Ball Valves 81

Multiport Valves 82

Slide Valves 88

Air Relief Valves 90

POOL VALVES

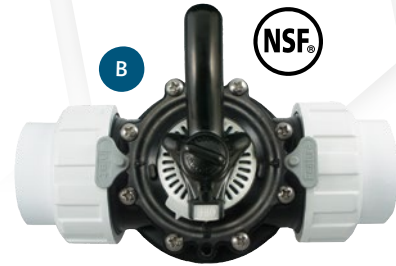
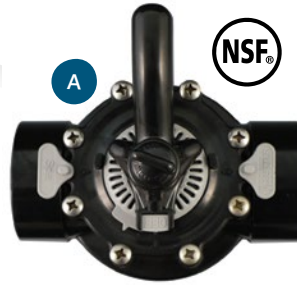
WWW.C-M-P.COM/POOL-PRODUCTS/VALVES

POOL DIVERTER VALVES

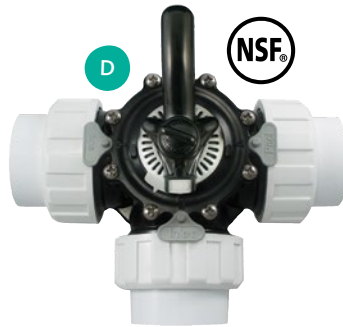


PRODUCT FEATURES

- LifeSeals™ Never Need Lubrication
- Exclusive 32 Dial Stop Adjustable Indicator Plate for Precise Flow Control
- Interchangeable Flow Tabs for Marking Ports (English & Spanish Included)
- T-Gasket Seal on Union Valves
- CPVC Valves Awarded the NSF International Seal



C-M-P.COM/HYDROSEAL



ORDERING GUIDE

PVC Body Valves should not be used in temperatures over 104°

2-WAY BLACK CPVC DIVERTER VALVES (NSF)			
REF	CMP P/N	DESCRIPTION	BOX QTY
A	25912-154-000	1.5" SOCKET × 2" SPIGOT 2-WAY CPVC DIVERTER	18
A	25912-204-000	2" SOCKET × 2.5" SPIGOT 2-WAY CPVC DIVERTER	18
A	25912-254-000	2.5" SOCKET × 3" SPIGOT 2-WAY CPVC DIVERTER	18
B	25922-154-000	1.5" SOCKET WITH UNIONS 2-WAY CPVC DIVERTER	12
B	25922-204-000	2" SOCKET WITH UNIONS 2-WAY CPVC DIVERTER	16
3-WAY BLACK CPVC DIVERTER VALVES (NSF)			
C	25913-154-000	1.5" SOCKET × 2" SPIGOT 3-WAY CPVC DIVERTER	16
C	25913-204-000	2" SOCKET × 2.5" SPIGOT 3-WAY CPVC DIVERTER	16
C	25913-254-000	2.5" SOCKET × 3" SPIGOT 3-WAY CPVC DIVERTER	16
D	25923-154-000	1.5" SOCKET WITH UNIONS 3-WAY CPVC DIVERTER	16
D	25923-204-000	2" SOCKET WITH UNIONS 3-WAY CPVC DIVERTER	16
GRAY PVC DIVERTER VALVES			
E	25932-151-000	1.5" SOCKET × 2" SPIGOT 2-WAY PVC DIVERTER	18
E	25932-201-000	2" SOCKET × 2.5" SPIGOT 2-WAY PVC DIVERTER	18
F	25933-151-000	1.5" SOCKET × 2" SPIGOT 3-WAY PVC DIVERTER	16
F	25933-201-000	2" SOCKET × 2.5" SPIGOT 3-WAY PVC DIVERTER	16

REPLACEMENT PARTS PAGE 195

CLEAR HYDROSEAL™ DIVERTER VALVES

PRODUCT FEATURES

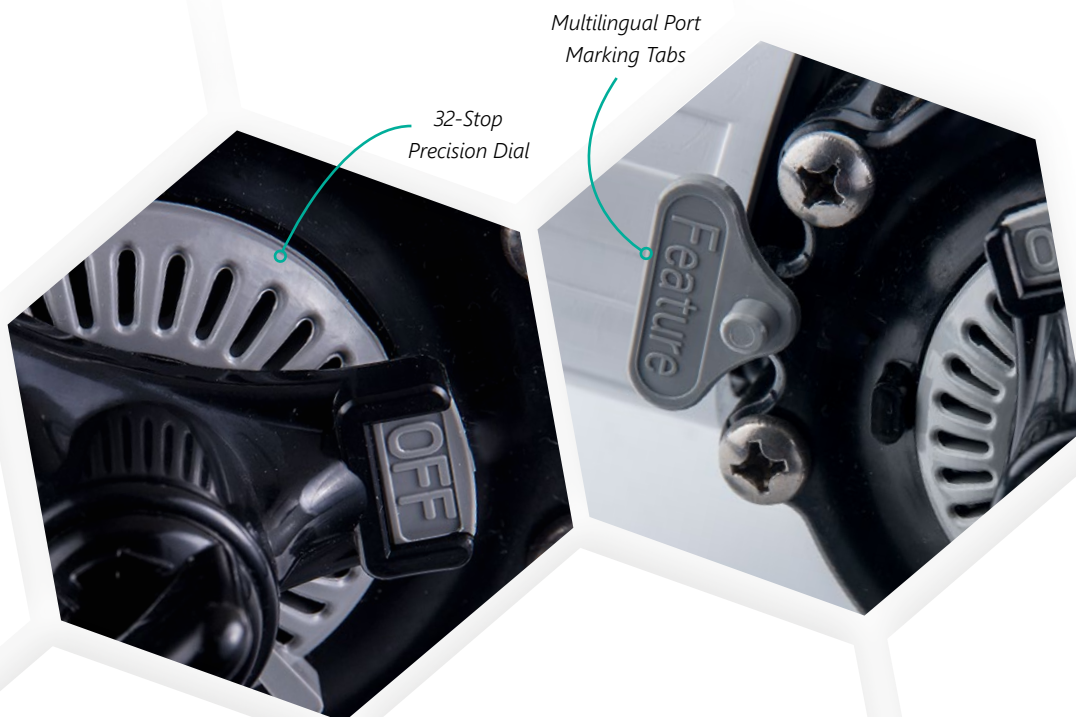
- Clear PVC Body*
- Easily Inspect for Internal Debris
- Visibly Set the Diverter for Precise Flow Control



ORDERING GUIDE

3-WAY CLEAR PVC BODY DIVERTER W/ UNIONS		
CMP P/N	DESCRIPTION	BOX QTY
25923-159-000	1.5" SOCKET WITH UNIONS 3-WAY CLEAR DIVERTER	12
25923-209-000	2" SOCKET WITH UNIONS 3-WAY CLEAR DIVERTER	12

*PVC Body Valves should not be used in temperatures over 104°



SERVICEABLE CHECK VALVES



CMP Hydroseal Serviceable Check Valves are designed for demanding pool and spa applications. Dependable quality with a union lid nut for easy removal and service, clear lid for easy inspection, and high temp PVC body with longer sockets for better glue joints.

C-M-P.COM/CHECK-VALVES

CPVC CHECK VALVES

- High Temp CPVC Body
- Serviceable Clear Lid with Lock Nut
- Corrosion Proof Pin
- Longer Sockets for Better Glue Joints
- Check Valve is Reversible while Installed
- Silicone Check Seal Never Requires Lubrication
- Awarded the NSF International Seal



CORROSION RESISTANT CHECK VALVES

Hydroseal Corrosion Resistant check valves are a durable, pro-level option that stand up to harsh chemical conditions. The best solution for systems with a chlorinator or brominator installed.

- Ceramic Pin for Corrosion Protection
- Hastelloy Spring for High Stress and Corrosive Environments
- White PVC Option (max temp 104°)



ORDERING GUIDE

THREAD-ON SERVICEABLE CHECK VALVES						
REF	CMP P/N	SPRING	MAX FLOW	MAX PSI	DESCRIPTION	BOX QTY
A	25830-150-000	2 POUND	100gpm	50psi	1.5" SOCKET × 2" SPIGOT BLACK CPVC	12
A	25830-200-000	2 POUND	100gpm	50psi	2" SOCKET × 2.5" SPIGOT BLACK CPVC	12
A	25830-450-000	1/4 POUND	100gpm	50psi	1.5" SOCKET × 2" SPIGOT BLACK CPVC	12
A	25830-500-000	1/4 POUND	100gpm	50psi	2" SOCKET × 2.5" SPIGOT BLACK CPVC	12
THREAD-ON SERVICEABLE CORROSION RESISTANT CHECK VALVES						
B	25830-350-000	2 POUND	100gpm	50psi	1.5" SOCKET × 2" SPIGOT BLACK CPVC	12
B	25830-400-000	2 POUND	100gpm	50psi	2" SOCKET × 2.5" SPIGOT BLACK CPVC	12
C	25830-360-000	2 POUND	100gpm	50psi	1.5" SOCKET × 2" SPIGOT WHITE PVC	12
C	25830-410-000	2 POUND	100gpm	50psi	2" SOCKET × 2.5" SPIGOT WHITE PVC	12

REPLACEMENT PARTS PAGE 196

HYDROSEAL™ SERVICEABLE CHECK VALVES

STANDARD CPVC CHECK VALVES

- Black CPVC Body
- Serviceable Standard Clear Lid
- High temp CPVC and Longer Sockets for Better Glue Joints
- Silicone Check Seal Never Requires Lubrication
- Awarded the NSF International Seal



ORDERING GUIDE

STANDARD STYLE CPVC SERVICEABLE CHECK VALVES						
REF	CMP P/N	SPRING	MAX FLOW	MAX PSI	DESCRIPTION	BOX QTY
A	25830-704-000	2 POUND	125gpm	50psi	180° 1.5" SOCKET × 2" SPIGOT BLACK CPVC	12
A	25830-714-000	2 POUND	125gpm	50psi	180° 2" SOCKET × 2.5" SPIGOT BLACK CPVC	12
A	25830-250-000	2 POUND	125gpm	50psi	180° 2.5" SOCKET × 3" SPIGOT BLACK CPVC	12
A	25830-804-000	1/2 POUND	125gpm	50psi	180° 1.5" SOCKET × 2" SPIGOT BLACK CPVC	12
A	25830-814-000	1/2 POUND	125gpm	50psi	180° 2" SOCKET × 2.5" SPIGOT BLACK CPVC	12
B	25830-764-000	2 POUND	125gpm	50psi	90° 1.5" SOCKET × 2" SPIGOT BLACK CPVC	12
B	25830-774-000	2 POUND	125gpm	50psi	90° 2" SOCKET × 2.5" SPIGOT BLACK CPVC	12
B	25830-864-000	1/2 POUND	125gpm	50psi	90° 1.5" SOCKET × 2" SPIGOT BLACK CPVC	12
B	25830-874-000	1/2 POUND	125gpm	50psi	90° 2" SOCKET × 2.5" SPIGOT BLACK CPVC	12
C	25830-724-000	2 POUND	125gpm	50psi	1.5" SOCKET UNION VALVE, BLACK CPVC	12
C	25830-734-000	2 POUND	125gpm	50psi	2" SOCKET UNION VALVE, BLACK CPVC	12
BASIC CHECK VALVES						
D	25552-500-000	—	—	—	WHITE RETURN FITTING CHECK VALVE	400
D	25552-501-000	—	—	—	GRAY RETURN FITTING CHECK VALVE	400
D	25552-504-000	—	—	—	BLACK RETURN FITTING CHECK VALVE	400
D	25552-507-000	—	—	—	DK GRAY RETURN FITTING CHECK VALVE	400
E	25067-000-000	—	—	—	AIR CHECK VALVE 2" SPIGOT × 1.5" SOCKET	150
F	25062-159-000	—	—	—	CLEAR SWING CHECK VALVE 1.5" SOCKET	120
F	25062-209-000	—	—	—	CLEAR SWING CHECK VALVE 2" SOCKET	40
F	25062-000-000	—	—	—	WHITE SWING CHECK VALVE 1" SOCKET	120
F	25062-150-000	—	—	—	WHITE SWING CHECK VALVE 1.5" SOCKET	120

REPLACEMENT PARTS PAGE 197

HYDROSEAL™ LOCKING SLICE VALVES

A complete line of slice valves in a variety of configurations for pool and spa applications. CMP slice valves are assembled as one complete unit with 100% shut-off capabilities. Attention to design details makes these the best line of slice valves for every installation.

PRODUCT FEATURES

- 100% Shut-Off
- Lockable in Open Position
- Press-Fit Valve Lock Ensures Constant Full Flow Open Position



Press-Fit
Lock



ORDERING GUIDE

LOCKING SLICE VALVES					
REF	WHITE	BLACK	DESCRIPTION	BOX/BAG	
A	25850-150-000	—	1.5" SOCKET × SOCKET	18	
A	25850-200-000	—	2" SOCKET × SOCKET	18	
A	25850-250-000	—	2.5" SPIGOT × SOCKET	18	
A	25851-150-000	—	1.5" SPIGOT × SPIGOT	70	
A	25851-200-000	—	2" SPIGOT × SPIGOT	64	
A	25851-250-000	—	2.5" SPIGOT × SPIGOT	42	
A	25852-150-000	—	1.5" SPIGOT × SOCKET	70	
A	25852-200-000	—	2" SPIGOT × SOCKET	64	
A	25852-250-000	—	2.5" SPIGOT × SOCKET	42	
A	25853-150-000	—	1.5" SPIGOT × MALE UNION	70	
A	25853-200-000	—	2" SPIGOT × MALE UNION	64	
A	25853-250-000	—	2.5" SPIGOT × MALE UNION	42	
A	25858-150-000	—	1.5" SOCKET × MALE UNION	70	
A	25858-200-000	—	2" SOCKET × MALE UNION	64	
A	25858-250-000	—	2.5" SOCKET × MALE UNION	42	
B	25854-150-000	25854-154-000	1.5" MIP × FIP	70	
C	25855-150-000	—	1.5" FIP × SPLIT NUT	55	
D	25856-150-000	25856-154-000	1.5" MIP × HOSE ADAPTER	70	
E	25857-150-000	25857-154-000	1.5" SPLIT NUT × HOSE ADAPTER	55	
—	25850-000-100	—	REPLACEMENT SLICE VALVE LOCK	1000/200	

*All slice valves are white unless otherwise noted

HYDROSEAL™ TWO-WAY BALL VALVES

The CMP collection of ball valves includes one of the largest varieties in the industry. Our two-way ball valves include easy to adjust replaceable handles

PRODUCT FEATURES

- Durable PVC Construction
- Socket x Socket in 3/4" to 4" Sizes
- Unionized Valves in 1.5" to 2" Sizes



ORDERING GUIDE

SOCKET × SOCKET BALL VALVES			
REF	CMP P/N	DESCRIPTION	BOX/BAG
A	25800-751-000	3/4" S × S BALL VALVE	100
B	25800-110-000	1" S × S BALL VALVE	100
C	25800-151-000	1.5" S × S BALL VALVE	50
D	25800-210-000	2" S × S BALL VALVE	30
E	25800-251-000	2.5" S × S BALL VALVE	30
F	25800-310-000	3" S × S BALL VALVE	30
G	25800-410-000	4" S × S BALL VALVE	30
UNIONIZED BALL VALVES			
H	25802-151-000	1.5" SOCKET UNION BALL VALVE	32
H	25802-210-000	2" SOCKET UNION BALL VALVE	32
I	25802-651-000	1.5" FIP × MIP UNION BALL VALVE	12
J	25802-415-000	1.5" SOCKET DOUBLE UNION BALL VALVE	—
J	25802-420-000	2" SOCKET DOUBLE UNION BALL VALVE	—
BALL VALVE ACCESSORIES			
—	25800-751-130	SILVER HANDLE FOR 3/4" BALL VALVE	550
—	25800-101-130	SILVER HANDLE FOR 1" BALL VALVE	550
—	25800-151-130	SILVER HANDLE FOR 1.5" BALL VALVE	250
—	25800-201-130	SILVER HANDLE FOR 2" BALL VALVE	250
—	25800-251-130	RED HANDLE FOR 2.5" BALL VALVE	200
—	25800-310-130	RED HANDLE FOR 3" BALL VALVE	30
—	25800-410-130	RED HANDLE FOR 4" BALL VALVE	30
—	25802-151-080	HANDLE FOR 1.5" UNION BALL VALVE	180
—	25802-651-080	HANDLE FOR 1.5" FIP × MIP	180
—	26100-530-462	O-RING FOR 1.5" UNION BALL VALVE	200
—	26100-651-462	INSIDE O-RING FOR 1.5" FIP × MIP	200

TOP MOUNT MULTIPOINT VALVES

262 TOP MOUNT VALVE (1½" × 2")

- CMP Replacement for Tagelus®
- For TA 40D, TA 50D, or TA 60D
- Seven Multipoint Functions
- **NEW** Top Half Assembly Now Available
- Includes Valve & Clamp
- 1.5" FPT X 2" Buttress Fittings
- 50 PSI Max Pressure
- 75 GPM Max Flow



261 TOP MOUNT VALVE (2")

- CMP Replacement for Tagelus® & Tagelus® D
- Six Multipoint Functions
- **NEW** Top Half Assembly Now Available
- 2" FPT Fittings
- 50 PSI Max Pressure
- 125 GPM Max Flow



ORDERING GUIDE

262 TOP MOUNT VALVES (1½" × 2")					
REF	CMP P/N	COMPARE TO	DESCRIPTION	COMPATIBLE FILTERS	BOX QTY
A,B,C	27500-154-000	262504	TM 1.5" FPT × 2" BUTTRESS, 6" BUTTRESS ADPT, WRENCH	TAGELUS® AFTER '91	1
A,B,D	27501-154-000	262505	TM 1.5" FPT × 2" BUTTRESS, 6" V-THREAD ADPT, WRENCH	TAGELUS® BEFORE '91	1
A,B	27502-154-000	262506	TM 1.5" FPT × 2" BUTTRESS, CLAMP	TAGELUS® BEFORE '91	1
B	27500-154-079	152165	MULTIPOINT CLAMP ONLY NEW	TAGELUS®	—
—	27500-154-100	272531	TOP HALF KEY ASSEMBLY NEW	TAGELUS®	—

REPLACEMENT PARTS PAGE 198

261 TOP MOUNT VALVE (2")					
REF	CMP P/N	COMPARE TO	DESCRIPTION	COMPATIBLE FILTERS	BOX QTY
E	27510-204-000	261185	2" FPT TM SAND, CLAMP	TAGELUS® TA 100D	1
—	27516-204-100	271152B	TOP HALF KEY ASSEMBLY NEW	TAGELUS® TA 100D	—
—	27507-200-100	270067	TOP HALF KEY ASSEMBLY NEW	TAGELUS® TA 100D	—

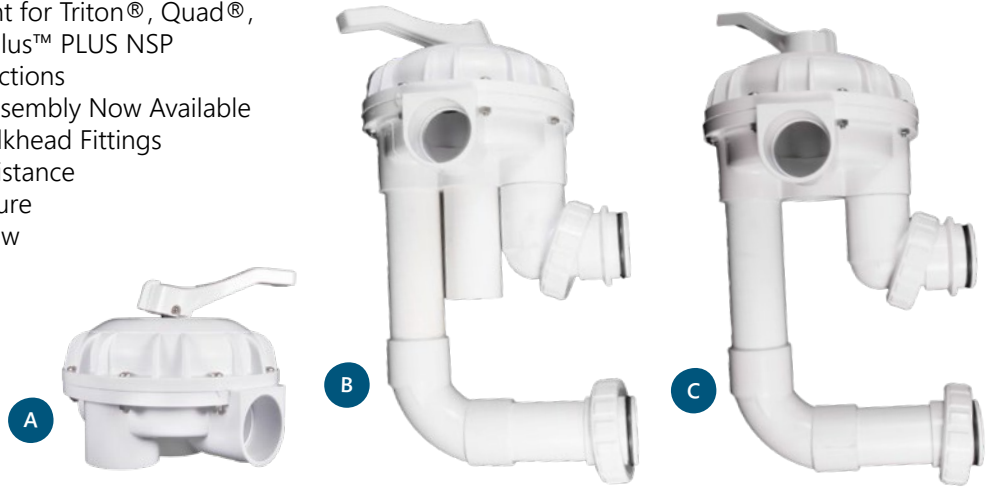
REPLACEMENT PARTS PAGE 198

C-M-P.COM/MULTIPOINT-VALVES

SIDE MOUNT MULTI-PORT VALVES

261 SIDE MOUNT VALVE (2" SOCKET)

- CMP Replacement for Triton®, Quad®, FNS® Plus, Nautilus™ PLUS NSP
- Six Multiport Functions
- **NEW** Top Half Assembly Now Available
- 2" Socket and Bulkhead Fittings
- 7½" Centerline Distance
- 50 PSI Max Pressure
- 125 GPM Max Flow



18201 SIDE MOUNT VALVE (2")

- CMP Replacement for Pentair® Sta-Rite® DEP & DES
- Six Multiport Functions
- 2" FPT Fittings
- 50 PSI Max Pressure
- 95 GPM Max Flow



ORDERING GUIDE

261 SIDE MOUNT VALVE (2")						
REF	CMP P/N	COMPARE TO	DESCRIPTION	COMPATIBLE FILTERS	BOX QTY	
A	27503-200-000	261049	2" SM, SOCKET, SAND/DE	TRITON®, QUAD D.E®, FNS® PLUS, NAUTILUS™ PLUS	1	
B	27504-200-000	261050	2" SM, SOCKET, SAND/DE	QUAD D.E®, PENTAIR® TRITON®	1	
C	27506-200-000	261142	2" SM, SOCKET, DE	FNS® PLUS, NAUTILUS™ PLUS NSP DE	1	
—	27503-200-100	27242	TOP HALF KEY ASSEMBLY	TRITON®, QUAD D.E®, FNS® PLUS, NAUTILUS™ PLUS	—	

REPLACEMENT PARTS PAGE 199

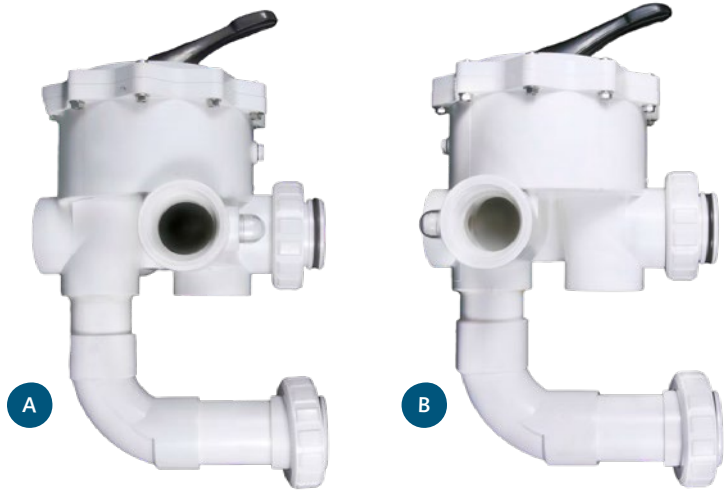
18201 SIDE MOUNT VALVE (2")						
REF	CMP P/N	COMPARE TO	DESCRIPTION	COMPATIBLE FILTERS	BOX QTY	
D	27511-204-000	18201-0200	BLACK 2" SM SAND/DE	DEP36, DEPB36, DEP51, DEP83, DEPB38, DES51, DES60	1	
D	27511-200-000	18201-0200	WHITE 2" SM SAND/DE	DEP36, DEPB36, DEP51, DEP83, DEPB38, DES51, DES60	1	
D	27511-214-000	18201-0200	SAND 2" SM SAND/DE	DEP36, DEPB36, DEP51, DEP83, DEPB38, DES51, DES60	1	

C-M-P.COM/MULTI-PORT-VALVES

SIDE MOUNT MULTIPORT VALVES

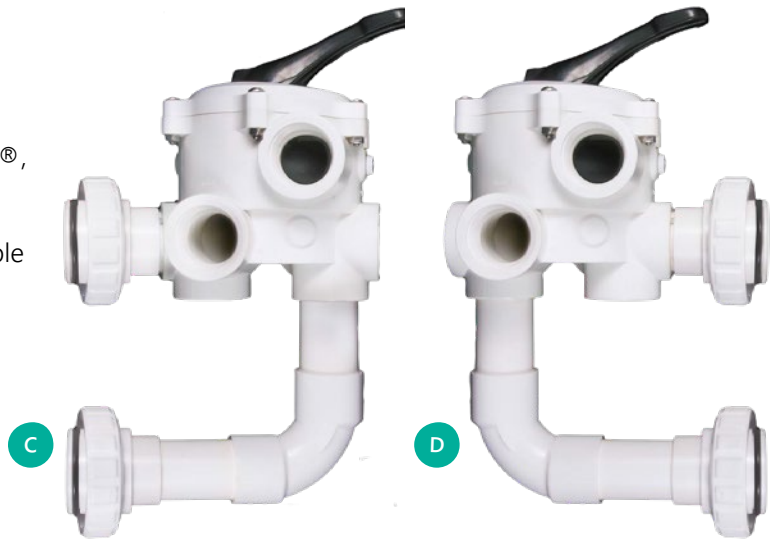
261 SIDE MOUNT VALVE (2" FPT)

- CMP Replacement for Triton®, Quad®, FNS® Plus, Nautilus™ PLUS NSP
- Six Multiport Functions
- **NEW** Top Half Assembly Now Available
- 2" FPT and Bulkhead Fittings
- 7½" Centerline Distance
- 50 PSI Max Pressure
- 125 GPM Max Flow



261 SIDE MOUNT VALVE (1.5")

- CMP Replacement for Triton®, Quad®, FNS® Plus, Nautilus™ PLUS NSP
- Six Multiport Functions
- **NEW** Top Half Assembly Now Available
- 1.5" FPT and Bulkhead Fittings
- 7½" Centerline Distance
- 50 PSI Max Pressure
- 75 GPM Max Flow



ORDERING GUIDE

261 SIDE MOUNT VALVE (2" FPT)					
REF	CMP P/N	COMPARE TO	DESCRIPTION	COMPATIBLE FILTERS	BOX QTY
A	27505-200-000	261055	2" SM, FPT, SAND	PENTAIR® TRITON®, QUAD D.E®	1
B	27507-200-000	261152	2" SM, FPT, DE	FNS® PLUS, NAUTILUS™ PLUS NSP	1
—	27507-200-100	270067	TOP HALF KEY ASSEMBLY NEW	TRITON®, QUAD®, FNS®, NAUTILUS™	—

REPLACEMENT PARTS PAGE 200

261 SIDE MOUNT VALVE (1.5")					
REF	CMP P/N	COMPARE TO	DESCRIPTION	COMPATIBLE FILTERS	BOX QTY
C	27508-150-000	261173	1.5" SM, FPT, SAND	PENTAIR® TRITON®	1
D	27509-150-000	261177	1.5" SM, FPT, DE	QUAD D.E®, FNS® PLUS, NAUTILUS™ PLUS NSP	1
—	27508-150-100	270068	TOP HALF KEY ASSY NEW	TRITON®, QUAD®, FNS® PLUS, NAUTILUS™ PLUS	—

REPLACEMENT PARTS PAGE 201

C-M-P.COM/MULTIPOINT-VALVES

TOP MOUNT MULTI-PORT VALVES

714 TOP MOUNT VALVE (1.5")

- CMP Replacement for Hayward SP714T
- Seven Multiport Functions
- **NEW** Top Half Assembly Now Available
- 1.5" FPT Fittings
- 50 PSI Max Pressure
- 75 GPM Max Flow



716 TOP MOUNT VALVE (2")

- CMP Replacement for Hayward® SP071621
- Six Multiport Functions
- **NEW** Top Half Assembly Now Available
- 2" FPT Fittings
- 50 PSI Max Pressure
- 125 GPM Max Flow



ORDERING GUIDE

714 TOP MOUNT VALVE (1.5")					
REF	CMP P/N	COMPARE TO	DESCRIPTION	COMPATIBLE FILTERS	BOX QTY
A	27515-154-000	SP0714T	1.5" TM, FPT, SAND	HAY S166T, S180T, S210T, S220T, S244T	1
B	27515-154-070	GMX600MN	REPLACEMENT CLAMP	HAY S166T, S180T, S210T, S220T, S244T	—
—	27515-154-100	SPX0714BA	TOP HALF KEY ASSEMBLY NEW	HAY S166T, S180T, S210T, S220T, S244T	—

REPLACEMENT PARTS PAGE 200

716 TOP MOUNT VALVE (2")					
REF	CMP P/N	COMPARE TO	DESCRIPTION	COMPATIBLE FILTERS	BOX QTY
C	27518-204-000	SP071621	2" TM, FPT, SAND	HAY S220T/T2, S244T/T2, S270T/T2, S310T2, S360T2	1
—	27518-204-100	SPX715BA	TOP HALF KEY ASSY NEW	HAY S220T/T2, S244T/T2, S270T/T2, S310T2, S360T2	—

REPLACEMENT PARTS PAGE 200

C-M-P.COM/MULTI-PORT-VALVES

SIDE MOUNT MULTIPORT VALVES

710 SIDE MOUNT VALVE (1.5")

- CMP Replacement for Hayward SM
- Six Multiport Functions
- 1.5" FPT & Bulkhead Fittings
- 50 PSI Max Pressure
- 50 GPM Max Flow



715 SIDE MOUNT VALVE (2")

- CMP Replacement for Hayward SM
- Heavy Duty Handle
- Six Multiport Functions
- **NEW** Top Half Assembly Now Available
- 2" FPT and Bulkhead Fittings
- 50 PSI Max Pressure
- 125 GPM Max Flow



ORDERING GUIDE

710 SIDE MOUNT VALVE (1.5")

REF	CMP P/N	COMPARE TO	DESCRIPTION	COMPATIBLE FILTERS	BOX QTY
A	27512-154-000	SP0710X32	1.5" SM, FPT, SAND	HAY S-200, S-240	1
B	27513-154-000	SP0710XR50	1.5" SM, FPT, SAND	HAY PRO-GRID VERTICAL GRID DE FILTERS	1
C	27514-154-000	SP0710X62	1.5" SM, FPT, SAND	HAY S210, S244S, S310S, S311SXV, S360SX	1
—	27513-154-100	SPX0710XBA17	TOP MOUNT KEY ASSY NEW	HAYWARD® 1.5" SIDE MOUNT	—

REPLACEMENT PARTS PAGE 202

715 SIDE MOUNT VALVE (2")

REF	CMP P/N	COMPARE TO	DESCRIPTION	COMPATIBLE FILTERS	BOX QTY
D	27516-204-000	SP0715XR50	2" SM, FPT, DE	HAY PRO-GRID VERTICAL GRID DE FILTERS	1
E	27517-204-000	SP0715X62	2" SM, FPT, SAND	HAY S210, S244S, S310S, S311SXV, S360SX	1
—	27516-204-100	SPX0715BA3	TOP HALF KEY ASSY NEW	HAYWARD® 2" SIDE MOUNT	—

REPLACEMENT PARTS PAGE 203

C-M-P.COM/MULTI-PORT-VALVES

MULTIPOINT VALVES

BWVL SIDE MOUNT VALVE (2")

- CMP Replacement for Jandy® SM
- 1.5" Threaded FPT Fittings



WVS TOP MOUNT VALVE (1.5")

- CMP Replacement for Waterway Sand
- 1.5" Lock Nut FPT Fitting



ORDERING GUIDE

2" SIDE MOUNT VALVE FOR SAND FILTER					
REF	CMP P/N	COMPARE TO	DESCRIPTION	COMPATIBLE FILTERS	BOX QTY
A	27519-204-000	BWVL-MPV	2" SM, FPT, SAND	JS60, JS100	1
REPLACEMENT PARTS PAGE 202					

1.5" TOP MOUNT VALVE FOR SAND FILTER					
REF	CMP P/N	COMPARE TO	DESCRIPTION	COMPATIBLE FILTERS	BOX QTY
B	27520-154-000	WVS003	1.5" TM, LOCK NUT FPT, SAND	BAQUAPURE, CLEARWATER	1
REPLACEMENT PARTS PAGE 203					

SLIDE VALVES

PRODUCT FEATURES

- Replacements for Common and Hard to Find Slide Valves
- Complete Assemblies and Internals Only
- Stainless Steel Slide Valves Include Double-Back Quality Guarantee (details next page)
- One per Box



SLIDE VALVES

ORDERING GUIDE

7.5" P-STYLE SLIDE VALVE ASSEMBLY				
REF	CMP P/N	COMPARE TO	DESCRIPTION	COMPATIBLE FILTERS
A	25831-119-750	263064	CREAM 7.5" SLIDE VALVE ASSY (PICTURED)	TRITON®, FNS® NAUTILUS™
A	25831-114-750	263064	BLACK 7.5" SLIDE VALVE ASSY	TRITON®, FNS® NAUTILUS™
A	25831-119-790	263079	CREAM 7.5 SLIDE VALVE ASSY (LESS UNION)	TRITON®, FNS® NAUTILUS™
—	25831-130-000	—	7.5" SLIDE VALVE ASSY OLD STYLE*	TRITON®, FNS® NAUTILUS™
—	25831-119-200	—	CREAM 7.5" SLIDE VALVE BODY ONLY	TRITON®, FNS® NAUTILUS™
SLIDE VALVE INTERNALS FOR 7.5" P-STYLE SLIDE VALVE BODIES				
B	25831-110-100	263055	7.5" SLIDE VALVE INTERNAL	TRITON®, FNS® NAUTILUS™
C	25831-112-100	263055 (SS)	STAINLESS STEEL 7.5" SLIDE VALVE INTERNAL	TRITON®, FNS® NAUTILUS™
P-STYLE REPLACEMENT SLIDE VALVE INTERNALS				
D	25831-120-100	273241	INTERNAL FOR 261165 BODY	—
E	25831-122-100	273241 (SS)	STAINLESS STEEL INTERNAL FOR 261165	—
—	25831-130-100	51013811	INTERNAL FOR 263034 BODY 7.5"	TRITON®, FNS®, NAUTILUS™
—	25831-124-170	27089	P-STYLE SLIDE VALVE HANDLE	—
H-STYLE SLIDE VALVE ASSEMBLY				
F	25831-004-000	SP0410X502S	BLACK DE SLIDE VALVE ASSY	MICRO-CLEAR, PRO-GRID
F	25831-014-000	SP0410X602S	BLACK SAND SLIDE VALVE ASSY	S311SX, S311SXV, S360SX,
SLIDE VALVE INTERNALS FOR H-STYLE SLIDE VALVE BODIES				
G	25831-000-100	SPX0410BA	H SLIDE VALVE INTERNAL	FITS ABOVE "H" STYLES
—	25831-004-171	SPX0722D2	H-STYLE SLIDE VALVE NUT	—
—	25831-004-172	—	H-STYLE SLIDE VALVE HANDLE	—

STAINLESS STEEL DOUBLE-BACK QUALITY PRODUCT GUARANTEE

*If a CMP Stainless Steel replacement shaft fails within **four years** after installation, CMP will replace with TWO valve internals. ¹*

1) Four year guarantee applies to the stainless steel shaft only.
Always refer to your filter model for correct sizing and replacement.

AIR RELIEF VALVES

PRODUCT FEATURES

- Replacements for OEM Air Relief Valves
- Select Styles Available with Pressure Gauge
- Pressure Gauge Includes Built-In Range Indicator



ORDERING GUIDE

AIR RELIEF VALVES				
REF	CMP P/N	COMPARE TO	DESCRIPTION	BOX QTY
A	25357-154-000	154689	BLACK AIR RELIEF VALVE	—
B	25357-983-000	154687	BLACK AIR RELIEF VALVE	—
C	25357-240-000	DEX2400S	BLACK AIR RELIEF VALVE	—
D	25357-982-000	98209800	BLACK AIR RELIEF VALVE & GAUGE	—
E	25357-357-000	R0357200	BLACK AIR RELIEF VALVE & GAUGE	—
—	25357-273-000	273564	AIR RELIEF VALVE	—

Always refer to your filter model instructions for correct sizing.

SPA MASTER™ SPA SYSTEMS

2" Gunitite Jets 92

2½" Gunitite Jets 96

1½" Gunitite Jets 101

Venturi Tees 102

Swim Jets 104

Step Jets 105

JetArray® 107

SPA MASTER™

WWW.C-M-P.COM/POOL-PRODUCTS/SPA-MASTER-SPA-SYSTEMS

SPA MASTER™ 2" INSIDER GUNITE JET INTERNALS

Get a true spa experience with these interchangeable jet internals modeled after the popular CMP wave style jets. The wave style is a popular design for many major hot tub manufacturers. Benefit from the same quality design with the new 2" jet internals for in ground gunite pools.

C-M-P.COM/2-INCH-GUNITE-JETS

PRODUCT FEATURES

- CMP Wave Jet Design
- 4.25" Face Diameter
- Three Flow Orifices (FIG 1 - flow chart and diagram page 95)
- High-End Stainless Steel Spa Jet Design
- Three Color Options Available
- Standard or Deep Dish Niche Installation



Figure 1



ORDERING GUIDE

2" INSIDER FLANGE GUNITE JET INTERNALS					
REF	SS/WHITE	SS/GRAY	SS/BLACK	STYLE	BOX QTY
A	25591-110-000	25591-111-000	25591-114-000	DIRECTIONAL INTERNAL	100
B	25591-120-000	25591-121-000	25591-124-000	ROTATIONAL INTERNAL (SPINS)	100
C	25591-130-000	25591-131-000	25591-134-000	DOUBLE ROTO INTERNAL (SPINS)	100
D	25591-140-000	25591-141-000	25591-144-000	MASSAGE INTERNAL	100
E	25591-150-000	25591-151-000	25591-154-000	VTX INTERNAL (SOFT DIRECTIONAL)	100

SPA MASTER™ 2" INSIDER GUNITE JET BODIES

INSTALL GUNITE SPA JETS WITH 2" PIPE

A new Gunite Jet system from CMP that is easier to install using the more standard 2" plumbing sizes. Available for gunite pool installations. All 2" jets plumb with 2" pipe and accept the new wave style jet internals. A more genuine spa experience for in ground gunite pools.

2" STRAIGHT BODY

- 1.5" Spigot (1" S) Water
- 1" Spigot (0.5" S) Air
- With or Without Niche
- For Gunite Pools



2" GUNITE BODY

- 2" Socket Water
- 1.5" Socket Air
- With or Without Niche
- For Gunite Pools



ORDERING GUIDE

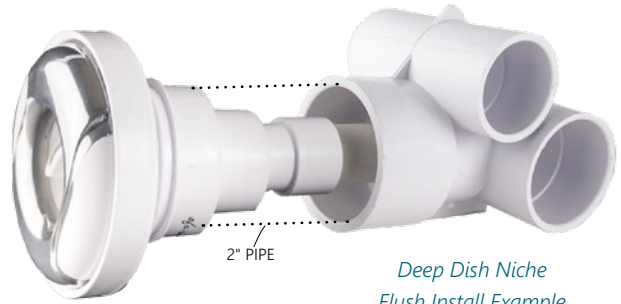
2" STRAIGHT BODY			
REF	CMP P/N	DESCRIPTION	BOX QTY
A-D	25581-290-000	2" STRAIGHT BODY, WALL FITTING, THREADED RING WITH WHITE STD NICHE	50
A-C	25581-200-000	2" STRAIGHT BODY, WALL FITTING, THREADED RING WITHOUT NICHE	50
2" GUNITE BODY			
E-H	25580-290-000	2" GUNITE BODY, WALL FITTING, THREADED RING WITH WHITE STD NICHE	25
E-G	25580-200-000	2" GUNITE BODY, WALL FITTING, THREADED RING WITHOUT NICHE	25

INTERCHANGEABLE INTERNALS 2" JETS PAGE 92

SPA MASTER™ 2" INSIDER PARTS & ACCESSORIES

DEEP DISH NICHE

- Internal Fits Flush in the Wall
- Cleaner Installed Appearance
- Sold Separately



*Deep Dish Niche
Flush Install Example*

2" GUNITE JET PARTS & ACCESSORIES



ORDERING GUIDE

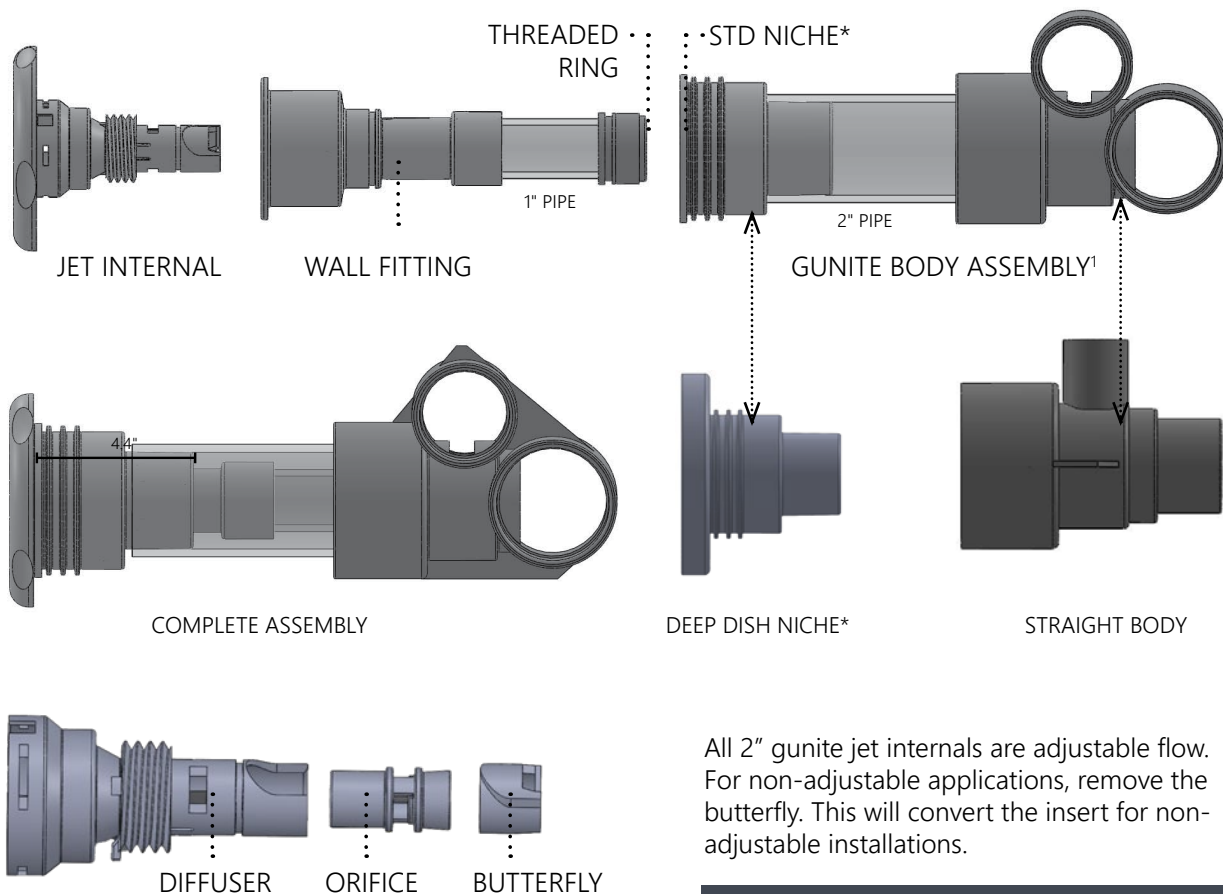
2" JET PARTS & ACCESSORIES				
REF	WHITE	GRAY	BLACK	DESCRIPTION
A	25580-920-190	25580-921-190	25580-924-190	DEEP DISH NICHE & PLASTER CAP FOR 2" JETS
B	25580-200-190	25580-201-190	25580-204-190	STANDARD NICHE & PLASTER CAP FOR 2" JETS
C	25580-200-030	25580-201-030	25580-204-000	WALL FITTING FOR 2" JETS
D	25590-000-200	—	—	JET TOOL & PLUG FOR 2" JETS
E	25580-000-120	—	—	THREADED RING



SPA MASTER™ 2" INSIDER JET INSTALLATION

GUNITE INSTALLATION & PRESSURE TEST GUIDE

1. Run ties through holes in the Jet Body braces, and attach to the rebar
2. Glue the 2" PVC pipe into the Jet Body. Cap the other end of the 2" pipe for pressure testing. (PVC pipe is not included)
3. After the pool is gunited, chip out the wall around the pipe to provide enough area for the Niche. Cut the pipe so that the Niche will be at the finished level of the wall. Glue the Niche into the 2" pipe. Tape over niche and plaster.
4. Glue the Threaded Ring onto the 1" pipe. Thread into jet and draw a mark on the 1" pipe even with the opening of the niche. Unthread and cut pipe. Glue the Wall Fitting to the end of the 1" pipe. Lubricate the o-ring. Insert this assembly back through the Niche and the 2" pipe and thread clockwise into the Jet Body. Tighten with the Gunite Jet Tool. (sold separately) Pressure testing can now be done by threading the Gunite Jet Wrench into the Wall Fitting.
5. Choose the desired jet face internal and the desired Jet Orifice. (see flow chart below) Insert the Jet Orifice into the back of the Diffuser, long tube first. Insert the Butterfly. Thread the jet internal into the Wall Fitting until the stop.



All 2" gunite jet internals are adjustable flow. For non-adjustable applications, remove the butterfly. This will convert the insert for non-adjustable installations.

ORIFICE FLOW RATES			
STYLE	1/4" GPM	3/8" GPM	1/2" GPM
DIRECTIONAL/VTX	7-10	13-17	22-26
SINGLE/DBL ROTO	8-11	13-17	22-26
MASSAGE	7-10	13-17	N/A

NOTE: Distance between the end of the niche and the 1" PVC pipe must be 4.4"

¹ standard niche only included with P/N 25580-290-000,25581-290-000

² deep dish niche sold separately

SPA MASTER™ 2½" GUNITE/FIBERGLASS INTERNALS

SCALLOPED 3½" FLANGE INTERNALS

- 3-1/2" Jet Face
- Fits in All Spa Master 2-1/2" Bodies
- Adjustable Air & Water
- 5/16" Orifice = 10 GPM



HIGH FLOW JET INTERNALS

POWER JET INTERNALS

- Non-Adjustable
- Includes Four Orifices:
 - 5/16" = 10 GPM
 - 3/8" = 13 GPM
 - 7/16" = 17 GPM
 - 1/2" = 22 GPM



WHIRLPOOL INTERNALS

- Non-Adjustable
- 3/4" Orifice
- 40-60 GPM



ORDERING GUIDE

3.5" FLANGE SCALLOPED JET INTERNALS								
REF	WHITE	GRAY	BLACK	DARK GRAY	TAN	TWO-TONE LT/DK GRAY	STYLE	BOX QTY
A	25591-210-000	25591-211-000	25591-214-000	25591-217-000	25591-219-000	25591-211-700	DIRECTIONAL	100
B	25591-220-000	25591-221-000	25591-224-000	25591-227-000	25591-229-000	25591-221-700	ROTATIONAL	100
C	25591-230-000	25591-231-000	25591-234-000	25591-237-000	25591-239-000	25591-231-700	PULSATOR	100
D	25591-240-000	25591-241-000	25591-244-000	25591-247-000	25591-249-000	25591-241-700	MASSAGE	100
E	25591-250-000	25591-251-000	25591-254-000	25591-257-000	25591-259-000	25591-251-700	TWIN-SPIN	100
HIGH FLOW JET INTERNALS								
F	25583-000-000	25583-001-000	25583-004-000	25583-007-000	25583-009-000	—	WHIRLPOOL	150
G	25582-000-000	25582-001-000	25582-004-000	25582-007-000	25582-009-000	—	POWER JET	50

SPA MASTER™ 2½" JET BODIES

The original CMP Spa Master™ Jet system. Available in Gunite or Fiberglass installation options. All 2.5" jets plumb with 2.5" pipe, and accept all CMP 2.5" jet internals on the previous page.

2.5" STRAIGHT BODY

- 1.5" SP(1" S) Water
- 1" SP (0.5" S) Air
- With or Without Niche
- For Gunite Pools



2.5" GUNITE BODY

- 2" Socket Water
- 1.5" Socket Air
- With or Without Niche
- For Gunite Pools



2.5" FIBERGLASS BODY

- Three Fitting Styles
- Complete Assembly
- For Fiberglass Pools



ORDERING GUIDE

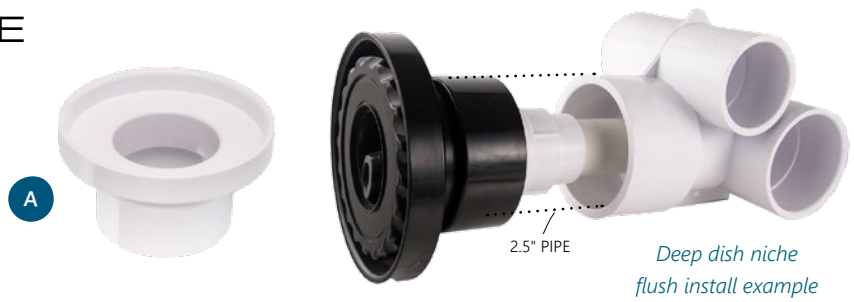
2.5" STRAIGHT BODY			
REF	CMP P/N	DESCRIPTION	BOX QTY
A-D	25581-090-000	2.5" STRAIGHT BODY, WALL FITTING, THREADED RING WITH WHITE STD NICHE	50
A-C	25581-000-000	2.5" STRAIGHT BODY, WALL FITTING, THREADED RING WITHOUT NICHE	50
A	25581-000-010	STRAIGHT BODY ONLY	100
2.5" GUNITE BODY			
E-H	25580-090-000	2.5" GUNITE BODY, WALL FITTING, THREADED RING W/ WHITE NICHE	25
E-G	25580-000-000	2.5" GUNITE BODY, WALL FITTING, THREADED RING WITHOUT NICHE	25
E	25580-000-010	GUNITE BODY ONLY	30
FIBERGLASS BODY JETS			
I	25594-150-000	FIBERGLASS JET ASSEMBLY 1" S AIR × 1.5" S WATER	50
J	25594-100-000	FIBERGLASS JET ASSEMBLY 1" S AIR × 1" S WATER	50
K	25594-160-000	FIBERGLASS JET ASSEMBLY .5" S AIR × 1.5" S WATER	50

INTERCHANGEABLE INTERNALS 2.5" JETS PAGE 96

SPA MASTER™ 2½" JETS

DEEP DISH NICHE

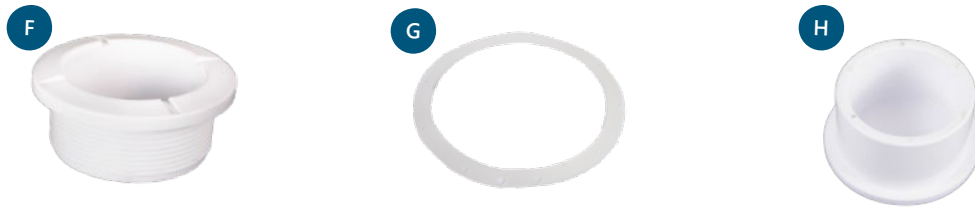
- Internal Fits Flush in the Wall
- Cleaner Installed Appearance
- Sold Separately



2.5" GUNITE JET PARTS & ACCESSORIES



2.5" FIBERGLASS JET PARTS & ACCESSORIES



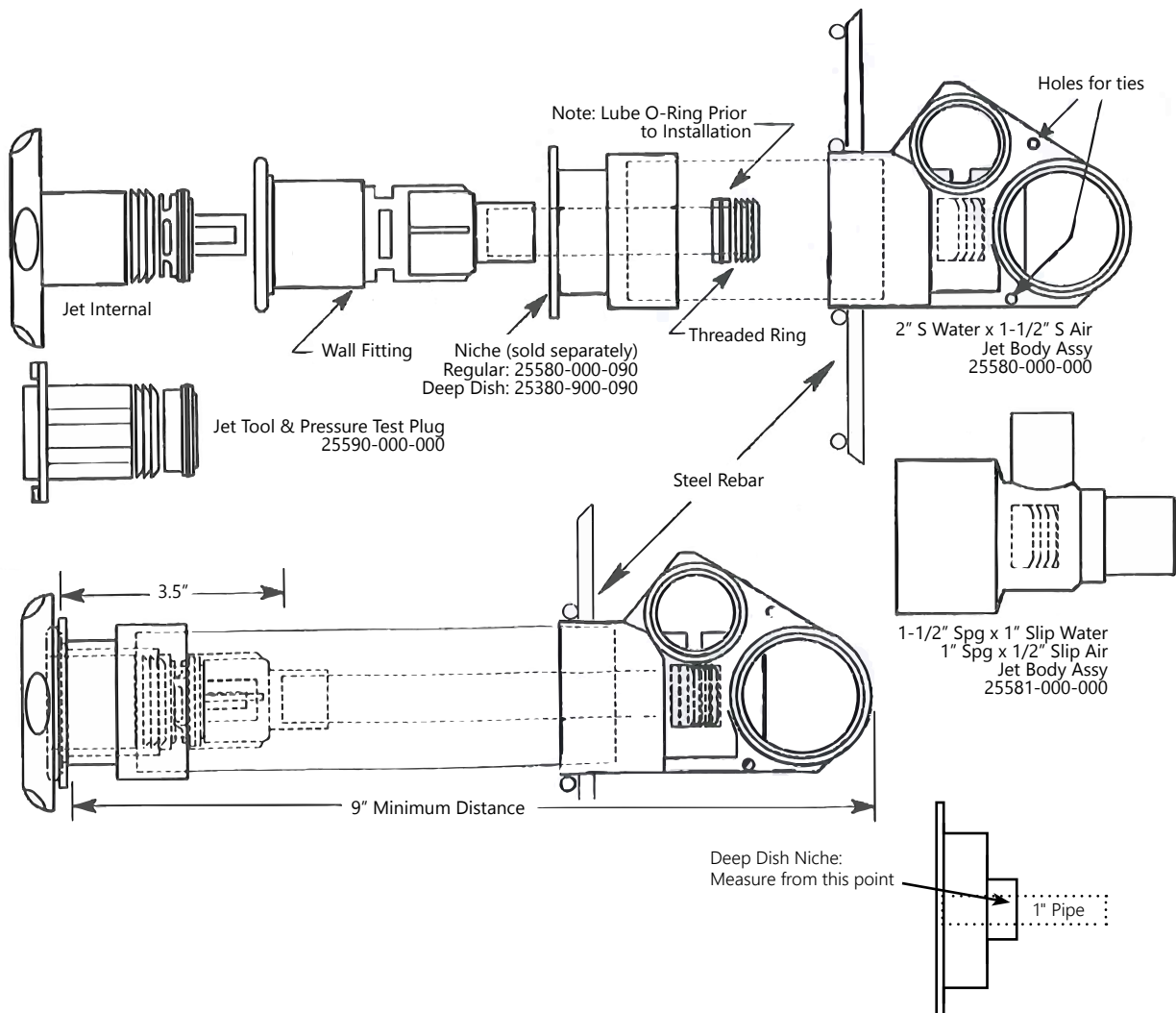
ORDERING GUIDE

2.5" JET PARTS & ACCESSORIES							
REF	WHITE	GRAY	BLACK	DARK GRAY	TAN	DESCRIPTION	BOX QTY
A	25580-900-090	25580-901-090	25580-904-090	25580-907-090	25580-909-090	DEEP DISH NICHE	100
B	25580-000-090	25580-001-090	25580-004-090	25580-007-090	25580-009-090	GUNITE STD JET NICHE	100
C	25580-000-030	25580-001-030	25580-004-030	25580-007-030	25580-009-030	GUNITE WALL FITTING	150
D	25590-000-000	—	—	—	—	JET WRENCH & PLUG	200
E	25580-000-120	—	—	—	—	THREADED RING (1" S)	1000
F	25594-100-000	—	—	—	—	FG JET WALL FITTING	50
G	26200-234-421	—	—	—	—	EPDM L-GASKET	1800
H	25577-950-020	—	—	—	—	1.5" SOCKET PLUG	600

SPA MASTER™ 2½" JET INSTALLATION

GUNITE INSTALLATION & PRESSURE TEST GUIDE

1. Run ties through holes in jet body braces and attach to rebar.
2. Estimate length of 2.5" PVC pipe as needed for wall thickness. Cut pipe longer than needed. Glue the 2.5" PVC pipe into jet body. Cap other end of 2.5" pipe for pressure testing.
3. After pool is gunite-ed, chip out wall around pipe to provide enough area to glue on niche. Cut pipe flush with wall and glue niche onto pipe.
4. Glue the threaded ring onto one end of the 1" PVC pipe. Do not cut 1" pipe yet. Lube the o-ring on the threaded ring. Insert the threaded ring end of this assembly inside the 2.5" PVC and thread clockwise into jet body until tight. Make a mark on the 1" PVC pipe that is flush with the end of the niche or inside the deep dish niche (see below), then remove this assembly from jet body by turning counterclockwise.
5. Shorten the length of the 1" PVC pipe by measuring 3.5" back from the mark on the pipe and cut. Glue wall fitting onto this cut end. Lube o-ring on threaded ring, if needed, add teflon tape onto threads and insert this new assembly back through the 2.5" PVC pipe and thread clockwise into jet body. Tighten with Gunitite Jet Tool. Pressure testing can now be done by threading the Gunitite Jet Tool into wall fitting until tight.
6. Choose desired jet face internal. Thread jet internal into wall fitting until tight.



SPA MASTER™ 2" GUNITE MINI SPA JET

PRODUCT FEATURES

- Small Jet Face Footprint
- Plumbs with 2" PVC Pipe
- Assembly Includes Jet, Body, & Wall Fitting
- 2" Water × 1.5" Air
- 10 GPM
- *Note: 2" Pipe Not Included*



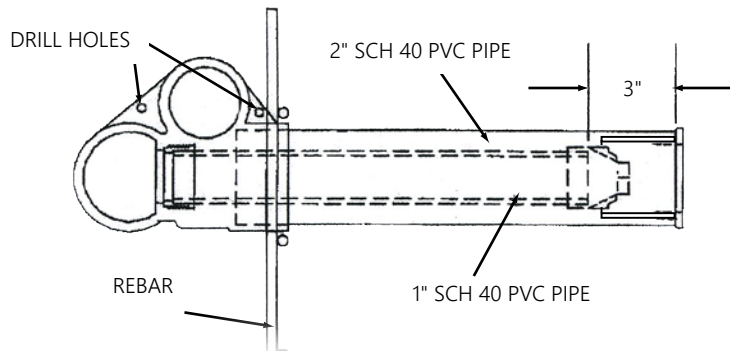
ORDERING GUIDE

2" GUNITE MINI SPA JET ASSEMBLY			
REF	CMP P/N	DESCRIPTION	BOX QTY
A,B	25592-010-000	DIRECTIONAL 2" JET ASSEMBLY	30
A,C	25592-020-000	"WHIRLY" ROTO 2" JET ASSEMBLY	30
A,D	25592-030-000	PULSATOR 2" JET ASSEMBLY	30

INSTALLATION GUIDE

1. Drill holes Jet Body as shown in the figure below. Run ties through the holes to attach the body to rebar.
2. Based on the thickness of the pool wall, estimate the lengths of 1" and 2" PVC Pipe required. Cut both sizes of PVC Pipe to the same length to be at least 4" longer than estimated. Glue the 2" PVC Pipe to the Jet Body as shown.
3. After plastering the pool, cut the 2" PVC pipe to be flush with the wall and glue Gunite Wall Fitting to the inside of 2" PVC Pipe.
4. Glue the Retainer Ring to one end of the 1" PVC Pipe. To pressure test, plug the other end with a 1" cap. Insert the 1" PVC Pipe assembly with the cap installed into the Jet Body (tighten clockwise) then perform pressure test.
5. After pressure testing, mark the 1" PVC Pipe where it is flush with the pool wall. Remove the 1" PVC Pipe Assembly from the Jet Body, measure back 3" from the mark and cut. Glue the Nozzle to the 1" PVC Pipe to complete the assembly.
6. Insert the 1" PVC Pipe Assembly into the 2" PVC Pipe Assembly and tighten with a 5/8" socket, or cut a slot in a piece of 1" PVC pipe to match the tabs on the nozzle and use it to tighten the assembly.
7. Screw the Eyeball Wall Fitting into the Gunite Wall Fitting.
8. Carefully insert the desired Jet Face into the Eyeball Wall Fitting making sure the legs of the Jet Face are not forced onto the tabs of the Nozzle which can cause damage.

NOTE: The distance from the end of the 2" PVC Pipe and the 1" PVC Pipe must be 3" ; any other distance will result in Jet malfunction. Jet may not aspirate or the Jet Face may be blown out.



SPA MASTER™ 1½" JET INTERNALS

The fast and easy way to add enhanced therapy performance using standard pool fittings. Spa Master 1-1/2" Gunite Jet Internals install simply using standard wall fittings with 1.5" FPT threads. An easy way to expand your wall return options beyond a typical directional eyeball fitting.

PRODUCT FEATURES

- **NEW** Stainless Steel Options
- Install in any 1.5" wall fitting
- Therapy massage style performance
- For maximum enhanced performance, combine with CMP Venturi Tees



PULSATOR: EXCITING SPINNING ACTION

MASSAGE: RELAXING SOFT ROTATION

RAIN: GENTLE THERAPY, ROTATION OPTIONAL

ROTATING PULSATOR EYEBALL

- Add Spinning Action to a 1.5" Return
- Replaces Directional Eye
- Eyeball Only (fitting sold separately)



ORDERING GUIDE

1.5" GUNITE JET INTERNALS								
REF	WHITE	GRAY	BLACK	DARK GRAY	TAN	DARK BLUE	DESCRIPTION	BOX QTY
A	23315-030-000	23315-031-000	23315-034-000	23315-037-000	23315-039-000	23315-069-000	PULSATOR	500
B	23315-030-200	23315-031-200	23315-034-200	—	—	—	SS PULSATOR	—
C	23315-240-000	23315-241-000	23315-244-000	23315-247-000	23315-249-000	—	MASSAGE	—
D	23315-240-200	23315-241-200	23315-244-200	—	—	—	SS MASSAGE	—
E	23315-300-000	23315-301-000	23315-304-000	23315-307-000	23315-309-000	—	RAIN	200
E	23315-340-000	23315-341-000	23315-334-000	23315-347-000	23315-349-000	—	RAIN (SPINNING)	200
F	23315-300-200	23315-301-200	23315-304-200	—	—	—	SS RAIN	—
F	23315-340-200	23315-341-200	23315-334-200	—	—	—	SS RAIN (SPINNING)	—

ROTATING PULSATOR EYEBALL ONLY								
REF	WHITE	GRAY	BLACK	DARK GRAY	TAN	LIGHT BLUE	DESCRIPTION	BOX QTY
D	23315-100-000	23315-101-000	23315-104-000	23315-107-000	23315-109-000	23315-119-000	ROTATING EYEBALL	—

SPA MASTER™ VENTURI TEES



ORDERING GUIDE

SPA MASTER GUNITE VENTURI TEES					
REF	CMP P/N	DESCRIPTION	FLOW (GPM)	PLUMBING SIZE	BOX QTY
A	23306-100-000	VENTURI TEE, 1/4" TWIST-LOCK	7-10	1.5" S×1.5" S×3/4" S	160
—	23306-100-020	1/4" NOZZLE ONLY (FOR 23306-100)	7-10	—	1000
A	23306-120-000	VENTURI TEE, 1/2" TWIST-LOCK	22-26	1.5" S×1.5" S×3/4" S	160
—	23306-120-020	1/2" NOZZLE ONLY (FOR 23306-120)	22-26	—	500
B	23307-000-000	GUNITE VENTURI TEE, THREADED 7/16"	17-20	1.5" S×1.5" S×1" SP (1/2" S)	150
B	23307-100-000	GUNITE VENTURI TEE, THREADED 7/16"	17-20	1.5" S×1.5" SP×3/4" SP	140
C	23307-200-000	GUNITE VENTURI TEE, THREADED 7/16"	17-20	1.5" S×1.5" SP×1/2" SP	140
D	23309-000-000	VENTURI TEE #7 WITH NOZZLE, 3/8" ORIFICE	13-17	1" S×1" SP×1" S	350
—	23308-100-020	4" TWIST-LOCK NOZZLE (FOR 23308-100)	17-20	—	1000
E	23308-000-000	GUNITE VENTURI TEE, THREADED 7/16"	17-20	1.5"S (1.5" SP)×1" SP (1/2" S)	50
—	23301-000-030	4" NOZZLE ONLY (FOR 23308-000)	17-20	—	300
E	23308-100-000	EXTENDED VENTURI TEE, 7/16" TWIST-LOCK	17-20	1.5" S×1.5" SP×3/4" SP	50
F	23308-200-000	GUNITE VENTURI TEE, THREADED 5/16"	9-14	1.5"S (1.5" SP)×1" SP(1/2" S)	50
—	23308-200-030	1/2" NOZZLE ONLY (FOR 23308-200)	9-14	—	500
G	23308-100-100	EXT. VENTURI TEE JET ASSY, THREADED 7/16" & INSIDER	17-20	1.5" S×1.5" S×1" SP(1/2" S)	50
—	23308-110-110	WHITE DIRECTIONAL FACEPLATE (FOR 23308-000-100)	—	—	150
H	23304-100-000	DOUBLE TEE JET 3/8" THREADED NOZZLE (1.5" SPIGOT)	13-17	1.5"SP WTR×1"SP/.5"SP AIR	60
H	23304-000-000	DOUBLE TEE JET 3/8" THREADED NOZZLE (1.5"SOCKET)	13-17	1.5"S WTR×1"SP/.5"SP AIR	60
I	23308-100-050	12" TWIST-LOCK EXT. NOZZLE FOR GUNITE VENTURI TEE	17-20	7/16" ORIFICE	180
I	23308-100-040	12" THREADED EXT. NOZZLE FOR GUNITE VENTURI TEE	17-20	7/16" ORIFICE	180
I	23304-000-040	12" EXT. NOZZLE FOR DOUBLE TEE JET	13-17	3/8"ORIFICE	180
J	23302-000-040	NOZZLE REDUCER FOR 7/16" ORIFICE	13-17	3/8" ORIFICE	2000
J	23302-100-040	NOZZLE REDUCER FOR 7/16" ORIFICE	7-10	1/4' ORIFICE	2000

SPA MASTER™ GUNITE SPA JETS



ORDERING GUIDE

SPA MASTER GUNITE SPA JETS					
REF	CMP P/N	DESCRIPTION	FLOW (GPM)	PLUMBING SIZE	BOX QTY
A	23300-000-000	1.5" FIP HYDROTHERAPY BODY, 3/8" THREADED NOZZLE	13-17	1.5"S WATER x .5"S AIR	50
B	23301-000-000	HYDROTHERAPY BODY WITH 4" NOZZLE	17-20	1.5"S WATER x 1.5"S AIR	50
B	<i>included w/ above</i>	1" NOZZLE FOR 23301-000-000	13-17	1.5"S WATER x .5"S AIR	—
C	23300-200-000	WHITE DIR. WALL FITTING (2 GASKETS)	—	1.5"	100
C	23300-210-000	WHITE DIR. WALL FITTING (2 GASKETS & NUT)	—	1.5"	100
D	23300-250-000	WHITE LONG DIR. WALL FITTING (EYE, NUT, 2 GASKETS)	—	1.5"	50
D	23300-240-000	WHITE LONG DIR. WALL FITTING (EYE, 2 GASKETS)	—	1.5"	—
—	23300-200-040	GASKET ONLY FOR 23300-250	—	—	100
E	23300-100-000	GUNITE JET ASSEMBLY & WALL FITTING	13-17	1.5"S WATER x 1.5"S AIR	50
E	23300-450-000	GUNITE JET ASSEMBLY & EXTENDED WALL FITTING	13-17	1.5"S WATER x 1.5"S AIR	50
F	23300-300-000	GUNITE JET EXTENSION FOR 23301 W/ NUT & 4" NOZZLE	—	—	50
—	23301-000-030	GUNITE JET BODY 4" EXTENSION NOZZLE	17-20	—	50
G	23305-000-000	OVER/UNDER BODY, BLOWER ONLY, 7/16" NOZZLE	17-20	1.5"SP x 1.5"S WTR x 1.5"S AIR	50
H	23302-000-000	2" x 2" GUNITE JET WITH 4" & 1" NOZZLES	13-20	2"S x 2"S WTR x 1.5"S AIR	30
I	23310-000-000	TEE JET, 1/4" NOZZLE (50 PER BAG)	7-10	FITS IN 1.5" TEE	600
J	25556-100-000	EYEBALL WITH BLUE NOZZLE	—	1.5" MIP	200
K	25556-300-000	JET AIR FITTING KIT (FITTING, EYEBALL, NOZZLE. 5/16" ORIFICE)	22-26*	1.5" MIP	50
K	25556-000-000	JET AIR FITTING ONLY, 1/2" ORIFICE	22-26	1.5" MIP	200
—	26100-255-630	BLUE NOZZLE ONLY	—	—	—

* 9-14 WITH 5/16" ORIFICE

S=SOCKET SP=SPIGOT

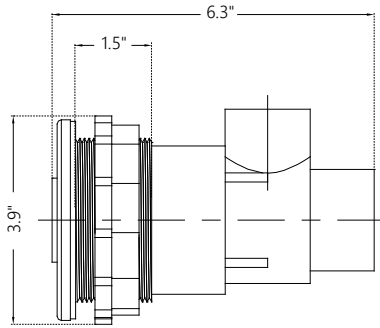
MORE GUNITE JETS ON NEXT PAGE | S=SOCKET SP=SPIGOT

For other return and eyeball fittings see page 140w

SPA MASTER™ SWIM JETS

WHIRLPOOL SWIM JET

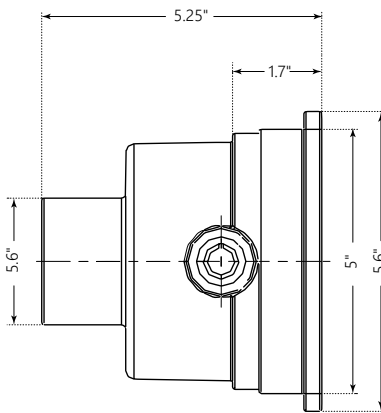
- 1" Orifice (90-110 GPM)
- 1" Socket Air × 1.5" Spigot Water
- 3½" Hole Saw Size


A


TURBO POWER SWIM JET

Turbo Technology: More Powerful Than the Average Jet

- 2" SP/1.5" S Water × 1" SP/.5" S Air
- 4½" Hole Saw Size
- Three Different Orifice Sizes Included:
 - 5/8" (30-40 GPM)
 - 3/4" (60-75 GPM)
 - 1" (90-110 GPM)


B

C


ORDERING GUIDE

WHIRLPOOL SWIM JET			
REF	CMP P/N	DESCRIPTION	BOX QTY
A	23312-000-000	WHITE WHIRLPOOL SWIM JET	60
A	23312-001-000	GRAY WHIRLPOOL SWIM JET	60
TURBO POWER SWIM JET			
B	23551-660-000	WHITE TURBO POWER SWIM JET	30
B	23551-661-000	GRAY TURBO POWER SWIM JET	30
C	23551-699-999	SWIM JET WRENCH	—

SPECIALTY JETS & ACCESSORIES

3.5" STEP JET KITS

PRODUCT FEATURES

- Directional or Pulsator Jets
- Available in White or Gray
- Complete Install Kit Includes:
 - (2) Jets, (2) Air Controls
 - (2) 1-1/2" Plugs, (2) 1" Plugs
 - (1) 1-1/2" Tee, (2) Fitting Wrenches
 - (2) 3ft lengths of 1" Flex Pipe
 - (2) Winterizing Plugs, (1) Can of glue



SPA AIR CONTROLS

PRODUCT FEATURES

- 5-Scallop Topside Design
- Top Draw
- 0.5" Socket Style Fits Inside 1.5" Pipe
- Four Color Options



ORDERING GUIDE

SPECIALTY JETS & ACCESSORIES			
REF	CMP P/N	DESCRIPTION	BOX QTY
A	25591-910-000	WHITE DIRECTIONAL STEP JET KIT (TWO JETS)	—
A	25591-911-000	GRAY DIRECTIONAL STEP JET KIT (TWO JETS)	—
A	25591-930-000	WHITE PULSATOR STEP JET KIT (TWO JETS)	—
A	25591-931-000	GRAY PULSATOR STEP JET KIT (TWO JETS)	—
B	25098-000-000	WHITE GUNITE/FIBERGLASS SPA AIR CONTROL (1" SOCKET)	300
B	25098-001-000	GRAY GUNITE/FIBERGLASS SPA AIR CONTROL (1" SOCKET)	300
B	25098-004-000	BLACK GUNITE/FIBERGLASS SPA AIR CONTROL (1" SOCKET)	300
B	25098-009-000	TAN GUNITE/FIBERGLASS SPA AIR CONTROL (1" SOCKET)	300
C	25099-000-000	WHITE SLIM GUNITE SPA AIR CONTROL (1/2" SOCKET)	400
C	25099-001-000	GRAY SLIM GUNITE SPA AIR CONTROL (1/2" SOCKET)	400
C	25099-004-000	BLACK SLIM GUNITE SPA AIR CONTROL (1/2" SOCKET)	400
C	25099-009-000	TAN SLIM GUNITE SPA AIR CONTROL (1/2" SOCKET)	400

JetArray®

- The JetArray® is a professional system that speeds up the installation of multiple jets and creates an even water flow distribution.

This patented system prevents under performing jets caused by plumbing high and low. The JetArray® is the best way to achieve a consistent, powerful spa seat installation.

POWERFUL SPA JET THERAPY

- EVEN FLOW DISTRIBUTION
- HIGH POWER WITH ONLY 20GPM PER UNIT

EASY TO INSTALL

- NO MOVING PARTS / NO SERVICE REQUIRED
- ONE ARRAY EQUALS FOUR JETS

PROTECTED BY THREE U.S. PATENTS

U.S. PATENT 7,493,665 & U.S. PATENT 6,804,841 & U.S. PATENT 9,056,322

JETARRAY® INLINE

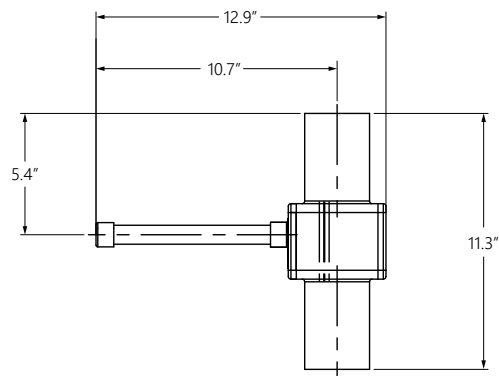
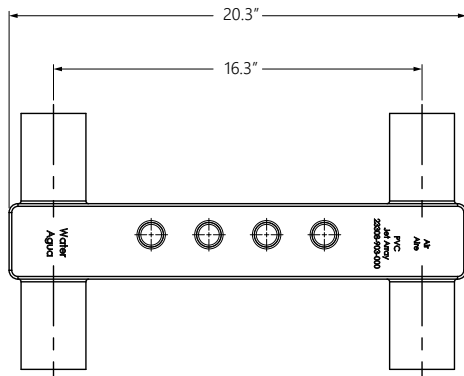
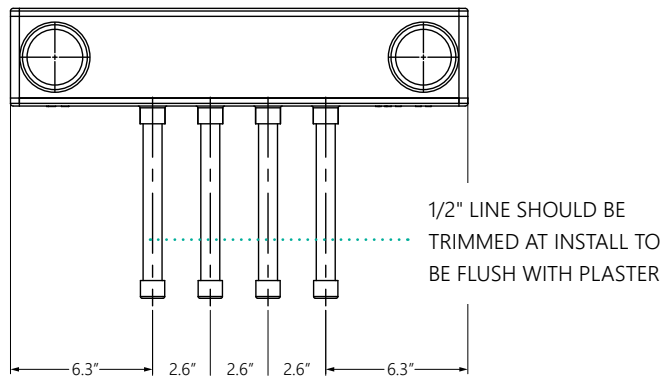
- CAN BE INSTALLED FOR SWIM SPA CURRENT ACTION
- MULTIPLE CONFIGURATIONS, INCLUDING POOL FLOOR
- EXPANDABLE BY ATTACHING IN A SERIES

JETARRAY® IS A REGISTERED TRADEMARK OF SULTAN PRODUCTS

JETARRAY® INLINE

PRODUCT FEATURES

- As Little as 10 GPM for 4 JetPorts
- Vertical or Horizontal Layout
- 1/2" Jet Line Pre-Installed
- U.S. PATENT #6,804,841
- U.S. PATENT #7,493,665
- U.S. PATENT #9,056,322



ORDERING GUIDE

JETARRAY® INLINE & ACCESSORIES

REF	CMP P/N	DESCRIPTION	BOX QTY
A	23308-930-000	JETARRAY® INLINE UNIT	1
B	25523-750-000	WHITE 1/2" INSIDER FITTING	—
B	25523-751-000	GRAY 1/2" INSIDER FITTING	—
B	25523-754-000	BLACK 1/2" INSIDER FITTING	—
B	25523-757-000	DARK GRAY 1/2" INSIDER FITTING	—
B	25523-759-000	TAN 1/2" INSIDER FITTING	—
—	23308-100-050	NOZZLE EXTENDER 12"	250
—	23308-100-020	NOZZLE EXTENDER 4"	1000
—	25523-100-000	WALL FITTING	50
—	25575-500-000	WATER STOP ADAPTER	200

SpaMASTER™

CMP is totally committed to providing the most complete and innovative selection of in ground spa products in the pool industry. That's why we continue to add each year to our already expansive line of products for in ground spas.

With the Spa Master™ brand you can always expect:

- The **largest selection** of in ground spa components & systems in the industry
- Professional level systems designed to make installations simpler and faster
- Complete component systems for gunite, vinyl & fiberglass in ground pools

WHITE GOODS

In Ground Skimmers *110*

VGB Drains & Suctions *121*

Deck Drains *137*

Aussie Self-Aligning Insiders *139*

Eyeball Fittings *140*

Wall Fittings *143*

Water Stops *144*

Unions *146*

Plumbing Fittings *149*

Repair Fittings *150*

WHITE GOODS

WWW.C-M-P.COM/POOL-PRODUCTS/WHITE-GOODS

IN GROUND GUNITE SKIMMERS

CMP manufactures a premier selection of skimmers for in ground gunite pools. Our skimmers are available in multiple trim color options for a more attractive installed appearance.

C-M-P.COM/INGROUND-SKIMMERS

PRODUCT FEATURES

- Unibody or ABS/PVC Port Skimmers
- Available With Float Valve
- Available with FlowSkim Basket Upgrade
- One Skimmer Per Box
- New Water Bond Skimmer Options (page 112)



ORDERING GUIDE

IN GROUND GUNITE SKIMMERS WITH STANDARD BASKET							
CMP P/N	DESCRIPTION	BODY COLOR	COVER COLOR*	FLOAT VALVE	FLOWSKIM BASKET	GPM	PLUMBING SIZE
25100-000-000	ABS UNIBODY SKIMMER	WHITE	WHITE	●		65 GPM	2" FIP
25100-009-000	ABS UNIBODY SKIMMER	WHITE	TAN	●		65 GPM	2" FIP
25100-100-000	ABS UNIBODY SKIMMER	WHITE	WHITE	●		65 GPM	2" SOCKET
25100-109-000	ABS UNIBODY SKIMMER	WHITE	TAN	●		65 GPM	2" SOCKET
25100-104-400	ABS UNIBODY SKIMMER	BLACK	BLACK	●		65 GPM	2" SOCKET
25100-010-000	ABS UNIBODY SKIMMER	WHITE	WHITE			65 GPM	2" FIP
25100-019-000	ABS UNIBODY SKIMMER	WHITE	TAN			65 GPM	2" FIP
25100-110-000	ABS UNIBODY SKIMMER	WHITE	WHITE			65 GPM	2" SOCKET
25100-119-000	ABS UNIBODY SKIMMER	WHITE	TAN			65 GPM	2" SOCKET
25100-114-400	ABS UNIBODY SKIMMER	BLACK	BLACK			65 GPM	2" SOCKET
25140-000-000	ABS SKIMMER, PVC PORT	WHITE	WHITE	●		75 GPM	2"S×2.5"SP
25140-001-000	ABS SKIMMER, PVC PORT	GRAY	GRAY	●		75 GPM	2"S×2.5"SP
25140-009-900	ABS SKIMMER, PVC PORT	TAN	TAN	●		75 GPM	2"S×2.5"SP
25140-010-000	ABS SKIMMER, PVC PORT	WHITE	WHITE			75 GPM	2"S×2.5"SP
25140-019-000	ABS SKIMMER, PVC PORT	WHITE	TAN			75 GPM	2"S×2.5"SP
25140-011-100	ABS SKIMMER, PVC PORT	GRAY	GRAY			75 GPM	2"S×2.5"SP
25140-019-900	ABS SKIMMER, PVC PORT	TAN	TAN			75 GPM	2"S×2.5"SP
25140-210-000	ABS SKIMMER, SINGLE PVC PORT	WHITE	WHITE			75 GPM	2"S×2.5"SP
25140-219-000	ABS SKIMMER, SINGLE PVC PORT	WHITE	TAN			75 GPM	2"S×2.5"SP

IN GROUND GUNITE SKIMMERS WITH FLOWSKIM BASKET							
25100-040-000	ABS UNIBODY SKIMMER	WHITE	WHITE	●	●	65 GPM	2" FIP
25100-059-000	ABS UNIBODY SKIMMER	WHITE	TAN		●	65 GPM	2" FIP
25100-140-000	ABS UNIBODY SKIMMER	WHITE	WHITE	●	●	65 GPM	2" SOCKET
25100-150-000	ABS UNIBODY SKIMMER	WHITE	WHITE		●	65 GPM	2" SOCKET
25140-050-000	ABS SKIMMER, SINGLE PVC PORT	WHITE	WHITE	●	●	75 GPM	2" SOCKET
25140-250-000	ABS SKIMMER, SINGLE PVC PORT	WHITE	WHITE		●	75 GPM	2" SOCKET
25140-259-000	ABS SKIMMER, SINGLE PVC PORT	WHITE	TAN		●	75 GPM	2" SOCKET

REPLACEMENT PARTS ON PAGE 206

*includes cover and collar

IN GROUND VINYL & FIBERGLASS SKIMMERS

CMP in ground vinyl pool skimmers are available in standard square and wide mouth options. Vinyl pool skimmers are available with white or gray trim.

Wide mouth skimmers are also available with an extended throat option.

PRODUCT FEATURES

- 2" Socket x 2.5" Spigot
- One Piece ABS Body
- Removable Face Spacer
- Round Cover Options on select models
- Color Trim Plates Available (see page 119)
- New Water Bond Skimmer Options (page 112)



ORDERING GUIDE

REGULAR MOUTH VINYL & FIBERGLASS SKIMMERS				
REF	WHITE	GRAY	DESCRIPTION	BOX QTY
A	25160-010-000	25160-011-100	VINYL LINER REGULAR MOUTH, SQUARE COVER	1
A	25160-020-000	—	VINYL LINER REGULAR MOUTH, ROUND COVER	1
A	25160-010-001	25160-011-101	FIBERGLASS REGULAR MOUTH, SQUARE COVER	1
WIDE MOUTH VINYL LINER SKIMMERS				
B	25160-110-000	25160-111-100	VINYL LINER WIDE MOUTH, SQUARE COVER	1
B	25160-120-000	25160-121-000	VINYL LINER WIDE MOUTH, ROUND COVER	1
B	25160-150-000	25160-151-000	VINYL LINER WIDE MOUTH, SQUARE COVER & FLOWSKIM BASKET	1
C	25160-210-000	—	EXTENDED THROAT VINYL LINER WIDE MOUTH, SQUARE COVER	1

REPLACEMENT PARTS ON PAGE 207

POOL DEFENDER™ WATER BOND SKIMMER

NEW FROM CMP: A perfect solution for pool safety and water bonding. We are bringing Pool Defender™ technology to in ground skimmers with the new integrated water bond. Most pools are water bonded at the pool light, but this isn't always an option.



Since 2008 the National Electrical Code (NEC) has mandated that pool water must be electrically bonded, not just metals in the structure of the pool itself. Easily meet code requirements with these brand new in ground skimmers with an integrated water bond.

PRODUCT FEATURES

- Connects to Pool Bonding Wire
- Water Bond the Entire Pool
- ETL Certified
- Meets NEC2008 680.26(C) as a Water Bonding Device
- Conforms to UL 1081, UL 1563, CAN/CSA-C22.2
- If corrosion is visible replace stainless steel plate immediately. (listed below)
- Use with the CMP 1.5" LED Light (p 65)

1. CONNECTS TO POOL BONDING WIRE

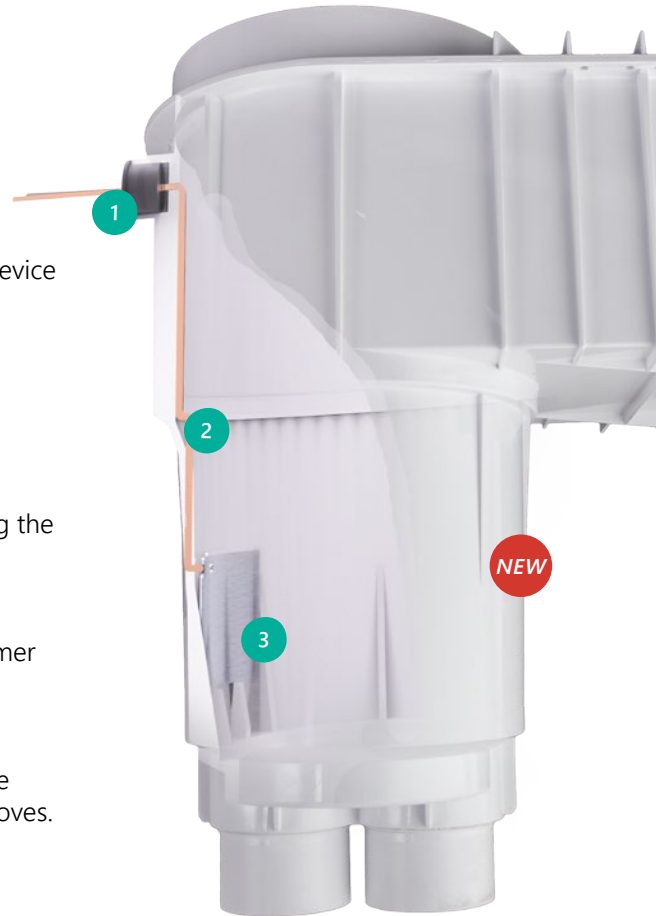
Designed to attach to the bonding wire, protecting the entire pool. A built in rubber plug prevents leaks.

2. EMBEDDED COPPER WIRE

Copper bonding wire runs safely behind the skimmer basket to the bottom of the skimmer body.

3. STAINLESS STEEL BONDING PLATE

304 Stainless steel plate is safely placed behind the pool basket, and locks into specially designed grooves.



Skimmer "Cut-away" view

ORDERING GUIDE

POOL DEFENDER™ IN GROUND WATER BOND SKIMMER						
CMP P/N	DESCRIPTION	COLOR	FLOAT VALVE	GPM	PLUMBING SIZE	
25140-510-000	POOL DEFENDER ABS GUNITE SKIMMER, PVC PORT	WHITE		75 GPM	2"S×2.5"SP	
25140-500-000	POOL DEFENDER ABS GUNITE SKIMMER, PVC PORT	WHITE	●	75 GPM	2"S×2.5"SP	
25140-529-000	POOL DEFENDER ABS GUNITE SKIMMER, PVC PORT	TAN LID/COLLAR		75 GPM	2"S×2.5"SP	
25160-510-000	POOL DEFENDER VINYL SKIMMER, REGULAR MOUTH	WHITE		75 GPM	2"S×2.5"SP	
25140-500-110	REPLACEMENT SS PLATE KIT (INCLUDES NUT & BOLT)	—	—	—	—	

FOR OTHER POOL DEFENDER™ BRAND ITEMS SEE PAGE 170

IN GROUND VINYL POOL SKIMMER BUILDER PACKS

CMP Vinyl Pool Skimmer Builder Packs put together every in-pool white good needed for a standard vinyl pool install. These are pre-packaged kits for standard and wide mouth skimmers, available in white or gray finish. CMP is committed to providing professional level options for pool builders. **Stop** ordering, stocking and tracking a dozen different parts; **start** stocking CMP Vinyl Pool Builder Packs instead.

EVERY VINYL SKIMMER BUILDER PACK INCLUDES:

- 1 Complete ABS Skimmer (Clear Gaskets, 2" Socket, 1.5" Socket Reducers)
- 1 Extension Collar
- 1 Faceplate Cover
- 2 Galaxy Main Drains (Body, Lid, Ring, Bushings, Plug)
- Eyeball Fittings (1.5" MIP w/ FLANGE)
- I/O Fittings (Faceplate, Locknut, Gaskets)



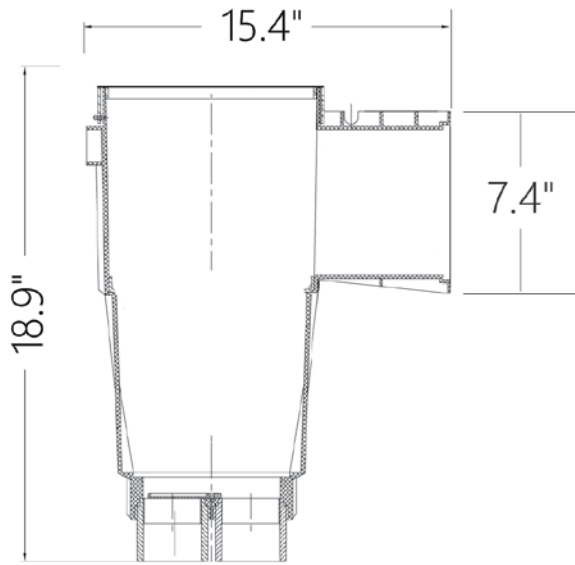
ORDERING GUIDE

VINYL POOL SKIMMER BUILDER PACKS			
WHITE	GRAY	SKIMMER DESCRIPTION	RETURN QTY
25160-010-900	25160-011-900	25160-01X-X00 STD SKIMMER & SQUARE LID	3
25160-110-900	25160-111-900	25160-11X-X00 WIDE SKIMMER & SQUARE LID	3
25160-110-920	25160-111-920	25160-12X-X00 WIDE SKIMMER & ROUND LID	3
25160-150-900	25160-151-900	25160-15X-X00 WIDE SKIMMER & SQUARE LID, FLOWSKIM™ BASKET	3
25160-150-920	25160-151-920	25160-12X-X50 WIDE SKIMMER & ROUND LID, FLOWSKIM™ BASKET	3
25160-410-900	25160-411-900	25160-11X-X00 WIDE SKIMMER & SQUARE LID	4
25160-450-900	25160-451-900	25160-15X-X00 WIDE SKIMMER & SQUARE LID, FLOWSKIM™ BASKET	4
—	25160-154-920	25160-121-151 WIDE SKIMMER & ROUND LID, FLOWSKIM™ BASKET	4

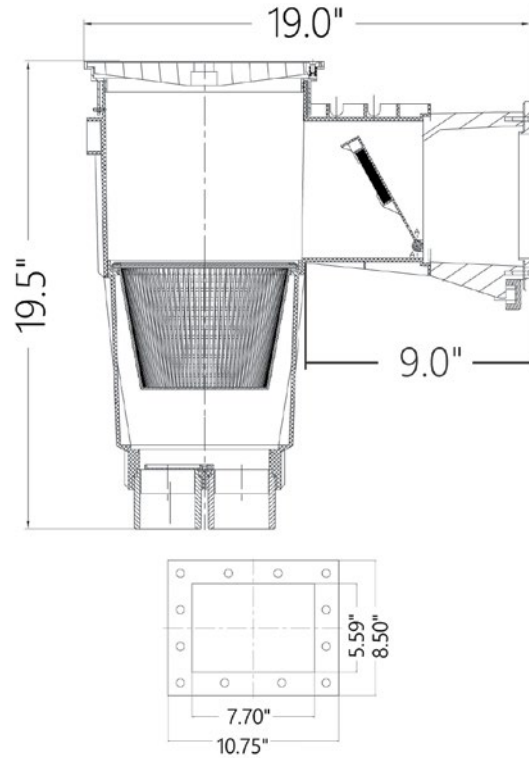
FOR VINYL FITTING AND FACEPLATE KITS SEE PAGE 120

IN GROUND SKIMMERS TECHNICAL GUIDE

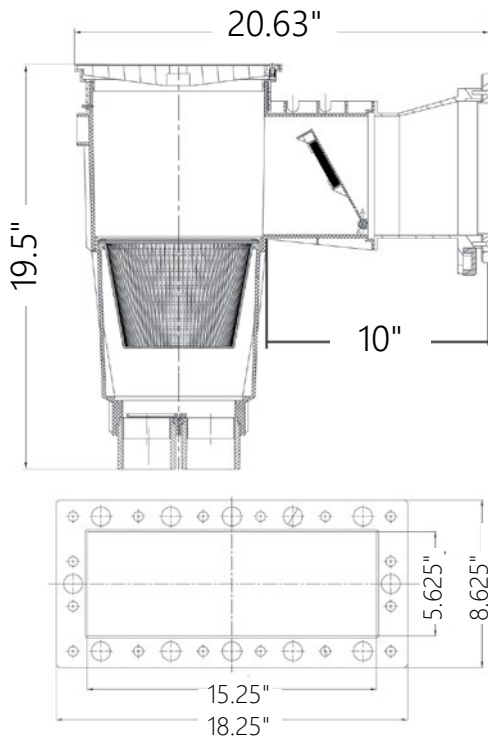
CMP GUNITE SKIMMER



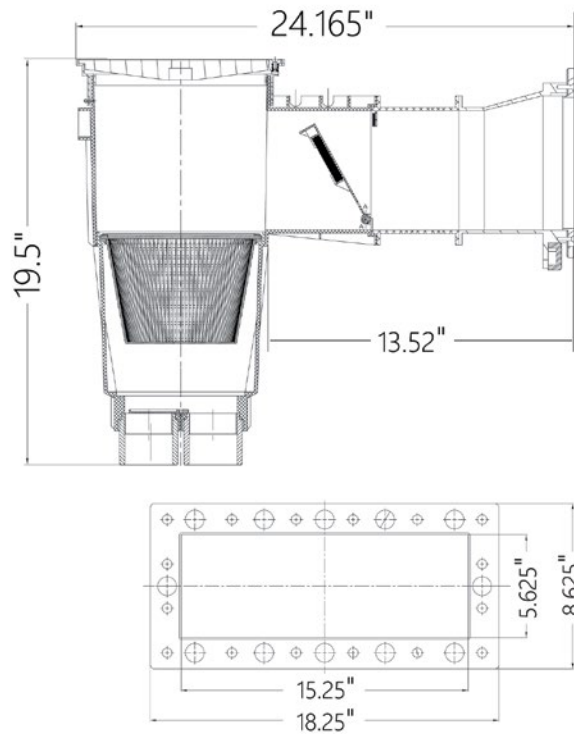
STANDARD VINYL SKIMMER



WIDE MOUTH VINYL SKIMMER



WIDE MOUTH EXTENDED VINYL SKIMMER



FRONT ACCESS & ABOVE GROUND SKIMMERS

FRONT ACCESS SKIMMER

PRODUCT FEATURES

- Includes Diverter Plate, Trim Plate, Mounting Plate, Gasket & Screws
- 1.5" Socket
- 1.5" Female Inside Threads for Pressure Test
- Face: 7"H x 7-3/8"W
- Throat: 1-1/4"



ABOVE GROUND SKIMMER KITS

PRODUCT FEATURES

Complete Kits Include:

- Skimmer Basket
- Weir Door
- Wall Fitting
- Hose Adapter
- Pool Return



ORDERING GUIDE

FRONT ACCESS SKIMMER						
REF	WHITE	GRAY	BLACK	TAN	DESCRIPTION	BOX QTY
A	25248-000-000	25248-001-000	25248-004-000	—	FRONT ACCESS SKIMMER KIT	6
B	25248-000-051	—	—	—	FRONT ACCESS SKIMMER BASKET	60
C	25248-020-000	25248-021-000	—	—	FRONT ACCESS SKIMMER TRIM PLATE	—
D	25248-920-000	25248-921-000	25248-924-000	—	FRONT ACCESS SKIMMER WEIR DOOR	—
—	25248-000-040	25248-001-040	—	—	WEIR DOOR PIN (2)	—
ABOVE GROUND POOL SKIMMERS						
E	25512-000-950	25512-001-950	—	25512-009-950	STD ABG SKIMMER KIT (7.5"H×7-3/4"W)	1
F	25511-000-900	25511-001-900	—	25511-009-900	WIDE ABG SKIMMER KIT (7.5"H×14"W)	1

REPLACEMENT PARTS ON PAGE 208

SKIMMER EXTENSION COLLARS

PRODUCT FEATURES

- Raises the Skimmer Cover to the Pool Deck Level
- Smaller End Fits Inside the Skimmer, and the Collar is Placed On Top of the Skimmer
- CMP Extensions are Stack-able



ORDERING GUIDE

IN GROUND SKIMMER EXTENSION COLLAR				
REF	CMP P/N	DESCRIPTION	FITS SKIMMER MODEL	BOX QTY
A	25526-200-000	WHITE 1-1/4" COLLAR	VINYL CMP SKIMMER, SP1070P	20
A	25526-201-000	GRAY 1-1/4" COLLAR	VINYL CMP SKIMMER, SP1070P	20
A	25526-204-000	BLACK 1-1/4" COLLAR	VINYL CMP SKIMMER, SP1070P	20
A	25526-209-000	TAN 1-1/4" COLLAR	VINYL CMP SKIMMER, SP1070P	20
B	25526-000-000	4" COLLAR	SR W337-503P	20
C	25526-100-000	SP1084 VINYL LINER COLLAR	SP1084P1	20

SPRING-LOCK WEIR DOORS



Replacing a broken weir can be very difficult. The correct weir may be hard to find, and if the skimmer itself is broken it can be a serious problem. CMP Replacement Weir Doors use a stainless steel spring-loaded mechanism that will install universally. No tools are required for installation! We carry weirs sized for common and hard-to-find skimmer sizes. CMP Weirs are available in white, black and gray in select sizes.

PRODUCT FEATURES

- Easily Replace Any Broken Skimmer
- No Tools Required for Installation
- Get a Perfect Fit Every Time
- Deluxe Foam Float Material
- Stainless Steel Springs
- Retail Style Header Card Packaging
- Simple Solution for Consumers



ORDERING GUIDE

SKIMMER WEIR DOOR REPLACEMENTS				
CMP P/N	WIDTH	COLOR	FITS SKIMMER MODEL	BOX QTY
25141-160-000	5-3/4" WEIR	WHITE	—	150
25141-170-000	5-7/8" WEIR	WHITE	—	150
25141-200-000	6" WEIR	WHITE	—	150
25141-300-000	7" WEIR	WHITE	—	150
25141-320-000	7-1/4" WEIR	WHITE	ANTHONY/SWIM CLEAN	150
25141-350-000	7-5/8" WEIR	WHITE	SYLVAN	120
25141-360-000	7-13/16" WEIR	WHITE	SP1084	120
25141-364-000	7-13/16" WEIR	BLACK	SP1084	120
25141-400-000	8" WEIR	WHITE	—	120
25141-404-000	8" WEIR	BLACK	—	120
25141-401-000	8" WEIR	GRAY NEW	—	120
25141-410-000	8-1/8" WEIR	WHITE	JACUZZI	120
25141-420-000	8-1/4" WEIR	WHITE	—	120
25141-440-000	8-3/8" WEIR	WHITE	CMP, U3, SP1070	120
25141-444-000	8-3/8" WEIR	BLACK	CMP, U3, SP1070	120
25141-441-000	8-3/8" WEIR	GRAY NEW	CMP, U3, SP1070	120
25141-450-000	8-1/2" WEIR	WHITE	—	110
25141-500-000	9" WEIR	WHITE	—	100
25141-540-000	9-3/8" WEIR	WHITE	BAKER	110
25141-600-000	10" WEIR	WHITE	—	96
25141-700-000	11" WEIR	WHITE	—	96
25141-800-000	12" WEIR	WHITE	—	20

SKIMMER PARTS & ACCESSORIES



ORDERING GUIDE

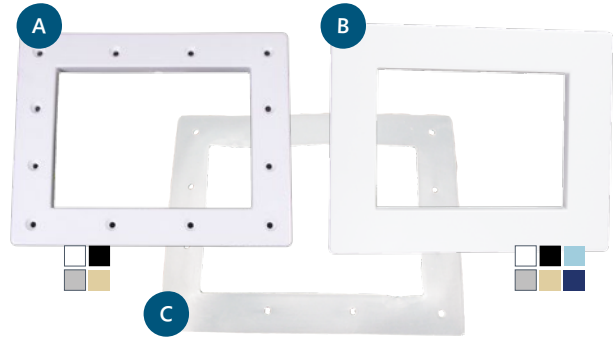
SKIMMER LIDS & COLLARS						
REF	WHITE	GRAY	BLACK	TAN	DESCRIPTION	BOX QTY
A	25538-900-000	25538-901-000	25538-904-000	25538-909-000	SQUARE SKIMMER COVER & COLLAR	20
A	25538-000-000	25538-001-000	25538-004-000	25538-009-000	10-1/16" SQUARE SKIMMER COVER ONLY	80
B	25544-000-000	25544-001-000	25544-004-000	25544-019-000	ROUND SKIMMER COVER ONLY	50
B	25544-900-000	25544-901-000	25544-904-000	25544-919-000	ROUND SKIMMER COVER & COLLAR	50
C	SEE PRODUCT ON PAGE 46				NATURAL WONDERS™ ROUND COVER	—
D	SEE PRODUCT ON PAGE 46				NATURAL WONDERS™ SQUARE COVER	—
E	25840-000-000	25840-001-000	—	25840-009-000	6" VALVE ACCESS LID & COLLAR	36
E	25840-000-020	25840-001-020	—	25840-009-020	6" VALVE ACCESS LID ONLY (NO COLLAR)	—

SKIMMER VACUUM PLATES				
REF	CMP P/N	DESCRIPTION	COMPARE TO	BOX QTY
F	25576-000-000	IN GROUND VAC PLATE (H-STYLE)	—	50
G	25573-000-000	IN GROUND SKIMMER VACUUM PLATE	SP1106	20
H	25579-000-010	ABOVE GROUND VACUUM PLATE ADAPTER	—	50
I	25573-100-000	IN GROUND VAC PLATE FOR CMP SKIMMER	—	20
J	25573-510-000	SKIMMER VAC PLATE 1.5" × 1.5" RB NEW	SP11051	—
—	21093-160-000	1.5" × 1.5" RB HOSE ADAPTER ONLY NEW	—	—
K	25573-520-000	SKIMMER VAC PLATE 1.5" × 1.25" 90 DEGREE NEW	SP11052	—
—	21093-900-000	1.5" × 1.25" 90 DEGREE HOSE ADAPTER ONLY NEW	—	—
L	25573-410-000	SKIMMER VAC PLATE 90 TWIST, 1.5" × 1.25" NEW	SP11041	—
M	25573-540-000	SKIMMER VAC PLATE, 1.5" × 1.5" × 1-1/4" NEW	SP11054	—

SKIMMER PARTS & ACCESSORIES

STANDARD SKIMMER FACEPLATES

- For Regular Mouth Skimmers
- Twelve Screw Faceplate
- Faceplate ID 5¾" × 7¾"
- Faceplate OD 8½" × 10¾"
- Cover ID 5½" × 7 ½"
- Cover OD 8¾" × 10½"



WIDE SKIMMER FACEPLATES

- For Wide Mouth Skimmers
- Sixteen Screw Faceplate
- Faceplate ID 5⅝" × 15¼"
- Faceplate OD 8⅝" × 18¼"
- Cover ID 5⅜" × 15"
- Cover OD 8⅞" × 18½"



ORDERING GUIDE

SKIMMER FACEPLATES & COVERS								
REF	WHITE	GRAY	BLACK	TAN	LIGHT BLUE	DARK BLUE	DESCRIPTION	CASE/BOX
A	25540-000-010	25540-001-010	25540-004-010	25540-039-010	—	—	STANDARD FACEPLATE	100/5
B	25540-000-020	25540-001-020	25540-004-020	25540-039-020	25540-009-020	25540-069-020	STANDARD COVER	100/5
C	25160-010-060	—	—	—	—	—	STANDARD GASKET	300
D	25541-000-010	25541-001-010	25541-004-010	—	—	—	WIDE FACEPLATE	80/10
E	25541-000-020	25541-001-020	25541-004-020	25541-039-020	25541-009-020	25541-069-020	WIDE COVER	80/10
F	25160-110-030	—	—	—	—	—	WIDE GASKET	200

SKIMMER ACCESSORIES							
REF	WHITE	GRAY	BLACK	TAN	DESCRIPTION	BOX QTY	
G	25140-000-700	—	—	—	SKIMMER FLOAT VALVE ASSEMBLY	50	
H	25251-000-500	—	—	—	WEIR DOOR (ADM S20 85001500)	100	
I	25544-500-000	—	—	25544-509-000	SKIMMER LID FOR ADMIRAL™ S20	45	
I	25544-500-100	—	—	—	LID & BLANK LOGO INSERT ADM S20	—	
J	25544-020-010	25544-021-010	25544-024-010	25544-029-010	TEXTURED BLANK LOGO INSERT	—	
J	25544-030-010	—	—	—	SMOOTH BLANK LOGO INSERT	—	
—	27180-152-300	—	—	—	BASKET SUPPORT RING (SPX1028D)	—	

VINYL POOL FACEPLATE & FITTING KITS

CMP Vinyl Pool Kits include every part you need to repair and replace common vinyl pool fittings. These kits simplify inventory and are a perfect item to keep stocked in tool kits or service vehicles.

For complete builder kits see page 113.

PRODUCT FEATURES

- Six Colors for a Perfect Match or Accent
- Complete Kits for a Standard Vinyl Pool
- Wide or Regular Mouth Skimmer Options

COMPLETE VINYL POOL KITS INCLUDE

- **One** Regular or Wide Skimmer Faceplate
- **Two** Galaxy VGB Main Drain Kits
- **Three** Return Faceplate Kits & **Three** Eyeballs
- **All Required Gaskets & Stainless Steel Screws**

NEW

ALL CMP POOL KITS INCLUDE

- All Required Gaskets
- All Required Stainless Steel Screws



ORDERING GUIDE

COMPLETE FITTING & FACEPLATE KITS								
REF	WHITE	GRAY	BLACK	DARK BLUE	LIGHT BLUE	TAN	DESCRIPTION	BOX QTY
A,C,D,E	25540-200-000	25540-201-000	25540-204-000	25540-269-000	25540-259-000	25540-209-000	STANDARD KIT	EA
B,C,D,E	25541-200-000	25541-201-000	25541-204-000	25541-269-000	25541-259-000	25541-209-000	WIDE KIT	EA
VINYL FACEPLATE KITS								
A	25540-100-000	25540-101-000	25540-104-000	25540-169-000	25540-109-000	25540-139-000	REG FACEPLATE KIT	80
B	25541-100-000	25541-101-000	25541-104-000	25541-169-000	25541-109-000	25541-139-000	WIDE FACEPLATE KIT	80
C	25548-100-000	25548-101-000	25548-104-000	25548-169-000	25548-159-000	25548-109-000	VINYL DRAIN KIT	60
D	25545-100-000	25545-101-000	25545-104-000	25545-169-000	25545-159-000	25545-139-000	RETURN FACE KIT	225
E	25552-300-000	25552-301-000	25552-304-000	25552-369-000	25552-359-000	25552-339-000	3/4" EYEBALL ONLY	50
F	25549-200-100	25549-201-100	—	25549-269-100	—	—	LIGHT RING KIT	20
F	25549-100-000	—	—	—	—	—	CHROME LIGHT KIT	20

CMP MAIN DRAIN INFO



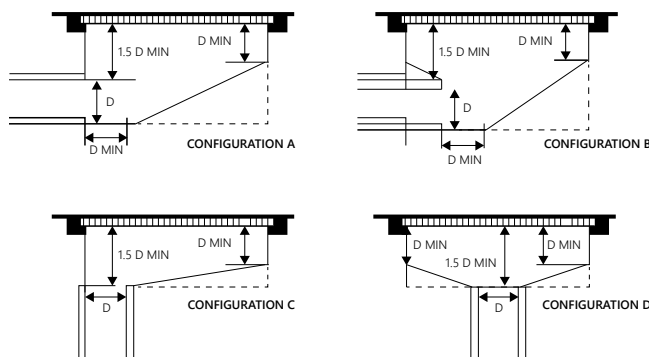
All Custom Molded Products main drains are listed and tested in strict accordance to the requirements of ANSI/APSP-16 2011, the current standard of reference for the Virginia Graeme Baker Act, and compliant to the latest Consumer Product Safety Commission (CPSC) requirements.



VGB INFO, INSTRUCTIONS & MORE DOWNLOADABLE AT WWW.C-M-P.COM/VGB-DRAINS-AND-SUCTIONS

INSTALLATION NOTES:

1. Mount suction outlets on the wall or floor. DO NOT locate suction outlets on seating areas or on backrests for seating areas.
2. Always use multiple suction outlets. DO NOT use with single drain applications. Use with single drain applications will void any and all warranties.
3. When using two or more suction fittings on a common suction line, suction fittings must be separated by a minimum of 3 ft or they must be located on two different planes (i.e. one on floor and one on the wall).
4. To reduce the risk of drowning from hair and body entrapment, install suction fittings with a marked flow rate in gallons per minute that exceeds the flow rate of your system by at least 25%. Increasing size of the pump may increase flow rate of suction beyond rated safety limits causing entrapment or death.
5. CMP drain covers are only certified for use with CMP sumps and frames. Do not mismatch with parts from other manufacturers.



- GENERAL NOTES
1. D = inside pipe diameter
 2. All dimensions show are recommended minimums
 3. A broken line (- -) indicates the suggested sump configuration

CAUTION

Children should never be left unattended at any time in a swimming pool, spa, or bathtub. Be sure the temperature of the water never exceeds the manufacturer's recommendations.

DANGER

Hair or body parts blocking the spa or pool suction may become trapped and held against the suction fitting. Keep hair and clothing a minimum of 12 inches from all suction fittings and drains at all times. Entrapment against the suction fittings can result in drowning or other severe injury. Never sit on or lean up against suction fittings.



32" UNBLOCKABLE CHANNEL DRAIN



PRODUCT FEATURES

- Unblockable Safety Drain Design
- Black Drain Includes Matching Black Sump Body
- The ONLY Color Covers that Hide the White Sump for a Completely Finished Look
- CMP Covers Retrofit Competing Channel Drains
- IAPMO Listed
- Installation Debris Guard Included
- PVC Sump Body



A



DRAIN AND COLLAR KIT

- Unblockable Safety Drain Design
- Installs Over Pipe in Plaster



B

ADJUSTABLE COLLAR ADAPTER

- Use for Pool Refinish & Remodel
- Adds 1/2" - 3/4" Height
- Fits the CMP 32" Channel Drain
- Creates a Perfect Drain Cover Fit and Finish



C

ORDERING GUIDE

32" VGB UNBLOCKABLE CHANNEL MAIN DRAINS								
REF	WHITE	GRAY	BLACK	DARK GRAY	TAN	DARK BLUE*	DESCRIPTION	BOX QTY
A	25506-320-000	25506-321-000	25506-324-000	25506-327-000	25506-329-000	25506-369-000	DRAIN & SUMP	40
—	25506-320-800	25506-321-800	25506-324-800	25506-327-800	25506-329-800	25506-369-800	32" COVER ONLY	20
—	25506-320-900	—	—	—	—	—	32" BODY ONLY	1
B	25506-320-100	25506-321-100	25506-324-100	25506-327-100	25506-329-100	25506-369-100	COVER & FRAME	1
C	25506-320-150	—	—	—	—	—	COLLAR ADAPT.	—

REPLACEMENT PARTS PAGE 209

*for light blue order 25506-359-xxx

32" UNBLOCKABLE CHANNEL DRAIN



SUMP PUMP ADAPTER

- Completely & Properly Drain the Sump
- Built-in Debris Screen
- **PATENT PENDING**



HYDROSTATIC RELIEF VALVE

- Equalizes Underground Water Pressure
- Helps Prevent Serious Structure Damage
- 1.5" MIP



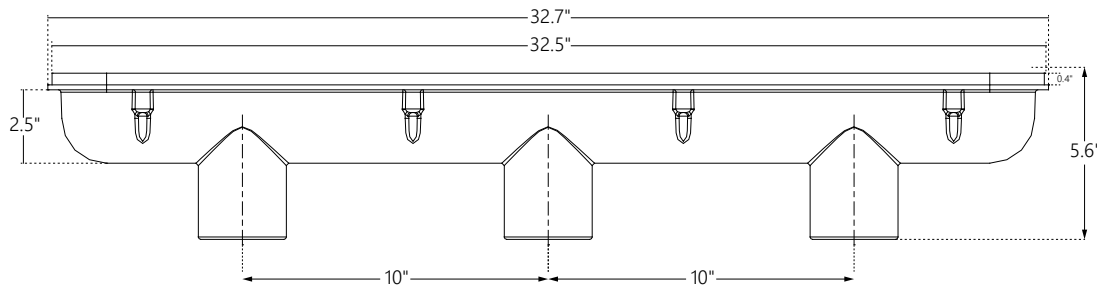
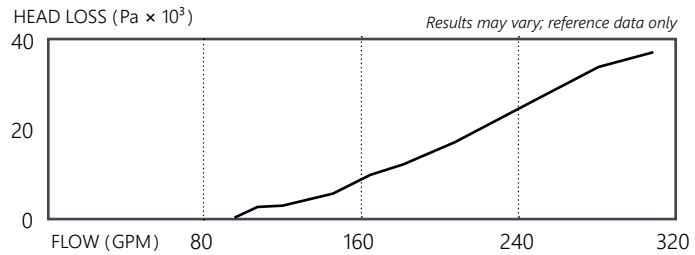
ORDERING GUIDE

32" CHANNEL MAIN DRAIN ACCESSORIES			
REF	CMP P/N	DESCRIPTION	BOX QTY
A	25506-320-500	SUMP PUMP DRAIN ADAPTER	—
B	25620-320-000	1.5" HYDROSTATIC RELIEF VALVE	250
—	25520-050-020	2" NPT PLUG	450
—	25506-320-030	INSTALLATION DEBRIS GUARD FOR 32" CHANNEL DRAIN	—

TECHNICAL GUIDE

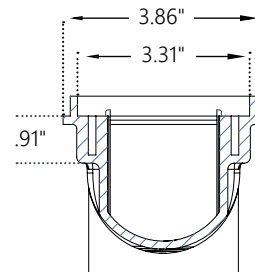


- Single or Multiple Drain Use
- Seven Year Life
- Floor or Wall Installation
- 38.79in² Open Area
- Three 2" Socket x 2.5" Spigot Ports



IAPMO LISTED FLOW RATES			
PLUMBING	PORTS	FLOOR FLOW RATE	WALL FLOW RATE
2.5"	OUTER	308 GPM	212 GPM
2.5"	CENTER	200 GPM	168 GPM
2"	OUTER	268 GPM	192 GPM
2"	CENTER	184 GPM	176 GPM

FLOW RATE VERIFIED MAY 2011 TO CPSC TEST PROTOCOL



SQUARE GRATES & FRAMES

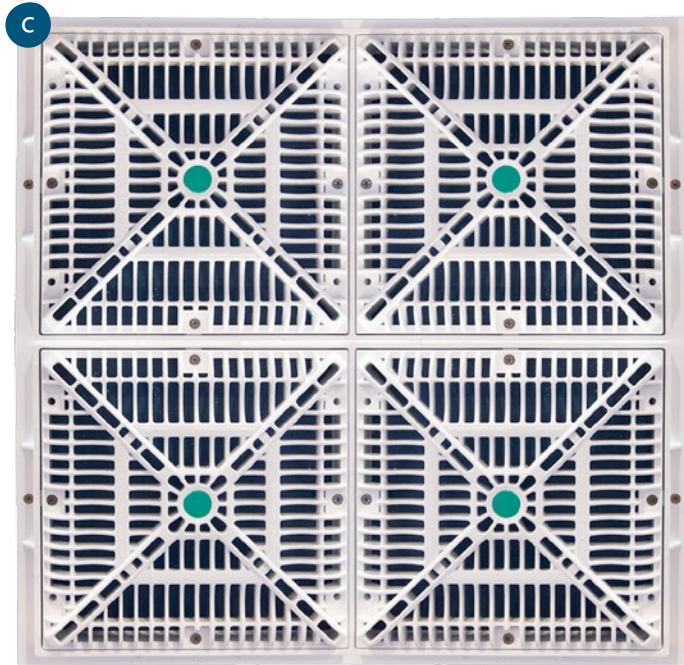
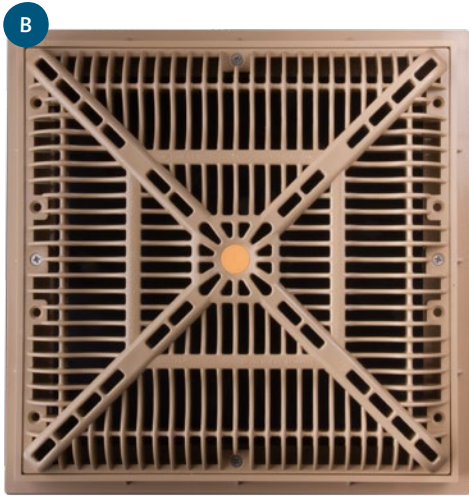
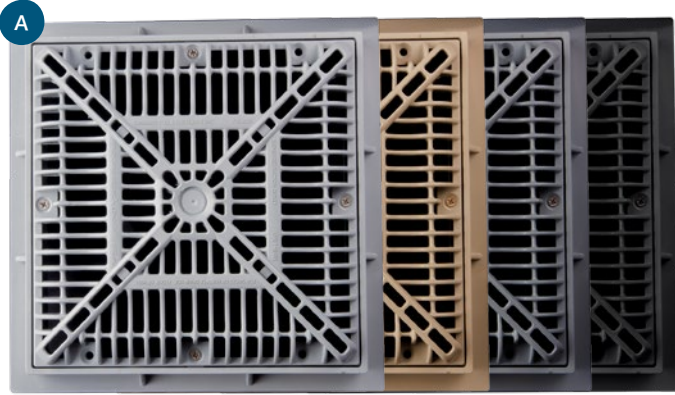


CMP Square Grate Main Drains are perfect for commercial applications and can be used for single or multiple drain applications. 9" and 12" drains are available in five different color options.

Our square drains are also designed for maximum open area with an unobtrusive appearance, and high flow rates at 1.5 feet per second water velocity.

PRODUCT FEATURES

- VGB Safety Drain Design
- Five Color Choices to Match Pool Finish
- IAPMO Listed



ORDERING GUIDE

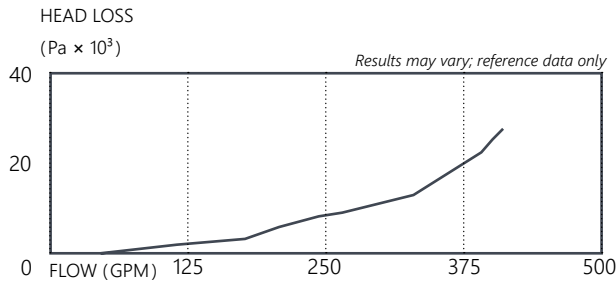
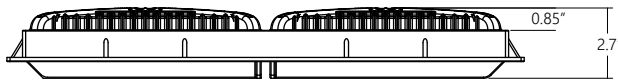
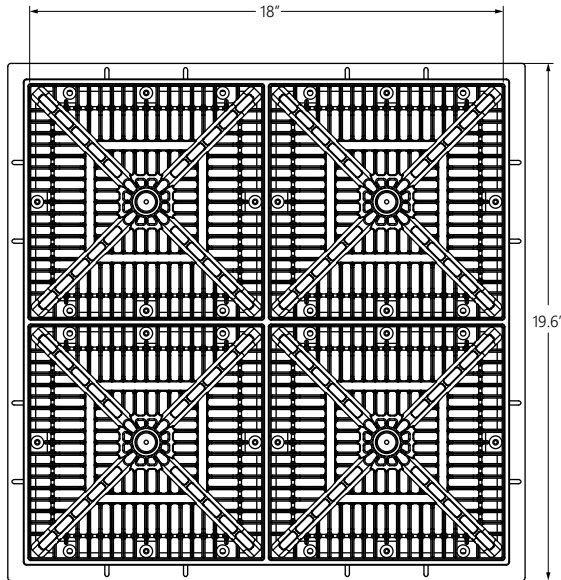
VGB SQUARE GRATES & FRAMES							
REF	WHITE	GRAY	BLACK	DARK GRAY	TAN	DESCRIPTION	BOX QTY
A	25508-090-000L	25508-091-000L	25508-094-000L	25508-097-000L	25508-099-000L	9" x 9" GRATE & FRAME	24
A	25508-090-010	25508-091-010	25508-094-010	25508-097-010	25508-099-010	9" x 9" GRATE ONLY	—
B	25508-120-000L	25508-121-000L	25508-124-000L	25508-127-000L	25508-129-000L	12" x 12" GRATE & FRAME	10
B	25508-120-011	25508-121-010	25508-124-010	25508-127-010	25508-129-010	12" x 12" GRATE ONLY	—
C	25508-180-000L	—	—	—	—	18" x 18" GRATE & FRAME	—

SQUARE GRATES & FRAMES

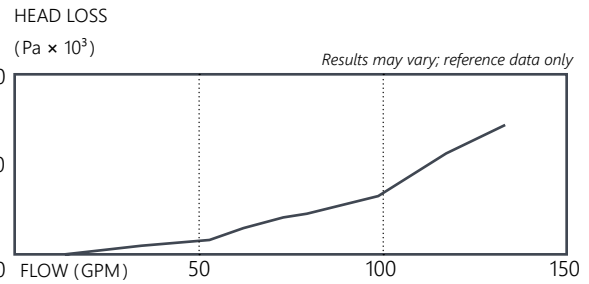
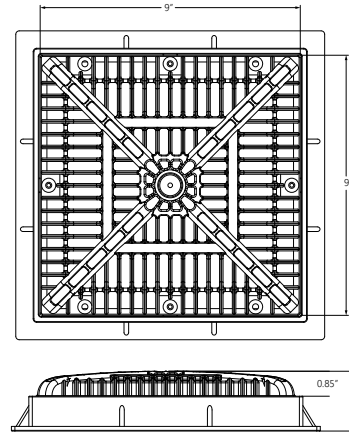
TECHNICAL GUIDE

- Single or Multiple Drain Use
- Seven Year Life
- Floor or Wall Installation

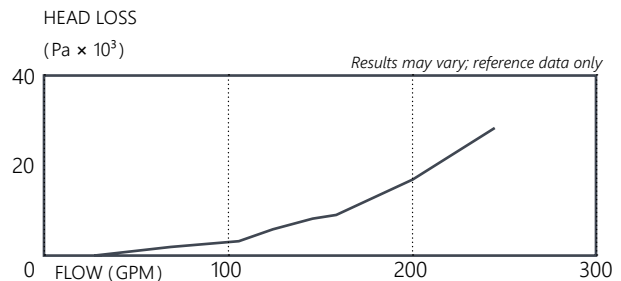
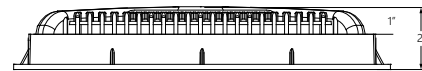
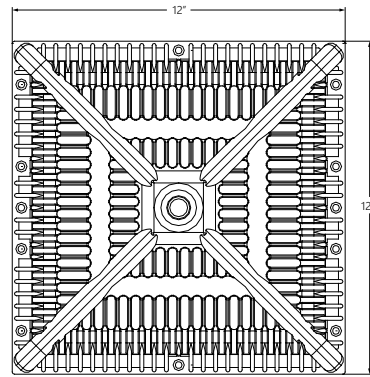
18" X 18"



9" x 9"



12" x 12"



SQUARE DRAIN SPECS

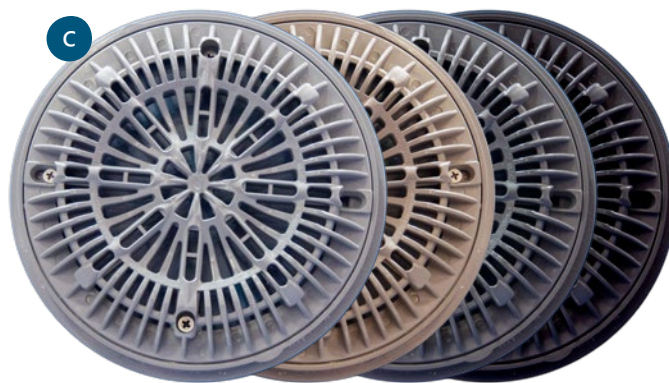
DRAIN SIZE	MIN SIZE PLUMBING	OPEN AREA	MAX FLOW 1.5 FPS
9" x 9"	3"	38.9in ²	120 GPM
12" x 12"	5"	70.8in ²	232 GPM
18" x 18"	5"	155.6in ²	424 GPM

GALAXY MAIN DRAINS | GUNITE



PRODUCT FEATURES

- Seven Color Options to Match Any Pool Finish
- Extra Deep Threads for Easier Pressure Testing
- Large Open Area and High Flow Rates
- IAPMO Listed
- Also Available For Vinyl Pools (page 128)



ORDERING GUIDE

GUNITE POOL MAIN DRAINS WITH GALAXY LID							
REF	WHITE	GRAY	BLACK	DARK GRAY	TAN	DESCRIPTION	BOX QTY
A	25519-000-000	25519-001-000	25519-004-000	25519-007-000	—	GALAXY MAIN DRAIN	8
B	25514-000-000	25514-001-000	25514-004-000	25514-007-000	25514-009-000	DEEP BODY GALAXY DRAIN	8
C	25531-000-000	25531-001-000	25531-004-000	25531-007-000	25531-039-000	GALAXY LID & FRAME	50
C	25537-000-000	25537-001-000	25537-004-000	25537-007-000	—	GALAXY LID & FLAT FRAME	50

REPLACEMENT PARTS ON PAGE 210

GALAXY 8" LID & SCREWS KIT							
WHITE	GRAY	BLACK	DARK GRAY	TAN	DARK BLUE	LIGHT BLUE*	BOX QTY
25507-100-000	25507-101-000	25507-104-000	25507-107-000	25507-139-000	25507-169-000	25507-159-000	50

*For "Caymen Blue" order 25531-009-000

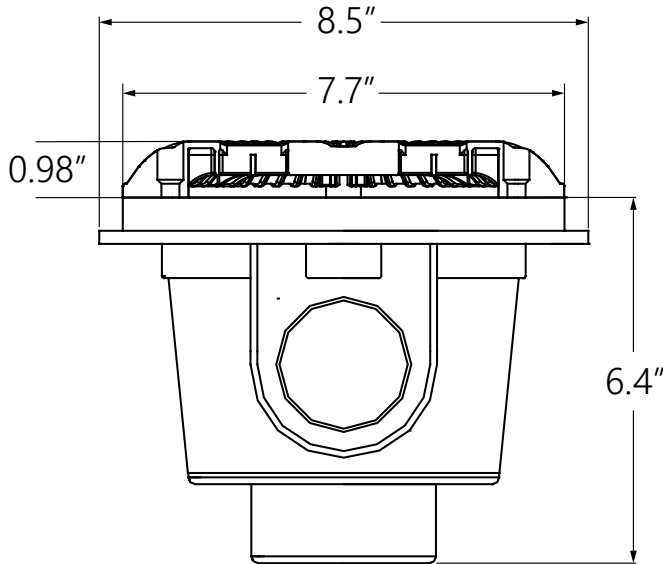
NOTE: THE COVER MAY BE CALLED A "LID" OR A "GRATE." THE RING MAY BE CALLED A "FRAME" OR "COLLAR"

GALAXY MAIN DRAINS | GUNITE

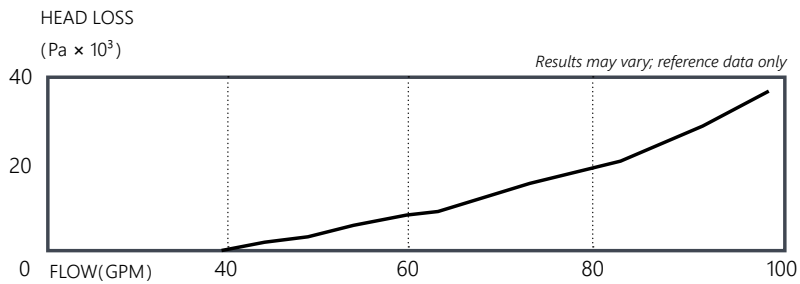
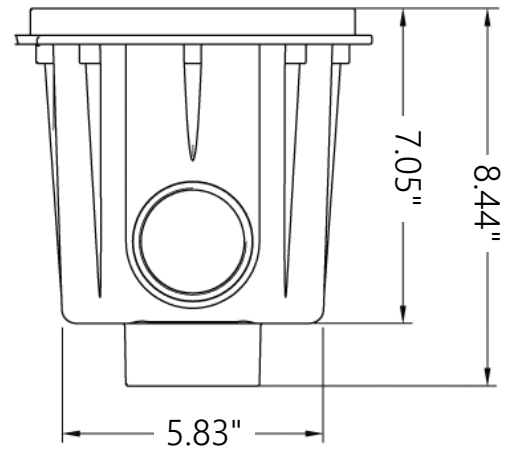
TECHNICAL GUIDE

- For Multiple Drain Use Only
- Floor or Wall Installation
- Seven Year Life
- 84 GPM (Wall), 95 GPM (Floor)
- 2" FIP
- 13.2in² Open Area
- PVC Bodies

GALAXY MAIN DRAIN



DEEP BODY



GALAXY MAIN DRAINS | VINYL



CMP Galaxy Main Drains for Vinyl Pools offer the same features and quality as our gunite main drains for vinyl pool applications. Use a CMP Vinyl Main Drain Cover Kit and retrofit CMP color covers to other main drain bodies.

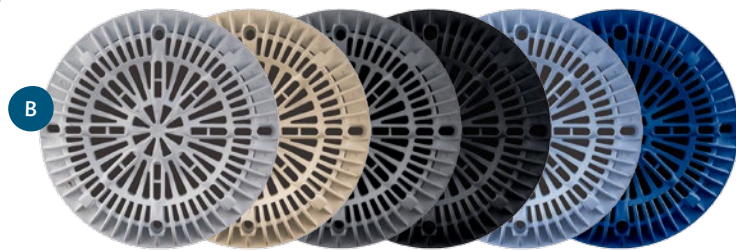


PRODUCT FEATURES

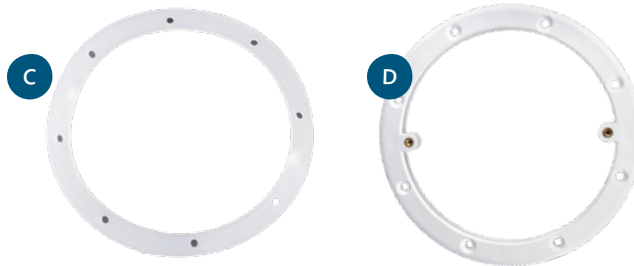
- Includes Bushings & Plug
- Extra Deep Threads for Easy Pressure Testing
- Seven Color Options to Match Any Pool Finish
- IAPMO Listed

VINYL MAIN DRAIN COVER KIT

- KIT INCLUDES
 - Galaxy Drain Lid
 - Galaxy Drain Ring
 - 2 Gaskets
 - 8 Screws
- 8" Ring Fits Other Drain Bodies
- 8" Ring Only Accepts CMP Drain Lids



FOR MORE CMP VINYL POOL KITS SEE PAGE 120



ORDERING GUIDE

VINYL POOL MAIN DRAINS WITH GALAXY LID							
REF	WHITE	GRAY	BLACK	DARK GRAY	TAN	DESCRIPTION	BOX QTY
A*	25515-000-000	25515-001-000	25515-004-000	25515-007-000	25515-009-000	VINYL GALAXY DRAIN	8
A*	25515-000-200	25515-001-200	25515-004-200	25515-007-200	25515-009-200	2PK VINYL GALAXY DRAIN NEW	—
B-D	25548-100-000	25548-101-000	25548-104-000	25548-107-000	25548-109-000	GALAXY VINYL COVER KIT	60
C	25515-000-011	—	—	—	—	MAIN DRAIN GASKET ONLY	400
D	25532-800-000	25532-801-000	—	—	—	GALAXY 8" RING ONLY	—

REPLACEMENT PARTS ON PAGE 270

GALAXY 8" LID & RING KIT								
REF	WHITE	GRAY	BLACK	DARK GRAY	TAN	DARK BLUE	LIGHT BLUE	BOX QTY
—	25548-100-000	25548-101-000	25548-104-000	—	25548-109-000	25548-169-000	25548-159-000	60

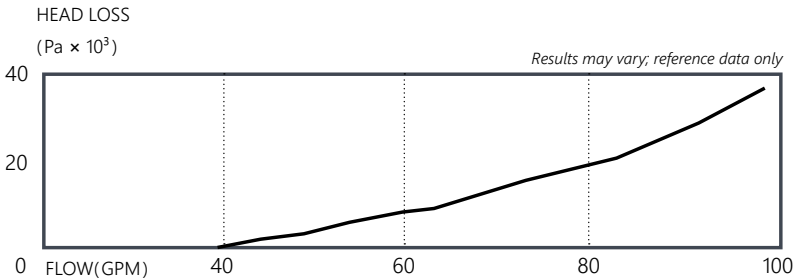
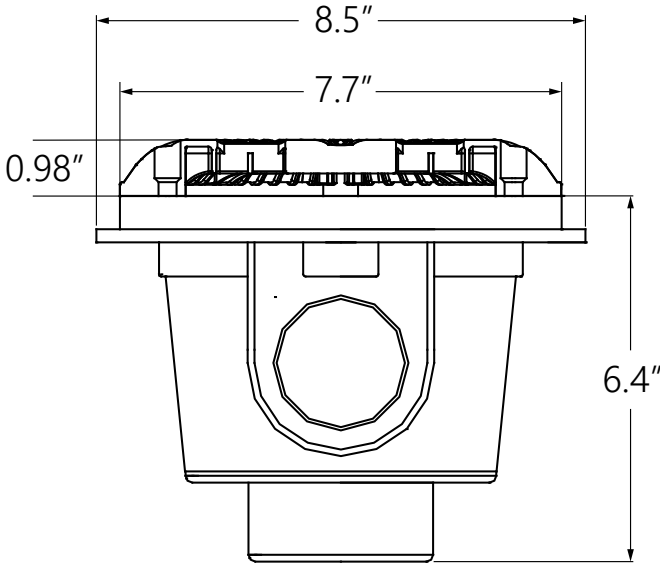
* for Light Blue use xxxx-x59-xxx, for Dark Blue use xxxx-x69-xxx

NOTE: THE COVER MAY BE CALLED A "LID" OR A "GRATE." THE RING MAY BE CALLED A "FRAME" OR "COLLAR"

GALAXY MAIN DRAINS | VINYL

TECHNICAL GUIDE

- For Multiple Drain Use
- Seven Year Life
- Floor or Wall Installation, 95 GPM (Floor) 84 GPM (Wall)
- 2" FIP
- 13.2in² Open Area
- 8" Ring Will ONLY Accept CMP Galaxy Cover



NOVA GUNITE MAIN DRAINS



*for color drains, order body only and choose lid/collar assembly

ORDERING GUIDE

GUNITE MAIN DRAINS WITH NOVA LID			
REF	CMP P/N	DESCRIPTION	BOX QTY
A	25513-500-000	GUNITE NOVA MAIN DRAIN, 2" FIP*	8
A	25513-600-000	GUNITE NOVA MAIN DRAIN, 2" SOCKET*	8
B	25517-500-000	GUNITE NOVA DRAIN, 1.5" S/2" SP BOTTOM PORT, WHITE LID & FRAME	8
B	25517-501-000	GUNITE NOVA DRAIN, 1.5" S/2" SP BOTTOM PORT, GRAY LID & FRAME	8
B	25517-504-000	GUNITE NOVA DRAIN, 1.5" S/2" SP BOTTOM PORT, BLACK LID & FRAME	8
—	25516-000-010	DRAIN BODY ONLY 2" SOCKET	8
—	25518-000-000	DRAIN BODY ONLY 1.5" S × 2" SP BOTTOM PORT	15

REPLACEMENT PARTS ON PAGE 210

GUNITE NOVA MAIN DRAIN WITH EXTENSION COLLAR (2" SOCKET)								
REF	WHITE	GRAY	BLACK	DARK GRAY	TAN	DARK BLUE	LIGHT BLUE	BOX QTY
C	25516-500-000	25516-501-000	25516-504-000	25516-507-000	25516-509-000	25516-569-000	25516-559-000	8

NOVA LID & FRAME ASSEMBLY								
REF	WHITE	GRAY	BLACK	DARK GRAY	TAN	DARK BLUE	LIGHT BLUE	BOX QTY
D	25539-500-000	25539-501-000	25539-504-000	25539-507-000	25539-509-000	—	—	60

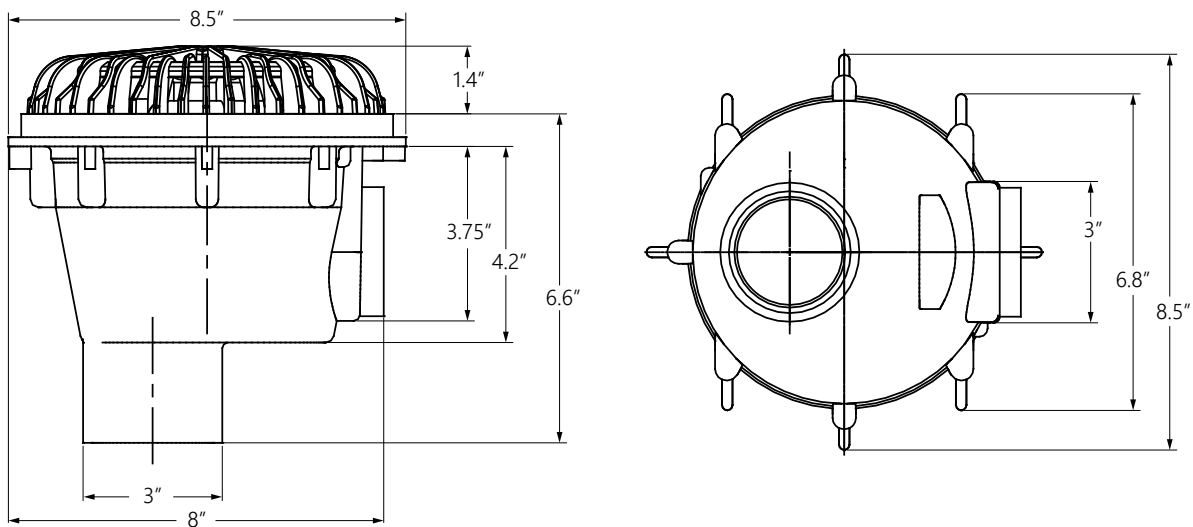
NOVA LID & SCREWS								
REF	WHITE	GRAY	BLACK	DARK GRAY	TAN	DARK BLUE	LIGHT BLUE	BOX QTY
E	25539-700-100	25539-701-100	25539-704-100	25539-707-100	25539-709-100	25539-769-100	25539-759-100	50

NOTE: THE COVER MAY BE CALLED A "LID" OR A "GRATE." THE RING MAY BE CALLED A "FRAME" OR "COLLAR"

NOVA GUNITE MAIN DRAINS

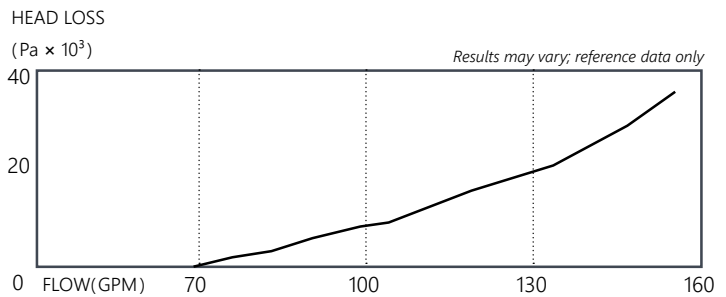
TECHNICAL GUIDE

- For Multiple Drain Use Only
- Seven Year Life on Cover
- IAPMO Listed
- Floor or Wall Installation
- 1.5" = 140 GPM (Floor) / 118 GPM (Wall)
- 2" = 150 GPM (Floor) / 118 GPM (Wall)
- 14.57 in² Open Area



GUNITE NOVA MAIN DRAINS		
PLUMBING	MAX FLOW FLOOR	MAX FLOW WALL
1.5" PIPE	140 GPM	118 GPM
2" PIPE	150 GPM	118 GPM

REPLACEMENT PARTS ON PAGE 210



NOVA LARGE OUTLET DRAINS



PRODUCT FEATURES

- 2.5" and 3" Drain Sizes
- PVC Body
- IAPMO Listed for Use with Nova Style VGB Drain Cover
- Color Options for Any Pool Finish
- For White, Gray, & Black: Sump Body Color Matches Cover
- For Special Colors Order Body then Order Color Lid & Frame Separately



ORDERING GUIDE

LARGE OUTLET DRAINS					
REF	WHITE	GRAY	BLACK	DESCRIPTION	BOX QTY
A	25513-260-000	25513-261-000	25513-264-000	2.5" NOVA MAIN DRAIN	12
A	25513-400-000	25513-401-000	25513-404-000	3" NOVA MAIN DRAIN	12
B	25516-260-000	—	—	2.5" NOVA DRAIN & ADJUSTABLE EXTENSION	—
B	25516-400-000	—	—	3" NOVA DRAIN & ADJUSTABLE EXTENSION	—
—	25516-250-010	—	—	2.5" ADJUSTABLE COLLAR BODY ONLY	—
—	25516-300-010	—	—	3" ADJUSTABLE COLLAR BODY ONLY	8
C	25620-250-000	—	—	HYDROSTATIC VALVE, 2-1/2"×3"	—

NOVA LID & FRAME ASSEMBLY								
REF	WHITE	GRAY	BLACK	DARK GRAY	TAN	DARK BLUE	LIGHT BLUE	BOX QTY
D	25539-500-000	25539-501-000	25539-504-000	25539-507-000	25539-509-000	25539-569-000	25539-559-000	60

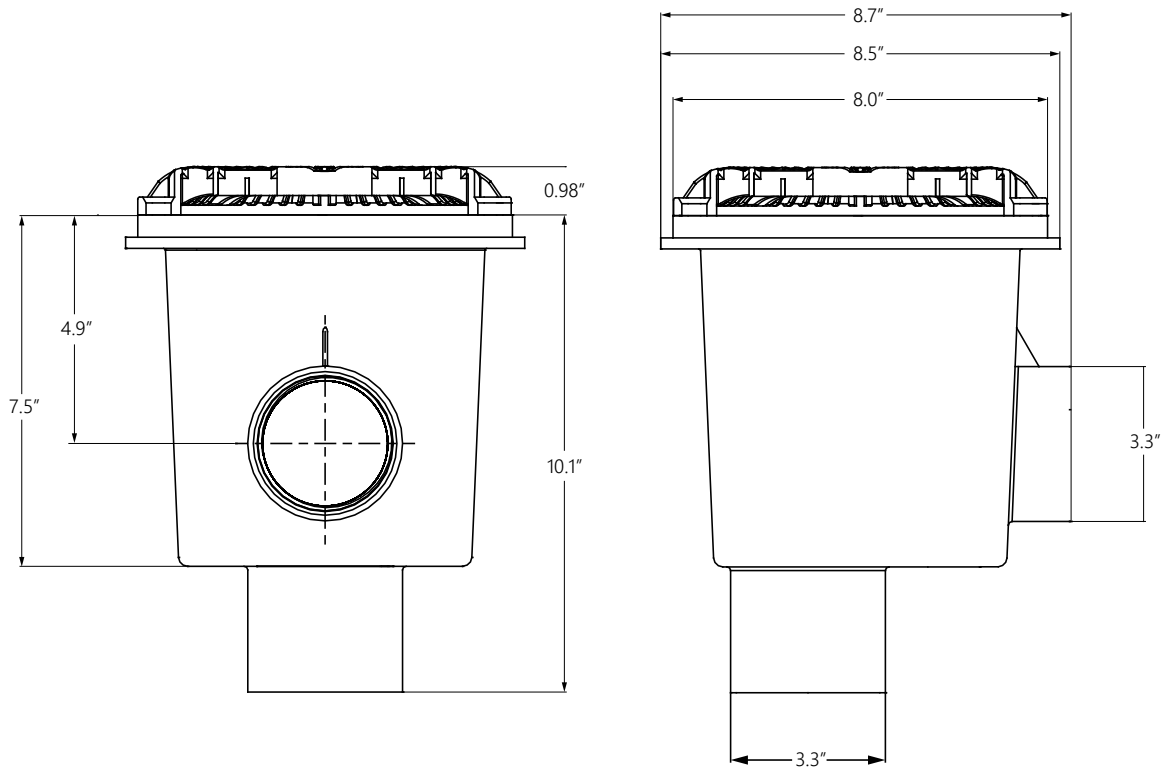
NOVA LID WITH ADJUSTABLE EXTENSION COLLAR								
REF	WHITE	GRAY	BLACK	DARK GRAY	TAN	DARK BLUE	LIGHT BLUE	BOX QTY
—	25516-500-100	25516-501-100	25516-504-100	25516-507-100	25516-509-100	25516-569-100	25516-559-100	50

NOTE: THE COVER MAY BE CALLED A "LID" OR A "GRATE." THE RING MAY BE CALLED A "FRAME" OR "COLLAR"

NOVA LARGE OUTLET DRAINS

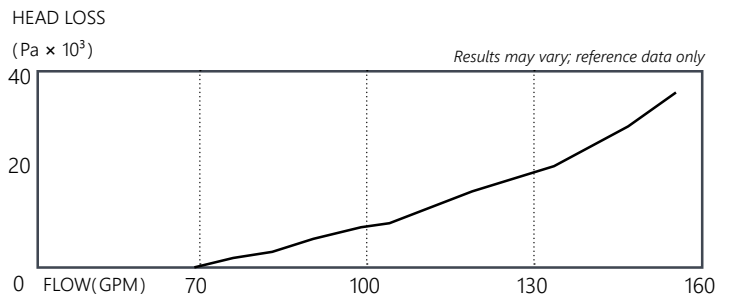
TECHNICAL GUIDE

- Socket Outlets
- Floor or Wall Installation
- Seven Year Life on Cover
- PVC Body



LARGE OUTLET DRAINS			
DRAIN SIZE	OPEN AREA	MAX FLOW FLOOR	MAX FLOW WALL
3" DRAIN	13.4in ²	150 GPM	118 GPM
2.5" DRAIN	13.4in ²	150 GPM	118 GPM

REPLACEMENT PARTS ON PAGE 210



VGB DRAINS & SUCTIONS



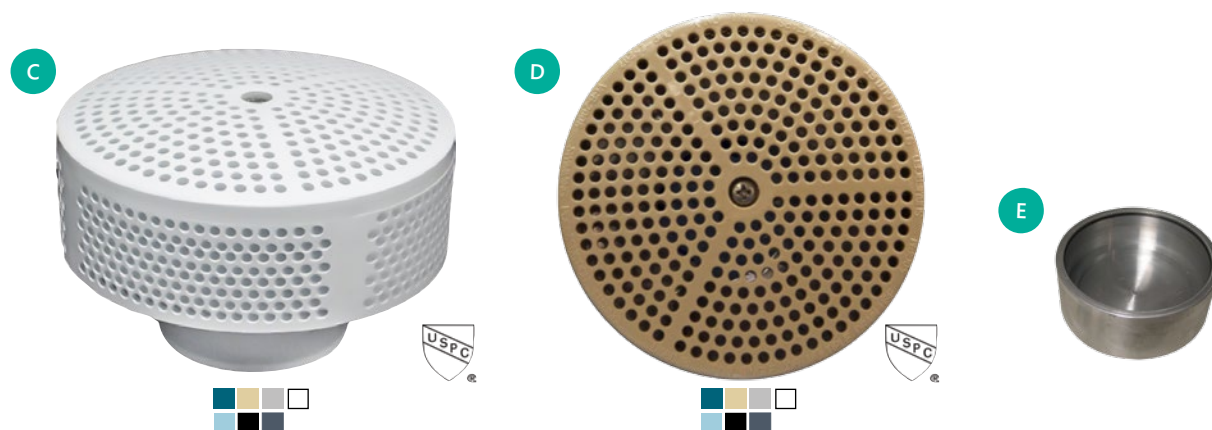
FIBERGLASS MAIN DRAIN

PRODUCT FEATURES

- Six Colors to Match Any Pool Finish
- 2" Socket/Fits 3" Hole
- UL Listed



EQUALIZER SUCTION



ORDERING GUIDE

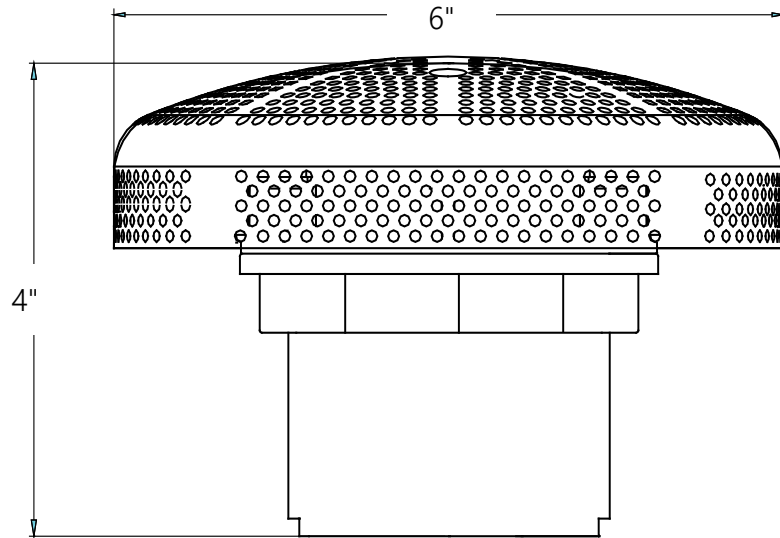
VGB FIBERGLASS MAIN DRAIN								
REF	WHITE	GRAY	BLACK	DARK GRAY	TAN	DARK BLUE	DESCRIPTION	BOX QTY
A	25215-000-000	25215-001-000	25215-004-000	25215-007-000	25215-009-000	25215-069-000	2" S FG MAIN DRAIN	40
B	25215-000-003	25215-001-003	25215-004-003	25215-007-003	25215-009-003	25215-069-003	FG DRAIN COVER ONLY	60
—	25215-900-000	—	—	—	—	—	FG DRAIN PLUG	—

VGB EQUALIZER SUCTION									
REF	WHITE	GRAY	BLACK	DARK GRAY	TAN	LIGHT BLUE	DARK BLUE	DESCRIPTION	BOX QTY
C	25207-700-000	25207-701-000	25207-704-000	25207-707-000	25207-709-000	25207-759-000	25207-769-000	2" IN SUCTION	100
D	25207-800-000	25207-801-000	25207-804-000	25207-807-000	25207-809-000	25207-859-000	25207-659-000	1.5" MIP SUCTION	100
E	25207-700-900	—	—	—	—	—	—	SUCTION PLUG	25

VGB DRAINS & SUCTIONS

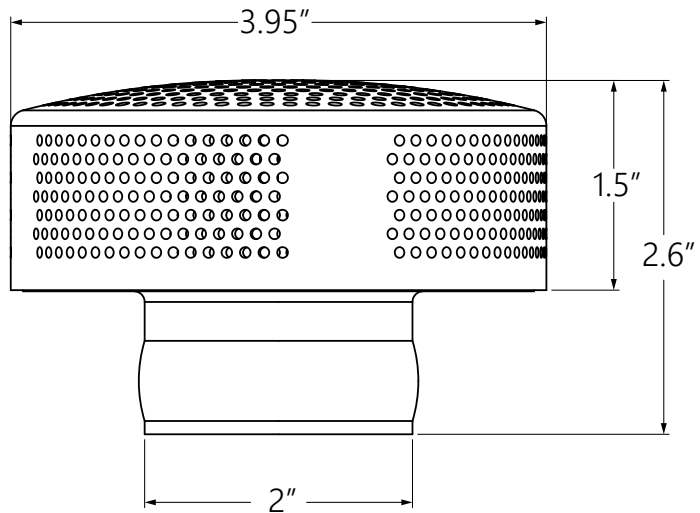
FIBERGLASS DRAIN TECHNICAL GUIDE

- 175 GPM Drain with Lock Nut
- 2" Socket
- 12.88in² Open Area
- Fits in 3" Hole
- 6" × 1.5"
- UL Listed
- Wall or Floor Installation



SUCTION TECHNICAL GUIDE

- 50 GPM
- IAPMO Listed
- 6.82in² Open Area
- 4" × 1.5"



VGB DRAIN ACCESSORIES

HYDROSTATIC RELIEF VALVES

- Equalizes Underground Water Pressure
- Helps Prevents Serious Structure Damage
- Three Fitting Sizes Available



SUMP FOR GALAXY LID & FRAME

- Fits CMP VGB Galaxy Lid & Frames
- Multiple Color Options for Clean Finish Installation
- Available Side Port Only or Side/Bottom Port
- Includes Plugs & Bushings



ORDERING GUIDE

HYDROSTATIC RELIEF VALVES						
REF	WHITE	DESCRIPTION				BOX QTY
A	25620-000-000	1.5"/2" CYC HYDRO RELIEF				25
B	25620-250-000	2-1/2" x 3" HYDROSTATIC RELIEF VALVE NEW				—
C	25620-320-000	1.5" MIP HYDROSTATIC RELIEF VALVE				250

SUMP FOR GALAXY LID & FRAME						
REF	WHITE	GRAY	BLACK	TAN	DESCRIPTION	BOX QTY
D	25520-000-000	25520-001-000	25520-004-000	25520-007-000	2" FIP / 1.5" FIP SIDE & BOTTOM PORT	18
E	25521-000-000	25521-001-000	25521-004-000	—	2" FIP SIDE PORT	18

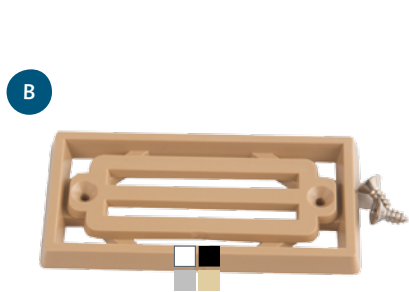
DECK DRAINS & EXPANSION JOINTS

10FT DECK DRAINS

- Eight Couplers per Box
- Four End Adapters per Box
- 3.25" x 1.65"
- Sold in Box Quantities Only

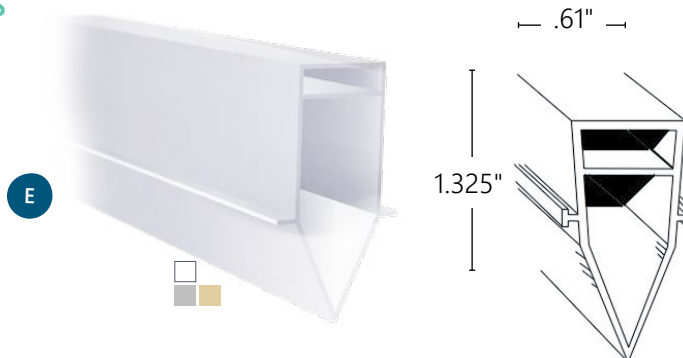


DECK DRAINS & GRATES



12FT DECK EXPANSION JOINTS

- 12ft Joint Length
- .61" x 1.325"
- Three Colors Available
- Sold in Box Quantities Only



ORDERING GUIDE

DECK DRAINS & EXPANSION JOINTS						
REF	WHITE	GRAY	BLACK	TAN	DESCRIPTION	BOX QTY
A	25533-100-000	25533-101-000	—	25533-108-000	10FT DECK DRAIN	8*
B	25533-200-000	25533-201-000	25533-204-000	25533-209-000	3-BAR GRATE & FRAME	50
C	25533-000-000	25533-001-000	25533-004-000	25533-009-000	2" x 4" DECK DRAIN, 2" FIP x 2" S	50
C	25533-000-010	25533-001-010	25533-004-010	25533-009-010	2" x 4" GRATE ONLY	500
D	25533-300-000	25533-301-000	—	25533-309-000	3" ROUND DECK DRAIN	—
D	25533-300-010	25533-301-010	—	25533-309-010	3" COVER ONLY	—
E	25900-120-000	25900-121-000	—	25900-128-000	12FT DECK EXPANSION JOINTS	20*

*sold in box quantities only



*The Premier
Supplier of Pool,
Spa & Bath
Components*

AUSSIE INSIDERS

Aussie Insiders, or "Pound-In Fittings," have been available for years in 1½" and 1" inside pipe styles. Aussie Insiders are self-aligning. CMP also offers the industries first 2" Aussie Insider.

1" AUSSIE INSIDER

PRODUCT FEATURES

- .5" Eye Opening
- Five Color Options



1.5" AUSSIE INSIDER

PRODUCT FEATURES

- .75" Eye Opening
- Includes Two Snap-In Reducers
- Seven Color Options



2" AUSSIE INSIDER

PRODUCT FEATURES

- Industry's Only 2" Aussie Insider
- 1.25" Eye Opening
- Includes 1" Snap-In Reducer
- Includes Slotted Eye Snap-In Reducer
- Three Color Options



ORDERING GUIDE

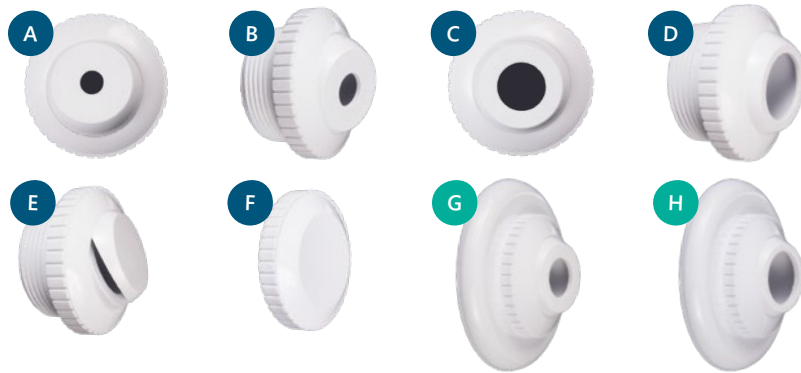
AUSSIE INSIDER "POUND-IN" FITTINGS									
REF	WHITE	GRAY	BLACK	DARK GRAY	TAN	LIGHT BLUE	DARK BLUE	DESCRIPTION	BOX QTY
A	25559-110-000	25559-111-000	25559-114-000	25559-117-000	25559-119-000	—	—	1" AUSSIE	400/50
B	25559-000-000	25559-001-000	25559-004-000	25559-007-000	25559-009-000	25559-059-000	25559-069-000	1.5" AUSSIE	400/50
C	25559-200-000	25559-201-000	25559-204-000	—	—	—	—	2" AUSSIE	400/50

DIRECTIONAL RETURN FITTINGS

THREADED DIRECTIONAL RETURNS

PRODUCT FEATURES

- With or Without Flange
- Five Opening Sizes
- 1.5" MIP
- Solid Cap Available to Drill a Custom Eye Size
- All directional returns are sold in boxes of 400 or 50.



SELF-ALIGNING DIRECTIONAL RETURNS

PRODUCT FEATURES

- Fits Inside 1.5" SCH40 Pipe
- Five Opening Sizes
- Self-Aligning
- All directional returns are sold in boxes of 400 or 50.



ORDERING GUIDE

1.5" MIP DIRECTIONAL FLOW OUTLETS									
REF	WHITE	GRAY	BLACK	DARK GRAY	LT BLUE	DK BLUE	TAN	CLEAR	EYE SIZE
A	25552-100-000	25552-101-000	25552-104-000	25552-107-000	—	—	25552-139-000	—	3/8"
B	25552-200-000	25552-201-000	25552-204-000	25552-207-000	—	—	25552-239-000	—	1/2"
C	25552-300-000	25552-301-000	25552-304-000	25552-307-000	25552-359-000	25552-369-000	25552-339-000	25552-309-000	3/4"
D	25552-400-000	25552-401-000	25552-404-000	25552-407-000	—	—	25552-439-000	25552-409-000	1"
E	25552-000-000	25552-001-000	25552-004-000	25552-007-000	—	—	—	—	SLOT
F	25552-020-300	25552-021-300	25552-024-300	—	—	—	25552-029-300	—	SOLID
1.5" MIP DIRECTIONAL FLOW OUTLETS WITH FLANGE									
G	25553-300-000	25553-301-000	25553-304-000	—	25553-309-000	25553-369-000	25553-339-000	—	3/4"
H	25553-400-000	25553-401-000	25553-404-000	—	—	—	—	—	1"
1.5" INSIDER DIRECTIONAL FLOW OUTLETS WITH FLANGE									
G	25553-350-000	25553-351-000	25553-354-000	—	—	—	—	—	3/4"
H	25553-450-000	25553-451-000	25553-454-000	—	—	—	—	—	1"
1.5" INSIDER DIRECTIONAL FLOW OUTLETS									
I	25554-100-000	25554-101-000	25554-104-000	—	—	—	25554-139-000	—	3/8"
J	25554-200-000	25554-201-000	25554-204-000	—	—	—	25554-239-000	—	1/2"
K	25554-300-000	25554-301-000	25554-304-000	25554-307-000	—	—	25554-339-000	—	3/4"
L	25554-400-000	25554-401-000	25554-404-000	25554-407-000	—	—	25554-439-000	—	1"
M	25554-000-000	25554-001-000	25554-004-000	—	—	—	25554-039-000	—	SLOT

RETURN & INLET FITTINGS

FLUSH MOUNT RETURN

- Flush Mount in Gunite
- 1.5" Insider
- 1" or 1.5" Socket Options
- Available w/ Plaster Cap
- Five Color Options



INSERT INLET

- Insert Inlet Fits Inside 1.5" Pipe
- 1.5" Insider x 1" Socket
- Available with Slotted, 3/4" or 1" Eyeball
- Five Color Options



1.5" SOCKET INLET

- Fits 1.5" Pipe
- Includes Set of Reducers
- Octagon Shape Flange
- Three Available Color Options



ORDERING GUIDE

EYEBALL RETURN FITTINGS & ACCESSORIES							
REF	WHITE	GRAY	BLACK	DARK GRAY	TAN	DESCRIPTION	BOX QTY
A	25555-300-000	25555-301-000	25555-304-000	25555-307-000	25555-309-000	1" S FLUSH RETURN, 3/4" EYE NEW	220
B	25555-000-000	25555-001-000	25555-004-000	25555-007-000	25555-009-000	1" S FLUSH RETURN, 1" EYE	220
B, D	25555-700-000	25555-701-000	25555-704-000	25555-707-000	25555-709-000	1" S FLUSH RETURN & PLASTER CAP	220
C, D	25557-000-000	25557-001-000	25557-004-000	25557-007-000	—	1.5" S FLUSH RETURN & PLASTER CAP	220
D	—	—	25557-014-010	—	—	PLASTER CAP FOR FLUSH RETURN	—
E	25551-300-000	25551-301-000	25551-304-000	25551-307-000	25551-309-000	INSERT INLET, 3/4" EYE (PICTURED)	400
E	25551-000-000	25551-001-000	—	—	—	INSERT INLET, SLOTTED EYE	—
E	25551-400-000	25551-401-000	25551-404-000	25551-407-000	25551-409-000	INSERT INLET, 1" EYE	400
F	25609-300-000	25609-301-000	25609-304-000	—	—	1.5" S INLET & REDUCERS	400

INLET FITTINGS & ACCESSORIES



ORDERING GUIDE

EYEBALL RETURN FITTINGS & ACCESSORIES							
REF	WHITE /OTHER	GRAY	BLACK	DARK GRAY	TAN	DESCRIPTION	BOX QTY
A,B	25606-000-000	—	25606-004-000	25606-007-000	—	INLET EYEBALL FITTING KIT	400
B	25606-100-000	—	25606-104-000	25606-107-000	—	INLET EYEBALL REPLACEMENT KIT	400
C	25527-000-000	—	—	—	—	FLOOR INLET 1.5" S×2" MIP	50
D	25527-100-000	25527-101-000	25527-104-000	25527-107-000	25527-109-000	FLOOR INLET 2" S w/ 1.5" REDUCER	50
—	25527-100-100	25527-101-100	25527-104-100	25527-107-100	25527-109-100	COVER & SCREWS FOR 25527-100-000	50
—	61050-042-025	—	—	—	—	SCREWS FOR 25527-100-000	—
—	25527-000-030	—	—	—	—	COVER FOR 25527-000-000	—
E	25560-000-000	25560-001-000	25560-004-000	25560-007-000	25560-009-000	1.5" MIP GRATE INSERT*	1000/50
F	25552-500-000	25552-501-000	25552-504-000	25552-507-000	25552-509-000	1.5" MIP CHECK VALVE	400
G	25551-000-100	—	—	—	—	INLET SEAT REMOVAL TOOL	100
H	25590-250-000	—	—	—	—	POOL FITTING "MULTITOOL"	—

*for safety, we recommend using the grate insert with 25207-800-000 equalizer suction

WALL RETURN FITTINGS



ORDERING GUIDE

1.5" FIP VINYL WALL FITTINGS							
REF	WHITE	GRAY	BLACK	TAN	DESCRIPTION †	SIZE	BOX/BAG
A	25550-000-000	25550-001-000	25550-004-000	—	VINYL I/O FITTING	1.5" FIP	400/50
B	25522-500-000	25522-501-000	—	—	EXT. VINYL WALL FITTING	1.5" FIP×1.5" S	50
C	25522-000-000	25522-001-000	25522-004-000	—	VINYL I/O FITTING	1.5" FIP	50
C	25522-100-000	—	—	—	VINYL I/O FITTING	1.5" FIP×1.5" S	—
D	25545-100-000	25545-101-000	25545-104-000	25545-139-000	3.5" VINYL FACEPLATE KIT	3.5"	1000/25
D	25545-000-000	25545-001-000	25545-004-000	25545-039-000	3.5" VINYL FACEPLATE	3.5"	400/50
D	25546-000-000	25546-001-000	25546-004-000	—	3.5" THREADED VINYL FACE	3.5"	1000/25

1.5" FIP FIBERGLASS WALL FITTINGS							
REF	WHITE	GRAY	BLACK	TAN	DESCRIPTION	SIZE	BOX QTY
E	25523-500-000	25523-501-000	25523-504-000	25523-539-000	1.5" FG WALL FITTING	1.5" S × 2" SP	100
E	25523-600-000	25523-601-000	25523-604-000	25523-639-000	2" FG WALL FITTING	2" S × 2.5" SP	100
E	25523-500-100	25523-501-100	—	—	1.5" FG WALL FITTING & GASKET	1.5" S × 2" SP	100
F	25523-500-200	25523-501-200	25523-504-200	—	1.5" FG WALL FITTING & 3/4" EYE	2" S × 2.5" SP	100
F	25523-600-200	25523-601-200	25523-604-200	—	2" FG WALL FITTING & 3/4" EYE	2" S × 2.5" SP	100
G	25523-700-000	25523-701-000	25523-704-000	—	1.5" FG WALL FITTING & FLUSH EYE	1.5" S × 2" SP	100
—	—	—	23300-200-040	—	FG WALL FITTING GASKET ONLY	—	400

1.5" FIP GUNITE WALL FITTINGS									
REF	WHITE	GRAY	BLACK	DARK GRAY	TAN	LIGHT BLUE	DARK BLUE	DESCRIPTION *	SIZE
H	25550-000-060	25550-001-060	25550-004-060	—	—	—	—	THREADED FITTING	1.5" FIP
I	25523-000-000	25523-001-000	25523-004-000	—	25523-039-000	—	—	I/O FITTING	1.5" FIP×1.5"S
J	25529-150-000	25529-151-000	25529-154-000	25529-157-000	25529-159-000	—	—	INSIDER FITTING	1.5" FIP×1.5"S
K	25524-200-000	25524-201-000	25524-204-000	25524-207-000	25524-239-000	—	—	INSIDER FITTING	2" INS×2"S
L	25523-100-000	25523-101-000	25523-104-000	25523-107-000	25523-139-000	25523-159-000	25523-169-000	I/O FITTING	1.5" FIP×1.5"S

† All Vinyl Fittings Include Nut & Gaskets

* 50 Per Box

GUNITE POOL WATER STOPS

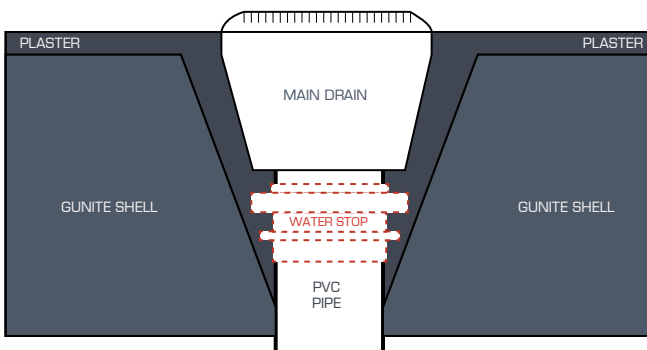
Water Stops prevent common leaks that occur when plaster separates from the installed pipe.

PRODUCT FEATURES

- Easy to Install
- Sizes Available up to 3"

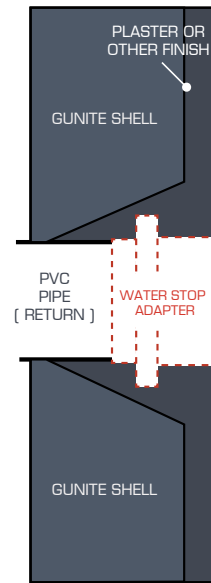


INSTALLATION GUIDE



WATER STOP:
Glue the water stop onto the pipe for the plaster to adhere

WATER STOP ADAPTER:
Glue the water stop adapter fitting onto the end of the pipe and plaster over.



ORDERING GUIDE

GUNITE POOL WATER STOPS			
REF	CMP P/N	DESCRIPTION	BOX/BAG
A	25574-100-000	1" WATER STOP	1000/20
A	25574-000-000	1.5" WATER STOP	1000/20
A	25575-000-000	2" WATER STOP	500/20
A	25575-250-000	2.5" WATER STOP	500/20
A	25575-300-000	3" WATER STOP	500/20
B	25575-600-000	WATER STOP ADAPTER FITTING, 1.5" FIP × 2" SOCKET	300/20
C	25575-500-000	WATER STOP ADAPTER FITTING, 1.5" FIP × 1.5" SOCKET	500/20
C	25575-509-000	CLEAR WATER STOP ADAPTER FITTING, 1.5" FIP × 1.5" SOCKET	500/20



PREMIER QUALITY TOOLS & COMPONENTS DESIGNED FOR POOL PROFESSIONALS

CMP PRO TOOLS is a special collection of pool replacement parts, tools and specialty fittings designed for superior performance. These special components include heavy duty components, extreme durability fittings, specialty repair tools and upgraded replacement parts.

LOOK FOR PRO TOOLS ITEMS THROUGHOUT THE CMP CATALOG

SPRING-LOCK WEIR DOORS 117

HIGH TEMP SELF-SEALING UNIONS 146

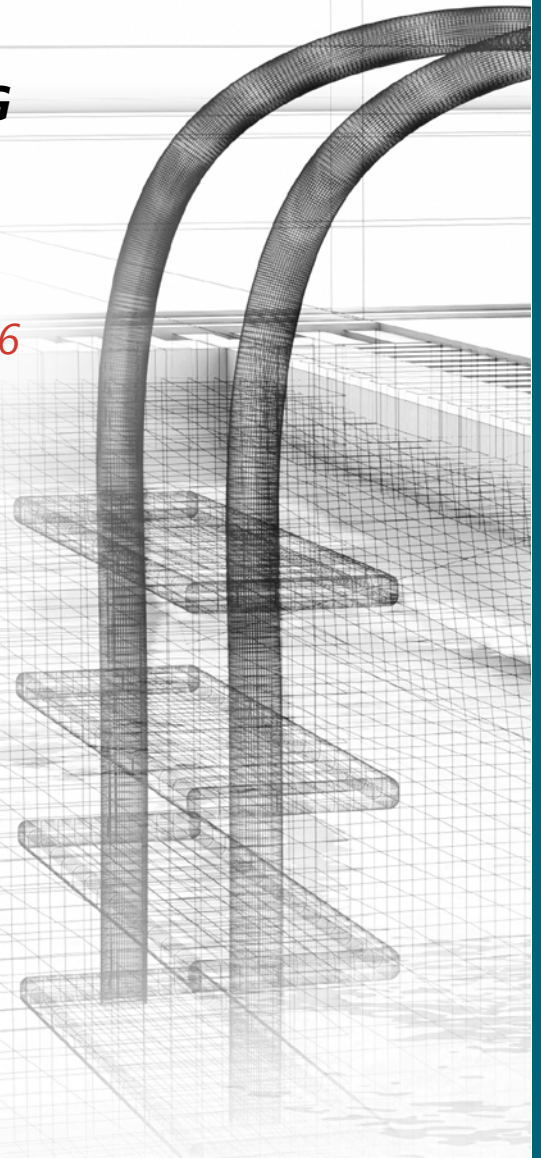
SPECIALTY REPAIR FITTINGS 150

LIGHT REPAIR FITTINGS 153

FLOWSKIM™ BASKET 174

HEAVY DUTY BASKETS 175

HEAVY DUTY FILTER MANIFOLDS 183

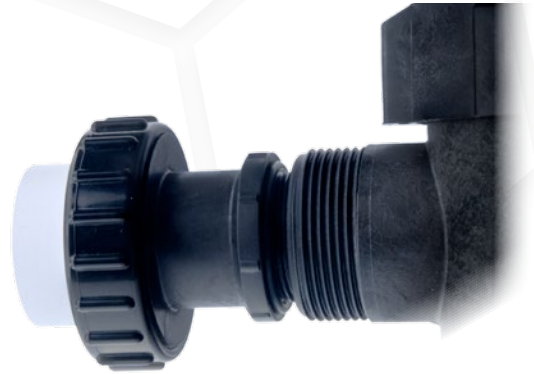


HIGH TEMP SELF-SEALING UNIONS



PRODUCT FEATURES

- Professional Grade Unions for Durable Installations and Repairs
- High Temp Black Noryl is the Same Tough Material Used for Pool Pump Bodies
- Self-Sealing: No Teflon Tape or Pipe Dope Needed
- Union T-Gasket Provides a Better Seal



ORDERING GUIDE

HIGH TEMP SELF-SEALING UNIONS			
REF	CMP P/N	DESCRIPTION	BOX QTY
A	21063-750-000	3/4" MIP, 3/4" SOCKET TAIL, HI-TEMP UNION	30
B	21063-150-000	1.5" MIP, 1.5" SOCKET (2" SPIGOT) HI-TEMP UNION	50
B	21063-160-000	1.5" MIP, 2" SOCKET HI-TEMP UNION	50
C	21063-154-000	1.5" MIP, 1.5" SOCKET (2" SPIGOT) LONG HI-TEMP UNION	50
C	21063-164-000	1.5" MIP, 2" SOCKET LONG HI-TEMP UNION	50
D	21063-200-000	2" MIP, 2" SOCKET HI-TEMP UNION	50
E	21063-204-000	2" MIP, 2" SOCKET LONG HI-TEMP UNION	50
F	21063-250-000	2" MIP, 2.5" SOCKET HI-TEMP UNION	50
G	21063-230-000	2" MIP, 3" SOCKET HI-TEMP UNION	50
H	21063-290-000	2" MIP, 2" SOCKET TAIL, 90 DEG ELL HI-TEMP UNION	50

REPLACEMENT PARTS ON PAGE 213

STANDARD UNIONS



ORDERING GUIDE

UNIONS			
REF	CMP P/N	DESCRIPTION	BOX QTY
A	21063-170-000	1.5" MIP x 1.5" SOCKET SELF-SEALING UNION	50
A	21063-180-000	1.5" MIP x 2" SOCKET SELF-SEALING UNION	25
A	21063-210-000	2" MIP x 2" SOCKET SELF-SEALING UNION	190
B	21063-179-000	1.5" MIP x 1.5" SOCKET SELF-SEALING UNION (LONG)	50
B	21063-189-000	1.5" MIP x 2" SOCKET SELF-SEALING UNION (LONG)	25
C	21063-280-000	2" MIP X 2" SOCKET SWIVEL SELF-SEALING UNION NEW	—
D	21021-000-000	1.5" PUMP UNION (T-GASKET)	300
D	21023-000-000	2" PUMP UNION (T-GASKET)	190
E	21053-150-000	1.5" SOCKET x SOCKET FLUSH UNION	50
E	21053-200-000	2" SOCKET x SOCKET FLUSH UNION	50
F	21055-150-000	1.5" SOCKET x MIP FLUSH UNION	50
G	21058-000-000	1.5" HOSE BARB x MIP ECON UNION	50
H	21058-100-000	1.5" SMOOTH HOSE BARB x MIP ECON UNION	50
I	21054-150-000	1.5" MIP x 1.5" NPT UNION	50
J	21056-150-000	1.5" MIP x 1.5" SOCKET/2" SPIGOT UNION	50
J	21059-150-000	1.5" MIP x 1.5" SPIGOT UNION	50
K	21058-200-000	1.5" HOSE BARB x MIP 90° ELL ECON UNION	50
K	21058-300-000	1.5" SMOOTH HOSE BARB x MIP 90° ELL ECON UNION	50

STANDARD UNIONS

PRODUCT FEATURES

- Complete Selection of Popular and Common Sizes Up to 3"
- Self-Aligning Unions Available in 1.5 and 2" Sizes
- Sizes Available up to 3"



ORDERING GUIDE

UNIONS			
REF	CMP P/N	DESCRIPTION	BOX QTY
A	27288-070-000	3/4" SOCKET × SOCKET UNION	10
B	21049-150-000	1.5" SOCKET (2" SPIGOT) SELF-ALIGNING INLINE UNION	100
B	21047-000-000	1.5" SOCKET × SOCKET INLINE UNION	200
C	21049-200-000	2" SOCKET × SOCKET SELF-ALIGNING INLINE UNION	100
C	21048-000-000	2" SOCKET × SOCKET INLINE UNION	200
D	21063-225-000	2.5" SOCKET × SOCKET UNION	30
E	21063-330-000	3" SOCKET × SOCKET UNION	30
F	21003-000-000	2" FIP, 2" SOCKET TAIL, SWEEP 90 UNION	60
F	21003-100-000	2" FIP, 2" SPIGOT TAIL, SWEEP 90 UNION	60
G	21063-801-000	006723F HEATER UNION KIT (RAYPAK)	50
H	21063-350-000	350157 UNION KIT (SUPERFLO® PUMP)	—
I	21046-000-000	1.5" UNION TAILPIECE ONLY	—
J	25300-004-070	1.5" SPLIT UNION NUT & SCREWS	400/20
J	25301-004-070	2" SPLIT UNION NUT & SCREWS	400/20

PLUMBING FITTINGS



ORDERING GUIDE

PLUMBING FITTINGS				
REF	CMP P/N	DESCRIPTION	FITTING SIZE	BOX QTY
A	21005-000-000	2" SOCKET SWEEP 90° ELL	2" SOCKET × 2" SOCKET	100
A	21006-000-000	2" SPIGOT SWEEP 90° ELL	2" SOCKET × 2" SPIGOT	100
A	21105-000-000	1.5" SOCKET SWEEP 90° ELL	1.5" SOCKET × 1.5" SOCKET	100
A	21106-000-000	1.5" SPIGOT SWEEP 90° ELL	1.5" SOCKET × 1.5" SPIGOT	100
B	21013-200-000	2" STREET 90° ELL	2" SOCKET × 2" SPIGOT	100
B	21013-000-000	1.5" STREET 90° ELL	1.5" SOCKET × 1.5" SPIGOT	150
C	21010-200-000	2" STREET 45° ELL	2" SOCKET × 2" SPIGOT	100
C	21010-000-000	2" STREET 90° ELL	1.5" SOCKET × 1.5" SPIGOT	200
D	21004-000-000	2" 3-WAY WYE	2" SOCKET	50
D	21004-150-000	1.5" × 2" SOCKET 120 DEGREE 3-WAY WYE	1.5" S × 1.5" S × 2" S	50
E	21007-000-000	2" SOCKET NARROW 3-WAY WYE	2" SOCKET	50
F	21097-150-000	1.5" U-BEND VENT GRATE ASSEMBLY	1.5" SOCKET	100
F	21097-200-000	2" U-BEND VENT GRATE ASSEMBLY	2" SOCKET	100
F	21044-000-000	1.5"/2" VENTED PLUG FOR U-BEND	1.5"/2" SPIGOT	600/30
G	25398-010-000	1.5" / 2" REDUCER BUSHING	1.5" SOCKET × 2" SPIGOT	200
H	21098-150-000	1.5" COPPER TO PVC ADAPTER	1.5" SOCKET	80
H	21098-200-000	2" COPPER TO PVC ADAPTER	2" SOCKET	80
I	25501-100-000	2" PRESSURE TEST KIT	2"	100
J	25501-000-800	0-60 PRESSURE GAUGE SIDE MOUNT	1/4" NPT	110
J	25501-020-800	0-60 PRESSURE GAUGE SIDE MOUNT (CLAMSHELL)	1/4" NPT	—
J	25501-000-900	0-60 PRESSURE GAUGE BACK MOUNT	1/4" NPT	100
J	25501-020-900	0-60 PRESSURE GAUGE BACK MOUNT (CLAMSHELL)	1/4" NPT	—
K	25501-100-900	0-60 PRESSURE GAUGE BACK MOUNT W/ GUIDE	1/4" NPT	—
K	25501-120-800	0-60 PRESSURE GAUGE SIDE MOUNT W/ GUIDE (CLAMSHELL)	1/4" NPT	—
K	25501-100-800	0-60 PRESSURE GAUGE SIDE MOUNT W/ GUIDE	1/4" NPT	—
K	25501-120-900	0-60 PRESSURE GAUGE BACK MOUNT W/ GUIDE (CLAMSHELL)	1/4" NPT	—

CLIP-ON PIPE SEAL



Leaky joints are a thing of the past! CMP Clip-On Pipe Seals stop leaks at glue joints for schedule 40 fittings, couplings, elbows, and more. CMP Clip-On Pipe Seals are cleaner, more professional and more effective.

PRODUCT FEATURES

- Snaps Into Place over Leaking Joints
- One-Piece Repair Fitting Design
- Complete set of sizes from 3/4" to 2-1/2"



INSTALLATION GUIDE

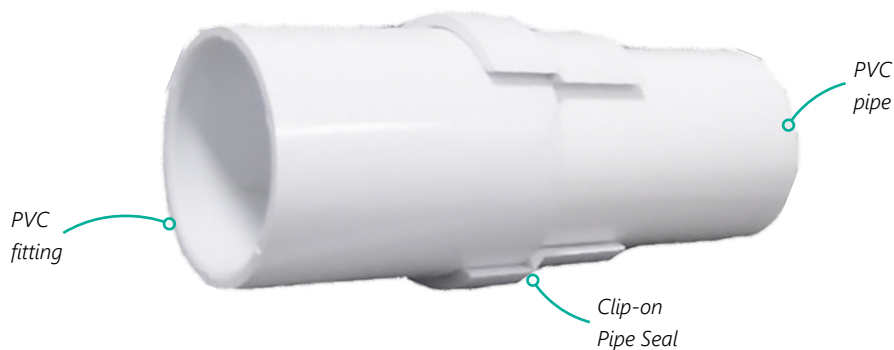


1. Examine the area of the leak on the socket. Make sure there are no raised letters or bumps on the fitting. They will have to be sanded off to use the CMP Clip-On Pipe Seal.
2. Liberally apply glue to the area of the leak and onto the Clip-On Seal. **DON'T BE SHY WITH THE GLUE.**
3. Choose the proper sized Clip-On Seal and snap over the leaking area.



**NO MORE
MESSY REPAIRS**

NO CUTTING, NO MEASURING. . . FAST & SIMPLE



ORDERING GUIDE

CLIP-ON PIPE SEALS		
CMP P/N	DESCRIPTION	BOX/BAG
21184-750-000	3/4" CLIP-ON PIPE SEAL	750
21184-100-000	1" CLIP-ON PIPE SEAL	500
21184-150-000	1-1/2" CLIP-ON PIPE SEAL	100/25
21184-200-000	2" CLIP-ON PIPE SEAL	100
21184-250-000	2-1/2" CLIP-ON PIPE SEAL	100
21184-230-000	2" PIPE × 2" SPIGOT CLIP-ON PIPE SEAL	200

FITTING EXTENDERS



CMP fitting extenders simplify pool service. Reduce the amount of cut and wasted PVC pipe. Instead use a fitting extender on existing plumbing. A far better solution than using slip fittings.

Continuing our commitment to offer the products that the professional really needs, CMP is the only manufacturer offering a true 2" socket fitting extender.

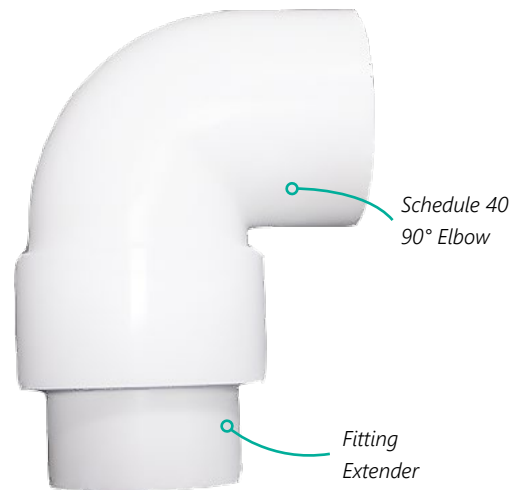


PRODUCT FEATURES

- A More Professional Repair
- No Loss of Flow
- CMP Exclusive True 2" Socket Extender

INSTALLATION GUIDE

1. Make sure there are no raised letters or bumps on the fitting. If so, they may need to be sanded off prior to installation.
2. Try the fitting extender over the fitting without glue first to make sure it will fit. If the extender fits too tight, the inside of the extender may be sanded to fit. Once you have confirmed a proper fit, glue the extender to the fitting.
3. When using with 2" pipe glue a coupler or 90° elbow to the small end. The larger end fits over Schedule 40 fittings.



ORDERING GUIDE

FITTING EXTENDERS				
REF	CMP P/N	DESCRIPTION	FITTING SIZE	BOX QTY
A	21182-150-000	1.5" FITTING EXTENSION	1.5" FITTING × 1.5" SOCKET/2" SPIGOT	100
B	21182-200-000	2" FITTING EXTENSION	2" FITTING × 1.5" SOCKET/2" SPIGOT	100
C	21182-220-000	2" FITTING EXTENSION	2" FITTING × 2" SOCKET	100
D	21182-250-000	2.5" FITTING EXTENSION	2.5" FITTING × 2.5" SOCKET	100

REPAIR FITTINGS

PIPE EXTENDERS

- Add Length Back to Pipe After Cutting or Trimming
- Small End Fits Inside PVC Pipe
- Large End is Equivalent to the Pipe Size



INSIDE COUPLERS

- Both Ends Fit Inside the PVC Pipe
- Space-Saving Design
- Cleaner Appearance than Outside Couplers



ORDERING GUIDE

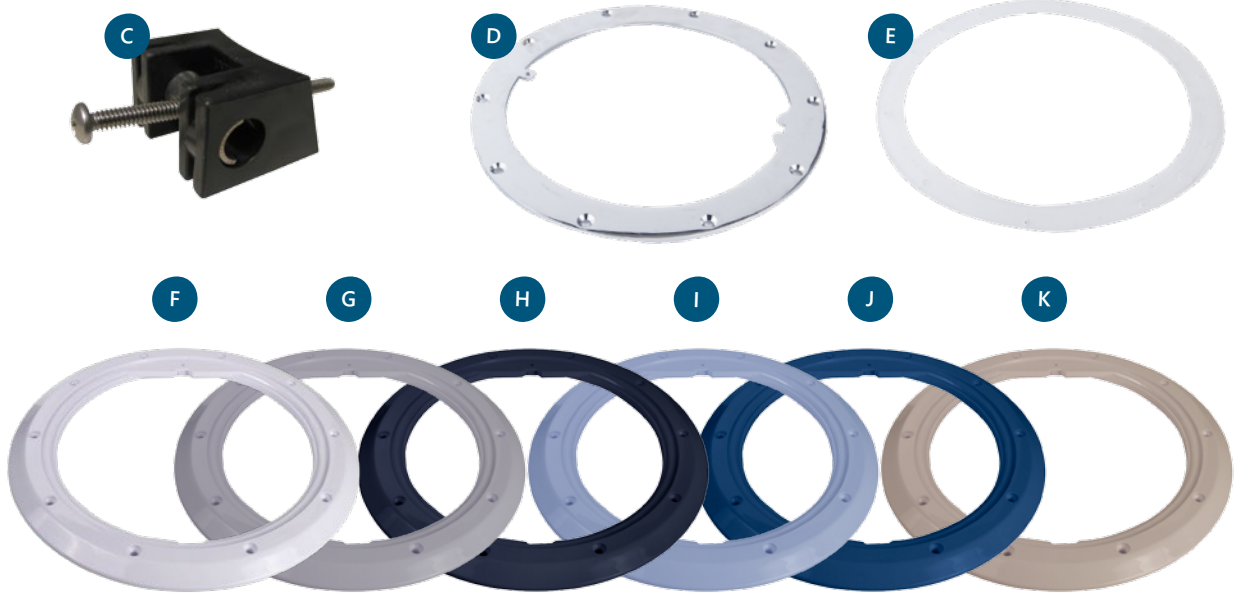
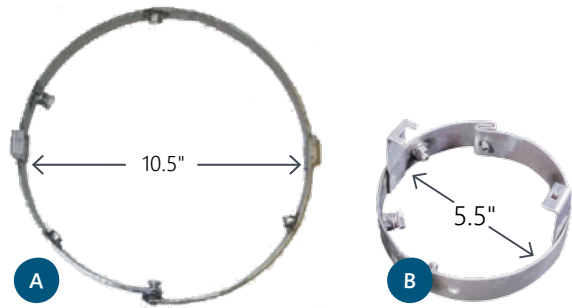
PIPE EXTENDERS		
CMP P/N	DESCRIPTION	BOX QTY
21181-750-000	3/4" PIPE EXTENSION	750
21181-100-000	1" PIPE EXTENSION	500
21181-150-000	1.5" PIPE EXTENSION	100/25
21181-200-000	2" PIPE EXTENSION	100
21181-250-000	2.5" PIPE EXTENSION	60
21181-300-000	3" PIPE EXTENSION	25
21181-400-000	4" PIPE EXTENSION	20
INSIDE COUPLERS		
21183-100-000	1" INSIDE COUPLER	1000
21183-150-000	1.5" INSIDE COUPLER	200
21183-200-000	2" INSIDER COUPLER	200

LIGHT REPAIR FITTINGS



IN GROUND LIGHT ADAPTER

- The Easiest Way to Fix a Stripped Pool Light
- Plaster Does Not Have to be Scraped Away to Install the Original Manufacturer Light Ring
- 100% Stainless Steel
- U.S. PATENT #8,403,513



ORDERING GUIDE

LIGHT REPAIR FITTINGS				
REF	CMP P/N	DESCRIPTION	COMPARE TO	BOX QTY
A	25549-500-000	IN GROUND POOL LIGHT ADAPTER	—	20
B	25549-540-000	IN GROUND SPA LIGHT ADAPTER	—	30
C	25549-600-000	LIGHT REPAIR WEDGE	—	—
D	25549-002-000	VINYL LINER LIGHT SEALING RING (10 HOLE)	—	20
E	25549-000-011	VINYL LINER LIGHT RING GASKET	—	20
D,E	25549-100-000	VINYL LINER LIGHT RING KIT	—	—
F	25549-200-000	WHITE LIGHT FRONT FACEPLATE	SPX0507A1	20
G	25549-201-000	GRAY LIGHT FRONT FACEPLATE	SPX0507A1	20
H	25549-204-000	BLACK LIGHT FRONT FACEPLATE	SPX0507A1	20
I	25549-259-000	LIGHT BLUE LIGHT FRONT FACEPLATE	SPX0507A1	20
J	25549-269-000	DARK BLUE LIGHT FRONT FACEPLATE	SPX0507A1	20
K	25549-209-000	TAN LIGHT FRONT FACEPLATE	SPX0507A1	20



POOL TOOLS & ACCESSORIES

Aqua Elements® Pool Tools *156*

Water Care Accessories *164*

Ladder & Rope Accessories *167*

Pool Plugs & Winterizing Accessories *168*

Pool Defender™ Anodes & Water Bonds *170*

WWW.C-M-P.COM/POOL-PRODUCTS/ACCESSORIES

POOL ACCESSORIES

AQUA ELEMENTS® is the CMP Pool Products brand of quality, retail friendly pool tools and accessories. The perfect choice for attractive retail products with the quick shipping guarantee of CMP Pool Products.

- Total Brand of Retail Products Designed to be Displayed as a Complete Family
- Options from Pro Level to Basic Pool Tools

AQUA elements®



POOL VACUUMS



ORDERING GUIDE

AQUA ELEMENTS® POOL VACUUMSS			
REF	CMP P/N	DESCRIPTION	BOX/ BAG
A	58410-120-048	TRIANGULAR VINYL LINER VACUUM WITH SWIVEL CUFF	12
B	58410-140-052	DELUXE TRANSPARENT CAST IRON WEIGHT VACUUM WITH SWIVEL CUFF	6
C	58410-110-023	DELUXE WEIGHTED LINER BUMPER VACUUM	12
D	58480-120-047	STANDARD PLASTIC REPLACEMENT VACUUM HANDLE	12
E	58410-130-051	14" FLEXIBLE VACUUM	12
F	58410-150-302	14" FLEXIBLE VACUUM WITH METAL HANDLE	12
G	58410-180-763	19" FLEXIBLE COMMERCIAL VAC HEAD WITH METAL HANDLE	—

POOL VACUUMS ACCESSORIES

AQUA
elements.

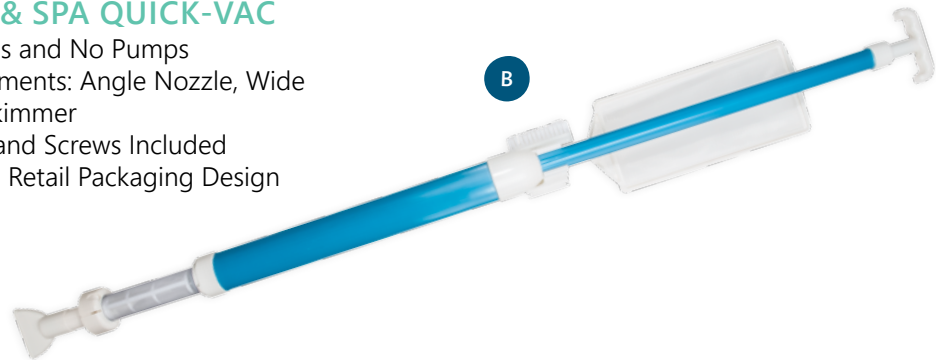
VENTURI LEAF EATER

- Clean with Venturi Suction from a Standard Garden Hose, no Pump Required
- Wheels & Brushes on Bottom
- Service Pro Favorite for Large Clean-up Jobs
- Includes Garden Hose Quick Releaser
- Fits Any Standard Tele-pole



HANDHELD POOL & SPA QUICK-VAC

- Cleans with No Hoses and No Pumps
- Includes Four Attachments: Angle Nozzle, Wide Nozzle, Brush and Skimmer
- Wall Mount Bracket and Screws Included
- Attractive & Branded Retail Packaging Design
- Clear View Filter



VACUUM LEAF TRAP

- Captures Vacuum Debris for Easy Cleaning
- Twist-On Quick Release Lid
- Includes 9' of Vacuum Hose
- Heavy-Duty Molded Handle for Added Strength
- Male Port Bottom × Female Port Lid
- Heavy Duty Basket or Debris Net Options



ORDERING GUIDE

POOL VACUUM ACCESSORIES				
REF	CMP P/N		DESCRIPTION	BOX QTY
A	58410-160-409		VENTURI LEAF EATER	6
—	58410-170-454		LEAF EATER REPLACEMENT MESH BAG	24
B	58306-009-000		HANDHELD POOL AND SPA QUICK-VAC	6
C	58309-000-000		LEAF TRAP WITH FINE MESH BAG	6
D	58309-300-000		LEAF TRAP WITH BASKET	6
—	27182-010-000		HEAVY DUTY REPLACEMENT BASKET FOR LEAF TRAP	EA



The CLEANPRO™ S-2000 automatic suction-side pool cleaner is a tough and durable automatic pool vacuum. Setup is fast and easy, and the durable one-moving-part design lasts for years of continual use. The S-2000 follows a random pattern to clean 100% of the pool floor with ease and efficiency.

PRODUCT FEATURES

- Automatic Suction-Side Cleaner
- Quick Easy Setup
- Cleans 100% of the Pool Floor
- Attractive Retail Packaging
- Includes 32 Feet of Hose
- For In Ground or Above Ground Pools



ORDERING GUIDE

S-2000 SUCTION CLEANER		
CMP P/N	DESCRIPTION	BOX
25563-800-000	S-2000 AUTOMATIC SUCTION VACUUM KIT	2

POOL BRUSHES & NETS



ORDERING GUIDE

AQUA ELEMENTS® POOL BRUSHES & NETS			
REF	CMP P/N	DESCRIPTION	BOX/ BAG
A	58420-120-166	18" CURVED POLY-BRISTLE WALL BRUSH	24
B	58420-110-025	18" DELUXE METAL BACK BRUSH	24
C	58420-130-316	10" ALGAE BRUSH	12
D	58430-150-100	LEAF SKIMMER WITH DEBRIS MAGNET	24
E	58430-140-087	ALUMINUM LEAF SKIMMER	24
F	58430-160-146	4' TELEPOLE SKIMMER NET WITH DEBRIS MAGNET	12
G	58430-100-035	DEEP NET LEAF RAKE	24
H	58430-110-043	DELUXE ALUMINUM DEEP NET LEAF RAKE	24
I	58480-130-079	ALUMINUM POLE HANGERS & SCREWS SET	24
J	58480-110-039	QUICK SNAP BUTTERFLY CLIPS (3 PIECE SET)	24

TOOL KITS & PRO SERIES POOL TOOLS



ORDERING GUIDE

AQUA ELEMENTS® TOOL KITS & PRO SERIES			
REF	CMP P/N	DESCRIPTION	BOX/ BAG
A	58490-110-530	FIVE PIECE MAINTENANCE KIT FOR GUNITE POOLS	6
B	58490-120-540	FIVE PIECE MAINTENANCE KIT FOR VINYL POOLS	6
C	58420-140-494	18" PRO SERIES POOL BRUSH	24
D	58430-190-548	PRO SERIES SOLID TUBE FRAME DEEP LEAF RAKE	24
E	58430-180-161	PRO SERIES ALUMINUM LEAF SKIMMER	12
F	58430-120-065	PRO SERIES XL "SCOOP" PLASTIC LEAF RAKE	12
G	58430-130-066	PRO SERIES XL "SCOOP" PLASTIC SKIMMER	12

POOL CARE ACCESSORIES

AQUA
elements.


ORDERING GUIDE

POOL TOOLS & ACCESSORIES			
REF	CMP P/N	DESCRIPTION	BOX/ BAG
A	58470-110-690	STANDARD TOP LOAD ADJUSTABLE FLOATING CHLORINATOR	12
B	58490-130-257	VINYL POOL REPAIR KIT	24
C	58440-120-083	FLOATING ANIMAL THERMOMETERS	12
D	58440-110-082	DELUXE ROUND THERMOMETER	24
E	58440-130-084	DELUXE FLOATING THERMOMETER	12
F	58440-140-080	BUOY THERMOMETER	24

A woman with long red hair, wearing a pink bikini, is splashing water in a pool. The water is captured in mid-air, creating a large, dynamic splash. In the background, there is a metal railing and a lifebuoy hanging on it. A depth marker on the pool edge shows the number '3'. The sky is blue with some clouds. The bottom of the image has a blue and white checkered pattern.

AQUA
elements®

POOL CARE ACCESSORIES

CMP SMART SCOOP

Application Guides are Molded Into the Scoop For:
Sodium Bicarbonate, Soda Ash, Cyanuric Acid (CYA), D.E. Powder, and
Standard Cup Measurements

PRODUCT FEATURES

- Large scoop that holds over six cups
- Application guides are molded into the scoop
- Clear so you can see exactly what you are measuring
- Chemical resistant, BPA free material
- Durable scoop handle for a firm grip to ease the application of large chemical doses.



ORDERING GUIDE

POOL CARE ACCESSORIES				
REF	CMP P/N	DESCRIPTION	CAPACITY	BOX QTY
A	25600-411-000	CMP CLEAR SMART SCOOP	SIX CUPS	—
B	27052-019-000	BLUE BOTTOM LOAD ADJUSTABLE CHLORINATOR	TEN 1" TABLETS	45
C	27052-029-000	TAN BOTTOM LOAD ADJUSTABLE CHLORINATOR	TEN 1" TABLETS	45
D	27052-039-000	GRAY BOTTOM LOAD ADJUSTABLE CHLORINATOR	TEN 1" TABLETS	45
E	27051-009-000	GRAY/WHITE TOP LOAD ADJUSTABLE CHLORINATOR	TEN 1" TABLETS	45
F	27051-019-000	BLUE/WHITE TOP LOAD ADJUSTABLE CHLORINATOR	TEN 1" TABLETS	45
G	58470-110-700	LARGE TOP LOAD ADJUSTABLE FLOATING CHLORINATOR	EIGHT 3" TABLETS (4LB)	12
H	25600-009-000	ORANGE 1LB DE SCOOP	1 LB OF DE POWDER	50
I	58307-000-000	FILTER SAVER SKIMMER SOCKS (5-PACK)	—	20
J	58307-100-000	LARGE FILTER SAVER SKIMMER SOCKS (5-PACK)	—	20
K	25300-200-000	CARTRIDGE FILTER CLEANING TOOL	—	—

POOL ACCESSORY FITTINGS & TOOLS



Four Tools in One

ORDERING GUIDE

SPECIALTY POOL FITTINGS							
REF	WHITE	GRAY	BLACK	DARK GRAY	TAN	DESCRIPTION	BOX/BAG
A-B	25570-100-000	25570-101-000	25570-104-000	25570-107-000	25570-119-000	VOLLEYBALL POLE HOLDER ASSY	35
A	25570-000-000	—	—	—	—	VOLLEYBALL POLE HOLDER	36
B	25571-000-000	25571-001-000	25571-004-000	25571-007-000	25571-019-000	VOLLEYBALL FLANGE & FLUSH CAP	280/35
C	25558-000-000	25558-001-000	25558-004-000	—	25558-009-000	3/4" MIP AERATOR	1000/50
D	25558-100-000	25558-101-000	—	—	25558-109-000	3/4" ROUND AERATOR	1000/50
E	25558-170-000	25558-171-000	—	—	25558-179-000	3/4" INSIDER AERATOR	1000/50
F	25589-200-000	—	—	—	—	2" NYLON WALL FASTENER	25*
G	21093-000-000	—	21093-004-000	—	—	1.25"/1.5" HOSE ADAPTER	390
H	21093-150-000	—	21093-154-000	—	—	1.5" HOSE ADAPTER	390
I	25505-000-000	25505-001-000	25505-004-000	25505-007-000	25505-009-000	1.5" MIP×1.25" VAC COVER (IAPMO)	100
J	—	—	25710-004-000	—	—	WEIGHTED VINYL PILLOW (11.5" × 8.5")	24

POOL SERVICE TOOLS			
REF	CMP P/N	DESCRIPTION	BOX/BAG
K	58308-100-000	36" CABLE SAW	100
L	25590-250-000	POOL FITTING MULTITool	—
M	25300-100-000	PUMP LID REMOVAL TOOL	—

*sold in bag quantities only

POOL SAFETY ROPE ACCESSORIES



ORDERING GUIDE

POOL SAFETY ROPE ACCESSORIES			
REF	CMP P/N	DESCRIPTION	BOX QTY
A	25569-100-000	18' × 5/16" POOL SAFETY ROPE KIT WITH TWO HOOKS	18
A	25569-000-000	22' × 5/16" POOL SAFETY ROPE KIT WITH TWO HOOKS	18
B	25564-000-300	SMALL FLOAT FOR 5/16" POOL SAFETY ROPE	100
B	58460-110-688	LARGE FLOAT FOR 3/4" POOL SAFETY ROPE	24
C	25569-000-100	RATCHET-LOCK ROPE HOOKS (SET OF TWO)	—

VINYL & FIBERGLASS POOL ROPE EYES								
REF	WHITE	GRAY	DARK BLUE	BLACK	LIGHT BLUE	TAN	DESCRIPTION	BOX QTY
D	25568-400-000	25568-401-000	25568-469-000	25568-404-000	25568-409-000	25568-439-000	FLUSH ROPE EYE	50
E	25568-500-000	25568-501-000	—	—	—	—	F-GLASS FLUSH ROPE EYE	50
F	25568-300-000	25568-301-000	25568-369-000	—	—	—	MALE RECEPTOR ROPE EYE	100
G	25568-300-010	25568-301-010	25568-369-010	—	—	—	BASIC ROPE EYE	100

COPING MOUNTED ROPE EYES					
REF	WHITE	GRAY	CHROME	DESCRIPTION	BOX QTY
H	25568-200-000	25568-201-000	—	COPING MOUNT ROPE EYE (2)	200
H	—	—	25568-700-000	CHROME COPING MOUNT ROPE EYE (2)	100
I	—	—	25568-750-000	14" CHROME RING ROPE EYE (STRAP)	100

GUNITE POOL ROPE ANCHORS							
REF	WHITE/OTHER	GRAY	DARK GRAY	BLACK	TAN	DESCRIPTION	BOX QTY
J	25567-000-000	25567-001-000	25567-007-000	25567-004-000	25567-039-000	PLASTIC PIN ANCHOR	50
K	25568-000-000	25568-001-000	25568-007-000	25568-004-000	25568-039-000	STEEL PIN ANCHOR	50
L	25567-100-000	25567-101-000	25567-107-000	25567-104-000	25567-139-000	MINI ANCHOR	50
L	25567-109-000	—	—	—	—	CLEAR MINI ROPE ANCHOR	50

IN GROUND LADDER ACCESSORIES

PLASTIC LADDER ANCHOR

- Plastic Anchor Prevents Typical Corrosion Issues Associated with Metal Ladder Anchors
- Electrical Ground is Built into Anchor



ORDERING GUIDE

LADDER ANCHORS & BOLT KITS			
REF	CMP P/N	DESCRIPTION	BOX QTY
A	25572-420-000	20" PLATE & TWO 4" ANCHOR SOCKETS	10
A	25572-480-000	8" PLATE & TWO 4" ANCHOR SOCKETS	10
A	25572-400-000	4" HEAVY DUTY PLASTIC ANCHOR 1.9" SOCKET (SINGLE)	50
A	25572-600-000	6" HEAVY DUTY PLASTIC ANCHOR 1.9" SOCKET (SINGLE)	38
B	25572-400-100	HEAVY DUTY PLASTIC ANCHOR WEDGE & BOLT	100
C	25562-500-000	MALE LADDER BUMPER FOR 1.9" OD RAIL	300
C	25562-500-100	MALE BUMPER 2-PACK (RETAIL PACKAGING)	80
C	25562-600-000	FEMALE LADDER BUMPER FOR 1.9" OD RAIL	300
C	25562-600-100	FEMALE BUMPER 2-PACK (RETAIL PACKAGING)	80
D	25562-720-000	ELITE LADDER BOLT KIT (60-702)	—
D	25562-740-000	ECONOMY LADDER BOLT KIT (60-704)	—

LADDER ANCHORS & BOLT KITS						
REF	WHITE	GRAY	TAN	CHROME/SS	DESCRIPTION	BOX QTY
E	25572-050-000	25572-051-000	25572-059-000	—	5.75" ESCUTCHEON (FITS 1.9")	—
E	25572-000-000	25572-001-000	25572-009-000	25572-002-000	5" ESCUTCHEON (FITS 1.9")	—
F	—	—	—	25572-100-000	SS ESCUTCHEON (FITS 1.9")	—
G	25572-200-000	25572-201-000	25572-209-000	25572-202-000	CLIP-ON ESCUTCHEON (FITS 1.9")	—
H	25562-100-000	—	—	—	20" LADDER TREAD (SRS-A42073-0)	—
I	25562-000-000	—	—	—	17-1/4" TREAD (SWAN 60-704, LTDF-101)	—

IN POOL WALL STEPS (15"×6"×6", 3" DEEP)								
REF	WHITE	GRAY	DARK GRAY	LIGHT BLUE	BLACK	TAN	DESCRIPTION	BOX QTY
J	25578-000-000	25578-001-000	25578-007-000	25578-009-000	25578-004-000	25578-019-000	IN POOL STEPS	6

POOL PLUGS & WINTERIZING TOOLS



DELUXE WINTERIZING TUBE

- Pool Plumbing Blow-Out Hole
- Includes Cap
- Fits 1.5" or 2" MIP



ORDERING GUIDE

POOL PLUGS						
REF	WHITE	GRAY	TAN	BLACK	DESCRIPTION	BOX QTY
A	25543-000-000	25543-001-000	—	25543-004-000	1.5" ALL PURPOSE PLUG WITH O-RING	700/50
B	25542-000-000	25542-001-000	25542-009-000	25542-004-000	1.5" MIP FLAT PLUG W/ GASKET	1000/50
B	25542-500-000	—	—	—	1.5" MIP FLAT PLUG W/ GASKET (EXT THREAD)	1000/50
C	25597-000-030	—	—	—	3/4" MALE THREADED PLUG	450/18
C	25520-040-000	—	—	—	1.5" MALE THREADED PLUG	450/18
C	25520-050-020	—	—	—	2" MALE THREADED PLUG	450/18
C	25513-250-020	—	—	—	2.5" MALE THREADED PLUG	450/18
C	25513-300-020	—	—	—	3" MALE THREADED PLUG	450/18
D	25525-000-000	—	—	—	2" MIP PLUG WITH O-RING	450/18
E	25528-000-000	—	—	25523-900-000	1.5" MIP TEST PLUG TOOL (SP1434TP)	160
F	25523-900-000	—	—	25523-904-000	1.5" MIP JOSAM PLUG (PRESSURE TEST)	160
G	25552-020-300	—	—	—	SOLID FLANGE CAP FOR EYEBALL FITTINGS	400

WINTERIZING TUBES			
REF	CMP P/N	DESCRIPTION	BOX QTY
H	25251-120-000	1.5" / 2" DELUXE WINTERIZING TUBE (BLUE)	36
I	25251-100-000	1.5" / 2" IN GROUND WINTERIZING TUBE (BLUE)	36
J	25251-110-000	1.5" ABOVE GROUND WINTERIZING TUBE (BLUE)	72



POOL DEFENDER

ANODES & WATER BONDS



Pool Defender™
Skimmer p112

WATER BONDING:
PROTECT SWIMMERS FROM STRAY ELECTRICAL CURRENTS

SACRIFICIAL ANODES:
PROTECT EVERY POOL FROM GALVANIC CORROSION



ELECTRICAL POOL SAFETY IS SERIOUS. POOL DEFENDER™ IS THE EASY WAY TO SAFEGUARD ANY POOL.

EVERY POOL NEEDS A DEFENDER™



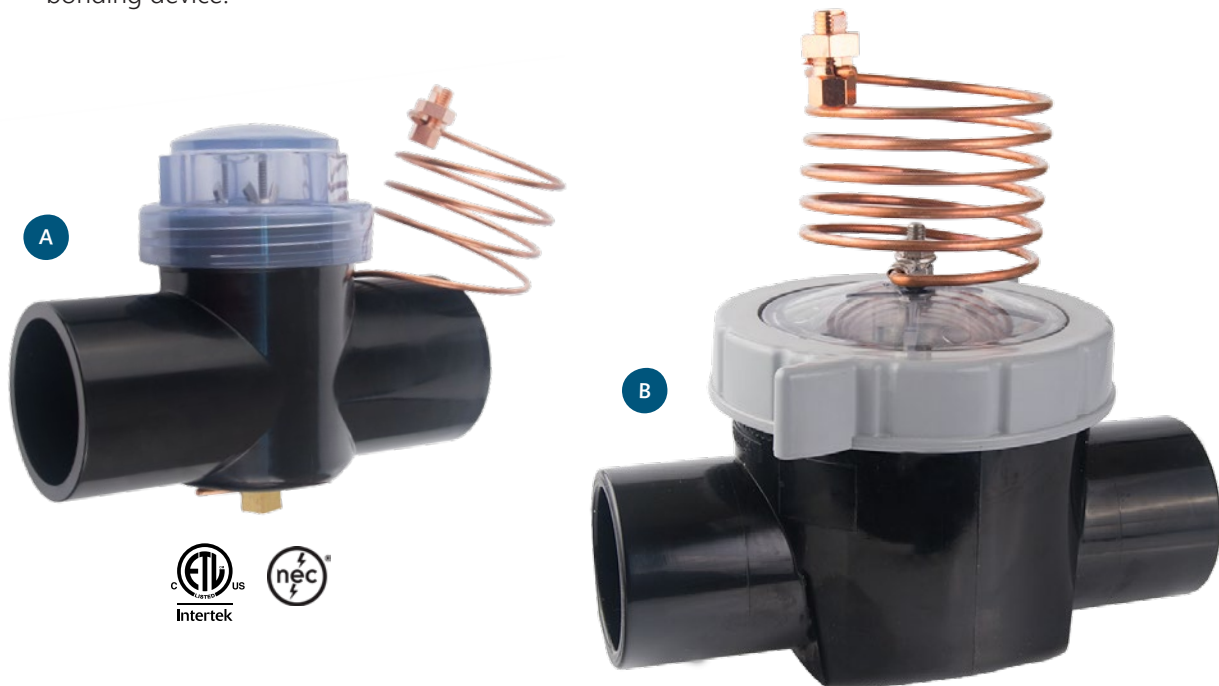
POOL DEFENDER™ INLINE ANODE & WATER BOND

Preventing damage from salt water sanitation systems is a key step in building a quality modern pool. Protect the pool from galvanic corrosion combined with an NEC Approved water bonding device. For more info on corrosion problems see page 172.

C-M-P.COM/POOL-DEFENDER

PRODUCT FEATURES

- Connects to Pool Bonding Wire
- Protects the Entire Pool from Galvanic Corrosion
- Compact Pool Defender™ (A) Complies With: *UL-1081, UL-1563, CSA C22.2-218.1*
- Compact Model Meets NEC2008 680.26(C) as a Water Bonding Device
- Zinc Anode Lasts Approximately 3 Years
- Kit Includes 4ft of Solid Copper Ground Wire
- Compact Pool Defender acts protects the pool from galvanic corrosion and is also certified as a water bonding device.



ORDERING GUIDE

POOL DEFENDER™ INLINE			
REF	CMP P/N	DESCRIPTION	BOX QTY
A	25810-400-050	2" POOL DEFENDER COMPACT (WITH COPPER WIRE)	—
A	25810-350-050	2" POOL DEFENDER COMPACT (WITHOUT COPPER WIRE)	—
—	25810-200-950	REPLACEMENT ZINC ELEMENT FOR COMPACTPOOL DEFENDER INLINE ZINC ANODE	—
—	25398-010-000	1.5" / 2" REDUCER BUSHING (SEE PAGE 149)	200
B	25810-150-000	1.5" POOL DEFENDER DELUXE KIT 1.5" S (2" SPIGOT)	12
B	25810-200-000	2" POOL DEFENDER DELUXE KIT 2"S (2.5" SPIGOT)	12
—	25810-200-950	REPLACEMENT ZINC ELEMENT FOR DELUXE POOL DEFENDER INLINE ZINC ANODE	—

REPLACEMENT PARTS PAGE 215

ABOVE GROUND PUMP WATER BOND

- Install Pool Bonding to a Standard Above Ground Pool Pump through the Strainer Drain Plug (Fig 1)
- No Special Tools Required for Installation
- Stainless Steel Coil Sits Below Pump Basket
- Bolt Connector Attaches to Pool Bonding Wire
- Meets Requirements of NEC 680.26 (C)

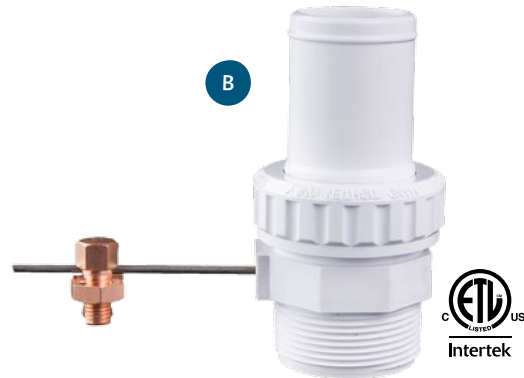


Figure 1



ECON UNION WATER BOND

- Install Pool Bonding to a Standard Above Ground Pool Filter at the Hose Connection
- No Special Tools Required for Installation
- Bolt Connector Attaches to Pool Bonding Wire
- Meets Requirements of NEC 680.26 (C)



POOL BASKET ZINC ANODE

- Attach a Zinc Anode to Any Pool Skimmer Basket
- Sacrificial Anode Helps Fight Galvanic Corrosion in "Saltwater" Pools
- "Puck" Weighs Down Basket to Prevent Floating
- Retail Style Packaging



ORDERING GUIDE

POOL DEFENDER™ ZINC ANODES & WATER BOND DEVICES			
REF	CMP P/N	DESCRIPTION	BOX QTY
A	25810-500-000	ABG PUMP BOND (SS WIRE, CONNECTOR, RELIEF FITTING)	—
B	25810-850-000	ECON UNION WITH STAINLESS STEEL POOL BOND	—
C	25810-009-950	ZINC ANODE "PUCK" FOR SKIMMER BASKETS	100

POOL DEFENDER™ TECHNICAL INFO



ABOUT POOL BONDING REQUIREMENTS

Since 2008 the National Electrical Code (NEC) has mandated that pool water shall be electrically bonded, not just metals in the structure of the pool itself.

As required in NEC Section 680.26(C) the Bonding Device shall:

- Consist of at least 9 sq. in. of conductive material
- Shall be in contact with the water 24/7, whether the circulation system is running or not
- The Connector (lug) must be unable to “back off” (due to vibration, etc.) at any time

Code enforcement for these requirements is consistently increasing. High level pool professionals should already be meeting these requirements for all pool service and installations. To ease this process CMP is developing a complete line of cost effective, easily installed pool bonding devices for in ground and above ground pools.

ABOUT CORROSION DAMAGE TO “SALT WATER” POOLS

Salt water generators have greatly gained in popularity as a replacement for traditional pool sanitation methods. These systems are a great solution for many homeowners that prefer storing fewer harsh chemicals and who also enjoy more “automated” pool care. However in a swimming pool “salt water” can create a very corrosive environment for metal pool components and equipment.

WHY DOES THIS HAPPEN?

Any time different metals are present in your salt water pool, a small amount of electrical current is created between them. Over time this will actually cause metal ions to release into the pool water. As this “galvanic corrosion” builds over time, you will experience:

- Metal erosion and damage
- Plaster discoloration
- Pool surface stains

Damage can eventually be severe and expensive. This can effect all metal parts, including but not limited to heaters, lights, niches, automatic covers and safety rails.

HOW CAN DAMAGE BE PREVENTED?

The electrical current generated effects high grade metals more slowly than weaker metals. Zinc is a weak metal that will erode faster than other metals, essentially “sacrificing” itself to prevent corrosion and staining in other areas of the pool. The Pool Defender Sacrificial Zinc Anode is designed to prevent the damage caused by salt water sanitation systems.

- The zinc anode will erode instead of your expensive pool components
- The Pool Defender Sacrificial Anode is tied into the pool bonding wire, thereby protecting the entire pool
- Simply replace the anode after half of it has eroded, typically in about three years
- Certified for use as a water bonding device by NEC2008 680.26(C) building code requirements

Notes are for general information purposes only. Always install professionally and refer to local and national code requirements for installation guidelines. You can visit www.nfpa.org for more information.

OEM REPLACEMENT POOL PARTS

Flowskim™ Basket *174*

Heavy Duty Pool Baskets *175*

Auto Cleaner Parts *178*

JZ-Style Fittings *182*

Heavy Duty Manifolds *183*

Pool Equipment Parts *184*

OEM POOL PARTS

WWW.C-M-P.COM/POOL-PRODUCTS/ACCESSORIES

FLOWSKIM™ BASKET HANDLE



The FLOWSKIM Skimmer Basket Handle provides a path for water flow when your skimmer basket is full of debris. It can also be removed and emptied without touching wet leaves, bugs and other debris inside the skimmer basket.

PRODUCT FEATURES

- Protects Pump from Running Dry
- Easier Removal and Cleaning
- 12", 14" and 16" Handle Options
- U.S AND INTERNATIONAL PATENTS



ORDERING GUIDE

FLOWSKIM™ SKIMMER BASKET HANDLE					
REF	12" HANDLE	14" HANDLE	16" HANDLE	DESCRIPTION	BOX QTY
A	27182-352-000	27182-362-000	27182-372-000	FLOWSKIM BASKET FOR SP1082CA	36
B	27182-300-000	27182-310-000	27182-320-000	FLOWSKIM BASKET FOR SP1070 / U-3	60
C	27180-336-000	27180-337-000	27180-338-000	FLOWSKIM BASKET FOR BAKER HYDRO 51B1026 NEW	—
D	25573-300-000	25573-310-000	25573-320-000	FLOWSKIM HANDLE & SCREWS KIT	50

HEAVY DUTY POOL BASKETS



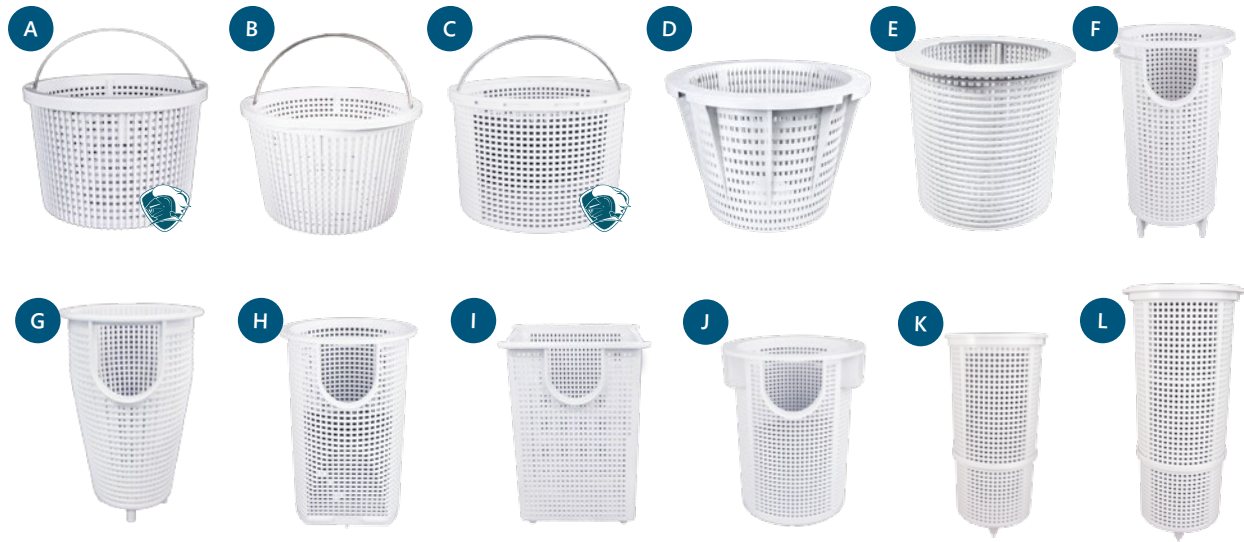
Let's face it, pool baskets can really take a beating. They are forever under attack from harsh chemicals, erosion, UV sunlight, and the occasionally over-excited Shih Tzu. Pump and skimmer baskets protect your customer's equipment from serious damage. Why would you trust anything other than the absolute best?

PRODUCT FEATURES

- Better Than OEM Originals: Twice as Thick
- Metal Weight Prevents Floating Baskets
- Adjustable Stainless Steel Handles
- Extra Support Feet on Pump Baskets



Anode on Select Baskets



ORDERING GUIDE

HEAVY DUTY POOL BASKETS					
REF	CMP P/N	DESCRIPTION	DIMENSIONS A x B x C	COMPARE TO	BOX QTY
A	27182-009-000	HD U-3 SKIMMER BASKET	8¼" x 5¾" x 6½"	SP1070, U-3, B-9	24
A	27182-009-200	HD U-3 BASKET & ZINC ANODE PUCK	8¼" x 5¾" x 6½"	SP1070, U-3, B-9	24
B	27182-019-000	HD WATERWAY® SKIMMER BASKET	7½" x 5½" x 6¾"	542-3240	30
C	27182-152-000	HD 1082 STYLE BASKET	7½" x 5" x 6½"	SPX1082CA, B-152	24
C	27182-152-200	HD 1082 BASKET WITH ZINC ANODE PUCK	7½" x 5" x 6½"	SPX1082CA, B-152	24
D	27182-200-000	HD AMERICAN PRODUCTS™ S20 BASKET	8½" x 6" x 5½"	S-20, B-200	120
E	27182-037-000	HD AMERICAN PRODUCTS™ SKIMMER BASKET	7¼" x 7½" x 7¼"	AP 850001, B-37	12
F	27180-219-000	HD CHALLENGER® PUMP BASKET	5½" x 9¾" x 4¾"	355318, B-219	30
G	27182-199-000	HD WHISPERFLO® PUMP BASKET	5¾" x 8½" x 3¾"	070387, B-199	36
H	27182-207-000	HD SUPER II™ PUMP BASKET	5¾" x 9½" x 5"	SPX3000M, B-207	25
I	27182-167-000	HD SUPER PUMP® BASKET	6¼" x 6" x 3¾"	SPX1600M, B-167	27
J	27182-215-000	HD MAX-E-PRO® PUMP BASKET	5½" x 7¼" x 4¾"	C8-58P, B-215	25
K	27182-010-000	HD CMP LEAF TRAP CANISTER BASKET	5½" x 11¾" x 4¾"	—	30
L	27182-020-000	HD LEAF TRAP CANISTER BASKET	6¼" x 13¾" x 4½"	R211526, B-204, W530	30
—	25810-009-950	ZINC ANODE "PUCK" KIT (SEE PG 171)	n/a	—	25

Available with Pool Defender™ Anode

POOL PUMP & SKIMMER BASKETS

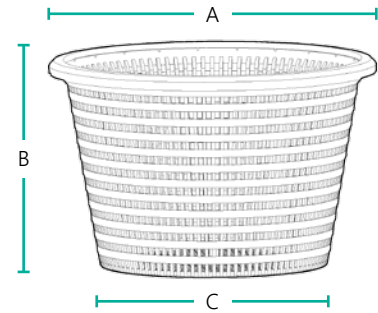


 Available with Pool Defender™ Anode  Also available in Pro Tools Heavy Duty

POOL PUMP & SKIMMER BASKETS

PRODUCT FEATURES

- Popular and difficult to find direct replacements for OEM baskets
- Popular styles also offered in Pro Tools Heavy Duty
- Select baskets available with Zinc Anode option
- As of late 2015, all baskets will be white



ORDERING GUIDE

STANDARD SKIMMER BASKETS					
REF	CMP P/N	DESCRIPTION	DIMENSIONS A x B x C	COMPARE TO	BOX QTY
A	27180-136-000	BAKER SKIMMER	7 $\frac{3}{4}$ " x 5 $\frac{7}{8}$ " x 4 $\frac{3}{4}$ "	51B1026, 340-1139, B-136	36
B	27180-152-000	HAYWARD® 1082 SKIMMER	7 $\frac{1}{8}$ " x 5" x 6 $\frac{5}{8}$ "	SPX1082CA, B-152	24
C	25140-000-900	WATERWAY SKIMMER	7 $\frac{3}{4}$ " x 5 $\frac{1}{8}$ " x 5 $\frac{7}{8}$ "	542-3240	16
D	27180-200-000	ADMIRAL™/AMERICAN PRODUCTS™ SKIMMER	8 $\frac{3}{8}$ " x 6" x 5 $\frac{1}{2}$ "	S20, B-200	24
E	27180-203-000	HAYWARD® 1094 SKIMMER	5 $\frac{1}{8}$ " x 3" x 3 $\frac{5}{8}$ "	SPX1094FA, B-203	60
F	25512-000-991	CMP ABOVE GROUND SKIMMER	6 $\frac{3}{4}$ " x 3" x 3 $\frac{3}{4}$ "	—	—
G	27180-168-000	HAYWARD® 1096 SKIMMER	5 $\frac{1}{2}$ " x 3 $\frac{1}{2}$ " x 5 $\frac{1}{4}$ "	SPX1096CA, B-168	58
H	27180-163-000	KAFKO™ SKIMMER	7 $\frac{1}{2}$ " x 6 $\frac{5}{8}$ " x 6 $\frac{3}{4}$ "	19-0163-1	12
I	27180-009-000	HAYWARD® U-3 SKIMMER	8 $\frac{3}{4}$ " x 5 $\frac{1}{8}$ " x 5 $\frac{3}{4}$ "	SP1070, U-3, B-9	100
I	27180-009-200	HAYWARD® U-3 SKIMMER & ANODE	8 $\frac{3}{4}$ " x 5 $\frac{1}{8}$ " x 5 $\frac{3}{4}$ "	SP1070, U-3, B-9	100
J	27180-043-000	PACFAB® ABG SKIMMER	7 $\frac{3}{8}$ " x 4 $\frac{1}{2}$ " x 5 $\frac{1}{2}$ "	51-3036, B-43	40
K	27180-099-000	INVERTED SKIMMER	4 $\frac{5}{8}$ " x 4 $\frac{7}{8}$ " x 3 $\frac{3}{4}$ "	B-99	32
K	27180-099-030	CUFF ONLY FOR INVERTED SKIMMER BASKET	n/a	—	—
L	25512-000-900	HAYWARD® ABG SKIMMER	6" x 3" x 5"	SPX1091	60
M	27180-037-000	AMERICAN PRODUCTS™ SKIMMER	7 $\frac{1}{4}$ " x 7 $\frac{5}{8}$ " x 7 $\frac{1}{4}$ "	R38013A, 850001, B-37	12
N	27180-038-000	AMERICAN PRODUCTS™ FLOATING WEIR	6 $\frac{3}{8}$ " x 7 $\frac{7}{8}$ " x 6"	R38013B, 850012, B-38	16
—	25810-009-950	ZINC ANODE "PUCK" KIT (SEE PG 171)	n/a	—	25
STANDARD PUMP BASKETS					
O	27180-167-000	HAYWARD® SUPER PUMP®	6 $\frac{3}{4}$ " x 6" x 3 $\frac{7}{8}$ "	SPX1600M, B-167	24
P	27180-207-000	HAYWARD® SUPER II PUMP	5 $\frac{3}{4}$ " x 8 $\frac{7}{8}$ " x 5 $\frac{1}{8}$ "	SPX3000M, B-207	25
Q	27180-199-000	PUR AQUATRON, WHISPERFLO® PUMP	5 $\frac{3}{4}$ " x 7 $\frac{1}{2}$ " x 3 $\frac{3}{8}$ "	070387, B-199	36
R	27180-215-000	MAX II PUMP	5 $\frac{7}{8}$ " x 7 $\frac{3}{4}$ " x 4 $\frac{3}{4}$ "	C8-58P, B-215	25
S	27180-220-000	POWER-FLO® PUMP	5 $\frac{1}{8}$ " x 7 $\frac{3}{8}$ " x 4 $\frac{1}{4}$ "	SPX1500LX, B-220	30
T	27180-355-000	SUPER-FLO PUMP	5 $\frac{3}{8}$ " x 7 $\frac{1}{8}$ " x 3 $\frac{3}{4}$ "	355667	30
U	27180-280-000	MAX-FLO™ PUMP	4 $\frac{1}{8}$ " x 7 $\frac{5}{8}$ " x 3 $\frac{3}{8}$ "	SPX2800M	30
V	27180-033-000	5" PUMP / PRE / AQF	4 $\frac{5}{8}$ " x 5" x 3 $\frac{3}{4}$ "	91110000, C180-33P, B-33	60
W	27180-036-000	6" PUMP, TAPERED, AQUA-FLO / PUREX	5 $\frac{7}{8}$ " x 4 $\frac{3}{4}$ " x 3 $\frac{5}{8}$ "	B-36	90
X	27180-106-000	5" PUMP, STA-RITE® / PRE/AQF	4 $\frac{5}{8}$ " x 5 $\frac{1}{4}$ " x 3 $\frac{3}{4}$ "	C108-33P, B-106	60
Y	27180-039-000	ANTHONY PUMP 7" x 7"	6 $\frac{3}{4}$ " x 4 $\frac{1}{2}$ " x 3 $\frac{7}{8}$ "	B-39	30

POOL AUTO PRESSURE CLEANER PARTS



POOL AUTO PRESSURE CLEANER PARTS

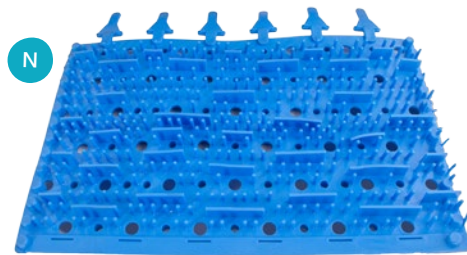
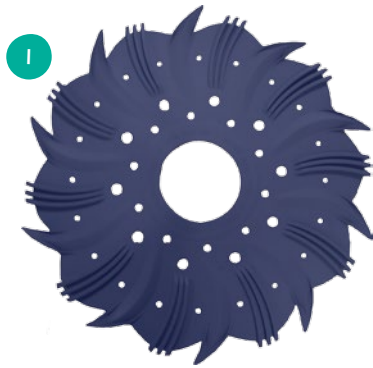
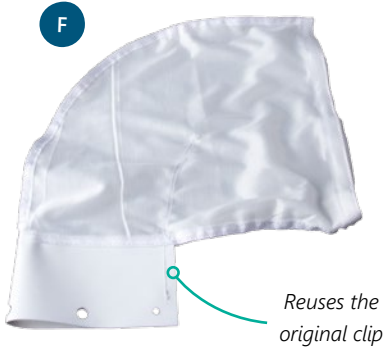
PRODUCT FEATURES

- Premier Replacements for OEM Pool Cleaner Parts
- CMP Quality Replacement Guarantee
- One Year CMP No Strings Attached Warranty (details page 225)

POLARIS® CLEANER HOSE PARTS ACCESSORIES					
REF	WHITE/OTHER	BLACK	DESCRIPTION	COMPARE TO	BOX QTY
A	25563-200-000	25563-204-000	HOSE SWIVEL (SINGLE)	D20	300
A	25563-240-000	25563-244-000	HOSE SWIVEL (4-PACK)	D20	100
A	25563-210-000	25563-214-000	HOSE SWIVEL, 360 STYLE (SINGLE) NEW	9-100-3002	—
A	25563-210-400	—	HOSE SWIVEL, 360 STYLE (4-PACK) NEW	9-100-3002	—
B	25563-115-000	25563-115-400	HOSE NUT	D15	1000
C	25563-100-000	25563-104-000	HOSE FLOAT (SINGLE)	D10/D11	200
C	25563-400-000	—	HOSE FLOAT (4-PACK)	D10	80
D	25563-110-000	25563-114-000	HOSE CLAMP	B15	2400
E	25563-133-000	—	PUMP QUICK DISCONNECT	P133	50
F	25563-052-000	25563-054-000	BACK-UP VALVE	G52/G62	—
F	25563-052-360	25563-054-360	BACK-UP VALVE, 360 STYLE	9-100-1200/9-100-1201	—
—	25563-052-053	—	BACK-UP MECHANISM	G53	—
—	25563-052-054	25563-054-064	BACK-UP VALVE BODY ONLY	G54/G64	—
—	25563-050-024	25563-054-024	BACK-UP VALVE COLLAR	G57	—
G	25563-080-000	25563-084-000	IN-LINE FILTER	48-080/48-085	—
H	25563-150-000	25563-154-000	UWF ASSEMBLY COMPLETE	9-100-9001	100
H	25563-150-360	25563-154-360	360 UWF ASSEMBLY	9-100-3008	—
—	25563-029-000	25563-029-004	UWF BODY & O-RING ONLY	D29/D30	100
—	25563-029-360	25563-029-364	360 UWF BODY & O-RING ONLY	9-100-3006/9-100-3007	—
I	25563-160-000	25563-164-000	UWF WALL FITTING	6-500-00	500
I	25563-161-000	—	GRAY WALL FITTING	6-500-00	—
J	25563-150-100	25563-154-100	UWF RELIEF VALVE	9-150-1002	—
K	25563-150-200	—	UWF SCREEN	6-504-00	100
L	25563-150-112	—	REDUCER SET	10-112-00	—

POLARIS® CLEANER WHEEL AND GEAR PARTS					
M	25563-120-000	25563-124-000	"HEAD" FLOAT NEW	A20	—
N	25563-170-000	25563-174-000	WHEEL AXLE	C65	500
O	25563-250-000	—	WHEEL BEARING C60 (SINGLE)	C60	100
O	25563-280-000	—	WHEEL BEARING C60 (8-PACK)	C60	50
P	25563-260-000	—	TURBINE BEARING C80	C80	500
Q	25563-270-000	—	380/360 WHEEL BEARING (SINGLE)	9-100-1108	100
Q	25563-270-800	—	380/360 WHEEL BEARING (8-PACK)	9-100-1108	50
R	25563-089-000	—	DRIVE TRAIN GEAR KIT NEW	9-100-1132	—
S	25563-086-000	—	DRIVE SHAFT ASSEMBLY NEW	C86	—
—	25563-020-000	—	TURBINE HOSE 7-1/2" NEW	C120	—
T	25563-017-000	—	360/380 BELT KIT	9-100-1017	100
U	25563-340-030	25563-344-030	HUB CAP	9-100-1114/9-100-1115	100
V	25563-380-000	25563-384-000	WHEEL WASHER	C64/C67	360
V	25563-370-000	25563-374-000	WHEEL SCREW	C55/C56	1000
W	25563-370-400	—	WHEEL SCREW (4-PACK)	C55	—
X	25563-360-000	25563-364-000	WHEEL	C6/C7	120
X	25563-340-000	25563-344-000	DOUBLE WHEEL	1008/1004	40
Y	25563-350-000	25563-354-000	SINGLE WHEEL	1116/1117	60
Z	25563-660-400	25563-664-400	AXLE & GUARD	C66/C68	—
AA	25563-310-000	25563-314-000	TIRE	C10/C11	50
BB	25563-460-000	25563-464-000	SMALL IDLER WHEEL	C16	—

POOL AUTO CLEANER PARTS



POOL AUTO CLEANER PARTS

ORDERING GUIDE

POLARIS® CLEANER HOSES AND BAGS					
REF	WHITE/OTHER	BLACK	DESCRIPTION	COMPARE TO	BOX QTY
A	25563-005-000	25563-005-060	4FT SWEEP HOSE	B5/B6	—
B	25563-010-000	25563-014-000	WEAR RING FOR SWEEP HOSE (SINGLE) NEW	B10	—
B	25563-010-800	—	WEAR RING FOR SWEEP HOSE (8-PACK) NEW	B10	—
C	25563-025-000	—	ORIFICE TIP AND GUARD FOR SWEEP HOSE NEW	B25	—
D	25563-300-000	—	HOSE SCRUBBER (SINGLE)	9-100-3105	200
D	25563-300-500	—	HOSE SCRUBBER (5-PACK)	9-100-3105	70
D	25563-300-110	—	TAILSWEEP PRO® SCRUBBER (SINGLE) NEW	—	—
D	25563-300-150	—	TAILSWEEP PRO® SCRUBBER (5-PACK) NEW	—	—
E	25563-040-000	25563-044-000	30FT COMPLETE HOSE KIT (NO VALVE)	G5/G6	—
E	25563-040-100	25563-044-100	10FT FEED HOSE	D45/D47	—
E	25563-040-200	25563-044-200	10FT LEADER HOSE	D50/D52	—
F	58307-280-100	—	280 VELCRO BAG FOR EXISTING CLIP	K16	—
G	58307-280-000	—	280 VELCRO BAG, ADJUSTABLE STRAP	K16	20
G	58307-180-000	—	180 VELCRO BAG	A16	100
H	58307-380-000	—	380/360 VELCRO BAG	9-100-1014	100
BARACUDA® POOL CLEANER PARTS					
I	25563-809-000	—	BLUE FINNED DISC	W4666	100
J	25563-820-000	—	BLUE FOOT PAD	W70327	25
K	25563-810-100	—	DIAPHRAGM RING	W81600	1000
L	25563-810-000	—	DIAPHRAGM	W69698	100
AQUABOT® POOL CLEANER PARTS					
M	25563-800-201	—	BLUE DRIVE TRACK	3201	56
N	25563-800-300	—	BLUE BRUSH, EACH	3002B	50
O	25563-800-302	—	DRIVE BELT	3302	1000
P	58307-300-812	—	STANDARD MESH BAG	8112	50
P	58307-300-811	—	FINE MESH BAG	—	50



OFFER YOUR CUSTOMERS AN EXTENSION ON THE LIFE OF THEIR POOL CLEANER

(And offer yourself a better deal on pool cleaner replacement parts)

CMP is proud to offer a continually expanding line of parts for popular pool cleaners. Offer a wide range of choices for automatic pool cleaner replacement parts with rapid shipping from the CMP international distribution network. And like every CMP part, they come packaged with our promise of Quality, Exceptional Service and Reliable Supply.

JZ-STYLE VINYL POOL FITTINGS

PRODUCT FEATURES

- White Goods CMP Replacements for Hard-to-find Jacuzzi® Components
- Available in White or Gray Color Choices
- Use CMP Galaxy™ Drain with CMP Drain Ring for Jacuzzi® Main Drain Bodies



ORDERING GUIDE

JZ-STYLE VINYL POOL FITTINGS					
REF	WHITE	GRAY	DESCRIPTION	COMPARE TO	BOX QTY
A	25545-300-800	25545-301-800	IFL/IFD RETURN INLET FACE FLANGE & SCREWS	43061902R	100
B	25545-300-850	25545-301-850	ORIFICE LOCKING KIT (EYEBALL, REDUCERS & LOCKING RING)	43061803K	100
A-B	25545-300-000	25545-301-000	RETURN INLET FACE FLANGE & ORIFICE LOCKING KIT	—	100
C	25541-300-010	25541-301-010*	WHITE SKIMMER FACEPLATE	43114404R	60
D	25532-300-000	25532-301-000*	VINYL MAIN DRAIN RING	23112903R	100
E	25507-100-000	25507-101-000	GALAXY COVER (MUST USE WITH VINYL DRAIN RING)	43112804K	50
—	25141-360-000	25141-361-000*	SKIMMER WEIR DOOR	43124601R	120

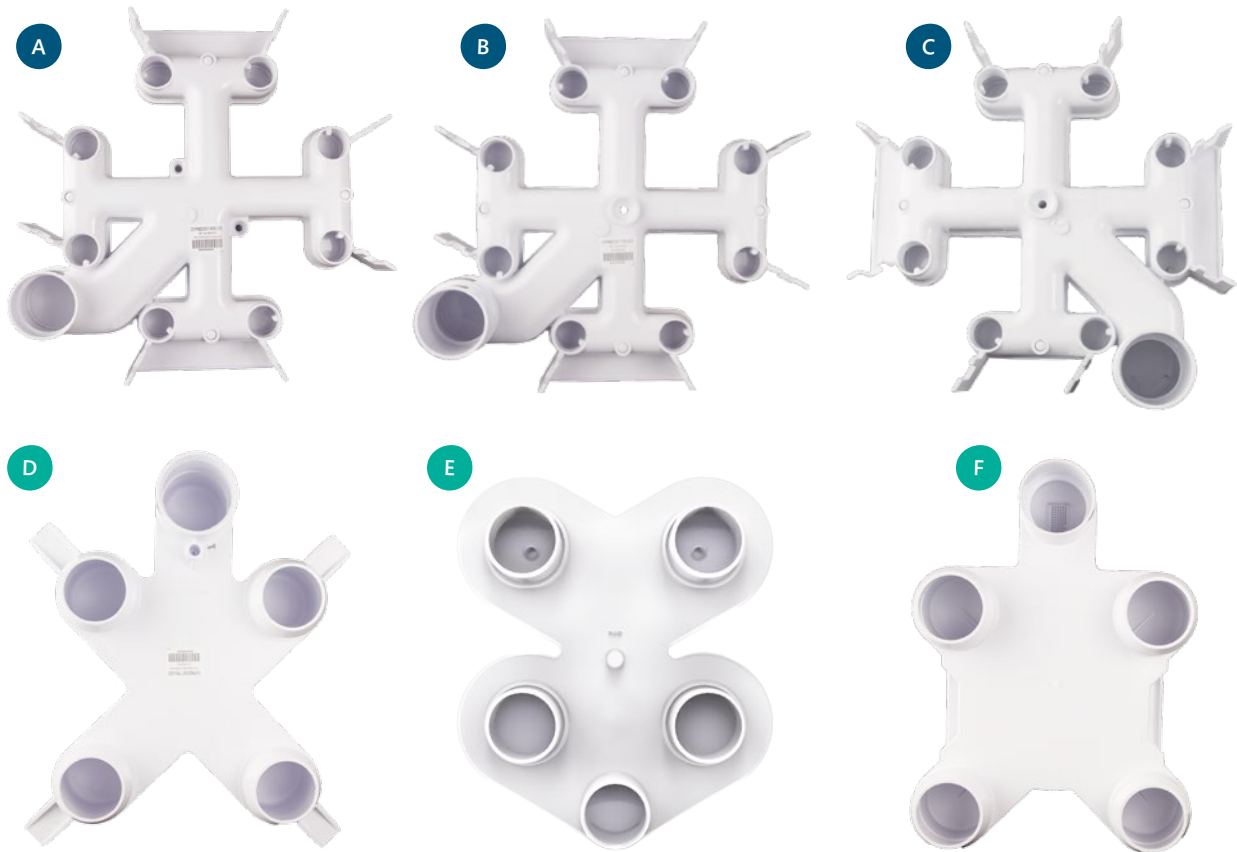
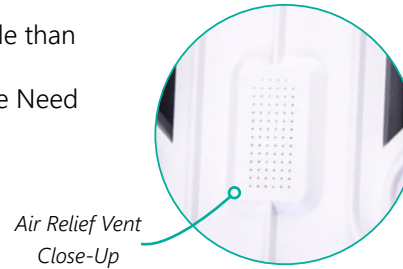
*Special order only. Minimum quantities may apply. For non special order items box quantity orders are not required.

HEAVY DUTY FILTER MANIFOLDS



PRODUCT FEATURES

- Heavy Duty Design: Stronger, Thicker and More Durable than OEM Original Designs
- Built in Air Relief Vent Simplifies Service & Removes the Need for a Fragile Air Relief Attachment Hose Line
- Replacement Manifolds Available for Popular D.E & Cartridge Filter Models



ORDERING GUIDE

DE FILTER HEAVY DUTY MANIFOLDS					
REF	CMP P/N	DESCRIPTION	COMPARE TO	FITS FILTER MODELS	BOX QTY
A	25357-600-000	FNS® STYLE DE MANIFOLD	—	FNS®	5
B	25357-700-000	H-STYLE DE MANIFOLD	DEX2400C	PRO-GRID, MICRO-CLEAR	4
C	25357-800-000	J-STYLE DE MANIFOLD	R0359000	DEL48, DEL60, DEV48, DEV60	4
—	25357-100-000	FILTER GRID GUIDE TEMPLATE	—	UNIVERSAL	—
CARTRIDGE FILTER HEAVY DUTY MANIFOLDS					
D	25357-750-000	H-STYLE BOTTOM MANIFOLD	CX3000C	SWIMCLEAR, SUPERSTAR-CLEAR	4
E	25357-760-000	H-STYLE TOP MANIFOLD	CX3030C	C2030, C3030, C4030	4
E	25357-770-000	H-STYLE TOP MANIFOLD	CX5030C	C5030, C7030	4
F	25357-850-000	J-STYLE CARTRIDGE MANIFOLD	R03576000	CV340, CV460, CV580, CL340, CL460, CL580	4

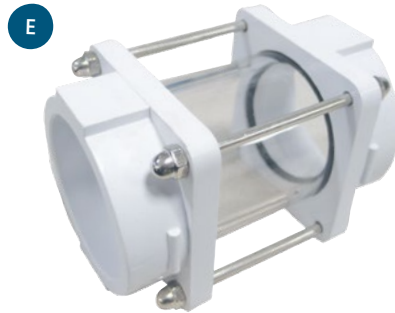
POOL EQUIPMENT PARTS



ORDERING GUIDE

POOL EQUIPMENT REPLACEMENT PARTS				
REF	CMP P/N	DESCRIPTION	COMPARE TO	BOX QTY
A	25304-000-020	STA-RITE® PUMP LID	C3-1391P1, DYNA-GLAS™	40
B	25305-000-020	CHALLENGER®/PINNACLE™ PUMP LID	355301	40
C	25306-000-020	HAYWARD® POWER-FLO® PUMP LID	SPX1500D2A	40
—	26101-320-530	O-RING FOR POWER-FLO® PUMP LID	—	—
D	25307-000-020	DYNAMO® PUMP LID	354531	40
E	25300-100-000	PUMP LID REMOVAL TOOL	—	—
F	25356-100-000	MAX-E-GLAS®/DURA-GLAS® PUMP DIFFUSER	C1-200PA	100
G	25357-004-000	PUMP HOUSING, CHALLENGER®	355468	10
H	25357-300-000	SEAL PLATE, WHISPERFLO®	074564	—
—	26100-357-100	SEAL PLATE GASKET, WHISPERFLO®	357100	—
I	25305-126-000	1/2 HP IMPELLER, WHISPERFLO®	073126	—
I	25305-127-000	3/4 HP IMPELLER, WHISPERFLO®	073127	—
I	25305-128-000	1 HP IMPELLER, WHISPERFLO®	073128	—
I	25305-129-000	1-1/2 HP IMPELLER, WHISPERFLO®	073129	—
I	25305-130-000	2 HP IMPELLER, WHISPERFLO®	073130	—
I	25305-131-000	2-1/2 HP IMPELLER, WHISPERFLO®	073131	—

POOL EQUIPMENT PARTS



ORDERING GUIDE

POOL EQUIPMENT REPLACEMENT PARTS				
REF	CMP P/N	DESCRIPTION	COMPARE TO	BOX QTY
A	25357-054-000	CHALLENGER® PUMP 1/4" PLUG	154699	3000
B	25303-054-000	DURA-GLAS® PUMP HOUSING	C153-53P1	—
C	25302-054-000	DYNAMO® PUMP HOUSING	354530	12
D	25307-500-020	RAINBOW™ CHLORINATOR LID	—	30
E	25625-200-000	2" SIGHT GLASS	SP1074S	50
—	25357-154-000	AIR RELEASE TEE VALVE	154689	300
F	25356-502-000	SEAT ASSEMBLY FOR 2IN PVC HOUSING	073502	—
G	21063-801-000	HEATER UNION KIT (RAYPAK)	006723F	50
H	21063-350-000	SUPERFLO® PUMP UNION KIT	350157	—



CMP REPLACEMENT PARTS & INDEX

BRILLIANT WONDERS® LED WATERFALL *188*

BRILLIANT WONDERS® LED BUBBLER *189*

MULTI-NOZZLE DECK JETS *190*

WATER LEVELERS *191*

POWERCLEAN™ CHLORINATORS *193*

VALVES *195*

MULTIPOINT VALVES *198*

SKIMMERS *206*

MAIN DRAINS *209*

POOL ACCESSORIES *216*

PART NUMBER INDEX *217*

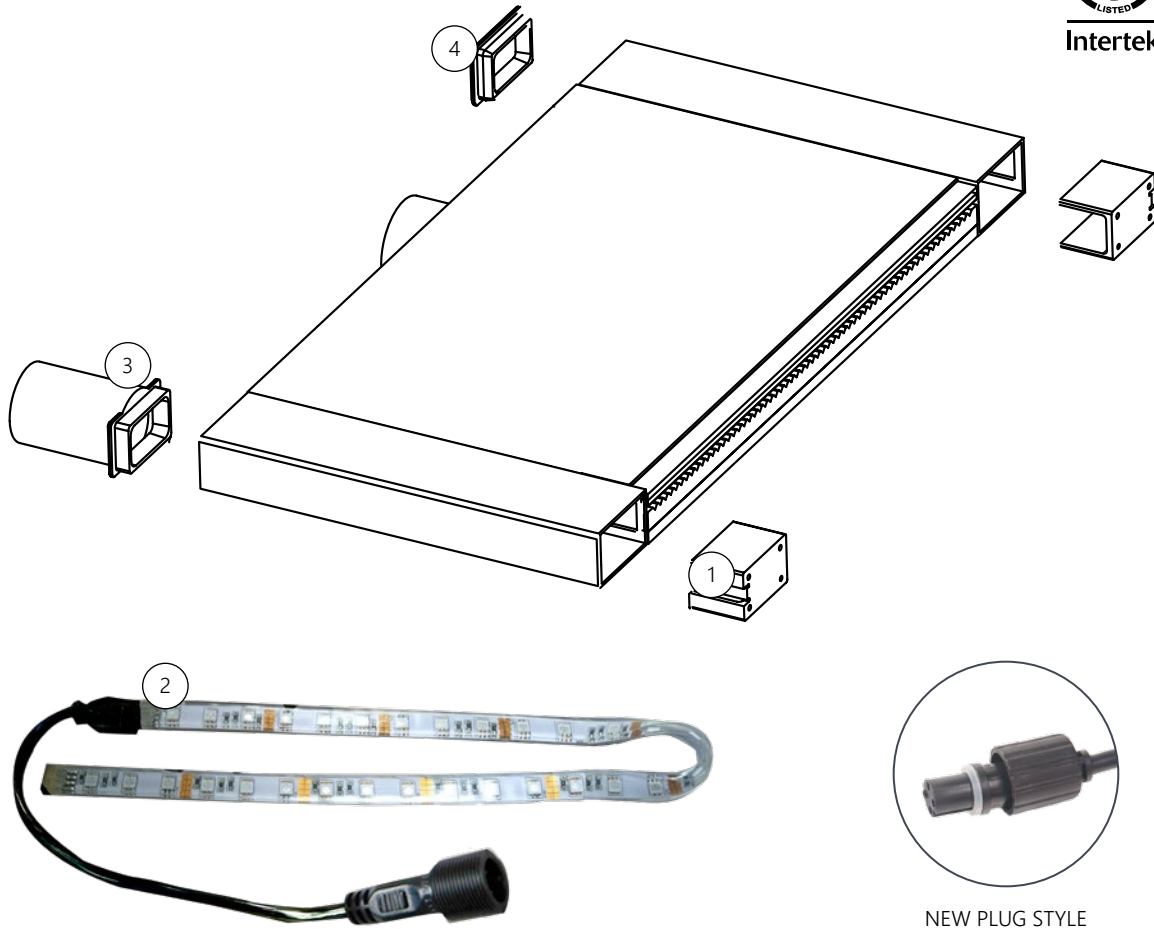
CROSS REFERENCE INDEX *221*

TERMS & CONDITIONS *222*

CMP LIMITED WARRANTY *224*

ISO 9001 CERTIFICATION *226*

BRILLIANT WONDERS® LED WATERFALL PARTS



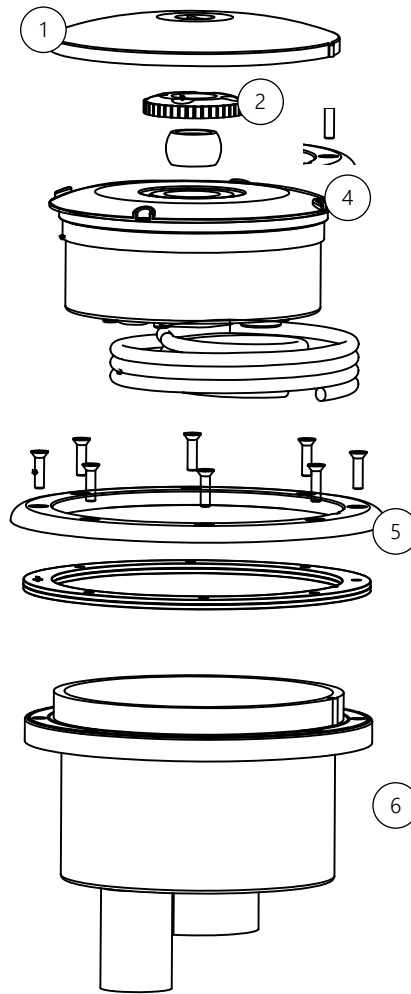
BRILLIANT WONDERS® LED WATERFALLS

REF	CMP P/N	DESCRIPTION
1	25677-100-970	LED WATERFALL DOOR COVER ASSEMBLY, WHITE
1	25677-101-970	LED WATERFALL DOOR COVER ASSEMBLY, GRAY
1	25677-104-970	LED WATERFALL DOOR COVER ASSEMBLY, BLACK
1	25677-107-970	LED WATERFALL DOOR COVER ASSEMBLY, DARK GRAY
1	25677-109-970	LED WATERFALL DOOR COVER ASSEMBLY, TAN
2	25677-130-950	12" LED WATERFALL LIGHT STRIP (NEW PLUG STYLE*)
2	25677-180-950	18" LED WATERFALL LIGHT STRIP (NEW PLUG STYLE*)
2	25677-230-950	24" LED WATERFALL LIGHT STRIP (NEW PLUG STYLE*)
2	25677-330-950	36" LED WATERFALL LIGHT STRIP (NEW PLUG STYLE*)
2	25677-430-950	48" LED WATERFALL LIGHT STRIP (NEW PLUG STYLE*)
3	25677-130-073	CONDUIT BACK PLUG
4	25677-130-074	FLAT BACK PLUG

PRODUCT ON PAGE 52

*FOR ORIGINAL PLUG STYLE CONTACT CMP CUSTOMER SUPPORT

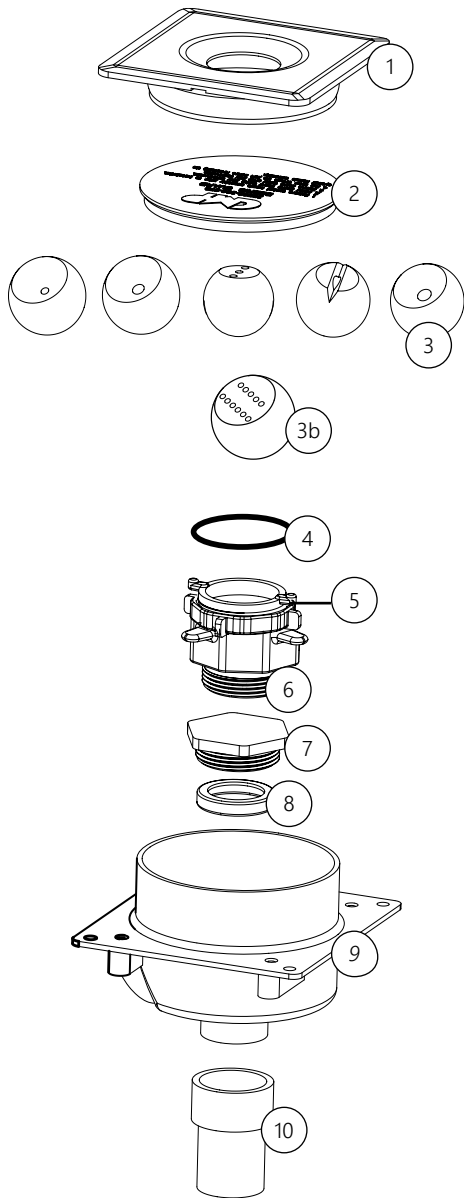
BRILLIANT WONDERS® LED BUBBLER PARTS



BRILLIANT® WONDERS LED BUBBLER		
REF	CMP P/N	DESCRIPTION
1	N/A	PROTECTIVE COVER
2	25503-100-900	EYEBALL REDUCER
4	25503-100-200	REPLACEMENT LIGHT AND 100 FT CORD
4	25503-150-010	REPLACEMENT LIGHT & 150 FT CORD
5	25503-300-000	WHITE VINYL LINER/FIBERGLASS KIT
5	25503-301-000	GRAY VINYL LINER/FIBERGLASS KIT
5	25503-304-000	BLACK VINYL LINER/FIBERGLASS KIT
5	25503-309-000	TAN VINYL LINER/FIBERGLASS KIT
5	25503-369-000	DARK BLUE VINYL LINER/FIBERGLASS KIT
6	—	BODY (NOT SOLD SEPARATELY)

PRODUCT ON PAGE 57

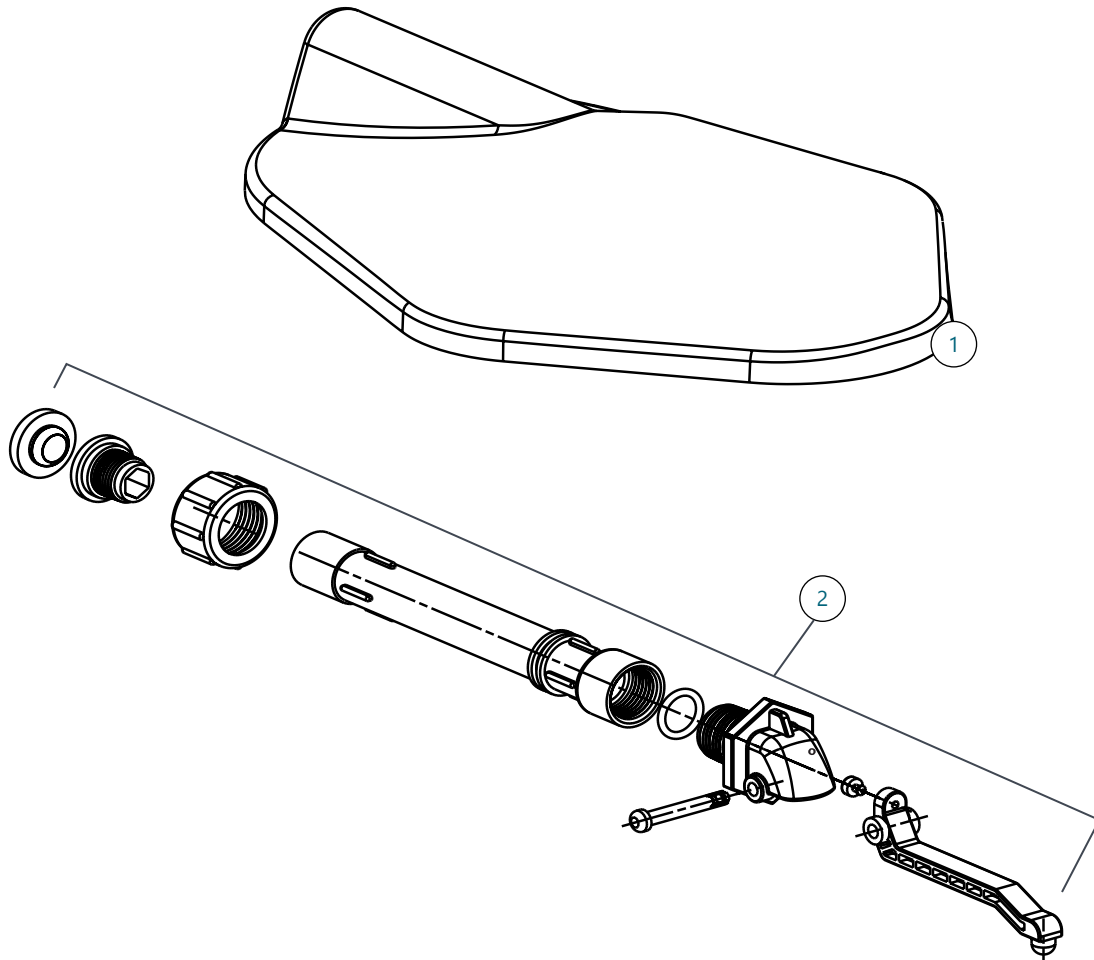
MULTI-NOZZLE DECK JET PARTS



MULTI-NOZZLE DECK JET		
REF	CMP P/N	DESCRIPTION
1	25597-300-020	WHITE DECK JET COVER, ROUND
1	25597-301-020	GRAY DECK JET COVER, ROUND
1	25597-309-020	TAN DECK JET COVER, ROUND
1	25597-303-020	BRASS DECK JET COVER, ROUND
1	25597-302-020	CHROME DECK JET COVER, ROUND
1	25598-300-020	WHITE DECK JET COVER, SQUARE
1	25598-303-220	BRASS DECK JET COVER, SQUARE
1	25598-301-020	GRAY DECK JET COVER, SQUARE
1	25598-309-020	TAN DECK JET COVER, SQUARE
2	25598-300-070	PROTECTION PLATE
3	25598-300-800	WHITE EYEBALL SET
3	25598-301-800	GRAY EYEBALL SET
3	25598-304-800	BLACK EYEBALL SET
3	25598-309-800	TAN EYEBALL SET
3b	25598-333-030	BRASS FOUNTAIN EYEBALL
4	26100-300-150	O-RING
5	25598-300-050	LOCKING RING
6	25598-300-900	NOZZLE HOUSING, LESS EYE
7	25598-300-080	PLUG
8	25598-300-090	GASKET SEAL RING
9	N/A	BODY ONLY
10	25598-000-030	COUPLING FOR 1/2" OR 3/4" PIPE

PRODUCT ON PAGE 35

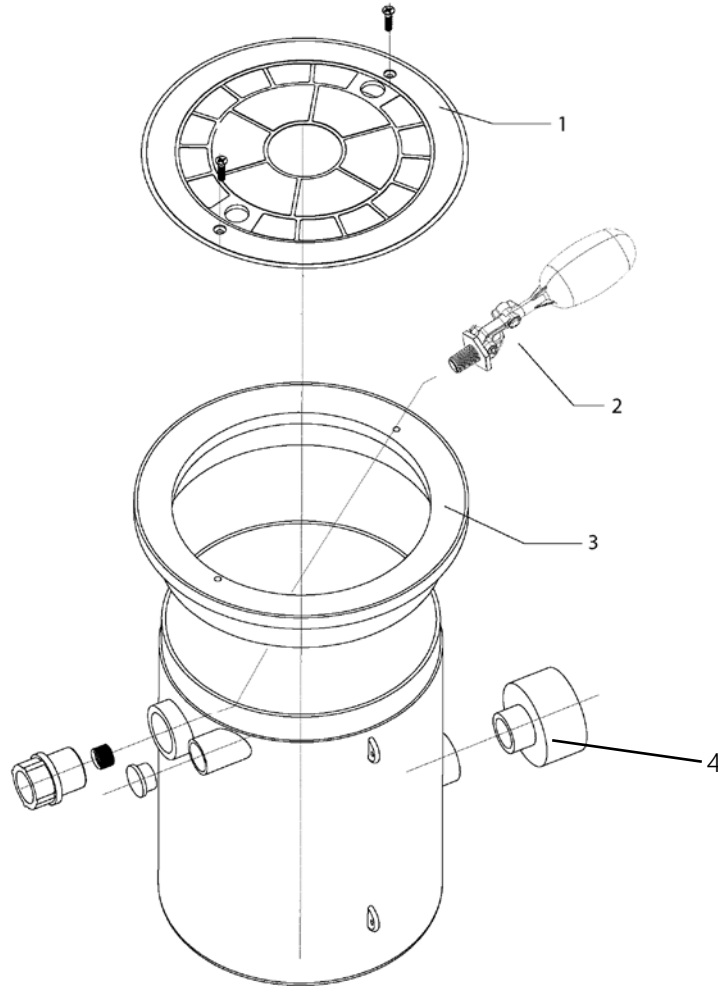
AQUALEVEL™ PORTABLE WATER LEVELER PARTS



AQUALEVEL PORTABLE WATER LEVELER		
REF	CMP P/N	DESCRIPTION
1	25604-000-010	WHITE COVER FOR AQUALEVEL
1	25604-009-010	TAN COVER FOR AQUALEVEL
2	25604-000-100	FLOAT VALVE ASSEMBLY

PRODUCT ON PAGE 68

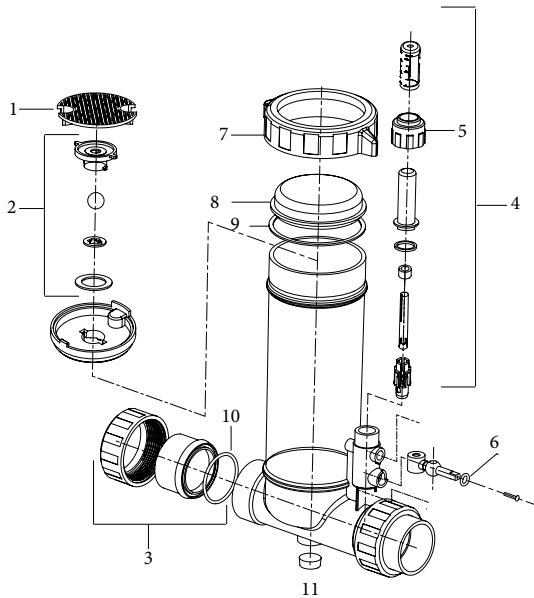
WATER LEVELER PARTS



WATER LEVELER		
CMP P/N	DESCRIPTION	
1	25504-000-000	WHITE COVER FOR WATER LEVELER (2015 & AFTER)
1	25504-001-000	GRAY COVER FOR WATER LEVELER (2015 & AFTER)
1	25504-009-000	TAN COVER FOR WATER LEVELER (2015 & AFTER)
1	25504-000-010	WHITE COVER FOR WATER LEVELER (BEFORE 2015)
1	25504-001-010	GRAY COVER FOR WATER LEVELER (BEFORE 2015)
1	24404-009-010	TAN COVER FOR WATER LEVELER (BEFORE 2015)
2	25504-000-100	THERMOPLASTIC FLOAT
3	25544-000-000	WHITE COLLAR FOR WATER LEVELER (2015 & AFTER)
3	25544-001-000	GRAY COLLAR FOR WATER LEVELER (2015 & AFTER)
3	25544-009-000	TAN COLLAR FOR WATER LEVELER (2015 & AFTER)
3	25504-000-020	WHITE COLLAR FOR WATER LEVELER (BEFORE 2015)
3	25504-001-020	GRAY COLLAR FOR WATER LEVELER (BEFORE 2015)
3	25504-009-020	TAN COLLAR FOR WATER LEVELER (BEFORE 2015)
4	25504-000-070	1.5" SOCKET × 1" SPIGOT ADAPTER
4	25504-000-080	2" SOCKET × 1" SPIGOT ADAPTER

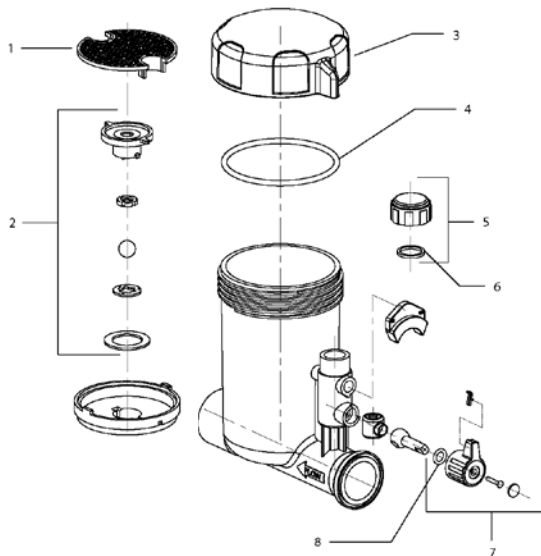
PRODUCT ON PAGE 69

POWERCLEAN™ CHLORINATOR PARTS



POWERCLEAN™ ULTRA CHLORINATOR		
	CMP P/N	DESCRIPTION
1	25280-100-005	GRATE
2	25280-000-920	CHECK VALVE ASSY
3	21023-000-000	2" UNION
4	25280-100-955	FLOW INDICATOR ASSY
5	25280-000-910	NUT
6	26100-100-330	O-RING, DIAL
7	25280-100-001	COVER NUT
7-8	25280-109-200	CLEAR GLASS COVER ASSY
7-8	25280-100-200	WHITE COVER ASSY
7-8	25280-100-002	CLEAR PLASTIC COVER ASSY
9	26101-060-530	O-RING, COVER
10	21023-030-000	UNION GASKET
11	25376-900-500	DRAIN PLUG W/ O-RING

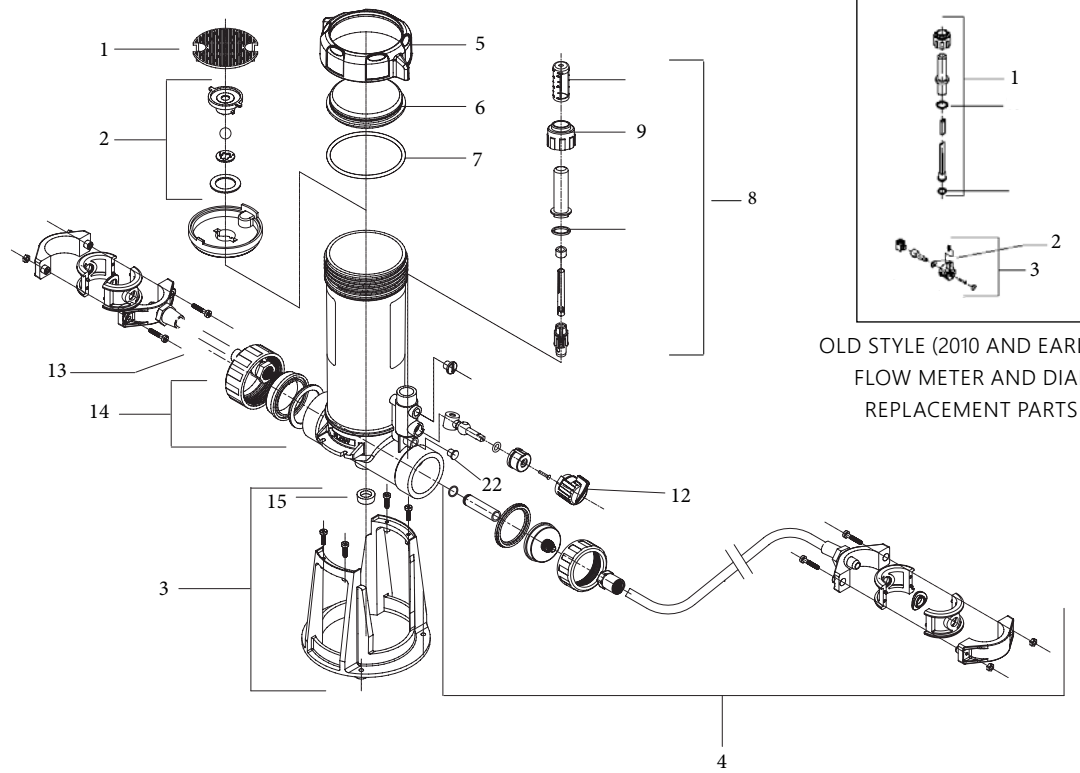
PRODUCT ON PAGE 70



POWERCLEAN™ MINI CHLORINATOR		
	CMP P/N	DESCRIPTION
1	25280-100-005	GRATE
2	25280-000-920	CHECK VALVE ASSY
3	25280-200-002	WHITE COVER
4	26101-060-530	O-RING, COVER
5	25280-200-960	FLOW CHAMBER CAP ASSY
6	26203-021-250	O-RING, FLOW CHAMBER
7	25280-100-930	DIAL ASSEMBLY
8	26100-100-330	O-RING, DIAL ASSY (MINI ONLY)

PRODUCT ON PAGE 71

POWERCLEAN™ ULTRA OFF-LINE PARTS



OLD STYLE (2010 AND EARLIER)
FLOW METER AND DIAL
REPLACEMENT PARTS

POWERCLEAN™ ULTRA OFF-LINE

	CMP P/N	DESCRIPTION
1	25280-100-005	GRATE
2	25280-000-920	CHECK VALVE ASSY
3	25280-300-970	BASE ASSY
4	25280-300-980	OFF-LINE HOSE CLAMP ASSY
5	25280-100-001	COVER NUT
5-6	25280-109-200	CLEAR GLASS COVER ASSY
5-6	25280-100-200	WHITE COVER ASSY
5-6	25280-109-002	CLEAR PLASTIC COVER ASSY
7	26101-060-530	O-RING, COVER
8	25280-100-955	FLOW INDICATOR ASSY
9	25280-100-019	NUT
11	26100-100-330	O-RING, DIAL
12	25280-100-916	DIAL
13	27233-101-328	HOSE
14	25280-300-960	UNION ASSEMBLY
15	25376-900-500	DRAIN PLUG W/ O-RING

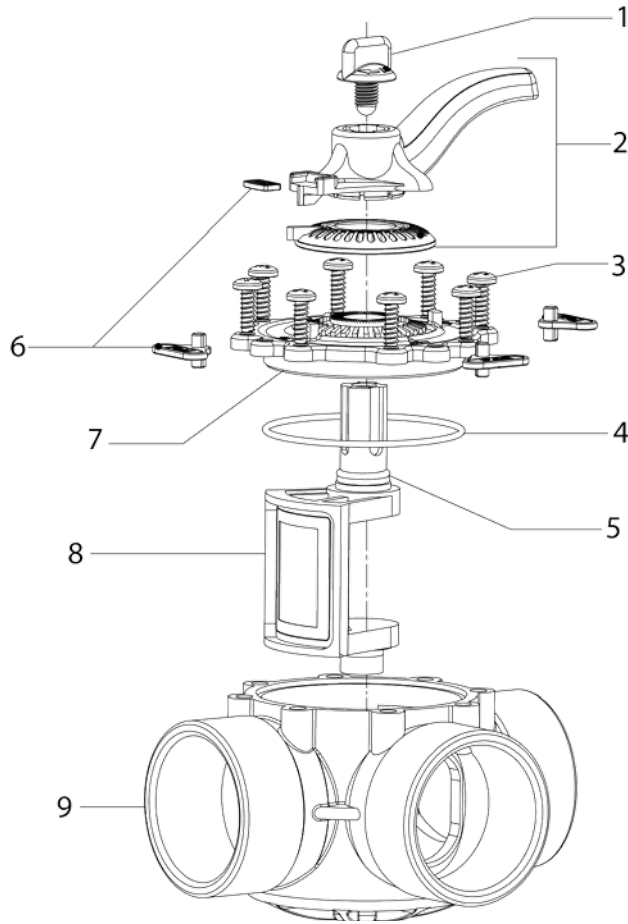
PRODUCT ON PAGE 70

2010 & EARLIER FLOW METER & DIAL

	CMP P/N	DESCRIPTION
1	25280-100-950	FLOW METER ASSY
2	26100-100-330	O-RING DIAL
3	25280-100-930	DIAL ASSY

FOR OLD STYLE FLOW METER AND DIAL REPLACEMENT PARTS FOR THE POWERCLEAN ULTRA OFF-LINE CHLORINATOR, USE THE SAME PART NUMBERS LISTED ABOVE

HYDROSEAL™ VALVE REPLACEMENT PARTS



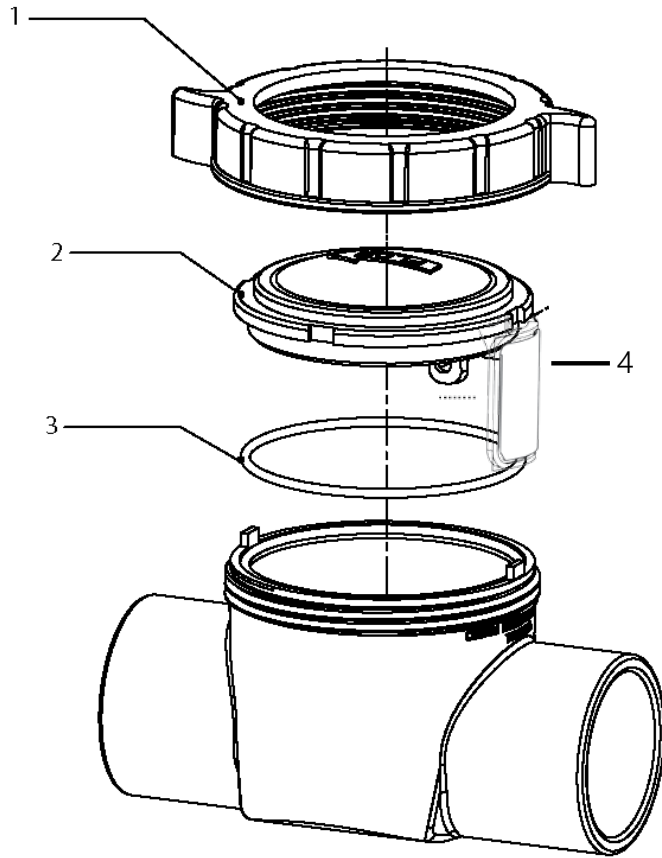
HYDROSEAL™ DIVERTER VALVE

CMP P/N	DESCRIPTION
1	25913-204-070 KNOB, BLACK
2	25913-204-300 HANDLE & RING ASSEMBLY, BLACK
3	61050-620-185 HOUSING SCREW
4	26100-780-265 HOUSING O-RING, BLACK
5	26100-171-024 DIVERTER O-RING, BLACK
6	25913-204-900 PORT MARKER KIT
7	25913-204-020 COVER FOR 1.5-2", BLACK
7	25913-254-020 COVER FOR 2.5"
7	25913-204-920 COVER & PORT MARKER KIT
8	25913-204-800 DIVERTER ASSEMBLY (C-STYLE)
8	25913-204-850 DIVERTER ASSEMBLY (J-STYLE)
8	25913-254-800 DIVERTER ASSEMBLY FOR 2.5"
9	N/A* HOUSING

PRODUCT ON PAGE 76

*ORDER COMPLETE VALVE FOR REPLACEMENT

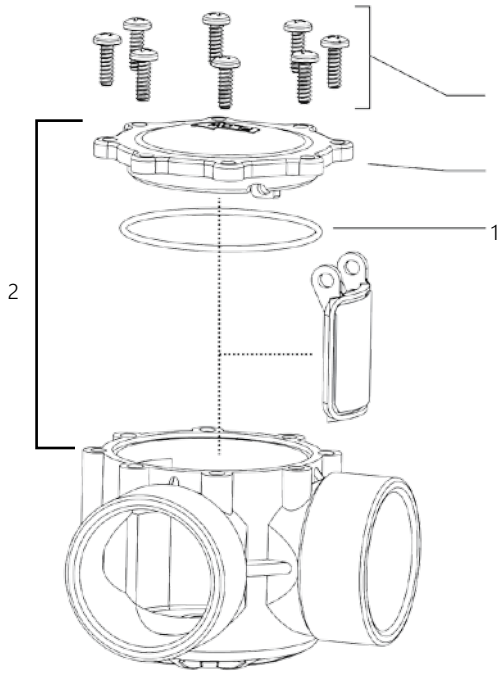
THREAD-ON STYLE CHECK VALVE PARTS



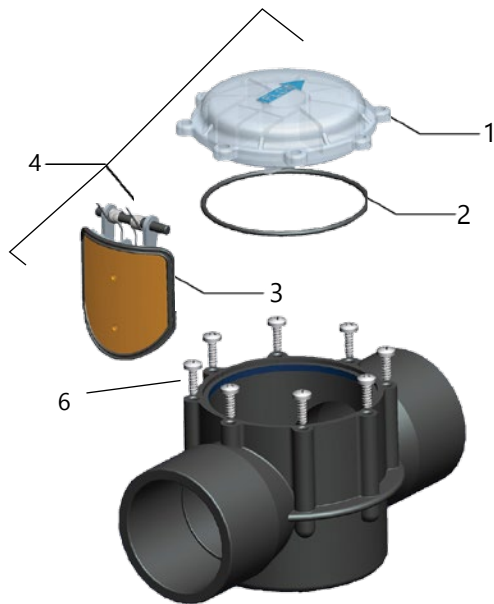
1.5" & 2" SERVICEABLE CHECK VALVE THREAD-ON		
	CMP P/N	DESCRIPTION
1	25830-201-030	NUT
2	25830-209-020	COVER
3	26100-965-300	O-RING, COVER
4	25830-150-800	FLAPPER ASSEMBLY & COVER
1.5" & 2" CR SERVICEABLE CHECK VALVE THREAD-ON		
1	25830-201-030	NUT
2	25830-209-020	COVER
3	26100-096-333	CORROSION RESISTANT O-RING, COVER
4	25830-350-800	FLAPPER ASSEMBLY & COVER

PRODUCT ON PAGE 79

STANDARD CHECK VALVE PARTS

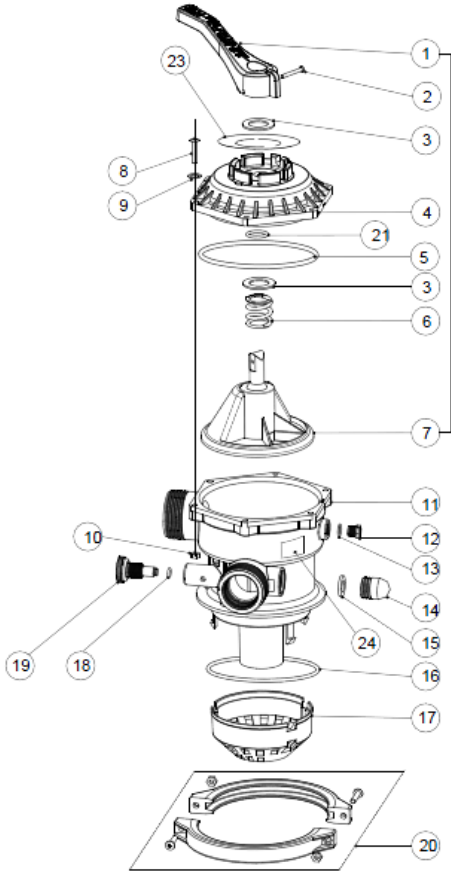


1.5" & 2" SERVICEABLE CHECK VALVE STANDARD		
	CMP P/N	DESCRIPTION
1	26100-780-265	COVER O-RING
2	25830-704-800	FLAPPER & COVER W/ O-RING (FITS 1.5"-2")
PRODUCT ON PAGE 79		



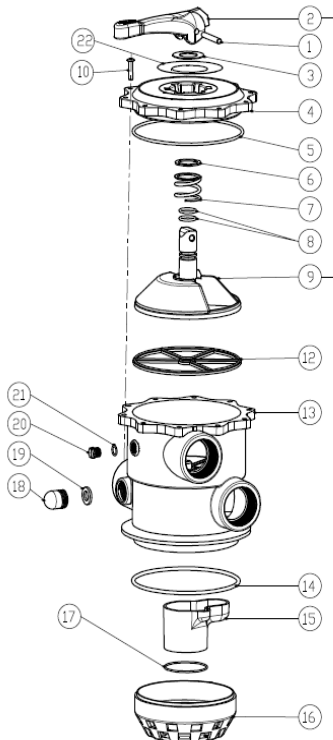
2.5" SERVICEABLE CHECK VALVE STANDARD		
	CMP P/N	DESCRIPTION
1	25830-259-010	2.5 "CHECK VALVE COVER
2	26100-100-355	O-RING, COVER
3	25830-250-900	FLAPPER ASSEMBLY
4	25830-250-800	FLAPPER ASSEMBLY, COVER, & O-RING
5	61064-071-100	STAINLESS STEEL SPRING
6	N/A	SCREWS
PRODUCT ON PAGE 79		

MULTIPOINT VALVE PARTS



27500-154-000, 27501-154-000, 27502-154-000

CMP P/N	DESCRIPTION
1-7	27500-154-100 TOP HALF ASSEMBLY
1-2	27500-154-300 HANDLE AND SCREW
3	27500-154-080 PLASTIC WASHER (2 PACK)
4	27500-154-500 TOP COVER
5	27515-154-600 TOP COVER O-RING (25 PACK)
5	26105-143-530 TOP COVER O-RING
6	61237-634-283 HEAVY DUTY SPRING
7	27500-154-040 DIVERTER WITH CO-MOLDED GASKET
8-10	27500-154-110 SCREWS, WASHERS AND NUTS
12-13	27515-154-350 PLUG WITH O-RING
14-15	27515-154-400 SIGHT GLASS WITH GASKET
16	27500-154-900 FLANGE O-RING (25 PACK)
16	26105-118-530 FLANGE O-RING
17	27500-154-060 DIFFUSER NET
18-19	27500-154-120 AIR BLEEDER WITH O-RING
20	27500-154-079 CLAMP ASSEMBLY
21	27500-154-800 DIVERTER O-RING (100 PACK)
21	26105-185-363 DIVERTER O-RING
—	27501-154-200 CLAMP, V THREAD ADAPTER & WRENCH
—	27500-154-200 CLAMP, 6" BUTTRESS ADAPTER & WRENCH
—	68005-060-000 PRESSURE GAUGE

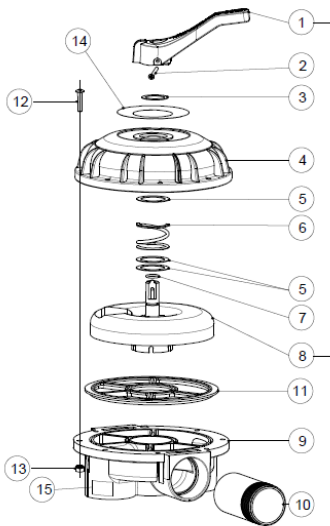
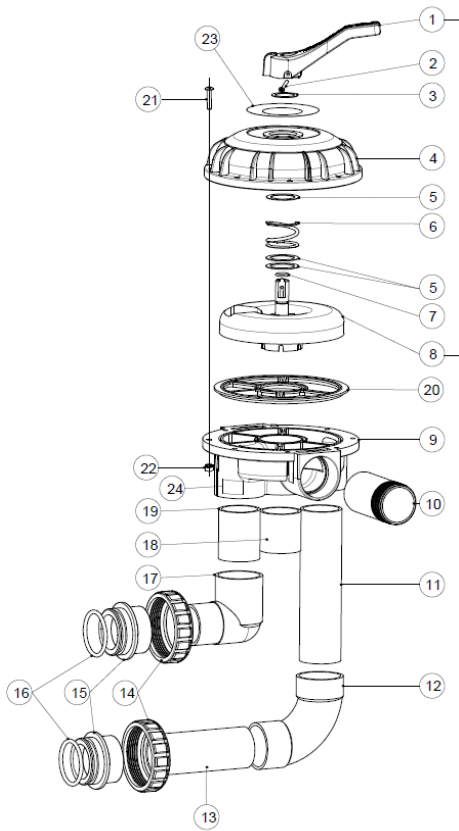


27510-204-000

CMP P/N	DESCRIPTION
1-9	27510-204-100 TOP HALF ASSEMBLY
1-2	27510-204-300 HANDLE AND DOWEL PIN 271156/271164
3	27505-200-080 PLASTIC WASHER 271160
5	27507-200-600 TOP COVER O-RING (25 PACK) 271151
5	26105-172-400 TOP COVER O-RING 271151
6	27505-200-080 SPRING WASHER 271160
7	61247-542-333 HEAVY DUTY SPRING 271161
8	27515-154-800 DIVERTER O-RING (100 PACK) 191479
8	26105-216-362 DIVERTER O-RING (2 PACK) 191479
8-9	27515-154-700 DIVERTER WITH O-RINGS
10-11	27507-200-110 SCREWS AND NUTS 152167 & 152168
12	27507-200-150 MAIN GASKET (25 PACK) 271148
12	27507-200-050 MAIN GASKET 271148
14	27510-204-800 O-RING (25 PACK) 275333
14	26105-164-530 O-RING 275333
17	27510-204-700 DIFFUSER O-RING (25 PACK)
17	26105-060-355 DIFFUSER O-RING
18-19	27515-154-400 SIGHT GLASS WITH GASKET 272550 & 271106
20-21	27515-154-350 PLUG WITH O-RING U178-920P
23	27510-204-090 CLAMP ASSEMBLY 152165 OR 152130

PRODUCT ON PAGE 82

MULTIPOINT VALVE PARTS



27503-200-000

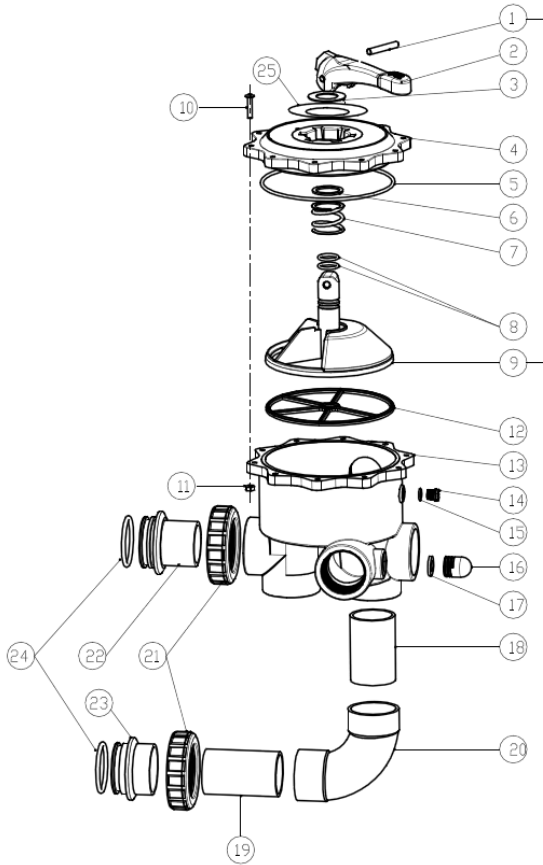
27503-200-000*, 27504-200-000, 27506-200-000		
	CMP P/N	DESCRIPTION
1-8	27503-200-100	TOP HALF ASSEMBLY
1-2	27506-200-300	HANDLE AND SCREW
3	27506-200-080	PLASTIC WASHER
4	27504-200-500	TOP COVER
5	61134-547-811	SPRING WASHER (3 PACK)
6	61204-547-537	HEAVY DUTY SPRING
7	27506-200-800	DIVERTER O-RING (100 PACK)
7	26105-145-265	DIVERTER O-RING
7-8	27506-200-700	DIVERTER WITH O-RING
8	27506-200-040	DIVERTER
10	27506-200-090	SIGHT GLASS
12	21005-000-000	2" SWEEP 90 DEGREE ELL
14	27506-200-060	NUT (2 PACK)
15	27506-200-070	ADAPTER (2 PACK)
16	27506-200-900	ADAPTER O-RING (50 PACK)
16	26105-060-530	ADAPTER O-RING (2 PACK)
20	27506-200-600	MAIN GASKET (25 PACK)
20	27506-200-050	MAIN GASKET
21-22	27506-200-110	SCREWS AND NUTS

PRODUCT ON PAGE 83

*27503 DOES NOT INCLUDE 12-17

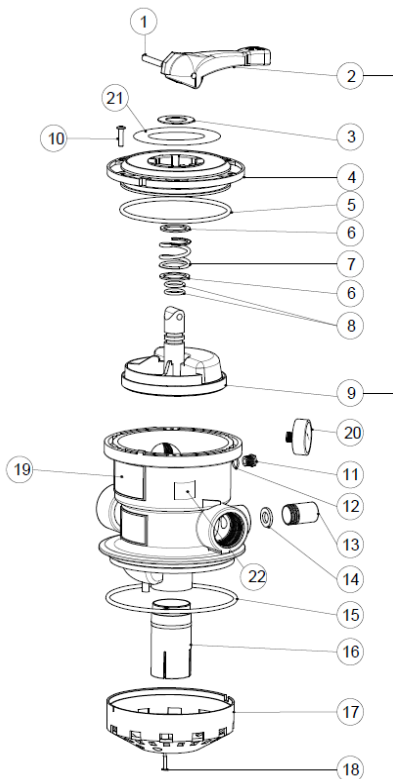
Parts not listed in product table are only available as part of a complete assembly

MULTIPOINT VALVE PARTS



27505-200-000, 27507-200-000		
	CMP P/N	DESCRIPTION
1-9	27507-200-100	TOP HALF ASSEMBLY
1-2	27507-200-300	HANDLE AND DOWEL PIN
3	27510-200-080	PLASTIC WASHER
4	27507-200-500	TOP COVER; WHITE
5	27507-200-600	TOP COVER O-RING (25 PACK)
5	26105-172-400	TOP COVER O-RING
6	27505-200-080	SPRING WASHER
7	61247-542-333	HEAVY DUTY SPRING
8	27515-154-800	DIVERTER O-RING (100 PACK)
8	26105-216-362	DIVERTER O-RINGS (2 PACK)
8-9	27507-200-700	DIVERTER WITH O-RINGS
8,9,12	27507-200-200	DIVERTER; O-RINGS AND MAIN GASKET
10-11	27507-200-110	SCREWS AND NUTS
12	27507-200-150	MAIN GASKET (25 PACK)
12	27507-200-050	MAIN GASKET
14-15	27515-154-350	PLUG WITH O-RING
16-17	27515-154-400	SIGHT GLASS WITH GASKET
20	21005-000-000	2" SWEEP 90 DEGREE ELL
21	27506-200-060	NUT (2 PACK)
22-23	27507-200-160	2" SOCKET ADAPTER & 2" SPIGOT ADAPTER
24	27506-200-900	ADAPTER O-RING (50 PACK)
24	26105-060-530	ADAPTER O-RING

PRODUCT ON PAGE 84

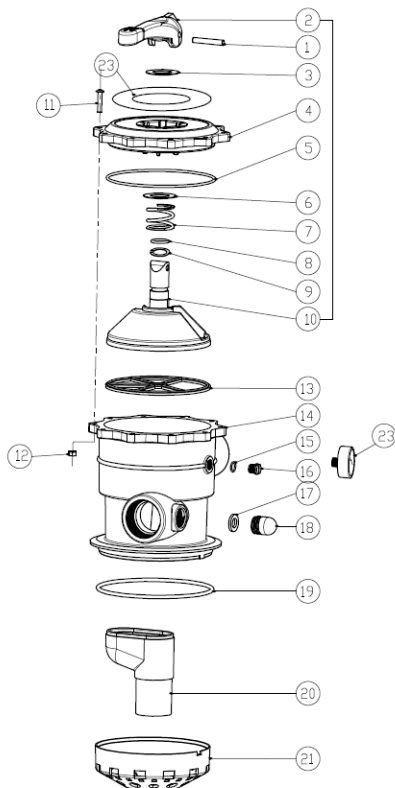
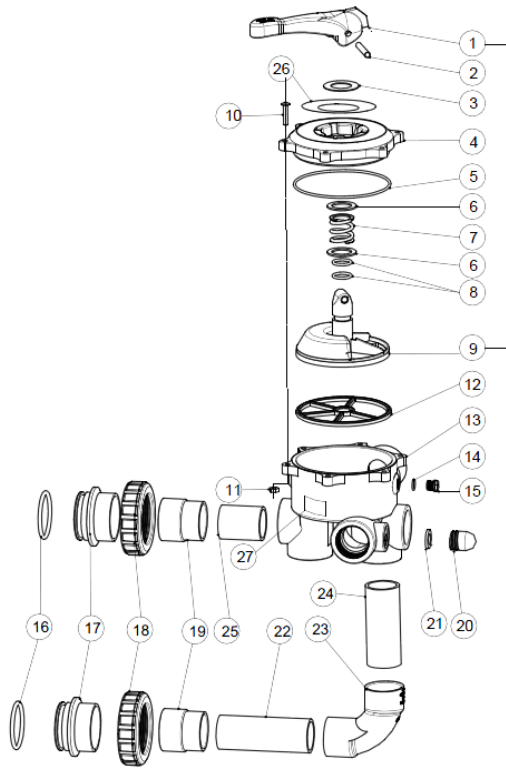


27515-154-000		
	CMP P/N	DESCRIPTION
1-9	27515-154-100	TOP HALF ASSEMBLY
1-2	27515-154-300	HANDLE AND DOWEL PIN
3	27505-200-080	PLASTIC WASHER
4	27515-154-500	TOP COVER
5	27515-154-600	TOP COVER O-RING (25 PACK)
5	26105-143-530	TOP COVER O-RING
6	61130-342-811	SPRING WASHER (2 PACK)
7	61247-542-333	HEAVY DUTY SPRING
8	27515-154-800	DIVERTER O-RING (100 PACK)
8	26105-216-362	DIVERTER O-RING (2 PACK)
8-9	27515-154-700	DIVERTER WITH O-RINGS
10	61000-406-225	SCREWS (6 PACK)
11-12	27515-154-350	PLUG WITH O-RING
13-14	27515-154-400	SIGHT GLASS WITH GASKET
15	27515-154-900	FLANGE O-RING (25 PACK)
15	26105-171-535	FLANGE O-RING
20	25501-000-800	PRESSURE GAUGE
—	27515-154-070	CLAMP ASSEMBLY (NOT PICTURED)

PRODUCT ON PAGE 85

Parts not listed in product table are only available as part of a complete assembly

MULTIPOINT VALVE PARTS



27508-150-000, 27509-150-000		
CMP P/N		DESCRIPTION
1-9	27508-150-100	TOP HALF ASSEMBLY FOR 27508
1-9	27509-150-100	TOP HALF ASSEMBLY FOR 27509
1-2	27507-200-300	HANDLE AND DOWEL PIN
3	27510-200-080	PLASTIC WASHER
4	27508-150-500	TOP COVER 27508
4	27509-150-500	TOP COVER FOR 27509
5	27508-150-600	TOP COVER O-RING (25 PACK)
5	26105-136-400	TOP COVER O-RING
6	27505-200-080	SPRING WASHER
7	61247-542-333	HEAVY DUTY SPRING
8	27515-154-800	DIVERTER O-RING (100 PACK)
8	26105-216-362	DIVERTER O-RINGS (2 PACK)
8-9	27508-150-700	DIVERTER WITH O-RINGS
8,9,12	27508-150-200	DIVERTER, O-RINGS AND MAIN GASKET
10-11	27508-150-110	SCREWS AND NUTS
12	27508-150-150	MAIN GASKET (25 PACK)
12	27508-150-050	MAIN GASKET
14-15	27515-154-350	PLUG WITH O-RING
16	27506-200-900	ADAPTER O-RING (50 PACK)
16	26105-060-530	ADAPTER O-RING (2 PACK)
17-19	27508-150-900	ADAPTER (4 PACK)
18	27506-200-060	NUT (2 PACK)
20-21	27515-154-400	SIGHT GLASS WITH GASKET

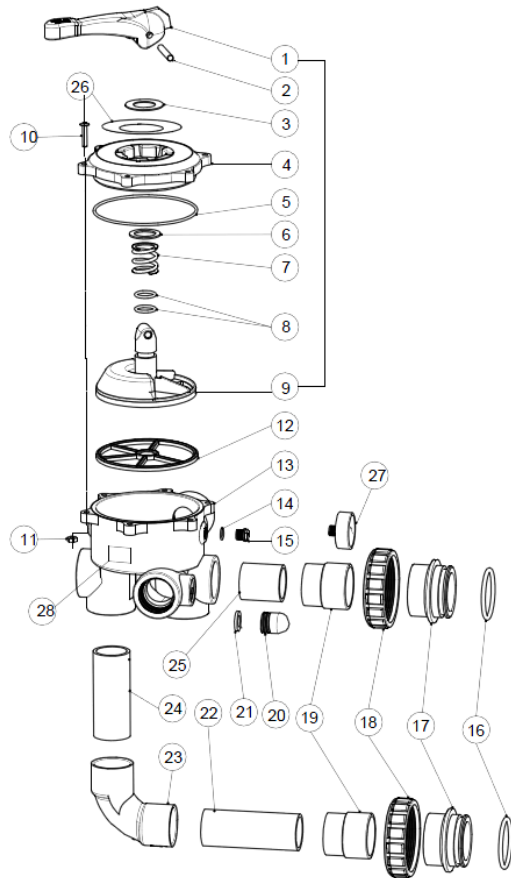
PRODUCT ON PAGE 84

27518-204-000		
1-10	27518-204-100	TOP HALF ASSEMBLY
1 & 2	27510-204-300	HANDLE AND DOWEL PIN
3	27505-200-080	PLASTIC WASHER
4	27518-204-500	TOP COVER
5	27500-154-130	O-RING (25 PACK)
5	26105-160-360	O-RING
6	61130-342-811	SPRING WASHER (2 PACK)
7	61247-542-333	HEAVY DUTY SPRING
8	27516-200-080	PLASTIC WASHER
9	27515-154-800	DIVERTER O-RING (100 PACK)
9	26105-216-362	DIVERTER O-RINGS (2 PACK)
8,9,10,13	27518-204-200	DIVERTER, O-RING, WASHER, MAIN GASKET
13	27518-204-150	MAIN GASKET (25 PACK)
13	27518-204-050	MAIN GASKET
15-16	27515-154-350	PLUG WITH O-RING (98206400; SPX710K)
17-18	27515-154-400	SIGHT GLASS WITH GASKET
19	27515-154-900	O-RING (25 PACK, GMX600F)
19	26105-171-535	O-RING (GMX600F)
23	68005-060-000	PRESSURE GAUGE

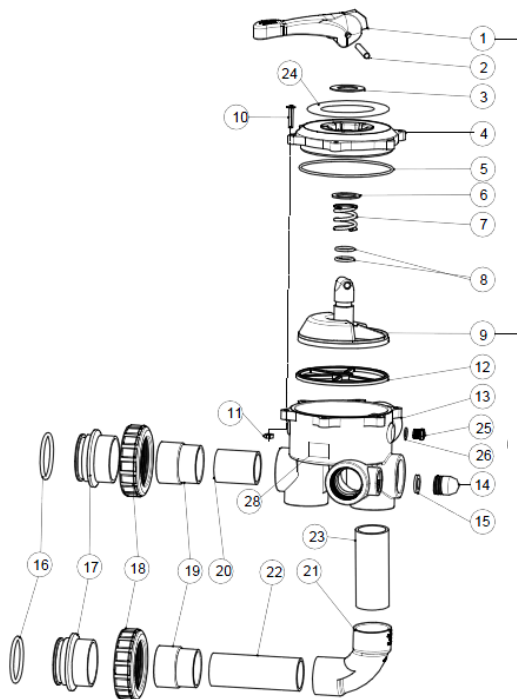
PRODUCT ON PAGE 85

Parts not listed in product table are only available as part of a complete assembly

MULTIPOINT VALVE PARTS



27512-154-000, 27514-154-000		
	CMP P/N	DESCRIPTION
1-9	27514-154-100	TOP HALF ASSEMBLY
1-2	27510-204-300	HANDLE AND DOWEL PIN
3	27505-200-080	PLASTIC WASHER
4	27514-154-500	TOP COVER
5	27508-150-600	O-RING (25 PACK)
5	26105-136-400	O-RING
6	61130-342-811	SPRING WASHER
7	61247-542-333	HEAVY DUTY SPRING
8	27515-154-800	DIVERTER O-RING (100 PACK)
8	26105-216-362	DIVERTER O-RINGS (2 PACK)
8-9	27508-150-700	DIVERTER WITH O-RINGS
8,9,12	27508-150-200	DIVERTER, O-RINGS AND MAIN GASKET
10-11	27508-150-110	SCREWS AND NUTS
12	27508-150-150	MAIN GASKET (25 PACK)
12	27508-150-050	MAIN GASKET
14-15	27515-154-350	PLUG WITH O-RING
16	27516-204-900	ADAPTER O-RING (50 PACK)
16	26105-057-360	ADAPTER O-RING (2 PACK)
17	27517-204-070	ADAPTER (2 PACK)
18	27517-204-060	NUT (2 PAC)
19	27508-154-085	ADAPTER (2 PACK)
20-21	27515-154-400	SIGHT GLASS WITH GASKET
23	21105-000-001	1.5" SWEEP 90 DEGREE ELL
27	68005-060-000	PRESSURE GAUGE

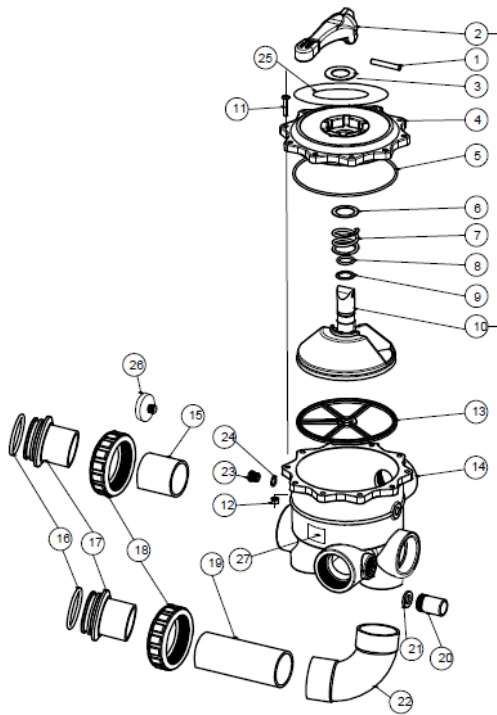


27513-154-000		
	CMP P/N	DESCRIPTION
1-9	27513-154-100	TOP HALF ASSEMBLY
1-2	27510-204-300	HANDLE AND DOWEL PIN
3	27505-200-080	PLASTIC WASHER
4	27513-154-500	TOP COVER
5	27508-150-600	O-RING (25 PIECES INCLUDED)
5	26105-136-400	O-RING (ONE INCLUDED)
6	61130-342-811	SPRING WASHER
7	61247-542-333	HEAVY DUTY SPRING
8	27515-154-800	DIVERTER O-RING (100 PIECES INCLUDED)
8	26105-216-362	DIVERTER O-RINGS (2 PIECES INCLUDED)
8-9	27508-150-700	DIVERTER WITH O-RINGS
8,9,12	27508-150-200	DIVERTER, O-RINGS AND MAIN GASKET
10-11	27508-150-110	SCREWS AND NUTS
12	27508-150-150	MAIN GASKET (25 PIECES INCLUDED)
12	27508-150-050	MAIN GASKET (ONE INCLUDED)
14-15	27515-154-400	SIGHT GLASS WITH GASKET
16	27516-204-900	ADAPTER O-RING (50 PIECES INCLUDED)
16	26105-057-360	ADAPTER O-RING (2 PIECES INCLUDED)
17	27517-204-070	ADAPTER (2 INCLUDED)
18	27517-204-060	NUT (2 INCLUDED)
19	27508-154-085	ADAPTER (2 INCLUDED)
25-26	27515-154-350	PLUG WITH O-RING
—	68005-060-000	PRESSURE GAUGE

PRODUCT ON PAGE 86

Parts not listed in product table are only available as part of a complete assembly

MULTIPOINT VALVE PARTS

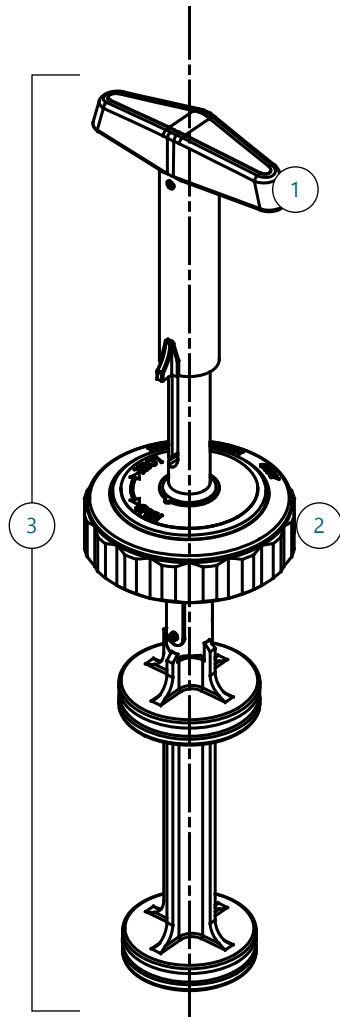


27516-204-000, 27517-204-000		
	CMP P/N	DESCRIPTION
1-10	27516-204-100	TOP HALF ASSEMBLY
1-2	27510-204-300	HANDLE AND DOWEL PIN
3	27505-200-080	PLASTIC WASHER
4	27518-204-500	TOP COVER
5	27500-154-130	TOP COVER O-RING (25 PACK)
5	26105-160-360	TOP COVER O-RING
6	61130-342-811	SPRING WASHER
7	61247-542-333	HEAVY DUTY SPRING
8	27516-200-080	PLASTIC WASHER
9	27515-154-800	DIVERTER O-RING (100 PACK)
9	26105-216-362	DIVERTER O-RINGS (2 PACK)
8,9,10,13	27518-204-200	DIVERTER, O-RING, WASHER, MAIN GASKET
13	27518-204-150	MAIN GASKET (25 PACK)
13	27518-204-050	MAIN GASKET
16	27506-200-900	ADAPTER O-RING (50 PACK)
16	26105-057-360	ADAPTER O-RING (2 PACK)
17	27517-204-070	ADAPTER (2 PACK)
18	27517-204-060	NUT (2 PACK)
20-21	27515-154-400	SIGHT GLASS WITH GASKET
23-24	27515-154-350	PLUG WITH O-RING
26	68005-060-000	PRESSURE GAUGE

PRODUCT ON PAGE 86

Parts not listed in product table are only available as part of a complete assembly

SLIDE VALVE PARTS



7.5" "P" STYLE 25831-114-750 & 25831-119-750

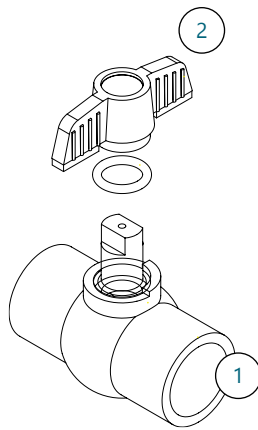
CMP P/N		DESCRIPTION
1	25831-114-160	HANDLE WITH PIN
2	25831-114-170	SLIDE VALVE NUT
3	25831-110-100	PISTON SHAFT ASSEMBLY
—	61000-320-288	PIN ONLY

"H" STYLE 25831-004-000 & 25831-014-000

2	25831-004-170	SLIDE VALVE NUT
3	25831-000-100	PISTON SHAFT ASSEMBLY

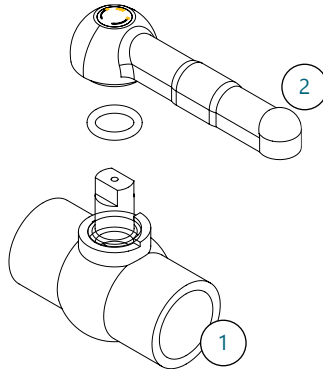
PRODUCT ON PAGE 81

BALL VALVE PARTS



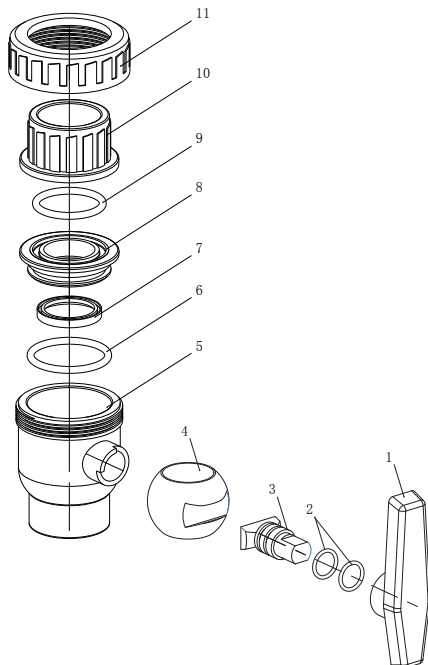
BALL VALVES		
	CMP P/N	DESCRIPTION
1	N/A	BALL VALVE BODY ASSEMBLY
2	25800-101-130	1" BALL VALVE HANDLE
2	25800-151-130	1.5" BALL VALVE HANDLE
2	25800-201-130	2" BALL VALVE HANDLE
2	25800-751-130	3/4" BALL VALVE HANDLE

PRODUCT ON PAGE 87



BALL VALVES		
	CMP P/N	DESCRIPTION
1	N/A	BALL VALVE BODY ASSEMBLY
2	25800-251-130	2.5" BALL VALVE HANDLE
2	25800-310-130	3" BALL VALVE HANDLE
2	25800-410-130	4" BALL VALVE HANDLE

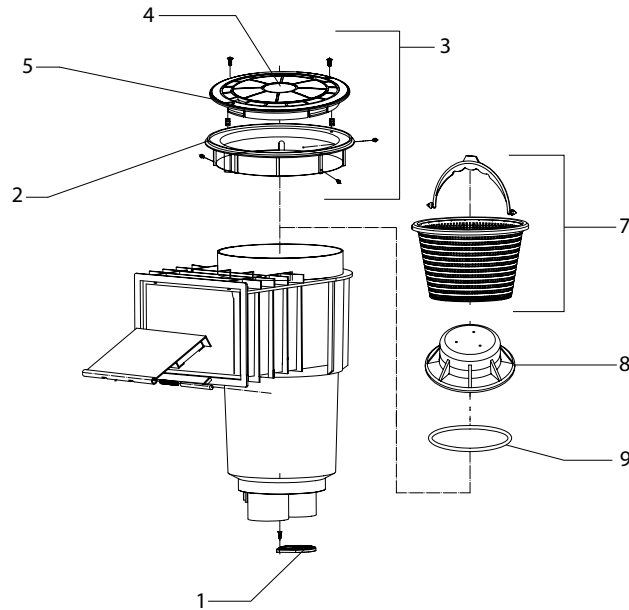
PRODUCT ON PAGE 87



SINGLE UNIONIZED BALL VALVE		
	CMP P/N	DESCRIPTION
1	25802-210-080	HANDLE FOR 1.5" SOCKET
1	25802-651-080	HANDLE FOR 2" SOCKET
1	25802-651-080	HANDLE FOR 1.5" FIP (25802-651)
6	26100-530-545	O-RING, BODY
8	25802-150-030	1.5" SOCKET PVC TAILPIECE
9	26100-530-462	O-RING, TAILPIECE
9	26100-651-462	INSIDE O-RING FOR 1.5" FIP (25802-651)
11	25802-150-020	NUT

PRODUCT ON PAGE 81

GUNITE SKIMMER PARTS

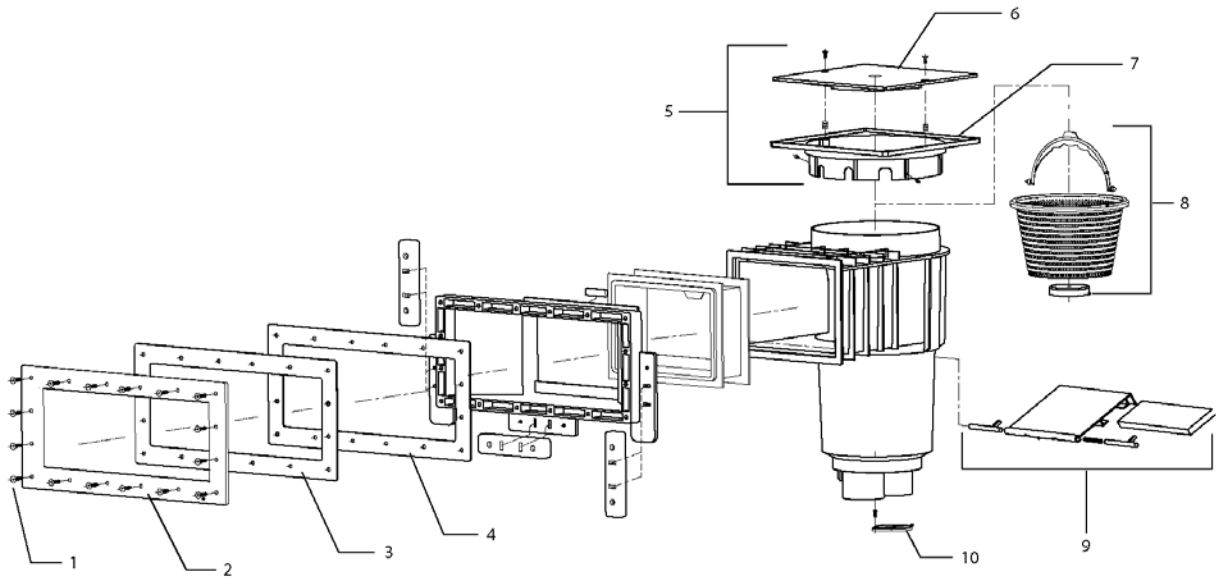


IN GROUND GUNITE SKIMMER

CMP P/N	DESCRIPTION
1	DIVERTER PLATE (FOR ALL STYLES)
2	WHITE SKIMMER COLLAR, ROUND
2	GRAY SKIMMER COLLAR, ROUND
2	BLACK SKIMMER COLLAR, ROUND
2	TAN SKIMMER COLLAR, ROUND
3	WHITE SKIMMER COVER & COLLAR, ROUND
3	GRAY SKIMMER COVER & COLLAR, ROUND
3	BLACK SKIMMER COVER & COLLAR, ROUND
3	TAN SKIMMER COVER & COLLAR, ROUND
4	WHITE SKIMMER LID LOGO INSERT, BLANK, TEXTURED
4	TAN SKIMMER LID LOGO INSERT, BLANK, TEXTURED
5	WHITE SKIMMER LID, ROUND
5	GRAY SKIMMER LID, ROUND
5	BLACK SKIMMER LID, ROUND
5	TAN SKIMMER LID, ROUND
6	WEIR DOOR, UNIBODY WHITE
6	WEIR DOOR, UNIBODY BLACK
6	WEIR DOOR, ABS/PVC, WHITE
6	WEIR DOOR, ABS/PVC, GRAY
6	WEIR DOOR, ABS/PVC, BLACK
6	WEIR DOOR, ABS/PVC, DARK GRAY
6	WEIR DOOR, ABS/PVC, TAN
7	BASKET, UNIBODY
7	BASKET, ABS/PVC
8	FLOAT VALVE ASSY (FOR ALL STYLES)
9	FLOAT VALVE GASKET (FOR ALL STYLES)

PRODUCT ON PAGE 110

VINYL LINER SKIMMER PARTS

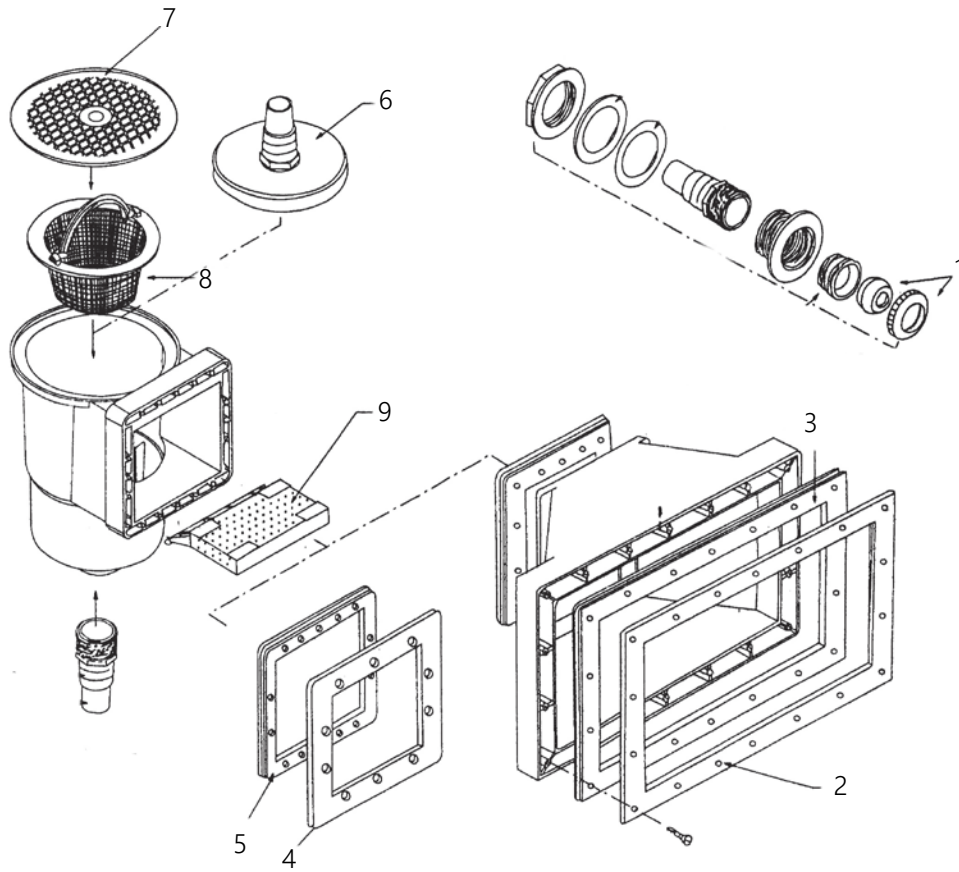


IN GROUND VINYL SKIMMER

CMP P/N	DESCRIPTION
1	61051-058-030 FACE PLATE SCREWS (12 FOR REGULAR, 16 FOR WIDE)
2	25541-000-010 FACE PLATE, WIDE MOUTH
2	25540-000-010 FACE PLATE, REGULAR MOUTH
3	25160-110-030 FRONT GASKET, WIDE MOUTH
3	25160-010-060 FRONT GASKET, REGULAR MOUTH
4	25160-110-020 BACK GASKET, WIDE MOUTH, W/ TABS
4	25160-110-030 BACK GASKET, WIDE MOUTH, W/O TABS
4	25160-010-050 BACK GASKET, REGULAR MOUTH, W/ TABS
4	25160-010-060 BACK GASKET, REGULAR MOUTH, W/O TABS
5	25538-900-000 COVER & COLLAR ASSEMBLY, WHITE
5	25538-901-000 COVER & COLLAR ASSEMBLY, GRAY
5	25538-909-000 COVER & COLLAR ASSEMBLY, TAN
6	25538-000-000 COVER, WHITE
6	25538-001-000 COVER, GRAY
6	25538-009-000 COVER, TAN
7	25160-000-040 SKIMMER COLLAR, SQUARE, WHITE
7	25160-001-040 SKIMMER COLLAR, SQUARE, GRAY
7	25160-009-040 SKIMMER COLLAR, SQUARE, TAN
8	25140-000-900 BASKET ASSEMBLY
9	25140-000-800 WEIR ASSEMBLY, WHITE
9	25140-001-800 WEIR ASSEMBLY, GRAY
10	25140-000-060 DIVERTER PLATE

PRODUCT ON PAGE 111

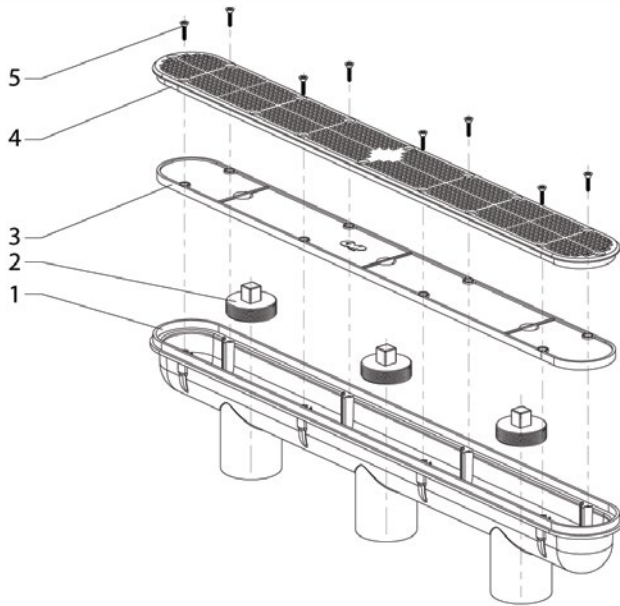
ABOVE GROUND SKIMMER PARTS



ABOVE GROUND SKIMMER			
	WHITE	GRAY	DESCRIPTION
1	25550-000-900	25550-001-900	RETURN INLET
2	25511-030-930	25511-031-930	WIDE MOUTH ABOVE GROUND FACE PLATE
3	25512-020-920	—	DOUBLE LAYER WIDE ABOVE GROUND GASKET
4	25512-010-990	25512-011-990	STANDARD ABOVE GROUND FACE PLATE
5	25512-010-980	25512-011-980	DOUBLE LAYER STANDARD ABOVE GROUND GASKET
6	25579-000-912	25579-001-912	ABOVE GROUND VAC PLATE
7	25512-010-992	25512-011-992	ABOVE GROUND LID
8	25512-000-991	25512-001-991	ABOVE GROUND BASKET
9	25511-000-908	25511-001-908	ABOVE GROUND WEIR

PRODUCT ON PAGE 115

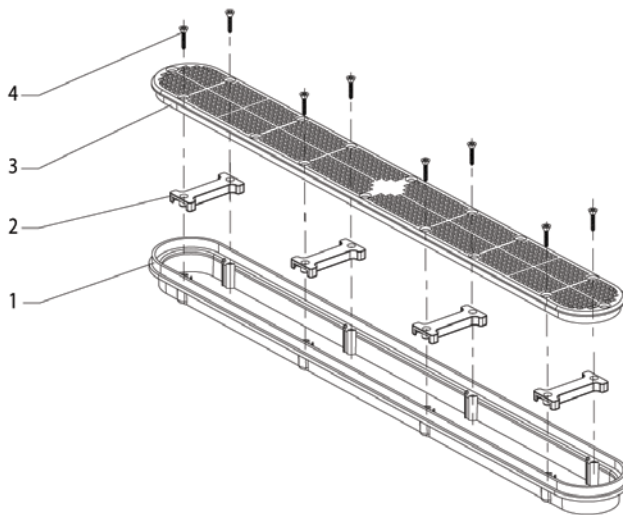
32" CHANNEL DRAIN PARTS



32" CHANNEL DRAIN 25506-32X-000

	CMP P/N	DESCRIPTION
1	25506-320-010	SUMP BODY
2	25520-050-020	2 NPT PLUG
3	25506-320-030	DEBRIS GUARD
4	25506-320-020	32" COVER
5	61008-042-022	SCREWS

PRODUCT ON PAGE 123



32" FRAME & COVER 25506-32X-100

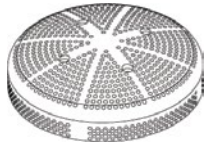
	CMP P/N	DESCRIPTION
1	25506-320-110	FRAME
2	25506-320-120	FRAME SUPPORT
3	25506-320-020	32" COVER
4	61008-042-022	SCREWS

PRODUCT ON PAGE 123

MAIN DRAIN COVERS & SCREWS



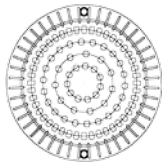
GALAXY



FIBERGLASS MAIN DRAIN



NEW STYLE / NOVA



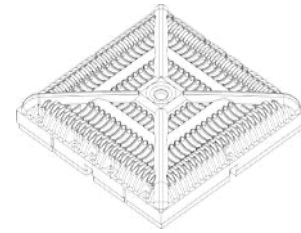
OLD STYLE / CLASSIC
(DISCONTINUED)



EQUALIZER



9" X 9"



12" X 12"

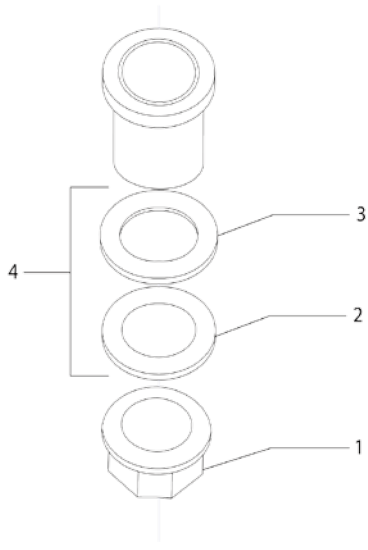
MAIN DRAIN REPLACEMENT COVERS

CMP P/N	DESCRIPTION
25507-0XX-010	7-3/4" GALAXY COVER
25507-1XX-010	8" GALAXY COVER
25539-7XX-011	7-3/4" NOVA COVER
25215-0XX-003	6" FIBERGLASS DRAIN
25207-02X-003	4" EQUALIZER SUCTION
25508-09X-010	9" x 9" SQUARE COVER
25508-12X-010	12" x 12" SQUARE COVER
25508-09X-010	18" x 18" SQUARE (USE FOUR 9x9)

MAIN DRAIN REPLACEMENT SCREWS

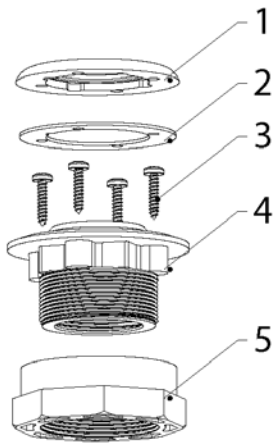
61004-083-212	SCREWS FOR 25513-250, 25513-300, 25513-700, 25513-800, 25515-000, 25516-000, 25516-700, 25539-000, 25539-700, 61054-048-019 & 25548-000
61050-550-250	SCREWS FOR 25514-000
61050-048-025	SCREWS FOR 25517-000
61051-058-030	SCREWS FOR 25519-000
61008-102-420	SCREWS FOR 25531-000, 25537-100
61054-048-019	SCREWS FOR 25539-100
61000-050-012	SCREWS FOR 25207-700, 25207-800
61008-083-200	SCREWS FOR 25215-000
61008-042-022	SCREWS FOR 25508-090, 25508-180
61008-042-028	SCREWS FOR 25508-120

POOL FITTING PARTS



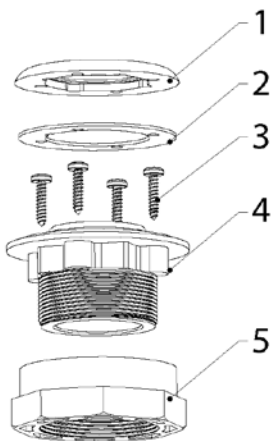
VINYL POOL FITTING 25550-000-000		
	CMP P/N	DESCRIPTION
1	25550-050-010	2" LOCK NUT
2	25550-070-000	FIBER GASKET
3	25550-040-000	RUBBER GASKET
4	25550-000-100	GASKET KIT

PRODUCT ON PAGE 143



VINYL POOL FITTING 25522-000-000		
	CMP P/N	DESCRIPTION
1	25545-000-000	FACE PLATE
2	25522-040-000	GASKET
3	61008-552-500	SCREW
4	25522-060-000	WALL FITTING

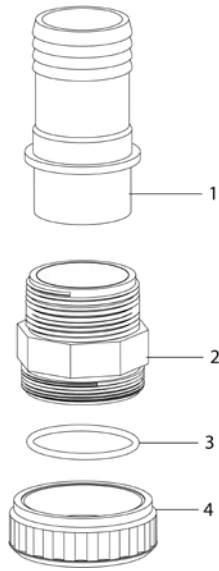
PRODUCT ON PAGE 143



VINYL POOL FITTING 25522-100-000		
	CMP P/N	DESCRIPTION
1	25545-000-000	FACE PLATE
2	25522-040-000	GASKET
3	61008-552-500	SCREW
4	25522-100-010	WALL FITTING

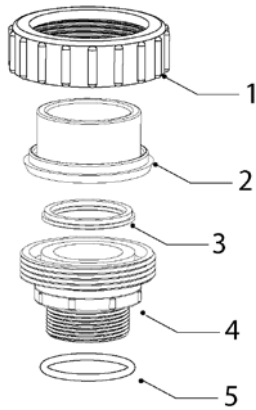
PRODUCT ON PAGE 143

LEAF TRAP & UNION PARTS



ECON UNION		
	CMP P/N	DESCRIPTION
1	21058-000-030	PORT, RIBBED
1	21058-100-030	PORT, SMOOTH
2	21058-000-020	STRAIGHT BODY
3	26100-412-265	O-RING, BULK
4	21058-000-010	NUT

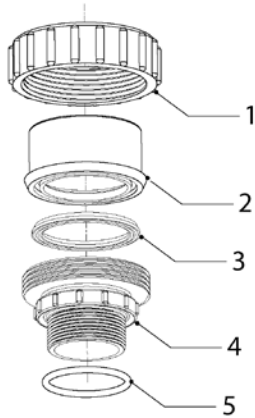
PRODUCT ON PAGE 147



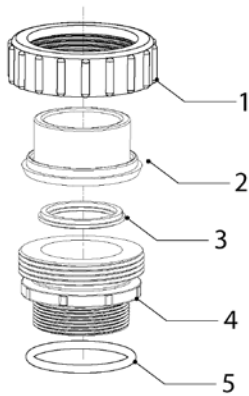
21063-150-000 UNION		
	CMP P/N	DESCRIPTION
1		N/A
2		N/A
3	26200-210-631	T-GASKET
4		N/A
5	26100-470-400	O-RING, BULK

PRODUCT ON PAGE 146

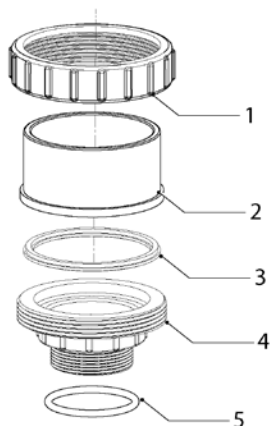
SELF-SEALING UNION PARTS



21063-160-000 UNION		
	CMP P/N	DESCRIPTION
1		N/A
2	21049-200-010	2" SOCKET PVC TAILPIECE
3	26200-210-632	T-GASKET
4		N/A
5	26100-470-400	O-RING, BULK
PRODUCT ON PAGE 146		

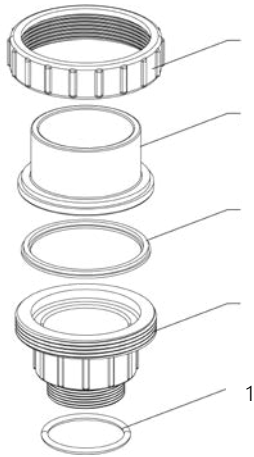


21063-200-000 UNION		
	CMP P/N	DESCRIPTION
1		N/A
2	21049-200-010	2" SOCKET PVC TAILPIECE
3	26200-210-632	T-GASKET
4		N/A
5	26100-590-500	O-RING, BULK
PRODUCT ON PAGE 146		

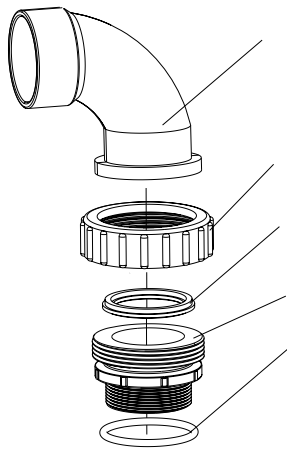


21063-230-000 UNION		
	CMP P/N	DESCRIPTION
1	21063-234-030	NUT
2	21063-230-020	3" SOCKET PVC TAILPIECE
3	26200-289-049	T-GASKET
4		N/A
5	26100-590-500	O-RING, BULK
PRODUCT ON PAGE 146		

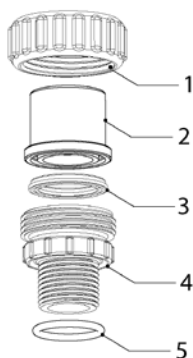
UNION PARTS



21063-250-000 UNION		
	CMP P/N	DESCRIPTION
1	26100-590-500	O-RING, BULK
PRODUCT ON PAGE 146		

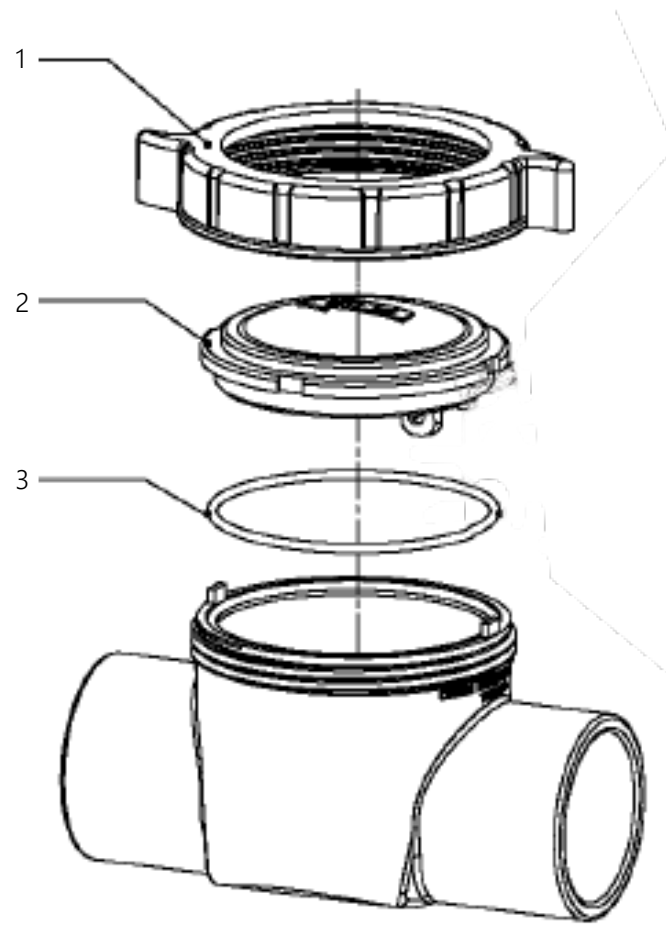


21063-290-000 UNION		
	CMP P/N	DESCRIPTION
1		N/A
2	21048-000-010	NUT
3	21092-050-000	T-GASKET
4		N/A
5	26100-590-500	O-RING, BULK
PRODUCT ON PAGE 146		



21063-750-000 UNION		
	CMP P/N	DESCRIPTION
1	21063-754-030	NUT
2		N/A
3	26200-227-038	T-GASKET
4	21063-754-010	3/4" MIP THREADED PIECE
5	26100-240-300	O-RING, BULK
PRODUCT ON PAGE 146		

POOL DEFENDER™ DELUXE INLINE ANODE

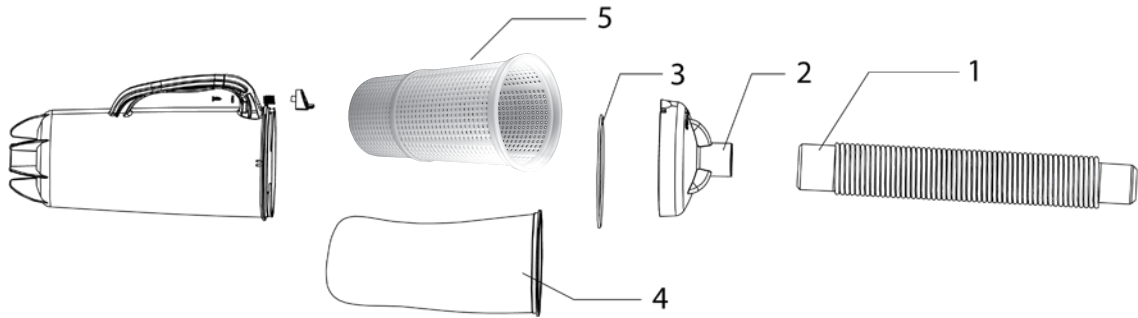


POOL DEFENDER™ DELUXE INLINE SACRIFICIAL ZINC ANODE

	CMP P/N	DESCRIPTION
1	25830-201-030	NUT
2	25810-200-920	COVER
3	26100-965-300	COVER O-RING
—	25810-200-900	COVER WITH ZINC BAR

PRODUCT ON PAGE 171

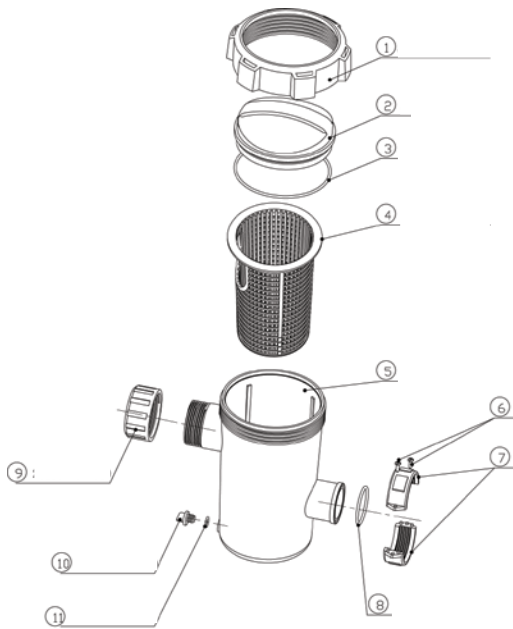
POOL ACCESSORY PARTS



POOL VACUUM LEAF TRAP

	CMP P/N	DESCRIPTION
1	58309-000-040	1.5" MALE X 1.5" MALE HOSE
2	58309-000-010	LEAF TRAP LID
3	58309-000-020	O-RING, LID
4	58309-000-030	MESH BAG, STANDARD
4	58309-000-130	MESH BAG, SAND/SILT
5	27182-010-000	HEAVY DUTY BASKET

PRODUCT ON PAGE 157



ABOVE GROUND PUMP LEAF TRAP

	CMP P/N	DESCRIPTION
1	25300-000-010	TIGHTENING RING
2	25300-000-020	CLEAR LID
3	25300-000-030	TOP LID O-RING, BULK
4	25300-000-040	BASKET
5	N/A	TRAP BODY
6	61052-039-015	SCREWS
7	25300-004-070	1.5" SPLIT UNION NUT
7	25301-004-070	2" SPLIT UNION NUT
8	26100-495-350	1.5" SPLIT UNION O-RING
8	26100-570-355	2" SPLIT UNION O-RING
9	25300-000-060	1.5" UNION NUT
10	25300-000-090	PLUG
11	26100-125-265	PLUG O-RING, BULK

PRODUCT ON PAGE 74

PART#	PG	PART#	PG	PART#	PG	PART#	PG
21003-000-000	148	21182-200-000	151	25100-110-000	110	25280-200-000	71
21003-100-000	148	21182-220-000	151	25100-140-000	110	25280-300-000	70
21004-000-000	149	21182-250-000	151	25100-150-000	110	25280-309-000	70
21004-150-000	149	21183-100-000	152	25140-000-000	110	25280-310-000	70
21005-000-000	149	21183-150-000	152	25140-000-700	119	25280-400-000	70
21006-000-000	149	21183-200-000	152	25140-000-900	177	25280-409-000	70
21007-000-000	149	21184-100-000	150	25140-010-000	110	25280-410-000	70
21010-000-000	149	21184-150-000	150	25140-050-000	110	25280-615-000	72
21010-200-000	149	21184-200-000	150	25140-210-000	110	25280-630-000	72
21013-000-000	149	21184-230-000	150	25140-250-000	110	25280-640-000	72
21013-200-000	149	21184-250-000	150	25140-500-000	112	25300-004-000	74
21021-000-000	74, 147	21184-750-000	150	25140-500-110	112	25300-004-070	148
21023-000-000	74, 147	23300-000-000	103	25140-510-000	112	25300-100-000	165, 184
21044-000-000	149	23300-100-000	103	25140-529-000	112	25300-200-000	164
21047-000-000	148	23300-200-000	103	25141-160-000	117	25301-004-000	74
21048-000-000	148	23300-200-040	103, 143	25141-170-000	117	25301-004-070	148
21049-150-000	148	23300-210-000	103	25141-200-000	117	25302-054-000	185
21049-200-000	148	23300-240-000	103	25141-300-000	117	25303-054-000	185
21053-150-000	147	23300-250-000	103	25141-320-000	117	25304-000-020	184
21053-200-000	147	23300-300-000	103	25141-350-000	117	25305-000-020	184
21054-150-000	147	23301-000-000	103	25141-360-000	117	25305-126-000	184
21055-150-000	147	23301-000-030	102, 103	25141-400-000	117	25305-127-000	184
21056-150-000	147	23302-000-000	103	25141-410-000	117	25305-129-000	184
21058-000-000	147	23302-000-040	102	25141-420-000	117	25305-131-000	184
21058-100-000	147	23302-100-040	102	25141-440-000	117	25306-000-020	184
21058-200-000	147	23304-000-000	102	25141-450-000	117	25307-000-020	184
21058-300-000	147	23304-000-040	102	25141-500-000	117	25307-500-020	185
21059-150-000	147	23304-100-000	102	25141-540-000	117	25356-100-000	184
21062-154-000	74	23305-000-000	103	25141-600-000	117	25356-502-000	185
21063-150-000	146	23306-100-000	102	25141-700-000	117	25357-004-000	184
21063-154-000	146	23306-100-020	102	25141-800-000	117	25357-054-000	185
21063-160-000	146	23306-120-000	102	25160-010-000	111	25357-154-000	90, 185
21063-164-000	146	23306-120-020	102	25160-010-001	111	25357-240-000	90
21063-170-000	147	23307-000-000	102	25160-010-060	119	25357-273-000	90
21063-179-000	147	23307-100-000	102	25160-010-900	113	25357-300-000	184
21063-180-000	147	23307-200-000	102	25160-020-000	111	25357-357-000	90
21063-189-000	147	23308-000-000	102	25160-110-000	111	25357-600-000	183
21063-200-000	146	23308-100-000	102	25160-110-030	119	25357-700-000	183
21063-200-900	74	23308-100-020	102, 107	25160-110-900	113	25357-750-000	183
21063-204-000	146	23308-100-040	102	25160-110-920	113	25357-760-000	183
21063-210-000	147	23308-100-050	102, 107	25160-120-000	111	25357-770-000	183
21063-225-000	148	23308-100-100	102	25160-150-000	111	25357-800-000	183
21063-230-000	146	23308-110-110	102	25160-150-900	113	25357-850-000	183
21063-250-000	146	23308-200-000	102	25160-150-920	113	25357-982-000	90
21063-280-000	147	23308-200-030	102	25160-210-000	111	25357-983-000	90
21063-290-000	146	23308-930-000	107	25160-450-900	113	25391-000-000	66
21063-330-000	148	23309-000-000	102	25160-510-000	112	25391-200-000	66
21063-350-000	148, 185	23310-000-000	103	25207-700-000	134	25398-010-000	149, 170
21063-750-000	146	23312-000-000	104	25207-700-900	134	25501-000-800	149
21063-801-000	148, 185	23315-030-000	101	25207-800-000	134	25501-000-900	149
21093-000-000	165	23315-100-000	41, 101	25215-000-000	134	25501-020-800	149
21093-150-000	165	23315-240-000	101	25215-000-003	134	25501-020-900	149
21097-150-000	149	23315-300-000	101	25215-900-000	134	25501-100-000	149
21097-200-000	149	23315-300-200	101	25248-000-000	115	25501-100-800	149
21098-150-000	149	23551-660-000	104	25248-000-040	115	25501-100-900	149
21098-200-000	149	23551-699-999	104	25248-000-051	115	25501-120-800	149
21105-000-000	149	25062-000-000	79	25248-020-000	115	25503-000-000	47
21106-000-000	149	25062-159-000	79	25248-920-000	115	25503-025-000	58
21181-100-000	152	25067-000-000	79	25251-000-500	119	25503-025-000H	58
21181-150-000	152	25098-000-000	105	25251-100-000	168	25503-025-000P	58
21181-200-000	152	25099-000-000	105	25251-110-000	168	25503-110-999	58
21181-250-000	152	25100-000-000	110	25251-120-000	168	25503-300-000	58
21181-300-000	152	25100-010-000	110	25280-100-000	70	25503-500-025	65
21181-400-000	152	25100-040-000	110	25280-109-000	70	25503-520-025	65
21181-750-000	152	25100-100-000	110	25280-110-000	70	25503-520-025H	65
21182-150-000	151	25100-104-400	110	25280-120-000	71	25503-520-025P	65

PART#	PG	PART#	PG	PART#	PG	PART#	PG
25503-560-025	65	25522-000-000	143	25549-002-000	153	25563-052-053	179
25503-560-025H	65	25522-100-000	143	25549-100-000	120, 153	25563-052-054	179
25503-560-025P	65	25522-500-000	143	25549-200-000	153	25563-052-360	179
25503-910-000	58, 61	25523-000-000	143	25549-200-100	120	25563-080-000	179
25503-911-000	61	25523-100-000	107, 143	25549-259-000	153	25563-086-000	179
25503-912-000	61	25523-500-000	143	25549-500-000	153	25563-089-000	179
25503-913-000	61	25523-500-100	143	25549-540-000	153	25563-100-000	179
25503-914-000	61	25523-500-200	143	25549-600-000	153	25563-110-000	179
25503-920-000	61	25523-600-000	143	25550-000-000	143	25563-115-000	179
25503-921-000	61	25523-600-200	143	25550-000-060	143	25563-120-000	179
25503-923-000	61	25523-700-000	143	25551-000-000	141	25563-133-000	179
25503-924-000	61	25523-750-000	107	25551-000-100	142	25563-150-000	179
25503-930-000	61	25523-900-000	168	25551-300-000	141	25563-150-100	179
25503-931-000	61	25524-200-000	143	25551-400-000	141	25563-150-112	179
25503-932-000	61	25525-000-000	168	25552-000-000	140	25563-150-200	179
25503-933-000	61	25526-000-000	116	25552-020-300	140, 168	25563-150-360	179
25503-934-000	61	25526-100-000	116	25552-100-000	140	25563-160-000	179
25503-999-998	58	25526-200-000	116	25552-200-000	140	25563-161-000	179
25504-000-100	69	25527-000-000	142	25552-300-000	120, 140	25563-170-000	179
25504-000-200	69	25527-000-030	142	25552-400-000	140	25563-200-000	179
25504-100-000	69	25527-100-000	142	25552-500-000	79, 142	25563-210-000	179
25504-200-001	69	25527-100-100	142	25553-300-000	140	25563-210-400	179
25504-300-000	69	25528-000-000	168	25553-350-000	140	25563-240-000	179
25504-600-000	66	25529-150-000	143	25553-400-000	140	25563-250-000	179
25505-000-000	165	25531-000-000	126	25553-450-000	140	25563-260-000	179
25506-320-000	122	25532-300-000	182	25553-900-000	41	25563-270-000	179
25506-320-030	123	25532-800-000	128	25553-901-000	41	25563-270-800	179
25506-320-100	122	25533-000-000	137	25554-000-000	140	25563-300-000	181
25506-320-150	122	25533-000-010	137	25554-100-000	140	25563-300-110	181
25506-320-500	123	25533-100-000	137	25554-200-000	140	25563-300-500	181
25506-320-800	122	25533-200-000	137	25554-300-000	140	25563-310-000	179
25506-320-900	122	25533-300-000	137	25554-400-000	140	25563-340-000	179
25507-100-000	126, 182	25533-300-010	137	25555-000-000	141	25563-340-030	179
25508-090-000L	124	25537-000-000	126	25555-300-000	141	25563-350-000	179
25508-090-010	124	25538-000-000	118	25555-700-000	141	25563-360-000	179
25508-120-000L	124	25538-200-000	46	25556-000-000	103	25563-370-000	179
25508-120-011	124	25538-900-000	118	25556-100-000	103	25563-370-400	179
25508-180-000L	124	25539-500-000	130, 132	25556-300-000	103	25563-380-000	179
25511-000-900	115	25539-700-100	130	25557-000-000	141	25563-400-000	179
25512-000-900	177	25540-000-010	119	25557-014-010	141	25563-460-000	179
25512-000-950	115	25540-000-020	119	25558-000-000	165	25563-660-400	179
25512-000-991	177	25540-100-000	120	25558-100-000	165	25563-800-000	159
25513-250-020	168	25540-200-000	120	25558-170-000	165	25563-800-201	181
25513-260-000	132	25541-000-010	119	25559-000-000	139	25563-800-300	181
25513-300-020	168	25541-000-020	119	25559-110-000	139	25563-800-302	181
25513-400-000	132	25541-100-000	120	25559-200-000	139	25563-809-000	181
25513-500-000	130	25541-200-000	120	25560-000-000	142	25563-810-000	181
25513-600-000	130	25541-300-010	182	25562-000-000	167	25563-810-100	181
25514-000-000	126	25542-000-000	168	25562-100-000	167	25563-820-000	181
25515-000-000	128	25542-500-000	168	25562-500-000	167	25564-000-300	166
25515-000-011	128	25543-000-000	168	25562-600-000	167	25565-009-000	47
25515-000-200	128	25544-000-000	118	25562-720-000	167	25567-000-000	166
25516-000-010	130	25544-020-010	119	25562-740-000	167	25567-100-000	166
25516-250-010	132	25544-030-010	119	25563-005-000	181	25567-109-000	166
25516-260-000	132	25544-200-000	46	25563-010-000	181	25568-000-000	166
25516-300-010	132	25544-500-000	119	25563-010-800	181	25568-200-000	166
25516-400-000	132	25544-500-100	119	25563-017-000	179	25568-300-000	166
25516-500-000	130	25544-900-000	118	25563-020-000	179	25568-300-010	166
25516-500-100	132	25545-000-000	143	25563-025-000	181	25568-400-000	166
25517-500-000	130	25545-100-000	120, 143	25563-029-000	179	25568-500-000	166
25518-000-000	130	25545-300-000	182	25563-029-360	179	25568-700-000	166
25519-000-000	126	25545-300-800	182	25563-040-000	181	25568-750-000	166
25520-000-000	136	25545-300-850	182	25563-040-100	181	25569-000-000	166
25520-040-000	168	25546-000-000	143	25563-040-200	181	25569-000-100	166
25520-050-020	123, 168	25548-100-000	120, 128	25563-050-024	179	25569-100-000	166
25521-000-000	136	25549-000-011	153	25563-052-000	179	25570-000-000	165

PART#	PG	PART#	PG	PART#	PG	PART#	PG
25570-100-000	165	25577-180-120	26	25577-835-120	26	25591-240-000	96
25571-000-000	165	25577-180-900	26	25577-835-600	26	25591-250-000	96
25572-000-000	167	25577-185-000	26	25577-835-900	26	25591-910-000	105
25572-050-000	167	25577-185-120	26	25577-950-000	31	25591-930-000	105
25572-100-000	167	25577-190-000	28	25577-950-020	98	25592-010-000	100
25572-200-000	167	25577-190-600	28	25578-000-000	167	25592-020-000	100
25572-400-000	167	25577-190-900	28	25579-000-010	118	25592-030-000	100
25572-400-100	167	25577-220-000	26	25580-000-000	97	25594-100-000	97, 98
25572-420-000	167	25577-222-890	33	25580-000-010	97	25594-150-000	97
25572-480-000	167	25577-225-000	26	25580-000-030	98	25594-160-000	97
25573-000-000	118	25577-230-000	26	25580-000-090	98	25597-000-000	43
25573-100-000	118	25577-230-120	26	25580-000-120	94, 98	25597-000-020	45
25573-300-000	174	25577-230-900	26	25580-090-000	97	25597-000-030	168
25573-410-000	118	25577-235-000	26	25580-200-000	93	25597-000-120	45
25573-510-000	118	25577-235-120	26	25580-200-030	94	25597-000-900	45
25573-520-000	118	25577-260-000	28	25580-200-190	94	25597-001-020	45
25573-540-000	118	25577-260-600	28	25580-290-000	93	25597-004-020	45
25574-000-000	144	25577-260-900	28	25580-900-090	98	25597-023-000	43
25574-100-000	144	25577-320-000	26	25580-920-190	94	25597-100-900	45
25575-509-000	144	25577-322-890	33	25581-000-000	97	25597-200-000	43
25575-600-000	144	25577-325-000	26	25581-000-010	97	25597-200-900	45
25576-000-000	118	25577-330-000	26	25581-090-000	97	25597-223-000	43
25576-120-000	27	25577-335-000	26	25581-200-000	93	25597-300-000	35
25576-130-000	27	25577-335-120	26	25581-290-000	93	25597-304-010	44, 45
25576-130-120	27	25577-360-000	28	25582-000-000	96	25597-310-000	35
25576-130-900	27	25577-360-600	28	25583-000-000	96	25597-330-020	46
25576-150-000	28	25577-360-900	28	25587-130-000	29	25597-333-000	36
25576-150-600	28	25577-420-000	26	25587-130-120	29	25597-353-000	36
25576-170-000	27	25577-422-890	33	25587-130-900	29	25597-620-100	63
25576-180-000	27	25577-425-000	26	25587-230-000	29	25597-620-100H	63
25576-180-120	27	25577-430-000	26	25587-230-120	29	25597-620-100P	63
25576-180-900	27	25577-430-120	26	25587-230-900	29	25597-700-000	63
25576-190-000	28	25577-430-900	26	25587-330-000	29	25597-720-100	63
25576-190-600	28	25577-435-000	26	25587-330-120	29	25597-720-100H	63
25576-220-000	27	25577-435-120	26	25587-330-900	29	25597-720-100P	63
25576-230-000	27	25577-460-000	28	25587-430-000	29	25598-000-000	44
25576-230-120	27	25577-460-600	28	25587-430-120	29	25598-000-020	45
25576-230-900	27	25577-460-900	28	25587-430-900	29	25598-200-000	44
25576-260-000	28	25577-520-000	26	25588-130-000	30	25598-300-000	35
25576-260-600	28	25577-525-000	26	25588-130-120	30	25598-304-800	36
25576-320-000	27	25577-530-000	26	25588-130-900	30	25598-309-800	36
25576-330-000	27	25577-530-120	26	25588-180-000	30	25598-310-000	35
25576-330-120	27	25577-530-900	26	25588-180-120	30	25598-333-000	36
25576-330-900	27	25577-535-000	26	25588-180-900	30	25598-353-000	36
25576-360-000	28	25577-535-120	26	25588-230-000	30	25598-900-000	44
25576-360-600	28	25577-620-000	26	25588-230-120	30	25598-920-000	44
25576-420-000	27	25577-625-000	26	25588-230-900	30	25599-315-020	49
25576-430-000	27	25577-630-000	26	25588-330-000	30	25599-315-030	49
25576-430-120	27	25577-630-120	26	25588-330-120	30	25599-315-040	49
25576-430-900	27	25577-630-900	26	25588-330-900	30	25599-315-050	49
25576-460-000	28	25577-635-000	26	25588-430-000	30	25599-315-060	49
25576-460-600	28	25577-635-120	26	25588-430-120	30	25599-315-070	49
25577-120-000	26	25577-635-900	26	25588-430-900	30	25599-415-010	49
25577-122-890	33	25577-720-000	26	25589-200-000	165	25599-415-020	49
25577-125-000	26	25577-725-000	26	25590-000-000	98	25599-515-010	49
25577-130-000	26	25577-730-000	26	25590-000-200	94	25599-515-020	49
25577-130-120	26	25577-730-120	26	25590-100-000	69	25599-515-030	49
25577-130-900	26	25577-730-900	26	25590-250-000	142, 165	25600-009-000	164
25577-135-000	26	25577-735-120	26	25591-110-000	92	25600-411-000	164
25577-135-120	26	25577-735-600	26	25591-120-000	92	25604-000-000	68
25577-150-000	28	25577-735-900	26	25591-130-000	92	25604-100-000	68
25577-150-600	28	25577-820-000	26	25591-140-000	92	25606-000-000	142
25577-150-900	28	25577-825-000	26	25591-150-000	92	25606-100-000	142
25577-170-000	26	25577-830-000	26	25591-210-000	96	25609-300-000	141
25577-172-890	33	25577-830-120	26	25591-220-000	96	25620-000-000	136
25577-180-000	26	25577-830-900	26	25591-230-000	96	25620-250-000	132

PART#	PG	PART#	PG	PART#	PG	PART#	PG
25620-320-000	123	25830-704-000	79	26100-357-100	184	27509-150-000	84
25625-200-000	185	25830-714-000	79	26101-320-530	184	27510-204-000	82
25650-100-000	55	25830-724-000	79	26200-234-421	98	27511-200-000	83
25650-100-100	55	25830-734-000	79	26677-128-041	31	27511-204-000	83
25650-100-200	55	25830-764-000	79	26677-178-041	31	27511-214-000	83
25650-100-210	55	25830-774-000	79	26677-208-041	31	27512-154-000	86
25650-100-300	55	25830-804-000	79	26677-328-041	31	27513-154-000	86
25650-110-200	55	25830-814-000	79	26677-428-041	31	27513-154-100	86
25650-110-300	55	25830-864-000	79	27051-009-000	164	27514-154-000	86
25650-120-300	55	25830-874-000	79	27052-019-000	164	27515-154-000	85
25650-130-300	55	25831-000-100	89	27180-009-000	177	27515-154-070	85
25650-150-300	55	25831-004-000	89	27180-009-200	177	27515-154-100	85
25676-130-000	52	25831-004-171	89	27180-033-000	177	27516-204-000	86
25676-180-000	52	25831-004-172	89	27180-036-000	177	27516-204-100	82, 86
25676-230-000	52	25831-014-000	89	27180-037-000	177	27517-204-000	86
25676-330-000	52	25831-110-100	89	27180-038-000	177	27518-204-000	85
25676-430-000	52	25831-112-100	89	27180-039-000	177	27518-204-100	85
25676-530-000	52	25831-119-200	89	27180-043-000	177	27519-204-000	87
25676-630-000	52	25831-119-750	89	27180-099-000	177	27520-154-000	87
25676-730-000	52	25831-119-790	89	27180-099-030	177	58306-009-000	158
25676-830-000	52	25831-120-100	89	27180-106-000	177	58307-000-000	164
25677-122-870	33	25831-122-100	89	27180-136-000	177	58307-180-000	181
25677-130-000	52	25831-124-170	89	27180-152-000	177	58307-280-000	181
25677-172-870	33	25831-130-000	89	27180-163-000	177	58307-280-100	181
25677-180-000	52	25831-130-100	89	27180-167-000	177	58307-300-811	181
25677-222-870	33	25840-000-000	118	27180-168-000	177	58307-300-812	181
25677-230-000	52	25840-000-020	118	27180-199-000	177	58307-380-000	181
25677-322-870	33	25840-100-000	74	27180-200-000	177	58308-100-000	165
25677-330-000	52	25850-000-100	80	27180-203-000	177	58309-000-000	158
25677-422-870	33	25850-150-000	80	27180-207-000	177	58410-110-023	157
25677-430-000	52	25850-200-000	80	27180-215-000	177	58410-120-047	157
25677-530-000	52	25850-250-000	80	27180-219-000	175	58410-120-048	157
25677-630-000	52	25851-150-000	80	27180-220-000	177	58410-130-051	157
25677-730-000	52	25851-200-000	80	27180-280-000	177	58410-140-052	157
25677-830-000	52	25851-250-000	80	27180-336-000	174	58410-150-302	157
25677-900-000	54	25852-150-000	80	27180-355-000	177	58410-160-409	158
25710-004-000	165	25852-200-000	80	27182-009-000	175	58410-170-454	158
25800-110-000	81	25852-250-000	80	27182-009-200	175	58410-180-763	157
25800-151-000	81	25853-150-000	80	27182-010-000	158, 175	58420-110-025	160
25800-210-000	81	25853-200-000	80	27182-019-000	175	58420-120-166	160
25800-251-000	81	25853-250-000	80	27182-020-000	175	58420-130-316	160
25800-310-000	81	25854-150-000	80	27182-037-000	175	58430-100-035	160
25800-410-000	81	25855-150-000	80	27182-152-000	175	58430-110-043	160
25800-751-000	81	25856-150-000	80	27182-152-200	175	58430-140-087	160
25802-151-000	81	25857-150-000	80	27182-167-000	175	58430-150-100	160
25802-210-000	81	25858-150-000	80	27182-199-000	175	58430-160-146	160
25802-415-000	81	25858-200-000	80	27182-200-000	175	58440-110-082	162
25802-420-000	81	25858-250-000	80	27182-207-000	175	58440-120-083	162
25802-651-000	81	25900-120-000	137	27182-215-000	175	58440-130-084	162
25810-009-950	171, 175	25912-154-000	76	27182-300-000	174	58440-140-080	162
25810-150-000	170	25912-204-000	76	27182-352-000	174	58460-110-688	166
25810-200-000	170	25912-254-000	76	27288-070-000	148	58470-110-690	162
25810-200-950	170	25913-154-000	76	27500-154-000	82	58470-110-700	164
25810-350-050	170	25913-204-000	76	27500-154-079	82	58480-110-039	160
25810-400-050	170	25913-254-000	76	27500-154-100	82	58480-130-079	160
25810-500-000	171	25922-154-000	76	27501-154-000	82	58490-130-257	162
25810-850-000	171	25922-204-000	76	27502-154-000	82	61050-042-025	142
25830-150-000	78	25923-154-000	76	27503-200-000	83		
25830-200-000	78	25923-159-000	77	27503-200-100	83		
25830-250-000	79	25923-204-000	76	27504-200-000	83		
25830-350-000	78	25923-209-000	77	27505-200-000	84		
25830-360-000	78	25932-151-000	76	27506-200-000	83		
25830-400-000	78	25932-201-000	76	27507-200-000	84		
25830-410-000	78	25933-151-000	76	27507-200-100	82, 84		
25830-450-000	78	25933-201-000	76	27508-150-000	84		
25830-500-000	78	26100-255-630	103	27508-150-100	84		

CROSS REFERENCE INDEX

OEM #	PG	OEM #	PG	OEM #	PG	OEM #	PG
6-500-00	179	263055	89	C11	179	SP11054	118
6-504-00	179	263064	89	C16	179	SP071621	85
9-100-1014	181	263079	89	C55	179	SPX0410BA	89
9-100-1017	179	270067	82, 84	C56	179	SPX0507A1	153
9-100-1108	179	270068	84	C60	179	SPX0710XBA17	86
9-100-1114	179	271152B	82	C64	179	SPX0714BA	85
9-100-1115	179	272531	82	C65	179	SPX715BA	85
9-100-1132	179	273241	89	C66	179	SPX0715BA3	86
9-100-1200	179	273564	90	C67	179	SPX0722D2	89
9-100-1201	179	350157	185	C68	179	SPX1028D	119
9-100-3002	179	354530	185	C80	179	SPX1082CA	175, 177
9-100-3006	179	354531	184	C86	179	SPX1091	177
9-100-3007	179	355301	184	C108-33P	177	SPX1094FA	177
9-100-3008	179	355318	175	C120	179	SPX1096CA	177
9-100-3105	181	355468	184	C153-53P1	185	SPX1500D2A	184
9-100-9001	179	355667	177	C180-33P	177	SPX1500LX	177
9-150-1002	179	357100	184	CX3000C	183	SPX1600M	175, 177
10-112-00	179	850001	177	CX3030C	183	SPX2800M	177
19-0163-1	177	850012	177	CX5030C	183	SPX3000M	175, 177
48-080	179	23112903R	182	D10	179	U-3	175, 177
48-085	179	43061803K	182	D11	179	W530	175
51-3036	177	43061902R	182	D20	179	W4666	181
51B1026	177	43112804K	182	D29	179	W69698	181
60-702	167	43114404R	182	D30	179	W70327	181
60-704	167	43124601R	182	D45	181	W81600	181
340-1139	177	51013811	89	D47	181	WVS003	87
542-3240	175, 177	91110000	177	D50	181		
1004	179	98209800	90	D52	181		
1008	179	A16	181	DEX2400C	183		
1116	179	A20	179	DEX2400S	90		
1117	179	AP 850001	175	G5	181		
3002B	181	B5	181	G6	181		
3201	181	B6	181	G52	179		
3302	181	B-9	175, 177	G53	179		
006723F	185	B10	181	G54	179		
8112	181	B15	179	G57	179		
18201-0200	83	B25	181	G62	179		
27089	89	B-33	177	G64	179		
27242	83	B-36	177	GMX600MN	85		
070387	175, 177	B-37	175, 177	K16	181		
073126	184	B-38	177	P133	179		
073127	184	B-39	177	R38013A	177		
073128	184	B-99	177	R38013B	177		
073129	184	B-106	177	R211526	175		
073130	184	B-136	177	R0357200	90		
073131	184	B-152	175, 177	R0359000	183		
073502	185	B-167	175, 177	R03576000	183		
074564	184	B-168	177	S20	175, 177		
152165	82	B-199	175, 177	SP0410X502S	89		
154687	90	B-200	175, 177	SP0410X602S	89		
154689	90, 185	B-203	177	SP0710X32	86		
154699	185	B-204	175	SP0710X62	86		
261049	83	B-207	175, 177	SP0710XR50	86		
261050	83	B-215	175, 177	SP0714T	85		
261055	84	B-219	175	SP0715X62	86		
261142	83	B-220	177	SP0715XR50	86		
261152	84	BWVL-MPV	87	SP1070	175, 177		
261173	84	C1-200PA	184	SP1074S	185		
261177	84	C3-1391P1	184	SP1106	118		
261185	82	C6	179	SP1434TP	168		
262504	82	C7	179	SP11041	118		
262505	82	C8-58P	175, 177	SP11051	118		
262506	82	C10	179	SP11052	118		

TERMS & CONDITIONS

CONTACT For written communication, including payment of invoices, please send to:
Custom Molded Products, Inc.
36 Herring Road
Newnan, GA 30265
Phone: 770-632-7112 Fax: 770-632-7115

ORDERING Customers should place orders directly with CMP at the phone or fax numbers presented above. To ensure prompt and proper shipment, please order by using complete part numbers and descriptions. All telephone orders must be followed up with a written confirmation purchase order.

Our catalog and price list contain box/bag quantities for most parts. Currently CMP does not apply a surcharge for broken carton orders. Please help us maintain this policy by ordering in full carton quantities.

Thank you for your cooperation!

TERMS Payment for products is C.O.D. Net terms may be established upon completion of a satisfactory credit check. Past due accounts will be C.O.D. Customers with unpaid balances will be considered delinquent and will be subject to a service charge of 1-1/2% per month on the past due amount.

FREIGHT Pricing and terms are FOB–Newnan, Georgia unless otherwise specified. Freight charges are Pre-Pay and Add unless otherwise specified. All claims for lost or damaged freight must be made by the purchaser and directly to the freight carrier within the carrier's established time limit.

INVOICES Please pay by invoice per the terms on the sales invoice. There will be a \$20.00 minimum service charge on all NSF or returned checks.

BILLING ERRORS Appropriate debits or credits will be applied to accounts or invoices that are in error. Please contact Custom Molded Products if you have questions regarding your invoice or if you think your account is in error.

RETURNED GOODS Merchandise will not be accepted for return without a Returned Materials Authorization (RMA) number issued by Custom Molded Products, which should be marked on all returned cartons. Returned shipments not having prior authorization will be refused. All returned merchandise must be new and unused with the exception of defective goods. A 25% restocking charge will be applied against any credit issued for salable merchandise. All goods must be returned freight pre-paid within 30 days after receipt of shipment.

NOTICE CMP reserves the right to change at any time and without notice colors, materials, specifications, part numbers and prices to any products appearing in this publication

CONTENT & TRADEMARK DISCLAIMERS

CATALOG CONTENT AND SPECIFICATIONS

All illustrations, photographs, product details and specifications in this catalog are current as of available information at the time of printing.

CMP reserves the right to change at any time and without notice colors, materials, specifications, part numbers and prices to any products appearing in this publication.

For regularly updated and the most current product information visit CMP online at www.c-m-p.com

TRADEMARKS

The CMP logo, division lockup and everything matters® tagline are registered trademarks of Custom Molded Products, LLC. All CMP Pool Products logos and trademarks are property of CMP. Natural Wonders™, Brilliant Wonders®, AquaLevel™, Powerclean™, Hydroseal™, Spa Master™, AquaElements®, Pool Defender™, Flowskim™ and Pro Tools™ are trademarks and/or registered trademarks of CMP.

The absence of a trademark, trade name or service mark from the above list does not constitute a waiver of our intellectual property rights concerning that trademark, trade name or service mark. All custom graphics, icons, logos and words listed above are trade names, trademarks or service marks of Custom Molded Products in the United States and/or other countries.

The trademarks and names of other companies and products mentioned and/or referenced herein are the property of their respective owners.

All Pentair trademarks and logos are owned by Pentair or one of its global affiliates. Pentair®, SuperFlo®, Dynamo®, Sta-Rite®, Challenger®, Rainbow™, FNS®, Admiral™, Tagelus®, Triton®, Quad D.E.®, Nautilus™, American Products™, WhisperFlo®, Max-E-Pro®, PacFab™, Max-E-Glas®, Dyna-Glas™, Max-E-Glas®, are trademarks and/or registered trademarks of Pentair Water Pool and Spa, Inc. and/or its affiliated companies in the United States and/or other countries.

Polaris®, Tailsweep Pro® Baracuda® and Jandy® are registered trademarks of Zodiac International. Zodiac® is a registered trademark of Zodiac International, S.A.S.U.

Jacuzzi® is a registered trademark of Carvin Pool Equipment, Inc.

Hayward®, Power-Flo®, Super Pump® are registered trademarks of Hayward Industries, Inc.

Waterway® is a registered trademark of B & S Plastics, Inc

Aquabot® is a registered trademark of Aqua Products, Inc

Aladdin® is a registered trademark of Aladdin Equipment Company

JetArray® is a registered trademark of Sultan Products, LLC

Hydro Air® is a registered trademark of Balboa Water Group

CMP LIMITED WARRANTY

Custom Molded Products, LLC takes great pride in the quality products that it manufactures. The company maintains high standards for the materials and workmanship that it invests in its products. Accordingly, Custom Molded Products makes this express Limited Warranty with respect to products manufactured solely by Custom Molded Products, LLC, as follows:

Custom Molded Products warrants its products to be free of defects in material and workmanship for a period of one (1) year from the date of original purchase of the Custom Molded Products product unless otherwise noted. This Limited Warranty will be applicable only if the product manufactured by Custom Molded Products is the sole and exclusive cause of a defect which is covered by this Limited Warranty. Your sole and exclusive remedy against Custom Molded Products, LLC, arising from the purchase or use of a product manufactured by Custom Molded Products, LLC is limited to the repair or supply of a replacement product in substitution of the product which is determined to be defective (after examination, verification and approval by Custom Molded Products, LLC) with a product of equivalent quality. All other compensation of whatever nature is hereby expressly excluded. This Limited Warranty begins on the date of first purchase of a product from Custom Molded Products, LLC

The Limited Warranty is extended to the party making the original purchase of products from Custom Molded Products, LLC and no warranty is made nor authorized to be made assignable on resale by the original purchaser of products from Custom Molded Products, LLC The repair or replacement product issued by Custom Molded Products, LLC pursuant to this Limited Warranty shall be warranted for only the unexpired portion of the original Limited Warranty.

This Limited Warranty does not apply to component parts manufactured by others or for damage to products manufactured by Custom Molded Products, LLC if such damage is caused by component parts manufactured by others. For component products manufactured by others the warranty established by that respective manufacturer, if any, will be applicable.

THIS LIMITED WARRANTY DOES NOT COVER:

- Costs incurred in the shipment or cartage, removal and/or reinstallation (including but not limited to labor costs) with respect to the replacement product made available by Custom Molded Products, LLC pursuant to this Limited Warranty.
- Damage or improper operation of a product governed by this Limited Warranty to the extent same is caused by customer abuse, misuse, negligence, or failure to follow installation or operation instructions.
- Use for which the product is not designed.
- Fire, explosion, weather conditions or natural disasters.
- Faulty or improper installation.
- Ordinary wear and tear.
- Damage caused by negligent or improper maintenance procedures and other causes not specified, by beyond the control of Custom Molded Products, LLC
- Improper packaging, repackaging or damage incurred in shipping.

In order for this Limited Warranty to be effective you must:

- Be the original purchaser of the product from Custom Molded Products, LLC
- Have not structurally modified, misused or misapplied the product manufactured by Custom Molded Products
- Have maintained the Custom Molded Products product in accordance with the instructions from Custom Molded Products, LLC or as described in maintenance materials provided by Custom Molded Products, LLC to you
- Have complied with all terms for the payment of the Custom Molded Products product
- Made your claim in writing to Custom Molded Products within the time provided and in accordance with the terms of this Limited Warranty.

CMP LIMITED WARRANTY

THERE ARE NO WARRANTIES APPLICABLE TO PRODUCTS MANUFACTURED BY CUSTOM MOLDED PRODUCTS EXCEPT AS EXPRESSLY STATED HEREIN AND THIS WARRANTY IS IN SUBSTITUTION FOR AND IN LIEU OF ALL OTHER WARRANTIES, WHETHER EXPRESSED OR IMPLIED, INCLUDING WITHOUT LIMITATION, ANY WARRANTIES OF MERCHANTABILITY OR FITNESS FOR A PARTICULAR PURPOSE.

UNDER NO CIRCUMSTANCES SHALL CUSTOM MOLDED PRODUCTS BE LIABLE FOR ANY LOSS OR ANY DIRECT, INDIRECT, INCIDENTAL, SPECIAL OR CONSEQUENTIAL DAMAGE OR COSTS. CUSTOM MOLDED PRODUCTS SHALL NOT BE LIABLE FOR ANY LOSS OF USE, INCOME OR PROFIT, DAMAGE TO OTHER PROPERTY, ATTORNEY'S FEES OR THIRD PERSON CLAIMS NOT WITHSTANDING A PRIOR NOTICE TO THAT EFFECT FROM THE BUYER OR UNDER ANY OTHER CIRCUMSTANCES.

CUSTOM MOLDED PRODUCTS SHALL HAVE NO LIABILITY TO THE BUYER AND SHALL HAVE NO RESPONSIBILITY FOR THE COSTS OF LABOR, TRANSPORTATION OR OTHER COST INCURRED IN THE REMOVAL AND/OR INSTALLATION OF PRODUCTS MANUFACTURED BY CUSTOM MOLDED PRODUCTS COVERED BY THIS WARRANTY.

THE SOLE AND EXCLUSIVE REMEDY FOR CUSTOM MOLDED PRODUCTS' LIABILITY OF ANY KIND AND THE SOLE AND EXCLUSIVE REMEDY OF THE BUYER, WHETHER IN LAW OR IN EQUITY FOR A BREACH BY CUSTOM MOLDED PRODUCTS OF ANY AND ALL WARRANTIES SHALL BE LIMITED TO THE REPAIR OF, OR AT CUSTOM MOLDED PRODUCTS' OPTION, THE REPLACEMENT OF PRODUCTS MANUFACTURED BY CUSTOM MOLDED PRODUCTS WHICH ARE COVERED BY THIS WARRANTY.

This warranty is valid only in the United States of America.

TIME LIMIT ON COMMENCING LEGAL ACTION

It is agreed that you have 30 days from the accrual of a claim to inform CUSTOM MOLDED PRODUCTS, LLC. by registered mail with acknowledgement of receipt. It is agreed that you have one year from the accrual of a claim to commence any legal action arising from the purchase of a product manufactured by CUSTOM MOLDED PRODUCTS, LLC.

This Limited Warranty shall be governed by and construed in accordance with laws of the State of Georgia, except as to its principles of conflicts of laws, and CUSTOM MOLDED PRODUCTS, LLC and you irrevocably submit to the jurisdiction of the State of Georgia and the venue of Coweta County in any action brought by the parties hereto concerning this Limited Warranty or the performance by CUSTOM MOLDED PRODUCTS, LLC thereunder.

For communication related to replacement products or other issues respecting this Limited Warranty, please contact:

Custom Molded Products, LLC.
36 Herring Road, Newnan, Georgia 30265
Phone: 770.632.7112 FAX: 770.632.7115



Custom Molded Products, LLC

announces that its production facility, Custom Molded Products, LLC, a wholly-owned subsidiary of CMP, has been assessed and registered by National Quality Assurance Ltd. against the provisions of:

ISO 9001:2008

The facility is thereby an ISO certified and NQA registered company. This registration is subject to the company maintaining a Quality Management System to the above standard, which will be monitored by NQA.

Please consult www.snqa.com.cn for further information.

Certificate Number:	33596
Date:	08 January 2013
Valid Until:	08 January 2016
EAC Code:	14

Have you been to c-m-p.com?

THE PREMIER WEBSITE FOR POOL PROFESSIONALS

QUICK CUSTOMER SERVICE

MOBILE DEVICE COMPATIBLE

HD POOL PRODUCT VIDEOS

REP LOCATOR

**DIGITAL CMP CATALOGS,
GUIDES & MANUALS**

**NEW PRODUCT INFO,
GUIDES & UPDATES**

CMP EMAIL NEWSLETTER



AND COMING SOON . . .

NEW ENHANCED CROSS REFERENCE SEARCH

NEW SPANISH LANGUAGE WEBSITE

THE PREMIER SUPPLIER OF POOL, SPA & BATH COMPONENTS

Pool, Spa and Bath industry professionals around the world all depend on CMP. If you are a spa designer, pool builder, bath manufacturer or retail store owner, you can depend on CMP products, service and support. Because when the difference is in the details, everything matters®.

CMP® everything matters.



www.c-m-p.com

1-800-733-9060

ORDERS: CS@c-m-p.com

PRODUCT INFO: PoolSales@c-m-p.com

36 HERRING ROAD, NEWNAN, GA 30265