



PRODUCT CATALOG 2017





About



Who We Are

Our success is based on a simple, founding principle: provide superior products and outstanding service. From its inception, Cardinal has had a strong commitment to precision fabrication, coupled with an aggressive pursuit to engage the latest technology. Through three generations of family ownership and operation, we continually reinvest in our business to stay on the forefront in quality, service, design, and innovation.

Cardinal Systems, Inc. was founded in 1976 by Warren "Mickey" Bradley to produce galvanized steel walls for in-ground swimming pools in a modest shop with only one shear, a press brake, and punch press. In collaboration with Mickey was his son Walter "Skip" Bradley, who was the progressive lead of the manufacturing operations and was instrumental in continuously improving the manufacturing process and product offerings. Today, under the leadership of Skip's children, Rachel and David Bradley, in partnership with CEO Marc Schmitz and President Debra Haase, we continue to grow and expand our product lines to meet the demands of our customers as well as the growing trends of the industry.

Based in Schuylkill Haven, Pennsylvania, our offices and manufacturing facilities have expanded to occupy over 300,000 square feet. Cardinal has grown to become the world's largest and most technologically-advanced manufacturer of galvanized steel walls for in-ground swimming pools.

Brands

In addition to steel fabrication, Cardinal's offerings encompass custom plastics (extrusion and thermoforming), polymer (pool walls and custom structural foam molding), and aluminum (liner track and coping). The Cardinal Systems, Inc. brands consist of:

Cardinal, our steel (pool walls, steps and benches), polymer (pool walls and custom structural foam molding), and aluminum (liner track and coping).

Quaker Plastics, our extrusion and thermoforming products such as deck drains, thermoformed steps and liner bead.

Z Poolform, a unique, reusable system that provides an attractive cantilever concrete deck. The forms come in several edge options.

Sierra Outdoor Designs, a modular outdoor cabinetry system designed to create a customized outdoor kitchen space made with 316 marine grade stainless steel.

All Cardinal Systems, Inc. products are made in America.

Ordering

If you have any questions or would like to order, either contact your nearest dealer or one of our customer service representatives. Normal scheduled working hours for the Customer Service Department are Monday-Friday 8 a.m.- 5 p.m. (EST).

To find a dealer nearest to you, please visit our website at:
<http://cardinalsystemsinc.com/contact/dealer-locator/>

Contact Information

Customer Service

Phone: 570-385-4733 Fax: 570-385-1318 Email: customerservice@cardinalsystemsinc.com
250 Route 61 South • Schuylkill Haven, PA 17972



Debra Haase, president of Cardinal Systems, Inc.



CARDINAL SYSTEMS, INC.

Company Profile & History 1
 Contact Information 1

STEEL POOL WALLS, STEPS, AND BENCHES

About 5
 Pools 6
 Custom Steel Steps 8
 Open Pour Steps 9

CARDINAL COPING AND LINER TRACK

About 11
 Coping Installation Tips 11

RESOURCES

Coping Corner Length Installation 12
 Color Guide 12

BULLNOSE COPING

PC 13
 CB 13
 CR 13
 CL 13
 CP/C4 14
 FC 14

LINER TRACK

Top Mount

T2 15
 T3 15
 HZ Series 15

Side Mount

AS 16
 SM 16
 VT 16

Cap Lock

HC 17
 T4 17

Double Track

DT 17

Fiber Optic

FR 18
 FF 18

SPECIALTY PROFILES

SS 19
 CG 19
 AG 20
 CC 20
 SC 20

ACCESSORIES

Coping Tape 21
 Vinyl Trim Seal 21
 PAL Replacement Clips 21
 Zinc Tek Screws 21
 Touch-up Paint 21

QUAKER PLASTICS DRAINS AND MORE

About 23
 Color Guide 24

DECK DRAINS

4" Water Hog 25
 3" Water Hog 26
 2" Square Drain 27
 Deck Drain-A-Way® 28
 2" Paver Drain 29
 Streamline 30

CONCRETE PRODUCTS

1" Paver Overlay 31
 Replacement Cap Quaker Drain 31
 Replacement Cap Common Drain 31
 Arrowhead™ Control Joint 32
 Arrowhead™ Control Joint Ext 32
 Arrowhead™ Accent Strip 32

DISCHARGE HOSE

Heavy Duty Discharge Hose 33

LINER LOCKS

Liner Bead Wedge Lock 33

LINER TRACKS

Side Mount 34
 Top Mount 34
 Radius Cut 34
 6" Radius Corner for Top Mount 34

COPING WITH LINER TRACK

Top Mount Double Track 35

LINER HANGERS

Above-Ground Pool Replacement Liner Hanger 35
 Deluxe Above-Ground Pool Replacement Liner Hanger 35

HOLDERS

Ceramic Tile Holder 36
 Sign Holder 36

THERMOPLASTIC STAIRS

About 39
 Quaker Stairs 40
 Cardinal Step 42

Z POOLFORM

About 45
 Auto Cover Form 45
 Cantilever Z Poolforms 46
 Accessories 46
 Reusable Form Liners 47

SIERRA OUTDOOR DESIGNS®

About 49

CABINETS LINE

Base Cabinet 50
 Bar Cabinet 50
 Grill Cabinet 51
 Corner Cabinet 51
 Sink Cabinet 52
 Sink Bar Cabinet 52
 Refrigerator Cabinet 53
 Refrigerator Bar Cabinet 53
 24" Trash Cabinet 54
 45 Degree Corner Cabinet 54

PRE-BUILT DESIGNS

The Pocono 55
 The Blue Ridge 56
 The Denali 57
 The Appalachian 58
 The Catskills 58
 The Allegheny 59

APPLIANCES

32" Allegra Built-In Grill 60
 38" Allegra Built-In Grill 60
 Summit Outdoor Refrigerator 60
 Kraus KPF-2160 Classic Kitchen Faucet 60
 McAllister® Stainless Steel Sink 60





STEEL POOL WALLS, STEPS, AND BENCHES

About Our Products

At the heart of our business is steel walls, steps and benches to create the pool dreams are made of. We offer unique services and products that are custom made for each customer. Our commitment to superior quality and service dates back 40 years and spans three generations.

Technology plays an important role in manufacturing pool panels and components. We are way ahead of our competitors in meeting your needs. We invest in technology — the kind of technology that enables us to engineer, bend, shape, and build the kind of pool systems that surprise and satisfy your customers. We invite you to view a video on our processes at: www.cardinalsystemsinc.com/about.

Steel Panel Walls

Cardinal's pool wall panels are made from only the finest domestically-sourced raw materials. We realize our customers are making a big investment when they decide to install a backyard pool, so we do our utmost to insure that the result is a beautiful and long-lasting swimming pool. Our commitment to quality and service is unrivaled.

Our manufacturing processes and computer design assures that every panel is totally consistent and accurate every time, guaranteeing a perfect fit and easy assembly on the job site. Our steel wall panels are made of 14 gauge galvanized steel and are engineered precisely so that they join together seamlessly. For extra strength where it counts, the wide top and bottom flanges are mitered at each corner to join strength of the vertical side flanges. The horizontal and vertical flanges are then united by togglelocking the two together. No welding is needed, therefore the integral protection of the galvanizing is totally preserved.

Braces and Supports

A-frame brace

One of the several types of adjustable wall supports that assure a straight, square structure with or without water.

Deck brace

The use of deck braces permits concrete or other decking material to be installed immediately after the pool is installed, without waiting for the back to settle. The inverted "A" shape transfers the weight of the deck to the base of the wall using the outward pressure of the water to equalize the stress on the wall.

Skimmer Support

Designed to support the weight of the skimmer during and after backfilling, the skimmer support fits securely under the skimmer on the wall's bottom flange.



Shapes for Any Space

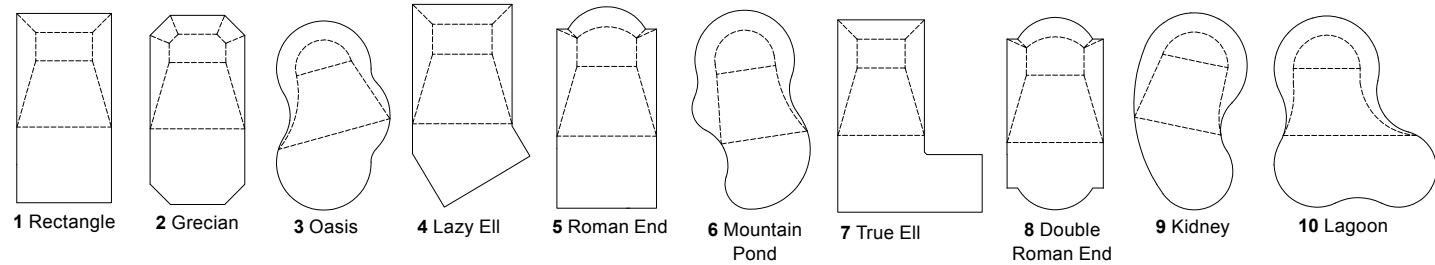
Cardinal Systems' wide variety of standard and custom pool styles provides you the ability to give your customers the right look for their environment.

Our CAD department can take any drawing and make it into the pool of your customer's dreams. Elegance and variety are central to Cardinal's custom-designed swimming pools.

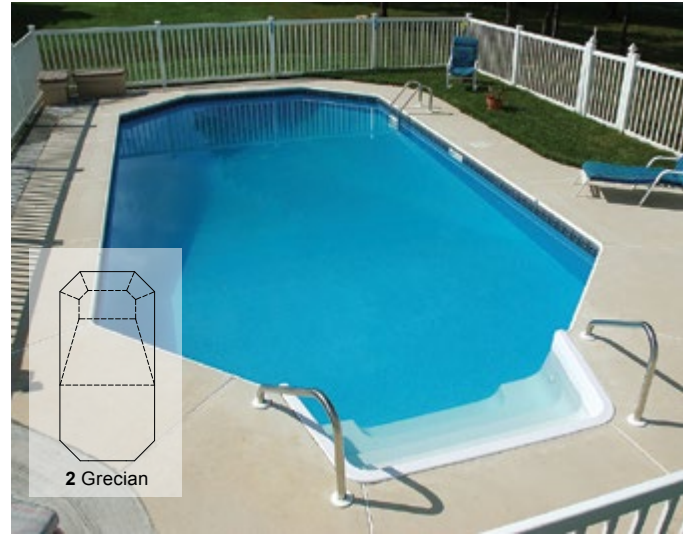
Some of our standard shapes and sizes are listed on this page. We do any shape and any size - call us!

Some Standard Shapes and Sizes

- | | |
|---|---|
| 1. RECTANGLE
14' x 28' • 16' x 36' • 16' x 32'
18' x 36' • 16' x 34' • 20' x 40' | 2. GRECIAN
14.5' x 28.5' • 16.5' x 32.5'
16.5' x 32.5' • 16.5' x 35.5' |
| 3. OASIS
16' x 34' • 18' x 36' • 18' x 38' | 4. LAZY ELL
16' x 39' • 18' x 43' • 20' x 44' |
| 5. ROMAN END
16' x 32' • 18' x 36' • 20' x 40' | 6. MOUNTAIN POND
14' x 28' • 16 x 32' • 18' x 36' |
| 7. TRUE ELL
16' x 32' x 12' x 26'
18' x 40' x 30' x 12' | 8. DOUBLE ROMAN END
16' x 32' • 18' x 36'
20' x 40' |
| 9. KIDNEY
14' x 28' • 16 x 36' • 16' x 32'
16' x 34' • 18' x 36' • 20' x 40' | 10. LAGOON
22' x 34' x 40' • 18' x 29' x 35' |



1 Rectangle



2 Grecian



5 Roman End



6 Mountain Pond



7 True Ell



8 Double Roman End



3 Oasis



4 Lazy Ell



9 Kidney



10 Lagoon

Custom Steps

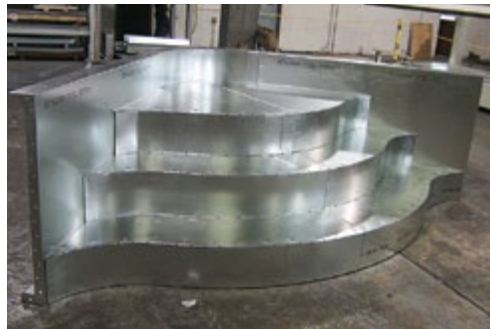
Custom Entry Ideas

The selection of entry steps, benches, sundecks, or lounges can truly personalize the pool and whole recreation area.

Cardinal offers over 150 standard steel step and bench models, available in any height and shape.

We also build new custom steps, benches, and spas every day. The first time a new model is made it is assembled in our shop to guarantee that all the pieces fit perfectly. This assures easy and accurate on-site installation - every time! All our steps are available with a liner track installation system for a perfect fit for the vinyl liner.

Cardinal steps are unmatched for performance, function, and elegance.



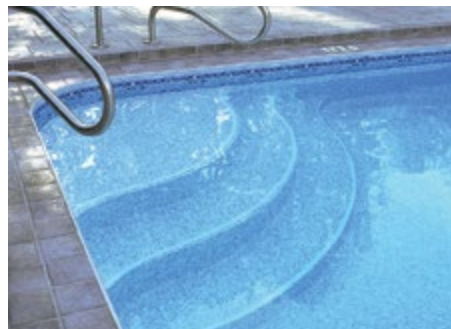
In-house Assembly

All Cardinal steps are fully assembled on the factory floor before shipping.



Easy Installation

Easy in-field installation with confidence for a perfect fit.



Beautiful Finish

Finished step creates a beautiful entrance to your completed pool.



Open Pour Steps

Open Pour Steps

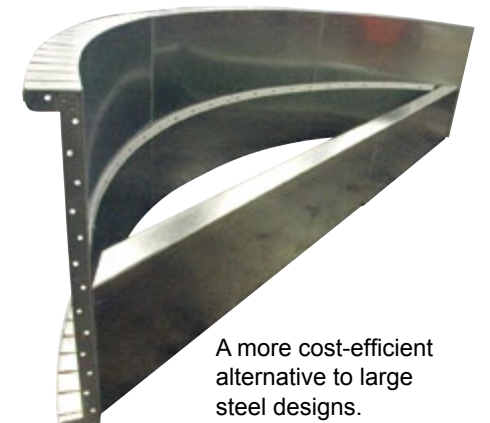
Keep your options open and affordable with an open pour step or bench solution. Here at Cardinal, every steel step and bench we make is available as an open pour. We want you, the builder, to have the flexibility to decide what is best for your customer. We work with you to provide the best options to build the pool of your customers' dreams.



Fill with gravel, concrete, or other non-expansive material.



Perfect for larger designs including benches, sun decks, kiddie pools, and spas.



A more cost-efficient alternative to large steel designs.





COPING & LINER TRACK

About Our Products

Cardinal uses only the finest quality materials for all its manufacturing. Our aluminum coping starts with a 6063 alloy aluminum, which is extruded, then electrostatically-coated with a paint finish that is baked on.

Our white and gray painted aluminum finish is

- Pretreated with a non-chrome zinc base
- Electrostatic-applied wet polyester paint
- Cured at 350 degrees in aging oven

Fabrication Methods

Cut and Weld

Cutting and welding is used to make angled transitions and odd corners that are unable to be bent. A non-bendable coping profile can be cut and welded in segments to create different radii.

Custom Fabrication and Coping Profiles

Cardinal is able to fabricate coping to meet almost any need, from free-form pools to odd plastic step kits to milling for water features. Cardinal has created many proprietary extrusions for customers. If you have a requirement for a custom or proprietary extrusion, please contact our Customer Service Department at 570-385-4733 or via email at customerservice@cardinalsystemsinc.com. We will be happy to discuss a solution for your requirements.

Please Note: If Cardinal coping or liner track is used in conjunction with a salt generator, all warranties from the extruder will be null and void. Cardinal Systems will not be liable for salt generator damage.

Coping Installation Tips

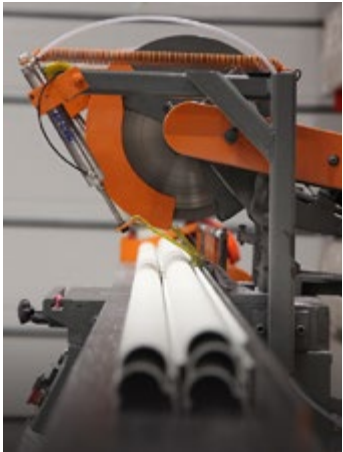
Coping Installation

Coping profiles are attached to steel and polymer walls using self-tapping tek screws. Cardinal recommends placing these at intervals no greater than every 18".

When coping is made for a pool, typically there will be some extra length that will need to be trimmed in the field. This is the best way to ensure a proper fit for each job. Though a hack saw will cut through most aluminum extrusions, Cardinal recommends using a miter saw, outfitted with an aluminum cutting blade for the most professional results. Coping profiles that form the finished edge of the pool, such as bullnose coping, will require coping clips to cover the joint between each piece of coping.

Bonding

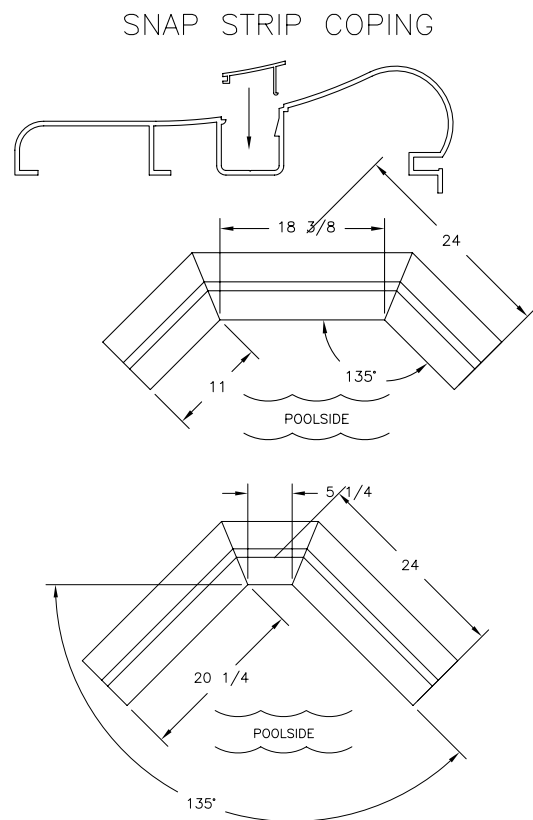
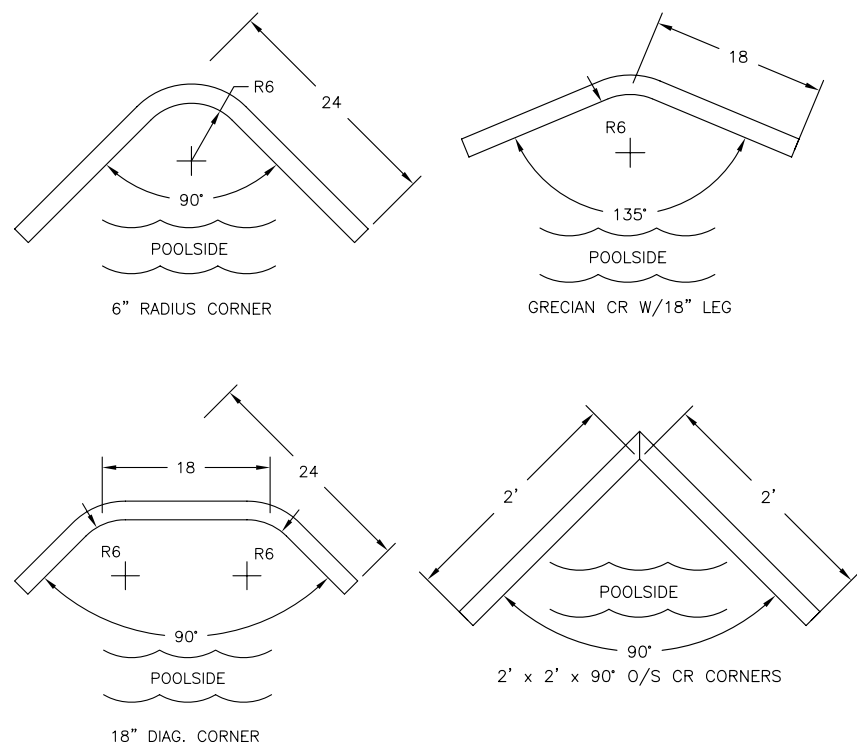
Because Cardinal's coping is made from aluminum, it will need to be properly bonded. Follow your federal, state, and local electrical codes to be sure that coping is properly bonded.





Coping Corner Lengths Installation

Shown below are corner lengths and dimensions.



Color Guide

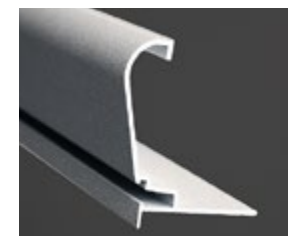


The color representations have been printed as closely as possible to actual colors, however, product color may vary from photograph.



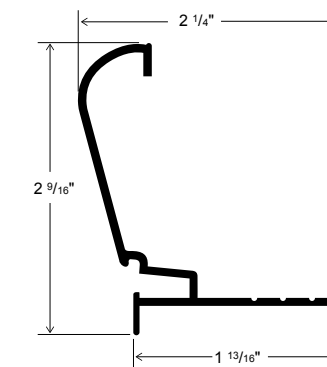
Custom Fabrication - Can be bent to fit any shape, including standard 6", 2', or 4' radius, Grecian corners, and steps. Custom-slotted coping for waterfalls is available. All Bullnose Coping is available in 8' and 12' ft. lengths. Case packs of 1, 3, 6 to a case.

PC

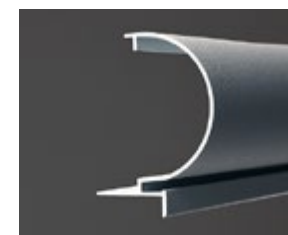


Part No.	Color
PCW	Non-skid white
PCG	Non-skid gray

The PC has a flat bullnose profile and is similar to Pacific style coping.

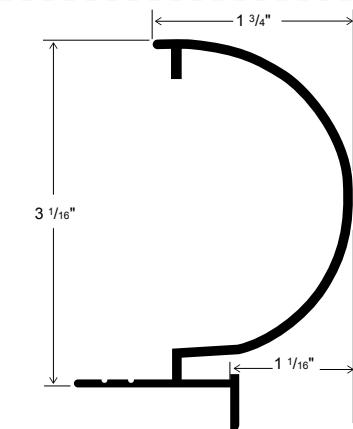


CB



Part No.	Color
CBW	Non-skid white

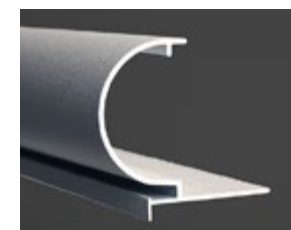
The CB coping has 3" profile and is similar in height to the original Helder style coping.



We recommend using a bead roller to help lock liner bead into the liner receiver on all our liner tracks and coping.

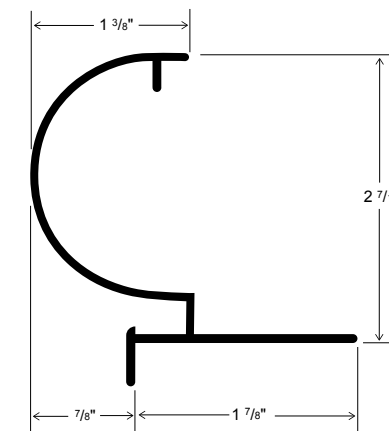
CR

This coping is also referred as "CP2".



Part No.	Color
CRW	Non-skid white
CRG	Non-skid gray
CRT	Non-skid tan

The CR is designed with a longer lip on the straight pieces, allowing the builder to place TEK screws farther from the liner track to avoid scarring the bullnose with the drill chuck.

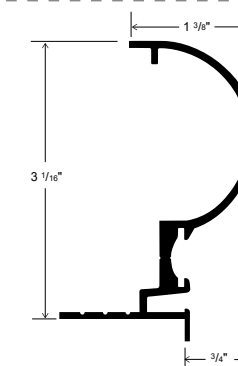


CL



Part No.	Color
CLW	Non-skid white

The CL is designed with the fiber optic receiver under the bullnose, closer to the water's surface for a better reflection.



Most popular coping style in the industry!

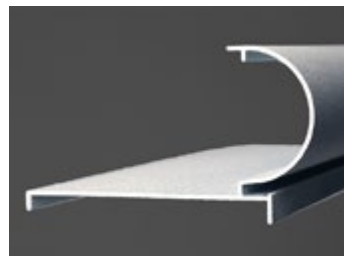
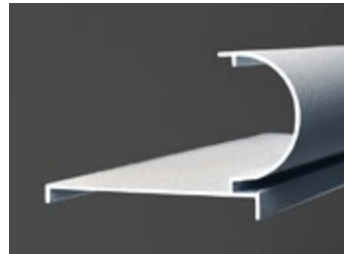


CAP LOCK COPING

CP/C4

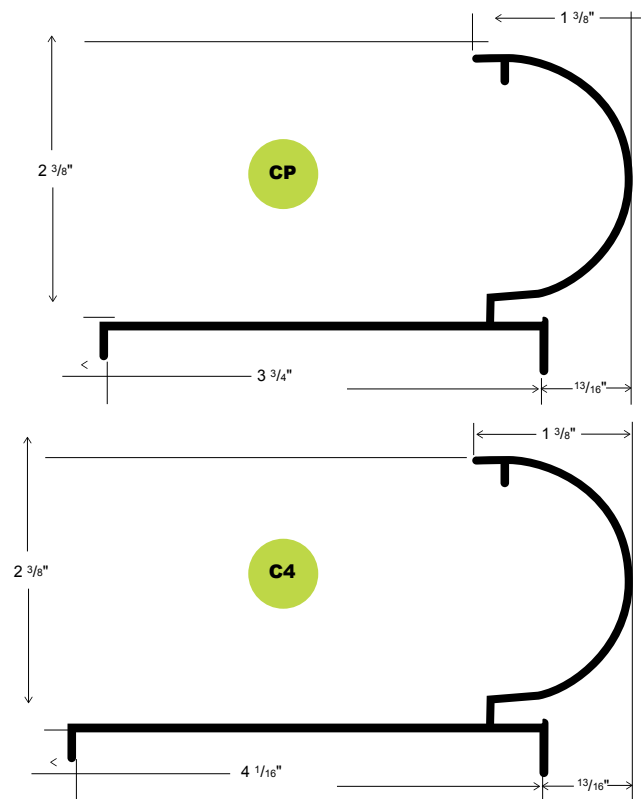
For polymer wall pools

CP and C4 may be combined with the CR coping profiles to build corners and radius curves.



Part No.	Color
CPW	Non-skid white
C4W	Non-skid white

The CP fits 3 3/4" flange polymer panels.
The C4 fits 4" flange polymer panels.

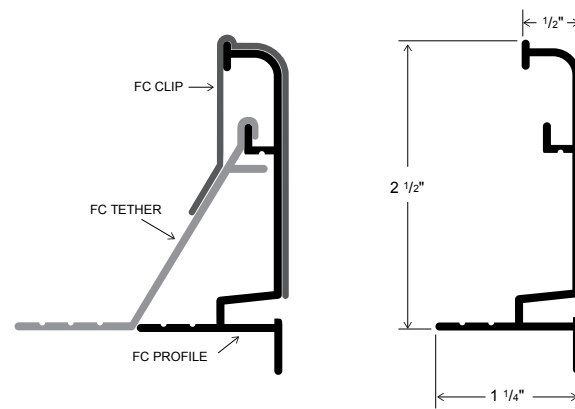


FC



Part No.	Color
FCW	Non-skid white
FCG	Non-skid gray

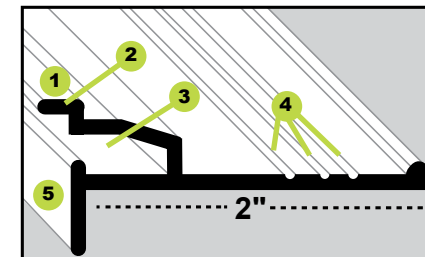
The FC is the only Bullnose Coping that can be bent in the field. This will allow for less SKUs and is available in notched. Clips and tethers support brace are sold separately.



TOP MOUNT

All liner track is made from heavy-duty, electrostatically-coated aluminum extrusion. Custom Fabrication - Can be bent to fit any shape, including standard 6", 2', or 4' radius, Grecian corners, and steps. Ask about fabrication for other corner shapes.

Available in 8 ft. lengths only. 15 or 25 per case.

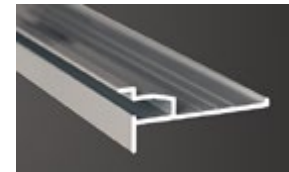


1. Extended frontal probe insures a tight seal against cantilever deck forms and keeps cement paste out of receiver area
2. Cleaning guide groove gives clean, even edges on any type of cantilever deck finish
3. Liner bead receiver is specially designed to insure positive lock-in
4. Nail and screw guides
5. Vertical alignment lip assists in aligning track against pool wall

T2

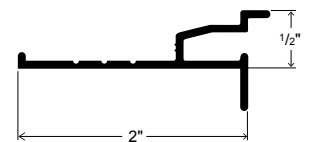
2" Top Mount Track

For steel, polymer & concrete wall pools



Part No.	Color
T2W	white
T2G	gray

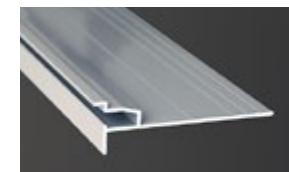
The T2 is available in notched or straight lengths.



T3

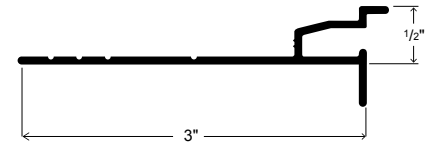
3" Top Mount Track

For steel, polymer & concrete wall pools



Part No.	Color
T3W	white

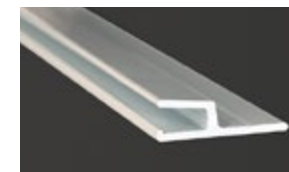
The T3 is available in notched or straight lengths.



All our liner tracks are available in standard and custom notched lengths for free-form pools and radius corners.

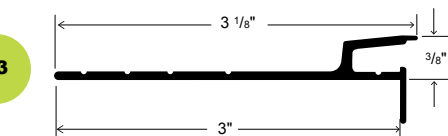
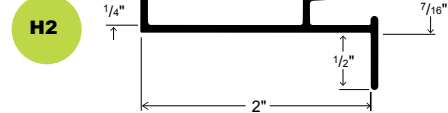
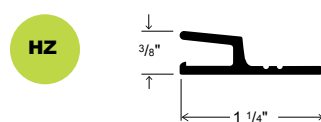
HZ

For steel & polymer wall pools



Part No.	Color
HZW	white
HZG	gray
H2W*	white
H3W*	white

*The H2 and H3 come in white only and available notched or straight.



HZ track is designed to accept the Cardinal Z Poolform

The HZ series can be roll-bent to virtually any radius for all pool shapes and also comes in notched lengths.



SIDE MOUNT

Angled side mount track for reducing gap under old coping. Available in **WHITE** only. Available in 8 ft. lengths only. 15 or 25 per case.

AS

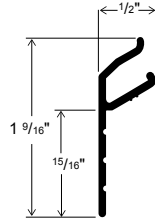


Part No.	Color
ASW	white

The AS is available in 8' straight, 8' notched and 6" radius notched lengths. White only.

The AS is designed to fit snugly under old pool coping, eliminating the gap other side mount tracks leave between coping and receiver track.

1. Turned-up lip reduces gap opening under old coping
2. Includes nail and screw guides
3. Angled receiver secures liner bead to prevent slipping
4. Longer length allows more area to attach to wall



SM

For radius and free-form pools, use SM, a notched track that can be bent to conform to almost any radius.

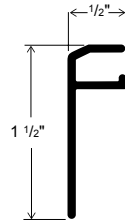


Part No.	Color
SMW	white

The SM is available in 8' straight, 8' notched and 6" radius notched lengths. White only.

This side mount track has these improved features:

1. Receiver area shortened 1/8" to bring liner closer to pool wall
2. More screw guides to keep self-drilling screws from wandering when drilling through mounting flange to pool wall
3. Longer mounting flange for easier attachment to different types of pool wall



VT



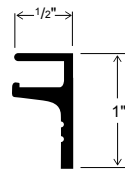
Part No.	Color
VTW	white

The VT is available in white only.

Can be bent to fit any shape, including standard 6", 2' or 4' radius and Grecian corners as well as steps.

The VT can be **roll-bent** at the factory for almost any shape free-form pool.

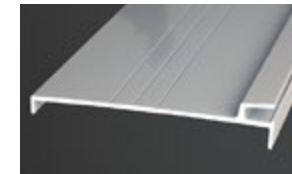
This profile can also be **bent on-site** without being notched to fit most radii, down to 2' radius.



CAP LOCK

HC

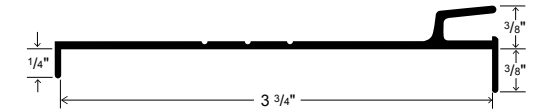
For Cardinal polymer wall pools



Part No.	Color
HCW	white

The HC is available in white only and comes in 8' straight lengths in counts of 15 pieces per box

1. Liner bead receiver specially designed to insure positive lock-in.
2. Screw Guides
3. Designed to fit any pool with a 3 3/4" wide top flange.
4. Holds polymer pool walls straight.
5. Front and rear flanges to lock on pool wall.



The HZ series can be used with the HC to make corners. HZ is found on page 15.

T4

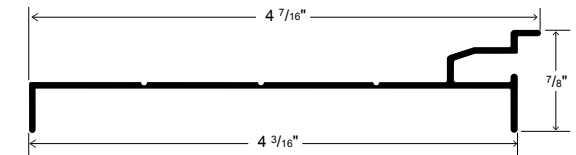
For polymer wall pools



Part No.	Color
T4W	white

The T4 is available in white only and comes in 12' straight lengths in counts of ten pieces per box.

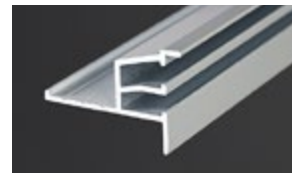
1. Liner bead receiver specially designed to insure positive lock-in.
2. Screw Guides
3. Designed to fit any pool with a 4" wide top flange.
4. Holds polymer pool walls straight.
5. Front and rear flanges to lock on pool wall.



The T2 notched can be used with the T4 to make corners. T2 is found on page 15.

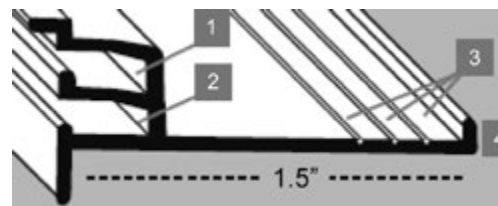
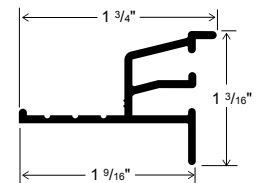
DOUBLE TRACK

DT



Part No.	Color
DTW	white
DTG	gray

The DT is available in white or gray and comes in 8' straight or notched lengths in counts of 15 pieces per box.



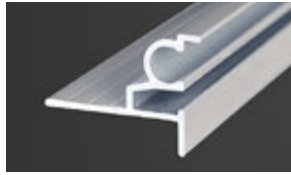
1. Top receiver track for locking cantilever deck forms in place with key locks or for installation of winter covers
2. Bottom receiver track for installing liner bead with positive lock-in
3. Nail and screw guides
4. Back vertical lip helps lock pool wall in concrete deck

FIBER OPTIC TRACKS

FR

Round Fiber Optic

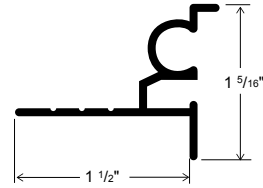
Top mount, for installing fiber optics and liner on vinyl liner pools



Part No.	Color
FRW	white

The FR is available in white only and comes in 8' straight or notched lengths in counts of 15 pieces per box.

6" radius notched pieces available in counts of 1 or 4.



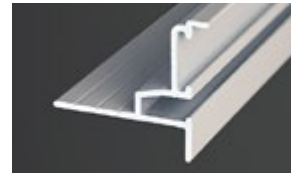
• FRW EXIT piece required

NOTE: Use with Supervision SV42, Fiberstars FS-CABL-49 & American Fiberworks FW Glow Perimeter Fiber Optic Polaris AD79

FF

Flat Fiber Optic

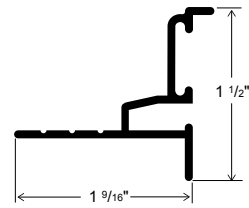
Top mount, for installing fiber optics and liner on vinyl liner pools



Part No.	Color
FFW	white
FFG	gray

The FF is available in white or gray and comes in 8' straight or notched lengths in counts of 15 pieces per box.

6" radius notched pieces available in counts of 1 or 4.

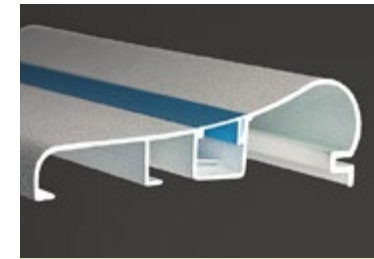


• FFW EXIT piece required

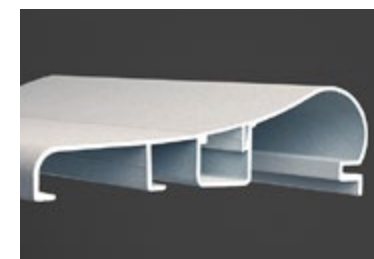
NOTE: Use with Fiberstars FSSB-FSEO or Supervision SV23 perimeter fiber optic cable.

SNAP STRIP COPING

SS



Shown with blue insert



Shown with white insert

Part No.	Color
SSW	Non-skid white/white inserts
SSB	Non-skid white/blue inserts

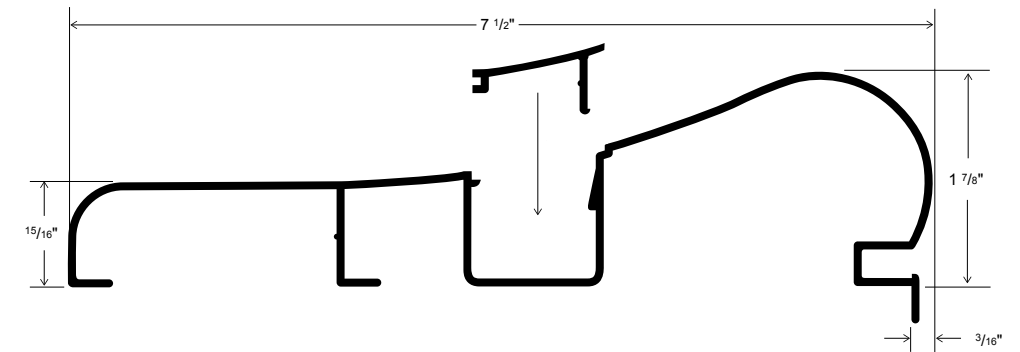
The SS comes in 12', 14' and 16' straight lengths in counts of 1 or 2 pieces.

The SS comes in standard configurations for most rectangular pools including an 18" diagonal, 6" radius, 90°, and 135° Grecian corners.

Other sizes can be cut and welded to fit many curves, including reverse 6" radius, 270°, 2', 4' corners, and full radius ends for oval pools.

Special Note: Lengths can be cut for UPS shipping

The SS (Snap Strip Coping) is an ideal coping for pool renovations.



WOOD RECEIVER COPING

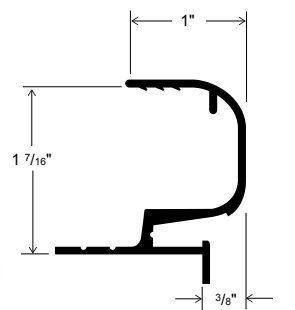
CG



Part No.	Color
CGW	Non-skid white

The CG comes in 12' straight lengths in counts of 6 pieces.

The CG is designed to receive standard 1 1/4" (5/4" board) decking and is popular for on-ground pools or pools surrounded by wooden decks.

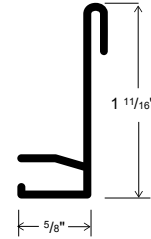
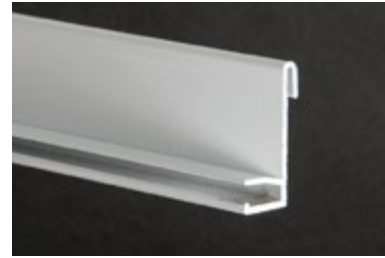


Cut and welded corners only



ABOVE GROUND COPING

AG



1. Deep hook to hang on top of wall
 2. Long flange to fit under most top rails
 3. Pre-bent for different size pools
 4. Can be hand-bent for adjustments
- The AG is available in white only and 5' lengths.

Up sell the AG liner track when selling an overlap liner replacement. After installing it, the top rail will never have to come off again.

Straight Wall Ovals	
Part No.	Dimensions
AGW-12K + AGW-S05X05	12' x 24' oval
AGW-15K + AGW-S05X05	15' x 24' oval
AGW-15K + AGW-S05X08	15' x 30' oval
AGW-16K + AGW-S05X07	16' x 32' oval
AGW-18K + AGW-S05X09	18' x 34' oval
AGW-18K + AGW-S05X08	18' x 33' oval

Round Above Ground Pools	
Part No.	Description
AGW-12K	12' round
AGW-15K	15' round
AGW-16K	16' round
AGW-18K	18' round
AGW-21K	21' round
AGW-24K	24' round
AGW-27/28K	27'/28' round
AGW-30/32K	30'/32' round
AGW-33K	33' round

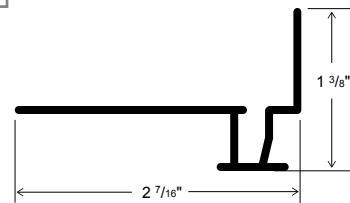
CONCRETE LINER TRACK

CC



Part No.	Color
CCW	white

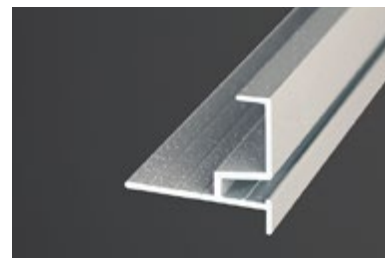
The CC is available in white only and comes in 8' straight lengths, 15 pieces per case.



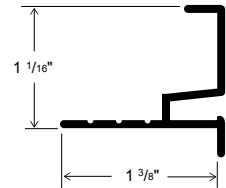
STONE COPING SUPPORT

SC

Fits Cardinal's stone coping support system



Part No.	Color
SCG	Non-skid gray



- Special features of Cardinal's Stone Coping Support System**
- Manufactured of 14 gauge galvanized steel and can be used on all Cardinal **steel** pool kits.
 - Provides 10" base for attachment of stone coping or pavers.
 - Weight of coping stones is supported by a channel that is locked into collar.
 - Use a pea gravel or small aggregate mix to make finishing easier.
 - Eliminates excavation for second bond beam as well as additional concrete deliveries.

The SC is a top mount liner track for stone coping support system

The SC comes in 8' straight lengths sold by the piece.

Can be notched for custom bending on site



WHITE COPING TAPE

VT1500

1 roll=2' x 60 yds.

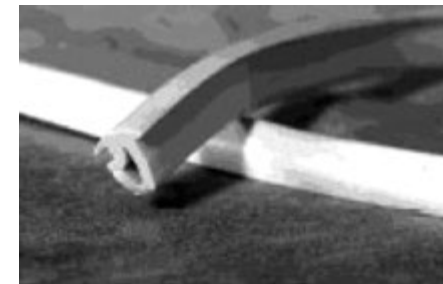


Use to tape off edge of aluminum coping to protect coping from concrete being scratched during screening. Tape comes off without leaving any gummy residue.

VINYL TRIM SEAL

TS1-120W

White, One 120' Roll



The TS1 Trim Seal will seal off liner track when step kits have been constructed using the FF or FR to go around cantilever walk-in steps for vinyl pools. It will seal off the top track of the DT Double Top Mount Liner Track after it has been used to lock cantilever deck forms in place during pool constructions.

TS1-120G

Gray, One 120' Roll

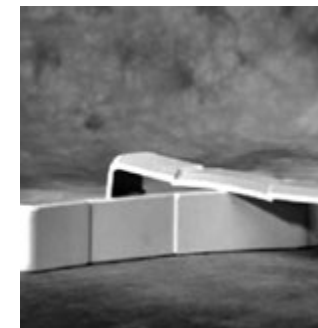
PAL REPLACEMENT CLIPS

PALSTR

For Straight Coping Joints

PALCRN

For Corner Coping Joints



ZINC TEK SCREWS

BP000TS

110 #12 - 1" Tek Screws



NON-SKID TOUCH-UP PAINT

CRW-NONSKID

12 oz. Spray Can **Texture White**
Covers 8-10 square feet

CRW-QUART

1 qt. Touch-up **Texture White**
Covers 50 square feet

CRT-NONSKID

12 oz. Spray Can **Texture Tan**
Covers 8-10 square feet

CWW-GLOSS

12 oz. Spray Can **Gloss White**
Covers 8-10 square feet

CRG-NONSKID

12 oz. Spray Can **Texture Gray**
Covers 8-10 square feet





About



CONCEPTS IN PLASTICS

About Our Products

Quaker Plastics is a wide range of products including pool steps, deck and paver drains, liner locks and other items for the swimming pool industry, as well as control joints for the concrete construction market, and specialty items for industrial and consumer products.

Our well-trained, multi-talented staff can take on the toughest jobs and provide engineering solutions, proven by a history of exclusive and innovative products. Using state-of-the-art manufacturing processes, we are known for making the highest quality plastic products.

Deck/Paver Drains

Quaker Plastics' line of deck and paver drains are designed to last longer. Made of all-weather, rigid PVC and available in several designer colors, our drains can match your landscape needs for color and function. The drains are constructed with a concave top for superior drainage and minimal debris collection. Our design provides for less clogging and for handling more water volume than comparably sized competitive drains.

The deck drains can be mounted flush against the wall so there is no need to seal at wall or structure. The drains are ready to install with tops and base assembled, screws, connections, protective tape, and instruction sheet included in the packaging.

Control Joint / Accent Strip

Control Joint: Our patented Arrowhead™ Control Joint has a unique arrow-shape that presses easily into concrete with no channels to obstruct installation. The control joint locks into concrete, allowing minimal water seepage. Double-layer, peel-off tape protects the top during installation. Available in designer colors to match the latest in decking treatments.

Extension Base: The patented Arrowhead™ Control Joint Extension Base is used when a full expansion, as well as contractual joint, is needed. Simply snap the base to our Arrowhead™ Control Joint to meet this requirement.

Accent Strip: Our trademarked Arrowhead™ Accent Strip is ideal for providing a decorative trim or pattern in poured concrete where a true expansion joint is not needed. Double-layer, peel-off tape protects surface during installation. Available in colors to match the latest in decking treatments.

Discharge Hose

Quaker Plastics boasts the highest-quality vinyl discharge hose in the industry – 20% thicker than the competition. The hose is available in various sizes and lengths for both the pro and the homeowner. Convenient spools are ideal for the trucks of installers and service professionals. Smaller rolls, which include a stainless steel clamp, are shrink-wrapped for best shelf visibility and easier handling.

Accessories and Renovation Products

We offer an accessory product line for additional needs specific to the pool industry. In addition, we offer an array of products for repair and upsell during renovation projects.





Color Guide for Deck Drains and Concrete Products



PAVER GRAY (for paver drain and paver overlay only)



GRAY (for all stock products except pavers)



WHITE



TAN

The color representations have been printed as closely as possible to actual colors, however, product color may vary from photograph.

The following Quaker Plastics products are available in the colors to the left:

- 3" Water Hog® Deck Drain and Fittings
- 4" Water Hog® Deck Drain and Fittings
- 2" Paver Drain and Fittings
- 1" Paver Overlay
- 2" Square Drain System and Fittings
- Deck Drain-A-Way® and Fittings
- Streamline and Fittings
- Arrowhead™ Control Joint
- Arrowhead™ Accent Strip
- Replacement Caps

**QP-6251
4" Water Hog®**

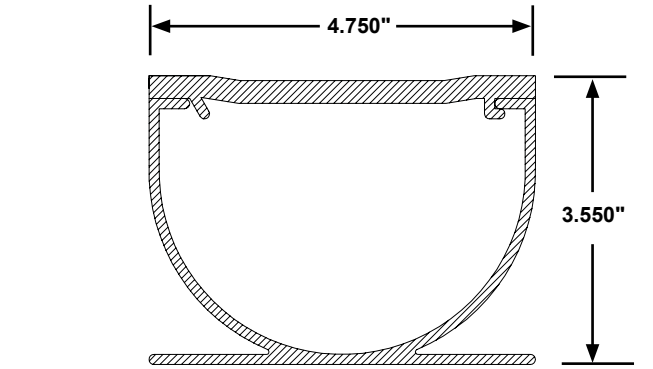


4" Water Hog® Model Numbers		
Available colors: white, gray, and tan (W,G,T)		
Item No.	Length	Packaging
QP-6251 (W,G,T)	6 ft.	24 ft./case, four 6-foot pcs.
QP-6252 (W,G,T)	10 ft.	40 ft./case, four 10-foot pcs.

Case includes four connectors, one extra screw packet, protective tape, and one instruction sheet. Six-foot length is UPS able, the ten-foot length is NOT.

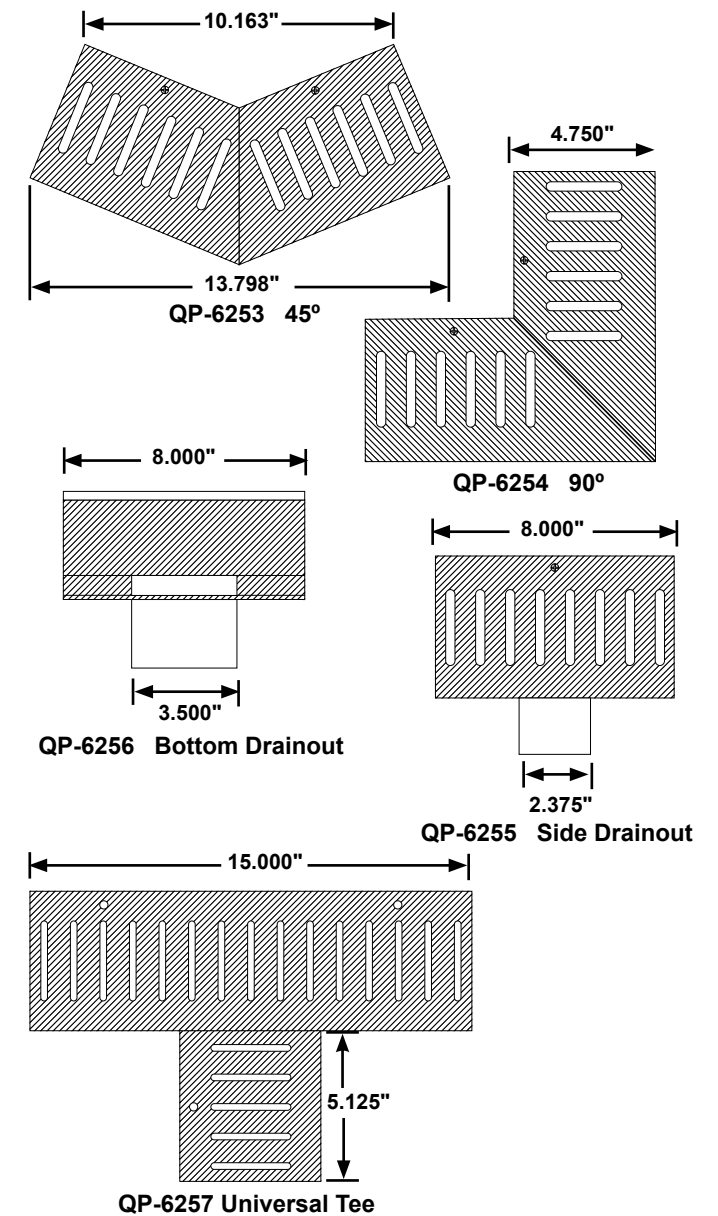
4" Water Hog® Fittings		
Available colors: white, gray, and tan (W,G,T)		
Item No.	Style Fitting	Per Case
QP-6253 (W,G,T)	45°	1
QP-6254 (W,G,T)	90°	1
QP-6255 (W,G,T)	Side Drainout	1
QP-6256 (W,G,T)	Bottom Drainout	1
QP-6257 (W,G,T)	Universal Tee	1
QP-4951 (W,G,T)	4" Drain Tops only, 6' length	8
QP-4973	Connector (gray only)	1
QP-496A	End Plug/End Adapter Kit	1 ea.
QP-496B	End Adapter (gray fitting, white base plate)	1
QP-496C	End Plug (gray fitting, white base plate)	1

4" Deck Drain System with Gray Base



4" Water Hog® Fittings

Fittings for 4" Deck Drain System fit Items# QP-6251 and QP-6252

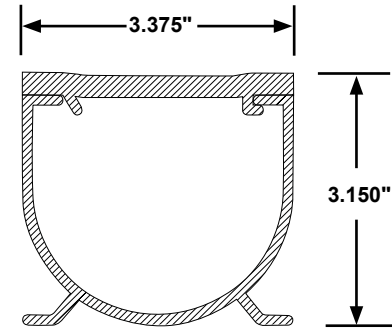




QP-6241
3" Water Hog®

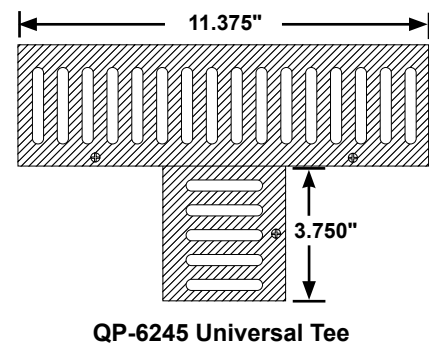
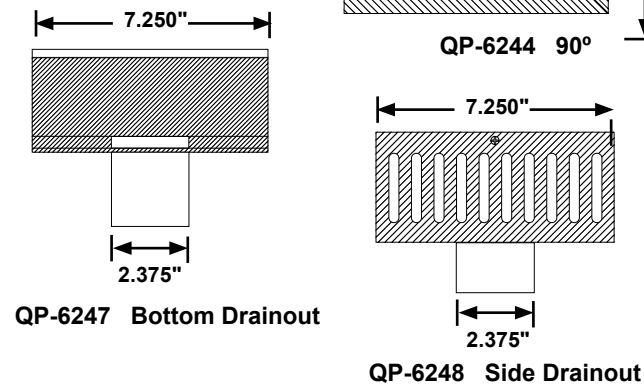
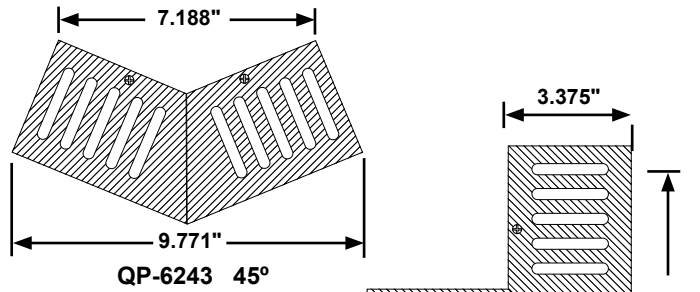


3" Deck Drain System with Gray Base



3" Water Hog® Fittings

Fittings for 3" Deck Drain System fit Items# QP-6241 and QP-6242



QP-6245 Universal Tee

3" Water Hog® Model Numbers		
Available colors: white, gray, and tan (W,G,T)		
Item No.	Length	Packaging
QP-6241 (W,G,T)	6 ft.	48 ft./case, eight 6-foot pcs.
QP-6242 (W,G,T)	10 ft.	60 ft./case, six 10-foot pcs.
QP-6241 (W,G,T) - 4	6 ft.	24 ft./case, four 6-foot pcs.

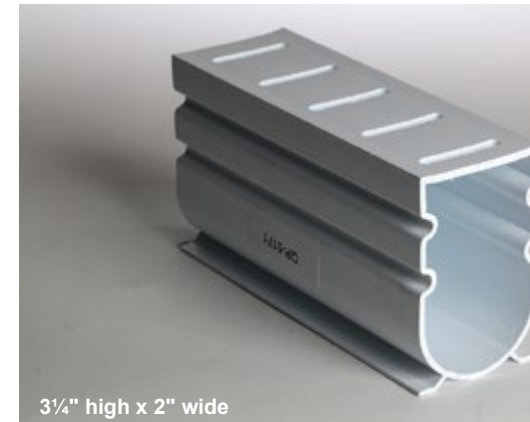
Case includes connectors (8 pcs. in 6-ft. case, 6 pcs. in 10-ft. case), one extra screw packet, protective tape, and one instruction sheet. Six-foot length is UPS able, the ten-foot length is NOT.

3" Water Hog® Fittings		
Available colors: white, gray, and tan (W,G,T)		
Item No.	Style Fitting	Per Case
QP-6243 (W,G,T)	45°	2
QP-6244 (W,G,T)	90°	2
QP-6245 (W,G,T)	Universal Tee	2
QP-6247 (W,G,T)	Bottom Drainout	2
QP-6248 (W,G,T)	Side Drainout	2
QP-5701 (W,G,T)	3" Drain Tops only, 6' length	8
QP-5712	Connector (gray only)	1
QP-572A	End Adapter (gray fitting, white base plate)	1
QP-572B	End Plug (gray fitting, white base plate)	1
QP-572C	End Plug/End Adapter Kit	1 ea.



QP-5171
2" Square Drain System

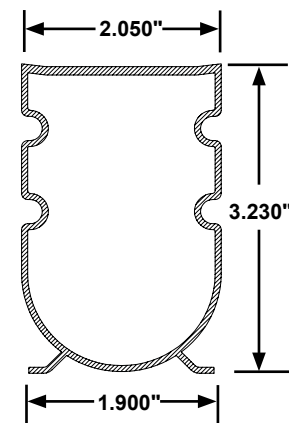
U.S. Patent No. 6,729,795



Adaptable to standard 1½" fittings and stands on its own feet for easy upright installation.

Benefits of 2" Square Drain System

1. Heavy wall, bondable, drain system and all components are made from rigid PVC, proven in years of outdoor applications with lasting beauty.
2. Adapts to all standard 1½" plastic fittings.
3. Joints bond together like PVC pipe, with PVC connectors supplied.
4. Clean-outs adapt to 1½" threaded (purchased locally) or connector (supplied) for end clean-outs with either threaded or slip end cap.
5. Should a surface clean-out hole be desired, simply drill a 1" hole and snap in our clean-out fitting. To clean, remove plug and flush with hose. There are two supplied in every carton.
6. Drain offers heavier walls than existing systems, as well as greater rigidity and durability.



Not shown End Cap (QP-5181-1 & 5182-1), and Surface clean-out plug, (QP-988-1).

7. Great water volume capacity.
8. Double-taped top for extra strength when peeling off after concrete is in place.
9. Smooth concave top surface provides better drainage and minimizes collection of dirt and debris

2" Square Drain System Model Numbers		
Available colors: white, gray, and tan (W,G,T)		
Item No.	Length	Packaging
QP-5171 (W,G,T)	10 ft.	80 ft./case, eight 10-foot pcs.
QP-5171 (W,G,T) - 2	8 ft.	16 ft./case, two 8-foot pcs.
QP-5171 (W,G,T) - 4	8 ft.	32 ft./case, four 8-foot pcs.

Includes eight connectors (QP-5981-1), two surface clean-out plugs (QP-988-1), double-protective tape, and one instruction sheet.

2" Square Drain System Fittings		
Available colors: white, gray, and tan (W,G,T)		
Item No.	Style Fitting	Per Case
QP-5172 (W,G,T)	45°	8
QP-5173 (W,G,T)	90°	8
QP-5174 (W,G,T)	Side Adapter	4
QP-5175 (W,G,T)	Bottom Drainout	4
QP-5176 (W,G,T)	Universal Tee	4
QP-5181-1*	End Cap, 3/8" length	1 pc.
QP-5182-1*	End Cap, 1" length	1 pc.
QP-988-1*	Surface Clean-out Plugs	1 pc.
QP-5981-1*	Connectors	1 pc.

* Available in WHITE ONLY



QP-3701 Deck Drain-A-Way® System II

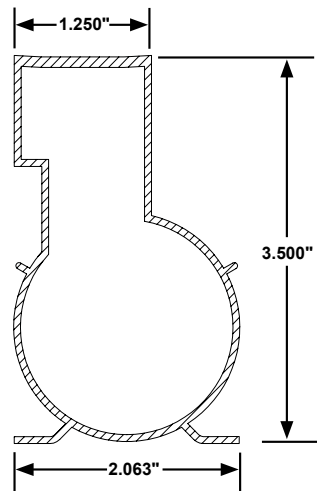
U.S. Patent No. 4,490,067 Canada Patent No. 1,221,043



Adaptable to standard 1½" fittings and stands on its own feet for easy upright installation.

Benefits of Deck Drain-A-Way® System II

1. Heavy wall, bondable, drain system and all components are made from rigid PVC, proven in years of outdoor applications with lasting beauty.
2. Adapts to all standard 1½" plastic fittings.
3. Joints bond together like PVC pipe, with PVC connectors supplied.
4. Clean-outs adapt to 1½" threaded (purchased locally) or connector (supplied) for end clean-outs with either threaded or slip end cap.
5. Should a surface clean-out hole be desired, simply drill a 1" hole and snap in our clean-out fitting. To clean, remove plug and flush with hose. There are two supplied in every carton.
6. Drain offers heavier walls than existing systems, as well as greater rigidity and durability.



7. Great water volume capacity.
8. Double-taped top for extra strength when peeling off after concrete is in place.
9. Smooth concave top surface provides better drainage and minimizes collection of dirt and debris

Deck Drain-A-Way® System II Model Numbers		
Available colors: white, gray, and tan (W,G,T)		
Item No.	Length	Packaging
QP-3701 (W,G,T)	8 ft.	72 ft./case, nine 8-foot pcs.
QP-3701 (W,G,T) - 2	8 ft.	16 ft./case, two 8-foot pcs.
QP-3701 (W,G,T) - 4	8 ft.	32 ft./case, four 8-foot pcs.
<i>Includes nine connectors (QT-125-1), two surface clean-out plugs (QP-988-1), double-protective tape, and one instruction sheet.</i>		

Deck Drain-A-Way® System II Fittings		
Available colors: white, gray, and tan (W,G,T)		
Item No.	Style Fitting	Per Case
QP-3702 (W,G,T)	45° Inside	4
QP-3703 (W,G,T)	45° Outside	4
QP-3704 (W,G,T)	90° Inside	4
QP-3705 (W,G,T)	90° Outside	4
QP-3706 (W,G,T)	Universal Tee	4
QP-3709 (W,G,T)	Bottom Drainout	4
QP-1031-1*	Top End Caps	1 pc.
QP-988-1*	Surface Clean-out Plugs	1 pc.
QT-125-1*	Connectors	1 pc.

* Available in WHITE ONLY

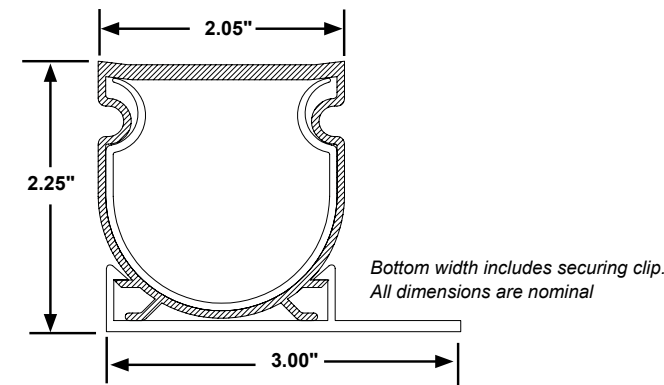


QP-6401 2" Paver Drain

Designed Specifically for Pavers



- **2⅜" Paver Height** - designed for standard pavers.
- **Tan, gray and white** - three designer colors to match the latest paver styles.
- **Securing clips** - packaged complete with 48 clips for locking underneath pavers. Alternate side-to-side or all on one side to fit flush with walls.
- **Concave top** - assures superior drainage, minimizes debris collection.
- **Ready to install** - includes eight connectors, securing clips (six per 10' length), protective tape, and instruction sheet.
- Adapts to all standard 1½" plastic fittings.

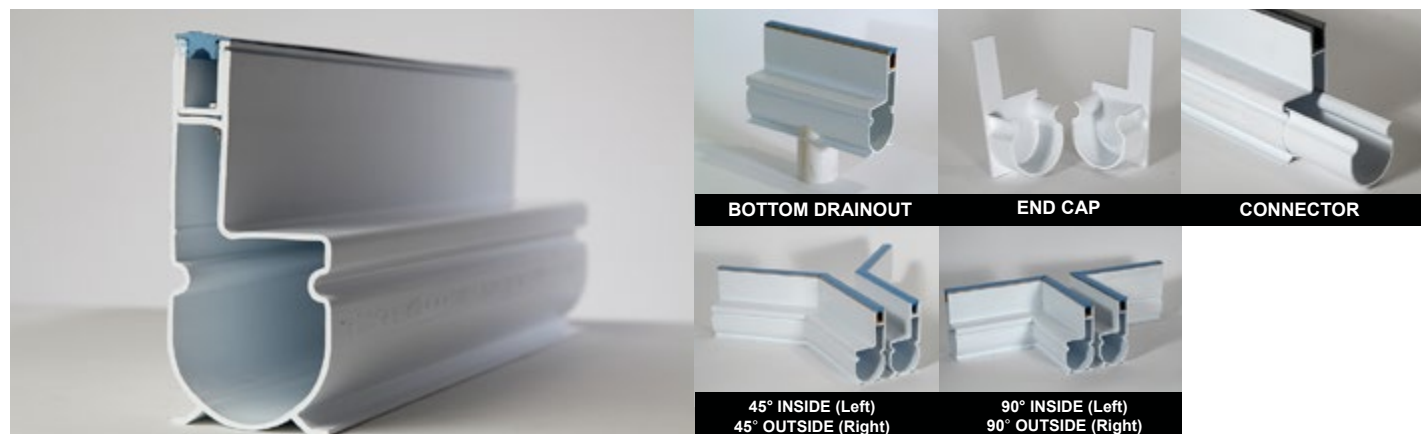


Paver Drain Model Numbers		
Available colors: white, gray, and tan (W,G,T)		
Item No.	Length	Packaging
QP-6401 (W,G,T)	10 ft.	80 ft./case, eight 10-foot pcs.
QP-6401 (W,G,T) - 2	8 ft.	16 ft./case, two 8-foot pcs.
QP-6401 (W,G,T) - 4	8 ft.	32 ft./case, four 8-foot pcs.
<i>Includes eight connectors (QP-6411-1 or QP-6413-1), 48 securing clips (QP-1003), double-protective tape, and instruction sheet</i>		

Paver Drain Fittings		
Available colors: white, gray, and tan (W,G,T)		
Item No.	Style Fitting	Per Case
QP-6402 (W,G,T)	45°	10
QP-6403 (W,G,T)	90°	10
QP-6404 (W,G,T)	Bottom Drainout	4
QP-6405	End Plug (white only)	4
QP-6406 (W,G,T)	Tee Fitting	4
QP-1003	Securing Clips (white only)	48
QP-6411-1	Connector (gray)	1 pc.
QP-6413-1	Connector (white)	1 pc.
QP-5183-1	End Cap (white only)	1 pc.



QP-7201
Streamline | Low Profile Drain



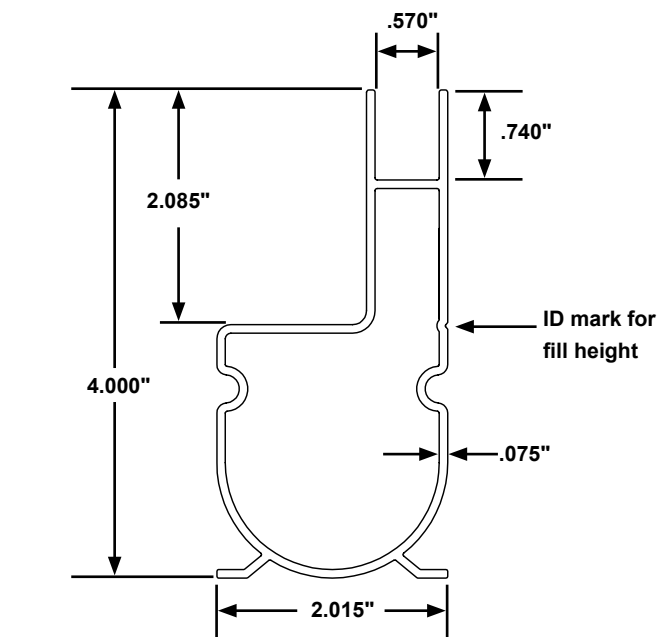
Streamline is the unique drain from Quaker Plastics. With its slim opening, Streamline blends seamlessly into the most elegant patio or deck.

- Visible entry channel only 1/2" wide
- Recyclable, protective, removable filler strip for installation, no tape/no residue
- Designed for pavers and concrete decks
- Available in white, gray, and tan
- Adapts to all standard 1 1/2" plastic fittings.

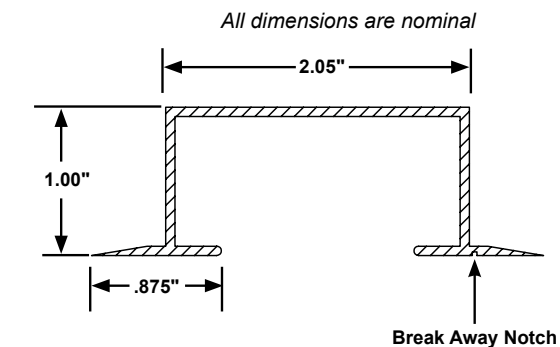
Streamline Model Numbers		
Available colors: white, gray, and tan (W,G,T)		
Item No.	Length	Packaging
QP-7201 (W,G,T)	8 ft.	48 ft./case, six 8-foot pcs.
QP-7201 (W,G,T) - 2	8 ft.	16 ft./case, two 8-foot pcs.
QP-7201 (W,G,T) - 4	8 ft.	32 ft./case, four 8-foot pcs.

Case includes 6 connectors and instruction sheet

Streamline Fittings		
Available colors: white, gray, and tan (W,G,T)		
Item No.	Style Fitting	Per Case
QP-7202 (W,G,T)	45° Inside Corner	2
QP-7203 (W,G,T)	45° Outside Corner	2
QP-7204 (W,G,T)	90° Inside Corner	2
QP-7205 (W,G,T)	90° Outside Corner	2
QP-7206 (W,G,T)	Bottom Drainout	2
QP-7207	End Cap - (1 left, 1 right)	2
QP-6413-1	Connector (white)	1



QP-6611
1" Paver Overlay
Perfect for Renovation



One-inch Paver Overlay is perfect for renovating an old, damaged deck. The overlay is easily installed on top of the old drain between the new surface paver stones, blending seamlessly with your landscape projects. Considerable expense is avoided in digging up old drain and replacing with a new system. Simpler and less time-consuming than replacement caps.

- Twenty (20) 5-foot lengths (100 ft./case)
- One side of overlay is notched for easy break-a-way for use against flat surfaces
- Available in white, gray, and tan
- UPS able carton

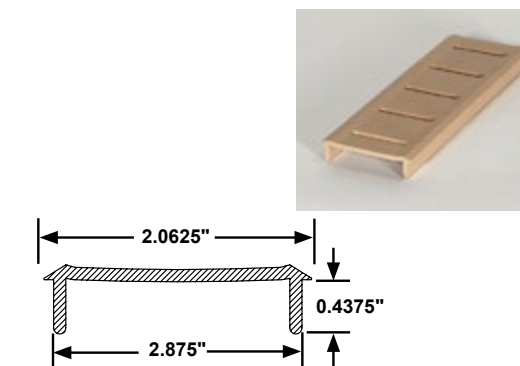
1" Paver Overlay Model Numbers		
Available colors: white, gray, and tan (W,G,T)		
Item No.	Length	Packaging
QP-6611W (white)	5 ft.	100 ft./case, twenty 5-foot pcs.
QP-6611G (gray)	5 ft.	100 ft./case, twenty 5-foot pcs.
QP-6611T (tan)	5 ft.	100 ft./case, twenty 5-foot pcs.

Includes Double-protective tape and one instruction sheet.

QP-595
Replacement Cap for Quaker Deck Drain

Replacement Cap for Quaker Deck Drain Model Numbers		
Available colors: white, gray, and tan (W,G,T)		
Item No.	Length	Packaging
QP-595 (W,G,T)	5 ft.	100 ft./case, twenty 5-foot pcs.

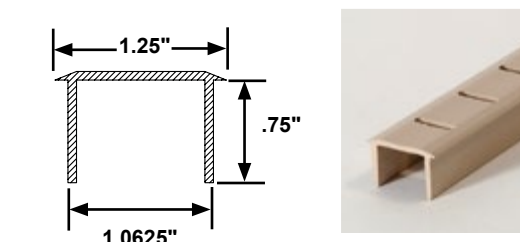
Ideal to repair common 2" drain systems. Fits Quaker's 2" Square Drain (QP-5171). Simply saw out damaged area, insert replacement drain top, and bond it in place.



QP-2551
Replacement Cap for Common Deck Drain

Replacement Cap for Common Deck Drain Model Number		
Available colors: white, gray, and tan (W,G,T)		
Item No.	Length	Packaging
QP-2551 (W,G,T)	4 ft.	96 ft./case, twenty four 4-foot pcs.

Ideal to repair commonly used drain systems. Fits Quaker's Deck Drain-A-Way® (QP-3701). Simply saw out damaged area and insert Quaker's replacement drain top and bond it in place.



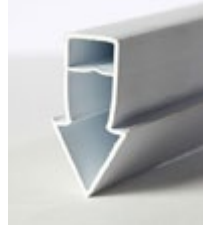
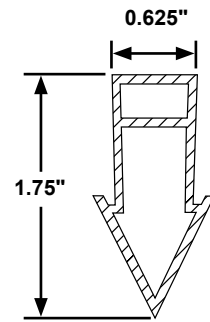


QP-781 Arrowhead™ Control Joint

U.S. Patent No. 4,548,009

Arrowhead™ Control Joint Model Numbers		
Available colors: white, gray, and tan (W,G,T)		
Item No.	Length	Packaging
QP-781 (W,G,T)	12 ft.	240 ft./case, twenty 12-foot pcs.

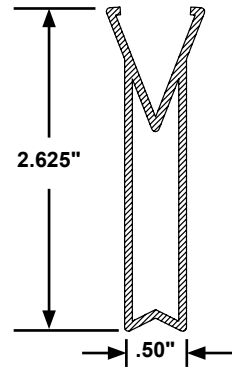
Unique arrow-shape presses easily into concrete, no channels to obstruct installation. Locks into concrete, minimum water seepage. Double-layer, peel-off tape protects top during installation.



QP-971 Arrowhead™ Control Joint Extension Base

Arrowhead™ Control Joint Extension Base Model Numbers		
Available in White Only		
Item No.	Length	Packaging
QP-971	12 ft.	192 ft./case, sixteen 12-foot pcs.

Used when a full expansion, as well as contractual joint, is needed. Simply snap the control joint (QP-781) and base together to meet this requirement.

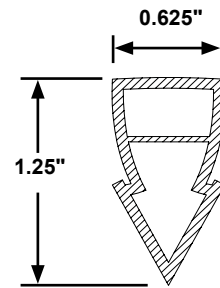


QP-2571W1 Arrowhead™ Accent Strip

U.S. Patent No. 4,548,009

Arrowhead™ Accent Strip Model Numbers		
Available colors: white, gray, and tan (W,G,T)		
Item No.	Length	Packaging
QP-2571W1 (W,G,T)	12 ft.	240 ft./case, twenty 12-foot pcs.

Use Accent Strip where true expansion joint is not required to provide a decorative trim or pattern in poured concrete. Double-layer, peel-off tape protects surface during installation.



QT-131, 132, 133, 261, 262 Heavy Duty Discharge Hose

- Highest quality vinyl discharge hose, 20% thicker than the competition
- Most popular sizes are shrink-wrapped in retail-friendly packaging for best shelf visibility and easier handling
- Stainless steel clamp included with retail-size rolls
- Color-coded for easy identification and convenient inventorying
- Highest quality made in America



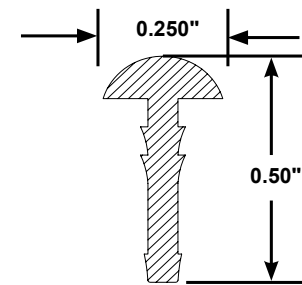
Heavy Duty Discharge Hose Model Numbers		
Item No.	Length	Rolls per case
QT-131*	1½" x 25' with clamp	6
QT-132*	1½" x 50' with clamp	6
QT-133	1½" x 200' without clamp	1
QT-261	2" x 200' without clamp	1
QT-262*	2" x 50' with clamp	5

* Available in shrink-wrap packaging

Liner Bead Wedge Lock

Liner Bead Wedge Lock Model Numbers			
Item No.	Length	Color	Packaging
QP-1561	1500 ft.	White	1 spool
QP-1562	120 ft. per bag	White	12 bags per box
QP-1563	1500 ft.	Blue	1 spool
QP-1564	120 ft. per bag	Blue	12 bags per box
QP-1565	1500 ft.	Black	1 spool
QP-1566	120 ft. per bag	Black	12 bags per box
QP-1567	1500 ft.	Gray	1 spool
QP-1568	120 ft. per bag	Gray	12 bags per box

High-quality flexible vinyl designed as a wedge (or shim) to secure liner bead to coping track. Available in white, blue, black, and gray.

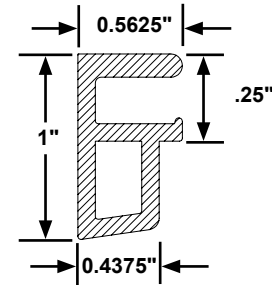




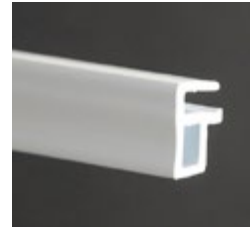
QP-521 Side Mount Liner Track

Side Mount Liner Lock Model Number		
Item No.	Length	Packaging
QP-521	8 ft.	400 ft./case, fifty 8-foot pcs.

Mounts on the side of pool walls to hold liner securely. Ideal for pools in which coping cannot be easily removed or for installing liners in concrete pools. White PVC.



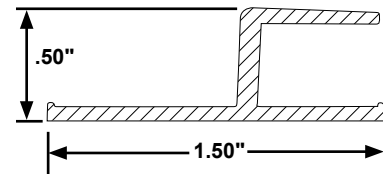
All dimensions are nominal



QP-531 Top Mount Liner Track

Top Mount Liner Lock Model Number		
Item No.	Length	Packaging
QP-531	8 ft.	512 ft./case, sixty four 8-foot pcs.

Ideal for new pools or installing a liner in a pool with easily removable coping or with broken coping. Install *Top Mount Liner Lock* on top of the pool wall to hold liner securely. White PVC.



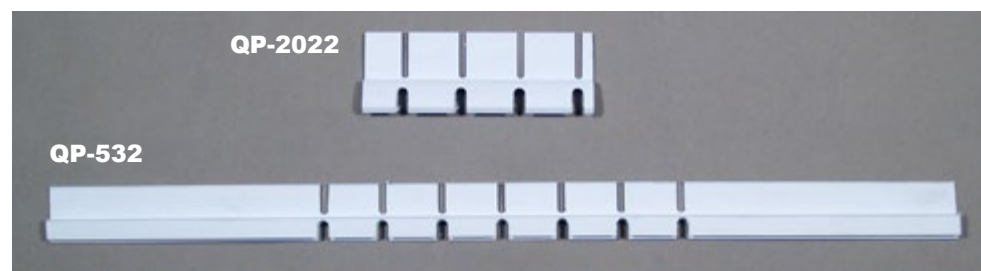
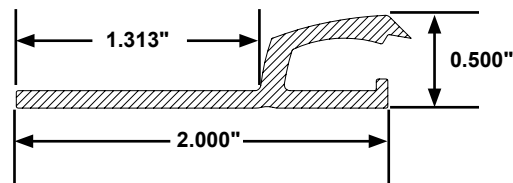
All dimensions are nominal



QP-2022 Radius Cut Liner Track

Top Mount Liner Lock Model Number		
Item No.	Length	Packaging
QP-2022	8 ft.	208 ft./case, twenty six 8-foot pcs.

For use in free-form vinyl liner pools. Conforms to pool radius. White PVC.



QP-532 6" Radius Corner for Top Mount Liner Track

Top Mount Liner Lock Model Numbers		
Item No.	Length	Packaging
QP-532	24 in.	set of four 24 in. pcs.

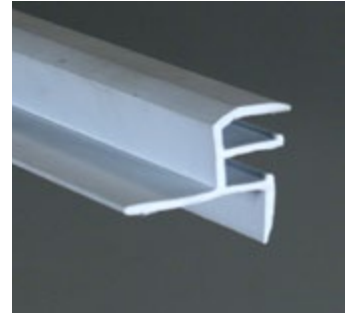
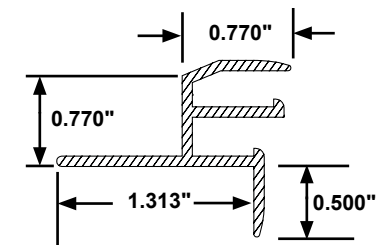
Perfectly matches Top Mount Liner Lock (QP-531). These pre-notched corner lengths are easily shaped by hand to form any corner up to a 6" radius. White PVC.



QC-16 Top Mount Double Track

Top Mount Double Track Model Number		
Item No.	Length	Packaging
QC-16	8 ft.	112 ft./case, fourteen 8-foot pcs.

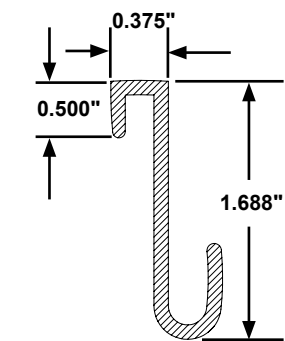
Installation is simple - two men can do the job in just an hour and a half. No grouting, no gluing and this unique tile/coping system can be used on steel, aluminum, polymer, fiberglass... any kind of wall structure, any shape. The tile border can even be added later but only if Quaker's Tile/Coping System is used for the initial installation. White PVC.



QP-2581 Above Ground Pool Replacement Liner Hanger

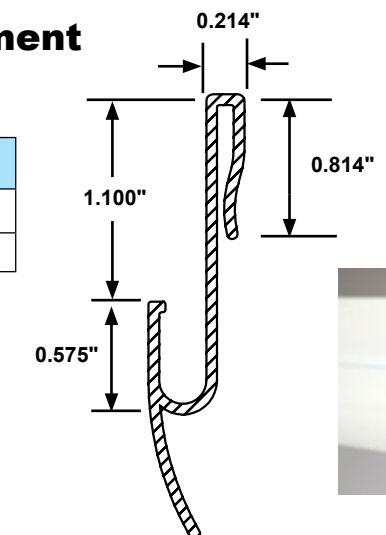
Above Ground Pool Replacement Liner Hanger		
Item No.	Length	Packaging
QP-2581	56 in.	266 ft./case, fifty seven 56 in. pcs.

Hanger fits on top of pool walls to provide a liner bead receiver. Liners fit better with fewer or no wrinkles, conforms to pool interior. Easy to change liners, no need to disassemble pool. White PVC.



QP-7141 Deluxe Above Ground Pool Replacement Liner Hanger

Deluxe Above Ground Pool Replacement Liner Hanger		
Item No.	Length	Packaging
QP-7141	56.5 in.	188 ft./case, forty 56.6" in. pcs.





**QP-2681
Ceramic Tile Holder for New Pools**

Ceramic Tile Holder Model Number		
Item No.	Length	Packaging
QP-2681	6 ft.	120 ft./case, twenty 6-foot pcs.

You can create the elegant look of a higher cost pool just by adding real tile to an ordinary vinyl liner pool built with Quaker's patented tile/coping system. Practical, as well as stylish, real tile protects the vinyl from ultraviolet deterioration that is so common in the Sunbelt.

This unique system has been tested for over thirty years on hundreds of pools and has withstood the harsh winters of the Northeast with amazing durability. Frost proof tiles are available from local tile distributors. Accommodates a 6" x 6" tile. White PVC



**QP-3162
Sign Holder with "No Diving" Signage**

Sign Holder with "No Diving" Sign Model Number		
Item No.	Length	Packaging
QP-3162	3½" h x 16¾"w	200 sign holders with sign affixed per case
QP-3162-1	3½" h x 16¾"w	Single Piece

The white plastic sign holder is ideal to display "No Diving" signs in new or existing vinyl liner pools. Patented lock-in edge snaps in above the existing liner bead.

The Sign Holder can be easily inserted around the pool as recommended by pool manufacturers. Here's a simple, clean, effective, and low cost way to equip all pools with important safety signage.





About



THERMOPLASTIC STEPS

About Our Steps

Our thermoplastic stairs are flexible, extremely strong and built to withstand the elements. Not only is the strength built into the stair itself, every stair has a support system which is set in concrete. The stairs are vacuum-formed from a single piece of ABS. Many shapes and styles are available in both our Quaker Step line as well as the Cardinal Step line, including contour, cantilever, in-wall ladder, leisure bench and corner. All steps are white with a few models available in gray granite and a limited availability in blue granite.

TLC® Total Liner Care

Our patented radius corner stair mount face plate is rounded at each bottom corner, mating with the side face plates for a truly professional look. Smooth corners mean no sharp edges inside the pool, eliminating a possible hazard during liner installation and providing added protection for pool users. When a liner replacement is necessary, face plate screws are easily removed.

Precision Grooved Faceplate

The back of the smooth, radius corner Stair Mount Face has been designed with ridges and grooves to ensure a leak-tight seal between the stair gasket and liner. This engineered, leak-tight system has been proven in over 250,000 installations.

Color Matched Pre-Punched Gasket

Our gasket blends with the stair and liner edge for a beautiful, color matched installation. The pre-punched gasket means an easier, quicker installation and assures that no gasket material will be wedged into the screw hole and cause leakage for a beautiful, color matched installation.

Improved Trim Strip

The trim strip, used to conceal the screws, is made from color matched, flexible plastic material. It can be easily pressed into the holding track and easily removed.

Permanent Deadend Block

Both the Quaker Stairs and Cardinal Step easily adapts to all swimming pools. Our unique Deadend Block design helps assure watertight installation. A permanent, solid plastic Deadend Block is securely bonded at the factory. This block totally encapsulates all screws, assuring a non-leak installation.



TLC® Total Liner Care



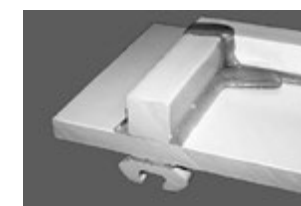
Precision Grooved Faceplate



Color Matched Pre-Punched Gasket



Improved Trim Strip



Permanent Deadend Block



QP-0004S
4 ft. 3-tread Straight



QP-0064S
6 ft. 4-tread Straight



QP-0064SC
6 ft. 4-tread Straight Cantilever



QP-0064R
6 ft. 4-tread Radius



QP-0064RFC
6 ft. 4-tread French Curve Radius



QP-0084S
8 ft. 4-tread Straight



QP-0084TS
8 ft. 4-tread Twin Seat/Step Straight



QP-0084TSC
8 ft. 4-tread Twin Seat/Step Straight Cantilever



QP-0084TSR
8 ft. 4-tread Twin Seat/Step Radius



QP-0084TRC
8 ft. 4-tread Twin Seat/Step Radius Cantilever



QP-4063C42
6 ft. 3-tread 90° Corner
Twin Seat/Step Cantilever



QP-0085TS
8 ft. 5-tread Twin Seat/Step
Straight, 48" wall height



QP-0006IWS
6 ft. In-wall seat



QP-006IWSC
6 ft. In-wall Seat Cantilever



QP-2008
8 ft. Swim-out with rope kit

Not Shown:
QP-1000NR, white
QP-1000NRG, gray
In-pool Ladder, without rails

QP-0064RC
6 ft. 4-tread Radius Cantilever

Photographs may not be representative of color. Actual stair color may vary from photograph.



Ridg-A-Dizing Channels

Massive, all-plastic channels are permanently bonded to the underside of each tread, providing controlled flexibility. These patented, heavy-duty, extra-wide channels mean optimum strength while still allowing the stairs enough flexibility to withstand freezing and thawing.

Lock Down Bleacher System™

U.S. Patent No. 6,655,098 | Canada Patent No. 2,406,345

Fast, Easy, and Simple!

Entire Lock Down Bleacher System™ is preassembled at the factory, no lost nuts or bolts. Stair support posts simply snap down and lock into place.

The molded bottom shoes easily flip to the horizontal position and the stair is ready for installation. Precision-engineered leveling support posts and bottom shoes are permanently hinged at the factory to the massive, Ridg-A-Dized support channel, strategically located under each tread.

Leveling and support posts, along with the support shoes, are predrilled for rebar. Install rebar through holes, cover with concrete, and stair is ready for final leveling before concrete hardens. No blocks, no nuts or bolts, no make-shift leveling/support methods, no costly labor or materials.

Result: level stairs with bleacher-type stability, strength, and support.

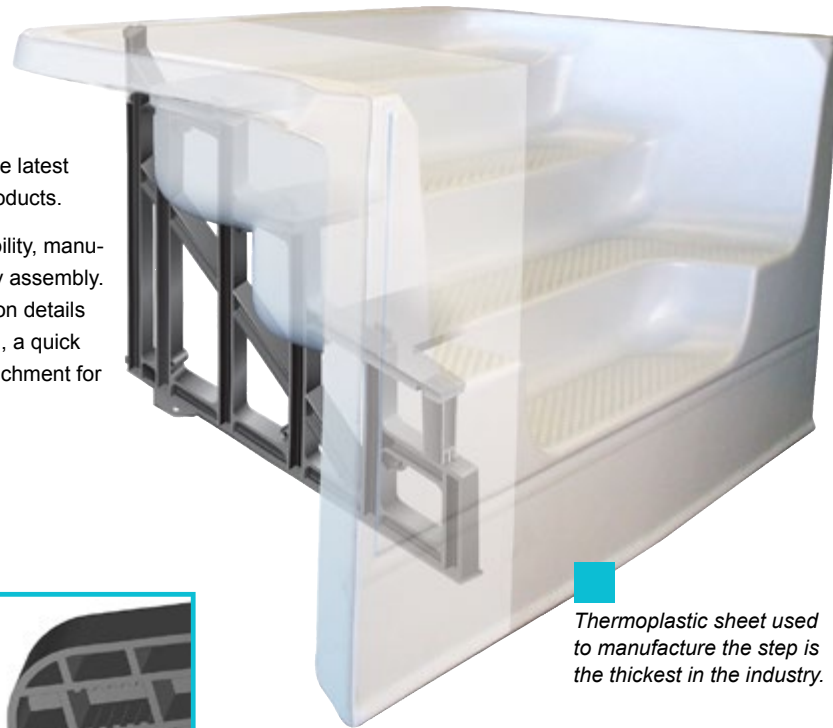




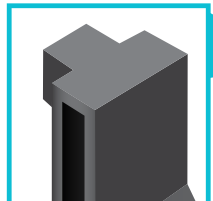
The Cardinal Step
For quality, for style, for a lifetime

The **Cardinal Thermoformed Step** is the latest addition to Cardinal's family of quality products.

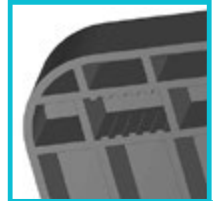
The **Cardinal Step** is designed for durability, manufactured with precision, and built for easy assembly. Taking it a step further, we kept our eye on details such as using the thickest sheet material, a quick "click" fastening assembly, a molded attachment for concrete tube forms, and more.



Thermoplastic sheet used to manufacture the step is the thickest in the industry.



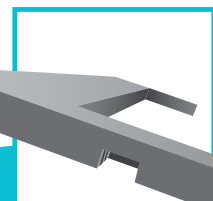
Concrete tube attachment with a quick twist insert, tube forms are securely placed for additional support for concrete decking.



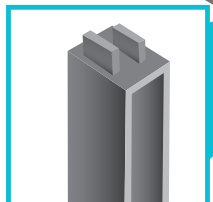
Brace to tread attachment system in our support brace system was developed for easy assembly in the field, with no need for tools or adhesives. The fastening clips on the brace align with the sockets on the bottom of the tread support and securely interlock. Connect with confidence – in one easy step.



Continuous I-Beam strength and web corner design provide stronger support by eliminating weak areas found in earlier brace systems.



Superior tread support found underside is reinforced with molded channels for greater strength. The tread support extends the entire width of the stair providing maximum support.



A unique brace extension for our twin seat models provides additional support for sitting areas.



The Cardinal Step
For quality, for style, for a lifetime



CS-0064R
6 ft. 4-tread Radius



CS-0064RFC
6 ft. 4-tread French Curve Radius



CS-0084S
8 ft. 4-tread Straight



CS-0084TS
8 ft. 4-tread Twin Seat/Step Straight



CS-0084TSC
8 ft. 4-tread Twin Seat/Step Straight Cantilever



CS-0084TSR
8 ft. 4-tread Twin Seat/Step Radius



CS-0084TRC
8 ft. 4-tread Twin Seat/Step Radius Cantilever



CS-0064S
6 ft. 4-tread Straight



CS-0064SC
6 ft. 4-tread Straight Cantilever

- Lifetime Warranty
- Strategically placed rebar openings for ground and brace-to-brace reinforcement.
- Made of High Impact Polystyrene (HIPS)
- Available on our most popular 4-tread models
- 8-foot models are supported with 5 braces.

Not shown:

CS-0064RC
6 ft. 4-tread Radius Cantilever

Photographs may not be representative of color. Actual stair color may vary from photograph.



Z POOLFORM

Reusable Decorative Cantilever Form Products

Z Poolform™ by Cardinal Systems, Inc. is a unique, reusable system that is the easiest and most economical way to finish your pool project with an attractive concrete deck.

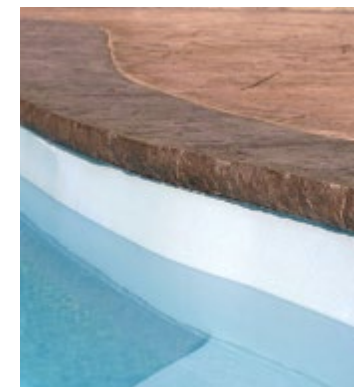
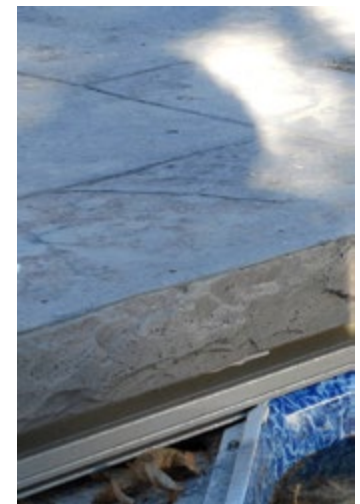
Easy to use, cost-effective, and timesaving, the forms can be used with vinyl liner, gunite, and fiberglass pools. The three-part system consists of two PVC forms and a form liner that interlock for a safe, efficient, and decorative concrete finish. The eight-foot forms are available in straight lengths and notched pieces to accommodate any freeform style, conforming to radii as small as six inches.

How does the system work?

The base form fits easily into the liner track of a vinyl liner pool. **(Cardinal's HZ Top Mount Liner Track is recommended, see page 15).** The back piece snaps firmly on top of the base as a "back-board" for the concrete pour, assuring that no cement will leak into the liner track or onto the pool wall during the pour. The form liner is a flexible rubber insert that is grooved at the top so it will lock firmly into the back piece. The form liner is interchangeable to give you a selection of different edge profiles and textures to tie in with your hardscape design: Square, Bullnose, Bullnose Slate, Bullnose Travertine, Bermuda (French Curve), Chiseled Stone, and Chiseled Slate. These popular textured edges match most deck stamps on the market and eliminate extra work to create a seamless appearance, and creates a 3 inch profile.

For gunite or fiberglass pools, the process is the same; however, a receiver track needs to be affixed to the wall. This is done simply with construction screws or double-sided tape. Cardinal offers the receiver tracks in straight and notched lengths to give you the versatility you need for any pool shape.

To find out more about the Z Poolform™ by Cardinal Systems, Inc., contact your Cardinal sales representative or visit our website at cardinalsystemsinc.com.



Z Poolform AutoCover

The reusable, molded decorative concrete liner slides into the Z Poolform. These inserts are available in different patterns to give a decorative edge to any pool deck. Comes in packs of 64 feet.

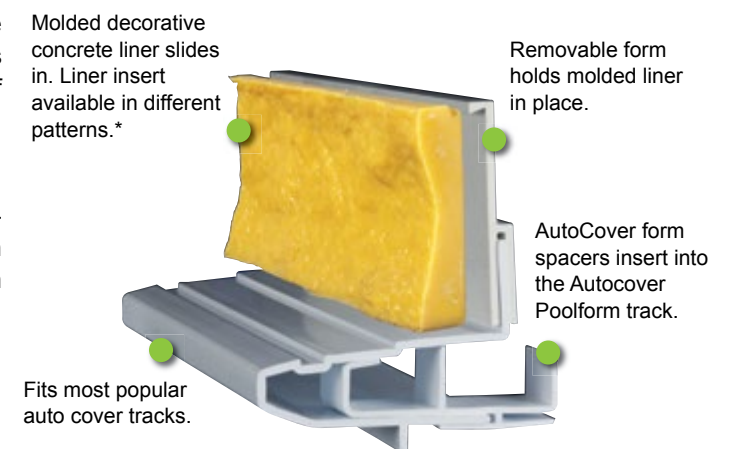
Pouring a concrete pool coping has never been easier...

The AutoCover Z Poolform™ is a reusable PVC form used to create decorative concrete copings for swimming pools that works with Coverstar and APC auto cover tracks. The interchangeable form liners will allow for a variety of different edge profiles and textures.

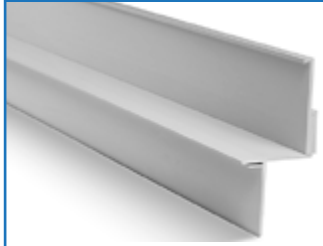
ACF-001: eight 8' pieces (64 linear feet) of AutoCover Poolform plus 64 Spacers.

ACS-001: 64 Spacers.

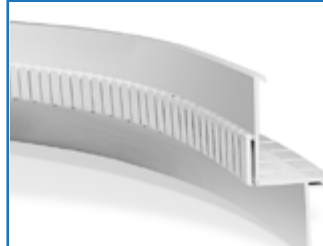
* Liners sold separately. (See page 47)



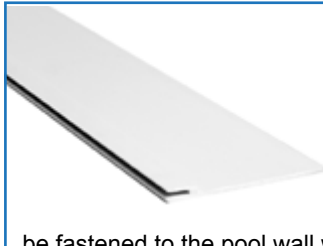
Cantilever Forms for Vinyl Liner, Concrete and Fiberglass Pools



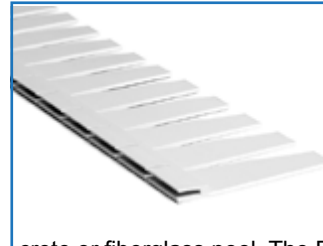
Z Poolform™
PF-001 Z Poolform™ is a reusable PVC form used to create decorative concrete coping for pools. Interchangeable form liners will allow for a variety of different edge profiles and textures.
 Z Poolforms™ can be used with vinyl liner, fiberglass, or concrete pools.
 Package contains eight – 8' pieces (64 linear feet) of straight Z Poolform™. This includes the base form and the back piece.



Bendable Z Poolform™
BPF-001 Bendable Z Poolform™ is a reusable PVC form used to create decorative concrete coping for pools. Interchangeable form liners will allow for a variety of different edge profiles and textures. Z Poolforms™ can be used with vinyl liner, fiberglass, or concrete pools.
 Package contains eight – 8' pieces (64 linear feet) of bendable Z Poolform™. This includes the base form and the back piece.




Receiver Track
RT-001 The Receiver Track is used to mount the Z Poolform™ on top of the pool wall of a concrete or fiberglass pool. The Receiver Track can be fastened to the pool wall with either our 1" Construction Screws or our 2" Polyester Mounting Tape.
 This package contains sixteen 8' pieces (128 linear feet) of straight receiver track (RT-001). The receiver track is NOT reusable because it is left in place.




Bendable Receiver Track
BRT-001 The Bendable Receiver Track is used to mount the Z Poolform™ on top of the pool wall of a concrete or fiberglass pool. The Receiver Track can be fastened to the pool wall with either our 1" Construction Screws or our 2" Polyester Mounting Tape.
 This package contains sixteen 8' pieces (128 linear feet) of bendable receiver track (BRT-001). The receiver track is NOT reusable because it is left in place.

Accessories



Extraction Tool
PET-001 The Z Poolform™ Extraction Tool is used to safely remove the Z Poolform™ from the Receiver Track (RT-001) or liner track without causing any damage to the forms. This tool will help ensure a long life for your Z Poolforms™.

1" Construction Screws
CSC-010 Contains 200 pieces and a 5/32" masonry drill bit. For use in concrete pre-drill with 5/32" masonry drill bit (included).
 Serrated thread with multi-head drive.
 Heavy duty use.




Z Release
 The Z Poolform™ liquid form release.
ZR-004 - 1 Gallon
ZR-020 - 5 Gallons
 * 1 Gallon covers approximately 750 to 1,000 square feet.

2.5" Vinyl Tape
WVT-250 White Vinyl tape used to cover gaps caused by "V notches" in the bendable pool form.
 2.5" x 180' per roll



2" Polyester Tape
PMT-200 Double-sided Polyester Mounting Tape used to fasten Receiver Track (RT-001) to top of fiberglass pools. Extremely strong adhesive will stick to almost anything.
 2" x 108' per roll



Reusable Form Liners

The reusable, molded decorative concrete liner slides into the Z-Poolform. These inserts are available in different patterns to give a decorative edge to any pool deck. Comes in packs of either 32 feet or 64 feet.







SQUARE
 A flexible rubber insert that will lock into the Z Poolform™. This liner will give you a smooth flat edge.
SPL-004 – 4 pack – 32' **SPL-008** – 8 pack – 64'




BULLNOSE TRAVERTINE
 A flexible rubber insert that will lock into the Z Poolform™. This liner will give you a bullnose edge with a travertine texture.
BTPL-004 – 4 pack – 32' **BTPL-008** – 8 pack – 64'






CHISELED STONE
 A flexible rubber insert that will lock into the Z Poolform™. This liner will give you a chiseled stone edge.
CSPL-004 – 4 pack – 32' **CSPL-008** – 8 pack – 64'



BULLNOSE
 A flexible rubber insert that will lock into the Z Poolform™. This liner will give you a smooth bullnose edge.
BPL-004 – 4 pack – 32' **BPL-008** – 8 pack – 64'




CHISELED SLATE
 A flexible rubber insert that will lock into the Z Poolform™. This liner will give you a chiseled slate edge.
CSLPL-004 – 4 pack – 32' **CSLPL-008** – 8 pack – 64'

BULLNOSE SLATE
 A flexible rubber insert that will lock into the Z Poolform™. This liner will give you a bullnose edge with a slate texture.
BSPL-004 – 4 pack – 32' **BSPL-008** – 8 pack – 64'

BERMUDA (French Curve)
 A flexible rubber insert that will lock into the Z Poolform™. This liner will give you a smooth capstone edge.
BRPL-004 – 4 pack – 32' **BRPL-008** – 8 pack – 64'



SIERRA OUTDOOR DESIGNS®

Outdoor Kitchen/Grill Cabinetry

Sierra Outdoor Designs from Cardinal Systems, Inc. changes the playing field of outdoor living options with a sleek design that invites you and your family to expand your living quarters into the outdoors. Designers have created a streamlined system of component pieces for those who desire to entertain with style.

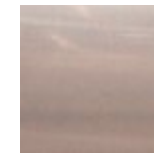
Utilizing 316 marine grade stainless steel construction materials and the highest quality faux stone facade the Sierra Outdoor line allows you to have attractive cabinetry options that provide both functionality and style.

Standardization of modular components help you create your own configuration to fit perfectly into your backyard entertainment area.

Elegance of design, innovation of materials and streamlined construction methods marry together in Sierra Outdoor Designs. The Sierra Outdoor Designs cabinetry system offers modular hardscape solutions that insure attractive and elegant options for any space.

Options

The cabinetry is designed for custom choice finishes on the sides and back of the units. Sierra offers stainless steel or two choices of faux stone: brown or gray stacked stone. The system is made so you can make a change to your look at any time by easily sliding out the existing side or back panel and replacing it with a new panel.



Stainless Steel



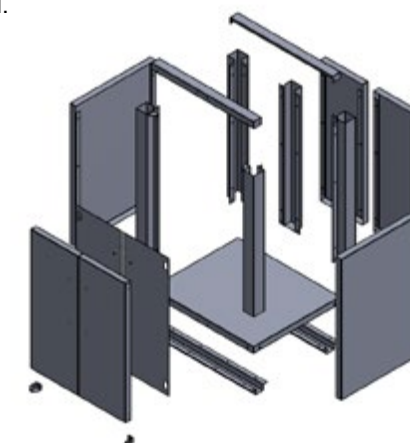
Brown Faux Stone



Gray Faux Stone

The Break Down

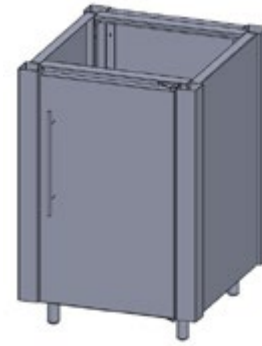
Each cabinet component comes in a flat packed version allowing for easy shipping at a competitive price. A minimal amount of pieces also makes for ease of assembly and setting the entire system up in a short amount of time. And, if need be, can be disassembled for storage or moving to a new location depending on the type of counter top used.



THE CABINETRY LINE

Base Cabinet

The base cabinet provides ample storage space. Made of stainless steel components, the cabinet is available as a stand alone or may be connected to other available pieces. The doors are stainless steel with a solid feel and attractive handles. For the finished sides, choose from the available faux stone options or an all stainless steel look. The base cabinet is available in 24", 30" and 36" widths. 24" cabinet comes with one door which can be installed with either a left or right opening. 30" and 36" comes with two doors.



24" width with 1 door



30" width with 2 doors



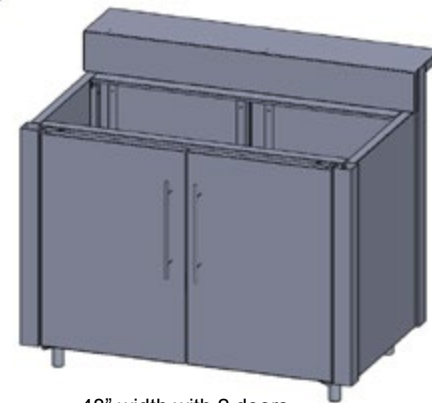
36" width with 2 doors

Bar Cabinet

Our bar cabinet has the same features as our base cabinet but with an extended bar at the top. Made of stainless steel components, the cabinet is available as a stand alone or may be connected to other available pieces. The doors are stainless steel with a solid feel and attractive handles. For the finished sides, choose from the available faux stone options or an all stainless steel look. The bar cabinet is available in a 36" or 48" width.



36" width with 2 doors

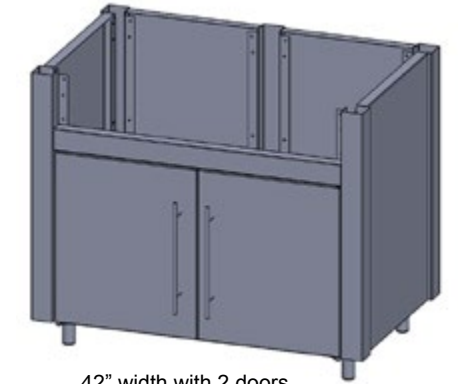


48" width with 2 doors

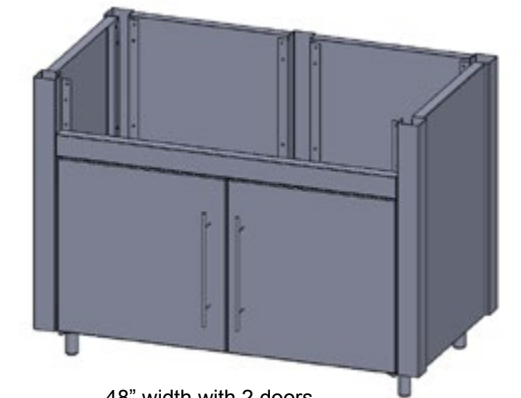
THE CABINETRY LINE

Grill Cabinet

Make grilling a statement of art with our grill cabinet. Built to house either an Allegra or Bull grill, this attractive piece will bring envy to all those you entertain. The doors are stainless steel with a solid feel and attractive handles. For the finished sides, choose from the available faux stone options or an all stainless steel look. The grill cabinet is available in a 42" or 48" width. Comes with adapter kit for the grill you intend to place in.



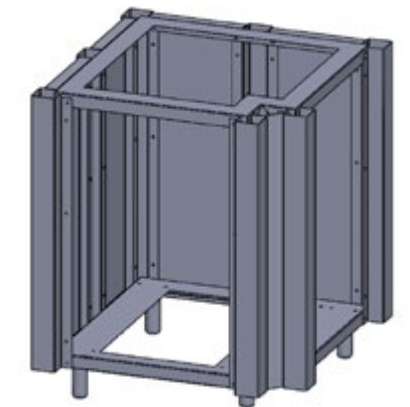
42" width with 2 doors



48" width with 2 doors

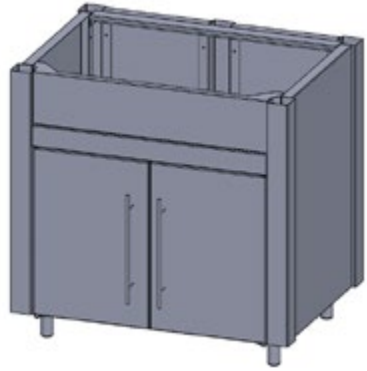
Corner Cabinet

The corner cabinet provides a way to make an L shape or another type of configuration requiring a 90 degree angle. This unit can stand up against a wall or alone. For the finished sides, choose from the available faux stone options or an all stainless steel look. The corner cabinet is available in a 30" width.

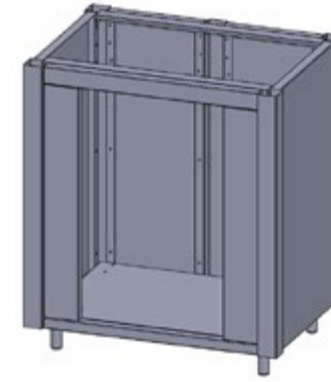


THE CABINETRY LINE
Sink Cabinet

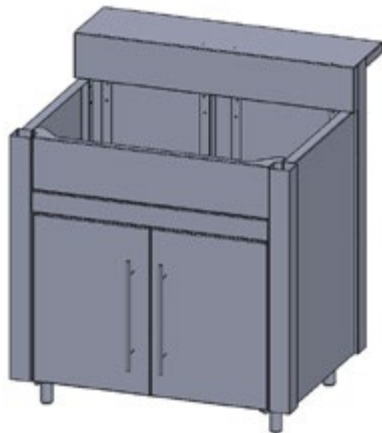
No kitchen or bar is complete without a sink. Our sink cabinet is made of stainless steel components and is available as a stand alone or may be connected to other available pieces. The doors are stainless steel with a solid feel and attractive handles. For the finished sides, choose from the available faux stone options or an all stainless steel look. The sink cabinet is available in a 36" width. Will fit most sinks. Please check the specifications before purchasing and/or installing a sink.


THE CABINETRY LINE
Refrigerator Cabinet

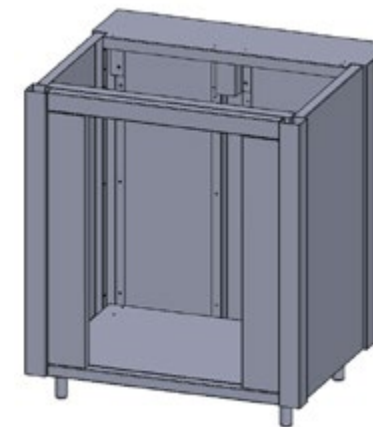
Our refrigerator cabinet is made of stainless steel components and is available as a stand alone or may be connected to other available pieces. For the finished sides, choose from the available faux stone options or an all stainless steel look. The refrigerator cabinet is available in a 36" width.


Sink Bar Cabinet

The sink bar cabinet is just like our sink cabinet except it has the extended bar unit. Made of stainless steel components, this is available as a stand alone or may be connected to other available pieces. The doors are stainless steel with a solid feel and attractive handles. For the finished sides, choose from the available faux stone options or an all stainless steel look. The sink bar cabinet is available in a 36" width. Will fit most sinks. Please check the specifications before purchasing and/or installing a sink.

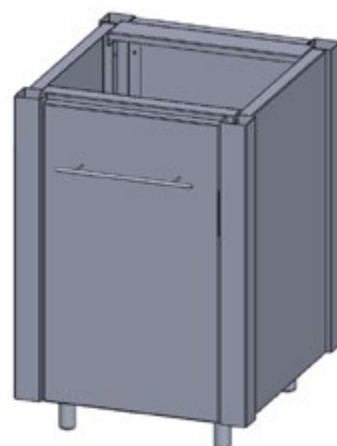

Refrigerator Bar Cabinet

Our refrigerator bar cabinet is made of stainless steel components and is available as a stand alone or may be connected to other available pieces. For the finished sides, choose from the available faux stone options or an all stainless steel look. The refrigerator bar cabinet is available in a 36" width.



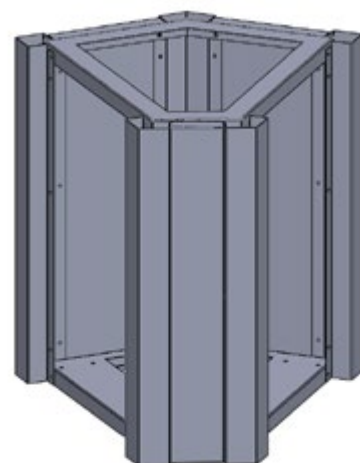
24" Trash Cabinet

No kitchen is complete without a trash receptacle. The cabinet is made of stainless steel components and is available as a stand alone or may be connected to other available pieces. The doors are stainless steel with a solid feel and attractive handles. For the finished sides, choose from the available faux stone options or an all stainless steel look. Comes only in the 24" width.



45 Degree Corner Cabinet

The 45 degree corner cabinet provides a way to make a turn or give a curve feel to your set up. This unit can stand up against a wall or alone. For the finished sides, choose from the available faux stone options or an all stainless steel look.

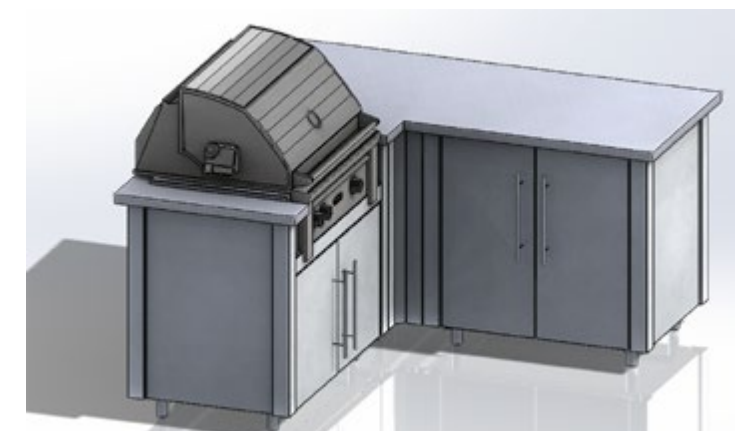


We offer designer sets for convenience of choice which can be added to or used just as they are.

The Pocono

- G-42-IS** 42" Grill Cabinet, island, side, finished on back & left side
- CC-30-IC** 30" Corner Cabinet, island, center, finished on 2 back sides
- C-36-IS** 36" Cabinet, island, side, finished on back & right side
- GKA3242ASSY** Grill Assembly Kit for 42" cabinet for 32" Allegra Grill
- AL32RC-BI-LP+1** Allegra 32" Built-in Cast Stainless Steel 4-Burner w/ lights, Back Burner & Rotisserie

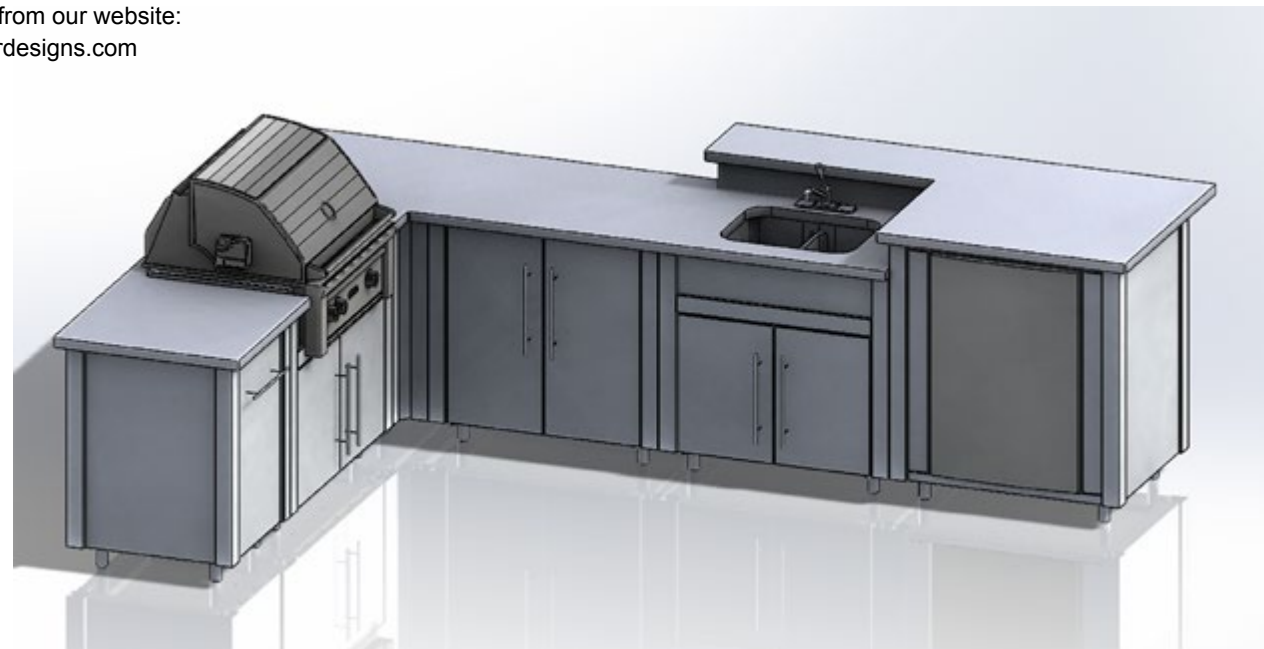
Please Note: Unit does NOT include a countertop. A countertop template can be downloaded from our website: sierraoutdoordesigns.com



The Blue Ridge

T-24-IS	24" Trash Cabinet, island, side, finished on back & left side
G-42-IC	42" Grill Cabinet, island, center, finished on back side
CC-30-IC	30" Corner Cabinet, island, center, finished on 2 back sides
C-36-IC	36" Cabinet, island, center, finished on back side
SB-36-IC	36" Sink Bar Cabinet, island, center, finished on back side
RB-36-IS	36" Refrigerator Bar Cabinet, island, side, finished on back & right side
GKA3242ASSY	Grill Assembly Kit for 42" cabinet for 32" Allegra Grill
AL32RC-BI-LP+1	Allegra 32" Built-in Cast Stainless Steel 4-Burner w/ lights, Back Burner & Rotisserie
FK2434ASSY	Summit Refrigerator Adapter Kit
L5-0001	Summit Refrigerator
L2-0011	10 Gallon Black Trash Bin (Quantity -2)
L2-0010	McAllister® by Sterling® KO1144718NA Stainless Steel Sink
L2-0012	Kraus KPF-2160 Classic Kitchen Faucet

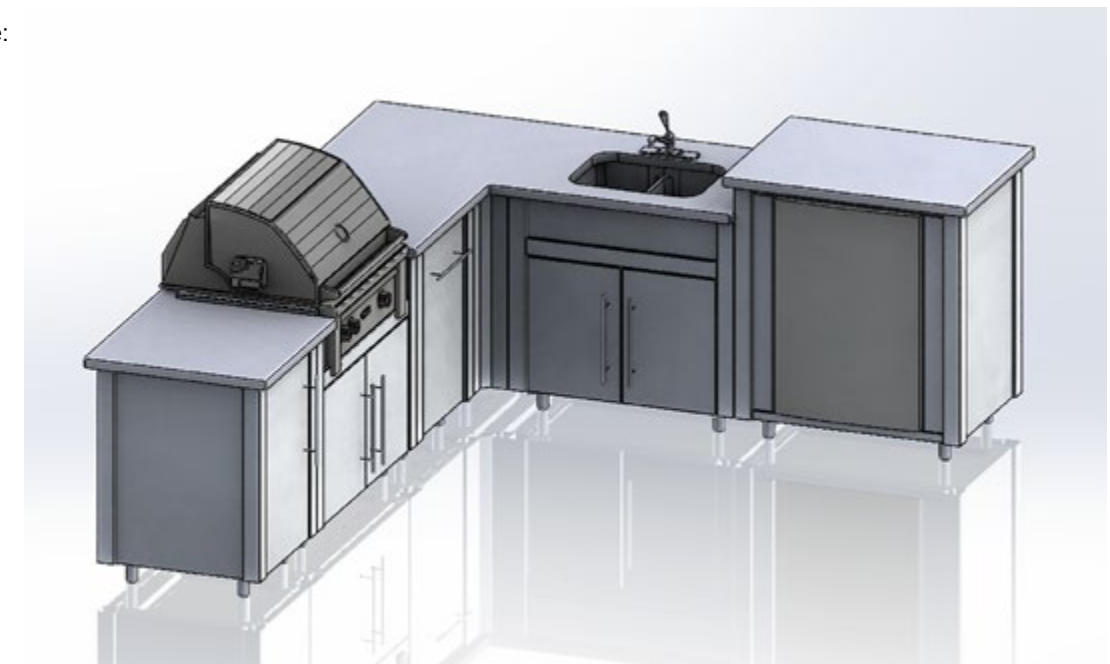
Please Note: Unit does NOT include a countertop. A countertop template can be downloaded from our website: sierraoutdoordesigns.com



The Denali

C-24-IS-LH	24" Cabinet, island, side, finished on back & left side, left hand door
G-42-IC	42" Grill Cabinet, island, center, finished on back side
T-24-IC	24" Trash Cabinet, island, center, finished on back side
CC-30-IC	30" Corner Cabinet, island, center, finished on 2 back sides
S-36-IC	36" Sink Cabinet, island, center, finished on back side
R-36-IS	36" Refrigerator Cabinet, island, side, finished on back & right side
GKA3242ASSY	Grill Assembly Kit for 42" cabinet for 32" Allegra Grill
AL32RC-BI-LP+1	Allegra 32" Built-in Cast Stainless Steel 4-Burner w/ lights, Back Burner & Rotisserie
FK2434ASSY	Summit Refrigerator Adapter Kit
L5-0001	Summit Refrigerator
L2-0011	10 Gallon Black Trash Bin (Quantity -2)
L2-0010	McAllister® by Sterling® KO1144718NA Stainless Steel Sink
L2-0012	Kraus KPF-2160 Classic Kitchen Faucet

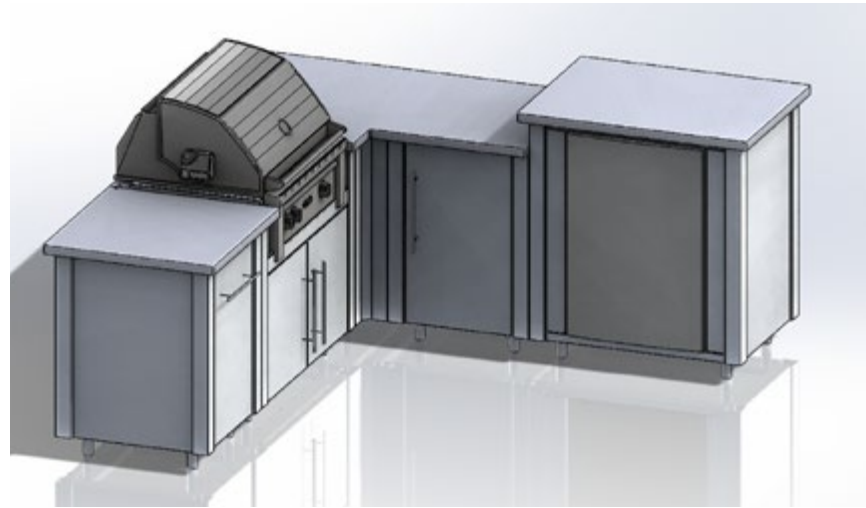
Please Note: Unit does NOT include a countertop. A countertop template can be downloaded from our website: sierraoutdoordesigns.com



The Appalachian

- T-24-IS 24" Trash Cabinet, island, side, finished on back & left side
- G-42-IC 42" Grill Cabinet, island, center, finished on back side
- CC-30-IC 30" Corner Cabinet, island, center, finished on 2 back sides
- C-24-IC-RH 24" Cabinet, island, center, finished on back side, right hand door
- R-36-IS 36" Refrigerator Cabinet, island, side, finished on back & right side
- GKA3242ASSY Grill Assembly Kit for 42" cabinet for 32" Allegra Grill
- AL32RC-BI-LP+1 Allegra 32" Built-in Cast Stainless Steel 4-Burner w/ lights, Back Burner & Rotisserie
- FK2434ASSY Summit Refrigerator Adapter Kit
- L5-0001 Summit Refrigerator
- L2-0011 10 Gallon Black Trash Bin (Quantity -2)

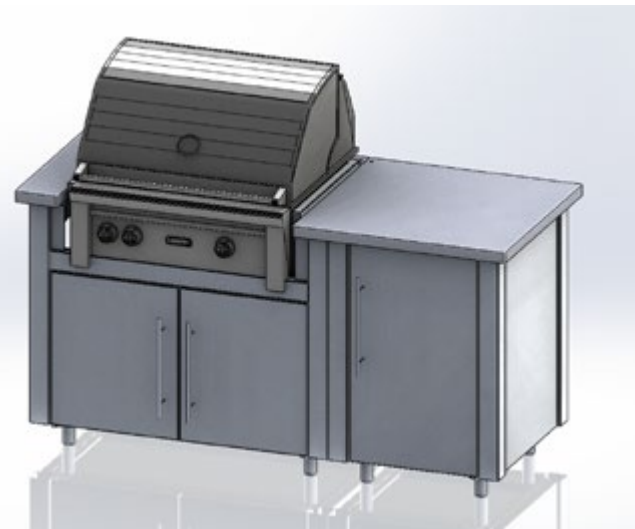
Please Note: Unit does NOT include a countertop. A countertop template can be downloaded from our website: sierraoutdoordesigns.com



The Catskills

- G-42-IS 42" Grill Cabinet, island, side, finished on back & left side
- C-24-IS-RH 24" Cabinet, island, side, finished on back & right side, right hand door
- GKA3242ASSY Grill Assembly Kit for 42" cabinet for 32" Allegra Grill
- AL32RC-BI-LP+1 Allegra 32" Built-in Cast Stainless Steel 4-Burner w/ lights, Back Burner & Rotisserie

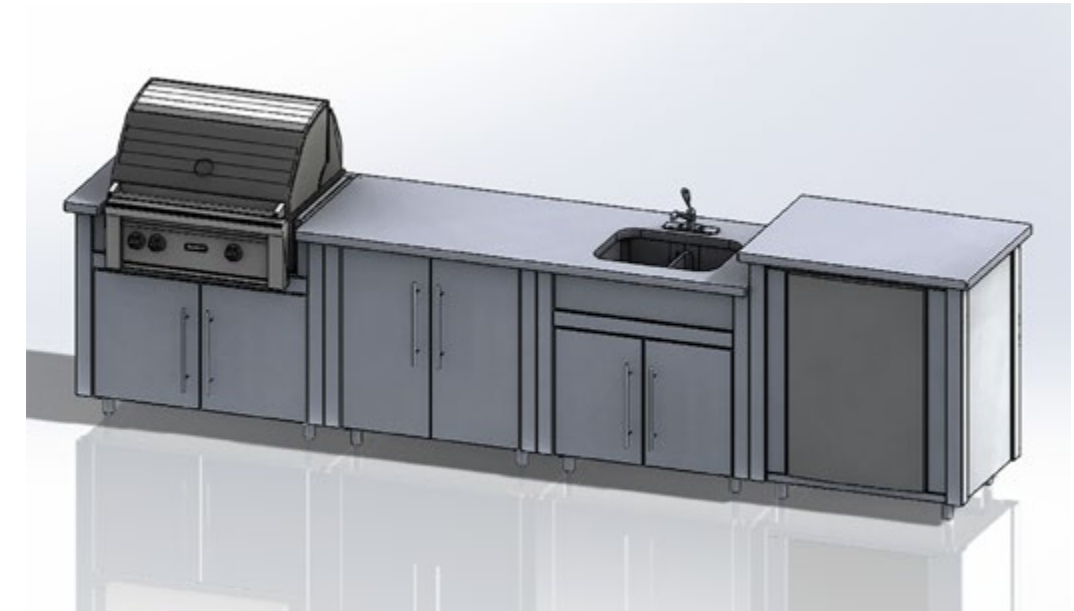
Please Note: Unit does NOT include a countertop. A countertop template can be downloaded from our website: sierraoutdoordesigns.com



The Allegheny

- G-42-IS 42" Grill Cabinet, island, side, finished on back & left side
- C-36-IC 36" Cabinet, island, center, finished on back side
- S-36-IC 36" Sink Cabinet, island, center, finished on back side
- R-36-IS 36" Refrigerator Cabinet, island, side, finished on back & right side
- GKA3242ASSY Grill Assembly Kit for 42" cabinet for 32" Allegra Grill
- AL32RC-BI-LP+1 Allegra 32" Built-in Cast Stainless Steel 4-Burner w/ lights, Back Burner & Rotisserie
- FK2434ASSY Summit Refrigerator Adapter Kit
- L5-0001 Summit Refrigerator
- L2-0010 McAllister® by Sterling® KO1144718NA Stainless Steel Sink
- L2-0012 Kraus KPF-2160 Classic Kitchen Faucet

Please Note: Unit does NOT include a countertop. A countertop template can be downloaded from our website: sierraoutdoordesigns.com



The 32" Allegra Built-in Grill

- 4 Main burners at 15,000 btu each (60,000 btus)
- 700 square inches of total cooking area (510 main grilling area)
- All stainless steel construction • Stainless steel burners
- 304 Stainless steel cooking grills • Warming rack • Temperature gauge • Flame throw ignition system • Double inside lights
- Pull out grease tray • Stainless steel flame tamers
- Available in LP or NG • Cutout dimensions: 30 1/2" w x 21" d x 9" h
- Infrared back burner



The 38" Allegra Built-in Grill

- 5 Main burners at 15,000 btu each (75,000 btus) • 890 Square inches of total cooking area (645 main grilling area) • All stainless steel construction • Stainless steel burners • 304 Stainless steel cooking grills • Warming rack • Temperature gauge • Flame throw ignition system • Double inside lights • Pull out grease tray
- Stainless steel flame tamers • Available in LP or NG • Infrared back burner • Cutout dimensions: 38 3/4" w x 21" d x 9" h



Summit Outdoor Refrigerator - SPR6270S

- 34.0" H x 23.63" W x 23.5" D • ENERGY STAR certified commercial refrigerator • Designed and constructed for use in the outdoors
- Flexible design allows built-in or freestanding use in 24" wide spaces • Stainless steel door offers a professional look
- Recessed LED lighting offers attractive presentation of stored products • Factory installed lock provides security you can count on • Easy temperature management with a digital thermostat
- Commercially listed to NSF-7 standards



Kraus KPF-2160 Classic Kitchen Faucet

- 100% Stainless steel faucet body and handle constructed of solid brass • High-quality, corrosion and rust resistant finish - finish covered under lifetime warranty • Spout swivels 180 degrees to allow for unobstructed sink access • High-arch gooseneck spout further allows for unobstructed sink access



McAllister® by Sterling® Stainless Steel Sink

- Classic stainless steel single rectangle undermount sink • Silent-Shield® sound-absorption technology helps maintain water temperature, reduces condensation, and decreases noise • Overall dimensions 24" L x 18" W x 8" D





Cardinal Systems, Inc.

Cardinal is the industry leading manufacturer of walls, steps and components for in-ground swimming pools. Founded in 1976 with the mission to create a high quality product and provide exceptional customer service, Cardinal continues that philosophy today in its third generation of family ownership.

cardinalsystemsinc.com

SA-CAT-V1 © 2016 Cardinal Systems, Inc.

Made in the USA