

CMP POOL
PRODUCTS

2015

NATURAL WONDERS[™] DECK LIDS

Introducing a **brand new** way to upgrade any pool deck design.

Replace boring deck lids with these stylish covers, built with durable high impact fiberglass.

Choose from four nature-inspired patterns designed to complement popular decking styles.

Check out every color and shape available inside on page 109.

**ONLY AVAILABLE
FROM CMP**



TABLE OF CONTENTS

Welcome 4
Customer Service 6
Color Reference 7
Part Cross Reference Table 8

 FOR VIDEOS, PHOTOS, LITERATURE AND CURRENT
PRODUCT INSTRUCTIONS VISIT THE NEW C-M-P.COM

WATER FEATURES 17

Natural Wonders™ Waterfalls 19
Brilliant Wonders® LED Waterfall 29
Brilliant Wonders® LED Bubbler 33
Brilliant Wonders® LED Laminar 39
Brilliant Wonders® LED Light 41
Brilliant Wonders® Controls 42
Water Feature Filter 43
Deck & Wall Jets 45
Natural Wonders™ Sconces 56
Gunite Pool Fountains 58

POOL EQUIPMENT 59

Auto Levelers 60
Powerclean Chemical Feeders 62
Above Ground Pump Wet Ends 66

POOL VALVES 67

Hydroseal™ Diverter Valves 68
Hydrocheck™ Check Valves 70
Slice Valves 72
Ball Valves 73
Multiport Valves 74
Slide Valves & Air Relief 80

SPA MASTER SPA SYSTEMS 83

2" Gunite Jets 84
2½" Gunite Jets 88
1½" Gunite Jets 93
Swim Jets 94
Step Jets 95
JetArray® 96
Venturi Tees 99

WHITE GOODS 101

In Ground Skimmers 102
VGB Drains & Suctions 113
Deck Drains 128
Aussie Self-Aligning Insiders 129
Eyeball Fittings 130
Wall Fittings 132
Water Stops 133
Unions 134
Plumbing Fittings 137
Repair Fittings 138

ACCESSORIES 143

Aqua Elements™ Pool Tools 145
Water Care Accessories 150
Ladder & Rope Accessories 152
Pool Plugs & Winterizing Accessories 154
Pool Defender™ Anodes & Water Bonds 156

POOL PARTS 159

Flowskim™ Basket 160
Heavy Duty Pool Baskets 161
Auto Cleaner Parts 164
"J" Style Fittings 167
Heavy Duty Manifolds 168
Pool Equipment Parts 169

Replacement Parts 171
Index 201
Terms & Conditions 205
CMP Limited Warranty 206
ISO 9001 Certification 210

 **POOL
PRODUCTS**

WELCOME TO THE 2015 POOL PRODUCTS CATALOG



Welcome to your catalog. If you are a pool industry professional, this catalog was made just for you. We know that this industry is great because of your hard work, effort and determination. You are the reason CMP has the privilege to continue designing and manufacturing new products year after year. In addition, you are the reason we are determined to continue building a company that focuses on the details that make a difference.

In 2014 we introduced the new CMP tagline, "everything matters™." Our focus has been on improving each core area of quality products, customer support and reliable supply. To that end we have added expert staff to our team in the areas of continual improvement, quality and administration. In the past year we have more than *doubled* the size of our award winning customer support team. For our international customers, we have added a brand new distribution center in Europe.

We are continuing to make these strategic improvements with one goal in mind: becoming your premier supplier for pool, spa and bath components. While continuing to add new product categories, current product categories are also being expanded and improved. Our new multiport valves (page 74) are a great addition to our already popular line of pool valves. The new Brilliant Wonders® LED Light (page 40) is an exciting new product designed to put the fun back into pool lighting.

With every improvement and addition at CMP, we are setting you up for success by paying attention to the small things. That's what makes the difference. And when the difference is in the details, everything matters.

A handwritten signature in black ink, appearing to read 'William Drury'.

WILLIAM DRURY, PH.D.
FOUNDER

A handwritten signature in black ink, appearing to read 'Charles Li'.

CHARLES LI, PH.D.
FOUNDER



CMP EAST



NEW CMP DOMESTIC MANUFACTURING

WHY CHOOSE CMP?

- Complete line of pool, spa and bath components
- State of the art engineering and design processes
- Commitment to quality with proven results
- Fastest shipping of any white goods manufacturer in the industry
- Helpful and experienced customer service



CMP WEST

CUSTOMER SUPPORT

CONTACT INFORMATION

CMP EAST: INTERNATIONAL CORPORATE OFFICE

36 Herring Road, Newnan, Georgia 30265

TOLL FREE: 1-800-733-9060 LOCAL: 770-632-7112 FAX: 770-632-7115

CMP WEST DISTRIBUTION

1651 South Carlos Ave, Ontario, California 91761

CMP AUSTRALIA & NEW ZEALAND

(CSN GLOBAL PARTY LTD)

sales@cnsnglobal.com.au

www.cnsnglobal.com.au

CMP EUROPE DISTRIBUTION

Veluwezoom 32, 1327 AH Almere, Netherlands

abateman@c-m-p.com



CUSTOMER & TECHNICAL SUPPORT

MONDAY - FRIDAY: 8:00AM - 5:00PM EST (12:00PM - 9:00PM UTC)

EMAIL: CS@C-M-P.COM

FAX: 770-632-7115

FOR ORDERING TERMS & DETAILS, SEE PAGE 205

ABOUT THIS CATALOG

ABBREVIATION GUIDE

S = SOCKET

SP = SPIGOT

SL = SLIP (SOCKET)

WTR = WATER

EXT = EXTENDED

ID = INSIDE DIAMETER

OD = OUTSIDE DIAMETER

FIP = FEMALE IRON PIPE THREAD

SS = STAINLESS STEEL

ASSY = ASSEMBLY

GPM = GALLONS PER MINUTE

FG = FIBERGLASS

ABG = ABOVE GROUND

ING = IN GROUND

HD = HEAVY DUTY



Indicates CMP New
for 2015 Products

BOX AND BAG QUANTITIES

Box Quantities are listed for most items. If a bag quantity is also available, it will be indicated as "box/bag," such as "24/6" where "24" is the box quantity, and "6" is the bag quantity.

Currently CMP does not apply a surcharge for broken carton orders. Please help us maintain this policy by ordering in full carton quantities. Thank you for your cooperation.

THANK YOU FOR USING THE 2015 CMP POOL PRODUCTS CATALOG

COLOR REFERENCE

The standard CMP numbering scheme for designating the color of plastic products is indicated within the part number as follows:

ABCDE-FGH-IJK

EXAMPLE: 23500-001-000 (1 = LIGHT GRAY)

The standard colors for pool products are determined by the "H" digit where:

- 0 = White
- 1 = Light Gray
- 2 = Chrome / Stainless Steel
- 3 = Brass
- 4 = Black
- 7 = Dark Gray
- 9 = Non-Standard / Custom



LIGHT GRAY



BLACK

LOOK FOR THESE ICONS
THROUGHOUT THE CATALOG
INDICATING AVAILABLE COLORS



DARK GRAY



TAN



LIGHT BLUE



DARK BLUE

Product color examples above are for approximate reference only.

NON - STANDARD COLORS

Non-standard colors for pool products are determined by the combination of the "G" and the "H" digits. The "H" digit of "9" indicates Non-Standard, and the "G" digit, specifies color. Non-standard colors include Tan, Clear, Light Blue, Dark Blue, etc. For details on ordering specific non-standard colors, call or email CS@c-m-p.com

CUSTOM COLORS

Additional colors are available upon request. Custom colors can be provided. Please call for details. Minimum order required.

FITTINGS

Unless otherwise specified fitting bodies and other underskirt components are molded in white or gray.

METAL FINISHES

CMP uses polished and plated stainless steel in metal finish components. Additional metal finishes are available upon request.

CROSS REFERENCE CHART

CMP P/N	W-WAY	PENTAIR®	HYDRO	HAYWARD	DESCRIPTION
21021-000-000	400-4060		11-3480		1-1/2" PUMP UNION
21023-000-000	400-5570				2" PUMP UNION
21049-150-000	400-3090		11-3440		SELF ALIGNING 1-1/2" S X S UNION
21049-200-000	400-5090		11-3460		SELF ALIGNING 2" S X S UNION
21053-150-000				SP14952S	FLUSH UNION 1-1/2"SKT/2"SL X 1-1/2"SKT/2"SL
21053-200-000				SP14982S	FLUSH UNION 2" SLIP X SLIP PVC
21054-150-000				SP1480	MALE UNION 1.5" MIP X MIP ABS
21055-150-000				SP14953S	FLUSH UNION 1.5" MIP X 1.5" SL ABS
21056-150-000				SP1484	MALE UNION 1.5" MIP X 1.5" SLIP ABS
21057-150-000				SP1485	FLUSH UNION 1.5"MIPXMIP W/SWEEP90
21058-000-000				SP1493	ECONO UNION 1.5" BARB X MIP ABS
21059-150-000				SP1482	FLUSH UNION 1.5" MIP X SP ABS
21063-350-000		350157			SUPERFLO® PUMP UNION KIT
21093-000-000	417-6060			SPX1091Z7	HOSE ADAPTER COMBO 1.5"/1.25"
21093-150-000				SPX1091Z1	HOSE ADAPTER 1.5"
21181-100-000	418-3000				1" PIPE EXTENDER PVC
21181-150-000	418-5000				1.5" PIPE EXTENDER PVC
21181-200-000	418-6000				2" PIPE EXTENDER PVC
21181-250-000	418-7000				2-1/2" PIPE EXTENDER PVC
21181-750-000	418-2000				3/4" PIPE EXTENDER PVC
21182-150-000	429-2000				1.5" FITTING EXTENDER
21182-200-000	429-2010				2" FITTING EXTENDER
21183-100-000	419-4100				1" INSIDE COUPLER
21183-150-000	419-4110				1-1/2" INSIDE COUPLER
21183-200-000	419-4120				2" INSIDE COUPLER
23300-000-000	210-4100		10-4100		HYDROTHEREPY JET 1-1/2"S X 1-1/2"S X 1-1/2"FPT
23300-100-000	210-4120		10-5100		GUNITE JET ASSY W/ WALL FITTING 1-1/2"S X 1-1/2"S
23300-200-000			10-3500		DIR WALL FITTING ASSY (1.5IN MIP; 3.5" FACE) W/EYE LESS NUT
23300-210-000			10-3100		DIR WALL FITTING ASSY (1.5IN MIP; 3.5 IN FACE) W/EYE W/NUT
23300-240-000			10-3600		DIR WALL FITTING; EXT THREADS (1.5IN MIP) W/EYE; LESS NUT
23300-250-000			10-3300		DIR WALL FITTING; EXT THREADS (1.5IN MIP) W/EYE; W/NUT
23300-300-000			10-4400		GUNITE JET EXTENSION (1.5IN MIP X 1.5IN FIP)
23300-450-000			10-5300		GUNITE JET ASSY W/ EXTENDED WALL FITTING
23301-000-000	210-4110		10-4100S		JET BODY 1-1/2" SKT/1-1/2" SKT
23301-000-030			10-4401		GUNITE JET 4IN THREADED NOZZLE
23304-000-000	212-3370				DOUBLE TEE GUNITE JET (SXSXS)
23304-100-000	212-3300				DOUBLE TEE GUNITE JET (SXSXSP)
23306-100-000			10-4310		VENTURI TEE 1/4" NOZZLE (1.5"SX1.5"SX3/4"S)
23306-120-000			10-4315		VENTURI 1/2" NOZZLE (1.5"SX1.5"SX3/4"S)
23307-000-000	212-3470				GUNITE VENTURI TEE (1.5"SX1.5"SPX1"SP/3/4"S)
23307-100-000					GUNITE VENTURI TEE (1.5"SX1.5"SPX3/4"SP)

All Pentair trademarks and logos are owned by Pentair or one of its global affiliates. Pentair®, SuperFlo®, Dynamo®, Sta-Rite®, Challenger®, Rainbow™, FNS®, Admiral™, Tagelus®, Triton®, Quad D.E.®, Nautilus™, American Products™, WhisperFlo®, Max-E-Pro®, PacFab™, Max-E-Glas®, Dyna-Glas™, Max-E-Glas®, are trademarks and/or registered trademarks of Pentair Water Pool and Spa, Inc. and/or its affiliated companies in the United States and/or other countries.

CROSS REFERENCE CHART

CMP P/N	W-WAY	PENTAIR®	STA-RITE®	HYDRO	HAYWARD	DESCRIPTION
23308-000-000	212-3340					EXT. VENTURI TEE (1.5"SPX1.5"S/2"SPX1"SP/0.5"S)
23308-100-000				10-4320		EXT. VENTURI TEE (1.5"SPX1.5"S/2"SPX3/4"SP/0.5"S)
23308-100-020				10-4401T		GUNITE JET 4IN TWIST-LOCK NOZZLE
23308-100-100				10-4325		EXT. VENTURI TEE (1.5"SPX1.5"S X1/2"S) W/FITT WHT
23308-110-110				50-3420		VENTURI TEE JET RETURN FITTING (FITS 23308)
23308-110-110				10-3420		VENTURI TEE JET RETURN FITTING (FITS 23308)
23308-200-000		46540000				JET GUNITE AMER PRODUCTS
23309-000-000	210-3330					VENTURI TEE #7 (1" SX1"SPX1"SP/3/4"S)
23312-000-000				16-5749		4IN SWIM JET (SMOOTH; 1" SX1.5IN SP; 1" AIR)
23315-030-000	212-9170					GUNITE SPA JET 1.5" MIP FITTING
25098-000-000				10-2100		GUNITE SPA AIR CONTROL 1" SOCKET WHITE
25099-000-000				10-2200		GUNITE SPA AIR CONTROL 1/2" SOCKET (1-1/2")
25100-000-000					SP10712FVA	HW SKIMMASTER WHT 2" FIP W/FLOAT VLV
25100-009-000					SP1071210FVA	SKIMMASTER W TAN LID/COLLAR 2" FIP
25100-010-000					SP10712	HW SKIMMASTER WHT 2" FIP
25100-019-000					SP1071210	HW SKIMMASTER W TAN LID/COLLAR 2" FIP
25100-100-000					SP10712SFVA	HW SKIMMASTER WHT 2" SOCKET W/FLOAT VLV
25100-109-000					SP10712S10FVA	HW SKIMMASTER W TAN LID/COLLAR 2" S
25100-110-000					SP10712S	HW SKIMMASTER WHT 2" SOCKET
25100-119-000					SP10712S10	HW SKIMMASTER W TAN LID/COLLAR 2" SOCKET
25120-100-900		87204600	08655-0017			2" SPRING CHECK VALVE
25140-000-000	540-6610					WW RENEGADE SKIMMER 2"S/2.5"SP
25140-210-000	540-6510					WW RENEGADE SKIMMER 2"S/2.5"SP ONE PORT
25140-000-700		08650-0079	08650-0079		SP1070FV	SKIMMER FLOAT VALVE ASSEMBLY
25215-000-000				10-6204		175 GPM FG MAIN DRAIN W/NUT 2" S WHITE
25245-000-000				10-6500		SPA STRIP SKIMMER (1.5IN S STANDARD NUT)
25248-000-000					SP1099S	FRONT ACCESS SPA SKIMMER WHITE
25251-000-500		85001500				WEIR DOOR ADMIRAL™ S20
25302-054-000		354530				DYNAMO® PUMP STRAINER POT
25304-000-020			C3-139P1			CLEAR STRAINER COVER, STA-RITE® STYLE
25305-000-020		355301				CLEAR STRAINER COVER, (CHALLENGER)
25306-000-020					SPX1500DA	CLEAR STRAINER COVER, HAYWARD (POWERFLO)
25307-000-020		354531				CLEAR STRAINER COVER, (DYNAMO®)
25307-500-020		R172008W				RAINBOW™ CHLORINATOR LID
25356-100-000			C1-200PA			PUMP DIFFUSER W/O-RING
25357-004-000		355468				CHALLENGER PUMP HOUSING
25357-054-000		154699				1/4" PLUG BLACK (REPLACES 154699, 357161)
25357-154-000		154689				AIR RELEASE TEE VALVE
25357-240-000					DEX2400S	AIR RELEASE TEE VALVE
25357-982-000		98209800				AIR RELEASE TEE VALVE WITH GAUGE
25357-600-000		59023700				DE MANIFOLD TOP (FNS® 59023700)
25357-700-000					DEX2400C	DE MANIFOLD TOP PRO-GRID & MICRO CLEAR

CROSS REFERENCE CHART

CMP P/N	W-WAY	PENTAIR®	STA-RITE®	HAYWARD	DESCRIPTION
25357-750-000				CX3000C	CARTRIDGE MANIFOLD BOTTOM HAYWARD
25504-100-000		T40BW			AUTO FILL LID (CMP STYLE DOES NOT RETROFIT)
25504-100-000		T40FW			AUTO FILL LID (CMP STYLE DOES NOT RETROFIT)
25505-000-000				W400BWHP	VAC-LOCK 1-1/2" MIP WHITE
25505-001-000				W400BLGP	VAC-LOCK 1-1/2" MIP GRAY
25506-320-000	640-1360V				32" CHANNEL DRAIN (3X2" S X 2.5" SP) WHITE
25506-320-100	640-1370V				32" CHANNEL DRAIN W/FRAME, WHITE
25507-100-010		WGX1048E		WGX1048E	MAIN DRAIN COVER 8" (HWD) WHITE
25508-090-000					MAIN DRAIN 9" X 9" FRAME AND GRATE WHITE
25508-120-000				WG1032PAK2	MAIN DRAIN 12" X 12" FRAME AND GRATE WHITE
25510-000-000				SP1090	SKIMMER GRAY ABS ABV/GRND
25510-000-000				SP1090	SKIMMER GRAY ABS ABV/GRND
25511-000-000				SP1090WM	SKIMMER WIDEMOUTH GRAY ABS ABV/GRND
25512-000-000				SP1091ES	SKIMMER 1.5"THREAD W/PKG & PLATE
25513-500-000	640-2550				SHALLOW GUNITE MAIN DRAIN 2" THREAD
25515-000-000				SP1048AV*	VINYL MAIN DRAIN (2" S X 1.5" BO; W/ BUSH & PLUG)
25515-000-000				SP1049AV	VINYL MAIN DRAIN (2" S X 1.5" BO; W/ BUSH & PLUG)
25516-500-000	640-2920				SHALLOW GUNITE MAIN DRAIN W/ EXT CLR. 2" THREAD
25517-500-000	640-2320	542031			BOTTOM 1.5"S PORTS MAIN DRAIN (W/ A/V LID)
25519-000-000				SP1054AV	HW GUNITE POOL MAIN DRAIN (2T SO,2TBO)
25519-000-000				SP1051AV	HW GUNITE MAIN DRAIN (1.5" X 1.5")
25519-000-000				SP1052AV	HW GUNITE MAIN DRAIN (2" X 1-1/2")
25519-000-000				SP1053AV	HW GUNITE MAIN DRAIN (1-1/2 X 2")
25520-000-000			07017-0103		M/D SUMP 2"X 1.5" WHITE
25521-000-000			07017-0093		M/D SUMP 2" SIDE PORT ONLY WHITE
25522-000-000	400-9160B			SP1408	IN GROUND V/L INLET WALL FITTING 1.5" (VINYL)
25522-500-000				SP1023S	VINYL FITTING (1.5-IN SL; 2-IN MIP)
25523-100-000	215-9150	542405		SP1022S	GUNITE WALL FITTING 1.5-IN SL) W/ WATER STOP
25524-200-000	215-9890	542423			2" INSIDER WALL FITTING (2IN INSIDER X 1.5IN FIP)
25526-000-000			WC37-503P		EXTENSION COLLAR (SR)
25526-100-000				SP1084P1	EXTENSION COLLAR (HW V/L)
25526-200-000				SP1070P	EXTENSION COLLAR (HW GUNITE)
25527-000-000				SP1425S	FLOOR INLET FITTING 1.5" SL X 2" MIP
25527-100-000			08417-0000		FLOOR INLET FITTING (2IN SLIP W/1.5IN REDUCER)
25527-100-100			08417-0005E		FLOOR INLET FITTING COVER WITH SCREW (WHITE)
25528-000-000				SP1434TP	HWD TEST PLUG ABS
25529-150-000				SP1022INS	INSIDER WALL FITTING 1-1/2" FIP FACE X 1-1/2" INSIDER
25531-000-000				SP1030AV*	FRAME & GRATE AV ROUND 7-7/8" FITS IN RITE SUMP
25532-000-000				SP1048B	VINYL LINER MAIN DRAIN RING
25533-000-000	640-2900	540063		SP1019	GUTTER DRAIN 2" X 4" WHITE
25533-000-010	640-2800			SP1019BA	RECTANGULAR GRATE 2" X 4" & SCREWS WHITE

CROSS REFERENCE CHART

CMP P/N	W-WAY	PENTAIR®	HYDRO	HAYWARD	DESCRIPTION
25537-000-000				SP1030AV	8" ROUND AV LID AND FLAT FRAME
25539-500-000	640-2310	86105000			8" ROUND A/V LID & FRAME
25540-000-010				SP1084L	SKIMMER FACE PLATE (8.5IN X 10.75IN)WHITE
25540-000-020				SP1084F	SKIMMER FACE PLATE TRIM COVER (8.5IN X 10.75IN)WHITE
25541-000-010				SPX1085B	SKIMMER FACE PLATE WIDE MOUTH WHITE
25541-000-020				SP1085F	SKIMMER FACE PLATE TRIM COVER WIDE MOUTH WHITE
25542-000-000	400-4140	552572		SP1022B	FLAT PLUG W/ GASKET 1-1/2" MIP
25543-000-000	400-6600	552417		SP1022C	ALL PURPOSE PLUG W/ O-RING
25544-000-000				SP1070C	ROUND SKIMMER COVER U3 AND SP1070
25544-500-000		85007400			SKIMMER LID ADMIRAL™ S20 (NO LOCK DOWN TABS)
25545-000-000	218-1430			SPX1408B	IN GROUND V/L RETURN FACE PLATE - THREADED WHT
25544-500-000		85007400			SKIMMER LID ADMIRAL™ S20 WHITE (NO LOCK TABS)
25544-509-000		85007430			SKIMMER LID ADMIRAL™ S20 TAN (NO LOCK TABS)
25546-000-000				SPX1411B	IN GROUND V/L RETURN FACE PLATE - THREADED WHITE
25547-000-000				SPX1070B	ROUND SKIMMER COVER COLLAR
25549-002-000		79200200			IG VINYL LINER LIGHT SEALING RING 10 HOLE; CHROME
25549-200-000				SPX0507A1	HAYWARD LIGHT FRONT FRAME WHITE
25550-000-000	400-9170B			SP1023	VINYL POOL INLET/OUTLET FITTING (1.5" FIP)
25550-000-060		542404		SP1022	GUNITE WALL FITTING, THREADED(STOP IS IN THREADS)
25550-050-010			10-3807		2IN LOCK NUT FOR WALL FITTING
25551-000-100				SP1419T	INLET SEAT REMOVAL TOOL
25551-300-000	400-1420D			SP1421D	INSIDER FITTING 3/4" EYE WHITE
25551-301-000	400-1427D				INSIDER FITTING 3/4" EYE GRAY
25551-304-000	400-1421D				INSIDER FITTING 3/4" EYE BLACK
25551-307-000	400-1429D-DK				INSIDER FITTING 3/4" EYE DARK GRAY
25551-400-000	400-1420E			SP1421E	INSIDER FITTING 1" EYE WHITE
25551-401-000	400-1427E				INSIDER FITTING 1" EYE GRAY
25551-404-000	400-1421E				INSIDER FITTING 1" EYE BLACK
25551-407-000	400-1429E-DK				INSIDER FITTING 1" EYE DARK GRAY
25552-000-000	400-1410A			SP1419A	HYDROSTREAM FITTING SLOTTED EYE 1-1/2" MIP WHITE
25552-100 -000	400-1410B			SP1419B	HYDROSTREAM FITTING 3/8" EYE 1-1/2" MIP WHITE
25552-200-000	400-1410C			SP1419C	HYDROSTREAM FITTING 1/2" EYE 1-1/2" MIP WHITE
25552-300 -000	400-1410D	540021		SP1419D	HYDROSTREAM FITTING 3/4" EYE 1-1/2" MIP WHITE
25552-400-000	400-1410E	540028		SP1419E	HYDROSTREAM FITTING 1" EYE 1-1/2" MIP WHITE
25553-300-000				SP1418D	HYDROSTREAM FITTING WITH FLANGE 3/4" EYE 1-1/2" MIP
25553-350-000				SP1422D	HS FITTING WITH FLANGE 3/4" EYE 1-1/2" INSIDER
25553-400-000				SP1418E	HYDROSTREAM FITTING WITH FLANGE 1" EYE 1-1/2" MIP
25553-450-000				SP1422E	HYDROSTREAM FITTING W/ FLANGE 1" EYE 1.5" INSIDER
25555-000-000	400-9190	86204200			FLUSH MOUNT RETURN FITTING 1-1/2" INSIDER/1" SOCKET
25556-000-000				SP1430	JET AIR FITTING PVC
25556-100-000				SP1420	HYDROSTREAM FITTING W/ BLUE NOZZLE

CROSS REFERENCE CHART

CMP P/N	W-WAY	PENTAIR®	HYDRO	HAYWARD	DESCRIPTION
25556-300-000				SP1433S	JET AIR FITTING KIT PVC
25557-000-000	400-9390P				RETURN FITTING FLUSH MOUNT WHITE
25558-000-000		86201500			AERATOR INLET WHITE 3/4"
25559-000-000	550-9230				RETURN FITTING SELF ALIGN "AUSSIE" WHITE 1-1/2" INSIDER
25559-004-000	550-9231				RETURN FITTING SELF ALIGN "AUSSIE" BLACK 1-1/2" INSIDER
25559-110-000	400-9180	542000			1" INSIDER FITTING OURS LOOKS DIFFERENT, WORKS THE SAME
25560-000-000	602-3160B			SP1026	GRATE INSERT 1-1/2" MIP
25567-000-000	400-9290	86201200			ROPE ANCHOR W/ PLASTIC PIN
25568-000-000		542044		SP1040	ROPE ANCHOR W/ STAINLESS STEEL PIN
25570-100-000	540-6700				VOLLEYBALL POLE SLEEVE & CAP ASSEMBLY
25571-000-000	519-6710				VOLLEYBALL POLE CAP AND FLUSH CAP
25572-000-000	429-4010	542049		SP1041	5" POOL LADDER ESCUTCHEON WHITE
25572-002-000		542048		SP1042	5" POOL LADDER ESCUTCHEON CHROME
25572-400-000				SP1392	ANCHOR SOCKET (MUCH HEAVIER THAN HAYWARD'S)
25573-000-000				SP1106 (ING)	SKIM-VAC W/GASKET (STRAIGHT)
25574-100-000	429-3000				WATER STOP 1"
25574-000-000	429-3010				WATER STOP 1.5"
25575-000-000	429-3020				WATER STOP 2"
25578-000-000	532-2010B				POOL WALL STEP (SET OF 3)
25580-000-000					SPA MASTER 2.5" GUNITE BODY ASSEMBLY LESS NICHE
25580-090-000	210-3700				SPA MASTER 2.5" GUNITE BODY ASSEMBLY WITH NICHE WHITE
25580-000-070	218-7650				GUNITE NICHE 5"
25580-000-080	215-6660				GUNITE JET WALL FITTING 5"
25580-000-090	425-5030				SPA MASTER 2.5" GUNITE JET NICHE WHITE
25581-000-000					SPA MASTER 2.5" GUNITE STRAIGHT BODY ASSY LESS NICHE
25581-090-000	210-3830				SPA MASTER 2.5" GUNITE STRAIGHT BODY ASSY & NICHE
25582-000-000	210-8750				SPA MASTER POWER JET INTERNAL WHITE
25583-000-000	210-9790				SPA MASTER WHIRLPOOL JET INTERNAL WHITE
25590-000-000	218-1770A				SPA MASTER JET TOOL
25591-210-000	210-6080				SPA MASTER 3" DIRECTIONAL GUNITE JET FACE PLATE WHITE
25591-220-000	210-6090				SPA MASTER 3" ROTATIONAL GUNITE JET FACE PLATE WHITE
25591-230-000	210-6070				SPA MASTER 3" PULSATOR GUNITE JET FACE PLATE WHITE
25591-240-000	210-6700				SPA MASTER 3" MASSAGE GUNITE JET FACE PLATE WHITE
25591-250-000					SPA MASTER 3" TWIN SPIN GUNITE JET FACE PLATE
25595-020-000	212-7600G				5" ROTATIONAL GUNITE FACE PLATE
25595-040-000	212-7740G				5" MASSAGE GUNITE JET FACE PLATE
25595-050-000	212-7610G				5" TWIN SPIN GUNITE JET FACE PLATE
25597-000-000		580003			DECK JET
25597-300-000		580000			DECK JET MULTI-NOZZLE

CROSS REFERENCE CHART

CMP P/N	ALLADIN	PENTAIR®	STA-RITE®	HYDRO	HAYWARD	DESCRIPTION
25600-009-000	ALD300				EC 10-SC	DE SCOOP - 1LB ORANGE
25606-000-000			08429-0000			INLET FITTING COMPLETE SQ
25606-100-000			08428-0125			INLET FITTING REPLACEMENT KIT
25609-300-000		542002				INLET FITTING INSIDER 1.5"
25609-304-000		542003				INLET FITTING INSIDER 1.5" (BLACK)
25620-000-000					SP1056	HYDROSTATIC RELIEF VALVE
25625-200-000					SP1074S	IN-LINE SIGHT GLASS 2" SOCKET
25625-350-000					SP1072S	IN-LINE SIGHT GLASS 2" & 1.5" REDUCERS INCLUDED
25831-000-100					SPX0410BA	PUSH-PULL (SLIDE) VALVE INTERNAL
25831-110-100		263055				PUSH-PULL (SLIDE) VALVE INTERNAL
25831-120-100		273241				PUSH-PULL (SLIDE) VALVE INTERNAL
25831-130-100		51013811				PUSH-PULL (SLIDE) VALVE INTERNAL
25840-000-000		86300100				6 IN VALVE LID & RING WHITE
25840-009-000		86300130				6 IN VALVE LID & RING TAN
27052-019-000		R171074				SPA FLOATING CHEMICAL DISPENSER BLUE
27052-029-000		R171090				SPA FLOATING CHEMICAL DISPENSER TAN
27180-009-000	B-9		08650-0007		SPX1070E	SKIMMER BASKET
27180-033-000	B-33					5IN PUMP BASKET /PRE/AQF GRAY
27180-036-000	B-36					PUMP BASKET - AQF/PUR GRAY
27180-037-000	B-37	R38013A				SKIMMER BASKET-AMP 850001 GRAY
27180-038-000	B-38	R38013B				FLOATING WEIR AMP LILY PAD 850012, GRAY
27180-039-000	B-39					SKIMMER BASKET - ANTHONY, GRAY
27180-043-000	B-43	513036				SKIMMER BASKET - PAC 513036, GRAY
27180-099-000	B-99					SKIMMER BASKET - INVERTED, GRAY
27180-106-000	B-106					5IN PUMP BASKET /PRE/AQF, GRAY
27180-136-000	B-136					SKIMMER BASKET - BAKER 51B1026, GRAY
27180-152-000	B-152				SPX1082CA	SKIMMER BASKET - HAY SPX1082CA, GRAY
27180-167-000	B-167				SPX1600M	PUMP BASKET - HAY SPX1600M, GRAY
27180-168-000	B-168				SPX1096CA	SKIMMER BASKET - HAY SPX1096CA, GRAY
27180-199-000	B-199					PUMP BASKET - PUR AQUATRON, WHISPERFLO®
27180-200-000	B-200					SKIMMER BASKET AMP S20, GRAY
27180-203-000	B-203				SPX1094FA	SKIMMER BASKET - HAY SPX1094FA, GRAY
27180-207-000	B-207				SPX3000M	PUMP BASKET - HAY SPX3000M GRAY
27180-215-000	B-215		C8-58P			PUMP BASKET - C8-58P GRAY
27180-219-000	B-219	355318				PUMP BASKET - CHALLENGER PTA 355318 (WHITE)
27180-220-000	B-220				SPX1500LX	PUMP BASKET - POWERFLO
27180-280-000					SPX2800M	PUMP BASKET - MAX-E-PRO®
27500-154-000		262504				
27501-154-000		262505				
27502-154-000		262506				
27503-200-000		261049				

CROSS REFERENCE CHART

CMP P/N	W-WAY	PENTAIR®	STA-RITE®	ALLADIN	HAYWARD	DESCRIPTION
27500-154-000		262504				
27501-154-000		262505				
27502-154-000		262506				
27503-200-000		261049				
27504-200-000		261050				
27505-200-000		261055				
27506-200-000		261142				
27507-200-000		261152				
27508-150-000		261173				
27509-150-000		261177				
27510-204-000		261185				
27511-200-000			18201-0200			
27512-154-000				SP0710X32	SP0710X32	
27513-154-000				SP0710XR50	SP0710XR50	
27514-154-000				SP0710X62	SP0710X62	
27515-154-000				SP0714T	SP0714T	
27516-204-000				SP0715XR50	SP0715XR50	
27517-204-000				SP0715X62	SP0715X62	
27518-204-000				SP071621	SP071621	
27520-154-000	WVS003					
25512-000-900				SPX1091	SPX1091	ABOVE GROUND SKIMMER BASKET
58309-000-000		R211084		W530	W530	LEAF TRAP CANISTER & NET (NO INTERCHANGE)
58309-300-000						LEAF TRAP CANISTER & BASKET (NO INTERCHANGE)

CROSS REFERENCE CHART

CMP P/N	JANDY	VALPAK	POOL TOOL	MAGIC	SR SMITH	PRAHER	DESCRIPTION
21063-154-000						150-906	HI-TEMP UNION 1-1/2 " MPT X 1-1/2 " S
21063-164-000						215-906	BALL VALVE 3/4" S
21063-200-000						200-906	HI-TEMP UNION 2 " MPT X 2 " S
21063-250-000						225-9061	HI-TEMP UNION 2 " MPT X 2-1/2 " S
21063-290-000						200-996	HI-TEMP UNION 2 " MPT X 2 " 90'
21063-750-000						075-906	HI-TEMP UNION 3/4 " MPT X 3/4 " S
25562-000-000					LTDF-101		LADDER TREAD 17"
25562-100-000					A42073-0		LADDER TREAD 20'
25562-500-000					WRB-100A		LADDER BUMPER MALE
25562-600-000					WRB-101A		LADDER BUMPER FEMALE
25800-110-000	6953			0250-10		100-ES00	BALL VALVE 1" S
25800-151-000	6954			0250-15		150-ES00	BALL VALVE 1.5" S
25800-210-000	6956			0250-20		200-ES00	BALL VALVE 2" S
25802-151-000	6955					150-010	BALL VALVE WITH UNION 1.5" S
25802-210-000	6957					200-010	BALL VALVE WITH UNION 2" S
25830-250-000	7307						SERVICEABLE CHECK VALVE 2.5" X 3"
25830-500-000						FCV-2010	SERVICEABLE CHECK VALVE 2" X 2.5"
25830-704-000	7235						SERVICEABLE CHECK VALVE 180' 1.5" X 2"
25830-714-000	7305						SERVICEABLE CHECK VALVE 180' 2" X 2.5"
25830-764-000	7511						SERVICEABLE CHECK VALVE 90' 1.5" X 2"
25830-774-000	7512						SERVICEABLE CHECK VALVE 90' 2" X 2.5"
25850-150-000				0401-15			SLICE VALVE SLIP X SLIP 1.5"
25850-200-000				0401-20			SLICE VALVE SLIP X SLIP 2"
25851-150-000				0402-15			SLICE VALVE SP X SP 1.5"
25851-200-000				0402-20			SLICE VALVE SP X SP 2"
25852-150-000				0412-15			SLICE VALVE SLIP X SP 1.5"
25852-200-000				0412-20			SLICE VALVE SLIP X SP 2"
25854-150-000				0434-15			SLICE VALVE MIP X FIP 1.5" WHITE
25854-154-000				B434-15			SLICE VALVE MIP X FIP 1.5" BLACK
25856-150-000				0423-15			SLICE VALVE HOSE ADAPTER X MIP
25856-154-000				B423-15			SLICE VALVE HOSE ADAPTER X MIP
25913-154-000	4715					OV3-1500	3 WAY DIVERTER VALVE 1.5" X 2" S
25913-204-000	4717					OV3-2000	3 WAY DIVERTER VALVE 2" X 2.5"
25912-154-000	4724					OV2-1500	2 WAY DIVERTER VALVE 1.5" X 2"
25912-204-000	4716					OV2-2000	2 WAY DIVERTER VALVE 2" X 2.5"
25913-204-020	4606						DIVERTER COVER 3 WAY
25913-100-850	4720						DIVERTER KIT
26100-171-024	1307						O-RING SHAFT
26100-470-400						PRVN224	O-RING OUTSIDE 1.5" UNION
26100-590-500						PRVN331	O-RING OUTSIDE 2" UNION
26100-780-250	1132						O-RING DIVERTER COVER

CROSS REFERENCE CHART

CMP P/N	JANDY	VALPAK	POOL TOOL	MAGIC	PRAHER	DESCRIPTION
27180-219-000		V36-192				HD CHALLENGER PUMP BASKET
27182-020-000		V50-600				RAINBOW™/HWD LEAF TRAP BASKET
27182-009-000		V22-110				HD SKIMMER BASKET 1070, U3
27182-152-000		V60-555				HD SKIMMER BASKET 1082
27182-199-000		V20-200				HD WHISPERFLO®
27182-207-000		V60-300				HD SUPER II
27182-215-000		V26-370				HD MAX-E-PRO®
27200-000-000					TM12L	MULTI-PORT VALVE 1-1/2" MIP
27519-204-000	BWVL-MPV					
58308-100-000			PT 139			CABLE SAW 36"



WATER FEATURES

Natural Wonders™ Waterfalls 19

Brilliant Wonders® LED Waterfall 29

Brilliant Wonders® LED Bubbler 33

Brilliant Wonders® LED Laminar 39

Brilliant Wonders® LED Light 41

Brilliant Wonders® Controls 42

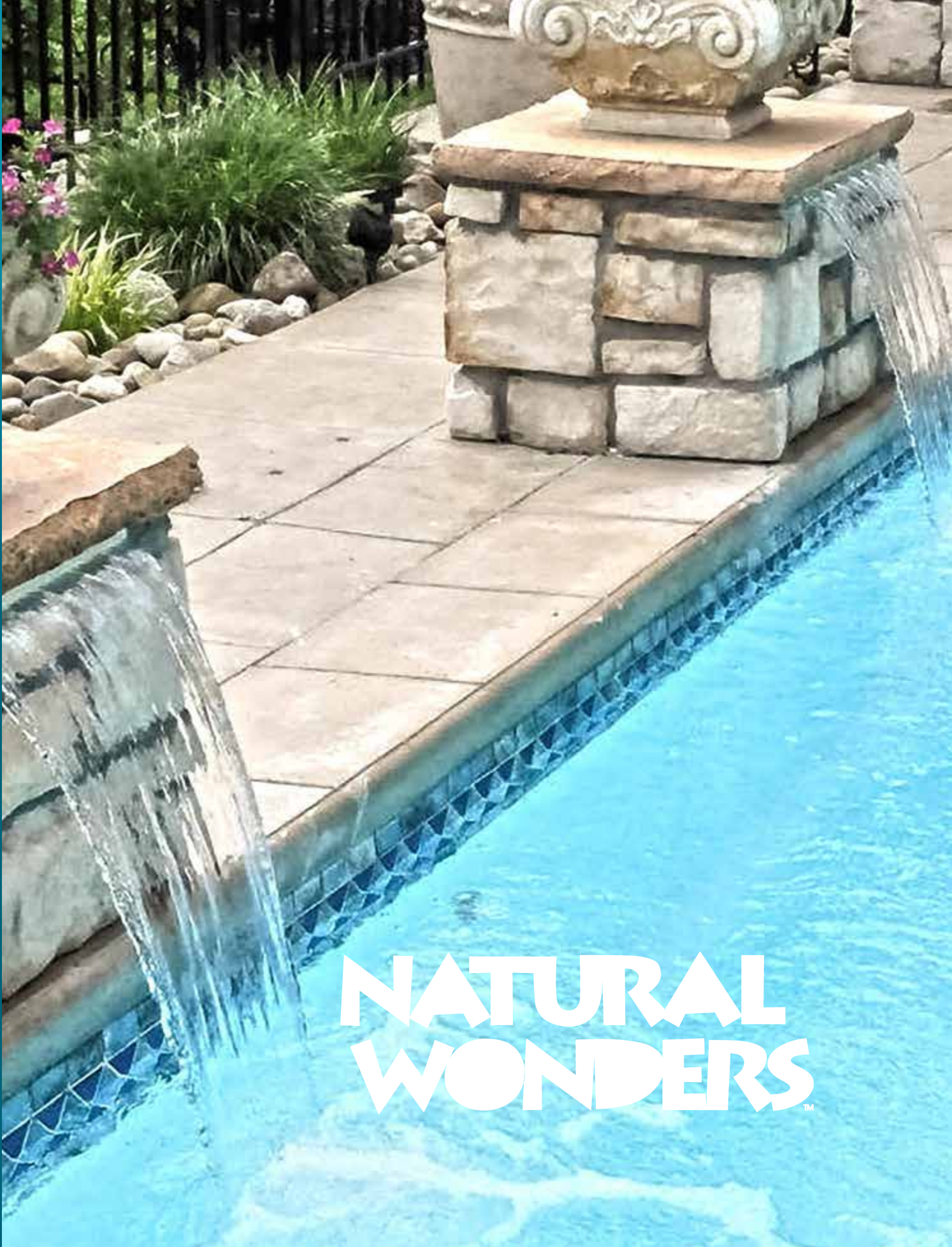
Water Feature Filter 43

Deck & Wall Jets 45

Natural Wonders™ Sconces 56

Gunite Pool Fountains 58

WWW.C-M-P.COM/POOL-PRODUCTS/WATER-FEATURES



NATURAL WONDERS™

CMP Natural Wonders Waterfalls are a beautiful addition to any new or remodel pool or spa. A Natural Wonders Waterfall may be adjusted from a peaceful clear falling sheet of water to a bold, thundering water feature that adds excitement and style to your project.*

Available in four different styles, three colors, bottom or back port, and up to 96" of total waterfall length.

NATURAL WONDERS™

VIDEOS & MORE ONLINE AT
C-M-P.COM/NATURAL-WONDERS-WATERFALLS

WATERFALL

- Lips Available In 1", 6", 9" & 12" Sizes
- Can Be Radius Curve Cut
- Available in White, Gray, & Tan
- Bottom Port Inlet Option Now Available for 48" Length and Smaller
- Only Requires One GPM Per Inch



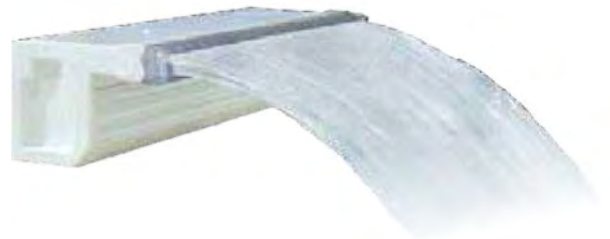
ARCH WATERFALL

- Exciting Arch Flow Style
- Lips Length Available in 1" or 6" sizes
- Available in White
- Back Port or Bottom Port Inlet Options



RAINFALL

- Two Rows of Water Streams
- The Clear Lip Blends into Pool Surroundings
- Back Feed Inlet, 1.5" Spigot
- Requires 6-15 GPM per Foot



STREAMFALL

- Bigger Openings Prevent Clogging
- Individual Streams 1/4" x 1/2"
- Lip Can Be Radius Cut
- Back Feed 1.5" Spigot
- Requires 6-20 GPM per Foot



For technical details and illustrations see page 25

***IMPORTANT:** NATURAL WONDERS WATERFALLS ARE TO BE USED ONLY WITH FILTERED WATER.
 USE THE POOL SYSTEM FILTER OR THE CMP WATER FEATURE FILTER (PAGE 43)

NATURAL WONDERS™ WATERFALLS

PRODUCT FEATURES

- Lips can be radius cut (see page 26)
- Bottom port water inlet available on 48" length and smaller
- Heavy-duty PVC construction
- Requires only one GPM per inch



ORDERING GUIDE

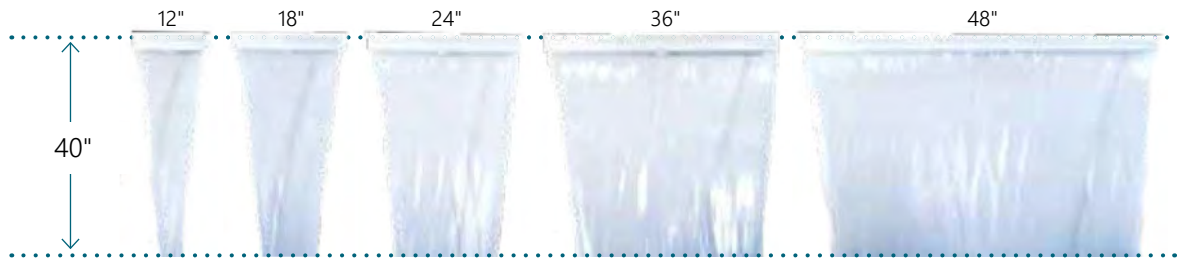
WHITE	TAN	GRAY	DESCRIPTION	WIDTH (W)	LENGTH (L)*
BACK PORT WATERFALLS					
25577-820-000	--	--	96" WITH 1" LIP	3.15"	95.13"
25577-830-000	--	--	96" WITH 6" LIP	8.07"	
25577-830-900	--	--	96" WITH 9" LIP	11.07"	
25577-830-120	--	--	96" WITH 12" LIP	14.07"	
25577-720-000	--	--	84" WITH 1" LIP	3.15"	83.24"
25577-730-000	--	--	84" WITH 6" LIP	8.07"	
25577-730-900	--	--	84" WITH 9" LIP	11.07"	
25577-730-120	--	--	84" WITH 12" LIP	14.07"	
25577-620-000	--	--	72" WITH 1" LIP	3.15"	71.57"
25577-630-000	--	--	72" WITH 6" LIP	8.07"	
25577-630-900	--	--	72" WITH 9" LIP	11.07"	
25577-630-120	--	--	72" WITH 12" LIP	14.07"	
25577-520-000	25577-529-000	25577-521-000	60" WITH 1" LIP	3.15"	59.88"
25577-530-000	25577-539-000	25577-531-000	60" WITH 6" LIP	8.07"	
25577-530-900	25577-539-900	25577-531-900	60" WITH 9" LIP	11.07"	
25577-530-120	25577-539-120	25577-531-120	60" WITH 12" LIP	14.07"	
25577-420-000	25577-429-000	25577-421-000	48" WITH 1" LIP	3.15"	47.36"
25577-430-000	25577-439-000	25577-431-000	48" WITH 6" LIP	8.07"	
25577-430-900	25577-439-900	25577-431-900	48" WITH 9" LIP	11.07"	
25577-430-120	25577-439-120	25577-431-120	48" WITH 12" LIP	14.07"	
25577-320-000	25577-329-000	25577-321-000	36" WITH 1" LIP	3.15"	35.67"
25577-330-000	25577-339-000	25577-331-000	36" WITH 6" LIP	8.07"	
25577-330-900	25577-339-900	25577-331-900	36" WITH 9" LIP	11.07"	
25577-330-120	25577-339-120	25577-331-120	36" WITH 12" LIP	14.07"	
25577-220-000	25577-229-000	25577-221-000	24" WITH 1" LIP	3.15"	24.13"
25577-230-000	25577-239-000	25577-231-000	24" WITH 6" LIP	8.07"	
25577-230-900	25577-239-900	25577-231-900	24" WITH 9" LIP	11.07"	
25577-230-120	25577-239-120	25577-231-120	24" WITH 12" LIP	14.07"	
25577-170-000	25577-179-000	25577-171-000	18" WITH 1" LIP	3.15"	18.23"
25577-180-000	25577-189-000	25577-181-000	18" WITH 6" LIP	8.07"	
25577-180-900	25577-189-900	25577-181-900	18" WITH 9" LIP	11.07"	
25577-180-120	25577-189-120	25577-181-120	18" WITH 12" LIP	14.07"	
25577-120-000	25577-129-000	25577-121-000	12" WITH 1" LIP	3.15"	12.36"
25577-130-000	25577-139-000	25577-131-000	12" WITH 6" LIP	8.07"	
25577-130-900	25577-139-900	25577-131-900	12" WITH 9" LIP	11.07"	
25577-130-120	25577-139-120	25577-131-120	12" WITH 12" LIP	14.07"	

NATURAL WONDERS™ WATERFALLS

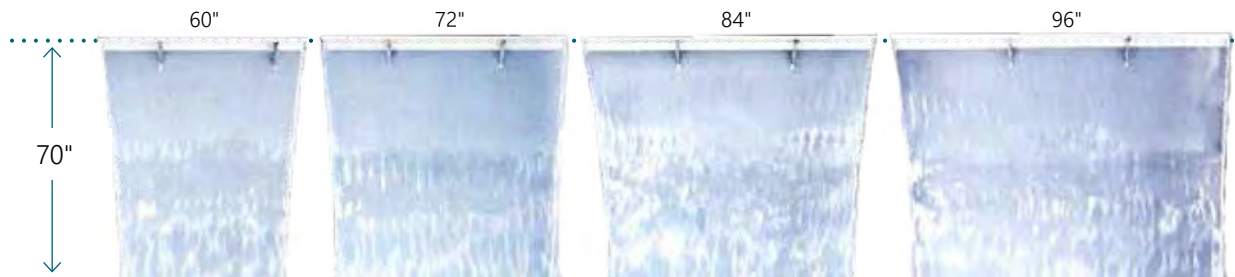
WHITE	TAN	GRAY	DESCRIPTION	WIDTH (W)	LENGTH (L)
BOTTOM PORT WATERFALLS					
25576-420-000	—	25576-421-000	48" WITH 1" LIP	3.15"	47.36"
25576-430-000	—	25576-431-000	48" WITH 6" LIP	8.07"	
25576-430-900	—	—	48" WITH 9" LIP	11.07"	
25576-430-120	—	—	48" WITH 12" LIP	14.07"	
25576-320-000	—	25576-321-000	36" WITH 1" LIP	3.15"	35.67"
25576-330-000	—	25576-331-000	36" WITH 6" LIP	8.07"	
25576-330-900	—	—	36" WITH 9" LIP	11.07"	
25576-330-120	—	—	36" WITH 12" LIP	14.07"	
25576-220-000	—	—	24" WITH 1" LIP	3.15"	24.13"
25576-230-000	—	25576-231-000	24" WITH 6" LIP	8.07"	
25576-230-900	—	—	24" WITH 9" LIP	11.07"	
25576-230-120	—	—	24" WITH 12" LIP	14.07"	
25576-170-000	—	—	18" WITH 1" LIP	3.15"	18.23"
25576-180-000	—	25576-181-000	18" WITH 6" LIP	8.07"	
25576-180-900	—	—	18" WITH 9" LIP	11.07"	
25576-180-120	—	—	18" WITH 12" LIP	14.07"	
25576-120-000	—	—	12" WITH 1" LIP	3.15"	12.36"
25576-130-000	—	25576-131-000	12" WITH 6" LIP	8.07"	
25576-130-900	—	—	12" WITH 9" LIP	11.07"	
25576-130-120	—	—	12" WITH 12" LIP	14.07"	

IMPORTANT: Natural Wonders waterfalls are to be used only with filtered water. Use the pool system filter or see the CMP water feature filter page 43. 12" and 18" waterfalls should be no more than 12" above the water line. Waterfalls over 60" have multiple water inlets. Call customer service for more information. **12", 9" & 6" lip waterfalls may be radius cut.** Please refer to the instructions included with the waterfall. *All "L" dimensions are +/- 0.33"

PERFORMANCE GUIDE: BACK & BOTTOM PORT



PERFORMANCE GUIDE: BACK PORT ONLY



NATURAL WONDERS™ ARCH WATERFALLS

CMP Natural Wonders Arch Waterfalls create a beautiful arching sheet of water. A powerful display that enhances any backyard.

PRODUCT FEATURES

- Back port or bottom port
- Heavy-duty PVC construction



BOTTOM PORT SHOWN

ORDERING GUIDE

WHITE	DESCRIPTION	WIDTH (W)	LENGTH (L)*
BACK PORT ARCH WATERFALLS			
25577-460-000	48" WITH 1" LIP	3.15"	47.5"
25577-460-600	48" WITH 6" LIP	8.07"	
25577-460-900	48" WITH 9" LIP	14.07"	
25577-360-000	36" WITH 1" LIP	3.15"	35.18"
25577-360-600	36" WITH 6" LIP	8.07"	
25577-360-900	36" WITH 9" LIP	14.07"	
25577-260-000	24" WITH 1" LIP	3.15"	24.5"
25577-260-600	24" WITH 6" LIP	8.07"	
25577-260-900	24" WITH 9" LIP	14.07"	
25577-190-000	18" WITH 1" LIP	3.15"	18.5"
25577-190-600	18" WITH 6" LIP	8.07"	
25577-190-900	18" WITH 9" LIP	14.07"	
25577-150-000	12" WITH 1" LIP	3.15"	12.6"
25577-150-600	12" WITH 6" LIP	8.07"	
25577-150-900	12" WITH 9" LIP	14.07"	
BOTTOM PORT ARCH WATERFALLS			
25576-460-000	48" WITH 1" LIP	3.15"	47.5"
25576-460-600	48" WITH 6" LIP	8.07"	
25576-360-000	36" WITH 1" LIP	3.15"	
25576-360-600	36" WITH 6" LIP	8.07"	35.18"
25576-260-000	24" WITH 1" LIP	3.15"	
25576-260-600	24" WITH 6" LIP	8.07"	
25576-190-000	18" WITH 1" LIP	3.15"	18.5"
25576-190-600	18" WITH 6" LIP	8.07"	
25576-150-000	12" WITH 1" LIP	3.15"	
25576-150-600	12" WITH 6" LIP	8.07"	12.6"

PERFORMANCE GUIDE: NATURAL WONDERS ARCH WATERFALLS



IMPORTANT: Natural Wonders Arch Waterfalls are to be used only with filtered water. 12" and 18" waterfalls should be no more than 12" above the water line. ARCH WATERFALL LIP CANNOT BE CUT. *All "L" dimensions are +/- 0.33"

NATURAL WONDERS™ RAINFALLS

The Natural Wonders RainFall clear lip design allows it to blend into any surroundings. Colors from adjacent tile, rock, or concrete transmit through the clear material and reflect throughout the lip. This blends the RainFall into any installation application.

PRODUCT FEATURES

- Two Rows of Water Streams
- Clear Lip Face
- Heavy-Duty PVC Construction
- Back Feed 1.5" Spigot
- 6-15 GPM per Foot

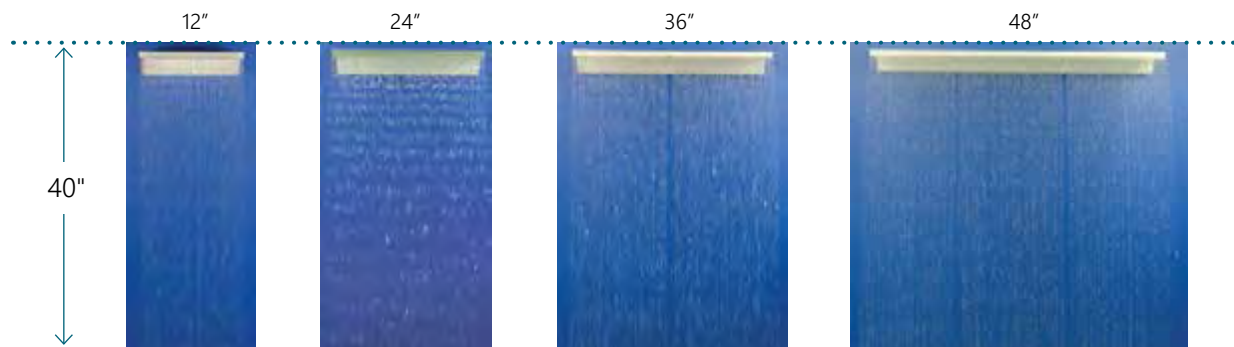


ORDERING GUIDE

CMP P/N	DESCRIPTION	WIDTH (W)	LENGTH (L)*
BACK PORT RAINFALLS			
25587-430-000	48" WITH 6" LIP	8.07"	50.25"
25587-430-900	48" WITH 9" LIP	11.07"	
25587-430-120	48" WITH 12" LIP	14.07"	
25587-330-000	36" WITH 6" LIP	8.07"	36"
25587-330-900	36" WITH 9" LIP	11.07"	
25587-330-120	36" WITH 12" LIP	14.07"	
25587-230-000	24" WITH 6" LIP	8.07"	25.25"
25587-230-900	24" WITH 9" LIP	11.07"	
25587-230-120	24" WITH 12" LIP	14.07"	
25587-130-000	12" WITH 6" LIP	8.07"	12.75"
25587-130-900	12" WITH 9" LIP	11.07"	
25587-130-120	12" WITH 12" LIP	14.07"	

IMPORTANT: Natural Wonders waterfalls are to be used only with filtered water. Use the pool system filter or see the CMP water feature filter page 43. 12" and 18" waterfalls should be no more than 12" above the water line. Waterfalls over 60" have multiple water inlets. Call customer service for more information. **12", 9" & 6" lip waterfalls may be radius cut.** Please refer to the instructions included with the waterfall. *All "L" dimensions are +/- 0.33"

PERFORMANCE GUIDE: NATURAL WONDERS RAINFALLS



NATURAL WONDERS™ STREAMFALLS

Natural Wonders Streamfalls are a unique pool water feature: a series of miniature sheer descents adds character and style. Large openings minimize the chance of any clogging from debris.

PRODUCT FEATURES

- Bigger Openings Prevent Clogging
- Individual Streams 1/4" x 1/2"
- Heavy-Duty PVC Construction
- Lip Can Be Radius Cut (see page 26)
- Back Feed 1.5" Spigot
- 6-20 GPM per Foot

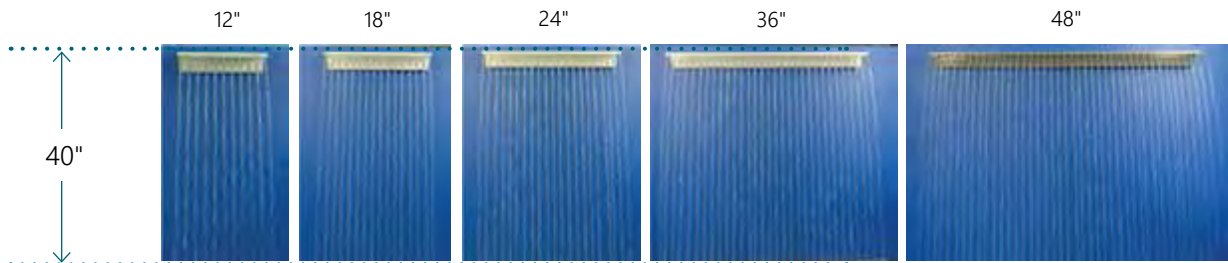


ORDERING GUIDE

WHITE	DESCRIPTION	WIDTH (W)	LENGTH (L)*
BACK PORT STREAMFALLS			
25588-430-000	48" WITH 6" LIP	8.07"	47.8"
25588-430-900	48" WITH 9" LIP	11.07"	
25588-430-120	48" WITH 12" LIP	14.07"	
25588-330-000	36" WITH 6" LIP	8.07"	36.12"
25588-330-900	36" WITH 9" LIP	11.07"	
25588-330-120	36" WITH 12" LIP	14.07"	
25588-230-000	24" WITH 6" LIP	8.07"	24.5"
25588-230-900	24" WITH 9" LIP	11.07"	
25588-230-120	24" WITH 12" LIP	14.07"	
25588-180-000	18" WITH 6" LIP	8.07"	18.5"
25588-180-900	18" WITH 9" LIP	11.07"	
25588-180-120	18" WITH 12" LIP	14.07"	
25588-130-000	12" WITH 6" LIP	8.07"	12.75"
25588-130-900	12" WITH 9" LIP	11.07"	
25588-130-120	12" WITH 12" LIP	14.07"	

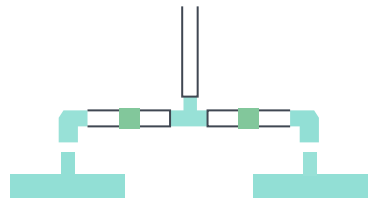
IMPORTANT: Natural Wonders Rainfalls are to be used only with filtered water. Use the pool system filter or see the CMP water feature filter page 43. 12" and 18" waterfalls should be no more than 12" above the water line. Lip may be radius cut. *All "L" dimensions are +/- 0.33"

PERFORMANCE GUIDE: NATURAL WONDERS STREAMFALLS

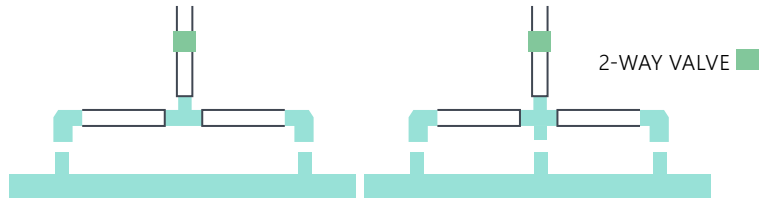


NATURAL WONDERS™ TECHNICAL GUIDE

PLUMBING GUIDE

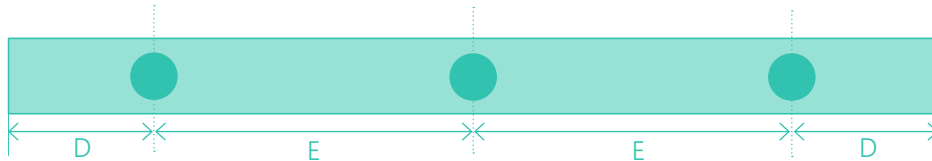
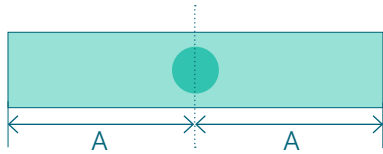


PLUMBING WATERFALLS UP TO 3FT LONG



PLUMBING WATERFALLS OVER 3FT LONG

INLET SPACING GUIDE



12" FALLS A = 6-11/32"

18" FALLS A = 9-9/32"

24" FALLS A = 12-3/16"

36" FALLS A = 18-1/8"

48" FALLS B = 15-1/16", C = 18-7/16"

60" FALLS B = 18-1/4", C = 23-11/32"

72" FALLS B = 19-27/32", C = 31-15/16"

84" FALLS D = 18-1/32", E = 23-5/8"

96" FALLS D = 19-31/32", E = 27-9/16"

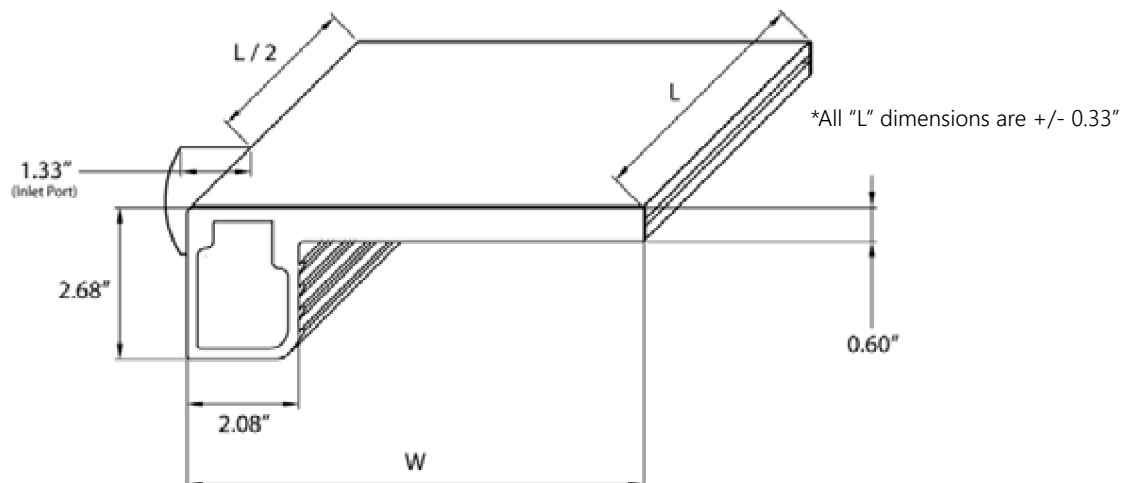
BOTTOM PORT STYLE



BACK PORT STYLE



WATERFALL DIMENSIONS



NATURAL WONDERS™ CUSTOM CUT QUOTE FORM

COMPANY NAME _____ PHONE _____
 ADDRESS _____ FAX _____
 CONTACT _____ DATE _____ DISTRIBUTOR _____
 FAX FORM TO 770-632-7115 OR EMAIL TO CS@C-M-P.COM

1. CHOOSE COLOR

- (If Available)
 White PVC
 Gray PVC
 Tan PVC

2. CHOOSE LENGTH†

- 12" 18" 24"
 36" 48" 60"
 72" 84" 96"

†Length corresponds to water only. For actual fixture measurement refer to the CMP Pool Catalog.

3. CHOOSE INLET POSITION††

- 1.5" Spigot BACK
 1.5" Spigot BOTTOM

††12"-48" = one port 60"-72" = two ports 84"-96" = three ports
 For Bottom Port please call for lead times

4. CHOOSE FLOW STYLE

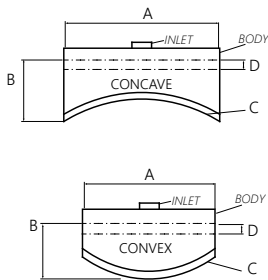
Waterfall (Sheeting)
 25577-xxx-xxx
 1 GPM/in



Streamfall (up to 48")
 25588-xxx-xxx
 6-15 GPM/ft



5. RADIUS MEASUREMENT

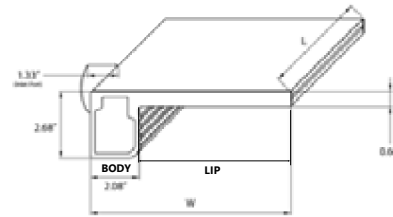


MINIMUM RADIUS			
LENGTH	6" LIP	9" LIP	12" LIP
12	8.50	6.00	6.00
18	17.50	10.00	9.00
24	30.00	15.75	12.75
36	66.00	32.25	23.25
48	116.50	55.00	38.00
60	181.25	84.50	57.00
72	260.50	120.50	80.50
84	354.00	163.00	108.00
96	462.00	212.25	139.75

CONVEX CONCAVE

NOTE MEASUREMENTS BELOW AS NEEDED:
 Any custom cuts besides convex/concave require a customer template to be faxed or mailed to CMP

LENGTH (A) _____ RADIUS (C) _____
 LIP (B) _____ UNCUT LIP (D) _____
 min 3.5"



6. QUANTITY ORDERED _____

FOR CMP USE ONLY

CUSTOM PART # _____ DATE _____
 DESCRIPTION _____
 QUOTATION AMOUNT: \$ _____ ORDER # _____

Price is for cost of waterfall plus \$35 up-charge for 12"-48" lengths or \$60 for 60"-96" lengths

CUSTOMER APPROVAL SIGNATURE: _____ DATE _____

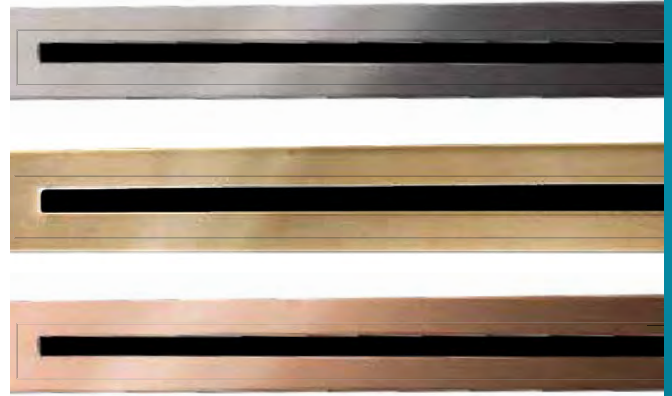
CHECK THIS FORM CAREFULLY. Custom units are non-returnable. Quotes are good for 30 days and do not include freight. This form is for quotation purposes only. A purchase order is required to begin order processing. FILTERED WATER MUST BE USED ON ALL CMP WATERFALLS.

WATERFALL METAL FACE TRIM PLATES

Beautiful real metal accents for your waterfall. CMP Metal Face Trim Plates are available in three different finishes to fit any outdoor decor. They are the perfect way to complement and enhance your pool design.

PRODUCT FEATURES

- Complements Any Pool Finish
- Quick & Easy Installation
- Durable, Real Metal Trim Plates
- Available for 12"-48" Sizes

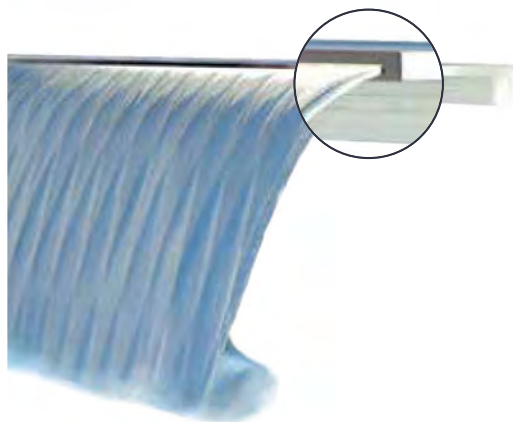


NATURAL WONDERS ORDERING GUIDE

STAINLESS STEEL	BRASS	COPPER	DESCRIPTION
NATURAL WONDERS METAL FACE TRIM PLATES			
25577-122-890	25577-123-890	25577-128-890	12" NATURAL WONDERS METAL FACEPLATE
25577-172-890	25577-173-890	25577-178-890	18" NATURAL WONDERS METAL FACEPLATE
25577-222-890	25577-223-890	25577-228-890	24" NATURAL WONDERS METAL FACEPLATE
25577-322-890	25577-323-890	25577-328-890	36" NATURAL WONDERS METAL FACEPLATE
25577-422-890	25577-423-890	25577-428-890	48" NATURAL WONDERS METAL FACEPLATE

BRILLIANT WONDERS ORDERING GUIDE

STAINLESS STEEL	BRASS	COPPER	DESCRIPTION
BRILLIANT WONDERS METAL FACE TRIM PLATES			
25677-122-870	25677-123-870	25677-128-870	12" BRILLIANT WONDERS METAL FACEPLATE
25677-172-870	25677-173-870	25677-178-870	18" BRILLIANT WONDERS METAL FACEPLATE
25677-222-870	25677-223-870	25677-228-870	24" BRILLIANT WONDERS METAL FACEPLATE
25677-322-870	25677-323-870	25677-328-870	36" BRILLIANT WONDERS METAL FACEPLATE
25677-422-870	25677-423-870	25677-428-870	48" BRILLIANT WONDERS METAL FACEPLATE



INSTALLATION INSTRUCTIONS

1. Clean surface of waterfall lip. Make sure there is no debris, silicone or other material covering the lip. Also make sure the lip is dry.
2. Peel just a little of the protective tape on the front to make sure the waterfall plate is the correct color.
3. Turn plate over and remove RED tape on back of the plate (leave the tape on the other side in place until after plate is installed)
4. Carefully place the plate over opening. Do not press down until you are sure the plate is directly over the opening and is covering all the waterfall face (use the lip guard if it is still available)
5. Once you are sure the plate is positioned correctly, press firmly to secure to the waterfall.

WARNING: Edges are very sharp, please use care when handling and installing.

Brilliant Wonders



LED WATERFALLS

Lighting water is extremely difficult. CMP has many examples available of how our LED waterfalls look at night. However, each pool setting is very different. CMP offers lighting for backyard ambiance and can make no guarantee as to how bright the water will appear in each individual pool.

CMP Brilliant Wonders Lighted Waterfalls are the latest in LED Pool Water features. The LED strip is built into the unit (instead of using external fiber optics) placing the light as close to the water as possible. This design makes a separate light source unnecessary.

Brilliant Wonders®

LED WATERFALLS

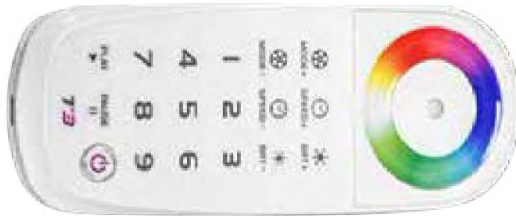
C-M-P.COM/BRILLIANT-WONDERS-LED-WATERFALL

PRODUCT FEATURES

- Variety of LED light colors
- Light shows: Color fade or Strobe
- Automatic Timer Shut-Off
- Adjustable Brightness
- ETL Certified (100 Watt Only)
- **PATENT PENDING**



ENHANCE YOUR POOL WITH LIGHT & SOUND



COLORWHEEL REMOTE

- Touch-sensitive Wheel
- Complete Color Control
- Programmable Settings
- Up to 90ft Range
- Rechargeable via USB



SERVICEABLE LED LIGHTING

Each waterfall has a side door to access the LED strip and wiring for easy servicing.



DESIGNED TO OUT-SHINE

The exclusive "sawtooth" lip design churns the water like river rapids, helping the LED colors appear more clearly



PLEASE NOTE: A POWER SUPPLY, REMOTE AND CONTROLLER MUST BE PURCHASED TO OPERATE LED WATERFALLS (page 42)

BRILLIANT WONDERS® LED WATERFALLS

ORDERING GUIDE

WHITE	GRAY	BLACK	DARK GRAY	TAN	DESCRIPTION	CONTROL REQ'D
BRILLIANT WONDERS WATERFALLS BACK PORT						
25677-130-000	25677-131-000	25677-134-000	25677-137-000	25677-139-000	12" LED WATERFALL	YES*
25677-180-000	25677-181-000	25677-184-000	25677-187-000	25677-189-000	18" LED WATERFALL	YES*
25677-230-000	25677-231-000	25677-234-000	25677-237-000	25677-239-000	24" LED WATERFALL	YES*
25677-330-000	25677-331-000	25677-334-000	25677-337-000	25677-339-000	36" LED WATERFALL	YES*
25677-430-000	25677-431-000	25677-434-000	25677-437-000	25677-439-000	48" LED WATERFALL	YES*
25677-530-000	25677-531-000	25677-534-000	25677-537-000	25677-539-000	60" LED WATERFALL	YES*
25677-630-000	25677-631-000	25677-634-000	25677-637-000	25677-639-000	72" LED WATERFALL	YES*
25677-730-000	25677-731-000	25677-734-000	25677-737-000	25677-739-000	84" LED WATERFALL	YES*
25677-830-000	25677-831-000	25677-834-000	25677-837-000	25677-839-000	96" LED WATERFALL	YES*
BRILLIANT WONDERS WATERFALLS BOTTOM PORT						
25676-130-000	25676-131-000	25676-134-000	25676-137-000	25676-139-000	12" LED WATERFALL	YES*
25676-180-000	25676-181-000	25676-184-000	25676-187-000	25676-189-000	18" LED WATERFALL	YES*
25676-230-000	25676-231-000	25676-234-000	25676-237-000	25676-239-000	24" LED WATERFALL	YES*
25676-330-000	25676-331-000	25676-334-000	25676-337-000	25676-339-000	36" LED WATERFALL	YES*
25676-430-000	25676-431-000	25676-434-000	25676-437-000	25676-439-000	48" LED WATERFALL	YES*
25676-530-000	25676-531-000	25676-534-000	25676-537-000	25676-539-000	60" LED WATERFALL	YES*
25676-630-000	25676-631-000	25676-634-000	25676-637-000	25676-639-000	72" LED WATERFALL	YES*
25676-730-000	25676-731-000	25676-734-000	25676-737-000	25676-739-000	84" LED WATERFALL	YES*
25676-830-000	25676-831-000	25676-834-000	25676-837-000	25676-839-000	96" LED WATERFALL	YES*
REPLACEMENT PARTS ON PAGE 172						

Every LED Waterfall Includes:

- One Waterfall Unit
- One Rock Trap
- 100' of 12 Volt Cord

*Brilliant Wonders LED Waterfalls are only available as four wire units. A CMP remote, controller, and power supply (page 42, sold separately) must be purchased to operate Brilliant Wonders LED Waterfalls. One remote and controller can control up to a combined 20 feet of waterfalls.

IMPORTANT: ONLY USE FILTERED WATER. Failure to do so will result in a plugged or damaged waterfall. Use the pool system filter or see the CMP water feature filter page 43. Control must be within 90ft for remote to operate. Please keep this in mind when planning electrical run. Actual flow setting should be determined by the visual aesthetic the builder wishes to achieve. It is best to start with the CMP recommended flow and adjust as needed for each application.

PLEASE NOTE: A POWER SUPPLY, REMOTE AND CONTROLLER MUST BE PURCHASED TO OPERATE LED WATERFALLS (page 42)

BRILLIANT WONDERS® LED WATERFALLS

TECHNICAL GUIDE

- 12 Volt DC
- 1.5" Spigot Plumbing
- 1.25 GPM Per Inch Recommended
- 6" Lip - **CANNOT BE CUT**
- White or Color Face with Clear Lip
- ETL Certified Class 2 (100 Watt Only)
- Power Supply **MUST** Be Installed in a Plastic Box
- Do Not Install Controller in Pool Controls Box or Any Metal Box

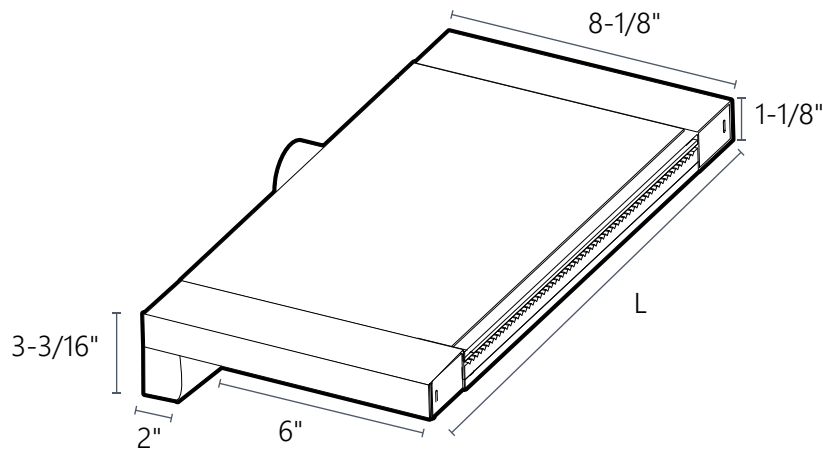
POWER SUPPLY SIZING GUIDE (SEE PAGE 42)

FOR 12FT OR LESS TOTAL WATERFALL LENGTH

Use 100W ETL Certified Class 2 Power Supply Controls 25650-110-200

OVER 12FT TO 20FT OF TOTAL WATERFALL LENGTH

Use 150W Power Supply Controls 25650-100-200 (not ETL certified)



CMP P/N		LENGTH (L)	RECOMMENDED FLOW RATE
25677-13X-000	12" BRILLIANT WONDERS WATERFALL	16.43"	12-15 GPM
25677-18X-000	18" BRILLIANT WONDERS WATERFALL	22.29"	18-22.5 GPM
25677-23X-000	24" BRILLIANT WONDERS WATERFALL	28.83"	24-30 GPM
25677-33X-000	36" BRILLIANT WONDERS WATERFALL	41.23"	26-45 GPM
25677-43X-000	48" BRILLIANT WONDERS WATERFALL	53.63"	48-60 GPM
25677-53X-000	60" BRILLIANT WONDERS WATERFALL	22.29"	60-75 GPM
25677-63X-000	72" BRILLIANT WONDERS WATERFALL	28.83"	70-85 GPM
25677-73X-000	84" BRILLIANT WONDERS WATERFALL	41.23"	80-95 GPM
25677-96X-000	96" BRILLIANT WONDERS WATERFALL	53.63"	90-105 GPM

PLEASE NOTE: A POWER SUPPLY, REMOTE AND CONTROLLER MUST BE PURCHASED TO OPERATE LED WATERFALLS (page 42)

Brilliant Wonders.®

LED BUBBLERS

THE ONLY
LED BUBBLER FOR
GUNITE, VINYL
& FIBERGLASS
POOLS



Brilliant Wonders LED Bubblers shoot streams up to thirty inches high in a vivid display of LED color. This is the perfect feature for sun shelves, tanning ledges, beach entries, ponds, fountains and more. The ONLY LED Bubbler that can be installed in gunite, vinyl & fiberglass pools.

Brilliant Wonders®

LED BUBBLERS

C-M-P.COM/BRILLIANT-WONDERS-LED-BUBBLER

PRODUCT FEATURES

- LED Light is Below the Water's Surface 4-12 inches
- Stream Shoots 10 to 30 inches High
- Synchronize for Exciting Light Shows
- Completely Serviceable from the Top
- ETL Listed
- **NEW** Fountain Effect Accessories



IMAGINE A
BACKYARD FILLED
WITH SOOTHING SOUND
AND BRILLIANT COLOR

NINE COLORS & FIVE LIGHTS SHOWS

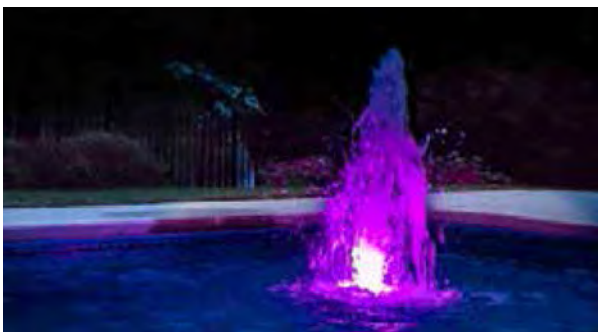
The standard two wire version operates with no external control required. Change colors and light shows quickly and easily by cycling on and off, and synchronize multiple bubbler together.

COMING IN 2015: SYNC WITH OTHER BRILLIANT WONDERS PRODUCTS

Available in 2015, order the four wire version to operate in sync with Brilliant Wonders LED Waterfalls, Laminars, and Lights. This version is also programmable, dimmable and allows for total color control. Requires a CMP control system (page 42)

VINYL & FIBERGLASS POOL INSTALLATION

Choose a Gunite Bubbler from above and Vinyl/Fiberglass Kit. Vinyl /Fiberglass Kit includes 1 Ring, 2 Gaskets, and 8 Screws.



BRILLIANT WONDERS® LED BUBBLER



ORDERING GUIDE

REF	CMP P/N	DESCRIPTION	CONTROL REQ'D
BRILLIANT WONDERS LED BUBBLER			
A	25503-025-000	GUNITE BUBBLER UNIT, 25 FT CORD, 2 WIRE NEW	NO
A	25503-050-000	GUNITE BUBBLER UNIT, 50 FT CORD, 2 WIRE	NO
A	25503-100-000	GUNITE BUBBLER UNIT, 100 FT CORD, 2 WIRE	NO
A	25503-150-000	GUNITE BUBBLER UNIT, 150 FT CORD, 2 WIRE	NO
A			
A			
A			
A			
BRILLIANT WONDERS LED BUBBLER ACCESSORIES (SOLD SEPARATELY)			
B	25503-300-000	WHITE VINYL/FIBERGLASS KIT* (BUBBLER SOLD SEPARATELY)	—
B	25503-301-000	GRAY VINYL/FIBERGLASS KIT* (BUBBLER SOLD SEPARATELY)	—
B	25503-304-000	BLACK VINYL/FIBERGLASS KIT* (BUBBLER SOLD SEPARATELY)	—
B	25503-309-000	TAN VINYL/FIBERGLASS KIT* (BUBBLER SOLD SEPARATELY)	—
B	25503-369-000	DARK BLUE VINYL/FIBERGLASS KIT* (BUBBLER SOLD SEPARATELY)	—
C	25503-910-000	12" FLEXIBLE CLEAR NOZZLE EXTENDER	—
D	25503-999-998	BUBBLER ATTACHMENT & EYEBALL WRENCH	—
E	25503-110-999	BUBBLER LIGHT UNIT REMOVAL SERVICE TOOL	—

REPLACEMENT PARTS PAGE 173

*ALL FOUR WIRE LED LIGHTING REQUIRES A CMP CONTROLLER (PAGE 42)

BRILLIANT WONDERS® LED BUBBLER

PERFORMANCE GUIDE

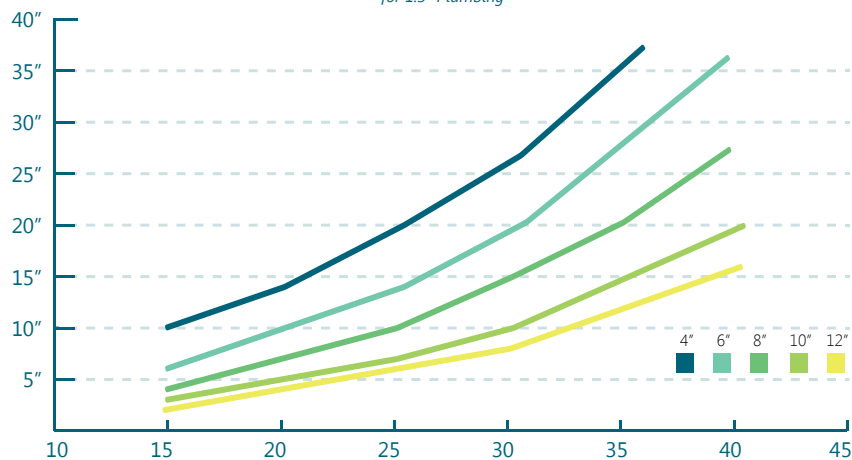
Plume Height At Given Water Depths

	1/2" REDUCER					3/4" REDUCER				
	4"	6"	8"	10"	12"	4"	6"	8"	10"	12"
10gpm	13	7								
15gpm	30	20	13	10	8	9	6	4.5	3.5	2
20gpm	55	34	24	18	13	13.5	10	8	6.5	4.5
25gpm	-	-	38	28	20	20	15	12	9.5	7
30gpm	-	-	-	-	-	28	21	16	12.5	10
35gpm	-	-	-	-	-	38	29	20.5	16	13
40gpm	-	-	-	-	-	-	37	26	20	16

21.1mm Nozzle with 2" Piping | Water height may vary

Flow Rate vs Water Height

for 1.5" Plumbing



TECHNICAL GUIDE



Conduit: 1" conduit, 2½" lengths

Inlet: 1½" or 2" PVC pipe

Outlet: ¾" or ½" adjustable eyeball

Flow Rate: 10-40 Gallons Per Minute

Water Depth: 4" to 12" water depth

Output: 1700 lumens white

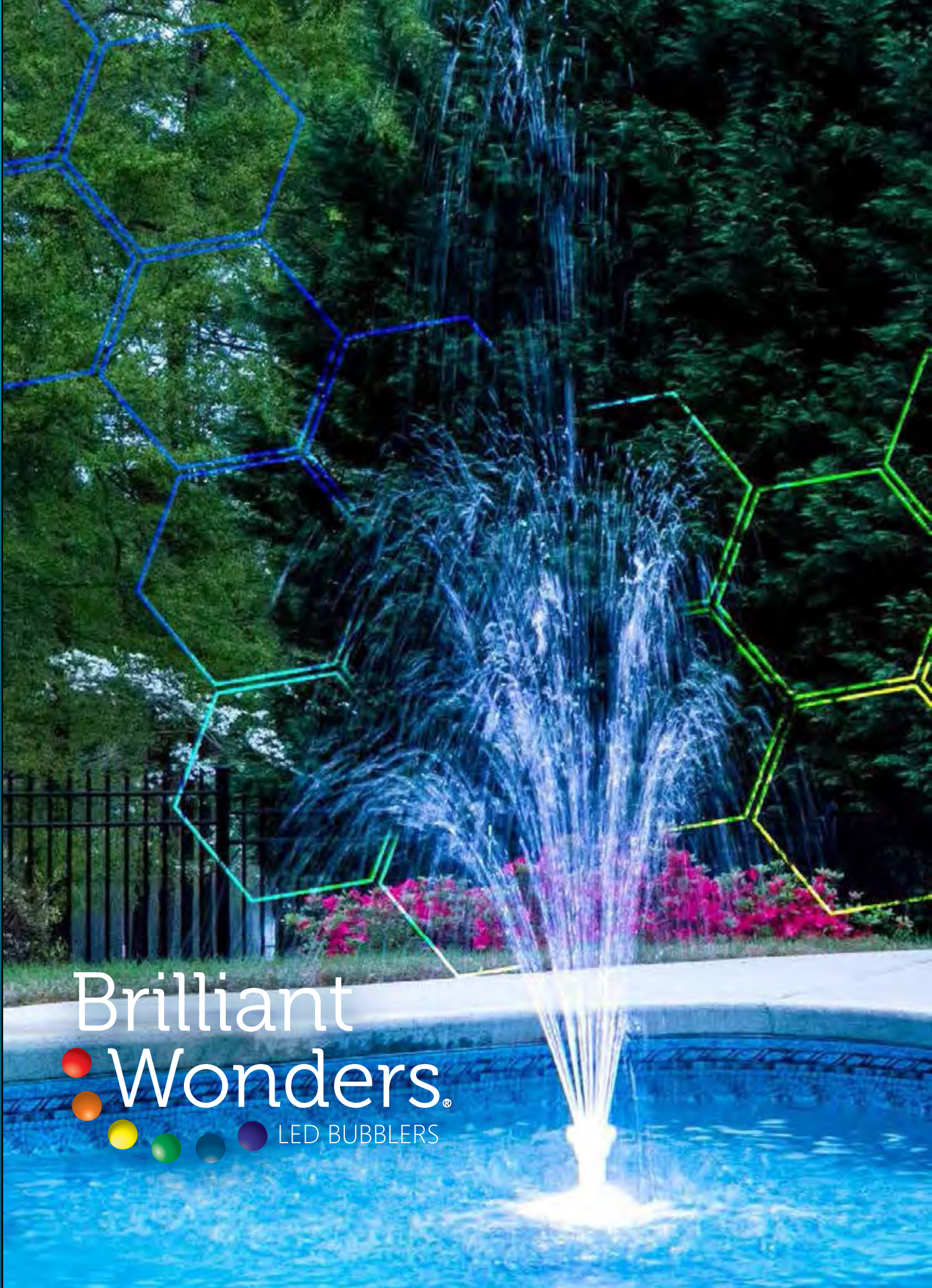
Cord: 25, 50, 100, or 150 foot cord

Supply: 12 Volt AC, 1.6 AMP (20 Watt)

Two Wire: On/Off Cycle, Requires 12V AC Transformer (not included)

***Four Wire:** Requires CMP LED Control (page 42)





Brilliant Wonders.®

- LED BUBBLERS

BRILLIANT WONDERS® FOUNTAIN ACCESSORIES

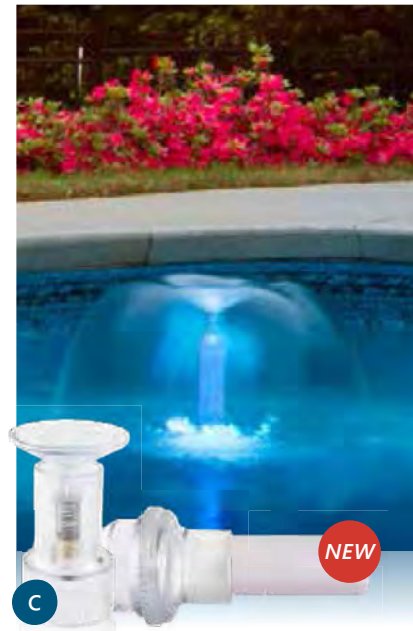
NEW from CMP: now the popular Brilliant Wonders Bubbler can be accessorized to create exciting LED fountain effects. Choose from three water fountain features that can be adjusted for a perfect fit on any pool or water display. A Brilliant Wonders LED Bubbler is required for all fountain accessories.



Create a frothy vertical column of water that can be placed above or below the water's surface for different effects.



A classic three-tier fountain effect that makes a perfect pool centerpiece with LED light and soothing sound.



The water ball is a relaxing effect that reflects LED light beautifully and can be "fine-tune" adjusted right at the nozzle.

VIDEOS & MORE ONLINE AT C-M-P.COM/BRILLIANT-WONDERS-LED-BUBBLER

ORDERING GUIDE

REF	CMP P/N	DESCRIPTION	MIN GPM†	WATER HEIGHT*	WATER DIAM	MAX GPM	WATER HEIGHT*	WATER DIAM
LED BUBBLER FOUNTAIN ACCESSORIES								
A	25503-920-000	WATER COLUMN KIT & REDUCER	45 GPM	4.5ft	6"	60 GPM	8ft	12"
A	25503-921-000	12" EXTENSION WATER COLUMN KIT	45 GPM	1.5ft	6"	60 GPM	3.5ft	12"
A	25503-922-000	24" EXTENSION WATER COLUMN KIT	45 GPM	1.5ft	6"	60 GPM	3.5ft	12"
A	25503-923-000	36" EXTENSION WATER COLUMN KIT	45 GPM	1.5ft	6"	60 GPM	3.5ft	12"
A	25503-924-000	48" EXTENSION WATER COLUMN KIT	45 GPM	1.5ft	6"	60 GPM	3.5ft	12"
B	25503-910-000	8" EXTENSION WATER BALL KIT	5 GPM	1"	16"	10 GPM	2"	36"
B	25503-911-000	12" EXTENSION WATER BALL KIT	5 GPM	1"	16"	10 GPM	2"	36"
B	25503-912-000	24" EXTENSION WATER BALL KIT	5 GPM	1"	16"	10 GPM	2"	36"
B	25503-913-000	36" EXTENSION WATER BALL KIT	5 GPM	1"	16"	10 GPM	2"	36"
B	25503-914-000	48" EXTENSION WATER BALL KIT	5 GPM	1"	16"	10 GPM	2"	36"
C	25503-930-000	5-1/4" THREE-TIER ATTACHMENT KIT	10 GPM	3.5ft	1.5ft	25 GPM	10ft	12ft

Do not install attachments in pool swimming area. For swimming area use 25503-910-000 flexible nozzle instead.

* test installed bubbler 4" below surface. Water height measured with from end of nozzle ‡ recommended



Brilliant Wonders[®]

LED LAMINARS

BRILLIANT WONDERS® LED LAMINAR

Brilliant Wonders LED Laminars create a smooth laminar fountain effect in exciting and bright LED colors. Our patent pending jet cannon is designed with industry-first features that make our laminar easier to setup and control. Improved flow, adjustment and filtration make this the only LED Laminar you will want to install.

PRODUCT FEATURES

- Two Size Option: Full Size 12" or Compact 8.5"
- Super Bright Cree® LED Light Built Into the Jet
- Perfect Alignment with the Dial Adjustable Jet Angle
- **PATENT PENDING**

MORE FEATURES,
MORE PROFIT,
FEWER HEADACHES



AVAILABLE IN 2015

CHOOSE THE PERFECT LIGHT

Available in two LED light versions. Order two wire for nine light colors and five light shows; choose four wire for full color and dimming LED light controls

INNOVATIVE LAMINAR DESIGN FEATURES

A brand new design for excellent laminar effect with a low turbulence tangential water flow design. Built with a tapered machined nozzle for precision stream action.

EASY TO INSTALL, SETUP AND SERVICE

The precise five degree dial adjustment lets you set the perfect fountain angle. Our exclusive filter media is easier to replace, safer and made from 100% recycled materials.

TECHNICAL GUIDE

- 100 FT Cord Length
- Two Wire: On/Off Cycle. Requires a 12V AC Transformer (not included)
- Four Wire: Requires CMP LED Control (page 42)

ORDERING GUIDE

WHITE	GRAY	TAN	DESCRIPTION	CONTROL REQ'D
BRILLIANT WONDERS LED LAMINAR				
25597-620-100	25597-621-100	25597-629-100	12" LED LAMINAR, 2 WIRE	NO
25597-720-100	25597-721-100	25597-729-100	8.5" LED MINI LAMINAR, 2 WIRE	NO
25597-700-000	25597-701-000	25597-709-000	8.5" LED MINI LAMINAR (NO LED)	NO

*ALL FOUR WIRE LED LIGHTING REQUIRES A CMP CONTROLLER (PAGE 42)

A completely new concept in LED pool lighting. The Brilliant Wonders Micro 1.5" LED Light is an easy to install light that lets you customize the light and design to perfectly complement any pool design.

Brilliant Wonders®

NEW

LED LIGHTING

AVAILABLE IN 2015

PRODUCT FEATURES

- For Gunite and Fiberglass Pools
- Super Bright Cree® LED Light
- Starter Kit Includes Solid White Sunburst Faceplate
- Choose from Three Quick-Install Faceplate Options: Full Color, Stainless Steel, or Color Accent (sold separately)

INTRODUCING: THE MOST VERSATILE LED POOL LIGHT IN THE INDUSTRY



MULTIPLE LED LIGHTING OPTIONS

Available in Multi-Color LED lighting or white only. Order two wire for nine light colors and five light shows; choose four wire for full color and dimming LED light controls

INTERCHANGEABLE SUNBURST FACEPLATE DESIGN

Each starter kit includes a solid white sunburst faceplate. Add a stainless steel faceplate or choose an industry first two-tone design. Seven popular color options are available in all styles.

SIMPLE INSTALLATION

Faceplate installs in any 1.5" gunite or fiberglass pool wall fitting utilizing a water-cooled design with no special custom niche required. The bayonet attachment style light fitting only requires a quarter turn for easy front-side installation or service. (installation tool included)

TECHNICAL GUIDE

- Two Wire: On/Off Control, 12V AC Transformer Required (not included)
- Four Wire: Requires CMP LED Control (page 42)
- 5 or 15 Watt
- Single RGB, Triple RGB, or White Only LED
- 4" Minimum Depth
- ETL Certified
- Water Cooled
- Quick-disconnect Cord

BRILLIANT WONDERS® MICRO 1.5" LED LIGHT

CUSTOM ORDER THE PERFECT CMP LIGHT

1. Order starter kit: each kit includes led light, gasket, white sunburst faceplate & service tool (not shown).
2. Select a custom faceplate. Choose from three styles in seven colors.
3. For **all** four wire lights, you **MUST** purchase a Brilliant Wonders control system (page 42). The CMP-control allows dimming, total color control, and custom light programs.



ORDERING GUIDE

REF	25 FT CORD	50 FT CORD	100 FT CORD	150 FT CORD	DESCRIPTION	CONTROL REQ'D
BRILLIANT WONDERS 1.5" LED LIGHT						
A	25503-560-025	25503-560-050	25503-560-100	25503-560-150	TRIPLE LED (15 WATT, 2 WIRE)	NO
A	25503-520-025	25503-520-050	25503-520-100	25503-520-150	SINGLE LED (5 WATT, 2 WIRE)	NO
A	25503-500-025	25503-500-050	25503-500-100	25503-500-150	WHITE LED (5 WATT, 2 WIRE)	NO



REF	WHITE /OTHER	GRAY	BLACK	DARK GRAY	LIGHT BLUE	DARK BLUE	TAN	STYLE
BRILLIANT WONDERS 1.5" LED LIGHT FACEPLATE								
B	25503-510-000	25503-511-000	25503-514-000	25503-517-000	25503-559-000	25503-569-000	25503-519-000	PLASTIC
C	25503-510-200	—	—	—	—	—	—	STAINLESS STEEL
D	25503-510-220	25503-511-220	25503-514-220	25503-517-220	25503-559-220	25503-569-220	25503-519-220	COLOR ACCENT

BRILLIANT WONDERS® LED CONTROL SYSTEM

CMP four wire system LED lights require an external control, powers supply and remote for operation. The CMP control adds multiple premium features for the ultimate in ground pool light show.

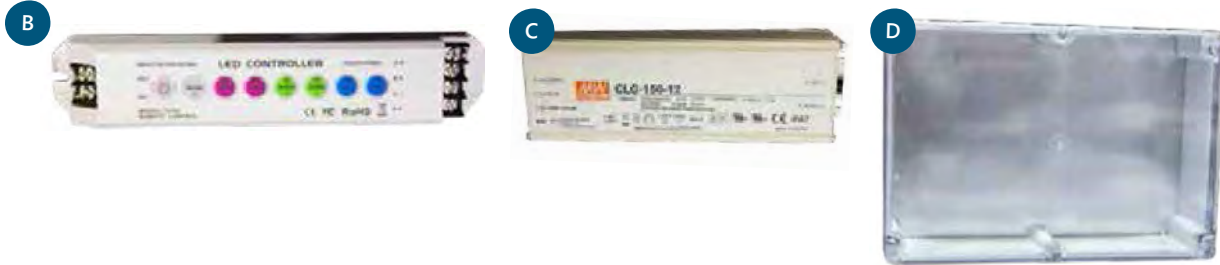
PRODUCT FEATURES

- Remote with Touch-sensitive Color Control Wheel
- Total Control of LED Colors
- Program and Save Settings
- Control Color, Brightness and Cycle Speed
- Up to 90ft Range Depending on Installation
- Remote Charges via USB



TECHNICAL GUIDE

- 12 Volt DC
- ETL Certified Class 2 (100 Watt Only)
- Power supply **MUST** be installed in a plastic box
- Do not install in pool controls box or any metal box
- Controller/power supply is not compatible with any two wire systems; two wire systems instead require a 12V AC transformer.



ORDERING GUIDE

REF	P/N	DESCRIPTION
BRILLIANT WONDERS LED CONTROLS & ACCESSORIES		
A-D	25650-130-300	100W 12V DC POWER SUPPLY, REMOTE, CONTROLLER, CONTROL BOX KIT (ETL CERTIFIED)
A-D	25650-150-300	150W 12V DC POWER SUPPLY, REMOTE, CONTROLLER, CONTROL BOX KIT
A-C	25650-120-300	150W 12V DC POWER SUPPLY, REMOTE, CONTROLLER KIT
A-C	25650-110-300	100W 12V DC POWER SUPPLY, REMOTE, CONTROLLER KIT (ETL CERTIFIED)
A,B	25650-100-300	REMOTE & CONTROLLER ONLY
A	25650-100-000	COLORWHEEL REMOTE ONLY
B	25650-100-100	CONTROLLER ONLY
C	25650-100-200	12V DC POWER SUPPLY ONLY (150 WATT)
C	25650-110-200	12V DC POWER SUPPLY ONLY (100 WATT <i>ETL CERTIFIED</i>)
D	25650-100-210	PLASTIC POWER SUPPLY BOX (<i>NEVER USE A METAL BOX OR INSTALL IN CONTROLS BOX</i>)

50 SQ FT WATER FEATURE FILTER

All water features must use filtered water for optimum performance and to prevent damage to the feature. The CMP water feature filter is the perfect accessory for waterfalls, deck jets, bubblers and other water features.

COMING IN 2015

PRODUCT FEATURES

- 50 Square Foot Filtration
- Includes Pressure Gauge
- Ergonomic Lock Ring: Easy Lid Removal for Quick Filter Cleaning
- Unibody Construction

PROTECT YOUR WATER FEATURE PERFORMANCE: ONLY USE FILTERED POOL WATER

TECHNICAL GUIDE

- 6-7/8" Wide
- 15-1/8" Height
- 2" Inlet/Outlet
- Max Pressure 50psi
- Cover Air Relief Plug
- Not Designed for Pool Filtration



ORDERING GUIDE

REF	CMP P/N	DESCRIPTION	BOX QTY
50 SQ FT WATER FEATURE FILTER			
A	25504-600-000	WATER FEATURE FILTER	6
B	25391-000-000	50 SQ FT FILTER ELEMENT (C-4950)	16
B	25391-200-000	50 SQ FT FILTER ELEMENT WITH MICROBAN® (C-4950AM)	16



MULTI-NOZZLE DECK & WALL JETS

MULTI-NOZZLE ADJUSTABLE DECK & WALL JETS

The most advanced and versatile deck jet in the industry for customers who only want the best. Four color options, five interchangeable nozzles, and four body styles. There is a perfectly matched style and water effect for every project.

C-M-P.COM/DECK-WALL-JETS

PRODUCT FEATURES

- Adjustable Flow at the Jet
- Five Interchangeable Nozzles
- Square or Round Face
- Two Flange Options (pg 47)
- Five Color Options
- Simple to Install and Operate
- **U.S. PATENT #8,366,016**



NATURAL WONDERS™ COVERS NEW

Another CMP industry first! Nature inspired deck lids mimic natural stone for a beautiful pool deck finish. Available in four natural color designs. See page 109 for product details. (sold separately)



ORDERING GUIDE

WHITE	GRAY	TAN	SOLID BRASS/ BLACK NOZZLE	CHROME PLATE/ BLACK NOZZLE	DESCRIPTION	BOX QTY
MULTI-NOZZLE ADJUSTABLE DECK JETS						
25598-300-000	25598-301-000	25598-309-000	25598-343-000	--	SQUARE FACE WITH FLANGE	1
25598-310-000	35598-311-000	25598-319-000	25598-363-000	--	SQUARE FACE FLANGELESS	1
25597-300-000	25597-301-000	25597-309-000	25597-343-000	25597-342-000	ROUND FACE WITH FLANGE	1
25597-310-000	25597-311-000	25597-319-000	25597-363-000	25597-362-000	ROUND FACE FLANGELESS	1

REPLACEMENT PARTS ON PAGE 174

ADJUSTABLE BRASS DECK FOUNTAIN

The Adjustable Brass Deck Fountain creates a beautiful two-tier water effect that will blow you away. Unlike the competition, it has adjustable flow, adjustable angle, and accepts the CMP interchangeable nozzles. (sold separately)



PRODUCT FEATURES

- Beautiful Fountain Effect
- Adjustable Flow and Direction
- Solid Brass Face & Nozzle
- Simple to Install and Operate
- U.S. PATENT #8,366,016

ORDERING GUIDE

CMP P/N	DESCRIPTION	BOX QTY
ADJUSTABLE BRASS DECK FOUNTAIN		
25598-333-000	SQUARE FACE WITH FLANGE	1
25598-353-000	SQUARE FACE FLANGELESS	1
25597-333-000	ROUND FACE WITH FLANGE	1
25597-353-000	ROUND FLANGELESS	1
25598-304-800	BLACK FOUR NOZZLE SET (SOLD SEPARATELY)	50
25598-309-800	TAN FOUR NOZZLE SET (SOLD SEPARATELY)	50

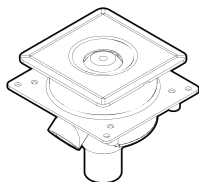


ADJUSTABLE
BRASS DECK FOUNTAIN

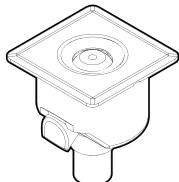
MULTI-NOZZLE ADJUSTABLE DECK & WALL JETS

COVER & FLANGE REFERENCE

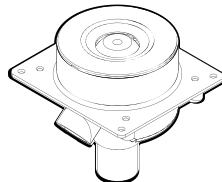
Choose the perfect deck jet for your installation. The square cover is great for paver decks; all flangeless are easier to install in paver decks. The flange style is useful to tie the jet in place.



SQUARE COVER W/ FLANGE



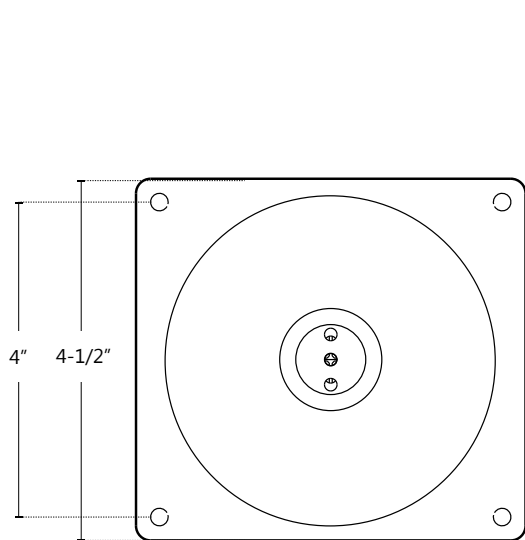
SQUARE COVER FLANGELESS



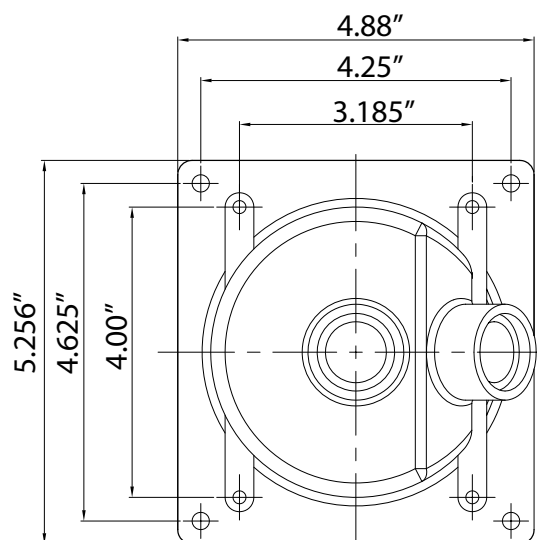
ROUND COVER W/ FLANGE



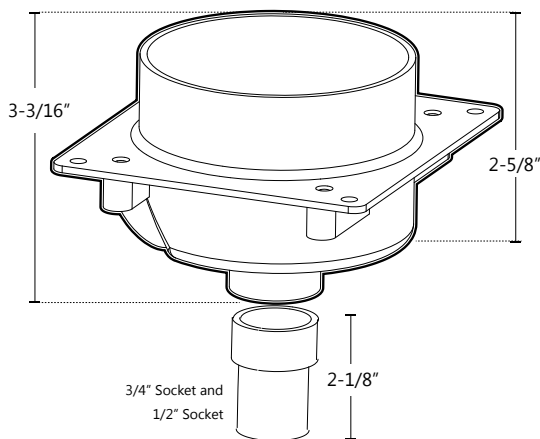
ROUND COVER FLANGELESS



TOP VIEW



BOTTOM VIEW

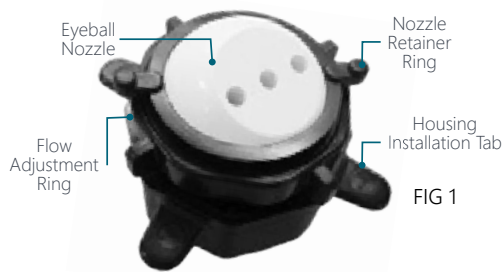


SIDE VIEW

MULTI-NOZZLE ADJUSTABLE DECK & WALL JETS

INSTALLATION GUIDE

1. Determine the proper size of the main feed pipe: Use 1-1/2" pipe for up to 8 Deck Jets; Use 2" pipe for up to 12 Deck Jets; Use 2-1/2" pipe for up to 16 Deck Jets
2. Install a ball valve on the main feed pipe near the pump to adjust the total water pressure delivered to the deck jets.
3. Reduce the piping to 3/4" pipe. When installing more than one deck jet it is necessary to create an equal pressure loop to equalize the pressure in the line.
4. The body is ABS plastic and designed to allow for 3/4" plumbing with straight pipe or an elbow. Use only PVC/ABS glue to secure.
5. Anchor the deck jet body and protective cover so that the top is level with the height of the finished deck. Use protective cover to protect deck jet while working on pool and laying deck.
6. Remove protective cover, wrap the threaded plug with Teflon tape, and install into the deck jet body. Be sure not to over tighten. Replace the protective cover. Leave the plug installed and keep the pipe pressurized during installation.
7. Once the deck is finished, remove the protective cover and remove the plug. Turn on the pump, open the valves, and run water through the lines to remove any debris that may have collected.
8. Take the jet nozzle housing assembly and install in the body by turning the installation tabs (*fig 1*). Hand tighten only. Do not overtighten.



Stream Distance in Feet

		2	3	4	5	6	7
FAN	GPM	--	1	1.2	1.3	1.5	1.9
	PSI	--	1.8	2.2	2.6	3.6	4.8
	SPREAD	--	12"	24"	36"	60"	96"
	HEIGHT	--	12"	18"	24"	36"	48"
TRIPLE STREAM	GPM	1.3	1.6	1.9	2.2	2.5	2.8
	PSI	2	2.5	3.5	4.2	5	6
	SPREAD	8"	12"	18"	20"	24"	30"
3/16" SINGLE	GPM	0.4	0.5	0.7	0.7	0.8	0.9
	PSI	1.5	2	2.4	2.8	3.2	3.6
	HEIGHT	10"	15"	21"	25"	31"	38"
1/4" SINGLE	GPM	1.2	1.5	1.8	2.0	2.2	2.5
	PSI	2	2.5	3.2	4	4.6	5.5
	HEIGHT	10"	16"	22"	27"	32"	40"
5/16" SINGLE	GPM	1.5	1.9	2.3	2.6	2.9	3.2
	PSI	2	2.8	3.8	4.5	5.4	6.2
	HEIGHT	6"	9"	14"	17"	20"	26"

IMPORTANT, PLEASE NOTE: This product must be installed and serviced by a pool and spa professional. These instructions must be followed exactly to ensure proper function of the parts.

MULTI-NOZZLE ADJUSTABLE DECK & WALL JETS



A photograph of a swimming pool with a multi-nozzle wall jet feature. The jet is spraying water into the air, creating a large, fan-shaped spray. The pool has a blue vinyl liner with a decorative border. The background is a dense forest of trees with some autumn-colored leaves.

MULTI-NOZZLE
VINYL LINER
WALL JETS

MULTI-NOZZLE VINYL LINER WALL JET

A vinyl liner pool version of the CMP Multi Nozzle Deck & Wall Jets. Five nozzles and six color options to match popular vinyl liner patterns

PRODUCT FEATURES

- Includes Five Interchangeable Eye Nozzles, Wall Fitting, Flange, Gasket, and Debris Filter
- Six Color Options: White, Gray, Black, Tan, Dark Blue and Light blue
- Installs Above the Water Level
- Control the flow with a separate valve



PERFORMANCE GUIDE

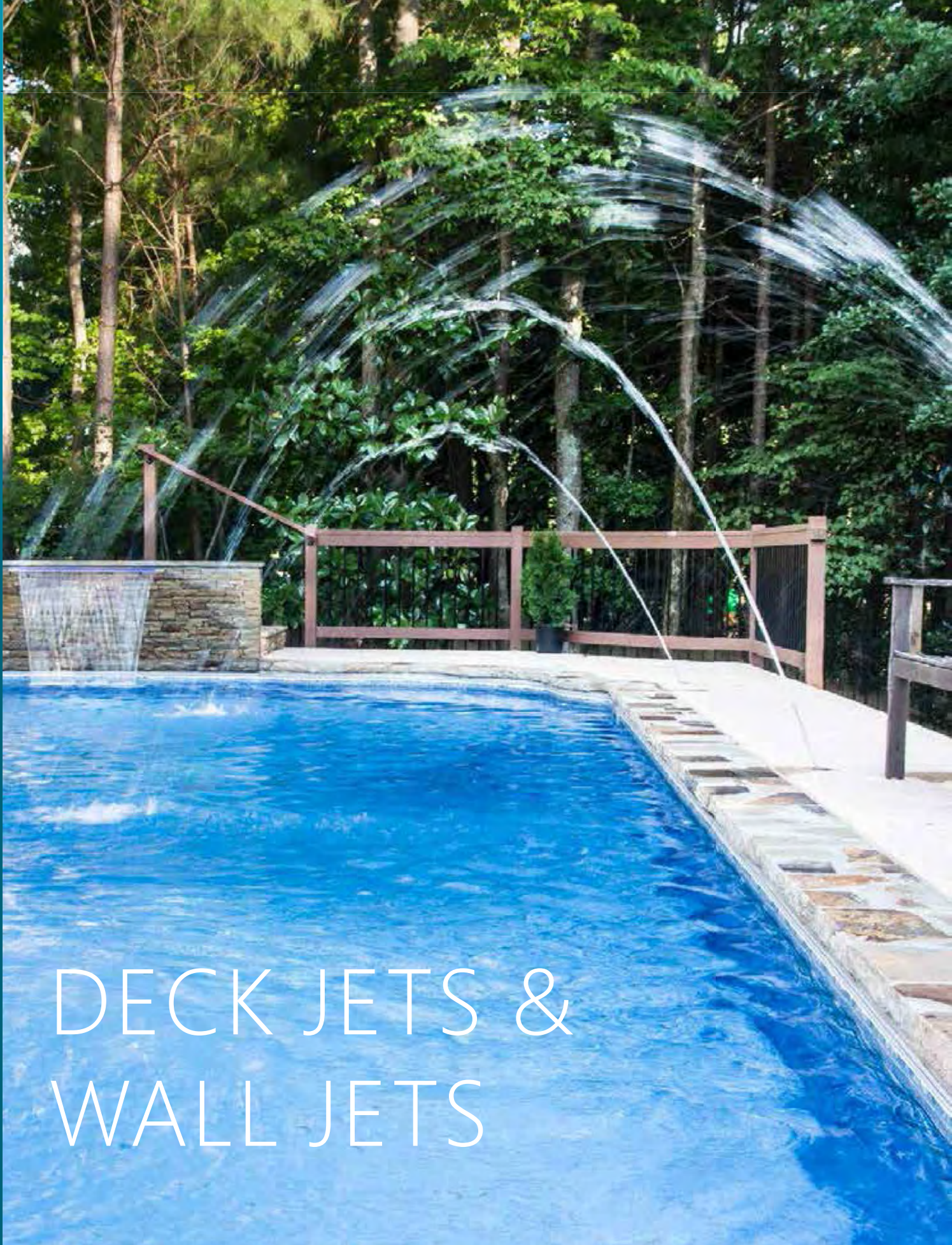
Stream Distance in Feet

		2	3	4	5	6	7
FAN	GPM	--	1	1.2	1.3	1.5	1.9
	PSI	--	1.8	2.2	2.6	3.6	4.8
	SPREAD	--	12"	24"	36"	60"	96"
	HEIGHT	--	12"	18"	24"	36"	48"
TRIPLE STREAM	GPM	1.3	1.6	1.9	2.2	2.5	2.8
	PSI	2	2.5	3.5	4.2	5	6
	HEIGHT	9"	14"	20"	24"	30"	36"
3/16" SINGLE	GPM	0.4	0.5	0.7	0.7	0.8	0.9
	PSI	1.5	2	2.4	2.8	3.2	3.6
	HEIGHT	10"	15"	21"	25"	31"	38"
1/4" SINGLE	GPM	1.2	1.5	1.8	2.0	2.2	2.5
	PSI	2	2.5	3.2	4	4.6	5.5
	HEIGHT	10"	16"	22"	27"	32"	40"
5/16" SINGLE	GPM	1.5	1.9	2.3	2.6	2.9	3.2
	PSI	2	2.8	3.8	4.5	5.4	6.2
	HEIGHT	6"	9"	14"	17"	20"	26"



ORDERING GUIDE

REF	CMP P/N	DESCRIPTION	BOX QTY
MULTI-NOZZLE VINYL LINER WALL JET			
A	25553-900-000	WHITE VINYL LINER WALL JET	1
A	25553-901-000	GRAY VINYL LINER WALL JET	1
A	25553-939-000	TAN VINYL LINER WALL JET	1
A	25553-969-000	DK BLUE VINYL LINER WALL JET	1
A	25553-909-000	LT BLUE VINYL LINER WALL JET	1
A	25553-904-000	BLACK VINYL LINER WALL JET	1
B	23315-100-000	ROTATING EYEBALL INSERT ONLY (SOLD SEPARATELY)	1



DECK JETS & WALL JETS

ADJUSTABLE & NON-ADJUSTABLE DECK JETS

The ONLY deck jet that can be adjusted at the nozzle while running. Simply set the water flow at the pump, and then fine tune with the built in adjustable nozzle. Designed for simple installation and trouble-free use in residential and commercial pools.

This water feature has an eyeball nozzle hidden from view by a decorative cap. Multiple plumbing options make this deck jet easier to install. Just 3-5 GPM creates a stream up to 10 feet high. Also available in non-adjustable with interchangeable nozzles.

C-M-P.COM/DECK-WALL-JETS

ADJUSTABLE FEATURES

- Includes Body, Movable Adjustable Nozzle and Four Round Decorative caps (White, Black, Gray, Tan)
- Individually Packaged
- **U.S. Patent #8,500,037**

NON-ADJUSTABLE FEATURES

- Includes Body, Two Moveable Nozzles (single & dual streams) and Four Round Decorative caps (White, Black, Gray, Tan)
- Individually Packaged

PERFORMANCE & PLUMBING GUIDE

- 4" Hole Size
- Cap is 2.5" diameter
- 3/4" Water Line (adjustable)
- 3/4" or 1/2" Water Line (non-adjustable)
- To adjust, first control flow with a ball valve, then fine tune at the nozzle

	3 GPM	4 GPM	5 GPM
HEAD	3.9 FT	7.9 FT	11 FT
HEIGHT	3 FT	6.5 FT	10 FT



ORDERING GUIDE

CMP P/N	DESCRIPTION	BOX QTY
CMP ADJUSTABLE DECK JETS		
25597-200-000	ADJUSTABLE DECK JET ASSEMBLY & FOUR DECORATIVE CAPS	50
25597-223-000	ADJUSTABLE DECK JET ASSEMBLY & BRASS DECORATIVE COVER	—
25597-304-010	DECK JET WRENCH (INCLUDED WITH ADJUSTABLE DECK AND WALL JET KITS)	200
CMP NON-ADJUSTABLE DECK JETS		
25597-000-000	NON-ADJUSTABLE DECK JET ASSEMBLY & FOUR DECORATIVE CAPS	50
25597-023-000	NON-ADJUSTABLE DECK JET ASSEMBLY & BRASS DECORATIVE COVER	—

ACCESSORIES PAGE 55

ADJUSTABLE & NON-ADJUSTABLE WALL JETS

CMP wall jets are available for both gunite and fiberglass pool; featuring patented technology, this is the industries ONLY wall jet that can be adjusted at the nozzle while running. Each wall jet comes with four attractive square decorative caps designed to complement popular pool colors and finishes.

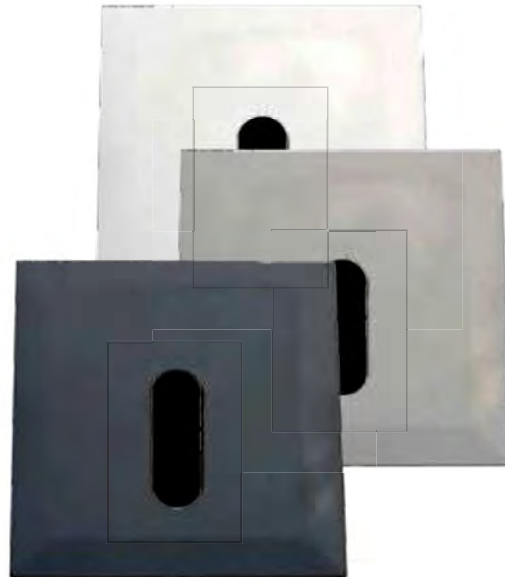
ADJUSTABLE FEATURES

- Includes Body, Plumbing Coupling, Moveable Nozzles (single & dual streams) and 4 Square Decorative caps (White, Black, Gray, Tan)
- Round Face for Easier Install (Decorative Cap is Square)
- Individually Packaged
- **U.S. Patent #8,366,016**



NON-ADJUSTABLE FEATURES

- Includes Body, Plumbing Coupling, Moveable Nozzles (single & dual streams) and 4 Square Decorative caps (White, Black, Gray, Tan)
- Round Face for Easier Install (Decorative Cap is Square)
- Individually Packaged



PERFORMANCE & PLUMBING GUIDE

- 4" Hole Size, 3/4" Water Line
- To adjust, first control flow with a ball valve, then fine tune at the nozzle

	3 GPM	4 GPM	5 GPM
HEAD	3.9 FT	7.9 FT	11 FT
HEIGHT	3 FT	6.5 FT	10 FT

ORDERING GUIDE

CMP P/N	DESCRIPTION	BOX QTY
CMP ADJUSTABLE WALL JETS		
25598-200-000	ADJUSTABLE WALL JET	18
25598-920-000	FIBERGLASS ADJ WALL JET	1
25597-304-010	DECK JET WRENCH (INCLUDED WITH ADJUSTABLE DECK AND WALL JET KITS)	200
WALL JETS (NON-ADJUSTABLE)		
25598-000-000	NON-ADJ WALL JET	18
25598-900-000	NON-ADJ FIBERGLASS WALL JET (INCLUDES PLUMBING ADAPTER, GASKETS, & SCREWS)	1

DECK & WALL JETS ACCESSORIES

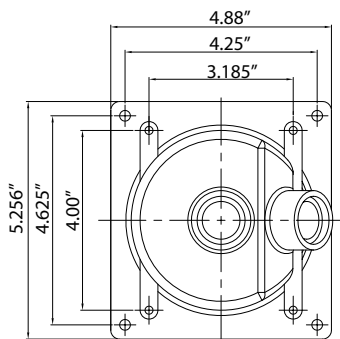


ORDERING GUIDE: ACCESSORIES

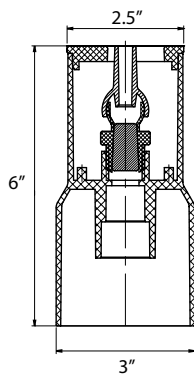
REF	CMP P/N	DESCRIPTION
DECK AND WALL JET ACCESSORIES		
A	25597-100-900	DUAL DECK JET NOZZLE (NON-ADJ)
B	25597-000-900	DECK JET NOZZLE (NON-ADJ)
C	25597-200-900	ADJUSTABLE DECK JET NOZZLE ASSEMBLY
D	25597-304-010	DECK JET WRENCH (INCLUDED WITH ADJUSTABLE DECK AND WALL JET KITS)
E	25597-000-020	ROUND DECK JET COVER (WHITE)
E	25597-001-020	ROUND DECK JET COVER (GRAY)
E	25597-004-020	ROUND DECK JET COVER (BLACK)
E	25597-009-020	ROUND DECK JET COVER (TAN)
F	25597-000-220	ROUND DECK JET COVER (BRASS)*
G	25597-000-120	3.5" SQUARE DECK JET COVER (WHITE)*
G	25597-000-121	3.5" SQUARE DECK JET COVER (GRAY)*
G	25597-000-129	3.5" SQUARE DECK JET COVER (TAN)*
H	25598-000-020	WALL JET COVER (WHITE)
H	25598-001-020	WALL JET COVER (GRAY)
H	25598-004-020	WALL JET COVER (BLACK)
H	25598-009-020	WALL JET COVER (TAN)

*sold separately

TECHNICAL GUIDE



WALL JET
BOTTOM DIMENSIONS



DECK JET
DIMENSIONS



DECK JET WRENCH
Use for nozzle removal and installation for both adjustable and non-adjustable jets. Can also be used to assist in adjusting nozzle flow and direction. May also be adjusted by hand without the wrench.

NATURAL WONDERS™ WALL SCONCES

CMP Natural Wonders Wall Sconces combine the sound of falling water with the intrigue and beauty of classic style. These accents are easy to install and built to stand the test of time. With dozens of different styles currently available, there is a perfect decorative wall sconce for every design.

C-M-P.COM/NATURAL-WONDERS-SCONCES

PRODUCT FEATURES

- Seven Color Finish Options
- Durable Fiberglass Construction
- Consistent Color Throughout Minimizes Chips and Scratches
- Easy to Mix & Match
- 3/4" Pipe Installation



COMING 2015



COMING 2015

NATURAL WONDERS™ WALL SCONCES

ORDERING GUIDE

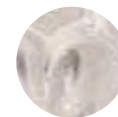
REF	NATURAL	WHITE	GRAY	SILVER	BRASS	COPPER	BRONZE	STYLE
NATURAL WONDERS WALL SCONCES								
A	25599-515-030	25599-500-030	25599-501-030	25599-511-030	25599-503-030	25599-533-030	25599-513-030	VICTORIAN LION
B	25599-515-010	25599-500-010	25599-501-010	25599-511-010	25599-503-010	25599-533-010	25599-513-010	MED BAROQUE LION
C	25599-515-020	25599-500-020	25599-501-020	25599-511-020	25599-503-020	25599-533-020	25599-513-020	LG BAROQUE LION
D	25599-315-020	25599-300-020	25599-301-020	25599-311-020	25599-303-020	25599-333-020	25599-313-020	SCALLOPED
E	25599-315-030	25599-300-030	25599-301-030	25599-311-030	25599-303-030	25599-333-030	25599-313-030	BASQUE
F	25599-315-050	25599-315-050	25599-301-050	25599-311-050	25599-303-050	25599-333-050	25599-313-050	AEGEAN
G	25599-315-040	25599-300-040	25599-301-040	25599-311-040	25599-303-040	25599-333-040	25599-313-040	STAR
H	25599-315-060	25599-300-060	25599-301-060	25599-311-060	25599-303-060	25599-333-060	25599-313-060	BISCAYNE
I	25599-415-020	25599-400-020	25599-401-020	25599-411-020	25599-403-020	25599-433-020	25599-413-020	FLEUR DE COULER
J	25599-415-010	25599-400-010	25599-401-010	25599-411-010	25599-403-010	25599-433-010	25599-413-010	POLYNESIA
K	25599-315-070	25599-300-070	25599-301-070	25599-311-070	25599-303-070	25599-333-070	25599-313-070	OAK LEAF ROSETTE

TECHNICAL GUIDE

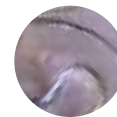
DESCRIPTION	LENGTH	WIDTH	DEPTH
VICTORIAN LION	6½"	6½"	4½"
MED BAROQUE LION	8"	9"	4¾"
LG BAROQUE LION	12"	10¼"	4¾"
SCALLOPED	8¾"	8¾"	1"
BASQUE	7"	7"	1"
AEGEAN	7½"	6⅝"	1¼"
STAR	6½"	6½"	1"
BISCAYNE	7"	7"	1½"
FLEUR DE COULER	7"	8¾"	4"
POLYNESIA	6¾"	7⅞"	4¾"
OAK LEAF ROSETTE	4¾"	4¾"	1"



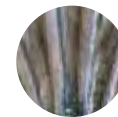
WHITE



NATURAL



GRAY



SILVER



BRASS



COPPER



BRONZE

NATURAL WONDERS™ GUNITE POOL FOUNTAINS

Natural Wonders Gunite Pool Fountains are a great way to add natural beauty to your pool install. Simply adjust the flow with a CMP ball valve to achieve the perfect look. Add an air blower for increased power. These fountains install simply with standard size fittings. Add a fresh new dimension to beach entries, spas, sun shelves, tanning ledges, and landscape features.

NATURAL WONDERS™ BUBBLER

- Installs Flush with Pool Floor; No Exposed Components Above the Waterline
- Featured on *Extreme Home Makeover*
- Available in Four Color Options
- 1-1/2" MIP
- Holes have an area of .68²in totaling 6.15²in open hole area



3-TIER POOL FOUNTAIN

- Includes 3/4" FIP Fountain Head
- Eyeball Fitting 1-1/2" MIP
- Threaded Adapter 3/4" FIP



ORDERING GUIDE

REF	CMP P/N	DESCRIPTION	BOX QTY
NATURAL WONDERS BUBBLER			
A	25503-000-000	WHITE POOL BUBBLER	400
A	25503-001-000	GRAY POOL BUBBLER	400
A	25503-039-000	TAN POOL BUBBLER	400
A	25503-004-000	BLACK POOL BUBBLER	400
NATURAL WONDERS 3-TIER POOL FOUNTAIN			
B	25565-009-000	CLEAR 3-TIER POOL FOUNTAIN	100



POOL EQUIPMENT

Auto Levelers 60

Powerclean™ Chemical Feeders 62

Above Ground Pump Wet Ends 66

WWW.C-M-P.COM/POOL-PRODUCTS/POOL-EQUIPMENT

AQUALEVEL™

PORTABLE AUTO WATER LEVELER

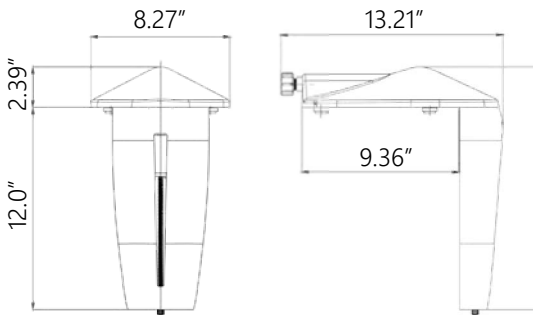
The AQUALEVEL Portable Auto Water Leveler is the fast and simple way to protect your pool from summer evaporation. Anyone can install the AquaLevel in minutes with a standard garden hose. Since it's fully portable, the AquaLevel can be used as needed.

C-M-P.COM/AUTO-LEVELERS

PRODUCT FEATURES

- Fills Pool Automatically to Set Level and Protects the Pump from Running Dry
- Fits a Standard Hose Connection: No Tools Required
- Fully Portable: A Great Solution for Rental and Vacation Properties
- Add Rock/Sand Bag Weights to Secure to Pool Deck
- Above Ground Model (B) Includes Clamp to Secure to Pool Wall

PRODUCT DIMENSIONS



ORDERING GUIDE

REF	CMP P/N	DESCRIPTION	BOX QTY
AQUALEVEL PORTABLE AUTO LEVELER			
A	25604-000-000	WHITE LID AQUALEVEL FOR IN GROUND POOL	6
A	25604-009-000	TAN LID AQUALEVEL FOR IN GROUND POOL	6
B	25604-100-000	WHITE LID AQUALEVEL FOR ABOVE GROUND POOL	6

REPLACEMENT PARTS PAGE 175

AUTOMATIC WATER LEVELER

For new construction pools, the CMP auto water leveler provides peace of mind for pool owners. Automatically adjust the water level to prevent damage to pool equipment.

PRODUCT FEATURES

- **NEW** Lid Design Matches CMP Skimmers
- Easy to Install in New Construction Pools
- All Plastic Worry-Free 3/8" Float Valve
- 3/4" or 1/2" Water Inlet
- 1" Socket Bottom Port Equalizer Line
- 1/2" Socket Optional Overflow Line
- Includes 2" and 1.5" Adapters



NEW LID STYLE MATCHES CMP SKIMMERS

ORDERING GUIDE

REF	CMP P/N	DESCRIPTION	BOX QTY
AUTOMATIC WATER LEVELER (NEW CONSTRUCTION)			
A	25504-100-000	ROUND LID AUTOLEVEL WITH WHITE LID & COLLAR	1
A	25504-101-000	ROUND LID AUTOLEVEL WITH GRAY LID & COLLAR	1
A	25504-109-000	ROUND LID AUTOLEVEL WITH TAN LID & COLLAR	1
—	25504-300-000	SQUARE LID AUTOLEVEL WITH WHITE LID & COLLAR	1
—	25504-301-000	SQUARE AUTOLEVEL LID WITH GRAY LID & COLLAR	1
—	25504-309-000	SQUARE AUTOLEVEL LID WITH TAN LID & COLLAR	1
B	25504-000-100	3/8" MIP THERMOPLASTIC FLOAT ASSEMBLY FOR CMP UNITS	1
B	25504-000-200	1/2" MIP THERMOPLASTIC FLOAT ASSEMBLY	1

REPLACEMENT PARTS PAGE 176

POWERCLEAN™ ULTRA CHEMICAL FEEDER



C-M-P.COM/POWERCLEAN

PRODUCT FEATURES

- Treats Pools from 5,000-50,000 Gallons
- All Piping is Inside the Unit to Eliminate Leaks
- Holds Twelve 3" Tablets or 5lbs of 1" Tablets
- Clear Lid Option for Easy Service*
- Glass Lid Option for Best Quality (FIG 1)
- Superior 100% Shut-Off Dial
- Built-In Flow Indicator for Easy Adjustment
- Bottom Drain Plug
- 1.5 & 2" Unions for Quick Disconnect

OFF-LINE FEATURES

- Installs Easily Onto Existing Equipment
- Larger Hose Than Comparable Brands
- Includes Base, Two Mounting Brackets and Tubing plus 3/4" Fittings for Hard Plumbing Installation



FIGURE 1



ORDERING GUIDE

*clear plastic lids will cloud over time

REF	CMP P/N	DESCRIPTION	BOX QTY
POWERCLEAN ULTRA IN-LINE CHLORINATOR			
A	25280-100-000	POWERCLEAN ULTRA, CLEAR GLASS LID	1
A	25280-109-000	POWERCLEAN ULTRA, CLEAR PLASTIC LID	1
A	25280-110-000	POWERCLEAN ULTRA , WHITE LID	1
B	25280-400-000	POWERCLEAN ULTRA WITH BASE, CLEAR GLASS LID	1
B	25280-409-000	POWERCLEAN ULTRA WITH BASE, CLEAR PLASTIC LID	1
B	25280-410-000	POWERCLEAN ULTRA WITH BASE, WHITE LID	1
POWERCLEAN ULTRA OFF-LINE CHLORINATOR			
C	25280-300-000	POWERCLEAN ULTRA OFF-LINE, CLEAR GLASS LID	6
C	25280-309-000	POWERCLEAN ULTRA OFF-LINE, CLEAR PLASTIC LID	6
C	25280-310-000	POWERCLEAN ULTRA OFF-LINE, WHITE LID	6
REPLACEMENT PARTS PAGE 177			

WARNING: NEVER MIX CHLORINE AND BROMINE

POWERCLEAN™ ECON & MINI CHEMICAL FEEDER

For smaller pools or when cost is a factor, CMP Powerclean Mini and PowerClean Econ In-line chlorinators are perfect for the job. Both offer select features from the Ultra chlorinator line at a lower cost.



POWERCLEAN ECON IN-LINE

- Removable Rapid-Dissolve Tube
- Built In Heavy-Duty Screen
- Holds Twelve 3" Tablets or 5lbs of 1" Tablets
- Treats Pools from 5,000 - 50,000 Gallons
- Superior 100% Shut-Off Dial
- No External Hoses: Eliminates Leaks
- Unions Sold Separately



POWERCLEAN MINI IN-LINE

- Great for Above Ground Pools
- Holds Five 3" Tablets or 2lbs of 1" Tablets
- Treats Pools from 5,000 - 20,000 Gallons
- No External Hoses: Eliminates Leaks
- 1.5" Hose Adapter Included
- 1.5" Threaded Fitting Included



ORDERING GUIDE

REF	CMP P/N	DESCRIPTION	BOX QTY
POWERCLEAN ECON AND MINI			
A	25280-120-000	POWERCLEAN ECON IN-LINE	1
—	21023-000-000	2" UNIONS FOR POWERCLEAN ECON	190
B	25280-200-000	POWERCLEAN MINI	1

REPLACEMENT PARTS PAGE 177

WARNING: NEVER MIX CHLORINE AND BROMINE

POWERCLEAN™ MAX IN-LINE FEEDER



PowerClean MAX high capacity feeders are the chlorinator of choice for large or heavy bather load pools that need an extra punch of power. Designed for residential use only.

PRODUCT FEATURES

- Precise Flow Control Valve
- Safety Locking Vent-able Lid
- Off-Line Installation with 1" pipe
- Includes 1" Quick Disconnect Fittings
- Built-In Drain Valve for Easy Service or Winterization



INCLUDES QUICK DISCONNECT
PRECISE FLOW CONTROL VALVE



INCLUDES 1" QUICK DISCONNECT
UNION FITTING



CLEAR GLASS LID WITH
LOCKING TAB FEATURE



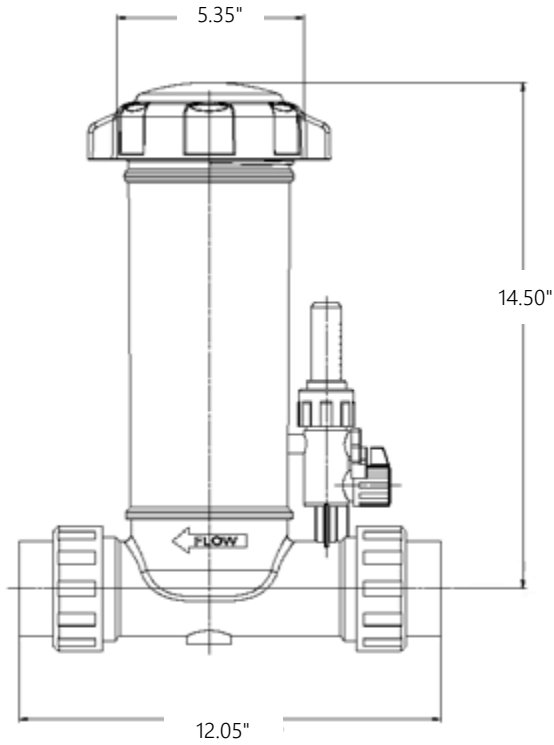
ORDERING GUIDE

REF	CMP P/N	DESCRIPTION	BOX QTY
POWERCLEAN MAX			
A	25280-640-000	40LB POWERCLEAN MAX	1
B	25280-630-000	30LB POWERCLEAN MAX	1
C	25280-615-000	15LB POWERCLEAN MAX	1

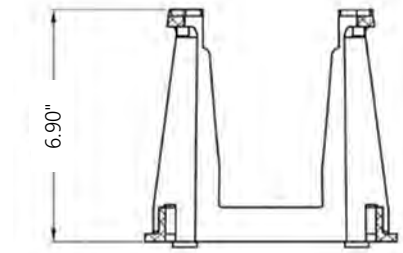
WARNING: NEVER MIX CHLORINE AND BROMINE

POWERCLEAN™ DIMENSIONS

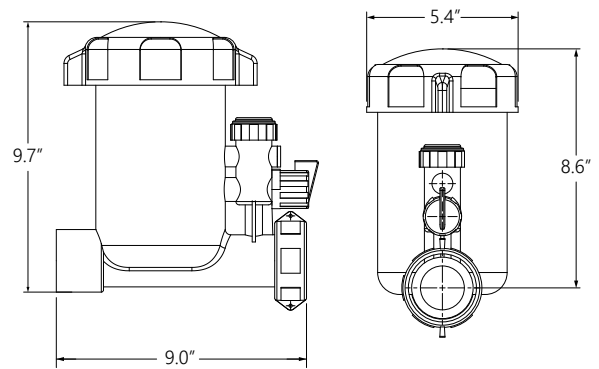
POWERCLEAN ULTRA & ECON



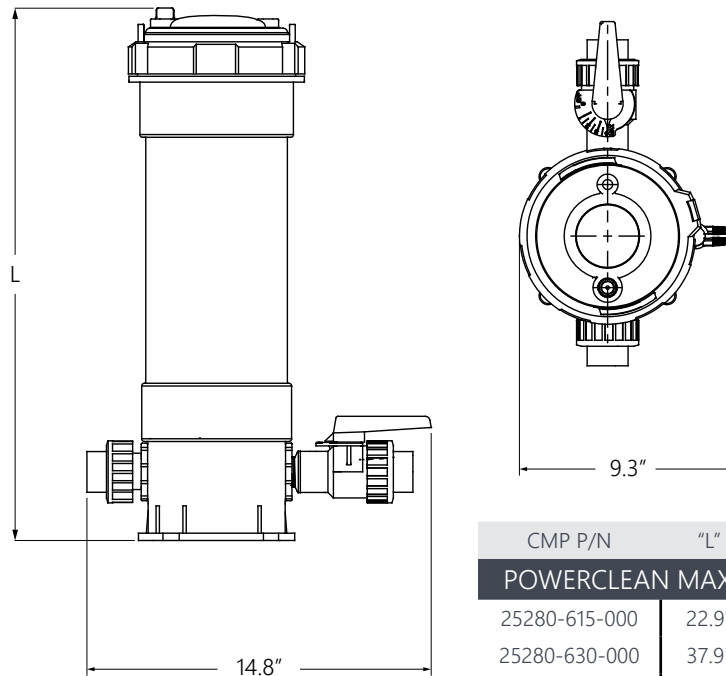
POWERCLEAN BASE



POWERCLEAN MINI



POWERCLEAN MAX

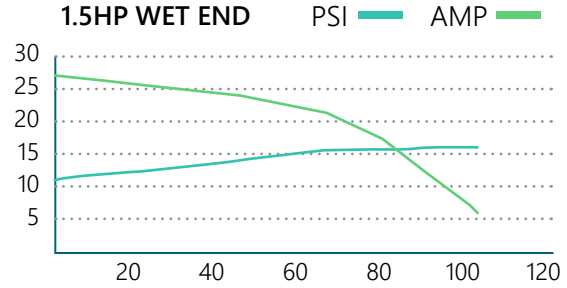
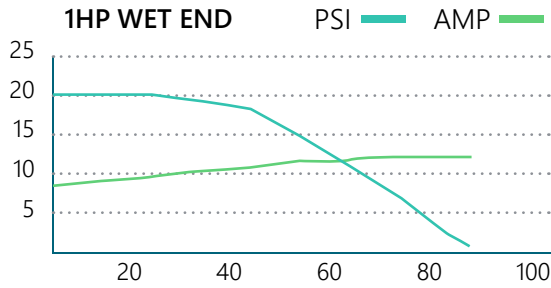


CMP P/N	"L"
POWERCLEAN MAX	
25280-615-000	22.9"
25280-630-000	37.9"
25280-640-000	48.9"

ABOVE GROUND POOL PUMP WET END



WET END TECHNICAL GUIDE



ORDERING GUIDE

REF	CMP P/N	DESCRIPTION	BOX QTY
ABOVE GROUND POOL PUMP WET END			
A	25300-004-000	PUMP STRAINER 1.5" INLET × 1.5" OUTLET	6
A	25301-004-000	PUMP STRAINER 2" INLET × 2" OUTLET	6
B	27201-000-000	48 FRAME 1 HP WET END 1.5" INLET × 1.5" OUTLET	1
B	27202-000-000	48 FRAME 1.5 HP WET END 1.5" INLET × 1.5" OUTLET	1
C	21062-154-000	1.5" MIP × 1.5" UNION FITTING	300
C	21063-200-900	2" MIP × 2" UNION FITTING	300
D	21021-000-000	1.5" SLIP PUMP UNION (NUT,SLEEVE, T-GASKET)	200
D	21023-000-000	2" SLIP PUMP UNION (NUT,SLEEVE, T-GASKET)	190
REPLACEMENT PARTS ON PAGE 200			



POOL VALVES

Hydroseal™ Diverter Valves 68

Hydrocheck™ Check Valves 70

Slice Valves 72

Ball Valves 73

Multiport Valves 74

Slide Valves & Air Relief 80

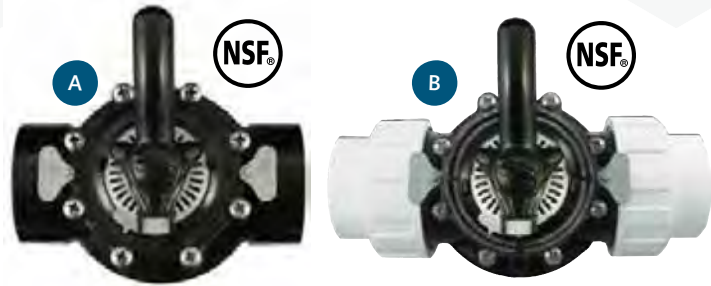
WWW.C-M-P.COM/POOL-PRODUCTS/VALVES

HydroSEAL™

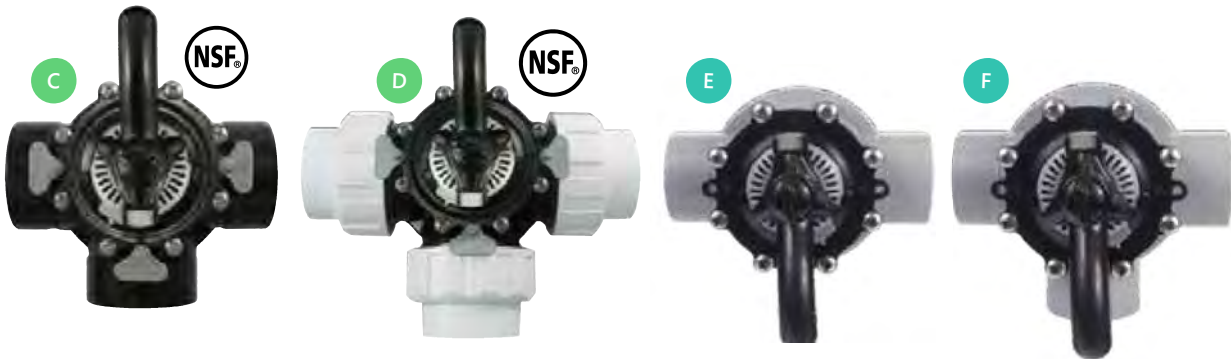
DIVERTER VALVES

PRODUCT FEATURES

- LifeSeals™ Never Need Lubrication
- Exclusive 32 Dial Stop Adjustable Indicator Plate for Precise Flow Control
- Interchangeable Flow Tabs for Marking Ports (English & Spanish Included)
- T-Gasket Seal on Union Valves
- CPVC Valves Awarded the NSF International Seal



C-M-P.COM/HYDROSEAL



ORDERING GUIDE

PVC Body Valves should not be used in temperatures over 104°

REF	CMP P/N	DESCRIPTION	BOX QTY
2-WAY BLACK CPVC DIVERTER VALVES (NSF)			
A	25912-154-000	1.5" SOCKET × 2" SPIGOT 2-WAY CPVC DIVERTER	18
A	25912-204-000	2" SOCKET × 2.5" SPIGOT 2-WAY CPVC DIVERTER	18
A	25912-254-000	2.5" SOCKET × 3" SPIGOT 2-WAY CPVC DIVERTER	18
B	25922-154-000	1.5" SOCKET WITH UNIONS 2-WAY CPVC DIVERTER	12
B	25922-204-000	2" SOCKET WITH UNIONS 2-WAY CPVC DIVERTER	16
3-WAY BLACK CPVC DIVERTER VALVES (NSF)			
C	25913-154-000	1.5" SOCKET × 2" SPIGOT 3-WAY CPVC DIVERTER	16
C	25913-204-000	2" SOCKET × 2.5" SPIGOT 3-WAY CPVC DIVERTER	16
C	25913-254-000	2.5" SOCKET × 3" SPIGOT 3-WAY CPVC DIVERTER	16
D	25923-154-000	1.5" SOCKET WITH UNIONS 3-WAY CPVC DIVERTER	16
D	25923-204-000	2" SOCKET WITH UNIONS 3-WAY CPVC DIVERTER	16
GRAY PVC DIVERTER VALVES			
E	25932-151-000	1.5" SOCKET × 2" SPIGOT 2-WAY PVC DIVERTER	18
E	25932-201-000	2" SOCKET × 2.5" SPIGOT 2-WAY PVC DIVERTER	18
F	25933-151-000	1.5" SOCKET × 2" SPIGOT 3-WAY PVC DIVERTER	16
F	25933-201-000	2" SOCKET × 2.5" SPIGOT 3-WAY PVC DIVERTER	16

REPLACEMENT PARTS PAGE 179

CLEAR HYDROSEAL™ DIVERTER VALVES

PRODUCT FEATURES

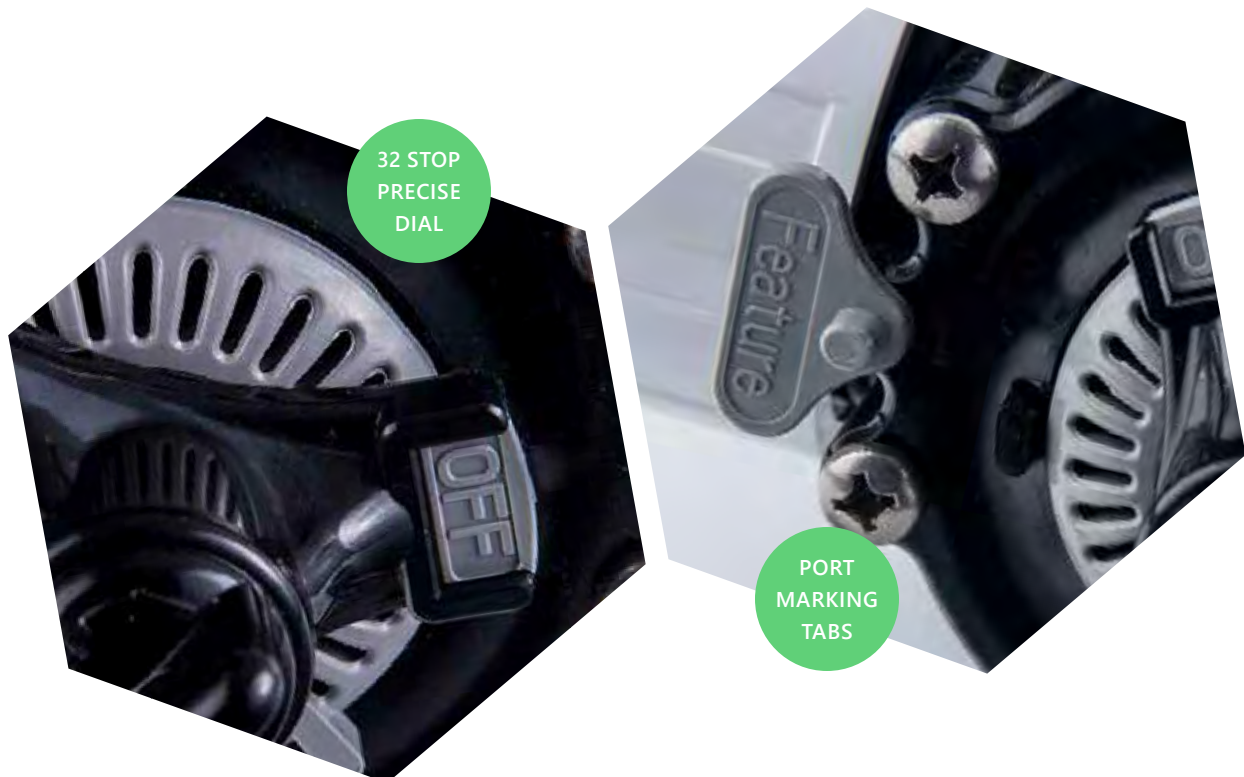
- NEW Clear PVC Body*
- Easily Inspect for Internal Debris
- Visibly Set the Diverter for More Precise Flow Control



ORDERING GUIDE

CMP P/N	DESCRIPTION	BOX QTY
3-WAY CLEAR PVC BODY DIVERTER W/ UNIONS		
25923-159-000	1.5" SOCKET WITH UNIONS 3-WAY CLEAR DIVERTER	12
25923-209-000	2" SOCKET WITH UNIONS 3-WAY CLEAR DIVERTER	12

*PVC Body Valves should not be used in temperatures over 104°



HydroCHECK™

SERVICEABLE CHECK VALVES

CMP HydroCheck Serviceable Check Valves are designed for demanding pool and spa applications. Dependable quality with a union lid nut for easy removal and service, clear lid for easy inspection, and high temp PVC body with longer sockets for better glue joints.

C-M-P.COM/HYDROCHECK-CHECK-VALVES

PRODUCT FEATURES

- Black CPVC Body
- Serviceable Clear Lid with Lock Nut
- Corrosion Proof Pin
- High temp CPVC and Longer Sockets for Better Glue Joints
- Silicone Check Seal Never Requires Lubrication
- Awarded the NSF International Seal



CORROSION RESISTANT CHECK VALVES

Available in Black CPVC or basic white PVC, HydroCheck Corrosion Resistant check valves are a durable, pro-level option that stand up to harsh chemical conditions.

- Protects Systems with a Chlorinator or Brominator Installed
- Ceramic Pin for Corrosion Protection
- Hastelloy Spring for High Stress and Corrosive Environments



ORDERING GUIDE

REF	CMP P/N	SPRING	MAX FLOW	MAX PSI	DESCRIPTION	BOX QTY
THREAD-ON SERVICEABLE CHECK VALVES						
A	25830-150-000	2 POUND	100gpm	50psi	1.5" SOCKET × 2" SPIGOT BLACK CPVC	12
A	25830-200-000	2 POUND	100gpm	50psi	2" SOCKET × 2.5" SPIGOT BLACK CPVC	12
A	25830-450-000	1/4 POUND	100gpm	50psi	1.5" SOCKET × 2" SPIGOT BLACK CPVC	12
A	25830-500-000	1/4 POUND	100gpm	50psi	2" SOCKET × 2.5" SPIGOT BLACK CPVC	12
THREAD-ON SERVICEABLE CORROSION RESISTANT CHECK VALVES						
B	25830-350-000	2 POUND	100gpm	50psi	1.5" SOCKET × 2" SPIGOT BLACK CPVC	12
B	25830-400-000	2 POUND	100gpm	50psi	2" SOCKET × 2.5" SPIGOT BLACK CPVC	12
C	25830-360-000	2 POUND	100gpm	50psi	1.5" SOCKET × 2" SPIGOT WHITE PVC	12
C	25830-410-000	2 POUND	100gpm	50psi	2" SOCKET × 2.5" SPIGOT WHITE PVC	12

REPLACEMENT PARTS PAGE 180

HYDROCHECK™ SERVICEABLE CHECK VALVES

STANDARD CPVC CHECK VALVES

- Black CPVC Body
- Serviceable Standard Clear Lid
- High temp CPVC and Longer Sockets for Better Glue Joints
- Silicone Check Seal Never Requires Lubrication
- Awarded the NSF International Seal



ORDERING GUIDE

REF	CMP P/N	SPRING	MAX FLOW	MAX PSI	DESCRIPTION	BOX QTY
STANDARD STYLE CPVC SERVICEABLE CHECK VALVES						
A	25830-704-000	2 POUND	125gpm	50psi	180° 1.5" SOCKET × 2" SPIGOT BLACK CPVC	12
A	25830-714-000	2 POUND	125gpm	50psi	180° 2" SOCKET × 2.5" SPIGOT BLACK CPVC	12
A	25830-250-000	2 POUND	125gpm	50psi	180° 2.5" SOCKET × 3" SPIGOT BLACK CPVC	12
A	25830-804-000	1/2 POUND	125gpm	50psi	180° 1.5" SOCKET × 2" SPIGOT BLACK CPVC	12
A	25830-814-000	1/2 POUND	125gpm	50psi	180° 2" SOCKET × 2.5" SPIGOT BLACK CPVC	12
B	25830-764-000	2 POUND	125gpm	50psi	90° 1.5" SOCKET × 2" SPIGOT BLACK CPVC	12
B	25830-774-000	2 POUND	125gpm	50psi	90° 2" SOCKET × 2.5" SPIGOT BLACK CPVC	12
B	25830-864-000	1/2 POUND	125gpm	50psi	90° 1.5" SOCKET × 2" SPIGOT BLACK CPVC	12
B	25830-874-000	1/2 POUND	125gpm	50psi	90° 2" SOCKET × 2.5" SPIGOT BLACK CPVC	12
C	25830-724-000	2 POUND	125gpm	50psi	NEW 1.5" SOCKET UNION VALVE, BLACK CPVC	12
C	25830-734-000	2 POUND	125gpm	50psi	NEW 2" SOCKET UNION VALVE, BLACK CPVC	12
BASIC CHECK VALVES						
D	25552-500-000	—	—	—	WHITE RETURN FITTING CHECK VALVE	400
D	25552-501-000	—	—	—	GRAY RETURN FITTING CHECK VALVE	400
D	25552-504-000	—	—	—	BLACK RETURN FITTING CHECK VALVE	400
D	25552-507-000	—	—	—	DK GRAY RETURN FITTING CHECK VALVE	400
E	25067-000-000	—	—	—	AIR CHECK VALVE 2" SPIGOT × 1.5" SOCKET	150
F	25062-159-000	—	—	—	CLEAR SWING CHECK VALVE 1.5" SOCKET	120
F	25062-209-000	—	—	—	CLEAR SWING CHECK VALVE 2" SOCKET	40
F	25062-000-000	—	—	—	WHITE SWING CHECK VALVE 1" SOCKET	120
F	25062-150-000	—	—	—	WHITE SWING CHECK VALVE 1.5" SOCKET	120

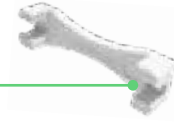
REPLACEMENT PARTS PAGE 181

LOCKING SLICE VALVES

A complete line of slice valves in a variety of configurations for pool and spa applications. CMP slice valves are assembled as one complete unit with 100% shut-off capabilities. Attention to design details makes these the best line of slice valves for every installation.

PRODUCT FEATURES

- 100% Shut-Off
- Lockable in Open Position
- Includes Press-Fit Valve Lock to Ensure a Constant Full Flow Open Position



ORDERING GUIDE

*All slice valves are white unless otherwise noted

REF	CMP P/N	DESCRIPTION	BOX/BAG
LOCKING SLICE VALVES			
A	25850-150-000	1.5" SOCKET × SOCKET	18
A	25850-200-000	2" SOCKET × SOCKET	18
A	25850-250-000	2.5" SPIGOT × SOCKET	18
A	25851-150-000	1.5" SPIGOT × SPIGOT	70
A	25851-200-000	2" SPIGOT × SPIGOT	64
A	25851-250-000	2.5" SPIGOT × SPIGOT	42
A	25852-150-000	1.5" SPIGOT × SOCKET	70
A	25852-200-000	2" SPIGOT × SOCKET	64
A	25852-250-000	2.5" SPIGOT × SOCKET	42
A	25853-150-000	1.5" SPIGOT × MALE UNION	70
A	25853-200-000	2" SPIGOT × MALE UNION	64
A	25853-250-000	2.5" SPIGOT × MALE UNION	42
A	25858-150-000	1.5" SLIP × MALE UNION	70
A	25858-200-000	2" SLIP × MALE UNION	64
A	25858-250-000	2.5" SLIP × MALE UNION	42
B	25854-150-000	1.5" MIP × FIP (WHITE)	70
B	25854-154-000	1.5" MIP × FIP (BLACK)	70
C	25855-150-000	1.5" FIP × SPLIT NUT	55
D	25856-150-000	1.5" MIP × HOSE ADAPTER	70
D	25856-154-000	1.5" MIP × HOSE ADAPTER (BLACK)	70
E	25857-150-000	1.5" SPLIT NUT × HOSE ADAPTER	55
E	25857-154-000	1.5" SPLIT NUT × HOSE ADAPTER (BLACK)	55
—	25850-000-100	REPLACEMENT SLICE VALVE LOCK	1000/200

TWO-WAY BALL VALVES

The CMP collection of ball valves includes one of the largest varieties in the industry. Our two-way ball valves include easy to adjust replaceable handles

PRODUCT FEATURES

- Durable PVC Construction
- Socket x Socket in 3/4" to 4" Sizes
- Unionized Valves in 1.5" to 2" Sizes



ORDERING GUIDE

REF	CMP P/N	DESCRIPTION	BOX/BAG
SOCKET x SOCKET BALL VALVES			
A	25800-751-000	3/4" S x S BALL VALVE	100
B	25800-110-000	1" S x S BALL VALVE	100
C	25800-151-000	1.5" S x S BALL VALVE	50
D	25800-210-000	2" S x S BALL VALVE	30
E	25800-251-000	2.5" S x S BALL VALVE	30
F	25800-310-000	3" S x S BALL VALVE	30
G	25800-410-000	4" S x S BALL VALVE	30
UNIONIZED BALL VALVES			
H	25802-151-000	1.5" SOCKET UNION BALL VALVE	32
H	25802-210-000	2" SOCKET UNION BALL VALVE	32
I	25802-651-000	1.5" FIP x MIP UNION BALL VALVE	12
J	25802-415-000	1.5" SOCKET DOUBLE UNION BALL VALVE	—
J	25802-420-000	2" SOCKET DOUBLE UNION BALL VALVE	—
ACCESSORIES			
—	25800-751-130	SILVER HANDLE FOR 3/4" BALL VALVE	550
—	25800-101-130	SILVER HANDLE FOR 1" BALL VALVE	550
—	25800-151-130	SILVER HANDLE FOR 1.5" BALL VALVE	250
—	25800-201-130	SILVER HANDLE FOR 2" BALL VALVE	250
—	25800-251-130	RED HANDLE FOR 2.5" BALL VALVE	200
—	25800-310-130	RED HANDLE FOR 3" BALL VALVE	30
—	25800-410-130	RED HANDLE FOR 4" BALL VALVE	30
—	25802-151-080	HANDLE FOR 1.5" UNION BALL VALVE	180
—	25802-651-080	HANDLE FOR 1.5" FIP x MIP	180
—	26100-530-462	O-RING FOR 1.5" UNION BALL VALVE	200
—	26100-651-462	INSIDE O-RING FOR 1.5" FIP x MIP	200

TOP MOUNT MULTIPORT VALVES

1½" × 2" TOP MOUNT VALVES

Valves for Pentair® and Tagelus® D filters, including TA 40D, TA 50D, and TA 60D. Always refer to your filter for correct sizing.

PRODUCT FEATURES

- Seven Multiport Functions
- Includes Valve & Clamp
- 1.5" FPT X 2" Buttress Fittings
- Flow 75 GPM
- Max Pressure 50 PSI



ORDERING GUIDE

REF	CMP P/N	COMPARE TO	DESCRIPTION	COMPATIBLE FILTERS	BOX QTY
1½" × 2" TOP MOUNT VALVE FOR SAND FILTER					
A	27500-154-000	262504	TM 1.5" FPT × 2" BUTTRESS, 6" BUTTRESS ADPT, WRENCH	TAGELUS® AFTER '91	1
B	27501-154-000	262505	TM 1.5" FPT × 2" BUTTRESS, 6" V-THREAD ADPT, WRENCH	TAGELUS® BEFORE '91	1
C	27502-154-000	262506	TM 1.5" FPT × 2" BUTTRESS, CLAMP	TAGELUS® BEFORE '91	1

REPLACEMENT PARTS PAGE 182

2" TOP MOUNT VALVE

Replacement valve for Pentair® Tagelus® TA 100D filter. Always refer to filter model for correct sizing.

PRODUCT FEATURES

- Fits Pentair® TAGELUS® & TAGELUS® D Sand Filters
- Six Multiport Functions
- 2" FPT Fittings
- 50 PSI Max Pressure
- 125 GPM Max Flow



ORDERING GUIDE

REF	CMP P/N	COMPARE TO	DESCRIPTION	COMPATIBLE FILTERS	BOX QTY
2" TOP MOUNT VALVE FOR SAND FILTER					
D	27510-204-000	261185	2" FPT TM SAND, CLAMP	TAGELUS® TA 100D	1

REPLACEMENT PARTS PAGE 182

[C-M-P.COM/MULTIPORT-VALVES](https://www.c-m-p.com/multiport-valves)

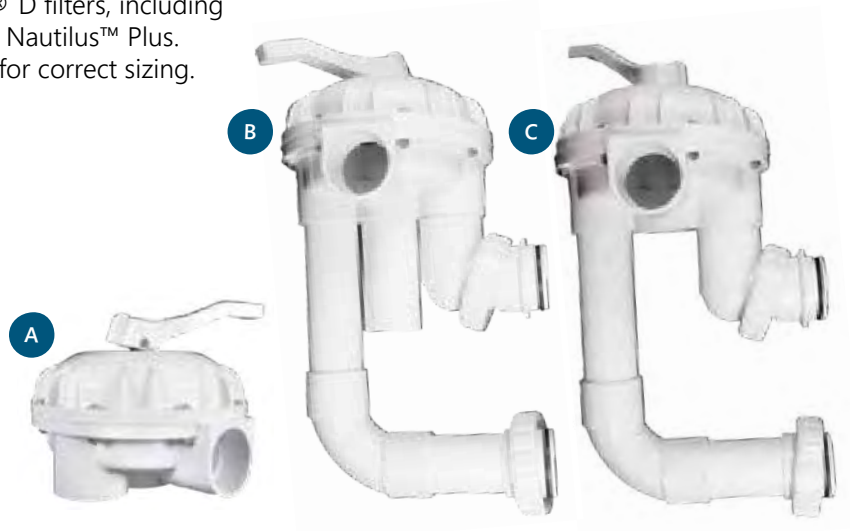
SIDE MOUNT MULTI-PORT VALVES

2" SIDE MOUNT VALVES

Valves for Pentair® and Tagelus® D filters, including Triton®, Quad D.E®, FNS® Plus, Nautilus™ Plus. Always refer to your filter model for correct sizing.

PRODUCT FEATURES

- Six Multiport Functions
- 2" Slip and Bulkhead Fittings
- 7½" Centerline Distance
- 50 PSI Max Pressure
- 125 GPM Max Flow



ORDERING GUIDE

REF	CMP P/N	COMPARE TO	DESCRIPTION	COMPATIBLE FILTERS	BOX QTY
2" SIDE MOUNT VALVES					
A	27503-200-000	261049	2" SM, SOCKET, SAND/DE	TRITON®, QUAD D.E®, FNS® PLUS, NAUTILUS™ PLUS	1
B	27504-200-000	261050	2" SM, SOCKET, SAND/DE	QUAD D.E®, PENTAIR® TRITON®	1
C	27506-200-000	261142	2" SM, SOCKET, DE	FNS® PLUS, NAUTILUS™ PLUS NSP DE	1

REPLACEMENT PARTS PAGE 183

2" SIDE MOUNT VALVE

Replacement valve for Pentair® Sta-Rite® DEP and DES filters. Always refer to your filter model for correct sizing

PRODUCT FEATURES

- Six Multiport Functions
- 2" FPT Fittings
- 50 PSI Max Pressure
- 95 GPM Max Flow



ORDERING GUIDE

REF	CMP P/N	OEM CROSS REF	DESCRIPTION	COMPATIBLE FILTERS	BOX QTY
2" SIDE MOUNT VALVE FOR SAND/DE FILTER					
D	27511-204-000	18201-0200	2" FPT SM, SAND/DE	DEP36, DEP36, DEP51, DEP83, DEP38, DES51, DES60	1

C-M-P.COM/MULTI-PORT-VALVES

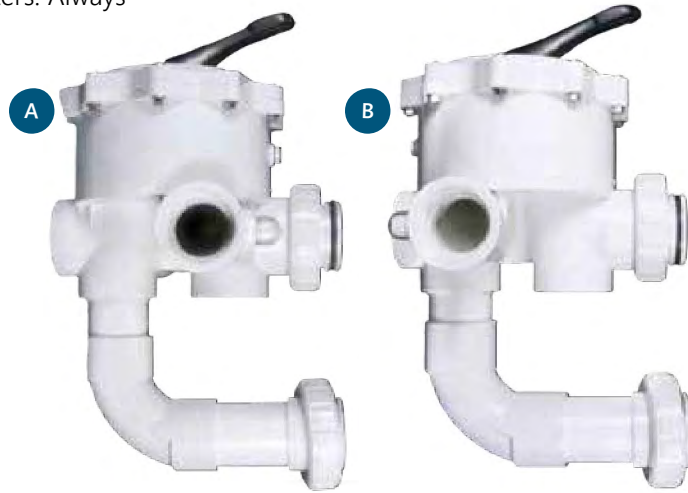
SIDE MOUNT MULTIPORT VALVES

2" SIDE MOUNT VALVES

Valves for Pentair® Triton® Sand filter and Quad D.E®, FNS® Plus, and Nautilus™ PLUS NSP DE filters. Always refer to your filter model for correct sizing

PRODUCT FEATURES

- Six Multiport Functions
- 2" FPT and Bulkhead Fittings
- 7½" Centerline Distance
- Max Flow 125 GPM
- Max Pressure 50 PSI



ORDERING GUIDE

REF	CMP P/N	COMPARE TO	DESCRIPTION	COMPATIBLE FILTERS	BOX QTY
2" SIDE MOUNT VALVE FOR SAND FILTER					
A	27505-200-000	261055	2" SM, FPT, SAND	PENTAIR® TRITON®, QUAD D.E®	1
B	27507-200-000	261152	2" SM, FPT, DE	FNS® PLUS, NAUTILUS™ PLUS NSP	1

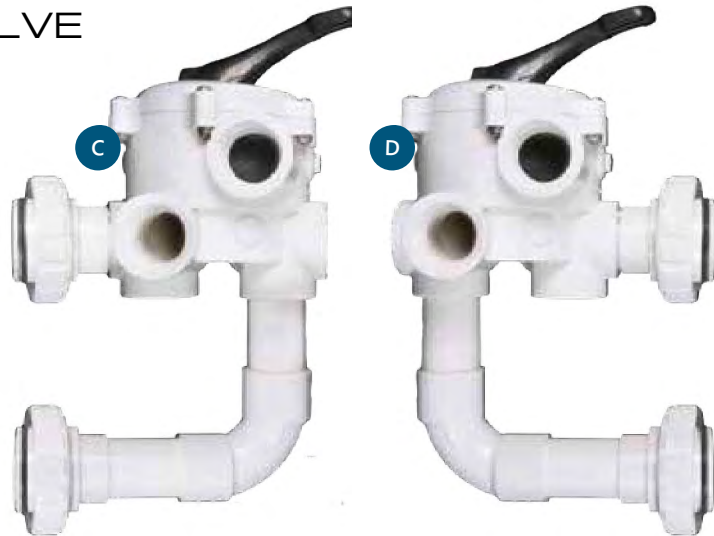
REPLACEMENT PARTS PAGE 184

1½" SIDE MOUNT VALVE

Replacement valves for Pentair® Triton® sand filters and Pentair® DE filters. Always refer to your filter model for proper sizing.

PRODUCT FEATURES

- Six Multiport Functions
- 1.5" FPT and Bulkhead Fittings
- 7½" Centerline Distance
- 50 PSI Max Pressure
- 75 GPM Max Flow



ORDERING GUIDE

REF	CMP P/N	COMPARE TO	DESCRIPTION	COMPATIBLE FILTERS	BOX QTY
1.5" SIDE MOUNT VALVES					
C	27508-150-000	261173	1.5" SM, FPT, SAND	PENTAIR® TRITON®	1
D	27509-150-000	261177	1.5" SM, FPT, DE	QUAD D.E®, FNS® PLUS, NAUTILUS™ PLUS NSP	1

REPLACEMENT PARTS PAGE 185

C-M-P.COM/MULTIPOINT-VALVES

TOP MOUNT MULTI-PORT VALVES

1½" TOP MOUNT VALVES

Multiport valve to replace Hayward SP714T Vari-Flo XL Valve. Fits many Hayward sand filters. Always refer to your filter model for correct sizing.

PRODUCT FEATURES

- Seven Multiport Functions
- 1.5" FPT Fittings
- 50 PSI Max Pressure
- 75 GPM Max Flow



ORDERING GUIDE

REF	CMP P/N	COMPARE TO	DESCRIPTION	COMPATIBLE FILTERS	BOX QTY
1.5" TOP MOUNT VALVE FOR SAND FILTER					
A	27515-154-000	SP0714T	1.5" TM, FPT, SAND	HAY S166T, S180T, S210T, S220T, S244T	1
B	27515-154-070	GMX600MN	REPLACEMENT CLAMP	HAY S166T, S180T, S210T, S220T, S244T	—

REPLACEMENT PARTS PAGE 184

2" TOP MOUNT VALVE

Multiport valve to replace Hayward SP071621 Vari-Flo Valve. Fits many Hayward sand filters. Always refer to your filter model for correct sizing.

PRODUCT FEATURES

- Six Multiport Functions
- 2" FPT Fittings
- 50 PSI Max Pressure
- 125 GPM Max Flow



ORDERING GUIDE

REF	CMP P/N	COMPARE TO	DESCRIPTION	COMPATIBLE FILTERS	BOX QTY
2" TOP MOUNT VALVE FOR SAND FILTER					
C	27518-204-000	SP071621	2" TM, FPT, SAND	HAY S220T/T2, S244T/T2, S270T/T2, S310T2, S360T2	1

REPLACEMENT PARTS PAGE 184

SIDE MOUNT MULTIPORT VALVES

1½" SIDE MOUNT VALVES

Multiport valve for Hayward Sand and DE side mount filters. Always refer to your filter model for correct sizing.

PRODUCT FEATURES

- Six Multiport Functions
- 1.5" FPT and Bulkhead Fittings
- Max Flow 50 GPM
- Max Pressure 50 PSI



ORDERING GUIDE

REF	CMP P/N	COMPARE TO	DESCRIPTION	COMPATIBLE FILTERS	BOX QTY
1.5" SIDE MOUNT VALVE					
A	27512-154-000	SP0710X32	1.5" SM, FPT, SAND	HAY S-200, S-240	1
B	27513-154-000	SP0710XR50	1.5" SM, FPT, SAND	HAY PRO-GRID VERTICAL GRID DE FILTERS	1
C	27514-154-000	SP0710X62	1.5" SM, FPT, SAND	HAY S210, S244S, S310S, S311SXV, S360SX	1
REPLACEMENT PARTS PAGE 186					

2" SIDE MOUNT VALVE

Multiport valve for Hayward Sand and DE side mount filters. Always refer to your filter model for correct sizing.

PRODUCT FEATURES

- **NEW** Heavy Duty Handle
- Six Multiport Functions
- 2" FPT and Bulkhead Fittings
- 50 PSI Max Pressure
- 125 GPM Max Flow



ORDERING GUIDE

REF	CMP P/N	COMPARE TO	DESCRIPTION	COMPATIBLE FILTERS	BOX QTY
2" SIDE MOUNT VALVES					
D	27516-204-000	SP0715XR50	2" SM, FPT, DE	HAY PRO-GRID VERTICAL GRID DE FILTERS	1
E	27517-204-000	SP0715X62	2" SM, FPT, SAND	HAY S210, S244S, S310S, S311SXV, S360SX	1
REPLACEMENT PARTS PAGE 187					

HAYWARD® IS A REGISTERED TRADEMARK OF HAYWARD INDUSTRIES

[C-M-P.COM/MULTIPORT-VALVES](https://www.c-m-p.com/multiport-valves)

MULTI-PORT VALVES

2" SIDE MOUNT VALVE

Multiport valve for Jandy side mount sand filters. Always refer to your filter model for correct sizing.

PRODUCT FEATURES

- 1.5" Threaded FPT Fittings



ORDERING GUIDE

REF	CMP P/N	COMPARE TO	DESCRIPTION	COMPATIBLE FILTERS	BOX QTY
2" SIDE MOUNT VALVE FOR SAND FILTER					
A	27519-204-000	BWVL-MPV	2" SM, FPT, SAND	JS60, JS100	1
REPLACEMENT PARTS PAGE 186					

1½" TOP MOUNT VALVE

Multiport valve for Waterway top mount sand filters. Always refer to your filter model for correct sizing.

PRODUCT FEATURES

- 1.5" Lock Nut FPT Fittings



ORDERING GUIDE

REF	CMP P/N	COMPARE TO	DESCRIPTION	COMPATIBLE FILTERS	BOX QTY
1.5" TOP MOUNT VALVE FOR SAND FILTER					
B	27520-154-000	WVS003	1.5" TM, LOCK NUT FPT, SAND	BAQUAPURE, CLEARWATER	1
REPLACEMENT PARTS PAGE 187					

JANDY® IS A REGISTERED TRADEMARK OF ZODIAC INTERNATIONAL; WATERWAY® IS A REGISTERED TRADEMARK OF WATERWAY PLASTICS, INC

SLIDE VALVES

7½ "P" SLIDE VALVES



"H" SLIDE VALVES



ORDERING GUIDE

REF	CMP P/N	COMPARE TO	DESCRIPTION	COMPATIBLE FILTERS	BOX QTY
7.5" SLIDE VALVE ASSEMBLY					
A	25831-119-750	263064	CREAM 7.5" SLIDE VALVE ASSY (PICTURED)	TRITON®, FNS® NAUTILUS™	1
A	25831-114-750	263064	BLACK 7.5" SLIDE VALVE ASSY	TRITON®, FNS® NAUTILUS™	1
A	25831-119-790	263079	CREAM 7.5 SLIDE VALVE ASSY (LESS UNION)	TRITON®, FNS® NAUTILUS™	1
—	25831-130-000	—	NEW 7.5" SLIDE VALVE ASSY OLD STYLE*	TRITON®, FNS® NAUTILUS™	1
SLIDE VALVE INTERNALS FOR 7.5" SLIDE VALVE BODIES					
B	25831-110-100	263055	7.5" SLIDE VALVE INTERNAL	TRITON®, FNS® NAUTILUS™	1
—	25831-112-100	263055 (SS)	SS 7.5" SLIDE VALVE INTERNAL	TRITON®, FNS® NAUTILUS™	1
—	25831-130-100	51013811	NEW 7.5" SLIDE VALVE INTERNAL OLD STYLE	TRITON®, FNS® NAUTILUS™	1
H SLIDE VALVE ASSEMBLY					
C	25831-004-000	SP0410X502S	BLACK DE SLIDE VALVE ASSY	Micro-Clear, Pro-Grid	1
C	25831-014-000	SP0410X602S	BLACK SAND SLIDE VALVE ASSY	S311SX, S311SXV, S360SX,	1
SLIDE VALVE INTERNALS FOR H SLIDE VALVE BODIES					
D	25831-000-100	SPX0419BA	H SLIDE VALVE INTERNAL	FITS ABOVE "H" STYLES	1

*not pictured, visit www.c-m-p.com for more info

Always refer to your filter model for correct sizing.

SLIDE VALVES & AIR RELIEF VALVES

“P” VALVE INTERNALS



AIR RELIEF VALVES



ORDERING GUIDE

REF	CMP P/N	COMPARE TO	DESCRIPTION	COMPATIBLE FILTERS	BOX QTY
REPLACEMENT SLIDE VALVE INTERNALS					
A	25831-120-100	273241	INTERNAL FOR 261165 BODY	—	1
B	25831-122-100	273241 (SS)	SS INTERNAL FOR 261165 BODY	—	1
—	25831-130-100	51013811	INTERNAL FOR 263034 BODY 7.5"	TRITON®, FNS®, NAUTILUS™	1
AIR RELIEF VALVES					
C	25357-154-000	154689	BLACK AIR RELIEF VALVE	—	—
D	25357-983-000	154687	BLACK AIR RELIEF VALVE	—	—
E	25357-240-000	DEX2400S	BLACK AIR RELIEF VALVE	—	—
F	25357-982-000	98209800	BLACK AIR RELIEF VALVE & GAUGE	—	—
—	25357-357-000	R0357	BLACK AIR RELIEF VALVE & GAUGE	—	—

Always refer to your filter model for correct sizing.

SpaMASTER™

CMP is totally committed to providing the most complete and innovative selection of in ground spa products in the pool industry. That's why we continue to add each year to our already expansive line of products for in ground spas.

With the Spa Master™ brand you can always expect:

- The **largest selection** of in ground spa components & systems in the industry
- Professional level systems designed to make installations simpler and faster
- Complete component systems for gunite, vinyl & fiberglass in ground pools



SPA MASTER™ SPA SYSTEMS

2" Gunitite Jets 84

2½" Gunitite Jets 88

1½" Gunitite Jets 93

Swim Jets 94

Step Jets 95

JetArray® 96

Venturi Tees 99

WWW.C-M-P.COM/POOL-PRODUCTS/SPA-MASTER-SPA-SYSTEMS

SPA MASTER™ 2" INSIDER GUNITE JET INTERNALS

Get a true spa experience with these interchangeable jet internals modeled after the popular CMP wave style jets. The wave style is a popular design for many major hot tub manufacturers. Benefit from the same quality design with the new 2" jet internals for in ground gunite pools.

C-M-P.COM/2-INCH-GUNITE-JETS

PRODUCT FEATURES

- CMP Wave Jet Design
- 4.25" Face Diameter
- Three Flow Orifices (FIG 1 - flow chart and diagram page 87)
- High-End Stainless Steel Spa Jet Design
- Three Color Options Available
- Standard or Deep Dish Niche Installation



FIGURE 1



ORDERING GUIDE

REF	SS/WHITE	SS/GRAY	SS/BLACK	STYLE	BOX QTY
2" INSIDER FLANGE GUNITE JET INTERNALS					
A	25591-110-000	25591-111-000	25591-114-000	DIRECTIONAL INTERNAL	100
B	25591-120-000	25591-121-000	25591-124-000	ROTATIONAL INTERNAL (SPINS)	100
C	25591-130-000	25591-131-000	25591-134-000	DOUBLE ROTO INTERNAL (SPINS)	100
D	25591-140-000	25591-141-000	25591-144-000	MASSAGE INTERNAL	100
E	25591-150-000	25591-151-000	25591-154-000	VTX INTERNAL (SOFT DIRECTIONAL)	100

SPA MASTER™ 2" INSIDER GUNITE JET BODIES

INSTALL GUNITE SPA JETS WITH 2" PIPE

A new Gunite Jet system from CMP that is easier to install using the more standard 2" plumbing sizes. Available for Gunite pool installations. All 2" jets plumb with 2" pipe, and accept the new wave style jet internals. A more genuine spa experience for in ground gunite pools.

2" STRAIGHT BODY



2" GUNITE BODY



ORDERING GUIDE

REF	CMP P/N	DESCRIPTION	BOX QTY
2" STRAIGHT BODY 1.5" SP(1" S) Water × 1" SP (0.5" S) Air			
A-D	25581-290-000	2" STRAIGHT BODY, WALL FITTING, THREADED RING WITH WHITE STD NICHE	50
A-C	25581-200-000	2" STRAIGHT BODY, WALL FITTING, THREADED RING WITHOUT NICHE	50
2" GUNITE BODY 2" S Water × 1.5" S Air			
E-H	25580-290-000	2" GUNITE BODY, WALL FITTING, THREADED RING WITH WHITE STD NICHE	25
E-G	25580-200-000	2" GUNITE BODY, WALL FITTING, THREADED RING WITHOUT NICHE	25

INTERCHANGEABLE INTERNALS 2" JETS PAGE 84

SPA MASTER™ 2" INSIDER PARTS & ACCESSORIES

DEEP DISH NICHE

- Internal Fits Flush in the Wall
- Cleaner Installed Appearance
- Sold Separately



2" GUNITE JET PARTS & ACCESSORIES



2" NICHES NOW INCLUDE
PLASTER CAP FOR INSTALLATION

ORDERING GUIDE

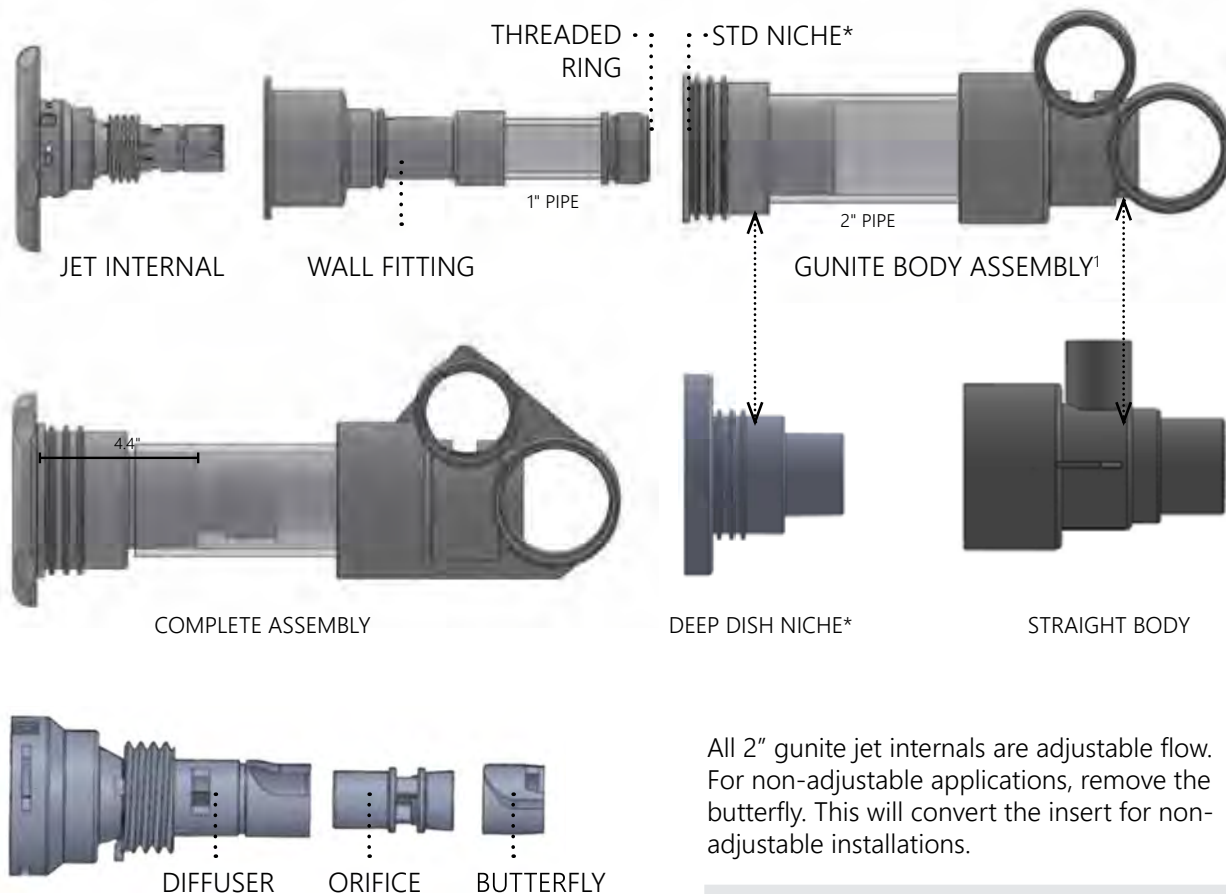
REF	WHITE	GRAY	BLACK	DESCRIPTION	BOX QTY
2" JET PARTS & ACCESSORIES					
A	25580-920-190	25580-921-190	25580-924-190	DEEP NICHE & PLASTER CAP FOR 2" JETS	—
B	25580-200-190	25580-201-190	25580-204-190	STANDARD DISH NICHE & PLASTER CAP FOR 2" JETS	—
C	25580-200-030	25580-201-030	25580-204-000	WALL FITTING FOR 2" JETS	—
D	25590-000-200	—	—	JET TOOL & PLUG FOR 2" JETS	—
E	25580-000-120	—	—	THREADED RING	—



SPA MASTER™ 2" INSIDER JET INSTALLATION

GUNITE INSTALLATION & PRESSURE TEST GUIDE

1. Run ties through holes in the Jet Body braces, and attach to the rebar
2. Glue the 2" PVC pipe into the Jet Body. Cap the other end of the 2" pipe for pressure testing. (PVC pipe is not included)
3. After the pool is gunited, chip out the wall around the pipe to provide enough area for the Niche. Cut the pipe so that the Niche will be at the finished level of the wall. Glue the Niche into the 2" pipe. Tape over niche and plaster.
4. Glue the Threaded Ring onto the 1" pipe. Thread into jet and draw a mark on the 1" pipe even with the opening of the niche. Unthread and cut pipe. Glue the Wall Fitting to the end of the 1" pipe. Lubricate the o-ring. Insert this assembly back through the Niche and the 2" pipe and thread clockwise into the Jet Body. Tighten with the Gunite Jet Tool. (sold separately) Pressure testing can now be done by threading the Gunite Jet Wrench into the Wall Fitting.
5. Choose the desired jet face internal and the desired Jet Orifice. (see flow chart below) Insert the Jet Orifice into the back of the Diffuser, long tube first. Insert the Butterfly. Thread the jet internal into the Wall Fitting until the stop.



All 2" gunite jet internals are adjustable flow. For non-adjustable applications, remove the butterfly. This will convert the insert for non-adjustable installations.

STYLE	1/4"	3/8"	1/2"
	GPM	GPM	GPM
ORIFICE FLOW RATES			
DIRECTIONAL/VTX	7-10	13-17	22-26
SINGLE/DBL ROTO	8-11	13-17	22-26
MESSAGE	7-10	13-17	N/A

NOTE: Distance between the end of the niche and the 1" PVC pipe must be 4.4"

¹ standard niche only included with P/N 25580-290-000,25581-290-000

² deep dish niche sold separately

SPA MASTER™ 2½" GUNITE/FIBERGLASS INTERNALS

SCALLOPED 3½" FLANGE INTERNALS

- 3-1/2" Jet Face
- Fits in All Spa Master 2-1/2" Bodies
- Adjustable Air & Water
- 5/16" Orifice = 10 GPM



HIGH FLOW JET INTERNALS

POWER JET INTERNALS

- Non-Adjustable
- Includes Four Orifices:
 - 5/16" = 10 GPM
 - 3/8" = 13 GPM
 - 7/16" = 17 GPM
 - 1/2" = 22 GPM



WHIRLPOOL INTERNALS

- Non-Adjustable
- 3/4" Orifice
- 40-60 GPM



ORDERING GUIDE

REF	WHITE	GRAY	BLACK	DARK GRAY	TAN	TWO-TONE LT/DK GRAY	STYLE	BOX QTY
3.5" FLANGE SCALLOPED JET INTERNALS								
A	25591-210-000	25591-211-000	25591-214-000	25591-217-000	25591-219-000	25591-211-700	DIRECTIONAL	100
B	25591-220-000	25591-221-000	25591-224-000	25591-227-000	25591-229-000	25591-221-700	ROTATIONAL	100
C	25591-230-000	25591-231-000	25591-234-000	25591-237-000	25591-239-000	25591-231-700	PULSATOR	100
D	25591-240-000	25591-241-000	25591-244-000	25591-247-000	25591-249-000	25591-241-700	MASSAGE	100
E	25591-250-000	25591-251-000	25591-254-000	25591-257-000	25591-259-000	25591-251-700	TWIN-SPIN	100
HIGH FLOW JET INTERNALS								
F	25583-000-000	25583-001-000	25583-004-000	25583-007-000	25583-009-000	—	WHIRLPOOL	150
G	25582-000-000	25582-001-000	25582-004-000	25582-007-000	25582-009-000	—	POWER JET	50

SPA MASTER™ 2½" JET BODIES

The original and most popular CMP Spa Master Jet system. Available in Gunite or Fiberglass installation options. All 2.5" jets plumb with 2.5" pipe, and accept all CMP 2.5" jet internals on the previous page.

2.5" STRAIGHT BODY



2.5" GUNITE BODY



2.5" FIBERGLASS BODY



ORDERING GUIDE

REF	CMP P/N	DESCRIPTION	BOX QTY
2.5" STRAIGHT BODY 1.5" SP(1" S) Water × 1" SP (0.5" S) Air			
A-D	25581-090-000	2.5" STRAIGHT BODY, WALL FITTING, THREADED RING WITH WHITE STD NICHE	50
A-C	25581-000-000	2.5" STRAIGHT BODY, WALL FITTING, THREADED RING WITHOUT NICHE	50
A	25581-000-010	STRAIGHT BODY ONLY	100
2.5" GUNITE BODY 2" Socket Water × 1.5" Socket Air			
E-H	25580-090-000	2.5" GUNITE BODY W/ WHITE NICHE	25
E-G	25580-000-000	2.5" GUNITE BODY WITHOUT NICHE	25
E	25580-000-010	GUNITE BODY ONLY	30
FIBERGLASS BODY JETS			
I	25594-150-000	FIBERGLASS JET ASSEMBLY 1" S AIR × 1.5" S WATER	50
J	25594-100-000	FIBERGLASS JET ASSEMBLY 1" S AIR × 1" S WATER	50
K	25594-160-000	FIBERGLASS JET ASSEMBLY .5" S AIR × 1.5" S WATER	50
INTERCHANGEABLE INTERNALS 2.5" JETS PAGE 88			

SPA MASTER™ 2½" JETS

DEEP DISH NICHE

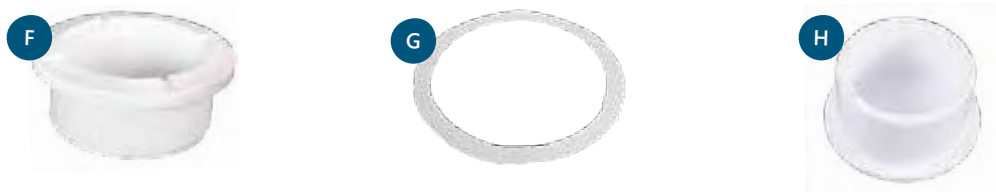
- Internal Fits Flush in the Wall
- Cleaner Installed Appearance
- Sold Separately



2.5" GUNITE JET PARTS & ACCESSORIES



2.5" FIBERGLASS JET PARTS & ACCESSORIES



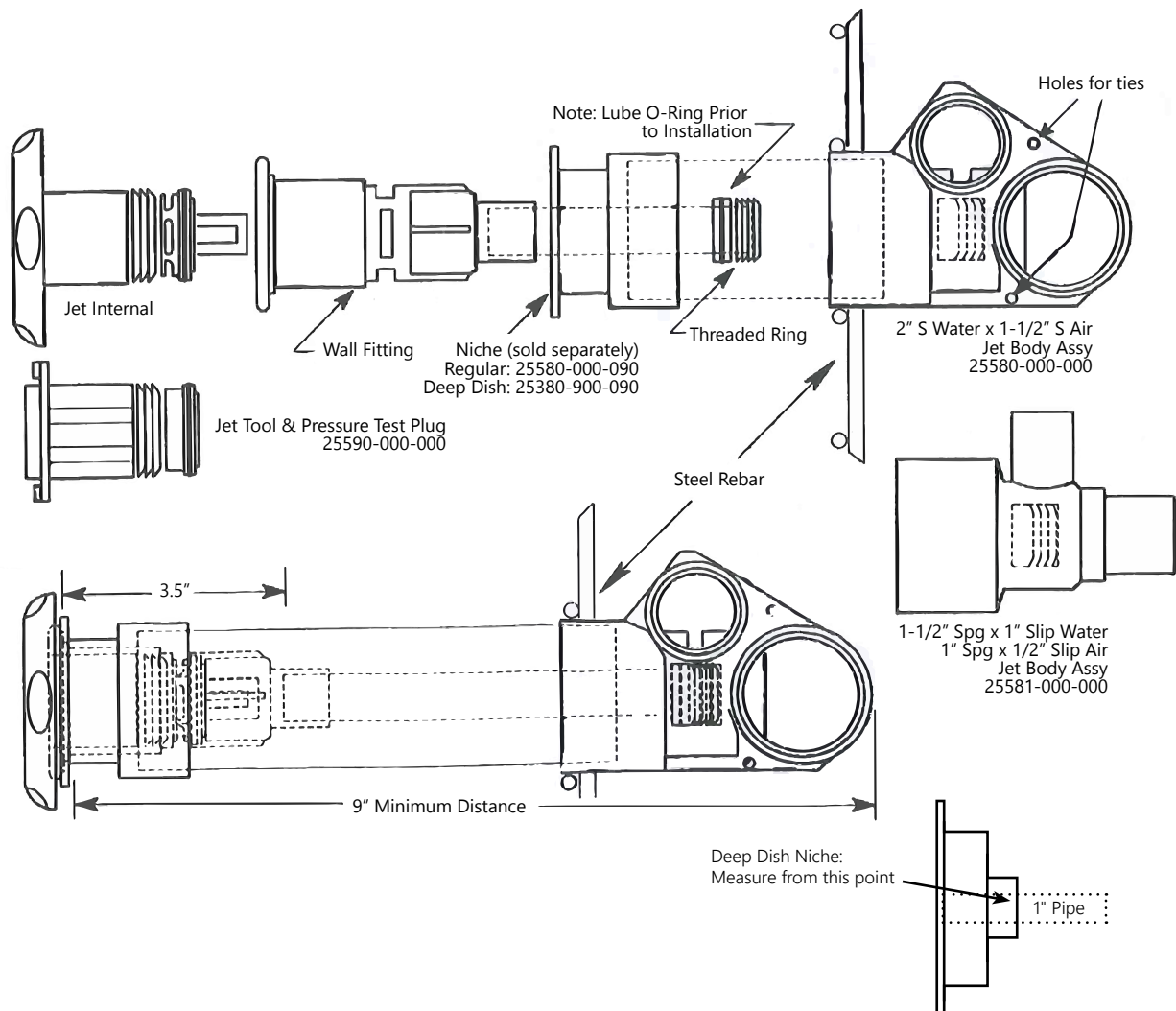
ORDERING GUIDE

REF	WHITE	GRAY	BLACK	DARK GRAY	TAN	DESCRIPTION	BOX QTY
2.5" JET PARTS & ACCESSORIES							
A	25580-900-090	25580-901-090	25580-904-090	25580-907-090	25580-909-090	DEEP DISH NICHE	100
B	25580-000-090	25580-001-090	25580-004-090	25580-007-090	25580-009-090	GUNITE STD JET NICHE	100
C	25580-000-030	25580-001-030	25580-004-030	25580-007-030	25580-009-030	GUNITE WALL FITTING	150
D	25590-000-000	—	—	—	—	THREADED RING (1" S)	1000
E	25580-000-120	—	—	—	—	JET WRENCH & PLUG	200
F	25594-100-000	—	—	—	—	FG JET WALL FITTING	50
G	26200-234-421	—	—	—	—	EPDM L-GASKET	1800
H	25577-950-020	—	—	—	—	1.5" SLIP PLUG	600

SPA MASTER™ 2½" JET INSTALLATION

GUNITE INSTALLATION & PRESSURE TEST GUIDE

1. Run ties through holes in jet body braces and attach to rebar.
2. Estimate length of 2.5" PVC pipe as needed for wall thickness. Cut pipe longer than needed. Glue the 2.5" PVC pipe into jet body. Cap other end of 2.5" pipe for pressure testing.
3. After pool is gunite-ed, chip out wall around pipe to provide enough area to glue on niche. Cut pipe flush with wall and glue niche onto pipe.
4. Glue the threaded ring onto one end of the 1" PVC pipe. Do not cut 1" pipe yet. Lube the o-ring on the threaded ring. Insert the threaded ring end of this assembly inside the 2.5" PVC and thread clockwise into jet body until tight. Make a mark on the 1" PVC pipe that is flush with the end of the niche or inside the deep dish niche (see below), then remove this assembly from jet body by turning counterclockwise.
5. Shorten the length of the 1" PVC pipe by measuring 3.5" back from the mark on the pipe and cut. Glue wall fitting onto this cut end. Lube o-ring on threaded ring, if needed, add teflon tape onto threads and insert this new assembly back through the 2.5" PVC pipe and thread clockwise into jet body. Tighten with Gunitite Jet Tool. Pressure testing can now be done by threading the Gunitite Jet Tool into wall fitting until tight.
6. Choose desired jet face internal. Thread jet internal into wall fitting until tight.



SPA MASTER™ 2" GUNITE MINI SPA JET

PRODUCT FEATURES

- Small Jet Face Footprint
- Plumbs with 2" PVC Pipe
- Assembly Includes Jet, Body, & Wall Fitting
- 2" Water × 1.5" Air
- 10 GPM
- *Note: 2" Pipe Not Included*



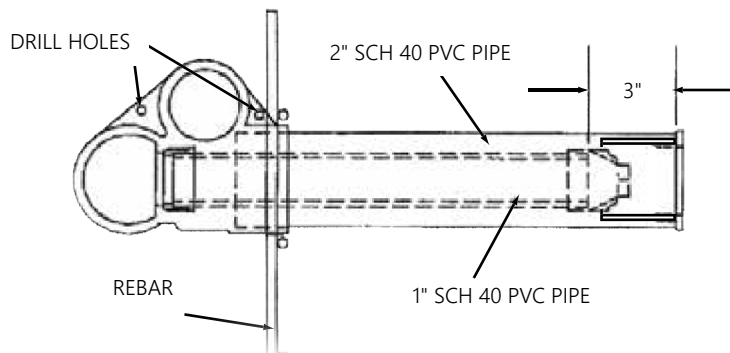
ORDERING GUIDE

REF	CMP P/N	DESCRIPTION	BOX QTY
2" GUNITE MINI SPA JET ASSEMBLY			
A,B	25592-010-000	DIRECTIONAL 2" JET ASSEMBLY	30
A,C	25592-020-000	"WHIRLY" ROTO 2" JET ASSEMBLY	30
A,D	25592-030-000	PULSATOR 2" JET ASSEMBLY	30

INSTALLATION GUIDE

1. Drill holes Jet Body as shown in the figure below. Run ties through the holes to attach the body to rebar.
2. Based on the thickness of the pool wall, estimate the lengths of 1" and 2" PVC Pipe required. Cut both sizes of PVC Pipe to the same length to be at least 4" longer than estimated. Glue the 2" PVC Pipe to the Jet Body as shown.
3. After plastering the pool, cut the 2" PVC pipe to be flush with the wall and glue Gunite Wall Fitting to the inside of 2" PVC Pipe.
4. Glue the Retainer Ring to one end of the 1" PVC Pipe. To pressure test, plug the other end with a 1" cap. Insert the 1" PVC Pipe assembly with the cap installed into the Jet Body (tighten clockwise) then perform pressure test.
5. After pressure testing, mark the 1" PVC Pipe where it is flush with the pool wall. Remove the 1" PVC Pipe Assembly from the Jet Body, measure back 3" from the mark and cut. Glue the Nozzle to the 1" PVC Pipe to complete the assembly.
6. Insert the 1" PVC Pipe Assembly into the 2" PVC Pipe Assembly and tighten with a 5/8" socket, or cut a slot in a piece of 1" PVC pipe to match the tabs on the nozzle and use it to tighten the assembly.
7. Screw the Eyeball Wall Fitting into the Gunite Wall Fitting.
8. Carefully insert the desired Jet Face into the Eyeball Wall Fitting making sure the legs of the Jet Face are not forced onto the tabs of the Nozzle which can cause damage.

NOTE: The distance from the end of the 2" PVC Pipe and the 1" PVC Pipe must be 3" ; any other distance will result in Jet malfunction. Jet may not aspirate or the Jet Face may be blown out.

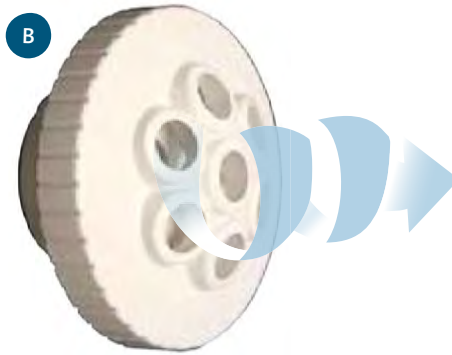


SPA MASTER™ 1½" GUNITE JETS

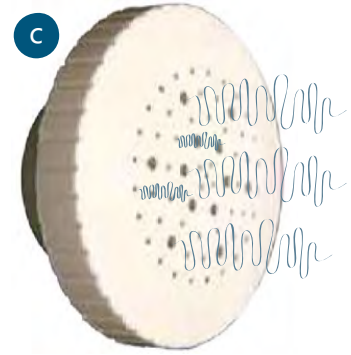
Spa Master 1-1/2" Gunite Jet Internals work with standard gunite jet bodies. Just thread them into wall fittings with 1.5" FPT threads. These internals are 1-1/2" MPT and thread into standard wall fittings to give the bather choices in returns besides a directional eyeball fitting. These are designed for "therapy massage" performance. Combine with CMP Venturi Tees in any pool for enhanced performance.



A
PULSATOR: EXCITING
ROTATING ACTION



B
ROTATES: RELAXING
MASSAGE ACTION



C
GENTLE "RAIN" THERAPY:
WITH OR WITHOUT
SPINNING MASSAGE

ORDERING GUIDE

REF	WHITE	GRAY	BLACK	DARK GRAY	TAN	DARK BLUE	DESCRIPTION	BOX QTY
1.5" GUNITE JET INTERNALS								
A	23315-030-000	23315-031-000	23315-034-000	23315-037-000	23315-039-000	23315-069-000	PULSATOR	500
B	23315-240-000	23315-241-000	23315-244-000	23315-247-000	23315-249-000	—	MASSAGE	—
C	23315-300-000	23315-301-000	23315-304-000	23315-307-000	23315-309-000	—	RAIN	200
C	23315-340-000	23315-341-000	23315-434-000	23315-347-000	23315-349-000	—	RAIN MASSAGE	200

ROTATING PULSATOR EYEBALL

- Add Spinning Action to a Standard 1.5" Return
- Replace Directional Eye with Rotating Pulsator Eye
- Includes Eyeball Only
- Standard 1.5" Return Fitting is Sold Separately



Shown installed in an eyeball fitting (sold separately)

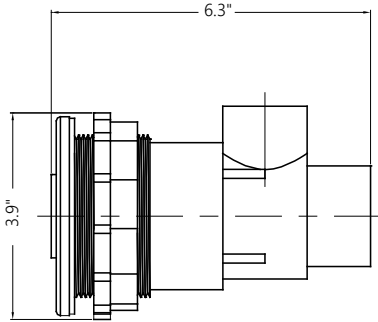
ORDERING GUIDE

REF	WHITE	GRAY	BLACK	DARK GRAY	TAN	LIGHT BLUE	DARK BLUE	BOX QTY
ROTATING PULSATOR EYEBALL ONLY								
D	23315-100-000	23315-101-000	23315-104-000	23315-107-000	23315-109-000	23315-119-000	—	—

SPA MASTER™ SWIM JETS

WHIRLPOOL SWIM JET

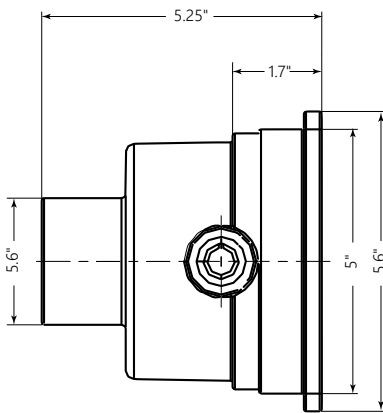
- 1" Orifice (90-110 GPM)
- 1" Socket Air × 1.5" Spigot Water
- 3½" Hole Saw Size



TURBO POWER SWIM JET

Turbo Technology: More Powerful Than the Average Jet

- 2" SP/1.5" S Water × 1" SP/.5" S Air
- 4½" Hole Saw Size
- Three Different Orifice Sizes Included:
 - 5/8" (30-40 GPM)
 - 3/4" (60-75 GPM)
 - 1" (90-110 GPM)



ORDERING GUIDE

REF	CMP P/N	DESCRIPTION	BOX QTY
WHIRLPOOL SWIM JET			
A	23312-000-000	WHITE WHIRLPOOL SWIM JET	60
A	23312-001-000	GRAY WHIRLPOOL SWIM JET	60
TURBO POWER SWIM JET			
B	23551-660-000	WHITE TURBO POWER SWIM JET	30
B	23551-661-000	GRAY TURBO POWER SWIM JET	30
C	23551-699-999	SWIM JET WRENCH	—

SPECIALTY JETS & ACCESSORIES

3.5" STEP JET KITS

PRODUCT FEATURES

- Directional or Pulsator Jets
- Available in White or Gray
- Complete Install Kit Includes:
 - (2) Jets, (2) Air Controls
 - (2) 1-1/2" Plugs, (2) 1" Plugs
 - (1) 1-1/2" Tee, (2) Fitting Wrenches
 - (2) 3ft lengths of 1" Flex Pipe
 - (2) Winterizing Plugs, (1) Can of glue



SPA AIR CONTROLS

PRODUCT FEATURES

- 5-Scallop Topside Design
- Top Draw
- 0.5" Socket Style Fits Inside 1.5" Pipe
- Four Color Options



GUNITE/FG 1" S CONTROL

SLIM GUNITE .5" S CONTROL

ORDERING GUIDE

REF	CMP P/N	DESCRIPTION	BOX QTY
SPECIALTY JETS & ACCESSORIES			
A	25591-910-000	WHITE DIRECTIONAL STEP JET KIT	—
A	25591-911-000	GRAY DIRECTIONAL STEP JET KIT	—
A	25591-930-000	WHITE PULSATOR STEP JET KIT	—
A	25591-931-000	GRAY PULSATOR STEP JET KIT	—
B	25098-000-000	WHITE GUNITE/FIBERGLASS SPA AIR CONTROL (1" SOCKET)	300
B	25098-001-000	GRAY GUNITE/FIBERGLASS SPA AIR CONTROL (1" SOCKET)	300
B	25098-004-000	BLACK GUNITE/FIBERGLASS SPA AIR CONTROL (1" SOCKET)	300
B	25098-009-000	TAN GUNITE/FIBERGLASS SPA AIR CONTROL (1" SOCKET)	300
C	25099-000-000	WHITE SLIM GUNITE SPA AIR CONTROL (1/2" SOCKET)	400
C	25099-001-000	GRAY SLIM GUNITE SPA AIR CONTROL (1/2" SOCKET)	400
C	25099-004-000	BLACK SLIM GUNITE SPA AIR CONTROL (1/2" SOCKET)	400
C	25099-009-000	TAN SLIM GUNITE SPA AIR CONTROL (1/2" SOCKET)	400

JetArray®

BY SULTAN PRODUCTS

SpaMASTER™

The Spa Master JetArray by Sultan Products* is a professional system that speeds up the installation of multiple jets and creates an even water flow distribution.

This patented system prevents under performing jets caused by plumbing high and low. The Spa Master JetArray is the best way to achieve a consistent, powerful spa seat installation.

POWERFUL SPA JET THERAPY

- EVEN FLOW DISTRIBUTION
- SYSTEMS FOR UP TO 80 GPM

EASY TO INSTALL

- NO MOVING PARTS / NO SERVICE REQUIRED
- ONE ARRAY EQUALS FOUR JETS

PROTECTED BY TWO U.S. PATENTS

U.S. PATENT 7,493,665 & U.S. PATENT 6,804,841

NEW JET ARRAY INLINE

- CAN BE INSTALLED FOR SWIM SPA CURRENT ACTION
- MULTIPLE CONFIGURATIONS, INCLUDING POOL FLOOR
- EXPANDABLE BY ATTACHING IN A SERIES

**THE SPA MASTER JET ARRAY IS DESIGNED BY SULTAN PRODUCTS AND MANUFACTURED BY CMP.
JET ARRAY® IS A REGISTERED TRADEMARK OF SULTAN PRODUCTS*



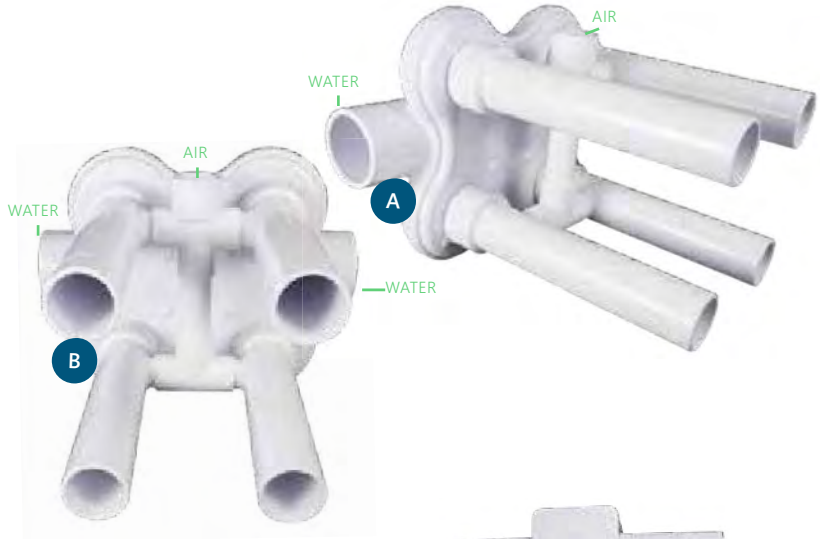
JETARRAY® CLUSTER & INLINE

SpaMASTER

2X2 CLUSTER

PRODUCT FEATURES

- U.S. PATENT #6,804,841
- 70-80 GPM*
- Includes 1", 1.5", & 2" Adapters
- 2" Socket (Water)
- 3/4" Socket (Air)



4 PORT INLINE

PRODUCT FEATURES

- U.S. PATENT #6,804,841
- U.S. PATENT #7,493,665
- Vertical or Horizontal Layout
- 1/2" Jet Line Pre-Installed (see diagram on next page)

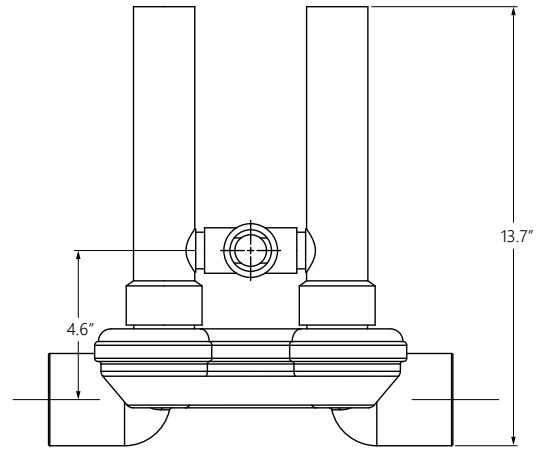
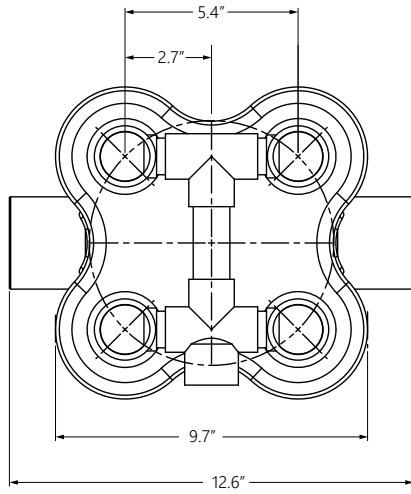


ORDERING GUIDE

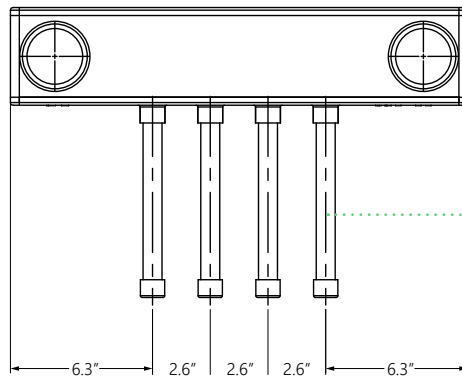
REF	CMP P/N	DESCRIPTION	BOX QTY
SPA MASTER JETARRAY			
A	23308-910-000	JET ARRAY SINGLE PORT (WATER ON BOTTOM)	1
B	23308-900-000	DUAL PORT (WATER ON SIDES)	1
C	23308-930-000	JET ARRAY INLINE	1
JET ARRAY ACCESSORIES (SOLD SEPARATELY)			
D	25523-750-000	WHITE 1/2" INSIDER FITTING (FOR INLINE)	—
D	25523-751-000	GRAY 1/2" INSIDER FITTING (FOR INLINE)	—
D	25523-754-000	BLACK 1/2" INSIDER FITTING (FOR INLINE)	—
D	25523-757-000	DARK GRAY 1/2" INSIDER FITTING (FOR INLINE)	—
D	25523-759-000	TAN 1/2" INSIDER FITTING (FOR INLINE)	—
—	23302-000-040	*55-65 GPM REDUCER (4 REQUIRED)	2000
—	23302-100-040	*45-55 GPM REDUCER (4 REQUIRED)	2000
—	23308-100-050	NOZZLE EXTENDER 12"	250
—	23308-100-020	NOZZLE EXTENDER 4"	1000
—	25523-100-000	WALL FITTING	50
—	25575-500-000	WATER STOP ADAPTER	200
—	25552-XXX-000	EYEBALLS	400
—	23315-030-000	DELUXE ROTATING MESSAGE JET	500

JETARRAY® DIMENSIONS

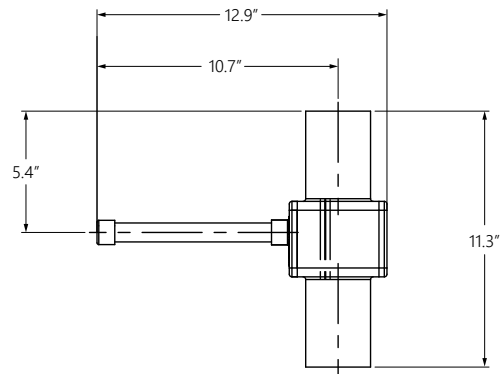
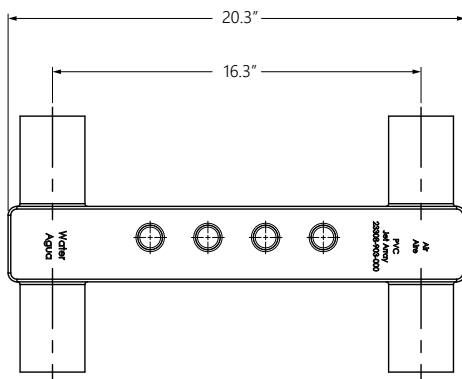
JETARRAY CLUSTER



JETARRAY INLINE



1/2 LINE SHOULD BE TRIMMED AT INSTALL TO BE FLUSH WITH PLASTER



SPA MASTER™ VENTURI TEES



ORDERING GUIDE

REF	CMP P/N	DESCRIPTION	FLOW (GPM)	PLUMBING SIZE	BOX QTY
SPA MASTER GUNITE VENTURI TEES					
A	23306-100-000	VENTURI TEE, 1/4" TWIST-LOCK	7-10	1.5" S×1.5" S×3/4" S	160
—	23306-100-020	1/4" NOZZLE ONLY (FOR 23306-100)	7-10	—	1000
A	23306-120-000	VENTURI TEE, 1/2" TWIST-LOCK	22-26	1.5" S×1.5" S×3/4" S	160
—	23306-120-020	1/2" NOZZLE ONLY (FOR 23306-120)	22-26	—	500
B	23307-000-000	GUNITE VENTURI TEE, THREADED 7/16"	17-20	1.5" S×1.5" S×1" SP (1/2" S)	150
B	23307-100-000	GUNITE VENTURI TEE, THREADED 7/16"	17-20	1.5" S×1.5" SP×3/4" SP	140
C	23307-200-000	GUNITE VENTURI TEE, THREADED 7/16"	17-20	1.5" S×1.5" SP×1/2" SP	140
D	23309-000-000	VENTURI TEE #7 WITH NOZZLE, 3/8" ORIFICE	13-17	1" S×1" SP×1" S	350
—	23308-100-020	4" TWIST-LOCK NOZZLE (FOR 23308-100)	17-20	—	1000
E	23308-000-000	GUNITE VENTURI TEE, THREADED 7/16"	17-20	1.5"S (1.5" SP)×1" SP (1/2" S)	50
—	23301-000-030	4" NOZZLE ONLY (FOR 23308-000)	17-20	—	300
E	23308-100-000	EXTENDED VENTURI TEE, 7/16" TWIST-LOCK	17-20	1.5" S×1.5" SP×3/4" SP	50
F	23308-200-000	GUNITE VENTURI TEE, THREADED 5/16"	9-14	1.5"S (1.5" SP)×1" SP(1/2" S)	50
—	23308-200-030	1/2" NOZZLE ONLY (FOR 23308-200)	9-14	—	500
G	23308-100-100	EXT. VENTURI TEE JET ASSY, THREADED 7/16" & INSIDER	17-20	1.5" S×1.5" S×1" SP(1/2" S)	50
—	23308-110-110	WHITE DIRECTIONAL FACEPLATE (FOR 23308-000-100)	—	—	150
H	23304-100-000	DOUBLE TEE JET 3/8" THREADED NOZZLE (1.5" SPIGOT)	13-17	1.5"SP WTR×1"SP/.5"SP AIR	60
H	23304-000-000	DOUBLE TEE JET 3/8" THREADED NOZZLE (1.5"SOCKET)	13-17	1.5"S WTR×1"SP/.5"S AIR	60
I	23308-100-050	12" TWIST-LOCK EXT. NOZZLE FOR GUNITE VENTURI TEE	17-20	7/16" ORIFICE	180
I	23308-100-040	12" THREADED EXT. NOZZLE FOR GUNITE VENTURI TEE	17-20	7/16" ORIFICE	180
I	23304-000-040	12" EXT. NOZZLE FOR DOUBLE TEE JET	13-17	3/8"ORIFICE	180
J	23302-000-040	NOZZLE REDUCER FOR 7/16" ORIFICE	13-17	3/8" ORIFICE	2000
J	23302-100-040	NOZZLE REDUCER FOR 7/16" ORIFICE	7-10	1/4' ORIFICE	2000

MORE GUNITE JETS ON NEXT PAGE | S = SOCKET SP = SPIGOT

SPA MASTER™ GUNITE SPA JETS



ORDERING GUIDE

REF	CMP P/N	DESCRIPTION	FLOW (GPM)	PLUMBING SIZE	BOX QTY
SPA MASTER GUNITE SPA JETS					
A	23300-000-000	1.5" FIP HYDROTHERAPY BODY, 3/8" THREADED NOZZLE	13-17	1.5" S WATER x .5" S AIR	50
B	23301-000-000	HYDROTHERAPY BODY WITH 4" NOZZLE	17-20	1.5" S WATER x 1.5" S AIR	50
B	<i>included w/ above</i>	1" NOZZLE FOR 23301-000-000	13-17	1.5" S WATER x .5" S AIR	—
C	23300-200-000	WHITE DIR. WALL FITTING (2 GASKETS)	—	1.5"	100
C	23300-210-000	WHITE DIR. WALL FITTING (2 GASKETS & NUT)	—	1.5"	100
D	23300-250-000	WHITE LONG DIR. WALL FITTING (EYE, NUT, 2 GASKETS)	—	1.5"	50
D	23300-240-000	WHITE LONG DIR. WALL FITTING (EYE, 2 GASKETS)	—	1.5"	—
—	23300-200-040	GASKET ONLY FOR 23300-250	—	—	100
E	23300-100-000	GUNITE JET ASSEMBLY & WALL FITTING	13-17	1.5" S WATER x 1.5" S AIR	50
E	23300-450-000	GUNITE JET ASSEMBLY & EXTENDED WALL FITTING	13-17	1.5" S WATER x 1.5" S AIR	50
—	23300-300-000	GUNITE JET EXTENSION FOR 23301 W/ NUT & 4" NOZZLE	—	—	50
F	23301-000-030	GUNITE JET BODY 4" EXTENSION NOZZLE	17-20	—	50
G	23305-000-000	OVER/UNDER BODY, BLOWER ONLY, 7/16" NOZZLE	17-20	1.5" SP x 1.5" S WTR x 1.5" S AIR	50
H	23302-000-000	2" x 2" GUNITE JET WITH 4" & 1" NOZZLES	13-20	2" S x 2" S WTR x 1.5" S AIR	30
I	23310-000-000	TEE JET, 1/4" NOZZLE (50 PER BAG)	7-10	FITS IN 1.5" TEE	600
J	25556-100-000	EYEBALL WITH BLUE NOZZLE	—	1.5" MIP	200
J	26100-255-630	BLUE NOZZLE ONLY	—	—	—
K	25556-000-000	JET AIR FITTING ONLY, 1/2" ORIFICE	22-26	1.5" MIP	200
—	<i>included w/ above</i>	5/16" ORIFICE FOR 25556-300-000	9-14	1.5" MIP	—
K	25556-300-000	JET AIR FITTING KIT (FITTING, EYEBALL & BLUE NOZZLE)	—	—	50

S=SOCKET SP=SPIGOT

WHITE GOODS

In Ground Skimmers 102

VGB Drains & Suctions 113

Deck Drains 128

Aussie Self-Aligning Insiders 129

Eyeball Fittings 130

Wall Fittings 132

Water Stops 133

Unions 134

Plumbing Fittings 137

Repair Fittings 138

WWW.C-M-P.COM/POOL-PRODUCTS/WHITE-GOODS

IN GROUND GUNITE SKIMMERS

CMP manufactures a premier selection of skimmers for in ground gunite pools. Our skimmers are available in multiple trim color options for a more attractive installed appearance.

Try upgrading your skimmer to a FlowSkim basket to ensure optimum flow even when the basket is full of debris.

C-M-P.COM/INGROUND-SKIMMERS

PRODUCT FEATURES

- Unibody or ABS/PVC Port Skimmers
- With or Without Float Valve
- Available with FlowSkim Basket Upgrade
- Flowskim [U.S Patent #8,647,504](#)



ORDERING GUIDE

CMP P/N	DESCRIPTION	COLOR	PLUMBING SIZE	MATERIAL	BOX QTY
IN GROUND GUNITE SKIMMERS WITH STANDARD BASKETS					
25100-000-000	UNIBODY SKIMMER & FLOAT VALVE	WHITE	2" FIP	ABS	1
25100-009-000	UNIBODY SKIMMER & FLOAT VALVE	TAN LID/COLLAR	2" FIP	ABS	1
25100-100-000	UNIBODY SKIMMER & FLOAT VALVE	WHITE	2" SOCKET	ABS	1
25100-109-000	UNIBODY SKIMMER & FLOAT VALVE	TAN LID/COLLAR	2" SOCKET	ABS	1
25100-104-400	UNIBODY SKIMMER & FLOAT VALVE	ALL BLACK	2" SOCKET	ABS	1
25100-010-000	UNIBODY SKIMMER	WHITE	2" FIP	ABS	1
25100-019-000	UNIBODY SKIMMER	TAN LID/COLLAR	2" FIP	ABS	1
25100-110-000	UNIBODY SKIMMER	WHITE	2" SOCKET	ABS	1
25100-119-000	UNIBODY SKIMMER	TAN LID/COLLAR	2" SOCKET	ABS	1
25100-114-400	UNIBODY SKIMMER	ALL BLACK	2" SOCKET	ABS	1
25140-000-000	ABS/PVC SKIMMER & FLOAT VALVE	WHITE	2" S x 2.5" SP	ABS/PVC	1
25140-001-000	ABS/PVC SKIMMER & FLOAT VALVE	ALL GRAY	2" S x 2.5" SP	ABS/PVC	1
25140-009-900	ABS/PVC SKIMMER & FLOAT VALVE	ALL TAN	2" S x 2.5" SP	ABS/PVC	1
25140-010-000	ABS/PVC SKIMMER	WHITE	2" S x 2.5" SP	PVC OUTLETS	1
25140-019-000	ABS/PVC SKIMMER	TAN LID/COLLAR	2" S x 2.5" SP	PVC OUTLETS	1
25140-011-100	ABS/PVC SKIMMER	ALL GRAY	2" S x 2.5" SP	PVC OUTLETS	1
25140-019-900	ABS/PVC SKIMMER	ALL TAN	2" S x 2.5" SP	PVC OUTLETS	1
25140-210-000	SINGLE PORT ABS/PVC SKIMMER	WHITE	2" S x 2.5" SP	PVC OUTLETS	1
25140-219-000	SINGLE PORT ABS/PVC SKIMMER	TAN LID/COLLAR	2" S x 2.5" SP	PVC OUTLETS	1
IN GROUND GUNITE SKIMMERS WITH FLOWSKIM BASKET					
25100-040-000	UNIBODY SKIMMER, FLOAT VALVE & FLOWSKIM	WHITE	2" FIP	ABS	1
25100-059-000	UNIBODY SKIMMER & FLOWSKIM BASKET	TAN LID/COLLAR	2" FIP	ABS	1
25100-140-000	UNIBODY SKIMMER, FLOAT VALVE & FLOWSKIM	WHITE	2" SOCKET	ABS	1
25100-150-000	UNIBODY SKIMMER, FLOWSKIM BASKET	WHITE	2" SOCKET	ABS	1
25140-250-000	SINGLE PORT SKIMMER, FLOWSKIM BASKET	WHITE	2" SOCKET	PVC PORT	1
25140-259-000	SINGLE PORT SKIMMER, FLOWSKIM BASKET	TAN LID/COLLAR	2" SOCKET	PVC PORT	1

REPLACEMENT PARTS ON PAGE 190

IN GROUND VINYL & FIBERGLASS SKIMMERS

CMP in ground vinyl pool skimmers are available in standard square and wide mouth options. Vinyl pool skimmers are available with white or gray trim.

Wide mouth skimmers are also available with an extended throat option.

PRODUCT FEATURES

- 2" Socket x 2.5" Spigot
- One Piece ABS Body
- Removable Face Spacer
- Round Cover Options on select models
- Color Trim Plates Available (see page 117)



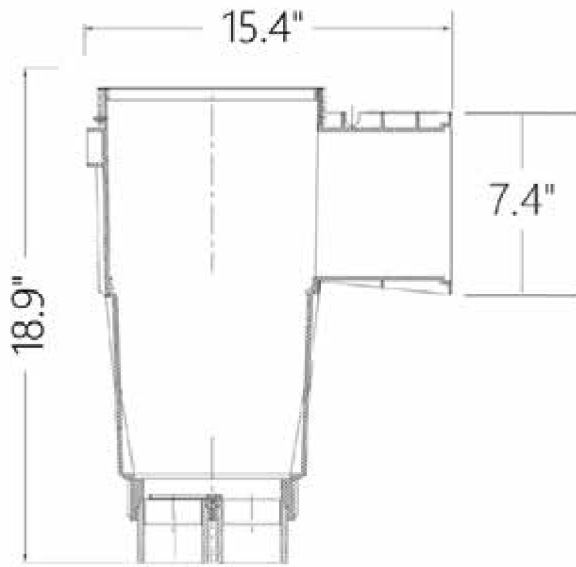
ORDERING GUIDE

REF	WHITE	GRAY	DESCRIPTION	BOX QTY
REGULAR MOUTH VINYL & FIBERGLASS SKIMMERS				
A	25160-010-000	25160-011-100	VINYL LINER REGULAR MOUTH, SQUARE COVER	1
A	25160-020-000	—	VINYL LINER REGULAR MOUTH, ROUND COVER	1
A	25160-010-001	25160-011-101	FIBERGLASS REGULAR MOUTH, SQUARE COVER	1
WIDE MOUTH VINYL LINER SKIMMERS				
B	25160-110-000	25160-111-100	VINYL LINER WIDE MOUTH, SQUARE COVER	1
B	25160-120-000	25160-121-000	VINYL LINER WIDE MOUTH, ROUND COVER	1
B	25160-150-000	25160-151-000	VINYL LINER WIDE MOUTH, SQUARE COVER & FLOWSKIM BASKET	1
C	25160-210-000	—	EXTENDED THROAT VINYL LINER WIDE MOUTH, SQUARE COVER	1

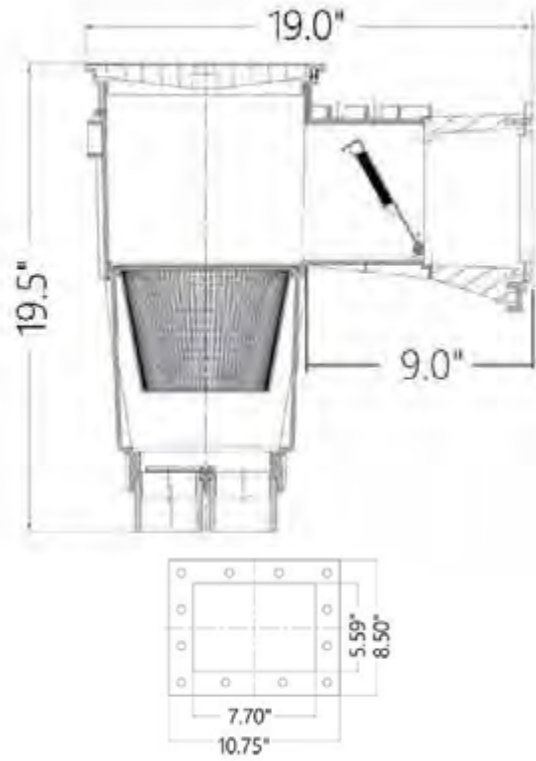
REPLACEMENT PARTS ON PAGE 197

IN GROUND SKIMMERS TECHNICAL GUIDE

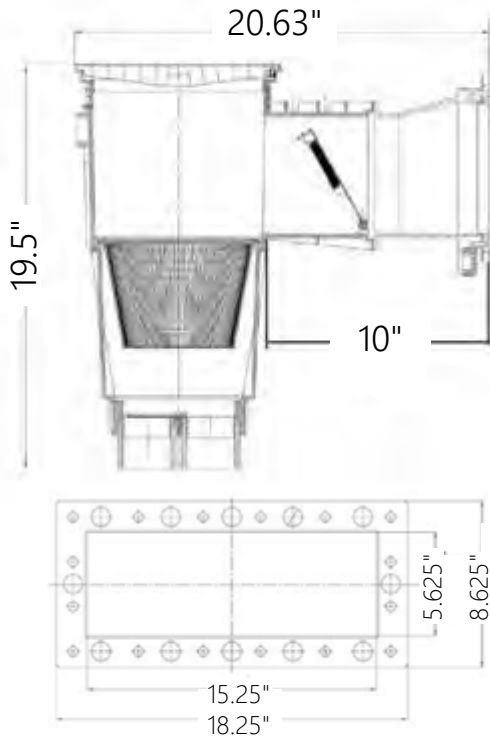
CMP GUNITE SKIMMER



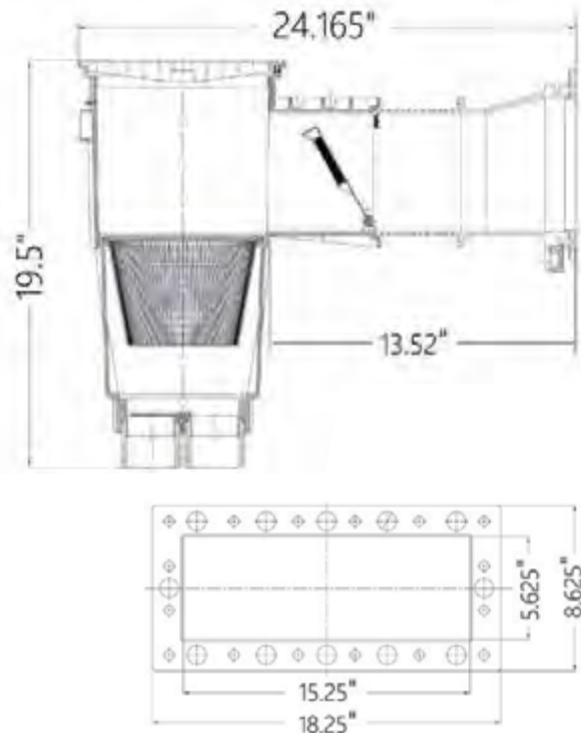
STANDARD VINYL SKIMMER



WIDE MOUTH VINYL SKIMMER



WIDE MOUTH EXTENDED VINYL SKIMMER



IN GROUND VINYL POOL SKIMMER BUILDER PACKS

CMP Vinyl Pool Skimmer Builder Packs put together every in-pool white good needed for a standard pool install. These are pre-packaged kits for standard and wide mouth skimmers, available in white or gray finish. We are committed to providing professional level options for pool builders. **Stop** ordering, stocking and tracking a dozen different parts; **start** stocking CMP Vinyl Pool Builder Packs instead.

EVERY SKIMMER BUILDER PACK INCLUDES:

- 1 ABS SKIMMER (Clear Gaskets, 2" Slip, 1.5" Slip Reducers)
- 1 EXTENSION COLLAR
- 1 FACEPLATE COVER
- EYEBALL FITTINGS 1.5" MIP w/ FLANGE
- GALAXY MAIN DRAINS (Body, Lid, Ring, Bushings, Plug)
- I/O WALL FITTINGS (Faceplate, Locknut, Gaskets)



ORDERING GUIDE

WHITE	GRAY	SKIMMER DESCRIPTION	DRAIN QTY	RETURN QTY
VINYL POOL SKIMMER BUILDER PACKS				
25160-010-900	25160-011-900	25160-01X-X00 STD SKIMMER & SQUARE LID	2	3
25160-110-900	25160-111-900	25160-11X-X00 WIDE SKIMMER & SQUARE LID	2	3
25160-110-920	25160-111-920	25160-12X-X00 WIDE SKIMMER & ROUND LID	2	3
25160-150-900	25160-151-900	25160-15X-X00 WIDE SKIMMER & SQUARE LID, FLOWSKIM™ BASKET	2	3
25160-150-920	25160-151-920	25160-12X-X50 WIDE SKIMMER & ROUND LID, FLOWSKIM™ BASKET	2	3
25160-410-900	25160-411-900	25160-11X-X00 WIDE SKIMMER & SQUARE LID	2	4
25160-450-900	25160-451-900	25160-15X-X00 WIDE SKIMMER & SQUARE LID, FLOWSKIM™ BASKET	2	4
—	25160-154-920	25160-121-151 WIDE SKIMMER & ROUND LID, FLOWSKIM™ BASKET	2	4

SKIMMER EXTENSION COLLARS

PRODUCT FEATURES

- Raises the Skimmer Cover to the Pool Deck Level
- Smaller End Fits Inside the Skimmer, and the Collar is Placed On top of the Skimmer
- CMP Extensions are Stack-able



ORDERING GUIDE

REF	CMP P/N	DESCRIPTION	FITS SKIMMER MODEL	BOX QTY
IN GROUND SKIMMER EXTENSION COLLAR				
A	25526-200-000	WHITE 1-1/4" COLLAR	VINYL CMP SKIMMER, SP1070P	20
A	25526-201-000	GRAY 1-1/4" COLLAR	VINYL CMP SKIMMER, SP1070P	20
A	25526-204-000	BLACK 1-1/4" COLLAR	VINYL CMP SKIMMER, SP1070P	20
A	25526-209-000	TAN 1-1/4" COLLAR	VINYL CMP SKIMMER, SP1070P	20
B	25526-000-000	4" COLLAR	SR W337-503P	20
C	25526-100-000	SP1084 VINYL LINER COLLAR	SP1084P1	20

REPLACEMENT WEIR DOORS

Replacing a broken weir can be very difficult. The correct weir may be hard to find, and if the skimmer itself is broken it can be a serious problem. CMP Replacement Weir Doors use a stainless steel spring-loaded mechanism that will install universally. No tools are required for installation! We carry weirs sized for common and hard-to-find skimmer sizes. CMP Weirs are available in white and select black sizes.

PRODUCT FEATURES

- Easily Replace Any Broken Skimmer Weir Without Tools
- Deluxe Foam Float Material
- Stainless Steel Springs
- Retail Style Header Card Packaging



ORDERING GUIDE

CMP P/N	WIDTH	COLOR	FITS SKIMMER MODEL	BOX QTY
SKIMMER WEIR DOOR REPLACEMENTS				
25141-160-000	5-3/4" WEIR	WHITE	—	150
25141-170-000	5-7/8" WEIR	WHITE	—	150
25141-200-000	6" WEIR	WHITE	—	150
25141-300-000	7" WEIR	WHITE	—	150
25141-320-000	7-1/4" WEIR	WHITE	ANTHONY/SWIM CLEAN	150
25141-350-000	7-5/8" WEIR	WHITE	SYLVAN	120
25141-360-000	7-13/16" WEIR	WHITE	SP1084	120
25141-364-000	7-13/16" WEIR	BLACK	SP1084	120
25141-400-000	8" WEIR	WHITE	—	120
25141-404-000	8" WEIR	BLACK	—	120
25141-410-000	8-1/8" WEIR	WHITE	JACUZZI	120
25141-420-000	8-1/4" WEIR	WHITE	—	120
25141-440-000	8-3/8" WEIR	WHITE	U3, SP1070	120
25141-444-000	8-3/8" WEIR	BLACK	U3, SP1070	120
25141-450-000	8-1/2" WEIR	WHITE	—	110
25141-500-000	9" WEIR	WHITE	—	100
25141-540-000	9-3/8" WEIR	WHITE	BAKER	110
25141-600-000	10" WEIR	WHITE	—	96
25141-700-000	11" WEIR	WHITE	—	96
25141-800-000	12" WEIR	WHITE	—	20

FRONT ACCESS & ABOVE GROUND SKIMMERS

FRONT ACCESS SKIMMER

PRODUCT FEATURES

- Includes Diverter Plate, Trim Plate, Mounting Plate, Gasket & Screws
- 1.5" Socket
- 1.5" Female Inside Threads for Pressure Test
- Face: 7"H x 7-3/8"W
- Throat: 1-1/4"



ABOVE GROUND SKIMMER KITS

PRODUCT FEATURES

Complete Kits Include:

- Skimmer Basket
- Weir Door
- Wall Fitting
- Hose Adapter
- Pool Return

NEW
COMPETITIVE PRICING



ORDERING GUIDE

REF	WHITE	GRAY	BLACK	TAN	DESCRIPTION	BOX QTY
FRONT ACCESS SKIMMER						
A	25248-000-000	25248-001-000	25248-004-000	—	FRONT ACCESS SKIMMER KIT	6
B	25248-000-051	—	—	—	FRONT ACCESS SKIMMER BASKET	60
C	25248-020-000	25248-021-000	—	—	FRONT ACCESS SKIMMER TRIM PLATE	—
D	25248-920-000	25248-921-000	25248-924-000	—	FRONT ACCESS SKIMMER WEIR DOOR	—
—	25248-000-040	25248-001-040	—	—	WEIR DOOR PIN (2)	—
ABOVE GROUND POOL SKIMMERS						
E	25512-000-950	25512-001-950	—	25512-009-950	STD ABG SKIMMER KIT (7.5"Hx7-3/4"W)	1
F	25511-000-900	25511-001-900	—	25511-009-900	WIDE ABG SKIMMER KIT (7.5"Hx14"W)	1

REPLACEMENT PARTS ON PAGE 192

NATURAL WONDERS™ DECK LIDS

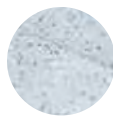
Natural Wonders Deck Lids from CMP are a brand new way to upgrade your pool deck. Available in four styles, and designed to complement any backyard decor.

NATURAL WONDERS™

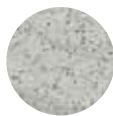
NEW

PRODUCT FEATURES

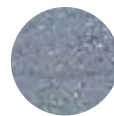
- Heavy Duty Fiberglass Construction
- Matching Lids for Skimmer & Deck Jets
- Part of the complete Natural Wonders Family



WHITE STONE



SAND STONE



GRAY STONE



GRAPHITE SLATE

ORDERING GUIDE

REF	WHITE STONE	SAND STONE	GRAY STONE	GRAPHITE SLATE	DESCRIPTION
NATURAL WONDERS DECK LIDS					
A	25544-200-000	25544-215-000	25544-201-000	25544-207-000	ROUND SKIMMER/2015 AUTOLEVEL COVER
B	25538-200-000	25538-215-000	25538-201-000	25538-207-000	SQUARE SKIMMER COVER
C	25597-330-020	25597-335-020	25597-331-020	25597-337-020	MULTI-NOZZLE DECK JET COVER
D	25597-200-020	25597-209-020	25597-201-020	25597-207-020	ROUND-DECK-JET COVER

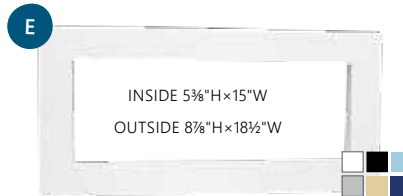
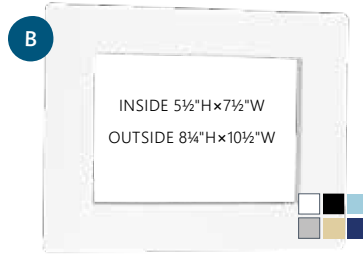
SKIMMER ACCESSORIES



ORDERING GUIDE

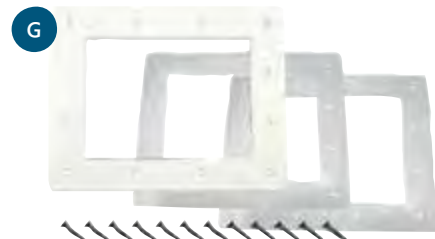
REF	WHITE	GRAY	BLACK	TAN	DESCRIPTION	BOX QTY
SKIMMER LIDS & COLLARS						
A	25538-000-000	25538-001-000	25538-004-000	25538-009-000	SQUARE SKIMMER COVER 10-1/16"	80
B	25538-900-000	25538-901-000	25538-904-000	25538-909-000	SQUARE SKIMMER LID & COLLAR	20
C	25544-000-000	25544-001-000	25544-004-000	25544-019-000	ROUND SKIMMER LID FOR 25547-000-000	50
D	25544-900-000	25544-901-000	25544-904-000	25544-919-000	ROUND SKIMMER LID & COLLAR	50
E	25840-000-000	25840-001-000	—	25840-009-000	6" VALVE ACCESS LID & COLLAR	36
SKIMMER VACUUM PLATES						
F	25576-000-000	—	—	—	IN GROUND VAC PLATE (H-STYLE)	50
G	25573-000-000	—	—	—	IG SKIMMER VACUUM PLATE (SP1106)	20
H	25579-000-000	—	—	—	ABG VACUUM PLATE ADAPTER	50
I	25573-100-000	—	—	—	IG VAC PLATE FOR CMP SKIMMER	20
SKIMMER ACCESSORIES						
J	25140-000-700	—	—	—	FLOAT VALVE ASSEMBLY	50
K	25251-000-500	—	—	—	WEIR DOOR (ADM S20 85001500)	100
L	25544-500-000	—	—	25544-509-000	SKIMMER LID FOR ADMIRAL™ S20	45
L	25544-500-100	—	—	—	LID & BLANK LOGO INSERT ADM S20	—
M	25544-020-010	25544-021-010	25544-024-010	25544-029-010	TEXTURED BLANK LOGO INSERT	—
M	25544-030-010	—	—	—	SMOOTH BLANK LOGO INSERT	—
N	25120-100-900	—	—	—	CHECK VALVE ASSEMBLY	1

SKIMMER FACEPLATES & COVERS



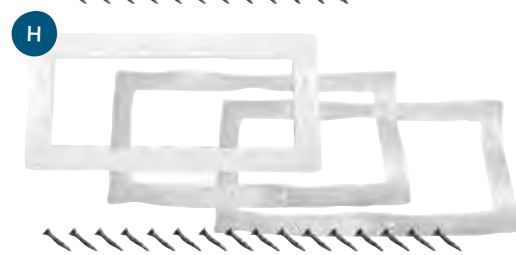
STANDARD FACEPLATE BUILDER KIT

- (1) Regular Mouth Skimmer Faceplate
- (2) Regular Mouth Gaskets
- (12) Faceplate Screws



WIDE FACEPLATE BUILDER KIT

- (1) Widemouth Skimmer Faceplate
- (2) Widemouth Gaskets
- (16) Faceplate Screws



ORDERING GUIDE

REF	WHITE	GRAY	BLACK	TAN	LIGHT BLUE	DARK BLUE	DESCRIPTION	CASE/BOX
SKIMMER FACEPLATES & COVERS								
A	25540-000-010	25540-001-010	25540-004-010	25540-039-010	—	—	STD FACEPLATE	100/5
B	25540-000-020	25540-001-020	25540-004-020	25540-039-020	25540-009-020	25540-069-020	STD COVER	100/5
C	25160-010-060	—	—	—	—	—	STD GASKET	300
D	25541-000-010	25541-001-010	25541-004-010	—	—	—	WIDE FACEPLATE	80/10
E	25541-000-020	25541-001-020	25541-004-020	25541-039-020	25541-009-020	25541-069-020	WIDE COVER	80/10
F	25160-110-030	—	—	—	—	—	WIDE GASKET	200
G	25540-100-000	25540-101-000	25540-104-000	25540-139-000	—	—	STANDARD KIT	80
H	25541-100-000	25541-101-000	25541-104-000	25541-139-000	—	—	WIDE MOUTH KIT	80

VINYL POOL FITTING BUILDER PACKS

CMP Vinyl Pool Fitting Builder Packs are pre-packaged kits with every part you need to repair common vinyl pool fitting, including screws. Builder Kits simplify inventory and are a perfect item to keep stocked in all tool kits and service vehicles. Kits are available for return fittings, main drains, and pool lights in five different finish options. Also see our complete builder kits (page 105) and skimmer faceplate kits (page 111).

VINYL POOL RETURN FACEPLATE KIT

- (1) Return Faceplate
- (2) Gaskets
- (4) Screws



VINYL POOL MAIN DRAIN KIT

- (1) Return Faceplate
- (2) Gaskets
- (8) Screws



VINYL POOL LIGHT RING SEALING RING KIT

- (1) Return Faceplate
- (2) Gaskets
- (10) Screws



ORDERING GUIDE

REF	WHITE /OTHER	GRAY	BLACK	DARK BLUE	LIGHT BLUE	TAN	DESCRIPTION	BOX QTY
VINYL POOL FITTING KITS								
A	25545-100-000	25545-101-000	25545-104-000	—	25545-109-000	25545-139-000	RETURN KIT	225
B	25548-100-000	25548-101-000	25548-104-000	25548-169-000	25548-159-000	25548-109-000	DRAIN KIT	60
C	25549-200-100	25549-201-100	—	25549-269-100	—	25549-209-100	LIGHT RING KIT	20
C	25549-100-000	—	—	—	—	—	CHROME RING KIT	20

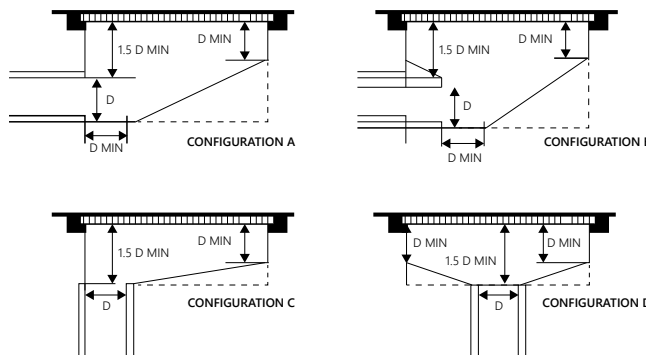
All Custom Molded Products main drains are listed and tested in strict accordance to the requirements of ANSI/APSP-16 2011, the current standard of reference for the Virginia Graeme Baker Act, and compliant to the latest Consumer Product Safety Commission (CPSC) requirements.



VGB INFO, INSTRUCTIONS & MORE DOWNLOADABLE AT WWW.C-M-P.COM/VGB-DRAINS-AND-SUCTIONS

INSTALLATION NOTES:

1. Mount suction outlets on the wall or floor. DO NOT locate suction outlets on seating areas or on backrests for seating areas.
2. Always use multiple suction outlets. DO NOT use with single drain applications. Use with single drain applications will void any and all warranties.
3. When using two or more suction fittings on a common suction line, suction fittings must be separated by a minimum of 3 ft or they must be located on two different planes (i.e. one on floor and one on the wall).
4. To reduce the risk of drowning from hair and body entrapment, install suction fittings with a marked flow rate in gallons per minute that exceeds the flow rate of your system by at least 25%. Increasing size of the pump may increase flow rate of suction beyond rated safety limits causing entrapment or death.
5. CMP drain covers are only certified for use with CMP sumps and frames. Do not mismatch with parts from other manufacturers.



- GENERAL NOTES**
1. D = inside pipe diameter
 2. All dimensions show are recommended minimums
 3. A broken line (- -) indicates the suggested sump configuration

CAUTION

Children should never be left unattended at any time in a swimming pool, spa, or bathtub. Be sure the temperature of the water never exceeds the manufacturer's recommendations.

DANGER

Hair or body parts blocking the spa or pool suction may become trapped and held against the suction fitting. Keep hair and clothing a minimum of 12 inches from all suction fittings and drains at all times. Entrapment against the suction fittings can result in drowning or other severe injury. Never sit on or lean up against suction fittings.



32" UNBLOCKABLE CHANNEL DRAIN



DRAIN & BODY

PRODUCT FEATURES

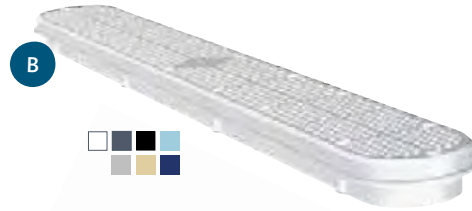
- Unblockable Safety Drain Design
- White PVC Sump Body
- Installation Debris Guard Included
- The ONLY Color Covers that Hide the Sump for a Completely Finished Look
- CMP Covers Retrofit Competing Channel Drains
- IAPMO Listed



DRAIN & COLLAR

PRODUCT FEATURES

- Unblockable Safety Drain Design
- Installs Over Pipe in Plaster



ADJUSTABLE COLLAR ADAPTER

PRODUCT FEATURES

- Use for Pool Refinish & Remodel
- Adds 1/2" - 3/4"
- Fits the CMP 32" Channel Drain
- Creates a Perfect Drain Cover Fit and Finish



SUMP PUMP ADAPTER

PRODUCT FEATURES

- Completely & Properly Drain the Sump
- Build-in Debris Screen
- **PATENT PENDING**



ORDERING GUIDE

REF	WHITE	GRAY	BLACK	DARK GRAY	TAN	DARK BLUE*	DESCRIPTION	BOX QTY
32" VGB UNBLOCKABLE TCHANNEL MAIN DRAINS								
A	25506-320-000	25506-321-000	25506-324-000	25506-327-000	25506-329-000	25506-369-000	DRAIN & SUMP	40
—	25506-320-800	25506-321-800	25506-324-800	25506-327-800	25506-329-800	25506-369-800	32" COVER	20
—	25506-320-900	—	—	—	—	—	SUMP BODY	1
B	25506-320-100	25506-321-100	25506-324-100	25506-327-100	25506-329-100	25506-369-100	COVER & FRAME	1
—	25520-050-020	—	—	—	—	—	2" NPT PLUG	450
—	25506-320-030	—	—	—	—	—	DEBRIS GUARD	—
C	25506-320-150	—	—	—	—	—	ADJ. COLLAR	—
D	25506-320-500	—	—	—	—	—	SUMP ADAPTER	—
E	25620-320-000	—	—	—	—	—	RELIEF VALVE	250

REPLACEMENT PARTS PAGE 193

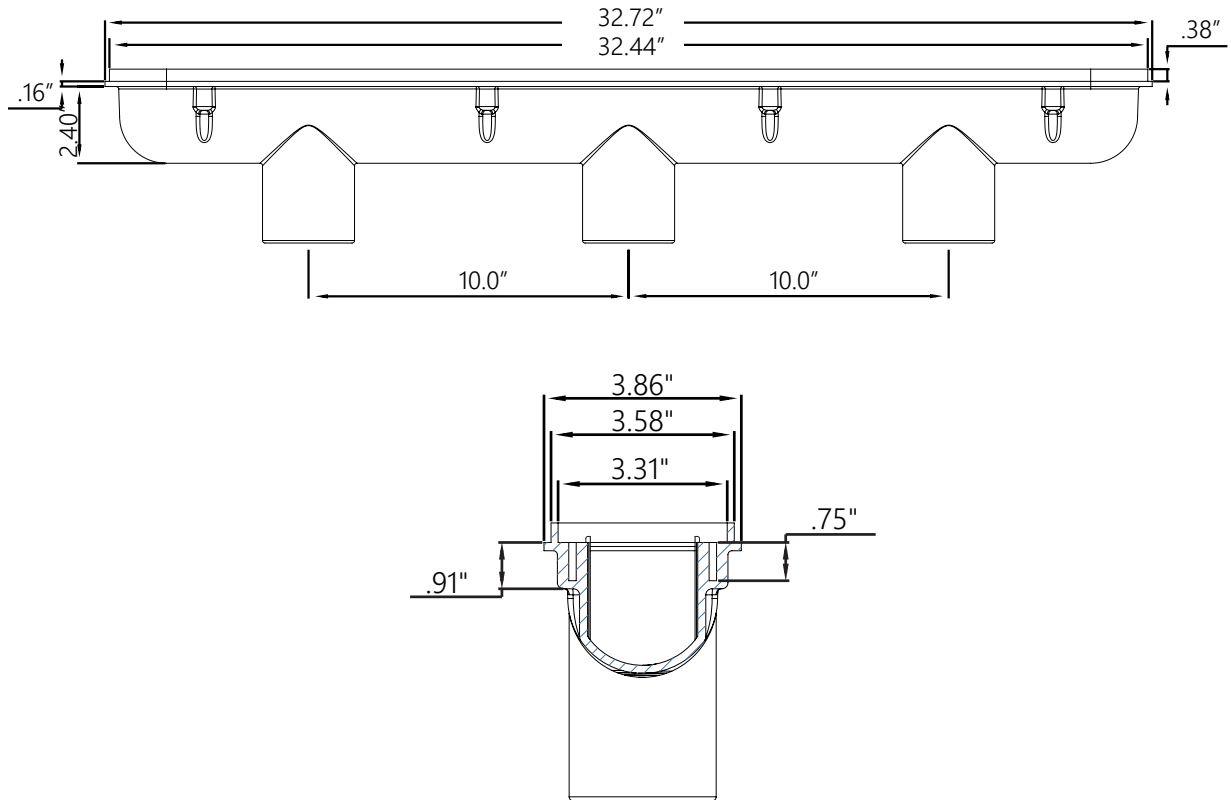
*for light blue order 25506-359-xxx

32" UNBLOCKABLE CHANNEL DRAIN



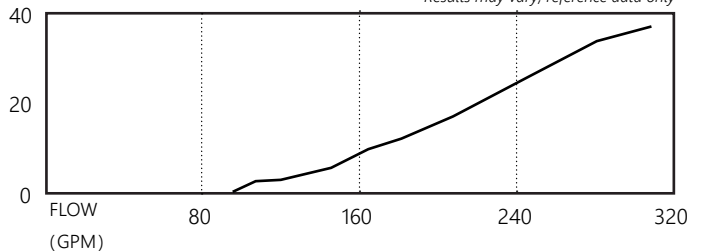
TECHNICAL GUIDE

- Single or Multiple Drain Use
- Seven Year Life
- Floor or Wall Installation
- 38.79in² Open Area
- Three 2" Socket x 2.5" Spigot Ports



PLUMBING	PORTS	FLOOR FLOW RATE	WALL FLOW RATE
IAPMO LISTED FLOW RATES			
2.5"	OUTER	308 GPM	212 GPM
2.5"	CENTER	200 GPM	168 GPM
2"	OUTER	268 GPM	192 GPM
2"	CENTER	184 GPM	176 GPM
FLOW RATE VERIFIED MAY 2011 TO CPSC TEST PROTOCOL			

HEAD LOSS
(Pa × 10³)



SQUARE GRATES & FRAMES

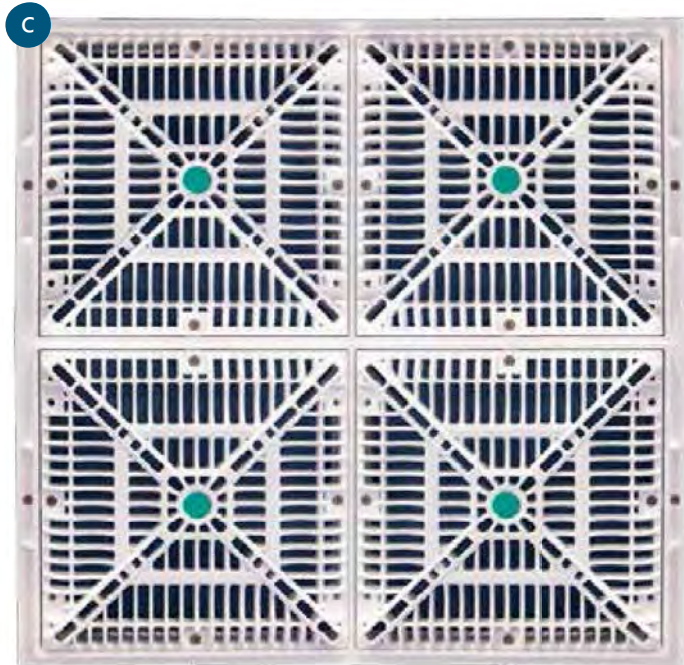
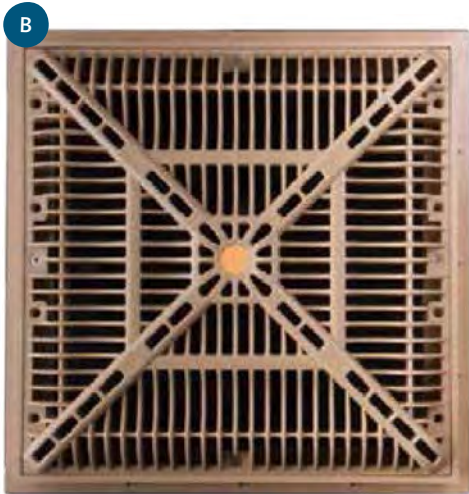


CMP Square Grate Main Drains are perfect for commercial applications and can be used for single or multiple drain applications. 9" and 12" drains are available in five different color options.

Our square drains are also designed for maximum open area with a unobtrusive appearance, and high flow rates at 1.5 feet per second water velocity.

PRODUCT FEATURES

- VGB Safety Drain Design
- Five Color Choices to Match Pool Finish
- IAPMO Listed



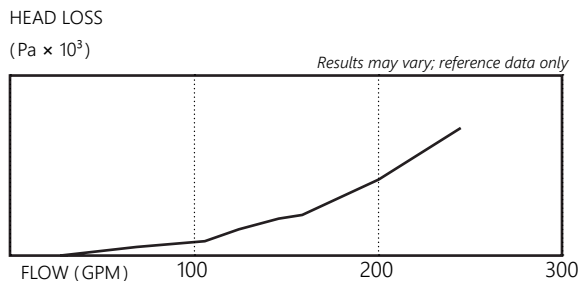
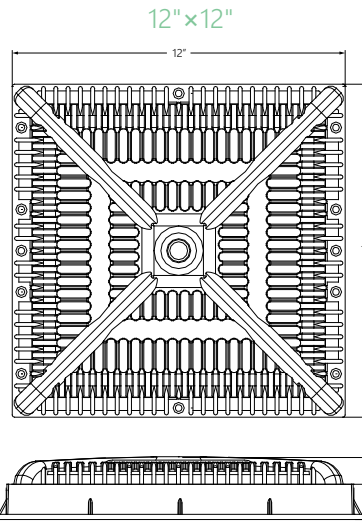
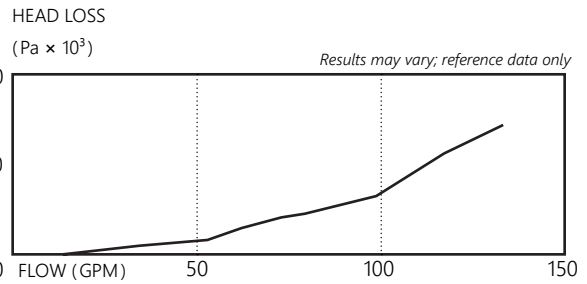
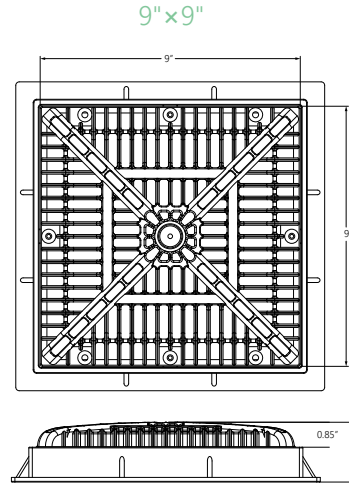
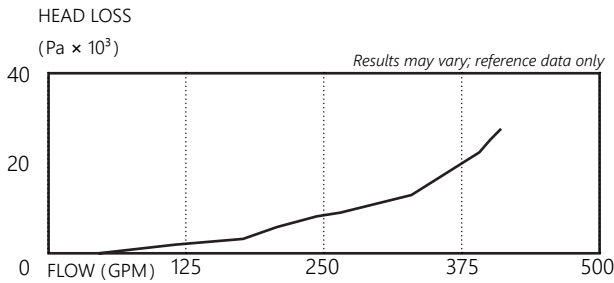
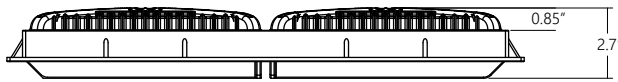
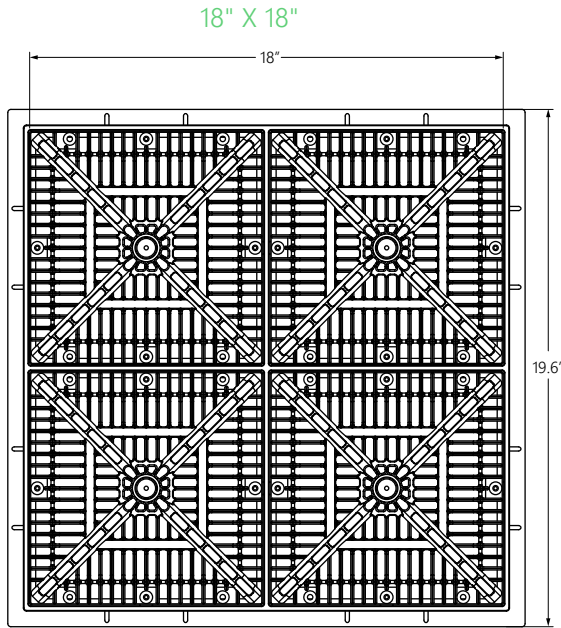
ORDERING GUIDE

REF	WHITE	GRAY	BLACK	DARK GRAY	TAN	DESCRIPTION	BOX QTY
VGB SQUARE DRAINS & FRAMES							
A	25508-090-000L	25508-091-000L	25508-094-000L	25508-097-000L	25508-099-000L	9" x 9" DRAIN	24
B	25508-120-011L	25508-121-000L	25508-124-000L	25508-127-000L	25508-129-000L	12" x 12" DRAIN	10
C	25508-180-000L	—	—	—	—	18" x 18" DRAIN	—
A	25508-090-010	25508-091-010	25508-094-010	25508-097-010	25508-099-010	9" x 9" COVER	—
B	25508-120-010	25508-121-010	25508-124-010	25508-127-010	25508-129-010	12" x 12" COVER	—

SQUARE GRATES & FRAMES

TECHNICAL GUIDE

- Single or Multiple Drain Use
- Seven Year Life
- Floor or Wall Installation



DRAIN SIZE	MIN SIZE PLUMBING	OPEN AREA	MAX FLOW 1.5 FPS
SQUARE DRAIN SPECS			
9" × 9"	3"	38.9in ²	120 GPM
12" × 12"	5"	70.8in ²	232 GPM
18" × 18"	5"	155.6in ²	424 GPM

GALAXY MAIN DRAINS | GUNITE



PRODUCT FEATURES

- Seven Color Options to Match Any Pool Finish
- Extra Deep Threads for Easier Pressure Testing
- Large Open Area and High Flow Rates
- Also Available For Vinyl Pools (page 120)



ORDERING GUIDE

REF	WHITE	GRAY	BLACK	DARK GRAY	TAN	DESCRIPTION	BOX QTY
GUNITE POOL MAIN DRAINS WITH GALAXY LID							
A	25519-000-000	25519-001-000	25519-004-000	25519-007-000	—	GALAXY MAIN DRAIN	8
B	25514-000-000	25514-001-000	25514-004-000	25514-007-000	25514-009-000	DEEP BODY GALAXY DRAIN	8
C	25531-000-000	25531-001-000	25531-004-000	25531-007-000	25531-039-000	GALAXY LID & FRAME	50
C	25537-000-000	25537-001-000	25537-004-000	25537-007-000	—	GALAXY LID & FLAT FRAME	50

REPLACEMENT PARTS ON PAGE 194

WHITE	GRAY	BLACK	DARK GRAY	TAN	DARK BLUE	LIGHT BLUE	BOX QTY
GALAXY 8" LID & SCREWS KIT							
25507-100-000	25507-101-000	25507-104-000	25507-107-000	25507-139-000	25507-169-000	25507-159-000	50

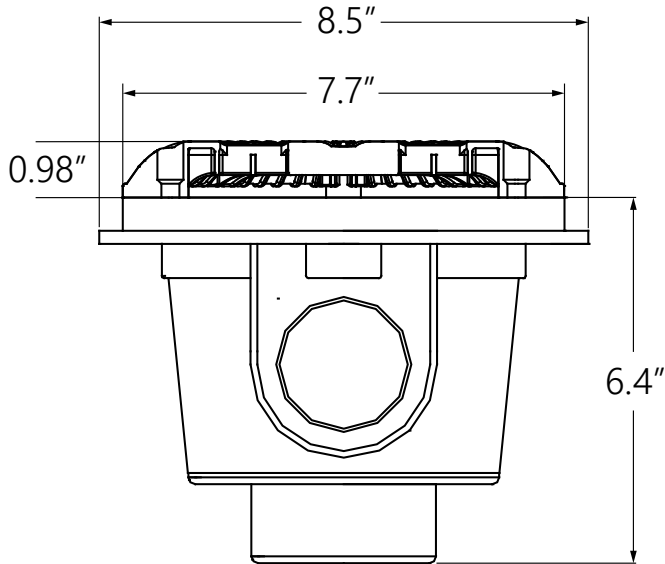
NOTE: THE COVER MAY BE CALLED A "LID" OR A "GRATE." THE RING MAY BE CALLED A "FRAME" OR "COLLAR"

GALAXY MAIN DRAINS | GUNITE

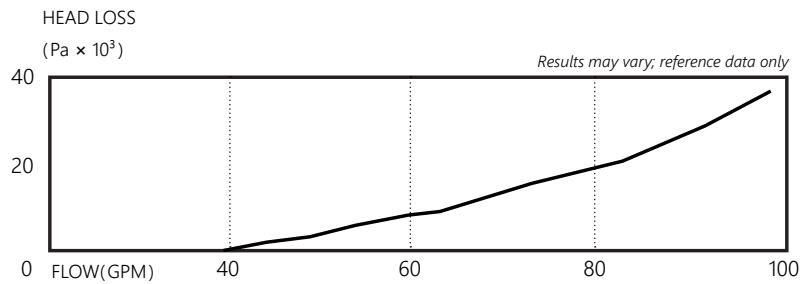
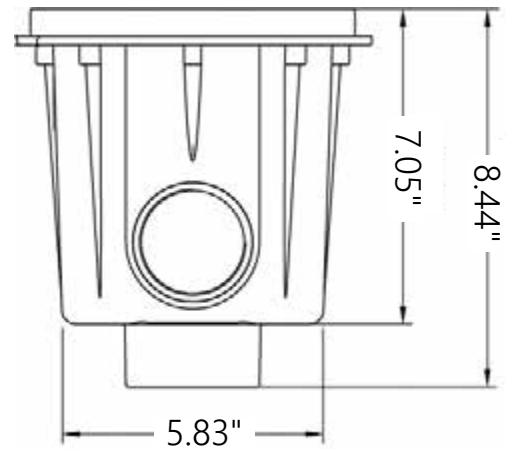
TECHNICAL GUIDE

- For Multiple Drain Use Only
- Floor or Wall Installation
- Seven Year Life
- 84 GPM (Wall), 95 GPM (Floor)
- 2" FIP
- 13.2in² Open Area
- PVC Bodies

GALAXY MAIN DRAIN



DEEP BODY



GALAXY MAIN DRAINS | VINYL



CMP Galaxy Main Drains for Vinyl Pools offer the same features and quality as our gunite main drains for vinyl pool applications. Use a CMP Vinyl Main Drain Cover Kit and retrofit CMP color covers to other main drain bodies.



PRODUCT FEATURES

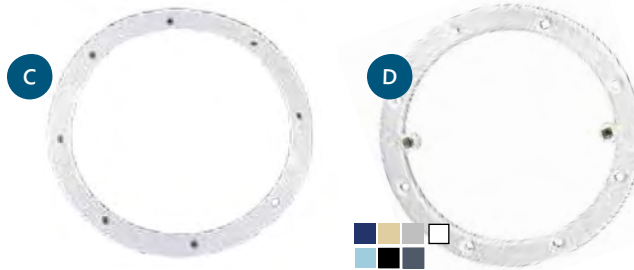
- Includes Bushings & Plug
- Extra Deep Threads for Easy Pressure Testing
- Seven Color Options to Match Any Pool Finish

VINYL MAIN DRAIN COVER KIT

- 8" Ring Fits Other Drain Bodies
- 8" Ring Only Accepts CMP Drain Lids
- KIT INCLUDES
 - Galaxy Drain Lid
 - Galaxy Drain Ring
 - 2 Gaskets
 - 8 Screws



FOR MORE CMP VINYL POOL KITS SEE PAGE 112



ORDERING GUIDE

REF	WHITE	GRAY	BLACK	DARK GRAY	TAN	DESCRIPTION	BOX QTY
VINYL POOL MAIN DRAINS WITH GALAXY LID							
A	25515-000-000	25515-001-000	25515-004-000	25515-007-000	25515-009-000	VINYL GALAXY DRAIN	8
B-D	25548-100-000	25548-101-000	25548-104-000	25548-107-000	25548-109-000	GALAXY VINYL COVER KIT	60
C	25515-000-011	—	—	—	—	MAIN DRAIN GASKET ONLY	400
D	25532-800-000	25532-801-000	—	—	—	GALAXY 8" RING ONLY	—

REPLACEMENT PARTS ON PAGE 194

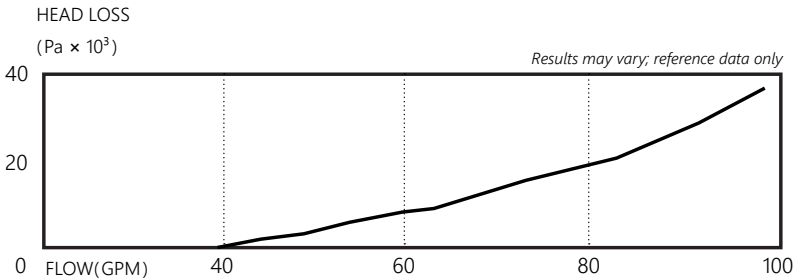
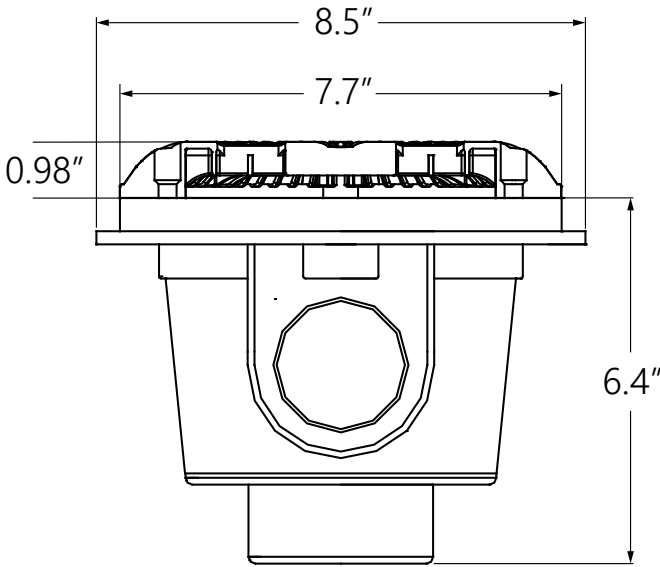
REF	WHITE	GRAY	BLACK	DARK GRAY	TAN	DARK BLUE	LIGHT BLUE	BOX QTY
GALAXY 8" LID & RING KIT								
—	25548-000-000	25548-001-000	25548-004-000	25548-007-000	25548-009-000	25548-069-000	25548-059-000	60

NOTE: THE COVER MAY BE CALLED A "LID" OR A "GRATE." THE RING MAY BE CALLED A "FRAME" OR "COLLAR"

GALAXY MAIN DRAINS | VINYL

TECHNICAL GUIDE

- For Multiple Drain Use
- Seven Year Life
- Floor or Wall Installation 84 GPM (Wall), 95 GPM (Floor)
- 2" FIP
- 13.2in² Open Area
- 8" Ring Will ONLY Accept CMP Galaxy Cover



NOVA GUNITE MAIN DRAINS



*for color drains, order body only and choose lid/collar assembly

ORDERING GUIDE

REF	CMP P/N	DESCRIPTION	BOX QTY
GUNITE MAIN DRAINS WITH NOVA LID			
A	25513-500-000	GUNITE NOVA MAIN DRAIN, 2" FIP*	8
A	25513-600-000	GUNITE NOVA MAIN DRAIN, 2" SOCKET*	8
B	25516-500-000	GUNITE NOVA MAIN DRAIN WITH EXTENSION, 2" SOCKET*	8
C	25517-500-000	GUNITE NOVA DRAIN, 1.5" S/2" SP BOTTOM PORT, WHITE LID & FRAME	8
C	25517-501-000	GUNITE NOVA DRAIN, 1.5" S/2" SP BOTTOM PORT, GRAY LID & FRAME	8
C	25517-504-000	GUNITE NOVA DRAIN, 1.5" S/2" SP BOTTOM PORT, BLACK LID & FRAME	8
—	25516-000-010	DRAIN BODY ONLY 2" SOCKET	8
—	25518-000-000	DRAIN BODY ONLY 1.5" S x 2" SP BOTTOM PORT	15

REPLACEMENT PARTS ON PAGE 194

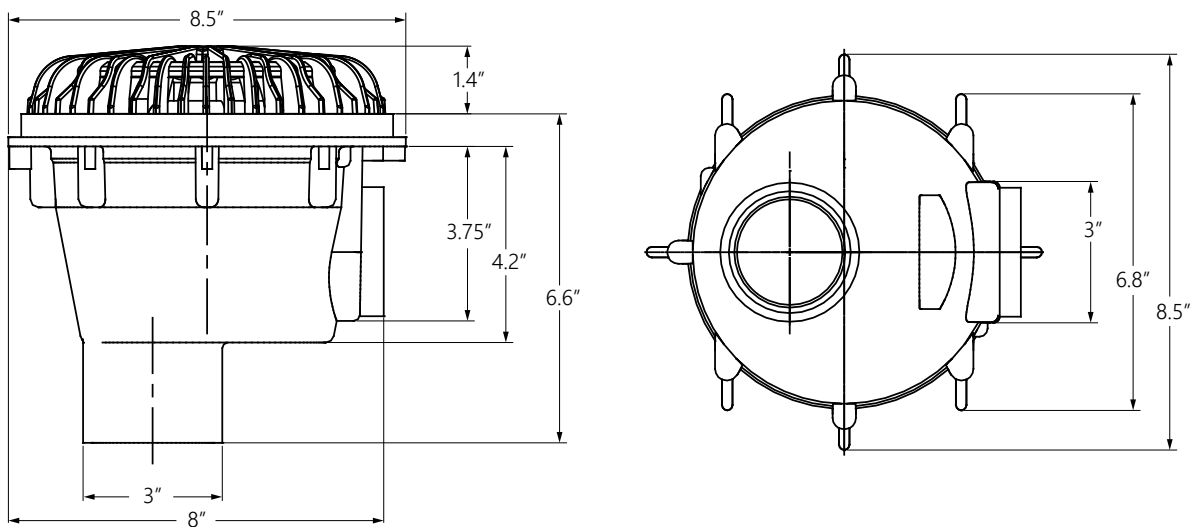
REF	WHITE	GRAY	BLACK	DARK GRAY	TAN	DARK BLUE	LIGHT BLUE	BOX QTY
NOVA LID & FRAME ASSEMBLY								
D	25539-500-000	25539-501-000	25539-504-000	25539-507-000	25539-509-000	—	—	60
NOVA LID & SCREWS								
E	25539-700-100	25539-701-100	25539-704-100	25539-707-100	25539-709-100	25539-769-100	25539-759-100	50

NOTE: THE COVER MAY BE CALLED A "LID" OR A "GRATE." THE RING MAY BE CALLED A "FRAME" OR "COLLAR"

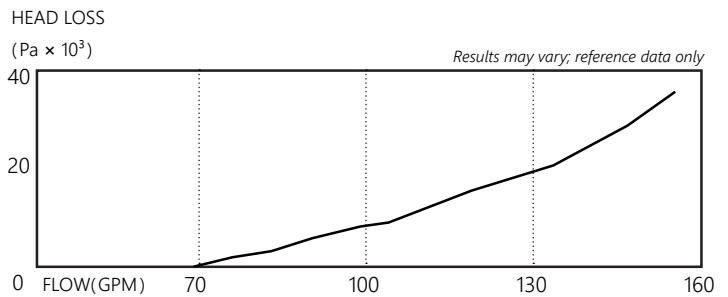
NOVA GUNITE MAIN DRAINS

TECHNICAL GUIDE

- For Multiple Drain Use Only
- Seven Year Life on Cover
- Floor or Wall Installation
- 1.5" = 118 GPM (Wall) / 140 GPM (Floor)
- 2" = 118 GPM (Wall) / 150 GPM (Floor)
- 14.57 in² Open Area



PLUMBING	MAX FLOW FLOOR	MAX FLOW WALL
GUNITE NOVA MAIN DRAINS		
1.5" PIPE	140 GPM	118 GPM
2" PIPE	150 GPM	118 GPM
REPLACEMENT PARTS ON PAGE 194		



NOVA LARGE OUTLET DRAINS



PRODUCT FEATURES

- 2.5" and 3" Drain Sizes
- PVC Body
- IAPMO Listed for Use with Nova Style VGB Drain Cover
- Color Options to Any Pool Finish
- For White, Gray, & Black Body is Colored to Match Selected Cover
- For Special Colors Order Body then Order Color Lid & Frame Separately



ORDERING GUIDE

REF	WHITE	GRAY	BLACK	DESCRIPTION	BOX QTY
LARGE OUTLET DRAINS					
A	25513-260-000	25513-261-000	25513-264-000	2.5" NOVA MAIN DRAIN	12
A	25513-400-000	25513-401-000	25513-404-000	3" NOVA MAIN DRAIN	12
B	25516-260-000	—	—	2.5" NOVA MAIN DRAIN W/ ADJUSTABLE COLLAR	—
B	25516-400-000	—	—	3" NOVA MAIN DRAIN WITH ADJUSTABLE COLLAR	—
—	25516-250-010	—	—	2.5" LARGE OUTLET ADJ COLLAR BODY ONLY	—
—	25516-300-010	—	—	3" LARGE OUTLET ADJ COLLAR BODY ONLY	8

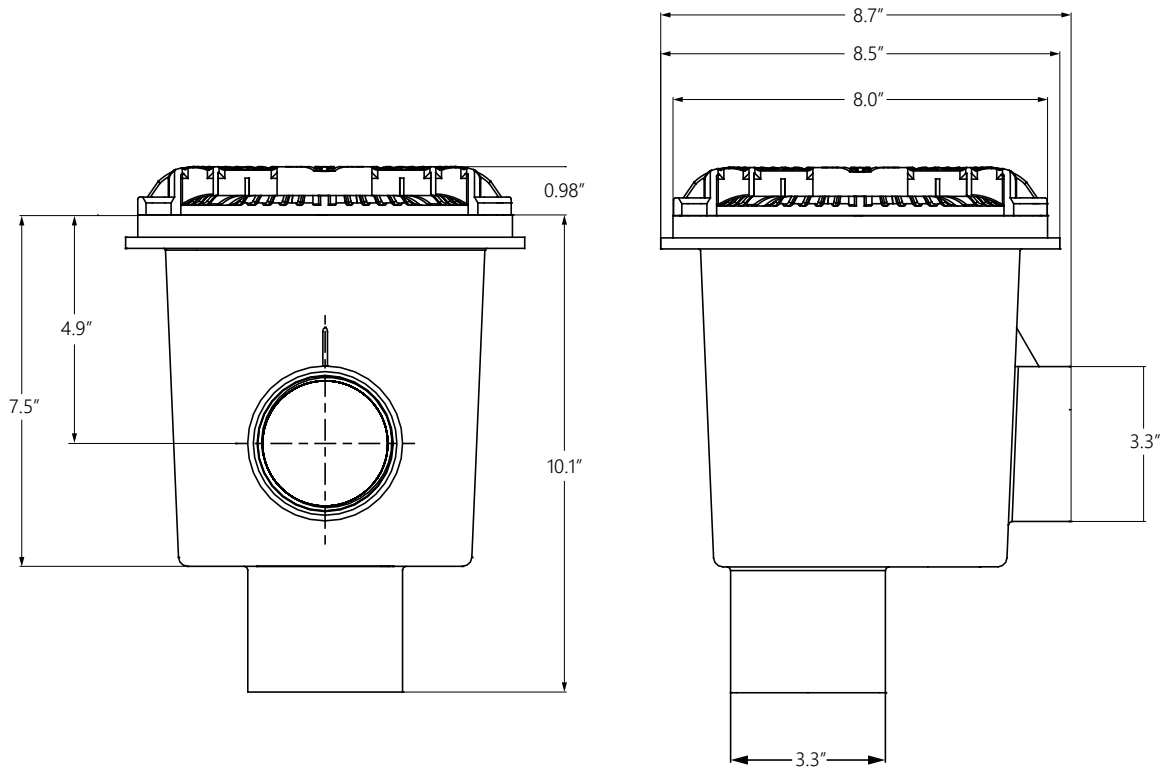
REF	WHITE	GRAY	BLACK	DARK GRAY	TAN	DARK BLUE	LIGHT BLUE	BOX QTY
NOVA LID & FRAME ASSEMBLY								
C	25539-500-000	25539-501-000	25539-504-000	25539-507-000	25539-509-000	25539-569-000	25539-559-000	60
NOVA LID ONLY								
—	25516-500-100	25516-501-100	25516-504-100	25516-507-100	25516-509-100	25516-569-100	25516-559-100	50

NOTE: THE COVER MAY BE CALLED A "LID" OR A "GRATE." THE RING MAY BE CALLED A "FRAME" OR "COLLAR"

NOVA LARGE OUTLET DRAINS

TECHNICAL GUIDE

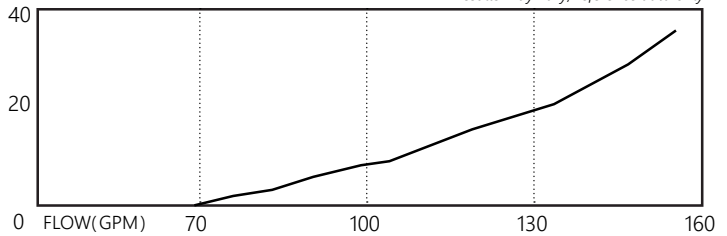
- Socket Outlets
- Floor or Wall Installation
- Seven Year Life on Cover
- PVC Body



DRAIN SIZE	OPEN AREA	MAX FLOW FLOOR	MAX FLOW WALL
LARGE OUTLET DRAINS			
3" DRAIN	13.4in ²	150 GPM	118 GPM
2.5" DRAIN	13.4in ²	150 GPM	118 GPM

REPLACEMENT PARTS ON PAGE 194

HEAD LOSS
(Pa × 10³)



VGB DRAINS & SUCTIONS



FIBERGLASS MAIN DRAIN

PRODUCT FEATURES

- Six Colors to Match Any Pool Finish
- 2" Socket/Fits 3" Hole
- UL Listed



EQUALIZER SUCTION



ORDERING GUIDE

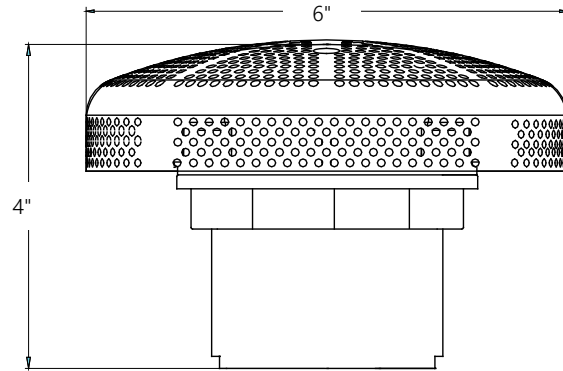
REF	WHITE	GRAY	BLACK	DARK GRAY	TAN	LIGHT BLUE	DARK BLUE	DESCRIPTION	BOX QTY
CMP VGB DRAINS & SUCTIONS									
A	25215-000-000	25215-001-000	25215-004-000	25215-007-000	25215-009-000	—	25215-069-000	FG DRAIN 2" S	40
B	25215-000-003	25215-001-003	25215-004-003	25215-007-003	25215-009-003	—	25215-069-003	FG DRAIN COVER	60
—	25215-900-000	—	—	—	—	—	—	FG DRAIN PLUG	—
C	25207-700-000	25207-701-000	25207-704-000	25207-707-000	25207-709-000	25207-759-000	25207-769-000	SUCTION 2" IN	100
D	25207-800-000	25207-801-000	25207-804-000	25207-807-000	25207-809-000	25207-859-000	25207-659-000	SUCTION 1.5" MIP	100
E	25207-700-900	—	—	—	—	—	—	SUCTION PLUG	25

VGB DRAIN & SUCTIONS

FIBERGLASS DRAIN TECHNICAL GUIDE



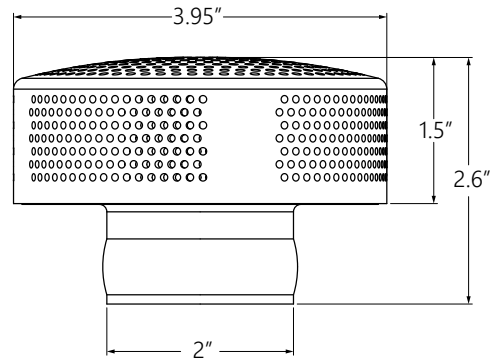
- 175 GPM Drain with Lock Nut
- 2" Socket
- 12.88in² Open Area
- Fits in 3" Hole
- 6" × 1.5"
- UL Listed
- Wall or Floor



SUCTION TECHNICAL GUIDE



- 50 GPM IAPMO Listed
- 6.82in² Open Area
- 4" × 1.5"



MAIN DRAIN ACCESSORIES



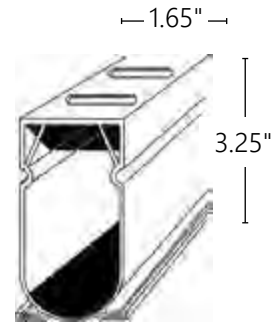
ORDERING GUIDE

REF	WHITE	DESCRIPTION	BOX QTY
CMP VGB DRAINS & SUCTIONS			
A	25620-000-000	1.5"/2" CYC HYDRO RELIEF	25
B	25520-000-000	2" FIP/1.5" FIP DRAIN SUMP FOR 25531-000-000 COVER & RING (INCLUDES PLUGS & BUSHINGS)	18
C	25521-000-000	2" FIP DRAIN SUMP FOR 25531-000-000 COVER & RING (INCLUDES PLUGS & BUSHINGS)	18

DECK DRAINS & EXPANSION JOINTS

10FT DECK DRAINS

- Eight Couplers per Carton
- Four End Adapters per Carton
- 3.25" x 1.65"

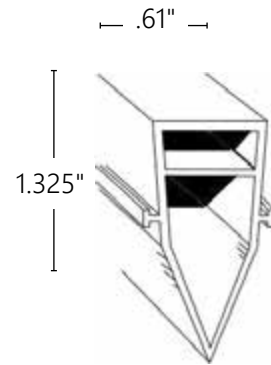


DECK DRAINS & GRATES



12FT DECK EXPANSION JOINTS

- 12ft Joint Length
- .61" x 1.325"
- Colors Available



ORDERING GUIDE

REF	WHITE	GRAY	BLACK	TAN	DESCRIPTION	BOX QTY
DECK DRAINS & EXPANSION JOINTS						
A	25533-100-000	25533-101-000	—	25533-108-000	10FT DECK DRAIN	8
B	25533-200-000	25533-201-000	25533-204-000	25533-209-000	3-BAR GRATE & FRAME	50
C	25533-000-000	25533-001-000	25533-004-000	25533-009-000	2" x 4" DECK DRAIN, 2" FIP x 2" S	50
C	25533-000-010	25533-001-010	25533-004-010	25533-009-010	2" x 4" GRATE ONLY	500
D	25533-300-000	25533-301-000	—	25533-309-000	3" ROUND DECK DRAIN	—
D	25533-300-010	25533-301-010	—	25533-309-010	3" COVER ONLY	—
E	25900-120-000	25900-121-000	—	25900-128-000	12FT DECK EXPANSION JOINTS	20

AUSSIE INSIDERS

Aussie Insiders, or "Pound-In Fittings," have been available for years in 1½" and 1" inside pipe styles. Aussie Insiders are self-aligning. CMP also offers the industries first 2" Aussie Insider.

1" AUSSIE INSIDER

PRODUCT FEATURES

- .5" Eye Opening
- Five Color Options



1.5" AUSSIE INSIDER

PRODUCT FEATURES

- .75" Eye Opening
- Two Snap-In Reducers
- Seven Color Options



2" AUSSIE INSIDER

PRODUCT FEATURES

- Industry First 2" Size
- 1.25" Eye Opening
- 1" Snap-In Reducer
- Slotted Eye Snap-In Reducer
- Three Color Options



ORDERING GUIDE

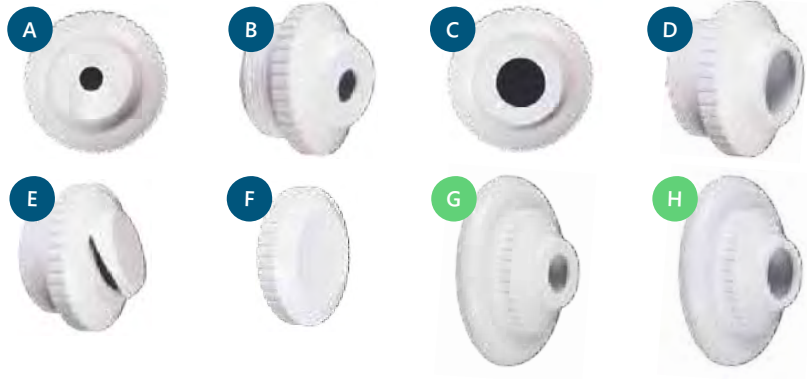
REF	WHITE	GRAY	BLACK	DARK GRAY	TAN	LIGHT BLUE	DARK BLUE	DESCRIPTION	BOX QTY
AUSSIE INSIDER "POUND-IN" FITTINGS									
A	25559-110-000	25559-111-000	25559-114-000	25559-117-000	25559-119-000	—	—	1" AUSSIE	400/50
B	25559-200-000	25559-001-000	25559-004-000	25559-007-000	25559-009-000	25559-059-000	25559-069-000	1.5" AUSSIE	400/50
B	25559-069-000	25559-201-000	25559-204-000	—	—	—	—	2" AUSSIE	400/50

DIRECTIONAL RETURN FITTINGS

THREADED DIRECTIONAL RETURNS

PRODUCT FEATURES

- With or Without Flange
- Five Opening Sizes
- 1.5" MIP
- Solid Cap Available to Drill a Custom Eye Size
- 400/bag, 50/bag



SELF-ALIGNING DIRECTIONAL RETURNS

PRODUCT FEATURES

- Fits Inside 1.5" SCH40 Pipe
- Five Opening Sizes
- Self-Aligning
- 400/bag, 50/bag



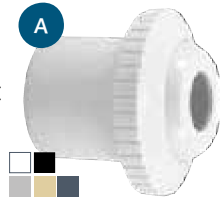
ORDERING GUIDE

REF	WHITE	GRAY	BLACK	DARK GRAY	LT BLUE	DK BLUE	TAN	CLEAR	EYE SIZE
1.5" MIP DIRECTIONAL FLOW OUTLETS									
A	25552-100-000	25552-101-000	25552-104-000	25552-107-000	—	—	25552-139-000	—	3/8"
B	25552-200-000	25552-201-000	25552-204-000	25552-207-000	—	—	25552-239-000	—	1/2"
C	25552-300-000	25552-301-000	25552-304-000	25552-307-000	25552-359-000	25552-369-000	25552-339-000	25552-309-000	3/4"
D	25552-400-000	25552-401-000	25552-404-000	25552-407-000	—	—	25552-439-000	25552-409-000	1"
E	25552-000-000	25552-001-000	25552-004-000	25552-007-000	—	—	—	—	SLOT
F	25552-020-300	—	—	—	—	—	—	—	SOLID
1.5" MIP DIRECTIONAL FLOW OUTLETS WITH FLANGE									
G	25553-300-000	25553-301-000	25553-304-000	—	25553-309-000	25553-369-000	25553-339-000	—	3/4"
H	25553-400-000	25553-401-000	25553-404-000	—	—	—	—	—	1"
1.5" INSIDER DIRECTIONAL FLOW OUTLETS WITH FLANGE									
G	25553-350-000	25553-351-000	25553-354-000	—	—	—	—	—	3/4"
H	25553-450-000	25553-451-000	25553-454-000	—	—	—	—	—	1"
1.5" INSIDER DIRECTIONAL FLOW OUTLETS									
I	25554-100-000	25554-101-000	25554-104-000	—	—	—	25554-139-000	—	3/8"
J	25554-200-000	25554-201-000	25554-204-000	—	—	—	25554-239-000	—	1/2"
K	25554-300-000	25554-301-000	25554-304-000	25554-307-000	—	—	25554-339-000	—	3/4"
L	25554-400-000	25554-401-000	25554-404-000	25554-407-000	—	—	25554-439-000	—	1"
M	25554-000-000	25554-001-000	25554-004-000	—	—	—	25554-039-000	—	SLOT

RETURN & INLET FITTINGS

INSERT INLET

- Fits Inside 1.5" Pipe
- 1.5" Insider x 1" Socket
- Slotted, 3/4" or 1"



FLUSH MOUNT RETURN

- Flush Mount in Gunite
- 1.5" Insider x 1" Socket or 1.5" Socket
- Available w/ Plaster Cap
- Available in Clear



ORDERING GUIDE

REF	WHITE /OTHER	GRAY	BLACK	DARK GRAY	TAN	DESCRIPTION	BOX QTY
EYEBALL RETURN FITTINGS & ACCESSORIES							
A	25551-000-000	25551-001-000	—	—	—	INSERT INLET, SLOTTED EYEBALL	—
A	25551-300-000	25551-301-000	25551-304-000	25551-307-000	25551-309-000	INSERT INLET, 3/4" EYEBALL	400
A	25551-400-000	25551-401-000	25551-404-000	25551-407-000	25551-409-000	INSERT INLET, 1" EYEBALL	400
B	25555-000-000	25555-001-000	25555-004-000	25555-007-000	25555-009-000	FLUSH MT RETURN 1"S x 1.5" INSIDER	220
B	25555-700-000	25555-701-000	25555-704-000	25555-707-000	25555-709-000	FLUSH MT RETURN & CAP 1"Sx1.5" INSIDER	220
B	25557-000-000	25557-001-000	25557-004-000	25557-007-000	—	FLUSH MT RETURN & CAP 1.5" SOCKET	220
—	—	—	25557-014-010	—	—	PLASTER CAP FOR FLUSH MOUNT RETURN	—
C	25609-300-000	25609-301-000	25609-304-000	—	—	1.5" SLIP INLET & REDUCERS	400
D	25606-000-000	—	25606-004-000	25606-007-000	—	INLET EYEBALL FITTING KIT	400
D	25606-100-000	—	25606-104-000	25606-107-000	—	INLET EYEBALL REPLACEMENT KIT	400
E	25527-000-000	—	—	—	—	1.5"Sx2" MIP FLOOR INLET	50
F	25527-100-000	25527-101-000	25527-104-000	25527-107-000	25527-109-000	2"S w/ 1.5" REDUCER FLOOR INLET	50
—	25527-100-100	25527-101-100	25527-104-100	25527-107-100	25527-109-100	COVER & SCREWS FOR 25527-100-000	50
—	61050-042-025	—	—	—	—	SCREWS FOR 25527-100-000	—
—	25527-000-030	—	—	—	—	COVER FOR 25527-000-000	—
G	25560-000-000	25560-001-000	25560-004-000	25560-007-000	25560-009-000	1.5" MIP GRATE INSERT	1000/50
H	25552-500-000	25552-501-000	25552-504-000	25552-507-000	25552-509-000	1.5" MIP CHECK VALVE	400
I	25551-000-100	—	—	—	—	INLET SEAT REMOVAL TOOL	100
J	25590-250-000	—	—	—	—	NEW FITTING "MULTITOOL"	—

*for safety, we recommend using the grate insert with 25207-800-000 equalizer suction

WALL RETURN FITTINGS

PRODUCT FEATURES

- Fittings for Vinyl, Fiberglass & Gunite
- Multiple Color Options to Match Popular Pool Finishes
- All Vinyl Fittings Include Nut & Gaskets



ORDERING GUIDE

REF	WHITE /OTHER	GRAY	BLACK	DARK GRAY	TAN	DESCRIPTION	PLUMBING	BOX/ BAG
CMP WALL RETURN FITTINGS								
A	25550-000-000	25550-001-000	25550-004-000	—	—	VINYL I/O FITTING	1.5" FIP	400/50
B	25522-500-000	25522-501-000	—	—	—	EXT. VINYL WALL FITTING	1.5" FIP×1.5" S	50
C	25522-000-000	25522-001-000	25522-004-000	—	—	VINYL I/O FITTING	1.5" FIP×1.5" FIP	50
C	25522-100-000	—	—	—	—	VINYL I/O FITTING	1.5" FIP×1.5" S	—
D	25545-100-000	25545-101-000	25545-104-000	—	—	VINYL FACEPLATE	3.5"	1000/25
D	25545-000-000	25545-001-000	25545-004-000	—	25545-139-000	VINYL RETURN FACE KIT	3.5"	400/50
D	25546-000-000	25546-001-000	25546-004-000	—	25545-049-000	THREADED VINYL FACE	3.5"	1000/25
E	25523-500-000	25523-501-000	25523-504-000	—	25523-539-000	FG WALL FITTING	1.5"S×2"SP, 1.5" FIP	100
E	25523-500-100	25523-501-100	—	—	—	FG WALL FITTING & GASKET	1.5"S×2"SP, 1.5" FIP	100
F	25523-700-000	25523-701-000	25523-704-000	—	—	FG WALL FITTING & EYEBALL	1.5"S×2"SP, 1.5" FIP	100
F	—	—	23300-200-040	—	—	FG WALL FITTING GASKET	—	400
G	25550-000-060	25550-001-060	25550-004-060	—	—	THREADED WALL FITTING	1.5" FIP	50
H	25523-000-000	25523-001-000	25523-004-000	—	25523-039-000	GUNITE I/O FITTING	1.5" FIP×1.5"S	50
I	25529-150-000	25529-151-000	25529-154-000	25529-157-000	25529-159-000	1.5" INSIDER WALL FITTING	1.5" FIP×1.5"S STUB	50
J	25524-200-000	25524-201-000	25524-204-000	25524-207-000	25524-239-000	2" INSIDER WALL FITTING	2" INS ×2"S	50
K	25523-100-000	25523-101-000	25523-104-000	25523-107-000	25523-139-000	GUNITE I/O FITTING	1.5" FIP×1.5"S	50
K	25523-159-000	—	—	—	—	LT BLUE GUNITE I/O FITTING	1.5" FIP×1.5"S	50
K	25523-169-000	—	—	—	—	DK BLUE GUNITE I/O FITTING	1.5" FIP×1.5"S	50

GUNITE POOL WATER STOPS

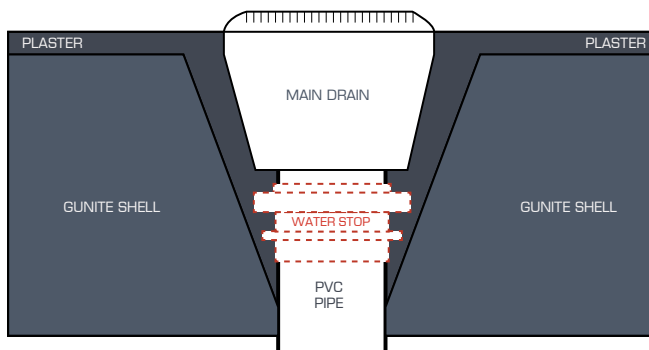
Water Stops prevent common leaks that occur when plaster separates from the installed pipe.

PRODUCT FEATURES

- Easy to Install
- Sizes Available up to 3"

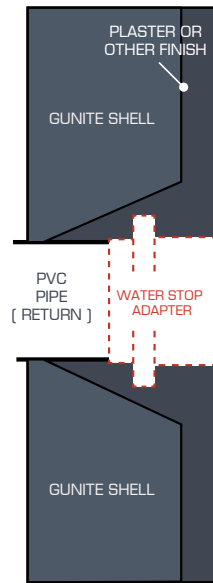


INSTALLATION GUIDE



WATER STOP:
Glue the water stop onto the pipe for the plaster to adhere

WATER STOP ADAPTER:
Glue the water stop adapter fitting onto the end of the pipe and plaster over.



ORDERING GUIDE

REF	CMP P/N	DESCRIPTION	BOX/ BAG
CMP WATER STOPS			
A	25574-100-000	1" WATER STOP	1000/20
A	25574-000-000	1.5" WATER STOP	1000/20
A	25575-000-000	2" WATER STOP	500/20
A	25575-250-000	2.5" WATER STOP	500/20
A	25575-300-000	3" WATER STOP	500/20
B	25575-600-000	WATER STOP ADAPTER FITTING, 1.5" FIP × 2" SOCKET	300/20
C	25575-500-000	WATER STOP ADAPTER FITTING, 1.5" FIP × 1.5" SOCKET	500/20
C	25575-509-000	CLEAR WATER STOP ADAPTER FITTING, 1.5" FIP × 1.5" SOCKET	500/20

HIGH TEMP SELF-SEALING UNIONS

A PRO-LEVEL TOOL FOR DURABLE INSTALLATIONS AND REPAIRS

- High Temp Black Noryl is the Same Tough Material Used for Pool Pump Bodies
- Self-Sealing: No Teflon Tape or Pipe Dope Needed
- T-Gasket Provides a Better Seal

A PART OF



ORDERING GUIDE

REF	CMP P/N	DESCRIPTION	BOX QTY
HIGH TEMP SELF-SEALING UNIONS			
A	21063-750-000	3/4" MIP, 3/4" SOCKET TAIL, HI-TEMP UNION	30
B	21063-150-000	1.5" MIP, 1.5" SOCKET (2" SPIGOT) HI-TEMP UNION	50
B	21063-160-000	1.5" MIP, 2" SOCKET HI-TEMP UNION	50
C	21063-154-000	1.5" MIP, 1.5" SOCKET (2" SPIGOT) LONG HI-TEMP UNION	50
C	21063-164-000	1.5" MIP, 2" SOCKET LONG HI-TEMP UNION	50
D	21063-200-000	2" MIP, 2" SOCKET HI-TEMP UNION	50
E	21063-204-000	2" MIP, 2" SOCKET LONG HI-TEMP UNION	50
G	21063-250-000	2" MIP, 2.5" SOCKET HI-TEMP UNION	50
H	21063-230-000	2" MIP, 3" SOCKET HI-TEMP UNION	50
I	21063-290-000	2" MIP, 2" SOCKET TAIL, 90 DEG ELL HI-TEMP UNION	50

REPLACEMENT PARTS ON PAGE 197

STANDARD UNIONS

PRODUCT FEATURES

- Complete Selection of Popular and Common Sizes Up to 3"
- Self-Aligning Unions Available in 1.5 and 2" Sizes
- Sizes Available up to 3"



ORDERING GUIDE

REF	CMP P/N	DESCRIPTION	BOX QTY
UNIONS			
A	27288-070-000	3/4" SOCKET x SOCKET UNION	10
B	21049-150-000	1.5" SOCKET (2"SPIGOT) SELF-ALIGNING INLINE UNION	100
B	21047-000-000	1.5" SOCKET x SOCKET INLINE UNION	200
C	21049-200-000	2" SOCKET x SOCKET SELF-ALIGNING INLINE UNION	100
C	21048-000-000	2" SOCKET x SOCKET INLINE UNION	200
D	21063-225-000	2.5" SOCKET x SOCKET UNION	30
E	21063-330-000	3" SOCKET x SOCKET UNION	30
F	21003-000-000	2"FI, 2" SOCKET TAIL, SWEEP 90 UNION	60
F	21003-100-000	2"FI, 2" SPIGOT TAIL, SWEEP 90 UNION	60
G	21063-801-000	006723F HEATER UNION KIT (RAYPAK)	50
H	21063-350-000	350157 UNION KIT (SuperFlo® pump)	—
I	25300-004-070	1.5" SPLIT UNION NUT & SCREWS	400/20
I	25301-004-070	2" SPLIT UNION NUT & SCREWS	400/20

STANDARD UNIONS



ORDERING GUIDE

REF	CMP P/N	DESCRIPTION	BOX QTY
UNIONS			
A	21063-170-000	1.5" MIP x 1.5" SOCKET SELF-SEALING UNION	50
A	21063-180-000	1.5" MIP x 2" SOCKET SELF-SEALING UNION	25
A	21063-210-000	2" MIP x 2" SOCKET SELF-SEALING UNION	190
B	21063-179-000	1.5" MIP x 1.5" SOCKET SELF-SEALING UNION (LONG)	50
B	21063-189-000	1.5" MIP x 2" SOCKET SELF-SEALING UNION (LONG)	25
C	21021-000-000	1.5" PUMP UNION (T-GASKET)	300
C	21023-000-000	2" PUMP UNION (T-GASKET)	190
D	21053-150-000	1.5" SOCKET x SOCKET FLUSH UNION	50
D	21053-200-000	2" SOCKET x SOCKET FLUSH UNION	50
E	21055-150-000	1.5" SOCKET x MIP FLUSH UNION	50
F	21058-000-000	1.5" HOSE BARB x MIP ECON UNION	50
G	21058-100-000	1.5" SMOOTH HOSE BARB x MIP ECON UNION	50
H	21054-150-000	1.5" MIP x 1.5" MIP UNION	50
I	21056-150-000	1.5" MIP x 1.5" SOCKET UNION	50
I	21059-150-000	1.5" MIP x 1.5" SOCKET UNION (SELF-ALIGNING)	50
J	21058-200-000	1.5" HOSE BARB x MIP 90° ELL ECON UNION	50
I	21058-300-000	1.5" SMOOTH HOSE BARB x MIP 90° ELL ECON UNION	50

PLUMBING FITTINGS



ORDERING GUIDE

REF	CMP P/N	DESCRIPTION	FITTING SIZE	BOX QTY
PLUMBING FITTINGS				
A	21005-000-000	2" SOCKET SWEEP 90° ELL	2" SOCKET × 2" SOCKET	100
A	21006-000-000	2" SPIGOT SWEEP 90° ELL	2" SOCKET × 2" SPIGOT	100
A	21105-000-000	1.5" SOCKET SWEEP 90° ELL	1.5" SOCKET × 1.5" SOCKET	100
A	21106-000-000	1.5" SPIGOT SWEEP 90° ELL	1.5" SOCKET × 1.5" SPIGOT	100
B	21013-200-000	2" STREET 90° ELL	2" SOCKET × 2" SPIGOT	100
B	21013-000-000	1.5" STREET 90° ELL	1.5" SOCKET × 1.5" SPIGOT	150
C	21010-200-000	2" STREET 45° ELL	2" SOCKET × 2" SPIGOT	100
C	21010-000-000	2" STREET 90° ELL	1.5" SOCKET × 1.5" SPIGOT	200
D	21004-000-000	2" 3-WAY WYE	2" SOCKET	50
D	21004-150-000	1.5" × 2" SOCKET 120 DEGREE 3-WAY WYE	1.5" S × 1.5" S × 2" S	50
E	21007-000-000	2" SOCKET NARROW 3-WAY WYE	2" SOCKET	50
F	21097-150-000	1.5" U-BEND VENT GRATE ASSEMBLY	1.5" SOCKET	100
F	21097-200-000	2" U-BEND VENT GRATE ASSEMBLY	2" SOCKET	100
F	21044-000-000	1.5"/2" VENTED PLUG FOR U-BEND	1.5"/2" SPIGOT	600/30
G	25398-010-000	1.5" / 2" REDUCER BUSHING	1.5" SOCKET × 2" SPIGOT	200
H	21098-150-000	1.5" COPPER TO PVC ADAPTER	1.5" SOCKET	80
H	21098-200-000	2" COPPER TO PVC ADAPTER	2" SOCKET	80
I	25501-100-000	2" PRESSURE TEST KIT	2"	100
J	25501-000-800	0-60 PRESSURE GAUGE SIDE MT	1/4" NPT	110
J	25501-020-800	0-60 PRESSURE GAUGE SIDE MT (CLAMSHELL)	1/4" NPT	—
J	25501-000-900	0-60 PRESSURE GAUGE BACK MT	1/4" NPT	100
J	25501-020-900	0-60 PRESSURE GAUGE BACK MT (CLAMSHELL)	1/4" NPT	—
K	25501-100-900	0-60 PRESSURE GAUGE BACK MT W/ GUIDE	1/4" NPT	—
K	25501-120-800	0-60 PRESSURE GAUGE SIDE MT W/ GUIDE (CLAMSHELL)	1/4" NPT	—
K	25501-100-800	0-60 PRESSURE GAUGE SIDE MT W/ GUIDE	1/4" NPT	—
K	25501-120-900	0-60 PRESSURE GAUGE BACK MT W/ GUIDE (CLAMSHELL)	1/4" NPT	—

REPAIR FITTINGS

CLIP-ON PIPE SEAL

Leaky joints are a thing of the past! CMP Clip-On Pipe Seals stop leaks at glue joints for schedule 40 fittings, couplings, elbows, and more. CMP Clip-On Pipe Seals look cleaner, are more professional, and are more effective.

PRODUCT FEATURES

- Snaps Into Place over Leaking Joints
- One-Piece Repair Fitting Design
- Complete set of sizes from 3/4" to 2-1/2"

A PART OF



INSTALLATION GUIDE

1. Examine the area of the leak on the socket. Make sure there are no raised letters or bumps on the fitting. They will have to be sanded off to use the CMP Clip-On Pipe Seal.
2. Liberally apply glue to the area of the leak and onto the Clip-On Seal. **DON'T BE SHY WITH THE GLUE.**
3. Choose the proper sized Clip-On Seal and snap over the leaking area.



NO MORE MESSY REPAIRS

NO CUTTING, NO MEASURING. . . FAST & SIMPLE



ORDERING GUIDE

CMP P/N	DESCRIPTION	BOX/BAG
CLIP-ON PIPE SEALS		
21184-750-000	3/4" CLIP-ON PIPE SEAL	750
21184-100-000	1" CLIP-ON PIPE SEAL	500
21184-150-000	1-1/2" CLIP-ON PIPE SEAL	100/25
21184-200-000	2" CLIP-ON PIPE SEAL	100
21184-250-000	2-1/2" CLIP-ON PIPE SEAL	100
21184-230-000	2" PIPE x 2" SPIGOT CLIP-ON PIPE SEAL	200

REPAIR FITTINGS

PIPE EXTENDERS

PRODUCT FEATURES

- Add Length Bath to Pipe After Cutting or Trimming
- Small End Fits Inside PVC Pipe
- Large End is Equivalent to the Pipe Size



INSIDE COUPLERS

PRODUCT FEATURES

- Both Ends Fit Inside the PVC Pipe
- Space-Saving Design
- Cleaner Appearance than Outside Couplers



ORDERING GUIDE

CMP P/N	DESCRIPTION	BOX QTY
PIPE EXTENDERS		
21181-750-000	3/4" PIPE EXTENSION	750
21181-100-000	1" PIPE EXTENSION	500
21181-150-000	1.5" PIPE EXTENSION	100/25
21181-200-000	2" PIPE EXTENSION	100
21181-250-000	2.5" PIPE EXTENSION	60
21181-300-000	3" PIPE EXTENSION	25
21181-400-000	4" PIPE EXTENSION	20
INSIDE COUPLERS		
21183-100-000	1" INSIDE COUPLER	1000
21183-150-000	1.5" INSIDE COUPLER	200
21183-200-000	2" INSIDER COUPLER	200

FITTING EXTENDERS

CMP fitting extenders simplify pool service. Reduce the amount of cut and wasted PVC pipe. Instead use a fitting extender on existing plumbing. A far better solution than using slip fittings.

Continuing our commitment to offer the products that the professional really needs, CMP is the only manufacturer offering a true 2" socket fitting extender.

PRODUCT FEATURES

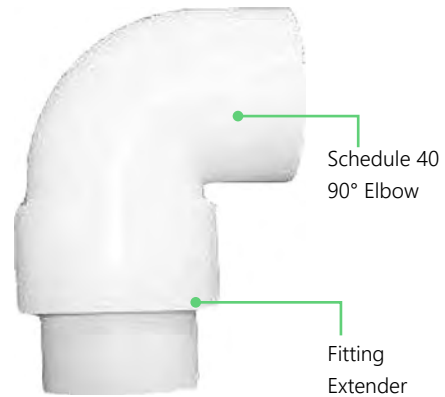
- A More Professional Repair
- No Loss of Flow
- CMP Exclusive True 2" Socket Extender

A PART OF



INSTALLATION GUIDE

1. Make sure there are no raised letters or bumps on the fitting. If so, they may need to be sanded off prior to installation.
2. Try the fitting extender over the fitting without glue first to make sure it will fit. If the extender fits too tight, the inside of the extender may be sanded to fit. Once you have confirmed a proper fit, glue the extender to the fitting.
3. When using with 2" pipe glue a coupler or 90° elbow to the small end. The larger end fits over Schedule 40 fittings.



ORDERING GUIDE

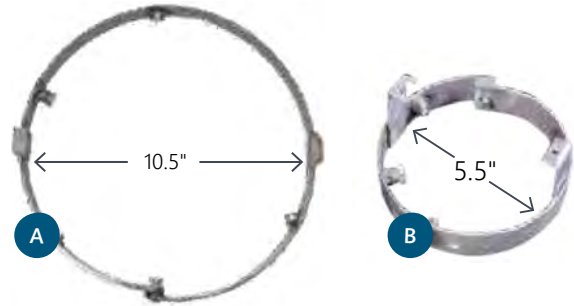
REF	CMP P/N	DESCRIPTION	FITTING SIZE	BOX QTY
FITTING EXTENDERS				
A	21182-150-000	1.5" FITTING EXTENSION	1.5" FITTING × 1.5" SOCKET/2" SPIGOT	100
B	21182-200-000	2" FITTING EXTENSION	2" FITTING × 1.5" SOCKET/2" SPIGOT	100
C	21182-220-000	2" FITTING EXTENSION	2" FITTING × 2" SOCKET	100
D	21182-250-000	2.5" FITTING EXTENSION	2.5" FITTING × 2.5" SOCKET	100

LIGHT REPAIR FITTINGS

IN GROUND LIGHT ADAPTER

PRODUCT FEATURES

- The Easiest Way to Fix a Stripped Pool Light
- Plaster Does Not Have to be Scraped Away to Install the Original Manufacturer Light Ring
- 100% Stainless Steel
- U.S. PATENT # 8,403,513 



ORDERING GUIDE

REF	CMP P/N	DESCRIPTION	BOX QTY
LIGHT REPAIR FITTINGS			
A	25549-500-000	IN GROUND POOL LIGHT ADAPTER	20
B	25549-540-000	IN GROUND SPA LIGHT ADAPTER	30
C	25549-600-000	LIGHT REPAIR WEDGE	—
D	25549-002-000	VINYL LINER LIGHT SEALING RING (10 HOLE)	20
E	25549-000-011	VINYL LINER LIGHT RING GASKET	20
D,E	25549-100-000	VINYL LINER LIGHT RING KIT	—
F	25549-200-000	WHITE LIGHT FRONT (SPX0507A1)	20
G	25549-201-000	GRAY LIGHT FRONT (SPX0507A1)	20
H	25549-204-000	BLACK LIGHT FRONT (SPX0507A1)	20
I	25549-269-000	DARK BLUE LIGHT FRONT (SPX0507A1)	20





ACCESSORIES

Aqua Elements™ Pool Tools *145*

Water Care Accessories *150*

Ladder & Rope Accessories *152*

Pool Plugs & Winterizing Accessories *154*

Pool Defender™ Anodes & Water Bonds *156*

WWW.C-M-P.COM/POOL-PRODUCTS/ACCESSORIES



AQUA

elements™

AQUA ELEMENTS is the CMP Pool Products brand of quality, retail friendly pool tools and accessories. The perfect choice for attractive retail products with the quick shipping guarantee of CMP Pool Products.

PRODUCT FEATURES

- Total Brand of Retail Products Designed to be Displayed as a Complete Family
- Options from Pro Level to Basic Pool Tools

AQUA elements



POOL VACUUMS & ACCESSORIES



LEAF TRAP

PRODUCT FEATURES

- Captures Vacuum Debris for Easy Cleaning
- Twist-On Quick Release Lid
- Includes 9' of Vacuum Hose
- Heavy-Duty Molded Handle for Added Strength
- Male Port Bottom × Female Port Lid
- Heavy Duty Basket or Debris Net Options



ORDERING GUIDE

REF	CMP P/N	DESCRIPTION	BOX/ BAG
POOL VACUUMS & ACCESSORIES			
A	58410-120-048	TRIANGULAR VINYL LINER VACUUM WITH SWIVEL CUFF	12
B	58410-140-052	DELUXE TRANSPARENT CAST IRON WEIGHT VACUUM WITH SWIVEL CUFF	6
C	58410-110-023	DELUXE WEIGHTED LINER BUMPER VACUUM	12
D	58410-120-047	PLASTIC REPLACEMENT HANDLE	12
E	58410-130-051	14" FLEXIBLE VACUUM	12
F	58410-150-302	14" FLEXIBLE VACUUM WITH METAL HANDLE	12
G	58306-009-000	HANDHELD SPA VAC	6
H	58309-300-000	LEAF TRAP WITH FINE MESH BAG	6
I	58309-000-000	LEAF TRAP WITH BASKET	6
—	27182-010-000	HEAVY DUTY REPLACEMENT BASKET FOR LEAF TRAP	EA

VENTURI LEAF EATER

PRODUCT FEATURES

- Clean with Venturi Suction from a Standard Garden Hose, no Pump Required
- Wheels & Brushes on Bottom
- Service Pro Favorite for Large Clean-up Jobs
- Includes Garden Hose Quick Releaser
- Fits Any Standard Tele-pole



PRODUCT FEATURES

- Automatic Suction-Side Cleaner
- Quick Easy Setup
- Cleans 100% of the Pool Floor
- Attractive Retail Packaging
- Includes 32 Feet of Hose
- For In Ground or Above Ground Pools



ORDERING GUIDE

REF	CMP P/N	DESCRIPTION	BOX/ BAG
POOL VACUUMS			
A	58410-160-409	VENTURI LEAF EATER	6
—	58410-170-454	LEAF EATER REPLACEMENT MESH BAG	24
B	25563-800-000	S-2000 AUTOMATIC SUCTION VACUUM KIT	2

POOL BRUSHES & NETS



ORDERING GUIDE

REF	CMP P/N	DESCRIPTION	BOX/ BAG
AQUA ELEMENTS POOL BRUSHES & NETS			
A	58420-120-166	18" CURVED POLY-BRISTLE WALL BRUSH	24
B	58420-110-025	18" DELUXE METAL BACK BRUSH	24
C	58420-130-316	10" ALGAE BRUSH	12
D	58430-150-100	LEAF SKIMMER WITH DEBRIS MAGNET	24
E	58430-140-087	ALUMINUM LEAF SKIMMER	24
F	58430-160-146	4' TELEPOLE SKIMMER NET WITH DEBRIS MAGNET	12
G	58430-100-035	DEEP NET LEAF RAKE	24
H	58430-110-043	DELUXE ALUMINUM DEEP NET LEAF RAKE	24
I	58480-130-079	ALUMINUM POLE HANGERS & SCREWS SET	24
J	58480-110-039	QUICK SNAP BUTTERFLY CLIPS (3 PIECE SET)	24



ORDERING GUIDE

REF	CMP P/N	DESCRIPTION	BOX/ BAG
AQUA ELEMENTS TOOL KITS & PRO SERIES			
A	58490-110-530	FIVE PIECE MAINTENANCE KIT FOR GUNITE POOLS	6
B	58490-120-540	FIVE PIECE MAINTENANCE KIT FOR VINYL POOLS	6
C	58420-140-494	18" PRO SERIES POOL BRUSH	24
D	58430-190-548	PRO SERIES SOLID TUBE FRAME DEEP LEAF RAKE	24
E	58430-180-161	PRO SERIES ALUMINUM LEAF SKIMMER	12
F	58430-120-065	PRO SERIES XL "SCOOP" PLASTIC LEAF RAKE	12
G	58430-130-066	PRO SERIES XL "SCOOP" PLASTIC SKIMMER	12

POOL WATER CARE ACCESSORIES



CMP SMART SCOOP

Application Guides are Molded Into the Scoop For:
Sodium Bicarbonate, Soda Ash, Cyanuric Acid (CYA), D.E. Powder, and Standard Cup Measurements

PRODUCT FEATURES

- Large scoop that holds over six cups
- Application guides are molded into the scoop
- Clear so you can see exactly what you are measuring
- Chemical resistant, BPA free material
- Durable scoop handle for a firm grip to ease the application of large chemical doses.



ORDERING GUIDE

REF	CMP P/N	DESCRIPTION	CAPACITY	BOX QTY
POOL CARE ACCESSORIES				
A	27052-019-000	BLUE BOTTOM LOAD ADJUSTABLE CHLORINATOR	TEN 1" TABLETS	45
B	27052-029-000	TAN BOTTOM LOAD ADJUSTABLE CHLORINATOR	TEN 1" TABLETS	45
C	27052-039-000	GRAY BOTTOM LOAD ADJUSTABLE CHLORINATOR	TEN 1" TABLETS	45
D	27051-009-000	GRAY/WHITE TOP LOAD ADJUSTABLE CHLORINATOR	TEN 1" TABLETS	45
E	27051-019-000	BLUE/WHITE TOP LOAD ADJUSTABLE CHLORINATOR	TEN 1" TABLETS	45
F	58470-110-690	STANDARD TOP LOAD ADJUSTABLE FLOATING CHLORINATOR	—	12
G	58470-110-700	LARGE TOP LOAD ADJUSTABLE FLOATING CHLORINATOR	EIGHT 3" TABLETS (4LB)	12
H	25600-411-000	CMP CLEAR SMART SCOOP	SIX CUPS	—
I	25600-009-000	ORANGE 1LB DE SCOOP	1LB OF DE POWDER	50
J	58307-000-000	FILTER SAVER SKIMMER SOCKS (5-PACK)	—	20
K	58307-100-000	LARGE FILTER SAVER SKIMMER SOCKS (5-PACK)	—	20
L	25300-200-000	CARTRIDGE FILTER CLEANING TOOL	—	—

POOL TOOLS & ACCESSORIES



ORDERING GUIDE

REF	WHITE / OTHER	GRAY	BLACK	DARK GRAY	TAN	DESCRIPTION	BOX / BAG
POOL TOOLS & ACCESSORIES							
A-B	25570-100-000	—	—	—	—	VOLLEYBALL POLE HOLDER ASSY	35
A	25570-000-000	—	—	—	—	VOLLEYBALL POLE HOLDER	36
B	25571-000-000	25571-001-000	25571-004-000	25571-007-000	25571-019-000	VOLLEYBALL FLANGE & FLUSH CAP	280/35
C	25558-000-000	25558-001-000	25558-004-000	—	25558-009-000	3/4" MIP AERATOR	1000/50
D	25558-100-000	25558-101-000	—	—	25558-109-000	3/4" ROUND AERATOR	1000/50
D	25558-170-000	25558-170	25558-170	—	—	3/4" INSIDER AERATOR	1000/50
E	25589-200-000	—	—	—	—	2" NYLON WALL FASTENER	25/800
F	21093-000-000	—	21093-004-000	—	—	1.25"/1.5" HOSE ADAPTER	390
G	21093-150-000	—	21093-154-000	—	—	1.5" HOSE ADAPTER	390
H	58308-100-000	—	—	—	—	36" CABLE SAW	100
H	58308-240-000	—	—	—	—	24" CABLE SAW	100
I	25505-000-000	25505-001-000	25505-004-000	25505-007-000	25505-009-000	1.5" MIP×1.25" VAC COVER (IAPMO)	100
J	—	—	25710-004-000	—	—	WEIGHTED VINYL PILLOW (11.5" × 8.5")	24
K	58490-130-257	—	—	—	—	VINYL POOL REPAIR KIT	24
L	58440-120-083	—	—	—	—	FLOATING ANIMAL THERMOMETERS	12
M	58440-110-082	—	—	—	—	DELUXE ROUND THERMOMETER	24
N	58440-130-084	—	—	—	—	DELUXE FLOATING THERMOMETER	12
O	58440-140-080	—	—	—	—	BUOY THERMOMETER	24

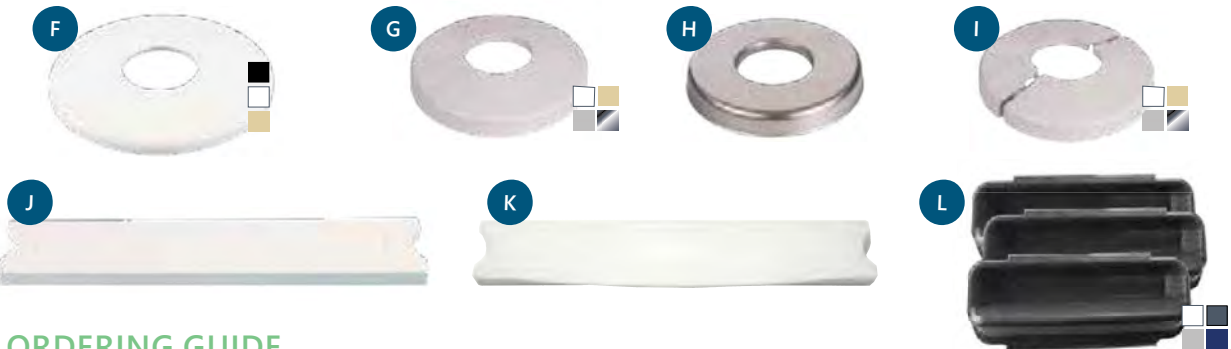
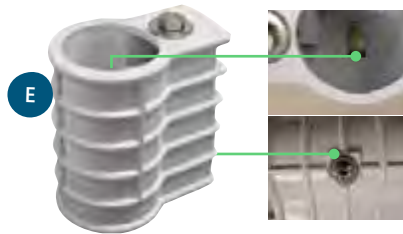
IN GROUND LADDER ACCESSORIES



PLASTIC LADDER ANCHOR

PRODUCT FEATURES

- Plastic Anchor Prevents Typical Corrosion Issues Associated with Metal Ladder Anchors
- Electrical Ground is Built into Anchor



ORDERING GUIDE

REF	WHITE /OTHER	GRAY	CHROME	TAN	DESCRIPTION	BOX QTY
LADDER ACCESSORIES						
A	25572-420-000	—	—	—	20" PLATE & TWO 4" ANCHOR SOCKETS	10
A	25572-480-000	—	—	—	8" PLATE & TWO 4" ANCHOR SOCKETS	10
B	25572-400-100	—	—	—	HEAVY DUTY PLASTIC ANCHOR WEDGE & BOLT	100
C	25562-500-000	—	—	—	MALE LADDER BUMPER FOR 1.9" OD RAIL	300
C	25562-500-100	—	—	—	MALE BUMPER 2-PACK (HEADER CARD)	80
C	25562-600-000	—	—	—	FEMALE LADDER BUMPER FOR 1.9" OD RAIL	300
C	25562-600-100	—	—	—	FEMALE BUMPER 2-PACK (HEADER CARD)	80
D	25562-720-000	—	—	—	ELITE LADDER BOLT KIT	—
D	25562-740-000	—	—	—	ECONOMY LADDER BOLT KIT	—
E	25572-400-000	—	—	—	4" HEAVY DUTY PLASTIC ANCHOR SOCKET 1.9"	50
E	25572-600-000	—	—	—	6" HEAVY DUTY PLASTIC ANCHOR SOCKET 1.9"	38
F	25572-050-000	25572-051-000	—	25572-059-000	5.75" LADDER ESCUTCHEON (FITS 1.9")	50
G	25572-000-000	25572-001-000	25572-002-000	25572-009-000	STANDARD 5" LADDER ESCUTCHEON (FITS 1.9")	50
H	25572-100-000	—	—	—	SS LADDER ESCUTCHEON (FITS 1.9")	50
I	25572-200-000	25572-201-000	25572-202-000	25572-209-000	CLIP-ON LADDER ESCUTCHEON (FITS 1.9")	150
J	25562-100-000	—	—	—	20" LADDER TREAD (SRS-A42073-0)	50
K	25562-000-000	—	—	—	17-1/4" TREAD (SRS SWAN 60-704, LTDF-101)	50
L	25578-000-000	25578-001-000	—	25578-019-000	WALL STEPS (3) 15"×6"×6", 3" IN POOL	6
L	25578-004-000	—	—	—	DK GRAY WALL STEPS (3) 15"×6"×6", 3" IN POOL	6
L	25578-009-000	—	—	—	LT BLUE WALL STEPS (3) 15"×6"×6", 3" IN POOL	6
L	25578-004-000	—	—	—	BLACK WALL STEPS (3) 15"×6"×6", 3" IN POOL	6

POOL SAFETY ROPE ACCESSORIES



ORDERING GUIDE

REF	WHITE	GRAY	DARK BLUE	BLACK	OTHER	DESCRIPTION	BOX QTY
POOL SAFETY ROPE ACCESSORIES							
A	25569-100-000	—	—	—	—	18' × 5/16" SAFETY ROPE, & HOOKS	18
A	25569-000-000	—	—	—	—	22' × 5/16" SAFETY ROPE & HOOKS	18
B	25564-000-300	—	—	—	—	SMALL FLOAT FOR 5/16" ROPE	100
B	58460-110-688	—	—	—	—	LARGE FLOAT FOR 3/4" ROPE	24
C	25569-000-100	—	—	—	—	RATCHET-LOCK ROPE HOOKS (2)	—
VINYL LINER POOL ROPE EYES							
D	25568-400-000	25568-401-000	25568-469-000	25568-404-000	—	FLUSH MOUNT ROPE EYE	50
D	—	—	—	—	25568-409-000	LT BLUE FLUSH MOUNT ROPE EYE	50
D	—	—	—	—	25568-439-000	TAN FLUSH MOUNT ROPE EYE	50
E	25568-500-000	25568-501-000	—	—	—	F-GLASS FLUSH MOUNT ROPE EYE	50
F	25568-300-000	25568-301-000	25568-369-000	—	—	ROPE EYE & MALE RECEPTOR	100
G	25568-300-010	25568-301-010	25568-369-010	—	—	BASIC ROPE EYE	100
H	25568-200-000	25568-201-000	—	—	—	COPING MOUNT ROPE EYE (2)	200
H	—	—	—	—	25568-700-000	CHROME COPING MNT ROPE EYE (2)	100
I	—	—	—	—	25568-750-000	14" CHROME RING ROPE EYE (STRAP)	100
GUNITE POOL ROPE ANCHORS							
J	25567-000-000	25567-001-000	—	25567-004-000	—	ROPE ANCHOR, PLASTIC PIN	50
J	—	—	—	—	25567-007-000	DK GRAY ROPE ANCHOR, PLASTIC PIN	50
J	—	—	—	—	25567-039-000	TAN ROPE ANCHOR, PLASTIC PIN	50
K	25568-000-000	25568-001-000	—	25568-004-000	—	ROPE ANCHOR, STEEL PIN	50
K	—	—	—	25568-007-000	—	DK GRAY ROPE ANCHOR, STEEL PIN	50
K	—	—	—	25568-039-000	—	TAN ROPE ANCHOR, STEEL PIN	50
L	25567-100-000	25567-101-000	—	25567-104-000	—	MINI ROPE ANCHOR	50
L	—	—	—	—	25567-107-000	DK GRAY , MINI ROPE ANCHOR	50
L	—	—	—	—	25567-139-000	TAN MINI ROPE ANCHOR	50
L	—	—	—	—	25567-109-000	CLEAR MINI ROPE ANCHOR	50

POOL PLUGS & WINTERIZING TOOLS



ORDERING GUIDE

REF	WHITE	GRAY	BLACK	TAN	DESCRIPTION	BOX QTY
POOL PLUGS & WINTERIZING TOOLS						
A	25543-000-000	25543-001-000	25543-004-000		1.5" ALL PURPOSE PLUG WITH O-RING	700/50
B	25542-000-000	25542-001-000	25542-004-000	25542-009-000	1.5" MIP FLAT PLUG W/ GASKET	1000/50
B	25542-500-000	—	—	—	1.5" MIP FLAT PLUG W/ GASKET (EXT THREAD)	1000/50
C	25597-000-030	—	—	—	3/4" MALE THREADED PLUG	450/18
C	25520-040-000	—	—	—	1.5" MALE THREADED PLUG	450/18
C	25520-050-020	—	—	—	2" MALE THREADED PLUG	450/18
C	25513-250-020	—	—	—	2.5" MALE THREADED PLUG	450/18
C	25513-300-020	—	—	—	3" MALE THREADED PLUG	450/18
D	25525-000-000	—	—	—	2" MIP PLUG WITH O-RING	450/18
E	25528-000-000	—	25523-900-000	—	1.5" MIP TEST PLUG TOOL (SP1434TP)	160
F	25523-900-000	—	25523-904-000	—	1.5" MIP JOSAM PLUG (PRESSURE TEST)	160
G	25552-020-300	—	—	—	SOLID FLANGE CAP FOR EYEBALL FITTINGS	400
H	25251-100-000	—	—	—	1.5"/2" IN GROUND WINTER TUBE	36
I	25251-110-000	—	—	—	1.5" ABOVE GROUND WINTER TUBE	72

POOL PLUGS & WINTERIZING TOOLS

DELUXE SKIMMER WINTERIZING TUBE

PRODUCT FEATURES

- Pool Plumbing Blow-Out Hole
- Includes Cap
- Fits 1.5"/2"



SKIMSEAL SKIMMER PLUG

PRODUCT FEATURES

- Completely Blocks Water from Skimmer
- No Need to Drain Pool for Winter
- Helps Make Service Faster & Easier



ORDERING GUIDE

CMP P/N	DESCRIPTION	SKIMMER SIZE OEM CROSS-REFERENCE	BOX QTY
POOL PLUGS & WINTERIZING TOOLS			
25251-120-000	1.5"/2" DELUXE WINTER TUBE	—	36
25251-250-000	5-1/4" x 5-3/4" SKIMSEAL	SWL 8940	—
25251-290-000	5-3/8" x 5-3/8" SKIMSEAL	SP1094, 1094W, 1095	—
25251-200-000	5-7/8" x 5-5/8" SKIMSEAL	SP1090, 1091LX, Aquador 1090, K001WBX, PM 32190, Proline 60496	—
25251-230-000	7-5/8" x 5-5/8" SKIMSEAL	SP1084, WW Renegade, CMP Std	80
25251-220-000	11-1/2" x 4-7/8" SKIMSEAL	SP1091WM, K00RWBX, Olympic, PS PS002, WW Flo-Pro II	—
25251-210-000	11-1/2" x 5-3/16" SKIMSEAL	1090WM, Oly Wide, Proline Wide	—
25251-240-000	15-1/4" x 5-5/8" SKIMSEAL	SP1085, Aquador 1095, AMERICAN PRODUCTS™, CMP Wide	40

POOL DEFENDER™ INLINE SACRIFICIAL ANODE



Preventing damage from salt water sanitation systems is a key step in building a quality modern pool. Protect the pool from galvanic corrosion combined with an NEC Approved water bonding device. For more info on corrosion problems see page 158.

C-M-P.COM/POOL-DEFENDER

PRODUCT FEATURES

- Now with Two Size Options Including Space Saving Design
- Connects to Pool Bonding Wire
- Protects the Entire Pool from Galvanic Corrosion
- Meets NEC2008 680.26(C) as a Water Bonding Device
- Zinc Anode Lasts Approximately 3 Years
- Kit Includes 4ft of Solid Copper Ground Wire
- **US PATENT 7,655,116 B1**



DELUXE



COMPACT

ORDERING GUIDE

REF	CMP P/N	DESCRIPTION	BOX QTY
SACRIFICIAL ZINC ANODES			
A	25810-150-000	1.5" POOL DEFENDER DELUXE KIT 1.5" S (2" SPIGOT)	12
A	25810-200-000	2" POOL DEFENDER DELUXE KIT 2"S (2.5" SPIGOT)	12
B	25810-400-050	1.5" POOL DEFENDER WITH COPPER WIRE NEW COMPACT DESIGN	—
B	25810-350-050	2" POOL DEFENDER WITHOUT COPPER WIRE NEW COMPACT DESIGN	—
—	25810-200-950	REPLACEMENT ZINC BAR FOR POOL DEFENDER INLINE ZINC ANODE	—
C	25810-009-950	ZINC ANODE "PUCK" FOR SKIMMER BASKETS	100

REPLACEMENT PARTS PAGE 199

ABOVE GROUND PUMP BOND

PRODUCT FEATURES

- Install Pool Bonding to a Standard Above Ground Pool Pump through the Strainer Drain Plug (Fig 1)
- No Special Tools Required for Installation
- Stainless Steel Coil Sits Below Pump Basket
- Bolt Connector Attaches to Pool Bonding Wire
- Meets Requirements of NEC 680.26 (C)



FIGURE 1



NEW



ECON UNION WITH SS POOL BOND

PRODUCT FEATURES

- Install Pool Bonding to a Standard Above Ground Pool Filter at the Hose Connection
- No Special Tools Required for Installation
- Bolt Connector Attaches to Pool Bonding Wire
- Meets Requirements of NEC 680.26 (C)



B

NEW



POOL BASKET ZINC ANODE

PRODUCT FEATURES

- Attach a Zinc Anode to Any Pool Skimmer Basket
- Sacrificial Anode Helps Fight Galvanic Corrosion in "Saltwater" Pools
- "Puck" Weighs Down Basket to Prevent Floating



C

ORDERING GUIDE

REF	CMP P/N	DESCRIPTION	BOX QTY
POOL DEFENDER ZINC ANODES & WATER BOND DEVICES			
A	25810-500-000	ABG PUMP BOND (SS WIRE, CONNECTOR, RELIEF FITTING)	—
B	25810-850-000	ECON UNION WITH STAINLESS STEEL POOL BOND	—
C	25810-009-950	ZINC ANODE "PUCK" FOR SKIMMER BASKETS	100

POOL DEFENDER™ TECHNICAL INFO



ABOUT POOL BONDING REQUIREMENTS

Since 2008 the National Electrical Code (NEC) has mandated that pool water in most cases shall be electrically bonded, not just metals in the structure of the pool itself.

As required in NEC Section 680.26(C) the Bonding Device shall:

- Consist of at least 9 sq. in. of conductive material
- Shall be in contact with the water 24/7, whether the circulation system is running or not
- The Connector (lug) must be unable to “back off” (due to vibration, etc.) at any time

Code enforcement for these requirements is consistently increasing. High level pool professionals should already be meeting these requirements for all pool service and installations. To ease this process CMP is developing a complete line of cost effective, easily installed pool bonding devices for in ground and above ground pools.

ABOUT CORROSION DAMAGE TO “SALT WATER” POOLS

Salt water generators have greatly gained in popularity as a replacement for traditional pool sanitation methods. These systems are a great solution for many homeowners that prefer storing fewer harsh chemicals and who also enjoy more “automated” pool care. However in a swimming pool “salt water” can create a very corrosive environment for metal pool components and equipment.

WHY DOES THIS HAPPEN?

Any time different metals are present in your salt water pool, a small amount of electrical current is created between them. Over time this will actually cause metal ions to release into the pool water. As this “galvanic corrosion” builds over time, you will experience:

- Metal erosion and damage
- Plaster discoloration
- Pool surface stains

Damage can eventually be severe and expensive. This can effect all metal parts, including but not limited to heaters, lights, niches, automatic covers and safety rails.

HOW CAN DAMAGE BE PREVENTED?

The electrical current generated effects high grade metals more slowly than weaker metals. Zinc is a weak metal that will erode faster than other metals, essentially “sacrificing” itself to prevent corrosion and staining in other areas of the pool. The Pool Defender Sacrificial Zinc Anode is designed to prevent the damage caused by salt water sanitation systems.

- The zinc anode will erode instead of your expensive pool components
- The Pool Defender Sacrificial Anode is tied into the pool bonding wire, thereby protecting the entire pool
- Simply replace the anode after half of it has eroded, typically in about three years
- Certified for use as a water bonding device by NEC2008 680.26(C) building code requirements

Notes are for general information purposes only. Always install professionally and refer to local and national code requirements for installation guidelines. You can visit www.nfpa.org for more information.



POOL PARTS

Flowskim™ Basket *160*

Heavy Duty Pool Baskets *161*

Auto Cleaner Parts *164*

"J" Style Fittings *167*

Heavy Duty Manifolds *168*

Pool Equipment Parts *169*

WWW.C-M-P.COM/POOL-PRODUCTS/REPLACEMENT-PARTS

FLOWSKIM™ BASKET HANDLE



The FLOWSKIM Skimmer Basket Handle provides a path for water flow when your skimmer basket is full of debris. It can also be removed and emptied without touching wet leaves, bugs, and other debris inside the skimmer basket

PRODUCT FEATURES

- Protects Pump from Running Dry
- Easier Removal and Cleaning
- NEW Extended Handle Options (FIG 1)
- U.S AND INTERNATIONAL PATENTS



FIGURE 1



ORDERING GUIDE

REF	12" HANDLE	14" HANDLE	16" HANDLE	DESCRIPTION	BOX QTY
FLOWSKIM SKIMMER BASKET HANDLE					
A	27182-352-000	27182-362-000	27182-372-000	FLOWSKIM BASKET FOR SP1082CA	36
B	27182-300-000	27182-310-000	27182-320-000	FLOWSKIM BASKET FOR SP1070 / U-3	60
C	25573-300-000	25573-310-000	25573-320-000	FLOWSKIM HANDLE & SCREWS KIT	50

CMP HEAVY DUTY POOL BASKETS



Let's face it, pool baskets can really take a beating. They are forever under attack from harsh chemicals, erosion, UV sunlight, and the occasionally over-excited Shih Tzu. Pump and skimmer baskets protect your customer's equipment from serious damage. Why would you trust anything other than the absolute best?



ANODE ON SELECT BASKETS

PRODUCT FEATURES

- Better Than OEM Originals: Twice as Thick
- Metal Weight to Prevent Floating
- Stainless Steel Handle that Flips Up or Lays Flat
- Extra Support Feet on Pump Baskets



ORDERING GUIDE



ANODE OPTION

REF	CMP P/N	DESCRIPTION	COMPARE BASKET TO	BOX QTY
HEAVY DUTY POOL BASKETS				
A	27182-009-000	HD SP1070/U-3 SKIMMER	SP1070, U-3, B-9	40
—	27182-009-112	REPLACEMENT HANDLE CLIP FOR 27182-009-000	—	—
A	27182-009-200	HD SP1070/U-3 BASKET & ZINC ANODE PUCK	SP1070, U-3, B-9	24
B	27182-019-000	HD WATERWAY SKIMMER BASKET	542-3240, B-19	30
C	27182-152-000	HD 1082 BASKET	HAYWARD 1082, B-152	24
C	27182-152-200	HD 1082 BASKET & ZINC ANODE PUCK	HAYWARD 1082, B-152	—
D	27182-037-000	HD AMERICAN PRODUCTS™ SKIMMER BASKET	AP 850001, B-37	12
F	27182-200-000	HD AMERICAN PRODUCTS™ S20 BASKET	S-20, B-200	—
G	27180-219-000	HD CHALLENGER PUMP BASKET	355318, B-219	—
H	27182-199-000	HD WHISPERFLO® PUMP BASKET	070387, B-199	36
I	27182-207-000	HD SUPER II PUMP BASKET	SPX3000M, B-207	25
J	27182-167-000	HD SUPER PUMP BASKET	SPX1600M, B-167	27
K	27182-215-000	HD MAX-E-PRO® PUMP BASKET	C8-58P, B-215	25
L	27182-020-000	HD LEAF TRAP CANISTER BASKET	RAINBOW™ 186, HAYWARD LG	30
M	27182-010-000	HD CMP LEAF TRAP CANISTER BASKET	—	30
N	25810-009-950	ZINC ANODE "PUCK" KIT	—	100

POOL PUMP & SKIMMER BASKETS



HEAVY DUTY ALSO AVAILABLE ☆

ANODE OPTION 

POOL PUMP & SKIMMER BASKETS

ORDERING GUIDE

REF	CMP P/N	DESCRIPTION	COMPARE TO	BOX QTY
SKIMMER BASKETS				
A	27180-136-000	BAKER SKIMMER BASKET	51B1026, DOUGH 340-1139, B-136	36
B	27180-152-000	HAYWARD 1082 SKIMMER BASKET	SPX1082CA, B-152	24
C	27180-168-000	HAYWARD 1096 SKIMMER BASKET	SPX1096CA, B-168	24
D	27180-200-000	ADMIRAL™/AMERICAN PRODUCTS™ SKIM BASKET	S20, B-200	24
E	27180-203-000	HAYWARD 1094 BASKET	SPX1094FA, B-203	60
F	25140-000-900	WATERWAY SKIMMER BASKET (WHITE)	542-3240,	16
G	27180-163-000	KAFKO SKIMMER BASKET	19-0163-1	12
H	27180-009-000	GRAY HWD SP1070, U-3 SKIMMER	SP1070, U-3, B-9	180
H	27180-009-100	WHITE HWD SP1070, U-3 SKIMMER	SP1070, U-3, B-9	180
H	27180-009-200	GRAY HWD SP1070, U-3 SKIMMER & ANODE	SP1070, U-3, B-9	180
I	27180-043-000	PACFAB® ABG SKIMMER BASKET	51-3036, B-43	40
J	27180-099-000	INVERTED SKIMMER BASKET	B-99	32
J	27180-099-030	CUFF FOR INVERTED SKIMMER BASKET	—	—
K	25512-000-900	HWD ABG SKIMMER BASKET	SPX1091	60
L	27180-037-000	AMP SKIMMER BASKET	850001, B-37	12
M	27180-038-000	AMP LILY PAD FLOATING WEIR	850012, B-38	16
PUMP BASKETS				
N	27180-167-000	HAYWARD SUPER PUMP BASKET	SPX1600M, B-167	24
O	27180-207-000	HAYWARD SUPER II PUMP BASKET	SPX3000M, B-207	25
P	27180-199-000	PUR AQUATRON, WHISPERFLO® PUMP BASKET	070387, B-199	36
Q	27180-215-000	MAX II PUMP BASKET	C8-58P, B-215	25
R	27180-220-000	HAYWARD POWERFLO PUMP BASKET	SPX1500LX, B-220	30
S	27180-355-000	SUPER-FLO BASKET	355667	30
T	27180-280-000	HAYWARD MAX-FLO PUMP BASKET	SPX2800M	30
U	27180-033-000	5" PUMP BASKET /PRE/AQF	91110000, C180-33P, B-33	48
V	27180-036-000	6" PUMP BASKET, TAPERED, AQUAFLO/PUREX	B-36	90
W	27180-106-000	5" PUMP BASKET, /PRE/AQF	C108-33P	60
X	27180-039-000	ANTHONY 7" x 7"	B-39	40
—	25810-009-950	REPLACEMENT ZINC ANODE "PUCK" KIT	—	100

DURING 2015, ALL CMP PUMP AND SKIMMER BASKETS WILL BE CHANGING TO WHITE

POOL AUTO PRESSURE CLEANER PARTS



POOL AUTO PRESSURE CLEANER PARTS

REF	WHITE /OTHER	BLACK	DESCRIPTION	COMPARE TO	BOX QTY
POOL CLEANER PARTS					
A	25563-200-000	—	HOSE SWIVEL (SINGLE)	D20	300
A	25563-240-000	—	HOSE SWIVEL (4-PACK)	D20	—
B	25563-115-000	—	HOSE NUT	D15	1000
C	25563-100-000	25563-104-000	HOSE FLOAT (SINGLE)	D10/D11	200
C	25563-400-000	—	HOSE FLOAT (4-PACK)	D10	80
D	25563-110-000	—	HOSE CLAMP	B15	2400
E	25563-133-000	—	PUMP QUICK DISCONNECT	P133	50
F	25563-160-000	—	WALL FITTING	6-500-00	500
F	25563-161-000	—	GRAY WALL FITTING	6-500-00	—
G	25563-150-100	—	UWF RELIEF VALVE	9-150-1002	—
H	25563-150-200	—	UWF SCREEN	6-504-00	100
I	25563-150-000	—	UWF ASSEMBLY COMPLETE	9-100-9001	100
I	25563-029-000	25563-029-004	UWF BODY & O-RING ONLY	D29/D30	100
I	25563-150-360	—	360 UWF ASSEMBLY	9-100-3008	—
I	25563-029-360	25563-029-364	360 UWF BODY & O-RING ONLY	9-100-3006/9-100-3007	—
J	25563-150-112	—	REDUCER SET NEW	10-112-00	—
K	25563-170-000	—	WHEEL AXLE	C65	500
L	25563-250-000	—	WHEEL BEARING C60 (SINGLE)	C60	100
L	25563-280-000	—	WHEEL BEARING C60 (8-PACK)	C60	50
M	25563-260-000	—	WHEEL BEARING C80	C80	500
N	25563-270-000	—	380/360 WHEEL BEARING (SINGLE)	9-100-1108	100
N	25563-270-800	—	380/360 WHEEL BEARING (8-PACK)	9-100-1108	50
O	25563-340-030	25563-344-030	HUB CAP	9-100-1114/9-100-1115	100
P	25563-380-000	25563-384-000	WHEEL WASHER	C64/C67	360
Q	25563-370-000	25563-374-000	WHEEL SCREW	C55/C56	1000
R	25563-017-000	—	360/380 BELT KIT	9-100-1017	100
S	25563-360-000	25563-364-000	WHEEL	C6/C7	120
T	25563-340-000	25563-344-000	DOUBLE WHEEL	1008/1004	40
T	25563-350-000	25563-354-000	SINGLE WHEEL	1116/1117	60
U	25563-660-400	25563-664-400	AXLE & GUARD	C66/C68	—
V	25563-310-000	25563-314-000	TIRE	C10/C11	50
W	25563-005-000	25563-005-060	4FT SWEEP HOSE NEW	B5/B6	—
X	25563-040-000	25563-044-000	30FT COMPLETE HOSE KIT (NO VALVE) NEW	G5/G6	—
X	25563-040-100	25563-044-100	10FT FEED HOSE NEW	D45/D47	—
X	25563-040-200	25563-044-200	10FT LEADER HOSE NEW	D50/D52	—
Y	25563-300-000	—	HOSE SCRUBBER (SINGLE)	9-100-3105	200
Y	25563-300-500	—	HOSE SCRUBBER (5-PACK)	9-100-3105	70
Z	25563-052-000	25563-054-000	BACK-UP VALVE NEW	G52/G62	—
—	25563-052-053	—	BACK-UP MECHANISM NEW	G53	—
—	25563-052-054	25563-054-064	BACK-UP VALVE BODY ONLY NEW	G54/G64	—
—	25563-050-024	—	BACK-UP VALVE COLLAR NEW	G57	—
AA	25563-080-000	25563-084-000	IN-LINE FILTER NEW	48-080/48-085	—
BB	58307-280-100	—	280 VELCRO BAG FOR EXISTING CLIP NEW	K16	—
CC	58307-280-000	—	280 VELCRO BAG, ADJUSTABLE STRAP	K16	20
CC	58307-180-000	—	180 VELCRO BAG	A16	100
DD	58307-380-000	—	380/360 VELCRO BAG	9-100-1014	100
—	25563-460-000	—	SMALL CLEANER WHEEL NEW	C16	—
—	25563-120-000	—	"HEAD" FLOAT NEW	A20	—

POLARIS® & BARACUDA® ARE REGISTERED TRADEMARKS OF ZODIAC INTERNATIONAL

POOL AUTO CLEANER PARTS



ORDERING GUIDE

REF	CMP P/N	DESCRIPTION	COMPARE TO	BOX QTY
BARACUDA* POOL CLEANER PARTS				
A	25563-809-000	BLUE FINNED DISC	W4666	100
B	25563-820-000	FOOT PAD	W70327	25
C	25563-810-100	DIAPHRAGM RING	W81600	1000
D	25563-810-000	DIAPHRAGM	W69698	100
AQUABOT* POOL CLEANER PARTS				
E	25563-800-201	DRIVE TRACK	3201	56
F	25563-800-300	BRUSH, EACH	3002B	50
G	25563-800-302	DRIVE BELT	3302	1000
H	58307-300-812	STANDARD MESH BAG	8112	50
H	58307-300-811	FINE MESH BAG	—	50

POLARIS® & BARACUDA® ARE REGISTERED TRADEMARKS OF ZODIAC INTERNATIONAL
 AQUABOT® IS A REGISTERED TRADEMARK OF AQUA PRODUCTS

"J" STYLE POOL FITTINGS

CMP is committed to being the complete supplier of all components inside every pool. This includes being your best source for difficult to find replacement parts and white goods. CMP can now supply comparable replacements for Jacuzzi* style pool components. You can always trust CMP Pool Products for the exceptional products that pool professionals need.

NEW



ORDERING GUIDE

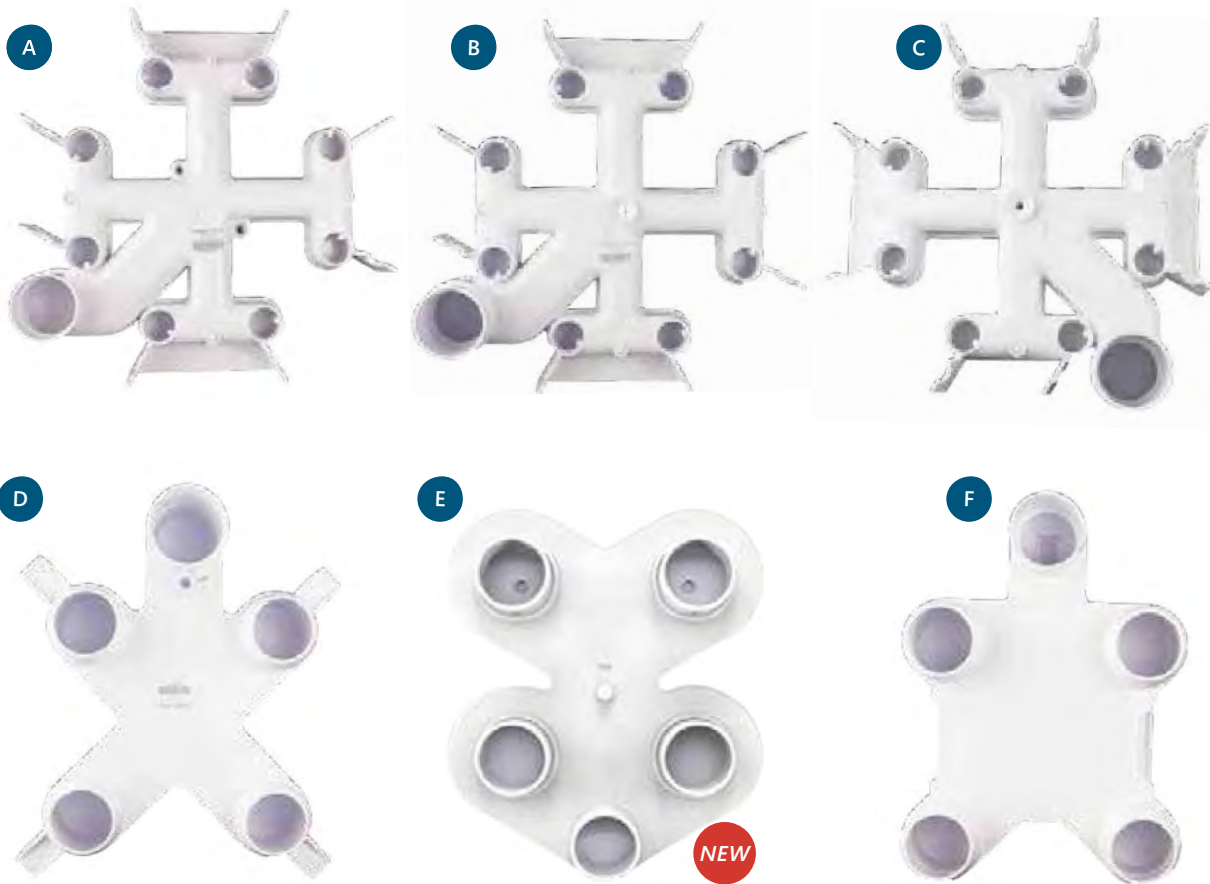
REF	CMP P/N	DESCRIPTION	COMPARE TO	BOX QTY
J STYLE VINYL POOL FITTINGS				
A	25532-300-000	WHITE MAIN DRAIN RING	23112903R	—
B	25507-100-000	WHITE DRAIN COVER & SCREWS (USE CMP DRAIN RING ONLY)	43112804K	50
C	25541-300-010	WHITE SKIMMER FACE PLATE	43114404R	—
D	25545-300-000	RETURN WALL FITTING, EYEBALL, RING, AND SNAP-IN REDUCERS	—	—
—	25141-360-000	SKIMMER WEIR DOOR	43124601R	120

*JACUZZI IS A REGISTERED TRADEMARK OF CARVIN POOL EQUIPMENT, INC

HEAVY DUTY FILTER MANIFOLDS

PRODUCT FEATURES

- Stronger and Thicker than OEM Original Designs
- Built in Vent Removes the Need for a Air Relief Attachment
- Replacement Manifolds for Popular Filter Models



ORDERING GUIDE

REF	CMP P/N	DESCRIPTION	COMPARE TO	FITS FILTER MODELS	BOX QTY
DE FILTER HEAVY DUTY MANIFOLDS					
A	25357-600-000	FNS® STYLE DE MANIFOLD	—	FNS®	5
B	25357-700-000	HAY STYLE DE MANIFOLD	DEX2400C	PRO-GRID, MICRO-CLEAR	4
C	25357-800-000	JAN STYLE DE MANIFOLD	R0359000	DEL48, DEL60, DEV48, DEV60	4
CARTRIDGE FILTER HEAVY DUTY MANIFOLDS					
D	25357-750-000	HAY STYLE BOTTOM MANIFOLD	CX3000C	SWIMCLEAR, SUPERSTAR-CLEAR	4
E	25357-760-000	HAY STYLE TOP MANIFOLD	CX3030C	C2030, C3030, C4030	4
E	25357-770-000	HAY STYLE TOP MANIFOLD	CX5030C	C5030, C7030	4
F	25357-850-000	JAN STYLE CARTRIDGE MANIFOLD	R03576000	CV340, CV460, CV580, CL340, CL460, CL580	4

POOL EQUIPMENT PARTS



ORDERING GUIDE

REF	CMP P/N	DESCRIPTION	COMPARE TO	BOX QTY
EQUIPMENT PARTS				
A	25304-000-020	STA-RITE® PUMP LID	C3-1391P1, DYNA-GLAS™	40
B	25305-000-020	CHALLENGER/PINNACLE™ PUMP LID	355301	40
C	25306-000-020	HAYWARD POWERFLO PUMP LID	SPX1500D2A	40
D	25307-000-020	DYNAMO® PUMP LID	354531	40
E	25300-100-000	PUMP LID REMOVAL TOOL	—	—
F	25356-100-000	MAX-E-GLAS®/DURA-GLAS® PUMP DIFFUSER	MAX-E-GLAS®/DURA-GLAS®	100
G	25357-004-000	PUMP HOUSING	CHALLENGER 355468	10
H	25357-300-000	SEAL PLATE, WHISPERFLO® NEW	—	—
I	25305-126-000	1/2 HP IMPELLER, WHISPERFLO® NEW	073126	—
I	25305-127-000	3/4 HP IMPELLER, WHISPERFLO® NEW	073127	—
I	25305-128-000	1 HP IMPELLER, WHISPERFLO® NEW	073128	—
I	25305-129-000	1-1/2 HP IMPELLER, WHISPERFLO® NEW	073129	—
I	25305-130-000	2 HP IMPELLER, WHISPERFLO® NEW	073130	—
I	25305-131-000	2-1/2 HP IMPELLER, WHISPERFLO® NEW	073131	—

POOL EQUIPMENT PARTS



ORDERING GUIDE

REF	CMP P/N	DESCRIPTION	COMPARE TO	BOX QTY
EQUIPMENT PARTS				
A	25357-054-000	1/4" PUMP PLUG	—	3000
B	25303-054-000	DELTA HOUSING	C153-553P1	—
C	25302-054-000	DYNAMO® HOUSING	354530	12
D	25307-500-020	RAINBOW™ CHLORINATOR LID	—	30
E	25625-200-000	2" SIGHT GLASS	SP10745	50
—	25357-154-000	AIR RELEASE TEE VALVE	154689	300
F	21063-801-000	HEATER UNION KIT (RAYPAK)	006723F	50
G	21063-350-000	UNION KIT (SuperFlo® pump)	350157	—

REPLACEMENT PARTS & INDEX

BRILLIANT WONDERS® LED WATERFALL 172

BRILLIANT WONDERS® LED BUBBLER 173

MULTI-NOZZLE DECK JETS 174

WATER LEVELERS 175

POWERCLEAN™ CHLORINATORS 177

VALVES 179

MULTIPOINT VALVES 182

SKIMMERS 190

MAIN DRAINS 193

UNIONS 196

ABOVE GROUND PUMP 200

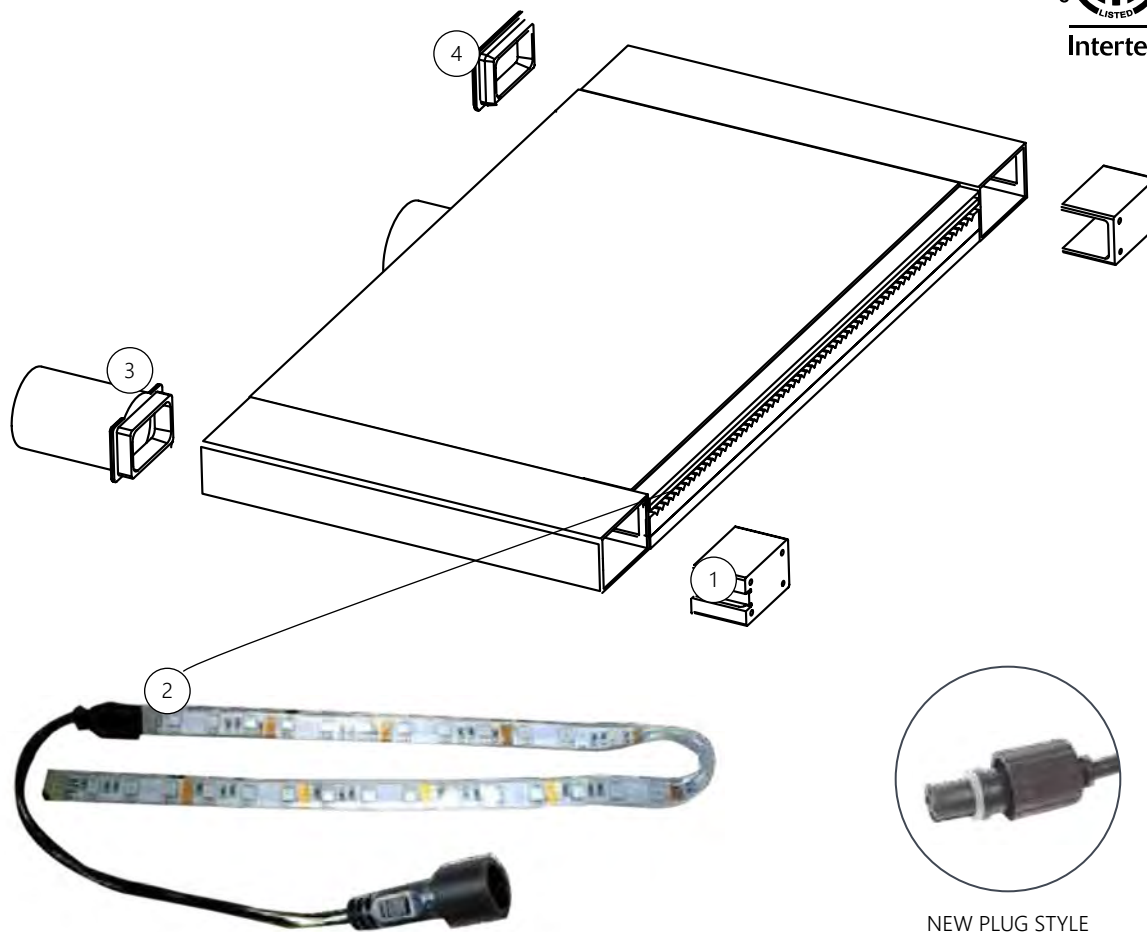
PART NUMBER INDEX 201

TERMS & CONDITIONS 205

CMP LIMITED WARRANTY 206

ISO 9001 CERTIFICATION 210

BRILLIANT WONDERS® LED WATERFALL PARTS

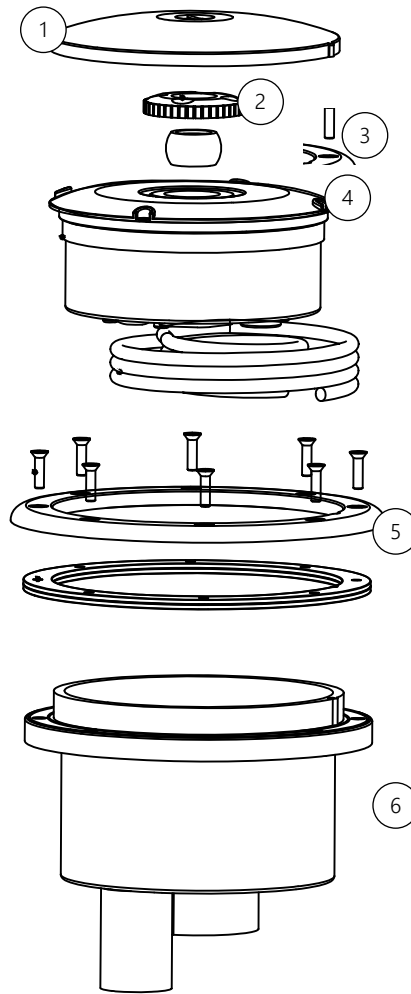


CMP P/N	DESCRIPTION
BRILLIANT WONDERS WATERFALLS	
1	25677-100-970 LED WATERFALL DOOR COVER ASSEMBLY, WHITE
1	25677-101-970 LED WATERFALL DOOR COVER ASSEMBLY, GRAY
1	25677-104-970 LED WATERFALL DOOR COVER ASSEMBLY, BLACK
1	25677-107-970 LED WATERFALL DOOR COVER ASSEMBLY, DARK GRAY
1	25677-109-970 LED WATERFALL DOOR COVER ASSEMBLY, TAN
2	25677-130-950 12" LED WATERFALL LIGHT STRIP (NEW PLUG STYLE*)
2	25677-180-950 18" LED WATERFALL LIGHT STRIP (NEW PLUG STYLE*)
2	25677-230-950 24" LED WATERFALL LIGHT STRIP (NEW PLUG STYLE*)
2	25677-330-950 36" LED WATERFALL LIGHT STRIP (NEW PLUG STYLE*)
2	25677-430-950 48" LED WATERFALL LIGHT STRIP (NEW PLUG STYLE*)
3	25677-130-073 CONDUIT BACK PLUG
4	25677-130-074 FLAT BACK PLUG

PRODUCT ON PAGE 30

*FOR ORIGINAL PLUG STYLE CONTACT CMP CUSTOMER SUPPORT

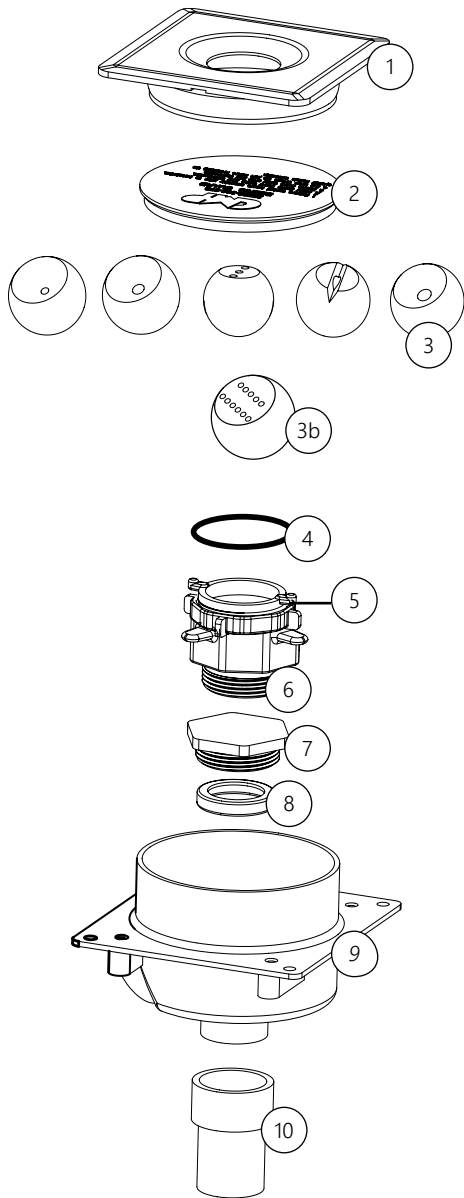
BRILLIANT WONDERS® LED BUBBLER PARTS



CMP P/N		DESCRIPTION
BRILLIANT WONDERS LED BUBBLER		
1	N/A	PROTECTIVE COVER
2	25503-100-900	EYEBALL REDUCER
3	61050-100-316	LIGHT SCREW
4	25503-100-200	REPLACEMENT LIGHT AND 100 FT CORD
4	25503-150-010	REPLACEMENT LIGHT & 150 FT CORD
5	25503-300-000	WHITE VINYL LINER/FIBERGLASS KIT
5	25503-301-000	GRAY VINYL LINER/FIBERGLASS KIT
5	25503-304-000	BLACK VINYL LINER/FIBERGLASS KIT
5	25503-309-000	TAN VINYL LINER/FIBERGLASS KIT
5	25503-369-000	DARK BLUE VINYL LINER/FIBERGLASS KIT
6	—	BODY (NOT SOLD SEPARATELY)

PRODUCT ON PAGE 33

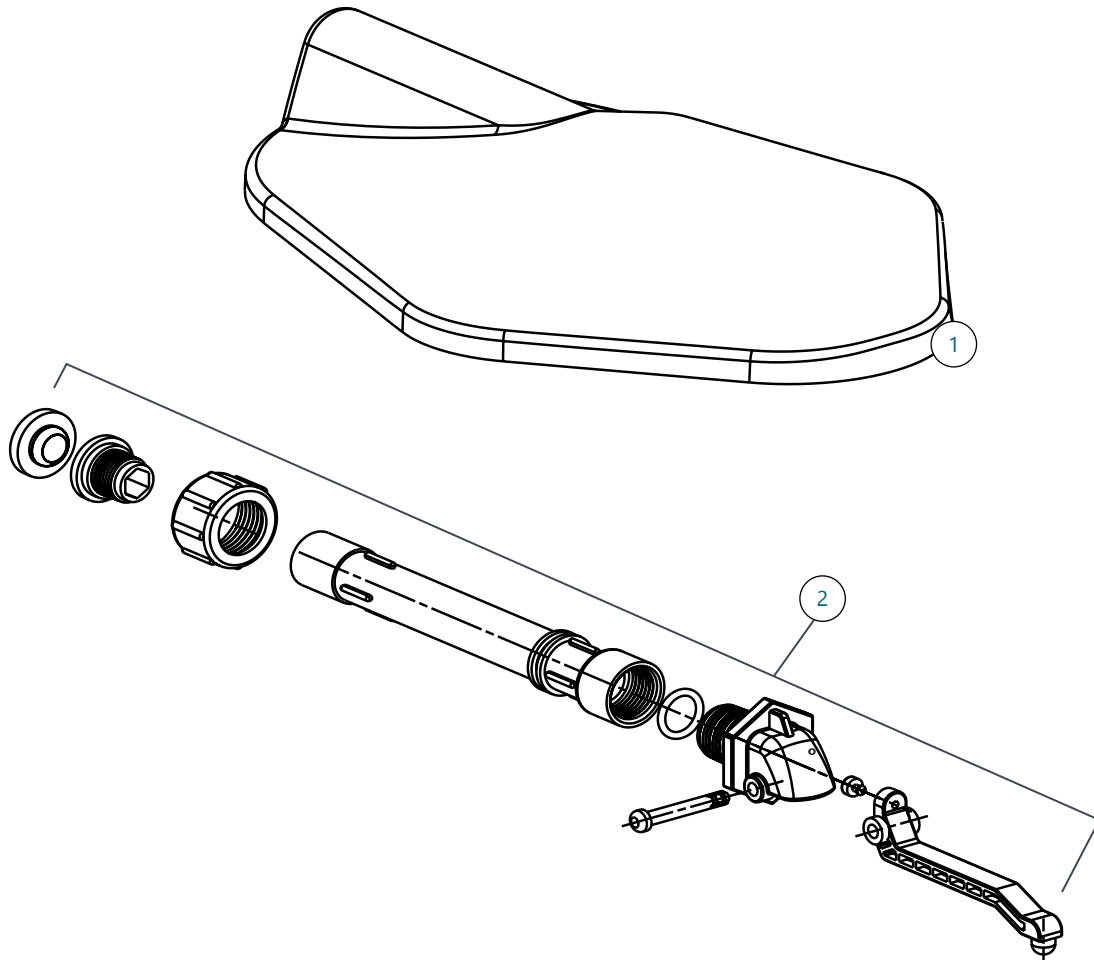
MULTI-NOZZLE DECK JET PARTS



CMP P/N		DESCRIPTION
MULTI-NOZZLE DECK JET		
1	25597-300-020	WHITE DECK JET COVER, ROUND
1	25597-303-220	BRASS DECK JET COVER, ROUND
1	25597-301-020	GRAY DECK JET COVER, ROUND
1	25597-309-020	TAN DECK JET COVER, ROUND
1	25597-301-020	BRASS DECK JET COVER, ROUND
1	25597-309-020	CHROME DECK JET COVER, ROUND
1	25598-300-020	WHITE DECK JET COVER, SQUARE
1	25598-303-220	BRASS DECK JET COVER, SQUARE
1	25598-301-020	GRAY DECK JET COVER, SQUARE
1	25598-309-020	TAN DECK JET COVER, SQUARE
2	25598-300-070	PROTECTION PLATE
3	25598-300-800	WHITE EYEBALL SET
3	25598-301-800	GRAY EYEBALL SET
3	25598-304-800	BLACK EYEBALL SET
3	25598-309-800	TAN EYEBALL SET
3b	25598-333-030	BRASS FOUNTAIN EYEBALL
4	26100-300-150	O-RING
6	25598-300-050	LOCKING RING
6	25598-300-900	NOZZLE HOUSING, LESS EYE
7	25598-300-080	PLUG
8	25598-300-090	GASKET SEAL RING
9	N/A	BODY ONLY
10	25598-000-030	COUPLING FOR 1/2" OR 3/4" PIPE

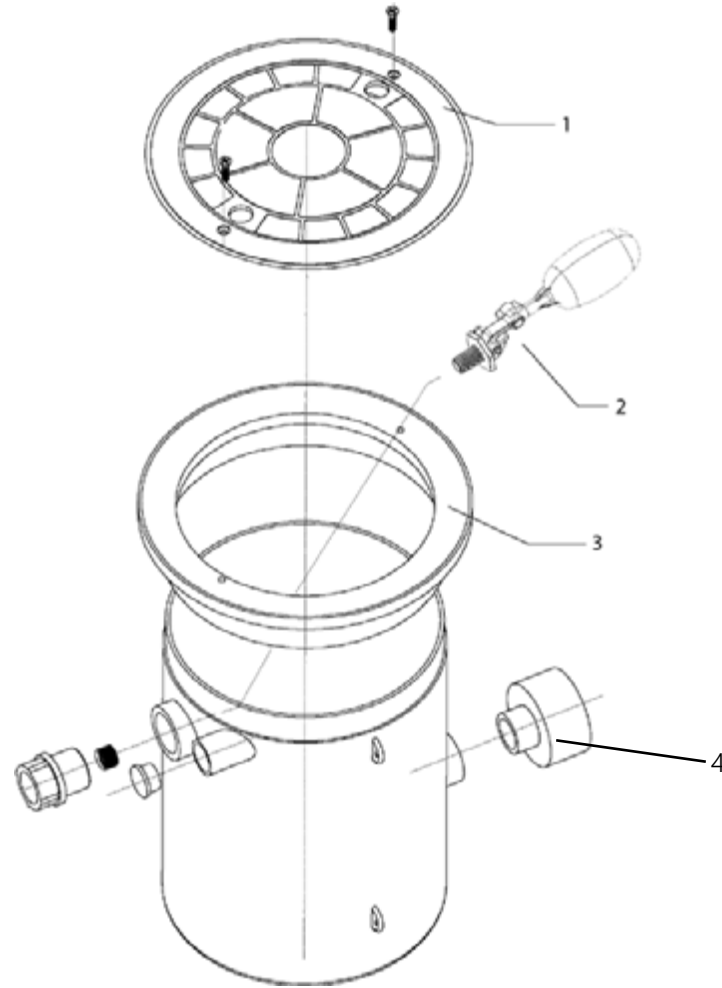
PRODUCT ON PAGE 45

AQUALEVEL™ PORTABLE WATER LEVELER PARTS



CMP P/N		DESCRIPTION
AQUALEVEL PORTABLE WATER LEVELER		
1	25604-000-010	WHITE COVER FOR AQUALEVEL
1	25604-009-010	TAN COVER FOR AQUALEVEL
2	25604-000-100	FLOAT VALVE ASSEMBLY
PRODUCT ON PAGE 60		

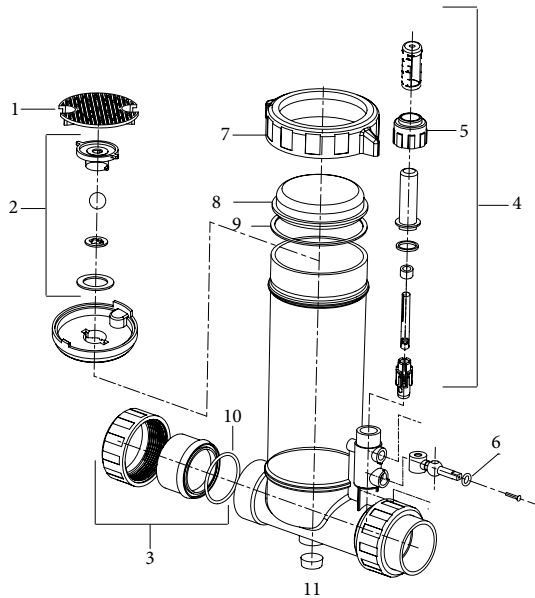
WATER LEVELER PARTS



CMP P/N		DESCRIPTION
WATER LEVELER		
1	25504-000-010	WHITE COVER FOR WATER LEVELER (2015 & AFTER)
1	25504-001-010	GRAY COVER FOR WATER LEVELER (2015 & AFTER)
1	25504-009-010	TAN COVER FOR WATER LEVELER (2015 & AFTER)
1	25504-000-010	WHITE COVER FOR WATER LEVELER (BEFORE 2015)
1	25504-001-010	GRAY COVER FOR WATER LEVELER (BEFORE 2015)
1	24404-009-010	TAN COVER FOR WATER LEVELER (BEFORE 2015)
2	25504-000-100	THERMOPLASTIC FLOAT
3	25544-001-020	WHITE COLLAR FOR WATER LEVELER (2015 & AFTER)
3	25544-001-000	GRAY COLLAR FOR WATER LEVELER (2015 & AFTER)
3	25544-009-020	TAN COLLAR FOR WATER LEVELER (2015 & AFTER)
3	25504-001-020	WHITE COLLAR FOR WATER LEVELER (BEFORE 2015)
3	25504-001-000	GRAY COLLAR FOR WATER LEVELER (BEFORE 2015)
3	25504-009-020	TAN COLLAR FOR WATER LEVELER (BEFORE 2015)
4	25504-000-070	1.5" SOCKET × 1" SPIGOT ADAPTER
4	25504-000-080	2" SOCKET × 1" SPIGOT ADAPTER

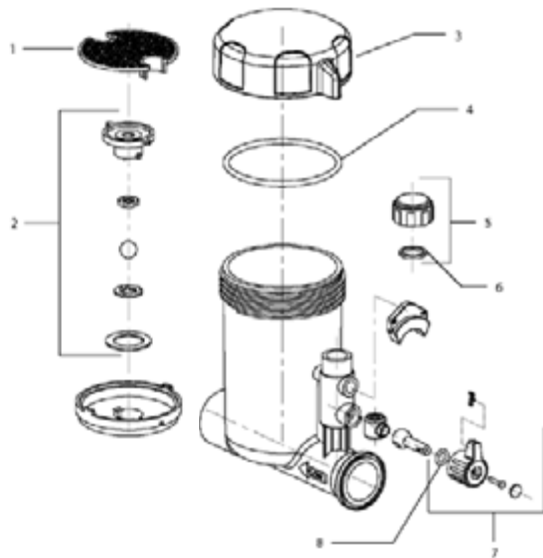
PRODUCT ON PAGE 67

POWERCLEAN™ CHLORINATOR PARTS



CMP P/N		DESCRIPTION
POWERCLEAN ULTRA CHLORINATOR		
1	25280-100-005	GRATE
2	25280-000-920	CHECK VALVE ASSY
3	21023-000-000	2" UNION
4	25280-100-955	FLOW INDICATOR ASSY
5	25280-109-200	NUT
6	26100-100-330	O-RING, DIAL
7	25280-100-001	COVER NUT
7-8	25280-109-200	CLEAR GLASS COVER ASSY
7-8	25280-100-200	WHITE COVER ASSY
7-8	25280-109-002	CLEAR PLASTIC COVER ASSY
9	26101-060-530	O-RING, COVER
10	21023-030-000	UNION GASKET
11	25376-900-500	DRAIN PLUG W/ O-RING

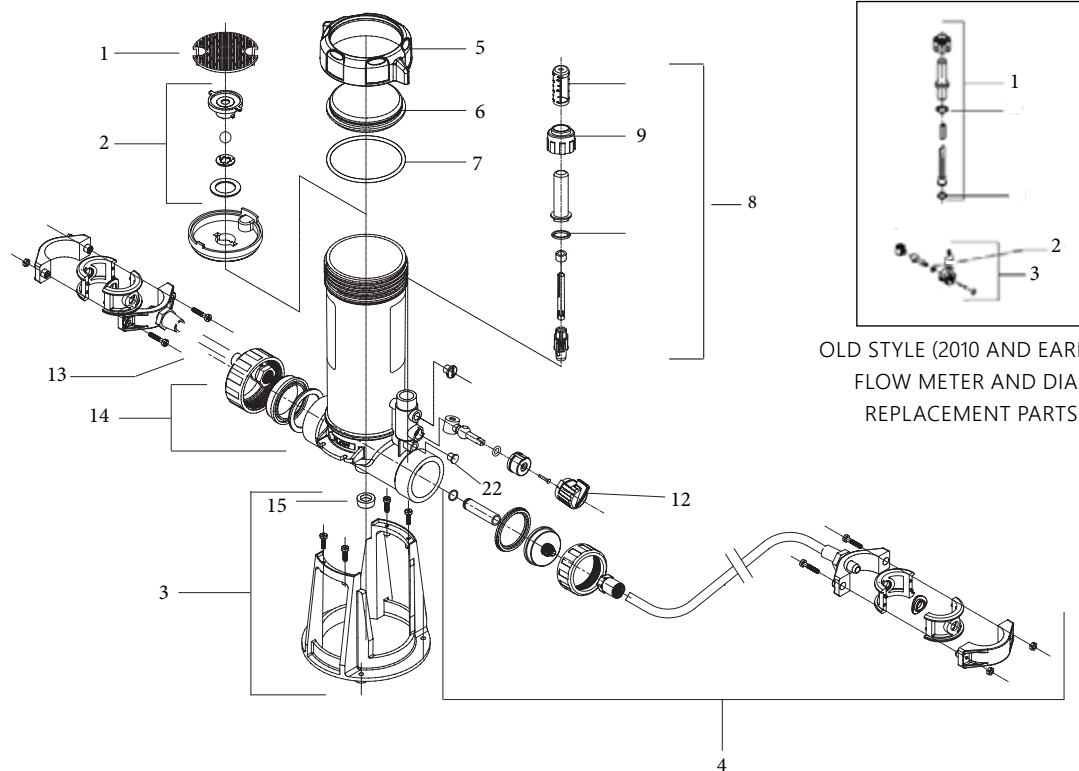
PRODUCT ON PAGE 62



CMP P/N		DESCRIPTION
POWERCLEAN MINI CHLORINATOR		
1	25280-100-005	GRATE
2	25280-000-920	CHECK VALVE ASSY
3	25280-200-002	WHITE COVER
4	26101-060-530	O-RING, COVER
5	25280-200-960	FLOW CHAMBER CAP ASSY
6	26203-021-250	O-RING, FLOW CHAMBER
7	25280-100-930	DIAL ASSEMBLY
8	26100-100-330	O-RING, DIAL ASSY (MINI ONLY)

PRODUCT ON PAGE 63

POWERCLEAN™ ULTRA OFF-LINE PARTS



OLD STYLE (2010 AND EARLIER)
FLOW METER AND DIAL
REPLACEMENT PARTS

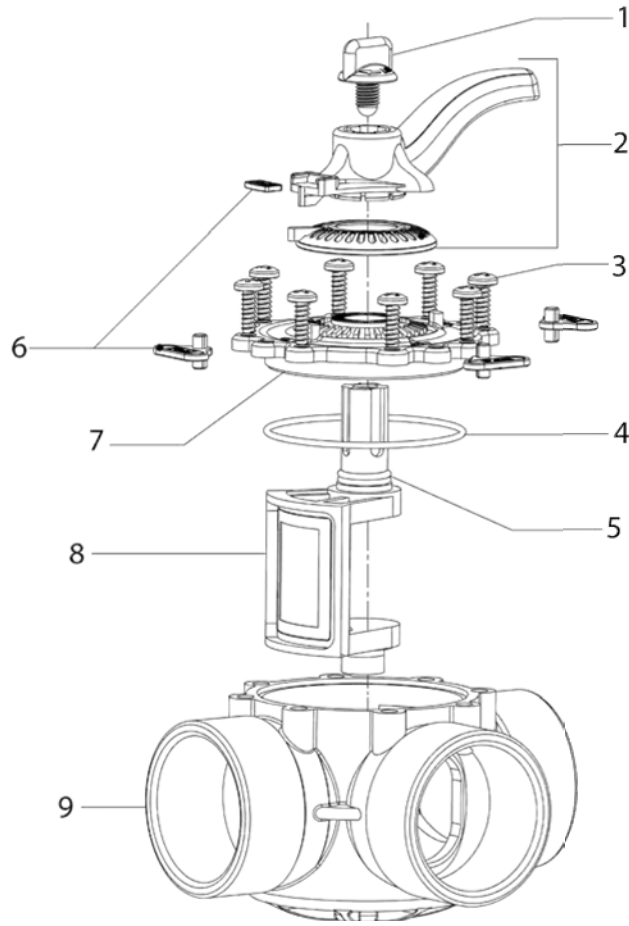
CMP P/N	DESCRIPTION
POWERCLEAN ULTRA OFF-LINE	
1	25280-100-005 GRATE
2	25280-000-920 CHECK VALVE ASSY
3	25280-300-970 BASE ASSY
4	25280-300-980 OFF-LINE HOSE CLAMP ASSY
5	25280-100-001 COVER NUT
5-6	25280-109-200 CLEAR GLASS COVER ASSY
5-6	25280-100-200 WHITE COVER ASSY
5-6	25280-109-002 CLEAR PLASTIC COVER ASSY
7	26101-060-530 O-RING, COVER
8	25280-100-955 FLOW INDICATOR ASSY
9	25280-100-019 NUT
11	26100-100-330 O-RING, DIAL
12	25280-100-916 DIAL
13	27233-101-328 HOSE
14	25280-300-960 UNION ASSEMBLY
15	25376-900-500 DRAIN PLUG W/ O-RING

PRODUCT ON PAGE 62

CMP P/N	DESCRIPTION
2010 & EARLIER FLOW METER & DIAL	
1	25280-100-950 FLOW METER ASSY
2	26100-100-330 O-RING DIAL
3	25280-100-930 DIAL ASSY

FOR OLD STYLE FLOW METER AND DIAL REPLACEMENT PARTS FOR THE POWERCLEAN ULTRA OFF-LINE CHLORINATOR, USE THE SAME PART NUMBERS LISTED ABOVE

VALVE REPLACEMENT PARTS

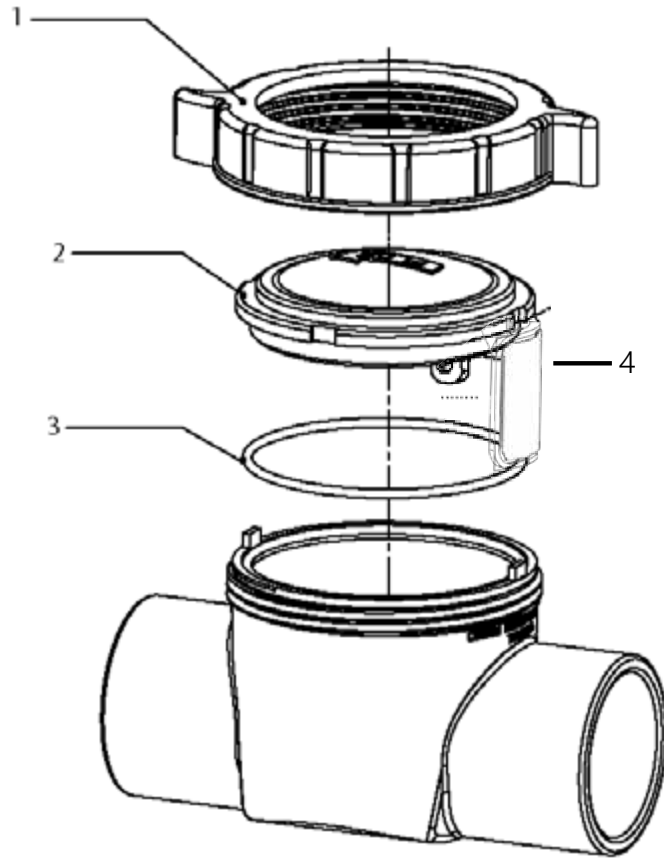


CMP P/N		DESCRIPTION
HYDROSEAL DIVERTER VALVE		
1	25913-204-070	KNOB, BLACK
2	25913-204-300	HANDLE & RING ASSEMBLY, BLACK
3	61050-620-185	HOUSING SCREW
4	26100-780-265	HOUSING O-RING, BLACK
5	26100-171-024	DIVERTER O-RING, BLACK
6	25913-204-900	PORT MARKER KIT
7	25913-204-020	COVER FOR 1.5-2", BLACK
7	95913-254-020	COVER FOR 2.5"
7	25913-204-920	COVER & PORT MARKER KIT
8	25913-204-800	DIVERTER ASSEMBLY (C-STYLE)
8	25913-204-850	DIVERTER ASSEMBLY (J-STYLE)
8	25913-254-800	DIVERTER ASSEMBLY FOR 2.5"
9	N/A*	HOUSING

PRODUCT ON PAGE 68

*ORDER COMPLETE VALVE FOR REPLACEMENT

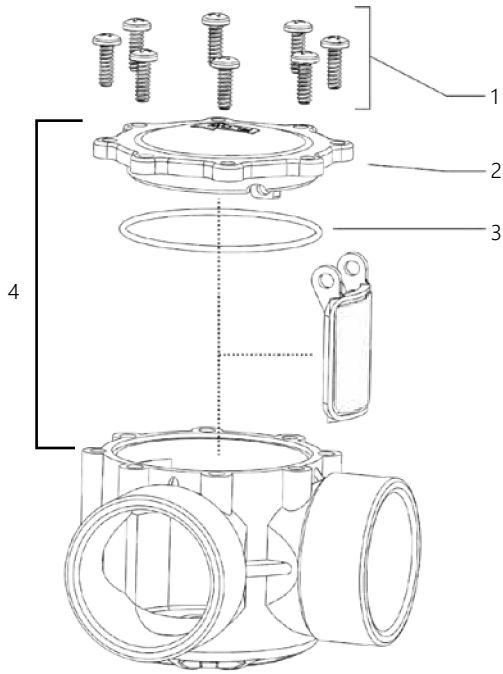
THREAD-ON STYLE CHECK VALVE PARTS



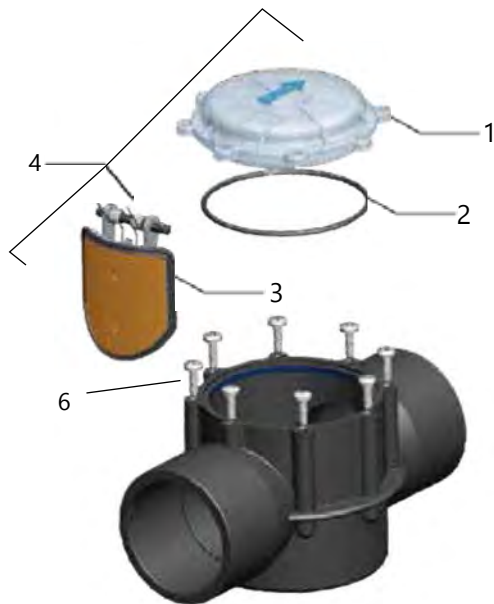
CMP P/N		DESCRIPTION
1.5" & 2" SERVICEABLE CHECK VALVE THREAD-ON		
1	25830-201-030	NUT
2	25830-209-020	COVER
3	26100-965-300	O-RING, COVER
4	25830-150-800	FLAPPER ASSEMBLY & COVER
1.5" & 2" CR SERVICEABLE CHECK VALVE THREAD-ON		
1	25830-201-030	NUT
2	25830-209-020	COVER
3	26100-096-333	CORROSION RESISTANT O-RING, COVER
4	25830-350-800	FLAPPER ASSEMBLY & COVER

PRODUCT ON PAGE 71

STANDARD CHECK VALVE PARTS

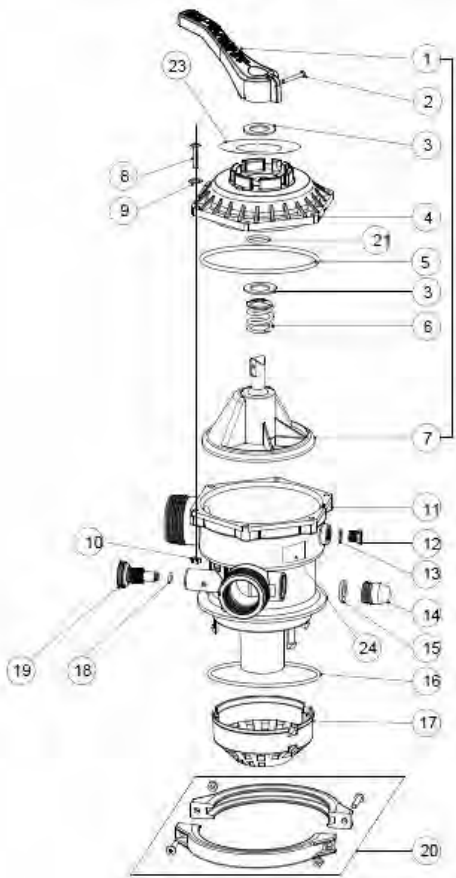


CMP P/N		DESCRIPTION
1.5" & 2" SERVICEABLE CHECK VALVE STANDARD		
1	61050-620-185	SCREWS
2	25830-709-020	COVER
3	26100-780-265	COVER O-RING
4	25830-704-800	FLAPPER & COVER W/ O-RING (FITS 1.5"-2")
PRODUCT ON PAGE 71		

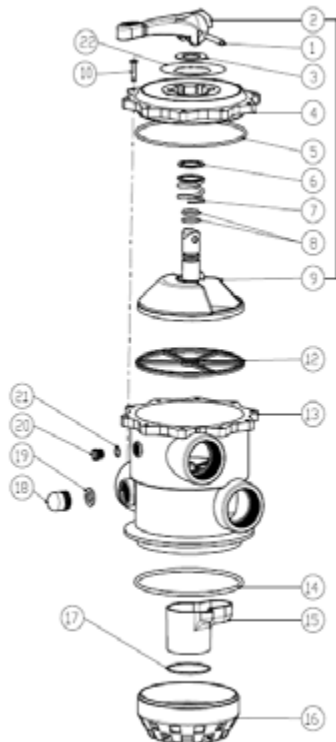


CMP P/N		DESCRIPTION
2.5" SERVICEABLE CHECK VALVE STANDARD		
1	25830-259-010	2.5 "CHECK VALVE COVER
2	26100-100-355	O-RING, COVER
3	25830-250-900	FLAPPER ASSEMBLY
4	25830-250-800	FLAPPER ASSEMBLY, COVER, & O-RING
5	61064-071-100	STAINLESS STEEL SPRING
6		SCREWS
PRODUCT ON PAGE 71		

MULTIPOINT VALVE PARTS



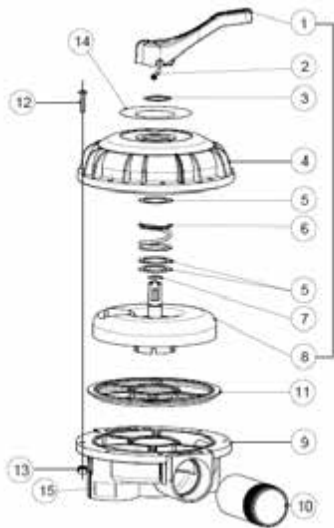
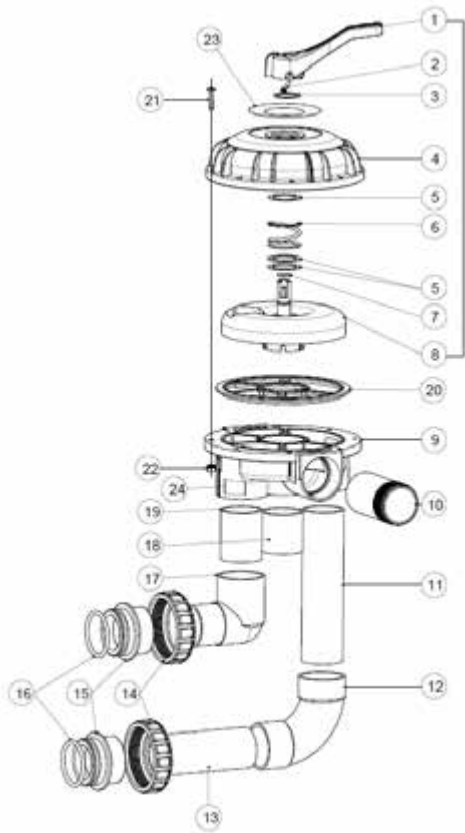
CMP P/N		DESCRIPTION
27500-154-000, 27501-154-000, 27502-154-000		
1-7	27500-154-100	TOP HALF ASSEMBLY
1-2	27500-154-300	HANDLE AND SCREW
3	27500-154-080	PLASTIC WASHER (2 PACK)
4	27500-154-500	TOP COVER
5	27515-154-600	TOP COVER O-RING (25 PACK)
5	26105-143-530	TOP COVER O-RING
6	61237-634-283	HEAVY DUTY SPRING
7	27500-154-040	DIVERTER WITH CO-MOLDED GASKET
8-10	27500-154-110	SCREWS, WASHERS AND NUTS
12-13	27515-154-350	PLUG WITH O-RING
14-15	27515-154-400	SIGHT GLASS WITH GASKET
16	27500-154-900	FLANGE O-RING (25 PACK)
16	26105-118-530	FLANGE O-RING
17	27500-154-060	DIFFUSER NET
18-19	27500-154-120	AIR BLEEDER WITH O-RING
20	27500-154-079	CLAMP ASSEMBLY
21	27500-154-800	DIVERTER O-RING (100 PACK)
21	26105-185-363	DIVERTER O-RING
—	27501-154-200	CLAMP, V THREAD ADAPTER & WRENCH
—	27500-154-200	CLAMP, 6" BUTTRESS ADAPTER & WRENCH
—	68005-060-000	PRESSURE GAUGE



CMP P/N		DESCRIPTION
27510-204-000		
1-9	27510-204-100	TOP HALF ASSEMBLY
1-2	27510-204-300	HANDLE AND DOWEL PIN 271156/271164
3	27505-200-080	PLASTIC WASHER 271160
5	27507-200-600	TOP COVER O-RING (25 PACK) 271151
5	26105-172-400	TOP COVER O-RING 271151
6	27505-200-080	SPRING WASHER 271160
7	61247-542-333	HEAVY DUTY SPRING 271161
8	27515-154-800	DIVERTER O-RING (100 PACK) 191479
8	26105-216-362	DIVERTER O-RING (2 PACK) 191479
8-9	27515-154-700	DIVERTER WITH O-RINGS
10-11	27507-200-110	SCREWS AND NUTS 152167 & 152168
12	27507-200-150	MAIN GASKET (25 PACK) 271148
12	27507-200-050	MAIN GASKET 271148
14	27510-204-800	O-RING (25 PACK) 275333
14	26105-164-530	O-RING 275333
17	27510-204-700	DIFFUSER O-RING (25 PACK)
17	26105-060-355	DIFFUSER O-RING
18-19	27515-154-400	SIGHT GLASS WITH GASKET 272550 & 271106
20-21	27515-154-350	PLUG WITH O-RING U178-920P
23	27510-204-090	CLAMP ASSEMBLY 152165 OR 152130

PRODUCT ON PAGE 74

MULTIPOINT VALVE PARTS

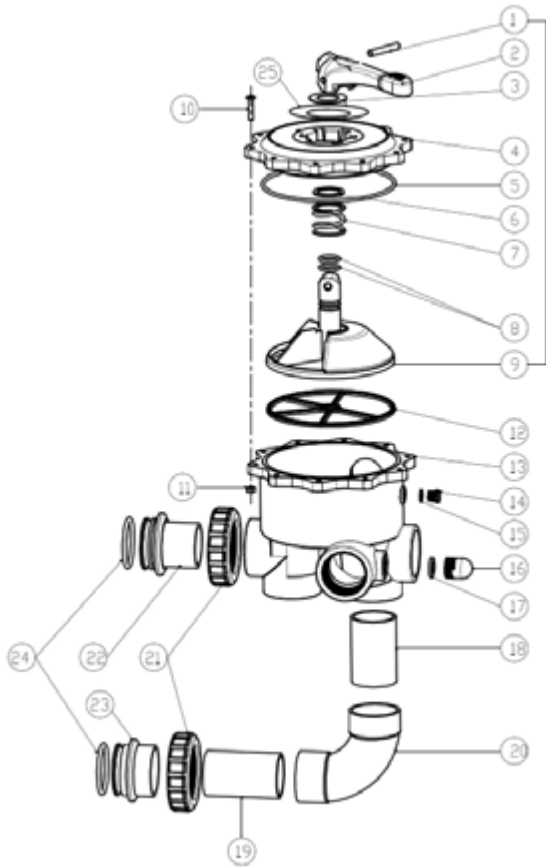


27503-200-000

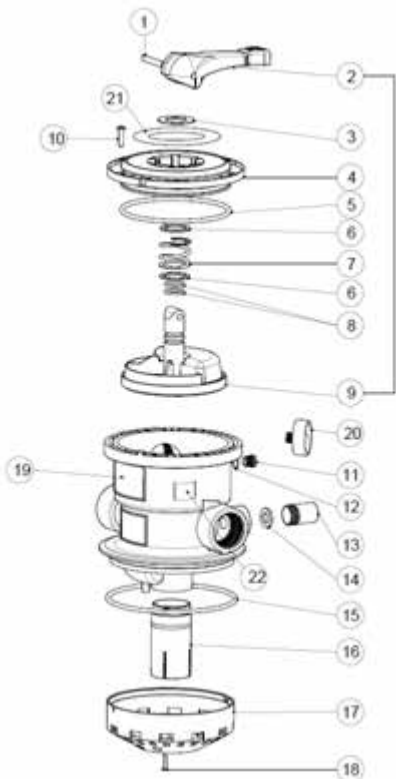
	CMP P/N	DESCRIPTION
27503-200-000, 27504-200-000, 27506-200-000		
1-8	27503-200-100	TOP HALF ASSEMBLY
1-2	27506-200-300	HANDLE AND SCREW
3	27506-200-080	PLASTIC WASHER
4	27504-200-500	TOP COVER
5	61134-547-811	SPRING WASHER (3 PACK)
6	61204-347-537	HEAVY DUTY SPRING
7	27506-200-800	DIVERTER O-RING (100 PACK)
7	26105-145-265	DIVERTER O-RING
7-8	27506-200-700	DIVERTER WITH O-RING
8	27506-200-040	DIVERTER
10	27506-200-090	SIGHT GLASS
12	21005-000-000	2" SWEEP 90 DEGREE ELL
14	27506-200-060	NUT (2 PACK)
15	27506-200-070	ADAPTER (2 PACK)
16	27506-200-900	ADAPTER O-RING (50 PACK)
16	26105-060-530	ADAPTER O-RING (2 PACK)
20	27506-200-600	MAIN GASKET (25 PACK)
20	27506-200-050	MAIN GASKET
21-22	27506-200-110	SCREWS AND NUTS
PRODUCT ON PAGE 75		

*27503 DOES NOT INCLUDE 12-17

MULTIPOINT VALVE PARTS

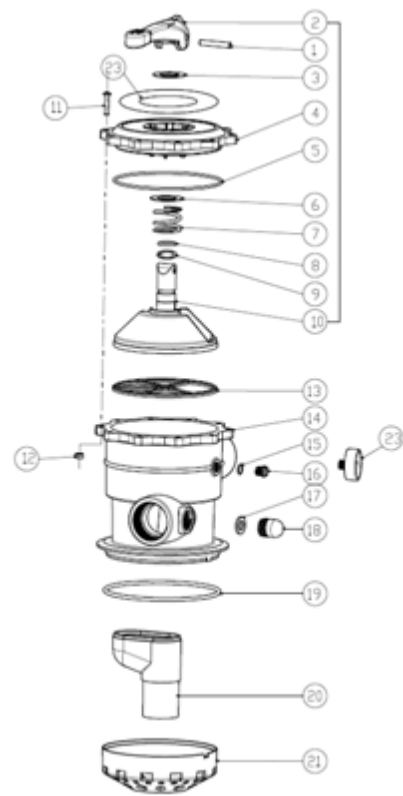
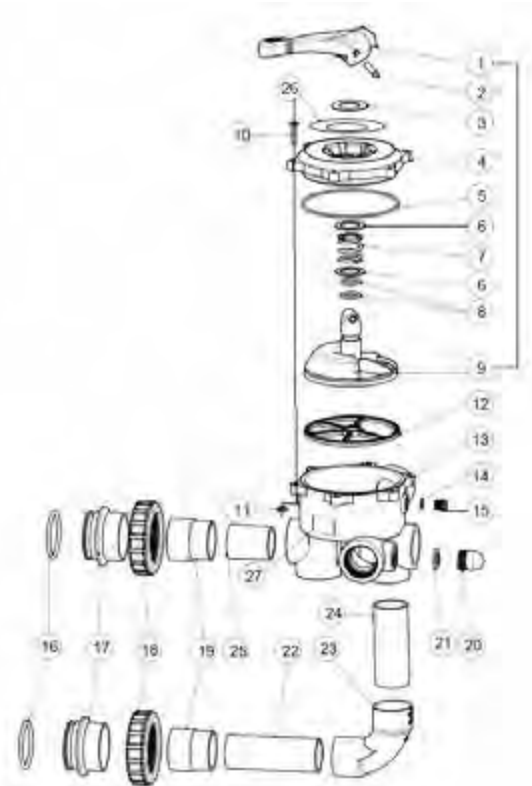


CMP P/N		DESCRIPTION
27505-200-000, 27507-200-000		
1-9	27507-200-100	TOP HALF ASSEMBLY
1-2	27507-200-300	HANDLE AND DOWEL PIN
3	27510-200-080	PLASTIC WASHER
4	27507-200-500	TOP COVER; WHITE
5	27507-200-600	TOP COVER O-RING (25 PACK)
5	26105-172-400	TOP COVER O-RING
6	27505-200-080	SPRING WASHER
7	61247-542-333	HEAVY DUTY SPRING
8	27515-154-800	DIVERTER O-RING (100 PACK)
8	26105-216-362	DIVERTER O-RINGS (2 PACK)
8-9	27507-200-700	DIVERTER WITH O-RINGS
8,9,12	27507-200-200	DIVERTER; O-RINGS AND MAIN GASKET
10-11	27507-200-110	SCREWS AND NUTS
12	27507-200-150	MAIN GASKET (25 PACK)
12	27507-200-050	MAIN GASKET
14-15	27515-154-350	PLUG WITH O-RING
16-17	27515-154-400	SIGHT GLASS WITH GASKET
20	21005-000-000	2" SWEEP 90 DEGREE ELL
21	27506-200-060	NUT (2 PACK)
22-23	27507-200-160	2" SOCKET ADAPTER & 2" SPIGOT ADAPTER
24	27506-200-900	ADAPTER O-RING (50 PACK)
24	26105-060-530	ADAPTER O-RING
PRODUCT ON PAGE 76		



27515-154-000		
1-9	27515-154-100	TOP HALF ASSEMBLY
1-2	27515-154-300	HANDLE AND DOWEL PIN
3	27505-200-080	PLASTIC WASHER
4	27515-154-500	TOP COVER
5	27515-154-600	TOP COVER O-RING (25 PACK)
5	26105-143-530	TOP COVER O-RING
6	61130-342-811	SPRING WASHER (2 PACK)
7	61247-542-333	HEAVY DUTY SPRING
8	27515-154-800	DIVERTER O-RING (100 PACK)
8	26105-216-362	DIVERTER O-RING (2 PACK)
8-9	27515-154-700	DIVERTER WITH O-RINGS
10	61000-406-225	SCREWS (6 PACK)
11-12	27515-154-350	PLUG WITH O-RING
13-14	27515-154-400	SIGHT GLASS WITH GASKET
15	27515-154-900	FLANGE O-RING (25 PACK)
15	26105-171-535	FLANGE O-RING
20	25501-000-800	PRESSURE GAUGE
—	27515-154-070	CLAMP ASSEMBLY (NOT PICTURED)
PRODUCT ON PAGE 77		

MULTIPOINT VALVE PARTS



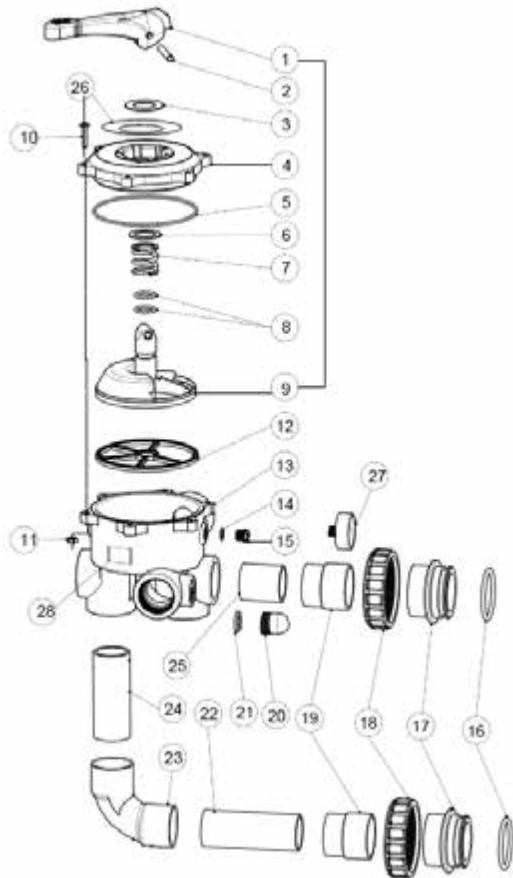
	CMP P/N	DESCRIPTION
27508-150-000, 27509-150-000		
1-9	27508-150-100	TOP HALF ASSEMBLY FOR 27508
1-9	27509-150-100	TOP HALF ASSEMBLY FOR 27509
1-2	27507-200-300	HANDLE AND DOWEL PIN
3	27510-200-080	PLASTIC WASHER
4	27508-150-500	TOP COVER 27508
4	27509-150-500	TOP COVER FOR 27509
5	27508-150-600	TOP COVER O-RING (25 PACK)
5	26105-136-400	TOP COVER O-RING
6	27505-200-080	SPRING WASHER
7	61247-542-333	HEAVY DUTY SPRING
8	27515-154-800	DIVERTER O-RING (100 PACK)
8	26105-216-362	DIVERTER O-RINGS (2 PACK)
8-9	27508-150-700	DIVERTER WITH O-RINGS
8,9,12	27508-150-200	DIVERTER, O-RINGS AND MAIN GASKET
10-11	27508-150-110	SCREWS AND NUTS
12	27508-150-150	MAIN GASKET (25 PACK)
12	27508-150-050	MAIN GASKET
14-15	27515-154-350	PLUG WITH O-RING
16	27506-200-900	ADAPTER O-RING (50 PACK)
16	26105-060-530	ADAPTER O-RING (2 PACK)
17-19	27508-150-900	ADAPTER (4 PACK)
18	27506-200-060	NUT (2 PACK)
20-21	27515-154-400	SIGHT GLASS WITH GASKET

PRODUCT ON PAGE 76

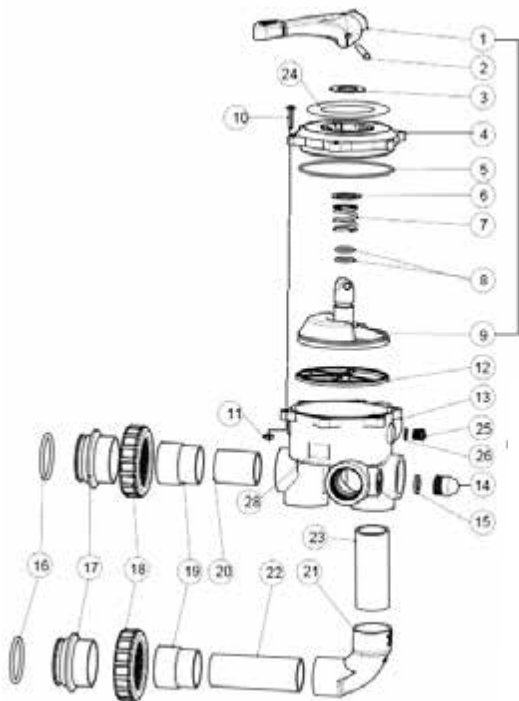
	CMP P/N	DESCRIPTION
27518-204-000		
1-10	27518-204-100	TOP HALF ASSEMBLY
1 & 2	27510-204-300	HANDLE AND DOWEL PIN
3	27505-200-080	PLASTIC WASHER
4	27518-204-500	TOP COVER
5	27500-154-130	O-RING (25 PACK)
5	26105-160-360	O-RING
6	61130-342-811	SPRING WASHER (2 PACK)
7	61247-542-333	HEAVY DUTY SPRING
8	27516-200-080	PLASTIC WASHER
9	27515-154-800	DIVERTER O-RING (100 PACK)
9	26105-216-362	DIVERTER O-RINGS (2 PACK)
8,9,10,13	27518-204-200	DIVERTER, O-RING, WASHER, MAIN GASKET
13	27518-204-150	MAIN GASKET (25 PACK)
13	27518-204-050	MAIN GASKET
15-16	27515-154-350	PLUG WITH O-RING (98206400; SPX710K)
17-18	27515-154-400	SIGHT GLASS WITH GASKET
19	27515-154-900	O-RING (25 PACK, GMX600F)
19	26105-171-535	O-RING (GMX600F)
23	68005-060-000	PRESSURE GAUGE

PRODUCT ON PAGE 77

MULTIPOINT VALVE PARTS



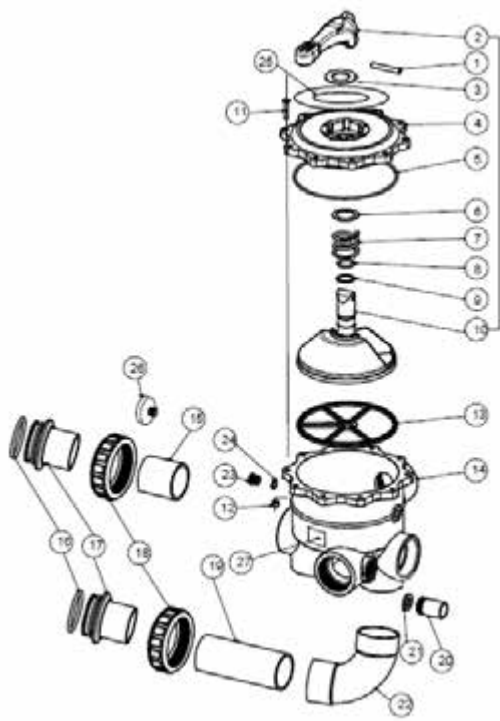
CMP P/N		DESCRIPTION
27512-154-000, 27514-154-000		
1-9	27514-154-100	TOP HALF ASSEMBLY
1-2	27510-204-300	HANDLE AND DOWEL PIN
3	27505-200-080	PLASTIC WASHER
4	27514-154-500	TOP COVER
5	27508-150-600	O-RING (25 PACK)
5	26105-136-400	O-RING
6	61130-342-811	SPRING WASHER
7	61247-542-333	HEAVY DUTY SPRING
8	27515-154-800	DIVERTER O-RING (100 PACK)
8	26105-216-362	DIVERTER O-RINGS (2 PACK)
8-9	27508-150-700	DIVERTER WITH O-RINGS
8,9,12	27508-150-200	DIVERTER, O-RINGS AND MAIN GASKET
10-11	27508-150-110	SCREWS AND NUTS
12	27508-150-150	MAIN GASKET (25 PACK)
12	27508-150-050	MAIN GASKET
14-15	27515-154-350	PLUG WITH O-RING
16	27516-204-900	ADAPTER O-RING (50 PACK)
16	26105-057-360	ADAPTER O-RING (2 PACK)
17	27517-204-070	ADAPTER (2 PACK)
18	27517-204-060	NUT (2 PAC)
19	27508-154-085	ADAPTER (2 PACK)
20-21	27515-154-400	SIGHT GLASS WITH GASKET
23	21105-000-001	1.5" SWEEP 90 DEGREE ELL
27	68005-060-000	PRESSURE GAUGE



CMP P/N		DESCRIPTION
27513-154-000		
1-9	27513-154-100	TOP HALF ASSEMBLY
1-2	27510-204-300	HANDLE AND DOWEL PIN
3	27505-200-080	PLASTIC WASHER
4	27513-154-500	TOP COVER
5	27508-150-600	O-RING (25 PIECES INCLUDED)
5	26105-136-400	O-RING (ONE INCLUDED)
6	61130-342-811	SPRING WASHER
7	61247-542-333	HEAVY DUTY SPRING
8	27515-154-800	DIVERTER O-RING (100 PIECES INCLUDED)
8	26105-216-362	DIVERTER O-RINGS (2 PIECES INCLUDED)
8-9	27508-150-700	DIVERTER WITH O-RINGS
8,9,12	27508-150-200	DIVERTER, O-RINGS AND MAIN GASKET
10-11	27508-150-110	SCREWS AND NUTS
12	27508-150-150	MAIN GASKET (25 PIECES INCLUDED)
12	27508-150-050	MAIN GASKET (ONE INCLUDED)
14-15	27515-154-400	SIGHT GLASS WITH GASKET
16	27516-204-900	ADAPTER O-RING (50 PIECES INCLUDED)
16	26105-057-360	ADAPTER O-RING (2 PIECES INCLUDED)
17	27517-204-070	ADAPTER (2 INCLUDED)
18	27517-204-060	NUT (2 INCLUDED)
19	27508-154-085	ADAPTER (2 INCLUDED)
25-26	27515-154-350	PLUG WITH O-RING
—	68005-060-000	PRESSURE GAUGE

PRODUCT ON PAGE 78

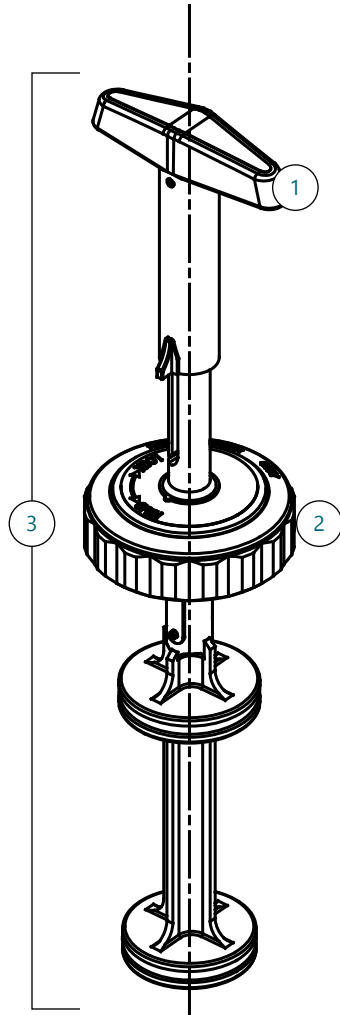
MULTIPOINT VALVE PARTS



CMP P/N		DESCRIPTION
27516-204-000, 27517-204-000		
1-10	27516-204-100	TOP HALF ASSEMBLY
1-2	27510-204-300	HANDLE AND DOWEL PIN
3	27505-200-080	PLASTIC WASHER
4	27518-204-500	TOP COVER
5	27500-154-130	TOP COVER O-RING (25 PACK)
5	26105-160-360	TOP COVER O-RING
6	61130-342-811	SPRING WASHER
7	61247-542-333	HEAVY DUTY SPRING
8	27516-200-080	PLASTIC WASHER
9	27515-154-800	DIVERTER O-RING (100 PACK)
9	26105-216-362	DIVERTER O-RINGS (2 PACK)
8,9,10,13	27518-204-200	DIVERTER, O-RING, WASHER, MAIN GASKET
13	27518-204-150	MAIN GASKET (25 PACK)
13	27518-204-050	MAIN GASKET
16	27506-200-900	ADAPTER O-RING (50 PACK)
16	26105-057-360	ADAPTER O-RING (2 PACK)
17	27517-204-070	ADAPTER (2 PACK)
18	27517-204-060	NUT (2 PACK)
20-21	27515-154-400	SIGHT GLASS WITH GASKET
23-24	27515-154-350	PLUG WITH O-RING
26	68005-060-000	PRESSURE GAUGE

PRODUCT ON PAGE 78

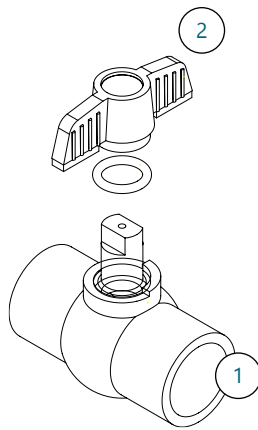
SLIDE VALVE PARTS



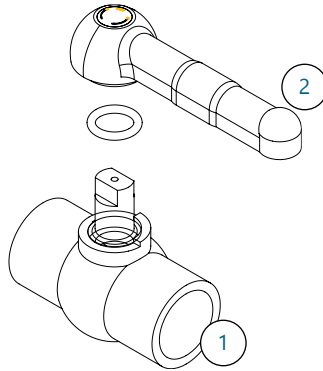
CMP P/N		DESCRIPTION
7.5" "P" STYLE 25831-114-750 & 25831-119-750		
1	25831-114-160	HANDLE WITH PIN
2	25831-114-170	SLIDE VALVE NUT
3	25831-110-100	PISTON SHAFT ASSEMBLY
—	61000-320-288	PIN ONLY
"H" STYLE 25831-004-000 & 25831-014-000		
2	25831-004-170	SLIDE VALVE NUT
3	25831-000-100	PISTON SHAFT ASSEMBLY

PRODUCT ON PAGE 73

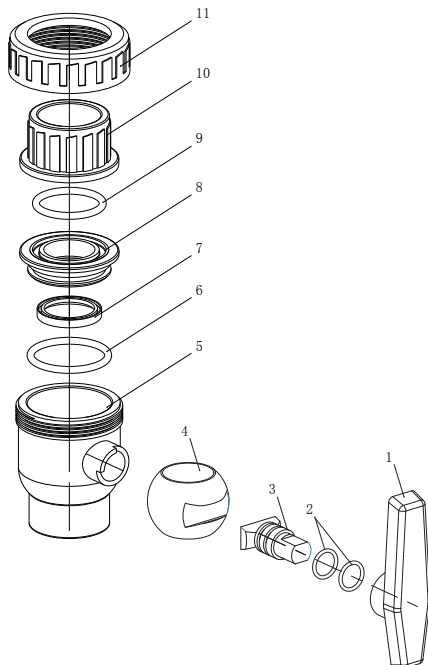
BALL VALVE PARTS



CMP P/N		DESCRIPTION
CMP BALL VALVES		
1	N/A	BALL VALVE BODY ASSEMBLY
2	25800-101-030	1" BALL VALVE HANDLE
2	25800-151-130	1.5" BALL VALVE HANDLE
2	25800-201-130	2" BALL VALVE HANDLE
2	25800-751-130	3/4" BALL VALVE HANDLE
PRODUCT ON PAGE 73		

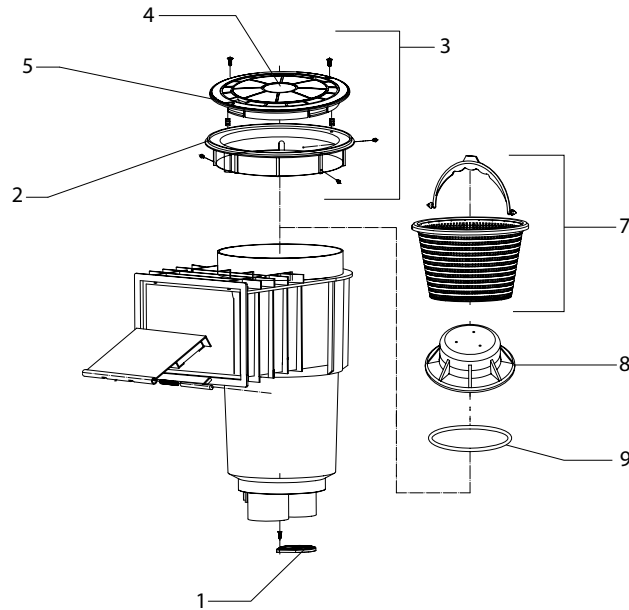


CMP P/N		DESCRIPTION
CMP BALL VALVES		
1	N/A	BALL VALVE BODY ASSEMBLY
2	25800-251-130	2.5" BALL VALVE HANDLE
2	25800-310-130	3" BALL VALVE HANDLE
2	25800-410-130	4" BALL VALVE HANDLE
PRODUCT ON PAGE 73		



CMP P/N		DESCRIPTION
SINGLE UNIONIZED BALL VALVE		
1	25802-151-080	HANDLE FOR 1.5" SOCKET
1	25802-651-080	HANDLE FOR 2" SOCKET
1	25802-651-080	HANDLE FOR 1.5" FIP (25802-651)
6	26100-530-545	O-RING, BODY
8	25802-150-030	1.5" SOCKET PVC TAILPIECE
9	26100-530-462	O-RING, TAILPIECE
9	26100-651-462	INSIDE O-RING FOR 1.5" FIP (25802-651)
10	25802-150-040	1.5" SLEEVE
11	25802-150-020	NUT
PRODUCT ON PAGE 73		

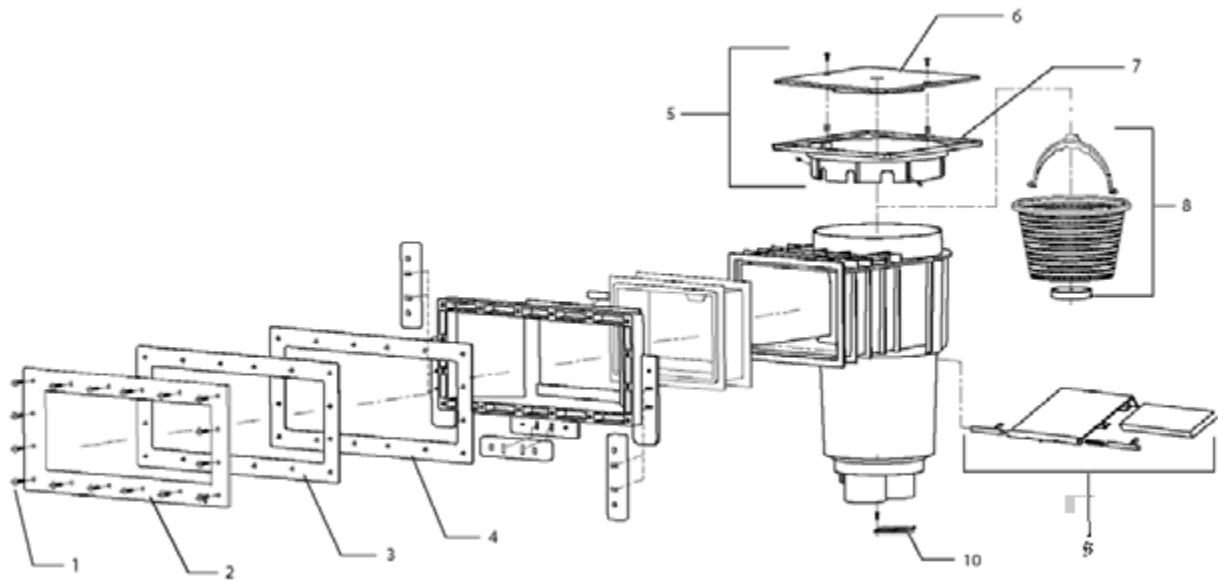
GUNITE SKIMMER PARTS



CMP P/N		DESCRIPTION
CMP GUNITE SKIMMER		
1	25140-000-060	DIVERTER PLATE (FOR ALL STYLES)
2	25547-000-000	WHITE SKIMMER COLLAR, ROUND
2	25547-001-000	GRAY SKIMMER COLLAR, ROUND
2	25547-004-000	BLACK SKIMMER COLLAR, ROUND
2	25547-019-000	TAN SKIMMER COLLAR, ROUND
3	25544-900-000	WHITE SKIMMER COVER & COLLAR, ROUND
3	25544-901-000	GRAY SKIMMER COVER & COLLAR, ROUND
3	25544-904-000	BLACK SKIMMER COVER & COLLAR, ROUND
3	25544-919-000	TAN SKIMMER COVER & COLLAR, ROUND
4	25544-020-010	WHITE SKIMMER LID LOGO INSERT, BLANK, TEXTURED
4	25544-029-010	TAN SKIMMER LID LOGO INSERT, BLANK, TEXTURED
5	25544-000-000	WHITE SKIMMER LID, ROUND
5	25544-001-000	GRAY SKIMMER LID, ROUND
5	25544-004-000	BLACK SKIMMER LID, ROUND
5	25544-019-000	TAN SKIMMER LID, ROUND
6	25100-000-800	WEIR DOOR, UNIBODY WHITE
6	25100-004-800	WEIR DOOR, UNIBODY BLACK
6	25140-000-800	WEIR DOOR, ABS/PVC, WHITE
6	25140-001-800	WEIR DOOR, ABS/PVC, GRAY
6	25140-004-800	WEIR DOOR, ABS/PVC, BLACK
6	25140-007-800	WEIR DOOR, ABS/PVC, DARK GRAY
6	25140-0009-800	WEIR DOOR, ABS/PVC, TAN
7	25100-000-900	BASKET, UNIBODY
7	25140-000-900	BASKET, ABS/PVC
8	25140-000-700	FLOAT VALVE ASSY (FOR ALL STYLES)
9	25140-000-040	FLOAT VALVE GASKET (FOR ALL STYLES)
10	25120-100-900	CHECK VALVE ASSY

PRODUCT ON PAGE 102

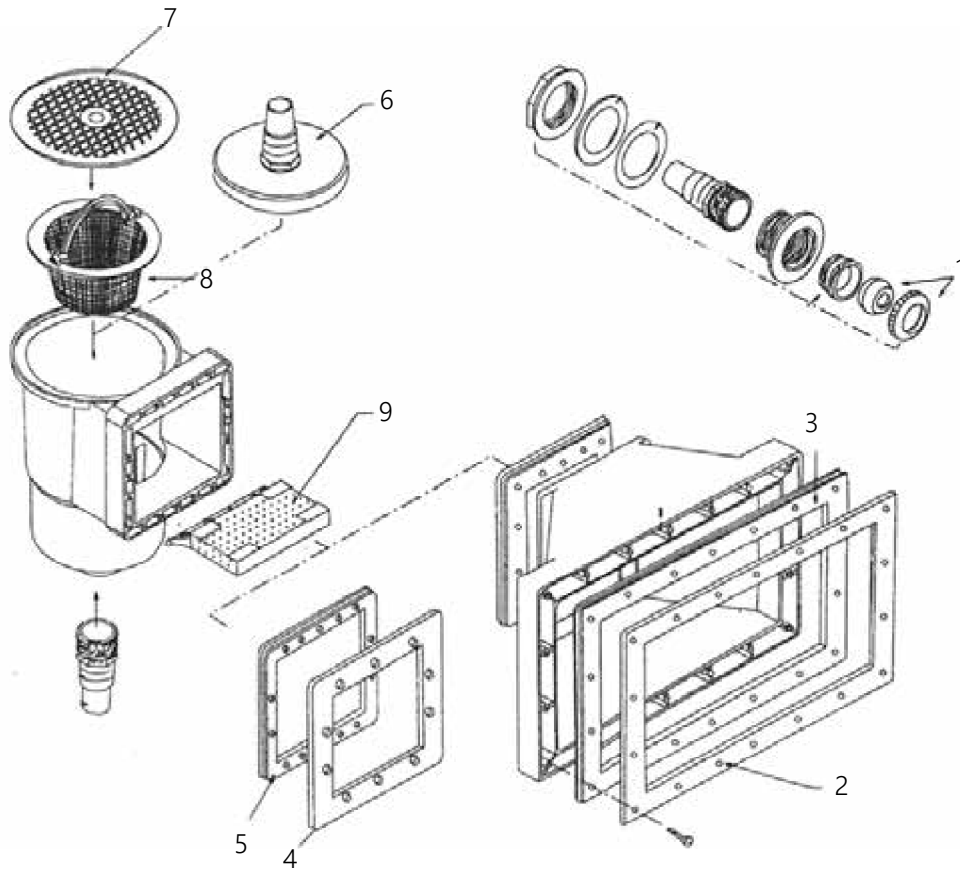
VINYL LINER SKIMMER PARTS



CMP P/N		DESCRIPTION
CMP VINYL SKIMMER		
1	61051-058-030	FACE PLATE SCREWS (12 FOR REGULAR, 16 FOR WIDE)
2	25541-000-010	FACE PLATE, WIDE MOUTH
2	25540-000-010	FACE PLATE, REGULAR MOUTH
3	25160-110-030	FRONT GASKET, WIDE MOUTH
3	25160-010-060	FRONT GASKET, REGULAR MOUTH
4	25160-110-020	BACK GASKET, WIDE MOUTH, W/ TABS
4	25160-110-030	BACK GASKET, WIDE MOUTH, W/O TABS
4	25160-010-050	BACK GASKET, REGULAR MOUTH, W/ TABS
4	25160-010-060	BACK GASKET, REGULAR MOUTH, W/O TABS
5	25538-900-000	COVER & COLLAR ASSEMBLY, WHITE
5	25538-901-000	COVER & COLLAR ASSEMBLY, GRAY
5	25538-909-000	COVER & COLLAR ASSEMBLY, TAN
6	25538-000-000	COVER, WHITE
6	25538-001-000	COVER, GRAY
6	25538-009-000	COVER, TAN
7	25160-000-040	SKIMMER COLLAR, SQUARE, WHITE
7	25160-001-040	SKIMMER COLLAR, SQUARE, GRAY
7	25160-009-040	SKIMMER COLLAR, SQUARE, TAN
8	25140-000-900	BASKET ASSEMBLY
9	25140-000-800	WEIR ASSEMBLY, WHITE
9	25140-001-800	WEIR ASSEMBLY, GRAY
10	25140-000-060	DIVERTER PLATE

PRODUCT ON PAGE 103

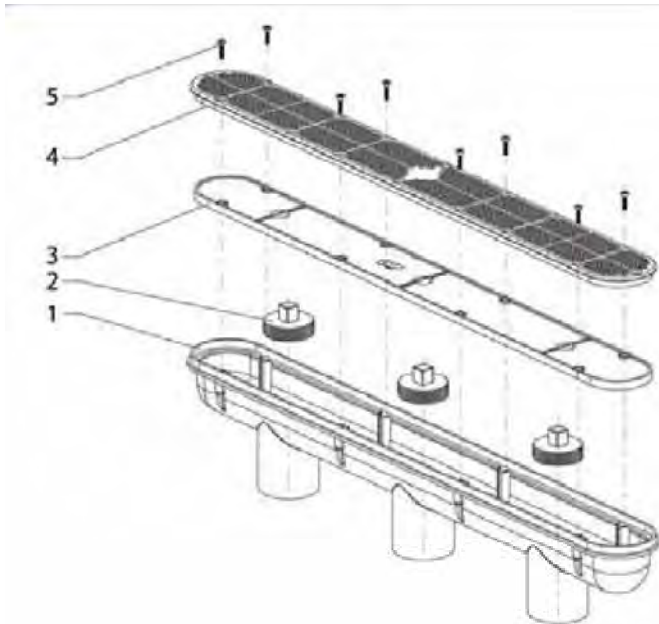
ABOVE GROUND SKIMMER PARTS



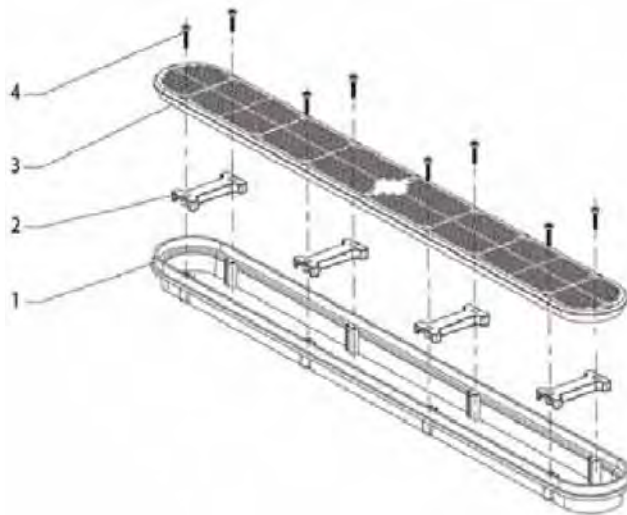
	WHITE	GRAY	DESCRIPTION
ABOVE GROUND SKIMMER			
1	25550-000-900	25550-001-900	RETURN INLET
2	25511-030-930	25511-031-930	WIDE MOUTH ABOVE GROUND FACE PLATE
3	25512-020-920	25512-021-920	DOUBLE LAYER WIDE ABOVE GROUND GASKET
4	25512-010-990	25512-011-990	STANDARD ABOVE GROUND FACE PLATE
5	25512-010-980	25512-011-980	DOUBLE LAYER STANDARD ABOVE GROUND GASKET
6	25579-000-912	25579-001-912	ABOVE GROUND VAC PLATE
7	25512-010-992	25512-011-992	ABOVE GROUND LID
8	25512-000-991	25512-001-991	ABOVE GROUND BASKET
9	25511-000-908	25511-001-908	ABOVE GROUND WEIR

PRODUCT ON PAGE 108

32" CHANNEL DRAIN PARTS



	CMP P/N	DESCRIPTION
32" CHANNEL DRAIN 25506-32X-000		
1	25506-320-010	SUMP BODY
2	25520-050-020	2 NPT PLUG
3	25506-320-030	DEBRIS GUARD
4	25506-320-020	32" COVER
5	61008-042-022	SCREWS
PRODUCT ON PAGE 115		

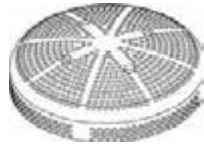


	CMP P/N	DESCRIPTION
32" FRAME & COVER 25506-32X-100		
1	25506-320-110	FRAME
2	25506-320-120	FRAME SUPPORT
3	25506-320-020	32" COVER
4	61008-042-022	SCREWS
PRODUCT ON PAGE 115		

MAIN DRAIN COVERS & SCREWS



GALAXY



FIBERGLASS MAIN DRAIN



NEW STYLE / NOVA



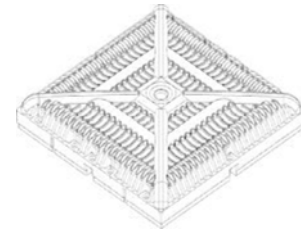
OLD STYLE / CLASSIC
(DISCONTINUED)



EQUALIZER



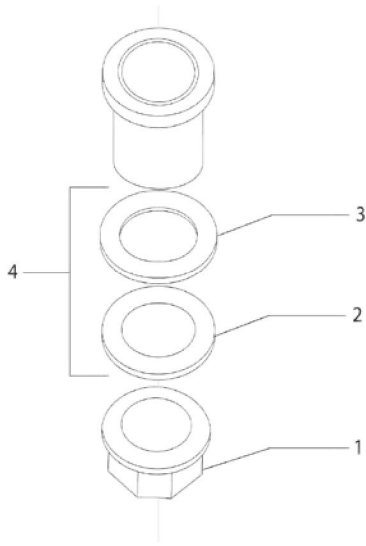
9" X 9"



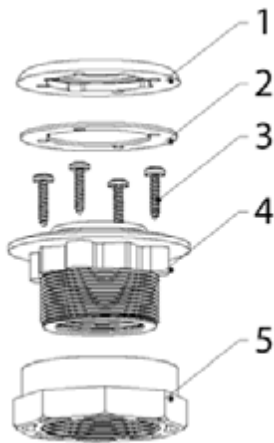
12" X 12"

CMP P/N	DESCRIPTION
MAIN DRAIN REPLACEMENT COVERS	
25507-0XX-010	7-3/4" GALAXY COVER
25507-1XX-010	8" GALAXY COVER
25539-7XX-010	7-3/4" CLASSIC COVER
25539-7XX-011	7-3/4" NOVA COVER
25215-0XX-003	6" FIBERGLASS DRAIN
25207-02X-003	4" EQUALIZER SUCTION
25508-09X-010	9" x 9" SQUARE COVER
25508-12X-010	12" x 12" SQUARE COVER
25508-09X-010	18" x 18" SQUARE (USE FOUR 9x9)
MAIN DRAIN REPLACEMENT SCREWS	
61004-083-212	SCREWS FOR 25513-250, 25513-300, 25513-700, 25513-800, 25515-000, 25516-000, 25516-700, 25539-000, 25539-700, 61054-048-019 & 25548-000
61050-550-250	SCREWS FOR 25514-000
61050-048-025	SCREWS FOR 25517-000
61050-058-030	SCREWS FOR 25519-000
61008-102-420	SCREWS FOR 25531-000, 25537-100
61054-048-019	SCREWS FOR 25539-100
61000-050-012	SCREWS FOR 25207-700, 25207-800
61008-083-200	SCREWS FOR 25215-000
61008-042-022	SCREWS FOR 25508-090, 25508-180
61008-042-028	SCREWS FOR 25508-120

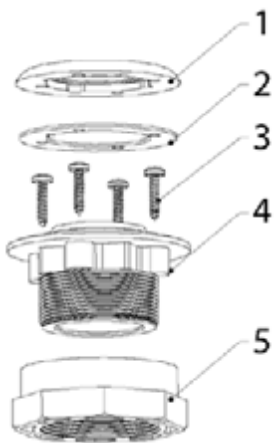
POOL FITTING PARTS



CMP P/N		DESCRIPTION
VINYL POOL FITTING 25550-000-000		
1	25550-050-010	2" LOCK NUT
2	25550-070-000	FIBER GASKET
3	25550-040-000	RUBBER GASKET
4	25550-000-100	GASKET KIT
PRODUCT ON PAGE 132		

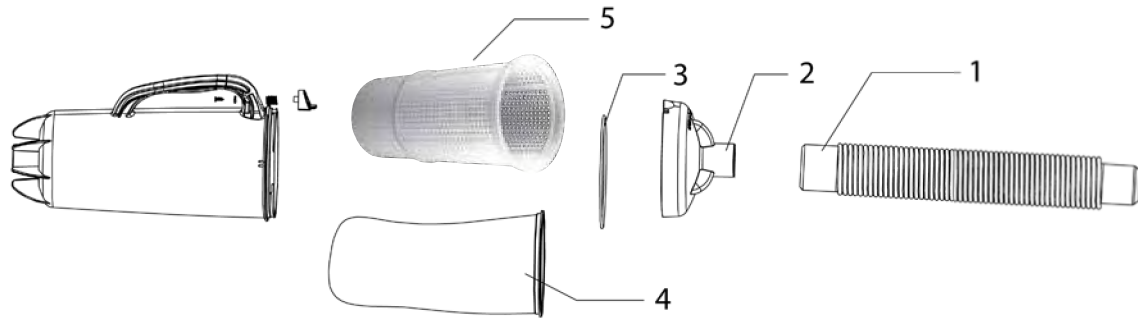


CMP P/N		DESCRIPTION
VINYL POOL FITTING 25522-000-000		
1	25545-000-000	FACE PLATE
2	25522-040-000	GASKET
3	61008-552-500	SCREW
4	25522-060-000	WALL FITTING
PRODUCT ON PAGE 132		

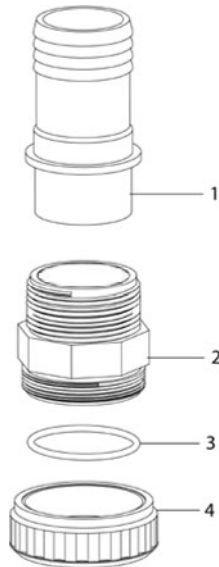


CMP P/N		DESCRIPTION
VINYL POOL FITTING 25522-100-000		
1	25545-000-000	FACE PLATE
2	25522-040-000	GASKET
3	61008-552-500	SCREW
4	25522-100-010	WALL FITTING
PRODUCT ON PAGE 132		

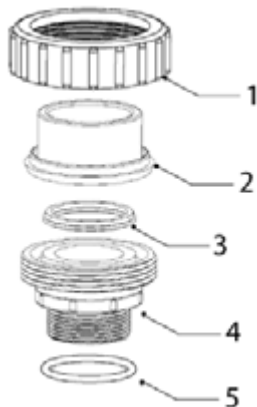
LEAF TRAP & UNION PARTS



CMP P/N		DESCRIPTION
LEAF TRAP		
1	58309-000-040	1.5" MALE X 1.5" MALE HOSE
2	58309-000-010	LEAF TRAP LID
3	58309-000-020	O-RING, LID
4	58309-000-030	MESH BAG, STANDARD
4	58309-000-130	MESH BAG, SAND/SILT
5	27182-010-000	HEAVY DUTY BASKET
PRODUCT ON PAGE 146		

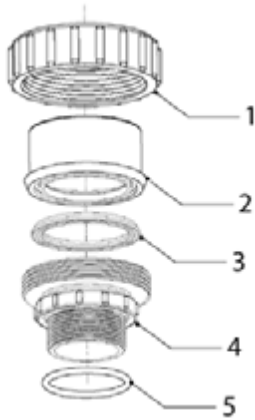


CMP P/N		DESCRIPTION
ECON UNION		
1	21058-000-030	PORT, RIBBED
1	21058-100-030	PORT, SMOOTH
2	21058-000-020	STRAIGHT BODY
2	21058-200-020	90 DEG. BODY
3	26100-412-265	O-RING, BULK
4	21058-000-010	NUT
PRODUCT ON PAGE 136		

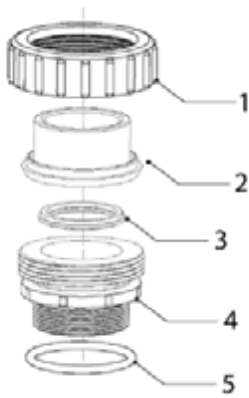


CMP P/N		DESCRIPTION
21063-150-000 UNION		
1	21048-000-110	NUT
2	21049-150-010	1.5" SOCKET PVC TAILPIECE
3	26200-210-631	T-GASKET
4	21063-144-010	1.5" MIP THREADED PIECE
5	26100-470-400	O-RING, BULK
PRODUCT ON PAGE 134		

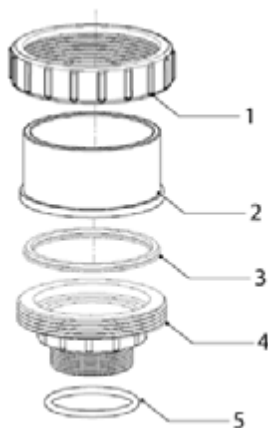
SELF-SEALING UNION PARTS



CMP P/N		DESCRIPTION
21063-160-000 UNION		
1	21048-000-010	NUT
2	21049-200-010	2" SOCKET PVC TAILPIECE
3	26200-210-632	T-GASKET
4	21063-164-010	1.5" MIP THREADED PIECE
5	26100-470-400	O-RING, BULK
PRODUCT ON PAGE 134		

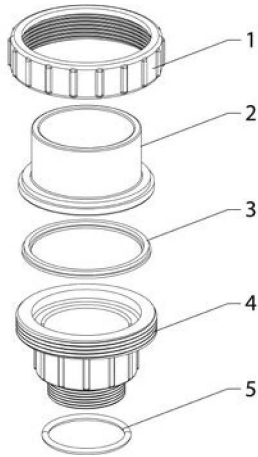


CMP P/N		DESCRIPTION
21063-200-000 UNION		
1	21048-004-010	NUT
2	21049-200-010	2" SOCKET PVC TAILPIECE
3	26200-210-632	T-GASKET
4	21063-204-010	2" MIP THREADED PIECE
5	26100-590-500	O-RING, BULK
PRODUCT ON PAGE 134		



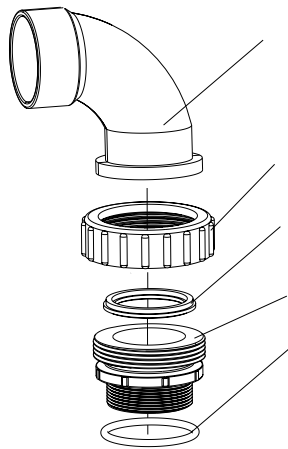
CMP P/N		DESCRIPTION
21063-230-000 UNION		
1	21063-234-030	NUT
2	21063-230-020	3" SOCKET PVC TAILPIECE
3	26200-289-049	T-GASKET
4	21063-230-010	2" MIP THREADED PIECE
5	26100-590-500	O-RING, BULK
PRODUCT ON PAGE 134		

UNION PARTS



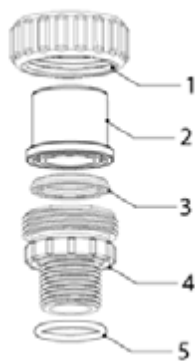
CMP P/N		DESCRIPTION
21063-250-000 UNION		
1	21063-230-030	NUT
2	21063-250-010	2.5" SOCKET PVC TAILPIECE
3	26200-289-049	T-GASKET
4	21063-230-010	2" MIP THREADED PIECE
5	26100-590-500	O-RING, BULK

PRODUCT ON PAGE 134



CMP P/N		DESCRIPTION
21063-290-000 UNION		
1	21003-000-010	2.5" 90° ELL
2	21048-000-010	NUT
3	21092-050-000	T-GASKET
4	21063-200-010	2" MIP THREADED PIECE
5	26100-590-500	O-RING, BULK

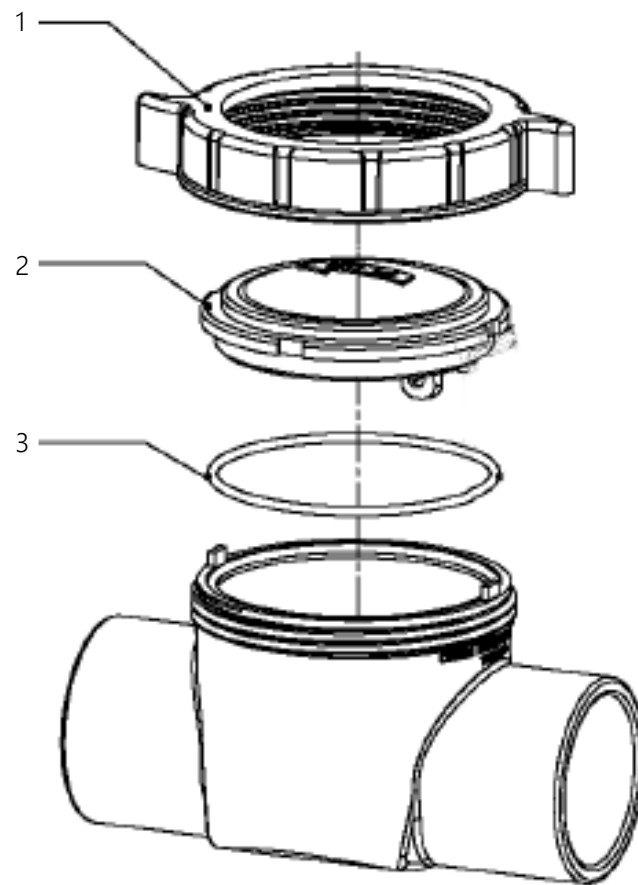
PRODUCT ON PAGE 134



CMP P/N		DESCRIPTION
21063-750-000 UNION		
1	21063-754-030	NUT
2	21063-750-020	3/4" SOCKET PVC TAILPIECE
3	26200-227-038	T-GASKET
4	21063-754-010	3/4" MIP THREADED PIECE
5	26100-240-300	O-RING, BULK

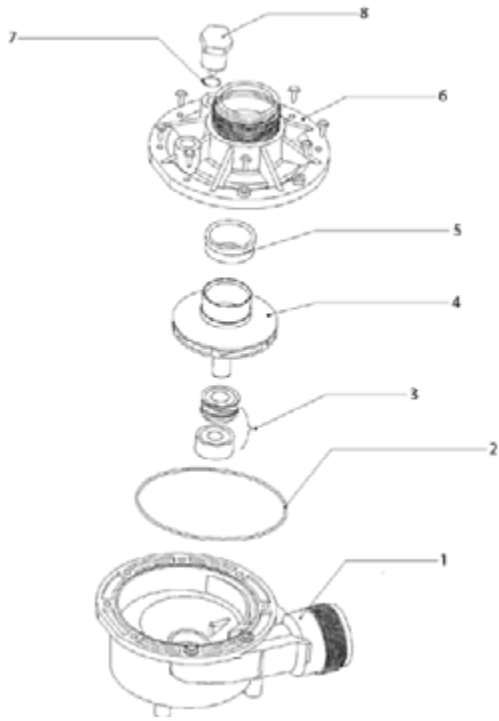
PRODUCT ON PAGE 134

POOL DEFENDER INLINE SACRIFICIAL ANODE



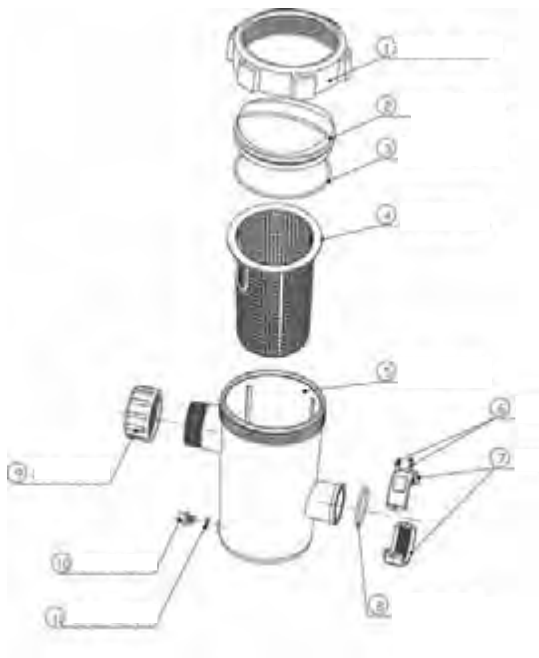
CMP P/N		DESCRIPTION
POOL DEFENDER INLINE SACRIFICIAL ZINC ANODE		
1	25830-201-030	NUT
2	25810-200-920	COVER
3	26100-963-033	COVER O-RING
—	28810-200-900	COVER WITH ZINC BAR
PRODUCT ON PAGE 157		

ABOVE GROUND WET END PARTS



CMP P/N		DESCRIPTION
ABOVE GROUND PUMP WET END		
1	24201-010-900	48 FRAME 1.5" WET END HOUSING
2	26101-250-265	HOUSING COVER O-RING, BULK
3	27203-000-900	MECHANICAL SEAL KIT
4	27201-034-000	IMPELLER 1 HP
4	27202-034-000	IMPELLER 1.5 HP
5	27201-060-000	WEAR RING
6	27201-024-000	HOUSING COVER
7	26100-078-180	DRAIN O-RING, BULK
8	27201-054-000	DRAIN PLUG
9	61000-508-016	SCREWS

PRODUCT ON PAGE 66



CMP P/N		DESCRIPTION
ABOVE GROUND PUMP WET END		
1	25300-000-010	TIGHTENING RING
2	25300-000-020	CLEAR LID
3	25300-000-030	TOP LID O-RING, BULK
4	25300-000-040	BASKET
5	N/A	TRAP BODY
6	61052-039-015	SCREWS
7	25300-004-070	1.5" SPLIT UNION NUT
7	25301-004-070	2" SPLIT UNION NUT
8	26100-495-350	1.5" SPLIT UNION O-RING
8	26100-570-355	2" SPLIT UNION O-RING
9	25300-000-060	1.5" UNION NUT
10	25300-000-090	PLUG
11	26100-125-265	PLUG O-RING, BULK

PRODUCT ON PAGE 66

PART#	PG	PART#	PG	PART#	PG	PART#	PG
21003-000-000	135	21182-200-000	140	25062-159-000	71	25248-020-000	108
21003-100-000	135	21182-220-000	140	25062-209-000	71	25248-920-000	108
21004-000-000	137	21182-250-000	140	25067-000-000	71	25251-000-500	110
21005-000-000	137	21183-100-000	139	25098-000-000	95	25251-100-000	154
21006-000-000	137	21183-150-000	139	25099-000-000	95	25251-110-000	154
21007-000-000	137	21183-200-000	139	25100-000-000	102	25251-120-000	155
21010-000-000	137	21184-100-000	138	25100-010-000	102	25251-250-000	155
21010-200-000	137	21184-150-000	138	25100-040-000	102	25260-000-000	127
21013-000-000	137	21184-200-000	138	25100-059-000	102	25280-100-000	62
21013-200-000	137	21184-230-000	138	25100-140-000	102	25280-109-000	62
21021-000-000	66, 136	21184-250-000	138	25120-100-900	110	25280-110-000	62
21023-000-000	63, 136	21184-750-000	138	25140-000-000	102	25280-120-000	63
21044-000-000	137	23300-000-000	100	25140-000-700	110	25280-200-000	63
21049-150-000	135	23300-100-000	100	25140-000-900	163	25280-300-000	62
21049-200-000	135	23300-200-000	100	25140-010-000	102	25280-309-000	62
21053-150-000	136	23300-200-040	100	25140-210-000	102	25280-400-000	62
21053-200-000	136	23300-210-000	100	25140-250-000	102	25280-409-000	62
21054-150-000	136	23300-240-000	100	25141-160-000	107	25280-410-000	62
21055-150-000	136	23300-250-000	100	25141-170-000	107	25280-615-000	64
21056-150-000	136	23300-300-000	100	25141-200-000	107	25280-630-000	64
21058-000-000	136	23300-450-000	100	25141-300-000	107	25280-640-000	64
21058-100-000	136	23301-000-000	100	25141-320-000	107	25300-004-000	66
21058-200-000	136	23301-000-030	99, 100	25141-350-000	107	25300-004-070	135
21058-300-000	136	23302-000-000	100	25141-360-000	107, 167	25300-100-000	169
21059-150-000	136	23302-000-040	97, 99	25141-364-000	107	25301-004-000	66
21062-154-000	66	23302-100-040	97, 99	25141-400-000	107	25301-004-070	135
21063-150-000	134	23304-000-000	99	25141-404-000	107	25302-054-000	170
21063-154-000	134	23304-000-040	99	25141-410-000	107	25303-054-000	170
21063-160-000	134	23304-100-000	99	25141-420-000	107	25304-000-020	169
21063-164-000	134	23305-000-000	100	25141-440-000	107	25305-000-020	169
21063-170-000	136	23306-100-000	99	25141-444-000	107	25305-126-000	169
21063-179-000	136	23306-100-020	99	25141-450-000	107	25306-000-020	169
21063-180-000	136	23306-120-000	99	25141-500-000	107	25307-000-020	169
21063-189-000	136	23306-120-020	99	25141-540-000	107	25307-500-020	170
21063-200-000	134	23307-000-000	99	25141-600-000	107	25355-004-000	169
21063-200-900	66	23307-100-000	99	25141-700-000	107	25356-100-000	169
21063-204-000	134	23307-200-000	99	25141-800-000	107	25357-004-000	169
21063-210-000	136	23308-000-000	99	25160-010-000	103	25357-054-000	170
21063-225-000	135	23308-100-000	99	25160-010-001	103	25357-154-000	81, 170
21063-230-000	134	23308-100-020	97, 99	25160-010-060	111	25357-240-000	81
21063-250-000	134	23308-100-040	99	25160-010-900	105	25357-357-000	81
21063-290-000	134	23308-100-050	97, 99	25160-020-000	103	25357-600-000	168
21063-330-000	135	23308-100-100	99	25160-110-000	103	25357-700-000	168
21063-350-000	135, 170	23308-110-110	99	25160-110-030	111	25357-750-000	168
21063-750-000	134	23308-200-000	99	25160-110-900	105	25357-760-000	168
21063-801-000	135, 170	23308-200-030	99	25160-110-920	105	25357-770-000	168
21093-000-000	151	23308-900-000	97	25160-120-000	103	25357-800-000	168
21093-150-000	151	23308-910-000	97	25160-150-000	103	25357-850-000	168
21097-150-000	137	23308-930-000	97	25160-150-900	105	25357-982-000	81
21097-200-000	137	23309-000-000	99	25160-150-920	105	25357-983-000	81
21098-150-000	137	23310-000-000	100	25160-210-000	103	25391-000-000	43
21098-200-000	137	23312-000-000	94	25160-410-900	105	25391-200-000	43
21105-000-000	137	23312-001-000	94	25160-450-900	105	25398-010-000	137
21106-000-000	137	23315-030-000	93, 97	25207-700-000	126	25501-000-800	137
21181-100-000	139	23315-100-000	51, 93	25207-700-900	126	25501-000-900	137
21181-150-000	139	23315-240-000	93	25207-800-000	126	25501-020-800	137
21181-200-000	139	23315-300-000	93	25215-000-000	126	25501-020-900	137
21181-250-000	139	23315-340-000	93	25215-000-003	126	25501-100-000	137
21181-300-000	139	23551-660-000	94	25215-900-000	126	25501-100-800	137
21181-400-000	139	23551-699-999	94	25248-000-000	108	25501-100-900	137
21181-750-000	139	25062-000-000	71	25248-000-040	108	25501-120-800	137
21182-150-000	140	25062-150-000	71	25248-000-051	108	25501-120-900	137

PART#	PG	PART#	PG	PART#	PG	PART#	PG
25503-000-000	58	25516-500-100	124	25544-500-000	110	25563-005-000	165
25503-025-000	34	25517-500-000	122	25544-500-100	110	25563-017-000	165
25503-025-400	34	25517-501-000	122	25544-900-000	110	25563-029-000	165
25503-050-000	34	25517-504-000	122	25545-100-000	112, 132	25563-029-360	165
25503-050-400	34	25518-000-000	122	25545-300-000	167	25563-040-000	165
25503-91X-000	34, 37	25519-000-000	118	25546-000-000	132	25563-040-100	165
25503-92X-000	37	25520-000-000	127	25548-000-000	120	25563-040-200	165
25503-100-000	34	25520-040-000	154	25548-100-000	112, 120	25563-052-000	165
25503-100-400	34	25520-050-020	114, 154	25549-000-011	141	25563-052-053	165
25503-100-900	34	25521-000-000	127	25549-002-000	141	25563-052-054	165
25503-150-000	34	25522-000-000	132	25549-100-000	141	25563-052-057	165
25503-150-400	34	25522-100-000	132	25549-100-100	112	25563-080-000	165
25503-300-000	34	25522-500-000	132	25549-200-000	141	25563-100-000	165
25503-301-000	34	25523-000-000	132	25549-200-100	112	25563-110-000	165
25503-304-000	34	25523-100-000	97, 132	25549-201-000	141	25563-115-000	165
25503-309-000	34	25523-159-000	132	25549-204-000	141	25563-120-000	165
25503-369-000	34	25523-169-000	132	25549-269-000	141	25563-150-000	165
25503-500-025	41	25523-500-000	132	25549-500-000	141	25563-150-100	165
25503-510-000	41	25523-500-100	132	25549-540-000	141	25563-150-112	165
25503-510-200	41	25523-700-000	132	25549-600-000	141	25563-150-200	165
25503-510-220	41	25523-750-000	97	25550-000-000	132	25563-150-360	165
25503-520-025	41	25523-900-000	154	25550-000-060	132	25563-160-000	165
25503-540-025	41	25524-200-000	132	25551-000-000	131	25563-161-000	165
25503-560-025	41	25525-000-000	154	25551-000-100	131	25563-170-000	165
25503-580-025	41	25526-000-000	106	25551-300-000	131	25563-200-000	165
25503-900-000	37	25526-100-000	106	25551-400-000	131	25563-240-000	165
25503-920-000	37	25526-200-000	106	25552-000-000	130	25563-250-000	165
25503-999-998	34	25527-000-000	131	25552-020-300	130, 154	25563-260-000	165
25504-000-100	61	25527-000-030	131	25552-100-000	130	25563-270-000	165
25504-000-200	61	25527-100-000	131	25552-200-000	130	25563-270-800	165
25504-100-000	61	25527-100-100	131	25552-300-000	130	25563-280-000	165
25504-300-000	61	25528-000-000	154	25552-400-000	130	25563-300-000	165
25504-600-000	43	25529-150-000	132	25552-500-000	71, 131	25563-300-500	165
25505-000-000	151	25531-000-000	118	25553-300-000	130	25563-310-000	165
25506-320-000	114	25532-300-000	167	25553-350-000	130	25563-340-000	165
25506-320-030	114	25532-800-000	120	25553-400-000	130	25563-340-030	165
25506-320-100	114	25533-000-000	128	25553-450-000	130	25563-350-000	165
25506-320-150	114	25533-000-010	128	25553-900-000	51	25563-360-000	165
25506-320-500	114	25533-100-000	128	25554-000-000	130	25563-370-000	165
25506-320-800	114	25533-200-000	128	25554-100-000	130	25563-380-000	165
25506-320-900	114	25533-300-000	128	25554-200-000	130	25563-400-000	165
25507-100-000	118, 167	25533-300-010	128	25554-300-000	130	25563-460-000	165
25508-090-000	116	25537-000-000	118	25554-400-000	130	25563-660-000	165
25508-090-010	116	25538-000-000	110	25555-000-000	131	25563-800-000	147
25508-120-000	116	25538-200-000	109	25555-700-000	131	25563-800-201	166
25508-120-010	116	25538-900-000	110	25556-000-000	100	25563-800-300	166
25508-180-000	116	25539-500-100	122, 124	25556-100-000	100	25563-800-302	166
25511-000-900	108	25539-700-100	122	25556-300-000	100	25563-809-000	166
25512-000-900	108, 163	25540-000-010	111	25557-000-000	131	25563-810-000	166
25513-250-020	154	25540-000-020	111	25558-000-000	151	25563-810-100	166
25513-260-000	124	25540-100-000	111	25558-100-000	151	25563-820-000	166
25513-300-020	154	25541-000-010	111	25558-170-000	151	25564-000-300	153
25513-400-000	124	25541-000-020	111	25559-000-000	129	25565-009-000	58
25514-000-000	118	25541-100-000	111	25559-069-000	129	25567-000-000	153
25515-000-000	120	25541-300-010	167	25559-110-000	129	25567-100-000	153
25515-000-011	120	25542-000-000	154	25560-000-000	131	25568-200-000	153
25516-000-010	122	25542-500-000	154	25562-000-000	152	25568-300-000	153
25516-250-010	124	25543-000-000	154	25562-100-000	152	25568-300-010	153
25516-260-000	124	25544-000-000	110	25562-500-000	152	25568-400-000	153
25516-300-010	124	25544-020-010	110	25562-500-100	152	25568-500-000	153
25516-400-000	124	25544-030-010	110	25562-600-000	152	25569-000-000	153
25516-500-000	122	25544-200-000	109	25562-720-000	152	25569-000-100	153

PART#	PG	PART#	PG	PART#	PG	PART#	PG
25569-100-000	153	25577-180-000	20	25581-290-000	85	25597-304-010	53, 55
25570-000-000	151	25577-180-120	20	25582-000-000	88	25597-310-000	45
25570-100-000	151	25577-180-900	20	25583-000-000	88	25597-330-020	109
25572-000-000	152	25577-190-000	22	25587-130-000	23	25597-333-000	46
25572-050-000	152	25577-220-000	20	25587-130-120	23	25597-353-000	46
25572-100-000	152	25577-222-890	27	25587-130-900	23	25597-620-100	39
25572-200-000	152	25577-230-000	20	25587-230-000	23	25597-640-100	39
25572-400-000	152	25577-230-120	20	25587-230-120	23	25597-700-000	39
25572-400-100	152	25577-230-900	20	25587-230-900	23	25597-720-100	39
25572-420-000	152	25577-260-000	22	25587-330-000	23	25597-740-100	39
25572-480-000	152	25577-260-600	22	25587-330-120	23	25598-000-000	54
25572-600-000	152	25577-260-900	22	25587-330-900	23	25598-000-020	55
25573-000-000	110	25577-320-000	20	25587-430-000	23	25598-200-000	54
25573-100-000	110	25577-322-890	27	25587-430-120	23	25598-300-000	45
25573-300-000	160	25577-330-000	20	25587-430-900	23	25598-304-800	46
25574-000-000	133	25577-330-120	20	25588-130-000	24	25598-309-800	46
25574-100-000	133	25577-330-900	20	25588-130-120	24	25598-310-000	45
25575-000-000	133	25577-360-000	22	25588-130-900	24	25598-333-000	46
25575-250-000	133	25577-360-600	22	25588-180-000	24	25598-353-000	46
25575-300-000	133	25577-360-900	22	25588-180-120	24	25598-900-000	54
25575-500-000	97, 133	25577-420-000	20	25588-180-900	24	25598-920-000	54
25575-509-000	133	25577-422-890	27	25588-230-000	24	25599-315-020	57
25575-600-000	133	25577-430-000	20	25588-230-120	24	25599-315-030	57
25576-000-000	110	25577-430-120	20	25588-230-900	24	25599-315-040	57
25576-120-000	21	25577-430-900	20	25588-330-000	24	25599-315-050	57
25576-130-000	21	25577-460-000	22	25588-330-120	24	25599-315-060	57
25576-130-120	21	25577-460-600	22	25588-330-900	24	25599-315-070	57
25576-130-900	21	25577-460-900	22	25588-430-000	24	25599-415-010	57
25576-150-000	22	25577-520-000	20	25588-430-120	24	25599-415-020	57
25576-150-600	22	25577-530-000	20	25588-430-900	24	25599-515- 010	57
25576-170-000	21	25577-530-120	20	25589-200-000	151	25599-515-020	57
25576-180-000	21	25577-530-900	20	25590-000-000	90	25599-515-030	57
25576-180-120	21	25577-620-000	20	25590-000-200	86	25600-009-000	150
25576-180-900	21	25577-630-000	20	25590-250-000	131	25600-411-000	150
25576-190-000	22	25577-630-120	20	25591-110-000	84	25604-000-000	60
25576-190-600	22	25577-630-900	20	25591-120-000	84	25604-009-000	60
25576-220-000	21	25577-720-000	20	25591-130-000	84	25604-100-000	60
25576-230-000	21	25577-730-000	20	25591-140-000	84	25606-000-000	131
25576-230-120	21	25577-730-120	20	25591-150-000	84	25606-100-000	131
25576-230-900	21	25577-730-900	20	25591-210-000	88	25609-300-000	131
25576-260-000	22	25577-820-000	20	25591-220-000	88	25620-320-000	114
25576-260-600	22	25577-830-000	20	25591-230-000	88	25625-200-000	170
25576-320-000	21	25577-830-120	20	25591-240-000	88	25650-100-000	42
25576-330-000	21	25577-830-900	20	25591-250-000	88	25650-100-100	42
25576-330-120	21	25577-950-020	90	25591-910-000	95	25650-100-200	42
25576-330-900	21	25578-000-000	152	25592-010-000	92	25650-100-210	42
25576-360-000	22	25579-000-000	110	25592-020-000	92	25650-100-300	42
25576-360-600	22	25580-000-000	89	25592-030-000	92	25650-110-200	42
25576-420-000	21	25580-000-010	89	25594-100-000	89, 90	25650-110-300	42
25576-430-000	21	25580-000-030	90	25594-150-000	89	25650-120-300	42
25576-430-120	21	25580-000-090	90	25597-000-000	53	25676-130-000	30
25576-430-900	21	25580-000-120	86, 90	25597-000-020	55	25676-180-000	30
25576-460-000	22	25580-090-000	89	25597-000-030	154	25676-230-000	30
25576-460-600	22	25580-200-000	85	25597-000-120	55	25676-330-000	30
25577-120-000	20	25580-200-030	86	25597-000-900	55	25676-430-000	30
25577-122-890	27	25580-200-190	86	25597-023-000	53	25676-530-000	30
25577-130-000	20	25580-290-000	85	25597-100-900	55	25676-630-000	30
25577-130-120	20	25580-900-090	90	25597-200-000	53	25676-730-000	30
25577-130-900	20	25580-920-190	86	25597-200-020	109	25676-830-000	30
25577-150-900	22	25581-000-010	89	25597-200-900	55	25677-122-870	27
25577-170-000	20	25581-090-000	89	25597-223-000	53	25677-130-000	30
25577-172-890	27	25581-200-000	85	25597-300-000	45	25677-172-870	27

PART#	PG	PART#	PG	PART#	PG	PART#	PG
25677-180-000	30	25831-122-100	81	27180-099-030	163	58307-280-000	165
25677-222-870	27	25831-130-000	80	27180-106-000	163	58307-280-100	165
25677-230-000	30	25831-130-100	80, 81	27180-136-000	163	58307-300-811	166
25677-322-870	27	25840-000-000	110	27180-152-000	163	58307-300-812	166
25677-330-000	30	25850-000-100	72	27180-163-000	163	58307-380-000	165
25677-422-870	27	25850-150-000	72	27180-167-000	163	58308-100-000	151
25677-430-000	30	25850-200-000	72	27180-168-000	163	58308-240-000	151
25677-530-000	30	25850-250-000	72	27180-199-000	163	58309-000-000	146
25677-630-000	30	25851-150-000	72	27180-200-000	163	58309-300-000	146
25677-730-000	30	25851-200-000	72	27180-203-000	163	58410-110-023	146
25677-830-000	30	25851-250-000	72	27180-207-000	163	58410-120-047	146
25800-110-000	73	25852-150-000	72	27180-215-000	163	58410-120-048	146
25800-151-000	73	25852-200-000	72	27180-219-000	161	58410-130-051	146
25800-210-000	73	25852-250-000	72	27180-220-000	163	58410-140-052	146
25800-251-000	73	25853-150-000	72	27180-280-000	163	58410-150-302	146
25800-310-000	73	25853-200-000	72	27180-355-000	163	58410-160-409	147
25800-410-000	73	25853-250-000	72	27182-009-000	161	58410-170-454	147
25800-751-000	73	25854-150-000	72	27182-009-112	161	58420-110-025	148
25800-751-130	73	25854-154-000	72	27182-009-200	161	58420-120-166	148
25802-151-000	73	25855-150-000	72	27182-010-000	146, 161	58420-130-316	148
25802-151-080	73	25856-150-000	72	27182-019-000	161	58420-140-494	149
25802-210-000	73	25856-154-000	72	27182-020-000	161	58430-100-035	148
25802-415-000	73	25857-150-000	72	27182-037-000	161	58430-110-043	148
25802-420-000	73	25857-154-000	72	27182-038-000	161	58430-120-065	149
25802-651-000	73	25858-150-000	72	27182-152-000	161	58430-130-066	149
25802-651-080	73	25858-200-000	72	27182-152-200	161	58430-140-087	148
25810-009-950	156, 161	25858-250-000	72	27182-167-000	161	58430-150-100	148
25810-150-000	156	25900-120-000	128	27182-199-000	161	58430-160-146	148
25810-200-000	156	25912-154-000	68	27182-200-000	161	58430-180-161	149
25810-200-950	156	25912-204-000	68	27182-207-000	161	58430-190-548	149
25810-350-050	156	25912-254-000	68	27182-215-000	161	58440-110-082	151
25810-400-050	156	25913-154-000	68	27182-300-000	160	58440-120-080	151
25810-500-000	157	25913-204-000	68	27182-352-000	160	58440-120-083	151
25810-850-000	157	25913-254-000	68	27201-000-000	66	58440-130-084	151
25830-150-000	70	25922-154-000	68	27202-000-000	66	58460-110-688	153
25830-200-000	70	25922-204-000	68	27288-070-000	135	58470-110-690	150
25830-250-000	71	25923-154-000	68	27500-154-000	74	58470-110-700	150
25830-350-000	70	25923-159-000	69	27502-154-000	74	58480-110-039	148
25830-360-000	70	25923-204-000	68	27503-200-000	75	58480-130-079	148
25830-400-000	70	25923-209-000	69	27504-200-000	75	58490-110-530	149
25830-410-000	70	25932-151-000	68	27505-200-000	76	58490-120-540	149
25830-450-000	70	25932-201-000	68	27506-200-000	75	58490-130-257	151
25830-500-000	70	25933-151-000	68	27507-200-000	76	61050-042-025	131
25830-704-000	71	25933-201-000	68	27508-150-000	76		
25830-714-000	71	26100-255-630	100	27509-150-000	76		
25830-764-000	71	26100-530-462	73	27510-204-000	74		
25830-774-000	71	26100-651-462	73	27511-204-000	75		
25830-784-000	71	26200-234-421	90	27512-154-000	78		
25830-794-000	71	27051-009-000	150	27513-154-000	78		
25830-804-000	71	27052-019-000	150	27514-154-000	78		
25830-814-000	71	27052-029-000	150	27515-154-000	77		
25830-864-000	71	27052-039-000	150	27515-154-070	77		
25830-874-000	71	27180-009-000	163	27516-204-000	78		
25831-000-100	80	27180-009-100	163	27517-204-000	78		
25831-004-000	80	27180-009-200	163	27518-204-000	77		
25831-014-000	80	27180-033-000	163	27519-204-000	79		
25831-110-100	80	27180-036-000	163	27520-154-000	79		
25831-112-100	80	27180-037-000	163	58300-009-000	146		
25831-114-750	80	27180-038-000	163	58306-009-000	150		
25831-119-750	80	27180-039-000	163	58307-000-000	150		
25831-119-790	80	27180-043-000	163	58307-100-000	150		
25831-120-100	81	27180-099-000	163	58307-180-000	165		

TERMS & CONDITIONS

- CONTACT** For written communication, including payment of invoices, please send to:
Custom Molded Products, Inc.
36 Herring Road
Newnan, GA 30265
Phone: 770-632-7112 Fax: 770-632-7115
- ORDERING** Customers should place orders directly with Custom Molded Products at the phone or fax numbers presented above. To ensure prompt and proper shipment, please order by using complete part numbers and descriptions. All telephone orders must be followed up with a written confirmation purchase order.
Our catalog and price list contain box/bag quantities for most parts. Currently CMP does not apply a surcharge for broken carton orders. Please help us maintain this policy by ordering in full carton quantities.
Thank you for your cooperation!
- TERMS** Payment for products is C.O.D. Net terms may be established upon completion of a satisfactory credit check. Past due accounts will be C.O.D. Customers with unpaid balances will be considered delinquent and will be subject to a service charge of 1-1/2% per month on the past due amount.
- FREIGHT** Pricing and terms are FOB–Newnan, Georgia unless otherwise specified. Freight charges are Pre-Pay and Add unless otherwise specified. All claims for lost or damaged freight must be made by the purchaser and directly to the freight carrier within the carrier's established time limit.
- INVOICES** Please pay by invoice per the terms on the sales invoice. There will be a \$20.00 minimum service charge on all NSF or returned checks.
- BILLING
ERRORS** Appropriate debits or credits will be applied to accounts or invoices that are in error. Please contact Custom Molded Products if you have questions regarding your invoice or if you think your account is in error.
- RETURNED
GOODS** Merchandise will not be accepted for return without a Returned Materials Authorization (RMA) number issued by Custom Molded Products, which should be marked on all returned cartons. Returned shipments not having prior authorization will be refused. All returned merchandise must be new and unused with the exception of defective goods. A 25% restocking charge will be applied against any credit issued for salable merchandise. All goods must be returned freight pre-paid within 30 days after receipt of shipment.
- NOTICE** Custom Molded Products reserves the right to change at any time and without notice colors, materials, specifications, part numbers and prices to any products appearing in this publication.

CMP LIMITED WARRANTY

Custom Molded Products, LLC takes great pride in the quality products that it manufactures. The company maintains high standards for the materials and workmanship that it invests in its products. Accordingly, Custom Molded Products makes this express Limited Warranty with respect to products manufactured solely by Custom Molded Products, LLC, as follows:

Custom Molded Products warrants its products to be free of defects in material and workmanship for a period of one (1) year from the date of original purchase of the Custom Molded Products product. This Limited Warranty will be applicable only if the product manufactured by Custom Molded Products is the sole and exclusive cause of a defect which is covered by this Limited Warranty. Your sole and exclusive remedy against Custom Molded Products, LLC, arising from the purchase or use of a product manufactured by Custom Molded Products, LLC is limited to the repair or supply of a replacement product in substitution of the product which is determined to be defective (after examination, verification and approval by Custom Molded Products, LLC) with a product of equivalent quality. All other compensation of whatever nature is hereby expressly excluded. This Limited Warranty begins on the date of first purchase of a product from Custom Molded Products, LLC

The Limited Warranty is extended to the party making the original purchase of products from Custom Molded Products, LLC and no warranty is made nor authorized to be made assignable on resale by the original purchaser of products from Custom Molded Products, LLC. The repair or replacement product issued by Custom Molded Products, LLC pursuant to this Limited Warranty shall be warranted for only the unexpired portion of the original Limited Warranty.

This Limited Warranty does not apply to component parts manufactured by others or for damage to products manufactured by Custom Molded Products, LLC if such damage is caused by component parts manufactured by others. For component products manufactured by others the warranty established by that respective manufacturer, if any, will be applicable.

THIS LIMITED WARRANTY DOES NOT COVER:

- Costs incurred in the shipment or cartage, removal and/or reinstallation (including but not limited to labor costs) with respect to the replacement product made available by Custom Molded Products, LLC pursuant to this Limited Warranty.
- Damage or improper operation of a product governed by this Limited Warranty to the extent same is caused by customer abuse, misuse, negligence, or failure to follow installation or operation instructions.
- Use for which the product is not designed.
- Fire, explosion, weather conditions or natural disasters.
- Faulty or improper installation.
- Ordinary wear and tear.
- Damage caused by negligent or improper maintenance procedures and other causes not specified, by beyond the control of Custom Molded Products, LLC
- Improper packaging, repackaging or damage incurred in shipping.

In order for this Limited Warranty to be effective you must:

- Be the original purchaser of the product from Custom Molded Products, LLC
- Have not structurally modified, misused or misapplied the product manufactured by Custom Molded Products
- Have maintained the Custom Molded Products product in accordance with the instructions from Custom Molded Products, LLC or as described in maintenance materials provided by Custom Molded Products, LLC to you
- Have complied with all terms for the payment of the Custom Molded Products product
- Made your claim in writing to Custom Molded Products within the time provided and in accordance with the terms of this Limited Warranty.

CMP LIMITED WARRANTY

THERE ARE NO WARRANTIES APPLICABLE TO PRODUCTS MANUFACTURED BY CUSTOM MOLDED PRODUCTS EXCEPT AS EXPRESSLY STATED HEREIN AND THIS WARRANTY IS IN SUBSTITUTION FOR AND IN LIEU OF ALL OTHER WARRANTIES, WHETHER EXPRESSED OR IMPLIED, INCLUDING WITHOUT LIMITATION, ANY WARRANTIES OF MERCHANTABILITY OR FITNESS FOR A PARTICULAR PURPOSE.

UNDER NO CIRCUMSTANCES SHALL CUSTOM MOLDED PRODUCTS BE LIABLE FOR ANY LOSS OR ANY DIRECT, INDIRECT, INCIDENTAL, SPECIAL OR CONSEQUENTIAL DAMAGE OR COSTS. CUSTOM MOLDED PRODUCTS SHALL NOT BE LIABLE FOR ANY LOSS OF USE, INCOME OR PROFIT, DAMAGE TO OTHER PROPERTY, ATTORNEY'S FEES OR THIRD PERSON CLAIMS NOT WITHSTANDING A PRIOR NOTICE TO THAT EFFECT FROM THE BUYER OR UNDER ANY OTHER CIRCUMSTANCES.

CUSTOM MOLDED PRODUCTS SHALL HAVE NO LIABILITY TO THE BUYER AND SHALL HAVE NO RESPONSIBILITY FOR THE COSTS OF LABOR, TRANSPORTATION OR OTHER COST INCURRED IN THE REMOVAL AND/OR INSTALLATION OF PRODUCTS MANUFACTURED BY CUSTOM MOLDED PRODUCTS COVERED BY THIS WARRANTY.

THE SOLE AND EXCLUSIVE REMEDY FOR CUSTOM MOLDED PRODUCTS' LIABILITY OF ANY KIND AND THE SOLE AND EXCLUSIVE REMEDY OF THE BUYER, WHETHER IN LAW OR IN EQUITY FOR A BREACH BY CUSTOM MOLDED PRODUCTS OF ANY AND ALL WARRANTIES SHALL BE LIMITED TO THE REPAIR OF, OR AT CUSTOM MOLDED PRODUCTS' OPTION, THE REPLACEMENT OF PRODUCTS MANUFACTURED BY CUSTOM MOLDED PRODUCTS WHICH ARE COVERED BY THIS WARRANTY.

This warranty is valid only in the United States of America.

TIME LIMIT ON COMMENCING LEGAL ACTION

It is agreed that you have 30 days from the accrual of a claim to inform CUSTOM MOLDED PRODUCTS, LLC. by registered mail with acknowledgement of receipt. It is agreed that you have one year from the accrual of a claim to commence any legal action arising from the purchase of a product manufactured by CUSTOM MOLDED PRODUCTS, LLC.

This Limited Warranty shall be governed by and construed in accordance with laws of the State of Georgia, except as to its principles of conflicts of laws, and CUSTOM MOLDED PRODUCTS, LLC and you irrevocably submit to the jurisdiction of the State of Georgia and the venue of Coweta County in any action brought by the parties hereto concerning this Limited Warranty or the performance by CUSTOM MOLDED PRODUCTS, LLC thereunder.

For communication related to replacement products or other issues respecting this Limited Warranty, please contact:

Custom Molded Products, LLC.
36 Herring Road, Newnan, Georgia 30265
Phone: 770.632.7112 FAX: 770.632.7115

Lined writing area with 25 horizontal lines.



Custom Molded Products, Inc.

announces that its production facility, Custom Molded Products, Inc., a wholly-owned subsidiary of CMP, has been assessed and registered by National Quality Assurance Ltd. against the provisions of

ISO 9001:2008

The facility is thereby an ISO certified and NQA registered company. This registration is subject to the company maintaining a Quality Management System to the above standard, which will be monitored by NQA.

Please consult the website www.snqa.com.cn for further information.

Certificate Number:	33596
Date:	08 January 2013
Valid Until:	08 January 2016
EAC Code:	14

THE ALL NEW C-M-P.COM



EVERY CMP PRODUCT ONLINE
QUICK CUSTOMER SERVICE ACCESS
MOBILE DEVICE COMPATIBLE

THE PREMIER SUPPLIER OF POOL, SPA & BATH COMPONENTS

Pool, Spa, and Bath industry professionals around the world all depend on CMP. If you are a spa designer, pool builder, bath manufacturer or retail store owner, you can depend on CMP products, service and support. Because when the difference is in the details, everything matters™.

CMP® everything matters.

www.c-m-p.com
1-800-733-9060
CS@c-m-p.com

36 HERRING ROAD, NEWNAN, GA 30265