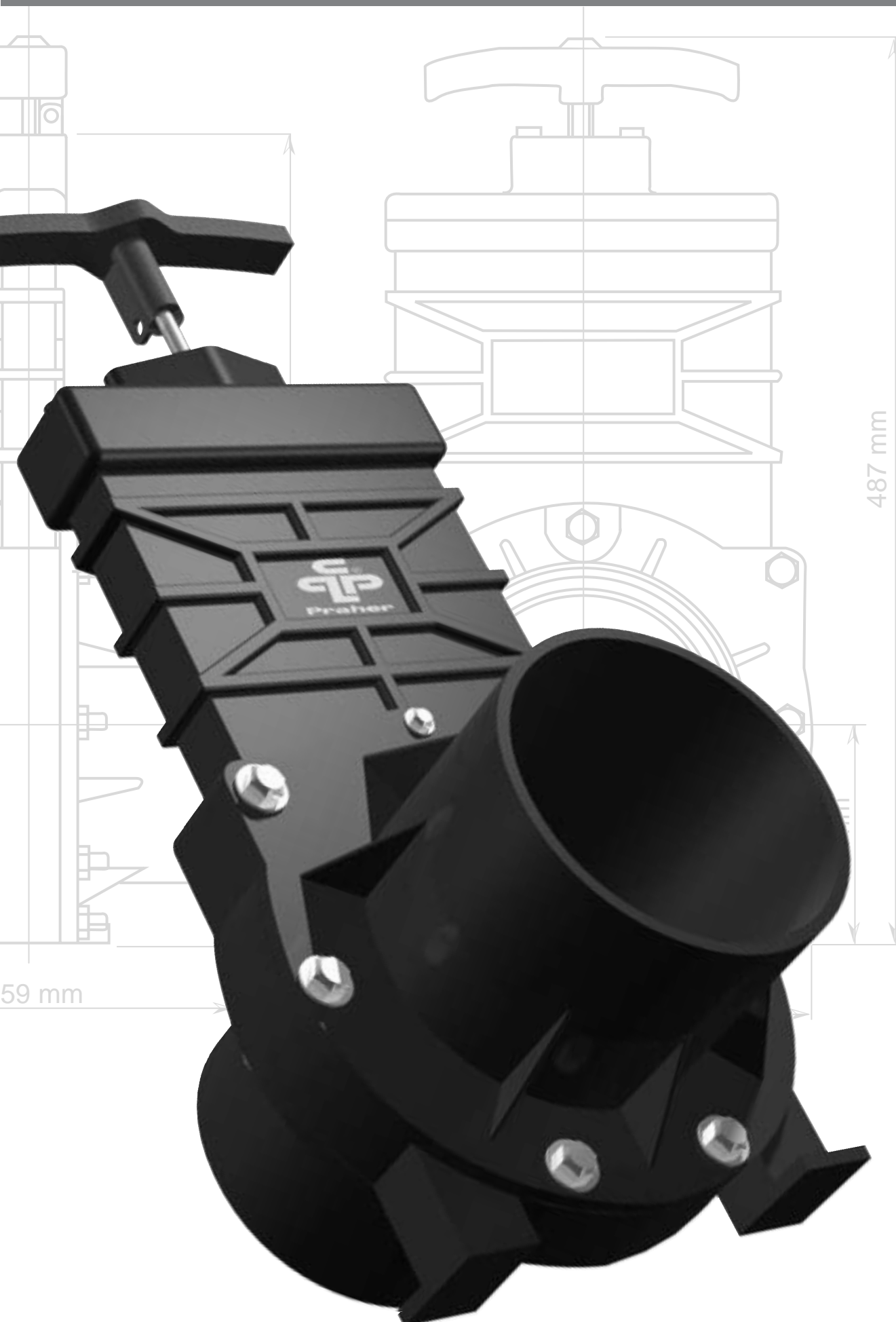


Plastic Knifegate Valves



gtp Praher Valves

APPLICATIONS

1" THROUGH 4" GATE VALVES

Inexpensive valves for industrial, agricultural and commercial markets, Ideal for quick shut-off in low pressure or vacuum lines. Other applications listed below.

- Pool & Spa
- Plumbing
- Waste Water Control
- Septic Systems
- IBC Products
- Irrigation
- Aquaculture
- Tank Drain Valves
- Carpet/Extraction Equipment

MATERIALS

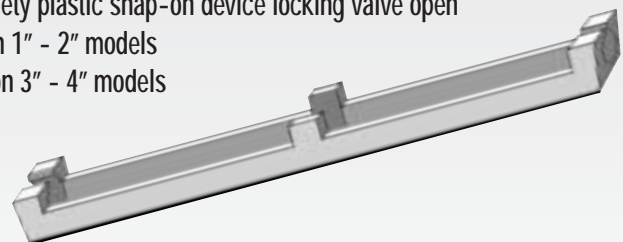
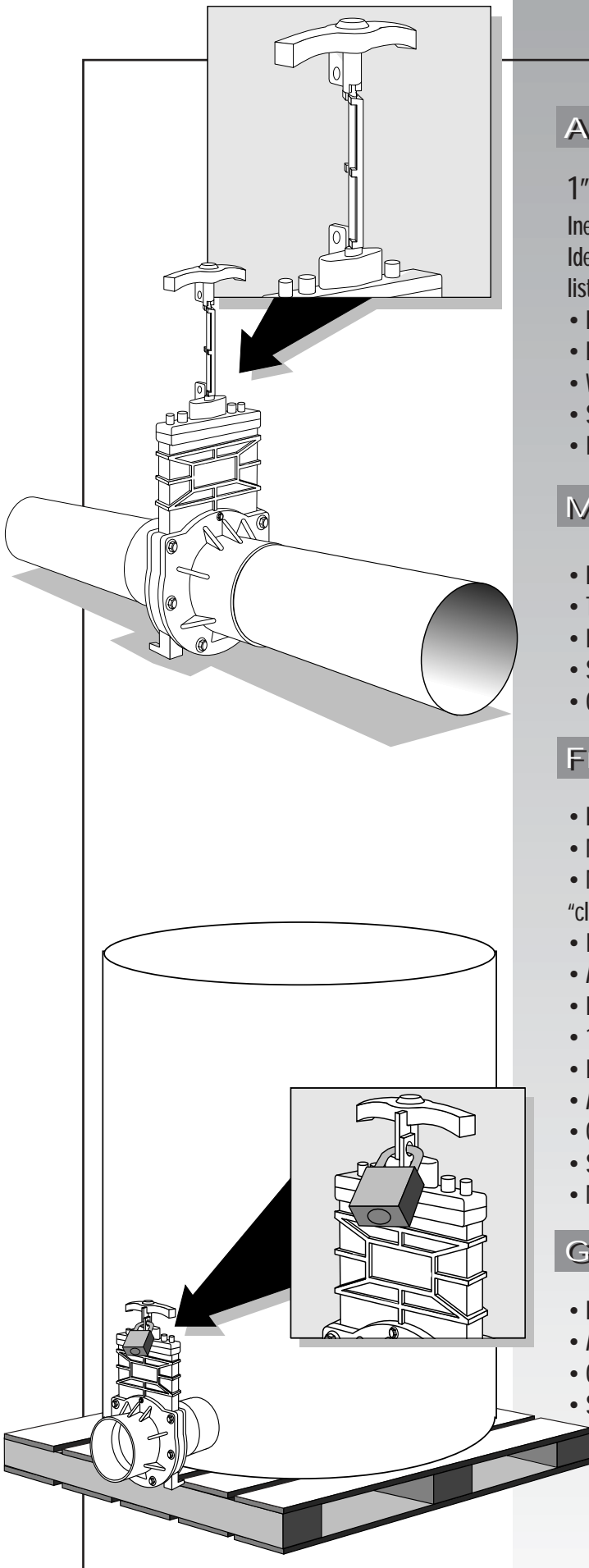
- PVC Construction (ABS available)
- TPE (thermoplastic elastomers) lip-type seals
- EPDM O-rings
- Stainless Steel (303/A4) shaft and hardware
- Glass reinforced polypropylene handle (3" & 4")

FEATURES

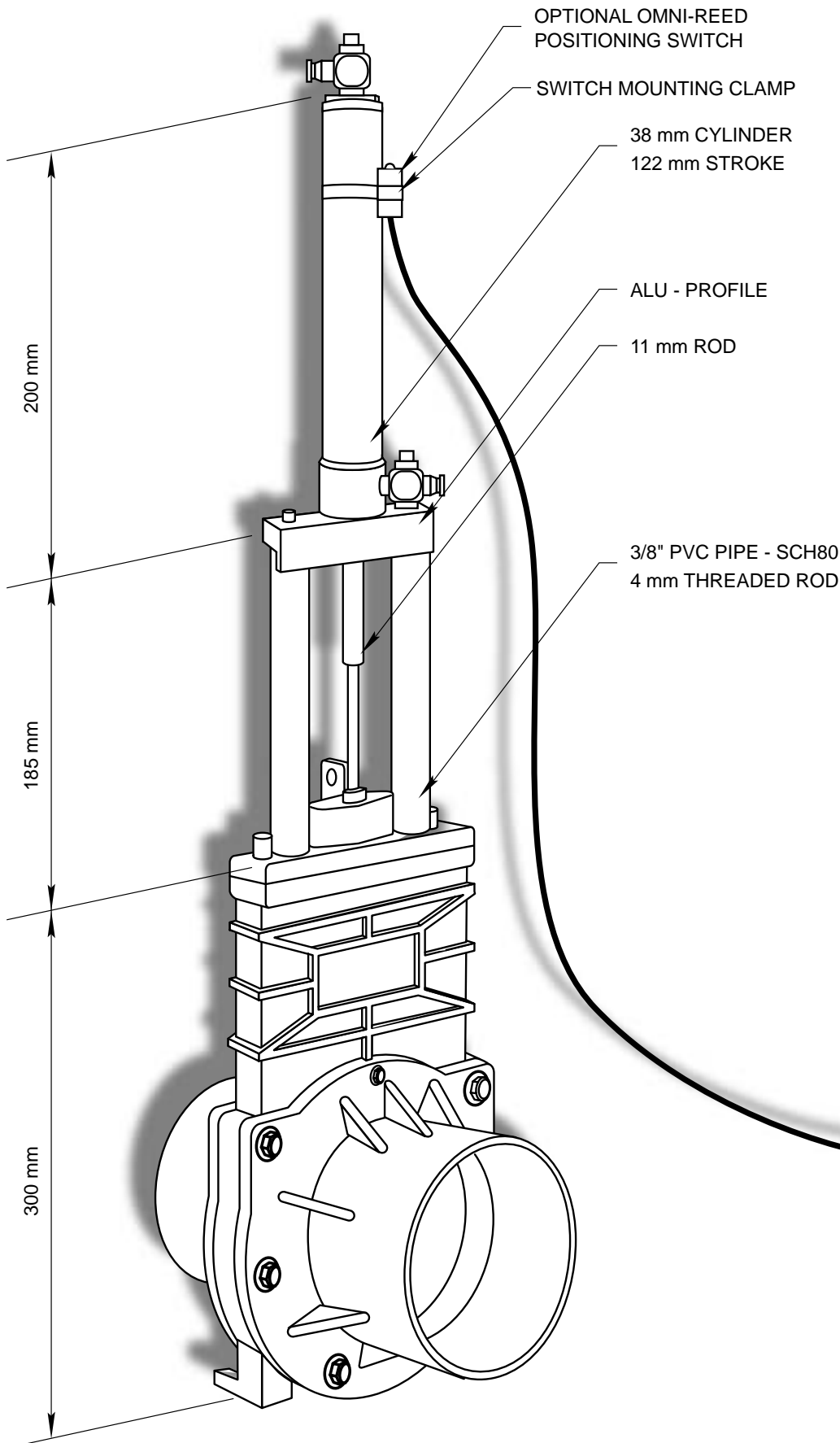
- Double O-ring shaft seals (3" x 4" only) fully serviceable
- Moulded mounting pads on valve body (3" & 4")
- Moulded tabs on handle and body for installing mechanical locks in "closed" position (3" x 4" only)
- Internal snap locks for gate locking in "open" position (2" & 4")
- Available with pneumatic actuators (3" & 4")
- Full flow design with unrestricted flow
- 1/4" x 20 thread on shaft for easy shaft extension (3" & 4")
- Lightweight
- Available with metric or imperial socket end connectors
- Quick opening/closing
- Simple & trouble-free operation
- Maximum operating pressure: 50 psi @ 70°F, 3.5 bar @ 20°C

GATEKEEPER - "SAFETY-CLIP"

- Prevents unintentional closing
- A rapid safety plastic snap-on device locking valve open
- Optional on 1" - 2" models
- Standard on 3" - 4" models



ACTUATED VALVE



FEATURES

- Custom made Aluminum/Stainless Steel double-acting air cylinder with 1/8" FPT ports*
- Built for maximum performance and reliability
- Cylinders for chemically treated water are also available
- Magnetic piston standard on all cylinders
- Optional positioning switch magnetically activated

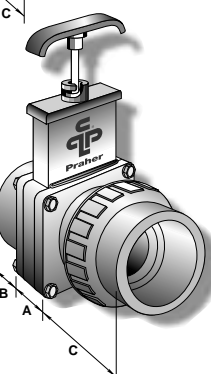
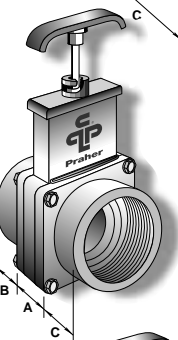
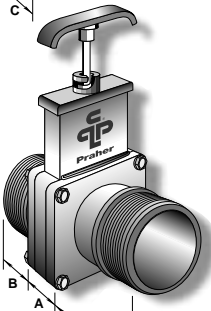
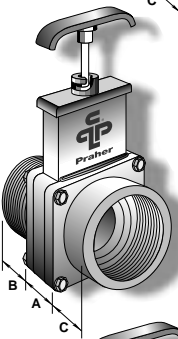
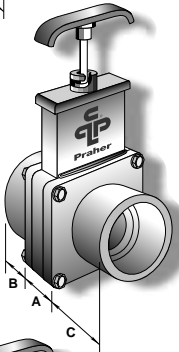
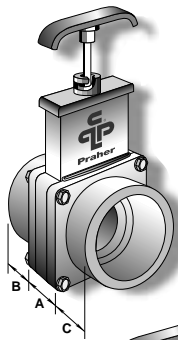
*60 psi minimum air pressure required to operate cylinder.

OPTIONAL ACTUATOR CONVERSION KIT

This kit allows the conversion of a manual valve to an actuated valve. Kit includes cylinder and mounting hardware. No special tools required for assembly.

| Part # | Description |
|------------|-----------------------------------------------------------------------------------------------|
| AKC-400A | 1.50 DSRMY 304.823 Air Cylinder/Hardware |
| 1467790000 | Low Amperage Omni- Reed Switch (not incl. in kit) Supply voltage range: 85-125 VAC 5-30VDC |
| L07340040 | Omni- Reed Switch Stainless Steel Mounting Clamp (required for mounting switch) |

Prather Valves



SOCKET BY SOCKET

| Model # Canada/U.S.A. | Model # Europe | IPS Size | Metric Size | Material | Colour | Dimensions | | |
|--------------------------|-------------------|-------------|----------------|----------|--------|------------|------|------|
| | | | | | | A | B* | C |
| 100-GATE | 7.1747 | 1.0" | 25 mm | PVC | White | 30.5 | 20 | 20 |
| 100-GATE/M | 7.1746 | 1.0" | 25 mm | PVC | Grey | 30.5 | 20 | 20 |
| 150-GATE | 7.0457 | 1.5" | 40 mm | PVC | White | 30.5 | 30 | 30 |
| 150-GATE/G | 7.0216 | 1.5" | 40 mm | PVC | Grey | 30.5 | 30 | 30 |
| 150-GATE/M | 7.0968 | 1.5" | 40 mm | PVC | Grey | 30.5 | 21 | 21 |
| 200-GATE | 7.0609 | 2.0" | 50 mm | PVC | White | 29.0 | 39 | 39 |
| 200-GATE/G | 7.0609 | 2.0" | 50 mm | PVC | Grey | 29.0 | 39 | 39 |
| 200-GATE/M | 7.0632 | 2.0" | 50 mm | PVC | Grey | 29.0 | 39 | 39 |
| 300-GATE | 7.1464 | 3.0" | 75 mm | PVC | Grey | 39.5 | 55.5 | 55.5 |
| 300-GATE/M | 7.1463 | 3.0" | 75 mm | PVC | Grey | 39.5 | 55.5 | 55.5 |
| 400-GATE | 7.1462 | 4.0" | 100 mm | PVC | Grey | 39.5 | 59.5 | 59.5 |
| 400-GATE/M | 7.1461 | 4.0" | 100 mm | PVC | Grey | 39.5 | 66 | 66 |

SOCKET BY SPIGOT

| Model # Canada/U.S.A. | Model # Europe | IPS Size | Metric Size | Material | Colour | Dimensions | | |
|--------------------------|-------------------|-------------|----------------|----------|--------|------------|------|------|
| | | | | | | A | B | C |
| 150-SLSP | N/A | 1.5" | | PVC | White | 30.5 | 30.0 | 30.0 |
| 200-SLSP | | 2.0" | | PVC | White | 29.0 | 39.0 | 35.5 |

M.I.P.T. BY F.I.P.T

| Model # Canada/U.S.A. | Model # Europe | IPS Size | Metric Size | Material | Colour | Dimensions | | |
|--------------------------|-------------------|-------------|----------------|----------|--------|------------|----|----|
| | | | | | | A | B | C |
| 150-GMFT | 7.0573 | 1.5" | 40 mm | PVC | White | 30.5 | 55 | 29 |
| 151-GMFT | | 1.5" | | ABS | Black | 30.5 | 55 | 29 |

*Also available with short thread B = 28 mm

M.I.P.T. BY M.I.P.T

| Model # Canada/U.S.A. | Model # Europe | IPS Size | Metric Size | Material | Colour | Dimensions | | |
|--------------------------|-------------------|-------------|----------------|----------|--------|------------|----|----|
| | | | | | | A | B* | C* |
| 150-GMMT | N/A | 1.5" | | PVC | White | 30.5 | 55 | 55 |

*Also available with short thread B/C = 28 mm

F.I.P.T. BY F.I.P.T

| Model # Canada/U.S.A. | Model # Europe | IPS Size | Metric Size | Material | Colour | Dimensions | | |
|--------------------------|-------------------|-------------|----------------|----------|--------|------------|-------|-------|
| | | | | | | A | B | C |
| 150-GFFT | N/A | 1.5" | | PVC | White | 30.5 | 27.75 | 27.75 |
| 151-GFFT | N/A | 1.5" | | ABS | Black | 30.5 | 27.75 | 27.75 |
| 200-GFFT | N/A | 2.0" | | PVC | White | 29.0 | 39 | 39 |

SOCKET BY UNION

| Model # Canada/U.S.A. | Model # Europe | IPS Size | Metric Size | Material | Colour | Dimensions | | |
|--------------------------|-------------------|-------------|----------------|----------|--------|------------|------|------|
| | | | | | | A | B | C |
| 150-UNIO | N/A | 1.5" | | PVC | White | 30.5 | 30.0 | 77.0 |
| 200-UNIO | N/A | 2.0" | | PVC | White | 29.0 | 39.0 | 90.5 |

MIPT - Male Iron Pipe Thread (NPT)

FIPT -Female Iron Pipe Thread (FPT)

SOCKET BY M.I.P.T.

| Model # Canada/U.S.A. | Model # Europe | IPS Size | Metric Size | Material | Colour | Dimensions | | |
|--------------------------|-------------------|-------------|----------------|----------|--------|------------|------|----|
| | | | | | | A | B | C* |
| 150-SLMT | N/A | 1.5" | N/A | PVC | White | 30.5 | 30.0 | 55 |

*Also available with short thread C = 28 mm

1.5" M.I.P.T. BY 1.5" HOSE BARB**

| Model # Canada/U.S.A. | Model # Europe | IPS Size | Metric Size | Material | Colour | Dimensions | | |
|--------------------------|-------------------|-------------|----------------|----------|--------|------------|------|------|
| | | | | | | A | B* | C |
| 150-HBMT | N/A | 1.5" | N/A | PVC | White | 30.5 | 55.0 | 47.0 |
| 151-HBMT | N/A | 1.5" | N/A | ABS | Black | 30.5 | 55.0 | 47.0 |

*Also available with short thread B = 28 mm

** Fits hose ID of 1 5/8" (41 mm)

1.5" POOL HOSE BARB BY 1.5" POOL HOSE BARB*

| Model # Canada/U.S.A. | Model # Europe | IPS Size | Metric Size | Material | Colour | Dimensions | | |
|--------------------------|-------------------|-------------|----------------|----------|--------|------------|----|----|
| | | | | | | A | B | C |
| 150-HB4PX2 | 12.2745 | 1.5" | 40/38 | PVC | White | 30.5 | 28 | 28 |

* Fits hose ID of 1.5" (38 mm)

1.5" HOSE BARB BY 1.5" HOSE BARB*

| Model # Canada/U.S.A. | Model # Europe | IPS Size | Metric Size | Material | Colour | Dimensions | | |
|--------------------------|-------------------|-------------|----------------|----------|--------|------------|------|------|
| | | | | | | A | B | C |
| 150-HBX2 | N/A | 1.5" | N/A | PVC | White | 30.5 | 47.0 | 47.0 |

* Fits hose ID of 1 5/8" (41 mm)

1.5" M.I.P.T. BY 1.5" POOL HOSE BARB*

| Model # Canada/U.S.A. | Model # Europe | IPS Size | Metric Size | Material | Colour | Dimensions | | |
|--------------------------|-------------------|-------------|----------------|----------|--------|------------|------|----|
| | | | | | | A | B | C |
| 150-HB4PMT | N/A | 1.5" | N/A | PVC | White | 30.5 | 53.5 | 28 |

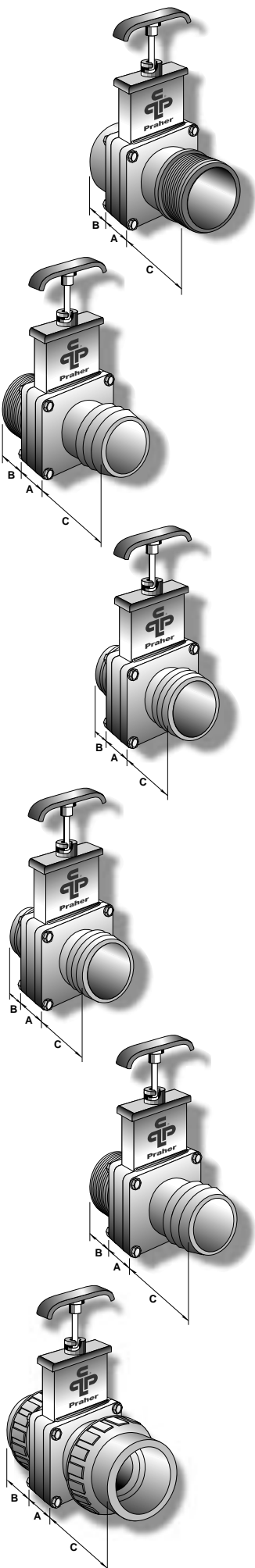
* Fits hose ID of 1.5" (38 mm)

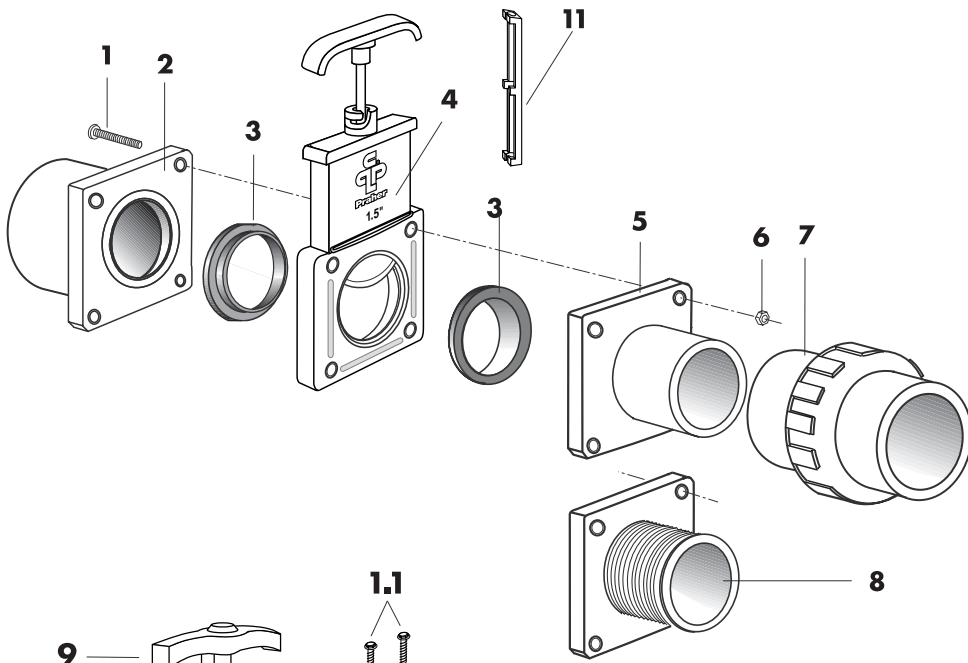
UNION BY UNION

| Model # Canada/U.S.A. | Model # Europe | IPS Size | Metric Size | Material | Colour | Dimensions | | |
|--------------------------|-------------------|-------------|----------------|----------|--------|------------|------|------|
| | | | | | | A | B | C |
| N/A | 12.2646 | 1.5" | 50 mm | PVC | White | 30.5 | 77.0 | 77.0 |
| N/A | 07.0627 | 2.0" | 60 mm | PVC | White | 29.0 | 90.5 | 90.5 |

SOCKET - Female socket to accommodate rigid plastic PVC pressure pipe.

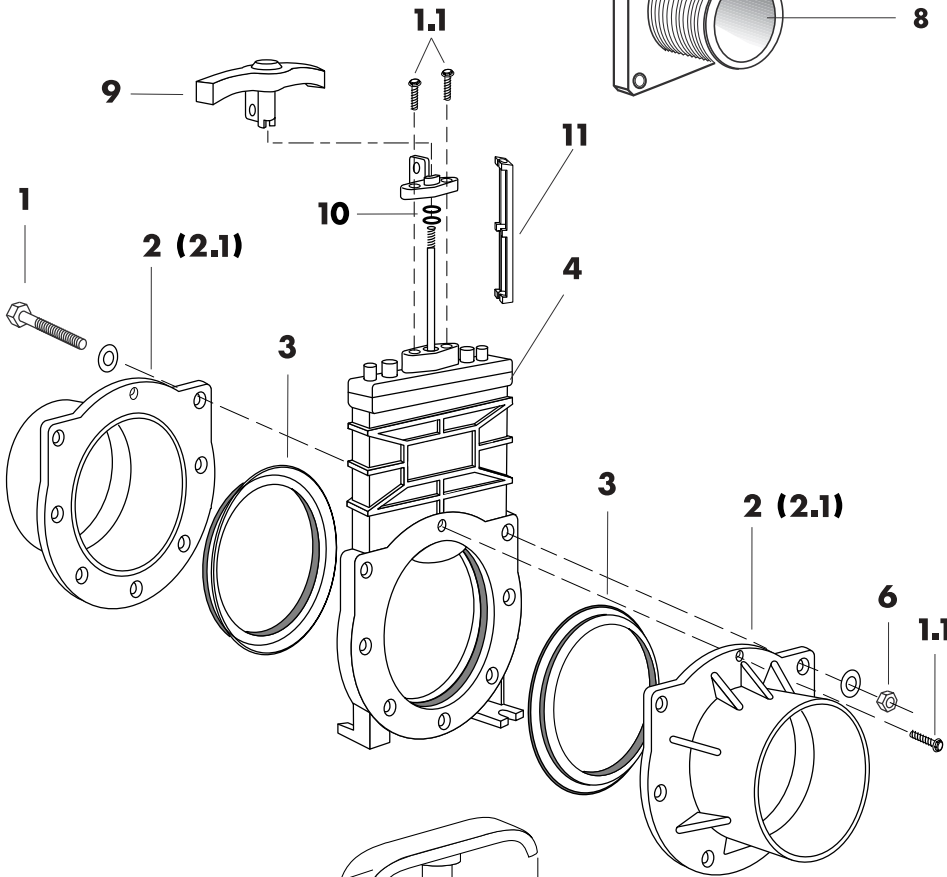
SPIGOT - Male connector with the same outside diameter as rigid plastic PVC pipe





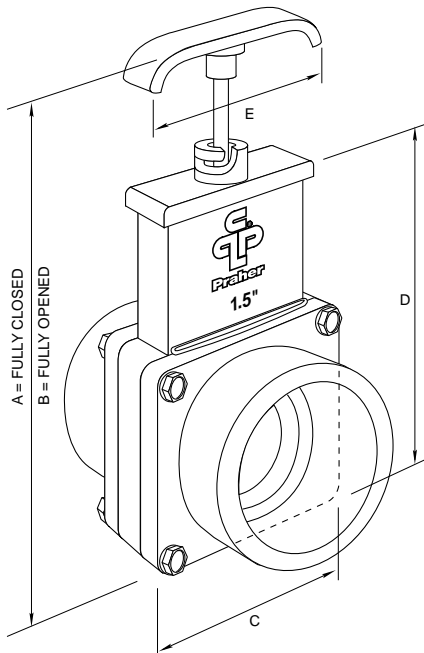
1" - 2"

- 1 BOLT (set of 4)
- 2 PVC-SOCKET END
- 3 GASKET (set of 6)
- 4 BODY ASSEMBLY
- 5 SPIGOT END PVC
- 6 LOCKNUT (set of 4)
- 7 DISCONNECT UNION PVC SOCKET X SOCKET
- 8 MPT-END PVC
- 9 GATEKEEPER SAFETY-CLIP (optional)



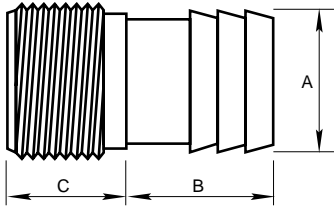
3" - 4"

- 1 BOLT (set of 7) 5/16" x 2
- 1.1 SELF-TAPPING SCREW
- 2 PVC-SOCKET END - ASTM
- 2.1 PVC-SOCKET END - METRIC
- 3 TPE GASKET
- 4 BODY ASSEMBLY WITH HANDLE
- 6 5/16" SS HEXNUT
- 9 HANDLE ONLY
- 10 SHAFT O-RINGS
- 11 GATEKEEPER SAFETY-CLIP (optional)



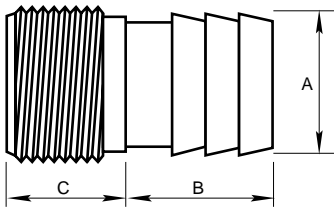
| | 1.0" & 1.5" | | 2.0" | | 3.0" & 4.0" | |
|---|-------------|-------|--------|-------|-------------|-------|
| | Inches | mm. | Inches | mm. | Inches | mm. |
| A | 5.76 | 146.5 | 6.63 | 168.5 | 15.35 | 390.0 |
| B | 7.36 | 187.0 | 8.86 | 225.0 | 19.57 | 497.0 |
| C | 2.87 | 73.0 | 3.35 | 85.0 | 7.09 | 180.0 |
| D | 4.96 | 126.0 | 5.78 | 147.0 | 11.81 | 300.0 |
| E | 2.76 | 70.0 | 2.76 | 70.0 | 4.72 | 120.0 |

INSERT FITTINGS



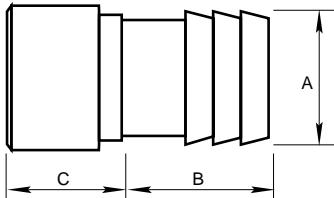
1.5" M.I.P.T. BY 1.5" HOSE

| Model # Canada/U.S.A. | Model # Europe | IPS Size | Metric Size | Material | Colour | Dimensions | | |
|--------------------------|-------------------|-------------|----------------|----------|--------|------------|------|------|
| | | | | | | A | B | C |
| 150-MTH4 | N/A | | | PVC | White | 41.5 | 45.0 | 23.5 |



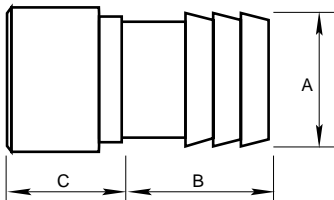
1.5" M.I.P.T. BY 1.5" POOL HOSE

| Model # Canada/U.S.A. | Model # Europe | IPS Size | Metric Size | Material | Colour | Dimensions | | |
|--------------------------|-------------------|-------------|----------------|----------|-----------------|------------|------|------|
| | | | | | | A | B | C |
| 150-MTH4P | 15.0217 | | | ABS | White/ Black | 38.5 | 45.0 | 23.5 |



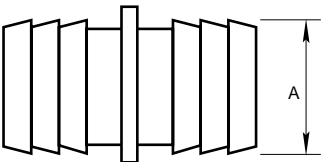
1.5" SPIGOT BY 1.5" HOSE

| Model # Canada/U.S.A. | Model # Europe | IPS Size | Metric Size | Material | Colour | Dimensions | | |
|--------------------------|-------------------|-------------|----------------|----------|--------|------------|-------|------|
| | | | | | | A | B* | C* |
| 150-SPH4 | N/A | | | PVC | White | 41.5 | 545.0 | 23.5 |



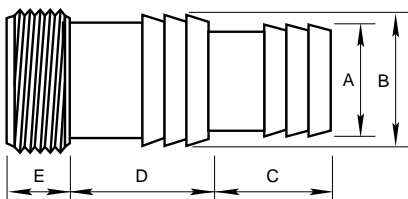
1.5" SPIGOT BY 1.5" POOL HOSE

| Model # Canada/U.S.A. | Model # Europe | IPS Size | Metric Size | Material | Colour | Dimensions | | |
|--------------------------|-------------------|--------------|----------------|------------|---------------|--------------|----------|--------------|
| | | | | | | A | B | C |
| 150-SPH4P N/A | N/A 15.0218 | 1.5" 1.5" | 50 mm | ABS ABS | Grey White | 38.5 38.5 | 45 45 | 23.5 23.5 |



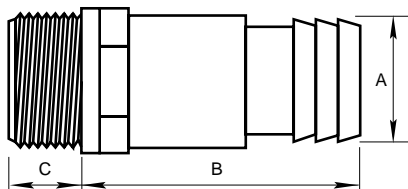
1.25" BY 1.5" POOL HOSE COUPLER

| Model # Canada/U.S.A. | Model # Europe | IPS Size | Metric Size | Material | Colour | Size | Dimensions |
|--------------------------|--------------------|-------------|----------------|--------------------------------|----------------|---------------|--------------|
| | | | | | | | A |
| 150-HCOUP 125-HCOUP | 15.0245 15.0244 | | | Polypropolene Polypropolene | White White | 1.5" 1.25" | 38.5 32.5 |



1.5" M.I.P.T. BY 1.5"/1.25" DUAL HOSE

| Model # Canada/U.S.A. | Model # Europe | IPS Size | Metric Size | Material | Colour | Dimensions | | | | |
|--------------------------|-------------------|---------------|----------------|---------------|--------|------------|------|------|------|------|
| | | | | | | A | B | C | D | E |
| 15.0317 | 15.0317 | 1.5/ 1.25" | | Polypropolene | White | 32.5 | 38.5 | 37.0 | 30.0 | 24.0 |



1.5" M.I.P.T. BY 1.5" POOL HOSE* (CLEAR SIGHT GLASS)

| Model # Canada/U.S.A. | Model # Europe | IPS Size | Metric Size | Material | Colour | Dimensions | | |
|--------------------------|-------------------|-------------|----------------|----------|--------|------------|----|----|
| | | | | | | A | B | C |
| 15.0314 | 15.0314 | 1.5" | | PVC | Clear | 38.5 | 75 | 14 |

*Also available as 1.5" MIPT by 1.5" Socket.

Praher Valves



Quality, Service, Innovation.

Manufacturer of: ball, butterfly, check, diaphragm and multiport valves. Plus a full line of actuated valves and specialty fittings.

NORTH AMERICA

- PRAHER CANADA PRODUCTS LTD.
Tel: 705.725.1100 Fax: 705.725.0444
- PRAHER USA SALES & MARKETING
Tel: 1.800.461.4915 Fax: 803.819.3554

EUROPE

- LUDWIG PRAHER KUNSTSTOFFTECHNIK GESELLSCHAFT M.B.H.
Poneggentsr 5, Post Pach 12, A-4311 Schwertberg, Austria
Tel: 072 62/61 1 78-0* Fax: 0 72 62/61 2 03
- LUDWIG PRAHER KUNSTSTOFFTECHNIK GESELLSCHAFT M.B.H.
Regensburger Ring 12, D-91154 Roth
Tel: 0 91 71/96 77-0 Fax: 0 91 71/96 77-88
- PRAHER GESELLSCHAFT S.A. POL IND. "EL CONGOST"
C/Can Albareda, 38, Apdo. Correos 214, E-08760 Martorell (Barcelona), Spain
Tel: (3)-774-1619 Fax: (3)-774-1049
- PRAHER KUNSTSTOFFTECHNIK SPOL. S.R.O.
Zděbradská 60, CZ-251 01 Jazlowice P. Ricany
Tel: 00420-204-63 73 92 Fax: 00420-204-63 73 91



INTERNET: www.praher.com