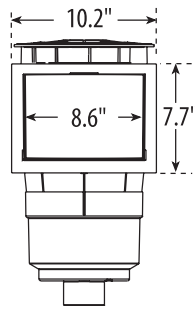




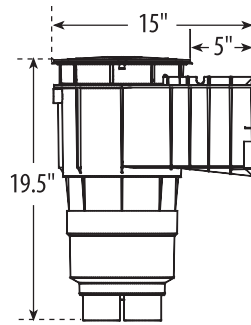
Pool Skimmers and Skim Filters / Renegade Gunite In-Ground Skimmers

FEATURES:

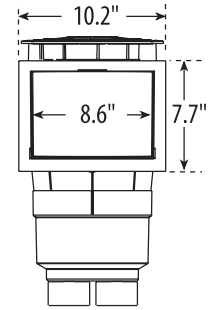
- NSF Approved with Flow Rate of 75 GPM
- PVC sockets for better glue joints
- 2" socket is 2 1/2" spigot for more flow
- 1 1/2" socket is 2" spigot for easier plumbing
- 1/2" socket for overflow hose
- Large locking skimmer basket
- Easy access spring-loaded weir door simplifies replacement
- Optional float valve
- Optional skimmer test kit



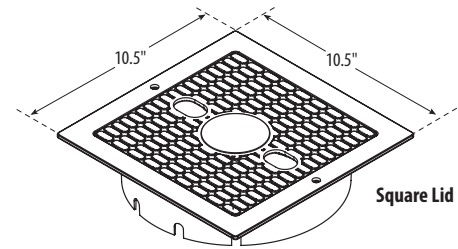
Two Port



Two Port



Two Port
Side-By-Side



Square Lid

Waterway's Renegade Gunite Skimmer is designed for better and easier installations while maximizing flow. The large skimmer basket locks into place. High flow rate of 75 gallons per minute.



Round Lid

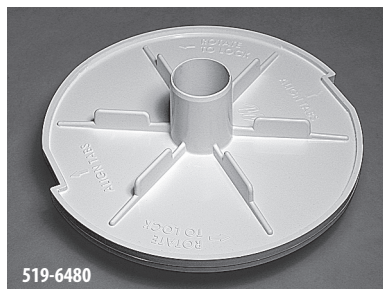


Square Lid

For replacement parts, see page 266.



542-6200



519-6480



540-6500



Renegade Gunite Skimmers - 2-Port - Round Lid

Part No.	Description	Color	Weight (lbs.)	List (US \$)
540-6430	1 ½" Socket (2" Spigot)	White	8	115.23
540-6630	1 ½" Socket with Float Valve	White	9	142.33
540-6410	2" Socket (2 ½" Spigot)	White	8	115.23
540-6410-9B	2" Socket (2 ½" Spigot)	White/Beige Lid	8	115.23
540-6411	2" Socket (2 ½" Spigot)	Black	8	127.42
540-6411-9B	2" Socket (2 ½" Spigot)	Black/Beige Lid	8	127.42
540-6417	2" Socket (2 ½" Spigot)	Gray	8	127.42
540-6417-9B	2" Socket (2 ½" Spigot)	Gray/Beige Lid	8	127.42
540-6419-BEI	2" Socket (2 ½" Spigot)	Beige	8	127.42
540-6410G	2" Socket (2 ½" Spigot) - Side-by-Side	White	8	118.69
540-6610	2" Socket (2 ½" Spigot) with Float Valve	White	9	142.33
540-6610-9B	2" Socket (2 ½" Spigot) with Float Valve	White/Beige Lid	9	142.33
540-6611	2" Socket (2 ½" Spigot) with Float Valve	Black	9	159.98
540-6617	2" Socket (2 ½" Spigot) with Float Valve	Gray	9	159.98
540-6617-9B	2" Socket (2 ½" Spigot) with Float Valve	Gray/Beige Lid	9	142.33
540-6619-BEI	2" Socket (2 ½" Spigot) with Float Valve	Beige	9	159.98
540-6619-DKG	2" Socket (2 ½" Spigot) with Float Valve	Dark Gray	9	159.98

Renegade Gunite Skimmers - 2-Port - Square Lid

Part No.	Description	Color	Weight (lbs.)	List (US \$)
540-6410-9SB	2" Socket (2 ½" Spigot)	White/Beige Lid	8	119.85
540-6411-S	2" Socket (2 ½" Spigot)	Black	8	119.85
540-6411-9SB	2" Socket (2 ½" Spigot)	Black/Beige Lid	8	119.85
540-6417-S	2" Socket (2 ½" Spigot)	Gray	8	119.85
540-6417-9SB	2" Socket (2 ½" Spigot)	Gray/Beige Lid	8	119.85

Renegade Gunite Skimmers - Single Port - Round Lid

Part No.	Description	Color	Weight (lbs.)	List (US \$)
540-6510	2" Socket (2 ½" Spigot)	White	9	115.23
540-6510-9B	2" Socket (2 ½" Spigot)	White/Beige Lid	9	115.23
540-6511	2" Socket (2 ½" Spigot)	Black	9	127.42
540-6511-9B	2" Socket (2 ½" Spigot)	Black/Beige Lid	9	127.42
540-6517	2" Socket (2 ½" Spigot)	Gray	9	127.42
540-6517-9B	2" Socket (2 ½" Spigot)	Gray/Beige Lid	9	127.42
540-6519-BEI	2" Socket (2 ½" Spigot)	Beige	9	127.42
540-6519-DKG	2" Socket (2 ½" Spigot)	Dark Gray	9	127.42

Renegade Gunite Skimmers - Single Port - Square Lid

Part No.	Description	Color	Weight (lbs.)	List (US \$)
540-6510-S	2" Socket (2 ½" Spigot)	White	9	119.85
540-6510-9SB	2" Socket (2 ½" Spigot)	White/Beige Lid	9	119.85

Accessories

Part No.	Description	Color	Weight (lbs.)	Case Quantity	List (US \$)
540-6010	Equalizer Valve	White	0.13	120	15.37
542-6200	Float Valve	White	0.8	25	27.11
519-6480	Vacuum Plate	White	0.6	25	17.17
519-6560	Mounting Extension Ring	White	0.4	14	11.12
519-6561	Mounting Extension Ring	Black	0.4	14	11.12
519-6567	Mounting Extension Ring	Gray	0.4	14	11.12
519-6569-BEI	Mounting Extension Ring	Beige	0.4	14	11.12
519-6569-DKG	Mounting Extension Ring	Dark Gray	0.4	14	11.12
540-6500	Skimmer Test Loop Kit	--	0.4	30	13.29

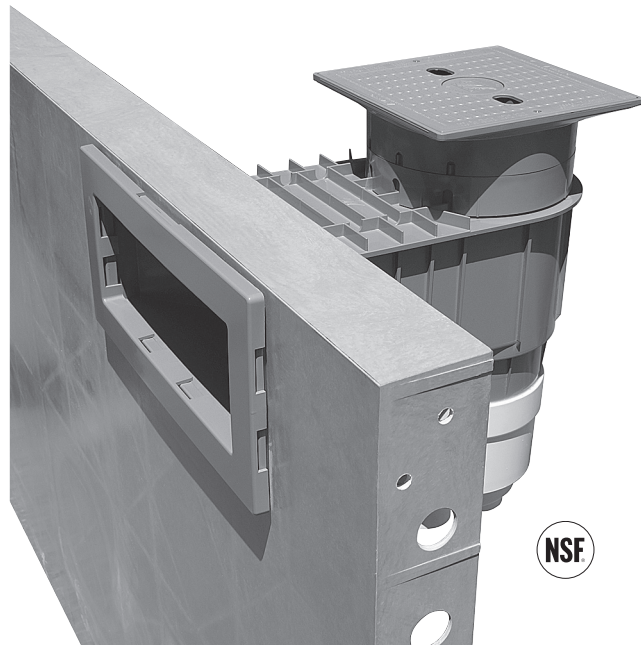


Pool Skimmers and Skim Filters / Renegade Vinyl Liner and Fiberglass In-Ground Skimmers

FEATURES:

- PVC sockets for better glue joints
- 2" socket is 2 1/2" spigot for more flow
- 1 1/2" socket is 2" spigot for easier plumbing
- 1/2" socket for overflow hose
- Large locking skimmer basket
- Easy access spring-loaded weir door simplifies replacement and installation
- High flow rate of 75 GPM
- Optional float valve
- Optional skimmer test kit
- Lock-Down vacuum plate and an extension collar are included

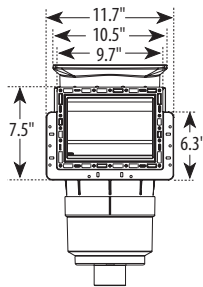
The Renegade skimmer from Waterway is the only choice you'll need to make for your vinyl liner pool installations. The Renegade In-Ground Vinyl Pool Skimmer is designed to work with all existing vinyl liner steel, polymer or fiberglass pool walls. Available in a wide variety of models – either standard or wide-mouth in your choice of white or gray, the Renegade includes a lock-down vacuum plate, extension collar and one of the largest skimmer baskets available. It twist-locks to prevent floating and easy-access. Renegade's spring-loaded weir door makes replacements a snap.



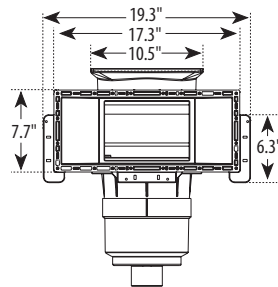
Fits all currently manufactured steel and polymer walls!

For replacement parts, see page 267.

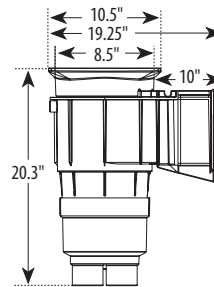
STANDARD



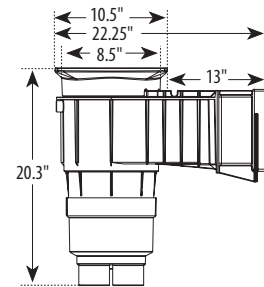
WIDE MOUTH



WIDE MOUTH 9" THROAT



WIDE MOUTH 13" THROAT



Renegade Vinyl Liner Skimmers - 2-Port - Square Lid

Part No.	Description	Throat	Color	List (US \$)
540-8400	Standard Vinyl Liner In-Ground Skimmer - 2" Socket	--	White	186.17
540-8407	Standard Vinyl Liner In-Ground Skimmer - 2" Socket	--	Gray	199.27
540-8430	Standard Vinyl Liner In-Ground Skimmer - 1 1/2" Socket	--	White	186.71
540-8437	Standard Vinyl Liner In-Ground Skimmer - 1 1/2" Socket	--	Gray	199.27
540-8500	Wide-Mouth Vinyl Liner In-Ground Skimmer - 2" Socket	9"	White	232.71
540-8507	Wide-Mouth Vinyl Liner In-Ground Skimmer - 2" Socket	9"	Gray	240.15
540-8530	Wide-Mouth Vinyl Liner In-Ground Skimmer - 1 1/2" Socket	9"	White	232.71
540-8537	Wide-Mouth Vinyl Liner In-Ground Skimmer - 1 1/2" Socket	9"	Gray	240.15
540-8550	Wide-Mouth Vinyl Liner In-Ground Skimmer - 2" Socket	13"	White	241.31
540-8557	Wide-Mouth Vinyl Liner In-Ground Skimmer - 2" Socket	13"	Gray	248.93
540-8580	Wide-Mouth Vinyl Liner In-Ground Skimmer - 1 1/2" Socket	13"	White	241.31
540-8587	Wide-Mouth Vinyl Liner In-Ground Skimmer - 1 1/2" Socket	13"	Gray	248.93

Renegade Vinyl Liner Skimmers - 2-Port - Round Lid

Part No.	Description	Color	List (US \$)
540-8460	Standard Vinyl Liner In-Ground Skimmer - 1 1/2" Socket	White	186.17



Renegade Vinyl Liner Skimmers - Single Port - Square Lid

Part No.	Description	Color	List (US \$)
540-8700	Standard Vinyl Liner In-Ground Skimmer - 2" Socket	White	180.75
540-8730	Standard Vinyl Liner In-Ground Skimmer - 1 1/2" Socket	White	180.75
540-8800	Wide-Mouth Vinyl Liner In-Ground Skimmer - 2" Socket	White	225.93
540-8830	Wide-Mouth Vinyl Liner In-Ground Skimmer - 1 1/2" Socket	White	225.93

Accessories

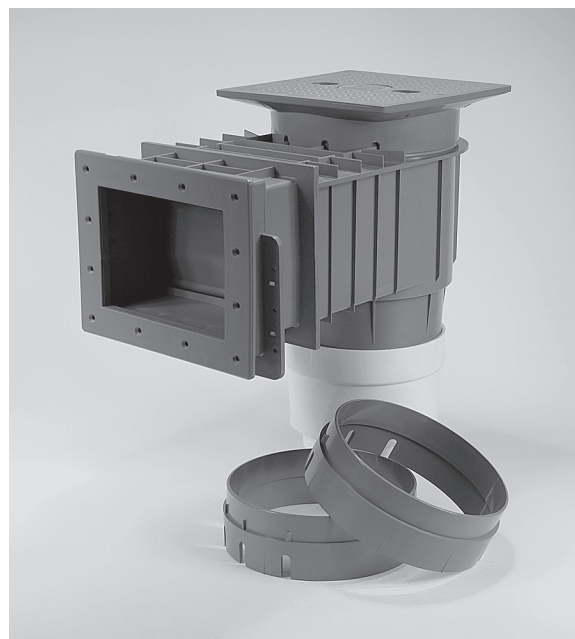
Part No.	Description	Color	Case Weight (lbs.)	Case Quantity	List (US \$)
519-9520	Standard Vinyl Liner Trim Plate	White	11.03	25	10.31
519-9521	Standard Vinyl Liner Trim Plate	Black	11.03	25	10.71
519-9527	Standard Vinyl Liner Trim Plate	Gray	11.03	25	10.71
519-9540	Wide-Mouth Vinyl Liner Trim Plate	White	16.59	20	12.48
519-9547	Wide-Mouth Vinyl Liner Trim Plate	Gray	16.59	20	13.02
519-6560	Mounting Extension Ring	White	7.24	14	11.12
519-6567	Mounting Extension Ring	Gray	7.24	14	11.12
519-6550	Mounting Extension Ring - New Style	White	10.15	10	11.12
519-9510	Vinyl Liner Square Collar	White	10.15	10	17.80
519-9490	Vinyl Liner Square Collar - New Style	White	10.15	10	17.80
542-6200	Float Valve	White	28.25	25	27.11
519-6480	Lock-Down Vacuum Plate	White	--	--	17.17
540-6500	Skimmer Test Loop Kit	White	24.29	70	13.29
542-3240	Basket Assembly	White	9.87	25	12.11
550-0020	Additional Mounting Tabs - Composite Wall Vinyl Liner	White	9.87	25	10.50

NEW

NEW

FEATURES:

- PVC sockets for better glue joints
- Longer screws for one-piece fiberglass pools
- 2" socket is 2 1/2" spigot for more flow
- 1 1/2" socket is 2" spigot for easier plumbing
- 1/2" socket for overflow hose
- Large locking skimmer basket
- Easy access spring-loaded weir door simplifies replacement and installation
- High flow rate of 75 GPM
- Optional float valve
- Optional skimmer test kit
- Lock-Down vacuum plate and 2 extension collars are included



For replacement parts, see page 268.

Renegade Fiberglass Only Skimmers

Part No.	Description	Color	List (US \$)
540-8630	Standard 1-Piece Fiberglass Only In-Ground Skimmer - 1 1/2" S	White	142.55
540-8610	Standard 1-Piece Fiberglass Only In-Ground Skimmer - 2" S	White	142.55



Pool Skimmers and Skim Filters / Renegade Venturi In-Ground Skimmers

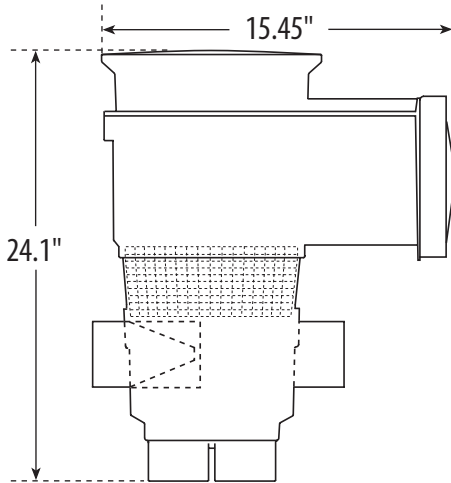
FEATURES:

- By using a venturi, this skimmer doubles the cleaning power without increasing energy costs
- Massive 9" deep basket (twice the size of standard skimmer baskets), can hold 289 cubic inches of debris
- Basket and vacuum plate lock into place instead of floating up when the pump is off
- Weir door is spring-loaded for easy removal- no screws
- NSF approved for 75 GPM – highest in the industry

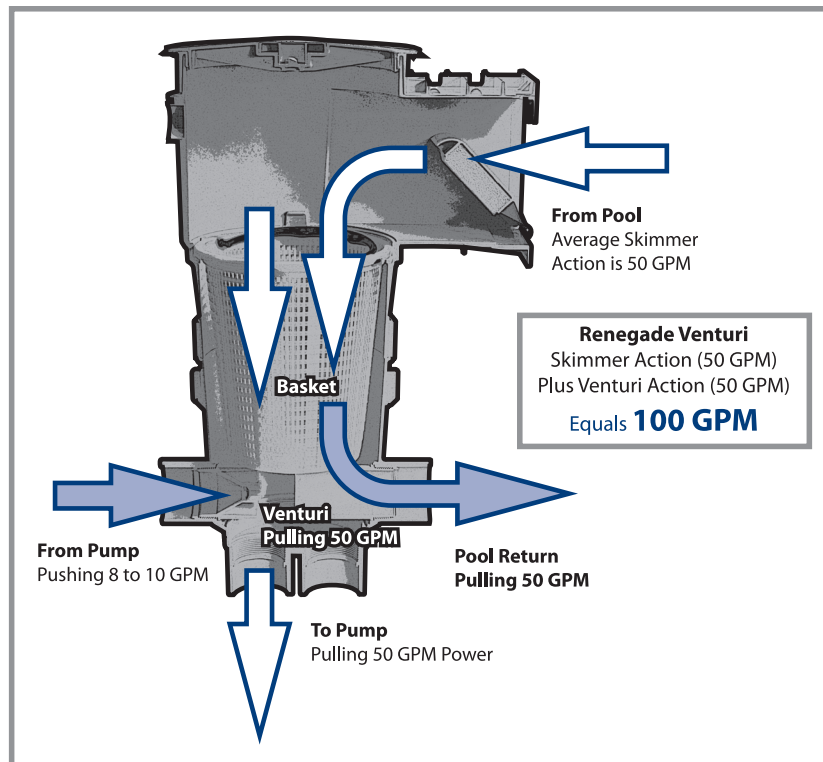


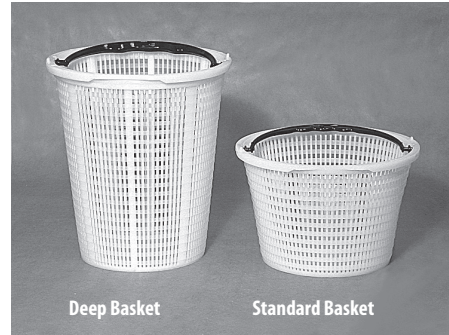
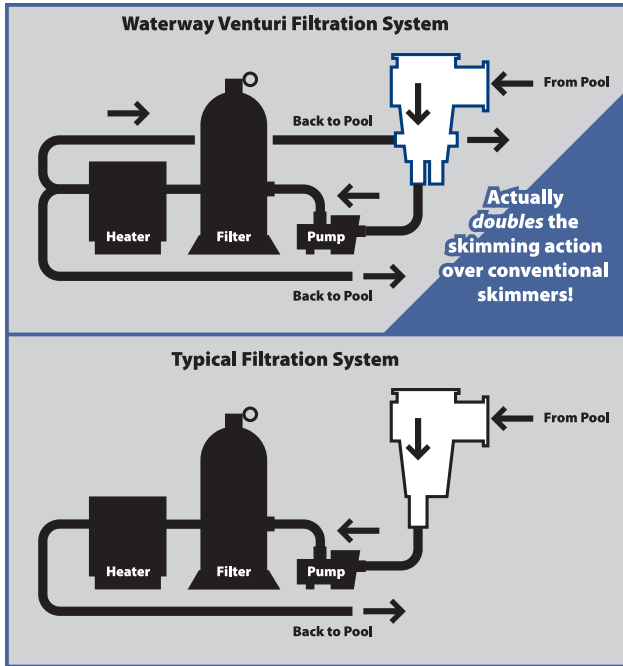
For replacement parts, see page 266.

The skimmer is a very important part of the filtration system on a swimming pool. The skimmer is permanently installed to skim the top of the pool to collect dirt and debris before they have a chance to sink to the bottom of the pool. The Waterway Renegade Venturi Skimmer has the latest in high tech features and "Service-Ease" design making this the ultimate pool skimmer!



The Waterway Venturi Skimmer pulls as much water as the pump, doubling the skimming action while NOT increasing energy costs.





The basket for the Venturi Skimmer and the Deep Basket Skimmer is 9" deep, making the Waterway basket the largest in the industry for extra leaf and debris holding capacity.

Renegade Gunite Venturi In-Ground Skimmer

Part No.	Description	Color	List (US \$)
540-5300*	2" Socket	White	219.72
540-5301	2" Socket	Black	230.71
540-5307	2" Socket	Gray	230.71
540-5309-BEI	2" Socket	Beige	230.71
540-5300-9B	2" Socket	White/Beige Lid	219.72

* NSF

Renegade Vinyl Liner Venturi In-Ground Skimmer

Part No.	Description	Color	List (US \$)
540-5700*	2" Socket	White	255.56
540-5710*	2" Socket with Wide Mouth	White	292.07
540-5717	2" Socket with Wide Mouth	Gray	299.37

* NSF

Renegade Gunite In-Ground Skimmer - Deep Basket without Venturi

Part No.	Description	Color	List (US \$)
540-5310*	2" Socket	White	171.21
540-5311	2" Socket	Black	181.28
540-5317	2" Socket	Gray	181.28
540-5319-BEI	2" Socket	Beige	181.28
540-5310-9B	2" Socket	White/Beige Lid	171.21
540-5320	2" Socket with Float Valve	White	192.87

* NSF

Renegade Vinyl Liner In-Ground Skimmer - Deep Basket without Venturi

Part No.	Description	Color	List (US \$)
540-5720*	2" Socket	White	198.26
540-5730*	2" Socket with Wide Mouth	White	229.12
540-5737	2" Socket with Wide Mouth	Gray	237.94

* NSF



Pool Skimmers and Skim Filters / Commercial Renegade Skimmers & TWM Skim Filters

FEATURES:

- NSF Approved with Flow Rate of 75 GPM
- PVC sockets for better glue joints
- 2" socket is 2 1/2" spigot for more flow
- 1/2" socket for overflow line
- Large locking skimmer basket
- Easy access spring-loaded weir door simplifies replacement
- Equalizer line for NSF commercial compliance
- Optional skimmer test kit

Waterway's Commercial Renegade Gunitite Skimmer is designed for commercial or public pool installations. The large skimmer basket locks into place. High flow rate of 75 gallons per minute.



Commercial Renegade Gunitite In-Ground Skimmers

Part No.	Description	Color	Weight (lbs.)	List (US \$)
540-6200	Gunitite Skimmer with Equalizer - 2 1/2" Spigot x 2" S x 2" NPT	White	9.78	130.62
540-6350	Gunitite Skimmer with Equalizer - 2 1/2" Spigot x 2" NPT x 2" NPT	--	--	138.23

FEATURES:

- 25 or 50 sq. ft. Flo-Pro Skim Filter
- Pool return
- Center discharge pool pump
- 6 ft. NEMA (3-prong - grounded) or 3 ft. twist-lock cord (NEC/UL)
- Two 6 ft. hoses with connectors
- Equipment pad
- Optional trap

Economical filtration system for the above ground pool. Waterway's TWM Skim Filter (Total Water Management) package includes the pump, skimmer, filter, hoses, return, and equipment pad.



For replacement parts, see page 271.

TWM Skim Filter Equipment Packs

Part No.	Description	HP	Volts	Weight (lbs.)	Cord	List (US \$)
520-2990	25 sq. ft. Skim Filter - 1-Speed Pump	1.0	115	34	6 ft.	672.85
520-2760	50 sq. ft. Skim Filter - 1-Speed Pump	1.0	115	35	6 ft.	687.56
520-2750	50 sq. ft. Skim Filter - 1-Speed Pump	1.0	115	35	3 ft.	687.56



540-8400



540-8507

ALL BUILDER'S PACKS COME WITH THE FOLLOWING:

- Skimmer (1 qty.)
- Trim Plate (1 qty.)
- 2" S Vinyl Main Drain (2 qty.)
- 1 ½" S Vinyl Liner Wall Fitting Assembly with Combo Locknut (3 or 6 qty.)
- 1" Eyeball Opening (3 or 6 qty.)
- Wall Fitting Escutcheon (3 or 6 qty.)

Renegade Vinyl Liner Skimmer - Builder's Packs

Part No.	Included Parts (Quantity)	Color	List (US \$)
545-5700	Standard Vinyl Liner Venturi In-Ground Skimmer Builder's Pack - 2 ½" Spigot / 2" S	White	360.79
545-5707	Standard Vinyl Liner Venturi In-Ground Skimmer Builder's Pack - 2 ½" Spigot / 2" S	Gray	374.88
545-5710	Wide Mouth Vinyl Liner Venturi In-Ground Skimmer Builder's Pack - 2 ½" Spigot / 2" S	White	393.86
545-5717	Wide Mouth Vinyl Liner Venturi In-Ground Skimmer Builder's Pack - 2 ½" Spigot / 2" S	Gray	408.83
545-5750	Wide Mouth Long Throat Vinyl Liner In-Ground Skimmer Builder's Pack - 2 ½" Spigot / 2" S	White	401.22
545-5757	Wide Mouth Long Throat Vinyl Liner In-Ground Skimmer Builder's Pack - 2 ½" Spigot / 2" S	Gray	416.35
545-8400	Standard Vinyl Liner In-Ground Skimmer Builder's Pack - 2 ½" Spigot / 2" S	White	303.28
545-8407	Standard Vinyl Liner In-Ground Skimmer Builder's Pack - 2 ½" Spigot / 2" S	Gray	323.23
545-8410	Standard Vinyl Liner In-Ground Skimmer Builder's Pack - 2 ½" Spigot / 2" S	White	356.28
545-8417	Standard Vinyl Liner In-Ground Skimmer Builder's Pack - 2 ½" Spigot / 2" S	Gray	378.26
545-8430	Standard Vinyl Liner In-Ground Skimmer Builder's Pack - 1 ½" S	White	309.35
545-8437	Standard Vinyl Liner In-Ground Skimmer Builder's Pack - 1 ½" S	Gray	329.70
545-8500	Wide Mouth Short Throat Vinyl Liner In-Ground Skimmer Builder's Pack - 2 ½" Spigot / 2" S	White	349.92
545-8507	Wide Mouth Short Throat Vinyl Liner In-Ground Skimmer Builder's Pack - 2 ½" Spigot / 2" S	Gray	365.34
545-8510	Wide Mouth Vinyl Liner In-Ground Skimmer Builder's Pack - 2 ½" Spigot / 2" S	White	397.57
545-8517	Wide Mouth Vinyl Liner In-Ground Skimmer Builder's Pack - 2 ½" Spigot / 2" S	Gray	415.17
545-8530	Wide Mouth Short Throat Vinyl Liner In-Ground Skimmer Builder's Pack - 1 ½" S	White	349.92
545-8537	Wide Mouth Short Throat Vinyl Liner In-Ground Skimmer Builder's Pack - 1 ½" S	Gray	365.36
545-8550	Wide Mouth Long Throat Vinyl Liner In-Ground Skimmer Builder's Pack - 2 ½" Spigot / 2" S	White	350.42
545-8557	Wide Mouth Long Throat Vinyl Liner In-Ground Skimmer Builder's Pack - 2 ½" Spigot / 2" S	Gray	365.69
545-8580	Wide Mouth Long Throat Vinyl Liner In-Ground Skimmer Builder's Pack - 1 ½" S	White	350.42
545-8587	Wide Mouth Long Throat Vinyl Liner In-Ground Skimmer Builder's Pack - 1 ½" S	Gray	365.69

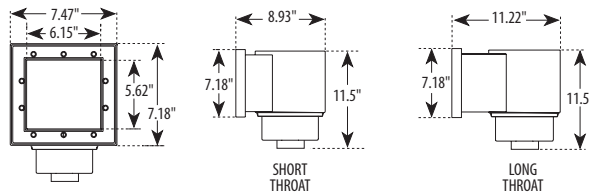


Pool Skimmers and Skim Filters / Flo-Pro II Above Ground Skimmers

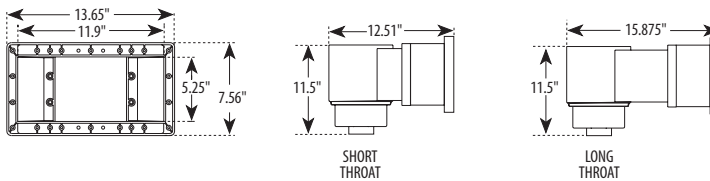
FEATURES:

- Deep body, larger locking basket
- Long or short throat
- Basket accessible from top or front
- Durable one-piece ABS (wide mouth is two piece)
- 1 1/2" FPT
- 1 1/2" hose adapter included

STANDARD MOUTH



WIDE MOUTH



Short Throat



Wide Mouth/Short Throat

For replacement parts, see page 269.

Flo-Pro II Above-Ground Skimmers

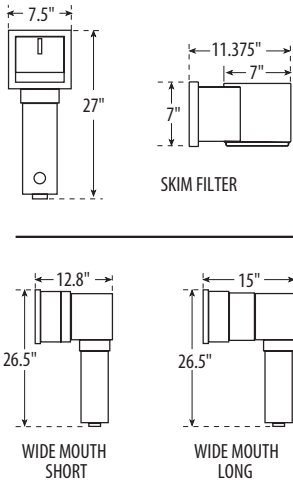
Part No.	Description	Color	Weight (lbs.)	List (US \$)
560-C0A60S	Short Throat	White	2.5	53.52
560-C0A67S	Short Throat	Gray	2.5	53.52
560-C0C60S	Short Throat with Return	White	3.5	57.04
560-C0C67S	Short Throat with Return	Gray	3.5	57.04
560-D0A60S	Long Throat	White	4.0	54.70
560-D0A61S	Long Throat	Black	4.0	61.30
560-D0A67S	Long Throat	Gray	4.0	54.70
560-D0C60S	Long Throat with Return	White	5.0	58.23
560-D0C67S	Long Throat with Return	Gray	5.0	58.23
560-D0C60SF	Long Throat with Return - 90° Eye	White	5.0	58.86

Flo-Pro II Wide Mouth Above-Ground Skimmers

Part No.	Description	Color	Weight (lbs.)	List (US \$)
560-C3A60L	Short Throat	White	6.0	84.93
560-C3A67L	Short Throat	Gray	6.0	84.93
560-C3C60L	Short Throat with Return	White	7.0	88.44
560-C3C67L	Short Throat with Return	Gray	7.0	88.44
560-C3C60LF	Short Throat with Return - 90° Eye	White	7.0	89.10
560-D3C60L	Long Throat with Return	White	7.0	95.30
560-D3C67L	Long Throat with Return	Gray	7.0	95.30

Accessories

Part No.	Description	Color	Weight (lbs.)	List (US \$)
519-3090	Standard Trim Plate	White	0.25	12.59
519-3091	Standard Trim Plate	Black	0.25	12.59
519-3097	Standard Trim Plate	Gray	0.25	12.59
500-3020	Winterize Plate - Standard Mouth	White	0.25	13.57



1 1/2" Hose Adapter Union Tailpiece included



Support Extender included

Flo-Pro Skim Filters combine the Flo-Pro Skimmer with a cartridge filter for 25 and 50 sq. ft. filtration.

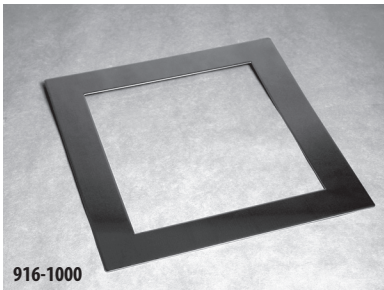
For replacement parts, see page 270.

Flo-Pro Skim Filters

Part No.	Description	Color	Filtration Area	Weight (lbs.)	List (US \$)
560-10C50T	Long Throat with Return	White	25 sq. ft.	9.0	274.47
560-10C57T	Long Throat with Return	Gray	25 sq. ft.	9.0	302.25
560-10C50T	Long Throat with Return	White	50 sq. ft.	9.5	293.41
560-10C57T	Long Throat with Return	Gray	50 sq. ft.	9.5	322.74

Flo-Pro Wide Mouth Skim Filters

Part No.	Description	Color	Filtration Area	Weight (lbs.)	List (US \$)
560-F3C50W	Short Throat with Return	White	50 sq. ft.	12.5	339.94
560-J3C50T	Long Throat with Return	White	50 sq. ft.	12.5	346.46



916-1000

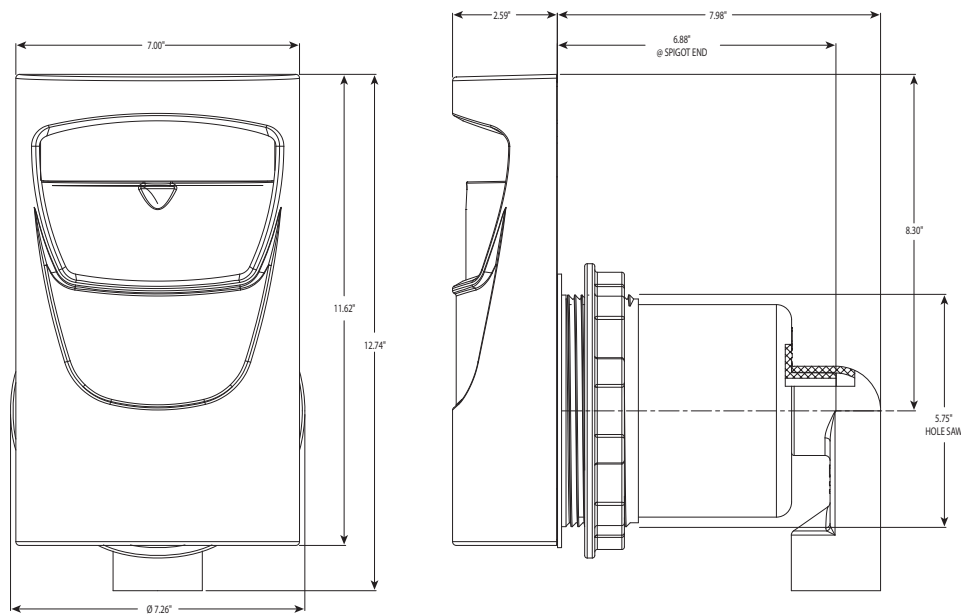
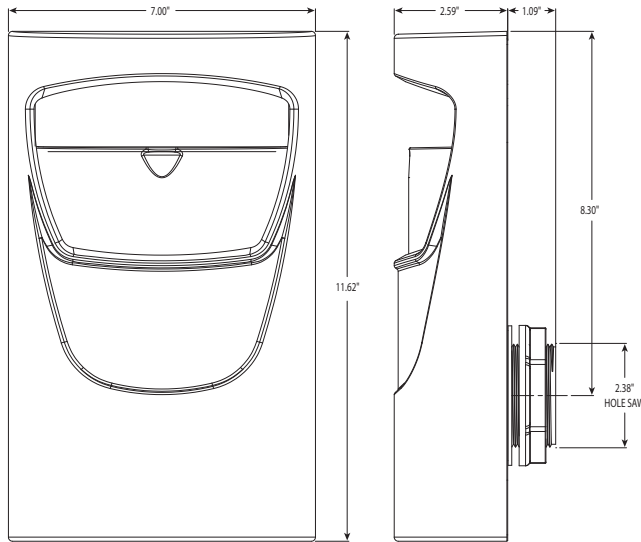
Accessories

Part No.	Description	Case Quantity	List (US \$)
519-3020	Winterizing Trim Plate - White	1	12.85
916-1000	Trim Plate - Stainless Steel	1	19.54



FEATURES:

- Floating guillotine-style weir
- Easy through-wall installation (requires only one round hole to mount)
- Easily accessible basket
- Skim Filter has easily accessible cartridge



Deluxe Strip Skimmer and Strip Skim Filter

Part No.	Description	Case Quantity	List (US \$)
510-6900	Deluxe Strip Skimmer - 1 1/2" S	50	80.68
510-6910	Deluxe Strip Skim Filter - 1 1/2" S	50	123.60



Strip Skimmers

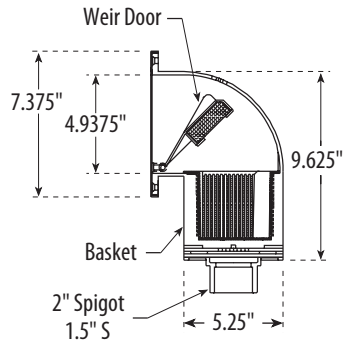
Part No.	Description	Case Quantity	List (US \$)
640-6920	Strip Skimmer - 1 1/2" x Standard Nut	35	25.61
640-6940	Strip Skimmer - 1 1/2" x 90° Ell	25	29.68
640-6960	Strip Skimmer - 1 1/2" x Straight Adapter Nut	25	29.66
640-6600	Adjustable Strip Skimmer with Lint Basket - 1/2" S Ell	20	45.17



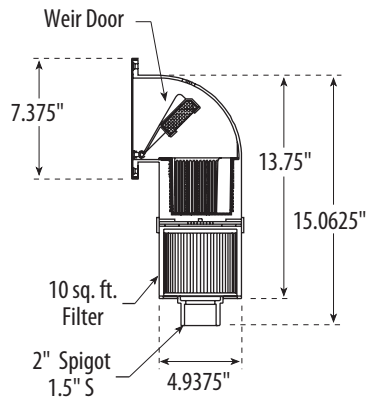
Spa Skimmers and Filters / Front Access Skim Filters



510-1500



510-1600

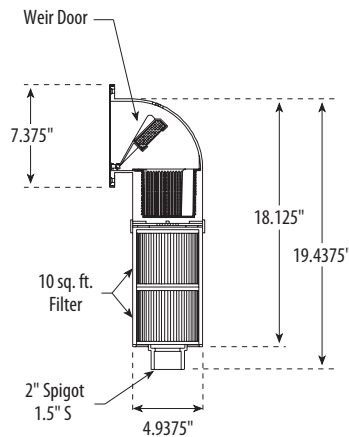


INCLUDES:

- 10 sq. ft. Cartridge
- EZ Flow Basket
- Flow Control Diverter Plate
- Trim Plate - White
- Mounting Gasket



510-1650T



INCLUDES:

- 10 sq. ft. Cartridges (2)
- EZ Flow Basket
- Flow Control Diverter Plate
- Trim Plate - White
- Mounting Gasket

Front Access Skimmers and Skim Filters

Part No.	Description	Case Quantity	List (US \$)
510-1500	Square Spa Skimmer – 1 ½" S / 2" Spigot - Flow Control with Trim Plate	4	78.04
510-1600	Square Spa Skim Filter – 1 ½" / 2" Spigot - 10 sq. ft.	4	120.81
510-1650T	Square Spa Skim Filter – 1 ½" / 2" Spigot - 20 sq. ft.	2	154.37

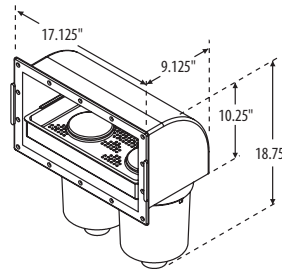


FEATURES:

- 50 sq. ft. Cartridges (2) (100 sq. ft. total)
- 2" Spigot Output Ports (2)
- Extra Large 5 1/2" x 14" Weir Area
- Extra Large 8" x 14" Basket
- Easy Access to Basket and Cartridges
- Easy Through-Wall Installation



510-6600



Hole Size 8.75" x 15.5"

FEATURES:

- 50 sq. ft. Cartridge
- 2" Spigot Output Port
- Easy access to basket and cartridges
- Easy Through-Wall Installation



510-9000



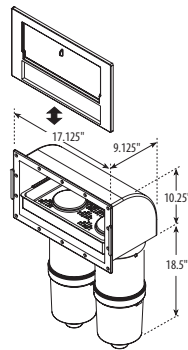
510-9020



510-6620



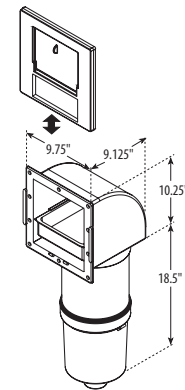
510-6700



Hole Size 8.75" x 15.5"



510-9100



FEATURES:

- 50 sq. ft. Cartridges (4) (200 sq. ft. total)
- 2" Spigot Outlet Ports (2)

FEATURES:

- 50 sq. ft. Cartridges (2) (100 sq. ft. total)



672-5090

Front Access Skim Filters

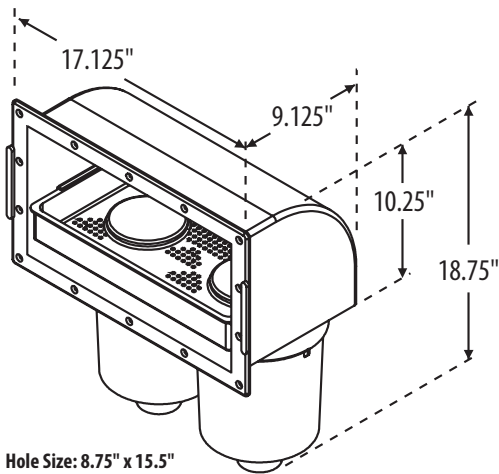
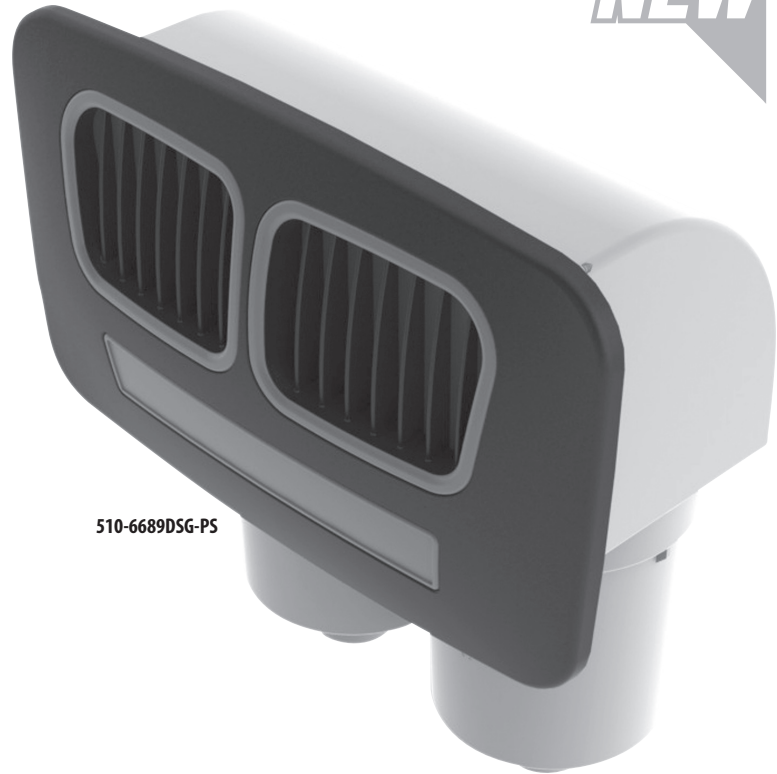
Part No.	Description	Case Quantity	List (US \$)
510-9000	50 sq. ft. Front Access Skim Filter - Single Port	2	208.89
510-9020	50 sq. ft. Front Access Skim Filter - Single Port - Oval Style	2	215.71
510-9100	100 sq. ft. Front Access Skim Filter - Single Port	--	270.85
510-6600	100 sq. ft. Front Access Skim Filter - Dual Port	2	273.67
510-6620	100 sq. ft. Front Access Skim Filter - Dual Port - Oval Style	2	284.84
510-6700	200 sq. ft. Front Access Skim Filter - Dual Port	--	400.71
672-5090	100 sq. ft. Skim Filter Manifold Tee with Plug	20	20.34



Spa Skimmers and Filters / 100 sq. ft. Roadster Skim Filter

FEATURES:

- New Roadster grill design
- 50 sq. ft. Cartridges (2) (100 sq. ft. total)
- 2" Spigot Output Ports (2)
- Extra Large 5 1/2" x 14" Weir Area
- Extra Large 8" x 14" Basket
- Easy Access to Basket and Cartridges
- Easy Through-Wall Installation



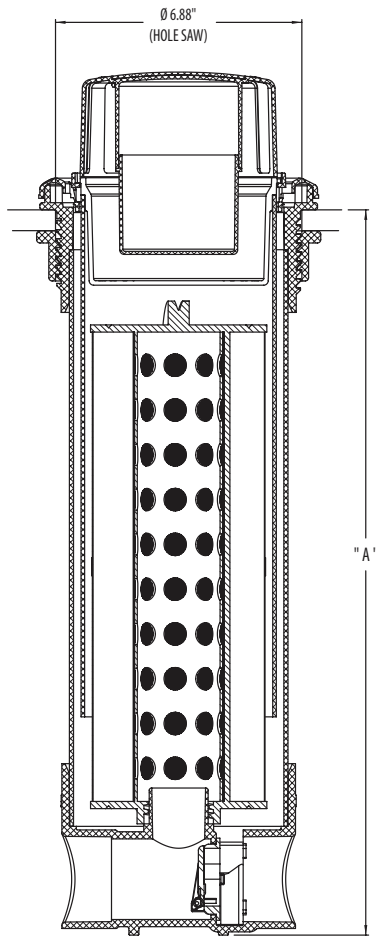
100 sq. ft. Front Access Roadster Skim Filter

Part No.	Description	Case Quantity	List (US \$)
510-6680	100 sq. ft. Front Access Roadster Skim Filter	--	296.84



FEATURES:

- Cage-style tower eliminates unwanted vortexing
- Safety orientated
- Easily accessible basket for effortless cleaning
- Available in several different filter sizes
- 2" Socket IN/OUT plumbing
- Built in Check Valve
- Hole Saw Size: Ø 6.88"
- Custom logo plate available for volume orders



For replacement parts, see page 259.

Teleweir Skim Filters

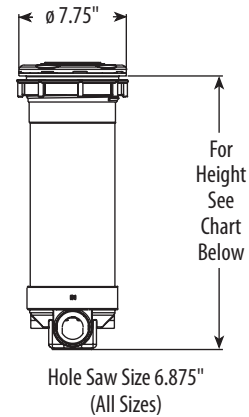
Part No.	Description	"A" Dimension	Case Quantity	List (US \$)
510-4630	25 sq. ft. Teleweir Skim Filer	20.25 in.	20	193.58
510-4620	35 sq. ft. Teleweir Skim Filter	16.00 in.	20	203.25
510-4600	50 sq. ft. Teleweir Skim Filter	20.25 in.	20	206.75
510-4590	75 sq. ft. Teleweir Skim Filter	26.38 in.	20	217.26



Spa Skimmers and Filters / Dyna-Flo Top-Mount Skim Filters

FEATURES:

- Improved exclusive vent system for added safety
- Exclusive bayonet lock retains the basket and weir
- PVC upper threaded, middle and bottom body components are compatible with PVC glues and most silicones
- New compact sizes
- Traditional 4-scallop escutcheons to match the decor of the spa
- Telescoping weir has 6" of travel
- Built-in restriction valve for improved filtration with low volume
- Two basket sizes
- Dyna-Flo replacement parts fit all existing Dyna-Flo Top-Mount Filters
- Retrofits Dynamic Series Rainbow Skim Filters



DYNA-FLO PLUS

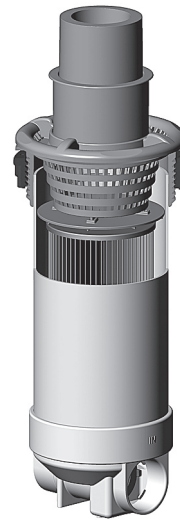


Low Volume
8 GPM Minimum

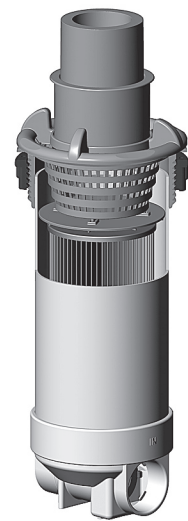


Hi Volume
15 GPM Minimum

LOW PROFILE DYNA-FLO



Low Volume
8 GPM Minimum



Hi Volume
15 GPM Minimum

For replacement parts, see page 263.

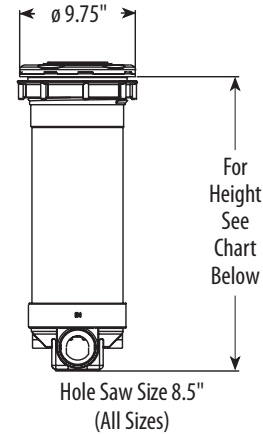
Dyna-Flo Top-Mount Skim Filters

Part No.	Size	Description	Height	List (US \$)
510-4520	2" Socket - 25 sq. ft.	Dyna-Flo Plus - Low Volume - 8 GPM Minimum	21 1/8"	202.12
510-4540	2" Socket - 40 sq. ft.	Dyna-Flo Plus - Low Volume - 8 GPM Minimum	17 1/4"	208.50
510-4550	2" Socket - 50 sq. ft.	Dyna-Flo Plus - Low Volume - 8 GPM Minimum	21 1/8"	215.25
510-9520	2" Socket - 25 sq. ft.	Dyna-Flo Plus - Hi Volume - 15 GPM Minimum	21 1/8"	202.12
510-9540	2" Socket - 40 sq. ft.	Dyna-Flo Plus - Hi Volume - 15 GPM Minimum	17 1/4"	208.50
510-9550	2" Socket - 50 sq. ft.	Dyna-Flo Plus - Hi Volume - 15 GPM Minimum	21 1/8"	215.25
510-3520	2" Socket - 25 sq. ft.	Low Profile Dyna-Flo - Low Volume - 8 GPM Minimum	19 5/8"	193.58
510-3540	2" Socket - 40 sq. ft.	Low Profile Dyna-Flo - Low Volume - 8 GPM Minimum	15 3/4"	199.97
510-3550	2" Socket - 50 sq. ft.	Low Profile Dyna-Flo - Low Volume - 8 GPM Minimum	19 5/8"	206.75
510-6520	2" Socket - 25 sq. ft.	Low Profile Dyna-Flo - Hi Volume - 15 GPM Minimum	19 5/8"	193.58
510-6540	2" Socket - 40 sq. ft.	Low Profile Dyna-Flo - Hi Volume - 15 GPM Minimum	15 3/4"	199.97
510-6550	2" Socket - 50 sq. ft.	Low Profile Dyna-Flo - Hi Volume - 15 GPM Minimum	19 5/8"	206.75



FEATURES:

- Extra-large 10" diameter body for improved filtration
- Extra-large 6 1/2" diameter cartridge for larger cartridge sizes
- Exclusive "Vent System" for added safety
- PVC upper, middle and bottom sections are compatible with PVC glues and most silicones
- Available in 50, 75 and 100 sq. ft.
- Adjustable restrictor valve for variable flow control
- Extra-large basket
- Removable bypass valve for easy servicing
- Optional chemical feeder
- Available in 2" or 2 1/2" Socket In/Out



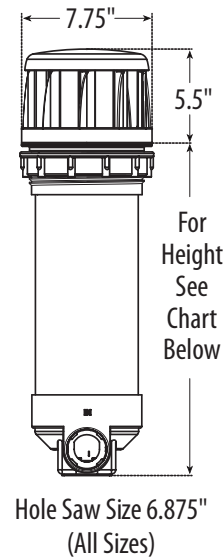
For replacement parts, see page 264.

Dyna-Flo XL Skim Filters

Part No.	Socket Size	Filter Size	Filter Length	List (US \$)
512-0270	2"	75 sq. ft.	21 3/4"	282.97
512-0210	2"	100 sq. ft.	26 1/4"	303.23
512-2550	2 1/2"	50 sq. ft.	21 3/4"	268.79
512-2570	2 1/2"	75 sq. ft.	21 3/4"	282.97
512-2510	2 1/2"	100 sq. ft.	26 1/4"	303.23

FEATURES:

- Skims water without the use of a weir
- No moving parts
- Uses the same size hole pattern as our standard Dyna-Flo
- Allows for a larger variance of water levels



For replacement parts, see page 265.

Ultra Skim Filter

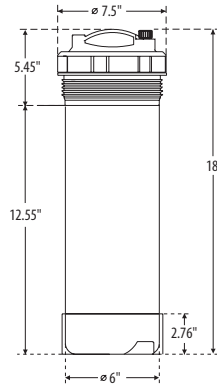
Part No.	Filter Size	Filter Length	List (US \$)
514-6550	50 sq. ft.	19 3/8"	223.13



Spa Skimmers and Filters / Top-Load Filters



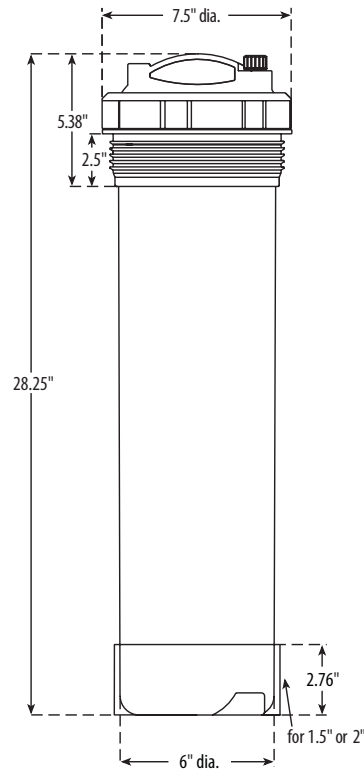
500-2500



For replacement parts, see page 261.

1 1/2" and 2" Top-Load Filters

Part No.	Description	List (US \$)
500-2500	1 1/2" - 25 sq. ft. Cartridge with Plug	123.18
500-2510	1 1/2" - 25 sq. ft. Cartridge with Bypass Valve	145.52
500-2540	1 1/2" - 25 sq. ft. Cartridge with Plug and 10-Tablet Brominator	169.50
500-2550	1 1/2" - 25 sq. ft. Cartridge with Bypass Valve and 10-Tablet Brominator	169.50
500-5000	1 1/2" - 50 sq. ft. Cartridge with Plug	168.20
500-5010	1 1/2" - 50 sq. ft. Cartridge with Bypass Valve	168.20
500-5050	1 1/2" - 50 sq. ft. Cartridge with Bypass Valve and 10-Tablet Brominator	192.12
500-6010	1 1/2" - without Cartridge - with Bypass Valve	137.49
500-6050	1 1/2" - without Cartridge - with Bypass Valve and 10-Tablet Brominator	161.41
502-2500	2" - 25 sq. ft. Cartridge with Plug	155.72
502-2510	2" - 25 sq. ft. Cartridge with Bypass Valve	155.72
502-2530	2" - 25 sq. ft. Cartridge with Bypass Valve and Flow Restriction Tube	166.44
502-2550	2" - 25 sq. ft. Cartridge with Bypass Valve and 10-Tablet Brominator	169.50
502-5000	2" - 50 sq. ft. Cartridge with Plug	168.20
502-5010	2" - 50 sq. ft. Cartridge with Bypass Valve	168.20
502-5030	2" - 50 sq. ft. Cartridge with Bypass Valve and Flow Restriction Tube	179.00
502-5050	2" - 50 sq. ft. Cartridge with Bypass Valve and 10-Tablet Brominator	192.12



1 1/2" Top-Load Extended Filters

Part No.	Description	List (US \$)
500-7500	75 sq. ft. Cartridge with Plug	201.35
500-7510	75 sq. ft. Cartridge with Bypass Valve	201.35
500-7550	75 sq. ft. Cartridge with Bypass Valve and 10 Tablet Brominator	225.24
500-9900	100 sq. ft. Cartridge with Plug	211.41
500-9910	100 sq. ft. Cartridge with Bypass Valve	211.41
500-9950	100 sq. ft. Cartridge with Bypass Valve and 10 Tablet Brominator	245.39

2" Top-Load Extended Filters

Part No.	Description	List (US \$)
502-7500	75 sq. ft. Cartridge with Plug	201.34
502-7510	75 sq. ft. Cartridge with Bypass Valve	201.34
502-7550	75 sq. ft. Cartridge with Bypass Valve and 10 Tablet Brominator	218.70
502-9900	100 sq. ft. Cartridge with Plug	211.41
502-9910	100 sq. ft. Cartridge with Bypass Valve	211.25



Spa Skimmers and Filters / Filter Accessories



500-1021



400-9140



212-1810



400-9030



212-1820



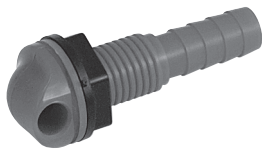
400-9220



500-1070



640-3170



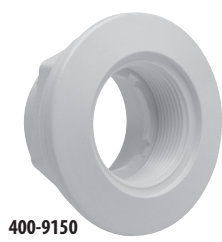
670-2000



400-9130



640-4220 / 640-4240 / 640-4230



400-9150

Filter Accessories

Part No.	Description	Case Quantity	List (US \$)
500-1021	Filter Niche with 2-Cup Holder Lid and Screws - Black	6	27.94
400-9140	Cartridge Mounting Assembly - 1 1/2" NPT - with Grate	150	7.34
212-1810	Thru Wall Fitting Assembly - 1/2" S x 1/2" S	150	10.80
400-9030	Cartridge Mounting Assembly with Grate - 2" S x 1 1/2" Acme	100	13.14
212-1820	Bulkhead Wall Fitting Assembly - 3/4" RB	150	10.80
400-9220	Vent Wall Fitting Assembly with Grate (<i>color matching available</i>)	50	6.74
500-1070	10-Tablet Brominator Assembly	70	23.91
640-3170	Suction Wall Fitting Assembly with Bypass Valve	40	15.10
400-9120	Cartridge Mounting Assembly - 1 1/2" NPT	150	6.74
400-9130	Cartridge Mounting Assembly - 2" NPT	100	13.14
670-2000	Water Nozzle Wall Fitting Assembly	200	6.06
640-4220	Lo-Pro 3/4" SB 90° Return Fitting Assembly	40	17.20
640-4240	Lo-Pro 3/4" S 90° Return Fitting Assembly	40	17.20
640-4230	Lo-Pro 1" S 90° Return Fitting Assembly	40	17.20
400-9150	Return Wall Fitting Assembly - 1 1/2" FPT x 1 1/2" S	50	8.38



Skim Filter Gaskets

Part No.	Description	Case Quantity	List (US \$)
711-3280	Double-Seal Gasket	100	5.91
711-8010	Grommet Gasket	--	4.19

Spa Mounting Plate

Part No.	Description	Case Quantity	List (US \$)
550-1600	Spa Skimmer Mounting Plate with Screws	50	12.55

Filter Extensions

Part No.	Description	Case Quantity	List (US \$)
510-1150	Filter Extension Assembly	1	26.96
519-2041	Filter Extension - Cover	1	9.43
519-2031	Filter Extension - Body	1	14.82

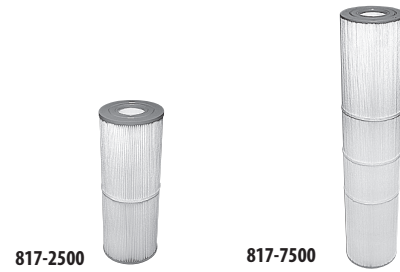


Weirs

Part No.	Description	Case Quantity	List (US \$)
680-2000	Custom Weir Assembly - 13 1/8" H x 23 1/4" W (customized logo & color with quantity order)	25	150.99
550-7760	Skimmer Frame & Weir Assembly with Waterfall	--	150.99
550-5610	Curved Weir Frame Assembly - 13" H x 20 3/4" W	--	57.33
550-0120	Tiered Weir Frame Assembly	--	77.04



Spa Skimmers and Filters / Skimmer and Skim Filter Options



Replacement Cartridges for In-Line and Top-Load Filters

Part No.	Description	Dimensions	Case Quantity	List (US \$)
817-2500	Cartridge - 25 sq. ft.	4 1/16" OD x 13 3/16" L	--	46.61
817-5000	Cartridge - 50 sq. ft.	4 1/16" OD x 13 3/16" L	16	67.02
817-7500	Cartridge - 75 sq. ft.	4 1/16" OD x 23 3/8" L	--	92.32
817-1000	Cartridge - 100 sq. ft.	4 1/16" OD x 23 3/8" L	--	101.31



Skim Filter Replacement Cartridge

Skim Filter Replacement Cartridges

Part No.	Size	Dimensions	Top Load	Front Access	List (US \$)
817-0010	10 sq. ft.	4 1/4" outer diameter x 4" L		x	29.32
817-3501	35 sq. ft.	4 1/16" outer diameter x 9 1/4" L (1 piece)		x	44.22
817-3510	35 sq. ft.	4 1/16" outer diameter x 4 5/8" L (2 pieces)		x	59.08
817-5010	50 sq. ft.	4 1/16" outer diameter x 6 5/8" L (2 pieces)		x	68.73
817-0050	50 sq. ft.	6" outer diameter x 8 1/4" L		x	66.65
817-0011	50 sq. ft.	6" outer diameter x 8 1/4" L (2 pieces upper)		x	66.65
817-0012	50 sq. ft.	6" outer diameter x 8 1/4" L (2 pieces lower)		x	66.65
817-2500	25 sq. ft.	5" outer diameter x 13 1/4" L	x		46.61
817-5000	50 sq. ft.	5" outer diameter x 13 1/4" L (1 piece)	x		67.02
817-0014	50 sq. ft.	5 5/16" outer diameter x 10 1/8" L	x		73.59
817-0015	75 sq. ft.	5 5/16" outer diameter x 14 13/16" L	x		92.08
817-7500	75 sq. ft.	5" outer diameter x 23 3/8" L (2 pieces)	x		92.32
817-0016	100 sq. ft.	5 5/16" outer diameter x 17 13/16" L	x		107.31
817-1000	100 sq. ft.	5" outer diameter x 23 3/8" L	x		101.31