

STANDARD SUMP WITH 2" NPT AND 2" SOCKET FOR VINYL/FIBERGLASS



**VGB CERTIFIED
SPECIFICATIONS**

Floor Flow Rating
166 GPM at 3.2 fps

Wall Flow Rating
113 GPM at 2.2 fps

Sump Depth
3" minimum

Open Area
16.6 in²

FEATURES

All components meet or exceed ANSI/APSP 16-2011 and NSF/ANSI 50-2009a national standards and ASTM G154 UV testing exposure

Manufactured from superior UV-resistant engineered polymers

#316 stainless steel screws

Online product support including downloadable CAD files, General Certificate of Conformity, third-party certificate, installation instructions and more.

Replace drain cover every five years from the date of installation

36 per case



Part # 8MF SBVxxx

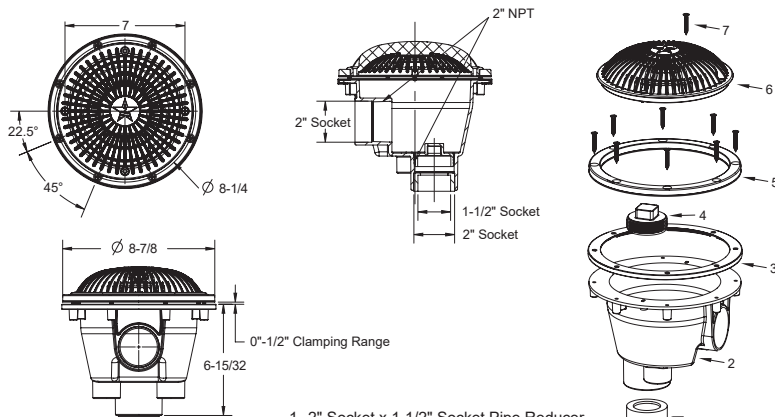
STANDARD COLORS

- 8MF SBV101 – White
- 8MF SBV102 – Black
- 8MF SBV103 – Light Gray
- 8MF SBV104 – Blue
- 8MF SBV105 – Dark Gray
- 8MF SBV108 – Tan

8" Vinyl Clamping Ring and Gasket Replacement Kit p/n 8VKxxx

Also available as a Contractor's 2-Pack p/n 8MF SBV2xxx

VGB 2008 Compliant



1. 2" Socket x 1-1/2" Socket Pipe Reducer
2. Vinyl/Fiberglass 8" Sump Bucket
3. Vinyl/Fiberglass Sump Bucket Gasket
4. 2" Tapered Threaded Pipe Plug
5. Clamping Ring With Overmolded Gasket
6. 8" MoFlow Suction Outlet Cover
7. 10 x 1-1/4" Flat Head Phillips Screw, 316 SS, Qty 10

P 877-768-2717 F 877-276-POOL Outside the US: P +1-949-336-1940 F +1-949-336-1940
info@aquastarpoolproducts.com www.aquastarpoolproducts.com