



RESIDENTIAL
**PRODUCT
CATALOG**
2021



Pool **Better**™

COMMERCIAL CATALOG STARTS ON PAGE 135

CUSTOMER SERVICE

PRODUCT	PHONE NUMBER	EMAIL
CUSTOM RAILS	877-325-0768	customrails@srsmith.com
LANDSCAPE SLIDES	800-824-4387	byosquote@srsmith.com
LIGHTING	800-824-4387 East x4012 West x2282	lighting@srsmith.com
RESIDENTIAL DECK EQUIPMENT	800-824-4387	customercare@srsmith.com
WARRANTY	800-824-4387	customercare@srsmith.com



Sign up for catalog updates at
srsmith.com/catalogupdates



Pool **Better**™

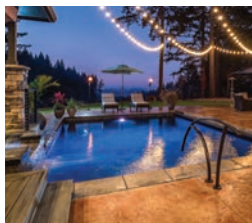
When people want more from their pools, they choose S.R.Smith. For nearly 90 years, S.R.Smith has continued to evolve, innovate, and expand its pool-enhancing capabilities. Today we offer a broad range of solutions for pool owners and operators worldwide that promote fun, empower relaxation, elevate usability, and boost functionality. This is why our products are the first choice for enhancing pool lifestyles and why with a S.R.Smith product on your pool you will Pool **Better**™.



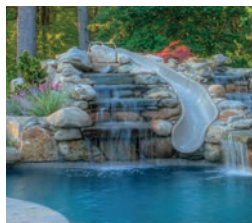
In-Pool Furniture



Diving Boards



Modern Rails



Custom Pool Slides



Pool Games



Pool Lighting



CONTENTS

Diving Boards and Stands	2
Removable Pool Slide	38
Deck Mounted Pool Slides	40
Custom Pool Slides.....	56
In-Pool Furniture	64
Games	72
Ladders and Rails.....	78
Pool Lighting	100
Water Features.....	114
Parts	118



Boards + Stands

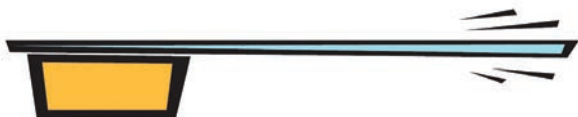
85+ Years of Diving Experience

Quality, safety and selection are the hallmarks of S.R.Smith residential and commercial diving boards and stands. Available in a wide range of shapes, styles, color, our boards and stands are designed with varying degrees of flex and spring. Rigid stands or those that have a spring mechanism can be paired with a variety of boards with varying flex to create unique performance characteristics. Diving board and stand combinations are defined in two ways, according to their level of flex:

Jump Boards – a flexible board on a base that utilizes a spring mechanism.



Diving Boards – a flexible board on a rigid base.



Dive Safely

The combination of board and stand is limited by the size of the pool's diving envelope (pool depth, shape, slope). Residential pools are defined as Type 0 through Type V, as outlined by ANSI/APSP/ICC-5 standards for residential in-ground swimming pools. Public pools are identified as Type VI through IX as outlined by ANSI/NSPI-5-2011 standards for public swimming pools. You can learn more about how to type your pool through our online Certified Professional Installer Course at srsmithcpi.com.

In addition, we have tools that can be ordered to help in measuring and typing your pool. See what we have available at srsmith.com/pooltools.



S.R.Smith is a proud founding member of the Diving Board Safety Network.

DivingBoardSafety.net

New or Replacement?

While all of our diving boards can be installed on new pool decks, providing they meet safety standards, we also have replacement diving board options. A wide variety of our stands utilize the same jig, so upgrading your stand is simple. Refer to our jig identification guide on page 63. If a new jig is required for the new stand, you can drill holes in the deck and secure a new jig with one of our epoxy kits.

Salt Pool Friendly

All S.R.Smith diving boards are salt pool friendly. Select stands also perform well in salt pool environments.



TrueTread® Diving Board Series

We've reinvented the diving board category with a unique, patent pending design: the TrueTread® Diving Board. These stylish diving boards make an old favorite new again with a modern sporty look and feel.

Boards

RESIDENTIAL



TrueTread®

This patent pending diving board features a durable, marine-grade composite surface. Available in blue, red, gray and tan.



Fibre-Dive Board

Fiberglass reinforced core, acrylic shell with flexible outer edge, matte backside, non-slip sanded tread



Frontier II Board

Fiberglass reinforced core, acrylic shell with flexible outer edge, matte backside, non-slip sanded tread



Frontier III Board

Fiberglass reinforced core, acrylic shell with flexible outer edge, matte backside, non-slip sanded tread



Frontier IV Board*

Fiberglass reinforced core, acrylic shell with flexible outer edge, matte backside, non-slip sanded tread



Glas-Hide

Fiberglass wrapped core with flow-coat, smooth backside non-slip sand tread

* Frontier IV boards require a special stand, see page 42

SPECIALTY JUMP SYSTEMS



T7 Jump Board

Manufactured from composite materials and the only 7' board on the market. Available in unique colors and visual textures to match with Destination Series In-Pool Furniture and Custom Slides.



Edge Jump Board

Manufactured out of composite materials with a wood core to resist rust. Designed for new construction projects or retrofit applications.

RESIDENTIAL	Bolt Pattern	Available Lengths	Weight Limit
TrueTread®	2-hole, 12" O.C.	6', 8'	250 lbs
Fibre-Dive	2-hole, 12" O.C.	6', 8' & 10'	250 lbs
Frontier II	3-hole (see page 61)	6' & 8'	250 lbs
Frontier III	2-hole, 12" O.C.	6', 8' & 10'	250 lbs
Frontier IV	2-hole, 11" O.C.	8'	400 lbs
Glas-Hide	2-hole, 12" O.C.	6', 8' & 10'	250 lbs
T7	2-hole, 12" O.C.	7'	300 lbs
Edge	2-hole, 12" O.C.	6' & 8'	300 lbs

Stands

RESIDENTIAL

JUMP BOARD SYSTEMS:

a flexible board on a base that utilizes a spring mechanism

DIVING BOARD SYSTEMS:

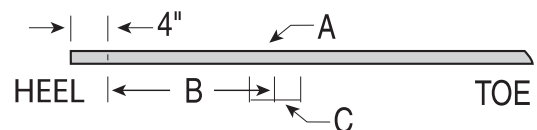
a flexible board on a rigid base

BOARD & STAND SELECTOR					
	STANDS	TYPE	SALT FRIENDLY	JUMP BOARD	DIVING BOARD
				COMPATIBLE BOARDS & PERFORMANCE CATEGORY	
MOST FLEXIBLE	Cantilever	Jump Stand: Powder-coated Steel		TrueTread®, Frontier III, Glas-Hide,	
	Supreme	Jump Stand: Acrylic Reinforced Fiberglass		TrueTread®, Frontier III, Glas-Hide	
	Salt Pool Jump System	Jump Stand: Acrylic Reinforced Fiberglass	✓	TrueTread®, Frontier III	
	Edge Jump System	Jump Stand: Acrylic Reinforced Fiberglass	✓	Edge (optional board fall ordered separately)	
	Frontier II	Jump Stand: Powder-coated Steel		Frontier II	
LEAST FLEXIBLE	T7 Jump System	Jump Stand: Acrylic Reinforced Fiberglass		T7 (optional board fall ordered separately)	
	U-Frame	Dive Stand: Stainless Steel Tubing	✓		TrueTread®, Fibre-Dive, Frontier III, Frontier IV*
	Flyte-Deck II	Dive Stand: Acrylic Reinforced Fiberglass	✓		TrueTread®, Frontier III, Fibre-Dive

*Frontier IV boards require a special stand, see page 18 for additional information.

Fulcrum Settings for Diving Boards

A	Board	6'	8'	10'	12'	14'	16'
B	Fulcrum	30"	40"	52"	62"	74"	86"
C	Tolerance	±3"	±4"	±5"	±6"	±6"	±6"



Diving Boards must be installed with rubber fulcrum pads.* Fulcrum settings beyond the stated tolerance void the warranty. Diving boards must be installed level across fulcrum and heel supports. Rubber mounting pads (washers) must be installed. Tightening Schedule can be found in the product's instruction manual.

* Except Frontier II

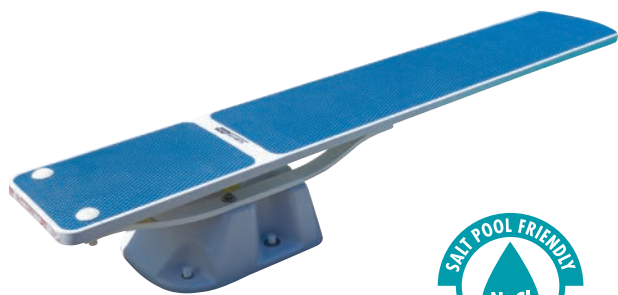


TRUETREAD[®]

REINVENTING THE DIVING BOARD

S.R.Smith has reinvented the diving board category with a unique, patent pending design: **the TrueTread[®] Diving Board Series**. These stylish diving boards make an old favorite new again with a modern, sporty look that provides an exceptional launching grip. TrueTread is a durable, marine grade composite material that stands up to salt, sun and hours of fun. Compatible with multiple S.R.Smith stands, TrueTread Diving Boards are an ideal upgrade that makes the diving board experience new again.

For more information, visit srsmith.com/truetread



TrueTread® Diving Board Series

- Ideal replacement board, provides fresh, custom look
- Available in 6' and 8' lengths
- Modern, sporty look
- Salt Pool Friendly
- Long-lasting, durable anti-slip surface
- U.S. Patent No. 10,556,141

COLOR OPTIONS



Due to printing technology actual color may differ.

All TrueTread® colors are available on white stands, with gray and tan available on complementary earth tone stand colors.

COMPATIBLE WITH:

- Cantilever
- Flyte-Deck II
- Salt Pool Jump System
- Supreme
- U-Frame

Flyte-Deck II Stand With TrueTread® Board

Part No.	Description	
SHIPPING - W/ 6FT BOARD	Box 1 - 55lbs - 80"L X 20w X 3"H Box 2 - 27lbs - 37"L X 19"W X 13"H	CLASS 70
68-207-7362B	White Stand & 6' Board w/ Blue TrueTread	
68-207-7362G	White Stand & 6' Board w/ Gray TrueTread	
68-207-7362R	White Stand & 6' Board w/ Red TrueTread	
68-207-7362T	White Stand & 6' Board w/ Tan TrueTread	
68-207-73610T	Taupe Stand & 6' Board w/ Tan TrueTread	
68-207-73620G	Gray Stand & 6' Board w/ Gray TrueTread	
SHIPPING - W/ 8FT BOARD	Box 1 - 72lbs - 105"L X 20w X 3"H Box 2 - 32lbs - 48"L X 19"W X 13"H	CLASS 70
68-207-7382B	White Stand & 8' Board w/ Blue TrueTread	
68-207-7382G	White Stand & 8' Board w/ Gray TrueTread	
68-207-7382R	White Stand & 8' Board w/ Red TrueTread	
68-207-7382T	White Stand & 8' Board w/ Tan TrueTread	
68-207-73810T	Taupe Stand & 8' Board w/ Tan TrueTread	
68-207-73820G	Gray Stand & 8' Board w/ Gray TrueTread	

Replacement Boards

Part No.	Description	
SHIPPING - 6FT BOARDS:	55lbs - 80"L x 20"W x 3"H	CLASS 70
66-209-576S2B	6' White Board w/ Blue TrueTread	
66-209-576S2G	6' White Board w/ Gray TrueTread	
66-209-576S2R	6' White Board w/ Red TrueTread	
66-209-576S2T	6' White Board w/ Tan TrueTread	
66-209-576S10T	6' Taupe Board w/ Tan TrueTread	
66-209-576S20G	6' Gray Board w/ Gray TrueTread	
SHIPPING - 8FT BOARDS:	72lbs - 105"L x 20"W x 3"H	CLASS 70
66-209-578S2B	8' White Board w/ Blue TrueTread	
66-209-578S2G	8' White Board w/ Gray TrueTread	
66-209-578S2R	8' White Board w/ Red TrueTread	
66-209-578S2T	8' White Board w/ Tan TrueTread	
66-209-578S10T	8' Taupe Board w/ Tan TrueTread	
66-209-578S20G	8' Gray Board w/ Gray TrueTread	

Salt Pool Jump System With TrueTread® Board

Part No.	Description	
SHIPPING - 6FT BOARD & STAND	BOX 1 - 26lbs - 25"L x 20"W x 11"H BOX 2 - 11lbs - 41"L x 5"W x 3"H BOX 3 - 55lbs - 80"L x 19"W x 3"H	CLASS 70
68-207-5762B	White Stand & 6' Board w/ Blue TrueTread	
68-207-5762G	White Stand & 6' Board w/ Gray TrueTread	
68-207-5762R	White Stand & 6' Board w/ Red TrueTread	
68-207-5762T	White Stand & 6' Board w/ Tan TrueTread	
68-207-57610T	Taupe Stand & 6' Board w/ Tan TrueTread	
68-207-57620G	Gray Stand & 6' Board w/ Gray TrueTread	
SHIPPING - 8FT BOARD & STAND	BOX 1 - 26lbs - 25"L x 20"W x 11"H BOX 2 - 15lbs - 49"L x 5"W x 3"H BOX 3 - 72lbs - 98"L x 20W x 3"H	CLASS 70
68-207-5782B	White Stand & 8' Board w/ Blue TrueTread	
68-207-5782G	White Stand & 8' Board w/ Gray TrueTread	
68-207-5782R	White Stand & 8' Board w/ Red TrueTread	
68-207-5782T	White Stand & 8' Board w/ Tan TrueTread	
68-207-57810T	Taupe Stand & 8' Board w/ Tan TrueTread	
68-207-57820G	Gray Stand & 8' Board w/ Gray TrueTread	

Salt Pool Jump System



Resist corrosion with this new low-profile fiberglass-backed stand and composite spring assembly designed to perform well even in harsh pool environments.

- 6' or 8' lengths
- Available in three designer colors to match your backyard décor
- Stainless steel hardware for added corrosion resistance
- Can be retrofitted onto existing 606/608 Cantilever jigs



Stand & Spring Colors



WHITE



TAUPE



GRAY

Due to printing technology actual color may differ.

All installations must comply with all applicable local and national codes and installation must be completed in accordance with S.R.Smith installation instructions.

Compatible with:



TrueTread® Board



Frontier III Board

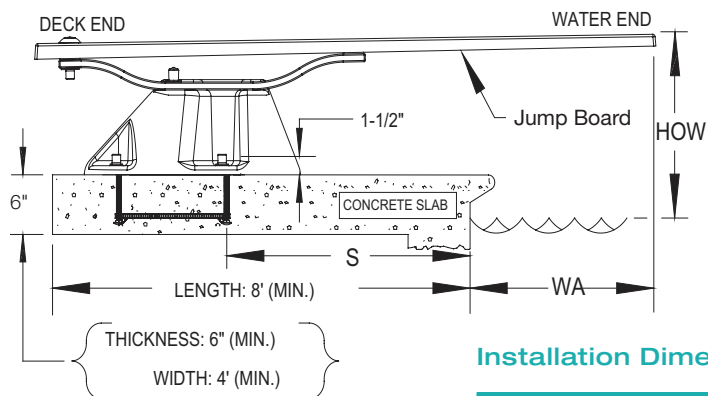
Salt Friendly Jump Stand with Frontier III Board

Part No.	Size	Color	Shipping (3 boxes, Class 70)			
			Weight	Length	Width	Height
68-211-5962	6'	White Stand and Board	27 lbs 12kg	25" 64cm	20" 51cm	11" 28cm
68-211-59610	6'	Taupe Stand and Board	10 lbs 4kg	40 102cm	5" 13cm	3" 8cm
68-211-59620	6'	Pewter Gray Stand and Board	52 lbs 24kg	74" 188cm	20" 51cm	3" 8cm
68-211-5982	8'	White Stand and Board	27 lbs 12kg	25" 64cm	20" 51cm	11" 28cm
68-211-59810	8'	Taupe Stand and Board	14 lbs 6kg	48 122cm	5" 13cm	3" 8cm
68-211-59820	8'	Pewter Gray Stand and Board	70 lbs 32kg	98" 246cm	20" 51cm	3" 8cm

Note: Salt Pool Jump System springs and bases cannot be interchanged with other S.R.Smith springs and bases

See page 26-27 for diving board part numbers.

srsmith.com

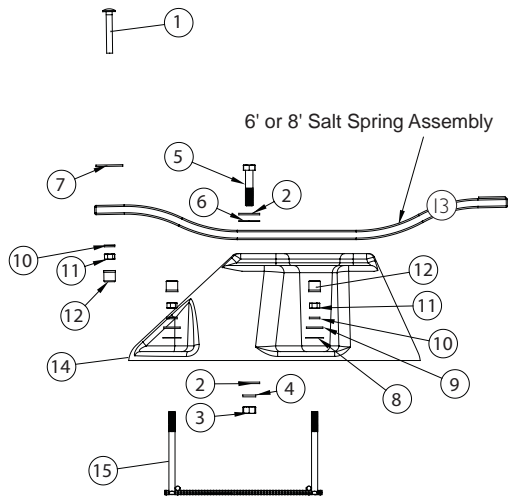


Installation Dimensions

Diving Board Size	ANSI/NSPI-5 Pool Type	Distance for setting front bolt of jig from water's edge (S)**	Minimum overhang (WA)*	Maximum height of board above water (HOW)
6'	I	32"	18"	20"
	II	32"	18"	20"
	III	26"	24"	26"
	IV	20"	30"	30"
	V	14"	36"	40"
8'	III	45"	24"	26"
	IV	39"	30"	30"
	V	33"	36"	40"

*S and WA dimensions are valid only in conjunction with minimum depth at point A

**When coping is used do not set front bolts of jig closer than 3" from the back edge of the coping



Key	Part No.	Description	Kit A	Kit B
A	69-209-125	Salt Pool Spring Bolt Kit		
B	69-209-126	Salt Pool Stand Hardware Kit (add -TP or -PG for colors)		
1	05-31-171	1/2" x 3 1/2" Carriage Bolt	•	
2	05-631	5/8" x 1 3/4" Flat Washer	•	
3	05-31-159	5/8" Hex Nut	•	
4	05-31-157	5/8" Lock Washer	•	
5	05-31-155	5/8" x 3" Hex Head Bolt	•	
6	05-31-158	5/8" x 1 3/4" Nylon Protective Washer	•	
7	8-556	2 1/4" Square Rubber Spring Pad	•	
8	05-616	1/2" x 1 1/2" Round Nylon Washer		•
9	05-14-132	1/2" x 1 3/8" Flat Washer		•
10	05-14-115	1/2" Lock Washer		•
11	05-14-116	1/2" Hex Nut		•
12	05-618	1/2" Plastic Nut Cap, White		•
	05-618-10	1/2" Plastic Nut Cap, Taupe		
	05-618-20	1/2" Plastic Nut Cap, Gray		
13	69-209-662	6' Salt Spring, White		
	69-209-6610	6' Salt Spring, Taupe		
	69-209-6620	6' Salt Spring, Pewter Gray		
	69-209-682	8' Salt Spring, White		
	69-209-6810	8' Salt Spring, Taupe		
	69-209-6820	8' Salt Spring, Pewter Gray		
14	69-209-62	Salt Pool Jump Stand, White		
	69-209-62A	Salt Pool Jump Stand, White, without jig		
	69-209-610	Salt Pool Jump Stand, Taupe		
	69-209-620	Salt Pool Jump Stand, Pewter Gray		
15	69-209-006-SS	Jig w/ 6" bolts		
	69-209-010-SS	Jig w/ 9" bolts		
	69-209-011-SS	Jig w/ 10" bolts		

Flyte-Deck II Stand



The Flyte-Deck II stand's sleek appearance and sturdy construction make it one of our best selling models.

- Made of durable, scratch-resistant acrylic reinforced with fiberglass
- 6', 8' or 10' lengths – find the right size for your diving pool
- Available in a variety of colors to match your poolscapes and backyard décor!
- Stainless steel hardware for added corrosion resistance
- Board has a matching, non-slip sanded tread, white.

Board + Stand Colors



Due to printing technology actual color may differ.

Due to differences in material and textures, Gray Granite Diving Boards and Stands are not an exact color match to Gray Granite Slides. Please consult your S.R.Smith sales representative for more details.

All installations must comply with all applicable local and national codes and installation must be completed in accordance with S.R.Smith installation instructions.

Compatible with:



TrueTread® Board



Fibre-Dive Board



Frontier III Board

Flyte-Deck II Stand with Fibre-Dive Board

FOR MATCHING TREAD, ADD "T" BEHIND PART NUMBER

Part No.	Size	Color	Shipping (2 boxes, Class 70)			
			Weight	Length	Width	Height
68-209-7362	6'	White	36 lbs 16kg	74" 188cm	20" 51cm	3" 8cm
68-210-73610	6'	Taupe				
68-210-73620	6'	Gray				
68-210-73623	6'	Pebble				
68-210-73621	6'	Silver Gray				
68-210-73624	6'	Gray Granite	27 lbs 12kg	37" 94cm	18" 46cm	12" 30cm
68-209-7382	8'	White	59 lbs 27kg	98" 249cm	20" 51cm	3" 8cm
68-210-73810	8'	Taupe				
68-210-73820	8'	Pewter Gray				
68-210-73823	8'	Pebble				
68-210-73824	8'	Gray Granite				
68-209-7402	10'	White	75 lbs 34kg	122" 310cm	20" 51cm	3" 8cm
68-210-74020	10'	Pewter Gray	36 lbs 16kg	57" 145cm	19" 48cm	12" 30cm

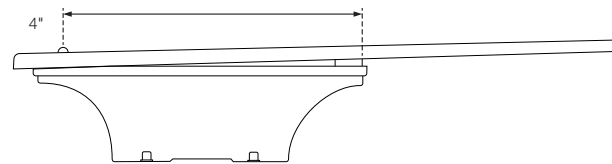
Note: Board, and stand are matching in color

Bolt Length to Fulcrum Length

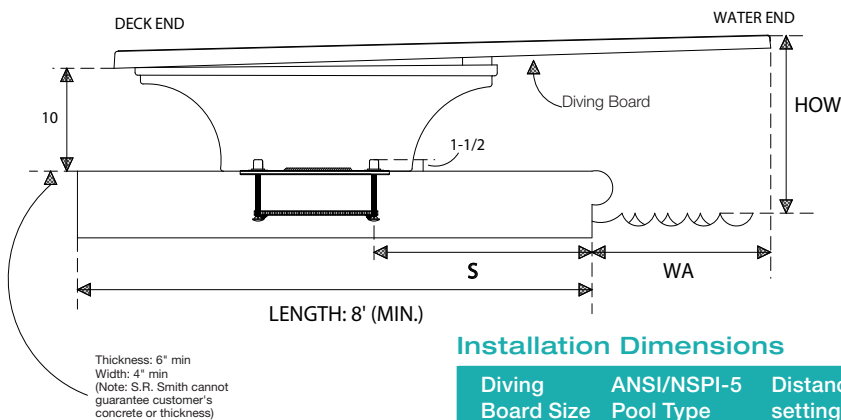
6' board = 32"

8' board = 42"

10' board = 52"



See page 26-27 for diving board part numbers.

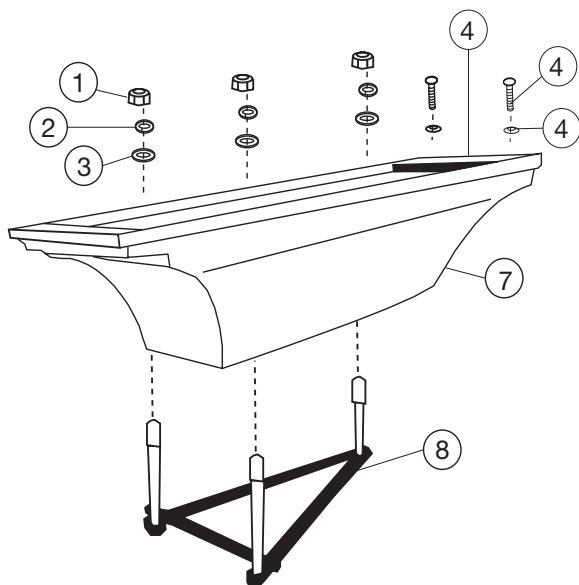


Installation Dimensions

Diving Board Size	ANSI/NSPI-5 Pool Type	Distance for setting front bolt of jig from water's edge (S)**	Minimum overhang (WA)*	Maximum height of board above water (HOW)
6'	I	27"	18"	20"
	II	27"	18"	20"
	III	21"	24"	26"
	IV	15"	30"	30"
	V	9" **	36"	40"
8'	II	41"	18"	20"
	III	35"	24"	26"
	IV	29"	30"	30"
	V	23"	36"	40"
10'	III	50"	24"	26"
	IV	44"	30"	30"
	V	38"	36"	40"

*S and WA dimensions are valid only in conjunction with minimum depth at point A

**When coping is used do not set front bolts of jig closer than 3" from the back edge of the coping



Key	Part No.	Description	Kit A
A	71-209-710-SS	Flyte-Deck II Stand Bolt Kit*	
1	05-14-116	1/2" Hex Nut	•
2	05-14-115	1/2" Lock Washer	•
3	05-14-133	1/2" x 2" Flat Washer	•
4	71-209-545	Flyte-Deck Fulcrum Kit	
7	70-209-7362	6' Flyte-Deck II Stand, w/jig - White	
	70-209-73610	6' Flyte-Deck II Stand, w/jig - Taupe	
	70-209-73620	6' Flyte-Deck II Stand, w/jig - Pewter Gray	
	70-209-73621	6' Flyte-Deck II Stand, w/jig - Silver Gray	
	70-209-73623	6' Flyte-Deck II Stand, w/jig - Pebble	
	70-209-73624	6' Flyte-Deck II Stand, w/jig - Gray Granite	
	70-209-7382	8' Flyte-Deck II Stand, w/jig - White	
	70-209-73820	8' Flyte-Deck II Stand, w/jig - Pewter Gray	
	70-209-73821	8' Flyte-Deck II Stand, w/jig - Silver Gray	
	70-209-73823	8' Flyte-Deck II Stand, w/jig - Pebble	
	70-209-73824	8' Flyte-Deck II Stand, w/jig - Gray Granite	
	70-209-7402	10' Flyte-Deck II Stand, w/jig - White	
	70-209-74010	0' Flyte-Deck II Stand, w/jig - Taupe	
	70-209-74020	10' Flyte-Deck II Stand, w/jig - Pewter Gray	
	70-209-74021	10' Flyte-Deck II Stand, w/jig - Silver Gray	
	70-209-7362A	6' Flyte-Deck II Stand, White, jig not included	
	70-209-7382A	8' Flyte-Deck II Stand, White, jig not included	
	70-209-7402A	10' Flyte-Deck II Stand, White, jig not included	
8	71-209-700-SS	6' Jig w/ 6" bolts	
	71-209-701-SS	6' Jig w/ 9" bolts	
	71-209-705-SS	6' Jig w/ 10" bolts	
	71-209-704-SS	8' Jig w/ 6" bolts	
	71-209-706-SS	8' Jig w/ 9" bolts	
	71-209-707-SS	8' Jig w/ 10" bolts	
	71-209-703-SS	10' Jig w/ 6" bolts	
	71-209-708-SS	10' Jig w/ 9" bolts	
	71-209-709-SS	10' Jig w/ 10" bolts	

Note: *10' comes with 71-209-711-SS

Supreme (656/658) Stand



The Supreme stand is a high-end stand that offers users extreme diving fun!

- Made of durable, scratch resistant acrylic reinforced with fiberglass
- 6' or 8' lengths
- Available in a variety of colors – match your pool slide and backyard décor
- Stainless steel hardware for added corrosion resistance
- Board has a matching, non-slip sanded tread

Board + Stand Colors



Due to printing technology actual color may differ.

Due to differences in material and textures, Gray Granite Diving Boards and Stands are not an exact color match to Gray Granite Slides. Please consult your S.R.Smith sales representative for more details.

All installations must comply with all applicable local and national codes and installation must be completed in accordance with S.R.Smith installation instructions.

Supreme Jump Stand with Frontier III Board

TO HAVE MATCHING BOARD AND TREAD COLOR, ADD THE "T" TO PART NUMBER BELOW

Part No.	Size	Color	Shipping (3 boxes, Class 70)			
			Weight	Length	Width	Height
68-209-6162	6'	White				
68-209-61610	6'	Taupe	52 lbs 24kg	74" 188cm	20" 51cm	3" 8cm
68-209-61620	6'	Gray	22 lbs 10kg	18" 46cm	18" 46cm	10" 25cm
68-209-61621	6'	Silver Gray	20 lbs 10kg	33" 84cm	18" 46cm	4" 10cm
68-209-6163	6'	Blue				
68-209-61623	6'	Pebble*				
68-209-61624	6'	Gray Granite*				
68-209-6182	8'	White				
68-209-6180	8'	Taupe	70 lbs 32kg	98" 249cm	20" 51cm	3" 8cm
68-209-61820	8'	Gray	22 lbs 10kg	18" 46cm	18" 46cm	10" 25cm
68-209-61821	8'	Silver Gray	33 lbs 15kg	41" 104cm	18" 46cm	4" 10cm
68-209-6183	8'	Marine Blue				
68-209-61823	8'	Pebble*				
68-209-61824	8'	Gray Granite*				

* Pebble kits come with Taupe springs. Gray Granite kits come with Rock Gray springs

Compatible with:



TrueTread® Board



Frontier III Board



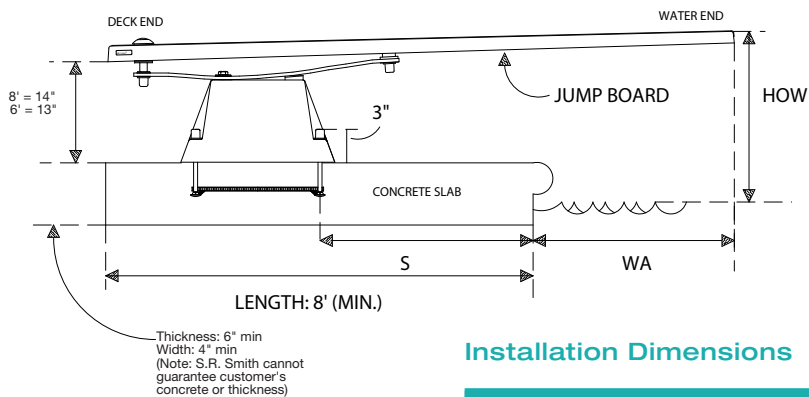
Glas-Hide Board

Supreme Jump Stand with Glas-Hide Board*

Part No.	Size	Color	Shipping (3 boxes, Class 70)			
			Weight	Length	Width	Height
68-209-2362	6'	White	57 lbs 26kg	74" 188cm	20" 51cm	3" 8cm
68-209-2363	6'	Blue w/ White Stand	22 lbs 10kg	18" 46cm	18" 46cm	10" 25cm
			20 lbs 10kg	33" 84cm	18" 46cm	4" 10cm
68-209-2382	8'	White	70 lbs 32kg	98" 249cm	20" 51cm	3" 8cm
68-209-2383	8'	Blue w/ White Stand	22 lbs 10kg	18" 46cm	18" 46cm	10" 25cm
			33 lbs 15kg	41" 104cm	18" 46cm	4" 10cm

*Not recommended for salt pools

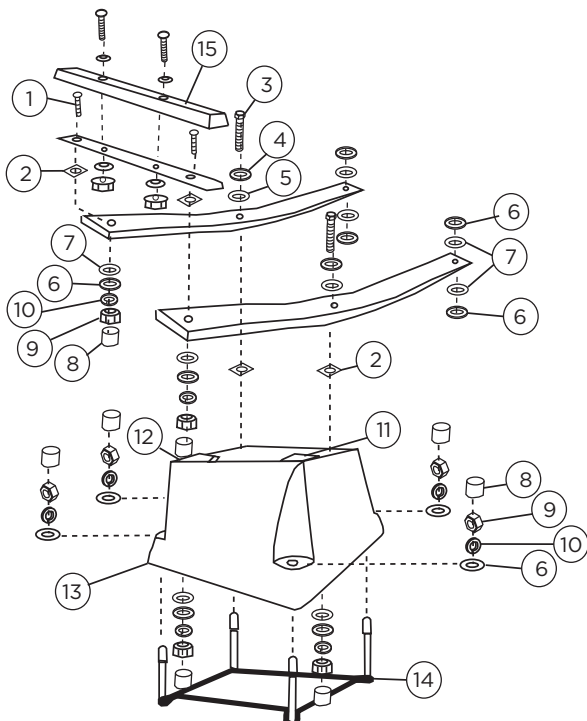
See page 26-27 for diving board part numbers.



Installation Dimensions

Diving Board Size	ANSI/NSPI-5 Pool Type	Distance for setting front bolt of jig from water's edge (S)**	Minimum overhang (WA)*	Maximum height of board above water (HOW)
6'	I	28-3/4"	18"	20"
	II	28-3/4"	18"	20"
	III	22-3/4"	24"	26"
	IV	16-3/4"	30"	30"
	V	10-3/4"	36"	40"
8'	III	42-1/2"	24"	26"
	IV	36-1/2"	30"	30"
	V	30-1/2"	36"	40"

*S and WA dimensions are valid only in conjunction with minimum depth at point A
**When coping is used do not set front bolts of jig closer than 3" from the back edge of the coping



Key	Part No.	Description	Kit A	Kit B	Kit C
A	69-209-017-SS	Supreme Stand Bolt Kit			
B	69-209-020-SS	Fulcrum Bolt Kit			
C	69-209-019-SS	606/608 Spring Bolt Kit			
1	05-31-170	1/2" x 1 1/2" Carriage Bolt		•	
2	05-630	5/8" x 2" Square Nylon Washer	•	•	
3	05-31-155	5/8" x 3" Hex Head Bolt	•		
4	05-31-158	5/8" x 1 3/4" Flat Washer		•	
5	05-631	5/8" x 1 3/4" Nylon Washer	•		
6	05-14-132	1/2" x 1 3/8" Flat Washer	•	•	•
7	05-616	1/2" x 1 1/2" Round Nylon Washer		•	•
8	05-618	1/2" Plastic Nut Cap	•	•	•
9	05-14-116	1/2" Hex Nut	•	•	•
10	05-14-115	1/2" Lock Washer	•	•	•
11	05-620L	Plastic Tab (Left)		•	
12	05-620R	Plastic Tab (Right)		•	
13	69-209-008 69-209-008-SNST 69-209-008-GG	Supreme Stand, White (jig included) Supreme Stand, Sandstone Supreme Stand, Gray Granite			
14	69-209-007-SS 69-209-007-SS-9 69-209-007-SS-10	Jig with 7" bolts Jig with 9" bolts Jig with 10" bolts			
15	04-605-SS	Fulcrum Assembly			
	69-209-026	606 Spring and Fulcrum			
	69-209-028	608 Spring and Fulcrum			

Cantilever (606/608) Stand



- Powder-coated for increased corrosion resistance
- 6' or 8' lengths
- Available in designer colors to match your pool slide and backyard décor
- Stainless steel hardware for added corrosion resistance
- Board has a matching non-slip sanded tread
- Salt Pool Jump System can be retrofitted on a Cantilever jig

Stand Colors



Board Colors



Due to printing technology actual color may differ.

Due to differences in material and textures, Gray Granite Diving Boards and Stands are not an exact color match to Gray Granite Slides. Please consult your S.R.Smith sales representative for more details.

All installations must comply with all applicable local and national codes and installation must be completed in accordance with S.R.Smith installation instructions.

Compatible with:



TrueTread® Board



Frontier III Board



Glas-Hide Board

See page 26-27 for diving board part numbers.

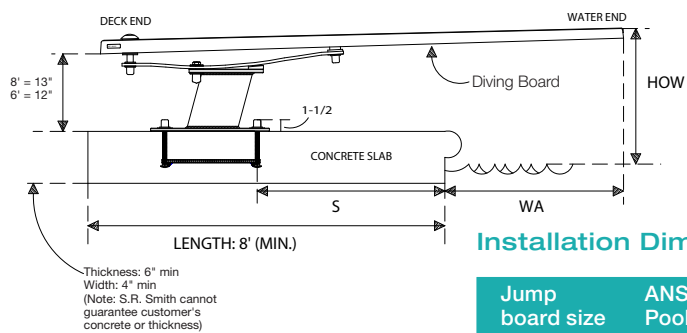
Cantilever Jump Stand with Frontier III Board

Part No.	Size	Color	Shipping (3 boxes, Class 70)			
			Weight	Length	Width	Height
68-210-59610	6'	Taupe	52 lbs 24kg	74" 188cm	20" 51cm	3" 8cm
68-209-5962	6'	White	60 lbs 27kg	16" 41cm	14" 36cm	12" 30cm
68-210-59623	6'	Pebble*	20 lbs 10kg	33" 84cm	18" 46cm	4" 10cm
68-210-59624	6'	Gray Granite*	33 lbs 15kg	41" 104cm	18" 46cm	4" 10cm
68-210-596-SG	6'	Silver Gray	60 lbs 27kg	16" 41cm	14" 36cm	12" 30cm
68-210-59810	8'	Taupe	70 lbs 32kg	98" 249cm	20" 51cm	3" 8cm
68-209-5982	8'	White	60 lbs 27kg	16" 41cm	14" 36cm	12" 30cm
68-210-59823	8'	Pebble*	20 lbs 10kg	33" 84cm	18" 46cm	4" 10cm
68-210-59824	8'	Gray Granite*	33 lbs 15kg	41" 104cm	18" 46cm	4" 10cm
68-210-598-SG	8'	Silver Gray	60 lbs 27kg	16" 41cm	14" 36cm	12" 30cm

* Clear tread

Cantilever Jump Stand with Glas-Hide Board

Part No.	Size	Color	Shipping (3 boxes, Class 70)			
			Weight	Length	Width	Height
68-209-2062	6'	White	57 lbs 26kg	74" 188cm	20" 51cm	3" 8cm
68-209-2063	6'	Blue	60 lbs 27kg	16" 41cm	14" 36cm	12" 30cm
			20 lbs 10kg	33" 84cm	18" 46cm	4" 10cm
68-209-2082	8'	White	57 lbs 26kg	98" 249cm	20" 51cm	3" 8cm
68-209-2083	8'	Blue	60 lbs 27kg	16" 41cm	14" 36cm	12" 30cm
			20 lbs 10kg	41" 104cm	18" 46cm	4" 10cm

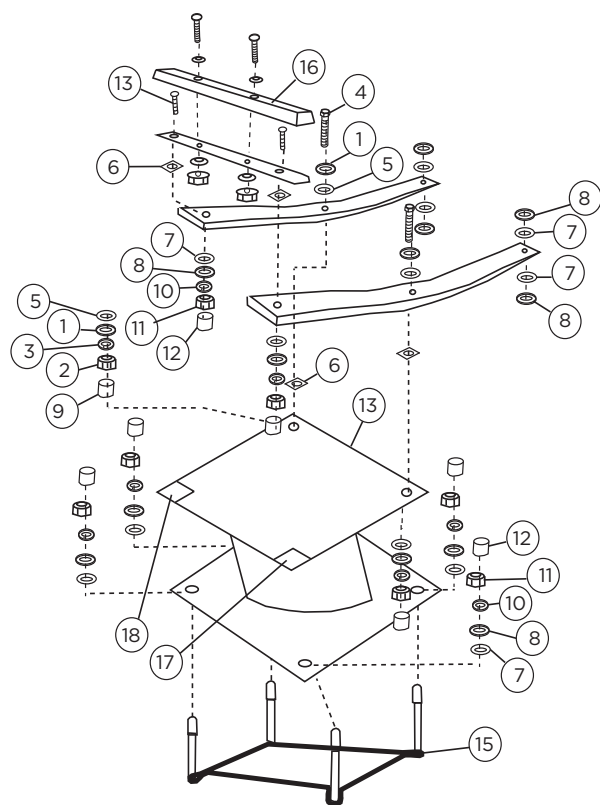


Installation Dimensions

Jump board size	ANSI/NSPI-5 Pool Type	Distance for setting front bolt of jig from water's edge (S)**	Minimum overhang (WA)*	Maximum height of board above water (HOW)
6'	I	32"	18"	20"
	II	32"	18"	20"
	III	26"	24"	26"
	IV	20"	30"	30"
	V	14"	36"	40"
8'	III	45"	24"	26"
	IV	39"	30"	30"
	V	33"	36"	40"

*S and WA dimensions are valid only in conjunction with minimum depth at point A

**When coping is used do not set front bolts of jig closer than 3" from the back edge of the coping



Key	Part No.	Description	Kit A	Kit B	Kit C
A	69-209-021-SS	Cantilever Stand Base Bolt Kit			
B	69-209-020-SS	Fulcrum Bolt Kit			
C	69-209-019-SS	606/608 Spring Bolt Kit			
1	05-31-158	5/8" Flat Washer			•
2	05-31-159	5/8" Hex Nut			•
3	05-31-157	5/8" Lock Washer			•
4	05-31-156	5/8" x 2 1/4" Hex Head Bolt			•
5	05-631	5/8" x 1 3/4" Nylon Washer			•
6	05-630	5/8" x 2" Square Nylon Washer		•	•
7	05-616	1/2" x 1 1/2" Round Nylon Washer	•	•	•
8	05-14-132	1/2" x 1 3/8" Flat Washer	•	•	•
9	05-600	5/8" White Rubber Nut Cap			•
10	05-14-115	1/2" Lock Washer	•	•	
11	05-14-116	1/2" Hex Nut	•	•	
12	05-618	1/2" White Rubber Nut Cap	•	•	
13	05-31-170	1/2" x 1 1/2" Carriage Bolt			•
14	69-209-001 69-209-001-RG 69-209-001-TP	Cantilever Stand, White (jig included) Stand, Rock Gray (jig included) Stand, Taupe (jig included)			
15	69-209-006-SS 69-209-010-SS 69-209-011-SS	Jig w/6" bolts Jig w/9" bolts Jig w/10" bolts			
16	04-605-SS	Assembled Fulcrum (no hardware)			
17	05-620L	Plastic Tab (left)		•	
18	05-620R	Plastic Tab (right)			•
	69-209-026 69-209-026-RG 69-209-026-TP	606 Spring Assembly, White 606 Spring Assembly, Rock Gray 606 Spring Assembly, Taupe			
	69-209-028 69-209-028-RG 69-209-028-TP	608 Spring Assembly, White 608 Spring Assembly, Rock Gray 608 Spring Assembly, Taupe			
	67-209-911-SS	Bolt Kit for diving board			

Frontier II Stand



The Frontier II is a high-value stand and board ideal for price-sensitive customers.

- Made of strong steel and powder-coated white for increased corrosion resistance
- 6' or 8' lengths
- Stand comes in white, with your choice of board color to match your pool slide and backyard décor
- Stainless steel hardware for added corrosion resistance
- Board has a matching non-slip sanded tread

Stand Color



WHITE

Board Colors



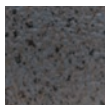
WHITE



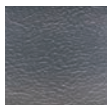
PEBBLE



TAUPE



GRAY GRANITE



GRAY



BLUE

Due to printing technology actual color may differ.

Due to differences in material and textures, Gray Granite Diving Boards and Stands are not an exact color match to Gray Granite Slides. Please consult your S.R.Smith sales representative for more details.

All installations must comply with all applicable local and national codes and installation must be completed in accordance with S.R.Smith installation instructions.

Frontier II Jump Stand with Frontier II Board*

TO HAVE MATCHING BOARD AND TREAD COLOR, ADD THE "T" TO PART NUMBER BELOW

Part No.	Size	Color	Shipping (2 boxes, Class 70)							
			Weight	Length	Width	Height				
68-209-586610	6'	Taupe	52 lbs 24kg	74" 188cm	20" 51cm	3" 8cm				
68-209-58662	6'	White								
68-209-586620	6'	Gray								
68-209-586621	6'	Silver Gray	27 lbs 12kg	34" 86cm	8" 20cm	8" 20cm				
68-209-58663	6'	Blue								
68-209-586623	6'	Pebble**	70 lbs 32kg	98" 249cm	20" 51cm	3" 8cm				
68-209-586624	6'	Gray Granite**								
68-209-586810	8'	Taupe								
68-209-58682	8'	White								
68-209-586820	8'	Gray								
68-209-58682	8'	Silver Gray					34 lbs 15kg	41" 104cm	9" 23cm	7" 18cm
68-209-58683	8'	Blue								
68-209-586823	8'	Pebble**								
68-209-586824	8'	Gray Granite**								

* Not recommended for salt pools or decks with pavers.

** Clear tread

Compatible with:

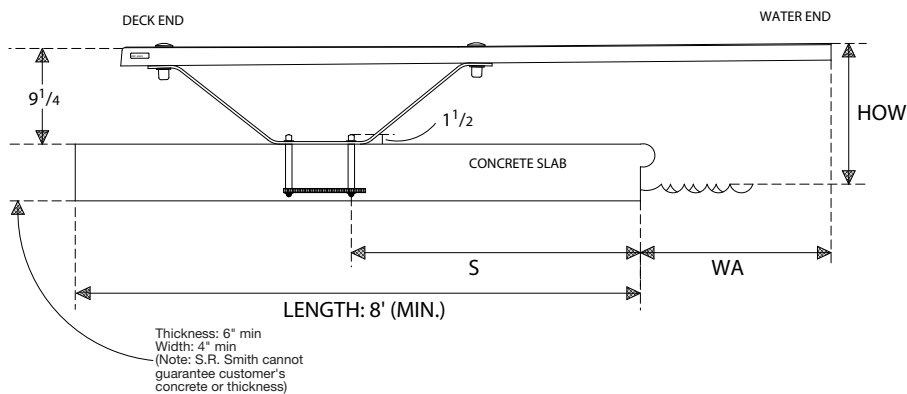


Frontier II Board

Frontier II Bases & Jig

Part No.	Size	Color	Shipping (Class 70)			
			Weight	Length	Width	Height
69-209-5866	6'	Spring Base only	26.5 lbs 12kg	34" 86cm	8" 20cm	8" 20cm
69-209-5888	8'	Spring Base only	34 lbs 15kg	41" 104cm	9" 23cm	7" 18cm
69-209-227-SS	Jig only (included with base)		3 lbs 1kg	7" 18cm	7" 18cm	7" 18cm

See page 26-27 for diving board part numbers.

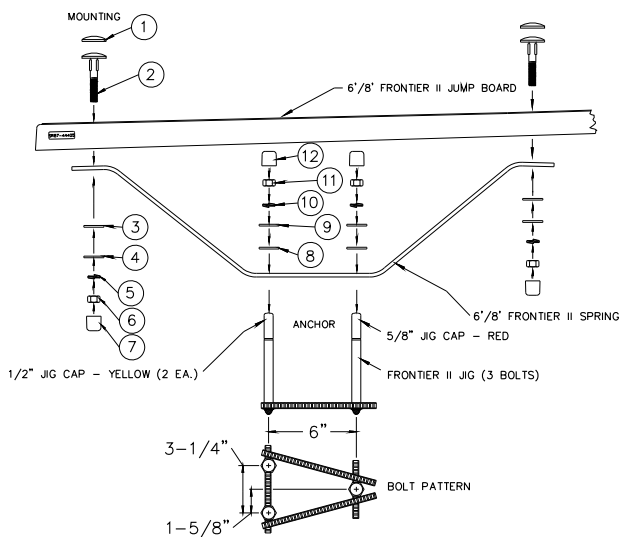


Installation Dimensions

Diving Board Size	ANSI/NSPI-5 Pool Type	Distance for setting front bolt of jig from water's edge (S)**	Minimum overhang (WA)*	Maximum height of board above water (HOW)
6'	I	26"	18"	20"
	II	26"	18"	20"
	III	20"	24"	26"
	IV	14"	30"	30"
8'	III	34"	24"	26"
	IV	28"	30"	30"
	V	22"	36"	40"

*S and WA dimensions are valid only in conjunction with minimum depth at point A

**When coping is used do not set front bolts of jig closer than 3" from the back edge of the coping



Key	Part No.	Description	Kit A	Kit B
A	69-209-032-SS	Frontier II Mounting Bolt Kit		
B	69-209-033-SS	Frontier II Spring Anchor Bolt Kit		
1		Step Bolt Head Cap, white rubber (3 ea.)	•	
2		1/2" x 3" Large Step Bolt, SS (3 ea.)	•	
3		1/2" x 1 1/2" Round Nylon Washer (3 ea.)	•	
4		1/2" x 1 3/8" Flat Washer, SS (3 ea.)	•	
5		1/2" Lock Washer, SS (3 ea.)	•	
6		1/2" Hex Nut, SS (3 ea.)	•	
7		1/2" White Plastic Nut Cap (3 ea.)	•	
8		5/8" x 1 3/4" Nylon Washer (3 ea.)	•	
9		5/8" x 1 3/4" Flat Washer, SS (3 ea.)		•
10		5/8" Lock Washer, SS (3 ea.)		•
11		5/8" Hex Nut, SS (3 ea.)		•
12		5/8" White Rubber Nut Cap (3 ea.)		•

U-Frame Stand



Stand Color



POLISHED STEEL

Due to printing technology actual color may differ.

All installations must comply with all applicable local and national codes and installation must be completed in accordance with S.R.Smith installation instructions.

The U-Frame stand is a great entry-level stand, ideal for price-sensitive users.

- Made of 1.90" OD, .049" or .065" wall, 304 or 316L stainless steel tubing, and includes a slip-on rubber fulcrum
- Choose from a variety of board colors to match your pool slide and backyard décor
- Pair with 6', 8', 10' or 12' boards

Stand Part No.	Description	Board Size	Shipping (Class 85)			
			Weight	Length	Width	Height
UF-12-100	12" U-Frame (.049)	6' or 8'	14 lbs 6kg	33" 84cm	25" 64cm	2" 5cm
UF-14-101	14" U-Frame (.049)	6' or 8'	16 lbs 7.2kg	33" 84cm	25" 64cm	2" 5cm
UF-18-101	18" U-Frame (.049)	6' or 8'	16 lbs 7.2kg	33" 84cm	25" 64cm	2" 5cm
UF-18-102	18" U-Frame (.065)	6' or 8'	18 lbs 8.1kg	34" 86cm	31" 79cm	2" 5cm
UF-24-103	24" U-Frame (.049)	10' or 12'	16 lbs 7.2kg	34" 86cm	31" 79cm	2" 5cm
UF-24-102	24" U-Frame (.065)	10' or 12'	19 lbs 8.6kg	34" 86cm	31" 79cm	2" 5cm

• For Marine Grade (316L), add -MG to part number

• Boards are sold separately

* Not recommended for salt pools

Compatible with:



TrueTread® Board



Fibre-Dive Board



Frontier III Board



Frontier IV Board* (8' only)

U-Frame with 8' Frontier IV Board*

The special U-Frame Stand, designed specifically for our Frontier IV board, is a great alternative to consider for pools with heavy diving traffic and more athletic pool users.

- The Frontier IV board comes in an 8' length
- Mounting bolts are on 11" centers
- Frontier IV comes in white, with a matching non-slip sanded tread for maximum safety
- Made of 1.90"OD, .109 wall tubing, 304 or 316L stainless steel tubing
- 400 lb. weight limit

Stand Part No.	Description	Board Size	Shipping (Class 85)			
			Weight	Length	Width	Height
UF-15-200	15" U-Frame only (.109)	8'	21 lbs 9kg	33" 84cm	25" 64cm	2" 5cm
68-209-1582	U-Frame with 8' Frontier IV board	8'	201 lbs 91kg	98" 249cm	20" 51cm	3" 8cm
				45" 114cm	17" 43cm	14" 36cm
66-209-4082	8' Frontier IV Board (board only)					

Notes:

• Weight limit 400 lbs.

* The Frontier IV board has 11" bolt centers and requires this SPECIAL U-Frame that will only work with this board

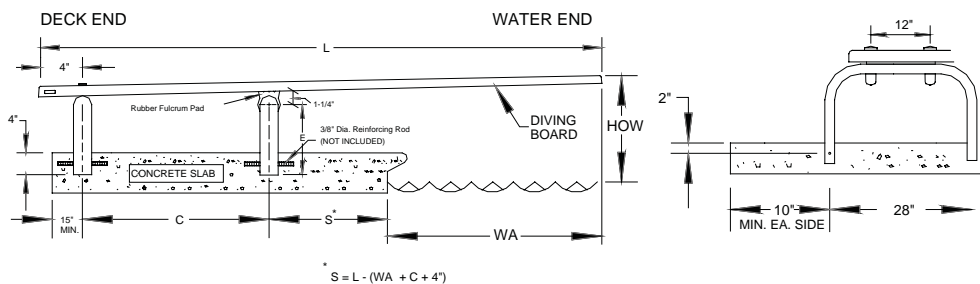


FC-100A

U-Frame Fulcrum Pad

- Heavy-duty rubber
- 20" long
- Accommodates 1.90" OD tubing

See page 26-27 for diving board part numbers.



$$S = L - (WA + C + 4")$$

Thickness: 6" min
 Width: 4" min
 Note: S.R.Smith cannot
 guarantee customer's concrete
 strength or thickness

Installation Dimensions

Residential Pools

Pool Type	Diving Board	Fulcrum Setting (C)	Actual Length (L)*	Max. board over water (HOW)	Minimum Overhang (WA)	Recommended U-Frame
I	6'	30" ±3"	70-1/2"	20"	18"	UF-12-100 or UF-18-101 or UF-18-102
II	8'	40" ±4"	94-1/2"	20"	18"	
III	10'	52" ±5"	118-1/2"	26"	24"	UF-24-102 or UF-24-103
IV	10'	52" ±5"	118-1/2"	30"	30"	
V	12'	62" ±6"	142-1/2"	40"	36"	

* Add 1 1/2" to L dimension for Aluminum Diving Boards

Commercial Pools

Pool Type	Diving Board Length	Fulcrum Setting (C)	Actual Length (L)*	Max. board height over water (HOW)	Minimum Overhang (L1**)
VI	10'	52" ±5"	118-1/2"	26" (2/3 Meter)	30"
VII	12'	62" ±6"	142-1/2"	30" (3/4 Meter)	36"
VIII	16'	86" ±6"	190-1/2"	1 Meter	48"
IX	16'	86" ±6"	190-1/2"	3 Meter	72"

* Add 1 1/2" to L dimension for Aluminum Diving Boards

** L1 dimension is valid only in conjunction with min. depth (D1) at point A for pool type
 (See ANSI/NSPI-1 2003 Figure 1 and Table 2)

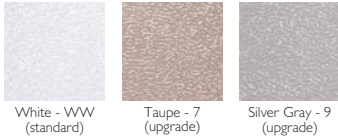
COMPLY WITH LOCAL GOVERNMENT REGULATIONS FOR PUBLIC SWIMMING POOLS
 IF THEY EXCEED THE ANSI/NSPI-1 STANDARD



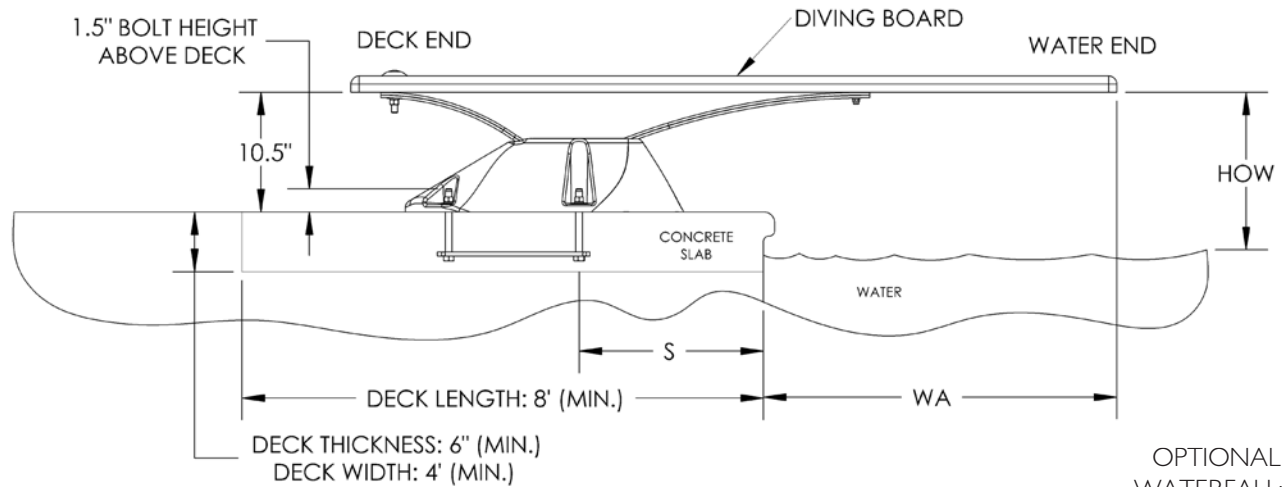
Edge Jump System

- Available in 6' or 8' Board Lengths
- Comes in several colors to match your outdoor decor
- Active Base - Spring Feature is Derived from Both Base & Board
- Durable & Long Lasting Acrylic & Fiberglass Construction with Advanced Composite Springs
- Optional board fall compatible with Board & Base
- Weight Limit: 300 lbs.
- Can be Used for Retrofit Applications with Existing 12" on Center Techni-Spring Steel Jigs or 606/608 12" Jig Bolt Pattern

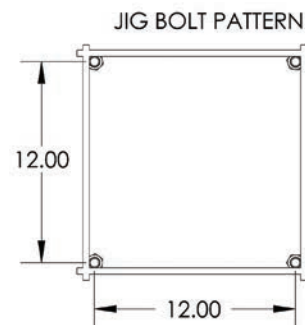
Edge Base Colors



Board Colors



OPTIONAL
WATERFALL:
BOARD FALL



Edge Board With Mounting Hardware

Part No.	Description
SHIPPING	6' Board: 49 Lbs 76" L X 19" W X 3" H 8' Board: 79 Lbs 98" L X 19" W X 3" H
EDGE6WW	6' Edge Board - White
EDGE6BW	6' Edge Board - Blue
EDGE6-7	6' Edge Board - Taupe
EDGE6-9	6' Edge Board - Silver Gray
EDGE8WW	8' Edge Board - White
EDGE8BW	8' Edge Board - Blue
EDGE8-7	8' Edge Board - Taupe
EDGE8-9	8' Edge Board - Silver Gray

Includes aquaboard with matching top tread and stainless steel hardware

Edge Springs With Mounting Hardware Compatible with 6' Or 8' Boards

Part No.	Description
SHIPPING	27 lbs 26" L x 18" W x 8" H
EDGE-SPRING	Spring Assembly - White
EDGE-SPRING-3	Spring Assembly - Taupe
EDGE-SPRING-9	Spring Assembly - Silver Gray

Spring assembly with spring to base and spring to board stainless steel hardware

Edge Base And Jig Compatible with 6' Or 8' Boards

Part No.	Description
SHIPPING	27 lbs 26" L x 18" W x 8" H
EDGE-BASE	Base And Jig - White
EDGE-BASE-7	Base And Jig - Taupe
EDGE-BASE-9	Base And Jig - Silver Gray

Edge Base and Jig Includes Stainless Steel Jig to Base Mounting Hardware

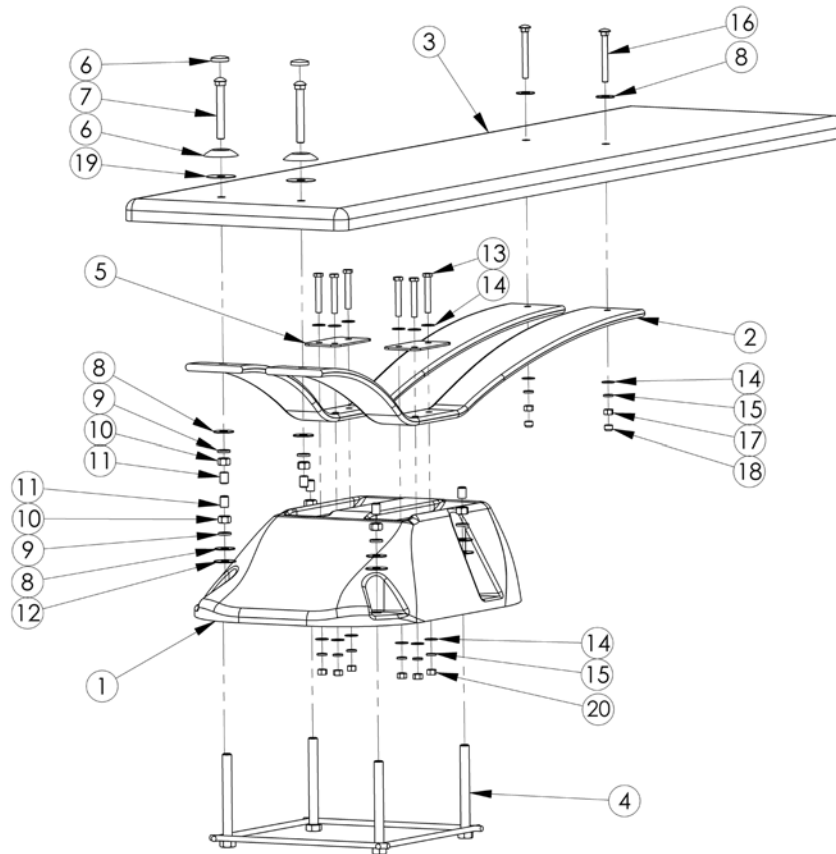
Edge Base Only - Compatible with 6' Or 8' Boards

Part No.	Description
SHIPPING	19 lbs 26" L x 18" W x 8" H
EDGE-BASE-NJ	BASE ONLY - White
EDGE-BASE-NJ-7	BASE ONLY - Taupe
EDGE-BASE-NJ-9	BASE ONLY - Silver Gray

Edge Base and Jig Includes Stainless Steel Jig to Base Mounting Hardware

Optional Waterfall Assembly Kit

Part No.	Description
SHIPPING	5 lbs 13" L x 12" W x 6" H
BOARD FALL	Includes: Board Fall, Mounting Hardware (4 Screws), 8' & 4" Of 1/2" Flex Pvc Pipe, 1-Union

Edge
Jump
System

Drawing represents the following part numbers:
EDGE-BASE
EDGE-SPRING
EDGE6WW

EDGE6WW diving board shown in exploded view for illustration purposes. Must be purchased separately. Protective Caps for bolts available in White only.

Key	Part No.	Description	Kits - Quantity Counts				
			T7-BK	EDGE-SP	EDGE-M	EDGE	
1	EDGE-BASE	Edge Diving Base				1	TS-BK:
2	EDGE-SPRING	Edge Spring				2	Base to Jig
3	EDGE-BOARD	Edge Diving Board				1	Mounting
4	TS-EDGE-J	Edge Jig				1	Hardware
5	Spring Pad (factory installed)	Edge Spring Pad				2	EDGE-SP:
6	H-WHT WAS/CAP	IFI White Washer Cap			2		Spring to Base
7	H-SS 1/2X13X4C	1/2" - 13 X 4" Carriage Bolt S.S.			2		Mounting
8	H-SS 1/2 F WASH	1/2" Flat Washer S.S.	4		4		Hardware
9	H-SS 1/2 LOC WA	1/2" Lock Washer S.S.	4		2		EDGE-M:
10	H-SS 1/2 H NUT	1/2" Hex Nut S.S.	4		2		Board to Springs
11	H-1-1/2 WHT CAP	.750 x 1-1/2" White UV Nut Cap	4		2		Mounting
12	H-1/2 NYLON WAS	1/2" Flat Nylon Washer	4				Hardware
13	H-SS 3/8-16X2-1/2	3/8" x 2 1/2" Hex Head Bolt S.S.		6			
14	H-SS 3/8 FLT WA	3/8" Flat Washer S.S.		12	2		
15	H-SS 3/8 LOC WA	3/8" Lock Washer S.S.		6	2		
16	H-SS 3/8X3-1/2C	3/8" x 3 1/2" Carriage Bolt S.S.			2		
17	H-SS 3/8 F NUT	3/8" Finish Hex Nut S.S.			2		
18	H-.531 X 1.00 CAP	.531 x 1.00 White Protective Cap			2		
19	H-1/2 BLK WASH	1/2" x 2" dia. Black Rubber Washer			2		
20	H-SS 3/8 NYLON	3/8" Nylon Insert Locknut		6			* not pictured
21*	H-ANTI-SEIZE	Packet of Anti Seize Lubricant (not shown)				1	

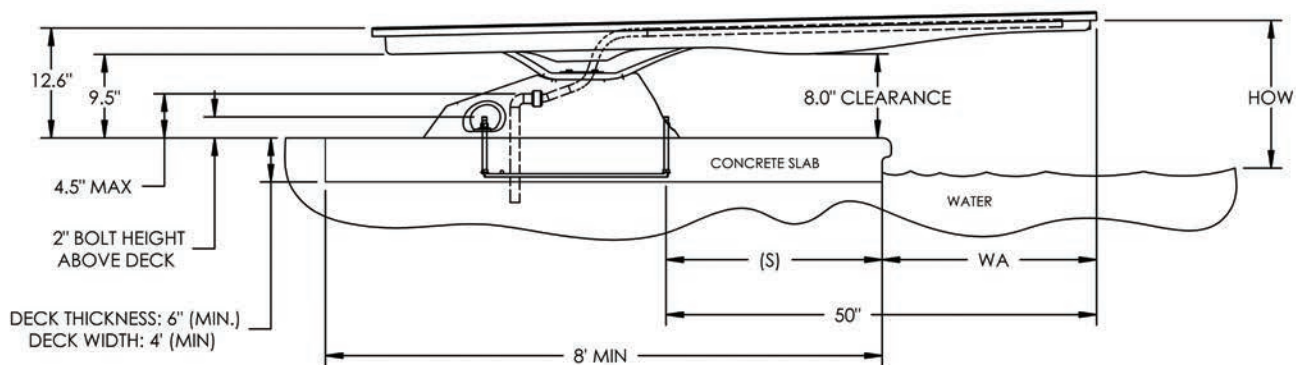


T7 Jump System

- Unique 7' Diving Board Can Be Installed on Type I – Type V Pools
- Durable, Long Lasting Fiberglass Construction with Advanced Composite Springs
- Advanced High-Tech RTM Manufacturing
- Optional Board Fall Compatible Base
- Weight Limit = 300 lbs.
- Variety of Earth Tones & Granite Colors Available
- Suitable for Use With Salt Systems
- Matching Products: Designed to match the Landscape Slide products or Destination Series In-Pool Furniture perfectly for a complete designer pool look.



COLOR OPTIONS



T7 Diving System - Complete Basic Setup

Complete system comes with Board, Spring, Base, Jig and all Stainless Steel Mounting Hardware. 300 lb Weight Limit

Part No.	Description
SHIPPING	Contact customer@srsmith.com
T7-N51-C	Complete Basic Setup - Tan
T7-N52-C	Complete Basic Setup - Gray
T7-N54-C	Complete Basic Setup - Mont Blanc
T7-N55-C	Complete Basic Setup - Pebble
T7-N56-C	Complete Basic Setup - Fashion Gray
T7-N57-C	Complete Basic Setup - Cappuccino
T7-N58-C	Complete Basic Setup - Autumn Sun
T7-N60-C	Complete Basic Setup - Starry Night
T7-N61-C	Complete Basic Setup - Seashell

T7 Diving System - Complete With Waterfall

Complete system comes with Board, Spring, Base, Jig, Waterfall Feature and all Stainless Steel Mounting Hardware. 300 lb Weight Limit

Part No.	Description
SHIPPING	Contact customer@srsmith.com
T7-NWBFAL-51-C	Complete With Waterfall - Tan
T7-NWBFAL-52-C	Complete With Waterfall - Gray
T7-NWBFAL-54-C	Complete With Waterfall - Mont Blanc
T7-NWBFAL-55-C	Complete With Waterfall - Pebble
T7-NWBFAL-56-C	Complete With Waterfall - Fashion Gray
T7-NWBFAL-57-C	Complete With Waterfall - Cappuccino
T7-NWBFAL-58-C	Complete With Waterfall - Autumn Sun
T7-NWBFAL-60-C	Complete With Waterfall - Starry Night
T7-NWBFAL-61-C	Complete With Waterfall - Seashell

T7 Sand Tread Board w/ Mounting Hardware

Comes with 7' Sand Tread Surface Board Only and Stainless Steel Hardware. 300 lb Weight Limit

Part No.	Description
SHIPPING	Contact customer@srsmith.com
T7 DB-51	Sand Tread Board And Springs - Tan
T7 DB-52	Sand Tread Board And Springs - Gray
T7 DB-54	Sand Tread Board And Springs - Mont Blanc
T7 DB-55	Sand Tread Board And Springs - Pebble
T7 DB-56	Sand Tread Board And Springs - Fashion Gray
T7 DB-57	Sand Tread Board And Springs - Cappuccino
T7 DB-58	Sand Tread Board And Springs - Autumn Sun
T7 DB-60	Sand Tread Board And Springs - Starry Night
T7 DB-61	Sand Tread Board And Springs - Seashell

T7 Springs (Pair) with Mounting Hardware

T7 Springs (pair) with Spring to Base Stainless Steel Hardware

Part No.	Description
SHIPPING	27 lbs 47" L x 7" W x 8" H
T7-NSPRING-3	Taupe (For Colors -51, -55, -57, -58 & -61)
T7-NSPRING-9	Gray (For Colors -52, -54, -56 & -60)

T7 Base and Jig With Mounting Hardware

T7 Base and Jig with Jig to Base Stainless Steel Hardware

Part No.	Description
SHIPPING	Contact customer@srsmith.com
T7-NBASE-51	T7 Base And Jig - Tan
T7-NBASE-52	T7 Base And Jig - Gray
T7-NBASE-54	T7 Base And Jig - Mont Blanc
T7-NBASE-55	T7 Base And Jig - Pebble
T7-NBASE-56	T7 Base And Jig - Fashion Gray
T7-NBASE-57	T7 Base And Jig - Cappuccino
T7-NBASE-58	T7 Base And Jig - Autumn Sun
T7-NBASE-60	T7 Base And Jig - Starry Night
T7-NBASE-61	T7 Base And Jig - Seashell

T7 Base With Mounting Hardware - No Jig

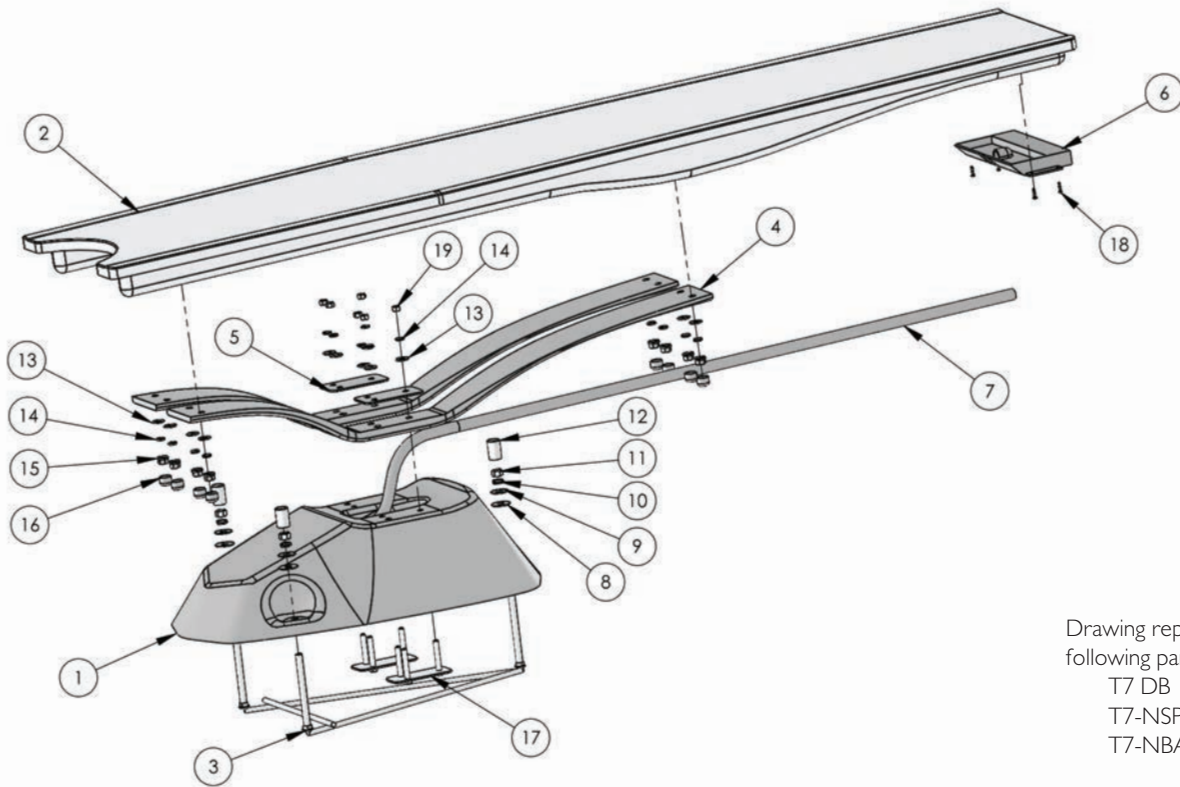
T7 Base with Stainless Steel Mounting Hardware without Jig

Part No.	Description
SHIPPING	Contact customer@srsmith.com
T7-NBASE-51-NJ	T7 BASE - TAN
T7-NBASE-52-NJ	T7 BASE - GRAY
T7-NBASE-54-NJ	T7 BASE - MONT BLANC
T7-NBASE-55-NJ	T7 BASE - PEBBLE
T7-NBASE-56-NJ	T7 BASE - FASHION GRAY
T7-NBASE-57-NJ	T7 BASE - CAPPUCCINO
T7-NBASE-58-NJ	T7 BASE - AUTUMN SUN
T7-NBASE-60-NJ	T7 BASE - STARRY NIGHT
T7-NBASE-61	T7 BASE - SEASHELL

Optional Waterfall Assembly Kit

Part No.	Description
SHIPPING	5 lbs 13" L x 12" W x 6" H
BOARD FALL	Includes: Board Fall, Mounting Hardware (4 Screws), 8' & 4" Of 1/2" Flex Pvc Pipe, 1-Union

T7 Jump System



Drawing represents the following part numbers:
 T7-DB
 T7-NSPRING
 T7-NBASE

The T7 diving board, base, and springs must be used together and cannot be used separately in any other configuration. Protective Caps for bolts available in White only.

Key	Part No.	Description	Kits - Quantity Counts			
			T7-NBK	T7-102-SS	T7-NSPW	T7
1*	T7-NBASE-(Color Code)	No Step T7 Base				1
2	T7-DB-(Color Code)	7' T7 Diving Board				1
3	T7-NJIG	3 Bolt T7 No Step Base Jig				1
4	T7-NSPRING-(Color)	T7 Nbase Springs (Pair)				1
5	SPRING PAD (Factory Installed)	T7 Nspring Pad				2
6**	BOARD FALL	Optional Waterfall Assembly				1
7**	H-1/2 SPA HOSE	1/2" Pvc Flex Spa Hose Gray				1
8	H-1/2 NYLON WAS	1/2" Flat Nylon Washer	3			
9	H-SS 1/2 F WAS	1/2" SS Flat Washer	3			
10	H-SS 1/2 LOC WA	1/2" SS Lock Washer	3			
11	H-SS 1/2 H NUT	1/2" SS Hex Nut	3			
12	H-1-1/2 WHT CAP	.750 X 1-1/2 White Uv Nut Cap	3			
13	H-SS 3/8 FLT WA	3/8" SS Flat Washer		8	6	
14	H-SS 3/8 LOC WA	3/8" SS Lock Washer		8	6	
15	H-SS 3/8 F NUT	3/8" SS Finish Hex Nut		8		
16	H-.562 X .390 CAP	.553 X 1/2" Gray Protective Cap		8		
17	T7-NSPW	Stud Plate			2	
18**	H-SS #8 X 3/4	SS 8 X 3/4" Pan Head Phillips Screw				4
19*	H-SS 3/8 NYLON	3/8" Nylon Insert Lock Nut			6	
20*	H-ANTI-SEIZE	Packet of Anti Seize Lubricant (Not Shown)		1	1	

* not pictured

** OPTIONAL WATERFALL FEATURE SOLD SEPARATELY

NOTES:

Part #T7-NBASE comes WITH jig (#3).

Residential Board Part Numbers

All part numbers shown are for a diving board with a white tread, unless noted.

TO ORDER A DIVING BOARD WITH A MATCHING TREAD, ADD A "T" AT THE END OF THE PART NUMBER.



Fibre-Dive Boards (2-hole)

Weight Limit = 250 lbs.

Part Number	Board Size	Color	Shipping: (Class 70)	Weight	Length	Width	Height
66-209-266S2-1	6'	White		36 lbs 16kg	74" 188cm	20" 51cm	3" 8cm
66-209-266S3-1	6'	Blue		36 lbs 16kg	74" 188cm	20" 51cm	3" 8cm
66-209-266S10	6'	Taupe		36 lbs 16kg	74" 188cm	20" 51cm	3" 8cm
66-209-266S20	6'	Pewter Gray		36 lbs 16kg	74" 188cm	20" 51cm	3" 8cm
66-209-266S23	6'	Pebble w/clear tread		36 lbs 16kg	74" 188cm	20" 51cm	3" 8cm
66-209-266S24	6'	Gray Granite w/clear tread		36 lbs 16kg	74" 188cm	20" 51cm	3" 8cm
66-209-268S2-1	8'	White		59 lbs 27kg	98" 249cm	20" 51cm	3" 8cm
66-209-268S3-1	8'	Blue		59 lbs 27kg	98" 249cm	20" 51cm	3" 8cm
66-209-268S10	8'	Taupe		59 lbs 27kg	98" 249cm	20" 51cm	3" 8cm
66-209-268S20	8'	Pewter Gray		59 lbs 27kg	98" 249cm	20" 51cm	3" 8cm
66-209-268S23	8'	Pebble w/clear tread		59 lbs 27kg	98" 249cm	20" 51cm	3" 8cm
66-209-268S24	8'	Gray Granite w/clear tread		59 lbs 27kg	98" 249cm	20" 51cm	3" 8cm
66-209-270S2-1	10'	White		75 lbs 34kg	122" 310cm	20" 51cm	3" 8cm
66-209-270S3-1	10'	Blue		75 lbs 34kg	122" 310cm	20" 51cm	3" 8cm
66-209-270S10	10'	Taupe		75 lbs 34kg	122" 310cm	20" 51cm	3" 8cm
66-209-270S20	10'	Pewter Gray		75 lbs 34kg	122" 310cm	20" 51cm	3" 8cm

Frontier II Boards (3-hole)

Weight Limit = 250 lbs.

Part Number	Board Size	Color	Shipping: (Class 70)	Weight	Length	Width	Height
66-209-586S2	6'	White		52 lbs 24kg	74" 188cm	20" 51cm	3" 8cm
66-209-586S3	6'	Blue		52 lbs 24kg	74" 188cm	20" 51cm	3" 8cm
66-209-586S10	6'	Taupe		52 lbs 24kg	74" 188cm	20" 51cm	3" 8cm
66-209-586S20	6'	Pewter Gray		52 lbs 24kg	74" 188cm	20" 51cm	3" 8cm
66-209-586S23	6'	Pebble w/clear tread		52 lbs 24kg	74" 188cm	20" 51cm	3" 8cm
66-209-586S24	6'	Gray Granite w/clear tread		52 lbs 24kg	74" 188cm	20" 51cm	3" 8cm
66-209-588S2	8'	White		70 lbs 32kg	98" 249cm	20" 51cm	3" 8cm
66-209-588S3	8'	Blue		70 lbs 32kg	98" 249cm	20" 51cm	3" 8cm
66-209-588S10	8'	Taupe		70 lbs 32kg	98" 249cm	20" 51cm	3" 8cm
66-209-588S20	8'	Pewter Gray		70 lbs 32kg	98" 249cm	20" 51cm	3" 8cm
66-209-588S23	8'	Pebble w/clear tread		70 lbs 32kg	98" 249cm	20" 51cm	3" 8cm
66-209-588S24	8'	Gray Granite w/clear tread		70 lbs 32kg	98" 249cm	20" 51cm	3" 8cm

NOTE: If replacing a board you must replace the fulcrum pad. Failure to do so will void warranty.

* Due to differences in material and textures, Gray Granite Diving Boards and Stands are not an exact color match to Gray Granite Slides. Please consult your S.R.Smith sales representative for more details.



Frontier III Boards (2-hole)

Weight Limit = 250 lbs.

Part Number	Board Size	Color	Shipping: (Class 70)	Weight	Length	Width	Height
66-209-596S2	6'	White		52 lbs 24kg	74" 188cm	20" 51cm	3" 8cm
66-209-596S3	6'	Blue		52 lbs 24kg	74" 188cm	20" 51cm	3" 8cm
66-209-596S10	6'	Taupe		52 lbs 24kg	74" 188cm	20" 51cm	3" 8cm
66-209-596S20	6'	Gray		52 lbs 24kg	74" 188cm	20" 51cm	3" 8cm
66-209-596S21	6'	Silver Gray		52 lbs 24kg	74" 188cm	20" 51cm	3" 8cm
66-209-596S23	6'	Pebble w/clear tread		52 lbs 24kg	74" 188cm	20" 51cm	3" 8cm
66-209-596S24	6'	Gray Granite w/clear tread		52 lbs 24kg	74" 188cm	20" 51cm	3" 8cm
66-209-598S2	8'	White		70 lbs 32kg	98" 249cm	20" 51cm	3" 8cm
66-209-598S3	8'	Blue		70 lbs 32kg	98" 249cm	20" 51cm	3" 8cm
66-209-598S10	8'	Taupe		70 lbs 32kg	98" 249cm	20" 51cm	3" 8cm
66-209-598S20	8'	Gray		70 lbs 32kg	98" 249cm	20" 51cm	3" 8cm
66-209-598S21	8'	Silver Gray		70 lbs 32kg	98" 249cm	20" 51cm	3" 8cm
66-209-598S23	8'	Pebble w/clear tread		70 lbs 32kg	98" 249cm	20" 51cm	3" 8cm
66-209-598S24	8'	Gray Granite w/clear tread		70 lbs 32kg	98" 249cm	20" 51cm	3" 8cm
66-209-600S2	10'	White		85 lbs 38kg	122" 310cm	20" 51cm	3" 8cm
66-209-600S3	10'	Blue		85 lbs 38kg	122" 310cm	20" 51cm	3" 8cm
66-209-600S10	10'	Taupe		85 lbs 38kg	122" 310cm	20" 51cm	3" 8cm
66-209-600S20	10'	Gray		85 lbs 38kg	122" 310cm	20" 51cm	3" 8cm
66-209-600S21	10'	Silver Gray		85 lbs 38kg	122" 310cm	20" 51cm	3" 8cm



Frontier IV Boards* (2-hole)

Weight Limit = 400 lbs.

Part Number	Board Size	Color	Shipping: (Class 70)	Weight	Length	Width	Height
66-209-4082	8'	White		83 lbs 38kg	98" 249cm	20" 51cm	3" 8cm

*Frontier IV board requires a special stand - see page 18



Glas-Hide Boards (2-hole)

Weight Limit = 250 lbs.

Part Number	Board Size	Color	Shipping: (Class 70)	Weight	Length	Width	Height
66-209-206S2-1	6'	White		57 lbs 26kg	74" 188cm	20" 51cm	3" 8cm
66-209-206S3-1	6'	Blue		57 lbs 26kg	74" 188cm	20" 51cm	3" 8cm
66-209-208S2-1	8'	White		75 lbs 34kg	98" 249cm	20" 51cm	3" 8cm
66-209-208S3-1	8'	Blue		75 lbs 34kg	98" 249cm	20" 51cm	3" 8cm
66-209-210S2-1	10'	White		95 lbs 43kg	122" 310cm	20" 51cm	3" 8cm
66-209-210S3-1	10'	Blue		95 lbs 43kg	122" 310cm	20" 51cm	3" 8cm

Mounting Kits

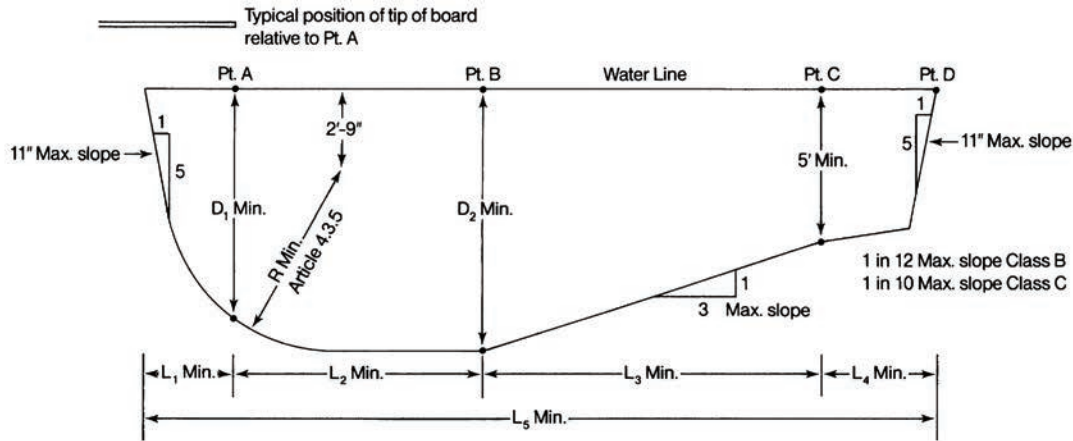
- 67-209-911-SS Residential Board - White
- 67-209-911-SS-PG Residential Board - Gray
- 67-209-911-SS-TP Residential Board - Taupe
- 69-209-032-SS Frontier II Board
- 67-209-913-SS Frontier IV Board
- 67-209-909-SS Bolt Kit, residential with (5) 5.5" bolts
- 67-209-910-SS Bolt Kit, residential with (5) 5" bolts

NOTE: If replacing a board you must replace the fulcrum pad. Failure to do so will void warranty.

* Due to differences in material and textures, Gray Granite Diving Boards and Stands are not an exact color match to Gray Granite Slides. Please consult your S.R.Smith sales representative for more details.

ANSI/APSP/ICC-1 2014 Standard for Public Swimming Pools

Minimum Diving Water Envelope



Notes:

- L_4 is a minimum dimension to allow sufficient length opposite the board
- This may of course be lengthened to form the shallow portion of the pool

Pool Type	Minimum Dimensions								Min. Width of Pool at:		
	D1	D2	R	L1	L2	L3	L4	L5	PT. A	PT. B	PT. C
VI	7'-0"	8'-6"	5'-6"	2'-6"	8'-0"	10'-6"	7'-0"	28'-0"	16'-0"	18'-0"	18'-0"
VII	7'-6"	9'-0"	6'-0"	3'-0"	9'-0"	12'-0"	4'-0"	28'-0"	18'-0"	20'-0"	20'-0"
VIII	8'-6"	10'-0"	7'-0"	4'-0"	10'-0"	15'-0"	2'-0"	31'-0"	20'-0"	22'-0"	22'-0"
IX	11'-0"	12'-0"	8'-6"	6'-0"	10'-6"	21'-0"	0	37'-6"	22'-0"	24'-0"	24'-0"

Notes:

- L_2 , L_3 , and L_4 combined represent the minimum distance from the tip of board to pool wall opposite diving equipment
- For board heights exceeding 3 meters see Article 4.5.2

S.R.Smith Public Pool Specifications

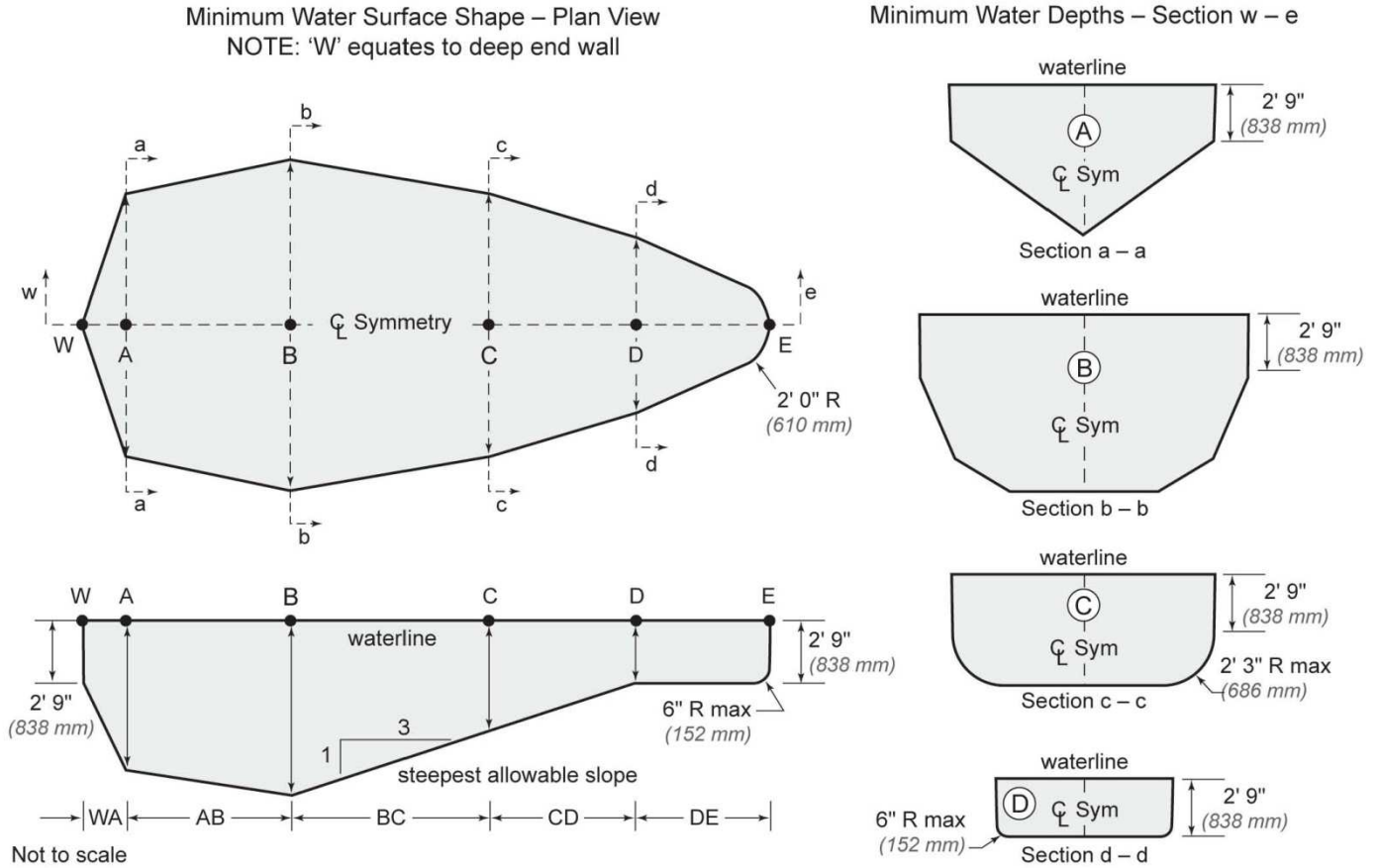
Pool Type	Maximum diving board length	Maximum board height over water (L1)
VI	10'	(2/3 Meter) 26"
VII	12'	(3/4 Meter) 30"
VIII	16'	1 Meter
IX	16'	3 Meter

Note: Placement of boards shall observe the following minimum dimensions. With multiple board installations minimum pool widths must be increased accordingly

Deck Level Board to Pool Side	8'
1 Meter Board to Pool Side	10'
3 Meter Board to Pool Side	11'
1 Meter or Deck Level Board to 3 Meter Board	10'
1 Meter or Deck Level to another 1 Meter or Deck Level Board	8'
3 Meter to another 3 Meter Board	10'

ANSI/APSP/ICC-5 2011 Standard for Residential Inground Swimming Pools

Figure 3 Minimum diving water envelope



Pool Types	Minimum Depths at Point				Minimum Widths at Point				Minimum Lengths between Points					
	A	B	C	D	A	B	C	D	WA	AB	BC	CD	DE	WE
0	Manufactured diving equipment is prohibited													
1	6' 0" (1.82 m)	7' 6" (2.29 m)	5' 0" (1.52 m)	2' 9" (838 mm)	10' 0" (3.05 m)	12' 0" (3.66 m)	10' 0" (3.05 m)	8' 0" (2.44 m)	1' 6" (457 mm)	7' 0" (2.13 m)	7' 6" (2.29 m)	Varies	6' 0" (1.82 m)	28' 9" (8.76 m)
2	6' 0" (1.82 m)	7' 6" (2.29 m)	5' 0" (1.52 m)	2' 9" (838 mm)	12' 0" (3.66 m)	15' 0" (4.57 m)	12' 0" (3.66 m)	8' 0" (2.44 m)	1' 6" (457 mm)	7' 0" (2.13 m)	7' 6" (2.29 m)	Varies	6' 0" (1.82 m)	28' 9" (8.76 m)
3	6' 10" (2.08 m)	8' 0" (2.44 m)	5' 0" (1.52 m)	2' 9" (838 mm)	12' 0" (3.66 m)	15' 0" (4.57 m)	12' 0" (3.66 m)	8' 0" (2.44 m)	2' 0" (610 mm)	7' 6" (2.29 m)	9' 0" (2.74 m)	Varies	6' 0" (1.82 m)	31' 3" (9.53 m)
4	7' 8" (2.34 m)	8' 6" (2.59 m)	5' 0" (1.52 m)	2' 9" (838 mm)	15' 0" (4.57 m)	18' 0" (5.49 m)	15' 0" (4.57 m)	9' 0" (2.74 m)	2' 6" (762 mm)	8' 0" (2.44 m)	10' 6" (3.20 m)	Varies	6' 0" (1.82 m)	33' 9" (10.3 m)
5	8' 6" (2.59 m)	9' 0" (2.74 m)	5' 0" (1.52 m)	2' 9" (838 mm)	15' 0" (4.57 m)	18' 0" (5.49 m)	15' 0" (4.57 m)	9' 0" (2.74 m)	3' 0" (914 mm)	9' 0" (2.74 m)	12' 0" (3.66 m)	Varies	6' 0" (1.82 m)	36' 9" (11.2 m)

NOTES

1. Minimum length between points CD may vary based upon water depth at point D and the slope between points C and D.
2. Drawings are not to scale.
3. Negative construction tolerances (see para. 5.1.1) shall not be applied to any of the dimensions shown in the Minimum Water Envelopes given in Table 1.
4. Pool types designate minimum water envelope sizes as specified by the diving board manufacturers.

POOL TYPE		BOARD LENGTH					
		Pool Type 0	Pool Type I	Pool Type II	Pool Type III	Pool Type IV	Pool Type V
STAND MODEL	606/608 Cantilever (steel)	DIVING EQUIPMENT IS PROHIBITED	6'	6'	6', 8'	6', 8'	6', 8'
	Edge		6'	6'	6', 8'	6', 8'	6', 8'
	656/658 Supreme (fiberglass)		6'	6'	6', 8'	6', 8'	6', 8'
	Salt Pool Jump Stand		6'	6'	6', 8'	6', 8'	6', 8'
	Frontier II		6'	6'	6', 8'	6', 8'	6', 8'
	T-7		6'	6', 8'	6', 8', 10'	6', 8', 10'	6', 8', 10', 12'
	U-Frame		7'	7'	7'	7'	7'

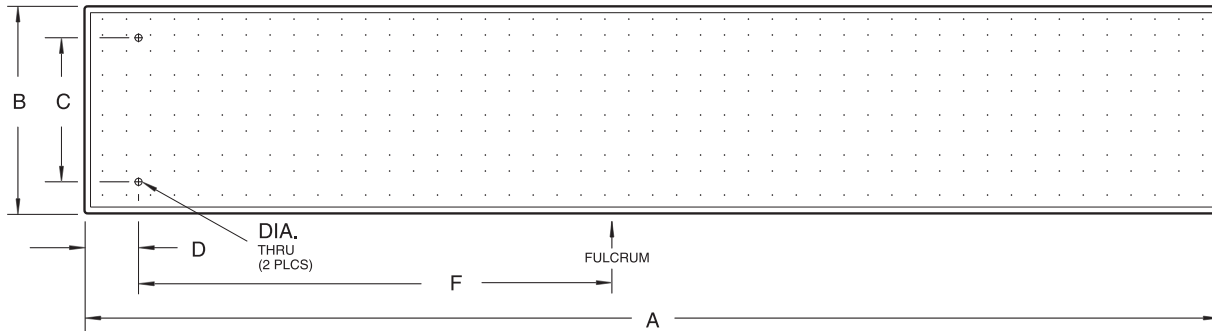
S.R.SMITH RESIDENTIAL POOL MINIMUM SPECIFICATIONS

POOL TYPE	MAX. DIVING BOARD LENGTH	MAX. HEIGHT OVER WATER AT POINT A	CROSS SECTIONAL DIMENSIONS AT POINT A		CROSS SECTIONAL DIMENSIONS AT POINT B						MIN. HEAD ROOM ABOVE DIVING SURFACES
	DIVING BOARD LENGTH		HOW**	F	G	H	J	K	L	M	
0	DIVING EQUIPMENT PROHIBITED										
I	6' DB / 6' JB / 7' T7	20"	2'-9"	5'-0"	4'-0"	7'-2.5"	7'-6"	6'-0"	3'-9"	2'-1.5"	12'
II	8' DB / 6' JB / 7' T7	20"	2'-9"	3'-10"	4'-2"	7'-2.5"	7'-6"	6'-8"	3'-9"	2'-1.5"	12'
III	10' DB / 8' JB / 7' T7	26"	2'-9"	4'-4.75"	4'-4.5"	7'-5.5"	8'-0"	6'-7"	3'-11.5"	1'-7.5"	13'
IV	10' DB / 8' JB / 7' T7	30"	2'-9"	5'-10.5"	3'-10"	7'-8"	8'-6"	8'-3"	5'-7"	2'-7"	13'
V	12' DB / 8' JB / 7' T7	40"	2'-9"	6'-2"	3'-11.5"	7'-9.5"	9'-0"	8'-2.5"	5'-9"	2'-7"	14'

*Min. length between points CD may vary based upon water depth at point D and the slope between points C & D
 ABBREVIATIONS: DB=Diving Board; JB=Jump Board; **HOW=Height Over Water

Board Identification Guide

TWO-HOLE DIVING BOARD DIMENSIONS



CURRENT RESIDENTIAL DIVING BOARDS

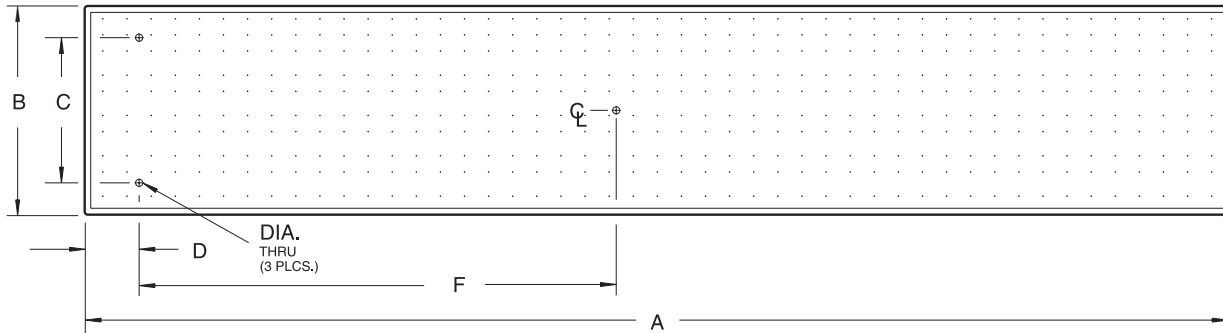
MODEL	A	B	C	D	F	DIA
6' Frontier III (10" Centers)	70.50"	17.25"	10.00"	4.00"	30.00"	19/32"
6' Fibre-Dive & Glas-Hide	70.50"	17.25"	12.00"	4.00"	30.00"	19/32"
8' Fibre-Dive & Glas-Hide	94.50"	17.25"	12.00"	4.00"	40.00"	19/32"
10' Fibre-Dive & Glas-Hide	118.50"	17.25"	12.00"	4.00"	52.00"	19/32"
6' Frontier III	70.50"	17.25"	12.00"	4.00"	30.00"	19/32"
8' Frontier III	94.50"	17.25"	12.00"	4.00"	40.00"	19/32"
10' Frontier III	118.50"	17.25"	12.00"	4.00"	52.00"	19/32"
FRONTIER III	12'	17.25"	12.00"	4.00"	62.00"	19/32"
8' Frontier IV	94.50"	17.25"	11.00"	4.00"	40.00"	19/32"
T7	83.75"	18.75"	8.75"	7.9"	42.35"	19/32"
6' Edge	70.25"	17.25"	6.31"	4.00"	42.50"	.625"
8' Edge	94.00"	17.25"	6.31"	9.00"	42.50"	.625"

OBSOLETE DIVING BOARDS

MODEL	A	B	C	D	F	DIA
AB-6F	6'	16.00"	10.00"	3.00"	N/A	N/A
AB-8	8'	18.00"	12.00"	4.00"	N/A	N/A
AB-10	10'	18.00"	12.00"	4.00"	N/A	N/A
DB6 Duro-Beam	70.25"	17.25"	12.00"	4.00"	30.00"	19/32"
DB8 Duro-Beam	94.00"	17.25"	12.00"	4.00"	40.00"	19/32"
DB10 Duro-Beam	117.50"	17.25"	12.00"	4.00"	52.00"	19/32"
TB6 Techni-Beam	70.25"	17.25"	12.00"	4.00"	30.00"	19/32"
TB8 Techni-Beam	94.00"	17.25"	12.00"	4.00"	42.00"	19/32"
TB10 Techni-Beam	117.50"	17.25"	12.00"	4.00"	50.00"	19/32"
TB12 Techni-Beam	142.00"	17.25"	12.00"	4.00"	62.00"	19/32"
OLY6	70.25"	17.25"	12.00"	4.00"	30.00"	19/32"
OLY8	94.00"	17.25"	12.00"	4.00"	42.00"	19/32"
OLY10	117.50"	17.25"	12.00"	4.00"	50.00"	19/32"

Board Identification Guide

THREE-HOLE JUMP BOARD DIMENSIONS



CURRENT RESIDENTIAL JUMP BOARDS

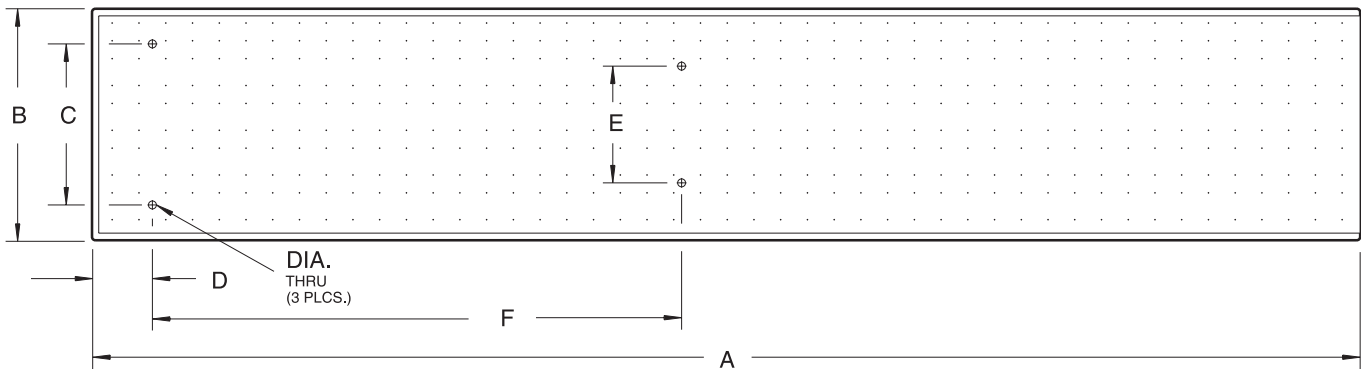
MODEL	A	B	C	D	F	DIA
6' ANTHONY	70.25"	17.25"	12.00"	3.25"	20.50"	19/32"
6' FRONTIER II	70.50"	17.25"	4.50"	8.00"	30.00"	19/32"
8' FRONTIER II	94.50"	17.25"	4.50"	14.00"	36.00"	19/32"
8' ANTHONY	94.50"	17.25"	12.00"	3.25"	30.50"	19/32"

OBSOLETE JUMP BOARDS

MODEL	A	B	C	D	F	DIA
6' Frontier	70.50"	17.25"	12.00"	12.00"	18.00"	19/32"
8' Frontier	94.50"	17.25"	12.00"	12.00"	30.00"	19/32"
ASB-40-3-1	4.50'	16.00"	4.50"	3.50"	27.00"	N/A
ASB-60-3-1	6'	16.00"	4.50"	8.00"	30.00"	N/A
ASB-80-3-1	8'	18.00"	4.50"	14.50"	36.00"	N/A
ACB-4	4'	16.00"	4.50"	4.50"	16.00"	N/A
ACB-6	6'	16.00"	4.50"	8.00"	30.00"	N/A
ACB-8	8'	18.00"	4.50"	14.50"	36.00"	N/A
ACB-50M-4	4'	16.00"	10.00"	3.00"	16.00"	N/A
ACB-50M-6	6'	16.00"	10.00"	4.00"	30.00"	N/A
ACB-50M-8	8'	18.00"	10.00"	4.00"	36.00"	N/A
KKJ-40/50M-4	4'	16.00"	12.00"	4.00"	16.00"	N/A
KKJ-40/50M-6	6'	16.00"	12.00"	12.00"	15.00"	N/A
KKJ-50M-8	8'	18.00"	12.00"	12.00"	29.50"	N/A
6' Marine	6'	16.00"	12.00"	12.00"	15.00"	N/A
8' Marine	8'	18.00"	12.00"	12.00"	29.50"	N/A
6' Continental Single Spring	6'	16.00"	12.00"	12.00"	15.00"	N/A
8' Continental Single Spring	8'	18.00"	12.00"	12.00"	29.50"	N/A
6' DBS Single Spring	6'	16.00"	12.00"	12.00"	15.00"	N/A
8' DBS Single Spring	8'	18.00"	12.00"	12.00"	29.50"	N/A
6' Anthony Single Spring	6'	16.00"	12.00"	6.00"	20.50"	N/A
8' Anthony Single Spring	8'	18.00"	12.00"	6.00"	30.50"	N/A
DS6 Duro-Spring	70.25"	17.25"	4.50"	8.00"	30.00"	N/A
DS8 Duro-Spring	94.00"	17.25"	4.50"	8.00"	36.00"	N/A

Board Identification Guide

FOUR-HOLE JUMP BOARD DIMENSIONS



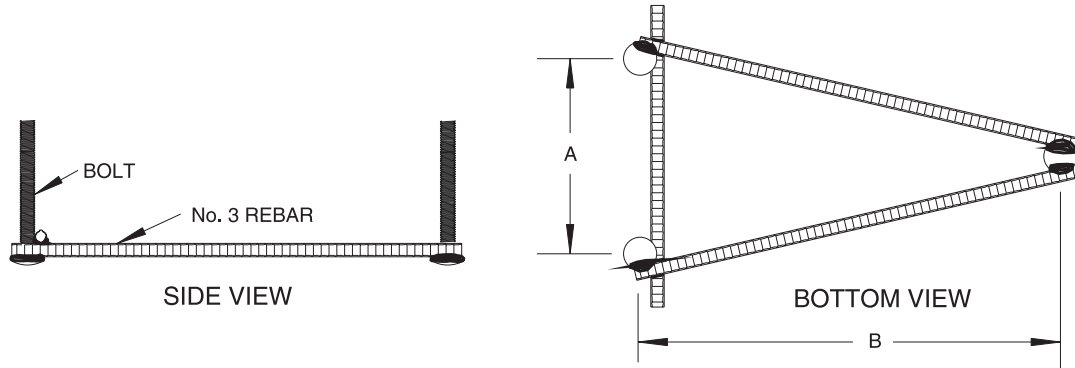
OBSOLETE JUMP BOARDS

MODEL	A	B	C	D	F	DIA	
4' BAJA	46.50"	17.25"	12.00"	12.00"	7.00"	7.00"	7/16"
6' BAJA	70.50"	17.25"	12.00"	12.00"	7.00"	15.00"	7/16"
8' BAJA	94.50"	17.25"	12.00"	12.00"	7.00"	26.00"	7/16"
6' SPACE MAKER	70.50"	17.25"	12.00"	12.00"	12.00"	30.50"	19/32"
8' SPACE MAKER	94.50"	17.25"	12.00"	20.00"	12.00"	30.50"	19/32"
GAZELLE	94.50"	17.25"	12.00"	10.00"	12.00"	20.00"	19/32"
ASB-40-3	4'	16.00"	4.50"	3.50"	4.50"	27.00"	N/A
ASB-60-3	6'	16.00"	4.50"	8.00"	4.50"	30.00"	N/A
ASB-80-3-1	8'	18.00"	4.50"	12.00"	4.50"	36.00"	N/A
6' DBS DOUBLE SPRING	6'	16.00"	12.00"	6.00"	10.50"	24.00"	N/A
8' DBS DOUBLE SPRING	8'	18.00"	12.00"	6.00"	10.50"	36.00"	N/A
6' SWIMLINE DOUBLE SPRING	6'	16.00"	12.00"	6.00"	10.50"	24.00"	N/A
8' SWIMLINE DOUBLE SPRING	8'	18.00"	12.00"	6.00"	10.50"	36.00"	N/A
6' OLD STYLE DOUBLE SPRING	6'	18.00"	12.00"	8.00"	12.00"	30.00"	N/A
8' OLD STYLE DOUBLE SPRING	8'	18.00"	12.00"	12.00"	12.00"	36.00"	N/A
BA6 BAJA	70.25"	17.25"	12.00"	12.00"	6.625"	15.00"	19/32"
BA8 BAJA	94.00"	17.25"	12.00"	12.00"	6.625"	26.00"	19/32"

The WARRANTY applies ONLY if the stands have the proper fulcrum length, the board rests evenly on the fulcrum pads and the board does not come in contact with ANY metal of the stands.

Jig Identification Guide

THREE-BOLT JIGS



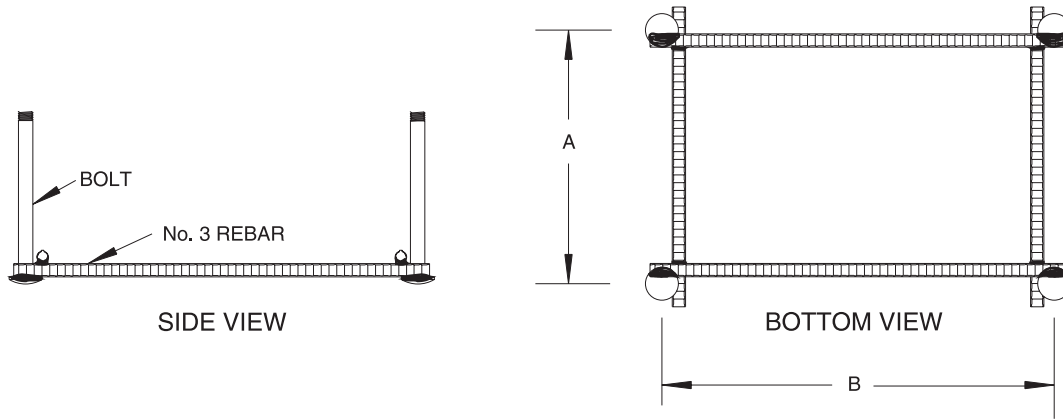
JIG TYPE	PART NO.	A	B	BOLT
6' FLYTE-DECK II	71-209-700-SS	6.50"	14.00"	1/2" X 6" CARRIAGE
8' FLYTE-DECK II	71-209-704-SS	6.50"	24.00"	1/2" X 6" CARRIAGE
10' FLYTE-DECK II	71-209-703-SS	6.50"	31.00"	1/2" X 6" CARRIAGE
6' & 8' FRONTIER II SPRING	69-209-227-AA	3.25"	6.00"	5/8" X 6" CARRIAGE

OBSOLETE JUMP BOARDS

JIG TYPE	PART NO.	A	B	BOLT
4' COBRA COIL	67-521-10-SS	18.00"	16.00"	1/2" X 6" CARRIAGE
6' COBRA COIL	67-521-10-SS	18.00"	30.00"	1/2" X 6" CARRIAGE
8' COBRA COIL	67-521-10-SS	18.00"	36.00"	1/2" X 6" CARRIAGE
4' AQUA COIL	02-946-11-SS	4.50"	16.00"	1/2" X 6" CARRIAGE
8' FLYTE-DECK	71-209-702-SS	6.50"	22.00"	1/2" X 6" CARRIAGE
6' LAMESA/LOS ARCOS	LM-J6	6.50"	14.00"	1/2" X 5" CARRIAGE
8' LAMESA/LOS ARCOS	LM-J9	6.50"	22.00"	1/2" X 5" CARRIAGE
10' LAMESA/LOS ARCOS	LM-J10	6.50"	29.50"	1/2" X 5" CARRIAGE
6' & 8' DURO-SPRING	DS-J	3.25"	6.00"	5/8" X 6" CARRIAGE

Jig Identification Guide

FOUR-BOLT JIGS



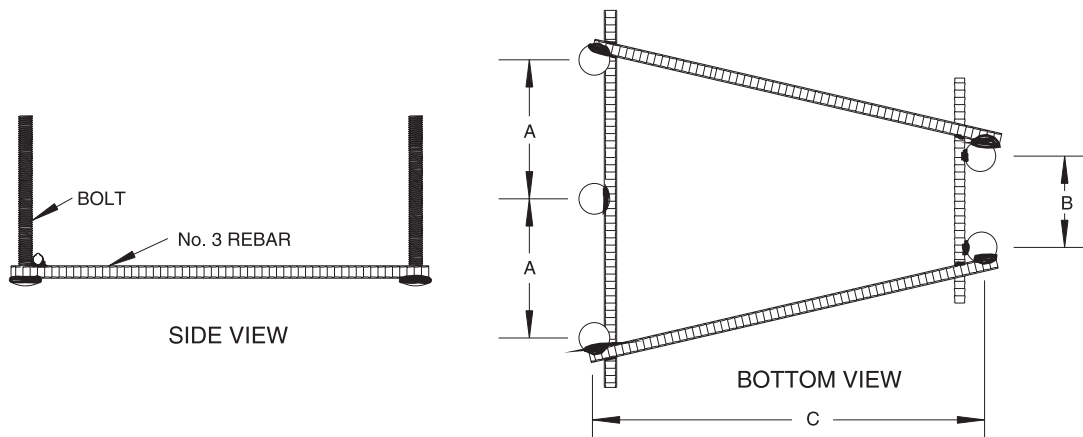
JIG TYPE	PART NO.	A	B	BOLT
656/658 SUPREME	62-209-007-SS	14.00"	14.00"	1/2" X 7" CARRIAGE
606/608 CANTILEVER/SALT POOL STAND	69-209-006-SS	12.00"	12.00"	1/2" X 6" CARRIAGE

OBSOLETE JUMP BOARDS

JIG TYPE	PART NO.	A	B	BOLT
6' & 8' FRONTIER II STEEL PEDESTAL	69-209-229-SS	6.00"	12.00"	1/2" X 6" CARRIAGE
6' FRONTIER II FIBERGLASS	69-209-224-SS	5.00"	6.00"	1/2" X 7" CARRIAGE
8' FRONTIER II FIBERGLASS	69-209-225-SS	5.00"	12.00"	1/2" X 7" CARRIAGE
10' FRONTIER II FIBERGLASS	69-209-226-SS	6.00"	26.50"	1/2" X 7" CARRIAGE
AJ-6 & AJ-8 CPB OR DPB	67-971-10-SS	8.00"	12.00"	1/2" X 6" CARRIAGE
6' & 8' TECHNI-SPRING STEEL	TS-EDGE-J	12.00"	12.00"	1/2" X 6" CARRIAGE
6' & 8' TECHNI-SPRING FIBERGLASS	TSF-J	14.00"	14.00"	1/2" X 8 CARRIAGE

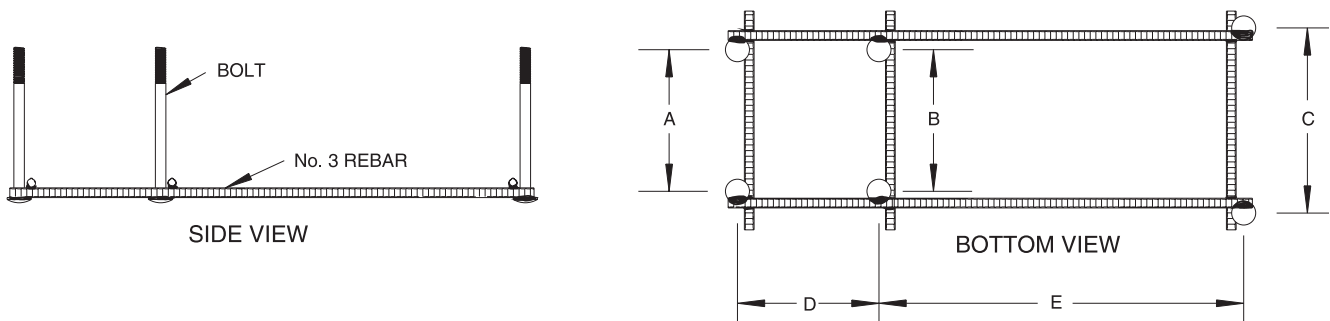
Jig Identification Guide

FIVE-BOLT JIGS



JIG TYPE	PART NO.	A	B	C	BOLT
6' CHEVRON	71-209-726-SS	4.00"	5.00"	14.00"	1/2" X 6" CARRIAGE
8' CHEVRON	71-209-728-SS	4.00"	5.00"	22.00"	1/2" X 6" CARRIAGE
10' CHEVRON	71-209-730-SS	4.00"	5.00"	27.00"	1/2" X 6" CARRIAGE

SIX-BOLT JIGS



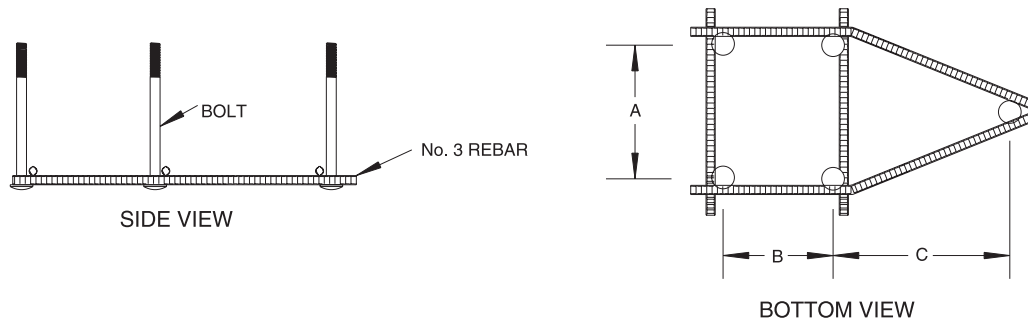
JIG TYPE	PART NO.	A	B	C	D	E	BOLT
STEEL METER	71-209-541-SS	4.00"	6.50"	10.00"	3.00"	17.00"	1/2" X 6" CARRIAGE

OBSOLETE JUMP BOARDS

JIG TYPE	PART NO.	A	B	C	D	E	BOLT
4' BAJA	69-209-698-SS	6.50"	6.50"	8.50"	6.50"	9.00"	1/2" X 6" CARRIAGE
6' BAJA	69-209-699-SS	6.50"	6.50"	8.50"	6.50"	16.75"	1/2" X 6" CARRIAGE
8' BAJA	69-209-700-SS	6.50"	6.50"	8.50"	6.50"	27.75"	1/2" X 6" CARRIAGE
6' FRONTIER	69-209-676-SS	6.50"	6.50"	6.50"	6.50"	17.50"	1/2" X 6" CARRIAGE
6' PIONEER	N/A	6.50"	8.00"	6.50"	5.50"	15.50"	1/2" X 5-1/2" CARRIAGE
8' FRONTIER	69-209-678-SS	6.50"	6.50"	6.50"	6.50"	29.50"	1/2" X 6" CARRIAGE
8' PIONEER	N/A	6.50"	8.00"	6.50"	5.50"	29.50"	1/2" X 5-1/2" CARRIAGE
INTER-FAB 6' BAJA	BA-J6	6.50"	N/A	8.50"	6.50"	16.75"	1/2" X 6" CARRIAGE
INTER-FAB 8' BAJA	BA-J8	6.50"	N/A	8.50"	6.50"	27.25"	1/2" X 6" CARRIAGE

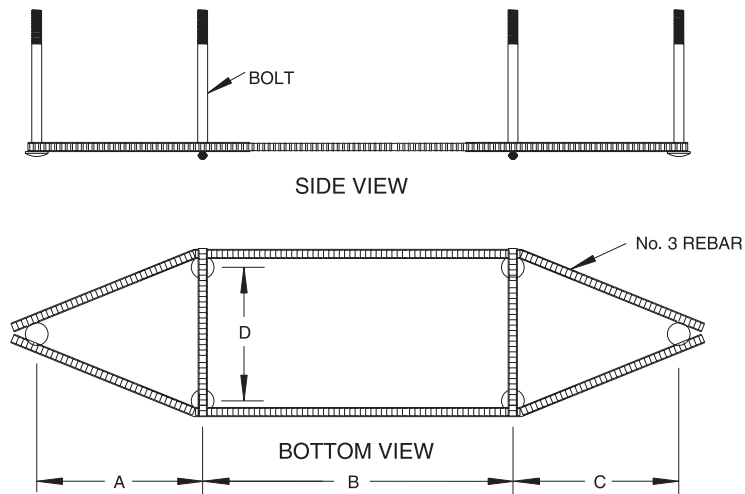
Jig Identification Guide

FIVE-BOLT JIGS



JIG TYPE	PART NO.	A	B	C	BOLT
KKJ-40M-4	67-550-11-SS	6.50"	6.50"	7.50"	1/2" X 6" CARRIAGE

SIX-BOLT JIGS



JIG TYPE	PART NO.	A	B	C	D	BOLT
ADFC-50M-8F	02-970-11-SS	4.00"	15.50"	4.00"	4.25"	1/2" X 6" CARRIAGE
ADFC-50-M-10F	02-970-11-SS	4.00"	15.50"	4.00"	4.25"	1/2" X 6" CARRIAGE
ADFC-66M-1012F	02-970-11-SS	4.00"	15.50"	4.00"	4.25"	1/2" X 6" CARRIAGE
ADC-50M-8	02-971-10-SS	4.00"	15.50"	4.00"	4.25"	1/2" X 6" CARRIAGE
ADC-50M-810	02-971-10-SS	4.00"	15.50"	4.00"	4.25"	1/2" X 6" CARRIAGE
ADC-75M-1012	02-971-10-SS	4.00"	15.50"	4.00"	4.25"	1/2" X 6" CARRIAGE
ADC-100M-1012	02-971-10-SS	4.00"	15.50"	4.00"	4.25"	1/2" X 6" CARRIAGE



Slide Away®

The Safe Removable Pool Slide

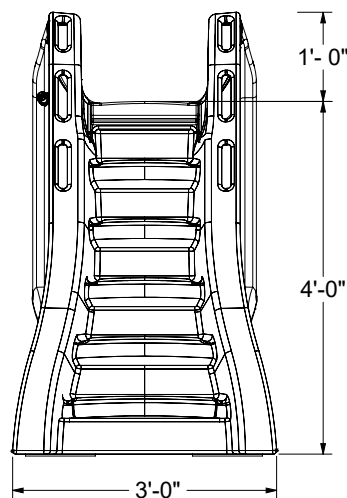
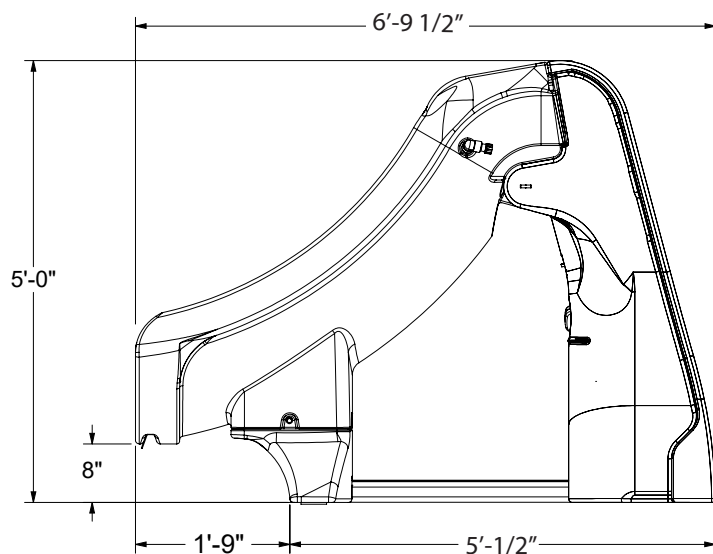
Introducing **SlideAway®**, the safe removable in-ground pool slide from S.R.Smith. SlideAway combines safety, fun and durability in a slide that can be easily set-up and removed from the deck in just minutes. SlideAway is the first fully CPSC compliant pool slide that doesn't have to be permanently affixed to the pool deck.

Designed to resist fading, SlideAway is salt pool friendly and comes in colors that will compliment any outdoor living space. SlideAway is ideal for children up to 125 lbs. and will provide hours of splashing fun!

SlideAway®



- First CPSC compliant removable and portable pool slide, meeting federal safety standards for 48 individual tests
- Available in colors to compliment the pool and patio areas (Taupe and Gray)
- Comes partially assembled and includes an easy to use dolly to roll SlideAway on and off the pool deck
- 3' x 6'7" deck space required
- Easy to set-up and store away in shed or garage
- Fully rotomolded construction provides strength and durability for years to come
- Enclosed, textured steps and integrated hand-holds for added safety
- Designed for children up to 125 lbs/57 kg
- Salt pool friendly
- Built-in UV inhibitors to resist fading
- For use on in-ground pools only
- Made in the USA



Part #	Description	Shipping			
		Weight	Length	Width	Height
660-209-5810	SlideAway Removable Pool Slide - Taupe	155 lbs	39"	54"	89"
660-209-5820	SlideAway Removable Pool Slide - Gray				



Deck Mounted Pool Slides

Designed for Years of Serious Fun

Manufactured from high-quality corrosion-resistant material, S.R.Smith deck mounted pool slides are engineered to deliver serious fun, season after season! Ranging in size from the Cyclone at just over 4', to the towering Vortex® that tops out at 10'7", they resist fading and scratching, and retain their luster for years to come. There is an integrated water delivery system on each S.R.Smith slide that provides high-volume water fun for a slippery, sloshy ride. And for salt pool environments, select one of our many salt friendly deck mounted pool slides, identified by the special icon.

Safety Built-In

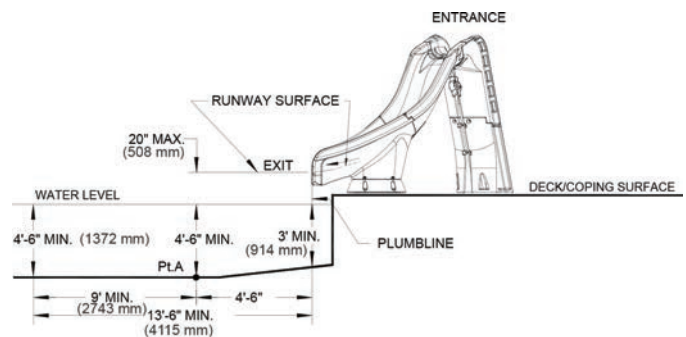
We believe fun and safety go hand in hand. That is why all of our slides fully comply with the U.S. Consumer Product Safety Commission's Standard for swimming pool slides (CPSC 16 CFR 1207). Whether it is our enclosed ladders, easy to grip hand rails or non-slip treads, safety features are integral to every one of our slides.



Slide Placement Guidelines

The pool industry association has provided these guidelines for slide placement. Our slides can be mounted directly to the deck making retrofit applications easy (check with your inspector for local codes and guidelines). From the top of the ladder, a flume that curves down to the left is a left curve slide, and a flume that curves down to the right is a right curve slide.

Slide Placement

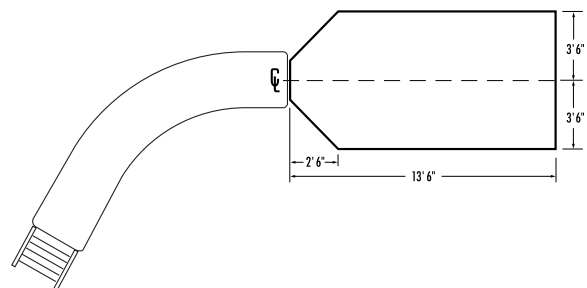


Assemble. Install. Slide!



See how simple it is to assemble and install all of our deck mounted pool slides with our installation videos. Go to srsmith.com or visit the S.R.Smith YouTube channel.

Required Installation Envelope



Deck Mounted Slide Product Dimensions

Product	Height		Flume Length & Width	Required Deck Space
	Overall	To Seat		
Rogue2	8'	6'6"	9'3" x 22"	10'7" x 8'5"
heliX2®	7'4"	6'5 1/2"	12'8" x 22"	9'6" x 4'7"
TurboTwister®	8'7"	7'15/8"	14'4" x 23"	13'6" x 6'3"
Typhoon®	7'4"	6'5 1/2"	9'10" x 22"	11'8" x 4'4"
Cyclone	4'1"	3'2"	6'10" x 17.5"	6'8" x 5'5"
Vortex®	10'7"	7'6"	19' x 32"	9'2" x 11'4" w/staircase 9'9" x 9'9" w/ladder

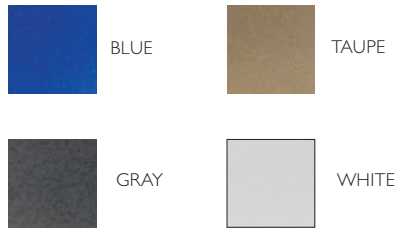
Rogue²



A retro look with a thoroughly modern, rotomolded flume makes this the new standard for backyard fun.

- 8' in height (6'6" to seat)
 - Available in right or left curved flume
 - Accommodates sliders up to 250 lbs/113kg
 - Wide flume with high walls
 - Designed for quick, easy assembly
 - Improved high volume water delivery system can be plumbed through the pool's return line or connected to a garden hose
 - Can be surface or in-deck mounted to accommodate any pool (flanges must be purchased separately)
 - Intended for in-ground residential swimming pools only
- Water flow 30 gpm max.

Slide Color



Due to printing technology, actual color may differ.

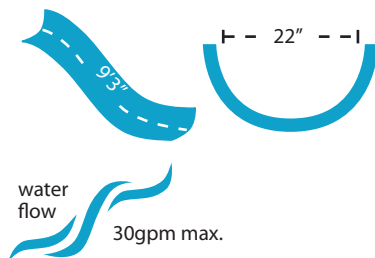
Adult supervision required at all times when children are using this slide.

Model No.	Description	Shipping (Class 300)			
		Weight	Length	Width	Height
610-209-5812	White, Right Curve	190 lbs 91kg	41" 104cm	36" 91cm	92" 234cm
610-209-5822	White, Left Curve				
610-209-58110	Taupe, Right Curve				
610-209-58210	Taupe, Left Curve				
610-209-5813	Blue, Right Curve				
610-209-5823	Blue, Left Curve				
610-209-58120	Gray, Right Curve				
610-209-58220	Gray, Left Curve				

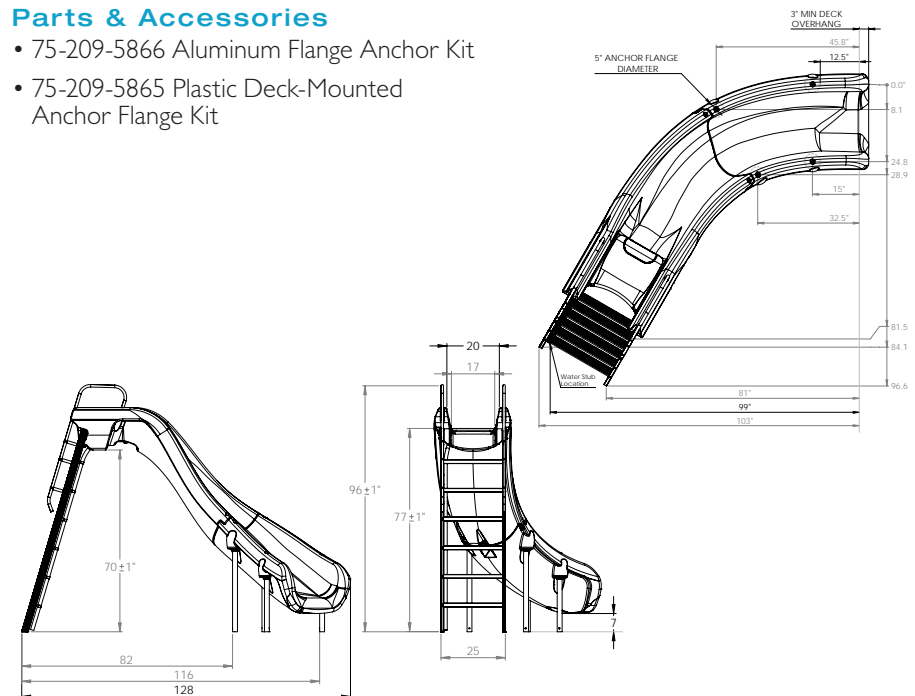
Parts & Accessories

- 75-209-5866 Aluminum Flange Anchor Kit
- 75-209-5865 Plastic Deck-Mounted Anchor Flange Kit

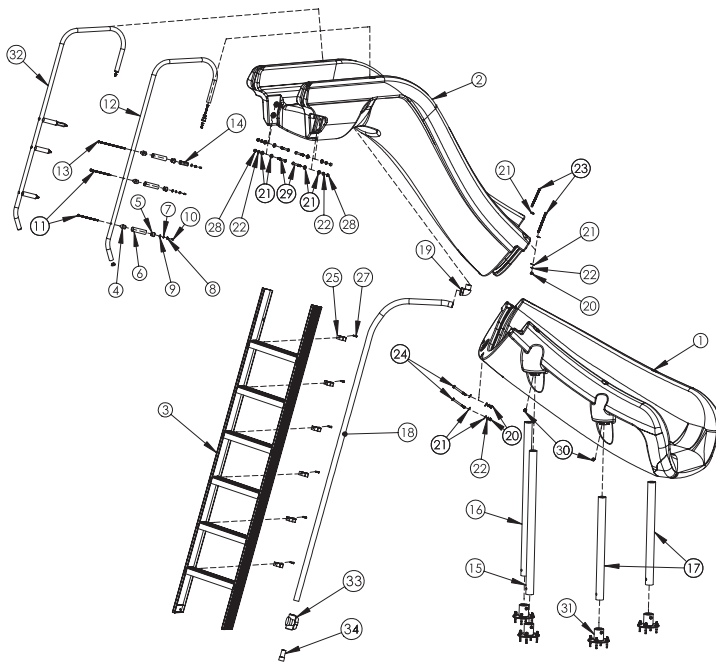
Flume Details



See page 41 for slide placement diagram



All S.R.Smith, LLC swimming pool slides fully comply with Consumer Products Safety Commission (CPSC) mandatory safety Standard for Swimming Pool Slides (16 CFR 1207) and are certified by independent third party testing labs. The installer or end-user is responsible for complying with local building codes for the location, installation, construction or assembly of these slides. S.R.Smith, LLC makes no representations that the location, installation, construction or assembly of its slides meet local building codes.



Key	Part No.	Description	Kit A	Kit B	Kit C	Kit D
Kit A	69-209-159	Hardware Kit	•			
Kit B	69-209-162	Ladder & Parts Carton	•	•	•	•
Kit C	69-209-160	Plumbing Kit			•	
Kit D	69-209-161	Hand Rail Replacement Kit (2 required)				•
1	Bottom Section	Bottom Runway Section				
2	Top Section	Top Runway Section				
3	69-209-158	Ladder Assembly		•		
4		Nylon Tube Connector				•
5		Nylon Handrail Connector				•
6		Handrail Spacer				•
7		1/4" Lock Washer				•
8		1/4"-20 Hex Nut				•
9		1/4" x 5/8" Flat Washer				•
10		Screw Vinyl Caps	•			
11		1/4" -20 x 6" Carriage Bolt				•
12		Handrail				•
13		1/4" -20 x 8" Carriage Bolt				•
14		Ladder Spacer				•
15		36" Aluminum Leg		•		
16		38 1/2" Aluminum Leg		•		
17		24" Aluminum Leg		•		
18		8' PVC Hose				
19		1" Street Elbow		•	•	
20		3/8" Hex Nut	•			
21		3/8" Flat Washer	•			
22		3/8" Split Lock Washer	•			
23		3/8"-16 x 5" Screw	•			
24		3/8"-16 x 3 1/2" Hex Head Screw	•			
25		Plastic Pipe Clamp				•
26		Vinyl Bolt Cap 0.17 ID x .5			•	•
27		#10-16 x 1" Self Tapping Screw			•	•
28		3/8"-16 Acorn Nut	•			
29		3/8" x 3 1/2" Screw	•			
30		5/16" x 1" Hex Washer Tek Screw	•			
31	75-209-5866	Aluminum Flange Kit*				
32	01-218A	Handrail Assembly (2 included)**		•		
33		1 1/2" Ball Valve		•	•	
34		Garden Hose Adapter		•	•	
		1/4" x 1/2" Sheet Metal Screw	•			
		1" Coupling, 1" slip x 1" slip		•	•	
		1/4" x 2" S/S HH Tap Bolt (Full Thread)				•
		Nylon Wedge				•
		Tube Plug, Plastic For 0.75" ID				•
	8-532	Gasket				•

*Aluminum flange kit and plastic flange kit not included, must order separately.

**Handrails come as a pair with slide. Replacements are sold individually (hardware included).

helix2®



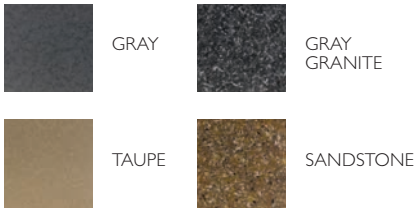
A new generation of S.R.Smith's popular pool slide is here—introducing the helix2®!

- Deeper 360° corkscrew flume for fast and safe sliding
- Patented water feature delivery system for a dramatic fountain feature
- 74" in height (6'5 1/2" to seat)
- Accommodates sliders up to 250 lbs/113kg
- Sturdy rotomolded construction – for strength and durability
- Enclosed ladder and molded handrail design for maximum safety
- Designed for quick and easy assembly with simple deck mounted installation
- Water delivery system can be plumbed through the pool's return line or connected to a garden hose
- Intended for in-ground residential swimming pools only

Model No.	Description	Shipping (Class 300)			
		Weight	Length	Width	Height
640-209-58124	Gray Granite*				
640-209-58123	Sandstone*	390 lbs	66"	88"	48"
640-209-58120	Solid Gray	177kg	167cm	223cm	122cm
640-209-58110	Solid Taupe				

* Gray Granite and Sandstone slides are not an exact match with Gray Granite or Sandstone diving boards & stands due to differences in material. Please consult your sales representative for more details.

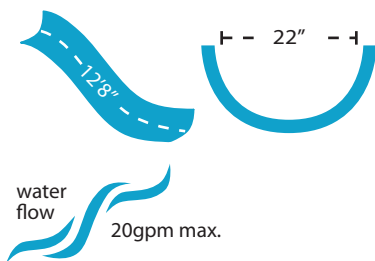
Slide Color



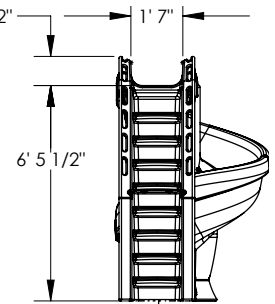
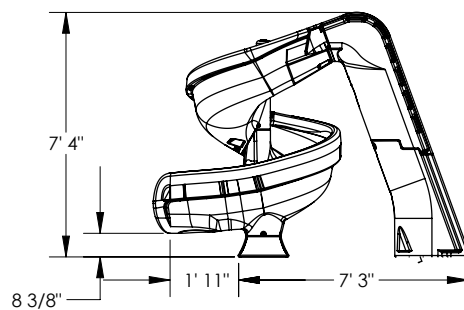
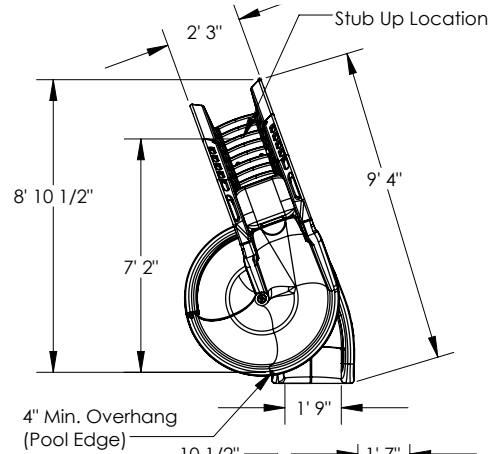
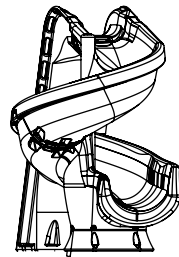
Due to printing technology, actual color may differ.

Adult supervision required at all times when children are using this slide.

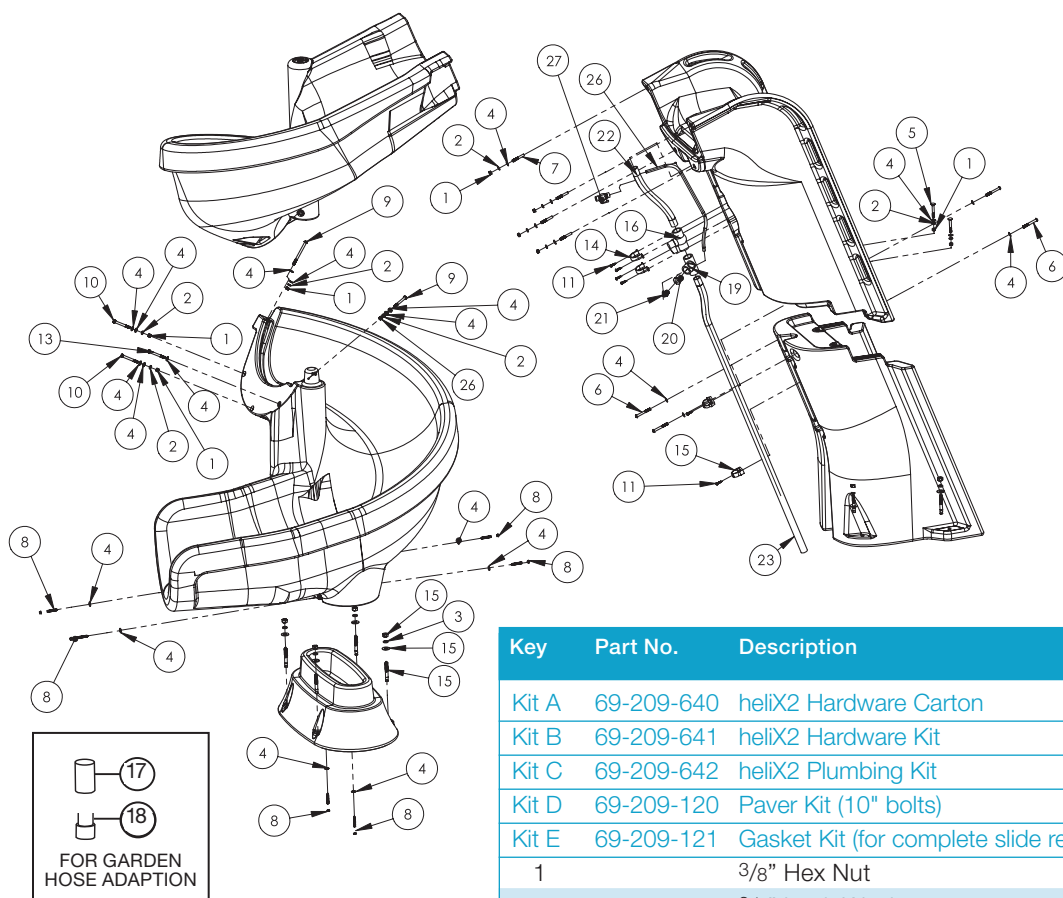
Flume Details



See page 41 for slide placement diagram



All S.R.Smith, LLC swimming pool slides fully comply with Consumer Products Safety Commission (CPSC) mandatory safety Standard for Swimming Pool Slides (16 CFR 1207) and are certified by independent third party testing labs. The installer or end-user is responsible for complying with local building codes for the location, installation, construction or assembly of these slides. S.R.Smith, LLC makes no representations that the location, installation, construction or assembly of its slides meet local building codes.



Key	Part No.	Description	Kit A	Kit B	Kit C
Kit A	69-209-640	heliX2 Hardware Carton	•		
Kit B	69-209-641	heliX2 Hardware Kit		•	
Kit C	69-209-642	heliX2 Plumbing Kit			•
Kit D	69-209-120	Paver Kit (10" bolts)			
Kit E	69-209-121	Gasket Kit (for complete slide re-gasket)			
1		3/8" Hex Nut	•	•	
2		3/8" Lock Washer	•	•	
3		1/2" Lock Washer	•	•	
4		3/8" Flat Washer	•	•	
5		3/8" x 2 3/4" Carriage Bolt	•	•	
6		3/8" x 3" Button Head Cap Screw	•	•	
7		3/8" x 1 1/2" Stud	•	•	
8		3/8" x 3 1/2" Lag Screw	•	•	
9		3/8" x 5" Button Head Cap Screw	•	•	
10		3/8" x 3 1/2" Hex Head Cap Screw	•	•	
11		#14 x 1" Pan Head Tapping Screw	•	•	
12		1/2" x 5" Anchor Stud	•	•	
13		3/8"-16 x 2 Hex Head Tap Bolt	•	•	
14		1 1/2" PVC Pipe Strap	•		•
15		1" Pipe Clamp	•		•
16		1" Ball Valve	•		•
17		1" Coupling	•		•
18		Garden Hose Adapter	•		•
19		1" Female Tee Fitting	•		•
20		1" x 1/2" Reducer	•		•
21		3/8" to 1/2" barbed 90° elbow fitting	•		•
22	05-786-1	1" PVC Flex Hose, 16" long			
23	05-786-2	1" PVC Flex Hose, 64" long			
24		1" PVC Pipe x 2" Long	•		•
25		3/8" Acorn Nut	•	•	
26	05-040-2	1/2" OD X 3/8" ID Polyethylene Tubing (23")			
27	05-642	Valve for 1/2" OD Tubing			
	8-545A	Ladder/Runway Gasket			
	8-532	Runway Gasket (2.7' required)*	•		

*Gasket not sold separately. In gasket kit only.

Turbo Twister®



This thrill-ride pool slide is designed with curves and dips that guarantee hours of fun for the entire family.

- 8'7" in height (7'1⁵/₈" to seat)
- Available with a right or left curved flume
- Accommodates sliders up to 275 lbs/124kg
- Sturdy rotomolded construction for strength and durability
- Enclosed ladder and molded handrail design for maximum safety
- Designed for quick and easy assembly
- 25 gpm max. water delivery system can be plumbed through the pool's return line or connected to a garden hose
- Simple deck mounted installation
- Intended for in-ground residential swimming pools only

Slide Color



GRAY GRANITE



SANDSTONE

Due to printing technology, actual color may differ.

Adult supervision required at all times when children are using this slide.

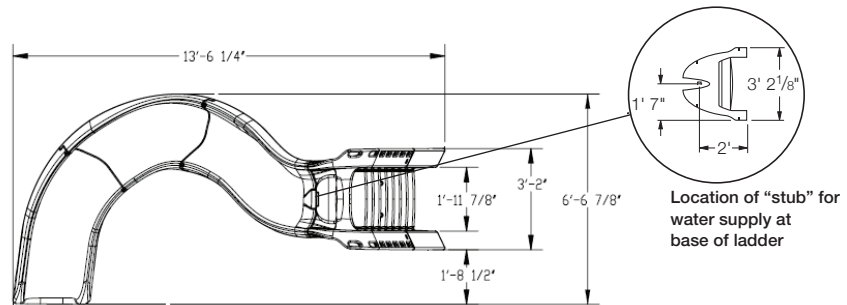
Flume Details



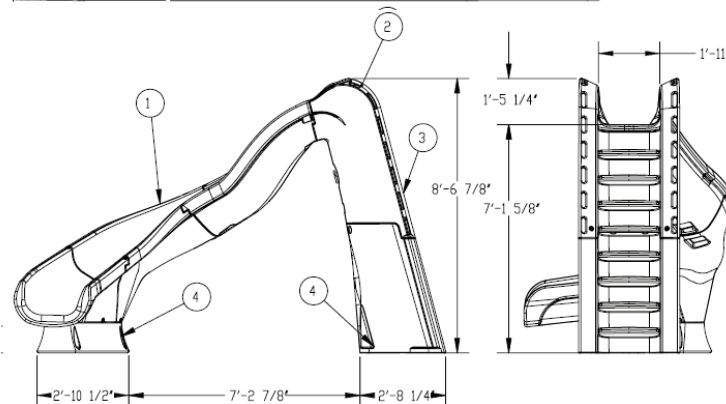
See page 41 for slide placement diagram

Model No.	Description	Shipping (2 Cartons- 1 Pallet) - Class 300			
		Weight	Length	Width	Height
688-209-58123	Sandstone*, Right Curve	CARTON 1 (TOP)			
		140 lbs	61"	40"	29"
688-209-58223	Sandstone*, Left Curve	63kg	154cm	102cm	74cm
688-209-58124	Gray Granite*, Right Curve	CARTON 2 (BOTTOM)			
		257 lbs	61"	40"	70"
688-209-58224	Gray Granite*, Left Curve	116kg	154cm	102cm	178cm
		TOTAL ON PALLET: 427 LBS - 61x40x103			

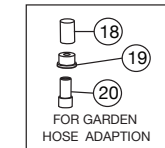
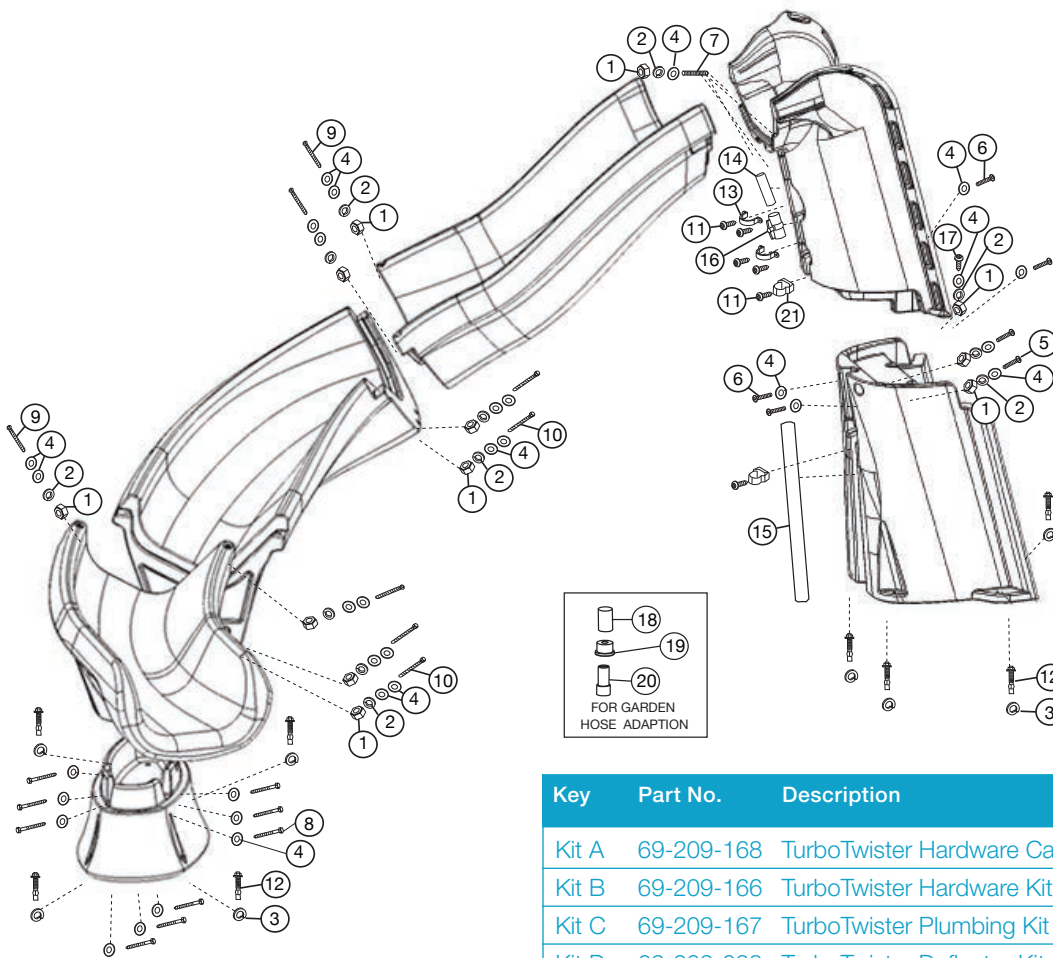
* Gray Granite and Sandstone slides are not an exact match with Gray Granite or Sandstone diving boards & stands due to differences in material. Please consult your sales representative for more details.



Location of "stub" for water supply at base of ladder



All S.R.Smith, LLC swimming pool slides fully comply with Consumer Products Safety Commission (CPSC) mandatory safety Standard for Swimming Pool Slides (16 CFR 1207) and are certified by independent third party testing labs. The installer or end-user is responsible for complying with local building codes for the location, installation, construction or assembly of these slides. S.R.Smith, LLC makes no representations that the location, installation, construction or assembly of its slides meet local building codes.



Key	Part No.	Description	Kit A	Kit B	Kit C
Kit A	69-209-168	TurboTwister Hardware Carton – 2008 or newer slides			
Kit B	69-209-166	TurboTwister Hardware Kit			
Kit C	69-209-167	TurboTwister Plumbing Kit			
Kit D	69-209-038	TurboTwister Deflector Kit			
Kit E	69-209-120	Paver Kit (10" bolts)			
Kit F	69-209-121	Gasket Kit			
1		3/8" Hex Nut	•	•	
2		3/8" Lock Washer	•	•	
3		1/2" Lock Washer	•	•	
4		3/8" Flat Washer	•	•	
5		3/8" x 2 1/4" Carriage Bolt	•	•	
6		3/8" x 2 1/4" Button Head Cap Screw	•	•	
7		3/8" x 2 1/2" Stud	•	•	
8		3/8" x 3 1/2" Lag Screw	•	•	
9		3/8" x 5" Button Head Cap Screw	•	•	
10		3/8" x 6" Hex Head Cap Screw	•	•	
11		#14 Pan Head Tapping Screw	•	•	
12		1/2" x 5" Anchor Stud	•	•	
13		2 3/8" PVC Pipe Strap	•		•
14	05-789-2	Hose, Pre-flex 1.5" (15" length)			
15	05-789-1	Hose, Pre-flex 1.5" (66" length)			
16		1 1/2" Ball Valve	•		•
17		3/8" x 3 1/4" Button Head Cap Screw	•	•	
18		1 1/2" Coupling	•		•
19		1 1/2" x 3/4" Reducer	•		•
20		Garden Hose Adapter	•		•
21		1 1/2" Pipe Clamp	•		•
	4-610	3 1/4" x 24 1/2" Plastic Shim (6 total)			
	8-545A	Ladder/Runway Gasket*			
	8-532	Runway Gasket*	•		

*Gasket not sold separately. In gasket kit only.

Typhoon[®]



Offers all the fun of its big brother, the TurboTwister, yet in a smaller package for more limited deck space.

- 7'4" in height (6'5 1/2" to seat)
- Available with a right or left curved flume
- Accommodates sliders up to 275 lbs/124kg
- Sturdy rotomolded construction – for strength and durability
- Enclosed ladder and molded handrail design for maximum safety
- Designed for quick and easy assembly
- 20 gpm max. water delivery system can be plumbed through the pool's return line or connected to a garden hose
- Simple deck mounted installation
- Intended for in-ground residential swimming pools only

Slide Color



GRAY GRANITE



SANDSTONE

Due to printing technology, actual color may differ.

Adult supervision required at all times when children are using this slide.

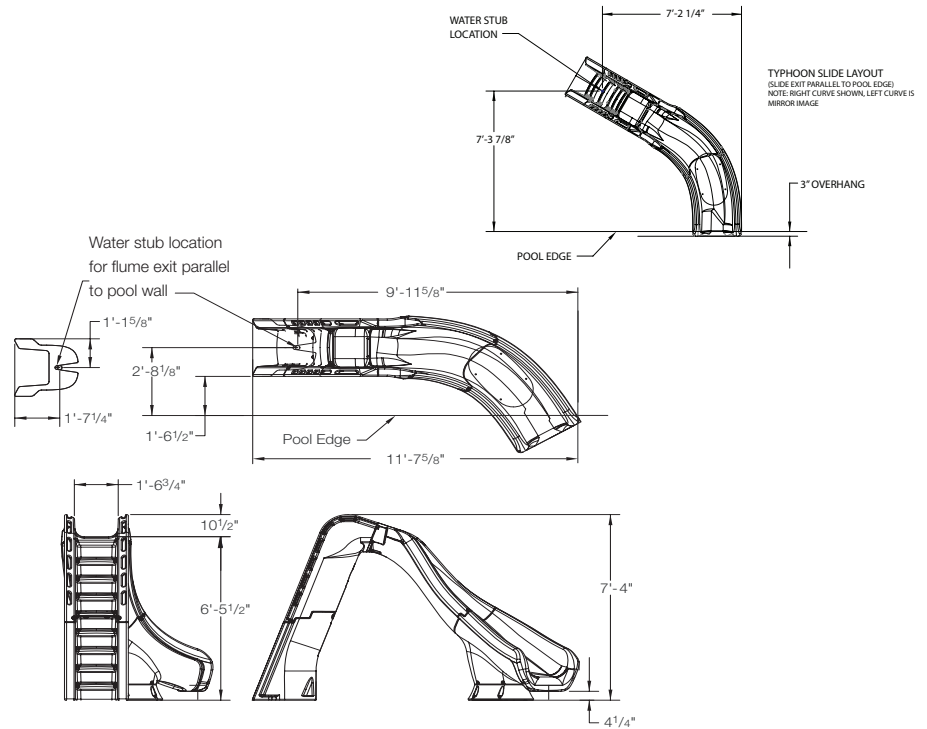
Flume Details



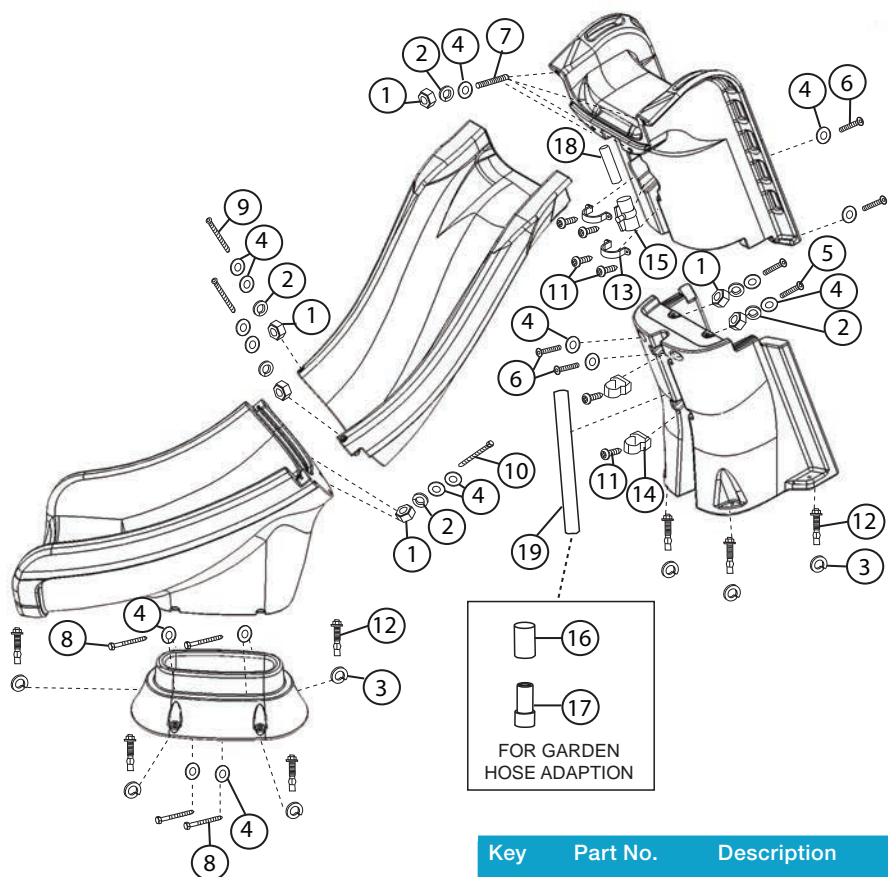
See page 41 for slide placement diagram

Model No.	Description	Shipping (Class 300)			
		Weight	Length	Width	Height
670-209-58123	Sandstone, Right Curve	270 lbs 123kg	56" 142cm	31" 79cm	92" 234cm
670-209-58223	Sandstone, Left Curve				
670-209-58124	Gray Granite*, Right Curve				
670-209-58224	Gray Granite*, Left Curve				

* Gray Granite and Sandstone slides are not an exact match with Gray Granite or Sandstone diving boards & stands due to differences in material. Please consult your sales representative for more details.



All S.R.Smith, LLC swimming pool slides fully comply with Consumer Products Safety Commission (CPSC) mandatory safety Standard for Swimming Pool Slides (16 CFR 1207) and are certified by independent third party testing labs. The installer or end-user is responsible for complying with local building codes for the location, installation, construction or assembly of these slides. S.R.Smith, LLC makes no representations that the location, installation, construction or assembly of its slides meet local building codes.



Key	Part No.	Description	Kit A	Kit B	Kit C
Kit A	69-209-124	Typhoon Hardware Carton	•		
Kit B	69-209-123	Typhoon Hardware Kit		•	
Kit C	69-209-122	Typhoon Plumbing Kit			•
Kit D	69-209-121	Gasket Kit			
Kit E	69-209-120	Paver Kit			
1		3/8" Hex Nut	•	•	
2		3/8" Lock Washer	•	•	
3		1/2" Lock Washer	•	•	
4		3/8" Flat Washer	•	•	
5		3/8" x 2 3/4" Carriage Bolt	•	•	
6		3/8" x 3" Button Head Cap Screw	•	•	
7		3/8" x 2 1/2" Stud	•	•	
8		3/8" x 3 1/2" Lag Screw	•	•	
9		3/8" x 5" Button Head Cap Screw	•	•	
10		3/8" x 3 1/2" Hex Head Cap Screw	•	•	
11		#14 x 1" Pan Head Cap Screw	•	•	
12		1/2" x 5" Anchor Stud	•	•	
13		1 1/2" PVC Pipe Strap	•		•
14		1" Pipe Clamp	•		•
15		1 1/2" Ball Valve	•		•
16		1" Coupling	•		•
17		Garden Hose Adapter	•		•
18	05-786-1	1" PVC Flex Hose, 16" Long			
19	05-786-2	1" PVC Flex Hose, 64" Long			
	8-545A	Ladder/Runway Gasket	•		•
	8-532	Runway Gasket (2.7' required)	•		

Cyclone

Compact style ideal for limited deck space and smaller pool enthusiasts.

- 4'1" in height (3'2" to seat)
- Available with a right curve flume only
- Accommodates sliders up to 175 lbs/79kg
- Sturdy rotomolded construction for strength and durability
- Enclosed ladder design for maximum safety
- Designed for quick and easy assembly
- Water delivery system connects to a garden hose
- Simple deck mounted installation
- Intended for in-ground residential swimming pools only



Slide Color



TAUPE



GRAY GRANITE



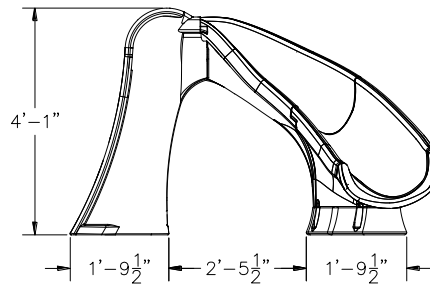
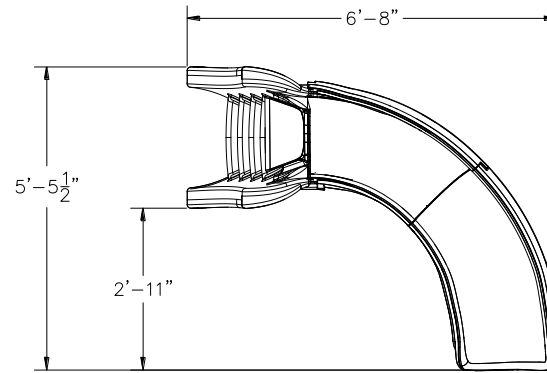
SANDSTONE

Due to printing technology, actual color may differ.

Adult supervision required at all times when children are using this slide.

Model No.	Description	Shipping (Class 300)			
		Weight	Length	Width	Height
698-209-58123	Sandstone, Right Curve	150 lbs	41"	31"	56"
698-209-58124	Gray Granite*, Right Curve	68kg	104cm	79cm	142cm
698-209-58110	Taupe, Right Curve				

* Gray Granite and Sandstone slides are not an exact match with Gray Granite or Sandstone diving boards & stands due to differences in material. Please consult your sales representative for more details.



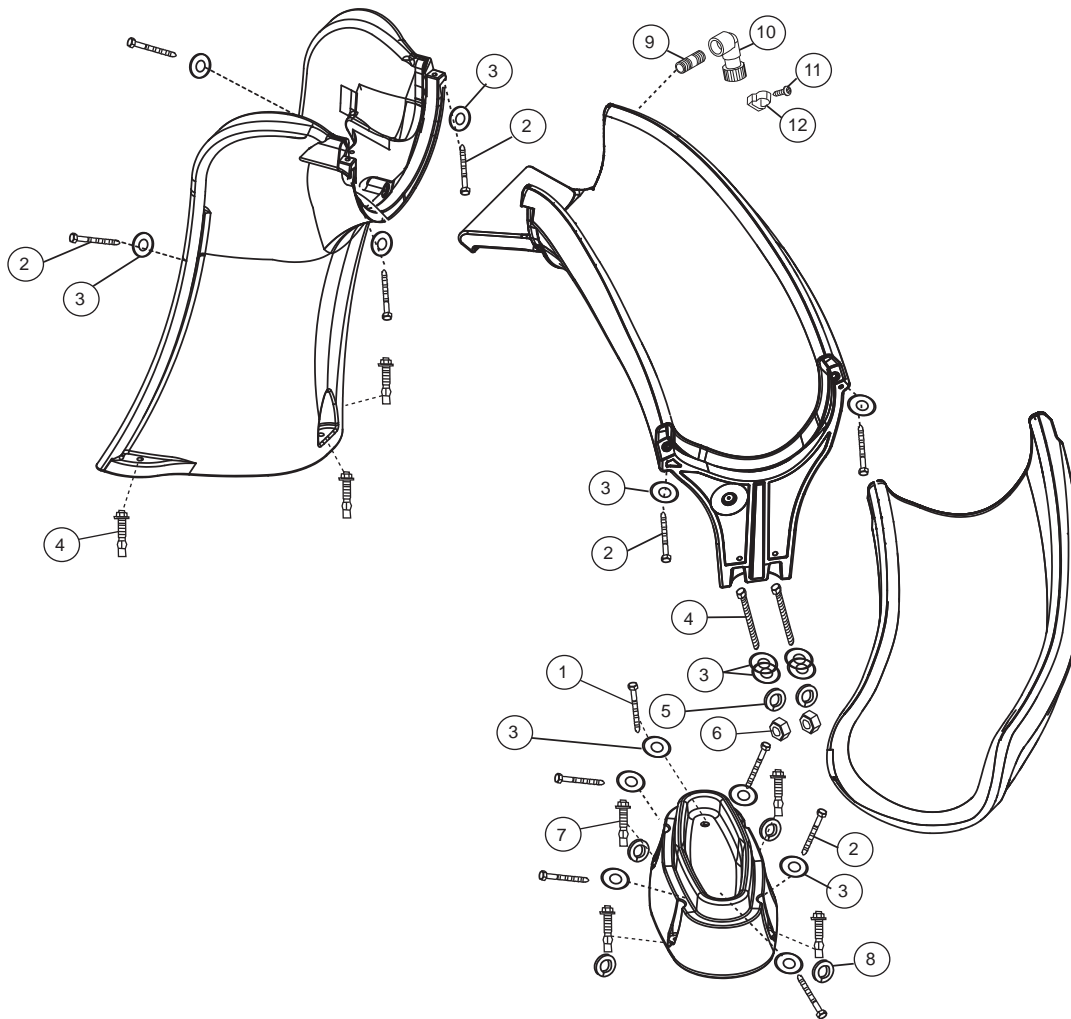
Flume Details



See page 41 for slide placement diagram



All S.R.Smith, LLC swimming pool slides fully comply with Consumer Products Safety Commission (CPSC) mandatory safety Standard for Swimming Pool Slides (16 CFR 1207) and are certified by independent third party testing labs. The installer or end-user is responsible for complying with local building codes for the location, installation, construction or assembly of these slides. S.R.Smith, LLC makes no representations that the location, installation, construction or assembly of its slides meet local building codes.



Key	Part No.	Description	Kit A	Kit B
Kit A	69-209-113	Cyclone Hardware Kit		
Kit B	69-209-710	Water Kit		
1		3/8" x 3.5" Lag Screw	•	
2		3/8" x 2.5" Lag Screw	•	
3		3/8" Flat Washer	•	
4		3/8" x 6" Hex Head Bolts	•	
5		3/8" Lock Washers	•	
6		3/8" Hex Nuts	•	
7		Concrete Anchors	•	
8		1/2" Lock Washers	•	
9		3/4" x 2" PVC Nipple		•
10		3/4" FHT x 3/4" FIPT Swivel 90		•
11		Hose Clip Screw		•
12		3/4" Hose Clip		•
	8-531	Gasket (2' required. Sold by foot)		•



Vortex®

Big time, fun slide!

- 10'7" in height (7'6" to seat)
- 19' corkscrew runway
- Available with ladder or spiral staircase
- Accommodates sliders up to 325 lbs/147kg
- Sturdy rotomolded construction for strength and durability
- 30 gpm max. water delivery system can be plumbed through the pool's return line
- Intended for use on in-ground swimming pools only

Model No.	Description	Shipping (2 pallets, Class 300)			
		Weight	Length	Width	Height
695-209-13	Open flume with ladder, Blue	1350 lbs 612kg	Pallet 1 128" 57" 72" 325cm 145cm 183cm		
695-209-124	Open flume with ladder, Gray Granite				
695-209-23	Closed flume with ladder, Blue	1500 lbs 680kg	Pallet 2 150" 39" 48" 381cm 99cm 122cm		
695-209-224	Closed flume with ladder, Gray Granite				
695-209-33	Open flume with staircase, Blue	1710 lbs 776kg	Pallet 2 150" 39" 48" 381cm 99cm 122cm		
695-209-324	Open flume with staircase, Gray Granite				
695-209-43	Closed flume with staircase, Blue	1860 lbs 844kg	Pallet 2 150" 39" 48" 381cm 99cm 122cm		
695-209-424	Closed flume with staircase, Gray Granite				

* Gray Granite and Blue slides are not an exact match with Gray Granite and Blue diving boards & stands due to differences in material. Please consult your sales representative for more details.

Parts & Accessories

- 14-400 Warning Sign and Rules Sign

Slide Color



BLUE



GRAY GRANITE

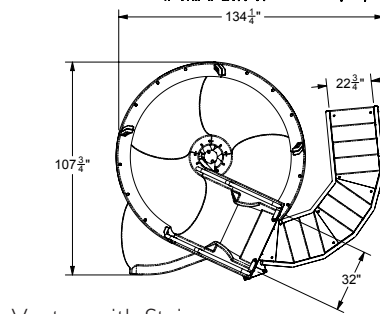
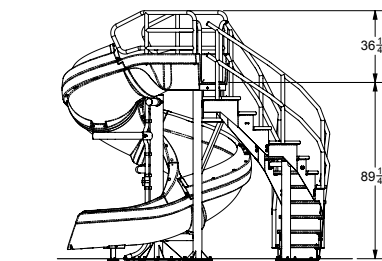
Due to printing technology, actual color may differ.

Adult supervision required at all times when children are using this slide.

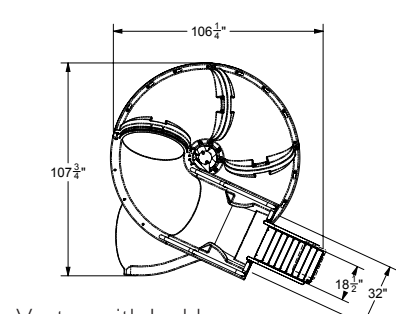
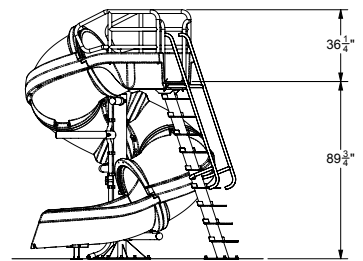
Flume Details



See page 54 for slide placement diagram



Vortex with Staircase



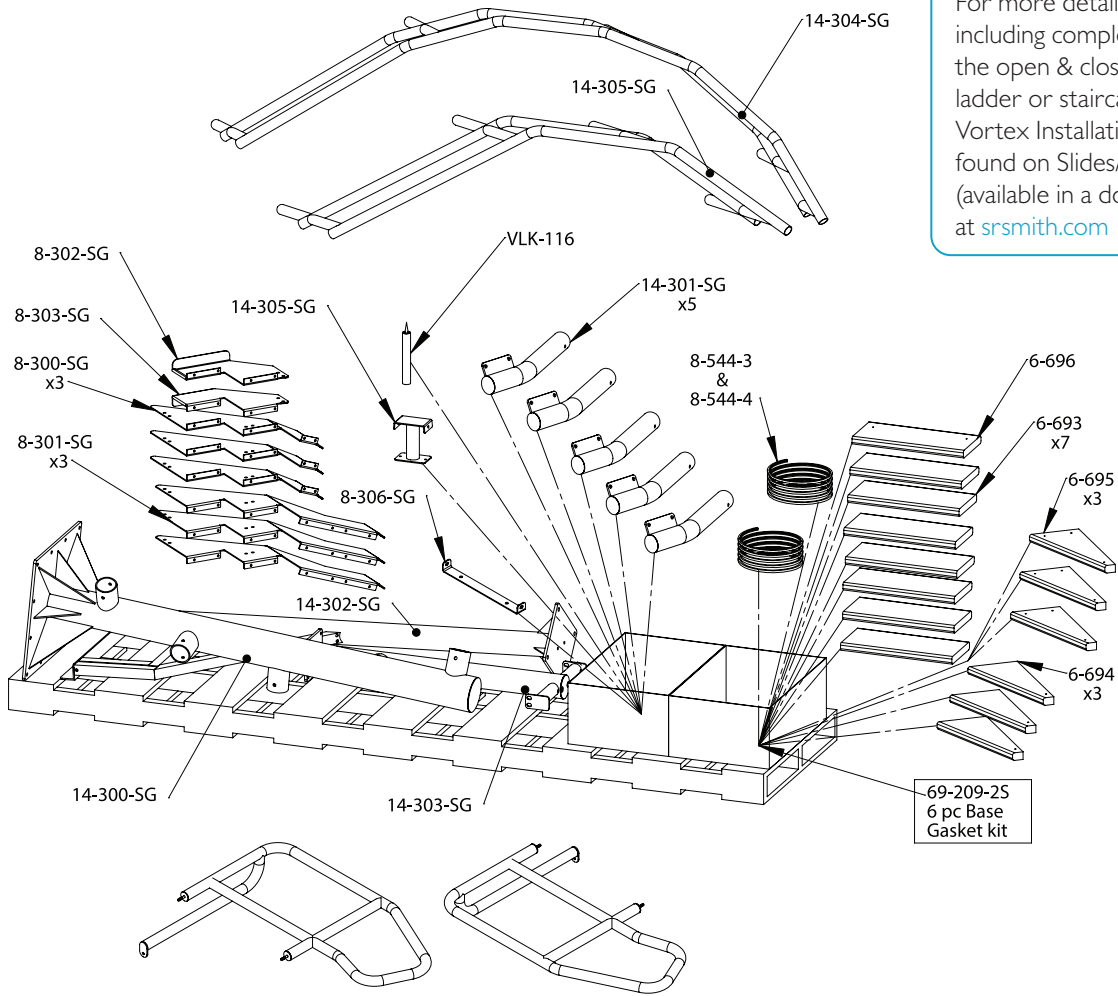
Vortex with Ladder



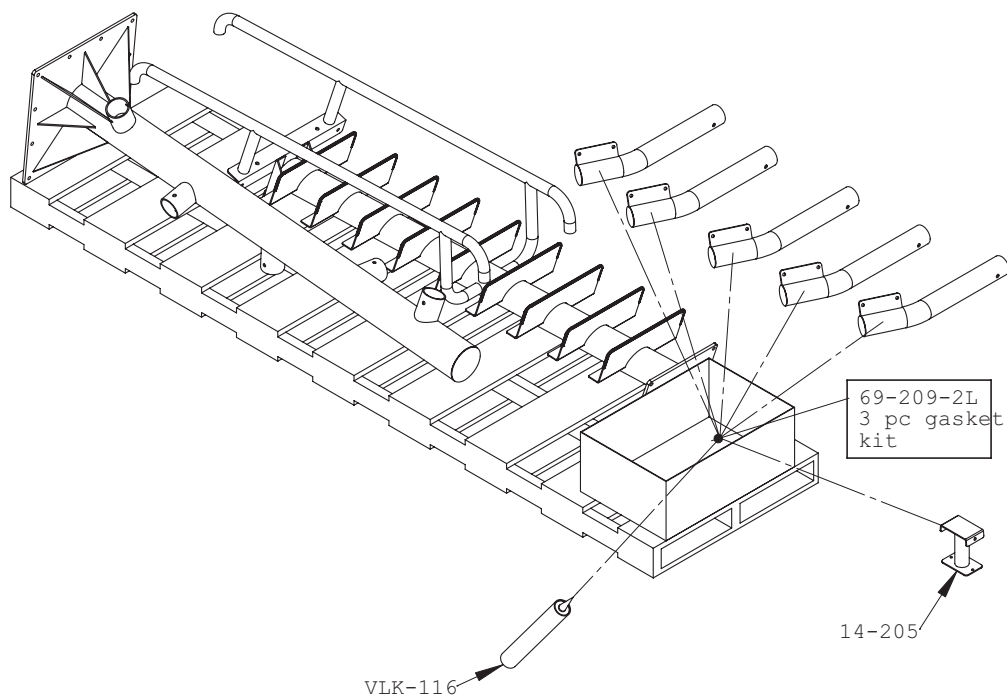
All S.R.Smith, LLC swimming pool slides fully comply with Consumer Products Safety Commission (CPSC) mandatory safety Standard for Swimming Pool Slides (16 CFR 1207) and are certified by independent third party testing labs. The installer or end-user is responsible for complying with local building codes for the location, installation, construction or assembly of these slides. S.R.Smith, LLC makes no representations that the location, installation, construction or assembly of its slides meet local building codes.

Vortex with Staircase

For more details on the Vortex, including complete parts lists for the open & closed flume styles with ladder or staircase, refer to the Vortex Installation Instructions found on Slides/Vortex web page (available in a downloadable pdf) at srsmith.com



Vortex with Ladder





slide placement sheet Vortex*

*Slide placement sheet must accompany your slide order

The Vortex slide is designed and manufactured for installation and use on in-ground swimming pools only. Installers should reference ANSI/APSP/ICC-1 American National Standard for Public Swimming Pools, and ANSI/APSP/ICC-5 American National Standard for Residential in-ground Swimming Pools (APSP - 2111 Eisenhower Ave., Alexandria, VA 22314) prior to installation.0

The weight limit for this slide is 325lbs/147kg. Do not install the Vortex slide on above-ground pools, houseboats, boat docks, floating docks or platforms, or other bodies of water such as lakes, ponds, rivers, etc.

By signing and submitting this slide placement sheet, the Responsible Party listed below (i) confirms and acknowledges that the installation site meets the requirements for proper and safe installation and placement of the Vortex slide, as set forth below, and (ii) verifies that the dimensions of the pool ensure proper and safe placement and installation of the Vortex slide, as set forth below.

- I have consulted with my local building code or health code official for site specific in-ground pool slide requirements. this includes any applicable requirements for size and structure of concrete footing, overall height of slide, and bonding or electrical codes per the local jurisdiction.

When installed per the manufacturer's installation instructions, the Vortex slide complies with U.S. Consumer Product Safety Commission (CPSC) 16 CFR, Part 1207 for in-ground swimming pool slides as published in Code of Federal Regulations. This federal standard may or may not meet the requirement of all local building or health safety codes and does not meet the requirements of ASTM F 2376-8 Classification, Design, Manufacture, Construction and Operation of Water Slide Systems.

standard may or may not meet the requirement of all local building or health safety codes and does not meet the requirements of ASTM F 2376-8 Classification, Design, Manufacture, Construction and Operation of Water Slide Systems.

Below are the critical dimensions for placement of the Vortex slide. See page I 29 for slide placement illustrations.

- The slide exit runway surface shall not exceed twenty inches (20''/51cm) above the water surface.
- The slide shall be positioned so that all water flowing off the runway exit drops into the pool. The recommended overhang is 4 inches (4''/10cm).
- The minimum depth of water below the exit lip of the slide shall be three feet (3'/91cm) and increase to four feet six inches (4'-6''/137cm) at a distance of four feet six inches (4'-6''/137cm) from the exit lip of the slide.
- A minimum depth of four feet six inches (4'-6''/137cm) shall be maintained at a distance of nine feet (9'/2.7m) along the extended centerline of the slide.
- The minimum clearance distance on either side of the extended centerline of the slide runway shall not be less than three feet six inches (3'-6''/107cm) at a point no less than two feet six inches (2'-6''/76cm) from the exit lip of the slide, and extending a distance of thirteen feet six inches (13'-6''/4m) in front of the slide.

Signature of Responsible Party		Date	
Name/Title of Responsible Party			
Physical Address	City	State	Zip
Phone Number	Email		
Facility Name	Contact Name		
Address (if different from Responsible Party)	City	State	Zip
Phone Number	Email		

Pool Slide Safety

All S.R.Smith Swimming Pool Slides are independently tested and verified to be fully CPSC compliant.

Protect Your Business: Install CPSC Compliant Slides

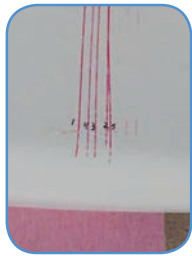
Protect your livelihood and ensure your customer's safety. Install slides that fully comply with the U.S. Consumer Product Safety Commission's (CPSC) Safety Standard for Swimming Pool Slides (16 CFR Part 1207). The CPSC is an independent government regulatory agency that exists to protect the public from risk of injury and death associated with consumer products. For more information, visit <http://www.cpsc.gov/>

CPSC Standard for Swimming Pool Slides 16 CFR Part 1207

The CPSC Standard requires passing 48 unique performance tests and outlines requirements concerning manufacturing construction and materials. The CPSC also makes recommendations regarding handling, storage, marking and installation. Swimming pool slides must meet all applicable standard requirements to fully comply.

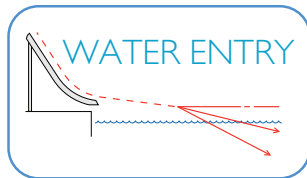


Look for the seal on the slides you install!



Sample Test **RUNWAY EQUILIBRIUM**

The slide trajectory is recorded by a marker that is attached to a weighted block released from the top of the slide. This tests for a consistent slide path exit.



Sample Test **DYNAMIC LOAD TEST**

A 350lb load is applied and the slide may not show signs of stress, and no visible deformation may occur.

Sample Test **WATER ENTRY**

The path of the potential slider is digitally recorded by high-speed video cameras. The data is analyzed to ensure the slider does not enter the water at an angle that is likely to cause impact with the bottom of the pool.

For more information on the standard, visit:
http://www.access.gpo.gov/nara/cfr/waisidx_04/16cfr1207_04.html

To view S.R. Smith compliance documents, visit:
srsmith.com/en/safety



CREATE A UNIQUE BACKYARD RESORT

Give customers the pool of their dreams with a custom slide. Garden Ride, River Run and BYOS2 Slides are made using an advanced Resin Transfer Molding (RTM) process and coordinate with other RTM products. All pre-configured and unique custom slides are UV resistant, salt pool friendly and exceptionally strong and durable. For custom pool designs, provide your drawing to our technical experts and we'll work with you to make the vision a reality for your customer.

MINIMUM WEIGHT - MAXIMUM STRENGTH

Garden Ride, River Run and BYOS2 slides are made using a Resin Transfer Molding (RTM) process. RTM is an advanced manufacturing process that is used in a diverse range of applications from aerospace to automotive products. The RTM process creates a composite material that has a high strength to weight ratio – although lightweight, it is exceptionally strong and durable. RTM products offer a truly unique look that is salt pool friendly and UV resistant to protect colors from fading.



SALT POOL FRIENDLY

We know pool builders and consumers alike enjoy the benefits of salt chlorinator systems—that's why we've designed a line of products that perform well in salt pool environments. Our Salt Pool Friendly icon is your visual assurance that the most durable and salt friendly materials have been used in manufacturing.





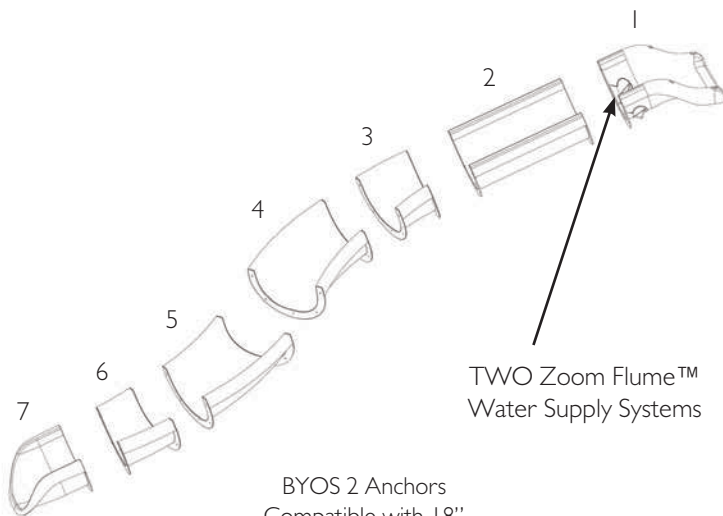
BUILD YOUR OWN SLIDE (BYOS2™) UNIQUE CUSTOM SLIDES

The Build Your Own Slide (BYOS2) provides easy, customized slide solutions to builders incorporating handcrafted rock work or water park type designs into custom backyard settings. There are many colors and visual textures to choose from including many stunning granite colors that will blend well into any custom backyard design.

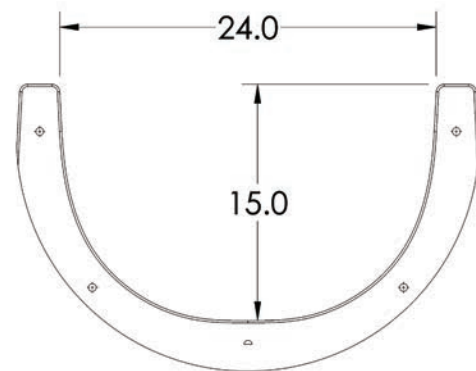
- Up to 7 available sections combine in endless configurations
- Residential or Commercial use
- Design and configuration assistance
- Discreet zoom flume water delivery system with perfectly matching cover plate (40 - 80 gpm)
- Sleek, beautiful and durable
- 350 pound weight limit
- Stainless Steel Hardware included
- Stainless Steel Construction Anchoring Systems included
- Available in assorted colors and visual textures
- Color matching products include: T7 Diving System, Destination Series In-Pool Furniture



SLIDE COLORS



BYOS 2 Anchors
Compatible with 18"
Sonotubes*



BYOS 2 Flume Dimensions

SEND QUOTE REQUESTS TO
BYOSQUOTE@SRSMITH.COM



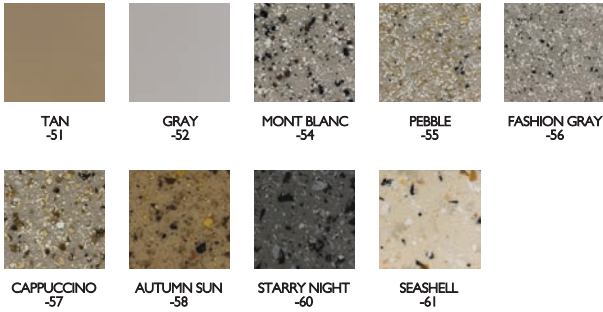
RIVER RUN PRE-CONFIGURED CUSTOM SLIDES

River Run Slides are a collection of the most popular designs that have been custom configured through the Build Your Own Slide (BYOS2) custom landscape slide ordering process.

- Pre-Designed BYOS2™ slide kits
- Right and left turn slides
- Discreet zoom flume water delivery system with perfectly matching cover plate (20 - 40 gpm)
- 19', 23', 24' & 29' length options
- 350 pound weight limit
- No quote process needed - easy to order
- Available in assorted colors and visual textures
- Color matching products include: T7 Diving System, Destination Series In-Pool Furniture



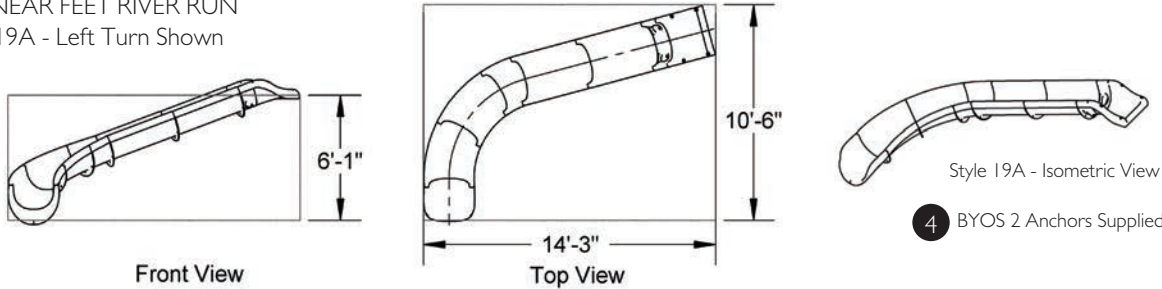
SLIDE COLORS



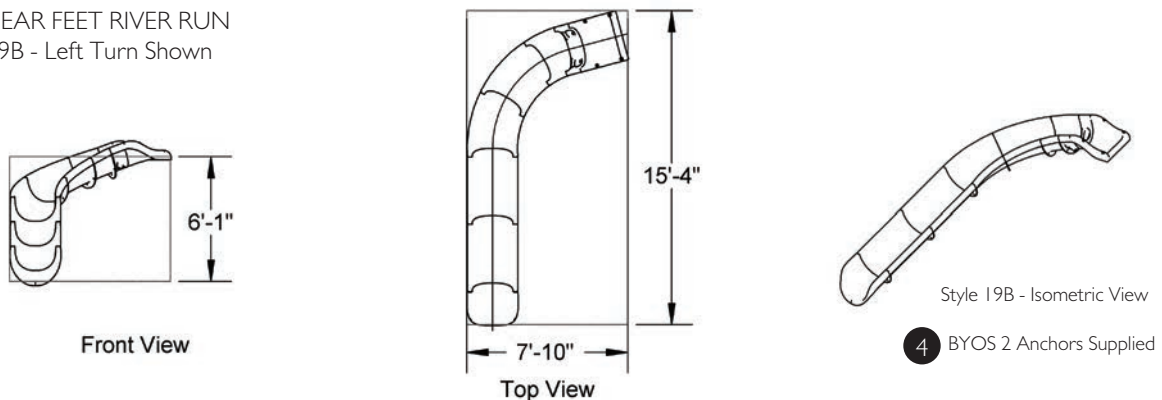
PART #	DESCRIPTION
RRS19A-CL-XX	19' River Run Slide Turn A- LEFT
RRS19A-CR-XX	19' River Run Slide Turn A- RIGHT
RRS19B-CL-XX	19' River Run Slide Turn B- LEFT
RRS19B-CR-XX	19' River Run Slide Turn B- RIGHT
RRS23A-CL-XX	23' River Run Slide Turn A- LEFT
RRS23A-CR-XX	23' River Run Slide Turn A- RIGHT
RRS24A-CL-XX	24' River Run Slide Turn A- LEFT
RRS24A-CR-XX	24' River Run Slide Turn A- RIGHT
RRS24B-CL-XX	24' River Run Slide Turn B- LEFT
RRS24B-CR-XX	24' River Run Slide Turn B- RIGHT
RRS29A-CL-XX	24' River Run Slide Turn B- LEFT
RRS29A-CR-XX	24' River Run Slide Turn B- RIGHT

REPLACE THE XX IN THE PART NUMBERS TO INDICATE COLOR CODE WHEN ORDERING.

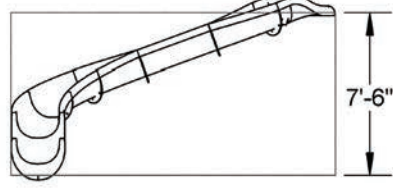
19 LINEAR FEET RIVER RUN
Style 19A - Left Turn Shown



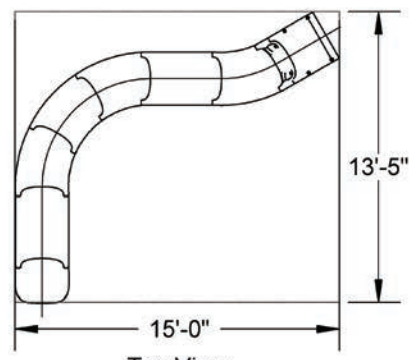
19 LINEAR FEET RIVER RUN
Style 19B - Left Turn Shown



23 LINEAR FEET RIVER RUN
Style 23A - Left Turn Shown



Front View



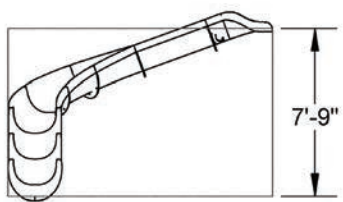
Top View



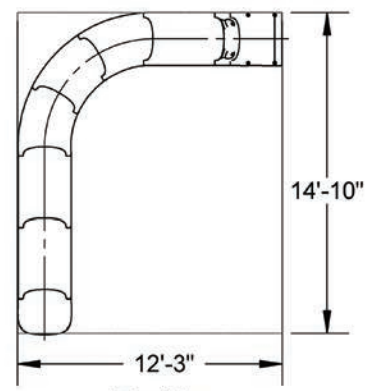
Style 23A - Isometric View

4 BYOS 2 Anchors Supplied

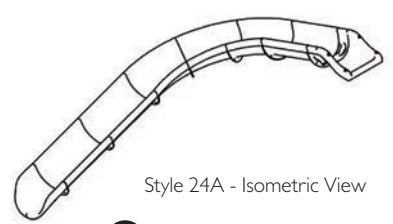
24 LINEAR FEET RIVER RUN
Style 24A - Left Turn Shown



Front View



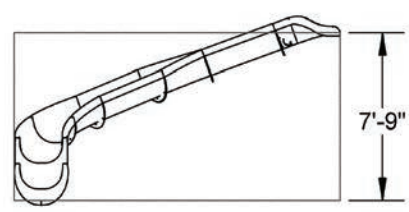
Top View



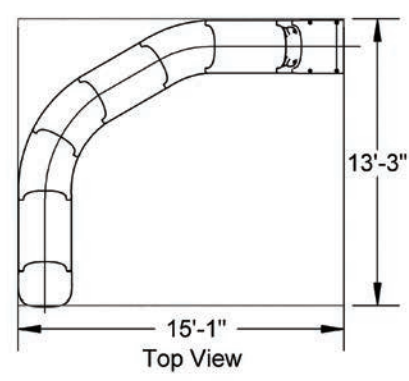
Style 24A - Isometric View

4 BYOS 2 Anchors Supplied

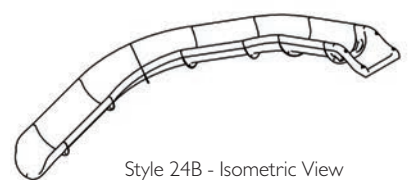
24 LINEAR FEET RIVER RUN
Style 24B - Left Turn Shown



Front View



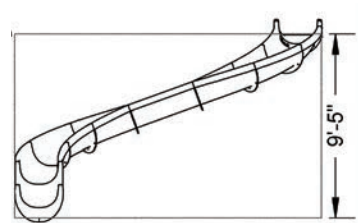
Top View



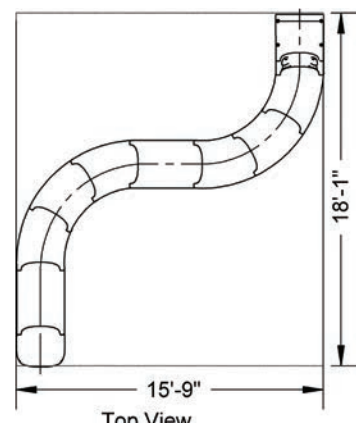
Style 24B - Isometric View

4 BYOS 2 Anchors Supplied

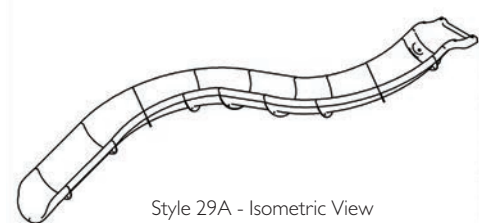
29 LINEAR FEET RIVER RUN
Style 29A - Left Turn Shown



Front View



Top View



Style 29A - Isometric View

5 BYOS 2 Anchors Supplied



GARDEN RIDE PRE-CONFIGURED CUSTOM SLIDES

Garden Ride Pre-Configured Custom Slides are designed to be built into custom pool side landscape with limited space. Featuring an easy to assemble two-piece flume available in 10' or 15' lengths, the Garden Ride offers hours of custom splashing fun. The advanced water delivery system, a deep and wide runway, and multiple color options make it ideal for range of pool configurations.



- Right and left turn slides
- 350 pound weight limit
- Discreet zoom flume water delivery system with perfectly matching cover plate (20 - 40 gpm)
- No quote process needed - easy to order
- Matching powder coated handrails are standard
- Available in assorted colors and visual textures
- Stainless Steel Anchoring System is included to ensure proper installation
- Color matching products include: T7 Diving System, Destination Series In-Pool Furniture

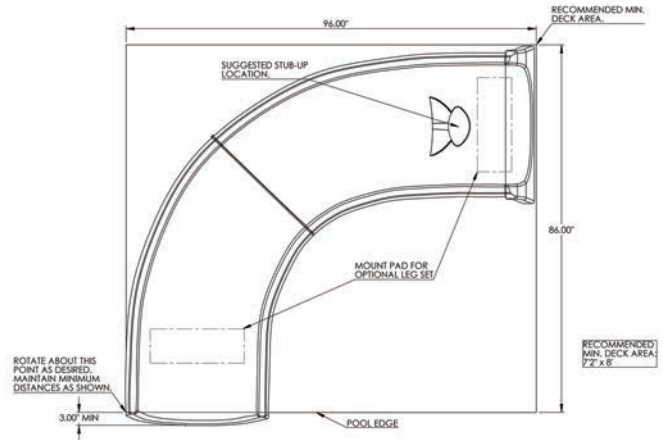
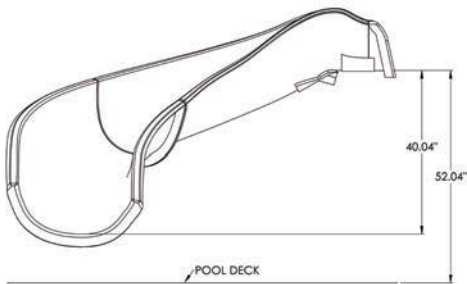
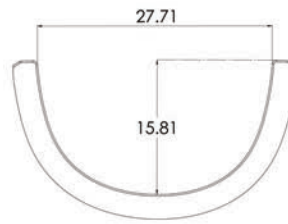
PART #	DESCRIPTION
GRS10-CL-XX-C	10' Garden Ride - LEFT
GRS10-CR-XX-C	10' Garden Ride - RIGHT
GRS15-CL-XX-C	15' Garden Ride - LEFT
GRS15-CR-XX-C	15' Garden Ride - RIGHT

REPLACE THE **XX** IN THE PART NUMBERS TO INDICATE COLOR CODE WHEN ORDERING.

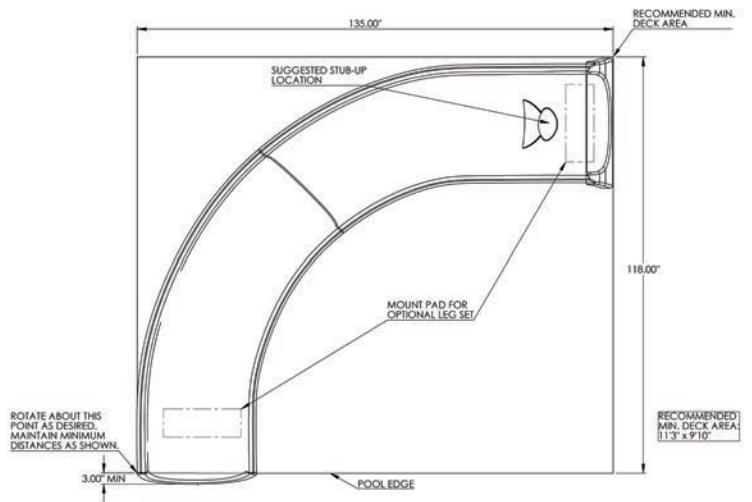
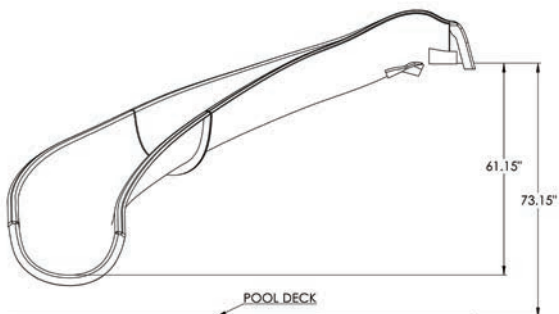
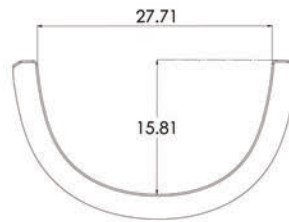
SLIDE COLORS



10' GARDEN RIDE (left curve shown)
 Part # GRS10-CL-XX
 comes w/ stainless steel hardware and support system



15' GARDEN RIDE (left curve shown)
 Part # GRS15-CL-XX
 comes w/ stainless steel hardware and support system



BigRide™



With its long, extra deep runway and cascades of rushing water, the BigRide is a perfect landscape slide.

- 5'6" in height
- Available with a right or left curved flume
- Accommodates sliders up to 250 lbs/113kg
- 30 gpm max. water delivery system can be plumbed through the pool's return line
- Heavy-duty fiberglass gelcoat construction for maximum durability
- Designed for quick, easy assembly with a 3-piece flume for easy assembly and shipping
- Intended for in-ground residential swimming pools only



Slide Color

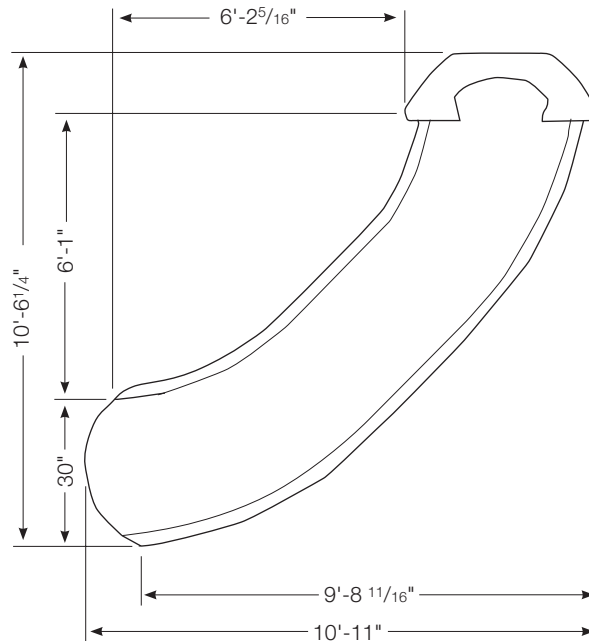


PART #	DESCRIPTION
SHIPPING: 300 lbs (137kg) - 77"L x 53"W x 37"H (183cm x 135cm x 94cm) CLASS 300	
BR-2R-TP	Taupe, Right Curve
BR-2L-TP	Taupe, Left Curve
BR-2R-PG	Pewter Gray, Right Curve
BR-2L-PG	Pewter Gray, Left Curve

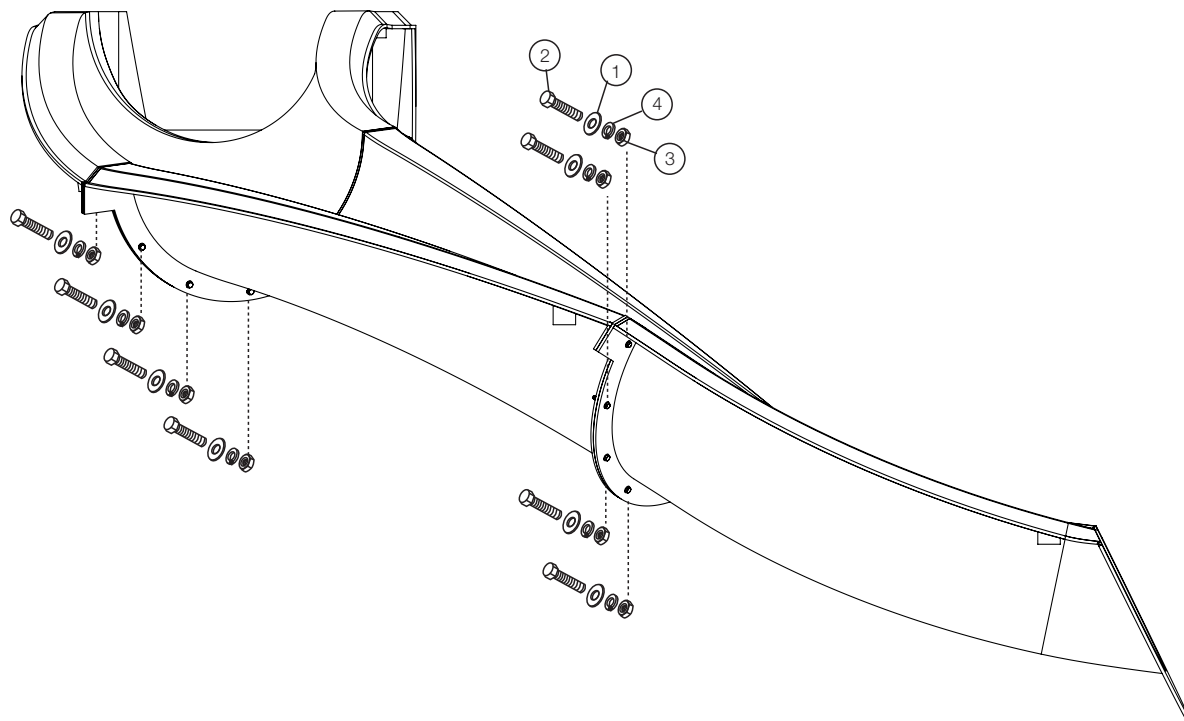
Due to printing technology, actual color may differ.

Adult supervision required at all times when children are using this slide.

Flume Details



All S.R.Smith, LLC swimming pool slides fully comply with Consumer Products Safety Commission (CPSC) mandatory safety Standard for Swimming Pool Slides (16 CFR 1207) and are certified by independent third party testing labs. The installer or end-user is responsible for complying with local building codes for the location, installation, construction or assembly of these slides. S.R.Smith, LLC makes no representations that the location, installation, construction or assembly of its slides meet local building codes.



KEY	PART #	DESCRIPTION	KIT A
Kit A	69-209-163	BigRide Hardware Kit (included)	
1		3/8" Flat Washer	•
2		3/8" x 1 3/4" Hex Head Cap Screw	•
3		3/8" Hex Nut	•
4		3/8" Lock Washer, Split	•
		5/16" x 1" Hex Washer Head Screw	•

Requires 1 1/2" PVC pipe for water delivery – not included



DESTINATION SERIES

IN-POOL FURNITURE DESIGNS FROM S.R.SMITH

BRING YOUR VACATION HOME™

Inspired by the world's most luxurious resorts, S.R.Smith's new line of professional grade in-pool furniture sets a new standard for style and elegance. The Destination Series features table and seating options designed to create spaces for conversation and relaxation. Made in the USA using advanced manufacturing technology, Destination Series products are lightweight and super strong.

MINIMUM WEIGHT - MAXIMUM STRENGTH

Resin Transfer Molding (RTM) is an advanced manufacturing process that is used in a diverse range of applications from aerospace to automotive products. The RTM process creates a composite material that has a high strength to weight ratio – although lightweight, it is exceptionally strong and durable. RTM products offer a truly unique look that is salt pool friendly and UV resistant to protect colors from fading.



SALT POOL FRIENDLY

We know pool builders and consumers alike enjoy the benefits of salt chlorinator systems - that's why we've designed a line of products that perform well in salt pool environments. Our Salt Pool Friendly icon is your visual assurance that the most durable and salt friendly materials have been used in manufacturing.



UPGRADE YOUR SHADE

Destination Series features specially designed tables that allow you to add a table under your favorite sun shelf umbrella. In-pool tables upgrade your shade and keep everyone in the pool.



ADAPTER KITS

Sun shelf tables install into most 1.5" umbrella anchors in three easy steps with the Adapter Kit from S.R.Smith. Adapter Kits have been verified for use with most popular 6" umbrella anchor manufacturers including Aqua Star, Waterways and CMP. Compatibility with other brands is not guaranteed.



DESTINATION SERIES Tables and Seating

Make the most of a sun shelf with tables and seating that allows you to cool off without splashing around. Bring your book, your favorite beverage and a snack to spend hours relaxing in your personal destination space.



NEW CONSTRUCTION

Build in resort features that are flexible, durable and elegant with Destination Series table and seating.

FEATURES:

- Tables & seats designed for 6" anchors
- Pole height can be customized in the field (*suggest using a hacksaw with a new blade*)
- Easy to insert and remove without tools
- Salt pool friendly
- Made in USA

16" Pool Seat <i>includes 42" pole</i>	16" Table with Umbrella Support	30" Pool or Spa Table and Umbrella Support	30" Pool or Spa Table with Cup Holders and Umbrella Support	54" Pole <i>may be cut to custom length</i>	18" Pole	Gunite 6" Bronze Anchor	Vinyl Liner 6" Plastic Anchor
Mounts to pole and secured in bronze anchor				For tall tables in pools or spas	For sun shelves	Supports pole for tables and seats	

RETROFIT TABLE KITS

Upgrade an ordinary sun shelf to an extraordinary conversation space or relaxation station with Retrofit Sun Shelf Table Kits.

Kits include everything you need to upgrade your shade with easy to install adapter that enables you to retrofit your existing umbrella sleeve with professional grade and highly functional in-pool furniture.

FEATURES:

- Tables with or without cupholders
- Available in assorted colors and visual textures
- Easy to insert and remove without tools
- Salt pool friendly
- Made in USA

16" Table with Umbrella Support	30" Pool or Spa Table and Umbrella Support	30" Pool or Spa Table with Cup Holders and Umbrella Support	18" Pole	Umbrella Sleeve Adapter
			for sun shelves	7.5" adapter pole fits existing umbrella sleeve

COLOR OPTIONS



REPLACE THE XX IN THE PART NUMBERS TO INDICATE COLOR CODE WHEN ORDERING.

GUNITE NEW CONSTRUCTION

PART #	DESCRIPTION
POOL TABLES REPLACE THE XX IN THE PART NUMBERS TO INDICATE COLOR CODE WHEN ORDERING.	
WS-POOLTABLE-XX-C	In-Pool/Spa 30" Table, 54" tall 1.90 x .065 Support Pole and 6" Bronze Pool Anchor with cap
WS-PT NO ANC-XX-C	In-Pool/Spa 30" Table and 54" tall 1.90 x .065 Support Pole Only - NO ANCHOR
WS-POOLTABLE-CH-XX-C	In-Pool/Spa 30" Table, with 4 cup holders, 54" tall 1.90 x .065 Support Pole and 6" Bronze Pool Anchor with cap
WS-PT NO ANC-CH-XX-C	In-Pool/Spa 30" Table, with 4 cup holders, 54" tall 1.90 x .065 Support Pole Only NO ANCHOR
WS-16 TABLE-XX-C	16" Table with Umbrella Hole, 18" tall 1.90 x .065 Support Pole and 6" Bronze Pool Anchor with cap
WS-16 NOANC-XX-C	16" Table with Umbrella Hole, 18" tall 1.90 x .065 Support Pole Only - NO ANCHOR
POOL SEATING REPLACE THE XX IN THE PART NUMBERS TO INDICATE COLOR CODE WHEN ORDERING.	
WS-POOLSEAT-XX-C	In-Pool/Spa 16" Seat, 42" tall 1.90 x .065" Support Pole and 6" Bronze Pool Anchor with cap
WS-PS NOANC-XX-C	In-Pool/Spa 15" Seat and 42" tall 1.90 x .065 Support Pole Only - NO ANCHOR

GUNITE RETROFIT FOR UMBRELLA ANCHORS*

PART #	DESCRIPTION
POOL TABLES REPLACE THE XX IN THE PART NUMBERS TO INDICATE COLOR CODE WHEN ORDERING.	
PL-30 UMB TABLE-XX	30" Table with umbrella hole, 1.50 Adapter and 18" tall 1.90 x .065 Support Pole
PL-30 UMB TABLE-CH-XX	30" Table with umbrella hole, 4 Cup Holders, 1.50 Adapter and 18" tall 1.90 x .065 Support Pole
PL-16 BEV TABLE-XX	16" Table with umbrella hole, 1.50 Adapter and 18" tall 1.90 x .065 Support Pole

*Retrofit Umbrella Anchor Upgrade Installation Notes: Most common umbrella anchors are typically 1.5" diameter and either 6" or 4" depth. Sun shelf depth typically range from 8" - 14" depth. Confirm the depth of the sun shelf and umbrella anchor and cut support pole as required for specific application.

VINYL NEW CONSTRUCTION

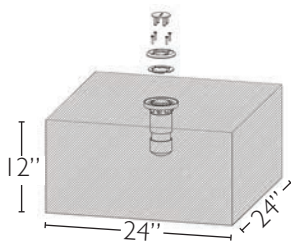
PART #	DESCRIPTION
POOL TABLES REPLACE THE XX IN THE PART NUMBERS TO INDICATE COLOR CODE WHEN ORDERING.	
VL-POOLTABLE-XX-C	In-Pool/Spa 30" Table, 54" tall 1.90 x .065 Support Pole and 1.90 Vinyl Liner Anchor with cap
WS-PT NO ANC-XX-C	In-Pool/Spa 30" Table, 54" tall 1.90 x .065 Support Pole Only - NO ANCHOR
VL-POOLTABLE-CH-XX-C	In-Pool/Spa 30" Table, with 4 Cup Holders, 54" tall 1.90 x .065 Support Pole and 1.90 Vinyl Liner Anchor
WS-PT- NO ANC-CH-XX-C	In-Pool/Spa 30" Table, with 4 Cup Holders, 54" tall 1.90 x .065 Support Pole Only - NO ANCHOR
VL-16 TABLE-XX-C	16" Table with umbrella hole, 18" tall 1.90 x .065 Support Pole and 1.90 Vinyl Liner Anchor with cap
WS-16 NOANC-XX-C	16" Table with umbrella hole, 18" tall 1.90 x .065 Support Pole Only - NO ANCHOR
POOL SEATING REPLACE THE XX IN THE PART NUMBERS TO INDICATE COLOR CODE WHEN ORDERING.	
VL-POOLSEAT-XX-C	In-Pool/Spa 16" Seat 42" tall 1.90 x .065 Support Pole and 1.90 Vinyl Liner Anchor with cap
WS-PS NOANC-XX-C	In-Pool/Spa 16" Seat 42" tall 1.90 x .065 Support Pole Only - NO ANCHOR



ANCHOR FOR GUNITE POOLS

Tables and seats install in pools w/6" bronze anchor
WS-POOL-ANCHOR

MINIMUM CONCRETE POUR DIMENSIONS



ANCHOR FOR VINYL POOL LINER

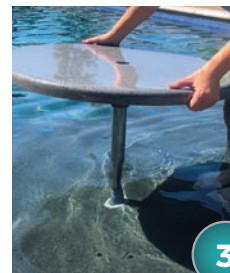
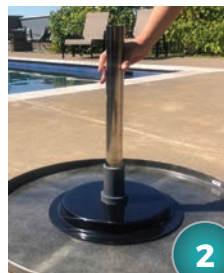
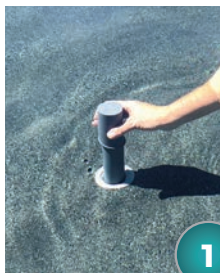
Tables and seats install in vinyl liner pools
VL-ANCHOR 1.90

ANCHORS

PART #	DESCRIPTION
WS-POOL-ANCHOR	6" (1.90) Bronze Anchor w/ Cap
VL-ANCHOR 1.90	6" Vinyl Liner Anchor w/ Cap

RETROFIT SUN SHELF TABLE KITS

Select the 16" or 30" table you want to add to your sun shelf and your kit will come complete with everything you need to retrofit your existing umbrella sleeve. You can upgrade your shade in **3 easy steps!**



*Adapter designed for 7 1/4" anchor sleeves; may be cut down to side for shorter umbrella anchor sleeves.

- 1 - Place adaptor into existing anchor*
- 2 - Slide support pole into the table
- 3 - Place table and pole onto adapter and place umbrella in

ADAPTER KITS

PART #	DESCRIPTION
PL-ADAPTER 1.50	Adapter Kit



-61 Starry Night Shown



Destination Lounger™

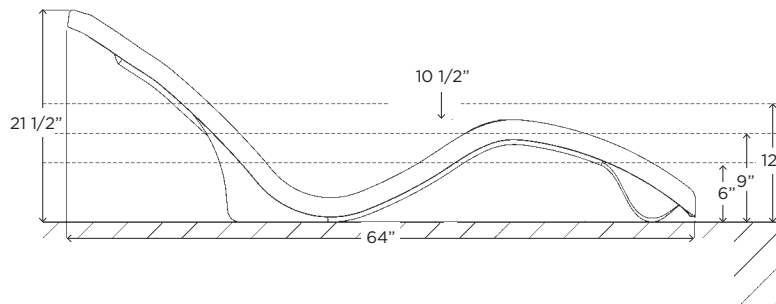
The Destination Lounger™ lets you relax and enjoy the pool without a splash. Elegant design and sturdy construction combine to give pool owners the opportunity to upgrade their sun shelf space with ease. Made using an advanced RTM manufacturing process, Destination Loungers are lightweight yet strong. The innovative design allows pool owners to easily fill the base section with water but, more importantly, also allows them to move the lounger to remove water so it's easy to take it off the sun shelf when not in use.

- Perfect for residential or commercial use
- For use on a pool ledge with water depths up to 12 inches
- High-quality RTM composite material
- UV protection to resist fading
- Compatible with all pool types, including vinyl
- Exclusive colors and visual textures
- Patent pending
- Easy to drain and remove when not in use
- Made in the USA

PART #	DESCRIPTION
SHIPPING: 35 lbs - 68"L x 22"W x 17.22"H CLASS 70	
DS-I-51	Destination Lounger – Solid Tan
DS-I-52	Destination Lounger – Solid Gray
DS-I-54	Destination Lounger – Mont Blanc
DS-I-55	Destination Lounger – Pebble
DS-I-56	Destination Lounger – Fashion Gray
DS-I-57	Destination Lounger – Cappuccino
DS-I-58	Destination Lounger – Autumn Sun
DS-I-60	Destination Lounger – Starry Night
DS-I-61	Destination Lounger – Seashell

PART #	DESCRIPTION
2-PACK SHIPPING: 112 lbs - 68"L x 45"W x 22"H CLASS 70	
DS-I-51-2PK	Destination Lounger – Solid Tan – 2-Pack
DS-I-52-2PK	Destination Lounger – Solid Gray – 2-Pack
DS-I-54-2PK	Destination Lounger – Mont Blanc – 2-Pack
DS-I-55-2PK	Destination Lounger – Pebble – 2-Pack
DS-I-56-2PK	Destination Lounger – Fashion Gray – 2-Pack
DS-I-57-2PK	Destination Lounger – Cappuccino – 2-Pack
DS-I-58-2PK	Destination Lounger – Autumn Sun – 2-Pack
DS-I-60-2PK	Destination Lounger – Starry Night – 2-Pack
DS-I-61-2PK	Destination Lounger – Seashell – 2-Pack

COLOR OPTIONS





DESTINATION SERIES Rocking Lounge Chair



Shown in Seashell



The Destination Series Rocking Lounge Chair is the latest addition to S.R.Smith's In-Pool Furniture line. This elegantly designed and sturdy model offers a slight rocking feature that allows for easier exit off the Chair while in the pool. A high-performance composite manufacturing process called Resin Transfer Molding (RTM), ensures that the Rocking Lounge Chair is lightweight yet strong. The innovative design allows pool owners to easily drain the water and remove from the sun shelf when not in use.

- Perfect for residential or commercial use
- For use on pool shelves with water depths up to 12 inches
- Offers slight rocking feature for easier exit off chair
- High-quality RTM composite design
- UV protected to resist fading
- Compatible with all pool types
- Exclusive colors and visual textures
- Patent pending
- Easy to drain and remove when not in use
- 2-Pack kits available
- Made in the USA

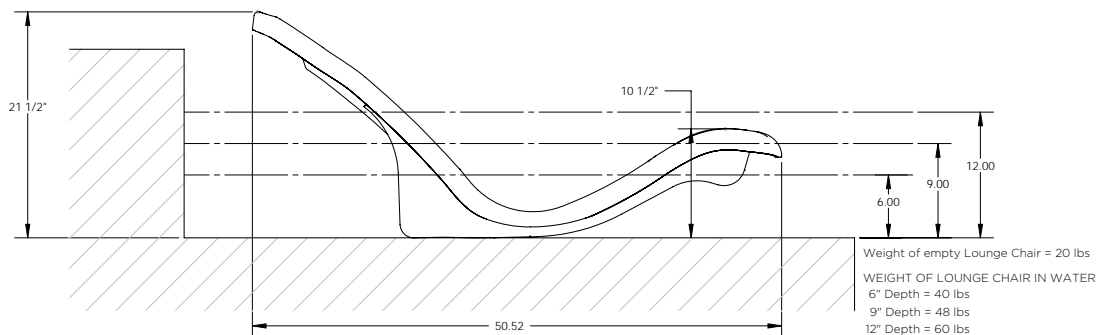
COLOR OPTIONS



PART #	DESCRIPTION
SHIPPING: 35 lbs - 68"L x 22"W x 17.22"H CLASS 70	
DS-2-51	Rocking Lounge Chair – Tan
DS-2-52	Rocking Lounge Chair – Gray
DS-2-54	Rocking Lounge Chair – Mont Blanc
DS-2-55	Rocking Lounge Chair – Pebble
DS-2-56	Rocking Lounge Chair – Fashion Gray
DS-2-57	Rocking Lounge Chair – Cappuccino
DS-2-58	Rocking Lounge Chair – Autumn Sun
DS-2-60	Rocking Lounge Chair – Starry Night
DS-2-61	Rocking Lounge Chair – Seashell

PART #	DESCRIPTION
2-PACK SHIPPING: 112 lbs - 68"L x 45"W x 22"H CLASS 70	
DS-2-51-2PK	Rocking Lounge Chair – Tan – 2-Pack
DS-2-52-2PK	Rocking Lounge Chair – Gray – 2-Pack
DS-2-54-2PK	Rocking Lounge Chair – Mont Blanc – 2-Pack
DS-2-55-2PK	Rocking Lounge Chair – Pebble – 2-Pack
DS-2-56-2PK	Rocking Lounge Chair – Fashion Gray – 2-Pack
DS-2-57-2PK	Rocking Lounge Chair – Cappuccino – 2-Pack
DS-2-58-2PK	Rocking Lounge Chair – Autumn Sun – 2-Pack
DS-2-60-2PK	Rocking Lounge Chair – Starry Night – 2-Pack
DS-2-61-2PK	Rocking Lounge Chair – Seashell – 2-Pack

ROCKING LOUNGE CHAIR DIMENSIONS



R-Series™ Rotomolded Lounger



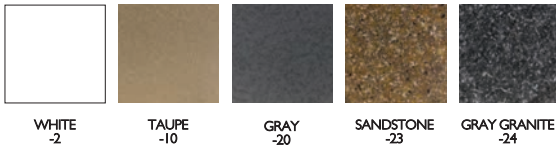
Shown in White



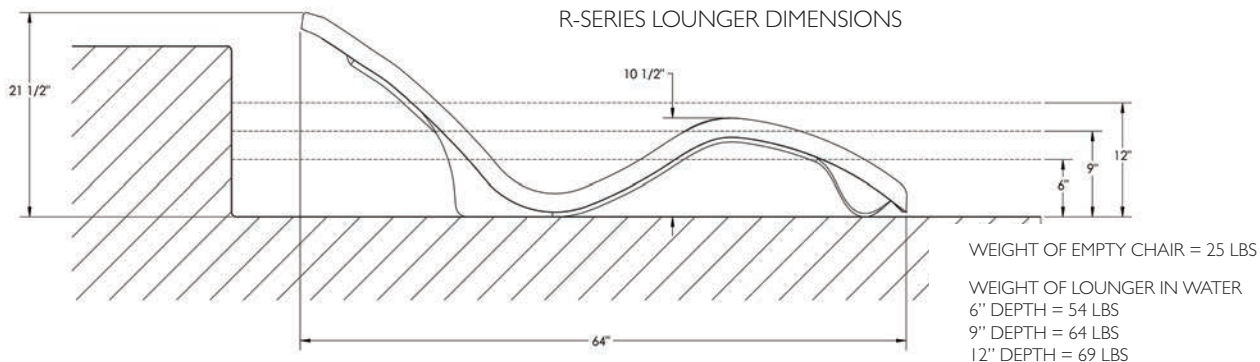
The R-Series™ Rotomolded Lounger lets you relax and enjoy the pool without a splash. Design elegance and sturdy construction combine to give pool owners the opportunity to upgrade their sun shelf with ease. The R-Series design allows pool owners to easily drain the water and remove from the sun shelf when not in use.

- Perfect for residential or commercial use
- For use on sun ledges with water depths up to 12 inches
- High-quality rotomolded design
- UV protection to resist fading
- Compatible with all pool types
- Exclusive colors and visual textures
- Easy to drain and remove when not in use
- 2-Pack Loungers available
- Patent Pending
- Made in the USA

COLOR OPTIONS



PART #	DESCRIPTION
SHIPPING: 35 lbs - 68"L x 22"W x 17.22"H CLASS 70	
RS-I-2	R-Series Lounger – White
RS-I-10	R-Series Lounger – Taupe
RS-I-20	R-Series Lounger – Gray
RS-I-23	R-Series Lounger – Sandstone
RS-I-24	R-Series Lounger – Gray Granite
2-PACK SHIPPING: 112 lbs - 68"L x 45"W x 22"H CLASS 70	
RS-I-2-2PK	R-Series Lounger – White - 2-Pack
RS-I-10-2PK	R-Series Lounger – Taupe - 2-Pack
RS-I-20-2PK	R-Series Lounger – Gray - 2-Pack
RS-I-23-2PK	R-Series Lounger – Sandstone - 2-Pack
RS-I-24-2PK	R-Series Lounger – Gray Granite - 2-Pack





Swim N' Dunk Challenge Residential Basketball

Salt Friendly Challenge Game



- Continuous dual post frame
- SealedSteel® vinyl-coated frame and rim
- 1.90" OD, .065" wall thickness, 304 stainless steel frame
- If game removed, plastic anchor caps provided to keep pool deck safe
- Regulation rim, net, basketball and needle included
- Durable, clear acrylic backboard
- Recommended for salt pools

Part No.	Description	Shipping			
		Weight	Length	Width	Height
S-BASK-CH	Residential basketball game, with escutcheons & anchors	68 lbs 31kg	50" 127cm	34" 86cm	12" 30cm
S-BASK-CHA	Residential basketball game, with escutcheons, no anchors	68 lbs 31kg	50" 127cm	34" 86cm	12" 30cm

Parts & Accessories

- SPG-200 Backboard w/ hardware
- 20-197-VB Backboard frame
- S-RIM-CHE Rim and net with hardware
- 69-209-200-VB Plastic anchors with caps & escutcheons (standard)
- 30009 Optional bronze anchor (two AS-100D)
- 69-209-115 Dual post jig
- SPG-102 Replacement basketball
- S-POST-CH Post replacement kit

Challenge Game

- Continuous dual post frame
- 1.90" OD, .065" wall thickness, 304 stainless steel frame
- If game removed, plastic anchor caps provided to keep pool deck safe
- Regulation rim, net, basketball and needle included
- Durable, clear acrylic backboard



Part No.	Description	Shipping			
		Weight	Length	Width	Height
BASK-CH	Residential basketball game, with escutcheons & anchors	68 lbs 31kg	50" 127cm	34" 86cm	12" 30cm
BASK-CHA	Residential basketball game, with escutcheons, no anchors	68 lbs 31kg	50" 127cm	34" 86cm	12" 30cm

Parts & Accessories

- SPG-200 Backboard w/ hardware
- 20-197-VB Backboard frame
- S-RIM-CHE Rim and net with hardware
- 69-209-200-MC Plastic anchors with caps & escutcheons (standard)
- 30009 Optional bronze anchor (two AS-100D)
- 69-209-115 Dual post jig
- SPG-102 Replacement basketball
- POST-CH Post replacement kit



Single-post Basketball Game

- Single post basketball game
- 1.90" OD, 304 stainless steel
- Regulation rim, net, basketball and needle included

Part No.	Description	Shipping – 3 boxes			
		Weight	Length	Width	Height
SPBSK-100	Single-post basketball game, with escutcheon & anchor	44 lbs	45"/114cm	30"/76cm	6"/15cm
		20kg	65"/165cm	14"/36cm	5"/13cm
			6"/15cm	6"/15cm	3"/8cm

Parts & Accessories

- SPG-104 Backboard, rim and net with hardware
- 69-209-197 Frame, ball and needle
- AS-100D Bronze anchor with cap (included)
- EP-100F Escutcheon (included)

Single-post Basketball/Volleyball Combo Pack

Part No.	Description	Shipping – 5 boxes			
		Weight	Length	Width	Height
SPBSK-200	Single-post basketball/volleyball kit, complete with anchors and escutcheons		45"/114cm	30"/76cm	6"/15cm
			65"/165cm	14"/36cm	5"/13cm
		60 lbs	27"/68cm	5"/13cm	4"/10cm
		27kg	55"/140cm	3"/8cm	3"/8cm
		8"/20cm	8"/20cm	4"/10cm	

Parts & Accessories

- SPG-104 Single post basketball board, rim and net with hardware
- 69-209-197 Frame, ball, needle
- VBK-105 20' volleyball net
- 69-209-196 Single post combo volleyball package
- 69-209-200 Plastic anchor with escutcheons (standard)
- 30009 Optional bronze anchors (2)



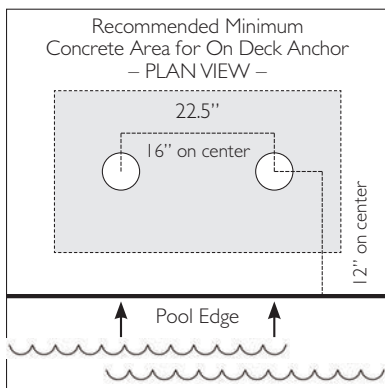
Traditional Basketball Game

- On-deck or in-deck installation applications
- Stainless steel legs and hardware for superior strength
- Plastic anchors with safety caps included
- Special order available in various powder coated or SeeledSteel® salt-friendly color options, contact customer@srsmith.com for more information
- Comes complete with backboard, net, ball, pump and needle
- 12"/30cm setback 18"/46cm setback on SPS-BBAL 18 GBC

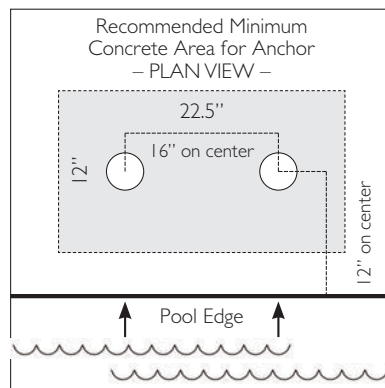
Part No.	Description	Shipping – 2 boxes			
		Weight	Length	Width	Height
SPS-BBAL 18 GBC	Dual Post basketball game w/ 18"/46cm setback, w/ SS hardware & plastic escutcheons	67lbs 30kg	47"/119cm 73"/185cm	34"/86cm 17"/43cm	9"/23 cm 8"/20cm
SPS-BBALL GB-C	Dual Post basketball game w/ SS hardware & plastic escutcheons	60lbs 27kg	47"/119cm 72"/183cm	34"/86cm 13"/33cm	9"/23 cm 8"/20cm
SPS-BBALL GP-C	Dual Post basketball game w/ SS hardware & plastic escutcheons	60lbs 27kg	47"/119cm 72"/183cm	34"/86cm 13"/33cm	9"/23 cm 8"/20cm
SPS-BBALL D-C	Dual Post basketball game w/ SS hardware, flanges & plastic escutcheons	60lbs 27kg	47"/119cm 72"/183cm	34"/86cm 13"/33cm	9"/23 cm 8"/20cm

Parts & Accessories

- SPS-BBALL 18-G Basketball support legs 18" offset for in deck mount includes hardware and escutcheons
- SPS-B BALL G Basketball support legs 12" offset for in deck mount includes hardware and escutcheons
- SPS-BASKETBALL2 Traditional basketball backboard, rim, net, ball, pump, needle
- SPS-B BALL D Basketball support legs 12" offset for on deck mount includes hardware and escutcheons
- WS-DM B-Ball/V-Ball on deck mounting kit
- B-BALL CROSS BAR KIT Basketball backboard cross brace
- WS-ESS Gray plastic escutcheon
- H-BB-101 Basketball Hardware Kit
- H-RIM BUSHING Black urethane basketball rim bushing
- 69-209-200 Plastic anchor kit w/(2) as-100P and escutcheons
- 30009 Bronze anchor package w/(2) as-100D



Anchor Placement - Plan View



Anchor Placement - Plan View



Anchor Placement - Side View



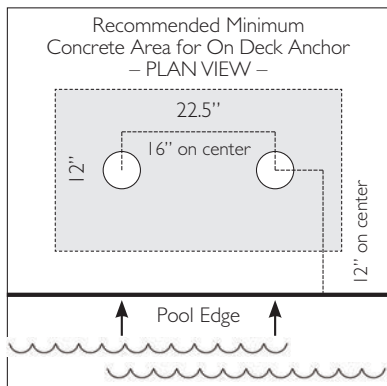
Pro-Style Basketball Game

- Tough, Impact Resistant Polycarbonate Backboard
- On-deck or in-deck installation applications
- Stainless steel legs and hardware for superior strength
- Plastic anchors with safety caps included
- Special order available in various powder coated or SeeledSteel® salt-friendly color options, contact customer-care@srsmith.com for more information
- Comes complete with backboard, net, ball, pump and needle
- 12"/30cm setback - 18"/46cm setback on SPS-RBAL 18 GBC

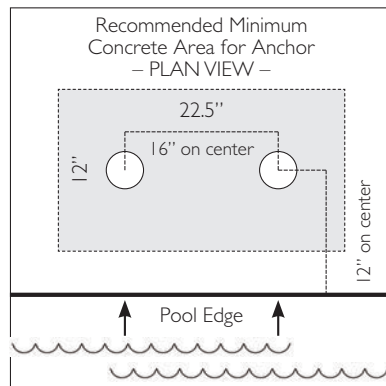
Part No.	Description	Shipping – 3 boxes			
		Weight	Length	Width	Height
SPS-RBALL D-C	Dual Post basketball game w/ SS hardware, flanges & plastic escutcheons	60lbs 27kg	47"/119cm 72"/183cm	34"/86cm 13"/33cm	9"/23 cm 8"/20cm
SPS-RBALL GB-C	Dual Post basketball game w/ SS hardware & plastic escutcheons	60lbs 27kg	47"/119cm 72"/183cm	34"/86cm 13"/33cm	9"/23 cm 8"/20cm
SPS-RBALL GP-C	Dual Post basketball game w/ SS hardware & plastic escutcheons	60lbs 27kg	47"/119cm 72"/183cm	34"/86cm 13"/33cm	9"/23 cm 8"/20cm
SPS-RBAL 18 GBC	Dual Post basketball game w/ 18"/46cm setback, SS hardware & plastic escutcheons	67lbs 30kg	47"/119cm 73"/185cm	34"/86cm 17"/43cm	9"/23 cm 8"/20cm

Parts & Accessories

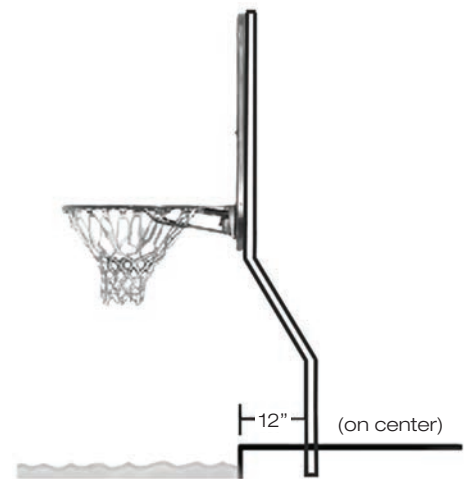
- SPS-RBASKETBALL Pro-Style Rectangular basketball backboard, rim, net, ball, pump and needle
- SPS-BBALL 18-G Basketball support legs 18" offset for in deck mount includes hardware and escutcheons
- SPS-B BALL G Basketball support legs 12" offset for in deck mount includes hardware and escutcheons
- WS-DM B-Ball/V-Ball on deck mounting kit
- WS-ESS Gray plastic escutcheon
- B-BALL CROSS BAR KIT Basketball backboard cross brace
- H-BB-101 Basketball Hardware Kit
- H-RIM BUSHING Black urethane basketball rim bushing
- SPS-BBALL KIT Ball, Rim, Net, Pump, Needle
- 69-209-200 Plastic anchor kit w/(2) as-100P and escutcheons
- 30009 Bronze anchor package w/(2) as-100D



Anchor Placement - Plan View



Anchor Placement - Plan View



Anchor Placement - Side View



Volleyball Games

Salt Pool Friendly Volleyball Games

Our traditional volleyball game with black, SealedSteel® salt pool friendly vinyl coated posts.



Part No.	Description	Shipping – 3 boxes			
		Weight	Length	Width	Height
S-VOLY	Salt Pool Friendly volleyball game, complete with 16' net and anchors	21 lbs 10kg	55"/140cm	5"/13cm	2"/5cm
S-VOLY20	Salt Pool Friendly volleyball game, complete with 20' net and anchors		11"/28cm	9"/23cm	9"/23cm
			8"/20cm	8"/20cm	4"/10cm

Parts & Accessories

- VOLY2A Salt Pool Friendly game posts
- VBK-100 16' net, volleyball and needle
- VBK-105 20' net, volleyball and needle
- 69-209-200-VB Plastic anchor kit with escutcheons (standard)
- 30009 Optional bronze anchors (2)

Traditional Volleyball Games

Part No.	Description	Shipping – 3 boxes			
		Weight	Length	Width	Height
VOLY	Swim N' Spike volleyball game, complete with 16' net & anchors	21 lbs 10kg	55"/140cm	5"/13cm	2"/5cm
VOLY20	Swim N' Spike volleyball game, complete with 20' net & anchors		11"/27.9cm	9"/23cm	9"/23cm
			8"/20cm	8"/20cm	4"/10cm
WS-VBALL GP-C	volleyball game, complete with 16' net and anchors	31lbs 14kg	50"/127cm	7"/18cm	7"/18cm
WS-VBALL GB-C	volleyball game, complete with 16' net and anchors				

Parts & Accessories

- VOLY1A Swim N' Spike posts
- VBK-100 16' net, volleyball and needle
- VBK-105 20' net, volleyball and needle
- 69-209-200 Plastic anchor kit with escutcheons (standard)
- 30009 Optional bronze anchors (2)
- WS-V ANC-BRONZE Anchor for WS-VBALL GB-C
- WS-V ANC-PLAS Anchor for WS-VBALL GP-C



Ladders + Rails

Virtually Endless Options

When you choose S.R.Smith you are choosing ladders and rails that can turn an ordinary pool into the extraordinary. From standard to custom, in a wide range of finishes, our rails can add both form and function to a pool.

A Finish for Every Pool

A variety of finish options are available which provide a higher level of protection to our marine grade stainless steel rails and ladders. Coatings are available in a variety of colors.

Polished stainless steel - 304 is standard, or marine grade (316L) is an option for a higher level of protection in extreme environments.



STAINLESS STEEL

Powder Coating - a durable finish that is easy to maintain, corrosion and scratch resistant, and is available in a wide variety of colors.



WHITE



TAUPE



SILVER GRAY



COPPER-VEIN



BLACK*



ROCK GRAY



HAMMERTONE GRAY

SealedSteel® Salt Friendly - a protective vinyl coating that completely encapsulates the steel, and performs well in salt pool and other harsh environments (not available as a standard option, contact customercare@srsmith.com).

Note: SealedSteel cannot be used in spas and pools where the water temp exceeds 100 degrees F.



WHITE



TAUPE



GRAY



DARK GRAY*



BLACK*

Due to printing technology, actual colors may vary.

*Custom Order Colors



Custom Rails

Whether it's a minor variation to one of our standard rail configurations, or something from your own imagination, we can help you make your vision a reality. While it's true that ladders and rails should be hardworking and functional, they also have the power to help make your pool an architectural masterpiece. Visit our online rail configurator for help:

www.srsmith.com/customrails.

Wall Thickness	304 Stainless Steel	316L Stainless Steel
.049"	1.625" & 1.90" OD	1.90" OD
.065"	1.50" & 1.90" OD	1.50" & 1.90" OD
.109"	1.90" OD	1.90" OD
.120"	1.50" OD	1.50" OD
.145"	1.90" OD	

Custom Tubing Options ADA Compliant Rails

Our rail line includes ADA compliant transfer rails, as well as 2- and 3-bend handrails. Designed to meet the specifications issued as part of the update to the ADA laws, these rails help meet government specifications, and provide pool users an easy transition into the pool.

Getting the Right Fit

Whether replacing an existing rail or installing on an existing or new deck taking the right measurements and following the appropriate steps is essential. See page 105 for guidelines on installing your new S.R.Smith handrails and ladders.

Artisan Series

Modern Rails



The Artisan Series is a patent pending designer inspired rail line that provides an elegant custom look for any pool environment. They are the ideal choice for pool renovation projects.

- Tubing: 1.90" OD
- Wall Thickness: .065"
- Stainless Steel: 304 or 316L Marine Grade* (add -MG to part number)
- Treads (Ladder Only): LTDF-I03 Stainless Steel
- Recommended anchors: AS-I00P or AS-I00B (order separately)
- Recommended escutcheon: EP-I00F (order separately)

* Minimum requirement for salt pools is 316L Marine Grade.

Model No.	Description	Shipping			
		Weight	Length	Width	Height
ART-1001S	Single Deck Rail	15 lbs 7kg	49" 125cm	39" 99cm	2" 5cm
ART-1001	Deck Rail (pair)	30 lbs 14kg	49" 125cm	39" 99cm	5" 13cm
ART-1002	Ramp/Stair Rail (single)	25 lbs 11kg	84" 213cm	70" 177cm	2" 5cm
ART-1003	Ladder, 3 Step	40 lbs 18kg	78" 198cm	41" 104cm	2" 5cm
ART-1004	Deck-Mounted Stair Rail (single)	20 lbs 9kg	70" 178cm	39" 99cm	2" 5cm
ART-1005	Deck-Mounted Hand Rail (pair)	40 lbs 18kg	78" 198cm	41" 104cm	5" 5cm



ART-1001S - Single
ART-1001 - Pair



ART-1002



ART-1003



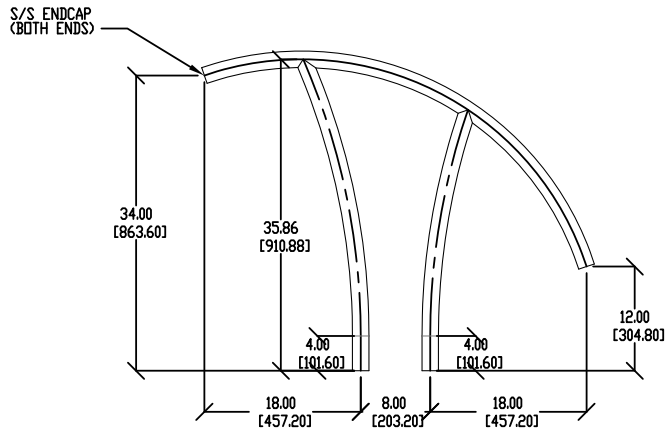
ART-1004



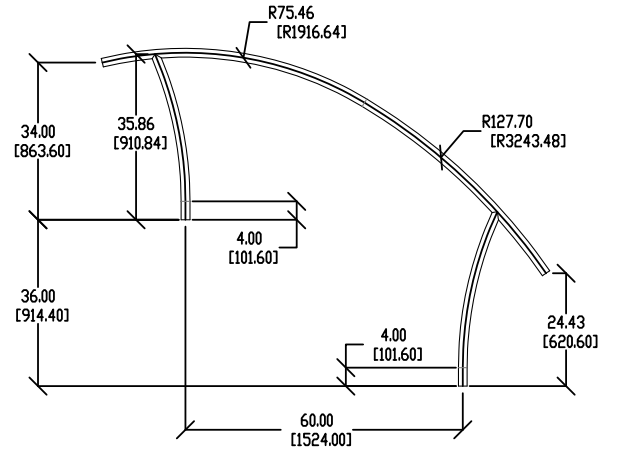
ART-1005

May be available in Powder-Coated or SealedSteel® finishes. Please reach out to customer@srsmith.com to confirm the color and finish availability.

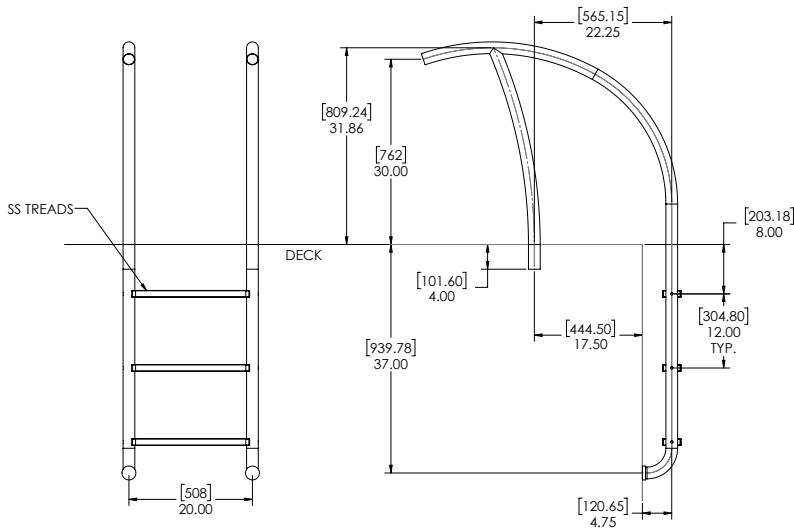
Hand Rail (ART-1001)



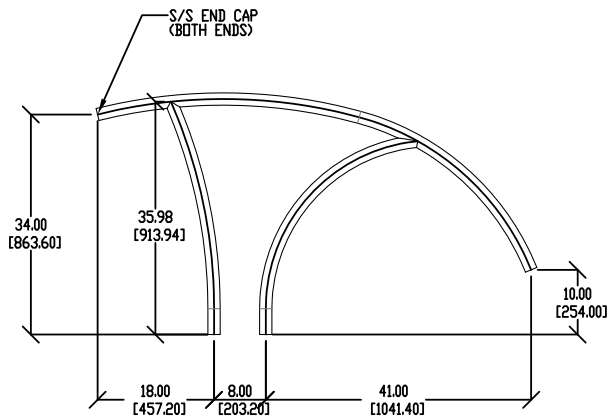
Stair Rail (ART-1002)



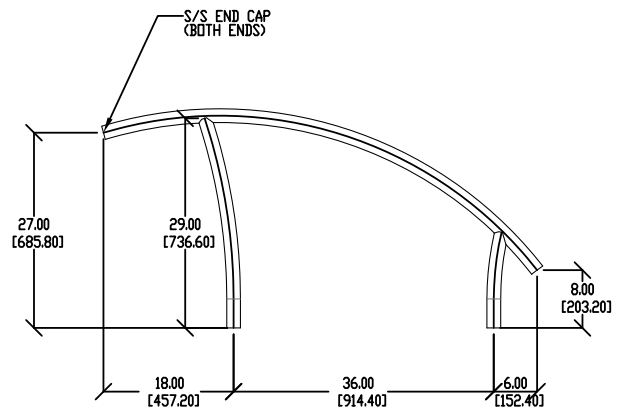
Ladder (ART-1003)



Deck-Mounted Stair Rail (ART-1004)



Deck-Mounted Hand Rail (ART-1005)



Note: Leg lengths on all Artisan rails include 4" to go into anchors.

Meridian Series

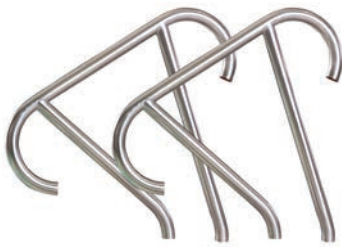
Modern Rails



The Meridian Series is a patent pending designer inspired rail line that provides an elegant custom look for any pool environment. They are the ideal choice for pools with limited deck space.

- Tubing: 1.90" OD
- Wall Thickness: .065"
- Stainless Steel: 304 or 316L Marine Grade* (add –MG to part number)
- Treads (Ladder Only): LTDF-103 Stainless Steel
- Options: Powder-coating available
- Recommended anchors: AS-100P or AS-100B (order separately)
- Recommended escutcheon: EP-100F (order separately)

* Minimum requirement for salt pools is 316L Marine Grade.



MER-1001 - Pair

Model No.	Description	Shipping			
		Weight	Length	Width	Height
MER-1001S	Single Deck Rail	18 lbs 8kg	38" 96cm	32" 81cm	4" 10cm
MER-1001	Deck Rail (pair)	32 lbs 14kg	38" 96cm	32" 81cm	4" 10cm
MER-1002	Ramp/Stair Rail (single)	21 lbs 10kg	72" 183cm	40" 10.1cm	3" 8cm
MER-1003	Ladder, 3 Step	42 lbs 19kg	77" 196cm	41" 104cm	4" 10cm
MER-1004	Deck-Mounted Stair Rail (single)	20 lbs 9kg	60" 152cm	38" 97cm	2" 5cm



MER-1001S - Pair



MER-1002



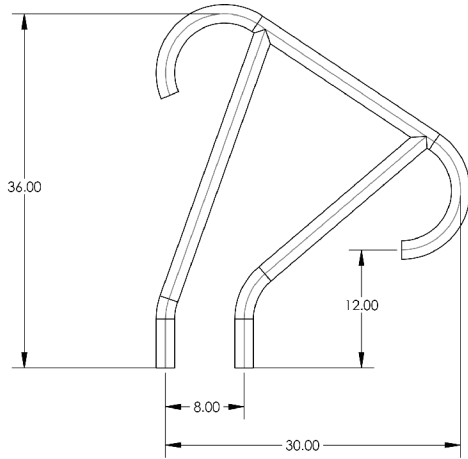
MER-1003



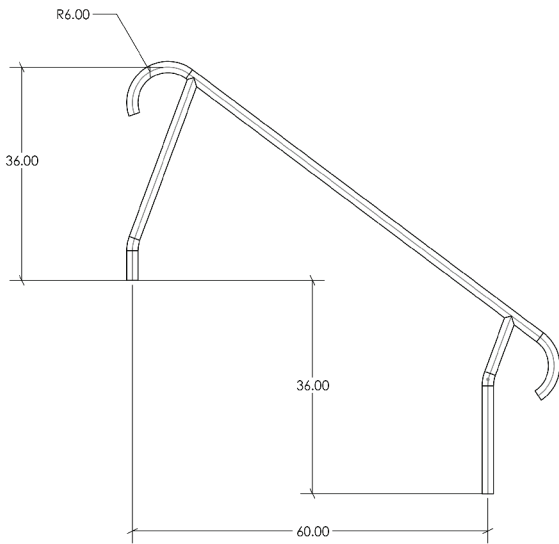
MER-1004

May be available in Powder-Coated or SealedSteel® finishes. Please reach out to customer care@srsmith.com to confirm the color and finish availability.

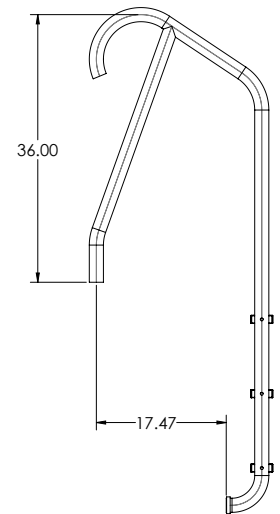
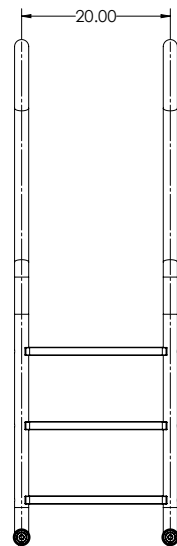
Hand Rail (MER-1001S)



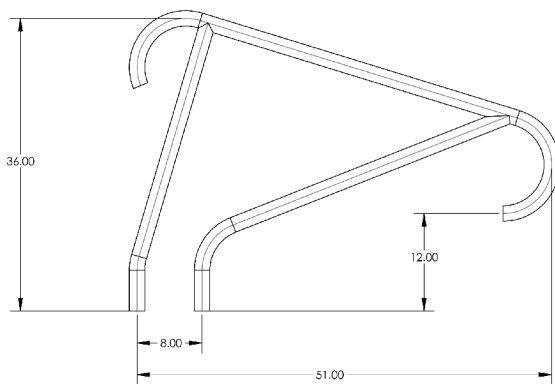
Stair Rail (MER-1002)



Ladder (MER-1003)



Deck Mounted Stair Rail (MER-1004)





Designer Series Rails

Modern Rails

The Designer Series can replace traditional pool rails for a upgraded sophisticated look in any pool environment.

- Tubing: 1.90" OD
- Wall Thickness: .065"
- Polished Pool Grade Stainless Steel (304 alloy), Marine Grade (316L alloy), and Color Coated
- 3 Year Warranty Includes: Rust, Fading, Chipping
- Deck Top Mounted Versions Available
- Salt Pool Safe™ when Rails Upgraded to Powder Coating, Thermo Plastic Coating, or Marine Grade
- Upgradable deck top mounted flanged versions (escutcheons included)



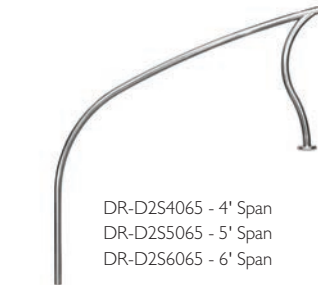
DR-G3D065-S - Single
DR-G3D065 - Pair



DR-D3D50065



DR-D2D3.0065



DR-D2S4065 - 4' Span
DR-D2S5065 - 5' Span
DR-D2S6065 - 6' Span



DR-L3065P-W - 3 Step w/HIP Tread
DR-L3065S - 3 Step w/SUT Tread
DR-L4065P-W - 4 Step w/HIP Tread
DR-L4065S - 4 Step w/SUT Tread

Part No.	Description	Weight	Length	Width	Height
DR-G3D065	Grab Rail - Pair	31 lbs/14kg	37"/94cm	31"/79cm	4"/10cm
DR-G3D065-Single	Grab Rail - Single	17 lbs/8kg	38"/17cm	33"/15cm	3"/8cm
DR-D3D50065	Deck to Deck Return Stair Rail	23 lbs/10.5kg	55"/22cm	40"/18cm	3"/8cm
DR-D2D3.0065	Deck to Deck Stair Handrail	22 lbs/10kg	54"/24cm	37"/17cm	3"/8cm
DR-D2S4065	Deck to Stair Handrail - 4'	17 lbs/8kg	36"/16cm	50"/23cm	2"/5cm
DR-D2S5065	Deck to Stair Handrail - 5'	19 lbs/9kg	74"/33cm	63"/29cm	2"/5cm
DR-D2S6065	Deck to Stair Handrail - 6'	15 lbs/7kg	83"/37cm	74"/34cm	2"/5cm
DR-ADA-D2S4065	ADA Deck to Stair Handrail - 4'	18 lbs/8kg	71"/32cm	38"/17cm	3"/8cm
DR-ADA-D2S5065	ADA Deck to Stair Handrail - 5'	23 lbs/10.5kg	87"/39cm	39"/18cm	2"/5cm
DR-ADA-D2S6065	ADA Deck to Stair Handrail - 6'	32 lbs/15kg	89"/40cm	38"/17cm	3"/8cm
DR-L3065P-W	3 Tread Ladder w/HIP Tread	32 lbs/15kg	74"/33cm	29"/13cm	3"/8cm
DR-L3065S	3 Tread Ladder w/SUT Tread	35 lbs/16kg	74"/33cm	29"/13cm	3"/8cm
DR-L4065P-W	4 Tread Ladder w/HIP Tread	34 lbs/15.5kg	74"/33cm	30"/14cm	3"/8cm
DR-L4065S	4 Tread Ladder w/SUT Tread	35 lbs/16kg	74"/33cm	29"/13cm	3"/8cm
DR-COML3CB24065S	3 Tread Commercial Ladder - 24"	30 lbs/14kg	75"/34cm	43"/20cm	2"/5cm

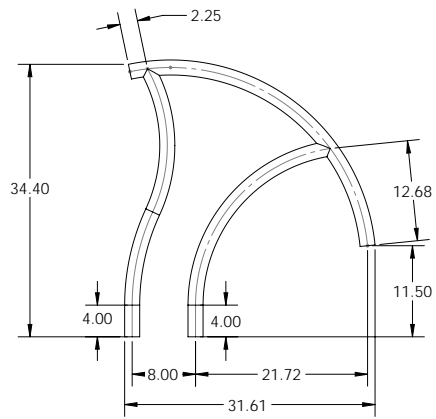
Custom Powder Coated Colors: White: -1; Black: -2; Taupe: -3; Copper Vein: -4; Hammertone Gray: -6; Light Gray: -9 (add custom color code behind part # when ordering)

On ALL powder coated rails, the bottom 4" of the stainless steel is NOT powder coated. If you use 3" anchors, a 3" option is available upon request.

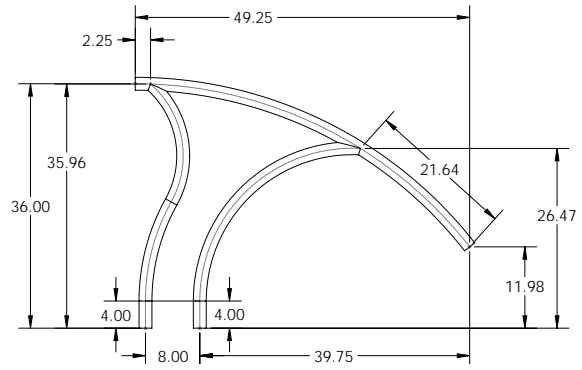
SealedSteel® Salt Friendly Colors: White: -TPC-W; Gray: -TPC-G; Tan: -TPC-T (add custom color code behind part # when ordering)

All thermo plastic coated rails are encapsulated in plastic coating and sealed at the ends with plastic caps.

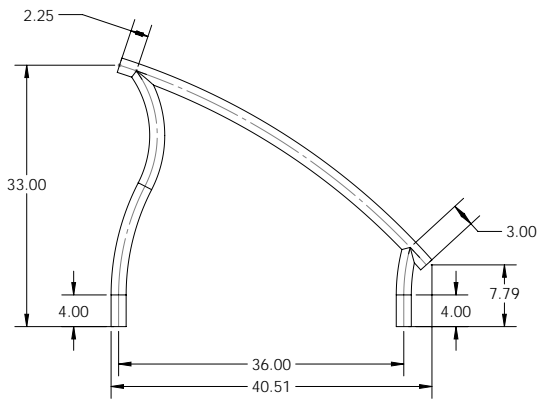
May be available in Powder-Coated or SealedSteel® finishes. Please reach out to customercare@srsmith.com to confirm the color and finish availability.



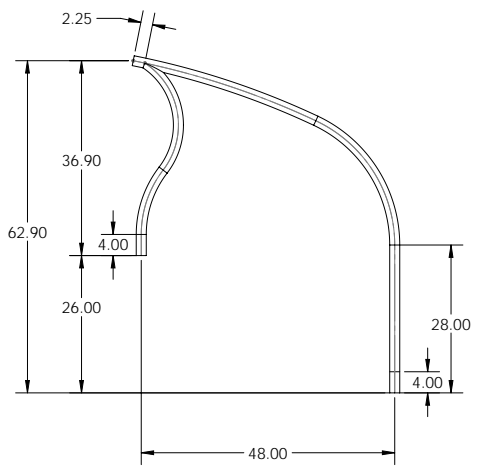
DR-G3D065-S - Single
DR-G3D065 - Pair



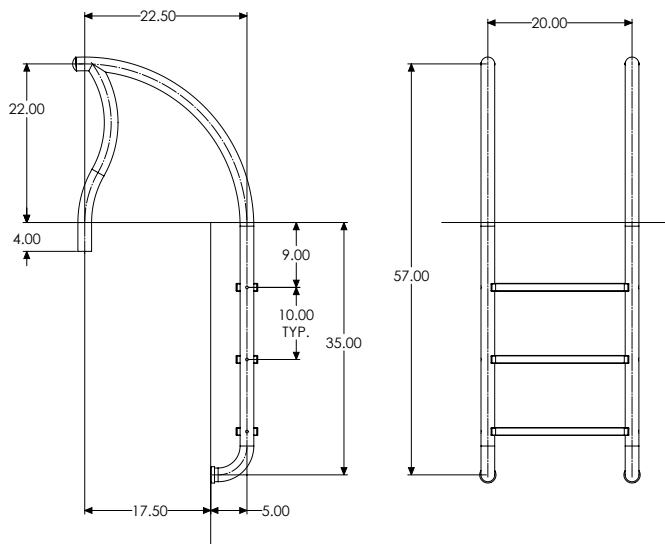
DR-D3D Deck to Deck Return Stair Rail



DR-D2D3 Deck to Deck Stair Handrail (pair)



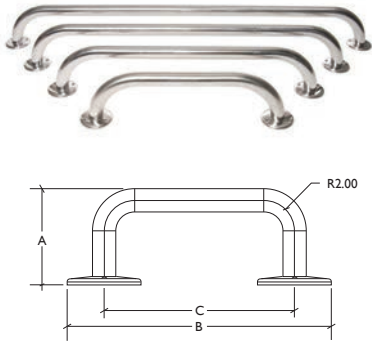
DR-D2S Deck to Stair Handrail



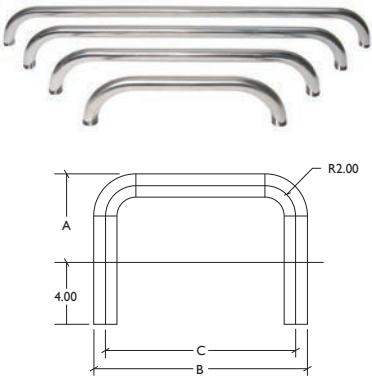
Designer 3 Tread Ladder

ADA Transfer Rails

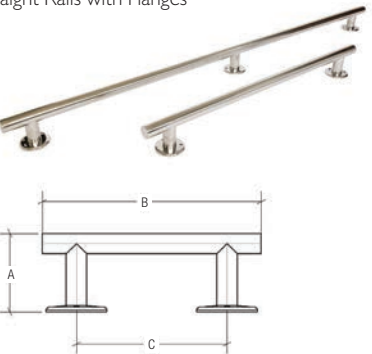
Bent Rails with Flanges



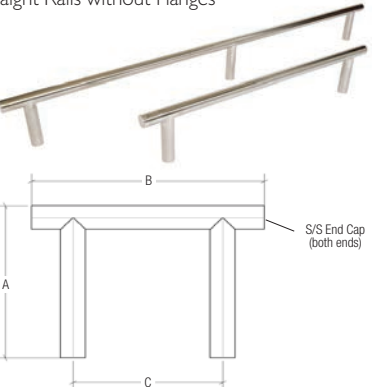
Bent Rails without Flanges



Straight Rails with Flanges



Straight Rails without Flanges



- Tubing: 1.50" OD
 - Wall Thickness: .120"
 - Stainless Steel: 316L Marine Grade*
 - Recommended anchor: AS-200B if not flanged (order separately)
 - Recommended escutcheon: EP-150 if not flanged (order separately)
 - Flanged models include mounting hardware (3/8-16 UNC anchor bolts)
 - More transfer and exercise rails on page 102
 - Sold as a single rail
- * Minimum requirement for salt pools is 316L Marine Grade

Transfer Grab Rail with Flanges - Marine Grade

Model No.	Description	A	B	C	Weight	Length	Width	Height
EB-12A	12" Rail	5.75"	12"	7.50"	6 lbs 3kg	18" 46cm	6" 15cm	4" 10cm
EB-14A	14" Rail	5.75"	14"	9.50"	6 lbs 3kg	18" 46cm	6" 15cm	4" 10cm
EB-16A	16" Rail	5.75"	16"	11.50"	6 lbs 3kg	18" 46cm	6" 15cm	4" 10cm
EB-18A	18" Rail	5.75"	18"	13.50"	7 lbs 3kg	18" 46cm	6" 15cm	4" 10cm
60-718	Mounting Hardware				2 lbs 1kg	3" 8cm	3" 8cm	4" 10cm

• No SealedSteel or Powder-Coated on flanged models.

Transfer Grab Rail - Anchors

Model No.	Description	A	B	C	Weight	Length	Width	Height
EB-12B	12" Rail	5.75"	10"	8.50"	5 lbs 2kg	11" 28cm	11" 28cm	3" 8cm
EB-14B	14" Rail	5.75"	12"	10.50"	5 lbs 2kg	13" 33cm	11" 28cm	3" 8cm
EB-16B	16" Rail	5.75"	14"	12.50"	5 lbs 2kg	15" 38cm	11" 28cm	3" 8cm
EB-18B	18" Rail	5.75"	16"	14.50"	6 lbs 2kg	17" 43cm	11" 28cm	3" 8cm

Straight Transfer Rails with Flanges - Marine Grade

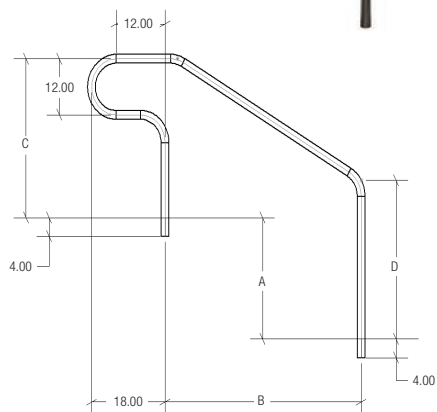
Model No.	Description	A	B	C	Weight	Length	Width	Height
TR-12A	12" Rail	5.75"	12"	7"	6 lbs 2kg	18" 45cm	16" 40cm	4" 10cm
TR-14A	14" Rail	5.75"	14"	9"	7 lbs 3kg	18" 45cm	16" 40cm	4" 10cm
TR-16A	16" Rail	5.75"	16"	11"	7 lbs 3kg	18" 45cm	16" 40cm	4" 10cm
TR-18A	18" Rail	5.75"	18"	13"	7 lbs 3kg	18" 45cm	16" 40cm	4" 10cm
60-718	Mounting Hardware				2 lbs 1kg	3" 8cm	3" 8cm	4" 10cm

• No SealedSteel or Powder-Coated on flanged models.

Straight Transfer Rails - Anchors

Model No.	Description	A	B	C	Weight	Length	Width	Height
TR-12B	12" Rail	9.75"	12"	7"	6 lbs 2kg	13" 33cm	11" 28cm	3" 8cm
TR-14B	14" Rail	9.75"	14"	9"	6 lbs 2kg	15" 38cm	11" 28cm	3" 8cm
TR-16B	16" Rail	9.75"	16"	11"	6 lbs 2kg	17" 43cm	11" 28cm	3" 8cm
TR-18B	18" Rail	9.75"	18"	13"	6 lbs 2kg	19" 48cm	11" 28cm	3" 8cm

ADA Extended 2-Bend Stair Rails

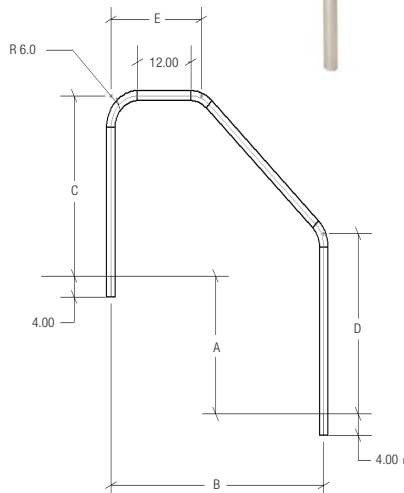


- Tubing: 1.90" OD
- Wall Thickness: .065"
- Stainless Steel: 304 or 316L Marine Grade* (add -MG to part number)
- Bends: 6" Radius
- Options: Powder-coating and SealedSteel Salt Friendly available
- Recommended anchors: AS-I00B (order separately)
- Recommended escutcheon: EP-I00F (order separately)

* Minimum requirement for salt pools is 316L Marine Grade

Model No.	Description	A	B	C	D	Weight	Length	Width	Height
2HR-4ADA	4' Rail	26"	48"	34"	34"	20 lbs 9kg	72" 183cm	42" 107cm	4" 10cm
2HR-5ADA	5' Rail	36"	60"	34"	34"	22 lbs 10kg	84" 213cm	42" 107cm	4" 10cm
2HR-6ADA	6' Rail	46"	72"	34"	34"	24 lbs 11kg	96" 244cm	42" 107cm	4" 10cm

ADA 3-Bend Stair Rails



- Tubing: 1.90" OD
- Wall Thickness: .065"
- Stainless Steel: 304 or 316L Marine Grade* (add -MG to part number)
- Bends: 6" Radius
- Options: Powder-coating and SealedSteel Salt Friendly available
- Recommended anchors: AS-I00B (order separately)
- Recommended escutcheon: EP-I00F (order separately)

* Minimum requirement for salt pools is 316L Marine Grade

Model No.	Description	A	B	C	D	E	Weight	Length	Width	Height
3HR-4ADA	4' Rail	26"	48"	34"	34"	20.38"	20 lbs 10kg	60" 152cm	42" 107cm	4" 10cm
3HR-5ADA	5' Rail	36"	60"	34"	34"	20.32"	22 lbs 10kg	72" 178cm	42" 107cm	4" 10cm
3HR-5.5ADA	5'6" Rail	32"	66"	34"	34"	19.88"	24 lbs 11kg	78" 198cm	42" 107cm	4" 10cm
3HR-6ADA	6' Rail	46"	72"	34"	34"	20.28"	26 lbs 12kg	84" 213cm	42" 107cm	4" 10cm
3HR-6.5ADA	6'6" Rail	32"	78"	34"	34"	35"	28 lbs 13kg	90" 229cm	42" 107cm	4" 10cm
3HR-7ADA	7' Rail	36"	84"	34"	34"	40"	30 lbs 14kg	96" 244cm	42" 107cm	4" 10cm
3HR-8ADA	8' Rail	30"	96"	34"	34"	53"	32 lbs 14kg	108" 274cm	42" 107cm	4" 10cm

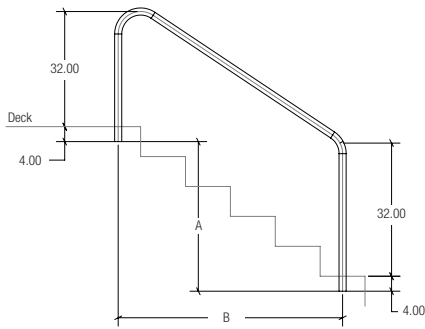
Stair Rails

- Tubing: 1.90" OD
- Wall Thickness*: .049" or .065"
- Stainless Steel: 304 or 316L Marine Grade** (add -MG to part number)
- Bends: 6" Radius
- Recommended anchors: AS-100B (order separately)
- Recommended escutcheon: EP-100F (order separately)

* Minimum rail thickness is .065 for Commercial

** Minimum requirement for salt pools is 316L Marine Grade

Two Bend

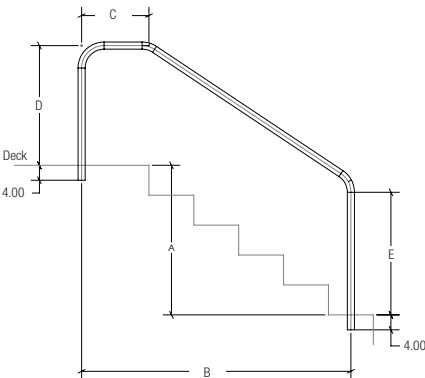


2-Bend

Model No.	Description	A	B	Shipping			
				Weight	Length	Width	Height
2HR-4	4' 2-BEND	26"	4'-0"	10-20 lbs 4-10kg	70" 178cm	37" 94cm	2" 5cm
2HR-5	5' 2-BEND	36"	5'-0"	12-25 lbs 5-11kg	82" 208cm	37" 94cm	2" 5cm
2HR-6	6' 2-BEND	46"	6'-0"	13-32 lbs 6-14kg	97" 246cm	37" 94cm	2" 5cm

- Add -049 to the part number for .049" wall. Add -065 to the part number for .065" wall.
- Extended Lengths: Add -1 to the part number for 12" extended length on pool (front) leg. Add -2 to the part number for 12" extended length on both legs. Add -3 to the part number for 12" extended length to deck leg.
- For stock powder-coated products, see page 76.

Three Bend



3-Bend

Model No.	Description	A	B	C	D	E	Shipping			
							Weight	Length	Width	Height
3HR-4	4' 3-BEND	26"	4'-0"	18"	32"	26"	11-22 lbs 5-10kg	60" 152cm	42" 107cm	2" 5cm
3HR-5	5' 3-BEND	36"	5'-0"	18"	32"	26"	12-24 lbs 5-11kg	72" 183cm	42" 107cm	2" 5cm
3HR-5.5	5'6" 3-BEND	32"	5'-6"	18"	32"	29"	13-21 lbs 6-10kg	78" 198cm	42" 107cm	2" 5cm
3HR-6	6' 3-BEND	46"	6'-0"	18"	32"	26"	13-32 lbs 6-14kg	84" 213cm	42" 107cm	2" 5cm
3HR-6.5	6'6" 3-BEND	32"	6'-6"	35"	34"	29"	16-34 lbs 7-15kg	90" 229cm	42" 107cm	2" 5cm
3HR-7	7' 3-BEND	36"	7'-0"	40"	30"	29"	18-34 lbs 8-15kg	94" 239cm	42" 107cm	2" 5cm
3HR-8	8' 3-BEND	30"	8'-0"	53"	34"	33"	21-39 lbs 10-18kg	105" 267cm	42" 107cm	2" 5cm

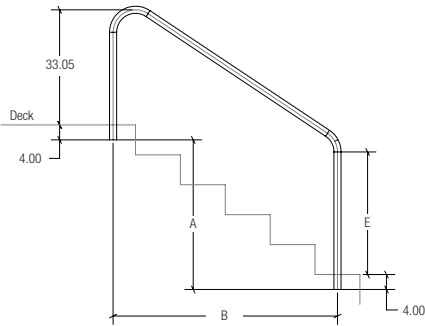
- Add -049 to the part number for .049" wall. Add -065 to the part number for .065" wall.
- Extended Lengths: Add -1 to the part number for 12" extended length on pool (front) leg. Add -2 to the part number for 12" extended length on both legs. Add -3 to the part number for 12" extended length to deck leg.
- For stock powder-coated products, see page 76. For stock SealedSteel Salt Friendly products, see page 77

May be available in Powder-Coated or SealedSteel® finishes. Please reach out to customer@srsmith.com to confirm the color and finish availability.

Heavy-Duty Stair Rails

- Tubing: 1.50" or 1.90" OD
- Wall Thickness: .065", .109", .120" or .145"
- Stainless Steel: 304
- Bends: 6" Radius
- Recommended anchors: AS-200B for 1.50" and AS-100B for 1.90" (order separately)
- Recommended escutcheons: EP-150 for 1.50" and EP-100F for 1.90" (order separately)

Heavy-Duty Two Bend



2-Bend Heavy Duty

10145 – 10147:	A=26"	B=48"	E=33.55"
10148 – 10150:	A=34"	B=60"	E=33.85"
10151 – 10153:	A=42"	B=72"	E=34.05"

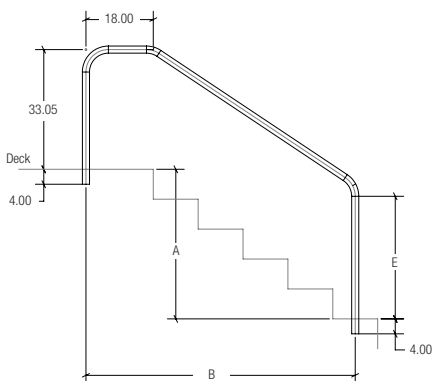
2-Bend (1.90" OD)

Model No.	Description	Shipping			
		Weight	Length	Width	Height
10145	4 foot 2-bend, .065" wall	14 lbs 6kg	70" 178cm	37" 94cm	2" 5cm
10146	4 foot 2-bend, .109" wall	23 lbs 10kg	70" 178cm	37" 94cm	2" 5cm
10147	4 foot 2-bend, .145" wall	30 lbs 14kg	70" 178cm	37" 94cm	2" 5cm
10148	5 foot 2-bend, .065" wall	16 lbs 7kg	82" 208cm	37" 94cm	2" 5cm
10149	5 foot 2-bend, .109" wall	25 lbs 11kg	82" 208cm	37" 94cm	2" 5cm
10150	5 foot 2-bend, .145" wall	33 lbs 15kg	82" 208cm	37" 94cm	2" 5cm
10151	6 foot 2-bend, .065" wall	17 lbs 8kg	97" 246cm	37" 94cm	2" 5cm
10152	6 foot 2-bend, .109" wall	28 lbs 13kg	97" 246cm	37" 94cm	2" 5cm
10153	6 foot 2-Bend, .145" wall	36 lbs 16kg	97" 246cm	37" 94cm	2" 5cm

2-Bend (1.50" OD)

Model No.	Description	Shipping			
		Weight	Length	Width	Height
12047	4 foot 2-bend, .120" wall	17 lbs 8kg	70" 178cm	37" 94cm	2" 5cm
12048	5 foot 2-bend, .120" wall	18 lbs 8kg	82" 208cm	37" 94cm	2" 5cm
12049	6 Foot 2-bend, .120" wall	20 lbs 9kg	97" 246cm	37" 94cm	2" 5cm

Heavy-Duty Three Bend



3-Bend Heavy Duty

10154 – 10156:	A=26"	B=48"	E=30.31"
10157 – 10159:	A=34"	B=60"	E=30.19"
10160 – 10162:	A=42"	B=72"	E=30.12"

3-Bend (1.90" OD)

Model No.	Description	Shipping			
		Weight	Length	Width	Height
10154	4 foot 3-bend, .065" wall	14 lbs 6kg	60" 152cm	42" 107cm	2" 5cm
10155	4 foot 3-bend, .109" wall	23 lbs 10kg	60" 152cm	42" 107cm	2" 5cm
10156	4 foot 3-bend, .145" wall	30 lbs 14kg	60" 152cm	42" 107cm	2" 5cm
10157	5 foot 3-bend, .065" wall	16 lbs 7kg	72" 183cm	42" 107cm	2" 5cm
10158	5 foot 3-bend, .109" wall	25 lbs 11kg	72" 183cm	42" 107cm	2" 5cm
10159	5 foot 3-bend, .145" wall	33 lbs 15kg	72" 183cm	42" 107cm	2" 5cm
10160	6 foot 3-bend, .065" wall	17 lbs 8kg	84" 213cm	42" 107cm	2" 5cm
10161	6 foot 3-bend, .109" wall	28 lbs 13kg	84" 213cm	42" 107cm	2" 5cm
10162	6 foot 3-bend, .145" wall	36 lbs 16kg	84" 213cm	42" 107cm	2" 5cm

3-Bend (1.50" OD)

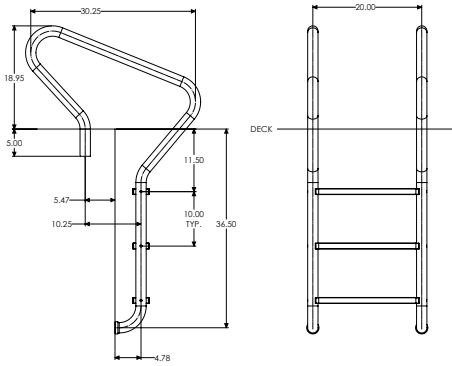
Model No.	Description	Shipping			
		Weight	Length	Width	Height
12050	4 foot 3-bend, .120" wall	17 lbs 8kg	60" 152cm	42" 107cm	2" 5cm
12051	5 foot 3-bend, .120" wall	18 lbs 8kg	72" 183cm	42" 107cm	2" 5cm
12052	6 foot 3-bend, .120" wall	20 lbs 9kg	84" 213cm	42" 107cm	2" 5cm

May be available in Powder-Coated or SealedSteel® finishes. Please reach out to customer@srsmith.com to confirm the color and finish availability.



Camelback Ladder

- Tubing: 1.90" OD
- Wall Thickness: .049"
- Stainless Steel: 304
- Treads: LTDF-101 Plastic (Econoline) or LTDF-103 Stainless Steel (Elite)
- Bends: 4" Radius
- Recommended anchors: AS-100B (order separately)
- Recommended escutcheon: EP-100F (order separately)



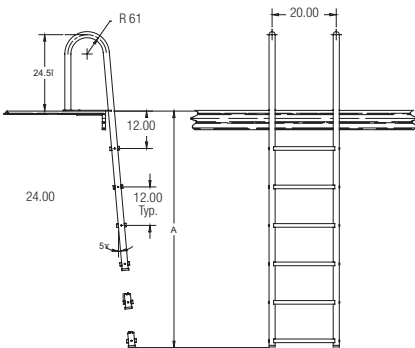
Econoline	Shipping Weight	Elite	Shipping Weight	Description	Shipping		
					Length	Width	Height
CBL-103E	27 lbs 12kg	CBL-103S	32 lbs 14kg	3-step ladder	59"	39"	2" 5cm

Frames extend 6 1/2" from the pool wall. Frame is secured to the pool deck with two anchor sockets, 5 1/2" from the pool wall on **20" centers (Elite model) or 19" centers (Econoline model)**. The lower end of the frame is bent to meet the pool wall and fitted with two white rubber bumpers (WRB-100A).



Dock Ladder

- Tubing: 1.90" OD
 - Wall Thickness: .065"
 - Stainless Steel: 304 or 316L Marine Grade* (add – MG to part number)
 - Treads: LTDF-103 Stainless Steel
 - Bends: 6" Radius
- * Minimum requirement for salt pools is 316L Marine Grade



Model No.	Description	Shipping			
		Weight	Length	Width	Height
LLS-4	4-Step Ladder	60 lbs 27kg	82" 208cm	28" 71cm	2" 5cm
LLS-5	5-Step Ladder	65 lbs 29kg	90" 229cm	28" 71cm	2" 5cm
LLS-6	6-Step Ladder	70 lbs 32kg	98" 249cm	28" 71cm	2" 5cm

• The keyhole tie down plate (1/4" x 2" x 15") allows the ladder to be easily locked and unlocked from the deck. Mounting bolts are not included but require 3/8" x 4" long bolt.

May be available in Powder-Coated or SealedSteel® finishes. Please reach out to customercare@srsmith.com to confirm the color and finish availability.



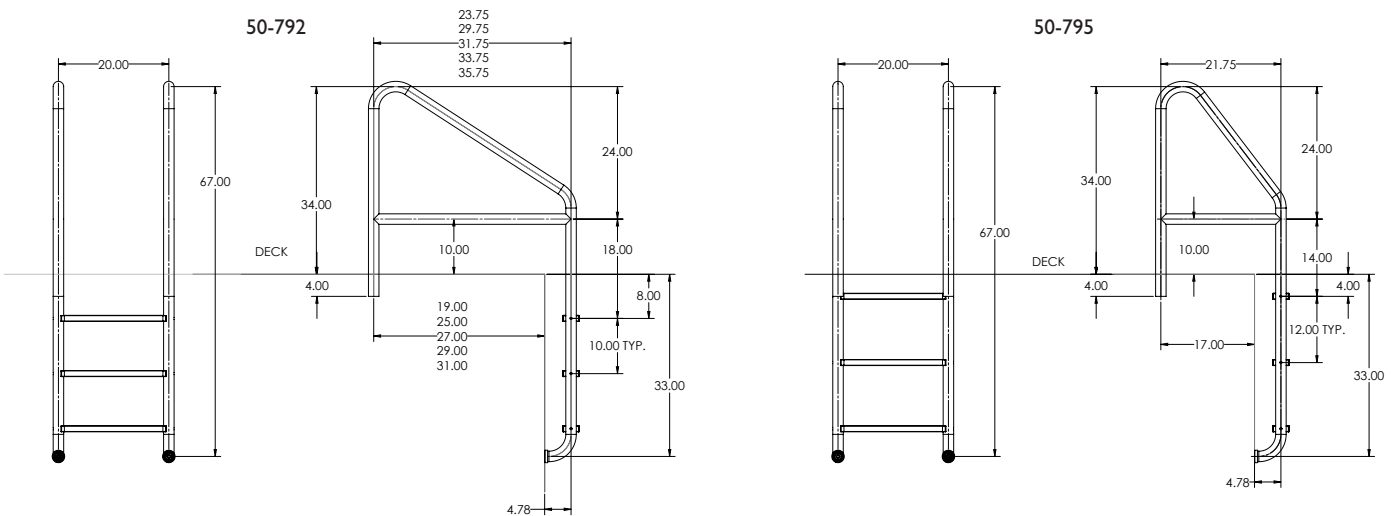
Dade County Ladder

- Tubing: 1.90" OD
- Wall Thickness: .049"
- Stainless Steel: 304 or 316L Marine Grade* (add -MG to part number)
- Treads: LTDF-101 Plastic (Econoline) or LTDF-103 Stainless Steel (Elite)
- Bends: 4" Radius
- Recommended anchors: AS-100B (order separately)
- Recommended escutcheon: EP-100F (order separately)

* Minimum requirement for salt pools is 316L Marine Grade

	Shipping Econoline		Shipping Elite		Description	Shipping		
	Weight		Weight			Length	Width	Height
50-792E-24	32 lbs 14kg		50-792S-24	34 lbs 15kg	24" 3-Step Rollout with Crossbrace	78" 198cm	42" 107cm	2" 5cm
50-792E-30	34 lbs 15kg		50-792S-30	36 lbs 16kg	30" 3-Step Rollout with Crossbrace	78" 198cm	42" 107cm	2" 5cm
50-792E-32-MG	34 lbs 15kg		50-792S-30	36 lbs 16kg	32" 3-Step Rollout with Crossbrace	78" 198cm	42" 107cm	2" 5cm
50-792E-36	40 lbs 18kg		50-792S-36	42 lbs 20kg	36" 3-Step Rollout with Crossbrace	78" 198cm	42" 107cm	2" 5cm
50-795E	35 lbs 16kg		50-795S	37 lbs 17kg	22" 3-Step with crossbrace	71" 180cm	29" 74cm	2" 5cm

- Frames extend 4½" from the pool wall. Frame is secured to the pool deck with two anchor sockets on **20" centers (Elite model) or 19" centers (Econoline model)**. The lower end of the frame is bent to meet the pool wall and fitted with two white rubber bumpers (WRB-100A).



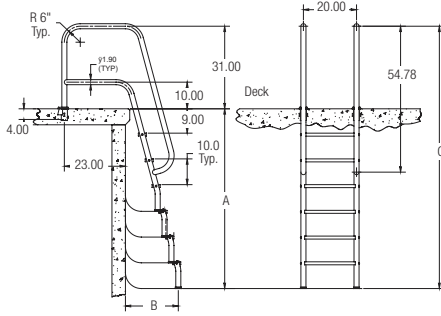
May be available in Powder-Coated or SealedSteel® finishes. Please reach out to customercare@srsmith.com to confirm the color and finish availability.



Easy-Out Therapeutic Ladder

- Tubing: 1.90" OD
- Wall Thickness: .065"
- Stainless Steel: 304 or 316L Marine Grade* (add -MG to part number)
- Treads: LTDF-I05 Stainless Steel
- Bends: 6" Radius
- Recommended anchor: AS-I00B (order separately)
- Recommended escutcheon: EP-I00A (order separately)

* Minimum requirement for salt pools is 316L Marine Grade



Model No.	Description	Shipping			
		Weight	Length	Width	Height
TL-3B	3-Step Ladder	35 lbs 16kg	77" 196cm	41" 104cm	4" 10cm
TL-4C	4-Step Ladder	41 lbs 18kg	82" 208cm	41" 104cm	4" 10cm
TL-5D	5-Step Ladder	47 lbs 21kg	92" 234cm	41" 104cm	4" 10cm
TL-6E	6-Step Ladder	55 lbs 25kg	105" 267cm	41" 104cm	4" 10cm

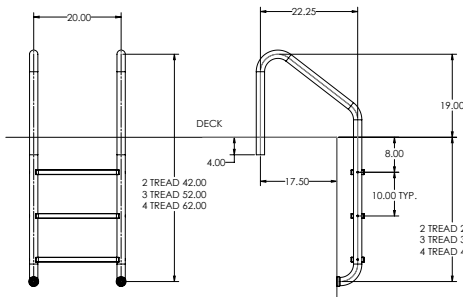
Frame is secured to the pool deck with two anchor sockets on 20" centers. The lower end of the frame rests on the pool floor and is fitted with two white rubber bumpers (WRB-I00A).



Vinyl Liner Economy Ladder

- Tubing: 1.90" OD
- Wall Thickness: .049"
- Stainless Steel: 304 or 316L Marine Grade* (add -MG to part number)
- Treads: LTDF-I01 Plastic (Econoline) or LTDF-I03 Stainless Steel (Elite)
- Bends: 4" Radius
- Recommended anchors: AS-I00B (order separately)
- Recommended escutcheon: EP-I00F (order separately)

* Minimum requirement for salt pools is 316L Marine Grade



Econoline	Shipping Weight	Elite	Shipping Weight	Description	Shipping		
					Length	Width	Height
VLLS-102E	21 lbs 10kg	VLLS-102S	23 lbs 10kg	2-step ladder	61" 155cm	29" 74cm	2" 5cm
VLLS-103E	23 lbs 10kg	VLLS-103S	25 lbs 11kg	3-step ladder	61" 155cm	29" 74cm	2" 5cm
VLLS-104E	24 lbs 11kg	VLLS-104S	27 lbs 12kg	4-step ladder	66" 168cm	29" 74cm	2" 5cm

- For stock powder-coated products, see page 76. For stock SealedSteel Salt Friendly products, see page 77.
- Frames extend 5/2" from the pool wall. Frame is secured to the pool deck with two anchor sockets on **20" centers (Elite model) or 19" centers (Econoline model)**. The lower end of the frame is bent to meet the pool wall and fitted with two white rubber bumpers (WRB-I00A)
- For safety steps substitute the letter T at end of part number. For example, VLLS-102T for a two-step safety ladder.

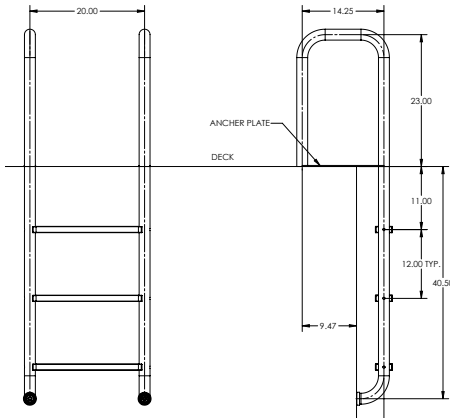
May be available in Powder-Coated or SealedSteel® finishes. Please reach out to customer@srsmith.com to confirm the color and finish availability.

On-Ground Ladder



- Tubing: 1.90" OD
- Wall Thickness: .049"
- Stainless Steel: 304 or 316L Marine Grade* (add -MG to part number)
- Treads: LTDF-101 Plastic (Econoline) or LTDF-103 Stainless Steel (Elite)
- Bends: 4" Radius

* Minimum requirement for salt pools is 316L Marine Grade



Econoline	Elite	Description	Shipping			
			Weight	Length	Width	Height
OGL-3E-100	OGL-3S-100	3-step ladder (66" total height)	27 lbs 12kg	69" 175cm	16" 41cm	2" 5cm
OGL-3E-101	OGL-3S-101	3-step ladder (61" total height)	27 lbs 12kg	69" 175cm	16" 41cm	2" 5cm

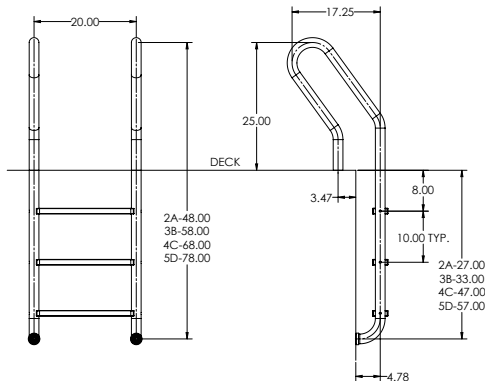
- Mounting bolts are not included but require 3/8" x 4" long bolt.
- Frames extend 5 1/2" from the pool wall. Frame is secured to the pool deck with two anchor sockets on 20" centers (Elite model) or 19" centers (Econoline model). The lower end of the frame is bent to meet the pool wall and fitted with two white rubber bumpers (WRB-100A).



Parallel-Look Ladder

- Tubing: 1.90" OD
- Wall Thickness: .049"
- Stainless Steel: 304 or 316L Marine Grade* (add -MG to part number)
- Treads: LTDF-101 Plastic (Econoline) or LTDF-103 Stainless Steel (Elite)
- Bends: 4" Radius
- Options: Powder-coating and SealedSteel Salt Friendly (rails only)
- Recommended anchors: AS-100B (order separately)
- Recommended escutcheon: EP-100F (order separately)

* Minimum requirement for salt pools is 316L Marine Grade



Econoline	Shipping Wt.	Elite	Shipping Wt.	Description	Length	Width	Height
PLL-12E-2A	22 lbs 10kg	PLL-12S-2A	22 lbs 10kg	2-step	60" 152cm	28" 71cm	2" 5cm
PLL-12E-3B	24 lbs 11kg	PLL-12S-3B	24 lbs 11kg	3-step	65" 165cm	28" 71cm	2" 5cm
PLL-12E-4C	28 lbs 13kg	PLL-12S-4C	28 lbs 13kg	4-step	82" 208cm	28" 71cm	2" 5cm
PLL-12E-5D	31 lbs 15kg	PLL-12S-5D	31 lbs 15kg	5-step	90" 229cm	28" 71cm	2" 5cm

- Frames extend 5 1/2" from the pool wall. Frame is secured to the pool deck with two anchor sockets, 3/2" from the pool wall on 20" centers (Elite model) or 19" centers (Econoline model). The lower end of the frame is bent to meet the pool wall and fitted with two white rubber bumpers (WRB-100A).

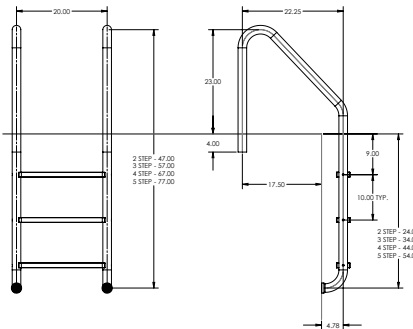
May be available in Powder-Coated or SealedSteel® finishes. Please reach out to customer@srsmith.com to confirm the color and finish availability.



Residential Ladder

- Tubing: 1.90" OD
- Wall Thickness: .049"
- Stainless Steel: 304 or 316L Marine Grade* (add -MG to part number)
- Treads: LTDF-101 Plastic (Econoline) or LTDF-103 Stainless Steel (Elite)
- Bends: 4" Radius
- Options: Powder-coating and SealedSteel Salt Friendly (rails only)
- Recommended anchors: AS-100B (order separately)
- Recommended escutcheon: EP-100F (order separately)

*Minimum requirement for salt pools is 316L Marine Grade



Econoline	Shipping Weight	Elite	Shipping Weight	Description	Shipping		
					Length	Width	Height
RLF-24E-2A	21 lbs 10kg	RLF-24S-2A	22 lbs 10kg	2-step ladder	60" 152cm	28" 71cm	2" 5cm
RLF-24E-3B	24 lbs 11kg	RLF-24S-3B	25 lbs 11kg	3-step ladder	65" 165cm	28" 71cm	2" 5cm
RLF-24E-4C	29 lbs 13kg	RLF-24S-4C	30 lbs 14kg	4-step ladder	82" 208cm	28" 71cm	2" 5cm
RLF-24E-5D	32 lbs 14kg	RLF-24S-5D	33 lbs 15kg	5-step ladder	90" 229cm	28" 71cm	2" 5cm

Note:

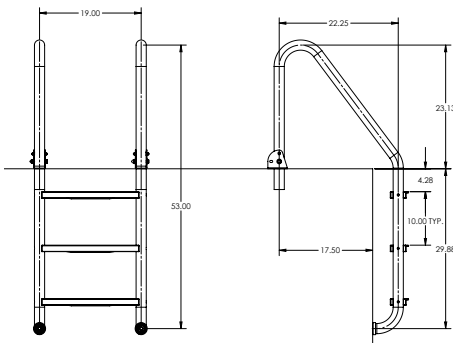
- Frames extend 5 1/2" from the pool wall. Frame is secured to the pool deck with two anchor sockets on 20" centers (Elite model) or 19" centers (Econoline model). The lower end of the frame is bent to meet the pool wall and fitted with two white rubber bumpers (WRB-100A).



Snap-Lok Ladder

- Tubing: 1.90" OD
- Wall Thickness: .049"
- Stainless Steel: 304 or 316L Marine Grade* (add -MG to part number)
- Treads: LTDF-101 Plastic (Econoline) or LTDF-103 Stainless Steel (Elite)
- Bends: 4" Radius
- Recommended anchors: AS-100B (order separately)
- Recommended escutcheon: EP-100F (order separately)
- Stainless steel hinge brackets (60-713) are bolted to ladder frames with stainless steel bolts and acorn nuts.

*Minimum requirement for salt pools is 316L Marine Grade



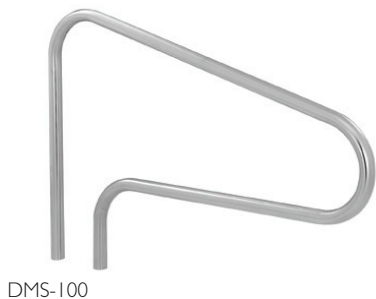
Econoline	Shipping Weight	Elite	Shipping Weight	Description	Shipping		
					Length	Width	Height
SLF-24E-3B	24 lbs 11kg	SLF-24S-3B	25 lbs 11kg	3-step ladder	61" 155cm	29" 74cm	2" 5cm

Note:

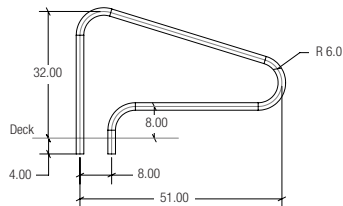
- Frames extend 5 1/2" from the pool wall. Frame is secured to the pool deck with two anchor sockets on 20" centers (Elite model) or 19" centers (Econoline model). The lower end of the frame is bent to meet the pool wall and fitted with two white rubber bumpers (WRB-100A).
- We do not recommend powder-coating or vinyl coating.

May be available in Powder-Coated or SealedSteel® finishes. Please reach out to customercare@srsmith.com to confirm the color and finish availability.

Deck-Mounted Hand & Stair Rails



DMS-100



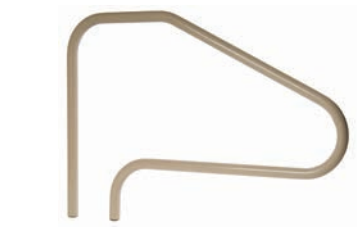
- Tubing: 1.90" OD
- Wall Thickness*: .049" or .065"
- Stainless Steel: 304 or 316L Marine Grade** (add -MG to part number)
- Bends: 6" Radius
- Recommended Anchors: AS-100P or AS-100B (order separately)
- Recommended Escutcheon: EP-100F (order separately)
- **Sold as a single rail**

* Minimum rail thickness is .065 for Commercial

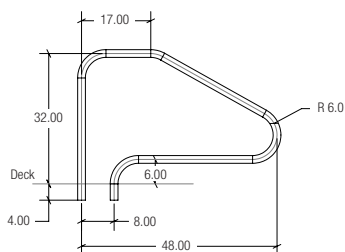
** Minimum requirement for salt pools is 316L Marine Grade

DMS-100

Model No.	Description	A	Shipping			
			Weight	Length	Width	Height
DMS-100A	51" Center Grab Rail, .049"		18 lbs 8kg	59" 150cm	39" 99cm	2" 5cm
DMS-100B	51" Center Grab Rail, .065"		16 lbs 7.25kg	57" 145cm	39" 99cm	2" 5cm
D5D049	55" Center Grab Rail, .049"		18 lbs 8kg	59" 150cm	39" 99cm	2" 5cm
DMS-100S	60" Center Grab Rail, .065"		18 lbs 8kg	59" 150cm	39" 99cm	2" 5cm



DMS-101



DMS-101

Model No.	Description	Shipping			
		Weight	Length	Width	Height
DMS-101A	48" Center Grab Rail, .049"	16 lbs 7kg	59" 150cm	39" 99cm	2" 5cm
DMS-101B	48" Center Grab Rail, .065"	16 lbs 7kg	59" 150cm	39" 99cm	2" 5cm

Deck Top Mount

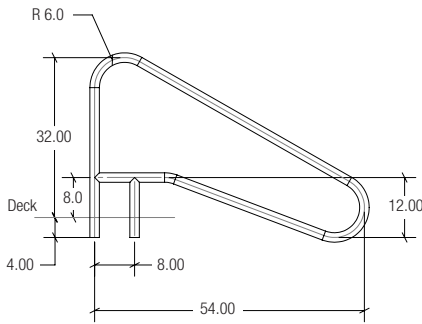
Model No.	Description	Shipping			
		Weight	Length	Width	Height
D4BD049-FL	48" Center Grab Rail, .049" w/flanges and escutcheons	17 lbs 8kg	53" 135cm	39" 99cm	6" 15cm

May be available in Powder-Coated or SealedSteel® finishes. Please reach out to customer@srsmith.com to confirm the color and finish availability.

Deck-Mounted Hand & Stair Rails



DMS-102



- Tubing: 1.90" OD
- Wall Thickness*: .049" or .065"
- Stainless Steel: 304 or 316L Marine Grade** (add -MG to part number)
- Bends: 6" Radius
- Recommended Anchors: AS-100P or AS-100B (order separately)
- Recommended Escutcheon: EP-100F (order separately)
- **Sold as a single rail**

* Minimum rail thickness is .065 for Commercial

** Minimum requirement for salt pools is 316L Marine Grade

DMS-102

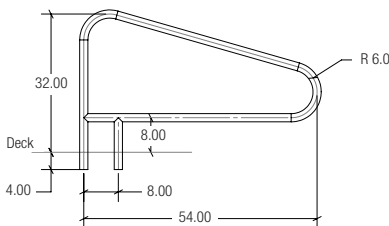
Model No.	Description	Shipping			
		Weight	Length	Width	Height
DMS-102A	54" Center Grab Rail, .049"	19 lbs 9kg	59" 150cm	39" 99cm	2" 5cm
DMS-102B	54" Center Grab Rail, .065"	19 lbs 9kg	59" 150cm	39" 99cm	2" 5cm
DMS-102P	54" Center Grab Rail, .049" w/welded mounting plate	19 lbs 9kg	59" 150cm	39" 99cm	2" 5cm

Deck Top Mount

Model No.	Description	Shipping			
		Weight	Length	Width	Height
D4BD049-FL	49" 4-Bend Stair Rail .049" w/flanges and escutcheons	27 lbs 12kg	61" 155cm	38" 97cm	7" 18cm



DMS-103



DMS-103

Model No.	Description	Shipping			
		Weight	Length	Width	Height
DMS-103A	54" Center Grab Rail, .049"	14 lbs – 18 lbs 6 – 8kg	59" 150cm	39" 99cm	2" 5cm
DMS-103B	54" Center Grab Rail, .065"	14 lbs – 18 lbs 6 – 8kg	59" 150cm	39" 99cm	2" 5cm

Deck Top Mount

Model No.	Description	Shipping			
		Weight	Length	Width	Height
D3D50049-FL	50" 3-Bend Stair Rail, .049" w/flanges and escutcheons	27 lbs 12kg	61" 155cm	38" 97cm	7" 18cm

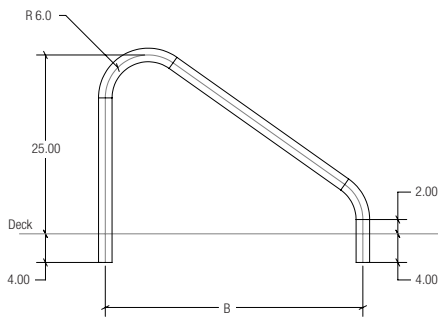
May be available in Powder-Coated or SealedSteel® finishes. Please reach out to customercare@srsmith.com to confirm the color and finish availability.



Deck Mounted Stair Rails

- Tubing: 1.90" OD
- Wall Thickness: .049"
- Stainless Steel: 304 or 316L Marine Grade* (add -MG to part number)
- Bends: 6" Radius
- Recommended anchors: AS-I00B (order separately)
- Recommended escutcheon: EP-I00F (order separately)
- Sold as pairs

* Minimum requirement for salt pools is 316L Marine Grade



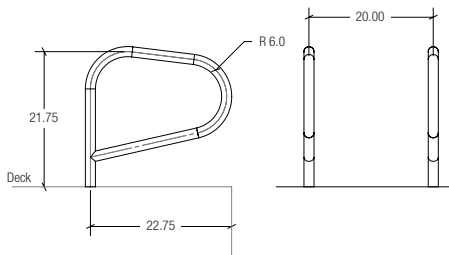
Model No.	Description	Shipping			
		Weight	Length	Width	Height
50-901	30" Side Stair Rail	18 lbs 8kg	40" 102cm	32.5" 82cm	4" 10cm
50-770	32" Side Stair Rail	18 lbs 8kg	40" 102cm	32" 81cm	4" 10cm
50-902	36" Side Stair Rail	15 lbs 7kg	40" 102cm	62.5" 159cm	4" 10cm
50-766	40" Side Stair Rail	18 lbs 8kg	40" 102cm	32" 81cm	4" 10cm
50-903	42" Side Stair Rail	18 lbs 8kg	59" 150cm	39" 99cm	2" 5cm



P-Rails

- Tubing: 1.625" OD
- Wall Thickness: .049"
- Stainless Steel: 304 or 316L Marine Grade* (add -MG to part number)
- Bends: 6" Radius
- Recommended anchor: PR3-I01
- Recommended escutcheon: EP-I03 (order separately)

* Minimum requirement for salt pools is 316L Marine Grade



Model No.	Description	Shipping			
		Weight	Length	Width	Height
PR3-100A	Rail set w/Anchor Assembly	16 lbs 7kg	32" 81cm	22" 56cm	4" 10cm
PR3-100B	Rail set only	13 lbs 6kg	32" 81cm	22" 56cm	4" 10cm
PR3-101	Anchor Assembly only	3 lbs 1kg	32" 81cm	22" 56cm	4" 10cm

May be available in Powder-Coated or SealedSteel® finishes. Please reach out to customer care@srsmith.com to confirm the color and finish availability.

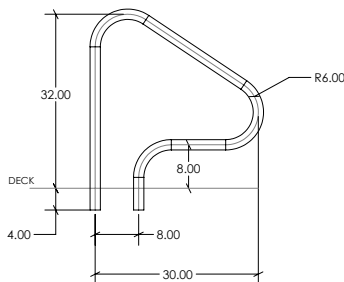


Figure 4

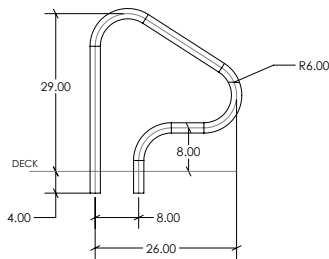
- 600-grit polished finish
- Stainless Steel: 304 or 316L Marine Grade* (add -MG to part number)
- Options: Powder-coating and SealedSteel Salt Friendly available
- Sold as pairs, unless otherwise noted
- Tubing: 1.90" OD
- Wall Thickness: .049", .065"
- Bends: 6" Radius
- Recommended Anchors: AS-100B-SS
- Recommended Escutcheons: EP-100F (order separately)

* Minimum requirement for salt pools is 316L Marine Grade

Residential 30-inch Setback



Residential 26-inch Setback



Model No.	Description	Shipping			
		Weight	Length	Width	Height
F4H-100	30" Figure 4, .065" wall, pair 1.90" OD	24 lbs 11kg	39" 99cm	32" 81cm	4" 10cm
F4H-101	30" Figure 4, .049" wall, pair 1.90" OD	19 lbs 9kg	39" 99cm	32" 81cm	4" 10cm
F4H-102	26" Figure 4, .049" wall, pair 1.90" OD	18 lbs 8kg	39" 99cm	32" 81cm	4" 10cm
F4H-102S	26" Figure 4, .049" wall, single 1.90" OD	12 lbs 5kg	39" 99cm	32" 81cm	4" 10cm

Deck Top Mount

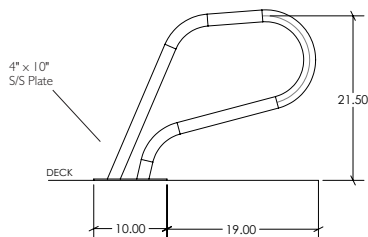
Model No.	Description	Shipping			
		Weight	Length	Width	Height
G3D049-FL-SINGLE	28" Figure 4 Rail, .049" w/flanges and escutcheons	13 lbs 6kg	36" 91cm	31" 78cm	6" 15cm
G3D049-FL	28" Figure 4 Rail, .049" w/flanges and escutcheons	18 lbs 8kg	37" 94cm	32" 81cm	5" 13cm
G3D065S-12	28" Figure 4 Rail, .049" w/ 12" extensions on both legs	16 lbs 7kg	53" 135cm	38" 97cm	3" 8cm
G3DE049	26" Figure 4 Rail, Pair, .049" w/flanges and escutcheons	18 lbs 8kg	37" 94cm	32" 81cm	5" 13cm

Economy

Model No.	Description	Shipping			
		Weight	Length	Width	Height
G3DE049-FL-SINGLE	26" Figure 4 Rail, .049" w/flanges and escutcheons	17 lbs 8kg	36" 91cm	35" 89cm	7" 18cm
G3DE049	26" Figure 4 Rail, Pair, .049" w/flanges and escutcheons	18 lbs 8kg	37" 94cm	32" 81cm	5" 13cm
G3DE049-SINGLE	26" Figure 4 Rail, .049" w/flanges and escutcheons	12 lbs 8kg	38" 97cm	33" 84cm	3" 8cm

May be available in Powder-Coated or SealedSteel® finishes. Please reach out to customer care@srsmith.com to confirm the color and finish availability.

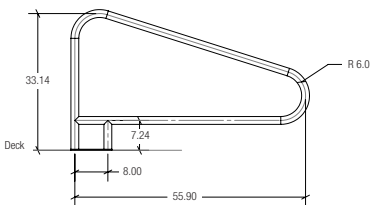
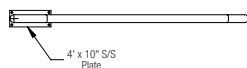
Spa Rail



- Tubing: 1.625" OD
- Wall Thickness: .049"
- Stainless Steel: 304 or 316L Marine Grade* (add -MG to part number)
- Bends: 6" Radius
- No anchor required. Includes a 4" by 10" stainless steel plate drilled for 3/8" bolts (not included)

* Minimum requirement for salt pools is 316L Marine Grade

Model No.	Description	Shipping			
		Weight	Length	Width	Height
SR-100	Single Spa Rail – no hardware	8 lbs 4kg	32" 81cm	22" 56cm	4" 10cm
SPA 1900	20" Single Spa Rail, .049"	8 lbs 4kg	34" 86cm	30" 76cm	3" 8cm

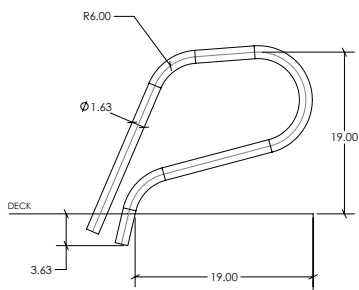


PR-500

- Tubing: 1.90" OD
- Wall Thickness: .049"
- Stainless Steel: 304
- Bends: 6" Radius
- No anchor required. Legs of the rail are surface welded to a mounting plate that has been drilled for 3/8" bolts (not included)

Model No.	Description	Shipping			
		Weight	Length	Width	Height
PR-500	Deck-Mounted Pool Rail with Flanges	18 lbs 8kg	59" 150cm	39" 99cm	2" 5cm

Residential Ring



- Tubing: 1.625" OD
- Wall Thickness: .049"
- Stainless Steel: 304 or 316L Marine Grade* (add -MG to part number)
- Recommended anchors: 34-306A (included)
- Recommended escutcheons: 8-420 (included)

* Minimum requirement for salt pools is 316L Marine Grade

Model No.	Description	Shipping (2 boxes)			
		Weight	Length	Width	Height
RRH-100	Ring Handrails - Rails Only (Pair)				
RRH-100B	Ring Handrails (pair) with Bronze Anchor with escutcheons (pair)	18 lbs	32"	22"	4"
		8kg	81cm	56cm	10cm
			24"	8"	5"
		61cm	20cm	13cm	

Parts & Accessories

- 34-306A Bronze Anchor, Complete
- 8-415A Gibraltar Wedge Retro Fit Kit

May be available in Powder-Coated or SealedSteel® finishes. Please reach out to customer@srsmith.com to confirm the color and finish availability.



pool lighting

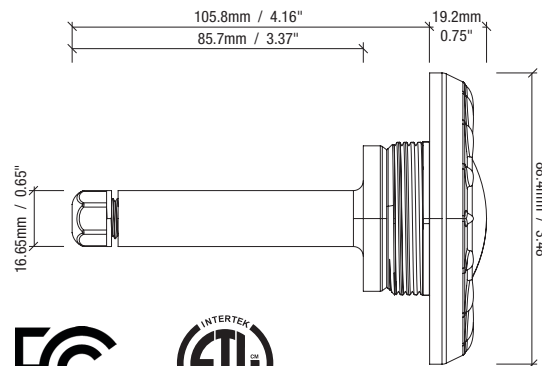


MOD-LITE[®]

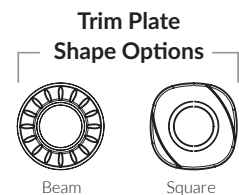
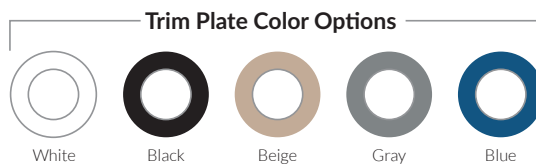
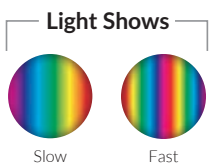
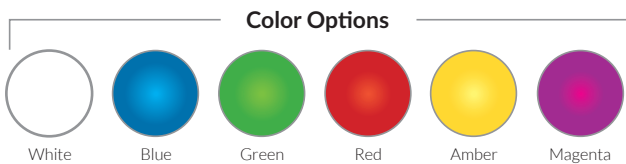
PowerPass[®] Wireless

Mod-Lite™ is an LED light that blends modular design with wireless power to deliver unmatched flexibility, convenience, safety and savings. PowerPass™ technology allows power to flow directly to the wireless LED lamp module, without a physical connection to power; making installation faster, safer and more efficient; plus replacement and winterization is a snap.

- 12VAC 7 Watt LED light for gunite, vinyl liner, and fiberglass pools and spas
- Low profile wireless lamp
- Designed for use with standard 1.5" wall fittings and conduit down to 0.75"
- Available in lengths of 80' or 150' as single units or in bulk packs
- No earth bonding required
- Color functions:
 - Advanced color functionality with poolLUX Premier: (49) color variations and 4 levels of dimming via wireless remote
 - 12V controls: (6) colors (white, blue, green, red, amber, magenta), and (2) light shows (fast/slow)
- (5) colored trim plates in (2) different shapes (square and round) for a total of (10) options for maximum customization
- Three year warranty
- ETL Listed – Conforms to UL676
- Certified to CSA C22.2 #89
- Compatible with all S.R.Smith lighting control power units



Model No.	Description
MLED-C-80	(1) Mod-Lite 7 Watt RGB LED Light, 80' Cord
MLED-C-80-PK10	(10) Mod-Lite 7 Watt RGB LED Lights, 80' Cord
MLED-C-150	(1) Mod-Lite 7 Watt RGB LED Light, 150' Cord
MLED-C-150-PK8	(8) Mod-Lite 7 Watt RGB LED Lights, 150' Cord
MLED-LM-C	Mod-Lite 7 Watt RGB LED Replacement Lamp



MOD-LITE® MultiWhite™

PowerPass® Wireless

Finally. 3 Whites in 1 Light.

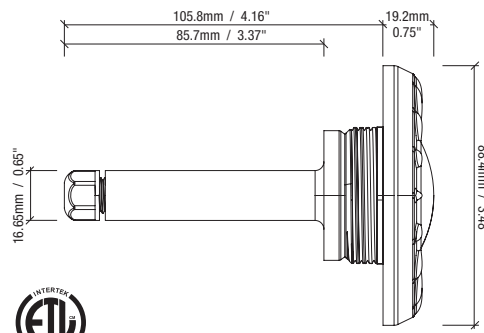
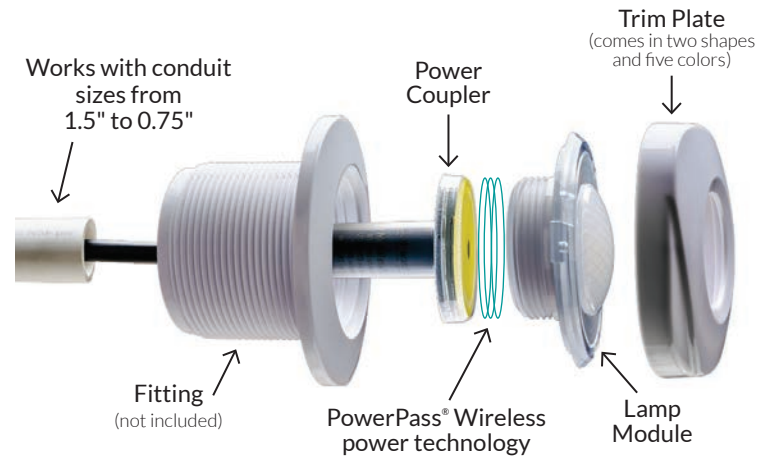
Mod-Lite® MultiWhite™ is the newest revolution in white LED lighting.

MultiWhite is a one-of-a-kind lighting product, as it is the ONLY light with three distinct shades of white in one physical light. Select between Cool White, Classic White and Warm White to create the ambiance or desired mood of your choice.

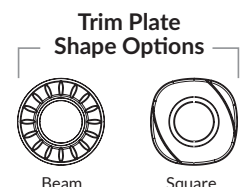
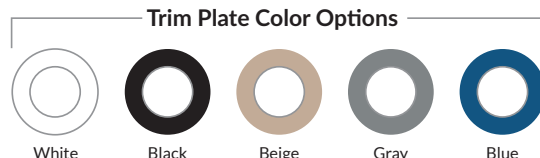
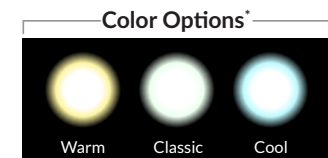
More Hues. Less SKUs!

Combo packs available with both MultiWhite and RGB lamp modules! Now you can easily change from white to RGB with a twist of the wrist.

- 3 whites in 1 light (Cool White, Classic White, Warm White)
- 12VAC 9W LED light for gunite, vinyl liner and fiberglass pools
- Newest addition to the innovative Mod-Lite family of PowerPass® Wireless Technology enabled LED lighting solutions
- Low profile wireless lamp
- Designed for use with standard 1.5" wall fittings and conduit down to 0.75"
- Available in length of 80' or 150', as single units or as a combo pack with RGB Mod-Lite lamp module
- (5) colored trim plates in (2) different shapes (square and round) for a total of (10) options for maximum customization
- 3-year warranty
- ETL Listed – Conforms to UL676, certified to CSA C22.2 #89



Model No.	Description
MLED-MW-80	(1) Mod-Lite 9W MultiWhite LED, 80' Cord
MLED-MW-150	(1) Mod-Lite 9W MultiWhite LED, 150' Cord
MLED-LM-MW	(1) Mod-Lite 9W MultiWhite LED Replacement Lamp Module
MLED-CMW-80	(1) Mod-Lite 7W RGB LED Light and (1) Mod-Lite 9W MultiWhite LED Lamp Module, 80' Cord
MLED-CMW-150	(1) Mod-Lite 7W RGB LED Light and (1) Mod-Lite 9W MultiWhite LED Lamp Module, 150' Cord



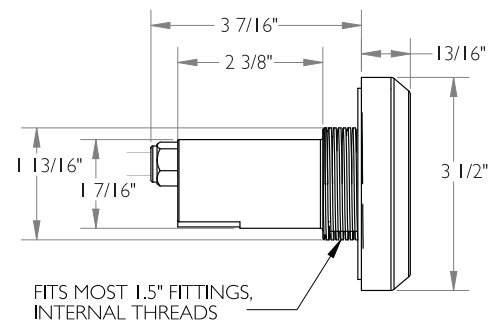
*Actual white shades will vary upon pool interior colors

Mod-Lite MultiWhite is not compatible with poolLUX Premier.

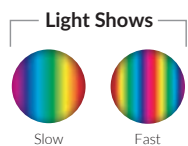
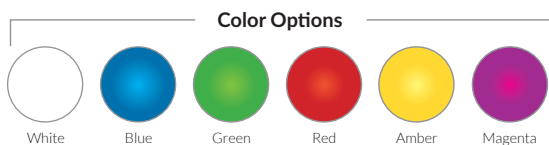
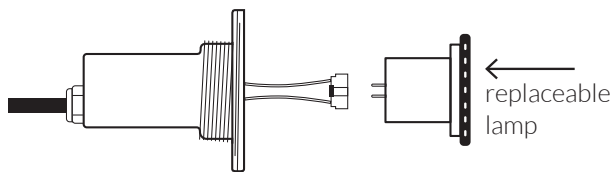
TREO[®] LED Light

The TREO is a 12VAC, 5 Watt LED underwater light for gunitite, vinyl liner, and fiberglass pools with a replaceable LED lamp.

- Serviceable design – Replaceable LED lamp
- Designed for use with 1.5" diameter threaded wall fittings
- Available in lengths of 30', 50', 80', 150'
- No earth bonding required
- White or color changing LED models available
- Color functionality:
 - Advanced operation with poolLUX Premier – Up to (49) color variations and dimming control (via wireless remote)
 - 12VAC operation – (6) colors (white, blue, green, red, amber, magenta) and (2) light shows
- Color memory function
- Five colored trim rings included to match the surface of your pool
- Three year warranty
- ETL Listed – Conforms to UL676
- Certified to CSA C22.2 #89
- Compatible with all S.R.Smith lighting control power units



FITS MOST 1.5" FITTINGS,
INTERNAL THREADS

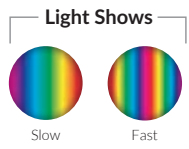
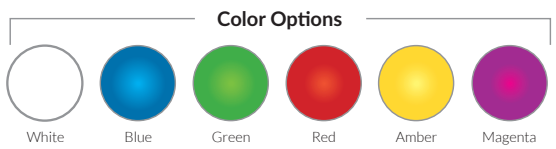
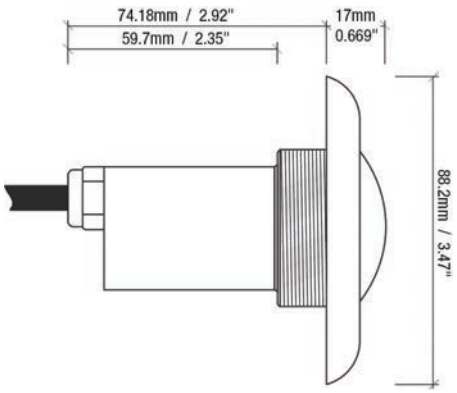


Model No.	Description
FLED-C-TR-30	(1) TREO 5 Watt RGB LED Light, 30' Cord
FLED-C-TR-50	(1) TREO 5 Watt RGB LED Light, 50' Cord
FLED-C-TR	(1) TREO 5 Watt RGB LED Light, 80' Cord
FLED-C-TR-PK8	(8) TREO 5 Watt RGB LED Lights, 80' Cord
FLED-C-TR-150	(1) TREO 5 Watt RGB LED Light, 150' Cord
FLED-C-TR-150-PK8	(8) TREO 5 Watt RGB LED Lights, 150' Cord
FLED-W-TR	(1) TREO 5 Watt White LED Light, 80' Cord
FLED-W-TR-150	(1) TREO 5 Watt White LED Light, 150' Cord
FLED-VK-TR	TREO Vinyl Adapter Kit
FLED-LAU-C	RGB Replacement Lamp
FLED-LAU-W	White Replacement Lamp

kēlo™ LED Light

The kēlo is a 12VAC, 7 Watt LED underwater light for gunite, vinyl liner, and fiberglass pools.

- Low profile design
- Designed for use with 1.5" diameter threaded wall fittings
- Available in lengths of 80', 150'
- No earth bonding required
- Color functionality:
 - Advanced operation with poolLUX Premier – Up to (49) color variations and dimming control (via wireless remote)
 - 12VAC operation – (6) colors (white, blue, green, red, amber, magenta) and (2) light shows
- Color LED with memory function
- Five colored trim rings included to match the surface of your pool
- Three year warranty
- ETL Listed – Conforms to UL676
- Certified to CSA C22.2 #89
- Compatible with all S.R.Smith lighting control power units

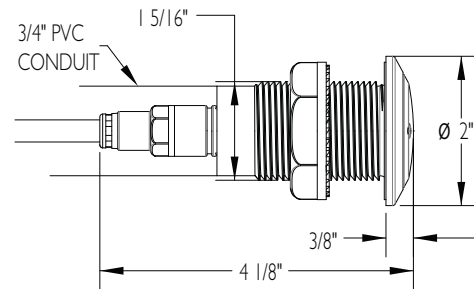


Model No.	Description
KLED-C-80	(1) kēlo 7 Watt RGB LED Light, 80' Cord
KLED-C-80-PK8	(8) kēlo 7 Watt RGB LED Lights, 80' Cord
KLED-C-150	(1) kēlo 7 Watt RGB LED Light, 150' Cord
KLED-C-150-PK8	(8) kēlo 7 Watt RGB LED Lights, 150' Cord

micro LED Light

The micro is 12VAC, 2 Watt LED underwater light designed for accent lighting applications for gunite, vinyl liner and fiberglass pools.

- Available in lengths of 30', 50', 80', 150'
- No earth bonding required
- White or color changing LED models available
- Color functionality:
 - Advanced operation with poolLUX Premier – Up to (49) color variations and dimming control (via wireless remote)
 - 12VAC operation – (6) colors (white, blue, green, red, amber, magenta) and (2) light shows
- Color memory function
- Five colored trim rings included to match the surface of your pool
- Designed for use with 0.75" diameter conduit – Includes wall fitting adapter
- Three year warranty
- ETL Listed – Conforms to UL676
- Certified to CSA C22.2 #89
- Compatible with all S.R.Smith lighting control power units



Color Options

White Blue Green Red Amber Magenta

Light Shows

Slow Fast

Advanced Options*

Color Wheel Dimming

* Available With poolLUX Premier

Trim Ring Colors

Black White Green Amber Blue

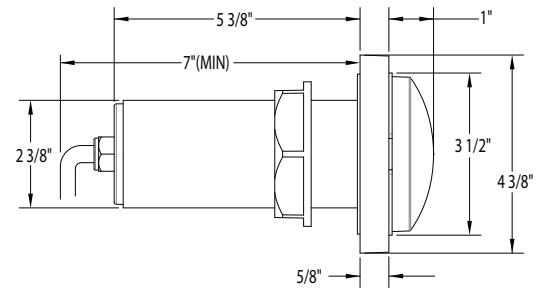
Model No.	Description
FLED-TM-C-30	(1) micro 2 Watt RGB LED Light, 30' Cord
FLED-TM-C-50	(1) micro 2 Watt RGB LED Light, 50' Cord
FLED-TM-C	(1) micro 2 Watt RGB LED Light, 80' Cord
FLED-TM-C-PK10	(10) micro 2 Watt RGB LED Lights, 80' Cord
FLED-TM-C-150	(1) micro 2 Watt RGB LED Light, 150' Cord
FLED-TM-W	(1) micro 2 Watt White LED Light, 80' Cord
FLED-TM-W-150	(1) micro 2 Watt White LED Light, 150' Cord
FLED-FA-TM	micro Fitting Adapter
FLED-FGGF-TM	micro Gunite Fitting, 3/4" PVC



Fiberglass (FG) LED Light

The FG is a 12VAC, 5 Watt LED underwater light for new construction fiberglass pools.

- Available in lengths of 30', 50', 80', 150'
- No earth bonding required
- White or color changing LED models available
- Color functionality:
 - Advanced operation with poolLUX Premier – Up to (49) color variations and dimming control (via wireless remote)
 - 12VAC operation – (6) colors (white, blue, green, red, amber, magenta) and (2) light shows
- Color memory function
- 0.75" or 0.5" conduit required
- Three year warranty
- ETL Listed – Conforms to UL676
- Certified to CSA C22.2 #89
- Compatible with all S.R.Smith lighting control power units



Color Options

White Blue Green Red Amber Magenta

Light Shows

Slow Fast

Advanced Options*

Color Wheel Dimming

* Available With poolLUX Premier

Model No.	Description
FLED-C-FG-30	(1) Fiberglass 5 Watt RGB LED Light, 30' Cord
FLED-C-FG-50	(1) Fiberglass 5 Watt RGB LED Light, 50' Cord
FLED-C-FG	(1) Fiberglass 5 Watt RGB LED Light, 80' Cord
FLED-C-FG-150	(1) Fiberglass 5 Watt RGB LED Light, 150' Cord
FLED-W-FG-30	(1) Fiberglass 5 Watt White Only Light, 30' Cord
FLED-W-FG-50	(1) Fiberglass 5 Watt White Only Light, 50' Cord
FLED-W-FG	(1) Fiberglass 5 Watt White Only Light, 80' Cord
FLED-W-FG-150	(1) Fiberglass 5 Watt White Only Light, 150' Cord
FLED-LAU-C	Fiberglass RGB Replacement Lamp
FLED-LAU-W	Fiberglass White Replacement Lamp
FLED-LC-FG	Clear Snap-On Cover

LIGHTING CONFIGURATION GUIDE

Combine S.R.Smith **lights** and **lighting controls** for maximum features and endless possibilities.



LIGHTS

Features	Mod-Lite®	Mod-Lite® MultiWhite	TREO®	kēlo™	micro
PowerPass™ Wireless Power Technology	✓	✓			
Compatible with poolLUX™ Power, Plus, Plus2 and Premier	✓	✓ (excludes Premier)	✓	✓	✓
Field replaceable lamp	✓	✓	✓		
Cord lengths available	80', 150'	80', 150'	30', 50', 80', 150'	80', 150'	30', 50', 80', 150'
Color RGB LED (white, blue, green, red, amber, and magenta)	✓		✓	✓	✓
6 colors / 2 shows (via 12 VAC operation), 49 color options & dimming levels via poolLUX™ Premier	✓	not compatible	✓	✓	✓
Accent lighting for water features, steps, and shelves					✓
ETL listed - Conforms to UL 676, certified to CSA C22.2 #89	✓	✓	✓	✓	✓
Power consumption	7W	9W	5W	7W	2W
Fits conduit down to 0.75"	✓	✓			

LIGHTING CONTROLS & TRANSFORMERS

Configuration Options	Mod-Lite®	Mod-Lite® MultiWhite	TREO®	kēlo™	micro
poolLUX® PREMIER 70W on 10 - 7W circuits up to 49 color options, 2 shows and 4 dimming levels 	up to 10 Lights (1 light per circuit)	not compatible	up to 10 Lights (1 light per circuit)	up to 10 Lights (1 light per circuit)	up to 30 Lights (up to 3 lights per circuit)
poolLUX® PLUS2 120W Transformer (Dual zone - 60W per zone) 	up to 7 lights per zone 7 (x2 zones) = 14 lights	up to 6 lights per zone 6 (x2 zones) = 12 lights	11 lights per zone 11 (x2 zones) = 22 lights	up to 7 lights per zone 7 (x2 zones) = 14 lights	up to 27 lights per zone 27 (x2 zones) = 54 lights
poolLUX® PLUS and POWER 60W Transformers 	up to 7 lights	up to 6 lights	up to 11 lights	up to 7 lights	up to 27 lights
poolLUX® PLUS and POWER 100W Transformers 	up to 13 lights	up to 10 lights	up to 18 lights	up to 13 lights	up to 45 lights

poolLUX Kits include 2 or 3 Mod-lite, TREO, or kēlo LED lights; micro LED lights sold separately.

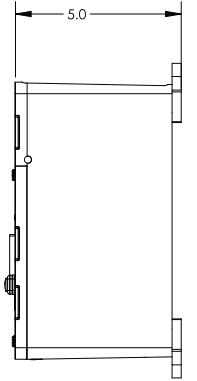
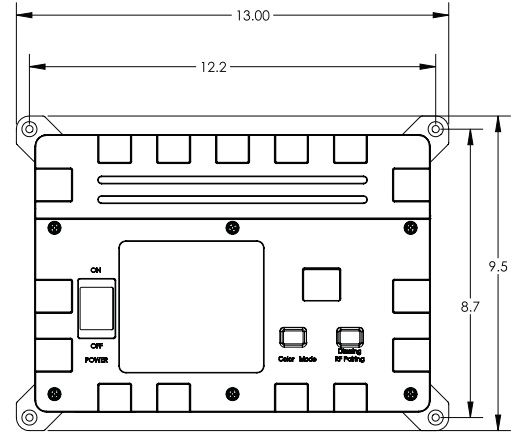
NOTE: Any combination of lights can be used as long as the combined total wattage of the lights does not exceed 90% of the controller's total capacity.

pool lighting

poolLUX[®] Premier

Custom Lighting System with Wireless Control

- Works exclusively with S.R.Smith LED lights (excluding the MultiWhite LED light)
- Extended range (100' line of sight) wireless remote with color selection wheel and dimming bar
- (6) standard colors and (2) shows via on/off power toggle
- Up to (49) color variations via color selection wheel
- Multiple brightness (dimming) options available
 - (4) via wireless remote dimming bar and (15) available via the control panel dimming button
- (10) wiring station system* with a built in 70W power supply (*7W max per station)
- Corrosion resistant (NEMA 3R), sound dampening housing
- (6) low-voltage and (2) line-voltage combination knockouts (3/4" or 1")
- ETL Listed – Conforms to UL 379 (Pool, Spa and Fountain Power Unit Standard)
- Certified to CSA C22.2#218.1
- Two year warranty

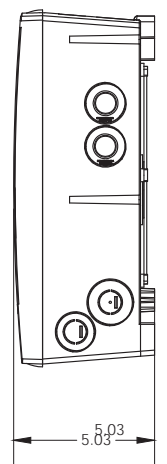
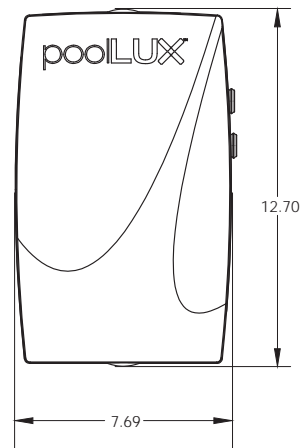


Model No.	Description
pLX-PRM	(1) poolLUX Premier Control System with Wireless Remote
poolLUX Premier Kits with Mod-Lite LED Lights	
2ML-pLX-PRM	(1) poolLUX Premier - (2) Mod-Lite 7 Watt RGB LED Lights, 80' cord
3ML-pLX-PRM	(1) poolLUX Premier - (3) Mod-Lite 7 Watt RGB LED Lights, 80' cord
poolLUX Premier Kits with TREO LED Lights	
2TR-pLX-PRM	(1) poolLUX Premier - (2) TREO 5 Watt RGB LED Lights, 80' cord
3TR-pLX-PRM	(1) poolLUX Premier - (3) TREO 5 Watt RGB LED Lights, 80' cord
poolLUX Premier Kits with kēlo LED Lights	
2KE-pLX-PRM	(1) poolLUX Premier - (2) kēlo 7 Watt RGB LED Lights, 80' cord
3KE-pLX-PRM	(1) poolLUX Premier - (3) kēlo 7 Watt RGB LED Lights, 80' cord

poolLUX[®] Plus2

Dual Zone transformer with wireless control

- (2) 60W low-voltage transformers
- Independent or synchronized control of each transformer
- External Illuminated control switches for each transformer
- Extended range (100' line of sight) wireless remote with one-touch color sync for S.R.Smith LED lights
 - S.R.Smith LED lights feature (6) colors and (2) shows
- Compatible with other 12VAC power toggle LED lights
- Oversized wiring space with convenient terminal strip connections
- Internal self-resetting thermal fuse to protect against overheating conditions
- Fast acting replaceable current fuse for safety enhancing short circuit protection
- Accessible low voltage 12VAC and 13VAC wiring terminals for standard or extended wiring runs
- Corrosion resistant (NEMA 3R) and sound dampening housing (quiet operation)
- (4) low-voltage and (4) line-voltage combination knockouts (3/4" or 1") plus (2) special use knockouts
- ETL Listed – Conforms to UL 379 (Pool, Spa and Fountain Power Unit Standard)
- Certified to CSA C22.2#218.1
- Two year warranty



Model No.	Description
pLX-PL2	Dual-Zone; Two 60W Transformer with Wireless Remote Control. Total wattage: 120W
poolLUX Plus2 Kits with Mod-Lite LED Lights	
2ML-pLX-PL2	(1) poolLUX Plus2 - (2) Mod-Lite 7 Watt RGB LED Lights, 80' cord
3ML-pLX-PL2	(1) poolLUX Plus2 - (3) Mod-Lite 7 Watt RGB LED Lights, 80' cord
poolLUX Plus2 Kits with TREO LED Lights	
2TR-pLX-PL2	(1) poolLUX Plus2 - (2) TREO 5 Watt RGB LED Lights, 80' cord
3TR-pLX-PL2	(1) poolLUX Plus2 - (3) TREO 5 Watt RGB LED Lights, 80' cord
poolLUX Plus2 Kits with kēlo LED Lights	
2KE-pLX-PL2	(1) poolLUX Plus2 - (2) kēlo 7 Watt RGB LED Lights, 80' cord
3KE-pLX-PL2	(1) poolLUX Plus2 - (3) kēlo 7 Watt RGB LED Lights, 80' cord

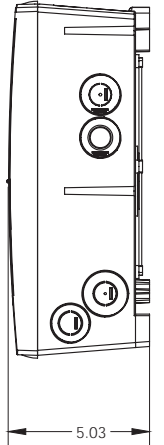
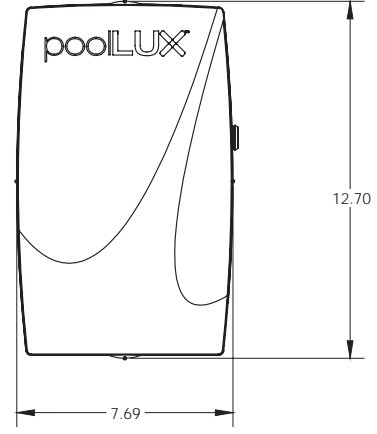
poolLUX[®] Plus

Transformer system with wireless control

- 60W or 100W low-voltage transformer options
- External on/off control switch
- Extended range (100' line of sight) wireless remote with one-touch color sync for S.R.Smith LED lights
 - S.R.Smith LED lights feature (6) colors and (2) shows
- Compatible with other 12VAC power toggle LED lights
- Oversized wiring space with convenient terminal strip connections
- Internal self-resetting thermal fuse to protect against overheating conditions
- Fast acting replaceable current fuse for safety enhancing short circuit protection
- Accessible low voltage 12VAC and 13VAC wiring terminals for standard or extended wiring runs
- Corrosion resistant (NEMA 3R) and sound dampening housing (quiet operation)
- (4) low-voltage and (4) line-voltage combination knockouts (3/4" or 1") Plus (2) special use knockouts
- ETL Listed – Conforms to UL 379 (Pool, Spa and Fountain Power Unit Standard)
- Certified to CSA C22.2#218.1
- Two year warranty



Model No.	Description
pLX-PL60	(1) poolLUX Plus 60 Watt Transformer with Wireless Remote
pLX-PL100	(1) poolLUX Plus 100 Watt Transformer with Wireless Remote
poolLUX Plus Kits with Mod-Lite LED Lights	
1ML-pLX-PL60	(1) poolLUX Plus 60 - (1) Mod-Lite 7 Watt RGB LED Light, 80' cord
2ML-pLX-PL60	(1) poolLUX Plus 60 - (2) Mod-Lite 7 Watt RGB LED Lights, 80' cord
3ML-pLX-PL60	(1) poolLUX Plus 60 - (3) Mod-Lite 7 Watt RGB LED Lights, 80' cord
2ML-pLX-PL100	(1) poolLUX Plus 100 - (2) Mod-Lite 7 Watt RGB LED Lights, 80' cord
3ML-pLX-PL100	(1) poolLUX Plus 100 - (3) Mod-Lite 7 Watt RGB LED Lights, 80' cord
poolLUX Plus Kits with TREO LED Lights	
2TR-pLX-PL60	(1) poolLUX Plus 60 - (2) TREO 5 Watt RGB LED Lights, 80' cord
3TR-pLX-PL60	(1) poolLUX Plus 60 - (3) TREO 5 Watt RGB LED Lights, 80' cord
2TR-pLX-PL100	(1) poolLUX Plus 100 - (2) TREO 5 Watt RGB LED Lights, 80' cord
3TR-pLX-PL100	(1) poolLUX Plus 100 - (3) TREO 5 Watt RGB LED Lights, 80' cord
poolLUX Plus Kits with këlo LED Lights	
2KE-pLX-PL60	(1) poolLUX Plus 60 - (2) këlo 7 Watt RGB LED Lights, 80' cord
3KE-pLX-PL60	(1) poolLUX Plus 60 - (3) këlo 7 Watt RGB LED Lights, 80' cord
2KE-pLX-PL100	(1) poolLUX Plus 100 - (2) këlo 7 Watt RGB LED Lights, 80' cord
3KE-pLX-PL100	(1) poolLUX Plus 100 - (3) këlo 7 Watt RGB LED Lights, 80' cord



poolLUX[®] Power

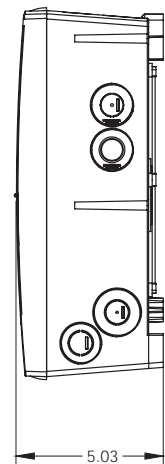
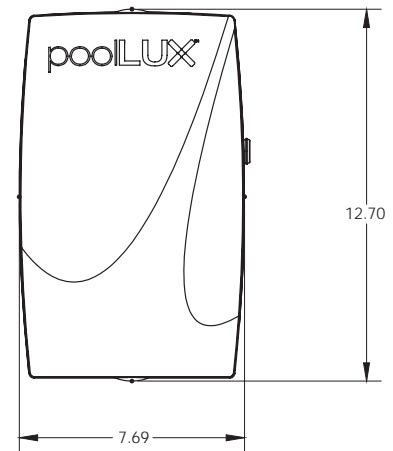
Low voltage transformer

- 60W or 100W low-voltage transformer options
- External on/off control switch
- Compatible with S.R.Smith LED lights and other 12VAC power toggle LED lights
 - S.R.Smith LED lights feature (6) colors and (2) shows
- Oversized wiring space with convenient terminal strip connections
- Internal self-resetting thermal fuse to protect against overheating conditions
- Fast acting replaceable current fuse for safety enhancing short circuit protection
- Accessible low-voltage 12VAC and 13VAC wiring terminals for standard or extended wiring runs
- Corrosion resistant (NEMA 3R) and sound dampening housing (quiet operation)
- (4) low-voltage and (4) line-voltage combination knockouts (3/4" or 1") Plus (2) special use knockouts
- ETL Listed – Conforms to UL 379 (Pool, Spa and Fountain Power Unit Standard)
- Certified to CSA C22.2#218.1
- Two year warranty



pool lighting

Model No.	Description
pLX-PW60	(1) poolLUX Power 60 Watt Transformer
pLX-PW100	(1) poolLUX Power 100 Watt Transformer
poolLUX Power Kits with Mod-Lite LED Lights	
1ML-PLX-PW60	(1) poolLUX Power 60 - (1) Mod-Lite 7 Watt RGB LED Light, 80' cord
2ML-pLX-PW60	(1) poolLUX Power 60 - (2) Mod-Lite 7 Watt RGB LED Lights, 80' cord
3ML-pLX-PW60	(1) poolLUX Power 60 - (3) Mod-Lite 7 Watt RGB LED Lights, 80' cord
2ML-pLX-PW100	(1) poolLUX Power 100 - (2) Mod-Lite 7 Watt RGB LED Lights, 80' cord
3ML-pLX-PW100	(1) poolLUX Power 100 - (3) Mod-Lite 7 Watt RGB LED Lights, 80' cord
poolLUX Power Kits with TREO LED Lights	
2TR-pLX-PW60	(1) poolLUX Power 60 - (2) TREO 5 Watt RGB LED Lights, 80' cord
3TR-pLX-PW60	(1) poolLUX Power 60 - (3) TREO 5 Watt RGB LED Lights, 80' cord
2TR-pLX-PW100	(1) poolLUX Power 100 - (2) TREO 5 Watt RGB LED Lights, 80' cord
3TR-pLX-PW100	(1) poolLUX Power 100 - (3) TREO 5 Watt RGB LED Lights, 80' cord
poolLUX Power Kits with kēlo LED Lights	
2KE-pLX-PW60	(1) poolLUX Power 60 - (2) kēlo 7 Watt RGB LED Lights, 80' cord
3KE-pLX-PW60	(1) poolLUX Power 60 - (3) kēlo 7 Watt RGB LED Lights, 80' cord
2KE-pLX-PW100	(1) poolLUX Power 100 - (2) kēlo 7 Watt RGB LED Lights, 80' cord
3KE-pLX-PW100	(1) poolLUX Power 100 - (3) kēlo 7 Watt RGB LED Lights, 80' cord



Power Tower PT-6001 & PT-6002

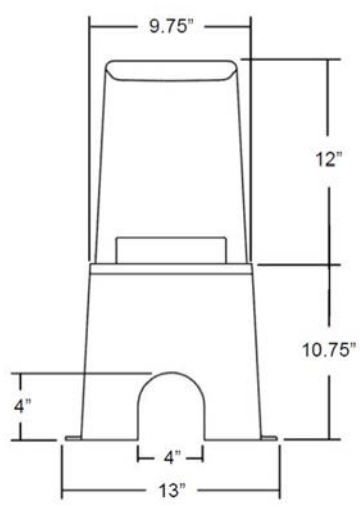
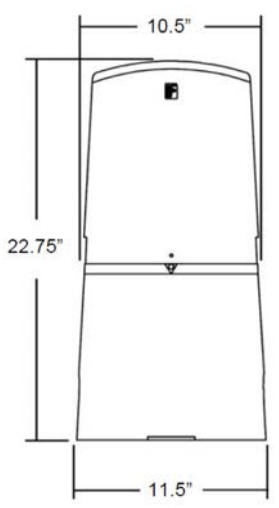
Fiber to LED Conversion Kits

The new & improved PT-6001 & PT-6002 Fiber to LED conversion kits are an energy efficient, direct replacement for Fiberstars 6004/2004 fiber optic illuminators.

- Available as single 60 Watt, 1-circuit unit (PT-6001) or dual 60 Watt, 2-circuit unit (PT-6002) with sync or independent circuit control
- Both models include 12VAC and 13VAC output options and an auto-resetting thermal fuse for overloading and replaceable current fusing for enhanced water safety
- New screwless terminals for reliable, quick and easy connections in half the time (compared to original PT-6000) – no wire nuts required
- Wireless remote control with one-touch color sync for S.R.Smith LED lighting products
- Corrosion-resistant polycarbonate enclosure rated NEMA 3R
- ETL Listed – Conforms to UL 379
- Certified to CSA C22.2#218.1
- Two year warranty



Model No.	Description
PT-6001	(1) PT-6001 Power 60W Transformer with Wireless Remote
PT-6002	(1) PT-6002 Dual Zone; Two 60W Transformers with Wireless Remote Control
PT-BASE	(1) PT-6000 Series Base
Power Tower Kits (base included) with Mod-Lite LED Lights	
1ML-PT-6001	(1) PT-6001 Kit - (1) Mod-Lite 7 Watt RGB LED Light, 80' cord
2ML-PT-6001	(1) PT-6001 Kit - (2) Mod-Lite 7 Watt RGB LED Lights, 80' cord
3ML-PT-6001	(1) PT-6001 Kit - (3) Mod-Lite 7 Watt RGB LED Lights, 80' cord
2ML-PT-6002	(1) PT-6002 Kit - (2) Mod-Lite 7 Watt RGB LED Lights, 80' cord
3ML-PT-6002	(1) PT-6002 Kit - (3) Mod-Lite 7 Watt RGB LED Lights, 80' cord
Power Tower Kits (base included) with TREO LED Lights	
1TR-PT-6001	(1) PT-6001 Kit - (1) TREO 5 Watt RGB LED Light, 80' cord
2TR-PT-6001	(1) PT-6001 Kit - (2) TREO 5 Watt RGB LED Lights, 80' cord
3TR-PT-6001	(1) PT-6001 Kit - (3) TREO 5 Watt RGB LED Lights, 80' cord
2TR-PT-6002	(1) PT-6002 Kit - (2) TREO 5 Watt RGB LED Lights, 80' cord
3TR-PT-6002	(1) PT-6002 Kit - (3) TREO 5 Watt RGB LED Lights, 80' cord
Power Tower Kits (base included) with këlo LED Lights	
1KE-PT-6001	(1) PT-6001 Kit - (1) këlo 7 Watt RGB LED Light, 80' cord
2KE-PT-6001	(1) PT-6001 Kit - (2) këlo 7 Watt RGB LED Lights, 80' cord
3KE-PT-6001	(1) PT-6001 Kit - (3) këlo 7 Watt RGB LED Lights, 80' cord
2KE-PT-6002	(1) PT-6002 Kit - (2) këlo 7 Watt RGB LED Lights, 80' cord
3KE-PT-6002	(1) PT-6002 Kit - (3) këlo 7 Watt RGB LED Lights, 80' cord



LED Star Feature Kits

The newly reconfigured LED Star Feature kits now include either a single or dual 12VAC, 5 watt LED light source with a 25- or 50-point fiber optic transmission system for gunite pools or other concrete based features such as patios, walk ways, bar tops, stone/paver walls, etc. These upgraded kits now come in a corrosion resistant, wall- or post-mounted, NEMA 3R enclosure and offer up to 50' fiber runs.

- 25 or 50 Star Points
- Advanced color functionality when powered by a poolLUX Premier control unit:
 - Up to (49) color variations and dimming control (via wireless remote)
 - 12VAC operation – (6) colors (white, blue, green, red, amber, magenta) and (2) light shows
- ETL Listed – Conforms to UL 2108
- Certified to CSA C22.2 #250
- Compatible with all S.R.Smith lighting transformers and control power units
- Memory function
- 100' of 12VAC cable
- Includes 50' fiber
- Three year warranty

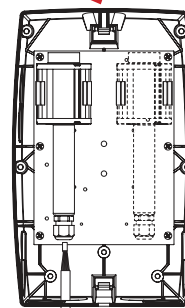


pool lighting



Up to 50' Fiber length to enclosure

New wall or post mountable enclosure



100' 12VAC Cable(s) included. One or two light sources – kit dependent



Low voltage power unit/ transformer required



Model No.	Description
CLSSFK25-50	(1) Star Series RGB LED Light Kit - 25 Fiber Optic Star Points, 50' fiber cable
CLSSFK50-50	(1) Star Series RGB LED Light Kit - 50 Fiber Optic Star Points, 50' fiber cable

Model No.	Suggested Compatible Transformers
pLX-PRM	(1) poolLUX Premier Control System with Wireless Remote
pLX-PL2	(1) poolLUX Plus2 Dual-Zone/Two 60W (Total 120W) Transformers with Wireless Remote
pLX-PL100	(1) poolLUX Plus 100W Transformer with Wireless Remote



Water Features

Enhancing Backyard Fun & More

Adding an S.R.Smith WetDek splash pad to a pool side or as a stand-alone water feature is an excellent way to add value, style and fun to a backyard. For pool builders it has created commercial as well as residential business opportunities. In addition to backyards, zero-depth water features are enhancing commercial landscapes including daycare centers, business park grounds and dog parks. The lively sight and sound that a water feature brings enriches and adds elegance to virtually any out-of-doors environment.

Poolside or Stand-Alone

WetDek splash pads are available in two functional styles. The pool side kit adds an extra element of fun to a pool and is designed to use the pool as its water source. The stand-alone kit comes with a 150 gallon reservoir to hold the water. With either style, 6, 9 or 12 jets are available which can spray in heights of a few inches to over 12 feet. The AquaDirector control box comes with the WetDek kit with five pre-set water pattern programs, and can be powered by any of the leading pool control systems such as EasyTouch or Intellitouch.

Create a Masterpiece

The surface options that can complement a WetDek system are endless. Colored and textured concrete are used most often, and can be arranged to make colorful mosaics that blend with or provide an accent to a particular architectural style. Plastic composite surfaces, tile or many types of natural rock material can be used as long as it allows the water to run down into the drain and back to the pool or into the reservoir. Natural landscape features can be created with WetDek with the use of river rock and a pond liner. Whatever the surface material, make sure it's slip resistant if used as a water play area.

Testimonials

"Regal Ranch is known for its exciting and interactive special events, so when it was time to upgrade our toddler pool we decided to add a WetDek splash pad. When we opened the pools for the season, we couldn't believe the amount of families all wanting to play in the WetDek! We have had more family interaction in the toddler pool area than we have ever seen in the history of the Ranch! Thank you for creating such a great product at a great price and being so easy to work with."

Walter Nelson, CEO Regal Ranch, Texas





WetDek Splash Pad Kit

The WetDek is part of the latest trend in zero-depth interactive water features that can be made into backyard splash parks, elegant fountain displays, poolside attractions or soothing water features designed for the landscaping

- Available in 6, 9, or even 12 jet kits
- Water spouts can be adjusted to spray water from a few inches to over 12 feet into the air
- The AquaDirector (control box) can be powered by any of the leading control systems, such as EasyTouch and Intellitouch
- WetDek is flexible enough that you can customize it for use in commercial applications. Check your local codes for requirements

Model No.	Description	Shipping (Class 100)			
		Weight	Length	Width	Height
938-339-6	6 Jet Stand Alone	175 lbs. 79kg	32" 81cm	40" 102cm	55" 140cm
938-339-9	9 Jet Stand Alone	180 lbs. 82kg	32" 81cm	40" 102cm	55" 140cm
938-339-12	12 Jet Stand Alone	185 lbs. 84kg	32" 81cm	40" 102cm	55" 140cm
938-335-6	6 Jet, Pool Kit	35 lbs. 16kg	24" 61cm	12" 30cm	11" 28cm
938-335-9	9 Jet, Pool Kit	40 lbs. 18kg	24" 61cm	12" 30cm	11" 28cm
938-335-12	12 Jet, Pool Kit	45 lbs. 20kg	24" 61cm	12" 30cm	11" 28cm



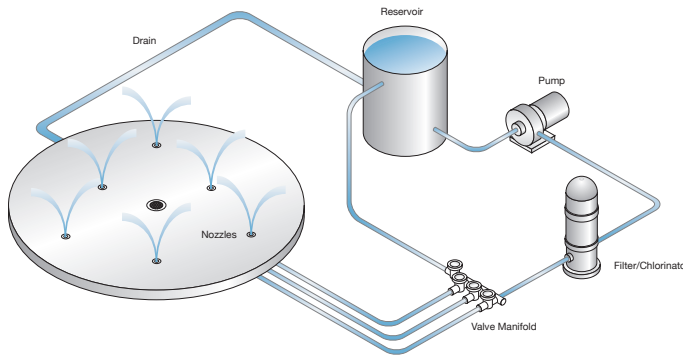
Bronze Deck Jet

Components

- 30011 AquaDirector control box
- 30013 8" plastic drain
- 31005 Bronze jet, 5/16" nozzle used with 6 jet kits
- 30007 Globe valve
- 31006 Bronze jet, 1/4" nozzle used with 9 and 12 jet kits
- 30014 6" ABS to 4" PVC converter
- 3004C Wetdek Reservoir w/Locking Lid
- 938-335-539 WetDek key



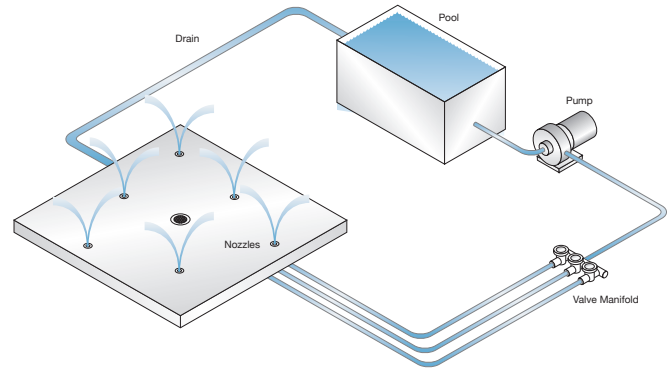
Stand-alone Kit*



Stand-alone kit includes jets, drain, water reservoir, inline chlorinator, filter, valves, pump, and AquaDirector control box.

* Excludes piping runs and surfacing material.

Pool Kit*



Pool Kit includes jets, valves, drain and AquaDirector control box.

AquaDirector— Water Feature Control Box



The AquaDirector (part #30011) can be turned on from any wireless remote such as a Pentair EasyTouch or Intellitouch. The AquaDirector can also be attached to a remote activator that will allow the users to start the system from a remote location or by a timer!

- Ideal for residential or commercial applications
- Can adapt to 4 different voltages from 120, 208, 240 & 277.
- Control up to 3 zones operated at 24V and operate any 24V valve water feature!
- Control water features with 5 unique programs:
 - + Alternating 1 zone
 - + Alternating 2 zone
 - + Random
 - + All zones
 - + Cycle through programs 1-4
 - + A recirculation line that runs once a day to keep the water clean

Stainless Steel Anchors & Channel Sets



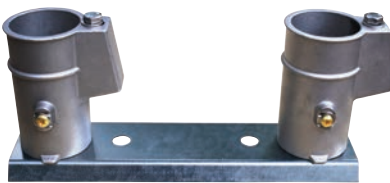
1.50" & 1.90" Wedge Anchors



1.50" & 1.90" Stanchion Anchors

- ASTM-A304 grade stainless steel
- 1.50" and 1.90" OD 4" wedge and 6" stanchion models
- 8" and 20" channel set kits available (includes 2 anchors and channel)
- 20" channel set designed for 17.5", 19" or 20" on-center spacing
- Save with bulk priced contractor anchor packs
- Wedge anchors are ideal for ladders & rails
- Stanchion anchors are recommended for games

Part No.	Description	Shipping Weight (Class 50)
4" 304 Stainless Steel Wedge Anchors		
AS-100B-SS	1.90 wedge anchor	1.45 lbs
AS-200B-SS	1.50 wedge anchor	1.20 lbs
AS-100B-SS-PK	1.90 wedge anchor – package of 6	10 lbs
AS-100B-SS-BX	1.90 wedge anchor – box set of 20	35 lbs
AS-200B-SS-BX	1.50 wedge anchor – box set of 24	30 lbs
6" 304 Stainless Steel Stanchion Anchors		
AS-100D-SS	1.90 stanchion anchor – includes cap	1.65 lbs
AS-200D-SS	1.50 stanchion anchor – includes cap	1.35 lbs
AS-100D-SS-PK	1.90 stanchion anchor – includes cap – package of 6	15 lbs
AS-100D-SS-BX	1.90 stanchion anchor – includes cap – box set of 24	45 lbs
AS-200D-SS-BX	1.50 stanchion anchor – includes cap – box set of 35	52 lbs



8" and 20" Channels

Part No.	Description	Shipping Weight (Class 50)
8" Anchor Channel Set Kits (for use with 8" on-center products)		
AS-100B-SS8K	1.90" OD, 4" Wedge Anchor Kit (includes two AS-100B-SS anchors)	3.75 lbs
AS-200B-SS8K	1.50" OD, 4" Wedge Anchor Kit (includes two AS-200B-SS anchors)	3.0 lbs
20" Anchor Channel Set Kits (for use with 17.5", 19" & 20" on-center products)		
AS-100B-SS20K	1.90" OD, 4" Wedge Anchor Kit (includes two AS-100B-SS anchors)	4.5 lbs
AS-200B-SS20K	1.50" OD, 4" Wedge Anchor Kit (includes two AS-200B-SS anchors)	4.0 lbs
AS-100D-SS20K	1.90" OD, 6" Stanchion Anchor Kit (includes two AS-100D-SS anchors)	5 lbs

Anchors & Anchor Accessories

Universal Anchor (1.90" OD)

- 6" deep, includes 2" spacer to create 4" socket where required
- Injection molded plastic — resists corrosion
- Includes bronze wedge with stainless steel bolt and 1/4 -20 UNC ground screw
- Anchor cap included for flush look
- Recommended for rails and games

Part No.	Description	Shipping Weight
AS-100P	1.90" wedge anchor & cap	1 lb
8-410A	Wedge (included)	



6" Bronze Anchor (1.90" OD)

- This anchor does not utilize any wedges
- The anchor cap provides a flush look when games are removed
- 1/4 -20 UNC brass ground screw for bonding
- Recommended for volleyball games & stanchions

Part No.	Description	Shipping Weight
AS-100EB	1.90" stanchion anchor w/o cover	2 lbs
AS-100EC	Bronze perforated cover	.5 lb



6" Bronze Anchor (1.90" OD)

- 6" deep
- Drilled hole in bottom allows drainage
- No wedge, but includes 1/4 -20 UNC ground screw
- Anchor cap included for flush look
- Recommended for volleyball games & stanchions

Part No.	Description	Shipping Weight
AS-100D	1.90" stanchion anchor	2.2 lbs
8-412	Cap (included)	.5 lb



6" Bronze Anchor

- 6" deep
- Anchor cap included for flush look
- Recommended for in-pool tables and seating

Part No.	Description	Shipping Weight
WS-POOL-ANCHOR	6" Bronze Anchor	3 lbs



4" Bronze Anchor.(1.90" OD)

- 4" deep
- Includes bronze wedge, washer, bolt and 1/4 -20 UNC grounding bolt
- Recommended for rails

Part No.	Description	Shipping Weight
AS-100B	1.90" stanchion anchor	2 lbs
8-409A	Wedge kit (included)	1 lb



4" Bronze Anchor (1.50" OD)

- 4" deep
- Includes bronze wedge, washer, bolt and 1/4-20 UNC grounding bolt
- Recommended for rails

Part No.	Description	Shipping Weight
AS-200B	1.50" wedge anchor	2 lbs
8-411A	Wedge (included)	.2 lb



3" Bronze Anchor (1.90" OD)

- 3" deep
- Includes wedge, washer, bolt and 1/4-20 UNC grounding screw
- Recommended for rails

Part No.	Description	Shipping Weight
AS-100C	1.90" wedge anchor	2 lbs
8-410A	Wedge kit (included)	1 lb



Vinyl Liner Anchor

- Vinyl liner plastic pool anchor with bronze cap
- For use with vinyl liner pools and in-pool tables and seating

Part No.	Description	Shipping Weight
VL-ANCHOR 1.90	Vinyl liner pool anchor	2 lbs



RockSolid® Anchor for Basketball

- Accommodates 2.5" square tubing
- Adjustable wedge assembly exerts continuous, even pressure on the post to eliminate platform movement
- Anchor cap included

Part No.	Description	Shipping Weight
27-107B	1 anchor & cover plate	8 lbs
27-107P	1 anchor for pavers & cap	8 lbs



Double Anchor Socket Assembly

- Accommodates 1 5/8" OD ring rails
- Includes bronze wedge, nuts, washers, 1/4-20 UNC grounding screw and escutcheons
- Recommended for residential and commercial ring handrails

Part No.	Description	Shipping Weight
34-306A	Bronze anchor	13 lbs
8-415A	Gibraltar Wedge Retro-fit kit	1 lb
8-420	Double escutcheon plate chrome plated plastic	1 lb



Escutcheons

Double Escutcheon Plate

- Recommended for residential and commercial ring handrails

Part No.	Description	Shipping Weight
8-420	Double escutcheon plate, chrome plated plastic	1 lb



Oblong Escutcheon (1.90" OD)

- Chrome-plated cast brass
- 4" long
- Equipped with stainless steel set screws
- Recommended for the IAA-100 anchor (included)

Part No.	Description	Shipping Weight
IEP-100	1 escutcheon	1 lb



Locking Escutcheon (1.50" OD)

- 316 stainless steel
- Recommended for ladders
- Includes a set screw to hold rail in place

Part No.	Description	Shipping Weight
IEP-200	1 locking escutcheon	.1 lb



Oblong Escutcheon (1.90" OD)

- 304 stainless steel
- Recommended for rails and bronze anchors

Part No.	Description	Shipping Weight
EP-100A	1 escutcheon	.25 lb



Round Escutcheon (1.90" OD)

- 304 stainless steel
- 4.5" in diameter
- For Salt Friendly, order vinyl coated escutcheon
- Recommended for rails and games

Part No.	Description	Shipping Weight
EP-100F	Stainless Steel	.5 lb
EP-100F-PW	Pearl White	.5 lb
EP-100F-RG	Rock Gray	.5 lb
EP-100F-SG	Silver Gray	.5 lb
EP-100F-TP	Taupe	.5 lb
EP-100F-VW	Vinyl White	.5 lb
EP-100F-VT	Vinyl Taupe	.5 lb
EP-100F-VG	Vinyl Gray	.5 lb
EP-100F-MG	Marine Grade	.5 lb



Round Escutcheon (1.625" OD)

- 304 stainless steel
- 3 1/4" in diameter
- Recommended for P-rails only

Part No.	Description	Shipping Weight
EP-103	304SS escutcheon	.2 lb



White Plastic Escutcheon (1.90" OD)

- 4.5" in diameter
- Recommended for rails and games

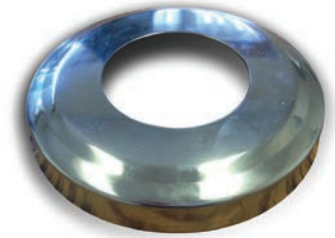
Part No.	Description	Shipping Weight
EP-104	Plastic escutcheon	.25 lb



Stainless Steel Escutcheon (1.90" OD)

- 4" in diameter
- Recommended for rails and games

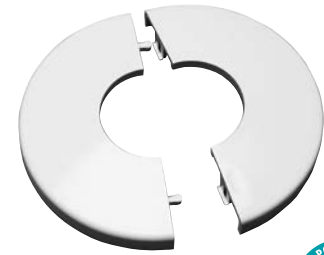
Part No.	Description	Shipping Weight
EP-105	304SS escutcheon	.50 lb



Snap-Tite Escutcheon (1.90" OD)

- High-density plastic
- 5 3/16" in diameter
- Recommended for rails and games

Part No.	Description	Shipping Weight
EP-200-MC	Chrome	.25 lb
EP-200-PW	Pearl White	.25 lb
EP-200-BO	Black	.25 lb
EP-200-PG	Pewter Gray	.25 lb
EP-200-TP	Taupe	.25 lb



Round Escutcheon (1.50" OD)

- 304 stainless steel
- 4.5" in diameter

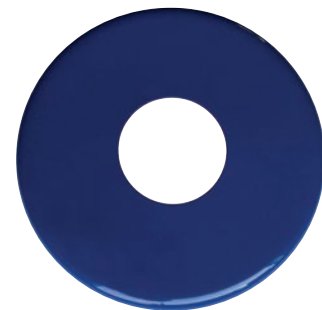
Part No.	Description	Shipping Weight
EP-150	1 escutcheon, 304SS	.5 lb
EP-150-MG	Marine Grade	



6" Round Low Profile Escutcheon (1.90")

- 304 stainless steel
- Available electro-polished or in a variety of powder-coated colors
- Recommended for rails and Velocity Dual Post Starting Blocks

Part No	Description	Shipping Weight
EP-306R-EP	Electro-polished	.5 lbs
EP-306R-PW	Powder-coated, white	.5 lbs
EP-306R-RG	Powder-coated, rock gray	.5 lbs
EP-306R-TP	Powder-coated, taupe	.5 lbs
EP-306R-SG	Powder-coated, silver gray	.5 lbs
EP-306R-RB	Powder-coated, royal blue	.5 lbs



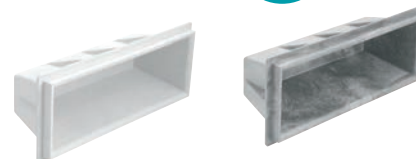
Ladder Parts & Accessories



17.5" Recessed Step

- Injection molded plastic
- Textured stepping surface for safety
- 17.5" x 7" at outer edges of lip

Part No.	Description	Shipping Weight
62-209-4001	White	2 lbs
62-209-4002	Black	2 lbs



20" Safety-Pool Step Retrofit Kit

- Heavy-duty molded plastic
- Textured stepping surface for safety
- Includes treads, protective side skirts and mounting hardware (US thread)
- Residential ladders have 10" spacing between steps, commercial ladders have 12"

Residential Kits

Part No.	Description	Shipping Weight
62-209-502R	2-Step Kit	10 lbs
62-209-503R	3-Step Kit	12 lbs
62-209-504R	4-Step Kit	18 lbs

Commercial Kits

Part No.	Description	Shipping Weight
62-209-602C	2-Step Kit	12 lbs
62-209-603C	3-Step Kit	15 lbs
62-209-604C	4-Step Kit	18 lbs
62-209-605C	5-Step Kit	21 lbs



19" Econoline Plastic Tread

- Heavy-duty plastic
- 3" deep x 18⁵/₁₆" wide, 17¹/₄" centerline mounting distance
- Hardware: 3/8" x 3¹/₄" bolts, washers & hex nuts
- Recommended for residential ladders

Part No.	Description	Shipping Weight
LTDF-101	1 tread, no hardware	
8-912E	2 treads + hardware kit	2.5 lbs
8-913E	3 treads + hardware kit	4 lbs
8-914E	4 treads + hardware kit	4.5 lbs
60-703	Hardware only for 2 treads	.5 lb
60-704	Hardware only for 3 treads	.75 lb



20" Blow Molded Tread, no hardware

- White, blow molded plastic
- 4" wide and 18" in length at center line
- Recommended for residential ladders

Part No.	Description	Shipping Weight
A42077-0	1 tread, no hardware	1 lb
A40909-1	Two 5/16"x 2 ³ / ₄ " bolts, washers & hex nuts	



20" Elite Stainless Steel Tread (1.90" OD)

- 304 stainless steel
- 3" deep x 20" wide, 18¹/₄" centerline mounting distance
- Hardware: 3/8" x 2³/₄" bolts & hex nuts
- Recommended for commercial or residential elite model ladders

Part No.	Description	Shipping Weight
LTDF-103	1 tread, no hardware	1 lb
8-912S	2 treads + hardware kit	3 lbs
8-913S	3 treads + hardware kit	6 lbs
8-914S	4 treads + hardware kit	7 lbs
60-701	Hardware only for 2 treads	.5 lb
60-702	Hardware only for 3 treads	.75 lb
6-300	End cap	.25 lb
6-301	Black insert	.25 lb



*All LTDF Treads have powder coated color options available - please reach out to customer@srsmith.com for more information.

20" Elite Stainless Steel

- 304 stainless steel (1.50" OD)
- 3" deep x 20" wide x 18¹/₄" centerline mounting distance
- Hardware: 3/8" x 2³/₄" bolts & hex nuts
- Recommended for residential ladders

Part No.	Description	Shipping Weight
LTDF-107	1 tread, no hardware	1 lb
60-701	Hardware only for 2 treads	.5 lb
60-702	Hardware only for 3 treads	.75 lb



19¹/₂" White Plastic Tread

- Heavy-duty plastic
- 4⁷/₈" deep x 19¹/₂" wide x 17⁷/₈" centerline mounting distance
- Hardware: 3/8" x 3¹/₄" bolts, washers & hex nuts, order separately
- Recommended for residential ladders

Part No.	Description	Shipping Weight
LTDF-108	1 tread, no hardware	1 lb
60-703	Hardware only for 2 treads	.5 lb
60-704	Hardware only for 3 treads	.75 lb



18³/₄" Stainless Steel Tread

- 304 stainless steel
- 3" deep x 18³/₄" wide x 17¹¹/₁₆" centerline mounting distance
- Hardware: 3/8" x 3¹/₄" bolts, washers & hex nuts, order separately
- Recommended for residential ladders

Part No.	Description	Shipping Weight
LTDF-109	1 tread, no hardware	1 lb
60-703	Hardware only for 2 treads	.5 lb
60-704	Hardware only for 3 treads	.75 lb



Hinged Ladder Anchor

- Stainless steel hinge bracket pair
- Allows raising and lowering of new and existing ladders
- Installation requires 4" to be cut off of ladder
- For use with residential ladders
- Goes in 4" anchor: AS-100B
- Do not use for commercial or Modern Series ladders

Part No.	Description	Shipping Weight
A41657-0	Hinged ladder anchor	3.8 lbs
2463050	Hinge pin, female	.5 lb
2463060	Set screw	.5 lb
2463070	Hinge pin, male	.5 lb



Snap-Lok Hinge Bracket Assembly

- Stainless steel hinge bracket pair
- Retrofits existing ladders for raising and lowering
- Installation requires 4" to be cut off of ladder
- Recommended for Snap-lok ladders
- Ideal for all Modern Series Ladders
- Goes in 4" anchor: AS-100B

Part No.	Description	Shipping Weight
60-713	1 pair	4 lbs
5-116	3/8-16 x 2 ¹ / ₂ " HH bolt	.1 lb
5-145	3/8" flat washer	.1 lb
5-156	3/8-16 acorn nut	.1 lb
8-118	Double button snap lock	.1 lb



*All LTDF Treads have powder coated color options available - please reach out to customer@srsmith.com for more information.

White Rubber Bumper—Male

- Molded white rubber
- 2¼" diameter
- Recommended for ladders

Part No.	Description	Shipping Weight
WRB-100A	1 bumper for 1.90" OD tubing	.2 lb



White Rubber Bumper—Female

- Molded white rubber
- For use on 1.50" and 1.90" OD tubing with .049" to .065" wall thickness
- Recommended for ladders

Part No.	Description	Shipping Weight
WRB-101A	1 bumper	.5 lb



Xpand-N-Lok Rubber Bumper — Male

- Molded blue rubber
- For use on 1.90" OD tubing with .049" to .065" wall thickness
- Recommended for ladders

Part No.	Description	Shipping Weight
BRB-100EX	1 bumper	.2 lb



Flanges

Aluminum Deck-Mounted Anchor Flange Kit

- For surface-mounting slides with 1.90" OD tubing
- All flanges include a 2¾" stainless steel bolt, bushing, two washers and a lock nut (US thread)
- Not interchangeable with plastic anchor flange listed below

Part No.	Description	Shipping Weight
75-209-5866	4 flanges, deck mounting hardware	4.5 lbs
75-209-5864	Deck mounting hardware for 1 flange	.5 lb
75-209-5000	1 flange, no deck mounting hardware	1 lb



Plastic Deck-Mounted Anchor Flange Kit

- For surface-mounting slides with 1.90" OD tubing
- Requires four mounting bolts, not included
- Includes a bolt, bushing, two washers and a lock nut (US thread)
- Recommended for slides
- Not interchangeable with aluminum anchor flange listed above

Part No.	Description	Shipping Weight
75-209-5865	4 flanges, hardware	2 lbs
75-209-5864	Hardware for 1 flange	.25 lb
05-623	Single plastic flange	1 lb



Sand Tread Repair Kit

- For repairing minor damage to diving board tread
- Includes sandpaper, masking tape and gel coat

Part No.	Description	Shipping Weight
67-209-9242	White	.75 lb
67-209-9243	Marine Blue	.75 lb



Epoxy Kits

- Use to install a diving board on an existing deck
- Includes epoxy resin, hardener and mounting bolts
- Recommended for diving board stands including Edge and T7

Part No.	Description	Stand	Shipping Weight
75-209-5868-SS	Kit with (4) 6"x1/2" bolts	Cantilever	4 lbs
75-209-5869-SS	Kit with (3) 6"x5/8" bolts	Frontier II	4 lbs
75-209-5874-SS	Kit with (5) 6"x1/2" bolts	1/2M, 3/4M, 1M, Steel Stand	6 lbs
75-209-5875-SS	Kit with (6) 6"x1/2" bolts	Steel Meter	6 lbs
75-209-5876-SS	Kit with (3) 6"x1/2" bolts	Flyte Deck II	4 lbs
75-209-5885-SS	Kit with (4) 7"x1/2" bolts	Supreme	4 lbs
75-209-5879-SS	Kit with (4) 9"x1/2" bolts	Paver Kit	4 lbs
75-209-5880-SS	Kit with (4) 10"x1/2" bolts	Paver Kit	7 lbs
75-209-5889-SS	Kit with (3) 9"x1/2" bolts	Paver Kit	8 lbs
75-209-5890-SS	Kit with (3) 10"x1/2" bolts	Paver Kit	8 lbs
09-506	Epoxy only		

Shipping Information

L	W	H
8	8	6

Note: shipped UPS Hazardous

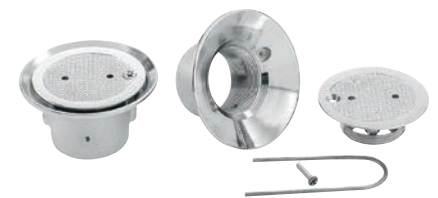


Circulation System Parts

1.5" Circular Flow Inlet Fittings

- Chrome plated cast brass
- Allows easy adjustment of flow rate and ensures smooth, even flow through return
- Includes lock screw and adjustment wrench

Part No.	Description	Shipping Weight
A41014-0	1 outer body (2406600), control plate (A41497-0), and lock screw	1.5 lbs



Radiant Flow Inlet Fittings

- Chrome plated cast brass
- Features tamper-resistant adjustment screws
- Includes outer body, inner and outer control plates and three lock screws

Part No.	Description	Shipping Weight
A41020-0	1 outer body (2402490), inner control plate, outer control plate, 3 lock screws	2.4 lbs
A41473-0	1 inner plate, outer plate, 3 lock screws	1 lb



Adjustable Direction Inlet Fittings

- Outer body and inner set rings are chrome-plated cast brass
- Inner directional flow fittings are made from chrome plated, solid brass rods
- Outer trim flange is 204 stainless steel

Part No.	Description	Shipping Weight
A41024-4	Uni-Fit outer body, inner set ring, 1/2" inner directional fitting, outer trim flange	1.5 lbs
A41024-6	Uni-Fit outer body, inner set ring, 3/4" inner directional fitting, outer trim flange	1.5 lbs
A41024-8	Uni-Fit outer body, inner set ring, 1" inner directional fitting, outer trim flange	1.5 lbs
A41028-4	Inner set ring, 1/2" inner directional fitting, outer trim flange	.5 lb
A41028-6	1 inner set ring, 3/4" inner directional fitting, outer trim flange	.75 lb
A41028-8	1 inner set ring, 1" inner directional fitting, outer trim flange	1 lb



Leakless Flanges

- Use for mid-wall or through-wall connection for fittings and pipes
- One-piece, integrally cast brass fitting with 3/4" flange and NPT threads on both ends

Part No.	Description	Shipping Weight
A41116-0	1 1/2" flange	2.25 lbs
A41119-0	2" flange	2.6 lbs



Heavy-Duty Controlled Flow Sight Glass

- Base and top are cast brass
- Sight glass is clear plexiglass
- Heavy-duty neoprene seals
- Threaded for insertion into a 1.5" female thread

Part No.	Description	Shipping Weight
A41198-0	Sight glass	1.5 lbs



Uni-Fit Rectangular Gutter Drains and Grates

- 2 1/16" x 5 5/8", 2" drain opening
- Chrome-plated cast brass
- Includes drain, grate, and two tamper-resistant screws

Part No.	Description	Shipping Weight
A41046-0	Drain and grate, includes 1 chrome-plated gate (2400490), 1 gutter drain (2500520) 2 tamper resistant screws (2024094)	2.8 lbs



Uni-Fit Maximum Protection 90° Drains & Grates

- 2¹/₈" x 5³/₈", 2" drain opening
- Chrome-plated cast brass
- Includes drain, grate, and four tamper-resistant screws

Part No.	Description	Shipping Weight
A41035-0	Drain and grate, includes 1 90° grate (2401520) 1 90° gutter drain (2401540) 4 tamper resistant screws (2024207)	2.5 lbs



Deck Boxes

- Chrome-plated cast brass
- Approximately 3" deep, 3" ID
- UL and CSA International seals for quality in design

Part No.	Description	Shipping Weight
A41192-0	Box with 3/4" openings	2.6 lbs
A41192-1	Box with 3/4" side openings and 1" bottom opening	2.6 lbs
A41192-2	Box with 1" openings	2.6 lbs
A41496-0	Hardware kit	.6 lb



Vacuum Parts

Vacuum Fittings (Concrete/Shotcrete)

- Chrome plated cast brass
- 1.5" female threads and 2" male threads
- Includes inner safety plug

Part No.	Description	Shipping Weight
A41090-0	1 Uni-fit body (2403091), and 1 safety plug (2410921)	1.3 lbs



Vacuum Fittings (Fiberglass/Vinyl Liner/ Steel/Aluminum)

- Chrome plated cast brass
- 1.5" female threads and 2" male threads
- Includes brass lock nut with 2" female threads

Part No.	Description	Shipping Weight
A41918-0	1 Uni-fit body (2403091), and 2 rubber gasket (2027370) and 1 lock nut (A50680)	1 lb



Miscellaneous Parts

U-Frame Fulcrum Cover

- Heavy-duty rubber
- 20" long
- Accommodates 1.90" OD tubing

Part No.	Description	Shipping Weight
FC-100A	1 fulcrum cover	2.5 lbs



H-U Ringset

- Support for umbrella into table

Part No.	Description	Shipping Weight
H-U RINGSET	Table umbrella hole ring set	2 lbs



Table Shim Kit

- To help minimize movement at any connection point with the table pole into the anchor

Part No.	Description	Shipping Weight
TABLE SHIM KIT	4 sheets 5" x 5" plastic shim material .003", .005", .008", .010"	5 lbs



Umbrella Adapter

- 7.5" adapter pole fits existing umbrella sleeve

Part No.	Description	Shipping Weight
PL-ADAPTER 1.50	adapter for 1.50 umbrella sleeve anchors	3 lbs



SRSmith®

COMMERCIAL
**PRODUCT
CATALOG**

2021



Pool **Better**™

CUSTOMER SERVICE

PRODUCT	PHONE NUMBER	EMAIL
ADA POOL LIFTS	800-824-4387	lifts@srsmith.com
COMMERCIAL DECK EQUIPMENT	800-824-4387	customercare@srsmith.com
COMMERCIAL THERMAL POOL COVERS	503-266-0273	thermalpoolcovers@srsmith.com
CUSTOM RAILS	877-325-0768	customrails@srsmith.com
WARRANTY	800-824-4387	customercare@srsmith.com



Sign up for catalog updates at
srsmith.com/catalogupdates



Pool Better™

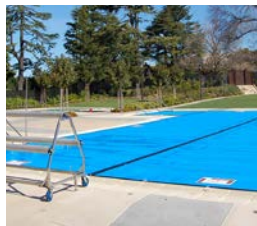
When people want more from their pools, they choose S.R.Smith. For nearly 90 years, S.R.Smith has continued to evolve, innovate, and expand its pool-enhancing capabilities. Today we offer a broad range of solutions for pool owners and operators worldwide that promote fun, empower relaxation, elevate usability, and boost functionality. This is why our products are the first choice for enhancing pool lifestyles and why with a S.R.Smith product on your pool you will Pool **Better**™.



Lifeguard Chairs



ADA Compliant Lifts



Thermal Pool Covers and Accessories



Lane Line Reels



Dive Towers



Commercial In-Pool Furniture



CONTENTS

Access	2
Starting Platforms.....	24
Lifeguard Chairs	42
Ladders and Rails.....	52
Diving Boards and Stands	76
In-Pool Furniture	90
Lane Line Reels	94
Thermal Pool Covers.....	96
Pool Slides	100
Pool Games	104
Parts	108



The S.R.Smith Standard

Standard features on all ADA compliant models include the LiftOperator® Intelligent Control, water-resistant hand control, rechargeable battery, battery charger, battery cover, armrests,* footrest and seat belt assembly.

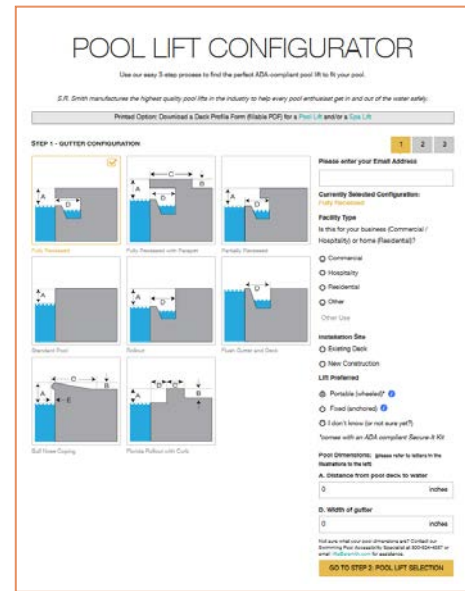
Education For All

S.R.Smith is the industry leader in ADA pool access education. Learn more about the ADA and become a Pool Accessibility Specialist through S.R.Smith's free online course, Access Academy. In addition, visit srsmith.com to access a comprehensive video library covering pool lift selection, care and maintenance.

* Armrests on multiLift folding seat are optional.

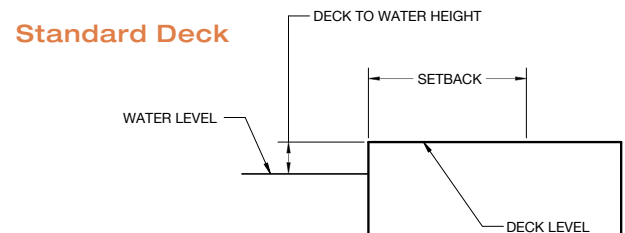
Selecting the Right Lift

It is important to take several accurate pool or spa measurements to help with pool lift selection. Recording these precise measurements in S.R.Smith's online Pool Lift Configurator prior to placing your order is required. This deck profile will help ensure the lift selected will function properly, and is ADA compliant. Visit srsmith.com/configurators



Pool Lift Setback Chart

This chart will help determine the required setback on a standard pool deck. Use it in conjunction with a Pool or Spa Deck Profile configurator at srsmith.com/configurators



Deck To Water Height		0"	2"	4"	6"	8"	10"	12"
Setback Range	PAL2/PAL	16" - 24"	16" - 24"	16" - 22"	16" - 18"	16" - 18"	16"	16"
	PAL Hi-Lo	16" - 28"	16" - 26"	16" - 24"	16" - 22"	16" - 20"	16" - 18"	N/A
	Splash!*/Splash! 300	16" - 29"	16" - 28"	16" - 26"	16" - 26"	16" - 24"	16" - 24"	16" - 20"
	Splash!/Splash! 300 Hi-Lo	16" - 34"	16" - 32"	16" - 30"	16" - 28"	16" - 26"	16" - 26"	16" - 22"
	Splash! ER	16" - 46"	16" - 44"	16" - 44"	16" - 44"	16" - 42"	16" - 40"	16" - 38"
	Splash! ER Hi-Lo	16" - 50"	16" - 49"	16" - 49"	16" - 49"	16" - 48"	16" - 47"	16" - 47"
	aXs2	12" - 31"	12" - 29"	12" - 26"	12" - 24"	12" - 20"	N/A	N/A
	multiLift	12.5"-17"	12.5"-17"	12.5"-17"	12.5"-17"	12.5"	N/A	N/A
	ML300	12.5"-17"	12.5"-17"	12.5"-17"	12.5"-17"	12.5"	N/A	N/A

Setback measurement is taken from pool wall or end of bullnose coping to the center of the anchor.

PAL2



The fixed portable PAL2 pool lift features a sleek, modern design and attractive matte finish. It comes standard with our Secure-It Kit which allows the lift to be fixed to the deck.

- Third-party tested and verified ADA compliant
- Integrated armrests
- State of California compliant
- 300 lb/136kg lifting capacity
- Easy to move by one person
- LiftOperator® Intelligent Controller
- 240° rotation helps ensure safe transfer
- Powder-coated stainless steel and aluminum construction



Lift Color



Due to printing technology actual color may differ.

Model No.	Description Pool Lift with Armrests	Shipping – (Class 85)			
		Weight	Length	Width	Height
202-0000	PAL2	1200 lbs 544kg	40" 102cm	48" 122cm	60" 152cm

Notes:

- Includes battery, charger, battery console cover, water-resistant hand control, footrest, seatbelt assembly, armrests, and Secure-It Kit

Secure-It Kit

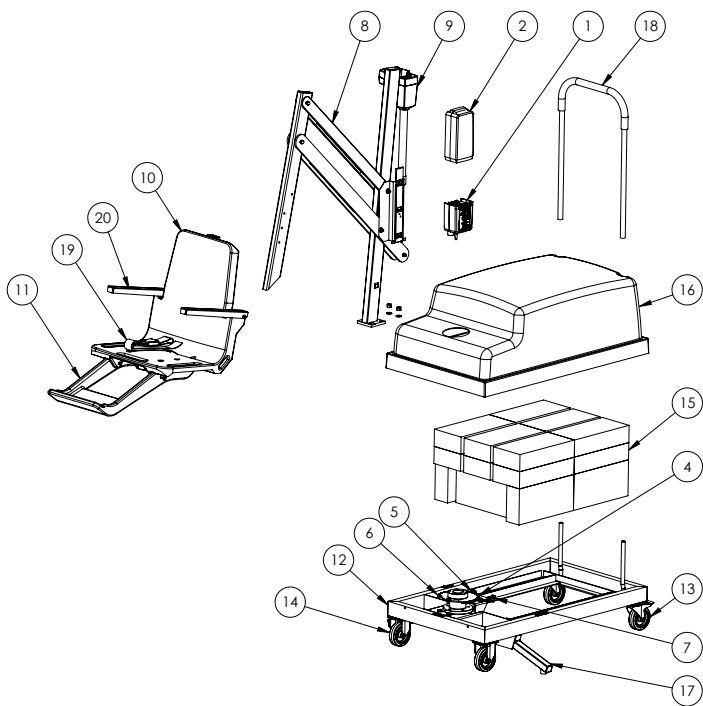
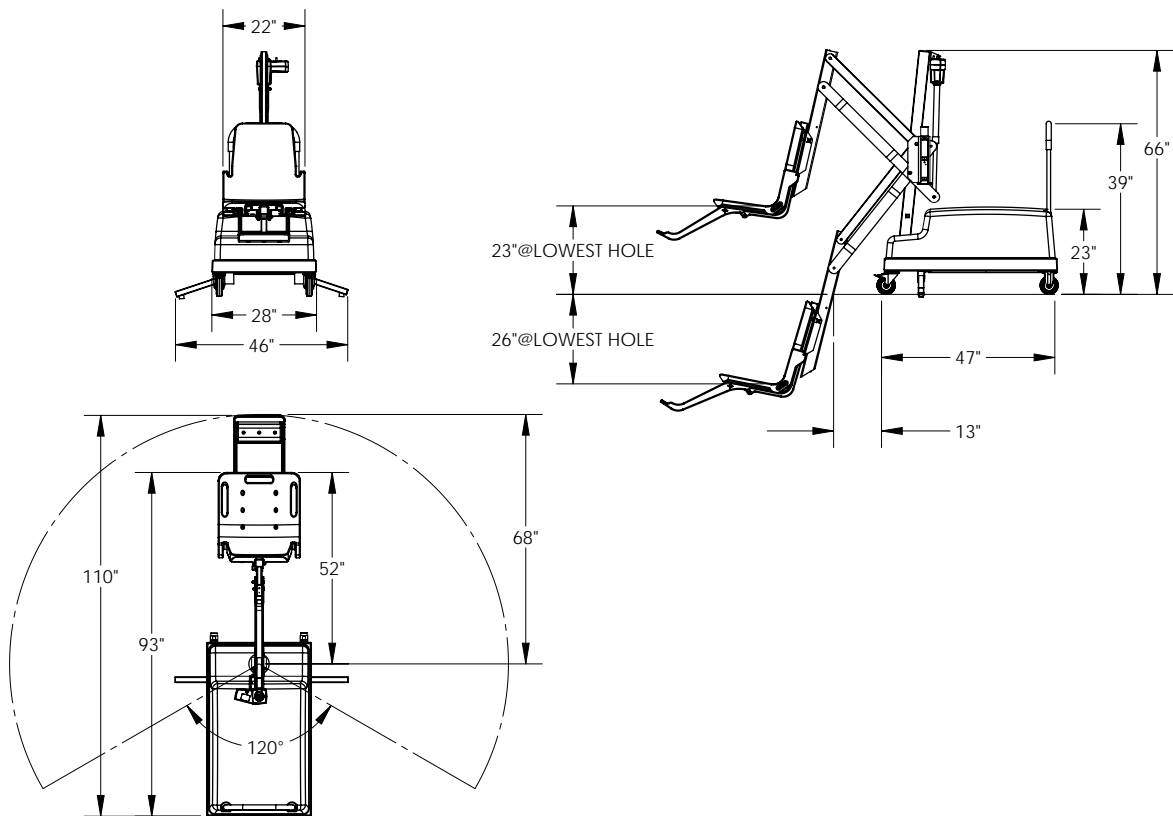


200-1090A

Parts & Accessories:

- 1001495 Battery
- 920-5000T Cover
- 200-1090A PAL Secure-It Kit (standard)
- 900-1000 Seat Belt
- 1001600 Hand Control
- 900-6000 Stability Strap
- 500-1000 Spineboard Attachment
- 970-5000T Seat Saver Cover
- 170-3000A Armrest Replacement (pair)

A completed Deck Profile form is required with your pool lift order. See srsmith.com/configurators



Key	Part Number	Description
1	400-7000	4 Button Control
2	1001495	Battery Pack
3	1001530	Battery Charger (Not Shown)
4	120-1100	24V Motor
5	800-5065	Small Gear
6	130-1000	Hub Assembly
7	120-1000	Motor Mount Assembly
8	152-1100A	Gray, Mast Assembly
9	100-5000A	LA34 Actuator
10	160-8000A	Gray, Seat Assembly
11	160-2700A	Gray, Foot Rest w/Hardware
12	202-2000	PAL2 Main Frame Assembly
13	200-2000	Rigid Caster
14	200-3000	Swivel Caster
15	220-3100	Concrete Block, PAL2
16	202-6000	PAL2 Housing Assembly
17	200-4100	Stabilizer Assembly
18	202-7000	Gray, PAL2 Handle
19	900-1000	Seat Belt Assembly
20	170-3000A	Gray, Armrest (Pair)
21	910-1000T	Console Cover (not shown)

PAL® Series



The fixed portable, free-standing PAL is the perfect accessory for commercial pools.

- Third-party tested and verified ADA compliant
- Integrated armrests
- State of California compliant
- 300 lb/136kg lifting capacity
- Easy to move by one person
- LiftOperator® Intelligent Controller
- 240° rotation helps ensure a safe transfer
- Powder-coated stainless steel and aluminum construction



Lift Color



GRAY MIST

Due to printing technology actual color may differ.

PAL variations include:

- Hi/Lo – A variation of the PAL useful for facilities that have both in-ground pools and raised spas.
- Spa – Designed for above ground pools and raised spas.

Secure-It Kit



200-1090A

Model No.	Description Pool Lift with Armrests	Shipping – (Class 85)			
		Weight	Length	Width	Height
200-0000	PAL	1,195 lbs 542kg	40" 102cm	48" 122cm	60" 152cm
250-0000	PAL Hi/Lo	1,195 lbs 542kg	40" 102cm	48" 122cm	60" 152cm
275-0000	PAL Spa	1,195 lbs 542kg	40" 102cm	48" 122cm	60" 152cm
290-0000	PAL Package*	1,245 lbs 565kg	40" 102cm	48" 122cm	60" 152cm

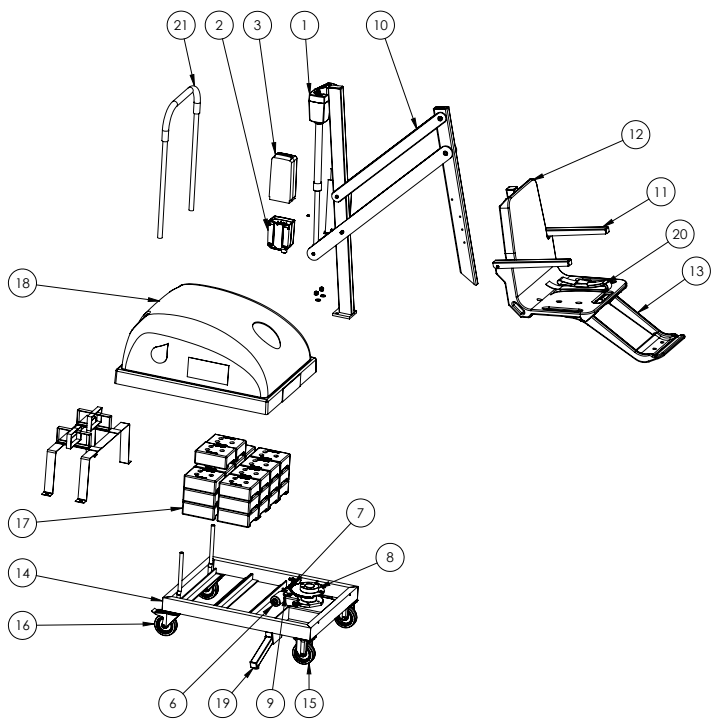
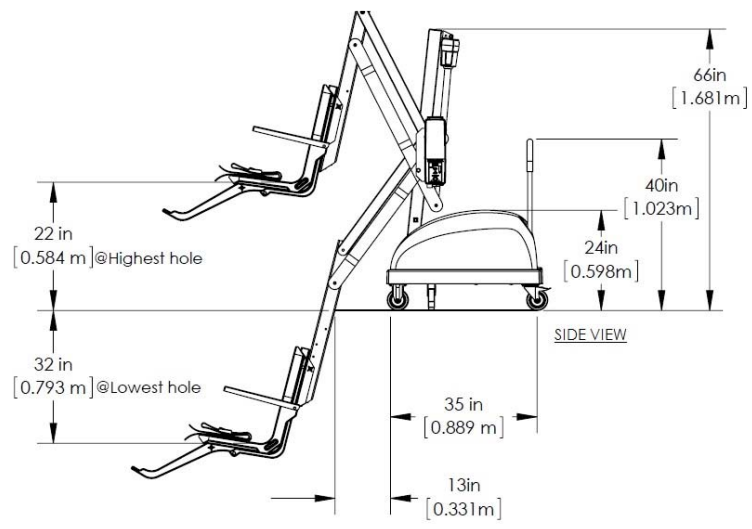
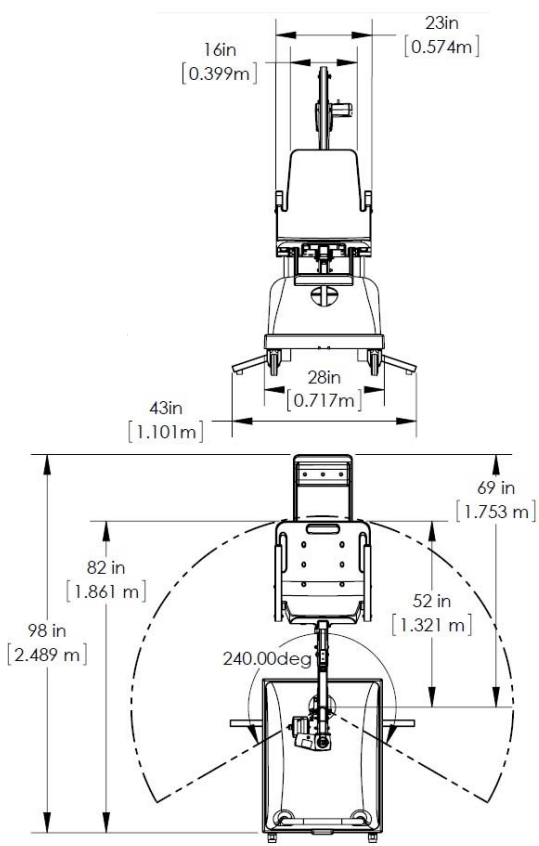
Notes:

- Includes battery, charger, battery console cover, water-resistant hand control, footrest, seatbelt assembly, armrests and Secure-it-Kit
- * Package includes cover and spineboard attachment

Parts & Accessories:

- 1001495 Battery
- 920-5000T Cover
- 200-1090A PAL Secure-It Kit (standard)
- 900-1000 Seat Belt
- 1001600 Hand Control
- 900-6000 Stability Strap
- 500-1000 Spineboard Attachment
- 970-5000T Seat Saver Cover
- 170-3000A Armrest Replacement (pair)

A completed Deck Profile form is required with your pool lift order. See srsmith.com/configurators



Key	Part Number	Description
1	100-5000A	LA34 Actuator
2	400-7000	4 Button Control
3	1001495	Battery Pack
4	1001530	Battery Charger (not shown)
5	910-1000T	Console Cover (optional accessory, not shown)
6	120-1100	24V Motor
7	800-5065	Small Gear
8	130-1000	Hub Assembly
9	120-1000	Motor Mount Assembly
10	150-1100A	Mast Assembly
11	150-1400	Seat Arm
12	160-8000A	Seat Assembly
13	160-2300A	Foot Rest
14	200-1000	PAL Main Frame Assembly
15	200-2000	Rigid Caster
16	200-3000	Swivel Caster
17	110-3100	Cast Iron Weight Plates
18	200-5000	PAL Housing Assembly
19	200-4100	Stabilizer Assembly
20	900-1000	Seat Belt Assembly

ML300



The ML300 is a flanged mounted pool lift that is ideal for a wide range of pool applications.

- Third party tested and verified ADA compliant
- Integrated armrests with left or right side mounting option
- State of California compliant
- 300 lb/136kg lifting capacity
- Retrofit anchor jig is standard
- Flange mounted with 4 anchor bolts
- LiftOperator® Intelligent Controller
- Powder-coated stainless steel and aluminum construction



Lift Color



GRAY MIST

Due to printing technology actual color may differ.



New Construction Jig with Anchors
500-5000A

Model No.	Description Pool Lift with Armrests	Shipping – (Class 85)			
		Weight	Length	Width	Height
575-3000	ML300	200 lbs 90kg	50" 127cm	28" 71cm	27" 69cm
575-3000N	ML300, no anchor				

Note:

- Includes battery, charger, battery console cover, water-resistant hand control, footrest, seat belt assembly, armrests and retrofit anchor jig.

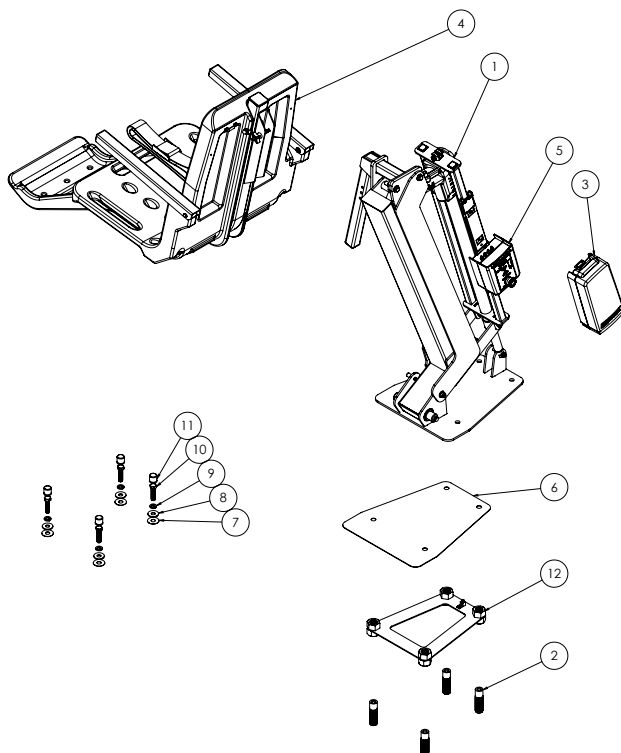
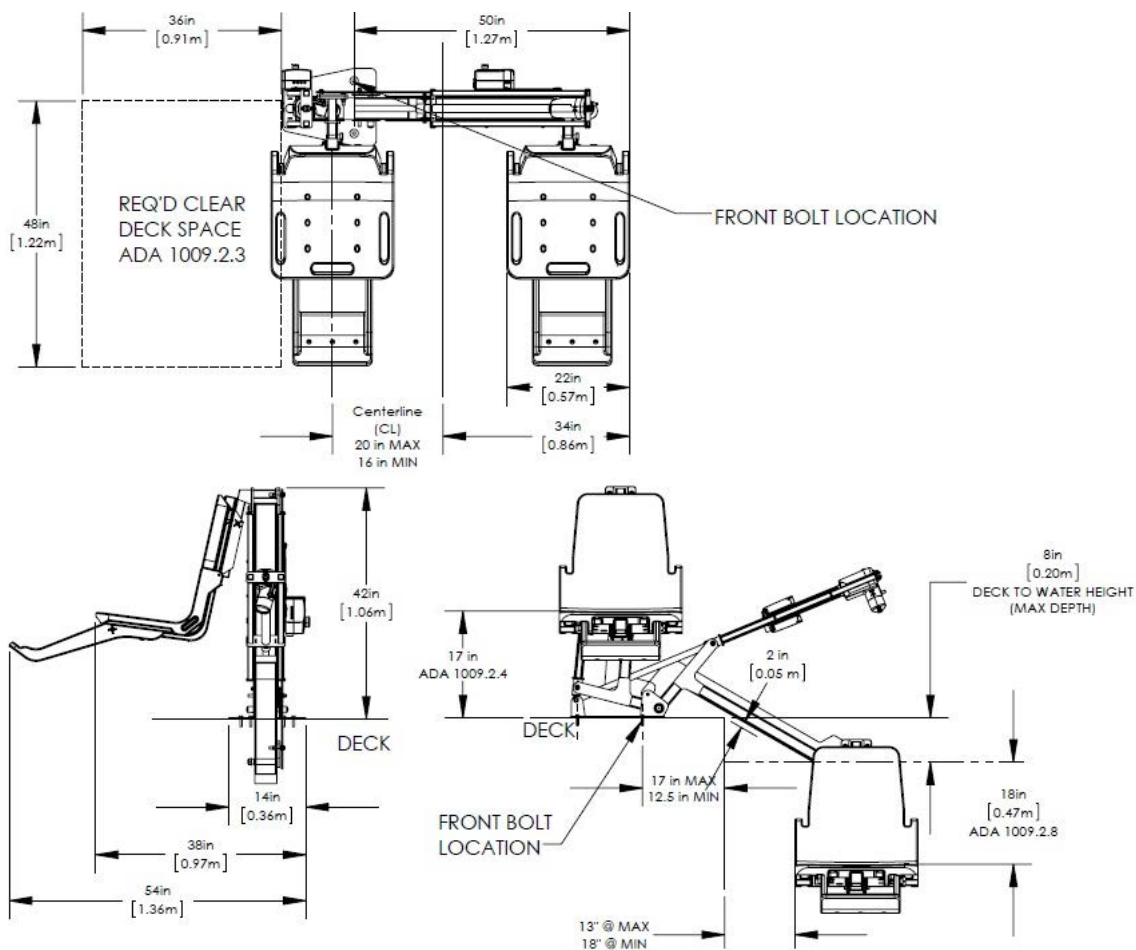
Parts & Accessories

- 1001495 Battery
- 300-6900 ML300 Anchor Kit for existing deck
- 500-5200T Cover
- 300-6700A Anchors, set of 4
- 300-6800A Anchor Bolts, set of 4
- 900-1000 Seat Belt
- 970-5000T Seat Saver Cover
- 900-6000 Stability Strap
- 170-3000A Armrest Replacement (pair)
- 1001601 Hand Control

New Construction Guidelines

Scenario	Pool Lift	Anchor Jig
Order pool lift and new construction jig at same time	575-3000	500-5000 (no anchors)
Order new construction jig ahead of pool lift	575-3000N	500-5000A (comes with anchors)

A completed Deck Profile form is required with your pool lift order. See [srsmith.com/configurators](https://www.srsmith.com/configurators)



Key	Part Number	Description
1	575-0000A	Lift Assembly
2	300-6700A	Flush Deck Anchor Kit
3	1001495	Battery Assembly
4	160-8000	Seat Assembly w/Footrest
5	400-7001	Control Box
6	6-700B	Softpad, HDPE 1/16"
7	05-616	1/2" x 1 1/2" Round Nylon Washer
8	05-14-132	FLW, RGLR, B18.22.1
9	05-14-115	Lock Washer, 1/2", SSSL
10	800-0129	HHCS 1/2-13 x 2", 316 SSSL
11	05-618-20	Nut Cap, 1/2"
12	500-5000*	New Construction Jig
13	500-5000A*	New Construction Jig w/Anchors
14	910-1000T	Console Cover (not shown)

multiLift™



A flanged pool lift, with left or right side mounting, and optional folding seat version.

- Third-party tested and verified ADA compliant
- Integrated armrests
- State of California compliant
- 350 lb/159kg lifting capacity
- Retrofit anchor jig is standard
- Optional folding seat assembly
- LiftOperator® Intelligent Controller
- Powder-coated stainless steel and aluminum construction



Lift Color



GRAY MIST

Due to printing technology actual color may differ.



New Construction Jig with Anchors 500-5000A



Wheel-A-Way mobility option provides flexibility to transport the lift if needed



Optional folding seat assembly

Model No.	Description	Shipping – (Class 150)			
		Weight	Length	Width	Height
575-0000	multiLift	200 lbs/91kg	50"	28"	23"
575-0000N	multiLift, no anchor		127cm	71cm	69cm

Note:

- Includes battery, charger, battery console cover, water-resistant hand control, footrest, seat belt assembly, armrests and retrofit anchor jig.

Parts & Accessories

- 1001495 Battery
- 500-5200T Cover
- 500-5500 Wheel-A-Way
- 900-1000 Seat Belt
- 300-6700A Anchors, set of 4
- 300-6900 Retrofit Anchor Jig
- 300-6800A Anchor Bolts, set of 4
- 970-5000T Seat Saver Cover
- 900-6000 Stability Strap
- 170-3000A Armrest Replacement (pair)
- 1001601 Hand Control

multiLift with Folding Seat

Model No.	Description	Shipping – (Class 77.5)			
		Weight	Length	Width	Height
575-0100	multiLift with folding seat*	225 lbs/103kg	50"	24"	23"
575-0100N	multiLift with folding seat, no anchor*	225 lbs/103kg			
575-0105	multiLift with armrests and folding seat	230 lbs/104kg	127cm	61cm	71cm
575-0105N	multiLift with armrests and folding seat, no anchor	230 lbs/104kg			

Note:

- Includes battery, charger, battery console cover, water-resistant hand control, footrest, seat belt assembly and retrofit anchor jig.

* Models without armrests are not compliant with State of California requirements.

Parts & Accessories

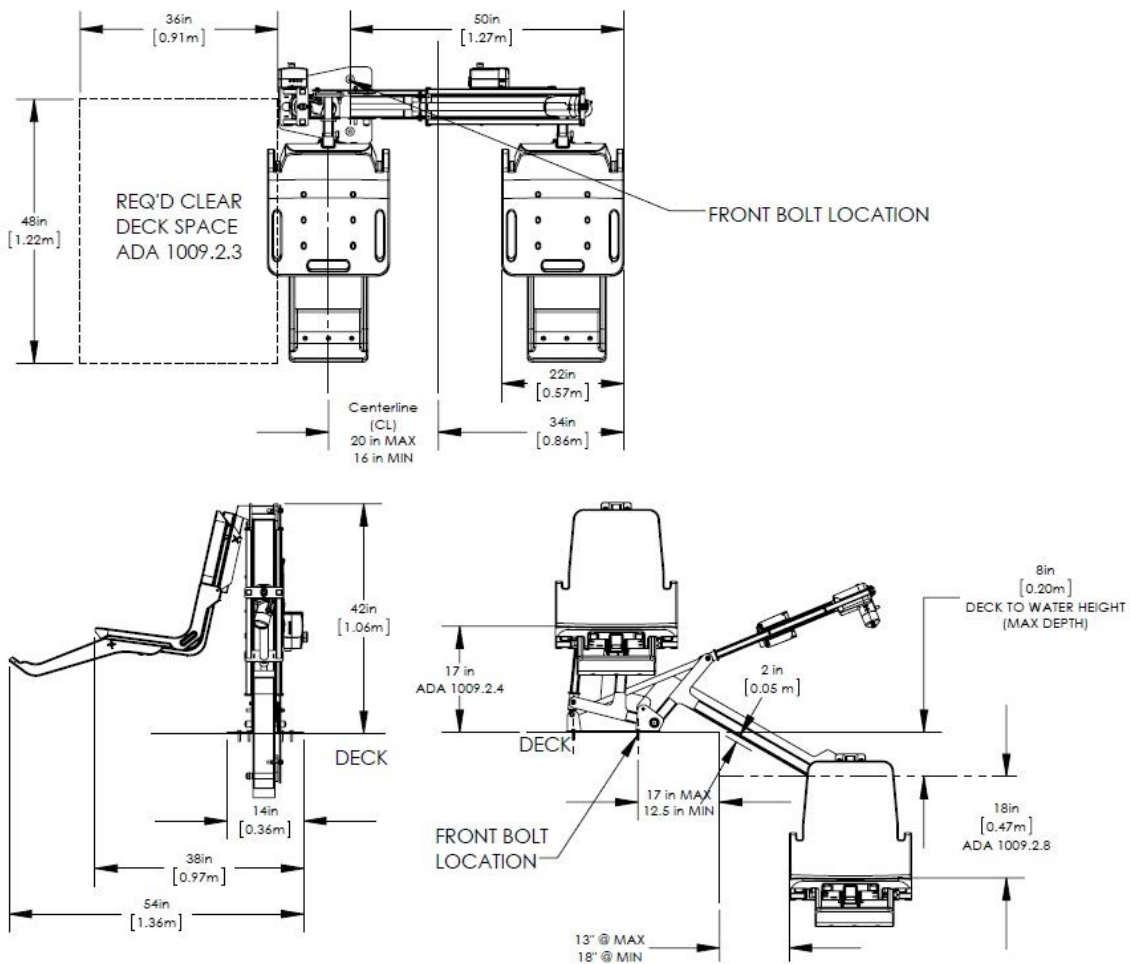
- 1001495 Battery
- 500-5100FCT Folding Seat Cover
- 160-6000T Folding Seat
- 900-2000 Stability Vest
- 900-4000 Seat Pad
- 970-0000T Seat Saver Cover
- 170-2320 Armrest Assembly, gray, left & right
- 1001601 Hand Control

New Construction Guidelines

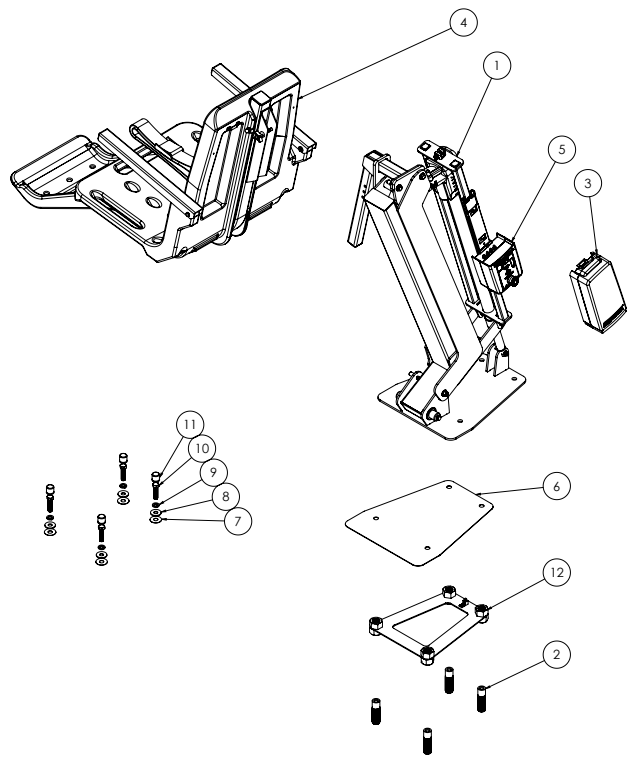
Scenario	Pool Lift	Anchor Jig
Order pool lift and new construction jig at same time	575-3000	500-5000 (no anchors)
Order new construction jig ahead of pool lift	575-3000N	500-5000A (comes with anchors)

A completed Deck Profile form is required with your pool lift order.

See srsmith.com/configurators



Key	Part Number	Description
1	575-0000A	Lift Assembly
2	300-6700A	Flush Deck Anchor Kit
3	1001495	Battery Assembly
4	160-8000	Seat Assembly w/Footrest
5	400-7001	Control Box
6	6-700B	multiLift Softpad, HDPE 1/16"
7	05-616	1/2" x 1 1/2" Round Nylon Washer
8	05-14-132	FLW, RGLR, B18.22.1
9	05-14-115	Lock Washer, 1/2", SSTL
10	800-0129	HHCS 1/2-13 x 2", 316 SSTL
11	05-618-20	Nut Cap, 1/2"
12	500-5000*	multiLift New Construction Jig
13	500-5000A*	multiLift New Construction Jig w/Anchors
14	910-1000T	Console Cover (not shown)



Splash!™ Series



Lift Color



Due to printing technology actual color may differ.

Splash! variations include:

- Hi/Lo – Useful for facilities that have both in-ground pools and raised spas
- Spa – Designed for raised spas
- Extended Reach – For use on pools with unusual gutter configurations requiring a longer reach
- ER Hi/Lo – For facilities that have both in-ground pools and raised spas, requiring a longer reach than the Splash Hi/Lo

This fixed lifting system is designed for swimming facilities seeking to provide user-friendly access to their swimming pools.

- Third-party tested and verified ADA compliant
- Integrated armrests
- State of California compliant
- 400 lb/181.5 kg lifting capacity*
- LiftOperator® Intelligent Controller
- 344° rotation helps ensure a safe transfer area
- Powder-coated stainless steel and aluminum construction

* Lifting capacity of Extended Reach models are 300 lb/136 kg



Model No.	Description Pool Lift with Armrests	Shipping – (Class 85)			
		Weight	Length	Width	Height
300-0000	Splash!	280 lbs/127kg	40"/102cm	48"/122cm	60"/152cm
350-0000	Splash! Hi/Lo	280 lbs/127kg	40"/102cm	48"/122cm	60"/152cm
370-0000	Splash! Extended Reach	335 lbs/152kg	40"/102cm	48"/122cm	78"/198cm
375-0000	Splash! Spa	280 lbs/127kg	40"/102cm	48"/122cm	60"/152cm
385-0000	Splash! ER Hi/Lo	305 lbs/138kg	40"/102cm	48"/122cm	88"/224cm
390-0000	Splash! Package*	275 lbs/125kg	40"/102cm	48"/122cm	78"/198cm
390-2000	Splash! ER Package*	390 lbs/177kg	40"/102cm	48"/122cm	78"/198cm

Notes:

- Includes battery, charger, battery console cover, water-resistant hand control, stainless steel anchor socket with cover, footrest, seat belt assembly and armrests.
- To order without an anchor add an N to end of part number
- * Package includes mast cover and caddy

Splash! 300

The Splash! 300 has the same features as the regular Splash!, but with a 300lb/159kg lifting capacity. In addition, it offers easier core drilling installation, with no additional footings required on a standard 4" reinforced deck.

Model No.	Description Pool Lift with Armrests	Shipping – (Class 85)			
		Weight	Length	Width	Height
300-3000	Splash! 300	280 lbs/127kg	40"/102cm	48"/122cm	60"/152cm
350-3000	Splash! 300 Hi/Lo	280 lbs/127kg	40"/102cm	48"/122cm	60"/152cm
375-3000	Splash! 300 Spa	280 lbs/127kg	40"/102cm	48"/122cm	60"/152cm

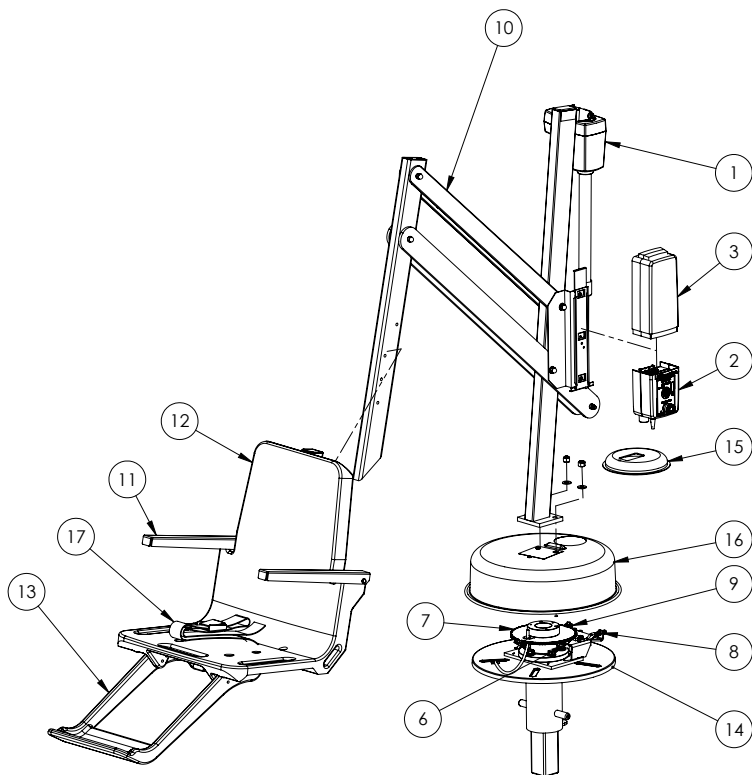
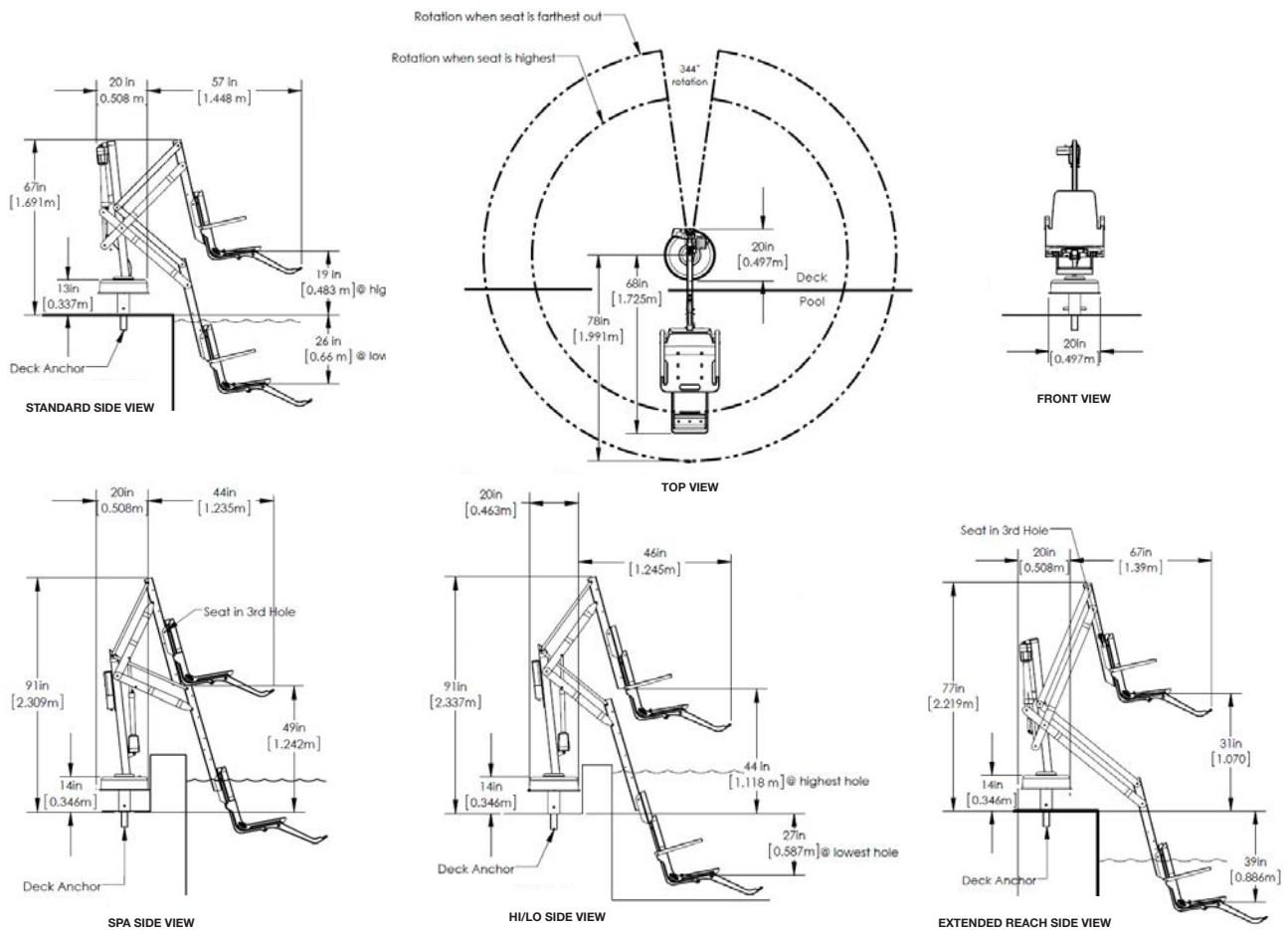
Notes:

- Includes battery, charger, battery console cover, water resistant hand control, stainless steel anchor socket with cover, footrest, seat belt assembly and armrests
- To order without an anchor add an N to end of part number

Parts & Accessories:

- 1001495 Battery
- 500-1000 Spineboard Attachment
- 920-5000T Cover
- 970-5000T Seat Saver Cover
- 170-3000A Armrest Replacement (pair)
- 400-0000 Caddy
- 900-6000 Stability Strap
- 300-6200L Locking Anchor & Cap
- 900-1000 Seat Belt
- 1001600 Hand Control

A completed Deck Profile form is required with your pool lift order. See srsmith.com/configurators



Key	Part Number	Description
1	100-5000A	LA34 Actuator
2	400-7000	4 Button Control Unit
3	1001495	Battery Pack
4	1001530	Battery Charger (not shown)
5	1001600	Hand Control (not shown)
6	120-1100	24V Motor
7	135-1000	Hub Assembly
8	120-1000	Motor Mount Assembly
9	800-5065	Small Gear
10	150-1100A	Mast Assembly
11	150-1400A	Seat Arm
12	160-8000A	Seat Assembly
13	160-2300A	Foot Rest
14	300-1100-G	Splash! Base Assembly
15	300-5200A	Mast Collar
16	300-5000A	Splash! Housing
17	900-1000	Seat Belt
18	910-1000T	Console Cover (not shown)

Splash! Round Post



This fixed anchored lifting system can be installed in an existing round anchor.

- 3rd party tested and verified ADA compliant
- Integrated armrests
- State of California compliant
- 300 lb/159kg lifting capacity
- Easily removable from stainless steel deck anchor
- Secure-It Kit™ keeps the lift from rotating in the anchor socket
- LiftOperator® Intelligent Controller
- True operational redundancy – lift can be operated from the control box and the handset
- 344° rotation ensures a safe transfer area
- Made from powder-coated stainless steel and aluminum
- Adapters available.
For additional anchor sizes – see table to the lower left



Lift Color



Due to printing technology actual color may differ.

Secure-It Kit™



Splash! Round Post Anchor Adapter



Adapters available for:

Model No.	Anchor Size
300-6210	2 ³ / ₈ "
300-6220	2 ¹ / ₂ "
300-6230	2 ⁹ / ₁₆ "

Model No.	Description	Shipping – (Class 85)			
		Weight	Length	Width	Height
300-0000R	Splash! Round Post	280 lbs 127kg	48" 122cm	40" 102cm	60" 152cm
390-0000R	Splash! Round Post Package*	390 lbs 177kg	48" 122cm	40" 102cm	78" 198cm

Note:

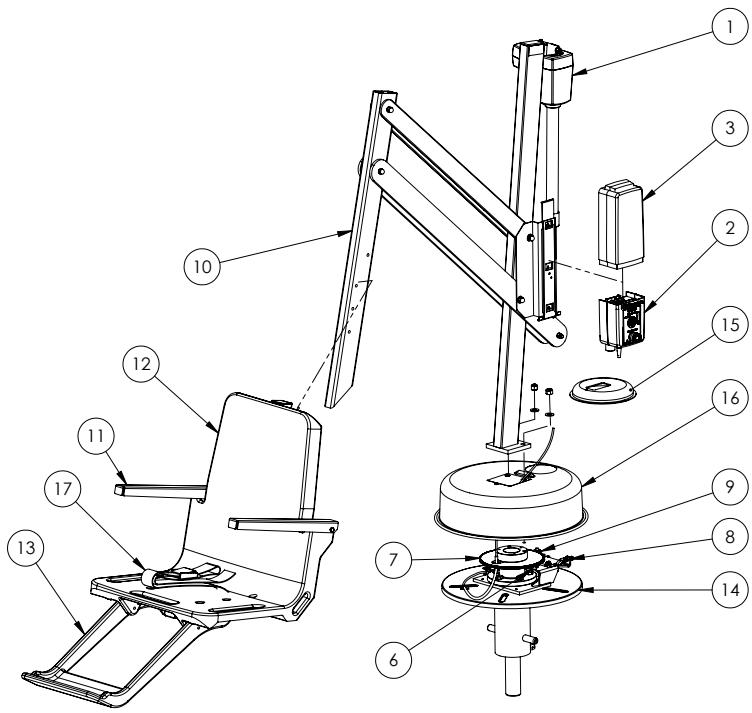
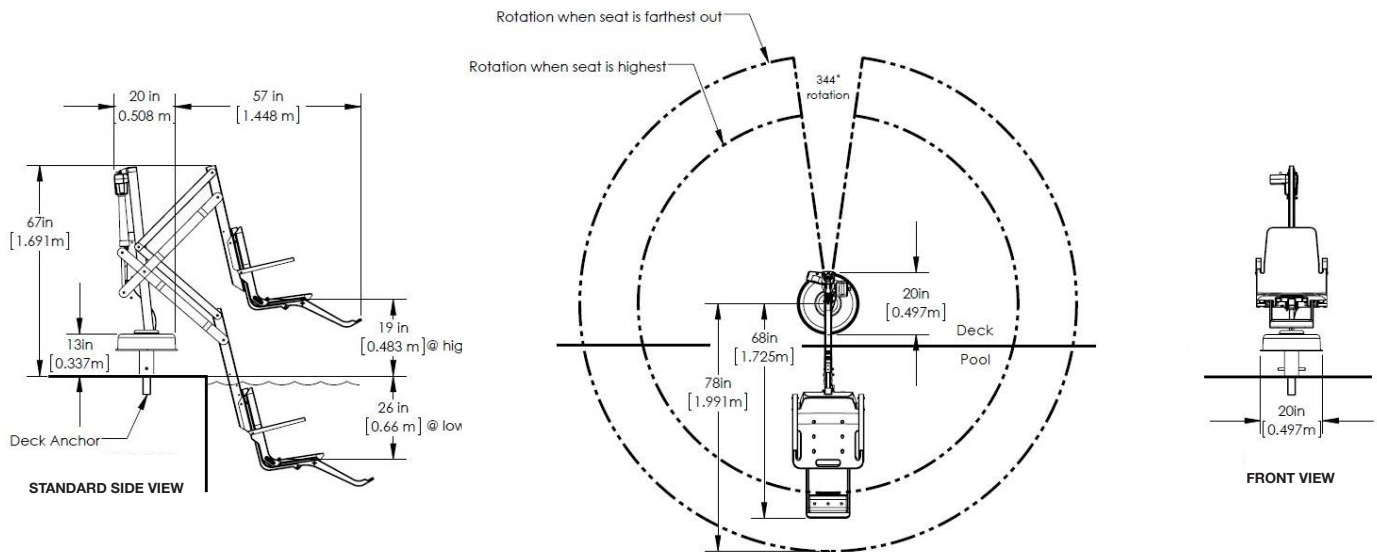
- Includes battery, charger, battery console cover, water resistant hand control, footrest, seat belt assembly, armrests and Secure-it-Kit

* Package includes mast cover and caddy.

Parts & Accessories:

- 1001495 Battery
- 500-1000 Spineboard Attachment
- 920-5000T Cover
- 970-5000T Seat Saver Cover
- 900-1000 Seat Belt
- 1001600 Hand Control
- 400-0000 Caddy
- 900-6000 Stability Strap
- 300-1090A Splash! Round Post Secure-It Kit (standard)
- 170-3000A Armrest Replacement (pair)

A completed Deck Profile form is required with your pool lift order. See srsmith.com/configurators



Key	Part Number	Description
1	100-5000A	LA34 Actuator
2	400-7000	4 Button Control Unit
3	1001495	Battery Pack
4	1001530	Battery Charger (not shown)
5	1001600	Hand Control (not shown)
6	120-1100	24V Motor
7	135-1000	Hub Assembly
8	120-1000	Motor Mount Assembly
9	800-5065	Small Gear
10	150-1100A	Mast Assembly
11	150-1400A	Seat Arm
12	160-8000A	Seat Assembly
13	160-2300A	Foot Rest
14	300-1100R-G	Splash! Base Assembly
15	300-5200A	Mast Collar
16	300-5000A	Splash! Housing
17	900-1000	Seat Belt
18	910-100T	Console Cover

aXs2 Pool Lift



The aXs2 is a low profile pool lift that is an ideal access solution for community and hospitality swimming pools.

- 3rd party tested and verified ADA compliant
- Compact design requires minimal deck space
- 300 lb/136kg lifting capacity
- 360° rotation for transfer safety and flexibility
- Integrated armrests
- Sturdy and generous rotomolded seat
- LiftOperator® Intelligent Controller with 24V battery
- Full range of operation from handset and control box
- Conveniently ships in two boxes



Lift Color



GRAY MIST

Due to printing technology actual color may differ

Caddy

Only available with pool lift kits – models:
310-0000C
310-0000CN



Model No.	Description	Shipping (2 – 3+ boxes)			
		Weight	Length	Width	Height
310-0000	aXs2	Box 1 102 lbs 46kg	55" 140cm	19" 48cm	14" 36cm
310-0000N	aXs2 without anchor	Box 2 36 lbs 16kg	24" 61cm	24" 61cm	27" 69cm
310-0000R	aXs2 Round Post without anchor	Box 3 50 lbs 23kg	30" 76cm	20" 51cm	57" 145cm
310-0000C	aXs2 with Caddy				
310-0000CN	aXs2 with Caddy, without anchor				

Notes:

- Model 310-0000 includes battery, charger, battery console cover, water resistant hand control, LiftLock stainless steel anchor socket with cover, footrest, armrests and seat belt assembly
- Models 310-0000N and 310-0000CN come without a LiftLock Anchor, and the weight of Box 2 is 34 lbs/15kg
- Model 310-0000R is designed to fit in an existing round anchor with dimensions 2.38" ID x 6" deep
- aXs2 Caddy only available with pool lift purchase and ships in Box 3*

Parts & Accessories:

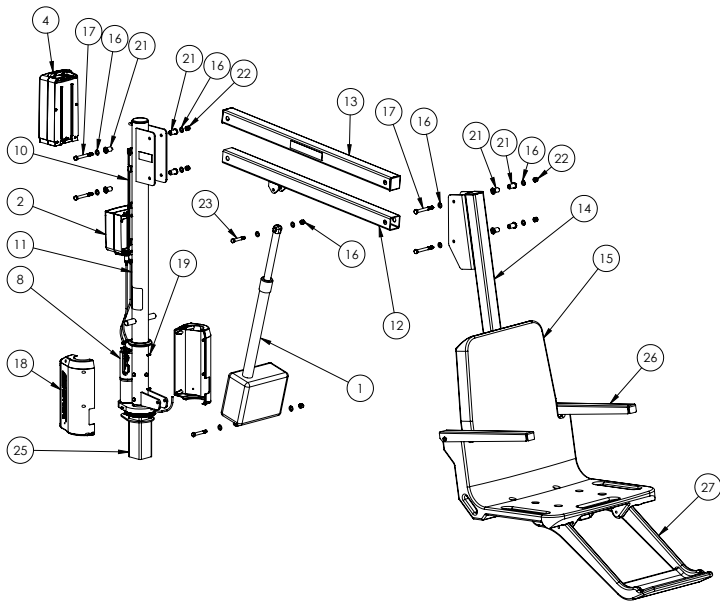
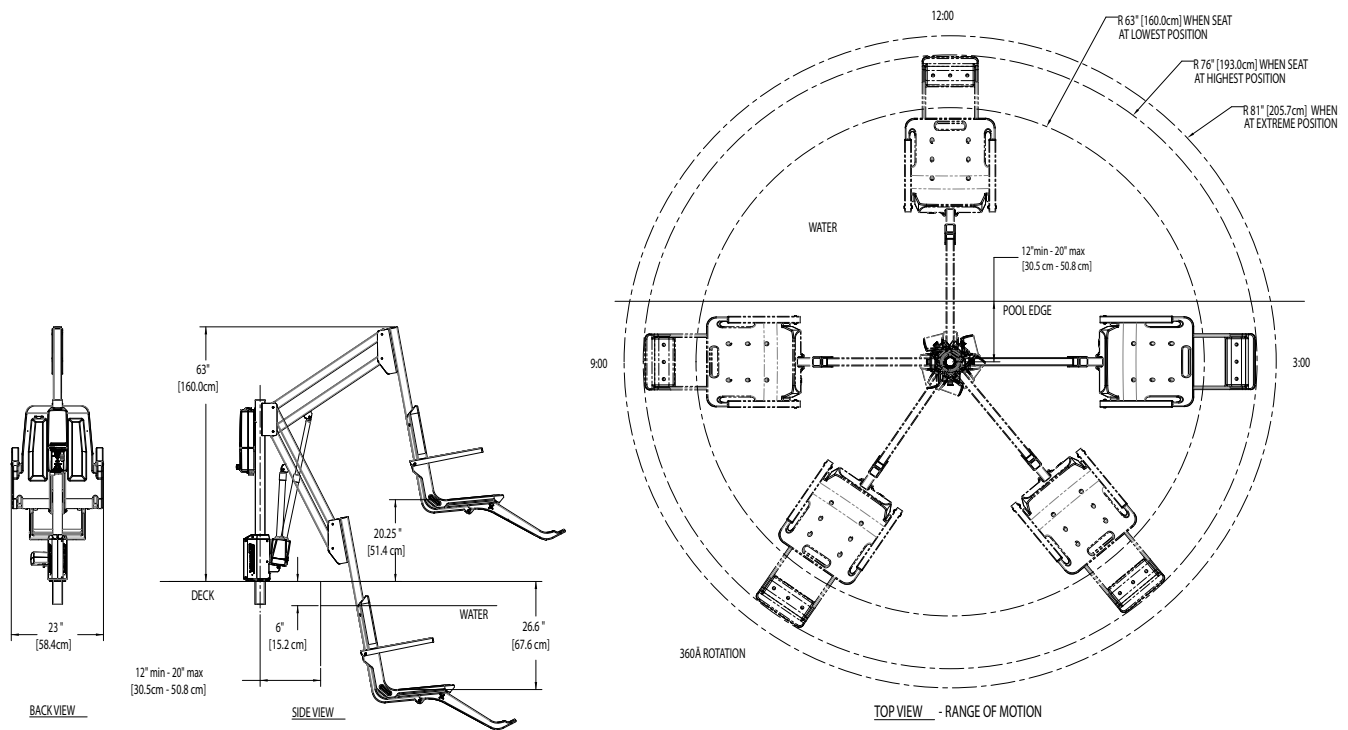
- 1001495 LiftOperator Battery
- 300-6200L LiftLock Anchor & Cap
- 970-5000T Seat Saver Cover
- 170-3000A Armrest Replacement (pair)
- AX9006 Cover
- 900-6000 Stability Strap
- 900-1000 Seat Belt
- 300-6200-2L LiftLock Anchor Replacement Cap
- 1001600 Hand Control

LiftLock

Locking anchor secures lift to deck



A completed Deck Profile form is required with your pool lift order. See srsmith.com/configurators



Item #	Part #	Description
1	100-5000A	LA34 Actuator
2	400-7000AX	4 Button Controller
3	120-1920	Actuator Cable Assembly (not shown)
4	1001495	Battery Pack
5	1001530	Battery Charger (not shown)
6	1001600	Hand Control (not shown)
7	160-8530	Hand Control Hanger (on back of seat)
8	120-2100A	24VDC Motor
9	120-1910	Motor Cable Assembly (not shown)
10	1001498	Battery Bracket
11	310-1000A	Mast Assembly
12	310-1200A	Actuator Arm Assembly
13	310-1300A	Support Arm Assembly
14	160-9520	Seat Frame Arm
15	160-9200	Seat Assembly, 1 PC w/ Standard Footrest
16	800-0313	Washer, Flat 3/8"
17	800-2027	Screw, Hex Hd - 3/8"-16 x 3.25 L
18	800-3000A	aXs2 Motor Enclosure Assembly
19	800-0330	Screw, Self-Threading #4-20 x 1/2 L
20	900-1000	aXs Seat Belt Assembly (Black) (not shown)
21	800-0318	Bushing, Oilite
22	800-2000	3/8"-16 Nyloc Nut
23	800-0147	Screw, 3/8"-16 x 2.5" L
24	300-6200L	Locking Deck Anchor (not shown)
25	AX3700-1	Spindle Housing Assembly
26	170-3000A	Arm Rest Assembly (Pair)
27	160-2300A	Footrest Kit (Gray)
28	800-0304	Screw, Hex Hd - 5/16"-18 x 4.0" L
29	800-0310	Washer, Flat - 5/16"
30	800-0202	Acorn Nut, 5/16"
31	910-1000T	Console Cover (not shown)

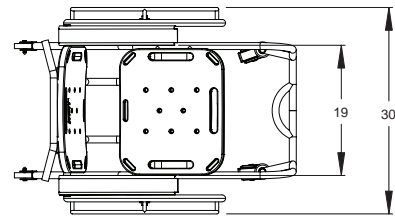
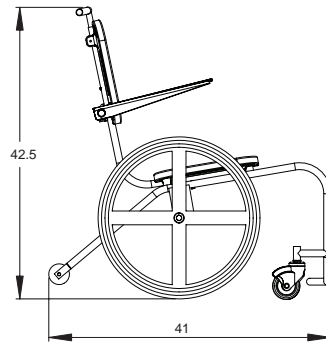
Mobile Aquatic Chair (MAC)



Mobile Aquatic Chairs (MAC) are essential for facilities utilizing a ramp, zero-depth entry or movable floor. The MAC is built specifically for use in aquatic environments, and with proper maintenance will look great for years to come.

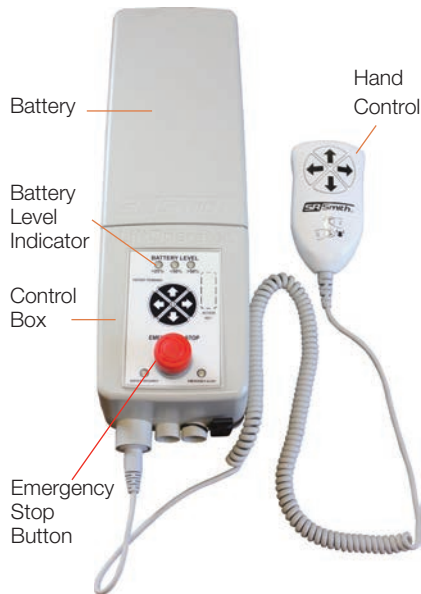
- Rear stabilizing wheels provide increased stability when the chair is in the water
- Unibody frame construction for increased durability
- Arm rests flip up for easy transfer on and off the chair
- Powder-coated stainless steel frame resists corrosion
- 18" (46 cm) sturdy, rotomolded plastic seat provides safe transfer support
- 300 lb/136kg weight capacity

Model No.	Description	Shipping			
		Weight	Length	Width	Height
AC0000	MAC (Mobile Aquatic Chair)	100 lbs	43"	25"	22"
		45kg	109cm	64cm	56cm



Seat is 15" deep and 18" wide

LiftOperator® Intelligent Control



A standard feature with all S.R.Smith ADA compliant pool lifts, the LiftOperator is the most technologically advanced pool lift control on the market.

- Emergency stop button sounds an audible alarm and can stop the lift
- Bright LED color-coded indicator shows battery life
- Service notification light meets ADA guidelines for scheduled maintenance, promoting regular service checks (based on 3–4 months average usage)
- USB port transfers usage data to a USB memory stick for review on PC

Model No.	Description	Shipping			
		Weight	Length	Width	Height
400-7001	2-Button Control Box				
400-7001-BC*	CEC LiftOperator, 2-Button (2018 California & Oregon compliant)				
400-7000-BC*	CEC LiftOperator, 4-Button (2018 California & Oregon compliant)	5 lbs 2.5kg	16" 40.6cm	5" 12.7cm	5" 12.7cm
400-7000	4-Button Control Box				
400-7000AX	aXs2 4-Button Control Box				
400-7000AX-BC	aXs2 4-Button Control Box (2018 California & Oregon compliant)				

Notes:

- 2-Button control for multiLift and ML300
- 4-Button control for PAL, PAL2, Splash! and aXs2 lifts



Components, Accessories & Upgrade Kits

Part Number	Description
1001495	24-Volt Battery (Standard)
1001495-BC*	CEC 24-Volt Battery (2018 California & Oregon compliant)
1001530	Standard Battery Charger
1001530-BC*	CEC Battery Charger (2018 California & Oregon compliant, BC Marked)
1001540	2-Button LiftOperator Upgrade (LINAK to LiftOperator)
1001540-BC	CEC 2-Button LiftOperator Upgrade (LINAK to LiftOperator) BC, Oregon and California Compliant
1001550	4-Button LiftOperator Upgrade (LINAK to LiftOperator)
1001550-BC	CEC 4-Button LiftOperator Upgrade (LINAK to LiftOperator) BC, Oregon and California Compliant
910-1000	LiftOperator Cover, tan

*As of 1.2.18, all new pool lift orders into California feature LiftOperators with California Energy Commission (CEC) compliant battery charging systems. The 2018 CEC compliant LiftOperator control boxes, batteries and charging systems are not compatible with the standard LiftOperator units. Customers in California will be required to provide the serial number of their pool lift when ordering replacement LiftOperator components. For more information, please visit srsmith.com/CEC2018.

On 6/13/2018 all new lifts shipping to Oregon were BC compliant. Any lift operator components that are ordered shipping to Oregon are also placed on hold and need serial numbers off pool lift to release.

Starting 1/1/2022 all Linak battery systems will have to up-grade to the lift operator BC system to be compliant in Oregon and California on all pre-existing lifts. Contact Customer Service for more info at 800.824.4387.

- Upgrade Kits — from LINAK to LiftOperator; Upgrade Kit includes: Mounting Plate, Lock, Battery, Charger and LiftOperator Control Unit. Hand Control sold separately

Pool Lift Covers & Accessories

Protect your investment with all-weather covers. Also available is a Seat Saver cover, which may provide a visual deterrent from unauthorized use.



PAL Series
920-5000T



Splash!, aXs2,
multiLift & ML300
920-5000T, AX9006,
500-5200T



Seat Saver
970-5000T

Splash! Mast
940-1100T

**To order together use 970-5100T*

POOL LIFT COVERS

	PAL	PAL2	Splash! Series	aXs2	multiLift & ML300	multiLift Folding Seat
920-5000T	■	■	■*			
AX9006				■		
500-5200T					■	
500-5100FC						■
970-5100T			■			
970-5000T	■	■	■	■	■	■
940-1100T			■			



LiftOperator® Control Box Cover

Protective cover fits all S.R.Smith lift control boxes.

910-1000T

Battery

All pool lifts are powered by a 24 volt, rechargeable battery, which should be left on the charger when not in use.

1001495

LiftOperator batteries are ONLY compatible on pool lift units with the LiftOperator Intelligent Control.



As of 1/2/2018, all new pool lift orders into California feature LiftOperators with California Energy Commission (CEC) compliant battery charging systems. The 2018 CEC compliant LiftOperator control boxes, batteries and charging systems are not compatible with the standard LiftOperator units. Customers in California will be required to provide the serial number of their pool lift when ordering replacement LiftOperator components.

On 6/13/2018 all new lifts shipping to Oregon were BC compliant. Any lift operator components that are ordered shipping to Oregon are also placed on hold and need serial numbers off pool lift to release.

Starting 1/1/2022 all Linak battery systems will have to up-grade to the lift operator BC system to be compliant in Oregon and California on all pre-existing lifts. Contact Customer Service for more info at 800.824.4387.

Accessories for Original Pool Lift Models*

(prior to fully rotomolded seat models introduced in 2016)

Seat Saver Cover (Blue)	970-0000	
Splash! Seat Saver/Mast Cover (Blue)	970-1100	
Stability Vest	900-2000	
Seat Pad	900-4000	
Optional Flip-up Armrests		
PAL, Splash!, multiLift, ML300	170-1000	
aXs, PAL2	170-2320	

* These products are only compatible with the older seat style.



Stability Strap

Designed to secure individuals with limited independent upper body or trunk stability.
900-6000



Spine Board Attachment

Supports any standard spine board (not included).
Not available with multiLift, ML300 and aXs2.
500-1000



Splash!



aXs2
caddy not sold separately

Caddies

Facilitates handling and transporting a Splash! or aXs2 lift (aXs2 caddy not sold separately).
Splash! 400-0000
aXs2 310-000C or 310-0000CN



Pool Lift Signs

9" x 12" metal sign
Pool Lift Available 900-5000
Warning Sign 900-5100A



LiftLock Anchor – Locking square deck anchor for Splash! and aXs2 models ensures a smoother ride, and meets the ADA “fixed” pool lift requirement.

LiftLock Anchor & Cap	300-6200L
Anchor Cap only	300-6200-2L



200-1090A

Secure-It Kits – Quickly and easily secures pool lift to the deck per the ADA “fixed” pool lift requirement.

- PAL/PAL2 kit offers the flexibility of being easily removed from the deck.
- Splash! kit is for use with the Splash Round Post only, and prevents the lift from rotating in the anchor socket.



300-1090A

PAL Secure-It Kit	200-1090A
Splash! Round Post Secure-It Kit	300-1090A



LiftOperator® Hand Controls – Ergonomically designed, water resistant hand control for all pool lift models with the LiftOperator Control.

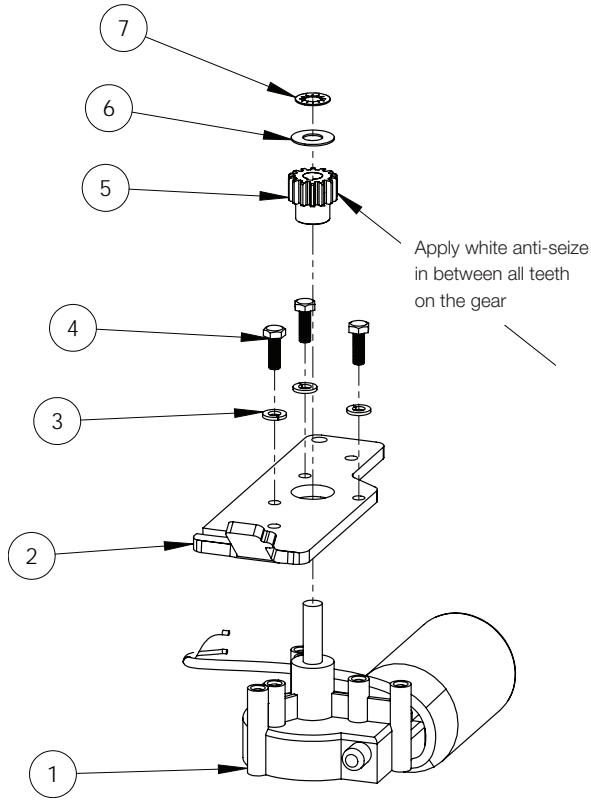
2-Button Control for multiLift and ML300	1001601
4-Button Control for PAL, PAL2, Splash! and aXs2	1001600



Pool Lift Touch-Up Paint – For repairing minor scratches on powder-coated surfaces.

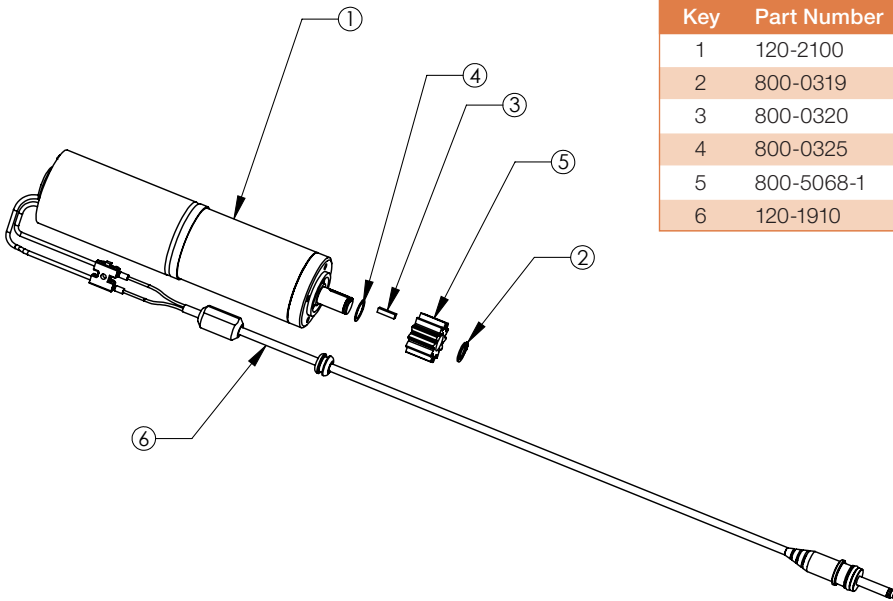
White for PAL, Splash!, multiLift and ML300	600-1050A
Gray Mist for PAL2 and aXs2	600-1006A
Black for weights	800-6044SA

PAL, PAL2, and Splash! Motor Assembly



Key	Part Number	Description
	120-1000	Motor Assembly, Complete (includes items 1 - 7)
1	120-1100	24V Motor Assembly
2	120-1200	Motor Plate
3	5-149	1/4" Lock Washer S/S
4	800-2025	6mm x 1 x 20mm Long Cap Screw
5	800-5065	Small Spur Gear, Plated
6	05-32-111	3/8" Nylon Washer
7	800-2064	10mm Push Retainer

aXs2 Motor Assembly



aXs2 Motor Assembly 120-2100A (Includes all parts below)

Key	Part Number	Description
1	120-2100	Motor Gearhead – 1:936 52mm Dia.
2	800-0319	Retaining Ring, 12mm x 1.0 thk
3	800-0320	Shaft Key, 1/8 x 1/8 x .50L
4	800-0325	Shim, .473 ID Dia x .616 OD Dia x .016 T
5	800-5068-1	Gear Pinion – 1.000 PD, 12 T, .75 FW, 20° PA
6	120-1910	Cable Assembly, Motor Power



Access S.R.Smith's comprehensive library of pool lift troubleshooting videos under Help & Support at srsmith.com

Pool Lift Setback Chart

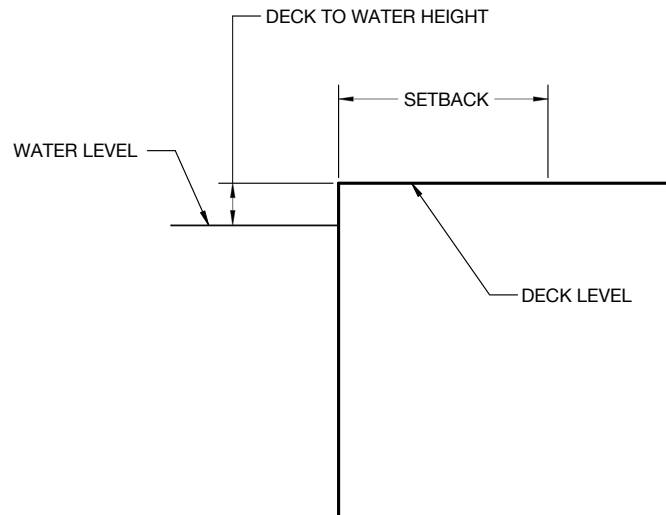
The chart below is provided to help determine the required setback for the various lifts on a standard pool deck. This information is in conjunction with the Pool and Spa Lift Deck Profile sheets on pages 24-25, and allows for quick determination of the pool lift that will work for your application.

Deck To Water Level		0"	2"	4"	6"	8"	10"	12"
Setback Range	PAL	16" - 24"	16" - 24"	16" - 22"	16" - 18"	16" - 18"	16"	16"
	PAL Hi-Lo	16" - 28"	16" - 26"	16" - 24"	16" - 22"	16" - 20"	16" - 18"	N/A
	Splash!/Splash! 300	16" - 29"	16" - 28"	16" - 26"	16" - 26"	16" - 24"	16" - 24"	16" - 20"
	Splash!/Splash! 300 Hi-Lo*	16" - 34"	16" - 32"	16" - 30"	16" - 28"	16" - 26"	16" - 26"	16" - 22"
	Splash! ER*	16" - 46"	16" - 44"	16" - 44"	16" - 44"	16" - 42"	16" - 40"	16" - 38"
	Splash! ER Hi-Lo*	16" - 50"	16" - 49"	16" - 49"	16" - 49"	16" - 48"	16" - 47"	16" - 47"
	aXs2*	12" - 31"	12" - 29"	12" - 26"	12" - 24"	12" - 20"	N/A	N/A
	multiLift**	8.50"-13"	8.50" - 11.75"	8.50" - 10.75"	8.50" - 9.50"	8.50"	N/A	N/A
	ML300**	8.50"-13"	8.50" - 11.75"	8.50" - 10.75"	8.50" - 9.50"	8.50"	N/A	N/A

*Set-back from pool wall or end of bullnose (bullnose coping) to center of anchor

**Set-back from pool wall or end of bullnose (bullnose coping) to front edge of base

Standard Deck



Summary of ADA Requirements:

- Water depth at point of lift entry is no more than 48".
- When over the deck, the center line of seat is at least 16" from the edge of pool.
- There is a 36" x 48" area of clear deck space on the side of the seat opposite the pool.
- Seat surface is 16-19" from deck when in ready position.
- In the loading area, the slope of the deck is no greater than 1:48.
- Seat is at least 16" wide.
- There are footrests that move with the seat.
- Armrests (optional) are removable or fold clear of the seat to allow user to easily load the lift.
- The lift is user operable from both the deck and water.
- The seat submerges at least 18" into the water.
- Lift capacity is at least 300 lbs/136kg.



Starting Platforms

Win At the Start

Whether you are running an elite swimming program or teaching beginning competitive swimmers, S.R.Smith has a starting block for your facility. Our elite Velocity series comes in single and dual post models, both of which feature a FINA approved, adjustable track start wedge.

Blocks for Everyone

Every aquatic facility has different requirements, which is why we've developed options to accommodate a variety of pool designs. Long reach platforms are ideal for pools with wide gutter configurations, or pools with a lot of electrical timing equipment on the deck. Side mount platforms are ideal for narrow bulkheads or decks where space is particularly limited. We also have low profile models that are well-suited to facilities that cater to new or young competitors.

RockSolid® Anchor

The secret to stability is our patented RockSolid® anchor, (U.S. Patent #8033077), an essential starting block component ensuring reliable, solid starts. Available for most S.R.Smith single or dual post models, this innovative, expandable wedge assembly exerts continuous, even pressure on platform posts to eliminate starting block movement or wobble.



RockSolid® Anchor

Show Your Colors

Our platforms are available in four standard powder-coated frame colors with custom frame colors available. Most footboards and steps come with white sand tread, with an option to upgrade with custom colors and logos. The new Velocity series is available with TrueTread®, an innovative footboard surface that provides a resilient, anti-slip footing. Many models are available with side or back mounting steps, with a long reach styles and a variety of backstroke start handle designs.

Quoting and Specifying Made Easy



1. Angled Handle



2. Horizontal Handle

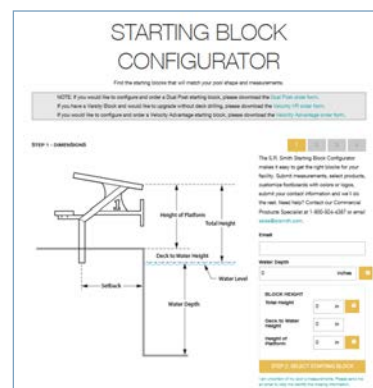


3. U-Handle



4. H-Handle

S.R.Smith engineering specifications and AutoCAD files, available online, are simple to add to facility designs and bid proposals. Use our online Build-A-Block configurator to help you determine which S.R.Smith starting platform is right for your pool. This document can be given to your channel partner to aid them in producing a quote. Visit srsmith.com/configurators



Velocity Single Post Starting Platforms



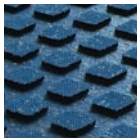
Can be ordered without the track start wedge, but can be added later.

TrueTread® Colors

Provides a resilient, anti-slip footing



GRAY



BLUE



RED



YELLOW

White sand tread is an option, with custom colors and logo available for an additional charge

The fiberglass footboard has outstanding strength as well as a sleek, uniform, hi-tech appearance. The powder-coated, stainless steel frame is secured to the pool deck with a patented RockSolid® anchor to eliminate platform movement.

- Available with TrueTread® or Sand Tread
- Colorado & Daktronics timing systems compatible
- Track start wedge (5 positions) easily tucks under footboard
- Optional side handles (additional charge)
- Patented RockSolid® anchoring system (NOT INCLUDED)
- Retrofittable onto existing S.R.Smith Legacy frames
- Custom colors and logos available on sand treaded footboards
- Meets FINA, NCAA, NFSHSA, USMS, USAS competition pool rules and guidelines

Velocity with Track Start	
Model No.	Description
TrueTread Models	
VELO-TS-TA	Standard
VELOSM-TS-TA	Side Mount
VELOMR-TS-TA	Mid-Range
VELOLR-TS-TA	Long Reach
Sand Tread Models	
VELO-TS-SA	Standard
VELOSM-TS-SA	Side Mount
VELOMR-TS-SA	Mid-Range
VELOLR-TS-SA	Long Reach

Velocity without Track Start	
Model No.	Description
TrueTread Models	
VELO-TA	Standard
VELOSM-TA	Side Mount
VELOMR-TA	Mid-Range
VELOLR-TA	Long Reach
Sand Tread Models	
VELO-SA	Standard
VELOSM-SA	Side Mount
VELOMR-SA	Mid-Range
VELOLR-SA	Long Reach

Components/Accessories:

- 8-620TS-T TrueTread footboard & track start
- 8-620-T TrueTread footboard without track start
- 4-620TS-T TrueTread track start upgrade kit
- 4-175A Side Handles
- 8-620TS-S Sand Tread footboard & track start
- 8-620-S Sand Tread footboard without track start
- 4-620TS-S Sand Tread track start upgrade
- BLCVR-1317-WHT Safety Cover, white

- Anchor:**
- 27-107 RockSolid® Anchor
 - 20-191 Safety Cap for Anchor

Setback Ranges

Product	Setback* Range	Footboard Dimensions
Velocity Standard & Side Mount	21" to 26"	28" x 32"
Velocity Mid-Range	27" to 32"	28" x 32"
Velocity Long Reach	33" to 40"	28" x 32"

* Setback is to center of the anchor

Frame Colors



PEARL WHITE



TAUPE



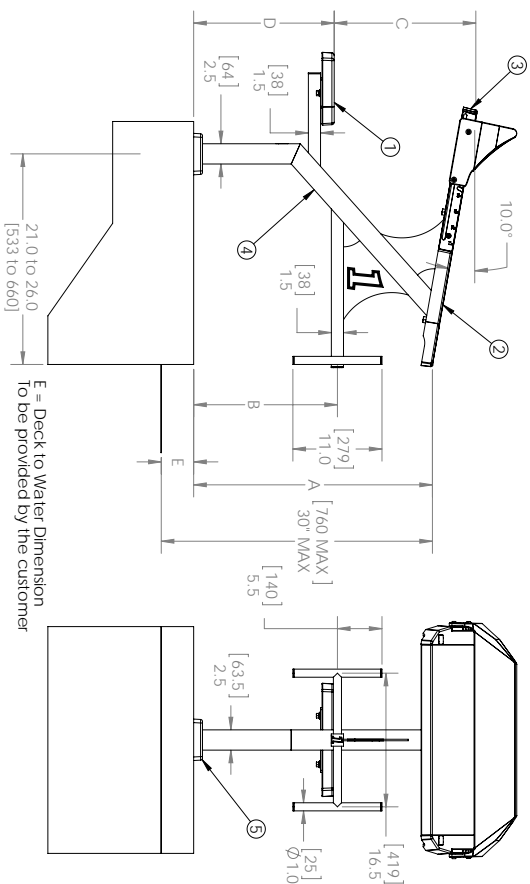
SILVER GRAY



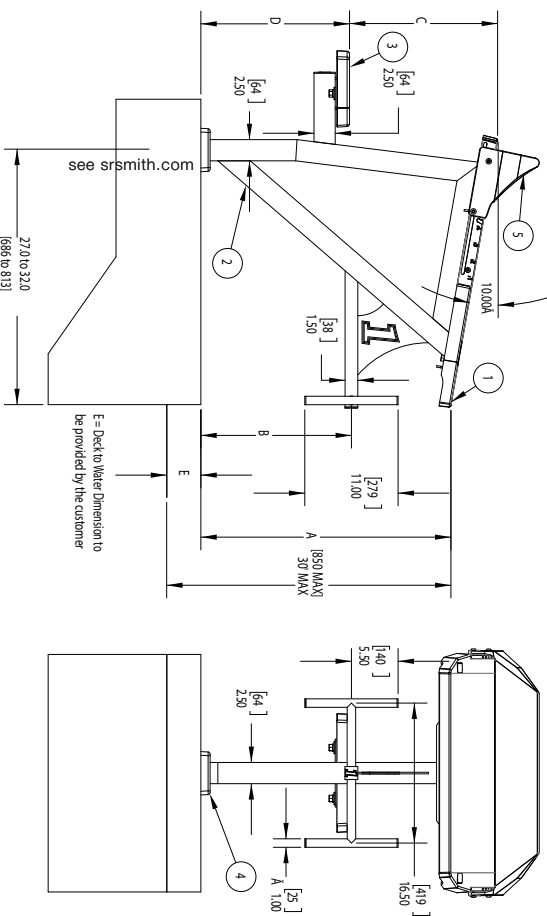
ROYAL BLUE

Due to printing technology actual color may differ

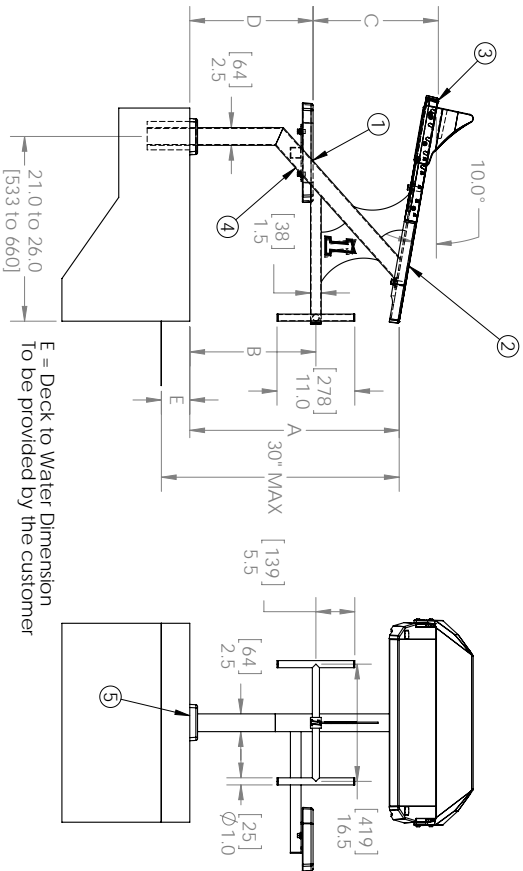
Standard



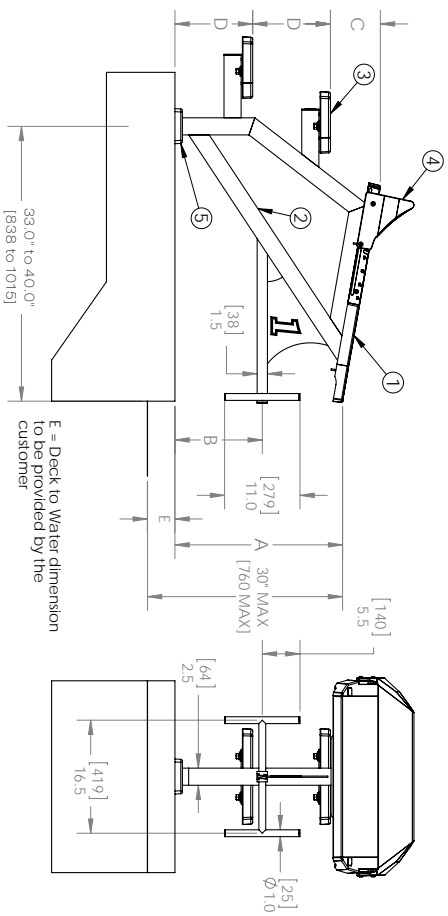
Mid-Range



Side Mount



Long Reach



Velocity Dual Post Starting Platforms



Velocity Dual Post Standard

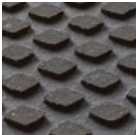


Velocity Dual Post Long Reach

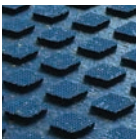
Can be ordered without the track start wedge, but can be added later.

TrueTread® Colors

Provides a resilient, anti-slip footing



GRAY



BLUE



RED



YELLOW

White sand tread is an option, with custom colors and logo available for an additional charge

Velocity dual post starting platforms are ideal for elite, competitive aquatic facilities.

- Fiberglass footboard has outstanding strength and sleek, hi-tech appearance.
- Frames made from commercial grade, 1.90" stainless steel, powder-coated for additional protection
- Track start wedge (5 positions) easily tucks under footboard
- Available with TrueTread® or Sand Tread
- Patented RockSolid® anchoring system available (NOT INCLUDED)
- Custom colors and logos available on sand treaded footboards
- Optional side handles available
- Colorado & Daktronics timing systems compatible
- Meets FINA, USA Swimming, NCAA, NFSH and USMS competition pool rules and guidelines

Velocity with Track Start	
Model No.	Description
TrueTread Models	
VELO-DP-TS-TA	Standard
VELOLR-DP-TS-TA	Long Reach*
Sand Tread Models	
VELO-DP-TS-SA	Standard
VELOLR-DP-TS-SA	Long Reach*

Velocity without Track Start	
Model No.	Description
TrueTread Models	
VELO-DP-TA	Standard
VELOLR-DP-TA	Long Reach*
Sand Tread Models	
VELO-DP-SA	Standard
VELOLR-DP-SA	Long Reach*

* Note: RockSolid Anchor required with Long Reach models

- Various escutcheon styles available

Components/Accessories:

- 8-620TS-T TrueTread footboard & track start
 - 8-620-T TrueTread footboard without track start
 - 4-620TS-T TrueTread track start upgrade kit
 - 4-175A-DP Side Handles
 - 8-620TS-S Sand Tread footboard & track start
 - 8-620-S Sand Tread footboard without track start
 - 4-620TS-S Sand Tread track start upgrade
 - BLCVR-1317-WHT Safety Cover, white
- Anchor:**
- 27-108 RockSolid® Anchor*
 - 27-105 Standard Dual Post Anchor

Setback Ranges

Product	Setback* Range	Footboard Dimensions
Velocity Dual Post Standard	18" to 26"	28" x 32"
Velocity Dual Post Long Reach	27" to 36"	28" x 32"

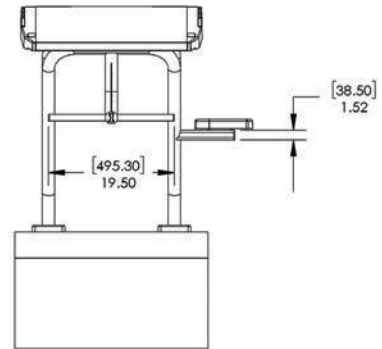
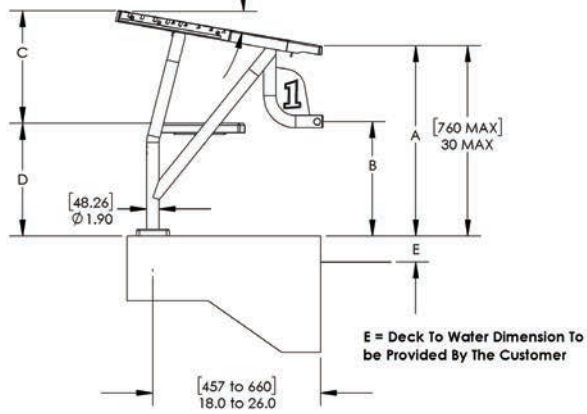
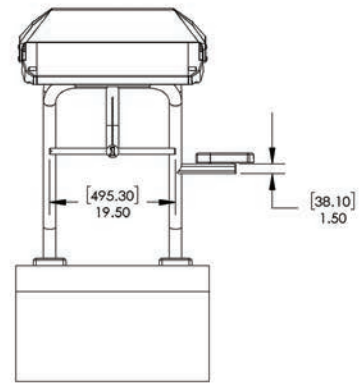
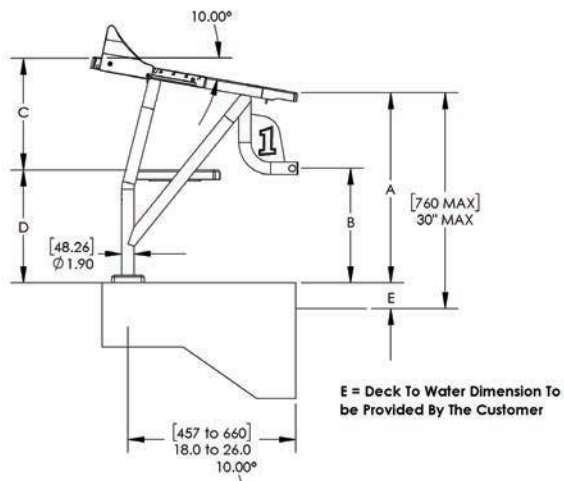
* Setback is to center of the anchor

Frame Colors

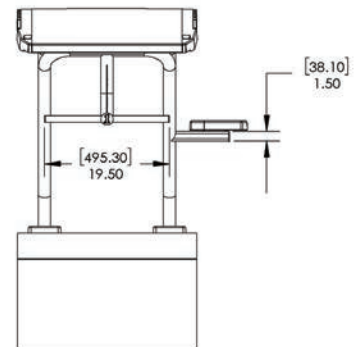
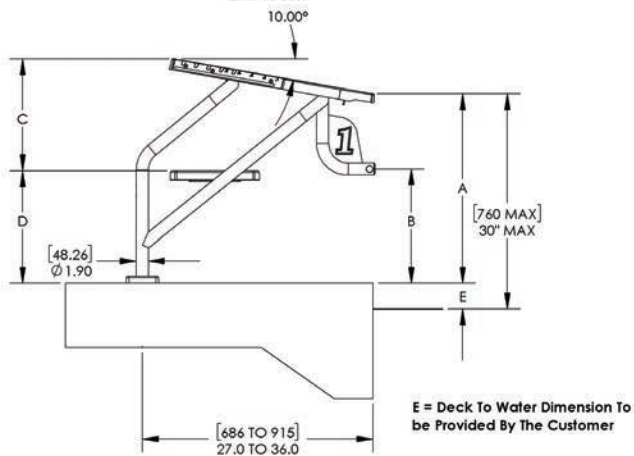
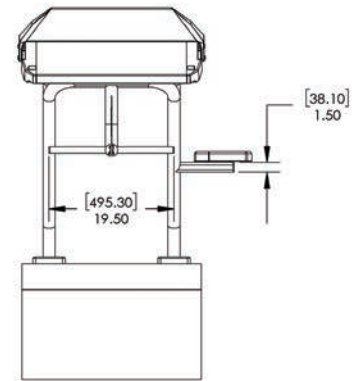
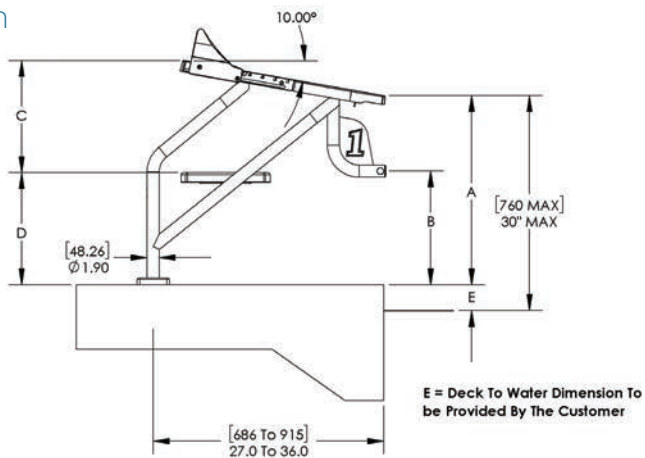


Due to printing technology actual color may differ

Standard



Long Reach



Velocity Advantage



Velocity Advantage starting blocks feature strong fiberglass footboards with track start wedge on an HDPE composite base, particularly suitable for bulkheads.

- The marine grade HDPE composite base easily mounts to pool decks or bulkheads with minimal drilling
- 16" (41cm) height makes it well suited for bulkheads and end walls with 8" to 13.5" (20cm 42cm) deck to water heights
- The 28" x 32" (71cm x 81cm) footboard surface is available with TrueTread® or sand tread
- Track start wedge, adjustable to 5 positions, easily tucks under the footboard
- Patent pending integral backstroke start ledge is adjustable to five positions in accordance with FINA standards
- Three built in backstroke handholds – two center positions and one on each side
- Colorado & Daktronic timing system compatible
- Custom colors and logos available on sand tread footboards
- Meets FINA, NCAA, NFSHSA*, USMS and USAS competition pool rules and regulations

*NFSHSA rules do not allow use of backstroke ledge

Model No.	Description	Shipping (Class 150)			
		Weight	Length	Width	Height
VELO-ADV-BK-T	Velocity Advantage with TrueTread™	117lbs 53kg	37" 94cm	34" 86cm	28" 71cm
VELO-ADV-BK-S	Velocity Advantage with sand tread	117lbs 53kg	37" 94cm	34" 86cm	28" 71cm

Accessories:

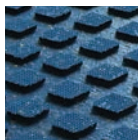
- BLCVR-1317-WHT Pyramid-Shaped Safety Cover
- BLCVR VELO-WHT Full Surface Safety Cover
- BLCVR VELO-WHT-L Full Surface Safety Cover w/ Lock
- 27-111 Anchoring Kit (sold separately)

TrueTread® Colors

Provides a resilient, anti-slip footing



GRAY



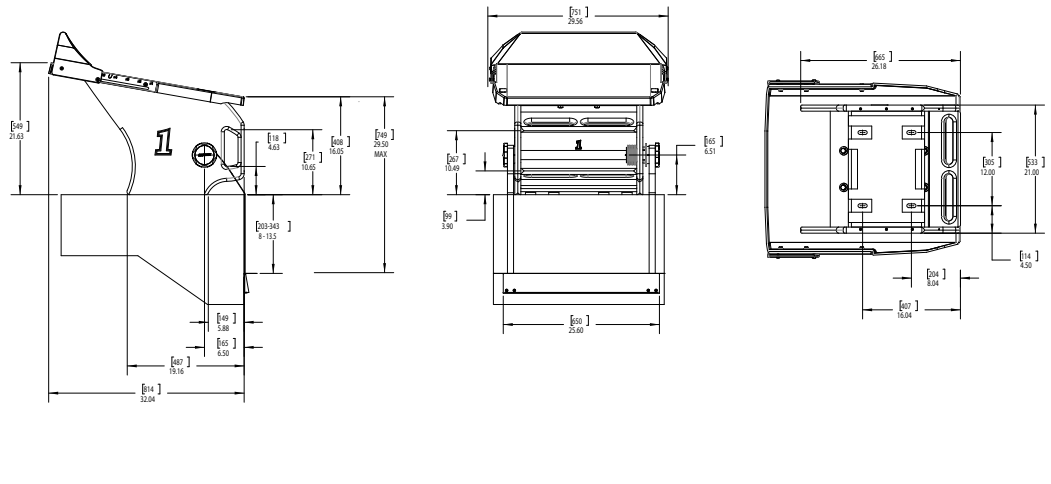
BLUE



RED



YELLOW



White sand tread is an option, with custom colors and logo available for an additional charge



Velocity VR (Varsity Retrofit) Starting Platform



Can be ordered without the track start wedge, which can be added later.

Velocity VR starting platforms are designed to replace existing S.R.Smith Varsity blocks, by fitting into the current deck anchors. No drilling is required. Velocity VR blocks provide an easy upgrade to elite, competitive starting blocks.

- Fiberglass footboard has outstanding strength and sleek, hi-tech appearance
- Frames made from commercial grade, 1.90" stainless steel, powder-coated for additional protection
- Track start wedge (5 positions) easily tucks under footboard
- Available with TrueTread® or Sand Tread
- Available with left or right side step
- Four backstroke handle options
- Custom colors and logos available on sand treaded footboards
- Colorado & Daktronics timing systems compatible
- Meets FINA, USA Swimming, NCAA, NFSH and USMS competition pool rules and guidelines

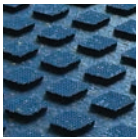


Velocity VR blocks are designed to replace S.R.Smith Varsity Starting blocks.

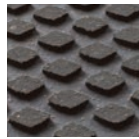
Model No.	Description
with Track Start	
VELO-VR-TS-TA	Velocity VR with TrueTread™
VELO-VR-TS-SA	Velocity VR with Sand Tread
Model No.	
Description	
without Track Start	
VELO-VR-TA	Velocity VR with TrueTread™
VELO-VR-SA	Velocity VR with Sand Tread

TrueTread® Colors

Provides a resilient, anti-slip footing



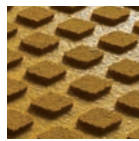
BLUE



GRAY



RED



YELLOW

White sand tread is an option, with custom colors and logo available for an additional charge

FRAME COLORS



PEARL WHITE



TAUPE



SILVER GRAY



ROYAL BLUE

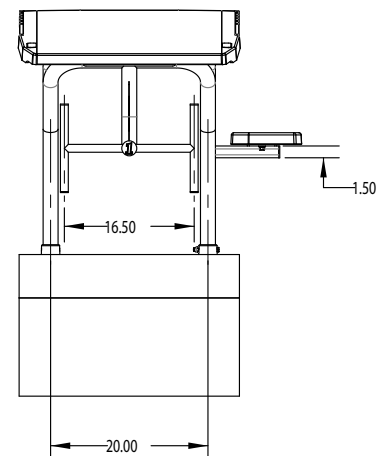
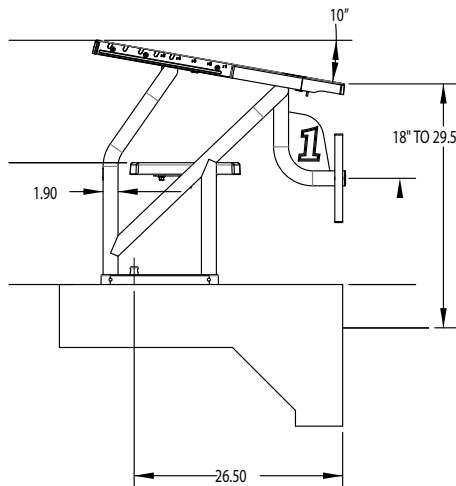
Due to printing technology actual color may differ

Accessories:

- 4-620TS-T TrueTread track start upgrade kit
- 4-175A-DP Side Handles
- BLCVR-1317-WHT Pyramid-Shaped Safety Cover
- BLCVR VELO-WHT Full Surface Safety Cover
- BLCVR VELO-WHT-L Full Surface Safety Cover w/ Lock

Product	Setback*	Footboard Dimensions
Velocity VR Starting Platform	26.5"	28" x 32"

* Setback is from pool edge to center of the anchor





S.R.Smith Varsity starting blocks have been the standard for decades at competitive swimming pools. Now, facilities can graduate to the Velocity VR. Designed to make upgrades easy and affordable, the Velocity VR does not require any deck drilling. Upgrades are as easy as 1, 2, 3!



1 - REMOVE

- Unscrew existing bolts from the deck
- Remove block and clean the anchors



2 - MEASURE

- Install Threaded Center Punches
- Align Velocity VR to the pool wall



3 - REPLACE

- Drill a pilot hole in the anchor plate
- Secure Velocity VR with provided anchor bolts

Learn more at [srsmith.com/StartwithVelocity](https://www.srsmith.com/StartwithVelocity)



Legacy Standard

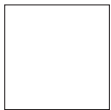


Legacy Long Reach



Legacy Side Mount

Frame Colors



PEARL WHITE



TAUPE



SILVER GRAY



ROYAL BLUE

Tread Colors



WHITE

Custom colors also available for additional charge
Due to printing technology actual color may differ

Legacy Single Post Starting Platforms

The Legacy single-post models are ideal for highly competitive swimming facilities. The powder-coated, stainless steel frame is secured to the pool deck with a patented RockSolid® anchor to eliminate platform movement.

- High-impact footboards with laminated cores reinforced with fiberglass in a gelcoat skin with a non-slip tread
- The 2.5" square, 304 stainless steel tubing is powder-coated for added corrosion resistance
- Choose from 4 different backstroke handle designs
- Patented RockSolid® anchoring system (NOT INCLUDED)
- Meets FINA, NCAA, NFSHSA, USMS, USAS competition pool rules and regulations
- New SolidStart Edge for enhanced hand grip is standard

Model No.	Description
LEGACY-SP-9999A	Legacy
LGCYL1-SP-9999A	Legacy Mid-Range
LGCYL2-SP-9999A	Legacy Long Reach
LSM-9999A	Legacy Side Mount

Notes:

- Number of steps (1 or 2) will vary depending on setback and height of starting platform.
- Can be customized with team logos and colors for an additional charge. Call for quote.

Components:

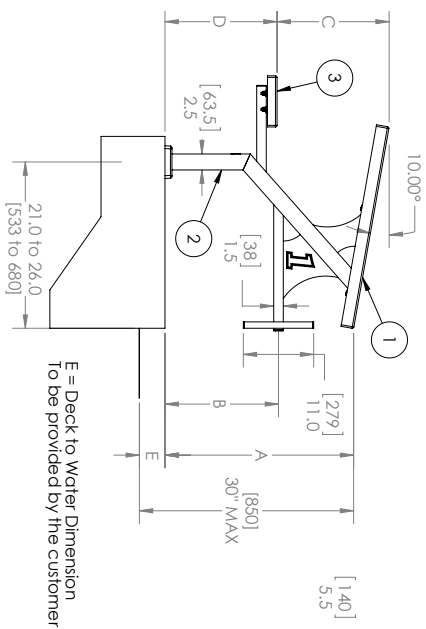
- 8-623B Replacement Footboard (24"x32")
- 27-107 RockSolid Anchor
- 20-191 Safety Cap for Anchor
- 4-170A Side Handles
- BLCVR-1317-WHT Safety cover, white

Setback Ranges

Product	Setback Range	Footboard Dimensions
Legacy Standard & Side Mount	21" to 26"	24" x 32"
Legacy Mid-Range	27" to 32"	24" x 32"
Legacy Long Reach	33" to 40"	24" x 32"

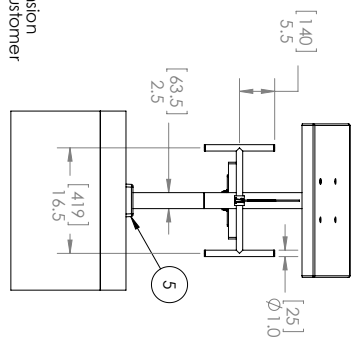
*Setback is to center of the anchor

Standard



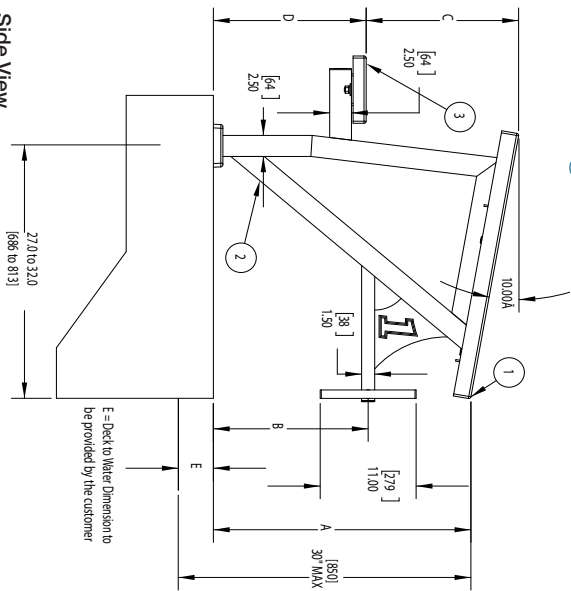
Side View

Front View



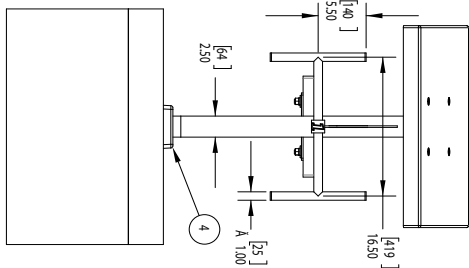
E = Deck to Water Dimension
To be provided by the customer

Mid-Range



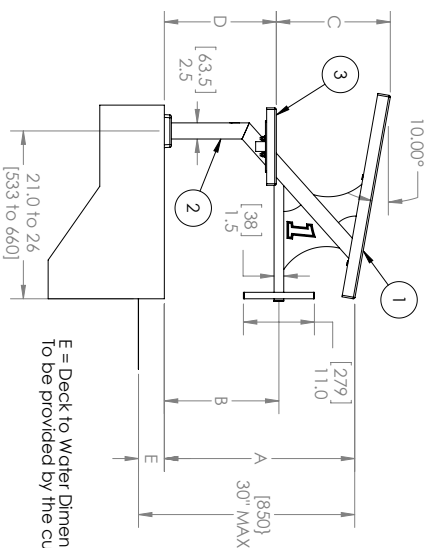
Side View

Front View



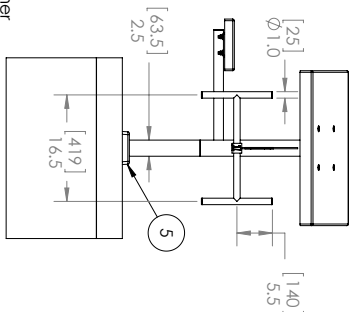
E = Deck to Water Dimension
to be provided by the customer

Side Mount



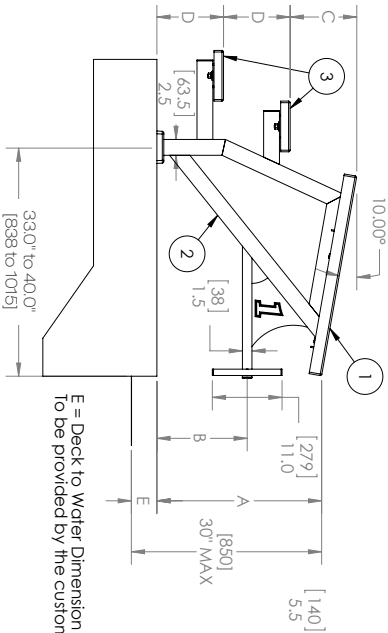
Side View

Front View



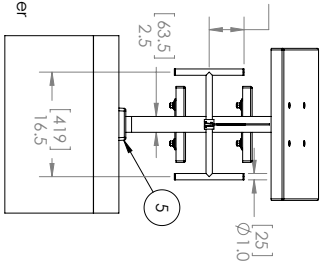
E = Deck to Water Dimension
To be provided by the customer

Long Reach



Side View

Front View



E = Deck to Water Dimension
To be provided by the customer

Legacy Dual Post Starting Platforms

The Legacy dual post models are ideal for competitive swimming facilities.

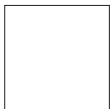


Legacy Dual Post Standard



Legacy Dual Post Long Reach

Frame Colors



PEARL WHITE



TAUPE



SILVER GRAY



ROYAL BLUE

Tread Colors



WHITE

Custom colors also available for additional charge
Due to printing technology actual color may differ

- High-impact footboards with laminated cores reinforced with fiberglass in a gelcoat skin with a non-slip tread
- Frames made from commercial grade, 1.90" stainless steel, powder-coated for additional protection
- Patented RockSolid® anchoring system (NOT INCLUDED)
- SolidStart Edge for enhanced hand grip is standard
- Optional side handles available
- Choose from 4 different backstroke handle designs
- Meets FINA, USA Swimming, NCAA, NFSH and USMS competition pool rules and guidelines

Model No.	Description
LEGACY-DP-SP-9999A	Legacy
LGCYL2-DP-SP-9999A	Legacy Long Reach*

Notes:

- * RockSolid Anchor required with Long Reach models
- Various escutcheon styles available
- Can be customized with team logos and colors for an additional charge. Call for quote.

Components:

- 8-623B Replacement Footboard
- 27-108 RockSolid Anchor
- 27-105 Standard Dual Post Anchor
- 4-170A-DP Side Handles
- BLCVR-1317-WHT Safety cover, white

Setback Ranges

Product	Setback Range	Footboard Dimensions
Legacy Standard	18" to 26"	24" x 32"
Legacy Long Reach	27" to 36"	24" x 32"

*Setback is to center of the anchor

Legacy II Starting Platforms



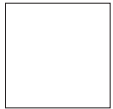
NOTE: Frame available in polished steel only

Frame Color



POLISHED STEEL

Tread Colors



WHITE

Due to printing technology actual color may differ

Dual Post Anchor



RockSolid Dual Post Anchor



The Legacy II is an economical choice for recreational swimming facilities.

- Footboard has a sanded tread for safety
- The 1.90", .145" wall 304 stainless steel tubing is electropolished for added corrosion resistance
- Use with the dual post anchor assembly for easy installation
- Meets FINA, NCAA, NFSHSA, USMS, USAS and competition pool rules and regulations

Model No.	Description
Legacy II	Legacy II with anchor

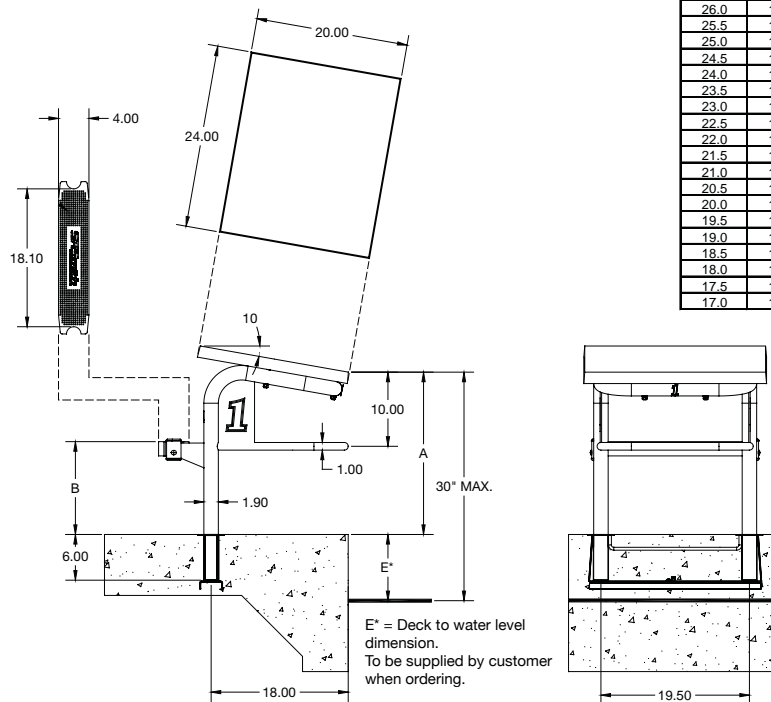
Notes:

* Add A to the end of the part number to order without an anchor

Components:

- 27-105 Dual Post Anchor (standard)
- 27-108 RockSolid Dual Post Anchor
- 8-616B Footboard (24"x20")

A	B	DECK TO WATER LEVEL
30.0	16.5	0.0
29.5	16.0	0.5
29.0	16.0	1.0
28.5	15.5	1.5
28.0	15.5	2.0
27.5	15.0	2.5
27.0	15.0	3.0
26.5	14.5	3.5
26.0	14.5	4.0
25.5	14.0	4.5
25.0	14.0	5.0
24.5	13.5	5.5
24.0	13.5	6.0
23.5	13.0	6.5
23.0	13.0	7.0
22.5	12.5	7.5
22.0	12.5	8.0
21.5	12.0	8.5
21.0	12.0	9.0
20.5	11.5	9.5
20.0	11.5	10.0
19.5	11.0	10.5
19.0	11.0	11.0
18.5	10.5	11.5
18.0	10.5	12.0
17.5	10.0	12.5
17.0	10.0	13.0



Heights & Setbacks

Product	Setback Range	Height Off Deck	Footboard Dimensions
Legacy II	18"	17" to 29.5"	24" x 20"

*Setback is to center of the anchor

**Height from deck edge to top front edge of the platform



Backstroke Start System
PART # BSS1000

FINA FR 2.10 Backstroke Ledge Requirements

- The ledge may be adjustable to 4cm above or 4cm below the water level
- The ledge is a minimum of 65cm in length
- The ledge must be 8cm in height, 2cm at the width with 10 degrees of slope

Backstroke Start System & Trainer

Designed to help make backstroke starts faster and reduce the chance for slipping, the Backstroke Start System provides the option to easily add this capability to virtually any pool deck or starting platform configuration.

Backstroke Start System

- Anti-slip backstroke ledge with raised diamond pattern
- Easily adjustable ledge height with one-handed operation from in or out of pool
- Durable HDPE frame to protect from harsh elements at either indoor or outdoor locations
- Three unique mounting options to secure device to most deck and block configurations
- Clear markings on spool to show height of ledge to water level for compliance
- FINA 2.10 compliant for competition

3 MOUNTING OPTIONS

In-Deck Anchoring Kit



PART # 13-600

Plastic anchor with grounding bolt, fastened with plastic-headed stainless steel thumb screws

Pool Wall Mounting Kit with Strap



PART # 13-601

Vinyl-coated 1/4" thick stainless steel bracket with 10 foot long polyester strap and stainless steel cam buckle

Platform Post Mounting Kit



PART # 13-603

Vinyl-coated 1/4" thick stainless steel plate and two brackets shaped to lock onto 2 inch square single post frames

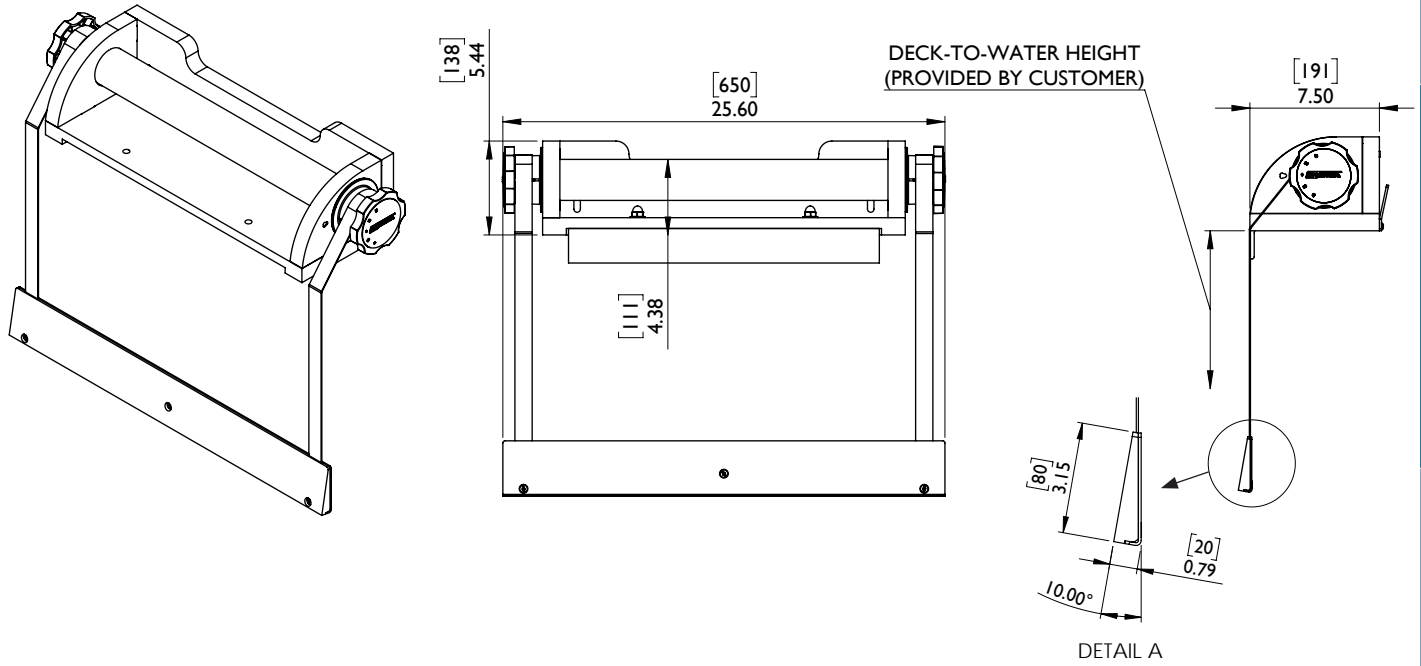


PART # 03-650T

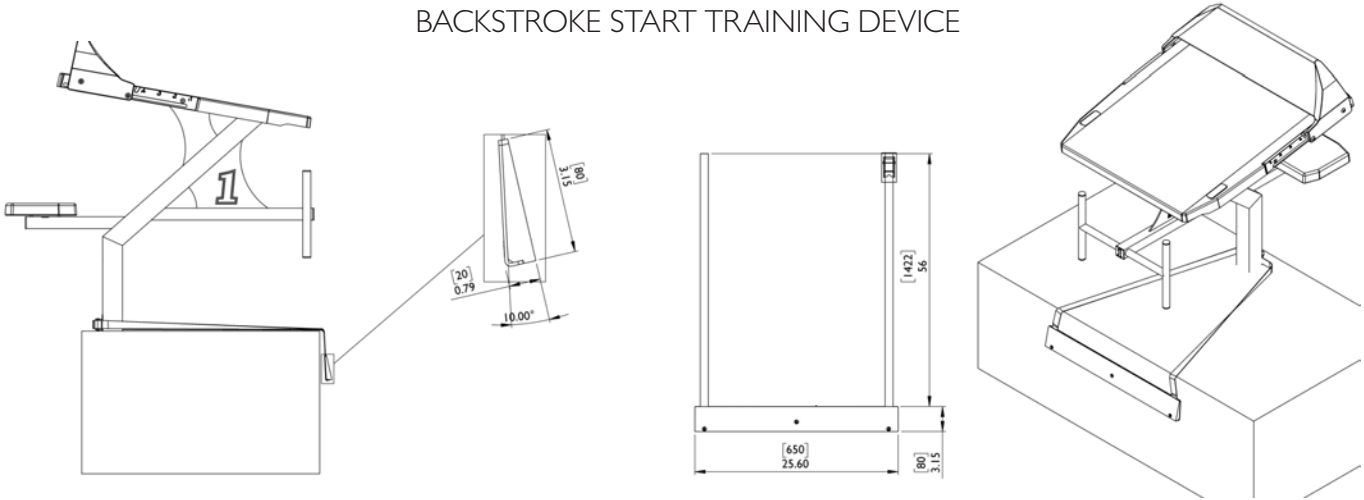
Backstroke Start Training Device

- Anti-slip backstroke ledge with raised diamond pattern
- Two 5-foot polyester straps with stainless steel cam buckle to secure and adjust height
- Works with a wide variety of starting platforms

BACKSTROKE START SYSTEM BASE UNIT



BACKSTROKE START TRAINING DEVICE



Model No.	Description	Shipping (Class 300)			
		Weight	Length	Width	Height
03-650T	Backstroke Start Training Device	3 lbs (1.4 kg)	2.5" 63mm	3.5" 89mm	34.5" 876mm
BSS1000	Backstroke Start System	25 lbs (11 kg)	8" 203mm	8" 203mm	26" 660mm
13-600	In-Deck Anchoring Kit	5 lbs (2.3 kg)	6" 152mm	2" 51mm	2" 51mm
13-601	Pool Wall Mounting Kit w/ Strap	7 lbs (3.2 kg)	18" 457mm	4" 102mm	2" 51mm
13-603	Platform Post Mounting Kit	10 lbs (4.6 kg)	18" 457mm	12" 305mm	2" 51mm

Platform Covers



Velocity with Track Start Wedge Safety Cover

- Acrylic safety cover prevents unwanted jumping or diving
- Optional keyed cable lock
- Not for use with Velocity Starting Blocks with side handles - use Domed Acrylic Safety Cover (item #BLCVR-1317-WHT)



Model No.	Description
BLCVR VELO-WHT	Velocity Starting Block Cover
BLCVR VELO-WHT-L	Velocity Starting Block Cover with Lock



Domed Acrylic Safety Cover

Starting platform safety cover prevents unwanted diving or jumping.

Item No.	Description
BLCVR-1317-WHT	Safety Cover

Accessories



RockSolid Single Post Anchor

RockSolid® Anchor

The anchor securely “hugs” the frame and can be tightened with minimal effort.

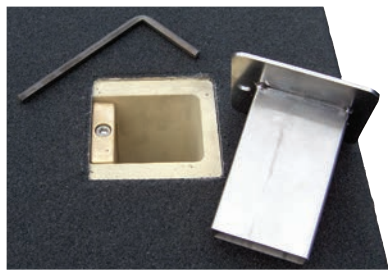
- Heavy duty welded 304 stainless steel construction
- Fully adjustable wedge assembly will expand and exert continuous, even pressure on the platform post to prevent starting platform movement
- Standard or optional Safe-T-Cap anchor cap can be used when starting platform is removed
- Anchor cap removal tool included
- Grounding lug



RockSolid Dual Post Anchor

Item No.	Description
27-107	RockSolid® Anchor and Cap
27-108	RockSolid® Dual Post Anchor
27-109	Anchor Set Tool
4-113-1	Standard Anchor Cap
20-191	Safe-T-Cap Anchor Cap
20-241 + 20-240	Wedge Assembly
5-215-1	Allen Wrench

RockSolid Anchor Safe-T-Cap (optional)



Utilizes same wedge bolt to tighten and secure in place, and sits flush to deck

Side Handles

Offers an additional starting technique option for advanced swimmers. Can be added to Velocity and Legacy Starting Blocks



Item No.	Description
4-175A	Velocity Single Post Side Handles
4-175A-DP	Velocity Dual Post Side Handles
4-170A	Legacy Single Post Side Handles
4-170A-DP	Legacy Dual Post Side Handles



Sentry® Lifeguard Chairs



Sentry® 30", 42", and 66" seat height lifeguard chairs

Designed to complement any aquatic environment, Sentry® Lifeguard Chairs provide an elegant look that will stand the test of time.

- Outdoor furniture style and appeal
- Constructed from HDPE for strength and low maintenance
- Marine grade, 316 stainless steel hardware
- Textured treads for slip resistant surface
- Wheel kits available to facilitate transport
- 30" chair comes with brackets for anchoring to pool deck
- 42" & 66" chairs are pre-drilled for concrete anchors*
- 66" chair available with additional center support for high wind environments
- Cup & umbrella holders on all chairs
- UPS shippable
- Made in USA

*anchors only included with SLGC-66



30" Chair Wheel Kit



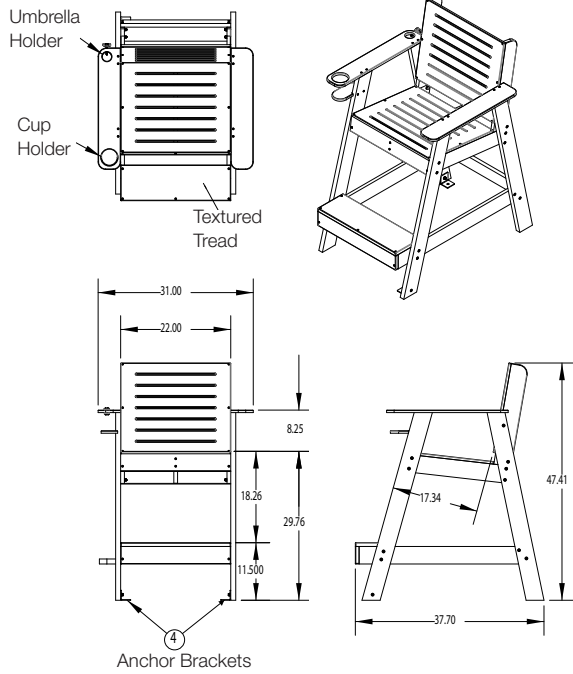
42" & 66" Chair Wheel Kit

Model No.	Description	Shipping — Class 70			
		Weight	Length	Width	Height
SLGC-30	30" Sentry Lifeguard Chair	67 lbs	45"	19"	3"
SLGC-42	42" Sentry Lifeguard Chair	95 lbs	54"	19"	4"
SLGC-66	66" Sentry Lifeguard Chair	95 lbs	54"	19"	4"
		70 lbs	78"	14"	3"
SLGC-66-S	66" Sentry Lifeguard Chair with center supports	110 lbs	54"	19"	4"
		70 lbs	78"	14"	3"

Accessories & Replacement Parts

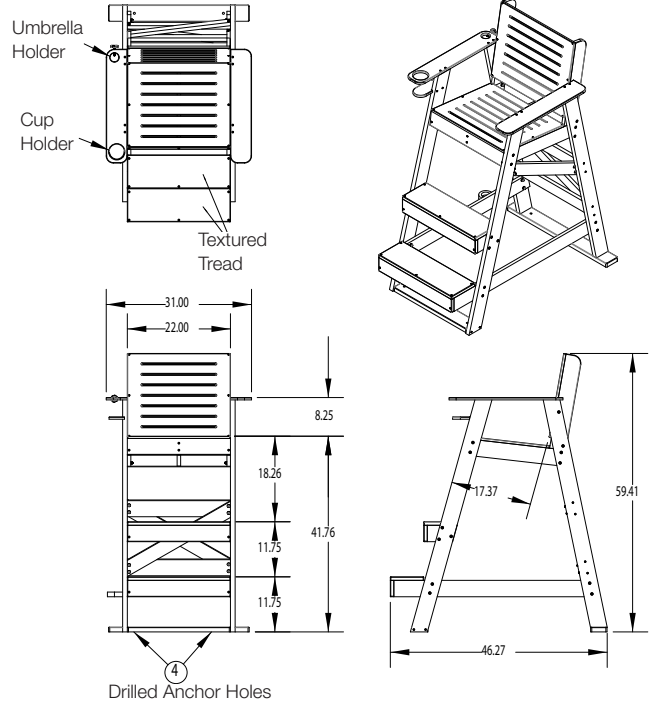
- 13-501 30" chair anchor brackets (included)
- 13-502 30" wheel kit
- 13-503 42" & 66" wheel kit
- 13-504 Life Ring Hook
- 13-505 Concrete anchors for 42" & 66" chairs
- 13-530 Hardware replacement kit for 30" chair
- 13-542 Hardware replacement kit for 42" chair
- 13-566 Hardware replacement kit for 66" chair

30" Sentry Lifeguard Chair

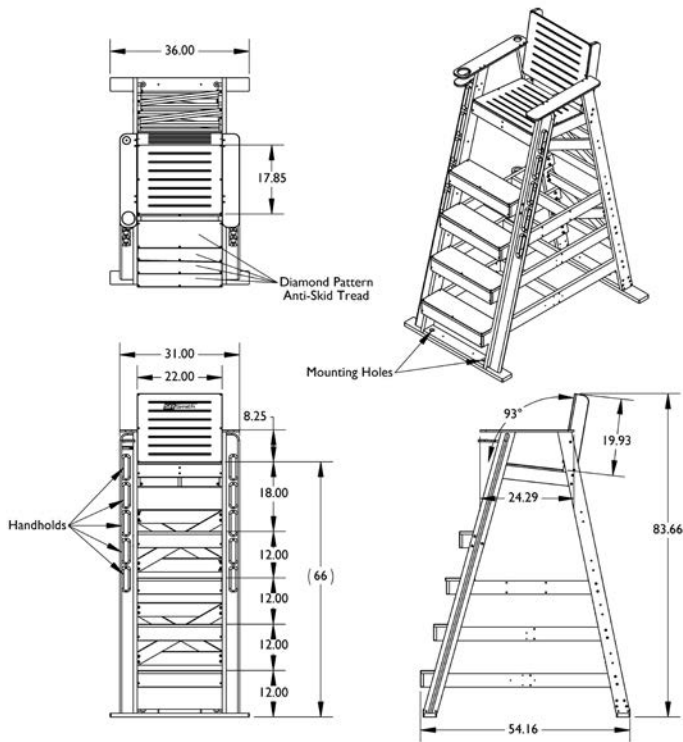


All measurements shown in inches

42" Sentry Lifeguard Chair

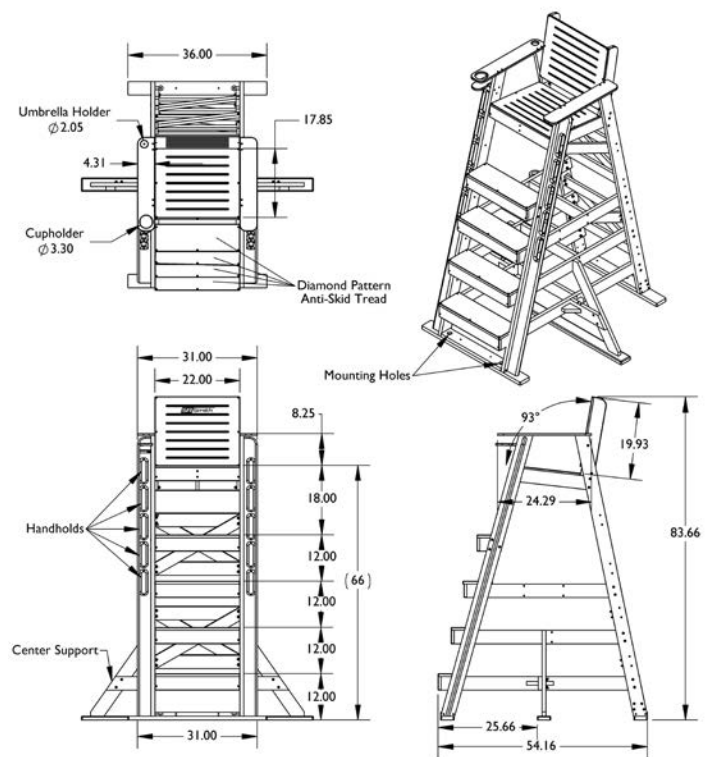


66" Sentry Lifeguard Chair



All measurements shown in inches

66" Sentry Lifeguard Chair w/ Center Supports



Low Profile



- Available in 30", 42", or 54" seat heights
- Portable unit features two wheels for the flexibility to move your lifeguard stations as needed
- Seat swivels 360° for a full view of the facility
- Footboard features a non-slip, white, sanded tread
- Handrails and seat post are 304 stainless steel
- Stainless steel for added corrosion resistance

Tread Color



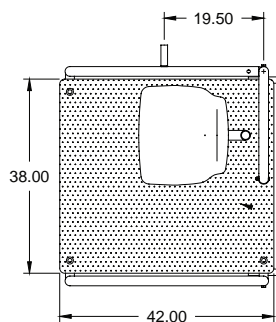
WHITE

Custom colors available

Model No.	Description	Shipping (3 boxes) - Class 125			
		Weight	Length	Width	Height
LPLS-330	30" Low Profile	150 lbs	26"/66cm	20"/51cm	11"/28cm
		68kg	25"/64cm	20"/51cm	9"/23cm
			60"/152cm	79"/201cm	8"/20cm
LPLS-342	42" Low Profile	155 lbs	26"/66cm	20"/51cm	11"/28cm
		70kg	25"/64cm	20"/51cm	9"/23cm
			60"/152cm	79"/201cm	8"/20cm
LPLS-354	54" Low Profile	160 lbs	26"/66cm	20"/51cm	11"/28cm
		72kg	25"/64cm	20"/51cm	9"/23cm
			60"/152cm	79"/201cm	8"/20cm

- Ships from both Tennessee and Oregon facilities
- Rescue tube not included

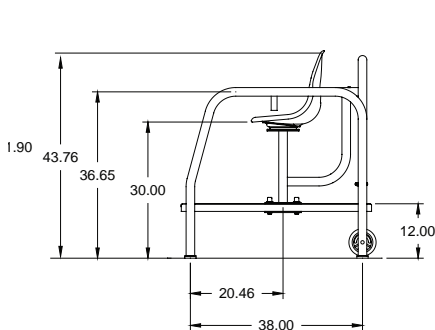
Top View, all models



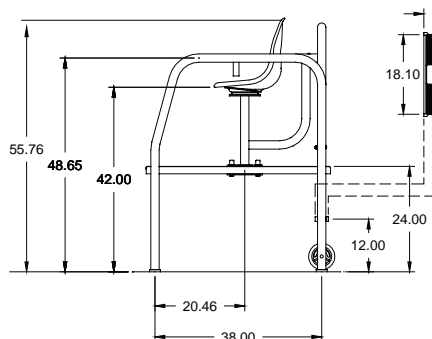
Replacement Parts

- 8-710 Footboard (38" x 42")
- 13-109 Seat Post + Umbrella Holder
- 13-111 Seat + Swivel
- 8-609 Seat Only
- A40703-0 Swivel Only
- LTDF-103 | Ladder Tread
- 8-862 Wheel
- 13-139 Hardware Pack (For 30" Chair)
- 13-140 Hardware Pack (For 42" Chair)
- 13-145 Hardware Pack (For 54" Chair)

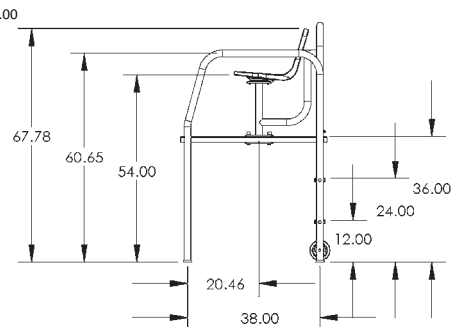
30" Low Profile



42" Low Profile



54" Low Profile



Standard



- 6' tall at the seat
- Portable unit features two wheels for the flexibility to move your lifeguard stations as needed
- Seat swivels 45°
- Observation platform features a non-slip, white, sanded tread
- Handrails and seat post are 304 stainless steel
- Stainless steel for added corrosion resistance

Model No.	Description	Shipping (3 boxes) - Class 100			
		Weight	Length	Width	Height
PLS-204	Standard Portable	157 lbs	80"/203cm	62.5"/160cm	7"/18cm
		71kg	26"/66cm	20"/51cm	11"/28cm
			25"/64cm	20"/51cm	9"/23cm

Tread Color



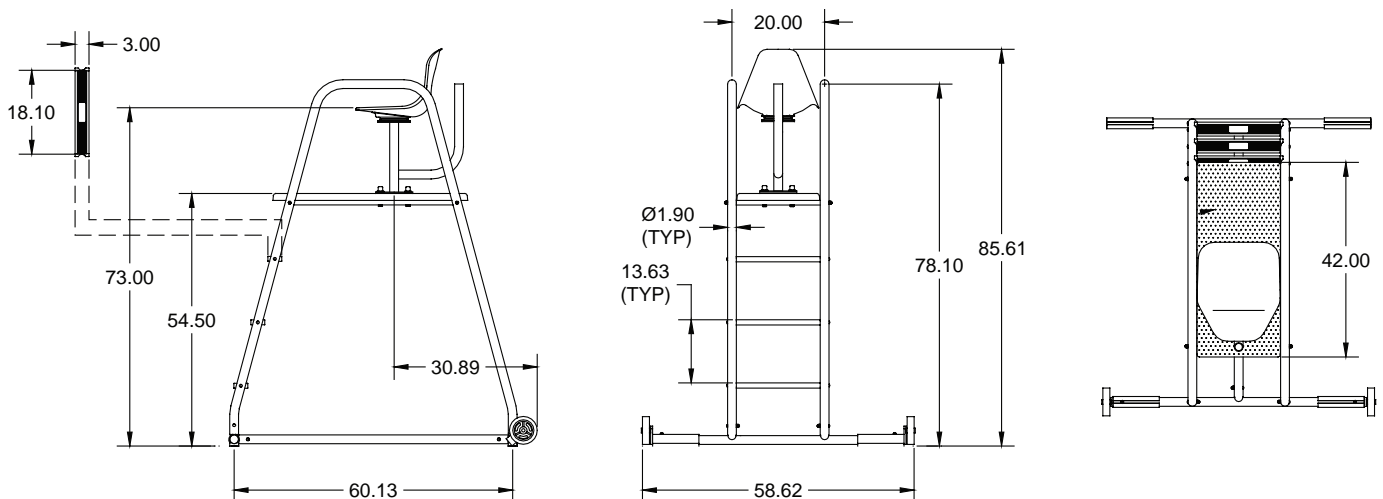
WHITE

Custom colors available

- 316L polished stainless steel is available
- Ships from both Tennessee and Oregon facilities

Replacement Parts

- 8-705 Footboard (18" x 42")
- 13-109 Seat Post + Umbrella Holder
- 13-111 Seat + Swivel
- 8-609 Seat Only
- A40703-0 Swivel Only
- LTDF-105 | Ladder Tread
- FC-100A White Stabilizer Leg Cover
- 8-862 Wheel
- 13-130 Hardware Pack
- X-104 Plastic End Caps
- 20-107L Left Wheel Bracket
- 20-107R Right Wheel Bracket
- 8-104 Plastic Rail End Plug



Vista



- Available in 6' or 8' seat heights
- Portable unit features two wheels for the flexibility to move your lifeguard stations as needed
- Seat swivels 360° for a full view of your facility
- Observation platform features a non-slip, white, sanded tread
- Handrails and seat post are 304 stainless steel
- Stainless steel for added corrosion resistance

Item No.	Description	Shipping - Class 250			
		Weight	Length	Width	Height
US48500	6' Vista	206 lbs	90"	83"	16"
		93kg	229cm	211cm	41cm
US48550	8' Vista	250 lbs	116"	83"	16"
		113kg	295cm	211cm	41cm

Tread Color



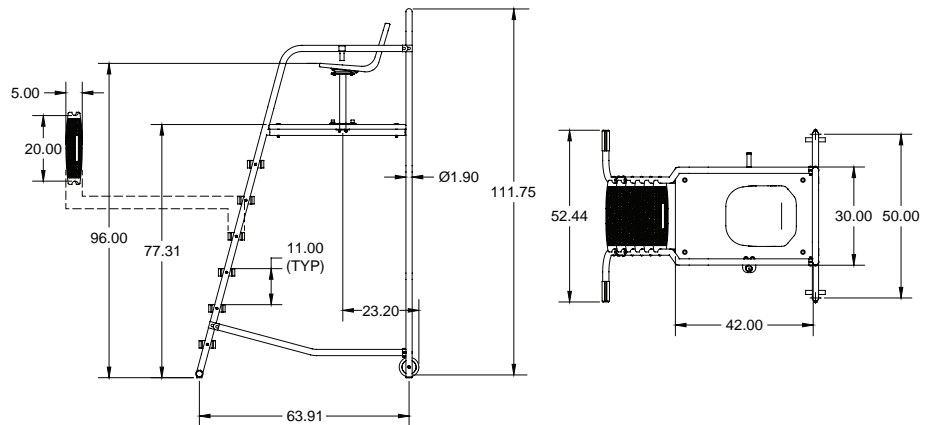
WHITE

Custom colors available

- Ships from Oregon warehouse only

Replacement Parts

- 8-612 Footboard (30" x 42")
- 13-117 Seat Post
- 13-111 Seat + Swivel
- 8-609 Seat Only
- A40703-0 Swivel Only
- S2470-102 | Ladder Tread + Hardware
- FC-100 White Stabilizer Leg Cover
- 8-862 Wheel
- 69-209-106 Hardware Pack (6' Vista)
- 69-209-109 Hardware Pack (8' Vista)





Cantilever

- 6' tall at the seat
- Permanent unit features a slim design that requires minimal deck space
- Seat swivels 360° for a full view of facility
- Extended observation platform features a non-slip, white, sanded tread
- Handrails and seat post are 304 stainless steel
- The support column is primed and ready for a high quality paint topcoat*

* We recommend a high-quality acrylic urethane enamel for a durable finish

Model No.	Description	Shipping (3 boxes) - Class 125			
		Weight	Length	Width	Height
CAT-LG-101	6' Cantilever	315 lbs	65"/165cm	21"/53cm	25.5"/65cm
		143kg	25"/ 64cm	20"/51cm	10"/ 25cm
			24"/61cm	22"/56cm	21"/53cm

- Ships from both Tennessee and Oregon facilities

Tread Color

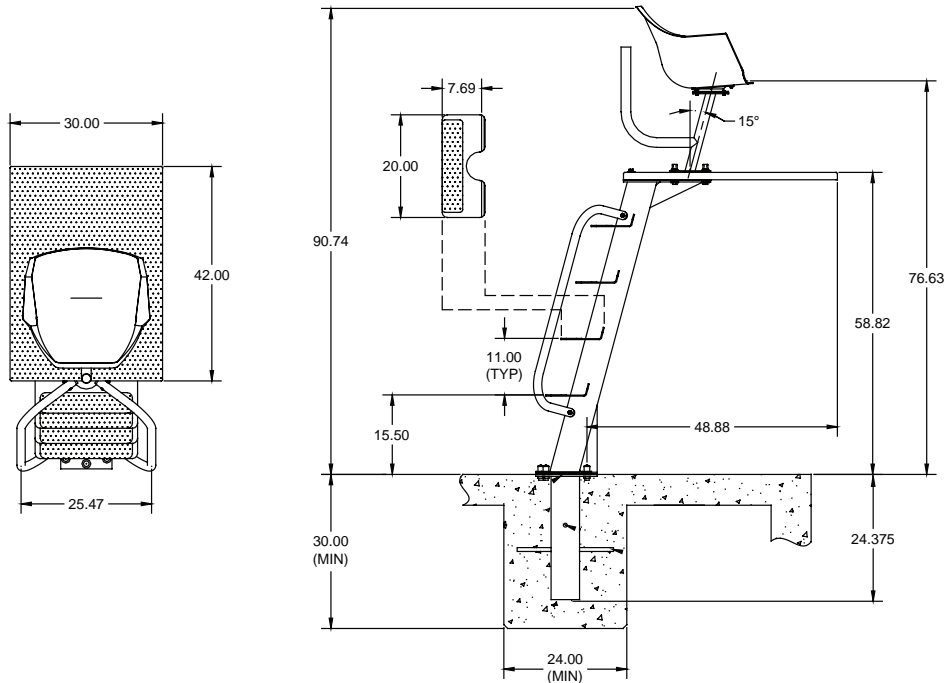


WHITE

Custom colors available

Replacement Parts

- 13-101 Support Column
- 8-602 Footboard (30" x 42")
- 13-124 Seat Post + Umbrella Holder
- 13-119 Seat, includes Mounting Plate + Swivel, includes Hardware
- 6-621 Step Adhesive
- 8-610 Seat Only
- A40703-0 Swivel Only
- 13-104 Handrail + Hardware
- 13-103 Anchor + Mounting Hardware



Guardian



- 6' tall at the seat
- Permanent unit features a slim design that requires minimal deck space
- Seat swivels 360° for a full view of your facility
- Extended observation platform features a non-slip, white, sanded tread
- Handrails and seat post are 304 stainless steel
- Stainless steel for added corrosion resistance

Model No.	Description	Shipping - Class 250			
		Weight	Length	Width	Height
UMLS-101	6' Guardian	135 lbs	100"	39"	28"
		61kg	254cm	99cm	71cm

- Ships from Tennessee facility only

Tread Color

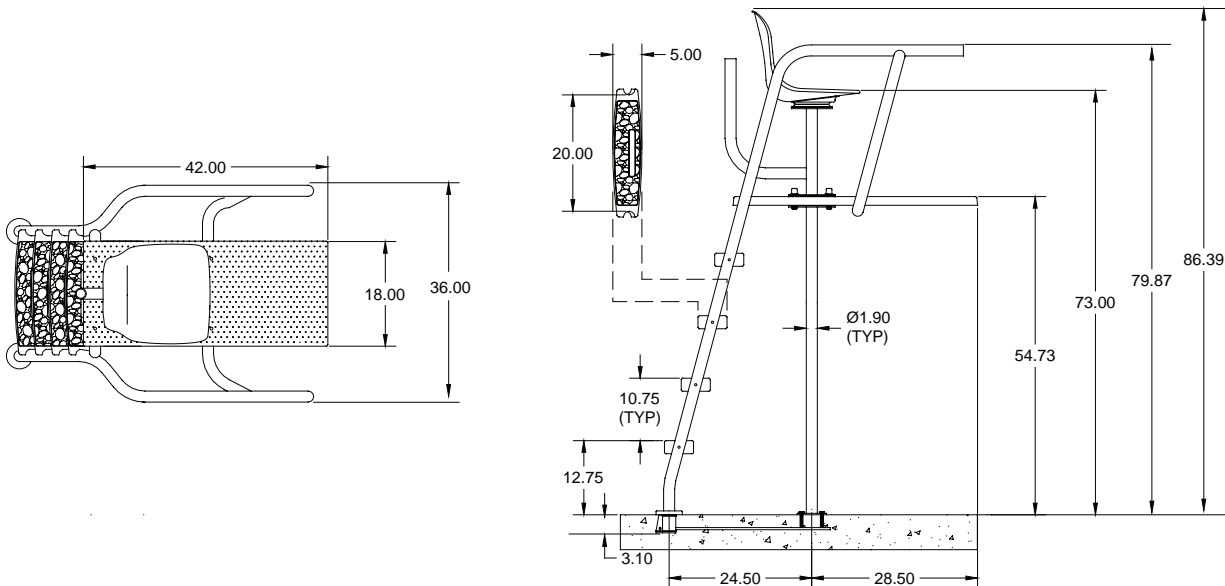


WHITE

Custom colors available

Replacement Parts

- 13-116 Support Column
- 8-706 Footboard (18" x 42")
- 13-109 Seat Post + Umbrella Holder
- 13-111 Seat + Swivel
- 8-609 Seat Only
- A40703-0 Swivel Only
- S2470-102 I Ladder Tread + Hardware
- S2823-17 Anchor Jig Assembly





Institutional

- 6' tall at the seat
- Permanent unit also makes an ideal coaching or judging stand
- Seat swivels 360° so you can quickly scan entire pool and deck
- Extended observation platform features a non-slip sanded tread
- Handrails and seat post are 304 stainless steel
- Stainless steel for added durability and corrosion resistance

Model No.	Description	Shipping (3 boxes) - Class 70			
		Weight	Length	Width	Height
ILGS-205	6' Institutional	150 lbs	84"/213cm	25"/64cm	8"/20cm
		68kg	25"/64cm	20"/51cm	11"/28cm
			24"/61cm	20"/51cm	11"/28cm

- Anchor Sockets and Escutcheons are ordered separately
- Ships from both Tennessee and Oregon facilities

Tread Color

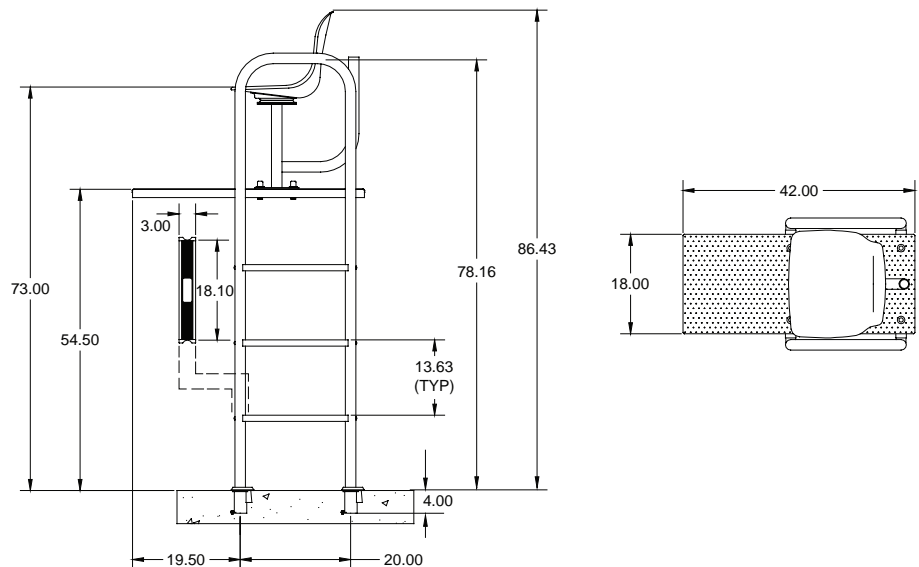


WHITE

Custom colors available

Replacement Parts

- 8-720 Footboard (18" x 42")
- 13-109 Seat Post + Umbrella Holder
- 13-111 Seat + Swivel
- 8-609 Seat Only
- A40703-0 Swivel only
- LTDF-103 | Ladder Tread
- 13-120 Hardware Pack
- AS-100B Anchor Assembly





Outlook I
Lifeguard Chair

Outlook II
Lifeguard Chair

Outlook I & II

- Outlook I is 6' tall at the seat, Outlook II is 5' tall at the seat
- Permanent units feature a slim design that require minimal deck space
- Seats swivel 360° for full view of entire pool and deck
- Extended observation platforms feature a non-slip, white, sanded tread
- Handrails and seat post are 304 stainless steel
- Stainless steel bases are powder-coated in silver gray for corrosion resistance

Model No.	Description	Shipping (2 boxes) - Class 125			
		Weight	Length	Width	Height
US48600	6' Outlook I	171 lbs 78kg	91"/231cm 10"/25cm	35"/89cm 10"/25cm	11.5"/29cm 8"/20cm
US48700	5' Outlook II	156 lbs 71kg	91"/231cm 10"/25cm	35"/89cm 10"/25cm	11.5"/29cm 8"/20cm

Frame Color



Tread Color



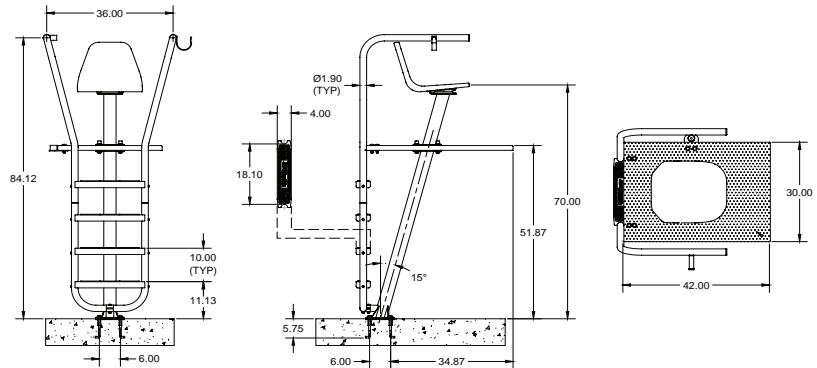
Custom colors available

- Ships from Oregon facility only

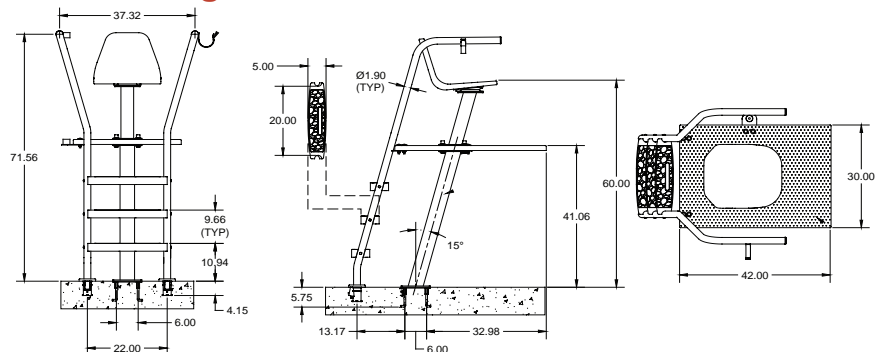
Replacement Parts

- 13-122-SG Support Column (Outlook I)
- 13-121-SG Support Column (Outlook II)
- 8-613 Footboard (30" x 42" Outlook I)
- 8-614 Footboard (30" x 42" Outlook II)
- 13-118-SG Seat Post
- 13-111 Seat + Swivel
- 8-609 Seat Only
- 20-116 Umbrella Holder
- A40703-0 Swivel Only
- LTDF-106 I Ladder Tread (Outlook I)
- S2470-102 I Ladder Tread + Hardware (Outlook II)
- 27-102 Anchor Assembly (Outlook I)
- 27-103 Anchor Assembly (Outlook II)
- 69-209-107 Hardware Pack (Outlook I)
- 69-209-108 Hardware Pack (Outlook II)
- 8-104 Plastic Rail End Cap
- 74-185-186NH 22"x22" Platform (no holes)

Outlook I Lifeguard Chair



Outlook II Lifeguard Chair





Ladders + Rails

Virtually Endless Options

When you choose S.R.Smith you are choosing ladders and rails that can turn an ordinary pool into the extraordinary. From standard to custom, in a wide range of finishes, our rails can add both form and function to a pool.

Custom Rails

Whether it's a minor variation to one of our standard rail configurations, or something from your own imagination, we can help you make your vision a reality. While it's true that ladders and rails should be hardworking and functional, they also have the power to help make your pool an architectural masterpiece. Visit our online rail configurator for help:

www.srsmith.com/customrails.

Wall Thickness	304 Stainless Steel	316L Stainless Steel
.049"	1.625" & 1.90" OD	1.90" OD
.065"	1.50" & 1.90" OD	1.50" & 1.90" OD
.109"	1.90" OD	1.90" OD
.120"	1.50" OD	1.50" OD
.145"	1.90" OD	

Custom Tubing Options ADA Compliant Rails

Our rail line includes ADA compliant transfer rails, as well as 2- and 3-bend handrails. Designed to meet the specifications issued as part of the update to the ADA laws, these rails help meet government specifications, and provide pool users an easy transition into the pool.

A Finish for Every Pool

- Traditional (304) Stainless Steel – a hardworking standard.
- Marine Grade (316L) Stainless Steel – a higher level of protection and the minimum requirement for salt pools.
- Powder-coating – offered in 7 colors, this beautiful, high quality finish is corrosion resistant.
- SealedSteel® Salt Friendly – a vinyl coating, offered in 5 colors, which completely encapsulates the rail and performs well in harsh pool environments including salt pools. SealedSteel cannot be used in spas and heated pools where the temperature exceeds 100°F



Powder Coating Options



*Custom Order Colors

SealedSteel® Salt Friendly Options

Not available as a standard option, contact customer@srsmith.com. SealedSteel cannot be used in spas and pools where the water temp exceeds 100 degrees F.



Due to printing technology, actual colors may vary.

Artisan Series

Modern Rails



The Artisan Series is a patent pending designer inspired rail line that provides an elegant custom look for any pool environment. They are the ideal choice for pool renovation projects.

- Tubing: 1.90" OD
- Wall Thickness: .065"
- Stainless Steel: 304 or 316L Marine Grade* (add -MG to part number)
- Treads (Ladder Only): LTDF-I03 Stainless Steel
- Recommended anchors: AS-I00P or AS-I00B (order separately)
- Recommended escutcheon: EP-I00F (order separately)

* Minimum requirement for salt pools is 316L Marine Grade.

Model No.	Description	Shipping			
		Weight	Length	Width	Height
ART-1001S	Single Deck Rail	15 lbs 7kg	49" 125cm	39" 99cm	2" 5cm
ART-1001	Deck Rail (pair)	30 lbs 14kg	49" 125cm	39" 99cm	5" 13cm
ART-1002	Ramp/Stair Rail (single)	25 lbs 11kg	84" 213cm	70" 177cm	2" 5cm
ART-1003	Ladder, 3 Step	40 lbs 18kg	78" 198cm	41" 104cm	2" 5cm
ART-1004	Deck-Mounted Stair Rail (single)	20 lbs 9kg	70" 178cm	39" 99cm	2" 5cm
ART-1005	Deck-Mounted Hand Rail (pair)	40 lbs 18kg	78" 198cm	41" 104cm	5" 5cm



ART-1001S - Single
ART-1001 - Pair



ART-1002



ART-1003



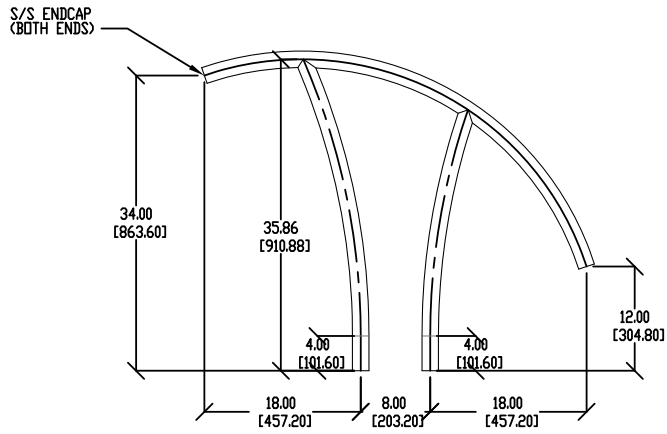
ART-1004



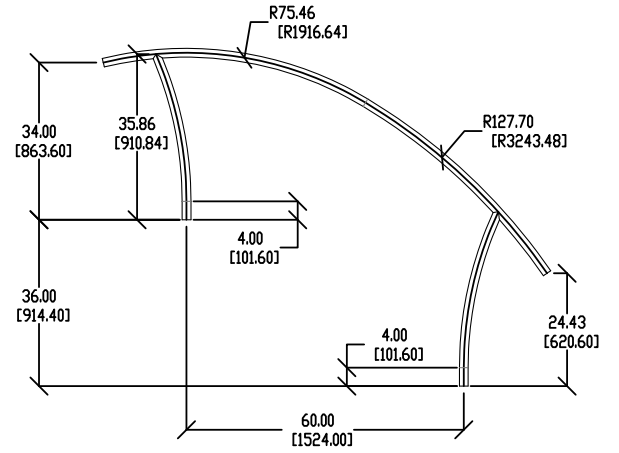
ART-1005

May be available in Powder-Coated or SealedSteel® finishes. Please reach out to customer@srsmith.com to confirm the color and finish availability.

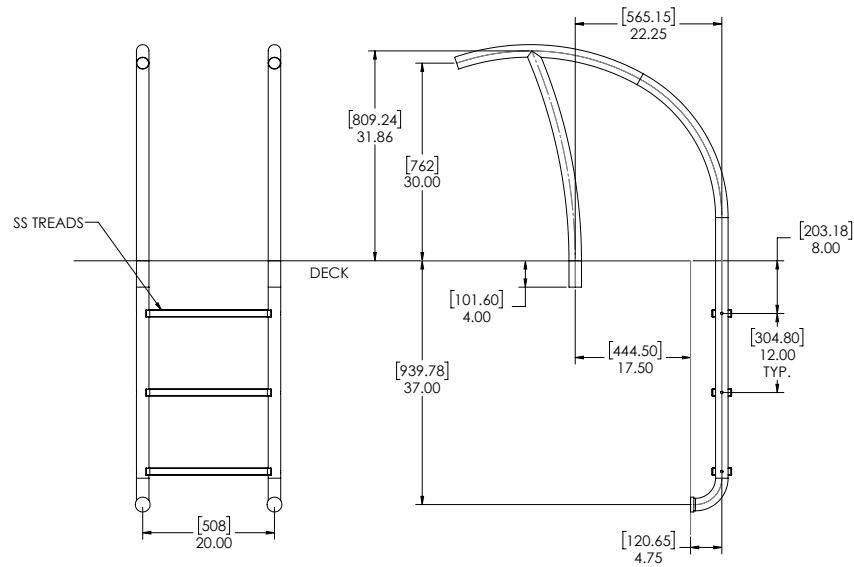
Hand Rail (ART-1001)



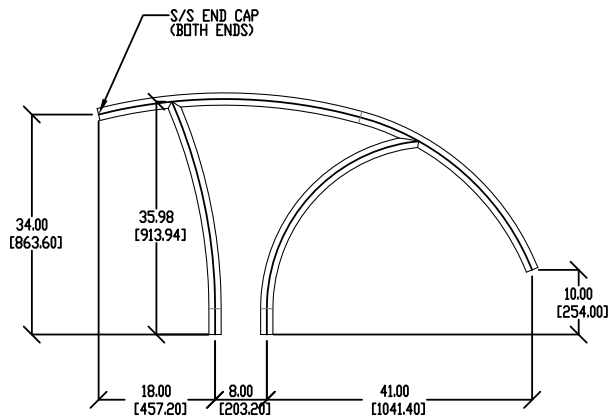
Stair Rail (ART-1002)



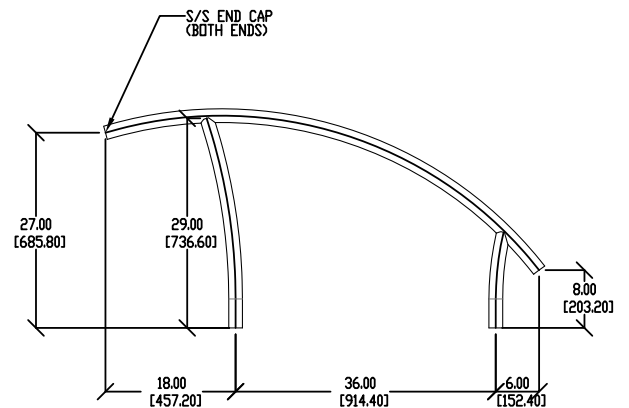
Ladder (ART-1003)



Deck-Mounted Stair Rail (ART-1004)



Deck-Mounted Hand Rail (ART-1005)



Note: Leg lengths on all Artisan rails include 4" to go into anchors.

Meridian Series

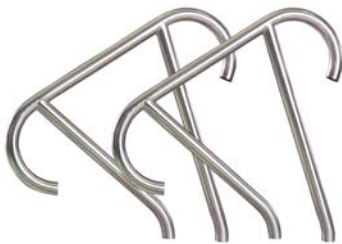
Modern Rails



The Meridian Series is a patent pending designer inspired rail line that provides an elegant custom look for any pool environment. They are the ideal choice for pools with limited deck space.

- Tubing: 1.90" OD
- Wall Thickness: .065"
- Stainless Steel: 304 or 316L Marine Grade* (add -MG to part number)
- Treads (Ladder Only): LTDF-103 Stainless Steel
- Options: Powder-coating available
- Recommended anchors: AS-100P or AS-100B (order separately)
- Recommended escutcheon: EP-100F (order separately)

* Minimum requirement for salt pools is 316L Marine Grade.



MER-1001 - Pair

Model No.	Description	Shipping			
		Weight	Length	Width	Height
MER-1001S	Single Deck Rail	18 lbs 8kg	38" 96cm	32" 81cm	4" 10cm
MER-1001	Deck Rail (pair)	32 lbs 14kg	38" 96cm	32" 81cm	4" 10cm
MER-1002	Ramp/Stair Rail (single)	21 lbs 10kg	72" 183cm	40" 10.1cm	3" 8cm
MER-1003	Ladder, 3 Step	42 lbs 19kg	77" 196cm	41" 104cm	4" 10cm
MER-1004	Deck-Mounted Stair Rail (single)	20 lbs 9kg	60" 152cm	38" 97cm	2" 5cm



MER-1001S - Pair



MER-1002



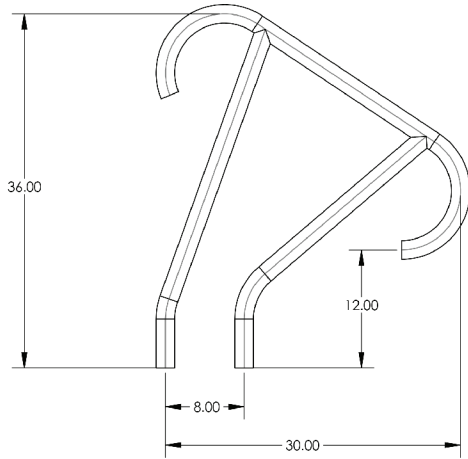
MER-1003



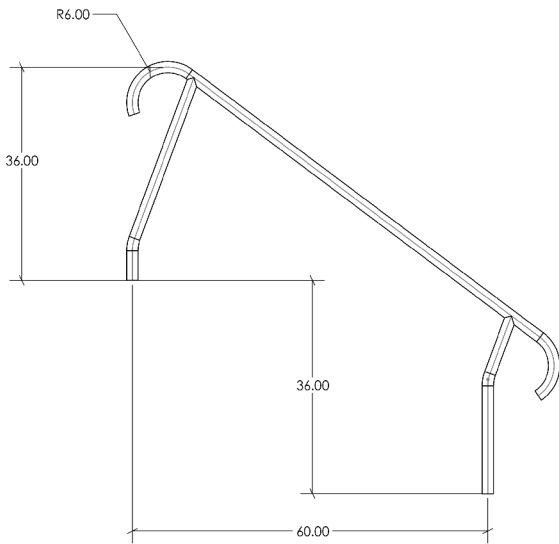
MER-1004

May be available in Powder-Coated or SealedSteel® finishes. Please reach out to customer care@srsmith.com to confirm the color and finish availability.

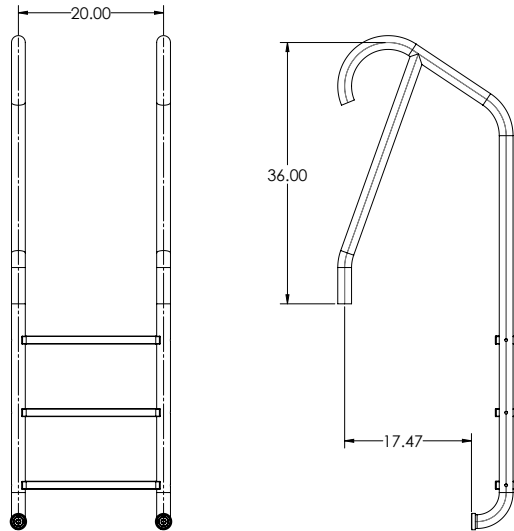
Hand Rail (MER-1001S)



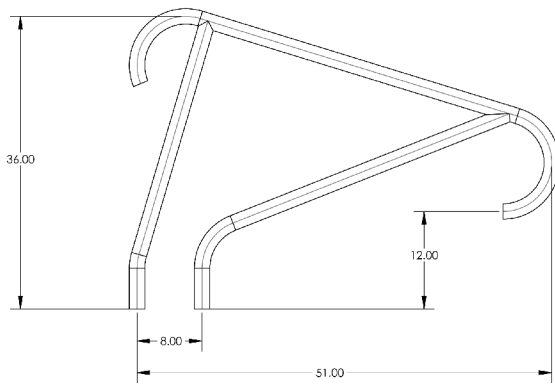
Stair Rail (MER-1002)



Ladder (MER-1003)



Deck Mounted Stair Rail (MER-1004)





Designer Series Rails

Modern Rails

The Designer Series can replace traditional pool rails for a upgraded sophisticated look in any pool environment.

- Tubing: 1.90" OD
- Wall Thickness: .065"
- Polished Pool Grade Stainless Steel (304 alloy), Marine Grade (316L alloy), and Color Coated
- 3 Year Warranty Includes: Rust, Fading, Chipping
- Deck Top Mounted Versions Available
- Salt Pool Safe™ when Rails Upgraded to Powder Coating, Thermo Plastic Coating, or Marine Grade
- Upgradable deck top mounted flanged versions (escutcheons included)



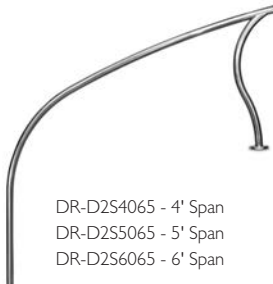
DR-G3D065-S - Single
DR-G3D065 - Pair



DR-D3D50065



DR-D2D3.0065



DR-D2S4065 - 4' Span
DR-D2S5065 - 5' Span
DR-D2S6065 - 6' Span



DR-L3065P-W - 3 Step w/HIP Tread
DR-L3065S - 3 Step w/SUT Tread
DR-L4065P-W - 4 Step w/HIP Tread
DR-L4065S - 4 Step w/SUT Tread

Part No.	Description	Weight	Length	Width	Height
DR-G3D065	Grab Rail - Pair	31 lbs/14kg	37"/94cm	31"/79cm	4"/10cm
DR-G3D065-Single	Grab Rail - Single	17 lbs/8kg	38"/17cm	33"/15cm	3"/8cm
DR-D3D50065	Deck to Deck Return Stair Rail	23 lbs/10.5kg	55"/22cm	40"/18cm	3"/8cm
DR-D2D3.0065	Deck to Deck Stair Handrail	22 lbs/10kg	54"/24cm	37"/17cm	3"/8cm
DR-D2S4065	Deck to Stair Handrail - 4'	17 lbs/8kg	36"/16cm	50"/23cm	2"/5cm
DR-D2S5065	Deck to Stair Handrail - 5'	19 lbs/9kg	74"/33cm	63"/29cm	2"/5cm
DR-D2S6065	Deck to Stair Handrail - 6'	15 lbs/7kg	83"/37cm	74"/34cm	2"/5cm
DR-ADA-D2S4065	ADA Deck to Stair Handrail - 4'	18 lbs/8kg	71"/32cm	38"/17cm	3"/8cm
DR-ADA-D2S5065	ADA Deck to Stair Handrail - 5'	23 lbs/10.5kg	87"/39cm	39"/18cm	2"/5cm
DR-ADA-D2S6065	ADA Deck to Stair Handrail - 6'	32 lbs/15kg	89"/40cm	38"/17cm	3"/8cm
DR-L3065P-W	3 Tread Ladder w/HIP Tread	32 lbs/15kg	74"/33cm	29"/13cm	3"/8cm
DR-L3065S	3 Tread Ladder w/SUT Tread	35 lbs/16kg	74"/33cm	29"/13cm	3"/8cm
DR-L4065P-W	4 Tread Ladder w/HIP Tread	34 lbs/15.5kg	74"/33cm	30"/14cm	3"/8cm
DR-L4065S	4 Tread Ladder w/SUT Tread	35 lbs/16kg	74"/33cm	29"/13cm	3"/8cm
DR-COML3CB24065S	3 Tread Commercial Ladder - 24"	30 lbs/14kg	75"/34cm	43"/20cm	2"/5cm

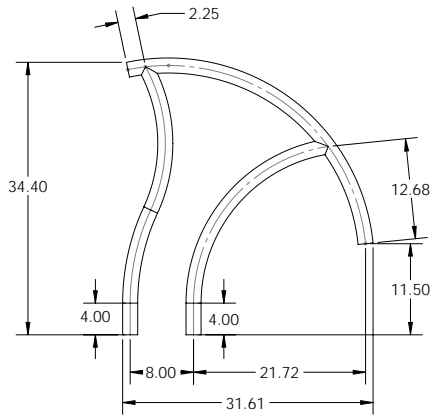
Custom Powder Coated Colors: White: -1; Black: -2; Taupe: -3; Copper Vein: -4; Hammertone Gray: -6; Light Gray: -9 (add custom color code behind part # when ordering)

On ALL powder coated rails, the bottom 4" of the stainless steel is NOT powder coated. If you use 3" anchors, a 3" option is available upon request.

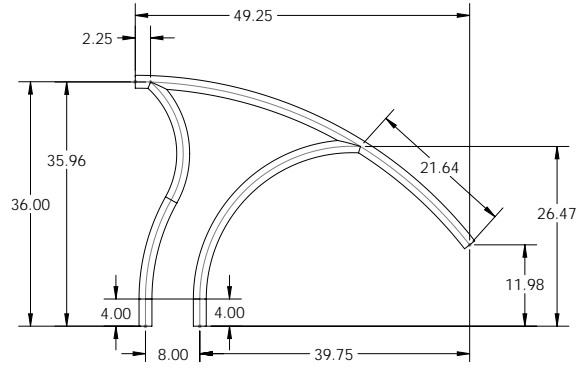
SealedSteel® Salt Friendly Colors: White: -TPC-W; Gray: -TPC-G; Tan: -TPC-T (add custom color code behind part # when ordering)

All thermo plastic coated rails are encapsulated in plastic coating and sealed at the ends with plastic caps.

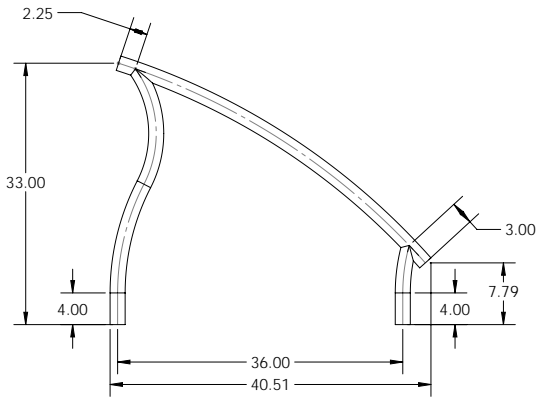
May be available in Powder-Coated or SealedSteel® finishes. Please reach out to customer care@srsmith.com to confirm the color and finish availability.



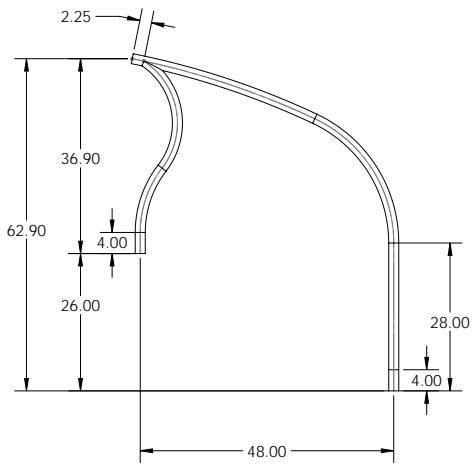
DR-G3D065-S - Single
DR-G3D065 - Pair



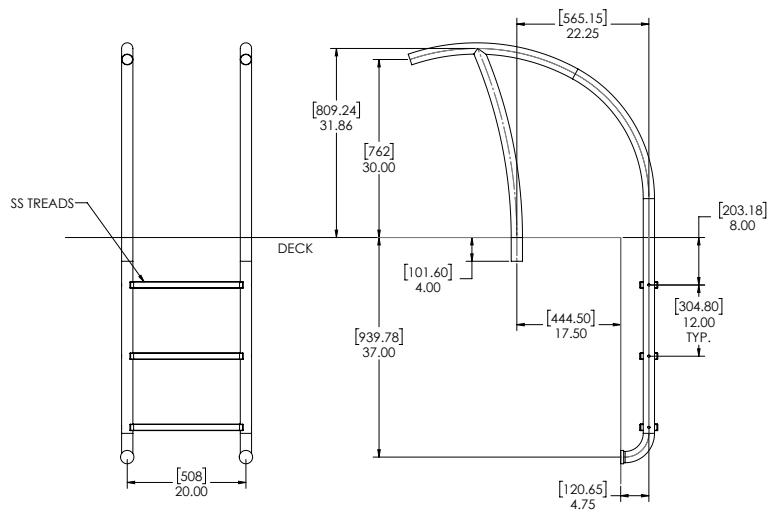
DR-D3D Deck to Deck Return Stair Rail



DR-D2D3 Deck to Deck Stair Handrail (pair)



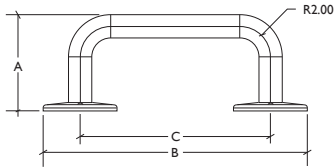
DR-D2S Deck to Stair Handrail



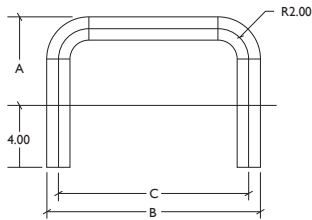
Designer 3 Tread Ladder

ADA Transfer Rails

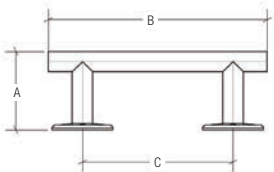
Bent Rails with Flanges



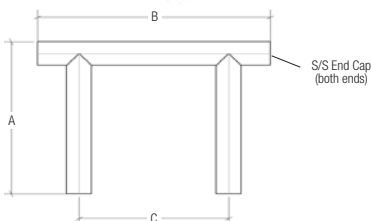
Bent Rails without Flanges



Straight Rails with Flanges



Straight Rails without Flanges



- Tubing: 1.50" OD
- Wall Thickness: .120"
- Stainless Steel: 316L Marine Grade*
- Recommended anchor: AS-200B if not flanged (order separately)
- Recommended escutcheon: EP-150 if not flanged (order separately)
- Flanged models include mounting hardware (3/8-16 UNC anchor bolts)
- More transfer and exercise rails on page 102
- Sold as a single rail

* Minimum requirement for salt pools is 316L Marine Grade

Transfer Grab Rail with Flanges - Marine Grade

Model No.	Description	A	B	C	Weight	Length	Width	Height
EB-12A	12" Rail	5.75"	12"	7.50"	6 lbs 3kg	18" 46cm	6" 15cm	4" 10cm
EB-14A	14" Rail	5.75"	14"	9.50"	6 lbs 3kg	18" 46cm	6" 15cm	4" 10cm
EB-16A	16" Rail	5.75"	16"	11.50"	6 lbs 3kg	18" 46cm	6" 15cm	4" 10cm
EB-18A	18" Rail	5.75"	18"	13.50"	7 lbs 3kg	18" 46cm	6" 15cm	4" 10cm
60-718	Mounting Hardware				2 lbs 1kg	3" 8cm	3" 8cm	4" 10cm

• No SealedSteel or Powder-Coated on flanged models.

Transfer Grab Rail - Anchors

Model No.	Description	A	B	C	Weight	Length	Width	Height
EB-12B	12" Rail	5.75"	10"	8.50"	5 lbs 2kg	11" 28cm	11" 28cm	3" 8cm
EB-14B	14" Rail	5.75"	12"	10.50"	5 lbs 2kg	13" 33cm	11" 28cm	3" 8cm
EB-16B	16" Rail	5.75"	14"	12.50"	5 lbs 2kg	15" 38cm	11" 28cm	3" 8cm
EB-18B	18" Rail	5.75"	16"	14.50"	6 lbs 2kg	17" 43cm	11" 28cm	3" 8cm

Straight Transfer Rails with Flanges - Marine Grade

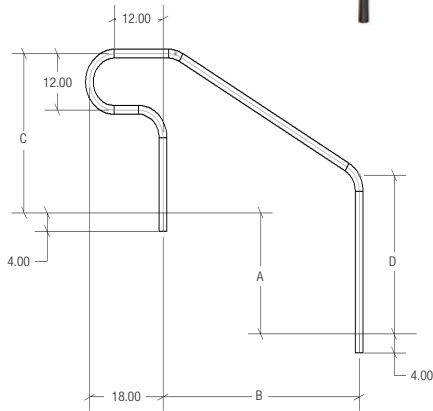
Model No.	Description	A	B	C	Weight	Length	Width	Height
TR-12A	12" Rail	5.75"	12"	7"	6 lbs 2kg	18" 45cm	16" 40cm	4" 10cm
TR-14A	14" Rail	5.75"	14"	9"	7 lbs 3kg	18" 45cm	16" 40cm	4" 10cm
TR-16A	16" Rail	5.75"	16"	11"	7 lbs 3kg	18" 45cm	16" 40cm	4" 10cm
TR-18A	18" Rail	5.75"	18"	13"	7 lbs 3kg	18" 45cm	16" 40cm	4" 10cm
60-718	Mounting Hardware				2 lbs 1kg	3" 8cm	3" 8cm	4" 10cm

• No SealedSteel or Powder-Coated on flanged models.

Straight Transfer Rails - Anchors

Model No.	Description	A	B	C	Weight	Length	Width	Height
TR-12B	12" Rail	9.75"	12"	7"	6 lbs 2kg	13" 33cm	11" 28cm	3" 8cm
TR-14B	14" Rail	9.75"	14"	9"	6 lbs 2kg	15" 38cm	11" 28cm	3" 8cm
TR-16B	16" Rail	9.75"	16"	11"	6 lbs 2kg	17" 43cm	11" 28cm	3" 8cm
TR-18B	18" Rail	9.75"	18"	13"	6 lbs 2kg	19" 48cm	11" 28cm	3" 8cm

ADA Extended 2-Bend Stair Rails

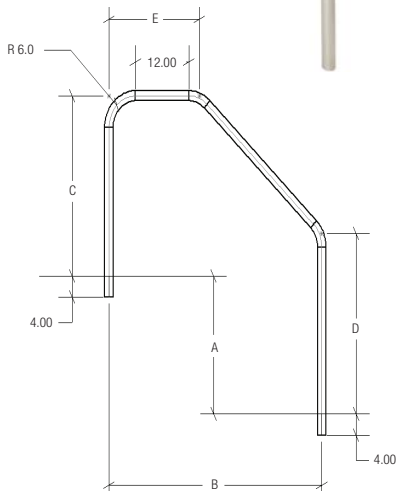


- Tubing: 1.90" OD
- Wall Thickness: .065"
- Stainless Steel: 304 or 316L Marine Grade* (add -MG to part number)
- Bends: 6" Radius
- Options: Powder-coating and SealedSteel Salt Friendly available
- Recommended anchors: AS-I00B (order separately)
- Recommended escutcheon: EP-I00F (order separately)

* Minimum requirement for salt pools is 316L Marine Grade

Model No.	Description	A	B	C	D	Weight	Length	Width	Height
2HR-4ADA	4' Rail	26"	48"	34"	34"	20 lbs 9kg	72" 183cm	42" 107cm	4" 10cm
2HR-5ADA	5' Rail	36"	60"	34"	34"	22 lbs 10kg	84" 213cm	42" 107cm	4" 10cm
2HR-6ADA	6' Rail	46"	72"	34"	34"	24 lbs 11kg	96" 244cm	42" 107cm	4" 10cm

ADA 3-Bend Stair Rails

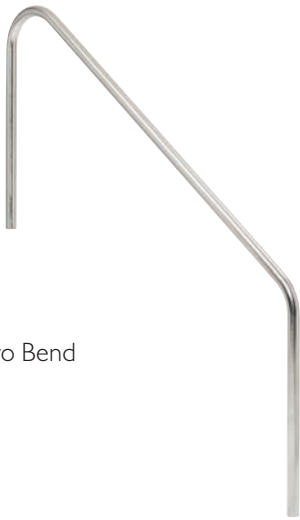


- Tubing: 1.90" OD
- Wall Thickness: .065"
- Stainless Steel: 304 or 316L Marine Grade* (add -MG to part number)
- Bends: 6" Radius
- Options: Powder-coating and SealedSteel Salt Friendly available
- Recommended anchors: AS-I00B (order separately)
- Recommended escutcheon: EP-I00F (order separately)

* Minimum requirement for salt pools is 316L Marine Grade

Model No.	Description	A	B	C	D	E	Weight	Length	Width	Height
3HR-4ADA	4' Rail	26"	48"	34"	34"	20.38"	20 lbs 10kg	60" 152cm	42" 107cm	4" 10cm
3HR-5ADA	5' Rail	36"	60"	34"	34"	20.32"	22 lbs 10kg	72" 178cm	42" 107cm	4" 10cm
3HR-5.5ADA	5'6" Rail	32"	66"	34"	34"	19.88"	24 lbs 11kg	78" 198cm	42" 107cm	4" 10cm
3HR-6ADA	6' Rail	46"	72"	34"	34"	20.28"	26 lbs 12kg	84" 213cm	42" 107cm	4" 10cm
3HR-6.5ADA	6'6" Rail	32"	78"	34"	34"	35"	28 lbs 13kg	90" 229cm	42" 107cm	4" 10cm
3HR-7ADA	7' Rail	36"	84"	34"	34"	40"	30 lbs 14kg	96" 244cm	42" 107cm	4" 10cm
3HR-8ADA	8' Rail	30"	96"	34"	34"	53"	32 lbs 14kg	108" 274cm	42" 107cm	4" 10cm

Stair Rails

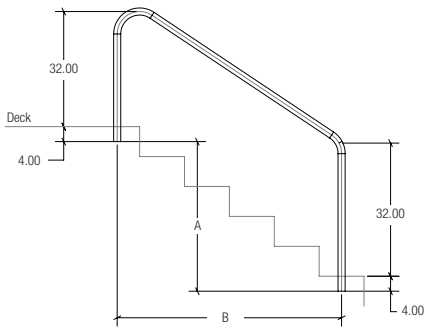


Two Bend

- Tubing: 1.90" OD
- Wall Thickness*: .049" or .065"
- Stainless Steel: 304 or 316L Marine Grade** (add -MG to part number)
- Bends: 6" Radius
- Recommended anchors: AS-100B (order separately)
- Recommended escutcheon: EP-100F (order separately)

* Minimum rail thickness is .065 for Commercial
 ** Minimum requirement for salt pools is 316L Marine Grade

2-Bend



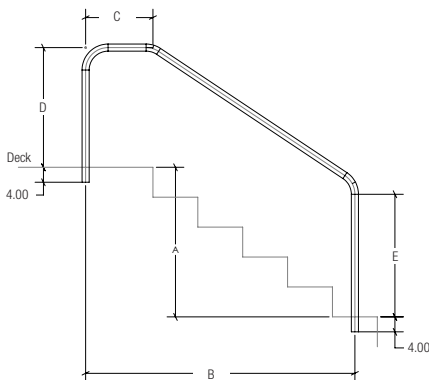
Model No.	Description	A	B	Shipping			
				Weight	Length	Width	Height
2HR-4	4' 2-BEND	26"	4'-0"	10-20 lbs 4-10kg	70" 178cm	37" 94cm	2" 5cm
2HR-5	5' 2-BEND	36"	5'-0"	12-25 lbs 5-11kg	82" 208cm	37" 94cm	2" 5cm
2HR-6	6' 2-BEND	46"	6'-0"	13-32 lbs 6-14kg	97" 246cm	37" 94cm	2" 5cm

- Add -049 to the part number for .049" wall. Add -065 to the part number for .065" wall.
- Extended Lengths: Add -1 to the part number for 12" extended length on pool (front) leg. Add -2 to the part number for 12" extended length on both legs. Add -3 to the part number for 12" extended length to deck leg.
- For stock powder-coated products, see page 76.



Three Bend

3-Bend



Model No.	Description	A	B	C	D	E	Shipping			
							Weight	Length	Width	Height
3HR-4	4' 3-BEND	26"	4'-0"	18"	32"	26"	11-22 lbs 5-10kg	60" 152cm	42" 107cm	2" 5cm
3HR-5	5' 3-BEND	36"	5'-0"	18"	32"	26"	12-24 lbs 5-11kg	72" 183cm	42" 107cm	2" 5cm
3HR-5.5	5'6" 3-BEND	32"	5'-6"	18"	32"	29"	13-21 lbs 6-10kg	78" 198cm	42" 107cm	2" 5cm
3HR-6	6' 3-BEND	46"	6'-0"	18"	32"	26"	13-32 lbs 6-14kg	84" 213cm	42" 107cm	2" 5cm
3HR-6.5	6'6" 3-BEND	32"	6'-6"	35"	34"	29"	16-34 lbs 7-15kg	90" 229cm	42" 107cm	2" 5cm
3HR-7	7' 3-BEND	36"	7'-0"	40"	30"	29"	18-34 lbs 8-15kg	94" 239cm	42" 107cm	2" 5cm
3HR-8	8' 3-BEND	30"	8'-0"	53"	34"	33"	21-39 lbs 10-18kg	105" 267cm	42" 107cm	2" 5cm

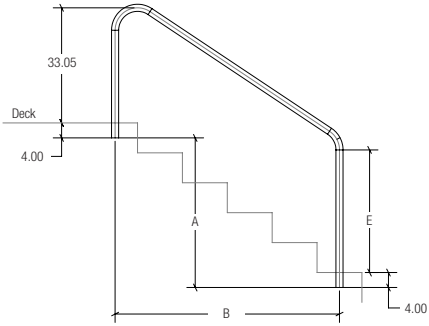
- Add -049 to the part number for .049" wall. Add -065 to the part number for .065" wall.
- Extended Lengths: Add -1 to the part number for 12" extended length on pool (front) leg. Add -2 to the part number for 12" extended length on both legs. Add -3 to the part number for 12" extended length to deck leg.
- For stock powder-coated products, see page 76. For stock SealedSteel Salt Friendly products, see page 77

May be available in Powder-Coated or SealedSteel® finishes. Please reach out to customer@srsmith.com to confirm the color and finish availability.

Heavy-Duty Stair Rails

- Tubing: 1.50" or 1.90" OD
- Wall Thickness: .065", .109", .120" or .145"
- Stainless Steel: 304
- Bends: 6" Radius
- Recommended anchors: AS-200B for 1.50" and AS-100B for 1.90" (order separately)
- Recommended escutcheons: EP-150 for 1.50" and EP-100F for 1.90" (order separately)

Heavy-Duty Two Bend



2-Bend Heavy Duty

10145 – 10147:	A=26"	B=48"	E=33.55"
10148 – 10150:	A=34"	B=60"	E=33.85"
10151 – 10153:	A=42"	B=72"	E=34.05"

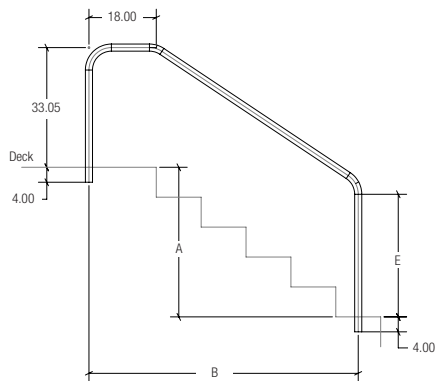
2-Bend (1.90" OD)

Model No.	Description	Shipping			
		Weight	Length	Width	Height
10145	4 foot 2-bend, .065" wall	14 lbs 6kg	70" 178cm	37" 94cm	2" 5cm
10146	4 foot 2-bend, .109" wall	23 lbs 10kg	70" 178cm	37" 94cm	2" 5cm
10147	4 foot 2-bend, .145" wall	30 lbs 14kg	70" 178cm	37" 94cm	2" 5cm
10148	5 foot 2-bend, .065" wall	16 lbs 7kg	82" 208cm	37" 94cm	2" 5cm
10149	5 foot 2-bend, .109" wall	25 lbs 11kg	82" 208cm	37" 94cm	2" 5cm
10150	5 foot 2-bend, .145" wall	33 lbs 15kg	82" 208cm	37" 94cm	2" 5cm
10151	6 foot 2-bend, .065" wall	17 lbs 8kg	97" 246cm	37" 94cm	2" 5cm
10152	6 foot 2-bend, .109" wall	28 lbs 13kg	97" 246cm	37" 94cm	2" 5cm
10153	6 foot 2-Bend, .145" wall	36 lbs 16kg	97" 246cm	37" 94cm	2" 5cm

2-Bend (1.50" OD)

Model No.	Description	Shipping			
		Weight	Length	Width	Height
12047	4 foot 2-bend, .120" wall	17 lbs 8kg	70" 178cm	37" 94cm	2" 5cm
12048	5 foot 2-bend, .120" wall	18 lbs 8kg	82" 208cm	37" 94cm	2" 5cm
12049	6 Foot 2-bend, .120" wall	20 lbs 9kg	97" 246cm	37" 94cm	2" 5cm

Heavy-Duty Three Bend



3-Bend Heavy Duty

10154 – 10156:	A=26"	B=48"	E=30.31"
10157 – 10159:	A=34"	B=60"	E=30.19"
10160 – 10162:	A=42"	B=72"	E=30.12"

3-Bend (1.90" OD)

Model No.	Description	Shipping			
		Weight	Length	Width	Height
10154	4 foot 3-bend, .065" wall	14 lbs 6kg	60" 152cm	42" 107cm	2" 5cm
10155	4 foot 3-bend, .109" wall	23 lbs 10kg	60" 152cm	42" 107cm	2" 5cm
10156	4 foot 3-bend, .145" wall	30 lbs 14kg	60" 152cm	42" 107cm	2" 5cm
10157	5 foot 3-bend, .065" wall	16 lbs 7kg	72" 183cm	42" 107cm	2" 5cm
10158	5 foot 3-bend, .109" wall	25 lbs 11kg	72" 183cm	42" 107cm	2" 5cm
10159	5 foot 3-bend, .145" wall	33 lbs 15kg	72" 183cm	42" 107cm	2" 5cm
10160	6 foot 3-bend, .065" wall	17 lbs 8kg	84" 213cm	42" 107cm	2" 5cm
10161	6 foot 3-bend, .109" wall	28 lbs 13kg	84" 213cm	42" 107cm	2" 5cm
10162	6 foot 3-bend, .145" wall	36 lbs 16kg	84" 213cm	42" 107cm	2" 5cm

3-Bend (1.50" OD)

Model No.	Description	Shipping			
		Weight	Length	Width	Height
12050	4 foot 3-bend, .120" wall	17 lbs 8kg	60" 152cm	42" 107cm	2" 5cm
12051	5 foot 3-bend, .120" wall	18 lbs 8kg	72" 183cm	42" 107cm	2" 5cm
12052	6 foot 3-bend, .120" wall	20 lbs 9kg	84" 213cm	42" 107cm	2" 5cm

May be available in Powder-Coated or SealedSteel® finishes. Please reach out to customer@srsmith.com to confirm the color and finish availability.

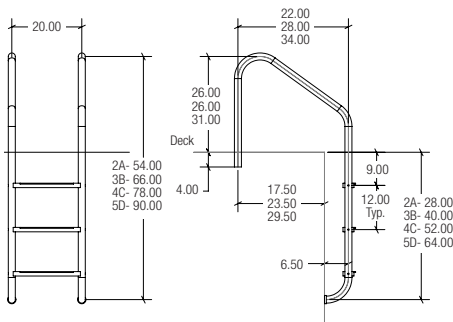
Commercial Ladder



- Tubing: 1.90" OD
- Wall Thickness: .065"
- Stainless Steel: 304 or 316L Marine Grade* (add – MG to part number)
- Treads: LTDF-103 Stainless Steel (Elite)
- Bends 4" Radius
- Recommended anchors: AS-100B (order separately)
- Recommended escutcheon: EP-100F (order separately)

* Minimum requirement for salt pools is 316L Marine Grade

Model No.	Description
LF-X*-2A	2-Step Ladder
LF-X*-3B	3-Step Ladder
LF-X*-4C	4-Step Ladder
LF-X*-5D	5-Step Ladder
LFB-X*-2A	2-Step Ladder with cross brace
LFB-X*-3B	3-Step Ladder with cross brace
LFB-X*-4C	4-Step Ladder with cross brace
LFB-X*-5D	5-Step Ladder with cross brace
LFB-36-3B-12	Special 36" crossbrace 3-step ladder w/ 12" extended length



* Key to order: X=Width dimension: 24 for 24" ladder, 30 for 30" ladder, or 36 for 36" ladder.

Example LF-24-2A for 24" 2 step ladder

• Safety Step Kits: Add T to the end of the part number:

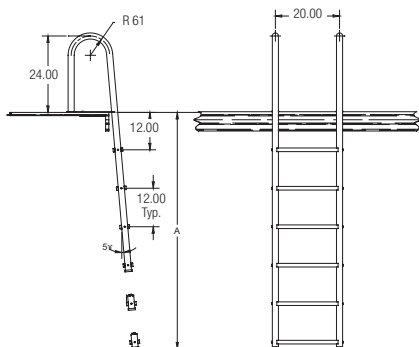
- Frames extend 5 1/2" from the pool wall. Frame is secured to the pool deck with two anchor sockets on 20" centers. The lower end of the frame is bent to meet the pool wall and fitted with two white rubber bumpers (WRB-100A).

Dock Ladder



- Tubing: 1.90" OD
- Wall Thickness: .065"
- Stainless Steel: 304 or 316L Marine Grade* (add – MG to part number)
- Treads: LTDF-103 Stainless Steel
- Bends 4" Radius

* Minimum requirement for salt pools is 316L Marine Grade



Model No.	Description	Shipping			
		Weight	Length	Width	Height
LLS-4	4-Step Ladder	60 lbs	82"	28"	2"
		27kg	208cm	71cm	5cm
LLS-5	5-Step Ladder	65 lbs	90"	28"	2"
		29kg	229cm	71cm	5cm
LLS-6	6-Step Ladder	70 lbs	98"	28"	2"
		32kg	249cm	71cm	5cm

- The keyhole tie down plate (1/4" x 2" x 15") allows the ladder to be easily locked and unlocked from the deck. Mounting bolts are not included but require 3/8" x 4" long bolt.

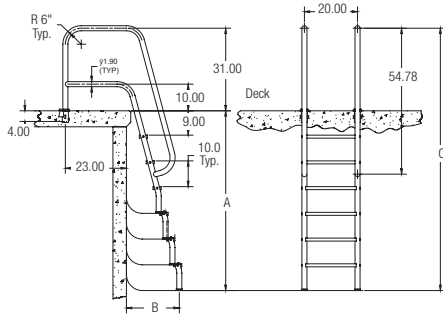
May be available in Powder-Coated or SealedSteel® finishes. Please reach out to customercare@srsmith.com to confirm the color and finish availability.



Easy-Out Therapeutic Ladder

- Tubing: 1.90" OD
- Wall Thickness: .065"
- Stainless Steel: 304 or 316L Marine Grade* (add -MG to part number)
- Treads: LTDF-105 Stainless Steel
- Bends 4" Radius
- Recommended anchor: AS-100B (order separately)
- Recommended escutcheon: EP-100A (order separately)

* Minimum requirement for salt pools is 316L Marine Grade



Model No.	Description	Shipping			
		Weight	Length	Width	Height
TL-3B	3-Step Ladder	35 lbs 16kg	77" 196cm	41" 104cm	4" 10cm
TL-4C	4-Step Ladder	41 lbs 18kg	82" 208cm	41" 104cm	4" 10cm
TL-5D	5-Step Ladder	47 lbs 21kg	92" 234cm	41" 104cm	4" 10cm
TL-6E	6-Step Ladder	55 lbs 25kg	105" 267cm	41" 104cm	4" 10cm

Frame is secured to the pool deck with two anchor sockets on 20" centers. The lower end of the frame rests on the pool floor and is fitted with two white rubber bumpers (VRB-100A).

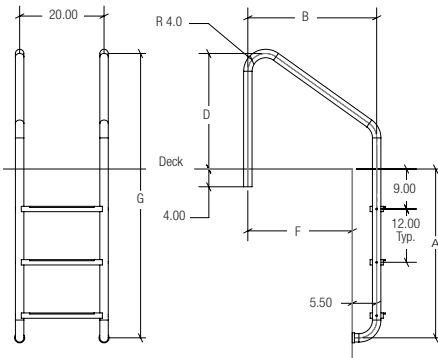
Standard Plus Ladder

Plastic Tread Ladder



- Tubing: 1.90" OD
- Wall Thickness: .065", .109" or .145"
- Stainless Steel: 304
- Treads: LTDF-111 (Plastic)
- Bends: 4" Radius
- Recommended anchors: AS-200B for 1.50" and AS-100B for 1.90" (order separately)
- Recommended escutcheons: EP-150 for 1.50" and EP-100F for 1.90" (order separately)

* Email Customer Service at customer-care@srsmith.com for availability of ladders of 1.50"OD tubing



plastic

MODEL NUMBER	D	B	A	F	G
10001 TO 10003	26.00	23.00	28.00	17.50	54.00
10004 TO 10006	26.00	23.00	40.00	17.50	66.00
10007 TO 10009	26.00	23.00	52.00	17.50	78.00
10010 TO 10012	26.00	23.00	64.00	17.50	90.00
10013 TO 10015	26.00	29.00	28.00	23.50	54.00
10016 TO 10018	26.00	29.00	40.00	23.50	66.00
10019 TO 10020	26.00	29.00	52.00	23.50	78.00
10022 TO 10024	26.00	29.00	64.00	23.50	90.00
10025 TO 10027	31.00	35.00	28.00	29.50	59.00
10028 TO 10030	31.00	35.00	40.00	29.50	71.00
10031 TO 10033	31.00	35.00	52.00	29.50	83.00
10034 TO 10036	31.00	35.00	64.00	29.50	95.00

Model No.	Description	Shipping			
		Weight	Length	Width	Height
10001 to 10003*	23" 2-Step Ladder with .065", .109", .145" tubing	30, 42, 54 lbs 14, 20, 24kg	61" 155cm	29" 74cm	2" 5cm
10004 to 10006	23" 3-Step Ladder with .065", .109", .145" tubing	36, 50, 62 lbs 16, 23, 28kg	70" 177cm	28" 71cm	2" 5cm
10007 to 10009	23" 4-Step Ladder with .065", .109", .145" tubing	40, 58, 70 lbs 18, 26, 32kg	82" 208cm	28" 71cm	2" 5cm
10010 to 10012	23" 5-Step Ladder with .065", .109", .145" tubing	46, 64, 78 lbs 21, 29, 35kg	90" 229cm	28" 71cm	2" 5cm
10013 to 10015	29" 2-Step Ladder with .065", .109", .145" tubing	30, 44, 56 lbs 14, 20, 25kg	59" 150cm	39" 99cm	2" 5cm
10016 to 10018	29" 3-Step Ladder with .065", .109", .145" tubing	36, 52, 64 lbs 16, 24, 29kg	85" 216cm	39" 99cm	2" 5cm
10019 to 10020	29" 4-Step Ladder with .065", .109", .145" tubing	42, 58, 72 lbs 20, 26, 33kg	85" 216cm	39" 99cm	2" 5cm
10022 to 10024	29" 5-Step Ladder with .065", .109", .145" tubing	48, 66, 80 lbs 22, 30, 36kg	85" 216cm	39" 99cm	2" 5cm
10025 to 10027	35" 2-Step Ladder with .065", .109", .145" tubing	34, 48, 62 lbs 15, 22, 28kg	59" 150cm	39" 99cm	2" 5cm
10028 to 10030	35" 3-Step Ladder with .065", .109", .145" tubing	38, 56, 70 lbs 17, 25, 32kg	76" 193cm	40" 102cm	2" 5cm
10031 to 10033	35" 4-Step Ladder with .065", .109", .145" tubing	44, 64, 78 lbs 20, 29, 35kg	76" 193cm	40" 102cm	2" 5cm
10034 to 10036	35" 5-Step Ladder with .065", .109", .145" tubing	50, 70, 86 lbs 23, 32, 40kg	76" 193cm	40" 102cm	2" 5cm

• Frames extend 5/2" from the pool wall. Frame is secured to the pool deck with two anchor sockets on 20" centers. The lower end of the frame is bent to meet the pool wall and fitted with two white rubber bumpers (WRB-100A for 1.90" and WRB-102A for 1.50").

* Example 10001=.065", 10002=.109", 10003=.145" tubing

May be available in Powder-Coated or SealedSteel® finishes. Please reach out to customer-care@srsmith.com to confirm the color and finish availability.

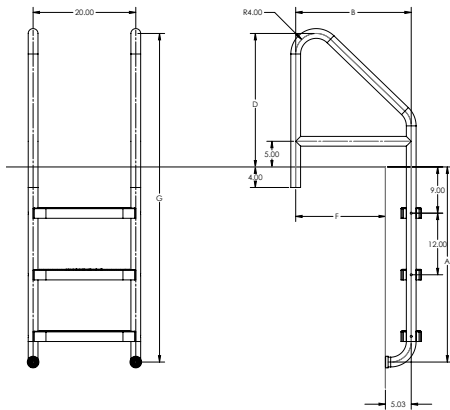
Standard Crossbrace Plus Ladder



Plastic Tread Ladder

- Tubing: 1.90" OD
- Wall Thickness: .065", .109" or .145"
- Stainless Steel: 304
- Treads: LTDF-III (Plastic)
- Bends: 4" Radius
- Recommended anchors: AS-200B for 1.50" and AS-100B for 1.90" (order separately)
- Recommended escutcheons: EP-150 for 1.50" and EP-100F for 1.90" (order separately)

* Email Customer Service at customercare@srsmith.com for availability of ladders of 1.50"OD tubing



Model No.	Description	Shipping			
		Weight	Length	Width	Height
10073 to 10075*	23" 2-Step Ladder with .065", .109", .145" tubing	36, 50, 66 lbs 16, 23, 30kg	61" 155cm	29" 74cm	2" 5cm
10076 to 10078	23" 3-Step Ladder with .065", .109", .145" tubing	42, 58, 74 lbs 20, 26, 34kg	70" 177cm	28" 71cm	2" 5cm
10079 to 10081	23" 4-Step Ladder with .065", .109", .145" tubing	46, 66, 82 lbs 21, 30, 37kg	82" 208cm	28" 71cm	2" 5cm
10082 to 10084	23" 5-Step Ladder with .065", .109", .145" tubing	52, 72, 90 lbs 24, 33, 41kg	90" 229cm	28" 71cm	2" 5cm
10085 to 10087	29" 2-Step Ladder with .065", .109", .145" tubing	38, 56, 70 lbs 17, 25, 32kg	59" 150cm	39" 99cm	2" 5cm
10088 to 10090	29" 3-Step Ladder with .065", .109", .145" tubing	44, 64, 78 lbs 20, 29, 35kg	85" 216cm	39" 99cm	2" 5cm
10091 to 10093	29" 4-Step Ladder with .065", .109", .145" tubing	50, 70, 86 lbs 23, 32, 40kg	85" 216cm	39" 99cm	2" 5cm
10094 to 10096	29" 5-Step Ladder with .065", .109", .145" tubing	56, 78, 94 lbs 25, 35, 43kg	85" 216cm	39" 99cm	2" 5cm
10097 to 10099	35" 2-Step Ladder with .065", .109", .145" tubing	42, 62, 78 lbs 19, 28, 35kg	59" 150cm	39" 99cm	2" 5cm
10100 to 10102	35" 3-Step Ladder with .065", .109", .145" tubing	46, 70, 86 lbs 20, 32, 39kg	76" 193cm	40" 102cm	2" 5cm
10103 to 10105	35" 4-Step Ladder with .065", .109", .145" tubing	52, 78, 94 lbs 24, 35, 43kg	76" 193cm	40" 102cm	2" 5cm
10106 to 10108	35" 5-Step Ladder with .065", .109", .145" tubing	58, 84, 102 lbs 26, 38, 46kg	76" 193cm	40" 102cm	2" 5cm

plastic

MODEL NUMBER	A	B	D	F	G
10073 TO 10075	28.00	23.00	26.00	17.50	54.00
10076 TO 10078	40.00	23.00	26.00	17.50	66.00
10079 TO 10081	52.00	23.00	26.00	17.50	78.00
10082 TO 10084	64.00	23.00	26.00	17.50	90.00
10085 TO 10087	28.00	29.00	26.00	23.50	54.00
10088 TO 10090	40.00	29.00	26.00	23.50	66.00
10091 TO 10093	52.00	29.00	26.00	23.50	78.00
10094 TO 10096	64.00	29.00	26.00	23.50	90.00
10097 TO 10099	28.00	35.00	31.00	29.50	59.00
10100 TO 10102	40.00	35.00	31.00	29.50	71.00
10103 TO 10105	52.00	35.00	31.00	29.50	83.00
10106 TO 10108	64.00	35.00	31.00	29.50	95.00

The lower end of the frame is bent to meet the pool wall and fitted two white rubber bumpers (WRB-100A for 1.90" and WRB-102A for 1.50").

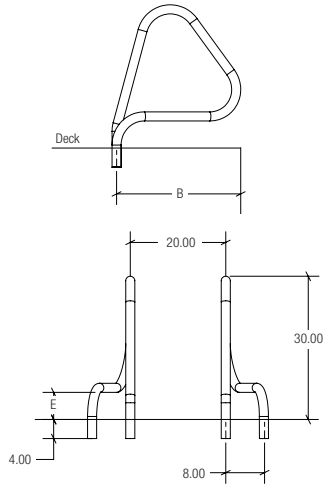
* Example 10073=.065", 10074=.109", 10075=.145" tubing

May be available in Powder-Coated or SealedSteel® finishes. Please reach out to customercare@srsmith.com to confirm the color and finish availability.



PAC Pretzel Rail

- Tubing: 1.50" or 1.90" OD
- Wall Thickness: .109", .120" or .145"
- Stainless Steel: 304
- Recommended anchors: AS-200B for 1.50" and AS-100B for 1.90" (order separately)
- Recommended escutcheons: EP-150 for 1.50" and EP-100F for 1.90" (order separately)
- Sold as pairs

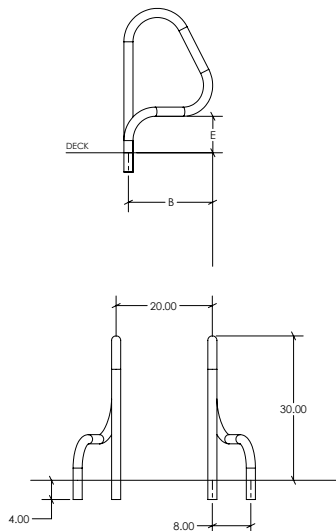


Model No.	Description	B	E	Shipping			
				Weight	Length	Width	Height
10175	.109" wall, 1.90" OD	26"	10.63"	34 lbs 15kg	30"34"	22"	76cm86cm56cm
10176	.145" wall, 1.90" OD	26"	10.63"	46 lbs 21kg	30"34"	22"	76cm86cm56cm
10177	.109" wall, 1.90" OD	30"	10.63"	38 lbs 17kg	30"36"	22"	76cm91cm56cm
10178	.145" wall, 1.90" OD	30"	10.63"	48 lbs 22kg	30"36"	22"	76cm91cm56cm
12057	.120" wall, 1.50" OD	26"	10.63"	34 lbs 15kg	30"34"	22"	76cm86cm56cm
12058	.120" wall, 1.50" OD	30"	10.63"	38 lbs 17kg	30"36"	22"	76cm91cm56cm



Pretzel Rail

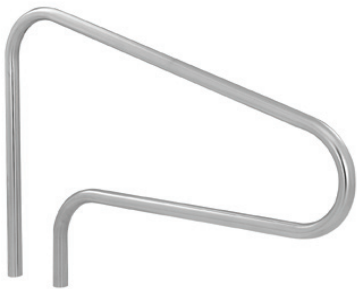
- Tubing: 1.50" or 1.90" OD
- Wall Thickness: .109", .120" or .145"
- Stainless Steel: 304
- Recommended anchors: AS-200B for 1.50" and AS-100B for 1.90" (order separately)
- Recommended escutcheons: EP-150 for 1.50" and EP-100F for 1.90" (order separately)
- Sold as pairs



Model No.	Description	B	E	Shipping			
				Weight	Length	Width	Height
10169	.109" wall, 1.90" OD	17"	8.5"	32 lbs 14kg	32"	22"	20" 51cm
10170	.145" wall, 1.90" OD	17"	8.5"	40 lbs 18kg	32"	22"	20" 51cm
10171	.109" wall, 1.90" OD	26"	6.63"	36 lbs 16kg	34"	28"	22" 56cm
10172	.145" wall, 1.90" OD	26"	6.63"	46 lbs 21kg	34"	28"	22" 56cm
10173	.109" wall, 1.90" OD	30"	6.63"	38 lbs 17kg	36"	32"	22" 56cm
10174	.145" wall, 1.90" OD	30"	6.63"	50 lbs 23kg	36"	32"	22" 56cm
12054	.120" wall, 1.50" OD	17"	8.5"	32 lbs 14kg	32"	22"	20" 51cm
12055	.120" wall, 1.50" OD	26"	6.63"	36 lbs 16kg	34"	28"	22" 56cm
12056	.120" wall, 1.50" OD	30"	6.63"	38 lbs 17kg	36"	32"	22" 53cm

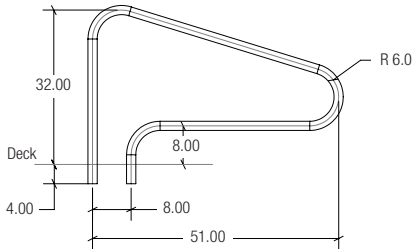
May be available in Powder-Coated or SealedSteel® finishes. Please reach out to customer care@srsmith.com to confirm the color and finish availability.

Deck-Mounted Hand & Stair Rails



- Tubing: 1.90" OD
- Wall Thickness*: .049" or .065"
- Stainless Steel: 304 or 316L Marine Grade** (add -MG to part number)
- Bends: 6" Radius
- Recommended Anchors: AS-100P or AS-100B (order separately)
- Recommended Escutcheon: EP-100F (order separately)
- **Sold as a single rail**

* Minimum rail thickness is .065 for Commercial
 ** Minimum requirement for salt pools is 316L Marine Grade



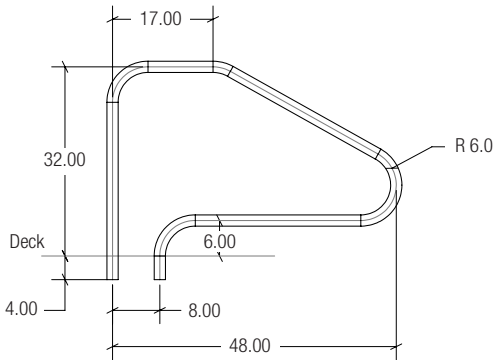
DMS-100

Model No.	Description	A	Shipping			
			Weight	Length	Width	Height
DMS-100A	51" Center Grab Rail, .049"51"		13 lbs — 17 lbs 6 — 8kg	59" 150cm	39" 99cm	2" 5cm
DMS-100B	51" Center Grab Rail, .065"51"		13 lbs — 17 lbs 6 — 8kg	59" 150cm	39" 99cm	2" 5cm
DMS-100S	60" Center Grab Rail, .065"60"		18 lbs 8kg	59" 150cm	39" 99cm	2" 5cm



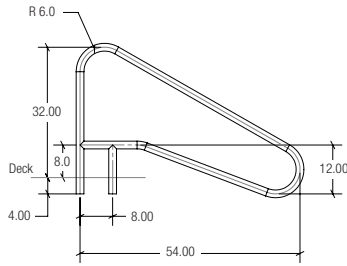
DMS-101

Model No.	Description	Shipping			
		Weight	Length	Width	Height
DMS-101A	48" Center Grab Rail, .049	13 lbs — 16 lbs 6 — 7kg	59" 150cm	39" 99cm	2" 5cm
DMS-101B	48" Center Grab Rail, .065	13 lbs — 16 lbs 6 — 7kg	59" 150cm	39" 99cm	2" 5cm



Deck-Mounted Hand & Stair Rails

DMS-102



- Tubing: 1.90" OD
- Wall Thickness*: .049" or .065"
- Stainless Steel: 304 or 316L Marine Grade** (add -MG to part number)
- Bends: 6" Radius
- Recommended Anchors: AS-100P or AS-100B (order separately)
- Recommended Escutcheon: EP-100F (order separately)
- **Sold as a single rail**

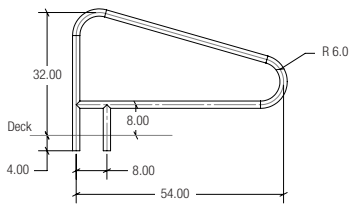
* Minimum rail thickness is .065 for Commercial

** Minimum requirement for salt pools is 316L Marine Grade

DMS-102

Model No.	Description	Shipping			
		Weight	Length	Width	Height
DMS-102A	54" Center Grab Rail, .049"	15 lbs — 19 lbs 7 — 9kg	59" 150cm	39" 99cm	2" 5cm
DMS-102B	54" Center Grab Rail, .065"	15 lbs — 19 lbs 7 — 9kg	59" 150cm	39" 99cm	2" 5cm
DMS-102P	54" Center Grab Rail, .049" w/welded mounting plate	15 lbs — 19 lbs 7 — 9kg	59" 150cm	39" 99cm	2" 5cm

DMS-103



DMS-103

Model No.	Description	Shipping			
		Weight	Length	Width	Height
DMS-103A	54" Center Grab Rail, .049"	14 lbs — 18 lbs 6 — 8kg	59" 150cm	39" 99cm	2" 5cm
DMS-103B	54" Center Grab Rail, .065"	14 lbs — 18 lbs 6 — 8kg	59" 150cm	39" 99cm	2" 5cm

May be available in Powder-Coated or SealedSteel® finishes. Please reach out to customercare@srsmith.com to confirm the color and finish availability.



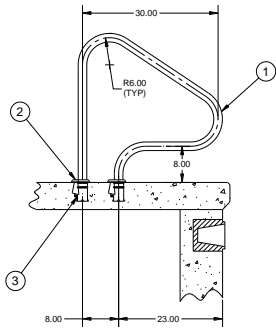
Figure 4

- 600-grit polished finish
- Stainless Steel: 304 or 316L Marine Grade* (add -MG to part number)
- Options: Powder-coating and SealedSteel Salt Friendly available
- Sold as pairs, unless otherwise noted
- * Minimum requirement for salt pools is 316L Marine Grade

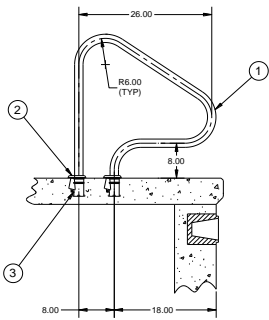
Commercial

- Tubing:
 - 1.50"OD – .120" wall thickness
 - 1.90"OD – .065", .109" or .145" wall thickness
- Bends: 6" radius with 35-inch height
- Recommended Anchors: AS-204MG for 1.50" and AS-104MG for 1.90" (order separately)
- Recommended Escutcheons: EP-150 or EP-150-MG for 1.50" and EP-100F or EP-150-MG for 1.90" (order separately)

Commercial 30-inch Setback



Commercial 26-inch Setback



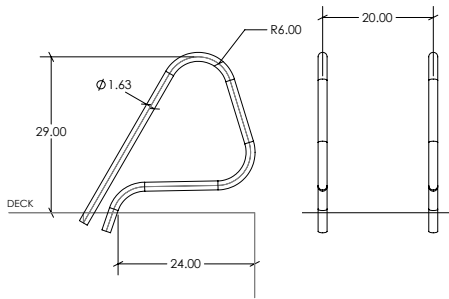
Commercial

Model No.	Description	Shipping			
		Weight	Length	Width	Height
10179	30" setback, .065" wall, pair 1.90"OD	24 lbs 10.8kg	39" 99cm	32" 81cm	4" 10cm
10180	30" setback, .109" wall, pair 1.90"OD	38 lbs 17kg	39" 99cm	32" 81cm	4" 10cm
10181	30" setback, .145" wall, pair 1.90"OD	48 lbs 22kg	39" 99cm	32" 81cm	4" 10cm
10183	26" setback, .065" wall, pair 1.90"OD	23 lbs 10kg	39" 99cm	32" 81cm	4" 10cm
10184	26" setback, .109" wall, pair 1.90"OD	36 lbs 16kg	39" 99cm	32" 81cm	4" 10cm
10185	26" setback, .145" wall, pair 1.90"OD	45 lbs 20kg	39" 99cm	32" 81cm	4" 10cm
12059	26" setback, .120" wall, pair 1.50"OD	23 lbs 10kg	39" 99cm	32" 81cm	4" 10cm
12053	30" setback, .120" wall, pair 1.50"OD	24 lbs 11kg	39" 99cm	32" 81cm	4" 10cm



Commercial Ring

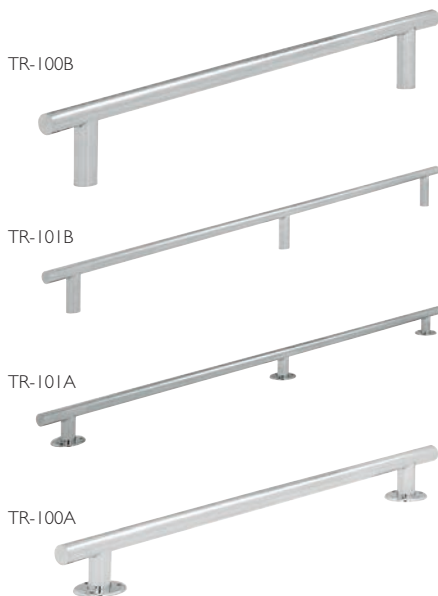
- Tubing: 1.625" OD
- Wall Thickness: .065"
- Stainless Steel: 304
- Recommended anchors: 34-305A or 34-306A
- Recommended escutcheons: 8-420 (included)
- Sold as pairs



Model No.	Description	Shipping			
		Weight	Length	Width	Height
CRH-100	Ring Handrails - Rails Only (Pair)	14 lbs 6kg	40" 102cm	32" 81cm	4" 10cm
CRH-100B	Ring Handrails with Bronze Anchor (Pair)	18 lbs (2 boxes) 8.1kg	32" 81cm	22" 56cm	4" 10cm
			24" 61cm	8" 20cm	5" 13cm

Parts & Accessories

- 34-306A Bronze Anchor, Complete
- 8-415A Gibraltar Wedge Retro Fit Kit
- 8-420 Double Escutcheon Plate, chrome plated plastic



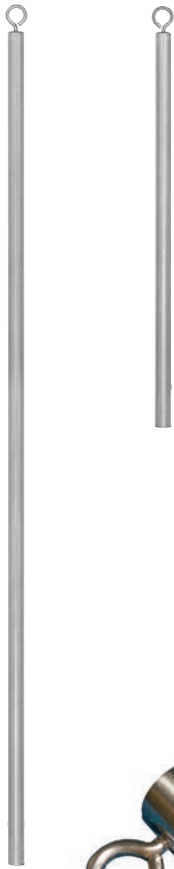
Commercial Therapeutic Exercise Bars

- Tubing: 1.90" OD
- Wall Thickness: .065"
- Stainless Steel: TR-100B & TR-101B are 304; TR-100A & TR-101A are 316L
- Recommended anchor: IAS-100 for non-flanged models (order separately)
- Recommended escutcheon: EP-100F for non-flanged models (order separately)
- Bars extend approximately 4" from the pool wall
- Flanged models include mounting hardware (3/8-16 UNC anchor bolts)
- Sold as a single rail

Model No.	Description	Shipping			
		Weight	Length	Width	Height
TR-100A	48" with flanges and mounting hardware	6 lbs/3kg	49"/124cm	6"/15cm	5"/13cm
TR-101A	88" with flanges and mounting hardware	8 lbs/4kg	89"/226cm	5"/13cm	5"/13cm
TR-100B	48" bar, non-flanged	12 lbs/5kg	49"/124cm	6"/15cm	5"/13cm
TR-101B	88" bar, non-flanged	14 lbs/6kg	89"/226cm	9"/23cm	2"/5cm
60-718	Mounting hardware	2 lbs/1kg	3"/8cm	3"/8cm	4"/10cm

May be available in Powder-Coated or SealedSteel® finishes. Please reach out to customer@srsmith.com to confirm the color and finish availability.

Backstroke and Recall Stanchions



Sliding Collar

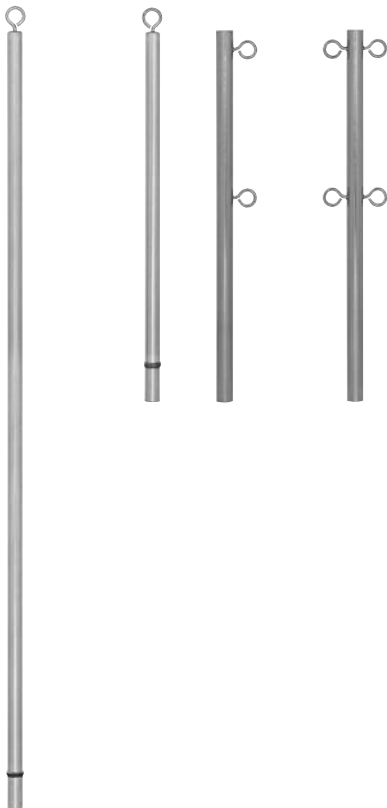
- Tubing: 1.90" OD
- Wall Thickness: .065", .109", or .145"
- Stainless Steel: 304
- Recommended anchors: AS-100D or AS-100S-MG (order separately)
- Recommended escutcheon: EP-100F (order separately)

Model No.	Description	Shipping			
		Weight	Length	Width	Height
10163	4'6" with .065" wall	7 lbs 3kg	55" 140cm	3" 8cm	3" 8cm
10164	4'6" with .109" wall	11 lbs 5kg	55" 140cm	3" 8cm	3" 8cm
10165	4'6" with .145" wall	14 lbs 6kg	55" 140cm	3" 8cm	3" 8cm
10166	8' with .065" wall	12 lbs 5kg	97" 246cm	3" 8cm	3" 8cm
10167	8' with .109" wall	18 lbs 8kg	97" 246cm	3" 8cm	3" 8cm
10168	8' with .145" wall	23 lbs 10kg	97" 246cm	3" 8cm	3" 8cm

Parts & Accessories

- 35-102 Sliding collar for 1.90" OD

Line and Crowd Control Stanchions

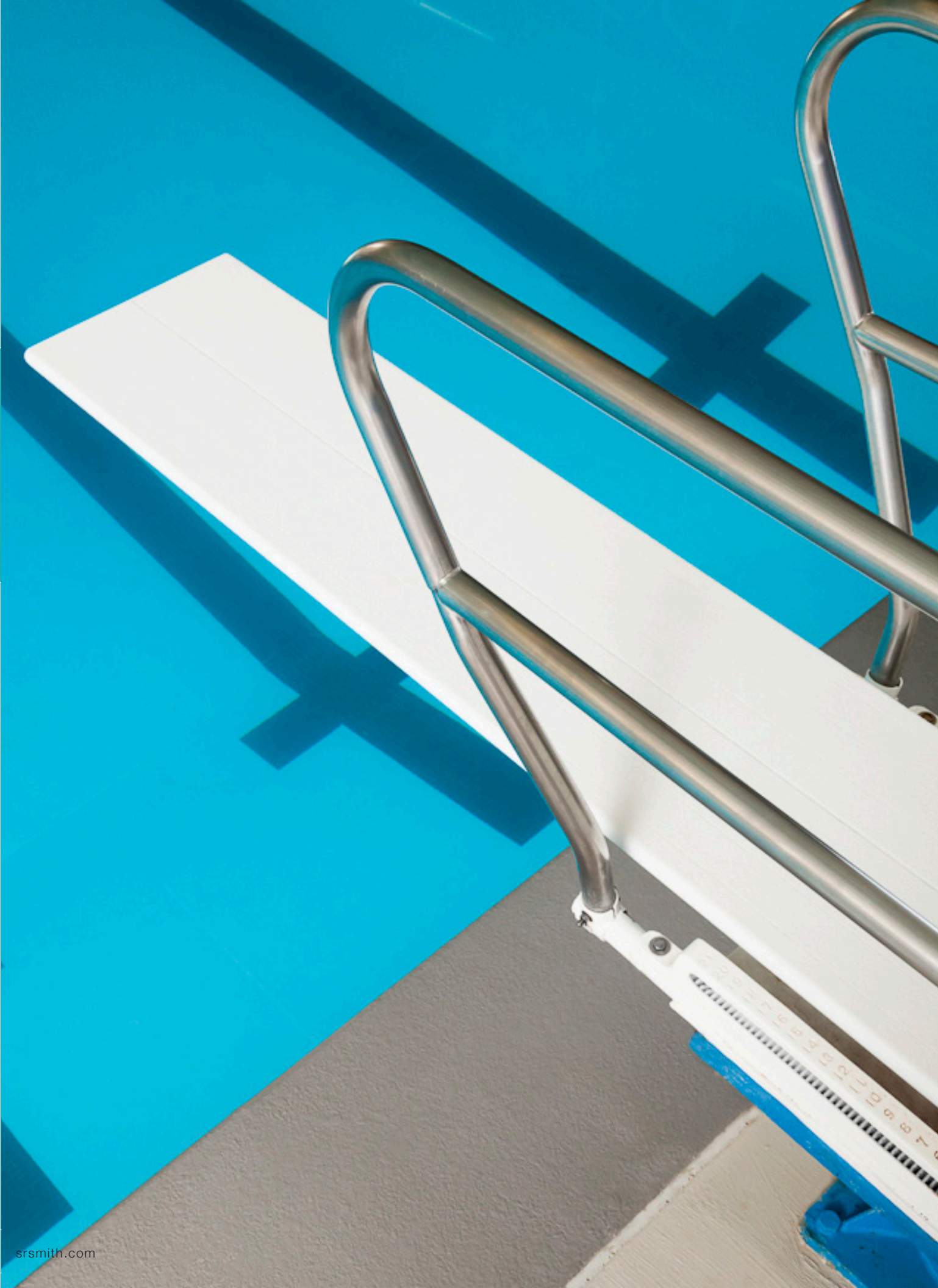


- Tubing: 1.625" or 1.90" OD
- Wall Thickness: .065"
- Stainless Steel: 304
- Recommended Anchors: A40698-0 for 1.50" and AS-100P or AS-100B for 1.90" (order separately)
- Recommended Escutcheon: EP-103 for 1.625" and EP-100F for 1.90" (order separately)

Model No.	Description	Shipping			
		Weight	Length	Width	Height
ST-100	3' 1.90" OD Stanchion with 1 eyebolt	6 lbs 3kg	40" 102cm	2" 5cm	2" 5cm
ST-101	3' 1.90" OD Stanchion with 2 eyebolts	6 lbs 3kg	40" 102cm	2" 5cm	2" 5cm
ST-102	3' 1.90" OD Stanchion with 4 eyebolts	7 lbs 3kg	40" 102cm	2" 5cm	2" 5cm
A41783-0	3' 1.625" OD Stanchion with 1 eyebolt anchor, plug	6 lbs 3kg	3" 8cm	2" 5cm	2" 5cm
A41789-0	7' 1.625" OD Stanchion with 1 eyebolt anchor, plug	11 lbs 5kg	7" 18cm	2" 5cm	2" 5cm

Parts & Accessories

- A40698-0 One anchor and plug only
- 35-102 Sliding collar for 1.90" OD



Boards + Stands

80+ Years of Diving Experience

Quality and safety are the hallmarks of S.R.Smith diving boards and stands. We've built our reputation on our ability to meet a wide range of facility needs with products that are affordable, and durable to enough to withstand the test of time.



Swim Club Board

Includes flow-coat, smooth backside, fiberglass wrapped core, non-slip sanded tread



Eureka Board

Fiberglass wrapped core with flow-coat, smooth backside, non-slip sanded tread



Olympian Board Aluminum powder coated, non-slip sanded tread



Frontier III Board

Fiberglass reinforced core, acrylic shell with flexible outer edge, matte backside, non-slip sanded tread



Frontier IV Board*

Fiberglass reinforced core, acrylic shell with flexible outer edge, matte backside, non-slip sanded tread

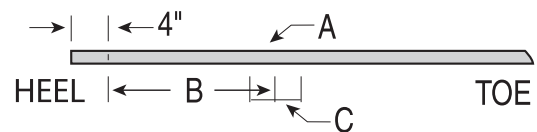
BOARDS			
Frontier III Commercial	2-hole, 12" O.C.	10', 12', 14' & 16'	250 lbs
Frontier IV Commercial	2-hole, 11" O.C.	8'	400 lbs
Swim Club	2-hole, 12" O.C.	10', 12', 14' & 16'	250 lbs
Eureka	2-hole, 12" O.C.	14' & 16'	250 lbs
Olympian	2-hole, 12" O.C.	10', 12', 14' & 16'	250 lbs

STAND	Compatible Diving Boards
2/3 Meter	Frontier III Commercial, Swim Club, Olympian
Econoline™ I Meter	Eureka, Frontier III Commercial, Swim Club, Olympian
Deluxe I & 3 Meter	Eureka, Frontier III Commercial, Swim Club, Olympian
Steel Meter	Frontier III Commercial, Swim Club, Olympian, Frontier IV*

*Frontier IV boards require a special stand, see page 36.

Fulcrum Settings for Diving Boards

A	Board	6'	8'	10'	12'	14'	16'
B	Fulcrum	30"	40"	52"	62"	74"	86"
C	Tolerance	±3"	±4"	±5"	±6"	±6"	±6"



Diving Boards must be installed with rubber fulcrum pads. Fulcrum settings beyond the stated tolerance void the warranty. Diving boards must be installed level across fulcrum and heel supports. Rubber mounting pads (washers) must be installed. Tightening Schedule can be found in the product's instruction manual.

Steel Meter Stand



Steel Meter stands are ideal for users that want the best stand money can buy.

- Powder-coated for increased corrosion resistance
- 8', 10' or 12' lengths
- Stand comes in white, with your choice of board color
- Stainless steel hardware for added corrosion resistance
- Stand comes in 1/2, 3/4, or 1 meter heights*

* 1 M heights require handrails – order separately

Stand Color



RADIANT WHITE

Due to printing technology actual color may differ.

All installations must comply with all applicable local and national codes and installation must be completed in accordance with S.R.Smith installation instructions.

Compatible with:



Frontier III (10')



Frontier III Commercial (10' and 12')



Frontier IV Commercial (8')



Swim Club (10' and 12')



Olympian (10' and 12')

71-209-561-SS Steel Meter Dive Handrail Kit
Stainless Steel Hardware

See page 36 for diving board part numbers.

Steel Meter Stands**

Stand Part No.	Board Size	Stand	Shipping (Class 70)			
			Weight	Length	Width	Height
70-209-502	10'	1/2 Meter Stand	137 lbs 62kg	58" 147cm	18" 46cm	14" 36cm
70-209-510	10'	3/4 Meter Stand	173 lbs 78kg	58" 147cm	23" 58cm	18" 46cm
70-209-512	12'	3/4 Meter Stand	197 lbs 89kg	67" 170cm	23" 58cm	18" 46cm
70-209-520	10'	1 Meter Stand	203 lbs 93kg	57" 145cm	31" 79cm	18" 46cm
70-209-522	12'	1 Meter Stand	225 lbs 102kg	67" 170cm	31" 79cm	18" 46cm

**Not recommended for salt pools

Steel Meter Stand with 8' Frontier IV Board***

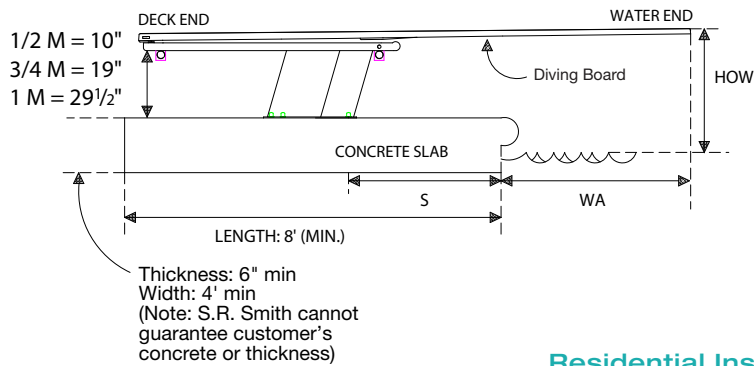
A special Steel Meter Stand was designed to pair specifically with our 8' Frontier IV board (400 lb weight limit). This combination is a great choice for pools with heavy diving traffic and more athletic pool users.

Stand Part No.	Description	Shipping (2 boxes, Class 70)			
		Weight	Length	Width	Height
68-209-2582	1/2 Meter Stand with	118 lbs 54kg	98" 249cm	20" 51cm	3" 8cm
	8' Frontier IV board, White	83 lbs 38kg	45" 114cm	17" 43cm	14" 36cm

***The Frontier IV board has 11" bolt centers and requires a special Steel Meter Stand that only works with this board

Handrails

Part No.	Description	Shipping (Class 70)			
		Weight	Length	Width	Height
71-209-550	Handrail for 8' Board	44 lbs 20kg	36" 91cm	64" 162cm	6" 15cm
71-209-551	Handrail for 10' Board	46 lbs 21kg	36" 91cm	78" 198cm	6" 15cm
71-209-552	Handrail for 12' Board	48 lbs 22kg	36" 91cm	88" 224cm	6" 15cm



Residential Installation Dimensions

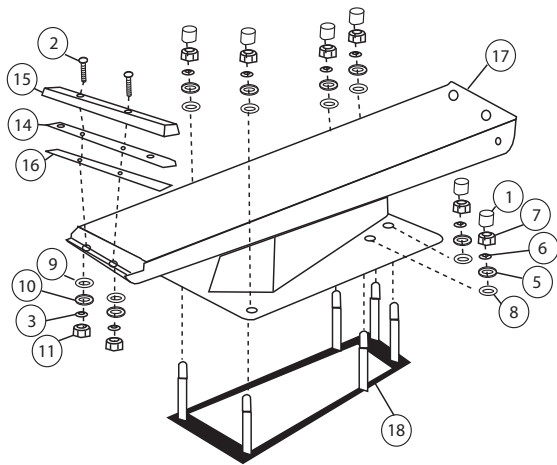
Length of Tray

Board	Stand	Tray Length
8'	1/2 M	44"
10'	1/2 M	56"
10'	3/4 M	56"
10'	1 M	56"
12'	3/4 M	66"
12'	1 M	66"

Stand	Diving Board Size	ANSI/NSPI-5 Pool Type	Distance for setting front bolt of jig from water's edge (S)**	Minimum overhang (WA)*	Maximum height of board above water (HOW)
1/2 Meter	8'	VI	27"	30"	26"
1/2 Meter	10'	VI	39"	30"	26"
3/4 Meter	10'	VII	40"	36"	30"
3/4 Meter	12'	VII	51"	36"	30"
1 Meter	10'	VIII	31"	48"	40"
1 Meter	12'	VIII	45"	48"	40"

* S and WA dimensions are valid only in conjunction with minimum depth at point A

** When coping is used do not set front bolts of jig closer than 3" from the back edge of the coping



Key	Part No.	Description	Kit A	Kit B	Kit C
A	71-209-542-SS	1/2 Meter Stand Bolt Kit			
B	71-209-543-SS	3/4 & 1 Meter Stand Bolt Kit			
C	71-209-544	Fulcrum Kit			
1	05-618	1/2" Plastic Nut Cap	•	•	
2	05-32-130	3/8" x 2" Step Bolt	•	•	
3	5-151	3/8" Lock Washer	•	•	
4	05-31-171	1/2" x 3 1/2" Carriage Bolt (not shown)	•		
5	05-14-132	1/2" x 1 3/8" Flat Washer	•	•	
6	05-14-115	1/2" Lock Washer	•	•	
7	05-14-116	1/2" Hex Nut	•	•	
8	05-616	1/2" x 1 1/2" Round Nylon Washer	•	•	
9	05-32-111	3/8" Nylon Washer	•	•	
10	5-145	3/8" Flat Washer	•	•	
11	5-139	3/8" Hex Nut	•	•	
12	04-608	1" Spacer, Schedule 40 Pipe (not shown)		•	
13	08-505	15" Rubber Pad (not shown)		•	
14	04-646	18" Meter Fulcrum Plate			•
15	08-503	18" Meter Fulcrum Pad			•
16	08-506	20" Rubber Mounting Pad			•
17		1/2 Meter Steel Stand			
18	71-209-541-SS	Jig w/ 6" bolts			
	71-209-539-SS	Jig w/ 9" bolts			
	71-209-540-SS	Jig w/ 10" bolts			
	04-629	3/4 M Step Replacement			
	04-630	1 M Step Replacement			

Deluxe 1 & 3 Meter Towers



CAT-3M-203R
Right Mount



CAT-1M-203H
Heel Mount

- Made of carbon steel, stands are galvanized and primed so they are ready for a high-quality acrylic urethane enamel paint
 - Available in 1 or 3 meter heights with either a dual, heel, left or right mount ladder
 - Pair with 14' or 16' diving boards
 - Handrails are included and are made of 1.90" OD, .065" wall stainless steel
 - Comes standard with a quick adjustable fulcrum (QAF-100) and stainless steel handrails
- T-bar hinge allows board to pivot up

Stand Part No.	Description	Shipping (Class 125)			
		Weight	Length	Width	Height
CAT-1M-203D	1 Meter Tower Dual Mount	1000 lbs 454kg	132" 335cm	40" 102cm	48" 122cm
CAT-1M-203H	1 Meter Tower Heel Mount	1000 lbs 454kg	132" 335cm	40" 102cm	48" 122cm
CAT-1M-203HA	1 Meter Tower Heel Mount w/alternate jig	1000 lbs 454kg	132" 335cm	40" 102cm	48" 122cm
CAT-1M-203L	1 Meter Tower Left Mount	900 lbs 408kg	132" 335cm	40" 102cm	48" 122cm
CAT-1M-203R	1 Meter Tower Right Mount	900 lbs 408kg	132" 335cm	40" 102cm	48" 122cm
CAT-3M-203D	3 Meter Tower Dual Mount	1400 lbs 635kg	132" 335cm	40" 102cm	48" 122cm
CAT-3M-203H	3 Meter Tower Heel Mount	1250 lbs 567kg	132" 335cm	40" 102cm	48" 122cm
CAT-3M-203HA	3 Meter Tower Heel Mount w/alternate jig	1250 lbs 567kg	132" 335cm	40" 102cm	48" 122cm
CAT-3M-203L	3 Meter Tower Left Mount	1175 lbs 533kg	132" 335cm	40" 102cm	48" 122cm
CAT-3M-203R	3 Meter Tower Right Mount	1175 lbs 533kg	132" 335cm	40" 102cm	48" 122cm

Compatible with:



Frontier III Commercial (14' + 16')



Swim Club (14' + 16')



Eureka (14' + 16')



Olympian (14' + 16')

See page 36 for diving board part numbers.

Notes:

- Not recommended for salt pools
- To order a tower without jig add -A to the end of the part number
- Ships from Oregon facility only
- Boards sold separately

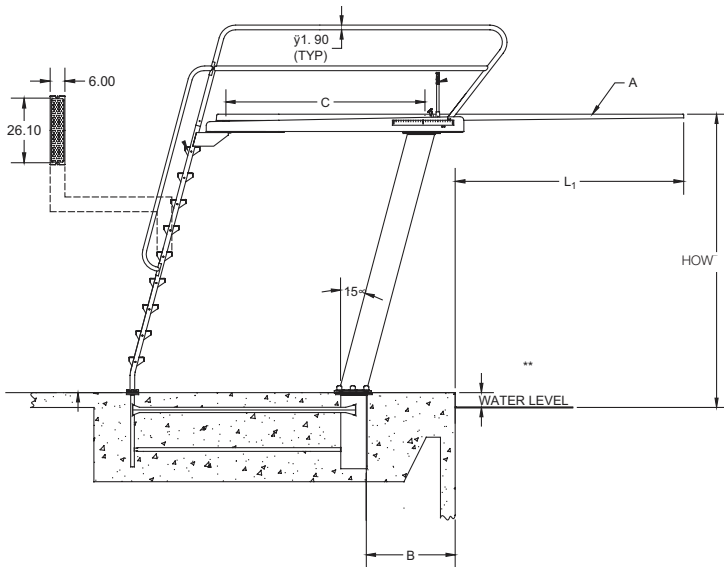
All installations must comply with all applicable local and national codes and installation must be completed in accordance with S.R.Smith installation instructions.

Parts & Hardware:

- QAF-100 Quick Adjustable Fulcrum
- 12-102 Tie Down Assembly (for 1 & 3 M)
- 12-108 Front Post Anchor Jig
- 6-114 Treads
- 13-105 Ladder Anchor Jig
- 13-106 Heel Post Anchor Jig
- 12-111H Heel Mount Tray Hardware Assembly

Pre-Order Anchors for New Construction

Tower Style	Anchor Jigs Needed
Heel Mount	12-108 & 13-105
Side Mount (left or right)	12-108, 13-105 & 13-106
Dual Mount	12-108 & two 13-105



Installation Dimensions

Model	Board (A)	Pool Type	Distance for setting front bolt of jig from water's edge (B)	Fulcrum setting (C ±6")	Minimum overhang (L1)	Maximum height of board above water (HOW)
1 Meter	14'	VIII	36-5/16"	74"	4'-0"	39-3/8"
1 Meter	16'	VIII	60-5/16"	86"	4'-0"	39-3/8"
1 Meter	14'	IX	12-5/16"	74"	6'-0"	39-3/8"
1 Meter	16'	IX	36-5/16"	86"	6'-0"	39-3/8"
3 Meter	14'	IX	33-1/4"	74"	6'-0"	118-1/8"
3 Meter	16'	IX	57-1/4"	86"	6'-0"	118-1/8"

Notes:

- Consult your local installation design codes to determine stand sizes and board lengths
- Diving boards and towers are sold separately
- See 1 & 3 Meter Tower Installation Booklet for pool type and installation instructions

CAT-1M-203L
Left Mount



CAT-3M-203D
Dual Mount



Econoline™ 1 Meter Stand



A durable, all-purpose diving tower for commercial aquatic facilities.

- Made of carbon steel, stands are galvanized and primed so they are ready for a high-quality acrylic urethane enamel paint
- Pair with 12' or 14' diving boards
- Platform tray has two 6" slots for proper fulcrum placement and adjustment
- 1.90" OD, .065" wall stainless steel handrails are not included but are required

Compatible with:



Frontier III Commercial (12' + 14')



Swim Club (12' + 14')



Eureka (14')



Olympian (12' + 14')

Stand		Shipping (Class 175)			
Part No.	Board Size	Weight	Length	Width	Height
E-CAT-1M-100	12'	315 lbs (2 boxes)	86"	21"	59"
	3.66m	143kg	27"	4"	4"
E-CAT-1M-101	14'	365 lbs (2 boxes)	92"	21"	59"
	4.27m	166kg	27"	4"	4"
25-106 Handrails & Hardware (order separately)		48 lbs	68"	35"	2"
25-106A Handrail Only		22kg	173cm	89cm	5cm
		48 lbs	68"	35"	2"
		22kg	173cm	89cm	5cm

Notes:

- Diving Boards and Towers are sold separately.
- Not recommended for salt pools
- Ships on a pallet

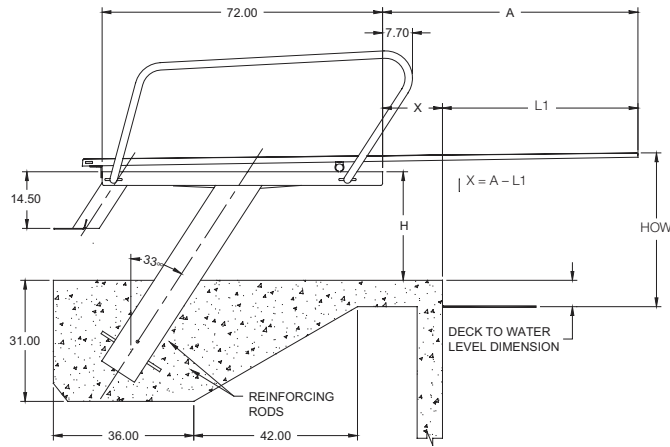
All installations must comply with all applicable local and national codes and installation must be completed in accordance with S.R.Smith installation instructions

Parts & Hardware:

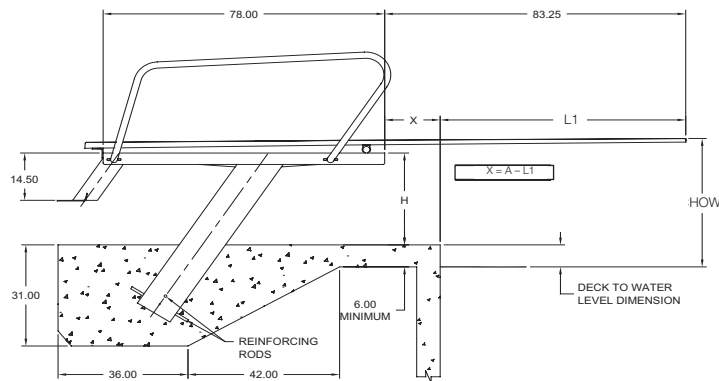
- 6-621 Plastic Non-skid Adhesive Back, black

See page 36 for diving board part numbers.

E-CAT-IM-100

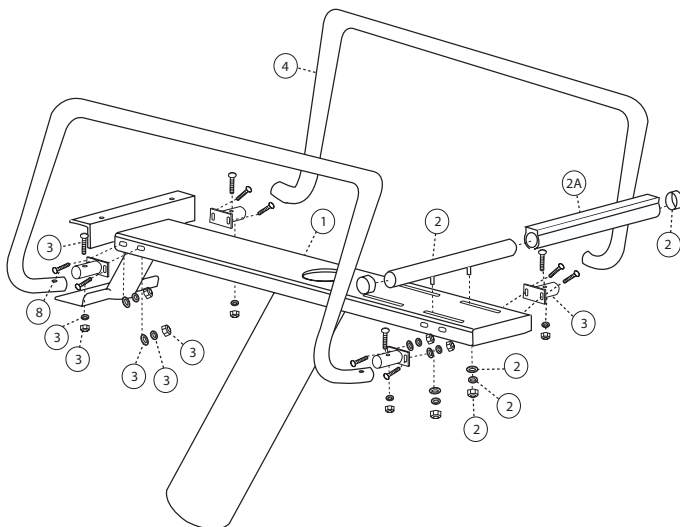


E-CAT-IM-101



Installation Dimensions

Model	Type	Length	Fulcrum	Board (A)	Maximum Height of Stand Above Deck, (H)	Minimum Overhang, (L1)
E-CAT-1M-100	VII	12'	62"	65 1/2"	H = 34"- Deck to Water Level	36"
E-CAT-1M-101	VIII	14'	74"	83 1/2"	H = 34"- Deck to Water Level	48"



Key	Part No.	Description
1	E-CAT-1M-100A	E-CAT-100 Stand
1	E-CAT-1M-101A	E-CAT-101 Stand
2	25-105	Fulcrum Assembly
2A	FC-100A	Fulcrum Pad
3	25-200	Handrail Bracket Kit
4	25-106A	Handrails



2/3-Meter Deck Level Stand

This versatile, mid-sized tower is a great choice for an aquatic facility that is limited on space.

- Made of carbon steel, primed and ready for a high-quality acrylic urethane enamel paint
- Pair with a 10' or 12' board
- Platform tray has two sets of 6" slots for proper fulcrum placement and adjustment
- Handrails are not included, but are strongly recommended and are made of 1.90" OD, .065" wall stainless steel

Compatible with:



Frontier III Commercial (10'+12')



Swim Club (10'+12')



Olympian (10'+12')

Stand Part No.	Board Size	Shipping (Class 175)			
		Weight	Length	Width	Height
DLS-100 Deck Level Diving Stand	10'	130 lbs 59kg	63" 160cm	36" 91cm	18" 46cm
DLS-101 Deck Level Diving Stand	10' or 12'	140 lbs 64kg	63" 160cm	36" 91cm	18" 46cm
25-104	DLS-100 Handrails & Hardware (order separately)	40 lbs 18kg	56" 142cm	36" 91cm	18" 46cm
25-106	DLS-101 Handrails & Hardware (order separately)	48 lbs 22kg	68" 173cm	35" 89cm	2" 5cm
25-104A	Handrail Only	32 lbs 14kg	56" 142cm	36" 91cm	18" 46cm
25-106A	Handrail Only	40 lbs 18kg	68" 173cm	35" 89cm	2" 5cm

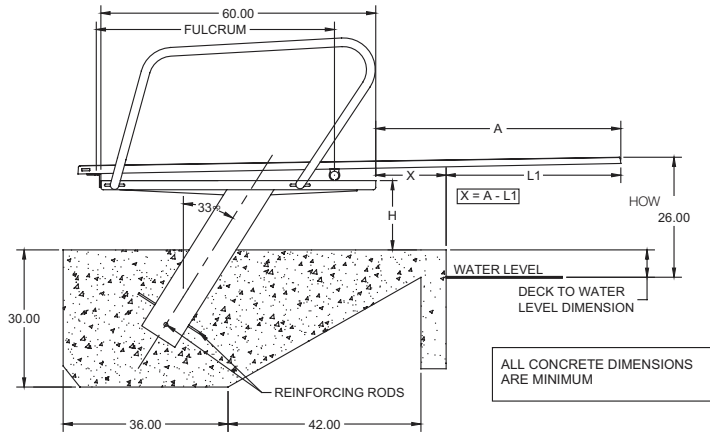
Notes:

- Diving boards and stands are sold separately
- Ships on a pallet
- * Not recommended for salt pools

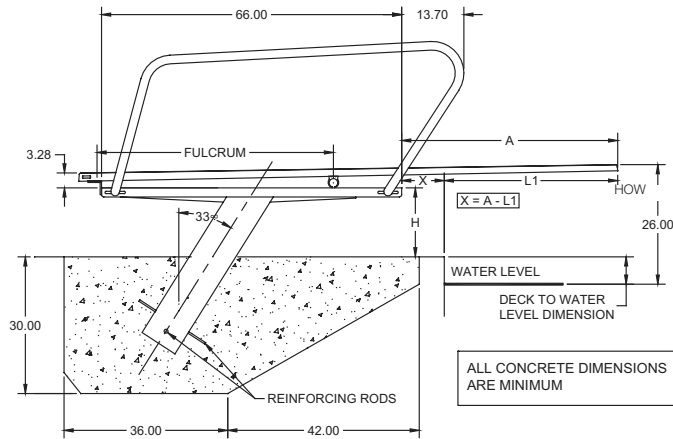
All installations must comply with all applicable local and national codes and installation must be completed in accordance with S.R.Smith installation instructions.

See page 36 for diving board part numbers.

DLS-100

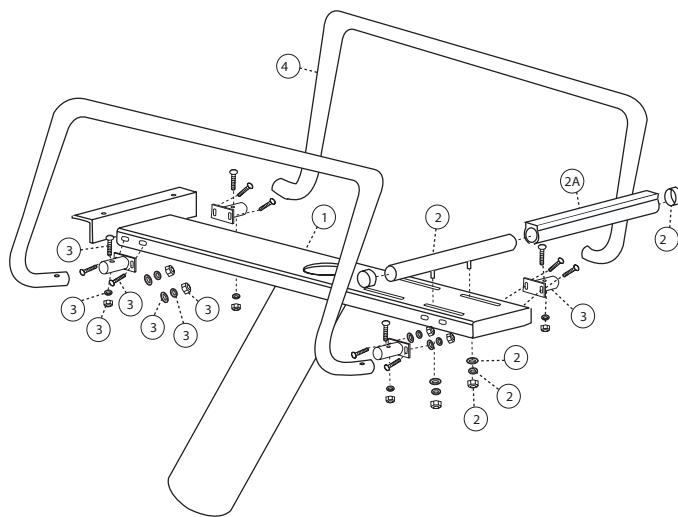


DLS-101



Installation Dimensions

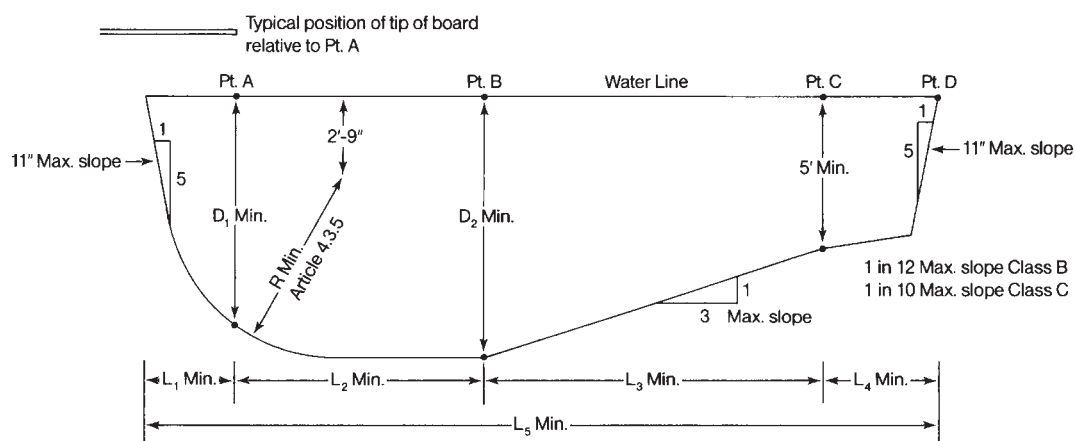
Model	Type	Length	Fulcrum	Board (A)	Maximum Height of Stand Above Deck, (H)	Minimum Overhang, (L1)
DLS-100	VI	10'	52"	53 1/2"	H = 20" - Deck to Water Level	30"
DLS-101	VI	10'	52"	47 1/2"	H = 20" - Deck to Water Level	30"
DLS-101	VII	12'	62"	71 1/2"	H = 20" - Deck to Water Level	36"



Key	Part No.	Description
1	DLS-100A	DLS-100 Stand
1	DLS-101A	DLS-101 Stand
2	25-103	Fulcrum Assembly
2A	FC-100A	Fulcrum Pad
3	25-200	Handrail Bracket Kit
4	25-104A	DLS-100 Handrails
4	25-106A	DLS-101 Handrails

ANSI/APSP/ICC-1 2014 Standard for Public Swimming Pools

Minimum Diving Water Envelope



Notes:

- L₄ is a minimum dimension to allow sufficient length opposite the board
- This may of course be lengthened to form the shallow portion of the pool

Pool Type	Minimum Dimensions								Min. Width of Pool at:		
	D1	D2	R	L1	L2	L3	L4	L5	PT. A	PT. B	PT. C
VI	7'-0"	8'-6"	5'-6"	2'-6"	8'-0"	10'-6"	7'-0"	28'-0"	16'-0"	18'-0"	18'-0"
VII	7'-6"	9'-0"	6'-0"	3'-0"	9'-0"	12'-0"	4'-0"	28'-0"	18'-0"	20'-0"	20'-0"
VIII	8'-6"	10'-0"	7'-0"	4'-0"	10'-0"	15'-0"	2'-0"	31'-0"	20'-0"	22'-0"	22'-0"
IX	11'-0"	12'-0"	8'-6"	6'-0"	10'-6"	21'-0"	0	37'-6"	22'-0"	24'-0"	24'-0"

Notes:

- L₂, L₃, and L₄ combined represent the minimum distance from the tip of board to pool wall opposite diving equipment
- For board heights exceeding 3 meters see Article 4.5.2

S.R.Smith Public Pool Specifications

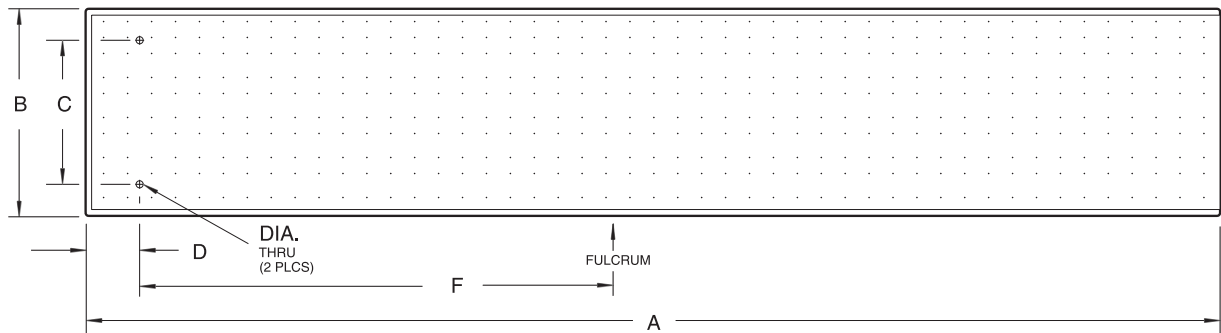
Pool Type	Maximum diving board length	Maximum board height over water (L1)
VI	10'	(2/3 Meter) 26"
VII	12'	(3/4 Meter) 30"
VIII	16'	1 Meter
IX	16'	3 Meter

Note: Placement of boards shall observe the following minimum dimensions. With multiple board installations minimum pool widths must be increased accordingly

Deck Level Board to Pool Side	8'
1 Meter Board to Pool Side	10'
3 Meter Board to Pool Side	11'
1 Meter or Deck Level Board to 3 Meter Board	10'
1 Meter or Deck Level to another 1 Meter or Deck Level Board	8'
3 Meter to another 3 Meter Board	10'

Board Identification Guide

TWO-HOLE DIVING BOARD DIMENSIONS



PUBLIC POOL BOARDS

MODEL	A	B	C	D	F	DIA
10' Commercial	118.50"	17.25"	12.00"	4.00"	52.00"	19/32"
12' Commercial	142.50"	17.25"	12.00"	4.00"	62.00"	19/32"
14' Commercial & Eureka	166.50"	19.25"	12.00"	4.00"	74.00"	19/32"
16' Commercial & Eureka	190.50"	19.25"	12.00"	4.00"	86.00"	19/32"
10' Aluminum	120.00"	18.00"	12.00"	4.00"	52.00"	19/32"
12' Aluminum	144.00"	18.00"	12.00"	4.00"	62.00"	19/32"
14' Aluminum	168.00"	20.00"	12.00"	4.00"	74.00"	19/32"
16' Aluminum	192.00"	20.00"	12.00"	4.00"	86.00"	19/32"

OBSOLETE DIVING BOARDS

MODEL	A	B	C	D	F	DIA
GLAS-HIDE	12'	17.25"	12.00"	4.00"	62.00"	19/32"
AB-12	12'	18.00"	12.00"	4.00"	N/A	N/A
ABO-XII	12'	20.00"	12.00"	4.00"	N/A	N/A
ABO-XIV	14'	20.00"	12.00"	4.00"	N/A	N/A
ABO-XV1	16'	20.00"	12.00"	4.00"	N/A	N/A
COML10	117.50"	17.50"	12.00"	4.00"	52.00"	19/32"
COML12	142.00"	17.50"	12.00"	4.00"	62.00"	19/32"
COML14	166.00"	20.00"	12.00"	4.00"	74.00"	19/32"
COML16	190.00"	20.00"	12.00"	4.00"	86.00"	19/32"





DESTINATION SERIES

IN-POOL FURNITURE DESIGNS FROM S.R.SMITH



The Destination Series In-Pool Furniture Series from S.R.Smith is an ideal way to add luxury seating to any Hospitality or Commercial Recreation Pool. The Loungers are designed and manufactured to be durable yet lightweight, making it easy to setup and move them around as desired. Because of the ease of portability, staff can create flexible and unique seating arrangements in the water for patrons in limitless ways.

Destination Lounger™



- Heavy duty for commercial use
- For use on a pool ledge with water depths up to 12 inches
- High-quality RTM composite material
- UV protection to resist fading
- Compatible with all pool types
- Exclusive colors and visual textures
- Patent pending
- Easy to drain, remove and store when not in use
- Made in the USA



PART #	DESCRIPTION
SHIPPING: 35 lbs - 68"L x 22"W x 17.22"H CLASS 70	
DS-I-51	Destination Lounger – Solid Tan
DS-I-52	Destination Lounger – Solid Gray
DS-I-54	Destination Lounger – Mont Blanc
DS-I-55	Destination Lounger – Pebble
DS-I-56	Destination Lounger – Fashion Gray
DS-I-57	Destination Lounger – Cappuccino
DS-I-58	Destination Lounger – Autumn Sun
DS-I-60	Destination Lounger – Starry Night
DS-I-61	Destination Lounger – Seashell

PART #	DESCRIPTION
2-PACK SHIPPING: 112 lbs - 68"L x 45"W x 22"H CLASS 70	
DS-I-51-2PK	Destination Lounger – Solid Tan – 2-Pack
DS-I-52-2PK	Destination Lounger – Solid Gray – 2-Pack
DS-I-54-2PK	Destination Lounger – Mont Blanc – 2-Pack
DS-I-55-2PK	Destination Lounger – Pebble – 2-Pack
DS-I-56-2PK	Destination Lounger – Fashion Gray – 2-Pack
DS-I-57-2PK	Destination Lounger – Cappuccino – 2-Pack
DS-I-58-2PK	Destination Lounger – Autumn Sun – 2-Pack
DS-I-60-2PK	Destination Lounger – Starry Night – 2-Pack
DS-I-61-2PK	Destination Lounger – Seashell – 2-Pack

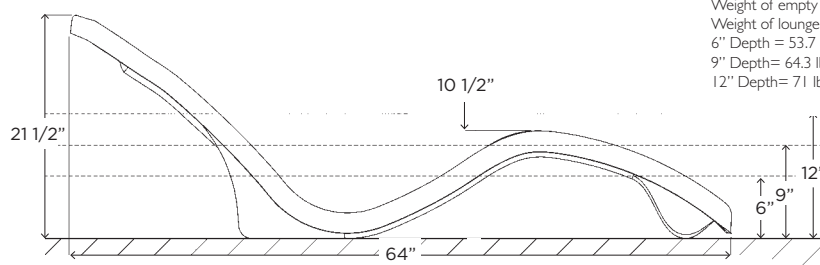
COLOR OPTIONS



MINIMUM WEIGHT - MAXIMUM STRENGTH

Resin Transfer Molding (RTM) is an advanced manufacturing process that is used in a diverse range of applications from aerospace to automotive products. The RTM process creates a composite material that has a high strength to weight ratio - although lightweight, it is exceptionally strong and durable. RTM products offer a truly unique look that is salt pool friendly and UV resistant to protect colors from fading.

POOL LOUNGER DIMENSIONS



Weight of empty lounger = 25 lbs
 Weight of lounger in water:
 6" Depth = 53.7 lbs
 9" Depth = 64.3 lbs
 12" Depth = 71 lbs

DESTINATION SERIES

Rocking Lounge Chair



Shown in Seashell



The Destination Series Rocking Lounge Chair is the latest addition to S.R.Smith's In-Pool Furniture line. This elegantly designed and sturdy model offers a slight rocking feature that allows for easier exit off the Chair while in the pool. A high-performance composite manufacturing process called Resin Transfer Molding (RTM), ensures that the Rocking Lounge Chair is lightweight yet strong. The innovative design allows pool owners to easily drain the water and remove from the sun shelf when not in use.

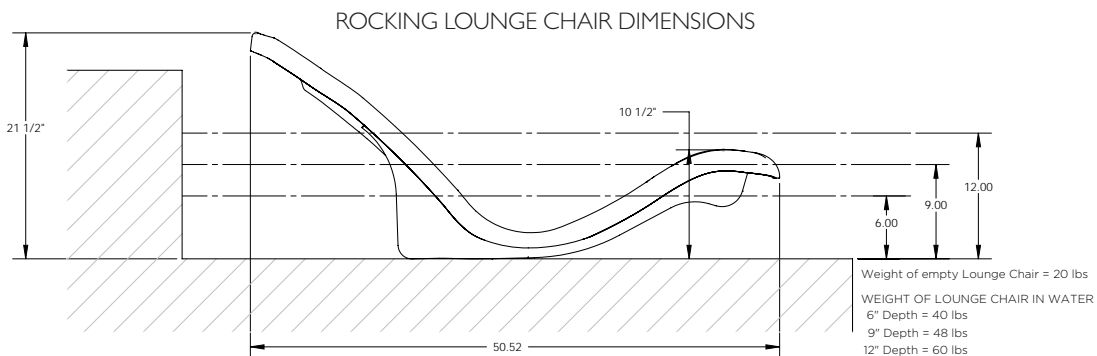
- For use on pool shelves with water depths up to 12 inches
- Offers slight rocking feature for easier exit off chair
- High-quality RTM composite design
- UV protected to resist fading
- Compatible with all pool types
- Exclusive colors and visual textures
- Patent pending
- Easy to drain and remove when not in use
- 2-Pack kits available
- Made in the USA

COLOR OPTIONS



PART #	DESCRIPTION
SHIPPING: 35 lbs - 68"L x 22"W x 17.22"H CLASS 70	
DS-2-51	Rocking Lounge Chair – Tan
DS-2-52	Rocking Lounge Chair – Gray
DS-2-54	Rocking Lounge Chair – Mont Blanc
DS-2-55	Rocking Lounge Chair – Pebble
DS-2-56	Rocking Lounge Chair – Fashion Gray
DS-2-57	Rocking Lounge Chair – Cappuccino
DS-2-58	Rocking Lounge Chair – Autumn Sun
DS-2-60	Rocking Lounge Chair – Starry Night
DS-2-61	Rocking Lounge Chair – Seashell

PART #	DESCRIPTION
2-PACK SHIPPING: 112 lbs - 68"L x 45"W x 22"H CLASS 70	
DS-2-51-2PK	Rocking Lounge Chair – Tan – 2-Pack
DS-2-52-2PK	Rocking Lounge Chair – Gray – 2-Pack
DS-2-54-2PK	Rocking Lounge Chair – Mont Blanc – 2-Pack
DS-2-55-2PK	Rocking Lounge Chair – Pebble – 2-Pack
DS-2-56-2PK	Rocking Lounge Chair – Fashion Gray – 2-Pack
DS-2-57-2PK	Rocking Lounge Chair – Cappuccino – 2-Pack
DS-2-58-2PK	Rocking Lounge Chair – Autumn Sun – 2-Pack
DS-2-60-2PK	Rocking Lounge Chair – Starry Night – 2-Pack
DS-2-61-2PK	Rocking Lounge Chair – Seashell – 2-Pack



R-Series™ Rotomolded Lounger



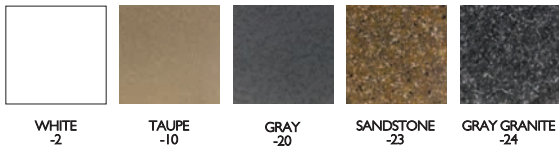
Shown in White



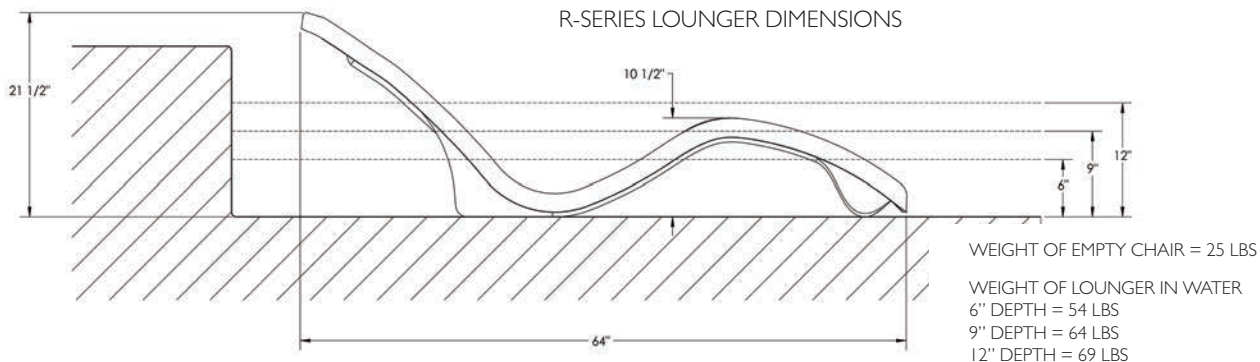
The R-Series™ Rotomolded Lounger lets you relax and enjoy the pool without a splash. Design elegance and sturdy construction combine to give pool owners the opportunity to upgrade their sun shelf with ease. The R-Series design allows pool owners to easily drain the water and remove from the sun shelf when not in use.

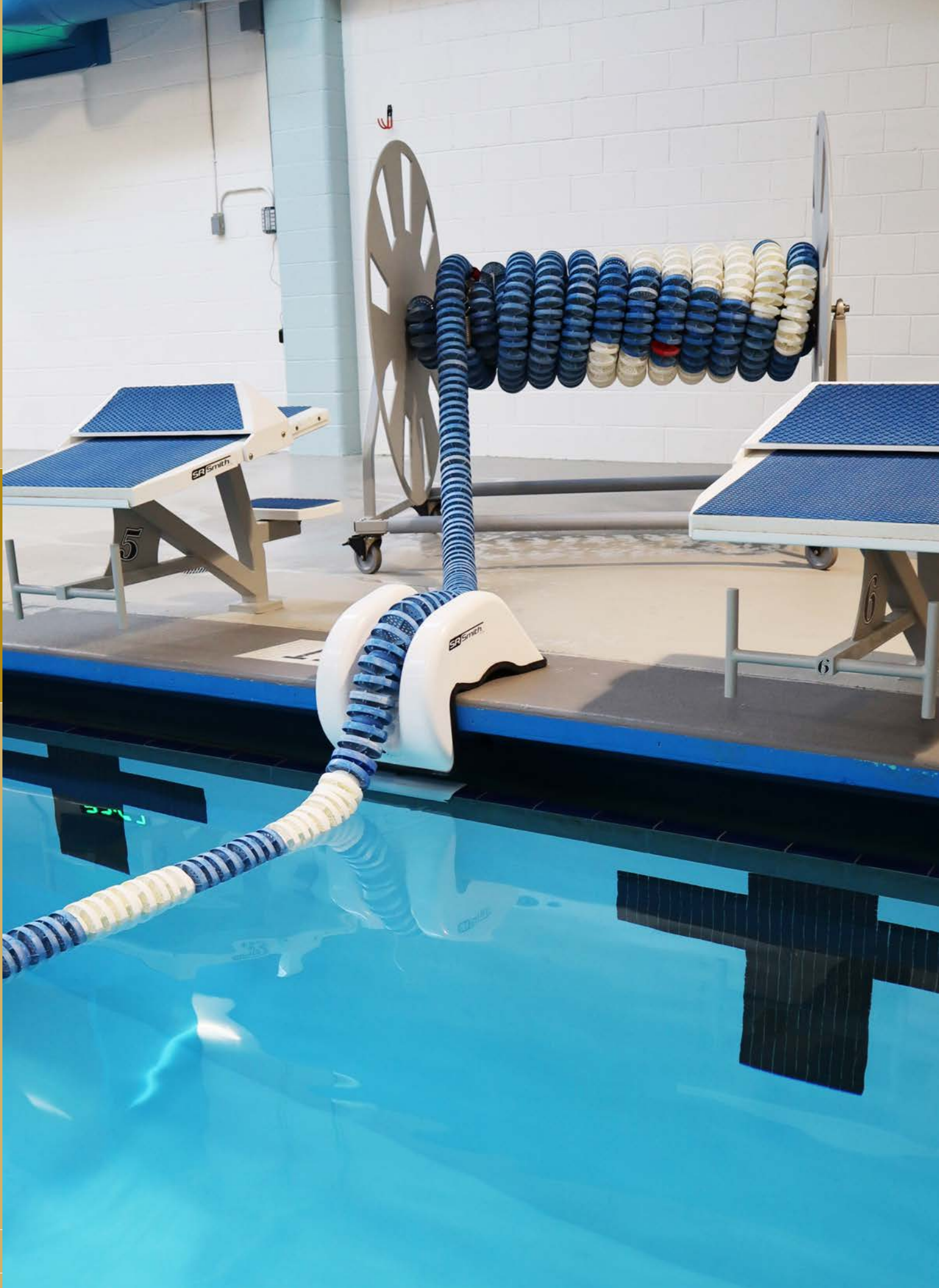
- For use on sun ledges with water depths up to 12 inches
- High-quality rotomolded design
- UV protection to resist fading
- Compatible with all pool types
- Exclusive colors and visual textures
- Easy to drain and remove when not in use
- 2-Pack Loungers available
- Patent Pending
- Made in the USA

COLOR OPTIONS



PART #	DESCRIPTION
SHIPPING: 35 lbs - 68"L x 22"W x 17.22"H CLASS 70	
RS-I-2	R-Series Lounger – White
RS-I-10	R-Series Lounger – Taupe
RS-I-20	R-Series Lounger – Gray
RS-I-23	R-Series Lounger – Sandstone
RS-I-24	R-Series Lounger – Gray Granite
2-PACK SHIPPING: 112 lbs - 68"L x 45"W x 22"H CLASS 70	
RS-I-2-2PK	R-Series Lounger – White - 2-Pack
RS-I-10-2PK	R-Series Lounger – Taupe - 2-Pack
RS-I-20-2PK	R-Series Lounger – Gray - 2-Pack
RS-I-23-2PK	R-Series Lounger – Sandstone - 2-Pack
RS-I-24-2PK	R-Series Lounger – Gray Granite - 2-Pack





XL Capacity Lane Line Storage Reel



Smooth edge bottom frame prevent the lane lines from catching or snagging

- Holds more than any other storage reel on the market: up to 985 ft (300 meters) of 4" diameter lane lines or 575 ft (175 meters) of 6" diameter lane lines
- Corrosion-resistant powder-coated stainless steel frame and marine-grade HDPE side guards with 9 integrated slots for an easy grip
- Premium mounted pillow block bearings enable effortless rotation of the spool
- Heavy-duty independently locking casters are non-marking and can swivel 360° making it easy to maneuver
- Smooth frame surface designed to protect your lane lines from catching or snagging during reeling or unreeling
- Polyurethane cord eyehook allows the first lane line to be properly secured
- Optional cover and lane line guards sold separately
- Custom frame colors available

Item No.	Description	Shipping (Class 85)			
		Weight	Length	Width	Height
38000	XL Capacity Lane Line Storage Reel, silver gray	210 lbs. 95kg	80" 203cm	62.5" 159cm	11" 28cm

Accessories:

- 36100 Reel Cover
- 37000 Lane Line Guard

Reel Cover

Item number – 36100



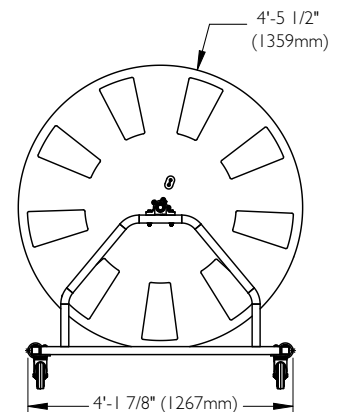
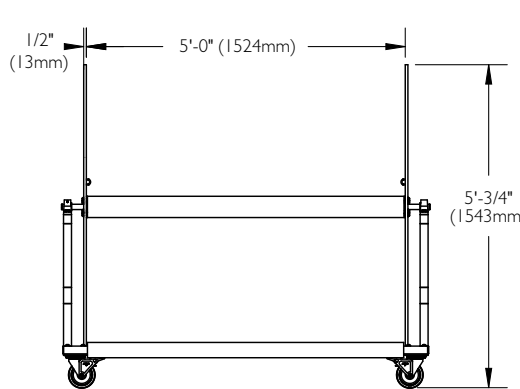
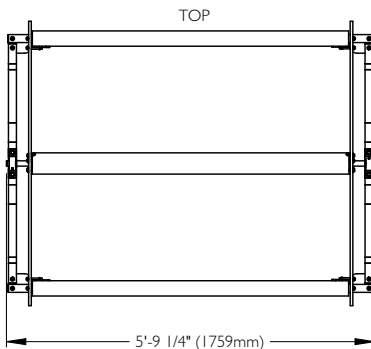
Lane Line Guard

Item number – 37000



Capacity Chart

Lane Line Size (in diameter)	Total	25 yard lane lines	25 meter lane lines	50 meter lane lines
4-inch	985 feet, 328 yards or 300 meters	13 lane lines	12 lane lines	6 lane lines
6-inch	575 feet, 191 yards or 175 meters	7 lane lines	7 lane lines	3 lane lines





Thermal Pool Cover Systems

Commercial aquatic facilities are constantly managing programming demands, maintenance needs, and budgets. The costs associated with water evaporation, heat loss, and chemical consumption rates can have significant impact on the bottom line. S.R.Smith's Thermal Pool Cover Systems provide a way to mitigate these issues by having the pool covered edge to edge with custom built insulated covers. To limit the burden on staff, deploying and reeling in the covers is simple and easy when using the automatic re-winders, deployers and storage reels.

Superior Products and Warranty

With features like quadra seam stitching, load dispersing PVC plates and weighted edges, the pool covers are built to withstand harsh pool environments. Combine that with rugged stainless steel storage reels and automatic rewinders, these S.R.Smith Thermal Cover Systems make deploying and rewinding the covers easy for any facility and its staff.

Custom Built for Every Pool & Spa

No matter the size or shape of a pool or spa, we will create a highly customized Pool Cover System with a multitude of configurations consisting of different covers, reels, and rewinders.

Measurable Savings

Thermal Pool Covers immediately start saving facilities money. In most scenarios, a facility can recoup their investment in a pool cover system in 12-16 months. Routine use of a Thermal Pool Cover insulates the pool during off hours and can drastically reduce a facilities costs*, typically:

- 70% reduction in heating costs
- 60% reduction in chemical consumption
- 50% reduction in water loss
- Reduction in cleaning needs

Get a custom energy savings quote at srsmith.com/thermalpoolcovers



Thermal Pool Covers

- UV-Resistant Ultrasorb LDPE Coating
- Double Lockstitch Seams with UV-Resistant Polyester Thread
- Load Dispersing PVC Plates
- Brass or Stainless-Steel Grommets (optional)
- UHMW-PE Dowel with Solid-Braided Polyester Cord
- Double Layer Fabric Edge Encapsulation Throughout
- Weighted, Anchored Edge with Extruded UVR Flex Vinyl Weights



ENERGYSAVER STANDARD

As the benchmark product in the pool cover industry, the EnergySaver Standard is an outstanding value. It has been perfected through ongoing improvements in both materials and manufacturing methods.

5 YEAR PRO-RATED WARRANTY



ENERGYSAVER XER

The EnergySaver XER pool cover possesses all of the EnergySaver Standard but adds stronger seam configurations, extra reinforced ends, and the best warranty on the market.

7 YEAR PRO-RATED WARRANTY

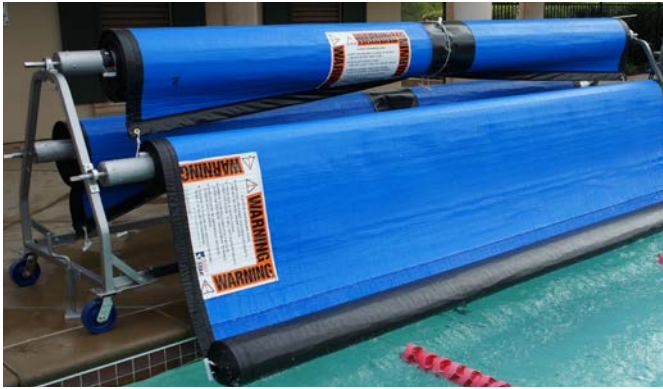


ENERGYSAVER SPA

The EnergySaver Spa covers provide the same quality and craftsmanship of EnergySaver Standard thermal pool covers but are designed and made specifically for spas.

1 YEAR PRO-RATED WARRANTY

Storage and Re-Winding Devices



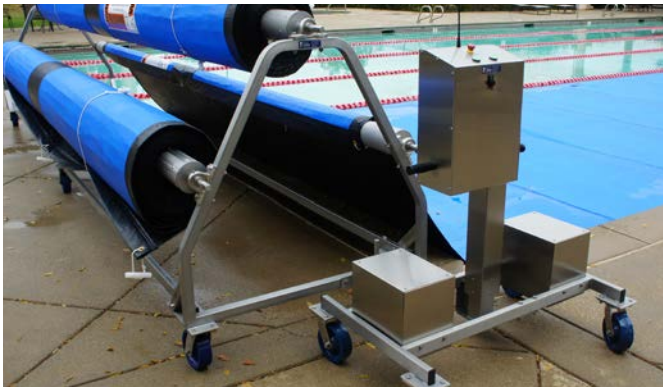
MANUAL STORAGE REELS

Using 100% non-corrosive heavy-walled stainless-steel, these manual storage reels are available in numerous widths and 1, 2, or 3 tube configurations



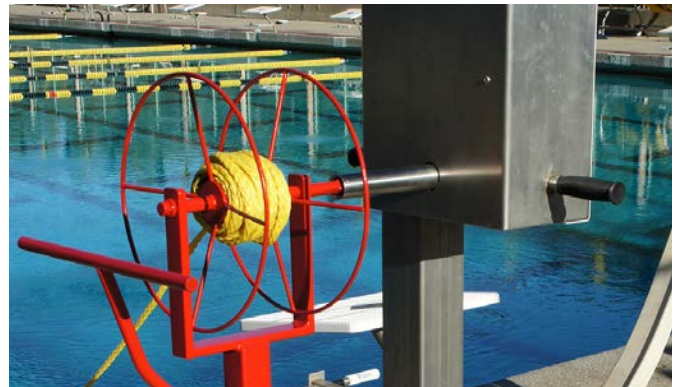
UNA AUTOMATIC RE-WINDER

Integrated onto a single-tube storage reel, the UNA is a rechargeable, battery-powered automated re-winder with both on-device or remote-control operation



EOS PORTABLE AUTOMATIC RE-WINDER

Portable and adjustable, the EOS automatic re-winder with rechargeable battery power allows you to attach to each tube in 1, 2, or 3 tube reel configurations.



POOL COVER DEPLOYER

Use the Deployer with the EOS Re-winder to easily redeploy the covers back over the pool rather than pulling them out by hand.



REEL COVER PROTECTORS

Protect your pool covers from the elements while being store on reels with our reel cover protectors.



Vortex®



Big time, fun slide!

- 10'7" in height (7'6" to seat)
- 19' corkscrew runway
- Available with ladder or spiral staircase
- Accommodates sliders up to 325 lbs/147kg
- Sturdy rotomolded construction for strength and durability
- 30 gpm max. water delivery system can be plumbed through the pool's return line
- Intended for use on in-ground swimming pools only



Model No.	Description	Shipping (2 pallets, Class 300)			
		Weight	Length	Width	Height
695-209-13	Open flume with ladder, Blue	1350 lbs	Pallet 1	57"	72"
695-209-124	Open flume with ladder, Gray Granite	612kg			
695-209-23	Closed flume with ladder, Blue	1500 lbs	128"	145cm	183cm
695-209-224	Closed flume with ladder, Gray Granite	680kg			
695-209-33	Open flume with staircase, Blue	1710 lbs	Pallet 2	39"	48"
695-209-324	Open flume with staircase, Gray Granite	776kg			
695-209-43	Closed flume with staircase, Blue	1860 lbs	150"	99cm	122cm
695-209-424	Closed flume with staircase, Gray Granite	844kg			

* Gray Granite and Blue slides are not an exact match with Gray Granite and Blue diving boards & stands due to differences in material. Please consult your sales representative for more details.

Parts & Accessories

- 14-400 Warning Sign and Rules Sign

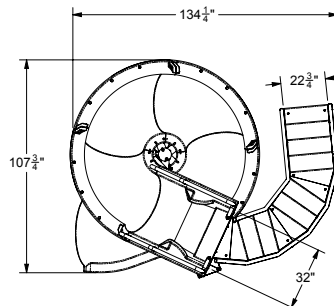
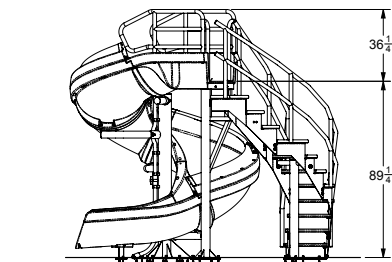
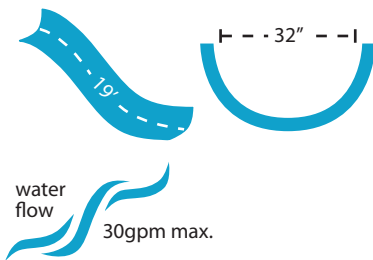
Slide Color



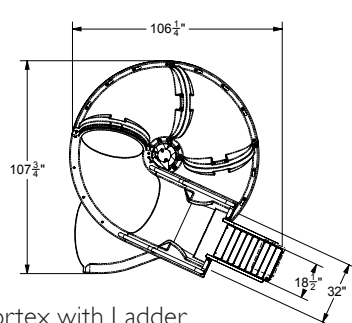
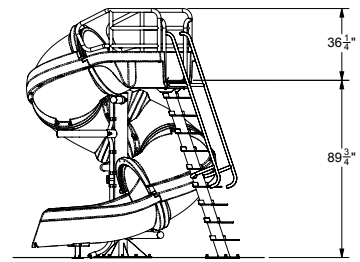
Due to printing technology, actual color may differ.

Adult supervision required at all times when children are using this slide.

Flume Details



Vortex with Staircase

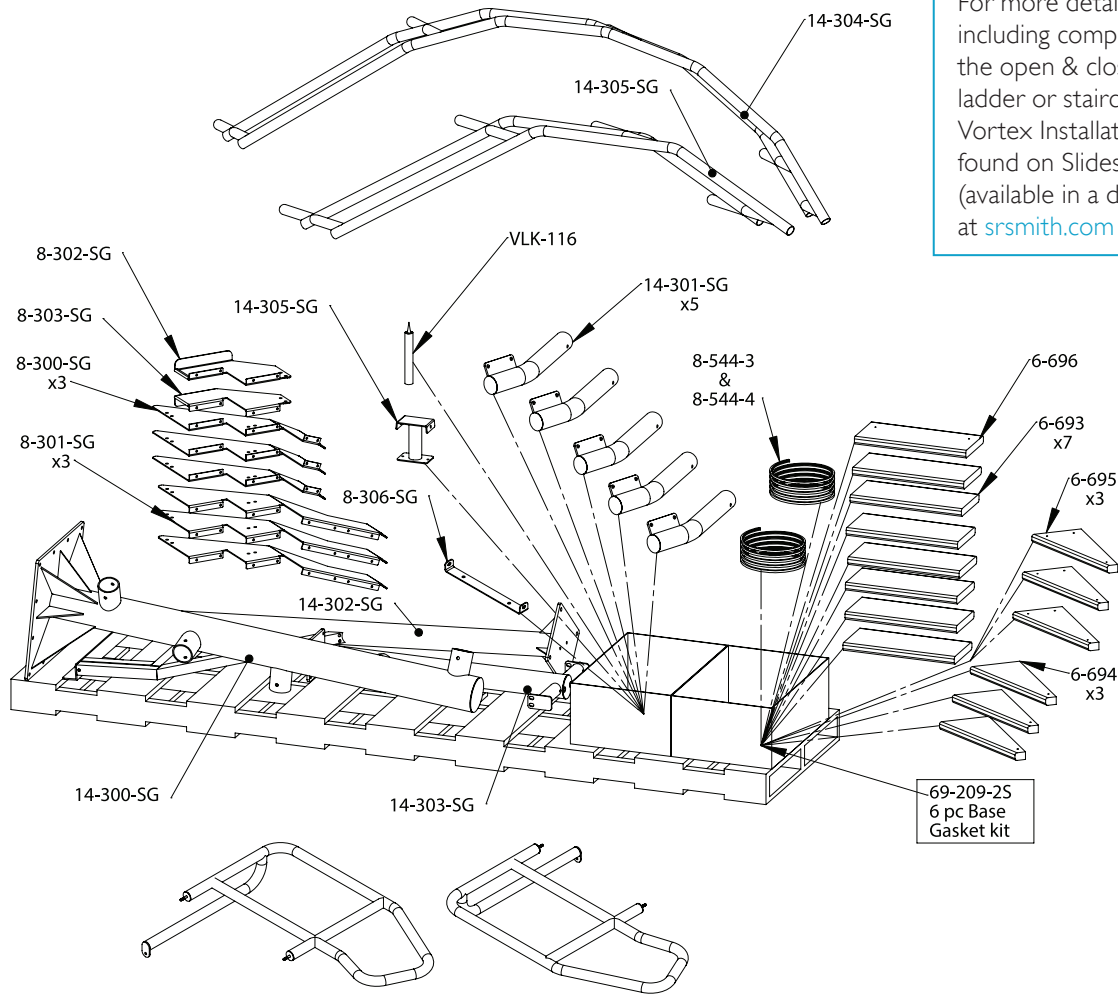


Vortex with Ladder



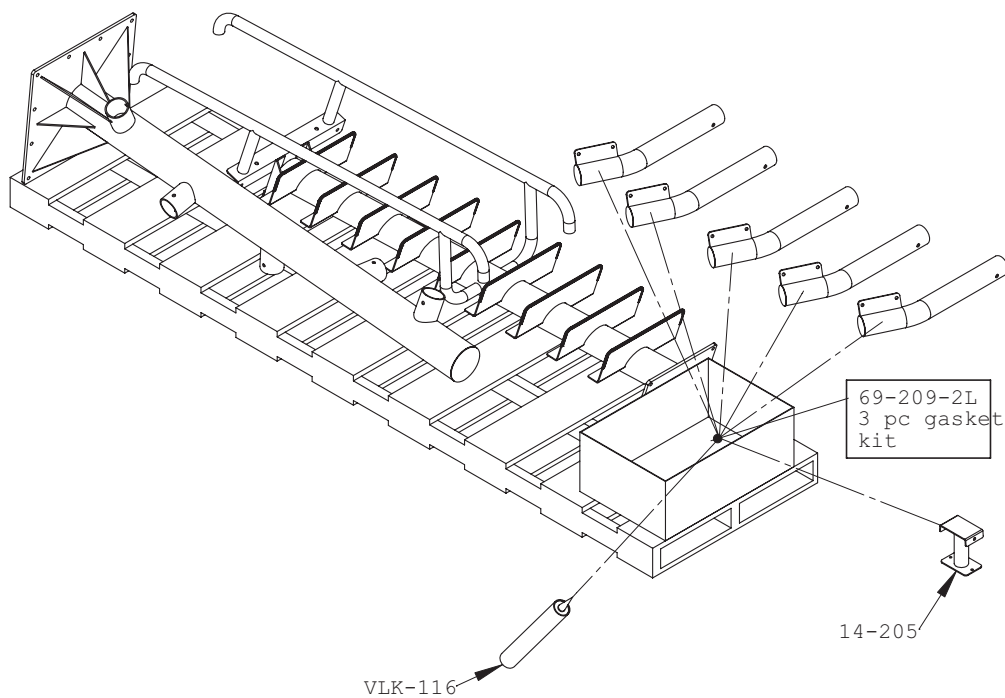
All S.R.Smith, LLC swimming pool slides fully comply with Consumer Products Safety Commission (CPSC) mandatory safety Standard for Swimming Pool Slides (16 CFR 1207) and are certified by independent third party testing labs. The installer or end-user is responsible for complying with local building codes for the location, installation, construction or assembly of these slides. S.R.Smith, LLC makes no representations that the location, installation, construction or assembly of its slides meet local building codes.

Vortex with Staircase



For more details on the Vortex, including complete parts lists for the open & closed flume styles with ladder or staircase, refer to the Vortex Installation Instructions found on Slides/Vortex web page (available in a downloadable pdf) at srsmith.com

Vortex with Ladder





slide placement sheet Vortex*

*Slide placement sheet must accompany your slide order

The Vortex slide is designed and manufactured for installation and use on in-ground swimming pools only. Installers should reference ANSI/APSP/ICC-1 American National Standard for Public Swimming Pools, and ANSI/APSP/ICC-5 American National Standard for Residential in-ground Swimming Pools (APSP - 2111 Eisenhower Ave., Alexandria, VA 22314) prior to installation.

The weight limit for this slide is 325lbs/147kg. Do not install the Vortex slide on above-ground pools, houseboats, boat docks, floating docks or platforms, or other bodies of water such as lakes, ponds, rivers, etc.

By signing and submitting this slide placement sheet, the Responsible Party listed below (i) confirms and acknowledges that the installation site meets the requirements for proper and safe installation and placement of the Vortex slide, as set forth below, and (ii) verifies that the dimensions of the pool ensure proper and safe placement and installation of the Vortex slide, as set forth below.

- I have consulted with my local building code or health code official for site specific in-ground pool slide requirements. This includes any applicable requirements for size and structure of concrete footing, overall height of slide, and bonding or electrical codes per the local jurisdiction.

When installed per the manufacturer's installation instructions, the Vortex slide complies with U.S. Consumer Product Safety Commission (CPSC) 16 CFR, Part 1207 for in-ground swimming pool slides as published in Code of Federal Regulations. This federal standard may or may not meet the requirement of all local building or health safety codes and does not meet the requirements of ASTM F 2376-8 Classification, Design, Manufacture, Construction and Operation of Water Slide Systems.

standard may or may not meet the requirement of all local building or health safety codes and does not meet the requirements of ASTM F 2376-8 Classification, Design, Manufacture, Construction and Operation of Water Slide Systems.

Below are the critical dimensions for placement of the Vortex slide. See page 129 for slide placement illustrations.

- The slide exit runway surface shall not exceed twenty inches (20"/51cm) above the water surface.
- The slide shall be positioned so that all water flowing off the runway exit drops into the pool. The recommended overhang is 4 inches (4"/10cm).
- The minimum depth of water below the exit lip of the slide shall be three feet (3'/91cm) and increase to four feet six inches (4'-6"/137cm) at a distance of four feet six inches (4'-6"/137cm) from the exit lip of the slide.
- A minimum depth of four feet six inches (4'-6"/137cm) shall be maintained at a distance of nine feet (9'/2.7m) along the extended centerline of the slide.
- The minimum clearance distance on either side of the extended centerline of the slide runway shall not be less than three feet six inches (3'-6"/107cm) at a point no less than two feet six inches (2'-6"/76cm) from the exit lip of the slide, and extending a distance of thirteen feet six inches (13'-6"/4m) in front of the slide.

Signature of Responsible Party		Date	
Name/Title of Responsible Party			
Physical Address	City	State	Zip
Phone Number	Email		
Facility Name	Contact Name		
Address (if different from Responsible Party)	City	State	Zip
Phone Number	Email		

To ensure you have the most up to date information please visit srsmith.com



Swim N' DunkRockSolid® Commercial Basketball



Standard basketball with 18" setback

- Features patented RockSolid® anchor to eliminate movement
- SealedSteel® vinyl-coated frame and rim
- Commercial grade, .120 wall thickness, 2.5" square 304 stainless steel frame
- Removable unit, with optional safety anchor cap that sits flush with deck
- Regulation rim, net, basketball and needle included
- Durable, clear acrylic backboard
- Recommended for salt pools

Part No.	Description	Shipping			
		Weight	Length	Width	Height
S-BASK-ERS	Basketball game, with escutcheon & anchor	68 lbs 31kg	49" 124cm	34" 86cm	8" 20cm
S-BASK-ERSA	Basketball game, with escutcheon, no anchor	68 lbs 31kg	49" 124cm	34" 86cm	8" 20cm
S-BASK-ERS-ER	Extended reach basketball game, with escutcheon & anchor	74 lbs 34kg	49" 124cm	34" 86cm	8" 20cm
S-BASK-ERSA-ER	Extended reach basketball game, with escutcheon, no anchor	66 lbs 30kg	49" 124cm	34" 86cm	8" 20cm



Extended Reach with 30" setback
Custom setbacks and heights available at srsmith.com/configurators

Parts & Accessories

- SPG-200 Backboard
- 20-197-VB Backboard frame
- S-RIM-CHE Rim and net with hardware
- 27-107B RockSolid anchor for basketball only
- EP-305-BO Escutcheon, vinyl black
- 20-191 Safety cap for anchor (order separately)
- SPG-102 Replacement basketball
- S-POST-ERS Standard Post Replacement Kit
- S-POST-ERS-ER Extended Reach Post Replacement Kit



RockSolid® Anchor
Patented design eliminates movement to stand up to the toughest competition



Commercial Extended Reach Basketball

Salt Friendly Commercial Game

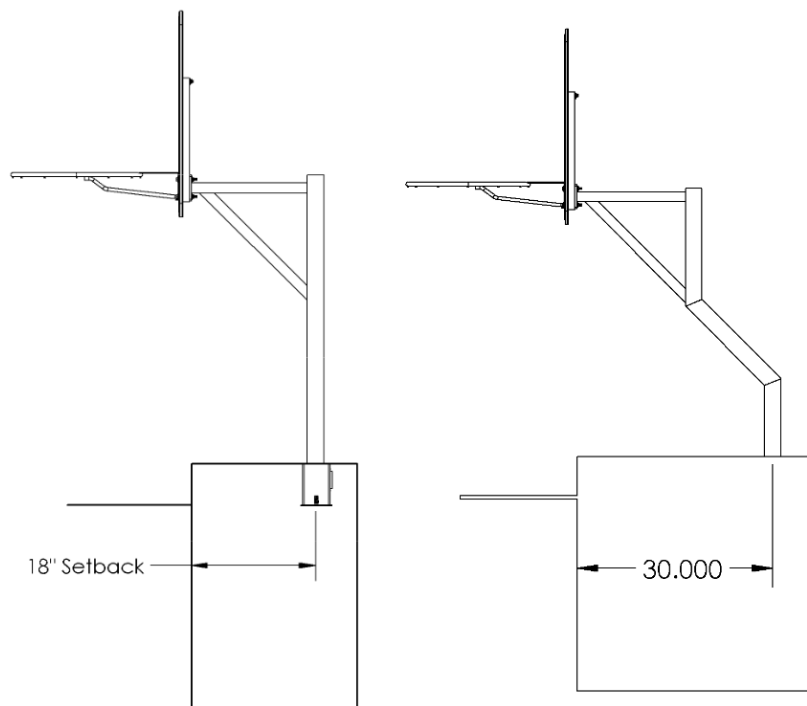


- Continuous dual post frame with an 18" setback
- SealedSteel® vinyl-coated frame and rim
- Commercial grade 1.90" OD, .065" wall thickness, 304 stainless steel frame
- If game removed, plastic anchor caps provided to keep pool deck safe
- Regulation rim, net, basketball and needle included
- Durable, clear acrylic backboard

Part No.	Description	Shipping – 2 boxes			
		Weight	Length	Width	Height
S-BASK-EC	Commercial basketball game, with escutcheons & anchors	67 lbs 30kg	43"/109cm 52"/132cm	33"/84cm 21"/53cm	3"/8cm 13"/33cm
S-BASK-ECA	Commercial basketball game, with escutcheons, no anchors	67 lbs 30kg	43"/109cm 52"/132cm	33"/84cm 21"/53cm	3"/8cm 13"/33cm

Parts & Accessories

- SPG-200 Backboard
- 20-197-VB Backboard frame
- S-RIM-CHE Rim and net with hardware
- 69-209-200-VB Plastic anchors with caps & escutcheons (standard)
- 30009 Optional bronze anchors (two AS-100D)
- 69-209-115 Dual post jig
- SPG-102 Replacement basketball
- S-POST-EC Commercial post replacement kit



Swim N' Spike Commercial Volleyball Games



- Competition quality net with 4'6" foot ties on each side
- 1.90" OD stainless steel posts with a 4' installed height (4.5" total)
- Removable posts, with anchor caps that sit flush to deck when not in use
- Competitive water volleyball, needle and AS-100P plastic anchors are included

Part No.	Description	Weight	Shipping – 3 boxes		
			Length	Width	Height
VOLYC32	Commercial volleyball game, 32' net, complete w/ anchors	25 lbs 11kg	Box 3 55"/140cm	5"/13cm	2"/5cm
VOLYC42	Commercial volleyball game, 42' net, complete w/ anchors	30 lbs 14kg			
VOLYC52	Commercial volleyball game, 52' net, complete w/ anchors	36 lbs 16kg			

Parts & Accessories

- VOLY1A Swim N' Spike posts
- VBK-101 32' net, volleyball and needle
- VBK-102 42' net, volleyball and needle
- VBK-103 52' net, volleyball and needle
- 69-209-200 Plastic anchor kit with escutcheons (standard)
- 30009 Optional bronze anchors (2)

Stainless Steel Anchors and Channel Sets



1.50" & 1.90" Wedge Anchors - 4"



1.50" & 1.90" Wedge Anchors - 6"



1.50" & 1.90" Stanchion Anchors - 6"



8" and 20" Channels



- Marine grade 316 stainless steel provides high corrosion resistance
- 8" and 20" channel set kits available (includes 2 anchors and channel)
- 20" channel set designed for 17.5", 19" or 20" on-center spacing
- Helps extend the life of pool deck equipment and keeps it looking newer
- Stainless steel products placed in stainless steel anchors resist the galvanic corrosion that can cause discoloration when dissimilar metals are placed together
- Ideal for a wide range of commercial applications
- Mounting holes for deck anchor channels

Anchors Part No.	Description	Shipping Weight (Class 50)
4" Commercial Grade Wedge Anchors		
AS-104MG	1.90" OD with bonding screw	1.45 lbs
AS-204MG	1.50" OD with bonding screw	1.20 lbs
6" Commercial Grade Wedge Anchors (not pictured)		
AS-106MG	1.90" OD with bonding screw	1.5 lbs
AS-206MG	1.50" OD with bonding screw	1.86 lbs
6" Commercial Grade Stanchion Anchors		
AS-106MG-S	1.90" OD with bonding screw	1.65 lbs
AS-206MG-S	1.50" OD with bonding screw	1.35 lbs

Channel Set Kits Part No.	Description	Shipping Weight (Class 50)
8" Anchor Channel Set Kits (for use with 8" on-center products)		
AS-104MG8K	1.90" OD, 4" Wedge Anchor Kit (includes two AS-104MG anchors)	3.75 lbs
AS-204MG8K	1.50" OD, 4" Wedge Anchor Kit (includes two AS-204MG anchors)	3.0 lbs
20" Anchor Channel Set Kits (for use with 17.5", 19" & 20" on-center products)		
AS-104MG20K	1.90" OD, 4" Wedge Anchor Kit (includes two AS-104MG anchors)	4.50 lbs
AS-204MG20K	1.50" OD, 4" Wedge Anchor Kit (includes two AS-204MG anchors)	4.0 lbs
AS-106MG-S20K	1.90" OD, 6" Stanchion Anchor Kit (includes two AS-106MG-S anchors)	5.0 lbs

Anchors and Anchor Accessories

Universal Anchor (1.90" OD)

- 6" deep, includes 2" spacer to create 4" socket where required
- Injection molded plastic — resists corrosion
- Includes bronze wedge with stainless steel bolt and 1/4 -20 UNC ground screw
- Anchor cap included for flush look
- Recommended for rails and games

Part No.	Description	Shipping Weight
AS-100P	1.90" wedge anchor & cap	1 lb
8-410A	Wedge (included)	



6" Bronze Anchor (1.90" OD)

- This anchor does not utilize any wedges
- The anchor cap provides a flush look when games are removed
- 1/4 -20 UNC brass ground screw for bonding
- Recommended for volleyball games & stanchions

Part No.	Description	Shipping Weight
AS-100EB	1.90" stanchion anchor w/o cover	2 lbs
AS-100EC	Bronze perforated cover	.5 lb



6" Bronze Anchor (1.90" OD)

- 6" deep
- Drilled hole in bottom allows drainage
- No wedge, but includes 1/4 -20 UNC ground screw
- Anchor cap included for flush look
- Recommended for volleyball games & stanchions

Part No.	Description	Shipping Weight
AS-100D	1.90" stanchion anchor	2.2 lbs
8-412	Cap (included)	.5 lb



6" Bronze Anchor

- 6" deep
- Anchor cap included for flush look
- Recommended for in-pool tables and seating

Part No.	Description	Shipping Weight
WS-POOL-ANCHOR	6" Bronze Anchor	3 lbs



4" Bronze Anchor (1.90" OD)

- 4" deep
- Includes bronze wedge, washer, bolt and 1/4 -20 UNC grounding bolt
- Recommended for rails

Part No.	Description	Shipping Weight
AS-100B	1.90" stanchion anchor	2 lbs
8-409A	Wedge kit (included)	1 lb



4" Bronze Anchor (1.50" OD)

- 4" deep
- Includes bronze wedge, washer, bolt and 1/4-20 UNC grounding bolt
- Recommended for rails

Part No.	Description	Shipping Weight
AS-200B	1.50" wedge anchor	2 lbs
8-411A	Wedge (included)	.2 lb



3" Bronze Anchor (1.90" OD)

- 3" deep
- Includes wedge, washer, bolt and 1/4-20 UNC grounding screw
- Recommended for rails

Part No.	Description	Shipping Weight
AS-100C	1.90" wedge anchor	2 lbs
8-410A	Wedge kit (included)	1 lb

4" Bronze Institutional Anchor (1.90" OD)

- 4" deep
- Includes bronze wedge, bolt and washer
- Recommended for commercial rails and lifeguard stands

Part No.	Description	Shipping Weight
IAS-100	1.90" wedge anchor	3 lbs
8-407A	Wedge kit, no cap	



Anchor Cover Plate

- 304 stainless steel
- For use with IAS-100 or IAA-100 anchor

Part No.	Description	Shipping Weight
CP-100	1 cover plate	.8 lb



4" Bronze Institutional Anchor Assembly

- 4" deep
- Stainless steel plate extends below the base of the anchor socket
- Includes steel plate, neoprene gasket, flat washer, hex nut, anchor socket, keyhole pin, 1/2" x 6" bolt, tile stop collar and escutcheon
- Hole in bottom for drainage
- Recommended for commercial rails and lifeguard stands

Part No.	Description	Shipping Weight
IAA-100	1 anchor assembly	10 lbs



RockSolid® Anchor for Basketball

- Accommodates 2.5" square tubing
- Adjustable wedge assembly exerts continuous, even pressure on the post to eliminate platform movement
- Anchor cap included

Part No.	Description	Shipping Weight
27-107B	1 anchor & cover plate	8 lbs
27-107P	1 anchor for pavers & cap	8 lbs

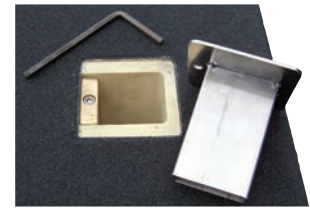


RockSolid® Starting Platform Anchor

- Accommodates 2.5" square tubing
- Optional 8" option for pool deck pavers
- Adjustable wedge assembly exerts continuous, even pressure on the post to eliminate platform movement
- Safe-T-Cap: utilizes the anchor's wedge bolt to tighten and secure in place.
- Recommended for single-post starting platforms: Velocity, Legacy, & Universa

Part No.	Description	Shipping Weight
27-107	6" anchor & cap	5 lbs
27-107P	8" anchor for pavers & cap	5 lbs
4-113-1	Anchor cap	1 lb
20-191	Safe-T-Cap	3 lbs
27-107-13	13" anchor for bulkhead & cap	8 lbs
27-107-14	14" anchor for bulkhead & cap	8 lbs
4-113-1P	Anchor caps for pavers	1 lb
20-214	Wedge Assembly	1 lb

RockSolid Anchor Safe-T-Cap



RockSolid® Dual Post Starting Platform Anchor

- Accommodates 1.90" OD round tubing
- Adjustable wedge assembly exerts continuous, even pressure on the platform post to eliminate platform movement
- Required for Velocity Dual Post Long Reach starting platforms

Part No.	Description	Shipping Weight
27-108	1 anchor set & caps	15 lbs



Dual Post Starting Platform Anchor

- Accommodates 1.90" OD round tubing
- Includes a 1/4-20 UNC grounding screw
- Anchor caps included
- For Dual Post starting platforms

Part No.	Description	Shipping Weight
27-105	1 anchor set & caps	5 lbs



Double Anchor Socket Assembly

- Accommodates 1 5/8" OD ring rails
- Includes bronze wedge, nuts, washers, 1/4-20 UNC grounding screw and escutcheons
- Recommended for residential and commercial ring handrails

Part No.	Description	Shipping Weight
34-306A	Bronze anchor	13 lbs
8-415A	Gibraltar Wedge Retro-fit kit	1 lb
8-420	Double escutcheon plate chrome plated plastic	1 lb



Flush Anchor Pair

- Sold as a pair to be used with the two piece anchor plate
- Anchors are 2.5" long and have 1" diameter at the top
- Includes anchor bolts, decorative filler screws, bonding screws and washers
- Included with Varsity starting platforms

Part No.	Description	Shipping Weight
A41659-0	1 pair	2 lbs



FLane Line Anchor for Overflow Pools

- Marine-grade, 316 stainless steel
- Low profile lane line anchor for use on pools with overflow gutters
- 6-inch and 8-inch lengths
- ChemSet anchor kit included
- Included with Varsity starting platforms

Part No.	Description	Shipping Weight
17-61-140S	6" Lane Line Anchor	1 lb
17-61-200S	8" Lane Line Anchor	1 lb



Lane Line Wall Anchor

- 316 Stainless Steel
- holds lane lines securely for better wave quelling

Part No.	Description	Shipping Weight
WA-100	Lane Line Wall Anchor	2.5 lbs



Escutcheons

Double Escutcheon Plate

- Recommended for residential and commercial ring handrails

Part No.	Description	Shipping Weight
8-420	Double escutcheon plate, chrome plated plastic	1 lb



Oblong Escutcheon (1.90" OD)

- Chrome-plated cast brass
- 4" long
- Equipped with stainless steel set screws
- Recommended for the IAA-100 anchor (included)

Part No.	Description	Shipping Weight
IEP-100	1 escutcheon	1 lb



Locking Escutcheon (1.50" OD)

- 316 stainless steel
- Recommended for ladders
- Includes a set screw to hold rail in place

Part No.	Description	Shipping Weight
IEP-200	1 locking escutcheon	.1 lb



Oblong Escutcheon (1.90" OD)

- 304 stainless steel
- Recommended for rails and bronze anchors

Part No.	Description	Shipping Weight
EP-100A	1 escutcheon	.25 lb



Round Escutcheon (1.90" OD)

- 304 stainless steel
- 4.5" in diameter
- For Salt Friendly, order vinyl coated escutcheon
- Recommended for rails and games

Part No.	Description	Shipping Weight
EP-100F	Stainless Steel	.5 lb
EP-100F-PW	Pearl White	.5 lb
EP-100F-RG	Rock Gray	.5 lb
EP-100F-SG	Silver Gray	.5 lb
EP-100F-TP	Taupe	.5 lb
EP-100F-VW	Vinyl White	.5 lb
EP-100F-VT	Vinyl Taupe	.5 lb
EP-100F-VG	Vinyl Gray	.5 lb
EP-100F-MG	Marine Grade	.5 lb



White Plastic Escutcheon (1.90" OD)

- 4.5" in diameter
- Recommended for rails and games

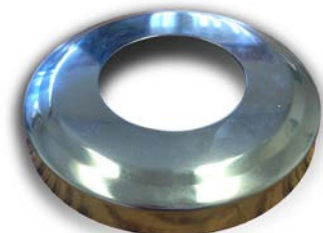
Part No.	Description	Shipping Weight
EP-104	Plastic escutcheon	.25 lb



Stainless Steel Escutcheon (1.90" OD)

- 4" in diameter
- Recommended for rails and games

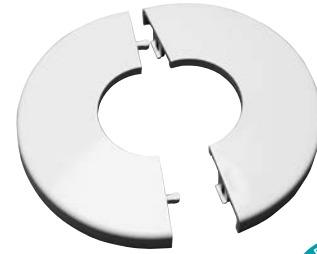
Part No.	Description	Shipping Weight
EP-105	304SS escutcheon	.50 lb



Snap-Tite Escutcheon (1.90" OD)

- High-density plastic
- 5³/₁₆" in diameter
- Recommended for rails and games

Part No.	Description	Shipping Weight
EP-200-MC	Chrome	.25 lb
EP-200-PW	Pearl White	.25 lb
EP-200-BO	Black	.25 lb
EP-200-PG	Pewter Gray	.25 lb
EP-200-TP	Taupe	.25 lb



Round Escutcheon (1.50" OD)

- 304 stainless steel
- 4.5" in diameter

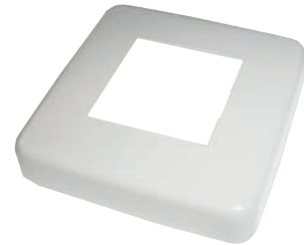
Part No.	Description	Shipping Weight
EP-150	1 escutcheon, 304SS	.5 lb
EP-150-MG	Marine Grade	



Legacy Escutcheon

- 304 stainless steel, powder-coated
- 5.25" square
- For use with Legacy single-post starting platforms

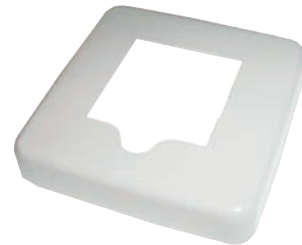
Part No.	Description	Shipping Weight
EP-300-PW	Powder-coated, white	.5 lbs
EP-300-RG	Powder-coated, rock gray	.5 lbs
EP-300-TP	Powder-coated, taupe	.5 lbs
EP-300-SG	Powder-coated, silver gray	.5 lbs
EP-300-RB	Powder-coated, royal blue	.5 lbs



Legacy Long Reach Escutcheon

- 304 stainless steel, powder-coated
- 5.25" square
- For use with Legacy Long Reach single-post starting platforms

Part No.	Description	Shipping Weight
EP-305-PC	1 escutcheon	.5 lb



6" Round Low Profile Escutcheon (1.90")

- 304 stainless steel
- Available electro-polished or in a variety of powder-coated colors
- Recommended for rails and Velocity Dual Post Starting Blocks

Part No.	Description	Shipping Weight
EP-306R-EP	Electro-polished	.5 lbs
EP-306R-PW	Powder-coated, white	.5 lbs
EP-306R-RG	Powder-coated, rock gray	.5 lbs
EP-306R-TP	Powder-coated, taupe	.5 lbs
EP-306R-SG	Powder-coated, silver gray	.5 lbs
EP-306R-RB	Powder-coated, royal blue	.5 lbs



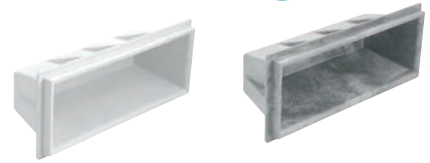
Ladder Parts and Accessories



17.5" Recessed Step

- Injection molded plastic
- Textured stepping surface for safety
- 17.5" x 7" at outer edges of lip

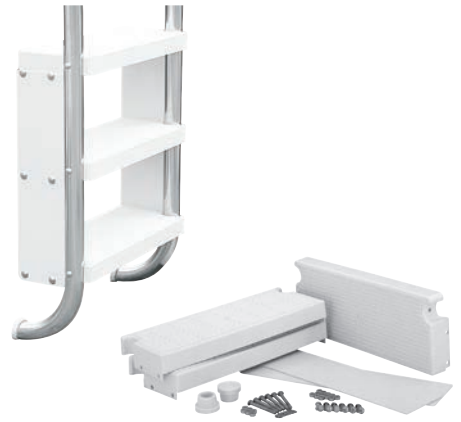
Part No.	Description	Shipping Weight
62-209-4001	White	2 lbs
62-209-4002	Black	2 lbs



20" Safety-Pool Step Retrofit Kit

- Heavy-duty molded plastic
- Textured stepping surface for safety
- Includes treads, protective side skirts and mounting hardware (US thread)
- Residential ladders have 10" spacing between steps, commercial ladders have 12"

Part No.	Description	Shipping Weight
62-209-602C	2-Step Kit	12 lbs
62-209-603C	3-Step Kit	15 lbs
62-209-604C	4-Step Kit	18 lbs
62-209-605C	5-Step Kit	21 lbs



20" Elite Stainless Steel Tread (1.90" OD)

- 304 stainless steel
- 3" deep x 20" wide, 18 1/4" centerline mounting distance
- Hardware: 3/8" x 2 3/4" bolts & hex nuts
- Recommended for commercial or residential elite model ladders

Part No.	Description	Shipping Weight
LTDF-103	1 tread, no hardware	1 lb
8-912S	2 treads + hardware kit	3 lbs
8-913S	3 treads + hardware kit	6 lbs
8-914S	4 treads + hardware kit	7 lbs
60-701	Hardware only for 2 treads	.5 lb
60-702	Hardware only for 3 treads	.75 lb
6-300	End cap	.25 lb
6-301	Black insert	.25 lb



20" Elite Stainless Steel Tread (15° tilt)

- 304 stainless steel
- 3" deep x 20" wide, 18 1/4" centerline mounting distance
- 15° forward tilt when properly installed
- Hardware: 3/8" x 2 3/4" bolts & hex nuts, order separately
- Recommended for standard lifeguard chair and therapeutic ladder

Part No.	Description	Shipping Weight
LTDF-105	1 tread, no hardware	1 lb
60-701	Hardware only for 2 treads	.5 lb
60-702	Hardware only for 3 treads	.75 lb
6-301	Black insert	
6-303L	Left end cap	
6-303R	Right end cap	



*All LTDF Treads have powder coated color options available - please reach out to customer care@srsmtih.com for more information.

20" Plastic Tread

- High-impact plastic with vertical ribs to help prevent corrosion
- New adapters that allow the tread to be used with either 1.5" OD or 1.9" OD tube
- 4" deep x 20" wide, 18" centerline mounting distance
- Hardware: tube size adaptors, $\frac{3}{8}$ " x $3\frac{1}{4}$ " bolts, washers & hex nuts
- Recommended for commercial ladders

Part No.	Description	Shipping Weight
LTDF-111	1 tread, no hardware	1 lb
8-932	2 treads + hardware kit	6 lbs
8-933	3 treads + hardware kit	7 lbs
8-934	4 treads + hardware kit	8 lbs
8-935	5 treads + hardware kit	10 lbs
60-703	Hardware only for 2 treads	.5 lb
60-704	Hardware only for 3 treads	.5 lb



Plastic Tread (15° tilt)

- High-impact plastic, white only
- 5" deep x 22" wide x 20" centerline mounting distance
- Recommended for ladders positioned at a 15° angle

Part No.	Description	Shipping Weight
S2470-102	Tread w/15° tilt and hardware	3 lbs
2350105	Tread w/15° tilt, only	2.2 lbs



Snap-Lok Hinge Bracket Assembly

- Stainless steel hinge bracket pair
- Retrofits existing ladders for raising and lowering
- Installation requires 4" to be cut off of ladder
- Recommended for Snap-lok ladders
- Ideal for all Modern Series Ladders
- Goes in 4" anchor: AS-100B

Part No.	Description	Shipping Weight
60-713	1 pair	4 lbs
5-116	$\frac{3}{8}$ -16 x $2\frac{1}{2}$ " HH bolt	.1 lb
5-145	$\frac{3}{8}$ " flat washer	.1 lb
5-156	$\frac{3}{8}$ -16 acorn nut	.1 lb
8-118	Double button snap lock	.1 lb



*All LTDF Treads have powder coated color options available - please reach out to customer care@srsmith.com for more information.

White Rubber Bumper—Male

- Molded white rubber
- 2 1/4" diameter
- Recommended for ladders

Part No.	Description	Shipping Weight
WRB-100A	1 bumper for 1.90" OD tubing	.2 lb



White Rubber Bumper—Female

- Molded white rubber
- For use on 1.50" and 1.90" OD tubing with .049" to .065" wall thickness
- Recommended for ladders

Part No.	Description	Shipping Weight
WRB-101A	1 bumper	.5 lb



Xpand-N-Lok Rubber Bumper — Male

- Molded blue rubber
- For use on 1.90" OD tubing with .049" to .065" wall thickness
- Recommended for ladders

Part No.	Description	Shipping Weight
BRB-100EX	1 bumper	.2 lb



Flanges

Aluminum Deck-Mounted Anchor Flange Kit

- For surface-mounting slides with 1.90" OD tubing
- All flanges include a 2 3/4" stainless steel bolt, bushing, two washers and a lock nut (US thread)
- Not interchangeable with plastic anchor flange listed below

Part No.	Description	Shipping Weight
75-209-5866	4 flanges, deck mounting hardware	4.5 lbs
75-209-5864	Deck mounting hardware for 1 flange	.5 lb
75-209-5000	1 flange, no deck mounting hardware	1 lb



Plastic Deck-Mounted Anchor Flange Kit

- For surface-mounting slides with 1.90" OD tubing
- Requires four mounting bolts, not included
- Includes a bolt, bushing, two washers and a lock nut (US thread)
- Recommended for slides
- Not interchangeable with aluminum anchor flange listed above

Part No.	Description	Shipping Weight
75-209-5865	4 flanges, hardware	2 lbs
75-209-5864	Hardware for 1 flange	.25 lb
05-623	Single plastic flange	1 lb



Sand Tread Repair Kit

- For repairing minor damage to diving board tread
- Includes sandpaper, masking tape and gel coat

Part No.	Description	Shipping Weight
67-209-9242	White	.75 lb
67-209-9243	Marine Blue	.75 lb



Epoxy Kits

- Use to install a diving board on an existing deck
- Includes epoxy resin, hardener and mounting bolts
- Recommended for diving board stands including Edge and T7

Part No.	Description	Stand	Shipping Weight
75-209-5868-SS	Kit with (4) 6"x1/2" bolts	Cantilever	4 lbs
75-209-5869-SS	Kit with (3) 6"x5/8" bolts	Frontier II	4 lbs
75-209-5874-SS	Kit with (5) 6"x1/2" bolts	1/2M, 3/4M, 1M, Steel Stand	6 lbs
75-209-5875-SS	Kit with (6) 6"x1/2" bolts	Steel Meter	6 lbs
75-209-5876-SS	Kit with (3) 6"x1/2" bolts	Flyte Deck II	4 lbs
75-209-5885-SS	Kit with (4) 7"x1/2" bolts	Supreme	4 lbs
75-209-5879-SS	Kit with (4) 9"x1/2" bolts	Paver Kit	4 lbs
75-209-5880-SS	Kit with (4) 10"x1/2" bolts	Paver Kit	7 lbs
75-209-5889-SS	Kit with (3) 9"x1/2" bolts	Paver Kit	8 lbs
75-209-5890-SS	Kit with (3) 10"x1/2" bolts	Paver Kit	8 lbs
09-506	Epoxy only		

Shipping Information

L	W	H
8	8	6

Note: shipped UPS Hazardous



Circulation System Parts

1.5" Circular Flow Inlet Fittings

- Chrome plated cast brass
- Allows easy adjustment of flow rate and ensures smooth, even flow through return
- Includes lock screw and adjustment wrench

Part No.	Description	Shipping Weight
A41014-0	1 outer body (2406600), control plate (A41497-0), and lock screw	1.5 lbs



Radiant Flow Inlet Fittings

- Chrome plated cast brass
- Features tamper-resistant adjustment screws
- Includes outer body, inner and outer control plates and three lock screws

Part No.	Description	Shipping Weight
A41020-0	1 outer body (2402490), inner control plate, outer control plate, 3 lock screws	2.4 lbs
A41473-0	1 inner plate, outer plate, 3 lock screws	1 lb



Adjustable Direction Inlet Fittings

- Outer body and inner set rings are chrome-plated cast brass
- Inner directional flow fittings are made from chrome plated, solid brass rods
- Outer trim flange is 204 stainless steel

Part No.	Description	Shipping Weight
A41024-4	Uni-Fit outer body, inner set ring, 1/2" inner directional fitting, outer trim flange	1.5 lbs
A41024-6	Uni-Fit outer body, inner set ring, 3/4" inner directional fitting, outer trim flange	1.5 lbs
A41024-8	Uni-Fit outer body, inner set ring, 1" inner directional fitting, outer trim flange	1.5 lbs
A41028-4	Inner set ring, 1/2" inner directional fitting, outer trim flange	.5 lb
A41028-6	1 inner set ring, 3/4" inner directional fitting, outer trim flange	.75 lb
A41028-8	1 inner set ring, 1" inner directional fitting, outer trim flange	1 lb



Leakless Flanges

- Use for mid-wall or through-wall connection for fittings and pipes
- One-piece, integrally cast brass fitting with 3/4" flange and NPT threads on both ends

Part No.	Description	Shipping Weight
A41116-0	1 1/2" flange	2.25 lbs
A41119-0	2" flange	2.6 lbs



Heavy-Duty Controlled Flow Sight Glass

- Base and top are cast brass
- Sight glass is clear plexiglass
- Heavy-duty neoprene seals
- Threaded for insertion into a 1.5" female thread

Part No.	Description	Shipping Weight
A41198-0	Sight glass	1.5 lbs



Uni-Fit Rectangular Gutter Drains and Grates

- 2 11/16" x 5 5/8", 2" drain opening
- Chrome-plated cast brass
- Includes drain, grate, and two tamper-resistant screws

Part No.	Description	Shipping Weight
A41046-0	Drain and grate, includes 1 chrome-plated gate (2400490), 1 gutter drain (2500520) 2 tamper resistant screws (2024094)	2.8 lbs



Uni-Fit Maximum Protection 90° Drains & Grates

- 2¹/₈" x 5³/₈", 2" drain opening
- Chrome-plated cast brass
- Includes drain, grate, and four tamper-resistant screws

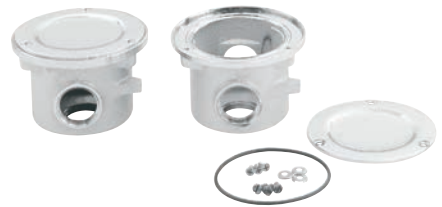
Part No.	Description	Shipping Weight
A41035-0	Drain and grate, includes 1 90° grate (2401520) 1 90° gutter drain (2401540) 4 tamper resistant screws (2024207)	2.5 lbs



Deck Boxes

- Chrome-plated cast brass
- Approximately 3" deep, 3" ID
- UL and CSA International seals for quality in design

Part No.	Description	Shipping Weight
A41192-0	Box with 3/4" openings	2.6 lbs
A41192-1	Box with 3/4" side openings and 1" bottom opening	2.6 lbs
A41192-2	Box with 1" openings	2.6 lbs
A41496-0	Hardware kit	.6 lb

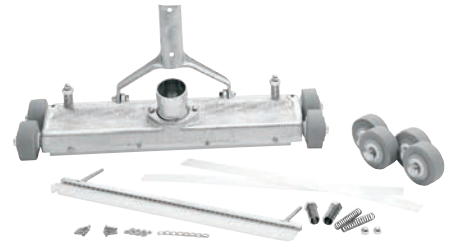


Vacuum Parts

Suck-It-Up™ Commercial Vacuum Head

- Chrome-plated cast brass
- 18" long x 5.5" wide
- Front and rear plastic wipers and nylon brush
- Available with threaded control or open control yoke
- Available for 1.5" or 2" vacuum hose diameter

Part No.	Description	Shipping Weight
A41345-0	Head, 2" connector, threaded yoke	13.7 lbs
A41346-0	Head, 1.5" connector, open control yoke	13.7 lbs
A41347-0	Head, 2" connector, open control yoke	13.7 lbs
A41460-0	1.5" hose adapter kit	.85 lb
A41461-0	2" hose adapter kit	.7 lb
A41462-0	Threaded control yoke	1.25 lb
A41463-0	Open control yoke	1.25 lb
A41486-1	Wheel replacement kit	1.25 lb
A41487-0	Brusher/wiper replacement kit	1 lb



Vacuum Fittings (Concrete/Shotcrete)

- Chrome plated cast brass
- 1.5" female threads and 2" male threads
- Includes inner safety plug

Part No.	Description	Shipping Weight
A41090-0	1 Uni-fit body (2403091), and 1 safety plug (2410921)	1.3 lbs



Vacuum Fittings (Fiberglass/Vinyl Liner/Steel/Aluminum)

- Chrome plated cast brass
- 1.5" female threads and 2" male threads
- Includes brass lock nut with 2" female threads

Part No.	Description	Shipping Weight
A41918-0	1 Uni-fit body (2403091), and 2 rubber gasket (2027370) and 1 lock nut (A50680)	1 lb



Stanchion Parts and Accessories

Eyebolt/Expansion Shield

- Satin finish stainless steel
- Eye has a 1.4" OD
- Bolt is 1³/₈" long

Part No.	Description	Shipping Weight
A41156-0	1 eyebolt (2401200), and expansion shield (2024320)	.5 lb



The Hook™ Rope Hook

- Chrome plated brass
- 3.75" long
- Accommodates a rope up to 3/5"
- Includes two set screws

Part No.	Description	Shipping Weight
A41150-0	1 hook, 2 screws	.6 lb



Flush Anchor and Eyebolt Racing Line

- Cast brass anchor and threaded stainless steel eyebolt
- Eye has 2" OD
- Eye extends 2.5" beyond face of wall when completely inserted in anchor

Part No.	Description	Shipping Weight
A41144-0	1 anchor, eyebolt	.5 lb
2400240	1 anchor	.25 lb
2400220	1 eyebolt	.25 lb



Rope Arrow Eyebolt Anchor

- Chrome-plated cast brass
- 4" long, 1.5" installed
- Eye has 1.38" OD

Part No.	Description	Shipping Weight
A41138-0	1 eyebolt	.25 lb



Sliding Collar

- Designed to allow height adjustment for starting flags on stanchions
- 304 stainless steel

Part No.	Description	Shipping Weight
35-102	Sliding Collar	2 lbs



Miscellaneous Parts

Rapid-Fill Pool Fill Spouts

- 304 stainless steel, .049" wall
- US threaded connectors included

Part No.	Description	Shipping Weight
A41242-0	1 1/2" fill spout	1.9 lbs
A41240-0	1" fill spout	1.4 lbs
A41227-0	3/4" fill spout	1.4 lbs



Split Tee Joining Connector

- 304 stainless steel
- Includes two steel connectors, bolts and nuts
- Used on basketball games, lifeguard chairs and rails

Part No.	Description	Shipping Weight
A41761-0	1 set	.85 lb



Hydrostatic Relief Valve

- Made from cut brass
- Not spring loaded

Part No.	Description	Shipping Weight
A41452-0	1 valve	.5 lb



H-U Ringset

- Support for umbrella into table

Part No.	Description	Shipping Weight
H-U RINGSET	Table umbrella hole ring set	2 lbs



Table Shim Kit

- To help minimize movement at any connection point with the table pole into the anchor

Part No.	Description	Shipping Weight
TABLE SHIM KIT	4 sheets 5" x 5" plastic shim material .003", .005", .008", .010"	5 lbs



Umbrella Adapter

- 7.5" adapter pole fits existing umbrella sleeve

Part No.	Description	Shipping Weight
PL-ADAPTER 1.50	adapter for 1.50 umbrella sleeve anchors	3 lbs





CANBY, OREGON
Headquarters
Manufacturing & Distribution

TUCSON, ARIZONA
Manufacturing & Distribution

ORLINDA, TENNESSEE
Manufacturing & Distribution

BRUSSELS, BELGIUM
EU Distribution

BURGUNDY, FRANCE
EU Sales Office

RICHLANDS, QUEENSLAND
Australian Headquarters
Manufacturing & Distribution

MELBOURNE, VICTORIA
SunBather Headquarters
Manufacturing & Distribution



800.824.4387
srsmith.com