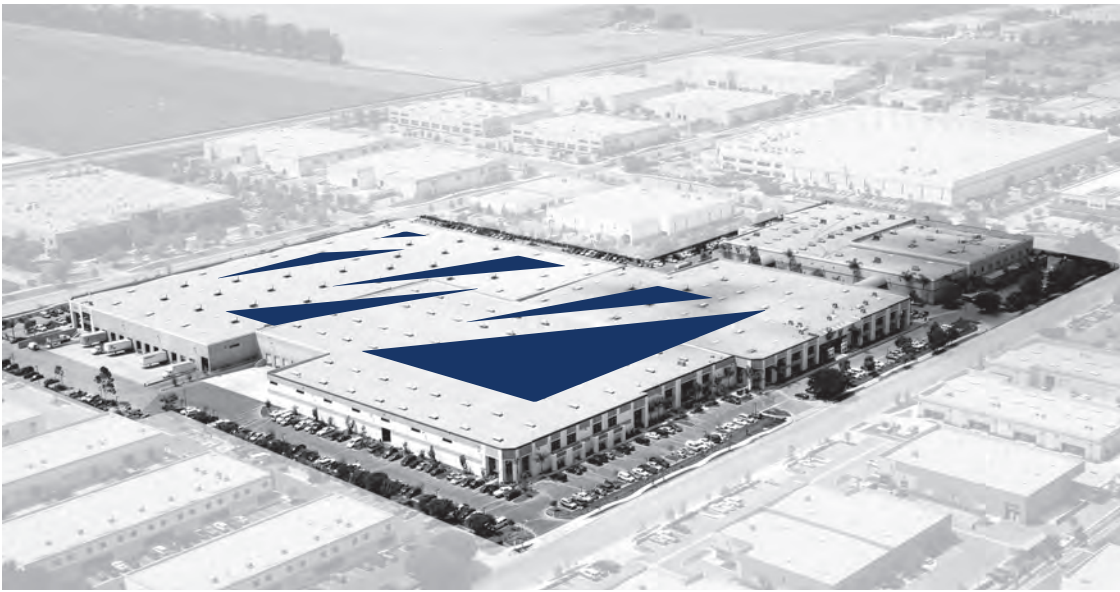


Welcome to Waterway's 2020 Pool & Spa Product Buyer's Guide





2020 Pool & Spa Product Buyer's Guide / Information

For information or assistance, contact:

Waterway Plastics Customer Service Department: 805.981.0262

Waterway Plastics, 2200 East Sturgis Road, Oxnard, California 93030

Telephone: 805.981.0262 • Fax: 805.981.9403 • Toll Free Fax: 888.772.5387

www.waterwayplastics.com • waterway@waterwayplastics.com

Pricing:

Effective **December 2, 2019**. All prices subject to change without notice.

Product Disclaimer:

All illustrations, photographs and specifications in this publication are based on product information available at the time of printing. Waterway reserves the right to make changes at any time, without giving prior notice, to colors, materials, specifications, part numbers and prices and to discontinue product or product components. All items are not available in all colors or materials.

Ordering:

To ensure prompt and proper shipment, please order by product part number and description. Be sure to include the correct (last digit) number for the color desired. Specially quoted product numbers must not be changed (even by one digit), or the pricing will not be recognized. Products and prices are subject to change without notice.

All orders must be a minimum of \$50.00.

All items are subject to availability and may require additional set up fees and minimum quantities.

Terms:

All sales are cash with order until credit is established, after which, terms are net 30 days.

Shipments:

All shipments are F.O.B. Oxnard, California.

Claims:

All claims must be made within 30 days after receipt of merchandise.

Returns:

All returns are subject to the Waterway Limited Warranty Policy and written approval, and must be accompanied by an "RGA" (Return Goods Authorization) form or number issued by Waterway prior to returning the merchandise. Unauthorized returns will not be accepted. Freight must be prepaid. Waterway will not accept returned merchandise after 90 days of shipment and/or not in original resalable condition. In some cases a restocking fee will apply.

Information Regarding Lost or Damaged Merchandise:

Our responsibility for any shipment ceases when the carrier signs the Bill of Lading. All shipments should be inspected immediately upon arrival. If cartons, packages or crates are received in short or damaged condition, it is important that the driver be notified and the recipient should insist on a notation of the loss or damage across the face of the freight bill.

If there is no indication of damage on the freight bill, no claim can be enforced against the carrier.

If concealed loss or damaged merchandise is discovered, notify the carrier immediately and request an inspection, and retain the shipping carton/container. A concealed damage report must be made within 7 calendar days of delivery of the shipment, or the carrier will not entertain any claim for the loss. The carrier agent will perform an inspection and will normally grant a concealed damage notation. IF THE CARRIER RECEIVES A CLEAR RECEIPT FOR THE MERCHANDISE THAT HAS BEEN DAMAGED IN TRANSIT, IT IS AT THE RECIPIENT'S OWN RISK AND EXPENSE.

Waterway is willing to assist in collecting claims for loss or damage, but our willingness does not make us responsible for collection of claims or for the replacement of merchandise.

For additional information or assistance in this regard, please contact:

Waterway Plastics

Customer Service

805.981.0262



WARNING: Cancer

AVERTISSEMENT: Cancer

www.P65warnings.ca.gov



Waterway Limited Warranty

All warranties for end users must be processed through your retail point of purchase.

All products of Waterway carry warranties. The nature and length of the warranty will depend upon the product and are set forth below:

To the buyer, as the original purchaser, Waterway warrants its products free from defects in materials and workmanship for a period of one year from the date of purchase, if installed by a qualified installer. Parts which fail or become defective during the warranty period, except as a result of freezing, negligence, improper installation of equipment or automatic valving systems, use or care, shall be repaired or replaced, at our option, within 90 days of the receipt of the defective product, barring unforeseen delays.

In-Ground Swimming Pool Variable Speed Pumps carry a 2 year warranty from sale date, with proof of purchase.

Proof of purchase is required for warranty coverage. Warranty registration card must be submitted for applicable products. In the event proof of purchase is not available, the manufacturing date of the product will be the sole determination of purchase date.

To obtain warranty, replacements or repair, defective components or parts should be returned, transportation paid, to the place of purchase. In the event the place of purchase is not applicable Waterway Plastic should be contacted for necessary return instructions. No returns may be made directly to the factory without the express written authorization of Waterway Plastics.

Waterway Plastics shall not be responsible for cartage, removal and/or reinstallation labor or any other such costs incurred in obtaining warranty replacements.

Disclaimer

Waterway is not liable for incidental or consequential damages, loss of profit, loss of time, inconvenience and incidental expenses. This warranty is limited and shall be in lieu of any other warranties, expressed or implied, including but not limited to, any implied warranty or merchantability or fitness for a particular purpose. There are no other warranties that extend beyond the description of the face hereof. The liability of Waterway arising out of its supply of said products, or their use, shall not in any case exceed the cost of correcting defects in the products as above set forth.

Although Waterway Plastics provides all information, recommendation, or advice regarding its products in good faith, each user bears full responsibility for making its own determination as to suitability of Waterway's products, recommendations, or advice for its own particular use. Each user must identify and perform all tests and analysis necessary to assure that its finished products incorporating Waterway's parts or products will be safe and suitable for use under end-use conditions. This includes but not limited to verification of exposure to ambient operating conditions, adhesives, foams and any other type chemicals during the assembly or the end use conditions. Due to environmental conditions out of our control, we are unable to warranty discolorations or corrosion on stainless steel parts.

This warranty does not apply if the failure is caused or contributed to by any of the following: improper handling, improper storage, improper installation abuse, unsuitable application of the product, lack of reasonable and necessary maintenance, improper packaging for return, or repairs made or attempted by any other company, which in the judgment of Waterway adversely affects the product's performance and reliability. Waterway reserves the right to change its warranty at any time.

Some states do not allow the exclusion or limitation of incidental or consequential damages, so the above limitation or exclusion may not apply to you.



2020 Pool & Spa Buyer's Guide / **Color Guide**

Color Reference				
Last Digit of Part No.	Color/Metal Finish	Available only for:	Pool	Spa
0	White		✓	✓
1	Black		✓	✓
3	Blue (Lights only)			✓
4	Red (Lights only)			✓
5	Red and Blue (Lights only)			✓
7	Gray		✓	✓
8	Clear			✓
9	Call for other colors, metal finishes & special orders			
9-BEI	Beige (Tan)		✓	
9-DKG	Dark Gray		✓	
9-DSG	Dark Silver Glitter / DSG			✓
9-ST5	Sterling Silver			✓



Hose / Tubing	8
Pool Pumps	9
Filters / Filter Systems	26
CSA Pumps / Filter Systems	49
Wet Ends / Bases	55
Air Systems	57
Pool Control System	58
Unions	59
Chlorinators / Accessories	65
Ells / Tees / Wyes	66
Fittings	70
Gunite Jets	77
Valves	86
Drains / Suctions	88
Skimmers / Skim Filters	103
Misc / Accessories	113
Hose / Tubing	118
Spa Jets	119
Air Injectors / Blowers	159
Drains / Suctions	161
Air Controls	167
Top Side Valves	169
Water Features	179
Lighting	187
Spa Control Systems / Speakers	193
Skimmers / Filters	199
Spa Pumps	211
Wet Ends / Bases	226
Slice / Gate Valves	229
Unions	231
Ells / Tees / Wyes	238
Manifolds	243
Misc / Accessories	253
Technical Info	260
Replacement Parts	269
Index	349



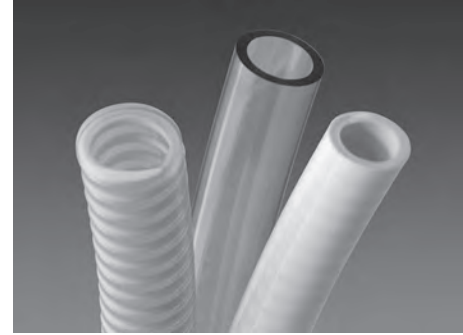
Pool



Shurflex™ / Hose and Tubing



Designed and
Manufactured for
In-Ground Pool
& Spa Use.



AVAILABLE IN:

- Clear Vinyl: 1/8", 1/4", 3/8", 3/4", and 3/4" x 1 1/16"
- White Vinyl: 3/8", 3/4", and 1" x 1 1/4"
- Shur-Grip: 3/4", 3/4" thin, 1 1/2", and 2"
- Flex: 1/2", 3/4", 1", 1 1/4", 1 1/2", 2", 2" thin, 2 1/2", and 3"

Call for pricing.

Pool hose is higher durometer for durable In-Ground application.

Hose and Tubing - Individual Rolls (wrapped)

Part No.	Description	Color	Ft. / Roll
110-0120	Vinyl - 3/8" x 9/16"	Clear (0), White (W)	500
110-0140	Vinyl - 3/4" x 1"	Clear (0), White (W)	150
110-0150	Vinyl - 3/4" x 1 1/16"	Clear	100
110-016W	Vinyl - 1" x 1 1/4"	White	100
120-0110	Flex - 1/2"	White (0), Black (1)	100
120-0120	Flex - 3/4"	White (0), Black (1)	100
120-0130	Flex - 1"	White (0), Black (1)	50
120-0180	Flex - 1 1/4"	White (0), Black (1)	50
120-0140	Flex - 1 1/2"	White (0), Black (1)	50
125-0110	Flex - 1 1/2" x 100 ft.	White (0), Black (1)	100
120-0150	Flex - 2"	White (0), Black (1)	50
125-0120	Flex - 2" x 100 ft.	White (0), Black (1)	100
120-0250	Flex - 2" thin	White (0), Black (1)	50
120-0160	Flex - 2 1/2"	White (0), Black (1), Gray (7)	50
120-0170	Flex - 3"	White (0), Black (1), Gray (7)	50

Call for pricing.

Hose and Tubing - Pallets (wrapped)

Part No.	Description	Color	Ft. / Pallet	Rolls / Pallet
110-0120P	Vinyl - 3/8" x 9/16"	Clear (0), White (W)	20,000	40
110-0140P	Vinyl - 3/4" x 1"	Clear (0), White (W)	6,000	40
110-0150P	Vinyl - 3/4" x 1 1/16"	Clear	4,000	40
110-016WP	Vinyl - 1" x 1 1/4"	White	2,800	28
120-0110P	Flex - 1/2"	White (0), Black (1)	6,800	68
120-0120P	Flex - 3/4"	White (0), Black (1)	5,600	56
120-0130P	Flex - 1"	White (0), Black (1)	2,800	56
120-0180P	Flex - 1 1/4"	White (0), Black (1)	1,200	24
120-0140P	Flex - 1 1/2"	White (0), Black (1)	1,200	24
125-0110P	Flex - 1 1/2" x 100 ft.	White (0), Black (1)	1,200	12
120-0150P	Flex - 2"	White (0), Black (1)	900	18
125-0120P	Flex - 2" x 100 ft.	White (0), Black (1)	900	9
120-0250P	Flex - 2" thin	White (0), Black (1)	900	18
120-0160P	Flex - 2 1/2"	White (0), Black (1), Gray (7)	800	16
120-0170P	Flex - 3"	White (0), Black (1), Gray (7)	400	8

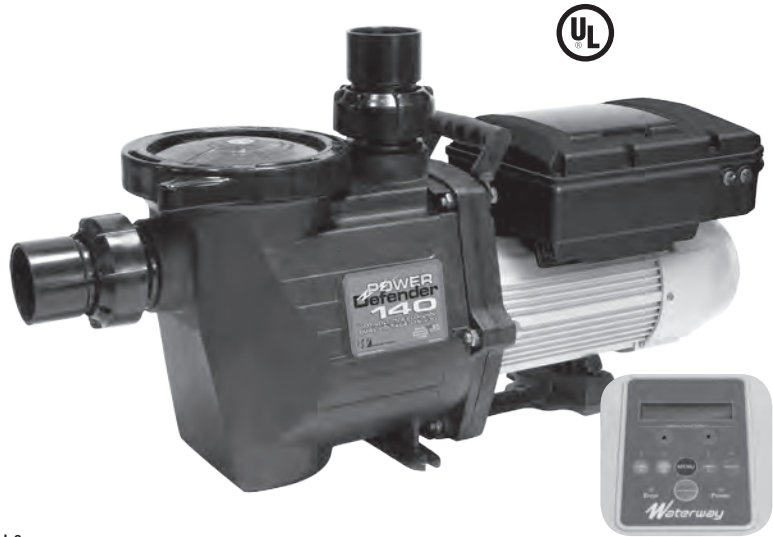


POWER Defender 140

**VARIABLE SPEED
DUAL VOLTAGE PUMP**

NEW!

*Dual Voltage 115V / 230V
1.40 HP Variable Speed Pump*



For unions, see page 59.

FEATURES:

- High Performance and Ultra Quiet Variable Speed Pool & Spa Pump provides you with up to 90% energy savings.
- Innovative, Patent Pending technology automatically actuates a Diverter Valve to direct the flow of water to the Pressure Pool Cleaner and increase the pump speed and pressure.
- Built in Pool Control – easily program various day, time, and speed settings, and actuate Diverter Valves to run in Pool Filtration, Spill Over and Spa Mode.
- The latest technology Variable Speed Motors, totally enclosed construction with a powerful external fan – protects the motor against dirt and moisture and provides for extremely cool operation of the motor.
- Changes from 230 V to 115 V at the flip of a switch!
- No drop in horsepower at either voltage!
- Two Swivel Unions and Adjustable Base Kit included with pump.



Adjustable Base included. Ideal when replacing or plumbing Sta-Rite, Hayward or Pentair pumps in the field.

675-1380 See Page 56.

Smart **energy solutions** for the Pool & Spa industry.

Power Defender 140 - Variable Speed, Dual Voltage Pump

Part No.	Description	Volts	HP	List (US \$)
PD-140	Power Defender Variable Speed, Dual Voltage, 1.40 HP for In Ground Pools, Controls up to 3 Actuators	115/230	1.40	--
PD-140C	Power Defender Variable Speed, Dual Voltage, 1.40 HP for In Ground Pools	115/230	1.40	--
PD-140ABG	Power Defender Variable Speed, Dual Voltage, 1.40 HP for Above Ground Pools	115/230	1.40	--

Contact your Sales Representative for pricing.



Pool Pumps - In-Ground / Power Defender 165 Variable Speed

POWER Defender 165 VARIABLE SPEED PUMP

Model #: PD-VSC165



Comes complete with 2 Swivel Union Assemblies & Adjustable Base Kit

Great for precise alignment and plumbing versatility!

FEATURES:

- Maximum 1.65 HP
- Timer Mode
- Full Variable Speed (600-3450 RPM)
- Freeze Protection
- Program Memory Back-up
- Keypad Lockout Feature
- 2" Swivel Unions (included)
- Adjustable Base (included)



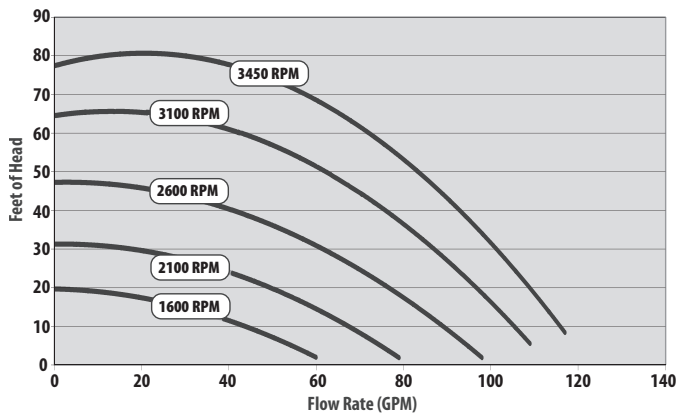
For replacement parts, see page 278.
For unions, see page 59.



Built-in Programmable User Interface with Timer

- Easy replacement for most brand pumps
- Works great with Waterway Oasis Pool & Spa Control as well as competitive control systems
- Silicone carbide seals

Power Defender 1.65 HP – Performance Curves

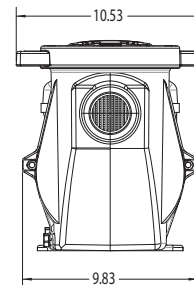
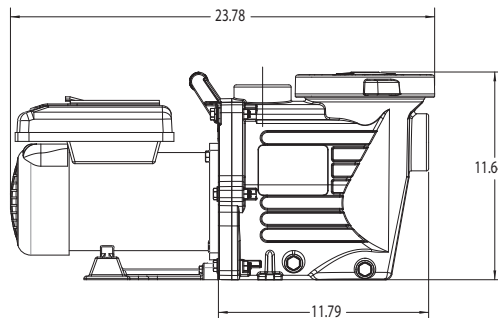


Adjustable Base included. Ideal when replacing or plumbing Sta-Rite, Hayward or Pentair pumps in the field.

675-1380 See Page 56.



Smart **energy solutions** for the Pool & Spa industry.



Power Defender 165 - Variable Speed Pump

Part No.	Description	Volts	HP	List (US \$)
PD-VSC165	Power Defender 1.65 HP Variable Speed Pump	230	1.65 HP	2,003.14
PD-VSC1165	Power Defender 1.65 HP Variable Speed Pump	110	1.65 HP	2,003.13



POWER Defender 270

VARIABLE SPEED PUMP

Model #: PD-VSC270



Built-in Programmable User Interface with Timer

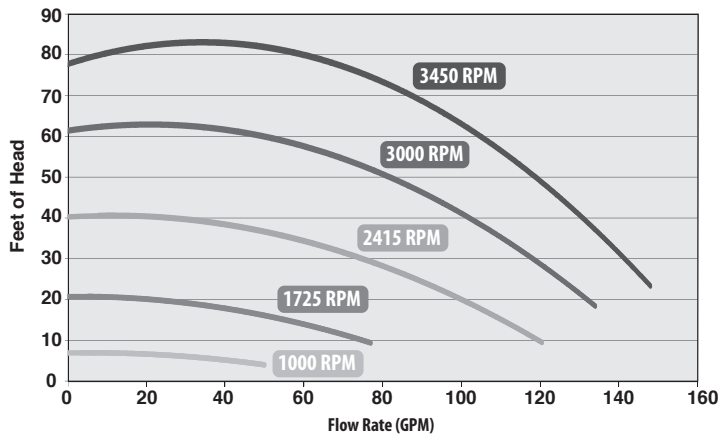
For replacement parts, see page 280.
For unions, see page 59.

*Comes complete with 2 Swivel Union Assemblies & Adjustable Base Kit
Great for precise alignment and plumbing versatility!*

FEATURES:

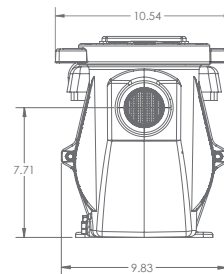
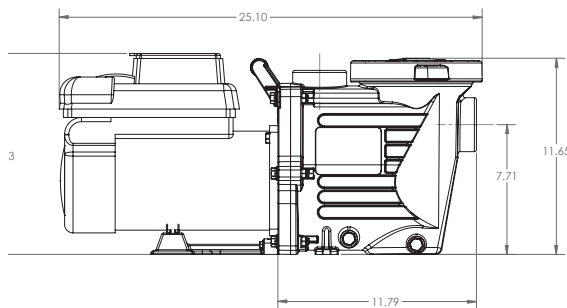
- Pump is pressure testable up to 50 PSI
- User-Friendly programming
- Optional off-board mounting of controls.
- Ability to install and program additional load (booster pump, chlorine generator)
- Display is easy to view in any light
- 2" Swivel Unions (included)
- Compliant with all energy legislation. Meets Title 20 & Title 24 regulations
- Super quiet operation
- Built-in freeze protection
- Silicone carbide viton seals

Power Defender 2.7 HP Pump - Performance Curves



Adjustable Base included. Ideal when replacing or plumbing Sta-Rite, Hayward or Pentair pumps in the field.

675-1380 See Page 56.



Smart **energy solutions** for the Pool & Spa industry.

Power Defender 270 - Variable Speed Pump

Part No.	Description	Volts	HP	Weight (lbs.)	List (US \$)
PD-VSC270	Power Defender 2.7 HP Variable Speed Pump	230	2.7 Total HP	60	2,864.91

Pool Pumps



Pool Pumps - In-Ground / Power Defender 300 Variable Speed

POWER Defender 300 VARIABLE SPEED PUMP

Model #: PD-VSC300



Introducing the latest generation of 3 HP In-ground Pool Pumps

FEATURES:

- Built-in and programmable variable frequency drive that can be rotated 180° for easy servicing
- Direct drop-in for other manufacturer's single, 2-speed or variable speed pumps
- Proven performance wet end with large trap basket and easy access two-piece lid
- Simple programming with up to 4 scheduled filter settings
- Works with Waterway Oasis Pool & Spa Control
- Silicone carbide seals, Viton bellows, 316SS casing for superior protection from bromine, chlorine, hydrogen peroxide and salt
- 2" Swivel Unions (included)



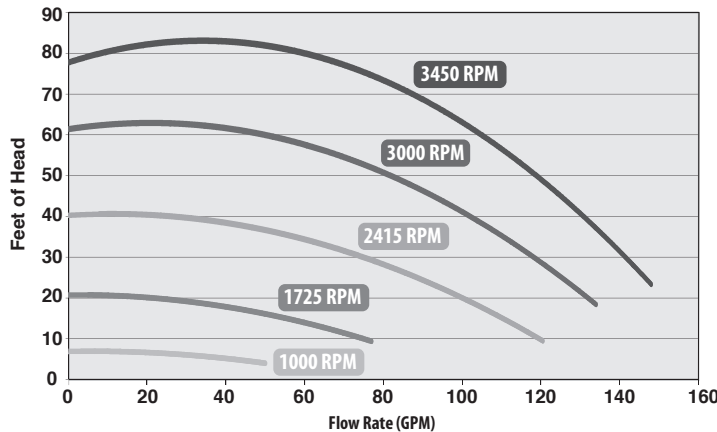
For replacement parts, see page 282.
For unions, see page 59.



Built-in Programmable User Interface with Timer

Pool Pumps

Power Defender 3.0 HP Pump - Performance Curves

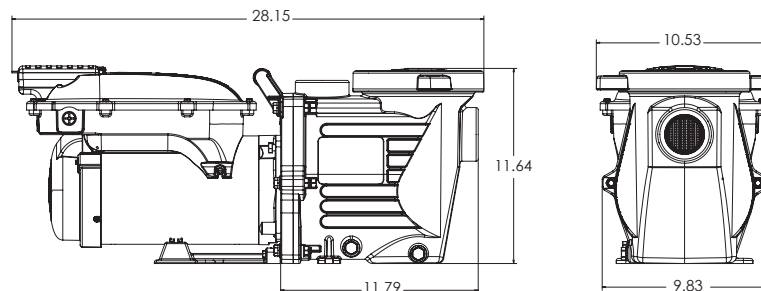


Adjustable Base included. Ideal when replacing or plumbing Sta-Rite, Hayward or Pentair pumps in the field.

675-1380 See Page 56.



Smart energy solutions for the Pool & Spa industry.



Power Defender 300 - Variable Speed Pump

Part No.	Description	Volts	HP	List (US \$)
PD-VSC300	Power Defender 3.0 HP Variable Speed Pump	230	3.0 HP	2,604.85



POWER Defender
300(SVL)
VARIABLE SPEED PUMP

Silent operation, extreme vertical lift, variable speed... all in one pump!



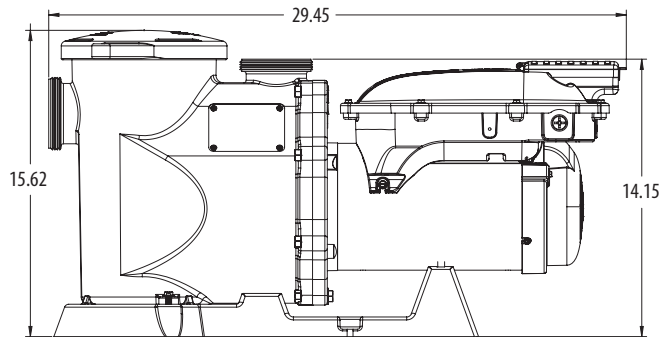
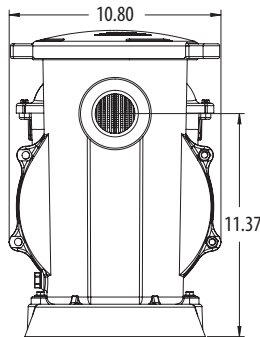
FEATURES:

- Provides 24 ft. of lift (above water level) compared to the industry standard of 10'
- 3 HP, 13.5 amps, 230 VAC
- Built-in and programmable variable frequency drive that can be rotated 180° for easy access and serviceability
- Proven SVL wet end
- Silicone carbide seals, Viton bellows, 316SS casing for superior protection from bromine, chlorine, hydrogen peroxide and salt

- Water-proof construction with heavy-duty die-cast housing
- Works great as stand-alone pump, or with a Waterway Oasis Pool & Spa Control

For replacement parts, see page 276.

For unions, see page 59.



Smart **energy solutions** for the Pool & Spa industry.

Power Defender SVL300 - Variable Speed Pump

Part No.	Description	Volts	HP	Weight (lbs.)	List (US \$)
PD-VSA300	Power Defender SVL300	230VAC	3	13.5	2,702.58



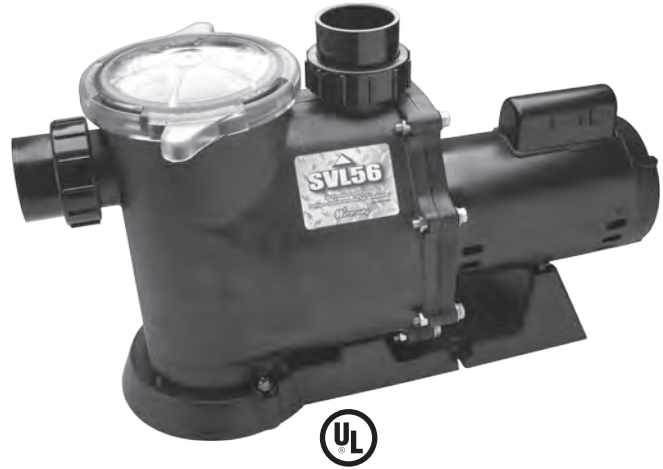
Pool Pumps - In-Ground / SVL56 - High Flow - 56-Frame

Pool Pumps

The extraordinary quietness of the SVL56 moves us nearer to the goal of silent operation, and it provides by far the best vertical lift. A true 56-frame motor ensures long life and uninterrupted power. Attention to detail is evident in the design of this proven pump. Designed for easy service and installation, the pump accepts either 2" or 2 1/2" plumbing connections and features dual bearings for cooler operating temperature. This pump will provide years of trouble-free performance.

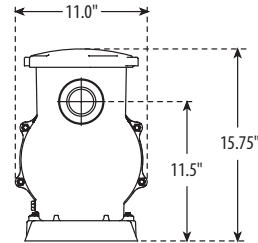
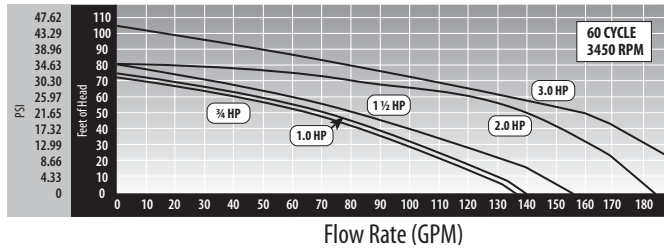
FEATURES:

- Extremely quiet operation
- Self-priming
- Vertical lift of 24 ft.
- Easy to service
- True 56-frame motor for cooler running and longer life
- 2 1/2" union threads x 2" FPT with unions (included)
- Large trap basket with cam-lock lid
- 60 Hz rating
- Silicone carbide seals

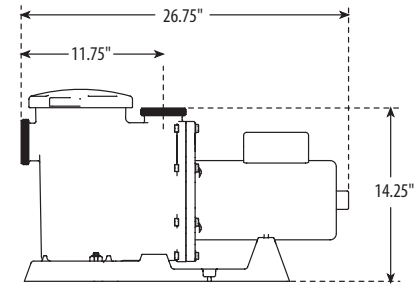
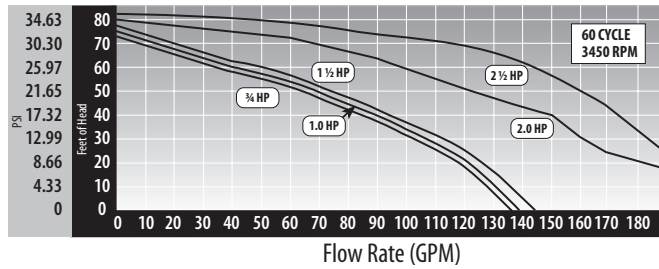


For replacement parts, see page 274.
For unions, see page 59.

HIGH PERFORMANCE PRESSURE VERSUS FLOW RATE



STANDARD PERFORMANCE PRESSURE VERSUS FLOW RATE



High Performance - Full Rated

Part No.	Description	Volts	HP	Weight (lbs.)	List (US \$)
SVL56E-110	1-Speed - 2" or 2 1/2" Intake and Discharge	115 / 230	1.0	57	1,474.57
SVL56E-115	1-Speed - 2" or 2 1/2" Intake and Discharge	230	1.5	51	1,595.13
SVL56E-120	1-Speed - 2" or 2 1/2" Intake and Discharge	230	2.0	54	1,774.11
SVL56E-130	1-Speed - 2" or 2 1/2" Intake and Discharge	230	3.0	65	2,272.78

Standard Performance - Maximum Rated

Part No.	Description	Volts	HP	Weight (lbs.)	List (US \$)
SVL56S-110	1-Speed - 2" or 2 1/2" Intake and Discharge	115 / 230	1.0	57	1,229.78
SVL56S-115	1-Speed - 2" or 2 1/2" Intake and Discharge	115 / 230	1.5	51	1,299.19
SVL56S-120	1-Speed - 2" or 2 1/2" Intake and Discharge	230	2.0	54	1,481.89
SVL56S-125	1-Speed - 2" or 2 1/2" Intake and Discharge	230	2.5	61	1,748.54

Pumps and replacement motors that are single speed and one (1) total HP or greater cannot be sold, offered for sale, or installed in a residential pool for filtration use in California, Title 20 CCR sections 1601-1609.



FEATURES:

- Quiet operation
- Self-priming
- 2" FPT intake and discharge
- 2" Swivel Unions (included)
- Easy to service
- True 56-frame motor for cooler running and longer life
- Large trap basket with cam-lock lid
- 60 Hz rating
- Silicone carbide seals

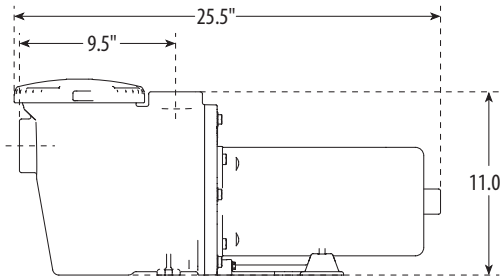
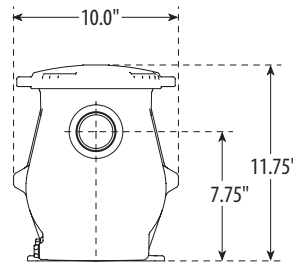
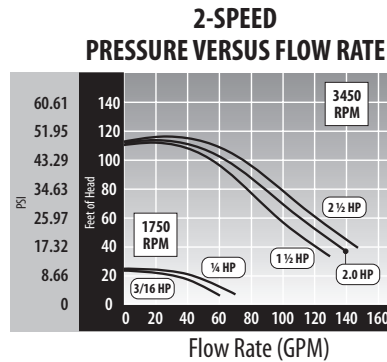
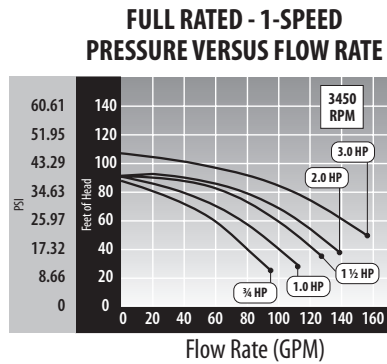
**Comes complete with
2 Swivel Union Assemblies
& Adjustable Base Kit**

*Great for precise
alignment & plumbing
versatility!*



For replacement parts, see page 286.
For unions, see page 59.

The Champion High Performance Pump is compatible with all cleaning systems, various filters and jet action spas. The Champion Pump is ideal for new installations and as a replacement pump due to its dimensions.



Adjustable Base included. Ideal when replacing or plumbing Sta-Rite, Hayward or Pentair pumps in the field.
675-1380 See Page 56.



Pool Pumps

High Performance - Full Rated

Part No.	Description	Volts	HP	Weight (lbs.)	List (US \$)
CHAMPE-107	1-Speed	115/230	3/4	40	1,282.08
CHAMPE-110	1-Speed	115/230	1.0	35	1,381.67
CHAMPE-115	1-Speed	230	1.5	35	1,514.43
CHAMPE-120	1-Speed	230	2.0	39	1,704.02

Standard Performance - Maximum Rated

Part No.	Description	Volts	HP	Weight (lbs.)	List (US \$)
CHAMPS-107	1-Speed	115/230	3/4	33	1,124.84
CHAMPS-110	1-Speed	115/230	1.0	40	1,182.46
CHAMPS-115	1-Speed	115/230	1.5	39	1,248.02
CHAMPS-120	1-Speed	115/230	2.0	52	1,383.40
CHAMPS-125	1-Speed	230	2.5	42	1,671.68
CHAMPS-215	2-Speed	230	1.5	46	1,603.78
CHAMPS-220	2-Speed	230	2.0	45	1,689.35

Pumps and replacement motors that are single speed and one (1) total HP or greater cannot be sold, offered for sale, or installed in a residential pool for filtration use in California, Title 20 CCR sections 1601-1609.



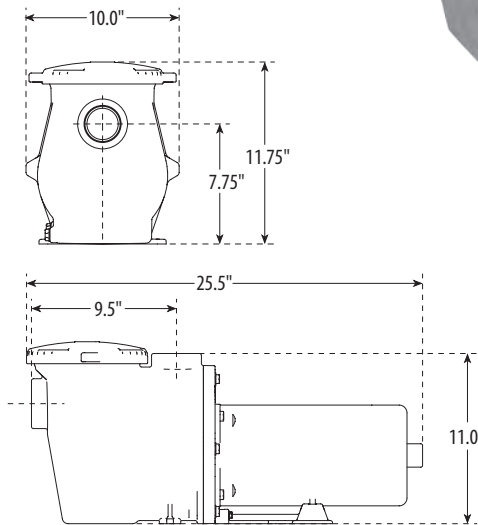
Pool Pumps - In-Ground / SMF

Comes complete with 2 Swivel Union Assemblies & Adjustable Base Kit

Great for precise alignment and plumbing versatility!



For replacement parts, see page 284.
For unions, see page 59.



FEATURES:

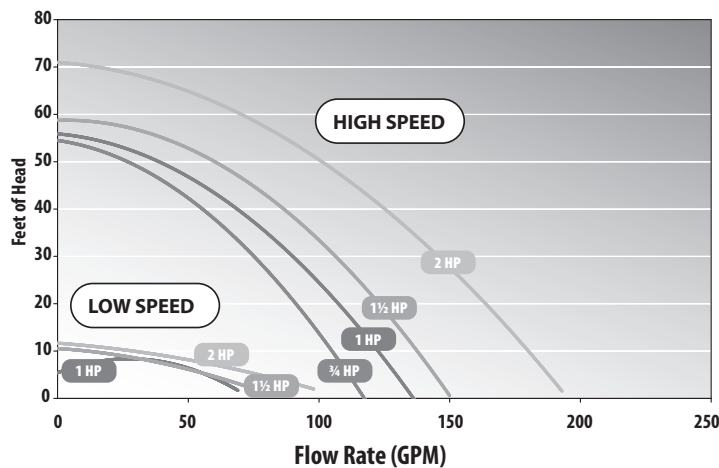
- Super quiet operation
- 2" Swivel Unions included (Intake/Discharge)
- One piece pot and volute reduce noise
- Lower flow rates for more versatile installations
- 1.5" x 2" Bushings included
- Silicone carbide viton seals



Adjustable Base included. Ideal when replacing or plumbing Sta-Rite, Hayward or Pentair pumps in the field.

675-1380 See Page 56.

SMF - Performance Curves



SMF - 1-Speed Pumps

Part No.	Description	Volts	HP	Weight (lbs.)	List (US \$)
SMF-107	1-Speed	115/208-230	¾	38	798.90
SMF-110	1-Speed	115/208-230	1.0	43	831.87
SMF-115	1-Speed	115/208-230	1.5	47	899.79
SMF-120	1-Speed	208-230	2.0	48	1,048.35

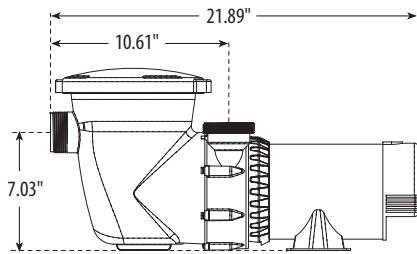
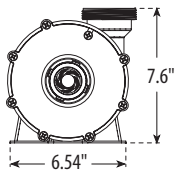
Pumps and replacement motors that are single speed and one (1) total HP or greater cannot be sold, offered for sale, or installed in a residential pool for filtration use in California, Title 20 CCR sections 1601-1609.



Pool Pumps - Above Ground / Supreme - 48-Frame

FEATURES:

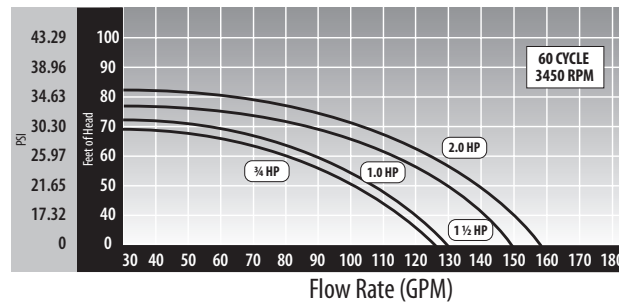
- 1 1/2" Union threads / 1 1/2" FPT Intake and 2" Union threads / 1 1/2" FPT discharge
- Extra large 7" pump trap with clear lid
- Powerful side discharge performance
- Wet end easily rotates



For replacement parts, see page 288.

The Supreme Pump is the ultimate in above ground pool engineering. Designed for today's more demanding applications, the Supreme Pump is ideal for D.E., cartridge or sand filtration systems of all sizes.

Supreme Performance Curves



Supreme 48-Frame Above Ground Pool Pump

Part No.	Description	Volts	Amps	HP	Weight (lbs.)	List (US \$)
PSP1075-3	1-Speed - 3 ft. Twist-Lock Cord	115	10.78	3/4	25	688.10
PSP1100-3	1-Speed - 3 ft. Twist-Lock Cord	115	13.2	1.0	25	700.75
PSP1150-3	1-Speed - 3 ft. Twist-Lock Cord	115	13.2	1.5	26	753.74
PSP1200-3	1-Speed - 3 ft. Twist-Lock Cord	115	18.04	2.0	31	888.06
PSP2075-3	2-Speed - 3 ft. Twist-Lock Cord	115	10.78	3/4	27	820.92
PSP2100-3	2-Speed - 3 ft. Twist-Lock Cord	115	13.2	1.0	30	838.98
PSP2150-3	2-Speed - 3 ft. Twist-Lock Cord	115	13.2	1.5	31	900.98
PSP2200-3	2-Speed - 3 ft. Twist-Lock Cord	115	18.04	2.0	35	965.60
PSP1075-6	1-Speed - 3 ft. NEMA Cord	115	10.78	3/4	25	688.10
PSP1100-6	1-Speed - 3 ft. NEMA Cord	115	13.2	1.0	25	700.75
PSP1150-6	1-Speed - 3 ft. NEMA Cord	115	13.2	1.5	25	753.74
PSP1200-6	1-Speed - 3 ft. NEMA Cord	115	18.04	2.0	31	888.06
PSP2075-6	2-Speed - 3 ft. NEMA Cord	115	10.78	3/4	29	820.92
PSP2100-6	2-Speed - 3 ft. NEMA Cord	115	13.2	1.0	30	838.98
PSP2150-6	2-Speed - 3 ft. NEMA Cord	115	13.2	1.5	32	900.98
PSP2200-6	2-Speed - 3 ft. NEMA Cord	115	18.04	2.0	36	965.60

Part numbers listed are for the discharge in the vertical position (sand). For discharge in horizontal position (cartridge and D.E.), add "R" to the end of the part number.

1-speed pumps have an on/off toggle switch. 2-speed pumps have a hi/lo/off toggle switch included.

NEMA cord is 3 prong grounded. All power cords are 3' in length.

Pumps and replacement motors that are single speed and one (1) total HP or greater cannot be sold, offered for sale, or installed in a residential pool for filtration use in California, Title 20 CCR sections 1601-1609.



Pool Pumps - Above Ground / Hi-Flo II Side Discharge - 48-Frame

FEATURES:

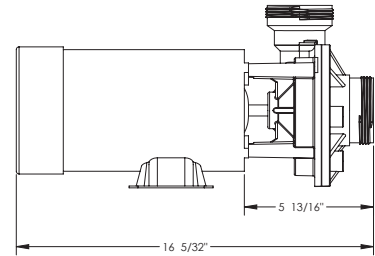
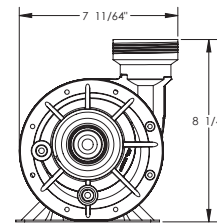
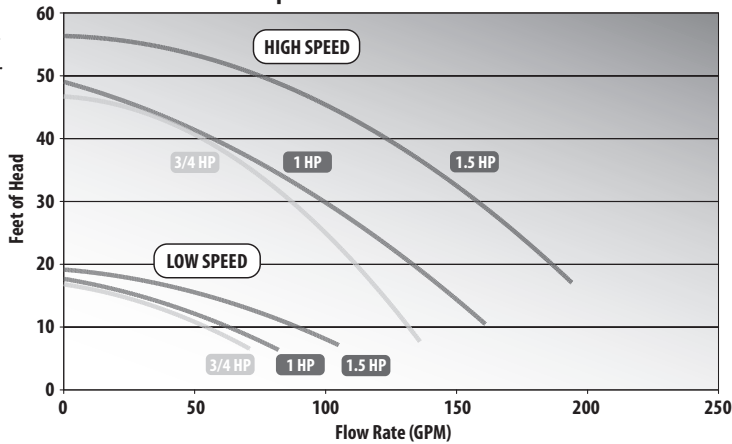
- 1 1/2" union threads / 1 1/2" FPT intake and 2" union threads / 1 1/2" FPT discharge
- Powerful side discharge performance
- Wet end can be rotated for easy installation
- Large 6" pump trap with one-piece clear lid
- High head capability
- Trap is 2" union x 1 1/2" union / 1 1/2" FPT



For replacement parts, see page 290.

The Hi-Flo II Above Ground pump was designed for superior performance. The Hi-Flo II pump features high flow rate performance for faster filtering cycles. This pump is ideal for new installations or as a replacement pump.

Hi-Flo II Pumps – Performance Curves



Hi-Flo II Side Discharge 48-Frame Above Ground Pool Pump and Trap

Part No.	Description	Volts	HP	Weight (lbs.)	List (US \$)
PH1075-3	1-Speed - 3 ft. Twist-Lock Cord	115	3/4	24	627.24
PH1100-3	1-Speed - 3 ft. Twist-Lock Cord	115	1.0	25	648.44
PH1150-3	1-Speed - 3 ft. Twist-Lock Cord	115	1.5	30.5	700.15
PH1200-3	1-Speed - 3 ft. Twist-Lock Cord	115	2.0	32	834.50
PH2100-3	2-Speed - 3 ft. Twist-Lock Cord	115	1.0	25	785.43
PH2150-3	2-Speed - 3 ft. Twist-Lock Cord	115	1.5	30.5	847.39
PH2200-3	2-Speed - 3 ft. Twist-Lock Cord	115	2.0	32	912.01
PH1075-6	1-Speed - 3 ft. NEMA Cord	115	3/4	26	627.24
PH1100-6	1-Speed - 3 ft. NEMA Cord	115	1.0	30	648.44
PH1150-6	1-Speed - 3 ft. NEMA Cord	115	1.5	33	700.15
PH1200-6	1-Speed - 3 ft. NEMA Cord	115	2.0	35	834.50
PH2075-6	2-Speed - 3 ft. NEMA Cord	115	3/4	26	767.33
PH2100-6	2-Speed - 3 ft. NEMA Cord	115	1.0	30	785.43
PH2150-6	2-Speed - 3 ft. NEMA Cord	115	1.5	33	847.39
PH2200-6	2-Speed - 3 ft. NEMA Cord	115	2.0	35	912.01

Part numbers listed are for the discharge in the vertical position (sand). For discharge in horizontal position (cartridge and D.E.), add "R" to the part number.

For parts with no trap assembly, add "P" to the end of the part number.

1-speed pumps have an on/off toggle switch. 2-speed pumps have a hi/lo/off toggle switch included.

NEMA cord is 3 prong grounded. All power cords are 3' in length.

Pumps and replacement motors that are single speed and one (1) total HP or greater cannot be sold, offered for sale, or installed in a residential pool for filtration use in California, Title 20 CCR sections 1601-1609.

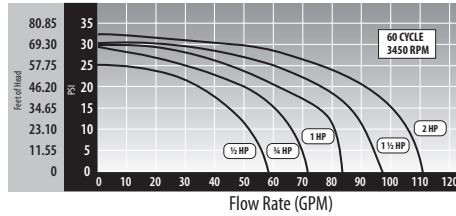
Pool Pumps - Above Ground / Center Discharge - 48-Frame



FEATURES:

- 1 1/2" Union / 1 1/2" FPT Inlet & Vertical Discharge or 1 1/2" Union / 1 1/2" FPT Inlet and Jacuzzi Self-Aligning Union Discharge (SLR9)
- Powerful center discharge performance
- Wet end can be rotated for easy installation
- Large 6" pump trap with 2-piece lid
- High head capability
- Trap is 2" union x 1 1/2" union / 1 1/2" FPT

PRESSURE VERSUS FLOW RATE



For replacement parts, see page 293.

Center Discharge Above Ground Pool Pump

Part No.	Description	HP	Volts	Weight (lbs.)	List (US \$)
3410210-1544	1-Speed - 3 ft. Twist-Lock Cord	1/2	115	24	611.35
3410314-1544	1-Speed - 3 ft. Twist-Lock Cord	3/4	115	24	615.12
3410413-1544	1-Speed - 3 ft. Twist-Lock Cord	1.0	115	24	627.55
3410612-1544	1-Speed - 3 ft. Twist-Lock Cord	1.5	115	26	679.09
3410811-1544	1-Speed - 3 ft. Twist-Lock Cord	2.0	115	26	803.29
3420310-1544	2-Speed - 3 ft. Twist-Lock Cord	3/4	115	29	740.44
3420411-1544	2-Speed - 3 ft. Twist-Lock Cord	1.0	115	29	760.74
3420612-1544	2-Speed - 3 ft. Twist-Lock Cord	1.5	115	31	818.29
3420610-1544	2-Speed - 3 ft. Twist-Lock Cord	2.0	115	--	875.90
3410210-1549	1-Speed - 3 ft. NEMA Cord	1/2	115	24	611.36
3410314-1549	1-Speed - 3 ft. NEMA Cord	3/4	115	24	615.12
3410413-1549	1-Speed - 3 ft. NEMA Cord	1.0	115	24	627.55
3410612-1549	1-Speed - 3 ft. NEMA Cord	1.5	115	26	679.09
3410811-1549	1-Speed - 3 ft. NEMA Cord	2.0	115	26	803.29
3420310-1549	2-Speed - 3 ft. NEMA Cord	3/4	115	30	740.44
3420411-1549	2-Speed - 3 ft. NEMA Cord	1.0	115	30	760.74
3420612-1549	2-Speed - 3 ft. NEMA Cord	1.5	115	31	818.29
3420610-1549	2-Speed - 3 ft. NEMA Cord	2.0	115	34	875.90

Center Discharge Above Ground Pool Pump - Jacuzzi Style Threads

Part No.	Description	HP	Volts	Weight (lbs.)	List (US \$)
3410210-1524	1-Speed - 3 ft. Twist-Lock Cord	1/2	115	24	627.80
3410314-1524	1-Speed - 3 ft. Twist-Lock Cord	3/4	115	24	632.95
3410413-1524	1-Speed - 3 ft. Twist-Lock Cord	1.0	115	20	645.92
3410612-1524	1-Speed - 3 ft. Twist-Lock Cord	1.5	115	26	697.55
3410811-1524	1-Speed - 3 ft. Twist-Lock Cord	2.0	115	--	827.53
3420310-1524	2-Speed - 3 ft. Twist-Lock Cord	3/4	115	29	762.13
3420411-1524	2-Speed - 3 ft. Twist-Lock Cord	1.0	115	29	782.83
3420612-1524	2-Speed - 3 ft. Twist-Lock Cord	1.5	115	30	842.25
3420610-1524	2-Speed - 3 ft. Twist-Lock Cord	2.0	115	--	852.20
3410210-1529	1-Speed - 3 ft. NEMA Cord	1/2	115	24	627.80
3410314-1529	1-Speed - 3 ft. NEMA Cord	3/4	115	24	632.95
3410413-1529	1-Speed - 3 ft. NEMA Cord	1.0	115	24	645.92
3410612-1529	1-Speed - 3 ft. NEMA Cord	1.5	115	26	697.55
3410811-1529	1-Speed - 3 ft. NEMA Cord	2.0	115	26	831.90
3420310-1529	2-Speed - 3 ft. NEMA Cord	3/4	115	30	762.13
3420411-1529	2-Speed - 3 ft. NEMA Cord	1.0	115	30	782.83
3420612-1529	2-Speed - 3 ft. NEMA Cord	1.5	115	31	842.25
3420610-1529	2-Speed - 3 ft. NEMA Cord	2.0	115	--	875.90

Pumps and replacement motors that are single speed and one (1) total HP or greater cannot be sold, offered for sale, or installed in a residential pool for filtration use in California, Title 20 CCR sections 1601-1609.

Pool Pumps



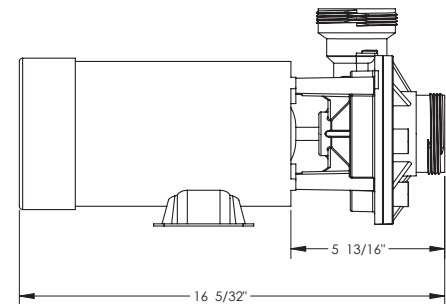
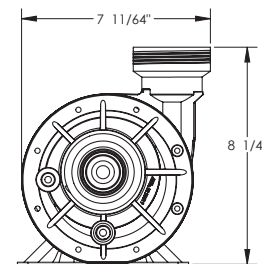
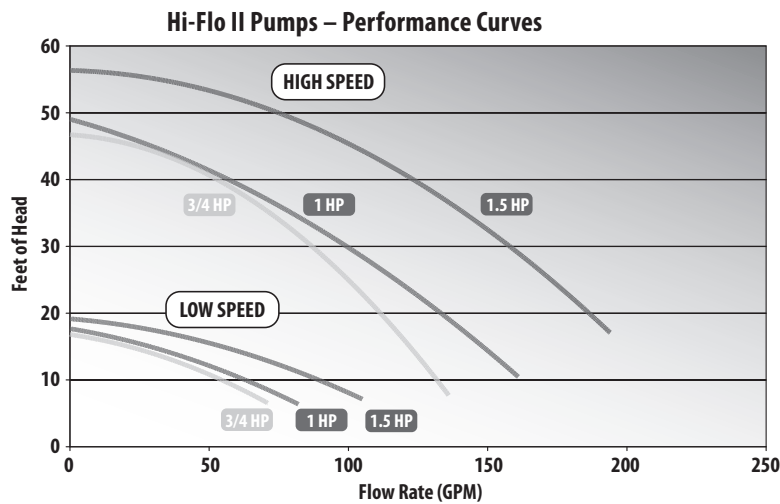
Spa Pumps / Hi-Flo II Side Discharge - 48-Frame

FEATURES:

- High volume side discharge performance
- 60% higher performing than our center discharge pumps
- 2" intake and discharge
- Wet end can be rotated for easy installation
- Available in 1 to 2 HP, 1 or 2 speed
- Large 6 1/2" diameter wet end for higher head pressure



For replacement parts, see page 301.



2-Speed Hi-Flo II Side Discharge 48-Frame Pumps

Part No.	HP	Volts	Amps High Speed	Amps Low Speed	Hz	Dimension "A"	List (US \$)
3420410-10	1.0	115	11.0	2.9	60	14.73"	609.09
3420610-10	1.5	115	16.4	4.4	60	15.48"	665.10
3420620-10	1.5	230	8.0	2.6	60	15.48"	665.10
3420820-10	2.0	230	10.5	2.6	60	16.00"	704.73

1-Speed Hi-Flo II Side Discharge 48-Frame Pumps

Part No.	HP	Volts	Amps	Hz	Dimension "A"	List (US \$)
3410410-10	1.0	115	12.0	60	14.23"	527.02
3410612-10	1.5	115	17.0	60	14.78"	527.02
3410830-10	2.0	115/230	20-10	60	14.98"	648.56

Pumps and replacement motors that are single speed and one (1) total HP or greater cannot be sold, offered for sale, or installed in a residential pool for filtration use in California, Title 20 CCR sections 1601-1609.



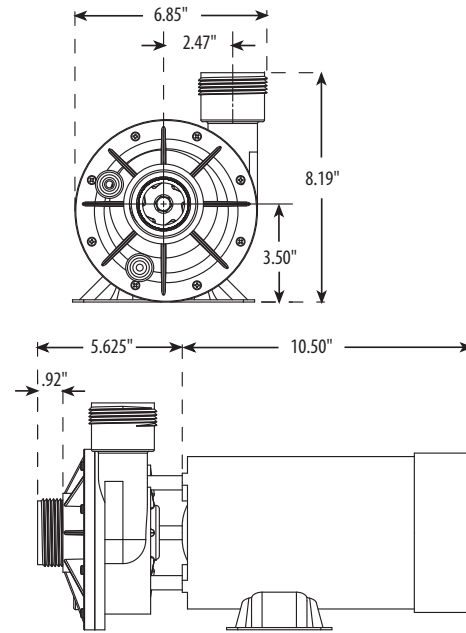
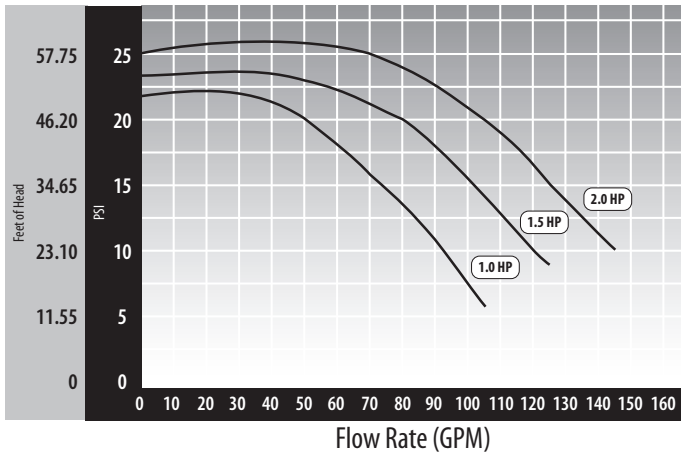
FEATURES:

- 48-frame proven design
- Designed for direct replacement in most spas
- Viton seals
- 1 ½" Intake and Discharge
- Direct replacement for Aqua Flo FMHP



For replacement parts, see page 299.

PRESSURE VERSUS FLOW RATE



2-Speed Spa Flo II 48-Frame Pumps

Part No.	HP	Volts	Hz	Case Quantity	List (US \$)
3420410-SOZ	1	115	60	1	609.09
3420610-SOZ	1 ½	115	60	1	665.10
3420820-SOZ	2	230	60	1	704.73

Sold without cords. Please call for available cords.

1-Speed Spa Flo II 48-Frame Pumps

Part No.	HP	Volts	Hz	Case Quantity	List (US \$)
3410410-SOZ	1	115	60	1	526.38
3410610-SOZ	1 ½	115	60	--	566.34
3410830-SOZ	2	115 / 230	60	1	648.56

Sold without cords. Please call for available cords.

Pumps and replacement motors that are single speed and one (1) total HP or greater cannot be sold, offered for sale, or installed in a residential pool for filtration use in California, Title 20 CCR sections 1601-1609.



Spa Pumps / EX 2

FEATURES:

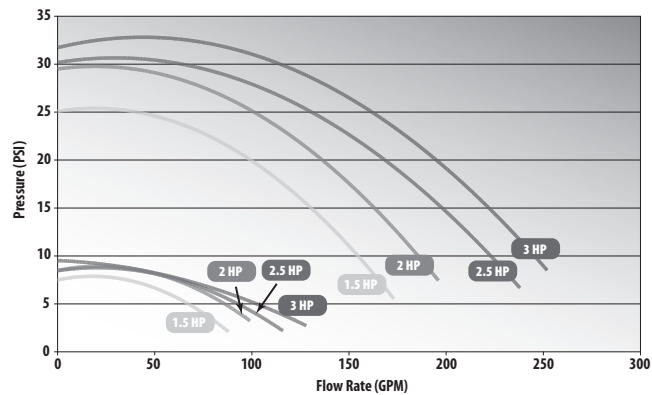
- True continuous rated horsepower of 1.5, 2.0, 2.5 and 3.0 HP
- 48-Frame or 56-Frame, Single or Dual Speed (energy saving)
- Use more jets per pump
- Same physical size as Aqua-Flo XP2, XP2e (fits within the same volume envelope)
- Can be used as substitute or retrofit to Aqua-Flo model XP2 or XP2e pumps and similar pumps and wet ends offered by other domestic and foreign suppliers
- Made in USA from the highest quality materials with UL and CUL certifications
- CE and TUV certification on export pumps to ensure product performance for you and your customers
- Equipped with the highest quality Viton Seals
- Equipped with high performance electrical motors, custom designed for Spa applications



For replacement parts, see page 296.

Call for available cords and plugs.

EX2 Performance Chart



2-Speed EX 2 48-Frame Pumps

Part No.	Description	HP - Full	Volts	Amps High Speed	Amps Low Speed	Weight (lbs.)	Hz	List (US \$)
3420610-1U	2" Intake - 2" Discharge	1.5	115	16.4	4.4	--	60	665.10
3420820-1U	2" Intake - 2" Discharge	2	230	10.5	2.6	33	60	704.73
3421021-1U	2" Intake - 2" Discharge	2	230	9.0	2.8	31	60	646.95
3421221-1U	2" Intake - 2" Discharge	2	230	8.5	2.8	34	60	729.26
3421020-1U	2" Intake - 2" Discharge	2.5	230	11.0	3.3	36	60	756.02
3421821-1U	2" Intake - 2" Discharge	3	230	12.0	3.5	37	60	822.14

1-Speed EX 2 48-Frame Pumps

Part No.	Description	HP - Full	Volts	Amps	Weight (lbs.)	Hz	List (US \$)
3410610-1U	2" Intake - 2" Discharge	1.5	115	17.0	27	60	566.34
3411020-1U	2" Intake - 2" Discharge	2.5	230	10.0	34	60	758.87
3411621-1U	2" Intake - 2" Discharge	3.0	230	12.0	35	60	761.83

2-Speed EX 2 56-Frame Pumps

Part No.	Description	HP - Full	Volts	Amps High Speed	Amps Low Speed	Weight (lbs.)	Hz	List (US \$)
3720821-1W	2" Intake - 2" Discharge	2	230	8.0	3.0	34	60	708.45
3721621-1W	2" Intake - 2" Discharge	3.0	230	12.0	4.4	47	60	825.24
3M21621-1W	2" Intake - 2" Discharge	3.0	230	12.0	4.4	44	60	825.24

1-Speed EX 2 56-Frame Pumps

Part No.	Description	HP - Full	Volts	Amps	Weight (lbs.)	Hz	List (US \$)
3711621-1W	2" Intake - 2" Discharge	3.0	230	12.0	41	60	792.97

Pumps and replacement motors that are single speed and one (1) total HP or greater cannot be sold, offered for sale, or installed in a residential pool for filtration use in California, Title 20 CCR sections 1601-1609.



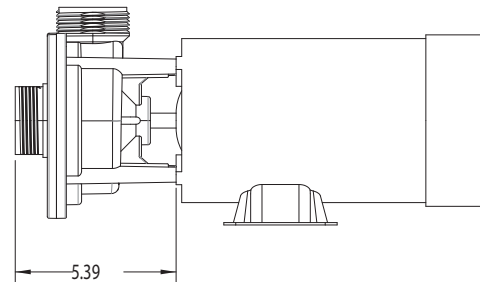
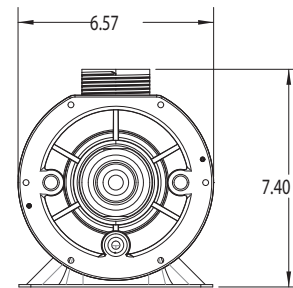
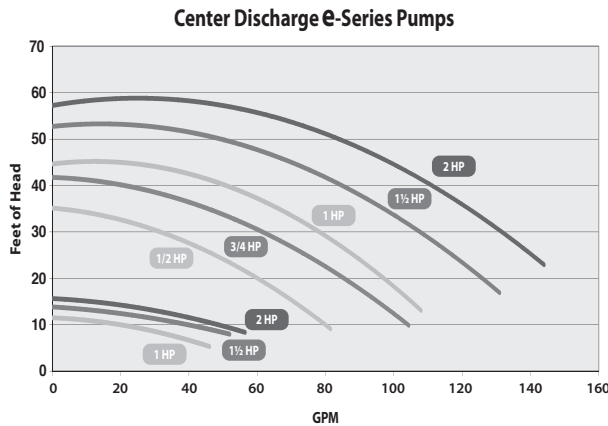
Spa Pumps / E-Series Center Discharge - 48-Frame

FEATURES:

- Reliable center discharge performance
- 1 1/2" intake and discharge
- Wet end can be rotated for easy installation
- Available in 3/4 to 2 HP, 1 or 2 speed
- Viton Seals
- 18 month warranty



For replacement parts, see page 292.



Pool Pumps

2-Speed Center Discharge Spa Pumps

Part No.	HP	Volts	Amps High Speed	Amps Low Speed	Hz	Dimension "A"	Weight (lbs.)	List (US \$)
3420310-15	3/4	115	8.8	2.6	60	15.00"	25	581.87
3420410-15	1.0	115	11.0	2.9	60	15.00"	26	609.09
3420610-15	1.5	115	16.4	4.4	60	15.75"	29	665.10
3420620-15	1.5	230	8.0	2.6	60	15.73"	29	665.10
3420820-15	2.0	230	10.5	2.6	60	16.28"	32	704.73

1-Speed Center Discharge Spa Pumps

Part No.	HP	Volts	Amps	Hz	Dimension "A"	Weight (lbs.)	List (US \$)
3410310-15	3/4	115	9.8	60	14.00"	19	503.81
3410410-15	1.0	115	12.0	60	14.50"	21	526.38
3410610-15	1.5	115	17.0	60	15.05"	26	566.34
3410830-15	2.0	115/230	20-10	60	16.26"	33	648.56

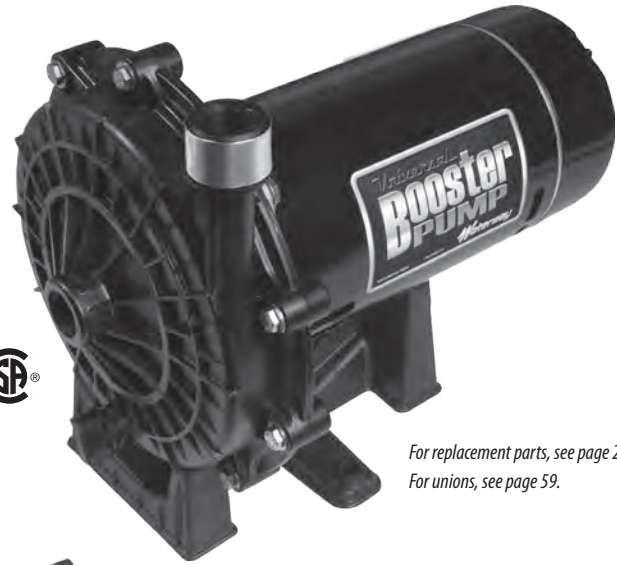
Pumps and replacement motors that are single speed and one (1) total HP or greater cannot be sold, offered for sale, or installed in a residential pool for filtration use in California, Title 20 CCR sections 1601-1609.



Pool Pumps - In-Ground / **Universal Booster Pump**

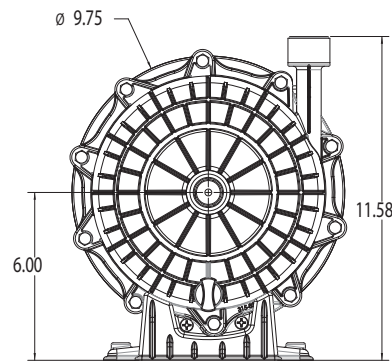
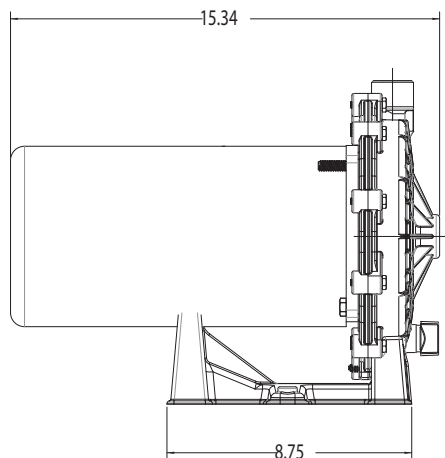
FEATURES:

- Suitable for all swimming pool pressure cleaners
- Best replacement for any ¾ HP booster pump
- Optimized for reliability, durability and performance
- Comes with a tall, versatile mounting base
- Equipped with a high performance square flange ¾ HP, 230/115 V motor. Provides extra quiet, long life operation and optimum performance.
- Maintains one of the highest head pressures in the industry



For replacement parts, see page 270.
For unions, see page 59.

Comes with everything you need to install or retrofit the pump: reinforced flexible pump hose, hose barb adaptors and clamps.



Universal Booster Pump

Part No.	Description	Volts	HP	List (US \$)
3810430-1PDA	Booster Pump 60 HZ with Connectors and Hose Kit	115/230 V	¾ HP	679.54
550-8700	Hose, Fitting And Clamp Kit (4)	N/A	N/A	59.71

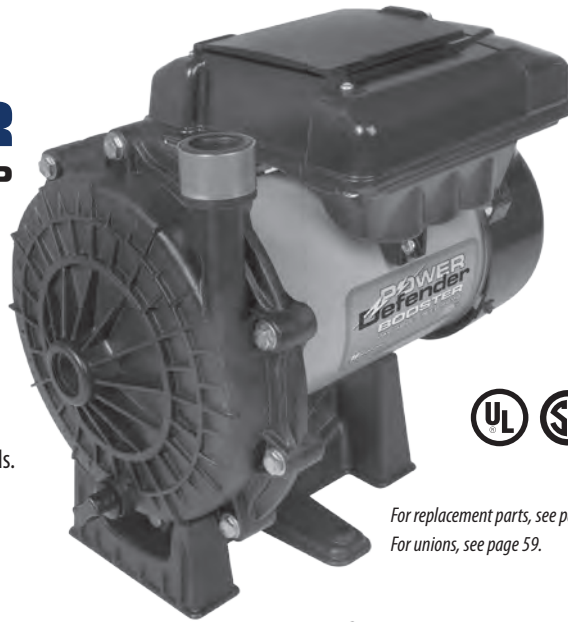


POWER Defender BOOSTER
VARIABLE SPEED PUMP

The first Variable Speed Pressure Cleaner Booster Pump.

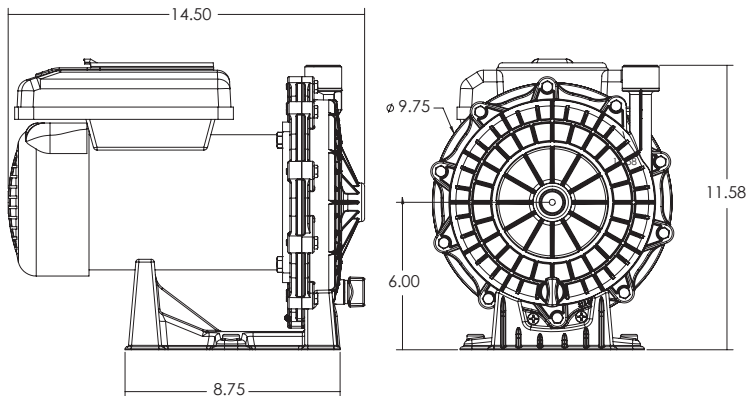
FEATURES:

- Change the operational speed of your pool cleaner. Save on your electric bill and optimize the performance of your pressure pool cleaner to fit your custom pool cleaning needs.
- Reduce wear, and extend the life of your pressure pool cleaner by avoiding unnecessary and excessive speed
- Built-in timer provides 3 custom cleaning schedules for your pool cleaner – without the need for a separate timer. Program a different custom cleaning schedule for each season.
- Ultra high performance, quiet and durable Permanent Magnet motor provides years of trouble free service



For replacement parts, see page 272.
For unions, see page 59.

Comes with everything you need to install or retrofit the pump: reinforced flexible pump hose, hose barb adaptors and clamps.



Smart **energy solutions** for the Pool & Spa industry.

Power Defender Booster Pump

Part No.	Description	Volts	HP	List (US \$)
PD-275	Power Defender Variable Speed Booster	230 V	¾ HP	1,335.24
PD-175	Power Defender Variable Speed Booster	115 V	¾ HP	1,335.24



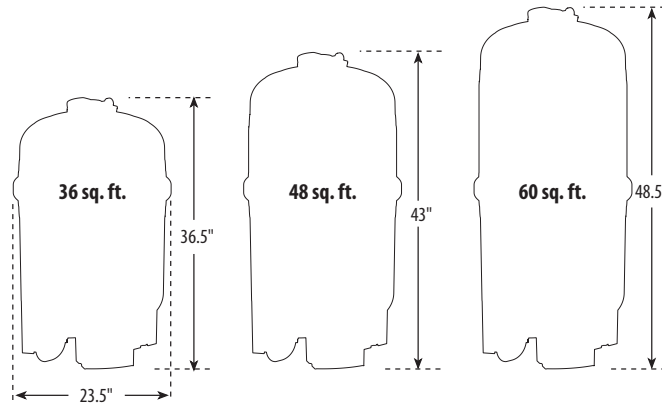
Pool Filters - In-Ground / Crystal Water - D.E.

FEATURES:

- NSF Listed
- 2 ½" internal piping
- Fiberglass reinforced polypropylene body for superior strength
- Multi-Handle lid design makes removing the lid easier and safer
- Industry-proven D.E. grids
- "Start-Service" dial on stainless steel pressure gauge
- 1 ½" bottom clean-out port
- 2 ½" hi-temp PVC slide valve available
- 2 ½" x 2" Multi-Port Valves – available in Slip or FPT
- Convertible to cartridge by simply changing internals



For replacement parts, see page 306.



Designed for today's most demanding installations, the Crystal Water D.E. Filter sets the standard of performance and features for pool filters. The only D.E. filter on the market with 2 ½" internal piping, it improves flow and reduces system noise when using 2 ½", 2" or 1 ½" plumbing. From the lid with the "Multi-Handle" design to the 2" bottom clean out port, the Crystal Water D.E. Filter will provide years of trouble-free operation and crystal clear, sparkling water.

Filters / Filter Systems

Crystal Water D.E. Filters

Part No.	Size	Flow Rate	Pool Turnover (6 hrs.)	Pool Turnover (8 hrs.)	Weight (lbs.)	List (US \$)
570-0036-07	36 sq. ft.	72 GPM	25,920	34,560	70	1,509.62
570-0048-07	48 sq. ft.	96 GPM	34,560	46,080	80	1,715.60
570-0060-07	60 sq. ft.	120 GPM	43,200	57,600	90	1,887.20



600-1500



WVD001

Valves for D.E. Filters

Part No.	Description	Case Quantity	Weight (lbs.)	List (US \$)
600-1500	2 ½" Hi-Temp PVC Slide Valve Assembly (2" and 1 ½" reducers included)	1	11	171.65
550-4280	Slide Valve Adapter Fitting Package for D.E. / Cartridge Filter (2" and 1 ½" reducers included)	1	--	53.46
WVD001	Multi-Port Valve with Union Connections - 2" FPT	1	13	277.96
WVD002	Multi-Port Valve with Union Connections - 2" Socket	1	13	277.96



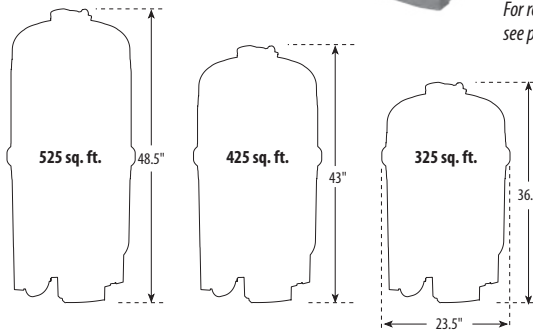
Pool Filters - In-Ground / Crystal Water - Cartridge

FEATURES:

- NSF Listed
- 2 1/2" internal piping
- 2 1/2" Valve Bulkhead Unions (includes 2" and 1 1/2" reducers)
- Fiberglass reinforced polypropylene body for superior strength
- Multi-Handle lid design makes removing the lid easier and safer
- Industry proven quad-cartridge elements layout
- "Start-Service" dial on stainless steel pressure gauge
- 1 1/2" bottom clean-out port
- Convertible to D.E. by simply changing internals



Cluster of 4 cartridge elements for ease of maintenance and longer cleaning cycles.



For replacement parts, see page 310.

Combining high tech features and an easy to service design, the Crystal Water Cartridge Filter is ideal for new and replacement installations. The only cartridge filter on the market with 2 1/2" internal piping, it improves flow and reduces system noise when using 2 1/2", 2" or 1 1/2" plumbing. Using four cartridge elements, the Crystal Water Cartridge Filter offers a superior choice for easy maintenance and crystal clear, clean water.

Filters / Filter Systems

Crystal Water Cartridge Filters

Part No.	Size	NSF Flow Rate	Pool Turnover (6 hrs.)	Pool Turnover (8 hrs.)	Weight (lbs.)	List (US \$)
570-0325-07	325 sq. ft.	112 GPM	43,200	57,600	74	1,904.19
570-0425-07	425 sq. ft.	150 GPM	54,000	72,000	84	2,144.55
570-0525-07*	525 sq. ft.	150 GPM	54,000	72,000	92	2,487.66

*Ideal for longer cleaning cycles



400-9974B

Bulkhead Fittings

Part No.	Description	Case Quantity	Weight (lbs.)	List (US \$)
421-4071B	Reducer - 1 1/2" to 2"	--	--	3.46
421-4201B	Reducer - 2 1/2" to 2"	--	--	7.39
415-4211B	2 1/2" Union Nut (2 required)	--	--	13.12
417-2201B	2 1/2" Tailpiece with Piston O-Ring Groove (2 required)	--	--	8.25
805-0232B	O-Ring - 2 1/2" Union (4 required - 2 for each Bulkhead)	--	--	2.20



Pool Filters - Above Ground / ClearWater II - D.E.

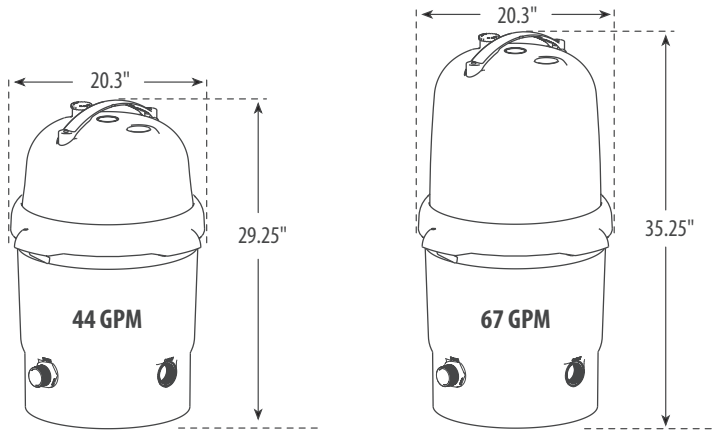
FEATURES:

- True Spiral Laminar flow for even disbursement of D.E.
- Automatic hydraulic regeneration
- High flow rate
- Modular grid system for easy maintenance
- Union gate valve with 1 1/2" hose adapter drain shut off
- Flush-mounted stainless steel pressure gauge
- Low-profile air relief plug
- Automatic air bleed capability
- Heavy-duty lid handle

True Spiral Laminar flow in an above ground filter. Spiral Laminar flow ensures even distribution of D.E. for maximum filtration. The ClearWater D.E. filter features automatic hydraulic regeneration, Waterway's Safety Lock Ring system for safe operation and maintenance, and a ten year warranty on its rugged glass-filled polymer body.



For replacement parts, see page 312.
For equipment bases, see page 56.



ClearWater II D.E. Filters

Part No.	Description	Filtration Area	Pool Turnover (6 hrs.)	Pool Turnover (8 hrs.)	Weight (lbs.)	List (US \$)
FD12-7	44 GPM Filter	12 sq. ft.	15,840	21,120	34	784.82
FD18-7	67 GPM Filter	18 sq. ft.	24,120	32,160	39	944.69

ClearWater II D.E. Accessories

Part No.	Description	Case Quantity	Weight (lbs.)	List (US \$)
672-7211	ClearWater Modular Filter Base - 7" x 23" Diameter	1	29	83.23
429-7300	Pin and Anchor Assembly Kit for Base	1	1	8.67

Pool Filters - Above Ground / ClearWater II - D.E. Deluxe System



FEATURES:

- True Spiral Laminar flow D.E. filter
- Top of the line Supreme High Performance Single or Dual Speed Pump
- Extra large 7" pump trap with clear lid
- Unionized gate valve to isolate the system for maintenance
- Drain Shut Off - Union Gate Valve with 1 1/2" hose adapter
- Two 1 1/2" diameter hoses with clamps
- Filter and pump mounting base, complete fitting package for all connections
- Accessory base (optional) allows for addition of optional timer and/or chlorinator kits for minimal maintenance
- Dual speed pump meets CEC Title 20 Code - Effective January 1, 2008



Complete your D.E. filtration system with the high performance Waterway Supreme Pump and accessories. The D.E. Filter and Pump Pack provides homeowners with everything they need to get their system up and running. It assures them of matched components and optimal performance with years of dependable service.

Filters / Filter Systems

ClearWater II D.E. Deluxe Systems - Supreme 1-Speed Pump

Part No.	Filter	Flow Rate	Pump	HP	Volts	Weight (lbs.)	Cord	List (US \$)
FDS044107-3S	FD12-7	44 GPM	PSP1100-3R	1.0	115	--	3 ft. Twist-Lock	1,378.99
FDS067107-3S	FD18-7	67 GPM	PSP1100-3R	1.0	115	76	3 ft. Twist-Lock	1,607.98
FDS067157-3S	FD18-7	67 GPM	PSP1150-3R	1.5	115	68	3 ft. Twist-Lock	2,018.49
FDS044107-6S	FD12-7	44 GPM	PSP1100-6R	1.0	115	--	3 ft. NEMA	1,378.99
FDS067107-6S	FD18-7	67 GPM	PSP1100-6R	1.0	115	--	3 ft. NEMA	1,607.62
FDS067157-6S	FD18-7	67 GPM	PSP1150-6R	1.5	115	--	3 ft. NEMA	2,018.05

INCLUDES:

- 2 hoses (1 1/2" x 6 ft.)
- Filter / Pump Union Adapter, Hose fittings and hose clamps
- 3 ft. cord Twist-Lock plug (NEC/UL), or 3 ft. cord NEMA plug
- 2 Unionized gate valves to isolate system for maintenance & drain
- Accessory base for optional timer and/or chlorinator

ClearWater II D.E. Deluxe Systems - Supreme 2-Speed Pump

Part No.	Filter	Flow Rate	Pump	HP	Volts	Weight (lbs.)	Cord	List (US \$)
FDS044107-3	FD12-7	44 GPM	PSP2100-3R	1.0	115	--	3 ft. Twist-Lock	1,567.12
FDS067107-3	FD18-7	67 GPM	PSP2100-3R	1.0	115	--	3 ft. Twist-Lock	1,953.31
FDS067157-3	FD18-7	67 GPM	PSP2150-3R	1.5	115	--	3 ft. Twist-Lock	1,990.62
FDS044107-6	FD12-7	44 GPM	PSP2100-6R	1.0	115	--	3 ft. NEMA	1,567.12
FDS067107-6	FD18-7	67 GPM	PSP2100-6R	1.0	115	--	3 ft. NEMA	1,953.31
FDS067157-6	FD18-7	67 GPM	PSP2150-6R	1.5	115	--	3 ft. NEMA	1,990.62

INCLUDES:

- 2 hoses (1 1/2" x 6 ft.)
- Filter / Pump Union Adapter, Hose fittings and hose clamps
- 3 ft. cord Twist-Lock plug (NEC/UL), or 3 ft. cord NEMA plug
- 2 Unionized gate valves to isolate system for maintenance & drain
- Accessory base for optional timer and/or chlorinator

ClearWater II D.E. Deluxe Systems (without Supreme Pump)

Part No.	Filter	Flow Rate	Weight (lbs.)	List (US \$)
FDS04475	FD12-7	44 GPM	1	917.37
FDS06775	FD18-7	67 GPM	1	1,304.80

INCLUDES:

- 2 hoses (1 1/2" x 6 ft.)
- Filter / Pump Union Adapter, Hose fittings and hose clamps
- 2 Unionized gate valves to isolate system for maintenance & drain
- Accessory base for optional timer and/or chlorinator

All power cords are 3' in length.

Pumps and replacement motors that are single speed and one (1) total HP or greater cannot be sold, offered for sale, or installed in a residential pool for filtration use in California, Title 20 CCR sections 1601-1609.



Pool Filters - Above Ground / ClearWater II - D.E. Standard System

FEATURES:

- True Spiral Laminar flow D.E. filter
- Hi-Flo II High Performance Single or Dual Speed Pump
- Large 6" pump trap with 2-piece lid
- Two 1 1/2" diameter hoses with clamps
- Complete fitting package for all connections
- Dual Speed meets CEC Title 20 Code - Effective January 1, 2008



The D.E. Filter and Pump Pack provides homeowners with everything they need to get their system up and running. It assures them of matched components and optimal performance with years of dependable service.

Filters / Filter Systems

INCLUDES:

- 2 Hoses (1 1/2" x 6 ft.)
- Filter / Pump Union Adapter, Hose fittings and hose clamps
- 3 ft. cord Twist-Lock plug (NEC/UL), or 3 ft. cord NEMA plug
- Standard system base

ClearWater II D.E. Standard Systems - Hi-Flo II 1-Speed Pump

Part No.	Filter	Flow Rate	Pump	HP	Volts	Weight (lbs.)	Cord	List (US \$)
520-5007-3S	FD12-7	44 GPM	PH1100-3R	1.0	115	70	3 ft. Twist-Lock	1,255.27
520-5027-3S	FD18-7	67 GPM	PH1100-3R	1.0	115	70	3 ft. Twist-Lock	1,454.26
520-5037-3S	FD18-7	67 GPM	PH1150-3R	1.5	115	70	3 ft. Twist-Lock	1,503.82
520-5007-6S	FD12-7	44 GPM	PH1100-6R	1.0	115	70	3 ft. NEMA	1,255.27
520-5027-6S	FD18-7	67 GPM	PH1100-6R	1.0	115	70	3 ft. NEMA	1,454.26
520-5037-6S	FD18-7	67 GPM	PH1150-6R	1.5	115	70	3 ft. NEMA	1,503.82

INCLUDES:

- 2 Hoses (1 1/2" x 6 ft.)
- Filter / Pump Union Adapter, Hose fittings and hose clamps
- 3 ft. cord Twist-Lock plug (NEC/UL), or 3 ft. cord NEMA plug
- Standard system base

ClearWater II D.E. Standard Systems - Hi-Flo II 2-Speed Pump

Part No.	Filter	Flow Rate	Pump	HP	Volts	Weight (lbs.)	Cord	List (US \$)
522-5007-3S	FD12-7	44 GPM	PH2100-3R	1.0	115	70	3 ft. Twist-Lock	1,332.52
522-5027-3S	FD18-7	67 GPM	PH2100-3R	1.0	115	--	3 ft. Twist-Lock	1,531.07
522-5037-3S	FD18-7	67 GPM	PH2150-3R	1.5	115	75	3 ft. Twist-Lock	1,585.29
522-5007-6S	FD12-7	44 GPM	PH2100-6R	1.0	115	70	3 ft. NEMA	1,332.53
522-5027-6S	FD18-7	67 GPM	PH2100-6R	1.0	115	70	3 ft. NEMA	1,531.57
522-5037-6S	FD18-7	67 GPM	PH2150-6R	1.5	115	70	3 ft. NEMA	1,585.29

INCLUDES:

- 2 Hoses (1 1/2" x 6 ft.)
- Filter / Pump Union Adapter, Hose fittings and hose clamps
- Standard system base

ClearWater II D.E. Standard Systems (without Hi-Flo II Pump)

Part No.	Filter	Flow Rate	List (US \$)
520-5007	FD12-7	44 GPM	893.17
520-5027	FD18-7	67 GPM	922.98

All power cords are 3' in length.

Pumps and replacement motors that are single speed and one (1) total HP or greater cannot be sold, offered for sale, or installed in a residential pool for filtration use in California, Title 20 CCR sections 1601-1609.



Pool Filters - Above Ground / ClearWater II - Cartridge

FEATURES:

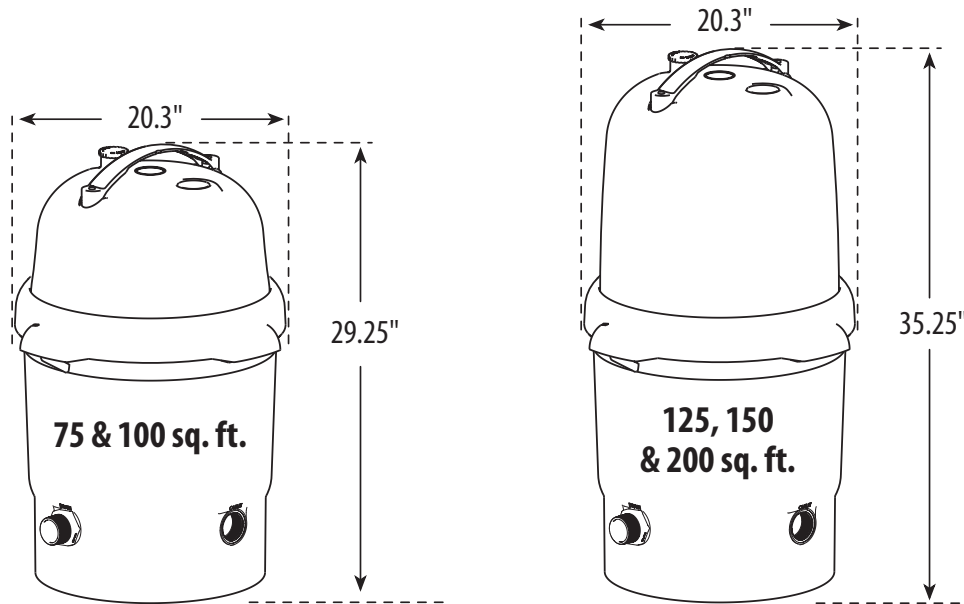
- Wide-body filtration system
- Durable glass-filled polymer filter body
- Three year warranty on filter body
- 1 1/2" clean out drain on 1 1/2" FPT
- Flush-mounted stainless steel pressure gauge
- Low-profile air relief plug
- Heavy-duty lid handle

For replacement parts, see page 313.

For equipment bases, see page 56.



Large filtration, small footprint and high flow. ClearWater II Cartridge Filters incorporate wide-body filtration elements to give maximum filtration without sacrificing flow rate. Made of a durable glass-filled polymer, ClearWater II Cartridge Filters provide years of trouble free performance. ClearWater II Cartridge Filters feature Waterway's Safety Lock Ring system to ensure safe operation and easy maintenance.



ClearWater II Cartridge Filters

Part No.	Filtration Area	Flow Rate	Pool Turnover (6 hrs.)	Pool Turnover (8 hrs.)	Weight (lbs.)	List (US \$)
FC0757	75 sq. ft.	75 GPM	27,000	36,000	46	687.40
FC1007	100 sq. ft.	100 GPM	36,000	48,000	34	882.21
FC1257	125 sq. ft.	125 GPM	45,000	60,000	34	945.76
FC1507	150 sq. ft.	150 GPM	54,000	72,000	59	1,187.33
FC2007*	200 sq. ft.	150 GPM	54,000	72,000	36	1,341.70

*Longer period between cleaning cycles



Pool Filters - Above Ground / ClearWater II - Cartridge Deluxe System

Complete the Cartridge filtration system with the Waterway Supreme High Performance Pump and accessories.

FEATURES:

- Large filtration, small footprint cartridge filter
- Top of the line Supreme High Performance Single or Dual Speed Pump
- Extra large 7" pump trap with clear lid
- Unionized gate valve to isolate the system for maintenance
- Two 1 1/2" diameter hoses with clamps
- Filter and pump mounting base
- Complete fitting package for all connections
- Accessory base allows for addition of optional timer and/or chlorinator kits for minimal maintenance
- Dual speed pump meets CEC Title 20 Code - Effective January 1, 2008



INCLUDES:

- 2 hoses (1 1/2" x 6 ft.)
- Filter / Pump Union Adapter, hose fittings and hose clamps
- 3 ft. cord Twist-Lock plug (NEC/UL), or 3 ft. cord NEMA plug
- Deluxe one-piece base system
- Unionized gate valve to isolate system for maintenance
- Accessory base for optional timer and/or chlorinator

ClearWater II Cartridge Deluxe System with Supreme 1-Speed Pump

Part No.	Filter	Filtration Area	Pump	HP	Volts	Weight (lbs.)	Cord	List (US \$)
FCS075107-3S	FC0757	75 sq. ft.	PSP1100-3R	1.0	115	69	3 ft. Twist-Lock	1,231.57
FCS100107-3S	FC1007	100 sq. ft.	PSP1100-3R	1.0	115	--	3 ft. Twist-Lock	1,649.60
FCS125157-3S	FC1257	125 sq. ft.	PSP1150-3R	1.5	115	--	3 ft. Twist-Lock	1,539.69
FCS150157-3S	FC1507	150 sq. ft.	PSP1150-3R	1.5	115	72	3 ft. Twist-Lock	1,641.74
FCS200157-3S	FC2007	200 sq. ft.	PSP1150-3R	1.5	115	--	3 ft. Twist-Lock	1,798.47
FCS075107-6S	FC0757	75 sq. ft.	PSP1100-6R	1.0	115	--	3 ft. NEMA	1,231.31
FCS100107-6S	FC1007	100 sq. ft.	PSP1100-6R	1.0	115	74	3 ft. NEMA	1,402.97
FCS100137-6S	FC1007	100 sq. ft.	PSP1075-6R	0.75	115	74	3 ft. NEMA	1,306.39
FCS125157-6S	FC1257	125 sq. ft.	PSP1150-6R	1.5	115	--	3 ft. NEMA	1,539.69
FCS150157-6S	FC1507	150 sq. ft.	PSP1150-6R	1.5	115	72	3 ft. NEMA	1,641.74
FCS200137-6S	FC2007	200 sq. ft.	PSP1075-6R	0.75	115	78	3 ft. NEMA	1,561.32
FCS200157-6S	FC2007	200 sq. ft.	PSP1150-6R	1.5	115	--	3 ft. NEMA	1,798.47

INCLUDES:

- 2 hoses (1 1/2" x 6 ft.)
- Filter / Pump Union Adapter, hose fittings and hose clamps
- 3 ft. cord Twist-Lock plug (NEC/UL), or 3 ft. cord NEMA plug
- Deluxe one-piece base system
- Unionized gate valve to isolate system for maintenance
- Accessory base for optional timer and/or chlorinator

ClearWater II Cartridge Deluxe System with Supreme 2-Speed Pump

Part No.	Filter	Filtration Area	Pump	HP	Volts	Weight (lbs.)	Cord	List (US \$)
FCS075107-3	FC0757	75 sq. ft.	PSP2100-3R	1.0	115	69	3 ft. Twist-Lock	1,396.82
FCS100107-3	FC1007	100 sq. ft.	PSP2100-3R	1.0	115	74	3 ft. Twist-Lock	1,625.21
FCS125157-3	FC1257	125 sq. ft.	PSP2150-3R	1.5	115	--	3 ft. Twist-Lock	1,803.56
FCS150157-3	FC1507	150 sq. ft.	PSP2150-3R	1.5	115	72	3 ft. Twist-Lock	1,940.68
FCS200157-3	FC2007	200 sq. ft.	PSP2150-3R	1.5	115	--	3 ft. Twist-Lock	1,978.56
FCS075107-6	FC0757	75 sq. ft.	PSP2100-6R	1.0	115	69	3 ft. NEMA	1,383.56
FCS100107-6	FC1007	100 sq. ft.	PSP2100-6R	1.0	115	74	3 ft. NEMA	1,649.60
FCS125157-6	FC1257	125 sq. ft.	PSP2150-6R	1.5	115	--	3 ft. NEMA	1,803.96
FCS150157-6	FC1507	150 sq. ft.	PSP2150-6R	1.5	115	72	3 ft. NEMA	1,940.68
FCS200157-6	FC2007	200 sq. ft.	PSP2150-6R	1.5	115	--	3 ft. NEMA	1,978.56

INCLUDES:

- 2 hoses (1 1/2" x 6 ft.)
- Filter / Pump Union Adapter, hose fittings and hose clamps
- Deluxe one-piece base system
- Unionized gate valve to isolate system for maintenance
- Accessory base for optional timer and/or chlorinator

ClearWater II Cartridge Deluxe System (without Supreme Pump)

Part No.	Filter	Filtration Area	List (US \$)
FCS0757S	FC0757	75 sq. ft.	774.91
FCS1007S	FC1007	100 sq. ft.	1,033.62
FCS1257S	FC1257	125 sq. ft.	1,254.48
FCS1507S	FC1507	150 sq. ft.	1,254.48
FCS2007S	FC2007	200 sq. ft.	1,254.48

All power cords are 3' in length.

Pumps and replacement motors that are single speed and one (1) total HP or greater cannot be sold, offered for sale, or installed in a residential pool for filtration use in California, Title 20 CCR sections 1601-1609.

Pool Filters - Above Ground / ClearWater II - Cartridge Standard System



FEATURES:

- Large filtration, small footprint cartridge filter
- Hi-Flo II High Performance Single or Dual Speed Pump
- Large 6" pump trap with 2-piece lid
- Two 1 1/2" diameter hoses, with clamps
- Dual speed pump meets CEC Title 20 Code - Effective January 1, 2008



The Cartridge Filter and Pump Pack provides homeowners with everything they need to get their system up and running. It assures them years of dependable service.

ClearWater II Cartridge Standard System with Hi-Flo II 1-Speed Pump

Part No.	Filter	Filtration Area	Pump	HP	Volts	Weight (lbs.)	Cord	List (US \$)
520-5107-3S	FC0757	75 sq. ft.	PH1100-3R	1.0	115	60	3 ft. Twist-Lock	1,117.79
520-5127-3S	FC1007	100 sq. ft.	PH1100-3R	1.0	115	60	3 ft. Twist-Lock	1,300.51
520-5147-3S	FC1007	100 sq. ft.	PH1150-3R	1.5	115	60	3 ft. Twist-Lock	1,308.46
520-5157-3S	FC1257	125 sq. ft.	PH1150-3R	1.5	115	--	3 ft. Twist-Lock	1,398.52
520-5167-3S	FC1507	150 sq. ft.	PH1150-3R	1.5	115	65	3 ft. Twist-Lock	1,489.16
520-5187-3S	FC2007	200 sq. ft.	PH1150-3R	1.5	115	50	3 ft. Twist-Lock	1,623.11
520-5107-6S	FC0757	75 sq. ft.	PH1100-6R	1.0	115	60	3 ft. NEMA	1,117.79
520-5127-6S	FC1007	100 sq. ft.	PH1100-6R	1.0	115	60	3 ft. NEMA	1,300.51
520-5147-6S	FC1007	100 sq. ft.	PH1150-6R	1.5	115	60	3 ft. NEMA	1,308.16
520-5157-6S	FC1257	125 sq. ft.	PH1150-6R	1.5	115	70	3 ft. NEMA	1,311.98
520-5167-6S	FC1507	150 sq. ft.	PH1150-6R	1.5	115	50	3 ft. NEMA	1,489.15
520-5187-6S	FC2007	200 sq. ft.	PH1150-6R	1.5	115	51	3 ft. NEMA	1,633.50

INCLUDES:

- 2 hoses (1 1/2" x 6 ft.)
- Filter / Pump Union Adapter, hose fittings and hose clamps
- 3 ft. cord Twist-Lock plug (NEC/UL), or 3 ft. cord NEMA plug
- One-piece system base

ClearWater II Cartridge Standard System with Hi-Flo II 2-Speed Pump

Part No.	Filter	Filtration Area	Pump	HP	Volts	Weight (lbs.)	Cord	List (US \$)
522-5107-3S	FC0757	75 sq. ft.	PH2100-3R	1.0	115	--	3 ft. Twist-Lock	1,195.05
522-5127-3S	FC1007	100 sq. ft.	PH2100-3R	1.0	115	66	3 ft. Twist-Lock	1,377.79
522-5147-3S	FC1007	100 sq. ft.	PH2150-3R	1.5	115	65	3 ft. Twist-Lock	1,315.03
522-5157-3S	FC1257	125 sq. ft.	PH2150-3R	1.5	115	66	3 ft. Twist-Lock	1,479.99
522-5167-3S	FC1507	150 sq. ft.	PH2150-3R	1.5	115	70	3 ft. Twist-Lock	1,570.67
522-5187-3S	FC2007	200 sq. ft.	PH2150-3R	1.5	115	--	3 ft. Twist-Lock	1,683.20
522-5107-6S	FC0757	75 sq. ft.	PH2100-6R	1.0	115	66	3 ft. NEMA	1,195.05
522-5127-6S	FC1007	100 sq. ft.	PH2100-6R	1.0	115	66	3 ft. NEMA	1,377.78
522-5147-6S	FC1007	100 sq. ft.	PH2150-6R	1.5	115	66	3 ft. NEMA	1,389.95
522-5157-6S	FC1257	125 sq. ft.	PH2150-6R	1.5	115	--	3 ft. NEMA	1,479.99
522-5167-6S	FC1507	150 sq. ft.	PH2150-6R	1.5	115	71	3 ft. NEMA	1,570.67
522-5187-6S	FC2007	200 sq. ft.	PH2150-6R	1.5	115	62	3 ft. NEMA	1,683.60

INCLUDES:

- 2 hoses (1 1/2" x 6 ft.)
- Filter / Pump Union Adapter, hose fittings and hose clamps
- 3 ft. cord Twist-Lock plug (NEC/UL), or 3 ft. cord NEMA plug
- One-piece system base

ClearWater II Cartridge Standard System (without Hi-Flo II Pump)

Part No.	Filter	Filtration Area	Weight (lbs.)	List (US \$)
520-5107	FC0757	75 sq. ft.	--	761.61
520-5127	FC1007	100 sq. ft.	38	874.50
520-5157	FC1257	125 sq. ft.	42	1,027.07
520-5167	FC1507	150 sq. ft.	43	1,166.01
520-5187	FC2007	200 sq. ft.	43	1,176.97

INCLUDES:

- 2 hoses (1 1/2" x 6 ft.)
- Filter / Pump Union Adapter, hose fittings and hose clamps
- One-piece system base

All power cords are 3' in length.

Pumps and replacement motors that are single speed and one (1) total HP or greater cannot be sold, offered for sale, or installed in a residential pool for filtration use in California, Title 20 CCR sections 1601-1609.



Pool Filters - In-Ground & Above Ground / ProClean Plus

FEATURES:

- NSF Listed
- 2" FPT inlet and 2" or 2 1/2" S outlets for more flow
- Raised inlet for clean easy plumbing
- Waterway's Safety Lock Ring System for fast, easy access to filter internals
- Lid lock-ring handle makes removing the lid easy and safe
- Internal design for more dirt holding capacity for longer cleaning cycles
- Drain plug is 1"

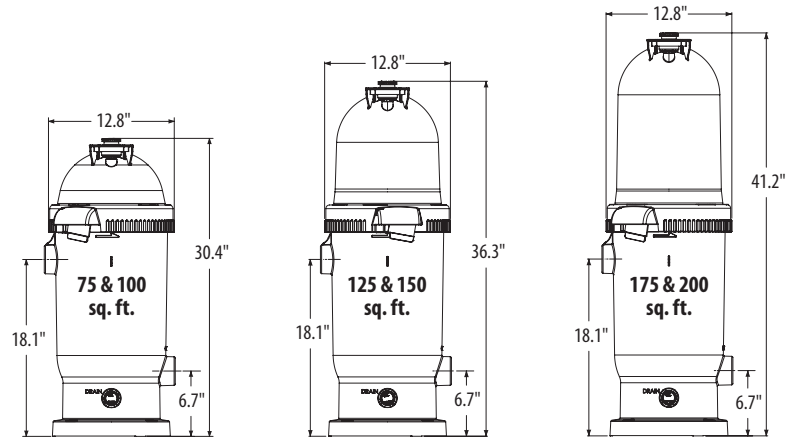
Designed for in-ground installations, the ProClean Plus Cartridge Filter has a raised inlet for clean easy plumbing from the pump. Molded of ABS thermoplastic, the ProClean Plus Cartridge Filter will provide years of dependable service.



With 1" Threaded Drain Port!

Easy access in-ground cartridge internals
 Raised 18" Inlet for clean 90° plumbing from pump
 Lock-Ring has handles for easy removal of lid

For replacement parts, see page 314.
 For equipment bases, see page 56.



ProClean Plus Single Cartridge Filters

Part No.	Size	Flow Rate	Pool Turnover (6 hrs.)	Pool Turnover (8 hrs.)	Weight (lbs.)	List (US \$)
PCCF-075	75 sq. ft.	75 GPM	27,000	36,000	21	614.46
PCCF-100	100 sq. ft.	100 GPM	36,000	48,000	24	739.09
PCCF-125	125 sq. ft.	125 GPM	45,000	60,000	24	904.63
PCCF-150	150 sq. ft.	125 GPM	45,000	60,000	25	1,049.71
PCCF-175	175 sq. ft.	125 GPM	45,000	60,000	28	1,178.88
PCCF-200*	200 sq. ft.	125 GPM	45,000	60,000	28	1,304.77

*Ideal for longer cleaning cycles



PROPACK

FEATURES:

- 200 sq. ft. cartridge filter with drain plug
- SMF or Champion Pump - Single and Dual Speed Available (not included)
- Equipment pad
- Dual speed pump meets CEC Title 20 Code - Effective January 1, 2008
- Unionized Pump/Filter Sweep connector included



Add an SMF or Champion Pump to complete your ProPack!



Filters / Filter Systems

ProClean Plus Single Cartridge Filter System - ProPack (without SMF or Champion Pump)

Part No.	Description	Weight (lbs.)	List (US \$)
520-7500-0	200 sq. ft. Single Cartridge System with Base and Fittings Package	43	1,526.78

**Use with SMF & Champion Pumps:
DO NOT exceed 2 HP for 200 sq. ft. Single Cartridge Filter
See page 16 for SMF or 15 for Champion Pump choices.**

Pumps and replacement motors that are single speed and one (1) total HP or greater cannot be sold, offered for sale, or installed in a residential pool for filtration use in California, Title 20 CCR sections 1601-1609.



Pool Filters - Above Ground / ProClean Plus - Single Cartridge 2-Speed System

FEATURES:

- NSF Listed
- 2" FPT inlet and 2" or 2 1/2" S outlets for more flow
- Raised inlet for clean easy plumbing
- Waterway's Safety Lock Ring System for fast, easy access to filter internals
- Lid lock-ring handle makes removing the lid easy and safe
- Internal design for more dirt holding capacity for longer cleaning cycles
- Drain plug is 1"

Choose Waterway's ProClean Plus in-ground pool filter with above ground Hi-Flo II or Supreme Pump for an exceptional above ground system.



ProClean Plus Single Cartridge Systems - Hi-Flo II Pump - 2-Speed

Part No.	Filter	Filtration Area	Pump	HP	Weight (lbs.)	List (US \$)
522-6000-6S	PCCF-075	75 sq. ft.	PH2100-6	1.0	--	1,216.79
522-6100-6S	PCCF-100	100 sq. ft.	PH2100-6	1.0	--	1,375.64
522-6115-6S	PCCF-100	100 sq. ft.	PH2150-6	1.5	--	1,600.52
522-6215-6S	PCCF-125	125 sq. ft.	PH2150-6	1.5	66	1,673.36
522-6315-6S	PCCF-150	150 sq. ft.	PH2150-6	1.5	74	1,745.86
522-6415-6S	PCCF-175	175 sq. ft.	PH2150-6	1.5	--	1,928.95
522-6515-6S	PCCF-200	200 sq. ft.	PH2150-6	1.5	--	2,016.26
522-6520-6S	PCCF-200	200 sq. ft.	PH2200-6	2.0	--	2,184.98

ProClean Plus Single Cartridge Systems - Supreme Pump - 2-Speed

Part No.	Filter	Filtration Area	Pump	HP	Weight (lbs.)	List (US \$)
FPS07510-6	PCCF-075	75 sq. ft.	PSP2100-6	1.0	--	1,331.31
FPS10010-6	PCCF-100	100 sq. ft.	PSP2100-6	1.0	--	1,506.17
FPS10015-6	PCCF-100	100 sq. ft.	PSP2150-6	1.5	--	1,722.60
FPS12515-6	PCCF-125	125 sq. ft.	PSP2150-6	1.5	--	1,800.96
FPS15015-6	PCCF-150	150 sq. ft.	PSP2150-6	1.5	--	1,879.25
FPS17515-6	PCCF-175	175 sq. ft.	PSP2150-6	1.5	--	2,139.32
FPS20015-6	PCCF-200	200 sq. ft.	PSP2150-6	1.5	--	2,236.64
FPS20020-6	PCCF-200	200 sq. ft.	PSP2200-6	2.0	--	2,353.36

Pumps and replacement motors that are single speed and one (1) total HP or greater cannot be sold, offered for sale, or installed in a residential pool for filtration use in California, Title 20 CCR sections 1601-1609.

Pool Filters - Above Ground / ProClean Plus Single Cartridge 1-Speed System



FEATURES:

- NSF Listed
- 2" FPT inlet and 2" or 2 1/2" S outlets for more flow
- Raised inlet for clean easy plumbing
- Waterway's Safety Lock Ring System for fast, easy access to filter internals
- Lid lock-ring handle makes removing the lid easy and safe
- Internal design for more dirt holding capacity for longer cleaning cycles
- Drain plug is 1"



Choose Waterway's ProClean Plus in-ground pool filter with above ground Hi-Flo II or Supreme Pump for an exceptional above ground system.

Filters / Filter Systems

ProClean Plus Single Cartridge System with Hi-Flo II Pump

Part No.	Filter	Filtration Area	Pump	HP	Weight (lbs.)	List (US \$)
520-6000-6S	PCCF-075	75 sq. ft.	PH1100-6	1.0	--	1,139.52
520-6100-6S	PCCF-100	100 sq. ft.	PH1100-6	1.0	--	1,298.38
520-6115-6S	PCCF-100	100 sq. ft.	PH1150-6	1.5	--	1,519.38
520-6215-6S	PCCF-125	125 sq. ft.	PH1150-6	1.5	--	1,591.87
520-6315-6S	PCCF-150	150 sq. ft.	PH1150-6	1.5	66	1,664.37
520-6415-6S	PCCF-175	175 sq. ft.	PH1150-6	1.5	--	1,865.17
520-6515-6S	PCCF-200	200 sq. ft.	PH1150-6	1.5	--	1,995.26
520-6520-6S	PCCF-200	200 sq. ft.	PH1200-6	2.0	--	2,095.03

ProClean Plus Single Cartridge System with Supreme Pump

Part No.	Filter	Filtration Area	Pump	HP	Weight (lbs.)	List (US \$)
FPS07510-6S	PCCF-075	75 sq. ft.	PSP1100-6	1.0	--	1,254.36
FPS10010-6S	PCCF-100	100 sq. ft.	PSP1100-6	1.0	--	1,429.19
FPS10015-6S	PCCF-100	100 sq. ft.	PSP1150-6	1.5	--	1,641.51
FPS12515-6S	PCCF-125	125 sq. ft.	PSP1150-6	1.5	--	1,719.85
FPS15015-6S	PCCF-150	150 sq. ft.	PSP1150-6	1.5	--	1,798.16
FPS17515-6S	PCCF-175	175 sq. ft.	PSP1150-6	1.5	--	2,015.08
FPS20015-6S	PCCF-200	200 sq. ft.	PSP1150-6	1.5	--	2,176.32
FPS20020-6S	PCCF-200	200 sq. ft.	PSP1200-6	2.0	--	2,263.45

Pumps and replacement motors that are single speed and one (1) total HP or greater cannot be sold, offered for sale, or installed in a residential pool for filtration use in California, Title 20 CCR sections 1601-1609.



Pool Filters / TWM-30 Series Systems

FEATURES:

- 25 sq. ft. cartridge filter
- 1/8 HP high performance pump with trap
- 3 ft. NEMA cord
- 30 GPM flow rate
- Two 3 ft. x 1 1/2" hoses with connectors
- Equipment pad
- Includes InTex connection fittings



InTex Connection Fittings



TWM-30 Above Ground Cartridge Filter System

Part No.	Description	Flow Rate	Turnover (24 hrs.)	Weight (lbs.)	Cord	List (US \$)
520-4070	25 sq. ft. Filter - 1/8 HP Pump	1800 GPH	43,200 gals.	30	3 ft. NEMA	537.94
520-4070LT	25 sq. ft. Filter - 1/8 HP Pump - without Trap	1800 GPH	43,200 gals.	28	3 ft. NEMA	462.44
400-6437	InTex Connection Fittings	--	--	--	--	25.59

Pumps and replacement motors that are single speed and one (1) total HP or greater cannot be sold, offered for sale, or installed in a residential pool for filtration use in California, Title 20 CCR sections 1601-1609.

FEATURES:

- 16 in. sand filter
- 1/2 HP high performance pump with trap
- 3 ft. NEMA cord
- Two 6 ft. x 1 1/2" hoses with connectors
- Equipment pad
- Includes InTex connection fittings



InTex Connection Fittings



TWM-30-S Sand Filter System

Part No.	Description	Flow Rate	Turnover (24 hrs.)	Weight (lbs.)	Cord	List (US \$)
520-1601	16 in. Filter - 1/2 HP Pump	1800 GPH	43,200 gals.	56	3 ft. NEMA	690.74
520-1601LT	16 in. Filter - 1/2 HP Pump - without Trap	1800 GPH	43,200 gals.	56	3 ft. NEMA	599.11

Pumps and replacement motors that are single speed and one (1) total HP or greater cannot be sold, offered for sale, or installed in a residential pool for filtration use in California, Title 20 CCR sections 1601-1609.



FEATURES:

- 25, 50 or 100 sq. ft. cartridge filter with drain plug
- Center discharge pool pump - Single and Dual Speed
- 3 ft. NEMA (3-prong, grounded) cord, or 3 ft. Twist-Lock cord
- Two 6 ft. x 1 1/2" hoses with connectors
- Equipment pad
- Optional trap: 1 1/2" Union Nut, 1 1/2" FPT
- Dual speed pump meets CEC Title 20 Code - Effective January 1, 2008



For replacement parts, see page 315.

The economical solution for filtering an above ground pool. Waterway's TWM (Total Water Management) package includes the pump, filter, hoses, and equipment pad.

TWM Cartridge Filter Equipment Packages

Part No.	Description	HP	Volts	Weight (lbs.)	Cord	List (US \$)
522-3040	25 sq. ft. Filter - 2-Speed Pump	1.0	115	--	3 ft. NEMA	773.24
522-3010	50 sq. ft. Filter - 2-Speed Pump	1.0	115	40	3 ft. NEMA	883.37
522-3030	100 sq. ft. Filter - 2-Speed Pump	1.0	115	--	3 ft. NEMA	1,013.74
522-4040	25 sq. ft. Filter - 2-Speed Pump with Trap	1.0	115	--	3 ft. NEMA	931.17
522-4010	50 sq. ft. Filter - 2-Speed Pump with Trap	1.0	115	36	3 ft. NEMA	968.55
522-4030	100 sq. ft. Filter - 2-Speed Pump with Trap	1.0	115	--	3 ft. NEMA	1,098.05
522-2980	25 sq. ft. Filter - 2-Speed Pump	1.0	115	34	3 ft. Twist-Lock	773.09
522-4020	50 sq. ft. Filter - 2-Speed Pump with Trap	1.5	115	36	3 ft. Twist-Lock	810.46
520-3040	25 sq. ft. Filter - 1-Speed Pump	1.0	115	32	3 ft. NEMA	572.97
520-3010	50 sq. ft. Filter - 1-Speed Pump	1.0	115	32	3 ft. NEMA	582.65
520-3030	100 sq. ft. Filter - 1-Speed Pump	1.0	115	32	3 ft. NEMA	638.04
520-4040	25 sq. ft. Filter - 1-Speed Pump with Trap	1.0	115	36	3 ft. NEMA	637.30
520-4010	50 sq. ft. Filter - 1-Speed Pump with Trap	1.0	115	36	3 ft. NEMA	678.95

All power cords are 3' in length.

Pumps and replacement motors that are single speed and one (1) total HP or greater cannot be sold, offered for sale, or installed in a residential pool for filtration use in California, Title 20 CCR sections 1601-1609.

FEATURES:

- Gate valve action
- 1 1/2" buttress union on one side and 1 1/2" smooth hose on the other
- 3/8" barbed fitting to accommodate offline chlorinators
- Internals are all corrosion-resistant plastics



417-4161



WV001H

Designed to isolate the above-ground pool system to aid in maintenance and service, No-Flo gate-style valves install easily. The valve features a 3/8" barbed fitting to accommodate an offline chlorinator.

No-Flo Gate Valves

Part No.	Description	Case Weight	Case Quantity	List (US \$)
WV001H	Gate Valve with 1 1/2" Union x 1 1/2" Hose Adapter	29	35	33.68
417-4161	Union Tailpiece - 1 1/2" NPT x 1 1/2" (Black)	16	100	5.55
805-0224	O-Ring for 1 1/2" Heater Union Tailpiece (417-4161)	--	100	0.64
711-4000	1 1/2" Union Gasket	6	500	0.66



Pool Filters - In-Ground & Above Ground / Carefree Top-Mount - Sand

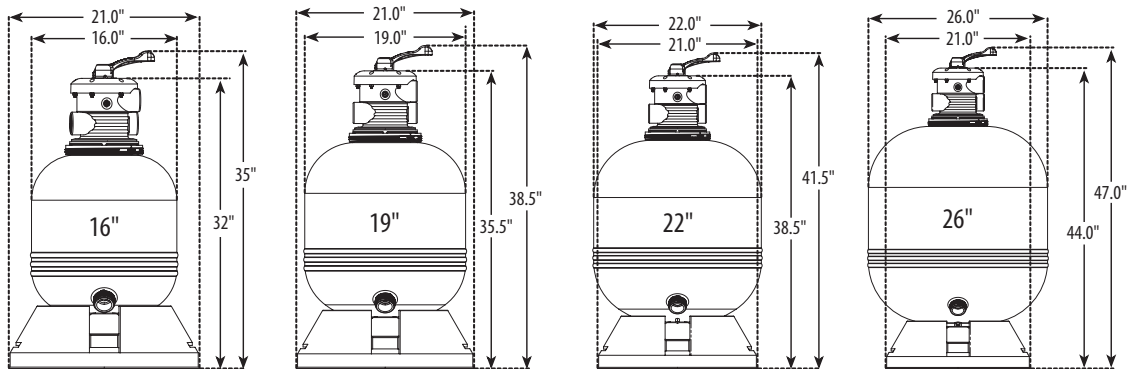
FEATURES:

- Large filter with extra sand-holding capacity
- Durable roto-molded oval tank body distributes pressure evenly, resulting in greater strength and longer life of the filter
- One-piece corrosion proof body
- High Flow internal diffuser for even water distribution
- 7- function Top-Mount 1 1/2" FPT Multi-Port Valve with Split-Nut Lock Union (WVS003)
- 1 1/2" drain port
- Mounting base included



For replacement parts, see page 320.
For equipment bases, see page 56.

Carefree Top-Mount Sand Filters are designed for extra sand holding capacity. Made of corrosion-proof polymeric thermoplastic, the Carefree Sand Filter offers the ideal combination of high performance and excellent water clarity. This filter is an excellent choice for above ground or in-ground pools.



Sand Required

16" - 100 lbs.

19" - 150 lbs.

22" - 250 lbs.

26" - 300 lbs.

Carefree Top-Mount Sand Filters

Part No.	Description	Multi-Port Valve Style	Filtration Area	Flow Rate	Pool Turnover (6-8-10 hrs.)	Weight (lbs.)	List (US \$)
FS016197	16" diameter Filter w/Modular Base	1 1/2" FPT Split-Nut	1.4 sq. ft.	35 GPM	12,600 - 16,800 - 21,000	34	619.00
FS019227	19" diameter Filter w/Modular Base	1 1/2" FPT Split-Nut	2.0 sq. ft.	45 GPM	16,200 - 21,600 - 27,000	43	726.44
FS022257	22" diameter Filter w/Modular Base	1 1/2" FPT Split-Nut	2.6 sq. ft.	55 GPM	19,800 - 26,400 - 33,000	54	860.20
FS02629	26" diameter Filter w/Modular Base	1 1/2" FPT Split-Nut	3.5 sq. ft.	70 GPM	25,200 - 33,600 - 42,000	71	1,001.90
FS02629-B	26" diameter Filter w/Modular Base	2" FPT Split-Nut	3.5 sq. ft.	70 GPM	25,200 - 33,600 - 42,000	71	1,144.38

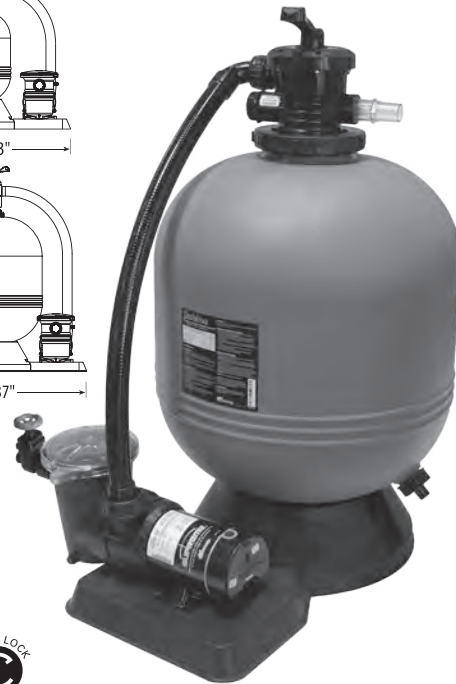
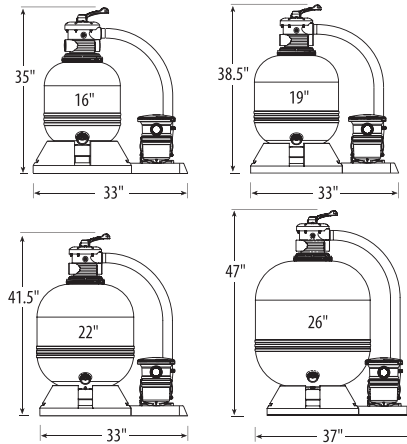
NEW!

Pool Filters - Above Ground / Carefree Top-Mount - Sand Deluxe System



FEATURES:

- Large filter with extra sand-holding capacity
- Top-of-the-line Supreme High Performance Single and Dual Speed Pump
- Extra large 7" pump trap with clear lid
- Union connection on multi-port for easy installation
- Unionized gate valve to isolate the system for maintenance
- Two 1 1/2" diameter hoses with clamps
- Filter and pump mounting bases
- Fittings package for all connections
- Accessory base allows for addition of optional timer and/or Chlorinator kits for minimal maintenance (sold separately)
- Dual speed pump meets CEC Title 20 Code - Effective January 1, 2008



Carefree Sand Filter Systems are designed with the ideal combination of high performance and excellent water clarity. The Carefree Sand Filter and Pump Pack System provides everything needed for an above ground pool package.

Filters / Filter Systems



Carefree Sand Deluxe System with Supreme 1-Speed Pump

Part No.	Filter	Diameter	Filtration Area	Flow Rate	Pump	HP	Weight (lbs.)	Cord	List (US \$)
FSS0169107-3S	FS01619	16"	1.4 sq. ft.	35 GPM	PSP1100-3	1.0	72	3 ft. TL	1,041.81
FSS0199107-3S	FS01922	19"	2.0 sq. ft.	45 GPM	PSP1100-3	1.0	83	3 ft. TL	1,105.13
FSS0229157-3S	FS02225	22"	2.6 sq. ft.	55 GPM	PSP1150-3	1.5	91	3 ft. TL	1,242.62
FSS0269157-3S	FS02629	26"	3.5 sq. ft.	70 GPM	PSP1150-3	1.5	--	3 ft. TL	1,382.64
FSS0169107-6S	FS01619	16"	1.4 sq. ft.	35 GPM	PSP1100-6	1.0	72	3 ft. NEMA	1,041.81
FSS0199107-6S	FS01922	19"	2.0 sq. ft.	45 GPM	PSP1100-6	1.0	83	3 ft. NEMA	1,105.13
FSS0229157-6S	FS02225	22"	2.6 sq. ft.	55 GPM	PSP1150-6	1.5	91	3 ft. NEMA	1,242.62
FSS0269157-6S	FS02629	26"	3.5 sq. ft.	70 GPM	PSP1150-6	1.5	--	3 ft. NEMA	1,382.95

INCLUDES:

- 2 hoses (1 1/2" x 6 ft.)
- Filter / Pump Hose with Union Adapters, hose fittings and hose clamps
- 3 ft. cord Twist-Lock plug (NEC/UL), or 3 ft. cord NEMA plug
- Deluxe modular filter and pump bases
- Unionized gate valve to isolate the system for maintenance

Carefree Sand Deluxe System with Supreme 2-Speed Pump

Part No.	Filter	Diameter	Filtration Area	Flow Rate	Pump	HP	Weight (lbs.)	Cord	List (US \$)
FSS0169107-3	FS01619	16"	1.4 sq. ft.	35 GPM	PSP2100-3	1.0	--	3 ft. TL	1,164.51
FSS0199107-3	FS01922	19"	2.0 sq. ft.	45 GPM	PSP2100-3	1.0	83	3 ft. TL	1,227.42
FSS0229157-3	FS02225	22"	2.6 sq. ft.	55 GPM	PSP2150-3	1.5	91	3 ft. TL	1,401.76
FSS0269157-3	FS02629	26"	3.5 sq. ft.	70 GPM	PSP2150-3	1.5	--	3 ft. TL	1,529.41
FSS0169107-6	FS01619	16"	1.4 sq. ft.	35 GPM	PSP2100-6	1.0	--	3 ft. NEMA	1,164.50
FSS0199107-6	FS01922	19"	2.0 sq. ft.	45 GPM	PSP2100-6	1.0	83	3 ft. NEMA	1,227.41
FSS0229157-6	FS02225	22"	2.6 sq. ft.	55 GPM	PSP2150-6	1.5	91	3 ft. NEMA	1,401.76
FSS0269157-6	FS02629	26"	3.5 sq. ft.	70 GPM	PSP2150-6	1.5	--	3 ft. NEMA	1,529.43

INCLUDES:

- 2 hoses (1 1/2" x 6 ft.)
- Filter / Pump Hose with Union Adapters, hose fittings and hose clamps
- 3 ft. cord Twist-Lock plug (NEC/UL), or 3 ft. cord NEMA plug
- Deluxe modular filter and pump bases
- Unionized gate valve to isolate the system for maintenance

Carefree Sand Deluxe System (without Supreme Pump)

Part No.	Filter	Diameter	Filtration Area	Flow Rate	Weight (lbs.)	List (US \$)
FSS0169S7	FS01619	16"	1.4 sq. ft.	35 GPM	--	581.45
FSS0199S7	FS01922	19"	2.0 sq. ft.	45 GPM	--	673.49
FSS0229S7	FS02225	22"	2.6 sq. ft.	55 GPM	--	861.51
FSS0269S7	FS02629	26"	3.5 sq. ft.	70 GPM	--	1,065.46

INCLUDES:

- 2 hoses (1 1/2" x 6 ft.)
- Filter / Pump Hose with Union Adapters, hose fittings and hose clamps
- Deluxe modular filter and pump bases
- Unionized gate valve to isolate the system for maintenance

All power cords are 3' in length.

Pumps and replacement motors that are single speed and one (1) total HP or greater cannot be sold, offered for sale, or installed in a residential pool for filtration use in California, Title 20 CCR sections 1601-1609.



Pool Filters - Above Ground / Carefree Top-Mount - Sand Standard System

FEATURES:

- Large filter with extra sand-holding capacity
- Hi-Flo II High Performance Single and Dual Speed Pump
- Large 6" pump trap with 2-piece lid
- Standard pump and filter base
- Fittings package for all connections
- Dual speed pump meets CEC Title 20 Code - Effective January 1, 2008



Carefree Sand Filter Systems are designed with the ideal combination of high performance and excellent water clarity. The Carefree Sand Filter and Pump Pack System provides everything needed for an above ground pool package.

Filters / Filter Systems

INCLUDES:

- 2 hoses (1 1/2" x 6 ft.)
- Filter / Pump Hose with Union Adapters, hose fittings and hose clamps
- 3 ft. cord Twist-Lock plug (NEC/UL), or 3 ft. cord NEMA plug
- Standard system base

Carefree Sand Standard System with Hi-Flo II 1-Speed Pump

Part No.	Filter	Diameter	Filtration Area	Flow Rate	Pump	HP	Weight (lbs.)	Cord	List (US \$)
520-5300-3S	FS01619	16"	1.4 sq. ft.	35 GPM	PH1100-3	1.0	65	3 ft. TL	956.40
520-5320-3S	FS01922	19"	2.0 sq. ft.	45 GPM	PH1100-3	1.0	74	3 ft. TL	1,019.69
520-5330-3S	FS01922	19"	2.0 sq. ft.	45 GPM	PH1150-3	1.5	--	3 ft. TL	1,042.62
520-5350-3S	FS02225	22"	2.6 sq. ft.	55 GPM	PH1100-3	1.0	80	3 ft. TL	1,044.52
520-5340-3S	FS02225	22"	2.6 sq. ft.	55 GPM	PH1150-3	1.5	80	3 ft. TL	1,193.35
520-5300-6S	FS01619	16"	1.4 sq. ft.	35 GPM	PH1100-6	1.0	61	3 ft. NEMA	956.40
520-5320-6S	FS01922	19"	2.0 sq. ft.	45 GPM	PH1100-6	1.0	74	3 ft. NEMA	1,019.69
520-5330-6S	FS01922	19"	2.0 sq. ft.	45 GPM	PH1150-6	1.5	74	3 ft. NEMA	1,042.62
520-5350-6S	FS02225	22"	2.6 sq. ft.	55 GPM	PH1100-6	1.0	80	3 ft. NEMA	1,044.52
520-5340-6S	FS02225	22"	2.6 sq. ft.	55 GPM	PH1150-6	1.5	80	3 ft. NEMA	1,193.35
520-5360-6S	FS02629	26"	3.5 sq. ft.	70 GPM	PH1150-6	1.5	103	3 ft. NEMA	1,401.57

Carefree Sand Standard System with Hi-Flo II 2-Speed Pump

Part No.	Filter	Diameter	Filtration Area	Flow Rate	Pump	HP	Weight (lbs.)	Cord	List (US \$)
522-5300-3S	FS01619	16"	1.4 sq. ft.	35 GPM	PH2100-3	1.0	--	3 ft. TL	1,082.52
522-5320-3S	FS01922	19"	2.0 sq. ft.	45 GPM	PH2100-3	1.0	--	3 ft. TL	1,152.30
522-5330-3S	FS01922	19"	2.0 sq. ft.	45 GPM	PH2150-3	1.5	--	3 ft. TL	1,164.32
522-5350-3S	FS02225	22"	2.6 sq. ft.	55 GPM	PH2100-3	1.0	87	3 ft. TL	1,277.64
522-5340-3S	FS02225	22"	2.6 sq. ft.	55 GPM	PH2150-3	1.5	--	3 ft. TL	1,315.03
522-5300-6S	FS01619	16"	1.4 sq. ft.	35 GPM	PH2100-6	1.0	66	3 ft. NEMA	1,088.40
522-5320-6S	FS01922	19"	2.0 sq. ft.	45 GPM	PH2100-6	1.0	75	3 ft. NEMA	1,154.47
522-5330-6S	FS01922	19"	2.0 sq. ft.	45 GPM	PH2150-6	1.5	74	3 ft. NEMA	1,164.32
522-5350-6S	FS02225	22"	2.6 sq. ft.	55 GPM	PH2100-6	1.0	87	3 ft. NEMA	1,277.64
522-5340-6S	FS02225	22"	2.6 sq. ft.	55 GPM	PH2150-6	1.5	87	3 ft. NEMA	1,315.03

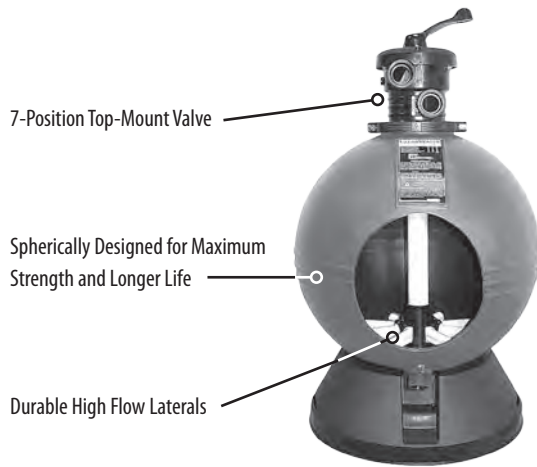
All power cords are 3' in length.

Pumps and replacement motors that are single speed and one (1) total HP or greater cannot be sold, offered for sale, or installed in a residential pool for filtration use in California, Title 20 CCR sections 1601-1609.



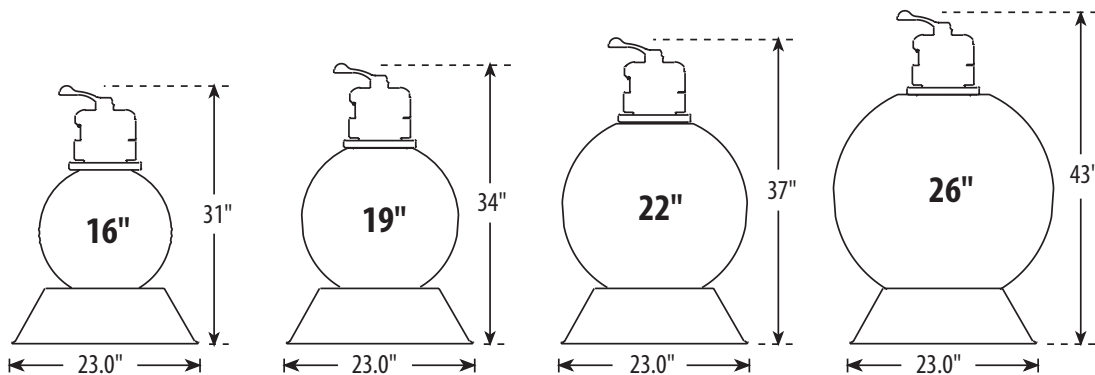
FEATURES:

- Durable roto-molded tank body is spherical to evenly distribute pressure, resulting in greater strength and longer life of the filter
- Corrosion-proof body
- High Flow internal diffuser for even water distribution
- 7-function Top-Mount 1 1/2" FPT Multi-Port Valve with Split-Nut Lock Union
- 1 1/2" drain port
- Mounting base included



Rugged, corrosion proof, high filtration area, and one-piece body. The ClearWater Sand filter features a seven-function top mount valve for maximum control over the filter system, and full flow, self cleaning laterals with large surface area for maximum flow. This filter is an excellent choice for above ground or in-ground pools.

*For replacement parts, see page 322.
For equipment bases, see page 56.*



Sand Required			
16" - 50 lbs.	19" - 100 lbs.	22" - 150 lbs.	26" - 200 lbs.

ClearWater Sand Filter							
Part No.	Description	Filtration Area	Flow Rate	Pool Turnover (6 hrs.)	Pool Turnover (8 hrs.)	Weight (lbs.)	List (US \$)
FS016	16" diameter Filter	1.4 sq. ft.	35 GPM	12,600	16,800	25	513.94
FS019	19" diameter Filter	2.0 sq. ft.	45 GPM	16,200	21,600	28	672.08
FS022	22" diameter Filter	2.6 sq. ft.	55 GPM	19,800	26,400	34	778.20
FS026	26" diameter Filter	3.5 sq. ft.	70 GPM	25,200	33,600	43	902.01

1 1/2" FPT split-nut style clamp included.



Pool Filters - Above Ground / ClearWater - Sand Deluxe 2-Speed System

FEATURES:

- Large filtration sand filter with durable, high flow laterals
- Top-of-the-Line Supreme High Performance Dual Speed Pump
- Extra large 7" pump trap with clear lid
- Union connection on multi-port for easy installation
- Unionized gate valve to isolate the system for maintenance
- Two 1 1/2" diameter hoses with clamps
- Filter and pump mounting base
- Fittings package for all connections
- Accessory base allows for addition of optional timer and/or chlorinator kits for minimal maintenance (sold separately)
- Dual speed pump meets CEC Title 20 Code - Effective January 1, 2008



Complete your Sand filtration system with the high performance Waterway Supreme Pump and accessories. The Sand Filter and Pump Pack provides homeowners with everything they need to get their system up and running. It assures them of matched components and optimal performance with years of dependable service.

INCLUDES:

- 2 hoses (1 1/2" x 6 ft.)
- Filter / Pump Hose with Union Adapters, hose fittings and hose clamps
- 3 ft. cord Twist-Lock plug (NEC/UL), or 3 ft. cord NEMA plug
- Deluxe modular filter and pump base
- Unionized gate valve to isolate the system for maintenance
- Accessory base for optional timer and/or chlorinator

INCLUDES:

- 2 hoses (1 1/2" x 6 ft.)
- Filter / Pump Hose with Union Adapters, hose fittings and hose clamps
- Deluxe modular filter and pump base
- Unionized gate valve to isolate the system for maintenance
- Accessory base for optional timer and/or chlorinator

ClearWater Sand Deluxe System with Supreme 2-Speed Pump

Part No.	Filter	Diameter	Filtration Area	Flow Rate	Pump	HP	Weight (lbs.)	Cord	List (US \$)
FSS01910-3	FS019	19"	2.0 sq. ft.	45 GPM	PSP2100-3	1.0	61	3 ft. Twist-Lock	1,340.13
FSS01915-3	FS019	19"	2.0 sq. ft.	45 GPM	PSP2150-3	1.5	64	3 ft. Twist-Lock	1,183.44
FSS02210-3	FS022	22"	2.6 sq. ft.	55 GPM	PSP2100-3	1.0	67	3 ft. Twist-Lock	1,481.35
FSS02215-3	FS022	22"	2.6 sq. ft.	55 GPM	PSP2150-3	1.5	70	3 ft. Twist-Lock	1,492.54
FSS02615-3	FS026	26"	3.5 sq. ft.	70 GPM	PSP2150-3	1.5	77	3 ft. Twist-Lock	1,616.05
FSS01910-6	FS019	19"	2.0 sq. ft.	45 GPM	PSP2100-6	1.0	60	3 ft. NEMA	1,340.13
FSS01915-6	FS019	19"	2.0 sq. ft.	45 GPM	PSP2150-6	1.5	63	3 ft. NEMA	1,463.43
FSS02210-6	FS022	22"	2.6 sq. ft.	55 GPM	PSP2100-6	1.0	67	3 ft. NEMA	1,481.35
FSS02215-6	FS022	22"	2.6 sq. ft.	55 GPM	PSP2150-6	1.5	74	3 ft. NEMA	1,300.33
FSS02615-6	FS026	26"	3.5 sq. ft.	70 GPM	PSP2150-6	1.5	--	3 ft. NEMA	1,616.05

ClearWater Sand Deluxe System (without Supreme Pump)

Part No.	Filter	Diameter	Filtration Area	Flow Rate	Weight (lbs.)	List (US \$)
FSS019S	FS019	19"	2.0 sq. ft.	45 GPM	38	757.80
FSS022S	FS022	22"	2.6 sq. ft.	55 GPM	37	867.14
FSS026S	FS026	26"	3.5 sq. ft.	70 GPM	68	999.75

All power cords are 3' in length.

Pumps and replacement motors that are single speed and one (1) total HP or greater cannot be sold, offered for sale, or installed in a residential pool for filtration use in California, Title 20 CCR sections 1601-1609.

Pool Filters - Above Ground / ClearWater - Sand Deluxe 1-Speed System



FEATURES:

- Large filtration sand filter with durable, high flow laterals
- Top-of-the-Line Supreme High Performance Pump
- Extra large 7" pump trap with clear lid
- Union connection on multi-port for easy installation
- Unionized gate valve to isolate the system for maintenance
- Two 1 1/2" diameter hoses with clamps
- Filter and pump mounting bases
- Fittings package for all connections
- Accessory base allows for addition of optional timer and/or Chlorinator kits for minimal maintenance (*sold separately*)



Complete your Sand filtration system with the high performance Waterway Supreme Pump and accessories. The Sand Filter and Pump Pack provides homeowners with everything they need to get their system up and running. It assures them of matched components and optimal performance with years of dependable service.

Filters / Filter Systems

ClearWater Sand Deluxe System with Supreme 1-Speed Pump

Part No.	Filter	Diameter	Filtration Area	Flow Rate	Pump	HP	Weight (lbs.)	Cord	List (US \$)
FSS01910-3S	FS019	19"	2.0 sq. ft.	45 GPM	PSP1100-3	1.0	60	3 ft. Twist-Lock	1,009.04
FSS01915-3S	FS019	19"	2.0 sq. ft.	45 GPM	PSP1150-3	1.5	64	3 ft. Twist-Lock	1,060.50
FSS02210-3S	FS022	22"	2.6 sq. ft.	55 GPM	PSP1100-3	1.0	67	3 ft. Twist-Lock	1,266.56
FSS02215-3S	FS022	22"	2.6 sq. ft.	55 GPM	PSP1150-3	1.5	70	3 ft. Twist-Lock	1,141.21
FSS02615-3S	FS026	26"	3.5 sq. ft.	70 GPM	PSP1150-3	1.5	77	3 ft. Twist-Lock	1,271.91
FSS01910-6S	FS019	19"	2.0 sq. ft.	45 GPM	PSP1100-6	1.0	60	3 ft. NEMA	1,009.04
FSS01915-6S	FS019	19"	2.0 sq. ft.	45 GPM	PSP1150-6	1.5	63	3 ft. NEMA	1,292.84
FSS02210-6S	FS022	22"	2.6 sq. ft.	55 GPM	PSP1100-6	1.0	66	3 ft. NEMA	1,089.76
FSS02215-6S	FS022	22"	2.6 sq. ft.	55 GPM	PSP1150-6	1.5	68	3 ft. NEMA	1,141.21
FSS02615-6S	FS026	26"	3.5 sq. ft.	70 GPM	PSP1150-6	1.5	77	3 ft. NEMA	1,455.86

INCLUDES:

- 2 hoses (1 1/2" x 6 ft.)
- Filter / Pump Hose with Union Adapters, hose fittings and hose clamps
- 3 ft. cord Twist-Lock plug (NEC/UL), or 3 ft. cord NEMA plug
- Deluxe modular filter and pump base
- Unionized gate valve to isolate the system for maintenance

ClearWater Sand Deluxe System (without Supreme Pump)

Part No.	Filter	Diameter	Filtration Area	Flow Rate	Weight (lbs.)	List (US \$)
FSS019S	FS019	19"	2.0 sq. ft.	45 GPM	38	757.80
FSS022S	FS022	22"	2.6 sq. ft.	55 GPM	37	867.14
FSS026S	FS026	26"	3.5 sq. ft.	70 GPM	68	999.75

INCLUDES:

- 2 hoses (1 1/2" x 6 ft.)
- Filter / Pump Hose with Union Adapters, hose fittings and hose clamps
- Deluxe modular filter and pump base
- Unionized gate valve to isolate the system for maintenance

All power cords are 3' in length.

Pumps and replacement motors that are single speed and one (1) total HP or greater cannot be sold, offered for sale, or installed in a residential pool for filtration use in California, Title 20 CCR sections 1601-1609.



Pool Filters - Above Ground / ClearWater - Sand Standard System



FEATURES:

- Large filtration sand filter with durable, high flow laterals
- Hi-Flo II High Performance Single and Dual Speed Pump
- Large 6" pump trap with 2-piece lid
- Union connection on multi-port for easy installation
- Two 1 1/2" diameter hoses with clamps
- Dual speed pump meets CEC Title 20 Code - Effective January 1, 2008

Complete your Sand filtration system with the high performance Waterway Hi-Flo II Pump and accessories. The Sand Filter and Pump Pack provides homeowners with everything they need to get their system up and running. It assures them of matched components and optimal performance with years of dependable service.

INCLUDES:

- 2 hoses (1 1/2" x 6 ft.)
- Filter / Pump Hose with Union Adapters, hose fittings and hose clamps
- 3 ft. cord Twist-Lock plug (NEC/UL), or 3 ft. cord NEMA plug
- Standard system base

ClearWater Sand Standard System with Hi-Flo II 1-Speed Pump

Part No.	Filter	Diameter	Filtration Area	Flow Rate	Pump	HP	Weight (lbs.)	Cord	List (US \$)
520-5200-3S	FS016	16"	1.4 sq. ft.	35 GPM	PH1100-3	1.0	59	3 ft. TL	882.94
520-5220-3S	FS019	19"	2.0 sq. ft.	45 GPM	PH1100-3	1.0	67	3 ft. TL	923.63
520-5240-3S	FS022	22"	2.6 sq. ft.	55 GPM	PH1150-3	1.5	71	3 ft. TL	1,091.95
520-5260-3S	FS026	26"	3.5 sq. ft.	70 GPM	PH1150-3	1.5	83	3 ft. TL	1,186.47
520-5200-6S	FS016	16"	1.4 sq. ft.	35 GPM	PH1100-6	1.0	59	3 ft. NEMA	882.94
520-5220-6S	FS019	19"	2.0 sq. ft.	45 GPM	PH1100-6	1.0	64	3 ft. NEMA	923.63
520-5240-6S	FS022	22"	2.6 sq. ft.	55 GPM	PH1150-6	1.5	68	3 ft. NEMA	1,091.95
520-5260-6S	FS026	26"	3.5 sq. ft.	70 GPM	PH1150-6	1.5	77	3 ft. NEMA	1,186.47

INCLUDES:

- 2 hoses (1 1/2" x 6 ft.)
- Filter / Pump Hose with Union Adapters, hose fittings and hose clamps
- 3 ft. cord Twist-Lock plug (NEC/UL), or 3 ft. cord NEMA plug
- Standard system base

ClearWater Sand Standard System with Hi-Flo II 2-Speed Pump

Part No.	Filter	Diameter	Filtration Area	Flow Rate	Pump	HP	Weight (lbs.)	Cord	List (US \$)
522-5200-3S	FS016	16"	1.4 sq. ft.	35 GPM	PH2100-3	1.0	--	3 ft. TL	1,004.62
522-5220-3S	FS019	19"	2.0 sq. ft.	45 GPM	PH2100-3	1.0	--	3 ft. TL	1,045.30
522-5240-3S	FS022	22"	2.6 sq. ft.	55 GPM	PH2150-3	1.5	73	3 ft. TL	1,213.57
522-5260-3S	FS026	26"	3.5 sq. ft.	70 GPM	PH2150-3	1.5	--	3 ft. TL	1,450.59
522-5200-6S	FS016	16"	1.4 sq. ft.	35 GPM	PH2100-6	1.0	68	3 ft. NEMA	1,004.62
522-5220-6S	FS019	19"	2.0 sq. ft.	45 GPM	PH2100-6	1.0	69	3 ft. NEMA	1,045.30
522-5240-6S	FS022	22"	2.6 sq. ft.	55 GPM	PH2150-6	1.5	74	3 ft. NEMA	1,216.15
522-5260-6S	FS026	26"	3.5 sq. ft.	70 GPM	PH2150-6	1.5	87	3 ft. NEMA	1,450.59

INCLUDES:

- 2 hoses (1 1/2" x 6 ft.)
- Filter / Pump Hose with Union Adapters, hose fittings and hose clamps
- Standard system base

ClearWater Sand Standard System (without Hi-Flo II Pump)

Part No.	Filter	Diameter	Filtration Area	Flow Rate	Weight (lbs.)	List (US \$)
520-5200	FS016	16"	1.4 sq. ft.	35 GPM	34	637.06
520-5220	FS019	19"	2.0 sq. ft.	45 GPM	35	724.49
520-5240	FS022	22"	2.6 sq. ft.	55 GPM	40	817.08
520-5260	FS026	26"	3.5 sq. ft.	70 GPM	--	966.87

Pumps and replacement motors that are single speed and one (1) total HP or greater cannot be sold, offered for sale, or installed in a residential pool for filtration use in California, Title 20 CCR sections 1601-1609.

Pool Filters - Above Ground / TWM Sand Filter Equipment Packages



FEATURES:

- Filter, pump, hoses and fittings in one box
- Choice of tank and pump sizes
- Spherical tank design evenly distributes pressure and stress resulting in greater strength and longer life
- Corrosion-proof sand filter tank
- 7 position Multi-Port Valve
- Center discharge pump with leaf trap - Single and Dual Speed
- Dual speed pump meets CEC Title 20 Code - Effective January 1, 2008

The economical solution for filtering with a sand filter on an above ground pool. Designed to handle virtually all sizes and conditions, the Waterway TWM Sand Filter systems will provide years of dependable filtration.



For replacement parts, see page 324.

TWM Sand Filter Equipment Packages - 1-Speed

Part No.	Description	Filtration	Flow Rate	Turnover (8 - 10 hrs.)	Sand (lbs.)	Cord	List (US \$)
520-1610	16" Sand Filter - 1 HP Center Discharge Pump	1.4 sq. ft.	30 GPM	14,400 - 18,000	50	3 ft. NEMA	811.65
520-1910	19" Sand Filter - 1 HP Center Discharge Pump	2.0 sq. ft.	42 GPM	20,160 - 25,200	100	3 ft. NEMA	854.75
520-1700	22" Sand Filter - 1.5 HP Center Discharge Pump	2.5 sq. ft.	50 GPM	24,000 - 30,000	150	3 ft. NEMA	921.09
520-1610-3	16" Sand Filter - 1 HP Center Discharge Pump	1.4 sq. ft.	30 GPM	14,400 - 18,000	50	3 ft. Twist-Lock	811.65
520-1910-3	19" Sand Filter - 1 HP Center Discharge Pump	2.0 sq. ft.	42 GPM	20,160 - 25,200	100	3 ft. Twist-Lock	854.74
520-1700-3	22" Sand Filter - 1.5 HP Center Discharge Pump	2.5 sq. ft.	50 GPM	24,000 - 30,000	150	3 ft. Twist-Lock	921.09

TWM Sand Filter Equipment Packages - 2-Speed

Part No.	Description	Filtration	Flow Rate	Turnover (8 - 10 hrs.)	Sand (lbs.)	Cord	List (US \$)
522-1610	16" Sand Filter - 1 HP Center Discharge Pump	1.4 sq. ft.	30 GPM	14,400 - 18,000	50	3 ft. NEMA	942.26
522-1910	19" Sand Filter - 1 HP Center Discharge Pump	2.0 sq. ft.	42 GPM	20,160 - 25,200	100	3 ft. NEMA	976.40
522-1700	22" Sand Filter - 1.5 HP Center Discharge Pump	2.5 sq. ft.	50 GPM	24,000 - 30,000	150	3 ft. NEMA	1,033.86
522-1610-3	16" Sand Filter - 1 HP Center Discharge Pump	1.4 sq. ft.	30 GPM	14,400 - 18,000	50	3 ft. Twist-Lock	942.26
522-1910-3	19" Sand Filter - 1 HP Center Discharge Pump	2.0 sq. ft.	42 GPM	20,160 - 25,200	100	3 ft. Twist-Lock	976.40
522-1700-3	22" Sand Filter - 1.5 HP Center Discharge Pump	2.5 sq. ft.	50 GPM	24,000 - 30,000	150	3 ft. Twist-Lock	1,033.86

Pumps and replacement motors that are single speed and one (1) total HP or greater cannot be sold, offered for sale, or installed in a residential pool for filtration use in California, Title 20 CCR sections 1601-1609.



NEW!

Waterway is now selling original equipment replacement cartridges made in the USA with Reemay®, the best material in the business.

Features:

- Replacement Cartridges for all Crystal Water, ProClean & Clearwater Filters
- Genuine OEM Elements for Longer Lifespan, Clearer Pools & Faster clean cycles
- Industry Best 4 Ounce Reemay® 2040 Material
- Made in America!



Replacement Cartridges

Part No.	Description	Filter Type	Cartridge Dimensions			Boxed Qty.
			OD	ID	OAL	
817-0081-4B	325 sq ft Crystal Water Feature Cartridge	In-Ground	7"	3"	20"	4
817-0106-4B	425 sq ft Crystal Water Feature Cartridge	In-Ground	7"	3"	26 1/16"	4
817-0131-4B	525 sq ft Crystal Water Feature Cartridge	In-Ground	7"	3"	32 1/16"	4
817-0075P-1B	75 sq ft Clearwater II/Pro Clean Filter Cartridge	In-Ground/Above Ground	8 15/16"	4"	17 3/8"	1
817-0100P-1B	100 sq ft Clearwater II/Pro Clean Filter Cartridge	In-Ground/Above Ground	8 15/16"	4"	17 3/8"	1
817-0125N-1B	125 sq ft Clearwater II/Pro Clean Filter Cartridge	In-Ground/Above Ground	8 15/16"	4"	23 5/16"	1
817-0150N-1B	150 sq ft Clearwater II/Pro Clean Filter Cartridge	In-Ground/Above Ground	8 15/16"	4"	23 5/16"	1
817-0175P-1B	175 sq ft Pro Clean Filter Cartridge	In-Ground	8 15/16"	4"	28 3/16"	1
817-0200P-1B	200 sq ft Pro Clean Filter Cartridge	In-Ground	8 15/16"	4"	28 3/16"	1
817-0200N-1B	200 sq ft Clear Water II Filter Cartridge	Above Ground	8 15/16"	4"	23 5/16"	1

CSA / CSA Supreme - 48-Frame - Above Ground - Pool Pump



FEATURES:

- 1 ½" union threads / 1 ½" FPT Intake and 2" union threads / 1 ½" FPT discharge
- Weatherproof motor housing
- On / Off Toggle Switch
- Extra large 7" pump trap with clear lid
- 25 ft. cord with 3-prong NEMA (regular) plug
- Meets Canadian Standard Association (CSA) requirements



The Supreme Pump is the ultimate in above-ground pool engineering. Designed for today's more demanding applications, the Supreme Pump is ideal for D.E., cartridge or sand filtration systems of all sizes.



For replacement parts, see page 289.

CSA Supreme 48-Frame Above Ground Pool Pumps

Part No.	Description	Volts	HP	Amps	Weight (lbs.)	List (US \$)
PSPC1075-25	1-Speed - 25 ft. Cord	115	¾	10.3	31	913.16
PSPC1100-25	1-Speed - 25 ft. Cord	115	1.0	10.3	32	926.65
PSPC1150-25	1-Speed - 25 ft. Cord	115	1.5	11.6	37	979.80
PSPC2075-25	2-Speed - 25 ft. Cord	115	¾	8.8 / 2.6	--	1,044.92
PSPC2100-25	2-Speed - 25 ft. Cord	115	1.0	8.8 / 2.6	33	1,058.42
PSPC2150-25	2-Speed - 25 ft. Cord	115	1.5	11.0 / 2.9	36	1,111.56

Pumps and replacement motors that are single speed and one (1) total HP or greater cannot be sold, offered for sale, or installed in a residential pool for filtration use in California, Title 20 CCR sections 1601-1609.

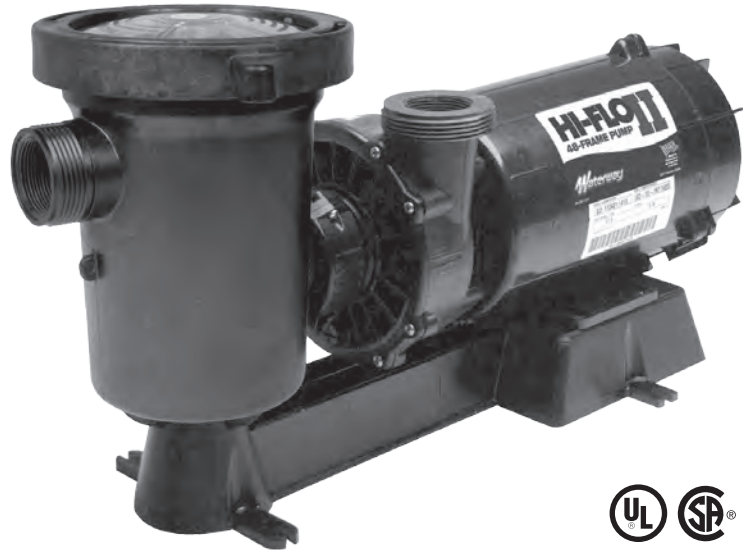


CSA / CSA Hi-Flo II Side Discharge - 48-Frame - Above Ground - Pool Pump

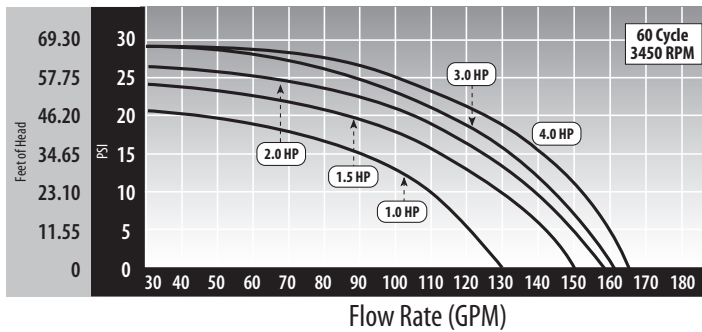
The Hi-Flo II above ground pump was designed for high performance. The Hi-Flo II pump features high flow rate performance for faster filtering cycles. This pump is ideal for new installations or as a replacement pump.

FEATURES:

- 1 1/2" union threads / 1 1/2" FPT Intake and 2" union threads / 1 1/2" FPT discharge
- Weatherproof Motor housing
- On / Off Toggle Switch
- Large 6" pump trap with 2-piece lid
- 25 ft. cord with 3-prong NEMA (regular) plug
- Meets Canadian Standard Association (CSA) requirements



For replacement parts, see page 291.



CSA Hi-Flo II Side Discharge 48-Frame Above Ground Pool Pumps

Part No.	Description	Volts	HP	Amps	Weight (lbs.)	List (US \$)
PHC1075-25	1-Speed - 25 ft. Cord	115	3/4	10.3	25	859.56
PHC1100-25	1-Speed - 25 ft. Cord	115	1.0	10.3	28	873.08
PHC1151-25	1-Speed - 25 ft. Cord	115	1.5	11.6	35	903.61
PHC2075-25	2-Speed - 25 ft. Cord	115	3/4	8.8 / 2.6	31	991.34
PHC2100-25	2-Speed - 25 ft. Cord	115	1.0	8.8 / 2.6	31	1,004.84
PHC2150-25	2-Speed - 25 ft. Cord	115	1.5	11.0 / 2.9	31	1,057.99

Pumps and replacement motors that are single speed and one (1) total HP or greater cannot be sold, offered for sale, or installed in a residential pool for filtration use in California, Title 20 CCR sections 1601-1609.

CSA / CSA ProClean Plus Single Cartridge Filter Systems



FEATURES:

- NSF Listed
- 2" FPT inlet and 2" or 2 1/2" S outlets for more flow
- Raised inlet for clean easy plumbing
- Waterway's Safety Lock Ring System for fast, easy access to filter internals
- Lid lock-ring handle makes removing the lid easy and safe
- Internal design for more dirt holding capacity for longer cleaning cycles
- Drain plug is 1"
- Meets Canadian Standard Association (CSA) requirements



Choose Waterway's Pro-Clean Plus in-ground pool filter with above-ground CSA Hi-Flo II or CSA Supreme Pump for an exceptional above-ground system.

CSA Pumps & Filter Systems

CSA ProClean Plus Single Cartridge Filter Systems - Hi-Flo II 1-Speed Pump

Part No.	Filter	Filtration Area	Pump	HP	List (US \$)
520-6000-C25S	PCCF-075	75 sq. ft.	PHC1100-25	1.0	1,180.88
520-6100-C25S	PCCF-100	100 sq. ft.	PHC1100-25	1.0	1,328.50
520-6115-C25S	PCCF-100	100 sq. ft.	PHC1150-25	1.5	1,549.51
520-6215-C25S	PCCF-125	125 sq. ft.	PHC1150-25	1.5	1,622.04
520-6315-C25S	PCCF-150	150 sq. ft.	PHC1150-25	1.5	1,694.51
520-6415-C25S	PCCF-175	175 sq. ft.	PHC1150-25	1.5	1,895.62
520-6515-C25S	PCCF-200	200 sq. ft.	PHC1150-25	1.5	2,025.42
520-6520-C25S	PCCF-200	200 sq. ft.	PHC1200-25	2.0	2,145.53

CSA ProClean Plus Single Cartridge Filter Systems - Supreme 1-Speed Pump

Part No.	Filter	Filtration Area	Pump	HP	List (US \$)
FPSC10010-25S	PCCF-100	100 sq. ft.	PSPC1100-25	1.0	1,473.91
FPSC10015-25S	PCCF-100	100 sq. ft.	PSPC1150-25	1.5	1,688.24
FPSC12515-25S	PCCF-125	125 sq. ft.	PSPC1150-25	1.5	1,767.34
FPSC15015-25S	PCCF-150	150 sq. ft.	PSPC1150-25	1.5	1,846.43
FPSC17515-25S	PCCF-175	175 sq. ft.	PSPC1150-25	1.5	2,046.12
FPSC20015-25S	PCCF-200	200 sq. ft.	PSPC1150-25	1.5	2,207.40
FPSC20020-25S	PCCF-200	200 sq. ft.	PSPC1200-25	2.0	2,316.16

Pumps and replacement motors that are single speed and one (1) total HP or greater cannot be sold, offered for sale, or installed in a residential pool for filtration use in California, Title 20 CCR sections 1601-1609.



CSA / CSA ClearWater II D.E. and Cartridge Filter Deluxe Systems

FEATURES:

- True Spiral Laminar flow D.E. filter or large filtration, small footprint cartridge filter
- Top of the line Supreme High Performance Pump
- Extra large 7" pump trap with clear lid
- Unionized gate valve to isolate the system for maintenance
- Two 1 1/2" diameter hoses with clamps
- Filter and pump mounting base
- Complete fitting package for all connections
- Meets Canadian Standard Association (CSA) requirements



CSA Pumps & Filter Systems

INCLUDES:

- 2 hoses (1 1/2" x 6 ft.)
- Filter / Pump Hose with Union Adapters, hose fittings and hose clamps
- Supreme Pump with 25 ft. cord with 3-prong NEMA (regular) plug
- Deluxe one-piece base system
- Unionized gate valve to isolate system for maintenance
- Accessory base for optional timer and/or chlorinator

CSA ClearWater II D.E. Deluxe Systems - Supreme 1-Speed Pump

Part No.	Filter	Flow Rate	Pump	HP	Volts	Weight (lbs.)	List (US \$)
FDSC04410-25S	FD12	44 GPM	PSPC1100-25	1.0	115	73	1,600.95
FDSC06710-25S	FD18	67 GPM	PSPC1100-25	1.0	115	78	1,786.10

CSA ClearWater II Cartridge Deluxe Systems - Supreme 1-Speed Pump

Part No.	Filter	Filtration Area	Pump	HP	Volts	Weight (lbs.)	List (US \$)
FCSC07510-25S	FC075	75 sq. ft.	PSPC1100-25	1.0	115	70	1,453.73
FCSC10010-25S	FC100	100 sq. ft.	PSPC1100-25	1.0	115	76	1,626.05
FCSC15015-25S	FC150	150 sq. ft.	PSPC1150-25	1.5	115	81	1,866.37
FCSC20015-25S	FC200	200 sq. ft.	PSPC1150-25	1.5	115	82	2,023.06

Pumps and replacement motors that are single speed and one (1) total HP or greater cannot be sold, offered for sale, or installed in a residential pool for filtration use in California, Title 20 CCR sections 1601-1609.



DELUXE SYSTEM FEATURES:

- Large filtration sand filter with durable, high flow laterals
- Top-of-the-Line Supreme High Performance Pump
- Extra large 7" pump trap with clear lid
- Union connection on multi-port for easy installation
- Unionized gate valve to isolate the system for maintenance
- Filter and pump mounting bases and additional accessory base for chlorinator and timer (sold separately)
- Fittings package for all connections
- Meets Canadian Standard Association (CSA) requirements

STANDARD SYSTEM FEATURES:

- Large filtration sand filter with durable, high flow laterals
- Hi-Flo II High Performance Pump
- Large 6" pump trap with 2-piece lid
- Union connection on multi-port for easy installation
- Meets Canadian Standard Association (CSA) requirements



CSA Pumps & Filter Systems

CSA ClearWater Sand Deluxe Systems - Supreme 1-Speed Pump

Part No.	Filter	Diameter	Pump	HP	Volts	Weight (lbs.)	List (US \$)
FSSC01610-25S	FS016	16"	PSPC1100-25	1.0	115	67	1,338.48
FSSC01910-25S	FS019	19"	PSPC1100-25	1.0	115	67	1,417.43
FSSC02215-25S	FS022	22"	PSPC1150-25	1.5	115	67	1,562.39
FSSC02615-25S	FS026	26"	PSPC1150-25	1.5	115	82	1,697.06

INCLUDES:

- Filter and multi-port valve
- Filter base
- Filter / Pump Hose with Union Adapters
- Supreme Pump with 25 ft. cord
- Pump base
- Return hose and gate valve
- Accessory base for optional timer and/or chlorinator

CSA ClearWater Sand Deluxe Systems (without Supreme Pump)

Part No.	Diameter	Weight (lbs.)	List (US \$)
FS016H	16"	--	656.05
FS019H	19"	--	714.39
FS022H	22"	--	820.49
FS026H	26"	--	954.89

INCLUDES:

- Filter / Pump Hose with Union Adapters, hose fittings and hose clamps
- Deluxe one-piece base system
- Unionized gate valve to isolate system for maintenance
- Accessory base for optional timer and/or chlorinator

CSA ClearWater Sand Standard Systems - Hi-Flo II 1-Speed Pump

Part No.	Filter	Diameter	Pump	HP	Volts	Weight (lbs.)	List (US \$)
520-5400-25S	FS016	16"	PHC1100-25	1.0	115	61	1,287.55
520-5420-25S	FS019	19"	PHC1100-25	1.0	115	74	1,332.97
520-5440-25S	FS022	22"	PHC1150-25	1.5	115	--	1,477.95
520-5460-25S	FS026	26"	PHC1150-25	1.5	115	--	1,599.40

INCLUDES:

- Filter
- Filter base
- Filter / Pump Hose with Union Adapters
- Hi-Flo Pump with 25 ft. cord
- Pump base

Pumps and replacement motors that are single speed and one (1) total HP or greater cannot be sold, offered for sale, or installed in a residential pool for filtration use in California, Title 20 CCR sections 1601-1609.



CSA / Carefree Sand CSA Systems

DELUXE SYSTEM FEATURES:

- Large filter with extra sand-holding capacity
- Top-of-the-line Supreme High Performance Pump
- Extra large 7" pump trap with clear lid
- Union connection on multi-port for easy installation
- Unionized gate valve to isolate the system for maintenance
- Filter and pump mounting bases and additional accessory base for chlorinator and timer (*sold separately*)
- Fittings package for all connections
- Meets Canadian Standard Association (CSA) requirements

STANDARD SYSTEM FEATURES:

- Large filter with extra sand-holding capacity
- Hi-Flo II High Performance Pump
- Large 6" pump trap with 2-piece lid
- Standard pump and filter base
- Fittings package for all connections
- Meets Canadian Standard Association (CSA) requirements



INCLUDES:

- Filter and multi-port valve
- Filter base
- Filter / Pump Hose with Union Adapters
- Supreme Pump with 25 ft. cord
- Pump base
- Return hose and gate valve
- Accessory base for optional timer and/or chlorinator

INCLUDES:

- Filter / Pump Hose with Union Adapters, hose fittings and hose clamps
- Deluxe one-piece base system
- Unionized gate valve to isolate system for maintenance
- Accessory base for optional timer and/or chlorinator

INCLUDES:

- Filter
- Filter base
- Filter / Pump Hose with Union Adapters
- Hi-Flo Pump with 25 ft. cord
- Pump base

Carefree Sand CSA Deluxe System with Supreme 1-Speed Pump

Part No.	Filter	Diameter	Pump	HP	Volts	Weight (lbs.)	List (US \$)
FSSC016910-25S	FS01619	16"	PSPC1100-25	1.0	115	--	1,481.81
FSSC019910-25S	FS01922	19"	PSPC1100-25	1.0	115	--	1,528.63
FSSC022915-25S	FS02225	22"	PSPC1150-25	1.5	115	--	1,677.98
FSSC026915-25S	FS02629	26"	PSPC1150-25	1.5	115	--	1,816.66

Carefree Sand CSA Deluxe System (without Supreme Pump)

Part No.	Filter	Diameter	Weight (lbs.)	List (US \$)
FS01619H	FS01619	16"	--	732.08
FS01922H	FS01922	19"	--	791.84
FS02225H	FS02225	22"	--	905.62
FS02629H	FS02629	26"	--	1,086.43

Carefree Sand CSA Standard System with Hi-Flo II 1-Speed Pump

Part No.	Filter	Diameter	Pump	HP	Volts	Weight (lbs.)	List (US \$)
520-5300-C25S	FS01619	16"	PHC1100-25	1.0	115	--	1,296.89
520-5320-C25S	FS01922	19"	PHC1100-25	1.0	115	77	1,310.94
520-5340-C25S	FS02225	22"	PHC1150-25	1.5	115	88	1,493.06
520-5360-C25S	FS02629	26"	PHC1150-25	1.5	115	--	1,538.80

Pumps and replacement motors that are single speed and one (1) total HP or greater cannot be sold, offered for sale, or installed in a residential pool for filtration use in California, Title 20 CCR sections 1601-1609.



Pool Pumps / Accessories and Wet Ends

Champion Wet Ends

Part No.	Description	List (US \$)
310-3000	¾ HP SF	571.19
310-3010	1 HP SF	571.19
310-3010-SS	1 HP SF - Stainless Steel	610.10
310-3020	1.5 HP SF	571.19
310-3030	2 HP SF	571.19
310-3030-SS	2 HP SF - Stainless Steel	610.10
310-3040	2.5 HP SF	571.19
310-3050	3 HP SF	571.19
310-3050-SS	3 HP SF - Stainless Steel	610.10
310-3060	¾ HP EF	571.19
310-3070	1 HP EF	571.19
310-3080	1.5 HP EF	571.19
310-3090	2 HP EF	571.19
310-3100	3 HP EF	571.19



SVL56 Wet Ends

Part No.	Description	Case Quantity	List (US \$)
310-3500	1 HP - EF	10	616.36
310-3510	1.5 HP - EF	10	616.36
310-3520	2 HP - EF	10	616.36
310-3530	3 HP - EF	10	569.66
310-3540	¾ HP - SF	10	616.36
310-3550	1 HP - SF	10	616.36
310-3560	1.5 HP - SF	10	616.36
310-3570	2 HP - SF	10	616.36
310-3580	2.5 HP - SF	10	616.36

6" Leaf Traps

Part No.	Description	Case Quantity	List (US \$)
310-5400	1 ½" x 1 ½"	5	95.75
310-6500	1 ½" x 2"	5	108.50
310-6600	2" x 2"	5	108.50

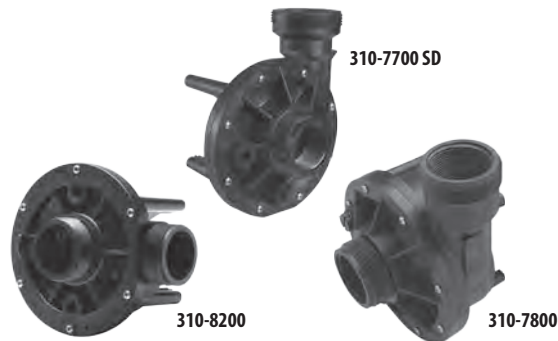
Works with all Hi-Flo II and Center Discharge pumps.

Supreme Impellers

Part No.	Description	Case Quantity	List (US \$)
310-5080	¾ HP (less trap)	150	38.61
310-5090	1 HP (less trap)	150	38.61
310-5100	1.5 HP or 2 HP (less trap)	150	38.61

2" Hi-Flo II Side Discharge Wet Ends

Part No.	Rating	Case Qty.	List (US \$)
310-7700SD	½ HP	15	134.89
310-7710SD	¾ HP	15	134.89
310-7720SD	1 HP	15	134.89
310-7730SD	1 ½ HP	15	134.89
310-7740SD	2 HP	15	134.89



Spa Flo Wet Ends

Part No.	Description	List (US \$)
310-7800	2013 Spa Flo II / S/D ½ HP Wet End 1.5"IN/DIS	112.29
310-7810	2013 Spa Flo II / S/D ¾ HP Wet End 1.5"IN/DIS	112.29
310-7820	2013 Spa Flo II / S/D 1 HP Wet End 1.5"IN/DIS	112.29
310-7830	2013 Spa Flo II / S/D 1 ½ HP Wet End 1.5"IN/DIS	134.89
310-7840	2013 Spa Flo II / S/D 2 HP Wet End 1.5"IN/DIS	134.89

E-Series Center Discharge Wet Ends

Part No.	Description	List (US \$)
310-8200	½ HP Center Discharge "E" Wet End	134.89
310-8210	¾ HP Center Discharge "E" Wet End	134.89
310-8220	1 HP Center Discharge "E" Wet End	134.89
310-8230	1 ½ HP Center Discharge "E" Wet End	134.89
310-8240	2 HP Center Discharge "E" Wet End	134.89

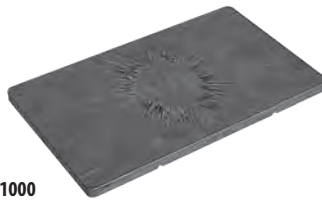
Note: E-Series Center Discharge Wet Ends are the same size as the Standard Series Center Discharge Wet Ends. See Page 302.



Pool Pumps / Equipment Bases



672-1010



672-1000



672-7241



672-7401



672-7201



672-7221



675-1500



672-7211



CABASE-V



675-1380



CABASE

ClearWater Modular Accessory Base

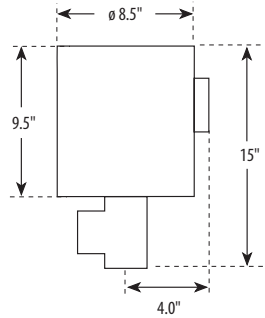
Bases

Part No.	Description	List (US \$)
672-1010	¾" x 14 ½" x 15"	37.00
672-1000	1" x 15 ¼" x 26 ¼"	45.08
672-7241	ClearWater Standard Filter and Pump Base	98.09
672-7401	ClearWater II Filter and Pump Base	186.71
672-7201	ClearWater Modular Pump Base for Supreme/ WorkHorse Pump	41.65
672-7221	ClearWater Modular Pump Base for Hi-Flo Pump	41.65
675-1500	CSA Pump Base, Supreme and Hi Flo Pump	37.17
672-7211	ClearWater/Carefree Modular Filter Base	83.23
675-1380	Champion/SMF Pumps Adjustable Base	42.62
CABASE	ClearWater Modular Accessory Base (for use with Modular Base Systems)	41.65
CABASE-V	Modular Feeder Base (for use with Frog Mineral Pack Systems®)	61.48
CABASE-VF	Feeder Base with Fittings	76.83



FEATURES:

- Side or bottom mount
- Heat-free due to an open air system that eliminates back pressure build-up
- Internal check valve resists water damage
- Thermally protected for locked motor condition
- Mounting body is Hi-Temp material, eliminating the need for wall mounting
- Side/Bottom outlet is perfect for any outdoor installation and a slip plug is included for the outlet not in use
- Has been tested, certified and listed by UL to requirements of both UL and CSA standards
- Santanna II Air Blowers for residential use are backed by a full one-year, no water damage, warranty
- Bracket on case for easy mounting
- High impact strength construction
- Indoor/outdoor use



Waterway's Santanna II Residential Air Blower is one of the best quiet running outdoor spa air blowers on the market today.

Santanna II Air Blowers							
Part No.	HP	Volts	Amps	Orifice Dia.	Air Flow (CFM)	PSI	List (US \$)
750-3101-280	1.0	110	7.0	2"	115	2.1	366.75
750-3102-280	1.0	220	3.5	2"	113	3.8	390.28
750-3151-280	1.5	110	8.0	2"	120	4.2	412.84
750-3152-280	1.5	220	4.0	2"	108	2.1	428.44
750-3201-280	2.0	110	9.0	2"	128	3.8	464.87
750-3202-280	2.0	220	6.0	2"	119	4.2	483.98

An external UL Listed check valve (sold separately) is available and can be plumbed into the air line.

Air Check Valves

600-8140 (included) & 600-8160
(U.L. Listed SA8537)

1½" Slip, 2" Spigot x 1½" S -
2" Spigot, ¼ lb. Spring

Number of Jets	Blower Size
4 - 7	1 HP
8 - 13	1½ HP
14 +	2 HP



When using a blower to turbo charge jets, care must be taken in sizing and installation. It is important not to oversize the blower.

FEATURES:

- High performance motor runs cooler and quieter
- High impact resistant construction
- Has been tested, certified and listed by UL to requirements of both UL and CSA standards



Stealth II Blower Assemblies					
Part No.	Description	Amps	Case Qty	List (US \$)	
700-3011-000	1.0 HP - 110V - 1 ½" S / 2" Spigot	6.7	6	236.63	
700-3151-000	1.5 HP - 110V - 1 ½" S / 2" Spigot	7.6	6	269.05	
700-3102-000	1.0 HP - 220V - 1 ½" S / 2" Spigot	4.0	6	254.00	
700-3152-000	1.5 HP - 220V - 1 ½" S / 2" Spigot	4.2	6	276.65	
700-3201-000	2.0 HP - 110V - 1 ½" S / 2" Spigot	8.8	6	340.34	
700-3202-000	2.0 HP - 230V - 1 ½" S / 2" Spigot	5.8	6	312.75	

Stealth II

See Blower Sizing on page 260 to calculate your required blower size.

Listed price is without cord. Please call Waterway for part number and pricing with cord.



Pool Control System / OASIS

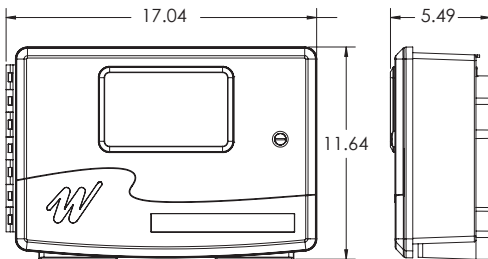
Pool Control



OASIS POOL & SPA CONTROL

FEATURES:

- 3.2" Color Screen
- Wi-Fi Option
- Variable Speed, 1-Speed, or 2-Speed Pump Control
- Controls up to 4 Valve Actuators and 6 Standard Relays
- Rugged construction with UV resistant enclosure
- Freeze protection
- Complies to UL and CE requirements
- Dimensions: 17" W x 11.5" H x 5.25" D



A Better Solution for Common Pool Applications

- The most cost effective control for pool and spa applications.
- Simple to install, program and service
- Works with your existing equipment pad

Free Wi-Fi App

- From any smart phone, tablet or web device
- Free download from Apple® or Google Play™



OASIS can operate onboard as well as relocatable user interfaces.

OASIS Pool & Spa Control System

Part No.	Description	List (US \$)
770-1000-PS	Standard Control	1,261.34
770-1002-PS2	Standard Control + 2 Valve Actuators	1,556.70
770-1004-PSW	Standard Control + Wi-Fi	1,744.32
770-1006-PSW2	Standard Control + 2 Valve Actuators & Wi-Fi	2,227.31
770-0006	OASIS Control Panel	742.87
770-0050	OASIS Control Panel / 50' Lxxx	776.30
770-0100	OASIS Control Panel / 100' Lxxx	809.75
770-0150	OASIS Control Panel / 150' Lxxx	843.18
770-0200	OASIS Control Panel / 200' Lxxx	876.62
773-2400	Valve Actuator	325.09



400-4481-CPVC

FEATURES:

- 100% CPVC
- 18 degree Swivel
- Includes O-Ring (Teflon tape or Teflon paste not needed)
- Can be installed on all 2" suction or discharge sides of pump.
- See page 278 for part breakdown.

Swivel Union Assembly

Part No.	Description	Case Weight	Case Quantity	List (US \$)
400-4481-CPVC	Swivel Union Assembly - 2" S x 2" Spigot	34.56 lbs.	45	29.40



400-5090



400-3090



400-5200

Self-Aligning Union Assemblies

Part No.	Description	Case Weight	Case Quantity	List (US \$)
400-5090	Self-Aligning Union Assembly - 2" S x 2" S	19 lbs.	40	13.70
400-3090	Self-Aligning Union Assembly - 1 1/2" S x 1 1/2" S	21 lbs.	40	11.94
400-5200	Self-Aligning Union Assembly - 1 1/2" S x 2" S	34.8 lbs.	80	12.98



400-3070



400-4160



400-5080

Union Assemblies

Part No.	Description	Case Weight	Case Quantity	List (US \$)
400-3070	Barbed Union Hose Adapter - 1 1/2" NPT x 1 1/2" (includes cap for winterization)	10 lbs.	30	13.83
400-4160	Union Assembly #23 - 1 1/2" FPT x 1 1/2" S	10.47 lbs.	25	13.80
400-5080	Union Assembly - 2" S x 2" MPT	16 lbs.	30	16.26



Unions / Pump Union Assemblies



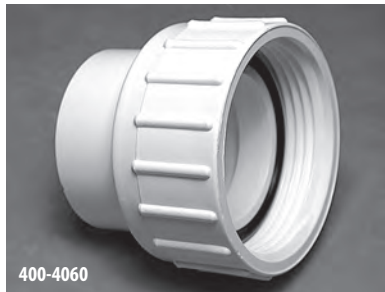
400-1940



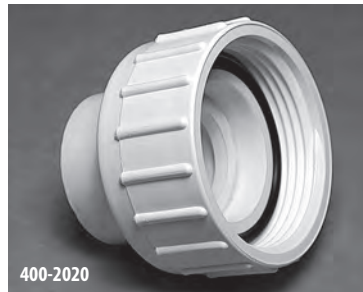
400-1990

1" Pump Union Assemblies

Part No.	Description	Case Quantity	List (US \$)
400-1940	1" Union Nut with 3/4" RB Tailpiece and O-Ring	25	4.46
400-1990	1" S Union Nut with 1" Slip Tailpiece and O-Ring	100	4.46



400-4060



400-2020



400-2010



400-4230



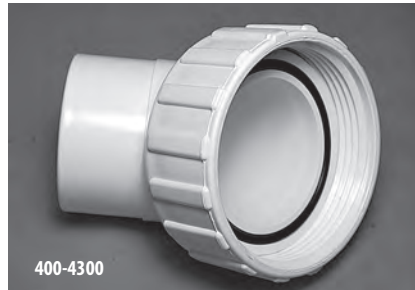
400-4510



400-9280

1 1/2" Pump Union Assemblies

Part No.	Description	Case Quantity	List (US \$)
400-4060	1 1/2" Union Nut with 1 1/2" S Tailpiece and O-Ring	100	5.36
400-5640	1 1/2" Union Nut with 1 1/2" S Tailpiece with Gasket	100	5.69
400-2020	1 1/2" Union Nut with 1 1/2" Spigot / 1" S Tailpiece and O-Ring	200	6.91
400-2017	1 1/2" Union Nut with 50mm S Tailpiece and O-Ring	70	6.69
400-4230	1 1/2" Union Nut with 1 1/2" FPT Tailpiece and O-Ring	100	10.05
400-4510	1 1/2" Union Nut with 1 1/2" FPT Tailpiece and O-Ring with Gasket	200	10.36
400-4240	1 1/2" Union Nut with 1 1/2" Spigot Tailpiece and O-Ring	50	8.37
400-9280	1 1/2" Union Nut with 1 1/2" / 1 1/4" Hose Adapter and O-Ring	25	5.62



Unions

2" Pump Union Assemblies

Part No.	Description	Case Quantity	List (US \$)
400-5570	2" Union Nut with 2" S Tailpiece and O-Ring	70	8.05
400-5670	2" Union Nut with 2" S Tailpiece and O-Ring with Gasket	70	8.37
400-9240	2" Union Nut with 1 1/2" Hose Adapter and O-Ring	30	11.59
400-5800	2" Union Nut with 2" S Sweep Ell - 90° Tailpiece	40	10.43
400-5660	2" Union Nut with 1 1/2" FPT Nut Tailpiece and O-Ring	72	14.48
400-4300	2" Union Nut with 2" Spigot 45° Tailpiece and O-Ring	70	8.91
400-9230	2" Union Nut with 2" Spigot / 1 1/2" S Tailpiece and O-Ring	40	8.05
400-5680	2" Union Nut with 2" Spigot / 1 1/2" S Tailpiece and O-Ring with Gasket	140	8.37

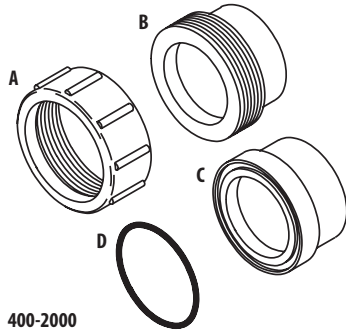


2 1/2" Pump Union Assemblies

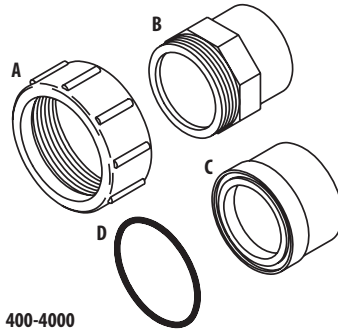
Part No.	Description	Case Quantity	List (US \$)
400-5990	2 1/2" Union Nut with 2" S Tailpiece and O-Ring	50	11.35
400-6010	2 1/2" Union Nut with 2 1/2" S Tailpiece and O-Ring	36	11.35
400-6021B	2 1/2" Union Nut x 2 1/2" S - Black (2 included with SVL56 pump)	72	12.74
400-5971B	2 1/2" Union Nut x 2" S - Black (2 included with SVL56 pump)	72	12.74



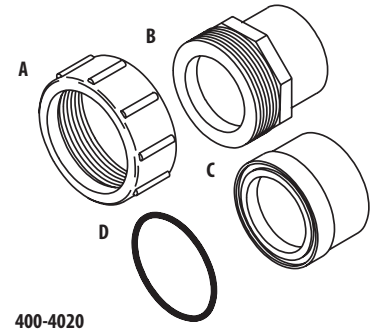
Unions / Union Assemblies



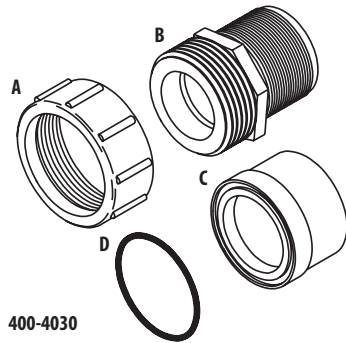
400-2000



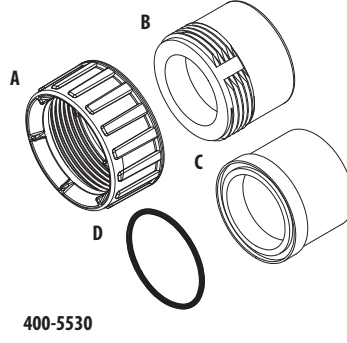
400-4000



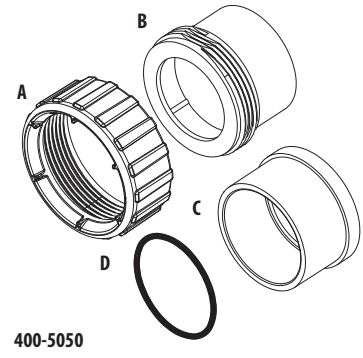
400-4020



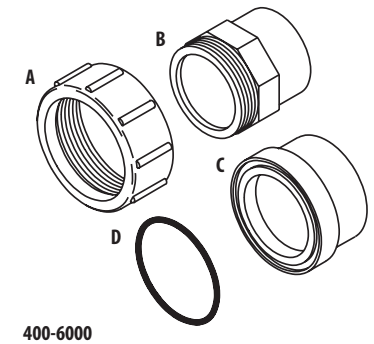
400-4030



400-5530



400-5050



400-6000

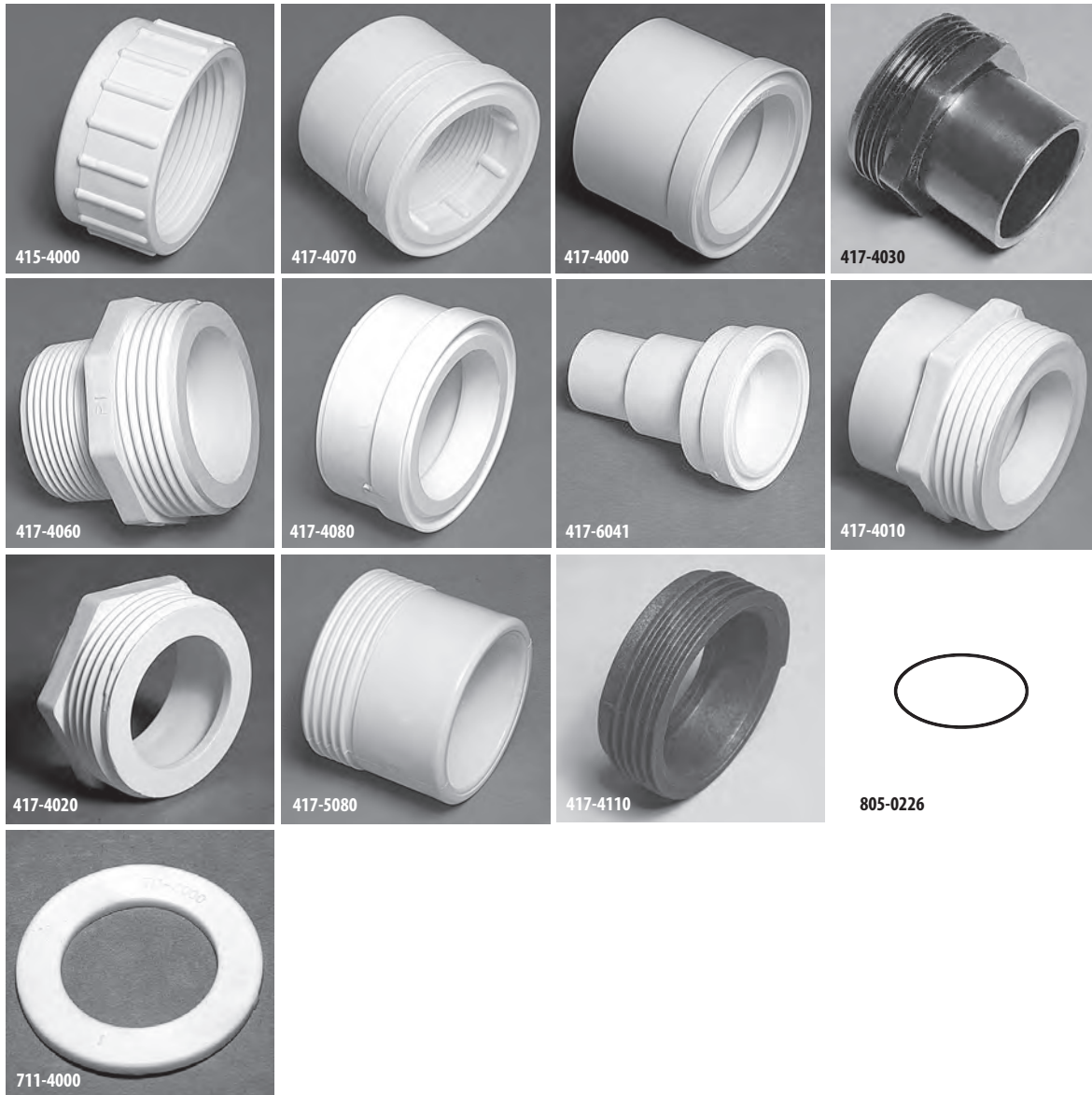
Union Assemblies

Part No.	Description	Part A	Part B	Part C	Part D	Case Quantity	List (US \$)
400-2000	Union Assembly - 1" S x 1" S	415-2000	417-2010	417-2020	805-0123	60	8.61
400-4000	Union Assembly #1 - 1 1/2" S x 1 1/2" S	415-4000	417-4010	417-4000	805-0226	50	8.61
400-4020	Union Assembly #3 - 1 1/2" S x 1 1/2" Spigot	415-4000	417-4030	417-4000	805-0226	25	12.06
400-4030	Union Assembly - 1 1/2" MPT x 1 1/2" S	415-4000	417-4060	417-4000	805-0226	25	12.06
400-5530	Union Assembly - 2" Spigot / 1 1/2" S x 1 1/2" S	415-4000	417-4000	417-5080	805-0226	40	12.06
400-5050	Union Assembly #13 - 2" S x 2" S	415-5000	417-5040	417-5120	805-0229	25	12.10
400-6000	Union Assembly - 2 1/2" S x 2 1/2" S	415-6000	417-6010	417-6000	805-0232	36	13.80

Standard color is white. All fittings meet or exceed A.S.T.M. Schedule 40 standards.



Unions / 1 1/2" Union Components



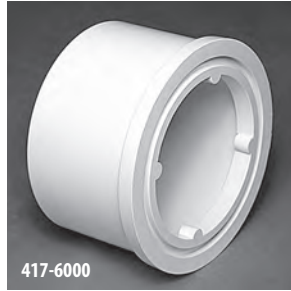
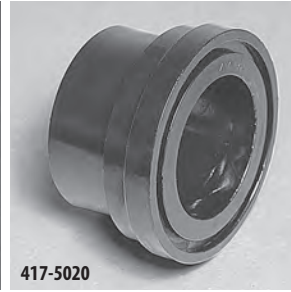
Unions

1 1/2" Union Components

Part No.	Description	Case Quantity	List (US \$)
415-4000	1 1/2" Union Nut	250	2.64
417-4070	1 1/2" Flange x 1 1/2" FPT Tailpiece	100	2.64
417-4000	1 1/2" Flange x 1 1/2" S Tailpiece	300	2.94
417-5500	1 1/2" Flange x 50mm S Tailpiece	100	2.64
417-4100	1 1/2" Flange x 1 1/2" Spigot	75	5.07
417-4030	1 1/2" Buttress Thread x 1 1/2" Spigot Tailpiece	230	2.64
417-4060	1 1/2" Buttress Thread x 1 1/2" MPT Tailpiece	230	2.75
417-4080	1 1/2" Flange x 1 1/2" S Tailpiece - Short	150	2.38
417-6041	1 1/2" Flange x 1 1/2" / 1 1/4" Hose Adapter Fitting	75	2.30
417-4010	1 1/2" Buttress Thread x 1 1/2" S Tailpiece	250	2.95
417-4020	1 1/2" Buttress Thread x 1 1/2" S - Short	50	2.95
417-5080	1 1/2" Buttress Thread x 1 1/2" S x 2" Spigot Tailpiece	75	3.44
417-4110	1 1/2" Buttress x 1 1/2" S - Short	150	4.61
711-4000	1 1/2" Union Gasket	500	0.66
805-0226	O-Ring - 1 1/2" Tailpiece	100	0.64



Unions / 2" & 2 1/2" Union Components



2" and 2 1/2" Union Components

Part No.	Description	Case Quantity	List (US \$)
415-5000	2" Union Nut	180	4.01
417-5120	2" Flange x 2" S Tailpiece	50	4.18
417-5020	2" Flange x 2" Spigot / 1 1/2" S Tailpiece	100	4.66
417-6050	2" Flange x 1 1/2" / 1 1/4" Hose Adapter Fitting	200	3.86
417-6030	2" Flange x 1 1/2" Hose Adapter Fitting	25	3.54
417-5260	2" Buttress Thread x 2" Spigot / 1 1/2" S Tailpiece	160	4.66
417-4220	2" Flange x 2" MPT	50	8.17
417-5090	2" Flange Thread x 1 1/2" MPT Tailpiece	25	4.66
417-5040	2" Buttress Thread x 2" S Tailpiece	150	3.25
805-0145	O-Ring - 2" Heater Tailpiece	100	0.64
805-0229	2" Pump Union (thick) O-Ring	100	0.75
711-4010	2" Flat Union Gasket	500	1.47
711-4020	2" x 1/4" Thick Union Gasket	500	1.39
711-4030	2" Ribbed O-Ring Union Gasket	500	0.84
415-6000	2 1/2" Union Nut	50	7.77
417-6000	2 1/2" Flange x 2 1/2" Socket	50	4.97
417-5970	2 1/2" Flange x 2" Socket	50	4.66
417-6010	2 1/2" Buttress Thread x 2 1/2" Socket	100	5.35
805-0232	O-Ring - 2 1/2" Heater Tailpiece	100	1.38



Pool Chlorinators & Accessories/ Chlorinators

ABOVE GROUND FEATURES:

- 1 ½" x 6" Extension Adapter for easy installation on all Filter choices
- A check valve to prevent backflow of water into chlorinator
- Includes 1 ½" hose adapter
- Internal chamber designed for improved performance
- Holds four (4) - 3" tabs; 4 ½ lbs of ½" tabs



For replacement parts, see page 348.

Above Ground Chlorinators

Part No.	Description	Color	Case Weight	Case Qty.	Weight (lbs.)	List (US \$)
CAG004-W	Above-Ground Chlorinator (fittings to install on Sand Filter Multi-Port Included)	White	24.11 lbs.	20	3	112.77
400-3090	1 ½" S Self-Aligning Union for In-Line	White	40.9 lbs.	40	21	11.94
400-5200	2" S Self-Aligning Union for In-Line	White	38.23 lbs.	40	20	12.97
400-9820	Chlorinator Fitting - 1 ½" MPT x 1 ½" Buttress	--	9.67 lbs.	20	--	20.84

*Clear style chlorinators will lose clarity over time, depending on type of chlorine, weather conditions and usage.

Advanced design ClearWaterVS In-Line Automatic Chlorinator creates tablet saturation when using Variable Speed Pumps at all speeds.

IN-LINE FEATURES:

- Now with 100% Shut-off Valve
- Easy to read accurate control valve
- Large chamber body (White or Clear)
- Check Valve to prevent backflow into chlorinator
- 2" socket x 2.5" spigot (1.5" socket reducers included)
- Enclosed internal saturation tube - provides optimal flow across chlorine tablets
- Twelve (12) tablet capacity
- Available in White or Clear



In-Line Chlorinators

Part No.	Description	Color	Case Weight	Case Qty.	Weight (lbs.)	List (US \$)
CLC012	In-Line - 12 Tablet Feeder - 2" Socket (includes 1 ½" socket reducer)	Clear*	38 lbs.	1	5	159.58
CLC012-W	In-Line - 12 Tablet Feeder - 2" Socket (includes 1 ½" socket reducer)	White	38 lbs.	1	5	159.58
550-6700	In-Line Chlorinator Mounting Bracket (fits Waterway Above Ground Filter Systems)	Black	28.27 lbs.	30	29	27.73



Ells, Tees, & Wyes / Couplers & Accessories



419-4100



419-4120



429-2000



418-6000



418-3000



418-1000

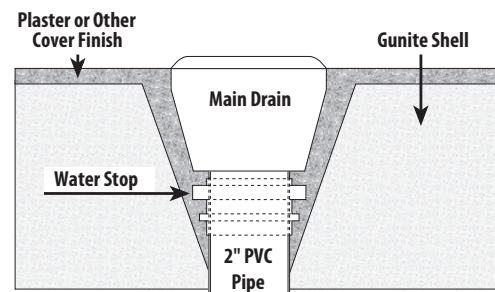
Accessories

Part No.	Description	Case Weight	Case Quantity	List (US \$)
419-4100	1" Inside Coupler	16 lbs.	300	2.96
419-4110	1 1/2" Inside Coupler	12 lbs.	100	3.33
419-4120	2" Inside Coupler	9 lbs.	60 (bulk)	3.87
429-2000	1 1/2" Fitting Extender	8 lbs.	30	6.73
429-2010	2" Fitting Extender	10 lbs.	30 (bulk)	7.07
418-1000	1/2" Pipe Extender	7 lbs.	400 (bulk)	1.64
418-2000	3/4" Pipe Extender	7 lbs.	250 (bulk)	2.67
418-3000	1" Pipe Extender	14 lbs.	280 (bulk)	2.96
418-4000	1 1/4" Pipe Extender	15 lbs.	200 (bulk)	3.15
418-5000	1 1/2" Pipe Extender	6 lbs.	50 (bulk)	3.33
418-6000	2" Pipe Extender	4 lbs.	25 (bulk)	3.72
418-7000	2 1/2" Pipe Extender	13 lbs.	25 (bulk)	4.85



Waterstops - 1", 1 1/2", 2", 2 1/2"

Waterstops eliminate leaks due to expansion and contraction of plaster and/or other finish materials.



Waterstops

Part No.	Description	Case Weight	Case Quantity	List (US \$)
429-3000	1" Waterstop	6 lbs.	100	2.45
429-3010	1 1/2" Waterstop	15 lbs.	200	2.94
429-3020	2" Waterstop	5 lbs.	50	3.60
429-3030	2 1/2" Waterstop	6.98 lbs.	50	5.09



Ells, Tees, & Wyes / Sweep Ells



411-9100

NSF



411-9110

NSF



411-9120

NSF



411-9130

NSF



411-9140

NSF



411-9150

NSF



411-9160

NSF



411-9210

NSF



411-9200

NSF

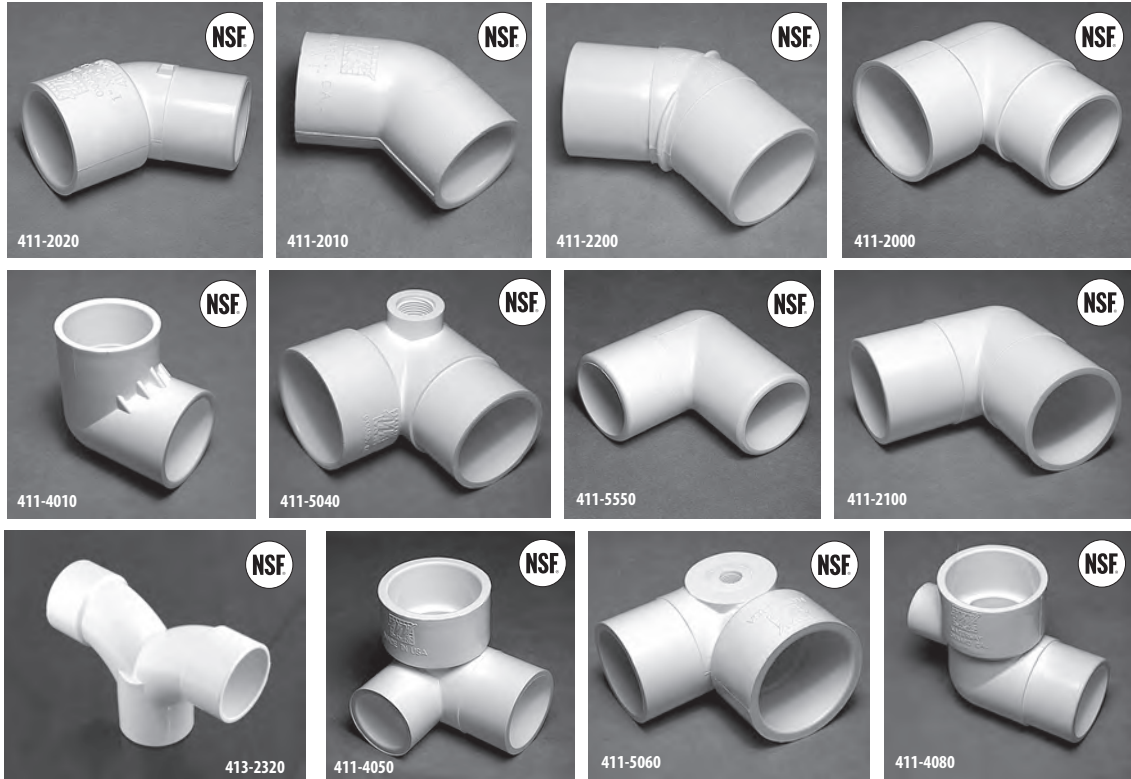
Sweep Ells

Part No.	Description	NSF Approved	Case Weight	Case Quantity	List (US \$)
411-9100	1 1/2" Spigot x 1 1/2" S	x	8 lbs.	25	4.89
411-9110	1 1/2" S x 1 1/2" S	x	8 lbs.	25	4.89
411-9120	2" Spigot x 2" S	x	25 lbs.	60	5.50
411-9130	2" S x 2" S	x	25 lbs.	60	5.50
411-9140	2 1/2" Spigot x 2 1/2" S	x	21 lbs.	30	7.81
411-9150	2 1/2" S x 2 1/2" S	x	22 lbs.	30	7.81
411-9160	2" Spigot 90° x 2 1/2" S	x	22 lbs.	35	7.81
411-9200	3" S x 3" S	x	22 lbs.	17	11.71
411-9210	3" S x 3" Spigot	x	26 lbs.	20	11.48

Ells / Tees / Wyes



Ells, Tees, & Wyes / 45° and 90° Ells



Ells / Tees / Wyes

45° and 90° Ells

Part No.	Description	NSF Approved	Case Quantity	List (US \$)
411-2020	45° Street Ell – 1" S x 1" Spigot	x	50	4.15
411-4040	45° Street Ell – 1 1/2" S x 1 1/2" Spigot		140	5.53
411-5030	45° Street Ell – 2" S x 2" Spigot		90	6.91
411-2010	45° Ell – 1" S x 1" S	x	150	4.06
411-2200	45° Ell – 2" Spigot x 2" Spigot	x	80	7.28
411-2000	90° Street Ell – 1" S x 1" Spigot	x	50	2.84
411-4000	90° Street Ell – 1 1/2" S x 1 1/2" Spigot		130	4.81
411-5080	90° Street Ell – 2" S x 2" Spigot		60	6.17
411-4010	90° Ell – 1 1/2" S x 1 1/2" S	x	50	3.11
411-5040	90° Street Ell – 2" S x 2" Spigot x 1/2" FPT Left Side Outlet	x	60	12.05
411-5050	90° Street Ell – 2" S x 2" Spigot x 3/8" FPT Left Side Outlet		25	12.05
411-5550	90° Ell – 1 1/2" Spigot x 1 1/2" Spigot	x	50	4.81
411-2100	90° Ell – 2" Spigot x 2" Spigot	x	60	6.91
411-4050	90° Ell – 1 1/2" S x 1 1/2" Spigot x 1" S Side Outlet	x	25	6.91
411-5060	90° Street Ell – 1 1/2" S x 1 1/2" Spigot x 1/8" FPT Side Outlet	x	50	8.63
411-4080	90° Street Ell – 1 1/2" S x 1 1/2" Spigot x 1/2" S Outlet	x	50	6.72
411-9170	Ell - 2" S x 2" S x 3/4" SB		50	10.29
411-9180	Ell - 2 1/2" S x 2 1/2" S x 3/4" SB		30	13.18
413-2320	Wye 2 1/2" S x 2 1/2" S x 2 1/2" S @ 22.50 R1 20.06		15	21.22



411-6520



411-6540



417-6060



417-6080



417-6140



417-6150

Ells / Tees / Wyes

Hose Adapters

Part No.	Description	Color	Case Weight	Case Quantity	List (US \$)
411-6520	Barb Ell - 1 1/2" MPT x 1 1/2" Hose	White	28.35 lbs.	140 (bulk)	5.36
411-6540	Smooth Ell - 1 1/2" MPT x 1 1/2" Hose	White	29.35 lbs.	150 (bulk)	5.36
417-6060	Hose Fitting Adapter - 1 1/2" MPT x 1 1/4" Hose	White	7.28 lbs.	70 (bulk)	2.61
417-6061	Hose Fitting Adapter - 1 1/2" MPT x 1 1/4" Hose	Black	7.28 lbs.	70 (bulk)	2.61
417-6080	Hose Fitting Adapter - 1 1/2" Spigot x 1 1/4" Hose	White	25.25 lbs.	230 (bulk)	2.47
417-6081	Hose Fitting Adapter - 1 1/2" Spigot x 1 1/4" Hose	Black	25.25 lbs.	230 (bulk)	2.47
417-6140	Male Smooth Adapter - 1 1/2" MPT x 1 1/2" Hose	White	24.47 lbs.	260 (bulk)	3.23
417-6141	Male Smooth Adapter - 1 1/2" MPT x 1 1/2" Hose	Black	24.47 lbs.	260 (bulk)	3.23
417-6147	Male Smooth Adapter - 1 1/2" MPT x 1 1/2" Hose	Gray	24.47 lbs.	260 (bulk)	3.23
417-6150	Male Barb Adapter - 1 1/2" MPT x 1 1/2" Hose	White	28.85 lbs.	270 (bulk)	3.23
417-6151	Male Barb Adapter - 1 1/2" MPT x 1 1/2" Hose	Black	28.85 lbs.	270 (bulk)	3.23
417-6157	Male Barb Adapter - 1 1/2" MPT x 1 1/2" Hose	Gray	28.85 lbs.	270 (bulk)	3.23
417-6161	Male Barb Adapter - 2" MPT x 1 1/2" Hose	Black	51.15 lbs.	25 (bulk)	10.43



Fittings / Return Wall Fittings



215-9170B



215-9880



215-9150



215-9890



400-9170



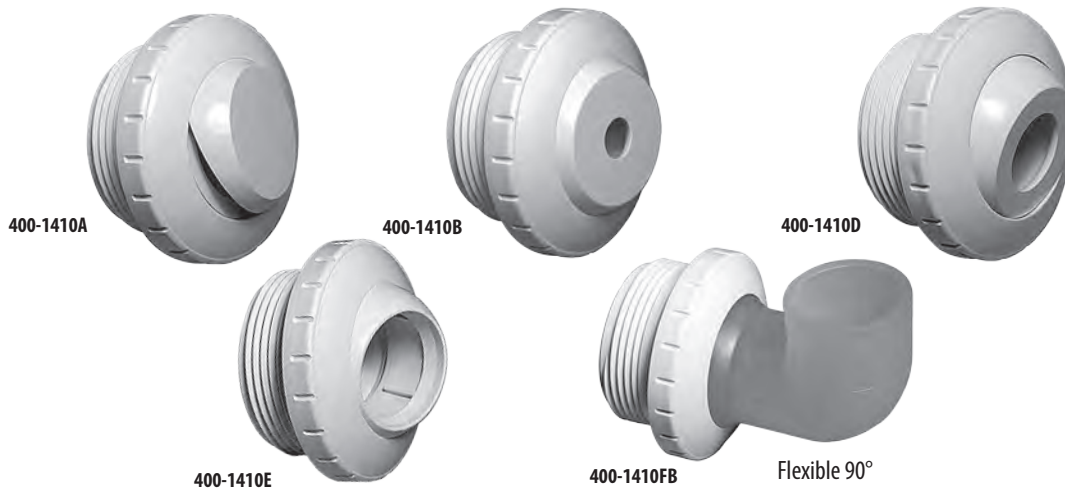
400-9150B

Return Wall Fittings

Part No.	Description	Color	Case Weight	Case Quantity	List (US \$)
215-9170B	Return Wall Fitting 1 1/2" FPT Thru	White	8 lbs.	50 (indiv.)	5.89
215-9170	Return Wall Fitting 1 1/2" FPT Thru	White	26.15 lbs.	200 (bulk)	5.19
215-9171	Return Wall Fitting 1 1/2" FPT Thru	Black	26.15 lbs.	200 (bulk)	5.73
215-9177	Return Wall Fitting 1 1/2" FPT Thru	Gray	26.15 lbs.	200 (bulk)	5.73
215-9179-DKG	Return Wall Fitting 1 1/2" FPT Thru	Dark Gray	26.15 lbs.	200 (bulk)	5.73
215-9179-BEI	Return Wall Fitting 1 1/2" FPT Thru	Beige	26.15 lbs.	200 (bulk)	5.73
215-9880	Return Wall Fitting 1 1/2" FPT x 1" S	White	30.05 lbs.	200 (bulk)	6.08
215-9881	Return Wall Fitting 1 1/2" FPT x 1" S	Black	30.05 lbs.	200 (bulk)	6.60
215-9887	Return Wall Fitting 1 1/2" FPT x 1" S	Gray	30.05 lbs.	200 (bulk)	6.60
215-9889-DKG	Return Wall Fitting 1 1/2" FPT x 1" S	Dark Gray	30.05 lbs.	200 (bulk)	6.60
215-9150B	Return Wall Fitting 1 1/2" FPT x 1 1/2" S	White	8 lbs.	50 (indiv.)	5.73
215-9150	Return Wall Fitting 1 1/2" FPT x 1 1/2" S	White	27.30 lbs.	200 (bulk)	5.19
215-9151	Return Wall Fitting 1 1/2" FPT x 1 1/2" S	Black	27.30 lbs.	200 (bulk)	5.73
215-9157	Return Wall Fitting 1 1/2" FPT x 1 1/2" S	Gray	27.30 lbs.	200 (bulk)	5.73
215-9159-DKG	Return Wall Fitting 1 1/2" FPT x 1 1/2" S	Dark Gray	27.30 lbs.	200 (bulk)	5.73
215-9159-BEI	Return Wall Fitting 1 1/2" FPT x 1 1/2" S	Beige	27.30 lbs.	200 (bulk)	5.73
215-9159-DKB	Return Wall Fitting 1 1/2" FPT x 1 1/2" S	Dark Blue	27.30 lbs.	200 (bulk)	5.73
215-9890	Return Wall Fitting 1 1/2" FPT x 2" Insider (fits inside 2" pipe)	White	5.47 lbs.	60 (bulk)	8.04
215-9891	Return Wall Fitting 1 1/2" FPT x 2" Insider (fits inside 2" pipe)	Black	5.47 lbs.	60 (bulk)	8.78
215-9897	Return Wall Fitting 1 1/2" FPT x 2" Insider (fits inside 2" pipe)	Gray	5.47 lbs.	60 (bulk)	8.78
215-9899-DKG	Return Wall Fitting 1 1/2" FPT x 2" Insider (fits inside 2" pipe)	Dark Gray	5.47 lbs.	60 (bulk)	8.78
400-9170B	Return Wall Fitting Assembly with Nut and Gasket 1 1/2" FPT Thru	White	13 lbs.	50 (indiv.)	11.62
400-9171B	Return Wall Fitting Assembly with Nut and Gasket 1 1/2" FPT Thru	Black	13 lbs.	50 (indiv.)	12.13
400-9177B	Return Wall Fitting Assembly with Nut and Gasket 1 1/2" FPT Thru	Gray	13 lbs.	50 (indiv.)	12.13
400-9170	Return Wall Fitting Assembly with Nut and Gasket 1 1/2" FPT Thru	White	12 lbs.	50 (bulk)	10.73
400-9171	Return Wall Fitting Assembly with Nut and Gasket 1 1/2" FPT Thru	Black	12 lbs.	50 (bulk)	11.25
400-9177	Return Wall Fitting Assembly with Nut and Gasket 1 1/2" FPT Thru	Gray	12 lbs.	50 (bulk)	11.25
400-9150B	Return Wall Fitting Assembly with Nut and Gasket 1 1/2" FPT x 1 1/2" S	White	13 lbs.	50 (indiv.)	11.62
400-9150	Return Wall Fitting Assembly with Nut and Gasket 1 1/2" FPT x 1 1/2" S	White	13 lbs.	50 (bulk)	10.73
400-9151	Return Wall Fitting Assembly with Nut and Gasket 1 1/2" FPT x 1 1/2" S	Black	13 lbs.	50 (bulk)	11.25
400-9157	Return Wall Fitting Assembly with Nut and Gasket 1 1/2" FPT x 1 1/2" S	Gray	13 lbs.	50 (bulk)	11.25



Fittings / Threaded Eyeball Fittings



Threaded Eyeball Fittings - 1 1/2" MPT

Part No.	Description	Color	Case Weight	Case Quantity	List (US \$)
400-1410AB	Slotted Eyeball Opening (<i>bagged</i>)	White	10.50 lbs.	100 (indiv.)	6.45
400-1417AB	Slotted Eyeball Opening (<i>bagged</i>)	Gray	10.50 lbs.	100 (indiv.)	7.67
400-1410A	Slotted Eyeball Opening	White	12.55 lbs.	125 (bulk)	5.73
400-1411A	Slotted Eyeball Opening	Black	12.55 lbs.	125 (bulk)	6.95
400-1417A	Slotted Eyeball Opening	Gray	12.55 lbs.	125 (bulk)	6.95
400-1419A-DK	Slotted Eyeball Opening	Dark Gray	12.55 lbs.	125 (bulk)	6.95
400-1410BB	3/8" Eyeball Opening (<i>bagged</i>)	White	10.75 lbs.	100 (indiv.)	5.73
400-1410B	3/8" Eyeball Opening	White	12.45 lbs.	125 (bulk)	5.00
400-1411B	3/8" Eyeball Opening	Black	12.45 lbs.	125 (bulk)	5.54
400-1417B	3/8" Eyeball Opening	Gray	12.45 lbs.	125 (bulk)	5.54
400-1419B-DK	3/8" Eyeball Opening	Dark Gray	12.45 lbs.	125 (bulk)	5.73
400-1410CB	1/2" Eyeball Opening (<i>bagged</i>)	White	10.70 lbs.	100 (indiv.)	5.00
400-1410C	1/2" Eyeball Opening	White	12.55 lbs.	125 (bulk)	5.54
400-1411C	1/2" Eyeball Opening	Black	12.55 lbs.	125 (bulk)	5.54
400-1417C	1/2" Eyeball Opening	Gray	12.55 lbs.	125 (bulk)	5.54
400-1419C-DK	1/2" Eyeball Opening	Dark Gray	12.55 lbs.	125 (bulk)	5.54
400-1410DB	3/4" Eyeball Opening (<i>bagged</i>)	White	10.35 lbs.	100 (indiv.)	5.73
400-1411DB	3/4" Eyeball Opening (<i>bagged</i>)	Black	10.35 lbs.	100 (indiv.)	6.28
400-1417DB	3/4" Eyeball Opening (<i>bagged</i>)	Gray	10.35 lbs.	100 (indiv.)	6.28
400-1410D	3/4" Eyeball Opening	White	11.65 lbs.	125 (bulk)	5.00
400-1411D	3/4" Eyeball Opening	Black	11.65 lbs.	125 (bulk)	5.54
400-1417D	3/4" Eyeball Opening	Gray	11.65 lbs.	125 (bulk)	5.54
400-1419D-DK	3/4" Eyeball Opening	Dark Gray	11.65 lbs.	125 (bulk)	5.54
400-1419D-BEI	3/4" Eyeball Opening	Beige	11.65 lbs.	125 (bulk)	5.54
400-1410EB	1" Eyeball Opening (<i>bagged</i>)	White	10.55 lbs.	100 (indiv.)	5.73
400-1411EB	1" Eyeball Opening (<i>bagged</i>)	Black	10.55 lbs.	100 (indiv.)	6.28
400-1417EB	1" Eyeball Opening (<i>bagged</i>)	Gray	10.55 lbs.	100 (indiv.)	6.28
400-1410E	1" Eyeball Opening	White	11.77 lbs.	125 (bulk)	5.00
400-1411E	1" Eyeball Opening	Black	11.77 lbs.	125 (bulk)	5.54
400-1417E	1" Eyeball Opening	Gray	11.77 lbs.	125 (bulk)	5.54
400-1419E-DK	1" Eyeball Opening	Dark Gray	11.77 lbs.	125 (bulk)	5.54
400-1419E-BEI	1" Eyeball Opening	Beige	11.77 lbs.	125 (bulk)	5.54
400-1419E-DKB	1" Eyeball Opening	Dark Blue	11.77 lbs.	125 (bulk)	6.51
400-1410FB	1" 90° Return Eye (<i>bagged</i>)	White	12 lbs.	125 (indiv.)	5.73
400-1410F	1" 90° Return Eye	White	9.05 lbs.	70 (bulk)	5.08



Fittings / Insert Inlet Eyeball Fitting & In-Floor Return



400-1420E

Available in:

- White
- Gray
- Dark Gray
- Black

Insert Inlet Eyeball Fittings - 1 1/2"

Part No.	Description	Color	Case Weight	Case Quantity	List (US \$)
400-1420DB	3/4" Eyeball Opening (<i>bagged</i>)	White	8 lbs.	75 (indiv.)	8.91
400-1420EB	1" Eyeball Opening (<i>bagged</i>)	White	7.7 lbs.	75 (indiv.)	8.91
400-1420D	3/4" Eyeball Opening	White	8.29 lbs.	75 (bulk)	8.21
400-1421D	3/4" Eyeball Opening	Black	8.29 lbs.	75 (bulk)	9.09
400-1427D	3/4" Eyeball Opening	Gray	8.29 lbs.	75 (bulk)	9.09
400-1429D-DK	3/4" Eyeball Opening	Dark Gray	8.14 lbs.	75 (bulk)	9.79
400-1420E	1" Eyeball Opening	White	8.36 lbs.	75 (bulk)	8.21
400-1421E	1" Eyeball Opening	Black	8.12 lbs.	75 (bulk)	9.09
400-1427E	1" Eyeball Opening	Gray	7.85 lbs.	75 (bulk)	9.09
400-1429E-DK	1" Eyeball Opening	Dark Gray	8.12 lbs.	75 (bulk)	9.09
400-1420A	Slotted Opening	White	8 lbs.	75 (bulk)	8.91
400-1427A	Slotted Opening	Gray	8 lbs.	75 (bulk)	9.79
400-1429A-DK	Slotted Opening	Dark Gray	8 lbs.	75 (bulk)	9.79



640-9000

FEATURES:

- Comes with 2" Socket and 1 1/2" Reducer Fitting

In-Floor Return

Part No.	Description	Color	List (US \$)
640-9000	Floor Return	White	37.05
640-9007	Floor Return	Gray	37.05



Fittings / Fiberglass Wall Fitting / Aerators / Vac Lock Fitting



400-8300



400-8310



400-8320



400-9470

Fiberglass Wall Fitting - Deep Socket

Part No.	Description	List (US \$)
400-8300	Fiberglass Wall Fitting, Deep Socket Adapter - HWD Version	8.65
400-8310	Fiberglass Wall Fitting with Eyeball, Deep Socket Adapter - HA Version	13.88
400-8320	Gasket Kit (can work with either kit)	3.11
400-9470	1 Pc Fiberglass Wall Fitting LG Third with Eyeball	12.50



217-0060

FRONT



BACK



715-1910

Aerators

Part No.	Color	Dimensions	Case Quantity	List (US \$)
715-1910	White	ø 1.62" W x 1.25" H	120 (bulk)	8.85
715-1911	Black	ø 1.62" W x 1.25" H	120 (bulk)	10.80
715-1917	Gray	ø 1.62" W x 1.25" H	120 (bulk)	10.80
217-0060	White	¾" Aerator Spray Nozzle	200	5.19



600-2201



Vac Lock Fittings

Part No.	Description	Color	Case Weight	Case Quantity	List (US \$)
600-2200	Vac Lock Fitting - 1 ½" MPT	White	9.57 lbs.	70	47.98
600-2201	Vac Lock Fitting - 1 ½" MPT	Black	9.57 lbs.	70	47.98
600-2207	Vac Lock Fitting - 1 ½" MPT	Gray	9.57 lbs.	70	47.98
600-2209-DKG	Vac Lock Fitting - 1 ½" MPT	Dark Gray	9.57 lbs.	70	47.98
600-2209-BEI	Vac Lock Fitting - 1 ½" MPT	Beige	9.57 lbs.	70	47.98

Fittings



Fittings / Vinyl Liner Fittings & Vinyl Wall Fitting



400-9160B



218-1430



218-1440

In-Ground Pool Vinyl Liner Return Fittings

Part No.	Description	Color	Case Weight	Case Quantity	List (US \$)
400-9160B	Steel Wall Fitting Assembly with Combo Spacer/Locknut 1 1/2" FPT x 1 1/2" FPT	White	16 lbs.	25 (indiv.)	18.94
400-9161B	Steel Wall Fitting Assembly with Combo Spacer/Locknut 1 1/2" FPT x 1 1/2" FPT	Black	16 lbs.	25 (indiv.)	18.94
400-9167B	Steel Wall Fitting Assembly with Combo Spacer/Locknut 1 1/2" FPT x 1 1/2" FPT	Gray	16 lbs.	25 (indiv.)	18.94
400-9060B	Steel Wall Fitting Assembly with Combo Spacer/Locknut 1 1/2" FPT x 1 1/2" Socket	White	17.91 lbs.	25 (indiv.)	18.94
400-9061B	Steel Wall Fitting Assembly with Combo Spacer/Locknut 1 1/2" FPT x 1 1/2" Socket	Black	17.91 lbs.	25 (indiv.)	18.94
400-9067B	Steel Wall Fitting Assembly with Combo Spacer/Locknut 1 1/2" FPT x 1 1/2" Socket	Gray	17.91 lbs.	25 (indiv.)	18.94
218-1430	Faceplate For Steel Wall Vinyl Liner Wall Fitting with Fitting Assembly	White	26.75 lbs.	300	8.04
218-1431	Faceplate For Steel Wall Vinyl Liner Wall Fitting with Fitting Assembly	Black	26.75 lbs.	300	8.04
218-1437	Faceplate For Steel Wall Vinyl Liner Wall Fitting with Fitting Assembly	Gray	26.75 lbs.	300	8.04
218-1440	Wall Fitting Escutcheon	White	5.70 lbs.	200 (bulk)	3.23
218-1441	Wall Fitting Escutcheon	Black	5.70 lbs.	200 (bulk)	3.95
218-1447	Wall Fitting Escutcheon	Gray	5.70 lbs.	200 (bulk)	3.95
218-1449-DKG	Wall Fitting Escutcheon	Dark Gray	5.70 lbs.	200 (bulk)	3.95
218-1449-BEI	Wall Fitting Escutcheon	Beige	5.70 lbs.	200 (bulk)	3.95
218-1449-DKB	Wall Fitting Escutcheon	Dark Blue	5.70 lbs.	200 (bulk)	5.12
400-7390	V/L Return W/F 1 1/2" FPT x 2 3/4" Lngt W/F Combo Nut	White	21.40 lbs	25 (indiv.)	22.72



550-9340



550-9330

Above-Ground Pool Vinyl Liner Return Fittings

Part No.	Description	Color	Case Weight	Case Quantity	List (US \$)
550-9340	Deluxe Return Fitting Assembly 1" Eyeball	White	13.55 lbs.	30 (bulk)	20.02
550-9347	Deluxe Return Fitting Assembly 1" Eyeball	Gray	13.55 lbs.	30 (bulk)	20.02
550-9330	Deluxe Return Fitting Assembly 3/4" Eyeball	White	35.15 lbs.	80 (bulk)	20.02
550-9337	Deluxe Return Fitting Assembly 3/4" Eyeball	Gray	35.15 lbs.	80 (bulk)	20.02



400-9010B

In-Ground Pool Vinyl Wall Fitting - Concrete Poured Wall

Part No.	Description	Color	Case Wt.	Case Qty.	List (US \$)
400-9010B	Concrete Poured Wall 1 1/2" FPT x 1 1/4" Socket	White	12.31 lbs.	25	17.25



Fittings / Rotating Eyeball Fittings



400-1360



400-1300

Rotating Eyeball Fittings

Part No.	Description	Color	Case Weight	Case Quantity	List (US \$)
400-1360	Pulsator Eyeball Fitting 1 1/2" Insert Inlet	White	32.91 lbs.	80	31.24
400-1300	Pulsator Eyeball Assembly	White	5.52 lbs.	75 (indiv.)	31.28

FEATURES:

- Replaces directional eyeball fittings in spas
- Great for therapy massage action!
- The Pulsator fits these wall fittings:
215-9150, 215-9170, 400-9190, 400-9160B



212-9170

Spa Rotating Therapy Massage Fittings

Part No.	Description	Color	Case Weight	Case Quantity	List (US \$)
212-9170	Pulsator - 1 1/2" MPT (fits 1 1/2" FPT wall fittings)	White	4.32 lbs.	50	33.05
212-9171	Pulsator - 1 1/2" MPT (fits 1 1/2" FPT wall fittings)	Black	4.32 lbs.	50	33.05
212-9177	Pulsator - 1 1/2" MPT (fits 1 1/2" FPT wall fittings)	Gray	4.32 lbs.	50	33.05
212-9179-BEI	Pulsator - 1 1/2" MPT (fits 1 1/2" FPT wall fittings)	Beige	4.32 lbs.	50	33.05
212-9179-DKG	Pulsator - 1 1/2" MPT (fits 1 1/2" FPT wall fittings)	Dark Gray	4.32 lbs.	50	33.05
210-3247	10 GPM Hand-Held Jet with Stainless Steel Trim - 1 1/2" MPT (fits 1 1/2" FPT)	Gray	11.07 lbs.	5	90.54



Fittings / Return Fittings



400-9180



400-9190



400-9190P

Plaster Plug



400-9390



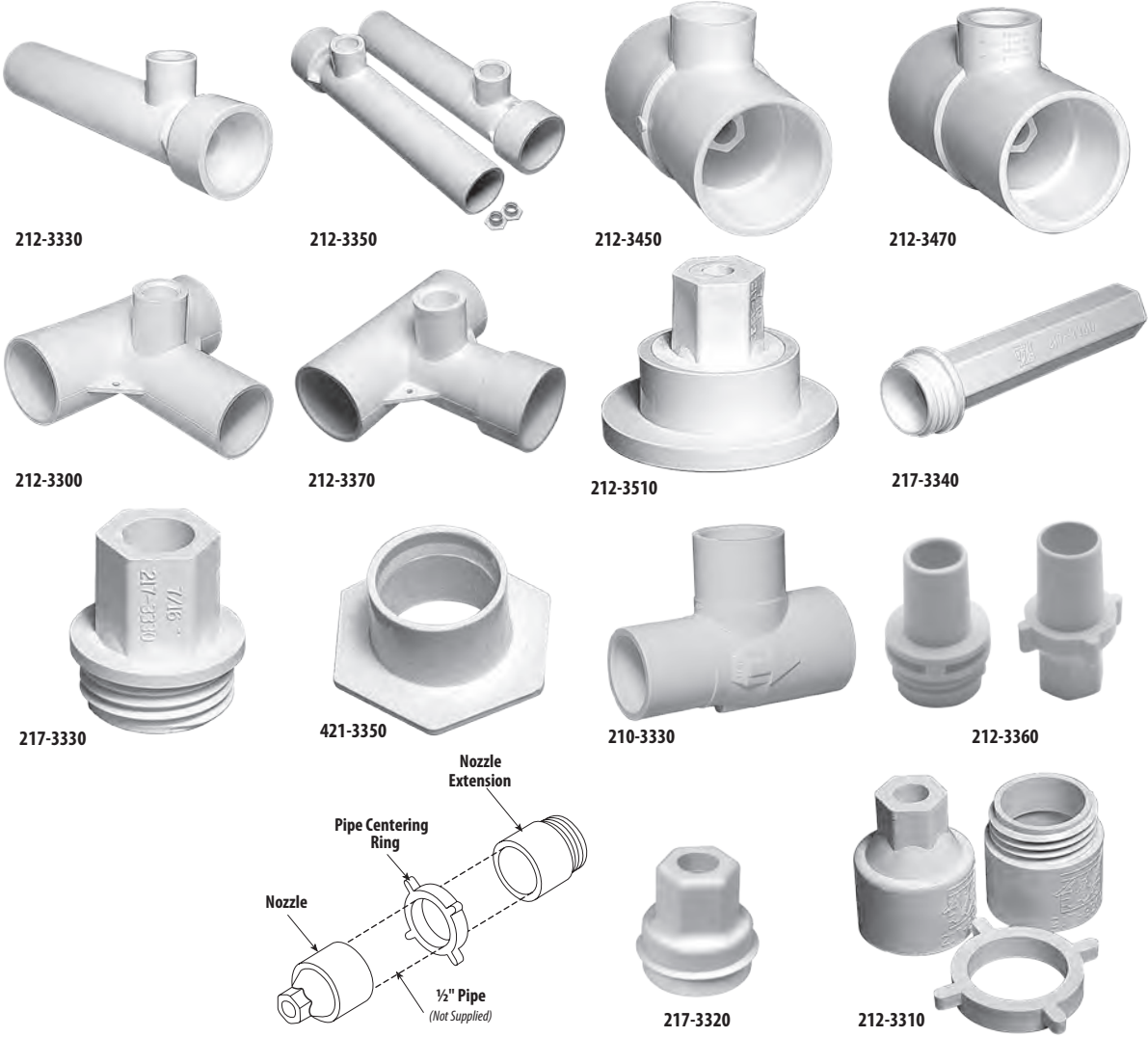
550-9230

Return Fittings

Part No.	Description	Color	Case Weight	Case Quantity	List (US \$)
400-9180	Econ 1" Return Fitting Insider Inlet (<i>fits inside 1" pipe</i>)	White	7.23 lbs.	100	7.32
400-9181	Econ 1" Return Fitting Insider Inlet (<i>fits inside 1" pipe</i>)	Black	7.23 lbs.	100	7.32
400-9187	Econ 1" Return Fitting Insider Inlet (<i>fits inside 1" pipe</i>)	Gray	7.23 lbs.	100	7.32
400-9189-DKG	Econ 1" Return Fitting Insider Inlet (<i>fits inside 1" pipe</i>)	Dark Gray	7.23 lbs.	100	7.32
400-9190	Flush Mount Return Fitting 1" Socket (<i>fits inside 1 1/2" pipe</i>)	White	16.13 lbs.	100 (bulk)	14.43
400-9191	Flush Mount Return Fitting 1" Socket (<i>fits inside 1 1/2" pipe</i>)	Black	16.13 lbs.	100 (bulk)	14.43
400-9197	Flush Mount Return Fitting 1" Socket (<i>fits inside 1 1/2" pipe</i>)	Gray	16.13 lbs.	100 (bulk)	14.43
400-9199-DKG	Flush Mount Return Fitting 1" Socket (<i>fits inside 1 1/2" pipe</i>)	Dark Gray	16.13 lbs.	100 (bulk)	14.43
400-9199-BEI	Flush Mount Return Fitting 1" Socket (<i>fits inside 1 1/2" pipe</i>)	Beige	16.13 lbs.	100 (bulk)	14.43
400-9190P	Flush Mount Return Fitting with Plaster Plug 1" Socket (<i>fits inside 1 1/2" pipe</i>)	White	27 lbs.	220 (bulk)	15.03
400-9191P	Flush Mount Return Fitting with Plaster Plug 1" Socket (<i>fits inside 1 1/2" pipe</i>)	Black	27 lbs.	220 (bulk)	15.03
400-9197P	Flush Mount Return Fitting with Plaster Plug 1" Socket (<i>fits inside 1 1/2" pipe</i>)	Gray	27 lbs.	220 (bulk)	15.03
400-9199P-DK	Flush Mount Return Fitting with Plaster Plug 1" Socket (<i>fits inside 1 1/2" pipe</i>)	Dark Gray	27 lbs.	220 (bulk)	15.03
400-9390	Flush Mount Return Fitting 1 1/2" Socket	White	38.95 lbs.	190	14.43
400-9397	Flush Mount Return Fitting 1 1/2" Socket	Gray	38.95 lbs.	190	14.43
400-9390P	Flush Mount Return Fitting with Plaster Plug 1 1/2" Socket	White	43.68 lbs.	180	14.98
400-9397P	Flush Mount Return Fitting with Plaster Plug 1 1/2" Socket	Gray	43.68 lbs.	180	14.98
550-9230	Self-Aligning Return Fitting 3/4" Eye (<i>fits inside 1 1/2" pipe</i>)	White	6.42 lbs.	100 (indiv.)	9.21
550-9231	Self-Aligning Return Fitting 3/4" Eye (<i>fits inside 1 1/2" pipe</i>)	Black	6.42 lbs.	100 (indiv.)	9.21
550-9237	Self-Aligning Return Fitting 3/4" Eye (<i>fits inside 1 1/2" pipe</i>)	Gray	6.42 lbs.	100 (indiv.)	9.21
550-9239-DKG	Self-Aligning Return Fitting 3/4" Eye (<i>fits inside 1 1/2" pipe</i>)	Dark Gray	6.42 lbs.	100 (indiv.)	9.21
550-9240	Self-Aligning Return Fitting 1" Eye (<i>fits inside 1 1/2" pipe</i>)	White	8 lbs.	100 (bulk)	9.21
550-9247	Self-Aligning Return Fitting 1" Eye (<i>fits inside 1 1/2" pipe</i>)	Gray	8 lbs.	100 (bulk)	9.21
550-9249-DKG	Self-Aligning Return Fitting 1" Eye (<i>fits inside 1 1/2" pipe</i>)	Dark Gray	8 lbs.	100 (bulk)	9.21



Gunite Jets / Gunite Venturi Tees



Gunite Jets

Gunite Venturi Tees

Part No.	Description	Orifice	GPM	Case Weight	Case Quantity	List (US \$)
212-3330*	10" Tee - 1 1/2" S x 1/2" S - 3/4" Spigot x 1 1/2" Spigot	7/16"	17-20	32 lbs.	50 (2/bag)	16.99
212-3340*	10" Tee - 1 1/2" S x 1/2" S - 1" Spigot x 1 1/2" Spigot	7/16"	17-20	32.26 lbs.	50 (2/bag)	16.99
212-3350*	10" Tee - 1 1/2" S x 1/2" S - 1" Spigot x 1 1/2" Spigot	5/16"	10-12	32 lbs.	50 (2/bag)	16.99
212-3440	Tee with Nozzle - 1 1/2" S / 2" Spigot x 3/4" S / 1" Spigot	7/16"	17-20	18.30 lbs.	50	6.58
212-3450	Tee with Nozzle - 1 1/2" S / 2" Spigot x 3/4" S / 1" Spigot	1/4"	7-9	18 lbs.	50	6.58
212-3470	Tee with Nozzle - 1 1/2" S / 2" Spigot x 1/2" S / 1" Spigot	7/16"	17-20	8 lbs.	50	6.58
212-3300	Gunite Double Tee Body Assembly - 1 1/2" Spigot	5/16"	10-12	27.18 lbs.	45	18.50
212-3360	Nozzle Extension Kit for #7 Tee	3/8"	14-16	5.82 lbs.	200	6.49
212-3370	Gunite Double Tee Body Assembly - 1 1/2" S	5/16"	10-12	24.77 lbs.	40	18.50
212-3510	Tee Jet Insert Assembly - 7/16"	7/16"	17-20	17.55 lbs.	50	9.28
217-3340	4" Nozzle (included with 10" Tee)	7/16"	17-20	6.76 lbs.	125	2.68
217-3330	Venturi Tee Nozzle - 7/16"	7/16"	17-20	5.09 lbs.	400	2.17
217-3350	Venturi Tee Nozzle - 1/4"	1/4"	7-9	6.19 lbs.	400	2.17
421-3350	Orifice Reducer (fits inside 7/16" orifice)	3/8"	14-16	1.00 lbs.	300	0.73
210-3330	Venturi Tee #7 - 1" S x 1" Spigot - 3/4" S (#7 nozzle included - not sold separately)	3/8"	14-16	11.70 lbs.	70	4.58
217-3320	Gunite Venturi Tee Standard Nozzle - 5/16"	5/16"	--	16.93 lbs.	1250	2.17
212-3310	Nozzle Extension Kit (fits all Gunite Venturi Tees except #7 Tee)	5/16"	10-12	8.79 lbs.	180	6.49

* 4" nozzle and 3/8" orifice reducer included



Gunite Jets / Hydro Spa Jets



210-4100



210-4120



210-4130

Hydro Gunite Spa Jets

Part No.	Description	Case Weight	Case Quantity	List (US \$)
210-4100	Hydro Gunite Jet Body - 1 1/2" S x 1 1/2" S x 2" FPT	28 lbs.	30	18.23
210-4110	Hydro Gunite Jet Body - 1 1/2" S x 1 1/2" S x 1 1/2" S	28.45 lbs.	30	18.23
210-4120	Directional Eye - 1 1/2" S x 1 1/2" S - White (also for fiberglass)	28 lbs.	50	28.26
210-4130	Roto Eye - 1 1/2" S x 1 1/2" S - White (also for fiberglass)	28 lbs.	24	56.36

For Return Fittings, see page 76.

Complete Tee Body Assembly - 210-3400



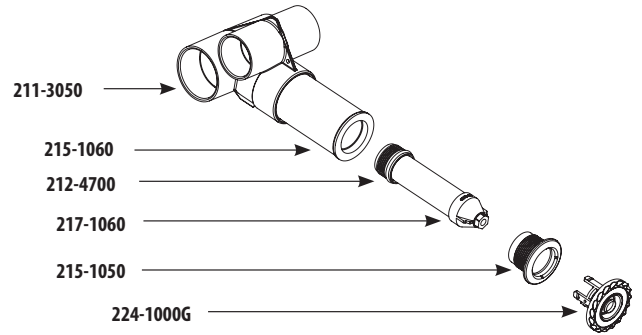
224-1000G



224-1040G



218-1500



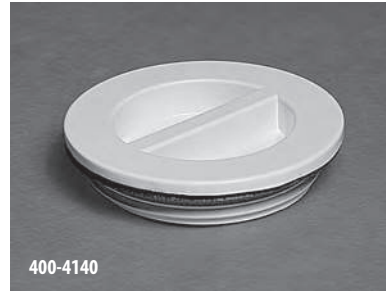
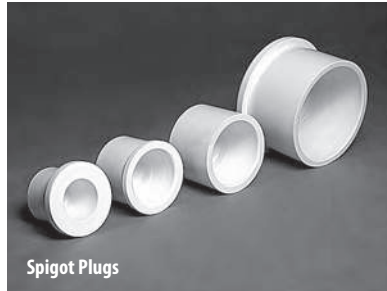
Mini Gunite Body Assembly

Part No.	Description	Color	Case Weight	Case Quantity	List (US \$)
210-3400	Complete Tee Body Assembly	White	22.74 lbs.	20	38.64
218-1500	Wrench - New Style Mini Jet with S.S Pins & Hex	White	21.42 lbs.	65	12.94
224-1040G	Gunite Pulsator M/J Eyeball Assembly	White	6.91 lbs.	100	20.13
211-3050	Tee Body Only - 2" S x 1 1/2" S	White	22.34 lbs.	25	17.69
215-1060	Gunite Wall Fitting	White	8.24 lbs.	150	6.46
212-4700	Gunite Retainer Ring with O-Ring	White	15.2 lbs.	500	4.09
217-1060	Gunite Nozzle	White	10.38 lbs.	500	3.23
215-1050	Eyeball Wall Fitting	White	30.05 lbs.	500	6.46

Mini Gunite Jet Internals

Part No.	Type	Style	Color	Case Quantity	List (US \$)
224-1000G	Directional	Scalloped	White	50	12.08
224-1001G	Directional	Scalloped	Black	50	12.08
224-1007G	Directional	Scalloped	Gray	50	12.08

Gunite Jets / Miscellaneous Plugs and Grate Inserts



Gunite Jets

Plugs, Grate Inserts, and Vac Lock Fittings

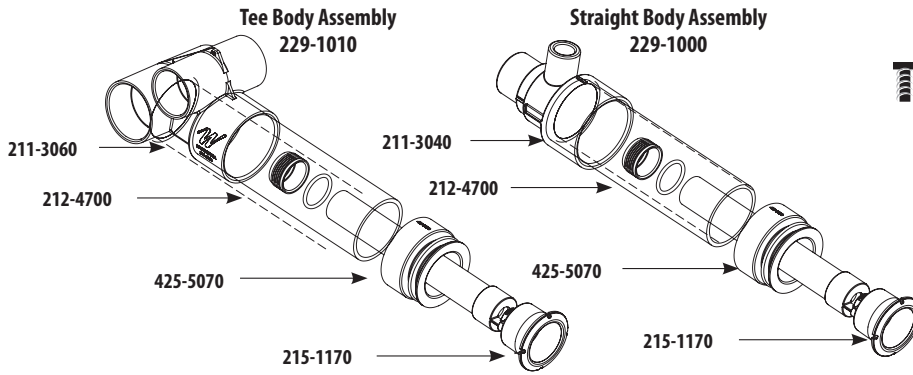
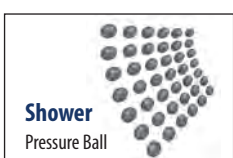
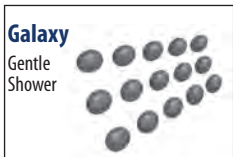
Part No.	Description	Color	Case Weight	Case Quantity	List (US \$)
715-0000	Plug - ½" Spigot	White	16.6 lbs.	800	1.23
715-9890	Plug - ¾" Spigot	White	19.71 lbs.	600	1.26
715-2000	Plug - 1" Spigot	White	7.16 lbs.	200	1.34
715-4000	Plug - 1 ½" Spigot	--	7.67 lbs.	100	2.07
715-9880	Plug - 2" Spigot	White	16.16 lbs.	100	2.72
400-4140	Flush Plug - 1 ½" MPT with Gasket	White	6.16 lbs.	150 (indiv.)	2.96
400-4141	Flush Plug - 1 ½" MPT with Gasket	Black	6.16 lbs.	150 (indiv.)	3.28
400-4147	Flush Plug - 1 ½" MPT with Gasket	Gray	6.16 lbs.	150 (indiv.)	3.28
400-4149-BEI	Flush Plug - 1 ½" MPT with Gasket	Beige	6.16 lbs.	150 (indiv.)	3.28
400-6600	Universal Plug - 1 ½" MPT with O-Ring	White	9.32 lbs.	100 (indiv.)	2.96
400-6601	Universal Plug - 1 ½" MPT with O-Ring	Black	9.32 lbs.	100 (indiv.)	2.96
400-6600-100	Universal Plug - 1 ½" MPT with O-Ring	White	8.91 lbs.	100 (bulk)	2.96
400-6601-100	Universal Plug - 1 ½" MPT with O-Ring	Black	8.91 lbs.	100 (bulk)	2.47
400-662xB	Drain Assy. - Universal Plug 1 ½" MPT with O-Ring - Long Thread (New Style)	--	--	--	3.23
400-6650	Universal Plug - 2" NPT with O-Ring	White	12.44 lbs.	100	3.72
400-6651	Universal Plug - 2" NPT with O-Ring	Black	12.44 lbs.	100	3.72
715-1230	Plug - 1 ½" NPT	White	14.42 lbs.	240 (bulk)	2.25
715-9910	Plug - 2" NPT	White	13.89 lbs.	150	2.83
602-3160*	Grate Insert - 1 ½" MPT	White	3.69 lbs.	140	4.30
602-3161*	Grate Insert - 1 ½" MPT	Black	3.69 lbs.	140	5.00
602-3167*	Grate Insert - 1 ½" MPT	Gray	3.69 lbs.	140	5.00
602-3160B*	Grate Insert - 1 ½" MPT	White	--	--	5.05
602-3161B*	Grate Insert - 1 ½" MPT	Black	--	--	5.73
602-3167B*	Grate Insert - 1 ½" MPT	Gray	--	--	5.85

* Do not use as a suction cover



Gunite Jets / Mini Storm Thread-In Gunite Jets

Gunite Jets



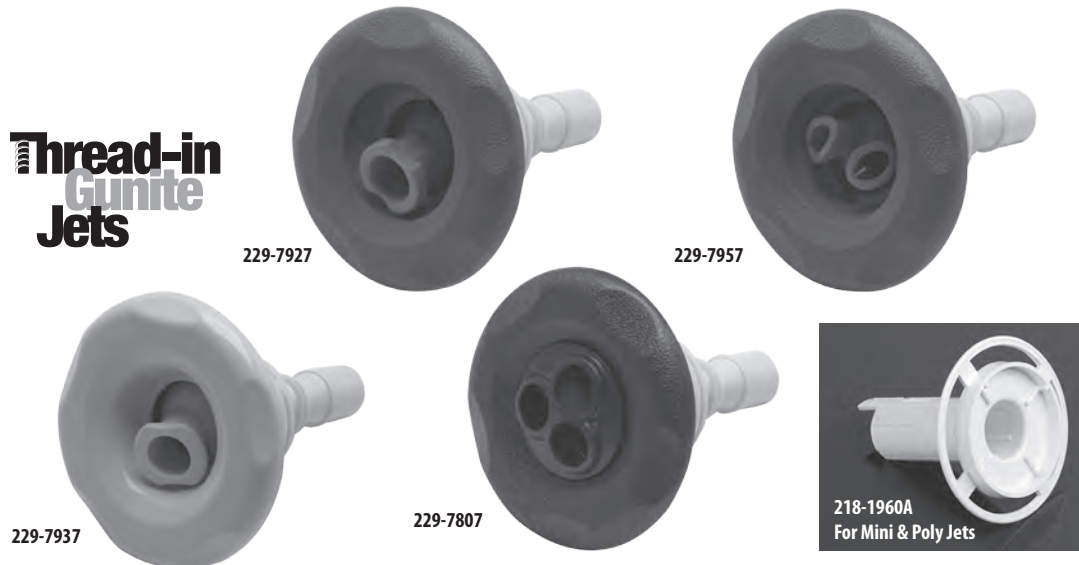
Thread-in Gunite Jets

Mini Storm Thread-In Spa Jets

Part No.	Description	Color	Case Weight	Case Qty	List (US \$)
229-1000	Mini Gunite Straight Body Assy. - 1/2" S, 1" SP x 1" S, 1/2" SP - Threaded Ring & Niche	White	32.08 lbs.	30	21.33
229-1010	Mini Gunite Tee Body Assy. - 1 1/2" S Air x 2" S Water - Threaded Ring & Niche	--	31.50 lbs.	30	21.33
215-1170	Wall Fitting - Mini Storm Gunite Threaded	--	4.04 lbs.	20	5.53
425-5070	Mini Gunite Jet Niche Adapter	White	7.93 lbs.	40	7.16
425-5071	Mini Gunite Jet Niche Adapter	Black	7.93 lbs.	40	7.16
425-5077	Mini Gunite Jet Niche Adapter	Gray	7.93 lbs.	40	7.16
211-3040	Mini Gunite Poly and Power Straight Jet Body - 1" Spigot x 1 1/2" Spigot	--	30.0 lbs.	50	16.88
211-3060	Mini Gunite Poly and Power Tee Jet Body - 1 1/2" Air x 2" Water	--	20.75 lbs.	50	16.88
212-4700	Gunite Retainer Ring Assembly (with O-ring)	--	15.2 lbs.	500	4.08

* 1" and 2 1/2" pipes not included

Thread-in Gunite Jets



Storm Jets - 5-Scallop

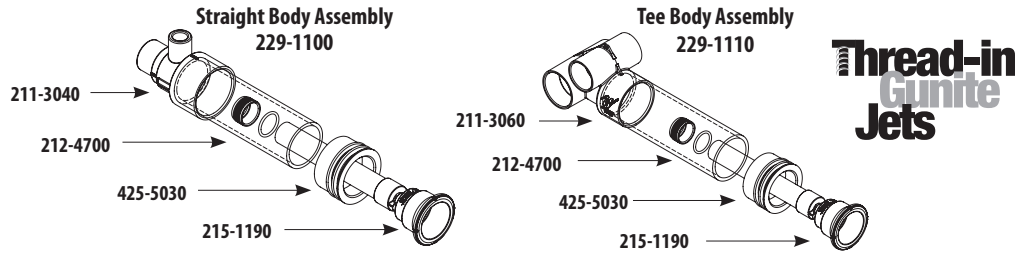
Part No.	Jet Type	Eyeball	Size	Style	Case Qty.	List (US \$)
229-7920	Mini-Storm	Directional	3"	Smooth	250	11.53
229-7930	Mini-Storm	Roto	3"	Smooth	250	14.44
229-7950	Mini-Storm	Twin Roto	3"	Smooth	250	15.48
229-0030	Mini-Storm	Pulse Massage	3"	Smooth	250	17.13
218-1960A	Air Pipe Measuring Tool	--	--	--	60	8.33

See our wide variety of Thread-in Spa Jets in the Spa section of our catalog pages 120-147

Products shown may be covered under patents US8458825, CA2644557, 5920925.



Gunite Jets / Poly Storm Thread-In Gunite Jets



Poly Storm Thread-In Gunite Body Assemblies

Part No.	Description	Color	Case Weight	Case Quantity	List (US \$)
229-1100	Straight Body Assembly - 1" Spigot Air x 1 1/2" Spigot Water - Niche	White	32.81 lbs.	30	23.70
229-1101	Straight Body Assembly - 1" Spigot Air x 1 1/2" Spigot Water - Niche	Black	32.81 lbs.	30	23.70
229-1107	Straight Body Assembly - 1" Spigot Air x 1 1/2" Spigot Water - Niche	Gray	32.81 lbs.	30	23.70
229-1110	Tee Body Assembly - 1 1/2" S Air x 2" S Water - Threaded Ring and Niche	White	22.67 lbs.	15	23.70
229-1111	Tee Body Assembly - 1 1/2" S Air x 2" S Water - Threaded Ring and Niche	Black	22.67 lbs.	15	23.70
229-1117	Tee Body Assembly - 1 1/2" S Air x 2" S Water - Threaded Ring and Niche	Gray	22.67 lbs.	15	23.70
211-3040	Straight Body Only	White	30.8 lbs.	50	16.88
211-3060	Tee Body Only	White	20.75 lbs.	20	16.88
212-4700	Threaded Retainer Ring with O-Ring	White	15.2 lbs.	500	4.08
425-5030	Poly Gunite Jet Niche Adapter	White	6.17 lbs.	30	7.16
215-1190	Wall Fitting	White	21.84 lbs.	100	5.53
215-1191	Wall Fitting	Black	21.84 lbs.	100	5.53
215-1197	Wall Fitting	Gray	21.84 lbs.	100	5.53

* 1" and 2 1/2" pipes not included

5-Scallop



229-8050

6-Spoke



229-8579DSG-1S

5-Scallop



229-8120



218-1960A

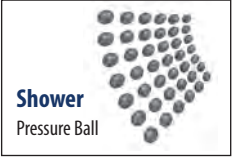
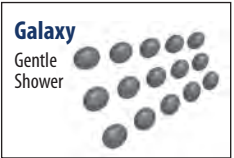


Poly Storm Hand Held Thread-In
229-3350

Poly Storm Gunite Jet Internals

Part No.	Type	Style	Color	Case Quantity	List (US \$)
229-8050	Directional	5-Scallop	White	130	15.18
229-8051	Directional	5-Scallop	Black	130	15.18
229-8057	Directional	5-Scallop	Gray	130	15.18
229-8051-DK	Directional	5-Scallop	Dark Gray	130	15.18
229-8051-BEI	Directional	5-Scallop	Beige	130	15.18
229-8010	Roto	5-Scallop	White	150	19.12
229-8011	Roto	5-Scallop	Black	150	19.12
229-8017	Roto	5-Scallop	Gray	150	19.12
229-8011-DK	Roto	5-Scallop	Dark Gray	150	19.12
229-8011-BEI	Roto	5-Scallop	Beige	150	19.12
229-8120	Twin Roto	5-Scallop	White	130	19.12
229-8121	Twin Roto	5-Scallop	Black	130	19.12
229-8127	Twin Roto	5-Scallop	Gray	130	19.12
229-8121-DK	Twin Roto	5-Scallop	Dark Gray	130	19.12
229-8121-BEI	Twin Roto	5-Scallop	Beige	130	19.12
229-8030	Pulse Massage	5-Scallop	White	130	21.76
229-8031	Pulse Massage	5-Scallop	Black	130	21.76
229-8037	Pulse Massage	5-Scallop	Gray	130	21.76
229-8031-DK	Pulse Massage	5-Scallop	Dark Gray	130	21.76
229-8031-BEI	Pulse Massage	5-Scallop	Beige	130	21.76

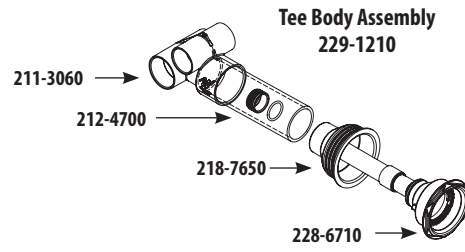
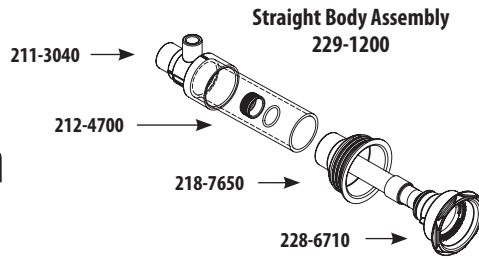
For 6-Spoke & Revo, refer to pages 138 -143. See our wide variety of Thread-In Spa Jets in the Spa section of our catalog on pages 120-147
Products shown may be covered under patents US8458825, CA2644557, 5920925, D574964, D591863.





Gunite Jets / Power Storm Thread-In Gunite Jets

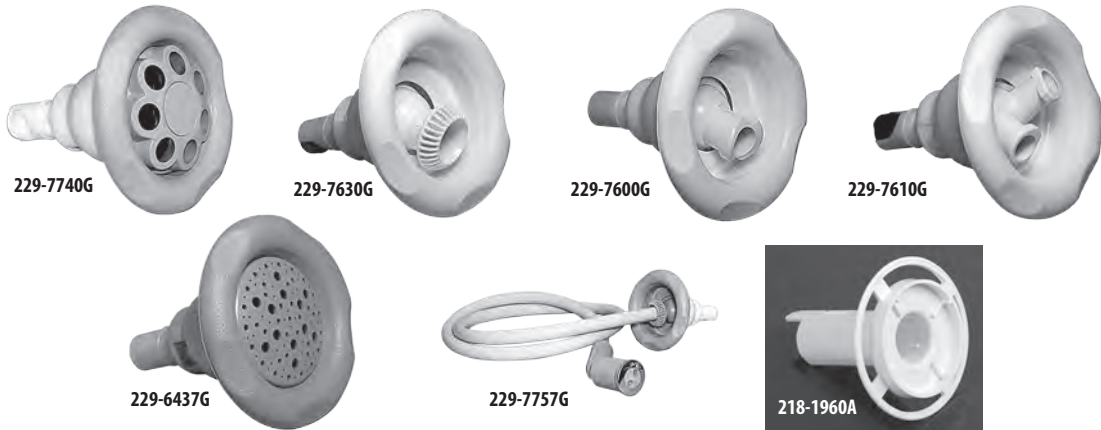
**Thread-in
Gunite
Jets**



Power Storm Thread-In Gunite Body Assemblies

Part No.	Description	Color	Case Weight	Case Quantity	List (US \$)
229-1200	Straight Body Assembly - 1" Spigot Air x 1 1/2" Spigot Water	White	24 lbs.	12	40.76
229-1210	Tee Body Assembly - 1 1/2" S Air x 2" S Water	White	24 lbs.	12	40.76
211-3040	Straight Body Only	White	30.8 lbs.	50	16.88
211-3060	Tee Body Only	White	20.75 lbs.	20	16.88
212-4700	Threaded Retainer Ring with O-Ring	White	15.2 lbs.	500	4.08
218-7650	Plaster Niche	White	17.34 lbs.	50	11.27
218-7657	Plaster Niche	Gray	17.34 lbs.	50	12.47
228-6710	Wall Fitting, Thread-in	White	20.8 lbs.	40	9.55

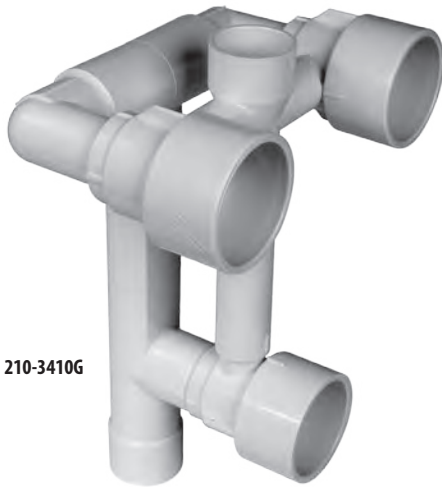
*1" and 2 1/2" pipes not included



Power Storm Thread-In Gunite Internals

Part No.	Type	Style	Color	Case Weight	Case Quantity	List (US \$)
229-6437G	Galaxy	5-Scallop	Gray	15 lbs.	50	36.75
229-7630G	Directional	5-Scallop	White	18 lbs.	50	19.12
229-7631G	Directional	5-Scallop	Black	18 lbs.	50	19.12
229-7637G	Directional	5-Scallop	Gray	18 lbs.	50	19.12
229-7600G	Roto	5-Scallop	White	20 lbs.	50	25.03
229-7601G	Roto	5-Scallop	Black	20 lbs.	50	25.03
229-7607G	Roto	5-Scallop	Gray	20 lbs.	50	25.03
229-7610G	Twin Roto	5-Scallop	White	20 lbs.	50	25.03
229-7611G	Twin Roto	5-Scallop	Black	20 lbs.	50	25.03
229-7617G	Twin Roto	5-Scallop	Gray	20 lbs.	50	25.03
229-7740G	Pulse Massage	5-Scallop	White	20 lbs.	50	36.75
229-7741G	Pulse Massage	5-Scallop	Black	20 lbs.	50	36.75
229-7747G	Pulse Massage	5-Scallop	Gray	20 lbs.	50	36.75
229-7757G	Hand-Held Jet - 10 GPM	5-Scallop	Gray	15.18 lbs.	10	140.37
218-1960A	Air Pipe Measuring Tool			7.03 lbs.	25	8.33

Products shown may be covered under patents US8458825, CA2644557, 5920925.



210-3410G

**9" Deep Seat Gunite
3-Jet Manifold**



210-3420G

**7" Standard Seat Gunite
3-Jet Manifold**

**Thread-in
Gunite
Jets**

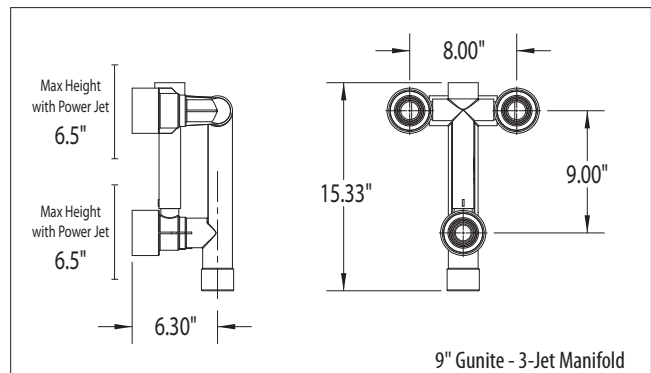
- Pre-Plumbed Air and Water Connections: one connection for water and one for air for all three jets
- All three jet bodies accommodate Waterway's popular Poly Storm Gunite or Power Storm Gunite jets
- 2" Spigot fitting for water
- 1 1/2" S fitting for air
- Saves time and money



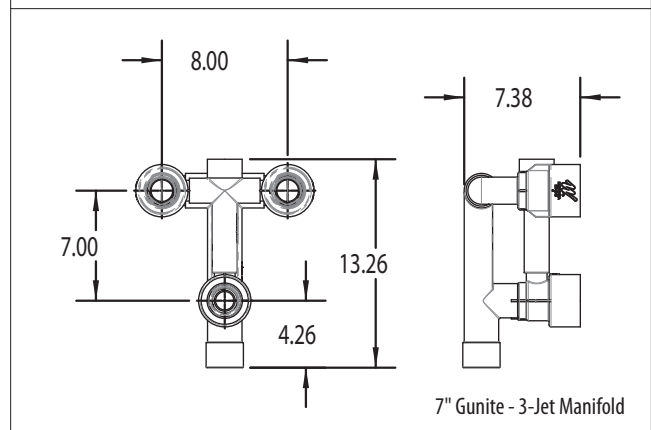
**SUGGESTED 3-JET MANIFOLD
JET PART NUMBERS
(sold separately):**

**2 Poly Storm Jets,
1 Power Storm Jet:**

- 3 Retainer Rings (212-4700), 2 Poly Wall Fittings (215-119x), 2 Poly Niches (425-503x)
 - 1 Power Wall Fitting (228-671x), 1 Power Niche (218-765x)
- Replace "x" with the color of your choice: White (0), Gray (7).



9" Gunite - 3-Jet Manifold



7" Gunite - 3-Jet Manifold

3-Jet Thread-In Manifold - Power Seat

Part No.	Description	Color	Case Weight	Case Quantity	List (US \$)
210-3410G	9" Gunite Power Seat Kit - 3-Jet Manifold for Poly and Power Storm	White	15.22 lbs.	4	350.80
210-3420G	7" Gunite Power Seat Kit - 3-Jet Manifold for Poly and Power Storm	White	--	--	304.06



Gunite Jets / Thread-In Gunite Jets Internals 6 Spoke



Thread-in Gunite Jets



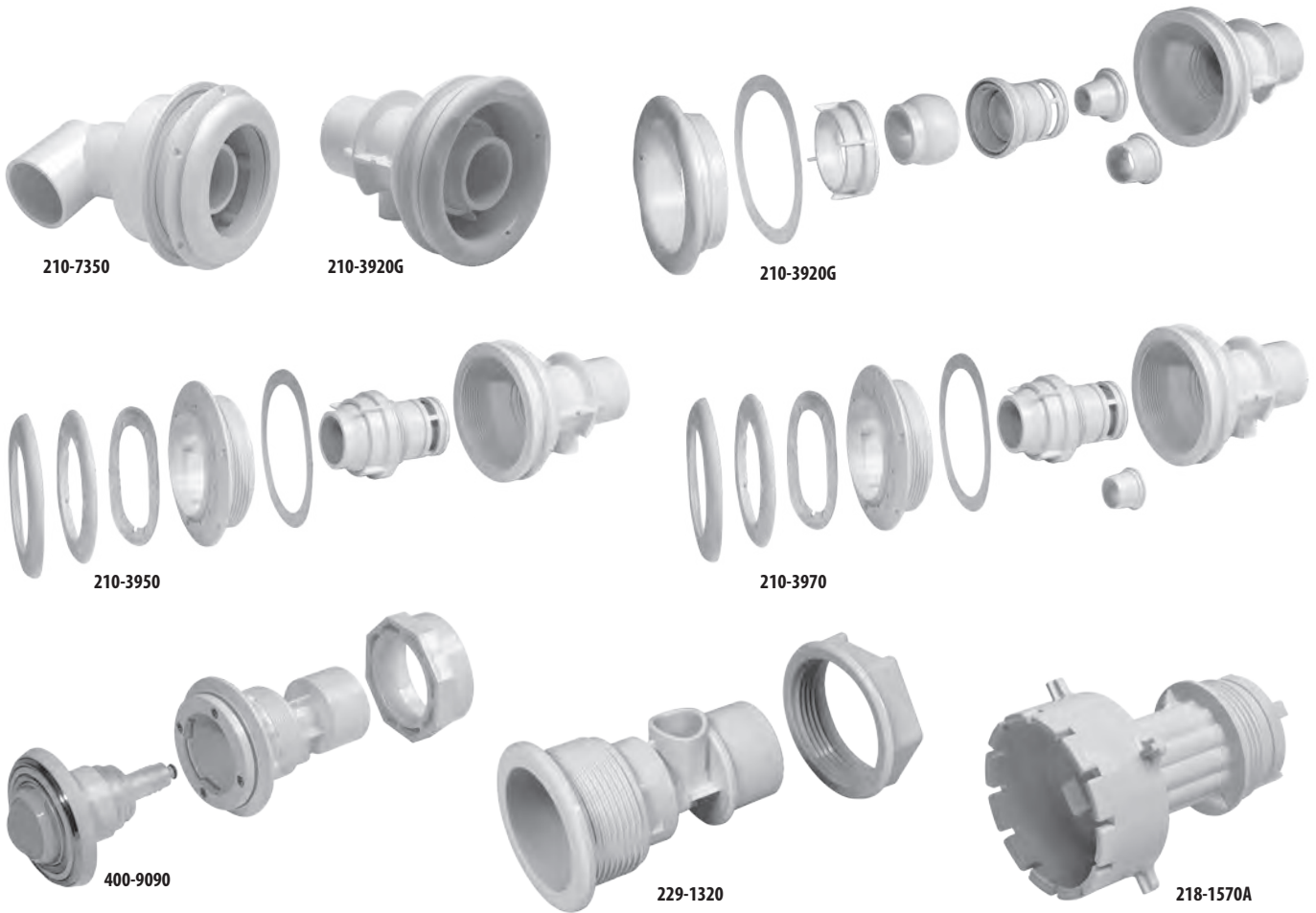
Power Storm Thread-In Gunite Internals

Part No.	Jet Type	Eyeball	Size	Style	Case Qty.	List (US \$)
229-8630S	Mini-Storm	Directional	3 5/16"	Plastic / Stainless Steel	180	21.23
229-8640S	Mini-Storm	Roto	3 5/16"	Plastic / Stainless Steel	200	25.71
229-8650S	Mini-Storm	Twin Roto	3 5/16"	Plastic / Stainless Steel	200	25.71
229-8660S	Mini-Storm	Pulse Massage	3 5/16"	Plastic / Stainless Steel	200	27.35
229-8670S	Mini-Storm	Galaxy	3 5/16"	Plastic / Stainless Steel	200	21.76
229-8700S	Mini-Storm	Multi-Massage	3 5/16"	Plastic / Stainless Steel	200	21.76
229-0180S	Mini-Storm	Rifled	3 5/16"	Plastic / Stainless Steel	180	37.77
229-9520S	Mini-Storm	Twister	3 5/16"	Plastic / Stainless Steel	180	25.71
229-8590S	Poly Storm	Directional	3 5/8"	Plastic / Stainless Steel	100	30.99
229-8570S	Poly Storm	Roto	3 5/8"	Plastic / Stainless Steel	100	34.92
229-8580S	Poly Storm	Twin Roto	3 5/8"	Plastic / Stainless Steel	100	34.92
229-3200S	Poly Storm	Pulse Massage	3 5/8"	Plastic / Stainless Steel	100	37.57
229-3210S	Poly Storm	Galaxy	3 5/8"	Plastic / Stainless Steel	100	30.80
229-3220S	Poly Storm	Galaxy Massage	3 5/8"	Plastic / Stainless Steel	100	37.57
229-3240S	Poly Storm	Multi-Massage	3 5/8"	Plastic / Stainless Steel	100	30.99
224-5710S	Poly Storm	Acupressure	3 5/8"	Plastic / Stainless Steel	65	34.92
229-1930S	Poly Storm	Rifled	3 5/8"	Plastic / Stainless Steel	100	30.99
229-9620S	Poly Storm	Twister	3 5/8"	Plastic / Stainless Steel	100	34.92
229-7570SG	Power Storm	Directional	5 1/4"	Plastic / Stainless Steel	45	36.26
229-7580SG	Power Storm	Twirl	5 1/4"	Plastic / Stainless Steel	45	36.26
229-7550SG	Power Storm	Roto	5 1/4"	Plastic / Stainless Steel	45	42.18
229-7560SG	Power Storm	Twin Roto	5 1/4"	Plastic / Stainless Steel	45	42.17
229-7590SG	Power Storm	Pulse Massage	5 1/4"	Plastic / Stainless Steel	45	47.44
229-7250SG	Power Storm	Multi-Massage	5 1/4"	Plastic / Stainless Steel	45	36.26
224-6700S	Power Storm	Acupressure	5 1/4"	Plastic / Stainless Steel	45	42.17
229-7700SG	Power Storm	Twister	5 1/4"	Plastic / Stainless Steel	45	42.17
229-1980SG	Power Storm	Rifled	5 1/4"	Plastic / Stainless Steel	45	36.26

Note: All part numbers are for the new thread-in style jet internals
 • To order snap-in internals; change the part number prefix to 212-xxxx

All 6-Spoke Storm Jets are available as Plastic / Stainless Steel or Two-Tone Plastic. Please call for Two-Tone Plastic part numbers and colors.

See our wide variety of Thread-in Spa Jets in the Spa section of our catalog pages 120-147



Gunite Old Faithful Jet

Part No.	Description	Color	Case Weight	Case Quantity	List (US \$)
210-3920G	O/F Dir Strt Gunite - 2" S x 1/2" SW - 175 GPM & 90 GPM	White	10.35 lbs.	6	47.33
210-7350	O/F Vinyl Liner - 90° Body - 2" S x 1/2" SW - 175 GPM & 90 GPM	White	10.35 lbs.	6	53.42

**Note: Replace the final x in the part number with the color of your choice, "x" = 0 - white, 1 - black, 7 - gray*

Vinyl Liner Old Faithful Jet

Part No.	Description	Color	Case Weight	Case Quantity	List (US \$)
210-3950	O/F Vinyl Liner - 90° Body - 2" S x 1/2" SW - 175 GPM & 90 GPM	White	30.05 lbs.	500	69.65
210-3970	O/F Vinyl Liner - 2" S x 1/2" SW - 175 GPM & 90 GPM	White	30.05 lbs.	500	79.95

**Note: Replace the final x in the part number with the color of your choice, "x" = 0 - white, 1 - black, 7 - gray*

Vinyl Liner Poly Storm Body

Part No.	Description	Color	Case Weight	Case Quantity	List (US \$)
400-9090	Vinyl Liner Poly Storm Body - Threaded 1/2" S x 1-1/2" S (insert not included)	White	30.51 lbs.	50	30.80

**Note: Replace the final x in the part number with the color of your choice, "x" = 0 - white, 1 - black, 7 - gray*

**Note: Poly Internals available on pgs. 81, 84, 116-143*

Fiberglass Poly Storm Body

Part No.	Description	Color	Case Weight	Case Quantity	List (US \$)
229-1320	Fiberglass Poly Storm Body 1/2" S x 1-1/2" Spg	White	--	--	15.03

**Note: Replace the final x in the part number with the color of your choice, "x" = 0 - white, 1 - black, 7 - gray*

**Note: Poly Internals available on pgs. 81, 84, 127-143*



Pool Valves / TruSeal Diverter Valves / Swing Check Valves / 3" Check Valve

Waterway positive seal diverter valves have been designed for the most demanding applications. The TruSeal Valve is loaded with features and there is not a longer warranty in the industry.

FEATURES:

- Diverter valve seal is Teflon laminated silicone
- Unique manufacturing process called TruSeal results in a seal that never needs lubrication
- TruSeal Valves have deeper sockets than other valves providing better glue joint bonding
- The exclusive Click & Lock handle has 72 locking positions / points for virtually any setting desired
- Exclusive Flow Labels give your plumbing a professional look and more value
- Universal shaft spline pattern adapts to most actuators
- Waterway manufacturers all TruSeal Diverter Valves in the USA
- Valve Seal Lifetime Warranty



600-0401



600-7100-CPVC



TruSeal Diverter Valves

Part No.	Description	List (US \$)
600-0401	3-Way - 2 1/2" Socket x 3" Spigot	131.07
600-7100-CPVC	3-Way - 2" Socket x 2 1/2" Spigot - CPVC	114.50
600-7200-CPVC	3-Way - 1 1/2" Socket x 2" Spigot - CPVC	111.15
600-7060-CPVC	2-Way Straight - 2" Socket x 2 1/2" Spigot - CPVC	102.74
600-7070-CPVC	2-Way Straight - 1 1/2" Socket x 2" Spigot - CPVC	99.35
600-7040-CPVC	2-Way 90° - 2" Socket x 2 1/2" Spigot - CPVC	102.74
600-7050-CPVC	2-Way 90° - 1 1/2" Socket x 2" Spigot - CPVC	99.35
600-0451	2-Way - 2.5" Socket x 3" Spigot - CPVC	116.73



600-0451-CPVC

Waterway Check Valves have a clear lid with union lock ring and a bright seal flapper for easy inspection and quick access. The Waterway Check Valves have the swing design to be used for both return and intake water. CPVC Hi-Temp plastic body which features deeper sockets than others for better glue joints, and is available in a straight body or 90° style.

FEATURES:

- Union Lock Ring allows for easy access - no screw holes to strip out (excludes 600-0111)
- Seal flapper is made of hi-tech thermoplastic polymer
- Corrosion proof pin and stainless steel spring
- Reversible flow
- CPVC body for most demanding applications
- Low Back Pressure and High Flow characteristics make it perfect for hydraulically demanding applications



3" TruSeal Check Valve
600-0111



600-7000



600-7010



Waterway's NEW 3" TruSeal Check Valve has a clear lid with union lock ring and bright blue seal flapper for quick access and easy inspection. The spring/swing design can be used for both return and intake water. CPVC Hi-Temp plastic bodies features deeper sockets for better glue joints.

TruSeal Swing Check Valves & 3" Check Valve

Part No.	Description	Case Weight (lbs.)	Case Quantity	List (US \$)
600-7010	2" Socket x 2 1/2" Spigot - Straight Body - CPVC	33.60	20	81.53
600-7030	1 1/2" Socket x 2" Spigot - Straight Body - CPVC	30.08	20	78.34
600-7000	2" Socket x 2 1/2" Spigot - 90° Body - CPVC	23.09	18	81.53
600-7020	1 1/2" Socket x 2" Spigot - 90° Body - CPVC	23.09	18	78.34
600-0111	2 1/2"S / 3" Spigot x 2 1/2"S / 3 SPG - ASSY	12.82	--	102.51



Pool Valves / Top-Mount Sand Filter Valves

FEATURES:

- Durable ABS body
- 7 functions:
 1. Filter
 2. Waste
 3. Backwash
 4. Recirculate
 5. Winterize
 6. Rinse
 7. Closed
- Collar Style retrofits standard sand filter bodies



Collar Style
(WVS002)



Split-Nut Style
(WVS003)

Easy-glide action and lock-in-place handle simplifies filter maintenance. These valves feature 7 functions with hose fitting for waste water.

Top Mount Sand Filter Valves

Part No.	Description	Weight (lbs.)	List (US \$)
WVS002	1 1/2" Top-Mount 7-Function Sand Filter Valve - Collar Style (Previous to 2002)	6	176.28
WVS003	1 1/2" Top-Mount 7-Function Sand Filter Valve - Split-Nut Style (2002 to Present)	7	176.28



WARNING

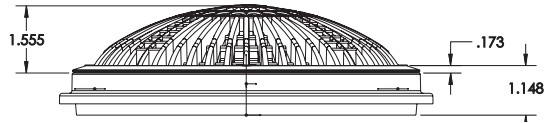
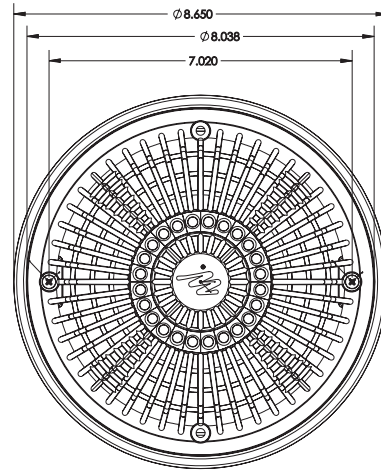
Read and follow all instructions in the Owner's Manual for the equipment.
Failure to follow instructions can cause injury and/or death.



All Waterway Drains, Grates and Suctions are Listed and Certified and Tested in strict accordance to the requirements of ASME A112.19.8-2007 and ASME A112.19.8a-2008 (as defined in CPSC letter dated April 8, 2011). Compliant to the latest Consumer Safety Product Commission Requirements (CPSC).



640-1800 V



SPECIFICATIONS:

- Total Open Area: 14.8 sq. in.
- Frame Size: 8" Round
- Floor Flow Rate: 153 GPM @ 2.72 ft/sec
- Wall Flow Rate: 96 GPM @ 1.73 ft/sec
- Flow Rate @ 1.5 ft/sec: 68 GPM

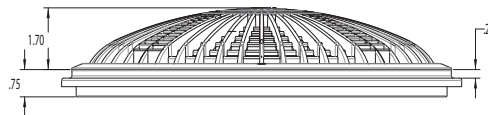
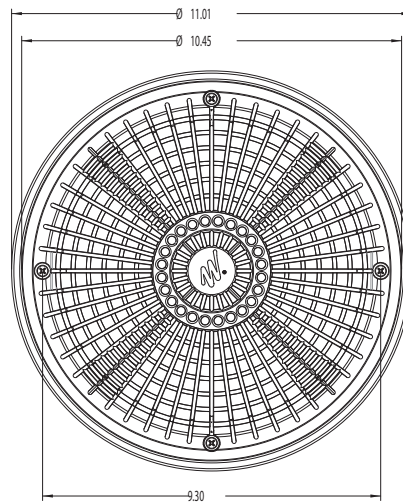
Tru Flo 8" Covers and Frames

Part No.	Description	Case Weight	Case Quantity	List (US \$)
640-180xV	8" Tru Flo Cover & Frame	25.88 lbs.	25	23.76

Replace the final x in the part number with the color of your choice (see page 4 for colors)



640-1900 V



SPECIFICATIONS:

- Total Open Area: 30.9 sq. in.
- Frame Size: 10" Round
- Floor Flow Rate: 200GPM @ 4.04 ft/sec
- Wall Flow Rate: 136 GPM @ 2.24 ft/sec
- Flow Rate @ 1.5 ft/sec: 143 GPM

Tru Flo 10" Covers and Frames

Part No.	Description	Case Weight	Case Quantity	List (US \$)
640-190xV	10" Tru Flo Cover & Frame	22.75 lbs.	15	46.32

Replace the final x in the part number with the color of your choice (see page 4 for colors)



Drains & Suctions / 10" Ultra Retro Drains

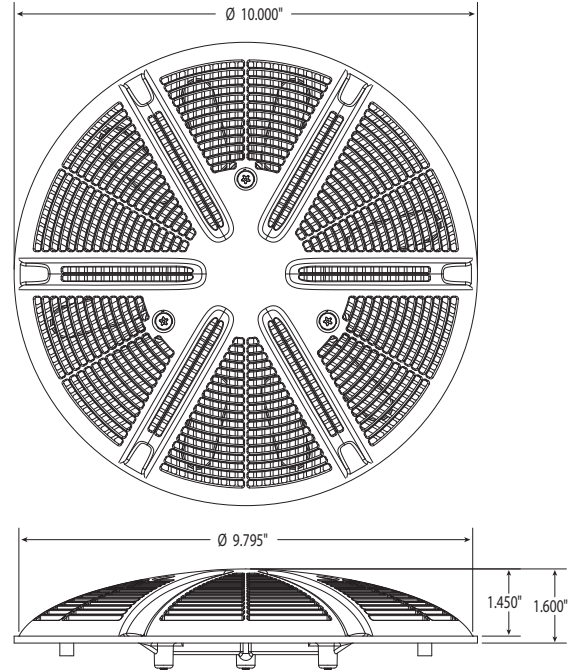
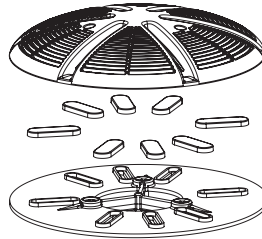


640-2130 V



SPECIFICATIONS:

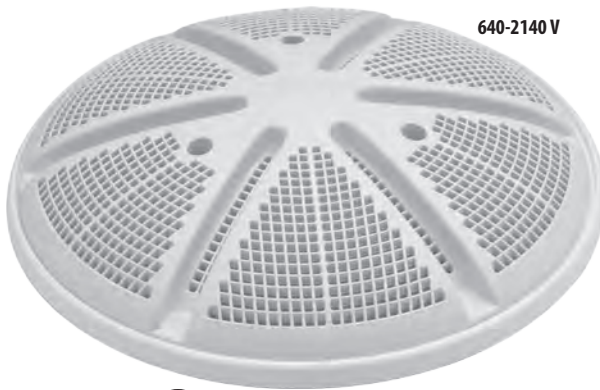
- Total Open Area: 20.4 sq. in.
- Frame Size: 10" Round
- Floor Flow Rate: 224 GPM @ 3.53 ft/sec
- Wall Flow Rate: 192 GPM @ 3.03 ft/sec
- Flow Rate @ 1.5 ft/sec: 95 GPM



10" Ultra-Retro Drains

Part No.	Description	Case Weight	Case Quantity	List (US \$)
640-213xV	10" Ultra-Retro Drain Suction Outlet	1.91 lbs.	1	96.62

Replace the final x in the part number with the color of your choice (see page 4 for colors).

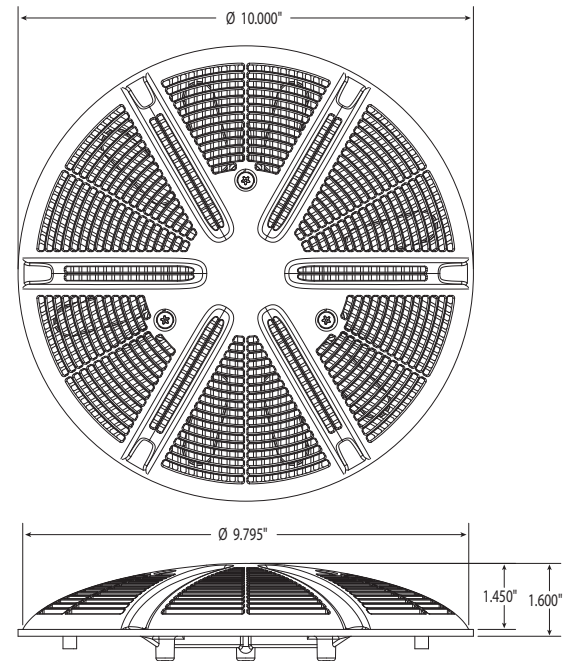
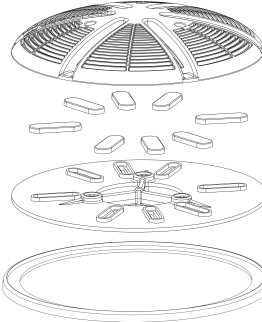


640-2140 V



SPECIFICATIONS:

- Total Open Area: 20.4 sq. in.
- Frame Size: 10" Round
- Floor Flow Rate: 224 GPM @ 3.53 ft/sec
- Wall Flow Rate: 192 GPM @ 3.03 ft/sec
- Flow Rate @ 1.5 ft/sec: 95 GPM



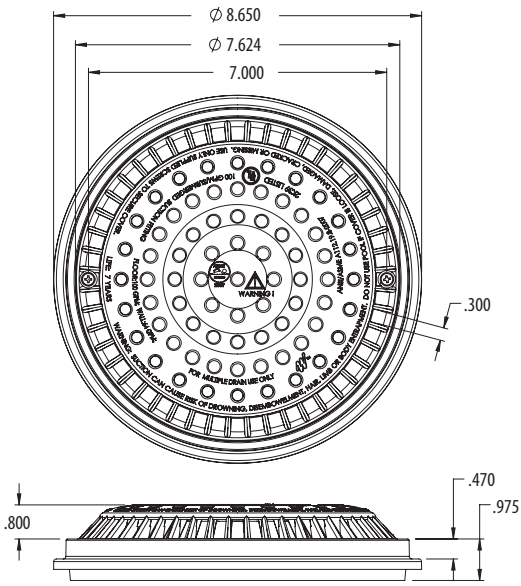
10" Ultra-Retro Drains - Vinyl

Part No.	Description	Case Weight	Case Quantity	List (US \$)
640-214xV	10" Ultra-Retro Drain Suction Outlet - Vinyl	2.08 lbs.	1	96.62

Replace the final x in the part number with the color of your choice (see page 4 for colors)



640-2310 V



SPECIFICATIONS:

- Total Open Area: 11.83 sq. in.
- Frame Size: 9" Round
- Floor Flow Rate: 100 GPM @ 2.72 ft/sec
- Wall Flow Rate: 64 GPM @ 1.73 ft/sec
- Flow Rate @ 1.5 ft/sec: 55 GPM

Drains / Suctions

8" Covers and Frames

Part No.	Description	Case Weight	Case Quantity	List (US \$)
640-231xV	8" Anti-Vortex Cover & Frame	18.82 lbs.	25	24.24

Replace the final x in the part number with the color of your choice (see page 4 for colors).

FEATURES:

- Improves flow
- Less turbulence
- Optimizes performance



Sanitary Tee

Part No.	Description	Case Quantity	List (US \$)
413-2320	2 1/2" x 2 1/2" x 2 1/2"	15	21.22



Drains & Suctions / Concrete Sump Bodies & Assemblies



674-2410



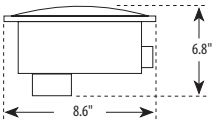
674-2500



640-8500 V



Note: Always use two or more drains per pump.



SIDE x BOTTOM

Concrete Bodies and Assemblies - Side x Bottom w/ Plugs

Part No.	Description	Case Quantity	List (US \$)
674-2410	8" Sump Body - Concrete - 1 1/2" S	3	43.80
674-2510	8" Sump Body - Concrete - 2" S	7	43.80
640-8300 V	8" Sump Assembly - Concrete - 1 1/2" S - with 8" Tru Flo Drain Cover	1	46.99
640-8500 V	8" Sump Assembly - Concrete - 2" S - with 8" Tru Flo Drain Cover	1	46.99

Replace the final x in the part number with the color of your choice (see page 4 for colors).

FEATURES:

- Meets Florida Building Code
- 8" diameter x 7" deep (8") (plus sockets)



674-2600



640-2400 V



674-2900



Note: Always use two or more drains per pump.

Deep Sump Bodies and Assemblies - Side x Bottom w/ Plugs

Part No.	Description	Case Quantity	List (US \$)
674-2610	8" Deep Sump Body - Concrete - 2 1/2" S	1	61.32
640-2410 V	8" Deep Sump - 2 1/2" S - Grated A/V	1	85.56
640-7410 V	8" Deep Sump Assembly - Concrete - 2 1/2" S - with 8" Tru Flo Drain Cover	1	85.56
674-2710	10" Deep Sump Body - Concrete - 2 1/2" S	1	116.49
674-2910	10" Deep Sump Body - Concrete - 3" S	1	128.14
640-7510 V	10" Deep Sump Assembly - Concrete - 2 1/2" S - with 10" Tru Flo Drain Cover	1	176.26
640-7500 V	10" Deep Sump Assembly - Concrete - 2 1/2" FPT - with 10" Tru Flo Drain Cover	1	176.58
640-7610 V	10" Deep Sump Assembly - Concrete - 3" S - with 10" Tru Flo Drain Cover	1	186.45
640-7600 V	10" Deep Sump Assembly - Concrete - 3" FPT - with 10" Tru Flo Drain Cover	1	186.45

Replace the final x in the part number with the color of your choice (see page 4 for colors)



674-2430



674-2530



640-8400 V

Vinyl Liner Sump Bodies & Assemblies - Side x Bottom w/ plugs

Part No.	Description	Case Quantity	List (US \$)
674-2430	8" Sump Body - Vinyl - 1 1/2" S	1	43.80
674-2420	8" Sump Body - Vinyl - 1 1/2" FPT	1	43.80
674-2520	8" Sump Body - Vinyl - 2" S	1	43.80
674-2530	8" Sump Body - Vinyl - 2" FPT	1	43.80
640-8400 V	8" Sump Assembly - Vinyl - 1 1/2" S - with 8" Tru Flo Drain Cover	1	59.13
640-8600 V	8" Sump Assembly - Vinyl - 1 1/2" FPT - with 8" Tru Flo Drain Cover	1	59.13
640-8800 V	8" Sump Assembly - Vinyl - 2" S - with 8" Tru Flo Drain Cover	1	59.13
640-8900 V	8" Sump Assembly - Vinyl - 2" FPT - with 8" Tru Flo Drain Cover	1	59.13
640-226XV	8" Sump Assembly - Vinyl Liner Tru Flo Cover Kit	1	47.05



Note: Always use two or more drains per pump.

Replace the final x in the part number with the color of your choice (see page 4 for colors)



674-2620

FEATURES:

- Meets Florida Building Code
- 8" diameter x 7" deep (8") (plus sockets)

Vinyl Liner Deep Sump Bodies & Assemblies - Side x Bottom

Part No.	Description	Case Quantity	List (US \$)
674-2620	8" Deep Sump Body - Vinyl - 2 1/2" S	1	77.27



Note: Always use two or more drains per pump.

Replace the final x in the part number with the color of your choice (see page 4 for colors)

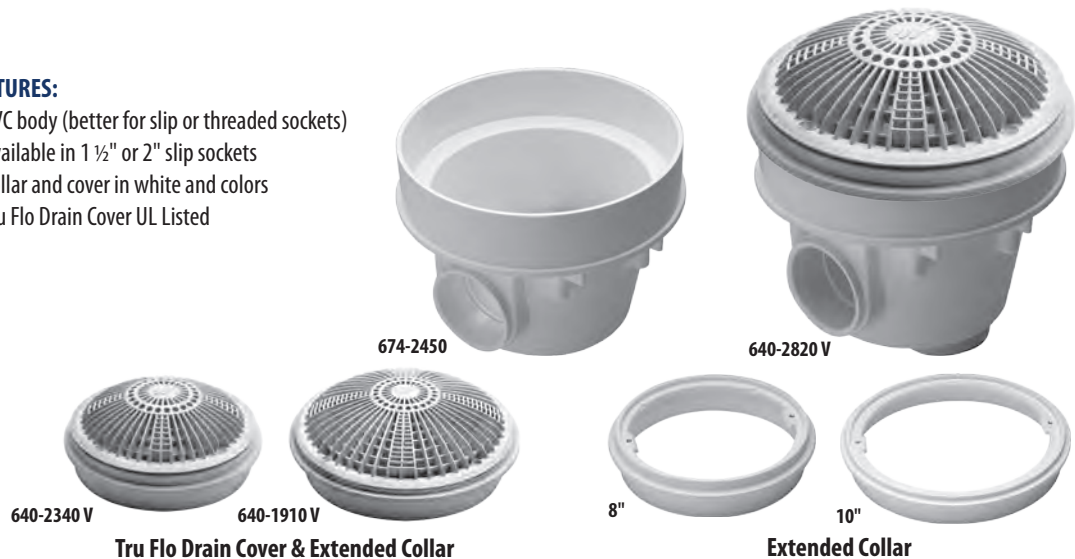


Drains & Suctions / Adjustable Collar Sump Bodies & Assemblies

Waterway's wide selection of pool drains and drain covers simplifies installation for new or existing pools and spas. We manufacture our drain bodies in PVC for better glue joints or threaded connections. Always use two or more drains per pump.

FEATURES:

- PVC body (better for slip or threaded sockets)
- Available in 1 1/2" or 2" slip sockets
- Collar and cover in white and colors
- Tru Flo Drain Cover UL Listed



Tru Flo Drain Cover & Extended Collar

Extended Collar



Note: Always use two or more drains per pump.

Adjustable Collar Sump Bodies & Assemblies

Part No.	Description	Case Qty	List (US \$)
674-2450	8" Sump Body - Adjustable Collar - 1 1/2" S (Side x Bottom) (For color order w/640-234xV)	1	30.62
674-2550	8" Sump Body - Adjustable Collar - 2" S (Side x Bottom) (For color order w/640-234xV)	1	30.62
674-2560	8" Sump Body - Adjustable Collar - 2" S (Side Only) (For color order w/640-234xV)	1	30.62
640-292xV	8" Sump Assembly - Adjustable Collar - 2" S (Side x Bottom) - w/8" Anti-Vortex Drain Cover/White only	1	55.39
640-234xV	8" Anti-Vortex Drain Cover and Extended Collar Assembly	1	24.80
640-191xV	10" Tru Flo Drain Cover and Extended Collar Assembly	1	47.24

Replace the final x in the part number with the color of your choice (see page 4 for colors)

FEATURES:

- Meets Florida Building Code
- 8" diameter x 7" deep (8") (plus sockets)



640-7420 V

674-2720

674-2930

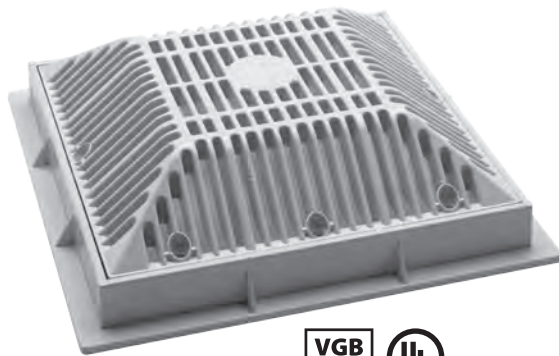


Note: Always use two or more drains per pump.

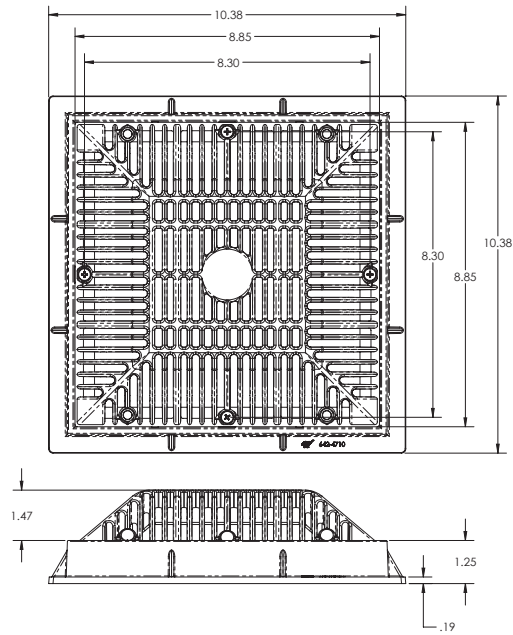
Adjustable Collar Deep Sump Bodies & Assemblies - Side x Bottom

Part No.	Description	Case Qty	List (US \$)
674-2640	8" Deep Sump Body - Adjustable Collar - 2 1/2" S (For color order w/640-234xV)	1	42.87
640-7420 V	8" Deep Sump Assembly - Adjustable Collar - 2 1/2" S - with 8" Tru Flo Drain Cover/White only	1	140.41
674-2720	10" Deep Sump Body - Adjustable Collar - 2 1/2" S (For color order w/640-191xV)	1	121.50
674-2730	10" Deep Sump Body - Adjustable Collar - 2 1/2" FPT (For color order w/640-191xV)	1	121.50
674-2920	10" Deep Sump Body - Adjustable Collar - 3" S (For color order w/640-191xV)	1	133.64
640-722xV	10" Deep Sump Assembly - Adjustable Collar - 2 1/2" S - with 10" Tru Flo Drain Cover/White only	1	167.58
640-723xV	10" Deep Sump Assembly - Adjustable Collar - 2 1/2" FPT - with 10" Tru Flo Drain Cover/White only	1	167.58
640-732xV	10" Deep Sump Assembly - Adjustable Collar - 3" S - with 10" Tru Flo Drain Cover/White only	1	179.72
640-733xV	10" Deep Sump Assembly - Adjustable Collar - 3" FPT - with 10" Tru Flo Drain Cover/White only	1	179.72

Replace the final x in the part number with the color of your choice (see page 4 for colors)



VGB 2008 UL 640-4790 V



SPECIFICATIONS:

- Total Open Area: 43.6 sq. in.
- Frame Size: 10.375" x 10.375"
- Floor Flow Rate: 289 GPM @ 2.33 ft/sec
- Wall Flow Rate: 208 GPM @ 1.59 ft/sec
- Flow Rate @ 1.5 ft/sec: 203 GPM

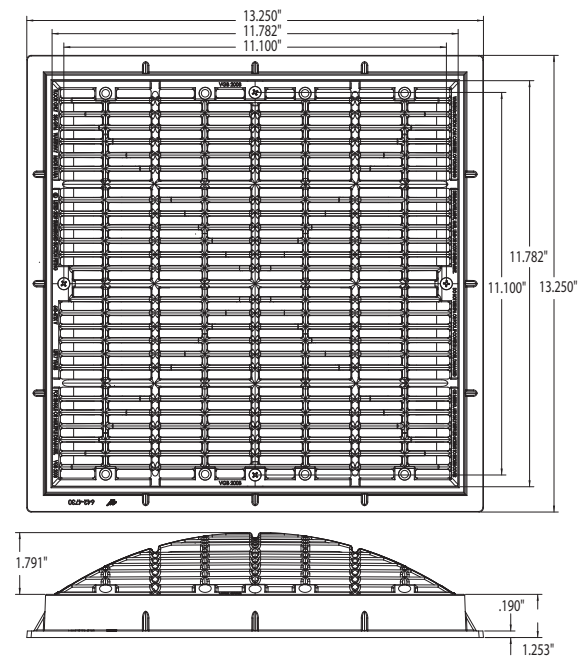
9" x 9" Grate and Frame

Part No.	Description	Case Quantity	List (US \$)
640-479xV	9" x 9" Grate & Frame	13	96.47

Replace the final x in the part number with the color of your choice (see page 4 for colors)



VGB 2008 UL 640-4720 V



SPECIFICATIONS:

- Total Open Area: 62.4 sq. in.
- Frame Size: 13.250" x 13.250"
- Floor Flow Rate: 356 GPM @ 1.83 ft/sec
- Wall Flow Rate: 280 GPM @ 1.44 ft/sec
- Flow Rate @ 1.5 ft/sec: 292 GPM

12" x 12" Grate and Frame

Part No.	Description	Case Quantity	List (US \$)
640-472xV	12" x 12" Grate & Frame	10	146.32

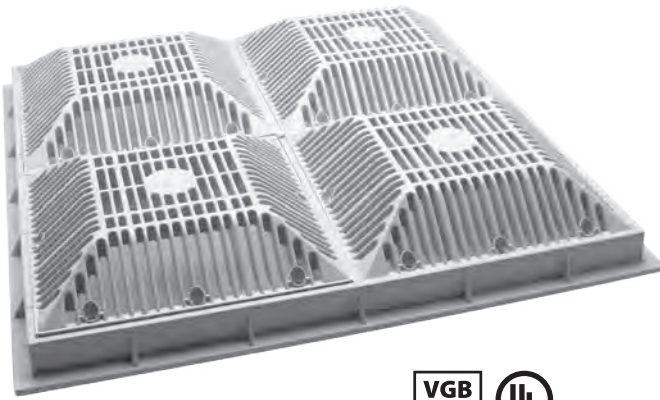
Replace the final x in the part number with the color of your choice (see page 4 for colors)

Drains / Suctions



Drains & Suctions - Ratings You Can Trust / 18" x 18" & 24" x 24" Grate & Frame

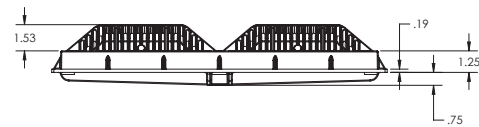
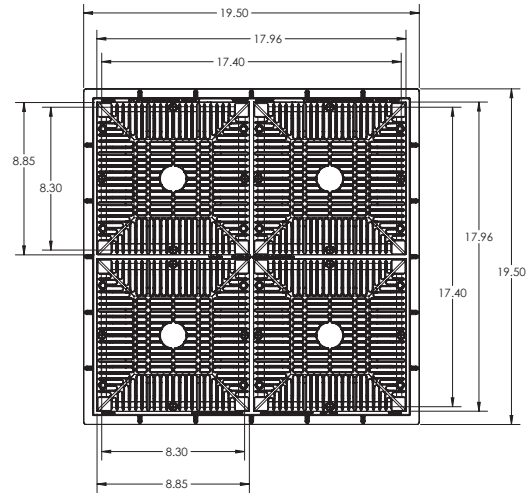
Drains / Suctions



VGB 2008 **UL** 640-4770 V

FEATURES:

- Total Open Area: 174.4 sq. in.
- Frame Size: 19.5" x 19.5"
- Floor Flow Rate: 788 GPM @ 1.09 ft/sec
- Wall Flow Rate: N/A
- Flow Rate @ 1.5 ft/sec: 812 GPM



18" x 18" Grate and Frame

Part No.	Description	Case Quantity	List (US \$)
640-477xV	18" x 18" Grate & Frame	1	533.24

Replace the final x in the part number with the color of your choice (see page 4 for colors)

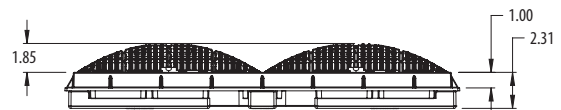
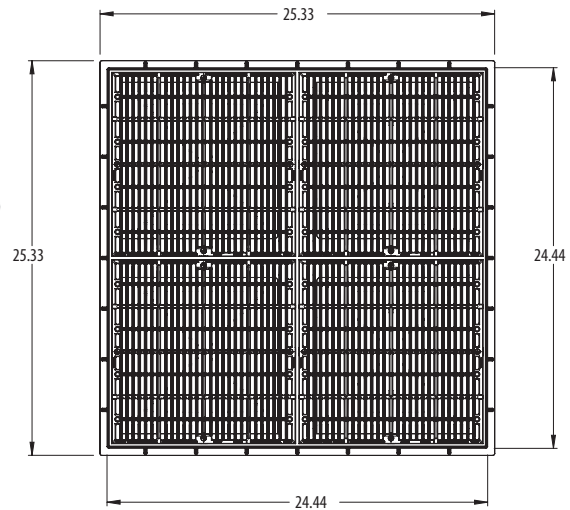


640-4760 V

VGB 2008 **NSF**

FEATURES:

- Total Open Area: 249.6 sq. in.
- Frame Size: 25.33" x 25.33"
- Floor Flow Rate: 2035 GPM @ 2.62 ft/sec
- Wall Flow Rate: N/A
- Flow Rate @ 1.5 ft/sec: 1168 GPM



24" x 24" Grate and Frame

Part No.	Description	Case Quantity	List (US \$)
640-476xV	24" x 24" Grate & Frame	1	686.66

Replace the final x in the part number with the color of your choice (see page 4 for colors)



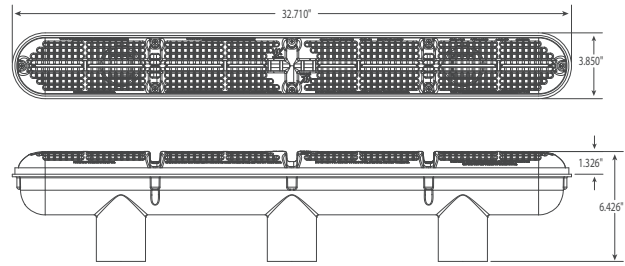
Drains & Suctions - Ratings You Can Trust / 32" Ultra Strip Drains



640-1320 V

SPECIFICATIONS:

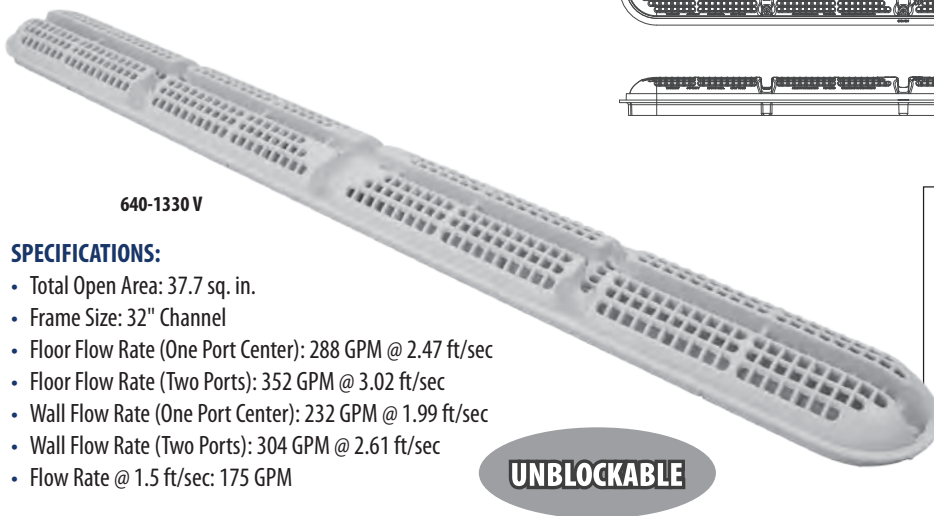
- Total Open Area: 37.7 sq. in.
- Frame Size: 32" Channel
- Floor Flow Rate (One Port Center): 288 GPM @ 2.47 ft/sec
- Floor Flow Rate (Two Ports): 352 GPM @ 3.02 ft/sec
- Wall Flow Rate (One Port Center): 232 GPM @ 1.99 ft/sec
- Wall Flow Rate (Two Ports): 304 GPM @ 2.61 ft/sec
- Flow Rate @ 1.5 ft/sec: 175 GPM
- Ports - 2" S or 2 1/2" SPG
- 2 - 2" MPT Plugs Included



32" Ultra Strip Drains - Concrete

Part No.	Description	Case Quantity	List (US \$)
640-132x V	32" Ultra Strip Drain - Concrete	1	349.26
642-1320	32" Plaster Body Drain	1	220.02

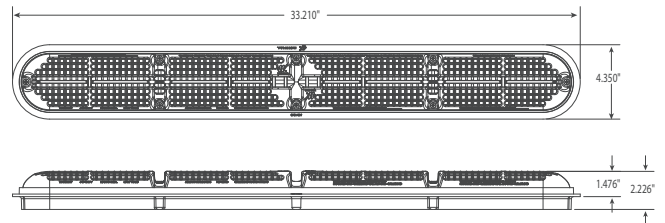
Replace the final x in the part number with the color of your choice (see page 4 for colors)



640-1330 V

SPECIFICATIONS:

- Total Open Area: 37.7 sq. in.
- Frame Size: 32" Channel
- Floor Flow Rate (One Port Center): 288 GPM @ 2.47 ft/sec
- Floor Flow Rate (Two Ports): 352 GPM @ 3.02 ft/sec
- Wall Flow Rate (One Port Center): 232 GPM @ 1.99 ft/sec
- Wall Flow Rate (Two Ports): 304 GPM @ 2.61 ft/sec
- Flow Rate @ 1.5 ft/sec: 175 GPM



32" Ultra Strip Drains - Field Built Sumps

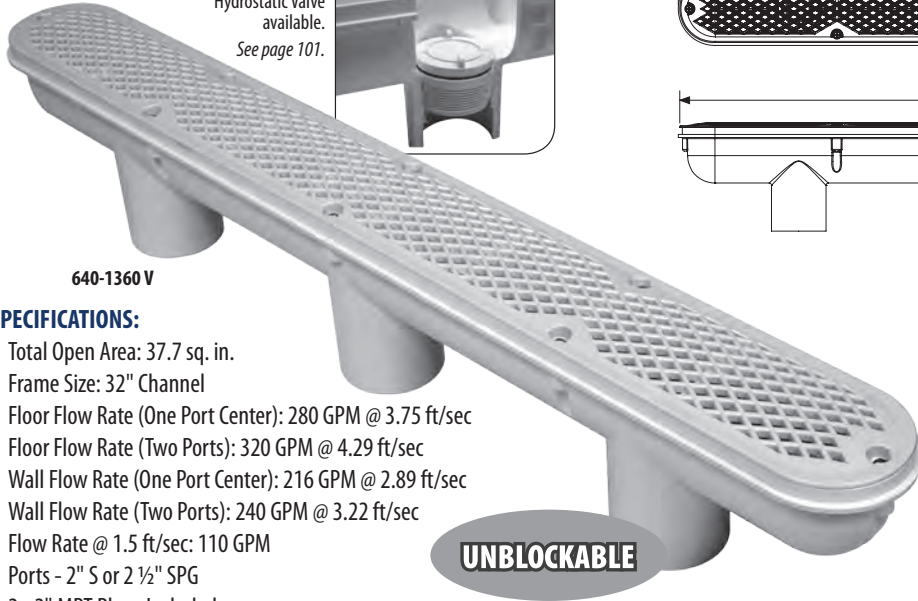
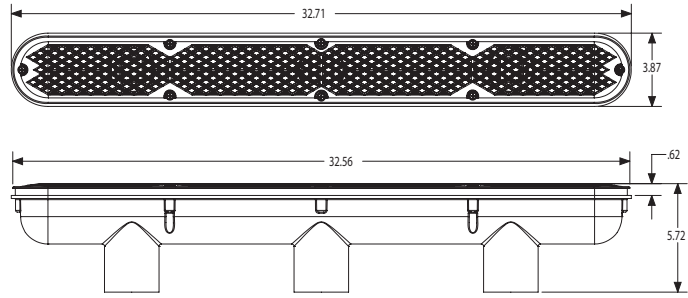
Part No.	Description	Case Quantity	List (US \$)
640-133x V	32" Ultra Strip Drain - Field Built Sumps	1	234.71

Replace the final x in the part number with the color of your choice (see page 4 for colors)



Drains & Suctions / 32" Diamond Strip Drains

Hydrostatic Valve available.
See page 101.



640-1360 V

SPECIFICATIONS:

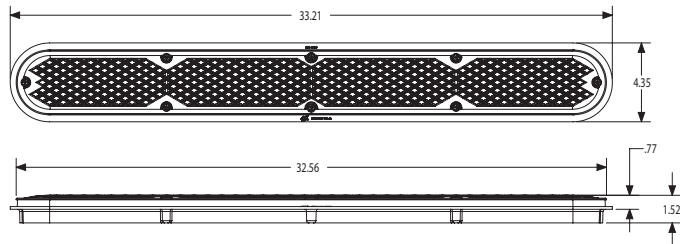
- Total Open Area: 37.7 sq. in.
- Frame Size: 32" Channel
- Floor Flow Rate (One Port Center): 280 GPM @ 3.75 ft/sec
- Floor Flow Rate (Two Ports): 320 GPM @ 4.29 ft/sec
- Wall Flow Rate (One Port Center): 216 GPM @ 2.89 ft/sec
- Wall Flow Rate (Two Ports): 240 GPM @ 3.22 ft/sec
- Flow Rate @ 1.5 ft/sec: 110 GPM
- Ports - 2" S or 2 1/2" SPG
- 2 - 2" MPT Plugs Included



32" Diamond Strip Drains - Concrete

Part No.	Description	Case Quantity	List (US \$)
640-136x V	32" Diamond Strip Drain - Concrete	1	349.26
642-1320	32" Plaster Body Drain	1	220.02

Replace the final x in the part number with the color of your choice (see page 4 for colors)



UNBLOCKABLE



640-1377-DKG V

SPECIFICATIONS:

- Total Open Area: 37.7 sq. in.
- Frame Size: 32" Channel
- Floor Flow Rate (One Port Center): 280 GPM @ 3.75 ft/sec
- Floor Flow Rate (Two Ports): 320 GPM @ 4.29 ft/sec
- Wall Flow Rate (One Port Center): 216 GPM @ 2.89 ft/sec
- Wall Flow Rate (Two Ports): 240 GPM @ 3.22 ft/sec
- Flow Rate @ 1.5 ft/sec: 110 GPM



32" Diamond Strip Drains - Field Built Sumps

Part No.	Description	Case Quantity	List (US \$)
640-137x V	32" Diamond Strip Drain - Field Built Sumps	1	220.76

Replace the final x in the part number with the color of your choice (see page 4 for colors)



Drains & Suctions - Vinyl / 32" Ultra Strip Drains

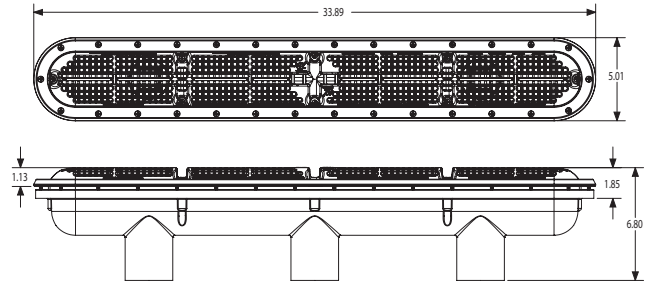


640-1300V

SPECIFICATIONS:

- Total Open Area: 37.7 sq. in.
- Frame Size: 32" Channel
- Floor Flow Rate (One Port Center): 288 GPM @ 2.47 ft/sec
- Floor Flow Rate (Two Ports): 352 GPM @ 3.02 ft/sec
- Wall Flow Rate (One Port Center): 232 GPM @ 1.99 ft/sec
- Wall Flow Rate (Two Ports): 304 GPM @ 2.61 ft/sec
- Flow Rate @ 1.5 ft/sec: 175 GPM
- Ports - 2" S or 2 1/2" SPG
- 2 - 2" MPT Plugs Included

UNBLOCKABLE



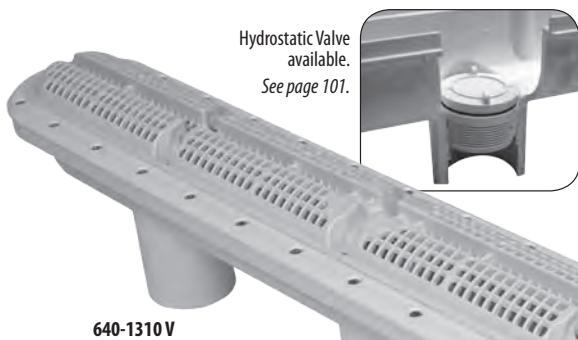
**VGB
2008**

NSF

32" Ultra Strip Drains - Vinyl

Part No.	Description	Case Quantity	List (US \$)
640-130xV	32" Ultra Strip Drain - Vinyl	1	458.21
642-1300	32" Plaster Body Drain	1	220.02

Replace the final x in the part number with the color of your choice (see page 4 for colors)

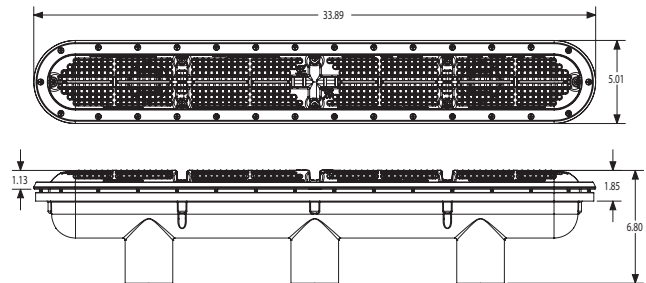


640-1310V

SPECIFICATIONS:

- Total Open Area: 37.7 sq. in.
- Frame Size: 32" Channel
- Floor Flow Rate (One Port Center): 288 GPM @ 2.47 ft/sec
- Floor Flow Rate (Two Ports): 352 GPM @ 3.02 ft/sec
- Wall Flow Rate (One Port Center): 232 GPM @ 1.99 ft/sec
- Wall Flow Rate (Two Ports): 304 GPM @ 2.61 ft/sec
- Flow Rate @ 1.5 ft/sec: 175 GPM
- Ports - 2" S or 2 1/2" SPG
- 2 - 2" MPT Plugs Included

UNBLOCKABLE



**VGB
2008**

NSF

32" Ultra Strip Drains - Fiberglass

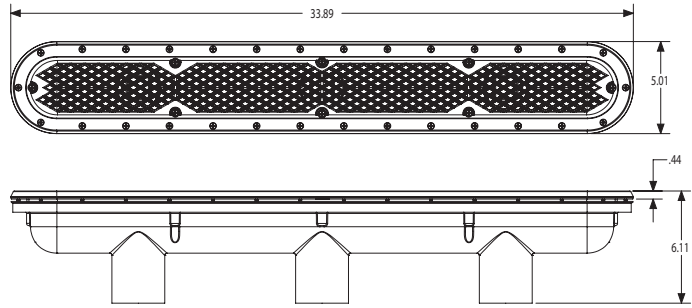
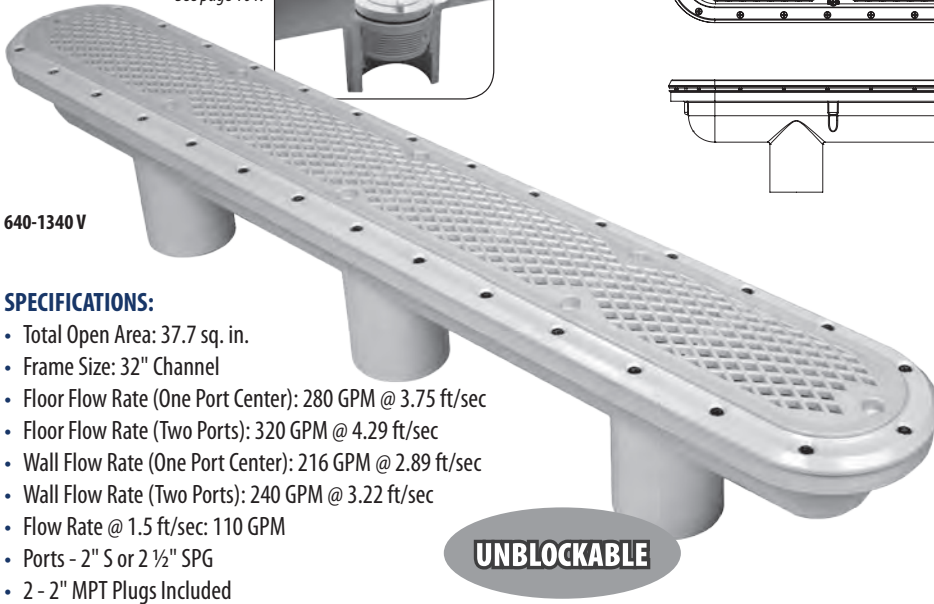
Part No.	Description	Case Quantity	List (US \$)
640-131xV	32" Ultra Strip Drain - Fiberglass	1	458.21
642-1300	32" Plaster Body Drain	1	220.02

Replace the final x in the part number with the color of your choice (see page iv for colors).



Drains & Suctions - Vinyl / 32" Diamond Strip Drains

Hydrostatic Valve available.
See page 101.



VGB
2008

NSF

640-1340 V

SPECIFICATIONS:

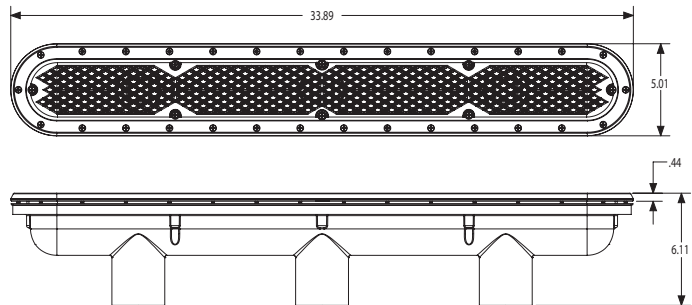
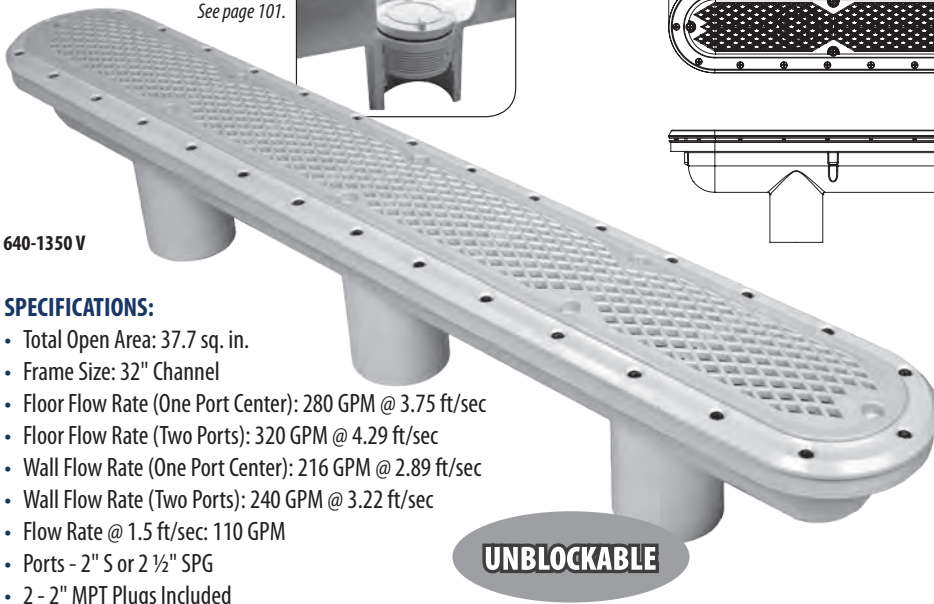
- Total Open Area: 37.7 sq. in.
- Frame Size: 32" Channel
- Floor Flow Rate (One Port Center): 280 GPM @ 3.75 ft/sec
- Floor Flow Rate (Two Ports): 320 GPM @ 4.29 ft/sec
- Wall Flow Rate (One Port Center): 216 GPM @ 2.89 ft/sec
- Wall Flow Rate (Two Ports): 240 GPM @ 3.22 ft/sec
- Flow Rate @ 1.5 ft/sec: 110 GPM
- Ports - 2" S or 2 1/2" SPG
- 2 - 2" MPT Plugs Included

32" Diamond Strip Drains - Vinyl

Part No.	Description	Case Quantity	List (US \$)
640-134x V	32" Diamond Strip Drain - Vinyl	1	458.21
642-1300	32" Plaster Body Drain	1	220.02

Replace the final x in the part number with the color of your choice (see page 4 for colors)

Hydrostatic Valve available.
See page 101.



VGB
2008

NSF

640-1350 V

SPECIFICATIONS:

- Total Open Area: 37.7 sq. in.
- Frame Size: 32" Channel
- Floor Flow Rate (One Port Center): 280 GPM @ 3.75 ft/sec
- Floor Flow Rate (Two Ports): 320 GPM @ 4.29 ft/sec
- Wall Flow Rate (One Port Center): 216 GPM @ 2.89 ft/sec
- Wall Flow Rate (Two Ports): 240 GPM @ 3.22 ft/sec
- Flow Rate @ 1.5 ft/sec: 110 GPM
- Ports - 2" S or 2 1/2" SPG
- 2 - 2" MPT Plugs Included

32" Diamond Strip Drains - Fiberglass

Part No.	Description	Case Quantity	List (US \$)
640-135x V	32" Diamond Strip Drain - Fiberglass	1	458.21
640-134xLGV	32" Diamond Strip Drain for Fiberglass Spas	1	445.04
642-1300	32" Plaster Body Drain	1	220.02

Replace the final x in the part number with the color of your choice (see page 4 for colors)



Hydrostatic Relief Valve			
Part No.	Description	Case Qty	List (US \$)
600-2100	1 1/2" Hydrostatic Relief Valve / 2" MPT	200	17.87
600-2140	2" Hydrostatic Relief Valve	200	17.87
600-2150B	2 1/2" Hydrostatic Adapter Kit	--	38.03
600-2160B	3" Hydrostatic Adapter Kit	--	41.58

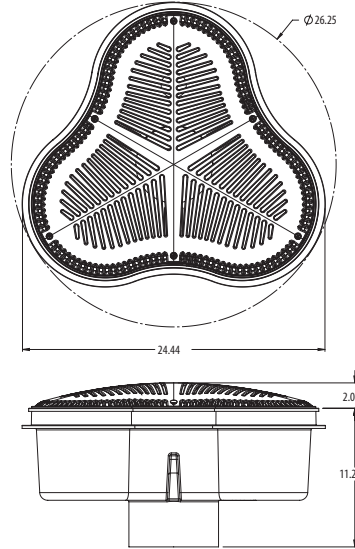
UNBLOCKABLE



Pat. #7,820,041



640-1000 V



SPECIFICATIONS:

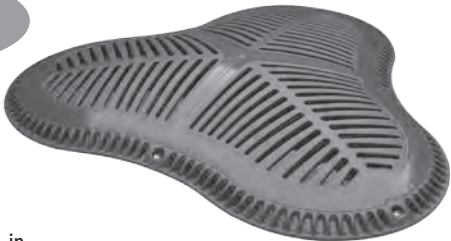
- Total Open Area: 78.92 sq. in.
- Frame Size: Freeform Design
- Floor Flow Rate: 840 GPM @ 3.71 ft/sec
- Wall Flow Rate: 508 GPM @ 2.24 ft/sec
- Flow Rate @ 1.5 ft/sec: 341.2 GPM

Clover Drains

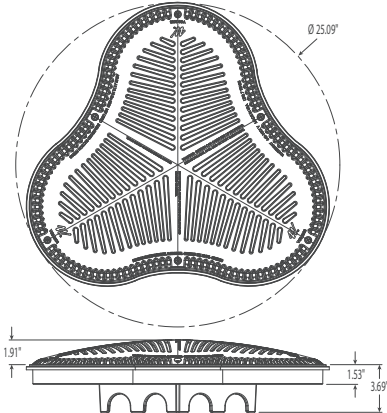
Part No.	Description	Case Quantity	List (US \$)
640-100x V	Clover Drain Assembly	1	1,227.82

Replace the final x in the part number with the color of your choice (see page 4 for colors)

UNBLOCKABLE



645-1009-DKG V



SPECIFICATIONS:

- Total Open Area: 78.92 sq. in.
- Frame Size: Freeform Design
- Floor Flow Rate: 840 GPM @ 3.71 ft/sec
- Wall Flow Rate: 508 GPM @ 2.24 ft/sec
- Flow Rate @ 1.5 ft/sec: 341.2 GPM

Clover Drains for Field Built Sumps

Part No.	Description	Case Quantity	List (US \$)
645-100x V	Clover Drain Assembly for Field Built Sumps	1	506.60

Replace the final x in the part number with the color of your choice (see page 4 for colors)

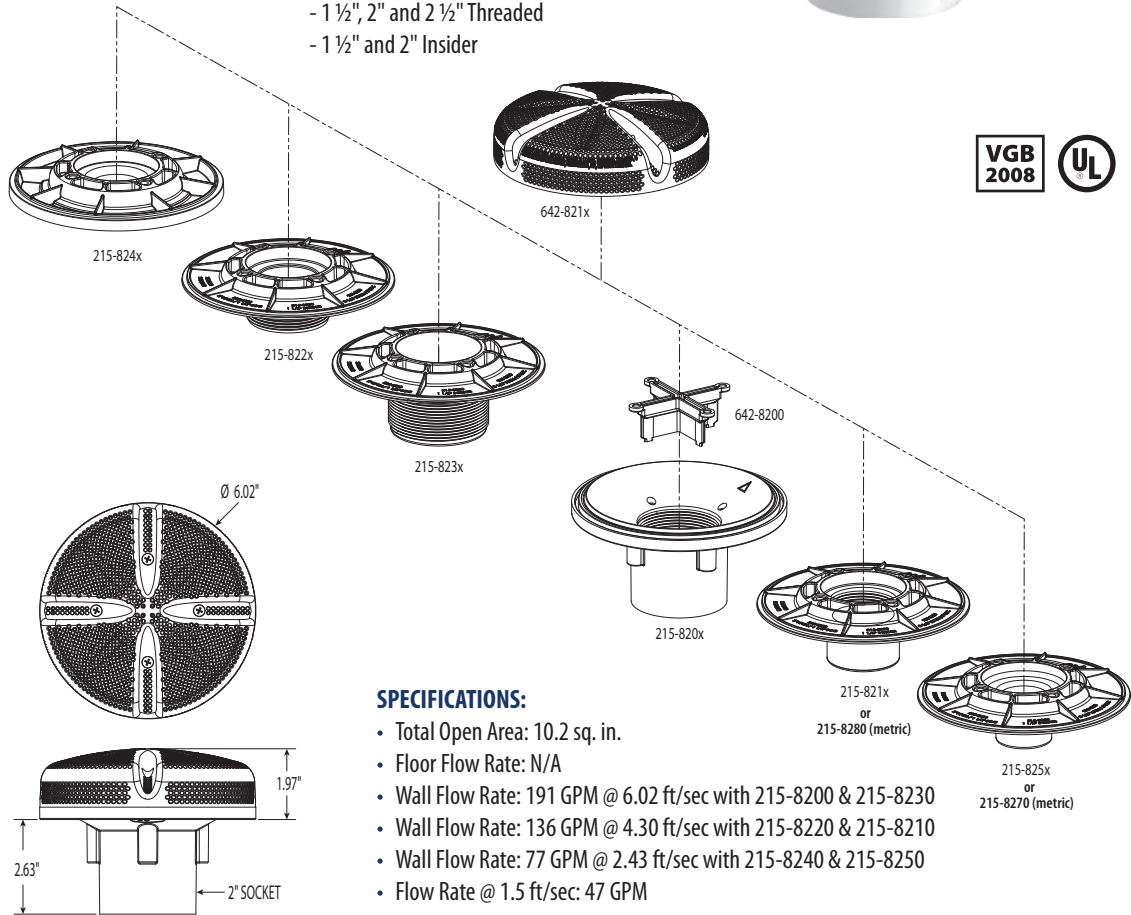
Drains / Suctions



Drains & Suctions / 6" Ultra Suction & Equalizer

FEATURES:

- Sumpless Design: no sump body required
- Ultra versatile drain - can be used for a wide variety of applications: Gunitite, Fiberglass, Tile, and Steel Pools & Spas
- All Waterway adapter fittings are made of NSF Rated PVC and can be used with PVC cements (no expensive ABS/PVC transitional glue needed)
- Available with 6 different PVC wall fitting adapters for connection through:
 - 1", 1 1/2" and 2" Slip
 - 1 1/2", 2" and 2 1/2" Threaded
 - 1 1/2" and 2" Insider



SPECIFICATIONS:

- Total Open Area: 10.2 sq. in.
- Floor Flow Rate: N/A
- Wall Flow Rate: 191 GPM @ 6.02 ft/sec with 215-8200 & 215-8230
- Wall Flow Rate: 136 GPM @ 4.30 ft/sec with 215-8220 & 215-8210
- Wall Flow Rate: 77 GPM @ 2.43 ft/sec with 215-8240 & 215-8250
- Flow Rate @ 1.5 ft/sec: 47 GPM

6" Ultra Suction and Equalizer

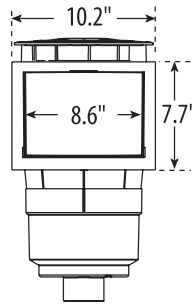
Part No.	Description	Case Quantity	List (US \$)
640-820x V	6" Ultra Suction (Model 640-82XX V) with 2" Equalizer Wall Fitting (215-8200)	15	78.70
640-823x V	6" Ultra Suction (Model 640-82XX V) with 2 1/2" Threaded Wall Fitting (215-8230)	20	78.44
640-822x V	6" Ultra Suction (Model 640-82XX V) with 2" Threaded Wall Fitting (215-8220)	25	77.27
640-821x V	6" Ultra Suction (Model 640-82XX V) with 2" Insider Wall Fitting (215-8210)	25	58.07
640-824x V	6" Ultra Suction (Model 640-82XX V) with 1 1/2" Threaded Wall Fitting (215-8240)	25	58.07
640-825x V	6" Ultra Suction (Model 640-82XX V) with 1 1/2" Insider Wall Fitting (215-8250)	25	58.07
215-8200	Wall Fitting for 6" Ultra Suction - 2" Equalizer	40	27.73
215-8230	Wall Fitting for 6" Ultra Suction - 2 1/2" Threaded	40	27.73
215-8220	Wall Fitting for 6" Ultra Suction - 2" Threaded	40	21.33
215-8210	Wall Fitting for 6" Ultra Suction - 2" Insider	40	21.33
215-8280	Wall Fitting for 6" Ultra Suction - 50.8mm Insider (metric)	90	21.33
215-8240	Wall Fitting for 6" Ultra Suction - 1 1/2" Threaded	90	21.33
215-8250	Wall Fitting for 6" Ultra Suction - 1 1/2" Insider	90	21.33
215-8270	Wall Fitting for 6" Ultra Suction - 38.1mm Insider (metric)	100	21.33

Pool Skimmers and Skim Filters / Renegade Gunite In-Ground Skimmers

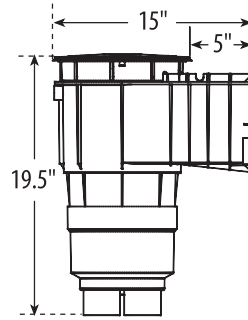


FEATURES:

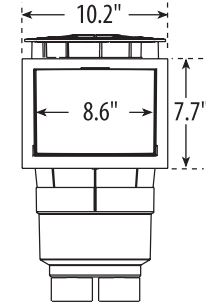
- NSF Approved with Flow Rate of 75 GPM
- PVC sockets for better glue joints
- 2" socket is 2 1/2" spigot for more flow
- 1 1/2" socket is 2" spigot for easier plumbing
- 1/2" socket for overflow hose
- Large locking skimmer basket
- Easy access spring-loaded weir door simplifies replacement
- Optional float valve
- Optional skimmer test kit



Two Port



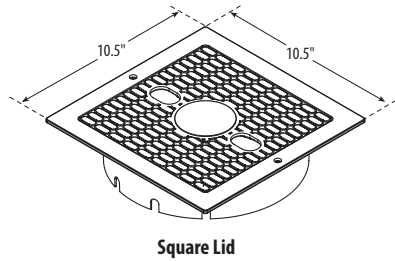
Two Port



Two Port Side-By-Side

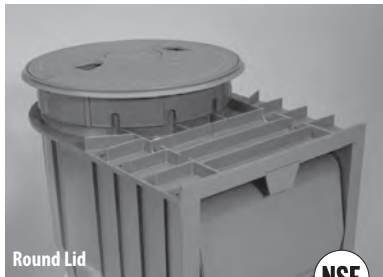


**IMPROVED
SNAP LOCK-DOWN
BASKET HANDLE!**



Square Lid

Waterway's Renegade Gunite Skimmer is designed for better and easier installation while maximizing flow. The large skimmer basket locks into place. High flow rate of 75 gallons per minute.



Round Lid



Square Lid

For replacement parts, see page 335.



519-6480-R1

New Vac Plate
(2014 & newer)



519-6560

Mounting Extension Rings

Part No.	Description	List (US \$)
519-6560	Vinyl Liner Mounting Extension Ring	14.20
519-6570B	Mounting Extension Ring	14.52



542-6200

Float Valve



519-6480

Vac Plate



540-6500

Skimmer Test Loop

Skimmers / Skim Filters



Pool Skimmers and Skim Filters / Renegade Gunite In-Ground Skimmers

Renegade Gunite Skimmers - 2-Port - Round Lid

Part No.	Description	Color	Case Quantity	List (US \$)
540-6430	1 1/2" Socket (2" Spigot)	White	1	147.45
540-6630	1 1/2" Socket with Float Valve	White	1	182.12
540-6410	2" Socket (2 1/2" Spigot)	White	1	147.45
540-6410-9B	2" Socket (2 1/2" Spigot)	White/Beige Lid	1	147.45
540-6411	2" Socket (2 1/2" Spigot)	Black	1	163.05
540-6411-9B	2" Socket (2 1/2" Spigot)	Black/Beige Lid	1	163.05
540-6417	2" Socket (2 1/2" Spigot)	Gray	1	163.05
540-6417-9B	2" Socket (2 1/2" Spigot)	Gray/Beige Lid	1	163.05
540-6419-BEI	2" Socket (2 1/2" Spigot)	Beige	1	163.05
540-6419-DKG	2" Socket (2 1/2" Spigot)	Dark Gray	1	163.05
540-6410G	2" Socket (2 1/2" Spigot) - Side-by-Side	White	1	151.88
540-6610	2" Socket (2 1/2" Spigot) with Float Valve	White	1	182.12
540-6610-9B	2" Socket (2 1/2" Spigot) with Float Valve	White/Beige Lid	1	182.12
540-6611	2" Socket (2 1/2" Spigot) with Float Valve	Black	1	204.69
540-6617	2" Socket (2 1/2" Spigot) with Float Valve	Gray	1	204.69
540-6617-9B	2" Socket (2 1/2" Spigot) with Float Valve	Gray/Beige Lid	1	182.12
540-6619-BEI	2" Socket (2 1/2" Spigot) with Float Valve	Beige	1	204.69
540-6619-DKG	2" Socket (2 1/2" Spigot) with Float Valve	Dark Gray	1	204.69

Renegade Gunite Skimmers - 2-Port - Square Lid

Part No.	Description	Color	Case Quantity	List (US \$)
540-6410-9SB	2" Socket (2 1/2" Spigot)	White/Beige Lid	1	153.35
540-6411-9SB	2" Socket (2 1/2" Spigot)	Black/Beige Lid	1	153.35
540-6417-S	2" Socket (2 1/2" Spigot)	Gray	1	153.35
540-6417-9SB	2" Socket (2 1/2" Spigot)	Gray/Beige Lid	1	153.35

Renegade Gunite Skimmers - Single Port - Round Lid

Part No.	Description	Color	Case Quantity	List (US \$)
540-6510	2" Socket (2 1/2" Spigot)	White	1	147.45
540-6510-9B	2" Socket (2 1/2" Spigot)	White/Beige Lid	1	147.45
540-6511	2" Socket (2 1/2" Spigot)	Black	1	163.05
540-6511-9B	2" Socket (2 1/2" Spigot)	Black/Beige Lid	1	163.05
540-6517	2" Socket (2 1/2" Spigot)	Gray	1	163.05
540-6517-9B	2" Socket (2 1/2" Spigot)	Gray/Beige Lid	1	163.05
540-6519-BEI	2" Socket (2 1/2" Spigot)	Beige	1	163.05
540-6519-DKG	2" Socket (2 1/2" Spigot)	Dark Gray	1	163.05

Renegade Gunite Skimmers - Single Port - Square Lid

Part No.	Description	Color	Case Quantity	List (US \$)
540-6410-S	2" Socket (2 1/2" Spigot)	White	1	153.35
540-6510-9SB	2" Socket (2 1/2" Spigot)	White/Beige Lid	1	153.35

Accessories

540-6010	Equalizer Valve	White	50	19.66
542-6200	Float Valve	White	25	34.68
519-6480	Vacuum Plate	White	8	21.98
519-6560	Mounting Extension Ring	White	10	14.21
519-6561	Mounting Extension Ring	Black	10	14.21
519-6567	Mounting Extension Ring	Gray	10	14.21
519-6569-BEI	Mounting Extension Ring	Beige	10	14.21
519-6569-DKG	Mounting Extension Ring	Dark Gray	10	14.21
540-6500	Skimmer Test Loop Kit	--	70	17.01
519-6480-R1	Pool Skimmer Gunite Vacuum Plate	White	70	21.98

Pool Skimmers and Skim Filters / Renegade In-Ground Skimmers



Gunite Skimmers without Lids

Part No.	Description	Color	Weight (lbs.)	List (US \$)
540-6410-LL	Renegade Gunite Skimmer 2.5" SPG x 2" S x 2"NPT Less Lid	White	9.56	137.62
540-6411-LL	Renegade Gunite Skimmer 2.5" SPG x 2" S x 2"NPT Less Lid	Black	9.56	137.62
540-6417-LL	Renegade Gunite Skimmer 2.5" SPG x 2" S x 2"NPT Less Lid	Gray	9.56	137.62
540-6419BEI-LL	Renegade Gunite Skimmer 2.5" SPG x 2" S x 2"NPT Less Lid	Beige	9.56	137.62

Renegade Skimmers with Square & Round Lid & Mounting Kit

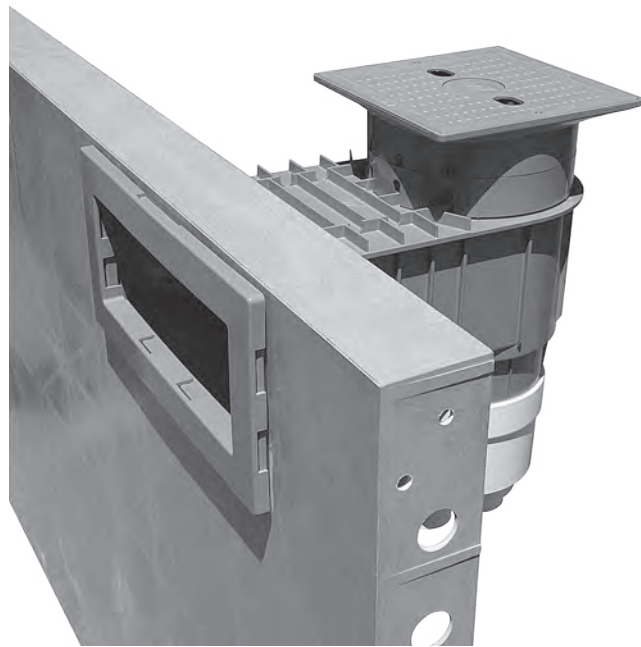
Part No.	Description	Color	Weight (lbs.)	List (US \$)
540-6460WW	9" Round Renegade Skimmer Lid & Mounting Ring Assembly	White	1.18	46.46
540-6461WW	9" Round Renegade Skimmer Lid & Mounting Ring Assembly	Black	1.18	49.14
540-6467WW	9" Round Renegade Skimmer Lid & Mounting Ring Assembly	Gray	1.18	49.14
540-6469WW-B	9" Round Renegade Skimmer Lid & Mounting Ring Assembly	Beige	1.18	49.14
540-6469WW-D	9" Round Renegade Skimmer Lid & Mounting Ring Assembly	Dark Gray	1.18	49.14
540-6480WW	10" Square Renegade Skimmer Lid & Mounting Ring Assembly	White	1.75	50.03
540-6487WW	10" Square Renegade Skimmer Lid & Mounting Ring Assembly	Gray	1.75	52.69
540-6489WW-B	10" Square Renegade Skimmer Lid & Mounting Ring Assembly	Beige	1.75	52.69



Pool Skimmers and Skim Filters / Renegade Vinyl Liner and Fiberglass In-Ground Skimmers

FEATURES:

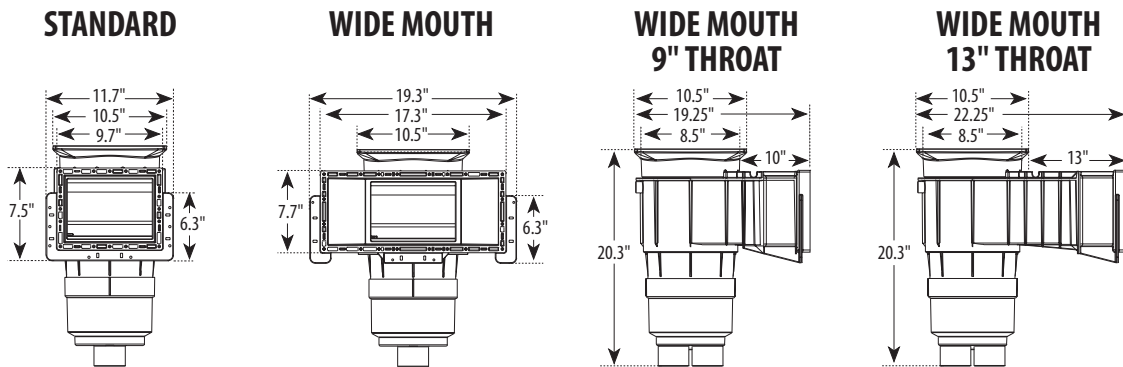
- PVC sockets for better glue joints
- 2" socket is 2 1/2" spigot for more flow
- 1 1/2" socket is 2" spigot for easier plumbing
- 1/2" socket for overflow hose
- Large locking skimmer basket
- Easy access spring-loaded weir door simplifies replacement and installation
- High flow rate of 75 GPM
- Optional float valve
- Optional skimmer test kit
- Lock-Down vacuum plate and an extension collar are included



Fits all currently manufactured steel and polymer walls!

For replacement parts, see page 334.

The Renegade skimmer from Waterway is the best choice to make for your vinyl liner pool installations. The Renegade In-Ground Vinyl Pool Skimmer is designed to work with all existing vinyl liner steel, polymer or fiberglass pool walls. Available in a wide variety of models – either standard or wide-mouth, in your choice of white or gray, the Renegade includes a lock-down vacuum plate, extension collar and one of the largest skimmer baskets available. It twist-locks to prevent floating and allow easy-access. Renegade's spring-loaded weir door makes replacements a snap.



Renegade Vinyl Liner Skimmers - 2-Port - Square Lid

Part No.	Description	Throat	Color	List (US \$)
540-8400	Standard Vinyl Liner In-Ground Skimmer - 2" Socket	--	White	238.21
540-8407	Standard Vinyl Liner In-Ground Skimmer - 2" Socket	--	Gray	254.98
540-8430	Standard Vinyl Liner In-Ground Skimmer - 1 1/2" Socket	--	White	238.21
540-8437	Standard Vinyl Liner In-Ground Skimmer - 1 1/2" Socket	--	Gray	254.98
540-8500	Wide-Mouth Vinyl Liner In-Ground Skimmer - 2" Socket	9"	White	297.76
540-8507	Wide-Mouth Vinyl Liner In-Ground Skimmer - 2" Socket	9"	Gray	307.28
540-8530	Wide-Mouth Vinyl Liner In-Ground Skimmer - 1 1/2" Socket	9"	White	297.77
540-8537	Wide-Mouth Vinyl Liner In-Ground Skimmer - 1 1/2" Socket	9"	Gray	307.28
540-8550	Wide-Mouth Vinyl Liner In-Ground Skimmer - 2" Socket	13"	White	308.77
540-8557	Wide-Mouth Vinyl Liner In-Ground Skimmer - 2" Socket	13"	Gray	318.51
540-8580	Wide-Mouth Vinyl Liner In-Ground Skimmer - 1 1/2" Socket	13"	White	308.77
540-8587	Wide-Mouth Vinyl Liner In-Ground Skimmer - 1 1/2" Socket	13"	Gray	318.51

Renegade Vinyl Liner Skimmers - 2-Port - Round Lid

Part No.	Description	Color	List (US \$)
540-8460	Standard Vinyl Liner In-Ground Skimmer - 1 1/2" Socket	White	238.21



Renegade Vinyl Liner Skimmers - Single Port - Square Lid

Part No.	Description	Color	List (US \$)
540-8700	Wide-Mouth Vinyl Liner In-Ground Skimmer - 2" Socket	White	238.21
540-8830	Wide-Mouth Vinyl Liner In-Ground Skimmer - 1 ½" Socket	White	297.76

Accessories

Part No.	Description	Color	Case Weight (lbs.)	Case Quantity	List (US \$)
519-9520	Standard Vinyl Liner Trim Plate	White	17.43	40	21.98
519-9521	Standard Vinyl Liner Trim Plate	Black	17.43	40	21.98
519-9527	Standard Vinyl Liner Trim Plate	Gray	17.43	40	21.98
519-9540	Wide-Mouth Vinyl Liner Trim Plate	White	16.16	20	15.98
519-9547	Wide-Mouth Vinyl Liner Trim Plate	Gray	16.16	20	16.66
519-6560	Mounting Extension Ring	White	6.85	10	14.21
519-6567	Mounting Extension Ring	Gray	6.85	10	14.21
519-6550	Mounting Extension Ring - New Style	White	10.15	10	14.21
519-9510	Vinyl Liner Square Collar	White	10.15	10	22.77
519-9490	Vinyl Liner Square Collar - New Style	White	10.15	10	22.77
542-6200	Float Valve	White	28.25	25	34.68
519-6480	Lock-Down Vacuum Plate	White	6.86	8	21.98
540-6500	Skimmer Test Loop Kit	White	24.29	70	17.01
542-3240	Basket Assembly	White	10.45	20	15.50
550-0020	Additional Mounting Tabs - Composite Wall Vinyl Liner	White	9.87	25	13.42

FEATURES:

- PVC sockets for better glue joints
- Longer screws for one-piece fiberglass pools
- 2" socket is 2 ½" spigot for more flow
- 1 ½" socket is 2" spigot for easier plumbing
- ½" socket for overflow hose
- Large locking skimmer basket
- Easy access spring-loaded weir door simplifies replacement and installation
- High flow rate of 75 GPM
- Optional float valve
- Optional skimmer test kit
- Lock-Down vacuum plate and 2 extension collars are included



For replacement parts, see page 335.

Renegade Fiberglass Only Skimmers

Part No.	Description	Color	List (US \$)
540-8630	Standard 1-Piece Fiberglass Only In-Ground Skimmer - 1 ½" S	White	182.40
540-8637	Standard 1-Piece Fiberglass Only In-Ground Skimmer - 1 ½" S	Gray	199.13
540-8610	Standard 1-Piece Fiberglass Only In-Ground Skimmer - 2" S	White	182.40
540-8617	Standard 1-Piece Fiberglass Only In-Ground Skimmer - 2" S	Gray	199.13

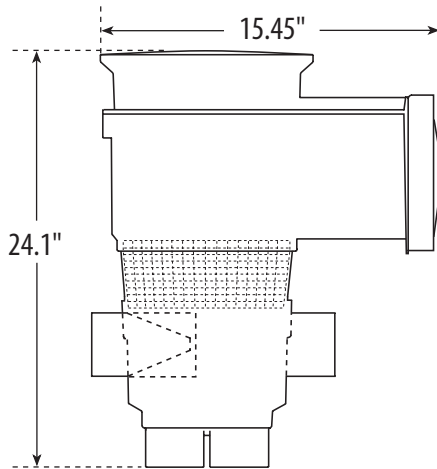


Pool Skimmers and Skim Filters / Renegade Venturi In-Ground Skimmers

FEATURES:

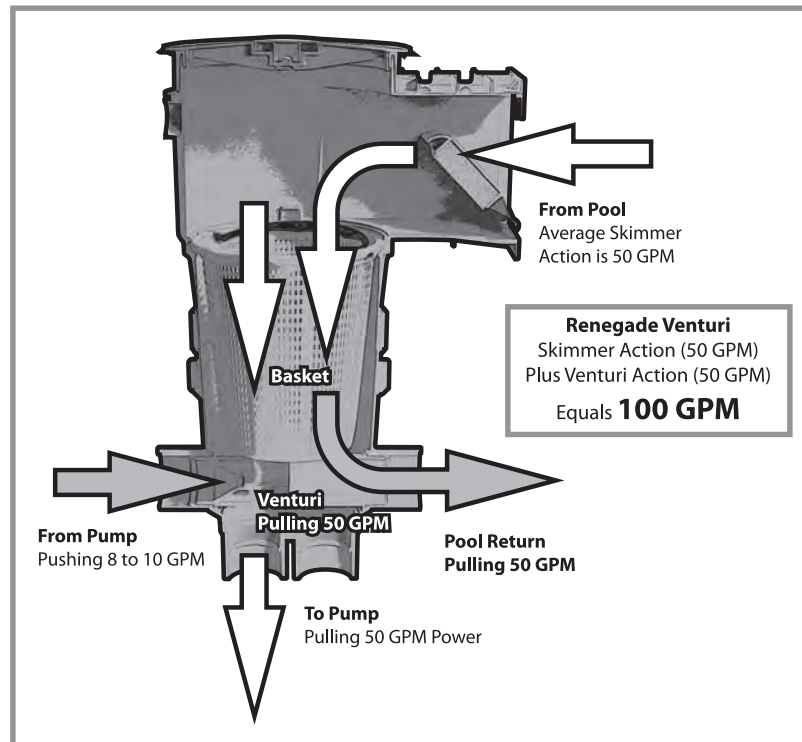
- By using a Venturi, this skimmer doubles the cleaning power without increasing energy costs
- Massive 9" deep basket (twice the size of standard skimmer baskets), can hold 289 cubic inches of debris
- Basket and vacuum plate lock into place instead of floating up when the pump is off
- Weir door is spring-loaded for easy removal – no screws
- NSF approved for 75 GPM – highest in the industry

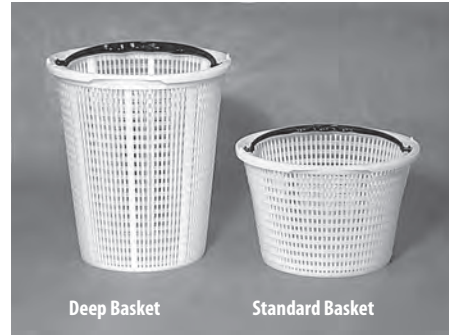
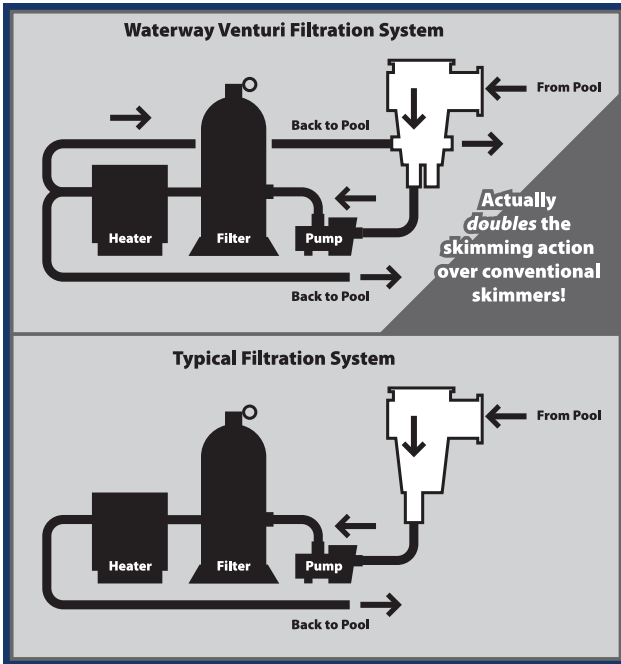
The skimmer is a very important part of the filtration system on a swimming pool. The skimmer is permanently installed to skim the top of the pool to collect dirt and debris before they have a chance to sink to the bottom of the pool. The Waterway Renegade Venturi Skimmer has the latest in high tech features and "Service-Ease" design making this the ultimate pool skimmer!



For replacement parts, see page 333.

The Waterway Venturi Skimmer pulls as much water as the pump, doubling the skimming action while NOT increasing energy costs.





The basket for the Venturi Skimmer and the Deep Basket Skimmer is 9" deep, making the Waterway basket the largest in the industry for extra leaf and debris holding capacity.

Skimmers / Skim Filters

Renegade Gunite Venturi In-Ground Skimmer

Part No.	Description	Color	List (US \$)
540-5300*	2" Socket	White	281.15
540-5301	2" Socket	Black	295.21
540-5307	2" Socket	Gray	295.21
540-5309-BEI	2" Socket	Beige	295.21
540-5300-9B	2" Socket	White/Beige Lid	281.15

* NSF

Renegade Vinyl Liner Venturi In-Ground Skimmer

Part No.	Description	Color	List (US \$)
540-5700	2" Socket	White	327.00
540-5710*	2" Socket with Wide Mouth	White	373.71
540-5717	2" Socket with Wide Mouth	Gray	383.06

* NSF

Renegade Gunite In-Ground Skimmer - Deep Basket without Venturi

Part No.	Description	Color	List (US \$)
540-5310*	2" Socket	White	219.08
540-5311	2" Socket	Black	231.96
540-5317	2" Socket	Gray	231.96
540-5319-BEI	2" Socket	Beige	231.96
540-5310-9B	2" Socket	White/Beige Lid	219.08
540-5320	2" Socket with Float Valve	White	246.79

* NSF

Renegade Vinyl Liner In-Ground Skimmer - Deep Basket without Venturi

Part No.	Description	Color	List (US \$)
540-5720*	2" Socket	White	253.69
540-5730*	2" Socket with Wide Mouth	White	293.17
540-5737	2" Socket with Wide Mouth	Gray	304.46

* NSF



Pool Skimmers and Skim Filters / Commercial Renegade Skimmers

FEATURES:

- NSF Approved with Flow Rate of 75 GPM
- PVC sockets for better glue joints
- 2" socket is 2 1/2" spigot for more flow
- 1/2" socket for overflow line
- Large locking skimmer basket
- Easy access spring-loaded weir door simplifies replacement
- Equalizer line for NSF commercial compliance
- Optional skimmer test kit



Waterway's Commercial Renegade Gunite Skimmer is designed for commercial or public pool installations. The large skimmer basket locks into place. High flow rate of 75 gallons per minute.

Commercial Renegade Gunite In-Ground Skimmers

Part No.	Description	Color	Weight (lbs.)	List (US \$)
540-6200	Gunite Skimmer with Equalizer - 2 1/2" Spigot x 2" S x 2" NPT	White	9.78	167.14
540-6350	Gunite Skimmer with Equalizer - 2 1/2" Spigot x 2" NPT x 2" NPT	White	9.81	176.87
540-6360	Gunite Skimmer with Equalizer - 2 1/2" Spigot x 2" NPT x 2" NPT with Float Vlv	White	10.94	188.02



Skimmers / Skim Filters

ALL BUILDER'S PACKS COME WITH THE FOLLOWING:

- Skimmer (1 qty.)
- Trim Plate (1 qty.)
- 1 ½" or 2" S Vinyl Main Drain (Same as Skimmer)(2 qty.)
- 1 ½" S Vinyl Liner Wall Fitting Assembly with Combo Locknut (3 or 6 qty.)
- 1" Eyeball Opening (3 or 6 qty.)
- Wall Fitting Escutcheon (3 or 6 qty.)

Renegade Vinyl Liner Skimmer - Builder's Packs

Part No.	Included Parts (Quantity)	Color	List (US \$)
545-5700	Standard Vinyl Liner Venturi In-Ground Skimmer Builder's Pack - 2 ½" Spigot / 2" S	White	461.65
545-5707	Standard Vinyl Liner Venturi In-Ground Skimmer Builder's Pack - 2 ½" Spigot / 2" S	Gray	479.69
545-5710	Wide Mouth Vinyl Liner Venturi In-Ground Skimmer Builder's Pack - 2 ½" Spigot / 2" S	White	503.98
545-5717	Wide Mouth Vinyl Liner Venturi In-Ground Skimmer Builder's Pack - 2 ½" Spigot / 2" S	Gray	523.11
545-5750	Wide Mouth Long Throat Vinyl Liner In-Ground Skimmer Builder's Pack - 2 ½" Spigot / 2" S	White	513.39
545-5757	Wide Mouth Long Throat Vinyl Liner In-Ground Skimmer Builder's Pack - 2 ½" Spigot / 2" S	Gray	532.75
545-8400	Standard Vinyl Liner In-Ground Skimmer Builder's Pack - 2 ½" Spigot / 2" S	White	388.07
545-8407	Standard Vinyl Liner In-Ground Skimmer Builder's Pack - 2 ½" Spigot / 2" S	Gray	413.60
545-8410	Standard Vinyl Liner In-Ground Skimmer Builder's Pack - 2 ½" Spigot / 2" S - 6 Returns	White	455.89
545-8417	Standard Vinyl Liner In-Ground Skimmer Builder's Pack - 2 ½" Spigot / 2" S - 6 Returns	Gray	484.01
545-8430	Standard Vinyl Liner In-Ground Skimmer Builder's Pack - 1 ½" S - 2" Spigot / 1 ½" S	White	395.83
545-8437	Standard Vinyl Liner In-Ground Skimmer Builder's Pack - 1 ½" S - 2" Spigot / 1 ½" S	Gray	421.88
545-8500	Wide Mouth Short Throat Vinyl Liner In-Ground Skimmer Builder's Pack - 2 ½" Spigot / 2" S	White	447.75
545-8507	Wide Mouth Short Throat Vinyl Liner In-Ground Skimmer Builder's Pack - 2 ½" Spigot / 2" S	Gray	467.47
545-8510	Wide Mouth Vinyl Liner In-Ground Skimmer Builder's Pack - 2 ½" Spigot / 2" S - 6 Returns	White	508.71
545-8517	Wide Mouth Vinyl Liner In-Ground Skimmer Builder's Pack - 2 ½" Spigot / 2" S - 6 Returns	Gray	531.25
545-8530	Wide Mouth Short Throat Vinyl Liner In-Ground Skimmer Builder's Pack - 1 ½" S - 2" Spigot / 1 ½" S	White	447.75
545-8537	Wide Mouth Short Throat Vinyl Liner In-Ground Skimmer Builder's Pack - 1 ½" S - 2" Spigot / 1 ½" S	Gray	467.50
545-8550	Wide Mouth Long Throat Vinyl Liner In-Ground Skimmer Builder's Pack - 2 ½" Spigot / 2" S	White	448.39
545-8557	Wide Mouth Long Throat Vinyl Liner In-Ground Skimmer Builder's Pack - 2 ½" Spigot / 2" S	Gray	467.92
545-8580	Wide Mouth Long Throat Vinyl Liner In-Ground Skimmer Builder's Pack - 1 ½" S - 2" Spigot / 1 ½" S	White	448.39
545-8587	Wide Mouth Long Throat Vinyl Liner In-Ground Skimmer Builder's Pack - 1 ½" S - 2" Spigot / 1 ½" S	Gray	467.92

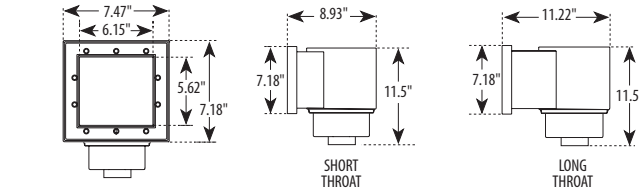


Pool Skimmers and Skim Filters / Flo-Pro II Above Ground Skimmers

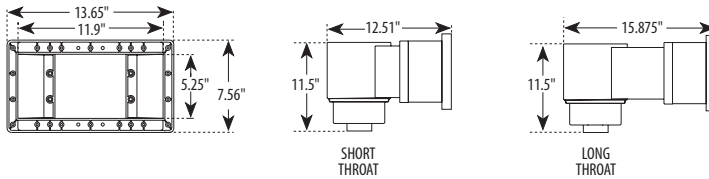
FEATURES:

- Deep body, larger locking basket
- Long or short throat
- Basket accessible from top or front
- Durable one-piece ABS (wide mouth is two piece)
- 1 1/2" FPT
- 1 1/2" hose adapter included

STANDARD MOUTH



WIDE MOUTH



Short Throat



Wide Mouth/Short Throat

For replacement parts, see page 336.

Flo-Pro II Above-Ground Skimmers

Part No.	Description	Color	Weight (lbs.)	List (US \$)
560-C0A60S	Short Throat	White	4.69	68.47
560-C0A67S	Short Throat	Gray	4.69	68.47
560-C0C60S	Short Throat with Return	White	5.16	72.98
560-C0C67S	Short Throat with Return	Gray	5.16	72.98
560-D0A60S	Long Throat	White	5.28	64.83
560-D0A61S	Long Throat	Black	5.28	76.89
560-D0A67S	Long Throat	Gray	5.28	68.61
560-D0C60S	Long Throat with Return	White	5.86	74.52
560-D0C67S	Long Throat with Return	Gray	5.86	74.52
560-D0C60SF	Long Throat with Return - 90° Eye	White	5.73	74.52

Flo-Pro II Wide Mouth Above-Ground Skimmers

Part No.	Description	Color	Weight (lbs.)	List (US \$)
560-C3A60L	Short Throat	White	7.10	108.66
560-C3A67L	Short Throat	Gray	7.10	108.66
560-C3C60L	Short Throat with Return	White	8.24	113.17
560-C3C67L	Short Throat with Return	Gray	8.24	113.17
560-C3C60LF	Short Throat with Return - 90° Eye	White	8.19	114.00
560-D3C60L	Long Throat with Return	White	8.55	121.92
560-D3C67L	Long Throat with Return	Gray	8.55	121.92

Accessories

Part No.	Description	Color	Weight (lbs.)	List (US \$)
519-3090	Standard Trim Plate	White	15.29	16.10
519-3091	Standard Trim Plate	Black	15.29	16.10
519-3097	Standard Trim Plate	Gray	15.29	16.10



217-0060

FRONT

BACK



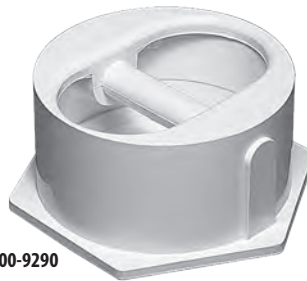
660-3400



672-2000



650-3400



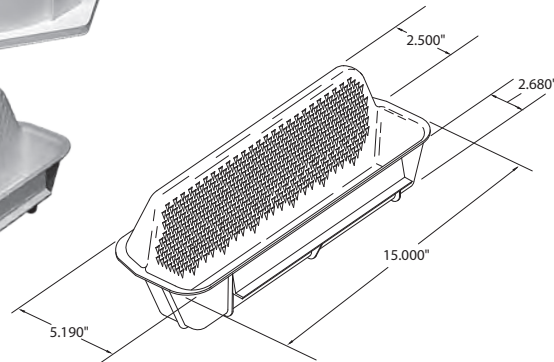
400-9290



429-7100



532-2010B



Accessories

Part No.	Description	Color	Case Weight	Case Quantity	List (US \$)
217-0060	Aerator Spray Nozzle	White	6 lbs.	200	5.19
660-3400	Gunite Air Control "A" Style (fits inside 1 1/2" pipe or 1/2" S)	White	6.71 lbs.	60 (bulk)	14.48
660-3407	Gunite Air Control "A" Style (fits inside 1 1/2" pipe or 1/2" S)	Gray	6.71 lbs.	60 (bulk)	14.48
672-2000	Gunite Air Injector Floor Cap (fits inside 1 1/2" pipe)	White	5.5 lbs.	100 (bulk)	6.91
672-2001	Gunite Air Injector Floor Cap (fits inside 1 1/2" pipe)	Black	5.5 lbs.	100 (bulk)	6.91
672-2002	Gunite Air Injector Floor Cap (fits inside 1 1/2" pipe)	Bone	5.5 lbs.	100 (bulk)	10.13
672-2007	Gunite Air Injector Floor Cap (fits inside 1 1/2" pipe)	Gray	5.5 lbs.	100 (bulk)	6.91
672-2009-DKG	Gunite Air Injector Floor Cap (fits inside 1 1/2" pipe)	Dark Gray	5.5 lbs.	100 (bulk)	6.91
650-3400	Gunite Air Button (fits inside 1 1/2" pipe)	White	5.4 lbs.	75	29.01
400-9290	Rope Anchor Assembly	White	8.09 lbs.	50 (bulk)	6.73
400-9291	Rope Anchor Assembly	Black	8.09 lbs.	50 (bulk)	6.73
400-9292	Rope Anchor Assembly	Bone	8.09 lbs.	50 (bulk)	6.73
400-9297	Rope Anchor Assembly	Gray	8.09 lbs.	50 (bulk)	6.73
400-9299-DKG	Rope Anchor Assembly	Dark Gray	8.09 lbs.	50 (bulk)	6.73
400-9299-BEI	Rope Anchor Assembly	Beige	8.09 lbs.	50 (bulk)	6.73
429-7100	Plastic Rope Hook (with screws)	White	15.08 lbs.	100 (bulk)	6.32
532-2010B	Pool Wall Step (set of 3)	White	7.16 lbs.	3	82.41
532-2011B	Pool Wall Step (set of 3)	Black	7.16 lbs.	3	82.41
532-2013B	Pool Wall Step (set of 3)	Blue	7.16 lbs.	3	82.41
532-2017B	Pool Wall Step (set of 3)	Gray	7.16 lbs.	3	82.41
532-2019B-DK	Pool Wall Step (set of 3)	Dark Gray	7.16 lbs.	3	82.41



Pool Miscellaneous & Accessories / Pool Accessories



640-2900



640-2800



640-3000



429-4010



642-2130



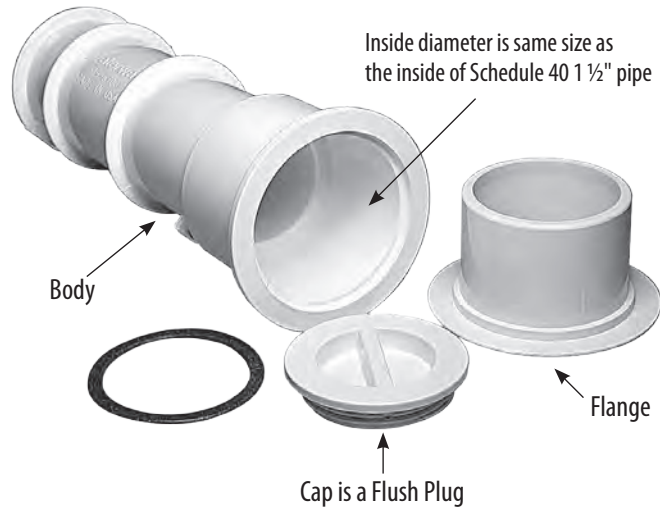
672-4540



540-3160

Accessories

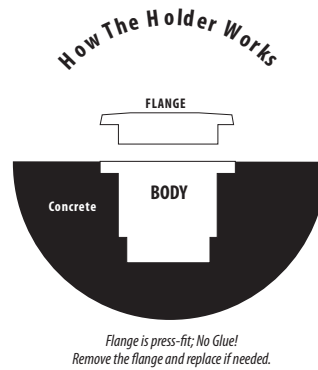
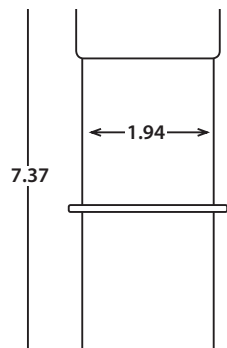
Part No.	Description	Color	Case Weight	Case Quantity	List (US \$)
640-2900	2" x 4" Deck/Gutter Drain - 2" S/FPT Assembly	White	17.04 lbs.	40 (bulk)	13.91
640-2901	2" x 4" Deck/Gutter Drain - 2" S/FPT Assembly	Black	17.04 lbs.	40 (bulk)	15.03
640-2907	2" x 4" Deck/Gutter Drain - 2" S/FPT Assembly	Gray	17.04 lbs.	40 (bulk)	15.03
640-2909-DKG	2" x 4" Deck/Gutter Drain - 2" S/FPT Assembly	Dark Gray	17.04 lbs.	40 (bulk)	15.03
640-2909-BEI	2" x 4" Deck/Gutter Drain - 2" S/FPT Assembly	Beige	17.04 lbs.	40 (bulk)	15.03
640-2800	2" x 4" Deck/Gutter Grate (with screws)	White	11.05 lbs.	150 (indiv.)	6.77
640-2801	2" x 4" Deck/Gutter Grate (with screws)	Black	11.05 lbs.	150 (indiv.)	7.49
640-2807	2" x 4" Deck/Gutter Grate (with screws)	Gray	11.05 lbs.	150 (indiv.)	7.49
640-2809-DKG	2" x 4" Deck/Gutter Grate (with screws)	Dark Gray	11.05 lbs.	150 (indiv.)	7.49
640-2809-BEI	2" x 4" Deck/Gutter Grate (with screws)	Beige	11.05 lbs.	150 (indiv.)	6.77
640-3000	2" x 4" Deck/Gutter 3-Bar Grate and Frame Assembly	White	11.45 lbs.	200 (bulk)	9.55
640-3001	2" x 4" Deck/Gutter 3-Bar Grate and Frame Assembly	Black	11.45 lbs.	200 (bulk)	10.73
640-3007	2" x 4" Deck/Gutter 3-Bar Grate and Frame Assembly	Gray	11.45 lbs.	200 (bulk)	10.73
540-3169-BEI	6" Valve Niche Assembly (cover and flange)	Beige	17.36 lbs.	30 (indiv.)	20.02
540-6460WW	9" Round Renegade Skimmer Lid & Mounting Ring Assembly	White	16.51 lbs.	13 (indiv.)	46.46
540-6461WW	9" Round Renegade Skimmer Lid & Mounting Ring Assembly	Black	16.51 lbs.	13 (indiv.)	49.14
540-6467WW	9" Round Renegade Skimmer Lid & Mounting Ring Assembly	Gray	16.51 lbs.	13 (indiv.)	49.14
540-6469WW-BEI	9" Round Renegade Skimmer Lid & Mounting Ring Assembly	Beige	16.51 lbs.	13 (indiv.)	49.14
540-6469WW-DKG	9" Round Renegade Skimmer Lid & Mounting Ring Assembly	Dark Gray	16.51 lbs.	13 (indiv.)	49.14
540-6480WW	10" Square Renegade Skimmer Lid & Mounting Ring Assembly	White	17.59 lbs.	9	50.03
540-6487WW	10" Square Renegade Skimmer Lid & Mounting Ring Assembly	Gray	17.59 lbs.	9	52.69
540-6489WW-BEI	10" Square Renegade Skimmer Lid & Mounting Ring Assembly	Beige	17.59 lbs.	9	52.69
429-4010	Escutcheon Ladder Flange (Base Plate)	White	19.79 lbs.	150 (bulk)	3.87
429-4017	Escutcheon Ladder Flange (Base Plate)	Gray	19.79 lbs.	150 (bulk)	4.39
429-4019-BEI	Escutcheon Ladder Flange (Base Plate)	Beige	19.79 lbs.	150 (bulk)	4.39
642-2130	Lid Deck Pac-Fab 51-3030 Replacement Lid	White	31.31 lbs.	60 (bulk)	26.14
672-4540	6" Niche Cover	White	4.62 lbs.	20	14.48
672-4541	6" Niche Cover	Black	--	--	14.48
672-4547	6" Niche Cover	Gray	4.62 lbs.	20	14.48
672-4549-BEI	6" Niche Cover	Beige	4.62 lbs.	20	14.48
540-3160	6" Valve Niche Assembly (cover and flange) - 6" S	White	17.36 lbs.	30 (indiv.)	20.02
540-3161	6" Valve Niche Assembly (cover and flange) - 6" S	Black	17.36 lbs.	30 (indiv.)	20.02
540-3167	6" Valve Niche Assembly (cover and flange) - 6" S	Gray	17.36 lbs.	30 (indiv.)	20.02



Misc / Accessories

Volleyball Pole Holders

Part No.	Description	Color	Case Weight	Case Quantity	List (US \$)
540-6700	Volleyball Pole Holder Assembly	White	20.95 lbs.	35 (indiv.)	25.00
540-6701	Volleyball Pole Holder Assembly	Black	20.95 lbs.	35 (indiv.)	25.93
540-6707	Volleyball Pole Holder Assembly	Gray	20.95 lbs.	35 (indiv.)	25.93
540-6709-BEI	Volleyball Pole Holder Assembly	Beige	20.95 lbs.	35 (indiv.)	25.93
519-6700	Body Only	White	22.37 lbs.	50	12.49
519-6710	Flange Only	White	16.76 lbs.	250	10.19
519-6711	Flange Only	Black	16.76 lbs.	250	10.19
519-6717	Flange Only	Gray	16.76 lbs.	250	10.19
519-6719-BEI	Flange Only	Beige	16.76 lbs.	250	10.19
400-4140	Flush Plug 1 1/2" MPT with Gasket	White	6.68 lbs.	100 (indiv.)	2.96
400-4141	Flush Plug 1 1/2" MPT with Gasket	Black	6.68 lbs.	100 (indiv.)	3.28
400-4147	Flush Plug 1 1/2" MPT with Gasket	Gray	6.68 lbs.	100 (indiv.)	3.28
400-4149-BEI	Flush Plug 1 1/2" MPT with Gasket	Beige	6.68 lbs.	100 (indiv.)	3.28
540-6710	Flange and Plug Assembly	White	16.84 lbs.	150	13.17
540-6711	Flange and Plug Assembly	Black	16.84 lbs.	150	13.50
540-6717	Flange and Plug Assembly	Gray	16.84 lbs.	150	13.50
540-6719-BEI	Flange and Plug Assembly	Beige	16.84 lbs.	150	13.50



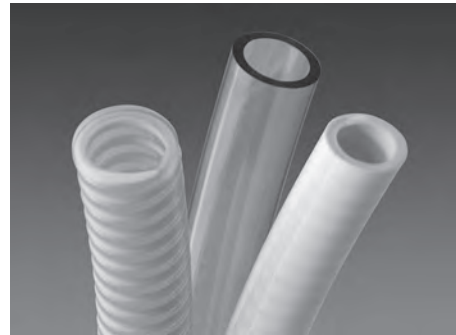


Spa

2020



Spa hose part numbers ending in B or PB have a durometer that is designed specifically for Spa application.



AVAILABLE IN:

- Clear Vinyl: 1/8", 1/4", 3/8", 3/4", and 3/4" x 1 1/16"
- White Vinyl: 3/8", 3/4", and 1" x 1 1/4"
- Shur-Grip: 3/4", 3/4" thin, 1 1/2", and 2"
- Flex: 1/2", 3/4", 1", 1 1/4", 1 1/2", 2", 2" thin, 2 1/2", and 3"

Hose and Tubing - Individual Rolls (unwrapped)

Call for pricing.

Part No.	Description	Color	Ft. / Roll
110-0100B	Vinyl - 1/8" x 1/4"	Clear (0), Red (R)	500
110-0110B	Vinyl - 1/4" x 3/8"	Clear (0), Red (4)	600
110-0120B	Vinyl - 3/8" x 9/16"	Clear (0), White (W)	500
110-0140B	Vinyl - 3/4" x 1"	Clear (0), White (W)	150
110-0150B	Vinyl - 3/4" x 1 1/16"	Clear	100
110-016WB	Vinyl - 1" x 1 1/4"	White	100
120-0110B	Flex - 1/2"	White (0), Black (1)	100
120-0120B	Flex - 3/4"	White (0), Black (1)	100
120-0130B	Flex - 1"	White (0), Black (1)	50
120-0180B	Flex - 1 1/4"	White (0), Black (1)	50
120-0140B	Flex - 1 1/2"	White (0), Black (1)	50
125-0110B	Flex - 1 1/2" x 100 ft.	White (0), Black (1)	100
120-0150B	Flex - 2"	White (0), Black (1)	50
125-0120B	Flex - 2" x 100 ft.	White (0), Black (1)	100
120-0250B	Flex - 2" thin	White (0), Black (1)	50
120-0160B	Flex - 2 1/2"	White (0), Black (1), Gray (7)	50
120-0170B	Flex - 3"	White (0), Black (1), Gray (7)	50
130-0110B	Shur-Grip - 3/4"	Clear/White	100
130-0210B	Shur-Grip - 3/4" thin	Clear/White (0), White (W)	100
130-0120B	Shur-Grip - 1 1/2"	Clear/White	50
130-0130B	Shur-Grip - 2"	Clear/White	50

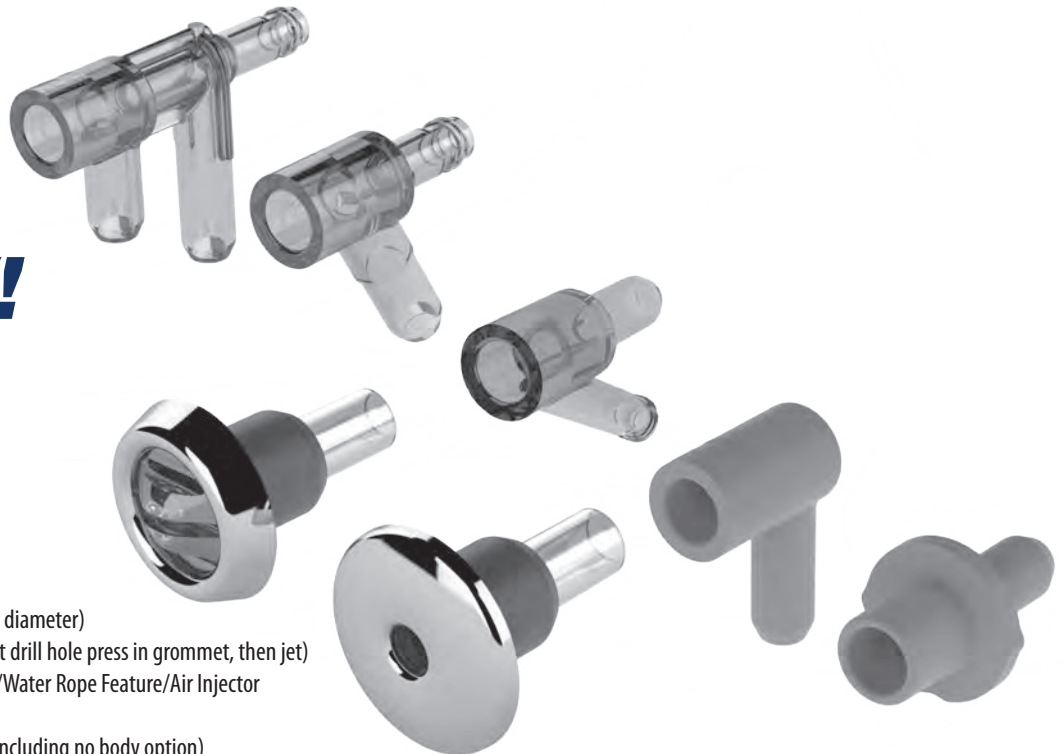
Hose and Tubing - Pallets (unwrapped)

Call for pricing.

Part No.	Description	Color	Ft. / Pallet	Rolls / Pallet
110-0100PB	Vinyl - 1/8" x 1/4"	Clear (0), Red (R)	36,000	72
110-0110PB	Vinyl - 1/4" x 3/8"	Clear (0), Red (4)	33,000	55
110-0120PB	Vinyl - 3/8" x 9/16"	Clear (0), White (W)	20,000	40
110-0140PB	Vinyl - 3/4" x 1"	Clear (0), White (W)	6,000	40
110-0150PB	Vinyl - 3/4" x 1 1/16"	Clear	4,000	40
110-016WPB	Vinyl - 1" x 1 1/4"	White	2,800	28
120-0110PB	Flex - 1/2"	White (0), Black (1)	6,800	68
120-0120PB	Flex - 3/4"	White (0), Black (1)	5,600	56
120-0130PB	Flex - 1"	White (0), Black (1)	2,800	56
120-0180PB	Flex - 1 1/4"	White (0), Black (1)	1,200	24
120-0140PB	Flex - 1 1/2"	White (0), Black (1)	1,200	24
125-0110PB	Flex - 1 1/2" x 100 ft.	White (0), Black (1)	1,200	12
120-0150PB	Flex - 2"	White (0), Black (1)	900	18
125-0120PB	Flex - 2" x 100 ft.	White (0), Black (1)	900	9
120-0250PB	Flex - 2" thin	White (0), Black (1)	900	18
120-0160PB	Flex - 2 1/2"	White (0), Black (1), Gray (7)	800	16
120-0170PB	Flex - 3"	White (0), Black (1), Gray (7)	400	8
130-0110PB	Shur-Grip - 3/4"	Clear/White	5,600	56
130-0210PB	Shur-Grip - 3/4" thin	Clear/White (0), White (W)	5,600	56
130-0120PB	Shur-Grip - 1 1/2"	Clear/White	900	18
130-0130PB	Shur-Grip - 2"	Clear/White	800	16



NEW!



Features:

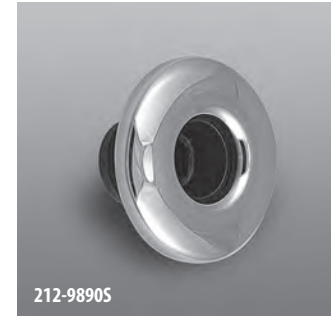
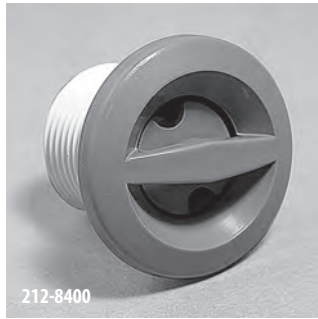
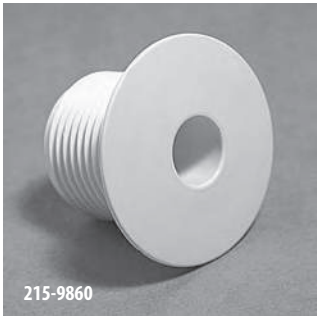
- Micro sized (Just 1 ¼" in diameter)
- Ultra-easy to install (Just drill hole press in grommet, then jet)
- Triple Purpose Micro Jet/Water Rope Feature/Air Injector
- Micro Fan Feature
- Multiple body options (Including no body option)
- Available with Stainless Steel Escutcheon
- LED versions optional
- Very cost efficient

Designed for both ultra-low cost and ease of assembly, Waterway's new Micro Components offers stimulating performance when used as a jet and an amazing display when used as a water feature.

Micro Components			
Part No.	Description	Case Quantity	List (US \$)
425-4030	3/8" SB Straight Adapter	500	0.96
425-6000	Micro 90° Ell Adapter, 3/8"	--	1.31
425-6018	Micro Angle Adapter, 3/8" w/LED	--	1.72
425-6038	Micro Jet Venturi, Same Side, 3/8" SB w/LED	--	1.55
425-6048	SGMS 1" Micro Water Feature Wye. 30° LED Probe	--	1.72
670-2700	SGMS 1 ¼" Micro Jet/WF/Injector, Plastic, Assy	--	2.58
670-2700S	SGMS 1 ¼" Micro Jet/WF/Injector, Metal, Assy	--	3.94
670-2580	SGMS 1 ¼" Micro Water Feature Fan Spray, Plastic, Assy	--	2.58
670-2580S	SGMS 1 ¼" Micro Water Feature Fan Spray, Metal, Assy	--	4.64



Jets / Cluster Jet Internals



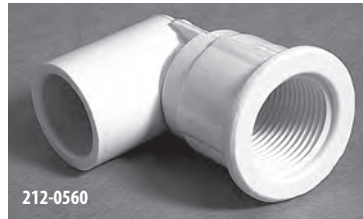
Spa Jets

Cluster Jet Internals

Part No.	Description	Case Quantity	List (US \$)
215-9860	Ozone - Smooth	200	2.72
212-9870	Ozone - Stainless Steel	500	6.02
212-8400	Front Access - Pulsator - Smooth	450	4.72
215-9950	Fixed Directional - 5-Scallop	500	3.33
215-9840	Large Face - Smooth	150	3.33
212-9890S	Non-Adjustable - Large Face - Stainless Steel - Thick	250	6.58
215-9820	Non-Adjustable - Large Face - Textured - Thick	500	3.33
215-9830	Large Face - Textured - 5-Scallop	500	4.01
215-9960	Fixed Directional - Large Face - 5-Scallop	500	4.70
212-9960S	Fixed Directional - Large Face - Stainless Steel	250	8.96
212-8810	Directional - Large Face - Smooth	250	4.72
212-8830	Directional - Large Face - 5-Scallop	250	4.72
215-9900	Extra Large Face - 2 3/8" - Smooth	350	3.80
212-9900S	Extra Large Face - 2 3/8" - Stainless Steel	250	7.55
212-2190	Non-Adjustable Ozone Cluster - Eclipse - Plastic	200	4.71
212-2190S	Non-Adjustable Ozone Cluster - Eclipse - Stainless Steel	200	7.62
212-2890S	Ozone - Orion - Stainless Steel	200	8.53



Jets / Ozone Cluster & Universal Cluster Jet Body



Ozone Cluster Jet Body Assemblies

Part No.	Description	Case Quantity	List (US \$)
211-0380	Straight Body - 1/2" S x 3/8" SMTH BRB Cluster/Ozone Jet Body	250	5.36
212-0090	Ell Body - 3/8" RB Air x 3/4" RB Water with Nozzle	200	5.36
212-0540	Ell Body - No Air x 3/4" S Water with Nozzle	180	5.36
212-0550	Ell Body - 3/8" B Air x 3/4" SB Water with Nozzle	180	5.36
212-0560	Ell Body - No Air x 1/2" S Water with Nozzle	200	5.36
212-0580	Ell Body - 3/8" RB Air x 1/2" S Water with Nozzle	200	5.36
212-0590	Ell Body - 3/8" RB Air x 3/4" S Water with Nozzle	180	5.36
212-0690	Ell Body - 3/8" RB Air x 3/4" SB Water with O-ring groove	180	5.36



Universal Cluster Jets

Part No.	Description	Case Quantity	List (US \$)
212-0500	Universal Cluster Jet Body Assembly - 3/4" RB x 90° Ell - Flat Gasket	200	5.72
212-0500G	Universal Cluster Jet Body Assembly - 3/4" RB x 90° Ell - Grommet Gasket	200	5.72

Euro Blaster Jet Body and Wall Fitting Assembly

212-4150	3/4" RB x 3/8" SB - 1/2" Orifice - 25 GPM @ 15 PSI	200	10.75
-----------------	--	-----	-------

Neck Jet

239-0749-DSGSPS	Cluster Storm 100% S/O Dir XL 4 Swirl 2 Tone (THD)	100	9.09
239-0759-DSGS	Cluster Storm 100% S/O Dir 4 Swirl w/Mtl (THD)	200	16.52
239-0771S-DSGSPS	Cluster Storm 100% S/O DirRev Swirl w/Mtl (THD)	200	16.52

Cluster Jet Accessories

Part No.	Description	Case Quantity	List (US \$)
711-9870	Cluster/Ozone Flat Gasket	500	0.66
711-9860	Cluster Grommet Gasket	500	0.66
711-4070	Cluster Gasket with O-ring Rib	500	0.66



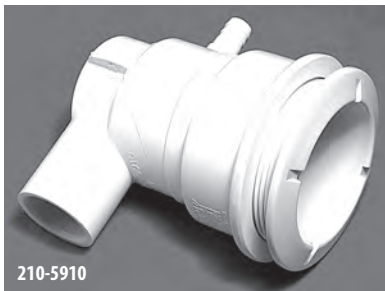
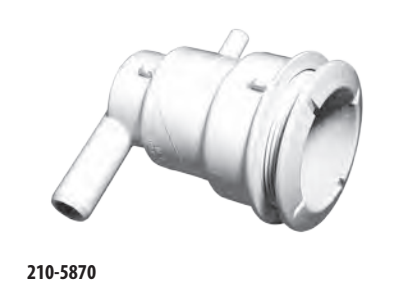


Jets / Poly Jets



Standard Poly Jets

Part No.	Description	Case Weight	Case Quantity	List (US \$)
210-6040	Adjustable - Caged Style	11.6 lbs.	75	13.80
210-8750	Monster - Caged Style (5/16" - 3/8" - 7/16" - 1/2" Orifice)	8.39 lbs.	50	13.80
210-9790	Whirlpool - Caged Style (3/4" Orifice)	6.05 lbs.	50	13.80



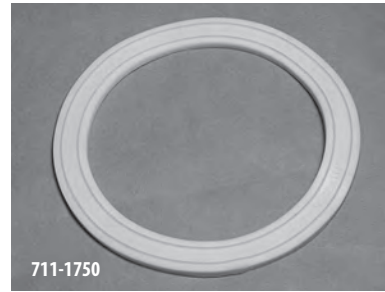
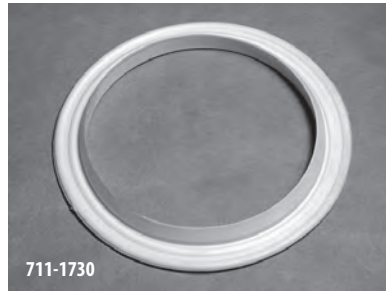
Metric
210-5937



Poly Jet Body Assemblies

Part No.	Description	Case Quantity	List (US \$)
210-5830	1" S Water x 1" S Air - No Top Plug	40	13.80
210-5860	Tee Body - 1 1/2" S Water x 1" S Air - with Top Plug	30	13.80
210-5870	Ell Body - 3/4" SB Water x 3/8" RB Air	60	13.80
210-5910	Ell Body - 3/4" S Water x 3/8" RB Air	60	13.80
210-5950	Straight Body - 1 1/2" S Water x 1/2" / 1" Spigot Air	60	13.80
210-5937	NEW Metric Jet Body - 50mm Water x 20mm Air	60	13.80
210-9500	32mm Water x 32mm Air	30	13.80

All Poly Jet body assemblies include a body and wall fitting.



Poly Jet Accessories

Part No.	Description	Case Quantity	List (US \$)
711-1730	Grommet Gasket	1400	0.66
711-1750	Standard Gasket (Thin)	500	0.66
711-4750	3/16" Gasket (Thick)	500	0.97
916-1250	Escutcheon - Stainless Steel (<i>Standard Poly Jets only</i>)	3	5.94
218-1770A	Wrench/Test Plug with O-Ring Assembly	150	6.91
805-0132	Wrench O-Ring	25	0.71



Spa Jets / Storm Jet Body Assemblies

NEW!

IMPROVED STORM JET BODIES

- Molded-in Threads
- Molded-in GLO Ports on Mini, Poly & Power



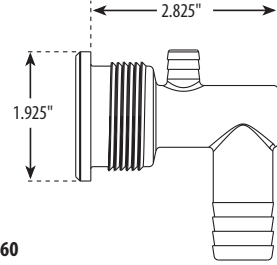
NEW!
GLO Port Gib
See page 149
for GLO Clip.



Adj. Cluster Storm



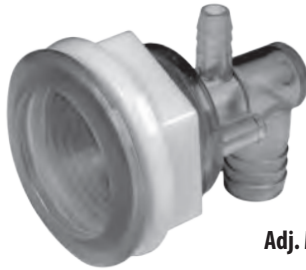
218-9460



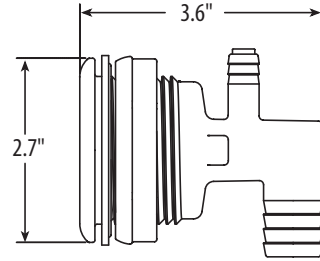
Thread-in Jets



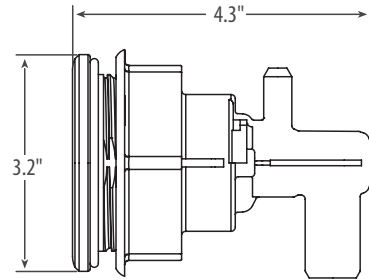
NEW Built-in GLO Ports



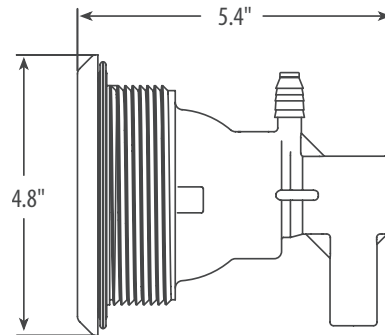
Adj. Mini Storm



Adj. Poly Storm



Adj. Power Storm



Made in the USA!

Note: Products shown may be covered under patents US8458825, CA2644557.

In-Ground Portable Thread-In Spa Jet Body Assemblies

FEATURES:

- Designed specifically for in-ground portable spa applications
- Accepts all Mini-Storm and Poly Storm series thread-in jet internals
- Allows for flex or rigid plumbing
- Resists plumbing deterioration in harsh soils
- Resists rodent damage to plumbing
- Made of NSF fitting grade PVC material



228-0380



228-0390



Adjustable Cluster Storm Thread-In Jet Body Assemblies

Part No.	Description	Case Quantity	List (US \$)
228-1570G	Body Assembly - 3/4" S x 3/8" RB	100	8.22
228-1550G	Body Assembly - 3/4" RB x 3/8" RB	100	8.22
228-1560G	Body Assembly - 3/4" SB x 3/8" - SB	100	8.22
228-1720G	Body Assembly - 3/4" RB x No Air	100	8.22

Mini-Storm Thread-In Jet Body Assemblies

Part No.	Description	Case Quantity	List (US \$)
228-0300	Body Assembly - 3/4" RB x 3/8" RB	100	8.67
228-0330	Body Assembly - 3/4" SB x 3/8" - SB	100	8.67
228-0340	Body Assembly - 3/4" SB x 3/8" RB - No Air	100	8.67

Poly Storm Thread-In Jet Body Assemblies

Part No.	Description	Case Quantity	List (US \$)
228-0410	Body Assembly - 3/4" S x 3/8" SB	70	9.81
228-0400	Body Assembly - 3/4" RB x 3/8" RB	70	9.81
228-0430	Body Assembly - 3/4" SB x 3/8" SB	70	9.82

Power Storm Thread-In Jet Body Assemblies

Part No.	Description	Case Quantity	List (US \$)
228-0020	Body Assembly - 3/4" S / 1" SPG x 3/8" SB	25	10.73
228-0040	Body Assembly - 3/4" RB x 3/8" RB	25	10.73
228-0010	Body Assembly - 3/4" SB x 3/8" SB	25	10.73

In-Ground Portable Thread-In Spa Jet Body Assemblies

Part No.	Description	Case Quantity	List (US \$)
228-0380	In-Ground Mini-Storm Jet Body Assembly - 3/4" S x 1/2" S / 3/4" Spigot	--	9.99
228-0390	In-Ground Poly Storm Jet Body Assembly - 3/4" S x 1/2" S / 3/4" Spigot	--	9.99

Note: All part numbers are for the new thread-in style

- To order snap-in bodies; change the part number prefix to 212-xxxx
- To order Glo style bodies: change the last number to 8. ie: 228-2008

Note: Jet Bodies include flat gaskets. Grommet gaskets available upon request. CPVC bodies available upon request.

Note: Products shown may be covered under patents US8458825, CA2644557.



Orion Storm Jets

Part No.	Jet Type	Eyeball	Size	Style	Case Qty.	List (US \$)
239-4000S	Adj. Cluster Storm	Directional	2 1/4"	Plastic/Stainless Steel	200	12.47
239-4020S	Adj. Cluster Storm	Rifled	2 1/4"	Plastic/Stainless Steel	200	12.47
239-4030S	Adj. Cluster Storm	Multi-Massage	2 1/4"	Plastic/Stainless Steel	200	12.47
239-4010S	Adj. Cluster Storm	Twin Roto	2 1/4"	Plastic/Stainless Steel	200	14.11
239-4100S	Large Cluster Storm	Directional	3 5/16"	Plastic/Stainless Steel	180	20.10
239-4120S	Large Cluster Storm	Rifled	3 5/16"	Plastic/Stainless Steel	180	20.10
239-4130S	Large Cluster Storm	Multi-Massage	3 5/16"	Plastic/Stainless Steel	180	20.10
239-4110S	Large Cluster Storm	Twin Roto	3 5/16"	Plastic/Stainless Steel	180	24.10
239-4200S	Mini-Storm	Directional	3 5/16"	Plastic/Stainless Steel	150	22.55
239-4250S	Mini-Storm	Multi-Massage	3 5/16"	Plastic/Stainless Steel	150	22.55
239-4210S	Mini-Storm	Roto	3 5/16"	Plastic/Stainless Steel	150	26.50
239-4220S	Mini-Storm	Twin Roto	3 5/16"	Plastic/Stainless Steel	150	26.50
239-4230S	Mini-Storm	Pulse Massage	3 5/16"	Plastic/Stainless Steel	150	22.57
239-4260S	Mini-Storm	Twister	3 5/16"	Plastic/Stainless Steel	150	26.50
239-4240S	Mini-Storm	Rifled	3 5/16"	Plastic/Stainless Steel	150	22.55
239-4900S	Large Poly Storm	Directional	4 3/8"	Plastic/Stainless Steel	70	34.62
239-4940S	Large Poly Storm	Multi-Massage	4 3/8"	Plastic/Stainless Steel	70	34.62
239-4910S	Large Poly Storm	Roto	4 3/8"	Plastic/Stainless Steel	70	38.60
239-4920S	Large Poly Storm	Twin Roto	4 3/8"	Plastic/Stainless Steel	70	38.60
239-4930S	Large Poly Storm	Pulse Massage	4 3/8"	Plastic/Stainless Steel	70	38.60
239-4960S	Large Poly Storm	Twister	4 3/8"	Plastic/Stainless Steel	70	38.60
239-4950S	Large Poly Storm	Rifled	4 3/8"	Plastic/Stainless Steel	70	34.62
239-4400S	Power Storm	Directional	5 1/4"	Plastic/Stainless Steel	40	37.87
239-4450S	Power Storm	Multi-Massage	5 1/4"	Plastic/Stainless Steel	40	37.87
239-4410S	Power Storm	Roto	5 1/4"	Plastic/Stainless Steel	40	44.98
239-4420S	Power Storm	Twin Roto	5 1/4"	Plastic/Stainless Steel	40	44.98
239-4430S	Power Storm	Pulse Massage	5 1/4"	Plastic/Stainless Steel	40	44.98
239-4460S	Power Storm	Twister	5 1/4"	Plastic/Stainless Steel	40	44.98
239-4440S	Power Storm	Rifled	5 1/4"	Plastic/Stainless Steel	40	37.87
239-4700S	Large Power Storm	Directional	6 1/2"	Plastic/Stainless Steel	25	41.28
239-4750S	Large Power Storm	Multi-Massage	6 1/2"	Plastic/Stainless Steel	25	41.28
239-4770S	Large Power Storm	Roto	6 1/2"	Plastic/Stainless Steel	25	48.40
239-4720S	Large Power Storm	Twin Roto	6 1/2"	Plastic/Stainless Steel	25	48.40
239-4730S	Large Power Storm	Pulse Massage	6 1/2"	Plastic/Stainless Steel	25	48.40
239-4760S	Large Power Storm	Twister	6 1/2"	Plastic/Stainless Steel	25	48.40
239-4740S	Large Power Storm	Rifled	6 1/2"	Plastic/Stainless Steel	25	41.28

For GLO style internals on all Storm Jets use the prefix 230 and the last number as 8. 230-XXX8

For 100% shut-off Cluster & Mini Jets use the prefix 225. 225-XXXX



Spa Jets / Storm Jets - Eclipse

Thread-in Jet Patent # US8458825 & CA2644557

Cluster – 2-1/8" Diameter

Case Qty: 200 Plastic/box 200 Stainless/box



	Directional	List Price
Plastic	239-0100	4.61
Stainless	239-0100S	12.47



	Rifled	List Price
	239-0110	4.61
	239-0110S	12.47



	Multi-Massage	List Price
	239-0120	4.61
	239-0120S	12.47



	Twin Roto	List Price
	239-0130	6.26
	239-0130S	13.70

Mini – 3-1/16" Diameter

Case Qty: 180 Plastic/box 180 Stainless/box



	Directional	List Price
Plastic	239-0300	11.53
Stainless	239-0300S	22.57



	Rifled	List Price
	239-0310	11.53
	239-0310S	22.57



	Multi-Massage	List Price
	239-0320	11.53
	239-0320S	22.57



	Roto	List Price
	239-0330	11.53
	239-0330S	22.57



	Twin Roto	List Price
Plastic	239-0340	15.47
Stainless	239-0340S	26.50



	Pulse Massage	List Price
	239-0350	15.47
	239-0350S	26.50



	Twister	List Price
	239-0360	15.47
	239-0360S	26.50

LG Poly – 4" Diameter

Case Qty: 80 Plastic/box 70 Stainless/box



	Directional	List Price
Plastic	239-0500	14.09
Stainless	239-0500S	14.50



	Rifled	List Price
	239-0510	14.09
	239-0510S	32.00



	Multi-Massage	List Price
	239-0520	14.09
	239-0520S	32.00



	Roto	List Price
	239-0530	19.13
	239-0530S	35.93

Patent # CA 5,920,025



	Twin Roto	List Price
Plastic	239-0540	19.13
Stainless	239-0540S	35.93



	Pulse Massage	List Price
	239-0550	19.13
	239-0550S	35.93



	Twister	List Price
	239-0560	19.13
	239-0560S	35.93

For GLO style internals on all Storm Jets use the prefix 230 and the last number as 8.
230-XXX8

For 100% shut-off Cluster & Mini Jets use the prefix 225.
225-XXXX



Spa Jets / Storm Jets - Eclipse

Thread-in Jet Patent # US8458825 & CA2644557

Power – 5" Diameter Case Qty: 40



	Directional	List Price
Plastic	239-7770	19.13
Stainless	239-7770S	37.87



	Rifled	List Price
	239-0620	19.13
	239-0620S	37.87



	Multi-Massage	List Price
	239-0630	19.13
	239-0630S	37.87



	Roto	List Price
	239-0640	25.04
	239-0640S	44.98

Patent # CA 5,920,025



	Twin Roto	List Price
Plastic	239-0650	25.04
Stainless	239-0650S	44.98



	Pulse Massage	List Price
	239-0660	25.04
	239-0660S	44.98



	Twister	List Price
	239-0670	25.04
	239-0670S	44.98

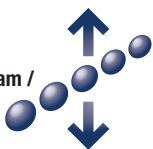
*For GLO style internals on all Storm Jets use the prefix 230 and the last number as 8.
230-XXX8*

*For 100% shut-off Cluster & Mini Jets use the prefix 225.
225-XXXX*



Spa Jets

Twirl
Steady Stream / Stationary Eyeball



Multi Massage
Multi-Shower



Roto
Adjustable Rotating Stream



Rifled
Enhanced Steady Stream



Twin Roto
Rotating Dual Stream



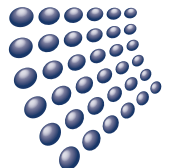
Twister
Adjustable Rotating Stream



Pulse Massage
Pulsating Stream



Shower
Pressure Ball





Spa Jets / Storm Jets - Reverse Eclipse

Thread-in Jet Patent # US8458825 & CA2644557

Cluster – 2-1/8" Diameter

Case Qty: 200 Stainless/box



Directional List Price



Rifled List Price



Multi-Massage List Price



Twin Roto List Price

Plastic / NA
Stainless 239-1700S-DSG 12.47

239-1710S-DSG 12.47

239-1720S-DSG 12.47

239-1730S-DSG 14.11

LG Cluster – 3-5/16" Diameter

Case Qty: 180 Stainless/box



Directional List Price



Rifled List Price



Multi-Massage List Price



Twin Roto List Price

Plastic / NA
Stainless 239-1800S 20.10

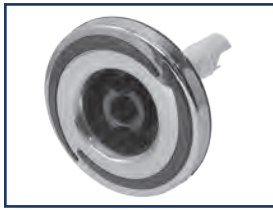
239-1810S 20.10

239-1820S 20.10

239-1830S 24.12

Mini – 3-1/16" Diameter

Case Qty: 180 Stainless/box



Directional List Price



Rifled List Price



Multi-Massage List Price



Roto List Price

Plastic / NA
Stainless 239-3100S 22.57

239-3110S 22.57

239-3120S 22.57

239-3130S 26.50



Twin Roto List Price



Pulse Massage List Price



Twister List Price

Plastic / NA
Stainless 239-3140S 26.50

239-3150S 26.50

239-3160S 26.50

For GLO style internals on all Storm Jets use the prefix 230 and the last number as 8.
230-XXX8

For 100% shut-off Cluster & Mini Jets use the prefix 225.
225-XXXX

LG Poly – 4" Diameter (continued next page)

Case Qty: 70 Stainless/box



Directional List Price



Rifled List Price



Multi-Massage List Price



Roto List Price

Plastic / NA
Stainless 239-3300S 32.00

239-3310S 32.00

239-3320S 32.04

239-3330S 35.93



Spa Jets / Storm Jets - Reverse Eclipse

Thread-in Jet Patent # US8458825 & CA2644557

LG Poly – 4" Diameter *(continued from previous page)* Case Qty: 70 Stainless/box



Twin Roto List Price

Plastic / NA 239-3340S 35.93



Patent # CA 5,920,025

Pulse Massage List Price

239-3350S 35.93



Twister List Price

239-3360S 35.93

For GLO style internals on all Storm Jets use the prefix 230 and the last number as 8. 230-XXX8

For 100% shut-off Cluster & Mini Jets use the prefix 225. 225-XXXX

Power – 5" Diameter Case Qty: 40 Stainless/box



Directional List Price

Plastic / NA 239-1900S 37.87



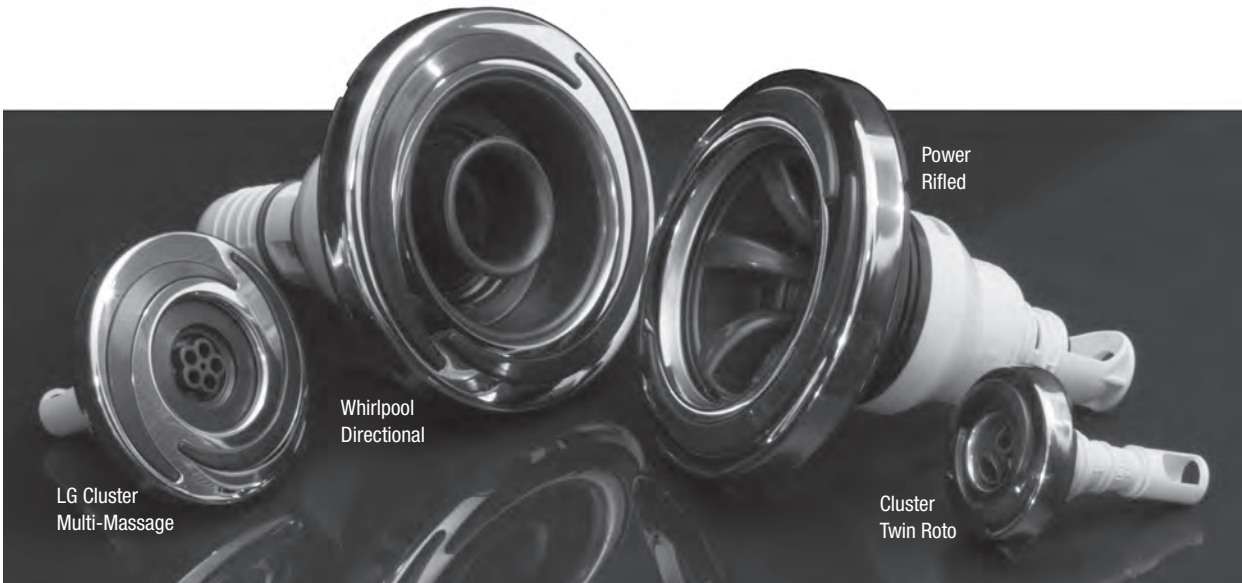
Roto List Price

239-1950S 44.98

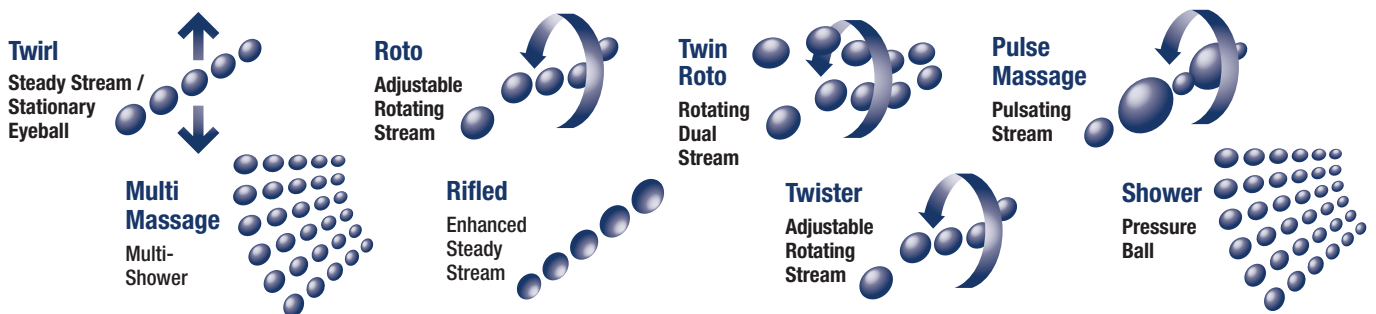


Twin Roto List Price

239-1910S 44.98



Spa Jets





Spa Jets / Storm Jets - Luxe

Patent # US D700,972 S

Thread-in Jet Patent # US8458825 & CA2644557

Cluster – 2-3/8" Diameter

Case Qty: Stainless 200/box



	Directional	List Price
Plastic	239-1500	4.61
Stainless	239-1500S	12.47



	Rifled	List Price
	239-1520	4.48
	239-1520S	12.47



	Multi-Massage	List Price
	239-1530	4.35
	239-1530S	12.47



	Twin Roto	List Price
	239-1510	6.26
	239-1510S	14.11

Mini – 3-1/4" Diameter

Case Qty: Stainless 100/box



	Directional	List Price
Plastic	239-2300	10.88
Stainless	239-2300S	22.57



	Rifled	List Price
	239-2350	10.88
	239-2350S	22.57



	Multi-Massage	List Price
	239-2330	10.88
	239-2330S	22.55



	Roto	List Price
	239-2310	14.58
	239-2310S	26.50



	Twin Roto	List Price
Plastic	239-2320	14.58
Stainless	239-2320S	26.50



	Pulse Massage	List Price
	239-2340	14.58
	239-2340S	26.50



	Twister	List Price
	239-2360	14.58
	239-2360S	26.50

For GLO style internals on all Storm Jets use the prefix 230 and the last number as 8.
230-XXX8

For 100% shut-off Cluster & Mini Jets use the prefix 225.
225-XXXX

Poly – 3-3/4" Diameter

Case Qty: Stainless 100/box



	Directional	List Price
Plastic	239-8300	14.31
Stainless	239-8300S	32.00



	Rifled	List Price
	239-8350	14.31
	239-8350S	32.00



	Multi-Massage	List Price
	239-8330	14.31
	239-8330S	32.00



	Roto	List Price
	239-8310	18.03
	239-8310S	35.93

Patent # CA 5,920,025



	Twin Roto	List Price
Plastic	239-8320	18.03
Stainless	239-8320S	35.93



	Pulse Massage	List Price
	239-8340	18.03
	239-8340S	35.93



	Twister	List Price
	239-8360	18.03
	239-8360S	35.93



Thread-in Jet Patent # US8458825 & CA2644557

LG Poly – 4-3/8" Diameter Case Qty: Stainless 70/box

			
Directional 239-8200 239-8200S	Rifled 239-8230 239-8230S	Multi-Massage 239-8240 239-8240S	Roto 239-8210 239-8210S
Plastic Stainless	Plastic Stainless	Plastic Stainless	Plastic Stainless
List Price 14.74 34.62	List Price 14.74 34.62	List Price 14.74 34.62	List Price 18.57 38.60

Patent # CA 5,920,025

		
Twin Roto 239-8220 239-8220S	Pulse Massage 239-8250 239-8250S	Twister 239-8260 239-8260S
Plastic Stainless	Plastic Stainless	Plastic Stainless
List Price 18.57 38.60	List Price 18.57 38.60	List Price 18.57 38.60

*For GLO style internals on all Storm Jets use the prefix 230 and the last number as 8.
230-XXX8*

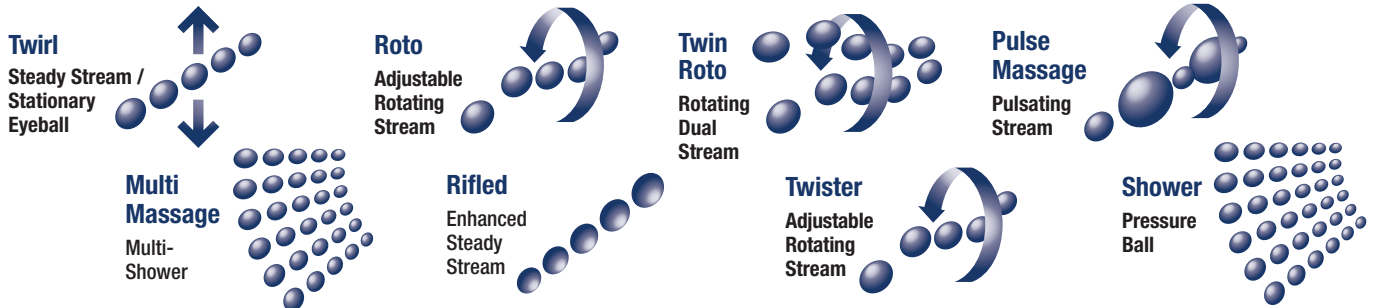
*For 100% shut-off Cluster & Mini Jets use the prefix 225.
225-XXXX*

Power – 5-1/4" Diameter Case Qty: Stainless 40/box

			
Directional 239-7710 239-7710S	Rifled 239-6150 239-6150S	Multi-Massage 239-6140 239-6140S	Roto 239-6110 239-6110S
Plastic Stainless	Plastic Stainless	Plastic Stainless	Plastic Stainless
List Price 19.13 37.87	List Price 19.13 37.87	List Price 19.13 37.87	List Price 25.04 44.98

Patent # CA 5,920,025

			
Twin Roto 239-6120 239-6120S	Pulse Massage 239-6130 239-6130S	Twister 239-6160 239-6160S	Acupressure 239-6740 229-6740S
Plastic Stainless	Plastic Stainless	Plastic Stainless	Plastic Stainless
List Price 25.04 44.98	List Price 25.04 44.98	List Price 25.04 44.98	List Price 25.04 44.98



Spa Jets



Thread-in Jet Patent # US8458825 & CA2644557

Cluster – 2-1/4" Diameter

Case Qty: 200/box



	Directional	List Price
Plastic	229-1670	4.61
Stainless	229-1670S	11.87



	Rifled	List Price
	229-0140	4.61
	229-0140S	11.87



	Multi-Massage	List Price
	229-1790	5.57
	229-1790S	11.87



	Twin Roto	List Price
	229-1780	4.61
	229-1780S	11.87

LG Cluster – 3-1/4" Diameter

Case Qty: 100/box



	Directional	List Price
Plastic	229-0210	5.58
Stainless	229-0210S	22.57



	Rifled	List Price
	229-0220	5.58
	229-0220S	22.57



	Multi-Massage	List Price
	229-0240	5.58
	229-0240S	22.57



	Twin Roto	List Price
	229-0230	7.25
	229-0230S	20.10

Mini – 3-1/4" Diameter

Case Qty: 180/box



	Directional	List Price
Plastic	229-8440	11.53
Stainless	229-8440S	21.76



	Rifled	List Price
	229-0190	11.53
	229-0190S	21.76



	Multi-Massage	List Price
	229-9040	11.53
	229-9040S	21.76



	Roto	List Price
	229-0320	15.47
	229-0320S	25.71



	Twin Roto	List Price
Plastic	229-8450	15.47
Stainless	229-8450S	25.71



	Pulse Massage	List Price
	229-0330	15.47
	229-0330S	25.71



	Twister	List Price
	229-9530	15.47
	229-9530S	25.71

For GLO style internals on all Storm Jets use the prefix 230 and the last number as 8.
230-XXX8

For 100% shut-off Cluster & Mini Jets use the prefix 225.
225-XXXX

Poly – 3-5/8" Diameter (continued next page)

Case Qty: 100/box



	Directional	List Price
Plastic	229-4020	15.18
Stainless	229-4020S	30.98



	Rifled	List Price
	229-1940	15.18
	229-1940S	30.98



	Multi-Massage	List Price
	229-4090	15.18
	229-4090S	30.98



	Roto	List Price
	229-4030	19.13
	229-4030S	34.92



Thread-in Jet Patent # US8458825 & CA2644557

Poly – 3-5/8" Diameter *(continued from previous page)* Case Qty: 100/box



	Twin Roto	List Price
Plastic	229-4040	19.13
Stainless	229-4040S	34.92



Patent # CA 5,920,025

	Pulse Massage	List Price
	229-4050	19.13
	229-4050S	34.92



	Twister	List Price
	229-9630	19.13
	229-9630S	34.92

LG Poly – 4 3/8" Diameter Case Qty: Plastic 80/box Stainless 70/box



	Directional	List Price
Plastic	229-0440	15.18
Stainless	229-0440S	33.61



	Rifled	List Price
	229-0610	15.18
	229-0610S	33.61



	Multi-Massage	List Price
	229-0480	15.18
	229-0480S	33.61



	Roto	List Price
	229-0450	19.13
	229-0450S	37.56



	Twin Roto	List Price
Plastic	229-0460	19.13
Stainless	229-0460S	37.56



Patent # CA 5,920,025

	Pulse Massage	List Price
	229-0620	19.13
	229-0620S	37.56



	Twister	List Price
	229-0410	19.13
	229-0410S	37.56

*For GLO style internals on all Storm Jets use the prefix 230 and the last number as 8.
230-XXX8*

*For 100% shut-off Cluster & Mini Jets use the prefix 225.
225-XXXX*

Power – 5 1/4" Diameter Case Qty: 45/box



	Directional	List Price
Plastic	239-7740	19.13
Stainless	239-7740S	47.45



	Rifled	List Price
	229-1990	19.13
	229-1990S	36.26



	Multi-Massage	List Price
	229-6170	19.13
	229-6170S	36.26



	Roto	List Price
	229-6380	25.04
	229-6380S	42.18



	Twin Roto	List Price
Plastic	229-6360	25.04
Stainless	229-6360S	42.18



Patent # CA 5,920,025

	Pulse Massage	List Price
	229-6350	25.04
	229-6350S	47.45



	Twister	List Price
	229-7680	25.04
	229-7680S	42.18



	Acupressure	List Price
	229-6720	25.04
	229-6720S	42.18



Spa Jets / Storm Jets - Reverse Swirl

Patent # US D574,964 S

Thread-in Jet Patent # US8458825 & CA2644557

Cluster – 2-1/4" Diameter

Case Qty: 200/box



Directional
List Price
Plastic / NA 229-2700S 12.47
Stainless 229-2700S 12.47



Rifled
List Price
229-2710S 12.47



Multi-Massage
List Price
229-2730S 12.47



Twin Roto
List Price
229-2720S 14.11

LG Cluster – 3-5/16" Diameter

Case Qty: 100/box



Directional
List Price
Plastic / NA 229-2740S 18.45
Stainless 229-2740S 18.45



Rifled
List Price
229-2750S 19.02



Multi-Massage
List Price
229-2770S 18.45



Twin Roto
List Price
229-2760S 20.10

Mini – 3-5/16" Diameter

Case Qty: 150/box



Directional
List Price
Plastic / NA 229-2400S 21.76
Stainless 229-2400S 21.76



Rifled
List Price
229-2410S 22.55



Multi-Massage
List Price
229-2480S 21.76



Roto
List Price
229-2420S 25.71



Twin Roto
List Price
Plastic / NA 229-2430S 25.71
Stainless 229-2430S 25.71



Pulse Massage
List Price
229-2440S 27.35



Twister
List Price
229-2940S 25.71

For GLO style internals on all Storm Jets use the prefix 230 and the last number as 8.
230-XXX8

For 100% shut-off Cluster & Mini Jets use the prefix 225.
225-XXXX

Poly – 3-5/8" Diameter (continued next page)

Case Qty: 100/box



Directional
List Price
Plastic / NA 229-2800S 32.00
Stainless 229-2800S 32.00



Rifled
List Price
229-2810S 30.98



Multi-Massage
List Price
229-2880S 30.98



Roto
List Price
229-2820S 34.92



Thread-in Jet Patent # US8458825 & CA2644557

Poly – 3-5/8" Diameter *(continued from previous page)* Case Qty: 100/box




		
Twin Roto	Pulse Massage	Twister
Plastic / NA	Patent # CA 5,920,025	
Stainless 229-2830S	229-2840S	229-2950S
List Price 35.93	List Price 35.93	List Price 34.92

For GLO style internals on all Storm Jets use the prefix 230 and the last number as 8.
230-XXX8

For 100% shut-off Cluster & Mini Jets use the prefix 225.
225-XXXX

LG Poly – 4-3/8" Diameter Case Qty: 70/box

			
Directional	Rifled	Multi-Massage	Roto
Plastic / NA			
Stainless 229-2500S	229-2510S	229-2580S	229-2520S
List Price 34.62	List Price 33.61	List Price 33.61	List Price 38.60

		
Twin Roto	Pulse Massage	Twister
Plastic / NA	Patent # CA 5,920,025	
Stainless 229-2530S	229-2540S	229-2960S
List Price 37.56	List Price 38.60	List Price 37.56

Power – 5-1/4" Diameter Case Qty: 45/box

			
Directional	Rifled	Multi-Massage	Roto
Plastic / NA			
Stainless 239-7750S	229-2620S	229-2690S	229-2630S
List Price 37.87	List Price 36.26	List Price 36.26	List Price 44.98

			
Twin Roto	Pulse Massage	Twister	Accupressure
Plastic / NA	Patent # CA 5,920,025		
Stainless 229-2640S	229-2650S	229-2790S	229-2780S
List Price 44.98	List Price 44.98	List Price 42.18	List Price 42.18

Spa Jets



Spa Jets / Storm Jets - 6 Spoke

Patent # US D574,964 S

Thread-in Jet Patent # US8458825 & CA2644557

Cluster – 2-1/4" Diameter

Case Qty: 200/box



	Directional	List Price
Plastic	229-1470	4.61
Stainless	229-1470S	11.87



	Rifled	List Price
	229-0130	4.61
	229-0130S	11.87



	Multi-Massage	List Price
	229-1770	4.61
	229-1770S	11.87



	Twin Roto	List Price
	229-1440	6.14
	229-1440S	13.27

Mini – 3-5/16" Diameter

Case Qty: 180/box



	Directional	List Price
Plastic	229-8630	11.31
Stainless	229-8630S	21.32



	Rifled	List Price
	229-0180	11.31
	229-0180S	37.77



	Multi-Massage	List Price
	229-8700	11.31
	229-8700S	21.76



	Roto	List Price
	229-8640	15.47
	229-8640S	25.71



	Twin Roto	List Price
Plastic	229-8650	15.47
Stainless	229-8650S	25.71



	Pulse Massage	List Price
	229-8660	15.47
	229-8660S	27.35



	Twister	List Price
	229-9520	15.47
	229-9520S	25.71

For GLO style internals on all Storm Jets use the prefix 230 and the last number as 8.
230-XXX8

For 100% shut-off Cluster & Mini Jets use the prefix 225.
225-XXXX

Poly – 3-5/8" Diameter

Case Qty: 100/box



	Directional	List Price
Plastic	229-8590	15.18
Stainless	229-8590S	30.98



	Rifled	List Price
	229-1930	15.18
	229-1930S	30.98



	Multi-Massage	List Price
	229-3240	15.18
	229-3240S	19.52



	Roto	List Price
	229-8570	19.13
	229-8570S	34.92

Patent # CA 5,920,025



	Twin Roto	List Price
Plastic	229-8580	19.13
Stainless	229-8580S	34.92



	Pulse Massage	List Price
	229-3200	19.13
	229-3200S	37.56



	Twister	List Price
	229-9620	19.13
	229-9620S	34.92



Thread-in Jet Patent # US8458825 & CA2644557

LG Poly – 4-3/8" Diameter Case Qty: 45/box

								
	Directional	List Price	Rifled	List Price	Multi-Massage	List Price	Roto	List Price
Plastic	239-5000	15.18	239-5050	15.18	239-5040	15.18	239-5010	19.13
Stainless	239-5000S	33.62	239-5050S	33.62	239-5040S	33.62	239-5010S	37.57





Patent # CA 5,920,025

						
	Twin Roto	List Price	Pulse Massage	List Price	Twister	List Price
Plastic	239-5020	19.13	239-5030	19.13	239-5060	19.13
Stainless	239-5020S	37.57	239-5030S	37.57	239-5060S	37.57




For GLO style internals on all Storm Jets use the prefix 230 and the last number as 8. 230-XXX8

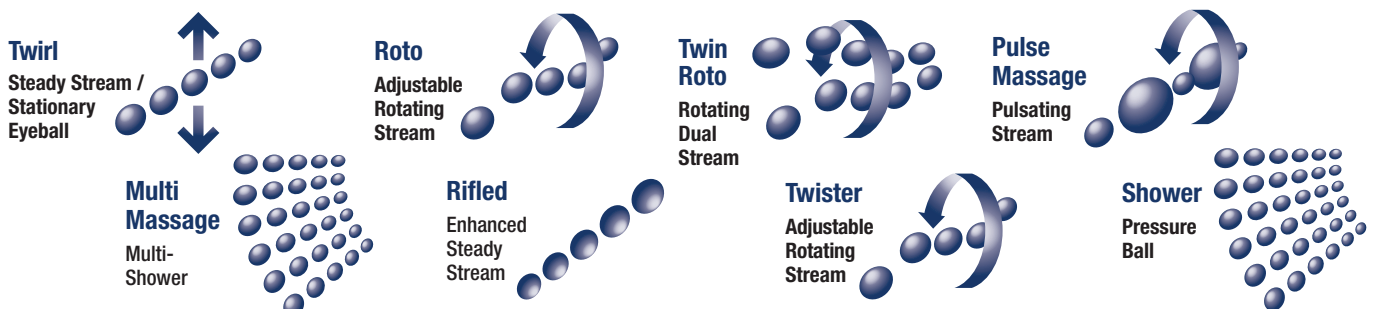
For 100% shut-off Cluster & Mini Jets use the prefix 225. 225-XXXX

Power – 5-1/4" Diameter Case Qty: 45/box

								
	Directional	List Price	Rifled	List Price	Multi-Massage	List Price	Roto	List Price
Plastic	229-7720	19.13	229-1980	19.13	229-7250	19.13	229-7550	25.04
Stainless	229-7720S	42.18	229-1980S	36.26	229-7250S	36.26	229-7550S	42.18

Patent # CA 5,920,025

						
	Twin Roto	List Price	Pulse Massage	List Price	Twister	List Price
Plastic	229-7560	25.04	229-7590	25.04	229-7700	25.04
Stainless	229-7560S	42.18	229-7590S	47.45	229-7700S	33.47



Spa Jets



Spa Jets / Storm Jets - Reverse 6 Spoke (Nova)

Patent # US D574,964 S

Thread-in Jet Patent # US8458825 & CA2644557

Cluster – 2-1/4" Diameter

Case Qty: 200/box



Directional List Price

Plastic / NA 229-9000S 11.87



Rifled List Price

229-9070S 12.47



Multi-Massage List Price

229-9060S 11.87



Twin Roto List Price

229-9010S 13.74

Mini – 3-5/16" Diameter

Case Qty: 150/box



Directional List Price

Plastic / NA 229-9100S 21.76



Rifled List Price

229-9180S 21.76



Multi-Massage List Price

229-9140S 22.55



Roto List Price

229-9150S 25.71



Twin Roto List Price

Plastic / NA 229-9130S 25.71



Pulse Massage List Price

229-9160S 27.35



Twister List Price

229-9190S 25.71

Poly – 3-5/8" Diameter

Case Qty: 70/box



Directional List Price

Plastic / NA 229-9200S 30.98



Rifled List Price

229-9280S 32.00



Multi-Massage List Price

229-9260S 32.00



Roto List Price

229-9210S 34.92



Twin Roto List Price

Plastic / NA 229-9220S 35.93



Pulse Massage List Price

229-9230S 37.56



Twister List Price

229-9290S 35.93

Patent # CA 5,920,025

For GLO style internals on all Storm Jets use the prefix 230 and the last number as 8.
230-XXX8

For 100% shut-off Cluster & Mini Jets use the prefix 225.
225-XXXX



Thread-in Jet Patent # US8458825 & CA2644557





LG Poly – 4-3/8" Diameter Case Qty: 70/box

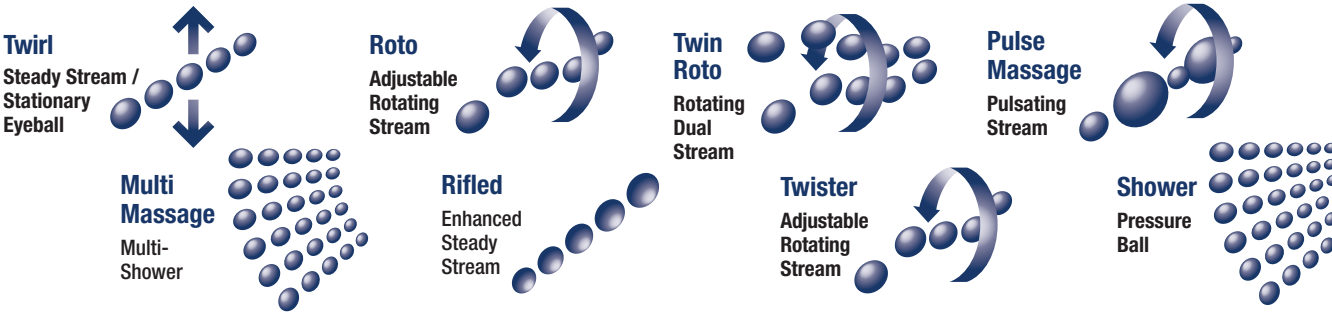
			
Directional List Price Plastic / NA Stainless 229-9300S 33.61	Rifled List Price 229-9370S 33.62	Multi-Massage List Price 229-9350S 33.61	Roto List Price 229-9310S 37.56

			<p>For GLO style internals on all Storm Jets use the prefix 230 and the last number as 8. 230-XXX8</p> <p>For 100% shut-off Cluster & Mini Jets use the prefix 225. 225-XXXX</p>
Twin Roto List Price Plastic / NA Stainless 229-9330S 37.56	Pulse Massage List Price 229-9640S 40.20	Twister List Price 229-9380S 37.57	

Power – 5-1/4" Diameter Case Qty: 45/box

			
Directional List Price Plastic / NA Stainless 239-7730S 42.18	Rifled List Price 229-9480S 36.26	Multi-Massage List Price 229-9400S 36.26	Roto List Price 229-9420S 42.18

			
Twin Roto List Price Plastic / NA Stainless 229-9430S 42.18	Pulse Massage List Price 229-9460S 47.45	Twister List Price 229-9450S 42.18	Acupressure List Price 229-9490S 42.18



Spa Jets



Thread-in Jet Patent # US8458825 & CA2644557

Cluster – 2-1/8" Diameter

Case Qty: 200/box



	Directional	List Price
Plastic	229-1460	4.61
Stainless	229-1460S	11.87



	Rifled	List Price
	229-0120	4.61
	229-0120S	12.39



	Multi-massage	List Price
	229-9730	4.61
	229-9730S	11.87



	Twin Roto	List Price
	229-1430	6.26
	229-1430S	14.06

Mini – 3-5/16" Diameter

Case Qty: 180/box



	Directional	List Price
Plastic	229-8790	11.53
Stainless	229-8790S	21.76



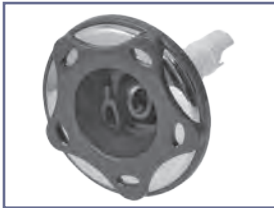
	Rifled	List Price
	229-0170	11.53
	229-0170S	21.76



	Multi-Massage	List Price
	229-9020	11.53
	229-9020S	21.76



	Roto	List Price
	229-8850	15.47
	229-8850S	25.71



	Twin Roto	List Price
Plastic	229-8860	15.47
Stainless	229-8860S	28.19



	Pulse Massage	List Price
	229-8870	15.47
	229-8870S	27.35



	Twister	List Price
	229-9510	15.47
	229-9510S	25.71

Poly – 3-5/8" Diameter

Case Qty: 100/box



	Directional	List Price
Plastic	229-3250	15.18
Stainless	229-3250S	30.98



	Rifled	List Price
	229-1920	15.18
	229-1920S	30.98



	Multi-Massage	List Price
	229-3620	15.18
	229-3620S	32.11



	Roto	List Price
	229-3260	19.13
	229-3260S	34.92



	Twin Roto	List Price
Plastic	229-3270	19.13
Stainless	229-3270S	34.92



	Pulse Massage	List Price
	229-3280	19.13
	229-3280S	37.56



	Twister	List Price
	229-9610	19.13
	229-9610S	34.92

Patent # CA 5,920,025

For GLO style internals on all Storm Jets use the prefix 230 and the last number as 8.
230-XXX8

For 100% shut-off Cluster & Mini Jets use the prefix 225.
225-XXXX



Thread-in Jet Patent # US8458825 & CA2644557

Power – 5-1/4" Diameter Case Qty: 45/box



	Directional	List Price
Plastic	239-7760	19.13
Stainless	239-7760S	36.26



	Rifled	List Price
	229-1970	19.13
	229-1970S	36.26



	Multi-Massage	List Price
	229-7090	19.13
	229-7090S	36.26



	Roto	List Price
	229-7140	25.04
	229-7140S	42.19

Patent # CA 5,920,025



	Twin Roto	List Price
Plastic	229-7150	25.04
Stainless	229-7150S	42.19



	Pulse Massage	List Price
	229-7160	25.04
	229-7160S	42.19



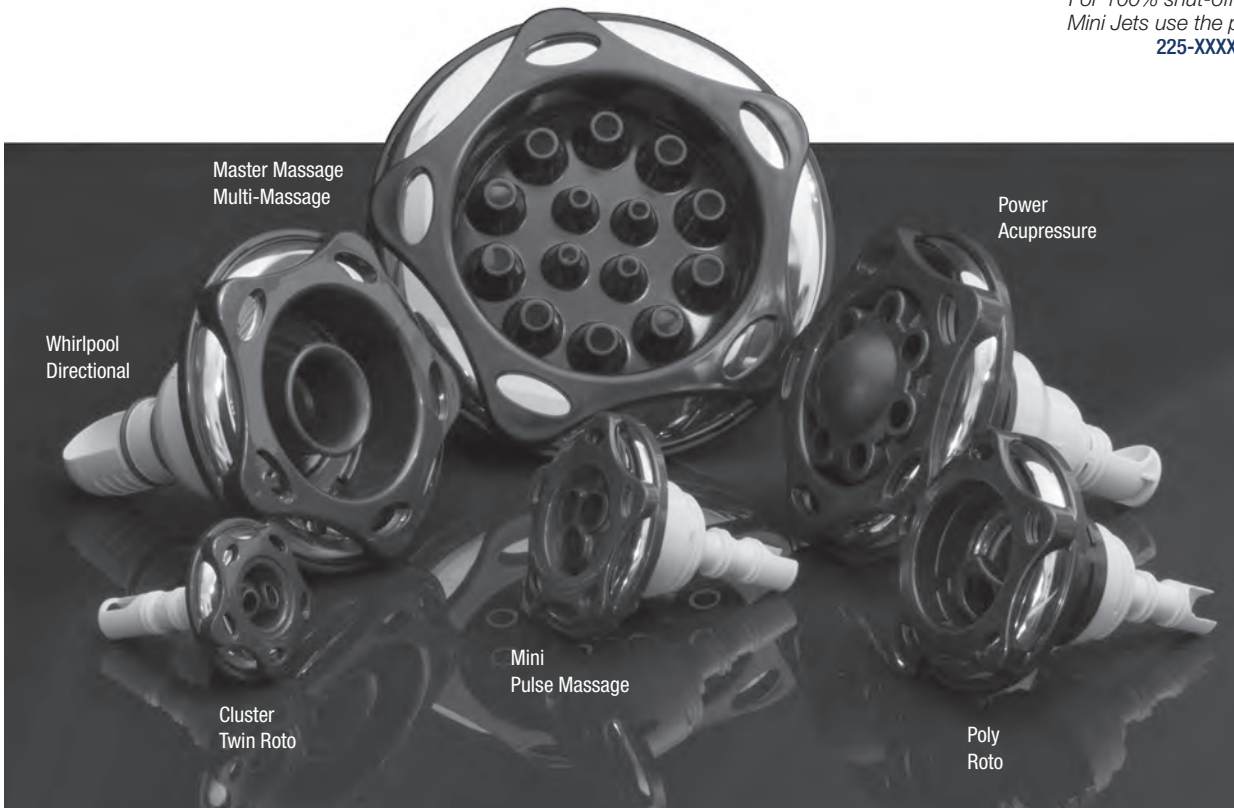
	Twister	List Price
	229-7690	25.04
	229-7690S	42.19



	Acupressure	List Price
	229-6710	25.04
	229-6710S	42.19

For GLO style internals on all Storm Jets use the prefix 230 and the last number as 8. 230-XXX8

For 100% shut-off Cluster & Mini Jets use the prefix 225. 225-XXXX





Spa Jets / Storm Jets - Smooth

Thread-in Jet Patent # US8458825 & CA2644557

Cluster – 2-1/4" Diameter

Case Qty: Plastic 300/box Stainless 200/box



	Directional	List Price
Plastic	239-4300	4.61
Stainless	239-4300S	11.87

	Rifled	List Price
	239-4310	4.61
	239-4310S	11.87

	Multi-massage	List Price
	239-4320	4.61
	239-4320S	11.87

	Twin Roto	List Price
	239-4330	6.26
	239-4330S	13.53

Mini – 3" Diameter

Case Qty: Plastic 200/box Stainless 180/box



	Directional	List Price
Plastic	229-7900	11.53
Stainless	229-7920S	21.76

	Rifled	List Price
	229-0160	11.53
	229-0160S	21.76

	Multi-Massage	List Price
	239-4340	11.53
	239-4340S	21.76

	Roto	List Price
	239-4350	15.47
	239-4350S	25.71



	Twin Roto	List Price
Plastic	229-7940	15.48
Stainless	229-7950S	25.71

	Pulse Massage	List Price
	229-7810	15.02
	229-7800S	27.35

LG Mini – 3-5/16" Diameter

Case Qty: 120/box



	Directional	List Price
Plastic	229-0010	12.18
Stainless	229-0090S	22.40

	Rifled	List Price
	229-0150	12.18
	229-0150S	22.41

	Multi-Massage	List Price
	229-0080	11.53
	229-0080S	22.41

	Roto	List Price
	229-0310	15.48
	229-0310S	26.37



	Twin Roto	List Price
Plastic	229-7840	16.14
Stainless	229-7840S	27.69

	Pulse Massage	List Price
	229-0040	16.14
	229-0040S	28.01

	Twister	List Price
	229-2100	16.14
	229-2100S	26.37

For GLO style internals on all Storm Jets use the prefix 230 and the last number as 8.
230-XXX8

For 100% shut-off Cluster & Mini Jets use the prefix 225.
225-XXXX

Spa Jets / Storm Jets - Smooth



Thread-in Jet Patent # US8458825 & CA2644557

Poly – 3-3/8" Diameter Case Qty: Plastic 130/box Stainless 100/box

			
Directional 229-8040 229-8050S	Rifled 229-1900 229-1900S	Multi-Massage 229-8280 229-8270S	Roto 229-8000 229-8010S
List Price 15.18 30.99	List Price 15.18 30.99	List Price 15.18 30.99	List Price 19.12 34.92
Plastic			
Stainless			

			
Twin Roto 229-8130 229-8120S	Pulse Massage 229-8020 229-8030S	Twister 229-8230 229-8230S	
List Price 19.12 34.92	List Price 21.76 37.57	List Price 19.13 34.91	
Plastic			
Stainless			

Patent # CA 5,920,025

*For GLO style internals on all Storm Jets use the prefix 230 and the last number as 8.
230-XXX8*

*For 100% shut-off Cluster & Mini Jets use the prefix 225.
225-XXXX*





LG Poly – 4" Diameter Case Qty: 60/box

			
Directional 229-8160 229-8160S	Rifled 229-9790 229-9790S	Multi-Massage 229-8290 229-8290S	Roto 229-8140 229-8140S
List Price 16.53 33.61	List Price 16.53 33.61	List Price 16.53 33.62	List Price 20.48 37.57
Plastic			
Stainless			

			
Twin Roto 229-8170 229-8170S	Pulse Massage 229-8150 229-8150S	Twister 229-9600 229-9600S	
List Price 20.48 37.57	List Price 20.48 40.20	List Price 30.98 37.56	
Plastic			
Stainless			

Patent # CA 5,920,025

Power – 5" Diameter *(continued next page)* Case Qty: Plastic 50/box Stainless 50/box

			
Directional 239-7090 239-7090S	Roto 229-6630 229-7600S	Twin Roto 229-6610 229-7610S	Pulse Massage 229-6650 229-7740S
List Price 19.13 36.26	List Price 25.04 42.18	List Price 25.03 42.18	List Price 30.31 47.45
Plastic			
Stainless			

Patent # CA 5,920,025



Spa Jets / Storm Jets - Smooth

Thread-in Jet Patent # US8458825 & CA2644557

LG Power – 5-1/2" Diameter *(continued from previous page)*

Case Qty: 35/box



Directional
List Price
Plastic / NA 239-0900S 37.57
Stainless



Rifled
List Price
229-6850S 37.57



Multi-Massage
List Price
229-7330S 37.57



Roto
List Price
229-7310S 43.49



Twin Roto
List Price
Plastic / NA 229-7320S 43.49
Stainless



Pulse Massage
List Price
229-7360S 48.76



Twister
List Price
239-0800S 43.49

XL Power – 6-1/2" Diameter

Case Qty: 25/box



Directional
List Price
Plastic / NA 239-0910S 40.21
Stainless



Rifled
List Price
229-6840S 40.21



Multi-Massage
List Price
229-7450S 40.21



Roto
List Price
229-7380S 46.12



Twin Roto
List Price
Plastic / NA 229-7390S 46.12
Stainless



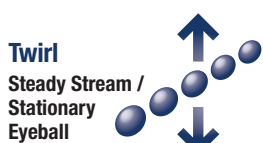
Pulse Massage
List Price
229-7480S 51.40



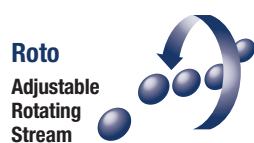
Twister
List Price
239-0830S 46.12

*For GLO style internals on all Storm Jets use the prefix 230 and the last number as 8.
230-XXX8*

*For 100% shut-off Cluster & Mini Jets use the prefix 225.
225-XXXX*



Twirl
Steady Stream / Stationary Eyeball



Roto
Adjustable Rotating Stream



Twin Roto
Rotating Dual Stream



Pulse Massage
Pulsating Stream



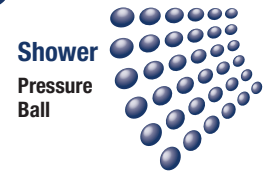
Multi Massage
Multi-Shower



Rifled
Enhanced Steady Stream



Twister
Adjustable Rotating Stream



Shower Pressure Ball







Thread-in Jet Patent # US8458825 & CA2644557

Cluster – 2-1/4" Diameter Case Qty: Plastic 300/box Stainless 200/box

			
Directional Plastic 229-1540 Stainless 229-5310S	Rifled 239-4370 239-4370S	Multi-Massage 229-9720 229-9720S	Twin Roto 229-1590 229-5320S
List Price 4.61 11.87	List Price 4.61 11.87	List Price 4.61 11.87	List Price 6.26 13.03

Mini – 3" Diameter Case Qty: Plastic 250/box Stainless 180/box

			
Directional Plastic 229-7920 Stainless 229-5410S	Multi-Massage 229-5480 229-5480S	Twin Roto 229-7950 229-5430S	Roto 229-0020 229-5420S
List Price 6.26 13.03	List Price 11.53 21.76	List Price 15.47 25.71	List Price 15.47 25.71



Pulse Massage Plastic 229-0030 Stainless 229-5440S	List Price 17.13 27.34
--	------------------------------



For GLO style internals on all Storm Jets use the prefix 230 and the last number as 8.
230-XXX8

For 100% shut-off Cluster & Mini Jets use the prefix 225.
225-XXXX

LG Poly – 4" Diameter Case Qty: Plastic 100/box Stainless 45/box

	 <small>Patent # CA 5,920,025</small>		
Directional Plastic 229-8160 Stainless 229-5510S	Multi-Massage 229-8290 229-5580S	Twin Roto 229-8170 229-5530S	Roto 229-8140 229-5520S
List Price 15.18 33.61	List Price 15.18 33.61	List Price 19.13 37.56	List Price 19.13 37.56

Power – 5" Diameter Case Qty: Plastic 50/box Stainless 50/box

	 <small>Patent # CA 5,920,025</small>		
Directional Plastic 229-7630 Stainless 229-5610 S	Pulse Massage 229-7740 229-5650S	Twin Roto 229-7610 229-5640S	Roto 229-7600 229-5630S
List Price 19.13 36.26	List Price 30.31 47.45	List Price 25.53 42.18	List Price 25.53 42.18



Storm Jet Flat Kraton Gaskets

Part No.	Description	List (US \$)
711-6910	Mini-Storm Flat Gasket	0.66
711-4410	Poly-Storm Flat Gasket	0.66
711-6608	Power-Storm Flat Gasket	0.88



711-6910

Storm Jet Flat EPDM Gaskets

Part No.	Description	List (US \$)
806-0010	Cluster Storm EPDM Flat Gasket	0.88
806-0011	Mini Storm EPDM Flat Gasket	1.06
806-0012	Poly Storm EPDM Flat Gasket	1.44
806-0013	Power Storm EPDM Flat Gasket	2.40



806-0011

Storm Jet Grommet Kraton Gaskets

Part No.	Description	List (US \$)
711-5140L	Cluster-Storm Grommet Gasket	0.64
711-6900	Mini-Storm Grommet Gasket	0.66
711-4400	Poly-Storm Grommet Gasket	0.66
711-6500	Power-Storm Grommet Gasket	0.88



711-6900

Storm Jet Grommet EPDM 55 Shore Gaskets

Part No.	Description	List (US \$)
806-0018	Cluster Storm 55 Shore EPDM Grommet Gasket	1.01
806-0021	Mini Storm 55 Shore EPDM Grommet Gasket	1.27
806-0022	Poly Storm 55 Shore EPDM Grommet Gasket	1.60
806-0023	Power Storm 55 Shore EPDM Grommet Gasket	2.93



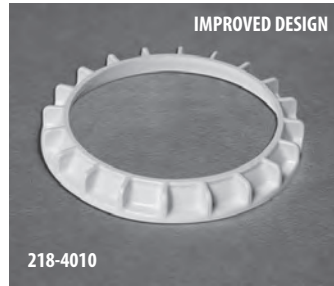
806-0021

Storm Jet Grommet Silicone 45 Shore Gaskets

Part No.	Description	List (US \$)
806-0060	Cluster Storm Silicone 45 Shore Grommet Gasket	1.01
806-0061	Mini Storm Silicone 45 Shore Grommet Gasket	0.97
806-0062	Poly Storm Silicone 45 Shore Grommet Gasket	1.60
806-0063	Power Storm Silicone 45 Shore Grommet Gasket	2.93



806-0061



Storm Jet Self-Alignment Rings

Part No.	Description	Case Quantity	List (US \$)
218-5150	Cluster-Storm Self-Alignment Ring	500	0.82
718-6960	Mini-Storm Self-Alignment Ring	700	1.04
218-4010	Poly-Storm Self-Alignment Ring - Improved Design	500	1.06
218-6680	Power-Storm Self-Alignment Ring - Regular	160	2.96
218-6680T	Power-Storm Self-Alignment Ring - Thin	160	2.96

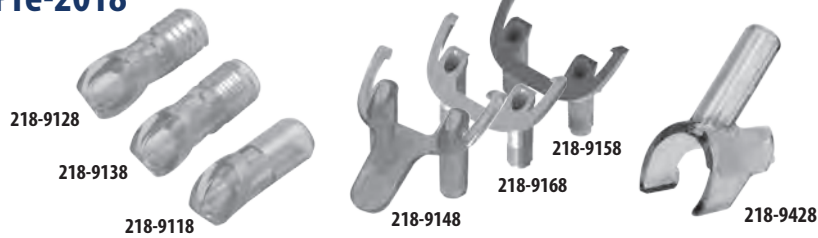
Storm Jet Nozzle Reducer

Part No.	Description	Case Quantity	List (US \$)
217-0047	Mini-Storm Jet Nozzle Reducer - 1/4" Orifice	12	0.42
217-0057	Poly-Storm Jet Nozzle Reducer - 1/4" Orifice	12	0.42
218-9460	GLO LED Clip for Cluster Storm Body	-	0.42

NEW!



Pre-2018



Storm Jet Glo Components

Part No.	Description	Case Quantity	List (US \$)
218-9118	Glo Tube, Smooth Barb	--	0.32
218-9128	Glo Tube, 3/8"-16 (Sloan Style)	--	0.32
218-9138	Glo Tube, 1/8" MPT (J-Style)	--	0.32
218-9148	Glo Clip, Smooth Barb (Mini / Poly only)	--	0.59
218-9158	Glo Clip 3/8" -16 MPT (Sloan Style) (Mini / Poly only)	--	0.59
218-9168	Glo Clip 1/8" MPT (J-Style) (Mini / Poly only)	--	0.59
218-9428	Glo Saddle, Smooth Barb	--	0.42
218-9438	Glo Saddle, (Sloan Style)	--	0.42
218-9448	Glo Saddle, (J Style)	--	0.42



Storm Hand-Held Jet

Part No.	Description	Case Quantity	List (US \$)
229-3357	Poly-Storm Thread-In Hand-Held Jet - 5-Scalloped	1	120.33
229-7757	Power-Storm Thread-In Hand-Held Jet - 5-Scalloped	12	140.37



Spa Jets / Whirlpool Jets

5 Scallop



Whirlpool	List Price
Adjustable 229-5710S	50.52
Non-Adj. 229-5800S	44.65

6 Spoke



Whirlpool	List Price
229-2090S	50.52
229-2000S	44.65

Reverse 6 Spoke



Whirlpool	List Price
239-5080S	56.38
239-5090S	50.50

Eclipse



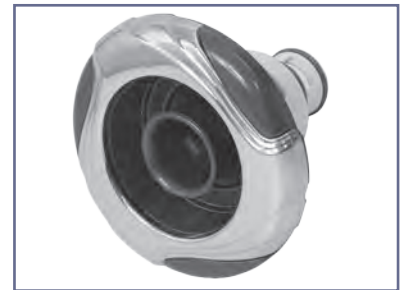
Whirlpool	List Price
Adjustable 239-0150S	56.38
Non-Adj. 239-1750S	50.50

Reverse Eclipse



Whirlpool	List Price
239-1740S	56.38
239-1750S	50.50

Luxe



Whirlpool	List Price
239-0020S	56.38
239-0010S	50.50

Swirl



Whirlpool	List Price
Adjustable 229-3020S	49.06
Non-Adj. 229-3040S	43.35

Reverse Swirl



Whirlpool	List Price
229-2900S	54.73
229-2910S	49.03

Revo



Whirlpool	List Price
229-3050S	49.06
229-3060S	43.35

Smooth



Whirlpool	List Price
Adjustable 229-2060S	49.06
Non-Adj. 229-2030S	43.35

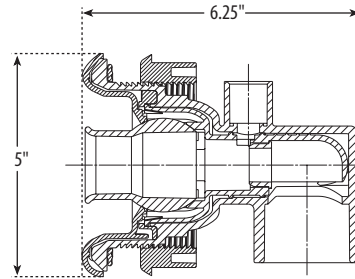
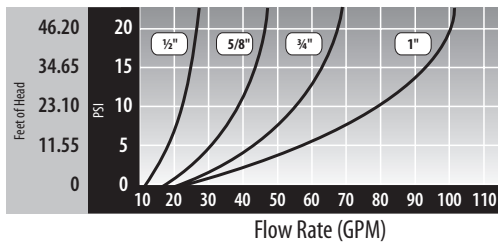
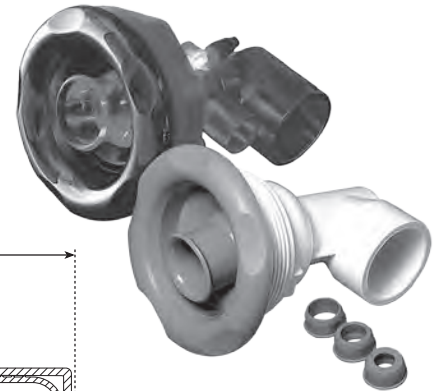
Continued next page.



Whirlpool Jets - Specifications

FEATURES:

- Adjustable flow control
- Large 1 1/2" socket intake
- Available in smooth face and 5-Scallop escutcheons
- Four water nozzle sizes to choose from: 1/2" - 5/8" - 3/4" and 1" (see flow chart)
- Self-alignment ring available for use without silicone (optional)
- Universal on/off control (on = counter clockwise / off = clockwise)
- Available as Glo Jets



Whirlpool Thread-In Jet Body Assemblies

Part No.	Description	Case Quantity	List (US \$)
228-2000	Thread-In Body - with Flat Gasket - 1 1/2" S x 1/2" S	25	16.83
228-2000G	Thread-In Body - with Grommet Gasket - 1 1/2" S x 1/2" S	25	16.83
228-2010	Thread-In Body - with Flat Gasket - 1" S x 1/2" S	25	16.83
228-2010G	Thread-In Body - with Grommet Gasket - 1" S x 1/2" S	25	16.83
228-2130	Thread-In Same Side Body - with Flat Gasket - 1 1/2" S x 1/2" S	25	16.83
228-2130G	Thread-In Same Side Body - with Grommet Gasket - 1 1/2" S x 1/2" S	25	16.83

Note: For Glo Whirlpool Jet bodies, change the last number to 8. ie: 228-2008

Whirlpool Thread-In Jet Internals

Part No.	Description	Case Quantity	List (US \$)
229-2020	Thread-In Non-Adjustable - 5-Scallop	45	28.33
229-2030	Thread-In Non-Adjustable - Smooth	45	28.33
229-2030S	Thread-In Non-Adjustable - Stainless Steel	45	43.35
229-2050	Thread-In Adjustable - 5-Scallop	45	34.05
229-2060	Thread-In Adjustable - Smooth	45	34.05
229-2060S	Thread-In Adjustable - Stainless Steel	45	49.06

Note: For Glo Whirlpool Internals, change the part number prefix to 230-xxxx.

Whirlpool Accessories

Part No.	Description	Case Quantity	List (US \$)
223-0010	Air Check Valve Adapter - 3/8" SB x 1/2" Spigot	600	2.49



Spa Jets

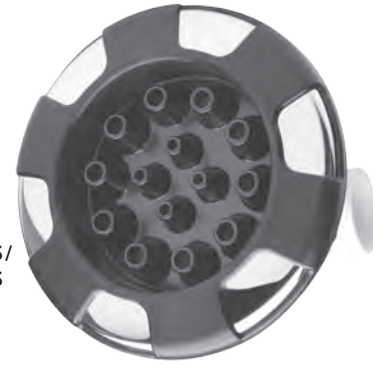


Spa Jets / Master Massage Jets

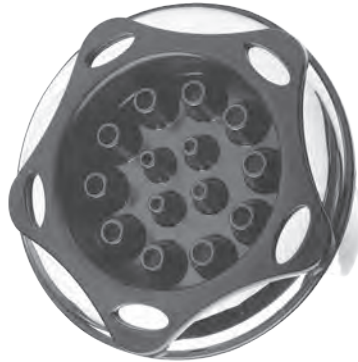
FEATURES:

- Extra large 7 1/2" construction
- Available with adjustable flow control
- Easy through-wall installation
- 3/4" nozzle = 75 GPM flow
- Two ball bearings for added jet life
- 1 1/2" S x 1 1/2" S plumbing

For GLO style internals on all Storm Jets use the prefix 235 and the last number as 8.
236-XXX8



236-7180S /
236-8290S



236-7170S /
236-8280S



236-7158S /
236-8168S



236-9541S /
236-9551S



236-7130S /
236-8270S

Master Massage Jets

Part No.	Description	Style	Case Quantity	List (US \$)
236-8290S	Non-Adjustable Jet Assembly – 1 1/2" S x 1 1/2" S	6-Spoke - Stainless Steel	10	104.13
236-7180S	Adjustable Jet Assembly – 1 1/2" S x 1 1/2" S	6-Spoke - Stainless Steel	10	127.11
236-8280S	Non-Adjustable Jet Assembly – 1 1/2" S x 1 1/2" S	Revo - Stainless Steel	10	106.21
236-7170S	Adjustable Jet Assembly – 1 1/2" S x 1 1/2" S	Revo - Stainless Steel	10	127.11
236-8270S	Non-Adjustable Jet Assembly – 1 1/2" S x 1 1/2" S	Swirl - Stainless Steel	10	104.13
236-7130S	Adjustable Jet Assembly – 1 1/2" S x 1 1/2" S	Swirl - Stainless Steel	10	127.11
236-9540S	Non-Adjustable Jet Assembly – 1 1/2" S x 1 1/2" S	Nova - Stainless Steel	10	100.15
236-9550S	Adjustable Jet Assembly – 1 1/2" S x 1 1/2" S	Nova - Stainless Steel	10	100.15
236-8160	Non-Adjustable Jet Assembly – 1 1/2" S x 1 1/2" S	5-Scallop	10	99.04
236-7150	Adjustable Jet Assembly – 1 1/2" S x 1 1/2" S	5-Scallop	10	90.91
236-8160S	Non-Adjustable Jet Assembly – 1 1/2" S x 1 1/2" S	Smooth - Stainless Steel	10	99.04
236-7150S	Adjustable Jet Assembly – 1 1/2" S x 1 1/2" S	Smooth - Stainless Steel	10	122.17
236-4400S	Non-Adjustable Jet Assembly – 1 1/2" S x 1 1/2" S	Orion - Stainless Steel	10	106.97
236-4410S	Adjustable Jet Assembly – 1 1/2" S x 1 1/2" S	Orion - Stainless Steel	10	129.99

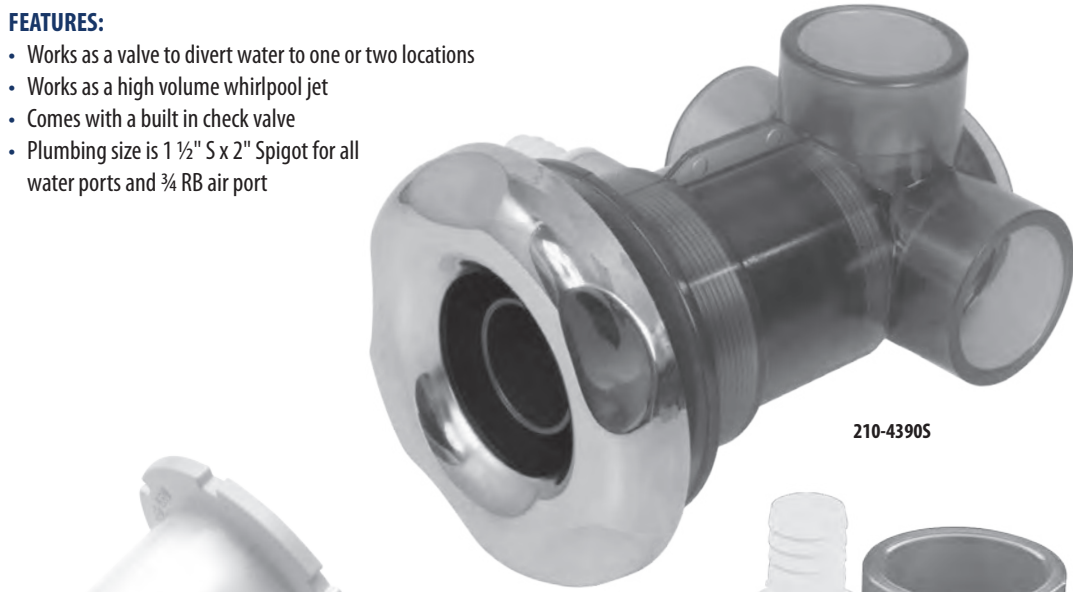
Note: For Glo Massage Jet, change the part number prefix to 235-xxxx.



Spa Jets / Turbo Jet

FEATURES:

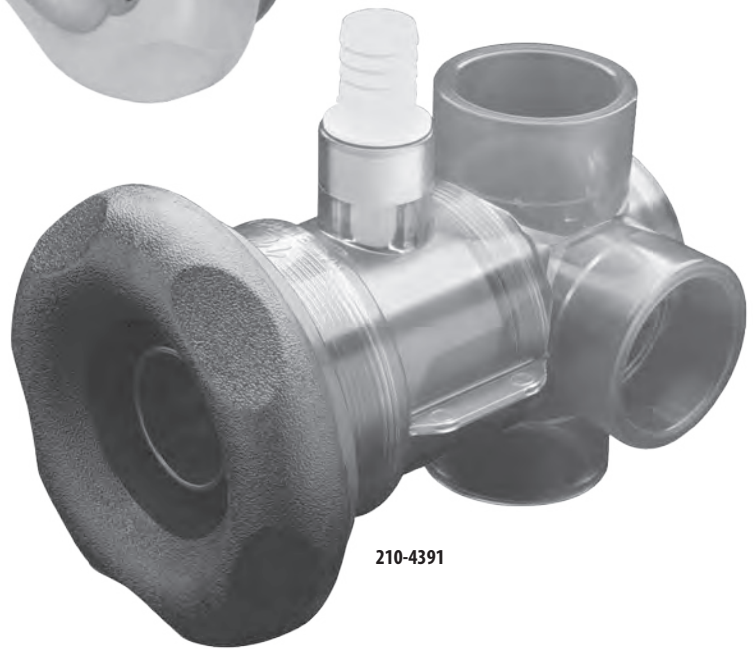
- Works as a valve to divert water to one or two locations
- Works as a high volume whirlpool jet
- Comes with a built in check valve
- Plumbing size is 1 1/2" S x 2" Spigot for all water ports and 3/4 RB air port



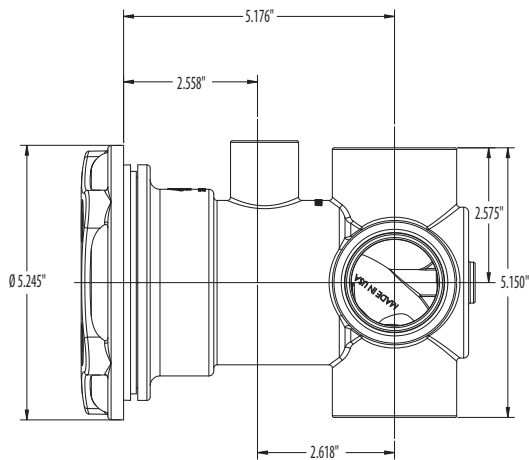
210-4390S



218-4360

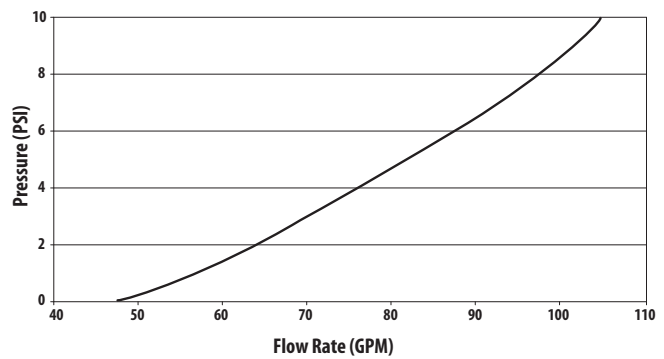


210-4391



NEW HOLE SAW SIZE - 3.25"

Turbo Jet Performance



Turbo Jet

Part No.	Description	Case Quantity	List (US \$)
210-4390	1 1/2" S x 2" Spigot Water x 3/4" RB Air - 5 1/4" Flange Diameter	20	80.67
210-4390S	1 1/2" S x 2" Spigot Water x 3/4" RB Air - 5 1/4" Flange Diameter - Stainless Steel	20	95.16
218-4360	Turbo Jet Wrench	--	4.49



Spa Jets / **OVO Swim Jet**

FEATURES:

- Extra wide 6 ¼" oval escutcheon
- Oval shaped eyeball
- More than 175 GPM flow
- 2" Plumbing for high volume output
- Available as LED Glo Jet

SPECIFICATIONS:

0.925" = 100 GPM

1.5" = 175 GPM

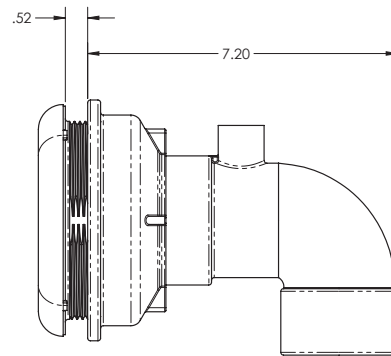
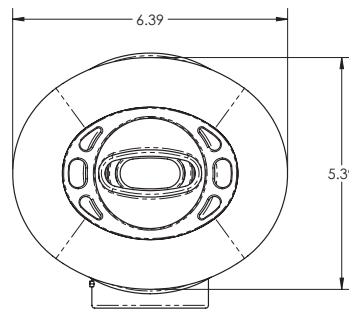
Hole saw size = 4 ¾"



210-7918 S



210-7901 S

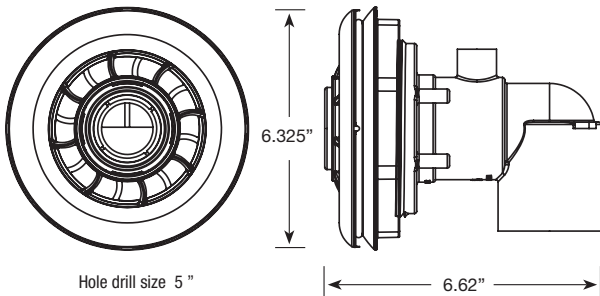


Swim Jets - Ovo Ell Style

Part No.	Jet Type	Style	Case Qty.	List (US \$)
210-7900	Ovo Swim Jet, 2" S X ½" S Ell Body Assy, .925" Orifice	Plastic	6	62.12
210-7900S	Ovo Swim Jet, 2" S X ½" S Ell Body Assy, .925" Orifice w/Metal	Stainless Steel	6	99.39
210-7908	Glo Ovo Swim Jet, 2" S X ½" S Ell Body Assy, .925" Orifice	Plastic	6	70.39
210-7908S	Glo Ovo Swim Jet, 2" S X ½" S Ell Body Assy, .925" Orifice w/ Metal	Stainless Steel	6	107.66
210-7910	Ovo Swim Jet, 2" S X ½" S Ell Body Assy, 1.5" Orifice	Plastic	6	62.12
210-7910S	Ovo Swim Jet, 2" S X ½" S Ell Body Assy, 1.5" Orifice with Metal	Stainless Steel	6	99.39
210-7918	Glo Ovo Swim Jet, 2" S X ½" S Ell Body Assy, 1.5" Orifice	Plastic	6	70.39
210-7918S	Glo Ovo Swim Jet, 2" S X ½" S Ell Body Assy, 1.5" Orifice with Metal	Stainless Steel	6	107.66



NEW!

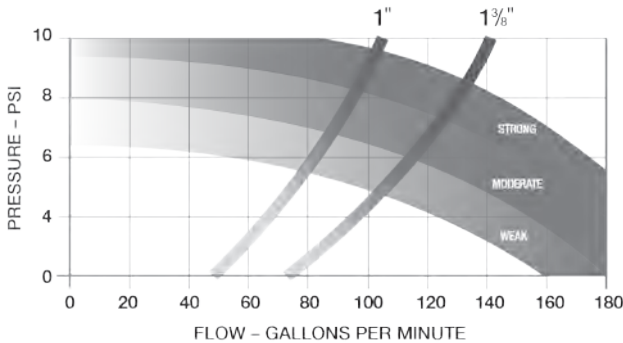


FEATURES:

- Through-wall jet installation
- 2" S input for optimum performance
- 1" and 1 3/8" equivalent nozzle sizes
- Nozzles can easily be exchanged
- Sixteen Entraining ports for improved performance
- Four Glo ports for LED lighting
- **Made in America**



POWER STREAM JET FLOW CURVE

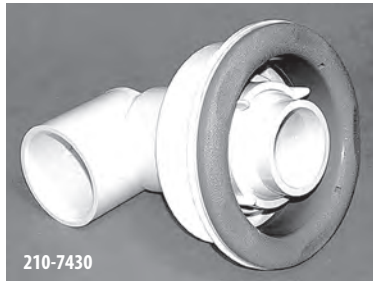


Power Stream Swim Jet			
Part No.	Description	Case Quantity	List (US \$)
210-0828S	Power Stream Swim Jet 1 3/8" Nozzle with Clear/Metal	8	99.40
210-0838S	Power Stream Swim Jet 1" Nozzle with Clear/Metal	8	99.40
210-0848S	Power Stream Swim Jet 1 3/8" & 1" Nozzle with Clear/Metal (For Sampling)	8	110.02
672-9540	Distributor Manifold 2.5" Slip X (3) 2" Slips	25	18.04
672-8050	Wye Manifold 2.5" Slip X 2.5" Slip X 2.5" Slip	20	12.48

Spa Jets



Spa Jets / Swim Jets



210-7430



210-72675



210-3917

Old Faithful Jets

Part No.	Description	Case Quantity	List (US \$)
210-7430	Ell Body - 2" S Water x 1/2" S Air - 0.925" Orifice - 90 GPM - 5-Scallop	6	47.33
210-7440	Ell Body - 2" S Water x 1/2" S Air - 1 1/2" Orifice - 175 GPM - 5-Scallop	6	47.33
210-72705	Ell Body - 2" S Water x 1/2" S Air - 0.925" Orifice - 90 GPM - Stainless Steel	6	82.12
210-72605	Ell Body - 2" S Water x 1/2" S Air - 1 1/2" Orifice - 175 GPM - Stainless Steel	6	82.12
210-3910	Straight Body - 2" S Water x 1/2" S Air - 0.925" Orifice - 90 GPM - 5-Scallop	6	47.33
210-3920	Straight Body - 2" S Water x 1/2" S Air - 1 1/2" Orifice - 175 GPM - 5-Scallop	6	47.33
210-39105	Straight Body - 2" S Water x 1/2" S Air - 0.925" Orifice - 90 GPM - Stainless Steel	6	82.12
210-39205	Straight Body - 2" S Water x 1/2" S Air - 1 1/2" Orifice - 175 GPM - Stainless Steel	6	82.12
210-7300	1/2" S Air x 2" S Water - .925" Orifice - 90 GPM	6	47.33
210-7310	1/2" S Air x 2" S Water - 1 1/2" Orifice - 175 GPM	6	47.33

See page 266 for Swim Spa configuration diagrams.

Old Faithful Jet Accessories

Part No.	Description	Case Quantity	List (US \$)
217-7300	1" Nozzle	1	6.38
217-7320	1 1/2" Nozzle	1	6.38
711-7300	Gasket	1	5.41
218-1570A	Old Faithful Wrench w/ O-ring	45	19.91



NEW!

TRI-SEAL



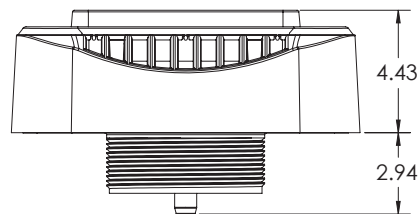
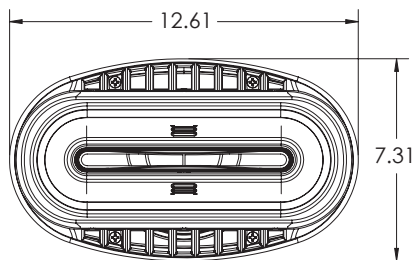
Waterway proudly announces the release of our new Rip Current Swim Jet. This jet has all the great features and performance of its predecessor "the River Jet", but has been redesigned to allow for easier installation. Simply drill a single 5 3/4" hole in the spa wall and you're ready to install.

Features:

- Super easy installation
- No routing required
- Available with Stainless Steel escutcheon
- Supports six LED lights
- Same performance as the River Jet
- Eyeball turrets up/down 20%
- Made in America!

Specifications:

- Up to 1,000 GPM at 13 PSI
- 8" Wide Eyeball
- XL 2 1/2" S Water X 3/4" SB Air
- Hole saw size: 5 3/4" Dia.



Rip Current Swim Jet

Part No.	Description	Case Quantity	List (US \$)
210-5160S	Rip Current Swim Jet, Metal	--	554.58
210-5168	Rip Current Swim Jet	--	496.05



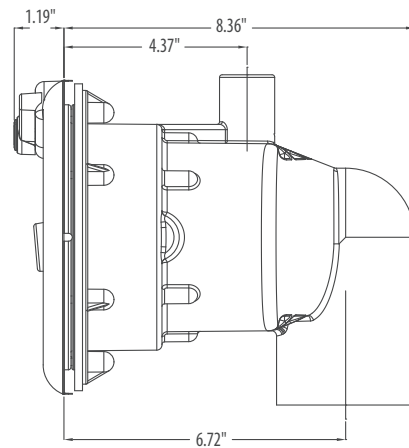
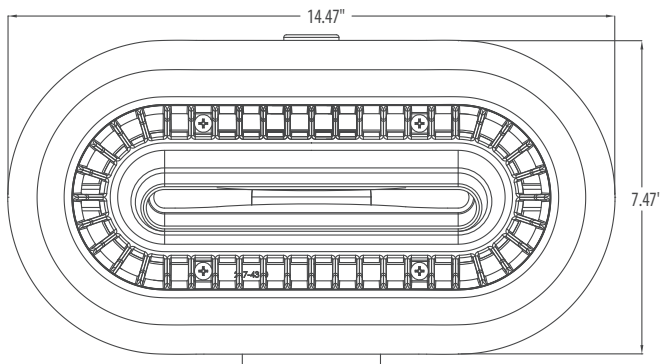
Spa Jets / River Jets

FEATURES:

- 8" wide eyeball
- Eyeball turrets up / down 20%
- Vent Enhancement System
- XL 2 1/2" S intake
- Up to 1000 GPM input at 13 PSI



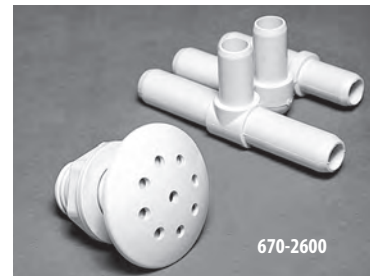
210-5100S



River Jets

Part No.	Description	Case Quantity	List (US \$)
210-5100	2 1/2" S x 1" Spigot	1	415.69
210-5100S	2 1/2" S x 1" Spigot - Stainless Steel	1	493.90
210-5100SL	LED River Jet Assy, 2 1/2" S x 1" S - Metal	1	537.43

See page 266 for Swim Spa configuration diagrams.



Top-Flo Air Injectors

Part No.	Description	Color	Case Quantity	List (US \$)
670-2300	3/8" SB Ell Body Assembly	White	100	8.05
670-2350	3/8" SB Ell Body Assembly	Stainless Steel	100	11.54
670-2310	1/2" S Ell Body Assembly	White	100	8.05
670-2360	1/2" S Ell Body Assembly	Stainless Steel	100	11.54
670-2600	3/8" SB Multi-Body Assembly	White	200	6.84
670-2330	1" Spigot Straight Body Assembly	White	50	8.05
670-2380	1" Spigot Straight Body Assembly	Stainless Steel	100	11.54
670-2290	3/8" SB Straight Body Assembly	White	150	7.61
670-2390	3/8" SB Straight Body Assembly	Stainless Steel	150	10.67
670-2500	Ozone Air Injector – 3/8" Barb Body	White	150	8.05
670-2408L	3/8" SB Glo Injector Ell Body Assembly	Clear	150	9.33



Lo-Pro Air Injectors

Part No.	Description	Case Quantity	List (US \$)
670-2190	1" Spigot x 3/4" - Adapter Style - Stainless Steel	75	11.54
670-2200	3/8" SB - Ell Body	150	8.05
670-2210	3/8" SB - Ell Body - Stainless Steel	150	11.54
711-0020	Grommet Gasket - Low-Pro Air Injector	150	0.64
711-1350	Flat Gasket - Low-Pro Air Injector	150	0.66



Air Systems / **Stealth II Blower**

FEATURES:

- High performance motor runs cooler and quieter
- High impact resistant construction
- Has been tested, certified and listed by UL to requirements of both UL and CSA standards



Stealth II Blower Assemblies

Part No.	Description	Amps	Case Quantity	List (US \$)
700-3011-000	1.0 HP - 110 V - 1 1/2" S / 2" Spigot	6.7	6	236.63
700-3151-000	1.5 HP - 110 V - 1 1/2" S / 2" Spigot	7.6	6	269.05
700-3102-000	1.0 HP - 220 V - 1 1/2" S / 2" Spigot	4.0	6	254.00
700-3152-000	1.5 HP - 220 V - 1 1/2" S / 2" Spigot	4.2	6	276.65
700-3201-000	2.0 HP - 110 V - 1 1/2" S / 2" Spigot	8.8	6	340.34
700-3202-000	2.0 HP - 230 V - 1 1/2" S / 2" Spigot	5.8	6	312.75

See Blower Sizing on page 260 to calculate your required blower size.
 Listed price is without cord. Please call Waterway for part number and pricing with cord.



Low Profile Drain Assemblies

Part No.	Description	Case Quantity	List (US \$)
640-0400	¾" Socket / 1" Spigot	100	9.79
640-0420	Shur-Grip - ¾" SB	100	9.79
640-0401S	¾" Socket - Stainless Steel Cover	100	18.25
640-0430	Large Face - ½" S	100	13.72
711-0080	Grommet Gasket	1000	0.64



90° Ell Lo-Pro Spa Floor Drains

Part No.	Description	Case Quantity	List (US \$)
640-4340	¾" S Floor Drain	40	24.17
640-4400	1" S Floor Drain	40	24.17
640-4440	¾" SB Floor Drain	40	24.17

Drains & Suctions



WARNING

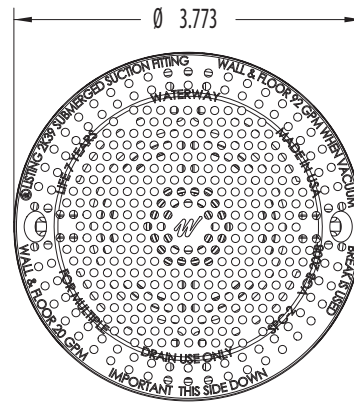
Read and follow all instructions in the Owner's Manual for all equipment.
Failure to follow instructions can cause injury and/or death.



All Waterway Drains, Grates and Suctions are Listed and Certified and Tested in strict accordance to the requirements of ASME A112.19.8-2007 and ASME A112.19.8a-2008 (as defined in CPSC letter dated April 8, 2011). Compliant to the latest Consumer Safety Product Commission Requirements (CPSC).



640-3250 VP

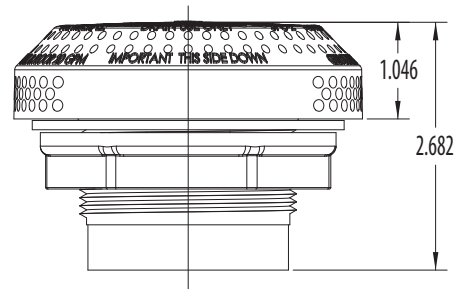


FEATURES:

- New Hi-Flo rating of 128 GPM (without vacuum break)
- For portable spas
- Available in 1 1/2" S sizes

SPECIFICATIONS:

- Total Open Area: 4.01 sq. in.
- Floor Flow Rate: N/A
- Wall Flow Rate: 128 GPM



SPC-2 VP - 3.5" Hi-Flo Suctions

Part No.	Description	Case Quantity	List (US \$)
640-325x VP	Hi-Flo Suction Assembly - 1 1/2" Hex (without Vacuum Break)	80	20.93
640-328x VP	Hi-Flo Suction Assembly - 1 1/2" 90° Ell (without Vacuum Break)	80	25.75
640-348x VP	Hi-Flo Suction Assembly - 1 1/2" 90° Ell (with 642-4120 VAC Vacuum Break)	80	25.75



Spa Drains & Suctions / 3.5" Ultra Hi-Flo Suctions



Patent Pending

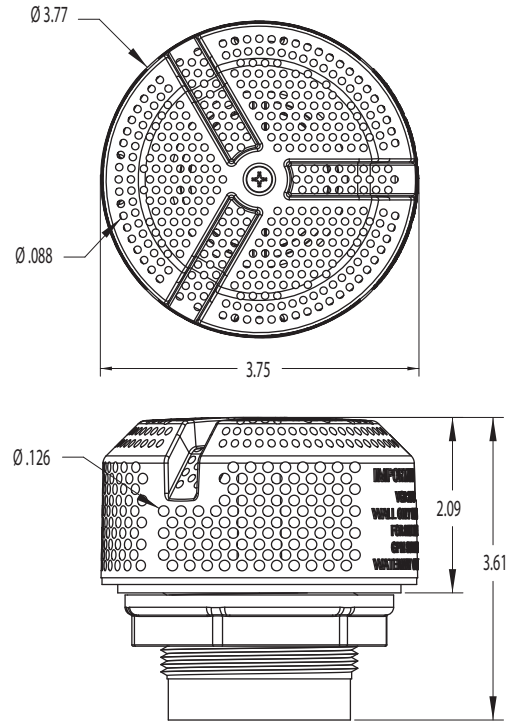
VGB
2008



640-3497 VP

SPECIFICATIONS:

- Total Open Area: 6.24 sq. in.
- Floor Flow Rate: N/A
- Wall Flow Rate: 160 GPM
- For portable spas



3.5" Ultra Hi-Flo Suctions

Part No.	Description	Case Quantity	List (US \$)
640-349x VP	3.5" Ultra Hi-Flo Suction - Tall Assembly	50	20.93

Replace the final x in the part number with the color of your choice (see page 4 for colors).

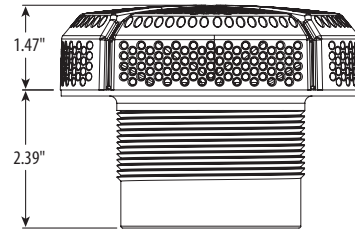
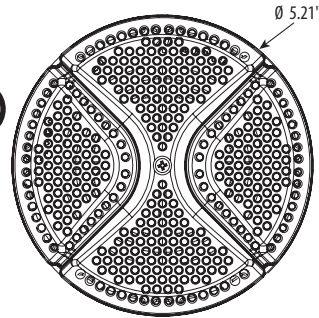


Spa Drains & Suctions / 5" Designer Pro Series and Super Hi-Flo Suctions



Patent # US D629,875 S

VGB
2008



FEATURES:

- Flow Rate of 252 GPM (portable spas only)
- Available in 2" and 2 1/2" S sizes
- Two tone color for additional color coordination
- Available in Stainless Steel / color of your choice

5" Designer Pro Series Suctions

Part No.	Description	Case Quantity	List (US \$)
640-520x V	5" Designer Pro Series Suction - 2" S - Two Tone	35	32.82
640-525x V	5" Designer Pro Series Suction - 2 1/2" S - Two Tone	35	32.82
640-530x V	5" Designer Pro Series Suction - 2" S - Two Tone Stainless Steel	35	46.45
640-535x V	5" Designer Pro Series Suction - 2 1/2" S - Two Tone Stainless Steel	35	46.45

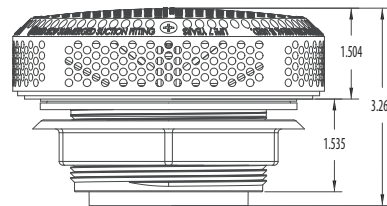
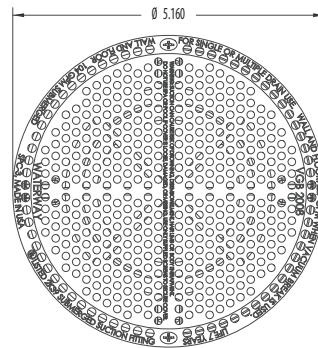
Replace the final x in the part number with the color of your choice (see page 4 for colors).



SPECIFICATIONS:

- Total Open Area: 9.02 sq. in.

VGB
2008



FEATURES:

- New Super Hi-Flo Rating of 251 GPM (portable spas only)
- Available in 2" and 2 1/2" S sizes
- 2 1/2" can be used with fittings (on next page)

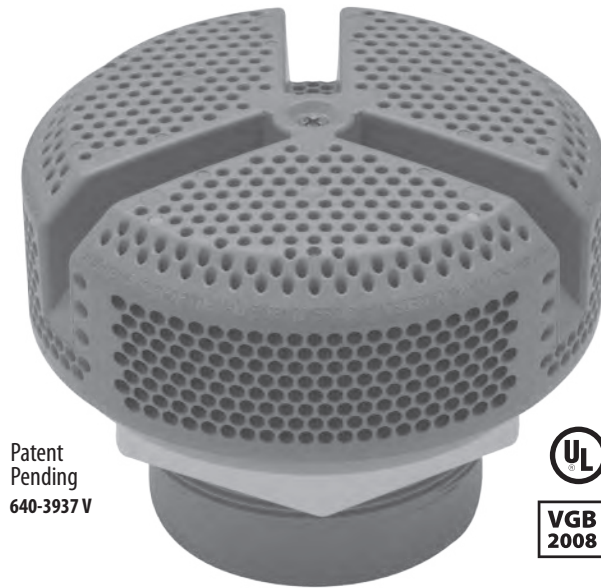
SPC-3 VP - 5" Super Hi-Flo Suctions

Part No.	Description	Case Quantity	List (US \$)
640-378x V	5" Super Hi-Flo Suction Assembly - 2" S	35	29.07
640-379x V	5" Super Hi-Flo Suction Assembly - 2 1/2" S	35	29.07
640-3570S V	5" Super Hi-Flo Suction Assembly - 2" S - Stainless Steel	35	42.69
640-3580S V	5" Super Hi-Flo Suction Assembly - 2 1/2" S - Stainless Steel	35	42.69

Replace the final x in the part number with the color of your choice (see page 4 for colors).



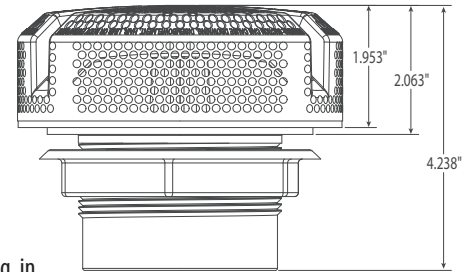
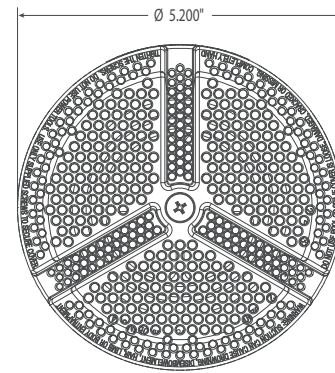
Spa Drains & Suctions / 5" Ultra Flo Suctions for Portable Spas



Patent Pending
640-3937 V



VGB
2008



FEATURES:

- Ultra Flo Rating of 264 GPM (portable spas only)
- Available in 2" and 2 ½" S sizes
- 2 ½" can be used with fittings (below)

SPECIFICATIONS:

- Total Open Area: 11.87 sq. in.

5" Ultra Flo Suctions

Part No.	Description	Case Quantity	List (US \$)
640-394x VP	5" Ultra Flo Suction Assembly - 2" S	35	29.41
640-393x VP	5" Ultra Flo Suction Assembly - 2 ½" S	35	29.41

Replace the final x in the part number with the color of your choice (see page 4 for colors)



642-3680



642-3700



642-3610

Non-Vacuum Break Fittings for 2 ½" S Ultra Flo Suctions

Part No.	Description	Case Quantity	List (US \$)
642-3680	2 ½" x 2" S Straight Adapter	80	7.64
642-3700	2 ½" x 2" S 90° Ell Adapter	55	8.48
642-3610	2 ½" S 90° Ell Adapter	70	6.72
642-3730	2" S 90° Threaded Ell Adapter	35	7.64
642-3750	2" Threaded Straight Adapter	50	7.64



Air Controls / Toggle Air Controls & TruSeal Air Controls

Waterway's new toggle air control allows the user to simply toggle the air on or off without having to grab a knob or turn a lever. Makes air adjustments easy!

FEATURES:

- Ergonomically designed
- Two Body sizes available: 2 ¼" short and 3" tall
- Blower assist tee available for tall control
- Top accessible for easy cleaning
- Two body styles to choose from: short and extra short
- Available in a variety of colors



650-1010

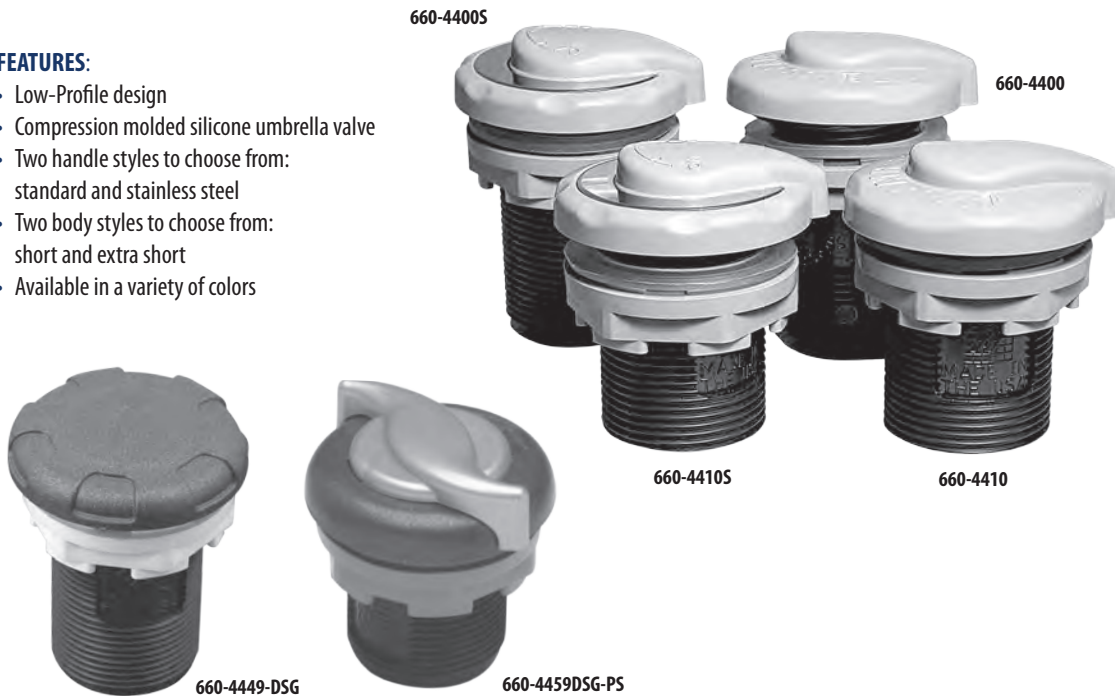
650-2010

Toggle Air Controls

Part No.	Description	Case Quantity	List (US \$)
650-2010	Toggle On/Off Air Control Textured (Short)	100	20.15
650-1010	Toggle On/Off Air Control Textured (Long)	100	21.76

FEATURES:

- Low-Profile design
- Compression molded silicone umbrella valve
- Two handle styles to choose from: standard and stainless steel
- Two body styles to choose from: short and extra short
- Available in a variety of colors



660-4400S

660-4400

660-4410S

660-4410

660-4449-DSG

660-4459DSG-PS

TruSeal Air Controls

Part No.	Description	Case Quantity	List (US \$)
660-4400	Short Body - 2 ½"	150	16.35
660-4400S	Short Body - 2 ½" - Stainless Steel	150	19.07
660-4410	Extra Short Body - 2"	200	16.35
660-4410S	Extra Short Body - 2" - Stainless Steel	200	19.07
660-4450	Extra Short Body - 2" - "S" Style	200	16.35
660-4440	Low Profile - 1" - 6-Spoke Style	30	16.35



Air Controls / Top-Access Air Controls & Accessories



660-3570



660-3560



660-3510



660-3608 L



660-3580



660-5510



660-3599-D5G5



660-6011



660-3910

Top-Access Air Controls

Part No.	Description	Case Quantity	List (US \$)
660-3570	1" Top-Access Air Control - Notched Style	100	21.93
660-3560	1" Top-Access Air Control - Scalloped Style	100	21.93
660-3510	1" Top-Access Air Control - 6-Spoke Style	100	21.93
660-3520	1" Top-Access Air Control - 6-Spoke Style - Two-Tone	100	23.14
660-3530	1" Top-Access Air Control - Revo Style - Two-Tone	100	23.14
660-3600	1" Top-Access Air Control - "S" Style - Two-Tone	100	23.14
660-3580	1" Top-Access Air Control - 5-Scalloped Style - Textured	150	22.59
660-6011	1" Top-Access Air Control - Revo Style	--	21.28
660-5510	1" Top-Access Air Control - Eclipse Style - Two Tone	100	24.90
660-3590	1" Top-Access Air Control - Humpback Style	--	23.14
660-3500	1" Top-Access Air Control - Star Style	--	23.14
660-3910	1" Top-Access Air Control - Luxe Style	100	23.14

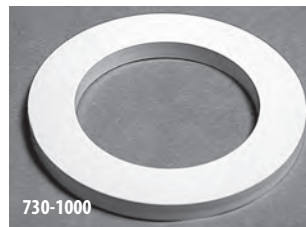
Note: Contact your Sales Representative to order Aura or Glo style Top Side Valves



413-4180



916-0030



730-1000



711-0010

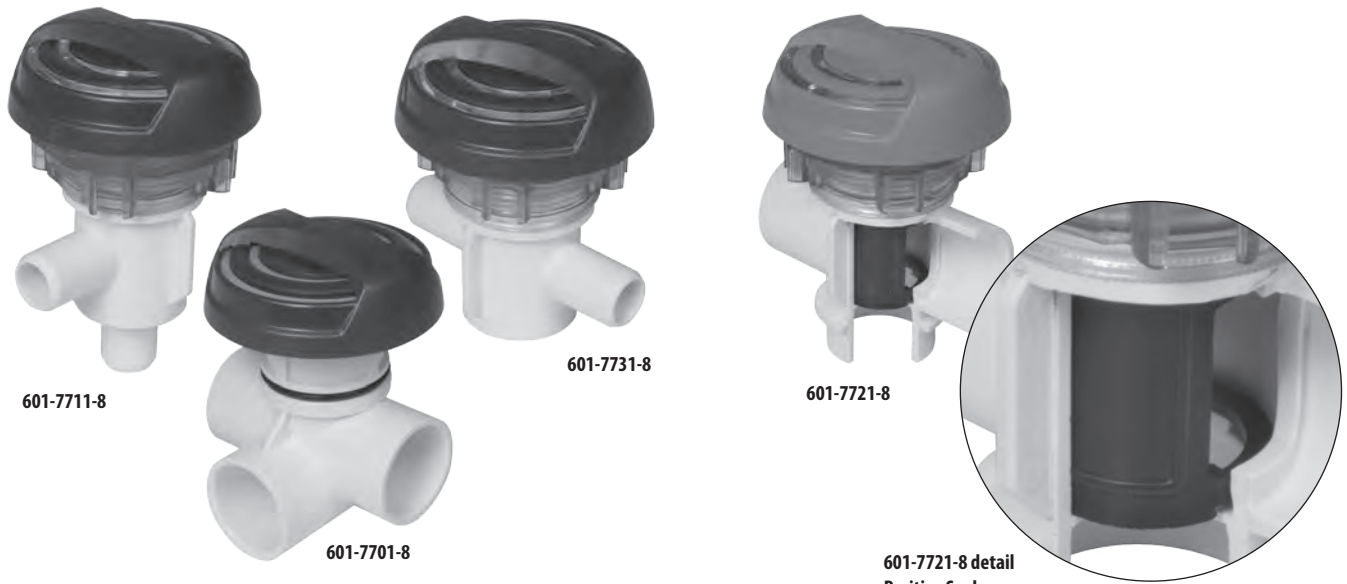
Air Control Options

Part No.	Description	Case Quantity	List (US \$)
413-4180	Blower Assist Tee - F.A.S. 1" S	200	5.80
413-4200	Blower Assist Tee - F.A.S. ½" S	100	5.80
916-3001	Escutcheon - Polished Chrome (fits 660-3000)	--	18.11
916-0030	Trim Ring - Stainless Steel	--	2.21
730-1000	Spacer and Gasket Assembly	500	1.38
711-0010	Gasket	1000	0.66



Top Side Valves / Orion / Luxe / Eclipse Valves

Orion Diverter Valve with Positive Seal



Positive Seal Diverter Valves

Part No.	Description	Style	Case Qty.	List (US \$)
601-7701-8	1" Top Access Positive Seal Horiz Valve	Orion	90	30.69
601-7711-8	3/4" SB Positive Seal Diverter On/Off Valve	Orion	90	30.69
601-7721-8	1" Top Access Positive Seal Diverter Valve	Orion	90	30.69
601-7731-8	3/4" SB Flo-Thru On/Off Valve	Orion	90	30.69

Elegant Top Side Controls to Match Our Luxe Series Jets



Luxe Top Side Valves

Part No.	Description	Style	Case Quantity	List (US \$)
600-3960*	1" Diverter Valve	Luxe	90	28.62
600-3910*	2" Top Access Diverter Valve	Luxe	10	41.44

Note: Contact your Sales Representative to order Aura or Glo style Top Side Valves

Exquisite Top Sides Now Available to Match Our New Eclipse Series Jets



Eclipse Top Side Valves

Part No.	Description	Style	List (US \$)
600-551x*	2" Top Access Diverter Valve Assy, Texture, 2-Tone	Eclipse	44.06
600-552x*	1" Top Access Diverter Valve Assy, Texture, 2-Tone	Eclipse	25.58

Note: Contact your Sales Representative to order Aura or Glo style Top Side Valves

*To change 1" diverter valves to positive seal valves, use the prefix in the part number. (see above for sample).



Sure-Seal
COLLECTION

SGMS Top Side Controls

Mounting System

NEW!

Waterway's new SGMS (Sure-Grip Mounting System) allows for an improved method of installing top side controls without the need to use silicone, alignment rings, nuts or having to spot face the back wall surface.



FEATURES:

- Easier/Faster to install
- No need for Silicone, alignment rings or nut
- No spot facing
- LED Optional
- High Quality NSF Certified Materials
- Fittings built to exceed ASTM Standards
- Fittings are Sch. 40 or better
- RoHS Compliant



Eclipse SGMS Top Side Controls

Part No.	Description	Case Quantity	List (US\$)
668-5518L-DSG	SGMS Air Control Assy. Eclipse - DSG/Clear	100	32.59
608-5508L-DSG	SGMS 100% Shut-Off Valve Assy. Eclipse - DSG/Clear	90	44.06
608-5518L-DSG	SGMS 2" Top Access Div. Valve Assy. Eclipse - DSG/Clear	15	56.89

Note: Part numbers shown above are for top side controls made in DSG/Glo. All parts are available in multiple color combinations and Glo or Non Glo versions.

Luxe SGMS Top Side Controls

Part No.	Description	Case Quantity	List (US\$)
668-3918L-DSG	SGMS Air Control Assy. Luxe - DSG/Clear	100	32.59
608-3928L-DSG	SGMS 100% Shut-Off Valve Assy. Luxe - DSG/Clear	90	44.06
608-3918L-DSG	SGMS 2" Top Access Div. Valve Assy. Luxe - DSG/Clear	15	56.89

Note: Part numbers shown above are for top side controls made in DSG/Glo. All parts are available in multiple color combinations and Glo or Non Glo versions.

Orion SGMS Top Side Controls

Part No.	Description	Case Quantity	List (US\$)
668-7608L-DSG	SGMS Air Control Assy. Orion - DSG/Clear	100	32.59
608-3668L-DSG	SGMS 100% Shut-Off Valve Assy., Orion - DSG/Clear	90	44.06
608-7608L-DSG	SGMS 2" Top Access Dive. Valve Assy. Orion - DSG/Clear	15	56.89

Note: Part numbers shown above are for top side controls made in DSG/Glo. All parts are available in multiple color combinations and Glo or Non Glo versions.



Top Side Valves / 5-Scallop Valves



FEATURES:

- Shuts off 100% with a 180° turn
- Available in two body sizes: ¾" Socket or ¾" Shur-Grip
- Used for waterfalls, water features or neck jets
- Available in multiple colors

Deluxe 180° Shut Off Valves

Part No.	Description	Style	Case Quantity	List (US \$)
600-4700	¾" S x ¾" S	5-Scallop	90	30.69
600-4710	Shur-Grip - ¾" SB x ¾" SB	5-Scallop	90	30.69

Note: Contact your Sales Representative to order Aura or Glo style Top Side Valves



FEATURES:

- 100% shut off
- Three different body styles to choose from
- Horizontal model is submersible
- Top access for easy servicing
- Works great for waterfalls and neck jets
- Sleeve allows for on/off adjustments with fewer turns



On / Off Turn Valves

Part No.	Description	Style	Case Quantity	List (US \$)
600-4360*	1" Vertical - Single Port	5-Scallop	100	28.93
600-4370*	1" Vertical - Dual Port	5-Scallop	90	30.68
600-4380*	1" Horizontal - Dual Port	5-Scallop	100	30.68
600-4600*	1 ½" Vertical - Single Port	5-Scallop	40	36.23
602-4440*	Sleeve (low volume applications only)	--	40	1.07

Note: Contact your Sales Representative to order Aura or Glo style Top Side Valves



FEATURES:

- Diverts water to one or two ports
- Top access for easy service
- 2" model wall fittings are sealed with o-rings
- 1" models available with one or two ports
- Available in multiple colors



Top Access Diverter Valves

Part No.	Description	Style	Case Quantity	List (US \$)
600-4220*	1" Vertical - 1-Port	5-Scallop	90	28.53
600-4210*	1" Vertical - 2-Port	5-Scallop	90	28.53
600-4230*	1" Horizontal - 2-Port	5-Scallop	90	28.53
600-3020*	2" Horizontal - 2-Port	5-Scallop	15	40.21
600-3040*	2" Vertical - 2-Port	5-Scallop	15	40.21

Note: Contact your Sales Representative to order Aura or Glo style Top Side Valves. *To change 1" diverter valves to positive seal valves, use the prefix in the part number. (see page 167 for sample).





FEATURES:

- Shuts off 100% with a 180° turn
- Available in two body sizes: ¾" Socket or ¾" Shur-Grip
- Used for waterfalls, water features or neck jets
- Available in multiple colors

Deluxe 180° Shut Off Valves

Part No.	Description	Style	Case Quantity	List (US \$)
600-4720	¾" S x ¾" S	6-Spoke	90	30.69
600-4730	Shur-Grip – ¾" SB x ¾" SB	6-Spoke	90	30.69
600-3190	¾" S x ¾" S	6-Spoke - Two Tone	90	32.15
600-3210	Shur-Grip – ¾" SB x ¾" SB	6-Spoke - Two Tone	90	32.15

Note: Contact your Sales Representative to order Glo style Top Side Valves



600-4721
Pat. #D,597,863 S

600-4731
Pat. #D,597,863 S

FEATURES:

- 100% shut off
- Three different body styles to choose from
- Horizontal model is submersible
- Top access for easy servicing
- Works great for waterfalls and neck jets
- Sleeve allows for on/off adjustments with fewer turns



602-4440



600-4401
Pat. #D,597,863 S

600-4411
Pat. #D,597,863 S

On / Off Turn Valves

Part No.	Description	Style	Case Quantity	List (US \$)
600-4400*	1" Vertical - Single Port	6-Spoke	100	28.93
600-4410*	1" Vertical - Dual Port	6-Spoke	90	31.74
600-4420*	1" Horizontal - Dual Port	6-Spoke	100	30.68
600-3180*	1" Vertical - Dual Port	6-Spoke - Two Tone	90	30.15
602-4440*	Sleeve (low volume applications only)	--	40	1.07

Note: Contact your Sales Representative to order Glo style Top Side Valves



600-4421
Pat. #D,597,863 S

FEATURES:

- Diverts water to one or two ports
- Top access for easy service
- 2" model wall fittings are sealed with o-rings
- 1" models available with one or two ports
- Available in multiple colors



600-3611
Pat. #D,597,863 S

600-3601
Pat. #D,597,863 S

600-3621
Pat. #D,597,863 S

Top Access Diverter Valves

Part No.	Description	Style	Case Quantity	List (US \$)
600-3610*	1" Vertical - 1-Port	6-Spoke	70	28.26
600-3600*	1" Vertical - 2-Port	6-Spoke	70	28.26
600-3620*	1" Horizontal - 2-Port	6-Spoke	70	29.60
600-3220*	2" Horizontal - 2-Port	6-Spoke	15	40.21
600-3230*	2" Vertical - 2-Port	6-Spoke	15	40.21
600-3150*	1" Vertical - 1-Port	6-Spoke - Two Tone	90	29.49
600-3160*	1" Vertical - 2-Port	6-Spoke - Two Tone	90	29.49
600-3170*	1" Horizontal - 2-Port	6-Spoke - Two Tone	90	29.49
600-3140*	2" Vertical - 2-Port	6-Spoke - Two Tone	15	42.67



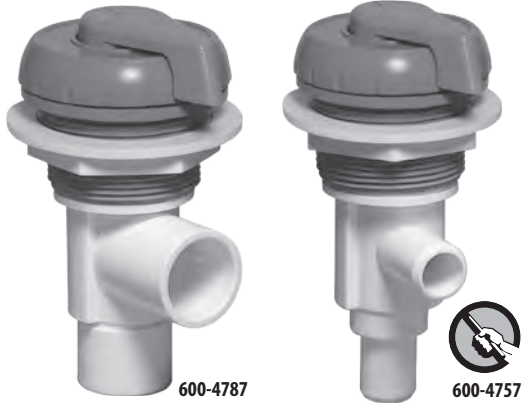
600-3221
Pat. #D,597,863 S

600-3231
Pat. #D,597,863 S

Note: Contact your Sales Representative to order Glo style Top Side Valves. *To change 1" diverter valves to positive seal valves, use the prefix in the part number. (see page 167 for sample).



Top Side Valves / Notched Valves



FEATURES:

- Shuts off 100% with a 180° turn
- Available in two body sizes: ¾" Socket or ¾" Shur-Grip
- Used for waterfalls, water features or neck jets
- Available in multiple colors

Deluxe 180° Shut Off Valves

Part No.	Description	Style	Case Quantity	List (US \$)
600-4750	Shur-Grip - ¾" SB x ¾" SB	Notched	100	30.69
600-4780	¾" S x ¾" S	Notched	100	30.69

Note: Contact your Sales Representative to order Aura or Glo style Top Side Valves



FEATURES:

- Diverts water to one or two ports
- Top access for easy service
- 2" model wall fittings are sealed with o-rings
- 1" models available with one or two ports
- Available in multiple colors

Top Side Valves

Top Access Diverter Valves

Part No.	Description	Style	Case Quantity	List (US \$)
600-4200	1" Vertical - 1-Port	Notched	90	28.53
600-4340	1" Vertical - 2-Port	Notched	90	28.53
600-4330	1" Horizontal - 2-Port	Notched	90	28.53
600-3010	2" Horizontal - 2-Port	Notched	15	40.21
600-3060	2" Vertical - 2-Port	Notched	15	40.21

Note: Contact your Sales Representative to order Aura or Glo style Top Side Valves



600-3017



600-3067



FEATURES:

- Shuts off 100% with a 180° turn
- Available in two body sizes: ¾" Socket or ¾" Shur-Grip
- Used for waterfalls, water features or neck jets
- Available in multiple colors

Deluxe 180° Shut Off Valves

Part No.	Description	Style	Case Quantity	List (US \$)
600-3280	¾" S x ¾" S	Revo - Two Tone	90	32.15
600-3250	Shur-Grip – ¾" SB x ¾" SB	Revo - Two Tone	90	32.15

Note: Contact your Sales Representative to order Aura or Glo style Top Side Valves



600-3259DSG-1
Pat. #D,597,863 S

FEATURES:

- 100% shut off
- Three different body styles to choose from
- Horizontal model is submersible
- Top access for easy servicing
- Works great for waterfalls and neck jets
- Sleeve allows for on/off adjustments with fewer turns



602-4440

On / Off Turn Valves

Part No.	Description	Style	Case Quantity	List (US \$)
600-3290	1" Vertical - Dual Port	Revo - Two Tone	90	30.15
602-4440	Sleeve (low volume applications only)	--	40	1.07

Note: Contact your Sales Representative to order Aura or Glo style Top Side Valves



600-3299DSG-7
Pat. #D,597,863 S

FEATURES:

- Diverts water to one or two ports
- Top access for easy service
- 2" model wall fittings are sealed with o-rings
- 1" models available with one or two ports
- Available in multiple colors



600-3639DSG-1
Pat. #D,597,863 S



600-3339DSG-1
Pat. #D,597,863 S

Top Access Diverter Valves

Part No.	Description	Style	Case Quantity	List (US \$)
600-3630	1" Vertical - 1-Port	Revo - Two Tone	90	29.49
600-3330	1" Vertical - 2-Port	Revo - Two Tone	90	29.49
600-3340	1" Horizontal - 2-Port	Revo - Two Tone	90	29.49
600-3110	2" Vertical - 2-Port	Revo - Two Tone	15	42.67

Note: Contact your Sales Representative to order Aura or Glo style Top Side Valves



600-3349DSG-1
Pat. #D,597,863 S



600-3119DSG-1
Pat. #D,597,863 S



Top Side Valves / "S" Style Valves

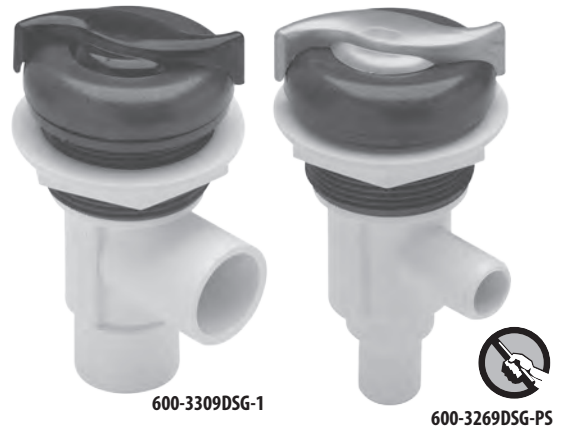
FEATURES:

- Shuts off 100% with a 180° turn
- Available in two body sizes: ¾" Socket or ¾" Shur-Grip
- Used for waterfalls, water features or neck jets
- Available in multiple colors

Deluxe 180° Shut Off Valves

Part No.	Description	Style	Case Quantity	List (US \$)
600-3300	¾" S x ¾" S	"S" Style - Two Tone	90	32.15
600-3260	Shur-Grip – ¾" SB x ¾" SB	"S" Style - Two Tone	90	32.15

Note: Contact your Sales Representative to order Aura or Glo style Top Side Valves



FEATURES:

- 100% shut off
- Three different body styles to choose from
- Horizontal model is submersible
- Top access for easy servicing
- Works great for waterfalls and neck jets
- Sleeve allows for on/off adjustments with fewer turns



On / Off Turn Valves

Part No.	Description	Style	Case Quantity	List (US \$)
600-3310	1" Vertical - Dual Port	"S" Style - Two Tone	90	30.15
602-4440	Sleeve (low volume applications only)	--	40	1.07

Note: Contact your Sales Representative to order Aura or Glo style Top Side Valves



FEATURES:

- Diverts water to one or two ports
- Top access for easy service
- 2" model wall fittings are sealed with o-rings
- 1" models available with one or two ports
- Available in multiple colors

Top Access Diverter Valves

Part No.	Description	Style	Case Quantity	List (US \$)
600-3240	1" Vertical - 1-Port	"S" Style - Two Tone	90	29.49
600-3270	1" Vertical - 2-Port	"S" Style - Two Tone	90	29.49
600-3320	1" Horizontal - 2-Port	"S" Style - Two Tone	90	29.49
600-3030	2" Vertical - 2-Port	"S" Style - Two Tone	15	42.67

Note: Contact your Sales Representative to order Aura or Glo style Top Side Valves



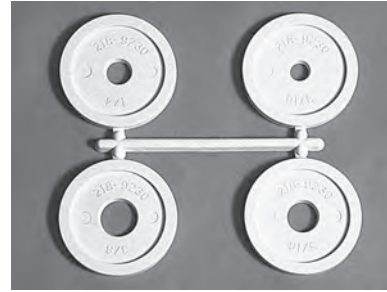


Top Side Valves / Water Restrictors, Valve Gaskets, and Air Bleed

FEATURES:

- Restricts the amount of flow through On/Off Valves to any water feature
- Break off any one of the four different nozzle sizes for desired water flow

$\frac{3}{16}$ " – 4 GPM $\frac{1}{4}$ " – 7 GPM
 $\frac{5}{16}$ " – 10 GPM $\frac{3}{8}$ " – 15 GPM



Water Restrictor Washer Tree

Part No.	Description	Case Quantity	List (US \$)
218-9230	Water Restrictor Washer Tree	90	1.57



711-4600



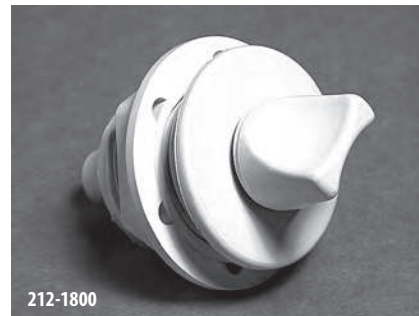
711-4310



711-3050

Valve Gaskets

Part No.	Description	Case Quantity	List (US \$)
711-4310	1" Flat Gasket	100	0.52
711-4600	1 1/2" Gasket	100	0.74
711-3050	2" Gasket	100	0.88



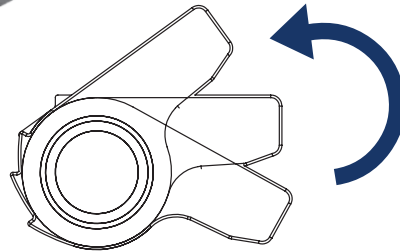
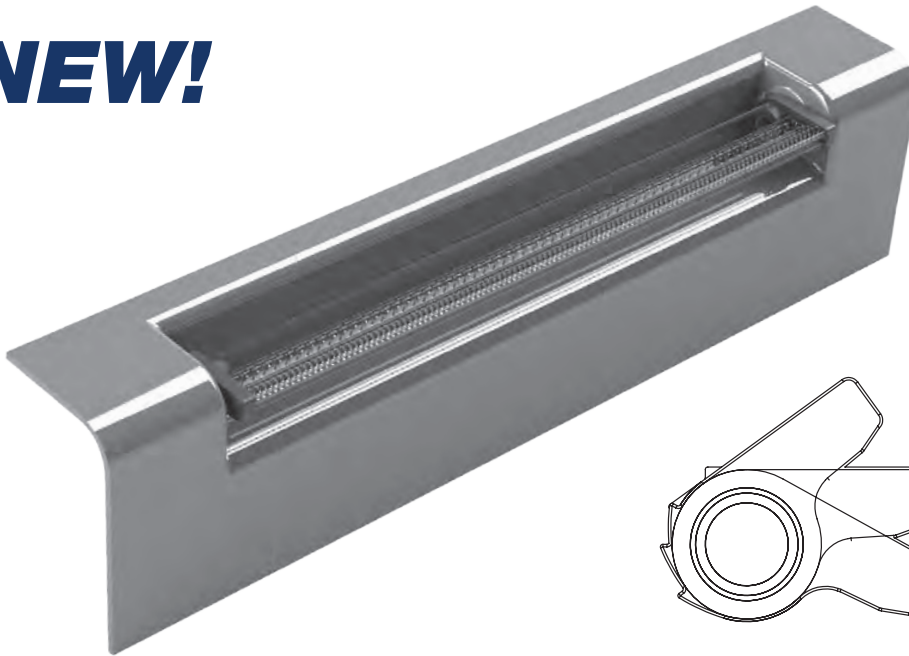
212-1800

Air Bleed Assembly

Part No.	Description	Case Quantity	List (US \$)
212-1800	$\frac{3}{8}$ " Barb	75	14.83



NEW!

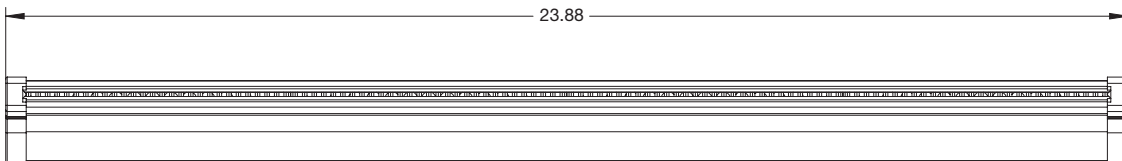
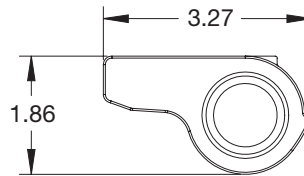


Pivot Falls can be made in multiple sizes from 6" to 24" and can pivot up or down providing optional flow patterns. Strategically placed LED's can light the Pivot Falls in a brilliant array of colors.



FEATURES:

- Pivots Up/Down for optional flow patterns
- Available in 6", 12", 18" and 24" lengths*
- Replaceable center body
- Clear LED body optional



Pivot Falls			
Part No.	Description	Color	List (US\$)
675-3800	Pivot Falls - 24" - 3/4" Socket	White	206.00
675-3800L	Pivot Falls - 24" - 3/4" Socket	Clear/XX	240.33

*Contact your Sales Representative to order 6", 12" or 18" Pivot Falls



Water Features / Aqua Falls

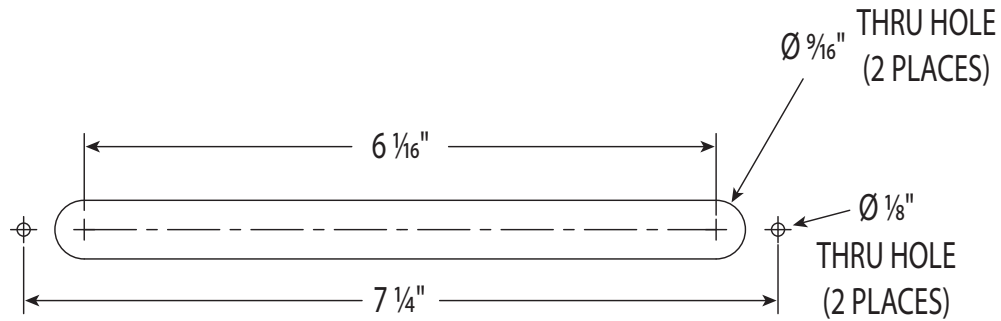
6" AQUA FALL

FEATURES:

- New 304 Stainless Steel escutcheon
- Simple design - less parts
- 3/4" S intake
- 3-12 GPM



675-4000S



8" LOW PROFILE AQUA FALL

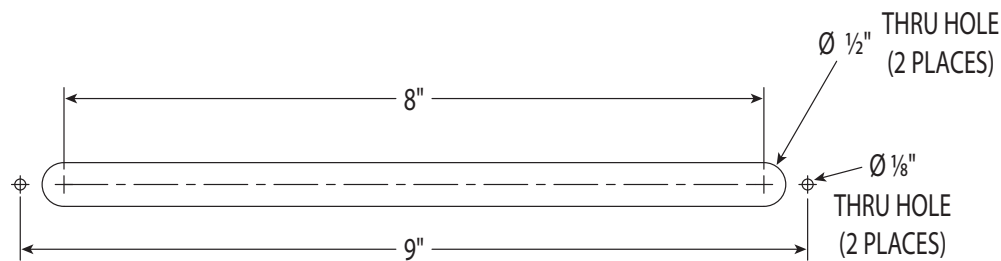
FEATURES:

- Simple design - less parts
- Low body profile
- 1" S intake
- 4-15 GPM

Pat. #6,450,418



675-4900



Aqua Falls

Part No.	Description	Case Quantity	List (US\$)
675-4900	8" Low Profile Aqua Fall	40	81.74
675-4900S	8" Low Profile Aqua Fall - Stainless Steel Blade	40	94.77
675-4000	6" Aqua Fall	50	40.90
675-4000S	6" Aqua Fall - Stainless Steel Blade	50	54.32

Note: See page 183 for LED Aqua Falls.



FEATURES:

- Adjustable Flo Control
- Single 3/4" SB Plumbing
- 316 Stainless Steel Escutcheon
- LED compatible
- NOW available in Colored Plastic!

Patent No. US6450418



675-3519DSG

675-3518LS

3 1/2" Adjustable Cascade

Part No.	Description	Case Quantity	List (US\$)
675-3510	3 1/2" Adjustable Cascade w/plastic blade	40	45.62
675-3518LS	3 1/2" LED Adjustable Cascade w/metal blade	40	64.59

Patent No. US6450418

FEATURES:

- Adjustable Flo Control
- Single 3/4" SB Plumbing
- 316 Stainless Steel Escutcheon
- LED compatible
- NOW available in Colored Plastic!



675-3618LS

675-3619DSG

7" Adjustable Cascade

Part No.	Description	Case Quantity	List (US\$)
675-3610	7" Adjustable Cascade w/plastic blade	15	62.66
675-3618LS	7" LED Adjustable Cascade w/metal blade	15	73.80

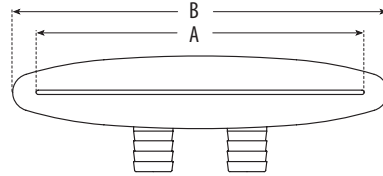
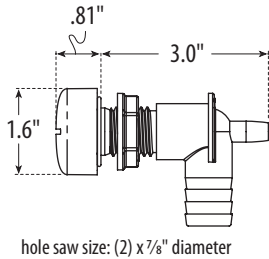


Water Features / Waterway Cascades

FEATURES:

- Extremely easy to install
- Built-in diffuser
- Easily serviceable

Pat. #6,450,418



Part No.	"A" Dimension	"B" Dimension
675-3500	3.5"	4.31"
675-3600	7"	8"



Waterway Cascades			
Part No.	Description	Case Quantity	List (US \$)
675-3500	3 1/2" Cascade - (2) 3/4" RB	20	37.42
675-3500S	3 1/2" Cascade - (2) 3/4" RB - Stainless Steel Blade	20	44.50
675-3508L	3 1/2" LED Cascade - (2) 3/4" RB	60	45.96
675-3508LS	3 1/2" LED Cascade - (2) 3/4" RB - Stainless Steel Blade	60	53.36
675-3550	3 1/2" Cascade - (2) 3/4" RB - with Manifold	--	41.73
675-3550S	3 1/2" Cascade - (2) 3/4" RB - Stainless Steel Blade - with Manifold	--	48.82
675-3558L	3 1/2" LED Cascade - (2) 3/4" RB - with Manifold	25	44.60
675-3558LS	3 1/2" LED Cascade - (2) 3/4" RB - Stainless Steel Blade - with Manifold	25	50.37
675-3600	7" Cascade - (2) 3/4" RB	20	40.92
675-3600S	7" Cascade - (2) 3/4" RB - Stainless Steel Blade	80	48.88
675-3608L	7" LED Cascade - (2) 3/4" RB	20	50.89
675-3608LS	7" LED Cascade - (2) 3/4" RB - Stainless Steel Blade	20	58.85
675-3660	7" Cascade - (2) 3/4" RB - with Manifold	--	46.66
675-3660S	7" Cascade - (2) 3/4" RB - Stainless Steel Blade - with Manifold	--	54.62
675-3668L	7" LED Cascade - (2) 3/4" RB - with Manifold	20	56.64
675-3668LS	7" LED Cascade - (2) 3/4" RB - Stainless Steel Blade - with Manifold	20	64.61
675-3708L	9" LED Cascade - (2) 3/4" RB	20	103.42
675-3708LS	9" LED Cascade - (2) 3/4" RB - Stainless Steel Blade	20	103.42



Spillover WATERFALL



FEATURES:

- Utilizes built-in spa reservoir for water housing
- Sleek, simplistic design
- Adjustable flow control
- Available with glamorous LED feature
- Now top accessible

Patent #US9,027,848

12" and 18" Spillover Waterfall

Part No.	Description	Case Quantity	List (US\$)
675-5330	Adjustable 12" Spillover Waterfall	1	97.58
675-5330L	Adjustable 12" LED Spillover Waterfall	1	115.15
675-5300	Adjustable 18" Spillover Waterfall	1	119.41
675-5300L	Adjustable 18" LED Spillover Waterfall	1	136.50
675-5280	Non Adjustable 18" Spillover Waterfall	1	101.44
675-5280L	Non Adjustable 18" LED Spillover Waterfall	1	118.52
TW027	12" Spillover Waterfall Negative Mold Insert	1	117.09
TW025	18" Spillover Waterfall Negative Mold Insert	1	156.13



675-4008L

Pat. #6,450,418 and 6,595,675



210-9200
Pat. #7,818,826

LED Water Features

Part No.	Description	Case Quantity	List (US \$)
675-4008L	6" LED Aqua Fall	50	50.07
675-4908L	8" Low Profile LED Aqua Fall	40	93.74
210-9200	Flush Mount LED Water Feature	100	64.14
210-9318S	Standard Rope Water Feature, 3/4 SB	100	38.38
210-9278S	Fountain Water Feature, 3/4 SB	100	38.38
210-9288S	Slotted Water Feature, 3/4 SB	100	38.38
210-9308S	Standard Rope Water Feature, 3/4 RB	100	38.38
210-9258S	Fountain Water Feature, 3/4 RB	100	38.38
210-9268S	Slotted Water Feature, 3/4 RB	100	38.38
210-9980S	Flush Mount Water Feature - Eclipse - Metal	100	37.27



Water Features / Pop-Ups

FEATURES:

- Pops up when pressurized
- Drops down when depressurized
- Solid 7/16" rod shaped water stream, projects at 45° angle
- Available in several body styles and colors
- Maximum flow 4.76 GPM @ 3 PSI = 48" cascade

Patent # 8,011,604

WATER FEATURE popUps



675-0707



675-0807



675-0791L



675-0908L

Pop-Up Water Features

Part No.	Description	Case Quantity	List (US\$)
675-0707	Standard - 3/4" RB	50	45.62
675-0710	Standard - 3/4" SB	50	45.62
675-0720	Standard - 3/4" S	50	45.62
675-0730	Standard - 1/2" S	50	45.62
675-0800	Top-Access - 3/4" RB	50	45.62
675-0817	Top-Access - 3/4" SB	50	45.62
675-0820	Top-Access - 3/4" S	50	45.62
675-0830	Top-Access - 1/2" S	50	45.62
675-0791L	LED Pop-Up Water Feature - 3/4" RB	50	53.81
675-0908L	LED Pop-Up Water Feature - 3/4" RB	50	53.81
675-0918L	LED Pop-Up Water Feature - 3/4" SB	50	53.81
675-0928L	LED Pop-Up Water Feature - 3/4" S	50	53.81
675-0938L	LED Pop-Up Water Feature - 1/2" S	50	53.81



Water Features / Pop-Ups & Cup Holder Water Feature

FEATURES:

- Pops up when pressurized
- Drops down when depressurized
- Solid 1/16" rod shaped water stream, projects at 45° angle
- Available in several body styles and colors
- Maximum flow 4.76 GPM @ 3 PSI = 48" cascade

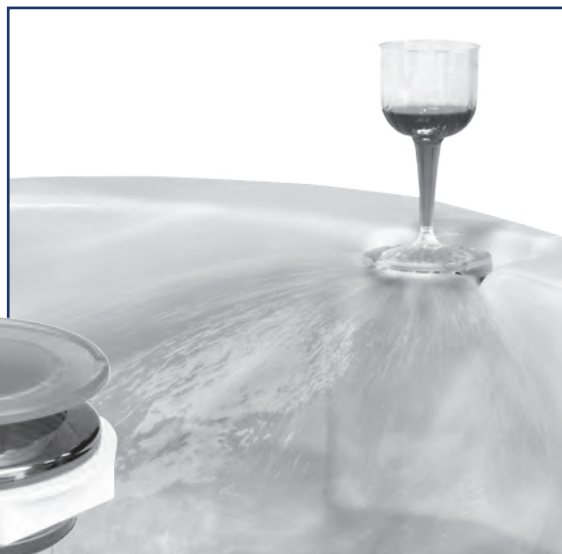
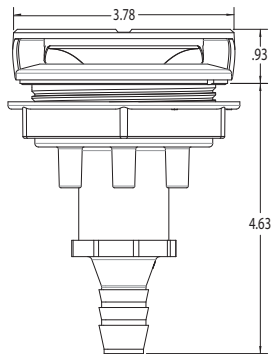


675-2000
US Pat. 8214 935

Pop-Up Water Features

Part No.	Description	Case Quantity	List (US\$)
675-2000	LED Pop-Up 180° Dome Feature	32	52.37
675-2000S	LED Pop-Up 180° Dome Feature - Stainless Steel Cap	32	57.36

The "All in One" Water Feature that provides a beautiful and functional setting for all of your favorite beverages!



675-2058LS

FEATURES:

- Cup Holder and Water Feature in one
- Fits most cups, cans and bottles
- Easy to install
- Accepts most LED points of light

NEW!

Cup Holder Water Feature

Part No.	Description	Case Quantity	List (US\$)
675-2050	Cup Holder Water Feature	--	43.78
675-2058LS	LED Cup Holder Water Feature, Stainless Steel	--	51.50



Sure-Seal
COLLECTION

Pin Lights

NEW!

Installation is as easy as it gets! Just drill the hole, press in the SGMS grommet into place, then press in one of the different spot light lenses. No need for silicone, threading on a nut or spot facing.



FEATURES:

- Ultra-easy to install
- Multiple lenses to choose from
- Light is diffused evenly
- Accepts most LED lights

SPECIFICATIONS:

- Silicone & EPDM Grommets
- Clear Polyester Lens
- 5/8" Hole Saw Size
W Drill (0.386") for acrylic/fiberglass
- 3/4" Hole Saw Size
0.386" Decco Drill from Phillips Carbide
for acrylic/fiberglass
- 1" Hole Saw Size
43/64" for acrylic/fiberglass



Pin Lights

Part No.	Description	Case Quantity	List (US\$)
633-8028	5/8" SGMS LED Spot Light (Ripple) Assy	2,500	3.43
633-8018	5/8" SGMS LED Spot Light (Pinwheel) Assy	2,500	3.43
633-8008	5/8" SGMS LED Spot Light (Sunburst) Assy	2,500	3.43
633-5008	3/4" SGMS LED Spot Light (Petal) Assy	2,500	3.77
633-3038	1" SGMS LED Spot Light (Ripple) Assy	2,500	4.12
633-3018	1" SGMS LED Spot Light (Pinwheel) Assy	2,500	4.12
633-3028	1" SGMS LED Spot Light (Sunburst) Assy	2,500	4.12
633-3008	1" SGMS LED Spot Light (Faceted) Assy	2,500	4.12

Lighting



633-7078



633-7088



633-7068



630-0008



630-5008



630-K008



630-K008S



630-0068S



630-6058S

LED Lights

Part No.	Description	Case Quantity	List (US \$)
633-7078	½" Threaded Faceted Light Lens Assembly	500	2.30
633-7088	½" Threaded Hex Style Light Lens Assembly	500	2.30
633-7068	1" Threaded Facet Light Lens Assembly with LED Sleeve	200	4.40
630-0068	Mini 2 ¼" Spa Light Assembly for Single LED	300	12.29
630-0068S	Mini 2 ¼" Spa Light Assembly for Single LED Stainless Steel	300	14.16
630-0008	Mini 2 ¼" Spa Light Assembly - Plastic Only	300	12.29
630-0008S	Mini 2 ¼" Spa Light Assembly - Stainless Steel Escutcheon	120	14.16
630-5008	Standard 3 ½" Spa Light Assembly - Plastic Only	70	19.73
630-K008	5" Jumbo Spa Light Assembly - Plastic Only	40	46.22
630-K008S	5" Jumbo Spa Light Assy - Plastic Only - No Lenses - MTL Esc.	12	55.78
630-6058S	XL Jumbo Spa Light 7.5" with Stainless Steel Escutcheon	--	83.73



NEW!



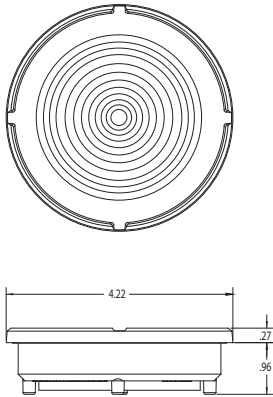
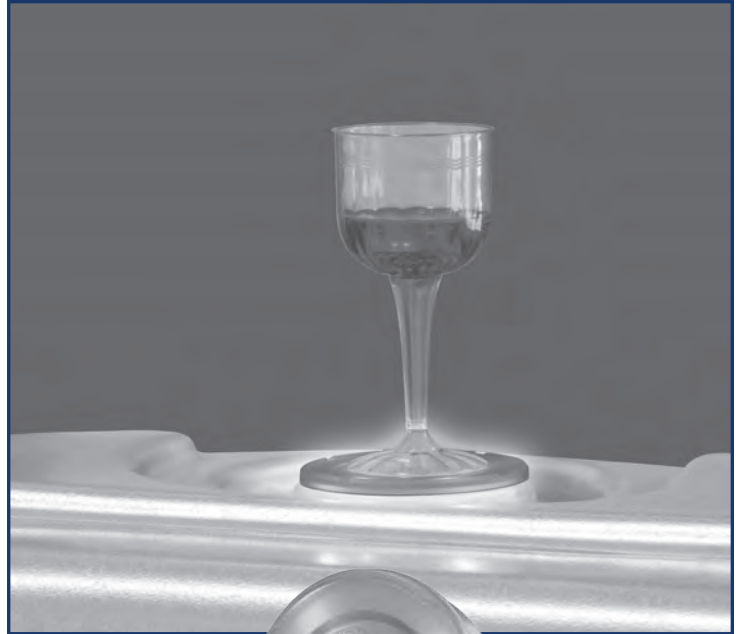
Waterway's new 4 1/4" SGMS LED Cup Holder provides a vivid array of illuminated tranquility, lighting any evening with a mood of pure relaxation.

Features:

- Large 4 1/4" diameter to allow for larger cups and added illuminated brilliance
- Installs easily via Waterway's patented SGMS LED grommet system
- Uses up to four LED lights for varying degrees of brightness

Specifications:

- Made of UV resistant Polyester Material
- Silicone Grommet System
- 4 1/4" Outside diameter
- 3 3/4" Hole saw size



Lighting

SGMS 4 1/4" LED Cup Holder

Part No.	Description	Case Quantity	List (US \$)
630-0148	SGMS 4 1/4" Cup Holder Assembly, Crystal Style - Clear	--	15.02
630-0158	SGMS 4 1/4" Cup Holder Assembly, Ripple Syle - Clear	--	15.02



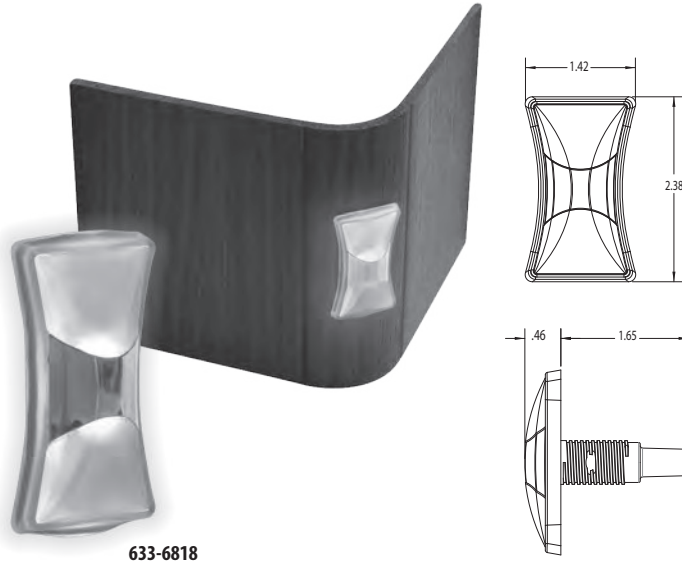
NEW!

FEATURES:

- Elegant Sconce Light
- Illuminates spa skirting
- Conforms to corners as small as 1 1/2" radius
- Works with most single LED points of light
- Made in America!

Specifications:

- UV Resistant Polyester Lens
- 316 Stainless Steel Escutcheon
- 5/8" Hole Saw



633-6818

LED Hourglass Sconce Light

Part No.	Description	Case Quantity	List (US \$)
633-6818	LED Hourglass Sconce Light SS	--	7.08

NEW!

Features:

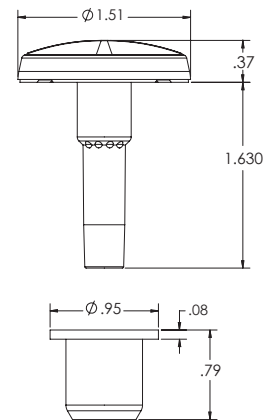
- Elegant Circular Sconce Light
- Illuminates spa skirting
- SGMS Mounting
- Works with most single LED points of light
- Made in America!

Specifications:

- UV Resistant Polyester Lens
- 316 Stainless Steel Escutcheon
- 43/64" Hole Saw Size



633-68585



Waterway's new Button Sconce Light allows for easy Sure Grip Mounting System (SGMS) installation on the side of most spas. Its streamlined, low profile design prevents the damage that is common in bulkier sconce lights while providing an elegant touch to the spa exterior.



SGMS Button Sconce Light

Part No.	Description	Case Quantity	List (US \$)
633-68585	1 1/2" SGMS Button Sconce Light, 316 SS	--	8.45



FEATURES:

- Designed for mounting in a cup holder recess
- Illuminates clear glasses and cups
- Requires only one LED



630-0038

LED Cup Holder Light Lens

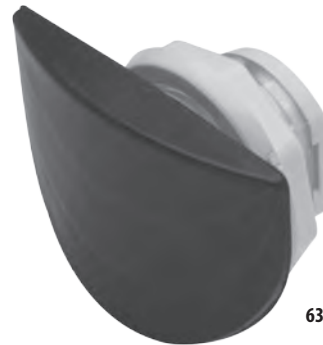
Part No.	Description	Case Quantity	List (US \$)
630-0038	LED Cup Holder Light Lens	20	12.34

FEATURES:

- Illuminates spa skirting
- Mounts to outside perimeter of spa cabinet
- Requires only one LED



660-6300



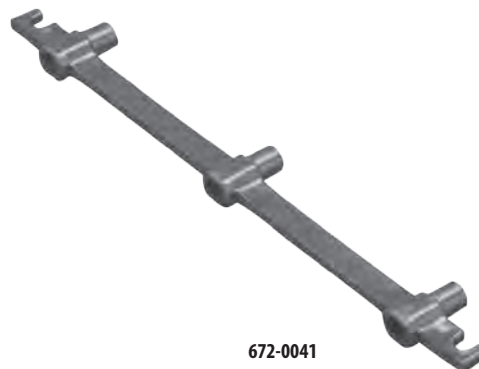
630-6401

LED Cabinet Light

Part No.	Description	Case Quantity	List (US \$)
630-6300	1/2" Threaded Faceted Light Lens Assembly	500	2.30
630-6400	LED Cabinet Light	200	8.96

FEATURES:

- Used as perimeter lighting up underneath spa shell or kick plate area
- Bends to conform to corners of any radius
- Accepts up to three LED lights



672-0041

LED Strip Light

Part No.	Description	Case Quantity	List (US \$)
672-0041	LED Strip Light	20	11.21



Standard 3 1/2" O.E.M. Spa Light Kits

Part No.	Description	Case Quantity	List (US \$)
630-5005	Plastic Only - with Red and Blue Lenses	50	22.57
630-5115	O.E.M. Kit - with 8 ft. Wire Harness - Bulb & 110V/12V - 1-Amp Transformer	40	43.47
630-5105	O.E.M. Kit - with 8 ft. Wire Harness and Bulb	50	29.01
630-5205	O.E.M. Kit - with 8 ft. Wire Harness - Bulb and 2-Pin Connector	50	39.91



Front Access 3 1/2" O.E.M. Spa Light Kits

Part No.	Description	Case Quantity	List (US \$)
630-6005	Plastic Only - includes Wrench	50	30.60
630-6115	Kit - includes 8 ft. Wire Harness - Bulb - Wrench - 110V/12V 1-Amp Transformer	40	51.53
630-6105	Kit - includes 8 ft. Wire Harness - Bulb - Wrench	45	37.00
630-6205	Kit - includes 8 ft. Wire Harness - Bulb - Wrench - 2-Pin Connector	40	47.94



Spa Light Power Supply and NEMA Cord

Part No.	Description	Case Quantity	List (US \$)
630-1105	110V/12V without Air Switch	20	78.54
630-1115	110V/12V with Air Switch	20	113.85



Lighting / 5" Jumbo Spa Lights and Spa Light Accessories



Jumbo 5" O.E.M. Spa Light Kits

Part No.	Description	Case Quantity	List (US \$)
630-K005	Plastic Only - with Red and Blue Lenses	40	49.14
630-K008S	Plastic Only - Stainless Steel Escutcheon - with Red and Blue Lenses	40	55.78
630-K115	Kit - 8 ft. Wire Harness - 2-Pin Connector - Bulb - 110V/12V 1-Amp Transformer	20	70.32
630-K105	Kit - 8 ft. Wire Harness - Bulb	32	54.72



Spa Light Accessories

Part No.	Description	Case Quantity	List (US \$)
813-4370	Bulb #912	--	3.76
813-4400	1-Amp Transformer - 120V / 12V - 60Hz	40	15.50
813-4500	1-Amp Transformer - 230V / 12V - 50/60Hz	40	21.90
630-0005	Light Lens Kit - 1 Red and 1 Blue Lens	75	9.66

FEATURES:

- Allows 1" flexible electrical conduit to be nicely mounted to spa cabinet or doghouse areas
- 1" Socket on both sides
- Mounts like a flush mount bulkhead fitting



Electrical Bulkhead Wallfitting

Part No.	Description	Case Quantity	List (US \$)
210-1861	1" Electrical Bulkhead Wallfitting with Cap	100	5.51



NEW!

NEO TP500

SPA CONTROL TOUCHSCREEN



NEO 2100
Spa Control



NEO TP500 TouchScreen

FEATURES:

- Android Based Control Panel
- 5.0" TouchScreen
- Capacitive Touch Technology
- Easy to read and scroll icons
- Easy menu navigation
- Ultra bright for daylight use
- Organized device functions and App displays
- Full internet access
 - Streaming videos
 - Search engines

CONTAINS:

- Built-in WiFi
- Optional Bluetooth (when installed in control unit)

Spa Controls

NEO TP500 TouchScreen		
Part No.	Description	List (US \$)
777-WW06000	NEO TP500 Touch Panel	991.94



Spa Control System / NEO 2100 Spa Control

The standard in Spa Control performance.

NEO 2100 SPA CONTROL SYSTEM

One innovative system that offers
64 different configurations!



- External equipment and topside panel connections
- Modular equipment expansion
- Toggle terminal connection
- Electronic Thermal Sensing (ETS) system
- Equipment converts 220V to 120V
- Converts from 60 Hz to 50 Hz
- Wi-Fi & Bluetooth option
- Topside features a 1.8" color LCD display
- Panel back light with white LED
- Easy menu navigation
- Multiple languages (English, French, Spanish, German, Norwegian, Italian)
- Real-time clock
- AUX panel ready
- Accepts NEO 2100, NEO 1100 or NEO 1000 topside panels
- Accepts NEO TP500 TouchScreen



Spa Controls

NEO 2100 Spa Control with Panel

Part No.	Description	List (US \$)
777-WW99001	NEO 2100 Control Kit, 2-2 Spd Pumps, Blwr, 03, AV 4.0Kw Htr. W/ NEO 1100 Panel	1,246.29
777-WW99002	NEO 2100 Control Kit, 2-2 Spd Pumps, Blwr, 03, AV 5.5Kw Htr. W/ NEO 1100 Panel	1,246.29
777-WW99003	NEO 2100 Control Kit, 2-2 Spd Pumps, Blwr, 03, AV 4.0Kw Htr. W/ NEO 2100 Panel	1,268.59
777-WW99004	NEO 2100 Control Kit, 2-2 Spd Pumps, Blwr, 03, AV 5.5Kw Htr. W/ NEO 2100 Panel	1,268.59

NEO 2100 Spa Control with Retro Kit & Panel

777-WW99050	NEO 2100 Control Kit w/Retro Kit*— 2-2 Spd Pumps, Blwr, 03, AV 4.0 kW Htr. w/NEO 1100 Panel	1,385.28
777-WW99051	NEO 2100 Control Kit w/Retro Kit*— 2-2 Spd Pumps, Blwr, 03, AV 5.5 kW Htr. w/NEO 1100 Panel	1,385.28
777-WW99052	NEO 2100 Control Kit w/Retro Kit*— 2-2 Spd Jet, Blwr, 03, 4.0 kW Htr. w/NEO 2100 Panel	1,407.58
777-WW99053	NEO 2100 Control Kit w/Retro Kit*— 2-2 Spd Jet, Blwr, 03, 5.5 kW Htr. w/NEO 2100 Panel	1,407.58

*includes 780-8020 Retro Kit (Adapter Plate, Light Lead, 2-2 Spd & 1-1 Spd 4 Ft. 4 Pin Amp Cords)

Accessories / Replacements

775-0501	Daughter Board 1 (DB-1) (allows for up to 2 add'l 1 Spd Pumps or 1 add'l 2 Spd Pump)	156.13
775-0502	Daughter Board 2 (DB-2) (allows for up to 4 add'l 1 Spd Pumps or 2 add'l 2 Spd Pumps)	253.71
780-8020	NEO 2100 Retro Kit – Adapter Plate, Light Lead, 2-2 Spd & 1-1 Spd 4 Pin Amp Cords	138.99
775-0504	Wi-Fi Kit Assembly	454.74
775-0503	Bluetooth Kit Assy (Includes screw & stand-off)	265.27
777-WW02007	AUX 1000 Panel (4 buttons, Light, Aux, Jet1, Jet2)	127.51

Accessory Breakdown for 780-8020

633-1000	Light Lead W/ 2-Pin Connector	13.53
741-CGGG-45X	Power Cord, 4 Ft. 4 Pin-Amp, 2 Speed	31.22
741-CGGZ-44X	Power Cord, 4 Ft. 4 Pin-Amp, 1 Speed	29.28
885-8020	Adapter Plate – Spa Pack NEO 2100	36.10



Value Spa Control for less complex systems.

NEO 1500 SPA CONTROL SYSTEM

Available with
multiple configurations!

- More than 64 different configurations
- Electronic Thermal Sensing (ETS) system
- 240V – 120V convertible
- Available in 50 Hz or 60 Hz
- Topside features a 1.8" color LCD display
- Panel back light with white LED
- Accepts dedicated 230V without Neutral
- Wi-Fi option
- Bluetooth option
- Easy menu navigation
- Multiple languages (English, French, Spanish, German, Norwegian, Italian)
- Optional Daughter Board (DB1)
- Accepts NEO 2100, NEO 1100 or NEO 1000 topside panels
- Accepts NEO TP500 TouchScreen

UL **US** **CE**
UL certified for the US & Canada
CE compliant for Europe



Spa Controls

NEO 1500 Spa Control

Part No.	Description	List (US \$)
777-WW99013	NEO 1500 Control Kit, 1-2 Spd Pump1, 1-1 Spd Pump 2 or Blwr, 03, AV, 3.0 kW Htr, w/NEO 1000 Panel	1,168.21
777-WW99014	NEO 1500 Control Kit, 1-2 Spd Pump1, 1-1 Spd Pump 2 or Blwr, 03, AV, 4.0 kW Htr, w/NEO 1000 Panel	1,168.21
777-WW99015	NEO 1500 Control Kit, 1-2 Spd Pump1, 1-1 Spd Pump 2 or Blwr, 03, AV, 5.5 kW Htr, w/NEO 1000 Panel	1,168.21
777-WW99010	NEO 1500 Control Kit, 1-2 Spd Pump1, 1-1 Spd Pump 2 or Blwr, 03, AV, 3.0 kW Htr, w/NEO 1100 Panel	1,168.21
777-WW99011	NEO 1500 Control Kit, 1-2 Spd Pump1, 1-1 Spd Pump 2 or Blwr, 03, AV, 4.0 kW Htr, w/NEO 1100 Panel	1,168.21
777-WW99012	NEO 1500 Control Kit, 1-2 Spd Pump1, 1-1 Spd Pump 2 or Blwr, 03, AV, 5.5 kW Htr, w/NEO 1100 Panel	1,168.21
775-0501	Daughter Board (DB1) (allows for up to 2 additional 1 Spd Pumps or 1 add'l 2 Spd Pump)	156.13
775-0503	Bluetooth Kit Assy (Includes screw & stand-off)	265.27
775-0504	Wi-Fi Kit Assembly (No added mothely fees.)	454.74



Spa Control System / NEO 1200 Spa Control

The standard in Spa Control performance.

NEO 1200

SPA CONTROL SYSTEM

Compact design for **easy installation** in tight locations.

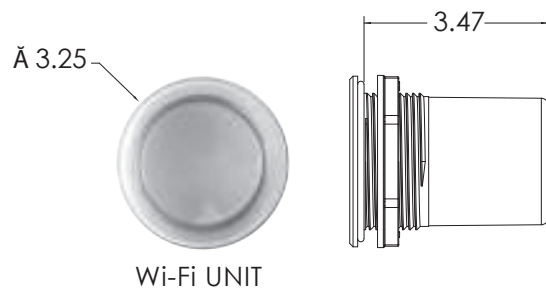
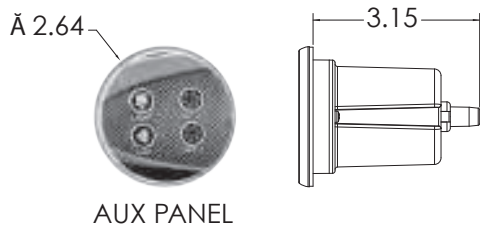
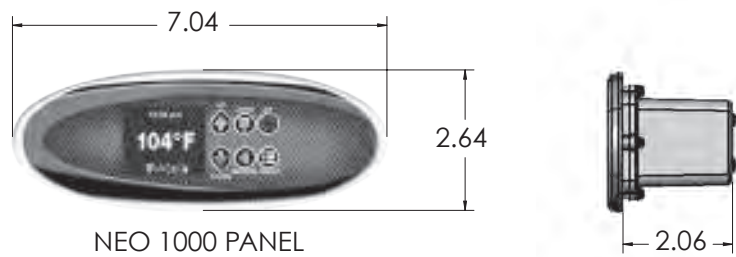
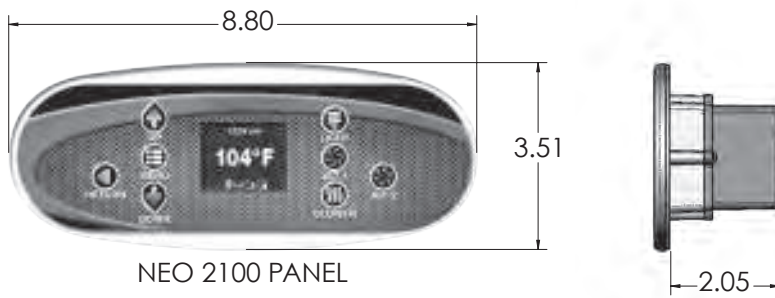
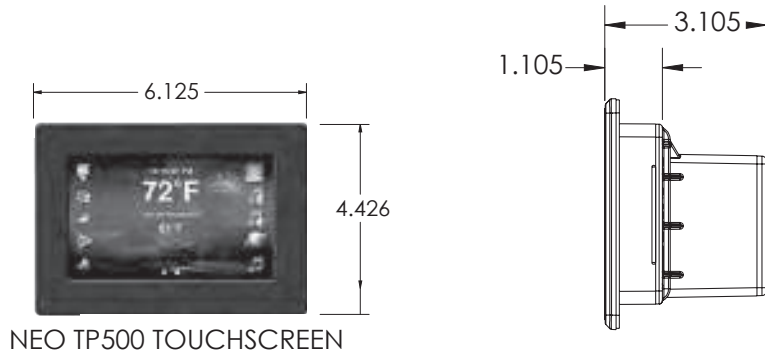
- Plug and Play
- Electronic Thermal Sensing (ETS) system
- Available in 120V / 60 Hz or 220V / 50 Hz
- Bluetooth ready
- Topside features a 1.8" color LCD display
- Panel back light with white LED
- Bluetooth option
- Easy menu navigation
- Multiple languages (English, French, Spanish, German, Norwegian, Italian)
- Small Compact Housing
- Optional 15 Ft 15 Amp GFCI power cords (60 Hz only)
- Accepts NEO 1100 or NEO 1000 topside panels



UL **US** **CE**
 UL certified for the US & Canada
 CE compliant for Europe

NEO 1200 Spa Control

Part No.	Description	List (US \$)
777-WW99022	NEO 1200 Control Kit, 1-2 Spd Pump, O3, Lt, 1 kW Htr, w/NEO 1000 Panel	1,090.15
777-WW99023	NEO 1200 Control Kit, 1-2 Spd Pump, O3, Lt, 1 kW Htr, w/NEO 1000 Panel & 120V 15' at 15A GFCI Pwr Cord	1,187.12
777-WW99020	NEO 1200 Control Kit, 1-2 Spd Pump, O3, Lt, 1 kW Htr, w/NEO 1100 Panel	1,090.15
777-WW99021	NEO 1200 Control Kit, 1-2 Spd Pump, O3, Lt, 1 kW Htr, w/NEO 1100 Panel & 120V 15' at 15A GFCI Pwr Cord	1,187.12
775-0503	Bluetooth Kit Assy (Includes screw & stand-off)	265.27





FEATURES:

- Latest speaker design with Titanium tweeter
- LED capable
- Dampening device
- Pop-up design

Standard Features:

- Dampened speaker lift
- Front and back LED ports
- 30% more compact than previous models

Options:

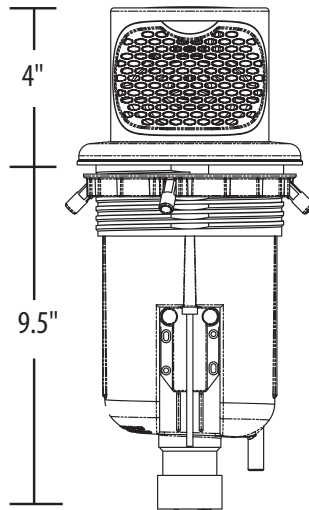
- Multiple lighting options
- Front ambient light
- Lit logo (call for details)
- Lit ring with Glo Tubes (requires rotation ring and nut)

SPECIFICATIONS:

- 15 W RMS / 30 W Peak
- Impedance: $4 \Omega \pm 15\% \Omega$
- Resonant Frequency: 110 Hz $\pm 20\%$ Hz
- SPL: 70 dB ± 3 dB ref 1 W/1M
- Frequency Response: ~20 KHz, max ± 10 dB

Magna Tune

Compact Design
30% shorter than previous model



Magna Tune 6" Pop-Up Silo Speaker System

Part No.	Description	List (US \$)
675-2020L	Magna Tune pop-up speaker (Non-rotational) LED	206.79

Note: For metal grill add "s" to the part number suffix.

Mounting Specifications

	Non-Rotational Cap
Hole size	4 3/4"
Closed height	3/8"
Flange OD	5 5/8"

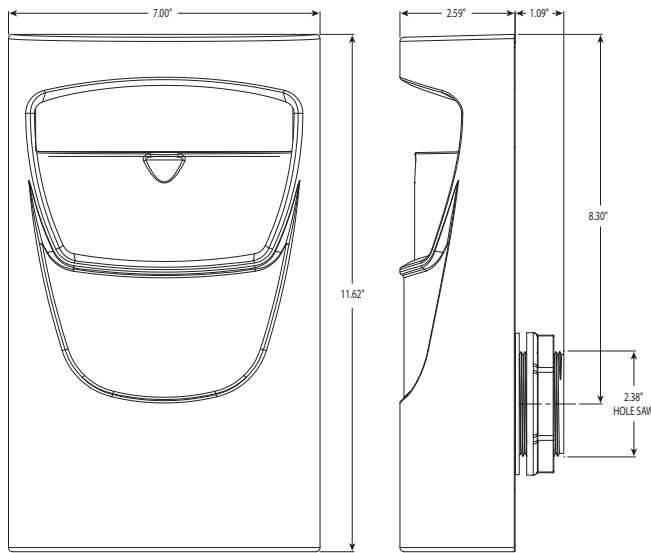
Speaker depth from flange: 9 3/4"



640-6607

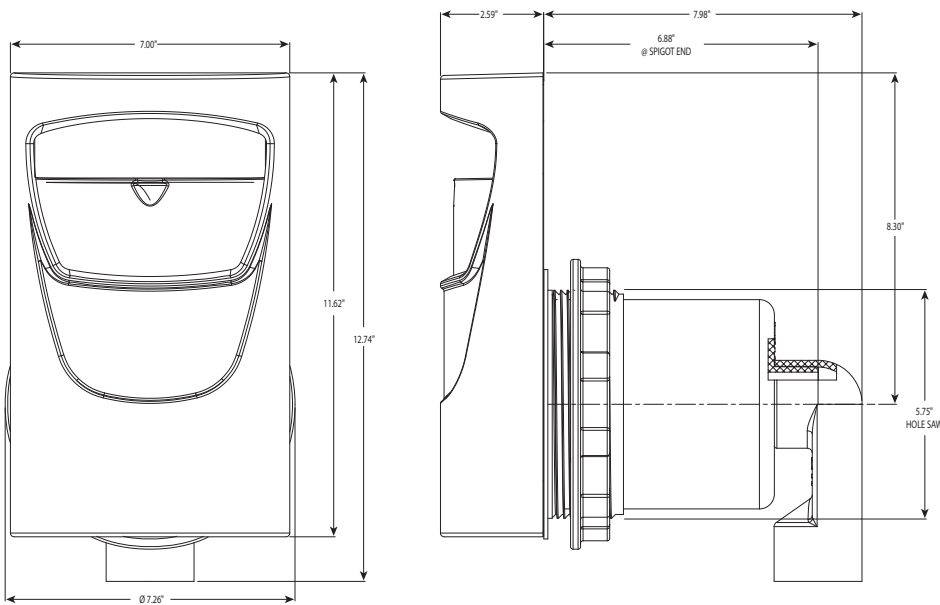
Strip Skimmer

Part No.	Description	Case Quantity	List (US \$)
640-6600	Adjustable Strip Skimmer with Lint Basket - 1" S Ell	20	57.80



FEATURES:

- Floating guillotine-style weir
- Easy through-wall installation (requires only one round hole to mount)
- 15 sq. ft.
- Easily accessible basket
- Skim Filter has easily accessible cartridge



For replacement parts, see page 327.

Deluxe Strip Skimmer and Strip Skim Filter

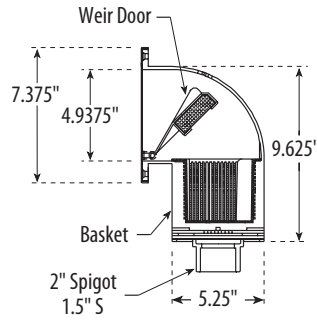
Part No.	Description	Case Quantity	List (US \$)
510-6900	Deluxe Strip Skimmer - 1 1/2" S	50	91.69
510-6910	Deluxe Strip Skim Filter - 1 1/2" S, 15 sq. ft.	50	103.24



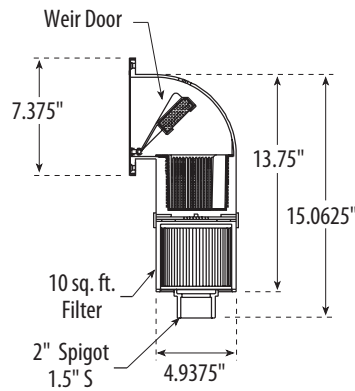
Spa Skimmers and Filters / Front Access Skim Filters



510-1500



510-1600

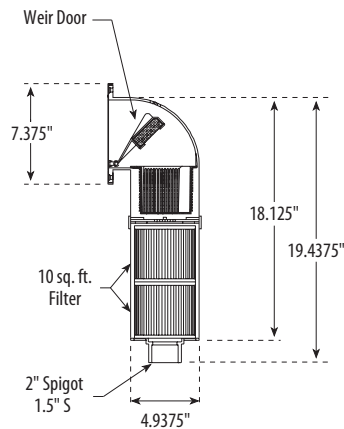


INCLUDES:

- 10 sq. ft. Cartridge
- EZ Flow Basket
- Flow Control Diverter Plate
- Trim Plate - White
- Mounting Gasket



510-1650T



INCLUDES:

- 10 sq. ft. Cartridges (2)
- EZ Flow Basket
- Flow Control Diverter Plate
- Trim Plate - White
- Mounting Gasket

For replacement parts, see page 339.

Front Access Skimmers and Skim Filters

Part No.	Description	Case Quantity	List (US \$)
510-1500	Square Spa Skimmer – 1 ½" S / 2" Spigot – Flow Control with Trim Plate	4	99.86
510-1600	Square Spa Skim Filter – 1 ½" / 2" Spigot - 10 sq. ft.	4	154.57
510-1650T	Square Spa Skim Filter – 1 ½" / 2" Spigot – 20 sq. ft.	2	197.52

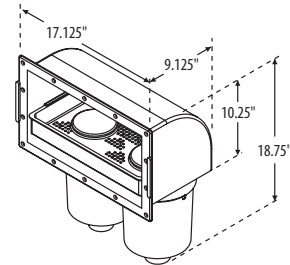


FEATURES:

- 50 sq. ft. Cartridges (2) (100 sq. ft. total)
- 2" Spigot Output Ports (2)
- Extra Large 5 1/2" x 14" Weir Area
- Extra Large 8" x 14" Basket
- Easy Access to Basket and Cartridges
- Easy Through-Wall Installation



510-6620



Hole Size 8.75" x 15.5"

FEATURES:

- 50 sq. ft. Cartridge
- 2" Spigot Output Port
- Easy access to basket and cartridges
- Easy Through-Wall Installation



510-9020



672-5090

Front Access Skim Filters

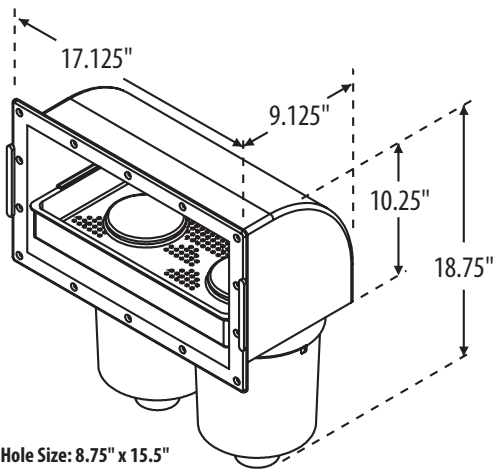
Part No.	Description	Case Quantity	List (US \$)
510-9020	50 sq. ft. Front Access Skim Filter - Single Port - Oval Style	2	276.02
510-6620	100 sq. ft. Front Access Skim Filter - Dual Port - Oval Style	2	364.48
672-5090	100 sq. ft. Skim Filter Manifold Tee with Plug	20	26.00



Spa Skimmers and Filters / 100 sq. ft. Roadster Skim Filter

FEATURES:

- New Roadster grill design
- 50 sq. ft. Cartridges (2) (100 sq. ft. total)
- 2" Spigot Output Ports (2)
- Extra Large 5 1/2" x 14" Weir Area
- Extra Large 8" x 14" Basket
- Easy Access to Basket and Cartridges
- Easy Through-Wall Installation



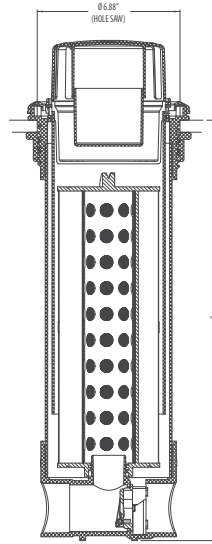
100 sq. ft. Front Access Roadster Skim Filter

Part No.	Description	Case Quantity	List (US \$)
510-6680	100 sq. ft. Front Access Roadster Skim Filter	--	379.83



FEATURES:

- Cage-style tower eliminates unwanted vortexing
- Safety orientated
- Easily accessible basket for effortless cleaning
- Available in several different filter sizes
- 2" Socket IN/OUT plumbing
- Built in Check Valve
- Hole Saw Size: Ø 6.88"
- Custom logo plate available for volume orders



510-4600

For replacement parts, see page 326.

Teleweir Skim Filters

Part No.	Description	"A" Dimension	Case Quantity	List (US \$)
510-4630	25 sq. ft. Teleweir Skim Filer	20.25"	20	247.71
510-4620	35 sq. ft. Teleweir Skim Filter	16.00"	20	260.08
510-4600	50 sq. ft. Teleweir Skim Filter	20.25"	20	264.55
510-4680	50 sq. ft. Teleweir Skim Filter - Low Volume	20.25"	20	264.55

FEATURES:

- Extra-large housing designed especially for Swim Spas
- Cage-style tower eliminates unwanted vortexing
- Safety orientated
- Easily accessible basket for effortless cleaning
- Hi capacity 2 ½" Socket IN/OUT Plumbing
- Built in check valve
- Hole saw size is 8.5"
- Custom logo plates available for volume orders



Mega Teleweir Skim Filters

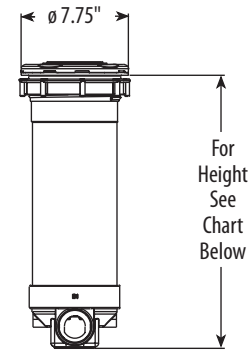
Part No.	Description	"A" Dimension	List (US \$)
510-4570	75 sq. ft. Mega Teleweir Skim Filter	21.75"	310.58



Spa Skimmers and Filters / Dyna-Flo Top-Mount Skim Filters

FEATURES:

- Improved exclusive vent system for added safety
- Exclusive bayonet lock retains the basket and weir
- PVC upper threaded, middle and bottom body components are compatible with PVC glues and most silicones
- New compact sizes
- Traditional 4-scallop escutcheons to match the decor of the spa
- Telescoping weir has 6" of travel
- Built-in restriction valve for improved filtration with low volume
- Two basket sizes
- Dyna-Flo replacement parts fit all existing Dyna-Flo Top-Mount Filters
- Retrofits Dynamic Series Rainbow Skim Filters



Hole Saw Size 6.875"
(All Sizes)

DYNA-FLO PLUS



Low Volume
8 GPM Minimum



Hi Volume
15 GPM Minimum

LOW PROFILE DYNA-FLO



Low Volume
8 GPM Minimum



Hi Volume
15 GPM Minimum

For replacement parts, see page 330.

Dyna-Flo Top-Mount Skim Filters

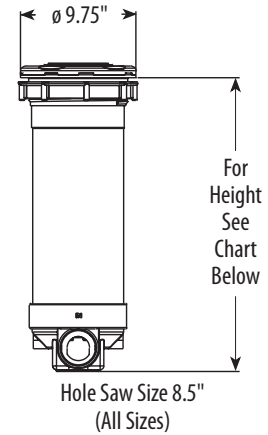
Part No.	Size	Description	Height	List (US \$)
510-4520	2" Socket - 25 sq. ft.	Dyna-Flo Plus - Low Volume - 8 GPM Minimum	21 1/8"	258.63
510-4550	2" Socket - 50 sq. ft.	Dyna-Flo Plus - Low Volume - 8 GPM Minimum	21 1/8"	275.43
510-9520	2" Socket - 25 sq. ft.	Dyna-Flo Plus - Hi Volume - 15 GPM Minimum	21 1/8"	258.63
510-9540	2" Socket - 40 sq. ft.	Dyna-Flo Plus - Hi Volume - 15 GPM Minimum	17 1/4"	266.80
510-9550	2" Socket - 50 sq. ft.	Dyna-Flo Plus - Hi Volume - 15 GPM Minimum	21 1/8"	279.14
510-3520	2" Socket - 25 sq. ft.	Low Profile Dyna-Flo - Low Volume - 8 GPM Minimum	19 5/8"	247.71
510-3540	2" Socket - 40 sq. ft.	Low Profile Dyna-Flo - Low Volume - 8 GPM Minimum	15 3/4"	255.88
510-3550	2" Socket - 50 sq. ft.	Low Profile Dyna-Flo - Low Volume - 8 GPM Minimum	19 5/8"	264.55
510-6520	2" Socket - 25 sq. ft.	Low Profile Dyna-Flo - Hi Volume - 15 GPM Minimum	19 5/8"	247.71
510-6540	2" Socket - 40 sq. ft.	Low Profile Dyna-Flo - Hi Volume - 15 GPM Minimum	15 3/4"	255.88
510-6550	2" Socket - 50 sq. ft.	Low Profile Dyna-Flo - Hi Volume - 15 GPM Minimum	19 5/8"	264.55

For textured High-Volume Lock-Ring, add "T" to the end of the part number.



FEATURES:

- Extra-large 10" diameter body for improved filtration
- Extra-large 6 1/2" diameter cartridge for larger cartridge sizes
- Exclusive "Vent System" for added safety
- PVC upper, middle and bottom sections are compatible with PVC glues and most silicones
- Available in 50, 75 and 100 sq. ft.
- Adjustable restrictor valve for variable flow control
- Extra-large basket
- Removable bypass valve for easy servicing
- Optional chemical feeder
- Available in 2" or 2 1/2" Socket In/Out



For replacement parts, see page 331.

Dyna-Flo XL Skim Filters				
Part No.	Socket Size	Filter Size	Filter Length	List (US \$)
512-0270	2"	75 sq. ft.	21 3/4"	362.09
512-0210	2"	100 sq. ft.	26 1/4"	388.00
512-2550	2 1/2"	50 sq. ft.	21 3/4"	343.93
512-2570	2 1/2"	75 sq. ft.	21 3/4"	362.09
512-2510	2 1/2"	100 sq. ft.	26 1/4"	388.00

FEATURES:

- Skims water without the use of a weir
- No moving parts
- Uses the same size hole pattern as our standard Dyna-Flo
- Allows for a larger variance of water levels

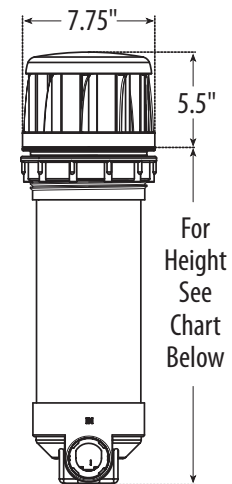


514-6589-DSG

With turbine and weir



514-6550



Hole Saw Size 6.875"

For replacement parts, see page 332.

Ultra Skim Filter				
Part No.	Description	Filter Size	Filter Length	List (US \$)
514-6550	Ultra Skim Filter XL 2" 50 sq ft	50 sq. ft.	19 5/8"	285.49
514-6580	Ultra Skim Filter XL 2" 50 sq ft w/Turbine and Weir	50 sq. ft.	19 5/8"	303.54

Skimmers / Filters



Spa Skimmers and Filters / Top-Load Filters

5.5" FILTER FEATURES:

- Top Load Filter
- 20 sq. ft. 2 7/8" X 19.5" Cartridge
- 1" Socket IN/OUT
- 1" Check Valve
- PVC Construction

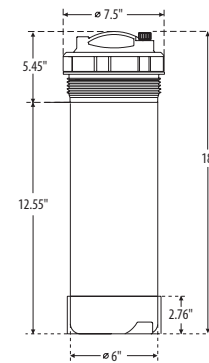


510-3600



500-2500

For replacement parts, see page 328.



Custom sizes available.
Please contact your Waterway sales representative.

5.5" Top-Load Filters

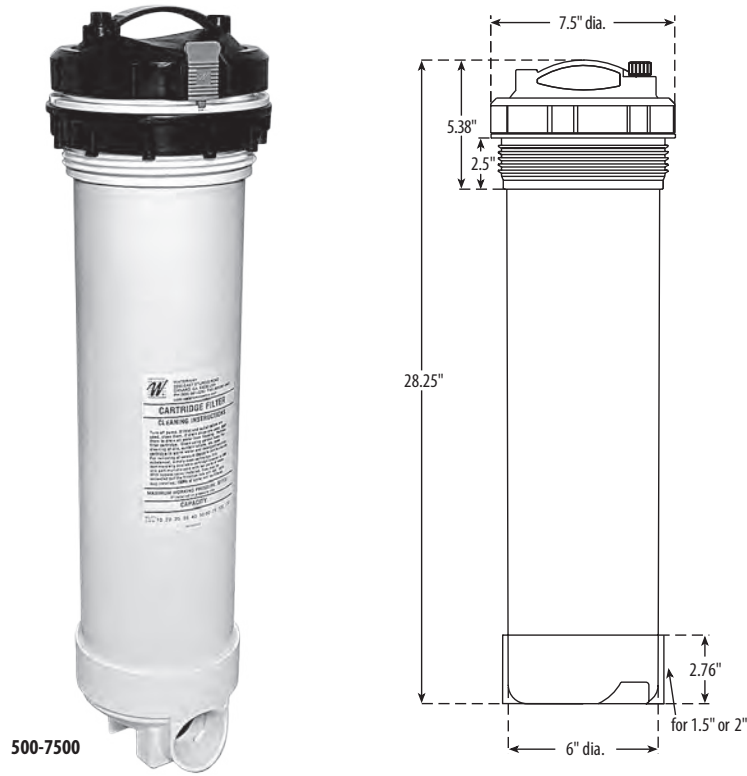
Part No.	Description	List (US \$)
510-3600	1" - 20 sq. ft. Cartridge with Bypass Valve	196.69

7.5" Top-Load Filters

Part No.	Description	List (US \$)
500-2500	1 1/2" - 25 sq. ft. Cartridge with Plug	157.62
500-2510	1 1/2" - 25 sq. ft. Cartridge with Bypass Valve	185.75
500-2540	1 1/2" - 25 sq. ft. Cartridge with Plug and 10-Tablet Brominator	216.90
500-2550	1 1/2" - 25 sq. ft. Cartridge with Bypass Valve and 10-Tablet Brominator	216.90
500-5000	1 1/2" - 50 sq. ft. Cartridge with Plug	215.22
500-5010	1 1/2" - 50 sq. ft. Cartridge with Bypass Valve	215.22
500-5050	1 1/2" - 50 sq. ft. Cartridge with Bypass Valve and 10-Tablet Brominator	245.82
500-6010	1 1/2" - without Cartridge - with Bypass Valve	175.94
500-6050	1 1/2" - without Cartridge - with Bypass Valve and 10-Tablet Brominator	206.54
502-2500	2" - 25 sq. ft. Cartridge with Plug	199.25
502-2510	2" - 25 sq. ft. Cartridge with Bypass Valve	199.25
502-2530	2" - 25 sq. ft. Cartridge with Bypass Valve and Flow Restriction Tube	212.98
502-2550	2" - 25 sq. ft. Cartridge with Bypass Valve and 10-Tablet Brominator	216.90
502-5000	2" - 50 sq. ft. Cartridge with Plug	215.22
502-5010	2" - 50 sq. ft. Cartridge with Bypass Valve	215.22
502-5030	2" - 50 sq. ft. Cartridge with Bypass Valve and Flow Restriction Tube	229.05
502-5050	2" - 50 sq. ft. Cartridge with Bypass Valve and 10-Tablet Brominator	245.82



Spa Skimmers and Filters / Top-Load Extended Filters



500-7500

7.5" Top-Load Extended Filters, 1 ½

Part No.	Description	List (US \$)
500-7500	75 sq. ft. Cartridge with Plug	257.63
500-7510	75 sq. ft. Cartridge with Bypass Valve	257.63
500-7550	75 sq. ft. Cartridge with Bypass Valve and 10 Tablet Brominator	288.21
500-9900	100 sq. ft. Cartridge with Plug	270.51
500-9910	100 sq. ft. Cartridge with Bypass Valve	270.51
500-9950	100 sq. ft. Cartridge with Bypass Valve and 10 Tablet Brominator	313.97

7.5" Top-Load Extended Filters, 2

Part No.	Description	List (US \$)
502-7500	75 sq. ft. Cartridge with Plug	257.61
502-7510	75 sq. ft. Cartridge with Bypass Valve	257.61
502-7550	75 sq. ft. Cartridge with Bypass Valve and 10 Tablet Brominator	288.24
502-9900	100 sq. ft. Cartridge with Plug	270.51
502-9910	100 sq. ft. Cartridge with Bypass Valve	270.51



Spa Skimmers and Filters / Filter Accessories



500-1021



400-9140



212-1810



400-9030



212-1820



400-9220



640-3170



670-2007



400-9120



640-4220 / 640-4240 / 640-4230



400-9150



212-1831



500-1098

FEATURES:

- Contains 10 Bromine
- Clear Container
- Bromine Adjustable Knob

Filter Accessories

Part No.	Description	Case Quantity	List (US \$)
500-1021	Filter Niche with 2-Cup Holder Lid and Screws - Black	6	35.75
400-9140	Cartridge Mounting Assembly - 1 1/2" NPT - with Grate	150	9.39
212-1810	Thru Wall Fitting Assembly - 1/2" S x 1/2" S	150	13.80
400-9030	Cartridge Mounting Assembly with Grate - 2" S x 1 1/2" Acme	50	16.82
212-1820	Bulkhead Wall Fitting Assembly - 3/4" RB	150	13.80
400-9220	Vent Wall Fitting Assembly with Grate (color matching available)	48	8.61
500-1098	10-Tablet Brominator Assembly	70	30.60
640-3170	Suction Wall Fitting Assembly with Bypass Valve	40	19.33
400-9120	Cartridge Mounting Assembly - 1 1/2" NPT	75	8.61
400-9130	Cartridge Mounting Assembly - 2" NPT	50	16.82
670-2000	Water Nozzle Wall Fitting Assembly	200	7.76
640-4220	Lo-Pro 3/4" SB 90° Return Fitting Assembly	40	22.01
640-4240	Lo-Pro 3/4" S 90° Return Fitting Assembly	40	22.01
640-4230	Lo-Pro 1" S 90° Return Fitting Assembly	40	22.01
400-9150	Return Wall Fitting Assembly - 1 1/2" FPT x 1 1/2" S	50	10.73
212-1831	Swirl Style Bulkhead Fitting - 3/4" RB	150	13.80



Skim Filter Gaskets

Part No.	Description	Case Quantity	List (US \$)
711-8010	Grommet Gasket	--	5.26

Spa Mounting Plate

Part No.	Description	Case Quantity	List (US \$)
550-1600	Spa Skimmer Mounting Plate with Screws	50	16.06

Filter Extensions

Part No.	Description	Case Quantity	List (US \$)
519-2041	Filter Extension - Cover	1	12.05
519-2031	Filter Extension - Body	1	18.96



550-6109



680-2001



550-7767



550-6119



550-5617



550-0127

Weirs

Part No.	Description	Case Quantity	List (US \$)
680-2000	Custom Weir Assembly - 13 1/8" H x 23 1/4" W <i>(customized logo & color with quantity order)</i>	25	193.21
550-7760	Skimmer Frame & Weir Assembly with Waterfall	--	193.69
550-5610	Curved Weir Frame Assembly - 13" H x 20 3/4" W	--	73.35
550-0120	Tiered Weir Frame Assembly	--	98.57
550-6100	Weir Frame Assembly - 13 5/8" H x 13 7/16" W S-10 style	--	85.11
550-6110	Weir Frame 21 1/8" W x 13 1/2" S-10 style	--	100.46

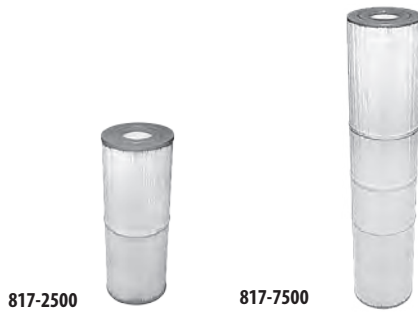


Weir Accessories

Part No.	Description	List (US \$)
550-0411	Weir Mounting Brackets	11.50



Spa Skimmers and Filters / Skimmer and Skim Filter Options



817-2500

817-7500

Replacement Cartridges for In-Line and Top-Load Filters

Part No.	Description	Dimensions	Case Quantity	List (US \$)
817-3640	Cartridge - 20 sq. ft.	3" OD x 19.5" L Cartridge	--	39.20
817-2500	Cartridge - 25 sq. ft.	4 15/16" OD x 13 5/16" L	--	59.64
817-5000	Cartridge - 50 sq. ft.	4 15/16" OD x 13 5/16" L	16	85.76
817-7500	Cartridge - 75 sq. ft.	4 15/16" OD x 23 5/8" L	--	118.13
817-1000	Cartridge - 100 sq. ft.	4 15/16" OD x 23 5/8" L	--	129.63



Skim Filter Replacement Cartridge

Skim Filter Replacement Cartridges

Part No.	Size	Dimensions	Top Load	Front Access	List (US \$)
817-0010	10 sq. ft.	4 1/4" outer diameter x 4" L		x	37.51
817-3501	35 sq. ft.	4 15/16" outer diameter x 9 1/4" L (1 piece)		x	56.60
817-3510	35 sq. ft.	4 15/16" outer diameter x 4 5/8" L (2 pieces)		x	75.60
817-5010	50 sq. ft.	4 15/16" outer diameter x 6 5/8" L (2 pieces)		x	87.95
817-0050	50 sq. ft.	6" outer diameter x 8 1/4" L		x	85.29
817-0011	50 sq. ft.	6" outer diameter x 8 1/4" L (2 pieces upper)		x	85.29
817-0012	50 sq. ft.	6" outer diameter x 8 1/4" L (2 pieces lower)		x	85.29
817-2500	25 sq. ft.	5" outer diameter x 13 1/4" L	x		59.64
817-5000	50 sq. ft.	5" outer diameter x 13 1/4" L (1 piece)	x		85.76
817-0014	50 sq. ft.	5 5/16" outer diameter x 10 1/8" L	x		94.15
817-0015	75 sq. ft.	5 5/16" outer diameter x 14 13/16" L	x		117.82
817-7500	75 sq. ft.	5" outer diameter x 23 5/8" L (2 pieces)	x		118.13
817-0016	100 sq. ft.	5 5/16" outer diameter x 17 13/16" L	x		137.33
817-1000	100 sq. ft.	5" outer diameter x 23 5/8" L	x		129.63

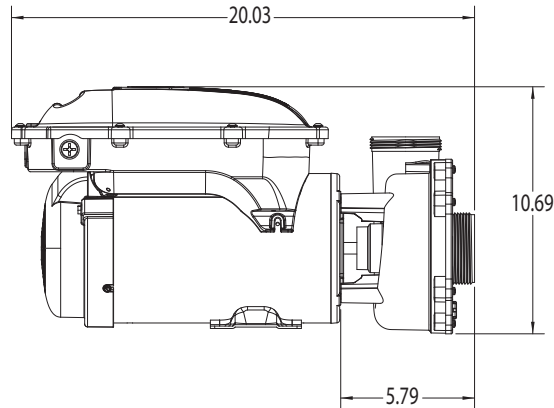
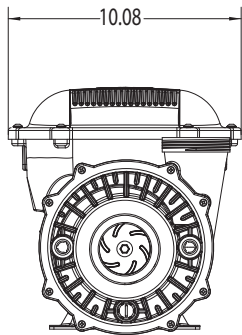
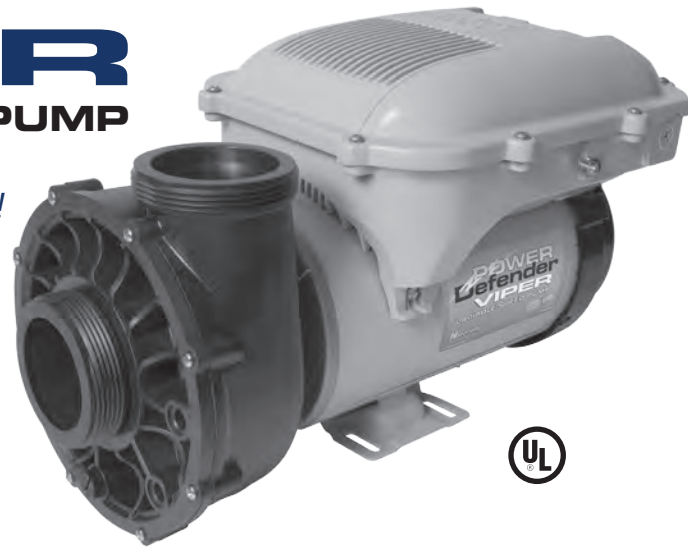


POWER Defender
VIPER
VARIABLE SPEED PUMP

Introducing... The Better Swim Spa Solution!

FEATURES:

- Built-in programmable variable speed drive, allows for 1-100% flow control
- Proven Viper wet end
- Larger wet end (8.0") and intake plumbing (2 – 2.5") for higher pressures and more flow
- Preprogrammed flow rate and workout sequences
- Silicone carbide seals, Viton bellows, 316SS casing



Spa Pumps

Power Defender Viper Variable Speed

Part No.	Description	HP	Volts	Total Amps	Hz	Weight (lbs.)	List (US \$)
PD-250VV	Power Defender Viper	5	230	13.5	50/60	50	1,486.11

Call for available cords and plugs.



Spa Pumps / Power Defender Executive 4 HP



Power Defender Executive 4 HP VARIABLE SPEED PUMP

Introducing the only 4 HP True Variable Speed pump in the Portable Spa Industry.

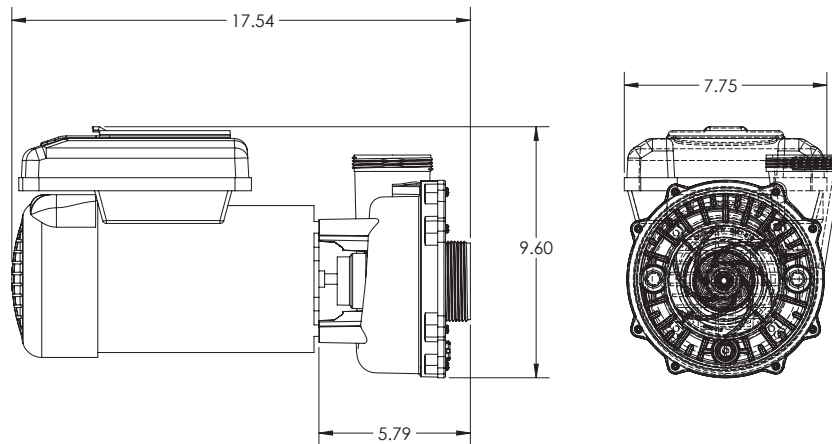
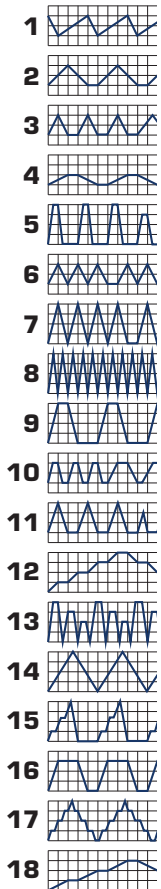


FEATURES:

- Built-in programmable variable speed drive, allows for 1-100% flow control
- Proven Executive and EX2 wet ends
- Preprogrammed wave/pulse sequences
- Silicone carbide seals, Viton bellows, 316SS casing
- Totally enclosed motor construction
- High performance at lower speeds
- Must be used with NEO 1500 or NEO 2100 Spa Controllers

Waterway's TVST (True Variable Speed Therapy) systems have 18 pre-programmed wave/pulse sequences to provide ultimate massage therapy not seen on other variable speed systems!

TVST Massage Options



Power Defender Executive 4 HP

Part No.	Description	HP	Volts	Total Amps	Hz	Weight (lbs.)	List (US \$)
PD-240VSE	Power Defender Executive	4	230	13.5	50/60	50	1,477.09

Call for available cords and plugs.



POWER Defender

Power Defender EX2

VARIABLE SPEED PUMP

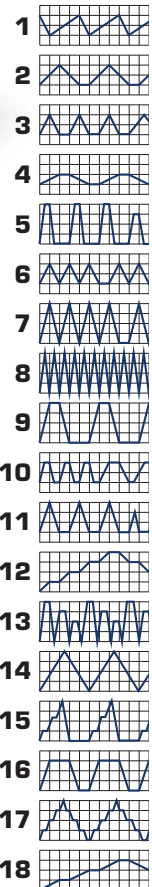


FEATURES:

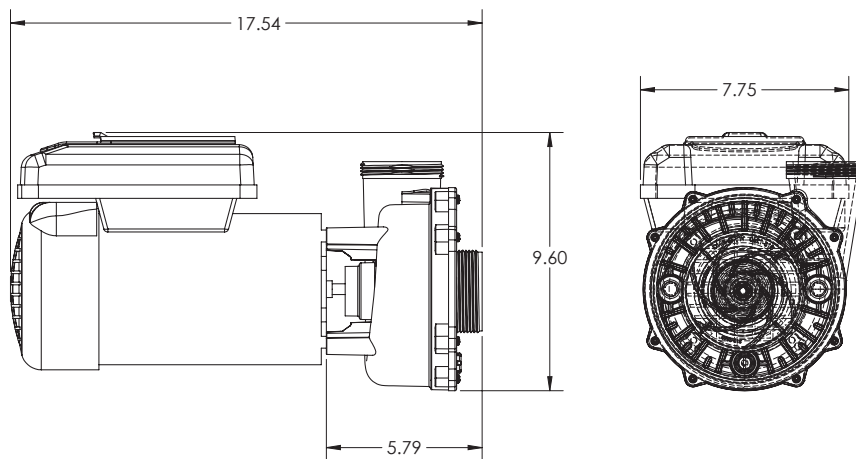
- Built-in programmable variable speed drive, allows for 1-100% flow control
- Proven Executive and EX2 wet ends
- Preprogrammed wave/pulse sequences
- Silicone carbide seals, Viton bellows, 316SS casing
- Totally enclosed motor construction
- High performance at lower speeds
- Must be used with NEO 1500 or NEO 2100 Spa Controllers



TVST Massage Options



Waterway's TVST (True Variable Speed Therapy) systems have 18 pre-programmed wave/pulse sequences to provide ultimate massage therapy not seen on other variable speed systems!



Power Defender EX2							
Part No.	Description	HP	Volts	Total Amps	Hz	Weight (lbs.)	List (US \$)
PD-215VSX	Power Defender EX2	1.5	230	10.0	50/60	50	1,325.59

Call for available cords and plugs.



Spa Pumps / Power Defender 2 Pole / 6 Pole

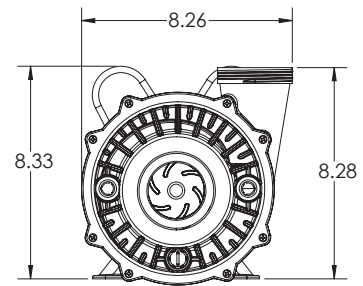
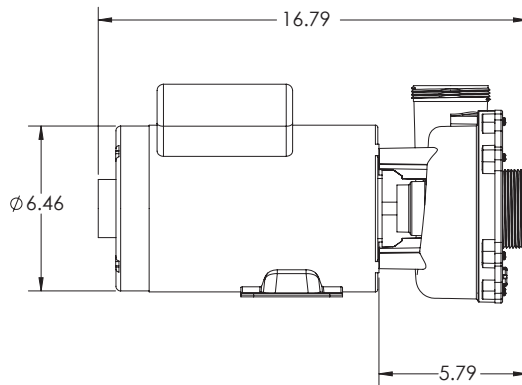
POWER Defender

Power Defender 2 POLE / 6 POLE PUMP

*Advanced 2-pole / 6-pole technology
at a cost effective price!*

FEATURES:

- Built specifically for the demanding portable spa low energy requirements
- 3 HP, 4 HP and 4.5 HP platforms
- Approximately 1 amp at low speed
- Proven Executive wet end
- Reduced standby power consumption that complies with CEC and APSP-14 requirements
- Silicone carbide seals, Viton bellows, 316SS casing
- High performance at lower speeds



Power Defender 2 Pole / 6 Pole Pumps

Part No.	Description	HP	Volts	Total Amps	Hz	Weight (lbs.)	List (US \$)
PD-230E	Power Defender Executive 2-Pole/6-Pole	3	230	1.0 A/8.6	60	34	834.51
PD-240E	Power Defender Executive 2-Pole/6-Pole	4	230	1.0 A/12	60	44	923.07
PD-245E	Power Defender Executive 2-Pole/6-Pole	4.5	230	1.3 A/14	60	46	1,009.26

Call for available cords and plugs.



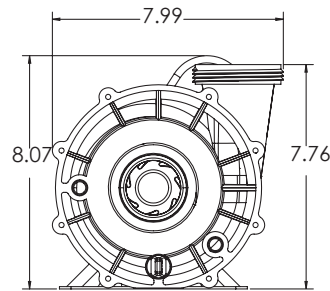
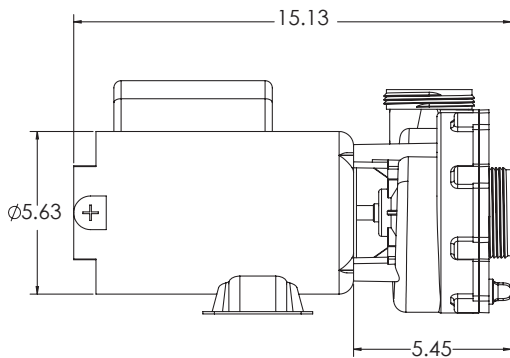
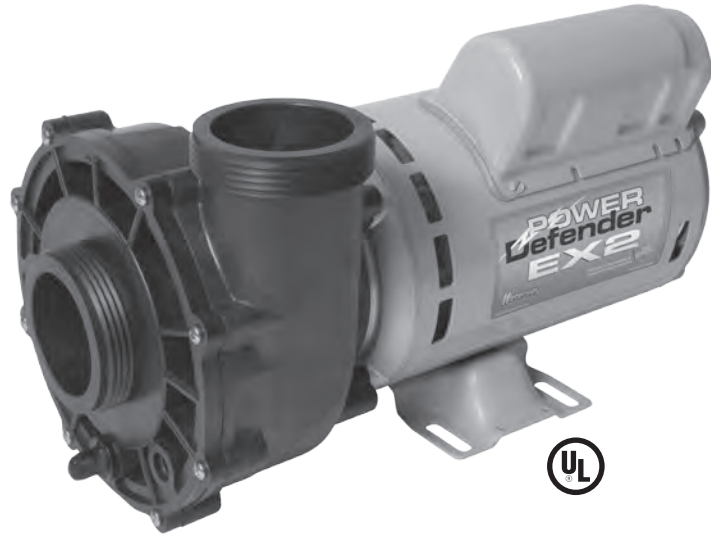
**POWER
Defender**

**Power Defender
EX2
2 SPEED PUMP**

*Better performance with
outstanding durability.*

FEATURES:

- High performance two speed pump design
- 1.5 Horsepower Special (1.0 True Break HP), 9.5 Amps, 115 VAC
- Proven EX2 wet end
- Silicone carbide seals, Viton bellows, 316SS casing
- Direct replacement for Aqua-Flo XP2 pumps



Power Defender EX2 2 Speed

Part No.	Description	HP	Volts	Total Amps	Hz	Weight (lbs.)	List (US \$)
PD-110X	Power Defender EX2 2-Speed	1.5 HP SPL	115	9.5/3.2	60	26	541.06

Call for available cords and plugs.

Spa Pumps



Spa Pumps / Viper - 56-Frame

FEATURES:

- Viper wet end designed specifically for 56-frame motors
- Two double shielded ball bearings with moisture resistant grease for quieter operation and longer life
- Two speed motors have four sets of insulated windings for high performance
- 56-frame motor for added strength, cooler operating temperature and longer motor life
- Large 2 1/2" intake for improved flow performance and reduced noise
- Large 8" diameter wet end for increased volume capacity
- Split capacitor, (start and run) for less energy consumption
- Thermally protected to extend life expectancy of motor
- Highly versatile wet end can be rotated every 90°
- Silicone carbide seals, Viton bellows, 316SS casing

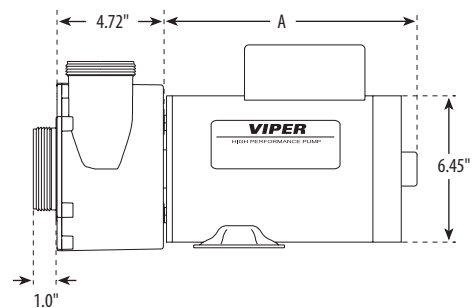
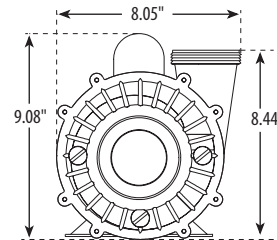
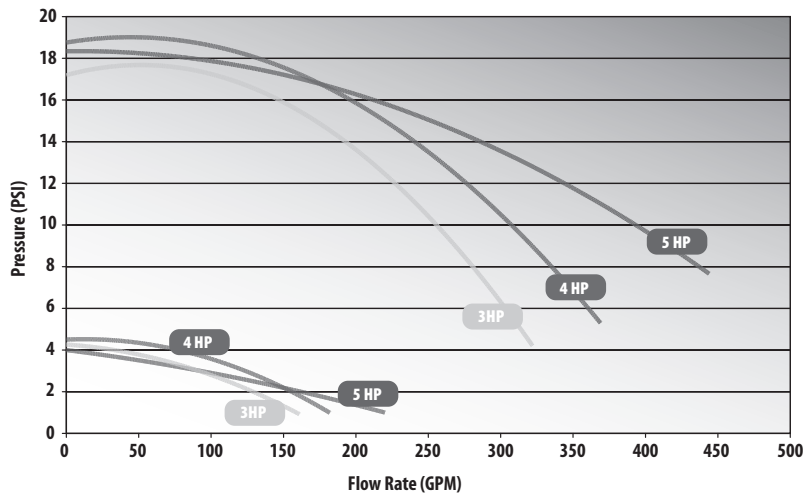
Call for available cords and plugs.



 For 2-speed models only

For replacement parts, see page 297.

Viper Performance Chart



2-Speed Viper 56-Frame Pumps

Part No.	Description	HP	Volts	Amps High Speed	Amps Low Speed	Hz	Dimension "A"	Weight (lbs.)	List (US \$)
3721221-1V	2 1/2" Intake - 2 1/2" Discharge	3	230	10	3.5	60	11"	37	854.18
3721621-1V	2 1/2" Intake - 2 1/2" Discharge	4	230	12	4.4	60	11"	44	917.02
3722021-1V	2 1/2" Intake - 2 1/2" Discharge	5	230	16.4	4.8	60	11"	47	946.69

1-Speed Viper 56-Frame Pumps

Part No.	Description	HP	Volts	Amps	Hz	Dimension "A"	Weight (lbs.)	List (US \$)
3711621-1V	2 1/2" Intake - 2 1/2" Discharge	4	230	12	60	11"	41	798.61
3712021-1V	2 1/2" Intake - 2 1/2" Discharge	5	230	16.4	60	11"	--	798.61

Note: OV for bulk orders.

Pumps and replacement motors that are single speed and one (1) total HP or greater cannot be sold, offered for sale, or installed in a residential pool for filtration use in California, Title 20 CCR sections 1601-1609.



EXECUTIVE WET END FEATURES:

- High performance Executive wet end specifically designed for 56-frame motors
- Large 2" intake for improved flow performance and noise reduction
- Large 6" diameter wet end for higher head pressure
- Highly versatile wet end can be rotated every 90°

VIPER WET END FEATURES:

- Ultra high performance Viper wet end specifically designed for 56-frame motors
- Extra large 2 ½" intake for improved flow performance and noise reduction
- Large 8" diameter wet end to move higher volumes of water at lower pressures
- Highly versatile wet end can be rotated every 90°



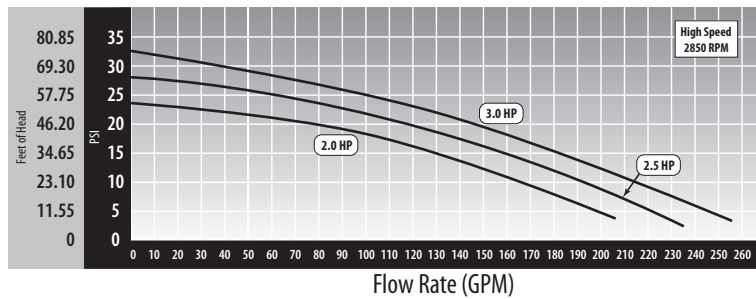
MOTOR FEATURES:

- Water repellent Italian made motor
- 56-frame motor for added strength, cooler operating temperature and longer motor life
- Two double shielded ball bearings with moisture resistant grease for quieter operation and longer life
- Two-speed motors have four sets of insulated windings for high performance
- Split capacitor, (start and run) for less energy consumption
- Thermally protected to extend life expectancy of motor
- IPX5 construction

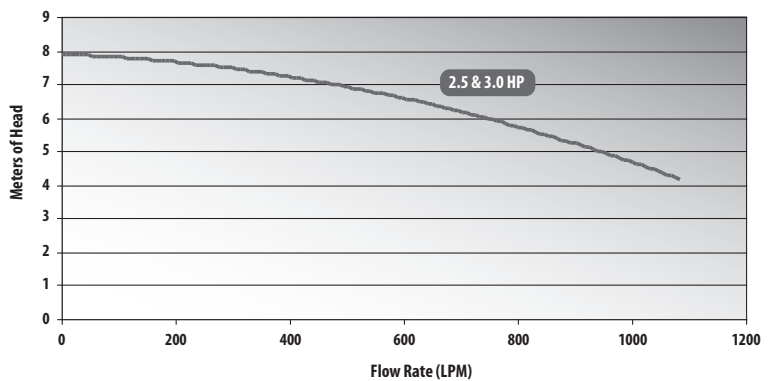
PUMP FEATURES:

- TUV listed
- TUV J and J mini plug (optional)
- Silicone carbide seals, Viton bellows, 316SS casing

PRESSURE VERSUS FLOW RATE



PRESSURE VERSUS FLOW RATE - VIPER EURO PERFORMANCE CHART



Executive Euro 50 Hz Pumps

Part No.	Description	HP	Speed	Hz	Volts	Amps	List (US \$)
3R10850-0D	Executive Euro Pump	2 HP	1-Speed	50	230	8.7	677.75
3R11250-0D	Executive Euro Pump	3 HP	1-Speed	50	230	12.7	725.09
3R20850-0D	Executive Euro Pump	2 HP	2-Speed	50	230	9.3/1.8	792.33
3R21050-0D	Executive Euro Pump	2 ½ HP	2-Speed	50	230	10.3/1.8	941.94

Viper Euro 50 Hz Pumps

Part No.	Description	HP	Speed	Hz	Volts	Amps	List (US \$)
3R11250-0V	Viper Euro Pump	3 HP	1-Speed	50	230	12.3/12.8	747.30
3R21050-0V	Viper Euro Pump	2 ½ HP	2-Speed	50	230	11.4	964.22

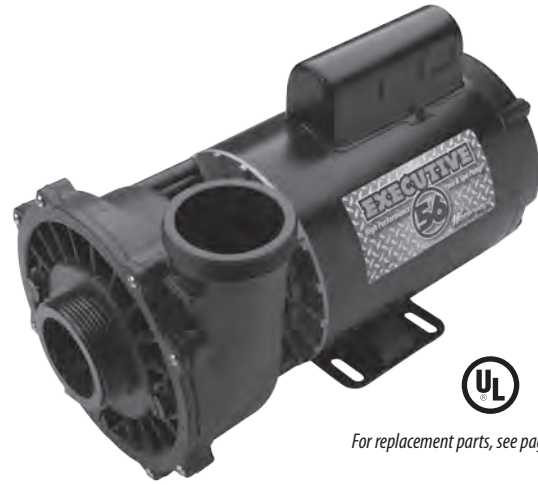
Pumps and replacement motors that are single speed and one (1) total HP or greater cannot be sold, offered for sale, or installed in a residential pool for filtration use in California, Title 20 CCR sections 1601-1609.



Spa Pumps / Executive - 56-Frame

FEATURES:

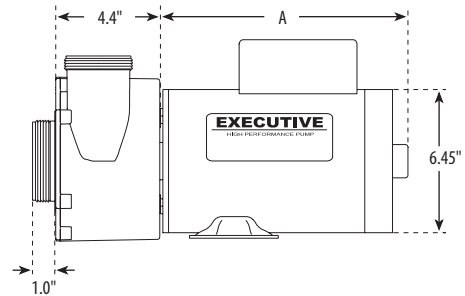
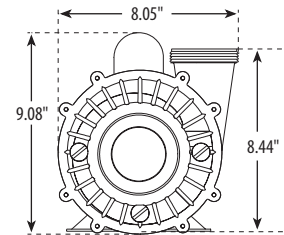
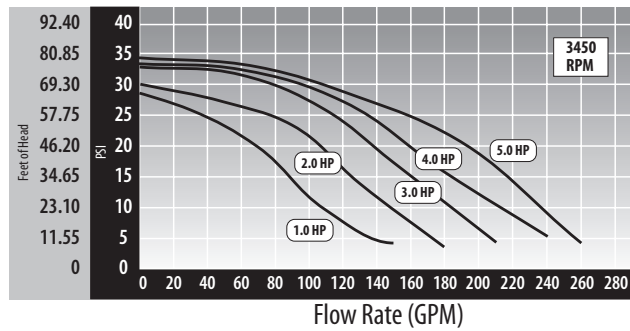
- Executive wet end designed specifically for 56-frame motors
- Two double shielded ball bearings with moisture resistant grease for quieter operation and longer life
- Two speed motors have four sets of insulated windings for high performance
- 56-frame motor for added strength, cooler operating temperature and longer motor life
- Large 2 1/2" intake for improved flow performance and reduced noise
- Large 6 1/2" diameter wet end for higher head pressure
- Split capacitor, (start and run) for less energy consumption
- Thermally protected to extend life expectancy of motor
- Highly versatile wet end can be rotated every 90°
- Silicone carbide seals, Viton bellows, 316SS casing



For replacement parts, see page 295.

Call for available cords and plugs.

PRESSURE VERSUS FLOW RATE



2-Speed Executive 56-Frame Pumps

Part No.	Description	HP	Volts	Amps High Speed	Amps Low Speed	Hz	Dimension "A"	Weight (lbs.)	List (US \$)
3720821-1D	2" Intake - 2" Discharge	2	230	8.0	3.0	60	8.875"	34	708.45
3720821-13	2 1/2" Intake - 2" Discharge	2	230	8.0	3.0	60	8.875"	34	708.45
3721221-1D	2" Intake - 2" Discharge	3	230	10.0	3.4	60	9.875"	37	756.98
3721221-13	2 1/2" Intake - 2" Discharge	3	230	10.0	3.4	60	9.875"	37	756.97
3721621-1D	2" Intake - 2" Discharge	4	230	12.0	4.4	60	10.375"	44	825.32
3721621-13	2 1/2" Intake - 2" Discharge	4	230	12.0	4.4	60	10.375"	44	825.32
3722021-1D	2" Intake - 2" Discharge	5	230	16.4	4.8	60	10.375"	47	937.20
3722021-13	2 1/2" Intake - 2" Discharge	5	230	16.4	4.8	60	10.375"	46	937.20

1-Speed Executive 56-Frame Pumps

Part No.	Description	HP	Volts	Amps	Hz	Dimension "A"	Weight (lbs.)	List (US \$)
3710821-1D	2" Intake - 2" Discharge	2	230	8.0	60	8.875"	34	708.45
3710821-13	2 1/2" Intake - 2" Discharge	2	230	8.0	60	8.875"	34	708.45
3711221-1D	2" Intake - 2" Discharge	3	230	10.0	60	9.875"	34	756.98
3711221-13	2 1/2" Intake - 2" Discharge	3	230	10.0	60	9.875"	34	756.98
3711621-1D	2" Intake - 2" Discharge	4	230	12.0	60	10.375"	41	785.27
3711621-13	2 1/2" Intake - 2" Discharge	4	230	12.0	60	10.375"	40	808.23
3712021-1D	2" Intake - 2" Discharge	5	230	16.4	60	10.375"	45	808.23
3712021-13	2 1/2" Intake - 2" Discharge	5	230	16.4	60	10.375"	45	818.87

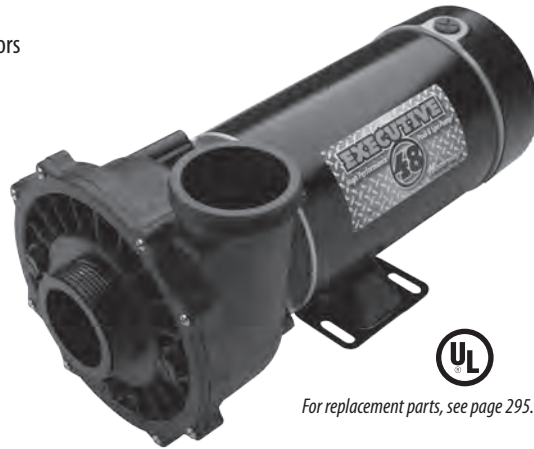
Pumps and replacement motors that are single speed and one (1) total HP or greater cannot be sold, offered for sale, or installed in a residential pool for filtration use in California, Title 20 CCR sections 1601-1609.



FEATURES:

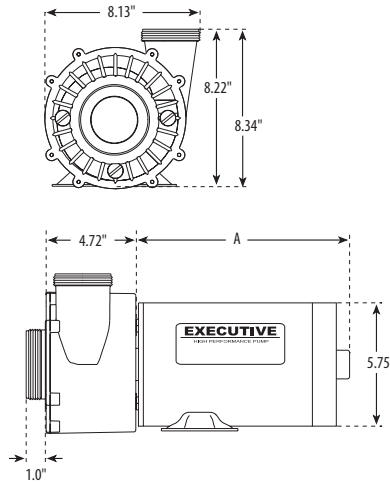
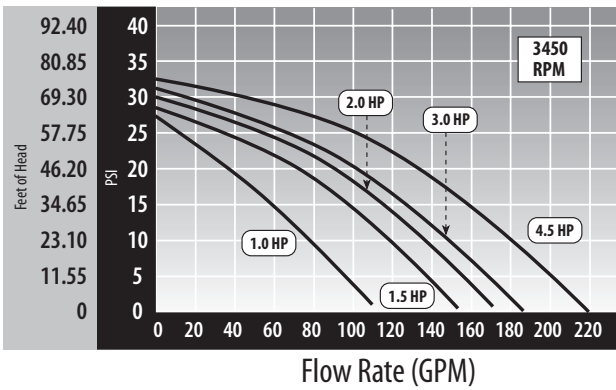
- Executive wet end designed specifically for 48-frame motors
- Large 2 1/2" intake for improved flow performance and reduced noise
- Large 6 1/2" diameter wet end for higher head pressure
- Thermally protected to extend life expectancy of motor
- Highly versatile wet end can be rotated every 90°
- Silicone carbide seals, Viton bellows, 316SS casing

Call for available cords and plugs.



For replacement parts, see page 295.

PRESSURE VERSUS FLOW RATE



2-Speed Executive 48-Frame Pumps

Part No.	Description	HP	Volts	Amps High Speed	Amps Low Speed	Hz	Dimension "A"	Weight (lbs.)	List (US \$)
3420410-1A	2" Intake - 2" Discharge	1.0	115	11.0	2.9	60	9.73"	27	609.09
3420410-13	2 1/2" Intake - 2" Discharge	1.0	115	11.0	2.9	60	9.73"	27	609.09
3420610-1A	2" Intake - 2" Discharge	1.5	115	16.4	4.4	60	10.48"	30	665.10
3420610-13	2 1/2" Intake - 2" Discharge	1.5	115	16.4	4.4	60	10.48"	30	665.10
3420620-1A	2" Intake - 2" Discharge	1.5	230	8.0	2.6	60	10.45"	30	665.10
3420620-13	2 1/2" Intake - 2" Discharge	1.5	230	8.0	2.6	60	10.45"	30	665.10
3420820-1A	2" Intake - 2" Discharge	2.0	230	10.5	2.6	60	11.0"	33	704.73
3420820-13	2 1/2" Intake - 2" Discharge	2.0	230	10.5	2.6	60	11.0"	33	704.73
3421221-1A	2" Intake - 2" Discharge	3.0	230	8.5	2.8	60	11.0"	36	729.26
3421221-13	2 1/2" Intake - 2" Discharge	3.0	230	8.5	2.8	60	11.0"	36	729.26
3421821-1A	2" Intake - 2" Discharge	4.5	230	12.0	3.5	60	11.98"	37	822.14
3421821-13	2 1/2" Intake - 2" Discharge	4.5	230	12.0	3.5	60	11.98"	36	822.14

1-Speed Executive 48-Frame Pumps

Part No.	Description	HP	Volts	Amps	Hz	Dimension "A"	Weight (lbs.)	List (US \$)
3410410-1A	2" Intake - 2" Discharge	1.0	115	12	60	9.23"	22	527.02
3410610-1A	2" Intake - 2" Discharge	1.5	115	17	60	9.78"	26	566.34
3410830-1A	2" Intake - 2" Discharge	2.0	115/230	20/10	60	10.98"	33	648.56
3410830-13	2 1/2" Intake - 2" Discharge	2.0	115/230	20/10	60	10.98"	33	648.56
3411621-1A	2" Intake - 2" Discharge	4.0	230	12	60	11.18"	36	761.83
3411621-13	2 1/2" Intake - 2" Discharge	4.0	230	12	60	11.18"	36	761.83

Pumps and replacement motors that are single speed and one (1) total HP or greater cannot be sold, offered for sale, or installed in a residential pool for filtration use in California, Title 20 CCR sections 1601-1609.



Spa Pumps / EX 2

FEATURES:

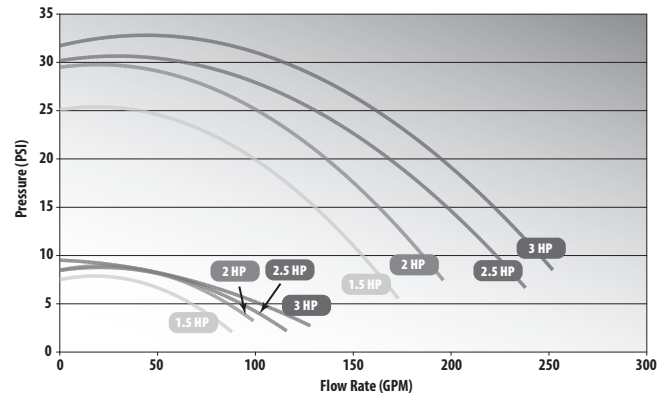
- True continuous rated horsepower of 1.5, 2.0, 2.5 and 3.0 HP
- 48-Frame or 56-Frame, Single or Dual Speed (energy saving)
- Use more jets per pump
- Same physical size as Aqua-Flo XP2, XP2e (fits within the same volume envelope)
- Can be used as substitute or retrofit to Aqua-Flo model XP2 or XP2e pumps and similar pumps and wet ends offered by other domestic and foreign suppliers
- Made in USA from highest quality materials with UL and CUL certifications
- CE and TUV certification on export pumps to ensure product performance for you and your customers
- Silicone carbide seals, Viton bellows, 316SS casing
- Equipped with high performance electrical motors, custom designed for Spa applications



For replacement parts, see page 296.

Call for available cords and plugs.

EX2 Performance Chart



2-Speed EX 2 48-Frame Pumps

Part No.	Description	HP - Full	Volts	Amps High Speed	Amps Low Speed	Hz	Weight (lbs.)	List (US \$)
3420610-1U	2" Intake - 2" Discharge	1.5	115	13.5	4.7	60	--	665.10
3420820-1U	2" Intake - 2" Discharge	2	230	10.5	2.6	60	33	704.73
3421021-1U	2" Intake - 2" Discharge	2	230	9.0	2.8	60	31	646.95
3421221-1U	2" Intake - 2" Discharge	2	230	8.5	2.8	60	34	729.26
3421020-1U	2" Intake - 2" Discharge	2.5	230	11.0	3.3	60	36	756.02
3421821-1U	2" Intake - 2" Discharge	3	230	12.0	3.5	60	37	822.14

1-Speed EX 2 48-Frame Pumps

Part No.	Description	HP - Full	Volts	Amps	Hz	Weight (lbs.)	List (US \$)
3410610-1U	2" Intake - 2" Discharge	1.5	115	17.0	60	27	566.34
3411020-1U	2" Intake - 2" Discharge	2.5	230	10.0	60	34	758.87
3411621-1U	2" Intake - 2" Discharge	3.0	230	12.0	60	35	761.83

2-Speed EX 2 56-Frame Pumps

Part No.	Description	HP - Full	Volts	Amps High Speed	Amps Low Speed	Hz	Weight (lbs.)	List (US \$)
3720821-1W	2" Intake - 2" Discharge	2	230	8.0	3.0	60	34	708.45
3721621-1W	2" Intake - 2" Discharge	3.0	230	12.0	4.4	60	47	825.24
3M21621-1W	2" Intake - 2" Discharge	3.0	230	12.0	4.4	60	44	825.24

1-Speed EX 2 56-Frame Pumps

Part No.	Description	HP - Full	Volts	Amps	Hz	Weight (lbs.)	List (US \$)
3711621-1W	2" Intake - 2" Discharge	3.0	230	12.0	60	41	792.97

Pumps and replacement motors that are single speed and one (1) total HP or greater cannot be sold, offered for sale, or installed in a residential pool for filtration use in California, Title 20 CCR sections 1601-1609.



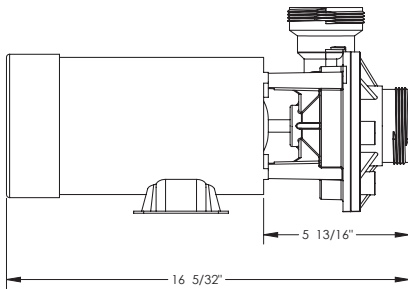
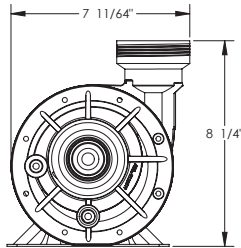
Spa Pumps / Hi-Flo II Side Discharge - 48-Frame

FEATURES:

- High volume side discharge performance
- 60% higher performing than our center discharge pumps
- 2" intake and discharge
- Wet end can be rotated for easy installation
- Available in 1 to 4 HP, 1 or 2 speed
- Large 6 1/2" diameter wet end for higher head pressure
- Silicone carbide seals, Viton bellows, 316SS casing

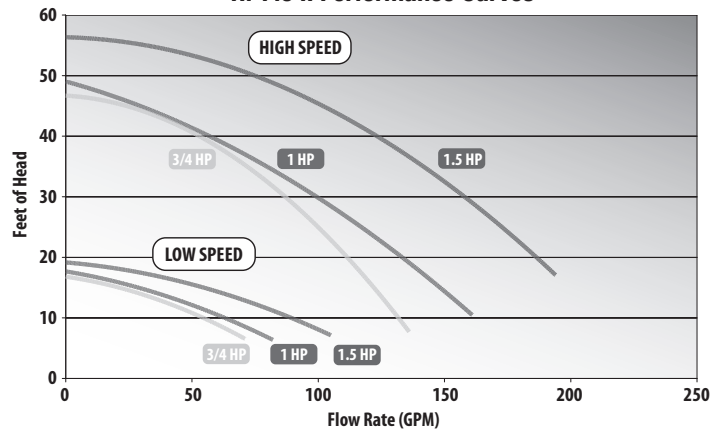


For replacement parts, see page 301.



Hi-Flo II

Hi-Flo II Performance Curves



2-Speed Hi-Flo II Side Discharge 48-Frame Pumps

Part No.	HP	Volts	Amps High Speed	Amps Low Speed	Hz	Dimension "A"	List (US \$)
3420410-10	1.0	115	11.0	2.9	60	14.73"	609.09
3420610-10	1.5	115	16.4	4.4	60	15.48"	665.10
3420620-10	1.5	230	8.0	2.6	60	15.48"	665.10
3420820-10	2.0	230	8.4	3.6	60	16.00"	704.73

1-Speed Hi-Flo II Side Discharge 48-Frame Pumps

Part No.	HP	Volts	Amps	Hz	Dimension "A"	List (US \$)
3410410-10	1.0	115	12.0	60	14.23"	527.02
3410612-10	1.5	115	17.0	60	14.78"	527.02
3410830-10	2.0	115/230	20-10	60	14.98"	648.56

Pumps and replacement motors that are single speed and one (1) total HP or greater cannot be sold, offered for sale, or installed in a residential pool for filtration use in California, Title 20 CCR sections 1601-1609.



Spa Pumps / Spa Flo II - 48-Frame

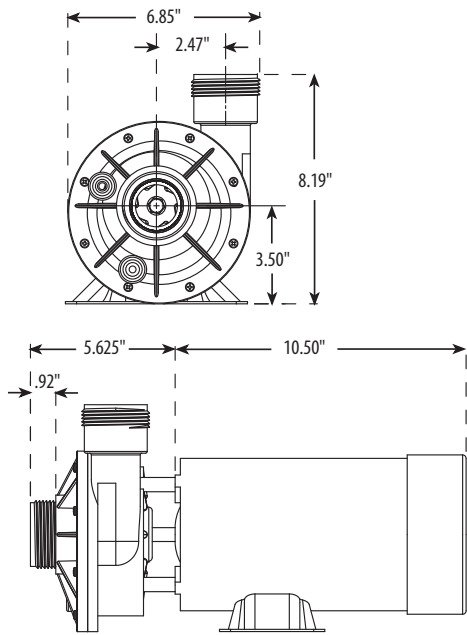
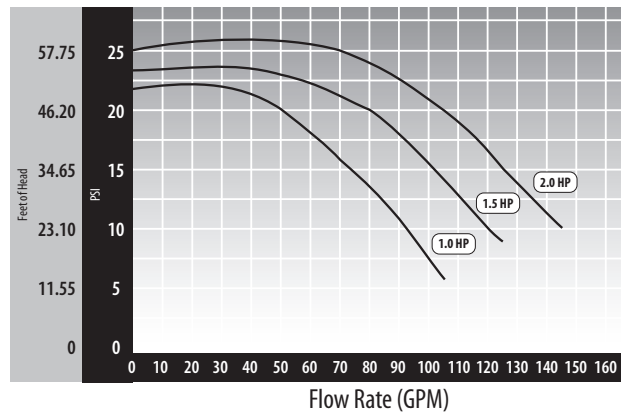
FEATURES:

- 48-frame proven design
- Designed for direct replacement in most spas
- Silicone carbide seals, Viton bellows, 316SS casing
- 1 1/2" Intake and Discharge



For replacement parts, see page 299.

PRESSURE VERSUS FLOW RATE



2-Speed Spa Flo II 48-Frame Pumps

Part No.	HP	Volts	Hz	Case Quantity	List (US \$)
3420410-SOZ	1	115	60	1	609.09
3420610-SOZ	1 1/2	115	60	1	665.10
3420820-SOZ	2	230	60	1	704.73

Sold without cords. Please call for available cords.

1-Speed Spa Flo II 48-Frame Pumps

Part No.	HP	Volts	Hz	Case Quantity	List (US \$)
3410410-SOZ	1	115	60	1	526.38
3410610-SOZ	1 1/2	115	60	--	566.34
3410830-SOZ	2	115 / 230	60	1	648.56

Sold without cords. Please call for available cords.

Pumps and replacement motors that are single speed and one (1) total HP or greater cannot be sold, offered for sale, or installed in a residential pool for filtration use in California, Title 20 CCR sections 1601-1609.



Spa Pumps / Center Discharge - 48-Frame

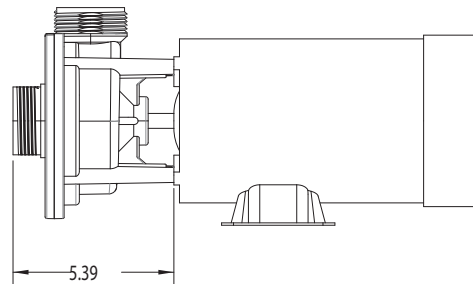
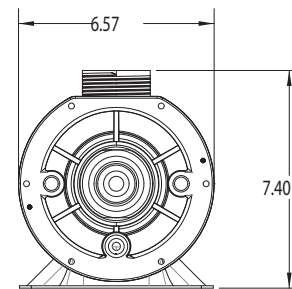
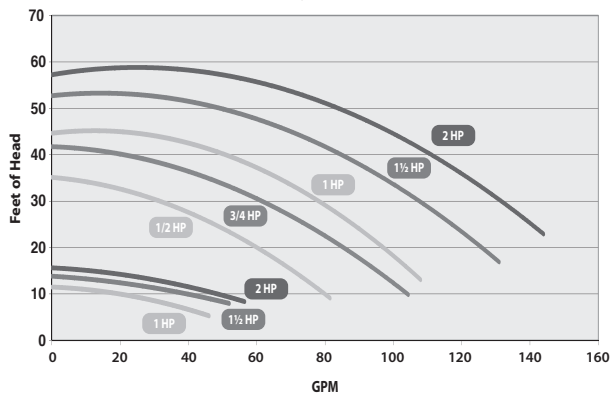
FEATURES:

- Reliable center discharge performance
- 1 1/2" intake and discharge
- Wet end can be rotated for easy installation
- Available in 3/4 to 2 HP, 1 or 2 speed
- Silicone carbide seals, Viton bellows, 316SS casing



For replacement parts, see page 292.

Center Discharge e-Series Pumps



Spa Pumps

2-Speed Center Discharge Spa Pumps

Part No.	HP	Volts	Amps High Speed	Amps Low Speed	Hz	Dimension "A"	Weight (lbs.)	List (US \$)
3420310-15	3/4	115	8.8	2.6	60	15.00"	25	581.87
3420410-15	1.0	115	11.0	2.9	60	15.00"	26	609.09
3420610-15	1.5	115	16.4	4.4	60	15.75"	29	665.10
3420620-15	1.5	230	8.0	2.6	60	15.73"	29	665.10
3420820-15	2.0	230	10.5	2.6	60	16.28"	32	704.73

1-Speed Center Discharge Spa Pumps

Part No.	HP	Volts	Amps	Hz	Dimension "A"	Weight (lbs.)	List (US \$)
3410310-15	3/4	115	9.8	60	14.00"	19	503.81
3410410-15	1.0	115	12.0	60	14.50"	21	526.38
3410610-15	1.5	115	17.0	60	15.05"	26	566.34
3410830-15	2.0	115/230	20-10	60	16.26"	33	648.56

Pumps and replacement motors that are single speed and one (1) total HP or greater cannot be sold, offered for sale, or installed in a residential pool for filtration use in California, Title 20 CCR sections 1601-1609.



Spa Pumps / Iron Might

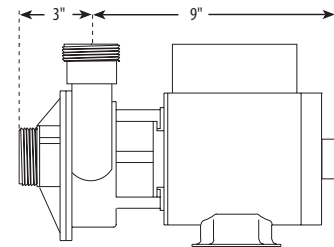
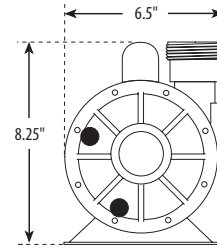
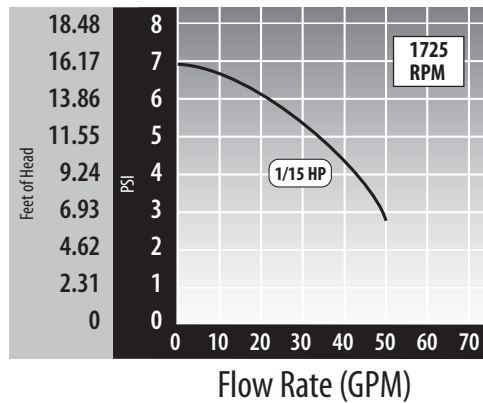
FEATURES:

- 24-hour circulation
- 48-frame proven design
- Side discharge for optimum flow
- Multiple union assemblies available
- Delivers 40 GPM
- 1/15 HP
- Only 1.3 Amps
- Silicone carbide seals, Viton bellows, 316SS casing
- 1 1/2" Intake and Discharge

**NOW in
50/60 Hz!**



PRESSURE VS FLOW RATE



Iron Might 1-Speed 48-Frame Circulating Pumps

Part No.	Volts	Hz	Case Quantity	Weight (lbs.)	List (US \$)
3110070-0E	230	50/60	1	--	503.81
3410030-1E	115	60	1	14	526.38

Leaf Trap *(sold separately)*

Part No.	Description	Case Quantity	Weight (lbs.)	List (US \$)
310-5400	Leaf Trap – 1 1/2" Union x 1 1/2" FPT	4	13	95.75



Pond Pump - Iron Might with Trap

Part No.	Description	Weight (lbs.)	List (US \$)
3410030-1E77	1/15 HP - 115V - 6 ft. NEMA Cord	19	511.97

Pumps and replacement motors that are single speed and one (1) total HP or greater cannot be sold, offered for sale, or installed in a residential pool for filtration use in California, Title 20 CCR sections 1601-1609.

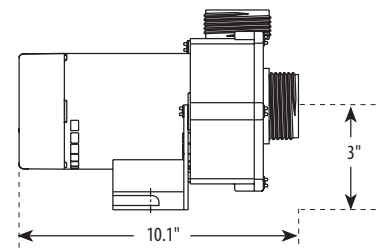
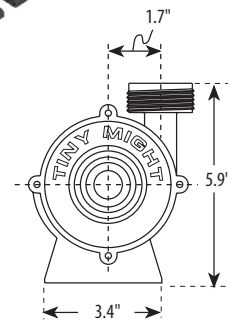
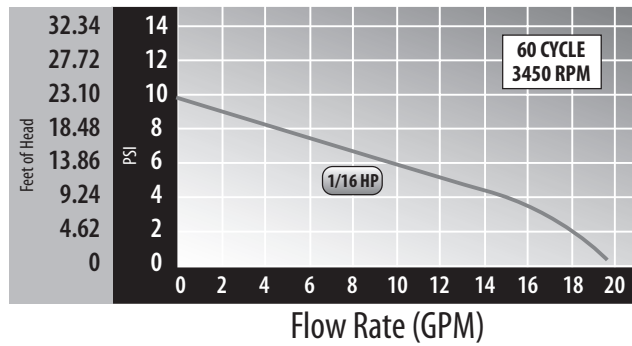


FEATURES:

- High volume side discharge performance
- 60% higher performing than our center discharge pumps
- Side discharge for optimum flow
- 1" union or 1" barb
- Wet end can be rotated for easy installation
- 1/16 HP
- Large 6 1/2" diameter wet end for higher head pressure



PRESSURE VERSUS FLOW RATE



Tiny Might Circulating Pumps

Part No.	Description	HP	Volts	Amps	Hz	Weight (lbs.)	List (US \$)
3312610-14	1" Union x 1" Union	1/16	115	0.8	60	7	376.74
3312620-14	1" Union x 1" Union	1/16	230	0.4	50/60	7	376.74
3312610-19	1" Barb x 1" Barb	1/16	115	0.8	60	7	376.74
3312620-19	1" Barb x 1" Barb	1/16	230	0.4	50/60	7	376.74

Pumps and replacement motors that are single speed and one (1) total HP or greater cannot be sold, offered for sale, or installed in a residential pool for filtration use in California, Title 20 CCR sections 1601-1609.



Spa Pumps / Wet Ends

**pre-2012
PARTS**



310-0700

Silicone carbide seals,
Viton bellows,
316SS casing



310-0140

Spa Flo Wet Ends

Part No.	Rating	Case Quantity	List (US \$)
310-0700	1 HP	1	112.29
310-0800	1 1/2 HP	15	112.29
310-0810	2 HP	12	112.29

2 1/2" Viper Wet Ends

Part No.	Motor	Rating	Case Quantity	List (US \$)
310-0140	56-Frame	4 HP	8	134.89

EX2 Wet Ends

Part No.	Motor	Rating	Case Qty.	List (US \$)
310-2450	48-Frame	1 1/2 HP	8	134.89
310-2460	48-Frame	2 HP	8	134.89
310-2480	48-Frame	3 HP	8	134.89

Part No.	Motor	Rating	Case Qty.	List (US \$)
310-2360	56-Frame	1 1/2 HP	8	134.89
310-2370	56-Frame	2 HP	8	134.89
310-2380	56-Frame	3 HP	8	134.89
310-2390	56-Frame	2 1/2 HP	8	134.89



310-2360

2" Executive Wet Ends

Part No.	Motor	Rating	Case Qty.	List (US \$)
310-1870	48-Frame	1 HP	8	134.89
310-1880	48-Frame	1 1/2 HP	8	134.89
310-1890	48-Frame	2 HP	8	134.89
310-1900	48-Frame	3 HP	8	134.89
310-1910	48-Frame	4 HP	8	134.89
310-1920	48-Frame	4 1/2 HP	8	134.89
310-1930	48-Frame	5 HP	8	134.89

Part No.	Motor	Rating	Case Qty.	List (US \$)
310-1710	56-Frame	1 HP	8	134.89
310-1720	56-Frame	2 HP	8	134.89
310-1730	56-Frame	3 HP	8	134.89
310-1740	56-Frame	4 HP	8	134.89
310-1750	56-Frame	5 HP	8	134.89



310-1870

2 1/2" Executive Wet Ends

Part No.	Motor	Rating	Case Qty.	List (US \$)
310-1800	48-Frame	1 HP	8	134.89
310-1810	48-Frame	1 1/2 HP	8	134.89
310-1820	48-Frame	2 HP	8	134.89
310-1840	48-Frame	3 HP	8	134.89
310-1860	48-Frame	4 HP	8	134.89
310-1850	48-Frame	4 1/2 HP	8	134.89
310-1830	48-Frame	5 HP	8	134.89

Part No.	Motor	Rating	Case Qty.	List (US \$)
310-1460	56-Frame	1 HP	8	134.89
310-1480	56-Frame	2 HP	8	134.89
310-1500	56-Frame	3 HP	8	134.89
310-1440	56-Frame	4 HP	8	134.89
310-1510	56-Frame	5 HP	8	134.89



310-1800

2" Hi-Flo Side Discharge Wet Ends

Part No.	Rating	Case Qty.	List (US \$)
310-1130SD	1 HP	12	134.89
310-1140SD	1 1/2 HP	12	134.89
310-1141SD	2 HP	12	134.89
310-1150SD	3 HP	12	134.89
310-1160SD	4 HP	12	134.89



310-1130SD

E-Series Center Discharge Wet Ends

Part No.	Rating	Case Qty.	List (US \$)
310-8200	1/2 HP	12	134.89
310-8210	3/4 HP	12	134.89
310-8220	1 HP	12	134.89
310-8230	1.5 HP	12	134.89
310-8240	2 HP	12	134.89



310-8210

Note: E-Series Center Discharge Wet Ends are the same size as the Standard Series Center Discharge Wet Ends. See Page 292 Series Center Discharge.



310-7700SD

Silicone carbide seals,
Viton bellows,
316SS casing

2" Hi-Flo II Side Discharge Wet Ends

Part No.	Rating	Case Qty.	List (US \$)
310-7700SD	½ HP	12	134.89
310-7710SD	¾ HP	12	134.89
310-7720SD	1 HP	12	134.89
310-7730SD	1 ½ HP	12	134.89
310-7740SD	2 HP	12	134.89



310-7800

Spa Flo II Wet End

Part No.	Rating	Case Qty.	List (US \$)
310-7800	½ HP	12	112.29
310-7810	¾ HP	12	112.29
310-7820	1 HP	12	112.29
310-7830	1 ½ HP	12	134.89
310-7840	2 HP	12	134.89



310-7820

Iron Might II Circulating Wet Ends

Part No.	Rating	Case Qty.	List (US \$)
310-7820	⅛ HP	12	112.29



Spa Pumps / Equipment Bases



672-1000



672-1010



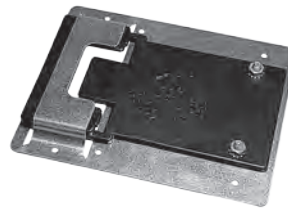
672-1060

Equipment Bases

Part No.	Description	Case Quantity	List (US \$)
672-1000	1" x 15 1/4" x 26 1/4"	100	45.08
672-1010	1" x 14 1/2" x 15"	200	37.00
672-1060	1" x 8 1/2" x 15 1/2"	16	17.74



672-1030



672-7250



672-1320



672-1160



672-1100



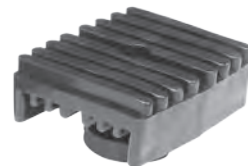
672-1020



319-0019

Motor Bases

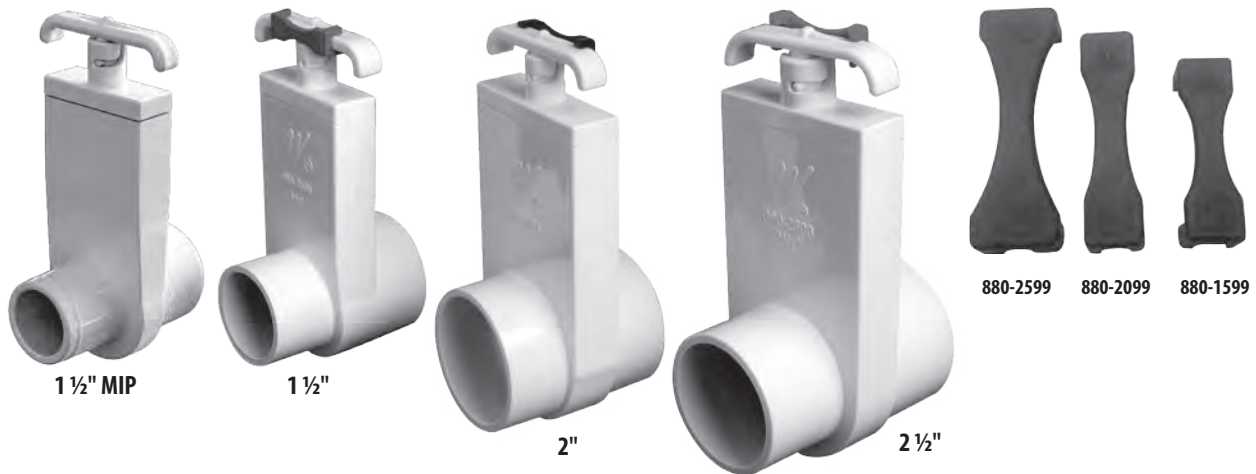
Part No.	Description	Case Quantity	List (US \$)
672-1030	1/2" Thick Base	170	11.26
672-7250	Metal Pump Base Assembly - 7 1/2" x 5 5/16"	25	16.63
672-1320	Rubber EMG Euro Motor Base (sold as a pair)	80	4.92
672-1100	3/4" Thick Base with Tabs - PVC Flex	100	17.55
672-1020	3/4" Thick Base	170	14.48
672-1080	3/4" Thick Base - PVC Flex	50	14.48
319-0019	Self-Aligning Rubber Motor Base	100	6.57
672-1160	Universal Floating 9" x 9" Pump Base Assembly	25	16.63



Anti-Vibration Pads
(sold separately only
for Waterway pumps)

Pump Base Foot Pads

Part No.	Description	Case Quantity	List (US \$)
672-1170	Anti-Vibration Pads	144	1.17



Slice Valves			
Part No.	Description	Case Quantity	List (US \$)
880-1500	1 1/2" Slice Valve - 2" SPG / 1 1/2" S x 1 1/2" Spigot	30	19.34
880-1510	1 1/2" Slice Valve - 1 1/2" Spigot x 1 1/2" Spigot	30	19.34
880-1530	1 1/2" MIP Slice Valve - 1 1/2" Hose	30	21.75
880-2020	2" Slice Valve - 2" S x 2" S	48	24.17
880-2010	2" Slice Valve - 2" Spigot x 2" Spigot	48	24.17
880-2000	2" Slice Valve - 2" Spigot x 2" S	48	24.17
880-2500	2 1/2" Slice Valve - 2 1/2" S x 2 1/2" Spigot	24	37.35
880-2520	2 1/2" Slice Valve - 2 1/2" S x 2 1/2" S	24	37.35
880-1599	Clip for 1 1/2" Slice Valve	--	1.12
880-2099	Clip for 2" Slice Valve	--	1.30
880-2599	Clip for 2 1/2" Slice Valve	--	1.36

FEATURES:

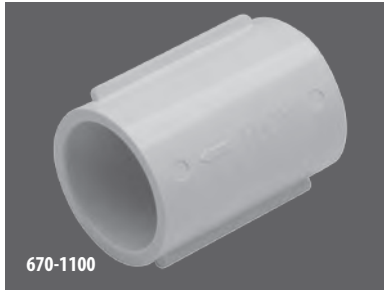
- Adjustable flow control
- Easy to adjust in tight places
- Requires less overhead space to turn on/off compared to slice valve
- 100% shut off
- No metal parts in contact with the water for a non-corrosive gate valve
- Waterway manufactures all TruSeal Gate Valves in the U.S.A.



Gate Valves				
Part No.	Description	Color	Case Quantity	List (US \$)
600-2370	Gate Valve - 2" S x 2" S	Clear	20	33.45
600-2380	Gate Valve - 2" S x 2" Spigot	Clear	20	33.45
600-2300	Gate Valve - 2 1/2" S x 2 1/2" Spigot	Clear	15	35.08



Valves / Check Valves and U-Bends



Check Valves

Part No.	Description	Case Quantity	List (US \$)
600-8140	Air Check Valve - ¼ lb. Spring - 1 ½" S x 1 ½" S	50	20.72
600-8160	Air Check Valve - ¼ lb. Spring - 2" Spigot x 2" Spigot	50	21.76
600-8150	Water Bypass Valve - 8 lb. Spring - 1 ½" S x 1 ½" S (standard color is black)	50	28.73
550-6810	Flapper Check Valve Body - 1.25 - 2 lbs. Spring - 2" S x 2" S	72	14.88
550-6800	Flapper Check Valve Body - 2.5 - 8 lbs. Spring - 2" S x 2" S	72	14.88
600-4000	Flapper Check Valve - Tee - 1" S x 1" S (standard color is white)	80	17.80
600-5000	Check Valve Assembly - Tee - 1" S x 1" S	140	10.43
600-2900	1 ½" Blower Check Valve Assy	45	7.85
670-1100	1" Check Valve with Flapper Assembly	--	5.54
670-2270	½" S NEOPERL Check Valve with Cap/Foam	125	9.51
670-2220	½" S Tee NEOPERL Check Valve with Cap/Foam	150	10.03

NEW!



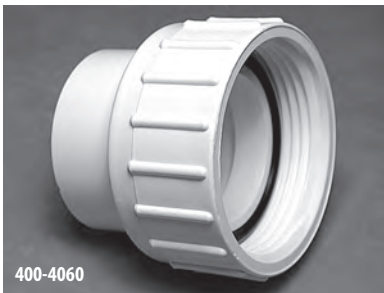
U-Bends

Part No.	Description	Case Quantity	List (US \$)
429-4000	U-Bend - 1 ½" S x 1 ½" S	50	7.81
429-4030	U-Bend - 2" S x 2" S	40	11.61
400-4130	2" Sweep Vent Grate Assembly	12	12.12



1" Pump Union Assemblies

Part No.	Description	Case Quantity	List (US \$)
400-1940	1" Union Nut with 3/4" RB Tailpiece and O-Ring	25	4.46
400-1990	1" S Union Nut with 1" Slip Tailpiece and O-Ring	200	4.46

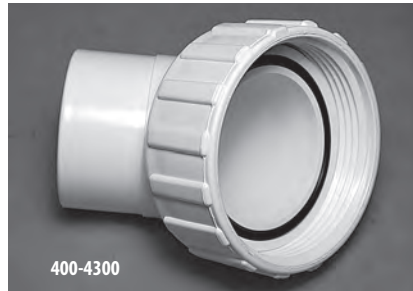


1 1/2" Pump Union Assemblies

Part No.	Description	Case Quantity	List (US \$)
400-4060	1 1/2" Union Nut with 1 1/2" S Tailpiece and O-Ring	200	5.36
400-5640	1 1/2" Union Nut with 1 1/2" S Tailpiece with Gasket	200	5.69
400-2020	1 1/2" Union Nut with 1 1/2" Spigot / 1" S Tailpiece and O-Ring	200	6.91
400-2010	1 1/2" Union Nut with 50mm S Tailpiece and O-Ring	35	6.91
400-4230	1 1/2" Union Nut with 1 1/2" FPT Tailpiece and O-Ring	200	10.05
400-4510	1 1/2" Union Nut with 1 1/2" FPT Tailpiece and O-Ring with Gasket	200	10.36
400-4240	1 1/2" Union Nut with 1 1/2" Spigot Tailpiece and O-Ring	50	8.37
400-9280	1 1/2" Union Nut with 1 1/2" / 1 1/4" Hose Adapter and O-Ring	25	5.62



Unions / Pump Union Assemblies



2" Pump Union Assemblies

Part No.	Description	Case Quantity	List (US \$)
400-5570	2" Union Nut with 2" S Tailpiece and O-Ring	70	8.05
400-5670	2" Union Nut with 2" S Tailpiece and O-Ring with Gasket	70	8.37
400-9240	2" Union Nut with 1 1/2" Hose Adapter and O-Ring	30	11.59
400-5800	2" Union Nut with 2" S Sweep Ell - 90° Tailpiece	40	10.43
400-5660	2" Union Nut with 1 1/2" FPT Nut Tailpiece and O-Ring	72	14.48
400-4300	2" Union Nut with 2" Spigot 45° Tailpiece and O-Ring	70	8.91
400-9230	2" Union Nut with 2" Spigot / 1 1/2" S Tailpiece and O-Ring	40	8.05
400-5680	2" Union Nut with 2" Spigot / 1 1/2" S Tailpiece and O-Ring with Gasket	140	8.37

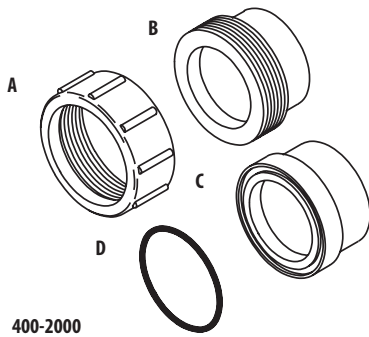


2 1/2" Pump Union Assemblies

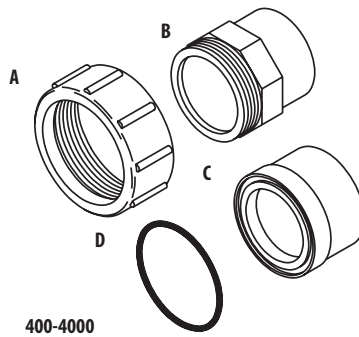
Part No.	Description	Case Quantity	List (US \$)
400-5990	2 1/2" Union Nut with 2" S Tailpiece and O-Ring	50	11.35
400-6010	2 1/2" Union Nut with 2 1/2" S Tailpiece and O-Ring	36	11.35
400-6021B	2 1/2" Union Nut x 2 1/2" S - Black (2 included with SVL56 pump)	72	12.74
400-5971B	2 1/2" Union Nut x 2" S - Black (2 included with SVL56 pump)	72	12.74

Swivel Union Assembly

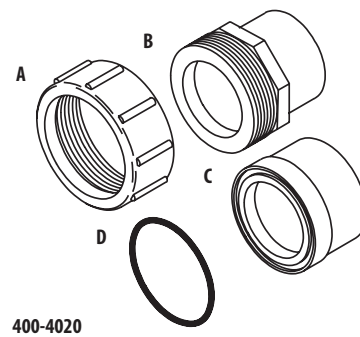
Part No.	Description	Case Weight	Case Quantity	List (US \$)
400-4481-CPVC	Swivel Union Assembly - 2" S x 2" Spigot	34.56 lbs.	45	29.42



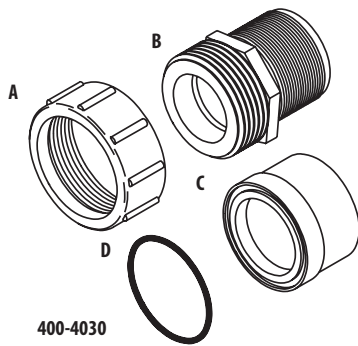
400-2000



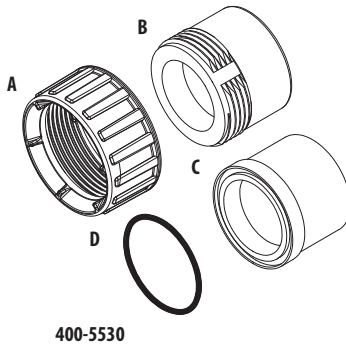
400-4000



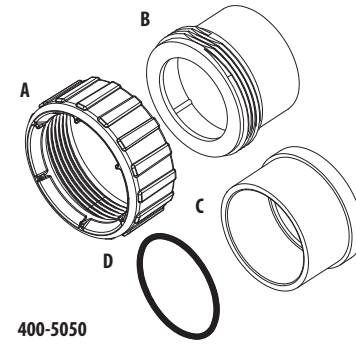
400-4020



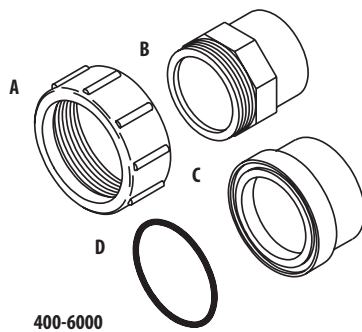
400-4030



400-5530



400-5050



400-6000

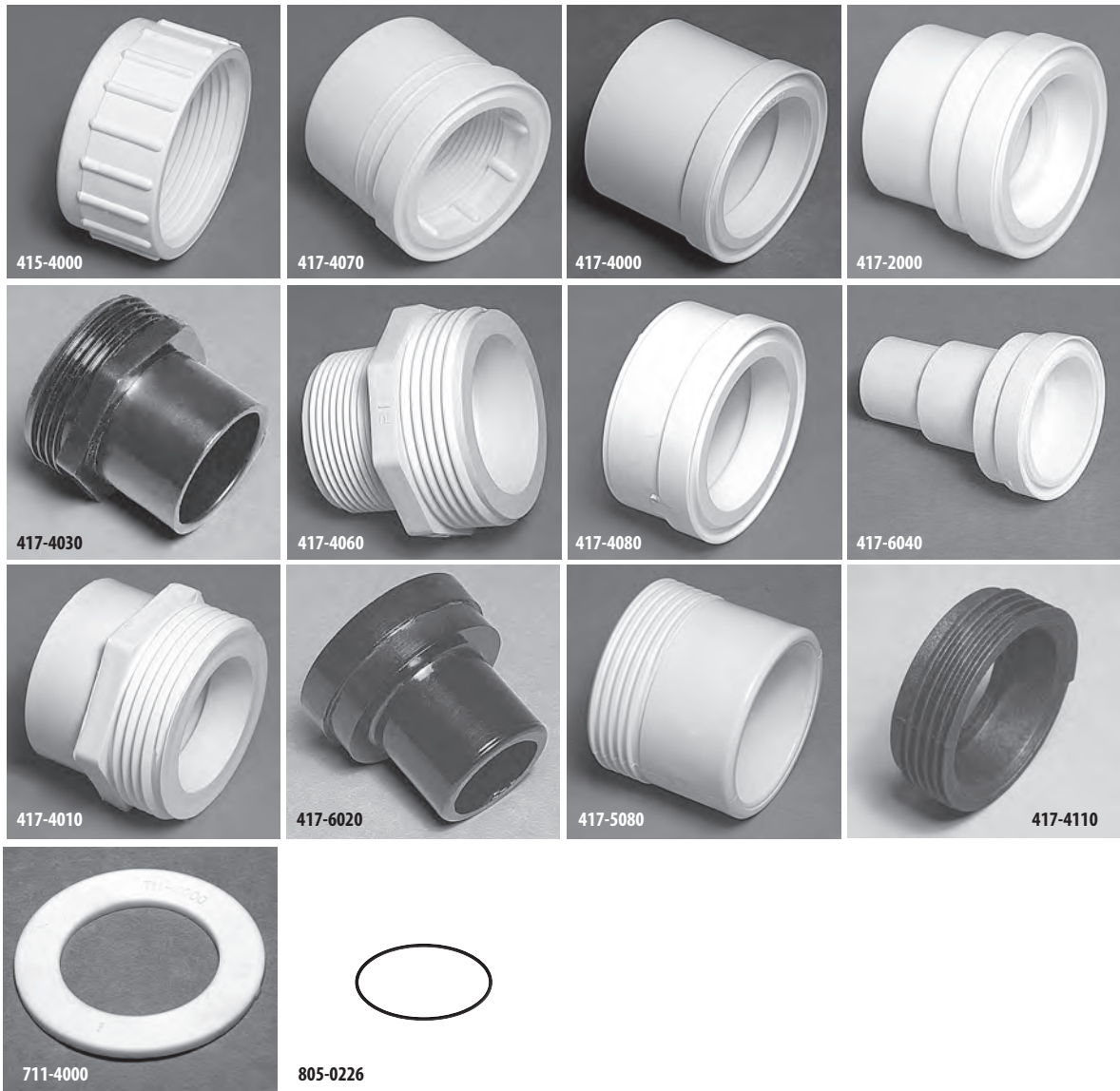
Union Assemblies

Part No.	Description	Part A	Part B	Part C	Part D	Case Quantity	List (US \$)
400-2000	Union Assembly - 1" S x 1" S	415-2000	417-2010	417-2020	805-0123	60	8.61
400-4000	Union Assembly #1 - 1 1/2" S x 1 1/2" S	415-4000	417-4010	417-4000	805-0226	100	8.61
400-4020	Union Assembly #3 - 1 1/2" S x 1 1/2" Spigot	415-4000	417-4030	417-4000	805-0226	25	12.06
400-4030	Union Assembly - 1 1/2" MPT x 1 1/2" S	415-4000	417-4060	417-4000	805-0226	25	12.06
400-5530	Union Assembly - 2" Spigot / 1 1/2" S x 1 1/2" S	415-4000	417-4000	417-5080	805-0226	40	12.06
400-5050	Union Assembly #13 - 2" S x 2" S	415-5000	417-5040	417-5120	805-0229	25	12.10
400-6000	Union Assembly - 2 1/2" S x 2 1/2" S	415-6000	417-6010	417-6000	805-0232	36	13.80

Standard color is white. All fittings meet or exceed A.S.T.M. Schedule 40 standards.



Unions / 1 1/2" Union Components



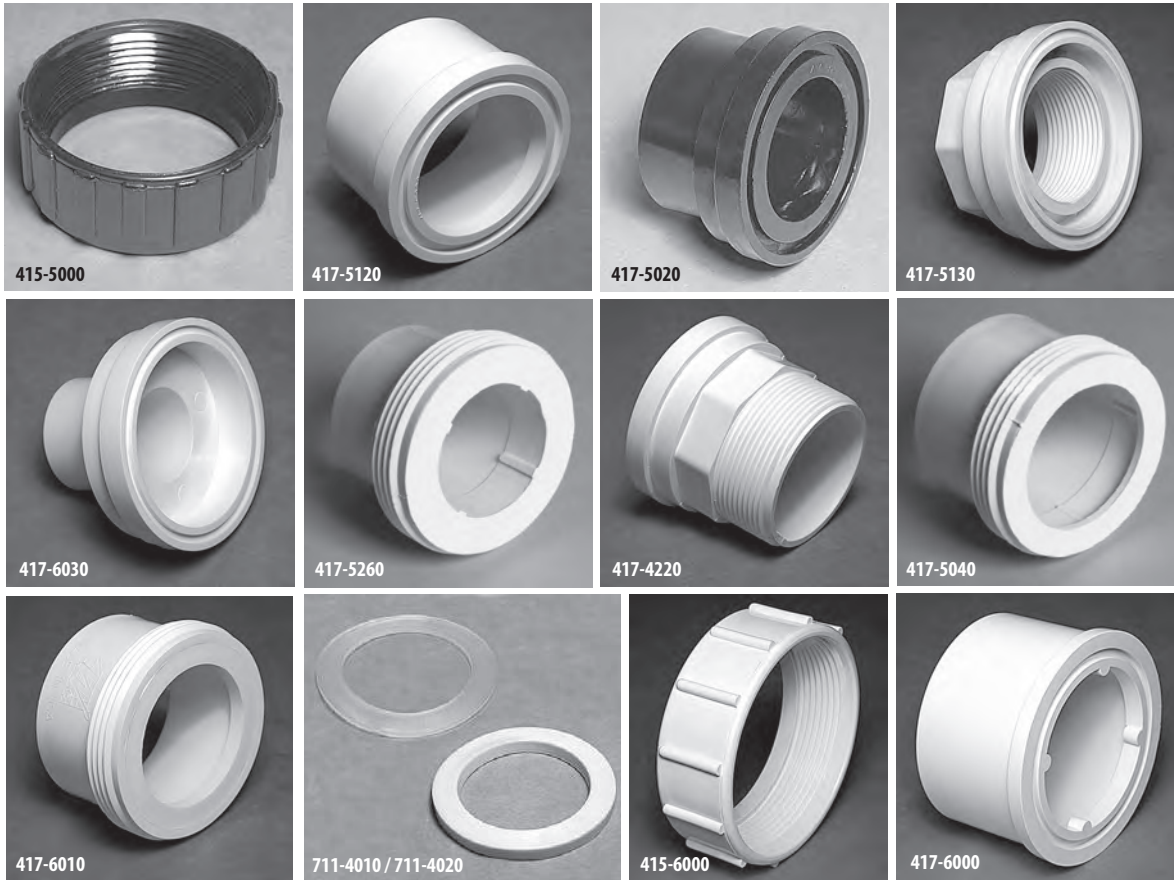
Unions

1 1/2" Union Components

Part No.	Description	Case Quantity	List (US \$)
415-4000	1 1/2" Union Nut	250	2.64
417-4070	1 1/2" Flange x 1 1/2" FPT Tailpiece	100	2.64
417-4000	1 1/2" Flange x 1 1/2" S Tailpiece	300	2.94
417-5500	1 1/2" Flange x 50mm S Tailpiece	100	2.64
417-2000	1 1/2" Flange x 1 1/2" Spigot / 1" S Tailpiece	50	6.31
417-4100	1 1/2" Flange x 1 1/2" Spigot	75	5.07
417-4030	1 1/2" Buttress Thread x 1 1/2" Spigot Tailpiece	230	2.64
417-4060	1 1/2" Buttress Thread x 1 1/2" MPT Tailpiece	230	2.75
417-4080	1 1/2" Flange x 1 1/2" S Tailpiece - Short	150	2.38
417-6040	1 1/2" Flange x 1 1/2" / 1 1/4" Hose Adapter Fitting	75	2.30
417-4010	1 1/2" Buttress Thread x 1 1/2" S Tailpiece	250	2.95
417-6020	1 1/2" Flange x 1 1/2" S Hose Adapter Fitting	50	2.86
417-5080	1 1/2" Buttress Thread x 1 1/2" S x 2" Spigot Tailpiece	75	3.44
417-4110	1 1/2" Buttress x 1 1/2" S - Short	150	4.61
711-4000	1 1/2" Union Gasket	500	0.66
805-0226	O-Ring - 1 1/2" Tailpiece	100	0.64



Unions / 2" & 2 1/2" Union Components



805-0145



805-0232

2" and 2 1/2" Union Components

Part No.	Description	Case Quantity	List (US \$)
415-5000	2" Union Nut	180	4.01
417-5120	2" Flange x 2" S Tailpiece	50	4.18
417-5020	2" Flange x 2" Spigot / 1 1/2" S Tailpiece	100	4.66
417-5130	2" Flange x 1 1/2" FPT Nut Tailpiece	140	3.66
417-6050	2" Flange x 1 1/2" / 1 1/4" Hose Adapter Fitting	200	3.86
417-6030	2" Flange x 1 1/2" Hose Adapter Fitting	25	3.54
417-5260	2" Buttress Thread x 2" Spigot / 1 1/2" S Tailpiece	160	4.65
417-4220	2" Flange x 2" MPT	50	8.17
417-5090	2" Flange Thread x 1 1/2" MPT Tailpiece	25	4.66
417-5040	2" Buttress Thread x 2" S Tailpiece	150	3.24
805-0145	O-Ring – 2" Heater Tailpiece	100	0.64
805-0229	2" Pump Union (thick) O-ring	100	0.75
711-4010	2" Flat Union Gasket	500	1.42
711-4020	2" x 1/4" Thick Union Gasket	500	1.39
711-4030	2" Ribbed O-ring Union Gasket	500	0.83
415-6000	2 1/2" Union Nut	50	7.77
417-6000	2 1/2" Flange x 2 1/2" Socket	50	4.96
417-5970	2 1/2" Flange x 2" Socket	50	4.66
417-6010	2 1/2" Buttress Thread x 2 1/2" Socket	100	5.35
805-0232	O-Ring – 2 1/2" Heater Tailpiece	100	1.38



Unions / Heater Union Components



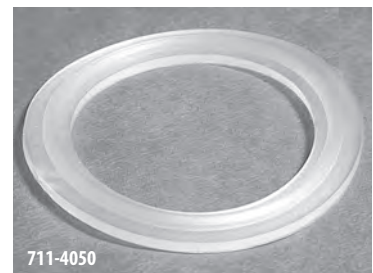
1 1/2" Heater Union Nuts

Part No.	Description	Case Quantity	List (US \$)
400-5461	1 1/2" Heater Split Nut - Long Assembly - with Screws	50	5.61
400-5491	1 1/2" Heater Split Nut - with Screws	100	3.45
415-4021	1 1/2" Heater Split Nut - without Screws	100	2.21



1 1/2" Heater Union Tailpieces

Part No.	Description	Case Quantity	List (US \$)
417-4090	1 1/2" Buttress Thread x 1 1/2" S Tailpiece	100	1.93
417-4050	1 1/2" Buttress Thread x 1 1/2" Spigot Tailpiece	75	1.93



1 1/2" Heater Union O-Ring Gaskets

Part No.	Description	Case Quantity	List (US \$)
805-0224	O-Ring - 1 1/2" Heater Tailpiece	100	0.64
711-4000	Gasket - 1 1/2" Heater Tailpiece	500	0.66
711-4050	O-Ring Gasket - 1 1/2" Heater Tailpiece	500	0.73



400-5161

2" Heater Union Nuts

Part No.	Description	Case Quantity	List (US \$)
400-5161	2" Heater Split Nut - with Screws	150	3.13
415-5161	2" Heater Split Nut - without Screws	150	2.81



417-2090



417-5060



417-5140



413-2160



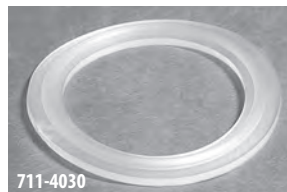
417-5180



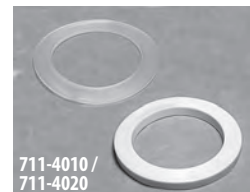
417-5160

2" and 2 1/2" Heater Union Tailpieces

Part No.	Description	Case Quantity	List (US \$)
417-2090	2" Buttress Thread x 1 1/2" S Tailpiece	50	2.59
417-5050	2" Buttress Thread x 2" S Tailpiece	150	2.59
417-5060	2" Buttress Thread x 2" Spigot Tailpiece	45	2.59
417-5160	2" Buttress Thread x 2" Spigot / 1 1/2" S Tailpiece	160	5.46
417-5140	2" Buttress Thread x 2" MPT Tailpiece	45	3.86
413-2160	Heater Flow Switch Tee - 2" Buttress Thread x 2" Spigot x 1/2" FPT	25	14.48
417-5180	2" Buttress Thread x 3/4" S / 1" Spigot	100	2.94
417-5980	2 1/2" Heater Buttress Tailpiece	25	5.35



711-4030



711-4010 /
711-4020

2" and 2 1/2" Heater Union O-Rings and Gaskets

Part No.	Description	Case Quantity	List (US \$)
711-4020	1/4" Thick Gasket - 2" Heater Tailpiece	500	1.39
711-4010	Gasket - 2" Heater Tailpiece	500	1.42
805-0229	O-Ring - 2" Heater	100	0.75
711-4030	2" Heater Tailpiece Gasket - with O-Ring Rib	500	0.84
711-6020	2 1/2" Heater Union Gasket	500	0.64



Ells, Tees, & Wyes / Sweep Ells



411-9100

NSF



411-9110

NSF



411-9120

NSF



411-9130

NSF



411-9140

NSF



411-9150

NSF



411-9160

NSF



411-9210

NSF

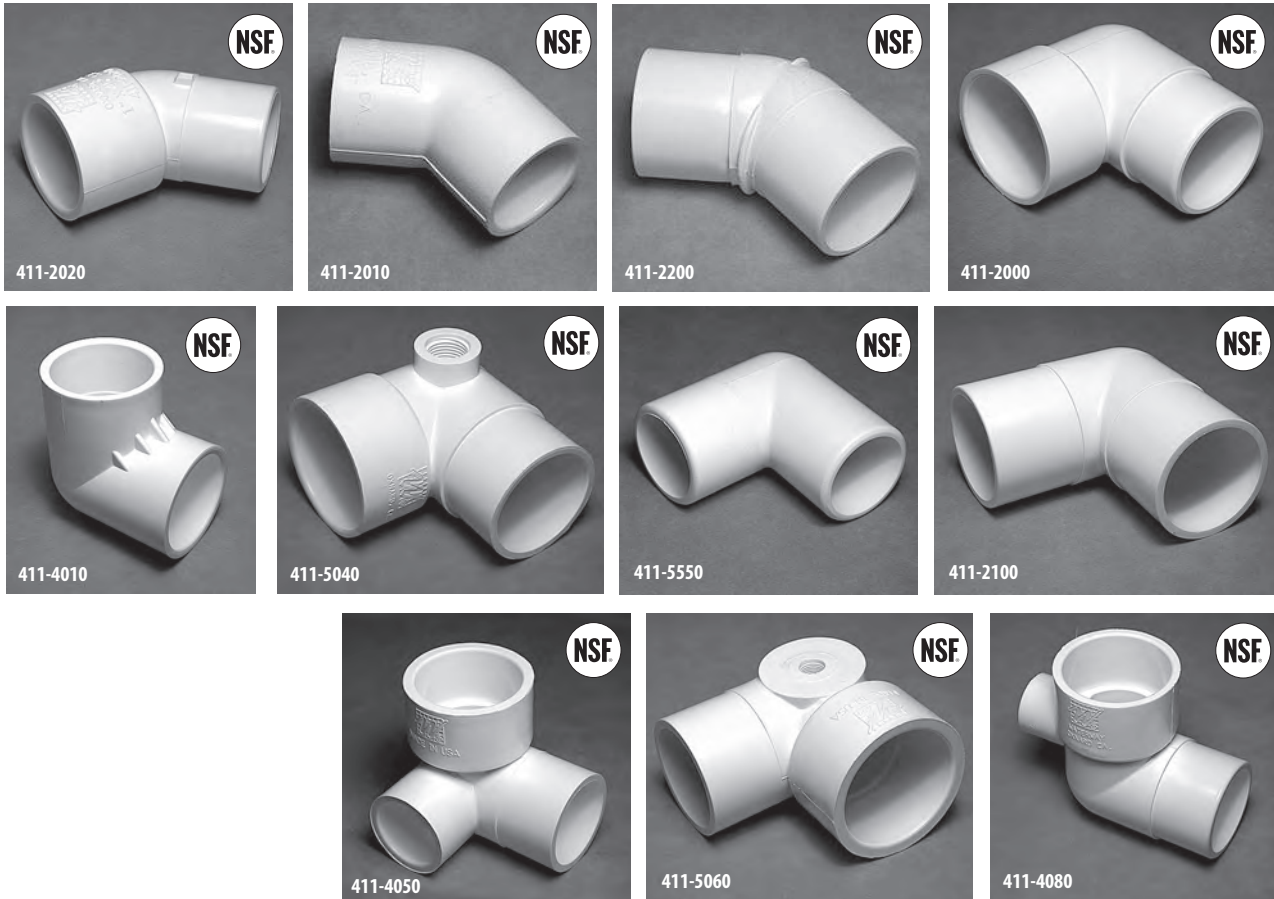


411-9200

NSF

Sweep Ells

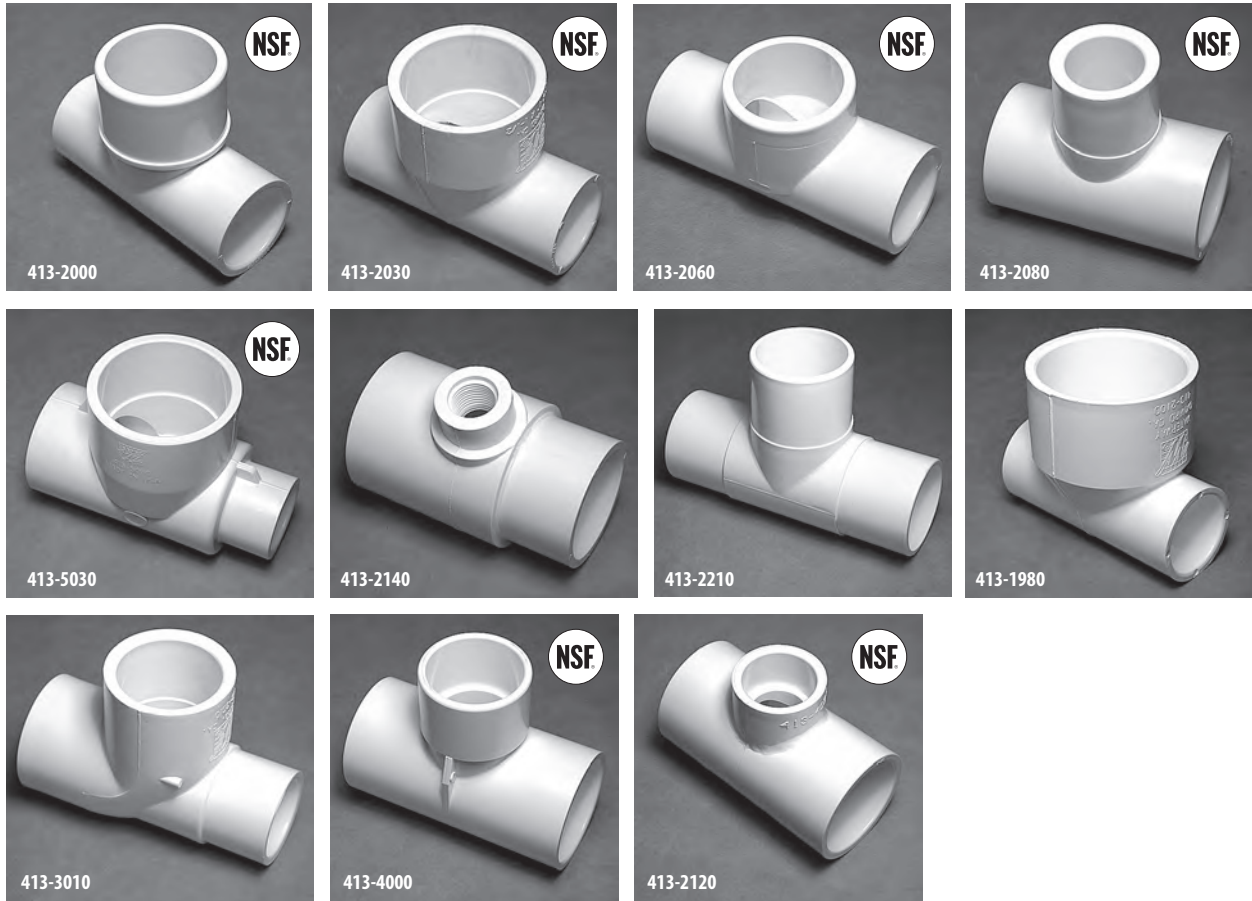
Part No.	Description	NSF Approved	Case Weight	Case Quantity	List (US \$)
411-9100	1 1/2" Spigot x 1 1/2" S	x	7.19 lbs.	25	4.89
411-9110	1 1/2" S x 1 1/2" S	x	7.29 lbs.	25	4.89
411-9120	2" Spigot x 2" S	x	24.31 lbs.	60	5.50
411-9130	2" S x 2" S	x	24.13 lbs.	60	5.50
411-9140	2 1/2" Spigot x 2 1/2" S	x	20.92 lbs.	30	7.81
411-9150	2 1/2" S x 2 1/2" S	x	21.30 lbs.	30	7.81
411-9160	2" Spigot 90° x 2 1/2" S	x	21.67 lbs.	35	11.72
411-9200	3" S x 3" S	x	21.67 lbs.	15	11.72
411-9210	3" S x 3" Spigot	x	25.68 lbs.	20	11.48



45° and 90° Ells				
Part No.	Description	NSF Approved	Case Quantity	List (US \$)
411-2020	45° Street Ell – 1" S x 1" Spigot	x	50	4.15
411-4040	45° Street Ell – 1 1/2" S x 1 1/2" Spigot		140	5.53
411-5030	45° Street Ell – 2" S x 2" Spigot		90	6.91
411-2010	45° Ell – 1" S x 1" S	x	150	4.06
411-2200	45° Ell – 2" Spigot x 2" Spigot	x	80	7.28
411-2000	90° Street Ell – 1" S x 1" Spigot	x	50	2.84
411-4000	90° Street Ell – 1 1/2" S x 1 1/2" Spigot		130	4.81
411-5080	90° Street Ell – 2" S x 2" Spigot		60	6.17
411-4010	90° Ell – 1 1/2" S x 1 1/2" S	x	50	3.11
411-5040	90° Street Ell – 2" S x 2" Spigot x 1/2" FPT Left Side Outlet	x	60	12.05
411-5050	90° Street Ell – 2" S x 2" Spigot x 3/8" FPT Left Side Outlet		25	12.05
411-5550	90° Ell – 1 1/2" Spigot x 1 1/2" Spigot	x	50	4.81
411-2100	90° Ell – 2" Spigot x 2" Spigot	x	60	6.91
411-4050	90° Ell – 1 1/2" S x 1 1/2" Spigot x 1" S Side Outlet	x	25	6.91
411-5060	90° Street Ell – 1 1/2" S x 1 1/2" Spigot x 1/8" FPT Side Outlet	x	50	8.63
411-4080	90° Street Ell – 1 1/2" S x 1 1/2" Spigot x 1/2" S Outlet	x	50	6.72
411-9170	Ell - 2" S x 2" S x 3/4" SB		50	10.29
411-9180	Ell - 2 1/2" S x 2 1/2" S x 3/4" SB		30	13.18



Ells, Tees, & Wyes / Tees



Tees				
Part No.	Description	NSF Approved	Case Quantity	List (US \$)
413-2000	1" S x 1" S x 1 1/2" Spigot	x	50	5.17
413-2030	1" S x 1" S x 1 1/2" S	x	75	5.17
413-2060	Low Profile - 1" S x 1" S x 1 1/2" Spigot	x	50	5.88
413-2080	1" S x 1" S x 1" Spigot	x	100	2.80
413-5030	2" S x 1 1/2" S x 1" S	x	70	8.70
413-2140	2" S x 2" Spigot x 1/2" FPT		75	9.31
413-2180	2" Spigot x 2" S x 3/8" Air Bleed		75	9.03
413-2130	2" S x 2" Spigot x 3/4" FPT		75	9.31
413-2210	2" Spigot x 2" Spigot x 2" Spigot		40	8.67
413-1980	Reducer - 1/2" S x 1/2" S x 1" S		100	2.80
413-3010	Reducer - 1" S x 1" S x 1" Spigot / 3/4" S		50	3.28
413-4000	1 1/2" S x 1 1/2" S x 1 1/2" Spigot	x	90	7.13
413-2150	2" Spigot x 2" S x 1/2" S		75	6.94
413-2120	2" Spigot x 2" Spigot x 1" S	x	90	8.11
413-2090	1 1/4" S x 1 1/4" S x 1 1/2" Spigot		100	6.91



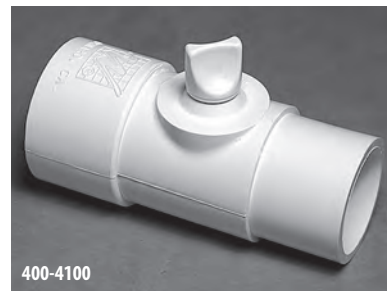
**GREAT FOR
SWIM SPAS**



Sanitary Tee			
Part No.	Description	Case Quantity	List (US \$)
413-2320	2 1/2" x 2 1/2" x 2 1/2"	15	21.22



Cross Tee				
Part No.	Description	NSF Approved	Case Quantity	List (US \$)
413-1770	Cross Tee - 1 1/2" S x 3/4" S x 3/4" S x 3/4" S	x	50	10.46



Tee Assemblies			
Part No.	Description	Case Quantity	List (US \$)
400-4100	Tee Assembly with Relief Plug 1 1/2" S x 1 1/2" Spigot x 3/8" FPT	100	10.85
400-4260	Tee Assembly with Relief Plug 2" Spigot x 2" S x 3/8" FPT with O-Ring	70	11.27

Ells / Tees / Wyes



Ells, Tees, & Wyes / Wyes and Manifold Wyes

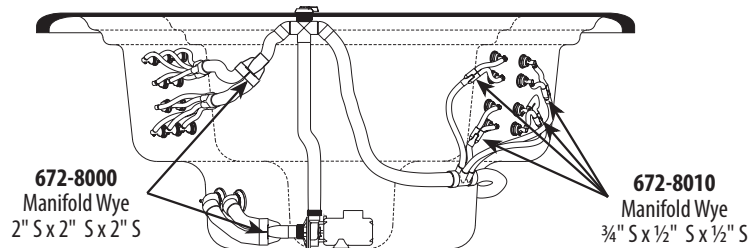


Wyes				
Part No.	Description	NSF Approved	Case Quantity	List (US \$)
413-1810	120° Wye - 3/4" S x 3/4" S x 3/4" S	x	50	6.91
413-4160	120° Wye - 1" S x 1" S x 1" S		100	6.91
413-4100	120° Wye - 1 1/2" S x 1 1/2" S x 1 1/2" S		70	10.39
413-5080	120° Wye - 2" S x 2" S x 2" S		50	14.48
413-5040	120° Wye - 2" S x 1 1/2" S x 1 1/2" S	x	50	14.48
413-4130	120° Wye - 1 1/2" S x 1" S x 1" S	x	140	9.31
413-1820	22 1/2° Wye - 3/4" S x 3/4" S x 3/4" S	x	50	6.46
413-2020	22 1/2° Wye - 1" S x 1" S x 1" S		120	6.91
413-4140	22 1/2° Wye - 1 1/2" S x 1" S x 1" S		90	7.87

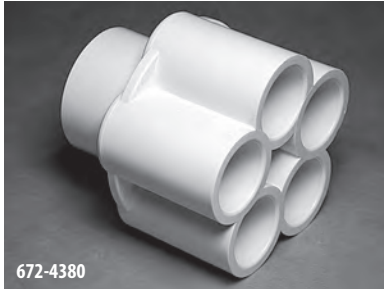
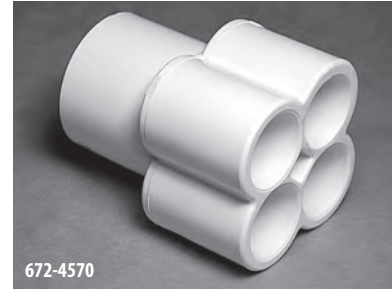
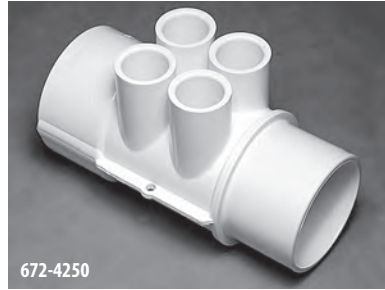
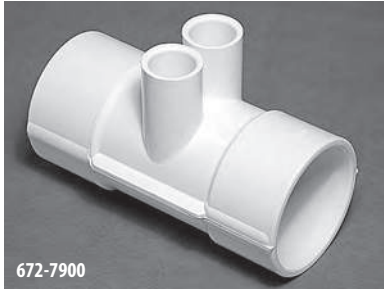


FEATURES:

- Improves performance
- Saves plumbing cost
- Makes plumbing easier
- Available in two different sizes
- Made of fitting grade type 1 PVC
- Made in the USA



Manifold Wyes			
Part No.	Description	Case Quantity	List (US \$)
672-8010	3/4" S x 1/2" S x 1/2" S	220	4.61
672-8020	1" S x 3/4" S x 3/4" S	180	4.61
672-8040	1 1/2" S x 1 1/2" S x 1 1/2" S	50	10.51
672-8000	2" S x 2" S x 2" S	40	14.45
672-8050	2 1/2" S x 2 1/2" S x 2 1/2" S	20	12.48
672-9540	(1) 2 1/2" S x (3) 2" S Distributor Manifold	25	18.04

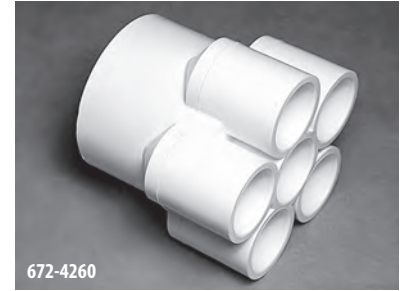
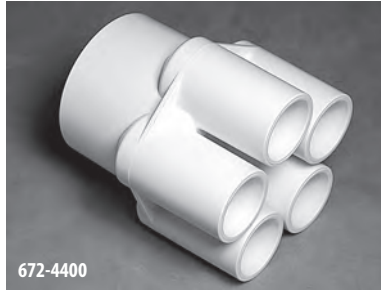
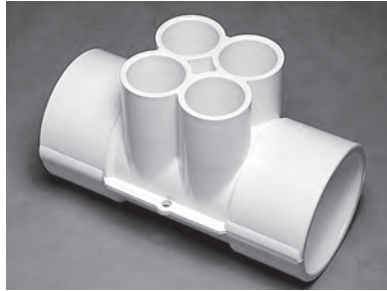
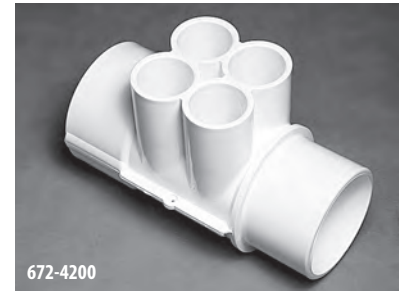
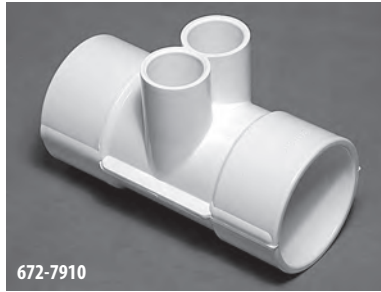
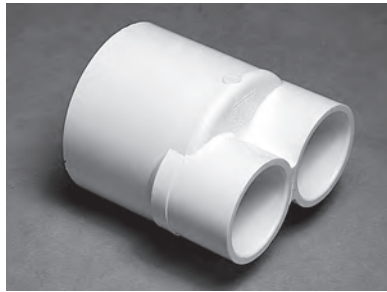


1/2" Manifolds

Part No.	Description	Case Quantity	List (US \$)
672-7900	2" S x 2" S x (2) 1/2" S Ports	45	5.38
672-4250	2" Spigot x 2" S x (4) 1/2" S Ports	50	5.85
672-4570	1" S x (4) 1/2" S Ports	90	5.20
672-4580	1 1/2" S x (4) 1/2" S Ports	75	5.20
672-4430	2" S x 2" S x (4) 1/2" S Ports	40	5.85
672-4380	1" S x (5) 1/2" S Ports	60	8.30
672-4120	1 1/2" S x (6) 1/2" S Ports	45	13.40
672-4130	2" S x (6) 1/2" S Ports	90	13.40
672-4110	2" S x 2" S x (6) 1/2" S Ports	35	8.66
672-4630	1 1/2" Spigot x 1 1/2" S x (10) 1/2" S Ports with Plugs (4)	30	24.93



Spa Manifolds / 3/4" Manifolds

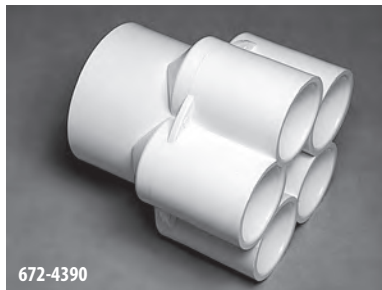


3/4" Manifolds

Part No.	Description	Case Quantity	List (US \$)
672-4280	1 1/2" S x (2) 3/4" S Ports	80	4.58
672-7910	2" S x 2" S x (2) 3/4" S Ports	45	5.38
672-4190	1 1/2" Spigot x 1 1/2" S x (4) 3/4" S Ports	60	5.53
672-4200	2" S x 2" Spigot x (4) 3/4" S Ports	40	5.85
672-4670	1 1/2" S x (4) 3/4" S Ports	45	5.85
672-4180	1 1/2" S x 1 1/2" S x (4) 3/4" S Ports	60	5.53
672-4210	2" S x 2" S x (4) 3/4" S Ports	40	5.85
672-4400	2" S x (5) 3/4" S Ports	50	12.93
672-4260	2" S x (6) 3/4" S Ports	50	13.40
672-4270	2" S x 2" S x (6) 3/4" S Ports	30	8.66
672-4640	1 1/2" Spigot x 1 1/2" S x (8) 3/4" S Ports with Plugs (4)	20	14.11



Spa Manifolds / 1" Manifolds and 2-4-6 Air Manifold Systems

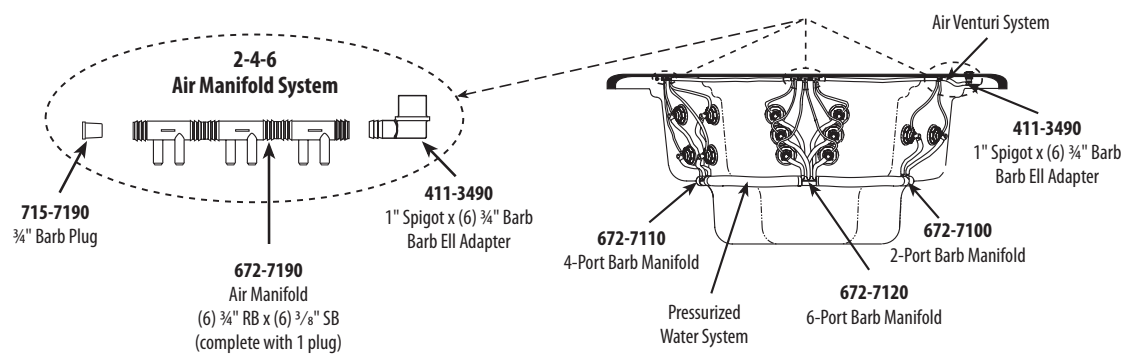
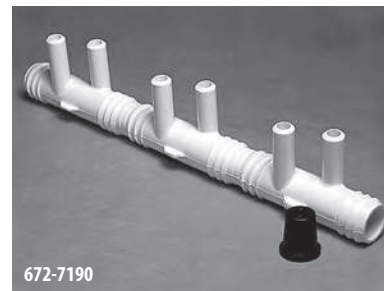
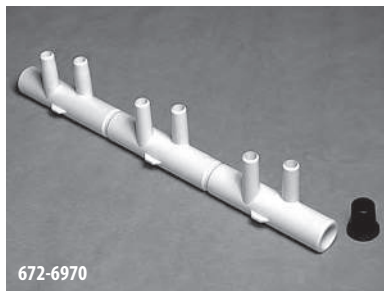


1" Manifolds

Part No.	Description	Case Quantity	List (US \$)
672-4620	1 1/2" S x (4) 1" S Ports	25	10.39
672-4390	2" S x (5) 1" S Ports	45	12.93

FEATURES:

- Can be cut into multiple manifolds (2, 4, or 6 ports)
- Utilizes 3/4" and 3/8" clear vinyl tubing (less expensive than flex pipe)
- Allows for cleaner, easier plumbing
- Manifold comes complete with 1 plug

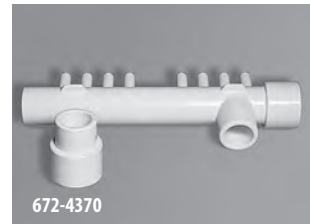


2-4-6 Air Manifold Systems

Part No.	Description	Case Quantity	List (US \$)
672-6970	2-4-6 Manifold - (6) 3/4" SB x (6) 3/8" SB Ports	150	9.68
672-7190	2-4-6 Manifold - (6) 3/4" RB x (6) 3/8" SB Ports	50	8.66



Spa Manifolds / 3/8" Barb Manifolds & Pancake Manifolds



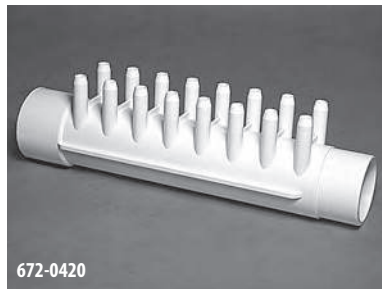
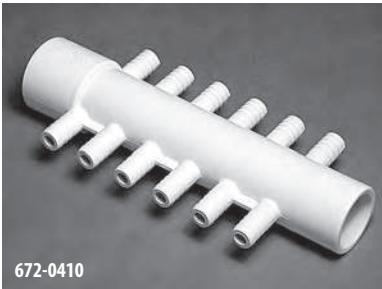
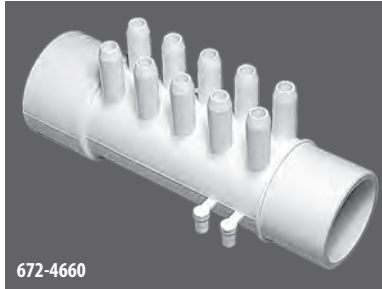
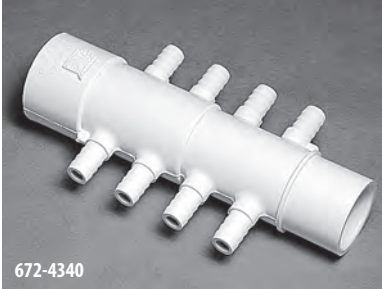
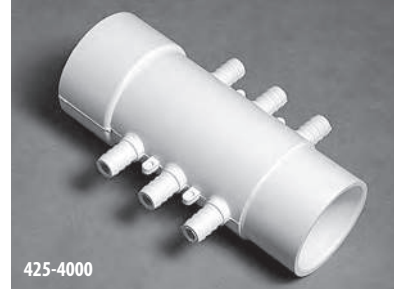
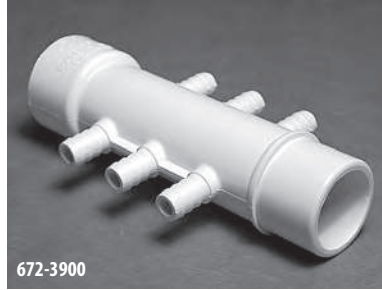
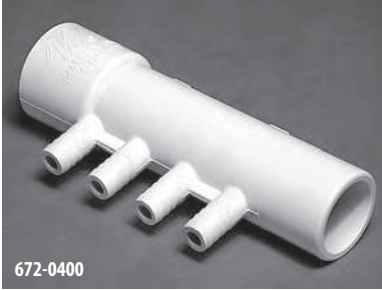
3/8" Barb Manifolds

Part No.	Description	Case Quantity	List (US \$)
672-4010	1" Spigot x (2) 3/8" Barbs	250	2.94
672-4020	1" S x (2) 3/8" Barbs	200	2.94
672-4030	1" Spigot x (4) 3/8" Barbs	300	3.23
672-4040	1" S x (4) 3/8" Barbs	250	3.23
672-4070	(4) 3/8" RB	500	2.96
672-4610	1 1/2" Spigot Blind x (4) 3/8" SB	150	4.92
672-4100	1" Spigot x (5) 3/8" Barbs	160	3.23
672-0550	(2) 1/2" S x (3) 3/8" SB	150	4.55
672-4700	1" Spigot x 1" Spigot x (6) 3/8" Barbs with Plugs (3)	50	7.87
672-4690	1/2" S x 1/2" S x (6) 3/8" Barbs with Plugs (2)	50	7.87
672-5060	1" S x 1" S x (6) 3/8" Barbs Assembly	100	6.13
672-4370	1" S x 1" Spigot x 1" S x (8) 3/8" Barbs with Plugs (4)	50	5.38



Pancake Manifolds

Part No.	Description	Case Quantity	List (US \$)
672-5900	Air Manifold Assembly, 1" Spg Ell x (6) 3/8" SB	100	6.13
672-5910	Air Manifold Assembly, 1" Spg Ell x (8) 3/8" SB	100	6.13
672-5920	Air Manifold Assembly, 1" Spg Ell x (10) 3/8" SB	100	6.13
672-5930	Air Manifold Assembly, 1" Spg Ell x (12) 3/8" SB	35	6.13
672-5800	Air Manifold Assembly, 1" Spg Straight x (6) 3/8" SB	100	6.13
672-5810	Air Manifold Assembly, 1" Spg Straight x (8) 3/8" SB	180	6.13
672-5820	Air Manifold Assembly, 1" Spg Straight x (10) 3/8" SB	160	6.13
672-5830	Air Manifold Assembly, 1" Spg Straight x (12) 3/8" SB	160	6.13
672-5060	Air Manifold Assembly, 1" S x 1" S x (6) 3/8" SB	100	6.13
672-5070	Air Manifold Assembly, 1" S x 1" S x (8) 3/8" SB	100	6.13
672-5080	Air Manifold Assembly, 1" S x 1" S x (10) 3/8" SB	100	6.13
672-5960	Air Manifold Assembly, 1" S x 1" S x (12) 3/8" SB	25	6.13

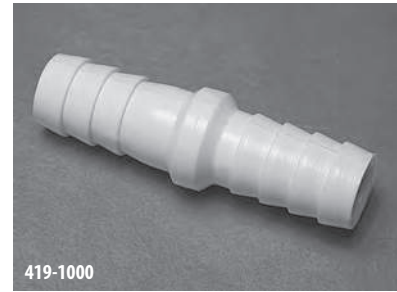
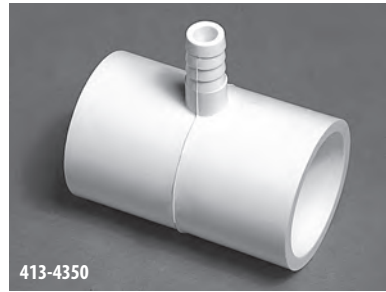
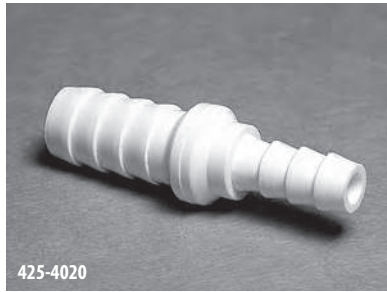


3/8" Barb Manifolds

Part No.	Description	Case Quantity	List (US \$)
672-0400	1" S x 1" Spigot x (4) 3/8" RB Barbs	50	5.20
672-3900	1" S x 1" Spigot x (6) 3/8" RB Barbs	50	5.20
425-4000	1 1/2" Spigot x 1 1/2" S x (6) 3/8" RB Barbs	75	12.05
672-4340	1" S x 1" Spigot x (8) 3/8" RB Barbs	50	5.20
672-5070	1" S x 1" S x (8) 3/8" Barbs Assembly	100	6.13
672-4660	1 1/2" Spigot x 1 1/2" S x (10) 3/8" Barbs with Plugs (4)	25	16.10
672-5080	1" S x 1" S x (10) 3/8" Barbs Assembly	100	6.13
672-0410	1" S x 1" Spigot x (12) 3/8" RB Barbs	100	6.81
672-0420	1 1/2" S x 1 1/2" Spigot x (16) 3/8" SB Barbs	35	11.44



Spa Manifolds / 3/8" Barb Adapters

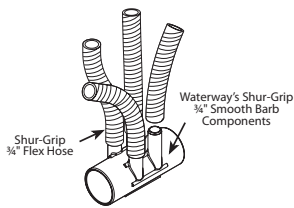
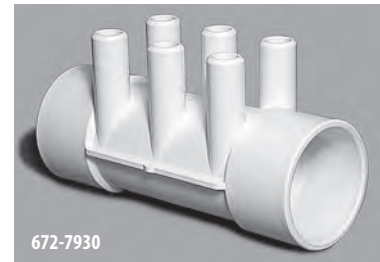
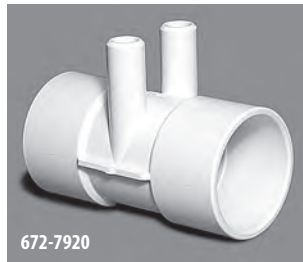
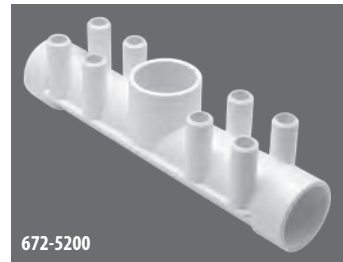
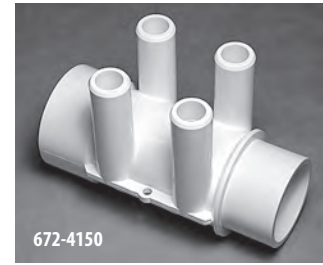
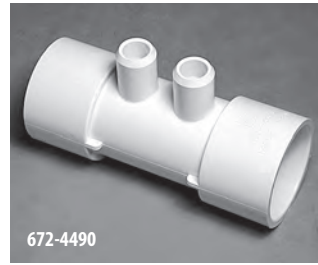
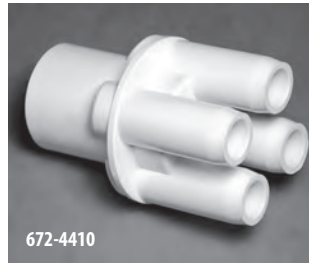
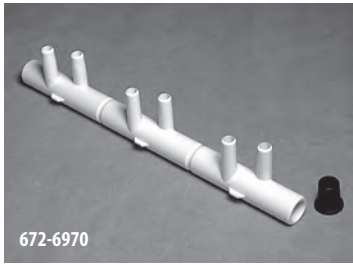


413-1201



3/8" Barb Adapters

Part No.	Description	Case Quantity	List (US \$)
425-4020	Reducer - 3/8" RB x 1/4" RB	3000	1.19
413-4350	Tee - 1" S x 1" S x 3/8" RB	100	2.90
419-1000	Coupler - 3/8" RB x 3/8" RB	500	2.07
425-4040	90° Ell - 1" S x 3/8" RB	150	2.90
425-0210	1/2" Spigot x 3/8" RB	500	1.93
425-5010	1" Spigot x 3/8" RB	300	2.80
672-4350	3/8" B x 1/4" MPT	500	3.64
413-1201	3/8" B x 1/4" N.P.S.M.	500	3.44
413-1900	Tee - 3/8" B x 3/8" B x 3/8" B	500	1.82
425-1080	3/4" Spigot x 3/8" SB	750	2.20
672-1440	9/16" Triple "C" Tubing Holder	300	4.48
672-1450	9/16" x 3/4" Stacked Tubing Clip	100	0.68
672-1430	1 1/2" Manifold "C" Holder	100	1.17
413-1940	3/8" SB Wye	500	1.82
715-1261	3/8" SB x 1/4" MPT Barb Adapter	100	3.54
421-1030	1/2" Socket x 3/8" SB Adapter	270 per bag	1.93



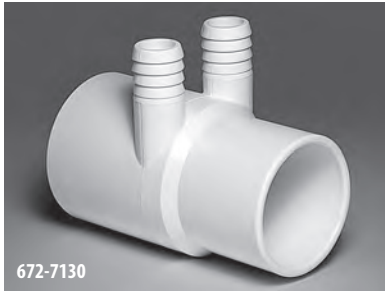
The Shur-Grip Plumbing System was specifically developed for the OEM Spa Manufacturing Industry. Shur-Grip components improve the glue joint characteristics yet maintain the quality of the flex hose at an affordable price. Look for the Shur-Grip symbol on compatible jet bodies and other speciality fittings.

ShurGrip Manifolds

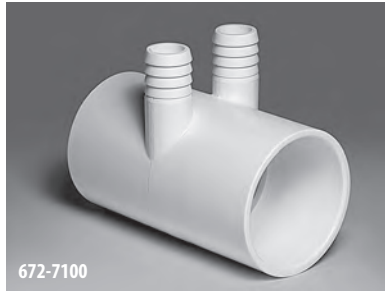
Part No.	Description	Case Quantity	List (US \$)
672-6970	(6) 3/4" SB x (6) 3/8" SB with Plug	50	9.68
672-4410	1" S x (4) 3/4" SB - Cluster Cap	50	9.09
672-4770	1 1/2" S x (4) 3/4" SB - Cluster Cap	100	9.09
672-4490	1 1/2" S x 1 1/2" S x (2) 3/4" SB	80	8.42
672-4150	1 1/2" S x 1 1/2" Spigot x (4) 3/4" SB	60	5.53
672-4140	1 1/2" S x 1 1/2" S x (4) 3/4" SB	60	5.53
672-4960	1 1/2" S x Dead End x (4) 3/4" SB	75	5.53
672-5200	1 1/2" S x 1 1/2" S x 1 1/2" S x (8) 3/4" SB	20	13.70
672-5240	1 1/2" S x 1 1/2" Spg x 6 3/4" SB	50	8.19
672-5250	1 1/2" S x 6 3/4" SB Dead End	25	8.14
672-5260	1 1/2" S x 1 1/2" S x 6 3/4" SB	50	8.19
672-4680	1 1/2" Spigot x 1 1/2" S x (10) 3/4" SB	40	15.32
672-4900	2" Spigot x 2" Spigot x (2) 3/4" SB	60	5.58
672-4910	2" S x 2" Spigot x (2) 3/4" SB	60	5.58
672-7920	2" S x 2" S x (2) 3/4" SB	50	5.59
672-7360	2" S x Dead End x (2) 3/4" SB	90	5.59
672-4920	2" Spigot x 2" Spigot x (4) 3/4" SB	45	5.85
672-4160	2" S x 2" Spigot x (4) 3/4" SB	40	5.85
672-4170	2" S x 2" S x (4) 3/4" SB	50	5.85
672-7370	2" S x Dead End x (4) 3/4" SB	20	5.85
672-4930	2" Spigot x 2" Spigot x (6) 3/4" SB	30	8.14
672-4940	2" S x 2" Spigot x (6) 3/4" SB	30	8.14
672-7930	2" S x 2" S x (6) 3/4" SB	30	8.14
672-7380	2" S x Dead End x (6) 3/4" SB	35	8.14
425-1090	1.5" S x 2 3/4" SB End Cap	100	4.50



Spa Manifolds / 3/4" Ribbed Barb Manifolds



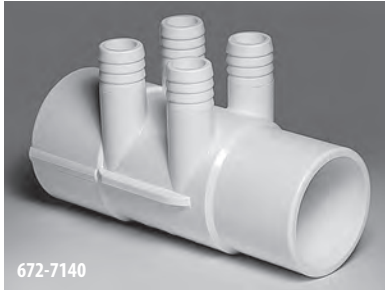
672-7130



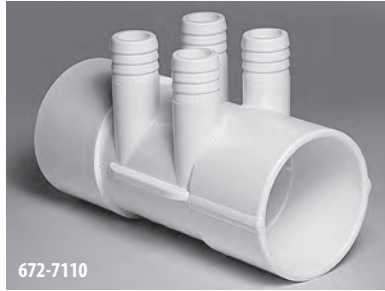
672-7100



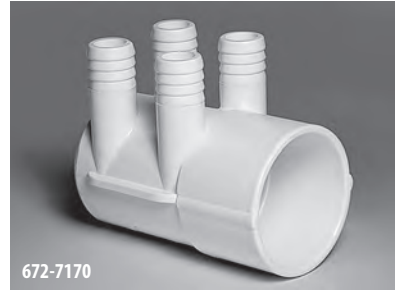
672-7160



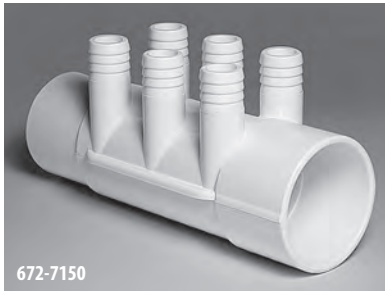
672-7140



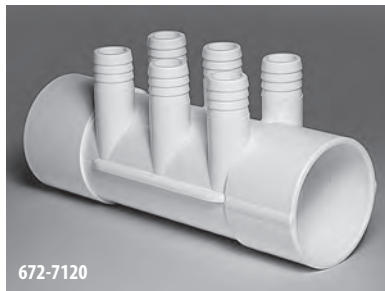
672-7110



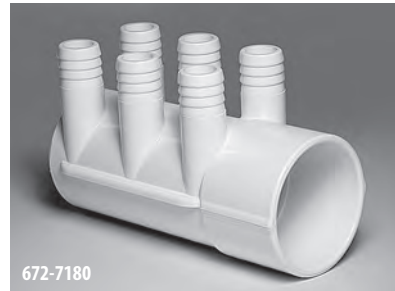
672-7170



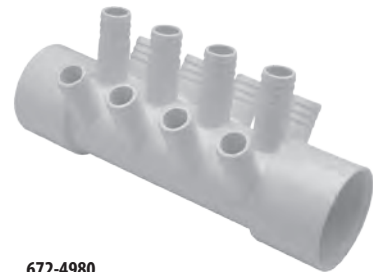
672-7150



672-7120



672-7180



672-4980

3/4" Ribbed Barb Manifolds

Part No.	Description	Case Quantity	List (US \$)
672-7130	2" S x 2" Spigot x (2) 3/4" RB	50	7.42
672-7100	2" S x 2" S x (2) 3/4" RB	50	7.42
672-7160	2" S x Dead End x (2) 3/4" RB	90	7.42
672-7140	2" S x 2" Spigot x (4) 3/4" RB	40	8.91
672-7110	2" S x 2" S x (4) 3/4" RB	40	8.91
672-7170	2" S x Dead End x (4) 3/4" RB	50	8.91
672-7150	2" S x 2" Spigot x (6) 3/4" RB	30	11.92
672-7120	2" S x 2" S x (6) 3/4" RB	30	11.92
672-7180	2" S x Dead End x (6) 3/4" RB	35	11.92
672-4980	2" S x 2" S x (12) 3/4" RB	18	15.34



413-1960



411-3490



425-1000



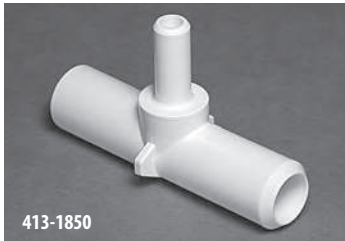
413-4360



413-1920



672-4310



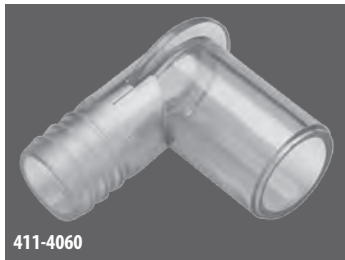
413-1850



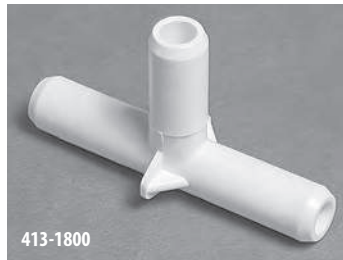
411-3700



411-3500



411-4060



413-1800



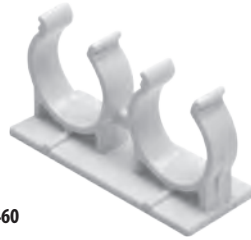
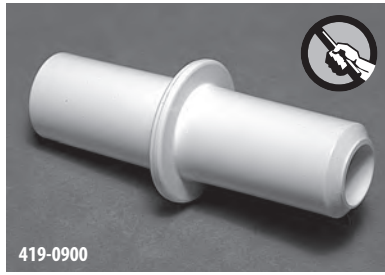
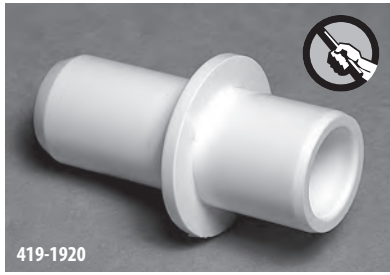
413-1860

3/4" Barb Adapters

Part No.	Description	Case Quantity	List (US \$)
411-3700	90° Ell - 3/4" RB x 3/4" RB	150	2.48
413-1860	120° Wye - 3/4" RB	150	6.72
413-1960	120° Wye - 3/4" SB	250	5.11
413-1800	Tee - 3/4" SB x 3/4" SB x 3/4" SB	200	3.54
413-1850	Tee - 3/4" SB x 3/4" SB x 3/8" SB	250	3.54
425-1000	1/2" Spigot x 3/4" RB	300	1.60
425-1030	1/2" S x 3/4" Spigot x 3/4" RB	350	4.58
411-3500	90° Ell - 1/2" Spigot x 3/4" RB	150	1.60
411-0360	90° Ell - 3/4" Spigot x 1/2" S x 3/4" SB	500	2.24
411-0350	90° Ell - 3/4" Spigot x 1/2" S x 3/4" RB	500	2.24
411-4060	90° Ell - 3/4" Short Spigot x 3/4" RB	300	2.20
411-4160	90° Ell - 3/4" Spigot x 3/4" SB Adapter	350	2.20
411-3490	Ell - 1" Spigot x 3/4" RB	230	2.84
411-3480	Ell - 1" Spigot x 3/4" SB	180	2.84
413-1920	Tee - 1" Spigot x (2) 3/4" SB	180	3.79
672-4310	1" Spigot / 3/4" S x 3/4" RB	250	2.90
672-4320	1 1/4" Spigot / 1" S x 3/4" RB	200	2.90
413-4360	1 1/2" Spigot x 3/4" SB	200	4.50
413-4370	1 1/2" Spigot x 3/4" RB	100	4.50
413-4510	2" Spigot x 3/4" SB	125	5.36



Spa Manifolds / 3/4", 1", 1 1/2" Barb Adapters



3/4" Barb Adapters

Part No.	Description	Case Quantity	List (US \$)
419-1920	3/4" SB x 1/2" Spigot	200v	5.36
419-0900	Coupling - 3/4" SB x 3/4" SB	250	5.36
425-1030	1/2" S / 3/4" Spigot x 3/4" RB	350	4.58
672-1460	3/4" "C" Clip with Zip Tie Loops	1000	0.95
715-0340	3/4" SmartPlumb Deep Inverted Plug	500	1.30



1" Barb Adapters

Part No.	Description	Case Quantity	List (US \$)
425-1010	1" Spigot / 3/4" S x 1" RB	125	2.90



1 1/2" Barb Adapters

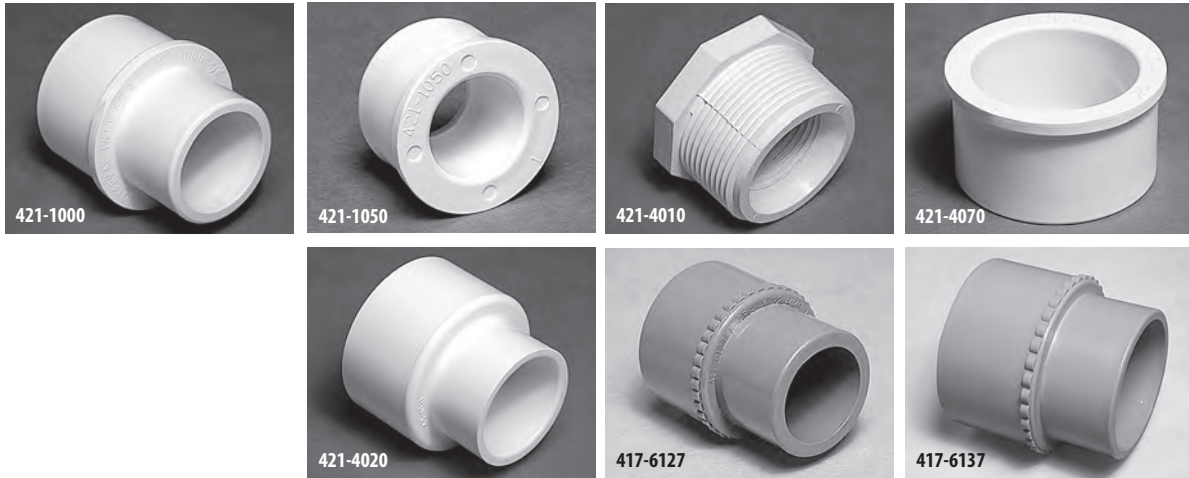
Part No.	Description	Case Quantity	List (US \$)
417-6140	1 1/2" MPT x 1 1/2" Hose	240	3.23



Thermowells			
Part No.	Description	Case Quantity	List (US \$)
400-4420	Mini Thermowell Assembly	100	14.07
400-4360	Thermosensor with Probe Protector	150	13.41
400-5540	90° Ell - 1 1/2" S x 1 1/2" S - with 2 Thermowells and Bushings	80	13.74
411-5520	Ell - 1 1/2" S x 1 1/2" S - with 2 Thermowells	80	9.98
400-5580	Ell - 1 1/2" S x 1 1/2" S - with Thermowell and Bushing	100	13.74
411-5540	90° Ell - 1 1/2" S x 1 1/2" S - with Thermowell	25	9.98
400-6040	90° Ell - 2" S x 2" Spigot x 3/8" Air Bleed - with Thermowell and 2 Bushing	60	15.32
411-6040	90° Ell - 2" S x 2" Spigot x Air Bleed - with Thermowell	60	13.98
805-0014	O-Ring for 90° Ell - 2" S x 2" Spigot x Air Bleed	100	0.59
811-8160	Bushing for Ells - 1 1/2" S x 1 1/2" S	100	0.92



Spa Miscellaneous & Accessories / Reducers, Nipples, and Plugs



Reducers

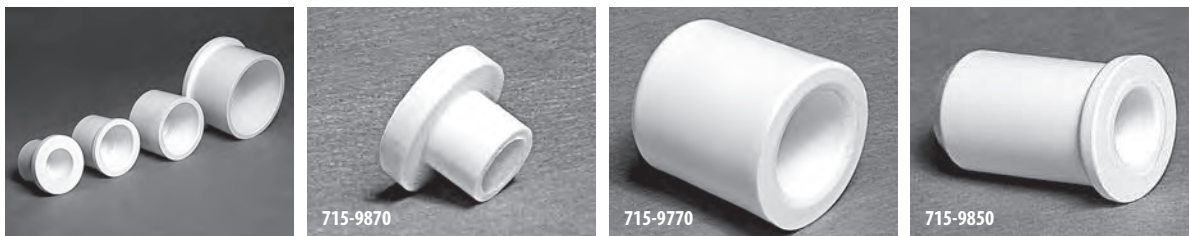
Part No.	Description	Case Quantity	List (US \$)
421-1000	Reducer - 2" Spigot x 1 1/2" Spigot	50	4.81
421-1050	Reducer - 1" Spigot x 1/2" S	225	1.82
421-4010	Reducer - 1 1/4" MPT x 1/2" FPT	150	8.61
421-4030	Reducer - 1 1/2" Spigot x 1" Spigot	100	4.15
421-4070	Reducer - 1 1/2" Socket x 2" Spigot	100	2.65
421-4020	Bell Reducer - 1 1/2" x 1" S	75	4.15
421-5000	Bell Reducer - 2" S x 1 1/2" S	75	5.17
417-6127	Metric Reducer - 1" Spigot x 32mm S	75	1.94
417-6137	Metric Reducer - 1 1/2" Spigot x 50mm S	50	4.16

Threaded Nipple

Part No.	Description	Case Quantity	List (US \$)
423-4000	1 1/2" Spigot x 1 1/2" MPT	25	6.69

2" Barb Adapter

Part No.	Description	Case Quantity	List (US \$)
417-6197	2" Spigot x 63mm S	50	6.96



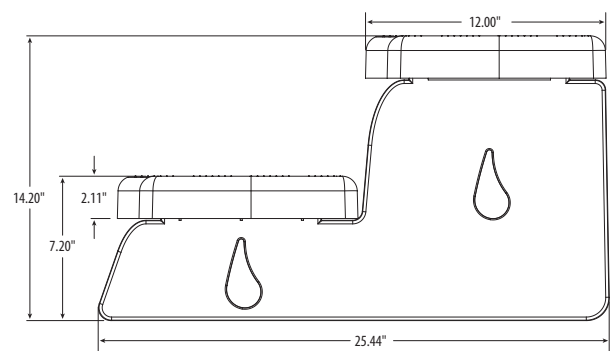
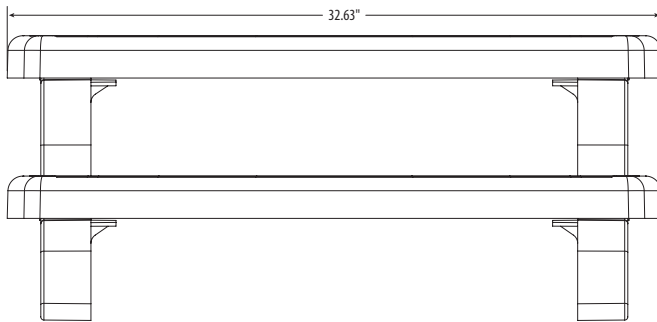
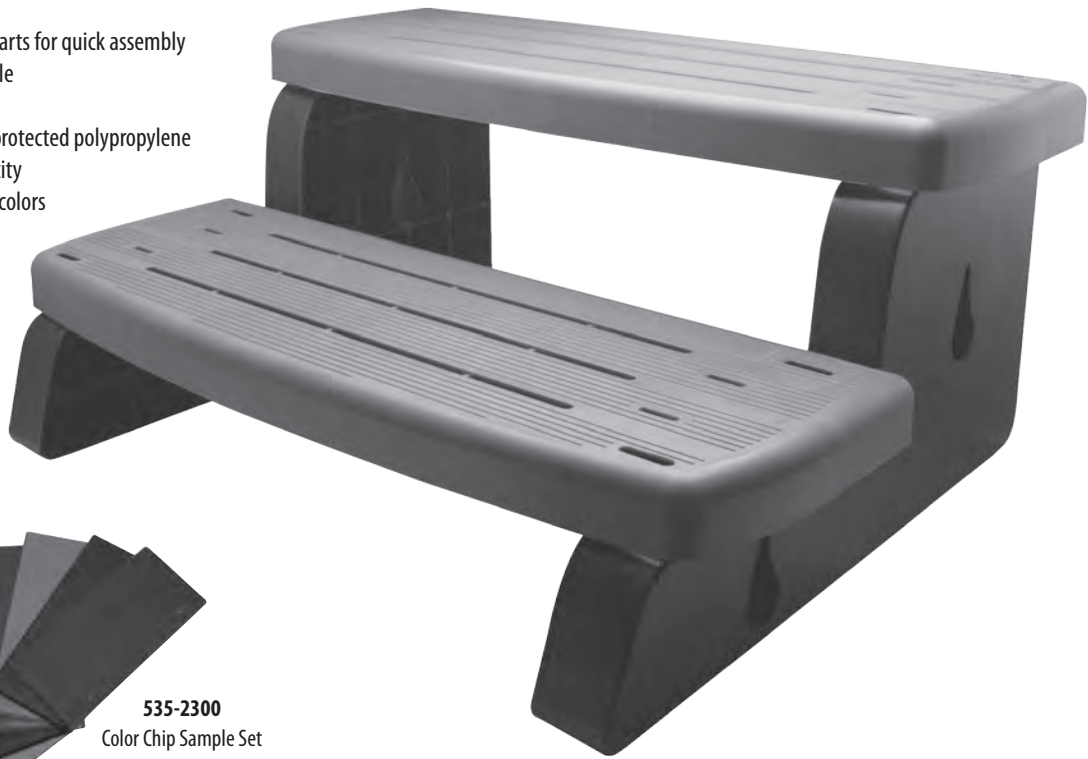
Plugs

Part No.	Description	Case Quantity	List (US \$)
715-0000	1/2" Spigot	800	1.23
715-9890	3/4" Spigot	600	1.26
715-2000	1" Spigot	200	1.34
715-4000	1 1/2" Spigot	100	2.07
715-9880	2" Spigot	100	2.72
715-9870	3/8" Barb	100	1.04
715-0040	3/4" SmartPlumb Barb (New Style)	1300	0.98
715-9860	3/4" Barb (Old Style)	1000	0.98
715-9770	Cap Style - 3/8" RB	1500	1.04
715-9850	3/8" Hose	3000	0.66



FEATURES:

- Easy, snap together parts for quick assembly
- Packaged for retail sale
- 33" non-slip treads
- Made of durable UV protected polypropylene
- 800 lbs. weight capacity
- Available in multiple colors



Misc / Accessories

Spa Steps				
Part No.	Description	Color	Pallet Qty	List (US \$)
535-2209-BRK	33" Spa Step Assembly	Bark	32	166.94
535-2209-CIN	33" Spa Step Assembly	Cinnamon	32	166.94
535-2209-GPH	33" Spa Step Assembly	Graphite	32	166.94
535-2209-RDW	33" Spa Step Assembly	Redwood	32	166.94
535-2209-CSG	33" Spa Step Assembly	Coastal Gray	32	166.93
535-2209-MOC	33" Spa Step Assembly	Mocha Coffee	32	166.94
535-2300	Color Chip Sample Set	--	--	4.39



NEW!

FEATURES:

- Provides easy access to cabinets
- Fits most types of cabinet doors and panels
- Easy installation

Specifications:

- Niche
1 1/2" Hole Saw Size
- Threaded Flush Mount Insert
23/64" Hole Saw Size
6MM Drive Size
- Material
ABS Black Niche and Handle
Stainless Steel 1/4 - 20 Screw
Die Cast Zinc Alloy Threaded Flush Mount Insert



Cabinet Latch

Part No.	Description	Case Quantity	List (US \$)
675-3000	Cabinet Latch, Niche and Flush Mount Insert Assy	--	6.44



FEATURES:

- Low profile design
- Hose bib pulls out for easy access
- Protective cover seals against all possible leak points
- Optional metric adapter
- Plumbs to 3/4" flex hose



600-9101 / 600-9167

Lo-Profile Spa Drain Fill Valve

Part No.	Description	Case Quantity	List (US \$)
600-9101	Lo-Profile Drain Fill Valve Assembly	50	19.56
600-9167	Metric Hose Adapter with Gasket	200	2.93



640-2000



400-3031

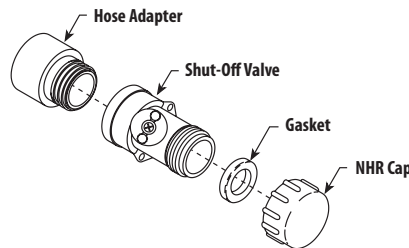


Spa Drain and Fill Niche for Garden Hose Connection

Part No.	Description	Case Quantity	List (US \$)
640-2000	1" S - Spa Drain/Fill Valve Assembly - White	100	19.91
640-2001	1" S - Spa Drain/Fill Valve Assembly - Black	100	19.91
600-9101	3/4" Lo-Profile Drain Fill Valve Assembly	50	19.56
600-9167	Lo-Profile Drain Fill Valve Metric Adapter with Gasket	200	2.93
400-3031	1/2" Hose On/Off Spa Drain Valve with Niche	75	23.72
400-3021	3/4" Hose On/Off Spa Drain Valve with Niche	75	23.72



400-2060



400-2100

On/Off Valves for Garden Hose

Part No.	Description	Case Quantity	List (US \$)
400-2060	1/2" Hose On/Off Valve Assembly	125	14.11
400-2070	3/4" Hose On/Off Valve Assembly	125	14.11
400-2100	3/4" SB Hose On/Off Valve Assembly	100	14.11
519-0231	Drain Cap - 1/2" NHR	100	1.77
806-0100	Gasket - 3/4"	50	1.30
872-0004	Shut-Off Valve	250	9.02
413-4400	Adapter - 1/2" S x Male Garden Hose	250	2.67
413-4410	Adapter - 3/4" S x Male Garden Hose	200	2.67



ABS Plastic Hand Rails

Part No.	Description	Case Quantity	List (US \$)
616-4001	18" Hand Rail - Plastic - 1 ¼"	120	9.21
616-3001	12" Hand Rail - Plastic - 1 ¼"	170	5.81
611-5001	1 ¼" Rubber Grommet	300	2.16



Clear Acrylic Hand Rails

Part No.	Description	List (US \$)
616-1100	11" Clear Acrylic Hand Rail	16.38
616-1300	13" Clear Acrylic Hand Rail	17.88
616-1400	14" Clear Acrylic Hand Rail	19.37
616-1600	16" Clear Acrylic Hand Rail	20.88
616-1800	18" Clear Acrylic Hand Rail	22.35
616-2000	20" Clear Acrylic Hand Rail	23.87
611-6090	Rubber Grommet (<i>no angle</i>)	2.95
611-7000	Rubber Grommet	3.23

FEATURES:

- Easily sandwiches between most T&G skirt panels
- Louvered vent protects against weather and rodent intrusion
- Handle allows for easy removal of skirt panels
- LED compatible
- Available in multiple colors
- Measures 3.5" x 6.25"



Spa Handle Vent

Part No.	Description	List (US \$)
672-6560	Louvered Spa Vent	7.46



FEATURES:

- Automatically adjusts to temperature change:
Closed for cold or freezing conditions;
Open for hot conditions
- Easy through-wall installation
- Louvered grill to protect against weather and rodent intrusion
- Hole Saw Size: 4"

675-6531



Adjustable Thermo Vent

Part No.	Description	Case Quantity	List (US \$)
675-6530	Adjustable Thermo Vent	30	23.07

FEATURES:

- 4 3/4" overall diameter
- 4" diameter hole saw and vent area
- 0.100" diameter holes (148) for improved ventilation
- Available in assorted colors

4" Vent

Part No.	Description	Case Quantity	List (US \$)
672-0600	4" Vent	300	9.39



Misc / Accessories

Spa Cabinet Vents

Part No.	Description	Color	Case Quantity	List (US \$)
675-6501	Spa Vent Assembly – 2 5/16" x 8 1/2"	Black	150	5.95
675-6507	Spa Vent Assembly – 2 5/16" x 8 1/2"	Gray	150	5.95
675-6509-BRN	Spa Vent Assembly – 2 5/16" x 8 1/2"	Brown	150	5.95



Aroma Therapy Canister and Beads

Part No.	Description	Case Quantity	List (US \$)
670-2800	Aroma Therapy Canister Assembly - Ell Body	60	32.76
662-2700	Scented Aroma Therapy Beads - Ocean Pellets - .84 oz.	50	8.91
662-2710	Scented Aroma Therapy Beads - Kiwi - .76 oz.	50	8.91
662-2720	Scented Aroma Therapy Beads - Red Apple - .82 oz.	50	8.91
662-2730	Scented Aroma Therapy Beads - Floral - .86 oz.	50	8.91





Technical Information / Blower Sizing

Friction loss of water in feet of head per 100 foot length of pipe.

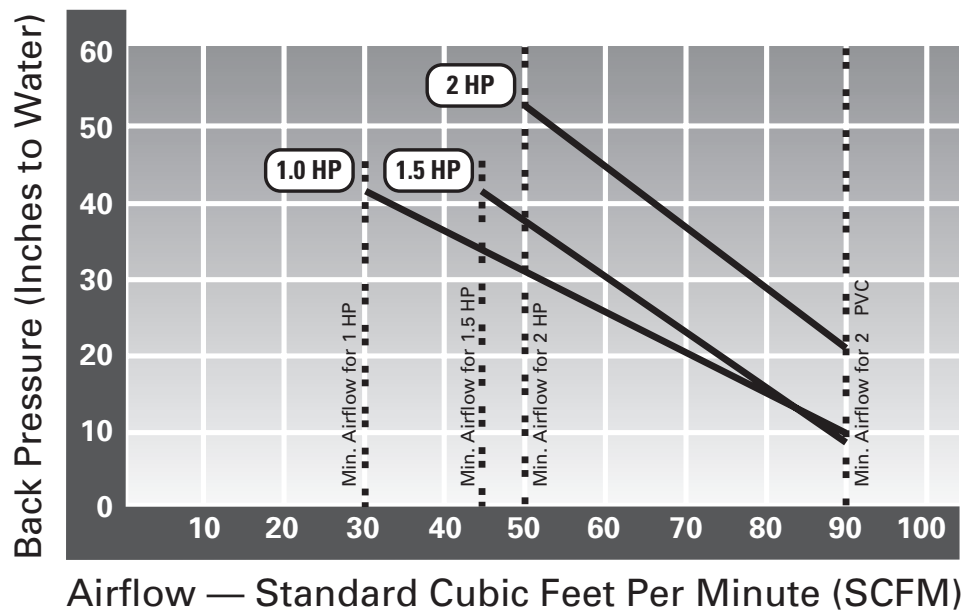
1. Calculate water depth in inches:

- A. Actual water depth in injector = _____
 - B. Add 1/2" of water per 90° elbow = _____
 - C. Add 1/8" of water per 45° elbow = _____
 - D. Add 1" of water per 10 feet of 2" pipe = _____
 - E. Add 4" of water per 1/2" spring check valve = _____
- TOTAL INCHES OF WATER** = _____

2. Find the airflow or SCFM provided by your blower:

- A. On the **Blower Performance Chart**, find the number that corresponds to the **total inches of water** needed.
- B. Read across the chart until you **intersect the horsepower (HP)**, then go down for SCFM.
- C. **Take total SCFM and divide by 10** to get corresponding hole sizes.

BLOWER PERFORMANCE CHART



3. Calculate the number of holes by using the Air Hole Sizing Chart:

Air Hole Sizing Chart	
Air Hole Size	Number of Holes Needed per 10 SCFM
1/8"	24
5/32"	15
3/16"	11
1/4"	6
5/16"	4
Jet	1



Hole Saw Sizes

STORM JETS

Jets - Adjustable Cluster Storm	1 1/2"
Jets - Mini Storm	
Flat Gasket	2 3/16"
Grommet Gasket	2 1/4"
Jets - Poly Storm	
Flat Gasket	2 5/8"
Grommet Gasket	2 11/16"
Jets - Power Storm	
Flat Gasket	3 3/4"
Grommet Gasket	3 7/8"
Jets - Mega Storm with Flat Gasket	4 3/4"

JETS

Jets - Euro	1 1/16"
Jets - Fog	9/16"
Jets - Jumbo	5 3/4"
Jets - Jumbo Storm	5 3/4"
Jets - Master Massage	5 3/4"
Jets - Old Faithful	4 3/4"
Jets - Ozone/Cluster	1"
Jets - Poly	2 5/8"
Jets - Turbo	3 1/4"

SUCTIONS

Suction - Lo-Pro and Hi-Flo/Ultra High Flo	
Flat Gasket	2 3/8"
Grommet Gasket	2 1/2"
Suction - Super Hi-Flo/Designer Pro/Ultra High Flo	
Flat Gasket	3 1/4"
Grommet Gasket	3 7/16"

AIR COMPONENTS

Air Bleed	1 5/16"
Air Button	1 1/2"
Air Control - Lo-Pro	1 5/8"
Air Injector - Button	3/8"
Air Injector - Lo-Pro	3/4"
Air Injector - Multi-Body	5/8"
Air Injector - Ozone	5/8"
Air Injector - Top Flow	1 3/16"

VALVES

Valves - Diverter - 1" Mini	2 1/16"
Valves - Diverter - 2" Top Access	3 1/4"
Valves - Spa Drain and Fill	1 5/8"
Valves - Turn On / Off	1 1/4"

LIGHTS

Light - 1/2"	3/8"
Light - 1"	5/8"
Light - 2 1/8"	1 5/8"
Light - 3"	2 5/8"
Light - 5" Jumbo	3 3/4"
Light - 7" XL Jumbo	5 3/4"
Cup Holder with hole saw size	2 5/8"

SKIMMERS / FILTERS

5 1/2" Top Load Filter	4 1/8"
Skim Filter - Dyna-Flo	6 7/8"
Grommet Gasket	7"
Skimmers - Strip	
Flat Gasket	2 3/8"
Grommet Gasket	2 1/2"
Filters - Top Load	6 7/8"
Grommet Gasket	7"
Teleweir Skim Filters	6 7/8"

SGMS TOP SIDE CONTROLS

Air Control - 1"	2 7/16"
Valves - 1"	2 17/32"
Valves - 2"	3 3/4"

SGMS PIN LIGHTS

5/8" - Fiberglass/Acrylic	W Drill (0.386")
1" - Fiberglass/Acrylic	43/64"

THE WEDGE

Suction - 5" Designer Pro	4"
5" Ultra Super Hi-Flo	4"
5" Super Hi-Flo	4"
3 1/2" Hi-Flo	3"
Dyna-Flo	7 1/2"
Master Massage	6 1/2"
Light - 5" Jumbo	4 3/8"
3 1/2"	3"

SPECIALTY ITEMS

Aroma Therapy Canister	1 5/8"
Auto Vent	4"
Fittings - Thru Wall	1 5/16"
Return Fitting	2 5/16"
Thermosensor	1"
Thermowell - Mini	1 3/16"
Waterway Cascade	(2) x 7/8"



1. Determine required turnover rate for spa in gallons per minute (GPM).

$$\frac{\text{Total Gallons}}{\text{Desired Turnover Rate (30 min. spa)}} = \text{GPM}$$

2. Determine GPM and PSI needed for maximum jet performance (use Jet Performance Flow Curves from page 114).

$$\frac{\text{Target Flow (GPM)}}{\text{Target Pressure (PSI)}}$$

3. A. Figure resistance head of system:

From Friction Flow Chart on page 264 and Friction Loss in Fittings on page 265, convert fittings and pipe lengths into feet of head.

EXAMPLE:

A. (4) 2" 90° elbows = 4 x 8.6 = 34.4 feet of 2" pipe

B. 50 feet of 2" pipe = 50 feet

A + B: 34.4 feet + 50 feet = 84.4 feet

Looking at the Friction Flow Chart, 2" pipe at 10 feet per second gives us 100 GPM at 14.4 feet of head. This is figured in 100 foot length of pipe. We multiply .844 times 14.4 = 12.15 feet of head. Or to convert to PSI x .433 = 5.26 PSI loss.

$$\text{A } \frac{\text{Quantity}}{\text{Quantity}} \times \frac{\text{Fitting Type (Friction Loss)}}{\text{Fitting Type (Friction Loss)}} = \frac{\text{Straight Length of Pipe}}{\text{Straight Length of Pipe}}$$

$$\text{B } \frac{\text{Quantity}}{\text{Quantity}} \times \frac{\text{Pipe}}{\text{Pipe}} = \frac{\text{Straight Length of Pipe}}{\text{Straight Length of Pipe}}$$

$$\frac{\text{A}}{\text{A}} + \frac{\text{B}}{\text{B}} = \frac{\text{Total Pipe Length}}{\text{Total Pipe Length}}$$

$$\frac{\text{Pipe Length}}{\text{Pipe Length}} \times \frac{\text{Head of Loss for 100 ft. Length}}{\text{Head of Loss for 100 ft. Length}} = \frac{\text{Feet of Head}}{\text{Feet of Head}}$$

B. Figure Actual Head Loss of Components: (Refer to Head Loss Chart on Page 265)

EXAMPLE:

1) One 1 1/2" main drain at 50 GPM has 2 feet of head.

2) One 1 1/2" skimmer 50 GPM has 4 feet of head.

Total head loss of components is 6 feet of head.

Quantity	GPM	Head Loss
_____	_____	_____
_____	_____	_____

Total Head Loss of Components: _____

C. Add Head Loss from B and C for Total Resistance Head:

EXAMPLE:

12.15 feet of head (from system resistance) + 6 feet of head (from component head loss) = 18.15 feet of head

$$\frac{\text{Resistance of Head Fittings, etc.}}{\text{Resistance of Head Fittings, etc.}} + \frac{\text{Component Head Loss}}{\text{Component Head Loss}} = \frac{\text{TDH}}{\text{TDH}}$$

D. Total of B and C is TDH (total dynamic head) of system. Convert total head into PSI by multiplying by .433:

EXAMPLE:

18.15 feet of head x .433 = 7.86 PSI

(This is the amount of pressure lost in the system)

$$\frac{\text{TDH}}{\text{TDH}} \times \frac{.433}{.433} = \frac{\text{PSI}}{\text{PSI}}$$

E. Add Target PSI from Jet Worksheet (or Line #2) to Total Pressure Loss (PSI) Line D to find Total Pressure Required and Total Dynamic Head of System:

EXAMPLE:

14 PSI (Required for jets) + 7.86 PSI (Required for system) = 21.86 PSI

$$\frac{\text{Jets PSI Required}}{\text{Jets PSI Required}} + \frac{\text{System PSI Required}}{\text{System PSI Required}} = \frac{\text{Total PSI Required}}{\text{Total PSI Required}}$$

F. Match appropriate pump by looking at pump curves.

EXAMPLE:

At 22 PSI (or 50 feet of head) at 100 GPM, you can use The Executive 1 HP Pump or a 2 HP Hi-Flo Side Discharge Pump



Technical Information / Friction Flow Chart

Friction loss of water in feet of head per 100 foot length of pipe.

U.S. Gal. per Min.	3/4 PIPE			1 PIPE			1 1/4 PIPE			1 1/2 PIPE			2 PIPE			2 1/2 PIPE			3 PIPE			
	Vel. Ft. per Sec.	Loss in Feet	Loss in PSI	Vel. Ft. per Sec.	Loss in Feet	Loss in PSI	Vel. Ft. per Sec.	Loss in Feet	Loss in PSI	Vel. Ft. per Sec.	Loss in Feet	Loss in PSI	Vel. Ft. per Sec.	Loss in Feet	Loss in PSI	Vel. Ft. per Sec.	Loss in Feet	Loss in PSI	Vel. Ft. per Sec.	Loss in Feet	Loss in PSI	
1	.60	.25	.11	.37	.07	.03
2	1.20	.90	.39	.74	.28	.12	.43	.07	.03
3	1.80	1.92	.83	1.11	.60	.26	.64	.16	.07	.47	.07	.03
4	2.41	3.28	1.42	1.48	1.02	.44	.86	.25	.11	.63	.12	.05
5	3.01	5.8	2.51	1.86	1.52	.65	1.07	.39	.17	.79	.18	.08
6	3.61	7.0	3.0	2.33	2.15	.93	1.29	.55	.24	.95	.25	.11	.57	.07	.03
8	4.81	11.8	5.1	2.97	3.6	1.56	1.72	.97	.42	1.25	.46	.2	.76	.14	.06	.54	.05	.02
10	6.02	17.9	7.75	3.71	5.5	2.4	2.15	1.46	.63	1.58	.69	.3	.96	.21	.09	.67	.09	.04
15	9.02	37.8	16.37	5.57	11.7	5.07	3.22	3.07	1.33	2.36	1.45	.63	1.43	.44	.19	1.01	.18	.08	.65	.07	.03
20	7.42	19.9	8.62	4.29	4.2	1.82	3.15	2.47	1.07	1.91	.74	.32	1.34	.30	.13	.87	.12	.05
25	9.28	30.0	13.0	5.36	7.9	3.42	3.94	3.8	1.6	2.39	1.11	.05	1.67	.46	.2	1.08	.16	.07
30	11.14	42.0	18.19	6.43	11.1	4.8	4.73	5.2	2.3	2.87	1.55	.67	2.01	.65	.28	1.30	.23	.1
35	7.51	14.7	6.37	5.52	7.0	3.03	3.35	2.06	.89	2.35	.88	.38	1.52	.30	.13
40	8.58	18.9	8.2	6.30	8.9	3.9	3.82	2.63	1.14	2.64	1.11	.48	1.73	.39	.17
45	9.65	23.5	10.18	7.09	11.1	4.8	4.30	3.28	1.4	3.01	1.39	.6	1.95	.48	.21
50	10.72	28.5	12.3	7.88	13.5	5.8	4.78	4.0	1.7	3.35	1.69	.73	2.17	.58	.25
60	9.46	18.9	8.18	5.74	5.6	2.4	4.02	2.36	1.02	2.60	.81	.35
70	11.03	25.1	10.9	6.69	7.4	3.2	4.69	3.14	1.36	3.04	1.09	.47
80	7.65	9.5	4.1	5.35	4.0	1.73	3.47	1.39	.6
90	8.60	11.8	5.1	6.03	5.0	2.2	3.91	1.73	.75
100	9.56	14.4	6.3	6.70	6.1	2.64	4.34	2.10	1.9
120	11.95	21.8	9.4	8.38	9.2	4.0	5.42	3.19	1.38
150	10.05	12.8	5.5	6.51	4.5	1.95
175	7.59	5.9	2.55
200	8.68	7.9	3.4
225	9.76	9.4	4.07
250	10.85	11.5	4.99
275
300
325

AWG Wire Size												
Amps	14		12		10		8		6		4	
	115 Volts	230 Volts	115 Volts	230 Volts	115 Volts	230 Volts	115 Volts	230 Volts	115 Volts	230 Volts	115 Volts	230 Volts
2	595	1190	946	1891	1479							
3	397	794	630	1261	986							
4	298	595	470	946	740	1479	1161		1808			
5	238	476	378	756	592	1184	926	1858	1447			
6	198	397	315	630	493	986	774	1548	1206	2411	1842	
7	170	340	270	540	423	845	663	1327	1033	2067	1579	
8	149	293	236	473	370	740	581	1161	904	1808	1381	2763
9	132	265	210	420	329	658	516	1032	804	1607	1228	2456
10	119	238	189	376	296	592	464	929	723	1447	1105	2210
12	99	198	158	315	247	493	387	774	603	1206	921	1842
14			135	270	211	423	332	663	517	1033	789	1579
16			118	236	185	370	290	581	452	904	691	1381
18					164	329	258	516	402	804	614	1228
20					148	296	232	464	362	723	553	1105
22					134	269	211	422		658		1005
24					123	247	194	387		603		921
26								357		556		850
28								332		517		789
30								310		482		737
35								265		413		632
40										362		553
45										321		491
50										239		442

Technical Information

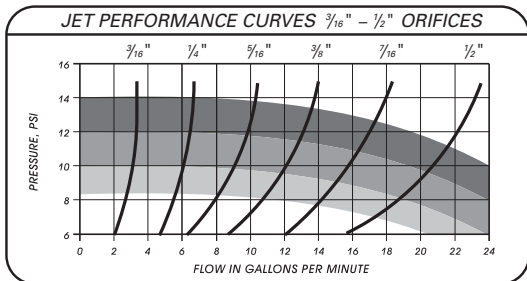
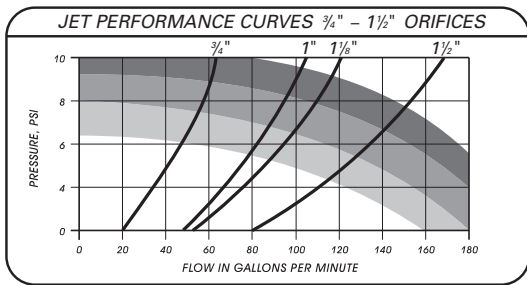


Friction Loss in Fittings									
SIZE FITTING	½"	¾"	1"	1 ¼"	1 ½"	2"	2 ½"	3"	4"
Gate Valve (Full Open)	0.6	0.7	0.9	1.2	1.3	1.6	1.7	2.0	2.7
Elbow - 90°	3.6	4.5	5.3	6.7	7.5	8.6	9.3	11.1	13.1
Elbow - 45°	0.7	0.9	1.4	1.8	2.2	2.8	3.2	4.1	5.6
Tee (Straight Thru)	1.8	2.5	3.3	4.7	5.7	7.8	9.3	12.1	17.1
Tee (Thru Side)	4.3	5.4	6.7	8.8	10.0	12.1	13.0	17.1	21.2
Swing Check Valve	8.1	8.9	11.2	13.1	15.2	19.1	22.0	27.1	38.2

Head Loss Charts								
Component	GPM	Head Loss (ft.)	Component	GPM	Head Loss (ft.)	Cartridge Filters	GPM (.75)	Head Loss (ft.)
Main Drain 1 ½" Outlet	20	0.5	Skimmer 1 ½" Outlet	20	1.0	25 sq. ft.	18.75	1.1
Main Drain 1 ½" Outlet	30	1.0	Skimmer 1 ½" Outlet	30	2.0	35 sq. ft.	26.25	2.0
Main Drain 1 ½" Outlet	40	1.5	Skimmer 1 ½" Outlet	40	3.0	50 sq. ft.	37.50	4.3
Main Drain 1 ½" Outlet	50	2.0	Skimmer 1 ½" Outlet	50	4.0	70 sq. ft.	52.50	7.5
Main Drain 1 ½" Outlet	60	2.5	Skimmer 1 ½" Outlet	60	5.5	75 sq. ft.	56.25	8.0
						100 sq. ft.	75.00	17.5
Main Drain 2" Outlet	40	1.0	Skimmer 2" Outlet	20	0.5			
Main Drain 2" Outlet	50	1.5	Skimmer 2" Outlet	30	1.0			
Main Drain 2" Outlet	60	2.0	Skimmer 2" Outlet	40	2.0			
Main Drain 2" Outlet	70	3.0	Skimmer 2" Outlet	50	3.0			
Main Drain 2" Outlet	80	4.0	Skimmer 2" Outlet	60	4.0			
			Skimmer 2" Outlet	70	5.0			
Heater	--	7.0 avg.	Skimmer 2" Outlet	80	6.0			

Jet Flow Data

Jet orifices sized from ¾" to 1 ½" work better at a lower PSI. Use legend to size properly.



LEGEND:
 WEAK
 MODERATE
 STRONG

JET FLOW CHART

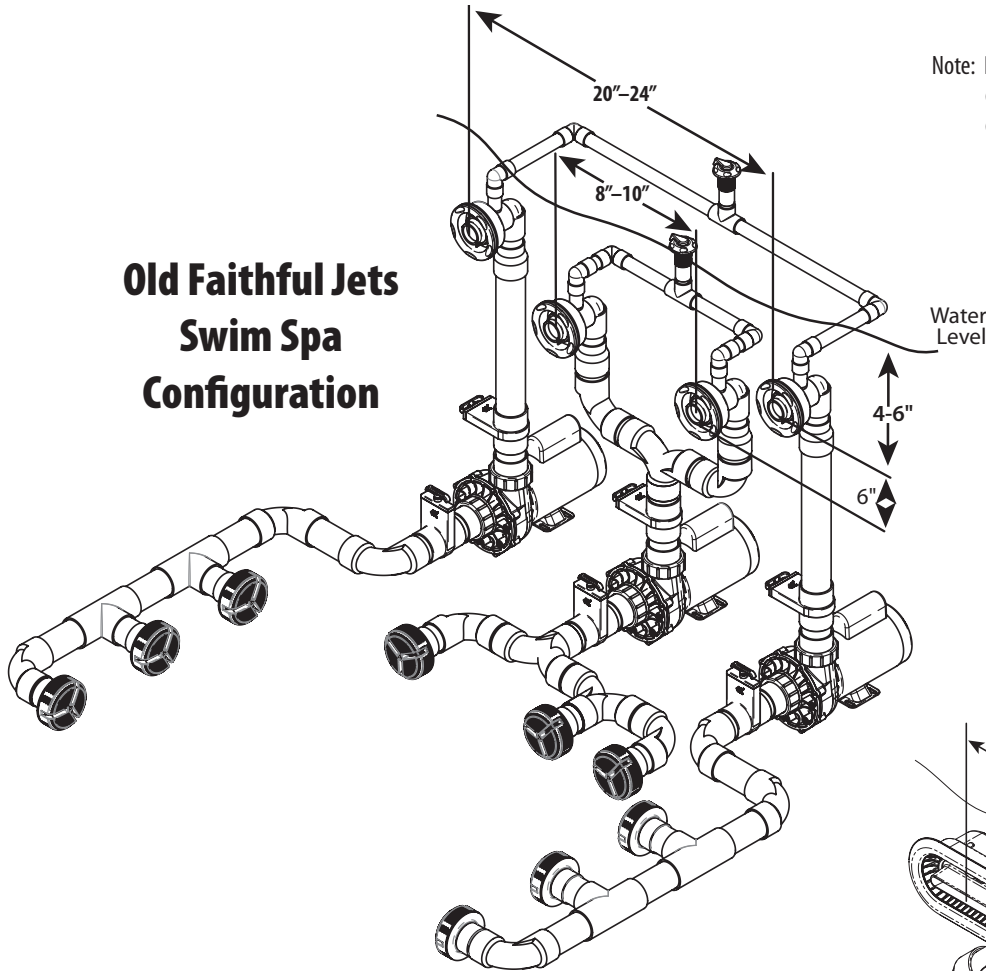
NOZZLE ORIFICE SIZE	JETS			GPM
	10 PSI	15 PSI	20 PSI	
⅜"	3	4	5	GPM
¼"	6	7	8	GPM
⅝"	9	10	12	GPM
⅜"	13	16	18	GPM
7/16"	17	19	22	GPM
½"	24	29	33	GPM
¾"	63	65	75	GPM
1"	95	116	134	GPM
1 ⅞"	120	147	170	GPM
1 ½"	213	260	301	GPM



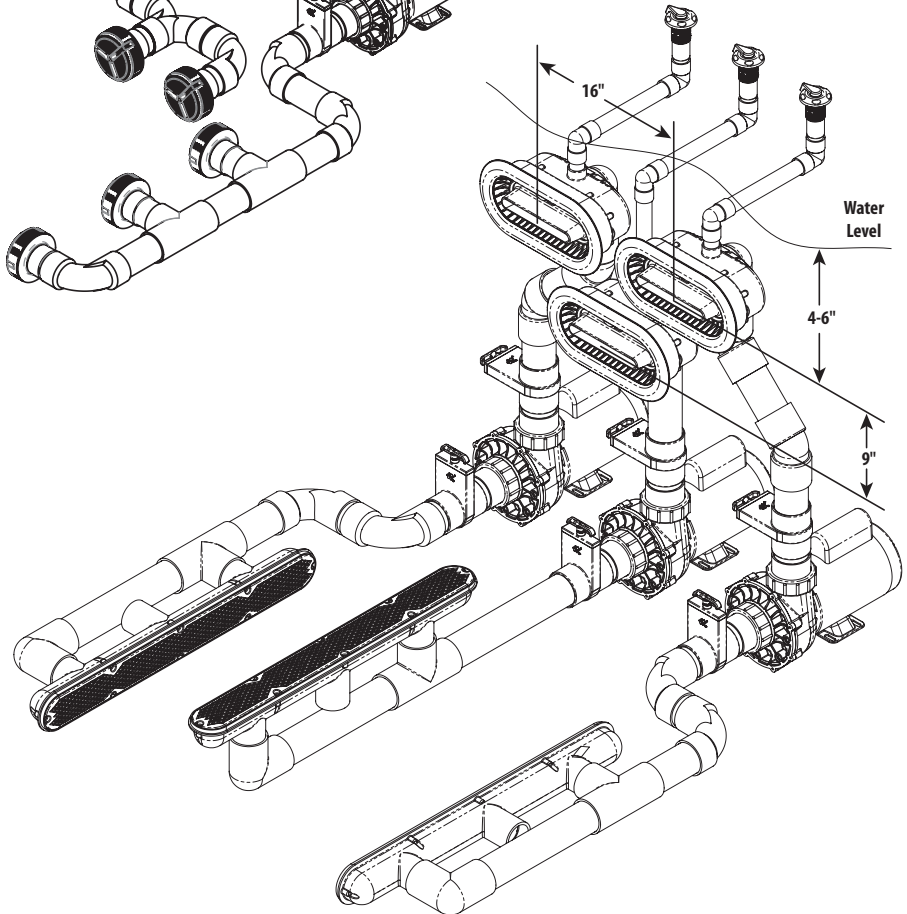
SWIM SPA CONFIGURATIONS

Note: Dimensions represent sample configuration only. Various custom configurations are possible.

Old Faithful Jets Swim Spa Configuration



River Jets Swim Spa Configuration





Displays

Part No.	Description
150-0020	Executive 56 Frame Pump Cutaway
150-0010	Vinyl Liner Builder's Pack
150-0031R	Supreme Pump - 90° Right, 3 Ft. Twist Lock Cord
150-0045	150 Sq. Ft. Pro Clean Plus Cartridge Cutaway
150-0050	SVL Cutaway
150-0100	ProClean Plus 100 Display
150-0110	Sweep Ell Display
150-0130	TruSeal & Swing Valve Display
150-0151	Champion Pump Display
150-0157	ClearWater II D.E. 12 Sq. Ft. 44 GPM Filter Cutaway - Gray
150-0160	Champion Pump With Valve - Assembly Cutaway
150-0165	Power Defender 165 (1.65HP) Pump Display
150-ECONOV5	Power Defender 270 (2.7HP) Pump Display
150-0180	River Swim Jet
150-0200	200 Sq. Ft. Pro Clean Cartridge Filter Cutaway
150-0237	Carefree Sand Filter 22" Cutaway
150-2047	ClearWater Sand Filter 19" Cutaway - Gray
150-0277	Carefree Sand Filter 26" Cutaway
150-0280R	Hi-Flo II 90° Right - 3 Ft. NEMA Display
150-0290	SMF Pump Display
150-0320	Poly Storm Gunite Jet Display with Tee Body Thread-in
150-0330	Power Storm Gunite Jet Display with Tee Body Thread-in
150-0340	Mini Storm Gunite Jet Display with Tee Body Thread-in
150-0360	Gunite Storm Jet Internal Display - Power, Poly & Mini Thread-in
150-0420	Carefree Oval Sand Filter 19" Cutaway w/Dummy Motor
150-0437	Carefree Oval Sand Filter 22" Cutaway, 1.5 HP, 3 Ft. Twist Lock Cord
150-0460	Carefree Oval Sand Filter 22" Cutaway, Sub Assembly
150-0730	Flex PVC Sample Kit
150-1000	Santanna II Blower Display
150-1010	Santanna II Blower - Working Display
150-1507	ClearWater 150 Sq. Ft. Cartridge Filter Cutaway - Gray
150-1527	ClearWater 150 Sq. Ft. Cartridge Filter, Supreme Motor, 3 Ft. NEMA Cord
150-1537	Clearwater 150 Sq. Ft. Cartridge Filter, Supreme Motor, 3 Ft. Twist Lock Cord
150-1547	Clearwater 150 Sq. Ft. Cartridge Filter, Hi-Flo Motor, 3 Ft. NEMA Cord
150-1600	VGB Drains Display Board - 6" / 8" / 10" / 9" x 9" / 12" x 12" / 18" x 18"
150-1610	VGB Drains Display Board - 32" Strip / 24" x 24"
150-1770	Spa Suction Display I
150-1780	Spa Suction Display II
150-2017	36 Sq. Ft. D.E. Crystal Water Cutaway Filter - Gray
150-2027	60 Sq. Ft. D.E. Crystal Water Cutaway Filter - Gray
150-2037	325 Sq. Ft. Cartridge Crystal Water Cutaway - Gray
150-2047	525 Sq. Ft. Cartridge Crystal Water Cutaway - Gray
150-2057	425 Sq. Ft. Cartridge Crystal Water Cutaway - Gray
150-2067	48 Sq. Ft. D.E. Crystal Water Cutaway Filter
150-3410G	Gunite Jet, 3 Jet Manifold Straight Body Display
150-3600	Gunite Poly Jet Display Threaded Bodies Only (8)
150-4000	Pipe Extender / Insider Coupler Display
150-8090	Hi-Flo II Pump Display
150-8150	Smart Filtration 10VS 24 - 11 x 17
150-8160	Smart Filtration OP Cost 11 x 17
150-8170	Skimmer Display Stand
150-C012-W	Chlorinator In-Line Display - White
150-8700	Booster Pump Display

Brochures/Flyers (continued next column)

Part No.	Description
150-8010	SVL56 Pump
150-8010-F	SVL56 Pump - Spanish
150-8010-S	SVL56 Pump - Spanish
150-8050	ClearWater II Chlorinator
150-8050-S	ClearWater II Chlorinator - Spanish
150-8050-F	ClearWater II Chlorinator - French

Brochures/Flyers (continued)

Part No.	Description
150-8070	Hi-Flo II Pump
150-8120	ClearWater II Cartridge Deluxe Systems
150-8130	ClearWater Sand Deluxe Systems
807-0024	Crystal Water D.E. Filter
807-0024S	Crystal Water D.E. Filter - Spanish
807-0025	Crystal Water Cartridge Filter
807-0025-F	Crystal Water Cartridge Filter - French
807-0025-S	Crystal Water Cartridge Filter - Spanish
807-0028	Carefree Sand Filter
807-0028-S	Carefree Sand Filter - Spanish
807-0036	Renegade Venturi Gunite Skimmer
807-0042	Champion Pump
807-0042F	Champion Pump - French
807-0042S	Champion Pump - Spanish
807-0044	ProClean Plus Cartridge Filter
807-0044-F	ProClean Plus Cartridge Filter - French
807-0044-S	ProClean Plus Cartridge Filter - Spanish
807-0055	TWM Sand Systems
807-0056	ClearWater II D.E. Systems (Standard & Deluxe)
807-0057	TWM Cartridge Filter Systems
807-0059	Viper Pump
807-0059-F	Viper Pump - French
807-0062-SPA	ShurFlex Pool & Spa Hose - Spa Specifications
807-0062-POOL	ShurFlex Pool & Spa Hose - Pool Specifications
807-0068	EX2 Pump
807-0075	ClearWater Sand Standard Systems
807-0078	Renegade Gunite Skimmer
807-0089	Carefree Sand Filter Standard & Deluxe Systems
807-0095	ClearWater II Cartridge Standard Systems
807-0097	VGB Drains & Suctions
807-0100	SMF Pump
807-0100-FR	SMF Pump - French
807-0100-S	SMF Pump - Spanish
807-0107	TWM-30 Series Cartridge & Sand Systems
807-0116A	Crystal Water Hang Tag Assembly (with tie)
807-0120	Pool Products Worksheet 2017
807-0125	Storm Jets - Orion/Eclipse/Reverse Eclipse
807-0128	Power Defender SVL Variable Speed (300)
807-0183	Power Defender Variable Speed Booster Pump
807-0184	Power Defender Exec VS & EX2 VS Spa Pumps
807-0186	Power Defender High Performance EX2 Spa Pump
807-0187	Power Defender_2 Pole_6 Pole Spa Pumps
807-0188	Power Defender Viper VS Spa Pump
807-0352	Spa Steps
807-0352-F	Spa Steps - French
807-0354	Pump Cross-Reference w/Adjustable Base
807-1021	Power Defender 165 / 270 / 300 VS Pool Pumps
807-1021-F	Power Defender 165 / 270 / 300 VS Pool Pumps - French
807-1022	MniStorm, PolyStorm & PowerStorm Thread-in Gunite Jets
807-1111	TruSeal Check & Diverter Valves
807-2010	Booster Pump
807-2030	NEO 2100 Spa Control
807-2030-F	NEO 2100 Spa Control - French
807-2031	NEO 1500 Spa Control
807-2031-F	NEO 1500 Spa Control - French
807-2032	NEO 1200 Spa Control
807-2032-F	NEO 1200 Spa Control - French
807-2033	OASIS Pool Pool & Spa Control
807-2035	NEO 2100_1500_1200_Configurations
807-8410	Santanna II - Stealth II Blowers

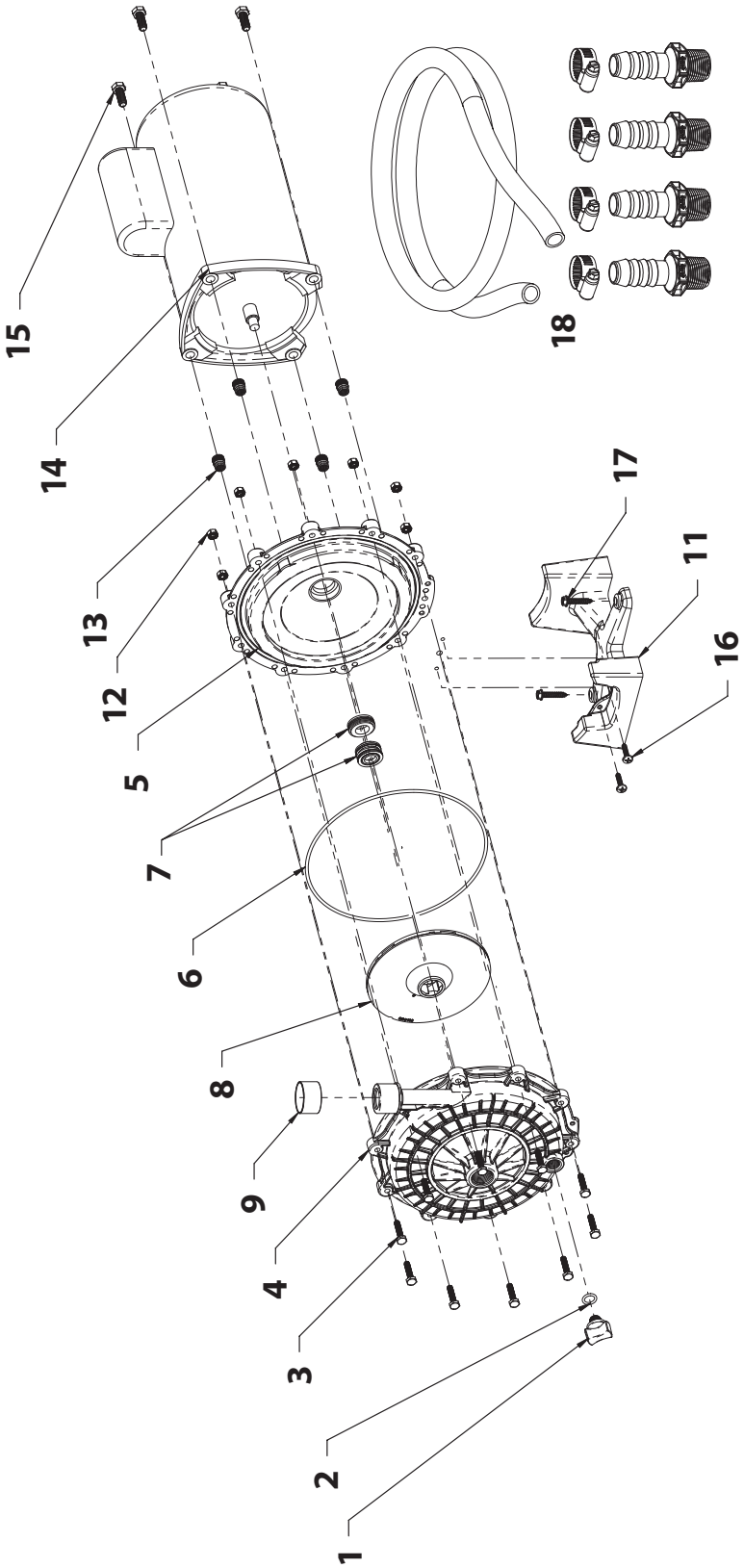


Replacement Parts

2020



Replacement Parts / **Booster Pump**



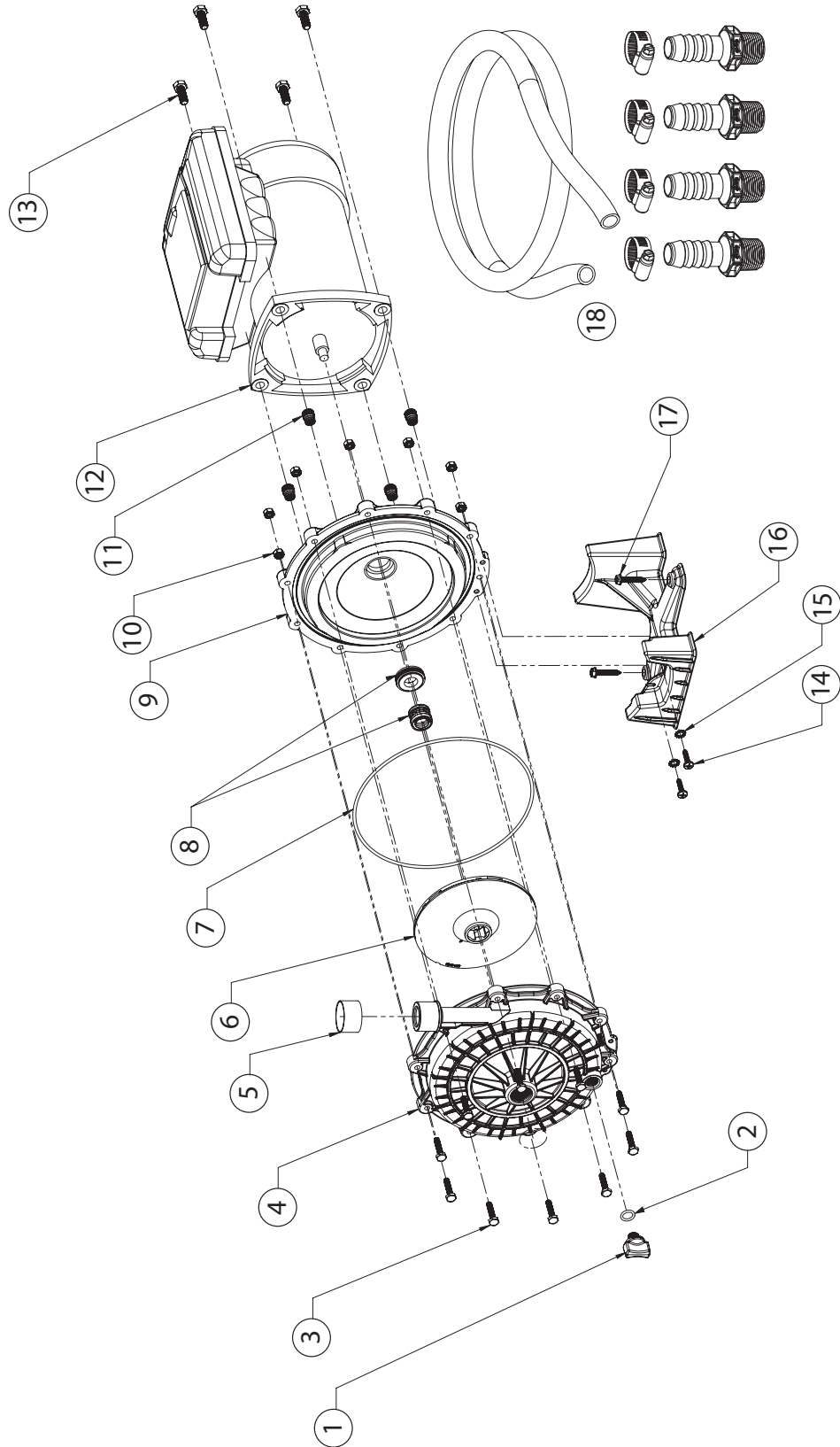


Booster Pump Replacement Parts			
Item	Part No.	Description	List (US \$)
1	715-8400B	Drain Plug $\frac{3}{8}$ " Booster Pump	9.06
2	805-0112B	O-Ring, #2-112, .487 I.D. X .103 W	1.45
3	819-2590B	Bolt, Hex Hd, 1/4"-20 UNC X 1- $\frac{1}{8}$ " LG SS (19)	2.26
4	315-8300B	Volute Booster Pump	136.65
5	311-8300B	Seal Plate Booster Pump	**
6	805-0268B	O Ring #268 (2)	7.89
7	319-3290B	Pump Seal Set (811-4020A, 811-4020B)	28.87
8	310-8400B	$\frac{3}{4}$ HP Impeller Booster Pump Brass Impeller Insert, $\frac{1}{2}$ "-20 UNC-2B X 1"	75.80
9	872-6200B	Sleeve 1 $\frac{1}{2}$ " X .049 Wall SS304	10.06
11	672-1380B	Motor Mount, Booster Pump	**
12	820-0013B	Hex Nut, Serated 1/4-20-Sand Filter (19)	**
13	820-0019B	Brass Insert, $\frac{3}{8}$ "-16 UNC-2B X $\frac{5}{8}$ " (.625) Volute (4)	2.52
14	SG3P10430-1	Booster Pump Motor	**
15	819-0011B	Screw, $\frac{3}{8}$ "-16 X 1 Hex Cap Head, Pool Pump (4)	6.16
16	819-0800B	Screw, #12 X 1.00" Lg, Type AB, Self-tapping, Pnhd, Phil. (2)	0.99
17	819-0013B	Screw Slot Hex Washer $\frac{1}{4}$ " X 1 $\frac{1}{4}$ " (2)	1.62
18	550-8700B	Hose, Fitting And Clamp Kit (4)	**

** Please request price quote.



Replacement Parts / Power Defender Booster Pump 275 and 175



Replacement Parts / Power Defender Booster Pump 275 and 175



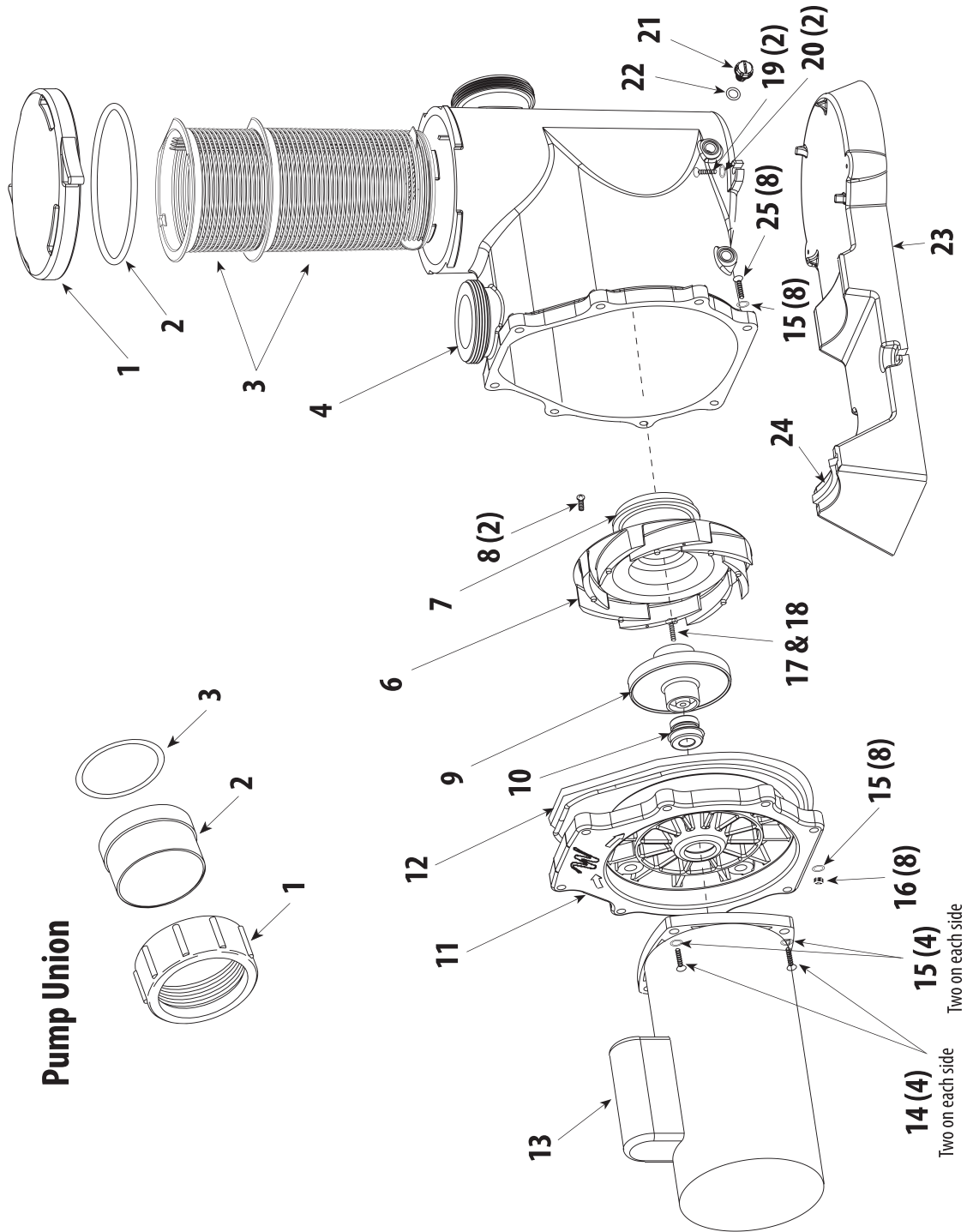
Power Defender Booster Pump 275 and 175 Replacement Parts

Item	Part No.	Description	List (US \$)
1	715-8400B	Drain Plug $\frac{3}{8}$ " Booster Pump	9.06
2	805-0112B	O-Ring, #2-112, .487 I.D. x .103 W	1.45
3	819-2590B	Bolt, Hex Hd, $\frac{1}{4}$ "-20 UNC x 1- $\frac{1}{8}$ " LG SS (19)	2.26
4	315-8300B	Volute Booster Pump	136.65
5	872-6200B	Sleeve 1 $\frac{1}{2}$ " x .049 Wall SS304	10.06
6	310-8400B	$\frac{3}{4}$ HP Impeller Booster Pump Brass Impeller Insert, $\frac{1}{2}$ "-20 UNC-2B X 1"	75.80
7	805-0268B	O Ring #268 (2)	7.89
8	319-3290B	Pump Seal Set (811-4020A, 811-4020B)	28.87
9	311-8300B	Seal Plate Booster Pump	**
10	820-0013B	Hex Nut, Serated $\frac{1}{4}$ -20-Sand Filter (19)	**
11	820-0019B	Brass Insert, $\frac{3}{8}$ "-16 UNC-2B x $\frac{5}{8}$ " (.625) Volute (4)	2.52
12	—	Motor	**
13	819-0035B	Screw, $\frac{3}{8}$ "-16 x 1 Hex Cap Head, Pool Pump (4)	6.16
14	819-8400B	Screw, #12 X 1.00" Lg, Type AB, Self-tapping, Pnhd, Phil. (2)	0.99
15	820-8410B	Ext. Tooth Lock Washer $\frac{1}{2}$ " OD x $\frac{1}{4}$ " ID	**
16	672-1380B	Motor Mount, Booster Pump	**
17	819-0013B	Screw Slot Hex Washer $\frac{1}{4}$ " x 1 $\frac{1}{4}$ " (2)	1.62
18	550-8700B	Hose, Fitting And Clamp Kit (4)	**

** Please request price quote.



Replacement Parts / SVL56 High-Flow Pump





SVL56 High-Flow Pump Replacement Parts

Item	Part No.	Description	List (US \$)
1	511-1310B	Trap Lid	65.80
2	805-0439B	Trap Lid O-Ring	8.09
3	319-1310B	Basket Assembly	27.58
4	315-1300B	Volute Housing	328.42
6	310-3300B	Diffuser - High-Flow	84.38
7	805-0238B	Diffuser O-Ring	4.66
8	819-0018B	Diffuser Screw (2 required)	3.25
9	310-3650B	SVL56E-110, SVL56S-107, SVL56S-110, SVL56S-210 Impeller Assembly - High-Flow	69.38
	310-3660B	SVL56E-115, SVL56S-115, SVL56S-215 Impeller Assembly - High-Flow	69.38
	310-3670B	SVL56E-120, SVL56S-120, SVL56S-125 Impeller Assembly - High-Flow	71.33
	310-3680B	SVL56E-130 Impeller Assembly - High-Flow	68.79
10	319-3100B	Pump Seal Set - Viton (replaces 319-3110B)	26.10
11	311-1400B	Volute Faceplate	107.00
12	711-4290B	Faceplate Gasket	22.93
13	—	Motor	**
14	819-0011B	Screw - 3/8" - 16 x 1/8" (4 required)	6.16
15	820-0017B	3/8" Flat Washer (12 required)	1.09
16	820-0016B	3/8" 16-Fin Serrated Hex Nut	4.34
17	819-4360B	Screw Head Left Hand Thread	5.09
18	711-4300B	SVL Gasket for Left Hand Screw	10.63
19	819-0013B	Screw (2 required)	1.62
20	820-0018B	Flat Washer (2 required)	0.50
21	715-1201B	3/8" Quarter Slot Drain Plug	3.61
22	805-0112B	Drain Plug O-Ring	1.45
23	672-1300B	SVL56 Base	76.74
24	672-1310B	Motor Support Strip	13.78
25	819-0016B	Screw (8 required)	3.00

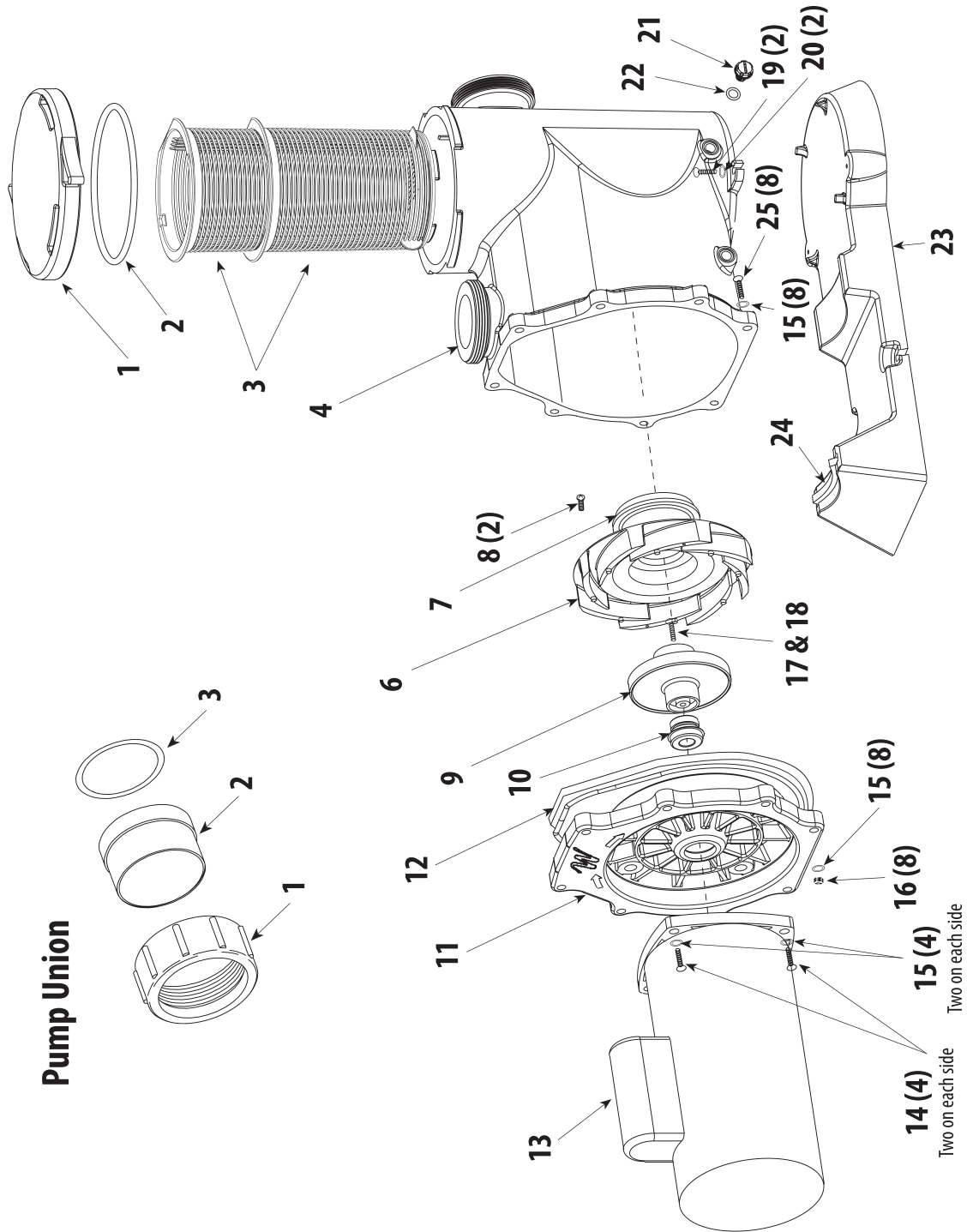
Pump Union Replacement Parts

Item	Part No.	Description	List (US \$)
1	415-6001B	2 1/2" Union Nut - Black	7.93
2	417-5971B	2" Tailpiece for 2 1/2" Union Nut - O-Ring Black	4.82
2	417-6001B	2 1/2" S Tailpiece - Black	5.79
3	711-6020B	Gasket 2 1/2" Union Heater	1.45

** Please request price quote.



Replacement Parts / Power Defender SVL300 Pump





Power Defender SVL300 Pump Replacement Parts

Item	Part No.	Description	List (US \$)
1	511-1310B	Trap Lid	65.80
2	805-0439B	Trap Lid O-Ring	8.09
3	319-1310B	Basket Assembly	27.58
4	315-1300B	Volute Housing	328.42
6	310-3300B	Diffuser - High-Flow	84.38
7	805-0238B	Diffuser O-Ring	4.66
8	819-0018B	Diffuser Screw (2 required)	3.25
9	310-3650B	SVL56E-110, SVL56S-107, SVL56S-110, SVL56S-210 Impeller Assembly - High-Flow	69.38
	310-3660B	SVL56E-115, SVL56S-115, SVL56S-215 Impeller Assembly - High-Flow	69.38
	310-3670B	SVL56E-120, SVL56S-120, SVL56S-125 Impeller Assembly - High-Flow	71.33
	310-3680B	SVL56E-130 Impeller Assembly - High-Flow	68.79
10	319-3100B	Pump Seal Set - Viton (replaces 319-3110B)	26.10
11	311-1400B	Volute Faceplate	107.00
12	711-4290B	Faceplate Gasket	22.93
13	—	Motor	**
14	819-0011B	Screw - 3/8" - 16 x 1/8" (4 required)	6.16
15	820-0017B	3/8" Flat Washer (12 required)	1.09
16	820-0016B	3/8" 16-Fin Serrated Hex Nut	4.34
17	819-4360B	Screw Head Left Hand Thread	5.09
18	711-4300B	SVL Gasket for Left Hand Screw	10.63
19	819-0013B	Screw (2 required)	1.62
20	820-0018B	Flat Washer (2 required)	0.50
21	715-1201B	3/8" Quarter Slot Drain Plug	3.61
22	805-0112B	Drain Plug O-Ring	1.45
23	672-1300B	SVL56 Base	76.74
24	672-1310B	Motor Support Strip	13.78
25	819-0016B	Screw (8 required)	3.00

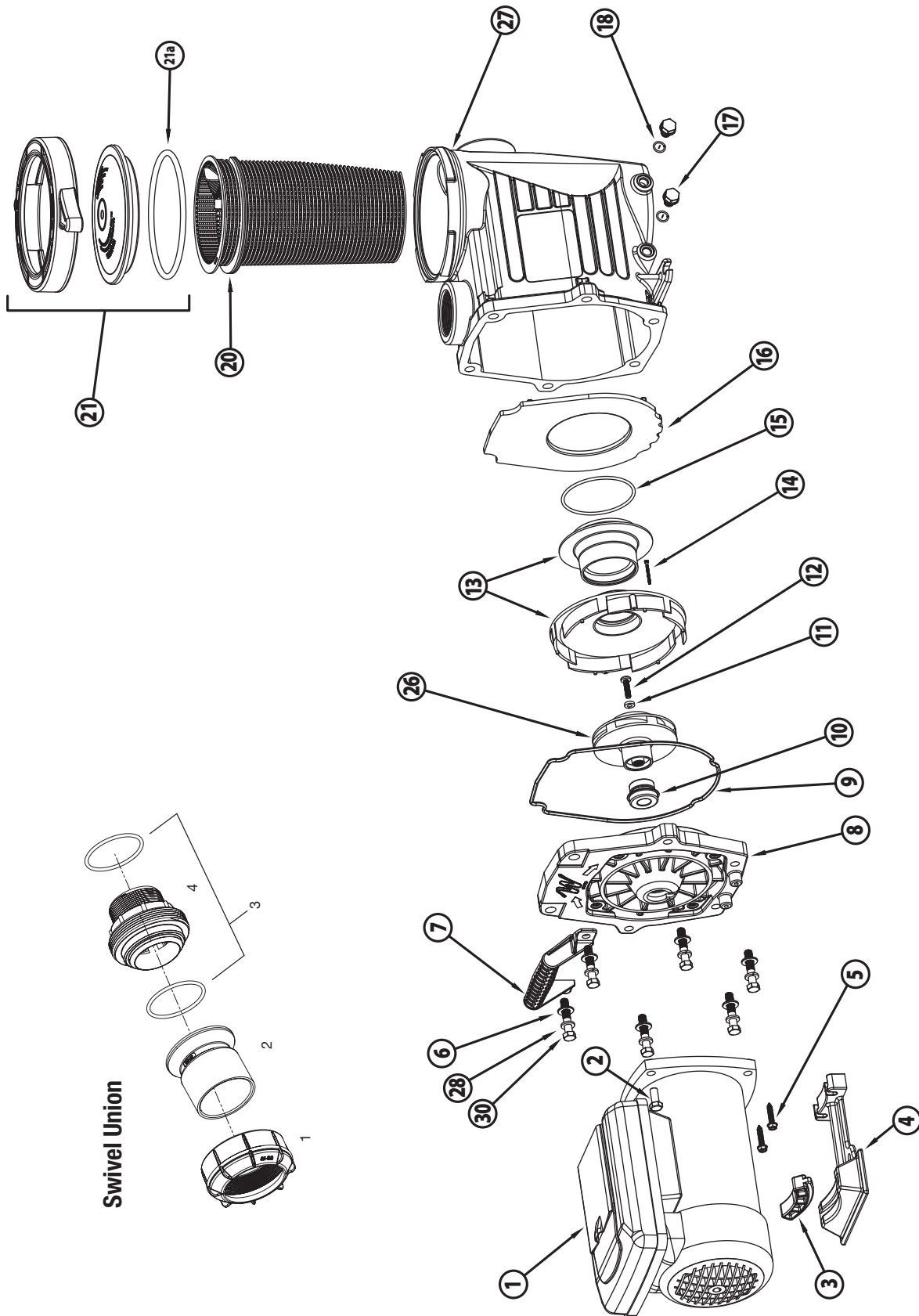
Pump Union Replacement Parts

Item	Part No.	Description	List (US \$)
1	415-6001B	2 1/2" Union Nut - Black	7.93
2	417-5971B	2" Tailpiece for 2 1/2" Union Nut - O-Ring Black	4.82
2	417-6001B	2 1/2" S Tailpiece - Black	5.79
3	711-6020B	Gasket, 2 1/2" Union Heater	1.45

** Please request price quote.



Replacement Parts / Power Defender 1.65HP Variable Speed Pump



Replacement Parts

Replacement Parts / Power Defender 1.65HP Variable Speed Pump



Power Defender 1.65HP Variable Speed Pump Replacement Parts

Item	Part No.	Description	List (US \$)
1	350V120-1	Motor, 56 Frame Variable Spd 230V	**
2	819-0035B	Bolt .375-16 x .875 Long	5.27
3	672-1350B	Motor Support Supra Max	28.68
4	319-1500B	Motor Base	62.13
5	819-0013B	Screw Slot Hex Washer ¼" x 1 ¼"	1.62
6	820-0017B	⅜" Flat Washer Type B, Pool Pumps	1.09
7	319-1700B	Handle	42.98
8	311-1450B	Face Plate	103.21
9	806-1400B	Gasket, Face Plate	7.85
10	319-3100B	Pump Seal Set-Viton	26.10
11	711-4300B	Washer, Impeller	10.63
12	819-4360B	Screw Phil. Pan Head Left Hand ¼-20 x 1"	5.09
13	310-7470B	Diffuser Assy	84.38
14	819-0018B	#4-40 Uncls Bolt Schs	3.25
15	805-0238B	O-Ring-238	4.66
16	319-1420B	Diffuser Plate	56.85
17	715-1201B	⅜" Quarter Slot Plug (Sd Wet End)	3.61
18	805-0014B	O-Ring, -014	1.44
20	319-1430B	Basket Assy	18.05
21	319-4100B	Lid & Nut & O-ring - 6" Trap	46.45
21a	805-0436B	O-Ring - 6" Trap Lid	4.61
26	310-7430B	2 HP Full 2.5 HP Upr Impeller Assy	69.38
27	319-1630B	Pump Housing - 2" x 2" Npt	**
28	820-0017-1B	⅜" Washer, Split Lock	3.50
30	819-0016B	⅜"-16 x 2" Lg Hex Head	3.00

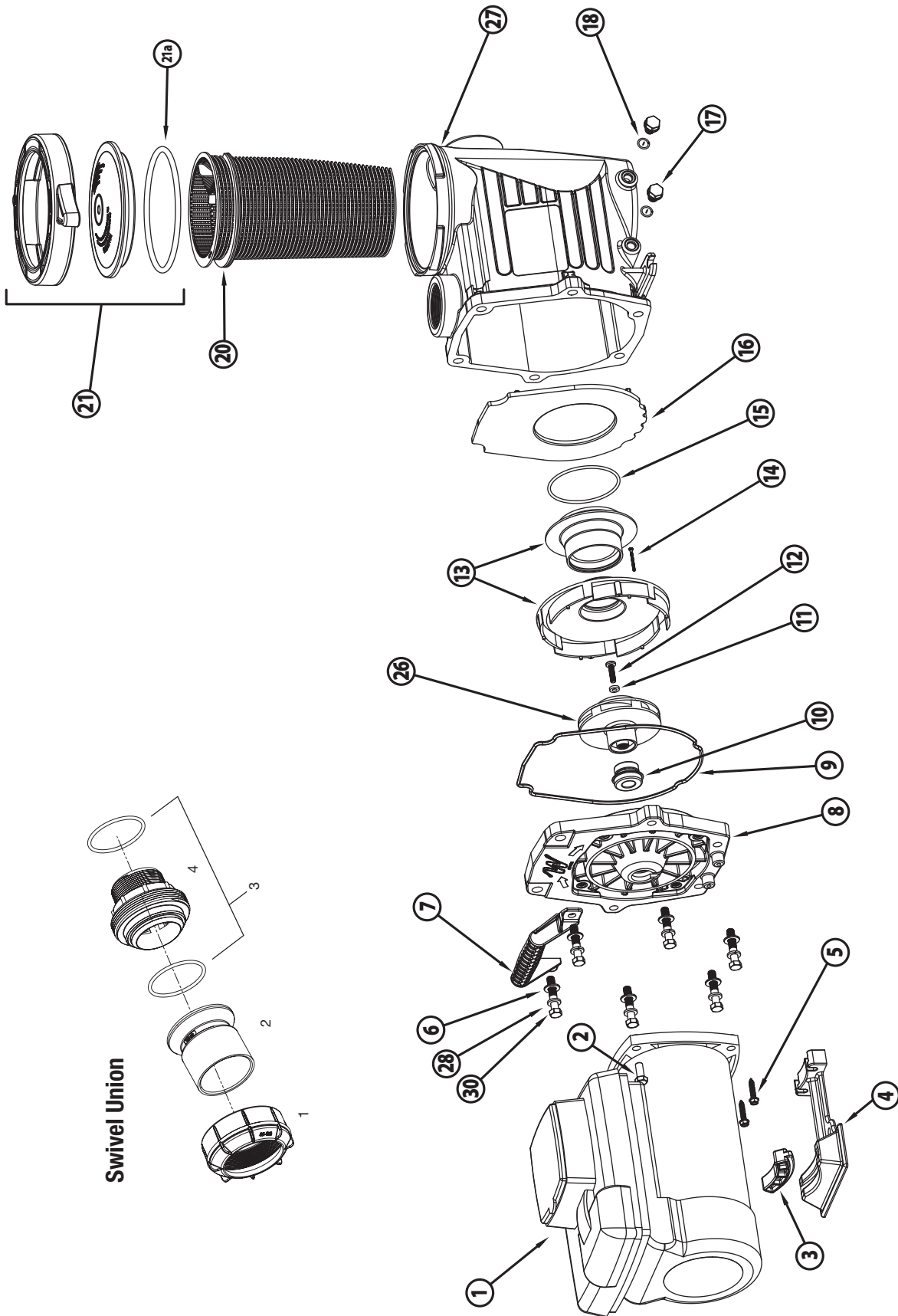
Swivel Union Replacement Parts

Item	Part No.	Description	List (US \$)
1	415-4061B	2" Self Aligning Union Nut	9.35
2	417-2111B	Tailpiece 2" S. Self-Aligning Union - Black	9.54
3	805-0332B	O-ring #332 Self Aligning Union	1.79
4	417-2121-CPVCB	Tailpiece 2" MPT, Self-Aligning Union	9.35

** Please request price quote.



Replacement Parts / Power Defender 2.7HP Variable Speed Pump





Power Defender 2.7HP Variable Speed Pump Replacement Parts

Item	Part No.	Description	List (US \$)
1	350VS20-1	Motor, 56 Frame Variable Spd 230V	**
2	819-0035B	Bolt .375-16 x .875 Long	5.27
3	672-1350B	Motor Support	28.68
4	319-1500B	Motor Base	62.13
5	819-0013B	Screw Slot Hex Washer 1/4" x 1 1/4"	1.62
6	820-0017B	3/8" Flat Washer Type B, Pool Pumps	1.09
7	319-1700B	Handle	42.98
8	311-1450B	Face Plate	103.21
9	806-1400B	Gasket, Face Plate	7.85
10	319-3100B	Pump Seal Set-Viton	26.10
11	711-4300B	Washer, Impeller	10.63
12	819-4360B	Screw Phil. Pan Head Left Hand 1/4-20 x 1"	5.09
13	310-7470B	Diffuser Assy	84.38
14	819-0018B	#4-40 Uncs Bolt Schs	3.25
15	805-0238B	O-Ring-238	4.66
16	319-1420B	Diffuser Plate	56.85
17	715-1201B	3/8" Quarter Slot Plug (Sd Wet End)	3.61
18	805-0014B	O-Ring, -014	1.44
20	319-1430B	Basket Assy	18.05
21	319-4100B	Lid & Nut & O-ring - 6" Trap	46.45
21a	805-0436B	O-Ring - 6" Trap Lid	4.61
26	310-7430B	2 HP Full 2.5 HP Upr Impeller Assy	69.38
27	319-1630	Pump Housing - 2" x 2" Npt	**
28	820-0017-1B	3/8" Washer, Split Lock	3.50
30	819-0016B	3/8"-16 x 2" Lg Hex Head	3.00

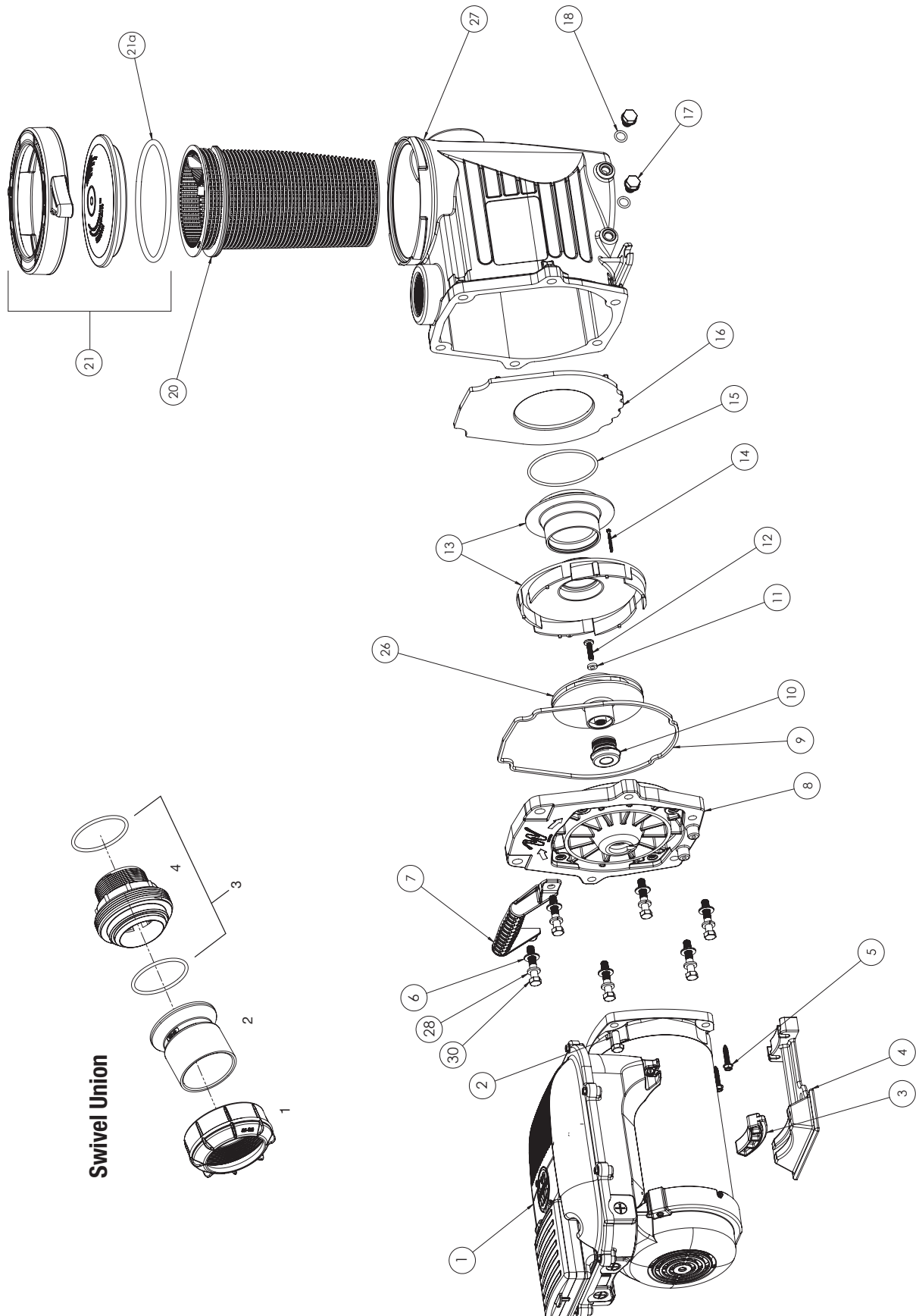
Swivel Union Replacement Parts

Item	Part No.	Description	List (US \$)
1	415-4061B	2" Self Aligning Union Nut	9.35
2	417-2111B	Tailpiece 2" S. Self-Aligning Union - Black	9.54
3	805-0332B	O-ring #332 Self Aligning Union	1.79
4	417-2121-CPVCB	Tailpiece 2" MPT, Self-Aligning Union	9.35

** Please request price quote.



Replacement Parts / Power Defender 3.0HP Variable Speed Pump





Power Defender 300 Variable Speed Pump Replacement Parts

Item	Part No.	Description	List (US \$)
1	—	Motor	**
2	819-0035B	Bolt .375-16 x .875 Long	5.27
3	672-1350B	Motor Support	28.68
4	319-1500B	Motor Base	62.13
5	819-0013B	Screw Slot Hex Washer ¼" x 1 ¼"	1.62
6	820-0017B	⅜" Flat Washer Type B, Pool Pumps	1.09
7	319-1700B	Handle	42.98
8	311-1450B	Face Plate	103.21
9	806-1400B	Gasket, Face Plate	7.85
10	319-3100B	Pump Seal Set-Viton	26.10
11	711-4300B	Washer, Impeller	10.63
12	819-4360B	Screw Phil. Pan Head Left Hand ¼-20 x 1"	5.09
13	310-7470B	Diffuser Assy	84.38
14	819-0018B	#4-40 Uncs Bolt Schs	3.25
15	805-0238B	O-Ring-238	4.66
16	319-1420B	Diffuser Plate	56.85
17	715-1201B	⅜" Quarter Slot Plug (Sd Wet End)	3.61
18	805-0014B	O-Ring, -014	1.44
20	319-1430B	Basket Assy	18.05
21	319-4100B	Lid & Nut & O-ring - 6" Trap	46.45
21a	805-0436B	O-Ring - 6" Trap Lid	4.61
26	310-7450B	Champion 3 HP Impeller Assy	69.38
27	319-1630B	Pump Housing - 2" x 2" Npt	**
28	820-0017-1B	⅜" Washer, Split Lock	3.50
30	819-0016B	⅜"-16 x 2" Lg Hex Head	3.00

Swivel Union Replacement Parts

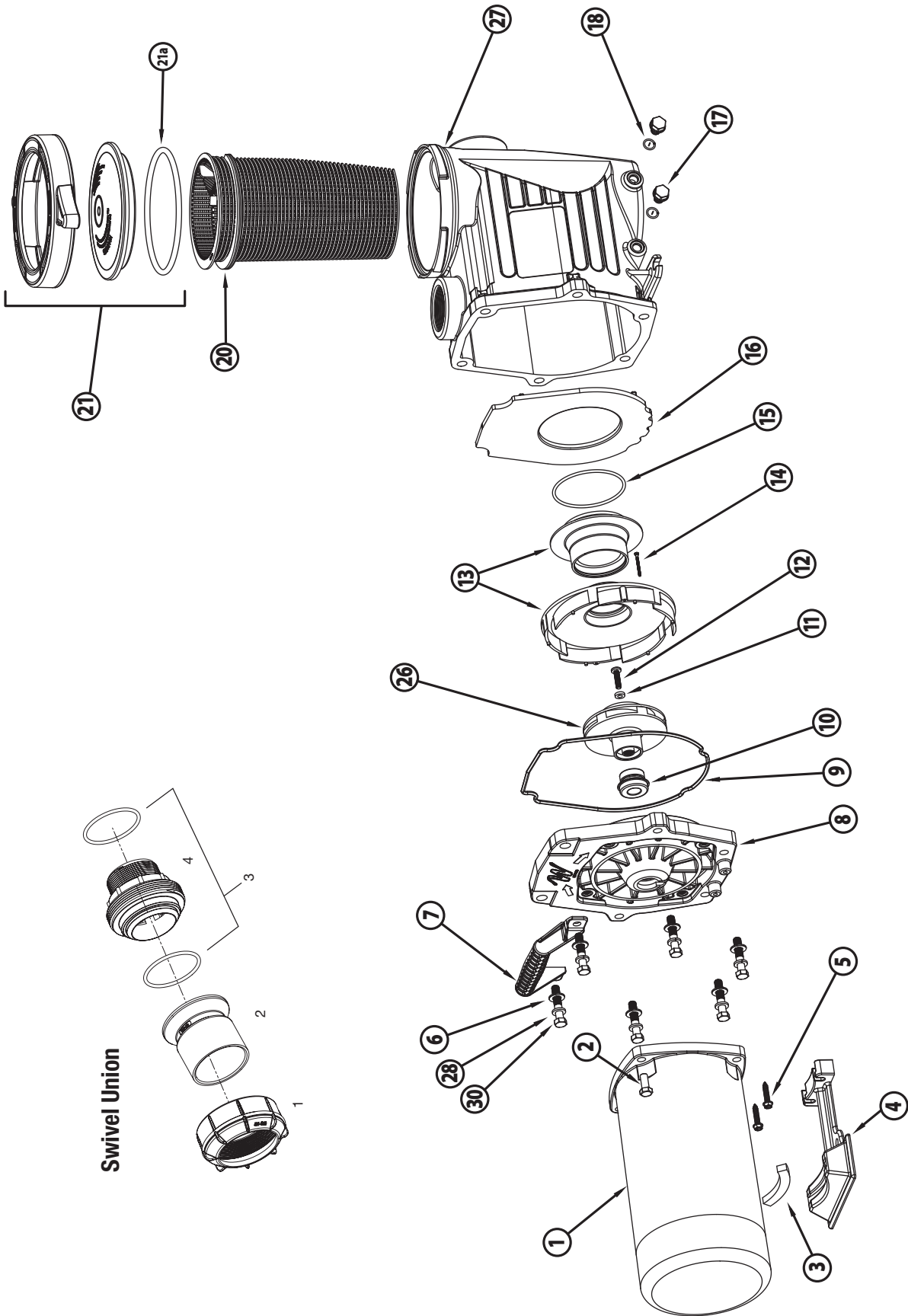
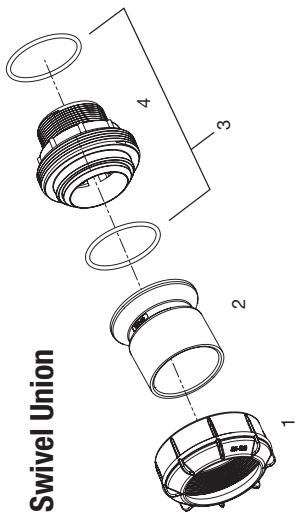
Item	Part No.	Description	List (US \$)
1	415-4061B	2" Self Aligning Union Nut	9.35
2	417-2111B	Tailpiece 2" S. Self-Aligning Union - Black	9.54
3	805-0332B	O-ring #332 Self Aligning Union	1.79
4	417-2121-CPVCB	Tailpiece 2" MPT, Self-Aligning Union	9.35

** Please request price quote.



Replacement Parts / SMF Pump

Swivel Union





SMF Pump Replacement Parts

Item	Part No.	Description	List (US \$)
1	3310330-1	Motor, 48-FRAME SQ FLG 3/4HP 115/230V 60HZ	**
2	819-0035B	Bolt .375-16 x .875 Long	5.27
3	672-1350B	Neoprene Motor Support Strip	28.68
4	319-1500B	Motor Support Base	62.13
5	819-0013B	Screw Slot Hex Washer 1/4" x 1 1/4"	1.62
6	820-0017B	3/8" Flat Washer Type B, Pool Pumps	1.09
7	319-1700B	Handle	42.98
8	311-1450B	Face Plate	103.21
9	806-1400B	Gasket, Face Plate	7.85
10	319-3100B	Pump Seal Set-Viton	26.10
11	711-4300B	Washer, Impeller	10.63
12	819-4360B	Screw Phil. Pan Head Left Hand 1/4-20 x 1"	5.09
13	310-7470B	Diffuser Assy	84.38
14	819-0018B	#4-40 Uncs Bolt Schs	3.25
15	805-0238B	O-Ring-238	4.66
16	319-1420B	Diffuser Plate	56.85
17	715-1201B	3/8" Quarter Slot Plug (Sd Wet End)	3.61
18	805-0014B	O-Ring, -014	1.44
20	319-1430B	Basket Assy	18.05
21	319-4100B	Lid & Nut & O-ring - 6" Trap	46.45
21a	805-0436B	O-Ring - 6" Trap Lid	4.61
26	310-7500B	SupraMax 3/4 HP Impeller Assembly	69.38
	310-7510B	SupraMax 1 HP Impeller Assembly	69.38
	310-7520B	SupraMax 1.5 HP Impeller Assembly	69.38
	310-7530B	SupraMax 2 HP Impeller Assembly	69.38
27	315-1400B	Pump Housing - 2" x 2" Npt	306.05
28	820-0017-1B	3/8" Washer, Split Lock	3.50
30	819-0016B	3/8"-16 x 2" Lg Hex Head	3.00
	319-1630B	Champion/SMF Volute Assy (Housing, Lid, Nut, Basket & O-Rings)	**

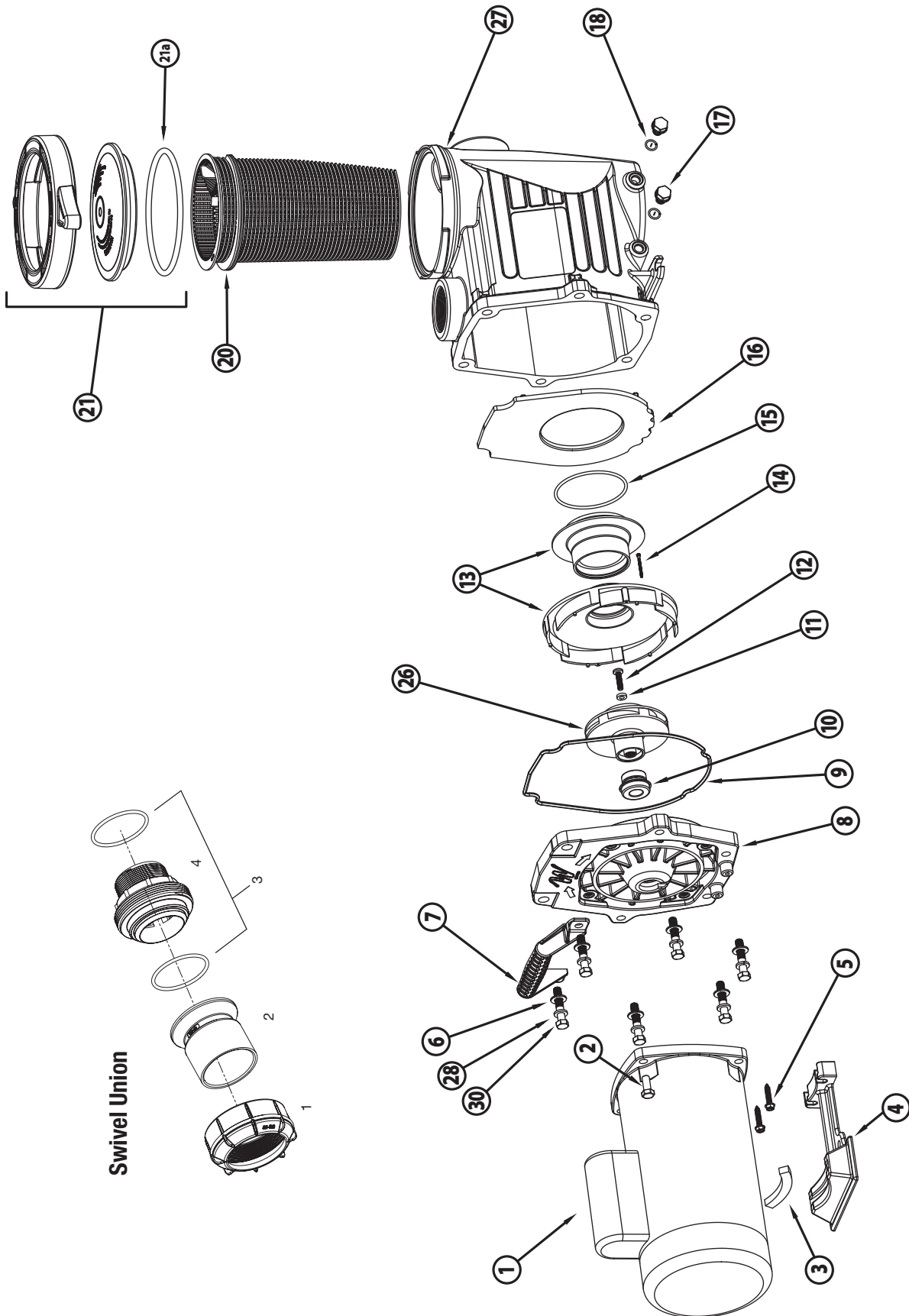
Swivel Union Replacement Parts

Item	Part No.	Description	List (US \$)
1	415-4061B	2" Self Aligning Union Nut	9.35
2	417-2111B	Tailpiece 2" S. Self-Aligning Union - Black	9.54
3	805-0332B	O-Ring #332 Self Aligning Union	1.79
4	417-2121-CPVCB	Tailpiece 2" MPT, Self-Aligning Union	9.35

** Please request price quote.



Replacement Parts / Champion 56-Frame Pump



Swivel Union



Champion 56-Frame Pump Replacement Parts

Item	Part No.	Description	List (US \$)
1	350VS20-1	Motor, 56 Frame Variable Spd 230V	**
2	819-0035B	Bolt .375-16 x .875 Long	5.27
3	672-1350B	Neoprene Motor Support Strip	28.68
4	319-1500B	Motor Support Base	62.13
5	819-0013B	Screw Slot Hex Washer 1/4" x 1 1/4"	1.62
6	820-0017B	3/8" Flat Washer Type B, Pool Pumps	1.09
7	319-1700B	Handle	42.98
8	311-1450B	Face Plate	103.21
9	806-1400B	Gasket, Face Plate	7.85
10	319-3100B	Pump Seal Set-Viton	26.10
11	711-4300B	Washer, Impeller	10.63
12	819-4360B	Screw Phil. Pan Head Left Hand 1/4"-20 x 1"	5.09
13	310-7470B	Diffuser Assy	84.38
14	819-0018B	#4-40 Uncs Bolt Schs	3.25
15	805-0238B	O-Ring-238	4.66
16	319-1420B	Diffuser Plate	56.85
17	715-1201B	3/8" Quarter Slot Plug (Sd Wet End)	3.61
18	805-0014B	O-Ring, -014	1.44
20	319-1430B	Basket Assy	18.05
21	319-4100B	Lid & Nut & O-ring - 6" Trap	46.45
21a	805-0436B	O-Ring - 6" Trap Lid	4.61
26	310-7400B	CHAMPS-107 Impeller Assembly	69.38
	310-7410B	CHAMPE-107/CHAMPS-110 /CHAMPS-210 Impeller Assy	69.38
	310-7420B	CHAMPE-110/CHAMPS-115/CHAMPS-210 Impeller Assy	69.38
	310-7430B	CHAMPE-115/CHAMPS-120/ CHAMPS-220 Impeller Assy	69.38
	310-7440B	CHAMPE-120/CHAMPS-125 /CHAMPS-225 Impeller Assy	69.38
	310-7450B	CHAMPE-130 Impeller Assembly	69.38
27	315-1400B	Pump Housing - 2" x 2" Npt	306.05
28	820-0017-1B	3/8" Washer, Split Lock	3.50
30	819-0016B	3/8"-16 x 2" Lg Hex Head	3.00
	319-1630B	Champion/SMF Volute Assy (Housing, Lid, Nut, Basket & O-Rings)	**

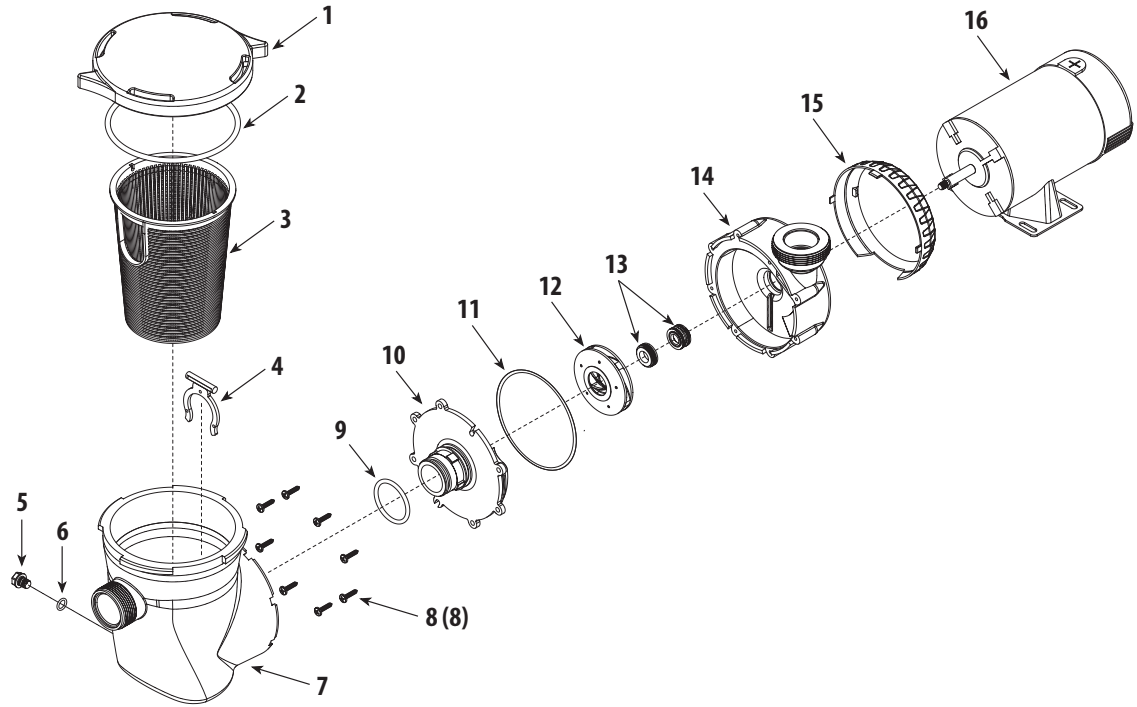
Swivel Union Replacement Parts

Item	Part No.	Description	List (US \$)
1	415-4061B	2" Self Aligning Union Nut	9.35
2	417-2111B	Tailpiece 2" S. Self-Aligning Union - Black	9.54
3	805-0332B	O-ring #332 Self Aligning Union	1.79
4	417-2121-CPVCB	Tailpiece 2" MPT, Self-Aligning Union	9.35

** Please request price quote.



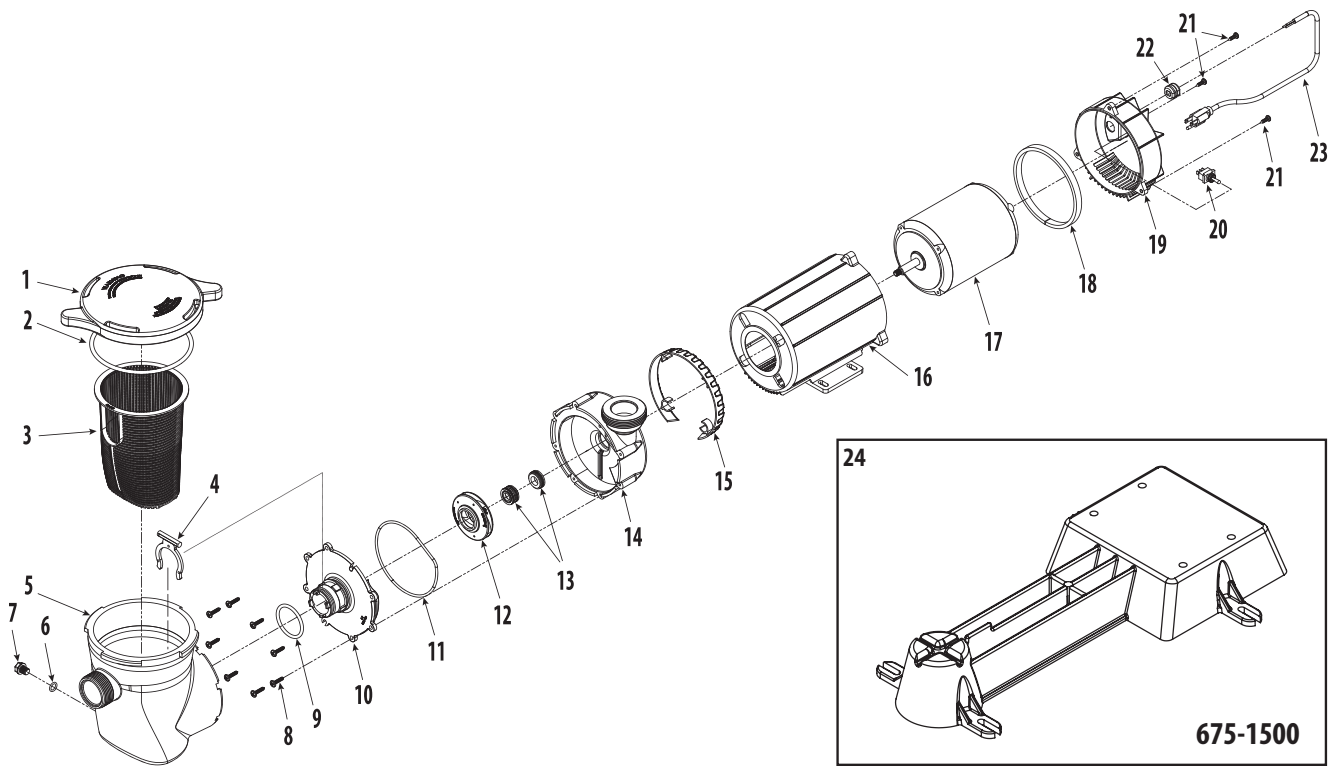
Replacement Parts / Supreme Pump



Supreme Pump Replacement Parts

Item	Part No.	Description	List (US \$)
1	511-1310B	Trap Lid	65.80
2	805-0439B	O-Ring #439	8.09
3	319-1530B	Trap Basket	21.84
4	319-1540B	C-Clip	12.99
5	715-1201B	3/8" Quarter Slot Drain Plug	3.61
6	805-0112B	O-Ring - Drain Plug	1.45
7	319-1510B	Trap Body	255.03
8	819-0800B	Screw #12 x 1" Self-Tapping Pan Head Phillips (8 required)	0.99
9	805-0330B	O-Ring #2-330	1.73
10	311-1520B	Faceplate	110.42
11	805-0001-SPLB	O-Ring Face Plate Volute	**
12	310-5080B	3/4 HP Impeller Assembly	39.41
	310-5090B	1 HP Impeller Assembly	39.41
	310-5100B	1 1/2 HP Impeller Assembly	39.41
13	319-3090B	Pump Seal Kit	26.10
14	315-1510B	Volute	166.06
15	319-1550B	Volute Cosmetic Cover	55.51
16	--	Motor	**
17	741-CGGZ-67RB	3 ft. Electrical Cord - Regular Plug	46.91
18	741-CGGZ-37LB	3 ft. Electrical Cord - Twist-lock Plug	44.83

** Please request price quote.



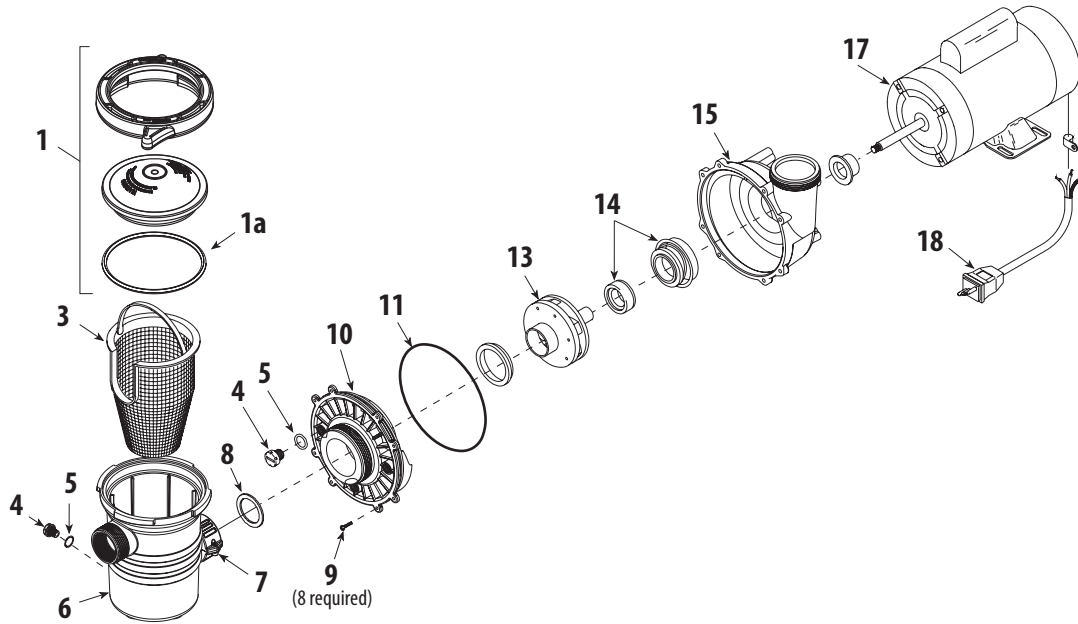
CSA Supreme Pump Replacement Parts

Item	Part No.	Description	List (US \$)
1	511-1310B	Trap Lid	65.80
2	805-0439B	O-Ring #439	8.09
3	319-1530B	Trap Basket	21.84
4	319-1540B	C-Clip for Poop Pump	12.99
5	319-1510B	Trap Body	255.03
6	805-0112B	O-Ring - Drain Plug	1.45
7	715-1201B	3/8" Quarter Slot Plug	3.61
8	819-0800B	Screw #12 x 1" Self-Tapping Pan Head Phillips (8 required)	0.99
9	805-0330B	O-Ring #2-330	1.73
10	311-1520B	Faceplate	110.42
11	805-0001-SPLB	O-Ring Faceplate	**
12	310-5080B	3/4 HP Impeller Assembly	39.41
	310-5090B	1 HP Impeller Assembly	39.41
	310-5100B	1 1/2 HP Impeller Assembly	39.41
13	319-3010B	Pump Seal Kit - Viton	**
14	315-1510B	Volute	166.06
15	319-1560B	Volute Cosmetic Cover	**
16	319-3500B	CSA Body Enclosure	59.66
17	--	Motor	0.00
18	865-0800B	Foam Ring	**
19	319-3510B	CSA Motor End Back Cover	19.46
20	815-4011B	Hi-Off-Lo Toggle Switch	14.03
21	819-9002B	Screw (3 required) #12 x 3/4" Phillips	0.71
22	813-0025B	Strain Relief Plug	**
23	741-CGGZ-257RB	25 ft. NEMA Cord	**
24	675-1500B	CSA Pump Base, Supreme and Hi Flo Pump	**

** Please request price quote.



Replacement Parts / Hi-Flo & Hi-Flo II Side Discharge Pump



Hi-Flo Side Discharge Pump Replacement Parts

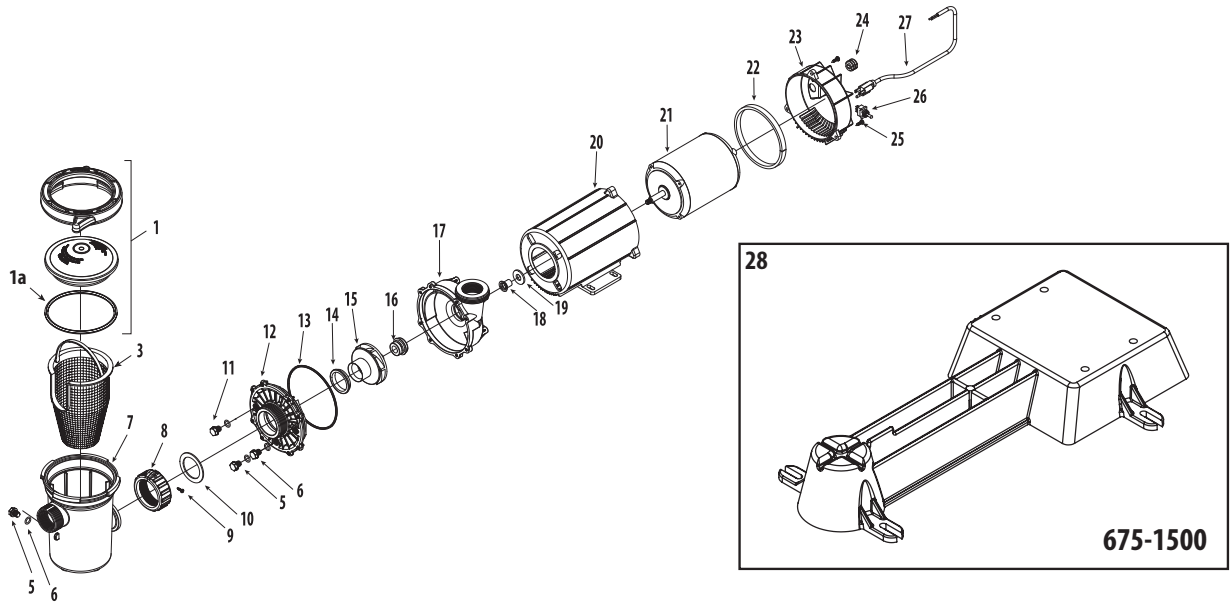
Item	Part No.	Description	List (US \$)
1	319-4100	Lid & Nut & O-ring - 6" Trap	46.45
1a	805-0436B	O-Ring - 6" Trap Lid	4.61
3	319-3230B	6" Trap Basket Assembly with Handle	20.14
4	715-1201B	3/8" Quarter Slot Drain Plug	3.61
5	805-0112B	O-Ring - Drain Plug	1.45
6	319-2170B	6" Trap Body - 1 1/2" FPT/ 1 1/2" Buttress x 2" Union Flange	53.50
7	400-5161B	2" Split Nut with Screw	4.80
8	711-4010B	2" Union Gasket	1.57
9	819-1110B	Screw (8 required)	2.40
10	311-2140B	2" Intake Side Discharge Faceplate	43.75
11	805-0256B	O-Ring - Faceplate	6.38
13	310-3990B	3/4 HP Impeller Assembly	31.66
	310-4000B	1 HP Impeller Assembly	31.69
	310-4010B	1 1/2 HP Impeller Assembly	31.71
	310-4030B	2 HP Impeller Assembly	31.71
14	319-3100B	Pump Seal Kit - Viton	26.10
15	315-2500B	Volute Housing - Side Discharge	**
17	--	Motor	0.00
18	741-CGGZ-67RB	3 ft. Electrical Cord - Regular Plug	46.91
	741-CGGZ-37LB	3 ft. Electrical Cord - Twist-Lock Plug	44.83

Hi-Flo II Side Discharge Pump Replacement Parts

Item	Part No.	Description	List (US \$)
4	715-4020B	3/8" Quarter Slot Drain Plug	2.96
10	311-2170B	2" Intake Side Discharge Faceplate	40.53
11	805-0158B	O-Ring - Faceplate	**
13	310-8000B	1/2 HP Impeller Assembly	30.87
	310-8010B	3/4 HP Impeller Assembly	31.04
	310-8020B	1 HP Impeller Assembly	30.87
	310-8030B	1 1/2 HP Impeller Assembly	31.04
	310-8040B	2 HP Impeller Assembly	30.99
14	319-3090B	Pump Seal Kit - Viton	26.10
15	315-2520B	Volute Housing - Side Discharge	**

** Please request price quote.

Replacement Parts / CSA Hi-Flo II Side Discharge Pump



CSA Hi-Flo II Side Discharge Pump Replacement Parts

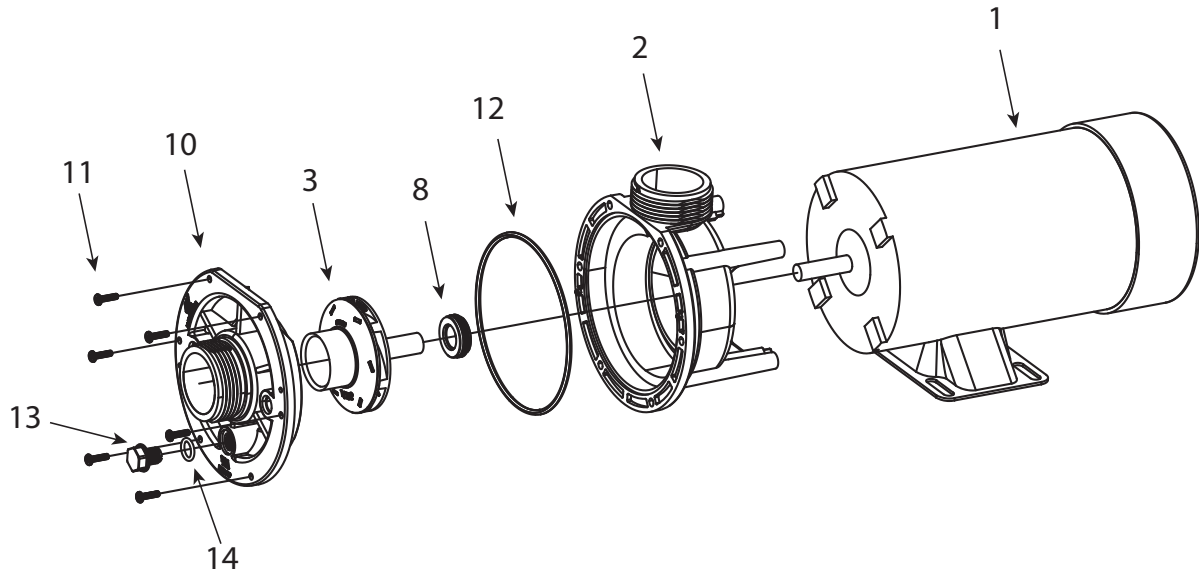
Item	Part No.	Description	List (US \$)
1	319-4100	Lid & Nut & O-ring - 6" Trap	46.45
1a	805-0436B	O-Ring - 6" Trap Lid	4.61
3	319-3230B	6" Trap Basket Assembly with Handle	20.14
5	715-1201B	3/8" Quarter Slot Plug (2 required)	3.61
6	805-0112B	O-Ring - Drain Plug (2 required)	1.45
7	319-2170B	6" Trap Body - 1 1/2" FPT / 1 1/2" Buttress x 2" Union Flange	53.50
8	415-5201B	2" Heater Split Nut x 2 5/16" Gated Flange	**
9	819-4350B	Screw (2 required)	**
10	711-4010B	2" Union Gasket	1.57
11	819-1110B	Screw (8 required)	2.40
12	311-2140B	Side Discharge Faceplate	43.75
13	805-0256B	O-Ring - Faceplate	6.38
14	319-1390B	Wear Ring	9.08
15	310-3990B	3/4 HP Impeller "B" Assembly	31.66
--	310-4000B	1 HP Impeller "C" Assembly	31.69
--	310-4010B	1 1/2 HP Impeller "D" Assembly	31.71
--	310-4030B	2 HP Impeller Assembly	31.71
16	319-3100B	Pump Seal Kit	26.10
17	315-2500B	Side Discharge Volute with Inserts	**
18	319-3520B	CSA Slinger	**
19	319-3530B	CSA Slinger Washer	3.77
20	319-3500B	CSA Body Enclosure	59.66
21	--	Motor	0.00
22	865-0800B	Foam	**
23	319-3510B	CSA Back Cover	19.46
24	813-0025B	Strain Relief	**
25	819-9002B	Screw (3 required)	0.71
26	815-4011B	Hi-Off-Lo Toggle Switch	14.03
27	741-CGGZ-257RB	NEMA 25ft. Cord	**
28	675-1500B	CSA Pump Base, Supreme and Hi-Flo Pump	**

** Please request price quote.

Replacement Parts

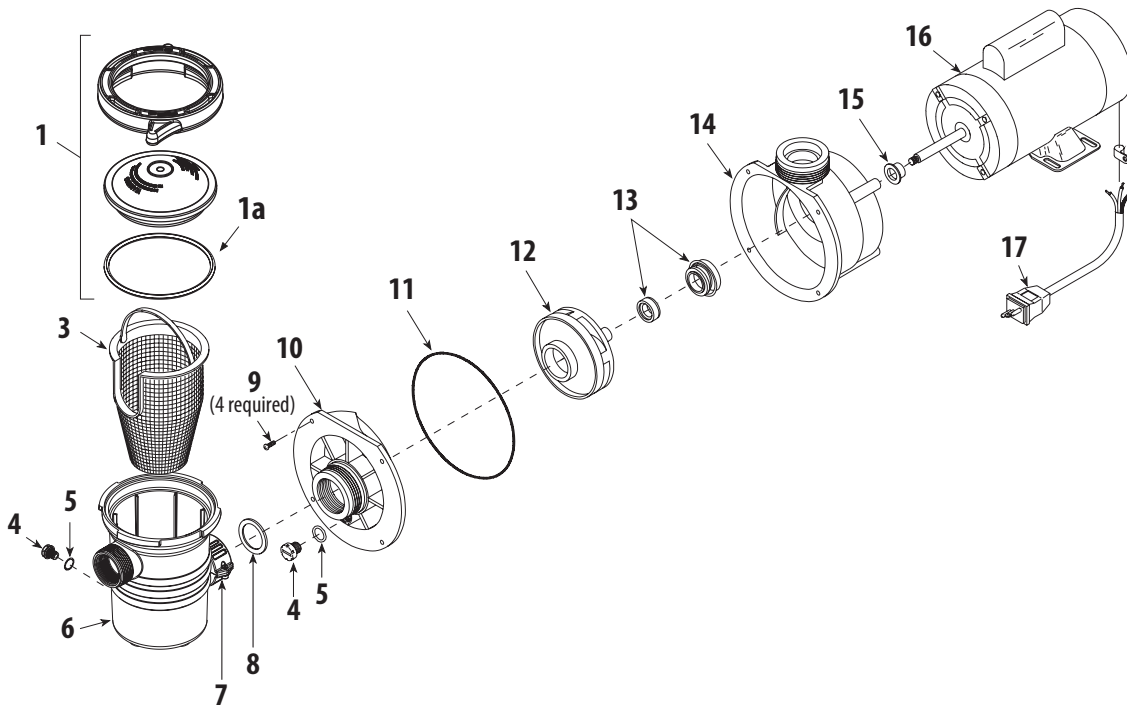


Replacement Parts / E-Series Center Discharge Pump



E-Series Center Discharge Pump Replacement Parts

Item	Part No.	Description	List (US \$)
2	315-1070B	Volute - Spa & Bath - Center Discharge	52.39
3	310-8000B	½ HP Impeller Assembly	30.87
	310-8010B	¾ HP Impeller Assembly	31.04
	310-8020B	1 HP Impeller Assembly	30.87
	310-8030B	1½ HP Impeller Assembly	31.04
	310-8040B	2 HP Impeller Assembly	30.99
8	319-3090B	Pump Seal Kit	26.10
10	311-1070B	Faceplate - Spa - Center Discharge Wet End	39.91
11	819-1110B	Screw - #8 - 32 x ½" PPH 18-8	2.40
12	805-0252B	O-Ring - #265 - Sand Filter Valve	5.87
13	715-1201B	⅜" Quarter Slot Plug (SD Wet End)	3.61
14	805-0112B	O-Ring - #112 Pump Drain Plug	1.45



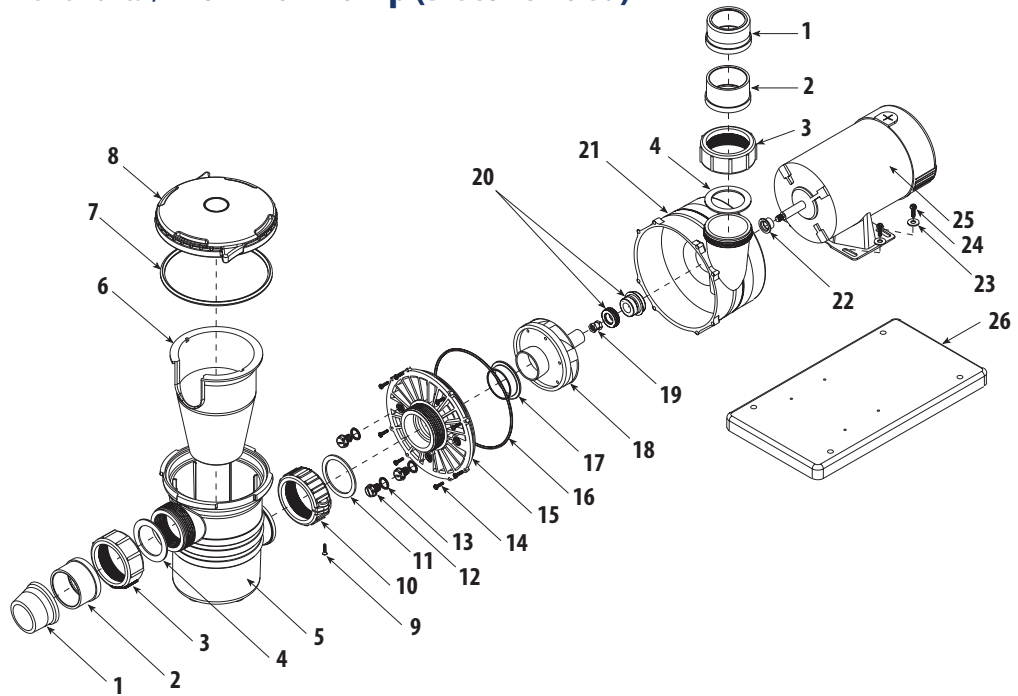
Center Discharge Pump Replacement Parts

Item	Part No.	Description	List (US \$)
1	319-4100B	Lid & Nut & O-ring - 6" Trap	46.46
1a	805-0436B	O-Ring - 6" Trap Lid	4.61
3	319-3230B	6" Trap Basket Assembly with Handle	20.14
4	715-1201B	3/8" Quarter Slot Plug	3.61
5	805-0112B	O-Ring - Pump Drain Plug	1.45
6	319-2160B	6" Trap Body - 1 1/2" FPT / 1 1/2" Buttress x 1 1/2" Union Flange	53.50
7	415-4051B	1 1/2" Split Nut Union Buttress	6.96
8	711-4000B	1 1/2" Union Gasket	1.45
9	819-1110B	Screw (4 required)	2.40
10	311-1110B	Faceplate	**
11	805-0252B	O-Ring - Faceplate Volute	5.87
12	310-5110B	1/2 HP Impeller "A" Assembly	33.04
	310-5120B	3/4 HP Impeller "B" Assembly	31.71
	310-5130B	1 HP Impeller "C" Assembly	**
	310-5140B	1 1/2 HP Impeller "D" Assembly	31.71
	310-5200B	2 HP Impeller "E" Assembly	31.71
13	319-3100B	Seal Set	26.10
14	315-1120B	Volute	42.87
	315-1050B	Jacuzzi Style Volute	69.19
15	313-1400B	Slinger	2.17
16	--	Motor	**
17	741-CGGZ-67RB	3 ft. Cord - Regular Plug	46.91
	741-CGGZ-37LB	3 ft. Cord - Twist-Lock Plug	44.83

** Please request price quote.



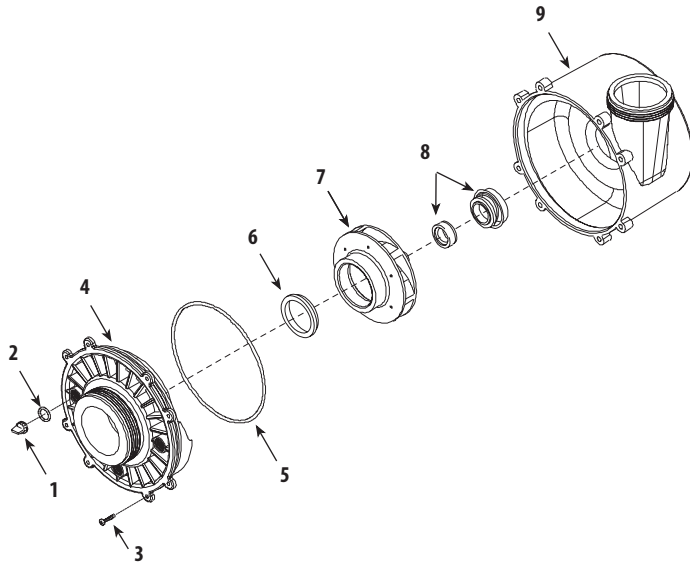
Replacement Parts / Workman Pump (Discontinued)



Workman Pump Replacement Parts

Item	Part No.	Description	List (US \$)
1	417-5130B	Tailpiece - (2" Spigot x 1 1/2" FPT) - O-Ring Groove (optional)	**
2	417-5121B	2" Tailpiece	4.56
3	415-5001B	2" Union Nut	4.85
4	711-4010B	2" Union Gasket	1.57
5	319-5300B	Workman Trap 2" FPT / 2" Buttress x 2" Union Flange	**
6	319-3210B	6" Trap Basket	16.11
7	805-0436B	O-Ring - 6" Trap Lid	4.61
8	319-3260B	Lid - 6" Trap - Self-Locking	**
9	819-1040B	Screw #8 x 3/4 Stainless Steel Phillips	**
10	400-5301B	Workhorse Trap Split-Nut Assembly with Screw	**
11	711-5300B	2" Gasket - Workhorse Trap	**
12	715-1201B	3/8" Quarter Slot Plug	3.61
13	805-0112B	O-Ring - Pump Drain Plug	1.45
14	819-1110B	Screw #8 32 x 5/8 PPH 18-8	2.40
15	311-1220B	Executive Volute Faceplate 2" Intake	52.44
16	805-0261B	O-Ring 261 - Volute for Executive Faceplate	5.97
17	319-1380B	Wear Ring - Executive 3/4, 1, 2, and 3 HP	8.14
18	310-1020B	3/4 HP Impeller Assembly	**
	310-1030B	1 HP Impeller Assembly	**
	310-1040B	1 1/2 HP Impeller Assembly	**
	310-1050B	2 HP Impeller Assembly	**
	310-1060B	3 HP Impeller Assembly	**
19	820-4150B	Coupling Nut - Impeller	**
20	319-3100B	Pump Seal Kit	26.10
21	315-1240B	48-Frame Volute with Inserts	49.96
22	313-1400B	Slinger	2.17
23	820-0018B	F/Washer	0.50
24	819-9001B	Screw #12 x 3/4 Slot Hex Washer	**
25	--	Motor	**
26	672-1060B	Equipment Base - 1" x 8 1/2" x 15 1/2"	**

** Please request price quote.



Executive 56-Frame Wet End Replacement Parts

Item	Part No.	Description	List (US \$)
1	715-1201B	3/8" Quarter Slot Plug - Air Relief	3.61
2	805-0112B	O-Ring - #111 - Pump Drain Plug	1.45
3	819-1110B	Screw - #8 - 32 x 7/16" PPH	2.40
4	311-1210B	Executive Faceplate 2 1/2"	52.48
	311-1220B	Executive Faceplate 2"	52.44
5	805-0261B	O-Ring 261 - Volute for Executive Faceplate	5.97
6	319-1370B	Wear Ring - Executive Pump 4 & 5 HP	8.14
	319-1380B	Wear Ring - Executive Pump 3/4, 1, 2, and 3 HP	8.14
7	310-4220B	1 HP Impeller Assembly	36.53
	310-4210B	2 HP Impeller Assembly	36.53
	310-4200B	3 HP Impeller Assembly	36.54
	310-4190B	4 HP Impeller Assembly	36.55
	310-4180B	5 HP Impeller Assembly	**
8	319-3100B	Pump Seal Set	26.10
9	315-1220B	Executive Volute 56-Frame with Inserts	**

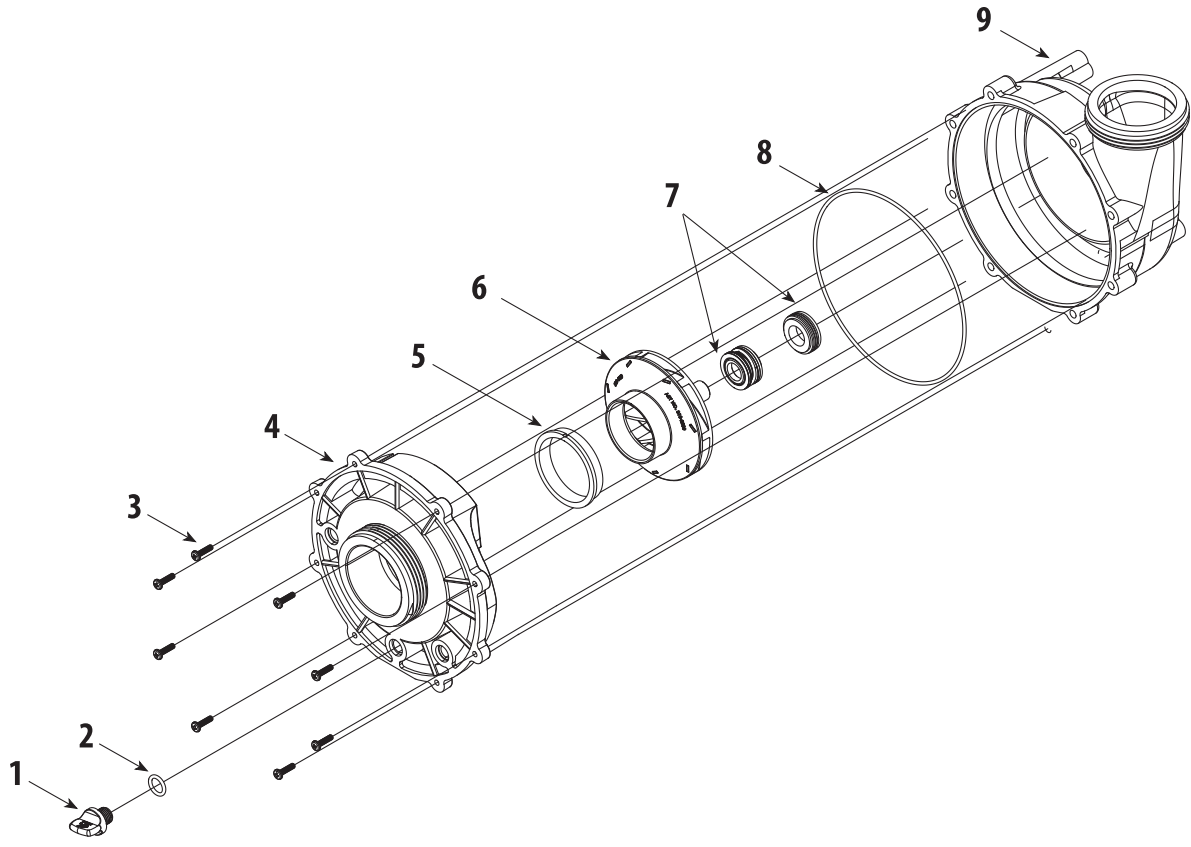
Executive 48-Frame Wet End Replacement Parts

Item	Part No.	Description	List (US \$)
1	715-1201B	3/8" Quarter Slot Plug - Air Relief	3.61
2	805-0112B	O-Ring - #111 - Pump Drain Plug	1.45
3	819-1110B	Screw - #8 - 32 x 7/16" PPH	2.40
4	311-1210B	Executive Faceplate 2 1/2"	52.48
	311-1220B	Executive Faceplate 2"	52.44
5	805-0261B	O-Ring 261 - Volute for Executive Faceplate	5.97
6	319-1370B	Wear Ring - Executive Pump 4 & 5 HP	8.14
	319-1380B	Wear Ring - Executive Pump 3/4, 1, 2 and 3 HP	8.14
7	310-4230B	1 HP Motor - 3/4 HP Impeller Assembly	35.93
	310-4220B	1 1/2 HP Motor - 1 HP Impeller Assembly	36.53
	310-4210B	2 HP Motor - 2 HP Impeller Assembly	36.53
	310-4200B	3 HP Motor - 2 HP Impeller Assembly	36.54
	310-4200B	4 HP Motor - 3 HP Impeller Assembly	36.54
8	319-3100B	Pump Seal Set	26.10
9	315-1240B	Executive Volute 48-Frame with Inserts	49.96

** Please request price quote.

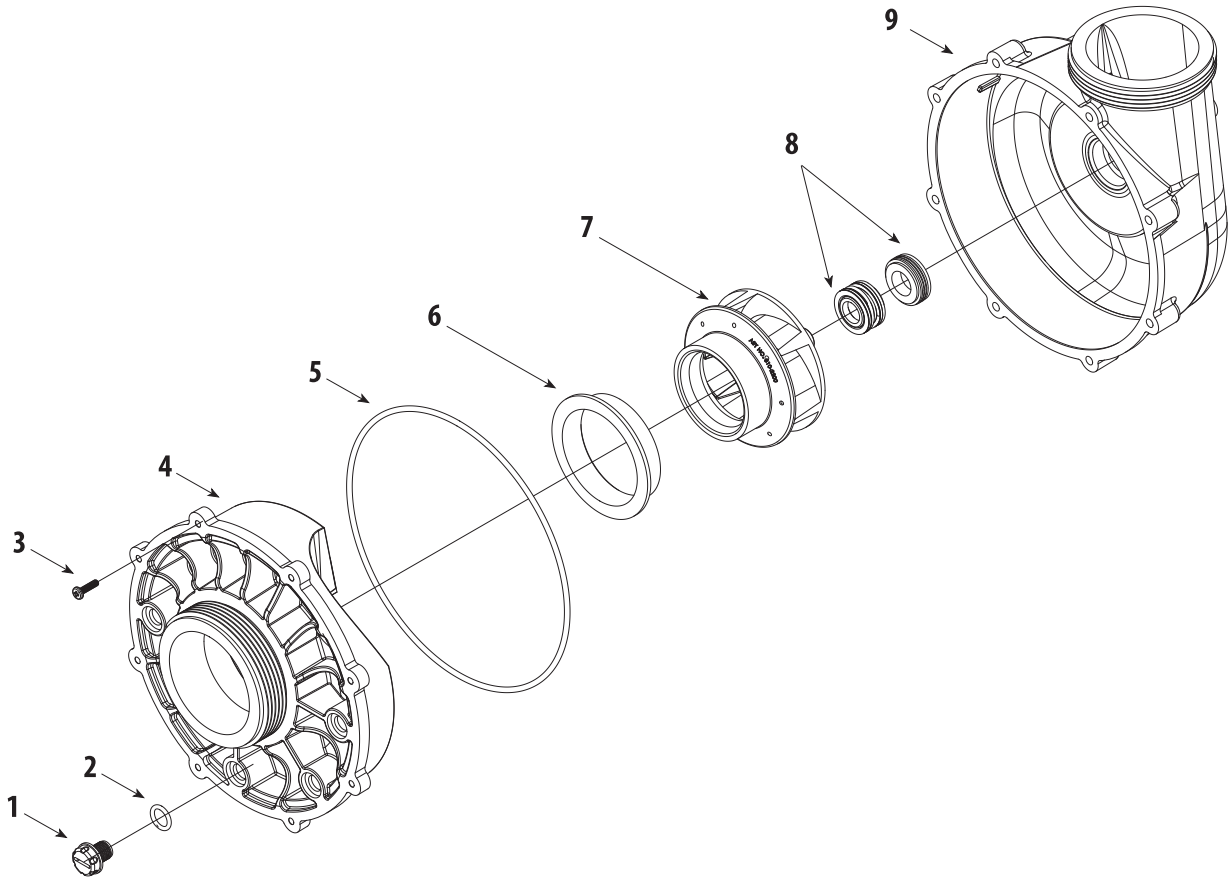


Replacement Parts / EX2 Wet End



EX2 Wet End Replacement Parts

Item	Part No.	Description	List (US \$)
1	715-4020B	Pump Drain Plug	2.96
2	805-0112B	O-Ring - Pump Drain Plug	1.45
3	819-1110B	Screw #8-32	2.40
4	311-2311B	Volute Faceplate	51.75
5	319-1270B	Wear Ring	7.44
6	310-2330B	Impeller Assembly - 1 ½ HP	37.04
	310-2340B	Impeller Assembly - 2 HP	35.93
	310-2300B	Impeller Assembly - 2 ½ HP	35.93
	310-2350B	Impeller Assembly - 3 HP	35.93
7	319-3090B	Pump Seal Kit	26.10
8	805-0164B	O-Ring #164	5.73
9	315-2301B	Volute Housing	49.48



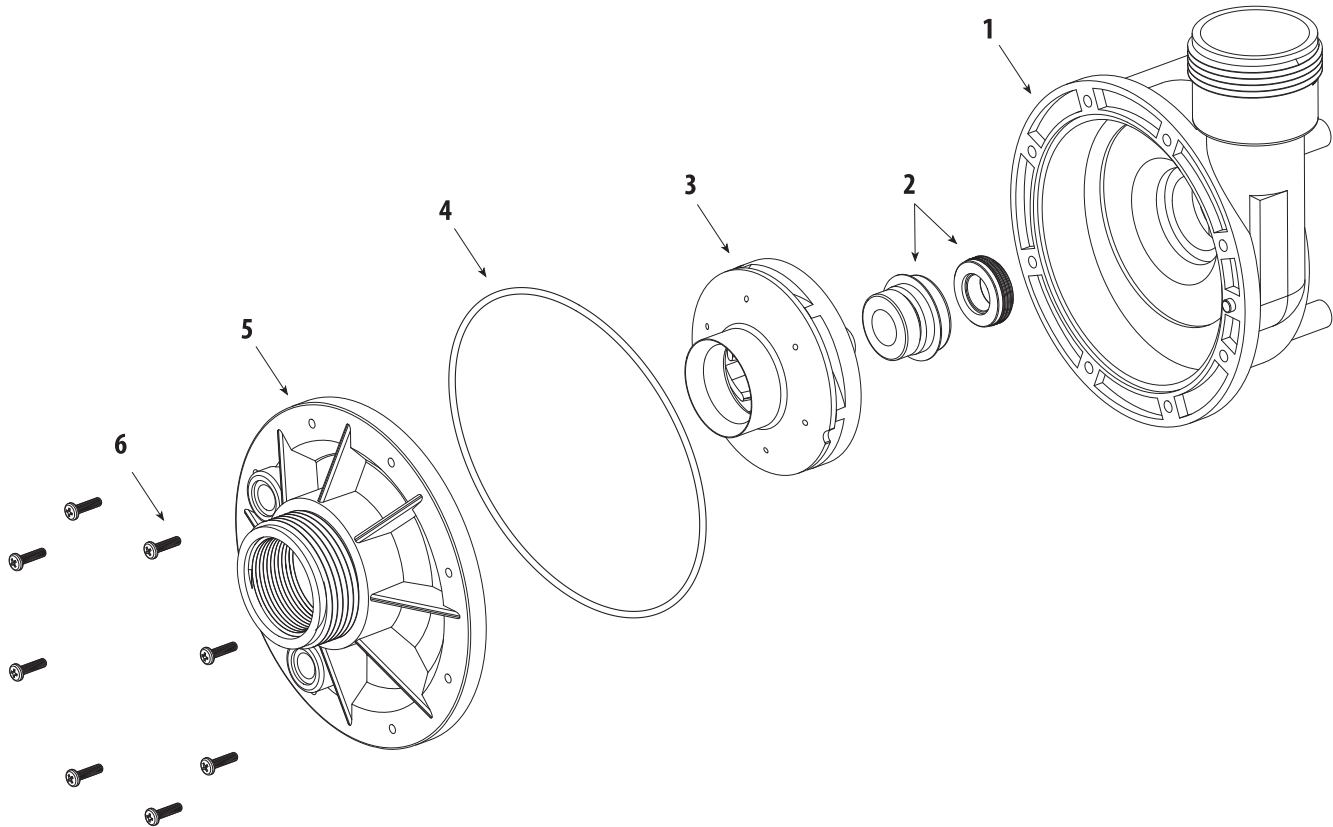
Viper Wet End Replacement Parts

Item	Part No.	Description	List (US \$)
1	715-1201B	3/8" Quarter Slot Pump Drain Plug	3.61
2	805-0112B	O-Ring - Pump Drain Plug	1.45
3	819-1110B	Screw #8-32 (8 required)	2.40
4	311-1510B	Volute Faceplate	52.95
5	805-0264B	Volute O-Ring	**
6	313-3210B	Wear Ring	7.49
7	310-2260B	Impeller Assembly - 2 HP	**
	310-2270B	Impeller Assembly - 3 HP	35.93
	310-2200B	Impeller Assembly - 4 HP	35.93
	310-2620B	Impeller Assembly - 5 HP	41.65
8	319-3090B	Pump Seal Kit	26.10
9	315-1500B	Volute	22.36

** Please request price quote.

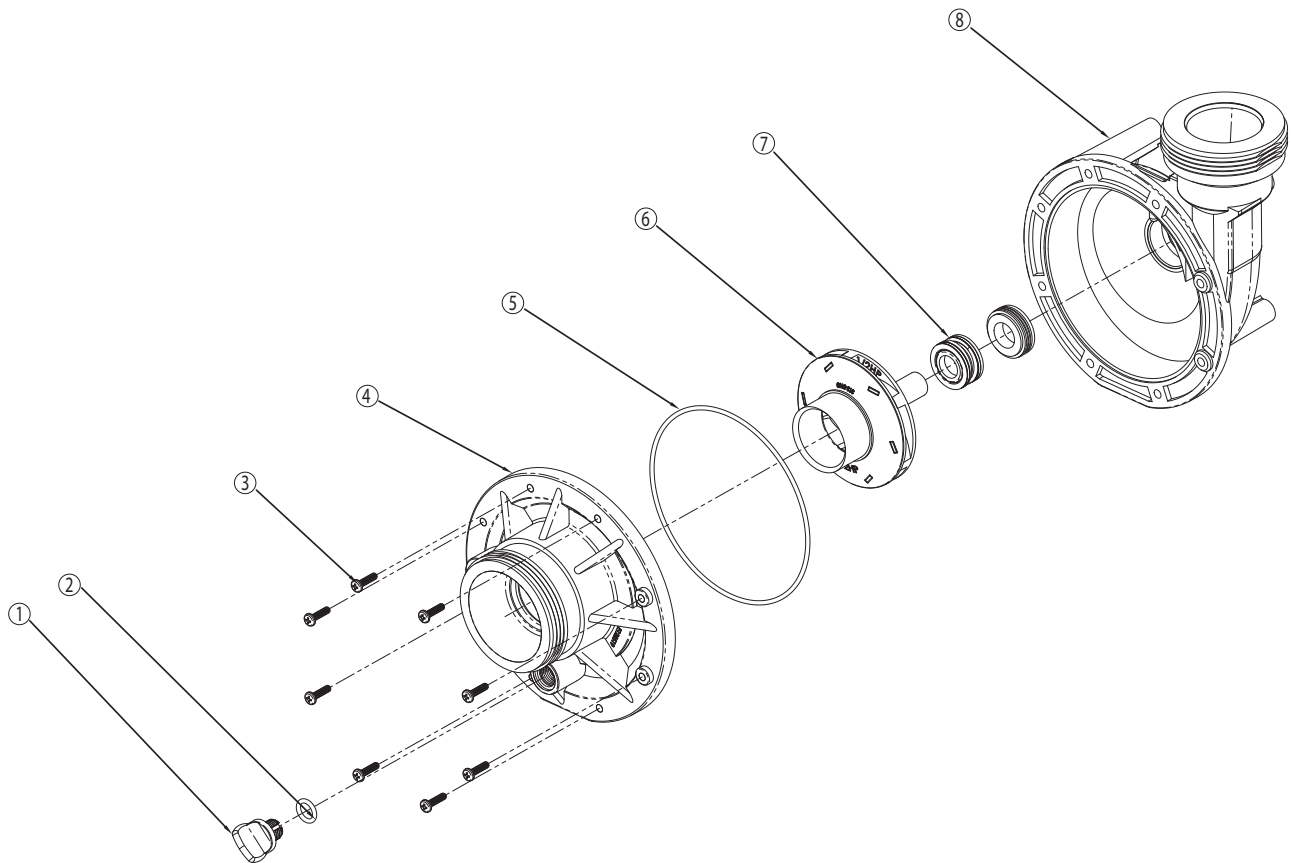


Replacement Parts / Spa Flo and Iron Might Wet End



Spa Flo and Iron Might Wet End Replacement Parts

Item	Part No.	Description	List (US \$)
1	315-1060B	Volute	58.98
2	319-3090B	Pump Seal Kit	26.10
3	310-0900B	Iron Might Impeller Assembly	31.70
	310-4060B	Spa Flo Impeller Assembly - 1 HP	31.06
	310-4070B	Spa Flo Impeller Assembly - 1.5 HP	31.04
	310-4090B	Spa Flo Impeller Assembly - 2 HP	31.04
4	805-0248B	Volute O-Ring	10.16
5	311-1060B	Faceplate	39.52
6	819-1110B	#8-32 Screw (8 required)	2.40



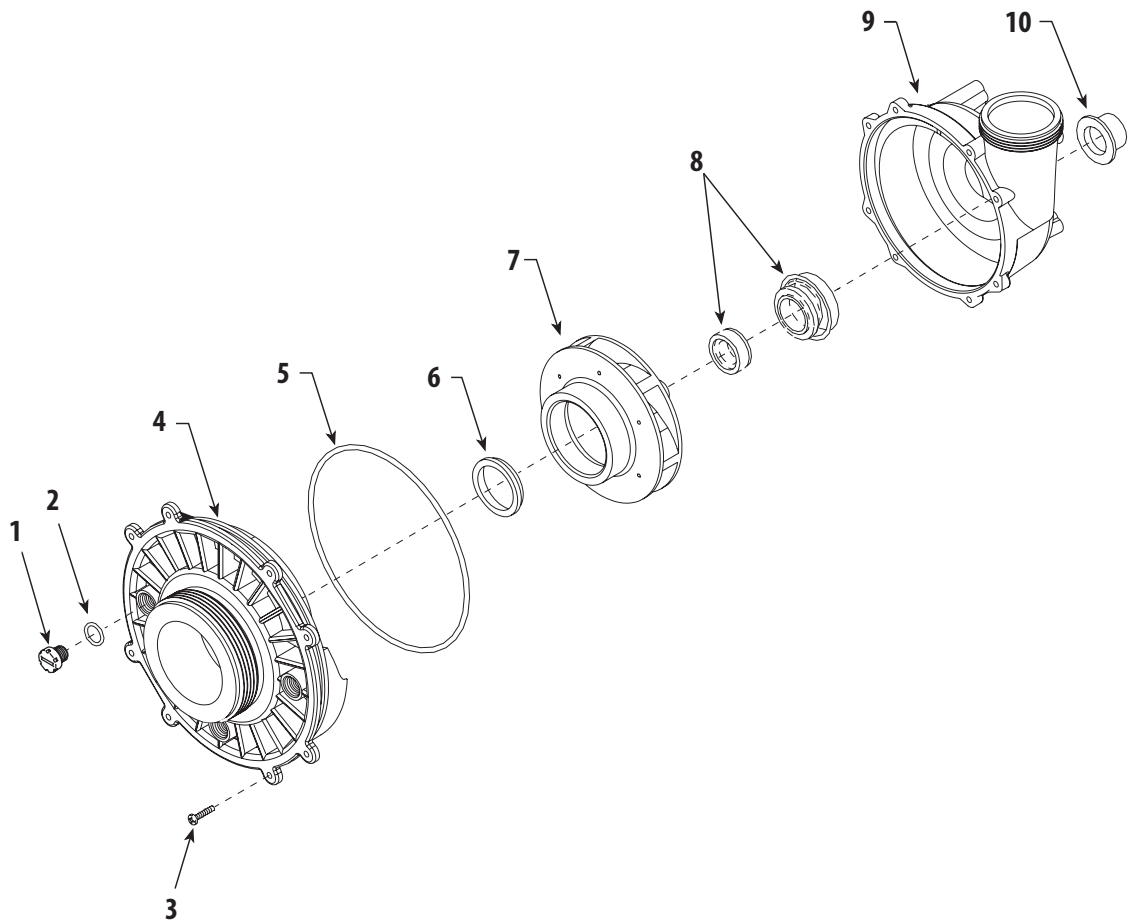
Spa Flo II Wet End Replacement Parts

Item	Part No.	Description	List (US \$)
1	715-4020B	Drain Plug	2.96
2	805-0112B	O-ring - Drain Plug	1.45
3	819-1110B	Screw #8 - 32 x 5/8" PPH 18 - 8	2.40
4	311-2160B	Faceplate 1.5"	41.54
5	805-0158B	O-ring Faceplate	**
6	310-8000B	1/2 HP Impeller Assembly	30.87
	310-8010B	3/4 HP Impeller Assembly	31.04
	310-8020B	1 HP Impeller Assembly	30.87
	310-8030B	1.5 HP Impeller Assembly	31.04
	310-8040B	2 HP Impeller Assembly	30.99
7	319-3090B	Pump Seal Set	26.10
8	315-2510B	Side Discharge Volute 1.5"	56.06

** Please request price quote.



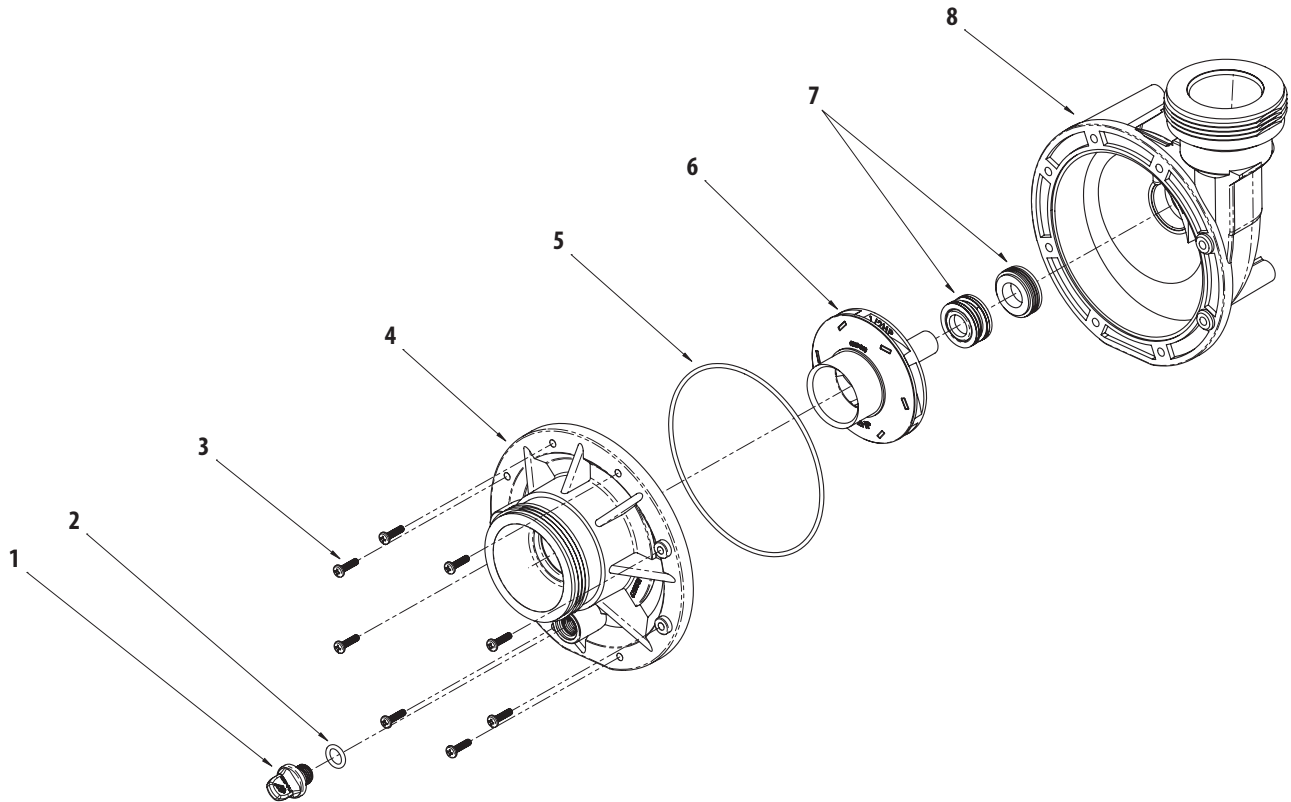
Replacement Parts / Hi-Flo Side Discharge Wet End



Hi-Flo Side Discharge Wet End Replacement Parts

Item	Part No.	Description	List (US \$)
1	715-1201B	3/8" Quarter Slot Drain Plug	3.61
2	805-0112B	O-Ring - Pump Drain Plug	1.45
3	819-1110B	Screw	2.40
4	311-2140B	2" Intake Faceplate	43.75
5	805-0256B	O-Ring - Faceplate	6.38
6	319-1390B	Wear Ring	9.08
7	310-4000B	1 HP Impeller "C" Assembly	31.69
	310-4010B	1 1/2 HP Impeller "D" Assembly	31.71
	310-4030B	2 HP Impeller Assembly	31.71
	310-4020B	3 HP Impeller Assembly	31.71
	310-4050B	4 HP Impeller Assembly	31.71
8	319-3100B	Pump Seal Kit	26.10
9	315-2500B	Side Discharge Volute with Inserts	**
10	313-1400B	Slinger	2.17

** Please request price quote.



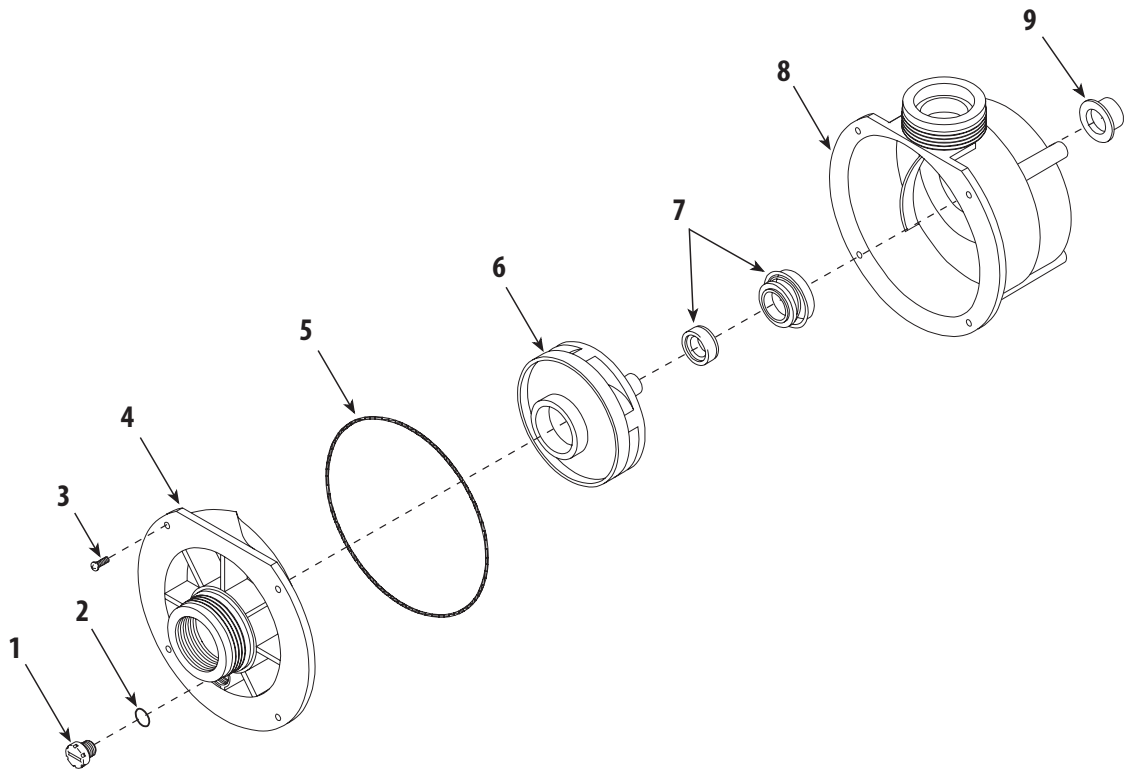
Hi-Flo II Side Discharge Wet End Replacement Parts

Item	Part No.	Description	List (US \$)
1	715-4020B	Drain Plug	2.96
2	805-0112B	O-ring - Drain Plug	1.45
3	819-1110B	Screw #8 - 32 x 5/8" PPH 18 - 8	2.40
4	311-2170B	Faceplate 2"	40.53
5	805-0158B	O-ring Faceplate	**
6	310-8000B	1/2 HP Impeller Assembly	30.87
	310-8010B	3/4 HP Impeller Assembly	31.04
	310-8020B	1 HP Impeller Assembly	30.87
	310-8030B	1.5 HP Impeller Assembly	31.04
	310-8040B	2 HP Impeller Assembly	30.99
7	319-3090B	Pump Seal Set	26.10
8	315-2520B	Side Discharge Volute 2"	**

** Please request price quote.



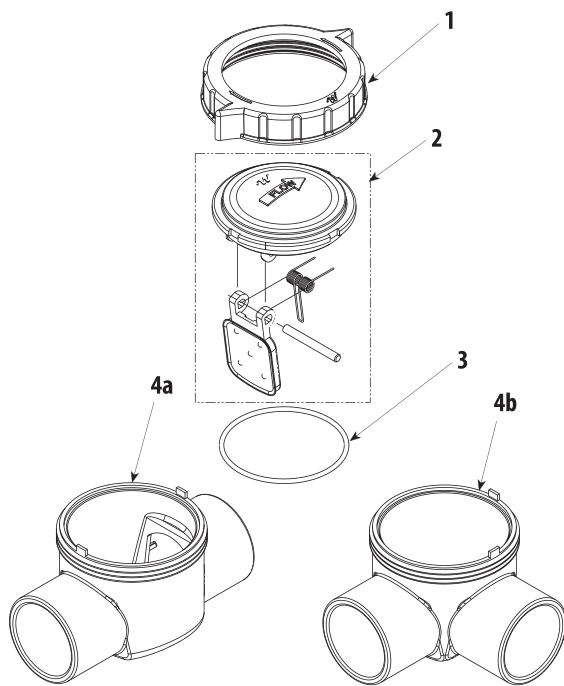
Replacement Parts / Center Discharge Wet End (2010 and Earlier)



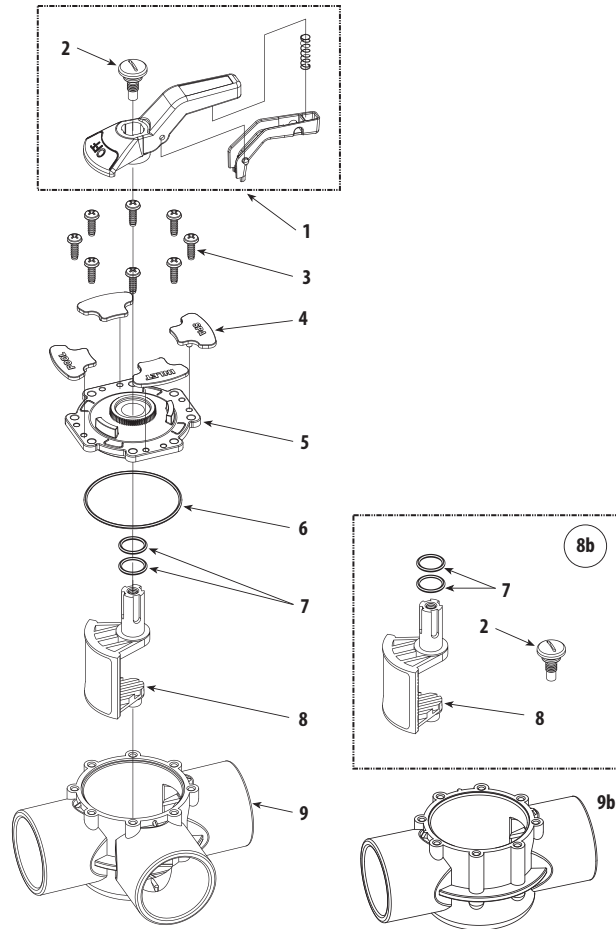
Center Discharge Wet End Replacement Parts

Item	Part No.	Description	List (US \$)
1	715-1201B	3/8" Quarter Slot Drain Plug	3.61
2	805-0112B	O-Ring - Pump Drain Plug	1.45
3	819-1110B	Screw #8-32	2.40
4	311-1110B	Faceplate - Spa Series	**
5	805-0252B	O-Ring - Faceplate	5.87
6	310-5120B	3/4 HP Impeller Assembly	31.71
	310-5130B	1 HP Impeller Assembly	**
	310-5140B	1 1/2 HP Impeller Assembly	31.71
	310-5200B	2 HP Impeller Assembly	31.71
7	319-3100B	Pump Seal Kit	26.10
8	315-1120B	Spa & Bath Volute	42.87
9	313-1400B	Slinger	2.17

** Please request price quote.



TruSeal Serviceable Check Valve



TruSeal Diverter Valve

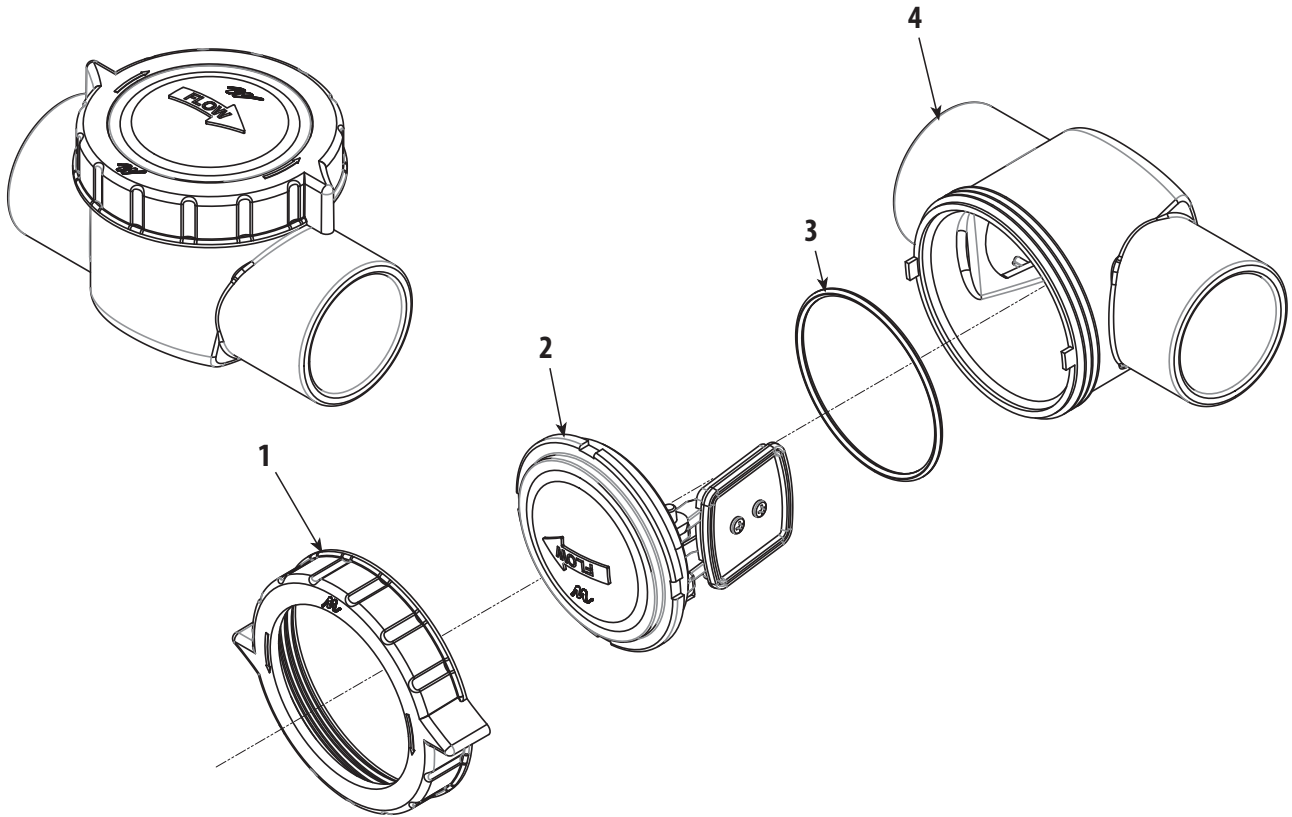
TruSeal Serviceable Check Valve Replacement Parts

Item	Part No.	Description	List (US \$)
1	718-7027B	Nut	**
2	600-7300B	Lid Assembly	36.57
3	805-0239B	O-Ring - Lid	1.71
4a	602-7070B	Valve Body	**
4b	602-7000B	Ell Valve Body	**

TruSeal Diverter Valve Replacement Parts

Item	Part No.	Description	List (US \$)
1	600-7171B	Handle Assembly <i>(sold as Assembly Only)</i>	30.27
2	715-1307B	Screw - Handle	6.29
3	819-0025B	Screw - 14 & 3/4" Phil Pan.	2.05
4	600-7180B	Flow Label Assembly	**
5	602-7251B	Lid	15.91
6	805-0151B	O-Ring - Lid	4.12
7	805-0116EPB	O-Ring <i>(2 required per Valve)</i>	0.97
8	602-7140B	Diverter Arm	12.18
8b	600-7160B	Diverter Kit	42.93
9	602-7200B	Body	**
9b	602-7071B	Body Straight 1 1/2" spg	33.68
-	602-7011B	Body Straight 2 1/2" spg	33.68

** Please request price quote.



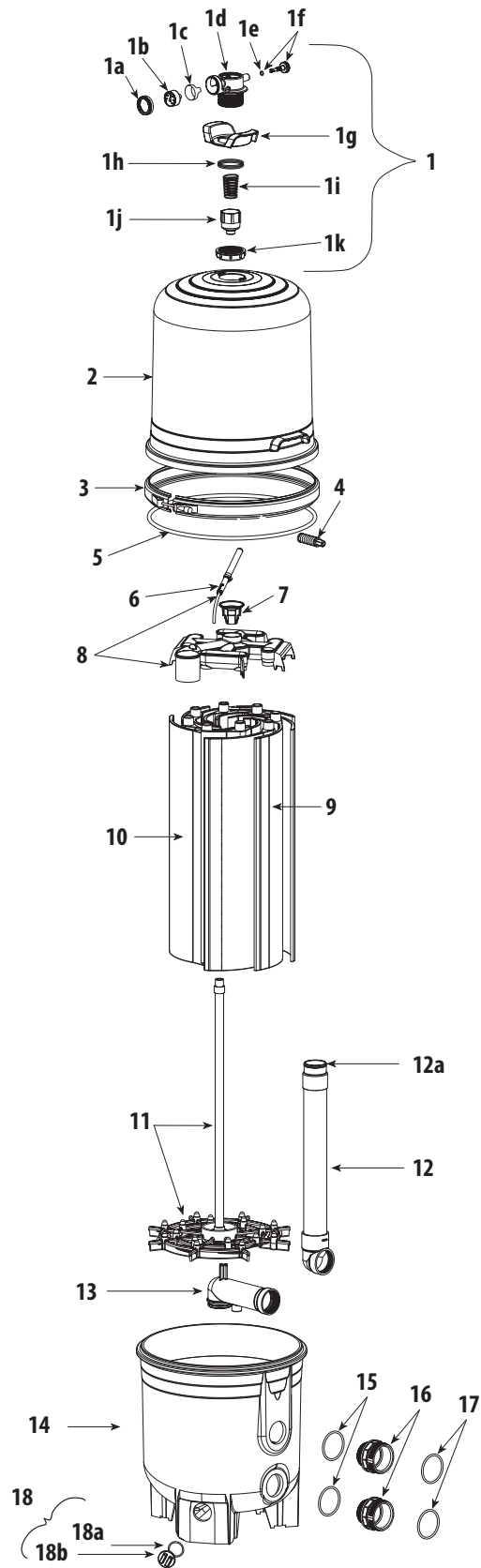
TruSeal 3" Check Valve Replacement Parts

Item	Part No.	Description	List (US \$)
1	718-7031-CPVCB	Threading Nut	14.44
2	605-0111B	Lid and Flapper Assembly	62.15
3	805-0241B	O-Ring, #2-241, 3.859 I.D x 4.137 O.D. x .139 W	2.91
4	602-0121B	Body, Check Valve, 2.5 S/3" SPG x 2.5 S/3" SPG	49.40

Replacement Parts



Replacement Parts / Crystal Water D.E. Filter





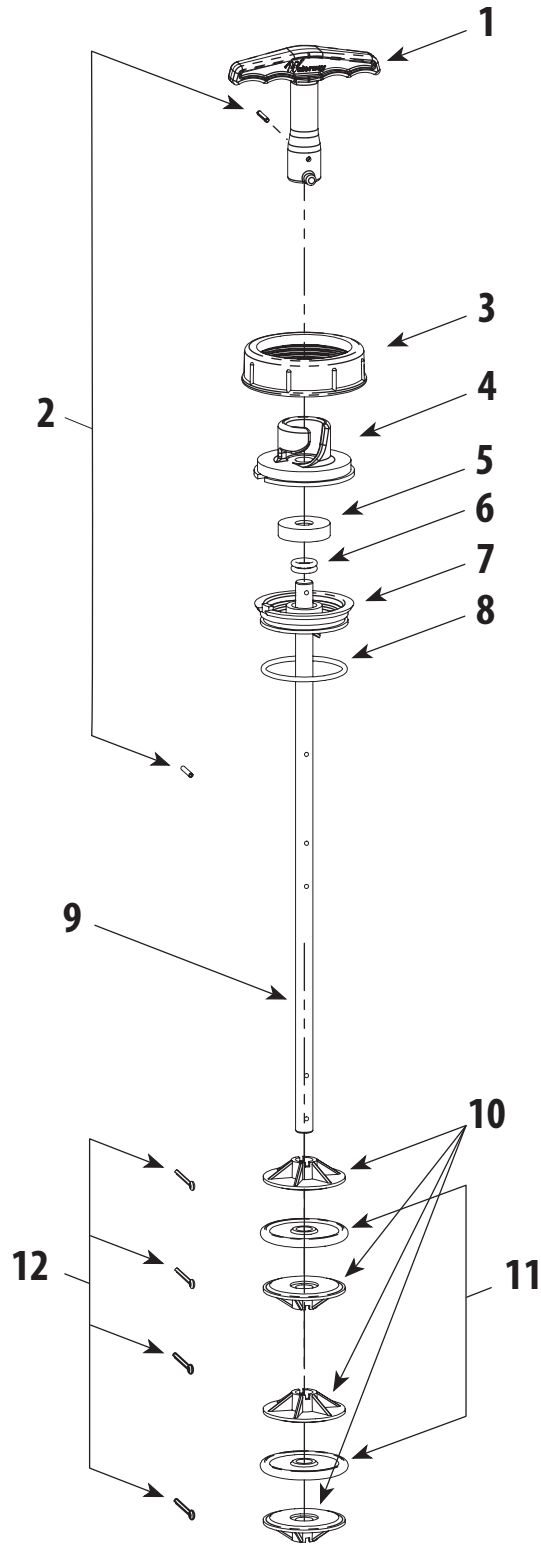
Crystal Water D.E. Filter Replacement Parts

Item	Part No.	Description	List (US \$)
1	550-4230B	Pressure Relief Valve Assembly	107.08
1a	600-4101B	Bezel Assembly - Pressure Gauge	13.78
1b	830-4000SSB	Pressure Gauge	**
1c	711-1670B	Rubber Boot - Pressure Gauge	2.66
1d	519-4281B	Air Relief Valve Body	65.48
1e	805-0110B	O-Ring - ½" Air Control	3.39
1f	550-4240B	Pressure Relief Screw with O-Ring	6.56
1g	602-4201B	Handle - Air Relief Valve	34.10
1h	805-0233B	O-Ring - Filter Handle (2 required)	**
1i	827-8150B	Spring - Water Bypass Valve	12.06
1j	519-4370B	Plunger	12.08
1k	718-4201B	Air Relief Valve Nut	8.20
2	550-4450B	Filter Lid with D.E. Crystal Water Filter Labels - 36 sq. ft.	442.13
	550-4430B	Filter Lid with D.E. Crystal Water Filter Labels - 48 sq. ft.	510.17
	550-4440B	Filter Lid with D.E. Crystal Water Filter Labels - 60 sq. ft.	578.13
3	550-4780B	Metal Clamp with Clamp Spring Assembly	**
4	550-4590B	Clamp Spring Assembly	**
5	805-0000B	O-Ring - Main Body	29.28
6	550-4320B	Air Relief Assembly	42.19
7	718-4320B	Manifold Nut	8.04
8	550-4200B	D.E. Manifold Assembly with Air Relief Assembly	116.06
--	550-4110B	D.E. Grid and Manifold Assembly with Air Relief Assembly - 36 sq. ft.	532.38
--	550-4120B	D.E. Grid and Manifold Assembly with Air Relief Assembly - 48 sq. ft.	608.06
--	550-4130B	D.E. Grid and Manifold Assembly with Air Relief Assembly - 60 sq. ft.	719.30
9	818-3940B	D.E. Short Grid with Mesh Assembly - 36 sq. ft.	59.84
	818-3900B	D.E. Short Grid with Mesh Assembly - 48 sq. ft.	70.52
	818-3920B	D.E. Short Grid with Mesh Assembly - 60 sq. ft.	82.02
10	818-3950B	D.E. Full Grid with Mesh Assembly - 36 sq. ft.	56.12
	818-3910B	D.E. Full Grid with Mesh Assembly - 48 sq. ft.	65.53
	818-3930B	D.E. Full Grid with Mesh Assembly - 60 sq. ft.	**
11	550-4380B	D.E. Grid Support Assembly with 20" PVC Shaft - 36 sq. ft.	43.76
	550-4310B	D.E. Grid Support Assembly with 26" PVC Shaft - 48 sq. ft.	56.15
	550-4350B	D.E. Grid Support Assembly with 32" PVC Shaft - 60 sq. ft.	61.29
12	550-4390B	2 ½" Outlet Elbow Assembly - 36 sq. ft. D.E. Filter	102.01
	550-4220B	2 ½" Outlet Elbow Assembly - 48 sq. ft. D.E. Filter	102.03
	550-4210B	2 ½" Outlet Elbow Assembly - 60 sq. ft. D.E. Filter	136.73
12a	805-0145B	O-Ring - 2" Tailpiece	1.44
13	550-4410B	Long Elbow Fitting - 2 ½" diameter	79.47
14	515-4207B	Filter Body Base	578.14
15	805-0339B	O-Ring (2 required)	9.73
16	419-4201B	2 ½" Bulkhead Fitting (2 required)	40.05
17	711-4200B	2 ½" Beveled Gasket (2 required)	5.95
18	400-6621B	Drain Assembly (<i>New Style</i>)	3.14
18a	805-0224B	Drain O-Ring (224) (<i>New Style</i>)	1.45
18b	715-6611B	Drain Plug - 1 ½" MPT (<i>New Style</i>)	3.13
--	500-5310B	Drain Assembly (Plug, O-Rings, Base Fitting) (<i>Old Style 2 - not shown</i>)	**
--	400-6601B	Drain Plug with O-Ring (<i>Old Style 2 - not shown</i>)	2.96

** Please request price quote.



Replacement Parts / Slide Valve Internals



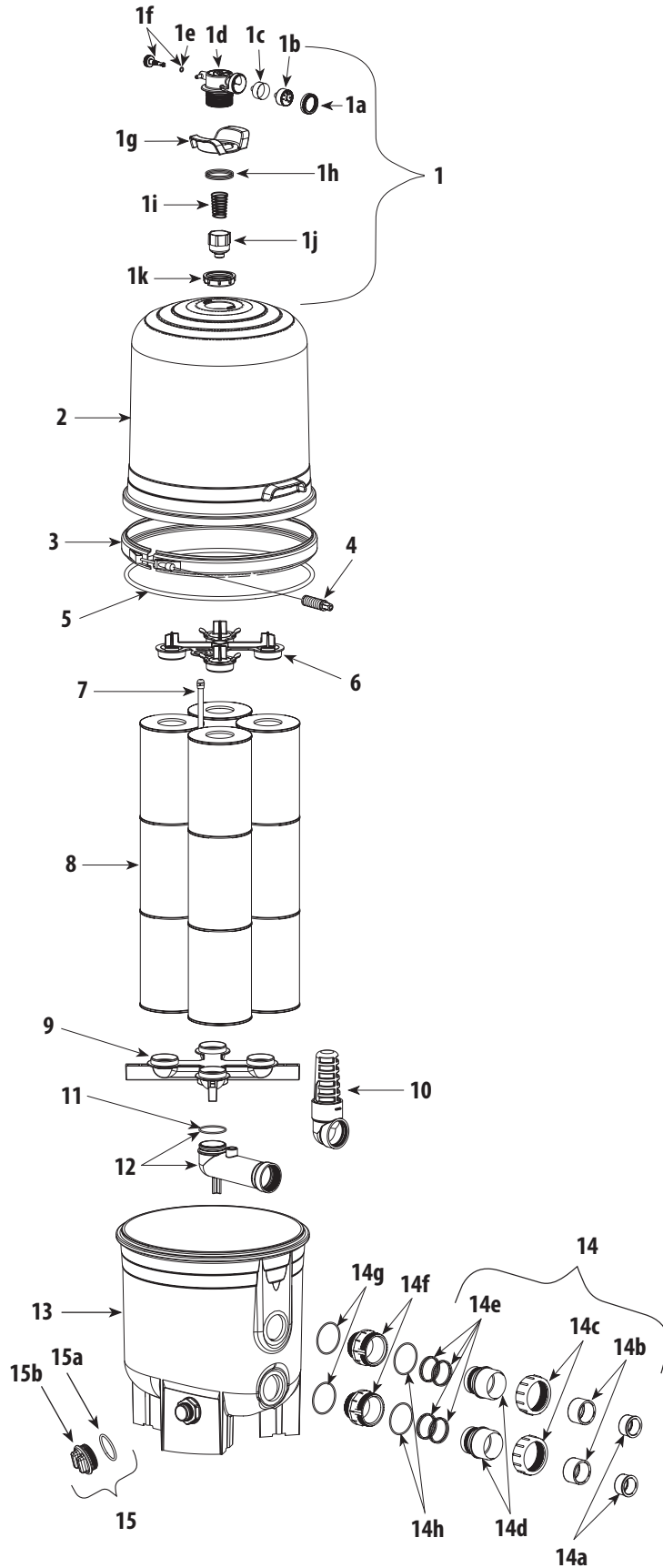


Slide Valve Internals Replacement Parts			
Item	Part No.	Description	List (US \$)
1	505-1010B	Handle	**
2	802-0009B	Split Pin - Qty. 2	7.47
3	415-5091-CPVCB	2" Nut	**
4	505-1020B	Indexing Cap	**
5	505-1040B	O-Ring Cap	**
6	805-0206B	New O-Ring	6.59
7	505-1030B	Washer	**
8	805-0228B	New O-Ring	6.59
9	820-1050B	Piston Rod	**
10	505-1060B	Piston O-Ring Housing - Qty. 4	**
11	806-1000B	Gasket O-Ring - Qty. 2	7.83
12	802-1050B	1/8" Cotter Pin, 1.5" Long - Qty. 4	2.31

** Please request price quote.



Replacement Parts / Crystal Water Cartridge Filter



Replacement Parts



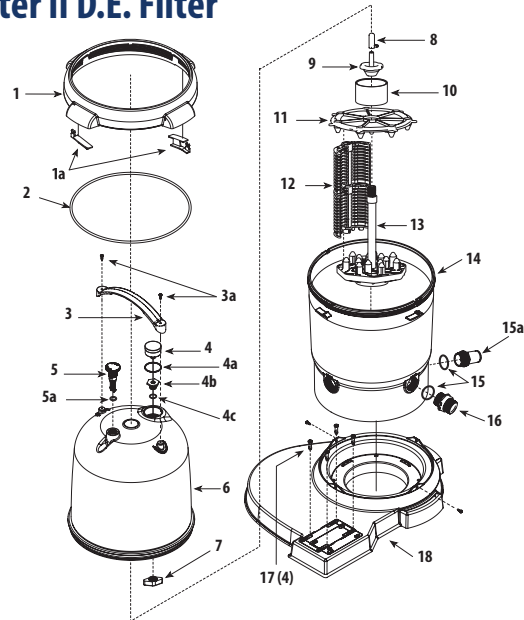
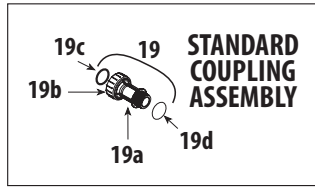
Crystal Water Cartridge Filter Replacement Parts

Item	Part No.	Description	List (US \$)
1	550-4230B	Pressure Relief Valve Assembly	107.08
1a	600-4101B	Bezel Assembly - Pressure Gauge	13.78
1b	830-4000SSB	Pressure Gauge	**
1c	711-1670B	Rubber Boot - Pressure Gauge	2.66
1d	519-4281B	Air Relief Valve Body	65.48
1e	805-0110B	O-Ring - ½" Air Control	3.39
1f	550-4240B	Pressure Relief Screw with O-Ring	6.56
1g	602-4201B	Handle - Air Relief Valve	34.10
1h	805-0233B	O-Ring - Handle (2 required)	**
1i	827-8150B	Spring - Water Bypass Valve	12.06
1j	519-4370B	Plunger	12.08
1k	718-4201B	Air Relief Valve Nut	8.20
2	550-4460B	Filter Lid with Cartridge Crystal Water Filter Labels - 325 sq. ft.	433.45
	550-4470B	Filter Lid with Cartridge Crystal Water Filter Labels - 425 sq. ft.	500.13
	550-4480B	Filter Lid with Cartridge Crystal Water Filter Labels - 525 sq. ft.	589.49
3	550-4780B	Metal Clamp with Clamp Spring Assembly	452.84
4	550-4590B	Clamp Spring Assembly	**
5	805-0000B	O-Ring - Main Body	29.28
6	519-4320B	Cartridge Manifold Plug	37.92
7	550-4370B	Air Relief Assembly with Tube - 325 sq. ft.	35.01
	550-4340B	Air Relief Assembly with Tube - 425 sq. ft.	47.24
	550-4330B	Air Relief Assembly with Tube - 525 sq. ft.	57.83
8	817-0081B	Cartridge - 325 sq. ft. - 7" OD x 20" L (4 required)	183.64
	817-0106B	Cartridge - 425 sq. ft. - 7" OD x 26 ½" L (4 required)	204.05
	817-0131B	Cartridge - 525 sq. ft. - 7" OD x 32 ½" L (4 required)	229.04
9	550-4300B	Cartridge Manifold Assembly	106.25
10	550-4500B	Intake Diffuser Assembly	56.15
11	805-0230B	O-Ring	0.79
12	550-4360B	Long Elbow with Venturi Air Bleeder and O-Ring	85.01
13	550-4400B	Filter Body with Labels	**
14	400-9974B	Fittings Pack - Fitting Nuts, O-Ring, 2 ½" to 2" Reducers	87.55
14a	421-4071B	Reducer - 2" to 1 ½"	3.46
14b	421-4201B	Reducer - 2 ½" to 2"	7.40
14c	415-6001B	2 ½" Union Nut (2 required)	**
14d	417-2201B	2 ½" Tailpiece with Piston O-Ring Groove (2 required)	8.25
14e	805-0232B	O-Ring - 2 ½" Union (4 required - 2 for each Bulkhead)	2.19
14f	419-4201B	2 ½" Bulkhead Coupler (2 required)	40.05
14g	805-0339B	O-Ring (2 required)	9.73
14h	711-4200B	2 ½" Beveled Gasket (2 required)	5.95
15	400-6621B	Drain Assembly (<i>New Style</i>)	3.14
15a	805-0224B	Drain O-Ring (224) (<i>New Style</i>)	1.45
15b	715-6611B	Drain Plug - 1 ½" MPT (<i>New Style</i>)	3.13
--	500-5310B	Drain Assembly (Plug, O-Rings, Base Fitting) (<i>Old Style 2 - not shown</i>)	**
--	400-6601B	Drain Plug with O-Ring (<i>Old Style 2 - not shown</i>)	2.96
--	400-6610B	Drain Elbow Assembly (<i>Old Style 1 - not shown</i>)	**

** Please request price quote.



Replacement Parts / ClearWater II D.E. Filter



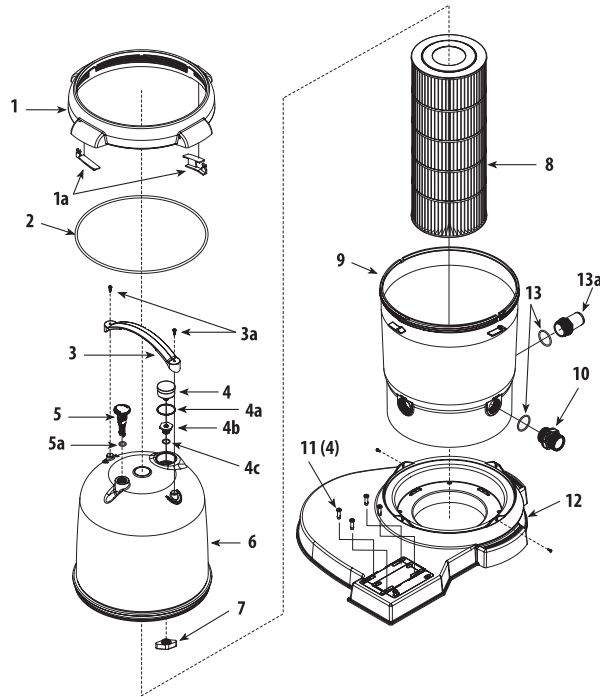
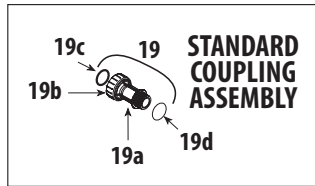
ClearWater II D.E. Filter Replacement Parts

Item	Part No.	Description	List (US \$)
1	550-7500B	Filter Nut Assembly	104.19
1a	519-7420B	Lock Tab - Clearwater II Filter - Extended Arms	28.88
2	805-0460B	O-Ring - Lid	19.57
3	519-7601B	Handle - Lid	15.32
3a	819-9002B	Screw #12 x 3/4" Stainless Steel Phillips Head	0.71
4	830-4000SSB	Pressure Gauge	**
4a	805-0224B	O-Ring - Gauge	1.45
4b	519-7431B	Pressure Gauge Adapter	5.38
4c	805-0117SDB	O-Ring - Pressure Gauge Adapter	**
5	602-0201B	Air Relief Knob	10.17
5a	805-0207B	O-Ring - Air Relief Valve	4.30
6	519-7410B	Lid Assembly (<i>Small</i>)	**
	519-7400B	Lid Assembly (<i>Large</i>)	**
7	519-7441B	Gauge Lock-Nut	18.50
8	500-7310B	Screen/Sock Assembly with Clamp	18.08
9	718-7219B	Tie Nut	12.65
10	519-7491B	Sleeve	6.64
11	519-7269B	Grid Locator	54.31
12	550-7210B	D.E. Replacement Grid (44 GPM) (set of 7 included)	262.70
	550-7220B	D.E. Replacement Grid (67 GPM) (set of 7 included)	337.69
13	550-7100B	Base Assembly – 12 sq. ft. (44 GPM)	118.91
	550-7120B	Base Assembly – 18 sq. ft. (67 GPM)	**
14	515-7250B	Filter Body	623.52
15	805-0224B	O-Ring	1.45
15a	417-6241B	Hose Adapter - 1 1/2" MPT x 1 1/2" hose	3.74
16	500-5300B	Drain Assembly	12.14
17	429-7221B	Snap Pin Base Fasteners (4 required)	3.22
18	672-7401B	ClearWater II Base	187.42
--	519-7470B	Lid Removal Tool	5.72
19	419-7251	Standard Base Coupling Assembly	21.08
19a	419-7241	Standard Coupling	16.05
19b	415-5001	2" Union Nut	4.01
19c	711-4010	2" Union Gasket	1.42
19d	805-0224	O-Ring - Coupling	0.64

** Please request price quote.



Replacement Parts / ClearWater II Cartridge Filter



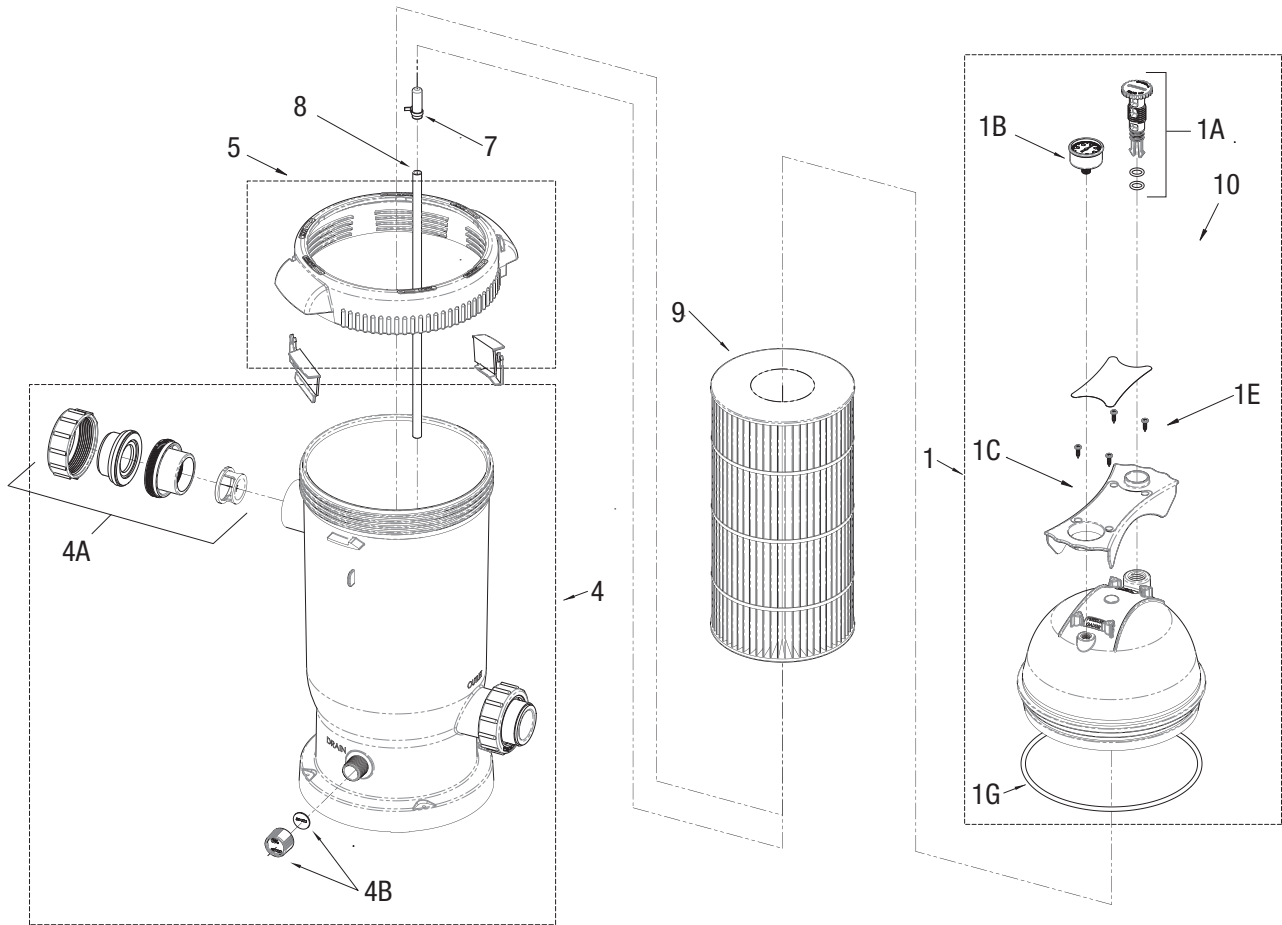
ClearWater II Cartridge Filter Replacement Parts

Item	Part No.	Description	List (US \$)
1	550-7500B	Filter Locknut Assembly	104.19
1a	519-7420B	Lock Tab - Clearwater II Filter - Extended Arms	28.88
2	805-0460B	O-Ring - Lid	19.57
3	519-7601B	Handle - Lid	15.32
3a	819-9002B	Screw #12 x 3/4" Stainless Steel Phillips Head	0.71
4	830-4000SSB	Pressure Gauge	**
4a	805-0136B	O-Ring - Air Relief	1.26
4b	519-7431B	Pressure Gauge Adapter	5.38
4c	805-0116EPB	O-Ring - Adapter	0.97
5	602-0201B	Air Relief Knob	10.17
5a	805-0207B	O-Ring - Air Relief Valve	4.30
6	519-7410B	Lid Assembly (<i>Small</i>)	**
	519-7400B	Lid Assembly (<i>Large</i>)	**
7	519-7441B	Gauge Lock-Nut	18.50
8	817-0075PB	Filter Cartridge - 75 sq. ft. - 8 15/16" OD x 17 3/8" L	199.89
	817-0100PB	Filter Cartridge - 100 sq. ft. - 8 15/16" OD x 17 3/8" L	237.93
	817-0125NB	Filter Cartridge - 125 sq. ft. - 8 15/16" OD x 23 5/16" L	253.00
	817-0150NB	Filter Cartridge - 150 sq. ft. - 8 15/16" OD x 23 5/16" L	340.47
	817-0200NB	Filter Cartridge - 200 sq. ft. - 8 15/16" OD x 23 5/16" L	**
9	515-7250B	Filter Body	623.52
10	500-5300B	Drain Assembly	12.14
11	429-7221B	Snap Pin Base Fasteners (4 required)	3.22
12	672-7401B	ClearWater II Base	187.42
13	805-0224B	O-Ring	1.45
13a	417-6241B	Hose Adapter - 1-1/2" MPT x 1-1/2" hose	3.74
--	519-7470B	Lid Removal Tool	5.72
19	419-7251	Standard Base Coupling Assembly	21.08
19a	419-7241	Standard Coupling	16.05
19b	415-5001	2" Union Nut	4.01
19c	711-4010	2" Union Gasket	1.42
19d	805-0224	O-Ring - Coupling	0.64

** Please request price quote.



Replacement Parts / ProClean Plus Cartridge Filter



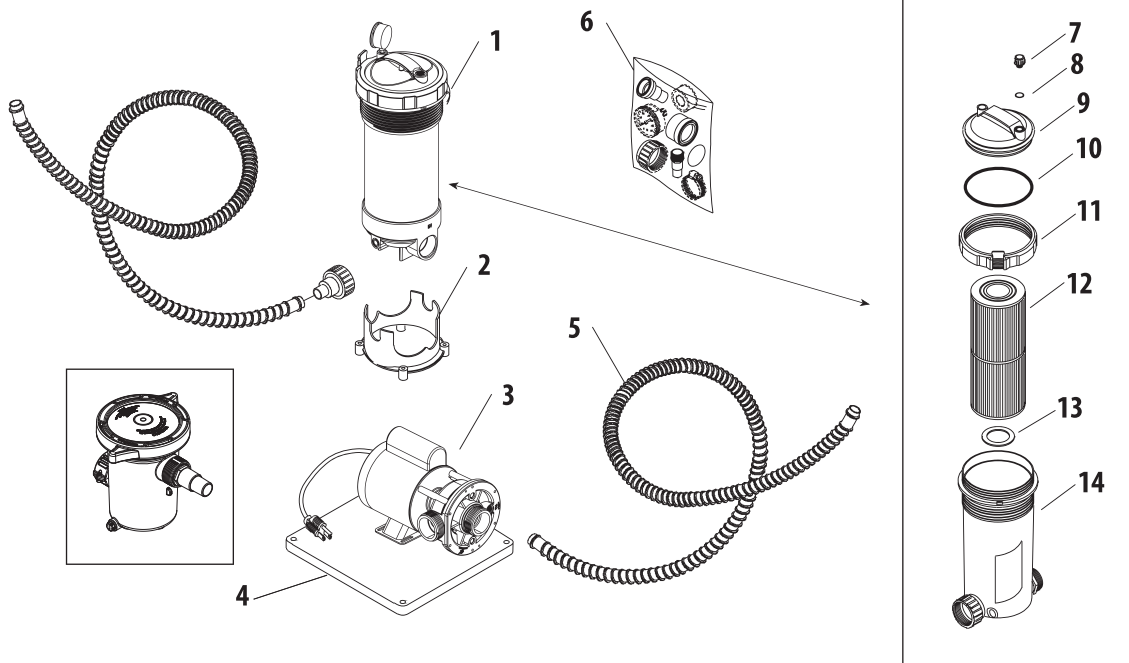
ProClean Plus Cartridge Filter Replacement Parts

Item	Part No.	Description	List (US \$)
1	550-0611	Filter Lid & Handle Assembly – 75 - 100 sq. ft. (includes #1A - 1G)	271.24
	550-0621	Filter Lid & Handle Assembly – 125 - 150 sq. ft. (includes #1A - 1G)	298.00
	550-0631	Filter Lid & Handle Assembly – 175 - 200 sq. ft. (includes #1A - 1G)	328.31
1a	600-0220	ProClean Plus Air Relief Valve w/ O-Ring	7.56
4	550-0601B	Filter Body & Lock ring Assy (includes #4A-4B)	545.53
4a	400-5961-2B	2 ½" Union with 2" S TP with Gasket & Reducer for ProClean	30.51
4b	550-0260	ProClean Plus Drain Cap with Gasket Assembly	5.14
5	550-0701B	Lock Ring Assembly	114.75
7	500-7310B	Screen/Sock with Clamp Assy	17.55
8	872-4000EB	Air Bleed Tube - 75 / 100 sq. ft.	6.76
	872-4000LB	Air Bleed Tube - 125 / 150 sq. ft.	12.78
	872-4000FB	Air Bleed Tube - 175 / 200 sq. ft.	10.15
9	817-0075NB	Filter Cartridge - 75 sq. ft.	**
	817-0100NB	Filter Cartridge - 100 sq. ft.	**
	817-0125NB	Filter Cartridge - 125 sq. ft.	245.63
	817-0150NB	Filter Cartridge - 150 sq. ft.	330.55
	817-0175NB	Filter Cartridge - 175 sq. ft.	**
	817-0200NB	Filter Cartridge - 200 sq. ft.	**

** Please request price quote.



Replacement Parts / TWM Cartridge Filter Package



TWM Filter Package Replacement Parts

Item	Part No.	Description	List (US \$)
1	500-2515B	Top Load Filter with Union - 25 sq. ft.	228.35
	500-5015B	Top Load Filter with Union - 50 sq. ft.	248.82
2	672-1051B	Filter Mount Base	16.27
3	--	Pump (see Center Discharge Pumps, page 21)	0.00
4	672-1010B	Base - 1" x 14 1/2" x 15"	37.85
5	872-9002B	Corrugated Hose - 1 1/2" x 6 ft.	21.61
6	400-9900B	Fitting Package (see below for package contents)	178.65
7	715-1001B	Air Relief Plug	4.11
8	805-0114B	O-Ring - Air Relief Plug	1.44
9	550-5100DB	Top Load Filter Lid Assembly with Plugs and O-Rings	37.29
10	805-0360B	O-Ring - Top Load Filter Lid	7.81
11	500-1000B	Lock Ring Assembly	20.11
12	817-5000B	Top Load Filter Cartridge - 50 sq. ft. - 4 15/16" OD x 13 5/16" L	106.12
	817-2500B	Top Load Filter Cartridge - 25 sq. ft. - 4 15/16" OD x 13 5/16" L	62.03
13	711-1010B	Spacer Ring	4.08
14	550-2515B	Filter Body Assembly - 25 & 50 sq. ft.	208.10
15	310-5400B	6" Leaf Trap 1 1/2" x 1 1/2"	98.00

Fittings Package Contents (Item 6)

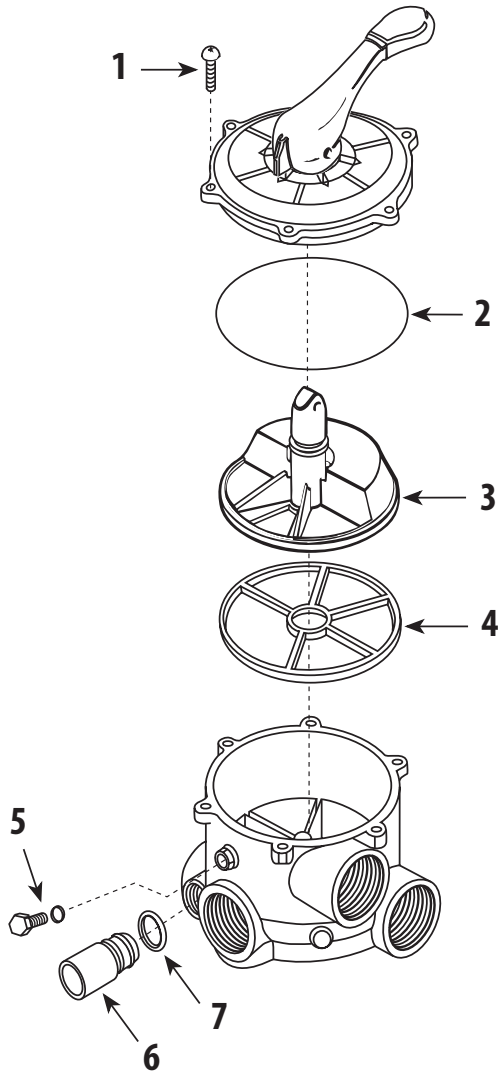
Item	Part No.	Description	List (US \$)
--	830-3000B	Pressure Gauge	26.75
--	872-0011B	2 1/2" Hose Clamp (4 required)	**
--	902-2000B	Teflon Tape - 1/2" x 260" roll	6.49
--	417-4001B	Tailpiece - 1 1/2" S	3.68
--	417-6041B	Hose Adapter Fitting - 1 1/2" TP - 1 1/2" x 1 1/4" H	2.88
--	415-4001B	1 1/2" Union Nut	2.70
--	805-0226B	O-Ring (2 required)	0.78
--	417-6061B	Hose Adapter Fitting - 1 1/2" MPT x 1 1/4" Hose	3.27

** Please request price quote.

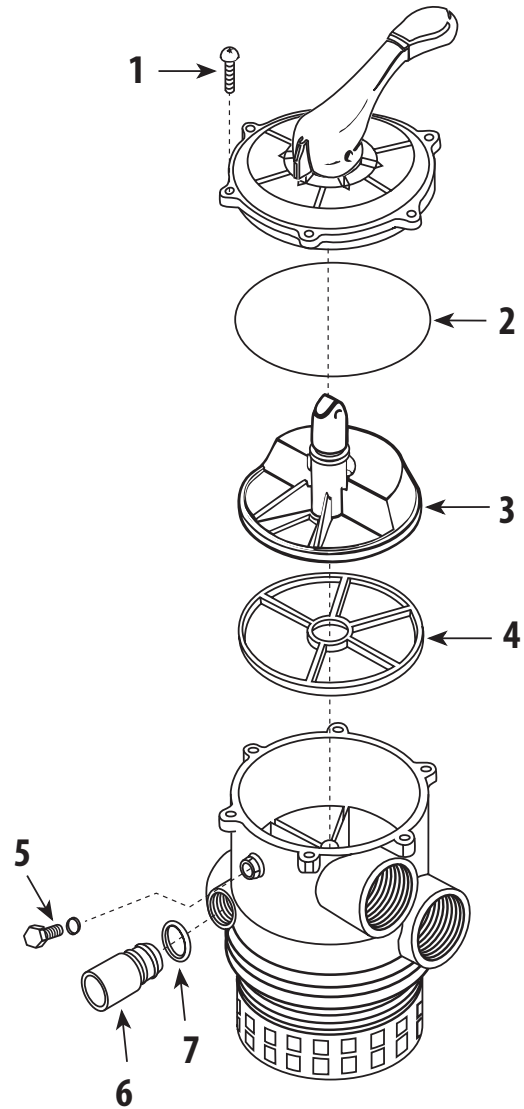


Replacement Parts / Multi-Port Valves - Side Mount and Top Mount

SIDE MOUNT



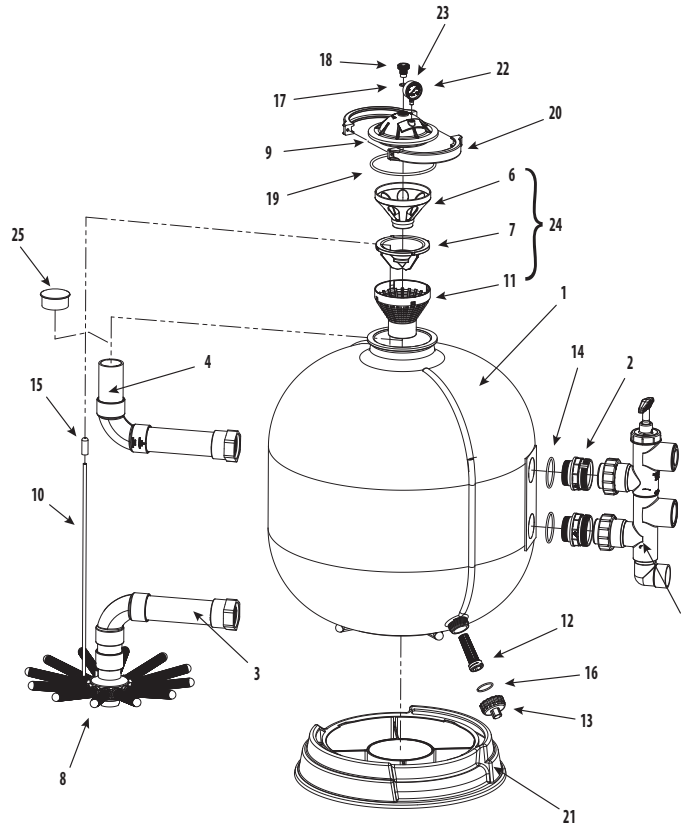
TOP MOUNT



SmartClean Sand and Crystal Water D.E. Multi-Port Valve Replacement Parts

Item	Part No.	Description	Valve Size	List (US \$)
1	819-0010B	Screw	1 1/2" and 2"	2.74
2	873-E7S2B	O-Ring - Cover	1 1/2"	**
	805-0254B	O-Ring - Cover	2"	10.85
3	602-1910B	Diverter (Noryl)	1 1/2"	**
	873-E1011S2B	Diverter (Noryl)	2"	**
4	873-E12S1B	Spider Gasket (T.P.E.)	1 1/2"	28.30
	873-E12S2B	Spider Gasket (T.P.E.)	2"	**
5	873-E15S1B	1/4" Plug	1 1/2" and 2"	**
6	873-E17S1B	Sight Glass (Lexan)	1 1/2" and 2"	**
7	873-E16S1B	Sight Glass Gasket	1 1/2" and 2"	**

** Please request price quote.



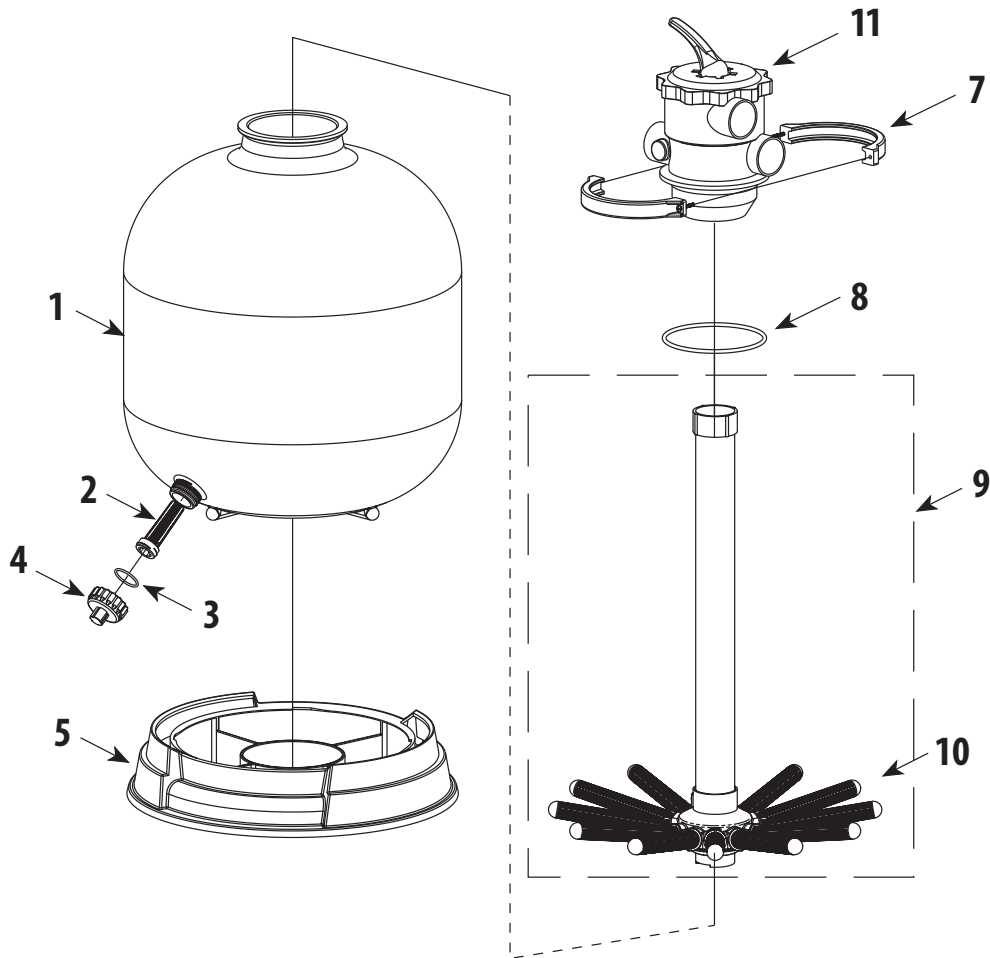
UltraClean Pro Sand Filter Replacement Parts

Item	Part No.	Description	List (US \$)
1	515-2041TB	26" Sand Filter Body	**
2	419-4201B	2 1/2" Threaded Coupler (2 required)	40.05
3	550-5410B	2 1/2" Outlet Assembly	**
4	550-5420B	2 1/2" Inlet Assembly	**
5	600-1500UCPB	2 1/2" Slide Valve Assembly	**
6	519-5310B	Sand Fill Guide	**
7	519-5320B	Diffuser Disbursement Basket Cap	**
8	519-5370B	Twist-Lock Lateral (12 required)	9.36
9	519-5301B	Access Dome Cover	**
10	872-2130DB	Tubing - 3/8" outer diameter x 32" height	**
11	519-5330SCB	Diffuser Disbursement Basket	**
12	602-5310B	Self-Threading Drain Screen	6.36
13	602-5301B	Drain Screen Cap (2010 and earlier)	5.85
	602-5321B	Drain Screen Cap (new style - 2011)	5.85
14	805-0339BN50B	O-Ring (2 required)	**
15	817-0001B	2" Polyester Sock	12.63
16	805-0224B	O-Ring - Drain Screen Cap	1.45
17	805-0116EPB	O-Ring	0.97
18	715-6011B	Air Bleeder Plug	9.40
19	805-0442B	O-Ring - Access Dome Cover	11.66
20	872-0046B	Multi-Port Valve Clamp Kit with Nuts & Bolts	24.17
21	672-5301B	Filter Base	86.25
22	830-3000B	Pressure Gauge	26.75
23	600-4101B	Bezel Cover Assembly	13.78
24	550-5430B	Basket Assembly	**
25	519-5421B	Sand Fill Cap	**

** Please request price quote.

Replacement Parts / SmartClean Sand Filter - Top Mount

(Discontinued 2015)



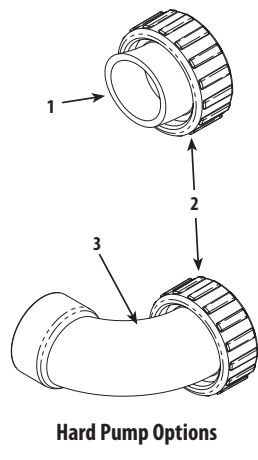
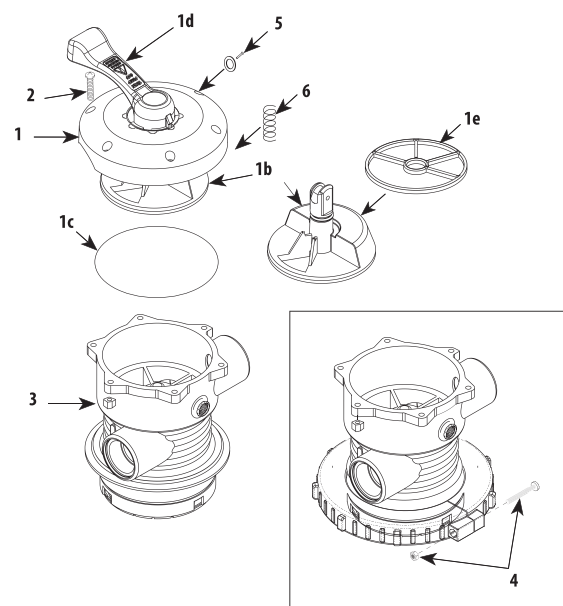
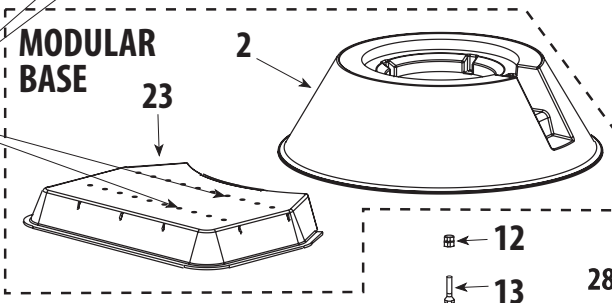
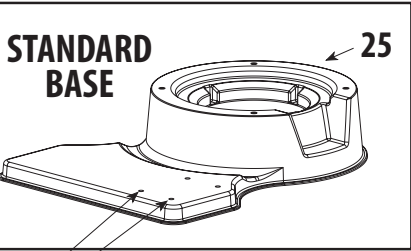
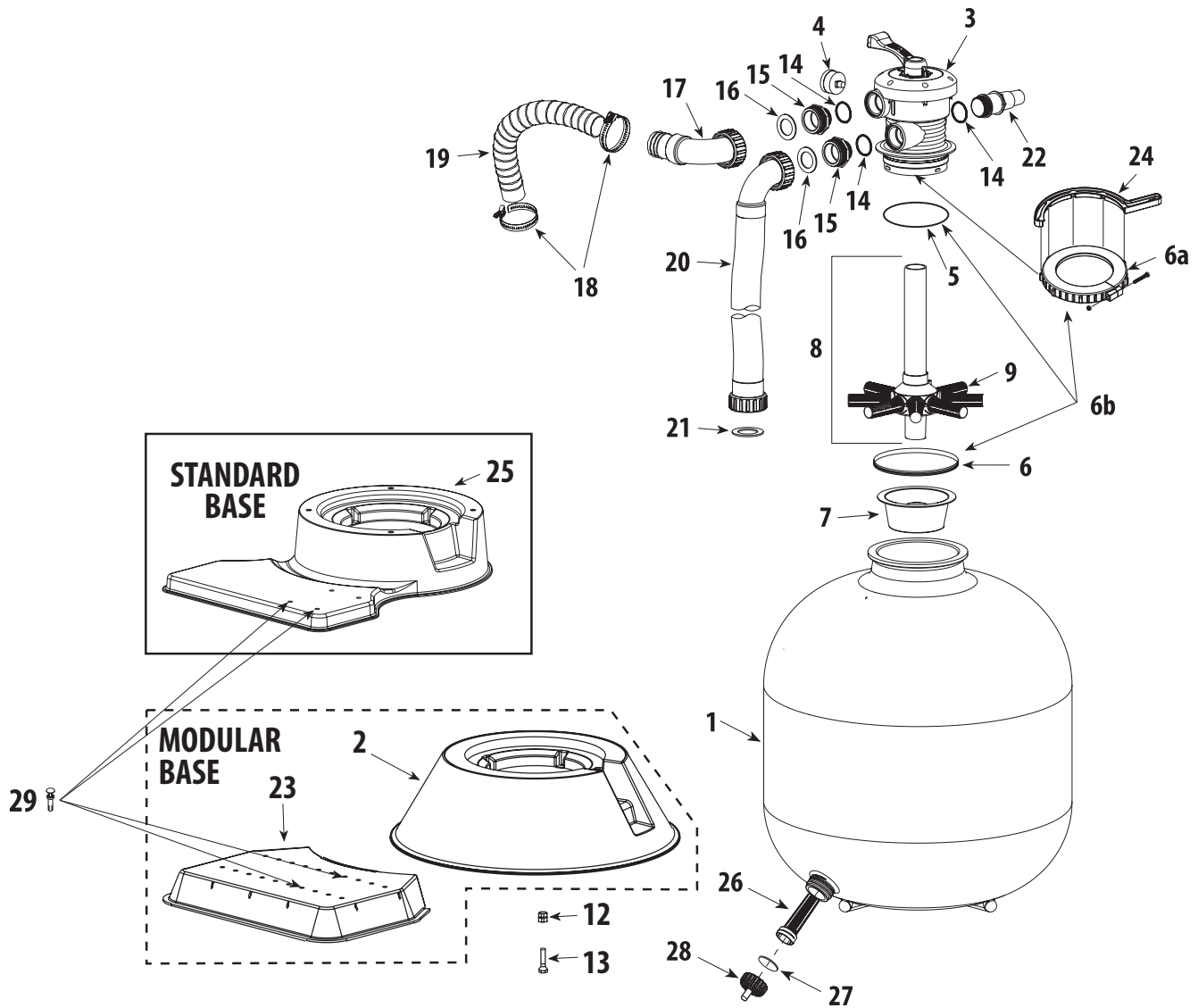
SmartClean Sand Filter -Top Mount Replacement Parts

Item	Part No.	Description	List (US \$)
1	515-2041TB	26" SmartClean Sand Filter Body	**
2	602-5310B	Self-Threading Drain Screen	6.36
3	711-5310B	Drain Cap Gasket	**
4	602-5301B	Drain Screen Cap (2010 and earlier)	5.85
	602-5321B	Drain Screen Cap (new style - 2011)	5.85
5	672-5301B	SmartClean Sand Filter Base	86.25
7	872-0046B	Multi-Port Valve Clamp Kit with Nuts & Bolts	24.17
8	805-0442B	O-Ring - Multi-Port Valve	11.66
9	550-5340B	Top Mount Lateral and Manifold Assembly - 26"	**
	550-5370B	Top Mount Lateral and Manifold Assembly - 32"	**
10	519-5370B	Lateral	9.36
11	WVS004B	Top Mount Clamp Style - 2" FPT	**

** Please request price quote.



Replacement Parts / Carefree Sand Filter



Multi-Port Valve Assembly

Replacement Parts



Carefree Sand Filter Replacement Parts

Item	Part No.	Description	List (US \$)
1	505-0271B	16" Oval Sand Filter Body with Threaded Sleeve Assembly	359.72
	505-0281B	19" Oval Sand Filter Body with Threaded Sleeve Assembly	434.70
	505-0291B	22" Oval Sand Filter Body with Threaded Sleeve Assembly	506.31
	505-0301B	26" Oval Sand Filter Body with Threaded Sleeve Assembly	675.56
2	672-7211B	Modular Filter Base	86.56
3	WVS003B	1 1/2" Multi-Port Valve Assembly - Split-Nut	183.33
4	830-3000B	Pressure Gauge	26.75
5	805-0435B	O-Ring - Multi-Port Valve	9.25
6	505-3000B	Threaded Sleeve Assembly	22.23
6a	505-3010B	Split-Nut Assembly - Multi-Port Valve	24.45
6b	505-3020B	Split-Nut Assembly - Multi-Port Valve with Thread Sleeve and O-Ring	47.30
7	502-2011B	Sand Fill Guide	8.18
8	505-2140B	Lateral and Manifold Assembly - 16" Filter	90.16
	505-2150B	Lateral and Manifold Assembly - 19" Filter	90.16
	505-2160B	Lateral and Manifold Assembly - 22" Filter	89.93
	505-2180B	Lateral and Manifold Assembly - 26" Filter	93.04
9	505-1930B	Lateral - Thread Style (8 required)	7.98
	519-5370B	Lateral - 22" and 26" Sand Filter (12 required)	9.36
10	505-2020B	Drain Assembly (2004 and earlier)	17.69
11	505-2030B	Drain Cap Assembly (2004 and earlier)	8.58
12	820-0017B	3/8" Flat Washer	1.09
13	819-0016B	3/8" Bolt - 16 x 2" Hex - 22" & 26" Sand Filter	3.00
	819-0019B	3/8" Bolt - 16 x 1 1/2" Hex - 19" Sand Filter	4.12
	819-0020B	3/8" Bolt - 16 x 1 1/4" Hex - 16" Sand Filter	4.81
14	805-0224B	O-Ring - 1 1/2" Buttress x 1 1/2" MPT Fitting	1.45
15	417-4161B	1 1/2" Buttress x 1 1/2" MPT Tailpiece	6.38
16	711-4000B	1 1/2" Union Gasket	1.45
17	550-1841B	Return Sweep Assembly	34.81
18	872-0011B	Hose Clamp - Stainless Steel - 2 1/2"	**
19	872-9002B	Corrugated Hose - Black - 1 1/2" x 6 ft.	21.61
20	550-1821B	PVC Flex Hose Assembly - 19" Sand Filter	80.70
	550-1831B	PVC Flex Hose Assembly - 22" Sand Filter	84.03
	550-1833B	PVC Flex Hose Assembly - 26" Sand Filter	92.55
21	711-4010B	2" Union Gasket	1.57
22	425-1928B	Waste Adapter Fitting	17.51
23	672-7201B	Pump Base	44.57
24	505-1970B	Collar Wrench for Threaded Style Split-Nut	19.35
25	672-7241B	Standard One-Piece Base	98.88
26	602-5310B	Self-Threading Drain Screen	6.36
27	805-0224B	O-Ring - 1 1/2" Heater Tailpiece	1.45
28	602-5301B	Drain Screen Cap (2010 and earlier)	5.85
	602-5321B	Drain Screen Cap (new style - 2001)	5.85
29	429-7300B	Replacement Kit Pin and Anchor Assembly (4 required)	9.51

Multi-Port Valve Assembly Replacement Parts

1	600-9600B	Multi-Port Lid Assembly	122.90
1b	600-9500B	Diverter Valve Assembly with Gasket	47.27
1c	805-0254B	O-Ring - Lid	10.85
1d	602-1931B	Lid Handle Only	12.96
1e	711-1910B	Diverter Gasket (Spider) (Note: purchasing gasket glued into diverter by factory recommended)	20.80
2	819-0010B	Screw - Lid	2.74
3	820-0013B	Serrated Hex Nut	**
4	800-0100B	1 1/2" Split-Nut Bolt & Nut Kit	5.52
5	800-0150B	O-Ring Kit with Pin & Washer	15.55
6	827-0002B	Spring	9.00

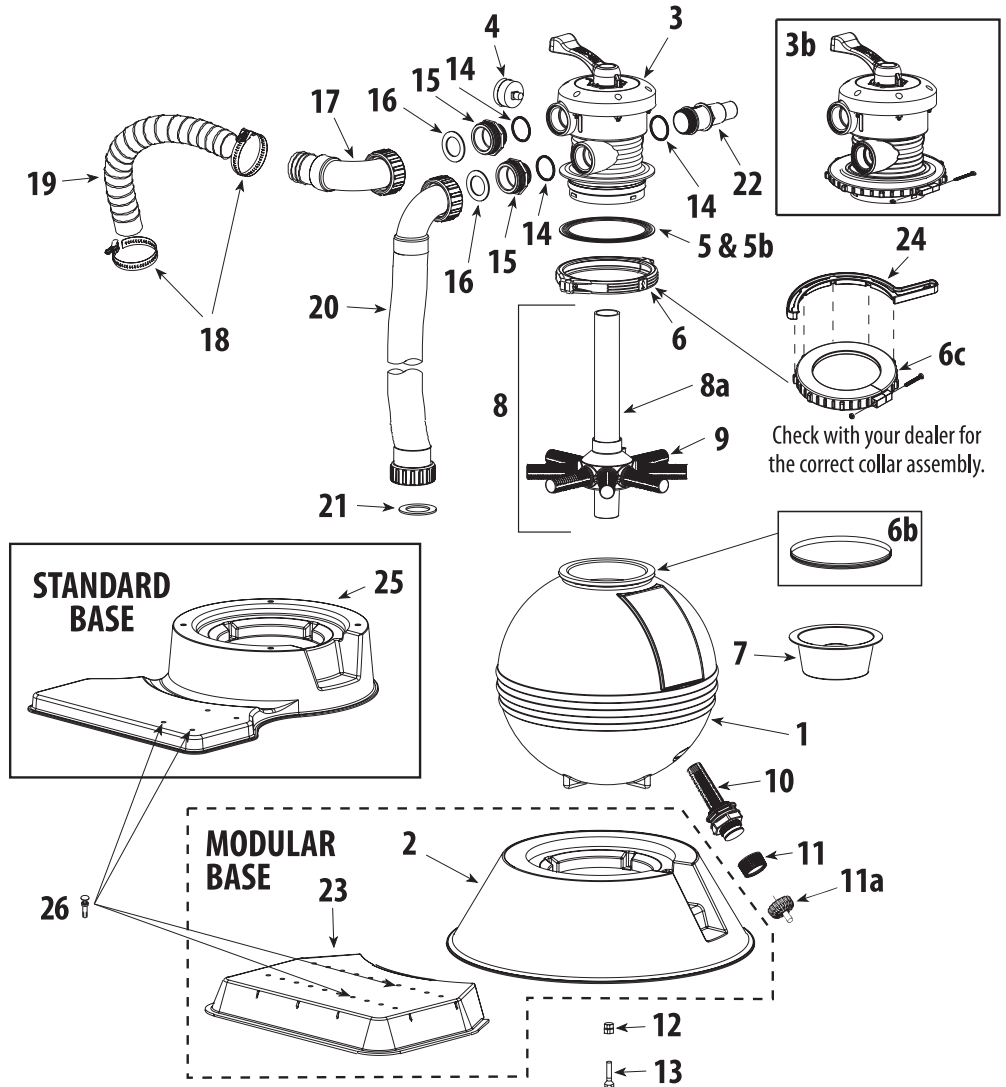
Hard Pump Options

1	400-4061B	1 1/2" Socket Pump Union Assembly	6.92
2	415-4001B	1 1/2" Union Nut	2.70
3	500-1901B	1 1/2" Socket Return Sweep Assembly	31.94

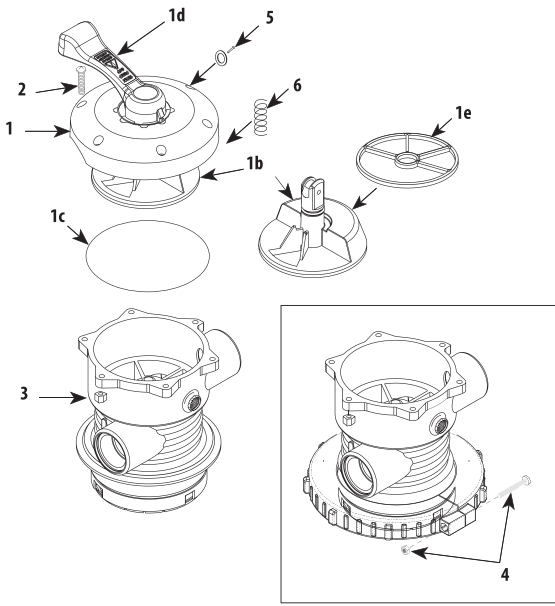
** Please request price quote.



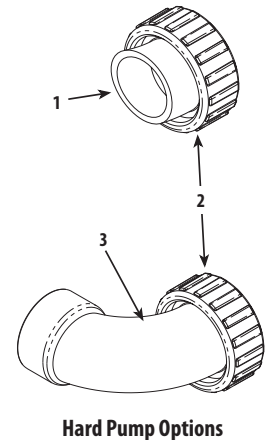
Replacement Parts / ClearWater Sand Filter



Check with your dealer for the correct collar assembly.



Multi-Port Valve Assembly



Hard Pump Options

Replacement Parts



ClearWater Sand Filter Replacement Parts

Item	Part No.	Description	List (US \$)
1	505-0161B	16" Sand Filter Body with Threaded Sleeve Assembly	319.19
	505-0191B	19" Sand Filter Body with Threaded Sleeve Assembly	382.03
	505-0221B	22" Sand Filter Body with Threaded Sleeve Assembly	420.33
	505-0261B	26" Sand Filter Body with Threaded Sleeve Assembly	573.01
2	672-7211B	Modular Filter Base	86.56
3	WVS002B	Multi-Port Valve Assembly - Clamp Style (2001 and Earlier)	183.33
3b	WVS003B	Multi-Port Valve Assembly - Split-Nut Style (2002 to Present)	183.33
4	830-3000B	Pressure Gauge	26.75
5	711-1920B	Collar Gasket (for Clamp Style) (2001 and Earlier)	14.53
5b	805-0435B	O-Ring - Multi-Port Valve (for Split-Nut Style)	9.25
6	505-2070B	Collar Assembly - Clamp Style (2001 and Earlier)	48.47
6b	505-3000B	Threaded Sleeve Assembly (2002 to Present)	22.23
6c	505-3010B	Split-Nut Assembly (included with WVS003)	24.45
7	502-2011B	Sand Fill Guide	8.18
8	505-2040B	Lateral and Manifold Assembly - 16" Filter	90.38
	505-2050B	Lateral and Manifold Assembly - 19" Filter	90.04
	505-2060B	Lateral and Manifold Assembly - 22" Filter	90.04
	505-2080B	Lateral and Manifold Assembly - 26" Filter	90.16
8a	505-2240-RB	Manifold Only - 16" Filter	**
	505-2250-RB	Manifold Only - 19" Filter	**
	505-2260-RB	Manifold Only - 22" Filter	**
9	505-1930B	Lateral - Thread Style (2003 and Earlier)	7.98
	505-1950B	Lateral - Twist-Lock Style (2004)	7.39
10	505-2020B	Drain Assembly (2004 and earlier)	17.69
11	505-2030B	Drain Cap Assembly (2004 and earlier)	8.58
11a	602-5321B	Drain Screen Cap (new style - 2001)	5.85
12	820-0017B	3/8" Flat Washer	1.09
13	819-0016B	3/8" Bolt - 16 x 2" Hex - 22" & 26" Sand Filter	3.00
	819-0019B	3/8" Bolt - 16 x 1 1/2" Hex - 19" Sand Filter	4.12
	819-0020B	3/8" Bolt - 16 x 1 1/4" Hex - 16" Sand Filter	4.81
14	805-0224B	O-Ring - 1 1/2" Buttress x 1 1/2" MPT Fitting	1.45
15	417-4161B	1 1/2" Buttress x 1 1/2" MPT Tailpiece	6.38
16	711-4000B	1 1/2" Union Gasket	1.45
17	550-1841B	Return Sweep Assembly	34.81
18	872-0011B	Hose Clamp - Stainless Steel	**
19	872-9002B	Corrugated Hose - Black - 1 1/2" x 6 ft.	21.61
20	550-1801B	PVC Flex Hose Assembly - 16" Sand Filter	52.85
	550-1811B	PVC Flex Hose Assembly - 19" Sand Filter	70.31
	550-1821B	PVC Flex Hose Assembly - 22" Sand Filter	80.70
	550-1831B	PVC Flex Hose Assembly - 26" Sand Filter	84.03
21	711-4010B	2" Union Gasket	1.57
22	425-1928B	Waste Adapter Fitting	17.51
23	672-7201B	Pump Base	44.57
24	505-1970B	Collar Wrench for Split-Nut Threaded Style	19.35
25	672-7241B	Standard One-Piece Base	98.88
26	429-7300B	Replacement Kit Pin and Anchor Assembly (4 required)	9.51

Multi-Port Valve Assembly Replacement Parts

1	600-9600B	Multi-Port Lid Assembly	122.90
1b	600-9500B	Diverter Valve Assembly with Gasket	47.27
1c	805-0254B	O-Ring - Lid	10.85
1d	602-1931B	Lid Handle Only	12.96
1e	711-1910B	Diverter Gasket (Spider) (Note: purchasing gasket glued into diverter by factory recommended)	20.80
2	819-0010B	Lid Screw	2.74
3	820-0013B	Serrated Hex Nut	**
4	800-0100B	Split-Nut Bolt and Nut Kit	5.52
5	800-0150B	O-Ring Kit with Pin and Washer	15.55
6	827-0002B	Spring	9.00

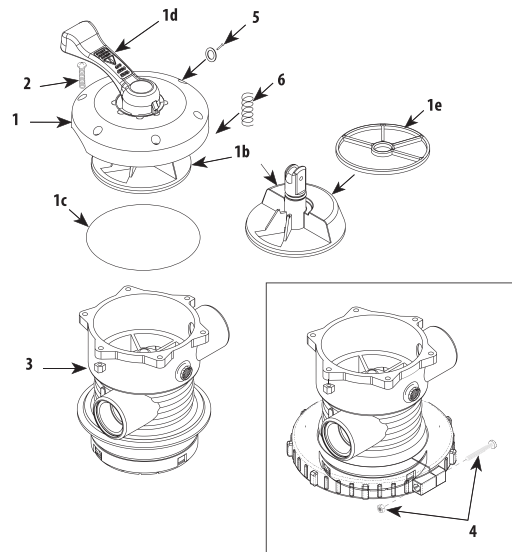
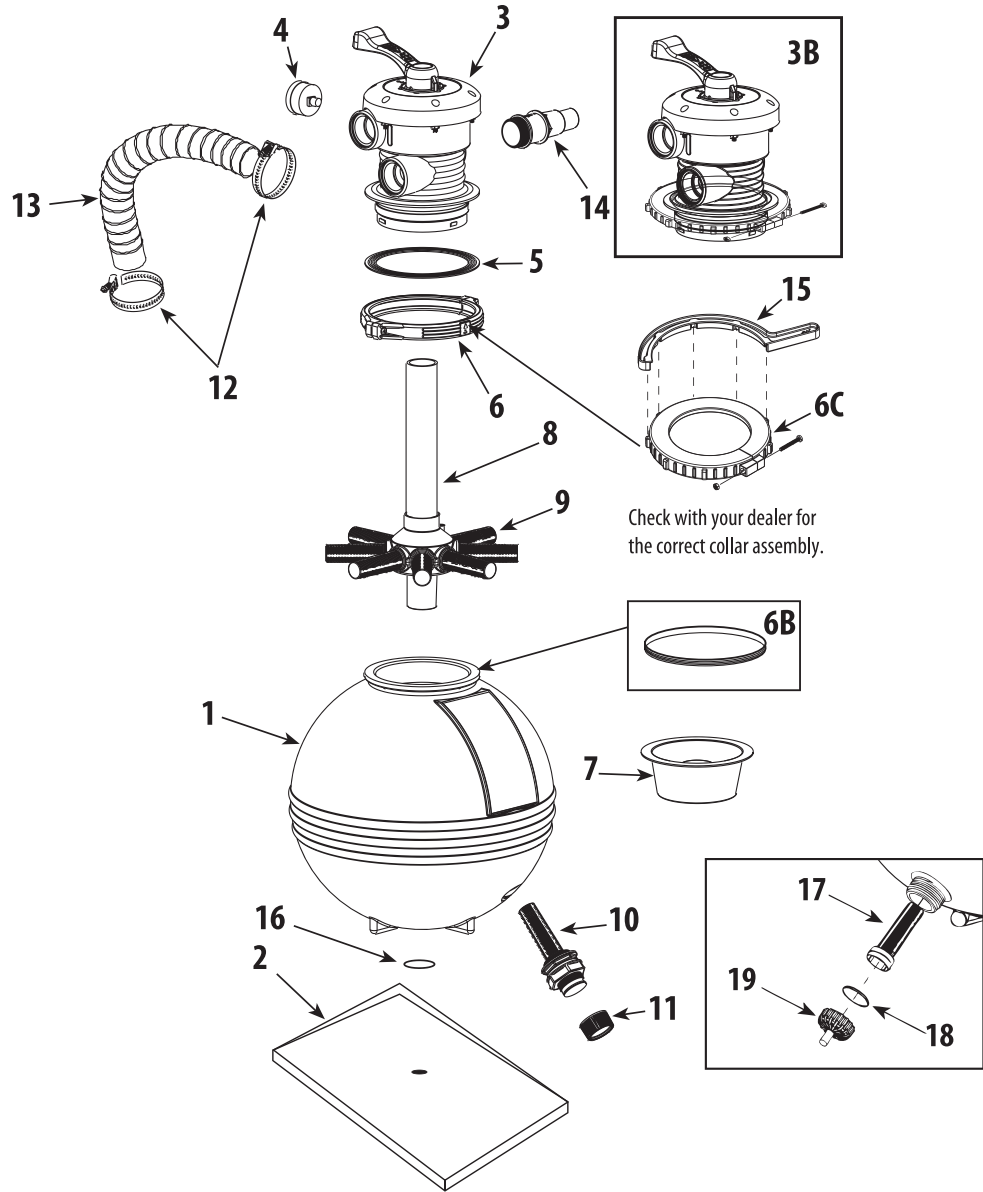
Hard Pump Options

1	400-4061B	1 1/2" Socket Pump Union Assembly	6.92
2	415-4001B	1 1/2" Union Nut	2.70
3	500-1901B	1 1/2" Socket Return Sweep Assembly	31.94

** Please request price quote.



Replacement Parts / TWM Sand Filter



Multi-Port Valve Assembly



TWM Sand Filter Replacement Parts

Item	Part No.	Description	List (US \$)
1	505-0161B	16" Sand Filter Body with Threaded Sleeve Assembly	319.19
	505-0191B	19" Sand Filter Body with Threaded Sleeve Assembly	382.03
	505-0221B	22" Sand Filter Body with Threaded Sleeve Assembly	420.33
	505-0261B	26" Sand Filter Body with Threaded Sleeve Assembly	573.01
2	672-1000B	Equipment Base - 1" x 15 1/4" x 26 1/4"	45.26
3	WVS002B	1 1/2" Multi-Port Valve Assembly - Clamp Style (2001 and Earlier)	183.33
3B	WVS003B	1 1/2" Multi-Port Valve Assembly with Split-Nut (2002 to Present)	183.33
4	830-3000B	Pressure Gauge	26.75
5	711-1920B	Collar Gasket <i>(use with Clamp Style)</i>	14.53
6	505-2070B	Collar Assembly - Old Style <i>(2001 and Earlier)</i>	48.47
6B	505-3000B	Threaded Sleeve Assembly	22.23
6C	505-3010B	Multi-Port Valve Split-Nut Assembly	24.45
7	502-2011B	Sand Fill Guide	8.18
8	505-2040B	Lateral & Manifold Assembly - 16" Filter	90.38
	505-2050B	Lateral & Manifold Assembly - 19" Filter	90.04
	505-2060B	Lateral & Manifold Assembly - 22" Filter	90.04
	505-2080B	Lateral & Manifold Assembly - 26" Filter	90.16
9	505-1930B	Lateral - Threaded Style <i>(2001 and Earlier)</i>	7.98
	505-1950B	Lateral - Twist-Lock Style <i>(2003 to Present)</i>	7.39
10	505-2020B	Drain Assembly 2004 and earlier	17.69
11	505-2030B	Drain Cap Assembly 2004 and earlier	8.58
12	872-0011B	Hose Clamp - Stainless Steel - 2 1/2"	**
13	872-9002B	Corrugated Hose - Black - 1 1/2" x 6 ft. (2 required)	21.61
	872-9001B	Corrugated Hose - Black - 1 1/2" x 3 ft. (1 required)	16.71
14	425-1928B	Waste Adapter Fitting	17.51
15	505-1970B	Collar Wrench for Split-Nut Threaded Style (optional)	19.35
16	218-6680B	Washer	3.13
17	602-5310B	Self Threading Drain Screen	6.36
18	805-0224B	O-Ring - 1 1/2" Heater Tailpiece	1.45
19	602-5321B	Drain Screen Cap (new style - 2001)	5.85

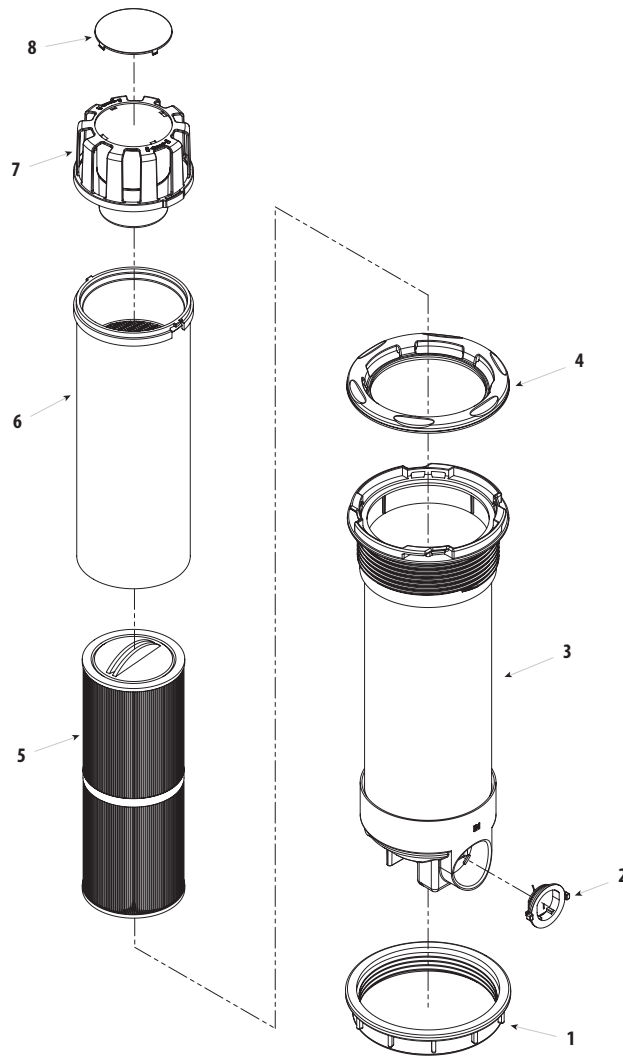
Multi-Port Valve Assembly Replacement Parts

Item	Part No.	Description	List (US \$)
1	600-9600B	Multi-Port Lid Assembly	122.90
1b	600-9500B	Diverter Valve Assembly	47.27
1c	805-0254B	O-Ring - Lid	10.85
1d	602-1931B	Lid Handle Only	12.96
1e	711-1910B	Diverter Gasket (Spider) <i>(Note: purchasing gasket glued into diverter by factory recommended)</i>	20.80
2	819-0010B	Lid Screw	2.74
3	820-0013B	Serrated Hex Nut	**
4	800-0100B	1 1/2" Split-Nut Bolt and Nut Kit	5.52
5	800-0150B	O-Ring Kit with Pin and Washer	15.55
6	827-0002B	Spring	9.00

** Please request price quote.

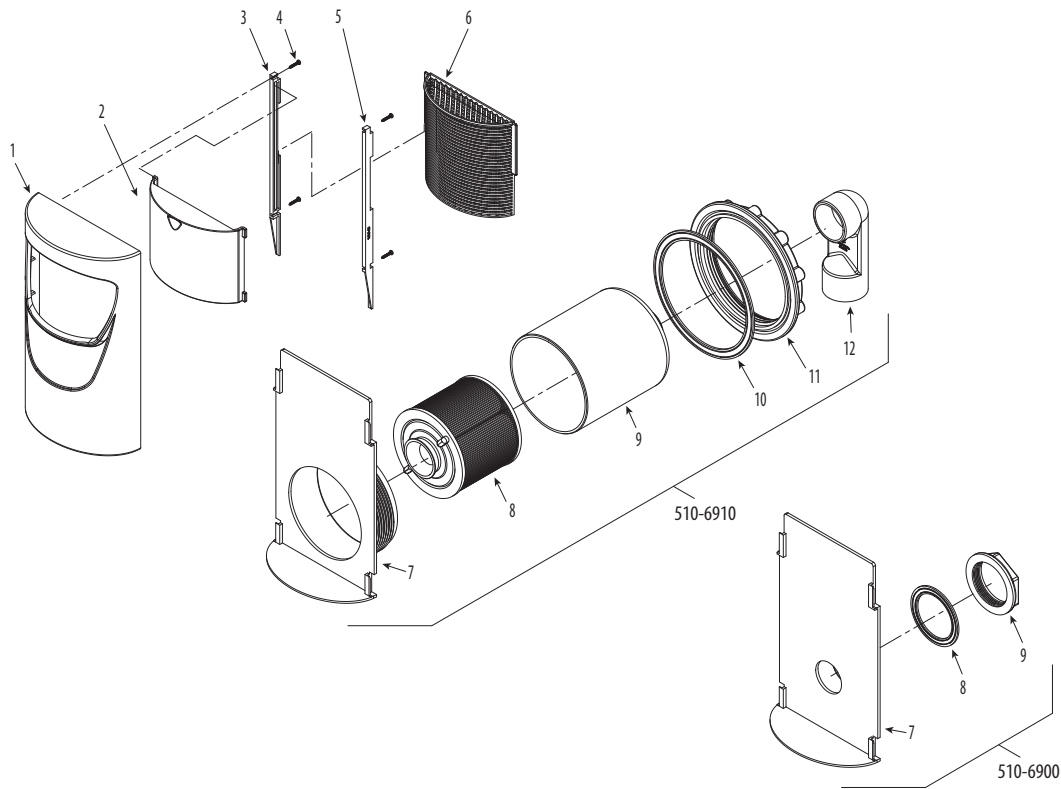


Replacement Parts / Teleweir



Teleweir			
Item	Part No.	Description	List (US \$)
1	718-1000B	Top-Mount Filter Nut	16.32
2	600-1040B	2" Bypass Valve	10.69
3	550-5735-1B	35 sq. ft. Teleweir Body Assembly	**
	550-5750-1B	50 sq. ft. Teleweir Body Assembly	**
	550-5775-1B	75 sq. ft. Teleweir Body Assembly	**
4	519-8310B	Teleweir Trim Ring - 6-Scallop	**
5	817-4035B	35 sq. ft. Teleweir Cartridge	**
	817-4050B	50 sq. ft. Teleweir Cartridge	**
	817-4075B	75 sq. ft. Teleweir Cartridge	**
6	550-5835-1B	35 sq. ft. Inner Pipe & Basket Assembly	**
	550-5850-1B	50 sq. ft. Inner Pipe & Basket Assembly	**
	550-5875-1B	75 sq. ft. Inner Pipe & Basket Assembly	**
7	550-5701B	Upper Weir Teleweir Sub-Assembly	**
8	519-0300B	Teleweir Cap	**

** Please request price quote.



510-6900 - Deluxe Strip Skimmer Replacement Parts

Item	Part No.	Description	List (US \$)
1	519-6900B	Weir Frame	**
2	550-6910B	Weir Door Assembly	**
3	519-6940.RB	Guide Frame - Right	**
4	819-0114B	Screw (4 required)	**
5	519-6940.LB	Guide Frame - Left	**
6	519-6951B	Basket	**
7	519-6981B	Weir Plate Outlet	**
8	711-4350B	Wall Fitting Gasket	1.18
9	718-3150B	Wall Fitting Nut	**
10	819-0008B	Screw, #8 PPH	**

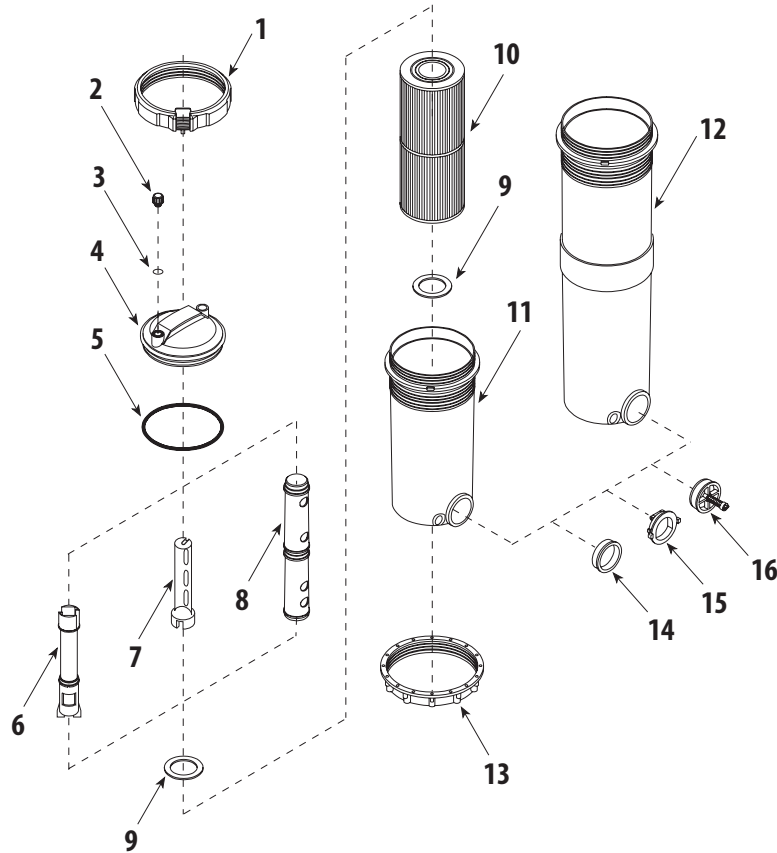
510-6910 - Deluxe Skim Filter Replacement Parts

Item	Part No.	Description	List (US \$)
1	519-6900B	Weir Frame	**
2	550-6910B	Weir Door Assembly	**
3	519-6940.RB	Guide Frame - Right	**
4	819-0114B	Screw (4 required)	**
5	519-6940.LB	Guide Frame - Left	**
6	519-6951B	Basket	**
7	519-6961B	Weir Plate Outlet	**
8	817-0020B	10 sq. ft. Cartridge	45.42
9	519-6970B	Weir Filter Housing	**
10	711-7000B	Wall Fitting Gasket	6.55
11	718-7000B	Wall Fitting Nut	**
12	411-6910B	90° Ell - 2" SPG x 2" S	**
13	v819-0008B	Screw, #8 PPH	**

** Please request price quote.



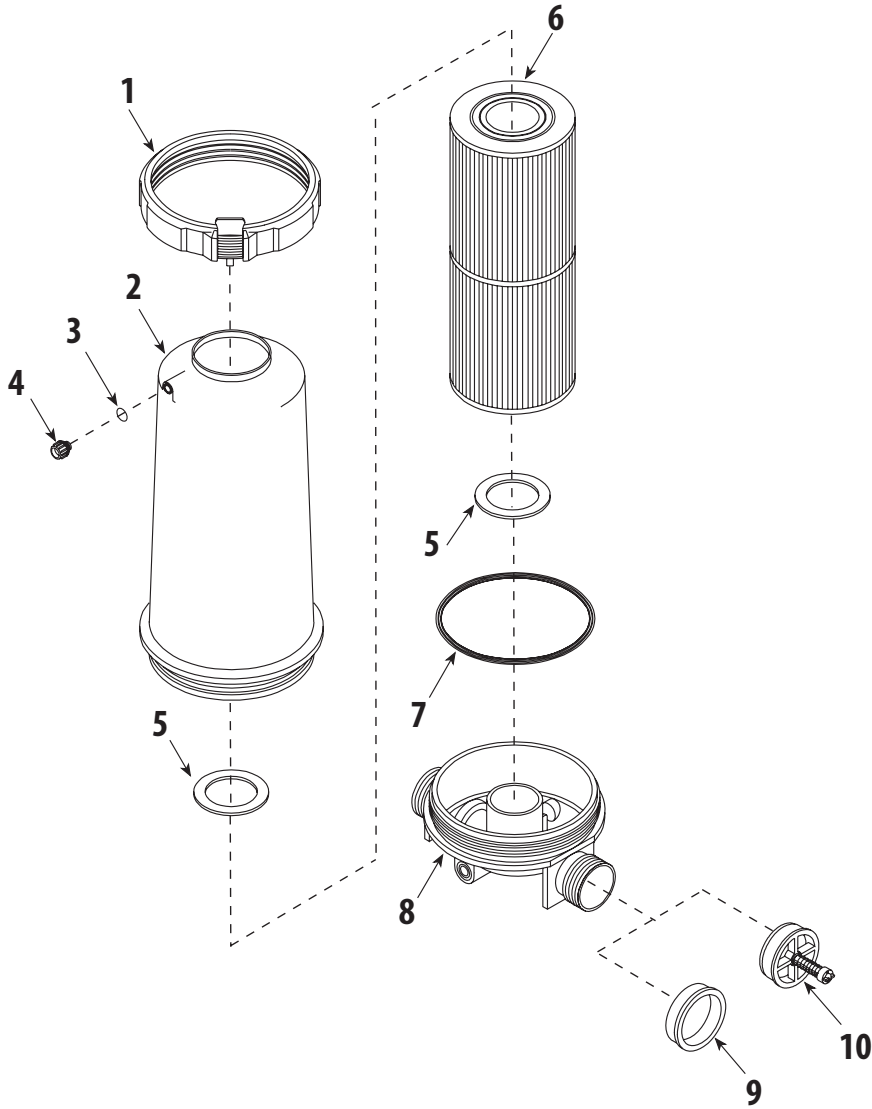
Replacement Parts / 1 1/2" and 2" Top-Load Filter



1 1/2" and 2" Top-Load Filter Replacement Parts

Item	Part No.	Description	List (US \$)
1	500-1000B	Lock Ring Assembly	20.11
2	715-1001B	Plug - Air Relief	4.11
3	805-0114B	O-Ring - Air Relief Plug	1.44
4	511-1000B	Filter Lid with Handle	33.02
5	805-0360B	O-Ring - Filter Lid	7.81
6	500-1070B	Brominator Assembly - 10 Tablet	**
7	519-1051B	Mineral Purifier Canister Holder	**
8	500-1060B	Flow Restriction Tube	20.12
9	711-1010B	Spacer Ring	4.08
10	817-2500B	Filter Cartridge - 25 sq. ft. - 4 15/16" OD x 13 5/16" L	62.03
	817-5000B	Filter Cartridge - 50 sq. ft. - 4 15/16" OD x 13 5/16" L	106.12
	817-7500B	Filter Cartridge - 75 sq. ft. - 4 15/16" OD x 23 5/8" L	**
	817-1000B	Filter Cartridge - 100 sq. ft. - 4 15/16" OD x 23 5/8" L	**
11	550-5000B	1 1/2" Filter Body - with Bypass	123.72
	550-4990B	1 1/2" Filter Body - with Plug	120.76
	550-5010B	2" Filter Body - with Bypass	**
	550-5060B	2" Filter Body - with Plug	122.61
12	550-5110B	1 1/2" Extended Filter Body - with Bypass	**
	550-5150B	1 1/2" Extended Filter Body - with Plug	**
	550-5230B	2" Extended Filter Body - with Bypass	194.44
	550-5220B	2" Extended Filter Body - with Plug	**
13	718-1000B	Nut - Filter Body	16.32
14	715-1010B	1 1/2" Plug	**
	715-9900B	2" Plug	**
15	600-1040B	2" Bypass Valve Assembly	10.69
16	600-1000B	1 1/2" Bypass Valve Assembly	10.79

** Please request price quote.



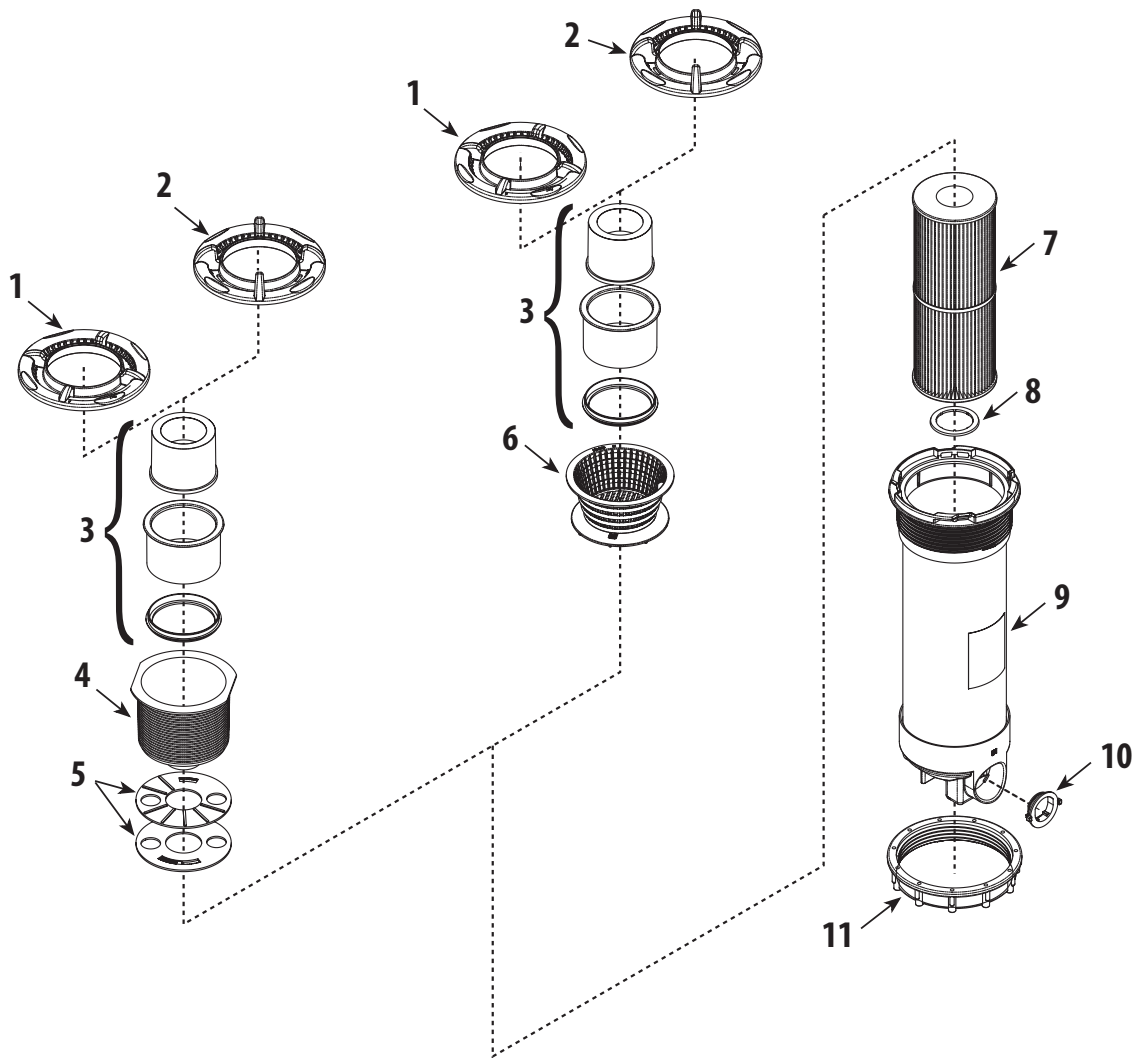
1 ½" In-Line Filter Replacement Parts

Item	Part No.	Description	List (US \$)
1	500-1000B	Lock Ring Assembly	20.11
2	515-1010B	In-line Filter Body	110.11
3	805-0114B	O-Ring - Air Relief Plug	1.44
4	715-1001B	Plug - Air Relief	4.11
5	711-1010B	Spacer Ring	4.08
6	817-2500B	Filter Cartridge - 25 sq. ft. - 4 15/16" OD x 13 5/16" L	62.03
	817-5000B	Filter Cartridge - 50 sq. ft. - 4 15/16" OD x 13 5/16" L	106.12
7	805-0360B	O-Ring - Filter Lid	7.81
8	511-1010B	1 ½" Filter Lid	20.14
9	715-1010B	1 ½" Plug	**
10	600-1000B	1 ½" Bypass Valve	10.79

** Please request price quote.



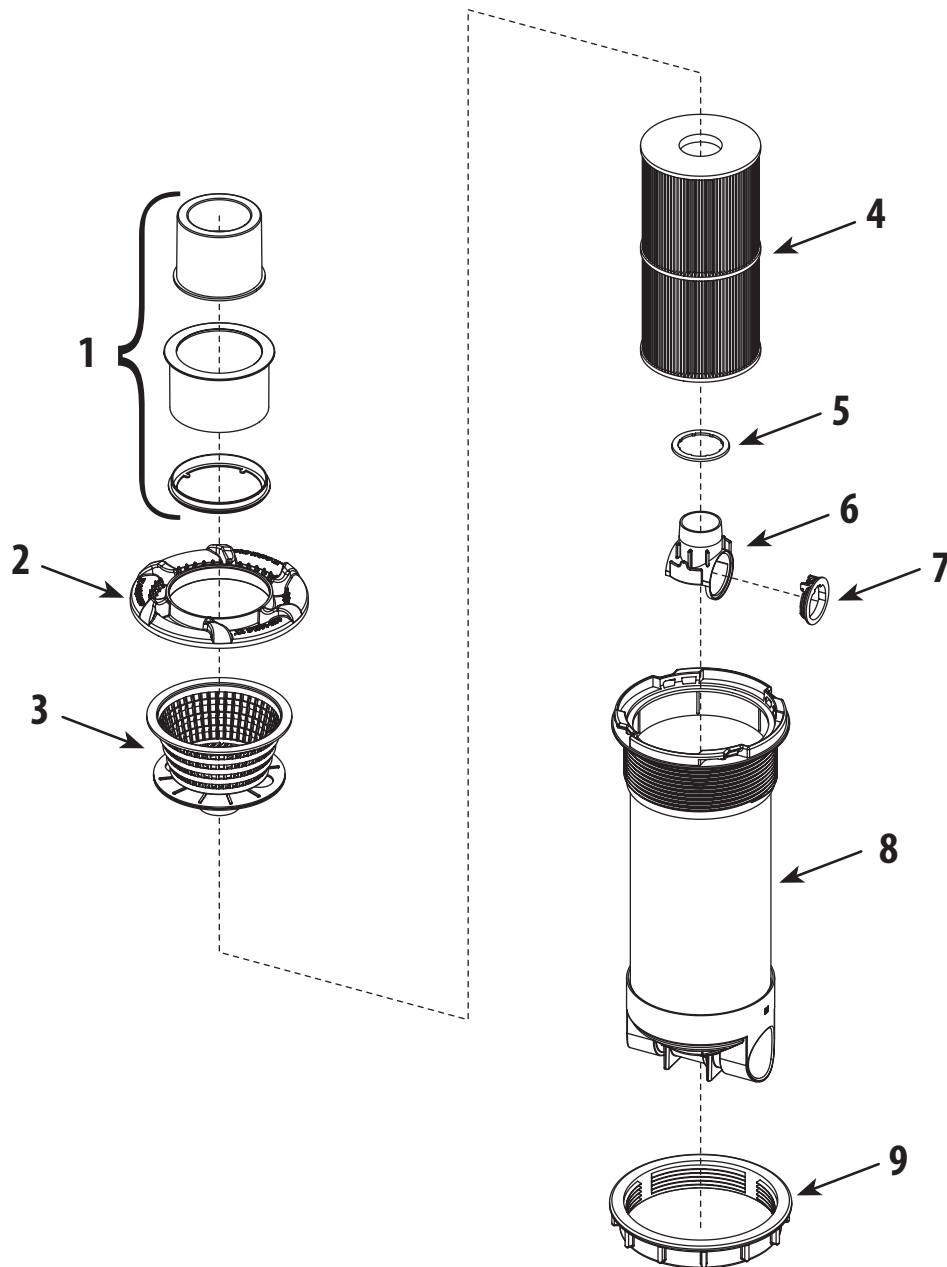
Replacement Parts / Dyna-Flo Top Mount Skim Filter



Dyna-Flo Top Mount Skim Filter Replacement Parts

Item	Part No.	Description	List (US \$)
1	519-8070B	4-Scalloped Trim Ring - Low Volume - White	17.33
2	519-8050B	4-Scalloped Trim Ring - High Volume - White	13.72
3	550-2630B	Weir Assembly - 3-Piece - White	28.55
4	519-8000B	Basket - White - 6.4" diameter x 5.62" H	12.58
5	519-3010B	Diverter Plate	19.49
6	500-2680B	Low Profile Basket Assembly - White - 6.35" diameter x 2.75" H	34.81
7	817-2500B	Filter Cartridge - 25 sq. ft. - 4 15/16" OD x 13 5/16" L	62.03
	817-3501B	Filter Cartridge - 40 sq. ft. - 4 15/16" OD x 9 1/4" L	**
	817-5000B	Filter Cartridge - 50 sq. ft. - 4 15/16" OD x 13 5/16" L	106.12
8	711-1010B	Spacer Ring	4.08
9	--	Body	**
10	600-1040B	2" Bypass Valve	10.69
11	718-1000B	Nut - Filter Body	16.32

** Please request price quote.



Dyna-Flo XL Skim Filter Replacement Parts

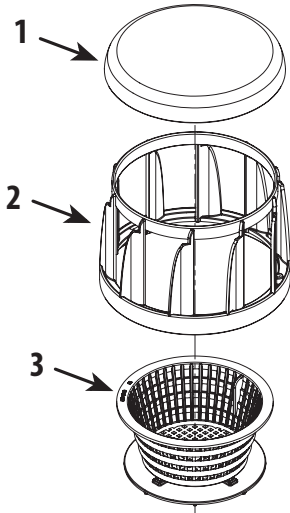
Item	Part No.	Description	List (US \$)
1	550-8620B	Weir Assembly	**
2	519-8260B	Scalloped Trim Ring	**
3	550-8631B	Basket Assembly - Black - 8.0" diameter x 3.5" H	**
4	817-0017B	Dyna-Flo XL Cartridge - 50 sq. ft. - 2 3/8" x 6 9/16" OD x 13 5/16" L	**
	817-0018B	Dyna-Flo XL Cartridge - 75 sq. ft. - 2 3/8" x 6 9/16" OD x 13 5/16" L	**
	817-0019B	Dyna-Flo XL Cartridge - 100 sq. ft. - 2 3/8" x 6 9/16" OD x 17 13/16" L	**
5	711-8200B	Spacer Ring	**
6	602-8210B	Bottom Body Insert with Bypass Valve	**
7	600-1020B	2 1/2" Bypass Valve	**
8	--	Body	**
9	718-8200B	Nut	**

** Please request price quote.

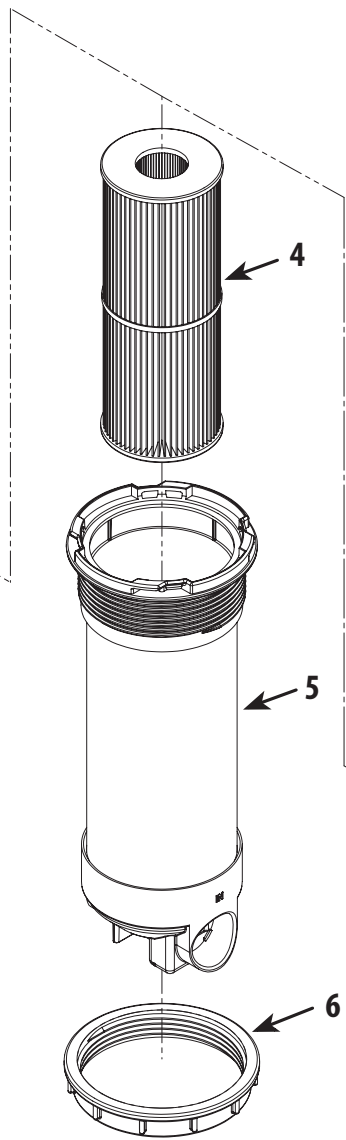
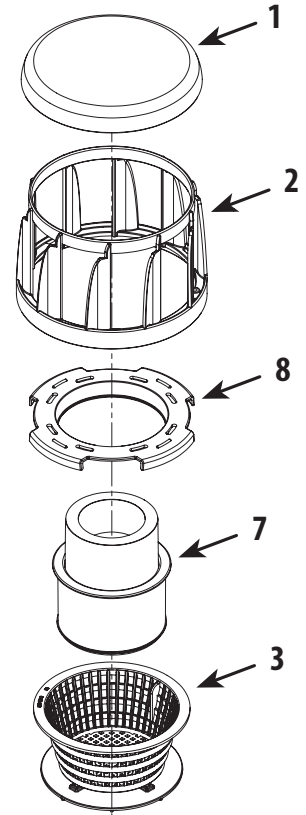


Replacement Parts / Ultra Skim Filter / Ultra Skim XL Filter

Ultra Skim Filter Assembly 514-6550



Ultra Skim XL Filter Assembly 514-6580

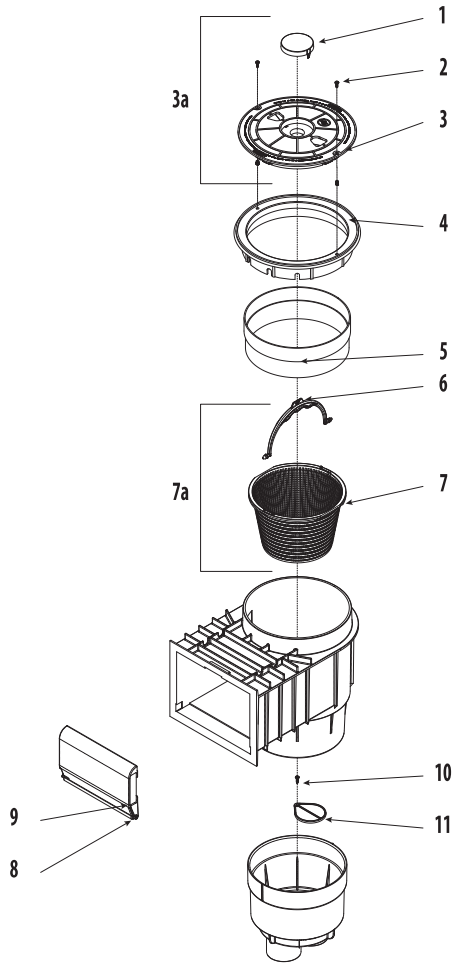


Ultra Skim Filter Replacement Parts

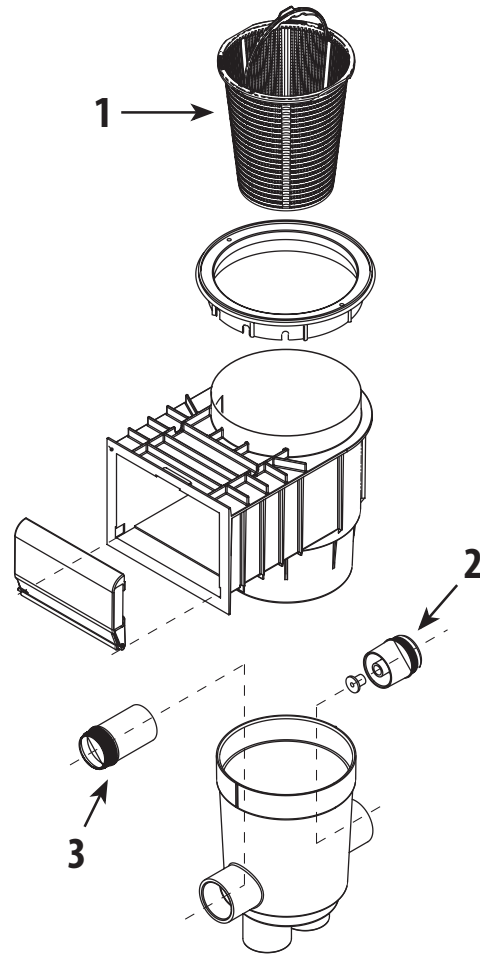
Item	Part No.	Description	List (US \$)
1	519-8160B	Lid	**
2	519-8150B	Turbine	**
3	500-2697B	Basket Assembly - 6.35" diameter x 2.75" H	**
4	817-2500B	Filter Cartridge - 25 sq. ft. - 4 15/16" OD x 13 5/16" L	62.03
	817-3501B	Filter Cartridge - 40 sq. ft. - 4 15/16" OD x 9 1/4" L	**
	817-5000B	Filter Cartridge - 50 sq. ft. - 4 15/16" OD x 13 5/16" L	106.12
5	--	Body	**
6	718-1000B	Filter Body Nut	16.32
7	550-2630B	Weir Assembly - 3 Piece - White	28.55
8	519-2010B	Ultra Skim Filter - Weir Retainer Ring	**

** Please request price quote.

Replacement Parts / Renegade Gunite and Venturi / Deep Basket Skimmers



Renegade Gunite In-Ground Skimmer



Renegade Venturi and Deep Basket

Renegade Gunite In-Ground Skimmer Replacement Parts

Item	Part No.	Description	List (US \$)
1	519-6460B	Blank Lid Insert	**
2	819-0005B	Screw #8-32 x 7/16" Phil Pan Head (2 required)	**
3	519-6450B	Lid - White	28.38
3a	540-6470WWB	Lid with Logo Insert	25.81
4	519-6420B	Lid Mounting Ring with Insert - White	25.65
5	519-6570B	Mounting Ring Extension	14.52
6	519-3250B	Basket Handle	3.49
7	519-3240B	Basket - 8.12" diameter x 5.25" H	12.45
7a	542-3240B	Basket Assembly with Handle	16.30
8	550-995xB	Weir Door Assembly	**
9	865-0200B	Weir Door Foam	2.11
10	819-4350B	Screw #8 x 5/8" PNHD Phil.	**
11	519-6470B	Diverter Plate	6.47

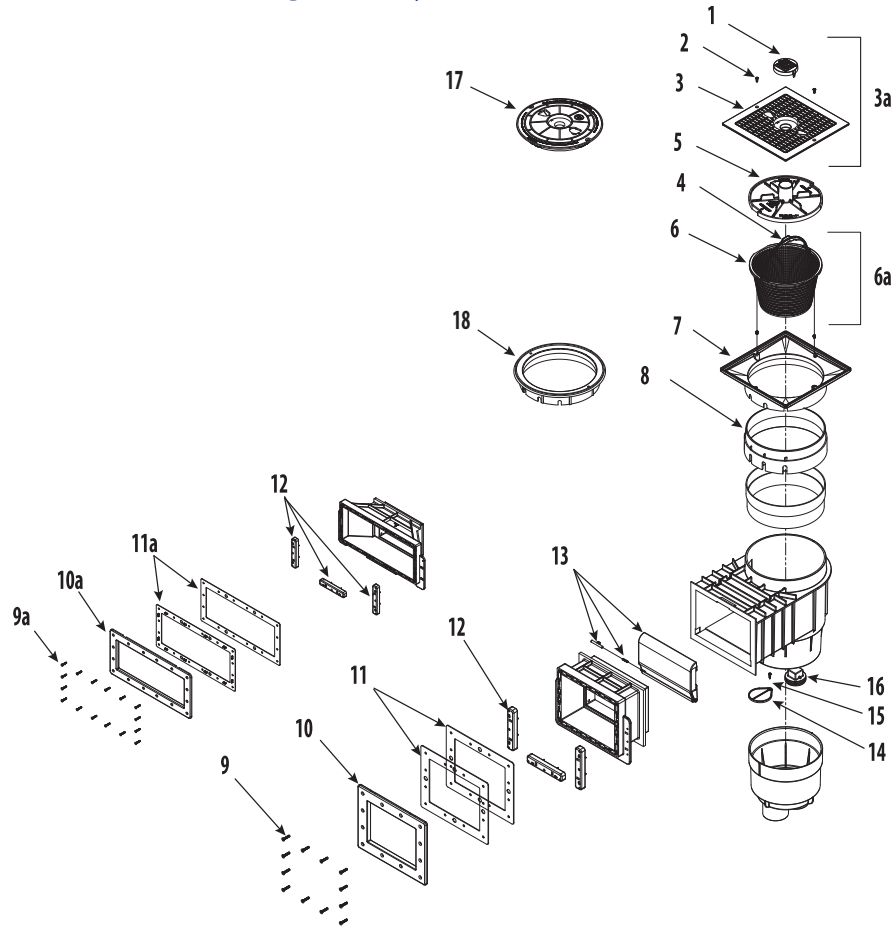
Renegade Venturi and Deep Basket Skimmer Replacement Parts

Item	Part No.	Description	List (US \$)
1	542-9600B	Venturi Basket Assembly - 8.12" diameter x 9.0" H	27.40
2	542-9610B	Venturi Nozzle Fitting Assembly	**
3	519-9650B	2" Outlet Port	**

** Please request price quote.



Replacement Parts / Renegade Vinyl Liner Skimmer



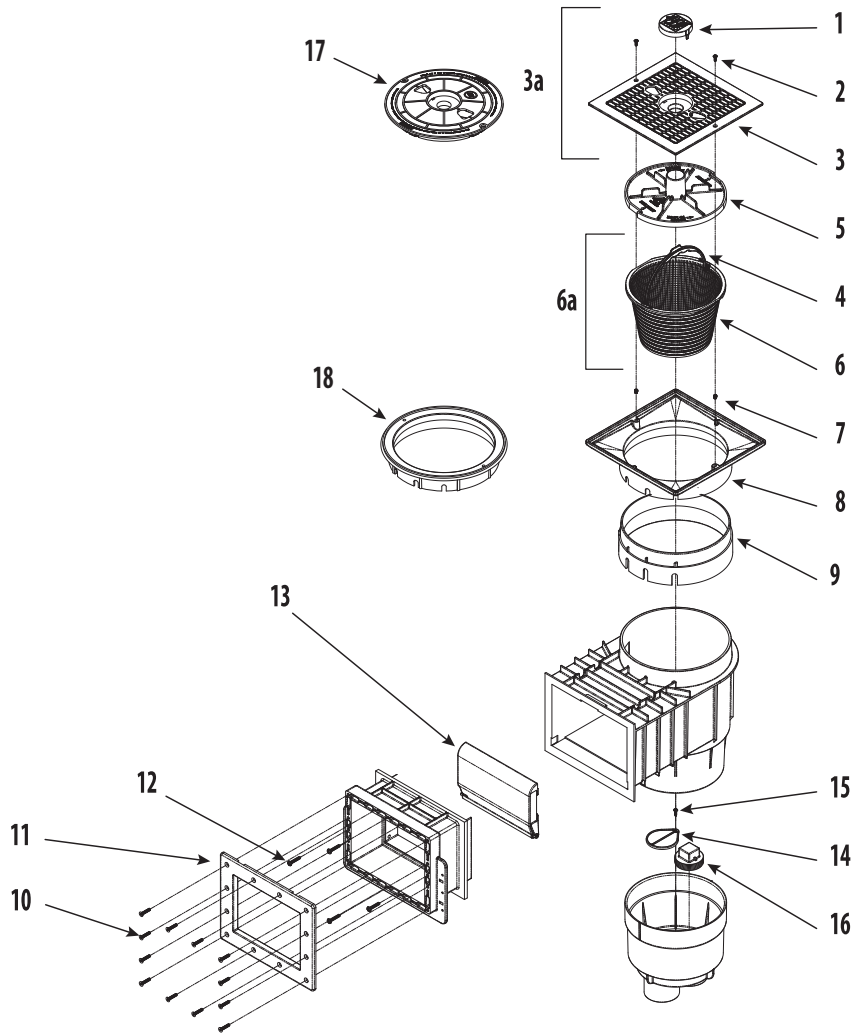
Renegade Vinyl Liner Skimmer Replacement Parts

Item	Part No.	Description	List (US \$)
1	519-6460WWB	Logo Lid Insert	**
2	819-0005B	Screw #8 32 x 7/16" (2 required)	**
3	519-9500B	Square Lid	15.19
3a	540-6490WWB	Square Lid with Logo Insert	30.13
4	519-3250B	Basket Handle	3.49
5	519-6480B	Vacuum Plate - Twist-Lock (2013 & older)	**
5a	519-6480-R1B	New Vacuum Plate (2014 & newer)	22.78
6	519-3240B	Basket - 8.12" diameter x 5.25" H	12.45
6a	542-3240B	Basket Assembly with Handle	16.30
7	519-9510B	Square Collar	22.76
8	519-949xB	Extended Collar Deck Flange - Square	14.33
9	819-6945B	Screw #12 x 1 1/4" PFH (12 required)	1.07
9a	819-0030B	#12 x 1 1/4" Philips Pan Head Screw SS (12 Required)	1.07
10	519-9530B	Mounting Plate - Standard	24.51
10a	519-9550B	Mounting Plate - Wide Mouth	33.04
11	711-9510B	Gasket - Standard (2 required)	**
11a	711-9520B	Gasket - Wide Mouth (2 required)	**
12	713-9520B	Spacer (3 required)	15.57
13	550-995xB	Weir Door Assembly	**
14	519-6470B	Diverter Plate	6.47
15	819-4350B	Screw - 8 x 5/8"	**
16	715-9910B	2" NPT Plug	**
17	519-6450B	Pool Skimmer Lid - R1	28.38
18	519-6420B	Mounting Ring	25.65

** Please request price quote.



Replacement Parts / Renegade Fiberglass Skimmer



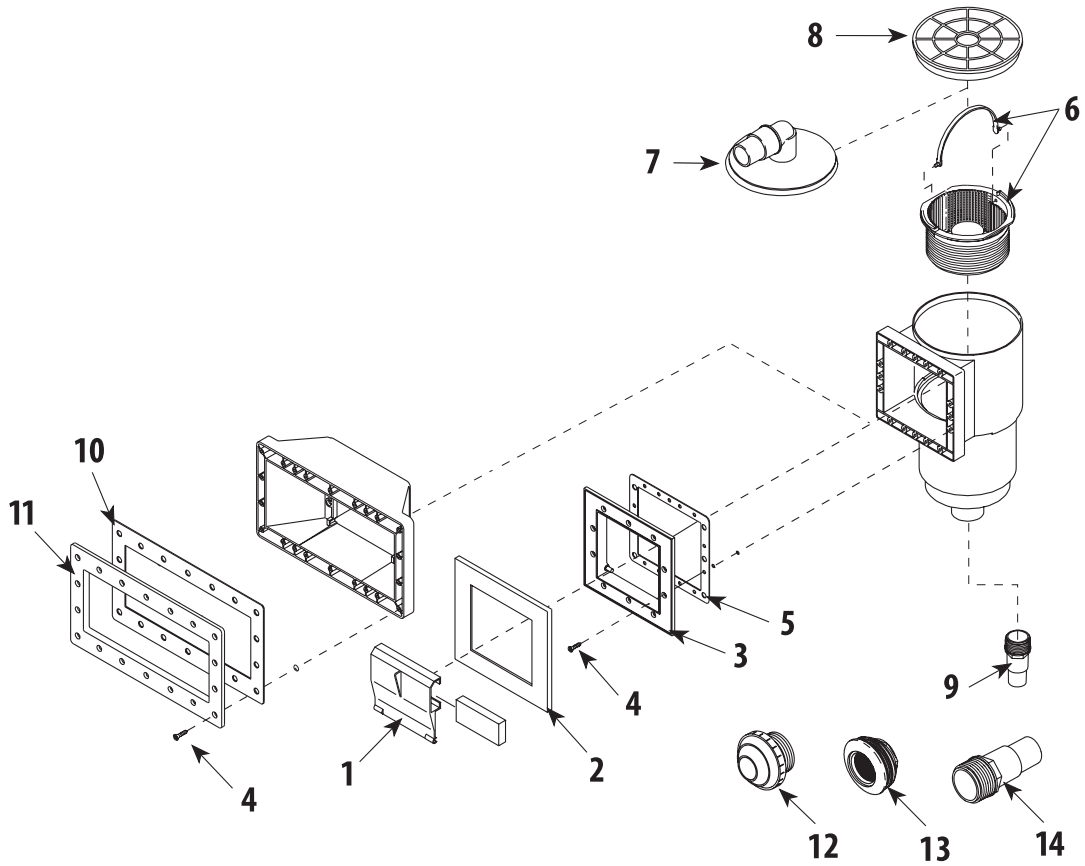
Renegade Fiberglass Skimmer Replacement Parts

Item	Part No.	Description	List (US \$)
1	519-6460WWB	Logo Lid Insert	**
2	819-0005B	Screw #8-32 x 7/16" Phil Pan Head (2 required)	**
3	519-9500B	Square Lid	15.19
3a	540-6490WWB	Square Lid with Logo Insert	30.13
4	519-3250B	Basket Handle	3.49
5	519-6480B	Vacuum Plate - Twist-Lock (2013 & older)	**
5a	519-6480-R1B	New Vacuum Plate (2014 & newer)	22.78
6	519-3240B	Basket - 8.12" diameter x 5.25" H	12.45
6a	542-3240B	Basket Assembly with Handle	16.30
7	820-4110B	Screw Lock (2 required)	**
8	519-9510B	Square Collar	22.76
9	519-6560B	Mounting Ring Extension (2 included)	14.33
10	819-6950B	Screw #12 x 1 1/2" PFH Type B (12 required)	3.67
11	519-9530B	Mounting Plate	24.51
12	819-0030B	Screw #12 x 1 1/4" PPH Stainless Steel (4 required)	0.91
13	550-995xB	Weir Door Assembly	**
14	519-6470B	Diverter Plate	6.47
15	819-4350B	Screw #8 x 5/8" PNHD Phil	**
16	715-9910B	2" NPT Plug	**
17	519-6450B	Pool Skimmer Lid - R1	28.38
18	519-6420B	Mounting Ring	25.65

** Please request price quote.



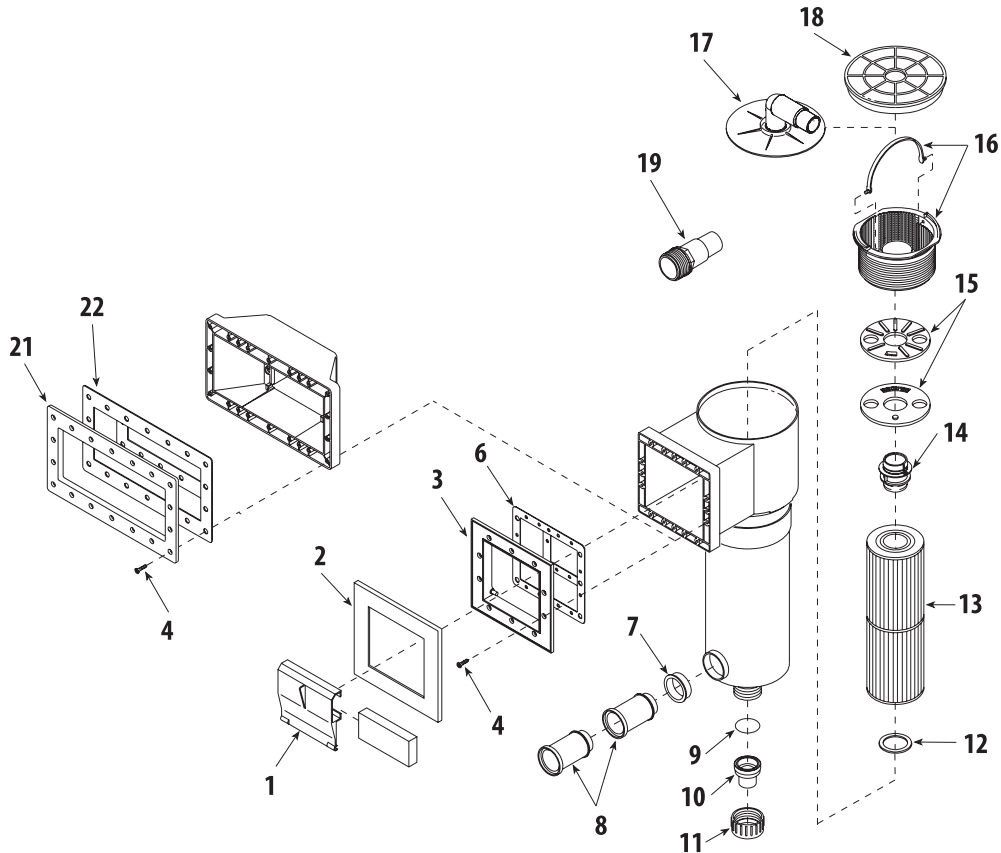
Replacement Parts / Flo-Pro II Above Ground Skimmer



Flo-Pro II Above-Ground Skimmer Replacement Parts

Item	Part No.	Description	List (US \$)
1	542-3060B	Weir Door Assembly with Foam	13.19
2	519-3090B	Trim Plate <i>(optional)</i>	16.91
3	519-3180B	Mounting Plate - Front Access	19.33
4	819-0006B	Screw - #12 x 1 1/4" PFH 18-8 Sms <i>(10 for Regular Skimmer; 18 for Wide Mouth)</i>	0.90
5	711-0060B	Anti-Rust Wall Protection Gasket - Regular	12.08
6	550-1030B	Basket Assembly with Handle - 6.38" diameter x 4.10" H	16.94
7	519-3150B	Vacuum Plate - Front Access with 90° Elbow	15.54
8	519-3030B	Lid - Front Access	7.76
9	417-6140B	Hose Adapter - 1 1/2" MPT x 1 1/2" Hose	3.30
	417-6150B	Hose Adapter - 1 1/2" Barb <i>(optional)</i>	3.92
10	711-0070B	Anti-Rust Wall Protection Gasket - Wide Mouth	13.13
11	519-4110B	Mounting Plate - Wide Mouth	**
12	400-1410DB	Eyeball Fitting - 3/4" Eyeball	5.73
	400-1410EB	Eyeball Fitting - 1" Eyeball	5.73
13	400-9170B	Return Wall Fitting with Locknut and Gaskets - 1 1/2" FPT	11.62
14	417-6060B	Hose Adapter Fitting - 1 1/2" MPT x 1 1/4" Hose	2.67

** Please request price quote.



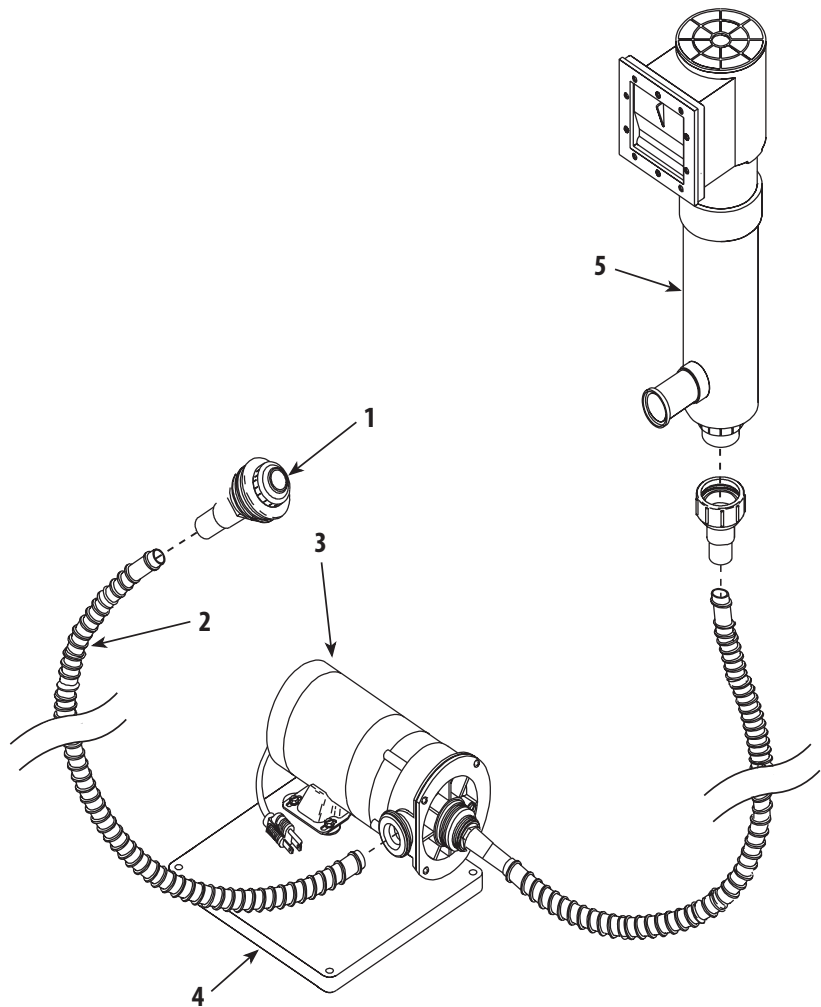
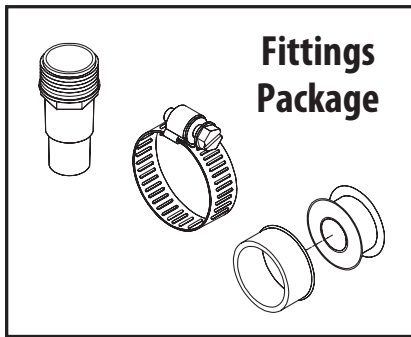
Flo-Pro Skim Filter Replacement Parts

Item	Part No.	Description	List (US \$)
1	542-3060B	Weir Door Assembly with Foam	13.19
2	519-3090B	Trim Plate - Front Access <i>(optional)</i>	16.91
3	519-3080B	Mounting Plate - Front Access - Short Throat Only	**
	519-3180B	Mounting Plate - Front Access - Long Throat Only	19.33
4	819-0006B	Screw - #12 x 1 1/4" PFH 18-8 Sms	0.90
6	711-0060B	Anti-Rust Wall Protection Gasket - Regular	12.08
7	715-2030B	2" Plug	**
8	519-3190B	Support Piece - Short Throat	**
	519-3170B	Extension - Support Piece - Wide Mouth	**
9	805-0226B	O-Ring - Union	0.78
10	417-6020B	1 1/2" Tailpiece x 1 1/2" Hose Adapter Fitting - with O-Ring Groove	3.50
11	415-4000B	1 1/2" Union Nut	3.28
12	711-1010B	Spacer Ring	4.08
13	817-2500B	Filter Cartridge - 25 sq. ft. - 4 15/16" OD x 13 5/16" L	62.03
	817-5000B	Filter Cartridge - 50 sq. ft. - 4 15/16" OD x 13 5/16" L	106.12
14	519-3100B	Collar Plate	7.76
15	519-3010B	Diverter Plate	19.49
16	550-1030B	Basket Assembly with Handle - 6.38" diameter x 4.10" H	16.94
17	519-3150B	Vacuum Plate with 90° Elbow	15.54
18	519-3030B	Lid	7.76
19	417-6060B	Hose Adapter Fitting - 1 1/2" MPT x 1 1/4" Hose Barb	2.67
21	519-4110B	Mounting Plate - Wide Mouth	**
22	v	Anti-Rust Wall Protection Gasket - Wide Mouth	13.13

** Please request price quote.



Replacement Parts / TWM Skim Filter



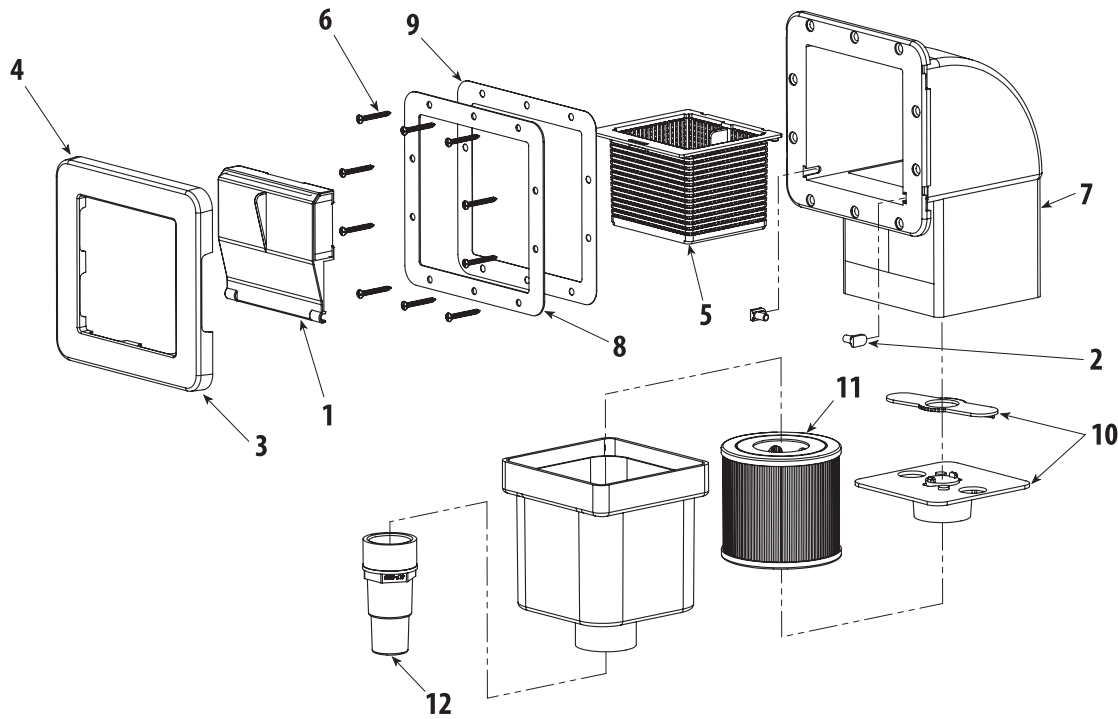
TWM Skim Filter Replacement Parts

Item	Part No.	Description	List (US \$)
1	550-9340B	Deluxe Return 1" Eyeball Fitting	20.02
2	872-9000B	Corrugated Hose - 1 1/2" x 6 ft.	**
3	--	Pump	**
4	672-1010B	Equipment Base - 1" x 14 1/2" x 15"	37.85
5	560-J0A50TB	Skim Filter Assembly - 50 sq. ft.	**

Fittings Package Contents

Item	Part No.	Description	List (US \$)
--	417-6061B	1 1/2" MPT x 1 1/4" Hose Adapter Fitting (2 required)	3.27
--	872-0011B	2 1/2" Hose Clamp - Stainless Steel (4 required)	**
--	902-2000B	Teflon Tape - 1/2" x 100" roll	6.49

** Please request price quote.



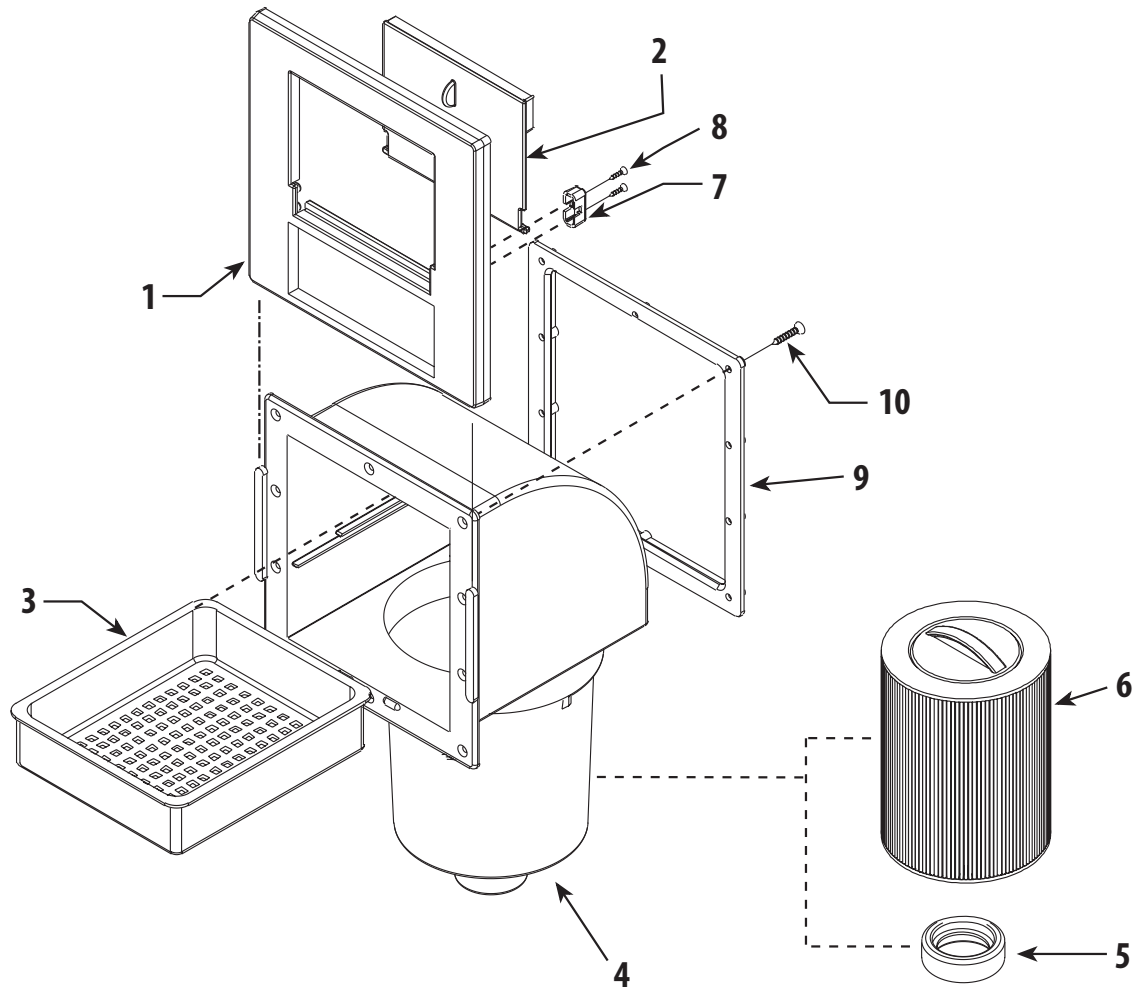
Spa Skimmer and Skim Filter Replacement Parts

Item	Part No.	Description	List (US \$)
1	550-4050B	Weir Door with Foam - Square Spa Skimmer	16.39
2	519-4020B	Hinge - Square Skim Filter - White	2.38
3	916-1010B	Stainless Steel Escutcheon <i>(optional)</i>	33.48
4	519-4090B	Square Trim Plate - Plastic - Old Style	16.27
5	519-4030B	Basket - 4.80" x 5.10" x 3.45" H	14.36
6	819-6930B	Screw - #8 x 1 1/2" Flathead Phillips	**
7	550-4060B	1 1/2" Square Body with Base	**
	550-4080B	1 1/2" Square Body - 10 sq. ft. Skim Filter	**
	550-4090B	1 1/2" Square Body - 20 sq. ft. Skim Filter	**
8	806-1070B	Gasket - Mounting Plate	**
9	519-1600B	Mounting Plate <i>(optional)</i>	16.29
10	550-1500B	Diverter Plate Assembly	**
11	817-0010B	Filter Cartridge - 10 sq. ft. - 4 1/4" OD x 4" L	**
12	417-6080B	Hose Adapter Fitting - 1 1/2" Spigot x 1 1/4" Hose <i>(optional)</i>	3.28

** Please request price quote.



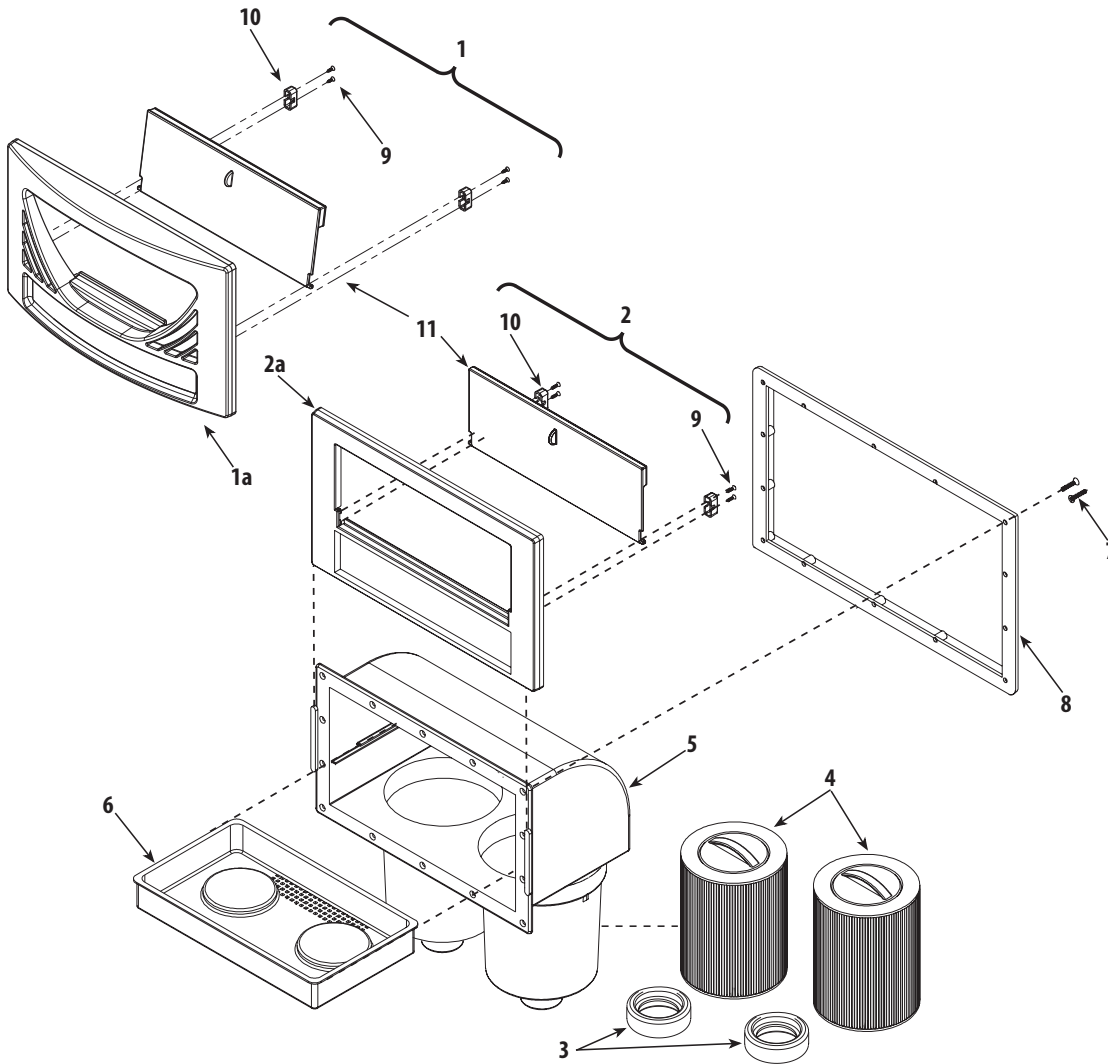
Replacement Parts / 50 sq. ft. Skim Filter



50 sq. ft. Skim Filter Replacement Parts

Item	Part No.	Description	List (US \$)
1	519-9010B	Front Plate	48.68
2	550-9000B	Weir Door Assembly	28.44
3	519-9050B	Basket	19.37
4	550-9010B	Filter Body Assembly - 50 sq. ft.	116.45
5	519-6640B	Retainer Ring	14.52
6	817-0050B	50 sq. ft. Filter Cartridge - 6" OD x 8 1/4" L	88.69
7	519-6240B	Hinge Mount	**
8	819-3260B	Screw - #6 - 20 x 5/8" POH	0.30
9	519-9040B	Mounting Plate	**
10	819-0006B	Screw - #12 x 1 1/4" PFH	0.90

** Please request price quote.



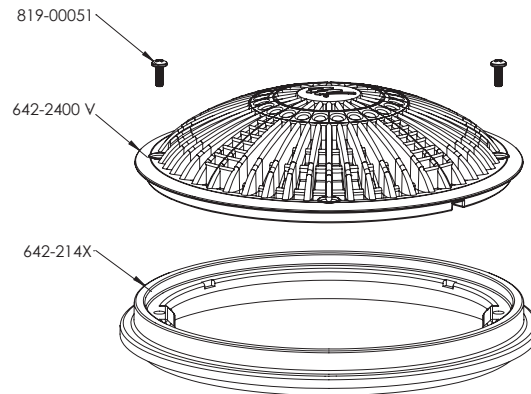
100 sq. ft. Skim Filter Replacement Parts

Item	Part No.	Description	List (US \$)
1	550-6630B	Front Access Plate Assembly - Oval	**
1a	519-6630B	Blank Front Access Plate - Oval	**
2	550-6610B	Front Access Plate Assembly - Flat	**
2a	519-6650B	Blank Front Access Plate	**
3	519-6640B	Retainer Ring	14.52
4	817-0050B	50 sq. ft. Filter Cartridge - 6" OD x 8 1/4" L	88.69
5	550-6620B	Filter Body Assembly	**
6	519-6610B	Basket	**
7	819-0030B	Screw - #12 x 1 1/4" PFH	0.91
8	519-6680B	Mounting Plate	**
9	819-3260B	Screw - #6 -20 x 5/8" POH	0.30
10	519-6240B	Hinge Mount	**
11	550-6600B	Weir Door Assembly	**

** Please request price quote.

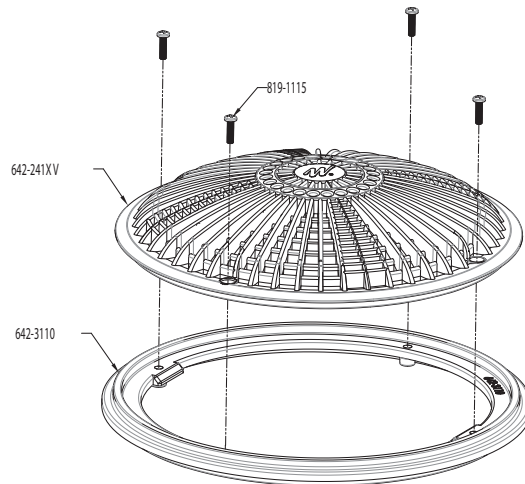


Replacement Parts / VGB Drains



Tru Flo 8" Drain Cover Replacement Parts

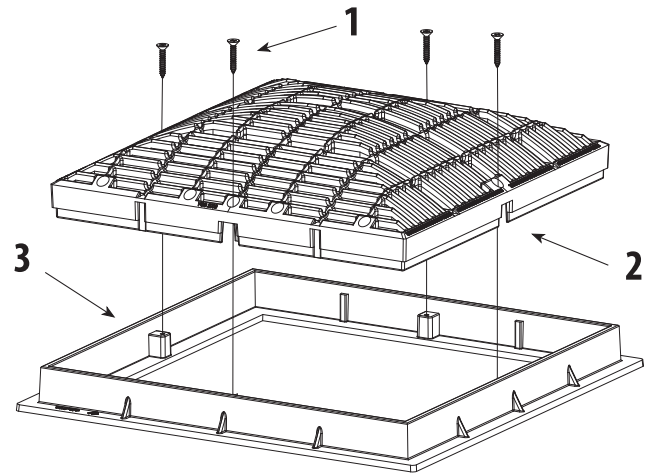
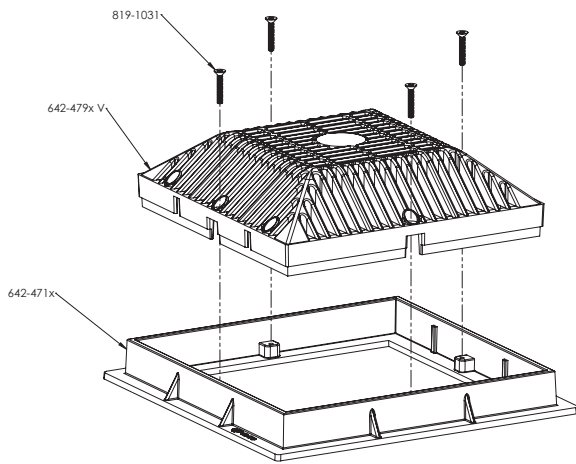
Item	Part No.	Description	List (US \$)
1	819-0051B	#8 Stainless Steel Screw - 32 x 7/16	**
2	642-2400 VB	8" Tru Flo Drain Cover	**
3	642-214XB	8" Tru Flo Drain Frame	**
4	640-234x VB	8" Tru Flo Drain Cover and Ext. Collar Assy	**



Tru Flo 10" Drain Cover Replacement Parts

Item	Part No.	Description	List (US \$)
1	819-1115B	#8 Stainless Steel Screw - 32 x 5/8	1.33
2	642-241X VB	10" Tru Flo Drain Cover	**
3	642-311XB	10" Tru Flo Drain Frame	**
4	640-191x VB	10" Tru Flo Drain Cover and Ext. Collar Assy	**

** Please request price quote.

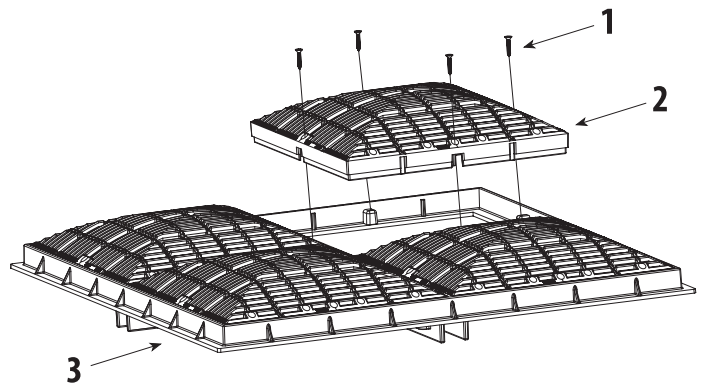
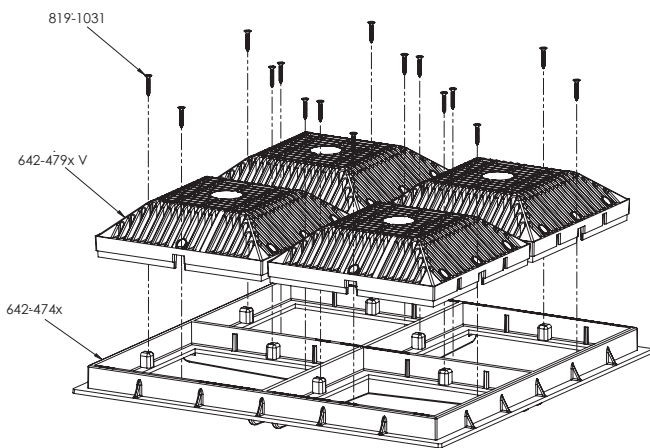


9" x 9" Grate & Frame Replacement Parts

Item	Part No.	Description	List (US \$)
1	819-1031B	#8 x 1 Stainless Steel Screw	1.99
2	642-479x VB	9" x 9" Pool Grate	**
3	642-471xB	9" x 9" Grate Frame	**

12" x 12" Grate & Frame Replacement Parts

Item	Part No.	Description	List (US \$)
1	819-1031B	#8 x 1 Stainless Steel Screw	1.99
2	642-4720 VB	12" x 12" Pool Grate	98.73
3	642-4730B	12" x 12" Grate Frame	**



18" x 18" Grate & Frame Replacement Parts

Item	Part No.	Description	List (US \$)
1	819-1031B	#8 x 1 Stainless Steel Screw	1.99
2	642-479x VB	9" x 9" Pool Grate	**
3	642-474xB	18" x 18" Grate Frame	**

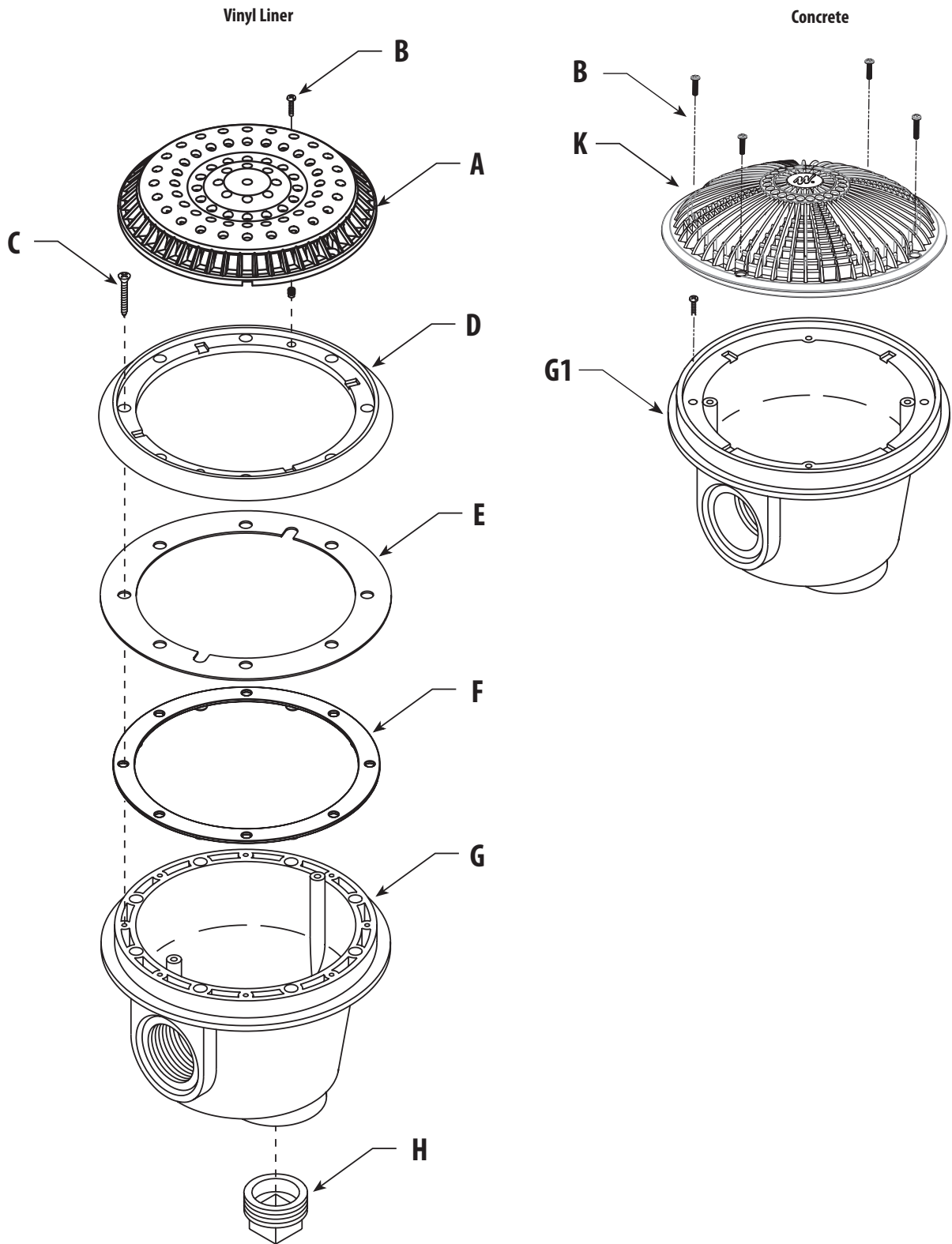
24" x 24" Grate & Frame Replacement Parts

Item	Part No.	Description	List (US \$)
1	819-1031B	#8 x 1 Stainless Steel Screw	1.99
2	642-4720 VB	12" x 12" Grate	98.73
3	642-4760B	24" x 24" Grate Frame	**

** Please request price quote.



Replacement Parts / Main Drains





Main Drain Replacement Parts

Item	Part No.	Description	List (US \$)
A	645-2150 VB	8" Anti-Vortex Cover - White <i>(with screws)</i>	**
	645-2151 VB	8" Anti-Vortex Cover - Black <i>(with screws)</i>	**
	645-2157 VB	8" Anti-Vortex Cover - Gray <i>(with screws)</i>	**
	645-2159-DKG VB	8" Anti-Vortex Cover - Dark Gray <i>(with screws)</i>	**
	645-2159-BEI VB	8" Anti-Vortex Cover - Beige <i>(with screws)</i>	**
	645-2159-DKB VB	8" Anti-Vortex Cover - Dark Blue <i>(with screws)</i>	**
B	819-0005B	Cover Screws <i>(Anti-Vortex only)</i> (2 required)	**
C	819-6940B	Mounting Screw (8 required)	2.26
D	642-2090B	Vinyl Liner Main Drain Mounting Plate - White	20.76
	642-2091B	Vinyl Liner Main Drain Mounting Plate - Black	20.76
	642-2097B	Vinyl Liner Main Drain Mounting Plate - Gray	20.76
E	806-3000B	Gasket - Vinyl Liner Main Drain Assembly(1 required)	10.61
F	711-2600B	Gasket - Vinyl Liner Main Drain Body (Stay-In-Place) (1 required)	11.46
G	672-2420B	Body - Main Drain Vinyl Liner - 1 ½" FPT	**
	672-2530B	Body - Main Drain Vinyl Liner - 2" FPT	**
	672-2430B	Body - Main Drain Vinyl Liner - 1 ½" S	**
	672-2520B	Body - Main Drain Vinyl Liner - 2" S	**
G1	672-2500B	Body - 8" Main Drain Concrete - 2" FPT <i>(bulk packed)</i>	**
	672-2410B	Body - 8" Main Drain Concrete - 1 ½" S <i>(bulk packed)</i>	**
	672-2510B	Body - 8" Main Drain Concrete - 2" S <i>(bulk packed)</i>	**
H	715-1230B	1 ½" NPT Plug	**
	715-9910B	2" NPT Plug	**
K	642-2400 VB	8" Tru Flo Drain Cover - White	**
	642-2401 VB	8" Tru Flo Drain Cover - Black	**
	642-2407 VB	8" Tru Flo Drain Cover - Gray	**
	642-2409-DKG VB	8" Tru Flo Drain Cover - Dark Gray	**
	642-2409-BEI VB	8" Tru Flo Drain Cover - Beige	**
	642-2410 VB	10" Tru Flo Drain Cover - White	**
	642-2411 VB	10" Tru Flo Drain Cover - Black	**
	642-2417 VB	10" Tru Flo Drain Cover - Gray	**
	642-2419-DKG VB	10" Tru Flo Drain Cover - Dark Gray	**
	642-2419-BEI VB	10" Tru Flo Drain Cover - Beige	**

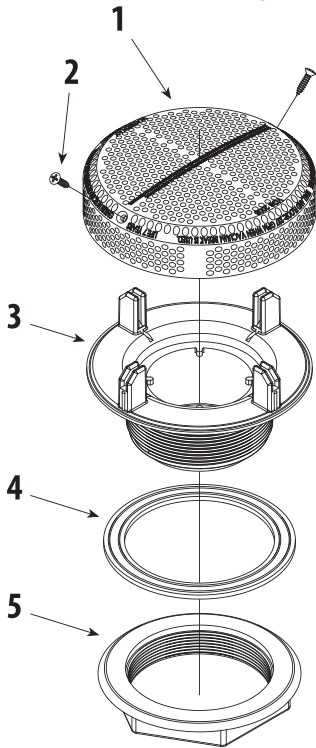
Vinyl Liner Drain Cover Kit

Item	Part No.	Description	Qty	List (US \$)
	640-2260 VB	Vinyl Liner Tru Flo Kit VGB2008 - White	25 (indiv.)	**
	640-2261 VB	Vinyl Liner Tru Flo Kit VGB2008 - Black	25 (indiv.)	**
	640-2267 VB	Vinyl Liner Tru Flo Kit VGB2008 - Gray	25 (indiv.)	**

** Please request price quote.



Replacement Parts / VGB Suctions / Strip Drains



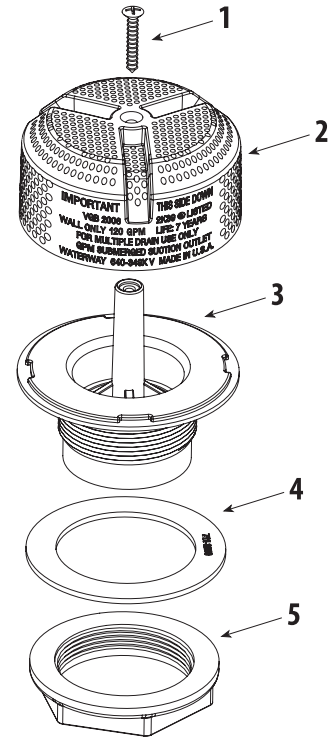
Super Hi-Flo Suction

Super Hi-Flo Suction Replacement Parts

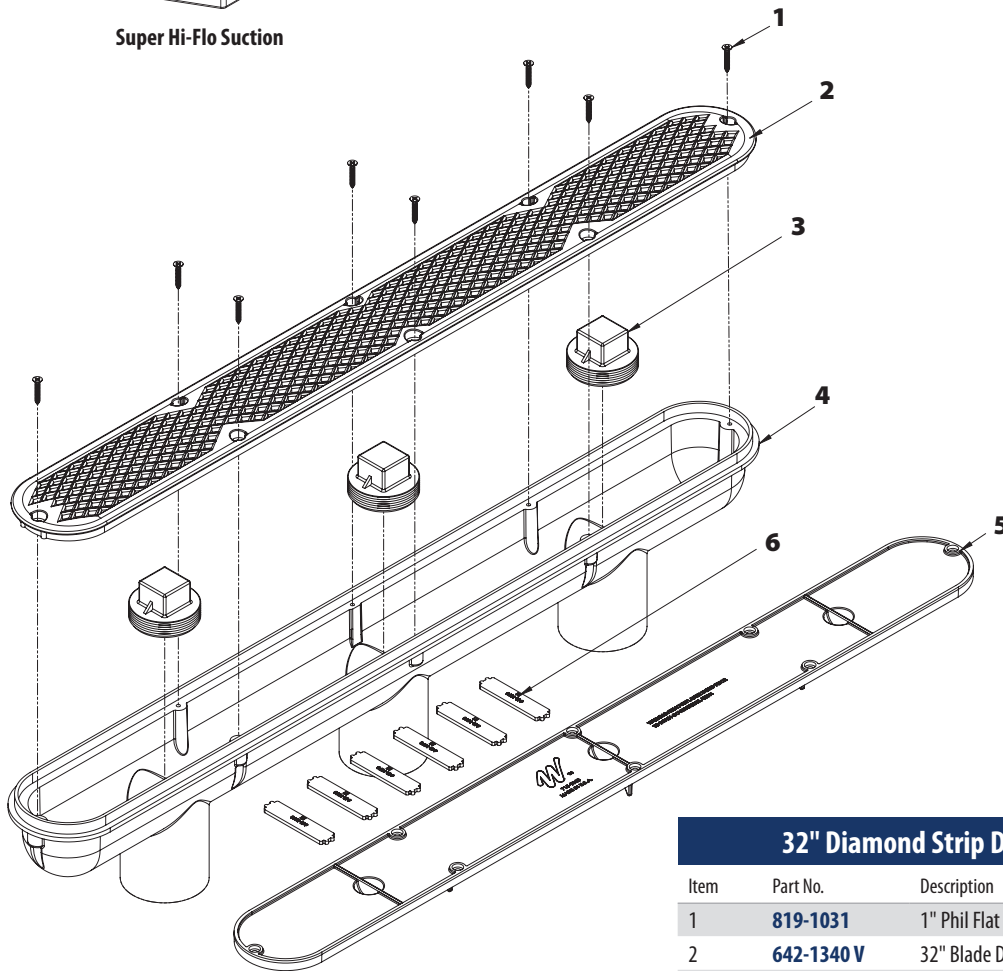
Item	Part No.	Description	List (US \$)
1	642-3630B V	Suction Cover	10.19
	819-1251	Suction Cover (Stainless Steel)	**
2	819-1250B	#6 Stainless Steel Screw - 20 x 5/8"	**
3	215-3620B	2" Wall Fitting (for 640-357xV)	12.64
	215-3610B	2 1/2" Wall Fitting (for 640-358xV)	12.64
4	711-3260B	Gasket	1.70
5	642-3620B	Wall Fitting Nut	4.76

Ultra Hi-Flo Suction Replacement Parts

Item	Part No.	Description	List (US \$)
1	642-3270B V	Tall Suction Cover	**
2	819-0024B	Stainless Steel Screw - #10 x 1"	1.31
3	215-3270B	1 1/2" Wall Fitting for Tall Suction	**
4	711-3250B	Gasket	0.82
5	718-3150B	Wall Fitting Nut	**



Ultra Hi-Flo Suction



32" Diamond Strip Drain

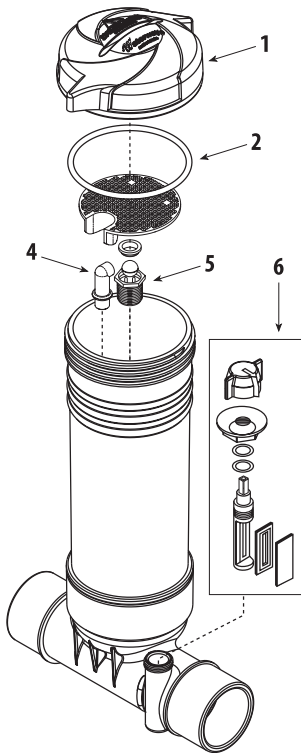
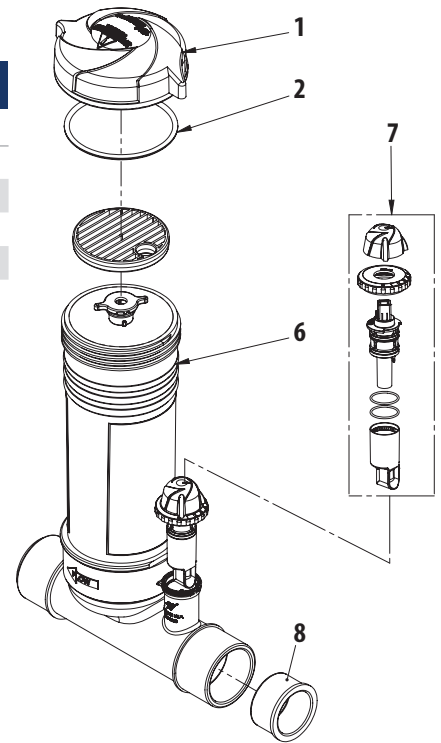
32" Diamond Strip Drain Replacement Parts

Item	Part No.	Description	List (US \$)
1	819-1031	1" Phil Flat Head Type A 316 S/S Screw	1.58
2	642-1340 V	32" Blade Diamond Design VBG2008	146.69
3	715-9910	2" NPT Plug	2.83
4	642-1320	32" Plaster Body Drain	220.03
5	715-1360	32" Plaster Plug	12.29
6	642-1390	32" Drain Support Brace	**



New Style In-Line Chlorinator (2007 and Later) Replacement Parts

Item	Part No.	Description	List (US \$)
1	519-1160B	Cap, Lid - In Line Chlorinator	**
2	805-0348VB	O-Ring	12.96
6	515-1170B	Upper Body, Chlorinator	41.47
7	600-1287B	Flow Valve Assembly	38.48
8	421-4070B	Reducer Bushing 2" SPG x1 1/2" S	3.46

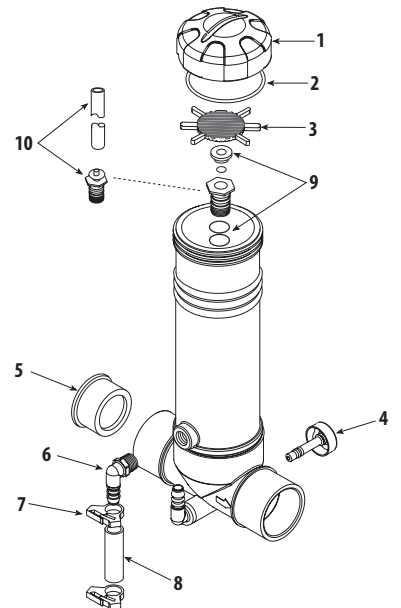


In-Line Chlorinator (2002 - 2007) Replacement Parts

Item	Part No.	Description	List (US \$)
1	519-1167B	Lid	21.86
2	805-0348VB	Lid O-Ring	12.96
4	411-1170B	90° Elbow - 1/4" Pipe	5.69
5	600-1180B	Flow Valve Assembly	12.61
6	600-1190B	Stem Assembly with O-Ring	27.77

In-Line Chlorinator (2002 and Previous) Replacement Parts

Item	Part No.	Description	List (US \$)
1	519-1181B	Lid	**
2	805-0340VB	O-Ring - Lid	**
3	319-0041B	Filter Screen	**
4	600-0051B	Valve Stem Assembly	**
5	421-4070B	Reducer - 1 1/2" Socket x 2" Spigot	3.46
6	400-0021B DISCONTINUED	Elbow Assembly - 1/2" NPT x 1/2" Barb	**
7	872-2290B	1/2" Hose Clamp	3.23
8	519-7361B	3" Flex Hose	4.38
9	550-2120B	Coupler Assembly	**
10	550-2130B	Bromine Conversion Assembly for 1" Tablets	**

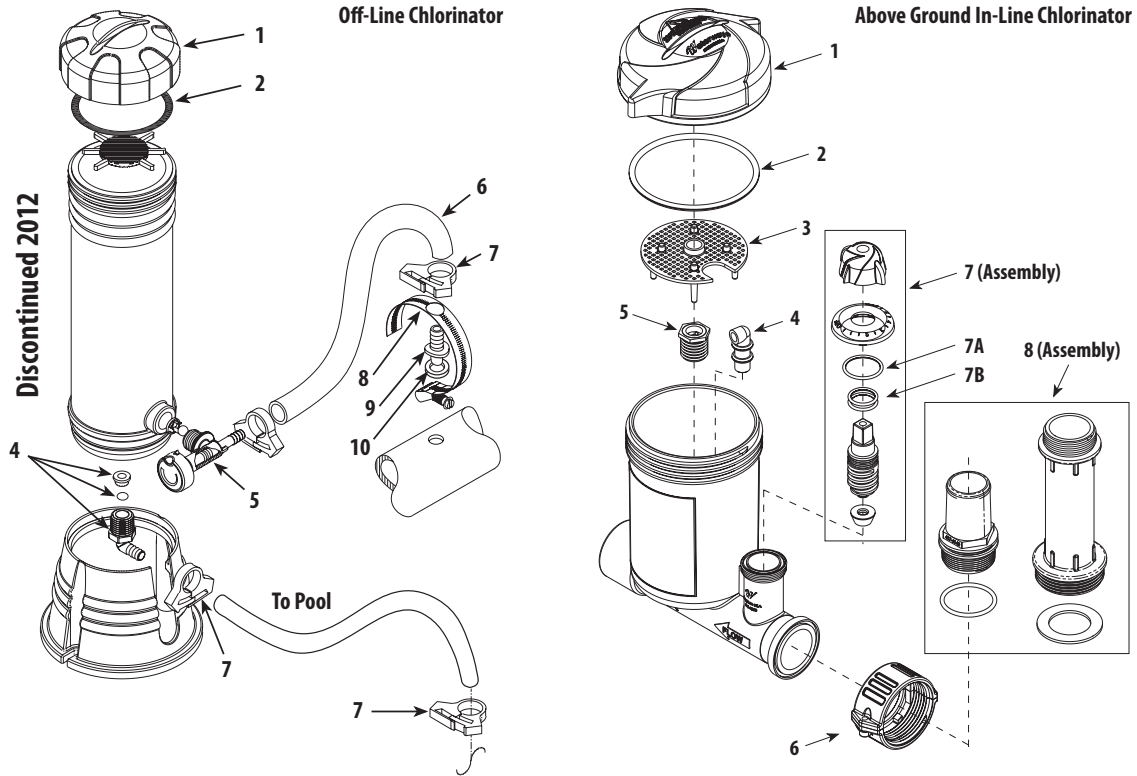


Replacement Parts

** Please request price quote.



Replacement Parts / Off-Line and Above Ground Chlorinators



Off-Line Chlorinator Replacement Parts

Item	Part No.	Description	List (US \$)
1	519-1181B	Lid	**
2	805-0340VB	O-Ring - Lid	**
4	600-1151B	Bottom Check Valve Assembly	**
5	600-0101B	Off-Line Valve Assembly	**
6	872-2240B	3/8" inner diameter x 1/2" outer diameter Tubing (per ft.)	**
7	872-2291B	3/8" Hose Clamp	2.07
8	872-0011B	2 1/2" Hose Clamp - Stainless Steel	**
9	425-1181B	3/8" Pipe Adapter	**
10	806-0003B	Gasket	**

Above Ground In-Line Chlorinator Replacement Parts

Item	Part No.	Description	List (US \$)
1	519-1167B	Lid	21.86
2	805-0348VB	O-Ring - Lid	12.96
3	519-1250B	Filter Screen - 1 1/2"	8.01
4	411-1170B	90° Elbow - 1/4"	5.69
5	600-1180B	Check Valve Assembly	12.61
6	400-5461B	1 1/2" Split-Nut Union Assembly (with Screws)	6.46
7	600-1207B	Dial Stem Assembly	27.77
7A	805-0124VB	O-Ring - Stem Assembly	5.85
7B	805-0118VB	O-Ring - Stem Assembly	5.42
8	400-9820B	Chlorinator Fitting - 1 1/2" Sub Assembly	20.84

** Please request price quote.



Index

2020



2020 Pool & Spa Product Buyer's Guide / Index

Part No.	Page	Part No.	Page	Part No.	Page	Part No.	Page	Part No.	Page	Part No.	Page
3J10070-OE	224	125-0110PB	118	210-9278S	183	215-8250	102	218-9158	149	229-0240	134
3M21621-1W	22, 220	125-0120	8	210-9288S	183	215-8270	102	218-9168	149	229-0240S	134
3R10850-0D	217	125-0120B	118	210-9308S	183	215-8280	102	218-9230	177	229-0310	144
3R11250-0D	217	125-0120P	8	210-9318S	183	215-9150	70	218-9428	149	229-0310S	144
3R11250-0V	217	125-0120PB	118	210-9500	122	215-9150B	70	218-9438	149	229-0320	134
3R20850-0D	217	130-0110B	118	210-9790	122	215-9151	70	218-9448	149	229-0320S	134
3R21050-0D	217	130-0110PB	118	210-9980S	183	215-9157	70	218-9460	149	229-0330	134
3R21050-0V	217	130-0120B	118	211-0380	121	215-9159-BEI	70	223-0010	151	229-0330S	134
110-016W	8	130-0120PB	118	211-3040	80, 81, 82	215-9159-DKB	70	224-1000G	78	229-0410	135
110-016WB	118	130-0130B	118	211-3050	78	215-9159-DKG	70	224-1001G	78	229-0410S	135
110-016WP	8	130-0130PB	118	211-3060	80, 81, 82	215-9170	70	224-1007G	78	229-0440	135
110-016WPPB	118	130-0210B	118	212-0090	121	215-9170B	70	224-1040G	78	229-0440S	135
110-0100B	118	130-0210PB	118	212-0500	121	215-9171	70	224-5710S	84	229-0450	135
110-0100PB	118	210-0828S	155	212-0500G	121	215-9177	70	224-6700S	84	229-0450S	135
110-0110B	118	210-0838S	155	212-0540	121	215-9179-BEI	70	228-0010	125	229-0460	135
110-0110PB	118	210-0848S	155	212-0550	121	215-9179-DKG	70	228-0020	125	229-0460S	135
110-0120	8	210-1861	192	212-0560	121	215-9820	120	228-0040	125	229-0480	135
110-0120B	118	210-3247	75	212-0580	121	215-9830	120	228-0300	125	229-0480S	135
110-0120P	8	210-3330	77	212-0590	121	215-9840	120	228-0330	125	229-0610	135
110-0120PB	118	210-3400	78	212-0690	121	215-9860	120	228-0340	125	229-0610S	135
110-0140	8	210-3410G	83	212-1800	177	215-9880	70	228-0380	125	229-0620	135
110-0140B	118	210-3420G	83	212-1810	208	215-9881	70	228-0390	125	229-0620S	135
110-0140P	8	210-3910	156	212-1820	208	215-9887	70	228-0400	125	229-1000	80
110-0140PB	118	210-3910S	156	212-1831	208	215-9889-DKG	70	228-0410	125	229-1010	80
110-0150B	118	210-3920	156	212-2190	120	215-9890	70	228-0430	125	229-1100	81
110-0150P	8	210-3920G	85	212-2190S	120	215-9891	70	228-1550G	125	229-1101	81
110-0150PB	118	210-3920S	156	212-2890S	120	215-9897	70	228-1560G	125	229-1107	81
120-0110	8	210-3950	85	212-3300	77	215-9899-DKG	70	228-1570G	125	229-1110	81
120-0110B	118	210-3970	85	212-3310	77	215-9900	120	228-1720G	125	229-1111	81
120-0110P	8	210-4100	78	212-3330*	77	215-9950	120	228-2000	151	229-1117	81
120-0110PB	118	210-4110	78	212-3340*	77	215-9960	120	228-2000G	151	229-1200	82
120-0120	8	210-4120	78	212-3350*	77	217-0047	149	228-2010	151	229-1210	82
120-0120B	118	210-4130	78	212-3360	77	217-0057	149	228-2010G	151	229-1320	85
120-0120P	8	210-4390	153	212-3370	77	217-0060	73, 113	228-2130	151	229-1430	142
120-0120PB	118	210-4390S	153	212-3440	77	217-1060	78	228-2130G	151	229-1430S	142
120-0130	8	210-5100	158	212-3450	77	217-3320	77	228-6710	82	229-1440	138
120-0130B	118	210-5100S	158	212-3470	77	217-3330	77	229-0010	144	229-1440S	138
120-0130P	8	210-5100SL	158	212-3510	77	217-3340	77	229-0020	147	229-1460	142
120-0130PB	118	210-5160S	157	212-4150	121	217-3350	77	229-0030	80, 147	229-1460S	142
120-0140	8	210-5168	157	212-4700	78, 80, 81, 82	217-7300	156	229-0040	144	229-1470	138
120-0140B	118	210-5830	122	212-8400	120	217-7320	156	229-0040S	144	229-1470S	138
120-0140P	8	210-5860	122	212-8810	120	218-1430	74	229-0080	144	229-1540	147
120-0140PB	118	210-5870	122	212-8830	120	218-1431	74	229-0080S	144	229-1590	147
120-0150	8	210-5910	122	212-9170	75	218-1437	74	229-0090S	144	229-1670	134
120-0150B	118	210-5937	122	212-9171	75	218-1440	74	229-0120	142	229-1670S	134
120-0150P	8	210-5950	122	212-9177	75	218-1441	74	229-0120S	142	229-1770	138
120-0150PB	118	210-6040	122	212-9179-BEI	75	218-1447	74	229-0130	138	229-1770S	138
120-0160	8	210-7260S	156	212-9179-DKG	75	218-1449-BEI	74	229-0130S	138	229-1780	134
120-0160B	118	210-7270S	156	212-9870	120	218-1449-DKB	74	229-0140	134	229-1780S	134
120-0160P	8	210-7300	156	212-9890S	120	218-1449-DKG	74	229-0140S	134	229-1790	134
120-0160PB	118	210-7310	156	212-9900S	120	218-1500	78	229-0150	144	229-1790S	134
120-0170	8	210-7350	85	212-9960S	120	218-1570A	156	229-0150S	144	229-1900	145
120-0170B	118	210-7430	156	215-1050	78	218-1770A	123	229-0160	144	229-1900S	145
120-0170P	8	210-7440	156	215-1060	78	218-1960A	80, 82	229-0160S	144	229-1920	142
120-0170PB	118	210-7900	154	215-1170	80	218-4010	149	229-0170	142	229-1920S	142
120-0180	8	210-7900S	154	215-1190	81	218-4360	153	229-0170S	142	229-1930	138
120-0180B	118	210-7908	154	215-1191	81	218-5150	149	229-0180	138	229-1930S	84, 138
120-0180P	8	210-7908S	154	215-1197	81	218-6680	149	229-0180S	84, 138	229-1940	134
120-0180PB	118	210-7910	154	215-3270B	346	218-6680B	325	229-0190	134	229-1940S	134
120-0250	8	210-7910S	154	215-3610B	346	218-6680T	149	229-0190S	134	229-1970	143
120-0250B	118	210-7918	154	215-3620B	346	218-7650	82	229-0210	134	229-1970S	143
120-0250P	8	210-7918S	154	215-8200	102	218-7657	82	229-0210S	134	229-1980	139
120-0250PB	118	210-8750	122	215-8210	102	218-9118	149	229-0220	134	229-1980S	139
125-0110	8	210-9200	183	215-8220	102	218-9128	149	229-0220S	134	229-1980SG	84
125-0110B	118	210-9258S	183	215-8230	102	218-9138	149	229-0230	134	229-1990	135
125-0110P	8	210-9268S	183	215-8240	102	218-9148	149	229-0230S	134	229-1990S	135



Part No.	Page	Part No.	Page	Part No.	Page	Part No.	Page	Part No.	Page	Part No.	Page
229-2000S	150	229-3357	149	229-7390S	146	229-8031-BEI	81	229-9060S	140	239-0150S	150
229-2020	151	229-3620	142	229-7450S	146	229-8031-DK	81	229-9070S	140	239-0749-DSGPS	121
229-2030	151	229-3620S	142	229-7480S	146	229-8037	81	229-9100S	140	239-0759-DSGS	121
229-2030S	150, 151	229-4020	134	229-7550	139	229-8040	145	229-9130S	140	239-0771S-DSGPS	121
229-2050	151	229-4020S	134	229-7550S	139	229-8050	81	229-9140S	140	239-0800S	146
229-2060	151	229-4030	134	229-7550SG	84	229-8050S	145	229-9150S	140	239-0830S	146
229-2060S	150, 151	229-4030S	134	229-7560	139	229-8051	81	229-9160S	140	239-0900S	146
229-2090S	150	229-4040	135	229-7560S	139	229-8051-BEI	81	229-9180S	140	239-0910S	146
229-2100	144	229-4040S	135	229-7560SG	84	229-8051-DK	81	229-9190S	140	239-1500	132
229-2100S	144	229-4050	135	229-7570SG	84	229-8057	81	229-9200S	140	239-1500S	132
229-2400S	136	229-4050S	135	229-7580SG	84	229-8120	81	229-9210S	140	239-1510	132
229-2410S	136	229-4090	134	229-7590	139	229-8120S	145	229-9220S	140	239-1510S	132
229-2420S	136	229-4090S	134	229-7590S	139	229-8121	81	229-9230S	140	239-1520	132
229-2430S	136	229-5310S	147	229-7590SG	84	229-8121-BEI	81	229-9260S	140	239-1520S	132
229-2440S	136	229-5320S	147	229-7600	147	229-8121-DK	81	229-9280S	140	239-1530	132
229-2480S	136	229-5410S	147	229-7600G	82	229-8127	81	229-9290S	140	239-1530S	132
229-2500S	137	229-5420S	147	229-7600S	145	229-8130	145	229-9300S	141	239-1700S-DSG	130
229-2510S	137	229-5430S	147	229-7601G	82	229-8140	145, 147	229-9310S	141	239-1710S-DSG	130
229-2520S	137	229-5440S	147	229-7607G	82	229-8140S	145	229-9330S	141	239-1720S-DSG	130
229-2530S	137	229-5480	147	229-7610	147	229-8150	145	229-9350S	141	239-1730S-DSG	130
229-2540S	137	229-5480S	147	229-7610G	82	229-8150S	145	229-9370S	141	239-1740S	150
229-2580S	137	229-5510S	147	229-7610S	145	229-8160	145, 147	229-9380S	141	239-1750S	150
229-2620S	137	229-5520S	147	229-7611G	82	229-8160S	145	229-9400S	141	239-1800S	130
229-2630S	137	229-5530S	147	229-7617G	82	229-8170	145, 147	229-9420S	141	239-1810S	130
229-2640S	137	229-5580S	147	229-7630	147	229-8170S	145	229-9430S	141	239-1820S	130
229-2650S	137	229-5610 S	147	229-7630G	82	229-8230	145	229-9450S	141	239-1830S	130
229-2690S	137	229-5630S	147	229-7631G	82	229-8230S	145	229-9460S	141	239-1900S	131
229-2700S	136	229-5640S	147	229-7637G	82	229-8270S	145	229-9480S	141	239-1910S	131
229-2710S	136	229-5650S	147	229-7680	135	229-8280	145	229-9490S	141	239-1950S	131
229-2720S	136	229-5710S	150	229-7680S	135	229-8290	145, 147	229-9510	142	239-2300	132
229-2730S	136	229-5800S	150	229-7690	143	229-8290S	145	229-9510S	142	239-2300S	132
229-2740S	136	229-6170	135	229-7690S	143	229-8440	134	229-9520	138	239-2310	132
229-2750S	136	229-6170S	135	229-7700	139	229-8440S	134	229-9520S	84, 138	239-2310S	132
229-2760S	136	229-6350	135	229-7700S	139	229-8450	134	229-9530	134	239-2320	132
229-2770S	136	229-6350S	135	229-7700SG	84	229-8450S	134	229-9530S	134	239-2320S	132
229-2780S	137	229-6360	135	229-7720	139	229-8570	138	229-9600	145	239-2330	132
229-2790S	137	229-6360S	135	229-7720S	139	229-8570S	84, 138	229-9600S	145	239-2330S	132
229-2800S	136	229-6380	135	229-7740	147	229-8580	138	229-9610	142	239-2340	132
229-2810S	136	229-6380S	135	229-7740G	82	229-8580S	84, 138	229-9610S	142	239-2340S	132
229-2820S	136	229-6437G	82	229-7740S	145	229-8590	138	229-9620	138	239-2350	132
229-2830S	137	229-6610	145	229-7741G	82	229-8590S	84, 138	229-9620S	84, 138	239-2350S	132
229-2840S	137	229-6630	145	229-7747G	82	229-8630	138	229-9630	135	239-2360	132
229-2880S	136	229-6650	145	229-7757	149	229-8630S	84, 138	229-9630S	135	239-2360S	132
229-2900S	150	229-6710	143	229-7757G	82	229-8640	138	229-9640S	141	239-3100S	130
229-2910S	150	229-6710S	143	229-7800S	144	229-8640S	84, 138	229-9720	147	239-3110S	130
229-2940S	136	229-6720	135	229-7810	144	229-8650	138	229-9720S	147	239-3120S	130
229-2950S	137	229-6720S	135	229-7840	144	229-8650S	84, 138	229-9730	142	239-3130S	130
229-2960S	137	229-6740S	133	229-7840S	144	229-8660	138	229-9730S	142	239-3140S	130
229-3020S	150	229-6840S	146	229-7900	144	229-8660S	84, 138	229-9790	145	239-3150S	130
229-3040S	150	229-6850S	146	229-7920	80, 147	229-8670S	84	229-9790S	145	239-3160S	130
229-3050S	150	229-7090	143	229-7920S	144	229-8700	138	236-4400S	152	239-3300S	130
229-3060S	150	229-7090S	143	229-7930	80	229-8700S	84, 138	236-4410S	152	239-3310S	130
229-3200	138	229-7140	143	229-7940	144	229-8790	142	236-7130S	152	239-3320S	130
229-3200S	84, 138	229-7140S	143	229-7950	80, 147	229-8790S	142	236-7150	152	239-3330S	130
229-3210S	84	229-7150	143	229-7950S	144	229-8850	142	236-7150S	152	239-3340S	131
229-3220S	84	229-7150S	143	229-8000	145	229-8850S	142	236-7170S	152	239-3350S	131
229-3240	138	229-7160	143	229-8010	81	229-8860	142	236-7180S	152	239-3360S	131
229-3240S	84, 138	229-7160S	143	229-8010S	145	229-8860S	142	236-8160	152	239-4000S	127
229-3250	142	229-7250	139	229-8011	81	229-8870	142	236-8160S	152	239-4010S	127
229-3250S	142	229-7250S	139	229-8011-BEI	81	229-8870S	142	236-8270S	152	239-4020S	127
229-3260	142	229-7250SG	84	229-8011-DK	81	229-9000S	140	236-8280S	152	239-4030S	127
229-3260S	142	229-7310S	146	229-8017	81	229-9010S	140	236-8290S	152	239-4100S	127
229-3270	142	229-7320S	146	229-8020	145	229-9020	142	236-9540S	152	239-4110S	127
229-3270S	142	229-7330S	146	229-8030	81	229-9020S	142	236-9550S	152	239-4120S	127
229-3280	142	229-7360S	146	229-8030S	145	229-9040	134	239-0010S	150	239-4130S	127
229-3280S	142	229-7380S	146	229-8031	81	229-9040S	134	239-0020S	150	239-4200S	127



2020 Pool & Spa Product Buyer's Guide / Index

Part No.	Page	Part No.	Page	Part No.	Page	Part No.	Page	Part No.	Page	Part No.	Page
239-4210S	127	239-6150S	133	310-1750	226	310-4090B	298	311-1450B	279, 281, 283,	319-4100	290, 291
239-4220S	127	239-6160	133	310-1800	226	310-4180B	295	285, 287		319-4100B	279, 281, 283,
239-4230S	127	239-6160S	133	310-1810	226	310-4190B	295	311-1510B	297	285, 287, 293	
239-4240S	127	239-6740	133	310-1820	226	310-4200B	295	311-1520B	288, 289	319-5300B	294
239-4250S	127	239-7090	145	310-1830	226	310-4210B	295	311-2140B	290, 291, 300	350V120-1	279
239-4260S	127	239-7090S	145	310-1840	226	310-4220B	295	311-2160B	299	350VS20-1	281, 287
239-4300	144	239-7710	133	310-1850	226	310-4230B	295	311-2170B	290, 301	400-0021B	347
239-4300S	144	239-7710S	133	310-1860	226	310-5080	55	311-2311B	296	400-662xB	79
239-4310	144	239-7730S	141	310-1870	226	310-5080B	288, 289	311-8300B	271	400-1300	75
239-4310S	144	239-7740	135	310-1880	226	310-5090	55	313-1400B	293, 294, 300,	400-1360	75
239-4320	144	239-7740S	135	310-1890	226	310-5090B	288, 289	302		400-1410A	71
239-4320S	144	239-7750S	137	310-1900	226	310-5100	55	313-3210B	297	400-1410AB	71
239-4330	144	239-7760	143	310-1910	226	310-5100B	288, 289	315-1050B	293	400-1410B	71
239-4330S	144	239-7760S	143	310-1920	226	310-5110B	293	315-1060B	298	400-1410BB	71
239-4340	144	239-8200	133	310-1930	226	310-5120B	293, 302	315-1070B	292	400-1410C	71
239-4340S	144	239-8200S	133	310-2200B	297	310-5130B	293, 302	315-1120B	293, 302	400-1410CB	71
239-4350	144	239-8210	133	310-2260B	297	310-5140B	293, 302	315-1220B	295	400-1410D	71
239-4350S	144	239-8210S	133	310-2270B	297	310-5200B	293, 302	315-1240B	294, 295	400-1410DB	71, 336
239-4370	147	239-8220	133	310-2300B	296	310-5400	55	315-1300B	275, 277	400-1410E	71
239-4370S	147	239-8220S	133	310-2330B	296	310-5400B	315	315-1400B	285, 287	400-1410EB	71, 336
239-4400S	127	239-8230	133	310-2340B	296	310-6500	55	315-1500B	297	400-1410F	71
239-4410S	127	239-8230S	133	310-2350B	296	310-6600	55	315-1510B	288, 289	400-1410FB	71
239-4420S	127	239-8240	133	310-2360	226	310-7400B	287	315-2301B	296	400-1411A	71
239-4430S	127	239-8240S	133	310-2370	226	310-7410B	287	315-2500B	290, 291, 300	400-1411B	71
239-4440S	127	239-8250	133	310-2380	226	310-7420B	287	315-2510B	299	400-1411C	71
239-4450S	127	239-8250S	133	310-2390	226	310-7430B	279, 281, 287	315-2520B	290, 301	400-1411D	71
239-4460S	127	239-8260	133	310-2450	226	310-7440B	287	315-8300B	271	400-1411DB	71
239-4700S	127	239-8260S	133	310-2460	226	310-7450B	283, 287	319-0019	228	400-1411E	71
239-4720S	127	239-8300	132	310-2480	226	310-7470B	279, 281, 283,	319-0041B	347	400-1411EB	71
239-4730S	127	239-8300S	132	310-2620B	297	285, 287		319-1270B	296	400-1417A	71
239-4740S	127	239-8310	132	310-3000	55	310-7500B	285	319-1310B	275, 277	400-1417AB	71
239-4750S	127	239-8310S	132	310-3010	55	310-7510B	285	319-1370B	295	400-1417B	71
239-4760S	127	239-8320	132	310-3010-SS	55	310-7520B	285	319-1380B	294, 295	400-1417C	71
239-4770S	127	239-8320S	132	310-3020	55	310-7530B	285	319-1390B	291, 300	400-1417D	71
239-4900S	127	239-8330	132	310-3030	55	310-7700SD	55, 227	319-1420B	279, 281, 283,	400-1417DB	71
239-4910S	127	239-8330S	132	310-3030-SS	55	310-7710SD	55, 227	285, 287		400-1417E	71
239-4920S	127	239-8340	132	310-3040	55	310-7720SD	55, 227	319-1430B	279, 281, 283,	400-1417EB	71
239-4930S	127	239-8340S	132	310-3050	55	310-7730SD	55, 227	285, 287		400-1419A-DK	71
239-4940S	127	239-8350	132	310-3050-SS	55	310-7740SD	55, 227	319-1500B	279, 281, 283,	400-1419B-DK	71
239-4950S	127	239-8350S	132	310-3060	55	310-7800	55, 227	285, 287		400-1419C-DK	71
239-4960S	127	239-8360	132	310-3070	55	310-7810	55, 227	319-1510B	288, 289	400-1419D-BE	71
239-5000	139	239-8360S	132	310-3080	55	310-7820	55, 227	319-1530B	288, 289	400-1419D-DK	71
239-5000S	139	310-0140	226	310-3090	55	310-7830	55, 227	319-1540B	288, 289	400-1419E-BEI	71
239-5010	139	310-0700	226	310-3100	55	310-7840	55, 227	319-1550B	288	400-1419E-DK	71
239-5010S	139	310-0800	226	310-3300B	275, 277	310-8000B	290, 292, 299,	319-1560B	289	400-1419E-DKB	71
239-5020	139	310-0810	226	310-3500	55	301		319-1630	281	400-1420A	72
239-5020S	139	310-0900B	298	310-3510	55	310-8010B	290, 292, 299,	319-1630B	279, 283, 285,	400-1420D	72
239-5030	139	310-1020B	294	310-3520	55	301		287		400-1420DB	72
239-5030S	139	310-1030B	294	310-3530	55	310-8020B	290, 292, 299,	319-1700B	279, 281, 283,	400-1420E	72
239-5040	139	310-1040B	294	310-3540	55	301		285, 287		400-1420EB	72
239-5040S	139	310-1050B	294	310-3550	55	310-8030B	290, 292, 299,	319-2160B	293	400-1421D	72
239-5050	139	310-1060B	294	310-3560	55	301		319-2170B	290, 291	400-1421E	72
239-5050S	139	310-1130SD	226	310-3570	55	310-8040B	290, 292, 299,	319-3010B	289	400-1427A	72
239-5060	139	310-1140SD	226	310-3580	55	301		319-3090B	288, 290, 292,	400-1427D	72
239-5060S	139	310-1141SD	226	310-3650B	275, 277	310-8200	55, 226	296, 297, 298, 299, 301		400-1427E	72
239-5080S	150	310-1150SD	226	310-3660B	275, 277	310-8210	55, 226	319-3100B	275, 277, 279,	400-1429A-DK	72
239-5090S	150	310-1160SD	226	310-3670B	275, 277	310-8220	55, 226	281, 283, 285, 287, 290, 291,		400-1429D-DK	72
239-6110	133	310-1440	226	310-3680B	275, 277	310-8230	55, 226	293, 294, 295, 300, 302		400-1429E-DK	72
239-6110S	133	310-1460	226	310-3990B	290, 291	310-8240	55, 226	319-3210B	294	400-1940	60, 231
239-6120	133	310-1480	226	310-4000B	290, 291, 300	310-8400B	271	319-3230B	290, 291, 293	400-1990	60, 231
239-6120S	133	310-1500	226	310-4010B	290, 291, 300	311-1060B	298	319-3260B	294	400-2000	62, 233
239-6130	133	310-1510	226	310-4020B	300	311-1070B	292	319-3290B	271	400-2010	231
239-6130S	133	310-1710	226	310-4030B	290, 291, 300	311-1110B	293, 302	319-3500B	289, 291	400-2017	60
239-6140	133	310-1720	226	310-4050B	300	311-1210B	295	319-3510B	289, 291	400-2020	60, 231
239-6140S	133	310-1730	226	310-4060B	298	311-1220B	294, 295	319-3520B	291	400-2060	257
239-6150	133	310-1740	226	310-4070B	298	311-1400B	275, 277	319-3530B	291	400-2070	257



Part No.	Page	Part No.	Page	Part No.	Page	Part No.	Page	Part No.	Page	Part No.	Page
400-2100	257	400-9030	208	411-4010	68, 239	413-4400	257	417-6020B	337	425-4040	246
400-3021	257	400-9060B	74	411-4040	68, 239	413-4410	257	417-6030	64, 235	425-5010	246
400-3031	257	400-9061B	74	411-4050	68, 239	413-4510	251	417-6040	234	425-5030	81
400-3070	59	400-9067B	74	411-4060	251	413-5030	240	417-6041	63	425-5070	80
400-3090	59, 65	400-9090	85	411-4080	68, 239	413-5040	242	417-6041B	315	425-5071	80
400-4000	62, 233	400-9120	208	411-4160	251	413-5080	242	417-6050	64, 235	425-5077	80
400-4020	62, 233	400-9130	208	411-5030	68, 239	415-4000	63, 234	417-6060	69	425-6000	119
400-4030	62, 233	400-9140	208	411-5040	68, 239	415-4000B	337	417-6060B	336, 337	425-6018	119
400-4060	60, 231	400-9150	70, 208	411-5050	68, 239	415-4001B	315, 321, 323	417-6061	69	425-6038	119
400-4061B	321, 323	400-9150B	70	411-5060	68, 239	415-4021	236	417-6061B	315, 338	429-2000	66
400-4100	241	400-9151	70	411-5080	68, 239	415-4051B	293	417-6080	69	429-2010	66
400-4130	230	400-9157	70	411-5520	253	415-4061B	279, 281, 283,	417-6080B	339	429-3000	66
400-4140	79, 115	400-9160B	74	411-5540	253	285, 287		417-6081	69	429-3010	66
400-4141	79, 115	400-9161B	74	411-5550	68, 239	415-4211B	27	417-6127	254	429-3020	66
400-4147	79, 115	400-9167B	74	411-6040	253	415-5000	64, 235	417-6137	254	429-3030	66
400-4149-BEI	79, 115	400-9170	70	411-6520	69	415-5001	312, 313	417-6140	69, 252	429-4000	230
400-4160	59	400-9170B	70, 336	411-6540	69	415-5001B	294	417-6140B	336	429-4010	114
400-4230	60, 231	400-9171	70	411-6910B	327	415-5091-CPVCB	309	417-6141	69	429-4017	114
400-4240	60, 231	400-9171B	70	411-9100	67, 238	415-5161	237	417-6147	69	429-4019-BEI	114
400-4260	241	400-9177	70	411-9110	67, 238	415-5201B	291	417-6150	69	429-4030	230
400-4300	61, 232	400-9177B	70	411-9120	67, 238	415-6000	64, 235	417-6150B	336	429-7100	113
400-4360	253	400-9180	76	411-9130	67, 238	415-6001B	275, 277, 311	417-6151	69	429-7221B	312, 313
400-4420	253	400-9181	76	411-9140	67, 238	417-2000	234	417-6157	69	429-7300	28
400-4481-CPVC	59, 232	400-9187	76	411-9150	67, 238	417-2090	237	417-6161	69	429-7300B	321, 323
400-4510	60, 231	400-9189-DKG	76	411-9160	67, 238	417-2111B	279, 281, 283,	417-6197	254	500-1000B	315, 328, 329
400-5050	62, 233	400-9190	76	411-9170	68, 239	285, 287		417-6241B	312, 313	500-1021	208
400-5080	59	400-9190P	76	411-9180	68, 239	417-2121-CPVCB	279, 281,	418-1000	66	500-1060B	328
400-5090	59	400-9191	76	411-9200	67, 238	283, 285, 287		418-2000	66	500-1070B	328
400-5161	237	400-9191P	76	411-9210	67, 238	417-2201B	27, 311	418-3000	66	500-1098	208
400-5161B	290	400-9197	76	413-1201	246	417-4000	63, 234	418-4000	66	500-1901B	321, 323
400-5200	59, 65	400-9197P	76	413-1770	241	417-4001B	315	418-5000	66	500-2500	206
400-5301B	294	400-9199-BEI	76	413-1800	251	417-4010	63, 234	418-6000	66	500-2510	206
400-5461	236	400-9199-DKG	76	413-1810	242	417-4020	63	418-7000	66	500-2515B	315
400-5461B	348	400-9199P-DK	76	413-1820	242	417-4030	63, 234	419-0900	252	500-2540	206
400-5491	236	400-9220	208	413-1850	251	417-4050	236	419-1000	246	500-2550	206
400-5530	62, 233	400-9230	61, 232	413-1860	251	417-4060	63, 234	419-1920	252	500-2680B	330
400-5540	253	400-9240	61, 232	413-1900	246	417-4070	63, 234	419-4100	66	500-2697B	332
400-5570	61, 232	400-9280	60, 231	413-1920	251	417-4080	63, 234	419-4110	66	500-5000	206
400-5580	253	400-9290	113	413-1940	246	417-4090	236	419-4120	66	500-5010	206
400-5640	60, 231	400-9291	113	413-1960	251	417-4100	63, 234	419-4201B	307, 311, 317	500-5015B	315
400-5660	61, 232	400-9292	113	413-1980	240	417-4110	63, 234	419-7241	312, 313	500-5050	206
400-5670	61, 232	400-9297	113	413-2000	240	417-4161	39	419-7251	312, 313	500-5300B	312, 313
400-5680	61, 232	400-9299-BEI	113	413-2020	242	417-4161B	321, 323	421-1000	254	500-5310B	307, 311
400-5800	61, 232	400-9299-DKG	113	413-2030	240	417-4220	64, 235	421-1030	246	500-6010	206
400-5961-2B	314	400-9390	76	413-2060	240	417-5020	64, 235	421-1050	254	500-6050	206
400-5971B	61, 232	400-9390P	76	413-2080	240	417-5040	64, 235	421-3350	77	500-7310B	312, 314
400-5990	61, 232	400-9397	76	413-2090	240	417-5050	237	421-4010	254	500-7500	207
400-6000	62, 233	400-9397P	76	413-2120	240	417-5060	237	421-4020	254	500-7510	207
400-6010	61, 232	400-9470	73	413-2130	240	417-5080	63, 234	421-4030	254	500-7550	207
400-6021B	61, 232	400-9820	65	413-2140	240	417-5090	64, 235	421-4070	254	500-9900	207
400-6040	253	400-9820B	348	413-2150	240	417-5120	64, 235	421-4070B	347	500-9910	207
400-6437	38	400-9900B	315	413-2160	237	417-5121B	294	421-4071B	27, 311	500-9950	207
400-6600	79	400-9974B	311	413-2180	240	417-5130	235	421-4201B	27, 311	502-2011B	321, 323, 325
400-6600-100	79	411-0350	251	413-2210	240	417-5130B	294	421-5000	254	502-2500	206
400-6601	79	411-0360	251	413-2320	68, 91, 241	417-5140	237	423-4000	254	502-2510	206
400-6601-100	79	411-1170B	347, 348	413-3010	240	417-5160	237	425-0210	246	502-2530	206
400-6601B	307, 311	411-2000	68, 239	413-4000	240	417-5180	237	425-1000	251	502-2550	206
400-6610B	311	411-2010	68, 239	413-4100	242	417-5260	64, 235	425-1010	252	502-5000	206
400-6621B	307, 311	411-2020	68, 239	413-4130	242	417-5500	63, 234	425-1030	251, 252	502-5010	206
400-6650	79	411-2100	68, 239	413-4140	242	417-5970	64, 235	425-1080	246	502-5030	206
400-6651	79	411-2200	68, 239	413-4160	242	417-5971B	275, 277	425-1090	249	502-5050	206
400-7390	74	411-3480	251	413-4180	168	417-5980	237	425-1181B	348	502-7500	207
400-8300	73	411-3490	251	413-4200	168	417-6000	64, 235	425-1928B	321, 323, 325	502-7510	207
400-8310	73	411-3500	251	413-4350	246	417-6001B	275, 277	425-4000	248	502-7550	207
400-8320	73	411-3700	251	413-4360	251	417-6010	64, 235	425-4020	246	502-9900	207
400-9010B	74	411-4000	68, 239	413-4370	251	417-6020	234	425-4030	119	502-9910	207



2020 Pool & Spa Product Buyer's Guide / Index

Part No.	Page	Part No.	Page	Part No.	Page	Part No.	Page	Part No.	Page	Part No.	Page
505-0161B	323, 325	514-6550	205	519-6650B	341	520-5027-6S	30	522-1610	47	535-2209-MOC	255
505-0191B	323, 325	514-6580	205	519-6680B	341	520-5037-3S	30	522-1610-3	47	535-2209-RDW	255
505-0221B	323, 325	515-1010B	329	519-6700	115	520-5037-6S	30	522-1700	47	535-2300	255
505-0261B	323, 325	515-1170B	347	519-6710	115	520-5107	33	522-1700-3	47	540-3160	114
505-0271B	321	515-2041TB	317, 319	519-6711	115	520-5107-3S	33	522-1910	47	540-3161	114
505-0281B	321	515-4207B	307	519-6717	115	520-5107-6S	33	522-1910-3	47	540-3167	114
505-0291B	321	515-7250B	312, 313	519-6719-BEI	115	520-5127	33	522-2980	39	540-3169-BEI	114
505-0301B	321	519-0231	257	519-6900B	327	520-5127-3S	33	522-3010	39	540-5300*	109
505-1010B	309	519-0300B	326	519-6940.LB	327	520-5127-6S	33	522-3030	39	540-5300-9B	109
505-1020B	309	519-949xB	334	519-6940.RB	327	520-5147-3S	33	522-3040	39	540-5301	109
505-1030B	309	519-1051B	328	519-6951B	327	520-5147-6S	33	522-4010	39	540-5307	109
505-1040B	309	519-1160B	347	519-6961B	327	520-5157-3S	33	522-4020	39	540-5309-BEI	109
505-1060B	309	519-1167B	347, 348	519-6970B	327	520-5157-6S	33	522-4030	39	540-5310*	109
505-1930B	321, 323, 325	519-1181B	347, 348	519-6981B	327	520-5167	33	522-4040	39	540-5310-9B	109
505-1950B	323, 325	519-1250B	348	519-7269B	312	520-5167-3S	33	522-5007-3S	30	540-5311	109
505-1970B	321, 323, 325	519-1600B	339	519-7361B	347	520-5167-6S	33	522-5007-6S	30	540-5317	109
505-2020B	321, 323, 325	519-2010B	332	519-7400B	312, 313	520-5187	33	522-5027-3S	30	540-5319-BEI	109
505-2030B	321, 323, 325	519-2031	209	519-7410B	312, 313	520-5187-3S	33	522-5027-6S	30	540-5320	109
505-2040B	323, 325	519-2041	209	519-7420B	312, 313	520-5187-6S	33	522-5037-3S	30	540-5700	109
505-2050B	323, 325	519-3010B	330, 337	519-7431B	312, 313	520-5200	46	522-5037-6S	30	540-5710*	109
505-2060B	323, 325	519-3030B	336, 337	519-7441B	312, 313	520-5200-3S	46	522-5107-3S	33	540-5717	109
505-2070B	323, 325	519-3080B	337	519-7470B	312, 313	520-5200-6S	46	522-5107-6S	33	540-5720*	109
505-2080B	323, 325	519-3090	112	519-7491B	312	520-5220	46	522-5127-3S	33	540-5730*	109
505-2140B	321	519-3090B	336, 337	519-7601B	312, 313	520-5220-3S	46	522-5127-6S	33	540-5737	109
505-2150B	321	519-3091	112	519-8000B	330	520-5220-6S	46	522-5147-3S	33	540-6010	104
505-2160B	321	519-3097	112	519-8050B	330	520-5240	46	522-5147-6S	33	540-6200	110
505-2180B	321	519-3100B	337	519-8070B	330	520-5240-3S	46	522-5157-3S	33	540-6350	110
505-2240-RB	323	519-3150B	336, 337	519-8150B	332	520-5240-6S	46	522-5157-6S	33	540-6360	110
505-2250-RB	323	519-3170B	337	519-8160B	332	520-5260	46	522-5167-3S	33	540-6410	104
505-2260-RB	323	519-3180B	336, 337	519-8260B	331	520-5260-3S	46	522-5167-6S	33	540-6410-9B	104
505-3000B	321, 323, 325	519-3190B	337	519-8310B	326	520-5260-6S	46	522-5187-3S	33	540-6410-9SB	104
505-3010B	321, 323, 325	519-3240B	333, 334, 335	519-9010B	340	520-5300-3S	42	522-5187-6S	33	540-6410G	104
505-3020B	321	519-3250B	333, 334, 335	519-9040B	340	520-5300-6S	42	522-5200-3S	46	540-6410-LL	105
510-1500	200	519-4020B	339	519-9050B	340	520-5300-C25S	54	522-5200-6S	46	540-6410-S	104
510-1600	200	519-4030B	339	519-9490	107	520-5320-3S	42	522-5220-3S	46	540-6411	104
510-1650T	200	519-4090B	339	519-9500B	334, 335	520-5320-6S	42	522-5220-6S	46	540-6411-9B	104
510-3520	204	519-4110B	336, 337	519-9510	107	520-5320-C25S	54	522-5240-3S	46	540-6411-9SB	104
510-3540	204	519-4281B	307, 311	519-9510B	334, 335	520-5330-3S	42	522-5240-6S	46	540-6411-LL	105
510-3550	204	519-4320B	311	519-9520	107	520-5330-6S	42	522-5260-3S	46	540-6417	104
510-3600	206	519-4370B	307, 311	519-9521	107	520-5340-3S	42	522-5260-6S	46	540-6417-9B	104
510-4520	204	519-5301B	317	519-9527	107	520-5340-6S	42	522-5300-3S	42	540-6417-9SB	104
510-4550	204	519-5310B	317	519-9530B	334, 335	520-5340-C25S	54	522-5300-6S	42	540-6417-LL	105
510-4570	203	519-5320B	317	519-9540	107	520-5350-3S	42	522-5320-3S	42	540-6417-S	104
510-4600	203	519-5330SCB	317	519-9547	107	520-5350-6S	42	522-5320-6S	42	540-6419-BEI	104
510-4620	203	519-5370B	317, 319, 321	519-9550B	334	520-5360-6S	42	522-5330-3S	42	540-6419BEI-LL	105
510-4630	203	519-5421B	317	519-9650B	333	520-5360-C25S	54	522-5330-6S	42	540-6419-DKG	104
510-4680	203	519-6240B	340, 341	520-5a157	33	520-5400-25S	53	522-5340-3S	42	540-6430	104
510-6520	204	519-6420B	333, 334, 335	520-1601	38	520-5420-25S	53	522-5340-6S	42	540-6460WW	105, 114
510-6540	204	519-6450B	333, 334, 335	520-1601LT	38	520-5440-25S	53	522-5350-3S	42	540-6461WW	105, 114
510-6550	204	519-6460B	333	520-1610	47	520-5460-25S	53	522-5350-6S	42	540-6467WW	105, 114
510-6620	201	519-6460WWB	334, 335	520-1610-3	47	520-6000-6S	37	522-6000-6S	36	540-6469WW-B	105
510-6680	202	519-6470B	333, 334, 335	520-1700	47	520-6000-C25S	51	522-6100-6S	36	540-6469WW-BEI	114
510-6900	199	519-6480	104, 107	520-1700-3	47	520-6100-6S	37	522-6115-6S	36	540-6469WW-D	105
510-6910	199	519-6480B	334, 335	520-1910	47	520-6100-C25S	51	522-6215-6S	36	540-6469WW-DKG	114
510-9020	201	519-6480-R1	104	520-1910-3	47	520-6115-6S	37	522-6315-6S	36	540-6470WWB	333
510-9520	204	519-6480-R1B	334, 335	520-3010	39	520-6115-C25S	51	522-6415-6S	36	540-6480WW	105, 114
510-9540	204	519-6550	107	520-3030	39	520-6215-6S	37	522-6515-6S	36	540-6487WW	105, 114
510-9550	204	519-6560	103, 104, 107	520-3040	39	520-6215-C25S	51	522-6520-6S	36	540-6489WW-B	105
511-1000B	328	519-6560B	335	520-4010	39	520-6315-6S	37	532-2010B	113	540-6489WW-BEI	114
511-1010B	329	519-6561	104	520-4040	39	520-6315-C25S	51	532-2011B	113	540-6490WWB	334, 335
511-1310B	275, 277, 288, 289	519-6567	104, 107	520-4070	38	520-6415-6S	37	532-2013B	113	540-6500	104, 107
		519-6569-BEI	104	520-4070LT	38	520-6415-C25S	51	532-2017B	113	540-6510	104
512-0210	205	519-6569-DKG	104	520-5007	30	520-6515-6S	37	532-2019B-DK	113	540-6510-9B	104
512-0270	205	519-6570B	103, 333	520-5007-3S	30	520-6515-C25S	51	535-2209-BRK	255	540-6510-9SB	104
512-2510	205	519-6610B	341	520-5007-6S	30	520-6520-6S	37	535-2209-CIN	255	540-6511	104
512-2550	205	519-6630B	341	520-5027	30	520-6520-C25S	51	535-2209-CSG	255	540-6511-9B	104
512-2570	205	519-6640B	340, 341	520-5027-3S	30	520-7500-0	35	535-2209-GPH	255	540-6517	104

2020 Pool & Spa Product Buyer's Guide / Index



Part No.	Page	Part No.	Page	Part No.	Page	Part No.	Page	Part No.	Page	Part No.	Page
540-6517-9B	104	550-0120	209	550-5410B	317	570-0425-07	27	600-4200	174	602-7140B	303
540-6519-BEI	104	550-0260	314	550-5420B	317	570-0525-07*	27	600-4210*	172	602-7200B	303
540-6519-DKG	104	550-0411	209	550-5430B	317	600-0051B	347	600-4220*	172	602-7251B	303
540-6610	104	550-0601B	314	550-5610	209	600-0101B	348	600-4230*	172	602-8210B	331
540-6610-9B	104	550-0611	314	550-5701B	326	600-0111	86	600-4330	174	605-0111B	305
540-6611	104	550-0621	314	550-5735-1B	326	600-0220	314	600-4340	174	608-3668L-DSG	171
540-6617	104	550-0631	314	550-5750-1B	326	600-0401	86	600-4360*	172	608-3918L-DSG	171
540-6617-9B	104	550-0701B	314	550-5775-1B	326	600-0451	86	600-4370*	172	608-3928L-DSG	171
540-6619-BEI	104	550-995xB	333, 334, 335	550-5835-1B	326	600-551x*	169	600-4380*	172	608-5508L-DSG	171
540-6619-DKG	104	550-1030B	336, 337	550-5850-1B	326	600-552x*	169	600-4400*	173	608-5518L-DSG	171
540-6630	104	550-1500B	339	550-5875-1B	326	600-1000B	328, 329	600-4410*	173	608-7608L-DSG	171
540-6700	115	550-1600	209	550-6100	209	600-1020B	331	600-4420*	173	611-5001	258
540-6701	115	550-1801B	323	550-6110	209	600-1040B	326, 328, 330	600-4600*	172	611-6090	258
540-6707	115	550-1811B	323	550-6600B	341	600-1151B	348	600-4700	172	611-7000	258
540-6709-BEI	115	550-1821B	321, 323	550-6610B	341	600-1180B	347, 348	600-4710	172	616-1100	258
540-6710	115	550-1831B	321, 323	550-6620B	341	600-1190B	347	600-4720	173	616-1300	258
540-6711	115	550-1833B	321	550-6630B	341	600-1207B	348	600-4730	173	616-1400	258
540-6717	115	550-1841B	321, 323	550-6700	65	600-1287B	347	600-4750	174	616-1600	258
540-6719-BEI	115	550-2120B	347	550-6800	230	600-1500	26	600-4780	174	616-1800	258
540-8400	106	550-2130B	347	550-6810	230	600-1500UCPB	317	600-5000	230	616-2000	258
540-8407	106	550-2515B	315	550-6910B	327	600-2100	101	600-7000	86	616-3001	258
540-8430	106	550-2630B	330, 332	550-7100B	312	600-2140	101	600-7010	86	616-4001	258
540-8437	106	550-4050B	339	550-7120B	312	600-2150B	101	600-7020	86	630-0005	192
540-8460	106	550-4060B	339	550-7210B	312	600-2160B	101	600-7030	86	630-0008	187
540-8500	106	550-4080B	339	550-7220B	312	600-2200	73	600-7040-CPVC	86	630-0008S	187
540-8507	106	550-4090B	339	550-7500B	312, 313	600-2201	73	600-7050-CPVC	86	630-0038	190
540-8530	106	550-4110B	307	550-7760	209	600-2207	73	600-7060-CPVC	86	630-0068	187
540-8537	106	550-4120B	307	550-8620B	331	600-2209-BEI	73	600-7070-CPVC	86	630-0068S	187
540-8550	106	550-4130B	307	550-8631B	331	600-2209-DKG	73	600-7100-CPVC	86	630-0148	188
540-8557	106	550-4200B	307	550-8700	24	600-2300	229	600-7160B	303	630-0158	188
540-8580	106	550-4210B	307	550-8700B	271	600-2370	229	600-7171B	303	630-1105	191
540-8587	106	550-4220B	307	550-9000B	340	600-2380	229	600-7180B	303	630-1115	191
540-8610	107	550-4230B	307, 311	550-9010B	340	600-2900	230	600-7200-CPVC	86	630-5005	191
540-8617	107	550-4240B	307, 311	550-9230	76	600-3010	174	600-7300B	303	630-5008	187
540-8630	107	550-4280	26	550-9231	76	600-3020*	172	600-8140	230	630-5105	191
540-8637	107	550-4300B	311	550-9237	76	600-3030	176	600-8150	230	630-5115	191
540-8700	107	550-4310B	307	550-9239-DKG	76	600-3040*	172	600-8160	230	630-5205	191
540-8830	107	550-4320B	307	550-9240	76	600-3060	174	600-9101	257	630-6005	191
542-3060B	336, 337	550-4330B	311	550-9247	76	600-3110	175	600-9167	257	630-6058S	187
542-3240	107	550-4340B	311	550-9249-DKG	76	600-3140*	173	600-9500B	321, 323, 325	630-6105	191
542-3240B	333, 334, 335	550-4350B	307	550-9330	74	600-3150*	173	600-9600B	321, 323, 325	630-6115	191
542-6200	104, 107	550-4360B	311	550-9337	74	600-3160*	173	601-7701-8	169	630-6205	191
542-9600B	333	550-4370B	311	550-9340	74	600-3170*	173	601-7711-8	169	630-6300	190
542-9610B	333	550-4380B	307	550-9340B	338	600-3180*	173	601-7721-8	169	630-6400	190
545-5700	111	550-4390B	307	550-9347	74	600-3190	173	601-7731-8	169	630-K005	192
545-5707	111	550-4400B	311	560-C0A60S	112	600-3210	173	602-0121B	305	630-K008	187
545-5710	111	550-4410B	307	560-C0A67S	112	600-3220*	173	602-0201B	312, 313	630-K008S	187, 192
545-5717	111	550-4430B	307	560-C0C60S	112	600-3230*	173	602-1910B	316	630-K105	192
545-5750	111	550-4440B	307	560-C0C67S	112	600-3240	176	602-1931B	321, 323, 325	630-K115	192
545-5757	111	550-4450B	307	560-C3A60L	112	600-3250	175	602-3160*	79	633-1000	194
545-8400	111	550-4460B	311	560-C3A67L	112	600-3260	176	602-3160B*	79	633-3008	186
545-8407	111	550-4470B	311	560-C3C60L	112	600-3270	176	602-3161*	79	633-3018	186
545-8410	111	550-4480B	311	560-C3C60LF	112	600-3280	175	602-3161B*	79	633-3028	186
545-8417	111	550-4500B	311	560-C3C67L	112	600-3290	175	602-3167*	79	633-3038	186
545-8430	111	550-4590B	307, 311	560-D0A60S	112	600-3300	176	602-3167B*	79	633-5008	186
545-8437	111	550-4780B	307, 311	560-D0A61S	112	600-3310	176	602-4201B	307, 311	633-6818	189
545-8500	111	550-4990B	328	560-D0A67S	112	600-3320	176	602-4440	175, 176	633-6858S	189
545-8507	111	550-5000B	328	560-D0C60S	112	600-3330	175	602-4440*	172, 173	633-7068	187
545-8510	111	550-5010B	328	560-D0C60SF	112	600-3340	175	602-5301B	317, 319, 321	633-7078	187
545-8517	111	550-5060B	328	560-D0C67S	112	600-3600*	173	602-5310B	317, 319, 321,	633-7088	187
545-8530	111	550-5100DB	315	560-D3C60L	112	600-3610*	173	325		633-8008	186
545-8537	111	550-5110B	328	560-D3C67L	112	600-3620*	173	602-5321B	317, 319, 321,	633-8018	186
545-8550	111	550-5150B	328	560-J0A50TB	338	600-3630	175	323, 325		633-8028	186
545-8557	111	550-5220B	328	570-0036-07	26	600-3910*	169	602-7000B	303	640-100x V	101
545-8580	111	550-5230B	328	570-0048-07	26	600-3960*	169	602-7011B	303	640-130x V	99
545-8587	111	550-5340B	319	570-0060-07	26	600-4000	230	602-7070B	303	640-131x V	99
550-0020	107	550-5370B	319	570-0325-07	27	600-4101B	307, 311, 317	602-7071B	303	640-132x V	97



2020 Pool & Spa Product Buyer's Guide / Index

Part No.	Page	Part No.	Page	Part No.	Page	Part No.	Page	Part No.	Page	Part No.	Page
640-133x V	97	640-3170	208	660-3400	113	672-1100	228	672-4630	245	672-8050	155, 242
640-134xLG V	100	640-3570S V	165	660-3407	113	672-1160	228	672-4640	243	672-9540	155, 242
640-134x V	100	640-3580S V	165	660-3500	168	672-1170	228	672-4660	248	674-2410	92
640-135x V	100	640-4220	208	660-3510	168	672-1300B	275, 277	672-4670	243	674-2420	93
640-136x V	98	640-4230	208	660-3520	168	672-1310B	275, 277	672-4680	249	674-2430	93
640-137x V	98	640-4240	208	660-3530	168	672-1320	228	672-4690	244	674-2450	94
640-180x V	89	640-7410 V	92	660-3560	168	672-1350B	279, 281, 283,	672-4700	244	674-2510	92
640-190x V	89	640-7420 V	94	660-3570	168	285, 287		672-4770	249	674-2520	93
640-191x V	94	640-7500 V	92	660-3580	168	672-1380B	271	672-4900	249	674-2530	93
640-191x VB	342	640-7510 V	92	660-3590	168	672-1430	246	672-4910	249	674-2550	94
640-213x V	90	640-7600 V	92	660-3600	168	672-1440	246	672-4920	249	674-2560	94
640-214x V	90	640-7610 V	92	660-3910	168	672-1450	246	672-4930	249	674-2610	92
640-226X V	93	640-8300 V	92	660-4400	167	672-1460	252	672-4940	249	674-2620	93
640-231x V	91	640-8400 V	93	660-4400S	167	672-2000	113	672-4960	249	674-2640	94
640-234x V	94	640-8500 V	92	660-4410	167	672-2001	113	672-4980	250	674-2710	92
640-234x VB	342	640-8600 V	93	660-4410S	167	672-2002	113	672-5060	244	674-2720	94
640-292x V	94	640-8800 V	93	660-4440	167	672-2007	113	672-5070	244, 248	674-2730	94
640-325x VP	162	640-8900 V	93	660-4450	167	672-2009-DKG	113	672-5080	244, 248	674-2910	92
640-328x VP	162	640-9000	72	660-5510	168	672-2410B	345	672-5090	201	674-2920	94
640-348x VP	162	640-9007	72	660-6011	168	672-2420B	345	672-5200	249	675-0707	184
640-349x VP	164	642-214XB	342	662-2700	259	672-2430B	345	672-5240	249	675-0710	184
640-378x V	165	642-241X VB	342	662-2710	259	672-2500B	345	672-5250	249	675-0720	184
640-379x V	165	642-311XB	342	662-2720	259	672-2510B	345	672-5260	249	675-0730	184
640-393x VP	166	642-471xB	343	662-2730	259	672-2520B	345	672-5301B	317, 319	675-0791L	184
640-394x VP	166	642-474XB	343	668-3918L-DSG	171	672-2530B	345	672-5800	244	675-0800	184
640-472x V	95	642-479x VB	343	668-5518L-DSG	171	672-3900	248	672-5810	244	675-0817	184
640-476x V	96	642-479X VB	343	668-7608L-DSG	171	672-4010	244	672-5820	244	675-0820	184
640-477x V	96	642-1300	99, 100	670-1100	230	672-4020	244	672-5830	244	675-0830	184
640-479x V	95	642-1320	97, 98, 346	670-2000	208	672-4030	244	672-5900	244	675-0908L	184
640-520x V	165	642-1340 V	346	670-2190	159	672-4040	244	672-5910	244	675-0918L	184
640-525x V	165	642-1390	346	670-2200	159	672-4070	244	672-5920	244	675-0928L	184
640-530x V	165	642-2090B	345	670-2210	159	672-4100	244	672-5930	244	675-0938L	184
640-535x V	165	642-2091B	345	670-2220	230	672-4110	245	672-5960	244	675-1380	56
640-630XS V	163	642-2097B	345	670-2270	230	672-4120	245	672-6560	258	675-1500	56
640-630X V	163	642-2130	114	670-2290	159	672-4130	245	672-6970	247, 249	675-1500B	289, 291
640-631XS V	163	642-2400 VB	342, 345	670-2300	159	672-4140	249	672-7100	250	675-2000	185
640-631X V	163	642-2401 VB	345	670-2310	159	672-4150	249	672-7110	250	675-2000S	185
640-722x V	94	642-2407 VB	345	670-2330	159	672-4160	249	672-7120	250	675-2020L	198
640-723x V	94	642-2409-BEI VB	345	670-2350	159	672-4170	249	672-7130	250	675-2050	185
640-732x V	94	642-2409-DKG VB	345	670-2360	159	672-4180	243	672-7140	250	675-2058LS	185
640-733x V	94	642-2410 VB	345	670-2380	159	672-4190	243	672-7150	250	675-3000	256
640-820x V	102	642-2411 VB	345	670-2390	159	672-4200	243	672-7160	250	675-3500	182
640-821x V	102	642-2417 VB	345	670-2408L	159	672-4210	243	672-7170	250	675-3500S	182
640-822x V	102	642-2419-BEI VB	345	670-2500	159	672-4250	245	672-7180	250	675-3508L	182
640-823x V	102	642-2419-DKG VB	345	670-2580	119	672-4260	243	672-7190	247	675-3508LS	182
640-824x V	102	642-3270B V	346	670-2580S	119	672-4270	243	672-7201	56	675-3510	181
640-825x V	102	642-3610	166	670-2600	159	672-4280	243	672-7201B	321, 323	675-3518LS	181
640-2000	257	642-3620B	346	670-2700	119	672-4310	251	672-7211	28, 56	675-3550	182
640-2001	257	642-3630B V	346	670-2700S	119	672-4320	251	672-7211B	321, 323	675-3550S	182
640-2260 VB	345	642-3680	166	670-2800	259	672-4340	248	672-7221	56	675-3558L	182
640-2261 VB	345	642-3700	166	672-0041	190	672-4350	246	672-7241	56	675-3558LS	182
640-2267 VB	345	642-3730	166	672-0400	248	672-4370	244	672-7241B	321, 323	675-3600	182
640-2410 V	92	642-3750	166	672-0410	248	672-4380	245	672-7250	228	675-3600S	182
640-2800	114	642-4720 VB	343	672-0420	248	672-4390	247	672-7360	249	675-3608L	182
640-2801	114	642-4730B	343	672-0550	244	672-4400	243	672-7370	249	675-3608LS	182
640-2807	114	642-4760B	343	672-0600	259	672-4410	249	672-7380	249	675-3610	181
640-2809-BEI	114	645-100x V	101	672-1000	56, 228	672-4430	245	672-7401	56	675-3618LS	181
640-2809-DKG	114	645-2150 VB	345	672-1000B	325	672-4490	249	672-7401B	312, 313	675-3660	182
640-2900	114	645-2151 VB	345	672-1010	56, 228	672-4540	114	672-7900	245	675-3660S	182
640-2901	114	645-2157 VB	345	672-1010B	315, 338	672-4541	114	672-7910	243	675-3668L	182
640-2907	114	645-2159-BEI VB	345	672-1020	228	672-4547	114	672-7920	249	675-3668LS	182
640-2909-BEI	114	645-2159-DKB VB	345	672-1030	228	672-4549-BEI	114	672-7930	249	675-3708L	182
640-2909-DKG	114	645-2159-DKG VB	345	672-1051B	315	672-4570	245	672-8000	242	675-3708LS	182
640-3000	114	650-1010	167	672-1060	228	672-4580	245	672-8010	242	675-3800	179
640-3001	114	650-2010	167	672-1060B	294	672-4610	244	672-8020	242	675-3800L	179
640-3007	114	650-3400	113	672-1080	228	672-4620	247	672-8040	242	675-4000	180



Part No.	Page	Part No.	Page	Part No.	Page	Part No.	Page	Part No.	Page	Part No.	Page
675-4000S	180	711-6910	148	750-3152-280	57	805-0224	39, 236, 312, 313	817-0011	210	281, 283, 285, 287, 321, 323	
675-4008L	183	711-7000B	327	750-3201-280	57	805-0224B	307, 311, 312, 313, 317, 321, 323, 325	817-0012	210	819-0018B	275, 277, 279,
675-4900	180	711-7300	156	750-3202-280	57	805-0226	63, 234	817-0014	210	281, 283, 285, 287	
675-4900S	180	711-8010	209	770-0006	58	805-0226B	315, 337	817-0015	210	819-0019B	321, 323
675-4908L	183	711-8200B	331	770-0050	58	805-0228B	309	817-0016	210	819-0020B	321, 323
675-5280	183	711-9510B	334	770-0100	58	805-0229	64, 235, 237	817-0017B	331	819-0024B	346
675-5280L	183	711-9520B	334	770-0150	58	805-0230B	311	817-0018B	331	819-0025B	303
675-5300	183	711-9860	121	770-0200	58	805-0232	64, 235	817-0019B	331	819-0030B	334, 335, 341
675-5300L	183	711-9870	121	770-1000-PS	58	805-0232B	27, 311	817-0020B	327	819-0035B	279, 281, 283,
675-5330	183	713-9520B	334	770-1002-PS2	58	805-0233B	307, 311	817-0050	210	285, 287	
675-5330L	183	715-0000	79, 254	770-1004-PSW	58	805-0238B	275, 277, 279, 281, 283, 285, 287	817-0050B	340, 341	819-0051B	342
675-6501	259	715-0040	254	770-1006-PSW2	58	805-0239B	303	817-0075NB	314	819-0114B	327
675-6507	259	715-0340	252	773-2400	58	805-0241B	305	817-0075P-1B	48	819-0800B	271, 288, 289
675-6509-BRN	259	715-1001B	315, 328, 329	775-0501	194, 195	805-0248B	298	817-0081-4B	48	819-1031	346
675-6530	259	715-1010B	328, 329	775-0502	194	805-0252B	292, 293, 302	817-0081-8B	48	819-1031B	343
680-2000	209	715-1201B	275, 277, 279,	775-0503	194, 195, 196	805-0254B	316, 321, 323, 325	817-0081B	311	819-1040B	2
700-3011-000	57	281, 283, 285, 287, 288, 289,		775-0504	194, 195	805-0256B	290, 291, 300	817-0100NB	314	819-1110B	290, 291, 292,
700-3102-000	57	290, 291, 292, 293, 294, 295,		777-WW02007	194	805-0261B	294, 295	817-0100P-1B	48	293, 294, 295, 296, 297, 298,	
700-3151-000	57	297, 300, 302		777-WW06000	193	805-0264B	297	817-0100PB	313	299, 300, 301, 302	
700-3152-000	57	715-1230	79	777-WW99001	194	805-0268B	271	817-0106-4B	48	819-1115B	342
700-3201-000	57	715-1230B	345	777-WW99002	194	805-0330B	288, 289	817-0106B	311	819-1250B	346
700-3202-000	57	715-1261	246	777-WW99003	194	805-0332B	279, 281, 283, 285, 287	817-0125N-1B	48	819-1251	346
711-0010	168	715-1307B	303	777-WW99004	194	805-0339B	307, 311	817-0125NB	313, 314	819-2590B	271
711-0020	159	715-1360	346	777-WW99005	194	805-0339BN50B	317	817-0131-4B	48	819-3260B	340, 341
711-0060B	336, 337	715-1910	73	777-WW99011	195	805-0340VB	347, 348	817-0131B	311	819-4350B	291, 333, 334,
711-0070B	336, 337	715-1911	73	777-WW99012	195	805-0348VB	347, 348	817-0150N-1B	48	335	
711-1010B	315, 328, 329,	715-1917	73	777-WW99013	195	805-0360B	315, 328, 329	817-0150NB	313, 314	819-4360B	275, 277, 279,
330, 337		715-2000	79, 254	777-WW99014	195	805-0436B	279, 281, 283, 285, 287, 290, 291, 293, 294	817-0175NB	314	281, 283, 285, 287	
711-1350	159	715-2030B	337	777-WW99015	195	805-0439B	275, 277, 288, 289	817-0175P-1B	48	819-6930B	339
711-1670B	307, 311	715-4000	79, 254	777-WW99020	196	805-0442B	317, 319	817-0200N-1B	48	819-6940B	345
711-1730	123	715-4020B	290, 296, 299,	777-WW99021	196	805-0460B	312, 313	817-0200NB	313, 314	819-6945B	334
711-1750	123	301		777-WW99022	196	806-0003B	348	817-0200P-1B	48	819-9005B	335
711-1910B	321, 323, 325	715-6011B	317	777-WW99023	196	806-0010	148	817-1000	210	819-9001B	294
711-1920B	323, 325	715-6611B	307, 311	777-WW99050	194	806-0011	148	817-1000B	328	819-9002B	289, 291, 312,
711-2600B	345	715-8400B	271	777-WW99051	194	806-0012	148	817-2500	210	313	
711-3050	177	715-9770	254	777-WW99052	194	806-0013	148	817-2500B	315, 328, 329,	820-0013B	271, 321, 323,
711-3250B	346	715-9850	254	777-WW99053	194	806-0018	148	330, 332, 337		325	
711-3260B	346	715-9860	254	780-8020	194	806-0018	148	817-3501	210	820-0016B	275, 277
711-4000	39, 63, 234, 236	715-9870	254	800-0100B	321, 323, 325	806-0021	148	817-3501B	330, 332	820-0017-1B	279, 281, 283,
711-4000B	293, 321, 323	715-9880	79, 254	800-0150B	321, 323, 325	806-0022	148	817-3510	210	285, 287	
711-4010	64, 235, 237, 312,	715-9890	79, 254	802-0009B	309	806-0023	148	817-3640	210	820-0017B	275, 277, 279,
313		715-9900B	328	802-1050B	309	806-0061	148	817-4035B	326	281, 283, 285, 287, 321, 323	
711-4010B	290, 291, 294,	715-9910	79, 346	805-0000B	307, 311	806-0062	148	817-4050B	326	820-0018B	275, 277, 294
321, 323		715-9910B	334, 335, 345	805-0001-SPLB	288, 289	806-0063	148	817-4075B	326	820-0019B	271
711-4020	64, 235, 237	718-1000B	326, 328, 330,	805-0014	253	806-0066	148	817-5000	210	820-1050B	309
711-4030	64, 235, 237	332		805-0014B	279, 281, 283,	806-0100	257	817-5000B	315, 328, 329,	820-4110B	335
711-4050	236	718-3150B	327, 346	285, 287		806-0100B	309	330, 332, 337		820-4150B	294
711-4070	121	718-4201B	307, 311	805-0110B	307, 311	806-1070B	339	817-5010	210	827-0002B	321, 323, 325
711-4200B	307, 311	718-4320B	307	805-0112B	271, 275, 277,	806-1000B	309	817-7500	210	827-8150B	307, 311
711-4290B	275, 277	718-6960	149	288, 289, 290, 291, 292, 293,		806-1400B	279, 281, 283,	817-7500B	328	830-3000B	315, 317, 321,
711-4300B	275, 277, 279,	718-7000B	327	294, 295, 296, 297, 299, 300,		806-3000B	345	818-3900B	307	323, 325	
281, 283, 285, 287		718-7027B	303	301, 302		811-8160	253	818-3910B	307	830-4000SSB	307, 311,
711-4310	177	718-7031-CPVCB	305	805-0114B	315, 328, 329	813-0025B	289, 291	818-3920B	307	312, 313	
711-4350B	327	718-7219B	312	805-0116EPB	303, 313, 317	813-4370	192	818-3930B	307	865-0200B	333
711-4400	148	718-8200B	331	805-0117SDB	312	813-4400	192	818-3940B	307	865-0800B	289, 291
711-4410	148	730-1000	168	805-0118VB	348	813-4500	192	818-3950B	307	872-0004	257
711-4600	177	741-CGGG-45X	194	805-0124VB	348	815-4011B	289, 291	819-0005B	333, 334, 335,	872-0011B	315, 321, 323,
711-4750	123	741-CGGZ-37LB	288, 290,	805-0132	123	817-0001B	317	345		325, 338, 348	
711-5140L	148	293		805-0136B	313	817-0010	210	819-0006B	336, 337, 340	872-0046B	3
711-5300B	294	741-CGGZ-44X	194	805-0145	64, 235	817-0010B	279, 281, 283, 285, 287	819-0008B	327	872-21300B	317
711-5310B	319	741-CGGZ-67RB	288, 290,	805-0145B	307	817-0016B	275, 277, 279,	819-0010B	316, 321, 323,	872-2240B	348
711-6020	237	293		805-0151B	303			325		872-2290B	347
711-6020B	275, 277	741-CGGZ-257RB	289, 291	805-0158B	290, 299, 301			819-0011B	271, 275, 277	872-2291B	348
711-6500	148	750-3101-280	57	805-0164B	296			819-0013B	271, 275, 277,	872-4000EB	314
711-6608	148	750-3102-280	57	805-0206B	309			279, 281, 283, 285, 287		872-4000FB	314
711-6900	148	750-3151-280	57	805-0207B	312, 313			819-0016B	275, 277, 279,	872-4000LB	314



2020 Pool & Spa Product Buyer's Guide / Index

Part No.	Page	Part No.	Page	Part No.	Page	Part No.	Page	Part No.	Page	Part No.	Page
872-6200B	271	3410830-10	20, 221	3720821-13	218	FDS04475	29	FSS01915-3	44	PH1150-3	18
872-9000B	338	3410830-13	219	3721221-1D	218	FDS06775	29	FSS01915-3S	45	PH1150-6	18
872-9001B	325	3410830-15	23, 223	3721221-1V	216	FDS044107-3	29	FSS01915-6	44	PH1200-3	18
872-9002B	315, 321, 323, 325	3410830-SOZ	21, 222	3721221-13	218	FDS044107-3S	29	FSS01915-6S	45	PH1200-6	18
873-E752B	316	3411020-1U	22, 220	3721621-1D	218	FDS044107-6	29	FSS02210-3	44	PH2075-6	18
873-E1251B	316	3411621-1A	219	3721621-1V	216	FDS044107-6S	29	FSS02210-3S	45	PH2100-3	18
873-E1252B	316	3411621-1U	22, 220	3721621-1W	22, 220	FDS067107-3	29	FSS02210-6	44	PH2100-6	18
873-E1551B	316	3411621-13	219	3721621-13	218	FDS067107-3S	29	FSS02210-6S	45	PH2150-3	18
873-E1651B	316	3420310-15	23, 223	3722021-1D	218	FDS067107-6	29	FSS02215-3	44	PH2150-6	18
873-E1751B	316	3420310-1524	19	3722021-1V	216	FDS067107-6S	29	FSS02215-3S	45	PH2200-3	18
873-E101152B	316	3420310-1529	19	3722021-13	218	FDS067157-3	29	FSS02215-6	44	PH2200-6	18
880-1500	229	3420310-1544	19	3810430-1PDA	24	FDS067157-3S	29	FSS02215-6S	45	PHC1075-25	50
880-1510	229	3420310-1549	19	CABASE	56	FDS067157-6	29	FSS02615-3	44	PHC1100-25	50
880-1530	229	3420410-1A	219	CABASE-V	56	FDS067157-6S	29	FSS02615-3S	45	PHC1151-25	50
880-1599	229	3420410-10	20, 221	CABASE-VF	56	FDSC04410-25S	52	FSS02615-6	44	PHC2075-25	50
880-2000	229	3420410-13	219	CAG004-W	65	FDSC06710-25S	52	FSS02615-6S	45	PHC2100-25	50
880-2010	229	3420410-15	23, 223	CHAMPE-107	15	FP07510-6	36	FSS0169107-3	41	PHC2150-25	50
880-2020	229	3420410-50Z	21, 222	CHAMPE-110	15	FP07510-6S	37	FSS0169107-3S	41	PSP1075-3	17
880-2099	229	3420411-1524	19	CHAMPE-115	15	FPS10010-6	36	FSS0169107-6	41	PSP1075-6	17
880-2500	229	3420411-1529	19	CHAMPE-120	15	FPS10010-6S	37	FSS0169107-6S	41	PSP1100-3	17
880-2520	229	3420411-1544	19	CHAMPE-125	15	FPS10015-6	36	FSS0199107-3	41	PSP1100-6	17
880-2599	229	3420411-1549	19	CHAMPS-107	15	FPS10015-6S	37	FSS0199107-3S	41	PSP1150-3	17
885-8020	194	3420610-1A	219	CHAMPS-110	15	FPS12515-6	36	FSS0199107-6	41	PSP1150-6	17
902-2000B	315, 338	3420610-1U	22, 220	CHAMPS-115	15	FPS12515-6S	37	FSS0199107-6S	41	PSP1200-3	17
916-0030	168	3420610-10	20, 221	CHAMPS-120	15	FPS15015-6	36	FSS0229157-3	41	PSP1200-6	17
916-1010B	339	3420610-13	219	CHAMPS-125	15	FPS15015-6S	37	FSS0229157-3S	41	PSP2075-3	17
916-1250	123	3420610-15	23, 223	CHAMPS-215	15	FPS17515-6	36	FSS0229157-6	41	PSP2075-6	17
916-3001	168	3420610-1524	19	CHAMPS-220	15	FPS17515-6S	37	FSS0229157-6S	41	PSP2100-3	17
3310330-1	285	3420610-1529	19	CLC012	65	FPS20015-6	36	FSS0269157-3	41	PSP2100-6	17
3312610-14	225	3420610-1544	19	CLC012-W	65	FPS20015-6S	37	FSS0269157-3S	41	PSP2150-3	17
3312610-19	225	3420610-1549	19	FC0757	31	FPS20020-6	36	FSS0269157-6	41	PSP2150-6	17
3312620-14	225	3420610-1524	21, 222	FC1007	31	FPS20020-6S	37	FSS0269157-6S	41	PSP2200-3	17
3312620-19	225	3420612-1524	19	FC1257	31	FPSC10010-25S	51	FSSC01610-25S	53	PSP2200-6	17
3410030-1E	224	3420612-1529	19	FC1507	31	FPSC10015-25S	51	FSSC01910-25S	53	PSPC1075-25	49
3410030-1E77	224	3420612-1544	19	FC2007*	31	FPSC12515-25S	51	FSSC02215-25S	53	PSPC1100-25	49
3410210-1524	19	3420612-1549	19	FCS07575	32	FPSC15015-25S	51	FSSC02615-25S	53	PSPC1150-25	49
3410210-1529	19	3420620-1A	219	FCS10075	32	FPSC17515-25S	51	FSSC016910-25S	54	PSPC2075-25	49
3410210-1544	19	3420620-10	20, 221	FCS12575	32	FPSC20015-25S	51	FSSC019910-25S	54	PSPC2100-25	49
3410210-1549	19	3420620-13	219	FCS20075	32	FPSC20020-25S	51	FSSC022915-25S	54	PSPC2150-25	49
3410310-15	23, 223	3420620-15	23, 223	FCS075107-3	32	FS016	43	FSSC026915-25S	54	SG3P10430-1	271
3410314-1524	19	3420820-1A	219	FCS075107-3S	32	FS016H	53	PCCF-075	34	SMF-107	16
3410314-1529	19	3420820-1U	22, 220	FCS075107-6	32	FS019	43	PCCF-100	34	SMF-110	16
3410314-1544	19	3420820-10	20, 221	FCS075107-6S	32	FS019H	53	PCCF-125	34	SMF-115	16
3410314-1549	19	3420820-13	219	FCS100107-3	32	FS022	43	PCCF-150	34	SMF-120	16
3410410-1A	219	3420820-15	23, 223	FCS100107-3S	32	FS022H	53	PCCF-175	34	SVL56E-110	14
3410410-10	20, 221	3420820-50Z	21, 222	FCS100107-6	32	FS026	43	PCCF-200*	34	SVL56E-115	14
3410410-15	23, 223	3421020-1U	22, 220	FCS100107-6S	32	FS026H	53	PD-110X	215	SVL56E-120	14
3410410-SOZ	21, 222	3421021-1U	22, 220	FCS100137-6S	32	FS01619H	54	PD-140	9	SVL56E-130	14
3410413-1524	19	3421221-1A	219	FCS125157-3	32	FS01922H	54	PD-140ABG	9	SVL56S-110	14
3410413-1529	19	3421221-1U	22, 220	FCS125157-3S	32	FS02225H	54	PD-140C	9	SVL56S-115	14
3410413-1544	19	3421221-13	219	FCS125157-6	32	FS02629	40	PD-175	25	SVL56S-120	14
3410413-1549	19	3421821-1A	219	FCS125157-6S	32	FS02629-B	40	PD-215VXS	213	SVL56S-125	14
3410610-1A	219	3421821-1U	22, 220	FCS150157-3	32	FS02629H	54	PD-230E	214	SVL56S-215	14
3410610-1U	22, 220	3421821-13	219	FCS150157-3S	32	FS016197	40	PD-240E	214	SVL56S-220	14
3410610-15	23, 223	3710821-1D	218	FCS150157-6	32	FS019227	40	PD-240VSE	212	TW025	183
3410610-SOZ	21, 222	3710821-13	218	FCS150157-6S	32	FS022257	40	PD-245E	214	TW027	183
3410612-10	20, 221	3711221-1D	218	FCS200137-6S	32	FSS019S	44, 45	PD-250VV	211	v819-0008B	327
3410612-1524	19	3711221-13	218	FCS200157-3	32	FSS022S	44, 45	PD-275	25	WV001H	39
3410612-1529	19	3711621-1D	218	FCS200157-3S	32	FSS026S	44, 45	PD-VSA300	13	WVD001	26
3410612-1544	19	3711621-1V	216	FCS200157-6	32	FSS0169S7	41	PD-VSC165	10	WVD002	26
3410612-1549	19	3711621-1W	22, 220	FCS200157-6S	32	FSS0199S7	41	PD-VSC270	11	WVS002	87
3410811-1524	19	3712021-13	218	FCSC07510-25S	52	FSS0229S7	41	PD-VSC300	12	WVS002B	323, 325
3410811-1529	19	3712021-1D	218	FCSC10010-25S	52	FSS0269S7	41	PD-VSC1165	10	WVS003	87
3410811-1544	19	3712021-1V	216	FCSC15015-25S	52	FSS01910-3	44	PH1075-3	18	WVS003B	321, 323, 325
3410811-1549	19	3712021-13	218	FCSC20015-25S	52	FSS01910-3S	45	PH1075-6	18	WVS004B	319
3410830-1A	219	3720821-1D	218	FD12-7	28	FSS01910-6	44	PH1100-3	18		
		3720821-1W	22, 220	FD18-7	28	FSS01910-6S	45	PH1100-6	18		

