

*Waterway... the leader in Quality, Confidence, Innovation and Service.*



**Oxnard CA**

*Waterway is proud to design, engineer and produce our quality line of products right here in the USA. But that capability means a lot more than just Made in USA. Waterway provides the unique opportunity to meet any of your custom Pool, Spa and Bath products needs using only premium NSF Approved materials and meeting all Certifications and Standards. All at our 460,000 sq. ft. facility in Oxnard, California since 1973.*



2200 East Sturgis Road, Oxnard CA 93030 • Phone 805.981.0262 • Fax 805.981.9403  
[waterway@waterwayplastics.com](mailto:waterway@waterwayplastics.com) • [www.waterwayplastics.com](http://www.waterwayplastics.com)

# Drains, Grates & Suctions

Listed, Certified and Tested in strict accordance to the requirements of ANSI/ASME A112.19.8-2007 and ANSI/ASME A112.19.8a-2008 and ANSI/APSP-16 (2011) as defined in CPSC letter dated April 8, 2011. Compliant to the latest Consumer Safety Product Commission Requirements (CPSC).



**Need  
other  
drain**



## VGB Compliance



All Waterway Drains, Grates and Suctions are Listed, Certified and Tested in strict accordance to the requirements of ANSI/ASME A112.19.8-2007 and ANSI/ASME A112.19.8a-2008 and ANSI/APSP-16 (2011) as defined in CPSC letter dated April 8, 2011. Compliant to the latest Consumer Safety Product Commission Requirements (CPSC).

## WARNING

Read and follow all instructions in the Owner's Manual for the equipment.  
Failure to follow instructions can cause injury and/or death.

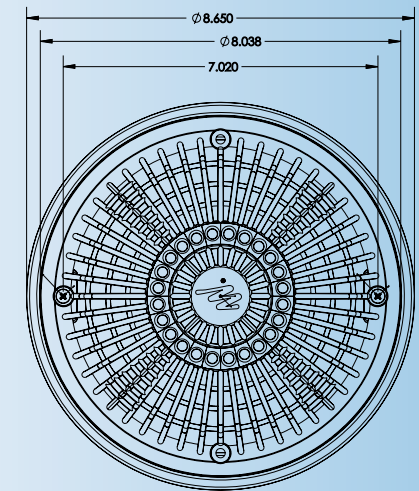
### Color Reference

Last Digit of Part No.	Color/Metal Finish
0	White
1	Black
7	Gray
9-BEI	Beige (Tan)
9-DKG	Dark Gray

## Tru Flo Covers and Frames

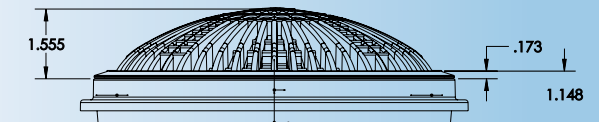


640-1800 V



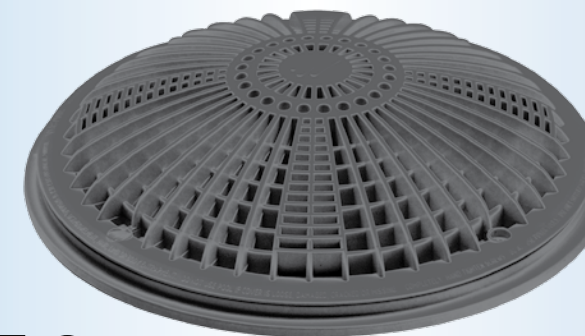
### SPECIFICATIONS:

- Total Open Area: 14.8 sq. in.
- Frame Size: 8" Round
- Floor Flow Rate: 153 GPM @ 2.72 ft/sec
- Wall Flow Rate: 96 GPM @ 1.73 ft/sec
- Flow Rate @ 1.5 ft/sec: 68 GPM

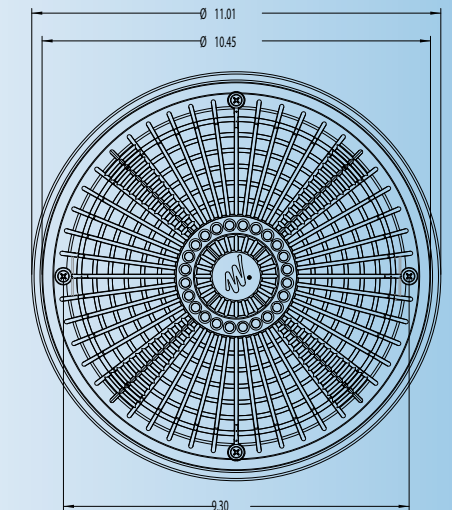


### Tru Flo 8" Covers and Frames

Part No.	Description	Case Weight	Case Quantity
640-18xx V	8" Tru Flo Cover & Frame	25.88 lbs.	25

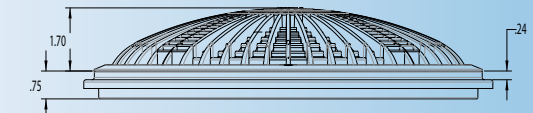


640-1919-DKG V



### SPECIFICATIONS:

- Total Open Area: 30.9sq.
- Frame Size: 10" Round
- Floor Flow Rate: 200GPM @ 4.04 ft/sec
- Wall Flow Rate: 136 GPM @ 2.24 ft/sec
- Flow Rate @ 1.5 ft/sec: 143 GPM

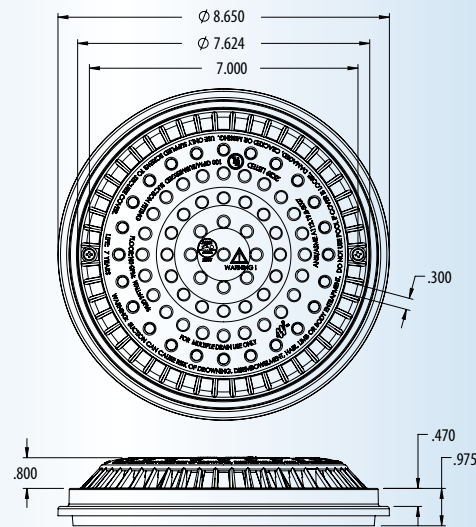


### Tru Flo 10" Covers and Frames

Part No.	Description	Case Weight	Case Quantity
640-19xx V	10" Tru Flo Cover & Frame	22.75 lbs.	15

Replace the final x in the part number with the color of your choice. See guide on inside front cover.

## Covers and Frames



### SPECIFICATIONS:

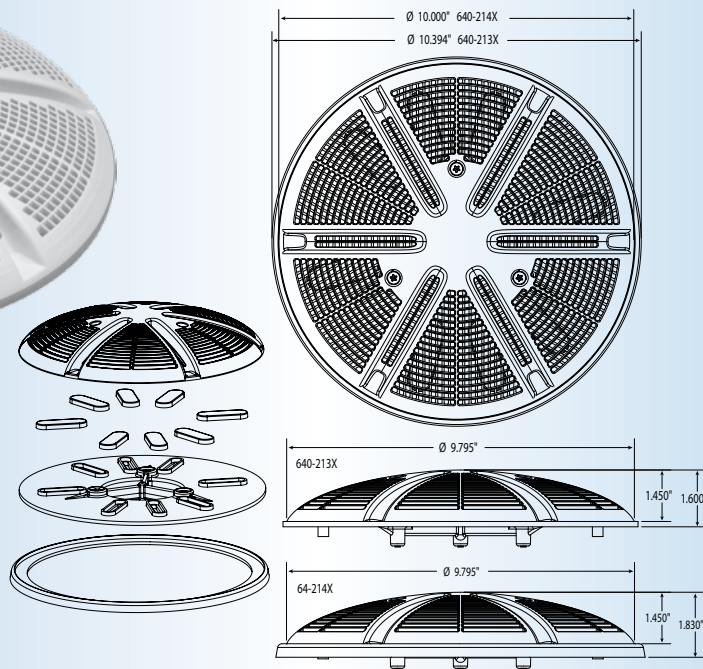
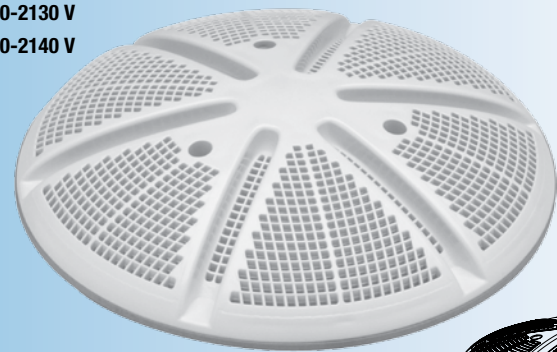
- Total Open Area: 11.83 sq. in.
- Frame Size: 9" Round
- Floor Flow Rate: 100 GPM @ 2.72 ft/sec
- Wall Flow Rate: 64 GPM @ 1.73 ft/sec
- Flow Rate @ 1.5 ft/sec: 55 GPM



### 8" Anti-Vortex Covers and Frames

Part No.	Description	Case Weight	Case Quantity
640-231x V	8" Cover & Frame	18.82 lbs.	25

640-2130 V  
640-2140 V



### SPECIFICATIONS:

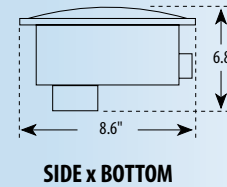
- Total Open Area: 20.4 sq. in.
- Frame Size: 10" Round
- Floor Flow Rate: 224 GPM @ 3.53 ft/sec
- Wall Flow Rate: 192 GPM @ 3.03 ft/sec
- Flow Rate @ 1.5 ft/sec: 95 GPM

### 10" Ultra-Retro Drains

Part No.	Description	Case Weight	Case Quantity
640-213x V	10" Ultra-Retro Drain Suction Outlet	1.91 lbs.	1
640-214x V	10" Ultra-Retro Drain Suction Outlet - Vinyl	2.08 lbs.	1

Replace the final x in the part number with the color of your choice. See guide on inside front cover.

## Concrete Sump Bodies & Assemblies



SIDE x BOTTOM



Note: Always use two or more drains per pump.

### Concrete Bodies and Assemblies - Side x Bottom

Part No.	Description	Case Quantity
672-2410	8" Sump Body - Concrete - 1 1/2" S	3
672-2500	8" Sump Body - Concrete - 2" FPT	1
672-2510	8" Sump Body - Concrete - 2" S	7
640-8300 V	8" Sump Assembly - Concrete - 1 1/2" S - with 8" Tru Flo Drain Cover	1
640-8500 V	8" Sump Assembly - Concrete - 2" S - with 8" Tru Flo Drain Cover	1
640-8700 V	8" Sump Assembly - Concrete - 2" FPT - with 8" Tru Flo Drain Cover	8

### FEATURES:

- Meets Florida Building Code
- 8" diameter x 7" deep (8') (plus sockets)



Note: Always use two or more drains per pump.

### Deep Sump Bodies and Assemblies - Side x Bottom

Part No.	Description	Case Quantity
672-2610	8" Deep Sump Body - Concrete - 2 1/2" S	1
672-2600	8" Deep Sump Body - Concrete - 2 1/2" FPT	1
640-7410 V	8" Deep Sump Assembly - Concrete - 2 1/2" S - with 8" Tru Flo Drain Cover	1
640-7400 V	8" Deep Sump Assembly - Concrete - 2 1/2" FPT - with 8" Tru Flo Drain Cover	1
672-2710	10" Deep Sump Body - Concrete - 2 1/2" S	1
672-2700	10" Deep Sump Body - Concrete - 2 1/2" FPT	1
672-2910	10" Deep Sump Body - Concrete - 3" S	1
672-2900	10" Deep Sump Body - Concrete - 3" FPT	1
640-7510 V	10" Deep Sump Assembly - Concrete - 2 1/2" S - with 10" Tru Flo Drain Cover	1
640-7500 V	10" Deep Sump Assembly - Concrete - 2 1/2" FPT - with 10" Tru Flo Drain Cover	1
640-7610 V	10" Deep Sump Assembly - Concrete - 3" S - with 10" Tru Flo Drain Cover	1
640-7600 V	10" Deep Sump Assembly - Concrete - 3" FPT - with 10" Tru Flo Drain Cover	1

Replace the final x in the part number with the color of your choice. See guide on inside front cover.

## Vinyl Liner Sump Bodies & Assemblies



Vinyl Liner Sump Bodies & Assemblies - Side x Bottom		
Part No.	Description	Case Quantity
672-2430	8" Sump Body - Vinyl - 1 1/2" S	1
672-2420	8" Sump Body - Vinyl - 1 1/2" FPT	1
672-2520	8" Sump Body - Vinyl - 2" S	1
672-2530	8" Sump Body - Vinyl - 2" FPT	1
640-8400 V	8" Sump Assembly - Vinyl - 1 1/2" S - with 8" Tru Flo Drain Cover	1
640-8600 V	8" Sump Assembly - Vinyl - 1 1/2" FPT - with 8" Tru Flo Drain Cover	1
640-8800 V	8" Sump Assembly - Vinyl - 2" S - with 8" Tru Flo Drain Cover	1
640-8900 V	8" Sump Assembly - Vinyl - 2" FPT - with 8" Tru Flo Drain Cover	1



**Note:** Always use two or more drains per pump.



Vinyl Liner Deep Sump Bodies and Assemblies - Side x Bottom		
Part No.	Description	Case Quantity
674-2620	8" Deep Sump Body - Vinyl - 2 1/2" S	1
674-2630	8" Deep Sump Body - Vinyl - 2 1/2" FPT	1
640-7440 V	8" Deep Sump Assembly - Vinyl - 2 1/2" S - with 8" Tru Flo Drain Cover	1
640-7450 V	8" Deep Sump Assembly - Vinyl - 2 1/2" FPT - with 8" Tru Flo Drain Cover	1
674-2740	10" Deep Sump Body - Vinyl - 2 1/2" S	1
674-2750	10" Deep Sump Body - Vinyl - 2 1/2" FPT	1
674-2940	10" Deep Sump Body - Vinyl - 3" S	1
674-2950	10" Deep Sump Body - Vinyl - 3" FPT	1
640-7540 V	10" Deep Sump Assembly - Vinyl - 2 1/2" S - with 10" Tru Flo Drain Cover	1
640-7550 V	10" Deep Sump Assembly - Vinyl - 2 1/2" FPT - with 10" Tru Flo Drain Cover	1
640-7640 V	10" Deep Sump Assembly - Vinyl - 3" S - with 10" Tru Flo Drain Cover	1
640-7650 V	10" Deep Sump Assembly - Vinyl - 3" FPT - with 10" Tru Flo Drain Cover	1



**Note:** Always use two or more drains per pump.

### FEATURES:

- Meets Florida Building Code
- 8" diameter x 7" deep (8") (plus sockets)

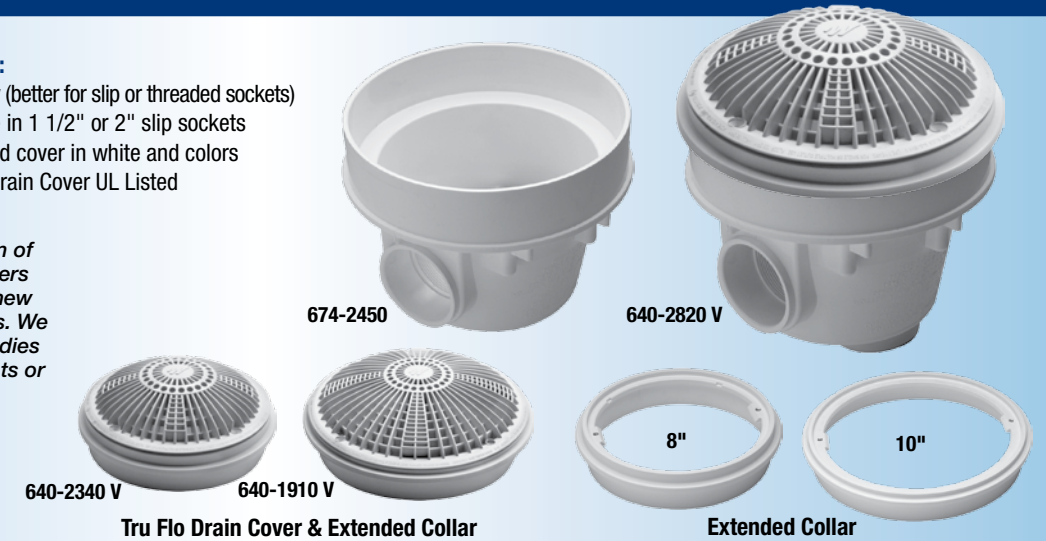
Replace the final x in the part number with the color of your choice. See guide on inside front cover.

## Adjustable Collar Sump Bodies & Assemblies

### FEATURES:

- PVC body (better for slip or threaded sockets)
- Available in 1 1/2" or 2" slip sockets
- Collar and cover in white and colors
- Tru Flo Drain Cover UL Listed

Waterway's wide selection of pool drains and drain covers simplifies installation for new or existing pools and spas. We manufacture our drain bodies in PVC for better glue joints or threaded connections.



**Note:** Always use two or more drains per pump.

Adjustable Collar Sump Bodies & Assemblies		
Part No.	Description	Case Qty
674-2450	8" Sump Body - Adjustable Collar - 1 1/2" S (Side x Bottom)	1
674-2550	8" Sump Body - Adjustable Collar - 2" S (Side x Bottom)	1
674-2560	8" Sump Body - Adjustable Collar - 2" S (Side Only)	1
640-282x V	8" Sump Assembly - Adjustable Collar - 1 1/2" S (Side x Bottom) - with 8" Tru Flo Drain Cover	1
640-292x V	8" Sump Assembly - Adjustable Collar - 2" S (Side x Bottom) - with 8" Tru Flo Drain Cover	1
640-234x V	8" Tru Flo Drain Cover and Extended Collar Assembly	1
640-191x V	10" Tru Flo Drain Cover and Extended Collar Assembly	1

### FEATURES:

- Meets Florida Building Code
- 8" diameter x 7" deep (8") (plus sockets)



**Note:** Always use two or more drains per pump.

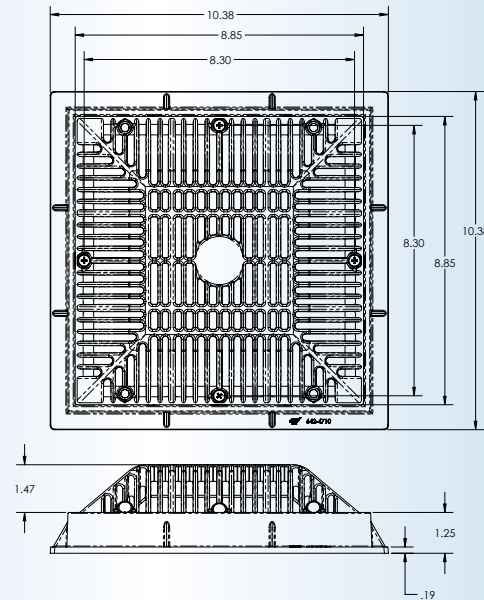
Adjustable Collar Deep Sump Bodies & Assemblies - Side x Bottom		
Part No.	Description	Case Quantity
674-2640	8" Deep Sump Body - Adjustable Collar - 2 1/2" S	1
640-7420 V	8" Deep Sump Assembly - Adjustable Collar - 2 1/2" S - with 8" Tru Flo Drain Cover	1
640-712x V	8" Deep Sump Assembly - Adjustable Collar - 2 1/2" S - with 8" Tru Flo Drain Cover	1
640-713x V	8" Deep Sump Assembly - Adjustable Collar - 2 1/2" FPT - with 8" Tru Flo Drain Cover	1
674-2720	10" Deep Sump Body - Adjustable Collar - 2 1/2" S	1
674-2730	10" Deep Sump Body - Adjustable Collar - 2 1/2" FPT	1
674-2920	10" Deep Sump Body - Adjustable Collar - 3" S	1
674-2930	10" Deep Sump Body - Adjustable Collar - 3" FPT	1
640-722x V	10" Deep Sump Assembly - Adjustable Collar - 2 1/2" S - with 10" Tru Flo Drain Cover	1
640-723x V	10" Deep Sump Assembly - Adjustable Collar - 2 1/2" FPT - with 10" Tru Flo Drain Cover	1
640-732x V	10" Deep Sump Assembly - Adjustable Collar - 3" S - with 10" Tru Flo Drain Cover	1
640-733x V	10" Deep Sump Assembly - Adjustable Collar - 3" FPT - with 10" Tru Flo Drain Cover	1

Replace the final x in the part number with the color of your choice. See guide on inside front cover.

## Grates and Frames



640-4799-BEI V

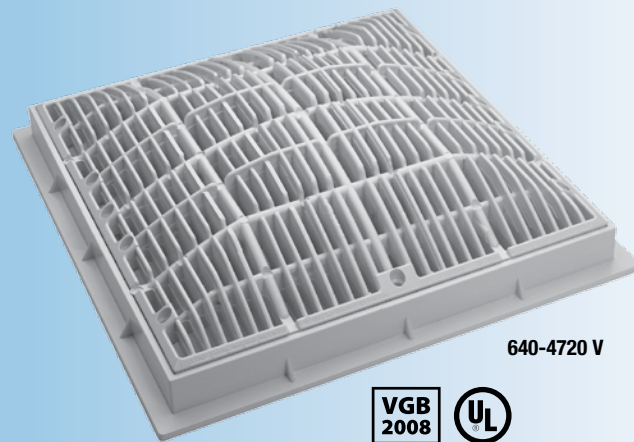


### SPECIFICATIONS:

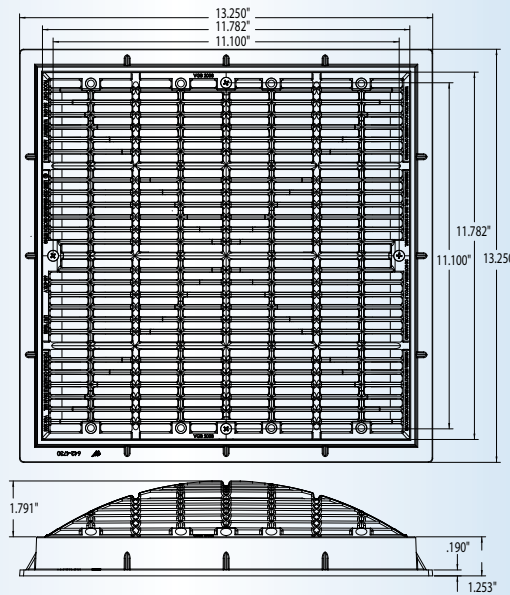
- Total Open Area: 43.6 sq. in.
- Frame Size: 10.375" x 10.375"
- Floor Flow Rate: 289 GPM @ 2.33 ft/sec
- Wall Flow Rate: 208 GPM @ 1.59 ft/sec
- Flow Rate @ 1.5 ft/sec: 203 GPM

### 9" x 9" Grate and Frame

Part No.	Description	Case Quantity
640-479x V	9" x 9" Grate & Frame	13



640-4720 V



### SPECIFICATIONS:

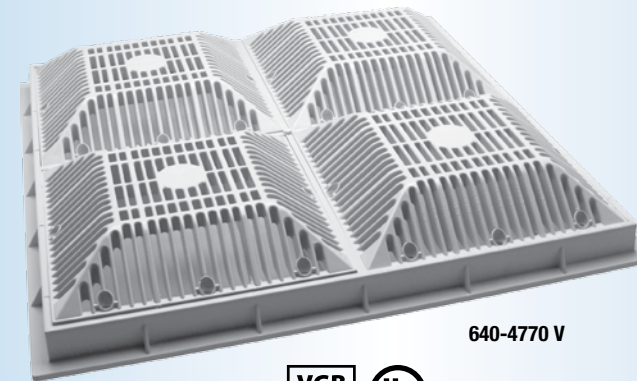
- Total Open Area: 62.4 sq. in.
- Frame Size: 13.250" x 13.250"
- Floor Flow Rate: 356 GPM @ 1.83 ft/sec
- Wall Flow Rate: 280 GPM @ 1.44 ft/sec
- Flow Rate @ 1.5 ft/sec: 292 GPM

### 12" x 12" Grate and Frame

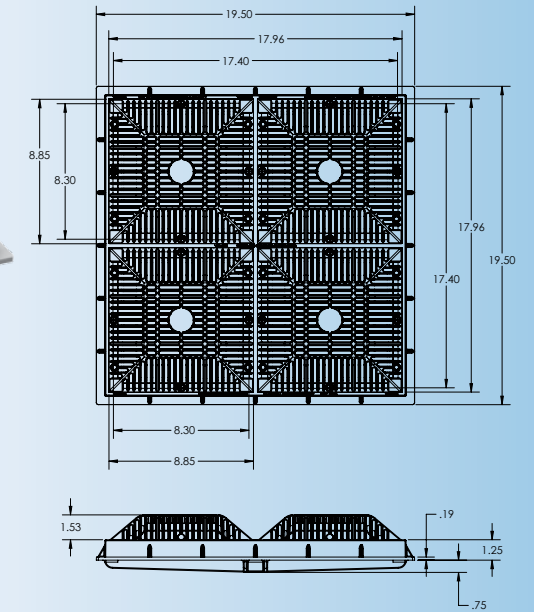
Part No.	Description	Case Quantity
640-472x V	12" x 12" Grate & Frame	10

Replace the final x in the part number with the color of your choice. See guide on inside front cover.

## Grates and Frames



640-4770 V

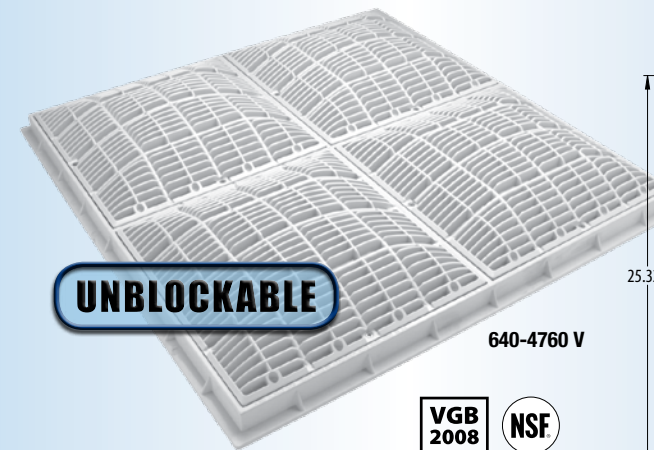


### FEATURES:

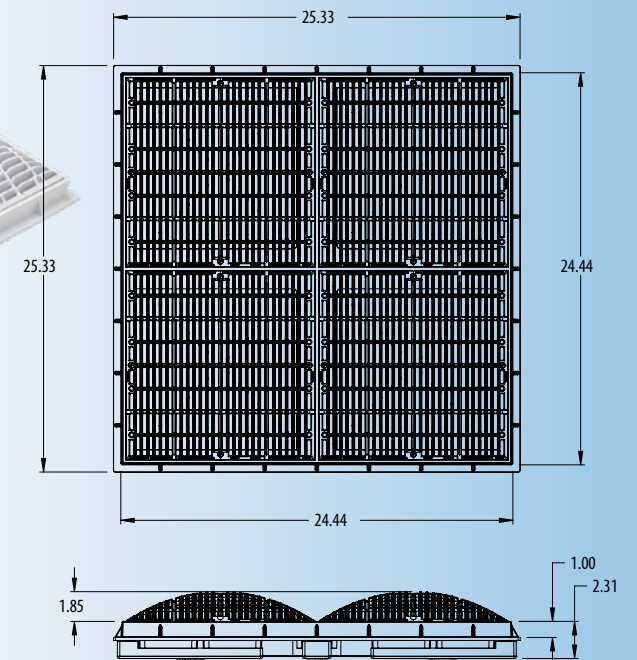
- Total Open Area: 174.4 sq. in.
- Frame Size: 19.5" x 19.5"
- Floor Flow Rate: 788 GPM @ 1.09 ft/sec
- Wall Flow Rate: N/A
- Flow Rate @ 1.5 ft/sec: 812 GPM

### 18" x 18" Grate and Frame

Part No.	Description	Case Quantity
640-477x V	18" x 18" Grate & Frame	1



640-4760 V



### FEATURES:

- Total Open Area: 249.6 sq. in.
- Frame Size: 25.33" x 25.33"
- Floor Flow Rate: 2035 GPM @ 2.62 ft/sec
- Wall Flow Rate: N/A
- Flow Rate @ 1.5 ft/sec: 1168 GPM

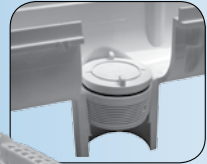
### 24" x 24" Grate and Frame

Part No.	Description	Case Quantity
640-476x V	24" x 24" Grate & Frame	1

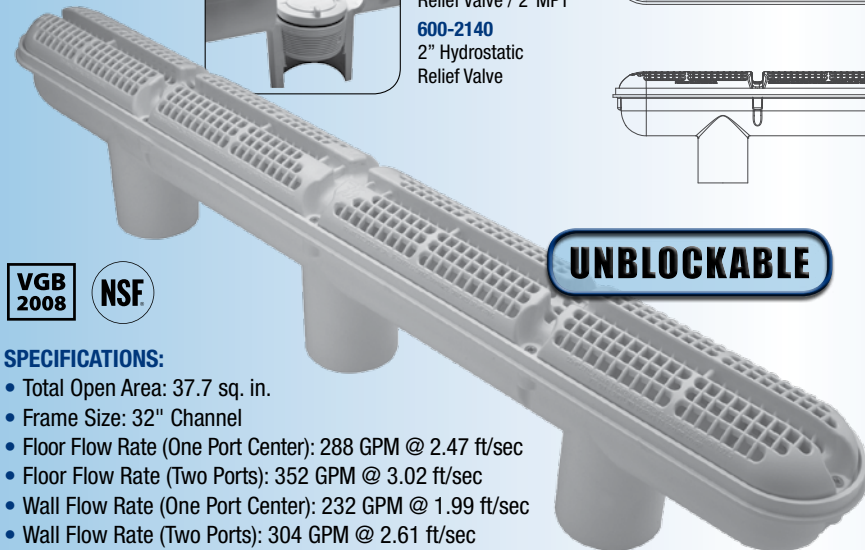
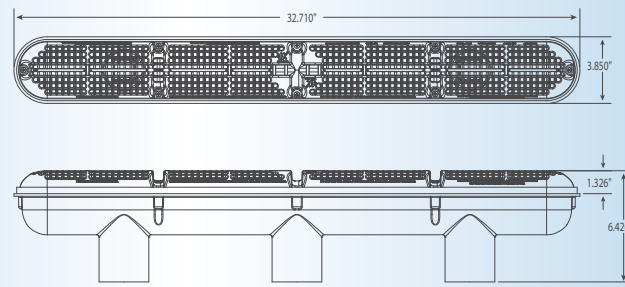
Replace the final x in the part number with the color of your choice. See guide on inside front cover.

## 32" Ultra Strip Drains

### Hydrostatic Relief Valve



**600-2100**  
1 1/2" Hydrostatic Relief Valve / 2" MPT  
**600-2140**  
2" Hydrostatic Relief Valve



**UNBLOCKABLE**



640-1320 V

VGB 2008 NSF

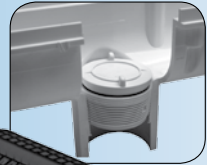
### SPECIFICATIONS:

- Total Open Area: 37.7 sq. in.
- Frame Size: 32" Channel
- Floor Flow Rate (One Port Center): 288 GPM @ 2.47 ft/sec
- Floor Flow Rate (Two Ports): 352 GPM @ 3.02 ft/sec
- Wall Flow Rate (One Port Center): 232 GPM @ 1.99 ft/sec
- Wall Flow Rate (Two Ports): 304 GPM @ 2.61 ft/sec
- Flow Rate @ 1.5 ft/sec: 175 GPM
- Includes 2" Hydrostatic Valve

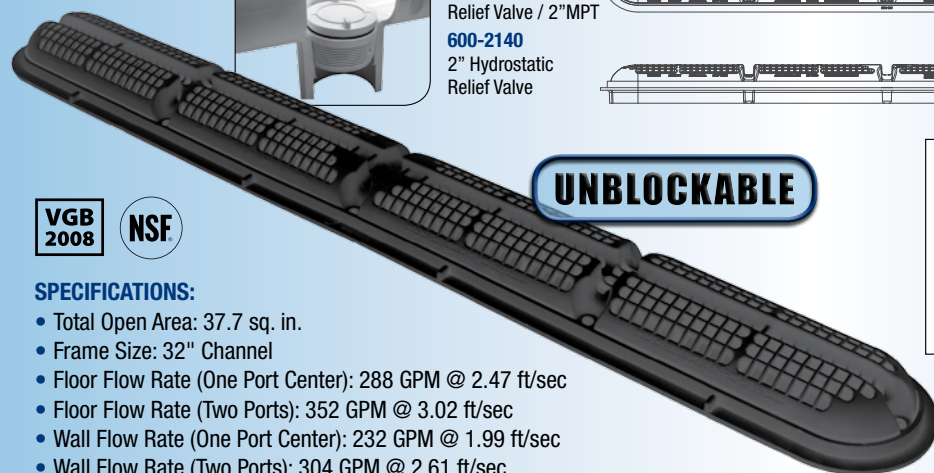
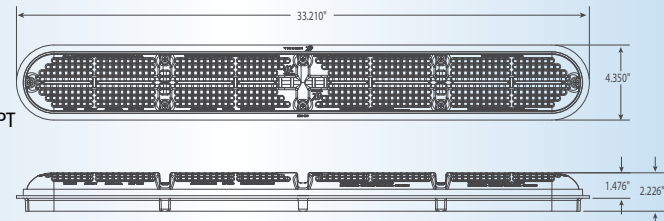
### 32" Ultra Strip Drains - Concrete

Part No.	Description	Case Quantity
640-132x V	32" Ultra Strip Drain - Concrete	1

### Hydrostatic Relief Valve



**600-2100**  
1 1/2" Hydrostatic Relief Valve / 2" MPT  
**600-2140**  
2" Hydrostatic Relief Valve



**UNBLOCKABLE**



640-1331 V

VGB 2008 NSF

### SPECIFICATIONS:

- Total Open Area: 37.7 sq. in.
- Frame Size: 32" Channel
- Floor Flow Rate (One Port Center): 288 GPM @ 2.47 ft/sec
- Floor Flow Rate (Two Ports): 352 GPM @ 3.02 ft/sec
- Wall Flow Rate (One Port Center): 232 GPM @ 1.99 ft/sec
- Wall Flow Rate (Two Ports): 304 GPM @ 2.61 ft/sec
- Flow Rate @ 1.5 ft/sec: 175 GPM

### 32" Ultra Strip Drains - Field Built Sumps

Part No.	Description	Case Quantity
640-133x V	32" Ultra Strip Drain - Field Built Sumps	1

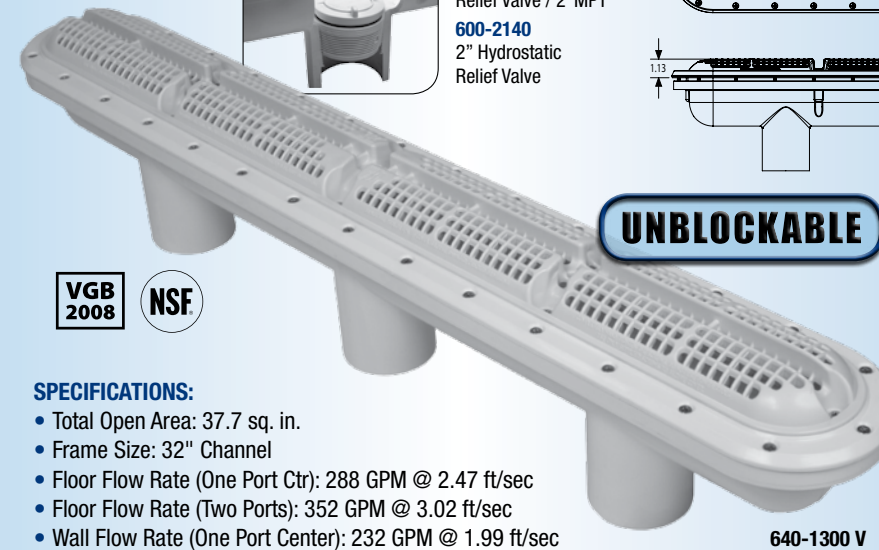
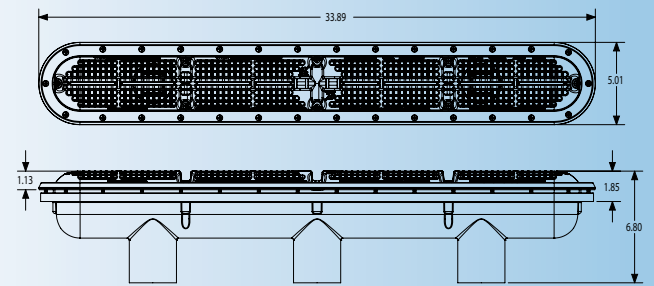
Replace the final x in the part number with the color of your choice. See guide on inside front cover.

## 32" Ultra Strip Drains

### Hydrostatic Relief Valve



**600-2100**  
1 1/2" Hydrostatic Relief Valve / 2" MPT  
**600-2140**  
2" Hydrostatic Relief Valve



**UNBLOCKABLE**



640-1300 V

VGB 2008 NSF

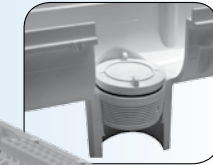
### SPECIFICATIONS:

- Total Open Area: 37.7 sq. in.
- Frame Size: 32" Channel
- Floor Flow Rate (One Port Ctr): 288 GPM @ 2.47 ft/sec
- Floor Flow Rate (Two Ports): 352 GPM @ 3.02 ft/sec
- Wall Flow Rate (One Port Center): 232 GPM @ 1.99 ft/sec
- Wall Flow Rate (Two Ports): 304 GPM @ 2.61 ft/sec
- Flow Rate @ 1.5 ft/sec: 175 GPM

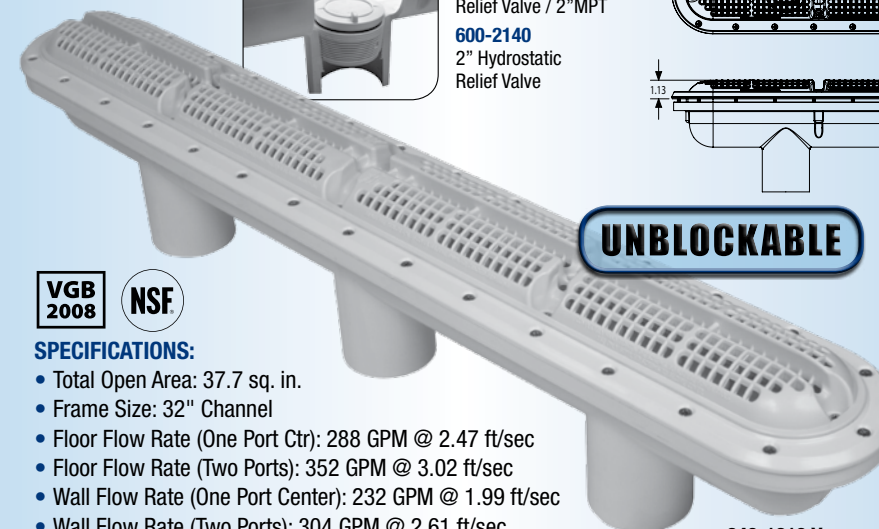
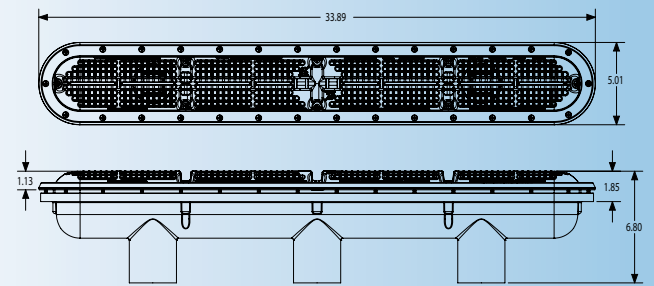
### 32" Ultra Strip Drains - Vinyl

Part No.	Description	Case Quantity
640-130x V	32" Ultra Strip Drain - Vinyl	1

### Hydrostatic Relief Valve



**600-2100**  
1 1/2" Hydrostatic Relief Valve / 2" MPT  
**600-2140**  
2" Hydrostatic Relief Valve



**UNBLOCKABLE**



640-1310 V

VGB 2008 NSF

### SPECIFICATIONS:

- Total Open Area: 37.7 sq. in.
- Frame Size: 32" Channel
- Floor Flow Rate (One Port Ctr): 288 GPM @ 2.47 ft/sec
- Floor Flow Rate (Two Ports): 352 GPM @ 3.02 ft/sec
- Wall Flow Rate (One Port Center): 232 GPM @ 1.99 ft/sec
- Wall Flow Rate (Two Ports): 304 GPM @ 2.61 ft/sec
- Flow Rate @ 1.5 ft/sec: 175 GPM

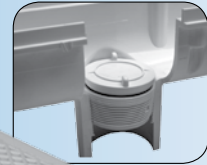
### 32" Ultra Strip Drains - Fiberglass

Part No.	Description	Case Quantity
640-131x V	32" Ultra Strip Drain - Fiberglass	1

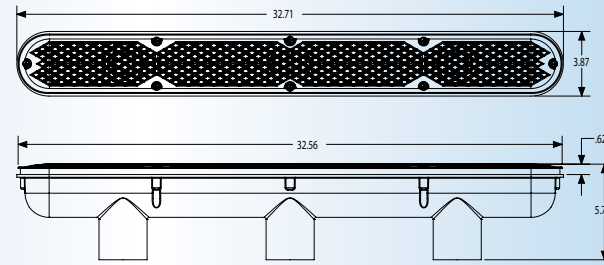
Replace the final x in the part number with the color of your choice. See guide on inside front cover.

## 32" Diamond Strip Drains

### Hydrostatic Relief Valve



- 600-2100**  
1 1/2" Hydrostatic Relief Valve / 2" MPT
- 600-2140**  
2" Hydrostatic Relief Valve



#### SPECIFICATIONS:

- Total Open Area: 37.7 sq. in.
- Frame Size: 32" Channel
- Floor Flow Rate (One Port Ctr): 280 GPM @ 3.75 ft/sec
- Floor Flow Rate (Two Ports): 320 GPM @ 4.29 ft/sec
- Wall Flow Rate (One Port Center): 216 GPM @ 2.89 ft/sec
- Wall Flow Rate (Two Ports): 240 GPM @ 3.22 ft/sec
- Flow Rate @ 1.5 ft/sec: 110 GPM

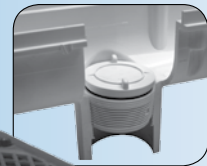
640-1360 V



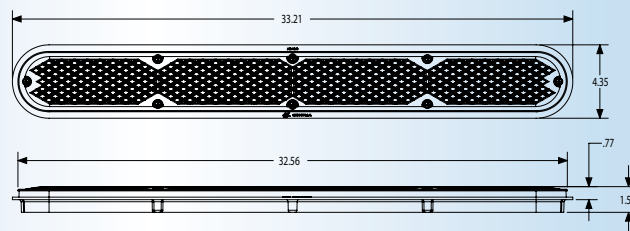
### 32" Diamond Strip Drains - Concrete

Part No.	Description	Case Quantity
640-136x V	32" Diamond Strip Drain - Concrete	1

### Hydrostatic Relief Valve



- 600-2100**  
1 1/2" Hydrostatic Relief Valve / 2" MPT
- 600-2140**  
2" Hydrostatic Relief Valve



#### SPECIFICATIONS:

- Total Open Area: 37.7 sq. in.
- Frame Size: 32" Channel
- Floor Flow Rate (One Port Center): 280 GPM @ 3.75 ft/sec
- Floor Flow Rate (Two Ports): 320 GPM @ 4.29 ft/sec
- Wall Flow Rate (One Port Center): 216 GPM @ 2.89 ft/sec
- Wall Flow Rate (Two Ports): 240 GPM @ 3.22 ft/sec
- Flow Rate @ 1.5 ft/sec: 110 GPM

640-1371 V



### 32" Diamond Strip Drains - Field Built Sumps

Part No.	Description	Case Quantity
640-137x V	32" Diamond Strip Drain - Field Built Sumps	1

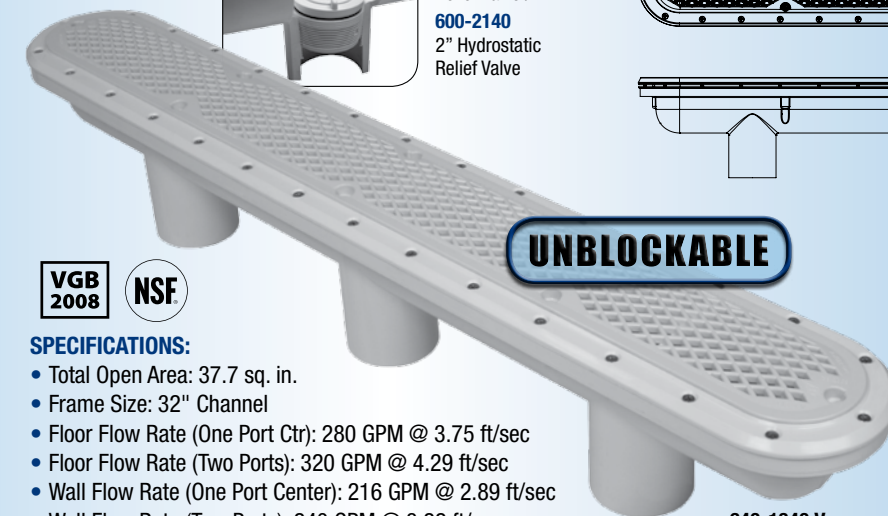
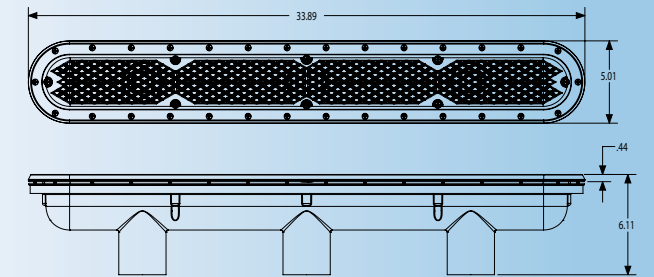
Replace the final x in the part number with the color of your choice. See guide on inside front cover.

## 32" Diamond Strip Drains

### Hydrostatic Relief Valve



- 600-2100**  
1 1/2" Hydrostatic Relief Valve / 2" MPT
- 600-2140**  
2" Hydrostatic Relief Valve



#### SPECIFICATIONS:

- Total Open Area: 37.7 sq. in.
- Frame Size: 32" Channel
- Floor Flow Rate (One Port Ctr): 280 GPM @ 3.75 ft/sec
- Floor Flow Rate (Two Ports): 320 GPM @ 4.29 ft/sec
- Wall Flow Rate (One Port Center): 216 GPM @ 2.89 ft/sec
- Wall Flow Rate (Two Ports): 240 GPM @ 3.22 ft/sec
- Flow Rate @ 1.5 ft/sec: 110 GPM

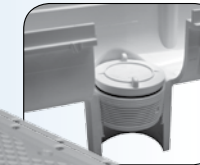
640-1340 V



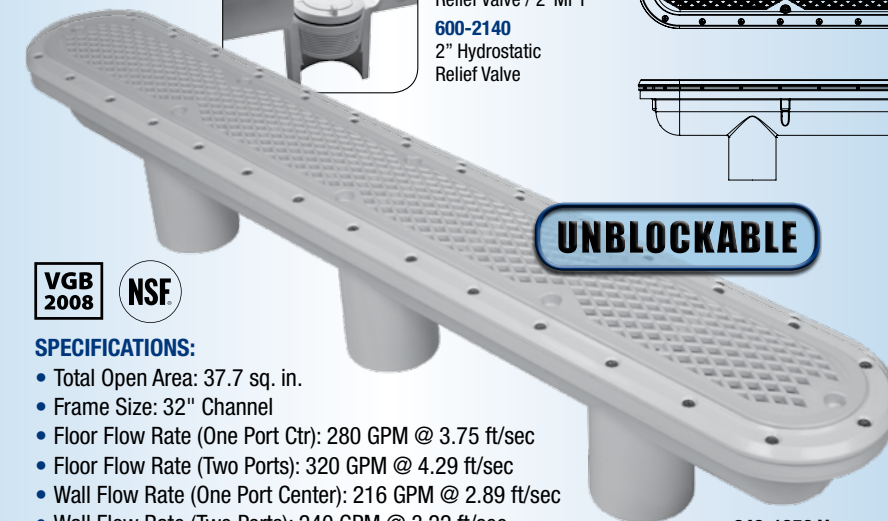
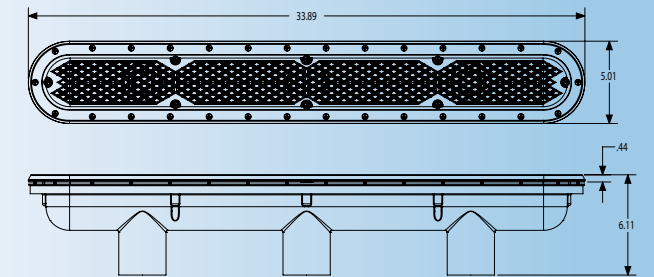
### 32" Diamond Strip Drains - Vinyl

Part No.	Description	Case Quantity
640-134x V	32" Diamond Strip Drain - Vinyl	1

### Hydrostatic Relief Valve



- 600-2100**  
1 1/2" Hydrostatic Relief Valve / 2" MPT
- 600-2140**  
2" Hydrostatic Relief Valve



#### SPECIFICATIONS:

- Total Open Area: 37.7 sq. in.
- Frame Size: 32" Channel
- Floor Flow Rate (One Port Ctr): 280 GPM @ 3.75 ft/sec
- Floor Flow Rate (Two Ports): 320 GPM @ 4.29 ft/sec
- Wall Flow Rate (One Port Center): 216 GPM @ 2.89 ft/sec
- Wall Flow Rate (Two Ports): 240 GPM @ 3.22 ft/sec
- Flow Rate @ 1.5 ft/sec: 110 GPM

640-1350 V



### 32" Diamond Strip Drains - Fiberglass

Part No.	Description	Case Quantity
640-135x V	32" Diamond Strip Drain - Fiberglass	1
640-134xLG V	32" Diamond Strip Drain for Fiberglass Spas	1

Replace the final x in the part number with the color of your choice. See guide on inside front cover.

## ??? Drains

640-???? V  
Pat. #000

**UNBLOCKABLE**

Need  
other  
drain



**SPECIFICATIONS:**

- Total Open Area: 00.00 sq. in.
- Frame Size: ??? Design
- Floor Flow Rate: 000 GPM @ 0.00 ft/sec
- Wall Flow Rate: 000 GPM @ 0.0 ft/sec
- Flow Rate @ 0.0 ft/sec: 000.0 GPM

??? Drains

Part No.	Description	Case Quantity
640-???? V	???	1

640-???? V

**UNBLOCKABLE**

Need  
other  
drain



**SPECIFICATIONS:**

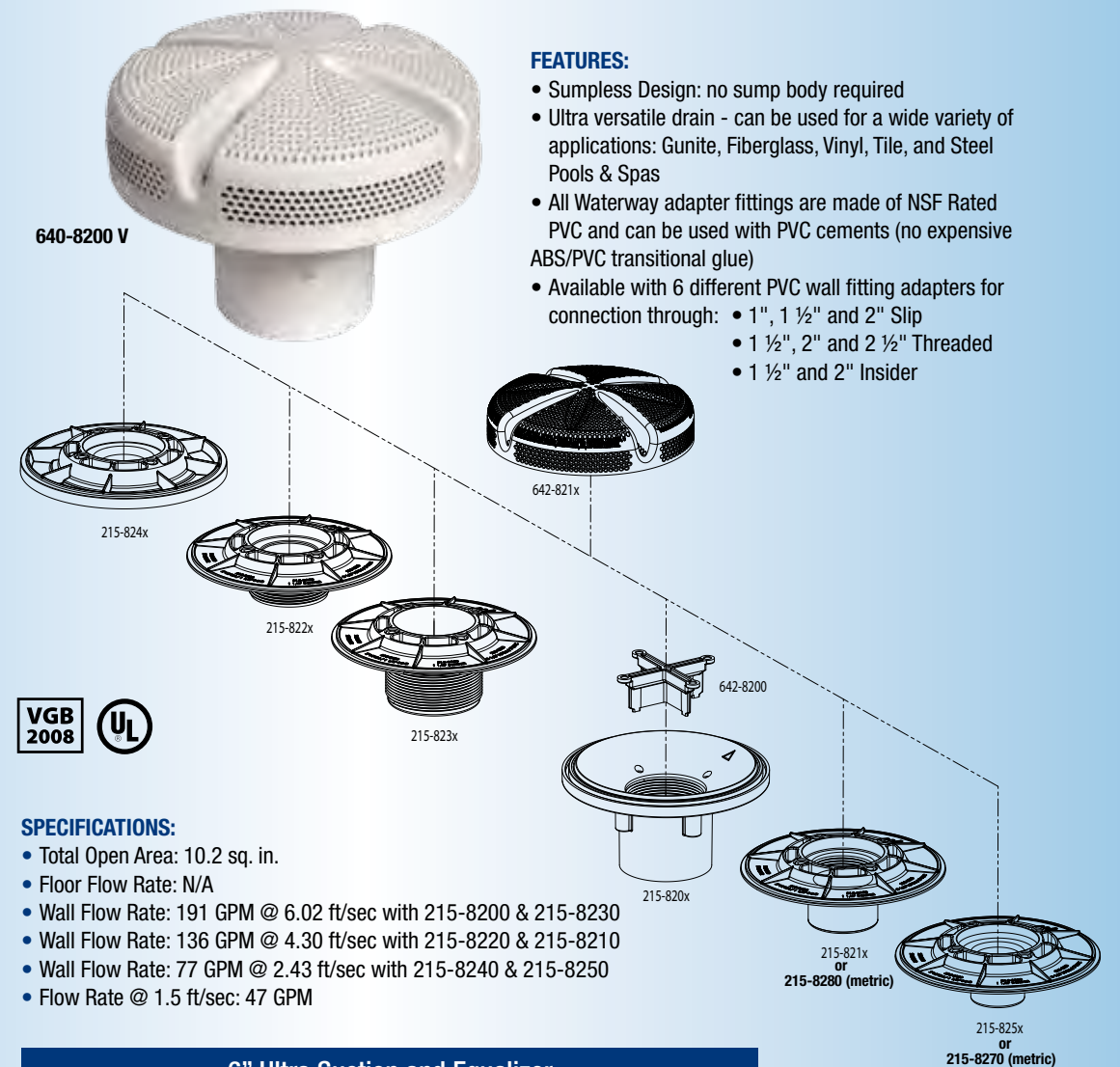
- Total Open Area: 00.00 sq. in.
- Frame Size: ??? Design
- Floor Flow Rate: 000 GPM @ 0.00 ft/sec
- Wall Flow Rate: 000 GPM @ 0.0 ft/sec
- Flow Rate @ 0.0 ft/sec: 000.0 GPM

??? Drains

Part No.	Description	Case Quantity
640-???? V	???	1

Replace the final x in the part number with the color of your choice. See guide on inside front cover.

## 6" Ultra Suction & Equalizer



**FEATURES:**

- Sumpless Design: no sump body required
- Ultra versatile drain - can be used for a wide variety of applications: Gunite, Fiberglass, Vinyl, Tile, and Steel Pools & Spas
- All Waterway adapter fittings are made of NSF Rated PVC and can be used with PVC cements (no expensive ABS/PVC transitional glue)
- Available with 6 different PVC wall fitting adapters for connection through:
  - 1", 1 1/2" and 2" Slip
  - 1 1/2", 2" and 2 1/2" Threaded
  - 1 1/2" and 2" Insider

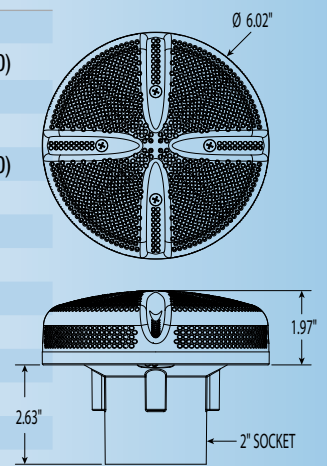


**SPECIFICATIONS:**

- Total Open Area: 10.2 sq. in.
- Floor Flow Rate: N/A
- Wall Flow Rate: 191 GPM @ 6.02 ft/sec with 215-8200 & 215-8230
- Wall Flow Rate: 136 GPM @ 4.30 ft/sec with 215-8220 & 215-8210
- Wall Flow Rate: 77 GPM @ 2.43 ft/sec with 215-8240 & 215-8250
- Flow Rate @ 1.5 ft/sec: 47 GPM

6" Ultra Suction and Equalizer

Part No.	Description
640-820x V	6" Ultra Suction (Model 640-82XX V) w/ 2" Equalizer Wall Fitting (215-8200)
640-823x V	6" Ultra Suction (Model 640-82XX V) w/ 2 1/2" Threaded Wall Fitting (215-8230)
640-822x V	6" Ultra Suction (Model 640-82XX V) w/ 2" Threaded Wall Fitting (215-8220)
640-821x V	6" Ultra Suction (Model 640-82XX V) w/ 2" Insider Wall Fitting (215-8210)
640-824x V	6" Ultra Suction (Model 640-82XX V) w/ 1 1/2" Threaded Wall Fitting (215-8240)
640-825x V	6" Ultra Suction (Model 640-82XX V) w/ 1 1/2" Insider Wall Fitting (215-8250)
215-8200	Wall Fitting for 6" Ultra Suction - 2" Equalizer
215-8230	Wall Fitting for 6" Ultra Suction - 2 1/2" Threaded
215-8220	Wall Fitting for 6" Ultra Suction - 2" Threaded
215-8210	Wall Fitting for 6" Ultra Suction - 2" Insider
215-8280	Wall Fitting for 6" Ultra Suction - 50.8mm Insider (metric)
215-8240	Wall Fitting for 6" Ultra Suction - 1 1/2" Threaded
215-8250	Wall Fitting for 6" Ultra Suction - 1 1/2" Insider
215-8270	Wall Fitting for 6" Ultra Suction - 38.1mm Insider (metric)



Replace the final x in the part number with the color of your choice. See guide on inside front cover.