

The background of the entire page is an underwater scene. It features numerous bubbles of various sizes rising from the bottom. The water is a deep blue, and there are bright, shimmering light rays or reflections filtering down from above, creating a dynamic and textured appearance. The overall color palette is dominated by blues and teals, with some warmer, golden-brown highlights from the light rays.

— CMP —

**POOL PRODUCTS
CATALOG**

— 2021 —

WE ARE HERE TO HELP!

AWARD-WINNING CMP CUSTOMER SUPPORT, AT YOUR SERVICE

Find the help you need online **24/7** at c-m-p.com/support: send a message, request a call-back, live chat, & interactive step-by-step guides.



SALES / PRODUCT INFO

MONDAY - FRIDAY: 8:00AM - 5:00PM (EST)
PoolSales@C-M-P.COM
C-M-P.COM/FIND-A-REPRESENTATIVE

CUSTOMER SERVICE

MONDAY - FRIDAY: 8:00AM - 6:00PM (EST)
1-800-733-9060 OPTION 1
FAX: 770-632-7115
ORDERS: CS@C-M-P.COM
ACCOUNTS PAYABLE: AP@C-M-P.COM

TECHNICAL SUPPORT

MONDAY - FRIDAY: 8:00AM - 5:00PM (EST)
Get Help Fast By Visiting C-M-P.COM/SUPPORT
1-800-733-9060 OPTION 2

MARKETING

To request brochures and other CMP Marketing resources, contact your pool sales rep.

Interactive Tech Support:
c-m-p.com/tech

Product News & Education:
c-m-p.com/resource-center

Subscribe:
youtube.com/cmppoolspa

Follow:
[@cmppoolspa](https://twitter.com/cmppoolspa)

Catalog on the Web:
c-m-p.com/catalog

CORPORATE HEADQUARTERS & DISTRIBUTION

36 HERRING ROAD, NEWNAN, GA 30265
TOLL FREE: 1-800-733-9060
LOCAL: 770-632-7112
FAX: 770-632-7115

CMP WEST DISTRIBUTION
5100 WESTERN WAY, PERRIS, CA 92571

CMP AUSTRALIA & NEW ZEALAND

(CSN GLOBAL PARTY LTD)
SALES@CSNGLOBAL.COM.AU
ONLINE: CSNGLOBAL.COM.AU

CMP EUROPE DISTRIBUTION
VELUWEZOOM 32, 1327 AH ALMERE, NL
INTERNATIONAL@C-M-P.COM

TABLE OF CONTENTS

Welcome 4
Catalog Information 6
Color Reference 7

POOL WATER FEATURES 9

Natural Wonders® Waterfalls 10
Natural Wonders® Deck & Wall Jets 20
Natural Wonders® Pool Fountains 27
Water Feature Filter 28

LED PRODUCTS 29

LED Product Features 30
Brilliant Wonders® LED Waterfalls 32
Brilliant Wonders® LED Bubblers 44
Brilliant Wonders® LED Laminars 48
Brilliant Wonders® LED Light 50

BOBÉ PRODUCTS 55

How To Order 57
Water Features 58
Fire Features 65
Planters 78

POOL SANITIZER SYSTEMS 81

About CMP Sanitizer Products 82
DEL AOP® 84
DEL Ozone® 90
DEL Ozone® Pro 94
DEL® UV-C 96
Powerclean® Tab Chemical Feeders 98
Powerclean® Salt Chlorine Generators 105

POOL VALVES 107

Hydroseal™ Diverter Valves 108
Hydroseal™ Serviceable Check Valves 109
Hydroseal™ Slice Valves 111
Hydroseal™ Ball Valves 112
Hydroseal™ Multiport Valves 113
Hydroseal™ Slide Valves 115
Hydroseal™ Air Relief Valves 116

IN GROUND SPA SYSTEMS 117

Spa Master™ 2" Gunite Jets 118
Spa Master™ 2½" Gunite Jets 122
Spa Master™ 1½" Gunite Jets 127
Spa Master™ Venturi Tees 128
Spa Master™ Swim Jets 130
Spa Master™ Step Jets 131
JetArray® 132

WHITE GOODS 135

In Ground Skimmers 136
VGB Drains & Suctions 149
Pool Deck White Goods 166
Eyeball Fittings 167
Wall Fittings 171
Water Stops 172
Unions 174
Plumbing Fittings 177
Repair Fittings 178

ACCESSORIES 179

Aqua Elements® Pool Tools 180
Pool Care Accessories 186
Pool Plugs & Winterizing Accessories 188
Ladder & Rope Accessories 190
Aquallevel™ Auto Levelers 192
Pool Defender® Anodes & Water Bonds 194

OEM POOL PARTS 197

Salt Cell Replacement 198
Auto Cleaner Parts 200
Flowskim™ Baskets 204
Heavy Duty Pool Baskets 205
JZ-Style Fittings 208
Heavy Duty Manifolds 209
Pool Equipment Parts 214

Technical References 217
Replacement Parts 229
Cross Reference Tables 264
Part Number Index 277
Cross Reference Index 288
Content & Trademark 290
Terms & Conditions 291
CMP Limited Warranty 292



WELCOME TO THE 2021 POOL PRODUCTS CATALOG

CMP 2021 POOL PRODUCTS CATALOG

SENIOR EDITORS

Victor Walker
Rich Simpson
Kyle Trepp

DESIGN EDITOR

Stephen Boswell

CATALOG DESIGNER

Alison Bright

I.P. & PRODUCT DESIGN EDITOR

Zack Vogtner

MARKETING CONTENT

Susie Cuebas

The CMP Pool Products Catalog is a team project that included CMP Marketing, Engineering, Sales and Customer Service. Thank you to the entire team and to each individual that has contributed to the 2021 CMP Pool Products Catalog.

- EVERYTHING MATTERS®

©2021 CMP, LLC
All rights reserved

This annual catalog is one of our most important customer tools, in combination with award-winning customer service and tech support. CMP is committed to supporting pool professionals with systems and programs that set you up for success. Because when the difference is in the details, everything matters®.

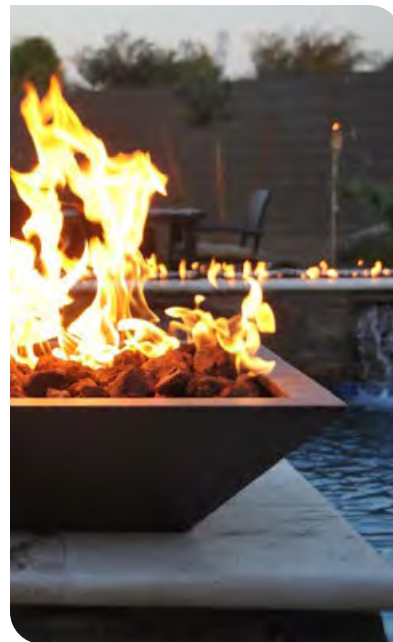


WHAT'S NEW FOR 2021

BOBÉ® WATER & FIRE FEATURES

The newest part of the CMP family completes our collection of designer features with fire products and real metal scuppers.

Bobé brand products are truly special. **Be sure to check them out on page 55**



NEXT GENERATION AOP SYSTEMS

DEL joined the CMP family three years ago, and we are thrilled to introduce our first next-gen technology—more powerful than ever and driven by your feedback.

The new DEL AOP models are certified, smart and easy to install.

Learn more on page 84

CMP POOL PRODUCT BRANDS



WATER FEATURES : PAGE 9



LED WATER FEATURES & LIGHTING: PAGE 29



WATER & FIRE FEATURES

ARTISAN FIRE & WATER : PAGE 55



IN GROUND SPA SYSTEMS: PAGE 117



ADVANCED SANITIZER SYSTEMS: PAGE 82



RESIDUAL SANITIZER SYSTEMS: PAGE 98



PRO QUALITY TOOLS & PARTS: PAGE 173



POOL VALVES: PAGE 107



WATER BONDS & ANODES: PAGE 194



AUTOMATIC WATER LEVELERS: PAGE 192



RETAIL POOL TOOLS: PAGE 180



POOL SKIMMER BASKETS & HANDLES: 204

The CMP logo, division lockup and tagline everything matters® are registered trademarks of Custom Molded Products, LLC. All CMP Pool Products logos and trademarks are property of CMP. Natural Wonders®, Brilliant Wonders®, AquaLevel™, Powerclean®, Hydroseal™, Spa Master™, Aqua Elements®, Pool Defender®, Flowskim™, Smart Sync® and Pro Tools™, Smart Stitch™, Galaxy™, Nova™ are trademarks and/or registered trademarks of CMP. The absence of a trademark, trade name or service mark from the above list does not constitute a waiver of our intellectual property rights concerning that trademark, trade name or service mark. All custom graphics, icons, logos and words listed above are trade names, trademarks or service marks of Custom Molded Products in the United States and/or other countries.

The trademarks and names of other companies and products mentioned herein are the property of their respective owners.

CATALOG INFORMATION

ABBREVIATION GUIDE

- S = SOCKET
- SP = SPIGOT
- WTR = WATER
- EXT = EXTENDED
- ID = INSIDE DIAMETER
- OD = OUTSIDE DIAMETER
- FIP = FEMALE IRON PIPE THREAD
- MIP = MALE IRON PIPE THREAD
- SS = STAINLESS STEEL
- ASSY = ASSEMBLY
- GPM = GALLONS PER MINUTE
- FG = FIBERGLASS
- ABG = ABOVE GROUND
- ING/IG = IN GROUND
- HD = HEAVY DUTY



Indicates CMP New for 2021 Products



Indicates Energy Efficient Products

CMP PRODUCT CROSS REFERENCES

Cross references are a useful tool for making the switch to CMP Products. PLEASE NOTE: The Cross References Charts previously near the front of the catalog have moved to page 264

BOX AND BAG QUANTITIES

Box Quantities are listed for most items. If a bag quantity is also available, it will be indicated as "box/bag," such as "24/6" where "24" is the box quantity, and "6" is the bag quantity.

Currently CMP does not apply a surcharge for broken carton orders. Please help us maintain this policy by ordering in full carton quantities. **Thank you for your cooperation.**

FOR MORE INFORMATION

Content & Trademark Disclaimers pg 290

Terms & Conditions pg 291

CMP Limited Warranty pg 292

All illustrations, photographs, product details and specifications in this catalog are current as of available information at the time of printing.

To access the digital version of this catalog, you may view or download online at www.c-m-p.com/catalog.

THANK YOU FOR USING THE 2021 CMP POOL PRODUCTS CATALOG

COLOR REFERENCE

The standard CMP numbering scheme for designating the color of plastic products is indicated within the part number as follows:

A B C D E - F G H - I J K

The standard colors for pool products are determined by the "H" digit where:

- 0 = White
- 1 = Light Gray
- 2 = Chrome / Stainless Steel
- 3 = Brass
- 4 = Black
- 7 = Dark Gray
- 9 = Non-Standard / Custom

EXAMPLE: 23500-001-000 (1 = LIGHT GRAY)



LIGHT GRAY



BLACK

LOOK FOR THESE ICONS THROUGHOUT THE CATALOG INDICATING AVAILABLE COLORS



DARK GRAY



TAN



LIGHT BLUE



DARK BLUE

Product color examples above are for approximate reference only.

NON - STANDARD COLORS

Non-standard colors for pool products are determined by the combination of the "G" and the "H" digits. The "H" digit of "9" indicates Non-Standard, and the "G" digit, specifies color. Non-standard colors include Tan, Clear, Light Blue, Dark Blue, etc. For details on ordering specific non-standard colors, call or email CS@c-m-p.com

CUSTOM COLORS

Additional colors are available upon request. Custom colors can be provided. Please call for details. Minimum order required.

FITTINGS

Unless otherwise specified fitting bodies and other underskirt components are molded in white or gray.

METAL FINISHES

CMP uses polished and plated stainless steel in metal finish components. Additional metal finishes are available upon request.

NATURAL WONDERS® WATER FEATURES

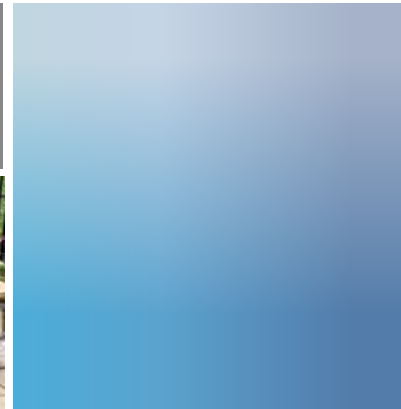
Natural Wonders® Waterfalls 10

Natural Wonders® Deck & Wall Jets 20

Natural Wonders® Pool Fountains 27

Water Feature Filter 28

NATURAL WONDERS® WATERFALLS



THE #1
WATERFALL
IN THE
INDUSTRY

FIND THE RIGHT WATERFALL FOR YOUR NEXT PROJECT

DESCRIPTION	CLEAR	WHITE	TAN	GRAY	BACK PORT	BOTTOM PORT	CUSTOM CUT	LIP LENGTH OPTIONS	WIDTH OPTIONS
CLASSIC WATERFALL	•	•	•	•	•	•	•	1", 6", 9", 12"	12", 18", 24", 36", 48", 60", 72", 84", 96"
ARCH WATERFALL		•			•	•		1", 6", 9"	12", 18", 24", 36", 48"
RAINFALL WATERFALL		•			•			6", 9", 12"	12", 24", 36", 48"
STREAMFALL WATERFALL		•			•			6", 9", 12"	12", 18", 24", 36", 48"

LOOKING FOR SOMETHING DIFFERENT? TRY BOBÉ BRAND WATER FEATURES

- SOLID STAINLESS STEEL AND COPPER
- ARTISAN, TIG WELDED, MADE BY HAND
- WATERFALLS, SCUPPERS, WATER BOWLS



***IMPORTANT:** NATURAL WONDERS® WATERFALLS ARE TO BE USED ONLY WITH FILTERED WATER.



NATURAL WONDERS® WATERFALLS

The original, classic waterfall style with a smooth sheeting water flow style. Available in the *most* sizes and options.



PRODUCT FEATURES

- Heavy-duty PVC Construction
- White, Gray, Tan & Clear
- Requires One GPM Per Inch
- 6", 9" & 12" Lip Can be Radius Cut (see pg 18)

ORDERING GUIDE - BACK PORT

CLEAR LIP	WHITE	TAN	GRAY	DESCRIPTION	WIDTH (W)	LENGTH (L)*
25577-125-000	25577-120-000	25577-129-000	25577-121-000	12" WATERFALL WITH 1" LIP	3-1/8"	12-3/8"
25577-135-600	25577-130-000	25577-139-000	25577-131-000	12" WATERFALL WITH 6" LIP	8-1/16"	
25577-135-900	25577-130-900	25577-139-900	25577-131-900	12" WATERFALL WITH 9" LIP	11-1/16"	
25577-135-120	25577-130-120	25577-139-120	25577-131-120	12" WATERFALL WITH 12" LIP	14-1/16"	
25577-175-000	25577-170-000	25577-179-000	25577-171-000	18" WATERFALL WITH 1" LIP	3-1/8"	18-1/4"
25577-185-600	25577-180-000	25577-189-000	25577-181-000	18" WATERFALL WITH 6" LIP	8-1/16"	
25577-185-900	25577-180-900	25577-189-900	25577-181-900	18" WATERFALL WITH 9" LIP	11-1/16"	
25577-185-120	25577-180-120	25577-189-120	25577-181-120	18" WATERFALL WITH 12" LIP	14-1/16"	
25577-225-000	25577-220-000	25577-229-000	25577-221-000	24" WATERFALL WITH 1" LIP	3-1/8"	24-1/8"
25577-235-600	25577-230-000	25577-239-000	25577-231-000	24" WATERFALL WITH 6" LIP	8-1/16"	
25577-235-900	25577-230-900	25577-239-900	25577-231-900	24" WATERFALL WITH 9" LIP	11-1/16"	
25577-235-120	25577-230-120	25577-239-120	25577-231-120	24" WATERFALL WITH 12" LIP	14-1/16"	
25577-325-000	25577-320-000	25577-329-000	25577-321-000	36" WATERFALL WITH 1" LIP	3-1/8"	35-5/8"
25577-335-600	25577-330-000	25577-339-000	25577-331-000	36" WATERFALL WITH 6" LIP	8-1/16"	
25577-335-900	25577-330-900	25577-339-900	25577-331-900	36" WATERFALL WITH 9" LIP	11-1/16"	
25577-335-120	25577-330-120	25577-339-120	25577-331-120	36" WATERFALL WITH 12" LIP	14-1/16"	
25577-425-000	25577-420-000	25577-429-000	25577-421-000	48" WATERFALL WITH 1" LIP	3-1/8"	47-3/8"
25577-435-600	25577-430-000	25577-439-000	25577-431-000	48" WATERFALL WITH 6" LIP	8-1/16"	
25577-435-900	25577-430-900	25577-439-900	25577-431-900	48" WATERFALL WITH 9" LIP	11-1/16"	
25577-435-120	25577-430-120	25577-439-120	25577-431-120	48" WATERFALL WITH 12" LIP	14-1/16"	
25577-525-000	25577-520-000	25577-529-000	25577-521-000	60" WATERFALL WITH 1" LIP	3-1/8"	59-7/8"
25577-535-600	25577-530-000	25577-539-000	25577-531-000	60" WATERFALL WITH 6" LIP	8-1/16"	
25577-535-900	25577-530-900	--	--	60" WATERFALL WITH 9" LIP	11-1/16"	
25577-535-120	25577-530-120	--	--	60" WATERFALL WITH 12" LIP	14-1/16"	
25577-625-000	25577-620-000	--	--	72" WATERFALL WITH 1" LIP	3-1/8"	71-1/2"
25577-635-600	25577-630-000	--	25577-631-000	72" WATERFALL WITH 6" LIP	8-1/16"	
25577-635-900	25577-630-900	--	--	72" WATERFALL WITH 9" LIP	11-1/16"	
25577-635-120	25577-630-120	--	--	72" WATERFALL WITH 12" LIP	14-1/16"	
25577-725-000	25577-720-000	--	--	84" WATERFALL WITH 1" LIP	3-1/8"	83-1/4"
25577-735-600	25577-730-000	--	--	84" WATERFALL WITH 6" LIP	8-1/16"	
25577-735-900	25577-730-900	--	--	84" WATERFALL WITH 9" LIP	11-1/16"	
25577-735-120	25577-730-120	--	--	84" WATERFALL WITH 12" LIP	14-1/16"	
25577-825-000	25577-820-000	--	--	96" WATERFALL WITH 1" LIP	3-1/8"	95-1/8"
25577-835-600	25577-830-000	--	--	96" WATERFALL WITH 6" LIP	8-1/16"	
25577-835-900	25577-830-900	----	--	96" WATERFALL WITH 9" LIP	11-1/16"	
25577-835-120	25577-830-120	--	--	96" WATERFALL WITH 12" LIP	14-1/16"	

*All "L" dimensions are +/- 0.33"

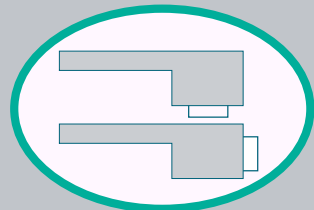
NATURAL WONDERS® WATERFALLS



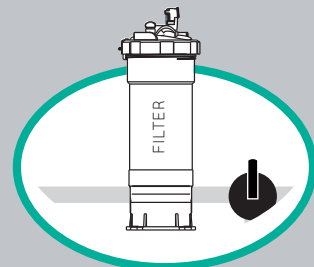
ORDERING GUIDE - BOTTOM PORT

WHITE	GRAY	DESCRIPTION	WIDTH (W)	LENGTH (L)*
25576-120-000	25576-121-000	12" WATERFALL WITH 1" LIP	3-1/8"	12-3/8"
25576-130-000	25576-131-000	12" WATERFALL WITH 6" LIP	8-1/16"	
25576-130-900	25576-131-900	12" WATERFALL WITH 9" LIP	11-1/16"	
25576-130-120	25576-131-120	12" WATERFALL WITH 12" LIP	14-1/16"	
25576-170-000	25576-171-000	18" WATERFALL WITH 1" LIP	3-1/8"	18-1/4"
25576-180-000	25576-181-000	18" WATERFALL WITH 6" LIP	8-1/16"	
25576-180-900	25576-181-900	18" WATERFALL WITH 9" LIP	11-1/16"	
25576-180-120	25576-181-120	18" WATERFALL WITH 12" LIP	14-1/16"	
25576-220-000	25576-221-000	24" WATERFALL WITH 1" LIP	3-1/8"	24-1/8"
25576-230-000	25576-231-000	24" WATERFALL WITH 6" LIP	8-1/16"	
25576-230-900	25576-231-900	24" WATERFALL WITH 9" LIP	11-1/16"	
25576-230-120	25576-231-120	24" WATERFALL WITH 12" LIP	14-1/16"	
25576-320-000	25576-321-000	36" WATERFALL WITH 1" LIP	3-1/8"	35-5/8"
--	25576-331-035	36" WATERFALL WITH 3.5" LIP	5-1/16"	
25576-330-000	25576-331-000	36" WATERFALL WITH 6" LIP	8-1/16"	
25576-330-900	25576-331-900	36" WATERFALL WITH 9" LIP	11-1/16"	
25576-330-120	25576-331-120	36" WATERFALL WITH 12" LIP	14-1/16"	47-3/8"
25576-420-000	25576-421-000	48" WATERFALL WITH 1" LIP	3-1/8"	
25576-430-000	25576-431-000	48" WATERFALL WITH 6" LIP	8-1/16"	
25576-430-900	25576-431-900	48" WATERFALL WITH 9" LIP	11-1/16"	
25576-430-120	25576-431-120	48" WATERFALL WITH 12" LIP	14-1/16"	59-7/8"
--	25576-521-000	60" WATERFALL WITH 1" LIP	3-1/8"	
--	25576-531-000	60" WATERFALL WITH 6" LIP	8-1/16"	
--	25576-531-900	60" WATERFALL WITH 9" LIP	11-1/16"	
--	25576-531-120	60" WATERFALL WITH 12" LIP	14-1/16"	71-1/2"
--	25576-621-000	72" WATERFALL WITH 1" LIP	3-1/8"	
--	25576-631-000	72" WATERFALL WITH 6" LIP	8-1/16"	
--	25576-631-900	72" WATERFALL WITH 9" LIP	11-1/16"	
--	25576-631-120	72" WATERFALL WITH 12" LIP	14-1/16"	

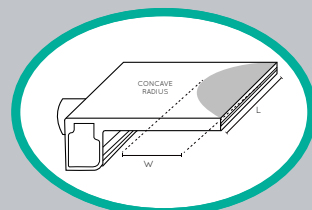
*All "L" dimensions are +/- 0.33"



BACK OR BOTTOM PORT



FILTERED WATER ONLY



RADIUS CUT COMPATIBLE

IMPORTANT: Natural Wonders waterfalls are to be used only with filtered water. We recommend using a cartridge filter dedicated to the waterfall feed line. See the CMP water feature filter page 28. The rock trap is always recommended to capture large debris in the pipes. 12" and 18" waterfalls should be no more than 12" above the water line. Waterfalls over 36" have multiple water inlets. As a waterfall is installed higher above the pool water level the base of the flume will narrow and begin to "break up." Call customer service for more information.

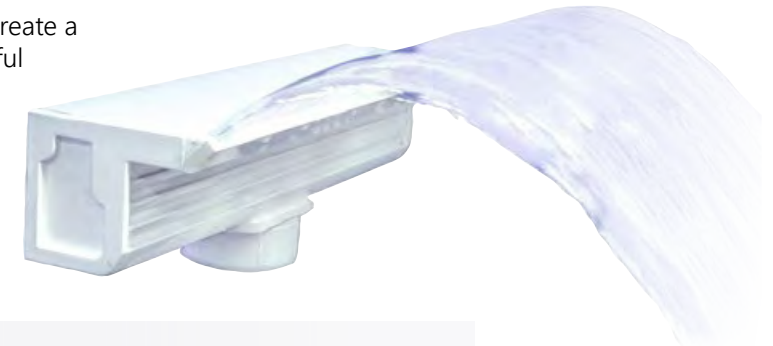
NATURAL WONDERS® ARCH WATERFALLS



CMP Natural Wonders® Arch Waterfalls create a beautiful arching sheet of water. A powerful display that enhances any backyard.

PRODUCT FEATURES

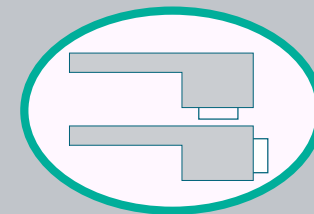
- Back port or bottom port
- Heavy-duty PVC construction



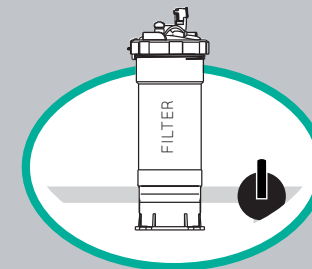
BOTTOM PORT SHOWN

ORDERING GUIDE

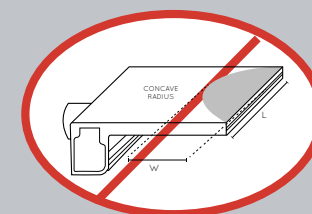
BACK PORT	BOTTOM PORT	DESCRIPTION	WIDTH (W)	LENGTH (L)*
25577-150-000	25576-150-000	12" ARCH WATERFALL WITH 1" LIP	3-1/8"	12-1/2"
25577-150-600	25576-150-600	12" ARCH WATERFALL WITH 6" LIP	8-1/16"	
25577-150-900	--	12" ARCH WATERFALL WITH 9" LIP	14-1/16"	
25577-190-000	25576-190-000	18" ARCH WATERFALL WITH 1" LIP	3-1/8"	18-1/2"
25577-190-600	25576-190-600	18" ARCH WATERFALL WITH 6" LIP	8-1/16"	
25577-190-900	--	18" ARCH WATERFALL WITH 9" LIP	14-1/16"	
25577-260-000	25576-260-000	24" ARCH WATERFALL WITH 1" LIP	3-1/8"	24-1/2"
25577-260-600	25576-260-600	24" ARCH WATERFALL WITH 6" LIP	8-1/16"	
25577-260-900	--	24" ARCH WATERFALL WITH 9" LIP	14-1/16"	
25577-360-000	25576-360-000	36" ARCH WATERFALL WITH 1" LIP	3-1/8"	35-1/5"
25577-360-600	25576-360-600	36" ARCH WATERFALL WITH 6" LIP	8-1/16"	
25577-360-900	--	36" ARCH WATERFALL WITH 9" LIP	14-1/16"	
25577-460-000	25576-460-000	48" ARCH WATERFALL WITH 1" LIP	3-1/8"	47-1/2"
25577-460-600	25576-460-600	48" ARCH WATERFALL WITH 6" LIP	8-1/16"	
25577-460-900	--	48" ARCH WATERFALL WITH 9" LIP	14-1/16"	



BACK OR BOTTOM PORT



FILTERED WATER ONLY



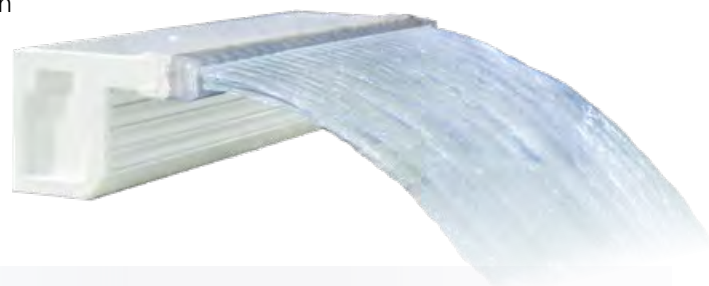
NOT RADIUS CUT COMPATIBLE

IMPORTANT: Natural Wonders waterfalls are to be used only with filtered water. We recommend using a cartridge filter dedicated to the waterfall feed line. See the CMP water feature filter page 28. The rock trap is always recommended to capture large debris in the pipes. 12" and 18" waterfalls should be no more than 12" above the water line. Waterfalls over 36" have multiple water inlets. Call customer service for more information. ARCH WATERFALL LIP CANNOT BE CUT. *All "L" dimensions are +/- 0.33".

NATURAL WONDERS® RAINFALLS

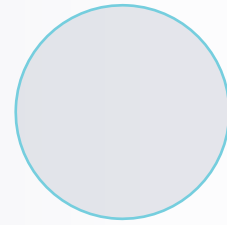


The Natural Wonders® RainFall clear lip design allows it to blend into any surroundings. Colors from adjacent tile, rock, or concrete transmit through the clear material and reflect throughout the lip. This blends the RainFall into any installation application.



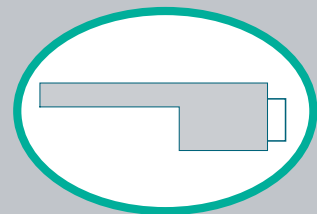
PRODUCT FEATURES

- Two Rows of Water Streams
- Clear Lip Face
- Heavy-Duty PVC Construction
- Back Port 1.5" Spigot
- 6-15 GPM per Foot

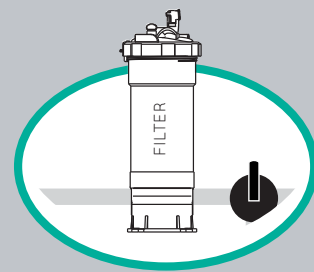


ORDERING GUIDE

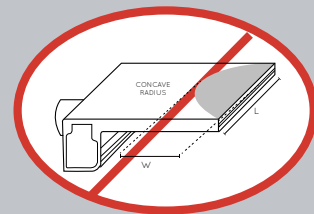
CMP P/N	DESCRIPTION	WIDTH (W)	LENGTH (L)*
25587-130-000	12" RAINFALL WITH 6" LIP	8-1/16"	12-3/4"
25587-130-900	12" RAINFALL WITH 9" LIP	11-1/16"	
25587-130-120	12" RAINFALL WITH 12" LIP	14-1/16"	
25587-230-000	24" RAINFALL WITH 6" LIP	8-1/16"	25-1/4"
25587-230-900	24" RAINFALL WITH 9" LIP	11-1/16"	
25587-230-120	24" RAINFALL WITH 12" LIP	14-1/16"	
25587-330-000	36" RAINFALL WITH 6" LIP	8-1/16"	37-3/8"
25587-330-900	36" RAINFALL WITH 9" LIP	11-1/16"	
25587-330-120	36" RAINFALL WITH 12" LIP	14-1/16"	
25587-430-000	48" RAINFALL WITH 6" LIP	8-1/16"	50-1/4"
25587-430-900	48" RAINFALL WITH 9" LIP	11-1/16"	



BACK PORT ONLY



FILTERED WATER ONLY



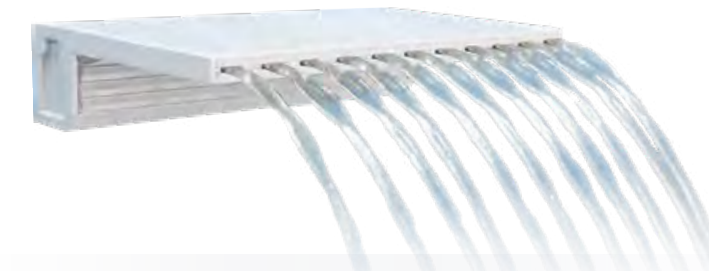
NOT RADIUS CUT COMPATIBLE

IMPORTANT: Natural Wonders waterfalls are to be used only with filtered water. We recommend using a cartridge filter dedicated to the waterfall feed line. See the CMP water feature filter page 28. The rock trap is always recommended to capture large debris in the pipes. 12" and 18" waterfalls should be no more than 12" above the water line. Waterfalls over 36" have multiple water inlets. Call customer service for more information. RAINFALL LIP CANNOT BE CUT. Please refer to the instructions included with the waterfall. *All "L" dimensions are +/- 0.33".

NATURAL WONDERS® STREAMFALLS

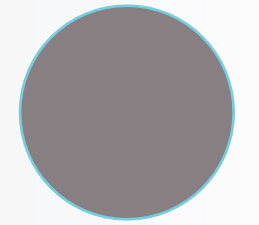


Natural Wonders® Streamfalls are a unique pool water feature: a series of miniature sheer descents adds character and style. Large openings minimize the chance of any clogging from debris.



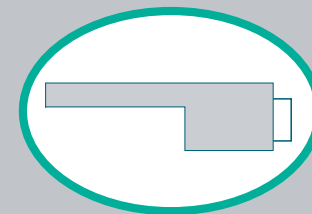
PRODUCT FEATURES

- Wide Openings Prevent Clogging
- Individual Streams 1/4" x 1/2"
- Heavy-Duty PVC Construction
- Lip Can Be Radius Cut (see pg 18)
- Back Port 1.5" Spigot
- 6-20 GPM per Foot

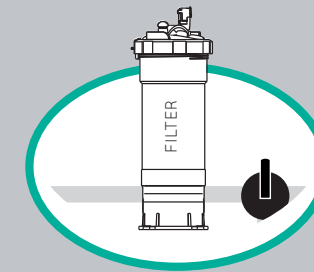


ORDERING GUIDE

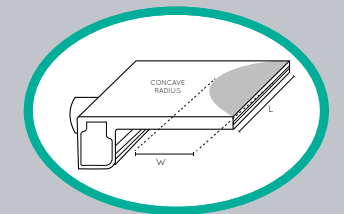
WHITE	DESCRIPTION	WIDTH (W)	LENGTH (L)*
25588-130-000	12" STREAMFALL WITH 6" LIP	8-1/16"	12-3/4"
25588-130-120	12" STREAMFALL WITH 12" LIP	14-1/16"	
25588-180-000	18" STREAMFALL WITH 6" LIP	8-1/16"	18-1/2"
25588-180-120	18" STREAMFALL WITH 12" LIP	14-1/16"	
25588-230-000	24" STREAMFALL WITH 6" LIP	8-1/16"	24-1/2"
25588-230-900	24" STREAMFALL WITH 9" LIP	11-1/16"	
25588-230-120	24" STREAMFALL WITH 12" LIP	14-1/16"	
25588-330-000	36" STREAMFALL WITH 6" LIP	8-1/16"	36-1/8"
25588-330-900	36" STREAMFALL WITH 9" LIP	11-1/16"	
25588-330-120	36" STREAMFALL WITH 12" LIP	14-1/16"	
25588-430-000	48" STREAMFALL WITH 6" LIP	8-1/16"	47-8/10"
25588-430-900	48" STREAMFALL WITH 9" LIP	11-1/16"	



BACK PORT ONLY



FILTERED WATER ONLY

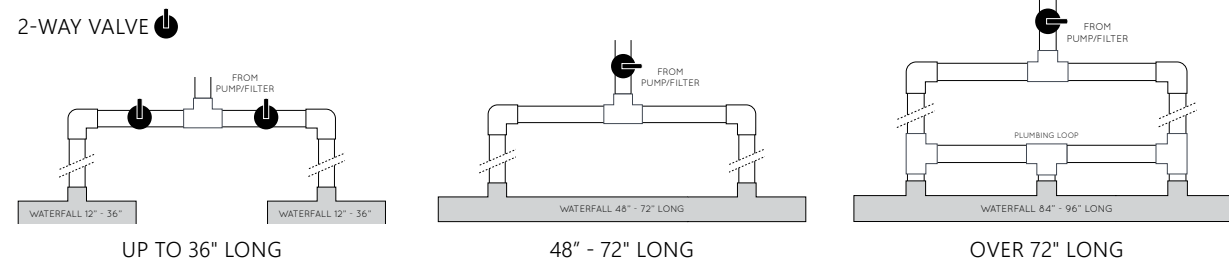


RADIUS CUT COMPATIBLE

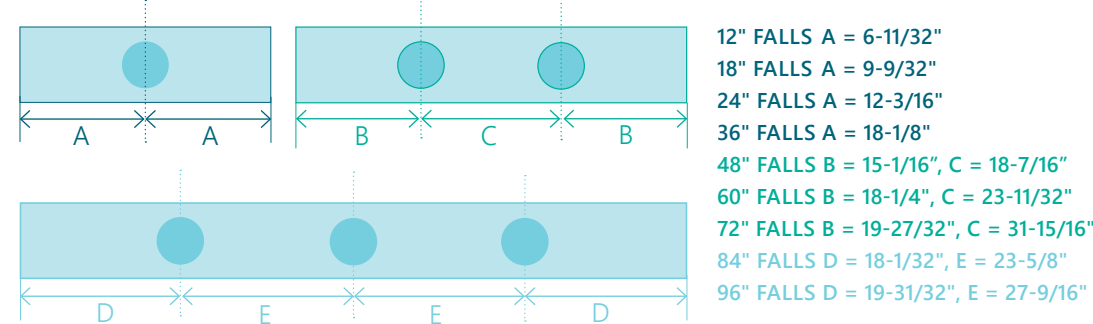
IMPORTANT: Natural Wonders waterfalls are to be used only with filtered water. We recommend using a cartridge filter dedicated to the waterfall feed line. See the CMP water feature filter page 28. The rock trap is always recommended to capture large debris in the pipes. 12" and 18" waterfalls should be no more than 12" above the water line. Waterfalls over 36" have multiple water inlets. Call customer service for more information. Lip may be radius cut. *All "L" dimensions are +/- 0.33".



RECOMMENDED PIPE CONFIGURATION



INLET SPACING GUIDE

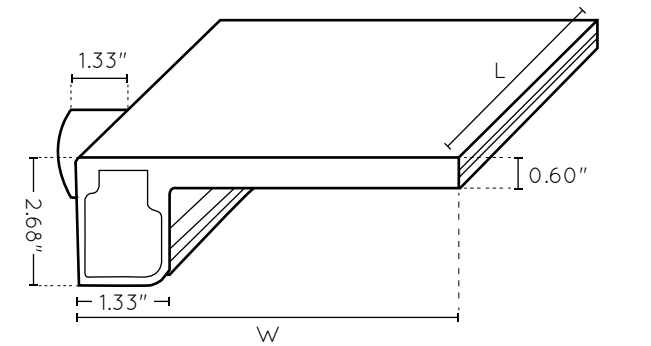


WATERFALL DIMENSIONS

See Product Pages for "L" Dimensions. All "L" dimensions are +/- 0.33"

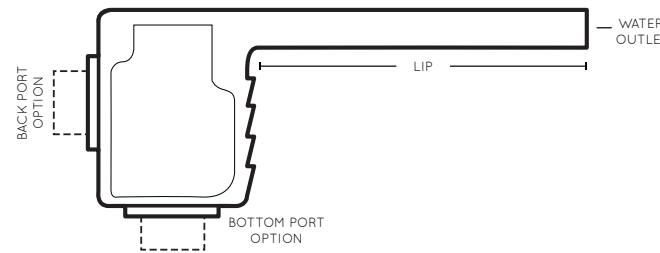
ROCK TRAP

The rock trap is always recommended for installation. Using the rock trap will capture large debris in the pipes. Rock Trap P/N 25577-950-000



WINTERIZATION

To protect the waterfall body during winter, plug the slot with a winterizing guard strip. One strip is included with each waterfall. Replacements can be ordered below. Winterizing guard strips are for use with standard waterfalls only; not compatible with Arch, Rainfall or Streamfall styles.



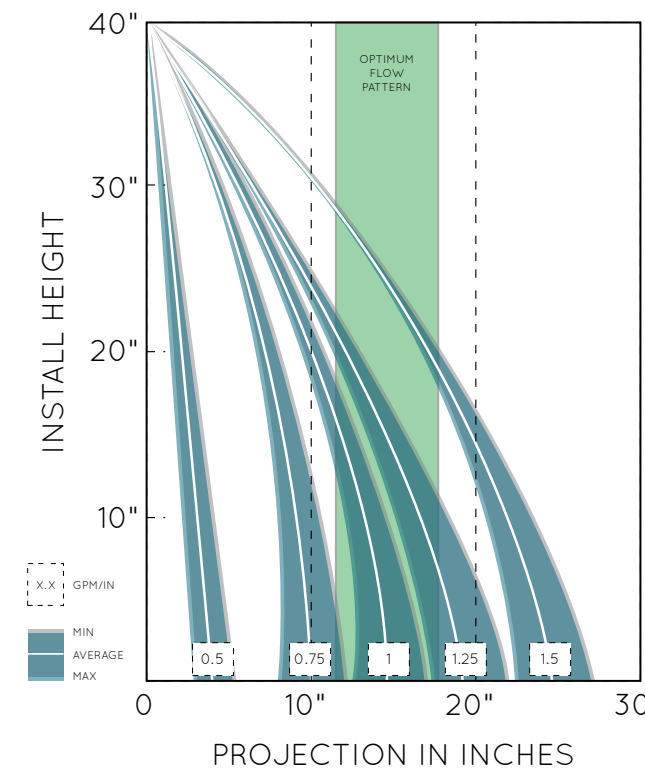
ORDERING GUIDE - WINTER GUARD

12"	18"	24"	36"	48"	60"	72"	84"	96"
26677-128-041	26677-178-041	26677-208-041	26677-328-041	26677-428-041	26677-528-041	26677-628-041	26677-728-041	26677-828-041

IMPORTANT: Natural Wonders waterfalls are to be used only with filtered water. We recommend using a cartridge filter dedicated to the waterfall feed line. See the CMP water feature filter page 28. The rock trap is always recommended to capture large debris in the pipes. 12" and 18" waterfalls should be no more than 12" above the water line. Waterfalls over 36" have multiple water inlets. Call customer service for more information. *All "L" dimensions are +/- 0.33".



WATERFALL PERFORMANCE										
WATERFALL SIZE		12"	18"	24"	36"	48"	60"	72"	84"	96"
CLASSIC	GPM (+/-)	12 GPM	18 GPM	24 GPM	36 GPM	48 GPM	60 GPM	72 GPM	84 GPM	96 GPM
	PROJECTION	14"	12"	13"	13"	17"	18"	14"	15"	17"
STREAMFALL	GPM (+/-)	10 GPM	10 GPM	15 GPM	21 GPM	35 GPM				
	PROJECTION	19"	16"	15"	15"	20"				
RAINFALL	GPM (+/-)	10 GPM	N/A	23 GPM	32 GPM	43 GPM				
	PROJECTION	22"	N/A	18"	18"	20"				
ARCH FALL	GPM (+/-)	14 GPM	22 GPM	26 GPM	35 GPM	43 GPM				
	ARCH HEIGHT ABOVE LIP	1.5"	1.5"	1.5"	1.5"	1"				
	PROJECTION	17"	17"	15"	15"	12"				



GRAPH REPRESENTS PROJECTION RANGE, NOT STREAM PATTERN

12" & 18" STYLES

At the tested 40" height, the flume on these sizes of classic waterfall is very narrow. For a more traditional appearance, we recommend installing the 12" at max height of 18" (8" projection) and 18" at max height of 24" (9" projection).

DRY WALL EFFECT

Low flow installations may cause the mounting surface to become wet when the waterfall is flowing. To achieve a dry wall effect, it is best to aim for the higher end of the recommended GPM range. At the low end of the recommended GPM range the waterfall flume will still appear good, but you may be in the potential "drip zone." (Example: For a dry wall on a 36" waterfall, 36 GPM will give the best results.)

EXTENDED HEIGHTS AND PROJECTION

For a more dramatic effect, it is possible to achieve increased projection and heights above 40" by increasing the gallons per minute. Results outside of tested parameters may vary.

TEST CONDITIONS

Testing was performed in a laboratory setting under optimum conditions. Environmental factors such as weather, construction method and hydraulic variations can alter appearance.

NATURAL WONDERS® CUSTOM CUT QUOTE FORM

COMPANY NAME _____ PHONE _____
 ADDRESS _____ FAX _____
 CONTACT _____ DATE _____ DISTRIBUTOR _____

FAX COMPLETED FORM TO 770-632-7115, SCAN & EMAIL TO CS@C-M-P.COM
 OR FILL OUT ONLINE AT C-M-P.COM/SUPPORT

1. CHOOSE COLOR (If Available)

White PVC
 Gray PVC
 Tan PVC

2. CHOOSE LENGTH†

12" 18" 24"
 36" 48" 60"
 72" 84" 96"

3. CHOOSE INLET POSITION††

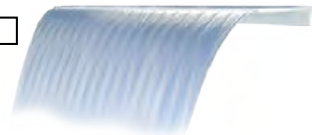
1.5" Spigot BACK
 1.5" Spigot BOTTOM

† Length corresponds to water only. For actual fixture measurement refer to the CMP Pool Catalog.

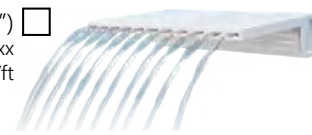
†† 12"-48" = one port 60"-72" = two ports 84"-96" = three ports
 For Bottom Port please call for lead times

4. CHOOSE FLOW STYLE

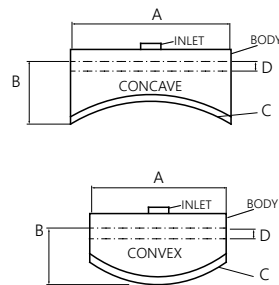
Waterfall (Sheeting)
 25577-xxx-xxx
 1 GPM/in



Streamfall (up to 48")
 25588-xxx-xxx
 6-15 GPM/ft



5. RADIUS MEASUREMENT

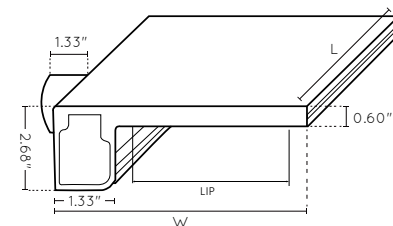


LENGTH	MINIMUM RADIUS		
	6" LIP	9" LIP	12" LIP
12	8.50	6.00	6.00
18	17.50	10.00	9.00
24	30.00	15.75	12.75
36	66.00	32.25	23.25
48	116.50	55.00	38.00
60	181.25	84.50	57.00
72	260.50	120.50	80.50
84	354.00	163.00	108.00
96	462.00	212.25	139.75

CONVEX CONCAVE

NOTE MEASUREMENTS BELOW AS NEEDED:
 Any custom cuts besides convex/concave require a customer template to be faxed or mailed to CMP

LENGTH (A) _____ RADIUS (C) _____
 LIP (B) _____ UNCUT LIP (D) _____
 min 3.5"



6. QUANTITY ORDERED _____

FOR CMP USE ONLY

CUSTOM PART # _____ DATE _____

DESCRIPTION _____

QUOTATION AMOUNT: \$ _____ ORDER # _____

Price is for cost of waterfall plus \$35 up-charge for 12"-48" lengths or \$60 for 60"-96" lengths

CUSTOMER APPROVAL SIGNATURE: _____ DATE _____

CHECK THIS FORM CAREFULLY. Custom units are non-returnable. Quotes are good for 30 days and do not include freight. This form is for quotation purposes only. A purchase order is required to begin order processing. Please allow a standard lead time of 7-10 day after PO is placed for custom cuts. FILTERED WATER MUST BE USED ON ALL CMP WATERFALLS.

FOR ASSISTANCE WITH ONLINE CUSTOM CUT FORM, PLEASE VISIT: [HTTP://WWW.C-M-P.COM/SUPPORT/](http://WWW.C-M-P.COM/SUPPORT/)

WATERFALL METAL FACE TRIM PLATES

Beautiful real metal accents for your waterfall. CMP Metal Face Trim Plates are available in three different finishes to fit any outdoor decor. They are the perfect way to complement and enhance your pool design.

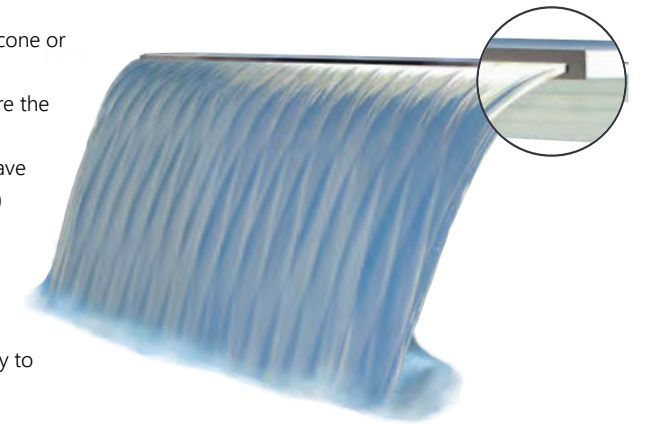
PRODUCT FEATURES

- Complements Any Pool Finish
- Quick & Easy Installation
- Durable, Real Metal Trim Plates
- Available for 12"-48" Sizes
- For Natural Wonders Waterfalls and original LED Waterfall.



INSTALLATION

1. Clean surface of waterfall lip. Make sure there is no debris, silicone or other material covering the lip. Also make sure the lip is dry.
2. Peel just a little of the protective tape on the front to make sure the waterfall plate is the correct color.
3. Turn plate over and remove RED tape on back of the plate (leave the tape on the other side in place until after plate is installed)
4. Carefully place the plate over opening. Do not press down until you are sure the plate is directly over the opening and is covering all the waterfall face (use the lip guard if it is still available)
5. Once you are sure the plate is positioned correctly, press firmly to secure to the waterfall and remove protective tape.



ORDERING GUIDE

STAINLESS STEEL	BRASS	COPPER	DESCRIPTION
25577-122-890	25577-123-890	25577-128-890	12" NATURAL WONDERS METAL FACEPLATE
25577-172-890	25577-173-890	25577-178-890	18" NATURAL WONDERS METAL FACEPLATE
25577-222-890	25577-223-890	25577-228-890	24" NATURAL WONDERS METAL FACEPLATE
25577-322-890	25577-323-890	25577-328-890	36" NATURAL WONDERS METAL FACEPLATE
25577-422-890	25577-423-890	25577-428-890	48" NATURAL WONDERS METAL FACEPLATE
25677-122-870	25677-123-870	25677-128-870	12" BRILLIANT WONDERS METAL FACEPLATE
25677-182-870	25677-183-870	25677-188-870	18" BRILLIANT WONDERS METAL FACEPLATE
25677-222-870	25677-223-870	25677-228-870	24" BRILLIANT WONDERS METAL FACEPLATE
25677-322-870	25677-323-870	25677-328-870	36" BRILLIANT WONDERS METAL FACEPLATE
25677-422-870	25677-423-870	25677-428-870	48" BRILLIANT WONDERS METAL FACEPLATE

*not designed for LED Waterfall 2

WARNING: Edges are very sharp, please use care when handling and installing.

MULTI-NOZZLE ADJUSTABLE DECK & WALL JETS



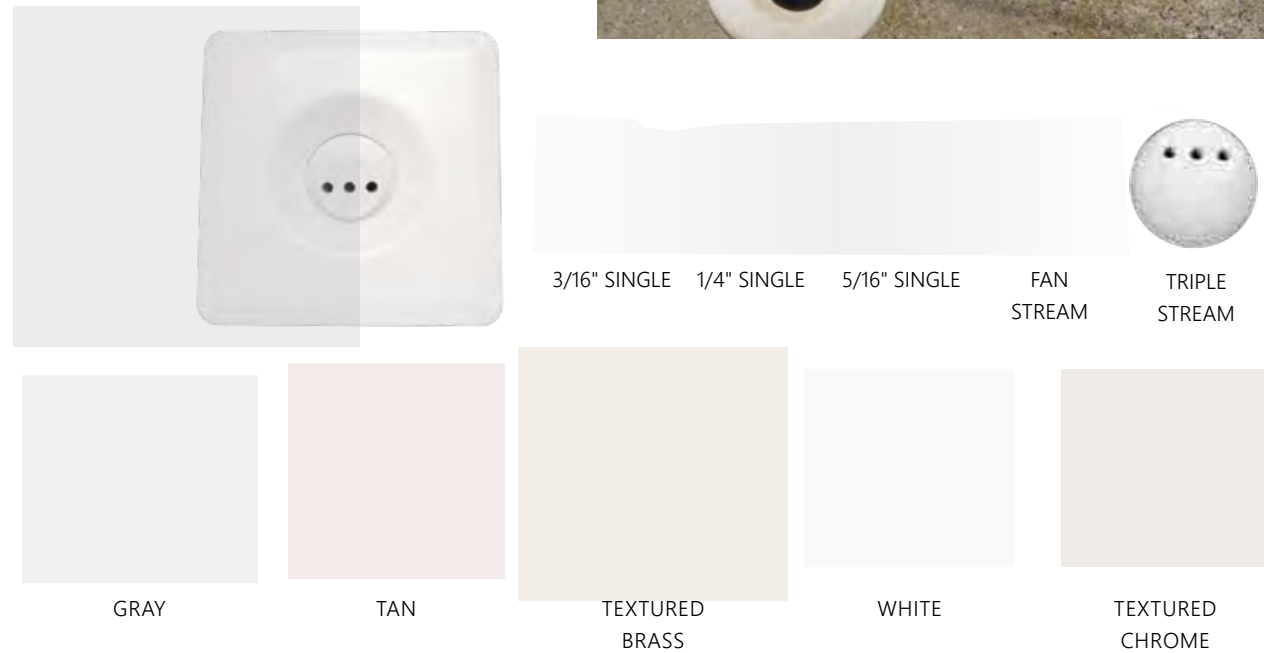
The most advanced and versatile deck jet in the industry for customers who only want the best. Four color options, five interchangeable nozzles, and four body styles. There is a perfectly matched style and water effect for every project.



C-M-P.COM/DECK-WALL-JETS

PRODUCT FEATURES

- Adjustable Flow at the Jet
- Five Interchangeable Nozzles
- Square or Round Face
- Two Flange Options (pg 22)
- Five Color Options
- Simple to Install and Operate
- Chrome and Brass Options have Black Eyeball Nozzles



ORDERING GUIDE

WHITE	GRAY	TAN	BLACK	SOLID BRASS	CHROME PLATE	DESCRIPTION
25598-300-000	25598-301-000	25598-309-000	--	25598-343-000	--	SQUARE FACE
25598-310-000	35598-311-000	25598-319-000	--	25598-363-000	--	SQUARE FACE FLANGELESS
25597-300-000	25597-301-000	25597-309-000	--	25597-343-000	25597-342-000	ROUND FACE
25597-310-000	25597-311-000	25597-319-000	--	25597-363-000	25597-362-000	ROUND FACE FLANGELESS
----	--	25598-309-800	25598-304-800	--	--	FIVE NOZZLE SET

REPLACEMENT PARTS ON PAGE 236

COVERED BY ONE OR MORE U.S. PATENTS OR PENDING PATENT APPLICATIONS. SEE WWW.C-M-P.COM/PATENTS FOR DETAILS.

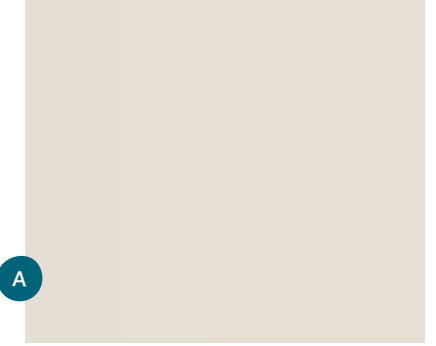


SPECIALTY DECK AND WALL JETS

ADJUSTABLE BRASS DECK FOUNTAIN

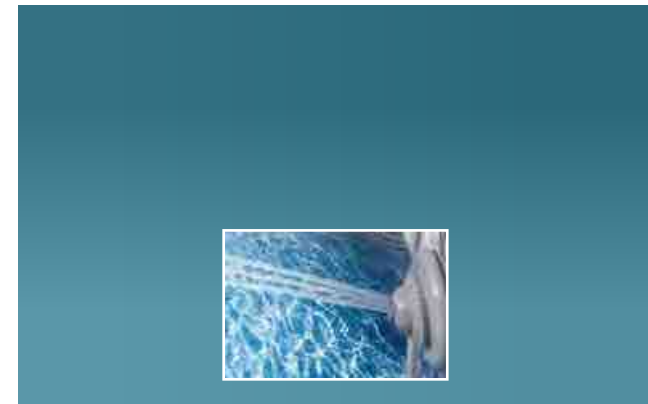
The Adjustable Brass Deck Fountain creates a beautiful two-tier water effect that will blow you away. Unlike the competition, it has adjustable flow, adjustable angle & accepts the CMP interchangeable nozzles. (sold separately)

- Beautiful Fountain Effect
- Adjustable Flow and Direction
- Solid Brass Face & Nozzle



MULTI-NOZZLE VINYL LINER WALL JET

- Includes Five Interchangeable Nozzles, Wall Fitting, Flange, Gasket & Filter
- Six Color Options
- Installs Above the Water Level



ORDERING GUIDE

REF	SQUARE FACE	ROUND FACE	DESCRIPTION
A	25598-333-000	25597-333-000	DECK FOUNTAIN WITH FLANGE
A	25598-353-000	25597-353-000	DECK FOUNTAIN FLANGELESS

REF	CMP P/N	DESCRIPTION
B	25553-900-000	WHITE VINYL LINER WALL JET
B	25553-901-000	GRAY VINYL LINER WALL JET
B	25553-939-000	TAN VINYL LINER WALL JET
B	25553-969-000	DARK BLUE VINYL LINER WALL JET
B	25553-909-000	LIGHT BLUE VINYL LINER WALL JET
B	25553-904-000	BLACK VINYL LINER WALL JET
C	23315-100-000	ROTATING EYEBALL INSERT ONLY (SOLD SEPARATELY)

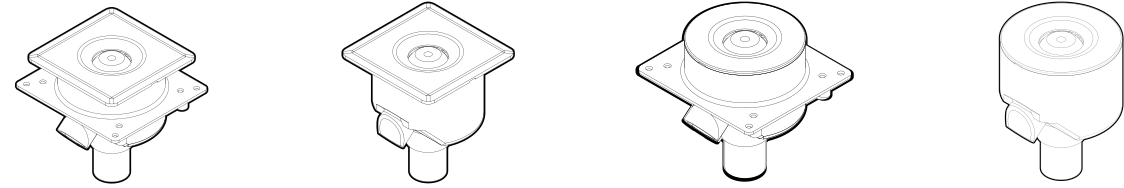
COVERED BY ONE OR MORE U.S. PATENTS OR PENDING PATENT APPLICATIONS. SEE WWW.C-M-P.COM/PATENTS FOR DETAILS.

MULTI-NOZZLE ADJUSTABLE DECK & WALL JETS

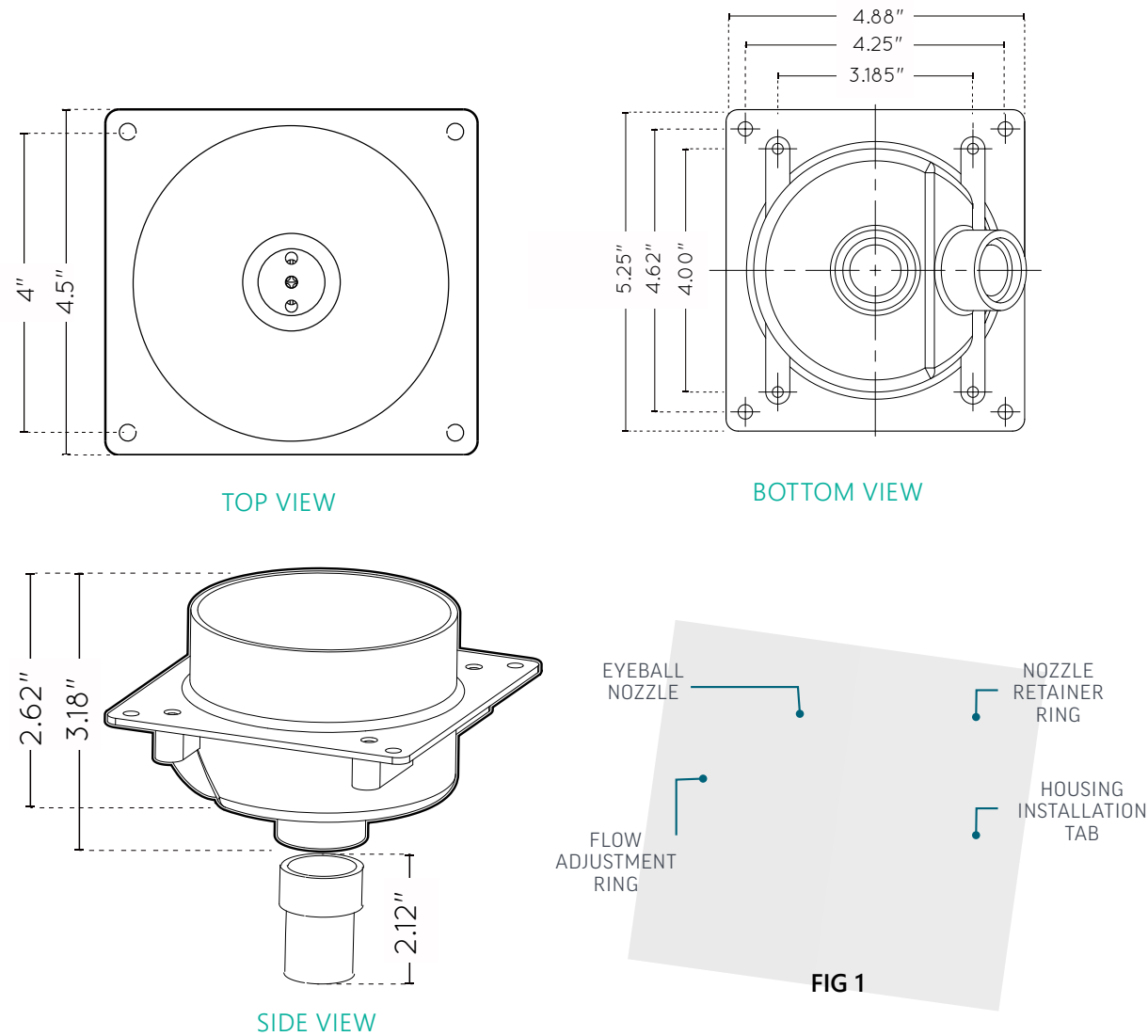


COVER & FLANGE REFERENCE

Choose the perfect deck jet for your installation. The square cover is great for paver decks; all flangeless are easier to install in paver decks. The flange style is useful to tie the jet in place.



SQUARE COVER W/ FLANGE SQUARE COVER FLANGELESS ROUND COVER W/ FLANGE ROUND COVER FLANGELESS



MULTI-NOZZLE ADJUSTABLE DECK & WALL JETS



INSTALLATION GUIDE

1. Determine the proper size of the main feed pipe: Use 1-1/2" pipe for up to 8 Deck Jets; Use 2" pipe for up to 12 Deck Jets; Use 2-1/2" pipe for up to 16 Deck Jets.
2. Install a ball valve on the main feed pipe near the pump to adjust the total water pressure delivered to the deck jets.
3. Reduce the piping to 3/4" pipe. When installing more than one deck jet it is necessary to create an equal pressure loop to equalize the pressure in the line.
4. The body is ABS plastic and designed to allow for 3/4" plumbing with straight pipe or an elbow. Use only PVC/ABS glue to secure.
5. Anchor the deck jet body and protective cover so that the top is level with the height of the finished deck. Use protective cover to protect deck jet while working on pool and laying deck.
6. Remove protective cover, wrap the threaded plug with Teflon tape, and install into the deck jet body. Be sure not to over tighten. Replace the protective cover. Leave the plug installed and keep the pipe pressurized during installation.
7. Once the deck is finished, remove the protective cover and remove the plug. Turn on the pump, open the valves, and run water through the lines to remove any debris that may have collected.
8. Take the jet nozzle housing assembly and install in the body by turning the installation tabs (fig 1). Hand tighten only. Do not overtighten.

PERFORMANCE GUIDE

		TOTAL NUMBER OF JETS					
		2	3	4	5	6	7
FAN	GPM	--	1	1.2	1.3	1.5	1.9
	PSI	--	1.8	2.2	2.6	3.6	4.8
	SPREAD	--	12"	24"	36"	60"	96"
	HEIGHT	--	12"	18"	24"	36"	48"
TRIPLE STREAM	GPM	1.3	1.6	1.9	2.2	2.5	2.8
	PSI	2	2.5	3.5	4.2	5	6
	SPREAD	8"	12"	18"	20"	24"	30"
	HEIGHT	9"	14"	20"	24"	30"	36"
3/16" SINGLE	GPM	0.4	0.5	0.7	0.7	0.8	0.9
	PSI	1.5	2	2.4	2.8	3.2	3.6
	HEIGHT	10"	15"	21"	25"	31"	38"
1/4" SINGLE	GPM	1.2	1.5	1.8	2.0	2.2	2.5
	PSI	2	2.5	3.2	4	4.6	5.5
	HEIGHT	10"	16"	22"	27"	32"	40"
5/16" SINGLE	GPM	1.5	1.9	2.3	2.6	2.9	3.2
	PSI	2	2.8	3.8	4.5	5.4	6.2
	HEIGHT	6"	9"	14"	17"	20"	26"

IMPORTANT, PLEASE NOTE: This product must be installed and serviced by a pool and spa professional. These instructions must be followed exactly to ensure proper function of the parts.

ADJUSTABLE & NON-ADJUSTABLE DECK JETS



The ONLY deck jet that can be adjusted at the nozzle while running. Simply set the water flow at the pump, and then fine tune with the built in adjustable nozzle. Designed for simple installation and trouble-free use in residential and commercial pools. This water feature has an eyeball nozzle hidden from view by a decorative cap. Multiple plumbing options make this deck jet easier to install. Just 3-5 GPM creates a stream up to 10 feet high. Also available in non-adjustable with interchangeable nozzles.

C-M-P.COM/DECK-WALL-JETS

ADJUSTABLE DECK JETS

- Includes Body, Moveable Adjustable Nozzle and Four Round Decorative caps (White, Black, Gray, Tan)
- Individually Packaged

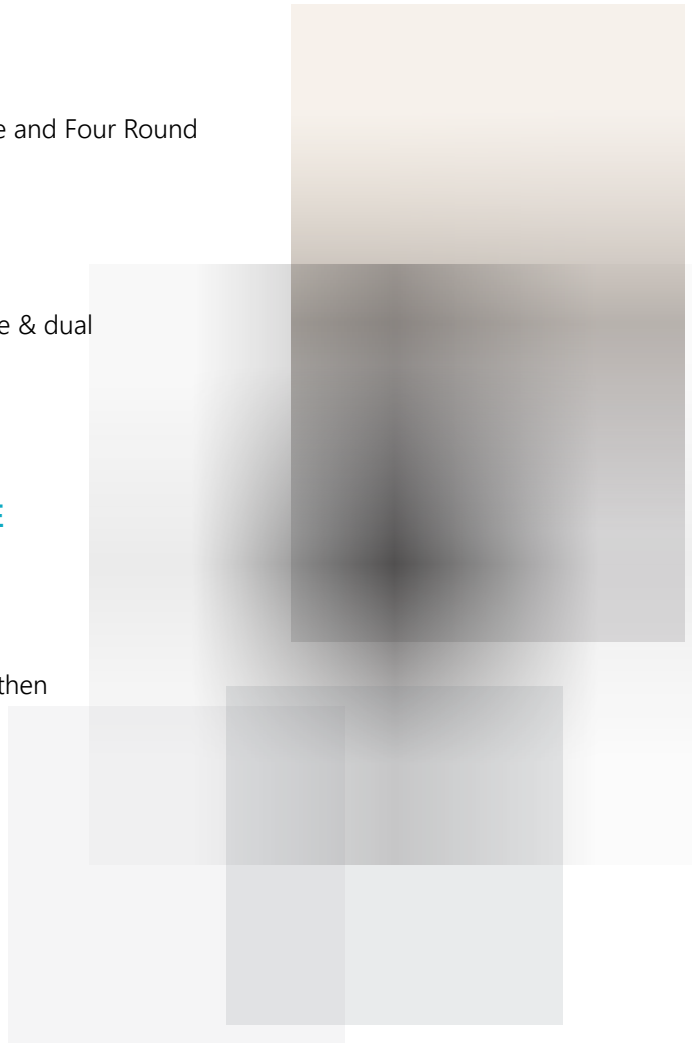
NON-ADJUSTABLE DECK JETS

- Includes Body, Two Moveable Nozzles (single & dual streams) and Four Round Decorative caps (White, Black, Gray, Tan)
- Individually Packaged

PERFORMANCE & PLUMBING GUIDE

- 4" Hole Size
- Cap is 2.5" diameter
- 3/4" Water Line (adjustable)
- 3/4" or 1/2" Water Line (non-adjustable)
- To adjust, first control flow with a ball valve, then fine tune at the nozzle

	3 GPM	4 GPM	5 GPM
HEAD	3.9 FT	7.9 FT	11 FT
HEIGHT	3 FT	6.5 FT	10 FT



ORDERING GUIDE

NATURAL WONDERS® ADJUSTABLE DECK JETS		
CMP P/N	DESCRIPTION	BOX QTY
25597-200-000	ADJUSTABLE DECK JET ASSEMBLY & FOUR DECORATIVE CAPS	50
25597-223-000	ADJUSTABLE DECK JET ASSEMBLY & BRASS DECORATIVE COVER	--
25597-304-010	DECK JET WRENCH (INCLUDED WITH ADJUSTABLE DECK AND WALL JET KITS)	200
NATURAL WONDERS® NON-ADJUSTABLE DECK JETS		
25597-000-000	NON-ADJUSTABLE DECK JET ASSEMBLY & FOUR DECORATIVE CAPS	50
25597-023-000	NON-ADJUSTABLE DECK JET ASSEMBLY & BRASS DECORATIVE COVER	--

ACCESSORIES PAGE 26

COVERED BY ONE OR MORE U.S. PATENTS OR PENDING PATENT APPLICATIONS. SEE WWW.C-M-P.COM/PATENTS FOR DETAILS.

ADJUSTABLE & NON-ADJUSTABLE WALL JETS



CMP wall jets are available for both gunite and fiberglass pool; featuring patented technology, this is the industry's ONLY wall jet that can be adjusted at the nozzle while running. Each wall jet comes with four attractive square decorative caps designed to complement popular pool colors and finishes.

ADJUSTABLE WALL JETS

- Includes Body, Plumbing Coupling, Moveable Nozzles (single & dual streams) and 4 Square Decorative caps (White, Black, Gray, Tan)
- Round Face for Easier Install (Decorative Cap is Square)
- Individually Packaged

NON-ADJUSTABLE WALL JETS

- Includes Body, Plumbing Coupling, Moveable Nozzles (single & dual streams) and 4 Square Decorative caps (White, Black, Gray, Tan)
- Round Face for Easier Install (Decorative Cap is Square)
- Individually Packaged

PERFORMANCE & PLUMBING GUIDE

- 4" Hole Size, 3/4" Water Line
- To adjust, first control flow with a ball valve, then fine tune at the nozzle

	3 GPM	4 GPM	5 GPM
HEAD	3.9 FT	7.9 FT	11 FT
HEIGHT	3 FT	6.5 FT	10 FT



ORDERING GUIDE

NATURAL WONDERS® ADJUSTABLE WALL JETS		
CMP P/N	DESCRIPTION	BOX QTY
25598-200-000	ADJUSTABLE WALL JET	18
25598-920-000	FIBERGLASS ADJ WALL JET	1
25597-304-010	DECK JET WRENCH (INCLUDED WITH ADJUSTABLE DECK AND WALL JET KITS)	200
NATURAL WONDERS® NON-ADJUSTABLE WALL JETS		
25598-000-000	NON-ADJ WALL JET	18
25598-900-000	NON-ADJ FIBERGLASS WALL JET (INCLUDES PLUMBING ADAPTER, GASKETS, & SCREWS)	1

COVERED BY ONE OR MORE U.S. PATENTS OR PENDING PATENT APPLICATIONS. SEE WWW.C-M-P.COM/PATENTS FOR DETAILS.

DECK & WALL JETS ACCESSORIES

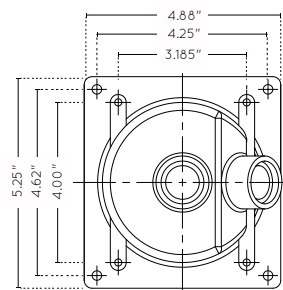


ORDERING GUIDE

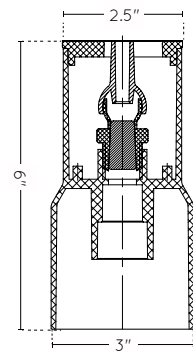
REF	CMP P/N	DESCRIPTION
A	25597-100-900	DUAL DECK AND WALL JET NOZZLE (NON-ADJ)
B	25597-000-900	DECK AND WALL JET NOZZLE (NON-ADJ)
C	25597-200-900	ADJUSTABLE DECK AND WALL JET NOZZLE ASSEMBLY
D	25597-304-010	DECK AND WALL JET WRENCH (INCLUDED WITH ADJUSTABLE DECK AND WALL JET KITS)
E	25597-000-020	ROUND DECK JET COVER (WHITE)
E	25597-001-020	ROUND DECK JET COVER (GRAY)
E	25597-004-020	ROUND DECK JET COVER (BLACK)
E	25597-009-020	ROUND DECK JET COVER (TAN)
F	25597-000-220	ROUND DECK JET COVER (BRASS)*
G	25597-000-120	3.5" SQUARE DECK JET COVER (WHITE)*
G	25597-000-121	3.5" SQUARE DECK JET COVER (GRAY)*
G	25597-000-129	3.5" SQUARE DECK JET COVER (TAN)*
H	25598-000-020	WALL JET COVER (WHITE)
H	25598-001-020	WALL JET COVER (GRAY)
H	25598-004-020	WALL JET COVER (BLACK)
H	25598-009-020	WALL JET COVER (TAN)

* not included with deck jet kit

DECK & WALL JET TECHNICAL GUIDE



WALL JET
BOTTOM DIMENSIONS



DECK JET
DIMENSIONS



DECK JET WRENCH
Use for nozzle removal and installation for both adjustable and non-adjustable jets. Can also be used to assist in adjusting nozzle flow and direction. May also be adjusted by hand without the wrench.

NATURAL WONDERS® GUNITE FOUNTAINS



Natural Wonders Gunite Pool Fountains are a great way to add natural beauty to your pool install. Simply adjust the flow with a CMP ball valve to achieve the perfect look. Add an air blower for increased power. These fountains install simply with standard size fittings. Add a fresh new dimension to beach entries, spas, sun shelves, tanning ledges, and landscape features.

FLUSH BUBBLER FOUNTAIN

- Installs Flush with Pool Floor; No Exposed Components Above the Waterline
- Available in Four Color Options
- 1-1/2" MIP
- Pictured with Air Blower Inline



A

PERFORMANCE GUIDE

FLOW RATE	PLUME HEIGHT				
	4 IN DEPTH	6 IN DEPTH	8 IN DEPTH	10 IN DEPTH	12 IN DEPTH
10 GPM	8 IN				
15 GPM	14 IN	8 IN	7 IN		
20 GPM	22 IN	14 IN	12 IN	11 IN	10 IN
25 GPM	32 IN	24 IN	17 IN	14 IN	13 IN
30 GPM		33 IN	23 IN	16 IN	15 IN
35 GPM			28 IN	21 IN	17 IN
40 GPM				25 IN	20 IN

3-TIER POOL FOUNTAIN

- Includes 3/4" FIP Fountain Head
- Eyeball Fitting 1-1/2" MIP
- Threaded Adapter 3/4" FIP



B

ORDERING GUIDE

NATURAL WONDERS® BUBBLER			
REF	CMP P/N	DESCRIPTION	BOX QTY
A	25503-000-000	WHITE POOL BUBBLER	400
A	25503-001-000	GRAY POOL BUBBLER	400
A	25503-039-000	TAN POOL BUBBLER	400
A	25503-004-000	BLACK POOL BUBBLER	400
NATURAL WONDERS® 3-TIER POOL FOUNTAIN			
B	25565-009-000	CLEAR 3-TIER POOL FOUNTAIN	100

WATER FEATURE FILTER

All water features must use filtered water for optimum performance and to prevent damage to the feature. The CMP water feature filter is the perfect accessory for waterfalls, deck jets, bubblers and other water features.

PRODUCT FEATURES

- 25 or 50 Square Foot Filtration
- Includes Pressure Gauge
- Ergonomic Lock Ring: Easy Lid Removal for Quick Filter Cleaning
- Unibody Construction

IMPORTANT: Natural Wonders waterfalls are to be used only with filtered water. We recommend using a cartridge filter dedicated to the waterfall feed line. Call customer service for more information.



TECHNICAL GUIDE

- 6-7/8" Wide
- 15-1/8" Height
- 2" Inlet/Outlet
- Max Pressure 50psi
- Cover Air Relief Plug
- Not Designed for Whole Pool Filtration

PROTECT YOUR WATER FEATURE: ONLY USE FILTERED POOL WATER

ORDERING GUIDE

REF	CMP P/N	DESCRIPTION	BOX QTY
A	25504-650-000	WATER FEATURE FILTER AND 50 SQ FT FILTER ELEMENT	6
A	25504-625-000	WATER FEATURE FILTER AND 25 SQ FT FILTER ELEMENT	6
B	25391-000-000	REPLACEMENT 50 SQ FT FILTER ELEMENT ONLY (C-4950)	16
B	25391-200-000	REPLACEMENT 50 SQ FT FILTER ELEMENT WITH MICROBAN® ONLY (C-4950AM)	16
B	25392-000-000	REPLACEMENT 25 SQ FT FILTER ELEMENT ONLY (C-4326)	16
--	26100-145-533	25 SQ FT TOP LOAD FILTER GASKET WITH BASE	--
--	25376-007-005	GRAPHITE GRAY PLUG*	--

*NOT AVAILABLE IN WHITE

BRILLIANT WONDERS® LED PRODUCTS

LED Product Features 30

Brilliant Wonders® LED Waterfalls 32

Brilliant Wonders® LED Bubblers 44

Brilliant Wonders® LED Laminar 48

Brilliant Wonders® LED Light 50

| LED Lighting Guide 225

| Replacement Parts 230

THE PREMIER LED POOL LIGHTING FAMILY

HIGH PERFORMANCE: DESIGNED FOR STYLE AND EFFICIENCY

Every Brilliant Wonders® LED Product has a light that is specifically engineered to each application. In fact we purposefully control the shape of the light and the shape of the water to create beautiful LED lighting effects.

SMART SYNC: LIGHTING FOR EVERY POOL

With Smart Sync® technology, you can synchronize Brilliant Wonders® brand LED Products with every major pool control system. Simply order the correct programming style for your pool controls system, install according to the pool control OEM guidelines and it just works.

GUNITE, VINYL, FIBERGLASS: INSTALL IN ANY POOL

Brilliant Wonders® products are also designed for a seamless installation. All of our fittings are available in a variety of colors and styles to match any pool design including flush installation options.

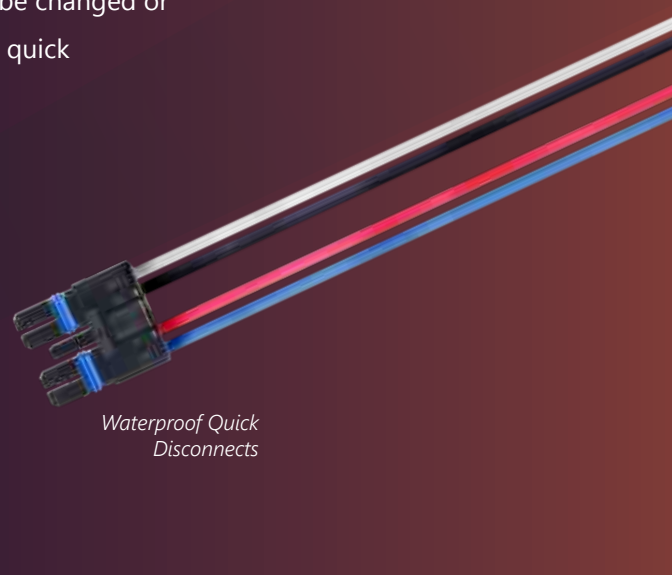
FRONTSIDE SERVICEABLE: EASY MAINTENANCE

Every Brilliant Wonders® product is designed to be serviceable right at the light. Each product is designed with a removable light module or LED strip that is easily accessible.

QUICK DISCONNECT WIRING: SIMPLE INSTALL & SERVICE

Why remove hundreds of feet of cord when a light has to be changed or serviced? You will save time and money with a Brilliant Wonders® quick disconnect for easy replacement and simple winterization. Brilliant Wonders quick disconnect cords are rated for safe outdoor pool and spa use.

THE NEXT POOL YOU BUILD SHOULD BE BRILLIANT™



Waterproof Quick Disconnects

© Mark Boisclair

PHOTO COURTESY SUPREME POOLS & SAUNAS
SCOTTSDALE, AZ

PHOTO COURTESY VIC WALKER
TEMECULA, CA

PHOTO COURTESY BLUE HAVEN POOLS
ST LOUIS, MO

PHOTO COURTESY SPECIALTY POOL & FOUNTAIN, LLC
COLUMBIA, MD

PHOTO COURTESY DC POOL SERVICE
POWDER SPRINGS, GA

WANT TO SEE YOUR POOL FEATURED?
CONTACT PHOTOS@C-M-P.COM.

THE NEXT GENERATION LED WATERFALL

How do you take the most popular lighted waterfall for pools and make it even better? Sometimes you just have to throw a curve. Introducing the industry's first cut-able, service-able, LED light-able waterfall.



1. CUSTOM CUTTABLE LED WATERFALL

For the first time an LED Waterfall that can be factory custom radius cut that also remains completely serviceable after installation.



2. ENHANCED "SAWTOOTH" WATER TEXTURE

The improved sawtooth embedded lip textures the flow of the waterfall. This enhances the LED light and color effects, creating unique smooth ribbons of water and light in the waterfall flume.



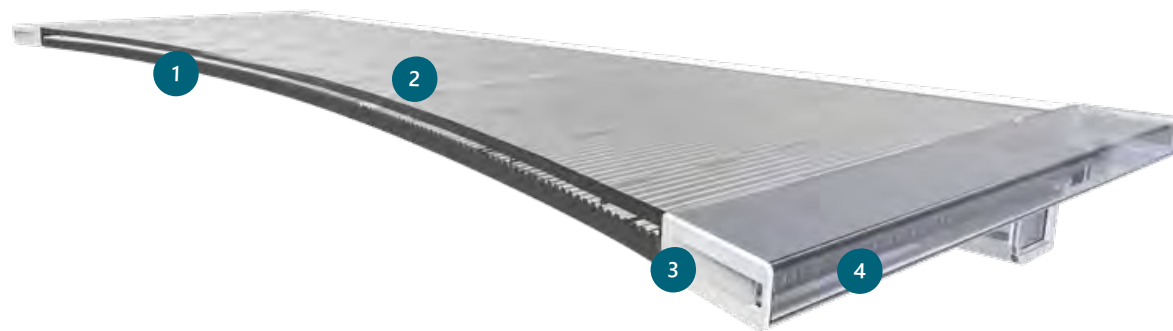
3. SLIM PROFILE WITH BESPOKE DOOR COVERS

This brand new design is 30% thinner for a minimal profile, with a clear face for a seamless installation. The innovative sliding service doors can be customized in the field with plaster, grout or stone. Optional LED access door covers in five colors are also included.



4. SERVICEABLE LIGHTING AFTER INSTALLATION

Even on a custom cut the internal LED strip is accessible through the built-in frontside access doors. The attached service cable and quick-disconnect mean accessing and installing the LED light is a breeze.



FOR INSTALL VIDEOS & MORE VISIT C-M-P.COM/LED-WATERFALL-2

PLEASE NOTE: A SMART SYNC® ADAPTER OR COLORWHEEL CONTROL MUST BE PURCHASED TO OPERATE LED WATERFALLS

BRILLIANT WONDERS® LED WATERFALL 2

PRODUCT FEATURES

- Can Be Custom Cut
- Customizable Door Covers
- Front-side Serviceable
- LED Strip 2 with Improved Quick Disconnect & Over-molded Ends
- Use Smart Sync® Adapter (sold separately) for Compatibility with CMP, & Major Pool Lighting Manufacturers. (see page 54 for more info on Smart Sync)
- Waterfall Sizes up to 48" Long
- 6" & 12" Lip Lengths
- ETL Certified

EVERY LED WATERFALL 2 INCLUDES:

- One Waterfall Unit
- LED Strip (pre-installed)
- 100' Quick Disconnect Cord
- Five Colored Door Covers
- Rock Trap
- Sliding Door Unlocking Tool
- Cut Clean-out Tool

Controls sold separately. (required) See pages 40-43

ELECTRICAL

WATTAGE	5 Watts Per Foot
VOLTAGE	- 12VDC = Colorwheel Control - 12VAC = Smart Sync Adapter
LIGHTING	Quick Disconnect LED Strip
CORD LENGTH	100'

LED LIGHTING

SMART SYNC	J-STYLE: 5 Shows, 9 Colors H-STYLE: 7 Shows, 10 Colors P-STYLE: 7 Shows, 5 Colors
COLORWHEEL	- 5 Shows, 100s of Colors - Dimmable, Programmable - Remote Color Control
CERTIFICATION	ETL certified installed with Smart Sync Adapter or Colorwheel Control

INSTALLATION & PLUMBING

GPM	1.25 GPM Per Inch
LIP LENGTH	6", 12"
RADIUS CUT	3' - 4' Minimum. Factory cut only recommended.
WIDTH	Sizes 12" - 36"
PORT	- 1.5" SP Back Port - 1.5" SP Bottom Port
FRONT PROFILE	0.79"
FINISH	- Clear Waterfall Lip - Customizable Doors

ORDERING GUIDE

BRILLIANT WONDERS® LED WATERFALL 2 - BACK PORT		
6" LIP	12" LIP	DESCRIPTION
25777-130-000	25777-130-120	12" LED WATERFALL 2
25777-180-000	25777-180-120	18" LED WATERFALL 2
25777-230-000	25777-230-120	24" LED WATERFALL 2
25777-330-000	25777-330-120	36" LED WATERFALL 2
25777-430-000	25777-430-120	48" LED WATERFALL 2
BRILLIANT WONDERS® LED WATERFALL 2 - BOTTOM PORT		
25776-130-000	25776-130-120	12" LED WATERFALL 2
25776-180-000	25776-180-120	18" LED WATERFALL 2
25776-230-000	25776-230-120	24" LED WATERFALL 2
25776-330-000	25776-330-120	36" LED WATERFALL 2
25776-430-000	25776-430-120	48" LED WATERFALL 2

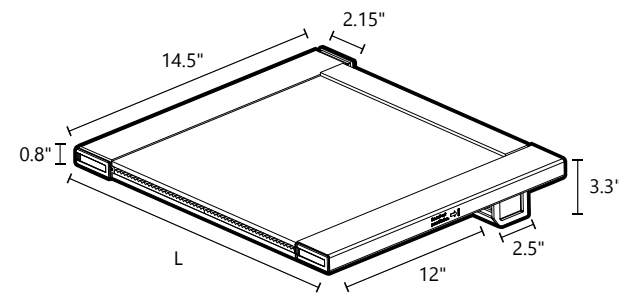
REPLACEMENT PARTS ON PAGE 230

PLEASE NOTE: A SMART SYNC® ADAPTER OR COLORWHEEL CONTROL MUST BE PURCHASED TO OPERATE LED WATERFALLS COVERED BY ONE OR MORE U.S. PATENTS OR PENDING PATENT APPLICATIONS. SEE WWW.C-M-P.COM/PATENTS FOR DETAILS.

LED WATERFALL 2 INSTALLATION

DIMENSIONS

CMP P/N	SIZE	PORT COUNT	LENGTH (L)	FLOW RATE* (GPM)
2577x-130-xxx	12"	1	16-5/8"	15-18
2577x-180-xxx	18"	1	22-5/8"	22.5-26
2577x-230-xxx	24"	1	28-5/8"	30-35
2577x-330-xxx	36"	1	40-5/8"	45-52
2577x-430-xxx	48"	2	52-5/8"	60-72



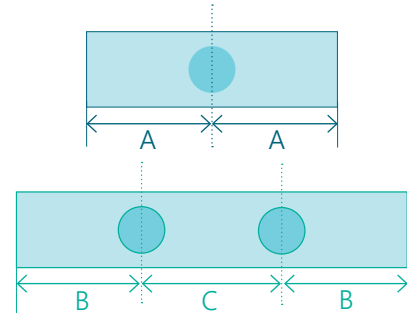
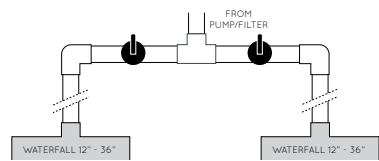
*Recommended flow rate. Actual flow setting should be determined by the visual aesthetic the builder wishes to achieve. It is best to start with the CMP recommended flow and adjust as needed for each application.

CUSTOM CUT MIN RADIUS GUIDE

SIZE	6" LIP MIN RADIUS	12" LIP MIN RADIUS
12"	3 FT RADIUS	3 FT RADIUS
18"	3 FT RADIUS	3 FT RADIUS
24"	3 FT RADIUS	3 FT RADIUS
36"	6 FT RADIUS	3 FT RADIUS
48"	4 FT RADIUS	4 FT RADIUS

RECOMMENDED PIPE CONFIGURATION INLET SPACING GUIDE

2-WAY VALVE



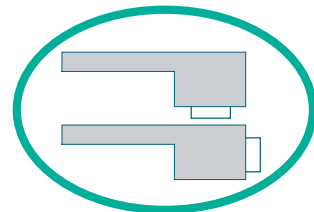
12" FALLS A = 8-5/16"
 18" FALLS A = 11-5/16"
 24" FALLS A = 14-5/16"
 36" FALLS A = 20-5/16"

48" FALLS B = 17-3/8", C = 18"

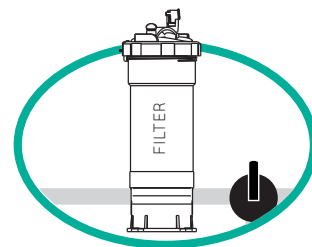
ROCK TRAP

The rock trap is always recommended for installation. Using the rock trap will capture large debris in the pipes.

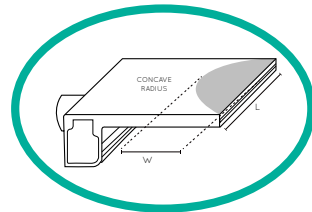
Rock Trap P/N 25577-950-000



BACK OR BOTTOM PORT



FILTERED WATER ONLY



RADIUS CUT COMPATIBLE

IMPORTANT: Brilliant Wonders waterfalls are to be used only with filtered water. We recommend using a cartridge filter dedicated to the waterfall feed line. See the CMP water feature filter page 28. The rock trap is always recommended for installation. The rock trap will capture debris in the pipes. 12" and 18" waterfalls should be no more than 12" above the water line. Call customer service for more information. Lip may be radius cut.

LED WATERFALL 2 CUSTOM CUT FORM

COMPANY NAME _____

PHONE _____

ADDRESS _____

FAX _____

CONTACT _____ DATE _____

DISTRIBUTOR _____

FAX COMPLETED FORM TO 770-632-7115, SCAN & EMAIL TO CS@C-M-P.COM
 OR FILL OUT ONLINE AT C-M-P.COM/SUPPORT

1. CHOOSE LENGTH†

12" 18" 24" 36" 48"

†Length corresponds to water only. For actual fixture measurement refer to the CMP Pool Catalog.

3. CHOOSE SHAPE

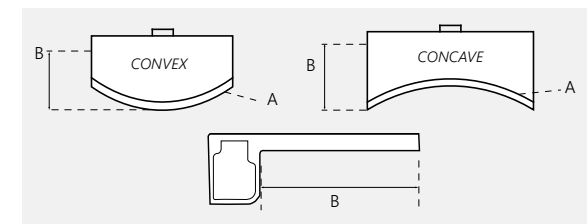
CONVEX CONCAVE CUSTOM*

*Any custom cuts besides convex/concave require a template to be mailed to CMP, 36 Herring Rd, Newnan, GA attn: Customer Service. Please include and record a tracking number.

4. MEASUREMENTS

RADIUS (A) _____ LIP LENGTH (B) _____

SEE CHART FOR RADIUS LIMITS
 PLEASE ROUND RADIUS TO NEAREST INCH 4" MINIMUM



5. TOTAL QTY ORDERED

2. CHOOSE INLET POSITION

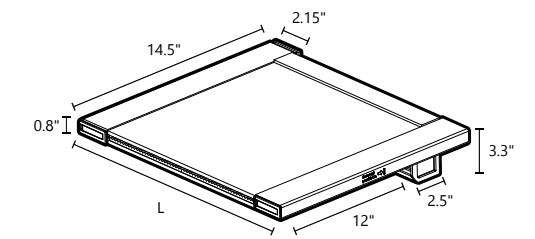
1.5" Spigot BACK 1.5" Spigot BOTTOM

REFERENCE INFORMATION

SIZE	6" LIP MIN RADIUS	12" LIP MIN RADIUS
12"	3 FT RADIUS	3 FT RADIUS
18"	3 FT RADIUS	3 FT RADIUS
24"	3 FT RADIUS	3 FT RADIUS
36"	6 FT RADIUS	4 FT RADIUS
48"	—	4 FT RADIUS

CHECK YOUR NUMBERS: Radius cut limitations for the LED Waterfall 2 are not the same as for Natural Wonders Waterfalls.

CMP P/N	SIZE	PORT COUNT	LENGTH (L)	FLOW RATE* (GPM)
2577x-130-xxx	12"	1	16-5/8"	15-18
2577x-180-xxx	18"	1	22-5/8"	22.5-26
2577x-230-xxx	24"	1	28-5/8"	30-35
2577x-330-xxx	36"	1	40-5/8"	45-52
2577x-430-xxx	48"	2	52-5/8"	60-72



FOR CMP USE ONLY

CUSTOM PART # _____ DATE _____

DESCRIPTION _____

QUOTATION AMOUNT: \$ _____ ORDER # _____

Price is for cost of waterfall plus charge for custom cut and finishing. Custom cut charge for LED Waterfall 2 up to 48" is \$58.

CUSTOMER APPROVAL SIGNATURE: _____ DATE _____

CHECK THIS FORM CAREFULLY. Custom units are non-returnable. Quotes are good for 30 days and do not include freight. This form is for quotation purposes only. A purchase order is required to begin order processing. Please allow a standard lead time of 7-10 day after PO is placed for custom cuts. FILTERED WATER MUST BE USED ON ALL CMP WATERFALLS.

FOR ASSISTANCE WITH ONLINE CUSTOM CUT FORM, PLEASE VISIT: [HTTP://WWW.C-M-P.COM/SUPPORT/](http://www.c-m-p.com/support/)

THE ORIGINAL BEST SELLING LED WATERFALL

CMP Brilliant Wonders® LED Waterfalls are the premier lighted waterfalls in the pool industry. The LED strip is built into the unit (instead of using external fiber optics) placing the light as close to the water as possible. This design makes a separate light source unnecessary.

Brilliant Wonders®

LED WATERFALLS

C-M-P.COM/BRILLIANT-WONDERS-LED-WATERFALL



SERVICEABLE LED LIGHTING

- Front-side Door for LED Strip and Wiring Access
- Quick-Disconnect LED Strip is Easy to Service and Easy to Replace
- All LEDs are Contained and Protected Inside the Waterfall Unit



DESIGNED TO OUT-SHINE

- "Sawtooth" Lip Design
- Churns the Water, Enhancing LED Light and Color
- Creates Smooth Ribbons of Water and Light



SMART SYNC® LED WATERFALL ADAPTER

- Synchronize with Other Brilliant Wonders LED Products
- Also Sync with LED Products and Controls from other Pool Product OEMs
- One Adapter for up to 8ft of LED Waterfalls



US & INTL
PATENTS



PLEASE NOTE: A SMART SYNC® ADAPTER OR COLORWHEEL CONTROL MUST BE PURCHASED TO OPERATE LED WATERFALLS

COVERED BY ONE OR MORE U.S. PATENTS OR PENDING PATENT APPLICATIONS. SEE WWW.C-M-P.COM/PATENTS FOR DETAILS.

BRILLIANT WONDERS® LED WATERFALL

PRODUCT FEATURES

- Front-side Serviceable
- Long-Lasting LED Strip
- Bright LED Colors & Light Shows
- Sizes up to 96" Long
- ETL Certified*

EVERY LED WATERFALL INCLUDES:

- One Waterfall Unit
- LED Strip (pre-installed)
- 100' Quick Disconnect Cord
- Rock Trap

Controls sold separately. (required) See pages 40-43

ELECTRICAL

WATTAGE	5 Watts Per Foot
VOLTAGE	- 12VDC = Colorwheel Control - 12VAC = Smart Sync Adapter
LIGHTING	Quick Disconnect LED Strip
CORD LENGTH	100'

INSTALLATION & PLUMBING

GPM	1.25 GPM Per Inch
LIP LENGTH	6"
WIDTH	Sizes 12" - 96"
PORT	- 1.5" SP Back Port - 1.5" SP Bottom Port
FRONT PROFILE	1-1/8"
FINISH	- White, Gray, Black, Dark Gray or Tan - Metal Faceplates Available

LED LIGHTING

SMART SYNC	J-STYLE: 5 Shows, 9 Colors H-STYLE: 7 Shows, 10 Colors P-STYLE: 7 Shows, 5 Colors
COLORWHEEL	- 5 Shows, 100s of Colors - Dimmable, Programmable - Remote Color Control
CERTIFICATION	ETL certified installed with Smart Sync Adapter or Colorwheel Control

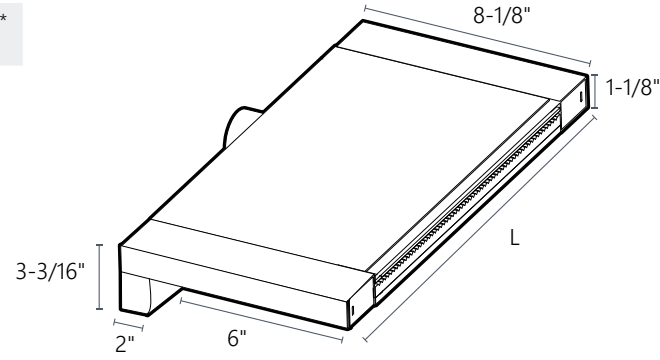
ORDERING GUIDE

BRILLIANT WONDERS® LED WATERFALL - BACK PORT					
WHITE	GRAY	BLACK	DARK GRAY	TAN	DESCRIPTION
25677-130-000	25677-131-000	25677-134-000	25677-137-000	25677-139-000	12" LED WATERFALL
25677-180-000	25677-181-000	25677-184-000	25677-187-000	25677-189-000	18" LED WATERFALL
25677-230-000	25677-231-000	--	25677-237-000	25677-239-000	24" LED WATERFALL
25677-330-000	25677-331-000	--	25677-337-000	25677-339-000	36" LED WATERFALL
25677-430-000	25677-431-000	25677-434-000	25677-437-000	25677-439-000	48" LED WATERFALL
25677-530-000	25677-531-000	--	25677-537-000	25677-539-000	60" LED WATERFALL
25677-630-000	25677-631-000	25677-634-000	25677-637-000	25677-639-000	72" LED WATERFALL
25677-730-000	25677-731-000	--	25677-737-000	25677-739-000	84" LED WATERFALL
25677-830-000	25677-831-000	25677-834-000	25677-837-000	25677-839-000	96" LED WATERFALL
BRILLIANT WONDERS® LED WATERFALL - BOTTOM PORT					
25676-130-000	25676-131-000	--	25676-137-000	25676-139-000	12" LED WATERFALL
25676-180-000	25676-181-000	--	25676-187-000	25676-189-000	18" LED WATERFALL
25676-230-000	25676-231-000	--	25676-237-000	25676-239-000	24" LED WATERFALL
25676-330-000	25676-331-000	25676-334-000	25676-337-000	25676-339-000	36" LED WATERFALL
25676-430-000	25676-431-000	25676-434-000	25676-437-000	25676-439-000	48" LED WATERFALL
25676-530-000	25676-531-000	25676-534-000	25676-537-000	25676-539-000	60" LED WATERFALL
25676-630-000	25676-631-000	--	25676-637-000	25676-639-000	72" LED WATERFALL
25676-730-000	25676-731-000	--	25676-737-000	25676-739-000	84" LED WATERFALL
25676-830-000	25676-831-000	25676-834-000	25676-837-000	25676-839-000	96" LED WATERFALL

REPLACEMENT PARTS ON PAGE 231

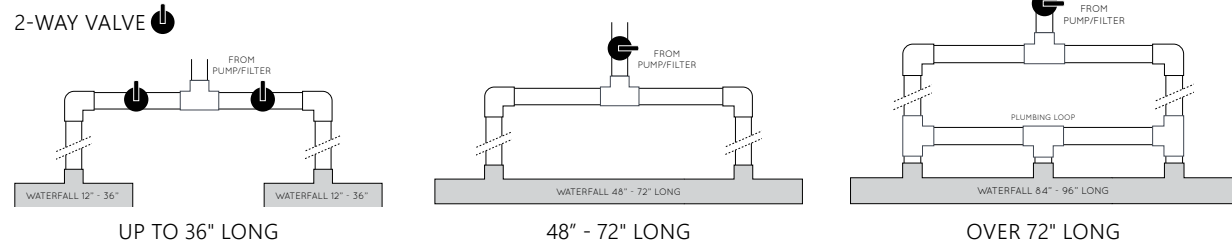
LED WATERFALL INSTALLATION

CMP P/N	SIZE	PORT COUNT	LENGTH (L)	FLOW RATE* (GPM)
25677-13X-000	12"	1	16.43"	12-15
25677-18X-000	18"	1	22.29"	18-22.5
25677-23X-000	24"	1	28.83"	24-30
25677-33X-000	36"	1	41.23"	26-45
25677-43X-000	48"	2	53.63"	48-60
25677-53X-000	60"	2	65.94"	60-75
25677-63X-000	72"	2	75.44"	70-85
25677-73X-000	84"	3	87.37"	80-95
25677-83X-000	96"	3	96.50"	90-105

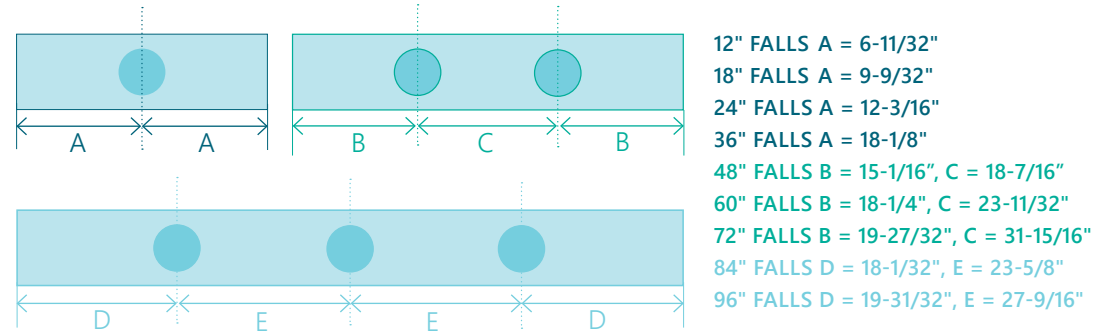


*Recommended flow rate. Actual flow setting should be determined by the visual aesthetic the builder wishes to achieve. It is best to start with the CMP recommended flow and adjust as needed for each application.

RECOMMENDED PIPE CONFIGURATION

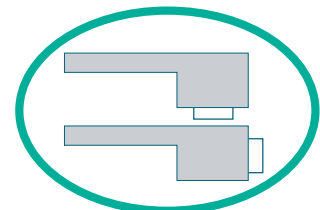


INLET SPACING GUIDE

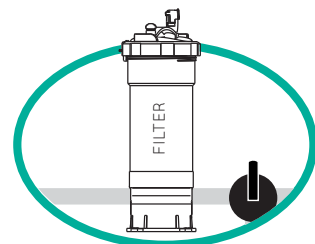


ROCK TRAP

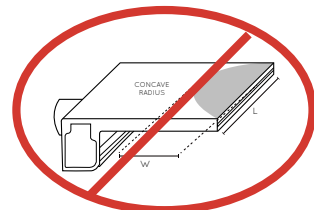
The rock trap is always recommended for installation. Using the rock trap will capture large debris in the pipes. Rock Trap P/N 25577-950-000



BACK OR BOTTOM PORT



FILTERED WATER ONLY



NOT RADIUS CUT COMPATIBLE

IMPORTANT: Brilliant Wonders waterfalls are to be used only with filtered water. We recommend using a cartridge filter dedicated to the waterfall feed line. See the CMP water feature filter page 28. The rock trap is always recommended for installation. The rock trap will capture debris in the pipes. 12" and 18" waterfalls should be no more than 12" above the water line. Call customer service for more information. LIP CANNOT BE CUT.



Brilliant Wonders

LED WATERFALLS

Ambient lighting effects the appearance of all LED Waterfalls. The appearance of the light in waterfalls will change depending on surroundings, time of day and viewing angles. CMP takes extreme care to ensure our photos of LED products represent the appearance of an actual installation. LED water features are designed for backyard ambiance and there can not be a guarantee as to how bright the water will appear in each individual pool.

LED WATERFALL SMART SYNC® ADAPTERS

ADAPT LED WATERFALLS TO MULTIPLE LIGHTING STYLES

With one control box, synchronize your waterfall with LED products from CMP® and the most popular pool LED lighting and automation.

Simple to install, and field-programmable with a built-in control dial.

UNIVERSAL PROGRAMMING

The Smart Sync® adapter acts as the "external brain" for the LED Waterfall. Simply select your desired programming using the built-in control switch.

60W MODEL WITH DIMMER SWITCH

The 60W design can control up to 12 total feet of LED Waterfalls. Plus a new integrated dimmer switch that adjusts to the perfect brightness level.



Smart Sync 60 W
Includes Adjustable
Dimmer Switch

PRODUCT FEATURES

- Brilliant Wonders® Smart Sync® Technology
- Compatible with Lighting and Controls from all Major Pool OEMs
- Compact Size For Easy Installation, No Specialized Tools Required
- Program in the Field with a Simple Dial Control
- LED Color Indicator Light Built In for Easy Reference
- One Smart Sync 36 Watt Box Controls up to 8ft of LED Waterfalls
- One Smart Sync 60 Watt Box Controls up to 12ft of LED Waterfalls
- Dimmer Switch located on the back of the Smart Sync 60W has 8 brightness settings (0-7)

TECHNICAL GUIDE

- For Brilliant Wonders® LED Waterfall ONLY
- Control more than one waterfall by using multiple Smart Sync adapters
- Smart Sync 36 Watt - Rated Max 3.0A @ 12VAC
- Smart Sync 60 Watt - Rated Max 5.0A @ 12VAC
- 5 Watt per Foot
- Always Use with Class 2 Isolated transformer in between Pool Controls and Smart Sync Box.
- Smart Sync LED Waterfall Control is not designed to control other Brilliant Wonders LED products.
- ETL Certified

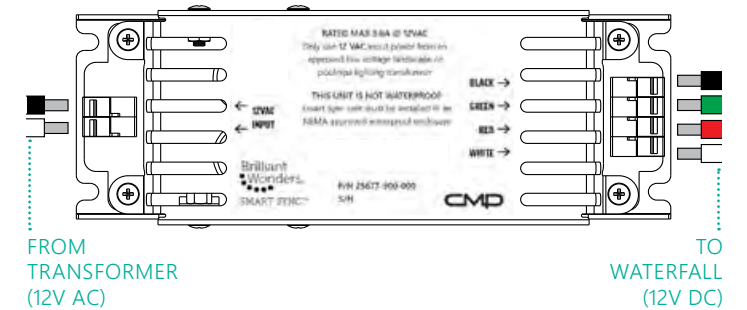
ORDERING GUIDE

P/N	DESCRIPTION
25677-900-000	SMART SYNC 36 WATT LED WATERFALL ADAPTER
25677-950-000	SMART SYNC 60 WATT LED WATERFALL ADAPTER

IMPORTANT! The Smart Sync LED Waterfall Adapter should not be used with any other Brilliant Wonders products. Never use in conjunction with the LED Waterfall Colorwheel Controls. Use of the LED Waterfall Smart Sync Adapter requires connection to an OEM control system or control switch.

LED WATERFALL SMART SYNC® ADAPTER

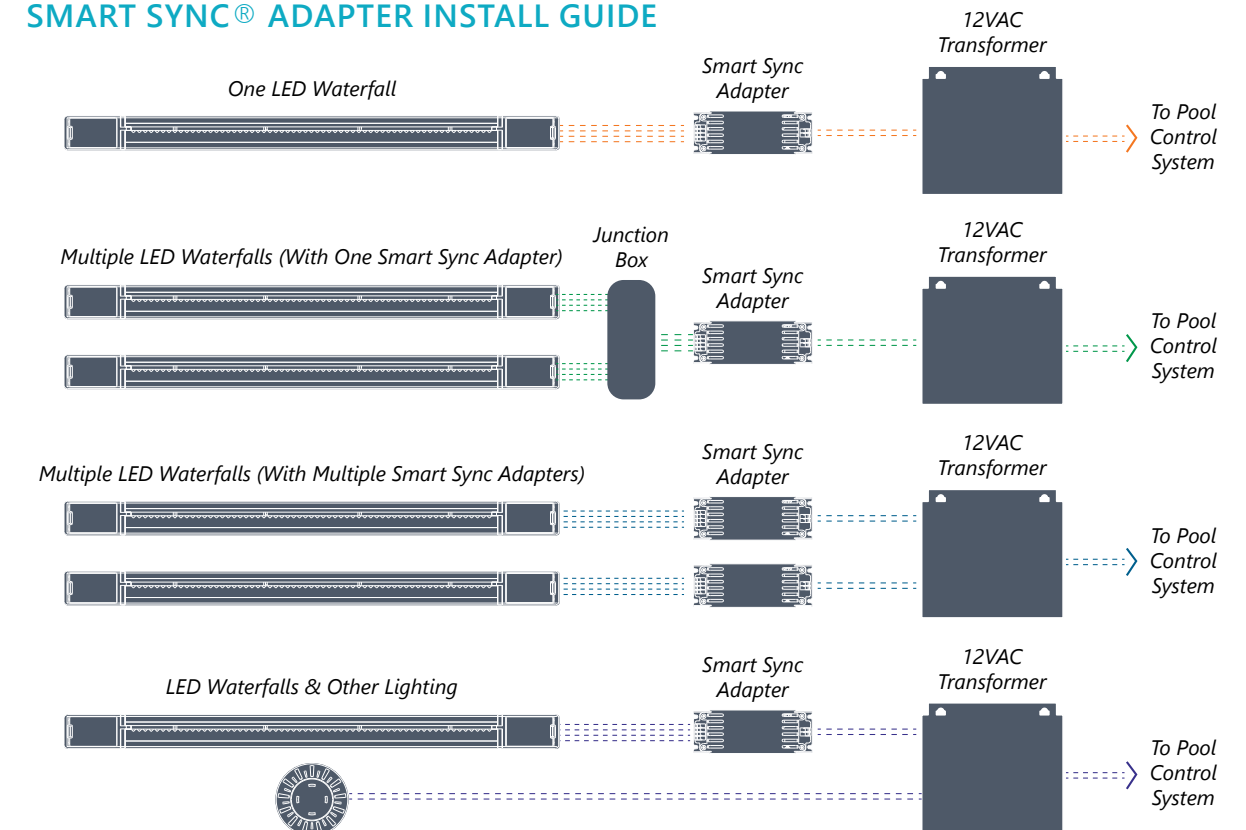
- Smart Sync is Installed Between 12VAC Power Source and LED Waterfall
- Must be Mounted in a NEMA approved weatherproof enclosure
- Select Program Mode to Match CMP or OEM Lighting and Controls



WHEN SHOULD I USE THE SMART SYNC® ADAPTER?

1. Install the Smart Sync Adapter to use controls or synchronize with lighting from CMP, Zodiac International, Pentair Water Pool & Spa, Inc or Hayward Industries.
2. You can also use the Smart Sync Adapter if you will be controlling your lighting with a switch.
3. DO NOT use the Smart Sync Adapter if you are using the LED Waterfall Colorwheel controls. These are not compatible and may cause permanent damage to the controls.

SMART SYNC® ADAPTER INSTALL GUIDE



12V DC 12V AC



NOT COMPATIBLE

COLORWHEEL LED WATERFALL CONTROL

PRODUCT FEATURES

- Advanced Programmable Lighting Control
- Remote with Touch-sensitive Color Control Wheel
- Total Control of LED Colors
- Program and Save Settings
- Control Color, Brightness and Cycle Speed
- Up to 90ft Range Depending on Installation
- Remote Charges via USB
- UL Recognized DC Power Supply

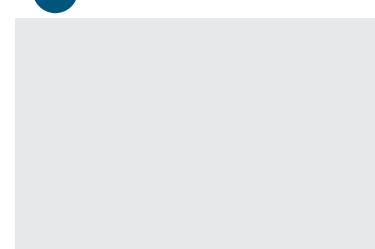
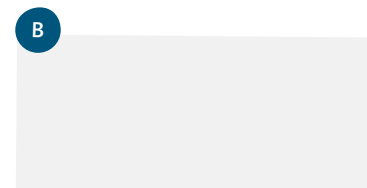


FULLY PROGRAMMABLE

Save and recall your favorite colors and shows at any time using the remote control

TOTAL COLOR & DIMMING CONTROL

With the touch sensitive Colorwheel Remote, select any custom color in the rainbow, set custom brightness with the dimming controls and control color changing speed.



ORDERING GUIDE

REF	P/N	DESCRIPTION
A-D	25650-130-300	100W 12V DC POWER SUPPLY, REMOTE, CONTROLLER, CONTROL BOX KIT
A-C	25650-110-300	100W 12V DC POWER SUPPLY, REMOTE, CONTROLLER KIT
A,C	25650-100-300	REMOTE & CONTROLLER ONLY
A	25650-100-000	COLORWHEEL REMOTE ONLY
B	25650-110-200	100W 12V DC POWER SUPPLY ONLY
C	25650-100-100	CONTROLLER ONLY
D	25650-100-210	PLASTIC POWER SUPPLY BOX (NEVER USE A METAL BOX OR INSTALL IN CONTROLS BOX)

IMPORTANT! The Colorwheel LED Waterfall Control should not be used with any other Brilliant Wonders products. Never use in conjunction with the Smart Sync LED Waterfall Adapter. Always use 12V DC power.

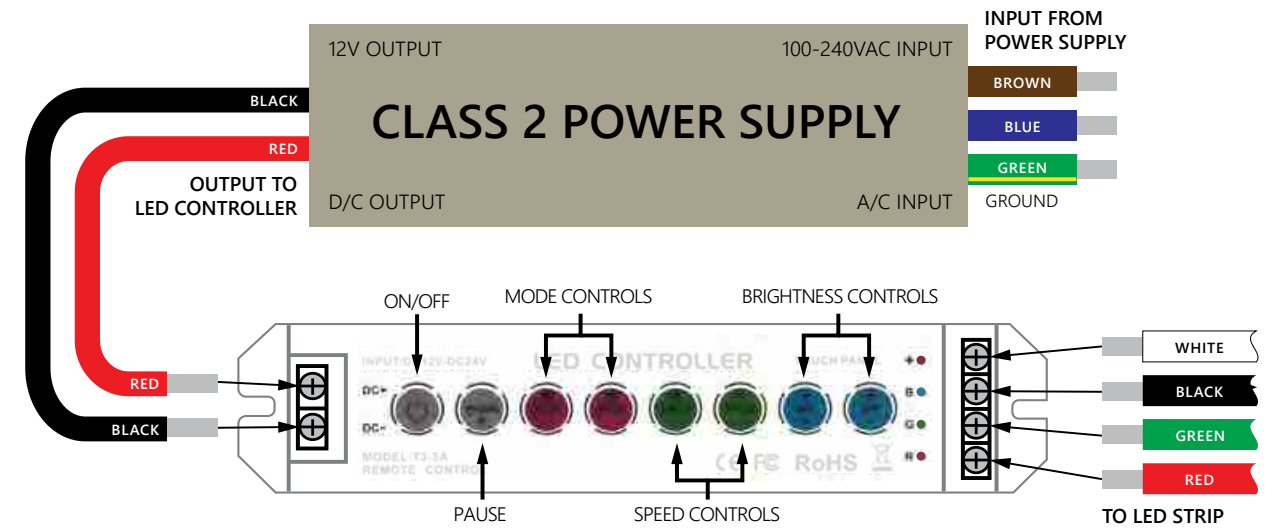
COLORWHEEL LED WATERFALL CONTROL

SPECIFICATIONS

- For Brilliant Wonders® LED Waterfall ONLY
- 12 Volt DC
- ETL Certified when installed with LED Waterfall
- Must be Mounted in a NEMA approved weatherproof enclosure
- Do not install in pool controls box or any metal box. Metal will block the signal from the remote.
- Control must be within 90ft for remote to operate.
- Controller and power supply is not compatible with other CMP controls or LED lighting products. To synchronize with other products use the Smart Sync LED Waterfall Control.

KEY	DESCRIPTION
ON/OFF	Turn on and off the receiver (or LED light).
PAUSE	Press to stay on current color.
MODE	Press to select next or previous mode.
SPEED	Press to adjust program speed
BRIGHTNESS	Press to increase or decrease brightness.
TOUCH CIRCLE	Touch to select a color.
SCENE MODE	Press 1-9 to load stored modes. Hold for three seconds to store current mode. Press Play to cycle modes.

COLORWHEEL CONTROL INSTALL GUIDE



COLORWHEEL REMOTE SETUP

1. Power off the controller and remote
2. Turn on controller
3. Press and hold the On/Off button on controller until you hear a tone (keep holding)
4. Within 5 seconds turn on the remote. Press and hold #1 Key until remote flashes green
5. You should now be back in sync.



NOT COMPATIBLE

FULL-SIZED BRILLIANCE IN A SMALL-SIZED PACKAGE

PRODUCT FEATURES

- Bright and Efficient Cree® RGBW LED Light
- Installs in Gunite, Fiberglass & Vinyl Pools
- Compact Size is Versatile and Economical
- Light-focusing for Bright Lighting Using Only 8 Watts
- Built in Smart Sync® Technology
- Stream Shoots over 30 inches High
- Non-Metallic Design: No Bonding, No Grounding
- Flush Finish Installation
- Completely Serviceable from the Top
- ETL Listed

1. BEAM-FOCUSING LENS

Our unique beam-focusing lens design focuses the light directly on the bubbler "flume," concentrating every photon for maximum LED light transfer and eye popping brightness.

2. SMART SYNC® TECHNOLOGY

Available with Brilliant Wonders® Smart Sync programming to synchronize with lighting and controls from major pool OEMs.

3. IP68 WATERPROOF QUICK DISCONNECT

Use the waterproof quick-disconnect cord to remove the light module for service or winterization without pulling up to 150 feet of cord.



4" LED Bubbler Light Module

4. MINIMALIST, FLUSH INSTALLATION

The 4" LED Bubbler installs flush with the pool floor in a gunite pool with the housing completely hidden from view for a clean installed appearance.

5. DIRECTIONAL NOZZLE

Take control over flume direction, even on inclined beach entries. Every kit also includes nozzle reducers for perfect flow adjustment.

6. GUNITE, FIBERGLASS & VINYL INSTALLATION

Vinyl/Fiberglass kits are available in five different colors to match and complement any pool finish. Attaches using heavy duty brass inserts in the Bubbler body for a secure and durable installation.

Brilliant Wonders®

4" LED BUBBLER



BRILLIANT WONDERS® 4" LED BUBBLER

ELECTRICAL

WATTAGE	8 Watt
VOLTAGE	12 Volt AC (transformer required not included)
COLOR	RGBW
GROUNDING	Non-metallic design; no bonding; no grounding'
CERTIFICATION	ETL
COOLING	Water cooled
SMART SYNC	J-STYLE: 5 Shows, 9 Colors H-STYLE: 7 Shows, 10 Colors P-STYLE: 7 Shows, 5 Colors
CORD	6" waterproof quick disconnect IP68 cord, 50, 100 or 150ft cord

INSTALLATION

INSTALL DEPTH	4" Minimum, up to 12" deep, height adjustable body for gunite
PLUMBING SIZE	1-1/2" Socket
CONDUIT	1 Inch
FLOW RATE	10-40 Gallons Per Minute
OVERALL SIZE	5-1/4" W x 8-1/2" H
CORD	25, 50, 100 or 150ft cord

- Durable "bayonet" LED module install
- Nozzle orifice reducers included
- Body includes housing, directional eyeball & install tool. Light sold separately.
- Winterizable design

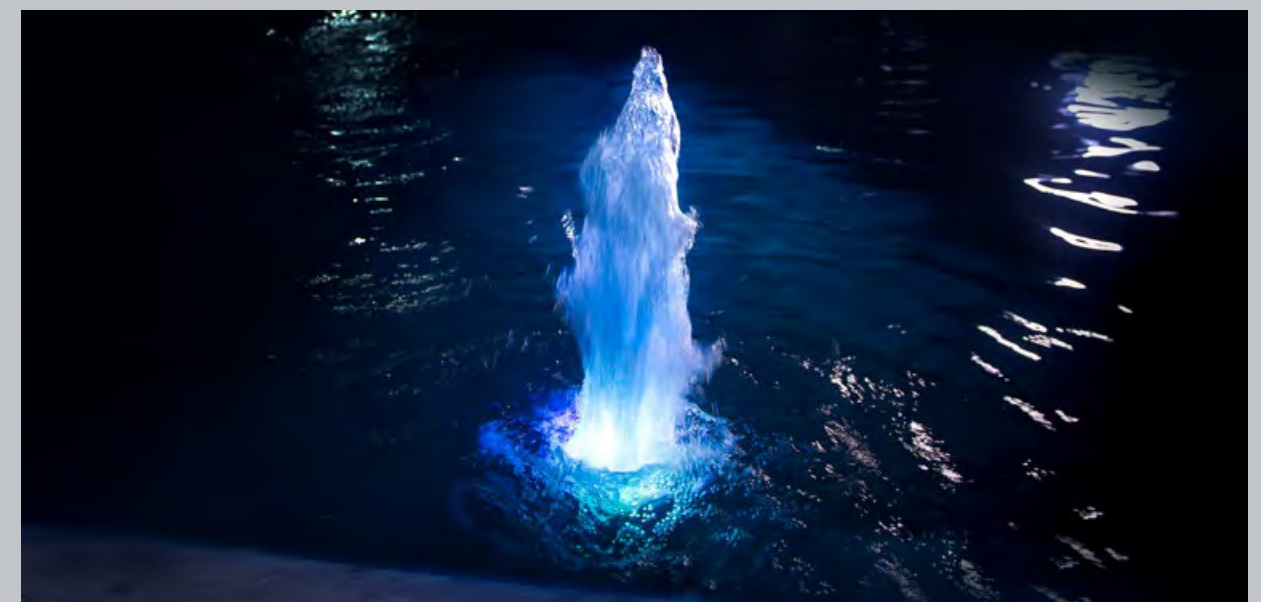


COVERED BY ONE OR MORE U.S. PATENTS OR PENDING PATENT APPLICATIONS. SEE WWW.C-M-P.COM/PATENTS FOR DETAILS.

ORDERING GUIDE

BRILLIANT WONDERS® 4" LED BUBBLER BODY KITS					
WHITE	GRAY	BLACK	TAN	DARK BLUE	DESCRIPTION
25503-460-000	--	--	--	--	4" LED BUBBLER GUNITE BODY KIT
25503-470-000	25503-471-000	25503-474-000	25503-479-000	25503-479-690	4" LED BUBBLER VINYL/ FIBERGLASS BODY KIT
BRILLIANT WONDERS® 4" LED BUBBLER LED MODULE					
25 FT CORD	50 FT CORD	100 FT CORD	150 FT CORD	DESCRIPTION	
25503-465-025J	25503-465-050J	25503-465-100J	25503-465-150J	4" LED BUBBLER LED MODULE (J-STYLE)	
25503-465-025P	25503-465-050P	25503-465-100P	25503-465-150P	4" LED BUBBLER LED MODULE (P-STYLE)	
25503-465-025H	25503-465-050H	25503-465-100H	25503-465-150H	4" LED BUBBLER LED MODULE (H-STYLE)	

REPLACEMENT PARTS PAGE 232



SMART SYNC®: For more information on H, P and J style see page 54

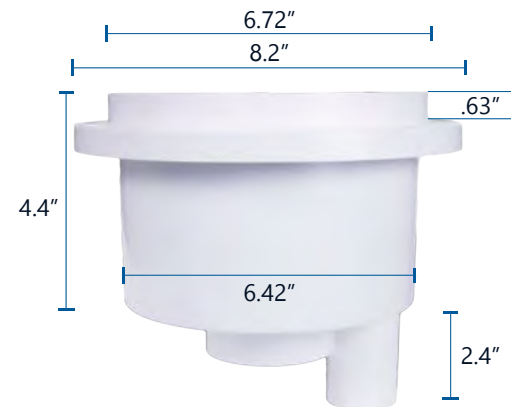
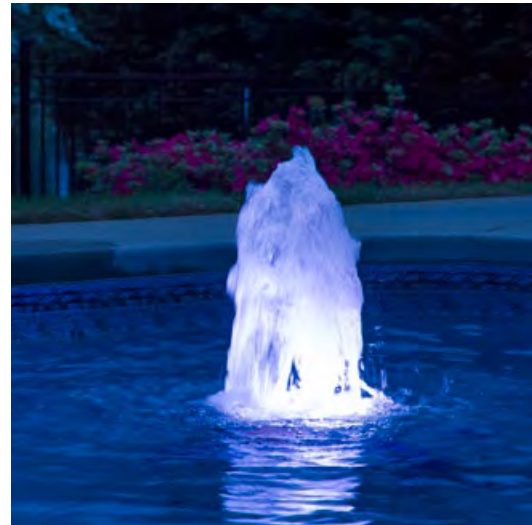
The original LED Bubbler for Gunite pools. This is the perfect feature for sun shelves, tanning ledges, beach entries, ponds, fountains and more.

PRODUCT FEATURES

- Bright & Efficient Cree® LEDs
- Uses Only 20 Watts for High Output LED Performance
- Built in Smart Sync® Technology: Synchronize with lighting and controls from major pool OEMs.
- Stream Shoots over 30 inches High
- Non-Metallic Design: No Bonding, No Grounding
- Flush Finish Installation
- Completely Serviceable from the Top
- LED Light is Below the Water Surface 4-12 inches
- ETL Listed

Brilliant Wonders®

LED BUBBLERS



8" LED Bubbler Dimensions



BRILLIANT WONDERS® 8" LED BUBBLER

ELECTRICAL

WATTAGE	20 Watt
VOLTAGE	12 Volt AC, 1.6 AMP
COLOR	RGBW
GROUNDING	Non-metallic design; no bonding; no grounding
CERTIFICATION	ETL
COOLING	Water cooled
SMART SYNC	J-STYLE: 5 Shows, 9 Colors H-STYLE: 7 Shows, 10 Colors P-STYLE: 7 Shows, 5 Colors

INSTALLATION

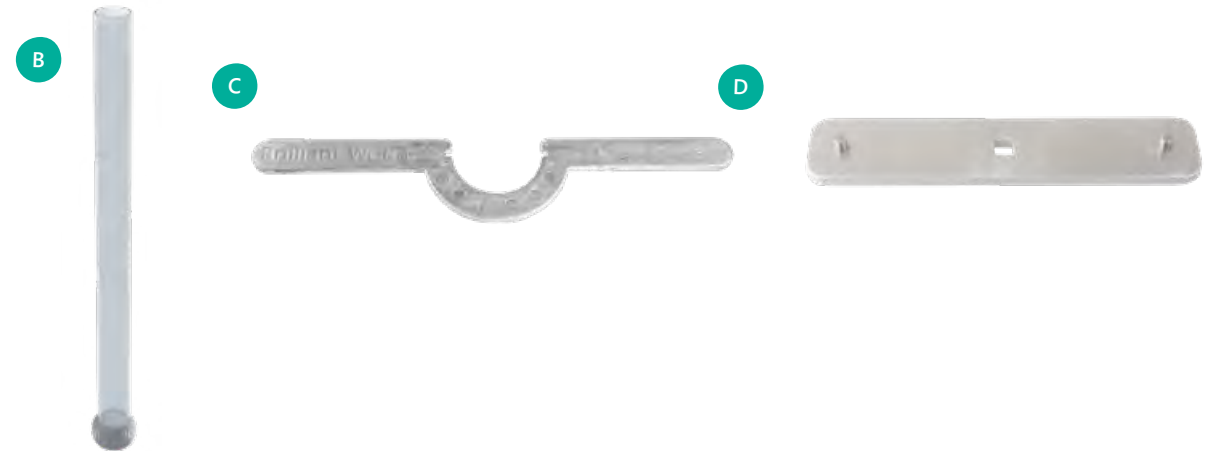
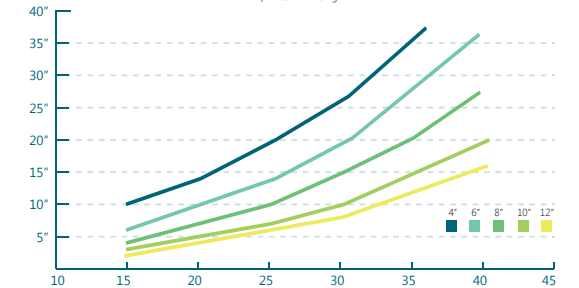
INSTALL DEPTH	4" Minimum, up to 12" deep
PLUMBING SIZE	1.5" or 2" PVC pipe (1.5" S x 2" SP)
CONDUIT	1 Inch
FLOW RATE	10-40 Gallons Per Minute
DEPTH	4.5" deep body
OVERALL SIZE	8-1/5" W x 6-4/5" H
CORD	50, 100 or 150ft cord
HOW TO REMOVE	Take out retaining screw and turn clockwise.
HOW TO REPLACE	Turn counter-clockwise and use retaining screw to lock into place.

Plume Height At Given Water Depths

	1/2" REDUCER					3/4" REDUCER				
	4"	6"	8"	10"	12"	4"	6"	8"	10"	12"
10gpm	13	7								
15gpm	30	20	13	10	8	9	6	4.5	3.5	2
20gpm	55	34	24	18	13	13.5	10	8	6.5	4.5
25gpm	-	-	38	28	20	20	15	12	9.5	7
30gpm	-	-	-	-	-	28	21	16	12.5	10
35gpm	-	-	-	-	-	38	29	20.5	16	13
40gpm	-	-	-	-	-	-	37	26	20	16

21.1mm Nozzle with 2" Piping | Water height may vary

Flow Rate vs Water Height for 1.5" Plumbing



ORDERING GUIDE

REF	CMP P/N	DESCRIPTION
--	25503-100-040	LED BUBBLER BODY ONLY (WITHOUT LED MODULE)
B	25503-909-000	12" FLEXIBLE CLEAR NOZZLE EXTENDER
C	25503-999-998	BUBBLER ATTACHMENT & EYEBALL WRENCH
D	25503-110-999	BUBBLER LIGHT UNIT REMOVAL SERVICE TOOL

REPLACEMENT PARTS PAGE 233

ORDERING GUIDE

REF	50 FT CORD KIT	100 FT CORD KIT	150 FT CORD KIT	DESCRIPTION
A	25503-050-000J	25503-100-000J	25503-150-000J	GUNITE BUBBLER UNIT (J-STYLE)
--	25503-050-200J	25503-100-200J	25503-150-010J	LED MODULE ONLY (J-STYLE)
A	25503-050-000P	25503-100-000P	25503-150-000P	GUNITE BUBBLER UNIT (P-STYLE)
--	25503-050-200P	25503-100-200P	25503-150-010P	LED MODULE ONLY (P-STYLE)
A	25503-050-000H	25503-100-000H	25503-150-000H	GUNITE BUBBLER UNIT (H-STYLE)
--	25503-050-200H	25503-100-200H	25503-150-010H	LED MODULE ONLY (H-STYLE)

SMART SYNC®: For more information on H, P and J style see page 54

Brilliant Wonders®

LED LAMINARS

1. STAINLESS STEEL PRECISION NOZZLE

A high performance stainless steel nozzle is the premier choice for quality and durability.

2. SMART SCREENS

Fine mesh screens calm the water like never before for a smooth water stream. Unlike other laminar screens, Brilliant Wonders Smart Screens are simple to install with soft molded edges for easy handling.

3. PREMIER FILTER MEDIA

Soft and safe layers of built-in filtration media that are easy to clean and inexpensive to replace.

4. TANGENTIAL FLOW ENGINEERING

Precisely engineered flow minimizes turbulence for a glass-like laminar flow, increasing light transfer and minimizing water entry splash.

5. BEAM-FOCUSING LENS

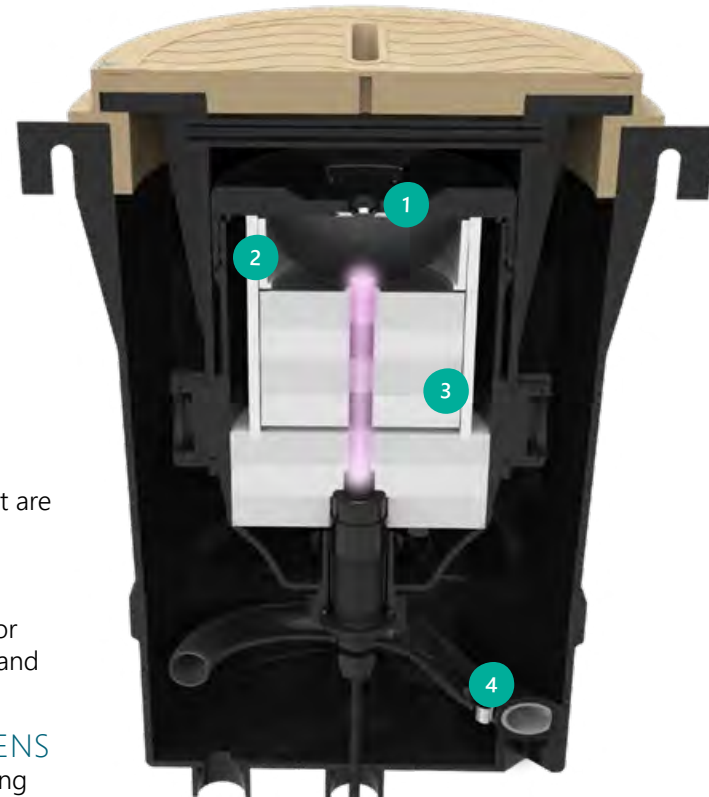
Our unique beam-focusing lens design places the light source closer to the nozzle

6. SMART SYNC®

Available with Brilliant Wonders® Smart Sync programming to synchronize with lighting and controls from major pool OEMs.

7. IP68 WATERPROOF QUICK DISCONNECT

Absolutely the easiest LED laminar light to install and service. For the first time ever, you can use the quick-disconnect cord to remove the laminar cannon for service or winterization without pulling 100 feet of cord.



LED Laminar Cross Section View



LED Light Assembly



PRODUCT FEATURES

- Bright and Efficient Cree® RGBW LED Light
- High End Stainless Steel Nozzle
- Easy to Install, Clean and Service
- Flush Install Deck Cover in Three Color Options
- Install in Pool Deck or Landscaping Areas
- ETL Listed

COVERED BY ONE OR MORE U.S. PATENTS OR PENDING PATENT APPLICATIONS. SEE WWW.C-M-P.COM/PATENTS FOR DETAILS.

BRILLIANT WONDERS® LED LAMINAR

ELECTRICAL

WATTAGE	8 Watt
VOLTAGE	12VAC; 12VAC Transformer Required
COLOR	RGBW
GROUNDING	Non-metallic design; no bonding; no grounding'
CERTIFICATION	ETL
COOLING	Water cooled
SMART SYNC	J-STYLE: 5 Shows, 9 Colors H-STYLE: 7 Shows, 10 Colors P-STYLE: 7 Shows, 5 Colors

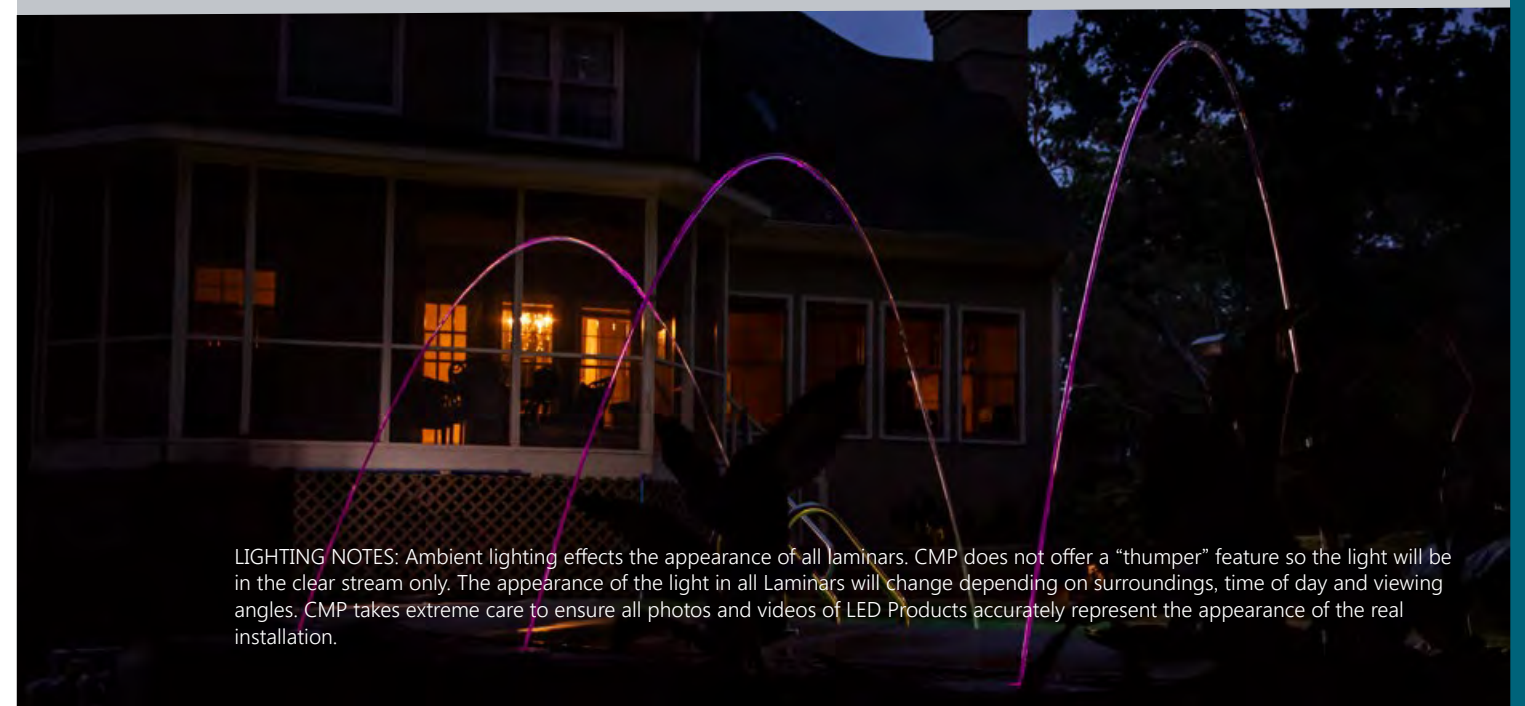
INSTALLATION

MAX WATER HEIGHT	6 ft
MAX WATER THROW DISTANCE	7 ft
DECK COVER SIZE	12" Diameter
ADJUSTABILITY	Vertical adjustable up to 30 degrees in 5 degree increments
LOCATION	Pool-side, deck or landscaping installation
OVERALL COVER WIDTH	12.56 in
OVERALL LAMINAR HEIGHT	20.72 in
CORD	6" waterproof IP68 quick disconnect; 100ft cord

ORDERING GUIDE

WHITE	GRAY	TAN	DESCRIPTION
25597-620-100J	25597-621-100J	25597-629-100J	LED LAMINAR J-STYLE
25597-620-100P	25597-621-100P	25597-629-100P	LED LAMINAR P-STYLE
25597-620-100H	25597-621-100H	25597-629-100H	LED LAMINAR H-STYLE

REPLACEMENT PARTS PAGE 234



LIGHTING NOTES: Ambient lighting effects the appearance of all laminars. CMP does not offer a "thumper" feature so the light will be in the clear stream only. The appearance of the light in all Laminars will change depending on surroundings, time of day and viewing angles. CMP takes extreme care to ensure all photos and videos of LED Products accurately represent the appearance of the real installation.

The *Brilliant Wonders*® 1.5" nicheless LED pool and spa light is versatile, easy to install and designed to sell. Illuminate a pool, accent a spa or showcase steps, swim-outs and spill overs.

Brilliant Wonders®

LED LIGHTING



1. HIGH PERFORMANCE. WATER COOLED.

Precise engineering delivers a perfect balance of brightness, energy savings and longevity. Over 50,000 hours of low voltage LED life saves customers' money and reduces service calls.

2. BUILT-IN CMP SMART SYNC® TECHNOLOGY

Automatically synchronize with lighting and controls from most pool OEMs.

3. QUICK DISCONNECT INSTALLATION & SERVICE

Installs in any 1.5" pool wall fitting and locks in place with a quarter-turn. Industry-first waterproof quick disconnect IP68 connection for rapid service, winterizing or replacement.

4. THE BEST DESIGN FOR ANY POOL TYPE

Choose the right fitting for the perfect look in any pool. For gunite pools, the flush fitting creates the most seamless 1.5" LED light install on the market. For vinyl and fiberglass, faceplates in fifteen different styles completely disguise the wall fitting.



PRODUCT FEATURES

- Installs in Gunite, Fiberglass & Vinyl Pools
- Flush wall fitting option for dry conduit installations
- Bright & Efficient Cree® LEDs Outlast and Outperform Other Lights
- Maximized LED Projection & Precise Beam Angle Minimizes Shadows
- Full Color, Full Stainless and Color Accent Stainless Faceplate Options
- Small Size can Retrofit and Replace Almost Any Nicheless Light



ELECTRICAL

WATTAGE	11 Watt (White Lighting Only: 5 Watt)
VOLTAGE	12VAC; 12VAC Transformer Required
COLOR	RGBW or White
GROUNDING	Non-metallic design; no bonding; no grounding
CERTIFICATION	ETL
COOLING	Water cooled
SMART SYNC	J-STYLE: 5 Shows, 9 Colors H-STYLE: 7 Shows, 10 Colors P-STYLE: 7 Shows, 5 Colors

INSTALLATION

DEPTH	4" Minimum
LOCATION	Floor or wall installation
FITTING	Install in any 1.5" wall fitting or CMP dry niche fitting
DEPTH	4.5" deep body
CORD	6" waterproof IP68 quick disconnect; 25, 50, 100 or 150ft cord

COVERED BY ONE OR MORE U.S. PATENTS OR PENDING PATENT APPLICATIONS.
SEE WWW.C-M-P.COM/PATENTS FOR DETAILS.

BRILLIANT WONDERS® 1.5" NICHELESS LED LIGHT

LED LIGHT WITH DESIGNER FACEPLATE

- Best for Fiberglass & Vinyl Pools
- Designer faceplate completely covers the wall fitting for an attractive seamless installation
- Complete kit includes light, cord, install tool & plastic faceplate. Color faceplate kits all have 100ft cord.
- *For Accent or Stainless Steel faceplate style, order kit with no faceplate and select faceplate on page 52



ORDERING GUIDE

11W RGBW KIT WITH COLOR FACEPLATE, 100FT CORD							
GRAY	BLACK	DARK GRAY	LIGHT BLUE	DARK BLUE	TAN	NO FACEPLATE*	STYLE
25503-561-100J	25503-564-100J	25503-567-100J	25503-569-159J	25503-569-169J	25503-569-100J	25503-565-100	J-STYLE
25503-561-100P	25503-564-100P	25503-567-100P	25503-569-159P	25503-569-169P	25503-569-100P	25503-565-100P	P-STYLE
25503-561-100H	25503-564-100H	25503-567-100H	25503-569-159H	25503-569-169H	25503-569-100H	25503-565-100H	H-STYLE
COMPLETE KITS WITH WHITE FACEPLATE							
25 FT KIT	50 FT KIT	100 FT KIT	150 FT KIT	DESCRIPTION	WATTS		
25503-560-025J	25503-560-050J	25503-560-100J	25503-560-150J	RGBW COLOR LIGHT KIT, J-STYLE	11 WATTS		
25503-560-025P	25503-560-050P	25503-560-100P	25503-560-150P	RGBW COLOR LIGHT KIT, P-STYLE	11 WATTS		
25503-560-025H	25503-560-050H	25503-560-100H	25503-560-150H	RGBW COLOR LIGHT KIT, H-STYLE	11 WATTS		
25503-500-025	25503-500-050	25503-500-100	25503-500-150	BRILLIANT WHITE LIGHT KIT	5 WATTS		

REPLACEMENT PARTS PAGE 235

LED LIGHT WITH FLUSH GUNITE FITTING

- Best installation for Gunite Pools
- Wall fitting is hidden by the lens for a seamless install
- Includes LED light, fitting, clear water stop and cord.
- Available in kits with 50, 100 & 150ft cord



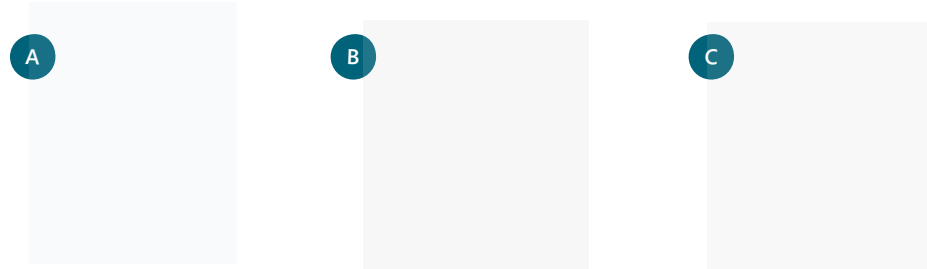
ORDERING GUIDE

COMPLETE KITS WITH FLUSH GUNITE FITTING					
50 FT KIT	100 FT KIT	150 FT KIT	DESCRIPTION	ENERGY	
25503-568-059J	25503-568-109J	25503-568-159J	11C RGBW COLOR LIGHT FLUSH KIT, J-STYLE	11 WATTS	
25503-568-059P	25503-568-109P	25503-568-159P	11C RGBW COLOR FLUSH LIGHT KIT, P-STYLE	11 WATTS	
25503-568-059H	25503-568-109H	25503-568-159H	11C RGBW COLOR FLUSH LIGHT KIT, H-STYLE	11 WATTS	

1.5" NICHELESS LED LIGHT ACCESSORIES

DRY CONDUIT WALL FITTING

- Keeps conduit behind light completely dry
- Trap water around the light and prevent water flowing into the conduit line.
- Use in place of a regular 1.5" wall fitting
- LED Light must be installed at least 4" below the water line
- As with standard wall fittings, use LED Light faceplates when needed to cover the white wall fitting.



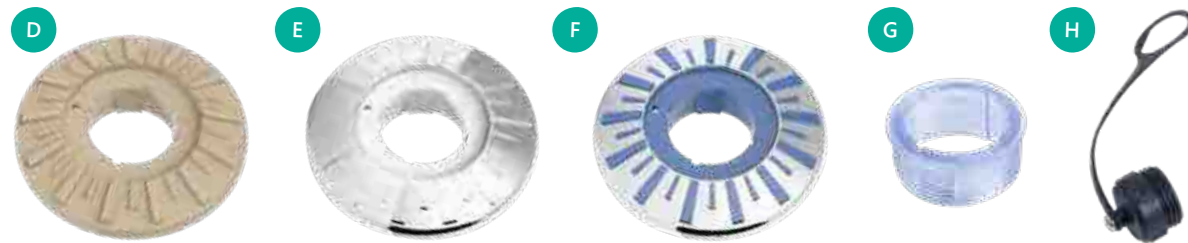
1.5" LED LIGHT DRY CONDUIT WALL FITTING

REF	CMP P/N	DESCRIPTION
A	25503-509-400	GUNITITE POOL DRY CONDUIT WALL FITTING
B	25503-510-100	VINYL POOL DRY CONDUIT WALL FITTING
C	25503-510-500	FIBERGLASS POOL DRY CONDUIT WALL FITTING
--	26102-029-017	O-RING (2-PACK)

Photo Courtesy Piereth Sales Associates

LED LIGHT FACEPLATES & ACCESSORIES

- More color and style options for the 1.5" LED Light
- Order LED Light without fitting included to use Stainless Steel or Accent styles
- Use Power Supply Cable Cap for winterization



1.5" LED LIGHT ACCENT FACEPLATES & FITTINGS

REF	WHITE/OTHER	GRAY	BLACK	DARK GRAY	LIGHT BLUE	DARK BLUE	TAN	DESCRIPTION
D	25503-510-000	25503-511-000	25503-514-000	25503-517-000	25503-559-000	25503-569-000	25503-519-000	PLASTIC FACEPLATE
E	25503-510-200	--	--	--	--	--	--	STAINLESS STEEL FACEPLATE
F	25503-510-220	25503-511-220	25503-514-220	25503-517-220	25503-559-220	25503-569-220	25503-519-220	SS ACCENT COLOR FACEPLATE
G	25503-519-300	--	--	--	--	--	--	CLEAR FLUSH FITTING
--	25503-510-300	--	--	--	--	--	--	WHITE FLUSH FITTING
--	25575-509-000	--	--	--	--	--	--	CLEAR WATER STOP ADAPTER
H	25500-100-015	--	--	--	--	--	--	POWER SUPPLY CABLE CAP

SMART SYNC® GUIDE

J-STYLE

J-Style is designed to match systems from Zodiac International.

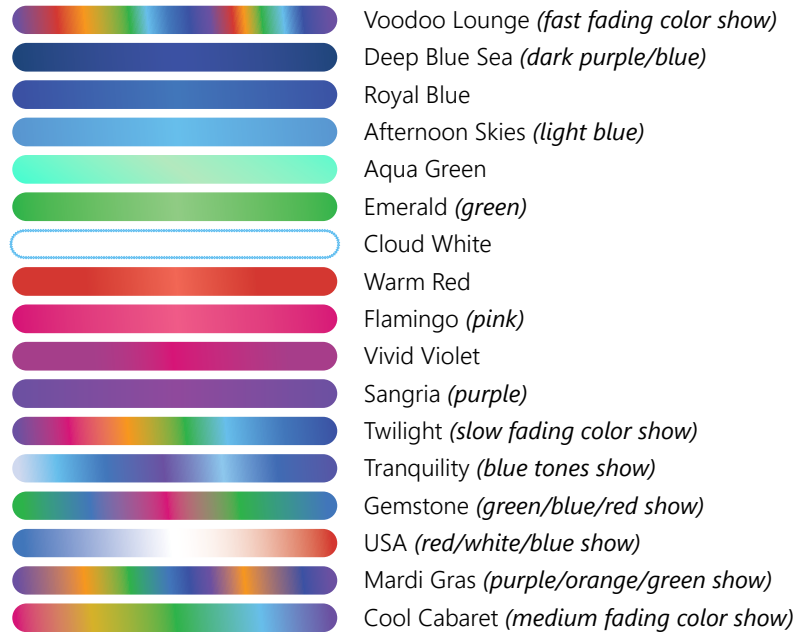
- 9 Colors & 5 Shows
- P/N sequence is XXXXX-XXX-XXXJ
- Manual Re-sync: Turn off 4 to 6 seconds, then turn back on.



H-STYLE

H-Style Lighting is designed to match systems from Hayward Industries.

- 10 Colors & 7 Shows
- After 60+ seconds power off, light remains white for 10 seconds before resuming.
- P/N sequence is XXXXX-XXX-XXXH
- Manual Re-sync: Turn off 11 to 14 seconds, then turn back on.



P-STYLE

P-Style Lighting is designed to match systems from Pentair Water Pool and Spa, Inc.

- 5 Colors & 7 Shows
- Hold & Recall available with automation
- P/N sequence is XXXXX-XXX-XXXP



BOBÉ WATER & FIRE PRODUCTS

How to Order 57

Water Features 58

Fire Features 65

Planters 78

Bobé® products are artisan made at the point where traditional craftsmanship and technology meet. Professional artisans design and manipulate structures made of heavy-duty copper and steel. Meanwhile, state-of-the-art machinery precision builds the Perfect Flame™ burner and stamps designer water features.

You won't find another brand like Bobé®. It's where the elements of fire and water are manipulated to create the highest quality outdoor designer features that inspire.

Find Your Element™

ARTISAN CRAFTED

Tig welded, Hand polished, Made in Phoenix, AZ

HIGH QUALITY

Heavy grade materials, Perfect Flame™ design, Solid metal construction

MADE BY CMP

Industry-leading water features, Award-winning customer support

HOW TO ORDER BOBÉ PRODUCTS

We are making it much easier to order from Bobé! In the past most Bobé products were ordered by specifying size and materials using an order sheet, even if they had a part number. Catalog product orders with no modifications *no longer require* completing a detailed specification order sheet. All products can now be ordered using the standardized part number.

* NON-STANDARD OPTIONS

Some products and variations take extra care or require longer lead times. Throughout the catalog these items are indicated in the Ordering Guides with an orange asterisk.* You can always contact bobesales@c-m-p.com for more information on specific lead times.

SPECIAL ORDERS

Bobé has a long history of working with talented designers to create customized products for special installations. Many of our products can be ordered with different finishes or custom sizing. Special order options are noted on each page. Any special orders will effect lead times and pricing and must be quoted on a per-job basis.

For details on special orders visit bobewaterandfire.com/order

ORDERING FOR NATURAL GAS OR LIQUID PROPANE

All fire products must now be specified as Natural Gas or Liquid Propane when ordered. Fire product part numbers all end in "XX." Replace the "XX" with "LP" for Liquid Propane or "NG" for Natural Gas when ordering.

MATERIALS

Product photography in this catalog shows materials in their "natural" state. Metals like copper and Cor-ten will change color and patina, even before they are delivered.

For more information view material guide on page 80

WHAT'S INCLUDED?

- Complete Manual fire products include: Burner, Media Pan, Key Valve Kit, Valve, Key, Flange, Street Elbow, 12" Nipple and Reducer
- Complete Auto fire products include: Burner, Media Pan, Igniter/Sensor, Valve Box, Transformer and Regulator
- All fire products for propane also include Air Mixer
- Glass/rock media is sold separately

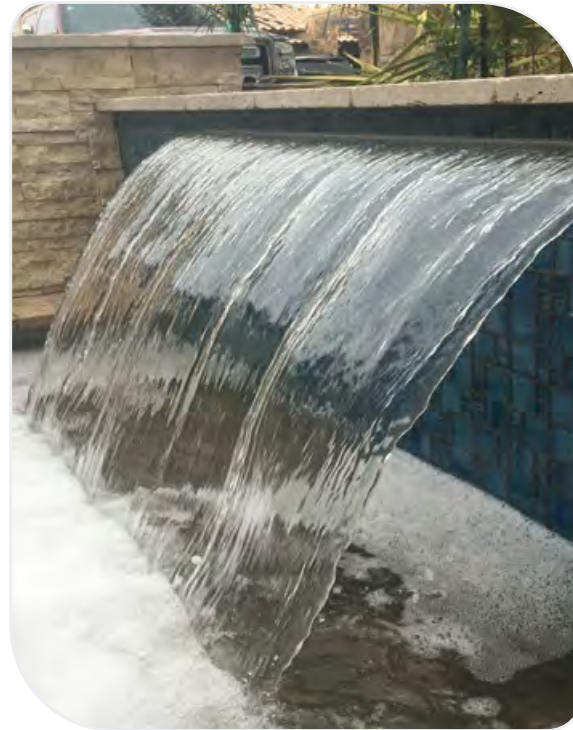
PURE FLOW WATERFALL

The Pure Flow waterfall is engineered to flow based on pressure. The result is a beautifully thick sheet of water that can flow up to 3' into your pool.

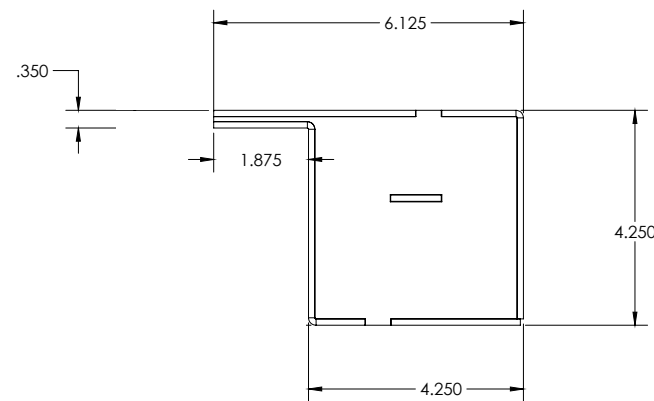
Constructed of marine grade stainless steel that is 1/8" and 1/4" thick, you will never again worry about warping or caving. The waterfall has an integrated mechanism that breaks up and slices debris to help prevent clogs. The Pure Flow waterfall is the next level of pool waterfall engineering.

PRODUCT FEATURES

- Projection up to 3'
- Constructed of Marine Grade Stainless Steel
- No Warping or Caving
- Integrated Debris Destruct
- Not recommended for saltwater pools. For salt, use CMP Natural Wonders Waterfalls



STAINLESS STEEL



ORDERING GUIDE

BOBÉ P/N	DESCRIPTION
PF-12	12" PURE FLOW WATERFALL
PF-24	24" PURE FLOW WATERFALL
PF-36	36" PURE FLOW WATERFALL
PF-48	48" PURE FLOW WATERFALL

Pure Flow Waterfalls are available in Stainless steel only. Stainless steel not recommended for salt water environments.

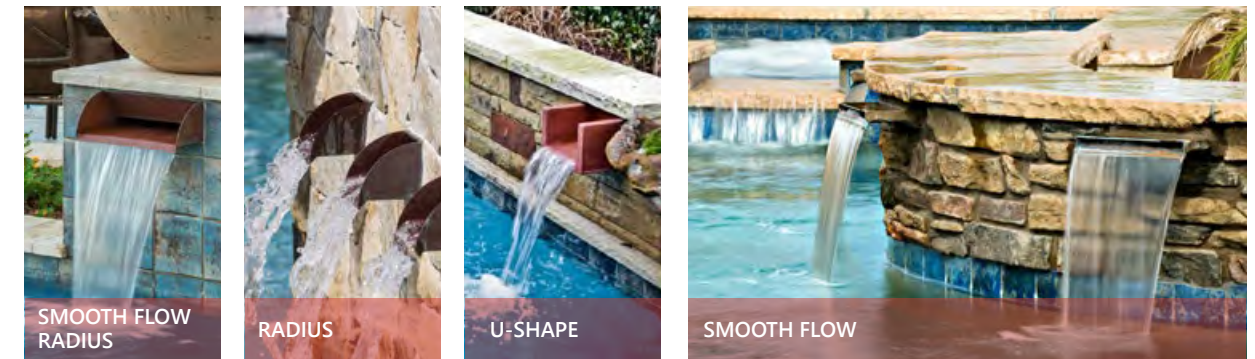
SCUPPERS

Scuppers create a whole new sense of design and style in a pool. This is a water feature that is designed to be seen!

Bobé has the most complete and advanced line of scuppers available, made with the highest quality construction and materials.

PRODUCT FEATURES

- Constructed with heavy gauge materials
- Copper or stainless steel; Powder coat colors available by special order
- All seams are fully welded and fully polished
- No filter or rock trap needed; Scuppers are designed to never clog



COPPER

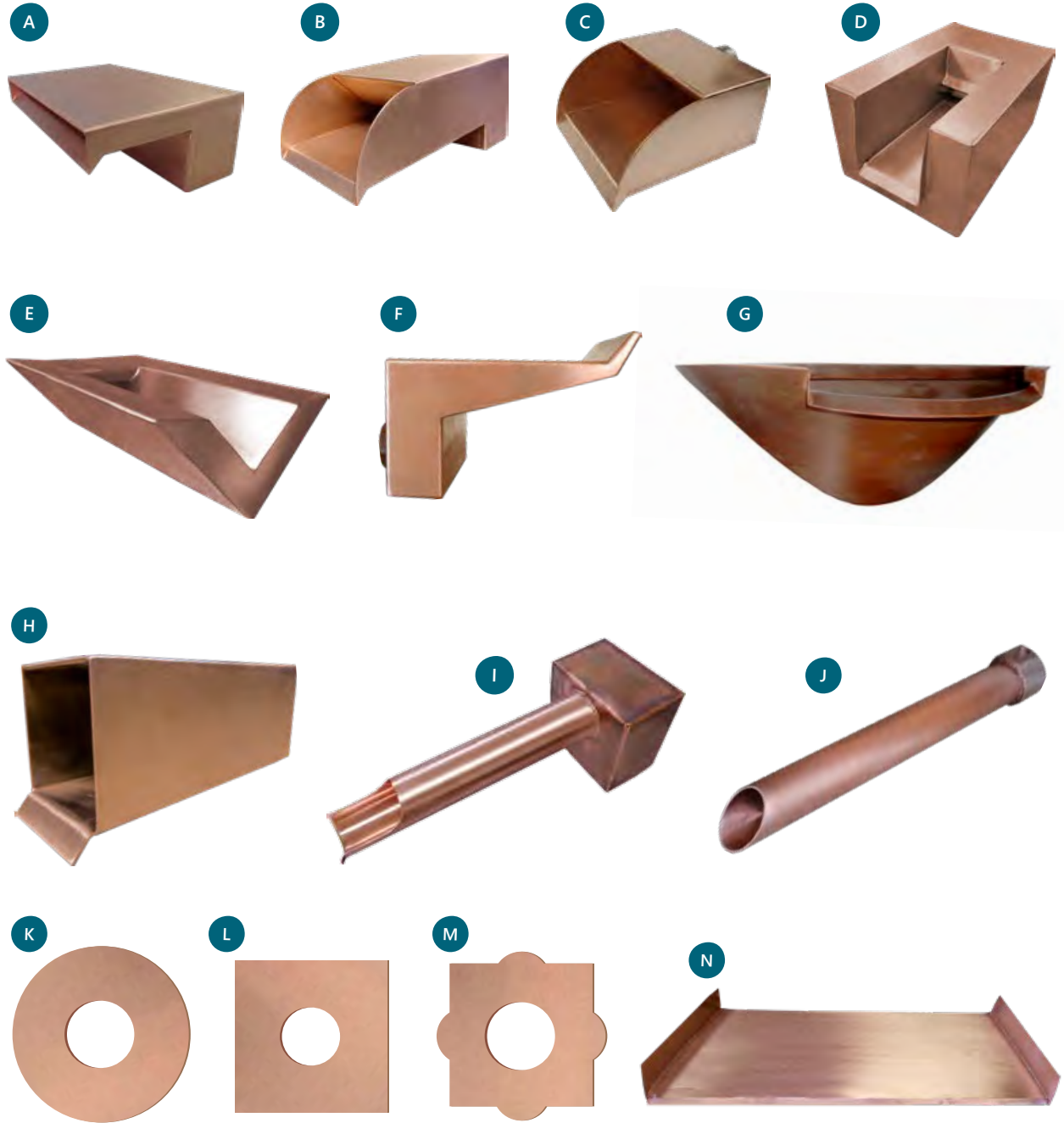
STAINLESS STEEL

HAMMERED COPPER*

IMPORTANT: See Material Guide on page 80

* Non-Standard Option. May have longer order lead times. Contact for details.

SCUPPERS



SPECIAL ORDER OPTIONS	
POWDER COAT COLOR FINISHES	✓
CUSTOM SIZE	✓

Non-standard orders include customizing fee. Lead times may vary. More info PAGE 57

Stainless steel not recommended for salt water environments. Copper will naturally patina.

SCUPPERS

ORDERING GUIDE

REF	6"	8"	10"	12"	18"	24"	36"	48"	DESCRIPTION	MATERIAL
A	--	SFC-8	--	SFC-12	SFC-18	SFC-24	SFC-36	SFC-48	SMOOTH FLOW SCUPPER	COPPER
A	--	SFS-8	--	SFS-12	SFS-18	SFS-24	SFS-36	SFS-48	SMOOTH FLOW SCUPPER	STAINLESS STEEL
A	--	SFHH-8*	--	SFHH-12*	SFHH-18*	SFHH-24*	SFHH-36*	SFHH-48*	SMOOTH FLOW SCUPPER	HAMMERED COPPER*
B	SFRC-6	SFRC-8	--	SFRC-12	--	SFRC-24	SFRC-36	SFRC-48	SMOOTH FLOW RADIUS SCUPPER	COPPER
B	SFRS-6	SFRS-8	--	SFRS-12	--	SFRS-24	SFRS-36	SFRS-48	SMOOTH FLOW RADIUS SCUPPER	STAINLESS STEEL
B	SFRHH-6*	SFRHH-8*	--	SFRHH-12*	--	SFRHH-24*	SFRHH-36*	SFRHH-48*	SMOOTH FLOW RADIUS SCUPPER	HAMMERED COPPER*
C	RC-6	RC-8	--	RC-12	--	RC-24	RC-36	RC-48	RADIUS SCUPPER	COPPER
C	RS-6	RS-8	--	RS-12	--	RS-24	RS-36	RS-48	RADIUS SCUPPER	STAINLESS STEEL
C	RHH-6*	RHH-8*	--	RHH-12*	--	RHH-24*	RHH-36*	RHH-48*	RADIUS SCUPPER	HAMMERED COPPER*
D	US-6	US-8	US-10	US-12	--	--	--	--	U-SHAPE SCUPPER	COPPER
D	USS-6	USS-8	USS-10	USS-12	--	--	--	--	U-SHAPE SCUPPER	STAINLESS STEEL
D	USHH-6*	USHH-8*	USHH-10*	USHH-12*	--	--	--	--	U-SHAPE SCUPPER	HAMMERED COPPER*
E	WC-6	WC-8	WC-10	WC-12	--	--	--	--	WEDGE SCUPPER	COPPER
E	WS-6	WS-8	WS-10	WS-12	--	--	--	--	WEDGE SCUPPER	STAINLESS STEEL
E	WHH-6*	WHH-8*	WHH-10*	WHH-12*	--	--	--	--	WEDGE SCUPPER	HAMMERED COPPER*
F	--	--	--	AFSC-12	--	AFSC-24	AFSC-36	AFSC-48	ARC FLOW SCUPPER	COPPER
F	--	--	--	AFSS-12	--	AFSS-24	AFSS-36	AFSS-48	ARC FLOW SCUPPER	STAINLESS STEEL
F	--	--	--	AFHH-12*	--	AFHH-24*	AFHH-36*	AFHH-48*	ARC FLOW SCUPPER	HAMMERED COPPER*
G	--	--	--	--	--	CWMPPLP-24	--	--	WALL MOUNTED BOWL	COPPER

REF	1"	1.5"	2"	2.5"	3"	4"	6"	DESCRIPTION	MATERIAL
H	--	--	BSC-2	--	--	BSC-4	BSC-6	BOX SCUPPER	COPPER
H	--	--	BSS-2*	--	--	BSS-4*	BSS-6*	BOX SCUPPER	STAINLESS STEEL*
H	--	--	BSHH-2*	--	--	BSHH-4*	BSHH-6*	BOX SCUPPER	HAMMERED COPPER*
I	--	CSC-1.5	CSC-2	--	CSC-3	--	--	CANNON SCUPPER	COPPER
I	--	CSS-1.5	CSS-2	--	CSS-3	--	--	CANNON SCUPPER	STAINLESS STEEL
I	--	CANHH-1.5*	CANHH-2*	--	CANHH-3*	--	--	CANNON SCUPPER	HAMMERED COPPER*
J	RTC-1	RTC-1.5	RTC-2	RTC-2.5	RTC-3	--	--	ROUND TUNNEL SCUPPER	COPPER
J	RTS-1	RTS-1.5	RTS-2	RTS-2.5	RTS-3	--	--	ROUND TUNNEL SCUPPER	STAINLESS STEEL
--	SQTS-1	SQTS-1.5	SQTS-2	--	SQTS-3	--	--	SQUARE TUNNEL SCUPPER	STAINLESS STEEL
K	--	ESCUTCHPTS-1.5R	ESCUTCHPTS-2R	--	ESCUTCHPTS-3R	--	--	ROUND CANNON/TUNNEL ESCUTCHEON	STAINLESS STEEL
K	--	ESCUTCHPTC-1.5R	ESCUTCHPTC-2R	--	ESCUTCHPTC-3R	--	--	ROUND CANNON/TUNNEL ESCUTCHEON	COPPER
L	--	ESCUTCHPTS-1.5SQ	ESCUTCHPTS-2SQ	--	ESCUTCHPTS-3SQ	--	--	SQUARE CANNON/TUNNEL ESCUTCHEON	STAINLESS STEEL
L	--	ESCUTCHPTC-1.5SQ	ESCUTCHPTC-2SQ	--	ESCUTCHPTC-3SQ	--	--	SQUARE CANNON/TUNNEL ESCUTCHEON	COPPER
M	--	ESCUTCHPTS-1.5	ESCUTCHPTS-2	--	ESCUTCHPTS-3	--	--	POINTED CANNON/TUNNEL ESCUTCHEON	STAINLESS STEEL
M	--	ESCUTCHPTC-1.5	ESCUTCHPTC-2	--	ESCUTCHPTC-3	--	--	POINTED CANNON/TUNNEL ESCUTCHEON	COPPER

REF	12" x 12"	18" x 12"	36" x 6"	DESCRIPTION	MATERIAL
N	CSPILLWAY12X12	CSPILLWAY18X12	CSPILLWAY36X6	SPILLWAY SCUPPER	COPPER

*Non-Standard Option. May have longer order lead times. Contact for details.

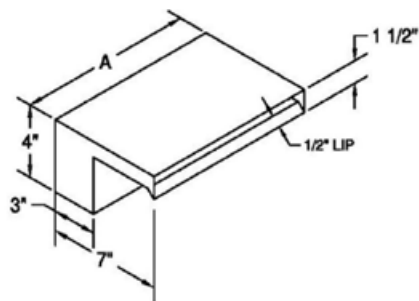
SCUPPER SPECIFICATIONS

- Stainless steel not recommended for saltwater pools. Bonding: All scuppers come with a bonding lug on the back. This is a grounding lug used to ground the scupper.
- Leveling: Scuppers should be installed 1/8in off level in the front. The scupper should be "pointed" down to the pool. This allows the water to flow off the lip and reduces spill back and a "wet" wall.
- All scuppers have a 1.5in NPT female back port threaded inlet (one inlet per foot of spillway).
- Bond Beam: Install either into the beam or on top. If installing in the beam, notch out 1in around the scupper to assist with leveling.
- Escutcheon Sizes: 1.5in has 4.5in diameter; 2in has 6in diameter; 3in has 9in diameter

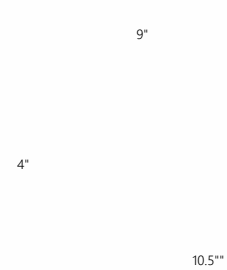
FLOW RATES (PER FOOT)

SMOOTH FL	SMOOTH RAD.	RADIUS	U-SHAPE	BOX	WEDGE	ARC	CANNON	TUNNEL	BOWL
25-30 GPM	25-30 GPM	15-20 GPM	15-20 GPM	15-20 GPM	15-20 GPM	15-20 GPM	15-20 GPM	15-20 GPM	15-10 GPM

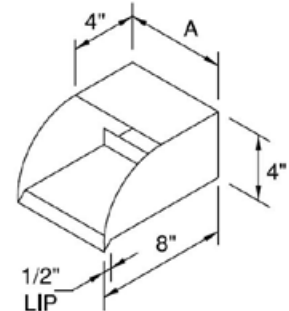
SMOOTH FLOW



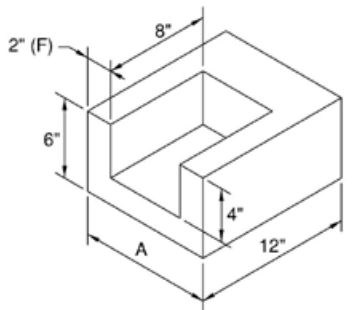
SMOOTH FLOW RADIUS



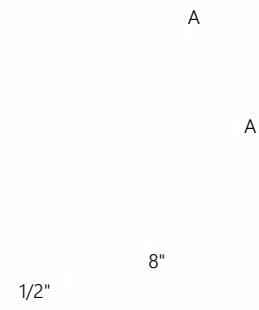
RADIUS



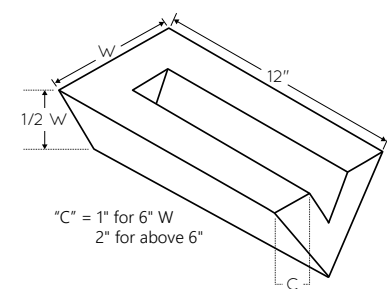
U-SHAPE



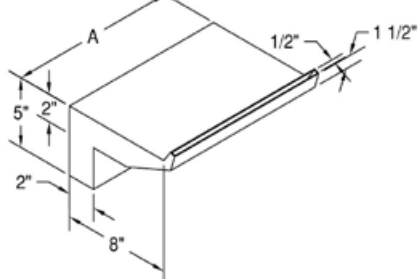
BOX



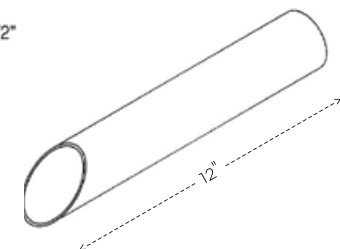
WEDGE



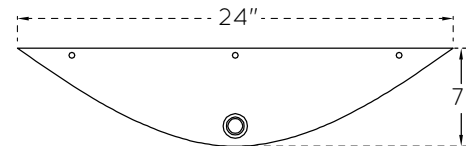
ARC



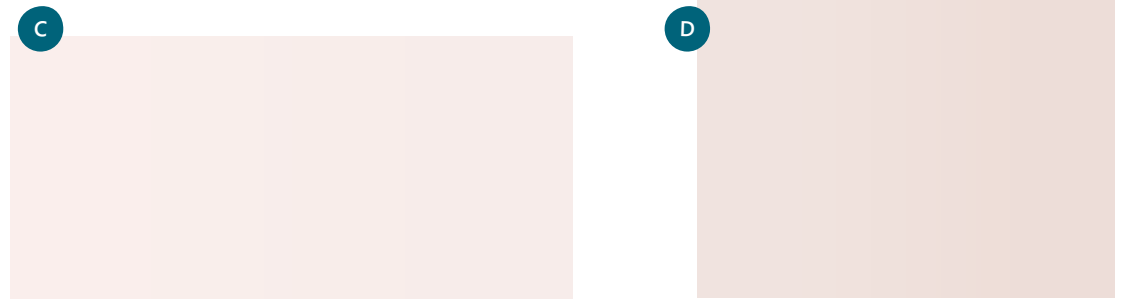
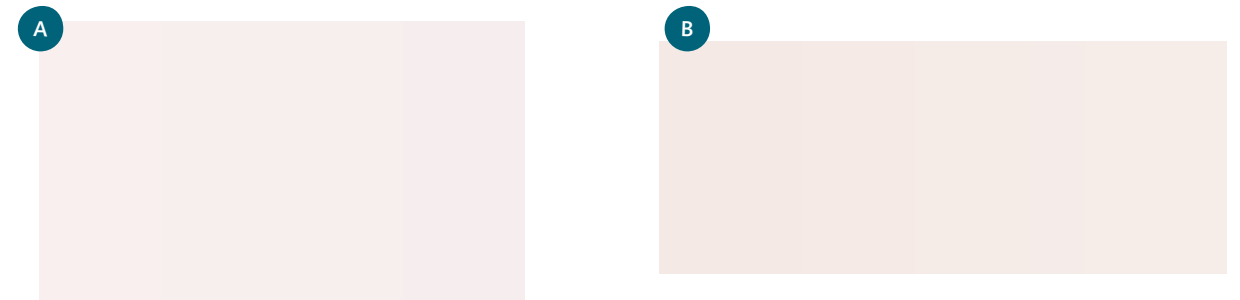
TUNNEL



WALL MOUNTED BOWL



WATER BOWLS



IMPORTANT: See Material Guide on page 80

ORDERING GUIDE

REF	24"W x 7"H	24"W x 12"H	28"W x 12"H	32"W x 12"H	36"W x 16"H	SHAPE	LIP	MATERIAL
A	CPPLP-24	CPPM-24	CPPM-28	CPPM-32	CPP-36	SQUARE	EXTENDED	COPPER
A	SPPLP-24	SPPM-24	SPPM-28	SPPM-32	SPP-36	SQUARE	EXTENDED	STAINLESS STEEL
A	PPLPHH-24*	PPMHH-24*	PPMHH-28*	PPMHH-32*	PPHH-36*	SQUARE	EXTENDED	HAMMERED COPPER*
B	RCPLP-24	RCPPM-24	RCPPM-28	RCPPM-32	RCPP-36	ROUND	EXTENDED	COPPER
B	RSPLP-24	RSPPM-24	RSPPM-28	RSPPM-32	RSPP-36	ROUND	EXTENDED	STAINLESS STEEL
B	RPPLPHH-24*	RPPMHH-24*	RPPMHH-28*	RPPMHH-32*	RPPHH-36*	ROUND	EXTENDED	HAMMERED COPPER*
C	CPPLPSL-24	CPPMSL-24	CPPMSL-28	CPPMSL-32	CPPSL-36	SQUARE	SEAMLESS	COPPER
C	SPPLPSL-24	SPPMSL-24	SPPMSL-28	SPPMSL-32	SPPSL-36	SQUARE	SEAMLESS	STAINLESS STEEL
C	PPLPSLHH-24*	PPMSLHH-24*	PPMSLHH-28*	PPMSLHH-32*	PPSLHH-36*	SQUARE	SEAMLESS	HAMMERED COPPER*
D	RCPLPSL-24	RCPPMSL-24	RCPPMSL-28	RCPPMSL-32	RCPPSL-36	ROUND	SEAMLESS	COPPER
D	RSPLPSL-24	RSPPMSL-24	RSPPMSL-28	RSPPMSL-32	RSPPSL-36	ROUND	SEAMLESS	STAINLESS STEEL
D	RPPLPSLHH-24*	RPPMSLHH-24*	RPPMSLHH-28*	RPPMSLHH-32*	RPPSLHH-36*	ROUND	SEAMLESS	HAMMERED COPPER*

*Non-Standard Option. May have longer order lead times. Contact for details.

SPECIAL ORDER OPTIONS	
POWDER COAT COLOR FINISHES	✓
CUSTOM SIZE	✓

Special orders will include customizing fee. Lead times may vary. More info PAGE 57

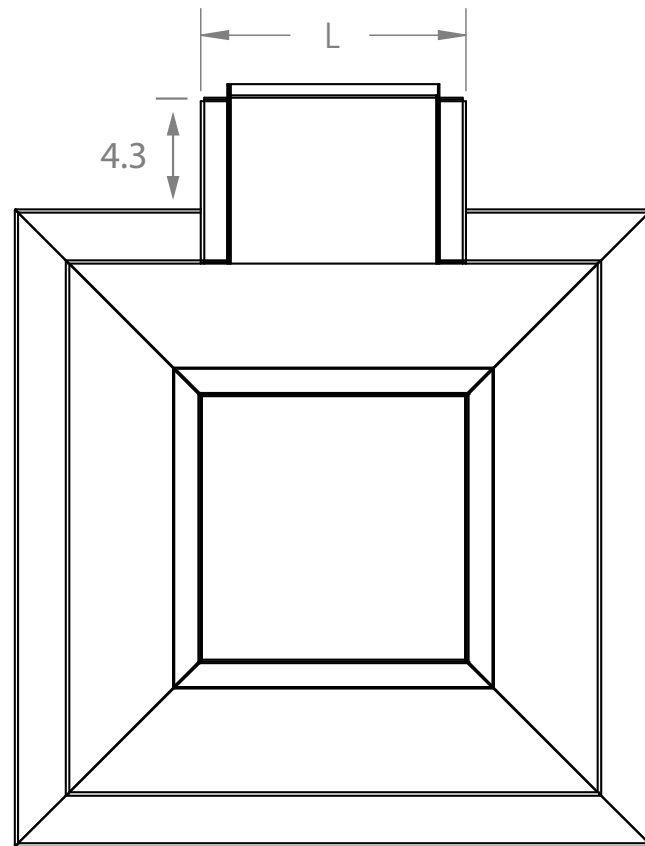
WATER BOWL SPECIFICATIONS

- Bonding: All water bowls come with a bonding lug on the bottom. This is a grounding lug used to ground the water bowl.
- Copper will naturally patina. The patina protects the metal and creates a unique color and style for every installation. For more information on patina & care see page 80.
- All water bowls have a 1.5in female threaded bottom port inlet
- Bottom measurement is equal to 1/2 bowl width (Ex: 24" bowl has 12" base)

FLOW RATES

24"W × 7"H	24"W × 12"H	28"W × 12"H	32"W × 12"H	36"W × 16"H
15-20 GPM	15-20 GPM	15-20 GPM	20-25 GPM	20-25 GPM

DIMENSIONS



SPILLWAY LIP SIZE (L)			
24"	28"	32"	36"
10" WIDE	11" WIDE	12" WIDE	14" WIDE

Stainless steel not recommended for salt water environments. Copper will naturally patina.

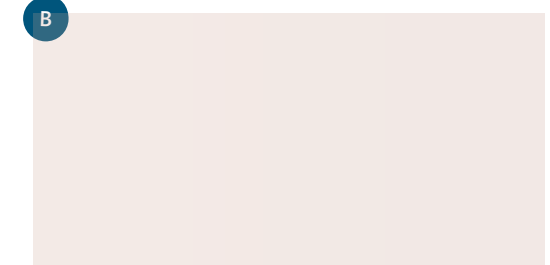
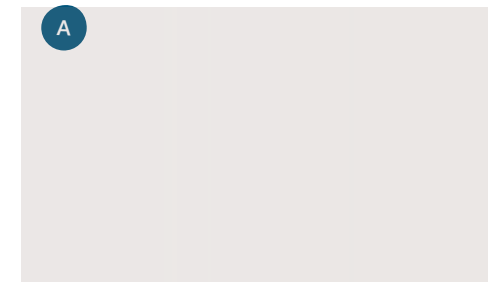
BUILDER SERIES WATER + FIRE BOWLS

Builder Series bowls combine a complete fire pot with a scupper style spout of water. In this design a fire media pan sits at the top of the bowl. Water flows under the pan and out an extended lip at the front of the bowl.

Bobé bowls are hand constructed by skilled artisans. Each bowl is built from heavy grade material, fully TIG welded and polished.

PRODUCT FEATURES

- Perfect Flame™ Burner
- Square or Round Shapes
- Automatic Ignition or Manual Key Valve
- Copper or Stainless Steel; Powder Coat colors available by special order



1	SELECT SIZE & OPTIONS	2	ADD *-NG* FOR NATURAL GAS	ADD *-LP* FOR PROPANE
	EXAMPLE: CFPLPA-24-XX		EXAMPLE: CFPLPA-24-NG	EXAMPLE: CFPLPA-24-LP

ORDERING GUIDE

REF	24"W × 7"H	24"W × 12"H	28"W × 12"H	32"W × 12"H	36"W × 16"H	SHAPE	IGNITION	MATERIAL
A	BCPPLPFWA-24-XX	BCPPMFWA-24-XX	BCPPMFWA-28-XX	BCPPMFWA-32-XX	BCPPFWA-36-XX	SQUARE	MANUAL	COPPER
A	BSPPLPFWA-24-XX*	BSPPMFWA-24-XX*	BSPPMFWA-28-XX*	BSPPMFWA-32-XX*	BSPPFWA-36-XX*	SQUARE	MANUAL	STAINLESS STEEL*
A	BCPPLPFWHHA-24-XX*	BCPPMFWHHA-24-XX*	BCPPMFWHHA-28-XX*	BCPPMFWHHA-32-XX*	BCPPFWHHA-36-XX*	SQUARE	MANUAL	HAMMERED COPPER*
A	—	—	—	BCPPMFWC-32-XX	BCPPFWC-36-XX	SQUARE	AUTO	COPPER
A	—	—	—	BSPPMFWC-32-XX*	BSPPFWC-36-XX*	SQUARE	AUTO	STAINLESS STEEL*
A	—	—	—	BCPPMFWHHC-32-XX*	BCPPFWHHC-36-XX*	SQUARE	AUTO	HAMMERED COPPER*
B	BRCPPLPFWA-24-XX	BRCPPMFWA-24-XX	BRCPPMFWA-28-XX	BRCPPMFWA-32-XX	BRCPPFWA-36-XX	ROUND	MANUAL	COPPER
B	BRSPPLPFWA-24-XX*	BRSPPMFWA-24-XX*	BRSPPMFWA-28-XX*	BRSPPMFWA-32-XX*	BRSPFWA-36-XX*	ROUND	MANUAL	STAINLESS STEEL*
B	BRCPPLPFWHHA-24-XX*	BRCPPMFWHHA-24-XX*	BRCPPMFWHHA-28-XX*	BRCPPMFWHHA-32-XX*	BRCPPFWHHA-36-XX*	ROUND	MANUAL	HAMMERED COPPER*
B	—	—	—	BRCPPMFWC-32-XX	BRCPPFWC-36-XX	ROUND	AUTO	COPPER
B	—	—	—	BRSPPMFWC-32-XX*	BRSPFWC-36-XX*	ROUND	AUTO	STAINLESS STEEL*
B	—	—	—	BRCPPMFWHHC-32-XX*	BRCPPFWHHC-36-XX*	ROUND	AUTO	HAMMERED COPPER*

*Non-Standard Option. May have longer order lead times. Contact for details.



IMPORTANT: See Material Guide on page 80

SPECIAL ORDER OPTIONS	
POWDER COAT COLOR FINISHES	✓
CUSTOM SIZE	✓
Special orders include customizing fee. Lead times may vary. More info PAGE 57	

Stainless steel not recommended for salt water environments. Copper will naturally patina. Pots should be installed with drainage for rain water. Lack of drainage can flood gas lines and require service. A cover is recommended for winter or periods of non-use.

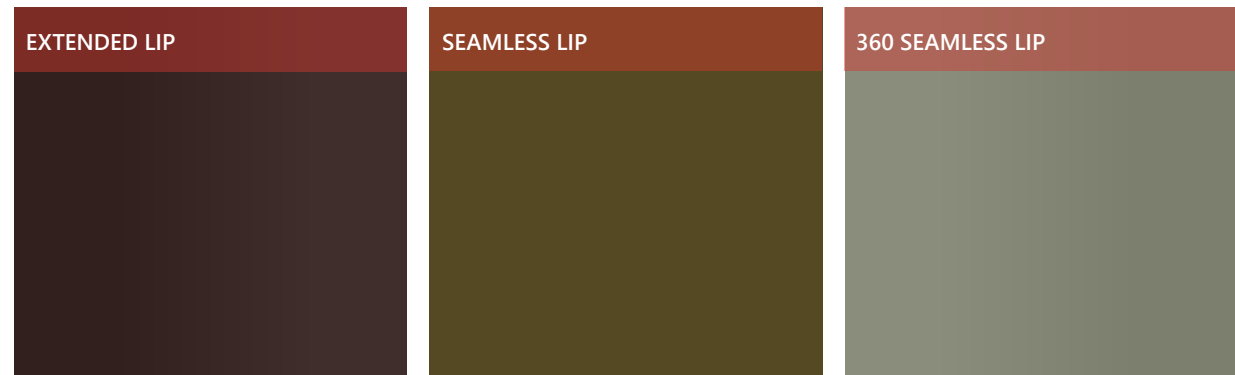
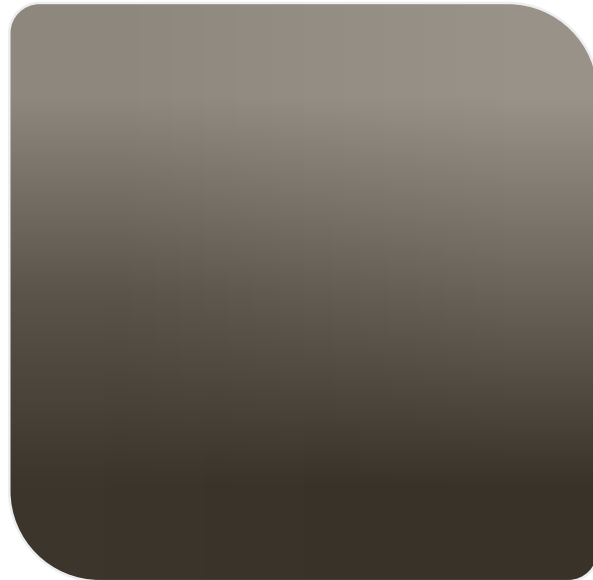
ARTISAN SERIES WATER + FIRE BOWLS

The original combination of water and fire is really two bowls in one! A center bowl contains the media and fire element. This sits inside of the larger, outer bowl. Water flows completely around the fire in a "moat" style and then flows over the edge.

Bobé bowls are hand constructed by skilled artisans. Each bowl is built from heavy grade material, fully TIG welded and polished.

PRODUCT FEATURES

- Available in three different lip styles: Extended, Seamless and 360 Seamless
- Perfect Flame™ Burner
- Square or Round Shapes
- Automatic Ignition or Manual Key Valve
- Copper or Stainless Steel; Powder Coat available by special order



ARTISAN SERIES WATER + FIRE BOWLS

ORDERING GUIDE

1	SELECT SIZE & OPTIONS	2	ADD *-NG* FOR NATURAL GAS	ADD *-LP* FOR PROPANE
	EXAMPLE: CFPLPA-24-XX		EXAMPLE: CFPLPA-24-NG	EXAMPLE: CFPLPA-24-LP

REF	24"W x 7"H	24"W x 12"H	28"W x 12"H	32"W x 12"H	36"W x 16"H	SHAPE	LIP	IGNITION	MATERIAL
A	CPPLPFRA-24-XX	CPPMFRA-24-XX	CPPMFRA-28-XX	CPPMFRA-32-XX	CPPFRA-36-XX	SQUARE	EXTENDED	MANUAL	COPPER
A	SPPLPFRA-24-XX	SPPMFRA-24-XX	SPPMFRA-28-XX	SPPMFRA-32-XX	SPPFRA-36-XX	SQUARE	EXTENDED	MANUAL	STAINLESS STEEL
A	PPLPFRHHA-24-XX*	PPMFRHHA-24-XX*	PPMFRHHA-28-XX*	PPMFRHHA-32-XX*	PPFRHHA-36-XX*	SQUARE	EXTENDED	MANUAL	HAMMERED COPPER*
A	--	--	--	CPPMDFWC-32-XX	CPPDFWC-36-XX	SQUARE	EXTENDED	AUTO	COPPER
A	--	--	--	SPPMDFWC-32-XX	SPPDFWC-36-XX	SQUARE	EXTENDED	AUTO	STAINLESS STEEL
A	--	--	--	PPMDFWHHC-32-XX*	PPDFWHHC-36-XX*	SQUARE	EXTENDED	AUTO	HAMMERED COPPER*
B	RCPLPFRA-24-XX	RCPPMFRA-24-XX	RCPPMFRA-28-XX	RCPPMFRA-32-XX	RCPPFRA-36-XX	ROUND	EXTENDED	MANUAL	COPPER
B	RSPLPFRA-24-XX	RSPPMFRA-24-XX	RSPPMFRA-28-XX	RSPPMFRA-32-XX	RSPPFRA-36-XX	ROUND	EXTENDED	MANUAL	STAINLESS STEEL
B	RPPLPFRHHA-24-XX*	RPPMFRHHA-24-XX*	RPPMFRHHA-28-XX*	RPPMFRHHA-32-XX*	RPPFRHHA-36-XX*	ROUND	EXTENDED	MANUAL	HAMMERED COPPER*
B	--	--	--	RCPPMDFWC-32-XX	RCPPDFWC-36-XX	ROUND	EXTENDED	AUTO	COPPER
B	--	--	--	RSPPMDFWC-32-XX	RSPPDFWC-36-XX	ROUND	EXTENDED	AUTO	STAINLESS STEEL
B	--	--	--	RPPMDFWHHC-32-XX*	RPPDFWHHC-36-XX*	ROUND	EXTENDED	AUTO	HAMMERED COPPER*
C	CPPLSLFRA-24-XX	CPPMSLFRA-24-XX	CPPMSLFRA-28-XX	CPPMSLFRA-32-XX	CPPSLFRA-36-XX	SQUARE	SEAMLESS	MANUAL	COPPER
C	SPPLSLFRA-24-XX	SPPMSLFRA-24-XX	SPPMSLFRA-28-XX	SPPMSLFRA-32-XX	SPPSLFRA-36-XX	SQUARE	SEAMLESS	MANUAL	STAINLESS STEEL
C	PPLSLFRHHA-24-XX*	PPMSLFRHHA-24-XX*	PPMSLFRHHA-28-XX*	PPMSLFRHHA-32-XX*	PPSLFRHHA-36-XX*	SQUARE	SEAMLESS	MANUAL	HAMMERED COPPER*
C	--	--	--	CPPMSLDFWC-32-XX	CPPSLDFWC-36-XX	SQUARE	SEAMLESS	AUTO	COPPER
C	--	--	--	SPPMSLDFWC-32-XX	SPPSLDFWC-36-XX	SQUARE	SEAMLESS	AUTO	STAINLESS STEEL
C	--	--	--	PPMSLDFWHHC-32-XX*	PPSLDFWHHC-36-XX*	SQUARE	SEAMLESS	AUTO	HAMMERED COPPER*
D	RCPLPSLFRA-24-XX	RCPPMSLFRA-24-XX	RCPPMSLFRA-28-XX	RCPPMSLFRA-32-XX	RCPPSLFRA-36-XX	ROUND	SEAMLESS	MANUAL	COPPER
D	RSPLPSLFRA-24-XX	RSPPMSLFRA-24-XX	RSPPMSLFRA-28-XX	RSPPMSLFRA-32-XX	RSPPSLFRA-36-XX	ROUND	SEAMLESS	MANUAL	STAINLESS STEEL
D	RPPLPSLFRHHA-24-XX*	RPPMSLFRHHA-24-XX*	RPPMSLFRHHA-28-XX*	RPPMSLFRHHA-32-XX*	RPPSLFRHHA-36-XX*	ROUND	SEAMLESS	MANUAL	HAMMERED COPPER*
D	--	--	--	RCPPMSLDFWC-32-XX	RCPPSLDFWC-36-XX	ROUND	SEAMLESS	AUTO	COPPER
D	--	--	--	RSPPMSLDFWC-32-XX	RSPPSLDFWC-36-XX	ROUND	SEAMLESS	AUTO	STAINLESS STEEL
D	--	--	--	RPPMSLDFWHHC-32-XX*	RPPSLDFWHHC-36-XX*	ROUND	SEAMLESS	AUTO	HAMMERED COPPER*

REF	32"W x 12"H	32"W x 16"H	36"W x 16"H	SHAPE	LIP	IGNITION	MATERIAL
E	RCPPMSLFRA360-32-XX	RCPPSLFRA360-32-XX	RCPPSLFRA360-36-XX	ROUND	360	MANUAL	COPPER
E	RSPPMSLFRA360-32-XX	RSPPSLFRA360-32-XX	RSPPSLFRA360-36-XX	ROUND	360	MANUAL	STAINLESS STEEL
E	RPPMSLDFWHHA360-32-XX*	RPPSLDFWHHA360-32-XX*	RPPSLDFWHHA360-36-XX*	ROUND	360	MANUAL	HAMMERED COPPER*
E	RCPPMSLDFWC360-32-XX	RCPPSLDFWC360-32-XX	RCPPSLDFWC360-36-XX	ROUND	360	AUTO	COPPER
E	RSPPMSLDFWC360-32-XX	RSPPSLDFWC360-32-XX	RSPPSLDFWC360-36-XX	ROUND	360	AUTO	STAINLESS STEEL
E	RPPMSLDFWHHC360-32-XX*	RPPSLDFWHHC360-32-XX*	RPPSLDFWHHC360-36-XX*	ROUND	360	AUTO	HAMMERED COPPER*
F	CPPMSLFRA360-32-XX	CPPSLFRA360-32-XX	CPPSLFRA360-36-XX	SQUARE	360	MANUAL	COPPER
F	SPPMSLFRA360-32-XX	SPPSLFRA360-32-XX	SPPSLFRA360-36-XX	SQUARE	360	MANUAL	STAINLESS STEEL
F	PPMSLDFWHHA360-32-XX*	PPSLDFWHHA360-32-XX*	PPSLDFWHHA360-36-XX*	SQUARE	360	MANUAL	HAMMERED COPPER*
F	CPPMSLDFWC360-32-XX	CPPSLDFWC360-32-XX	CPPSLDFWC360-36-XX	SQUARE	360	AUTO	COPPER
F	SPPMSLDFWC360-32-XX	SPPSLDFWC360-32-XX	SPPSLDFWC360-36-XX	SQUARE	360	AUTO	STAINLESS STEEL
F	PPMSLDFWHHC360-32-XX*	PPSLDFWHHC360-32-XX*	PPSLDFWHHC360-36-XX*	SQUARE	360	AUTO	HAMMERED COPPER*

*Non-Standard Option. May have longer order lead times. Contact for details.



IMPORTANT: See Material Guide on page 80

SPECIAL ORDER OPTIONS	
POWDER COAT COLOR FINISHES	✓
CUSTOM SIZE	✓
Special orders include customizing fee. Lead times may vary. More info PAGE 57	

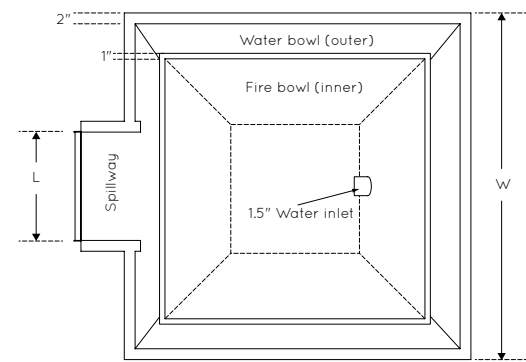
All fire units must be ventilated. Stainless steel not recommended for salt water environments. Copper will naturally patina.

WATER + FIRE BOWL SPECIFICATIONS

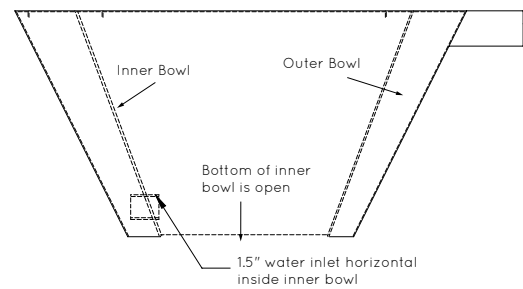
- Bonding: All Water + Fire bowls come with a bonding lug on the bottom.
- Copper will naturally patina. The patina protects the metal and creates a unique color and style for every installation. For more information on patina & care see page 80
- Artisan Series Water + Fire bowls have a 1.5in female threaded inlets on inner bowl opposite spillway
- All Builder Series bowls have a 1.5in female threaded inlet, constructed of 316 Stainless Steel
- The inside bottom of bowl is open for gas and electrical
- For gas and electrical requirements see page 57
- Bottom measurement is equal to 1/2 bowl width (Ex: 24" bowl has 12" base)
- Manual fire pot includes: Perfect Flame™ burner, Media pan, Key valve kit, Valve, Key, Flange, Street Elbow, 12" Nipple, Reducer, Air mixer (propane only) and Built-in vent collar
- Auto fire pot includes: Perfect Flame™ Burner, Media Pan, Igniter/Sensor, Valve Box, Transformer, Regulator, Built-In Vent Collar and Air Mixer (propane only)

FLOW RATES

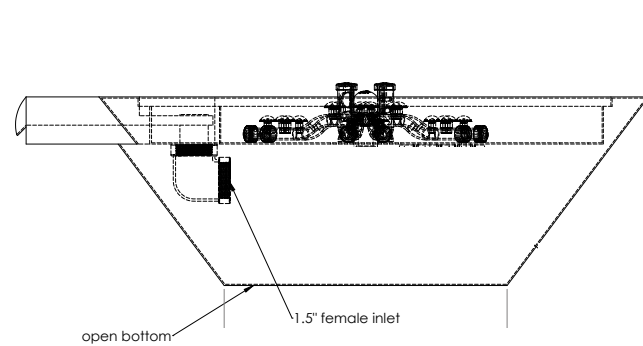
24"W × 7"H	24"W × 12"H	28"W × 12"H	32"W × 12"H	36"W × 16"H
15-20 GPM	15-20 GPM	15-20 GPM	20-25 GPM	20-25 GPM



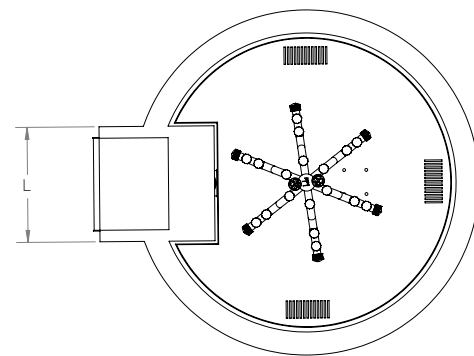
ARTISAN SERIES (TOP VIEW)



ARTISAN SERIES (SIDE VIEW)



BUILDER SERIES (SIDE VIEW)



BUILDER SERIES (TOP VIEW)

SPILLWAY LIP SIZE (L)			
24"	28"	32"	36"
10" WIDE	11" WIDE	12" WIDE	14" WIDE

PERFECT FLAME®

All fire pots, water + fire bowls and fire lines use the Bobé Perfect Flame™ burner technology. Our burners are unlike any other, with a flame that burns bigger with a more natural fire look. One-of-a-kind brass water blockers prevent water intrusion and protect the burner.

- Tallest, thickest flame on the market
- 100% stainless steel and brass construction
- Compatible with automatic and manual systems
- Brass water-blockers prevent any and all rain water from entering the burner
- Machined arms have slope to prevent condensation from draining into center

PERFECT FLAME VS TYPICAL BURNER



FIRE POTS

The perfect showcase for the Perfect Flame™. Bobé fire pots are made to be the center of attention.

Each bowl is built from heavy grade material, fully TIG welded and polished.

PRODUCT FEATURES

- Perfect Flame™ Burner
- Square or Round Shapes
- Automatic Ignition or Manual Key Valve
- Copper or Stainless Steel; Powder Coat available by special order



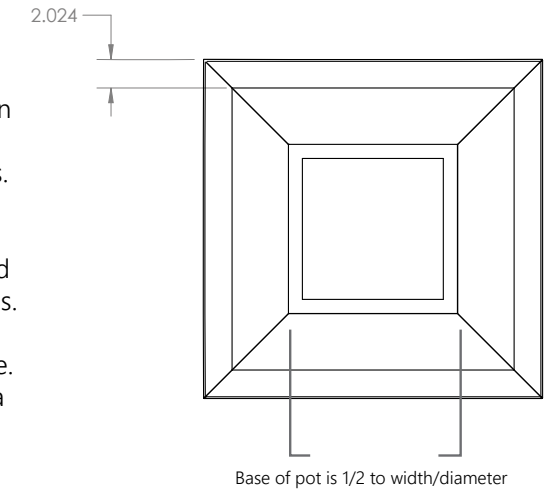
COPPER STAINLESS STEEL HAMMERED COPPER*

IMPORTANT: See Material Guide on page 80

FIRE POTS

SPECIFICATIONS

- Copper will naturally patina. The patina protects the metal and creates a unique color and style for every installation. For more information on patina & care see pg 80
- The bottom of all fire pots are open for plumbing / gas.
- Bottom measurement is equal to 1/2 pot width (Ex: 24" pot has 12" base)
- For other specifications, safety information and detailed gas and electrical requirements see product instructions.
- Pots should be installed with drainage for rain water. Lack of drainage can flood gas lines and require service.
- Manual fire pot includes: Perfect Flame™ Burner, Media Pan, Key Valve Kit, Valve, Key, Flange, Street Elbow, 12" Nipple, Reducer, Air Mixer (propane only), Built-In Vent Collar
- Auto fire pot includes: Perfect Flame™ Burner, Media Pan, Igniter/Sensor, Valve Box, Transformer, Regulator, Built-In Vent Collar, Air Mixer (propane only)
- DOES NOT INCLUDE: lava rock/colored glass, gas muffler



ORDERING GUIDE

1	SELECT SIZE & OPTIONS	2	ADD "-NG" FOR NATURAL GAS	ADD "-LP" FOR PROPANE
	EXAMPLE: CFPLPA-24-XX		EXAMPLE: CFPLPA-24-NG	EXAMPLE: CFPLPA-24-LP

REF	24"W × 7"H	24"W × 12"H	28"W × 12"H	32"W × 12"H	36"W × 16"H	SHAPE	IGNITION	MATERIAL
A	CFPLPA-24-XX	CFPMA-24-XX	CFPMA-28-XX	CFPMA-32-XX	CFPA-36-XX	SQUARE	MANUAL	COPPER
A	SFPLPA-24-XX	SFPMA-24-XX	SFPMA-28-XX	SFPMA-32-XX	SFPA-36-XX	SQUARE	MANUAL	STAINLESS STEEL
A	FLPHHA-24-XX*	FPMHHA-24-XX*	FPMHHA-28-XX*	FPMHHA-32-XX*	FPHHA-36-XX*	SQUARE	MANUAL	HAMMERED COPPER*
A	--	CFPMC-24-XX	CFPMC-28-XX	CFPMC-32-XX	CFPC-36-XX	SQUARE	AUTO	COPPER
A	--	SFPMC-24-XX	SFPMC-28-XX	SFPMC-32-XX	SFPC-36-XX	SQUARE	AUTO	STAINLESS STEEL
A	--	FPMHHC-24-XX*	FPMHHC-28-XX*	FPMHHC-32-XX*	FPHHC-36-XX*	SQUARE	AUTO	HAMMERED COPPER*
B	RCFPLPA-24-XX	RCFPMA-24-XX	RCFPMA-28-XX	RCFPMA-32-XX	RCFPA-36-XX	ROUND	MANUAL	COPPER
B	RSFPLPA-24-XX	RSFPMA-24-XX	RSFPMA-28-XX	RSFPMA-32-XX	RSFPA-36-XX	ROUND	MANUAL	STAINLESS STEEL
B	RFPLPHHA-24-XX*	RFPMHHA-24-XX*	RFPMHHA-28-XX*	RFPMHHA-32-XX*	RFPHHA-36-XX*	ROUND	MANUAL	HAMMERED COPPER*
B	--	RCFPMC-24-XX	RCFPMC-28-XX	RCFPMC-32-XX	RCFPC-36-XX	ROUND	AUTO	COPPER
B	--	RSFPMC-24-XX	RSFPMC-28-XX	RSFPMC-32-XX	RSFPC-36-XX	ROUND	AUTO	STAINLESS STEEL
B	--	RFPMHHC-24-XX*	RFPMHHC-28-XX*	RFPMHHC-32-XX*	RFPHHC-36-XX*	ROUND	AUTO	HAMMERED COPPER*

*Non-Standard Option. May have longer order lead times. Contact for details.

SPECIAL ORDER OPTIONS	
POWDER COAT COLOR FINISHES	✓
CUSTOM SIZE	✓
Special orders will include customizing fee. Lead times may vary. More info PAGE 57	

All fire units must be ventilated. Vent collars included on all fire pots. A cover is recommended for winter or periods of non-use. Stainless steel not recommended for salt water environments. Copper will naturally patina.

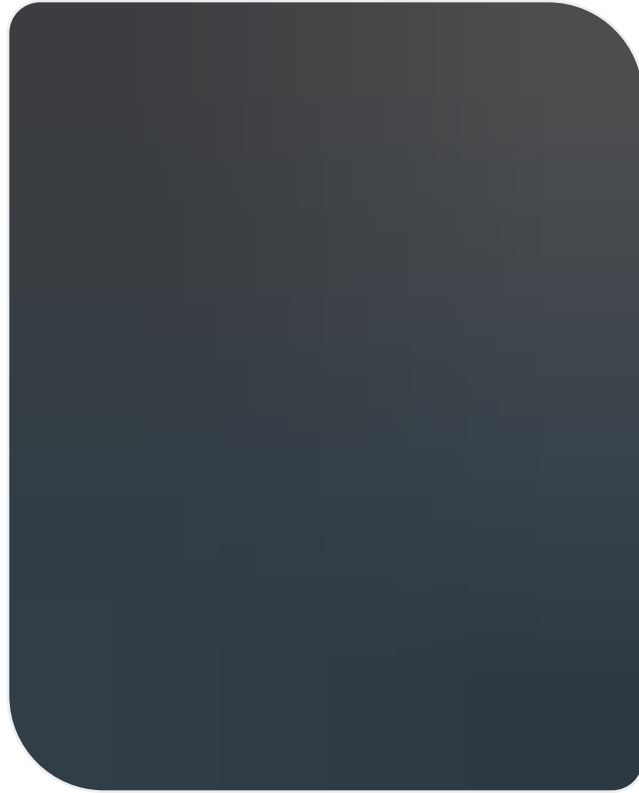
FLIGHT SERIES™

With clean lines and a clear view of the entire fire effect, you can look through the Flight Series' windows to see the flame from its billowing base up 3' to the peak of the flame.

Cor-ten® steel, with its rigid strength and beautiful weathering properties, perfectly complements this unique series.

PRODUCT FEATURES

- Unique, rugged, old world design
- Constructed of solid, extra heavy Cor-ten® Steel
- Round or Square
- 10" tall



COR-TEN STEEL

IMPORTANT: See Material Guide on page 80

ORDERING GUIDE

1	SELECT SIZE & OPTIONS	2	ADD "-NG" FOR NATURAL GAS	ADD "-LP" FOR PROPANE
	EXAMPLE: CFPLPA-24-XX		EXAMPLE: CFPLPA-24-NG	EXAMPLE: CFPLPA-24-LP

REF	24"	28"	32"	SHAPE	IGNITION
A	FLIGHTA-24-XX*	FLIGHTA-28-XX*	FLIGHTA-32-XX*	SQUARE	MANUAL
A	FLIGHTC-24-XX*	FLIGHTC-28-XX*	FLIGHTC-32-XX*	SQUARE	AUTO
B	RFLIGHTA-24-XX*	RFLIGHTA-28-XX*	RFLIGHTA-32-XX*	ROUND	MANUAL
B	RFLIGHTC-24-XX*	RFLIGHTC-28-XX*	RFLIGHTC-32-XX*	ROUND	AUTO

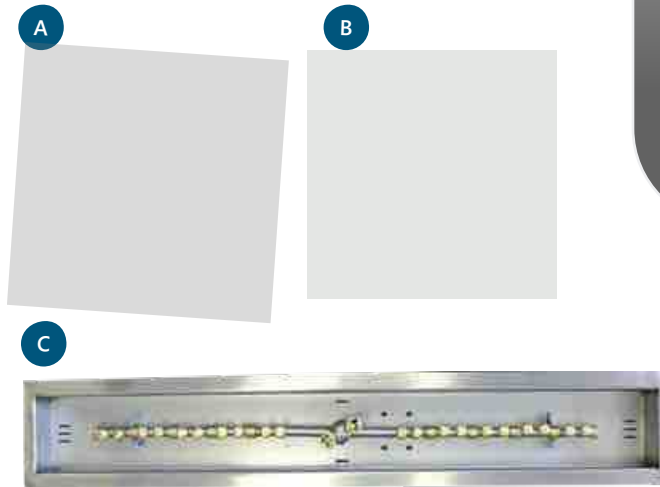
*Non-Standard Product. May have longer order lead times. Contact for details.

DIY FIRE KITS

Build your own fire feature from scratch. DIY kits come fully assembled with a burner and a pan. Ready to drop in place and run natural or LP gas, manual or automatic ignition.

PRODUCT FEATURES

- Square, Round or Fire Line Pans
- Perfect Flame™ Burner
- Stainless Steel Fire Pan



1	SELECT SIZE & OPTIONS	2	ADD "-NG" FOR NATURAL GAS	ADD "-LP" FOR PROPANE
	EXAMPLE: CFPLPA-24-XX		EXAMPLE: CFPLPA-24-NG	EXAMPLE: CFPLPA-24-LP

ORDERING GUIDE

REF	BOBÉ P/N	DESCRIPTION	PAN	IGNITION	SIZE
A	KITC-24SQ-XX*	PERFECT FLAME BURNER KIT	SQUARE	AUTO	24"
A	KITC-30SQ-XX*	PERFECT FLAME BURNER KIT	SQUARE	AUTO	30"
A	KITC-36SQ-XX*	PERFECT FLAME BURNER KIT	SQUARE	AUTO	36"
B	KITC-24R-XX*	PERFECT FLAME BURNER KIT	ROUND	AUTO	24"
B	KITC-30R-XX*	PERFECT FLAME BURNER KIT	ROUND	AUTO	30"
B	KITC-36R-XX*	PERFECT FLAME BURNER KIT	ROUND	AUTO	36"
C	KITA-36FLPAN-XX	PERFECT FLAME FIRE LINE KIT	RECTANGLE	MANUAL	36" x 5"
C	KITA-48FLPAN-XX	PERFECT FLAME FIRE LINE KIT	RECTANGLE	MANUAL	48" x 5"
C	KITA-60FLPAN-XX	PERFECT FLAME FIRE LINE KIT	RECTANGLE	MANUAL	60" x 5"
C	KITA-72FLPAN-XX	PERFECT FLAME FIRE LINE KIT	RECTANGLE	MANUAL	72" x 5"
C	KITA-84FLPAN-XX	PERFECT FLAME FIRE LINE KIT	RECTANGLE	MANUAL	84" x 5"
C	KITA-96FLPAN-XX	PERFECT FLAME FIRE LINE KIT	RECTANGLE	MANUAL	96" x 5"
C	KITC-36FLPAN-XX	PERFECT FLAME FIRE LINE KIT	RECTANGLE	AUTO	36" x 5"
C	KITC-48FLPAN-XX	PERFECT FLAME FIRE LINE KIT	RECTANGLE	AUTO	48" x 5"
C	KITC-60FLPAN-XX	PERFECT FLAME FIRE LINE KIT	RECTANGLE	AUTO	60" x 5"
C	KITC-72FLPAN-XX	PERFECT FLAME FIRE LINE KIT	RECTANGLE	AUTO	72" x 5"
C	KITC-84FLPAN-XX	PERFECT FLAME FIRE LINE KIT	RECTANGLE	AUTO	84" x 5"
C	KITC-96FLPAN-XX	PERFECT FLAME FIRE LINE KIT	RECTANGLE	AUTO	96" x 5"
C	KITC-36FL-XX*	PERFECT FLAME FIRE LINE KIT	RECTANGLE	AUTO	36" x 5"
C	KITC-96FL-XX*	PERFECT FLAME FIRE LINE KIT	RECTANGLE	AUTO	96" x 5"
C	KITC-120FL-XX*	PERFECT FLAME FIRE LINE KIT	RECTANGLE	AUTO	120" x 5"

*Non-Standard Option. May have longer order lead times. Contact for details.

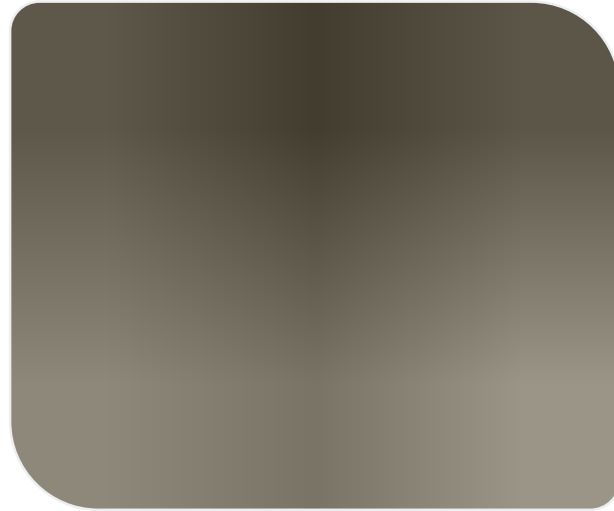
All fire units must be ventilated. Stainless steel not recommended for salt water environments.

FIRE TABLES

Set the stage for outdoor entertainment with a table that provides heat and beauty. Featuring our Perfect Flame™ burner to ensure maximum flame effect. Manually light the burner or sync it with an automated controller and remotely turn it on and off.

PRODUCT FEATURES

- Stainless Steel, Copper or Cor-ten® Steel. Powder Coat available by special order
- Automatic or Manual / Natural Gas or Propane
- 8" Lip/Ledge



IMPORTANT: See Material Guide on page 80

ORDERING GUIDE

1	SELECT SIZE & OPTIONS EXAMPLE: CFPLPA-24-XX	2	ADD "-NG" FOR NATURAL GAS EXAMPLE: CFPLPA-24-NG	ADD "-LP" FOR PROPANE EXAMPLE: CFPLPA-24-LP
----------	---	----------	---	---

48" x 24"	60" x 24"	SHAPE	IGNITION	HEIGHT	MATERIAL
CTBLA-48X24-XX*	CTBLA-60X24-XX*	RECTANGLE	MANUAL	18"	COPPER
STBLA-48X24-XX*	STBLA-60X24-XX*	RECTANGLE	MANUAL	18"	STAINLESS STEEL
STEELTBLA-48X24-XX*	STEELTBLA-60X24-XX*	RECTANGLE	MANUAL	18"	COR-TEN STEEL
CTBLC-48X24-XX*	CTBLC-60X24-XX*	RECTANGLE	AUTO	18"	COPPER
STBLC-48X24-XX*	STBLC-60X24-XX*	RECTANGLE	AUTO	18"	STAINLESS STEEL
STEELTBLC-48X24-XX*	STEELTBLC-60X24-XX*	RECTANGLE	AUTO	18"	COR-TEN STEEL

*May have longer order lead times. Contact for details.

SPECIAL ORDER OPTIONS	
POWDER COAT COLOR FINISHES	✓
CUSTOM SIZE	✓
Special orders will include customizing fee. Lead times may vary. More info PAGE 57	

All fire units must be ventilated. Stainless steel not recommended for salt water environments. Copper will naturally patina.

PREFABRICATED FIRE PIT

Prefabricated fire pit kits are shipped as complete units with a stainless steel body and aluminum prefab structure. The perforated aluminum exterior provides a solid foundation to be covered with brick, stone, tile, or stucco.

PRODUCT FEATURES

- Drop-in fire pit structure only needs to be finished with tile, stone or other material
- Three foot fire pit size
- Prefabricated fire pits are measured by the width of the perforated aluminum structure
- For more fire pit options or to create a custom build, use DIY kits pg 73



ORDERING GUIDE

1	SELECT SIZE & OPTIONS EXAMPLE: CFPLPA-24-XX	2	ADD "-NG" FOR NATURAL GAS EXAMPLE: CFPLPA-24-NG	ADD "-LP" FOR PROPANE EXAMPLE: CFPLPA-24-LP
----------	---	----------	---	---

P/N	DESCRIPTION	IGNITION	MATERIAL
FPSSC-36-XX*	36" SQUARE FIRE PIT KIT	AUTO	STAINLESS STEEL/ ALUMINUM

*Non-Standard Option. May have longer order lead times. Contact for details.

SPECIAL ORDER OPTIONS	
CUSTOM SIZE	✓
Special orders will include customizing fee. Lead times may vary. More info PAGE 57	

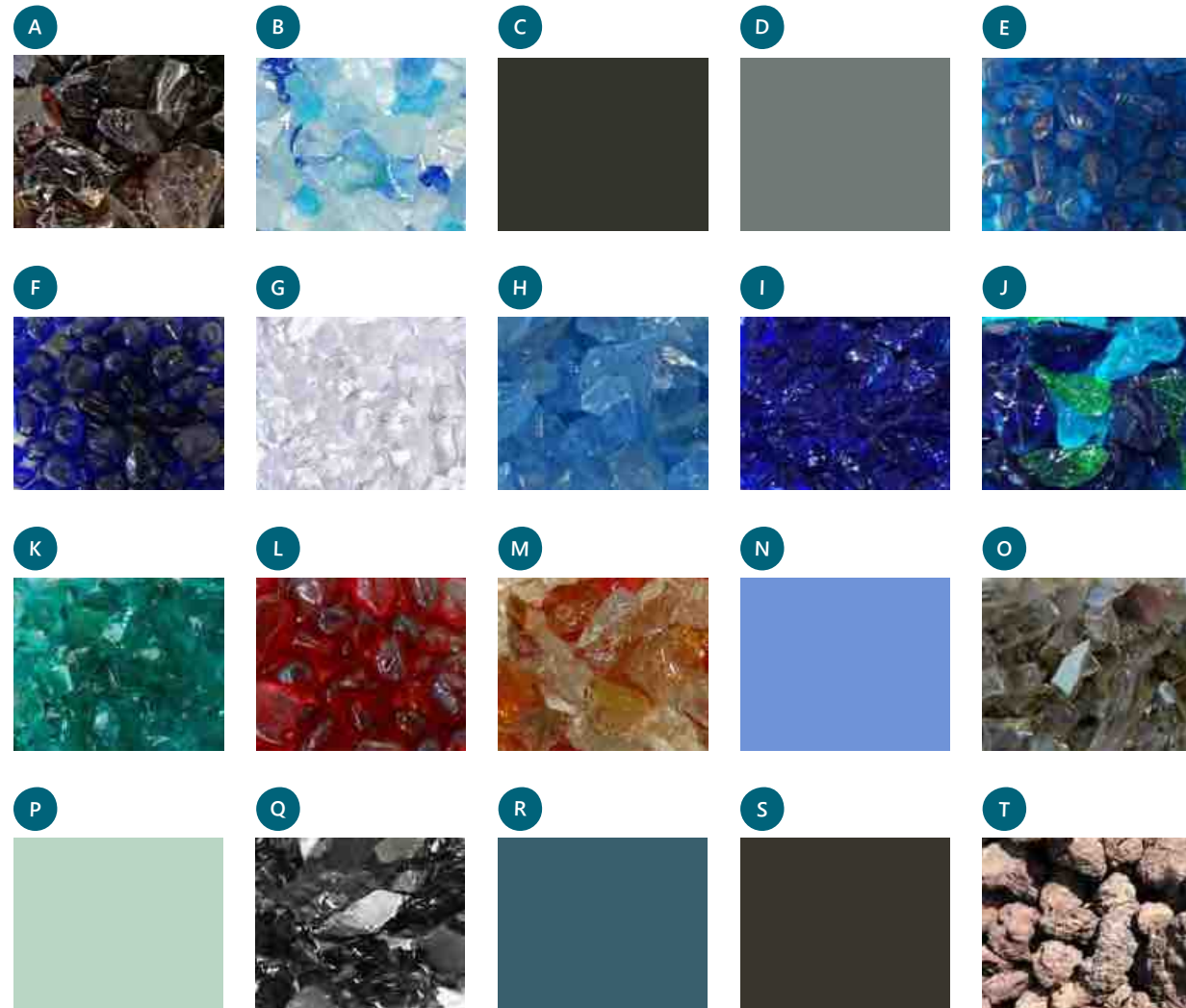
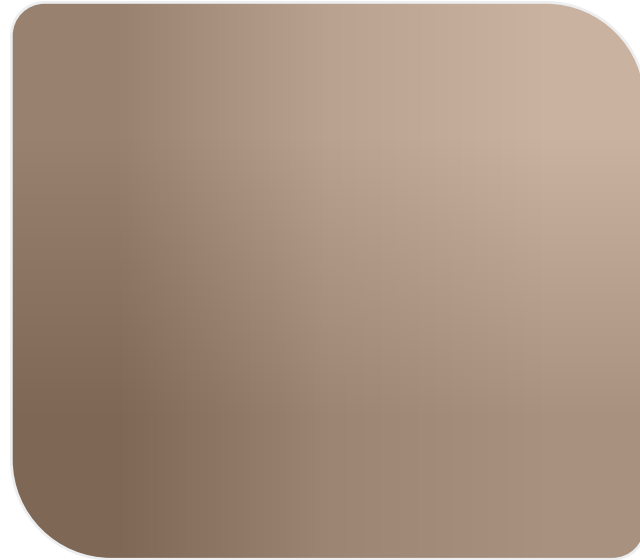
Pits should be installed with drainage for rain water. Lack of drainage can flood gas lines and require service. A cover is recommended for winter or periods of non-use. All fire units must be ventilated. Stainless steel not recommended for salt water environments.

GLASS & ROCK MEDIA

Glass and rock add color and individuality that finishes off an installation. All glass is fire rated for use in our products. Different cuts of glass are available in over a dozen different colors.

PRODUCT FEATURES

- Fire-ready glass material - only use approved materials in fire pots and bowls
- All glass is tumbled to remove sharp edges
- Crushed glass: small pieces of colorful broken glass
- Pebbles: totally smooth rounded off pieces of glass
- Mirrored Glass: glass with a reflective finish on one side
- Lava Rock: natural stone media material



GLASS & ROCK MEDIA

ORDERING GUIDE

REF	BOBÉ P/N	COLOR	MATERIAL	BAG SIZE
A	CGAMB-25*	AMBER	CRUSHED GLASS	25LB
A	CGAMB-50	AMBER	CRUSHED GLASS	50LB
B	CGAM-25	AQUA MIX	CRUSHED GLASS	25LB
B	CGAM-50*	AQUA MIX	CRUSHED GLASS	50LB
C	CGB-22P	BLACK	GLASS PEBBLES	22LB
D	CGB-25	BLACK	CRUSHED GLASS	25LB
D	CGB-50*	BLACK	CRUSHED GLASS	50LB
E	CGBL-22P	BLUE RASPBERRY	GLASS PEBBLES	22LB
F	CGBLBER-22P*	BLUEBERRY	GLASS PEBBLES	22LB
G	CGC-50*	CLEAR	CRUSHED GLASS	50LB
H	CGCB-25*	CRYSTAL BLUE	CRUSHED GLASS	25LB
H	CGCB-50*	CRYSTAL BLUE	CRUSHED GLASS	50LB
I	CGDB-25*	DARK BLUE	CRUSHED GLASS	25LB
I	CGDB-50	DARK BLUE	CRUSHED GLASS	50LB
J	CGOB-25*	OCEAN BLUE	CRUSHED GLASS	25LB
J	CGOB-50*	OCEAN BLUE	CRUSHED GLASS	50LB
K	CGTEAL-50*	TEAL	CRUSHED GLASS	50LB
L	CGSTRAW-22P*	STRAWBERRY RED	GLASS PEBBLES	22LB
M	CGFM-25*	FUN MIX	CRUSHED GLASS	25LB
N	CGLB-25*	LIGHT BLUE	CRUSHED GLASS	25LB
N	CGLB-50	LIGHT BLUE	CRUSHED GLASS	50LB
O	CGREF-25BZ*	REFLECTIVE BRONZE	MIRRORED GLASS	25LB
P	CGREF-25G*	REFLECTIVE GREEN	MIRRORED GLASS	25LB
Q	CGREF-25BK	REFLECTIVE BLACK	MIRRORED GLASS	25LB
R	CGREF-25BL	REFLECTIVE BLUE	MIRRORED GLASS	25LB
S	CGREF-25C	REFLECTIVE COPPER	MIRRORED GLASS	25LB
T	LAVA-20	LAVA ROCK	3-6" ROCKS	20LB

*Non-Standard Option. May have longer order lead times. Contact for details.

PLANTERS

Our planters are the perfect match for fire pots and water + fire bowls. Extremely durable, with the same build quality as our other outdoor pots and bowls.

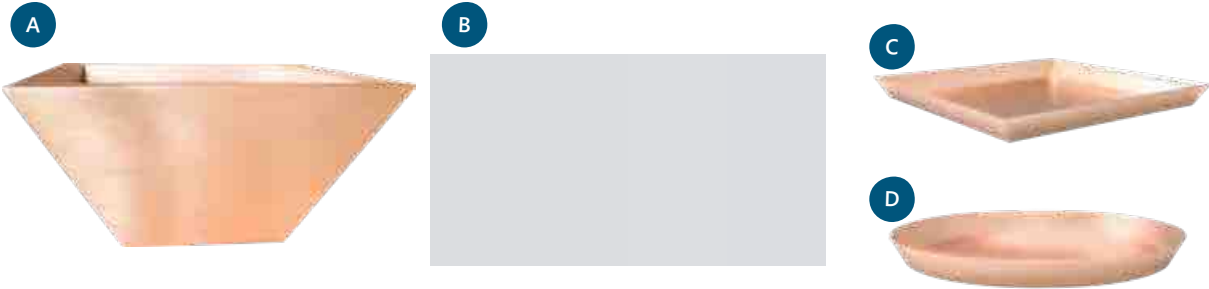
Create an accent that stands out with a unique solid metal outdoor planter. Take advantage of the natural patina style of copper or go for a more modern look with sleek stainless steel.

PRODUCT FEATURES

- Square or Round Shapes
- Copper, Hammered Copper, Stainless Steel or Cor-ten
- Powder Coat colors available by special order
- The bottom of pots have a drain hole
- Optional planter tray sold separately



COPPER STAINLESS STEEL HAMMERED COPPER*
 IMPORTANT: See Material Guide on page 80



Our Cor-ten® Planters are made from Cor-ten® steel. Cor-ten® naturally develops a brown rust-like appearance that is very unique.

PRODUCT FEATURES

- Solid Cor-ten® steel
- Every planter will develop a unique natural patina
- Unlike "rust", the brown patina actually protects the metal and gives each planter a natural one-of-a-kind appearance



COR-TEN STEEL

IMPORTANT: See Material Guide on page 80



PLANTERS

ORDERING GUIDE

PLANTERS					
REF	28" × 7"	28" × 12"	36" × 16"	SHAPE	MATERIAL
A	SCPLNLP-28*	SCPLNTM-28*	SCPLNT-32*	SQUARE	COPPER
A	SSPLNLP-28*	SSPLNTM-28*	SSPLNT-32*	SQUARE	STAINLESS STEEL
A	SPLNLP-28*	SPLNTM-28*	SPLNTHH-32*	SQUARE	HAMMERED COPPER*
B	CPLNLP-28*	CPLNTM-28*	CPLNT-32*	ROUND	COPPER
B	SPLNLP-28*	SPLNTM-28*	SPLNT-32*	ROUND	STAINLESS STEEL
B	PLNLP-28*	PLNTM-28*	PLNTHH-32*	ROUND	HAMMERED COPPER*

PLANTER TRAYS				
REF	14" (FITS 28" POT)	16" (FITS 32" POT)	SHAPE	MATERIAL
C	SCPLNTBS-14*	SCPLNTBS-16*	SQUARE	COPPER
C	SSPLNTBS-14*	SSPLNTBS-16*	SQUARE	STAINLESS STEEL
C	SPLNTBS-14*	SPLNTBS-16*	SQUARE	HAMMERED COPPER*
D	CPLNTBS-14*	CPLNTBS-16*	ROUND	COPPER
D	SPLNTBS-14*	SPLNTBS-16*	ROUND	STAINLESS STEEL
D	PLNTBS-14*	PLNTBS-16*	ROUND	HAMMERED COPPER*

COR-TEN PLANTERS				
	BOBÉ P/N	SHAPE	BASE SIZE	HEIGHT
E	CTENFP-24*	24" × 24" SQUARE	20"	18"
E	CTENFP-28*	28" × 28" SQUARE	24"	18"

*Non-Standard Option. May have longer order lead times. Contact for details.

SPECIAL ORDER OPTIONS	
POWDER COAT COLOR FINISHES	✓
CUSTOM SIZE	✓
Special orders include customizing fee. Lead times may vary. More info PAGE 57	

Stainless steel not recommended for salt water environments. Copper will naturally patina.

BOBÉ® MATERIAL CARE GUIDE

HEAVYWEIGHT COPPER

PATINA: Dark brown to green to blue. All copper products will patina. Patina is a natural process of oxidation where copper reacts to the elements and produces a series of colors that build up in order to protect the copper. The final color can vary widely depending on location, environment and other factors.

WHAT COLOR WILL MY PRODUCT BE?

All products ship in their natural copper state.

Depending on where they are stored or transported, patina may begin to develop. It is **very likely** the color may change between manufacture and delivery and will continue to patina after installation. Copper can be cleaned after installation to reset the patina process.

CLEANING

Patina color may vary from piece to piece, even when delivered on the same day. If you prefer to restore the material after installation, a cleaning solution such as TarnX® may be used.

Hand Prints/Water Spots: Products develop hand prints from handling or water stains from water testing. The natural patina process will cover up the markings as the whole piece begins to darken.



316 MARINE GRADE STAINLESS STEEL

PATINA

Stainless steel does not develop a patina.

CLEANING

- Stainless steel can show water spots and deposits of minerals or other natural substances that appear, orange, white and/or brown. Over-chlorinating the pool or pH out of balance can result in rust.
- Clean using very fine red Scotch-Brite™ cleaning pads.
- In many cases, cleaning over time will greatly reduce reappearance of build-up.



SALTWATER

Stainless steel is not warranted for use in or around salt water.

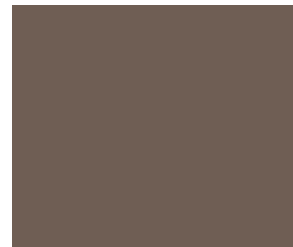
COR-TEN®

PATINA

Cor-ten® steel is a type of untreated "weathering" steel that will develop a dark, "rusted" appearance. The natural oxidation is a protective layer that strengthens over time and does not require any maintenance or care.

IMPORTANT TO NOTE

- Cor-ten® steel products can stain the surfaces below them.
- Clear coating the steel will not permanently prevent rust or weathering of the metal.



POOL SANITIZERS

About CMP Sanitizer Products 82

DEL AOP® 84

DEL Ozone® 90

DEL Ozone® Pro 94

DEL® UV-C 96

Powerclean® Tab Chemical Feeders 98

Powerclean® Salt Chlorine Generators 105

| Replacement Parts 237

WWW.C-M-P.COM/POOL-PRODUCTS/POOL-SANITIZERS

CMP POOL SANITIZER PRODUCTS

CMP is proud to offer a complete suite of sanitizer systems for pools. Our product line includes the most advanced brands for keeping a pool safe, clean and clear.

We strongly believe that every pool needs two sanitizers working together: a Residual system and an Advanced Sanitizers system. Residual systems include chlorine feeders and generators that maintain active chlorine in the water. Advanced Sanitizer systems include AOP, Ozone and UV-C products that destroy chlorine-resistant microbes and clear up chloramines.

ADVANCED SANITIZER SYSTEMS



Ozone + UV-C systems that generate powerful hydroxyl radicals



Precision-tuned UV-C light cleans water with zero residual



Ozone is generated in the water to oxidize contaminants

RESIDUAL SANITIZER SYSTEMS



Pure chlorine is generated from small amounts of salt in the water



Inline and offline chlorine tablet feeders for standard and variable speed pools

THE COMPLETE MODERN POOL®



	ADVANCED SANITIZER SYSTEM	CHLORINE SYSTEM	COMPLETE SYSTEM
Destroys or Inactivates Chlorine Resistant Organisms	✓		✓
Residual Sanitation in Pool		✓	✓
High Oxidation Potential*	✓		✓
Continues Sanitizing When the Pump is Off		✓	✓
Quickly Breaks Down Chloramines	✓		✓

ADVANCED SANITIZERS ARE POWERFUL

Advanced Sanitizers are excellent for destroying or inactivating dangerous contaminants that can be present in any backyard pool. They are effective on microorganisms, viruses, bacteria and other pathogens. Chlorine can be slow to work, and its effectiveness is lowered by the presence of chloramines and unbalanced pool water. Advanced Sanitizers break down chloramines and work in a wide pH range.

THE IMPORTANCE OF A RESIDUAL

Chlorine has a long history of use in pool sanitization, and it has one great trick. It is excellent for maintaining an active residual in the water itself. That means the moment a contaminant enters the water chlorine gets to work. Chlorine is also just as effective when the pump is off, as long as a proper residual level is maintained in the water.

THE COMPLETE MODERN POOL®

The goal when designing a sanitizing system for a backyard pool is to create the best possible installation. Every tool has strengths and weaknesses—the key is to choose components that work together to achieve the best result!

*UV-C systems inactivate microorganisms, but do not fully oxidize



NEW

SMART STATUS INDICATORS

Bold LED indicators on the front panel constantly display the current status of the monitored system. Smart programming actively monitors the ozone and UV sub-systems, and also alerts when it's time for regular service.

FULL FLOW, ALL-IN-ONE

Simply connect to the system with two 2in union connections. 100% of the pool water flows through, so all of the water is treated inside the system with powerful hydroxyl radicals.

3RD PARTY CERTIFIED BY NSF

True NSF 50 Certification as a supplemental sanitizer. This system has been proven to eradicate 99.9% of influent bacteria—the only UV/Ozone combo system to receive this rating from NSF.



A

DEL AOP40

NEW

B

DEL AOP25

ORDERING GUIDE

REF	CMP P/N	DESCRIPTION
A	53000-040-000	DEL AOP 40
B	53000-025-000	DEL AOP 25
--	9-1626-01	UV-C REPLACEMENT LAMP - AOP 40
--	9-1626-02	UV-C REPLACEMENT LAMP - AOP 25
--	9-1352-01	OZONE GAS LINE

DEL AOP® 25/40

PRODUCT FEATURES

- Two sizes treat up to 25,000 and 40,000 gallons
- Full flow generates hydroxyls in the primary pool circulation
- Sensors monitor UV-C and ozone sub-systems
- Single cabinet serviceable design
- Easy-access wiring path and terminal block
- APG2 ozone cells: higher output corona discharge, superior heat performance, durable design
- High flow UV-C chamber
- Variable speed pump compatible
- Built-in drain for winterization

TECHNICAL FEATURES

- Universal 110/240 Voltage
- Certified sanitization flow rates
- Quarter-turn cam lock door access
- 2in union inlet/outlet connections
- Custom-engineered venturi
- Topside UV-C lamp access
- Integrated flow switch

SYSTEM COMPARISON

FEATURES	NEXT GEN DEL AOP®	OTHER AOP SYSTEMS
HIGH OUTPUT CORONA DISCHARGE	✓	✗
FULL FLOW TREATMENT	✓	✗
NSF 50 SUPPLEMENTAL SANITIZER	✓	✗
SMART SYSTEM MONITORING	✓	✗
SINGLE CABINET INSTALLATION	✓	✗

SPECIFICATIONS

	DEL AOP 25	DEL AOP 40
VOLTAGE	110/240 VAC, 50/60 HZ, 0.7 AMPS	110/240 VAC, 50/60 HZ, 1.1 AMPS
PLUMBING	INLET AND OUTLET 2" PVC UNIONS	
CERTIFIED FLOW RATE ¹	30 GPM	40 GPM
CERTIFICATIONS	NSF/ANSI STANDARD 50 SUPPLEMENTAL SANITIZER, CUL LISTED, UL LISTED	
MOUNTING	FLOOR OR WALL MOUNT	
ENCLOSURE	CSA/NEMA 3 INDOOR/OUTDOOR INSTALLATION	
DIMENSIONS	12 1/2" W x 13 3/8" D x 24 1/4" H	
WEIGHT	DRY: 40LBS WET: 64LBS SHIPPING: 55LBS	
UV-C LAMP	LOW PRESSURE 16,000 HR HIGH OUTPUT UV-C GERMICIDAL	
ULTRAVIOLET OUTPUT	254NM	
OZONE CELLS	ONE APG2 CORONA DISCHARGE CELL	TWO APG2 CORONA DISCHARGE CELLS
OZONE OUTPUT ²	215MG/HR	500MG/HR

1. At or below the certified maximum flow rate each unit is certified as a supplemental sanitizer to NSF Standard 50

2. Standard verified output based on gas suction at nominal water flow rate, with minimum back pressure. +/- 10%, 70degF, 30% RH

COVERED BY ONE OR MORE U.S. PATENTS OR PENDING PATENT APPLICATIONS. SEE WWW.C-M-P.COM/PATENTS FOR DETAILS.

DEL AOP® 50



The all-in-one oxidation powerhouse. The AOP 50 treats pools up to 50,000 gallons. This system is up to the task that almost any residential pool can throw at it. It's NSF Certified to true microbial kill treatment for verified peace of mind.

PRODUCT DETAILS

- Commercial-grade Sanitizer System for Backyard Pools
- Variable Speed Check Valve and Injector Manifold are Built into the Unit
- Patented APG Ozone Cells
- Germicidal UV-C Lamp
- NSF, UL, cUL Certified



DEL AOP 50

ORDERING GUIDE

CMP P/N	DESCRIPTION
SEC-110-26	DEL AOP 50
9-1197-01	UV-C REPLACEMENT LAMP - AOP 50
9-1056-01	REPLACEMENT OZONE MODULE

SPECIFICATIONS

VOLTAGE	240 VAC, 60 HZ, 1Ø, 0.6 AMPS
WATTS	144 WATT
PLUMBING	INLET AND OUTLET 2" PVC UNIONS
CERTIFIED FLOW RATE ¹	50 GPM
MOUNTING	GROUND OR WALL MOUNT
ENCLOSURE	CSA/NEMA 3 INDOOR/OUTDOOR INSTALLATION
DIMENSIONS	28" H x 17" W x 10.5" D
WEIGHT	45 LBS
UV-C LAMP	LOW PRESSURE/HIGH OUTPUT UV-C GERMICIDAL
CERTIFICATIONS	NSF, UL, CUL
MDV UNIT	MDV XL

1. At or below the certified maximum flow rate each unit is certified as a supplemental sanitizer to NSF Standard 50 COVERED BY ONE OR MORE U.S. PATENTS OR PENDING PATENT APPLICATIONS. SEE WWW.C-M-P.COM/PATENTS FOR DETAILS.

DEL AOP® S



The industry's first compact AOP solution, now with a brand new name. The AOP-S works along-side your other sanitizers to improve overall water quality. This unit is designed for side-stream installation and utilizes our smallest unit with an external injector system to save space.

Easy to install and lightweight: It's barely bigger than a cereal box, but still powerful. All electrical systems are contained inside the compact unit, so no second external controller is required.

PRODUCT DETAILS

- Patented APG Ozone Cells
- Germicidal UV-C Lamp
- UL, cUL Certified
- Injector Assembly Included
- (Previously the AOP 25)



DEL AOP S

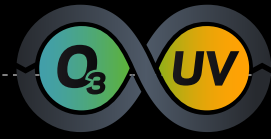
ORDERING GUIDE

CMP P/N	DESCRIPTION
SEC-50	DEL AOP S
9-1100-01	UV-C REPLACEMENT LAMP - AOP-S
9-0770-01	REPLACEMENT CHECK VALVE ASSEMBLY - AOP-S
9-1056-01	REPLACEMENT OZONE MODULE

SPECIFICATIONS

VOLTAGE	110/240VAC 50/60 HZ, 1Ø, 0.3 AMPS
WATTS	33 WATT (110V), 72 WATT (240V)
PLUMBING	INLET AND OUTLET 3/4 INCH PVC SOCKET
MAX FLOW	20 GPM
MOUNTING	WALL MOUNT
ENCLOSURE	CSA/NEMA 3 INDOOR/OUTDOOR INSTALLATION
DIMENSIONS	16.7" H x 11.9" W x 3.2" D
WEIGHT	9.2 LBS
UV-C LAMP	LOW PRESSURE/HIGH OUTPUT UV-C GERMICIDAL
CERTIFICATIONS	UL, CUL
MDV UNIT	MDV

COVERED BY ONE OR MORE U.S. PATENTS OR PENDING PATENT APPLICATIONS. SEE WWW.C-M-P.COM/PATENTS FOR DETAILS.



EXPERIENCE THE DIFFERENCE OF AOP

With the Advanced Oxidation Process, completely transform the pool water.
AOP is the next wave of technology—now.



AOP destroys viruses & bacteria like Cryptosporidium, Giardia, and E.Coli.

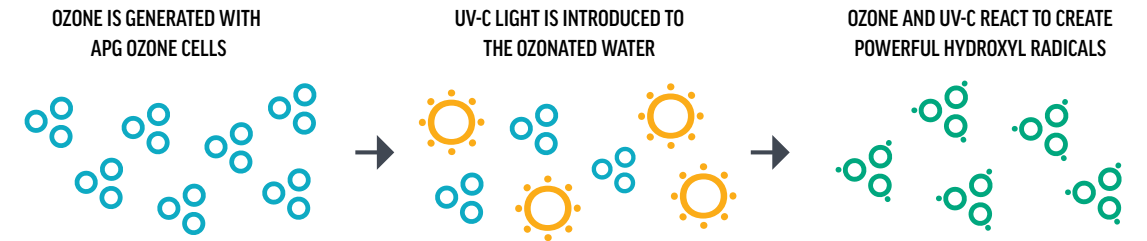
Powerful oxidation reduces chlorine required to maintain a safe residual level in the pool.

Contaminants are destroyed and filtration is enhanced resulting in pure, polished water.

By breaking apart chloramines, chlorine smell, itching and irritation is prevented.

THE SCIENCE OF AOP

When germicidal UV light (UV-C) and ozone react, the result is the production of hydroxyl radicals. This reaction is known as Advanced Oxidation Process, or AOP.



THE POWER OF AOP

AOP is more powerful than Chlorine and other sanitizers, and even more powerful than Ozone alone. Hydroxyl radicals ($\cdot\text{OH}$) are the most powerful oxidation agents available, quickly destroying bacteria, viruses, pathogens and other contaminants that occur in water. Hydroxyl radicals also destroy chlorine resistant microorganisms, such as Cryptosporidium Parvum, Giardia and E.Coli.

---- OXIDATION POTENTIAL COMPARISON: (ELECTRON VOLTS - eV) ----



---- RELATIVE OXIDATION REACTION TIME COMPARED ----



DEL OZONE®



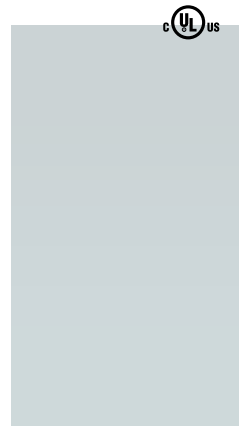
DESTROYS 99.9% OF VIRUSES & BACTERIA
REDUCES CHEMICAL REQUIREMENTS BY 60-90%
REMOVES EYE AND SKIN IRRITANTS FROM WATER

PRODUCT DETAILS

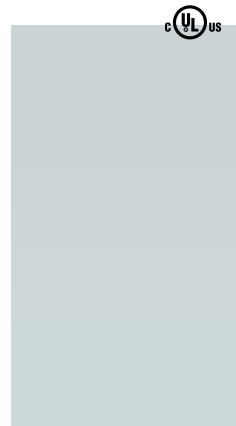
- Patented Advanced Plasma Gap® Technology (APG)
- 110/240 Universal Voltage
- Wall Mount Installation
- UL, cUL Classified
- Injector Manifold Kit Available
- MDV Kit Available



DEL:OZONE ABG25
For above ground pools up to 25,000 gallons



DEL:OZONE 25
For pools up to 25,000 gallons



DEL:OZONE 50
For pools up to 50,000 gallons



DEL:OZONE 100
For pools up to 100,000 gallons

ORDERING GUIDE

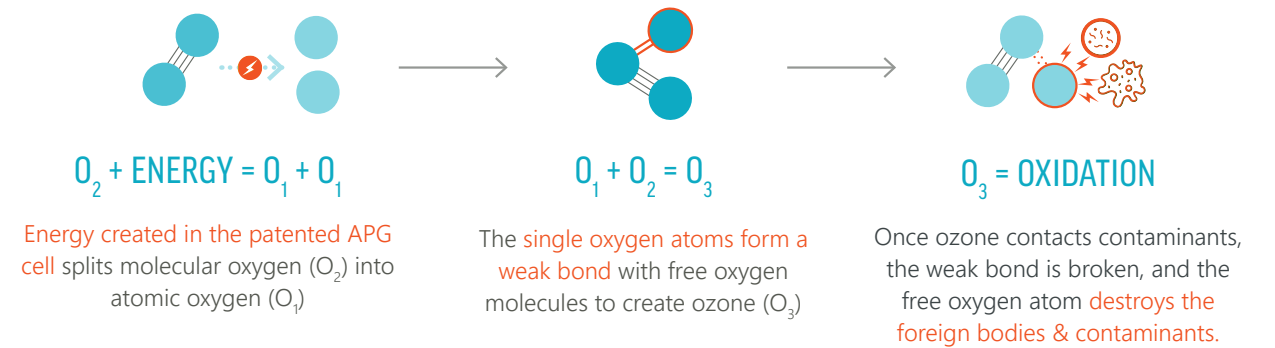
CMP P/N	DESCRIPTION	APPLICATION
EC-AG1U	DEL OZONE ABG 25	ABOVE GROUND POOLS UP TO 25,000 GALLONS
EC-10	DEL OZONE 25	POOLS UP TO 25,000 GALLONS
EC-20	DEL OZONE 50	POOLS UP TO 50,000 GALLONS
EC-40	DEL OZONE 100	POOLS UP TO 100,000 GALLONS
9-0210-11	PARTS BAG: 2" UNIVERSAL INJECTOR MANIFOLD	--
9-0210E	PARTS BAG: #978 INJECTOR, NO BYPASS	--
9-0150E	PARTS BAG: NO INJECTOR	--
9-1056-01	OZONE MODULE KIT	--
9-0770-01	OZONE TUBE ASSEMBLY	--

DEL OZONE 25, 50, 100 PREVIOUSLY SOLD AS ECLIPSE 10, 20, 40

COVERED BY ONE OR MORE U.S. PATENTS OR PENDING PATENT APPLICATIONS. SEE WWW.C-M-P.COM/PATENTS FOR DETAILS.

DEL OZONE® INSTALLATION & SPECIFICATIONS

THE SCIENCE OF OZONE



MDV KIT INSTALLATION

To install a DEL system with the Mixing De-gas Vessel (MDV), connect the ozone generator to a regular Venturi injector included in the MDV install kit. This flows into the MDV and back out to a dedicated or main return.



INJECTOR MANIFOLD KIT INSTALLATION

The Injector Manifold Kit should be plumbed into the pool line. Ozone is injected through a venturi while the pool circulation system is operating.



SPECIFICATIONS

	DEL OZONE 25	DEL OZONE 50	DEL OZONE 100
APPLICATION	UP TO 25,000 GALLONS	UP TO 50,000 GALLONS	UP TO 100,000 GALLONS
OZONE OUTPUT (NOMINAL)	0.25 G/HR	0.5 G/HR	1.0 G/HR
APG CELL QUANTITY	2	4	6
STANDARD AIR FLOW	15 SCFH		
VOLTAGE	110/240 VAC UNIVERSAL		
WATTS	12 WATTS	24 WATTS	38 WATTS
MOUNTING	WALL / POST		
DIMENSIONS	7.8" x 14.1" x 3.2"	7.8" x 14.1" x 3.2"	7.8" x 21.3" x 3.2"
WEIGHT	8.2 LBS.	9.0 LBS.	13.2 LBS.
CERTIFICATIONS	UL, CUL		
OZONE CELL LIFE	3-5 YEARS		

FOR LARGER SIZES AND COMMERCIAL PROJECTS, PLEASE CONTACT POOL SALES AT POOLSALES@C-M-P.COM

OZONE AND AOP MDV UNITS



MDV

When used with the DEL Ozone or AOP lineup, the MDV prevents ozone bubbles from returning to the pool. It prevents bubbles from gathering under the cover or inside plumbing.

In each MDV, a GAC carbon destruct cartridge destroys excess ozone as it is removed.

COMPATIBILITY

- AOP S
- OZONE 25
- OZONE 50
- OZONE 100

MDV-XL

The MDV-XL is a high-flow Mixing De-gas Vessel suited for larger pools and higher flow rates.

To install, connect the outlet to the DEL MDV-XL inlet. This flows into the MDV and back out to a dedicated or main return.

COMPATIBILITY

- AOP 25 (2020)
- AOP 40
- AOP 50

WHEN SHOULD I USE AN MDV?

- To protect a pool cover from possible damage
- To protect pool components, fittings and surfaces
- With indoor or enclosed pools
- When an "oversized" ozone unit is installed
- Any time all ozone bubbles must be removed from the water

SPECIFICATIONS

	MDV-10-04	MDV-100
HEIGHT	17.5"	44.5"
DIAMETER	5"	15.2"
WEIGHT	4.8 LBS.	28 LBS.

ORDERING GUIDE

CMP P/N	DESCRIPTION
MDV-10	MDV WITH SINGLE SPEED OZONE INSTALL KIT
MDV-10-04	MDV WITH VARIABLE SPEED OZONE INSTALL KIT
MDV-10-08	MDV WITH AOP S INSTALL KIT
MDV-100	MDV XL WITH AOP 50 INSTALL KIT
9-0620	OZONE DESTRUCT REPLACEMENT CARTRIDGE

COVERED BY ONE OR MORE U.S. PATENTS OR PENDING PATENT APPLICATIONS. SEE WWW.C-M-P.COM/PATENTS FOR DETAILS.

South Utah University

Atlantis - The Palm Aquarium - Bahamas

LOOKING FOR COMMERCIAL PRODUCTS?

With CMP Commercial, you get more than a product. You get a complete set of solutions that can be designed to meet your specific facility needs. Our experienced team will partner with clear options and customer solutions – from plug & play to expandable, and from basic to advanced PLC control. Now is the time to take your installations to the next level.

PROFESSIONAL SERVICE

Our team is your strategic partner for the duration of the project, from design to installation to support.

- Design Consultation
- Engineering Consultation
- Complete Drawing Packages
- System Packaging
- On-Site Commissioning
- Operator Training
- Global Field Service

BUILT FROM EXPERIENCE

CMP Commercial Products brings together some of the more experienced, innovative and dedicated teams in the industry.

- Over 2 million ozone systems sold worldwide
- On-staff experts in ozone technology, system design and manufacturing
- Global leader in ozone technology
- The industry's most experienced ozone team

THE BEST IN THE INDUSTRY

Three innovative brands have joined together to offer the best combination of products, experience and customer service for commercial clients.

OZONE | AOP | CHLORINE GENERATORS | WHITE GOODS

AQUATIC LIFE SUPPORT | HMAc | COMMERCIAL AQUATICS | COMMERCIAL POOLS

DEL: AOP PRO

The newest addition to our product family. A powerful oxidation system, with setup cost comparable to UV.

DEL: OZONE PRO

A complete ozone family, proven in the field for over 30 years. Systems range from 2 - 1200 grams per hour output, with advanced customization and control options available. Certified as an NSF 50 Secondary Sanitizer.

POWERCLEAN SALT PRO

The only commercial system that allows for generator cell cleaning with zero acid. Expandable with manifold systems for output up to 14lbs of chlorine per day.

Plus commercial white goods components including VGB Certified drains and suctions, pool fittings, water bonding products and other white goods.

DEL OZONE® PRO G-CLASS



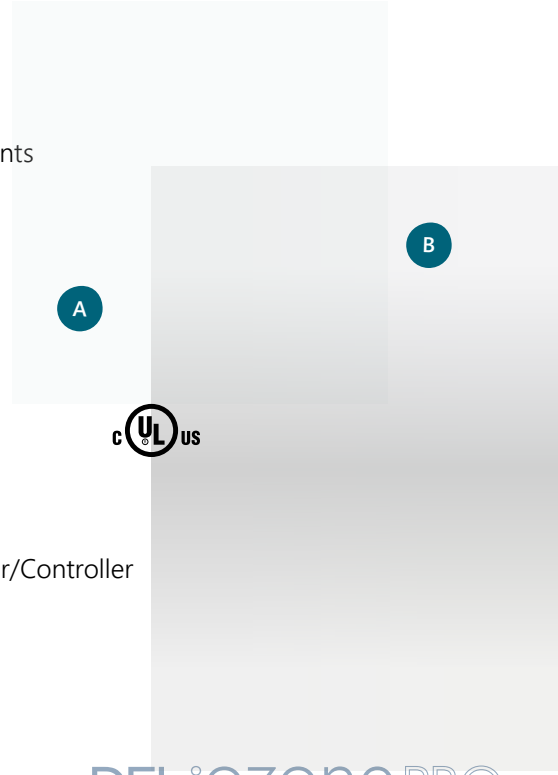
THE ONLY NSF 50 CERTIFIED SECONDARY OZONE SANITIZERS



Achieve maximum ozone output! G-Class CD-2/5/7 systems generate 2-7 grams of ozone per hour at 2.5-3.0% by weight. CD-15/25/45 systems generate 15-45 grams of ozone per hour at 3-4% by weight. All operate under vacuum for safety and include integrated DEL Ozone Safety Management Systems.

STANDARD G-CLASS FEATURES

- Integrated DEL Ozone Safety Management System
- Integrated Oxygen Flow Meter
- Complete Isolation During Shut-Down
- Automatic Feed-Gas Control Maintains Operational Set Points
- Powder-Coated Steel Enclosures Designed to NEMA-12
- Integrated Fault Protection for
 - Door Open
 - Feed Gas Pressure Failure
 - Vacuum Loss
 - Overheating
 - Water Backflow
 - Current Overdraw
 - Over-pressurizing of Oxygen Concentrator



ALSO AVAILABLE IN THE DEL OZONE PRO LINE:

- ORP Monitor/Control
- Ambient Ozone Monitor/Controller
- Injector Assemblies
- Dry Tap ORP
- Contact Tanks
- De-gas Valves
- Ozone Destruct Assemblies

DEL:OZONE PRO

PRO SPECIFICATIONS

	CD-2	CD-5	CD-7	CD-15	CD-25	CD-45
DIMENSIONS	16"W x 24.5"H x 11.5"D			24.4"W x 39"H x 11.8"D		
OZONE OUTPUT	2 G/HR	5 G/HR	7 G/HR	15 G/HR	25 G/HR	45 G/HR
OZONE CONCENTRATION (BY WEIGHT)	2.0%	2.0%	2.5 - 3.0%	2.5-3.0%	3.5 - 4.0%	3.5-4.0%
VOLTAGE REQUIREMENT	115 V - 60 HZ OR 230 V - 50 HZ					
REQUIRED CURRENT AT 115 V	5.5 A	5.5 A	5.5 A	10.0 A	10.0 A	17.0 A
REQUIRED CURRENT AT 230 V	3.0 A	3.0 A	3.5 A	3.5 A	5.0 A	8.0 A
AMBIENT OPERATING TEMPERATURE	40 - 100° F (5 - 38° C)	40 - 100° F (5 - 38° C)	40 - 100° F (5 - 38° C)	40 - 100° F (5 - 38° C)	40 - 100° F (5 - 38° C)	40 - 100° F (5 - 38° C)
OXYGEN FEED FLOW	2.5 SCFH	6 SCFH	7 SCFH	13 SCFH	17 SCFH	30 SCFH
COOLING WATER	AIR COOLED	AIR COOLED	AIR COOLED	0.10 GPM (.4 LPM)	0.10 GPM (.4 LPM)	0.20 GPM (.8 LPM)
INLET TEMPERATURE* (70° F (21° C) MAX RECOMMENDED)	--	--	--	50 - 90° F (10 - 32° C)	50 - 90° F (10 - 32° C)	50 - 90° F (10 - 32° C)
INLET PRESSURE*	--	--	--	15 - 40 PSI (103 - 275 KPA)	15 - 40 PSI (103 - 275 KPA)	15 - 40 PSI (103 - 275 KPA)
ENCLOSURE MATERIAL / FINISH	STEEL, 16 GAUGE / LIGHT GRAY (POWDER COAT)					

*Cooling Water Specs

Booster Pump NOT INCLUDED in Package - MUST BE SUPPLIED by OTHERS.

DEL OZONE® PRO - G-CLASS

ORDERING GUIDE

REF	CMP P/N	OZONE OUTPUT	OUTPUT CONTROL	ENCLOSURE*	4-20mA CONTROL	ON-BOARD OXYGEN SUPPLY	EXPORT
A	CD-2G	2 GR/HR	NONE	LIGHT GRAY		•	
A	CD-2G-50	2 GR/HR	NONE	LIGHT GRAY		•	•
A	CD-5G	5 GR/HR	NONE	LIGHT GRAY		•	
A	CD-5GV-A01	5 GR/HR	VARIABLE	LIGHT GRAY		•	
A	CD-5G-50	5 GR/HR	NONE	LIGHT GRAY		•	•
A	CD-7G	7 GR/HR	NONE	LIGHT GRAY		•	
A	CD-7G-PRO	7 GR/HR	PROPORTIONAL	LIGHT GRAY		•	
A	CD-7G-NAP	7 GR/HR	NONE	LIGHT GRAY		•	
A	CD-7GV	7 GR/HR	VARIABLE	LIGHT GRAY		•	
A	CD-7GV-NAP	7 GR/HR	VARIABLE	LIGHT GRAY		•	
A	CD-7GV-50	7 GR/HR	NONE	LIGHT GRAY		•	•
B	CD-15G	15 GR/HR	NONE	LIGHT GRAY		•	
B	CD-15G-NAP	15 GR/HR	NONE	LIGHT GRAY		•	
B	CD-15G-PRO	15 GR/HR	NONE	LIGHT GRAY	•	•	
B	CD-15G-50-PRO	15 GR/HR	NONE	LIGHT GRAY	•	•	
B	CD-15GV	15 GR/HR	VARIABLE	LIGHT GRAY		•	
B	CD-15GV-NAP	15 GR/HR	VARIABLE	LIGHT GRAY		•	
B	CD-15GV-50	15 GR/HR	NONE	LIGHT GRAY		•	•
B	CD-25G	25 GR/HR	NONE	LIGHT GRAY		•	
B	CD-25G-NAP	25 GR/HR	NONE	LIGHT GRAY		•	
B	CD-25G-PRO	25 GR/HR	NONE	LIGHT GRAY	•	•	
B	CD-25G-PRO-02	25 GR/HR	NONE	STAINLESS STEEL	•	•	
B	CD-25G-50-PRO	25 GR/HR	NONE	LIGHT GRAY	•	•	
B	CD-25GV	25 GR/HR	VARIABLE	LIGHT GRAY		•	
B	CD-25GV-NAP	25 GR/HR	VARIABLE	LIGHT GRAY		•	
B	CD-25GV-50	25 GR/HR	VARIABLE	LIGHT GRAY		•	•
B	CD-45GV	45 GR/HR	VARIABLE	LIGHT GRAY		•	
B	CD-45GV-NAP	45 GR/HR	VARIABLE	LIGHT GRAY		•	
B	CD-45G-PRO	45 GR/HR	NONE	LIGHT GRAY	•	•	
B	CD-45G-PRO-02	45 GR/HR	NONE	STAINLESS STEEL	•	•	
B	CD-45G-50-PRO	45 GR/HR	NONE	LIGHT GRAY	•	•	
B	CD-45GV-50	45 GR/HR	NONE	LIGHT GRAY		•	•

*LIGHT GRAY & WHITE ENCLOSURES ARE POWDER-COATED STEEL

DEL Ozone Pro G-Class is the ideal choice for high-risk pool, spa and splash pad applications.

G-Class Systems are NSF-50 certified for secondary disinfection, which includes cryptosporidium inactivation and is required for high-risk pool installations. These are the only ozone sanitizers with 3rd party validation per NSF requirements.

DEL® UV-C 50



GERMICIDAL UV-C TECHNOLOGY
HIGH FLOW RATES UP TO 100 GPM
TREATS POOLS UP TO 50,000 GALLONS

1. INTELLIGENT COVER DESIGN

Integrated cover interlock cuts power when the cover is removed. A heat shield protects the cover from ballast heat, secures lamp connections & protects from moisture.

2. VENTILATED 360 GLOW RING

The integrated patented glow ring allows for safe, visual confirmation that the UV lamps are working. The built-in ventilation allows air in and keeps moisture out, protecting the ballast.

3. BUILT-IN TOTAL DRAIN VALVE

Service and winterize the UV-C 50 without disconnecting from the system plumbing. The system internals are specially designed to ensure complete drainage.

PRODUCT DETAILS

- Treats up to 50,000 Gallons
- Hard wired and Plug-in Styles Available
- Hard wired is 120/240 Universal Voltage
- Best option for difficult plumbing (below water level, high back pressure, etc)
- Option for plumbing ports (inlet/outlet) on the same side or opposite sides
- Note: Flow Switch Required for Below Water Installations



DEL UV-C 50

COVERED BY ONE OR MORE U.S. PATENTS OR PENDING PATENT APPLICATIONS. SEE WWW.C-M-P.COM/PATENTS FOR DETAILS.

ORDERING GUIDE

CMP P/N	DESCRIPTION	ELECTRICAL CONNECTION	VOLTAGE	PLUMBING LOCATIONS
EUV-01-01	DEL UV-C 50	HARD WIRED	120/240V	SAME SIDE
EUV-01-21	DEL UV-C 50	HARD WIRED	120/240V	OPPOSITE SIDE
EUV-16-01	DEL UV-C 50	PLUG-IN	120V	SAME SIDE
EUV-16-21	DEL UV-C 50	PLUG-IN	120V	OPPOSITE SIDE
EUV-FS-01	UV-C 50 FLOW SWITCH KIT	--	--	--
9-1416-01	REPLACEMENT QUARTZ TUBE	--	--	--
9-1421-01	REPLACEMENT UV LAMP	--	--	--

UV-C 50 TECHNICAL SPECIFICATIONS

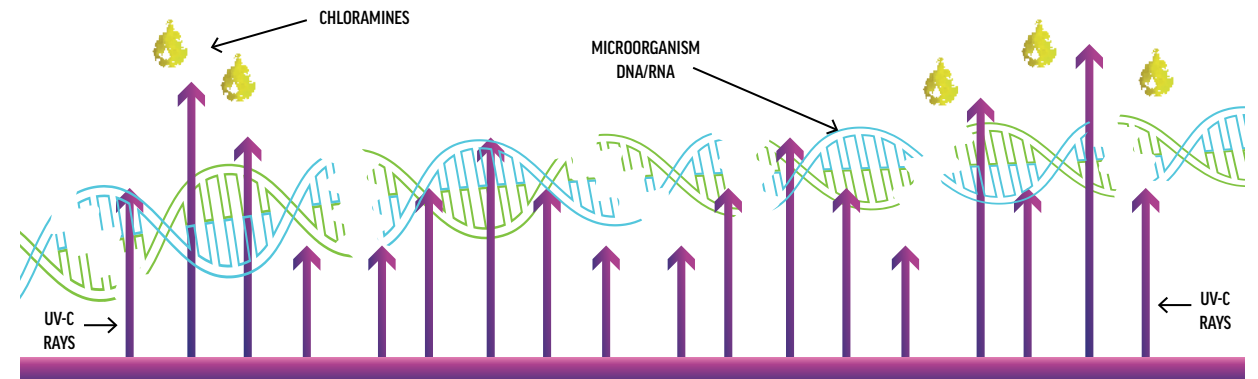
THE ADVANTAGES OF UV-C

With the use of UV-C microorganisms are destroyed, chloramines are broken down, chlorine dependence is significantly reduced, and water clarity is optimized to produce crystal clear results.

- Destroys harmful contaminants
- Inactivates Cryptosporidium, Giardia and other chlorine resistant microorganisms
- Dramatically reduces chemical demand and increases effectiveness of residual sanitizers
- Eliminates chemical odors, irritation and damage to pool systems

THE SCIENCE OF UV-C

The UV-C 50 lamp emits safe, high intensity light rays tuned to germicidal 254 nanometers. Using natural rays of light, UV-C breaks apart the DNA and RNA of microorganisms, harmful bacteria, viruses, cysts and protozoa. This inactivates the contaminants to leave water safe and sanitized. UV-C does not create ozone. The highly concentrated electromagnetic energy also destroys organic matter—like urine and sweat—to eliminate the formation of harmful chlorine by-products.



SPECIFICATIONS

VOLTAGE	120/240 VAC, 50-60HZ, 0.8 AMPS
WATTS	96 W
MINIMUM FLOW	40 GPM
DIMENSIONS	11.5" DIAMETER x 33.8" HEIGHT
ENCLOSURE RATING	NEMA 3
LAMPS	TWO 540MM, 58 WATT UV-C LAMPS
LAMP LIFE	18 MONTHS
PRESSURE	50 PSI
FLOW	100 GPM
REGULATORY	UL, CUL

FOR LARGER SIZES AND COMMERCIAL PROJECTS, PLEASE CONTACT POOL SALES AT POOLSALES@C-M-P.COM

POWERCLEAN® TAB ULTRA VS



THE HIGH FLOW CHLORINATOR ENGINEERED FOR VARIABLE SPEED PUMPS

You've given us feedback on variable speed pumps, and we've been listening. Variable speed is great for energy efficiency, but not for chlorine flow. Introducing Powerclean® Ultra VS. Now, maintain high chlorine flow on a low flow variable speed system.

PRODUCT FEATURES

- High chlorine flow with system flow as low as 20 GPM
- Increases flow rate over the chlorine tablets in a low flow or variable speed system
- Quick installation or removal of VS option with no tools required
- Available for Powerclean Ultra and Econ
- VS Kit also available for CMP retrofit
- Ideal for use between 20 and 50 system GPM
- High flow without elevated system back pressure



FREQUENTLY ASKED QUESTIONS

AT WHAT "RPM" DOES POWERCLEAN VS PERFORM?
 Powerclean VS operates at a pumps low and medium RPM settings, in the 20 - 50GPM range.

CAN AN EXISTING CHLORINATOR BE UPGRADED?
 Any Powerclean Ultra or Econ In-Line model can be upgraded with the VS Conversion Kit.

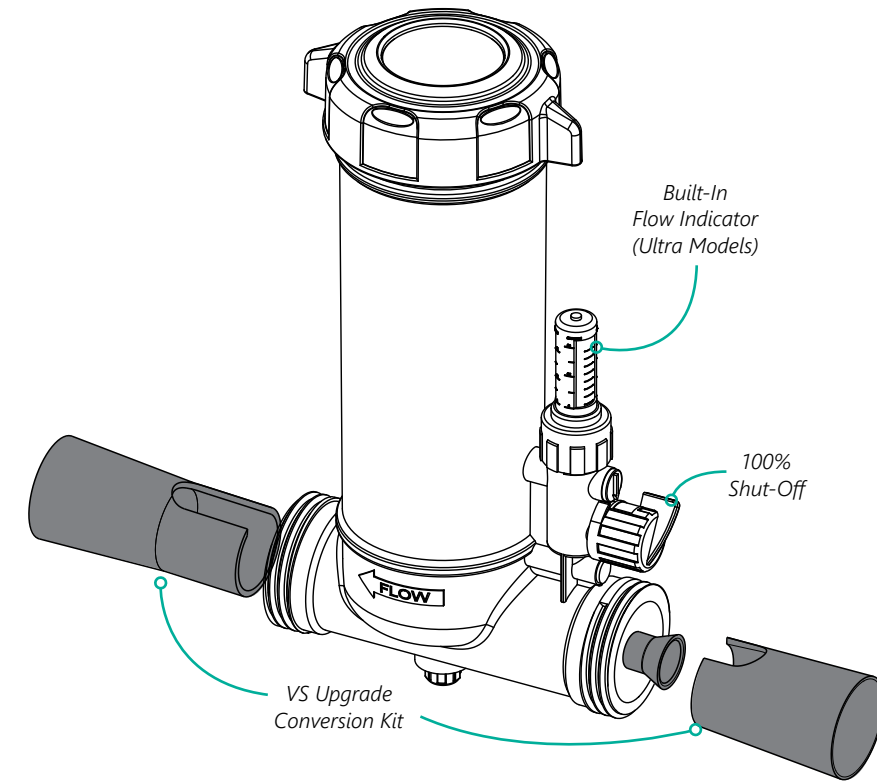
HOW DOES THIS IMPROVE SANITATION?
 The advanced VS engineering accelerates the flow inside the feeder chamber, improving dissolve rates for chlorine and bromine tablets.

ORDERING GUIDE

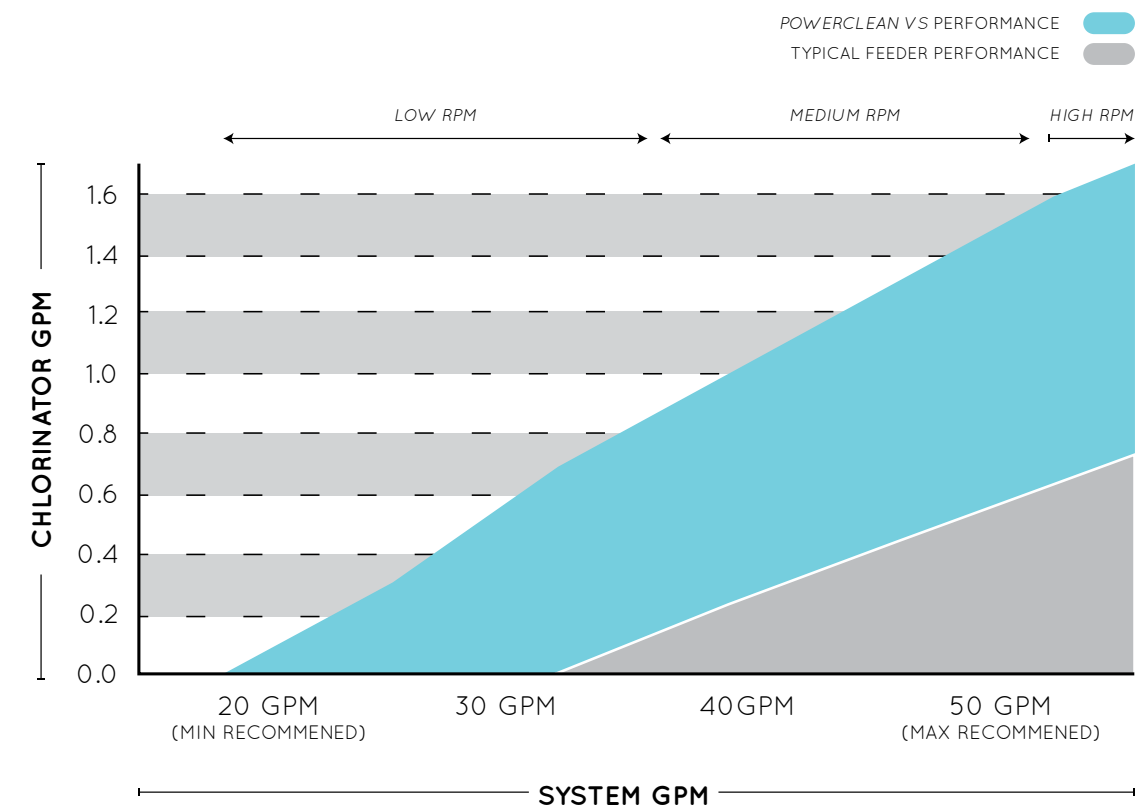
CMP P/N	DESCRIPTION	BOX QTY
25280-150-000	POWERCLEAN TAB ULTRA VS IN-LINE, CLEAR GLASS LID	1
25280-160-000	POWERCLEAN TAB ULTRA VS IN-LINE, WHITE LID	1
25280-170-000	POWERCLEAN TAB ECON VS IN-LINE	1
25280-107-100	POWERCLEAN TAB VS UPGRADE CONVERSION KIT	6
25280-000-910	POWERCLEAN CHLORINATOR LOCK NUT	--

WARNING: NEVER MIX CHLORINE AND BROMINE

POWERCLEAN® TAB ULTRA VS



POWERCLEAN VS PERFORMANCE

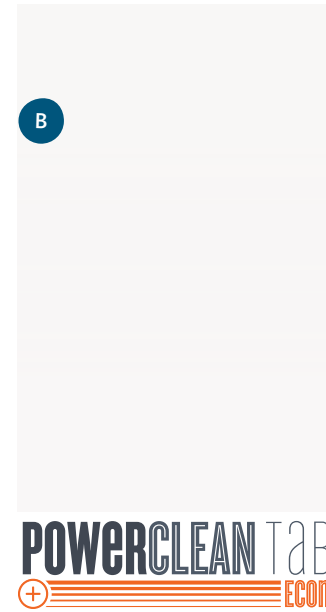
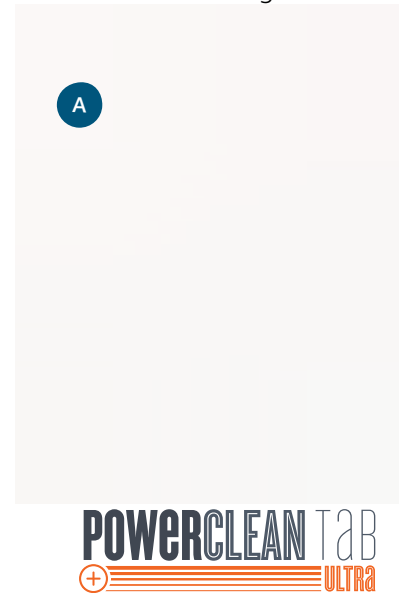


POWERCLEAN® TAB INLINE



PRODUCT FEATURES

- TOUGH: Heavy-duty, Durable Construction
- NO EXTERNAL HOSES: All Piping is Inside the Unit to Eliminate Leaks
- Superior 100% Shut-Off Dial
- Bottom Drain Plug



SPECIFICATIONS

	POWERCLEAN TAB ULTRA	POWERCLEAN TAB ECON	POWERCLEAN TAB MINI
POOL SIZE	5,000 - 50,000 GALLONS		5,000 - 20,000 GALLONS
CAPACITY	3" TABS / 5LBS OF 1" TABS		FIVE 3" TABS / 2LBS OF 1" TABS
FLOW INDICATOR	•	•	
UNIONS INCLUDED	•		•
HOSE ADAPTER INCLUDED			•
GLASS LID OPTION	•		

ORDERING GUIDE

REF	CMP P/N	DESCRIPTION	LID STYLE	BOX QTY
A	25280-100-000	POWERCLEAN TAB ULTRA IN-LINE CHLORINATOR	CLEAR GLASS	1
A	25280-109-000	POWERCLEAN TAB ULTRA IN-LINE CHLORINATOR	CLEAR PLASTIC	1
A	25280-110-000	POWERCLEAN TAB ULTRA IN-LINE CHLORINATOR	WHITE	1
--	25280-400-000	POWERCLEAN TAB ULTRA IN-LINE CHLORINATOR WITH BASE	CLEAR GLASS	1
--	25280-410-000	POWERCLEAN TAB ULTRA IN-LINE CHLORINATOR WITH BASE	WHITE	1
B	25280-120-000	POWERCLEAN TAB ECON IN-LINE	WHITE	1
--	21023-000-000	2" UNIONS FOR POWERCLEAN TAB ECON	WHITE	190
C	25280-200-000	POWERCLEAN TAB MINI	WHITE	1

REPLACEMENT PARTS PAGE 237

*clear plastic lids will cloud over time

WARNING: NEVER MIX CHLORINE AND BROMINE

POWERCLEAN® TAB OFFLINE

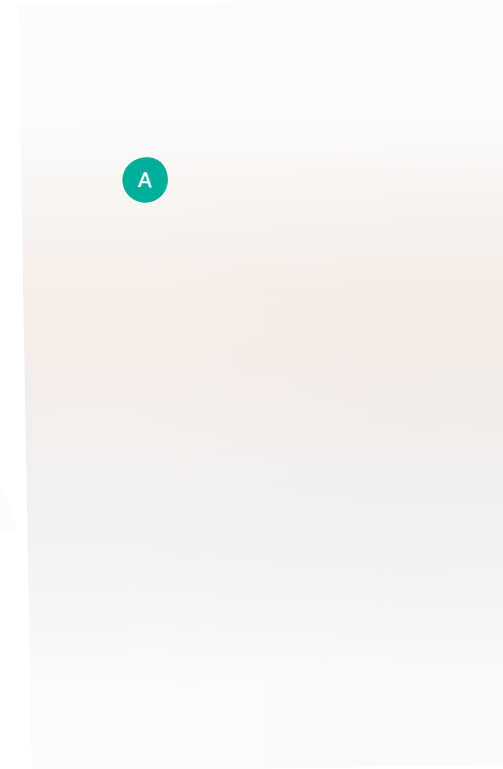


PRODUCT FEATURES

- 2.5 - 3" Pipe Adapter Sizes
- Larger Hose Than Other Brands
- Includes Base, Two Mounting Brackets and Tubing plus 3/4" Fittings for Hard Plumbing Installation



Superior offline clamp design, now up to 3"



SPECIFICATIONS

POOL SIZE	5,000 - 50,000 GALLONS
CAPACITY	3" TABS / 5LBS OF 1" TABS
FLOW INDICATOR	•
UNIONS INCLUDED	•
GLASS LID OPTION	•

ORDERING GUIDE

REF	CMP P/N	DESCRIPTION	CLAMP SIZE	LID STYLE	BOX QTY
A	25280-300-000	POWERCLEAN TAB ULTRA OFF-LINE CHLORINATOR	1.5" - 2"	CLEAR GLASS	6
A	25280-309-000	POWERCLEAN TAB ULTRA OFF-LINE CHLORINATOR	1.5" - 2"	CLEAR PLASTIC	6
A	25280-310-000	POWERCLEAN TAB ULTRA OFF-LINE CHLORINATOR	1.5" - 2"	WHITE	6
--	25280-300-300	POWERCLEAN TAB ULTRA OFF-LINE CHLORINATOR	2.5" - 3"	CLEAR GLASS	--
--	25280-309-300	POWERCLEAN TAB ULTRA OFF-LINE CHLORINATOR	2.5" - 3"	CLEAR PLASTIC	--
--	25280-310-300	POWERCLEAN TAB ULTRA OFF-LINE CHLORINATOR	2.5" - 3"	WHITE	--
B	25280-300-990	POWERCLEAN TAB ULTRA OFF-LINE HOSE CLAMP ASSEMBLY	2.5"	--	50
B	25280-300-900	POWERCLEAN TAB ULTRA OFF-LINE CLAMP KIT	3"	--	100

REPLACEMENT PARTS PAGE 238

WARNING: NEVER MIX CHLORINE AND BROMINE

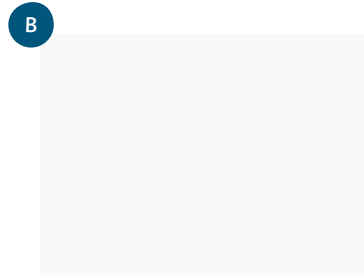
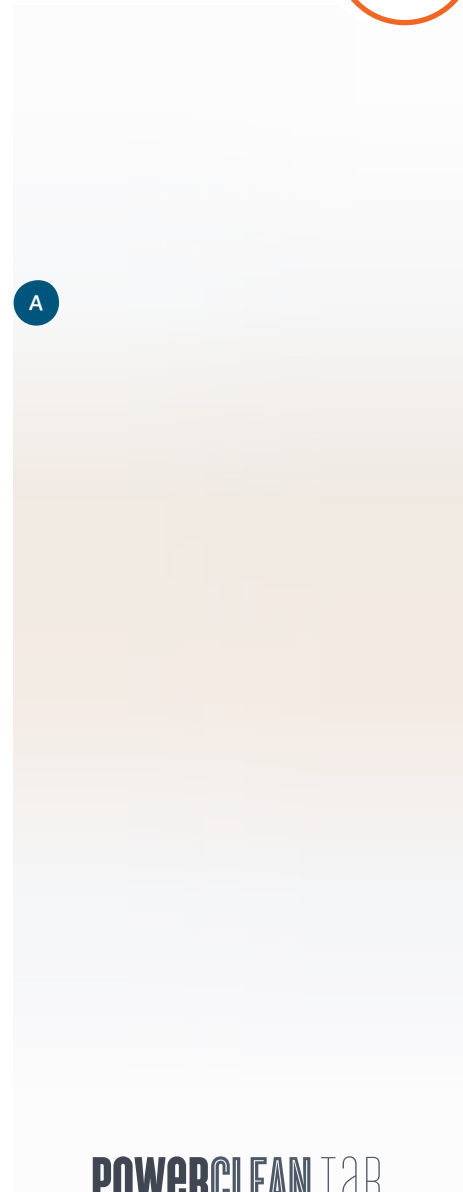
POWERCLEAN® TAB MAX



Powerclean® Tab Max is a high capacity feeder. This is the chlorinator of choice for large or heavy bather load pools that need an extra punch of power. Designed for residential use only.

PRODUCT FEATURES

- Holds up to 15lbs of 3" or 1" Tablets
- Precise Quick Disconnect Flow Control Valve
- Safety Locking Vent-able Lid with Clear Glass Viewport
- Off-Line Installation with 1" Pipe
- Includes 1" Quick Disconnect Union Fitting
- Built-In Drain Valve for Easy Service or Winterization



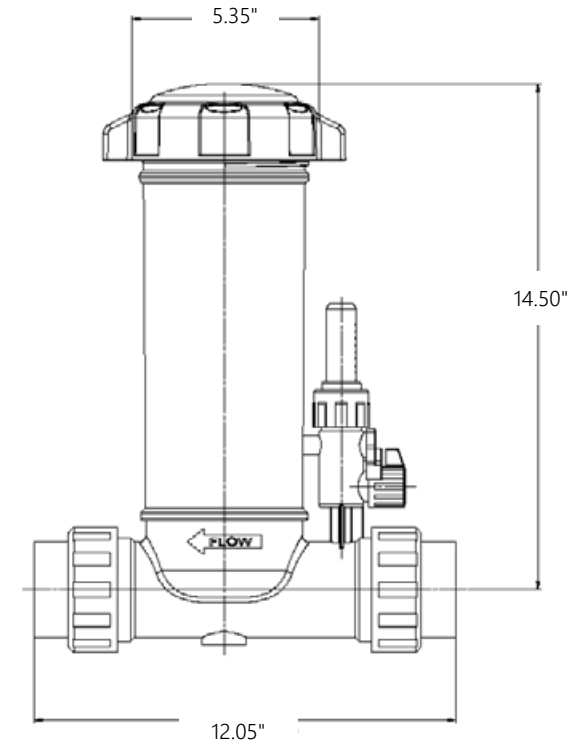
ORDERING GUIDE

REF	CMP P/N	DESCRIPTION	BOX QTY
A	25280-615-000	POWERCLEAN TAB MAX	1
B	25280-615-500	POWERCLEAN TAB MAX LID ASSY & O-RING (INCLUDED WITH FEEDER)	--
C	25280-615-300	1" FLOW CONTROL VALVE (INCLUDED WITH FEEDER)	--
D	25280-615-600	FLOW METER ASSEMBLY (INCLUDED WITH FEEDER)	--
--	25280-615-106	SCREEN COVER FOR POWERCLEAN TAB MAX (INCLUDED WITH FEEDER)	--
--	25280-615-200	1" QUICK DISCONNECT UNION FITTING	--
--	25280-000-910	POWERCLEAN CHLORINATOR LOCK NUT	--

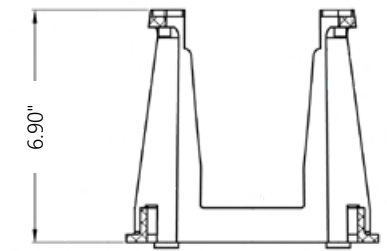
WARNING: NEVER MIX CHLORINE AND BROMINE

POWERCLEAN® TAB DIMENSIONS

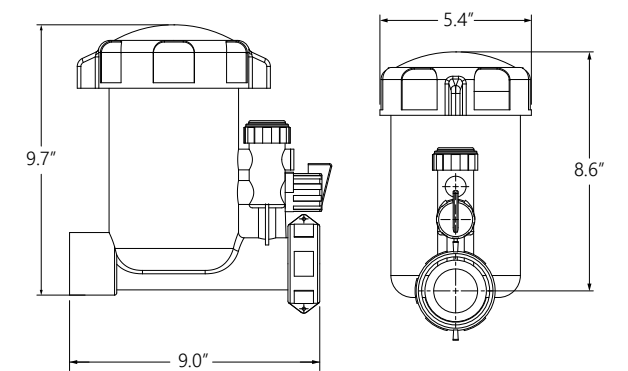
POWERCLEAN ULTRA & ECON



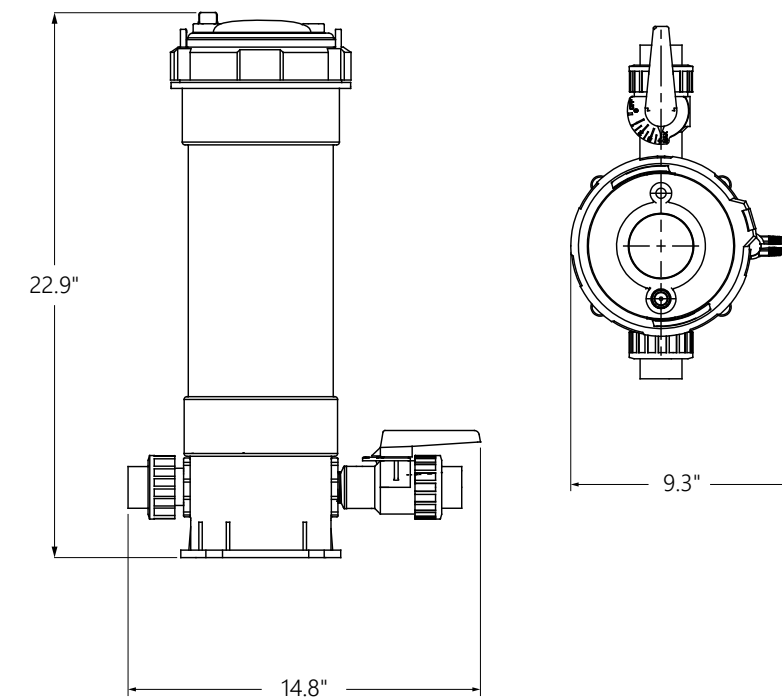
POWERCLEAN BASE



POWERCLEAN MINI



POWERCLEAN MAX



YOUR FRIENDLY, BACKYARD CHLORINE GENERATOR

- With simple salt, produce pure chlorine without aggressive chlorine tablets or shock
- Salt chlorination leaves water feeling smooth, comfortable and soft
- Innovative products take the guess-work out of salt system maintenance

SMART FEATURES

CLEAR CELL HOUSING: It's easy to inspect the cell plates and see when it's time to clean. With other salt generators you have to guess when the plates are dirty.

UNIVERSAL SENSOR: A built-in sensor inside the cell constantly checks for faults due to flow, temperature or calcium build-up.

DESIGNED WITH CARE & MAINTENANCE IN MIND

CLEAN WITH ZERO ACID: Cell plates are completely removable for easy cleaning with no dangerous chemicals.

SUPERIOR CELL PLATES: Wide-set individually powered cell plates help prevent scale "bridging" that reduces the life of competing salt cells.



POWERCLEAN SALT



THE COMPLETE MODERN POOL®

ADD A DEL™ ADVANCED SANITIZER SYSTEM

- Lower overall chlorine demand
- Destroy chlorine resistant bacteria
- Reduce output level & extend the life of the cell



POWERCLEAN® SALT ULTRA



UPGRADED SALT CELL DESIGN

The Ultra cell adds extra strength and durability. Self-aligning unions ease installation, service and winterization.

COMMERCIAL QUALITY CONTROL

This control center is NSF Certified. Get a commercial grade control for a backyard pool.

SUPERIOR PRODUCT WARRANTY

Every Ultra unit includes a 3 year 100% warranty.

PRODUCT FEATURES

- Certified to UL-1081 and NSF/ANSI-50
- NEW tinted cover protects the control panel from sunlight
- Pools up to 60,000 gallons¹
- Produces up to almost 2lbs of chlorine/day
- Four output levels plus Chlorine Boost
- Auto shut-off for low salt, low temp or low flow



RESIDENTIAL SIZING CHART

CELL SIZE	POOL SIZE - STANDARD	POOL SIZE - HIGH DEMAND ¹	CHLORINE DAILY OUTPUT (CERTIFIED BY NSF)
320	20,000 GAL	14,000 GAL	0.78LB
540	40,000 GAL	28,000 GAL	1.35LB
760	60,000 GAL	43,000 GAL	1.88LB

¹High demand pools may require more output to maintain a proper chlorine residual. High demand may include hot or humid climates, high bathers loads, or environmental factors. Also add a DEL Advanced Sanitizer system to reduce demand in high demand environments.

ORDERING GUIDE

CMP P/N	DESCRIPTION	BOX QTY
52000-220-000	POWERCLEAN SALT ULTRA 320	1
52000-240-000	POWERCLEAN SALT ULTRA 540	1
52000-260-000	POWERCLEAN SALT ULTRA 760	1
52000-220-104	BLUE CLEANING STICK (INCLUDED WITH EACH UNIT)	--
52000-200-001	POWERCLEAN SALT ULTRA WINTERIZING CELL CAP KIT	--

REPLACEMENT PARTS PAGE 239

FOR LARGER SIZES AND COMMERCIAL PROJECTS, PLEASE CONTACT POOL SALES AT POOLSALES@C-M-P.COM

HYDROSEAL™ POOL VALVES

Diverter Valves *108*

Serviceable Check Valves *109*

Slice Valves *111*

Ball Valves *112*

Multiport Valves *113*

Slide Valves *115*

Air Relief Valves *116*

| Replacement Parts *240*

| Cross Reference Charts *264*

WWW.C-M-P.COM/POOL-PRODUCTS/VALVES

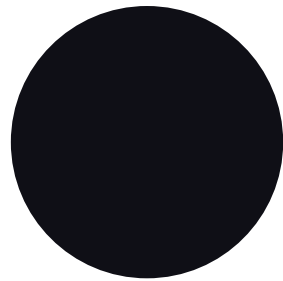
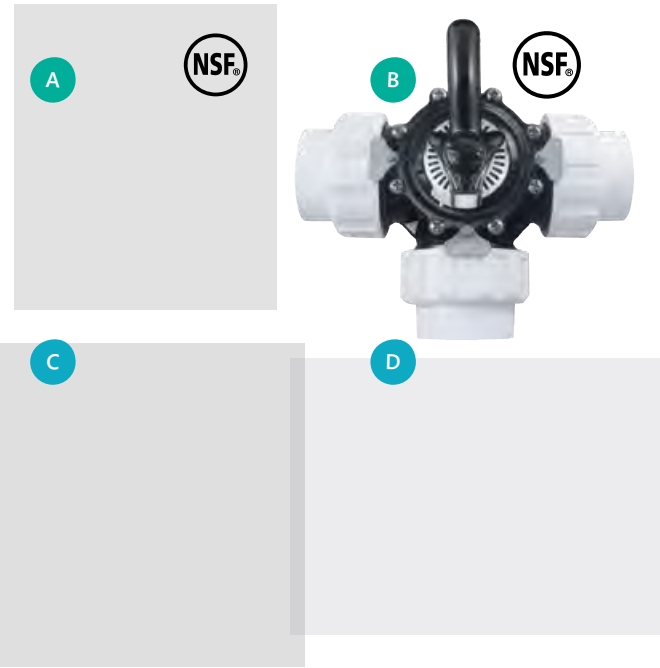
HYDROSEAL™ POOL DIVERTER VALVES

PRODUCT FEATURES

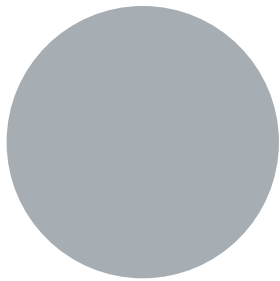
- LifeSeals™ Never Need Lubrication
- Exclusive 32 Dial Stop Adjustable Indicator Plate for Precise Flow Control
- Interchangeable Flow Tabs for Marking Ports (English & Spanish Included)
- T-Gasket Seal on Union Valves

THREE MATERIAL OPTIONS

- CPVC: Performs in high temp, NSF Certified
- PVC: For standard, non-high-temp
- Clear PVC: Easy to inspect, visibly set diverter; non-high-temp



32-Stop Precision Dial



Multilingual Port Markers

ORDERING GUIDE

PVC Body Valves should not be used in temperatures over 104°

REF	CMP P/N	PORT SIZE	PORT COUNT	MATERIAL	UNIONS	BOX QTY
--	25912-154-000	1.5" SOCKET × 2" SPIGOT	2-WAY	CPVC		18
--	25912-204-000	2" SOCKET × 2.5" SPIGOT	2-WAY	CPVC		18
--	25912-254-000	2.5" SOCKET × 3" SPIGOT	2-WAY	CPVC		18
--	25922-154-000	1.5" SOCKET	2-WAY	CPVC	•	12
--	25922-204-000	2" SOCKET	2-WAY	CPVC	•	16
A	25913-154-000	1.5" SOCKET × 2" SPIGOT	3-WAY	CPVC		16
A	25913-204-000	2" SOCKET × 2.5" SPIGOT	3-WAY	CPVC		16
A	25913-254-000	2.5" SOCKET × 3" SPIGOT	3-WAY	CPVC		16
B	25923-154-000	1.5" SOCKET	3-WAY	CPVC	•	16
B	25923-204-000	2" SOCKET	3-WAY	CPVC	•	16
--	25932-151-000	1.5" SOCKET × 2" SPIGOT	2-WAY	PVC		18
--	25932-201-000	2" SOCKET × 2.5" SPIGOT	2-WAY	PVC		18
--	25932-251-000	2.5" SOCKET × 3" SPIGOT	2-WAY	PVC		18
C	25933-151-000	1.5" SOCKET × 2" SPIGOT	3-WAY	PVC		16
C	25933-201-000	2" SOCKET × 2.5" SPIGOT	3-WAY	PVC		16
--	25933-251-000	2.5" SOCKET × 3" SPIGOT	3-WAY	PVC		16
D	25923-159-000	1.5" SOCKET	3-WAY	CLEAR PVC	•	12
D	25923-209-000	2" SOCKET	3-WAY	CLEAR PVC	•	12

REPLACEMENT PARTS PAGE 240

HYDROSEAL™ SERVICEABLE CHECK VALVES

CMP Hydroseal Serviceable Check Valves are designed for demanding pool and spa applications. Dependable quality with a union lid nut for easy removal and service, clear lid for easy inspection, and high temp PVC body with longer sockets for better glue joints.

C-M-P.COM/CHECK-VALVES

CPVC CHECK VALVES

- High Temp CPVC Body
- Serviceable Clear Lid with Lock Nut
- Corrosion Proof Pin
- Longer Sockets for Better Glue Joints
- Check Valve is Reversible while Installed
- Silicone Check Seal Never Requires Lubrication
- Awarded the NSF International Seal

CORROSION RESISTANT CHECK VALVES

Hydroseal Corrosion Resistant check valves are a durable, pro-level option that stand up to harsh chemical conditions. The best solution for systems with a chlorinator or brominator installed.

- Ceramic Pin for Corrosion Protection
- Hastelloy Spring for High Stress and Corrosive Environments
- White PVC Option (max temp 104°)
- Recommended for use with salt chlorine generators



ORDERING GUIDE

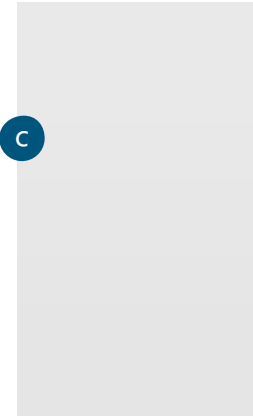
THREAD-ON SERVICEABLE CHECK VALVES						
REF	CMP P/N	SPRING	MAX FLOW	MAX PSI	DESCRIPTION	BOX QTY
A	25830-150-000	2 POUND	100gpm	50psi	1.5" SOCKET × 2" SPIGOT BLACK CPVC	12
A	25830-200-000	2 POUND	100gpm	50psi	2" SOCKET × 2.5" SPIGOT BLACK CPVC	12
A	25830-450-000	1/4 POUND	100gpm	50psi	1.5" SOCKET × 2" SPIGOT BLACK CPVC	12
A	25830-500-000	1/4 POUND	100gpm	50psi	2" SOCKET × 2.5" SPIGOT BLACK CPVC	12
THREAD-ON SERVICEABLE CORROSION RESISTANT CHECK VALVES						
B	25830-350-000	2 POUND	100gpm	50psi	1.5" SOCKET × 2" SPIGOT BLACK CPVC	12
B	25830-400-000	2 POUND	100gpm	50psi	2" SOCKET × 2.5" SPIGOT BLACK CPVC	12
C	25830-360-000	2 POUND	100gpm	50psi	1.5" SOCKET × 2" SPIGOT WHITE PVC	12
C	25830-410-000	2 POUND	100gpm	50psi	2" SOCKET × 2.5" SPIGOT WHITE PVC	12

REPLACEMENT PARTS PAGE 241

HYDROSEAL™ STANDARD STYLE CHECK VALVES

STANDARD CPVC CHECK VALVES

- Black CPVC Body
- Serviceable Standard Clear Lid
- High temp CPVC and Longer Sockets for Better Glue Joints
- Silicone Check Seal Never Requires Lubrication
- Awarded the NSF International Seal



ORDERING GUIDE

STANDARD STYLE CPVC SERVICEABLE CHECK VALVES						
REF	CMP P/N	SPRING	MAX FLOW	MAX PSI	DESCRIPTION	BOX QTY
A	25830-704-000	2 POUND	125gpm	50psi	180° 1.5" SOCKET × 2" SPIGOT BLACK CPVC	12
A	25830-714-000	2 POUND	125gpm	50psi	180° 2" SOCKET × 2.5" SPIGOT BLACK CPVC	12
A	25830-250-000	2 POUND	125gpm	50psi	180° 2.5" SOCKET × 3" SPIGOT BLACK CPVC	12
A	25830-804-000	1/2 POUND	125gpm	50psi	180° 1.5" SOCKET × 2" SPIGOT BLACK CPVC	12
A	25830-814-000	1/2 POUND	125gpm	50psi	180° 2" SOCKET × 2.5" SPIGOT BLACK CPVC	12
B	25830-764-000	2 POUND	125gpm	50psi	90° 1.5" SOCKET × 2" SPIGOT BLACK CPVC	12
B	25830-774-000	2 POUND	125gpm	50psi	90° 2" SOCKET × 2.5" SPIGOT BLACK CPVC	12
B	25830-864-000	1/2 POUND	125gpm	50psi	90° 1.5" SOCKET × 2" SPIGOT BLACK CPVC	12
B	25830-874-000	1/2 POUND	125gpm	50psi	90° 2" SOCKET × 2.5" SPIGOT BLACK CPVC	12
C	25830-724-000	2 POUND	125gpm	50psi	1.5" SOCKET UNION VALVE, BLACK CPVC	12
C	25830-734-000	2 POUND	125gpm	50psi	2" SOCKET UNION VALVE, BLACK CPVC	12

BASIC CHECK VALVES

D	25552-500-000	--	--	--	WHITE RETURN FITTING CHECK VALVE	400
D	25552-501-000	--	--	--	GRAY RETURN FITTING CHECK VALVE	400
D	25552-504-000	--	--	--	BLACK RETURN FITTING CHECK VALVE	400
D	25552-507-000	--	--	--	DK GRAY RETURN FITTING CHECK VALVE	400
E	25067-000-000	1/4 POUND	--	--	AIR CHECK VALVE 2" SPIGOT × 1.5" SOCKET	150
F	25062-159-000	--	--	--	CLEAR SWING CHECK VALVE 1.5" SOCKET	120
F	25062-209-000	--	--	--	CLEAR SWING CHECK VALVE 2" SOCKET	40
F	25062-000-000	--	--	--	WHITE SWING CHECK VALVE 1" SOCKET	120
F	25062-150-000	--	--	--	WHITE SWING CHECK VALVE 1.5" SOCKET	120

REPLACEMENT PARTS PAGE 242

HYDROSEAL™ LOCKING SLICE VALVES

A complete line of slice valves in a variety of configurations for pool and spa applications. CMP slice valves are assembled as one complete unit with 100% shut-off capabilities. Attention to design details makes these the best line of slice valves for every installation.

PRODUCT FEATURES

- 100% Shut-Off
- Lockable in Open Position
- Press-Fit Valve Lock Ensures Constant Full Flow Open Position



ORDERING GUIDE

REF	WHITE	BLACK	DESCRIPTION	BOX/BAG
A	25850-150-000	--	1.5" SOCKET × SOCKET	18
A	25850-200-000	--	2" SOCKET × SOCKET	18
A	25850-250-000	--	2.5" SPIGOT × SOCKET	18
A	25851-150-000	--	1.5" SPIGOT × SPIGOT	70
A	25851-200-000	--	2" SPIGOT × SPIGOT	64
A	25851-250-000	--	2.5" SPIGOT × SPIGOT	42
A	25852-150-000	--	1.5" SPIGOT × SOCKET	70
A	25852-200-000	--	2" SPIGOT × SOCKET	64
A	25852-250-000	--	2.5" SPIGOT × SOCKET	42
A	25853-150-000	--	1.5" SPIGOT × MALE UNION	70
A	25853-200-000	--	2" SPIGOT × MALE UNION	64
A	25853-250-000	--	2.5" SPIGOT × MALE UNION	42
A	25858-150-000	--	1.5" SOCKET × MALE UNION	70
A	25858-200-000	--	2" SOCKET × MALE UNION	64
A	25858-250-000	--	2.5" SOCKET × MALE UNION	42
B	25854-150-000	25854-154-000	1.5" MIP × FIP	70
C	25855-150-000	--	1.5" FIP × SPLIT NUT	55
D	25856-150-000	25856-154-000	1.5" MIP × HOSE ADAPTER	70
E	25857-150-000	25857-154-000	1.5" SPLIT NUT × HOSE ADAPTER	55
--	25850-000-100	--	REPLACEMENT SLICE VALVE LOCK	1000/200

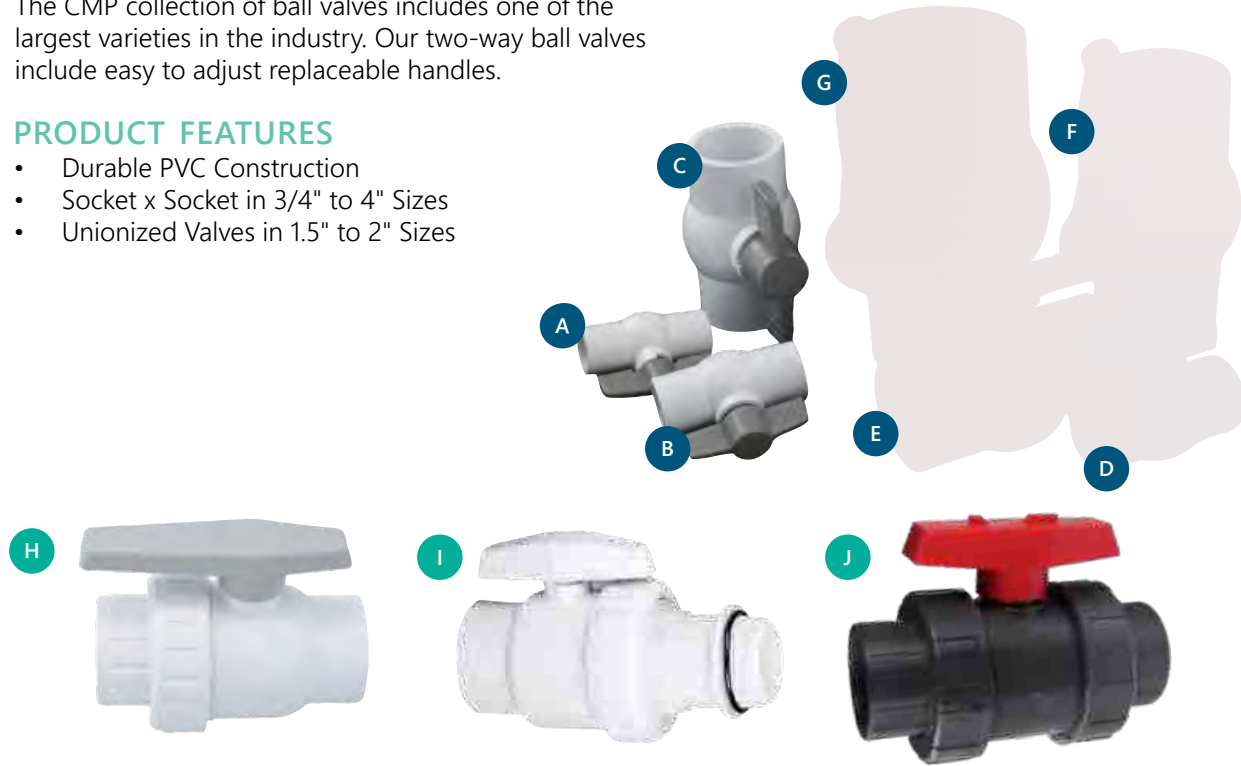
*All slice valves are white unless otherwise noted

HYDROSEAL™ TWO-WAY BALL VALVES

The CMP collection of ball valves includes one of the largest varieties in the industry. Our two-way ball valves include easy to adjust replaceable handles.

PRODUCT FEATURES

- Durable PVC Construction
- Socket x Socket in 3/4" to 4" Sizes
- Unionized Valves in 1.5" to 2" Sizes



ORDERING GUIDE

SOCKET x SOCKET BALL VALVES			
REF	CMP P/N	DESCRIPTION	BOX/BAG
A	25800-751-000	3/4" S x S BALL VALVE	100
B	25800-110-000	1" S x S BALL VALVE	100
C	25800-151-000	1.5" S x S BALL VALVE	50
D	25800-210-000	2" S x S BALL VALVE	30
E	25800-251-000	2.5" S x S BALL VALVE	30
F	25800-310-000	3" S x S BALL VALVE	30
G	25800-410-000	4" S x S BALL VALVE	30
UNIONIZED BALL VALVES			
H	25802-151-000	1.5" SOCKET UNION BALL VALVE	32
H	25802-210-000	2" SOCKET UNION BALL VALVE	32
I	25802-651-000	1.5" FIP x MIP UNION BALL VALVE	12
J	25802-415-000	1.5" SOCKET DOUBLE UNION BALL VALVE	--
J	25802-420-000	2" SOCKET DOUBLE UNION BALL VALVE	--
BALL VALVE ACCESSORIES			
--	25800-751-130	SILVER HANDLE FOR 3/4" BALL VALVE	550
--	25800-101-130	SILVER HANDLE FOR 1" BALL VALVE	550
--	25800-151-130	SILVER HANDLE FOR 1.5" BALL VALVE	250
--	25800-201-130	SILVER HANDLE FOR 2" BALL VALVE	250
--	25800-251-130	RED HANDLE FOR 2.5" BALL VALVE	200
--	25800-310-130	RED HANDLE FOR 3" BALL VALVE	30
--	25800-410-130	RED HANDLE FOR 4" BALL VALVE	30
--	25802-151-080	HANDLE FOR 1.5" UNION BALL VALVE	180
--	25802-651-080	HANDLE FOR 1.5" FIP x MIP	180
--	26100-530-462	O-RING FOR 1.5" UNION BALL VALVE	200
--	26100-651-462	INSIDE O-RING FOR 1.5" FIP x MIP	200

COMPLETE MULTIPOINT VALVE REPLACEMENTS

262 TOP MOUNT VALVE (1½" x 2")

- CMP Replacement for Tagelus® TA 40D, TA 50D, or TA 60D
- Seven Multiport Functions
- Top Half Assembly Available
- Includes Valve & Clamp
- 1.5" FPT X 2" Buttress Fittings
- 50 PSI Max Pressure
- 75 GPM Max Flow



714 TOP MOUNT VALVE (1.5")

- CMP Replacement for Hayward's SP714T
- Seven Multiport Functions
- Top Half Assembly Available
- 1.5" FPT Fittings
- 50 PSI Max Pressure
- 75 GPM Max Flow



ORDERING GUIDE

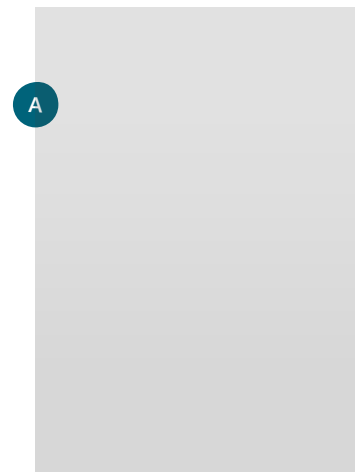
262 TOP MOUNT VALVES (1.5" x 2")					
REF	CMP P/N	COMPARE TO	DESCRIPTION	COMPATIBLE FILTERS	BOX QTY
A,B,C	27500-154-000	262504	TM 1.5" FPT x 2" BUTTRESS, 6" BUTTRESS ADPT, WRENCH	TAGELUS® AFTER '91	1
A,B,D	27501-154-000	262505	TM 1.5" FPT x 2" BUTTRESS, 6" V-THREAD ADPT, WRENCH	TAGELUS® BEFORE '91	1
A,B	27502-154-000	262506	TM 1.5" FPT x 2" BUTTRESS, CLAMP	TAGELUS® BEFORE '91	1
B	27500-154-079	152165	MULTIPOINT CLAMP ONLY	TAGELUS®	--
REPLACEMENT PARTS PAGE 244					
714 TOP MOUNT VALVE (1.5")					
E	27515-154-000	SP0714T	1.5" TM, FPT, SAND	HAY S166T, S180T, S210T, S220T, S244T	1
F	27515-154-070	GMX600MN	REPLACEMENT CLAMP	HAY S166T, S180T, S210T, S220T, S244T	--
REPLACEMENT PARTS PAGE 243					

For other Multiport Valve replacement components & top halves see page 211

COMPLETE MULTIPOINT VALVE REPLACEMENTS

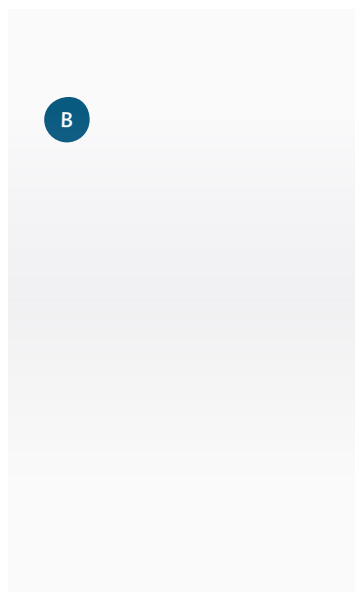
261 TOP MOUNT VALVE (2")

- CMP Replacement for Tagelus® & Tagelus® D
- Six Multiport Functions
- Top Half Assembly Available
- 2" FPT Fittings
- 50 PSI Max Pressure
- 125 GPM Max Flow



261 SIDE MOUNT VALVE

- CMP Replacement for Triton®, Quad®, FNS® Plus, Nautilus™ PLUS NSP
- Six Multiport Functions
- Top Half Assembly Available
- 2" and Bulkhead Fittings
- 7½" Centerline Distance
- 50 PSI Max Pressure
- 125 GPM Max Flow



ORDERING GUIDE

261 TOP MOUNT VALVE (2")					
REF	CMP P/N	COMPARE TO	DESCRIPTION	COMPATIBLE FILTERS	BOX QTY
A	27510-204-000	261185	2" FPT TM SAND, CLAMP	TAGELUS® TA 100D	1
261 SIDE MOUNT VALVE (2")					
B	27504-200-000	261050	2" SM, SOCKET, SAND/DE	QUAD D.E.®, TRITON®	1
261 SIDE MOUNT VALVE (2" FPT)					
C	27505-200-000	261055	2" SM, FPT, SAND	QUAD D.E.®, TRITON®	1

REPLACEMENT PARTS PAGE 245, 246, 247

* Tagelus®, Triton®, Quad®, FNS®, Nautilus™ are trademarks and/or registered trademarks of Pentair Water Pool and Spa, Inc.

SLIDE VALVES REPLACEMENTS

PRODUCT FEATURES

- Replacements for Common and Hard to Find Slide Valves
- Complete Assemblies and Internals Only
- Stainless Steel Slide Valves Double-Back Quality Guarantee: If a CMP Stainless Steel replacement shaft fails within four years after installation, CMP will replace with TWO new slide valve internals.



ORDERING GUIDE

7.5" P-STYLE SLIDE VALVE ASSEMBLY				
REF	CMP P/N	COMPARE TO	DESCRIPTION	COMPATIBLE FILTERS
A	25831-119-750	263064	CREAM 7.5" SLIDE VALVE ASSY (PICTURED)	TRITON®, FNS® NAUTILUS™
A	25831-114-750	263064	BLACK 7.5" SLIDE VALVE ASSY	TRITON®, FNS® NAUTILUS™
A	25831-119-790	263079	CREAM 7.5 SLIDE VALVE ASSY (LESS UNION)	TRITON®, FNS® NAUTILUS™
--	25831-119-200	--	CREAM 7.5" SLIDE VALVE BODY ONLY	TRITON®, FNS® NAUTILUS™
SLIDE VALVE INTERNALS FOR 7.5" P-STYLE SLIDE VALVE BODIES				
B	25831-110-100	263055	7.5" SLIDE VALVE INTERNAL	TRITON®, FNS® NAUTILUS™
C	25831-112-100	263055 (SS)	STAINLESS STEEL 7.5" SLIDE VALVE INTERNAL	TRITON®, FNS® NAUTILUS™
P-STYLE REPLACEMENT SLIDE VALVE INTERNALS				
D	25831-120-100	273241	INTERNAL FOR 261165 BODY	--
E	25831-122-100	273241 (SS)	STAINLESS STEEL INTERNAL FOR 261165	--
--	25831-130-100	51013811	INTERNAL FOR 263034 BODY 7.5"	TRITON®, FNS®, NAUTILUS™
--	25831-124-170	273089	P-STYLE SLIDE VALVE HANDLE	--
H-STYLE SLIDE VALVE ASSEMBLY				
F	25831-004-000	SP0410X502S	BLACK DE SLIDE VALVE ASSY	MICRO-CLEAR, PRO-GRID
F	25831-014-000	SP0410X602S	BLACK SAND SLIDE VALVE ASSY	S311SX, S311SXV, S360SX,
SLIDE VALVE INTERNALS FOR H-STYLE SLIDE VALVE BODIES				
G	25831-000-100	SPX0410BA	H-STYLE SLIDE VALVE INTERNAL	FITS ABOVE "H" STYLES
--	25831-004-171	SPX0722D2	H-STYLE SLIDE VALVE NUT	--
--	25831-004-172	--	H-STYLE SLIDE VALVE HANDLE	--

*Four year guarantee applies to the stainless steel shaft only, not plastic components.

Always refer to your filter model for correct sizing and replacement. Triton®, FNS®, Nautilus™ are trademarks and/or registered trademarks of Pentair Water Pool and Spa, Inc.

AIR RELIEF VALVES REPLACEMENTS

PRODUCT FEATURES

- Replacements for OEM Air Relief Valves
- Select Styles Available with Pressure Gauge
- Pressure Gauge Includes Built-In Range Indicator



ORDERING GUIDE

REF	CMP P/N	COMPARE TO	DESCRIPTION
A	25357-154-000	154689	BLACK AIR RELIEF VALVE
B	25357-983-000	154687	BLACK AIR RELIEF VALVE
C	25357-240-000	DEX2400S	BLACK AIR RELIEF VALVE
D	25357-982-000	98209800	BLACK AIR RELIEF VALVE & GAUGE
E	25357-357-000	R0357200	BLACK AIR RELIEF VALVE & GAUGE
F	25357-273-564	273564	CLEAR AIR RELIEF VALVE & GAUGE
F	25357-273-550	273550	BLACK AIR RELIEF VALVE & GAUGE
--	25357-273-003	154412	AIR RELIEF VALVE NUT

Always refer to your filter model instructions for correct sizing.

SPA MASTER™ SPA SYSTEMS

2" Gunitite Jets 118

2½" Gunitite Jets 122

1½" Gunitite Jets 127

Venturi Tees 128

Swim Jets 130

Step Jets 131

JetArray® 132

| Swim Jet Guide 224

| Cross Reference Chart 266

SPA MASTER™ 2" INSIDER GUNITE JET INTERNALS

Get a true spa experience with these interchangeable jet internals modeled after the popular CMP wave style jets. The wave style is a popular design for many major hot tub manufacturers. Benefit from the same quality design with the new 2" jet internals for in ground gunite pools.

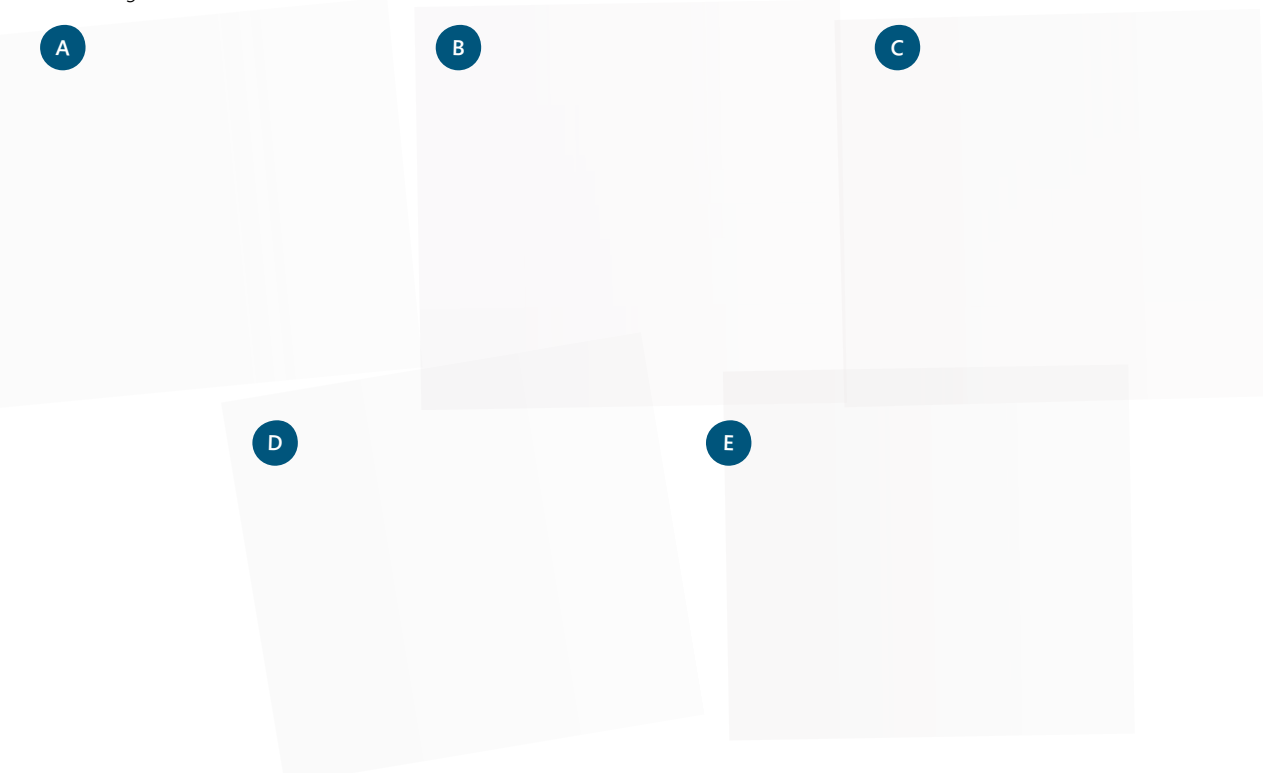
C-M-P.COM/2-INCH-GUNITE-JETS

PRODUCT FEATURES

- CMP Wave Jet Design
- 4.25" Face Diameter
- Three Flow Orifices (FIG 1 - flow chart and diagram page 121)
- High-End Stainless Steel Spa Jet Design
- Three Color Options Available
- Standard or Deep Dish Niche Installation



Figure 1



ORDERING GUIDE

REF	SS/WHITE	SS/GRAY	SS/BLACK	STYLE	BOX QTY
A	25591-110-000	25591-111-000	25591-114-000	DIRECTIONAL INTERNAL	100
B	25591-120-000	25591-121-000	25591-124-000	ROTATIONAL INTERNAL (SPINS)	100
C	25591-130-000	25591-131-000	25591-134-000	DOUBLE ROTO INTERNAL (SPINS)	100
D	25591-140-000	25591-141-000	25591-144-000	MESSAGE INTERNAL	100
E	25591-150-000	25591-151-000	25591-154-000	VTX INTERNAL (SOFT DIRECTIONAL)	100

SPA MASTER™ 2" INSIDER GUNITE JET BODIES

INSTALL GUNITE SPA JETS WITH 2" PIPE

A complete Gunite Jet system from CMP that is easier to install using the more standard 2" plumbing sizes. Available for gunite pool installations. All 2" jets plumb with 2" pipe and accept the new wave style jet internals. A more genuine spa experience for in ground gunite pools.

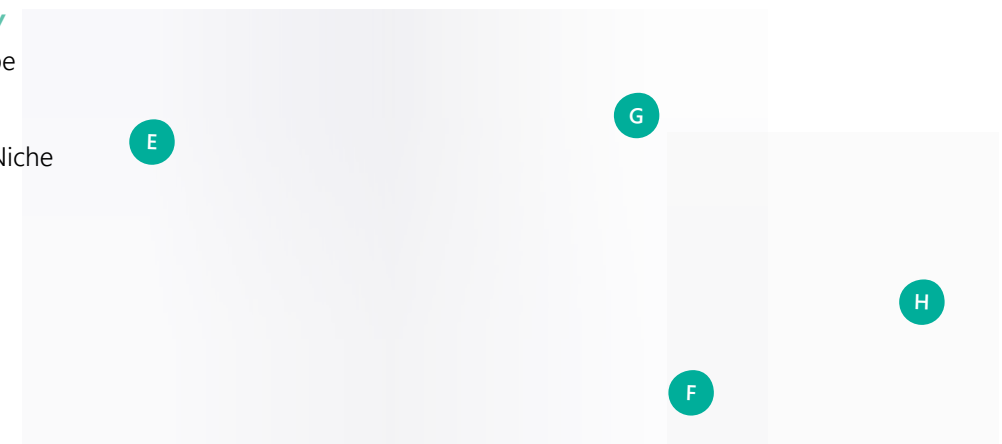
2" STRAIGHT BODY

- Installs with 2" Pipe
- 1.5" Spigot (1" S) Water
- 1" Spigot (0.5" S) Air
- With or Without Niche
- For Gunite Pools



2" GUNITE BODY

- Installs with 2" Pipe
- 2" Socket Water
- 1.5" Socket Air
- With or Without Niche
- For Gunite Pools



ORDERING GUIDE

2" STRAIGHT BODY			
REF	CMP P/N	DESCRIPTION	BOX QTY
A-D	25581-290-000	2" STRAIGHT BODY, WALL FITTING, THREADED RING WITH WHITE STD NICHE	50
A-C	25581-200-000	2" STRAIGHT BODY, WALL FITTING, THREADED RING WITHOUT NICHE	50
2" GUNITE BODY			
E-H	25580-290-000	2" GUNITE BODY, WALL FITTING, THREADED RING WITH WHITE STD NICHE	25
E-G	25580-200-000	2" GUNITE BODY, WALL FITTING, THREADED RING WITHOUT NICHE	25

INTERCHANGEABLE INTERNALS 2" JETS PAGE 118

SPA MASTER™ 2" INSIDER PARTS & ACCESSORIES

DEEP DISH NICHE

- Internal Fits Flush in the Wall
- Cleaner Installed Appearance
- Sold Separately



2" GUNITE JET PARTS & ACCESSORIES



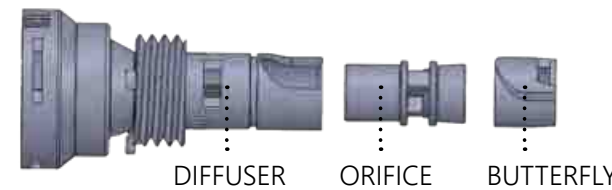
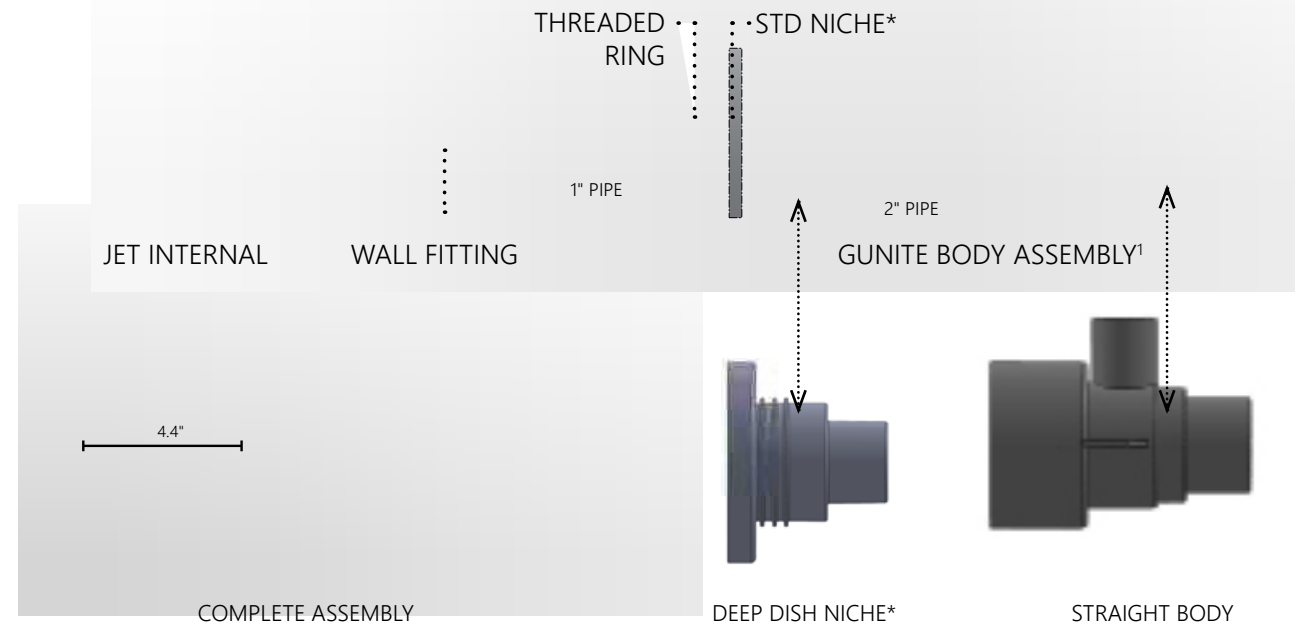
ORDERING GUIDE

REF	WHITE	GRAY	BLACK	DESCRIPTION
A	25580-920-190	25580-921-190	25580-924-190	DEEP DISH NICHE & PLASTER CAP FOR 2" JETS
B	25580-200-190	25580-201-190	25580-204-190	STANDARD NICHE & PLASTER CAP FOR 2" JETS
C	25580-200-030	25580-201-030	25580-204-000	WALL FITTING FOR 2" JETS
D	25590-000-200	--	--	JET TOOL & PLUG FOR 2" JETS
E	25580-000-120	--	--	THREADED RING

SPA MASTER™ 2" INSIDER JET INSTALLATION

GUNITE INSTALLATION & PRESSURE TEST GUIDE

1. Run ties through holes in the Jet Body braces, and attach to the rebar
2. Glue the 2" PVC pipe into the Jet Body. Cap the other end of the 2" pipe for pressure testing. (PVC pipe is not included)
3. After the pool is gunited, chip out the wall around the pipe to provide enough area for the Niche. Cut the pipe so that the Niche will be at the finished level of the wall. Glue the Niche into the 2" pipe. Tape over niche and plaster.
4. Glue the Threaded Ring onto the 1" pipe. Thread into jet and draw a mark on the 1" pipe even with the opening of the niche. Unthread and cut pipe. Glue the Wall Fitting to the end of the 1" pipe. Lubricate the o-ring. Insert this assembly back through the Niche and the 2" pipe and thread clockwise into the Jet Body. Tighten with the Gunite Jet Tool. (sold separately) Pressure testing can now be done by threading the Gunite Jet Wrench into the Wall Fitting.
5. Choose the desired jet face internal and the desired Jet Orifice. (see flow chart below) Insert the Jet Orifice into the back of the Diffuser, long tube first. Insert the Butterfly. Thread the jet internal into the Wall Fitting until the stop.



All 2" gunite jet internals are adjustable flow. For non-adjustable applications, remove the butterfly. This will convert the insert for non-adjustable installations.

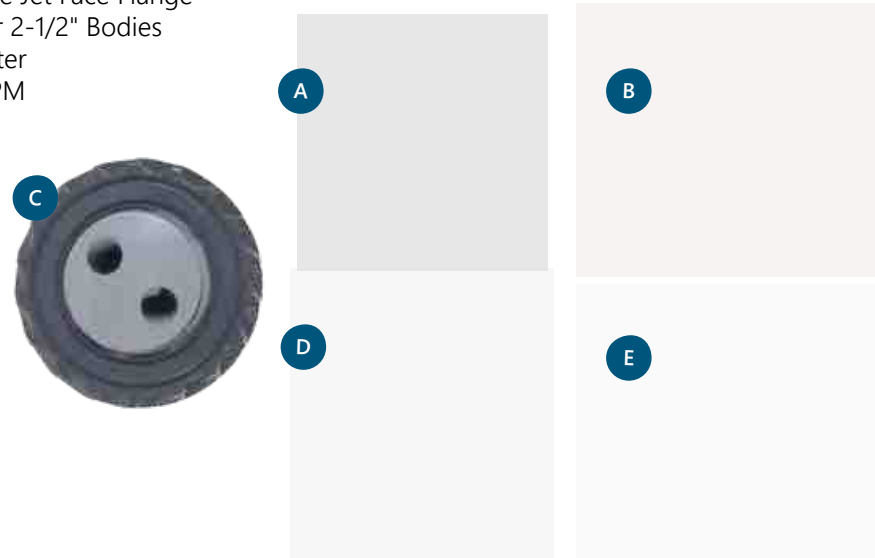
STYLE	ORIFICE FLOW RATES		
	1/4" GPM	3/8" GPM	1/2" GPM
DIRECTIONAL/VTX	7-10	13-17	22-26
SINGLE/DBL ROTO	8-11	13-17	22-26
MESSAGE	7-10	13-17	N/A

NOTE: Distance between the end of the niche and the 1" PVC pipe must be 4.4"
 ¹ standard niche only included with P/N 25580-290-000,25581-290-000
 ² deep dish niche sold separately

SPA MASTER™ 2½" GUNITE/FIBERGLASS INTERNALS

SCALLOPED JET INTERNALS

- 3-1/2" Scalloped Style Jet Face Flange
- Fits in All Spa Master 2-1/2" Bodies
- Adjustable Air & Water
- 5/16" Orifice = 10 GPM



HIGH FLOW JET INTERNALS

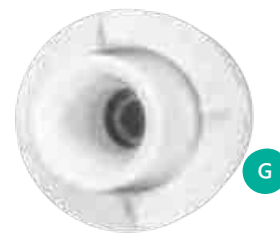
POWER JET INTERNALS

- Non-Adjustable
- Includes Four Orifices:
 - 5/16" = 10 GPM
 - 3/8" = 13 GPM
 - 7/16" = 17 GPM
 - 1/2" = 22 GPM



WHIRLPOOL INTERNALS

- Non-Adjustable
- 3/4" Orifice
- 40-60 GPM



ORDERING GUIDE

2.5" SCALLOPED JET INTERNALS								
REF	WHITE	GRAY	BLACK	DARK GRAY	TAN	TWO-TONE LT/DK GRAY	STYLE	BOX QTY
A	25591-210-000	25591-211-000	25591-214-000	25591-217-000	25591-219-000	25591-211-700	DIRECTIONAL	100
B	25591-220-000	25591-221-000	25591-224-000	25591-227-000	25591-229-000	25591-221-700	ROTATIONAL	100
C	25591-230-000	25591-231-000	25591-234-000	25591-237-000	25591-239-000	25591-231-700	PULSATOR	100
D	25591-240-000	25591-241-000	25591-244-000	25591-247-000	25591-249-000	25591-241-700	MASSAGE	100
E	25591-250-000	25591-251-000	25591-254-000	25591-257-000	25591-259-000	25591-251-700	TWIN-SPIN	100
HIGH FLOW JET INTERNALS								
F	25582-000-000	25582-001-000	25582-004-000	25582-007-000	25582-009-000	--	POWER JET	50
G	25583-000-000	25583-001-000	25583-004-000	25583-007-000	25583-009-000	--	WHIRLPOOL	150

SPA MASTER™ 2½" JET BODIES

The original CMP Spa Master™ Jet system. Available in Gunite or Fiberglass installation options. All 2.5" jets plumb with 2.5" pipe, and accept all CMP 2.5" jet internals on the previous page.

2.5" STRAIGHT BODY

- Installs with 2.5" Pipe
- 1.5" SP(1" S) Water
- 1" SP (0.5" S) Air
- With or Without Niche
- For Gunite Pools



2.5" GUNITE BODY

- Installs with 2.5" Pipe
- 2" Socket Water
- 1.5" Socket Air
- With or Without Niche
- For Gunite Pools



2.5" FIBERGLASS BODY

- Installs with 2.5" Pipe
- Three Fitting Styles
- Complete Assembly
- For Fiberglass Pools



ORDERING GUIDE

2.5" STRAIGHT BODY			
REF	CMP P/N	DESCRIPTION	BOX QTY
A-D	25581-090-000	2.5" STRAIGHT BODY, WALL FITTING, THREADED RING WITH WHITE STD NICHE	50
A-C	25581-000-000	2.5" STRAIGHT BODY, WALL FITTING, THREADED RING WITHOUT NICHE	50
A	25581-000-010	2.5" STRAIGHT BODY ONLY	100
2.5" GUNITE BODY			
E-H	25580-090-000	2.5" GUNITE BODY, WALL FITTING, THREADED RING W/ WHITE NICHE	25
E-G	25580-000-000	2.5" GUNITE BODY, WALL FITTING, THREADED RING WITHOUT NICHE	25
E	25580-000-010	2.5" GUNITE BODY ONLY	30
FIBERGLASS BODY JETS			
I	25594-150-000	2.5" FIBERGLASS JET ASSEMBLY 1" S AIR x 1.5" S WATER	50
--	25594-151-211	3.5" FIBERGLASS JET ASSEMBLY 1" S AIR x 1.5" S WATER	--
J	25594-100-000	2.5" FIBERGLASS JET ASSEMBLY 1" S AIR x 1" S WATER	50
--	25594-101-211	3.5" FIBERGLASS JET ASSEMBLY 1" S AIR x 1" S WATER	--
K	25594-160-000	2.5" FIBERGLASS JET ASSEMBLY .5" S AIR x 1.5" S WATER, WHITE FACEPLATE	50
K	25594-180-000	2.5" FIBERGLASS JET ASSEMBLY .5" S AIR x 1.5" S WATER, DARK GRAY FACEPLATE	50

SPA MASTER™ 2½" JETS

DEEP DISH NICHE

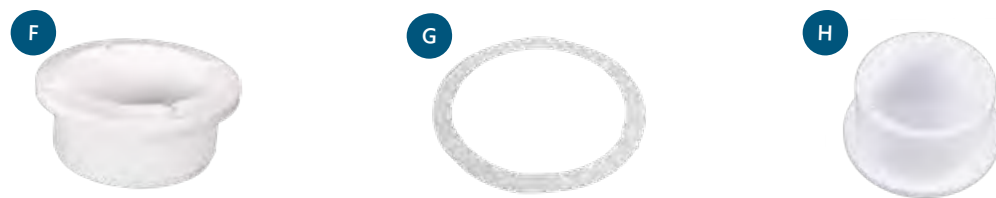
- Internal Fits Flush in the Wall
- Cleaner Installed Appearance
- Sold Separately



2.5" GUNITE JET PARTS & ACCESSORIES



2.5" FIBERGLASS JET PARTS & ACCESSORIES



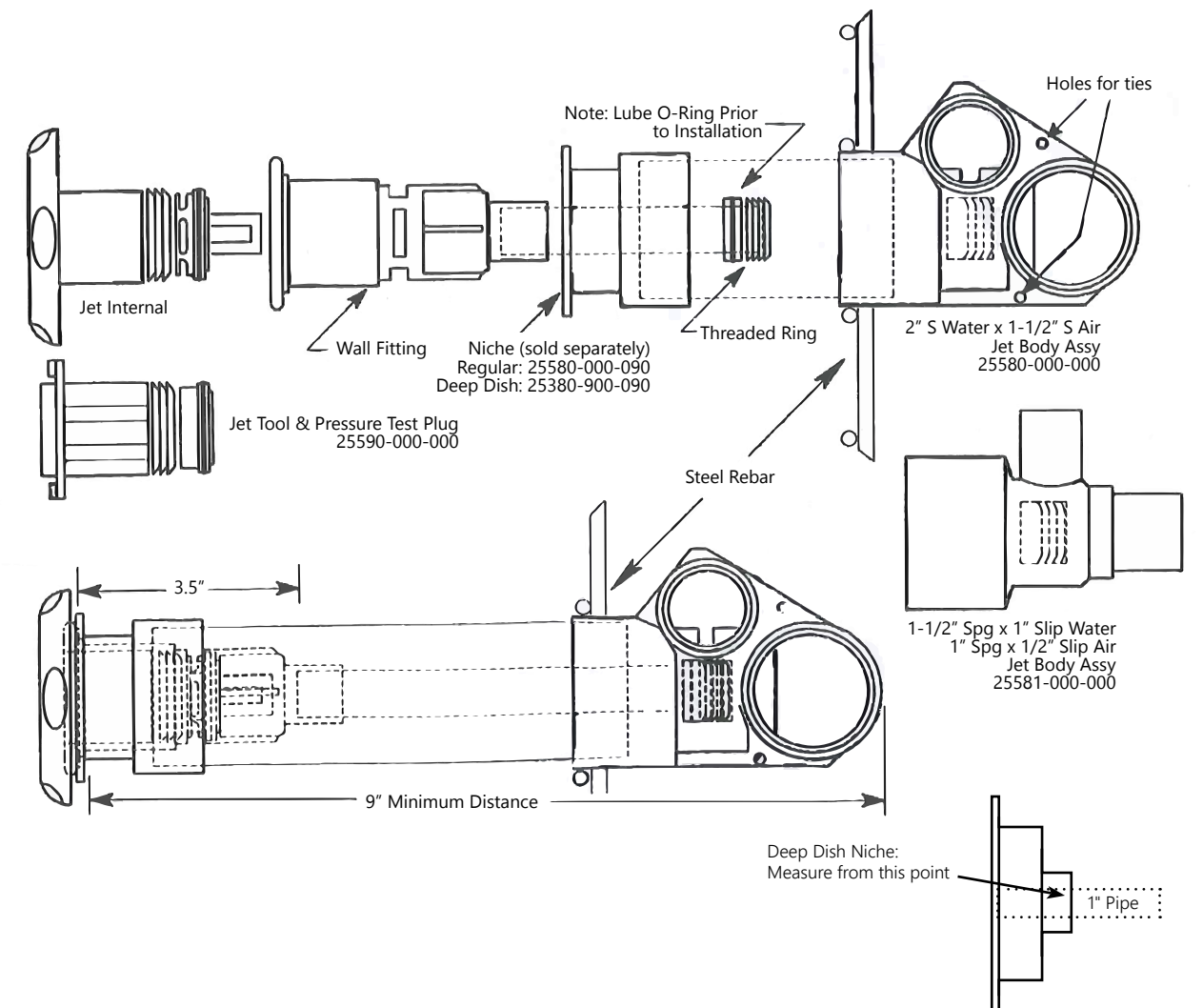
ORDERING GUIDE

REF	WHITE	GRAY	BLACK	DARK GRAY	TAN	DESCRIPTION	BOX QTY
A	25580-900-090	25580-901-090	25580-904-090	25580-907-090	25580-909-090	DEEP DISH NICHE	100
B	25580-000-090	25580-001-090	25580-004-090	25580-007-090	25580-009-090	GUNITE STD JET NICHE	100
C	25580-000-030	25580-001-030	25580-004-030	25580-007-030	25580-009-030	GUNITE WALL FITTING	150
D	25590-000-000	--	--	--	--	JET WRENCH & PLUG	200
E	25580-000-120	--	--	--	--	THREADED RING (1" S)	1000
F	25594-100-000	--	--	--	--	FG JET WALL FITTING	50
G	26200-234-421	--	--	--	--	EPDM L-GASKET	1800
H	25577-950-020	--	--	--	--	1.5" SOCKET PLUG	600

SPA MASTER™ 2½" JET INSTALLATION

GUNITE INSTALLATION & PRESSURE TEST GUIDE

1. Run ties through holes in jet body braces and attach to rebar.
2. Estimate length of 2.5" PVC pipe as needed for wall thickness. Cut pipe longer than needed. Glue the 2.5" PVC pipe into jet body. Cap other end of 2.5" pipe for pressure testing.
3. After pool gunite work is complete, chip out wall around pipe to provide enough area to glue on niche. Cut pipe flush with wall and glue niche onto pipe.
4. Glue the threaded ring onto one end of the 1" PVC pipe. Do not cut 1" pipe yet. Lube the o-ring on the threaded ring. Insert the threaded ring end of this assembly inside the 2.5" PVC and thread clockwise into jet body until tight. Make a mark on the 1" PVC pipe that is flush with the end of the niche or inside the deep dish niche (see below), then remove this assembly from jet body by turning counterclockwise.
5. Shorten the length of the 1" PVC pipe by measuring 3.5" back from the mark on the pipe and cut. Glue wall fitting onto this cut end. Lube o-ring on threaded ring, if needed, add teflon tape onto threads and insert this new assembly back through the 2.5" PVC pipe and thread clockwise into jet body. Tighten with Gunite Jet Tool. Pressure testing can now be done by threading the Gunite Jet Tool into wall fitting until tight.
6. Choose desired jet face internal. Thread jet internal into wall fitting until tight.



SPA MASTER™ 2" GUNITE MINI SPA JET

PRODUCT FEATURES

- Small Jet Face Footprint
- Plumbs with 2" PVC Pipe
- Assembly Includes Jet, Body, & Wall Fitting
- 2" Water x 1.5" Air
- 10 GPM
- *Note: 2" Pipe Not Included*

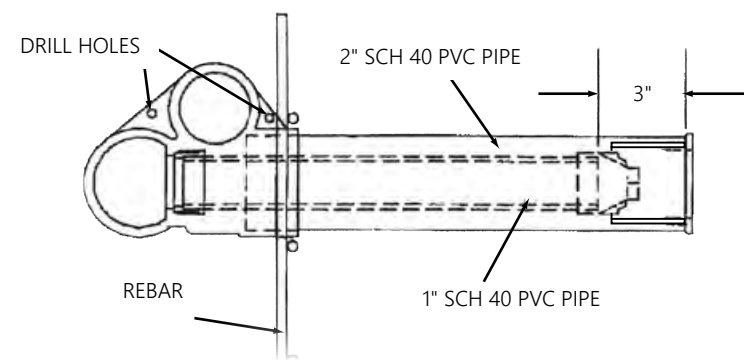


*B-D Not Sold Separately

INSTALLATION GUIDE

1. Drill holes Jet Body as shown in the figure below. Run ties through the holes to attach the body to rebar.
2. Based on the thickness of the pool wall, estimate the lengths of 1" and 2" PVC Pipe required. Cut both sizes of PVC Pipe to the same length to be at least 4" longer than estimated. Glue the 2" PVC Pipe to the Jet Body as shown.
3. After plastering the pool, cut the 2" PVC pipe to be flush with the wall and glue Gunite Wall Fitting to the inside of 2" PVC Pipe.
4. Glue the Retainer Ring to one end of the 1" PVC Pipe. To pressure test, plug the other end with a 1" cap. Insert the 1" PVC Pipe assembly with the cap installed into the Jet Body (tighten clockwise) then perform pressure test.
5. After pressure testing, mark the 1" PVC Pipe where it is flush with the pool wall. Remove the 1" PVC Pipe Assembly from the Jet Body, measure back 3" from the mark and cut. Glue the Nozzle to the 1" PVC Pipe to complete the assembly.
6. Insert the 1" PVC Pipe Assembly into the 2" PVC Pipe Assembly and tighten with a 5/8" socket, or cut a slot in a piece of 1" PVC pipe to match the tabs on the nozzle and use it to tighten the assembly.
7. Screw the Eyeball Wall Fitting into the Gunite Wall Fitting.
8. Carefully insert the desired Jet Face into the Eyeball Wall Fitting making sure the legs of the Jet Face are not forced onto the tabs of the Nozzle which can cause damage.

NOTE: The distance from the end of the 2" PVC Pipe and the 1" PVC Pipe must be 3" ; any other distance will result in Jet malfunction. Jet may not aspirate or the Jet Face may be blown out.



ORDERING GUIDE

REF	CMP P/N	DESCRIPTION	BOX QTY
A,B	25592-010-000	DIRECTIONAL 2" JET ASSEMBLY	30
A,C	25592-020-000	"WHIRLY" ROTO 2" JET ASSEMBLY	30
A,D	25592-030-000	PULSATOR 2"JET ASSEMBLY	30

SPA MASTER™ 1½" JET INTERNALS

The fast and easy way to add enhanced therapy performance using standard pool fittings. Spa Master 1-1/2" Jet Internals install simply using standard wall fittings with 1.5" FPT threads. An easy way to expand your wall return options beyond a typical directional eyeball fitting.

PRODUCT FEATURES

- Stainless Steel Options
- Install in any 1.5" wall fitting
- Therapy massage style performance
- For maximum enhanced performance, combine with CMP Venturi Tees



PULSATOR: EXCITING SPINNING ACTION

MASSAGE: RELAXING SOFT ROTATION

RAIN: GENTLE THERAPY, ROTATION OPTIONAL

ROTATING PULSATOR EYEBALL

- Add Spinning Action to a 1.5" Return
- Replaces Directional Eye
- Eyeball Only (fitting sold separately)



ORDERING GUIDE

1.5" JET INTERNALS								
REF	WHITE	GRAY	BLACK	DARK GRAY	TAN	DARK BLUE	DESCRIPTION	BOX QTY
A	23315-030-000	23315-031-000	23315-034-000	23315-037-000	23315-039-000	23315-069-000	PULSATOR	500
B	23315-030-200	23315-031-200	23315-034-200	--	--	--	SS PULSATOR	--
C	23315-240-000	23315-241-000	23315-244-000	23315-247-000	23315-249-000	--	MASSAGE	--
D	23315-240-200	23315-241-200	23315-244-200	--	--	--	SS MASSAGE	--
E	23315-300-000	23315-301-000	23315-304-000	23315-307-000	23315-309-000	--	RAIN	200
E	23315-340-000	23315-341-000	23315-344-000	23315-347-000	23315-349-000	--	RAIN (SPINNING)	200
F	23315-300-200	23315-301-200	23315-304-200	--	--	--	SS RAIN	--
F	23315-340-200	23315-341-200	23315-344-200	--	--	--	SS RAIN (SPINNING)	--
ROTATING PULSATOR EYEBALL ONLY								
REF	WHITE	GRAY	BLACK	DARK GRAY	TAN	LIGHT BLUE	DESCRIPTION	BOX QTY
G	23315-100-000	23315-101-000	23315-104-000	23315-107-000	23315-109-000	23315-119-000	ROTATING EYEBALL	--

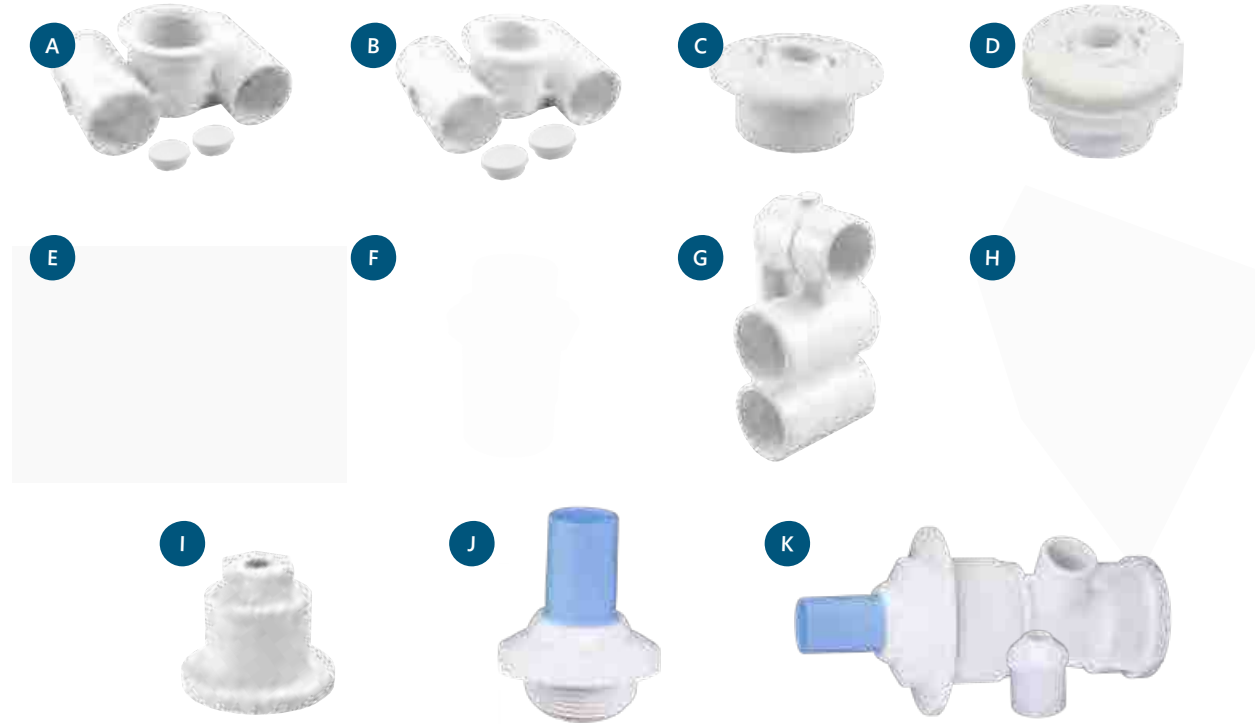
SPA MASTER™ VENTURI TEES



ORDERING GUIDE

REF	CMP P/N	DESCRIPTION	FLOW (GPM)	PLUMBING SIZE	BOX QTY
A	23306-100-000	VENTURI TEE, 1/4" TWIST-LOCK	7-10	1.5" S × 1.5" S × 3/4" S	160
--	23306-100-020	1/4" NOZZLE ONLY (FOR 23306-100)	7-10	--	1000
A	23306-120-000	VENTURI TEE, 1/2" TWIST-LOCK	22-26	1.5" S × 1.5" S × 3/4" S	160
--	23306-120-020	1/2" NOZZLE ONLY (FOR 23306-120)	22-26	--	500
B	23307-000-000	GUNITE VENTURI TEE, THREADED 7/16"	17-20	1.5" S × 1.5" SP × 1" SP (1/2" S)	150
B	23307-100-000	GUNITE VENTURI TEE, THREADED 7/16"	17-20	1.5" S × 1.5" SP × 3/4" SP	140
C	23307-200-000	GUNITE VENTURI TEE, THREADED 7/16"	17-20	1.5" S × 1.5" SP × 1/2" SP	140
D	23309-000-000	VENTURI TEE #7 WITH NOZZLE, 3/8" ORIFICE	13-17	1" S × 1" SP × 1" S	350
E	23308-000-000	GUNITE VENTURI TEE, THREADED 7/16"	17-20	1.5"S (1.5" SP) × 1" SP (1/2" S)	50
--	23301-000-030	4" THREADED NOZZLE, 7/16" ORIFICE (FOR 23308 & 23301-000)	17-20	--	300
--	23308-100-000	EXTENDED VENTURI TEE, 7/16" TWIST-LOCK	17-20	1.5" S × 1.5" SP × 3/4" SP	50
--	23308-100-020	4" TWIST-LOCK NOZZLE (FOR 23308-100)	17-20	--	1000
F	23308-200-000	GUNITE VENTURI TEE, THREADED 5/16"	9-14	1.5"S (1.5" SP) × 1" SP(1/2" S)	50
--	23308-200-030	1/2" NOZZLE ONLY (FOR 23308-200)	9-14	--	500
G	23308-100-100	EXT. VENTURI TEE JET ASSY, TWIST-LOCK 7/16" & INSIDER	17-20	1.5" S × 1.5" SP × 3/4" SP	50
--	23308-000-100	EXTENDED VENTURI TEE	--	1.5" S × 1.5" SP × 1" SP	50
--	23308-110-110	WHITE DIRECTIONAL FACEPLATE (FOR 23308-000-100)	--	1.5" S × 1.5" SP × 1" SP	150
H	23304-100-000	DOUBLE TEE JET 3/8" THREADED NOZZLE (1.5" SPIGOT)	13-17	1.5"S × 1.5" S × 1.5"SP	60
H	23304-000-000	DOUBLE TEE JET 3/8" THREADED NOZZLE (1.5"SOCKET)	13-17	1.5"S × 1.5"S × 1.5"S	60
I	23308-100-050	12" TWIST-LOCK EXT. NOZZLE FOR GUNITE VENTURI TEE	17-20	7/16" ORIFICE	180
I	23308-100-040	12" THREADED EXT. NOZZLE FOR GUNITE VENTURI TEE	17-20	7/16" ORIFICE	180
I	23304-000-040	12" EXTENDED NOZZLE	13-17	3/8"ORIFICE	180
J	23302-000-040	NOZZLE REDUCER FOR 7/16" ORIFICE	13-17	3/8" ORIFICE	2000
J	23302-100-040	NOZZLE REDUCER FOR 7/16" ORIFICE	7-10	1/4" ORIFICE	2000

SPA MASTER™ GUNITE SPA JETS



ORDERING GUIDE

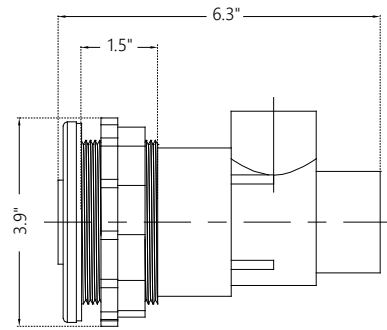
REF	CMP P/N	DESCRIPTION	FLOW (GPM)	PLUMBING SIZE	BOX QTY
A	23300-000-000	1.5" FIP HYDROTHERAPY BODY, 3/8" THREADED NOZZLE	13-17	1.5"S WATER × 5"S AIR	50
B	23301-000-000	HYDROTHERAPY BODY WITH 1" AND 4" NOZZLES	17-20	1.5"S WATER × 1.5"S AIR	50
B	23300-020-000	1" THREADED NOZZLE, 3/8" ORIFICE (FOR 23301-000-000), WHITE	13-17	1.5"S WATER × 5"S AIR	--
--	23300-040-000	GUNITE SPA JET WATER PLUG	--	--	--
--	23300-030-000	GUNITE SPA JET AIR PLUG	--	--	--
C	23300-200-000	WHITE DIR. WALL FITTING (2 GASKETS)	--	1.5"	100
C	23300-210-000	WHITE DIR. WALL FITTING (2 GASKETS & NUT)	--	1.5"	100
--	23300-220-000	WHITE DIRECTIONAL WALL FITTING 3.5" FACE EYE & RING	--	--	--
D	23300-250-000	WHITE LONG DIR. WALL FITTING (EYE, NUT, 2 GASKETS)	--	1.5"	50
D	23300-240-000	WHITE LONG DIR. WALL FITTING (EYE, 2 GASKETS)	--	1.5"	--
--	23300-200-040	GASKET ONLY FOR 23300-250	--	--	100
E	23300-100-000	GUNITE JET ASSEMBLY & WALL FITTING	13-17	1.5"S WATER × 1.5"S AIR	50
E	23300-450-000	GUNITE JET ASSEMBLY & EXTENDED WALL FITTING	13-17	1.5"S WATER × 1.5"S AIR	50
F	23300-300-000	GUNITE JET EXTENSION FOR 23301 W/ NUT & 4" NOZZLE	--	--	50
--	23301-000-030	4" THREADED NOZZLE, 7/16" ORIFICE (FOR 23308 & 23301-000)	17-20	--	50
G	23305-000-000	OVER/UNDER BODY, BLOWER ONLY, 7/16" NOZZLE	17-20	1.5"SP × 1.5"S WTR × 1.5"S AIR	50
H	23302-000-000	2" × 2" GUNITE JET WITH 4" & 1" NOZZLES	13-20	2"S × 2"S WTR × 1.5"S AIR	30
I	23310-000-000	TEE JET, 1/4" NOZZLE (50 PER BAG)	7-10	FITS IN 1.5" TEE	600
J	25556-100-000	EYEBALL WITH BLUE NOZZLE	--	1.5" MIP	200
K	25556-300-000	JET AIR FITTING KIT (FITTING, EYEBALL, NOZZLE, 5/16" ORIFICE)	22-26*	1.5" MIP	50
K	25556-000-000	JET AIR FITTING ONLY, 1/2" ORIFICE	22-26	1.5" MIP	200
--	26100-255-630	BLUE NOZZLE ONLY	--	--	--

MORE GUNITE JETS ON NEXT PAGE | S=SOCKET SP=SPIGOT | * 9-14 WITH 5/16" ORIFICE

SPA MASTER™ SWIM JETS

WHIRLPOOL SWIM JET

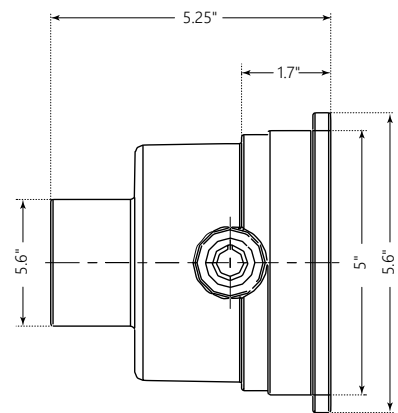
- 1" Orifice (90-110 GPM)
- 1" Socket Air x 1.5" Spigot Water
- 3 1/8" Hole Saw Size



TURBO POWER SWIM JET

Turbo Technology: More Powerful Than the Average Jet

- 2" SP/1.5" S Water x 1" SP/.5" S Air
- 4 5/8" Hole Saw Size
- Three Different Orifice Sizes Included:
 - 5/8" (30-40 GPM)
 - 3/4" (60-75 GPM)
 - 1" (90-110 GPM)



ORDERING GUIDE

WHIRLPOOL SWIM JET			
REF	CMP P/N	DESCRIPTION	BOX QTY
A	23312-000-000	WHITE WHIRLPOOL SWIM JET	60
A	23312-001-000	GRAY WHIRLPOOL SWIM JET	60
TURBO POWER SWIM JET			
B	23551-660-000	WHITE TURBO POWER SWIM JET	30
B	23551-661-000	GRAY TURBO POWER SWIM JET	30
C	23551-699-999	SWIM JET WRENCH	--

SWIM JET INSTALLATION REFERENCE PAGE 224

SPECIALTY JETS & ACCESSORIES

3.5" STEP JET KITS

- Directional or Pulsator Jets
- Available in White or Gray
- Complete Install Kit Includes:
 - (2) Jets, (2) Air Controls
 - (2) 1-1/2" Plugs, (2) 1" Plugs
 - (1) 1-1/2" Tee, (2) Fitting Wrenches
 - (2) 3ft lengths of 1" Flex Pipe
 - (2) Winterizing Plugs, (1) Can of glue



SPA AIR CONTROLS

- 5-Scallop Topside Design
- Top Draw
- 0.5" Socket Style Fits Inside 1.5" Pipe
- Four Color Options



ORDERING GUIDE

REF	CMP P/N	DESCRIPTION	BOX QTY
A	25591-910-000	WHITE DIRECTIONAL STEP JET KIT (TWO JETS)	--
A	25591-911-000	GRAY DIRECTIONAL STEP JET KIT (TWO JETS)	--
A	25591-930-000	WHITE PULSATOR STEP JET KIT (TWO JETS)	--
A	25591-931-000	GRAY PULSATOR STEP JET KIT (TWO JETS)	--
B	25098-000-000	WHITE GUNITE/FIBERGLASS SPA AIR CONTROL (1" SOCKET)	300
B	25098-001-000	GRAY GUNITE/FIBERGLASS SPA AIR CONTROL (1" SOCKET)	300
B	25098-004-000	BLACK GUNITE/FIBERGLASS SPA AIR CONTROL (1" SOCKET)	300
B	25098-009-000	TAN GUNITE/FIBERGLASS SPA AIR CONTROL (1" SOCKET)	300
C	25099-000-000	WHITE SLIM GUNITE SPA AIR CONTROL (1/2" SOCKET)	400
C	25099-001-000	GRAY SLIM GUNITE SPA AIR CONTROL (1/2" SOCKET)	400
C	25099-004-000	BLACK SLIM GUNITE SPA AIR CONTROL (1/2" SOCKET)	400
C	25099-009-000	TAN SLIM GUNITE SPA AIR CONTROL (1/2" SOCKET)	400

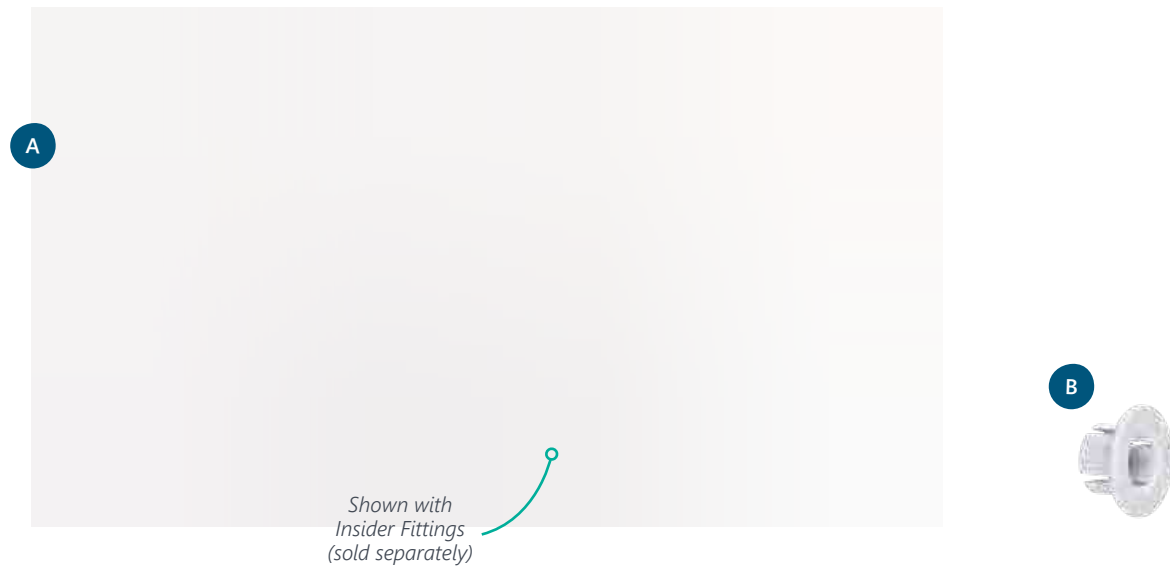
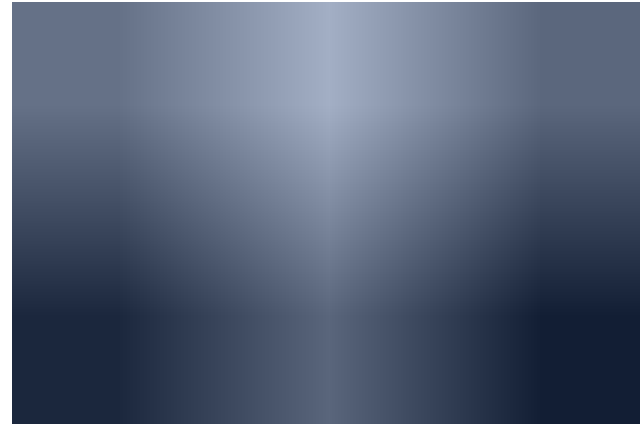
JETARRAY® INLINE

The JetArray® is a professional system that speeds up the installation of multiple jets and creates an even water flow distribution.

This patented system prevents under performing jets caused by plumbing high and low. The JetArray® is the best way to achieve a consistent, powerful spa seat installation.

PRODUCT FEATURES

- As Low as 25 GPM for One JetArray
- Vertical or Horizontal Layout
- 1/2" Jet Line Pre-Installed
- U.S PATENT #6,804,841
- U.S PATENT #7,493,665
- U.S PATENT #9,056,322



Shown with Insider Fittings (sold separately)

ORDERING GUIDE

REF	CMP P/N	DESCRIPTION	BOX QTY
A	23308-930-000	JETARRAY® INLINE UNIT	1
B	25523-750-000	WHITE 1/2" INSIDER FITTING	--
B	25523-751-000	GRAY 1/2" INSIDER FITTING	--
B	25523-754-000	BLACK 1/2" INSIDER FITTING	--
B	25523-757-000	DARK GRAY 1/2" INSIDER FITTING	--
B	25523-759-000	TAN 1/2" INSIDER FITTING	--

JETARRAY® 2x2 CLUSTER

PRODUCT FEATURES

- Includes 1", 1.5", & 2" Adapters
- Nozzle Can Be Trimmed To Fit
- Nozzle Extenders & Reducers Sold Separately
- Accepts 1-1/2 Fittings
- NEW Complete Kits with Massage Jets
- U.S PATENT #6,804,841

TECHNICAL GUIDE

- 70-80 GPM (without reducer)
- Includes 1", 1.5", & 2" Adapters
- 2" Socket (Water)
- 3/4" Socket (Air)



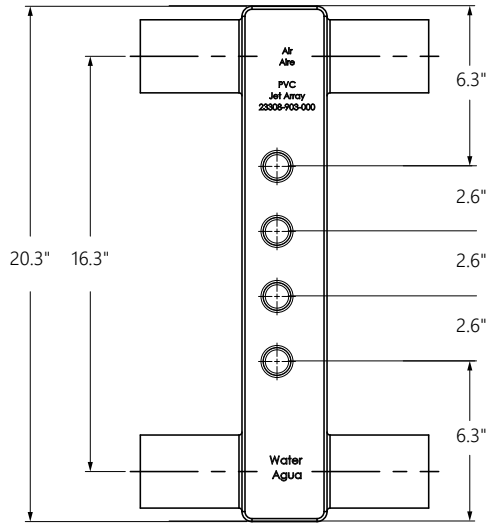
ORDERING GUIDE

REF	CMP P/N	DESCRIPTION	BOX QTY
A	23308-904-242	JETARRAY® 2 x 2 DUAL PORT, WALL FITTINGS AND BLACK STAINLESS STEEL MASSAGE KIT	1
A	23308-900-240	JETARRAY® 2 x 2 DUAL PORT, WALL FITTINGS AND WHITE MASSAGE KIT	1
A	23308-901-240	JETARRAY® 2 x 2 DUAL PORT, WALL FITTINGS AND GRAY MASSAGE KIT	1
A	23308-900-202	JETARRAY® 2 x 2 DUAL PORT, WALL FITTINGS AND WHITE STAINLESS STEEL PULSATOR KIT	1
B	23308-910-000	JETARRAY® 2 x 2 SINGLE PORT (WATER ON BOTTOM)	1
C	23308-900-000	JETARRAY® 2 x 2 DUAL PORT (WATER ON SIDES)	1
--	23302-000-040	55-65 GPM REDUCER (4 REQUIRED PER UNIT)	2000
--	23302-100-040	45-55 GPM REDUCER (4 REQUIRED PER UNIT)	2000
--	23308-100-050	NOZZLE EXTENDER 12"	250
--	23308-100-020	NOZZLE EXTENDER 4"	1000
--	25523-100-000	WALL FITTING	50
--	25575-500-000	WATER STOP ADAPTER	200
--	SEE PAGE 127	1.5" JET INTERNALS	500

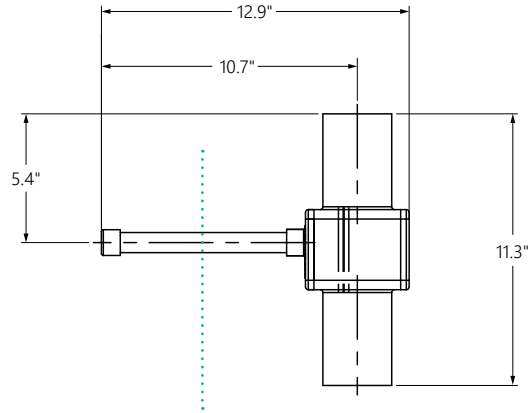
COVERED BY ONE OR MORE U.S. PATENTS OR PENDING PATENT APPLICATIONS. SEE WWW.C-M-P.COM/PATENTS FOR DETAILS.

JETARRAY® DIMENSIONS

JETARRAY INLINE

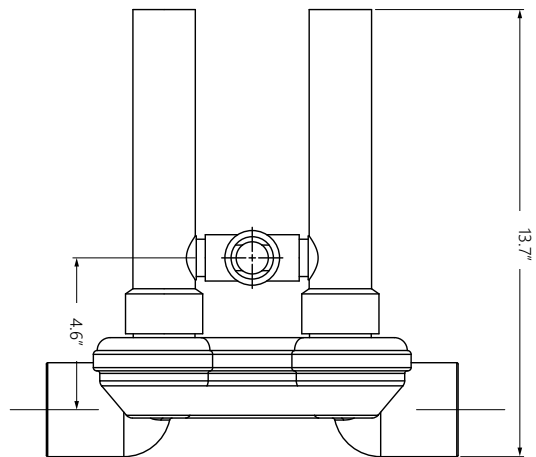
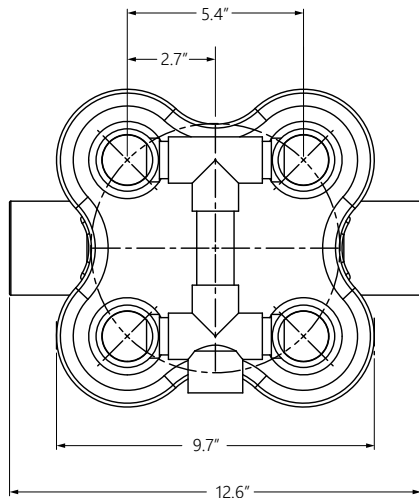


INSTALL VERTICAL OR HORIZONTAL



1/2" LINE SHOULD BE TRIMMED AT
INSTALL TO BE FLUSH WITH PLASTER

JETARRAY 2x2 CLUSTER



WHITE GOODS

In Ground Skimmers *136*

VGB Drains & Suctions *149*

Pool Deck White Goods *166*

Eyeball Fittings *167*

Wall Fittings *171*

Water Stops *172*

Unions *174*

Plumbing Fittings *177*

Repair Fittings *178*

| Replacement Parts *250*

| Cross Reference Charts *267*

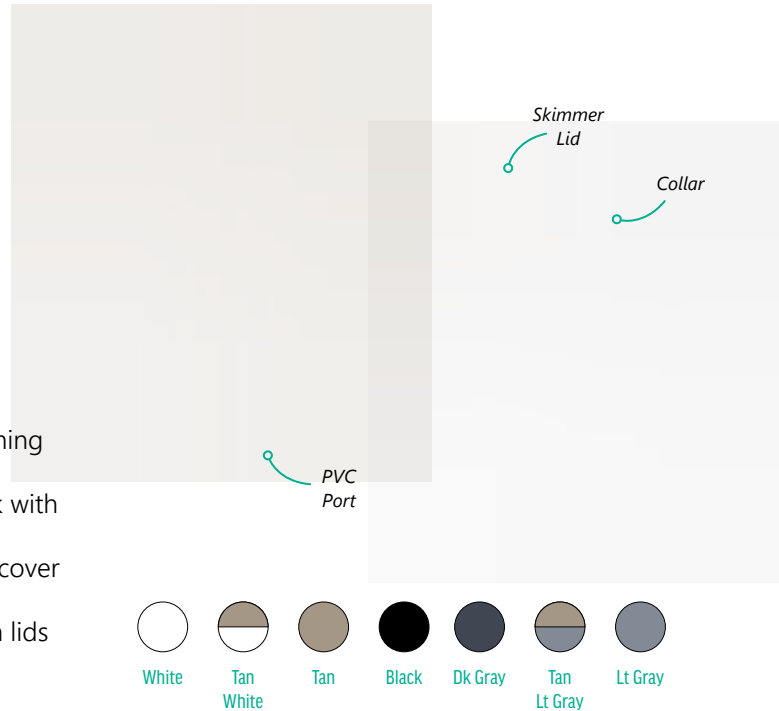
IN GROUND GUNITE SKIMMERS

CMP manufactures a premier selection of skimmers for in ground gunite pools. Our skimmers are available in a variety of colors, styles and kits to ensure the perfect skimmer for every pool.

- PORTS: Single or Dual Ports
- FITTING TYPE: FIP, Socket, or Socket/Spigot
- LID/COLLAR: Round and Square Options
- ABS with PVC port skimmers use regular PVC glue

COLOR COMBINATIONS

- White, Gray, Black & Tan color combinations
- Available in solid colors with matching cover (lid/collar) & body
- Solid colors create a seamless look with full color front face and throat
- Available with white body & color cover
- Color cover includes lid and collar
- Available without cover for custom lids



FLOAT VALVE (AKA MUSHROOM DIVERTER)

Why Float Valves?

- Float valves automatically regulate skimmer flow, sending more water to the main drain for better circulation.
- If the water level drops below skimmer level, the float valve shuts off the skimmer to prevent the pump running dry.

FLOWSKIM™ BASKET

Why Flowskim?

- Aids in basket removal without touching dirty, wet debris
- Provides a flow path even when the skimmer is full, protecting the pump from running dry.
- Side handle orientation allows you to empty the basket while keeping your hands clear of the debris.
- U.S. and International Patents
- View more Flowskim Baskets on page 204



QUICKLY FIND THE PERFECT SKIMMER AT C-M-P.COM/SELECT-A-SKIMMER

IN GROUND GUNITE SKIMMERS

ORDERING GUIDE

CMP P/N	BODY COLOR	COVER COLOR*	COVER TYPE	GPM	PORTS	PORT TYPE	FLOAT VALVE	BASKET STYLE
25140-050-000	WHITE	WHITE	ROUND	75 GPM	2	2"S×2.5"SP	--	FLOWSKIM
25140-000-000	WHITE	WHITE	ROUND	75 GPM	2	2"S×2.5"SP	●	STANDARD
25140-250-000	WHITE	WHITE	ROUND	75 GPM	1	2"S×2.5"SP	--	FLOWSKIM
25140-010-002	WHITE	WHITE	SQUARE	75 GPM	2	2"S×2.5"SP	--	STANDARD
25140-010-000	WHITE	WHITE	ROUND	75 GPM	2	2"S×2.5"SP	--	STANDARD
25140-010-500	WHITE	WHITE	NONE	75 GPM	2	2"S×2.5"SP	--	STANDARD
25140-210-000	WHITE	WHITE	ROUND	75 GPM	1	2"S×2.5"SP	--	STANDARD
25140-009-000	WHITE	TAN	ROUND	75 GPM	2	2"S×2.5"SP	●	STANDARD
25140-259-000	WHITE	TAN	ROUND	75 GPM	1	2"S×2.5"SP	--	FLOWSKIM
25140-019-000	WHITE	TAN	ROUND	75 GPM	2	2"S×2.5"SP	--	STANDARD
25140-019-002	WHITE	TAN	SQUARE	75 GPM	2	2"S×2.5"SP	--	STANDARD
25140-219-000	WHITE	TAN	ROUND	75 GPM	1	2"S×2.5"SP	--	STANDARD
25140-239-000	WHITE	TAN	SQUARE	75 GPM	1	2"S×2.5"SP	--	STANDARD
25140-010-500	WHITE	NONE	NONE	75 GPM	2	2"S×2.5"SP	--	STANDARD
25140-210-500	WHITE	NONE	NONE	75 GPM	1	2"S×2.5"SP	--	STANDARD
25140-059-000	TAN	TAN	ROUND	75 GPM	2	2"S×2.5"SP	--	FLOWSKIM
25140-009-900	TAN	TAN	ROUND	75 GPM	2	2"S×2.5"SP	●	STANDARD
25140-019-900	TAN	TAN	ROUND	75 GPM	2	2"S×2.5"SP	--	STANDARD
25140-019-902	TAN	TAN	SQUARE	75 GPM	2	2"S×2.5"SP	--	STANDARD
25140-219-900	TAN	TAN	ROUND	75 GPM	1	2"S×2.5"SP	--	STANDARD
25140-019-500	TAN	NONE	NONE	75 GPM	2	2"S×2.5"SP	--	STANDARD
25140-219-500	TAN	NONE	NONE	75 GPM	1	2"S×2.5"SP	--	STANDARD
25140-017-700	DK GRAY	DK GRAY	ROUND	75 GPM	2	2"S×2.5"SP	--	STANDARD
25140-217-700	DK GRAY	DK GRAY	ROUND	75 GPM	1	2"S×2.5"SP	--	STANDARD
25140-219-700	DK GRAY	TAN	ROUND	75 GPM	1	2"S×2.5"SP	--	STANDARD
25140-019-700	DK GRAY	TAN	ROUND	75 GPM	2	2"S×2.5"SP	--	STANDARD
25140-217-500	DK GRAY	NONE	NONE	75 GPM	1	2"S×2.5"SP	--	STANDARD
25140-014-400	BLACK	BLACK	ROUND	75 GPM	2	2"S×2.5"SP	--	STANDARD
25140-019-400	BLACK	TAN	ROUND	75 GPM	2	2"S×2.5"SP	--	STANDARD
25140-214-400	BLACK	BLACK	ROUND	75 GPM	1	2"S×2.5"SP	--	STANDARD
25140-214-500	BLACK	NONE	NONE	75 GPM	1	2"S×2.5"SP	--	STANDARD
25140-001-000	GRAY	GRAY	ROUND	75 GPM	2	2"S×2.5"SP	●	STANDARD
25140-011-100	GRAY	GRAY	ROUND	75 GPM	2	2"S×2.5"SP	--	STANDARD
25140-011-102	GRAY	GRAY	SQUARE	75 GPM	2	2"S×2.5"SP	--	STANDARD
25140-211-100	GRAY	GRAY	SQUARE	75 GPM	1	2"S×2.5"SP	--	STANDARD
25140-009-100	GRAY	TAN	ROUND	75 GPM	2	2"S×2.5"SP	●	STANDARD
25140-019-100	GRAY	TAN	ROUND	75 GPM	2	2"S×2.5"SP	--	STANDARD
25140-019-102	GRAY	TAN	SQUARE	75 GPM	2	2"S×2.5"SP	--	STANDARD
25140-259-100	GRAY	TAN	ROUND	75 GPM	1	2"S×2.5"SP	--	FLOWSKIM
25140-219-100	GRAY	TAN	ROUND	75 GPM	1	2"S×2.5"SP	--	STANDARD
25140-011-500	GRAY	NONE	NONE	75 GPM	2	2"S×2.5"SP	--	STANDARD
25140-211-500	GRAY	NONE	NONE	75 GPM	1	2"S×2.5"SP	--	STANDARD

IN GROUND VINYL & FIBERGLASS SKIMMERS

PRODUCT FEATURES

- 2" Socket x 2.5" Spigot
- ABS Body with PVC Ports
- Removable Face Spacer
- Now Includes Collar Extension
- Round Cover Options on Select Models
- Color Trim Plates Available (see page 146)
- Water Bond Skimmer Options (page 139)

DELUXE MODELS

Deluxe Model Includes Extra Accessories

- Skimmer Vacuum Plate
- Matching Faceplate Cover



A



B



C

ORDERING GUIDE

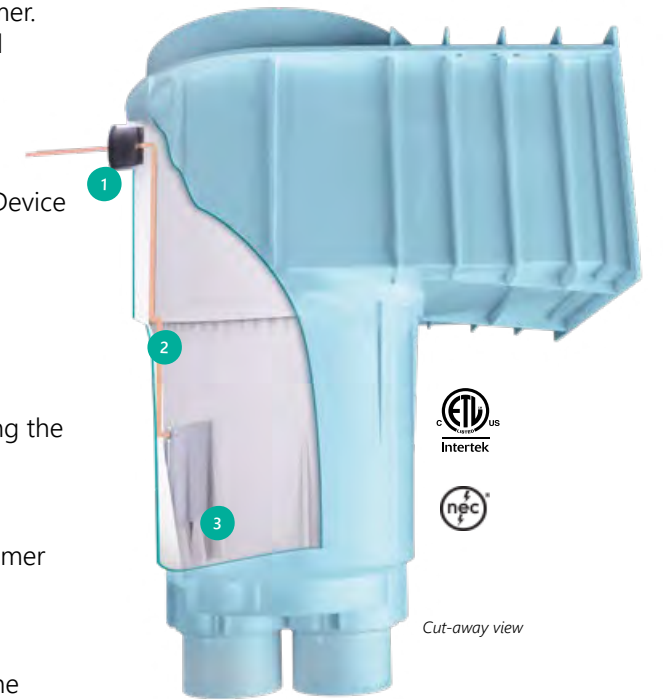
REGULAR MOUTH VINYL & FIBERGLASS SKIMMERS						
REF	WHITE	GRAY	DARK GRAY	PORTS	DESCRIPTION	BOX QTY
A	25160-010-000	25160-011-100	--	2	VINYL LINER REGULAR MOUTH, SQUARE COVER	1
A	25160-010-200	--	--	2	DELUXE VINYL LINER REGULAR MOUTH, SQUARE COVER	1
A	25160-020-000	25160-021-100	--	2	VINYL LINER REGULAR MOUTH, ROUND COVER	1
A	25160-010-001	25160-011-101	--	2	FIBERGLASS REGULAR MOUTH, SQUARE COVER	1
--	25160-230-200	25160-231-100	--	1	VINYL LINER REGULAR MOUTH, SQUARE COVER	1
WIDE MOUTH VINYL LINER SKIMMERS						
B	25160-110-000	25160-111-100	25160-117-700	2	VINYL LINER WIDE MOUTH, SQUARE COVER	1
B	25160-110-200	--	--	2	DELUXE VINYL LINER WIDE MOUTH, SQUARE COVER	1
B	25160-120-000	25160-121-000	--	2	VINYL LINER WIDE MOUTH, ROUND COVER	1
B	25160-150-000	25160-151-000	--	2	VINYL LINER WIDE MOUTH, SQUARE COVER, FLOWSKIM BASKET	1
C	25160-210-000	--	--	2	EXTENDED THROAT VINYL LINER WIDE MOUTH, SQUARE COVER	1
--	25140-240-200	25160-241-100	--	1	VINYL LINER WIDE MOUTH, SQUARE COVER	1

REPLACEMENT PARTS ON PAGE 251

POOL DEFENDER® WATER BOND SKIMMER

Since 2008 the National Electrical Code (NEC) has mandated that pool water must be electrically bonded, not just metals in the structure of the pool itself. Many pools are bonded at the pool light, but this isn't always an option.

The easy alternative is to bond the pool at the skimmer. Meet all water bonding code requirements with Pool Defender skimmers with an integrated water bond.



Cut-away view

PRODUCT FEATURES

- ETL Certified
- Meets NEC2008 680.26(C) as a Water Bonding Device
- Conforms to UL 1081, UL 1563, CAN/CSA-C22.2
- If corrosion is visible replace stainless steel plate immediately. (listed below)
- Learn More at c-m-p.com/defender.

1. CONNECTS TO POOL BONDING WIRE

Designed to attach to the bonding wire, protecting the entire pool. A built in rubber plug prevents leaks.

2. EMBEDDED COPPER WIRE

Copper bonding wire runs safely behind the skimmer basket to the bottom of the skimmer body.

3. STAINLESS STEEL BONDING PLATE

304 Stainless steel plate is safely placed behind the pool basket, and locks into specially designed grooves.

COVERED BY ONE OR MORE U.S. PATENTS OR PENDING PATENT APPLICATIONS. SEE WWW.C-M-P.COM/PATENTS FOR DETAILS.

ORDERING GUIDE

CMP P/N	BODY STYLE	BODY COLOR	COVER COLOR	COVER TYPE	PORTS	PORT TYPE	FLOAT VALVE	POOL TYPE
25140-500-000	ABS BODY, PVC PORT	WHITE	WHITE	ROUND	2	2"Sx2.5"SP	●	GUNITE
25140-510-000	ABS BODY, PVC PORT	WHITE	WHITE	ROUND	2	2"Sx2.5"SP	--	GUNITE
25140-520-000	ABS BODY, PVC PORT	WHITE	WHITE	ROUND	1	2"Sx2.5"SP	--	GUNITE
25140-509-000	ABS BODY, PVC PORT	WHITE	TAN	ROUND	2	2"Sx2.5"SP	●	GUNITE
25140-529-000	ABS BODY, PVC PORT	WHITE	TAN	ROUND	1	2"Sx2.5"SP	--	GUNITE
25140-519-000	ABS BODY, PVC PORT	WHITE	TAN	ROUND	2	2"Sx2.5"SP	--	GUNITE
25140-510-500	ABS BODY, PVC PORT	WHITE	NONE	NONE	2	2"Sx2.5"SP	--	GUNITE
25140-509-900	ABS BODY, PVC PORT	TAN	TAN	ROUND	2	2"Sx2.5"SP	●	GUNITE
25140-501-100	ABS BODY, PVC PORT	GRAY	GRAY	ROUND	2	2"Sx2.5"SP	●	GUNITE
25140-511-100	ABS BODY, PVC PORT	GRAY	GRAY	ROUND	2	2"Sx2.5"SP	--	GUNITE
25140-509-100	ABS BODY, PVC PORT	GRAY	TAN	ROUND	2	2"Sx2.5"SP	●	GUNITE
25140-511-500	ABS BODY, PVC PORT	GRAY	NONE	NONE	2	2"Sx2.5"SP	--	GUNITE
25160-510-000	ABS UNIBODY	WHITE	WHITE	SQUARE	2	2"Sx2.5"SP	--	VINYL
25160-511-100	ABS UNIBODY	GRAY	GRAY	SQUARE	2	2"Sx2.5"SP	--	VINYL
25160-610-000	ABS UNIBODY, WIDE	WHITE	WHITE	SQUARE	2	2"Sx2.5"SP	--	VINYL
25160-611-100	ABS UNIBODY, WIDE	GRAY	GRAY	SQUARE	2	2"Sx2.5"SP	--	VINYL
25140-500-110	SS BONDING PLATE REPLACEMENT	--	--	--	--	--	--	--

FOR OTHER POOL DEFENDER® BRAND ITEMS SEE PAGE 194

IN GROUND VINYL POOL SKIMMER BUILDER PACKS

CMP Vinyl Pool Skimmer Builder Packs put together every in-pool white good needed for a standard vinyl pool install. These are pre-packaged kits for standard and wide mouth skimmers, available in white or gray finish.

EVERY VINYL SKIMMER BUILDER PACK BELOW INCLUDES:

- 1 Complete ABS Skimmer (Clear Gaskets, 2" Socket, 1.5" Socket Reducers)
- 1 Extension Collar
- 1 Faceplate Cover
- 2 Galaxy 2" Main Drains (Body, Lid, Ring, 1.5" Reducer Bushings, Plug)*
- Eyeball Fittings (1.5" MIP w/ Flange)
- 1.5" FPT I/O Fittings (Faceplate, Locknut, Gaskets)



ORDERING GUIDE

WHITE	GRAY	SKIMMER DESCRIPTION	FLWSKIM BASKET	2" FIP DRAIN	2" SP DRAIN	RETURN QTY
25160-010-900	25160-011-900	25160-01X-X00 STD SKIMMER & SQUARE LID	--	●	--	3
25160-010-900S	25160-011-900S	25160-01X-X00 STD SKIMMER & SQUARE LID	--	--	●	3
25160-110-900	25160-111-900	25160-11X-X00 WIDE SKIMMER & SQUARE LID	--	●	--	3
25160-110-900S	25160-111-900S	25160-11X-X00 WIDE SKIMMER & SQUARE LID	--	--	●	3
25160-110-920	25160-111-920	25160-12X-X00 WIDE SKIMMER & ROUND LID	--	●	--	3
25160-150-900	25160-151-900	25160-15X-X00 WIDE SKIMMER & SQUARE LID	●	●	--	3
25160-150-920	25160-151-920	25160-12X-X50 WIDE SKIMMER & ROUND LID	●	●	--	3
25160-410-900	25160-411-900	25160-11X-X00 WIDE SKIMMER & SQUARE LID	--	●	--	4
25160-450-900	25160-451-900	25160-15X-X00 WIDE SKIMMER & SQUARE LID	●	●	--	4
--	25160-154-920	25160-121-151 WIDE SKIMMER & ROUND LID	●	●	--	4

*Builder packs also available without main drains included, contact poolsales@c-m-p.com for more information

FOR VINYL FITTING AND FACEPLATE KITS SEE PAGE 147

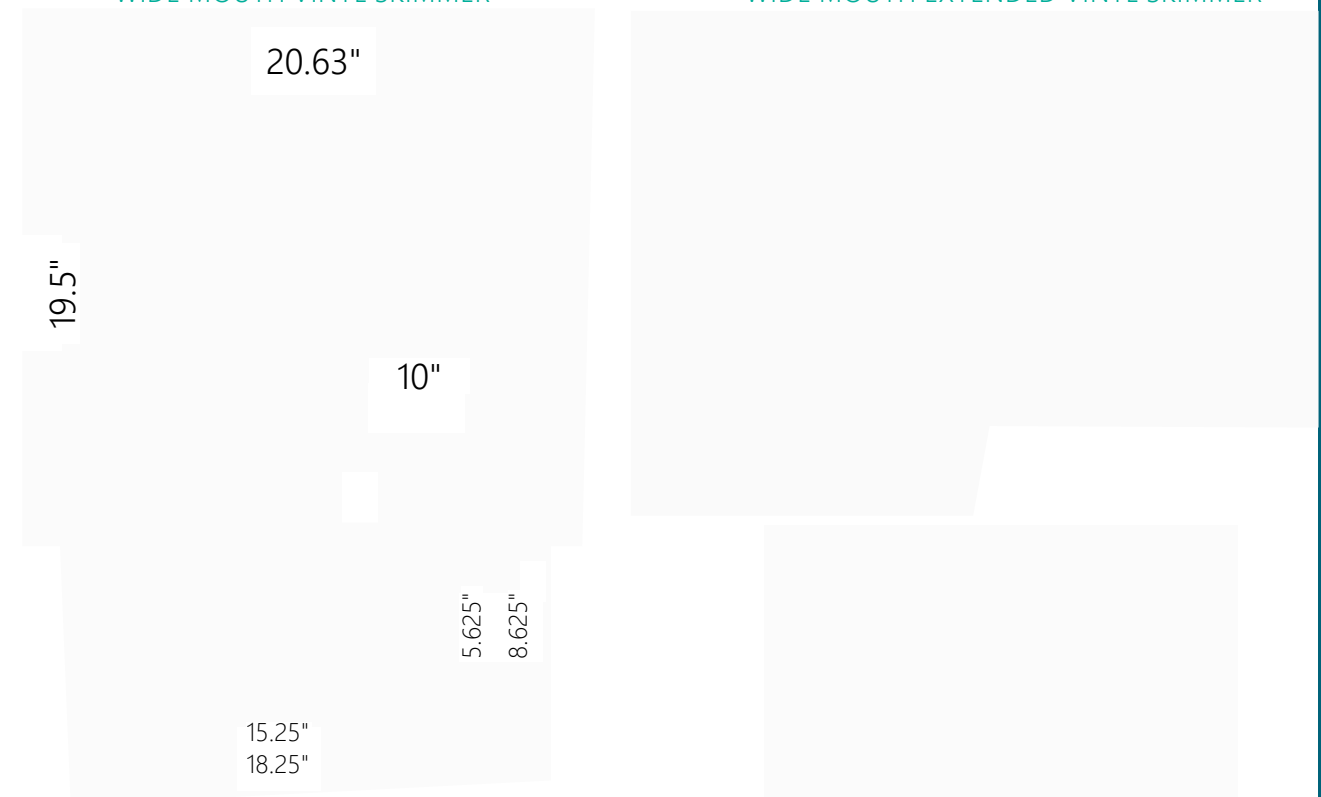
IN GROUND SKIMMERS DIMENSIONS

GUNITE SKIMMER

STANDARD VINYL SKIMMER

WIDE MOUTH VINYL SKIMMER

WIDE MOUTH EXTENDED VINYL SKIMMER



SKIMMER LIDS & COLLARS



ORDERING GUIDE

SKIMMER LIDS & COLLARS						
REF	WHITE	GRAY	BLACK	TAN	DESCRIPTION	BOX QTY
A	25544-900-000	25544-901-000	25544-904-000	25544-919-000	ROUND SKIMMER COVER & COLLAR	50
--	25544-000-000	25544-001-000	25544-004-000	25544-019-000	ROUND SKIMMER COVER ONLY	50
B	25538-900-000	25538-901-000	25538-904-000	25538-909-000	SQUARE SKIMMER COVER & COLLAR	20
C	25538-500-000	25538-501-000	--	--	SQUARE SKIMMER COVER ONLY	--
D	25544-020-010	25544-021-010	25544-024-010	25544-029-010	TEXTURED BLANK INSERT	--
D	25544-030-010	--	--	--	SMOOTH BLANK INSERT	--
E	25840-000-000	25840-001-000	--	25840-009-000	6" VALVE ACCESS LID & COLLAR	36

IN GROUND SKIMMER EXTENSION COLLARS							
REF	WHITE	GRAY	BLACK	TAN	FITS SKIMMER MODEL	FITS SKIMMER MODEL	BOX QTY
F	25526-200-000	25526-201-000	25526-204-000	25526-209-000	1-1/4" STACKABLE COLLAR	CMP SKIMMERS, SP1070P	20
G	25544-020-010	--	--	--	4" EXTENSION COLLAR	SR W337-503P	20
H	25544-030-010	--	--	--	SP1084 VINYL LINER EXTENSION COLLAR	SP1084P1	20

FRONT ACCESS & ABOVE GROUND SKIMMERS

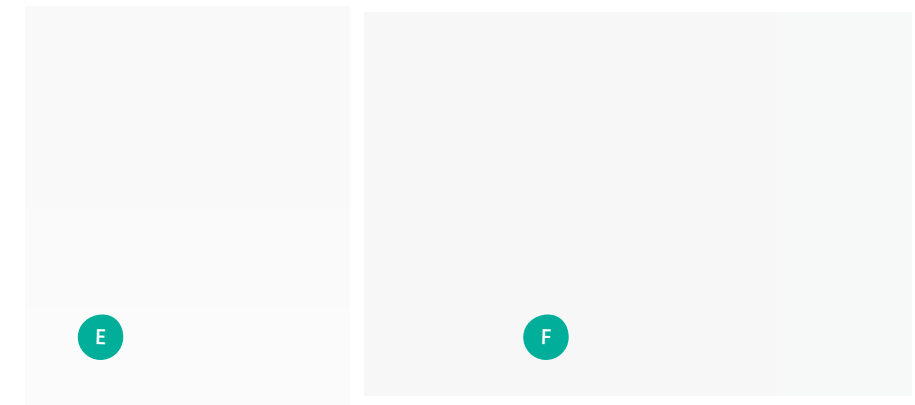
FRONT ACCESS SKIMMER

- Complete Kit Includes Diverter Plate, Trim Plate, Mounting Plate, Gasket, Plug & Screws
- 1.5" Socket
- 1.5" Female Inside Threads for Pressure Test
- Face: 7"H x 7-3/8"W
- Throat: 1-1/4"



ABOVE GROUND SKIMMER KITS

- Complete Kits Include:
- Skimmer Basket
- Weir Door
- Wall Fitting
- Hose Adapter
- Pool Return



ORDERING GUIDE

FRONT ACCESS SKIMMER					
REF	WHITE	GRAY	BLACK	DESCRIPTION	BOX QTY
A	25248-000-000	25248-001-000	25248-004-000	FRONT ACCESS SKIMMER KIT	6
B	25248-000-051	--	--	FRONT ACCESS SKIMMER BASKET	60
C	25248-020-000	25248-021-000	--	FRONT ACCESS SKIMMER TRIM PLATE	--
D	25248-920-000	25248-921-000	25248-924-000	FRONT ACCESS SKIMMER WEIR DOOR	--
--	25248-000-040	25248-001-040	--	WEIR DOOR PIN (2)	--

ABOVE GROUND POOL SKIMMERS					
REF	WHITE	GRAY	BLACK	DESCRIPTION	BOX QTY
E	25512-000-950	25512-001-950	--	STD ABG SKIMMER KIT (7.5"Hx7-3/4"W)	1
F	25511-000-900	25511-001-900	--	WIDE ABG SKIMMER KIT (7.5"Hx14"W)	1

REPLACEMENT PARTS ON PAGE 252

SKIMMER ACCESSORIES



ORDERING GUIDE

REF	CMP P/N	DESCRIPTION	OD	COMPARE TO	BOX QTY
A	25576-000-000	IN GROUND VAC PLATE (H-STYLE)	8.05"	--	50
B	25573-000-000	IN GROUND SKIMMER VACUUM PLATE	7.89"	SP1106	20
C	25579-000-010	ABOVE GROUND VACUUM PLATE ADAPTER	--	--	50
D	25573-100-000	IN GROUND VAC PLATE FOR CMP SKIMMER	8.27"	--	20
E	25573-510-000	SKIMMER VAC PLATE 1.5" x 1.5" RB	6.10"	SP11051	--
--	21093-160-000	1.5" x 1.5" RB HOSE ADAPTER ONLY	--	--	--
F	25573-520-000	SKIMMER VAC PLATE 1.5" x 1.25" 90 DEGREE	6.10"	SP11052	--
--	21093-900-000	1.5" x 1.25" 90 DEGREE HOSE ADAPTER ONLY	--	--	--
G	25573-410-000	SKIMMER VAC PLATE 90 TWIST, 1.5" x 1.25"	6"	SP11041	--
H	25573-540-000	SKIMMER VAC PLATE, 1.5" x 1.5" x 1-1/4"	6.10"	SP11054	--
I	25140-000-700	SKIMMER FLOAT VALVE ASSEMBLY	--	--	50

SKIMMER ACCESSORIES



SKIMMER SUPPORT PLATE

- Use for additional support above skimmer for brick, cantilevered coping or other material
- Helps prevent cracks or collapse above skimmer throat
- Solid aluminum
- 8" x 24"



ORDERING GUIDE

CMP P/N	DESCRIPTION
SKIM8X24	SKIMMER DECKING SUPPORT PLATE, ALUMINUM

SPRING-LOADED WEIR DOOR

- Easily Replace Any Broken Skimmer Weir Door
- No Tools Required for Installation
- Get a Perfect Fit Every Time
- Deluxe Foam Float Material
- Stainless Steel Springs
- Retail Style Header Card Packaging



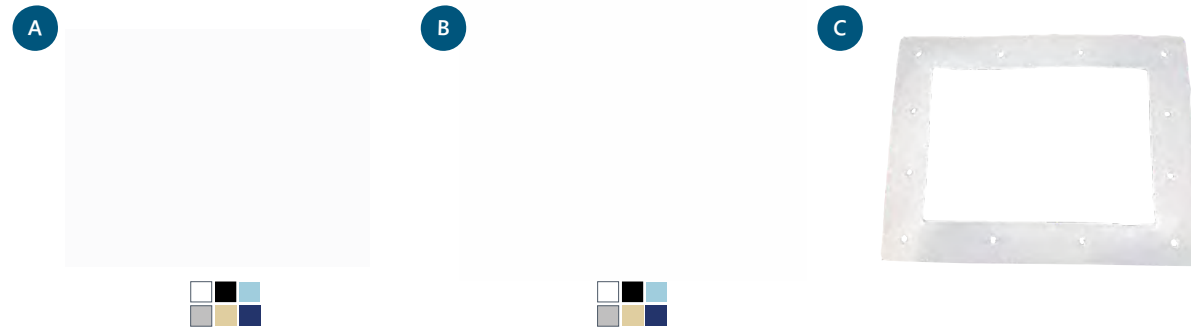
ORDERING GUIDE

CMP P/N	WIDTH	COLOR	FITS SKIMMER MODEL	BOX QTY
25141-160-000	5-3/4" WEIR	WHITE	--	150
25141-170-000	5-7/8" WEIR	WHITE	--	150
25141-200-000	6" WEIR	WHITE	--	150
25141-300-000	7" WEIR	WHITE	--	150
25141-320-000	7-1/4" WEIR	WHITE	--	150
25141-350-000	7-5/8" WEIR	WHITE	--	120
25141-360-000	7-13/16" WEIR	WHITE	SP1084	120
25141-364-000	7-13/16" WEIR	BLACK	SP1084	120
25141-400-000	8" WEIR	WHITE	--	120
25141-404-000	8" WEIR	BLACK	--	120
25141-401-000	8" WEIR	GRAY	--	120
25141-410-000	8-1/8" WEIR	WHITE	JZ-STYLE SKIMMERS	120
25141-440-000	8-3/8" WEIR	WHITE	CMP, U-3, SP1070	120
25141-444-000	8-3/8" WEIR	BLACK	CMP, U-3, SP1070	120
25141-441-000	8-3/8" WEIR	GRAY	CMP, U-3, SP1070	120
25141-450-000	8-1/2" WEIR	WHITE	--	110
25141-500-000	9" WEIR	WHITE	--	100
25141-540-000	9-3/8" WEIR	WHITE	BAKER-HYDRO	110
25141-600-000	10" WEIR	WHITE	--	96
25141-700-000	11" WEIR	WHITE	--	96
25141-800-000	12" WEIR	WHITE	--	20

VINYL SKIMMER FACEPLATES & COVERS

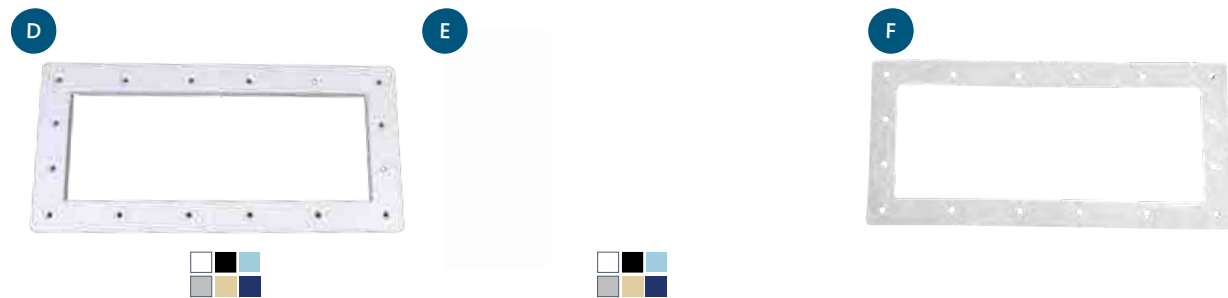
STANDARD SKIMMER FACEPLATES

- For Regular Mouth Skimmers
- Twelve Screw Faceplate
- Faceplate Finishing Covers Available in Six Different Colors
- Faceplate ID 5¾" × 7¾"
- Faceplate OD 8½" × 10¾"
- Cover ID 5½" × 7 ½"
- Cover OD 8¼" × 10½"



WIDE SKIMMER FACEPLATES

- For Wide Mouth Skimmers
- Sixteen Screw Faceplate
- Faceplate Finishing Covers Available in Six Different Colors
- Faceplate ID 5⅝" × 15¼"
- Faceplate OD 8⅝" × 18¼"
- Cover ID 5⅜" × 15"
- Cover OD 8⅜" × 18½"



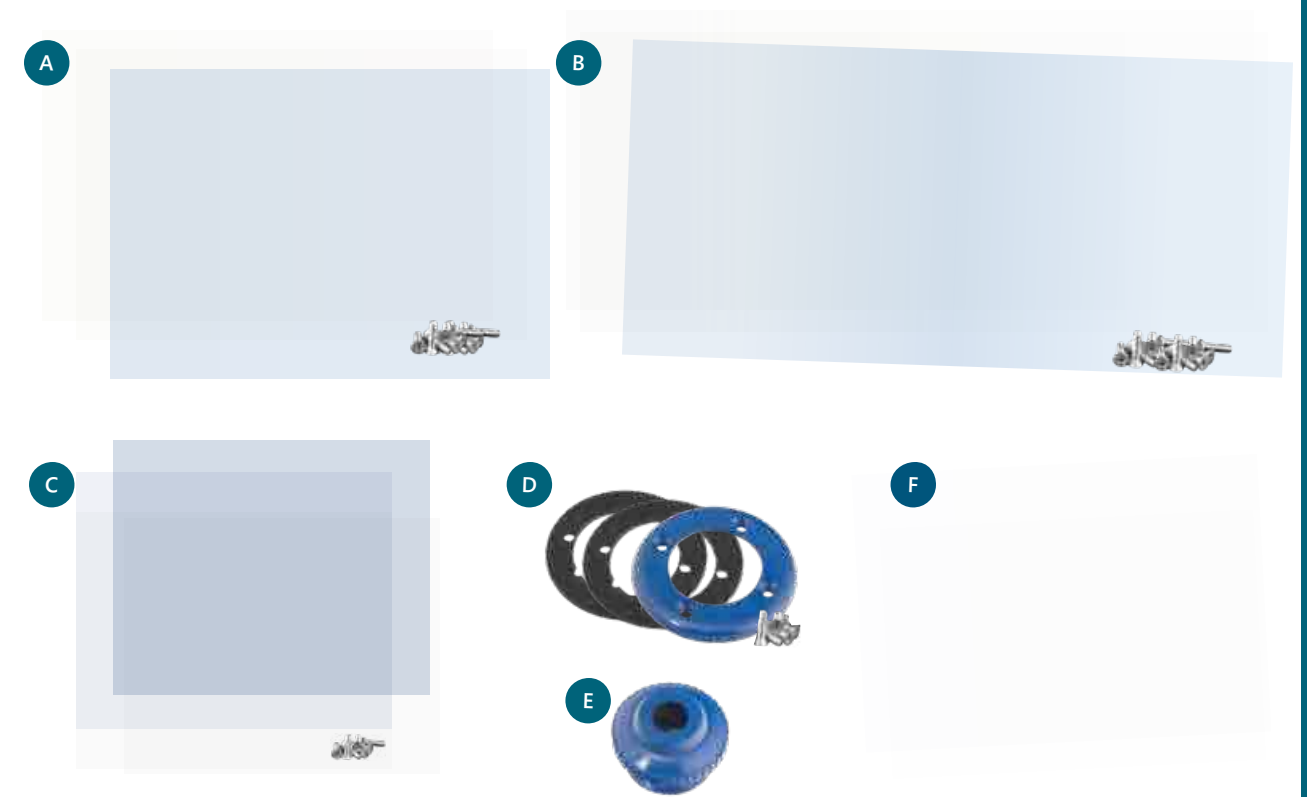
ORDERING GUIDE

REF	WHITE	GRAY	BLACK	TAN	LIGHT BLUE	DARK BLUE	DESCRIPTION	CASE/BOX
A	25540-000-010	25540-001-010	25540-004-010	25540-039-010	25540-059-010	25540-069-010	STANDARD FACEPLATE	100/5
B	25540-000-020	25540-001-020	25540-004-020	25540-039-020	25540-009-020	25540-069-020	STANDARD COVER	100/5
C	25160-010-060	--	--	--	--	--	STANDARD GASKET	300
D	25541-000-010	25541-001-010	25541-004-010	25541-039-010	25541-059-010	25541-069-010	WIDE FACEPLATE	80/10
E	25541-000-020	25541-001-020	25541-004-020	25541-039-020	25541-009-020	25541-069-020	WIDE COVER	80/10
F	25160-110-030	--	--	--	--	--	WIDE GASKET	200

VINYL POOL FACEPLATE & FITTING KITS

PRODUCT FEATURES

- Six Colors for a Perfect Match or Accent
- Complete Kits for a Standard Vinyl Pool
- Wide or Regular Mouth Skimmer Options
- Includes All Required Gaskets
- Includes All Required Stainless Steel Screws



ORDERING GUIDE

REF	WHITE	GRAY	BLACK	TAN	LIGHT BLUE	DARK BLUE	DESCRIPTION	BOX QTY
A	25540-100-000	25540-101-000	25540-104-000	25540-139-000	25540-109-000	25540-169-000	REG FACEPLATE KIT	80
B	25541-100-000	25541-101-000	25541-104-000	25541-139-000	25541-109-000	25541-169-000	WIDE FACEPLATE KIT	80
C	25548-100-000	25548-101-000	25548-104-000	25548-109-000	25548-159-000	25548-169-000	VINYL DRAIN KIT	60
D	25545-100-000	25545-101-000	25545-104-000	25545-139-000	25545-159-000	25545-169-000	RETURN FACE KIT	225
E	25552-300-000	25552-301-000	25552-304-000	25552-339-000	25552-359-000	25552-369-000	3/4" EYEBALL ONLY	50
F	25549-200-100	25549-201-100	--	--	--	25549-269-100	LIGHT RING KIT	20
F	25549-100-000	--	--	--	--	--	CHROME LIGHT KIT	20

VINYL POOL COMPLETE FACEPLATE KITS

CMP Vinyl Pool Kits include every part you need to repair and replace common vinyl pool fittings. These kits simplify inventory and are a perfect item to keep stocked in tool kits or service vehicles. For complete builder kits see page 140.

PRODUCT FEATURES

- Six Colors for a Perfect Match or Accent
- Complete Kits for a Standard Vinyl Pool
- Wide or Regular Mouth Skimmer Options



All Required Gaskets & Stainless Steel Screws are included in every kit

SIX DIFFERENT COLOR OPTIONS

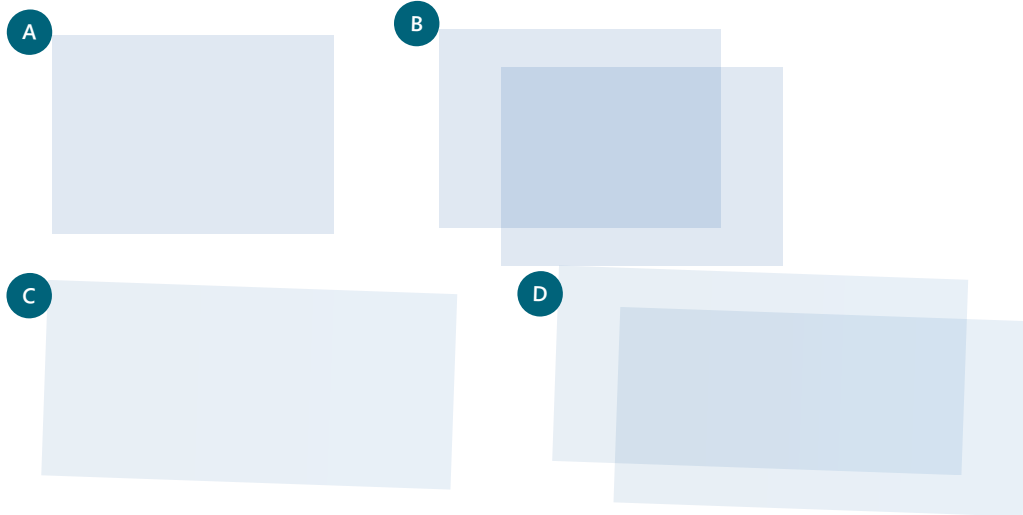


ALL VINYL POOL KITS INCLUDE THESE ITEMS . . .



2 Galaxy VGB Main Drains
3 Return Faceplates
3 Directional Return Eyeballs

. . . PLUS ONE OF THE SETS BELOW



ORDERING GUIDE

	WHITE	GRAY	BLACK	TAN	LIGHT BLUE	DARK BLUE	DESCRIPTION
A	25540-200-000	25540-201-000	25540-204-000	25540-209-000	25540-259-000	25540-269-000	ONE SKIMMER STANDARD KIT
B	25540-200-200	25540-201-200	25540-204-200	25540-209-200	25540-259-200	25540-269-200	TWO SKIMMER STANDARD KIT
C	25541-200-000	25541-201-000	25541-204-000	25541-209-000	25541-259-000	25541-269-000	ONE SKIMMER WIDE KIT
D	25541-200-200	25541-201-200	25541-204-200	25541-209-200	25541-259-200	25541-269-200	TWO SKIMMER WIDE KIT

CMP MAIN DRAIN INFO

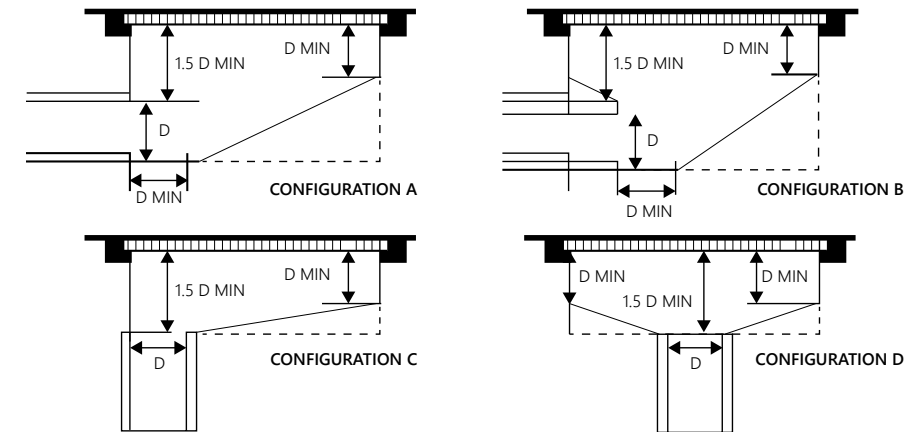


All CMP main drains are listed and tested in strict accordance to the requirements of ANSI/APSP - 16 2011, the current standard of reference for the Virginia Graeme Baker Act, and compliant to the latest Consumer Product Safety Commission (CPSC) requirements.

VGB INFO, INSTRUCTIONS & MORE DOWNLOADABLE AT WWW.C-M-P.COM/VGB-DRAINS-AND-SUCTIONS

INSTALLATION NOTES:

1. Mount suction outlets on the wall or floor. DO NOT locate suction outlets on seating areas or on backrests for seating areas.
2. Always use multiple suction outlets. DO NOT use with single drain applications. Use with single drain applications will void any and all warranties.
3. When using two or more suction fittings on a common suction line, suctions must be separated by a minimum of 3 ft or must be located on two different planes (i.e. one on floor and one on the wall).
4. To reduce the risk of drowning from hair and body entrapment, install suction fittings with a marked flow rate in gallons per minute that exceeds the flow rate of your system by at least 25%. Increasing size of the pump may increase flow rate of suction beyond rated safety limits causing entrapment or death.
5. CMP drain covers are only certified for use with CMP sumps and frames. Do not mismatch with parts from other manufacturers.



GENERAL NOTES
 1. D = inside pipe diameter
 2. All dimensions show are recommended minimums
 3. A broken line (- -) indicates the suggested sump configuration

CAUTION

Children should never be left unattended at any time in a swimming pool, spa, or bathtub. Be sure the temperature of the water never exceeds the manufacturer's recommendations.

DANGER

Hair or body parts blocking the spa or pool suctions may become trapped and held against the suction fitting. Keep hair and clothing a minimum of 12 inches from all suction fittings and drains at all times. Entrapment against the suction fittings can result in drowning or other severe injury. Never sit on or lean up against suction fittings.



20" UNBLOCKABLE RING DRAIN



The 20in Unblockable Ring Drain is a high flow, VGB compliant design that disappears into the pool. The complete ring shape has a unique plaster-filled design that blends in with the pool completely.

No more top to fill with pebble and no center plumbing! Install more naturally with a completely open center. The Ring Drain from CMP sets a new standard for style, flow and safety in the pool.

PRODUCT FEATURES

- Slim design with plaster center disappears in the pool.
- Flush installation will not catch toes or pool cleaners.
- Integrated inner and outer water stops lock in plaster, preventing gaps and leaks.
- Six colors to match pool finishes.
- Plumb with two ports, single port or with hydrostatic valve.



Matching Sump & Cover Color¹

ORDERING GUIDE

WHITE	GRAY	BLACK	DARK GRAY	TAN	DARK BLUE	LIGHT BLUE*	DESCRIPTION
25506-330-000	25506-331-000	25506-334-000	25506-337-000	25506-339-000	25506-339-069	25506-339-059	COMPLETE 20" RING DRAIN
25506-330-800	25506-331-800	25506-334-800	25506-337-800	25506-339-800	25506-339-869	25506-339-859	20" RING DRAIN COVER & SCREWS
25506-330-900	25506-331-900	25506-334-900	25506-337-900	25506-339-900	25506-339-969	--	20" RING DRAIN BODY
25620-320-000	--	--	--	--	--	--	2" HYDROSTATIC RELIEF VALVE
25520-050-020	--	--	--	--	--	--	2" NPT PLUG
25506-334-020	--	--	--	--	--	--	INSTALLATION DEBRIS GUARD ²

REPLACEMENT PARTS PAGE 253

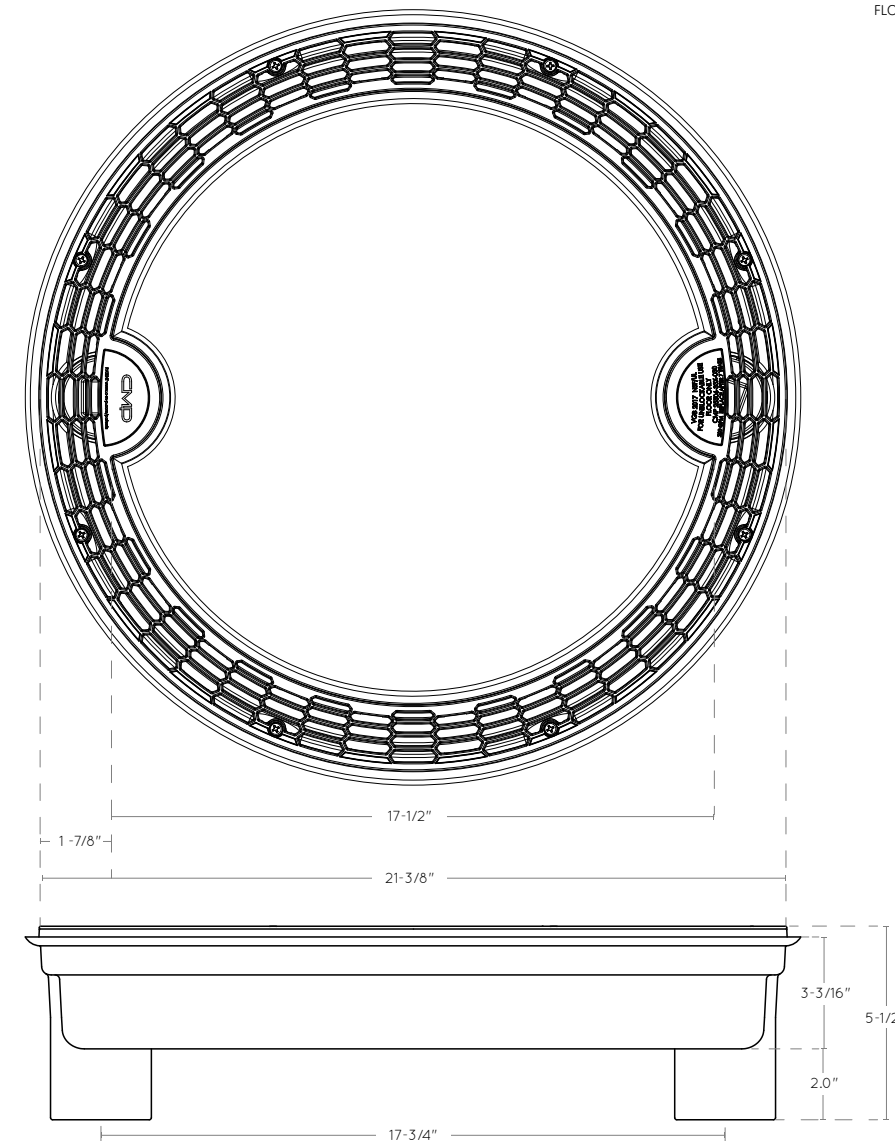
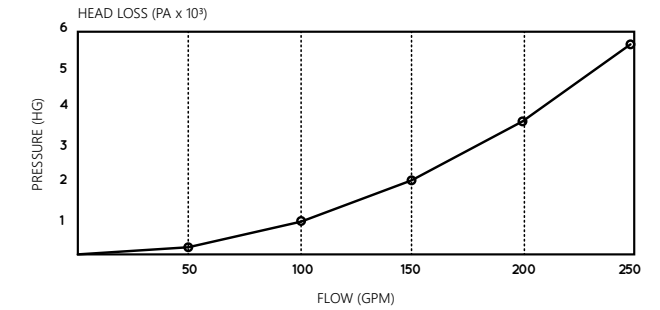
1. light blue ships with a white sump 2. included with complete drain

20" UNBLOCKABLE RING DRAIN TECHNICAL GUIDE

SPECIFICATIONS

- Single or Multiple Drain Use
- Seven Year Cover Life
- UL Listed Compliant to ANSI/APSP-16ANSI/APSP/ICC-16 2017 & CPSC Requirements
- 216 GPM at 1.5 FPS
- 46.27in² Open Area
- 1-7/8" Cover Width
- Two 2" Socket x 2.5" Spigot Ports
- PVC Sump Body

UL LISTED FLOW RATES		
PLUMBING	PORTS	MAX FLOW RATE
2" or 2.5"	Single	216 GPM
2" or 2.5"	Dual	245 GPM

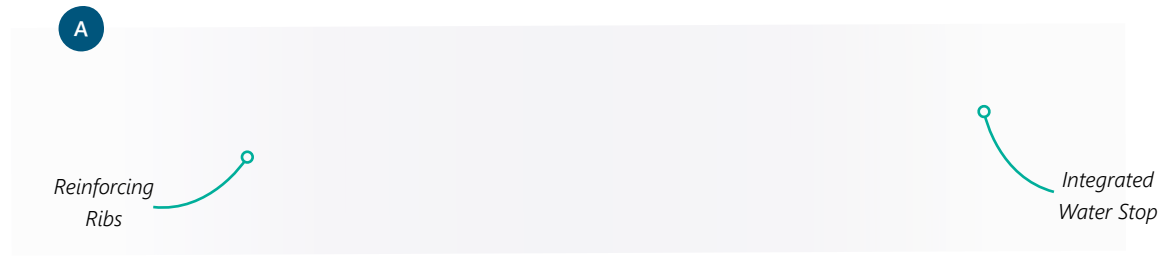


32" UNBLOCKABLE CHANNEL DRAIN



PRODUCT FEATURES

- Unblockable Safety Drain Design
- Integrated Water Stop Design Prevents Plaster Separation & Retains Drain Shape
- Body Shape Reinforcing Ribs
- Covers Completely Hide the White Sump
- Color Covers Will Retrofit to Competing Channel Drains
- Installation Debris Guard Included
- IAPMO Listed VGB Suction: Compliant to ANSI/APSP - 16 2011 & CPSC Requirements



DRAIN AND COLLAR KIT

- Unblockable Safety Drain Design
- Installs Over Pipe in Plaster
- For Field Built Sumps



ADJUSTABLE COLLAR ADAPTER

- Use for Pool Refinish & Remodel
- Adds 1/2" - 3/4" Height
- Fits the CMP 32" Channel Drain
- Creates a Perfect Drain Cover Fit and Finish



ORDERING GUIDE

REF	WHITE	GRAY	BLACK	DARK GRAY	TAN	DARK BLUE	DESCRIPTION	BOX QTY
A	25506-320-000	25506-321-000	25506-324-000	25506-327-000	25506-329-000	25506-369-000	DRAIN & SUMP	40
--	25506-320-800	25506-321-800	25506-324-800	25506-327-800	25506-329-800	25506-369-800	32" COVER WITH SCREWS	20
--	25506-320-900	25506-321-900	25506-324-900	--	--	--	32" BODY ASSY	1
B	25506-320-100	25506-321-100	25506-324-100	25506-327-100	25506-329-100	25506-369-100	COVER & FRAME	1
--	25506-320-045	25506-321-045	25506-324-045	25506-327-045	25506-329-045	25506-369-045	SCREW PLUG KIT	--
C	25506-320-150	--	--	--	--	--	COLLAR ADAPTER	1
--	25620-320-000	--	--	--	--	--	2" RELIEF VALVE	250
--	25520-050-020	--	--	--	--	--	2" NPT PLUG	450
--	25506-320-030	--	--	--	--	--	DEBRIS GUARD	1

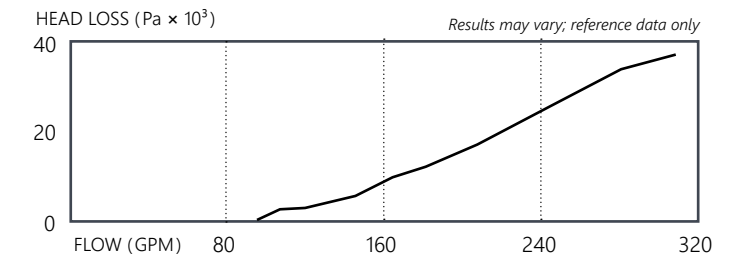
REPLACEMENT PARTS PAGE 254

32" UNBLOCKABLE CHANNEL DRAIN



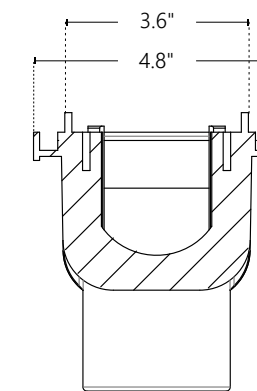
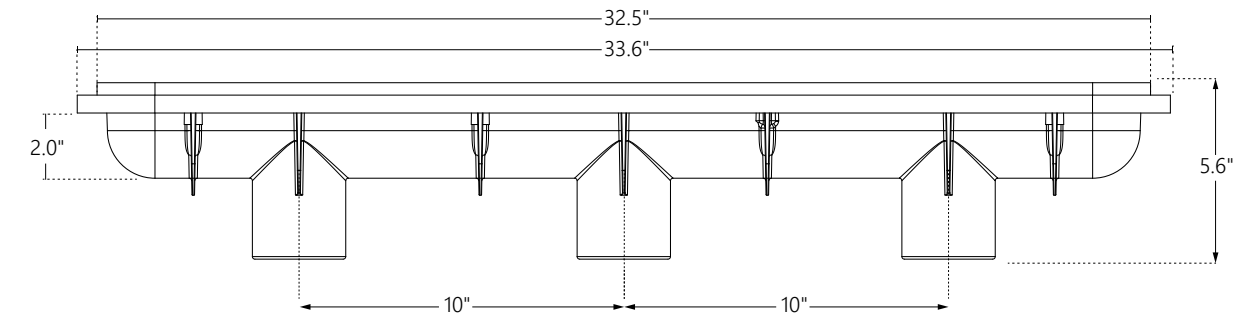
TECHNICAL GUIDE

- Single or Multiple Drain Use
- Seven Year Life on Cover
- Floor or Wall Installation
- Three 2" Socket x 2.5" Spigot Ports
- PVC Sump Body
- IAPMO Listed
- 38.79in² Open Area
- 181 GPM at 1.5 FPS



IAPMO LISTED MAX FLOW RATES			
PLUMBING	PORTS	FLOOR FLOW RATE	WALL FLOW RATE
2.5"	OUTER	308 GPM	212 GPM
2.5"	CENTER	200 GPM	168 GPM
2"	OUTER	268 GPM	192 GPM
2"	CENTER	184 GPM	176 GPM

FLOW RATE VERIFIED MAY 2011 TO CPSC TEST PROTOCOL



SQUARE GRATES & FRAMES

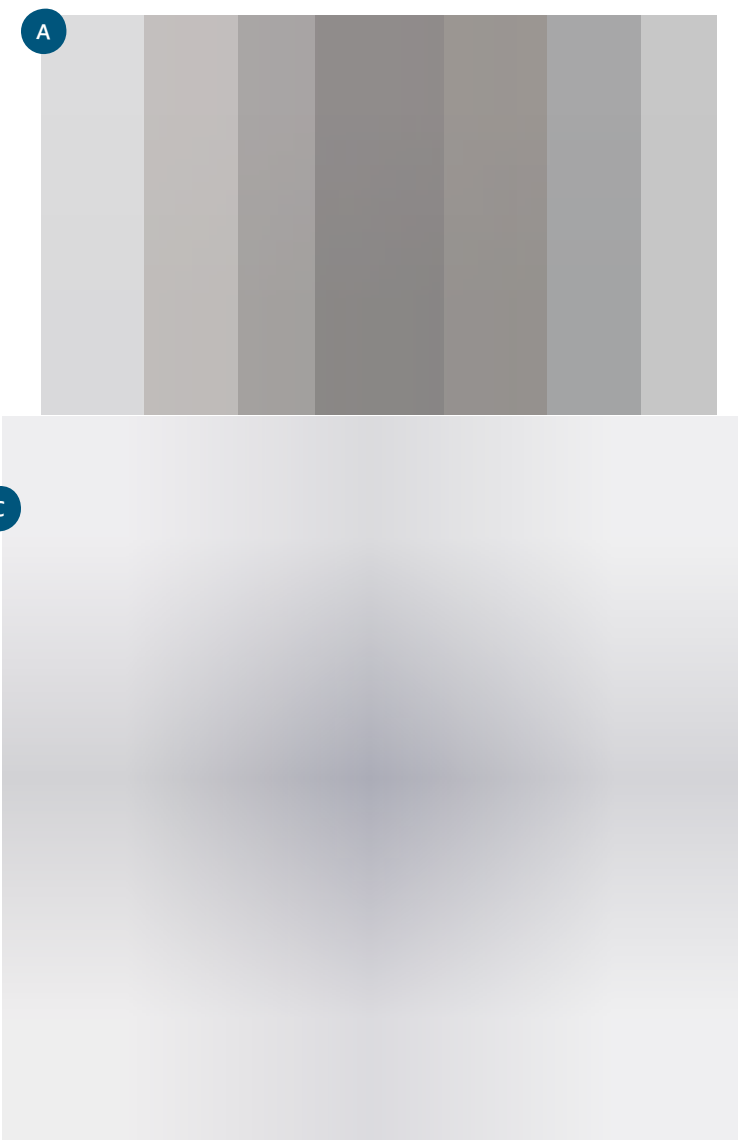


CMP Square Grate Main Drains are perfect for commercial applications and can be used for single or multiple drain applications. 9" and 12" drains are available in five different color options.

Our square drains are also designed for maximum open area with an unobtrusive appearance, and high flow rates at 1.5 feet per second water velocity.

PRODUCT FEATURES

- Maximum Open Area
- Five Color Choices to Match Pool Finish
- IAPMO Listed VGB Suction: Compliant to ANSI/APSP - 16 2011 & CPSC Requirements



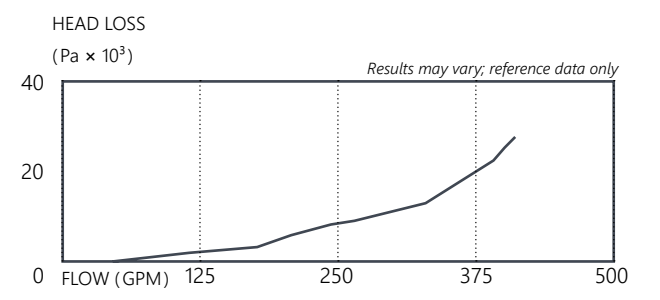
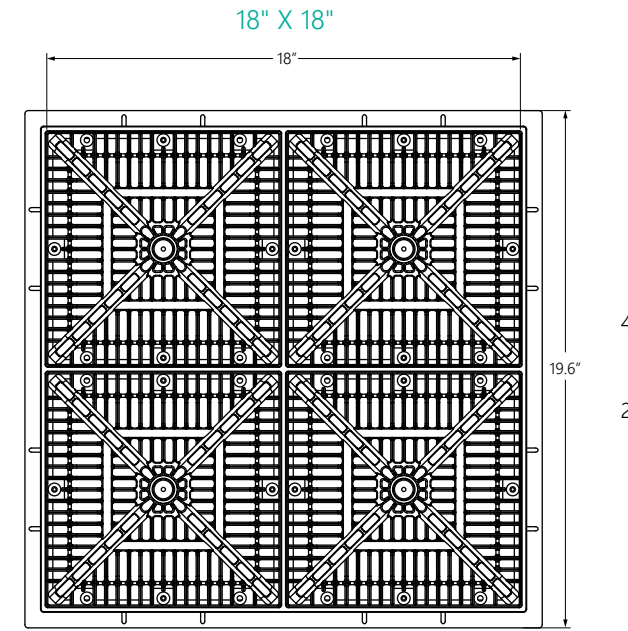
ORDERING GUIDE

REF	WHITE	GRAY	BLACK	DARK GRAY	TAN	DESCRIPTION	BOX QTY
A	25508-090-000L	25508-091-000L	25508-094-000L	25508-097-000L	25508-099-000L	9" x 9" GRATE & FRAME	24
A	25508-090-010	25508-091-010	25508-094-010	25508-097-010	25508-099-010	9" x 9" GRATE ONLY	--
B	25508-120-000L	25508-121-000L	25508-124-000L	25508-127-000L	25508-129-000L	12" x 12" GRATE & FRAME	10
B	25508-120-010	25508-121-010	25508-124-010	25508-127-010	25508-129-010	12" x 12" GRATE ONLY	--
C	25508-180-000L	--	--	--	--	18" x 18" GRATE & FRAME	--

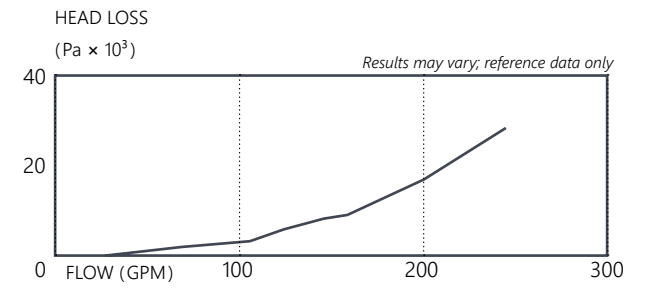
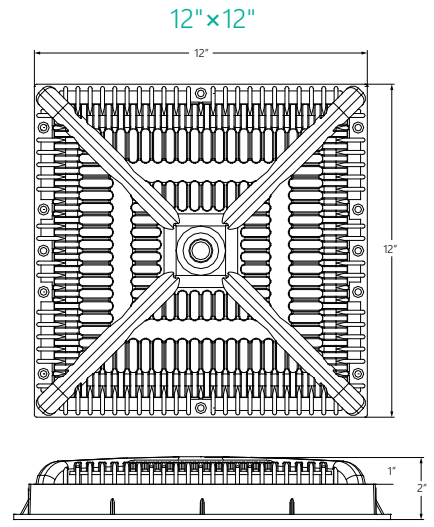
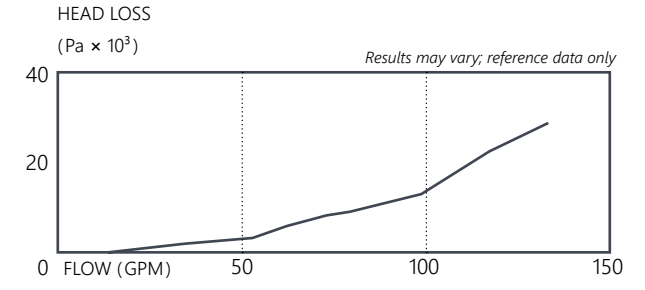
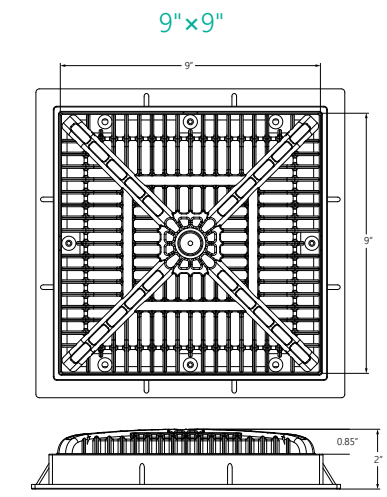
SQUARE GRATES & FRAMES

TECHNICAL GUIDE

- Single or Multiple Drain Use
- Seven Year Life
- IAPMO Listed
- Floor or Wall Installation
- Safety Back-up Device Required for Single Drain Use



SQUARE DRAIN SPECS			
DRAIN SIZE	MIN SIZE PLUMBING	OPEN AREA	MAX FLOW 1.5 FPS
9" x 9"	3"	38.9in ²	120 GPM
12" x 12"	5"	70.8in ²	232 GPM
18" x 18"	5"	155.6in ²	424 GPM



GALAXY™ MAIN DRAINS | GUNITE



PRODUCT FEATURES

- 8" Gunite Pool Main Drain
- Color Cover Options to Match Any Pool Finish
- Extra Deep Threads for Easier Pressure Testing
- 2" FPT Port Size
- Also Available For Vinyl Pools (page 158)
- IAPMO Listed VGB Suction: Compliant to ANSI/APSP -16 2011 & CPSC Requirements



ORDERING GUIDE

GUNITE POOL MAIN DRAINS WITH GALAXY LID								
REF	WHITE	GRAY	BLACK	DARK GRAY	TAN	DESCRIPTION	BOX QTY	
A	25519-000-000	25519-001-000	25519-004-000	25519-007-000	--	GALAXY MAIN DRAIN	8	
B	25514-000-000	25514-001-000	25514-004-000	25514-007-000	25514-009-000	DEEP BODY GALAXY DRAIN	8	
GUNITE GALAXY MAIN DRAIN WITH EXTENSION COLLAR (2" SOCKET)								
REF	WHITE	GRAY	BLACK	DARK GRAY	TAN	DARK BLUE	LIGHT BLUE	BOX QTY
--	25516-000-000	--	--	--	--	--	--	8
GALAXY 8" LID & SCREWS KIT								
	WHITE	GRAY	BLACK	DARK GRAY	TAN	DARK BLUE	LIGHT BLUE*	BOX QTY
	25507-100-000	25507-101-000	25507-104-000	25507-107-000	25507-139-000	25507-169-000	25507-159-000	50

*For "Caymen Blue" order 25531-009-000

NOTE: THE COVER MAY BE CALLED A "LID" OR A "GRATE." THE RING MAY BE CALLED A "FRAME" OR "COLLAR"

GALAXY™ MAIN DRAINS | GUNITE



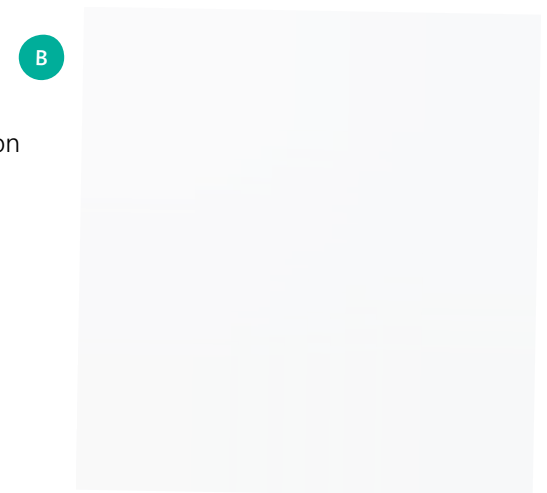
GALAXY LID & FRAMES

- Lid with Frame for Renovations or Installation with Field Built Sumps
- 8" Frame for Galaxy Frame Sump
- 7-3/4" Lid & Frames
- Standard Flow Rate
- IAPMO Listed VGB Suction: Compliant to ANSI/APSP -16 2011 & CPSC requirements



8" GALAXY LID & FRAME SUMP

- For Use With 8" Galaxy Lid & Frames
- Multiple Color Options for Clean Finish Installation
- Available Side Port Only or Side/Bottom Port
- Includes Plugs & Bushings



ORDERING GUIDE

GUNITE POOL MAIN DRAINS LID & FRAMES							
REF	WHITE	GRAY	BLACK	DARK GRAY	TAN	DESCRIPTION	BOX QTY
A	25531-000-000	25531-001-000	25531-004-000	25531-007-000	25531-039-000	8" GALAXY LID & FRAME	50
A	25537-000-000	25537-001-000	25537-004-000	25537-007-000	--	8" GALAXY LID & FLAT FRAME	50
A	25539-000-000	--	--	--	--	7-3/4" GALAXY LID & FRAME	50
A	25539-100-000	--	--	--	--	7-3/4" GALAXY LID & FLAT FRAME	50
SUMP FOR 8" GALAXY LID & FRAME							
REF	WHITE	GRAY	BLACK	DARK GRAY	TAN	DESCRIPTION	BOX QTY
B	25520-000-000	25520-001-000	25520-004-000	25520-007-000	25520-007-000	2" FIP/1.5" FIP SIDE/BOTTOM PORT	18
B	25521-000-000	25521-001-000	25521-004-000		--	2" FIP SIDE PORT	18
GALAXY 7-3/4" LID & SCREWS KIT							
	WHITE	GRAY	BLACK	DARK GRAY	TAN		BOX QTY
	25507-000-000	25507-001-000	25507-004-000	25507-007-000	25507-039-000		50

GALAXY™ MAIN DRAINS | VINYL



CMP Galaxy Main Drains for Vinyl Pools offer the same features and quality as our gunite main drains for vinyl pool applications. Use a CMP Vinyl Main Drain Cover Kit and retrofit CMP color covers to other main drain bodies.

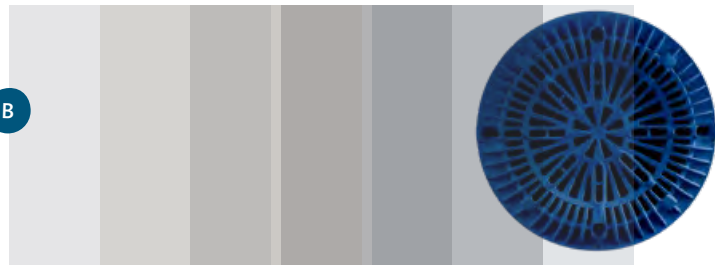
PRODUCT FEATURES

- FPT Style Includes 1.5" Bushings & Plug
- Extra Deep Threads for Easy Pressure Testing
- Seven Color Options to Match Any Pool Finish
- 2" Socket/Slip Style Option
- IAPMO Listed VGB Suction: Compliant to ANSI/APSP - 16 2011 & CPSC Requirements



VINYL MAIN DRAIN COVER KIT

- KIT INCLUDES
- Galaxy Drain Lid
- Galaxy Drain Ring
- 2 Gaskets
- 8 Screws
- 8" Ring Fits Other Drain Bodies
- 8" Ring Only Accepts CMP Drain Lids



FOR MORE CMP VINYL POOL KITS SEE PAGE 147



ORDERING GUIDE

VINYL POOL MAIN DRAINS WITH GALAXY LID							
REF	WHITE	GRAY	BLACK	DARK GRAY	TAN	DESCRIPTION	BOX QTY
A*	25515-000-000	25515-001-000	25515-004-000	25515-007-000	25515-009-000	2" FPT VINYL GALAXY DRAIN	8
A*	25515-000-200	25515-001-200	25515-004-200	25515-007-200	25515-009-200	2" FPT VNL GALAXY DRAIN (2PK)	--
A*	25515-200-000	25515-201-000	25515-204-000	25515-207-000	25515-209-000	2" SOCKET VINYL GALAXY DRAIN	8
A*	25515-200-200	25515-201-200	25515-204-200	25515-207-200	25515-209-200	2" SOCKET VINYL GALAXY DRAIN (2PK)	--
B & D*	25548-000-000	25548-001-000	25548-004-000	25548-007-000	25548-009-000	GALAXY VINYL COVER & RING ONLY	60
C	25515-000-011	--	--	--	--	MAIN DRAIN GASKET ONLY	400
D	25532-800-000	25532-801-000	--	--	--	GALAXY 8" RING ONLY	--

* for Light Blue use xxxxx-x59-xxx, for Dark Blue use xxxxx-x69-xxx

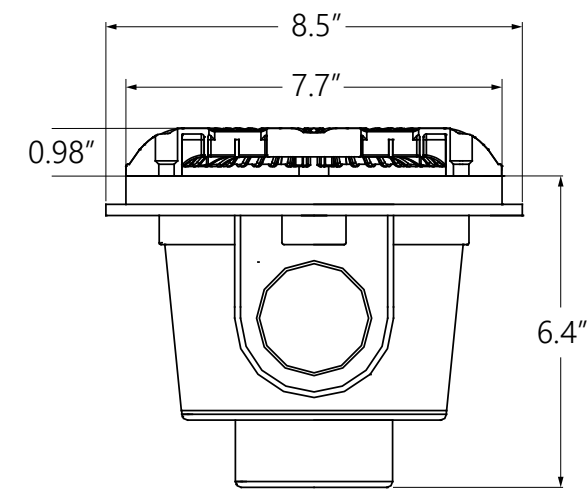
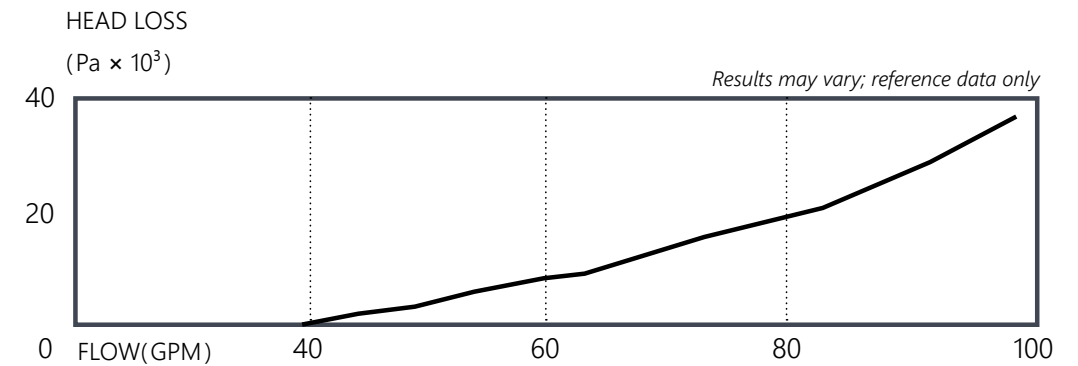
GALAXY 8" LID & RING KIT								
REF	WHITE	GRAY	BLACK	DARK GRAY	TAN	DARK BLUE	LIGHT BLUE	BOX QTY
B-D	25548-100-000	25548-101-000	25548-104-000	--	25548-109-000	25548-169-000	25548-159-000	60

GALAXY™ MAIN DRAINS TECHNICAL GUIDE

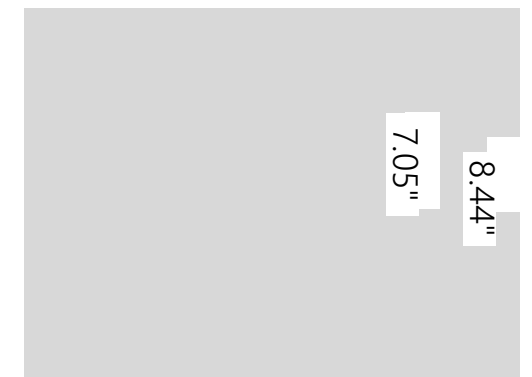


- For Multiple Drain Use Only
- Floor or Wall Installation
- Seven Year Life
- IAPMO Listed
- PVC Bodies
- 2" FIP or 2" Socket
- 13.2in² Open Area
- 61 GPM at 1.5FPS
- IAPMO Listed Max Flow Rates:
 - 84 GPM (Wall)
 - 95 GPM (Floor)

All CMP main drains are listed and tested in strict accordance to the current standard of reference for the Virginia Graeme Baker Act, and compliant to the latest Consumer Product Safety Commission (CPSC) requirements.



GALAXY MAIN DRAIN



DEEP BODY

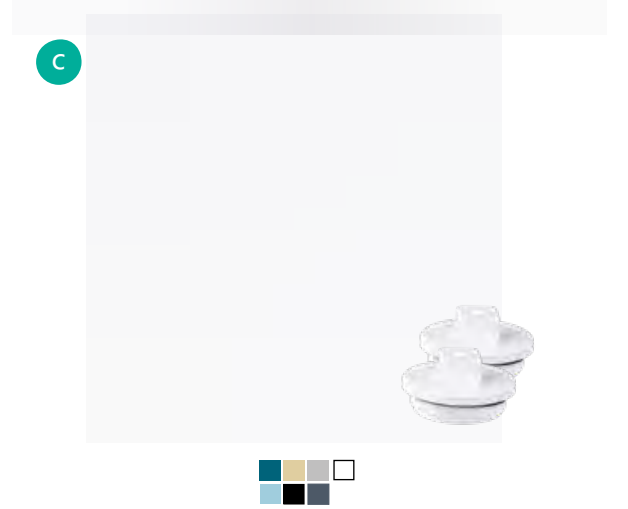
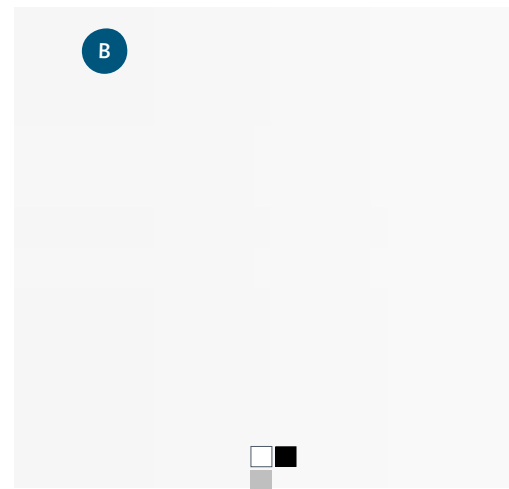
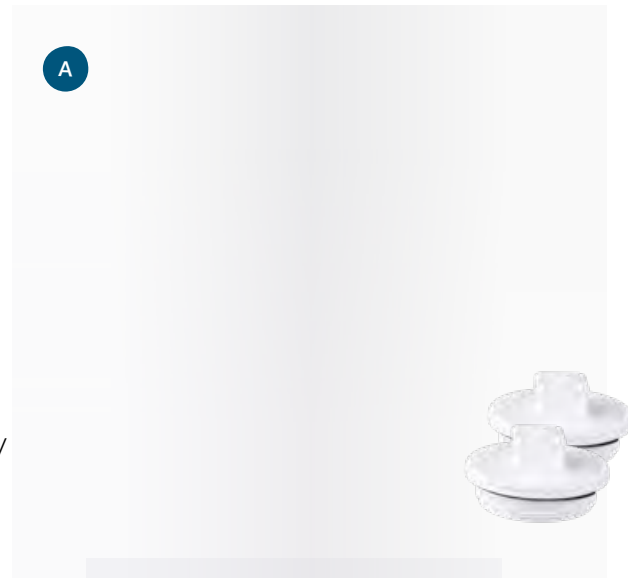
NOVA™ GUNITE MAIN DRAINS



CMP Nova Gunite Main Drains are designed especially for high flow rates up to 118 GPM. Nova Drains are available in multiple styles including bottom port and large outlet options.

PRODUCT FEATURES

- High Flow Rate Gunite Main Drains
- Bottom Port and Side Port Options
- Available with Adjustable Extension Collar
- Includes Bushings & Plug
- Color Lids Available to Match Pool Colors
- PVC Body
- IAPMO Listed VGB Suction: Compliant to ANSI/APSP - 16 2011 & CPSC Requirements



ORDERING GUIDE

*for color drains, order body only and choose lid/collar assembly

GUNITE MAIN DRAINS WITH NOVA LID								
REF	CMP P/N	DESCRIPTION						BOX QTY
A	25513-500-000	GUNITE NOVA MAIN DRAIN, 2" FIP*						8
A	25513-600-000	GUNITE NOVA MAIN DRAIN, 2" SOCKET*						8
B	25517-500-000	GUNITE NOVA DRAIN, 1.5" S / 2" SP DOUBLE BOTTOM PORT (WHITE LID & FRAME)						8
B	25517-501-000	GUNITE NOVA DRAIN, 1.5" S / 2" SP DOUBLE BOTTOM PORT (GRAY LID & FRAME)						8
B	25517-504-000	GUNITE NOVA DRAIN, 1.5" S / 2" SP DOUBLE BOTTOM PORT (BLACK LID & FRAME)						8
--	25516-000-010	DRAIN BODY ONLY 2" SOCKET EXTENDED COLLAR						8
--	25518-000-000	DRAIN BODY ONLY 1.5" S x 2" SP DOUBLE BOTTOM PORT						15
GUNITE NOVA MAIN DRAIN WITH EXTENSION COLLAR (2" SOCKET)								
REF	WHITE	GRAY	BLACK	DARK GRAY	TAN	DARK BLUE	LIGHT BLUE	BOX QTY
C	25516-500-000	25516-501-000	25516-504-000	25516-507-000	25516-509afs-000	25516-569-000	25516-559-000	8

NOVA™ LIDS & FRAMES



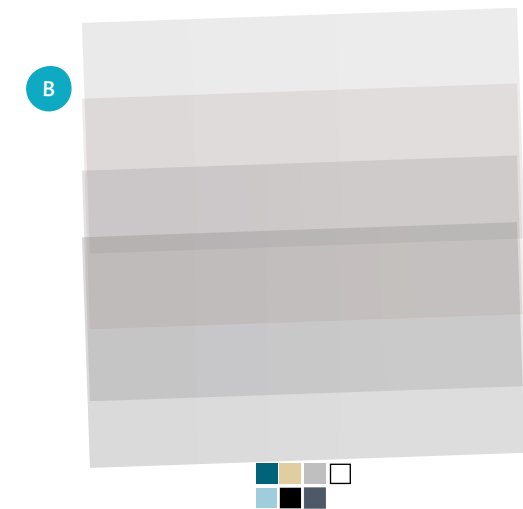
NOVA LID & SCREWS KITS

- Add to Nova Gunite Main Drains to Match Popular Pool Finishes
- Complete Kit Includes Screws
- Seven Color Options
- IAPMO Listed VGB Suction: Compliant to ANSI/APSP - 16 2011 & CPSC Requirements



NOVA LID & FRAMES

- Lid with Frame for Renovations or Installation with Field Built Sumps
- High Flow Rate Design
- 150 GPM (Floor) / 118 GPM (Wall)
- Seven Color Options
- Includes Lid, Frame and Screws
- IAPMO Listed VGB Suction: Compliant to ANSI/APSP - 16 2011 & CPSC Requirements



ORDERING GUIDE

NOVA LID & REGULAR FRAME ASSEMBLY								
REF	WHITE	GRAY	BLACK	DARK GRAY	TAN	DARK BLUE	LIGHT BLUE	BOX QTY
A	25539-500-000	25539-501-000	25539-504-000	25539-507-000	25539-509-000	25539-569-000	25539-559-000	50
NOVA LID & FLAT FRAME ASSEMBLY								
--	25539-600-000	25539-601-000	25539-604-000	25539-607-000	25539-609-000	--	--	50
NOVA LID & SCREWS KITS								
B	25539-700-100	25539-701-100	25539-704-100	25539-707-100	25539-709-100	25539-769-100	25539-759-100	50

NOTE: THE COVER MAY BE CALLED A "LID" OR A "GRATE." THE RING MAY BE CALLED A "FRAME" OR "COLLAR"

NOVA™ LARGE OUTLET DRAINS



PRODUCT FEATURES

- 2.5" and 3" Drain Sizes
- PVC Body
- Color Options for Any Pool Finish
- For White, Gray, & Black: Sump Body Color Matches Cover
- For Special Colors Order Body then Order Color Lid & Frame Separately
- IAPMO Listed VGB Suction: Compliant to ANSI/APSP - 16 2011 & CPSC Requirements



ORDERING GUIDE

LARGE OUTLET DRAINS					
REF	WHITE	GRAY	BLACK	DESCRIPTION	BOX QTY
A	25513-260-000	25513-261-000	25513-264-000	2.5" NOVA MAIN DRAIN	12
--	25513-250-100	--	--	2.5" NOVA MAIN DRAIN, WITHOUT LID	--
A	25513-400-000	25513-401-000	25513-404-000	3" NOVA MAIN DRAIN	12
--	25513-300-100	--	--	3" NOVA MAIN DRAIN, WITHOUT LID	--
B	25516-260-000	--	--	2.5" NOVA DRAIN & ADJUSTABLE EXTENSION	--
B	25516-400-000	--	--	3" NOVA DRAIN & ADJUSTABLE EXTENSION	--
--	25516-250-010	--	--	2.5" ADJUSTABLE COLLAR BODY ONLY	--
--	25516-300-010	--	--	3" ADJUSTABLE COLLAR BODY ONLY	8
C	25620-250-000	--	--	HYDROSTATIC VALVE, 2-1/2"x3"	--

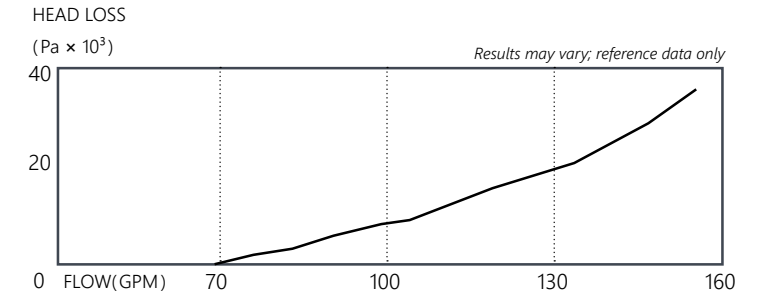
NOVA LID WITH ADJUSTABLE EXTENSION COLLAR

REF	WHITE	GRAY	BLACK	DARK GRAY	TAN	DARK BLUE	LIGHT BLUE	BOX QTY
--	25516-500-100	25516-501-100	25516-504-100	25516-507-100	25516-509-100	25516-569-100	25516-559-100	50

NOTE: THE COVER MAY BE CALLED A "LID" OR A "GRATE." THE RING MAY BE CALLED A "FRAME" OR "COLLAR"

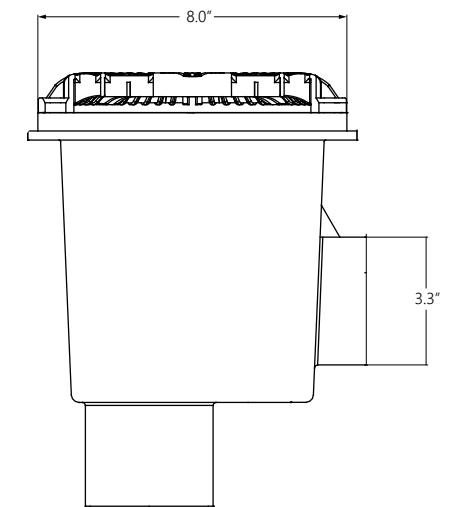
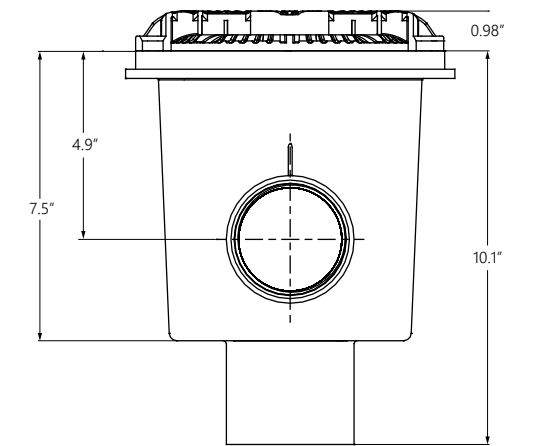
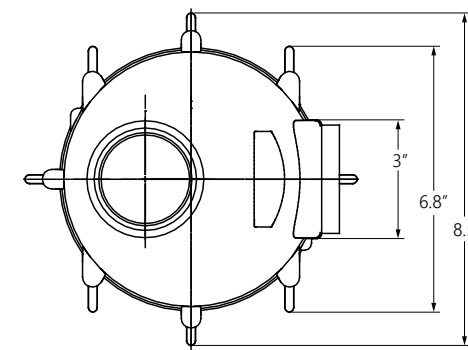
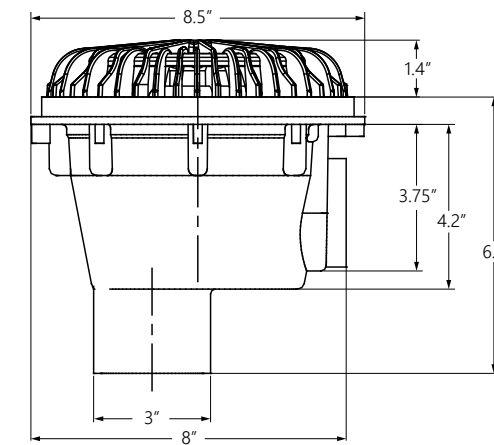
NOVA™ GUNITE MAIN DRAINS TECHNICAL GUIDE

- For Multiple Drain Use Only
- Seven Year Life on Cover
- PVC Body
- IAPMO Listed
- Floor or Wall Installation
- 14.57 in² Open Area
- 68 GPM at 1.5FPS
- IAPMO Listed Max Flow Rates Below



GUNITE NOVA MAIN DRAINS		
PLUMBING	MAX FLOW FLOOR	MAX FLOW WALL
1.5" PIPE	140 GPM	118 GPM
2" PIPE	150 GPM	118 GPM

LARGE OUTLET DRAINS			
DRAIN SIZE	OPEN AREA	MAX FLOW FLOOR	MAX FLOW WALL
3" DRAIN	13.4in ²	150 GPM	118 GPM
2.5" DRAIN	13.4in ²	150 GPM	118 GPM

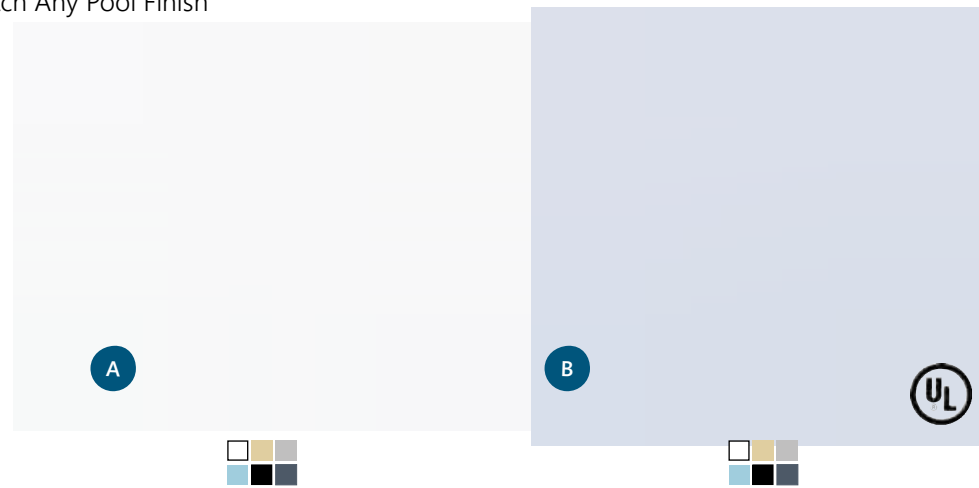


VGB DRAINS & SUCTIONS

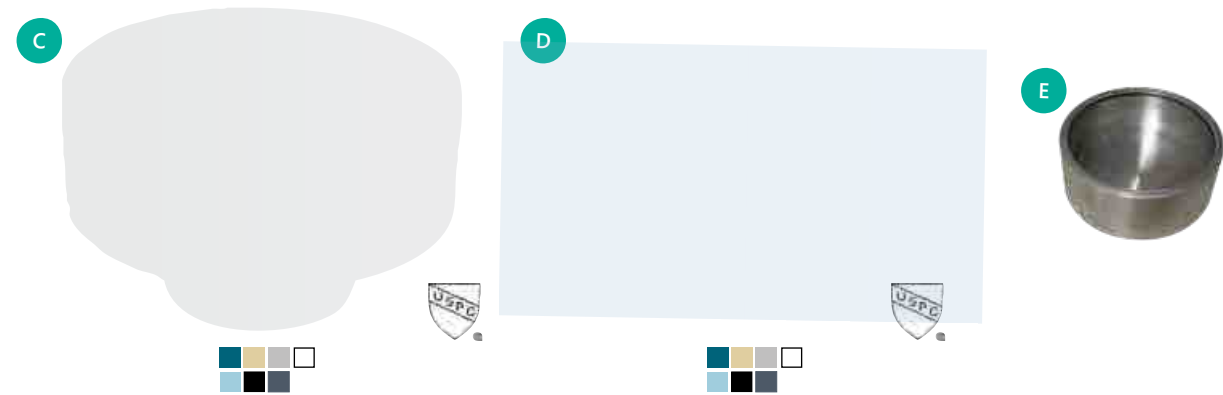


FIBERGLASS MAIN DRAIN

- Six Colors to Match Any Pool Finish
- 2" Socket
- Lock Nut
- 175 GPM



EQUALIZER SUCTION



ORDERING GUIDE

VGB FIBERGLASS MAIN DRAIN								
REF	WHITE	GRAY	BLACK	DARK GRAY	TAN	DARK BLUE	DESCRIPTION	BOX QTY
A	25215-000-000	25215-001-000	25215-004-000	--	25215-009-000	25215-069-000	2" S FG MAIN DRAIN	40
B	25215-000-003	25215-001-003	25215-004-003	--	25215-009-003	25215-069-003	FG DRAIN COVER ONLY	60
--	25215-900-000	--	--	--	--	--	FG DRAIN PLUG	--

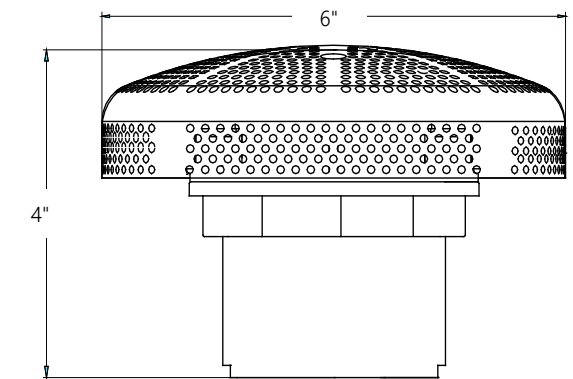
VGB EQUALIZER SUCTION									
REF	WHITE	GRAY	BLACK	DARK GRAY	TAN	LIGHT BLUE	DARK BLUE	DESCRIPTION	BOX QTY
C	25207-700-000	25207-701-000	25207-704-000	25207-707-000	25207-709-000	25207-759-000	--	2" IN SUCTION	100
D	25207-800-000	25207-801-000	25207-804-000	25207-807-000	25207-809-000	25207-859-000	--	1.5" MIP SUCTION	100
E	25207-700-900	--	--	--	--	--	--	SUCTION PLUG	25

VGB DRAINS & SUCTIONS



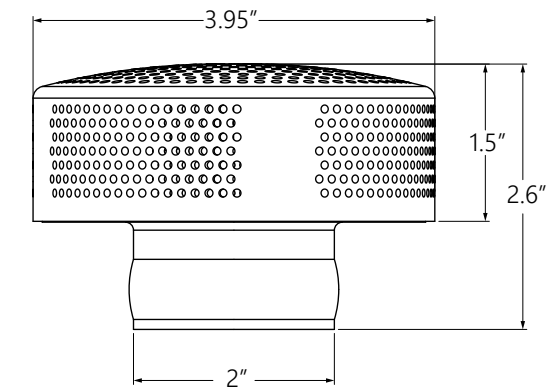
FIBERGLASS DRAIN TECHNICAL GUIDE

- Fits in 3" Hole
- Seven Year Life on Cover
- Wall or Floor Installation
- 6" x 1.5" Cover
- UL Listed VGB Suction: Compliant to ANSI/APSP - 16 2011 & CPSC Requirements
- 2" Socket
- 12.88in² Open Area
- 60 GPM at 1.5FPS
- 175 GPM UL Listed Max Flow Rate



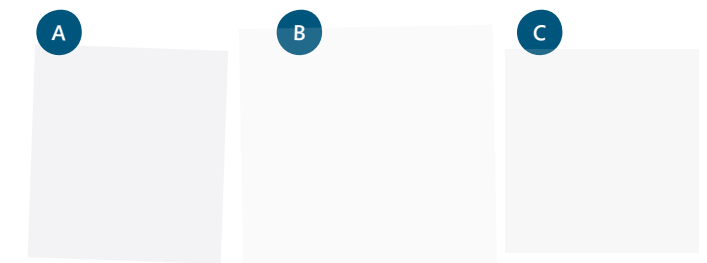
SUCTION TECHNICAL GUIDE

- Seven Year Life on Cover
- IAPMO Listed VGB Suction: Compliant to ANSI/APSP - 16 2011 & CPSC Requirements
- 6.82in² Open Area
- 31 GPM at 1.5FPS
- 50 GPM IAPMO Listed Max Flow Rate



HYDROSTATIC RELIEF VALVES

- Equalizes Underground Water Pressure
- Helps Prevents Serious Structure Damage
- Three Fitting Sizes Available



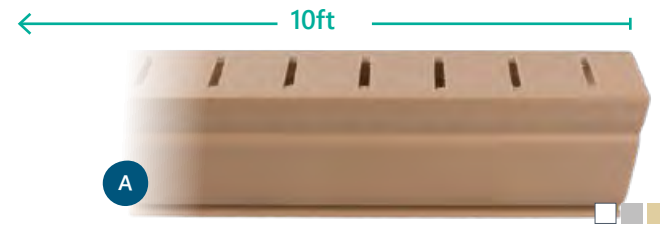
ORDERING GUIDE

REF	WHITE	DESCRIPTION	BOX QTY
A	25620-000-000	1.5/2" CYC HYDRO RELIEF	25
B	25620-250-000	2-1/2" x 3" HYDROSTATIC RELIEF VALVE	--
C	25620-320-000	2" MIP HYDROSTATIC RELIEF VALVE	250

POOL DECK GOODS

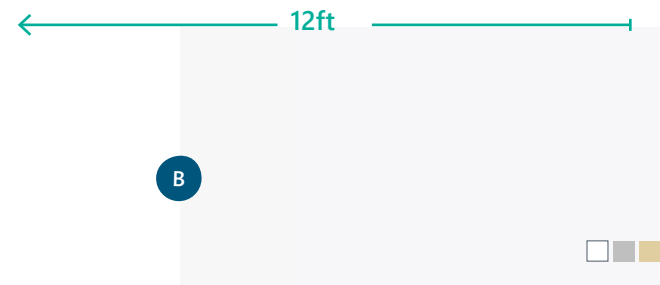
10FT DECK DRAINS

- 3.25in x 1.65in x 10ft
- Eight Couplers per Box
- Four End Adapters per Box
- Sold in Box Quantities Only
- **10 Foot Lengths**

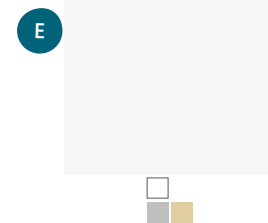
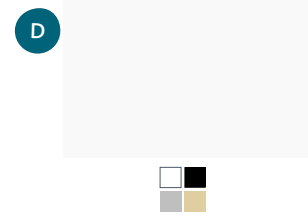


12FT DECK EXPANSION JOINTS

- .61in x 1.325in x 12ft
- Three Colors Available
- Sold in Box Quantities Only
- **12 Foot Lengths**



COMPACT DECK DRAINS



DECK MOUNTED JUNCTION BOX

- O-ring Built Into the Box Lid
- Watertight Design
- For Low Voltage (12 Volt) Power Only
- Includes Fittings
- For Canada & International (Not Listed for U.S)



ORDERING GUIDE

REF	WHITE	GRAY	BLACK	TAN	DESCRIPTION	BOX QTY
A	25533-100-000	25533-101-000	--	25533-108-000	10FT DECK DRAIN	8*
B	25900-120-000	25900-121-000	--	25900-128-000	12FT DECK EXPANSION JOINTS	20*
C	25533-200-000	25533-201-000	25533-204-000	25533-209-000	3-BAR GRATE & FRAME	50
D	25533-000-000	25533-001-000	25533-004-000	25533-009-000	2" x 4" DECK DRAIN, 2"FIPx2"S	50
D	25533-000-010	25533-001-010	25533-004-010	25533-009-010	2" x 4" GRATE ONLY	500
E	25533-300-000	25533-301-000	--	25533-309-000	3" ROUND DECK DRAIN	--
E	25533-300-010	25533-301-010	--	25533-309-010	3" COVER ONLY	--
F	25840-100-000	--	--	--	DECK JUNCTION BOX	--

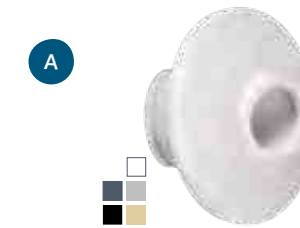
*sold in box quantities only

AUSSIE INSIDERS

Aussie Insiders, or "Pound-In Fittings," have been available for years in 1½" and 1" inside pipe styles. Aussie Insiders are self-aligning. CMP also offers the industry's first 2" Aussie Insider.

1" AUSSIE INSIDER

- .5" Eye Opening
- Five Color Options



1.5" AUSSIE INSIDER

- .75" Eye Opening
- Includes Two Snap-In Reducers
- Seven Color Options



2" AUSSIE INSIDER

- Industry's Only 2" Aussie Insider
- 1.25" Eye Opening
- Includes 1" Snap-In Reducer
- Includes Slotted Eye Snap-In Reducer
- Three Color Options



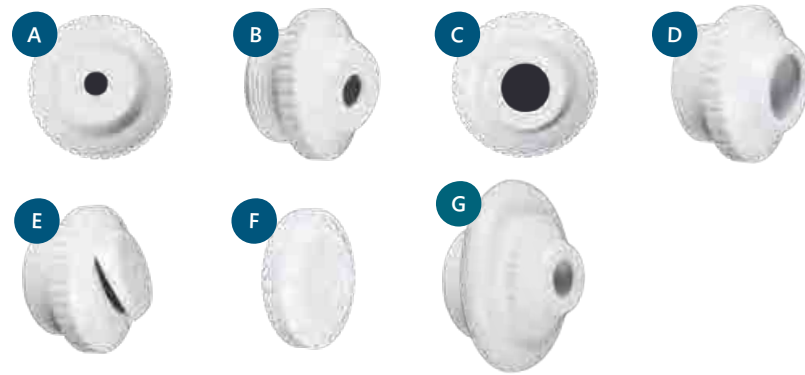
ORDERING GUIDE

REF	WHITE	GRAY	BLACK	DARK GRAY	TAN	LIGHT BLUE	DARK BLUE	SIZE	BOX/BAG
A	25559-110-000	25559-111-000	25559-114-000	25559-117-000	25559-119-000	--	--	1"	400/50
B	25559-000-000	25559-001-000	25559-004-000	25559-007-000	25559-009-000	25559-059-000	25559-069-000	1.5"	400/50
C	25559-200-000	25559-201-000	25559-204-000	--	--	--	--	2"	400/50

DIRECTIONAL RETURN FITTINGS

THREADED DIRECTIONAL RETURNS

- With or Without Flange
- Five Opening Sizes
- 1.5" MIP
- Solid Cap Available to Drill a Custom Eye Size
- All directional returns are sold in boxes of 400 or 50.



SELF-ALIGNING DIRECTIONAL RETURNS

- Fits Inside 1.5" SCH40 Pipe
- Five Opening Sizes
- Self-Aligning
- All directional returns are sold in boxes of 400 or 50.



ORDERING GUIDE

1.5" MIP DIRECTIONAL FLOW OUTLETS									
REF	WHITE	GRAY	BLACK	DARK GRAY	LIGHT BLUE	DARK BLUE	TAN	CLEAR	EYE SIZE
A	25552-100-000	25552-101-000	25552-104-000	25552-107-000	--	--	25552-139-000	--	3/8"
B	25552-200-000	25552-201-000	25552-204-000	25552-207-000	--	--	25552-239-000	--	1/2"
C	25552-300-000	25552-301-000	25552-304-000	25552-307-000	25552-359-000	25552-369-000	25552-339-000	25552-309-000	3/4"
D	25552-400-000	25552-401-000	25552-404-000	25552-407-000	--	--	25552-439-000	25552-409-000	1"
E	25552-000-000	25552-001-000	25552-004-000	25552-007-000	--	--	--	25552-009-000	SLOT
F	25552-020-300	25552-021-300	25552-024-300	--	--	--	25552-029-300	--	CAP
1.5" MIP DIRECTIONAL FLOW OUTLETS WITH FLANGE									
G	25553-200-000	25553-201-000	--	--	--	--	--	--	1/2"
G	25553-300-000	25553-301-000	25553-304-000	25553-307-000	25553-309-000	25553-369-000	25553-339-000	--	3/4"
G	25553-400-000	25553-401-000	25553-404-000	--	--	--	--	--	1"
1.5" INSIDER DIRECTIONAL FLOW OUTLETS									
H	25554-100-000	25554-101-000	25554-104-000	--	--	--	25554-139-000	--	3/8"
I	25554-200-000	25554-201-000	25554-204-000	--	--	--	25554-239-000	--	1/2"
J	25554-300-000	25554-301-000	25554-304-000	25554-307-000	--	--	25554-339-000	25554-309-000	3/4"
K	25554-400-000	25554-401-000	25554-404-000	25554-407-000	--	--	25554-439-000	25554-409-000	1"
L	25554-000-000	25554-001-000	25554-004-000	--	--	--	25554-039-000	25554-009-000	SLOT
1.5" INSIDER DIRECTIONAL FLOW OUTLETS WITH FLANGE									
M	25553-350-000	25553-351-000	25553-354-000	--	--	--	--	--	3/4"
M	25553-450-000	25553-451-000	25553-454-000	--	--	--	--	--	1"

RETURN & INLET FITTINGS

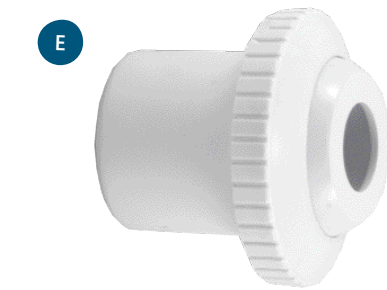
FLUSH MOUNT RETURN

- Flush Mount in Gunite
- 1.5" Insider
- 1" or 1.5" Socket Options
- Available w/ Plaster Cap
- Five Color Options



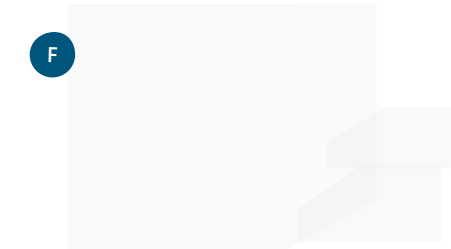
INSERT INLET

- Insert Inlet Fits Inside 1.5" Pipe
- 1.5" Insider x 1" Socket
- Available with Slotted, 3/4" or 1" Eyeball
- Five Color Options



1.5" SOCKET INLET

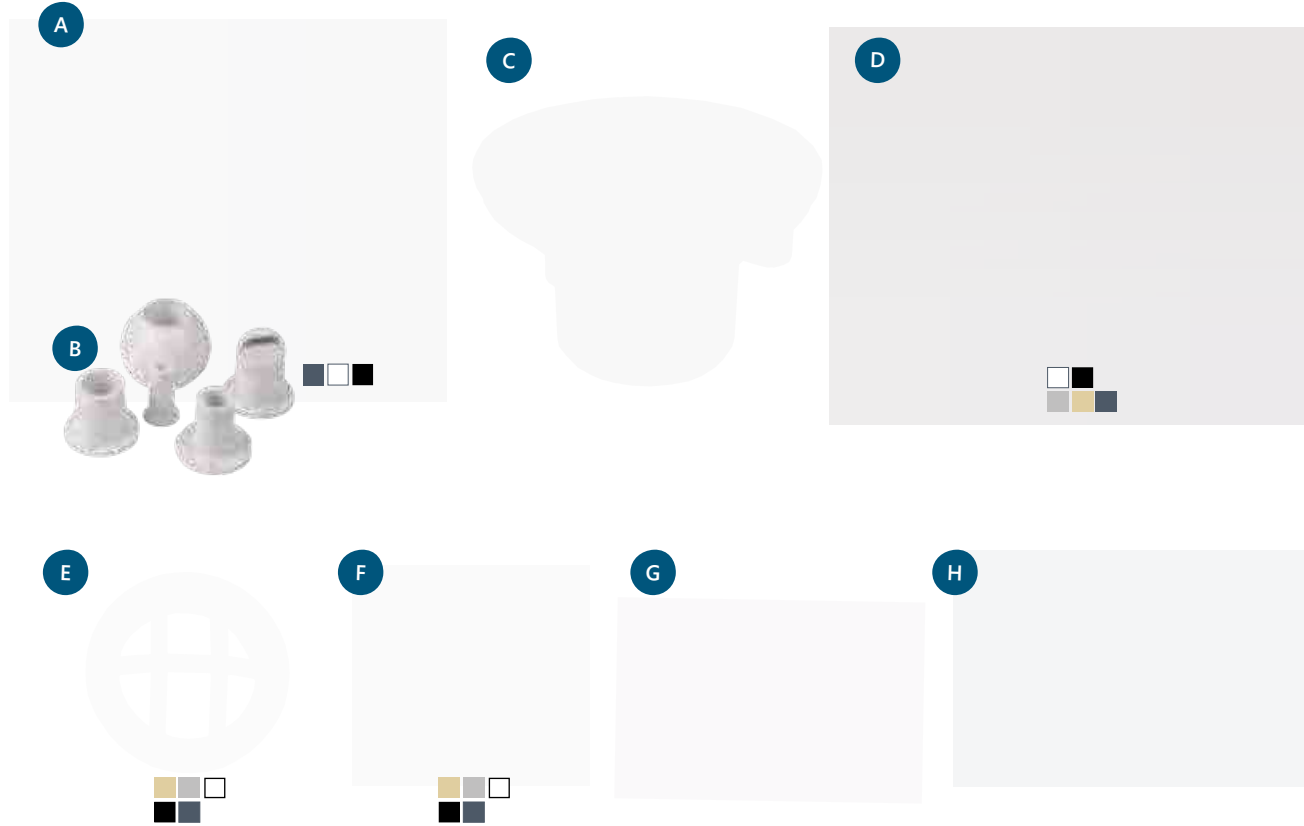
- Fits 1.5" Pipe
- Includes Set of Reducers
- Octagon Shape Flange
- Three Available Color Options



ORDERING GUIDE

REF	WHITE	GRAY	BLACK	DARK GRAY	TAN	DESCRIPTION	BOX QTY
A	25555-300-000	25555-301-000	25555-304-000	25555-307-000	25555-309-000	1" S FLUSH RETURN, 3/4" EYE	220
B	25555-000-000	25555-001-000	25555-004-000	25555-007-000	25555-009-000	1" S FLUSH RETURN, 1" EYE	220
B, D	25555-700-000	25555-701-000	25555-704-000	25555-707-000	25555-709-000	1" S FLUSH RETURN & PLASTER CAP	220
C, D	25557-000-000	25557-001-000	25557-004-000	25557-007-000	--	1.5" S FLUSH RETURN & PLASTER CAP	220
D	--	--	25557-014-010	--	--	PLASTER CAP FOR FLUSH RETURN	--
E	25551-300-000	25551-301-000	25551-304-000	25551-307-000	25551-309-000	INSERT INLET, 3/4" EYE (PICTURED)	400
E	25551-000-000	25551-001-000	--	--	--	INSERT INLET, SLOTTED EYE	--
E	25551-400-000	25551-401-000	25551-404-000	25551-407-000	25551-409-000	INSERT INLET, 1" EYE	400
F	25609-300-000	25609-301-000	25609-304-000	--	--	1.5" S INLET & REDUCERS	400

INLET FITTINGS & ACCESSORIES

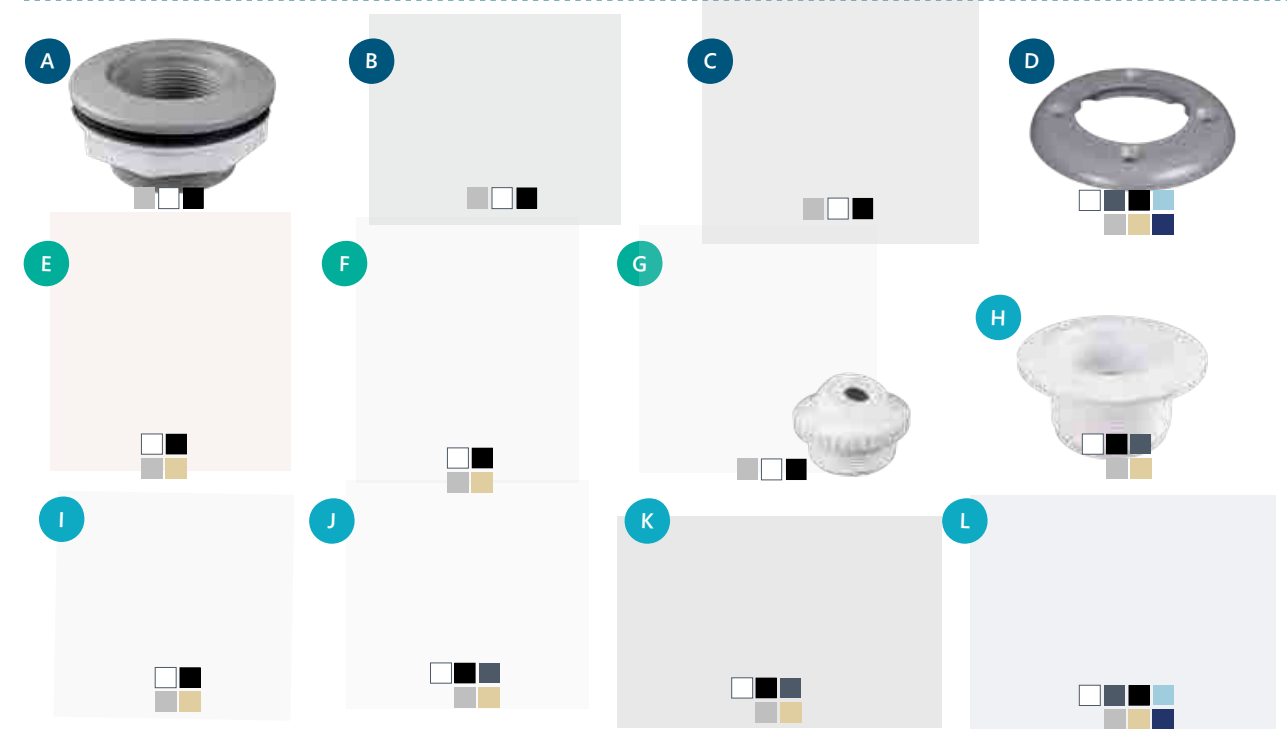


ORDERING GUIDE

EYEBALL RETURN FITTINGS & ACCESSORIES							
REF	WHITE /OTHER	GRAY	BLACK	DARK GRAY	TAN	DESCRIPTION	BOX QTY
A,B	25606-000-000	--	25606-004-000	25606-007-000	--	INLET EYEBALL FITTING KIT	400
B	25606-100-000	--	25606-104-000	25606-107-000	--	INLET EYEBALL REPLACEMENT KIT	400
C	25527-000-000	--	--	--	--	FLOOR INLET 1.5"S×2" MIP	50
--	25527-000-030	--	--	--	--	COVER FOR 25527-000-000	--
D	25527-100-000	25527-101-000	25527-104-000	25527-107-000	25527-109-000	FLOOR INLET 2"S w/ 1.5" REDUCER	50
--	25527-100-100	25527-101-100	25527-104-100	25527-107-100	25527-109-100	COVER & SCREWS FOR 25527-100-000	50
--	61050-042-025	--	--	--	--	SCREWS FOR 25527-100-000	--
E	25560-000-000	25560-001-000	25560-004-000	25560-007-000	25560-009-000	1.5" MIP GRATE INSERT*	1000/50
F	25552-500-000	25552-501-000	25552-504-000	25552-507-000	25552-509-000	1.5" MIP CHECK VALVE	400
G	25551-000-100	--	--	--	--	INLET SEAT REMOVAL TOOL	100
H	25590-250-000	--	--	--	--	POOL FITTING "MULTITOOL"	--

*for safety, we recommend using the grate insert with 25207-800-000 equalizer suction

WALL RETURN FITTINGS



ORDERING GUIDE

All Vinyl Fittings Include Nut & Gaskets

1.5" FIP VINYL WALL FITTINGS							
REF	WHITE	GRAY	BLACK	DK GRAY	DESCRIPTION	PIPE SIZE	HOLE SIZE
A	25550-000-000	25550-001-000	25550-004-000	--	VINYL LOCKNUT I/O FITTING	1.5" FIP	2-3/8"
B	25522-500-000	25522-501-000	25522-504-000	25522-507-000	EXTENDED VINYL FITTING	1.5" S	2-3/8"
C	25522-000-000	25522-001-000	25522-004-000	--	VINYL I/O FITTING	1.5" FIP	3"
C	25522-100-000	25522-101-000	--	25522-107-000	VINYL I/O FITTING	1.5" S	3"

3.5" VINYL FACEPLATES							
REF	WHITE	GRAY	BLACK	TAN	DK BLUE	LT BLUE	DESCRIPTION
D	25545-100-000	25545-101-000	25545-104-000	25545-139-000	25545-169-000	25545-159-000	FACEPLATE KIT
D	25545-000-000	25545-001-000	25545-004-000	25545-049-000	25545-069-000	25545-009-000	FACEPLATE ONLY
D	25546-100-000	25546-101-000	25546-104-000	--	--	--	THREADED FACEPLATE KIT
D	25546-000-000	25546-001-000	25546-004-000	--	25546-069-000	--	THREADED FACEPLATE ONLY

1.5" FIP FIBERGLASS WALL FITTINGS							
REF	WHITE	GRAY	BLACK	TAN	DESCRIPTION	PIPE SIZE	HOLE SIZE
E	25523-500-000	25523-501-000	25523-504-000	25523-539-000	1.5" FG FITTING	1.5"S×2"SP	2-3/8"
E	25523-600-000	25523-601-000	25523-604-000	25523-639-000	2" FG FITTING	2"S×2.5"SP	2-7/8"
F	25523-700-000	25523-701-000	25523-704-000	--	1.5" FG FITTING & FLUSH EYE	1.5"S×2"SP	2-3/8"
G	25523-500-200	25523-501-200	25523-504-200	--	1.5" FG FITTING & 3/4" EYE	1.5"S×2"SP	2-3/8"
G	25523-600-200	25523-601-200	25523-604-200	--	2" FG FITTING & 3/4" EYE	2"S×2.5"SP	2-7/8"
--	25523-500-100	25523-501-100	--	--	1.5" FG FITTING & GASKET	1.5"S×2"SP	--
--	--	--	23300-200-040	--	FG FITTING GASKET ONLY	--	--

1.5" FIP GUNITE WALL FITTINGS							
REF	WHITE	GRAY	BLACK	DARK GRAY	TAN	DESCRIPTION	SIZE
H	25550-000-060	25550-001-060	25550-004-060	25550-007-000	25550-009-000	THREADED FITTING	1.5" FIP
I	25523-000-000	25523-001-000	25523-004-000	--	25523-039-000	I/O FITTING	1.5" S
J	25529-150-000	25529-151-000	25529-154-000	25529-157-000	25529-159-000	INSIDER FITTING	1.5" SP x 1.5" FIP
K	25524-200-000	25524-201-000	25524-204-000	25524-207-000	25524-239-000	INSIDER FITTING	2" INS x 1.5" FIP
L	25523-100-000	25523-101-000	25523-104-000	25523-107-000	25523-139-000	I/O FITTING	1.5" S

GUNITE POOL WATER STOPS

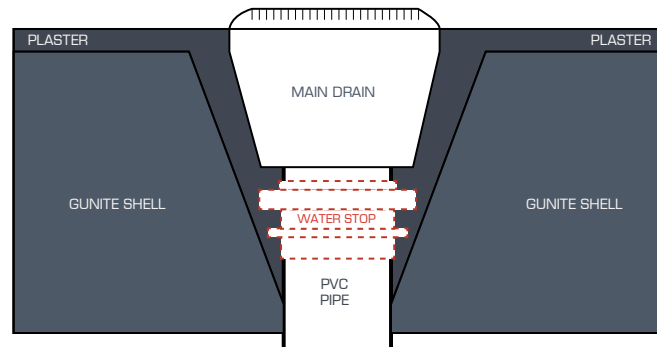
Water Stops prevent common leaks that occur when plaster separates from the installed pipe.

PRODUCT FEATURES

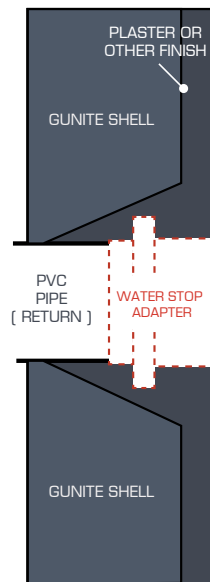
- Easy to Install
- Sizes Available up to 3"



INSTALLATION GUIDE



WATER STOP ADAPTER:
Glue the water stop adapter fitting onto the end of the pipe and plaster over.



WATER STOP:
Glue the water stop onto the pipe for the plaster to adhere

ORDERING GUIDE

REF	CMP P/N	DESCRIPTION	BOX / BAG
A	25574-100-000	1" WATER STOP	1000/20
A	25574-000-000	1.5 WATER STOP	1000/20
A	25575-000-000	2" WATER STOP	500/20
A	25575-250-000	2.5" WATER STOP	500/20
A	25575-300-000	3" WATER STOP	500/20
B	25575-600-000	WATER STOP ADAPTER FITTING, 1.5" FIP x 2" SOCKET (WHITE)	300/20
B	25575-609-000	WATER STOP ADAPTER FITTING, 1.5" FIP x 2" SOCKET (CLEAR)	300/20
C	25575-500-000	WATER STOP ADAPTER FITTING, 1.5" FIP x 1.5" SOCKET	500/20
C	25575-509-000	CLEAR WATER STOP ADAPTER FITTING, 1.5" FIP x 1.5" SOCKET	500/20



PREMIER QUALITY TOOLS & COMPONENTS DESIGNED FOR POOL PROFESSIONALS

CMP PRO TOOLS is a special collection of pool replacement parts, tools and specialty fittings designed for superior performance. These special components include heavy duty components, extreme durability fittings, specialty repair tools and upgraded replacement parts.

LOOK FOR PRO TOOLS ITEMS THROUGHOUT THE CMP CATALOG

SPRING-LOCK WEIR DOORS 145

HIGH TEMP SELF-SEALING UNIONS 174

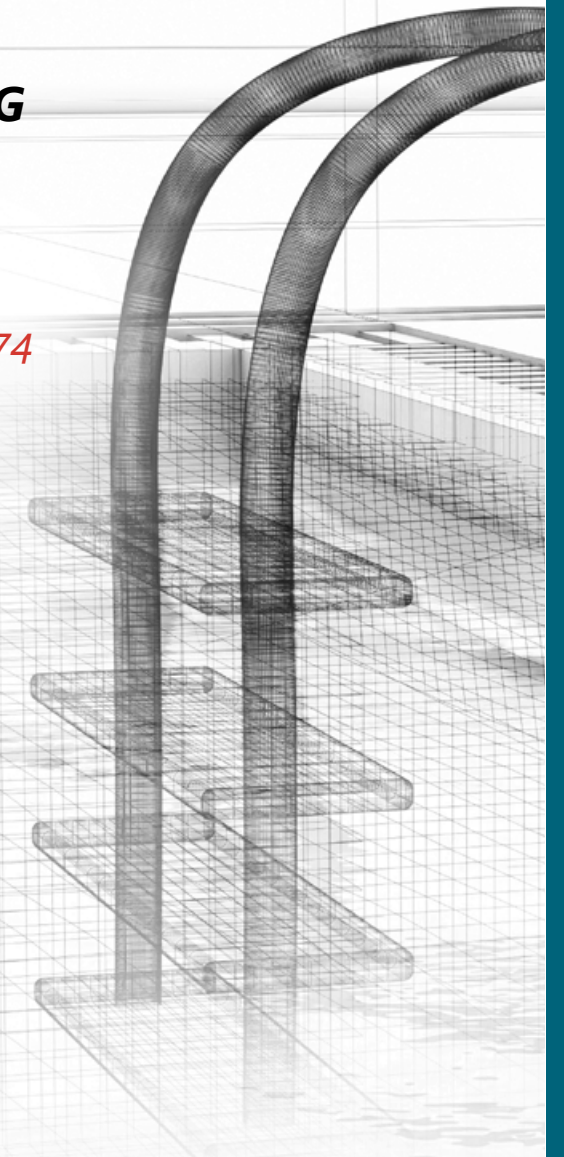
SPECIALTY REPAIR FITTINGS 178

LIGHT REPAIR FITTINGS 191

FLOWSKIM™ BASKET 204

HEAVY DUTY BASKETS 205

HEAVY DUTY FILTER MANIFOLDS 209



HIGH TEMP SELF-SEALING UNIONS



PRODUCT FEATURES

- Professional Grade Unions for Durable Installations and Repairs
- High Temp Black NORYL® Brand Resin: The Same Tough Material Used for Pool Pump Bodies
- Self-Sealing: No Sealing Tape or Pipe Dope Needed
- Union T-Gasket Provides a Better Seal



ORDERING GUIDE

REF	CMP P/N	DESCRIPTION	BOX QTY
A	21063-750-000	3/4" MIP, 3/4" SOCKET TAIL, HI-TEMP UNION	30
A	21063-100-000	1" MIP, 1" SOCKET TAIL HI-TEMP Union	--
B	21063-150-000	1.5" MIP, 1.5" SOCKET (2" SPIGOT) HI-TEMP UNION	50
B	21063-160-000	1.5" MIP, 2" SOCKET HI-TEMP UNION	50
C	21063-154-000	1.5" MIP, 1.5" SOCKET (2" SPIGOT) LONG HI-TEMP UNION	50
C	21063-164-000	1.5" MIP, 2" SOCKET LONG HI-TEMP UNION	50
D	21063-200-000	2" MIP, 2" SOCKET HI-TEMP UNION	50
E	21063-284-000	2" MIP, 2" SOCKET HI-TEMP SWIVEL UNION	50
F	21063-204-000	2" MIP, 2" SOCKET LONG HI-TEMP UNION	50
G	21063-250-000	2" MIP, 2.5" SOCKET HI-TEMP UNION	50
G	21063-230-000	2" MIP, 3" SOCKET HI-TEMP UNION	50
H	21063-290-000	2" MIP, 2" SOCKET TAIL, 90 DEG ELL HI-TEMP UNION	50

REPLACEMENT PARTS ON PAGE 258

STANDARD UNIONS



ORDERING GUIDE

REF	CMP P/N	DESCRIPTION	BOX QTY
A	21063-170-000	1.5" MIP x 1.5" SOCKET SELF-SEALING UNION	50
A	21063-180-000	1.5" MIP x 2" SOCKET SELF-SEALING UNION	25
A	21063-210-000	2" MIP x 2" SOCKET SELF-SEALING UNION	190
B	21063-179-000	1.5" MIP x 1.5" SOCKET SELF-SEALING UNION (LONG)	50
B	21063-189-000	1.5" MIP x 2" SOCKET SELF-SEALING UNION (LONG)	25
C	21063-280-000	2" MIP x 2" SOCKET Swivel SELF-SEALING Union	--
D	21021-000-000	1.5" PUMP UNION (T-GASKET)	300
D	21023-000-000	2" PUMP UNION (T-GASKET)	190
E	21053-150-000	1.5" SOCKET x SOCKET FLUSH UNION	50
E	21053-200-000	2" SOCKET x SOCKET FLUSH UNION	50
F	21055-150-000	1.5" SOCKET x MIP FLUSH UNION	50
G	21058-000-000	1.5" HOSE BARB x MIP ECON UNION	50
H	21058-100-000	1.5" SMOOTH HOSE BARB x MIP ECON UNION	50
I	21054-150-000	1.5" MIP x 1.5" NPT SWIVEL UNION	50
J	21056-150-000	1.5" MIP x 1.5" SOCKET/2" SPIGOT SWIVEL UNION	50
--	21056-154-000	1.5" MIP X 1.5" MIP HI-TEMP SWIVEL UNION (BLACK)	50
J	21059-150-000	1.5" MIP x 1.5" SPIGOT UNION	50
K	21058-200-000	1.5" HOSE BARB x MIP 90° ELL ECON UNION	50
K	21058-300-000	1.5" SMOOTH HOSE BARB x MIP 90° ELL ECON UNION	50

STANDARD UNIONS

PRODUCT FEATURES

- Complete Selection of Popular and Common Sizes Up to 3"
- Self-Aligning Unions Available in 1.5 and 2" Sizes
- Sizes Available up to 3"



ORDERING GUIDE

REF	CMP P/N	DESCRIPTION	BOX QTY
A	27288-070-000	3/4" SOCKET x SOCKET UNION	10
B	21049-150-000	1.5" SOCKET (2" SPIGOT) SELF-ALIGNING INLINE UNION	100
B	21047-000-000	1.5" SOCKET x SOCKET INLINE UNION	200
C	21049-200-000	2" SOCKET x SOCKET SELF-ALIGNING INLINE UNION	100
C	21048-000-000	2" SOCKET x SOCKET INLINE UNION	200
D	21063-225-000	2.5" SOCKET x SOCKET UNION	30
E	21063-330-000	3" SOCKET x SOCKET UNION	30
F	21003-000-000	2" FIP, 2" SOCKET TAIL, SWEEP 90 UNION	60
F	21003-100-000	2" FIP, 2" SPIGOT TAIL, SWEEP 90 UNION	60
G	21063-801-000	006723F HEATER UNION KIT (RAYPAK)	50
H	21063-350-000	350157 UNION KIT (SuperFlo® pump)	--
I	21046-000-000	1.5" UNION TAILPIECE ONLY	--
J	25300-004-070	1.5" SPLIT UNION NUT & SCREWS	400/20
J	25301-004-070	2" SPLIT UNION NUT & SCREWS	400/20

PLUMBING FITTINGS



ORDERING GUIDE

REF	CMP P/N	DESCRIPTION	FITTING SIZE	BOX QTY
A	21005-000-000	2" SOCKET SWEEP 90° ELL, WHITE	2" SOCKET x 2" SOCKET	100
A	21005-004-000	2" SOCKET SWEEP 90° ELL, BLACK	2" SOCKET x 2" SOCKET	100
A	21006-000-000	2" SPIGOT SWEEP 90° ELL, WHITE	2" SOCKET x 2" SPIGOT	100
A	21006-004-000	2" SPIGOT SWEEP 90° ELL, BLACK	2" SOCKET x 2" SPIGOT	100
A	21105-000-000	1.5" SOCKET SWEEP 90° ELL	1.5" SOCKET x 1.5" SOCKET	100
A	21106-000-000	1.5" SPIGOT SWEEP 90° ELL	1.5" SOCKET x 1.5" SPIGOT	100
B	21013-200-000	2" STREET 90° ELL	2" SOCKET x 2" SPIGOT	100
B	21013-000-000	1.5" STREET 90° ELL	1.5" SOCKET x 1.5" SPIGOT	150
C	21010-200-000	2" STREET 45° ELL	2" SOCKET x 2" SPIGOT	100
C	21010-000-000	2" STREET 90° ELL	1.5" SOCKET x 1.5" SPIGOT	200
D	21004-000-000	2" 3-WAY WYE	2" SOCKET	50
D	21004-150-000	1.5" x 2" SOCKET 120 DEGREE 3-WAY WYE	1.5" S x 1.5" S x 2" S	50
E	21007-000-000	2" SOCKET NARROW 3-WAY WYE	2" SOCKET	50
F	21097-150-000	1.5" U-BEND VENT GRATE ASSEMBLY	1.5" SOCKET	100
F	21097-200-000	2" U-BEND VENT GRATE ASSEMBLY	2" SOCKET	100
F	21044-000-000	1.5"/2" VENTED PLUG FOR U-BEND	1.5"/2" SPIGOT	600/30
G	25398-010-000	1.5" / 2" REDUCER BUSHING	1.5" SOCKET x 2" SPIGOT	200
H	21098-150-000	1.5" COPPER TO PVC ADAPTER	1.5" SOCKET	80
H	21098-200-000	2" COPPER TO PVC ADAPTER	2" SOCKET	80
I	25501-100-000	2" PRESSURE TEST KIT	2"	100
--	69025-501-001	HOSE BIB 3/4" VALVE FOR 2" PRESSURE TEST KIT (BRASS)	2"	100
J	25501-000-800	0-60 PRESSURE GAUGE SIDE MOUNT	1/4" NPT	100
J	25501-020-800	0-60 PRESSURE GAUGE SIDE MOUNT (CLAMSHELL)	1/4" NPT	--
K	25501-000-900	0-60 PRESSURE GAUGE BACK MOUNT	1/4" NPT	100
K	25501-020-900	0-60 PRESSURE GAUGE BACK MOUNT (CLAMSHELL)	1/4" NPT	--
L	25501-100-800	0-60 PRESSURE GAUGE SIDE MOUNT W/ GUIDE	1/4" NPT	--
L	25501-120-800	0-60 PRESSURE GAUGE SIDE MOUNT W/ GUIDE (CLAMSHELL)	1/4" NPT	--
M	25501-100-900	0-60 PRESSURE GAUGE BACK MOUNT W/ GUIDE	1/4" NPT	--
M	25501-120-900	0-60 PRESSURE GAUGE BACK MOUNT W/ GUIDE (CLAMSHELL)	1/4" NPT	--

SPECIALTY REPAIR FITTINGS



CLIP-ON PIPE SEAL

- Snaps Into Place over Leaking Joints
- One-Piece Repair Fitting Design
- Complete set of sizes from 3/4" to 2-1/2"



PIPE EXTENDERS

- Small End Fits Inside PVC Pipe
- Large End is Equivalent to the Pipe Size



INSIDE COUPLERS

- Both Ends Fit Inside the PVC Pipe
- Cleaner Appearance than Outside Couplers



FITTING EXTENDERS

- A More Professional Repair
- No Loss of Flow
- CMP Exclusive True 2" Socket Extender



ORDERING GUIDE

REF	CMP P/N	DESCRIPTION	FITTING SIZE	FITS INSIDE	FITS OUTSIDE	MATCHES PIPE	BOX QTY
A	21184-750-000	3/4" CLIP-ON PIPE SEAL	3/4"		•		1000
A	21184-100-000	1" CLIP-ON PIPE SEAL	1"		•		1000
A	21184-150-000	1.5" CLIP-ON PIPE SEAL	1.5"		•		600
A	21184-200-000	2" CLIP-ON PIPE SEAL	2"		•		300
A	21184-250-000	2.5" CLIP-ON PIPE SEAL	2.5"		•		200
A	21184-230-000	2" PIPE x 2.5" SP CLIP-ON PIPE SEAL	2" x 2.5" SP		•		200
B	21181-750-000	3/4" PIPE EXTENSION	3/4"	•		•	750
B	21181-100-000	1" PIPE EXTENSION	1"	•		•	100
B	21181-150-000	1.5" PIPE EXTENSION	1.5"	•		•	100/25
B	21181-200-000	2" PIPE EXTENSION	2"	•		•	100
B	21181-250-000	2.5" PIPE EXTENSION	2.5"	•		•	60
B	21181-300-000	3" PIPE EXTENSION	3"	•		•	25
B	21181-400-000	4" PIPE EXTENSION	4"	•		•	20
C	21183-100-000	1" INSIDE COUPLER	1"	•			1000
C	21183-150-000	1.5" INSIDE COUPLER	1.5"	•			200
C	21183-200-000	2" INSIDER COUPLER	2"	•			200
D	21182-150-000	1.5" FITTING EXTENSION	1.5" x 1.5"S / 2"SP		•	•	200
D	21182-200-000	2" FITTING EXTENSION	2" x 1.5"S / 2"SP		•	•	100
D	21182-220-000	2" FITTING EXTENSION	2" x 2"S		•	•	200
D	21182-250-000	2.5" FITTING EXTENSION	2.5" x 2.5"S		•	•	100

POOL TOOLS & ACCESSORIES

Aqua Elements® Pool Tools *180*

Pool Care Accessories *186*

Pool Plugs & Winterizing Accessories *188*

Ladder & Rope Accessories *190*

Aqualevel™ Auto Levelers *192*

Pool Defender® Anodes & Water Bonds *194*

AQUA elements®

AQUA ELEMENTS® is the CMP Pool Products brand of quality, retail friendly pool tools and accessories. The perfect choice for attractive retail products with the quick shipping guarantee of CMP Pool Products.

- Total Brand of Retail Products Designed to be Displayed as a Complete Family
- Options from Pro Level to Basic Pool Tools

AQUA ELEMENTS IS THE #1 CHOICE FOR:

RELIABLE SUPPLY OF GREAT PRODUCTS

INDUSTRY LEADING CUSTOMER SERVICE

COMPETITIVE PRICING



POOL VACUUMS



VACUUM LEAF TRAP

- Captures Vacuum Debris for Easy Cleaning
- Twist-On Quick Release Lid
- Heavy-Duty Handle for Added Strength
- Product Size: 8.5" x 8" x 12"
- Hose Connector Size: 1.5"



ORDERING GUIDE

REF	CMP P/N	DESCRIPTION	BOX QTY
A	58410-120-048	TRIANGULAR VINYL LINER VACUUM WITH SWIVEL CUFF	12
B	58410-140-052	DELUXE TRANSPARENT CAST IRON WEIGHT VACUUM WITH SWIVEL CUFF	6
C	58410-110-023	DELUXE WEIGHTED LINER BUMPER VACUUM	12
D	58410-130-051	14" FLEXIBLE VACUUM	12
E	58410-150-302	14" FLEXIBLE VACUUM WITH METAL HANDLE	12
F	58410-180-763	19" FLEXIBLE COMMERCIAL VAC HEAD WITH METAL HANDLE	--
G	58480-120-047	STANDARD PLASTIC REPLACEMENT VACUUM HANDLE	12
H	58410-150-025	HEAVY DUTY VAC HOSE 1.5" x 25' WITH SWIVEL CUFF	1
H	58410-150-035	HEAVY DUTY VAC HOSE 1.5" x 35' WITH SWIVEL CUFF	1
H	58410-150-050	HEAVY DUTY VAC HOSE 1.5" x 50' WITH SWIVEL CUFF	1
--	58410-150-010	REPLACEMENT SWIVEL CUFF	1
I	58309-100-000	POOL LEAF TRAP CANISTER WITH BASKET (1.5 L)	4

POOL CLEANING TOOLS



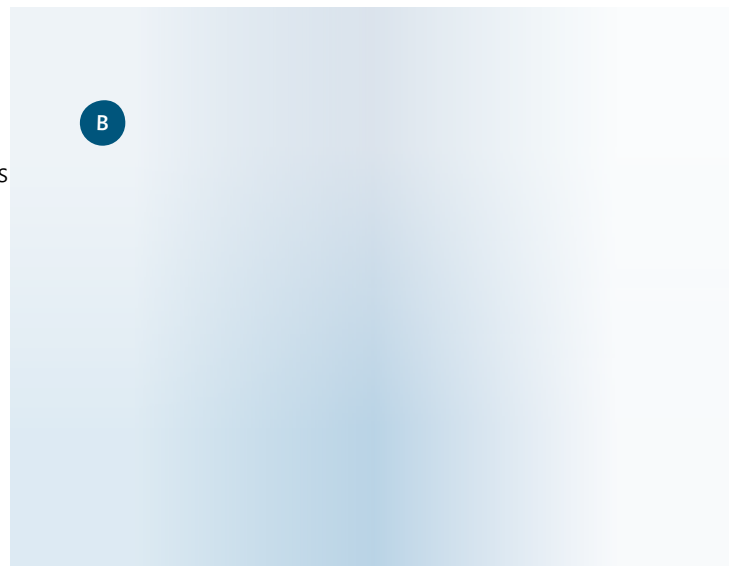
HANDHELD POOL & SPA QUICK-VAC

- Cleans with No Hoses and No Pumps
- Includes Four Attachments: Angle Nozzle, Wide Nozzle, Brush and Skimmer
- Wall Mount Bracket and Screws Included
- Attractive & Branded Retail Packaging Design
- Clear View Filter



VENTURI LEAF EATER

- Clean with Venturi Suction from a Standard Garden Hose, no Pump Required
- Wheels & Brushes on Bottom
- Service Pro Favorite for Large Clean-up Jobs
- Includes Garden Hose Quick Releaser
- Fits Any Standard Tele-pole

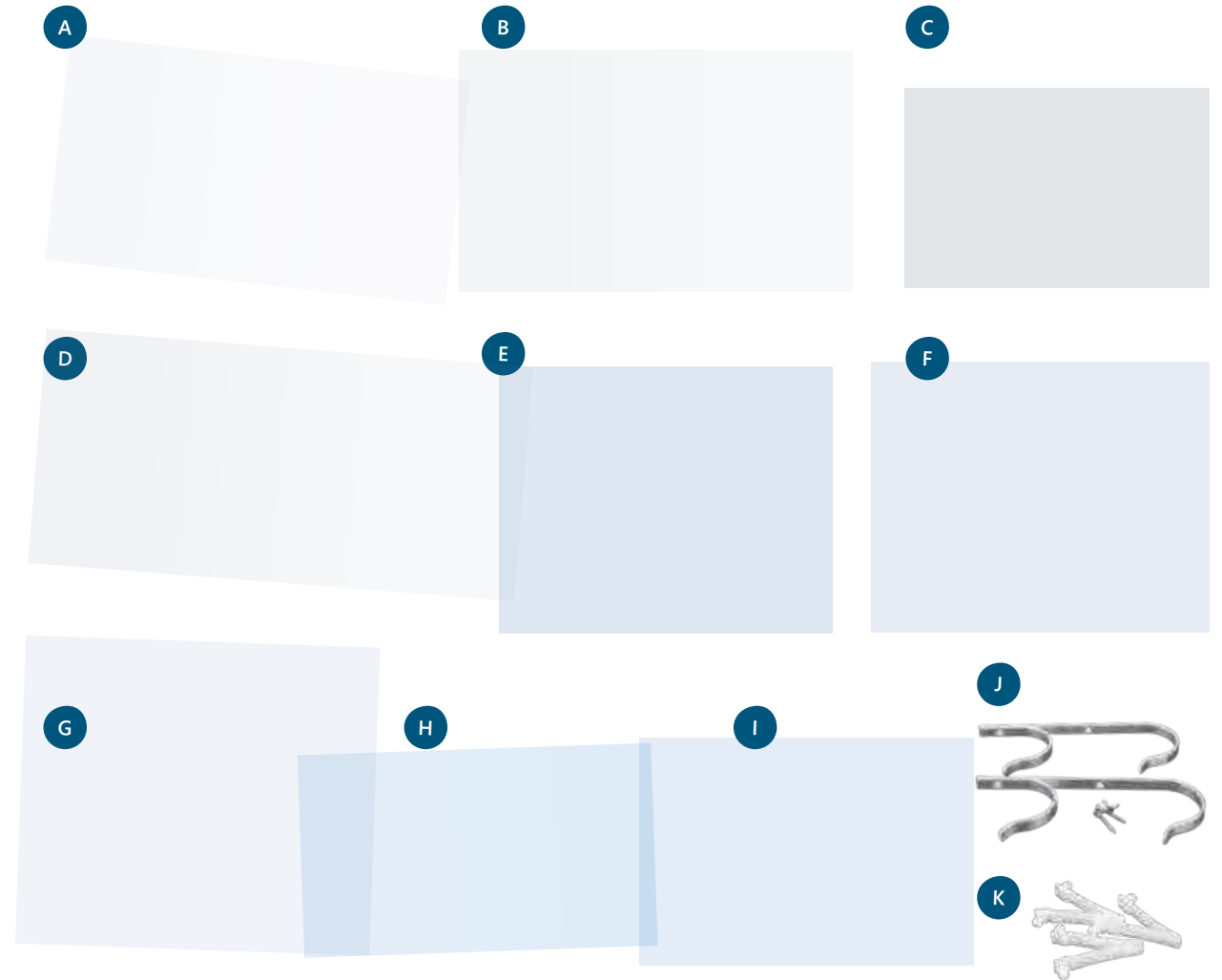


ORDERING GUIDE

REF	CMP P/N	DESCRIPTION	BOX QTY
A	58306-009-000	HANDHELD POOL AND SPA QUICK-VAC	4
B	58410-160-409	VENTURI LEAF EATER	6
--	58410-170-454	LEAF EATER REPLACEMENT MESH BAG	24
--	25563-810-046	SUCTION CLEANER 3FT FEED HOSE	10
--	25563-810-047	SUCTION CLEANER 3FT LEAD HOSE	10

*sold in box quantities only

POOL BRUSHES & NETS

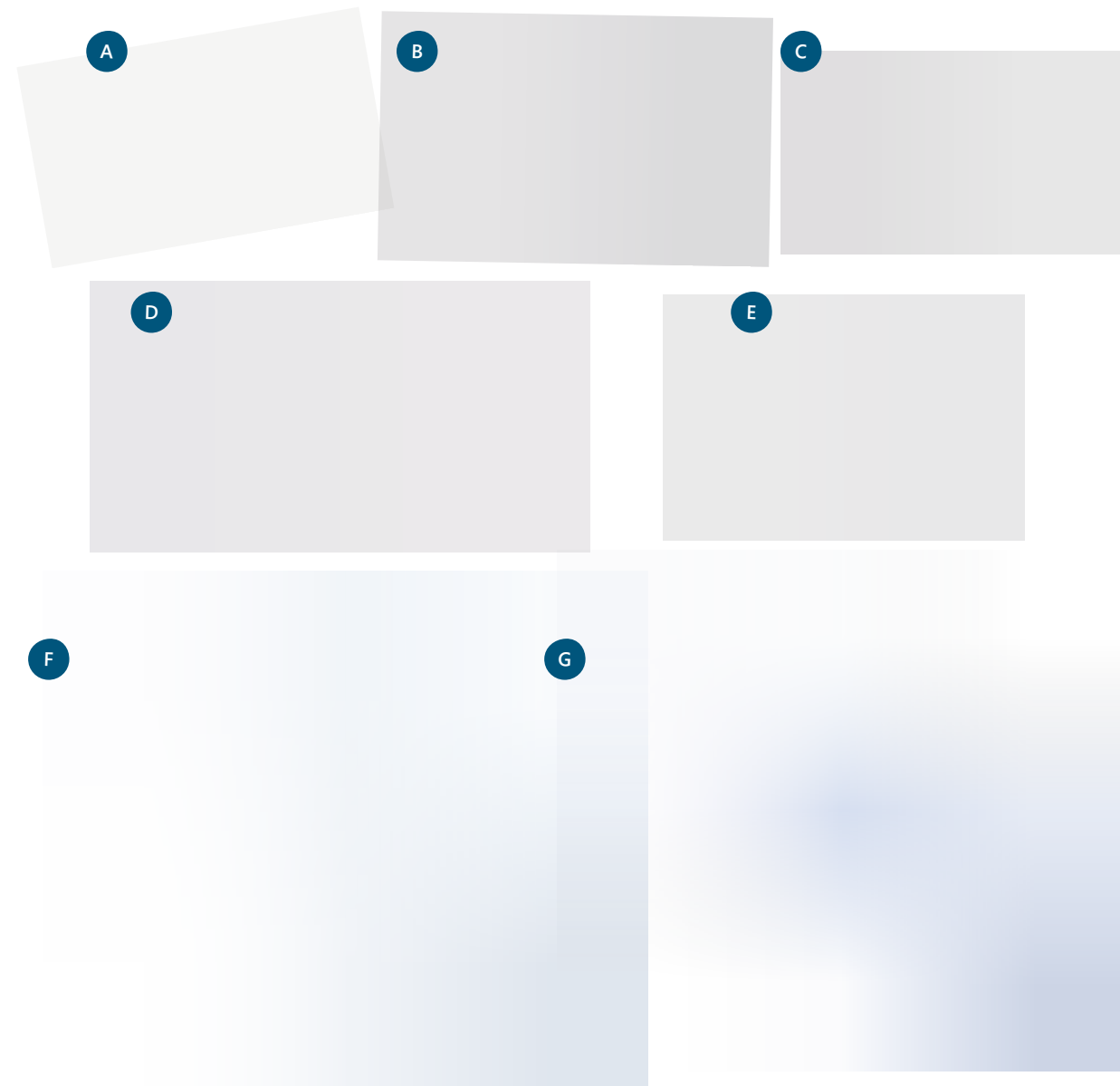


ORDERING GUIDE

REF	CMP P/N	DESCRIPTION	BOX QTY
A	58420-120-166	18" CURVED POLY-BRISTLE WALL BRUSH	24
B	58420-110-025	18" DELUXE METAL BACK BRUSH	24
C	58420-130-316	10" ALGAE BRUSH	12
D	58420-130-318	18" ALGAE BRUSH	12
E	58430-150-100	LEAF SKIMMER WITH DEBRIS MAGNET	24
F	58430-140-087	ALUMINUM LEAF SKIMMER	24
G	58430-160-146	4' TELEPOLE SKIMMER NET WITH DEBRIS MAGNET	12
H	58430-100-035	DEEP NET LEAF RAKE	24
I	58430-110-043	DELUXE ALUMINUM DEEP NET LEAF RAKE	24
J	58480-130-079	ALUMINUM POLE HANGERS & SCREWS SET	24
K	58480-110-039	QUICK SNAP BUTTERFLY CLIPS (3 PIECE SET)	24

*sold in box quantities only

TELE-POLES & PRO SERIES POOL TOOLS



ORDERING GUIDE

REF	CMP P/N	DESCRIPTION	BOX QTY
A	58420-140-494	18" PRO SERIES POOL BRUSH	24
B	58430-190-548	PRO SERIES SOLID TUBE FRAME DEEP LEAF RAKE	24
C	58430-180-161	PRO SERIES ALUMINUM LEAF SKIMMER	12
D	58430-120-065	PRO SERIES XL "SCOOP" PLASTIC LEAF RAKE	12
E	58430-130-066	PRO SERIES XL "SCOOP" PLASTIC SKIMMER	12
F	58450-110-095	8-16' TELESCOPIC POLE W/ LOCK & GRIP, SMOOTH	12
G	58450-120-132	8-16' TELESCOPIC POLE W/ LOCK & GRIP, RIBBED	12

*sold in box quantities only

TOOL KITS & POOL CARE



ORDERING GUIDE

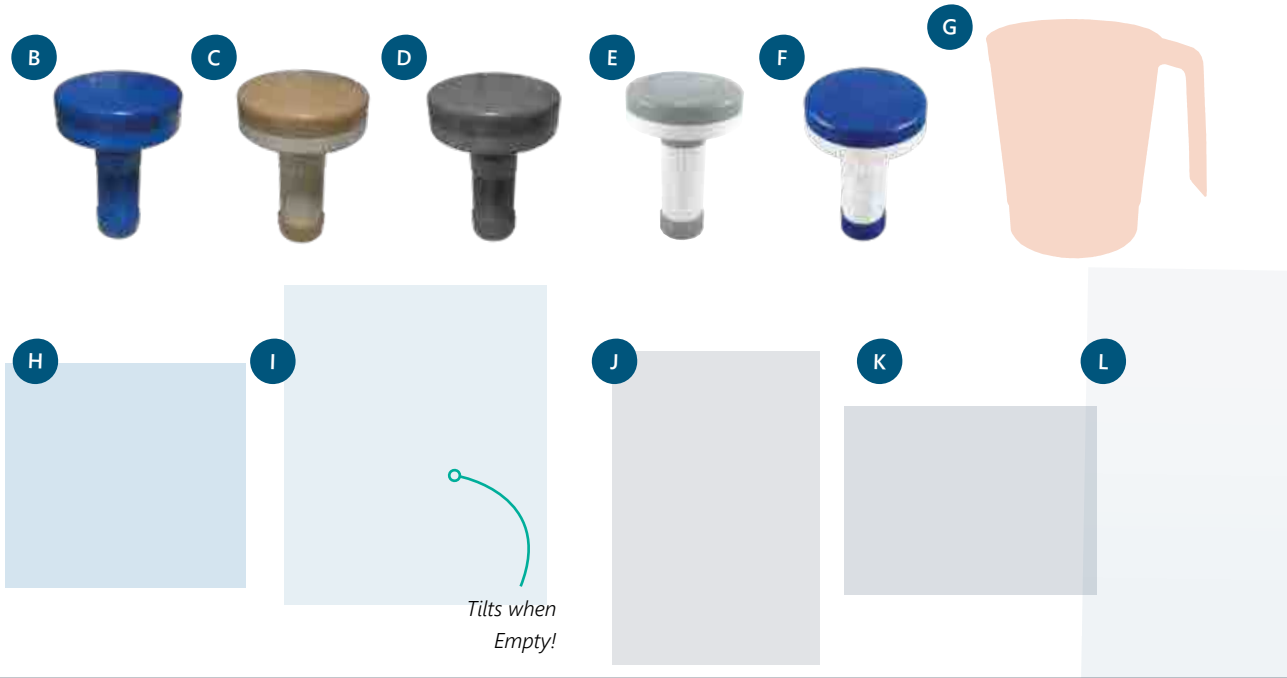
REF	CMP P/N	DESCRIPTION	BOX QTY
A	58440-120-083	FLOATING ANIMAL THERMOMETERS SET	12
B	58440-110-082	DELUXE ROUND THERMOMETER	24
C	58440-130-084	DELUXE FLOATING THERMOMETER	12
D	58440-140-080	BUOY THERMOMETER	24
E	58490-110-530	FIVE PIECE MAINTENANCE KIT FOR GUNITE POOLS	6
F	58490-120-540	FIVE PIECE MAINTENANCE KIT FOR VINYL POOLS	6

*sold in box quantities only

POOL CARE ACCESSORIES

CMP SMART SCOOP

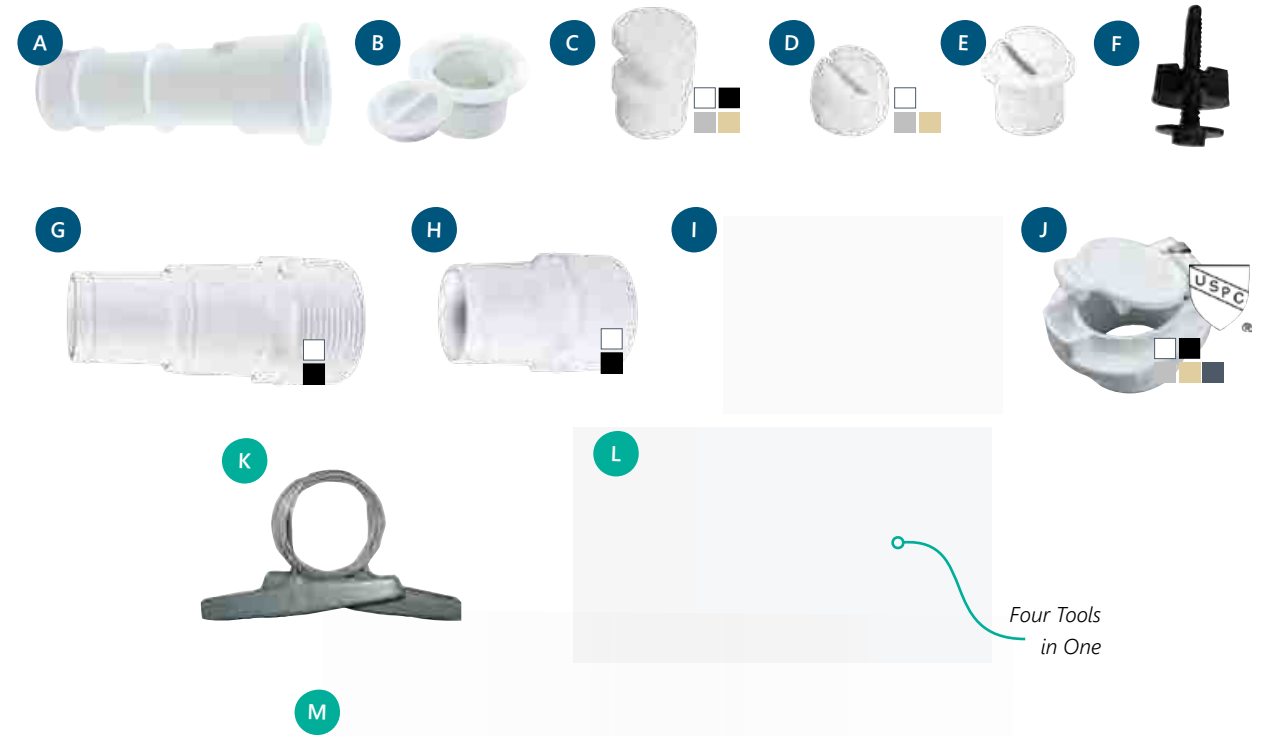
- Molded Guide Marks for: Sodium Bicarbonate, Soda Ash, Cyanuric Acid (CYA), D.E. Powder, and Standard Cup Measurements
- Large scoop that holds over six cups
- Clear so you can see exactly what you are measuring
- Chemical resistant, BPA free material
- Durable scoop handle for a firm grip to ease the application of large chemical doses.



ORDERING GUIDE

REF	CMP P/N	DESCRIPTION	CAPACITY	BOX QTY
A	25600-411-000	CMP CLEAR SMART SCOOP	SIX CUPS	--
B	27052-019-000	BLUE BOTTOM LOAD ADJUSTABLE CHLORINATOR	TEN 1" TABLETS	45
C	27052-029-000	TAN BOTTOM LOAD ADJUSTABLE CHLORINATOR	TEN 1" TABLETS	45
D	27052-039-000	GRAY BOTTOM LOAD ADJUSTABLE CHLORINATOR	TEN 1" TABLETS	45
E	27051-009-000	GRAY/WHITE TOP LOAD ADJUSTABLE CHLORINATOR	TEN 1" TABLETS	45
F	27051-019-000	BLUE/WHITE TOP LOAD ADJUSTABLE CHLORINATOR	TEN 1" TABLETS	45
G	25600-009-000	ORANGE 1LB DE SCOOP	1 LB OF DE POWDER	50
H	58470-110-690	STANDARD TOP LOAD ADJUSTABLE FLOATING CHLORINATOR	3" TABLETS	12
I	58470-110-700	LARGE TOP LOAD ADJUSTABLE FLOATING CHLORINATOR	EIGHT 3" TABLETS (4LB)	12
--	58307-030-000	FILTER SAVER SKIMMER SOCKS (FLOWSKIM STYLE 5-PACK)	--	20
J	58307-000-000	FILTER SAVER SKIMMER SOCKS (5-PACK)	--	20
K	58307-100-000	LARGE FILTER SAVER SKIMMER SOCKS (5-PACK)	--	20
L	25300-200-000	CARTRIDGE FILTER CLEANING TOOL	--	--

POOL ACCESSORY FITTINGS & TOOLS



ORDERING GUIDE

SPECIALTY POOL FITTINGS							
REF	WHITE	GRAY	BLACK	DARK GRAY	TAN	DESCRIPTION	BOX/BAG
A-B	25570-100-000	25570-101-000	25570-104-000	25570-107-000	25570-119-000	VOLLEYBALL POLE HOLDER ASSY	35
A	25570-000-000	--	--	--	--	VOLLEYBALL POLE HOLDER	36
B	25571-000-000	25571-001-000	25571-004-000	25571-007-000	25571-019-000	VOLLEYBALL FLANGE & FLUSH CAP	280/35
C	25558-000-000	25558-001-000	25558-004-000	--	25558-009-000	3/4" MIP AERATOR	1000/50
D	25558-100-000	25558-101-000	--	--	25558-109-000	3/4" ROUND AERATOR	1000/50
E	25558-170-000	25558-171-000	--	--	25558-179-000	3/4" INSIDER AERATOR	1000/50
F	25589-200-000	--	--	--	--	2" NYLON WALL FASTENER	25*
G	21093-000-000	--	21093-004-000	--	--	1.25"x1.5" HOSE ADAPTER	390
H	21093-150-000	--	21093-154-000	--	--	1.5" HOSE ADAPTER SMOOTH BARB	390
--	21093-160-000	--	--	--	--	1.5" HOSE ADAPTER RIBBED BARB	--
I	21093-900-000	--	--	--	--	90 DEG HOSE ADAPTER	--
--	21093-940-000	--	--	--	--	90 DEG TWIST HOSE ADAPTER	--
J	25505-000-000	25505-001-000	25505-004-000	25505-007-000	25505-009-000	1.5" MIPx1.25" VAC COVER (IAPMO)	100
POOL SERVICE TOOLS							
REF	CMP P/N	DESCRIPTION					BOX/BAG
K	58308-100-000	36" CABLE SAW					100
L	25590-250-000	POOL FITTING MULTITOO					--
M	25300-100-000	PUMP LID REMOVAL TOOL					--

*sold in bag quantities only

POOL PLUGS & WINTERIZING TOOLS

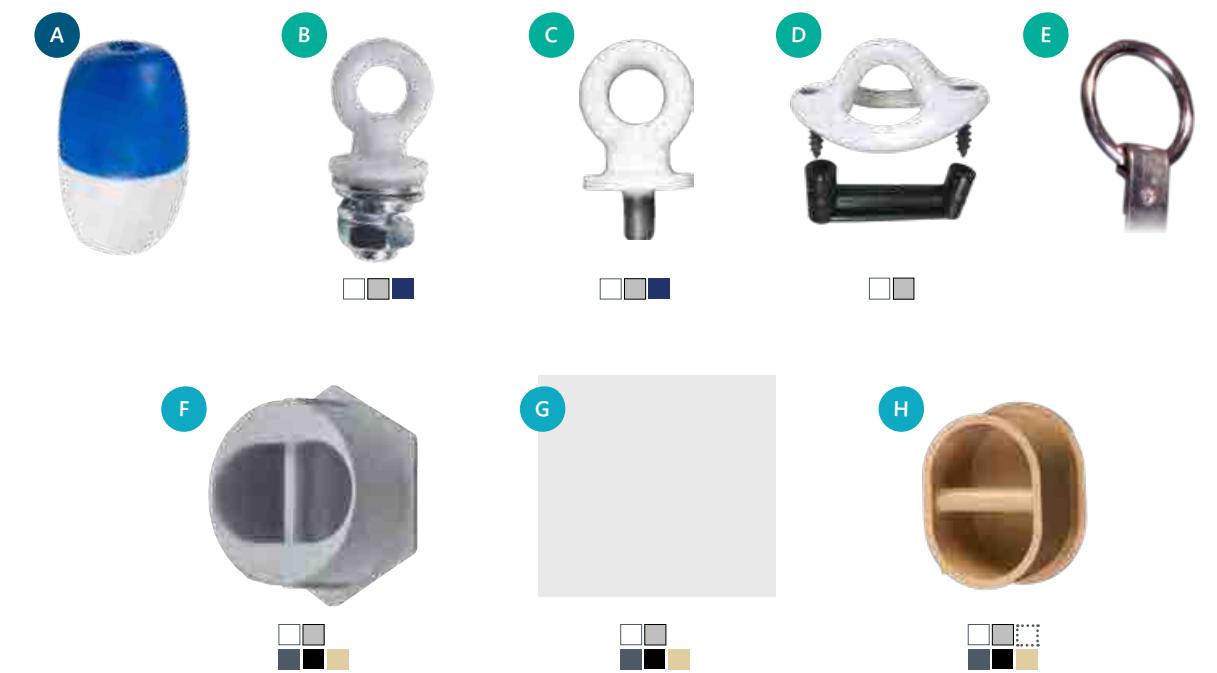


ORDERING GUIDE

POOL PLUGS								
REF	WHITE	GRAY	DARK GRAY	TAN	BLACK	LIGHT BLUE	DESCRIPTION	BOX /BAG
A	25543-000-000	25543-001-000	--	--	25543-004-000	--	1.5" PLUG W/ O-RING	700/50
B	25542-000-000	25542-001-000	25542-007-000	25542-009-000	25542-004-000	25542-059-000	1.5" FLAT PLUG W/ GASKET	1000/50
B	25542-500-000	--	--	--	25542-504-000	--	1.5" FLAT PLUG (EXT THREAD)	1000/50
C	25597-000-030	--	--	--	--	--	3/4" MALE THREADED PLUG	450/18
C	25520-040-000	--	--	--	--	--	1.5" MALE THREADED PLUG	450/18
C	25520-050-020	--	--	--	--	--	2" MALE THREADED PLUG	450/18
C	25513-250-020	--	--	--	--	--	2.5" MALE THREADED PLUG	450/18
C	25513-300-020	--	--	--	--	--	3" MALE THREADED PLUG	450/18
D	25525-000-000	--	--	--	--	--	2" MIP PLUG WITH O-RING	450/18
E	25528-000-000	--	--	--	25523-900-000	--	1.5" MIP TEST PLUG (SP1434TP)	160
F	25523-900-000	--	--	--	25523-904-000	--	1.5" MIP JOSAM PLUG	160
G	25552-020-300	--	--	--	--	--	SOLID CAP	400

WINTERIZING TUBES			
REF	CMP P/N	DESCRIPTION	BOX QTY
H	25251-130-000	2" NPT SKIMMER WINTERIZING TUBE FOR DUAL PORT SKIMMERS (BLUE)	--
I	25251-120-000	1.5" / 2" DELUXE WINTERIZING TUBE (BLUE)	36
J	25251-100-000	1.5" / 2" IN GROUND WINTERIZING TUBE (BLUE)	36
K	25251-110-000	1.5" ABOVE GROUND WINTERIZING TUBE (BLUE)	72

POOL SAFETY ROPE ACCESSORIES



ORDERING GUIDE

POOL SAFETY ROPE ACCESSORIES							
REF	CMP P/N	DESCRIPTION					BOX QTY
A	25564-000-300	SMALL FLOAT FOR 5/16" POOL SAFETY ROPE					100
A	58460-110-688	LARGE FLOAT FOR 3/4" POOL SAFETY ROPE					24

VINYL & FIBERGLASS POOL ROPE EYES								
REF	WHITE	GRAY	DARK BLUE	BLACK	LIGHT BLUE	TAN	DESCRIPTION	BOX QTY
B	25568-300-000	25568-301-000	25568-369-000	--	--	--	MALE RECEPTOR ROPE EYE	100
C	25568-300-010	25568-301-010	25568-369-010	--	--	--	BASIC ROPE EYE	100

COPING MOUNTED ROPE EYES							
REF	WHITE	GRAY	CHROME	DESCRIPTION			BOX QTY
D	25568-200-000	25568-201-000	--	COPING MOUNT ROPE EYE (2)			200
D	--	--	25568-700-000	CHROME COPING MOUNT ROPE EYE (2)			100
E	--	--	25568-750-000	14" CHROME RING ROPE EYE (STRAP)			100

GUNITE POOL ROPE ANCHORS							
REF	WHITE/OTHER	GRAY	DARK GRAY	BLACK	TAN	DESCRIPTION	BOX QTY
F	25567-000-000	25567-001-000	25567-007-000	25567-004-000	25567-039-000	PLASTIC PIN ANCHOR	50
G	25568-000-000	25568-001-000	25568-007-000	25568-004-000	25568-039-000	STEEL PIN ANCHOR	50
H	25567-100-000	25567-101-000	25567-107-000	25567-104-000	25567-139-000	MINI ANCHOR	50
H	25567-109-000	--	--	--	--	CLEAR MINI ROPE ANCHOR	50

IN GROUND LADDER ACCESSORIES

PLASTIC LADDER ANCHOR

- Plastic Anchor Prevents Typical Corrosion Issues Associated with Metal Ladder Anchors
- Electrical Ground is Built into Anchor



ORDERING GUIDE

LADDER ANCHORS & BOLT KITS			
REF	CMP P/N	DESCRIPTION	BOX QTY
A	25572-420-000	20" PLATE & TWO 4" ANCHOR SOCKETS	10
A	25572-480-000	8" PLATE & TWO 4" ANCHOR SOCKETS	10
A	25572-400-000	4" HEAVY DUTY PLASTIC ANCHOR 1.9" SOCKET (SINGLE)	50
A	25572-600-000	6" HEAVY DUTY PLASTIC ANCHOR 1.9" SOCKET (SINGLE)	38
B	25572-400-100	HEAVY DUTY PLASTIC ANCHOR WEDGE & BOLT	100
C	25562-500-000	MALE LADDER BUMPER FOR 1.9" OD RAIL	300
C	25562-500-100	MALE BUMPER 2-PACK (RETAIL PACKAGING)	80
C	25562-600-000	FEMALE LADDER BUMPER FOR 1.9" OD RAIL	300
C	25562-600-100	FEMALE BUMPER 2-PACK (RETAIL PACKAGING)	80
D	25562-720-000	ELITE LADDER BOLT KIT (60-702)	--
D	25562-740-000	ECONOMY LADDER BOLT KIT (60-704)	--

LADDER ANCHORS & BOLT KITS						
REF	WHITE	GRAY	TAN	CHROME/SS	DESCRIPTION	BOX QTY
E	25572-050-000	25572-051-000	25572-059-000	--	5.75" ESCUTCHEON (FITS 1.9")	--
E	25572-000-000	25572-001-000	25572-009-000	25572-002-000	5" ESCUTCHEON (FITS 1.9")	--
F	--	--	--	25572-100-000	SS ESCUTCHEON (FITS 1.9")	--
G	25572-200-000	25572-201-000	25572-209-000	25572-202-000	CLIP-ON ESCUTCHEON (FITS 1.9")	--
H	25562-100-000	--	--	--	20" LADDER TREAD (SRS-A42073-0)	--
I	25562-000-000	--	--	--	17-1/4" TREAD (SWAN 60-704, LTDF-101)	--

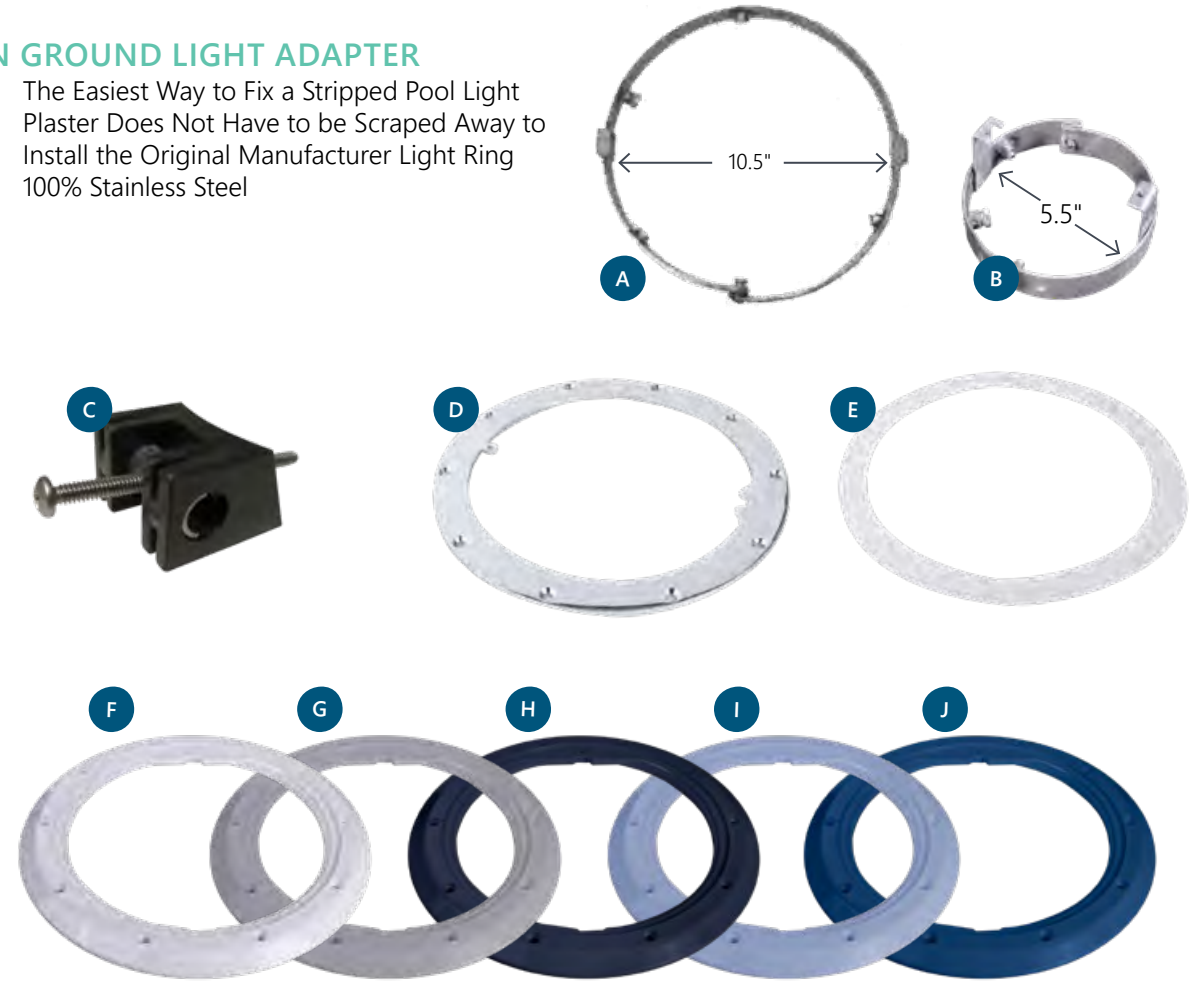
IN POOL WALL STEPS (15"×6"×6", 3" DEEP)								
REF	WHITE	GRAY	DARK GRAY	LIGHT BLUE	BLACK	TAN	DESCRIPTION	BOX QTY
J	25578-000-000	25578-001-000	25578-007-000	25578-009-000	25578-004-000	25578-019-000	IN POOL STEPS	6



LIGHT REPAIR FITTINGS

IN GROUND LIGHT ADAPTER

- The Easiest Way to Fix a Stripped Pool Light
- Plaster Does Not Have to be Scraped Away to Install the Original Manufacturer Light Ring
- 100% Stainless Steel



ORDERING GUIDE

REF	CMP P/N	DESCRIPTION	COMPARE TO	BOX QTY
A	25549-500-000	IN GROUND POOL LIGHT ADAPTER	--	20
B	25549-540-000	IN GROUND SPA LIGHT ADAPTER	--	30
C	25549-600-000	LIGHT REPAIR WEDGE	--	--
D	25549-002-000	VINYL LINER LIGHT SEALING RING (10 HOLE)	79200200	20
E	25549-000-011	VINYL LINER LIGHT RING GASKET	--	20
D,E	25549-100-000	VINYL LINER LIGHT RING KIT	--	--
F	25549-200-000	WHITE LIGHT FRONT FACEPLATE	SPX0507A1	20
G	25549-201-000	GRAY LIGHT FRONT FACEPLATE	SPX0507A1	20
H	25549-204-000	BLACK LIGHT FRONT FACEPLATE	SPX0507A1	20
I	25549-259-000	LIGHT BLUE LIGHT FRONT FACEPLATE	SPX0507A1	20
J	25549-269-000	DARK BLUE LIGHT FRONT FACEPLATE	SPX0507A1	20

COVERED BY ONE OR MORE U.S. PATENTS OR PENDING PATENT APPLICATIONS. SEE WWW.C-M-P.COM/PATENTS FOR DETAILS.

AQUALEVEL™

PORTABLE AUTOMATIC WATER LEVELER

The AQUALEVEL™ Portable Auto Water Leveler is the fast and simple way to protect your pool from summer evaporation. Anyone can install the AquaLevel in minutes with a standard garden hose. Since it's fully portable, the AquaLevel can be used as needed.

C-M-P.COM/AUTO-LEVELERS

PRODUCT FEATURES

- Ships Fully Assembled and Ready to Install
- Fills Pool Automatically to Set Level and Protects the Pump from Running Dry
- Fits a Standard Hose Connection: No Tools Required
- Fully Portable: A Great Solution for Rental and Vacation Properties
- Add Rock/Sand Bag Weights to Secure to Pool Deck

PRODUCT DIMENSIONS

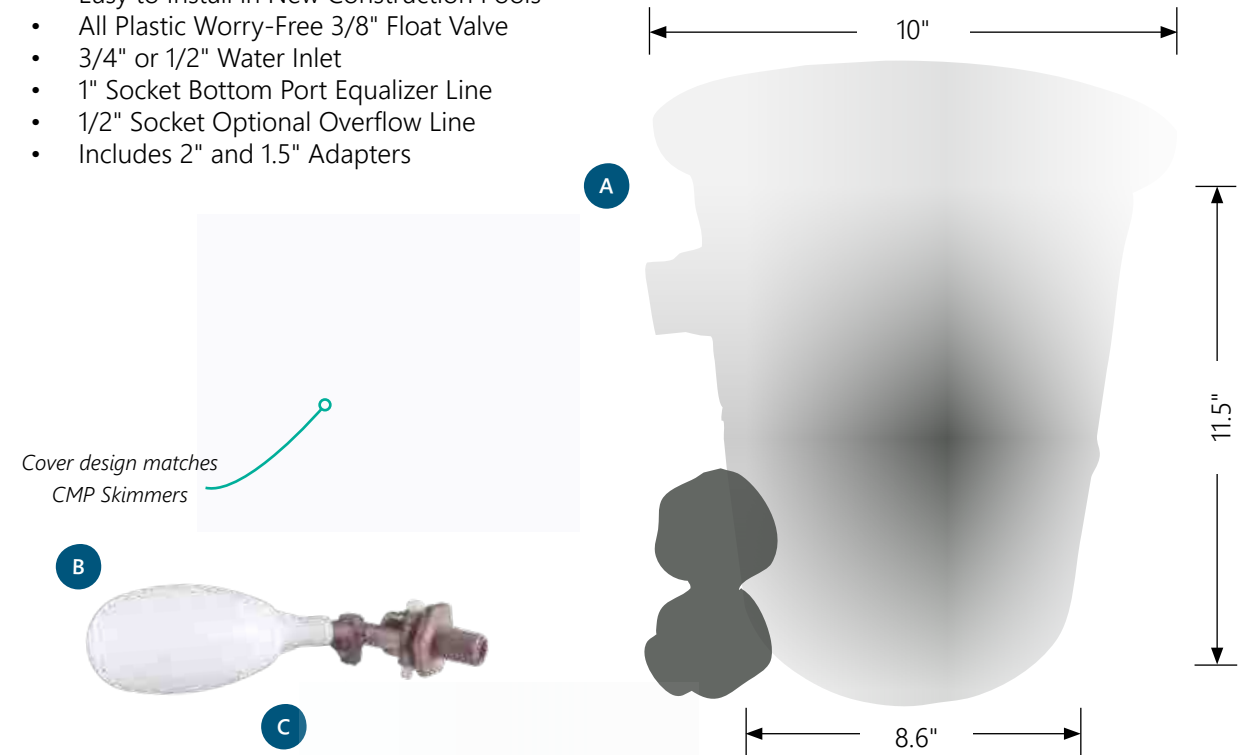


AQUALEVEL™ NEW CONSTRUCTION LEVELER

For new construction pools, an auto water leveler provides peace of mind for pool owners. Automatically adjust the water level to prevent damage to pool equipment.

PRODUCT FEATURES

- Lid Design Matches CMP Skimmers
- Easy to Install in New Construction Pools
- All Plastic Worry-Free 3/8" Float Valve
- 3/4" or 1/2" Water Inlet
- 1" Socket Bottom Port Equalizer Line
- 1/2" Socket Optional Overflow Line
- Includes 2" and 1.5" Adapters



ORDERING GUIDE

REF	CMP P/N	DESCRIPTION	BOX QTY
A	25604-000-000	WHITE LID AQUALEVEL FOR IN GROUND POOL	6
B	25604-009-000	TAN LID AQUALEVEL FOR IN GROUND POOL	6

REPLACEMENT PARTS PAGE 259

ORDERING GUIDE

REF	CMP P/N	DESCRIPTION	BOX QTY
A	25504-100-000	AUTOLEVEL WITH WHITE ROUND COVER & COLLAR	1
A	25504-101-000	AUTOLEVEL WITH GRAY ROUND COVER & COLLAR	1
A	25504-109-000	AUTOLEVEL WITH TAN ROUND COVER & COLLAR	1
--	25504-300-000	AUTOLEVEL WITH WHITE SQUARE COVER & COLLAR	1
--	25504-301-000	AUTOLEVEL WITH GRAY SQUARE COVER & COLLAR	1
--	25504-309-000	AUTOLEVEL WITH TAN SQUARE COVER & COLLAR	1
--	25504-100-500	AUTOLEVEL WITH NO COVER	1
B	25504-000-100	3/8" MIP THERMOPLASTIC FLOAT ASSEMBLY FOR CMP UNITS	1
B	25504-000-200	1/2" MIP THERMOPLASTIC FLOAT ASSEMBLY	1
C	25504-000-400	3/8" MIP BRASS FLOAT ASSEMBLY	1
--	25590-100-000	FLOAT ASSEMBLY REMOVAL TOOL	1
--	25504-200-001	EXTENSION COLLAR	1

REPLACEMENT PARTS PAGE 260

POOL DEFENDER® INLINE ANODE & WATER BOND

Preventing damage from salt water sanitation systems is a key step in building a quality modern pool. Protect the pool from galvanic corrosion combined with an NEC Approved water bonding device. For more info on corrosion problems see page 196.

C-M-P.COM/POOL-DEFENDER

PRODUCT FEATURES

- Connects to Pool Bonding Wire
- Complies With: *UL-1081, UL-1563, CSA C22.2-218.1*
- Meets NEC2008 680.26(C) as a Water Bonding Device
- Available with 4ft of Solid Copper Ground Wire
- Must Remain in Contact with Water at All Times To Meet Water Bonding Requirements
- Zinc Bar Protects the Entire Pool from Galvanic Corrosion - use with Powerclean Salt (page 105)
- Length: 7"



ORDERING GUIDE

CMP P/N	DESCRIPTION	BOX QTY
25810-400-050	2" POOL DEFENDER COMPACT WITH COPPER WIRE (2" S × 2.5" SP)	--
25810-350-050	2" POOL DEFENDER COMPACT WITHOUT COPPER WIRE (2" S × 2.5" SP)	--
25398-010-000	1.5" / 2" REDUCER BUSHING (SEE PAGE 177)	200
25810-400-950	REPLACEMENT ZINC ELEMENT FOR COMPACT POOL DEFENDER INLINE ZINC ANODE	--
25180-200-950	REPLACEMENT ZINC ELEMENT FOR DELUXE ANODE (OLD STYLE)	--

REPLACEMENT PARTS PAGE 262

POOL DEFENDER® WATER BONDS & ANODES



ABOVE GROUND PUMP WATER BOND

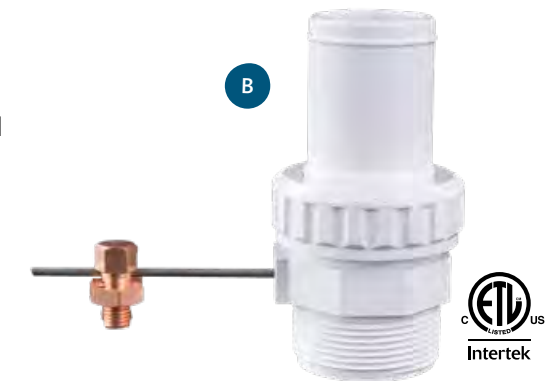
- Install Pool Bonding to a Standard Above Ground Pool Pump through the Strainer Drain Plug (Fig 1)
- No Special Tools Required for Installation
- Stainless Steel Coil Sits Below Pump Basket
- Bolt Connector Attaches to Pool Bonding Wire
- Meets Requirements of NEC 680.26 (C)



Figure 1

ECON UNION WATER BOND

- Install Pool Bonding to a Standard Above Ground Pool Filter at the Hose Connection
- No Special Tools Required for Installation
- Bolt Connector Attaches to Pool Bonding Wire
- Meets Requirements of NEC 680.26 (C)



POOL BASKET ZINC ANODE

- Attach a Zinc Anode to Any Pool Skimmer Basket
- Sacrificial Anode Helps Fight Galvanic Corrosion in "Saltwater" Pools
- "Puck" Weighs Down Basket to Prevent Floating
- Retail Style Packaging



ORDERING GUIDE

REF	CMP P/N	DESCRIPTION	BOX QTY
A	25810-500-000	ABG PUMP BOND (SS WIRE, CONNECTOR, RELIEF FITTING)	--
B	25810-850-000	ECON UNION WITH STAINLESS STEEL POOL BOND	--
C	25810-009-950	ZINC ANODE "PUCK" FOR SKIMMER BASKETS	25

POOL DEFENDER® TECHNICAL INFO



ABOUT POOL BONDING REQUIREMENTS

Since 2008 the National Electrical Code (NEC) has mandated that pool water shall be electrically bonded, not just metals in the structure of the pool itself.

As required in NEC Section 680.26(C) the Bonding Device shall:

- Consist of at least 9 sq. in. of conductive material
- Shall be in contact with the water 24/7, whether the circulation system is running or not
- The Connector (lug) must be unable to “back off” (due to vibration, etc.) at any time

Code enforcement for these requirements is consistently increasing. High level pool professionals should already be meeting these requirements for all pool service and installations. To ease this process CMP is developing a complete line of cost effective, easily installed pool bonding devices for in ground and above ground pools.

ABOUT CORROSION DAMAGE TO “SALT WATER” POOLS

Salt water generators have greatly gained in popularity as a replacement for traditional pool sanitation methods. These systems are a great solution for many homeowners that prefer storing fewer harsh chemicals and who also enjoy more “automated” pool care. It is important to note that swimming pool “salt water” can create a corrosive environment for metal pool components and equipment in certain conditions.

WHY DOES THIS HAPPEN?

Any time different metals are present in your salt water pool, a small amount of electrical current is created between them. Over time this will actually cause metal ions to release into the pool water. As this “galvanic corrosion” builds over time, you will experience:

- Metal erosion and damage
- Plaster discoloration
- Pool surface stains

This can effect all metal parts, including but not limited to heaters, lights, niches, automatic covers and safety rails.

HOW CAN DAMAGE BE PREVENTED?

The electrical current generated effects high grade metals more slowly than weaker metals. Zinc is a weak metal that will erode faster than other metals, essentially “sacrificing” itself to prevent corrosion and staining in other areas of the pool. The Pool Defender Sacrificial Zinc Anode is designed to prevent the damage caused by salt water sanitation systems.

- The zinc anode will erode instead of your expensive pool components
- The Pool Defender Sacrificial Anode is tied into the pool bonding wire, thereby protecting the entire pool
- Simply replace the anode after half of it has eroded, typically in about three years
- Certified for use as a water bonding device by NEC2008 680.26(C) building code requirements

Notes are for general information purposes only. Always install professionally and refer to local and national code requirements for installation guidelines. You can visit www.nfpa.org for more information.

OEM REPLACEMENT POOL PARTS

Salt Cell Replacement *198*

Auto Cleaner Parts *200*

Flowskim™ Baskets *204*

Heavy Duty Pool Baskets *205*

JZ-Style Fittings *208*

Heavy Duty Manifolds *209*

Pool Equipment Parts *214*

| Cross Reference Charts *272*

REPLACEMENT FOR T-15 STYLE SALT CELL

You don't have to settle for cheap "knock-off" replacement parts. With CMP Replacement Parts you get quality, long life and certification. The CMP replacement for T-15 style salt cells is independently certified and precisely manufactured to factory standards quality.

The CMP T-15 style cell is a quality replacement for the popular salt cell. Now you can take care of your pool and your wallet at the same time.

PRODUCT FEATURES

- High quality replacement at a fair cost
- Best value with long life
- IAPMO validated output
- 100% 2 Year CMP Warranty
- Backed and Supported by Award-Winning CMP Service & Support

VERIFIED OUTPUT LEVELS

CELL	DAILY MAX	TOTAL POUNDS OF FREE CHLORINE PRODUCED
OTHER REPLACEMENT CELL OPTIONS	N/A	145lbs
CMP CELL*	1.45lbs	580lbs
OEM CELL**	1.45lbs	580lbs

*or higher based on rating of chlorine delivery by IAPMO and rating of coating life
 **Based on reporting from Hayward Industries and NSF



OUTPUT VALIDATED BY IAPMO R&T LAB
 Daily Chlorine Production: 1.45 lb/day



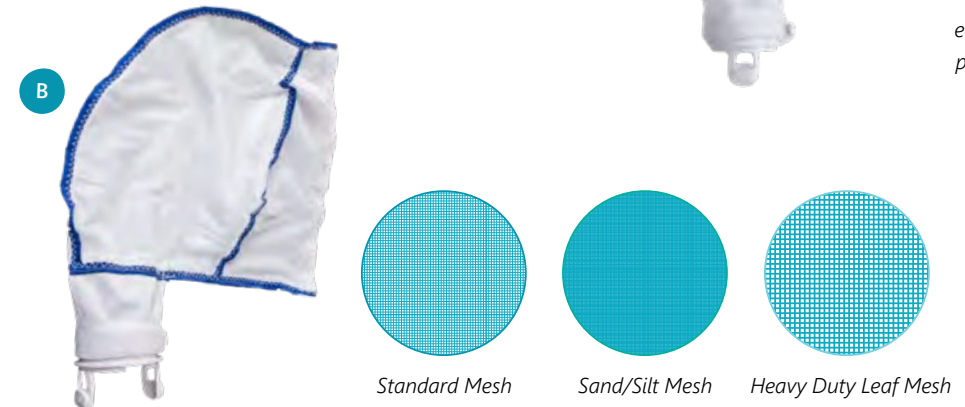
ORDERING GUIDE

CMP P/N	DESCRIPTION
52000-115-100	REPLACEMENT FOR T-15 STYLE SALT CELL

AUTO CLEANER REPLACEMENT BAGS

DURACLEAN STYLE REPLACEMENT BAG

- Replacement for 280 Style Bag with Clip
- Patent-Pending Flap Design Prevents Debris from Damaging or Clogging Closures
- Easy-to-use Heavy Duty Snap Closure
- Two Pack Available for Bag Rotation
- Double Strap Velcro Hose Loops
- Heavy Duty Snap-in Clip



ORDERING GUIDE

REF	WHITE/OTHER	BLACK	DESCRIPTION	COMPARE TO	BOX QTY
A	58307-280-300	--	DURACLEAN 280 STYLE BAG	K16	--
A	58307-280-302	--	DURACLEAN 280 STYLE BAG (2-PACK)	K16	--
B	58307-280-200	58307-284-200	280 STYLE VELCRO BAG, STANDARD MESH	K16/K17	--
B	58307-280-202	--	280 STYLE VELCRO BAG, STANDARD MESH (2-PACK)	K16	25
B	58307-280-220	--	280 STYLE VELCRO BAG, SAND/SILT MESH	K14	--
B	58307-280-500	--	280 STYLE VELCRO BAG, HEAVY DUTY LEAF MESH	K15	--
--	58307-280-900	--	280 STYLE REPLACEMENT CLIP ONLY	--	--
C	58307-280-100	--	280 STYLE VELCRO BAG FOR EXISTING CLIP	K16	--
D	58307-280-000	--	280 STYLE VELCRO BAG, ADJUSTABLE STRAP (NO CLIP)	K16	20
E	58307-180-000	--	180 STYLE VELCRO BAG, ADJUSTABLE STRAP (NO CLIP)	A16	100
F	58307-380-000	--	360/380 STYLE VELCRO BAG, STANDARD MESH	9-100-1014	100

POOL AUTO CLEANER PARTS



POOL AUTO CLEANER PARTS

- Premier Replacements for OEM Pool Cleaner Parts
- CMP Quality Replacement Guarantee
- One Year CMP Warranty
- Factory Standards Quality

REPLACEMENTS FOR CLEANER HOSE PARTS					
REF	WHITE/OTHER	BLACK	DESCRIPTION	COMPARE TO	BOX QTY
A	25563-200-000	25563-204-000	HOSE SWIVEL (SINGLE)	D20	300
A	25563-240-000	25563-244-000	HOSE SWIVEL (4-PACK)	D20	100
--	25563-210-000	25563-214-000	360 STYLE HOSE SWIVEL (SINGLE)	9-100-3002	--
--	25563-210-400	--	360 STYLE HOSE SWIVEL (4-PACK)	9-100-3002	--
B	25563-115-000	25563-115-400	HOSE NUT	D15	1000
--	25563-120-050	--	360 STYLE HOSE NUT	9-100-3109	--
C	25563-100-000	25563-104-000	HOSE FLOAT (SINGLE)	D10/D11	200
C	25563-400-000	--	HOSE FLOAT (4-PACK)	D10	80
D	25563-133-000	--	PUMP QUICK DISCONNECT	P133	50
E	--	25563-134-000	BOOSTER PUMP QUICK DISCONNECT	R0621000	--
F	25563-052-000	25563-054-000	BACK-UP VALVE	G52/G62	--
F	25563-052-360	25563-054-360	360 STYLE BACK-UP VALVE	9-100-1200/9-100-1201	--
--	25563-052-053	--	BACK-UP MECHANISM	G53	--
--	25563-052-054	25563-054-064	BACK-UP VALVE BODY ONLY	G54/G64	--
--	25563-050-024	25563-054-024	BACK-UP VALVE COLLAR	G57	--
G	25563-080-000	25563-084-000	IN-LINE FILTER ASSEMBLY	48-080/48-085	--
--	25563-080-040	--	IN-LINE FILTER, SCREEN ONLY	48-222	--
H	25563-150-000	25563-154-000	UWF ASSEMBLY COMPLETE	9-100-9001	100
H	25563-150-360	25563-154-360	360 STYLE UWF ASSEMBLY	9-100-3008	--
--	25563-029-000	25563-029-004	UWF BODY & O-RING ONLY	D29/D30	100
--	25563-029-360	25563-029-364	360 STYLE UWF BODY & O-RING ONLY	9-100-3006/9-100-3007	--
I	25563-160-000	25563-164-000	UWF WALL FITTING	6-500-00	500
I	25563-161-000	--	GRAY WALL FITTING	6-500-00	--
J	25563-150-100	25563-154-100	UWF RELIEF VALVE	9-150-1002	--
J	25563-150-210	25563-154-210	360 STYLE UWF RELIEF VALVE	9-100-3009/ 9-100-3011	--
K	25563-150-200	--	UWF SCREEN	6-504-00	100
L	25563-150-112	--	REDUCER SET	10-112-00	--
M	25563-120-000	25563-124-000	"HEAD" FLOAT	A20	--
REPLACEMENTS FOR CLEANER WHEELS AND GEARS					
N	25563-170-000	25563-174-000	WHEEL AXLE	C65	500
O	25563-250-000	--	WHEEL BEARING (SINGLE)	C60	100
O	25563-280-000	--	WHEEL BEARING (8-PACK)	C60	50
P	25563-260-000	--	TURBINE BEARING	C80	500
Q	25563-270-000	--	360/380 STYLE WHEEL BEARING (SINGLE)	9-100-1108	100
Q	25563-270-800	--	360/380 STYLE WHEEL BEARING (8-PACK)	9-100-1108	50
R	25563-340-030	25563-344-030	HUB CAP	9-100-1114/9-100-1115	100
S	25563-380-000	25563-384-000	WHEEL WASHER (2-PACK)	C64/C67	360
T	25563-370-000	25563-374-000	WHEEL SCREW	C55/C56	1000
T	25563-370-400	--	WHEEL SCREW (4-PACK)	C55	--
U	25563-020-000	--	TURBINE HOSE 7-1/2"	C120	--
V	25563-089-000	--	DRIVE TRAIN GEAR KIT	9-100-1132	--
W	25563-086-000	--	DRIVE SHAFT ASSEMBLY	C86	--
X	25563-017-000	--	360/380 STYLE BELT KIT	9-100-1017	100

POOL AUTO CLEANER PARTS

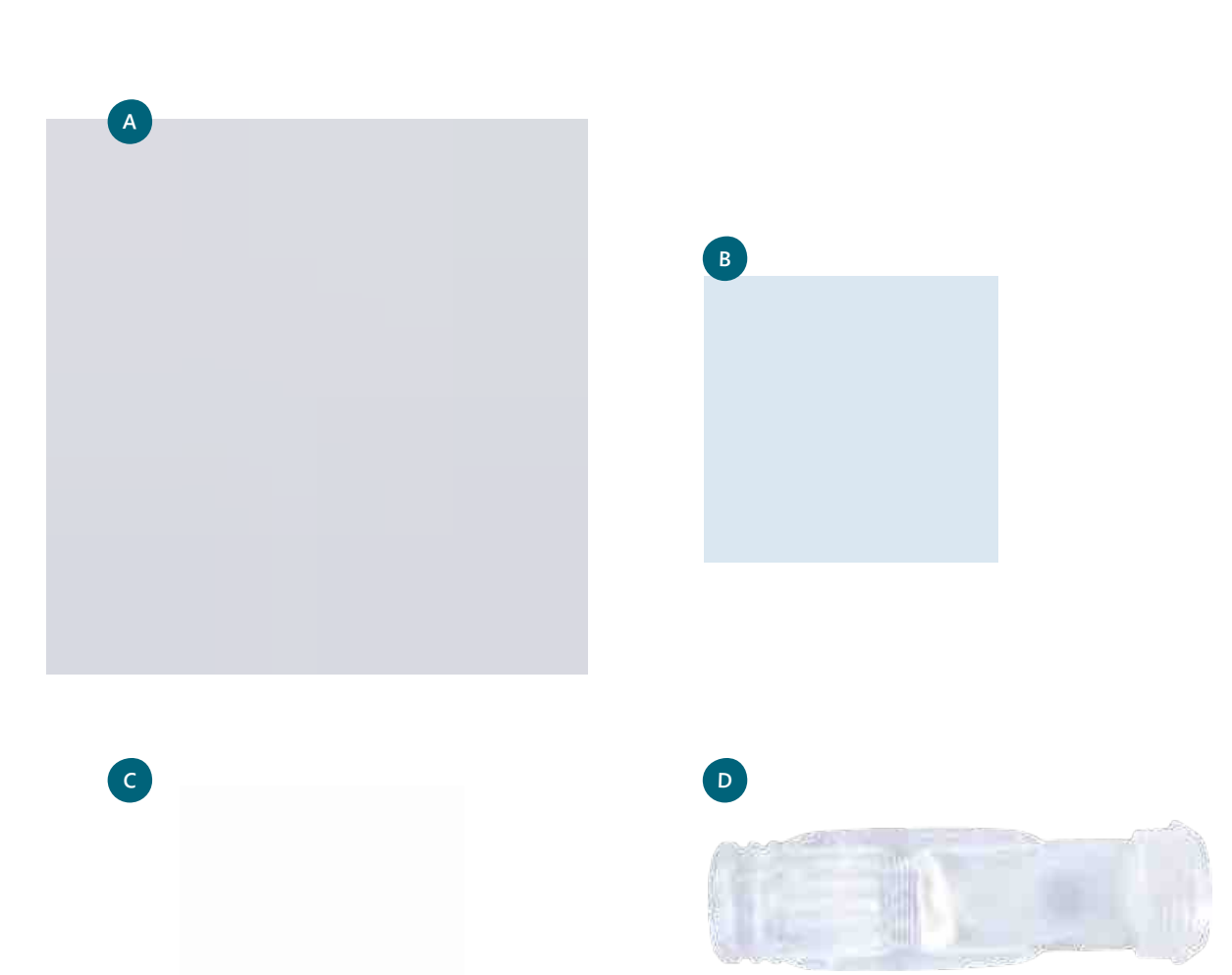


ORDERING GUIDE

REPLACEMENTS FOR CLEANER WHEELS					
REF	WHITE/OTHER	BLACK	DESCRIPTION	COMPARE TO	BOX QTY
A	25563-360-000	25563-364-000	WHEEL	C6/C7	120
A	25563-340-000	25563-344-000	DOUBLE WHEEL	1008/1004	40
B	25563-350-000	25563-354-000	SINGLE WHEEL	1116/1117	60
C	25563-660-400	25563-684-000	AXLE & GUARD	C66/C68	--
D	25563-310-000	25563-314-000	TIRE	C10/C11	50
E	25563-460-000	25563-464-000	SMALL IDLER WHEEL	C16	--

REPLACEMENTS FOR CLEANER HOSES					
REF	WHITE/OTHER	BLACK	DESCRIPTION	COMPARE TO	BOX QTY
F	25563-005-000	25563-005-060	4FT SWEEP HOSE	B5/B6	--
G	25563-040-000	25563-044-000	30FT COMPLETE HOSE KIT (NO VALVE)	G5/G6	--
G	25563-040-100	25563-044-100	10FT FEED HOSE	D45/D47	--
G	25563-040-200	25563-044-200	10FT LEADER HOSE	D50/D52	--
H	25563-010-000	25563-014-000	WEAR RING FOR SWEEP HOSE (SINGLE)	B10	--
H	25563-010-800	--	WEAR RING FOR SWEEP HOSE (8-PACK)	B10	--
I	25563-025-000	--	ORIFICE TIP AND GUARD FOR SWEEP HOSE	B25	--
J	25563-110-000	25563-114-000	HOSE CLAMP	B15	2400
K	25563-300-000	--	HOSE SCRUBBER (SINGLE)	9-100-3105	200
K	25563-300-500	--	HOSE SCRUBBER (5-PACK)	9-100-3105	70
K	25563-300-110	--	FLOW DIFFUSER SCRUBBER (SINGLE)	--	--
K	25563-300-150	--	FLOW DIFFUSER SCRUBBER (5-PACK)	--	--
L	25563-300-100	--	FLOW DIFFUSER+	TSP10P	--

POOL SUCTION CLEANER PARTS



ORDERING GUIDE

REF	CMP P/N	DESCRIPTION*	COMPARE TO	BOX QTY
A	25563-809-000	BARACUDA® STYLE BLUE FINNED DISC	W4666	100
B	25563-820-000	BARACUDA® STYLE BLUE FOOT PAD	W70327	25
C	25563-810-100	BARACUDA® STYLE DIAPHRAGM RING	W81600	1000
D	25563-810-000	BARACUDA® STYLE DIAPHRAGM	W69698	100

*Baracuda® is a registered trademark of Zodiac International

FLOWSKIM™ BASKET & HANDLE



The Flowskim Skimmer Basket Handle provides a path for water flow when your skimmer basket is full of debris. It can also be removed and emptied without touching wet leaves, bugs and other debris inside the skimmer basket.

PRODUCT FEATURES

- Protects Pump from Running Dry
- Easier Removal and Cleaning
- 12", 14" and 16" Handle Options
- U.S AND INTERNATIONAL PATENTS



NEW

ORDERING GUIDE

REF	12" HANDLE	14" HANDLE	16" HANDLE	DESCRIPTION	COMPARE TO	BOX QTY
A	27182-300-000	27182-310-000	27182-320-000	CMP STYLE FLOWSKIM BASKET	SP1070 OR U-3	60
B	27182-352-000	27182-362-000	27182-372-000	H-STYLE FLOWSKIM BASKET	SP1082CA	36
C	27180-336-000	27180-337-000	27180-338-000	BAKER-HYDRO STYLE FLOWSKIM BASKET	51B1026	--
D	27182-319-000	--	--	HEAVY DUTY W-STYLE FLOWSKIM BASKET NEW	--	--
D	25573-300-000	25573-310-000	25573-320-000	FLOWSKIM HANDLE & SCREWS KIT	--	50
REF	CMP P/N	DESCRIPTION		BAG QTY		
--	58307-030-000	FILTER SAVER SKIMMER SOCKS FOR FLOWSKIM BASKET		5		

COVERED BY ONE OR MORE U.S. PATENTS OR PENDING PATENT APPLICATIONS. SEE WWW.C-M-P.COM/PATENTS FOR DETAILS.

HEAVY DUTY POOL BASKETS



Let's face it, pool baskets can really take a beating. They are forever under attack from harsh chemicals, erosion, UV sunlight, and the occasionally over-excited Shih Tzu. Pump and skimmer baskets protect your customer's equipment from serious damage. Why would you trust anything other than the absolute best?

PRODUCT FEATURES

- Better Than OEM Originals: Twice as Thick
- Metal Weight Prevents Floating Baskets
- Extra Support Feet on Pump Baskets
- Heavy Duty Replacement for OEM Baskets



Anode on Select Baskets



ORDERING GUIDE

Available with Pool Defender™ Anode

REF	CMP P/N	DESCRIPTION*	DIMENSIONS A x B x C	COMPARE TO	BOX QTY
A	27182-009-000	HD U-3 STYLE SKIMMER BASKET	8 1/2" x 5" x 6"	SP1070, U-3, B-9	24
A	27182-009-200	HD U-3 STYLE BASKET & ZINC ANODE PUCK	8 1/2" x 5" x 6"	SP1070, U-3, B-9	24
B	27182-019-000	HD W-STYLE SKIMMER BASKET	7 1/2" x 5" x 6"	542-3240	30
C	27182-152-000	HD 1082 STYLE BASKET	7 1/2" x 5" x 6"	SPX1082CA, B-152	24
C	27180-152-030	HANDLE ONLY FOR HD 1082 STYLE BASKET	N/A	SPX1082N2, B-152	--
C	27182-152-200	HD 1082 STYLE BASKET WITH ZINC ANODE PUCK	7 1/2" x 5" x 6"	SPX1082CA, B-152	24
D	27182-200-000	HD AMERICAN PRODUCTS™ S20 STYLE BASKET	8 1/2" x 6" x 5 1/2"	S-20, B-200	120
E	27182-037-000	HD AMERICAN PRODUCTS™ STYLE SKIMMER BASKET	7 1/4" x 7" x 7 1/4"	AP 850001, B-37	12
F	27180-219-000	HD CHALLENGER® STYLE PUMP BASKET	5 1/2" x 9" x 4 1/2"	355318, B-219	30
G	27182-199-000	HD WHISPERFLO® STYLE PUMP BASKET	5 1/2" x 8 1/2" x 3 1/2"	070387, B-199	36
H	27182-207-000	HD SUPER II™ STYLE PUMP BASKET	5 3/4" x 9 1/2" x 5"	SPX3000M, B-207	25
I	27182-167-000	HD SUPER PUMP® STYLE BASKET	6 1/4" x 6" x 3 1/2"	SPX1600M, B-167	27
J	27182-215-000	HD MAX-E-PRO® STYLE PUMP BASKET	5 1/2" x 7 1/2" x 4 1/2"	C8-58P, B-215	25
K	27182-010-000	PRE-2019 HD CMP LEAF TRAP CANISTER BASKET	5 1/2" x 11 1/2" x 4 1/2"	--	30
L	27182-020-000	PRE-2019 HD LEAF TRAP CANISTER BASKET	6 1/2" x 13 1/4" x 4 1/2"	R211526, B-204, W530	30

* Hayward®, Power-Flo®, Super Pump®, Super II® are registered trademarks of Hayward Industries, Inc.

Challenger®, Whisperflo®, Max-E-Pro®, American Products™ are trademarks and/or registered trademarks of Pentair Water Pool and Spa, Inc.

POOL PUMP & SKIMMER BASKETS

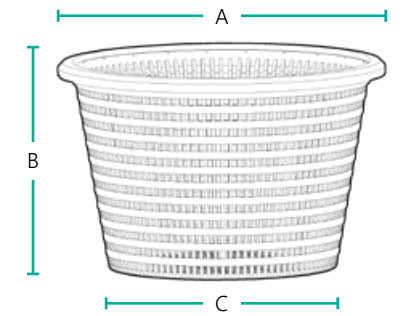


Available with Pool Defender™ Anode Also available in Pro Tools Heavy Duty

POOL PUMP & SKIMMER BASKETS

PRODUCT FEATURES

- Popular and difficult to find direct replacements for OEM baskets
- Popular styles also offered in Pro Tools Heavy Duty
- Select baskets available with Zinc Anode option
- As of late 2015, all replacement baskets are white



ORDERING GUIDE

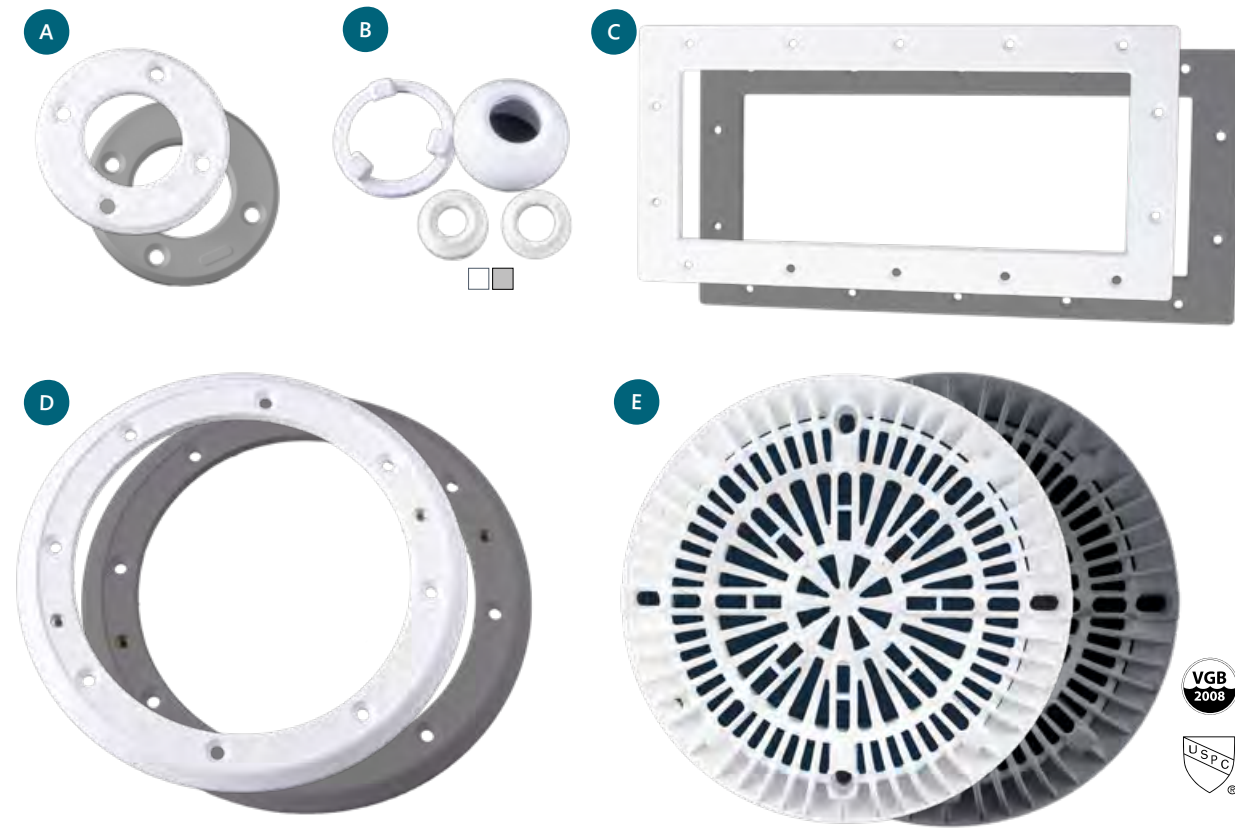
REPLACEMENTS FOR STANDARD SKIMMER BASKETS					
REF	CMP P/N	DESCRIPTION*	DIMENSIONS A x B x C	COMPARE TO	BOX QTY
A	27180-136-000	BAKER-HYDRO SKIMMER STYLE	7 3/4" x 5 1/8" x 4 1/4"	51B1026, 340-1139, B-136	36
B	27180-152-000	HAYWARD® 1082 SKIMMER STYLE	7 1/8" x 5" x 6 5/8"	SPX1082CA, B-152	24
C	25140-000-900	W-STYLE SKIMMER BASKET	7 3/4" x 5 1/8" x 5 7/8"	542-3240	16
D	27180-200-000	ADMIRAL™/AMERICAN PRODUCTS™ SKIMMER STYLE	8 3/8" x 6" x 5 1/2"	S-20, B-200	24
E	27180-109-000	HAYWARD® STYLE SKIMMER BASKET	5 3/4" x 3 3/4" x 4 1/8"	SPX1091C	48
F	27180-203-000	HAYWARD® 1094 SKIMMER STYLE	5 1/8" x 3" x 3 3/8"	SPX1094FA, B-203	60
G	25512-000-991	CMP ABOVE GROUND SKIMMER	6 3/4" x 3" x 3 3/8"	--	--
H	27180-168-000	HAYWARD® 1096 SKIMMER STYLE	5 1/2" x 3 1/2" x 5 1/4"	SPX1096CA, B-168	58
I	27180-163-000	KAFKO® SKIMMER STYLE	7 1/2" x 6 5/8" x 6 3/4"	19-0163-1	12
J	27180-009-000	HAYWARD® 1070, U-3 SKIMMER STYLE	8 1/4" x 5 1/8" x 5 1/4"	SP1070, U-3, B-9	100
J	27180-009-200	HAYWARD® 1070, U-3 SKIMMER STYLE & ANODE	8 1/4" x 5 1/8" x 5 1/4"	SP1070, U-3, B-9	100
K	27180-043-000	PACFAB™ ABG SKIMMER STYLE	7 3/8" x 4 1/2" x 5 1/2"	51-3036, B-43	40
L	27180-099-000	INVERTED SKIMMER	4 5/8" x 4 7/8" x 3 3/4"	B-99	32
L	27180-099-030	CUFF ONLY FOR INVERTED SKIMMER BASKET	n/a	--	--
M	25512-000-900	HAYWARD® ABG SKIMMER STYLE	6" x 3" x 5"	SPX1096CA	60
N	27180-037-000	AMERICAN PRODUCTS™ SKIMMER STYLE	7 1/4" x 7 1/8" x 7 1/4"	R38013A, 850001, B-37	12
O	27180-038-000	AMERICAN PRODUCTS™ STYLE FLOATING WEIR	6 3/8" x 7 7/8" x 6"	R38013B, 850012, B-38	16
--	27180-152-300	BASKET SUPPORT RING	--	SPX1082D	--
--	25810-009-950	ZINC ANODE "PUCK" KIT (SEE PG 195)	n/a	--	25
REPLACEMENTS FOR STANDARD PUMP BASKETS					
P	27180-167-000	SUPER PUMP® STYLE	6 1/4" x 6" x 3 3/8"	SPX1600M, B-167	24
Q	27180-207-000	SUPER II® PUMP STYLE	5 3/4" x 8 1/8" x 5 1/8"	SPX3000M, B-207	25
R	27180-199-000	WHISPERFLO® PUMP STYLE	5 3/4" x 7 1/2" x 3 3/8"	070387, B-199	36
S	27180-215-000	MAX-E-GLAS™ II PUMP STYLE	5 3/8" x 7 1/4" x 4 1/4"	C8-58P, B-215	25
T	27180-220-000	POWER-FLO® PUMP STYLE	5 1/8" x 7 3/8" x 4 1/4"	SPX1500LX, B-220	30
U	27180-355-000	SUPERFLO® PUMP STYLE	5 3/8" x 7 1/8" x 3 3/4"	355667	30
V	27180-280-000	MAX-FLO™ PUMP STYLE	4 1/8" x 7 1/8" x 3 3/8"	SPX2800M	30
W	27180-033-000	5" PUMP / PRE / AQF STYLE	4 1/8" x 5" x 3 3/4"	91110000, C180-33P, B-33	60
X	27180-036-000	6" PUMP, TAPERED, AQUA-FLO / PUREX STYLE	5 1/8" x 4 1/4" x 3 3/8"	B-36	90
Y	27180-106-000	5" PUMP, STA-RITE® / PRE/AQF STYLE	4 1/8" x 5 1/4" x 3 3/4"	C108-33P, B-106	60
Z	27180-039-000	A&S STYLE PUMP STYLE, 7" x 7"	6 3/4" x 4 1/2" x 3 3/8"	B-39	30

* Hayward®, Power-Flo®, Super Pump®, Super II® are registered trademarks of Hayward Industries, Inc. Challenger®, Whisperflo®, Max-E-Pro®, Pacfab™, American Products™, Admiral™, Sta-Rite®, SuperFlo®, Purex, Max-E-Glas™ are trademarks and/or registered trademarks of Pentair Water Pool and Spa, Inc. Kafko® is a registered trademark of Latham Splash Canada, Inc.

JZ-STYLE VINYL POOL FITTINGS

PRODUCT FEATURES

- White Goods CMP Replacements for Hard-to-find Jacuzzi® Style Components
- Available in White or Gray Color Choices
- Use CMP Galaxy™ Drain with CMP Drain Ring for Jacuzzi® Main Drain Bodies



ORDERING GUIDE

REF	WHITE	GRAY	DESCRIPTION	COMPARE TO	BOX QTY
A	25545-300-800	25545-301-800	IFL/IFD RETURN INLET FACE FLANGE & SCREWS	43061902R	100
B	25545-300-850	25545-301-850	ORIFICE LOCKING KIT (EYEBALL, REDUCERS & LOCKING RING)	43061803K	100
A-B	25545-300-000	25545-301-000	RETURN INLET FACE FLANGE & ORIFICE LOCKING KIT	--	100
--	25545-300-022	--	JZ RETURN LOCKING RING	43-0618-03-R	--
--	25545-300-025	--	JZ RETURN EYEBALL	88-1943-10-R	--
C	25541-300-010	25541-301-010*	SKIMMER FACEPLATE	43114404R	60
D	25532-300-000	25532-301-000*	VINYL MAIN DRAIN RING	23112903R	100
E	25507-100-000	25507-101-000	GALAXY COVER (USE W/ VINYL DRAIN RING FOR RETROFIT)	43112804K	50
--	25141-360-000	25141-361-000*	SKIMMER WEIR DOOR	43124601R	120
--	25548-300-000	--	JZ VINYL MAIN DRAIN RING & GALAXY LID, WHITE	--	--
--	25507-100-000	--	8" GALAXY DRAIN LID W/ SCREW KIT, WHITE	--	50

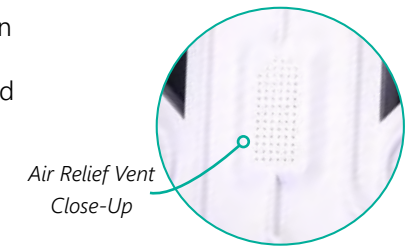
*Special order only. Minimum quantities may apply. For non special order items box quantity orders are not required.



HEAVY DUTY FILTER MANIFOLDS

PRODUCT FEATURES

- Heavy Duty Design: Stronger, Thicker and More Durable than OEM Original Designs
- Built in Air Relief Vent Simplifies Service & Removes the Need for a Fragile Air Relief Attachment Hose Line
- Replacement Manifolds Available for Popular D.E & Cartridge Filter Models



ORDERING GUIDE

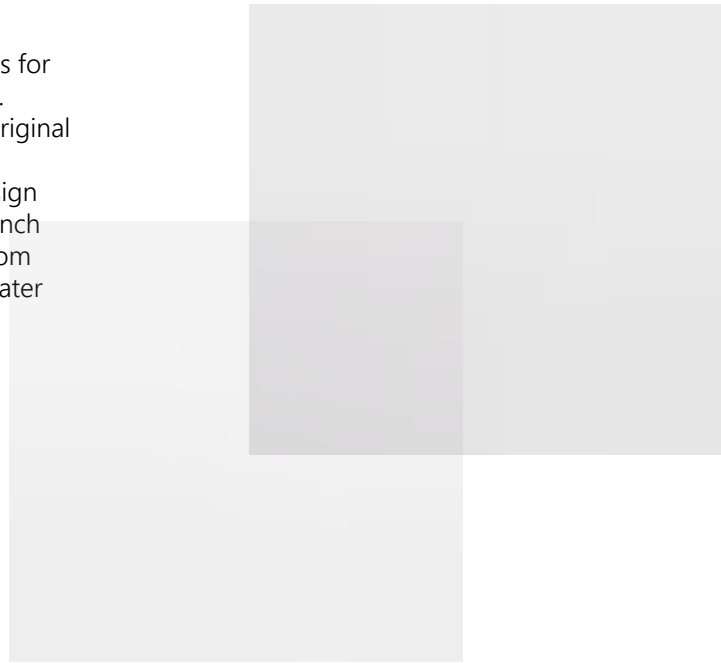
REPLACEMENTS FOR DE FILTER HEAVY DUTY MANIFOLDS					
REF	CMP P/N	DESCRIPTION	COMPARE TO	FITS FILTER MODELS	BOX QTY
A	25357-624-000	2000 SERIES DE MANIFOLD	073270Z	SMBW 2000	3
B	25357-600-000	FNS® STYLE DE MANIFOLD	59023700, 192173	FNS®	5
C	25357-700-000	H-STYLE DE MANIFOLD	DEX2400C	PRO-GRID, MICRO-CLEAR	4
D	25357-800-000	J-STYLE DE MANIFOLD	R0359000	DEL48, DEL60, DEV48, DEV60	4
--	25357-100-000	FILTER GRID GUIDE TEMPLATE	--	UNIVERSAL	--
REPLACEMENTS FOR CARTRIDGE FILTER HEAVY DUTY MANIFOLDS					
E	25357-750-000	H-STYLE BOTTOM MANIFOLD	CX3000C	SWIMCLEAR, SUPERSTAR-CLEAR	4
F	25357-760-000	H-STYLE TOP MANIFOLD	CX3030C	C2030, C3030, C4030	4
F	25357-770-000	H-STYLE TOP MANIFOLD	CX5030C	C5030, C7030	4
G	25357-850-000	J-STYLE CARTRIDGE MANIFOLD	R03576000	CV340, CV460, CV580, CL340, CL460, CL580	4

* FNS® is a registered trademarks of Pentair Water Pool and Spa, Inc.

MULTIPOINT VALVE TOP HALF KEY ASSEMBLIES

PRODUCT FEATURES

- Replacement Top Half Key Assemblies for Common Pool Filter Multiport Valves.
- White and Black Top Halves Match Original Multiport
- Easy To Read User Friendly Label Design
- Labels Include English, Spanish & French
- Replacements for Multiport Valves from Hayward International and Pentair Water Pool and Spa, Inc.



MULTIPOINT VALVE FUNCTIONS*

VALVE SETTING	WATER FLOW PATH
FILTER For normal filter operation and vacuuming pool through filter.	Pump ► Sand Top/De Bottom ► Through Filter ► Sand Bottom/De Top ► Pool Returns
BACKWASH For cleaning filter by reversing flow.	Pump ► Sand Bottom/De Top ► Through Filter ► Sand Top/De Bottom ► Waste Line
RINSE For start-up cleaning and resetting filter bed after backwashing.	Pump ► Sand Bottom/De Top ► Through Filter ► Sand Bottom/De Top ► Waste Line
WASTE For vacuuming directly to waste, lowering pool level or draining pool.	Pump ► Waste Line
CLOSED For shutting off all flow to filter and pool.	No Flow. Do Not Use When Pump Is In Operation.
RECIRCULATE For circulating water without going through filter.	Pump ► Pool Return

*Available functions vary by model. Always refer to the multiport filter valve model instructions for correct sizing.

ORDERING GUIDE

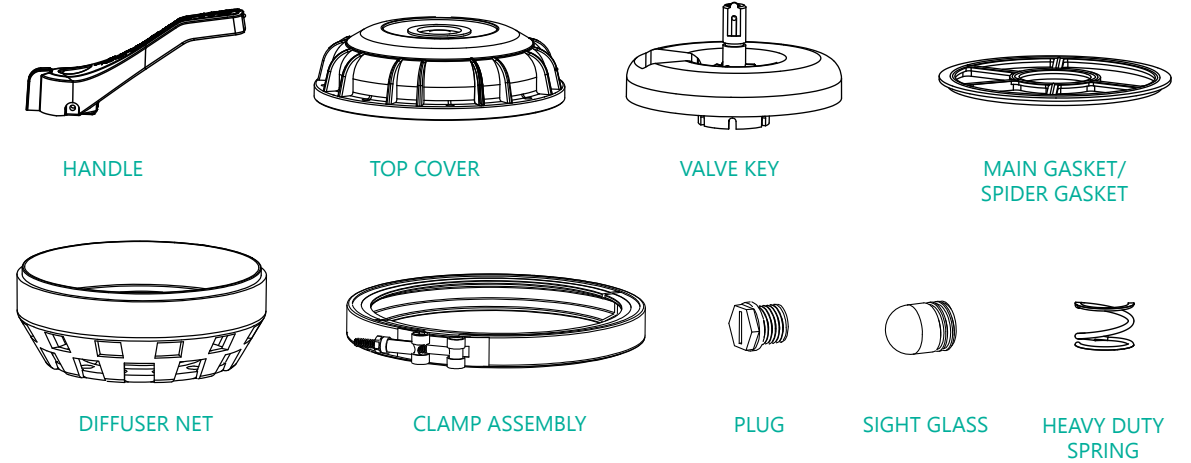
CMP P/N	COMPARE TO	DESCRIPTION	COMPATIBLE FILTERS
27507-200-100	270067	TOP HALF KEY ASSEMBLY	TRITON®, QUAD® FNS®, NAUTILUS™
27515-154-100	SPX0714BA	TOP HALF KEY ASSEMBLY	HAY S166T, S180T, S210T, S220T, S244T
27500-154-100	272531	TOP HALF KEY ASSEMBLY	TAGELUS®
27510-204-100	271152B	TOP HALF KEY ASSEMBLY	TAGELUS® TA 100D
27507-200-100	270067	TOP HALF KEY ASSEMBLY	TAGELUS® TA 100D

* Hayward® is a registered trademarks of Hayward Industries, Inc.
Triton®, Quad®, FNS®, Nautilus™, Tagelus® are trademarks and/or registered trademarks of Pentair Water Pool and Spa, Inc.

MULTIPOINT VALVE PARTS

PRODUCT FEATURES

- Replacement Components for Multiport Valves
- Factory Standards Quality
- Parts for Multiport Valves from Hayward International and Pentair Water Pool and Spa, Inc.



ORDERING GUIDE

CMP P/N	COMPARE TO OEM #	DESCRIPTION
26105-057-360	SPX1483C	O-RING 2 PACK
26105-060-355	274494	DIFFUSER O-RING
26105-060-530	274494	ADAPTER O-RING 2 PACK
26105-118-530	272541	O-RING
26105-136-400	271103, SPX0710XZ3	O-RING
26105-143-530	354053, SPX0714L	O-RING
26105-145-265	JVL8	O-RING
26105-160-360	154493, SPX0715Z1	O-RING ONE PACK
26105-164-530	275333	O-RING
26105-171-535	GMX600F	O-RING
26105-172-400	271151	TOP COVER O-RING
26105-185-363	272511	DIVERTER O-RING
26105-216-362	191479 SPX0735GA	O-RING 2 PACK
26202-651-535	SX200Z9	SIGHT GLASS GASKET
27500-154-040	272512	DIVERTER & CO-MOLDED GASKET
27500-154-060	--	DIFFUSER NET
27500-154-079	152165	CLAMP ASSEMBLY
27500-154-080	272505	PLASTIC WASHER 2 PACK
27500-154-110	354541, 272555	SCREWS, WASHERS AND NUTS
27500-154-120	273512	AIR BLEEDER WITH O-RING
27500-154-130	154493, SPX0715Z1	O-RING 25 PACK
27500-154-300	272520 & 272405	HANDLE AND SCREW, BLACK TOP COVER
27500-154-500	270085	TOP COVER
27500-154-800	272511	DIVERTER O-RING 100 PACK
27500-154-900	272541	O-RING 25 PACK
27503-200-500	272412	TOP COVER

MULTIPOINT VALVE PARTS

ORDERING GUIDE

CMP P/N	COMPARE TO OEM #	DESCRIPTION
27504-200-500	272412	TOP COVER SAND
27505-200-080	271160, SPX0710Z16	WASHER
27506-200-040	272413	DIVERTER
27506-200-050	272409	MAIN GASKET
27506-200-060	274407	NUT 2 PACK
27506-200-070	274404	ADAPTER 2 PACK
27506-200-080	272402	PLASTIC WASHER
27506-200-090	154566	SIGHT GLASS
27506-200-110	272403, 98211400	SCREWS AND NUTS
27506-200-300	272520, 272405	HANDLE AND SCREW WHITE
27506-200-500	272412	TOP COVER DE
27506-200-600	272409	MAIN GASKET 25 PACK
27506-200-700	272413, JVL8	DIVERTER WITH O-RING
27506-200-800	JVL8	O-RING 100 PACK
27506-200-900	274494	O-RING 50 PACK
27507-200-050	271148	MAIN GASKET
27518-204-110	152167, 152168	SCREWS AND NUTS
27507-200-150	271148	MAIN GASKET 25 PACK
27507-200-160	274556	2 SOCKET & 2 SPIGOT ADAPTERS
27507-200-200	271168, 191479	DIVERTER O-RINGS & MAIN GASKET
27507-200-300	271156, 271164	HANDLE AND DOWEL PIN
27507-200-500	271166	TOP COVER WHITE
27507-200-600	271151	TOP COVER O-RING 25 PACK
27507-200-700	271168, 191479	DIVERTER WITH O-RINGS
27507-204-500	271166	TOP COVER
27514-154-050	271104, SPX0710XD	MAIN GASKET
27508-150-110	152167, SPX0710Z1A	SCREWS AND NUTS
27514-154-150	271104, SPX0710XD	MAIN GASKET 25 PACK
27514-154-200	271163, 191479, 271104, SPX0710X, SPX0735GA, SPX0710XD	DIVERTER, O-RINGS AND MAIN GASKET
27508-150-500	271158	TOP COVER
27508-150-600	271103, SPX0710XZ3	TOP COVER O-RING 25 PACK
27514-154-200	271163, 191479, SPX0710XC, SPX0735GA	DIVERTER WITH O-RINGS
27508-150-900	274404	ADAPTER 4 PACK
27508-154-085	--	ADAPTER 2 PACK
27509-150-500	270068	TOP COVER
27510-200-080	271157	PLASTIC WASHER
27510-204-090	152165, 152130	CLAMP ASSEMBLY
27510-204-100	271152B	TOP HALF ASSEMBLY
27510-204-300	271156, SPX0710XF/ 271164, SPX0710XZ7	HANDLE AND DOWEL PIN
27510-204-700	--	DIFFUSER O-RING 25 PACK
27510-204-800	275333	O-RING 25 PACK
27513-154-500	--	TOP COVER
27514-154-500	--	TOP COVER
27515-154-070	GM600-NM	CLAMP ASSEMBLY
27515-154-800	191479, SPX0735GA	O-RING 100 PACK
27515-154-120	SX200Z9	SIGHT GLASS GASKET 100 PACK
27515-154-300	SPX710XF, SPX710XZ7	HANDLE AND DOWEL PIN

MULTIPOINT VALVE PARTS

ORDERING GUIDE

CMP P/N	COMPARE TO OEM #	DESCRIPTION
27515-154-350	98206400, SPX710K	PLUG WITH O-RING
27515-154-400	272550, 271106, SPX0710MA	SIGHT GLASS WITH GASKET
27515-154-500	--	TOP COVER
27515-154-600	354053, SPX0714L	O-RING 25 PACK
27507-200-700	SPX0714CA	DIVERTER WITH O-RINGS
27515-154-900	191479, SPX0735GA	O-RING 25 PACK
27516-200-080	SPX0710Z16	PLASTIC WASHER
27516-204-900	SPX1483C	O-RING 50 PACK
27517-200-085	SPX710FL	HANDLE
27517-204-060	SPX0727E	NUT 2 PACK
27517-204-070	--	ADAPTER 2 PACK
27518-204-050	SPX0715D	MAIN GASKET
27518-204-110	SPX0710Z1A	SCREWS AND NUTS
27518-204-150	SPX0715D	MAIN GASKET 25 PACK
27518-204-200	SPX0715C	DIVERTER, O-RING, PLASTIC WASHER, GASKET
27518-204-500	--	TOP COVER
61000-406-225	SPX0714Z1	SCREWS 6 PACK
61130-342-811	SPX0710Z62	WASHER 2 PACK
61134-547-811	272401	SPRING WASHER 3 PACK
61204-547-537	272400	HEAVY DUTY SPRING
61237-634-283	272535	HEAVY DUTY SPRING
61247-542-333	271161, SPX0603S	HEAVY DUTY SPRING
25501-000-800	190059, ECX2712-B1	PRESSURE GAUGE
27507-200-990	273207	PENTAIR® MPV DECAL (10 PACK)
27500-154-990	272599	PENTAIR® MPV DECAL (10 PACK)
27503-200-990	272101	PENTAIR® MPV DECAL (10 PACK)
27515-154-990	SPX0714G	HAYWARD® MPV DECAL (10 PACK)
27508-150-990	271141, SPX0710G SAND	PENTAIR® MPV DECAL (10 PACK)
27509-150-990	271141, SPX0710G DE	PENTAIR® MPV DECAL (10 PACK)
27516-204-990	SPX0715G DE	HAYWARD® MPV DECAL (10 PACK)
27517-204-990	SPX0715G SAND	HAYWARD® MPV DECAL (10 PACK)



QUALITY REPLACEMENT PARTS GENUINE FREEDOM

You and your customers should have a true option when it's time to repair and upgrade pool cleaners, pumps and filters. CMP Replacement Parts give you the quality, reliable alternative that you deserve.

POOL EQUIPMENT PARTS



ORDERING GUIDE

REF	CMP P/N	DESCRIPTION	COMPARE TO	BOX QTY
A	25307-500-020	RAINBOW™ STYLE CHLORINATOR LID	R172008W	30
B	25625-200-000	2" SIGHT GLASS	SP1074S	50
--	25357-154-000	AIR RELIEF TEE VALVE	154689	300
C	25356-502-000	SEAT ASSEMBLY FOR 2IN PVC HOUSING	073502	--
D	21063-801-000	RAYPAK® STYLE HEATER UNION KIT	006723F	50
E	21063-350-000	SUPERFLO® STYLE PUMP UNION KIT	350157	--
F	25544-500-000	ADMIRAL™ STYLE SKIMMER LID (WHITE)	S-20	45
F	25544-509-000	ADMIRAL™ STYLE SKIMMER LID (TAN)	S-20	45
--	25544-500-100	LID & BLANK LOGO INSERT ADMIRAL™ STYLE	--	--
--	25280-200-999	CHLORINATOR LID REMOVAL TOOL	--	--
G	25251-000-500	WEIR DOOR (ADM S20)	85001500	100

* Admiral™, SuperFlo®, Rainbow™ are trademarks and/or registered trademarks of Pentair Water Pool and Spa, Inc. Raypak® is a registered trademark of Raypak, Inc

POOL PUMP PARTS



ORDERING GUIDE

REF	CMP P/N	DESCRIPTION	COMPARE TO	BOX QTY
A	25356-100-000	MAX-E-GLAS®/DURA-GLAS® STYLE PUMP DIFFUSER	C1-200PA	100
B	25357-004-000	CHALLENGER® STYLE PUMP HOUSING	355302	10
C	25357-300-000	WHISPERFLO® STYLE SEAL PLATE	074564	--
D	25355-004-000	ULTRA-FLO® STYLE SEAL PLATE	357143	--
--	26100-357-100	WHISPERFLO® STYLE SEAL PLATE GASKET	357100	--
E	25305-126-000	WHISPERFLO® STYLE 1/2 - 3/4 HP IMPELLER,	073126 WFE-2	--
E	25305-127-000	WHISPERFLO® STYLE 3/4 HP - 1HP IMPELLER,	073127 WFE-3	--
E	25305-128-000	WHISPERFLO® STYLE 1 HP - 1.5HP IMPELLER,	073128 WFE-4	--
E	25305-129-000	WHISPERFLO® STYLE 1.5 HP - 2HP IMPELLER,	073129 WFE-6	--
E	25305-130-000	WHISPERFLO® STYLE 2 HP - 2.5HP IMPELLER,	073130 WFE-8	--
E	25305-131-000	WHISPERFLO® / INTELLIFLO® STYLE 3 HP IMPELLER	073131 WFE-12	--
--	25305-043-000	SUPERFLO® / CHALLENGER® STYLE 1/2 - 3/4 HP IMPELLER	355043	--
--	25305-067-000	SUPERFLO® / CHALLENGER® STYLE 1 HP IMPELLER	355067	--
--	25305-074-000	SUPERFLO® / CHALLENGER® STYLE 1.5 HP IMPELLER	355074	--
--	25305-086-000	SUPERFLO® / CHALLENGER® STYLE 2 HP IMPELLER	355086	--
--	25305-093-000	SUPERFLO® / CHALLENGER® STYLE 2.5 HP IMPELLER	355093	--
--	25305-068-000	SUPERFLO® / CHALLENGER® STYLE 3 HP IMPELLER	355068	--
F	25305-605-000	SUPER PUMP® STYLE 3/4 HP IMPELLER	SPX2605C	--
F	25305-607-000	SUPER PUMP® STYLE 1 HP IMPELLER	SPX2607C	80
F	25305-610-000	SUPER PUMP® STYLE 1.5 HP IMPELLER	SPX2610C	--
F	25305-615-000	SUPER PUMP® STYLE 2 HP IMPELLER	SPX2615C	--
F	25305-621-000	SUPER PUMP® STYLE 2.5 HP IMPELLER	SPX1621C	--

POOL PUMP PARTS



ORDERING GUIDE

REF	CMP P/N	DESCRIPTION	COMPARE TO	BOX QTY
A	25302-054-000	DYNAMO® STYLE PUMP HOUSING	354530	12
B	25300-004-000	PUMP STRAINER 1.5" INLET × 1.5" OUTLET	--	6
B	25301-004-000	PUMP STRAINER 2" INLET × 2" OUTLET	--	6
C	21062-154-000	1.5" MIP × 1.5" UNION FITTING	--	300
C	21063-200-900	2" MIP × 2" UNION FITTING	--	300
D	21021-000-000	1.5" SOCKET PUMP UNION (NUT,SLEEVE, T-GASKET)	--	200
D	21023-000-000	2" SOCKET PUMP UNION (NUT,SLEEVE, T-GASKET)	--	190
E	25357-054-000	CHALLENGER® STYLE PUMP 1/4" PLUG	154699	3000
F	25300-100-000	PUMP LID REMOVAL TOOL	--	--
G	25304-000-020	STA-RITE® STYLE PUMP LID	C3-1391P1, DYNA-GLAS™	40
H	25305-000-020	CHALLENGER®/PINNACLE™ STYLE PUMP LID	355301	40
I	25306-000-020	HAYWARD® POWER-FLO® STYLE PUMP LID	SPX1500D2A	40
--	26101-320-530	O-RING FOR POWER-FLO® STYLE PUMP LID	--	--
J	25307-000-020	DYNAMO® STYLE PUMP LID	354531	40

REPLACEMENT PARTS ON PAGE 267

* Power-Flo®, Super Pump® are registered trademarks of Hayward Industries, Inc.
 Challenger®, Whisperflo®, Intelliflo®, Sta-Rite®, Ultra-Flo®, Max-E-Glas®, Dura-Glas®, SuperFlo®, Dynamo® are trademarks and/or registered trademarks of Pentair Water Pool and Spa, Inc.

TECHNICAL REFERENCES

POOL CAPACITY CALCULATIONS *218*

HYDRAULIC CALCULATIONS *219*

FRICTION LOSS CHARTS *220*

SWIM JET INSTALLATION REFERENCE *224*

LED LIGHTING DESIGN GUIDE *225*

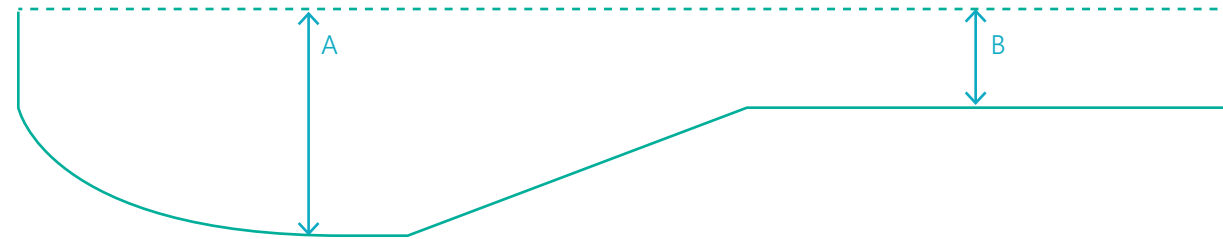
MEASUREMENTS & CONVERSIONS *228*

HOW TO ESTIMATE TOTAL POOL GALLONS

1. Calculate the Average Depth (A.D.)
2. Calculate the pool or spa surface Area
3. Use the formulas below to convert to total Gallons

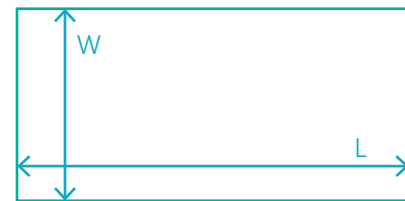
CALCULATING AVERAGE DEPTH

$$A.D = (A + B) / 2$$



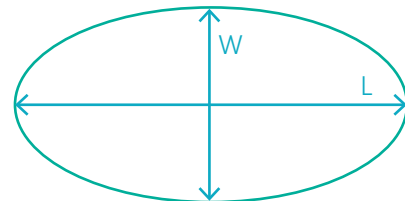
CALCULATING SURFACE AREA & GALLONS

$$AREA = L \times W$$



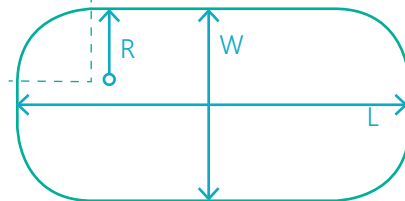
$$GALLONS = AREA \times A.D. \times 7.5$$

$$AREA = L/2 \times W/2 \times 3.14$$



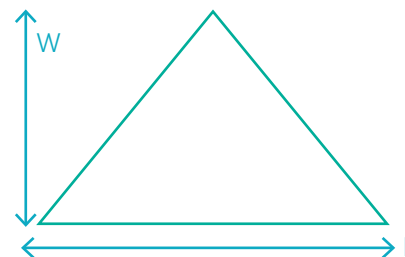
$$GALLONS = AREA \times A.D. \times 7.6$$

$$AREA = (L \times W) - (4 \times R^2) + (3.14 \times R^2)$$



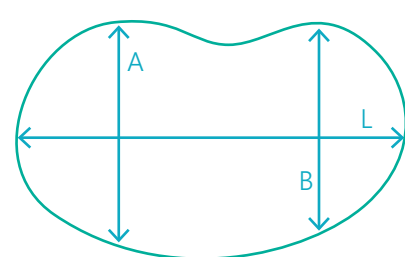
$$GALLONS = AREA \times A.D. \times 7.48$$

$$AREA = (L \times W) / 2$$



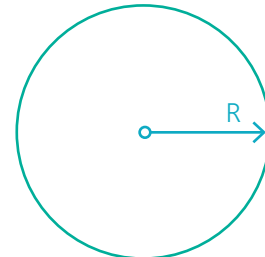
$$GALLONS = AREA \times A.D. \times 7.48$$

$$AREA = (A + B) \times L \times .45$$



$$GALLONS = AREA \times A.D. \times 7$$

$$AREA = R^2 \times 3.14$$



$$GALLONS = AREA \times A.D. \times 7.5$$

COMMON ABOVE GROUND POOL CAPACITY

ABOVE GROUND POOL SIZE	GALLONS
15' ROUND ABOVE GROUND	5,300
18' ROUND ABOVE GROUND	7,600
21' ROUND ABOVE GROUND	10,400
24' ROUND ABOVE GROUND	13,600
27' ROUND ABOVE GROUND	17,200
12' x 24' ABOVE GROUND	8,600

COMMON IN GROUND POOL CAPACITY

IN GROUND POOL SIZE	GALLONS
12 x 24' RECTANGLE	11,900
16 x 32' RECTANGLE	21,000
18 x 36' RECTANGLE	26,700
20 x 40' RECTANGLE	33,000

HYDRAULIC CALCULATIONS

CALCULATING FLOW RATE

STEP ONE: CALCULATE GALLONS PER HOUR (GPH)

$$\text{Pool Capacity (Gallons)} / \text{Desired Turnover Rate (Hours)} = \text{GPH}$$

STEP TWO: CALCULATE MINIMUM FLOW RATE (GPM)

$$\text{Gallons Per Hour (GPH)} / 60 = \text{MINIMUM GPM}$$

MAXIMUM RECOMMENDED FLOW RATES			
PIPE SIZE	6FT / SECOND	8FT / SECOND	10 FT / SECOND
1-1/2"	38 GPM	51 GPM	63 GPM
2"	63 GPM	84 GPM	105 GPM
2-1/2"	90 GPM	119 GPM	149 GPM
3"	138 GPM	184 GPM	230 GPM
4"	238 GPM	317 GPM	—

CALCULATING FRICTION LOSS (EXISTING POOL)

For new construction, you can also use the tables on the following pages

STEP ONE: CALCULATE SUCTION LOSS FRICTION LOSS*

$$\text{Vacuum Reading (Inches of Mercury)} \times 1.13 = \text{VACUUM RESISTANCE}$$

PRESSURE AND EQUIVALENT FEET HEAD OF WATER							
POUNDS PER SQ. INCH	FEET HEAD	POUNDS PER SQ. INCH	FEET HEAD	POUNDS PER SQ. INCH	FEET HEAD	POUNDS PER SQ. INCH	FEET HEAD
1	2.31	20	46.18	120	276.42	225	519.23
2	4.62	25	57.72	125	288.46	250	576.92
3	6.93	30	69.27	130	300.00	275	634.62
4	9.24	40	92.36	140	323.08	300	692.31
5	11.54	50	115.38	150	346.15	325	750.00
6	13.85	60	138.46	160	369.23	350	807.69
7	16.16	70	161.53	170	392.31	375	865.38
8	18.47	80	184.62	180	415.38	400	923.08
9	20.78	90	207.69	190	438.46	500	1153.85
10	23.09	100	230.77	200	461.54	1000	2307.69
15	34.63	110	253.85	—	—	—	—

STEP TWO: CALCULATE PRESSURE SIDE FRICTION LOSS

$$\text{Filter Pressure (PSI)} \times 2.31 = \text{PRESSURE RESISTANCE}$$

*If a vacuum reading is unavailable, you can estimate using the Common Friction Loss chart below

COMMON FRICTION LOSS FACTORS (SUCTION SIDE, 2" PIPE)	
PUMP SIZE	AVERAGE HEAD LOSS FACTOR
3/4 HP FULL-RATED PUMP	4.5 - 5.5 FT OF WATER
1 HP FULL-RATED PUMP	7 - 9 FT OF WATER
1-1/2 HP FULL-RATED PUMP	10 - 12.5 FT OF WATER
2 HP FULL-RATED PUMP	13.5 - 16 FT OF WATER

STEP THREE: CALCULATE TOTAL DYNAMIC HEAD

$$\text{Vacuum Resistance} + \text{Pressure Resistance} = \text{TOTAL DYNAMIC HEAD}$$

FRICION/HEAD LOSS CHARTS

FRICION/FLOW CHART FOR SCHEDULE 40 RIGID PVC PIPE (PER 100 FEET)																				
US GPM	3/4" PIPE		1" PIPE		1.5" PIPE		2" PIPE		2.5" PIPE		3" PIPE		3.5" PIPE		4" PIPE		5" PIPE		6" PIP	
	FEEET PER SEC	LOSS IN FEET	FEEET PER SEC	LOSS IN FEET	FEEET PER SEC	LOSS IN FEET	FEEET PER SEC	LOSS IN FEET	FEEET PER SEC	LOSS IN FEET	FEEET PER SEC	LOSS IN FEET	FEEET PER SEC	LOSS IN FEET	FEEET PER SEC	LOSS IN FEET	FEEET PER SEC	LOSS IN FEET	FEEET PER SEC	LOSS IN FEET
1	0.71	0.40	0.40	0.10	0.26	0.03														
2	1.43	1.44	0.80	0.35	0.51	0.12	0.36	0.05												
3	2.14	3.05	1.20	0.75	0.77	0.25	0.53	0.10												
4	2.85	5.19	1.60	1.28	1.03	0.43	0.71	0.18												
5	3.56	7.85	2.00	1.94	1.28	0.65	0.89	0.27	0.50	0.07	0.32	0.02	0.22	0.01						
6	4.28	11.01	2.41	2.71	1.54	0.92	1.07	0.38	0.60	0.09	0.38	0.03	0.27	0.01						
8	5.70	18.75	3.21	4.62	2.05	1.56	1.43	0.64	0.80	0.16	0.51	0.05	0.36	0.02						
10	7.13	28.34	4.01	6.99	2.57	2.36	1.78	0.97	1.00	0.24	0.64	0.08	0.45	0.03						
15	10.69	60.06	6.01	14.81	3.85	5.00	2.67	2.06	1.50	0.51	0.96	0.17	0.67	0.07						
20			8.02	25.24	5.13	8.52	3.56	3.51	2.00	0.87	1.28	0.29	0.89	0.12	0.50	0.03				
25			10.02	38.16	6.41	12.88	4.45	5.31	2.51	1.31	1.60	0.44	1.11	0.18	0.63	0.04				
30			12.03	53.48	7.70	18.06	5.34	7.44	3.01	1.83	1.92	0.62	1.34	0.26	0.75	0.06	0.48	0.02		
35					8.98	24.03	6.24	9.89	3.51	2.44	2.24	0.82	1.56	0.34	0.88	0.08	0.56	0.03		
40					10.26	30.77	7.13	12.67	4.01	3.13	2.57	1.06	1.78	0.43	1.00	0.11	0.64	0.04		
45					11.54	38.27	8.02	15.76	4.51	3.89	2.89	1.31	2.00	0.54	1.13	0.13	0.72	0.05		
50					12.83	46.51	8.91	19.16	5.01	4.72	3.21	1.60	2.23	0.66	1.25	0.16	0.80	0.05	0.56	0.02
60							10.69	26.85	6.01	6.62	3.85	2.24	2.67	0.92	1.50	0.23	0.96	0.08	0.67	0.03
70									7.01	8.81	4.49	2.98	3.12	1.23	1.75	0.30	1.12	0.10	0.78	0.04
80									8.02	11.28	5.13	3.81	3.56	1.57	2.00	0.39	1.28	0.13	0.89	0.05
90									9.02	14.03	5.77	4.74	4.01	1.95	2.25	0.48	1.44	0.16	1.00	0.07
100									10.02	17.06	6.41	5.76	4.45	2.37	2.51	0.59	1.60	0.20	1.11	0.08
125											8.02	8.71	5.57	3.59	3.13	0.88	2.00	0.30	1.39	0.12
150											9.62	12.20	6.68	5.03	3.76	1.24	2.41	0.42	1.67	0.17
175													7.79	6.69	4.38	1.65	2.81	0.56	1.95	0.23
200													8.91	8.56	5.01	2.11	3.21	0.71	2.23	0.29
225													10.02	10.65	5.64	2.63	3.61	0.89	2.51	0.37
250													11.13	12.95	6.26	3.19	4.01	1.08	2.78	0.44
275															6.89	3.81	4.41	1.29	3.06	0.53
300															7.52	4.48	4.81	1.51	3.34	0.62
325															8.14	5.19	5.21	1.75	3.62	0.72
350															8.77	5.95	5.61	2.01	3.90	0.83
375															9.39	6.77	6.01	2.28	4.18	0.94
425																	6.81	2.88	4.73	1.19
450																	7.22	3.20	5.01	1.32
475																	7.62	3.54	5.29	1.46

(CONTINUED ON NEXT PAGE)

FRICION/HEAD LOSS CHARTS

FRICION/FLOW CHART FOR SCHEDULE 40 RIGID PVC PIPE (PER 100 FEET)																						
US GPM	3/4" PIPE		1" PIPE		1.5" PIPE		2" PIPE		2.5" PIPE		3" PIPE		3.5" PIPE		4" PIPE		5" PIPE		6" PIP			
	FEEET PER SEC	LOSS IN FEET	FEEET PER SEC	LOSS IN FEET	FEEET PER SEC	LOSS IN FEET	FEEET PER SEC	LOSS IN FEET	FEEET PER SEC	LOSS IN FEET	FEEET PER SEC	LOSS IN FEET	FEEET PER SEC	LOSS IN FEET	FEEET PER SEC	LOSS IN FEET	FEEET PER SEC	LOSS IN FEET	FEEET PER SEC	LOSS IN FEET		
(CONTINUED FROM PREVIOUS PAGE)																						
500																		8.02	3.89	5.57	1.60	
550																			8.82	4.64	6.12	1.91
600																			9.62	5.46	6.68	2.25
650																					7.24	2.61
700																					7.79	2.99
750																					8.35	3.40
1000																					11.13	5.79
FRICION/HEAD LOSS PER COMPONENT																						
COMPONENT	20 GPM	30 GPM	40 GPM	50 GPM	60 GPM	70 GPM	75 GPM	80 GPM	100 GPM	120 GPM												
MAIN DRAIN, 1.5" OUTLET	0.5	1.0	1.5	2.0	2.5	—	—	—	—	—												
MAIN DRAIN, 2" OUTLET	—	—	1.0	1.5	2.0	3.0	—	4.0	—	—												
SKIMMER, 1.5" OUTLET	1.0	2.0	3.0	4.0	5.5	—	—	—	—	—												
SKIMMER, 2" OUTLET	0.5	1.0	2.0	3.0	4.0	5.0	—	6.0	—	—												
PUSH/PULL VALVE, 1.5"	—	—	—	6.0	—	—	13.5	—	—	—												
PUSH/PULL VALVE, 2"	—	—	—	—	—	—	7.0	—	—	17.6												
MULTIPOINT, 1.5"	—	—	—	5.0	—	—	10.0	—	—	—												
MULTIPOINT, 2"	—	—	—	—	—	—	3.5	—	6.0	8.5												
FRICION/HEAD LOSS IN FITTINGS																						
FITTING TYPE	3/8" PIPE	1/2" PIPE	3/4" PIPE	1" PIPE	1-1/4" PIPE	1.5" PIPE	2" PIPE	2.5" PIPE	3" PIPE	4" PIPE												
90° ELBOW	3.1	3.6	4.4	5.2	6.6	7.4	8.5	9.3	11.0	13.0												
90° SWEEP ELBOW	2.0	2.2	2.3	2.7	3.2	3.4	3.6	3.6	4.0	4.6												
45° ELBOW	0.52	0.71	0.92	1.3	1.7	2.1	2.7	3.2	4.0	5.5												
TEE (STRAIGHT THROUGH)	1.2	1.7	2.4	3.2	4.6	5.6	7.7	9.3	12.0	17.0												
TEE (THROUGH SIDE)	3.5	4.2	5.3	6.6	8.7	9.9	12.0	13.0	17.0	21.0												
180° RETURN BEND	3.1	3.6	4.4	5.2	6.6	7.4	8.5	9.3	11.0	13.0												
SLICE/GATE VALVE	0.45	0.56	0.67	0.84	1.1	1.2	1.5	1.7	1.9	2.5												
SWING CHECK VALVE	7.3	8.0	8.8	11.0	13.0	15.0	19.0	22.0	27.0	38.0												
COUPLING / UNION	0.18	0.21	0.24	0.29	0.36	0.39	0.45	0.47	0.53	0.65												
TYPICAL FLOW PERFORMANCE AT 50 FEET OF HEAD																						
1/2 HP	3/4 HP	1 HP	1.5 HP	2 HP	3 HP																	
26 gpm	58 gpm	68 gpm	93 gpm	106 gpm	140 gpm																	
POWERCLEAN SALT CELL HEAD LOSS																						
DESIGNED FLOW RATE	GPM					ACTUAL HEAD LOSS																
20%	20					.20 FT																
40%	40					.41 FT																
60%	60					1.54 FT																
80%	80					2.28 FT																
100%	100					3.71 FT																

WATER BALANCE GUIDELINES

SALT CONCENTRATION FOR POWERCLEAN SALT SYSTEMS

		POUNDS OF SALT PER GALLON REQUIRED TO REACH 4,000 - 4,500 PPM																	
		POOL SIZE (GALLONS)																	
		8000	10000	12000	14000	16000	18000	20000	22000	24000	26000	28000	30000	32000	34000	36000	38000	40000	
CURRENT POOL SALT CONCENTRATION (PPM)	0	266	334	400	466	533	600	637	733	800	867	933	1000	1067	1113	1200	1267	1335	
	200	253	315	380	443	507	570	633	697	760	823	887	950	1013	1076	1140	1203	1267	
	400	240	300	360	420	480	540	600	660	720	780	840	900	960	1020	1080	1140	1200	
	600	227	283	340	397	453	510	567	623	680	737	793	850	907	964	1020	1077	1135	
	800	213	266	320	374	427	480	533	587	640	693	747	800	853	907	960	1013	1067	
	1000	200	250	300	350	400	450	500	550	600	650	700	750	800	850	900	950	1000	
	1200	185	232	280	328	373	420	467	513	560	607	653	700	747	793	840	887	933	
	1400	171	215	260	305	347	390	433	477	520	563	607	650	693	737	780	823	867	
	1600	160	198	240	282	320	360	400	440	480	520	560	600	640	680	720	760	800	
	1800	147	182	220	258	293	330	367	403	440	477	513	550	587	623	660	697	733	
	2000	133	166	200	234	267	300	333	367	400	433	467	500	533	567	600	633	667	
	2200	120	150	180	210	240	270	300	330	360	390	420	450	480	510	540	570	600	
	2400	107	132	160	188	213	240	267	293	320	347	373	400	427	453	480	507	533	
	2600	93	116	140	164	187	210	233	257	280	303	327	350	373	397	420	443	466	
	2800	80	100	120	140	160	180	200	220	240	260	280	300	320	340	360	380	400	
	3000	67	84	100	116	133	150	167	183	200	217	233	250	267	283	300	317	333	
	3200	53	68	80	93	107	120	133	147	160	173	187	200	213	227	240	253	266	
3400	40	50	60	70	80	90	100	110	120	130	140	150	160	170	180	190	200		
3600	27	33	40	46	53	60	66	73	80	86	93	100	106	113	120	127	133		
3800	13	16	20	23	26	30	33	36	40	43	47	50	53	57	60	63	67		
4000	ok	ok	ok	ok	ok	ok	ok	ok	ok	ok	ok	ok	ok	ok	ok	ok	ok		

RESIDENTIAL POOL WATER BALANCE GUIDELINES

In accordance with The Association of Pool and Spas Professionals (APSP) standards, we recommend the following water balance conditions be maintained on an ongoing basis to protect the pool finish and equipment, and ensure a pleasing appearance of the water. CMP Sanitizer Systems are guaranteed and warranted to operate properly only if these conditions are met.

MEASUREMENT	RECOMMENDED LEVEL	DETAILS
FREE CHLORINE	1.0 - 3.0 PPM	Recommended level for residential pools to keep chlorine at a proper range for sanitization
pH	7.2 - 7.6	High pH reduces sanitizer efficiency. Low pH damages pool surfaces and irritates skin and eyes
TOTAL ALKALINITY (TA)	80 - 100 PPM	Protects pH and prevents rapid pH "bounce"
CYANURIC ACID / STABILIZER	30 - 50 PPM	Protects chlorine from destruction by sunlight. Must be added manually with salt chlorine systems
CALCIUM HARDNESS	200 - 400 PPM	Excess calcium can increase scaling problems, Low calcium (soft water) can damage surfaces
	ZERO	Can deplete free available chlorine
SALT RESIDUAL	4,000 - 4,500 PPM	Ideal level for chlorine production. Powerclean Salt systems will operate at 3,000 - 35,000 PPM

SANITIZER SYSTEM INSTALLATION

GENERAL GUIDELINES*

All DEL sanitizer systems must be installed in the pool return line and located after the pool pump and filter (pressure side). Ensure that DEL Ozone or AOP return lines are installed after the chlorine feeder or booster pump line.

DEL OZONE® SYSTEMS

Ozone gas is introduced to the pool circulation line using a venturi injector. Suction developed by the venturi allows the DEL Ozone generator to operate safely under vacuum.

DEL AOP® SYSTEMS

The DEL AOP 50 must be installed in the main return line after all other pool equipment (pump, filter, heater and cleaner line). The outlet of the unit or MDV must be at least ten feet from the first return to the pool.

DEL UV® SYSTEMS

Install in the main return line using included 2" union connections. It is preferred to install after the filter but before the heater. Available with same side plumbing (as shown) or opposite side for flow through.

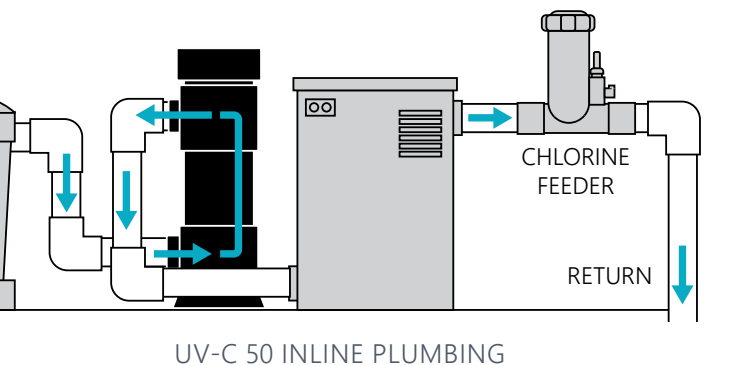
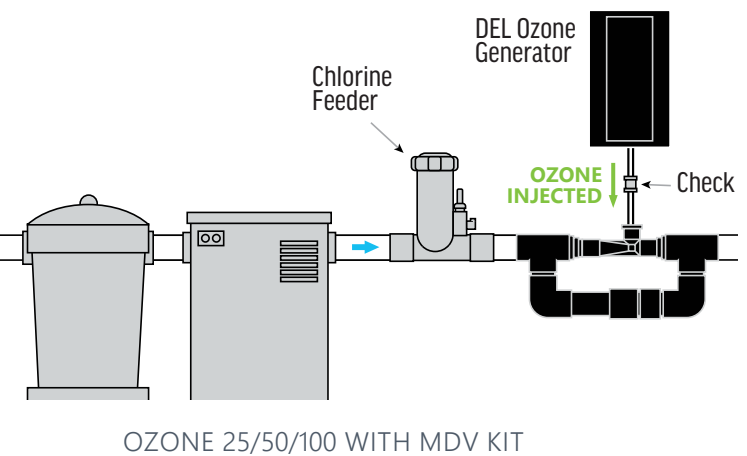
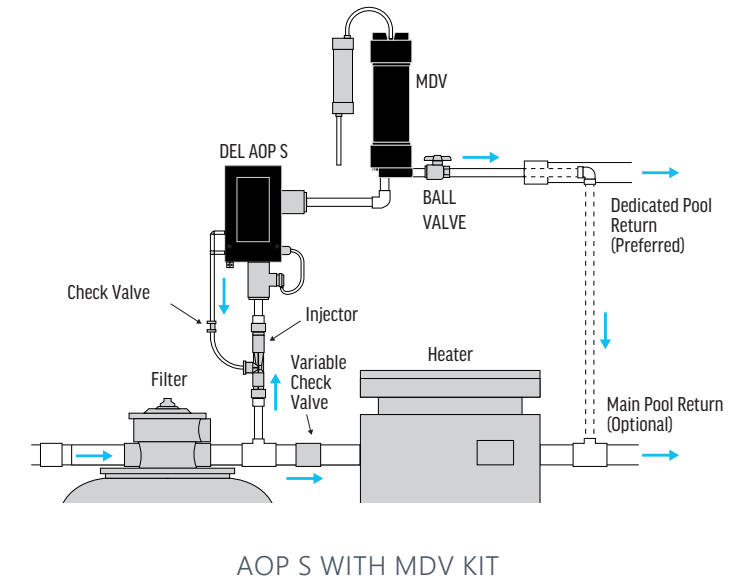
POWERCLEAN® SALT

Install as the last item in the system before the pool return. Ensure at least two feet between an Ozone or AOP system and the salt generator cell.

POWERCLEAN® TAB

Install chlorine feeders before Ozone or AOP systems. Ozone bubbles created in the system can gather in the feeder and reduce chlorine flow.

*Installation diagrams are for quick reference only. For details consult product manuals or contact tech support.



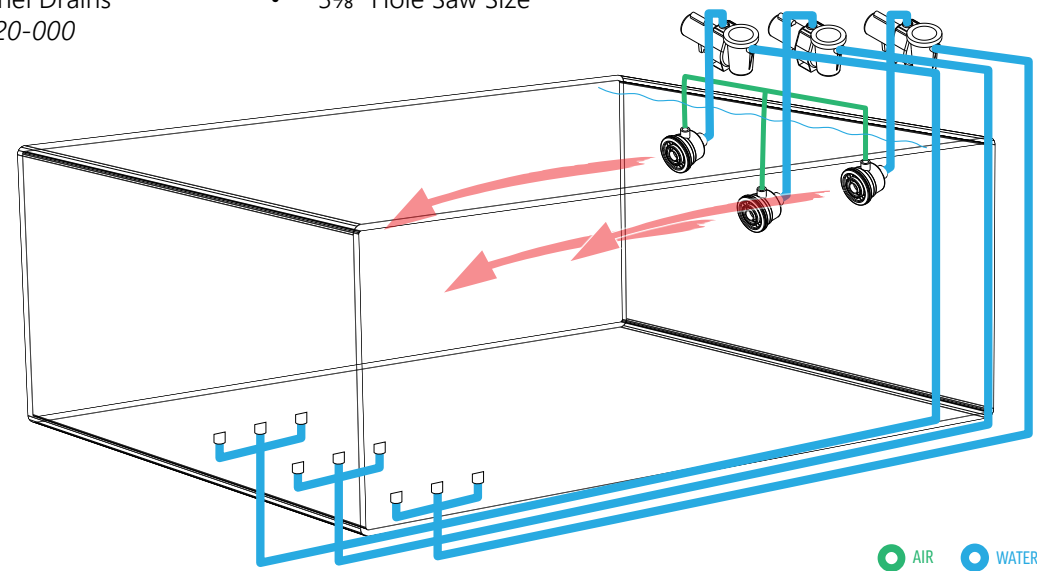
SWIM JET INSTALLATION REFERENCE

CMP recommends installing our swim jet's opposite the drain system for maximum circulation. This install creates a flow where the suction side of the system enhances the pressure side flow.

- A minimum of three pumps required for full flow
- Drains must be installed at least 3' apart
- Top row of swim jets are installed 4" below the water line and 12" apart. Bottom row of swim jets are installed 12" below the water line

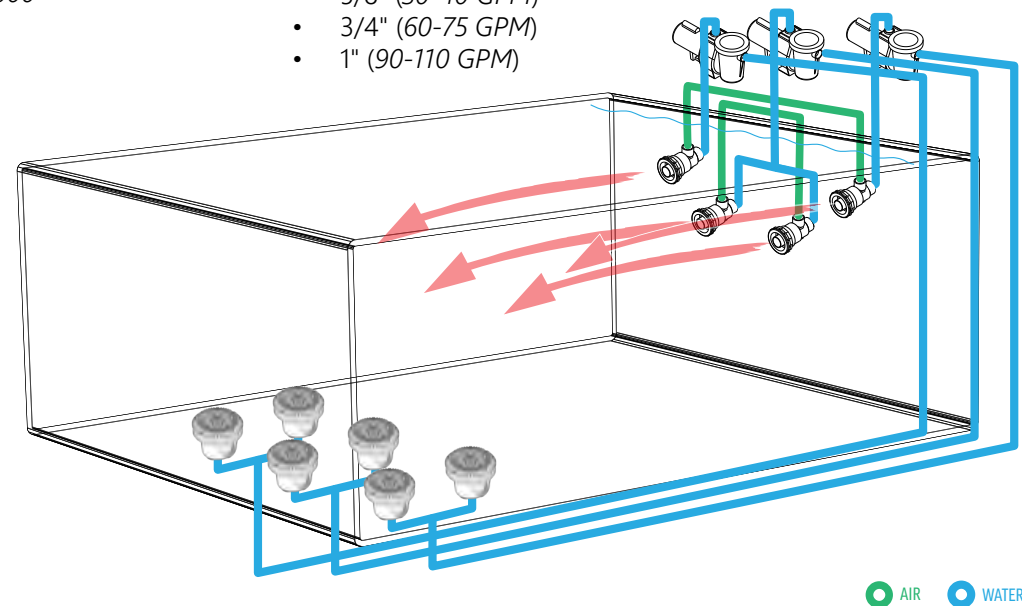
WHIRLPOOL SWIM JET SETUP

- x3 Whirlpool Swim Jets
23372-000-000
- x3 Channel Drains
25506-320-000
- 1" Orifice (90-110 GPM)
- 1" Socket Air x 1.5" Spigot Water
- 3 1/8" Hole Saw Size



TURBO POWER SWIM JET SETUP

- x4 Turbo Power Swim Jets
23551-660-000
- x6 Nova Drains
25513-500-000
- 2" SP/1.5" S Water x 1" SP/0.5" S Air
- 4 5/8" Hole Saw Size
- Three Orifice Sizes Included:
 - 5/8" (30-40 GPM)
 - 3/4" (60-75 GPM)
 - 1" (90-110 GPM)



LED LIGHTING DESIGN REFERENCE GUIDE

Lighting in water can be very different than lighting design in other environments. The "brightness" of the light itself is not the only factor. There are multiple considerations when designing underwater lighting, and each of them must be equally considered.

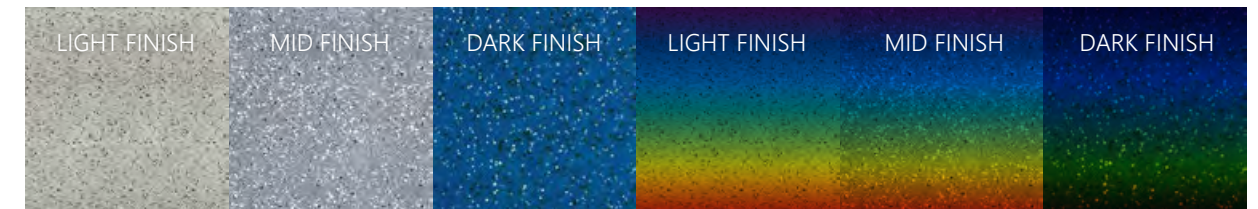
The factors you must consider when planning your pool lighting include:

- Lighting in the surrounding area
- Illumination of the pool walls, floor, objects and swimmers in the water
- Illumination of the water itself
- Color value of the lights (when using multi-color lighting)
- The shape, color and texture of the pool
- The clarity of the pool water
- The balance between bright and dim areas of the pool

Some of these factors have to be managed, and some can be controlled directly. An awareness of each of these potential inputs can lead to effective, beautiful and consistent lighting design.

COLOR ABSORPTION: COLOR & FINISH

The interior color and texture of a pool can have a strong effect on the quality of light in the pool. Darker pool surfaces will absorb more light, and lighter surfaces will reflect it. As a rule of thumb, you should expect to use 1.5 lights in a darker pool for every 1 light used in a lighter pool.



POOL FINISHES: DAYLIGHT

POOL FINISHES: ABSORPTION VS REFLECTANCE

COLOR ABSORPTION: WATER

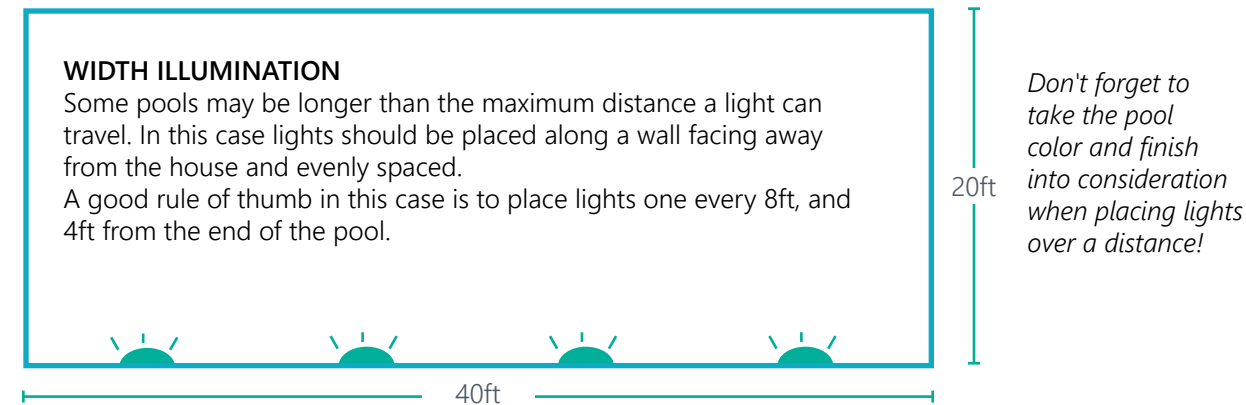
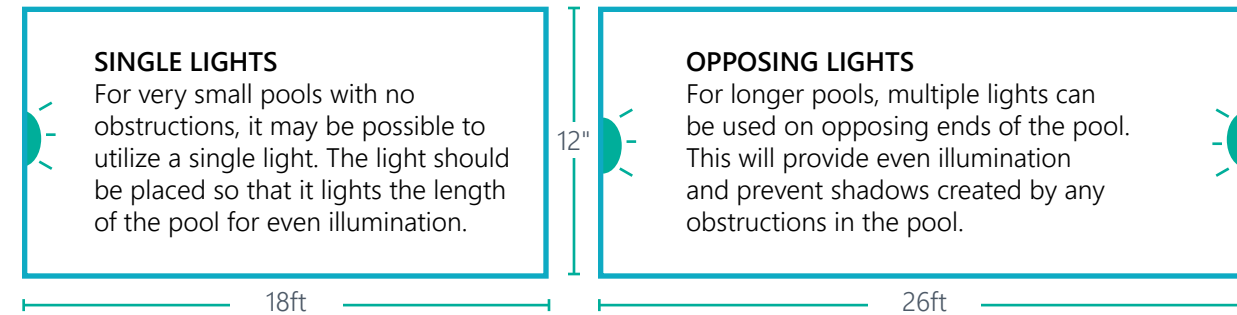
It may be surprising, but even when it seems perfectly clear the water itself can absorb light. The rate of absorption varies from color to color. Each light color has a wavelength that is absorbed by water at different rates. For example, a blue light may appear 5x brighter than a red light even if they have identical output. The "brightness" you experience will change dramatically between different colors and programmed light shows.

LIGHT ABSORPTION IN WATER OVER DISTANCE							
COLOR	3FT	6FT	12FT	20FT	26FT	32FT	40FT
BLUE ABSORPTION %	3%	6%	11%	17%	22%	26%	31%
GREEN ABSORPTION %	5%	10%	19%	26%	34%	40%	46%
RED ABSORPTION %	16%	29%	50%	65%	75%	83%	88%

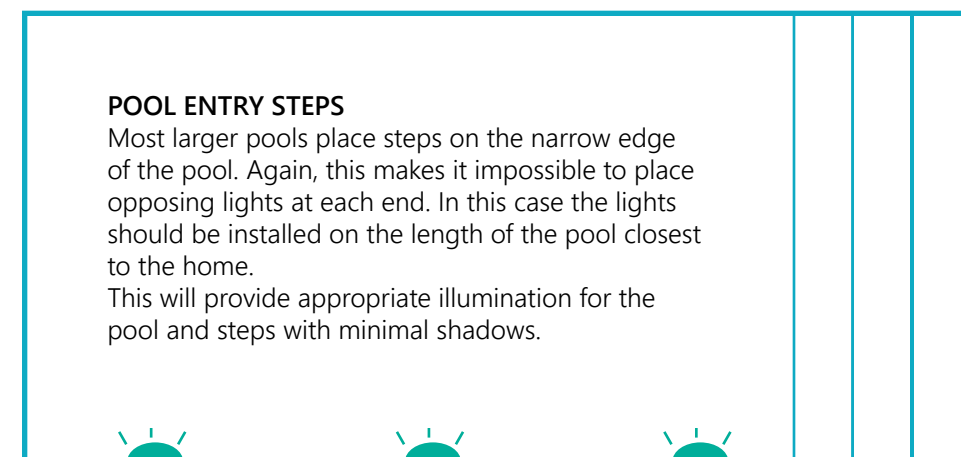
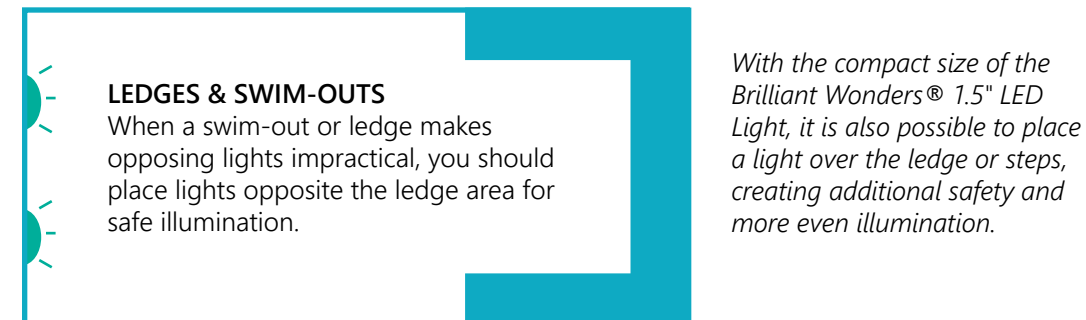


LED LIGHTING DESIGN REFERENCE GUIDE

LIGHT PLACEMENT: BASIC SHAPES



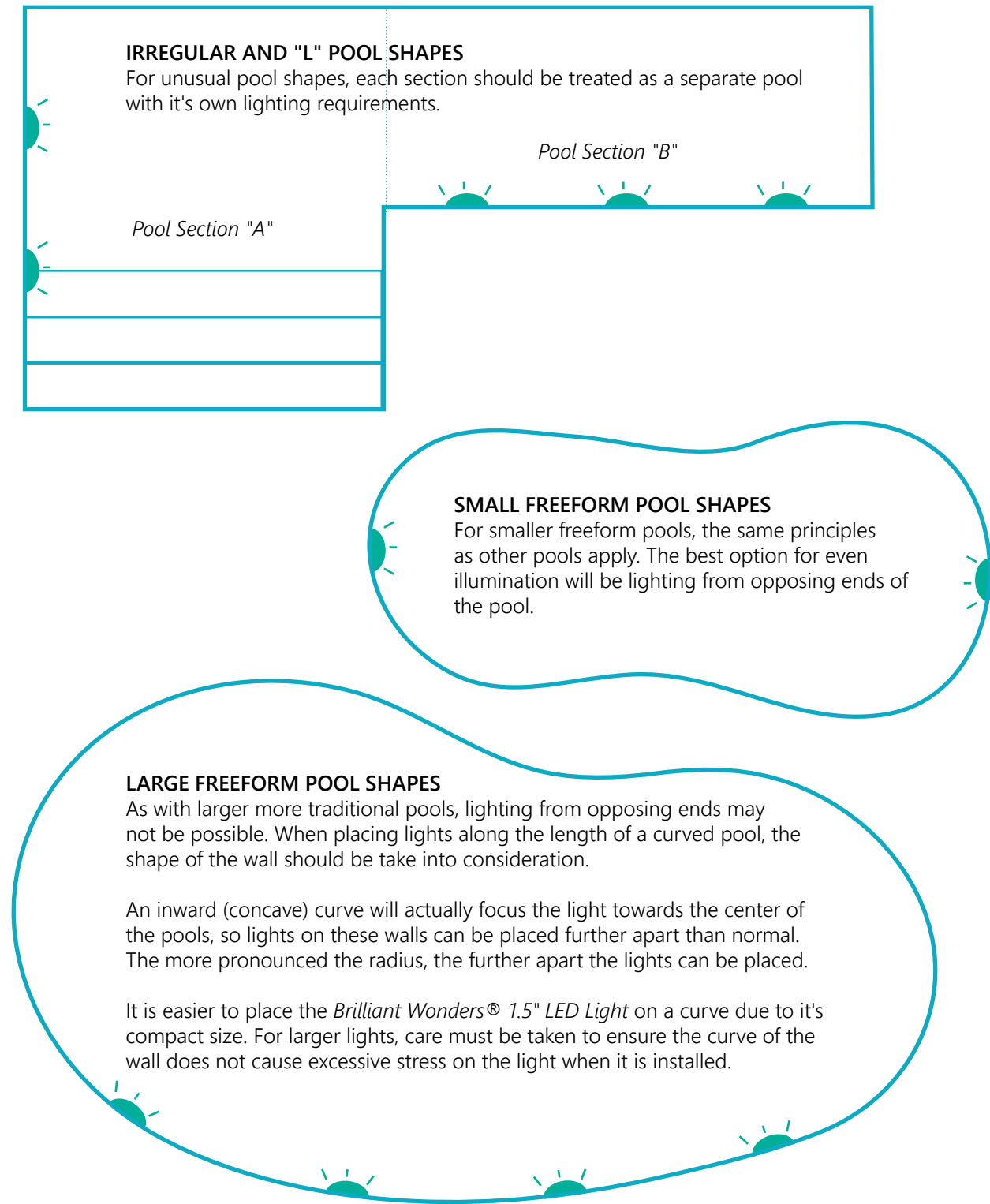
LIGHT PLACEMENT: STEPS, SWIM-OUTS & LEDGES



LIGHTING RECOMMENDATIONS BASED ON WHITE LED LIGHT PERFORMANCE

LED LIGHTING DESIGN REFERENCE GUIDE

LIGHT PLACEMENT: IRREGULAR AND FREEFORM SHAPES



LIGHTING RECOMMENDATIONS BASED ON WHITE LED LIGHT PERFORMANCE

MEASUREMENTS & CONVERSIONS

UNIT CONVERSION CHARTS

LENGTH MEASUREMENTS				
	INCH	FOOT	YARD	METER
INCH	—	0.0833	0.0278	0.0254
FOOT	12.0	—	0.33	0.305
YARD	36.0	3.0	—	0.9144
METER	39.37	3.281	1.094	—

AREA MEASUREMENTS				
	SQUARE INCH	SQUARE FOOT	SQUARE YARD	SQUARE METER
SQUARE INCH	—	0.00694	0.000772	0.000645
SQUARE FOOT	144.0	—	0.111	0.929
SQUARE YARD	1296.0	9.0	—	0.836
SQUARE METER	1550.0	10.76	1.196	—

FLOW MEASUREMENTS				
	GPM (U.S.)	GPM (IMPERIAL)	CUBIC FT PER SECOND	LITERS PER SECOND
GPM (U.S.)	—	0.833	0.00223	0.0631
GPM (IMPERIAL)	1.2	—	0.00268	0.0757
CUBIC FT PER SECOND	448.8	374.0	—	28.32
LITERS PER SECOND	15.85	13.21	0.0353	—

PRESSURE MEASUREMENTS				
	INCHES OF WATER	FEET OF WATER	LBS PER SQUARE INCH	INCHES OF MERCURY
INCHES OF WATER	—	0.0833	0.0361	0.0736
FEET OF WATER	12.0	—	0.433	.883
LBS PER SQUARE INCH	27.72	2.31	—	2.04
INCHES OF MERCURY	13.596	1.133	0.4906	—

COMMON MEASUREMENT CALCULATIONS

AMPERAGE = WATTS / VOLTS

WATTS = VOLTS × AMPS

TOTAL HEAD = DISCHARGE HEAD + PUMPING WATER LEVEL (FT)

DISCHARGE HEAD = DISCHARGE PRESSURE (PSI) × 2.31 FT OF HEAD

CMP REPLACEMENT PARTS & INDEX

BRILLIANT WONDERS® LED PRODUCTS 230

MULTI-NOZZLE DECK JETS 236

POWERCLEAN® CHLORINATORS 237

VALVES 240

SKIMMERS 250

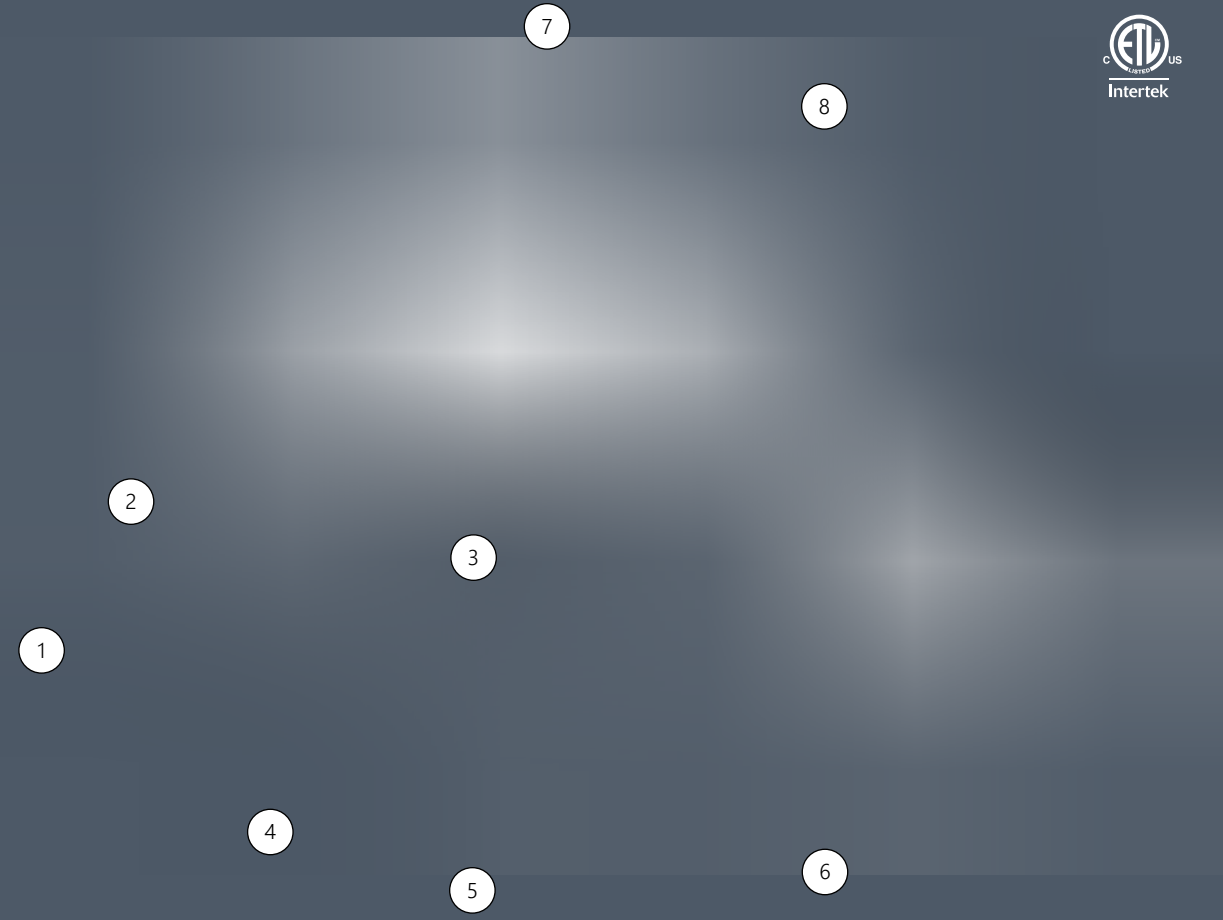
DRAINS 253

WATER LEVELERS 259

POOL ACCESSORIES 261

CROSS REFERENCE CHARTS 264
PART NUMBER INDEX 277
CROSS REFERENCE INDEX 288
TERMS & CONDITIONS 291
CMP LIMITED WARRANTY 292

BRILLIANT WONDERS® LED WATERFALL 2 PARTS

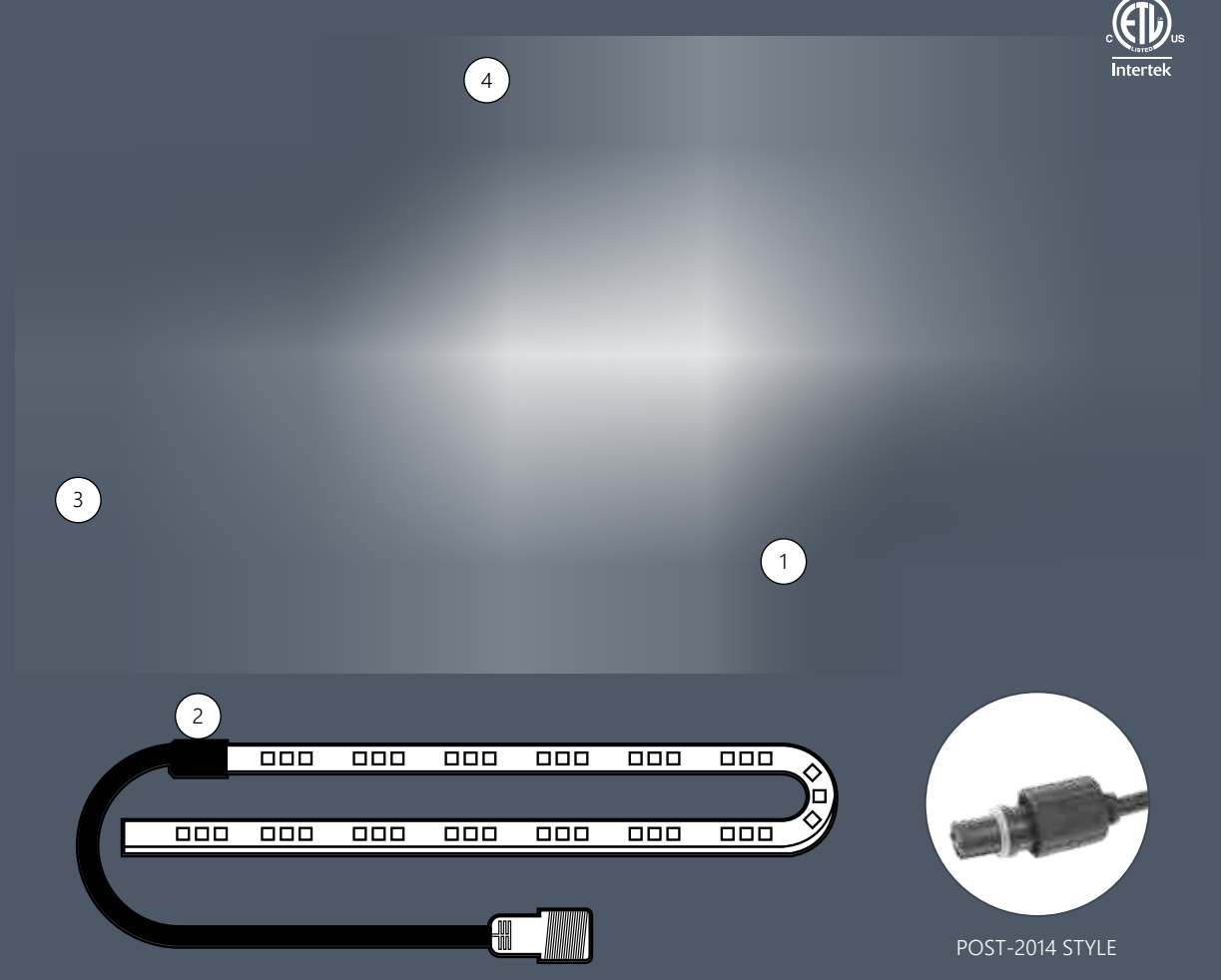


BRILLIANT WONDERS® LED WATERFALL 2		
REF	CMP P/N	DESCRIPTION
1	25777-009-100	DOOR COVER, 10 PACK (2 EA WHITE, LT GRAY, DK GRAY, BLACK, TAN)
2	25777-130-007	CUTTABLE SLIDING DOOR FOR 12" LIP
2	25777-130-017	CUTTABLE SLIDING DOOR FOR 6" LIP
3	25777-130-100	12" LED WATERFALL LIGHT STRIP 2
3	25777-180-100	18" LED WATERFALL LIGHT STRIP 2
3	25777-230-100	24" LED WATERFALL LIGHT STRIP 2
3	25777-330-100	36" LED WATERFALL LIGHT STRIP 2
3	25777-430-100	48" LED WATERFALL LIGHT STRIP 2
4	25777-130-030	DOOR UNLATCHING TOOL
5	25777-130-065	TRIMMING/CLEANING TOOL
6	25777-130-200	100' LED POWER CABLE
7	25777-130-071	CONDUIT BACK PLUG
8	25777-130-074	BACK DEBRIS GUARD

PRODUCT ON PAGE 33

COVERED BY ONE OR MORE U.S. PATENTS OR PENDING PATENT APPLICATIONS. SEE WWW.C-M-P.COM/PATENTS FOR DETAILS.

BRILLIANT WONDERS® LED WATERFALL PARTS



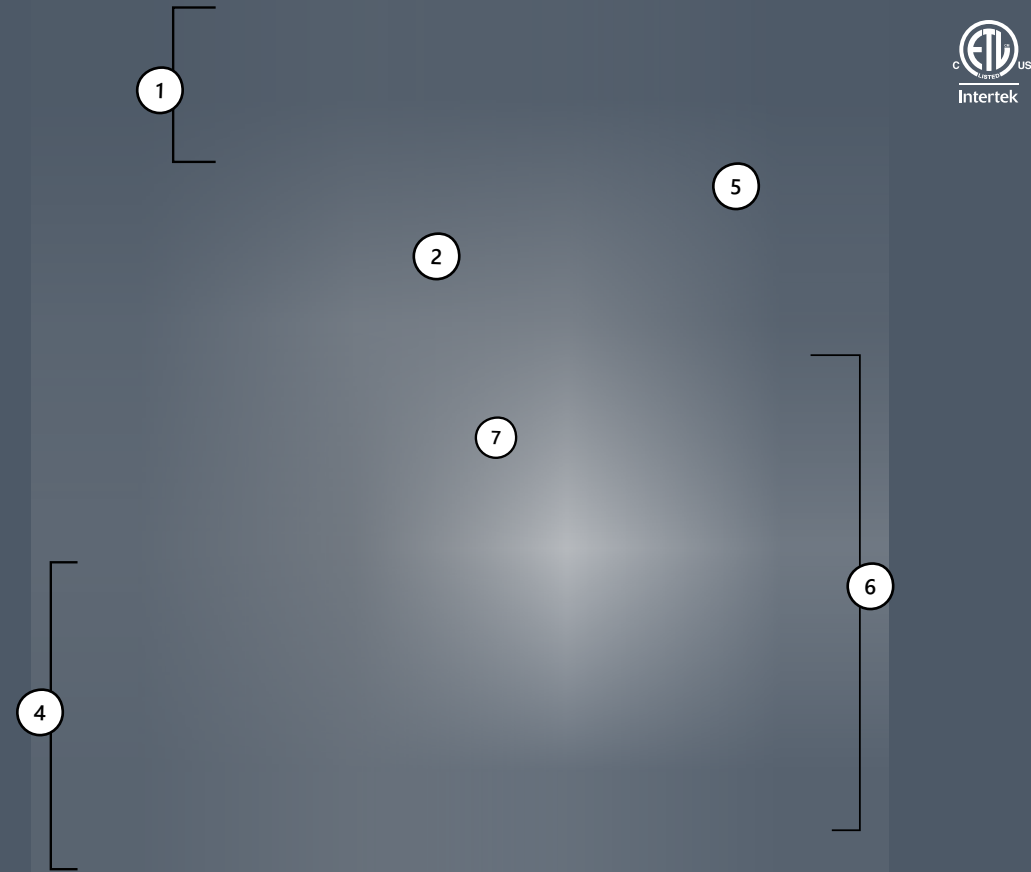
BRILLIANT WONDERS® LED WATERFALL		
REF	CMP P/N	DESCRIPTION
1	25677-100-970	LED WATERFALL DOOR COVER, WHITE
1	25677-101-970	LED WATERFALL DOOR COVER, GRAY
1	25677-104-970	LED WATERFALL DOOR COVER, BLACK
1	25677-107-970	LED WATERFALL DOOR COVER, DARK GRAY
1	25677-109-970	LED WATERFALL DOOR COVER, TAN
2	25677-130-950	12" LED WATERFALL LIGHT STRIP (POST-2014 PLUG STYLE*)
2	25677-180-950	18" LED WATERFALL LIGHT STRIP (POST-2014 PLUG STYLE*)
2	25677-230-950	24" LED WATERFALL LIGHT STRIP (POST-2014 PLUG STYLE*)
2	25677-330-950	36" LED WATERFALL LIGHT STRIP (POST-2014 PLUG STYLE*)
2	25677-430-950	48" LED WATERFALL LIGHT STRIP (POST-2014 PLUG STYLE*)
—	25677-000-100	100' LED POWER CABLE (NOT PICTURED)
3	25677-130-073	CONDUIT BACK PLUG
4	25677-130-074	FLAT BACK PLUG

PRODUCT ON PAGE 37

*FOR ORIGINAL PLUG STYLE CONTACT CMP CUSTOMER SUPPORT

COVERED BY ONE OR MORE U.S. PATENTS OR PENDING PATENT APPLICATIONS. SEE WWW.C-M-P.COM/PATENTS FOR DETAILS.

BRILLIANT WONDERS® 4" LED BUBBLER PARTS



BRILLIANT WONDERS® 4" LED BUBBLER

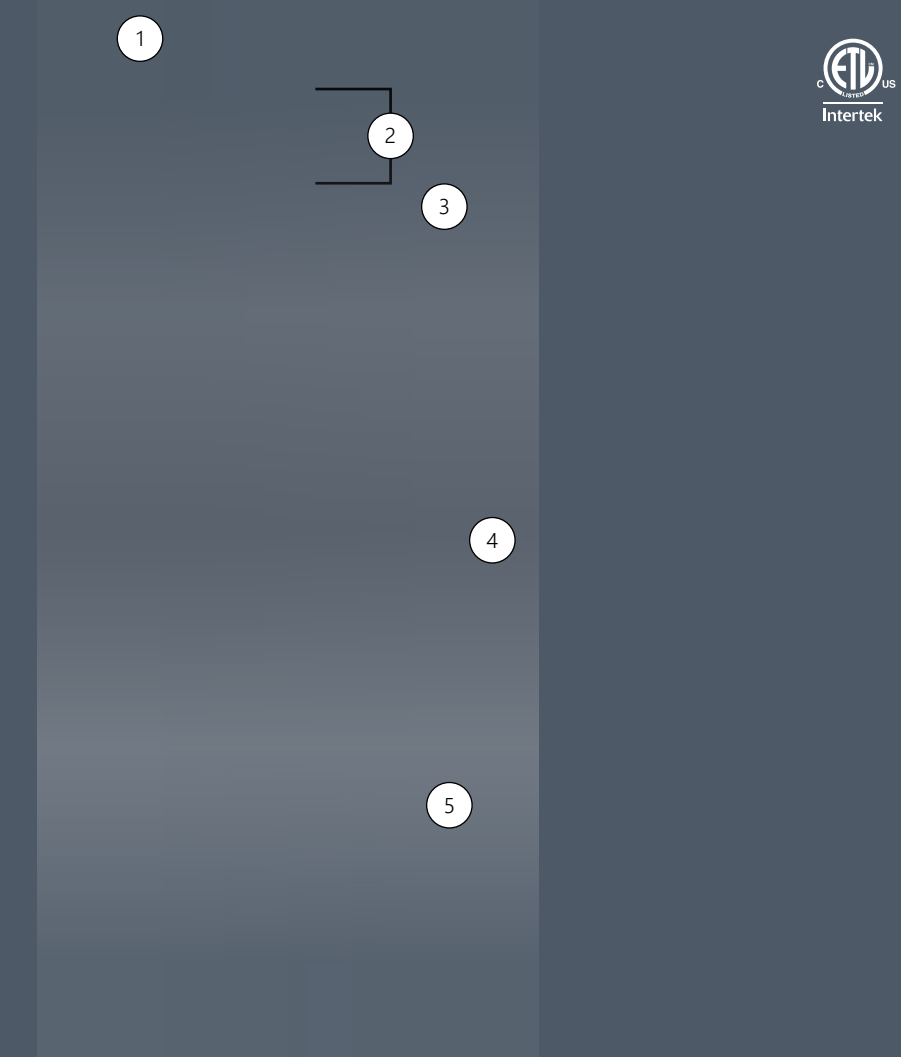
REF	CMP P/N	DESCRIPTION
1	25503-469-030	4" LED BUBBLER EYEBALL & ORIFICE KIT
2	25503-469-253	4" LED BUBBLER LENS KIT (LENS, EYEBALL & O-RING)
3	25503-460-207	VINYL KIT O-RING
4	25503-460-207	4" LED BUBBLER GASKET ONLY
4	25503-300-460	4" LED BUBBLER VINYL LINER KIT - WHITE
4	25503-301-460	4" LED BUBBLER VINYL LINER KIT - GRAY
4	25503-304-460	4" LED BUBBLER VINYL LINER KIT - BLACK
4	25503-309-460	4" LED BUBBLER VINYL LINER KIT - TAN
4	25503-369-460	4" LED BUBBLER VINYL LINER KIT - DARK BLUE
—	61004-000-416	4" LED BUBBLER VINYL LINER SCREW
—	61000-450-316	4" LED BUBBLER FIBERGLASS SCREW
5	25503-460-900J	4" LED BUBBLER LIGHT MODULE (J-STYLE)
5	25503-460-900H	4" LED BUBBLER LIGHT MODULE (H-STYLE)
5	25503-460-900P	4" LED BUBBLER LIGHT MODULE (P-STYLE)
6	25503-460-000	4" LED BUBBLER BODY ASSEMBLY (WITHOUT LED MODULE)
7	25503-460-202	4" LED BUBBLER GUNITE COLLAR ONLY (TOP HALF OF BODY)
—	25500-000-025	BRILLIANT WONDERS POWER SUPPLY CABLE, 25FT
—	25500-000-050	BRILLIANT WONDERS POWER SUPPLY CABLE, 50FT
—	25500-000-100	BRILLIANT WONDERS POWER SUPPLY CABLE, 100FT
—	25500-000-150	BRILLIANT WONDERS POWER SUPPLY CABLE, 150FT
—	25500-104-007	LED MODULE INSTALLATION TOOL
—	25500-100-015	BRILLIANT WONDERS POWER SUPPLY CABLE CAP

PRODUCT ON PAGE 45

Parts not listed in product table are only available as part of a complete assembly

COVERED BY ONE OR MORE U.S. PATENTS OR PENDING PATENT APPLICATIONS. SEE WWW.C-M-P.COM/PATENTS FOR DETAILS.

BRILLIANT WONDERS® 8" LED BUBBLER PARTS



BRILLIANT WONDERS® 8" LED BUBBLER

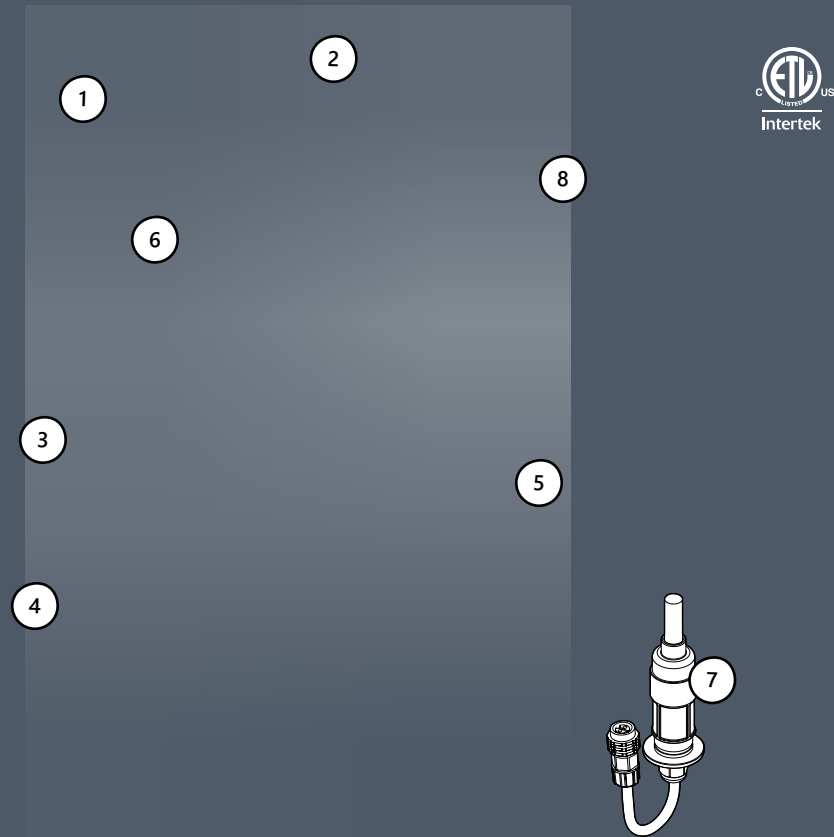
REF	CMP P/N	DESCRIPTION
1	N/A	PROTECTIVE COVER
2	25503-100-900	EYEBALL & REDUCERS KIT
3	SEE PG 46	REPLACEMENT LIGHT MODULES
—	61050-100-316	8" BUBBLER MODULE SCREW (EACH)
—	61050-400-316	8" BUBBLER MODULE SCREW (4-PACK)
4	25503-300-000	WHITE VINYL LINER/FIBERGLASS KIT
4	25503-301-000	GRAY VINYL LINER/FIBERGLASS KIT
4	25503-304-000	BLACK VINYL LINER/FIBERGLASS KIT
4	25503-309-000	TAN VINYL LINER/FIBERGLASS KIT
4	25503-369-000	DARK BLUE VINYL LINER/FIBERGLASS KIT
—	61050-350-316	8" BUBBLER VINYL LINER/FIBERGLASS KIT SCREW
5	25503-100-040	BODY ONLY

PRODUCT ON PAGE 46

Parts not listed in product table are only available as part of a complete assembly

COVERED BY ONE OR MORE U.S. PATENTS OR PENDING PATENT APPLICATIONS. SEE WWW.C-M-P.COM/PATENTS FOR DETAILS.

BRILLIANT WONDERS® LED LAMINAR PARTS



BRILLIANT WONDERS® 12" LED LAMINAR

REF	CMP P/N	DESCRIPTION
1	27600-600-140	WHITE DECK COVER AND COLLAR ASSEMBLY WITH SCREWS
1	27600-601-140	GRAY DECK COVER AND COLLAR ASSEMBLY WITH SCREWS
1	27600-609-140	TAN DECK COVER AND COLLAR ASSEMBLY WITH SCREWS
2	27600-600-145	WHITE DECK COVER WITH SCREWS
2	27600-601-145	GRAY DECK COVER WITH SCREWS
2	27600-609-145	TAN DECK COVER WITH SCREWS
3	25597-600-050	SIDE BRACKET (EACH, TWO REQUIRED)
4	27600-004-059	BRACKET NUT (EACH, TWO REQUIRED)
5	25597-600-500	CANNON ASSEMBLY
—	25597-600-500J	CANNON ASSEMBLY WITH LIGHT J-STYLE
—	25597-600-500P	CANNON ASSEMBLY WITH LIGHT P-STYLE
—	25597-600-500H	CANNON ASSEMBLY WITH LIGHT H-STYLE
6	25597-600-541	CANNON COVER & O-RINGS
7	25597-620-900J	REPLACEMENT LIGHT MODULE J-STYLE
7	25597-620-900P	REPLACEMENT LIGHT MODULE P-STYLE
7	25597-620-900H	REPLACEMENT LIGHT MODULE H-STYLE
8	25597-600-096	FILTER ELEMENT REPLACEMENT KIT
—	25500-000-025	POWER SUPPLY CABLE, 25FT
—	25500-000-050	POWER SUPPLY CABLE, 50FT
—	25500-000-100	POWER SUPPLY CABLE, 100FT
—	25500-000-150	POWER SUPPLY CABLE, 150FT
—	25500-100-015	POWER SUPPLY CABLE CAP

PRODUCT ON PAGE 49

BRILLIANT WONDERS® 8" LED LAMINAR (DISCONTINUED)

—	25597-720-900	REPLACEMENT LIGHT MODULE
—	25597-720-100	WHITE DECK COVER

Parts not listed in product table are only available as part of a complete assembly

COVERED BY ONE OR MORE U.S. PATENTS OR PENDING PATENT APPLICATIONS. SEE WWW.C-M-P.COM/PATENTS FOR DETAILS.

BRILLIANT WONDERS® 1.5" LED LIGHT



BRILLIANT WONDERS® 1.5" LED LIGHT

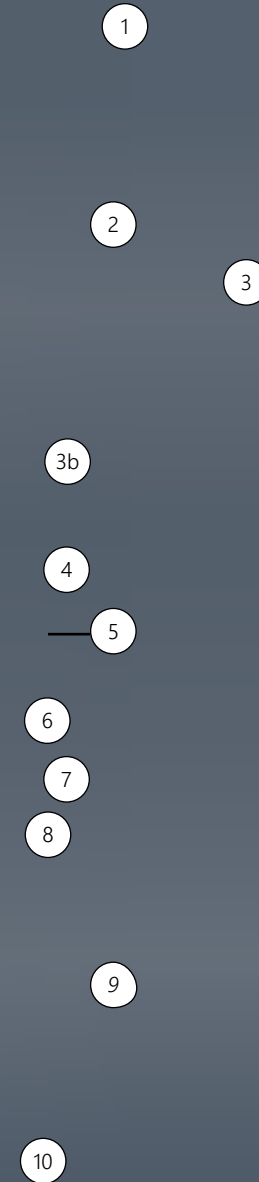
REF	CMP P/N	DESCRIPTION
1	25503-560-000J	11C LED LIGHT MODULE (J-STYLE)
1	25503-560-000H	11C LED LIGHT MODULE (H-STYLE)
1	25503-560-000P	11C LED LIGHT MODULE (P-STYLE)
1	25503-500-000	WHITE LED LIGHT MODULE
2	SEE PAGE 52	INSTALLATION FLANGES / FITTINGS
3	25500-000-025	BRILLIANT WONDERS POWER SUPPLY CABLE, 25FT
3	25500-000-050	BRILLIANT WONDERS POWER SUPPLY CABLE, 50FT
3	25500-000-100	BRILLIANT WONDERS POWER SUPPLY CABLE, 100FT
3	25500-000-150	BRILLIANT WONDERS POWER SUPPLY CABLE, 150FT
—	25500-100-015	BRILLIANT WONDERS POWER SUPPLY CABLE CAP
—	26102-029-017	1.5" LED LIGHT O-RING (2-PACK)
4	25500-104-007	1.5" LED LIGHT INSTALLATION TOOL

PRODUCT ON PAGE 51

Parts not listed in product table are only available as part of a complete assembly

COVERED BY ONE OR MORE U.S. PATENTS OR PENDING PATENT APPLICATIONS. SEE WWW.C-M-P.COM/PATENTS FOR DETAILS.

MULTI-NOZZLE DECK JET PARTS



MULTI-NOZZLE DECK JET		
REF	CMP P/N	DESCRIPTION
1	25597-300-020	WHITE DECK JET COVER, ROUND
1	25597-301-020	GRAY DECK JET COVER, ROUND
1	25597-309-020	TAN DECK JET COVER, ROUND
1	25597-303-020	BRASS DECK JET COVER, ROUND
1	25597-302-020	CHROME DECK JET COVER, ROUND
1	25598-300-020	WHITE DECK JET COVER, SQUARE
1	25598-303-220	BRASS DECK JET COVER, SQUARE
1	25598-301-020	GRAY DECK JET COVER, SQUARE
1	25598-309-020	TAN DECK JET COVER, SQUARE
2	25598-300-070	PROTECTION PLATE
3	25598-300-800	WHITE EYEBALL SET
3	25598-301-800	GRAY EYEBALL SET
3	25598-304-800	BLACK EYEBALL SET
3	25598-309-800	TAN EYEBALL SET
3b	25598-333-030	BRASS FOUNTAIN EYEBALL
4	26100-300-150	O-RING
5*	25598-300-050*	LOCKING RING*
6	25598-300-900	NOZZLE HOUSING, LESS EYE
7	25598-300-080	PLUG
8	25598-300-090	GASKET SEAL RING
9	N/A	BODY ONLY
10	25598-000-030	COUPLING FOR 1/2" OR 3/4" PIPE

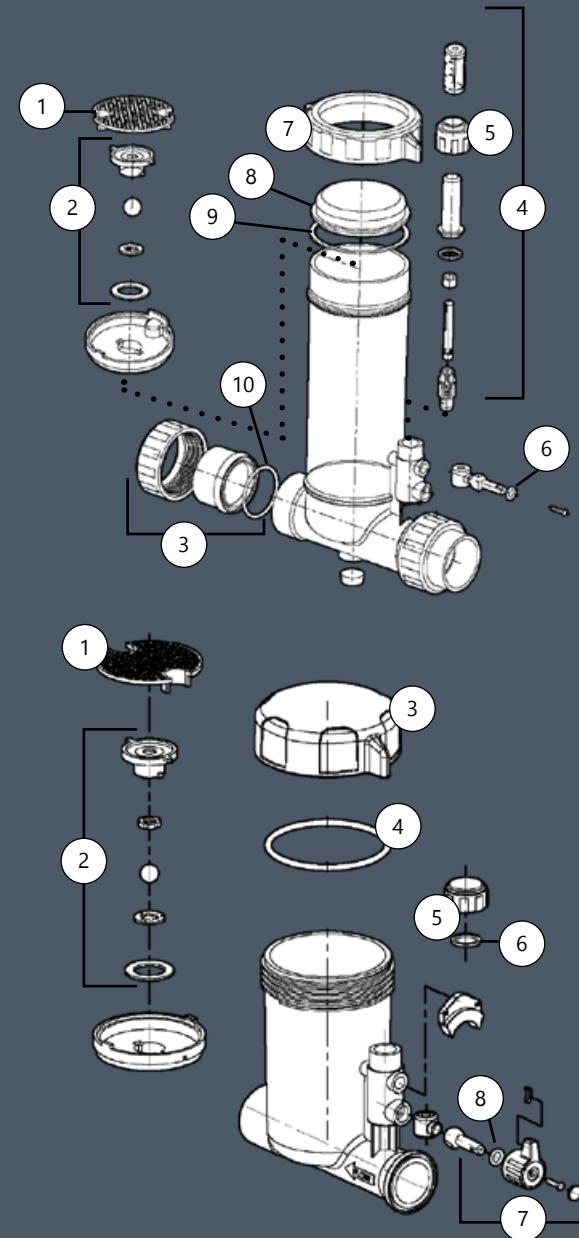
PRODUCT ON PAGE 20

*Before 2020 models replacing lock ring (#5) will also require replacing nozzle housing (#6) for compatibility

Parts not listed in product table are only available as part of a complete assembly

COVERED BY ONE OR MORE U.S. PATENTS OR PENDING PATENT APPLICATIONS. SEE WWW.C-M-P.COM/PATENTS FOR DETAILS.

POWERCLEAN® TAB PARTS



POWERCLEAN® TAB ULTRA CHLORINATOR		
	CMP P/N	DESCRIPTION
1	25280-100-005	GRATE
2	25280-000-920	CHECK VALVE ASSY
3	21023-000-000	2" UNION
4	25280-100-950	FLOW INDICATOR ASSY
5	25280-000-910	NUT
6	26100-100-330	O-RING, DIAL
7	25280-100-001	COVER NUT
7-8	25280-109-200	CLEAR GLASS COVER ASSY
7-8	25280-100-200	WHITE COVER ASSY
7-8	25280-100-002	CLEAR PLASTIC COVER ASSY
9	26101-060-530	O-RING, COVER
10	21023-030-000	UNION GASKET

PRODUCT ON PAGE 100

POWERCLEAN® TAB MINI CHLORINATOR		
	CMP P/N	DESCRIPTION
1	25280-100-005	GRATE
2	25280-000-920	CHECK VALVE ASSY
—	21023-000-000	2" UNION (NOT PICTURED)
3	25280-200-002	WHITE COVER
4	26101-060-530	O-RING, COVER
5	25280-200-960	FLOW CHAMBER CAP ASSY
6	26203-021-250	O-RING, FLOW CHAMBER
7	25280-100-930	DIAL ASSEMBLY
8	26100-100-330	O-RING, DIAL ASSY (MINI ONLY)
—	21093-000-000	HOSE ADAPTER
—	25300-004-070	SPLIT NUT UNION

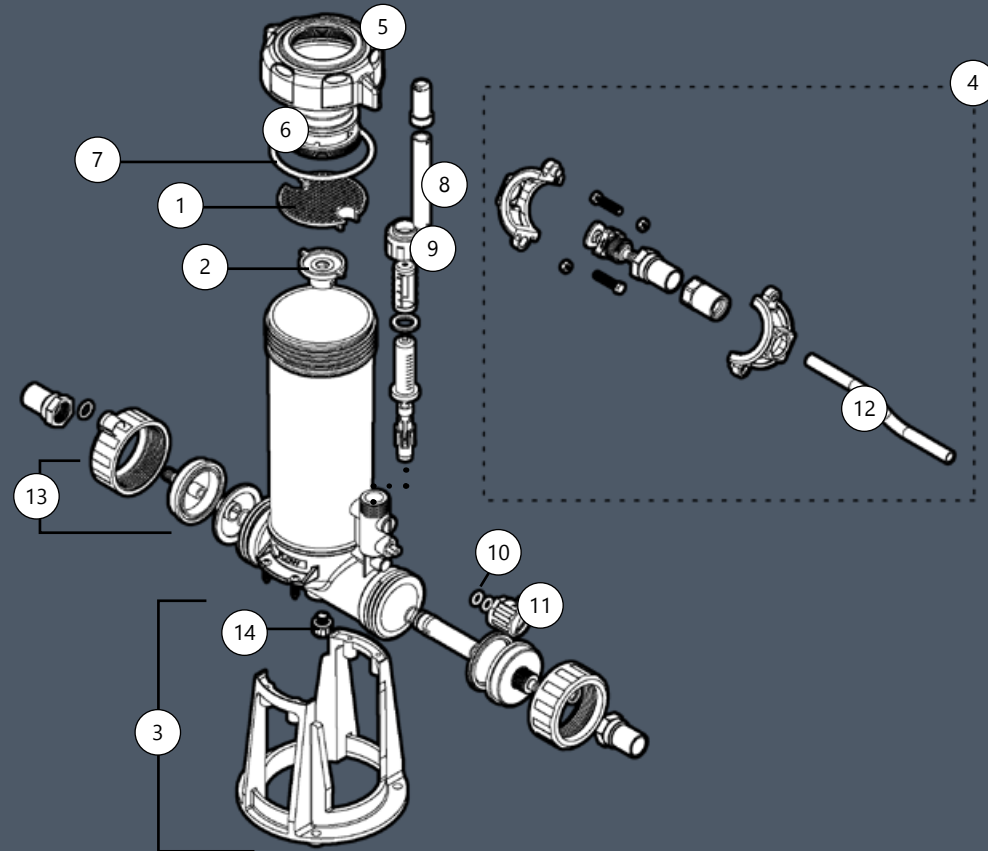
PRODUCT ON PAGE 100

2010 & EARLIER FLOW METER & DIAL		
	CMP P/N	DESCRIPTION
1	25280-100-950	FLOW METER ASSY
2	26100-100-330	O-RING DIAL
3	25280-100-930	DIAL ASSY

Parts not listed in product table are only available as part of a complete assembly

COVERED BY ONE OR MORE U.S. PATENTS OR PENDING PATENT APPLICATIONS. SEE WWW.C-M-P.COM/PATENTS FOR DETAILS.

POWERCLEAN® TAB OFF-LINE PARTS



POWERCLEAN® TAB OFF-LINE

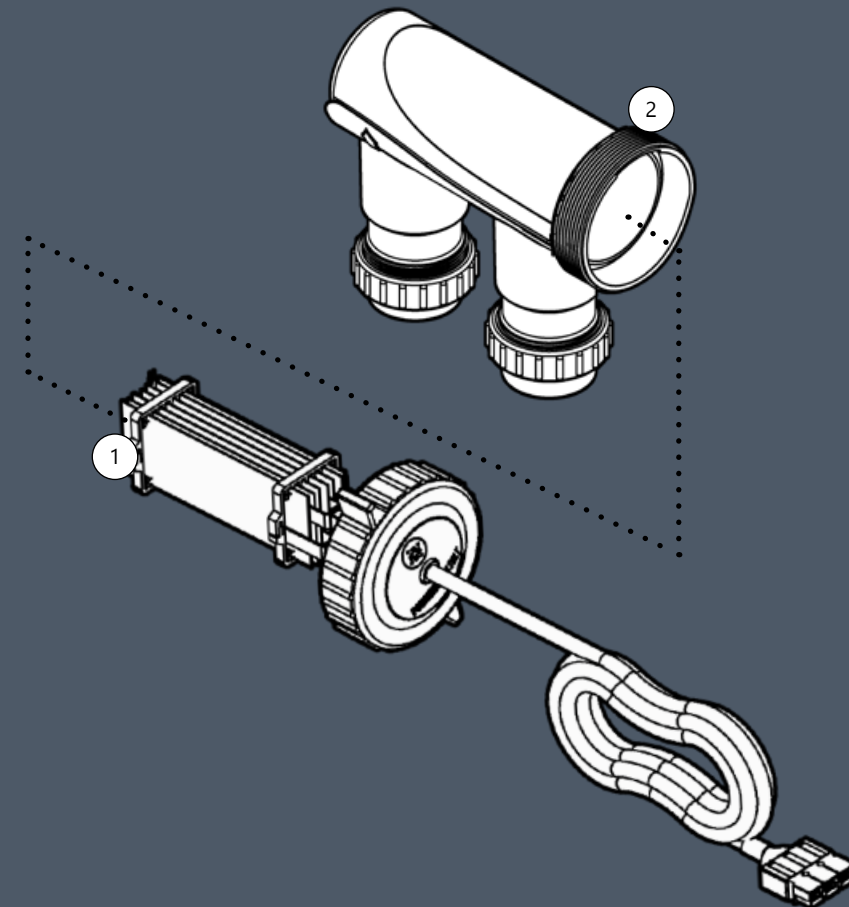
CMP P/N	DESCRIPTION
1	GRATE
2	CHECK VALVE ASSY
3	BASE ASSY
4	OFF-LINE HOSE CLAMP ASSY
5	COVER NUT
5-6	CLEAR GLASS COVER ASSY
5-6	WHITE COVER ASSY
5-6	CLEAR PLASTIC COVER ASSY
7	O-RING, COVER
8	FLOW INDICATOR ASSY
9	NUT
10	O-RING, DIAL
11	DIAL
12	HOSE
13	UNION ASSEMBLY
—	UNION GASKET
14	DRAIN PLUG W/ O-RING
—	1.5" OFF-LINE CLAMP KIT
—	2" OFF-LINE CLAMP KIT
—	2.5" OFF-LINE CLAMP KIT
—	3" OFF-LINE CLAMP KIT
—	HOSE TAP FOR OFF-LINE CLAMP KIT
—	GASKET FOR OFF-LINE CLAMP KIT

PRODUCT ON PAGE 101

Parts not listed in product table are only available as part of a complete assembly

COVERED BY ONE OR MORE U.S. PATENTS OR PENDING PATENT APPLICATIONS. SEE WWW.C-M-P.COM/PATENTS FOR DETAILS.

POWERCLEAN® SALT PARTS



POWERCLEAN® SALT

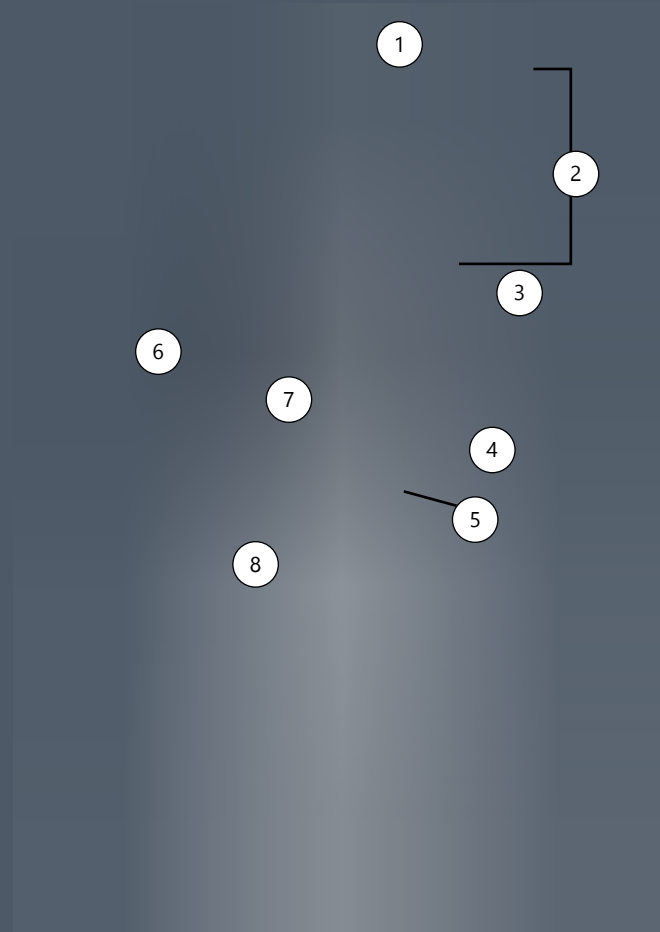
CMP P/N	DESCRIPTION
1	20,000 GALLON POWERCLEAN SALT REPLACEMENT CELL
1	40,000 GALLON POWERCLEAN SALT REPLACEMENT CELL
1	60,000 GALLON POWERCLEAN SALT REPLACEMENT CELL
—	O-RING FOR POWERCLEAN SALT MODELS
2	POWERCLEAN SALT ULTRA CELL HOUSING
—	POWERCLEAN SALT 2" SLIP INLINE UNION (NUT, SLEEVE & O-RING)

PRODUCT ON PAGE 104

Parts not listed in product table are only available as part of a complete assembly

COVERED BY ONE OR MORE U.S. PATENTS OR PENDING PATENT APPLICATIONS. SEE WWW.C-M-P.COM/PATENTS FOR DETAILS.

HYDROSEAL™ VALVE REPLACEMENT PARTS



HYDROSEAL™ DIVERTER VALVE

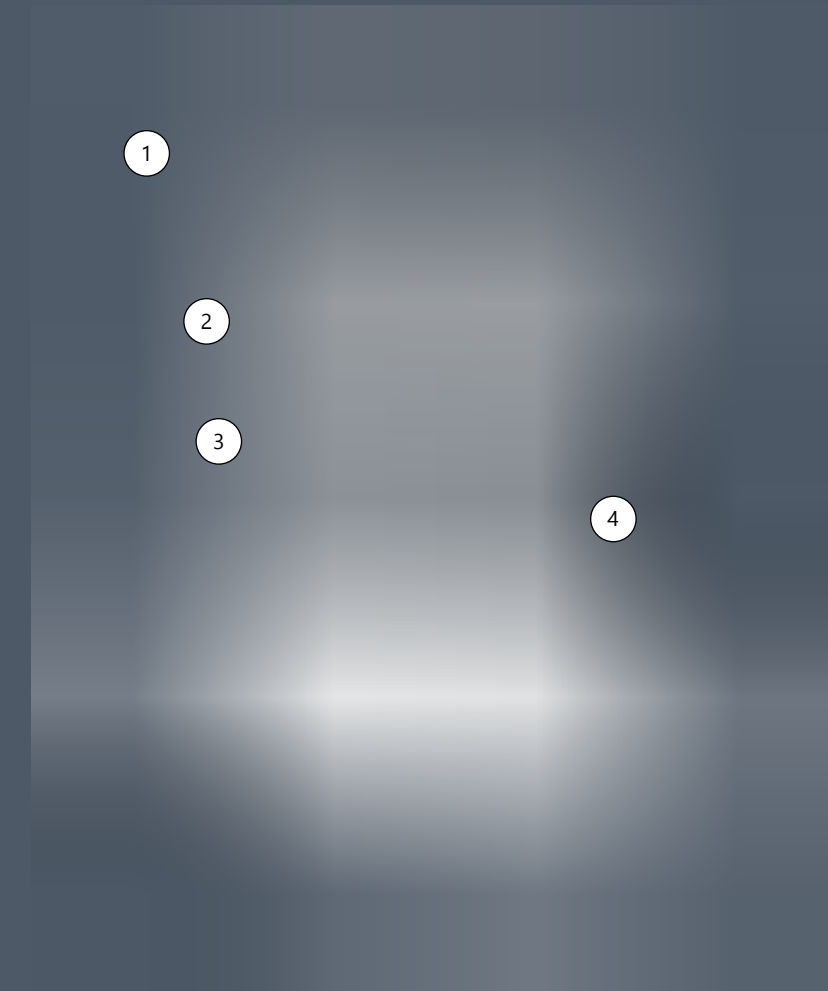
CMP P/N	DESCRIPTION
1	25913-204-070 KNOB, BLACK
2	25913-204-300 HANDLE & RING ASSEMBLY, BLACK
3	61050-620-185 HOUSING SCREW
4	26100-780-265 HOUSING O-RING, BLACK
5	26100-171-024 DIVERTER O-RING, BLACK
6	25913-204-900 PORT MARKER KIT
7	25913-204-020 COVER FOR 1.5-2", BLACK
7	25913-254-020 COVER FOR 2.5"
7	25913-204-920 COVER & PORT MARKER KIT
8	25913-204-800 DIVERTER ASSEMBLY (C-STYLE)
8	25913-204-850 DIVERTER ASSEMBLY (J-STYLE)
8	25913-254-800 DIVERTER ASSEMBLY FOR 2.5"
—	21021-000-000 1.5" REPLACEMENT UNION FOR CHECK VALVES
—	21023-000-000 2" REPLACEMENT UNION FOR CHECK VALVES

PRODUCT ON PAGE 108

Parts not listed in product table are only available as part of a complete assembly

COVERED BY ONE OR MORE U.S. PATENTS OR PENDING PATENT APPLICATIONS. SEE WWW.C-M-P.COM/PATENTS FOR DETAILS.

HYDROSEAL™ THREADED CHECK VALVE PARTS



1.5" & 2" SERVICEABLE CHECK VALVE THREAD-ON

CMP P/N	DESCRIPTION
1	25830-201-030 NUT
2	25830-209-020 COVER
2,3	26100-096-333 O-RING, COVER
2,3,4	25830-150-800 FLAPPER ASSEMBLY & COVER
4	25830-150-900 FLAPPER ONLY

1.5" & 2" CR SERVICEABLE CHECK VALVE THREAD-ON

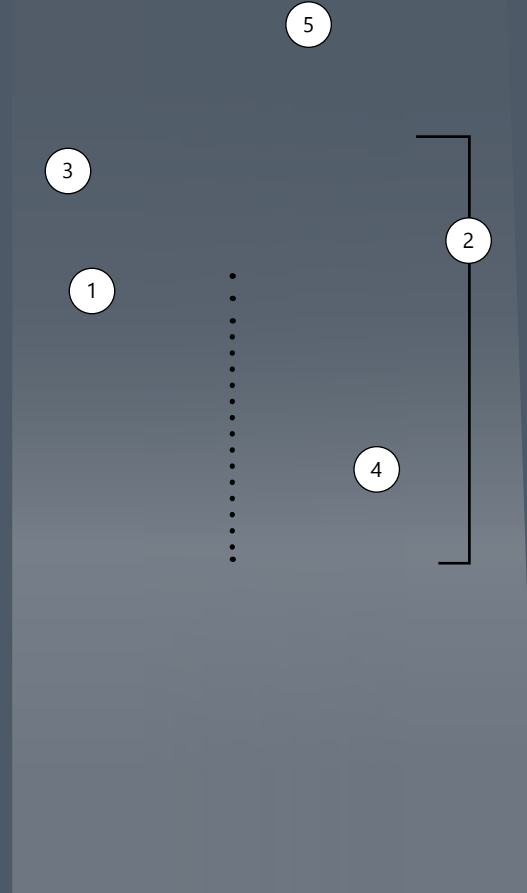
CMP P/N	DESCRIPTION
1	25830-201-030 NUT
2	25830-209-020 COVER
2,3	26100-096-333 CORROSION RESISTANT O-RING, COVER
2,4	25830-350-800 FLAPPER ASSEMBLY & COVER

PRODUCT ON PAGE 109

Parts not listed in product table are only available as part of a complete assembly

COVERED BY ONE OR MORE U.S. PATENTS OR PENDING PATENT APPLICATIONS. SEE WWW.C-M-P.COM/PATENTS FOR DETAILS.

HYDROSEAL™ STANDARD CHECK VALVE PARTS



1.5" & 2" SERVICEABLE CHECK VALVE STANDARD

	CMP P/N	DESCRIPTION
1	26100-780-265	COVER O-RING
2	25830-704-800	FLAPPER & COVER W/ O-RING (FITS 1.5"-2")

PRODUCT ON PAGE 109

2.5" SERVICEABLE CHECK VALVE STANDARD

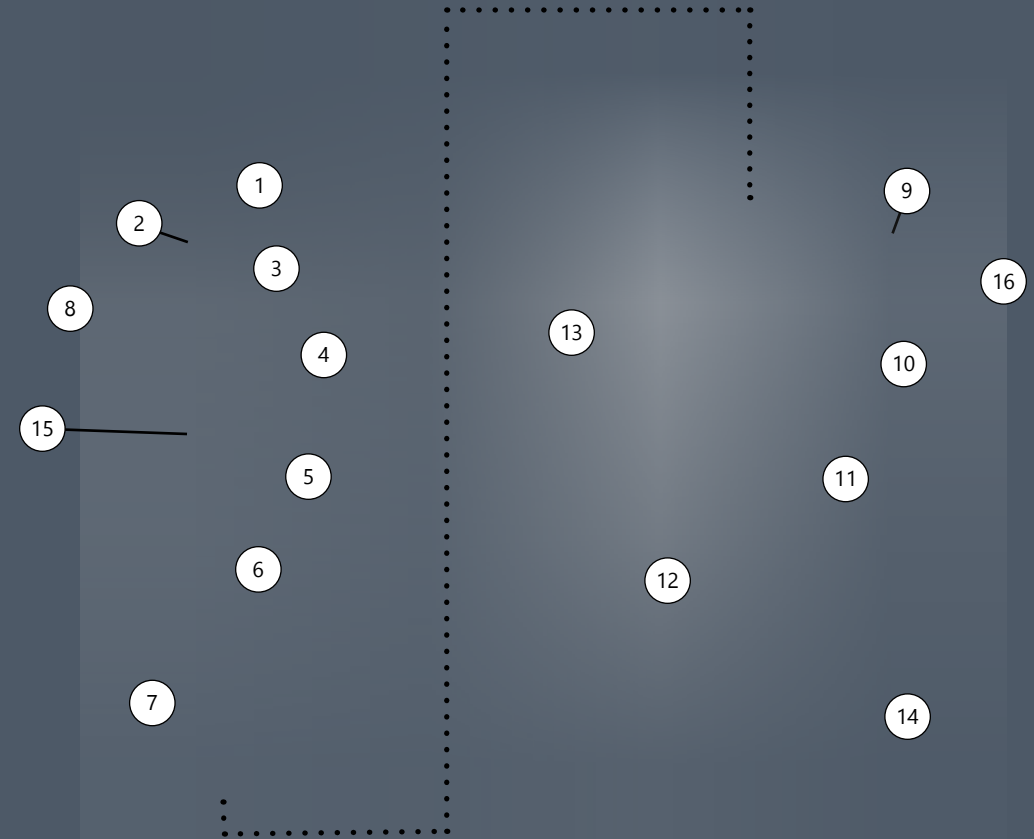
	CMP P/N	DESCRIPTION
1	26100-100-355	O-RING, COVER
2	25830-250-800	FLAPPER ASSEMBLY, COVER, & O-RING
3	25830-259-010	2.5" CHECK VALVE COVER
4	25830-250-900	FLAPPER ASSEMBLY
—	61064-071-100	STAINLESS STEEL SPRING
5	N/A	SCREWS

PRODUCT ON PAGE 109

Parts not listed in product table are only available as part of a complete assembly

COVERED BY ONE OR MORE U.S. PATENTS OR PENDING PATENT APPLICATIONS. SEE WWW.C-M-P.COM/PATENTS FOR DETAILS.

MULTIPOINT VALVE PARTS



27500-154-000, 27501-154-000, 27502-154-000

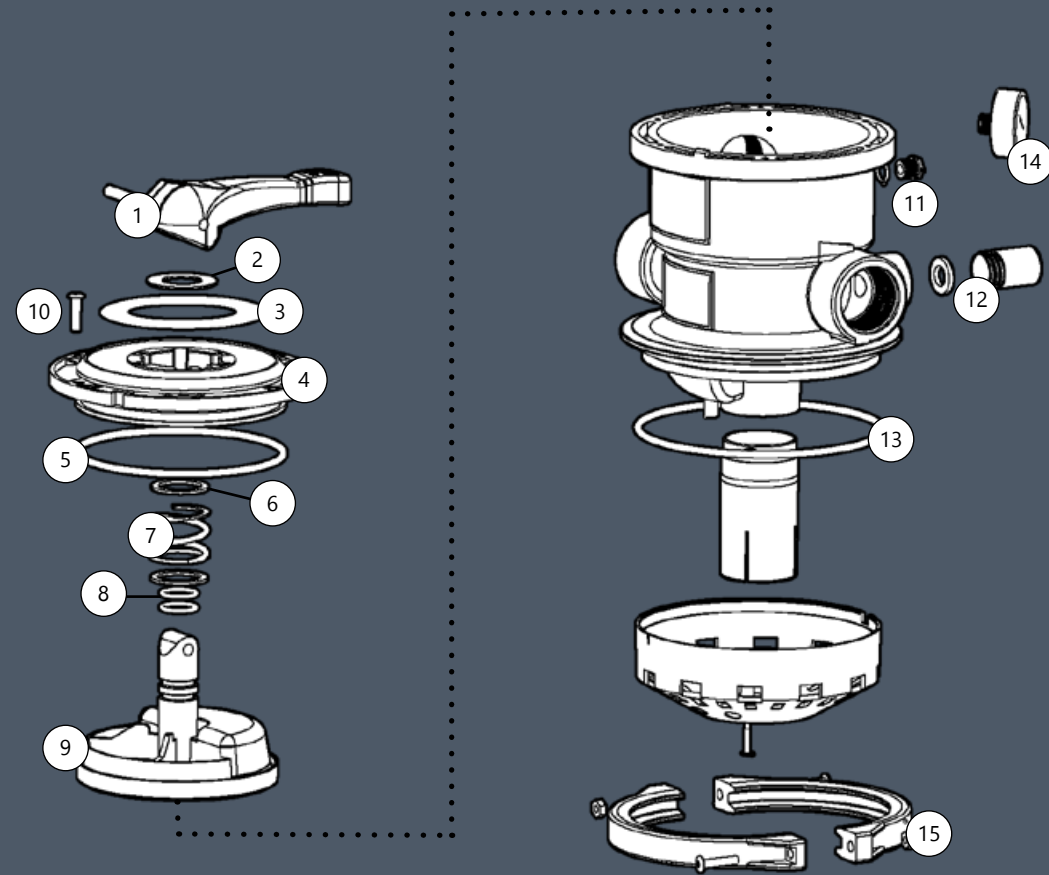
	CMP P/N	DESCRIPTION
—	27500-154-100	TOP HALF ASSEMBLY
1	27500-154-300	HANDLE AND SCREW
2	27500-154-080	PLASTIC WASHER (2 PACK)
3	27500-154-990	DECAL 10 PACK
4	27500-154-500	TOP COVER
5	27515-154-600	TOP COVER O-RING (25 PACK)
5	26105-143-530	TOP COVER O-RING
6	61237-634-283	HEAVY DUTY SPRING
7	27500-154-040	DIVERTER WITH CO-MOLDED GASKET
8	27500-154-110	SCREWS, WASHERS AND NUTS
9	27515-154-350	PLUG WITH O-RING
10	27515-154-400	SIGHT GLASS WITH GASKET
11	27500-154-900	FLANGE O-RING (25 PACK)
11	26105-118-530	FLANGE O-RING
12	27500-154-060	DIFFUSER NET
13	27500-154-120	AIR BLEEDER WITH O-RING
14	27500-154-079	CLAMP ASSEMBLY
15	27500-154-800	DIVERTER O-RING (100 PACK)
15	26105-185-363	DIVERTER O-RING
16	25501-000-800	PRESSURE GAUGE
—	27501-154-200	CLAMP, V THREAD ADAPTER & WRENCH
—	27500-154-200	CLAMP, 6" BUTTRESS ADAPTER & WRENCH

PRODUCT ON PAGE 113

Parts not listed in product table are only available as part of a complete assembly

COVERED BY ONE OR MORE U.S. PATENTS OR PENDING PATENT APPLICATIONS. SEE WWW.C-M-P.COM/PATENTS FOR DETAILS.

MULTIPOINT VALVE PARTS



27515-154-000

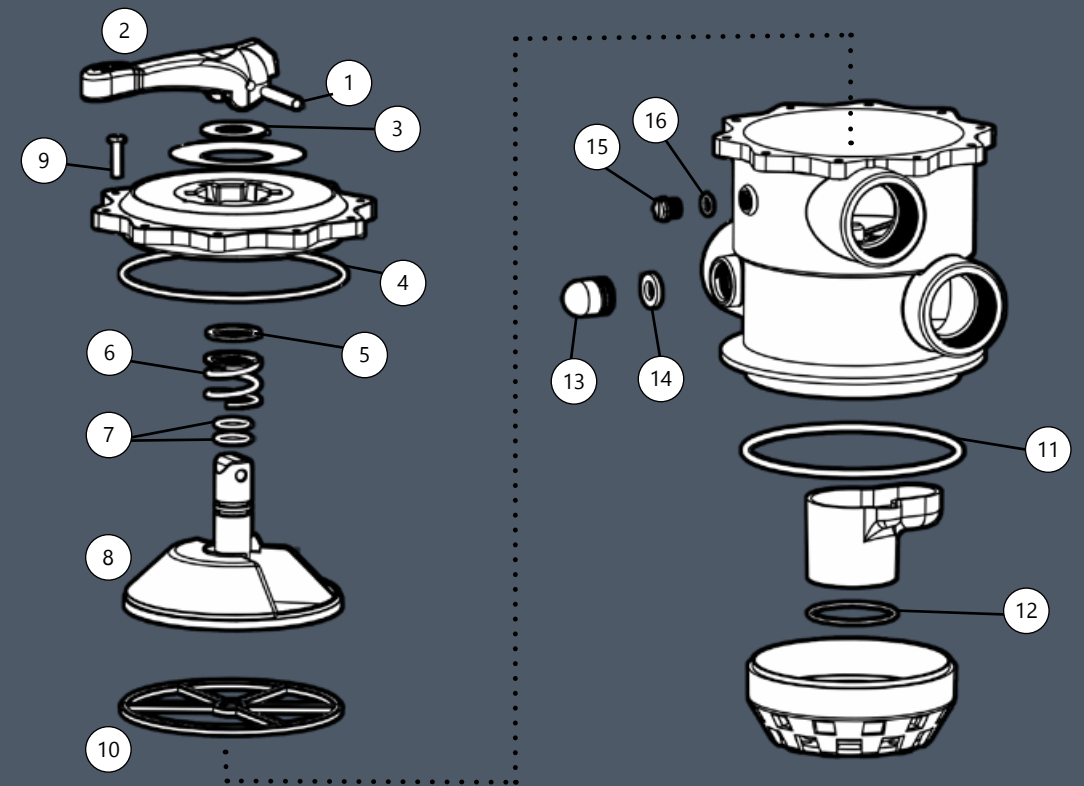
CMP P/N		DESCRIPTION
--	27515-154-100	TOP HALF ASSEMBLY
1	27515-154-300	HANDLE AND DOWEL PIN
2	27505-200-080	PLASTIC WASHER
3	27515-154-990	DECAL 10 PACK
4	27515-154-500	TOP COVER
5	27515-154-600	TOP COVER O-RING (25 PACK)
5	26105-143-530	TOP COVER O-RING
6	61130-342-811	SPRING WASHER (2 PACK)
7	61247-542-333	HEAVY DUTY SPRING
8	27515-154-800	DIVERTER O-RING (100 PACK)
8	26105-216-362	DIVERTER O-RING (2 PACK)
8-9	27515-154-700	DIVERTER WITH O-RINGS
10	61000-406-225	SCREWS (6 PACK)
11	27515-154-350	PLUG WITH O-RING
12	27515-154-400	SIGHT GLASS WITH GASKET
13	27515-154-900	FLANGE O-RING (25 PACK)
13	26105-171-535	FLANGE O-RING
14	25501-000-800	PRESSURE GAUGE
15	27515-154-070	CLAMP ASSEMBLY

PRODUCT ON PAGE 113

Parts not listed in product table are only available as part of a complete assembly

COVERED BY ONE OR MORE U.S. PATENTS OR PENDING PATENT APPLICATIONS. SEE WWW.C-M-P.COM/PATENTS FOR DETAILS.

MULTIPOINT VALVE PARTS



27510-204-000

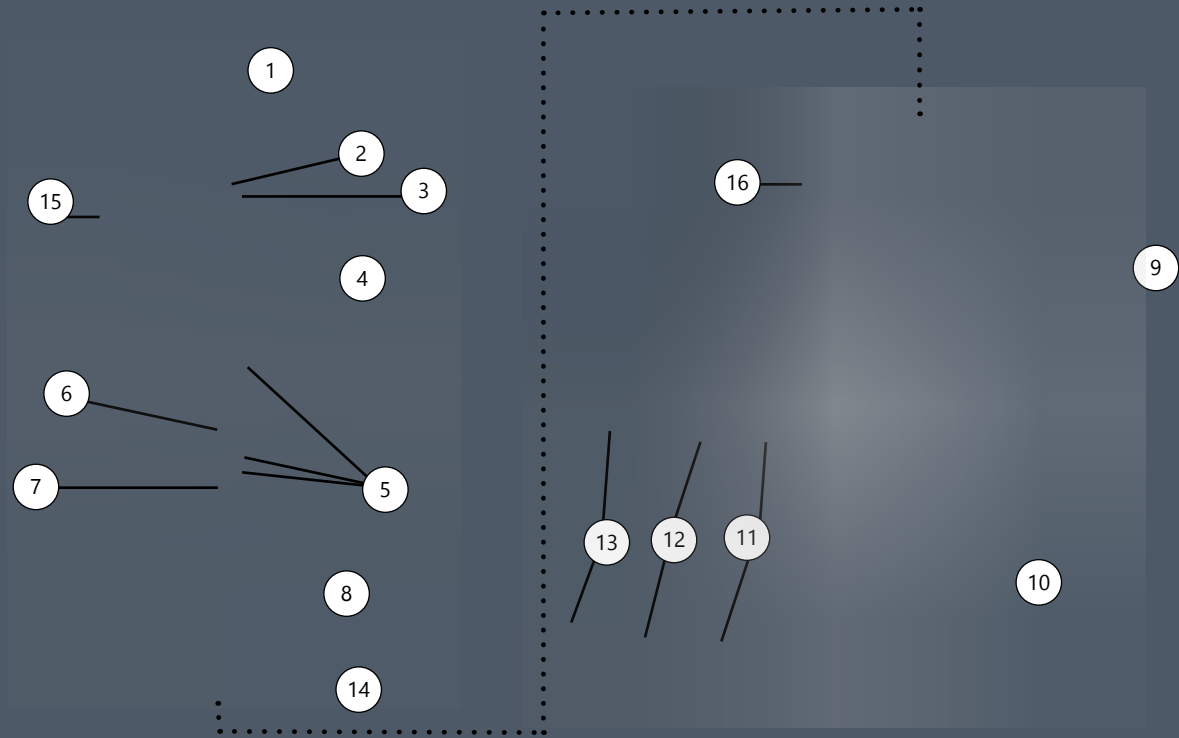
CMP P/N		DESCRIPTION
1-9	27510-204-100	TOP HALF ASSEMBLY
1-2	27510-204-300	HANDLE AND DOWEL PIN 271156/271164
3	27505-200-080	PLASTIC WASHER 271160
4	27507-200-600	TOP COVER O-RING (25 PACK) 271151
4	26105-172-400	TOP COVER O-RING 271151
5	27505-200-080	SPRING WASHER 271160
6	61247-542-333	HEAVY DUTY SPRING 271161
7	27515-154-800	DIVERTER O-RING (100 PACK) 191479
7	26105-216-362	DIVERTER O-RING (2 PACK) 191479
7-8	27515-154-700	DIVERTER WITH O-RINGS
9	27507-200-110	SCREWS AND NUTS 152167 & 152168
10	27507-200-150	MAIN GASKET (25 PACK) 271148
10	27507-200-050	MAIN GASKET 271148
11	27510-204-800	O-RING (25 PACK) 275333
11	26105-164-530	O-RING 275333
12	27510-204-700	DIFFUSER O-RING (25 PACK)
12	26105-060-355	DIFFUSER O-RING
13-14	27515-154-400	SIGHT GLASS WITH GASKET 272550 & 271106
15-16	27515-154-350	PLUG WITH O-RING U178-920P
—	27510-204-090	CLAMP ASSEMBLY 152165 OR 152130

PRODUCT ON PAGE 114

Parts not listed in product table are only available as part of a complete assembly

COVERED BY ONE OR MORE U.S. PATENTS OR PENDING PATENT APPLICATIONS. SEE WWW.C-M-P.COM/PATENTS FOR DETAILS.

MULTIPOINT VALVE PARTS



27504-200-000

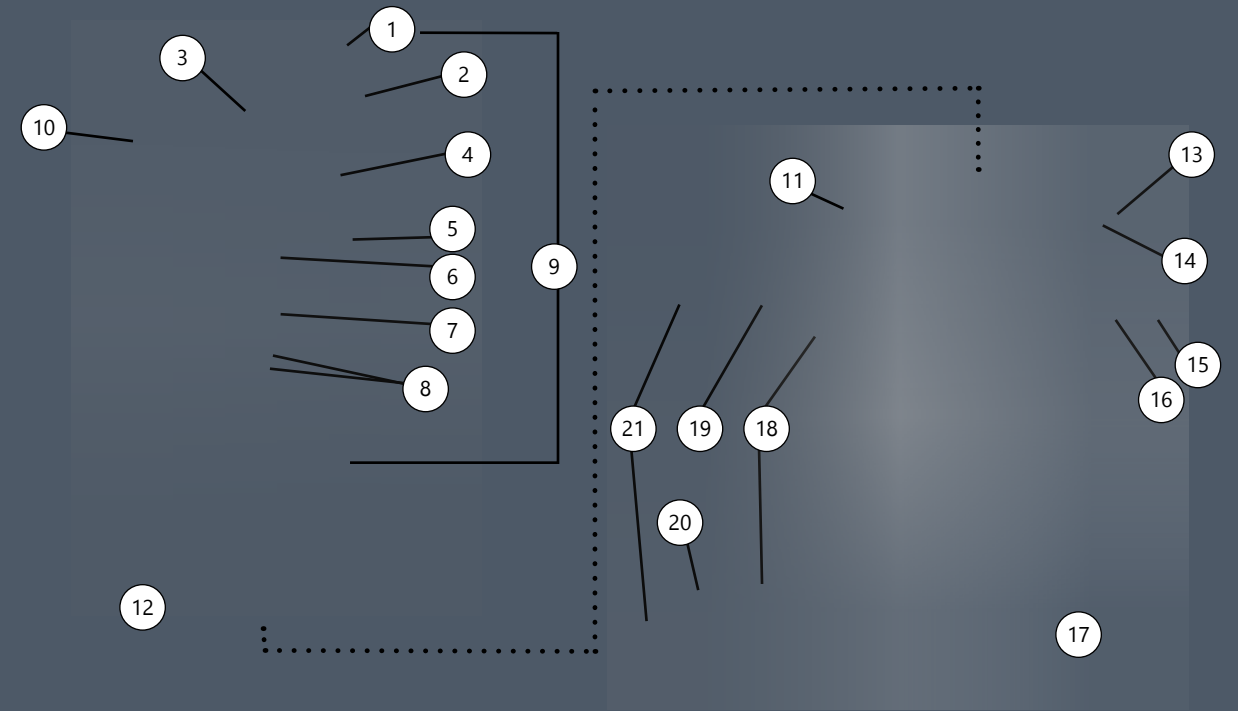
CMP P/N	DESCRIPTION
1-2	27506-200-300 HANDLE AND SCREW
3	27506-200-080 PLASTIC WASHER
4	27504-200-500 TOP COVER
5	61134-547-811 SPRING WASHER (3 PACK)
6	61204-547-537 HEAVY DUTY SPRING
7	27506-200-800 DIVERTER O-RING (100 PACK)
7	26105-145-265 DIVERTER O-RING
7-8	27506-200-700 DIVERTER WITH O-RING
8	27506-200-040 DIVERTER
9	27506-200-090 SIGHT GLASS
10	21005-000-000 2" SWEEP 90 DEGREE ELL
11	27506-200-060 NUT (2 PACK)
12	27506-200-070 ADAPTER (2 PACK)
13	27506-200-900 ADAPTER O-RING (50 PACK)
13	26105-060-530 ADAPTER O-RING (2 PACK)
14	27506-200-600 MAIN GASKET (25 PACK)
14	27506-200-050 MAIN GASKET
15-16	27506-200-110 SCREWS AND NUTS

PRODUCT ON PAGE 114

Parts not listed in product table are only available as part of a complete assembly

COVERED BY ONE OR MORE U.S. PATENTS OR PENDING PATENT APPLICATIONS. SEE WWW.C-M-P.COM/PATENTS FOR DETAILS.

MULTIPOINT VALVE PARTS



27505-200-000

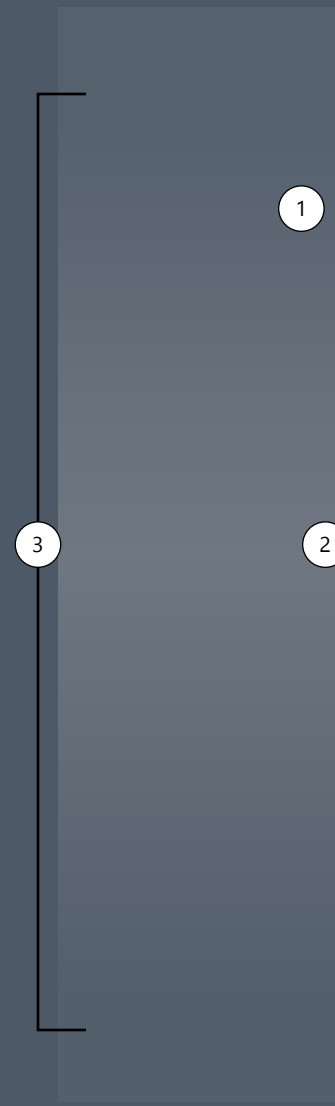
CMP P/N	DESCRIPTION
1-9	27507-200-100 TOP HALF ASSEMBLY
1-2	27507-200-300 HANDLE AND DOWEL PIN
3	27510-200-080 PLASTIC WASHER
4	27507-200-500 TOP COVER; WHITE
5	27507-200-600 TOP COVER O-RING (25 PACK)
5	26105-172-400 TOP COVER O-RING
6	27505-200-080 SPRING WASHER
7	61247-542-333 HEAVY DUTY SPRING
8	27515-154-800 DIVERTER O-RING (100 PACK)
8	26105-216-362 DIVERTER O-RINGS (2 PACK)
8-9	27507-200-700 DIVERTER WITH O-RINGS
8,9,12	27507-200-200 DIVERTER; O-RINGS AND MAIN GASKET
10-11	27507-200-110 SCREWS AND NUTS
12	27507-200-150 MAIN GASKET (25 PACK)
12	27507-200-050 MAIN GASKET
13-14	27515-154-350 PLUG WITH O-RING
15-16	27515-154-400 SIGHT GLASS WITH GASKET
17	21005-000-000 2" SWEEP 90 DEGREE ELL
18	27506-200-060 NUT (2 PACK)
19-20	27507-200-160 2" SOCKET ADAPTER & 2" SPIGOT ADAPTER
21	27506-200-900 ADAPTER O-RING (50 PACK)
21	26105-060-530 ADAPTER O-RING

PRODUCT ON PAGE 114

Parts not listed in product table are only available as part of a complete assembly

COVERED BY ONE OR MORE U.S. PATENTS OR PENDING PATENT APPLICATIONS. SEE WWW.C-M-P.COM/PATENTS FOR DETAILS.

SLIDE VALVE PARTS



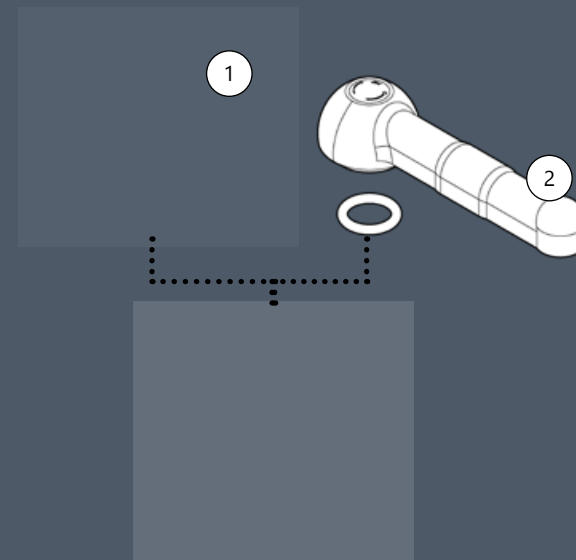
7.5" "P" STYLE 25831-114-750 & 25831-119-750		
CMP P/N	DESCRIPTION	
1	25831-114-160	HANDLE WITH PIN
2	25831-114-170	SLIDE VALVE NUT
3	25831-110-100	PISTON SHAFT ASSEMBLY
—	61000-320-288	PIN ONLY
"H" STYLE 25831-004-000 & 25831-014-000		
2	25831-004-170	SLIDE VALVE NUT
3	25831-000-100	PISTON SHAFT ASSEMBLY

PRODUCT ON PAGE 115

Parts not listed in product table are only available as part of a complete assembly

COVERED BY ONE OR MORE U.S. PATENTS OR PENDING PATENT APPLICATIONS. SEE WWW.C-M-P.COM/PATENTS FOR DETAILS.

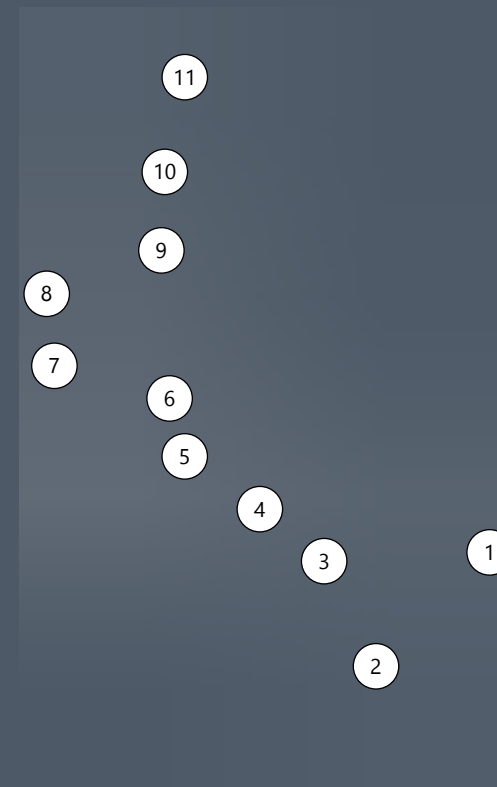
BALL VALVE PARTS



BALL VALVES		
CMP P/N	DESCRIPTION	
1	25800-101-130	1" BALL VALVE TEE HANDLE
1	25800-151-130	1.5" BALL VALVE TEE HANDLE
1	25800-201-130	2" BALL VALVE TEE HANDLE
1	25800-751-130	3/4" BALL VALVE TEE HANDLE

BALL VALVES		
CMP P/N	DESCRIPTION	
2	25800-251-130	2.5" BALL VALVE HANDLE
2	25800-310-130	3" BALL VALVE HANDLE
2	25800-410-130	4" BALL VALVE HANDLE

PRODUCT ON PAGE 112



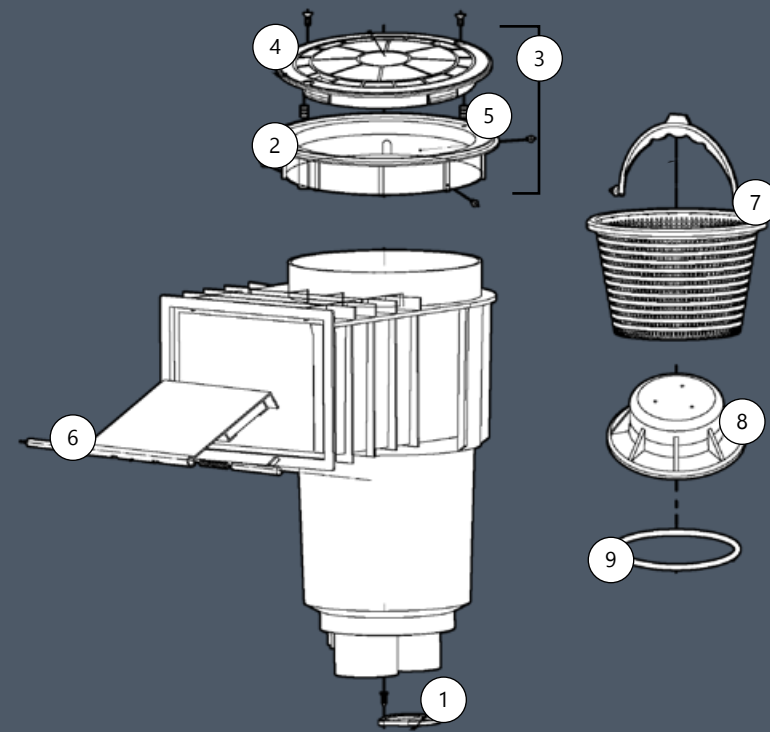
SINGLE UNIONIZED BALL VALVE		
CMP P/N	DESCRIPTION	
1	25802-651-080	HANDLE FOR 1.5" SOCKET
1	25802-210-080	HANDLE FOR 2" SOCKET
1	25802-651-080	HANDLE FOR 1.5" FIP (25802-651)
6	26100-530-545	O-RING, BODY
8	25802-150-030	1.5" SOCKET PVC TAILPIECE
9	26100-530-462	O-RING, TAILPIECE
9	26100-651-462	INSIDE O-RING FOR 1.5" FIP (25802-651)
11	25802-150-020	NUT

PRODUCT ON PAGE 112

Parts not listed in product table are only available as part of a complete assembly

COVERED BY ONE OR MORE U.S. PATENTS OR PENDING PATENT APPLICATIONS. SEE WWW.C-M-P.COM/PATENTS FOR DETAILS.

GUNITE SKIMMER PARTS



IN GROUND GUNITE SKIMMER

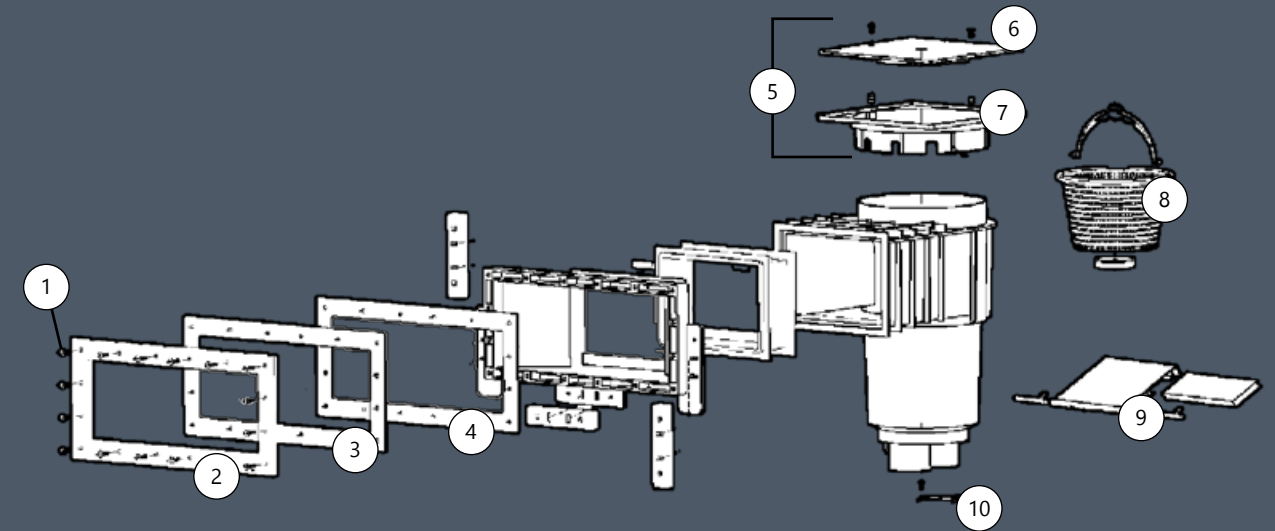
CMP P/N	DESCRIPTION
1	25140-000-060 DIVERTER PLATE (FOR ALL STYLES)
2	25547-000-000 WHITE SKIMMER COLLAR, ROUND
3	25544-900-000 WHITE SKIMMER COVER & COLLAR, ROUND
4	25544-020-010 WHITE SKIMMER LID LOGO INSERT, BLANK, TEXTURED
4	25544-029-010 TAN SKIMMER LID LOGO INSERT, BLANK, TEXTURED
5	25544-000-000 WHITE SKIMMER LID, ROUND
2,3,5	— FOR SKIMMER COLLAR & COVER COLOR OPTIONS SEE PAGE 136
6	25100-000-800 WEIR DOOR, UNIBODY WHITE
6	25100-004-800 WEIR DOOR, UNIBODY BLACK
6	25140-000-800 WEIR DOOR, ABS/PVC, WHITE
6	25140-001-800 WEIR DOOR, ABS/PVC, GRAY
6	25140-004-800 WEIR DOOR, ABS/PVC, BLACK
6	25140-007-800 WEIR DOOR, ABS/PVC, DARK GRAY
6	25140-009-800 WEIR DOOR, ABS/PVC, TAN
7	25100-000-900 BASKET, UNIBODY
7	25140-000-900 BASKET, ABS/PVC
7	25140-000-900 BASKET FOR WATER BOND SKIMMER (WHITE)
7	25140-001-900 BASKET FOR WATER BOND SKIMMER (GRAY)
8	25140-000-700 FLOAT VALVE ASSY (FOR ALL STYLES)
9	25140-000-040 FLOAT VALVE GASKET (FOR ALL STYLES)

PRODUCT ON PAGE 137

Parts not listed in product table are only available as part of a complete assembly

COVERED BY ONE OR MORE U.S. PATENTS OR PENDING PATENT APPLICATIONS. SEE WWW.C-M-P.COM/PATENTS FOR DETAILS.

VINYL LINER SKIMMER PARTS



IN GROUND VINYL SKIMMER

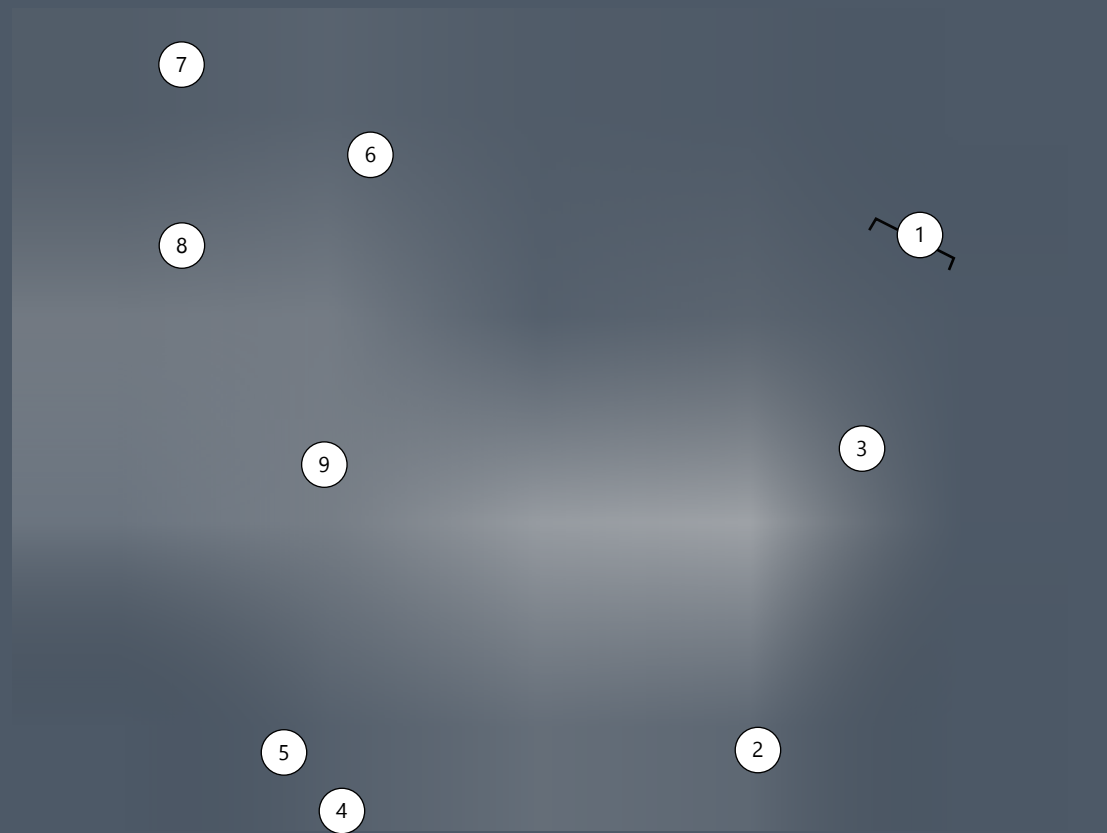
CMP P/N	DESCRIPTION
1	61051-058-030 FACE PLATE SCREWS (12 FOR REGULAR, 16 FOR WIDE)
2	25541-000-010 FACE PLATE, WIDE MOUTH
2	25540-000-010 FACE PLATE, REGULAR MOUTH
3	25160-110-030 FRONT GASKET, WIDE MOUTH, W/O TABS
3	25160-010-060 FRONT GASKET, REGULAR MOUTH, W/O TABS
—	25160-000-130 SPACER FOR VINYL LINER SKIMMER
4	25160-110-020 BACK GASKET, WIDE MOUTH, W/ TABS
4	25160-010-050 BACK GASKET, REGULAR MOUTH, W/ TABS
5	25538-900-000 COVER & COLLAR ASSEMBLY, WHITE
5	25538-901-000 COVER & COLLAR ASSEMBLY, GRAY
5	25538-909-000 COVER & COLLAR ASSEMBLY, TAN
6	25538-904-000 COVER & COLLAR ASSEMBLY, BLACK
6	25538-000-000 COVER, WHITE
6	25538-001-000 COVER, GRAY
6	25538-009-000 COVER, TAN
6	25538-004-000 COVER, BLACK
7	25160-000-040 SKIMMER COLLAR, SQUARE, WHITE
7	25160-001-040 SKIMMER COLLAR, SQUARE, GRAY
7	25160-009-040 SKIMMER COLLAR, SQUARE, TAN
8	25140-000-900 BASKET ASSEMBLY
9	25140-000-800 WEIR ASSEMBLY, WHITE
9	25140-001-800 WEIR ASSEMBLY, GRAY
10	25140-000-060 DIVERTER PLATE

PRODUCT ON PAGE 138

Parts not listed in product table are only available as part of a complete assembly

COVERED BY ONE OR MORE U.S. PATENTS OR PENDING PATENT APPLICATIONS. SEE WWW.C-M-P.COM/PATENTS FOR DETAILS.

ABOVE GROUND SKIMMER PARTS



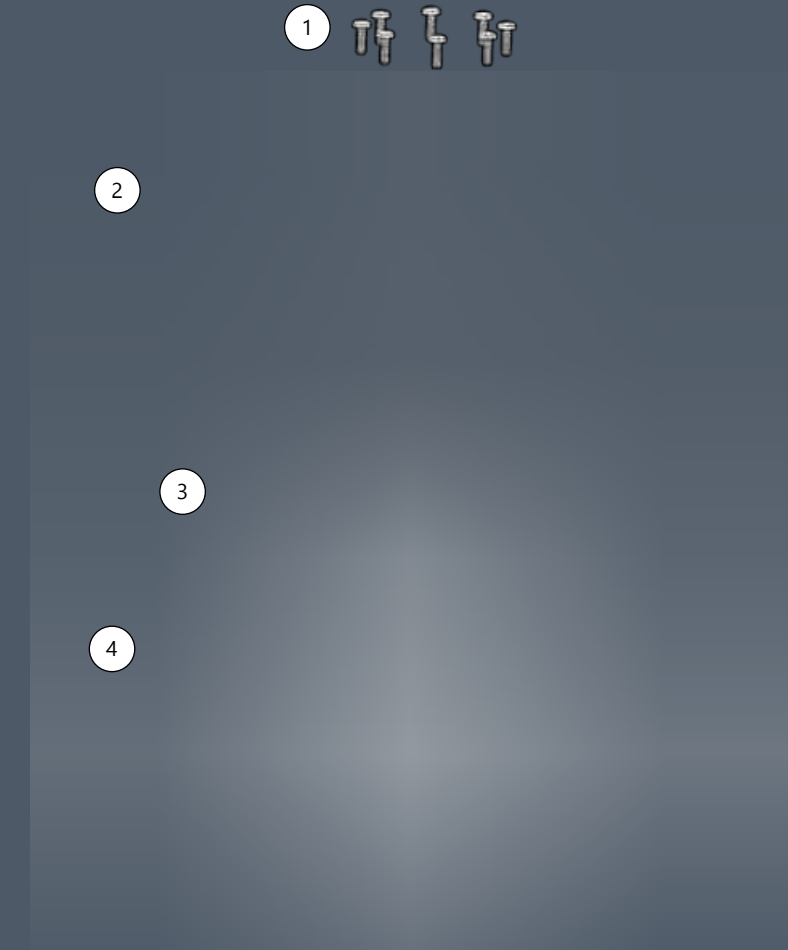
ABOVE GROUND SKIMMER			
	WHITE	GRAY	DESCRIPTION
1	25550-000-900	25550-001-900	RETURN INLET
2	25511-030-930	25511-031-930	WIDE MOUTH ABOVE GROUND FACE PLATE
3	25512-020-920	—	DOUBLE LAYER WIDE ABOVE GROUND GASKET
4	25512-010-990	25512-011-990	STANDARD ABOVE GROUND FACE PLATE
5	25512-010-980	25512-011-980	DOUBLE LAYER STANDARD ABOVE GROUND GASKET
6	25579-000-912	25579-001-912	ABOVE GROUND VAC PLATE
7	25512-010-992	25512-011-992	ABOVE GROUND LID
8	25512-000-991	25512-001-991	ABOVE GROUND BASKET
9	25511-000-908	25511-001-908	ABOVE GROUND WEIR

PRODUCT ON PAGE 143

Parts not listed in product table are only available as part of a complete assembly

COVERED BY ONE OR MORE U.S. PATENTS OR PENDING PATENT APPLICATIONS. SEE WWW.C-M-P.COM/PATENTS FOR DETAILS.

20" RING DRAIN PARTS



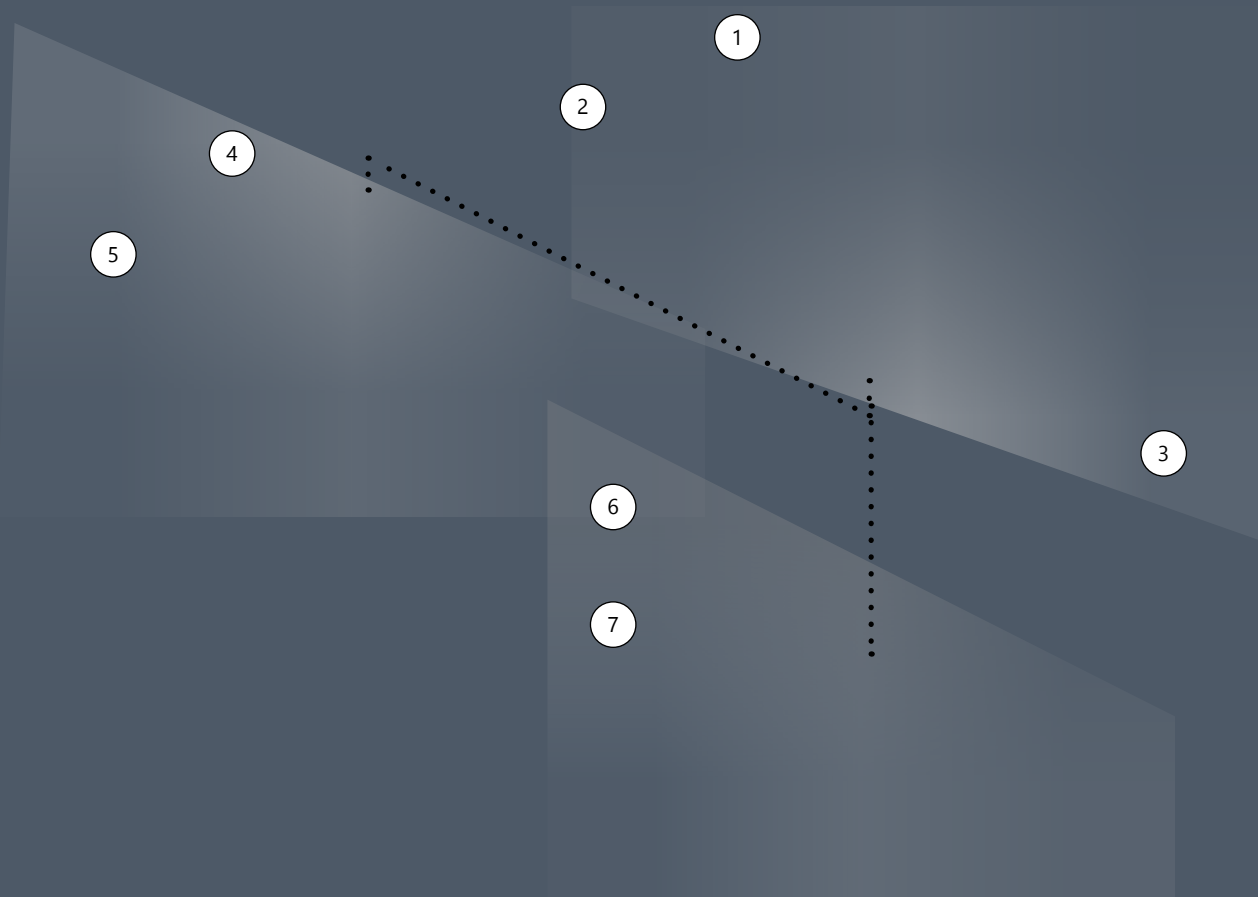
20" RING DRAIN 25506-33X-000		
	CMP P/N	DESCRIPTION
1	61008-042-022	SCREWS, 4 PACK (2 PACKS NEEDED PER COVER)
2	25506-330-800	20" RING DRAIN COVER WITH SCREWS, WHITE
2	25506-331-800	20" RING DRAIN COVER WITH SCREWS, GRAY
2	25506-334-800	20" RING DRAIN COVER WITH SCREWS, BLACK
2	25506-337-800	20" RING DRAIN COVER WITH SCREWS, DARK GRAY
2	25506-339-800	20" RING DRAIN COVER WITH SCREWS, TAN
2	25506-339-869	20" RING DRAIN COVER WITH SCREWS, DARK BLUE
2	25506-339-859	20" RING DRAIN COVER WITH SCREWS, LIGHT BLUE
—	25506-334-020	DEBRIS GUARD
3	25520-050-020	2 NPT PLUG
4	25506-330-010	SUMP BODY

PRODUCT ON PAGE 150

Parts not listed in product table are only available as part of a complete assembly

COVERED BY ONE OR MORE U.S. PATENTS OR PENDING PATENT APPLICATIONS. SEE WWW.C-M-P.COM/PATENTS FOR DETAILS.

32" CHANNEL DRAIN PARTS



32" CHANNEL DRAIN 25506-32X-000

CMP P/N	DESCRIPTION
1	61008-042-022 SCREWS, 4 PACK (2 PACKS NEEDED PER COVER)
2	25506-320-800 32" COVER W/ SCREWS, WHITE
2	25506-321-800 32" COVER W/ SCREWS, GRAY
2	25506-324-800 32" COVER W/ SCREWS, BLACK
2	25506-327-800 32" COVER W/ SCREWS, DARK GRAY
2	25506-329-800 32" COVER W/ SCREWS, TAN
2	25506-369-800 32" COVER W/ SCREWS, DARK BLUE
3	25506-320-030 DEBRIS GUARD
4	25520-050-020 2 NPT PLUG
5	25506-320-010 SUMP BODY

PRODUCT ON PAGE 152

32" FRAME & COVER 25506-32X-100

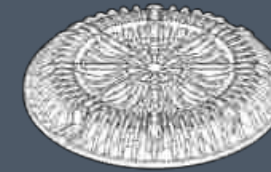
CMP P/N	DESCRIPTION
6	25506-320-120 FRAME SUPPORT
7	25506-320-110 FRAME

PRODUCT ON PAGE 152

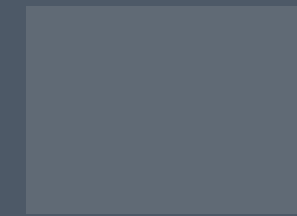
Parts not listed in product table are only available as part of a complete assembly

COVERED BY ONE OR MORE U.S. PATENTS OR PENDING PATENT APPLICATIONS. SEE WWW.C-M-P.COM/PATENTS FOR DETAILS.

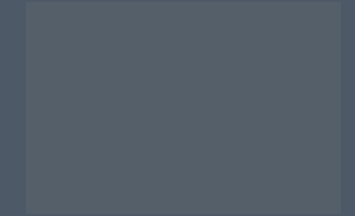
MAIN DRAIN COVERS & SCREWS



GALAXY



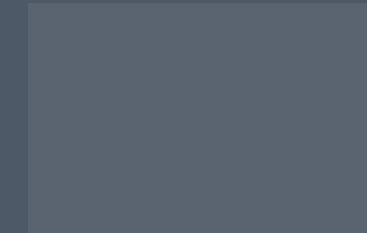
FIBERGLASS MAIN DRAIN



NOVA



EQUALIZER



SQUARE COVERS

MAIN DRAIN REPLACEMENT COVERS

CMP P/N	DESCRIPTION
25507-000-010	7-3/4" GALAXY COVER, WHITE
25507-100-010	8" GALAXY COVER, WHITE
25539-700-011	7-3/4" NOVA COVER, WHITE
25215-000-003	6" FIBERGLASS DRAIN, WHITE
25207-020-000	4" EQUALIZER SUCTION, WHITE
25508-090-010	9" x 9" SQUARE COVER, WHITE
25508-120-010	12" x 12" SQUARE COVER, WHITE
25508-090-010	18" x 18" SQUARE (USE FOUR 9x9), WHITE

FOR COLOR OPTIONS SEE MAIN DRAINS STARTING ON PAGE 157

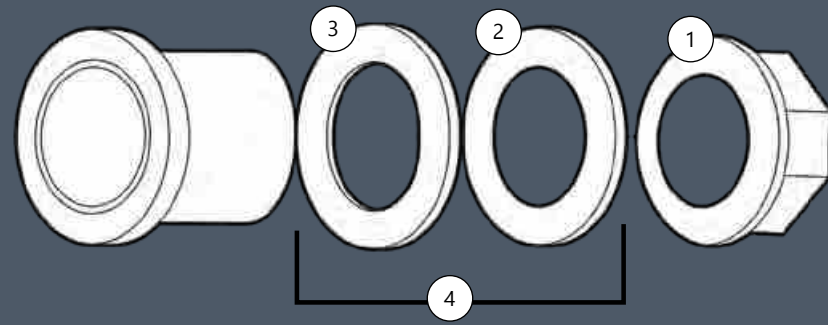
MAIN DRAIN REPLACEMENT SCREWS

61004-083-212	SCREWS FOR 25513-250, 25513-300, 25513-700, 25513-800, 25515-000, 25516-000, 25516-700, 25539-000, 25539-700, 61054-048-019, 25548-000
61050-550-250	#3 1" SCREWS FOR 25514-000
61050-048-025	#2 1" SCREWS FOR 25517-000
61051-058-030	#4 1-1/5" SCREWS FOR 25519-000
61008-102-420	UNC 10-24 3/4" SCREWS FOR 25531-000, 25537-100
61054-048-019	#2 7/8" SCREWS FOR 25539-100
61000-050-012	#8-32 1/2" SCREWS FOR 25207-700, 25207-800
61008-083-200	#8-32 1-1/4" SCREWS FOR 25215-000
61008-042-022	#1 7/8" SCREWS FOR 25508-090, 25508-180
61008-042-028	#1 1-1/10" SCREWS FOR 25508-120

Parts not listed in product table are only available as part of a complete assembly

COVERED BY ONE OR MORE U.S. PATENTS OR PENDING PATENT APPLICATIONS. SEE WWW.C-M-P.COM/PATENTS FOR DETAILS.

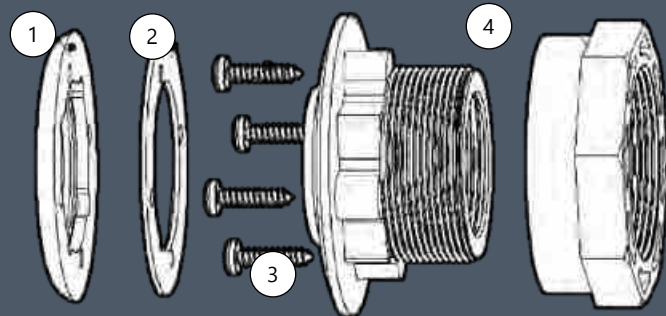
POOL FITTING PARTS



VINYL POOL FITTING 25550-000-000

CMP P/N	DESCRIPTION
1	25550-050-010 2" LOCK NUT
2	25550-070-000 FIBER GASKET
3	25550-040-000 RUBBER GASKET
4	25550-000-100 GASKET KIT

PRODUCT ON PAGE 171



VINYL POOL FITTING 25522-000-000

CMP P/N	DESCRIPTION
1	25545-000-000 FACE PLATE
2	25522-040-000 GASKET
3	61008-552-500 SCREW
4	25522-060-000 WALL FITTING

VINYL POOL FITTING 25522-100-000

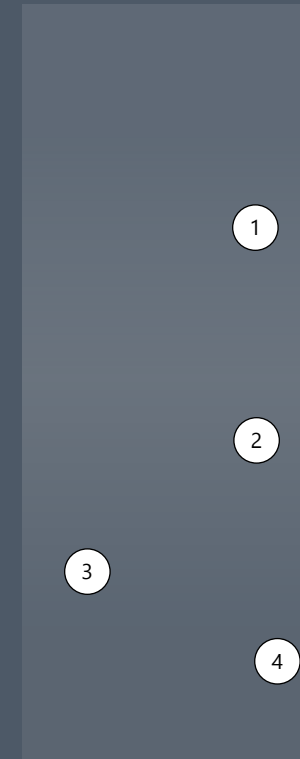
CMP P/N	DESCRIPTION
1	25545-000-000 FACE PLATE
2	25522-040-000 GASKET
3	61008-552-500 SCREW
4	25522-100-010 WALL FITTING

PRODUCT ON PAGE 171

Parts not listed in product table are only available as part of a complete assembly

COVERED BY ONE OR MORE U.S. PATENTS OR PENDING PATENT APPLICATIONS. SEE WWW.C-M-P.COM/PATENTS FOR DETAILS.

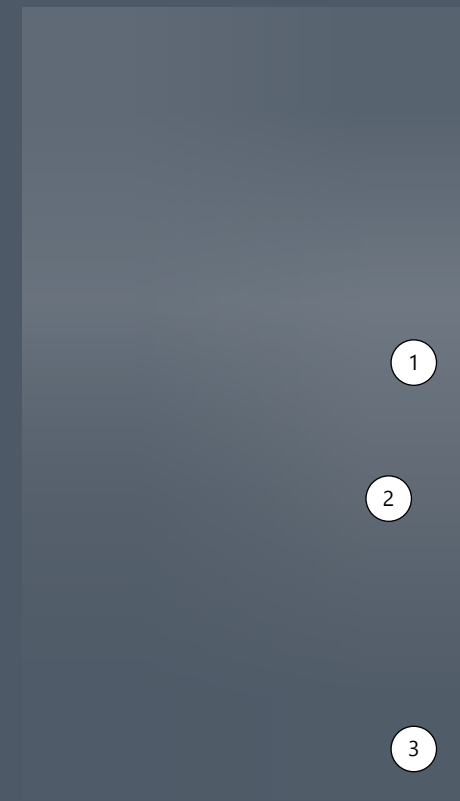
UNION PARTS



ECON UNION

CMP P/N	DESCRIPTION
1	21058-000-030 PORT, RIBBED
1	21058-100-030 PORT, SMOOTH
2	21058-000-020 STRAIGHT BODY
3	26100-412-265 O-RING, BULK
4	21058-000-010 NUT

PRODUCT ON PAGE 175



21063-290-000 UNION

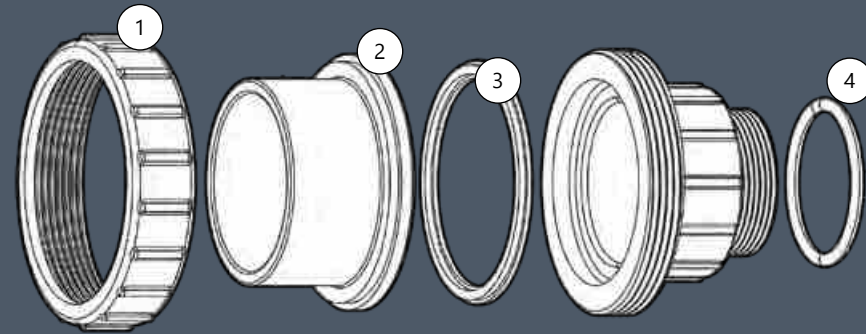
CMP P/N	DESCRIPTION
1	21048-000-010 NUT
2	21092-050-000 T-GASKET
3	26100-590-500 O-RING, BULK

PRODUCT ON PAGE 174

Parts not listed in product table are only available as part of a complete assembly

COVERED BY ONE OR MORE U.S. PATENTS OR PENDING PATENT APPLICATIONS. SEE WWW.C-M-P.COM/PATENTS FOR DETAILS.

SELF-SEALING UNION PARTS



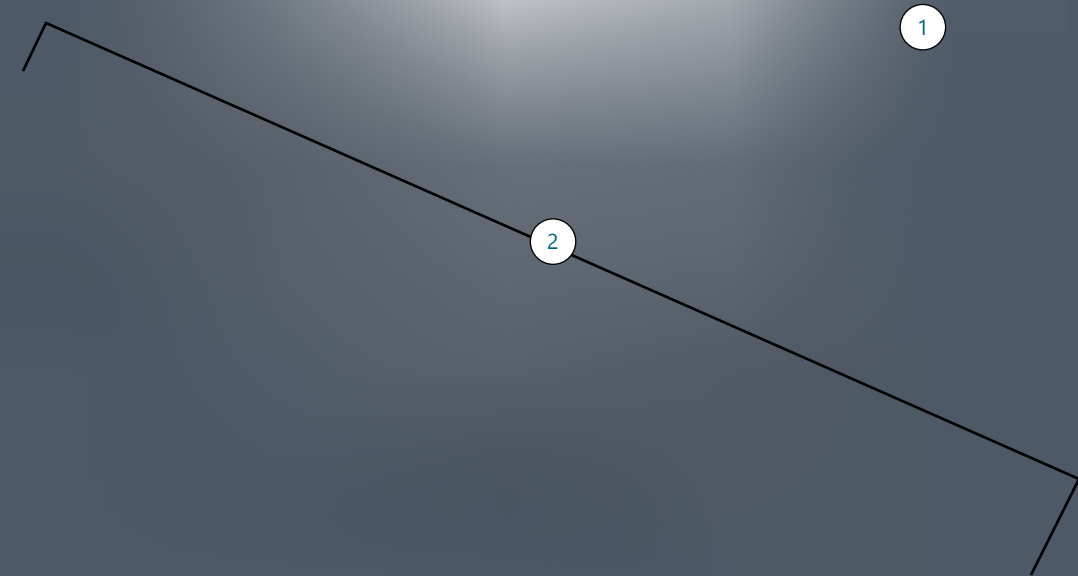
3/4" MIP 21063-750-000 UNION		
CMP P/N		DESCRIPTION
1	21063-754-030	NUT
3	26200-227-038	T-GASKET
4	21063-754-010	3/4" MIP THREADED PIECE
4	26100-240-300	O-RING, BULK
1.5" MIP x 1.5" S/2" SP 21063-150-000 UNION		
3	26200-210-631	T-GASKET
4	26100-470-400	O-RING, BULK
1.5" MIP x 2" S 21063-160-000 UNION		
2	21049-200-010	2" SOCKET PVC TAILPIECE
3	26200-210-632	T-GASKET
4	26100-470-400	O-RING, BULK
2" MIP x 2.5" S 21063-250-000 UNION		
3	26100-590-500	O-RING, BULK
2" MIP x 2" S 21063-200-000 UNION		
2	21049-200-010	2" SOCKET PVC TAILPIECE
3	26200-210-632	T-GASKET
4	26100-590-500	O-RING, BULK
2" MIP x 3" S 21063-230-000 UNION		
1	21063-234-030	NUT
2	21063-230-020	3" SOCKET PVC TAILPIECE
3	26200-289-049	T-GASKET
4	26100-590-500	O-RING, BULK

PRODUCT ON PAGE 174

Parts not listed in product table are only available as part of a complete assembly

COVERED BY ONE OR MORE U.S. PATENTS OR PENDING PATENT APPLICATIONS. SEE WWW.C-M-P.COM/PATENTS FOR DETAILS.

AQUALEVEL™ PORTABLE WATER LEVELER PARTS



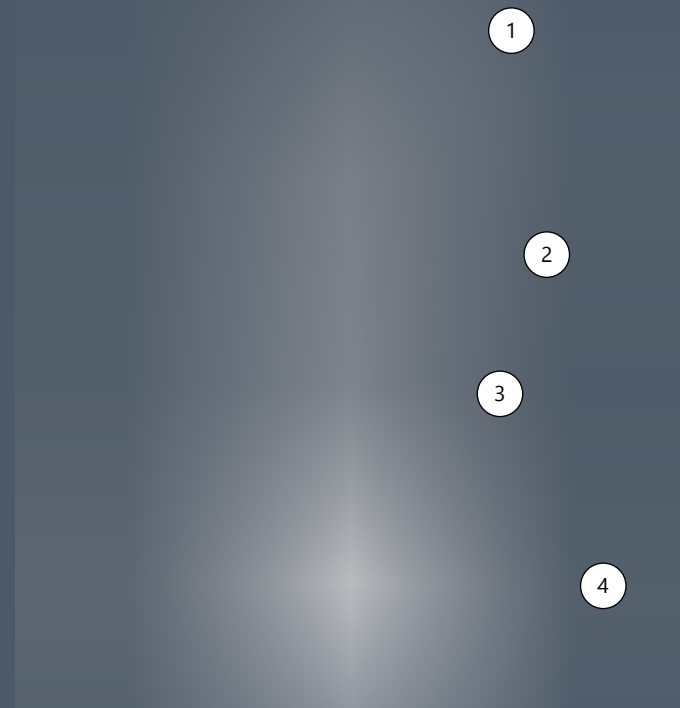
AQUALEVEL PORTABLE WATER LEVELER		
REF	CMP P/N	DESCRIPTION
1	25604-000-010	WHITE COVER FOR AQUALEVEL
1	25604-009-010	TAN COVER FOR AQUALEVEL
2	25604-000-100	FLOAT VALVE ASSEMBLY

PRODUCT ON PAGE 231

Parts not listed in product table are only available as part of a complete assembly

COVERED BY ONE OR MORE U.S. PATENTS OR PENDING PATENT APPLICATIONS. SEE WWW.C-M-P.COM/PATENTS FOR DETAILS.

NEW CONSTRUCTION LEVELER PARTS



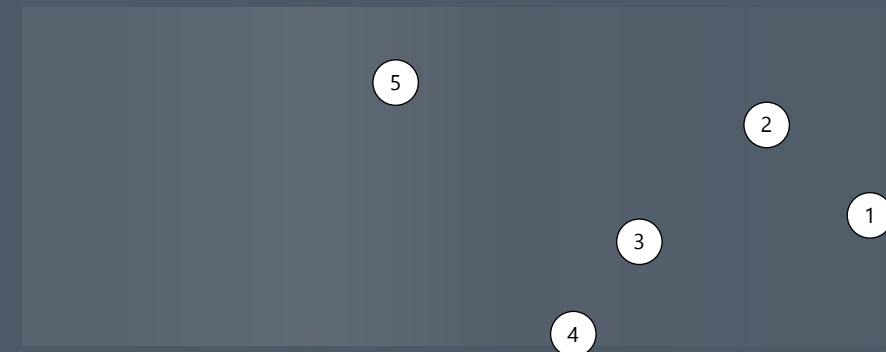
AQUALEVEL NEW CONSTRUCTION WATER LEVELER		
CMP P/N	DESCRIPTION	
1	25544-000-000	WHITE COVER FOR WATER LEVELER/ SKIMMER (2015 & AFTER)
1	25544-001-000	GRAY COVER FOR WATER LEVELER/ SKIMMER (2015 & AFTER)
1	25544-004-000	BLACK COVER FOR WATER LEVELER/ SKIMMER (2015 & AFTER)
1	25544-019-000	TAN COVER FOR WATER LEVELER/ SKIMMER (2015 & AFTER)
1	25504-000-010	WHITE COVER FOR WATER LEVELER (BEFORE 2015)
1	25504-009-010	TAN COVER FOR WATER LEVELER (BEFORE 2015)
2	25504-000-100	THERMOPLASTIC FLOAT
3	25504-100-020	WHITE COLLAR FOR WATER LEVELER (2015 & AFTER)
3	25504-101-020	GRAY COLLAR FOR WATER LEVELER (2015 & AFTER)
3	25504-109-020	TAN COLLAR FOR WATER LEVELER (2015 & AFTER)
3	25504-000-020	WHITE COLLAR FOR WATER LEVELER (BEFORE 2015)
3	25504-001-020	GRAY COLLAR FOR WATER LEVELER (BEFORE 2015)
3	25504-009-020	TAN COLLAR FOR WATER LEVELER (BEFORE 2015)
4	25504-000-070	1.5" SOCKET x 1" SPIGOT ADAPTER
4	25504-000-080	2" SOCKET x 1" SPIGOT ADAPTER

PRODUCT ON PAGE 193

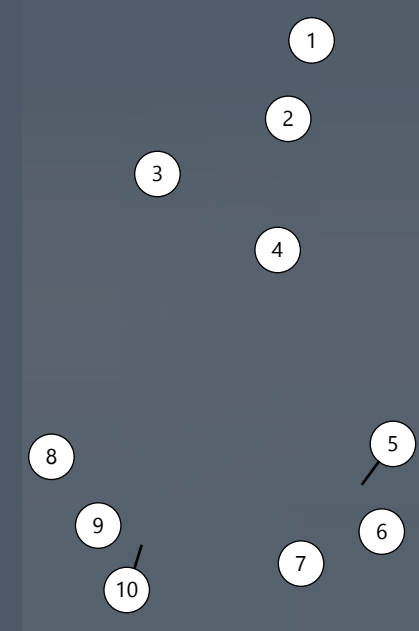
Parts not listed in product table are only available as part of a complete assembly

COVERED BY ONE OR MORE U.S. PATENTS OR PENDING PATENT APPLICATIONS. SEE WWW.C-M-P.COM/PATENTS FOR DETAILS.

POOL ACCESSORY PARTS



PRE-2019 POOL VACUUM LEAF TRAP		
	CMP P/N	DESCRIPTION
1	58309-000-040	1.5" MALE X 1.5" MALE HOSE
2	58309-000-010	LEAF TRAP LID
3	58309-000-020	O-RING, LID
4	58309-000-030	MESH BAG, STANDARD
4	58309-000-130	MESH BAG, SAND/SILT
5	27182-010-000	HEAVY DUTY BASKET



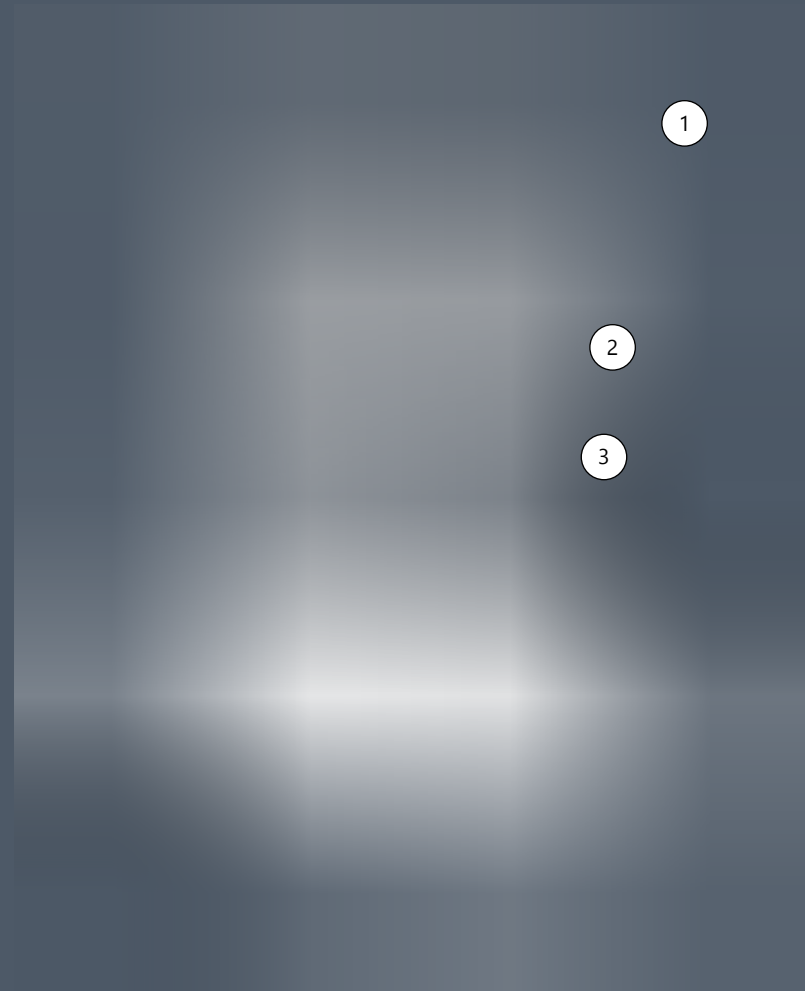
PRE-2019 ABOVE GROUND PUMP LEAF TRAP		
	CMP P/N	DESCRIPTION
1	25300-000-010	TIGHTENING RING
2	25300-000-020	CLEAR LID
3	25300-000-030	TOP LID O-RING, BULK
4	25300-000-040	BASKET
5	61052-039-015	SCREWS
6	25300-004-070	1.5" SPLIT UNION NUT
6	25301-004-070	2" SPLIT UNION NUT
7	26100-495-350	1.5" SPLIT UNION O-RING
7	26100-570-355	2" SPLIT UNION O-RING
8	25300-000-060	1.5" UNION NUT
9	25300-000-090	PLUG
10	26100-125-265	PLUG O-RING, BULK

PRODUCT ON PAGE 216

Parts not listed in product table are only available as part of a complete assembly

COVERED BY ONE OR MORE U.S. PATENTS OR PENDING PATENT APPLICATIONS. SEE WWW.C-M-P.COM/PATENTS FOR DETAILS.

POOL DEFENDER® DELUXE INLINE ANODE



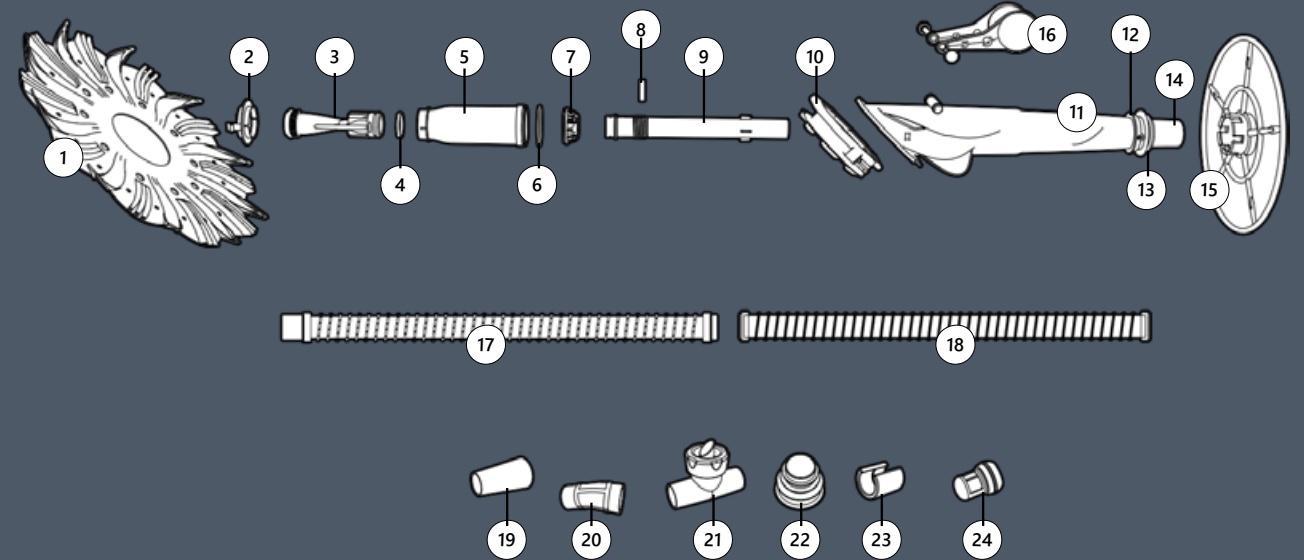
POOL DEFENDER® DELUXE INLINE SACRIFICIAL ZINC ANODE		
CMP P/N	DESCRIPTION	
1	25830-201-030	NUT
2	25810-200-920	COVER
3	26100-096-333	COVER O-RING
—	25810-200-900	COVER WITH ZINC BAR

PRODUCT ON PAGE 194

Parts not listed in product table are only available as part of a complete assembly

COVERED BY ONE OR MORE U.S. PATENTS OR PENDING PATENT APPLICATIONS. SEE WWW.C-M-P.COM/PATENTS FOR DETAILS.

S-2000 CLEANER PARTS



S-2000 SUCTION CLEANER			
	CMP P/N	DESCRIPTION	BOX QTY
1	25563-809-000	FINNED DISC	100
2	25563-810-002	DIAPHRAGM RETAINING CLIP	1000
3	25563-810-000	DIAPHRAGM	100
4	25563-810-004	SUCTION PIPE CLIP RING	200
5	25563-810-005	ROUND BUCKET SUCTION PIPE	50
6	25563-810-006	LARGE GASKET	200
7	25563-810-007	LARGE NUT	200
8	25563-810-008	C-CLIP	200
9	25563-810-009	INNER LONG TUBE	100
10	25563-820-000	BLUE FOOT PAD	25
11	25563-810-010	MAIN BODY	25
12	25563-810-011	GASKET RING	25
13	25563-810-012	TOP SWIVEL TUBE CONNECTOR	25
14	25563-810-013	TOP SWIVEL TUBE	25
15	25563-810-045	BUMPER "STEERING" WHEEL	30
16	25563-810-054	FLOAT BALL RACKET KIT	50
17	25563-810-046	FEED HOSE	10
18	25563-810-047	LEAD HOSE	10
19	25563-810-052	ROUND HOSE ADAPTER	200
20	25563-810-048	TWO-WAY ELBOW	50
21	25563-810-050	THREE-WAY CONNECTOR	50
22	25563-810-049	STAIR-STEP ADAPTER	50
23	25563-810-053	HALF CIRCLE PIPE WEIGHT	200
24	25563-810-051	EYEGLOSS WINDOW	200

PRODUCT ON PAGE 203

Parts not listed in product table are only available as part of a complete assembly

COVERED BY ONE OR MORE U.S. PATENTS OR PENDING PATENT APPLICATIONS. SEE WWW.C-M-P.COM/PATENTS FOR DETAILS.

CROSS REFERENCE TO OTHER BRANDS | VALVES

DIVERTER VALVES | PAGE 108

JANDY®	PRAHER	DESCRIPTION	CMP P/N
4724	OV2-1500	2 WAY DIVERTER 1.5" x 2"	25912-154-000
4716	OV2-2000	2 WAY DIVERTER 2" x 2.5"	25912-204-000
4720		DIVERTER KIT	25913-204-850
4715	OV3-1500	3 WAY DIVERTER 1.5" x 2" S	25913-154-000
4717	OV3-2000	3 WAY DIVERTER 2" x 2.5"	25913-204-000
4606		DIVERTER COVER 3 WAY	25913-204-020
4720		DIVERTER KIT J STYLE	25913-204-850
	OV3-1500U	1.5" SOCKET WITH UNIONS 3-WAY CVPC DIVERTER	25923-154-000
	OV3-2010U	2" SOCKET WITH UNIONS 3-WAY CVPC DIVERTER	25923-204-000

SERVICEABLE CHECK VALVES | PAGE 109

PENTAIR®	STA-RITE®	VAL-PAK	MAGIC PLASTICS	JANDY®	PRAHER	DESCRIPTION	CMP P/N
			0830-15			AIR CHECK VALVE 1.5" x 2"	25067-000-000
87204600	08655-0017					2" SPRING CHECK VALVE	25120-100-900
		V20-339				SPA CHECK VALVE WHITE	25552-500-000
					FCV-2010	SVC CHECK VALVE 2x2.5"	25830-500-000
				7235		CHECK VALVES W/ SCREWS	25830-704-000
				7056		CHECK VALVES W/ SCREWS	25830-704-800
				7305		CHECK VALVES W/ SCREWS	25830-714-000
				7511		CHECK VALVES W/ SCREWS	25830-764-000
				7512		CHECK VALVES W/ SCREWS	25830-774-000
				7307		CHECK VALVE J STYLE 2-1/2" x 3"	25830-250-000
				R0466000		FLAPPER KIT 2-1/2" x 3"	25830-250-800
				7056		FLAPPER KIT 1-1/2" x 2", 2" x 2-1/2"	25830-704-800

BALL VALVES | PAGE 112

MAGIC PLASTICS	JANDY®	PRAHER	DESCRIPTION	CMP P/N
0250-10	6953	100-ES00	BALL VALVE 1" S	25800-110-000
0250-15	6954	150-ES00	BALL VALVE 1.5" S	25800-151-000
0250-20	6956	200-ES00	BALL VALVE 2" S	25800-210-000
0250-07	6952		BALL VALVE 3/4" S	25800-751-000
	6955	150-010	UNION BALL VALVE 1.5" S	25802-151-000
	6957	200-010	UNION BALL VALVE 2" S	25802-210-000
		BV6-1501PES	1.5" SOCKET DOUBLE UNION BALL VALVE	25802-415-000
		BV6-2001PES	2" SOCKET DOUBLE UNION BALL VALVE	25802-420-000

FOR TRADEMARK OR REGISTERED TRADEMARK DISCLAIMERS SEE PAGE 290

CHECK CROSS REFERENCES QUICKLY & EASILY ONLINE AT C-M-P.COM/SEARCH

CROSS REFERENCE TO OTHER BRANDS | VALVES

SLICE VALVES | PAGE 111

MAGIC PLASTICS	DESCRIPTION	CMP P/N
0401-15	SLICE VALVE S x S 1.5"	25850-150-000
0401-20	SLICE VALVE S x S 2"	25850-200-000
0402-15	SLICE VALVE SP x SP 1.5"	25851-150-000
0402-20	SLICE VALVE SP x SP 2"	25851-200-000
0412-15	SLICE VALVE S x SP 1.5"	25852-150-000
0412-20	SLICE VALVE S x SP 2"	25852-200-000
0434-15	SLICE VALVE MIP x FIP 1.5" WHITE	25854-150-000
B434-15	SLICE VALVE MIP x FIP 1.5" BLACK	25854-154-000
0423-15	SLICE VALVE HOSE ADAPTER x MIP WHITE	25856-150-000
B423-15	SLICE VALVE HOSE ADAPTER x MIP BLACK	25856-154-000

MULTIPORT VALVES | PAGE 113

PENTAIR®	HAYWARD®	PRAHER	DESCRIPTION	CMP P/N
262504		TM-12-A	262 TOP MOUNT VALVE	27500-154-000
262505		TM-12-PB	262 TOP MOUNT VALVE	27501-154-000
262506		TM-12-PB	262 TOP MOUNT VALVE	27502-154-000
	SP0714T	TM-12-H8	714 TOP MOUNT VALVE	27515-154-000

SLIDE VALVES | PAGE 115

PENTAIR®	HAYWARD®	DESCRIPTION	CMP P/N
	SPX0410BA	SLIDE VALVE INTERNALS	25831-000-100
263055		SLIDE VALVE INTERNALS	25831-110-100
273241		SLIDE VALVE INTERNALS	25831-120-100
273241		SLIDE VALVE INTERNALS (STAINLESS STEEL)	25831-122-100
263064		SLIDE VALVE ASSEMBLY	25831-119-750
	SP0410X502S	SLIDE VALVE ASSEMBLY	25831-004-000
	SP0410X602S	SLIDE VALVE ASSEMBLY	25831-014-000
	SP0410X502S	SLIDE VALVE DE	25831-004-000
	SPX0722D2	SLIDE VALVE NUT	25831-004-170
	SP0410X602S	SLIDE VALVE SAND	25831-014-000

CHECK CROSS REFERENCES QUICKLY & EASILY ONLINE AT C-M-P.COM/SEARCH

CROSS REFERENCE TO OTHER BRANDS | SPA PARTS

IN GROUND SPA COMPONENTS | PAGE 129

WATERWAY®	PENTAIR®	HYDRO AIR®	DESCRIPTION	CMP P/N
210-4100		10-4100	HYDROTHEREPY JET 1.5"S × 1.5"S × 1.5"FPT	23300-000-000
210-4120		10-5100	GUNITE JET ASSY W/ WALL FITTING 1.5"S × 1.5"S FOO	23300-100-000
		10-4400	GUNITE JET EXTENSION (1.5IN MIP × 1.5IN FIP)	23300-300-000
		10-5300	GUNITE JET ASSY W/ EXTENDED WALL FITTING	23300-450-000
210-4110		10-4100S	JET BODY 1.5" S	23301-000-000
		10-4401	GUNITE JET 4IN THREADED NOZZLE	23301-000-030
212-3370			DOUBLE TEE GUNITE JET (S×S×S)	23304-000-000
212-3300			DOUBLE TEE GUNITE JET (S×S×SP)	23304-100-000
		10-4310	VENTURI TEE 1/4" NOZZLE (1.5"S×1.5"S×3/4"S)	23306-100-000
		10-4315	VENTURI 1/2" NOZZLE (1.5"S×1.5"S×3/4"S)	23306-120-000
212-3470			GUNITE VENTURI TEE (1.5"S×1.5"SP×1"SP/3/4"S)	23307-000-000
			GUNITE VENTURI TEE (1.5"S×1.5"SP×3/4"SP)	23307-100-000
212-3340			EXT. VENTURI TEE (1.5"SP×1.5"S/2"SP×1"SP/0.5"S)	23308-000-000
		10-4320	EXT. VENTURI TEE (1.5"SP×1.5"S/2"SP×3/4"SP/0.5"S)	23308-100-000
		10-4401T	GUNITE JET 4IN TWIST-LOCK NOZZLE	23308-100-020
		10-4325	EXT. VENTURI TEE (1.5"SP×1.5"S × 1/2"S) WHT	23308-100-100
		10-3420/50-3420	VENTURI TEE JET RETURN FITTING (FITS 23308)	23308-110-110
	46540000		GUNITE JET AMERICAN PRODUCTS™	23308-200-000
210-3330			VENTURI TEE #7 (1"S×1"SP×1"SP 3/4"S)	23309-000-000
		16-5749	4IN SWIM JET (SMOOTH; 1IN S × 1.5IN SP; 1IN AIR)	23312-000-000
212-9170			GUNITE SPA JET 1.5" MIP FITTING	23315-030-000
		10-2100	GUNITE SPA AIR CONTROL 1" S WHITE	25098-000-000
		10-2200	GUNITE SPA AIR CONTROL 1/2" S WHITE	25099-000-000
218-7650			GUNITE NICHE 5"	25580-000-070
215-6660			GUNITE JET WALL FITTING 5"	25580-000-080
425-5030			2-1/2" GUNITE JET NICHE WHITE	25580-000-090
210-3700			2.5" GUNITE BODY ASSY & NICHE WHITE	25580-090-000
			2.5" GUNITE STRAIGHT BODY ASSY LESS NICHE	25581-000-000
210-3830			2.5" GUNITE STRAIGHT BODY ASSY & NICHE WHITE	25581-090-000
210-8750			POWER JET INTERNAL WHITE	25582-000-000
210-9790			WHIRLPOOL JET INTERNAL WHITE	25583-000-000
218-1770A			JET TOOL	25590-000-000
210-6080			3" DIRECTIONAL GUNITE JET FACE PLATE WHITE	25591-210-000
210-6090			3" ROTATIONAL GUNITE JET FACE PLATE WHITE	25591-220-000
210-6070			3" PULSATOR GUNITE JET FACE PLATE WHITE	25591-230-000
210-6700			3" MASSAGE GUNITE JET FACE PLATE WHITE	25591-240-000
212-7600G			5" ROTATIONAL GUNITE FACE PLATE	25595-020-000
212-7740G			5" MASSAGE GUNITE JET FACE PLATE	25595-040-000
212-7610G			5" TWIN SPIN GUNITE JET FACE PLATE	25595-050-000
210-3400			2 INCH GUNITE MINI JET DIR WHT	25592-010-000
210-5830			FIBERGLASS JET 1" X 1" LESS INTERNAL	25594-100-000
210-5860			FIBERGLASS JET 1-1/2" X 1" LESS INTERNAL	25594-150-000

CROSS REFERENCE TO OTHER BRANDS | SKIMMERS

SKIMMERS & ACCESSORIES | PAGE 135

WATERWAY®	PENTAIR®	STA-RITE®	HYDRO AIR®	HAYWARD®	DESCRIPTION	CMP P/N
				SP10712FVA	SKIMMASTER WHT 2" FIP W/FLOAT VLV	25100-000-000
				SP1071210FVA	SKIMMASTER TAN 2" FIP & FLOAT VLV	25100-009-000
				SP10712	SKIMMASTER WHT 2" FIP	25100-010-000
				SP1071210	SKIMMASTER TAN LID/COLLAR 2" FIP	25100-019-000
				SP10712SFVA	SKIMMASTER WHT 2" S W/FLOAT VLV	25100-100-000
				SP10712S10FVA	SKIMMASTER TAN 2" S & FLOAT VLV	25100-109-000
				SP10712S	SKIMMASTER WHT 2" S	25100-110-000
				SP10712S10	SKIMMASTER TAN LID/COLLAR 2" S	25100-119-000
540-6610					WW RENEGADE 2"S/2.5"SP W/FLOAT VLV	25140-000-000
	08650-0079	08650-0079		SP1070FV	FLOAT VALVE ASSEMBLY	25140-000-700
542-3240					SKIMMER BASKET ASSEMBLY	25140-000-900
540-6510					WW RENEGADE 2"S/2.5"SP	25140-210-000
			10-6500		SPA STRIP SKIMMER	25245-000-000
				SP1099S	FRONT ACCESS SPA SKIMMER WHITE	25248-000-000
				SP1090	SKIMMER GRAY ABS ABV/GRND	25510-000-000
				SP1090WM	SKIMMER WIDE GRAY ABS ABV/GRND	25511-000-900
				SP1090WM	SKIMMER WIDE MTH ABS ABV/GRND	25511-001-900
				SP1091ES	SKIMMER 1.5"THRD W/PKG & PLATE	25512-000-950
				SP1090	SKIMMER GRAY ABS ABV/GRND	25512-001-950
				SP1082D	SKIMMER COVER SQUARE; WHITE	25538-000-000
540-6410					GUNITE SKIMMER 2"S/2.5"SP	25140-010-000
				SP1091ES	1.5" THREAD W/PKG & PLATE	25512-000-000
				SP1091	ABOVE GROUND SKIMMER BASKET	25512-000-900
				SP1082D	SKIMMER COVER	25538-000-000
				SP1084L	SKIMMER FACE PLATE (8.5IN × 10.75IN)	25540-000-010
				SP1084F	FACEPLATE TRIM COVER (8.5IN × 10.75IN)	25540-000-020
				SPX1085B	FACEPLATE WIDE MOUTH WHITE	25541-000-010
				SP1085F	WIDE FACEPLATE TRIM COVER WHITE	25541-000-020
				SP1070C	ROUND SKIMMER COVER U3 AND SP1070	25544-000-000
	85007400				SKIMMER LID ADMIRAL S20 WHITE	25544-500-000 ●
	85007430				SKIMMER LID S20 TAN	25544-509-000 ●
				SPX1070B	ROUND SKIMMER COVER COLLAR	25547-000-000
				SP1106 (IG)	SKIM-VAC W/GASKET (STRAIGHT)	25573-000-000
				SP11041	VACUUM PLATE 90 TWIST, 1.5"×1.25"	25573-410-000
				SP11051	VACUUM PLATE 1.5"×1.5"	25573-510-000
				SP11052	VACUUM PLATE 1.5"×1.25" 90DEG	25573-520-000
				SP11054	VACUUM PLATE 1.5"×1.5"×1.25"	25573-540-000
		WC37-503P			EXTENSION COLLAR (SR)	25526-000-000
				SP1084P1	EXTENSION COLLAR VINYL	25526-100-000
				SP1070P	EXTENSION COLLAR GUNITE	25526-200-000

● CMP part differs from OEM design. For details contact poolsales@c-m-p.com.

CHECK CROSS REFERENCES QUICKLY & EASILY ONLINE AT C-M-P.COM/SEARCH

CROSS REFERENCE TO OTHER BRANDS | DRAINS

PRODUCT CROSS REFERENCE

MAIN DRAINS & DRAIN ACCESSORIES PAGE 164								
WATERWAY®	PENTAIR®	STA-RITE®	HYDRO AIR®	HAYWARD®	S.R. SMITH™	ALADDIN®	DESCRIPTION	CMP P/N
			10-6204				175 GPM FG DRAIN	25215-000-000
				W400BWHP			VAC-LOCK 1.5" WHITE	25505-000-000
				W400BLGP			VAC-LOCK 1.5" GRAY	25505-001-000
640-1360V							32" DRAIN W/BODY	25506-320-000
640-1370V							32" DRAIN W/FRAME	25506-320-100
	WGX1048E			WGX1048E			8" DRAIN COVER	25507-100-000
							9"×9" FRAME & GRATE	25508-090-000L
				WG1032PAK2			12"×12" FRAME & GRATE	25508-120-000L
				WG1033PAK2			18"×18" FRAME & GRATE	25508-180-000L
640-2550					B-43		SHALLOW GNT DRAIN	25513-500-000
				SP1048AV*			VINYL LINER DRAIN	25515-000-000
				SP1049AV			VINYL LINER DRAIN	25515-000-000
640-2920							SHALLOW GUN. DRAIN	25516-500-000
640-2320	542031						1.5"S PORTS DRAIN	25517-500-000
				SP1054AV			GNT DRAIN	25519-000-000
				SP1051AV			GNT DRAIN (1.5" × 1.5")	25519-000-000
				SP1052AV			GNT DRAIN (2" × 1.5")	25519-000-000
				SP1053AV			GNT DRAIN (1.5" × 2")	25519-000-000
		07017-0103					2"× 1.5" SUMP	25520-000-000
		07017-0093					2" SIDE PORT SUMP	25521-000-000
		WC37-503P					EXT COLLAR (SR)	25526-000-000
				SP1084P1			VINYL EXT COLLAR	25526-100-000
				SP1070P			GNT EXT COLLAR	25526-200-000
				SP1030AV			7-7/8" FRAME & GRATE	25531-000-000
				SP1048B			VINYL LINER RING	25532-000-000
640-2900	540063			SP1019			GUTTER DRAIN 2" × 4"	25533-000-000
640-2800				SP1019BA			GRATE 2" × 4"	25533-000-010
	542038						3-BAR GRATE & FRAME	25533-200-000
				SP1030AV			8" LID & FLAT FRAME	25537-000-000
640-2310	86105000						8" A/V LID & FRAME	25539-500-000
					WRB-101A		1.5"S DRAIN & A/V LID	25562-600-000
				SP1056			HYDRO. RELIEF VALVE	25620-000-000

CHECK CROSS REFERENCES QUICKLY & EASILY ONLINE AT C-M-P.COM/SEARCH

CROSS REFERENCE TO OTHER BRANDS | FITTINGS

PRODUCT CROSS REFERENCE

UNIONS PAGE 175						
WATERWAY®	HYDRO AIR®	HAYWARD®	PRAHER	DESCRIPTION	CMP P/N	
400-4060				1.5" PUMP UNION	21021-000-000	
400-5570				2" PUMP UNION	21023-000-000	
400-3090	11-3440			SELF ALIGNING 1.5" S × S UNION	21049-150-000	
400-5090	11-3460			SELF ALIGNING 2" S × S UNION	21049-200-000	
		SP14952S		FLUSH UNION 1.5"/2"	21053-150-000	
		SP14982S		FLUSH UNION 2" SLIP × SLIP PVC	21053-200-000	
		SP1480		MALE UNION 1.5" MIP × MIP ABS	21054-150-000	
		SP14953S		FLUSH UNION 1.5" MIP × 1.5" S ABS	21055-150-000	
		SP1484		MALE UNION 1.5" MIP × 1.5" S ABS	21056-150-000	
		SP1485		FLUSH UNION 1.5"MIP×MIP SWEEP 90	21057-150-000	
		SP1493		ECONO UNION 1.5" BARB × MIP ABS	21058-000-000	
		SP1482		FLUSH UNION 1.5" MIP × SP ABS	21059-150-000	
			150-906	HI-TEMP UNION 1.5" MIP × S	21063-150-000	
			215-906	HI-TEMP UNION 2" S × 1.T" MIP	21063-160-000	
			150-903	UNION 1.5" MIP × S	21063-170-000	
			200-906	HI-TEMP UNION 2" MIP × S	21063-200-000	
			200-903	UNION 2" MIP × S	21063-210-000	
			225-9061	2" MIP × 2.5IN S UNION HIGH TEMP	21063-250-000	
400-4481-CPVC				SWIVEL UNION	21063-284-000	
			200-996	2" MIP × 2" 90° UNION HIGH TEMP	21063-290-000	
			075-906	3/4" MIP × 3/4" S UNION HIGH TEMP	21063-750-000	
				UNION KIT (RAYPAK 006723F)	21063-801-000	
			215-906	EXT. UNION 2" S × 1.5" MIP HIGH TEMP	21063-164-000	
			200-9061	EXT. UNION 2" MIP × S HIGH TEMP	21063-204-000	
			225-9061	2" MIP × 2.5" S UNION HIGH TEMP	21063-250-000	

REPAIR FITTINGS & ADAPTERS PAGE 178						
WATERWAY®	PENTAIR®	HAYWARD®	MAGIC PLASTICS	POOL TOOL	DESCRIPTION	CMP P/N
417-6060		SPX1091Z7			HOSE ADAPTER COMBO 1.5"/1.25"	21093-000-000
		SPX1091Z14			HOSE ADAPTER 1.5"	21093-150-000
418-3000			0301-10		PIPE EXTENDER 1"	21181-100-000
418-5000			0301-15		PIPE EXTENDER 1-1/2"	21181-150-000
418-6000			0301-20		PIPE EXTENDER 2"	21181-200-000
418-7000			0301-25		PIPE EXTENDER 2-1/2"	21181-250-000
			0301-30		PIPE EXTENDER 3"	21181-300-000
			0301-40		PIPE EXTENDER 4"	21181-400-000
418-2000			0301-07		PIPE EXTENDER 3/4"	21181-750-000
429-2000			0303-15		FITTING EXTENDER 1-1/2"	21182-150-000
429-2010			0303-20		FITTING EXTENDER 2"	21182-200-000
419-4100			0302-10		INSIDE PIPE COUPLER 1"	21183-100-000
419-4110			0302-15		INSIDE PIPE COUPLER 1-1/2"	21183-150-000
419-4120			0302-20		INSIDE PIPE COUPLER 2"	21183-200-000

CROSS REFERENCE TO OTHER BRANDS | RETURNS

REPAIR FITTINGS & ADAPTERS | PAGE 197

WATERWAY®	PENTAIR®	HAYWARD®	MAGIC PLASTICS	POOL TOOL	DESCRIPTION	CMP P/N
	79200200				VNL LIGHT RING 10 HOLE; CHROME	25549-002-000
		SPX0507A1			LIGHT FRONT FRAME	25549-200-000
				PT132	LIGHT WEDGE	25549-600-000

RETURNS, INLETS & WALL FITTINGS | PAGE 129

WATERWAY®	PENTAIR®	STA-RITE®	HYDRO AIR®	HAYWARD®	DESCRIPTION	CMP P/N
			10-3500		DIR WF ASSY (1.5" MIP; 3.5" FACE) LESS NUT	23300-200-000
			10-3100		DIR WF ASSY (1.5" MIP; 3.5" FACE) W/NUT	23300-210-000
			10-3600		DIR WF EXT THREADS (1.5" MIP) W/EYE LESS NUT	23300-240-000
			10-3300		DIR WF EXT THREADS (1.5" MIP) W/EYE & NUT	23300-250-000
400-9160B				SP1408	IG VINYL INLET WF 1.5"	25522-000-000
				SP1023S*	VINYL FITTING 1.5" S, 2" MIP	25522-500-000
215-9150	542405			SP1022S	GUNITE WALL FITTING 1.5" S	25523-100-000 ●
215-9890	542423				GNT INSIDER WALL FITTING 2" x 1.5" FIP	25524-200-000
				SP1425S	FLOOR INLET FITTING 1.5" S x 2" MIP	25527-000-000
				SPX1425B	FLOOR INLET FITTING COVER WHITE	25527-000-030
		08417-0000			FLOOR INLET FITTING 2" S W/1.5" REDUCER	25527-100-000
		08417-0005E			FLOOR INLET FITTING COVER WITH SCREW	25527-100-100
		08429-0000			INLET FITTING COMPLETE SQ	25606-000-000
		08428-0125			INLET FITTING REPLACEMENT KIT	25606-100-000
	542002				INLET FITTING INSIDER 1.5"	25609-300-000
	542003				INLET FITTING INSIDER 1.5" (BLACK)	25609-304-000
				SP1022*S	INSIDER WF 1.5" FIP FACE x 1.5" INSIDER	25529-150-000
218-1430				SPX1408B	IG VNL RETURN FACE PLATE - NO THREAD	25545-000-000
				SPX1411B	IG VNL RETURN FACE PLATE - THREADED	25546-000-000
400-9170B				SP1023	VINYL POOL INLET/OUTLET FITTING (1.5" FIP)	25550-000-000
	542404			SP1022	GUNITE WALL FITTING, THREADED	25550-000-060 ●
			10-3807		2" LOCK NUT FOR WALL FITTING	25550-050-010
				SP1419T	INLET SEAT REMOVAL TOOL	25551-000-100
400-1420D				SP1421D	INSIDER FITTING 3/4" EYE	25551-300-000
400-1420E				SP1421E	INSIDER FITTING 1" EYE	25551-400-000
400-1410A				SP1419A	H-STREAM SLOTTED EYE 1.5" MIP	25552-000-000
400-1410B				SP1419B	H-STREAM 3/8" EYE 1.5" MIP	25552-100-000
400-1410C				SP1419C	H-STREAM 1/2" EYE 1.5" MIP	25552-200-000
400-1410D	540021			SP1419D	H-STREAM 3/4" EYE 1.5" MIP	25552-300-000
400-1410E	540028			SP1419E	H-STREAM 1" EYE 1.5" MIP	25552-400-000
				SP1418D	H-STREAM 3/4" FLANGE 1.5" EYE 1.5" MIP	25553-300-000
				SP1422D	H-STREAM 3/4" FLANGE 1.5" EYE INSIDER	25553-350-000
				SP1418E	H-STREAM 3/4" FLANGE 1" EYE 1.5" MIP	25553-400-000
				SP1422E	H-STREAM 3/4" FLANGE 1" EYE INSIDER	25553-450-000

● CMP part differs from OEM design. For details contact poolsales@c-m-p.com.

CHECK CROSS REFERENCES QUICKLY & EASILY ONLINE AT C-M-P.COM/SEARCH

CROSS REFERENCE TO OTHER BRANDS | ACCESS.

RETURN FITTINGS & ACCESSORIES | PAGE 169

WATERWAY®	PENTAIR®	HAYWARD®	DESCRIPTION	CMP P/N
400-9190	86204200		FLUSH MOUNT RETURN FITTING 1.5" INSIDER / 1" S	25555-000-000
		SP1430	JET AIR FITTING PVC	25556-000-000
		SP1420	HYDROSTREAM FITTING W/ BLUE NOZZLE	25556-100-000
		SP1433S	JET AIR FITTING KIT PVC	25556-300-000
400-9390P			RETURN FTG FLUSH MOUNT	25557-000-000
	86201500		AERATOR INLET WHT 3/4"	25558-000-000
550-9230			RETURN FITTING SELF ALIGN AUSSIE 1.5" INSIDER	25559-000-000
550-9231			RETURN FITTING SELF ALIGN AUSSIE 1.5" INSIDER	25559-004-000
400-9180	542000		1" INSIDER FITTING	25559-110-000 ●
602-3160B		SP1026	GRATE INSERT 1.5" MIP	25560-000-000
429-3010			WATER STOP 1.5"	25574-000-000
429-3000			WATER STOP 1"	25574-100-000
429-3020			WATER STOP 2"	25575-000-000

POOL ACCESSORIES | PAGE 188

WATERWAY®	PENTAIR®	HAYWARD®	S.R. SMITH™	POOL TOOL	DESCRIPTION	CMP P/N
		SP1434TP			TEST PLUG ABS	25528-000-000
400-4140	552572	SP1022B			FLAT PLUG W/ GASKET 1.5" MIP	25542-000-000
400-6600	552417	SP1022C			PLUG W/ O-RING	25543-000-000
			LTDF-101		LADDER TREAD 19"	25562-000-000
			A42073-0		LADDER TREAD 20"	25562-100-000
			WRB-100A		RUBBER BUMPER MALE	25562-500-000
			60-702		ELITE LADDER BOLT LIT	25562-720-000
			60-704		ECONOMY LADDER BOLT KIT	25562-740-000
400-9290	86201200				ROPE ANCHOR & PLASTIC PIN	25567-000-000
	542044	SP1040			ROPE ANCHOR & SS PIN	25568-000-000
540-6700					V-BALL POLE SLEEVE & CAP ASSY	25570-100-000
519-6710					V-BALL POLE CAP & FLUSH CAP	25571-000-000
429-4010	542049	SP1041			5" LADDER ESCUTCHEON WHT	25572-000-000
	542048	SP1042			5" LADDER ESCUTCHEON CHR	25572-002-000
			EP-200-PW		CLIP-ON LADDER ESC WHT	25572-200-000
			EP-200-SG		CLIP-ON LADDER ESC GR	25572-201-000
			EP-200-MC		CLIP-ON LADDER ESC CHR	25572-202-000
				PT139	CABLE SAW 36"	58308-100-000
	86300100				6" VALVE LID & RING WHITE	25840-000-000
	86300130				6" VALVE LID & RING TAN	25840-009-000
			AS-100P		6" PLASTIC ANCHOR	25572-600-000
				PT104A	ZINC SKIMMER BASKET PUCK	25810-009-950
				PT104D	ZINC ANODE TEE	25810-400-050
				PT110	PUMP LID WRENCH	25300-100-000

● CMP part differs from OEM design. For details contact poolsales@c-m-p.com.

CHECK CROSS REFERENCES QUICKLY & EASILY ONLINE AT C-M-P.COM/SEARCH

CROSS REFERENCE TO OTHER BRANDS | PARTS

PRODUCT CROSS REFERENCE

POOL ACCESSORIES | PAGE 179

WATERWAY®	PENTAIR®	STA-RITE®	HAYWARD®	ALADDIN®	DESCRIPTION	CMP P/N
			SP1392		ANCHOR SOCKET	25572-400-000 ●
532-2010B		039880000			WALL STEP (SET OF 3)	25578-000-000
			EC 10-SC	ALD300	DE SCOOP - 1LB ORANGE	25600-009-000
	R171074				FLOATING DISPENSER BLUE	27052-019-000
	R171090				FLOATING DISPENSER TAN	27052-029-000
	R211084		W530		LEAF CANISTER & NET	58309-000-000 ●

OEM REPLACEMENT PARTS | PAGE 197

PENTAIR®	STA-RITE®	HAYWARD®	VAL-PAK	JANDY®	PRAHER	DESCRIPTION	CMP P/N
		SP1074S				IN-LINE SIGHT GLASS 2"	25625-200-000
		SP1072S				IN-LINE SIGHT GLASS 2"	25625-350-000
354530						PUMP STRAINER	25302-054-000
	C3-139P1					CLEAR STRAINER COVER	25304-000-020
355301						CLEAR STRAINER COVER	25305-000-020
		SPX1500DA				CLEAR STRAINER COVER	25306-000-020
354531						CLEAR STRAINER COVER	25307-000-020
R172008W						CHLOR LID	25307-500-020
	C1-200PA					PUMP DIFFUSER W/O-RING	25356-100-000
355468						PUMP HOUSING	25357-004-000
154699						PLUG 1/4"	25357-054-000
154689						AIR RELEASE TEE VALVE	25357-154-000
		DEX2400S				AIR RELEASE TEE VALVE	25357-240-000
074564						SEAL PLATE, WHISPERFLO®	25357-300-000
59023700						DE MANIFOLD TOP	25357-600-000
			V38-140			DE MANIFOLD	25357-600-000
		DEX2400C				DE MANIFOLD TOP	25357-700-000
			V60-105			DE MANIFOLD	25357-700-000
		CX3000C				CARTRIDGE MANIFOLD BOTTOM	25357-750-000
			V60-550			CARTRIDGE MANIFOLD	25357-750-000
						DE MANIFOLD PUREX 2000 SERIES	25357-624-000
		CX3030C				CARTRIDGE MANIFOLD TOP	25357-760-000
		CX5030C				CARTRIDGE MANIFOLD TOP	25357-770-000
				R0359000		DE MANIFOLD	25357-800-000
			V38-141			DE MANIFOLD TEMPLATE	25357-100-000
				R0357600		CARTRIDGE MANIFOLD	25357-850-000

● CMP part differs from OEM design. For details contact poolsales@c-m-p.com.

CHECK CROSS REFERENCES QUICKLY & EASILY ONLINE AT C-M-P.COM/SEARCH

CROSS REFERENCE TO OTHER BRANDS | PARTS

PRODUCT CROSS REFERENCE

OEM REPLACEMENT PARTS | PAGE 116

PENTAIR®	VAL-PAK	JANDY®	ALADDIN®	PRAHER	DESCRIPTION	CMP P/N
98209800					AIR RELEASE TEE VALVE	25357-982-000 ●
154687					AIR RELEASE TEE VALVE	25357-983-000
273550					AIR RELEASE VALVE W/GAUGE	25357-273-550
273564					AIR RELEASE VALVE W/GAUGE	25357-273-564
		1307			O-RING SHAFT	26100-171-024
				PRVN224	O-RING OUTSIDE 1.5" UNION	26100-470-400
				PRVN331	O-RING OUTSIDE 2" UNION	26100-590-500
		1132			O-RING DIVERter COVER	26100-780-250
073126	V20-201				WHISPERFLO® STYLE IMPELLER 1/2 HP	25305-126-000
073127	V20-202				WHISPERFLO® STYLE IMPELLER 3/4 HP	25305-127-000
073128	V20-203				WHISPERFLO® STYLE IMPELLER 1 HP	25305-128-000
073129	V20-204				WHISPERFLO® STYLE IMPELLER 1-1/2 HP	25305-129-000
073130	V20-205				WHISPERFLO® STYLE IMPELLER 2 HP	25305-130-000
073131	V20-206				WHISPERFLO® STYLE IMPELLER 2-1/2 HP	25305-131-000
	V20-068				ORTEGA VALVE 2 INCH SEAT ASSY	25356-502-000
074564	V20-208				WHISPERFLO® STYLE PUMP SEAL PLATE	25357-300-000
			933		WEIR DOOR 5-7/8"	25141-170-000
			923		WEIR DOOR 6"	25141-200-000
			924		WEIR DOOR 7"	25141-300-000
			934		WEIR DOOR 7-1/4"	25141-320-000
			935		WEIR DOOR 7-5/8"	25141-350-000
			936		WEIR DOOR 7-13/16"	25141-360-000
			925		WEIR DOOR 8"	25141-400-000
			937		WEIR DOOR 8-1/8"	25141-410-000
			938		WEIR DOOR 8-3/8"	25141-440-000
			939		WEIR DOOR 8-1/2"	25141-450-000
			926		WEIR DOOR 9"	25141-500-000
			940		WEIR DOOR 9-3/8"	25141-540-000
			927		WEIR DOOR 10"	25141-600-000
			928		WEIR DOOR 11"	25141-700-000
			929		WEIR DOOR 12"	25141-800-000
	V38-136				HEAVY DUTY PRO SERIES AP FLOATING WEIR	27182-038-000

CROSS REFERENCE TO OTHER BRANDS | BASKETS

SKIMMER REPLACEMENT BASKETS | PAGE 207

WATERWAY®	PENTAIR® / STA-RITE®	KAFKO™	HAYWARD®	VAL-PAK	ALADDIN®	DESCRIPTION	CMP P/N
	08650-0007		SPX1070E		B-9	U-3 BASKET	27180-009-000
			SP1070	V22-110	B-9	HD U3 BASKET	27182-009-000
	R38013A	850001			B-37	AP BASKET	27180-037-000
	R38013A	850001			B-37	HD AP BASKET	27182-037-000
	R38013B	850012			B-38	FLOATING WEIR	27180-038-000
					B-39	SKIMMER BASKET	27180-039-000
	513036				B-43	SKIMMER BASKET	27180-043-000
					B-99	INVERTED BASKET	27180-099-000
340-1139					B-136	SKIMMER BASKET	27180-136-000
			SPX1082CA		B-152	1082 BASKET	27180-152-000
			SPX1082CA	V60-555	B-152	HD 1082 BASKET	27182-152-000
			SPX1082D			SUPPORT RING	27182-152-300
			SPX1096CA		B-168	1096 BASKET	27180-168-000
		19-0163-1				SKIMMER BASKET	27180-163-000
	S-20				B-200	S20 BASKET	27180-200-000
	S-20				B-200	HD AP BASKET	27182-200-000
			SPX1094FA		B-203	1094 BASKET	27180-203-000
542-3240						HD SKIMMER BASKET	27182-019-000
	R211526		W530	V50-600	B-204	LEAF TRAP BASKET	27182-020-000

PUMP REPLACEMENT BASKETS | PAGE 207

PENTAIR®	STA-RITE®	HAYWARD®	VAL-PAK	ALADDIN®	DESCRIPTION	CMP P/N
91110000	C108-33P			B-33	5" PUMP BASKET	27180-033-000
				B-36	6" PUMP BASKET	27180-036-000
				B-106	5" PUMP BASKET	27180-106-000
		SPX1600M		B-167	SUPER BASKET	27180-167-000
		SPX1600M	V60-500	B-167	HD BASKET	27182-167-000
070387				B-199	PUMP BASKET	27180-199-000
070387			V20-200	B-199	HD PUMP BASKET	27182-199-000
		SPX3000M		B-207	PUMP BASKET	27180-207-000
		SPX3000M	V60-300	B-207	HD BASKET	27182-207-000
	C8-58P			B-215	PUMP BASKET	27180-215-000
355318			V36-192	B-219	HD BASKET	27180-219-000 ●
		SPX1500LX		B-220	PUMP BASKET	27180-220-000
		SPX2800M			PUMP BASKET	27180-280-000
355667					PUMP BASKET	27180-355-000
			V26-370	B-215	HD BASKET	27182-215-000

● CMP part differs from OEM design. For details contact poolsales@c-m-p.com.

CHECK CROSS REFERENCES QUICKLY & EASILY ONLINE AT C-M-P.COM/SEARCH

CROSS REFERENCE TO OTHER BRANDS | CLEANERS

AUTO CLEANER PARTS | PAGE 200

PENTAIR®	ZODIAC® / POLARIS®	DESCRIPTION	CMP P/N
EB5L	B5	4' SWEEP HOSE	25563-005-000
EB10	B10	SWEEP HOSE WEAR RING	25563-010-000
	9-100-1017	BELT KIT	25563-017-000
EC120	C120	7 1/2" TURBINE HOSE	25563-020-000
EB25	B25	ORIFICE TIP GUARD	25563-025-000
	D29	UWF CONNECTOR BODY AND O-RING	25563-029-000
LL209	G5	30' COMPLETE HOSE KIT (NO BACK UP VALVE)	25563-040-000
D50	D45	10' LEADER HOSE	25563-040-100
D45	D50	10' FEED HOSE	25563-040-200
E10	G52	BACK UP VALVE	25563-052-000
H2	9-100-1200	BACK UP VALVE 360	25563-052-360
	48-080	IN LINE FILTER	25563-080-000
	C86	CLEANER DRIVE SHAFT	25563-086-000
	9-100-1132	CLEANER DRIVE TRAIN GEAR KIT	25563-089-000
	D10	HOSE FLOAT, SINGLE, WHITE	25563-100-000
	D11	HOSE FLOAT, SINGLE, BLACK	25563-104-000
EB15	B15	HOSE FEED CLAMP	25563-110-000
ED15	D15	HOSE FEED NUT	25563-115-000
EA20	A20	FLOAT HEAD	25563-120-000
	P-133	PUMP SOFTUBE QUICK CONNECT	25563-133-000
EW22	9-100-9001	UWF CONNECTOR ASSEMBLY	25563-150-000
	9-100-1002	UWF CONNECTOR VALVE	25563-150-100
E24	6-504-00	UWF CONNECTOR SCREEN	25563-150-200
	9-100-3009	PRESSURE RELIEF VALVE 360	25563-150-210
	9-100-3008	PRESSURE RELIEF VALVE 360	25563-150-360
	9-100-3011	PRESSURE RELIEF VALVE BLACK 360	25563-154-210
	9-100-3010	CLEANER UWF CONNECTOR ASSY 360	25563-154-360
E23	6-500-00	WALL FITTING CONNECTION	25563-160-000
EC65	C65	LARGE AXLE FOR REAR WHEEL	25563-170-000
D05	D20	HOSE SWIVEL	25563-200-000
	D20 (4PK)	HOSE SWIVEL FOUR PACK	25563-240-000
	C60	C60 BEARING SINGLE PACK	25563-250-000
EC80	C80	TURBINE BEARING	25563-260-000
EC60	C60 (8PK)	C60 BEARING EIGHT PACK	25563-280-000
	9-100-3105	SWEEP HOSE END SCRUB	25563-300-000
	R05224	TAILFLOW® EXTENDED REPLACEMENT SCRUBBER	25563-300-110

NOTE: Many cleaner parts are also available in black. See page 201 for complete product availability list.

CHECK CROSS REFERENCES QUICKLY & EASILY ONLINE AT C-M-P.COM/SEARCH

CROSS REFERENCE TO OTHER BRANDS | CLEANERS

AUTO CLEANER PARTS PAGE 201			
PENTAIR®	ZODIAC® / POLARIS®	DESCRIPTION	CMP P/N
	9-100-3105	SWEEP HOSE END SCRUB FINE PACK	25563-300-500
EC10	C10	CLEANER WHEEL TIRE	25563-310-000
	C11	CLEANER WHEEL TIRE, BLACK	25563-314-000
	9-100-1008	WHEEL DOUBLE W/ E-CLIP & HUB CAP, WHITE	25563-340-000 ●
	9-100-1114	WHEEL HUB CAP WHITE	25563-340-030
	9-100-1004	WHEEL DOUBLE W/ E-CLIP & HUB CAP, BLACK	25563-344-000 ●
	9-100-1115	WHEEL HUB CAP BLACK	25563-344-030
	9-100-1116	WHEEL SINGLE W/ E-CLIP & HUB CAP, WHITE	25563-350-000 ●
	9-100-1117	WHEEL SINGLE W/ E-CLIP & HUB CAP, BLACK	25563-354-000 ●
EC6L	C6	WHEEL, WHITE	25563-360-000 ●
	C7	WHEEL, BLACK	25563-364-000 ●
EC55	C55	WHEEL SCREW WHITE	25563-370-000
	C56	WHEEL SCREW BLACK	25563-374-000
EC64	C64	WHEEL WASHER WHITE	25563-380-000
	C67	WHEEL WASHER BLACK	25563-384-000
ED10P	D10	HOSE FLOAT WHITE (4 PK)	25563-400-000
	C16	SMALL WHEEL	25563-460-000
	W46666	DISC BLUE (BARACUDA® STYLE)	25563-809-000
	W69698	DIAPHRAGM; STRAIGHT (BARACUDA® STYLE)	25563-810-000
	W81600	DIAPHRAGM RING (BARACUDA® STYLE)	25563-810-100
	W70327	FOOT PAD (BARACUDA®)	25563-820-000
	A16	180 STYLE BAG, VELCRO®	58307-180-000
	K16	280 STYLE BAG, VELCRO®	58307-280-200 ●
	9-100-1014	360/380 STYLE BAG, VELCRO®	58307-380-000

NOTE: Many cleaner parts are also available in black. See page 201 for complete product availability list.

● *CMP part differs from OEM design. For details contact poolsales@c-m-p.com.*

CHECK CROSS REFERENCES QUICKLY & EASILY ONLINE AT C-M-P.COM/SEARCH

FOR CROSS REFERENCE PAGE INDEX SEE PG 288

PART#	PG	PART#	PG	PART#	PG	PART#	PG
9-0150E	90	21063-200-000	174	21184-750-000	178	23308-904-242	133
9-0210-11	90	21063-200-900	216	23300-000-000	129	23308-910-000	133
9-0210E	90	21063-204-000	174	23300-030-000	129	23308-930-000	132
21003-000-000	176	21063-210-000	175	23300-040-000	129	23309-000-000	128
21003-100-000	176	21063-225-000	176	23300-100-000	129	23310-000-000	129
21004-000-000	177	21063-230-000	174	23300-200-000	129	23312-000-000	130, 224
21004-150-000	177	21063-250-000	174	23300-200-040	129, 171	23315-030-000	127
21005-000-000	177	21063-280-000	175	23300-210-000	129	23315-030-200	127
21006-000-000	177	21063-284-000	174	23300-220-000	129	23315-100-000	21, 127
21007-000-000	177	21063-290-000	174	23300-240-000	129	23315-240-000	127
21010-000-000	177	21063-330-000	176	23300-250-000	129	23315-240-200	127
21010-200-000	177	21063-350-000	176, 214	23300-300-000	129	23315-300-000	127
21013-000-000	177	21063-750-000	174	23300-450-000	129	23315-300-200	127
21013-200-000	177	21063-801-000	176, 214	23301-000-000	129	23315-340-000	127
21021-000-000	175, 216	21093-000-000	187	23301-000-030	128, 129	23315-340-200	127
21023-000-000	175, 216	21093-150-000	187	23302-000-000	129	23551-660-000	130, 224
21044-000-000	177	21093-160-000	144, 187	23302-000-040	128, 133	23551-699-999	130
21046-000-000	176	21093-900-000	144, 187	23302-100-040	128, 133	25062-000-000	110
21047-000-000	176	21097-150-000	177	23304-000-000	128	25062-150-000	110
21048-000-000	176	21097-200-000	177	23304-000-040	128	25062-159-000	110
21049-150-000	176	21098-150-000	177	23304-100-000	128	25062-209-000	110
21049-200-000	176	21098-200-000	177	23305-000-000	129	25067-000-000	110
21049-200-500	239	21105-000-000	177	23306-100-000	128	25098-000-000	131
21053-150-000	175	21106-000-000	177	23306-100-020	128	25099-000-000	131
21053-200-000	175	21181-100-000	178	23306-120-000	128	25140-000-000	137
21054-150-000	175	21181-150-000	178	23306-120-020	128	25140-000-700	144
21055-150-000	175	21181-200-000	178	23307-000-000	128	25140-000-900	207
21056-150-000	175	21181-250-000	178	23307-100-000	128	25140-001-000	137
21058-000-000	175	21181-300-000	178	23307-200-000	128	25140-009-000	137
21058-100-000	175	21181-400-000	178	23308-000-000	128	25140-009-100	137
21058-200-000	175	21181-750-000	178	23308-000-100	128	25140-009-900	137
21058-300-000	175	21182-150-000	178	23308-100-000	128	25140-010-000	137
21059-150-000	175	21182-200-000	178	23308-100-020	128, 133	25140-010-002	137
21062-154-000	216	21182-220-000	178	23308-100-040	128	25140-010-500	137
21063-100-000	174	21182-250-000	178	23308-100-050	128, 133	25140-011-100	137
21063-150-000	174	21183-100-000	178	23308-100-100	128	25140-011-102	137
21063-154-000	174	21183-150-000	178	23308-110-110	128	25140-011-500	137
21063-160-000	174	21183-200-000	178	23308-200-000	128	25140-014-400	137
21063-164-000	174	21184-100-000	178	23308-200-030	128	25140-017-700	137
21063-170-000	175	21184-150-000	178	23308-900-000	133	25140-019-000	137
21063-179-000	175	21184-200-000	178	23308-900-202	133	25140-019-002	137
21063-180-000	175	21184-230-000	178	23308-900-240	133	25140-019-100	137
21063-189-000	175	21184-250-000	178	23308-901-240	133	25140-019-102	137

PART#	PG	PART#	PG	PART#	PG	PART#	PG
25140-019-500	137	25141-400-000	145	25248-000-051	143	25305-074-000	215
25140-019-700	137	25141-410-000	145	25248-020-000	143	25305-086-000	215
25140-019-900	137	25141-440-000	145	25248-920-000	143	25305-093-000	215
25140-019-902	137	25141-450-000	145	25251-000-500	214	25305-126-000	215
25140-050-000	137	25141-500-000	145	25251-100-000	188	25305-127-000	215
25140-059-000	137	25141-540-000	145	25251-110-000	188	25305-128-000	215
25140-210-000	137	25141-600-000	145	25251-120-000	188	25305-129-000	215
25140-210-500	137	25141-700-000	145	25251-130-000	188	25305-130-000	215
25140-211-100	137	25141-800-000	145	25280-100-000	100	25305-131-000	215
25140-211-500	137	25160-010-000	138	25280-107-100	98	25305-605-000	215
25140-214-400	137	25160-010-001	138	25280-109-000	100	25305-607-000	215
25140-214-500	137	25160-010-060	146	25280-110-000	100	25305-610-000	215
25140-217-500	137	25160-010-200	138	25280-120-000	100	25305-615-000	215
25140-217-700	137	25160-010-900	140	25280-150-000	98	25305-621-000	215
25140-219-000	137	25160-020-000	138	25280-160-000	98	25306-000-020	216
25140-219-100	137	25160-110-000	138	25280-200-000	100	25307-000-020	216
25140-219-500	137	25160-110-030	146	25280-200-999	214	25307-500-020	214
25140-219-700	137	25160-110-200	138	25280-300-000	101	25355-004-000	215
25140-219-900	137	25160-110-900	140	25280-300-300	101	25356-100-000	215
25140-239-000	137	25160-110-920	140	25280-300-900	101	25356-502-000	214
25140-250-000	137	25160-120-000	138	25280-300-990	101	25357-004-000	215
25140-259-000	137	25160-150-000	138	25280-309-000	101	25357-054-000	216
25140-259-100	137	25160-150-900	140	25280-309-300	101	25357-100-000	209
25140-500-000	139	25160-150-920	140	25280-310-000	101	25357-154-000	116, 214
25140-500-110	139	25160-154-920	140	25280-310-300	101	25357-240-000	116
25140-501-100	139	25160-210-000	138	25280-400-000	100	25357-273-003	116
25140-509-000	139	25160-230-000	138	25280-410-000	98, 100	25357-273-550	116
25140-509-100	139	25160-240-000	138	25280-615-000	102	25357-273-564	116
25140-509-900	139	25160-410-900	140	25280-615-200	102	25357-300-000	215
25140-510-000	139	25160-450-900	140	25280-615-300	102	25357-357-000	116
25140-510-500	139	25160-510-000	139	25280-615-600	102	25357-600-000	209
25140-511-100	139	25160-511-100	139	25300-004-000	216	25357-624-000	209
25140-511-500	139	25160-610-000	139	25300-004-070	176	25357-700-000	209
25140-519-000	139	25160-611-100	139	25300-100-000	187, 216	25357-750-000	209
25140-520-000	139	25180-200-950	194	25300-200-000	186	25357-760-000	209
25140-529-000	139	25207-700-000	164	25301-004-000	216	25357-770-000	209
25141-160-000	145	25207-700-900	164	25301-004-070	176	25357-800-000	209
25141-170-000	145	25207-800-000	164	25302-054-000	216	25357-850-000	209
25141-200-000	145	25215-000-000	164	25304-000-020	216	25357-982-000	116
25141-300-000	145	25215-000-003	164	25305-000-020	216	25357-983-000	116
25141-320-000	145	25215-900-000	164	25305-043-000	215	25376-007-005	28
25141-350-000	145	25248-000-000	143	25305-067-000	215	25391-000-000	28
25141-360-000	145, 208	25248-000-040	143	25305-068-000	215	25391-200-000	28

PART#	PG	PART#	PG	PART#	PG	PART#	PG
25392-000-000	28	25504-650-000	28	25519-000-000	156, 224	25540-100-000	147
25398-010-000	177, 194	25505-000-000	187	25520-000-000	157	25540-200-000	148
25500-100-015	52	25506-320-000	152, 224	25520-040-000	188	25540-200-200	148
25500-104-007	235	25506-320-030	152	25520-050-020	150, 188	25541-000-010	146
25501-000-800	177	25506-320-100	152	25521-000-000	157	25541-000-020	146
25501-000-900	177	25506-320-150	152	25522-000-000	171	25541-100-000	147
25501-020-800	177	25506-320-800	152	25522-100-000	171	25541-200-000	148
25501-020-900	177	25506-320-900	152	25522-500-000	171	25541-200-200	148
25501-100-000	177	25506-330-000	150	25523-000-000	171	25541-300-010	208
25501-100-800	177	25506-330-800	150	25523-100-000	133, 171	25542-000-000	188
25501-100-900	177	25506-330-900	150	25523-500-000	171	25542-500-000	188
25501-120-800	177	25506-334-020	150	25523-500-100	171	25543-000-000	188
25501-120-900	177	25507-000-000	157	25523-500-200	171	25544-000-000	142
25503-000-000	27	25507-100-000	156, 208	25523-600-000	171	25544-020-010	142
25503-050-000J	46	25508-090-000L	154	25523-600-200	171	25544-030-010	142
25503-100-040	47	25508-090-010	154	25523-700-000	171	25544-500-000	214
25503-110-999	47	25508-120-000L	154	25523-750-000	132	25544-500-100	214
25503-300-460	45	25508-120-011	154	25523-900-000	188	25544-509-000	214
25503-460-025	45	25508-180-000L	154	25524-200-000	171	25544-900-000	142
25503-460-025P	45	25511-000-900	143	25525-000-000	188	25545-000-000	171
25503-500-025	51	25512-000-900	207	25527-000-000	170	25545-100-000	147, 171
25503-509-400	52	25512-000-950	143	25527-000-030	170	25545-300-000	208
25503-510-000	52	25512-000-991	207	25527-100-000	170	25545-300-800	208
25503-510-100	52	25513-250-020	188	25527-100-100	170	25545-300-850	208
25503-510-200	52	25513-260-000	162	25528-000-000	188	25546-000-000	171
25503-510-220	52	25513-300-020	188	25529-150-000	171	25548-100-000	147, 158
25503-510-300	52	25513-400-000	162	25531-000-000	157	25548-300-000	208
25503-510-500	52	25513-500-000	160, 224	25532-300-000	208	25549-000-011	191
25503-519-300	52	25513-600-000	160	25532-800-000	158	25549-002-000	191
25503-520-025J	51	25514-000-000	156	25533-000-000	166	25549-100-000	147, 191
25503-560-025J	51	25515-000-000	158	25533-000-010	166	25549-200-000	191
25503-561-100J	51	25515-000-011	158	25533-100-000	166	25549-200-100	147
25503-568-059J	51	25515-000-200	158	25533-200-000	166	25549-259-000	191
25503-909-000	47	25515-200-000	158	25533-300-000	166	25549-500-000	191
25503-999-998	47	25516-000-010	160	25533-300-010	166	25549-540-000	191
25504-000-100	193	25516-250-010	162	25537-000-000	157	25549-600-000	191
25504-000-200	193	25516-260-000	162	25538-500-000	142	25550-000-000	171
25504-000-400	193	25516-300-010	162	25539-000-000	157	25550-000-060	171
25504-100-000	193	25516-400-000	162	25539-100-000	157	25551-000-000	169
25504-100-500	193	25516-500-000	156, 160	25539-500-000	161	25551-000-100	170
25504-200-001	193	25516-500-100	162	25539-700-100	161	25551-300-000	169
25504-300-000	193	25517-500-000	160	25540-000-010	146	25551-400-000	169
25504-625-000	28	25518-000-000	160	25540-000-020	146	25552-000-000	168

PART#	PG	PART#	PG	PART#	PG	PART#	PG
25552-020-300	168, 188	25563-005-000	202	25563-300-100	202	25573-000-000	144
25552-100-000	168	25563-010-000	202	25563-300-110	202	25573-100-000	144
25552-200-000	168	25563-010-800	202	25563-300-150	202	25573-300-000	204
25552-300-000	147, 168	25563-017-000	201	25563-300-500	202	25573-410-000	144
25552-400-000	168	25563-020-000	201	25563-310-000	202	25573-510-000	144
25552-500-000	110, 170	25563-025-000	202	25563-340-000	202	25573-520-000	144
25553-200-000	168	25563-029-000	201	25563-340-030	201	25573-540-000	144
25553-300-000	168	25563-029-360	201	25563-350-000	202	25574-000-000	172
25553-350-000	168	25563-040-000	202	25563-360-000	202	25574-100-000	172
25553-400-000	168	25563-040-100	202	25563-370-000	201	25575-000-000	172
25553-450-000	168	25563-040-200	202	25563-380-000	201	25575-250-000	172
25553-900-000	21	25563-050-024	201	25563-400-000	201	25575-300-000	172
25553-901-000	21	25563-052-000	201	25563-460-000	202	25575-500-000	133
25553-904-000	21	25563-052-053	201	25563-660-400	202	25575-509-000	52, 172
25553-909-000	21	25563-052-054	201	25563-809-000	203	25575-600-000	172
25553-939-000	21	25563-052-360	201	25563-810-000	203	25576-000-000	144
25553-969-000	21	25563-080-000	201	25563-810-046	182	25576-120-000	12
25554-000-000	168	25563-086-000	201	25563-810-047	182	25576-130-000	12
25554-100-000	168	25563-089-000	201	25563-810-100	203	25576-130-120	12
25554-200-000	168	25563-100-000	201	25563-820-000	203	25576-130-900	12
25554-300-000	168	25563-110-000	202	25564-000-300	189	25576-150-000	13
25554-400-000	168	25563-115-000	201	25565-009-000	27	25576-150-600	13
25555-000-000	169	25563-120-000	201	25567-000-000	189	25576-170-000	12
25555-300-000	169	25563-133-000	201	25567-100-000	189	25576-180-000	12
25555-700-000	169	25563-134-000	201	25567-109-000	189	25576-180-120	12
25556-000-000	129	25563-150-000	201	25568-000-000	189	25576-180-900	12
25556-100-000	129	25563-150-100	201	25568-200-000	189	25576-190-000	13
25556-300-000	129	25563-150-112	201	25568-300-000	189	25576-190-600	13
25557-000-000	169	25563-150-200	201	25568-300-010	189	25576-220-000	12
25557-014-010	169	25563-150-210	201	25568-700-000	189	25576-230-000	12
25558-000-000	187	25563-150-360	201	25568-750-000	189	25576-230-120	12
25558-100-000	187	25563-160-000	201	25570-000-000	187	25576-230-900	12
25558-170-000	187	25563-161-000	201	25570-100-000	187	25576-260-000	13
25559-000-000	167	25563-170-000	201	25571-000-000	187	25576-260-600	13
25559-110-000	167	25563-200-000	201	25572-000-000	190	25576-320-000	12
25559-200-000	167	25563-210-000	201	25572-050-000	190	25576-330-000	12
25560-000-000	170	25563-210-400	201	25572-100-000	190	25576-330-120	12
25562-000-000	190	25563-240-000	201	25572-200-000	190	25576-330-900	12
25562-100-000	190	25563-250-000	201	25572-400-000	190	25576-331-035	12
25562-500-000	190	25563-260-000	201	25572-400-100	190	25576-360-000	13
25562-600-000	190	25563-270-000	201	25572-420-000	190	25576-360-600	13
25562-720-000	190	25563-270-800	201	25572-480-000	190	25576-420-000	12
25562-740-000	190	25563-300-000	202	25572-600-000	190	25576-430-000	12

PART#	PG	PART#	PG	PART#	PG	PART#	PG
25576-430-120	12	25577-330-000	11	25577-735-120	11	25587-430-000	14
25576-430-900	12	25577-330-120	11	25577-735-600	11	25587-430-900	14
25576-460-000	13	25577-330-900	11	25577-735-900	11	25588-130-000	15
25576-460-600	13	25577-335-000	11	25577-820-000	11	25588-130-120	15
25577-120-000	11	25577-335-120	11	25577-825-000	11	25588-180-000	15
25577-122-890	19	25577-335-900	11	25577-830-000	11	25588-180-120	15
25577-125-000	11	25577-360-000	13	25577-830-120	11	25588-230-000	15
25577-130-000	11	25577-360-600	13	25577-830-900	11	25588-230-120	15
25577-130-120	11	25577-360-900	13	25577-835-120	11	25588-230-900	15
25577-130-900	11	25577-420-000	11	25577-835-600	11	25588-330-000	15
25577-135-000	11	25577-422-890	19	25577-835-900	11	25588-330-120	15
25577-135-120	11	25577-425-000	11	25577-950-000	16, 34	25588-330-900	15
25577-135-900	11	25577-430-000	11	25577-950-020	124	25588-430-000	15
25577-150-000	13	25577-430-120	11	25578-000-000	190	25588-430-900	15
25577-150-600	13	25577-430-900	11	25579-000-010	144	25589-200-000	187
25577-150-900	13	25577-435-000	11	25580-000-000	123	25590-000-000	124
25577-170-000	11	25577-435-120	11	25580-000-010	123	25590-000-200	120
25577-172-890	19	25577-435-900	11	25580-000-030	124	25590-100-000	193
25577-175-000	11	25577-460-000	13	25580-000-090	124	25590-250-000	170, 187
25577-180-000	11	25577-460-600	13	25580-000-120	120, 124	25591-110-000	118
25577-180-120	11	25577-460-900	13	25580-090-000	123	25591-120-000	118
25577-180-900	11	25577-520-000	11	25580-200-000	119	25591-130-000	118
25577-185-000	11	25577-525-000	11	25580-200-030	120	25591-140-000	118
25577-185-120	11	25577-530-000	11	25580-200-190	120	25591-150-000	118
25577-185-900	11	25577-530-120	11	25580-290-000	119	25591-210-000	122
25577-190-000	13	25577-530-900	11	25580-900-090	124	25591-220-000	122
25577-190-600	13	25577-535-000	11	25580-920-190	120	25591-230-000	122
25577-190-900	13	25577-535-120	11	25581-000-000	123	25591-240-000	122
25577-220-000	11	25577-535-900	11	25581-000-010	123	25591-250-000	122
25577-222-890	19	25577-620-000	11	25581-090-000	123	25591-910-000	131
25577-225-000	11	25577-625-000	11	25581-200-000	119	25591-930-000	131
25577-230-000	11	25577-630-000	11	25581-290-000	119	25592-010-000	126
25577-230-120	11	25577-630-120	11	25582-000-000	122	25592-020-000	126
25577-230-900	11	25577-630-900	11	25583-000-000	122	25592-030-000	126
25577-235-000	11	25577-631-000	11	25587-130-000	14	25594-100-000	123, 124
25577-235-120	11	25577-635-000	11	25587-130-120	14	25594-150-000	123
25577-235-900	11	25577-635-120	11	25587-130-900	14	25594-160-000	123
25577-260-000	13	25577-635-900	11	25587-230-000	14	25597-000-000	24
25577-260-600	13	25577-720-000	11	25587-230-120	14	25597-000-020	26
25577-260-900	13	25577-725-000	11	25587-230-900	14	25597-000-030	188
25577-320-000	11	25577-730-000	11	25587-330-000	14	25597-000-120	26
25577-322-890	19	25577-730-120	11	25587-330-120	14	25597-000-220	26
25577-325-000	11	25577-730-900	11	25587-330-900	14	25597-000-900	26

PART#	PG	PART#	PG	PART#	PG	PART#	PG
25597-001-020	26	25650-100-300	42	25777-230-000	33	25830-714-000	110
25597-004-020	26	25650-110-200	42	25777-230-120	33	25830-724-000	110
25597-023-000	24	25650-110-300	42	25777-330-000	33	25830-734-000	110
25597-100-900	26	25650-130-300	42	25777-330-120	33	25830-764-000	110
25597-200-000	24	25676-130-000	37	25777-430-000	33	25830-774-000	110
25597-200-900	26	25676-180-000	37	25777-430-120	33	25830-804-000	110
25597-223-000	24	25676-230-000	37	25800-101-130	112	25830-814-000	110
25597-300-000	20	25676-330-000	37	25800-110-000	112	25830-864-000	110
25597-304-010	24, 26	25676-430-000	37	25800-151-000	112	25830-874-000	110
25597-310-000	20	25676-530-000	37	25800-151-130	112	25831-000-100	115
25597-333-000	21	25676-630-000	37	25800-201-130	112	25831-004-000	115
25597-343-000	20	25676-730-000	37	25800-210-000	112	25831-004-171	115
25597-353-000	21	25676-830-000	37	25800-251-000	112	25831-004-172	115
25597-363-000	20	25677-122-870	19	25800-251-130	112	25831-014-000	115
25597-620-100	49	25677-130-000	37	25800-310-000	112	25831-110-100	115
25597-620-100H	49	25677-172-870	19	25800-310-130	112	25831-112-100	115
25597-620-100P	49	25677-180-000	37	25800-410-000	112	25831-114-750	115
25598-000-000	25	25677-222-870	19	25800-410-130	112	25831-119-200	115
25598-000-020	26	25677-230-000	37	25800-751-000	112	25831-119-750	115
25598-200-000	25	25677-322-870	19	25800-751-130	112	25831-119-790	115
25598-300-000	20	25677-330-000	37	25802-151-000	112	25831-120-100	115
25598-304-800	20	25677-422-870	19	25802-151-080	112	25831-122-100	115
25598-309-800	20	25677-430-000	37	25802-210-000	112	25831-124-170	115
25598-310-000	20	25677-530-000	37	25802-415-000	112	25831-130-100	115
25598-333-000	21	25677-630-000	37	25802-420-000	112	25840-000-000	142
25598-343-000	20	25677-730-000	37	25802-651-000	112	25840-100-000	166
25598-353-000	21	25677-830-000	37	25802-651-080	112	25850-000-100	111
25598-363-000	20	25677-900-000	40	25810-009-950	195, 207	25850-150-000	111
25598-900-000	25	25677-950-000	40	25810-350-050	194	25850-200-000	111
25598-920-000	25	25776-130-000	33	25810-400-050	194	25850-250-000	111
25600-009-000	186	25776-130-120	33	25810-400-950	194	25851-150-000	111
25600-411-000	186	25776-180-000	33	25810-500-000	195	25851-200-000	111
25604-000-000	192	25776-180-120	33	25810-850-000	195	25851-250-000	111
25606-000-000	170	25776-230-000	33	25830-150-000	109	25852-150-000	111
25606-100-000	170	25776-230-120	33	25830-200-000	109	25852-200-000	111
25609-300-000	169	25776-330-000	33	25830-250-000	110	25852-250-000	111
25620-000-000	165	25776-330-120	33	25830-350-000	109	25853-150-000	111
25620-250-000	162, 165	25776-430-000	33	25830-360-000	109	25853-200-000	111
25620-320-000	150, 165	25776-430-120	33	25830-400-000	109	25853-250-000	111
25625-200-000	214	25777-130-000	33	25830-410-000	109	25854-150-000	111
25650-100-000	42	25777-130-120	33	25830-450-000	109	25855-150-000	111
25650-100-100	42	25777-180-000	33	25830-500-000	109	25856-150-000	111
25650-100-210	42	25777-180-120	33	25830-704-000	110	25857-150-000	111

PART#	PG	PART#	PG	PART#	PG	PART#	PG
25858-150-000	111	27180-033-000	207	27500-154-000	113	58420-110-025	183
25858-200-000	111	27180-036-000	207	27500-154-079	113	58420-120-166	183
25858-250-000	111	27180-037-000	207	27500-154-100	210	58420-130-316	183
25900-120-000	166	27180-038-000	207	27501-154-000	113	58420-130-318	183
25912-154-000	108	27180-039-000	207	27502-154-000	113	58420-140-494	184
25912-204-000	108	27180-043-000	207	27507-200-100	210	58430-100-035	183
25912-254-000	108	27180-099-000	207	27510-204-000	114	58430-110-043	183
25913-154-000	108	27180-099-030	207	27515-154-000	113, 114	58430-120-065	184
25913-204-000	108	27180-106-000	207	27515-154-070	113	58430-130-066	184
25913-254-000	108	27180-109-000	207	27515-154-100	210	58430-140-087	183
25922-154-000	108	27180-136-000	207	27516-204-100	210	58430-150-100	183
25922-204-000	108	27180-152-000	207	52000-115-100	198	58430-160-146	183
25923-154-000	108	27180-152-300	207	52000-200-001	105	58430-180-161	184
25923-159-000	108	27180-163-000	207	52000-220-100	105	58430-190-548	184
25923-204-000	108	27180-167-000	207	52000-240-100	105	58440-110-082	185
25923-209-000	108	27180-168-000	207	52000-260-100	105	58440-120-083	185
25932-151-000	108	27180-199-000	207	53000-025-000	84	58440-130-084	185
25932-201-000	108	27180-200-000	207	53000-040-000	84	58440-140-080	185
25932-251-000	108	27180-203-000	207	58306-009-000	182	58450-110-095	184
25933-151-000	108	27180-207-000	207	58307-000-000	186	58450-120-132	184
25933-201-000	108	27180-215-000	207	58307-030-000	186, 204	58460-110-688	189
25933-251-000	108	27180-219-000	205	58307-180-000	199	58470-110-690	186
26100-145-533	28	27180-220-000	207	58307-280-000	199	58470-110-700	186
26100-255-630	129	27180-280-000	207	58307-280-100	199	58480-110-039	183
26100-357-100	215	27180-336-000	204	58307-280-202	199	58480-130-079	183
26100-530-462	112	27180-355-000	207	58307-280-220	199	58490-110-530	185
26100-651-462	112	27182-009-000	205	58307-280-300	199	58490-120-540	185
26101-320-530	216	27182-009-200	205	58307-280-500	199	61050-042-025	170
26102-029-017	52	27182-010-000	181, 205	58307-380-000	199	69025-501-001	177
26200-234-421	124	27182-019-000	205	58308-100-000	187	AFHH-12	61
26677-128-041	16	27182-020-000	205	58309-100-000	181	AFHH-24	61
26677-178-041	16	27182-037-000	205	58410-110-023	181	AFHH-36	61
26677-208-041	16	27182-152-000	205	58410-120-047	181	AFHH-48	61
26677-328-041	16	27182-152-200	205	58410-120-048	181	AFSC-12	61
26677-428-041	16	27182-167-000	205	58410-130-051	181	AFSC-24	61
26677-528-041	16	27182-199-000	205	58410-140-052	181	AFSC-36	61
26677-628-041	16	27182-200-000	205	58410-150-010	181	AFSC-48	61
26677-728-041	16	27182-207-000	205	58410-150-035	181	AFSS-12	61
26677-828-041	16	27182-215-000	205	58410-150-050	181	AFSS-24	61
27051-009-000	186	27182-300-000	204	58410-150-302	181	AFSS-36	61
27052-019-000	186	27182-319-000	204	58410-160-409	182	AFSS-48	61
27180-009-000	207	27182-352-000	204	58410-170-454	182	BCPPFWA-36-XX	65
27180-009-200	207	27288-070-000	176	58410-180-763	181	BCPPFWC-36-XX	65

PART#	PG	PART#	PG	PART#	PG	PART#	PG
BCPPFWHHA-36-XX	65	BSPPMFWA-28-XX	65	CFPLPA-24-XX	71	CPPMFRA-28-XX	67
BCPPFWHHC-36-XX	65	BSPPMFWA-32-XX	65	CFPMA-24-XX	71	CPPMFRA-32-XX	67
BCPPLPFWA-24-XX	65	BSPPMFWC-32-XX	65	CFPMA-28-XX	71	CPPMSL-24	63
BCPPLFWHHA-24-XX	65	BSS-2	61	CFPMA-32-XX	71	CPPMSL-28	63
BCPPMFWA-24-XX	65	BSS-4	61	CFPMC-24-XX	71	CPPMSL-32	63
BCPPMFWA-28-XX	65	BSS-6	61	CFPMC-28-XX	71	CPPMSLDFWC-32-XX	67
BCPPMFWA-32-XX	65	CANHH-1.5	61	CFPMC-32-XX	71	CPPMSLDFWC360-32-XX	67
BCPPMFWC-32-XX	65	CANHH-2	61	CGAM-25	77	CPPMSLFRA-24-XX	67
BCPPMFWHHA-24-XX	65	CANHH-3	61	CGAMB-25	77	CPPMSLFRA-28-XX	67
BCPPMFWHHA-28-XX	65	CD-2G	95	CGB-22P	77	CPPMSLFRA-32-XX	67
BCPPMFWHHA-32-XX	65	CD-2G-50	95	CGB-25	77	CPPMSLFRA360-32-XX	67
BCPPMFWHHC-32-XX	65	CD-5G	95	CGBL-22P	77	CPPSL-36	63
BRCPPFWA-36-XX	65	CD-5G-50	95	CGBLBER-22P	77	CPPSLDFWC-36-XX	67
BRCPPFWC-36-XX	65	CD-5GV-A01	95	CGC-50	77	CPPSLDFWC360-32-XX	67
BRCPPFWHHA-36-XX	65	CD-7G	95	CGCB-25	77	CPPSLDFWC360-36-XX	67
BRCPPFWHHC-36-XX	65	CD-7G-NAP	95	CGDB-25	77	CPPSLFRA-36-XX	67
BRCPPLPFWA-24-XX	65	CD-7G-PRO	95	CGFM-25	77	CPPSLFRA360-32-XX	67
BRCPPLFWHHA-24-XX	65	CD-7GV	95	CGLB-25	77	CPPSLFRA360-36-XX	67
BRCPPMFWA-24-XX	65	CD-7GV-50	95	CGOB-25	77	CSC-1.5	61
BRCPPMFWA-28-XX	65	CD-7GV-NAP	95	CGREF-25BK	77	CSC-2	61
BRCPPMFWA-32-XX	65	CD-15G	95	CGREF-25BL	77	CSC-3	61
BRCPPMFWC-32-XX	65	CD-15G-50-PRO	95	CGREF-25BZ	77	CSPILLWAY12X12	61
BRCPPMFWHHA-24-XX	65	CD-15G-NAP	95	CGREF-25C	77	CSPILLWAY18X12	61
BRCPPMFWHHA-28-XX	65	CD-15G-PRO	95	CGREF-25G	77	CSPILLWAY36X	61
BRCPPMFWHHA-32-XX	65	CD-15GV	95	CGSTRAW-22P	77	CSS-1.5	61
BRCPPMFWHHC-32-XX	65	CD-15GV-50	95	CGTEAL-50	77	CSS-2	61
BRSPPFWA-36-XX	65	CD-15GV-NAP	95	CPLNT-32	79	CSS-3	61
BRSPPFWC-36-XX	65	CD-25G	95	CPLNTBS-14	79	CTBLA-48X24-XX	74
BRSPLPFWA-24-XX	65	CD-25G-50-PRO	95	CPLNTBS-16	79	CTBLA-60X24-XX	74
BRSPPMFWA-24-XX	65	CD-25G-NAP	95	CPLNTLP-28	79	CTBLC-48X24-XX	74
BRSPPMFWA-28-XX	65	CD-25G-PRO	95	CPLNTM-28	79	CTBLC-60X24-XX	74
BRSPPMFWA-32-XX	65	CD-25G-PRO-02	95	CPP-36	63	CTENFP-24	79
BRSPPMFWC-32-XX	65	CD-25GV	95	CPPDFWC-36-XX	67	CTENFP-28	79
BSC-2	61	CD-25GV-50	95	CPPFRA-36-XX	67	CWMPPLP-24	61
BSC-4	61	CD-25GV-NAP	95	CPPLP-24	63	EC-10	90
BSC-6	61	CD-45G-50-PRO	95	CPPLPFA-24-XX	67	EC-20	90
BSHH-2	61	CD-45G-PRO	95	CPPLPSL-24	63	EC-40	90
BSHH-4	61	CD-45G-PRO-02	95	CPPLPSLFRA-24-XX	67	EC-AG1U	90
BSHH-6	61	CD-45GV	95	CPPM-24	63	ESCUTCHPTC-1.5	61
BSPPFWA-36-XX	65	CD-45GV-50	95	CPPM-28	63	ESCUTCHPTC-1.5R	61
BSPPFWC-36-XX	65	CD-45GV-NAP	95	CPPM-32	63	ESCUTCHPTC-1.5SQ	61
BSPPLPFWA-24-XX	65	CFPA-36-XX	71	CPPMDFWC-32-XX	67	ESCUTCHPTC-2	61
BSPPMFWA-24-XX	65	CFPC-36-XX	71	CPPMFRA-24-XX	67	ESCUTCHPTC-2R	61

PART#	PG	PART#	PG	PART#	PG	PART#	PG
ESCUTCHPTC-2SQ	61	KITC-30SQ-XX	73	PPMSLDFWHHC360-32-XX	67	RCPPMSL-24	63
ESCUTCHPTC-3	61	KITC-36FLPAN-XX	73	PPMSLFRHHA-24-XX	67	RCPPMSL-28	63
ESCUTCHPTC-3R	61	KITC-36FL-XX	73	PPMSLFRHHA-28-XX	67	RCPPMSL-32	63
ESCUTCHPTC-3SQ	61	KITC-36R-XX	73	PPMSLFRHHA-32-XX	67	RCPPMSLDFWC-32-XX	67
ESCUTCHPTS-1.5	61	KITC-36SQ-XX	73	PPMSLHH-24	63	RCPPMSLDFWC360-32-XX	67
ESCUTCHPTS-1.5R	61	KITC-48FLPAN-XX	73	PPMSLHH-28	63	RCPPMSLFRA-24-XX	67
ESCUTCHPTS-1.5SQ	61	KITC-60FLPAN-XX	73	PPMSLHH-32	63	RCPPMSLFRA-28-XX	67
ESCUTCHPTS-2	61	KITC-72FLPAN-XX	73	PPSLDFWHHA360-32-XX	67	RCPPMSLFRA-32-XX	67
ESCUTCHPTS-2R	61	KITC-84FLPAN-XX	73	PPSLDFWHHA360-36-XX	67	RCPPMSLFRA360-32-XX	67
ESCUTCHPTS-2SQ	61	KITC-96FLPAN-XX	73	PPSLDFWHHC-36-XX	67	RCPPSL-36	63
ESCUTCHPTS-3	61	KITC-96FL-XX	73	PPSLDFWHHC360-32-XX	67	RCPPSLDFWC-36-XX	67
ESCUTCHPTS-3R	61	KITC-120FL-XX	73	PPSLDFWHHC360-36-XX	67	RCPPSLDFWC360-32-XX	67
ESCUTCHPTS-3SQ	61	LAVA-20	77	PPSLFRHHA-36-XX	67	RCPPSLDFWC360-36-XX	67
EUV-01-01	96	MDV-10	92	PPSLHH-36	63	RCPPSLFRA-36-XX	67
EUV-01-21	96	MDV-10-04	92	RC-6	61	RCPPSLFRA360-32-XX	67
EUV-16-01	96	MDV-10-08	92	RC-8	61	RCPPSLFRA360-36-XX	67
EUV-16-21	96	MDV-100	92	RC-12	61	RFLIGHTA-24-XX	72
EUV-FS-01	96	PF	58	RC-24	61	RFLIGHTA-28-XX	72
FLIGHTA-24-XX	72	PF-12	58	RC-36	61	RFLIGHTA-32-XX	72
FLIGHTA-28-XX	72	PF-24	58	RC-48	61	RFLIGHTC-24-XX	72
FLIGHTA-32-XX	72	PF-36	58	RCFPA-36-XX	71	RFLIGHTC-28-XX	72
FLIGHTC-24-XX	72	PF-48	58	RCFPC-36-XX	71	RFLIGHTC-32-XX	72
FLIGHTC-28-XX	72	PLNTBSHH-14	79	RCFPLPA-24-XX	71	RFPHHA-36-XX	71
FLIGHTC-32-XX	72	PLNTBSHH-16	79	RCFPMA-24-XX	71	RFPHHC-36-XX	71
FLPHHA-24-XX	71	PLNTHH-32	79	RCFPMA-28-XX	71	RFPHPHA-24-XX	71
FPHHA-36-XX	71	PLNTLPHH-28	79	RCFPMA-32-XX	71	RFPMHHA-24-XX	71
FPHHC-36-XX	71	PLNTMHH-28	79	RCFPMC-24-XX	71	RFPMHHA-28-XX	71
FPMHHA-24-XX	71	PPDFWHHC-36-XX	67	RCFPMC-28-XX	71	RFPMHHA-32-XX	71
FPMHHA-28-XX	71	PPFRHHA-36-XX	67	RCFPMC-32-XX	71	RFPMHHC-24-XX	71
FPMHHA-32-XX	71	PPHH-36	63	RCPP-36	63	RFPMHHC-28-XX	71
FPMHHC-24-XX	71	PPLFRHHA-24-XX	67	RCPPDFWC-36-XX	67	RFPMHHC-32-XX	71
FPMHHC-28-XX	71	PPLPHH-24	63	RCPPFRA-36-XX	67	RHH-6	61
FPMHHC-32-XX	71	PPLPSLFRHHA-24-XX	67	RCPPLP-24	63	RHH-8	61
FPSSC-36-XX	75	PPLPSLHH-24	63	RCPPLPFA-24-XX	67	RHH-12	61
KITA-36FLPAN-XX	73	PPMDFWHHC-32-XX	67	RCPPLPSL-24	63	RHH-24	61
KITA-48FLPAN-XX	73	PPMFRHHA-24-XX	67	RCPPLPSLFRA-24-XX	67	RHH-36	61
KITA-60FLPAN-XX	73	PPMFRHHA-28-XX	67	RCPPM-24	63	RHH-48	61
KITA-72FLPAN-XX	73	PPMFRHHA-32-XX	67	RCPPM-28	63	RPPDFWHHC-36-XX	67
KITA-84FLPAN-XX	73	PPMHH-24	63	RCPPM-32	63	RPPFRHHA-36-XX	67
KITA-96FLPAN-XX	73	PPMHH-28	63	RCPPMDFWC-32-XX	67	RPPHH-36	63
KITC-24R-XX	73	PPMHH-32	63	RCPPMFRA-24-XX	67	RPPLPFRHHA-24-XX	67
KITC-24SQ-XX	73	PPMSLDFWHHA360-32-XX	67	RCPPMFRA-28-XX	67	RPPLPHH-24	63
KITC-30R-XX	73	PPMSLDFWHHC-32-XX	67	RCPPMFRA-32-XX	67	RPPLPSLFRHHA-24-XX	67

PART#	PG	PART#	PG	PART#	PG	PART#	PG
RPPLPSLHH-24	63	RSPPLPFRA-24-XX	67	SFC-8	61	SFS-48	61
RPPMDFWHHC-32-XX	67	RSPPLPSL-24	63	SFC-12	61	SPLNT-32	79
RPPMFRHHA-24-XX	67	RSPPLPSLFRA-24-XX	67	SFC-18	61	SPLNTBS-14	79
RPPMFRHHA-28-XX	67	RSPPM-24	63	SFC-24	61	SPLNTBS-16	79
RPPMFRHHA-32-XX	67	RSPPM-28	63	SFC-36	61	SPLNTBSHH-14	79
RPPMH-24	63	RSPPM-32	63	SFC-48	61	SPLNTBSHH-16	79
RPPMH-28	63	RSPPMDFWC-32-XX	67	SFHH-8	61	SPLNTHH-32	79
RPPMH-32	63	RSPPMFRA-24-XX	67	SFHH-12	61	SPLNTLP-28	79
RPPMSLDFWHHA360-32-XX	67	RSPPMFRA-28-XX	67	SFHH-18	61	SPLNTLPHH-28	79
RPPMSLDFWHHC-32-XX	67	RSPPMFRA-32-XX	67	SFHH-24	61	SPLNTM-28	79
RPPMSLDFWHHC360-32-XX	67	RSPPMSL-24	63	SFHH-36	61	SPLNTMHH-28	79
RPPMSLFRHHA-24-XX	67	RSPPMSL-28	63	SFHH-48	61	SPP-36	63
RPPMSLFRHHA-28-XX	67	RSPPMSL-32	63	SFPA-36-XX	71	SPPDFWC-36-XX	67
RPPMSLFRHHA-32-XX	67	RSPPMSLDFWC-32-XX	67	SFPC-36-XX	71	SPPFRA-36-XX	67
RPPMSLHH-24	63	RSPPMSLDFWC360-32-XX	67	SFPLPA-24-XX	71	SPPLP-24	63
RPPMSLHH-28	63	RSPPMSLFRA-24-XX	67	SFPMA-24-XX	71	SPPLPFRA-24-XX	67
RPPMSLHH-32	63	RSPPMSLFRA-28-XX	67	SFPMA-28-XX	71	SPPLPSL-24	63
RPPSLDFWHHA360-32-XX	67	RSPPMSLFRA-32-XX	67	SFPMA-32-XX	71	SPPLPSLFRA-24-XX	67
RPPSLDFWHHA360-36-XX	67	RSPPMSLFRA360-32-XX	67	SFPMC-24-XX	71	SPPM-24	63
RPPSLDFWHHC-36-XX	67	RSPPSL-36	63	SFPMC-28-XX	71	SPPM-28	63
RPPSLDFWHHC360-32-XX	67	RSPPSLDFWC-36-XX	67	SFPMC-32-XX	71	SPPM-32	63
RPPSLDFWHHC360-36-XX	67	RSPPSLDFWC360-32-XX	67	SFRC-6	61	SPPMDFWC-32-XX	67
RPPSLFRHHA-36-XX	67	RSPPSLDFWC360-36-XX	67	SFRC-8	61	SPPMFRA-24-XX	67
RPPSLHH-36	63	RSPPSLFRA-36-XX	67	SFRC-12	61	SPPMFRA-28-XX	67
RS-6	61	RSPPSLFRA360-32-XX	67	SFRC-24	61	SPPMFRA-32-XX	67
RS-8	61	RSPPSLFRA360-36-XX	67	SFRC-36	61	SPPMSL-24	63
RS-12	61	RTC-1	61	SFRC-48	61	SPPMSL-28	63
RS-24	61	RTC-1.5	61	SFRHH-6	61	SPPMSL-32	63
RS-36	61	RTC-2	61	SFRHH-8	61	SPPMSLDFWC-32-XX	67
RS-48	61	RTC-2.5	61	SFRHH-12	61	SPPMSLDFWC360-32-XX	67
RSFPA-36-XX	71	RTC-3	61	SFRHH-24	61	SPPMSLFRA-24-XX	67
RSFPC-36-XX	71	RTS-1	61	SFRHH-36	61	SPPMSLFRA-28-XX	67
RSFPLPA-24-XX	71	RTS-1.5	61	SFRHH-48	61	SPPMSLFRA-32-XX	67
RSFPMA-24-XX	71	RTS-2	61	SFRS-6	61	SPPMSLFRA360-32-XX	67
RSFPMA-28-XX	71	RTS-2.5	61	SFRS-8	61	SPPSL-36	63
RSFPMA-32-XX	71	RTS-3	61	SFRS-24	61	SPPSLDFWC-36-XX	67
RSFPMC-24-XX	71	SCPLNT-32	79	SFRS-36	61	SPPSLDFWC360-32-XX	67
RSFPMC-28-XX	71	SCPLNTBS-14	79	SFRS-48	61	SPPSLDFWC360-36-XX	67
RSFPMC-32-XX	71	SCPLNTBS-16	79	SFS-8	61	SPPSLFRA-36-XX	67
RSPP-36	63	SCPLNTLP-28	79	SFS-12	61	SPPSLFRA360-32-XX	67
RSPPDFWC-36-XX	67	SCPLNTM-28	79	SFS-18	61	SPPSLFRA360-36-XX	67
RSPPFRA-36-XX	67	SEC-50	87	SFS-24	61	SQTS-1	61
RSPLP-24	63	SEC-110-26	86	SFS-36	61	SQTS-1.5	61

PART#	PG	PART#	PG	PART#	PG	PART#	PG
SQTS-2	61						
SQTS-3	61						
SRFS-12	61						
SSPLNT-32	79						
SSPLNTBS-14	79						
SSPLNTBS-16	79						
SSPLNTLP-28	79						
SSPLNTM-28	79						
STBLA-48X24-XX	74						
STBLA-60X24-XX	74						
STBLC-48X24-XX	74						
STBLC-60X24-XX	74						
STEELTBLA-48X24-XX	74						
STEELTBLA-60X24-XX	74						
STEELTBLC-48X24-XX	74						
STEELTBLC-60X24-XX	74						
US-6	61						
US-8	61						
US-10	61						
US-12	61						
USHH-6	61						
USHH-8	61						
USHH-10	61						
USHH-12	61						
USS-6	61						
USS-8	61						
USS-10	61						
USS-12	61						
WC-6	61						
WC-8	61						
WC-10	61						
WC-12	61						
WHH-6	61						
WHH-8	61						
WHH-10	61						
WHH-12	61						
WS-6	61						
WS-8	61						
WS-10	61						
WS-12	61						

INDEX BY "COMPARE TO" CROSS REFERENCE

OEM #	PG	OEM #	PG	OEM #	PG	OEM #	PG
6-500-00	201	073131 WFE-12	215	271163	212	355074	215
6-504-00	201	073270Z	209	271164	212	355086	215
9-100-1014	199	073502	214	271166	212	355093	215
9-100-1017	201	074564	215	271168	212	355301	216
9-100-1108	201	152130	212	272101	213	355302	215
9-100-1114	201	152165	113, 211, 212	272400	213	355318	205
9-100-1115	201	152167	212	272401	213	355667	207
9-100-1132	201	152168	212	272402	212	357100	215
9-100-1200	201	154412	116	272403	212	357143	215
9-100-1201	201	154493	211	272405	211, 212	850001	207
9-100-3002	201	154566	212	272409	212	850012	207
9-100-3006	201	154687	116	272412	211, 212	23112903R	208
9-100-3007	201	154689	116, 214	272413	212	43061803K	208
9-100-3008	201	154699	216	272505	211	43061902R	208
9-100-3009	201	190059	213	272511	211	43112804K	208
9-100-3011	201	191479	211, 212, 213	272512	211	43114404R	208
9-100-3105	202	192173	209	272520	211, 212	43124601R	208
9-100-3109	201	261050	114	272531	210	51013811	115
9-100-9001	201	261055	114	272535	213	59023700	209
9-150-1002	201	261185	114	272541	211	85001500	214
10-112-00	201	262504	113	272550	213	91110000	207
19-0163-1	207	262505	113	272555	211	98206400	213
43-0618-03-R	208	262506	113	272599	213	98209800	116
48-080	201	263055	115	273089	115	98211400	212
48-085	201	263064	115	273207	213	A16	199
48-222	201	263079	115	273241	115	A20	201
51-3036	207	270067	210	273512	211	AP 850001	205
51B1026	204, 207	270068	212	273550	116	B5	202
88-1943-10-R	208	270085	211	273564	116	B6	202
340-1139	207	271103	211, 212	274404	212	B-9	205, 207
542-3240	205, 207	271104	212	274407	212	B10	202
1004	202	271106	213	274494	211, 212	B15	202
1008	202	271141	213	274556	212	B25	202
1116	202	271148	212	275333	211, 212	B-33	207
1117	202	271151	211	350157	214	B-36	207
006723F	214	271151W	212	354053	211, 213	B-37	205, 207
070387	205, 207	271152B	210, 212	354530	216	B-38	207
073126 WFE-2	215	271156	212	354531	216	B-39	207
073127 WFE-3	215	271157	212	354541	211	B-43	207
073128 WFE-4	215	271158	212	355043	215	B-99	207
073129 WFE-6	215	271160	212	355067	215	B-106	207
073130 WFE-8	215	271161	213	355068	215	B-136	207

INDEX BY "COMPARE TO" CROSS REFERENCE

OEM #	PG	OEM #	PG	OEM #	PG	OEM #	PG
B-152	205, 207	D47	202	SPX0710G SAND	213	T-15	198
B-167	205, 207	D50	202	SPX710K	213	TSP10P	202
B-168	207	D52	202	SPX0710MA	213	U-3	204, 205, 207
B-199	205, 207	DEX2400C	209	SPX0710X	212	W530	205
B-200	205, 207	DEX2400S	116	SPX0710XC	212	W4666	203
B-203	207	ECX2712-B1	213	SPX0710XD	212	W69698	203
B-204	205	G5	202	SPX0710XF	212	W70327	203
B-207	205, 207	G6	202	SPX0710XZ3	211, 212	W81600	203
B-215	205, 207	G52	201	SPX0710XZ7	212		
B-219	205	G53	201	SPX0710Z1A	212, 213		
B-220	207	G54	201	SPX0710Z16	212, 213		
C1-200PA	215	G57	201	SPX0710Z62	213		
C3-1391P1	216	G62	201	SPX0714BA	210		
C6	202	G64	201	SPX0714CA	213		
C7	202	GM600-NM	212	SPX0714G	213		
C8-58P	205, 207	GMX600F	211	SPX0714L	211, 213		
C10	202	GMX600MN	113	SPX0714Z1	213		
C11	202	JVL8	211, 212	SPX0715C	213		
C16	202	K14	199	SPX0715D	213		
C55	201	K15	199	SPX0715G DE	213		
C56	201	K16	199	SPX0715G SAND	213		
C60	201	K17	199	SPX0715Z1	211		
C64	201	P133	201	SPX0722D2	115		
C65	201	R38013A	207	SPX0727E	213		
C66	202	R38013B	207	SPX0735GA	211, 212, 213		
C67	201	R172008W	214	SPX1082CA	205, 207		
C68	202	R211526	205	SPX1082D	207		
C80	201	R0357200	116	SPX1091C	207		
C86	201	R0359000	209	SPX1094FA	207		
C108-33P	207	R0621000	201	SPX1096CA	207		
C120	201	R03576000	209	SPX1483C	211, 213		
C180-33P	207	S-20	205, 207, 214	SPX1500D2A	216		
CX3000C	209	SP0410X502S	115	SPX1500LX	207		
CX3030C	209	SP0410X602S	115	SPX1600M	205, 207		
CX5030C	209	SP0714T	113	SPX1621C	215		
D10	201	SP1070	204, 205, 207	SPX2605C	215		
D11	201	SP1074S	214	SPX2607C	215		
D15	201	SP1082CA	204	SPX2610C	215		
D20	201	SPX0410BA	115	SPX2615C	215		
D29	201	SPX0603S	213	SPX2800M	207		
D30	201	SPX710FL	213	SPX3000M	205, 207		
D45	202	SPX0710G DE	213	SX20029	211, 212		

CONTENT & TRADEMARK DISCLAIMERS

CATALOG CONTENT AND SPECIFICATIONS

All illustrations, photographs, product details and specifications in this catalog are current as of available information at the time of printing.

CMP reserves the right to change at any time and without notice colors, materials, specifications, part numbers and prices to any products appearing in this publication.

For regularly updated and the most current product information visit CMP online at www.c-m-p.com

TRADEMARKS

The CMP logo, division lockup and everything matters® tagline are registered trademarks of Custom Molded Products, LLC. All CMP Pool Product logos and trademarks are property of CMP. Natural Wonders®, Brilliant Wonders®, Smart Sync®, Bobé®, AqualLevel™, Powerclean®, Hydroseal™, Spa Master™, AquaElements®, Pool Defender®, Flowskim™, Pro Tools™, DEL AOP®, DEL UV®, DEL Ozone® and The Complete Modern Pool® are trademarks and/or registered trademarks of CMP.

The absence of a trademark, trade name or service mark from the above list does not constitute a waiver of our intellectual property rights concerning that trademark, trade name or service mark. All custom graphics, icons, logos and words listed above are trade names, trademarks or service marks of Custom Molded Products in the United States and/or other countries.

The trademarks and names of other companies and products mentioned and/or referenced herein are the property of their respective owners.

All Pentair trademarks and logos are owned by Pentair or one of its global affiliates. Pentair®, SuperFlo®, Dynamo®, Sta-Rite®, Challenger®, Rainbow™, FNS®, Admiral™, Tagelus®, Triton®, Quad D.E.®, Nautilus™, American Products™, WhisperFlo®, Max-E-Pro®, PacFab™, Max-E-Glas®, Dyna-Glas™, SAm® are trademarks and/or registered trademarks of Pentair Water Pool and Spa, Inc. and/or its affiliated companies in the United States and/or other countries.

Polaris®, Tail Sweep Pro® Baracuda® and Jandy® are registered trademarks of Zodiac International. Zodiac® is a registered trademark of Zodiac International, S.A.S.U.

Jacuzzi® is a registered trademark of Carvin Pool Equipment, Inc.

Hayward®, Power-Flo®, Super Pump®, Super II® are registered trademarks of Hayward Industries, Inc.

Waterway® is a registered trademark of B & S Plastics, Inc

Aquabot® is a registered trademark of Aqua Products, Inc

Aladdin® is a registered trademark of Aladdin Equipment Company

JetArray® is a registered trademark of Sultan Products, LLC

Hydro Air® is a registered trademark of Balboa Water Group

Raypak® is a registered trademark of Raypak, Inc

TERMS & CONDITIONS

CONTACT For written communication, please send to:
Custom Molded Products, LLC, 36 Herring Road, Newnan, GA 30265

PAYMENTS All payments should be made out to Custom Molded Products and sent to the following physical address:
Custom Molded Products, P.O. Box 5057, Greensburg, PA 15601

For ACH Payment details, please contact ap@c-m-p.com

ORDERING Customers should place orders directly with CMP at the phone or fax numbers presented above. To ensure prompt and proper shipment, please order by using complete part numbers and descriptions. All telephone orders must be followed up with a written confirmation purchase order.
Our catalog and price list contain box/bag quantities for most parts. Currently CMP does not apply a surcharge for broken carton orders. Please help us maintain this policy by ordering in full carton quantities.
Thank you for your cooperation!

TERMS Payment for products is C.O.D. Net terms may be established upon completion of a satisfactory credit check. Past due accounts will be C.O.D. Customers with unpaid balances will be considered delinquent and will be subject to a service charge of 1-1/2% per month on the past due amount.

FREIGHT Pricing and terms are FOB–Newnan, Georgia unless otherwise specified. Freight charges are Pre-Pay and Add unless otherwise specified. All claims for lost or damaged freight must be made by the purchaser and directly to the freight carrier within the carrier's established time limit.

INVOICES Please pay by invoice per the terms on the sales invoice. There will be a \$20.00 minimum service charge on all NSF or returned checks.

BILLING ERRORS Appropriate debits or credits will be applied to accounts or invoices that are in error. Please contact Custom Molded Products if you have questions regarding your invoice or if you think your account is in error.

RETURNED GOODS Merchandise will not be accepted for return without a Returned Materials Authorization (RMA) number issued by Custom Molded Products, which should be marked on all returned cartons. Returned shipments not having prior authorization will be refused. All returned merchandise must be new and unused with the exception of defective goods. A 25% restocking charge will be applied against any credit issued for salable merchandise. All goods must be returned freight pre-paid within 30 days after receipt of shipment.

NOTICE CMP reserves the right to change at any time and without notice colors, materials, specifications, part numbers and prices to any products appearing in this publication

CMP LIMITED WARRANTY

Custom Molded Products, LLC (CMP) takes great pride in the quality products that it manufactures. The company maintains high standards for the materials and workmanship that it invests in its products. Accordingly, CMP makes this express Limited Warranty with respect to products manufactured solely by Custom Molded Products, LLC, as follows:

CMP warrants its products to be free of defects in material and workmanship for a period of one (1) year from the date of original purchase of the CMP product unless otherwise noted.

Exceptions to standard CMP one (1) year warranty:

- **DEL UV-C 50: 2 year warranty**
- **UV-C Bulbs for DEL AOP & UV-C 50: 18 months**
- **Powerclean Salt Ultra: 3 year warranty (parts & labor)**
- **Replacement for T-15 Cell: 2 year warranty**
- **Bobé brand products: A period of up to 3 years from the date of purchase. For details see complete Bobé Product Warranty page 294**

This Limited Warranty will be applicable only if the product manufactured by Custom Molded Products is the sole and exclusive cause of a defect which is covered by this Limited Warranty. Your sole and exclusive remedy against Custom Molded Products, LLC, arising from the purchase or use of a product manufactured by Custom Molded Products, LLC is limited to the repair or supply of a replacement product in substitution of the product which is determined to be defective (after examination, verification and approval by Custom Molded Products, LLC) with a product of equivalent quality. Where applicable, labor costs for warranty repairs must be pre-approved or completed by a CMP warranty provider. All other compensation of whatever nature is hereby expressly excluded. This Limited Warranty begins on the date of first purchase of a product from Custom Molded Products, LLC.

The Limited Warranty is extended to the party making the original purchase of products from Custom Molded Products, LLC and no warranty is made nor authorized to be made assignable on resale by the original purchaser of products from Custom Molded Products, LLC. The repair or replacement product issued by Custom Molded Products, LLC pursuant to this Limited Warranty shall be warranted for only the unexpired portion of the original Limited Warranty.

This Limited Warranty does not apply to component parts manufactured by others or for damage to products manufactured by Custom Molded Products, LLC if such damage is caused by component parts manufactured by others. For component products manufactured by others the warranty established by that respective manufacturer, if any, will be applicable.

THIS LIMITED WARRANTY DOES NOT COVER:

- Costs incurred in the shipment or cartage, removal and/or reinstallation (including but not limited to labor costs) with respect to the replacement product made available by Custom Molded Products, LLC pursuant to this Limited Warranty.
- Damage or improper operation of a product governed by this Limited Warranty to the extent same is caused by customer abuse, misuse, negligence, or failure to follow installation or operation instructions.
- Use for which the product is not designed.
- Fire, explosion, weather conditions or natural disasters.
- Faulty or improper installation.
- Ordinary wear and tear.
- Damage caused by negligent or improper maintenance procedures and other causes not specified, by beyond the control of Custom Molded Products, LLC.
- Improper packaging, repackaging or damage incurred in shipping.

CMP LIMITED WARRANTY

In order for this Limited Warranty to be effective you must:

- Be the original purchaser of the product from Custom Molded Products, LLC.
- Have not structurally modified, misused or misapplied the product manufactured by Custom Molded Products.
- Have maintained the Custom Molded Products product in accordance with the instructions from Custom Molded Products, LLC or as described in maintenance materials provided by Custom Molded Products, LLC to you.
- Have complied with all terms for the payment of the Custom Molded Products product.
- Made your claim in writing to Custom Molded Products within the time provided and in accordance with the terms of this Limited Warranty.

THERE ARE NO WARRANTIES APPLICABLE TO PRODUCTS MANUFACTURED BY CUSTOM MOLDED PRODUCTS EXCEPT AS EXPRESSLY STATED HEREIN AND THIS WARRANTY IS IN SUBSTITUTION FOR AND IN LIEU OF ALL OTHER WARRANTIES, WHETHER EXPRESSED OR IMPLIED, INCLUDING WITHOUT LIMITATION, ANY WARRANTIES OF MERCHANTABILITY OR FITNESS FOR A PARTICULAR PURPOSE.

UNDER NO CIRCUMSTANCES SHALL CUSTOM MOLDED PRODUCTS BE LIABLE FOR ANY LOSS OR ANY DIRECT, INDIRECT, INCIDENTAL, SPECIAL OR CONSEQUENTIAL DAMAGE OR COSTS. CUSTOM MOLDED PRODUCTS SHALL NOT BE LIABLE FOR ANY LOSS OF USE, INCOME OR PROFIT, DAMAGE TO OTHER PROPERTY, ATTORNEY'S FEES OR THIRD PERSON CLAIMS NOT WITHSTANDING A PRIOR NOTICE TO THAT EFFECT FROM THE BUYER OR UNDER ANY OTHER CIRCUMSTANCES.

CUSTOM MOLDED PRODUCTS SHALL HAVE NO LIABILITY TO THE BUYER AND SHALL HAVE NO RESPONSIBILITY FOR THE COSTS OF LABOR, TRANSPORTATION OR OTHER COST INCURRED IN THE REMOVAL AND/OR INSTALLATION OF PRODUCTS MANUFACTURED BY CUSTOM MOLDED PRODUCTS COVERED BY THIS WARRANTY.

THE SOLE AND EXCLUSIVE REMEDY FOR CUSTOM MOLDED PRODUCTS' LIABILITY OF ANY KIND AND THE SOLE AND EXCLUSIVE REMEDY OF THE BUYER, WHETHER IN LAW OR IN EQUITY FOR A BREACH BY CUSTOM MOLDED PRODUCTS OF ANY AND ALL WARRANTIES SHALL BE LIMITED TO THE REPAIR OF, OR AT CUSTOM MOLDED PRODUCTS' OPTION, THE REPLACEMENT OF PRODUCTS MANUFACTURED BY CUSTOM MOLDED PRODUCTS WHICH ARE COVERED BY THIS WARRANTY.

This warranty is valid only in the United States of America.

TIME LIMIT ON COMMENCING LEGAL ACTION

It is agreed that you have 30 days from the accrual of a claim to inform CUSTOM MOLDED PRODUCTS, LLC. by registered mail with acknowledgement of receipt. It is agreed that you have one year from the accrual of a claim to commence any legal action arising from the purchase of a product manufactured by CUSTOM MOLDED PRODUCTS, LLC.

This Limited Warranty shall be governed by and construed in accordance with laws of the State of Georgia, except as to its principles of conflicts of laws, and CUSTOM MOLDED PRODUCTS, LLC and you irrevocably submit to the jurisdiction of the State of Georgia and the venue of Coweta County in any action brought by the parties hereto concerning this Limited Warranty or the performance by CUSTOM MOLDED PRODUCTS, LLC thereunder.

For communication related to replacement products or other issues respecting this Limited Warranty, please contact:

Custom Molded Products, LLC.
36 Herring Road, Newnan, Georgia 30265
Phone: 770.632.7112 FAX: 770.632.7115

BOBÉ® BRAND LIMITED WARRANTY

All Bobé Water & Fire brand products have been tested and inspected for proper performance and defects prior to shipment from our plant(s) to the original purchaser of any products manufactured by:

Custom Molded Products, LLC
3101 N 29th Ave
Phoenix, AZ 85017

This warranty is only valid to the original consumer of the product. This warrants all manufactured products of Bobé Water & Fire when properly assembled, installed, cleaned and maintained to be free from defective material and workmanship for a period of up to 3 years from the date of purchase based on the component schedule listed below:

Provided that the Bobé Water & Fire components fail or become defective during the warranty period, except as a result of weather, negligence, improper installation, use or care shall be replaced or repaired at our option, without charge on the product within each component's warranty period.

- A. The Ignition System is warranted for a period of 15 months from the date of shipment or 12 months after installation, whichever occurs first, for defects in materials and workmanship.
- B. The Burners are warranted for a period of 39 months from the date of shipment or 36 months after installation, whichever occurs first, for defects in material and workmanship.
- C. The Gas Valves are warranted for a period of 15 months from the date of purchase or 12 months after installation for defects in material and workmanship.
- D. The Electronics are warranted for a period of 15 months from the date of purchase or 12 months after installation, whichever occurs first, for defects in material and workmanship.
- E. All Bobé Water & Fire products are warranted for structural integrity for a period of 15 months from the date of shipment or 12 months after installation, whichever occurs first, for defects in material and workmanship.

Bobé Water & Fire Products are manufactured and sold by Custom Molded Products (CMP).

THE FOREGOING IS THE COMPLETE WARRANTY FOR PRODUCTS MANUFACTURED BY CUSTOM MOLDED PRODUCTS. AND SUPERSEDES ALL OTHER WARRANTIES AND REPRESENTATIONS, WHETHER ORAL OR WRITTEN. ANY IMPLIED WARRANTIES LAST ONLY FOR THE DURATION OF THE WARRANTY PERIODS LISTED ABOVE.

IN THE EVENT PRODUCTS ARE ALTERED OR REPAIRED WITHOUT EXPRESSED WRITTEN CONSENT BY CMP, ALL WARRANTIES ARE VOID.

EXCLUSIONS OF WARRANTY:

- Freight to and from Custom Molded Products (CMP) for any product returned for warranty.
- Damage due to insufficient or excessive electrical/water/gas supply is not covered by this warranty
- Damage due to improper installation is not covered by this warranty
- Powder coated finishes are not covered by this warranty unless defective out of the box prior to installation
- Stainless steel, though stain resistant, is not guaranteed against mineral build up or rust.
- Costs incurred that are not authorized in advance by Custom Molded Products (CMP).
- This warranty certification does not cover stone, tile, stucco, brick or any other building material that is not resistant to water, copper, stainless steel or aluminum.
- Damages or expenses which might be incurred in removal and replacement are not covered under this warranty
- Corrosion, patina or other natural reactions of metals, are not covered by this warranty
- Any defects due to acts of God, misuse, abuse, accident, ice damage, alteration, misapplication, vandalism, improper maintenance and/or service is not covered under this warranty
- Damage caused by improper use of chemicals and storage near chemicals is not covered by this warranty
- Damage due to improper water chemistry is not covered by this warranty
- Damage due to improperly grounded products is not covered by this warranty
- Damage due to cleaning with non-recommended solutions is not covered by this warranty

BOBÉ® BRAND LIMITED WARRANTY

IN NO EVENT SHALL THE LIABILITY OF BOBÉ WATER & FIRE PRODUCTS EXCEED THE AMOUNT ORIGINALLY INVOICED FOR THE SPECIFIED PRODUCT BY CMP.

IN NO EVENT SHALL CMP BE LIABLE FOR ANY INCIDENTAL, CONSEQUENTIAL, SPECIAL, DIRECT, INDIRECT, PUNITIVE OR EXEMPLARY DAMAGES, HOWEVER CAUSED, WHETHER BASED UPON CONTRACT, NEGLIGENCE, STRICT LIABILITY IN TORT, OR ANY OTHER LEGAL THEORY.

Some states do not allow the exclusion or limitation of incidental, special or consequential damages, so the above exclusion may not apply.

OBLIGATIONS OF CUSTOMER

BECAUSE BOBÉ WATER & FIRE PRODUCTS ARE HAND CRAFTED BY ARTISANS; PRODUCT DIMENSIONS, UNIFORMITY, AND FEATURES MAY VARY SLIGHTLY FROM PRODUCT TO PRODUCT. PRODUCTS SHOULD BE INSPECTED FOR UNIFORMITY AND DIMENSIONAL CONFORMANCE BEFORE INSTALLING, MOUNTING, OR PUTTING INTO OPERATION. PRODUCTS DEEMED NON-CONFORMING AFTER INSTALLATION AND/OR OPERATION ARE NOT COVERED UNDER THIS WARRANTY.

- The customer is responsible for routine cleaning and maintenance on all Bobé Water & Fire surfaces to ensure longevity of product life. (See Cleaning Guide)
- The customer is liable for maintaining proper water chemistry to ensure product life
- Installation: Installation of all Bobé Water & Fire products must be in conformance with all local, state and federal regulations.
- Should be installed by a licensed contractor, electrician and/or gas fitter where applicable
- Grounding: ALL products containing water must be bonded/grounded properly or the warranty is void
- Zinc Anode: It is recommended to install a zinc anode on any Bobé Water & Fire system containing water to reduce rust. Through the electrochemical process of Galvanic corrosion, electrically charged water will bind to the zinc anode and corrode the sacrificial anode instead of your Bobé Water & Fire system. Zinc anodes will need to be replaced regularly.

If Bobé Water & Fire products fail during the warranty period as a result of a non-conformity in material or workmanship, the request for service under this warranty certification must be communicated to technical support at (888-388-2623). If technical support deems the product should be returned for inspection and/ or warranty, merchandise authorization (RMA) number will be issued. The customer is responsible for shipping product back to CMP with a pre-approved RMA number listed on the package. Proof of purchase is required for warranty coverage.

THIS WARRANTY GIVES YOU SPECIFIC LEGAL RIGHTS AND YOU MAY ALSO HAVE OTHER RIGHTS, WHICH MAY VARY FROM STATE TO STATE. **THIS WARRANTY IS NOT TRANSFERABLE.**

THE PREMIER SUPPLIER OF POOL & SPA PRODUCTS

Pool, Spa and Bath industry professionals around the world all depend on CMP. If you are a spa designer, pool builder, bath manufacturer or retail store owner, you can depend on CMP products, service and support. Because when the difference is in the details, everything matters®.

CMP everything matters.

www.c-m-p.com

1-800-733-9060

ORDERS: CS@c-m-p.com

PRODUCT INFO: PoolSales@c-m-p.com

TECH SUPPORT: c-m-p.com/support

36 HERRING ROAD, NEWNAN, GA 30265