



POCKET DOOR

Installation Guide



Retracting door hardware

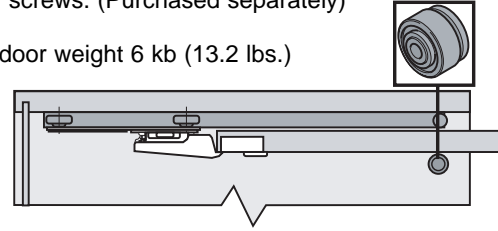
- Open and slide-in door operation
- Epoxy coated runners with permanently lubricated synthetic rollers
- Right and left hand sets with open channel design keeps dust from accumulating to keep running action smooth
- Adjustable two-piece steel follow strip
- CLIP door hinges and mounting plates that offer 3-way independent adjustment
- Vertical or horizontal installation possible
- Inset configurations for doors up to 22mm ($\frac{7}{8}$ ") thick with included hardware or for doors up to 31mm ($1\frac{3}{16}$ ") thick with optional hinges and mounting plates
- Runners, follow strips and plastic parts brown, hinges, mounting plates and screws nickel plated

Horizontal application

Right or left hand POCKET DOOR hardware sets can be used.

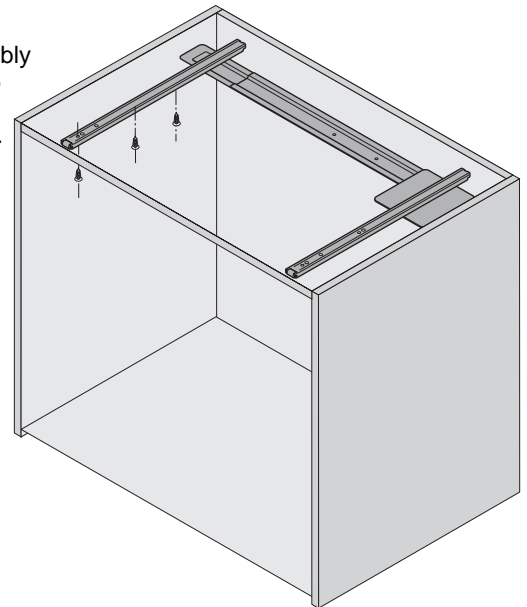
IMPORTANT! Use FLIPPER DOOR rollers 270E0005. Attach with 606N or 606P screws. (Purchased separately)

Max door weight 6 kb (13.2 lbs.)

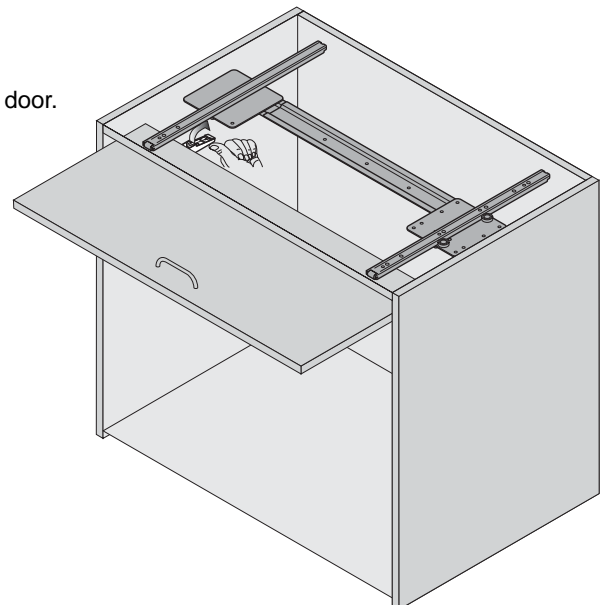


Assembly

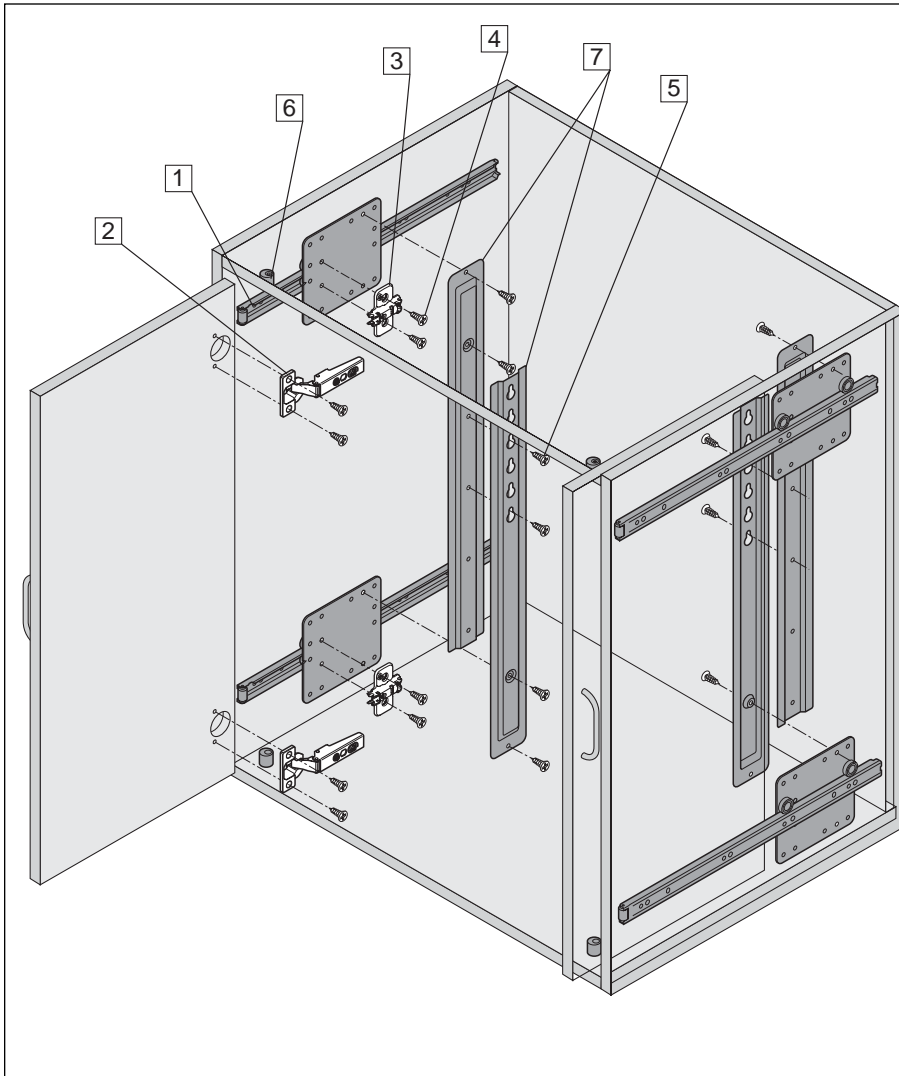
1. Attach assembly to cabinet top and rollers to cabinet sides.



2. Attach door.



POCKET DOOR



Runner Length	Part No. (RH)	Part No. (LH)
300 (11 $\frac{13}{16}$ ")	270E3000.04	270E3000.05
350 (13 $\frac{3}{4}$ ")	270E3500.04	270E3500.05
400 (15 $\frac{3}{4}$ ")	270E4000.04	270E4000.05
450 (17 $\frac{1}{6}$ ")	270E4500.04	270E4500.05
500 (19 $\frac{1}{6}$ ")	270E5000.04	270E5000.05
550 (21 $\frac{5}{8}$ ")	270E5500.04	270E5500.05
600 (23 $\frac{5}{8}$ ")	270E6000.04	270E6000.05

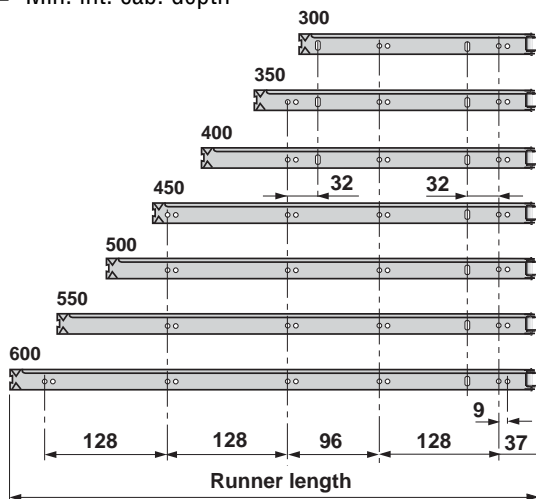
The components listed below are included in each POCKET DOOR set

- 1 2 pcs. cabinet profiles (top and bottom) with pre-mounted guide roller and roller plate. Left or right hand, brown epoxy coated
- 2 2 pcs. 71M9680 CLIP thick door hinges
- 3 2 pcs. 173H9100 CLIP mounting plates
- 4 4 pcs. 642.1150, flathead mounting plate screw (M5x11.5), nickel
- 5 6 pcs. 647.0700, panhead follow strip screw (M5x7), nickel
- 6 2 pcs. 270E0009 plastic door guide
- 7 2 pcs. 270E5050 follow strips, brown

Installation dimensions

Inset applications:

$$\begin{aligned} &\text{Runner length} \\ &+ \text{Door thickness (T)} \\ &= \text{Min. int. cab. depth} \end{aligned}$$



Runner Specifications

Runner length	Door travel
300 (11 $\frac{13}{16}$ ")	170 (6 $\frac{11}{16}$ ")
350 (13 $\frac{3}{4}$ ")	220 (8 $\frac{5}{8}$ ")
400 (15 $\frac{3}{4}$ ")	270 (10 $\frac{5}{8}$ ")
450 (17 $\frac{1}{6}$ ")	320 (12 $\frac{5}{8}$ ")
500 (19 $\frac{1}{6}$ ")	370 (14 $\frac{5}{8}$ ")
550 (21 $\frac{5}{8}$ ")	420 (16 $\frac{1}{2}$ ")
600 (23 $\frac{5}{8}$ ")	470 (18 $\frac{1}{2}$ ")

Mounting Distance Chart

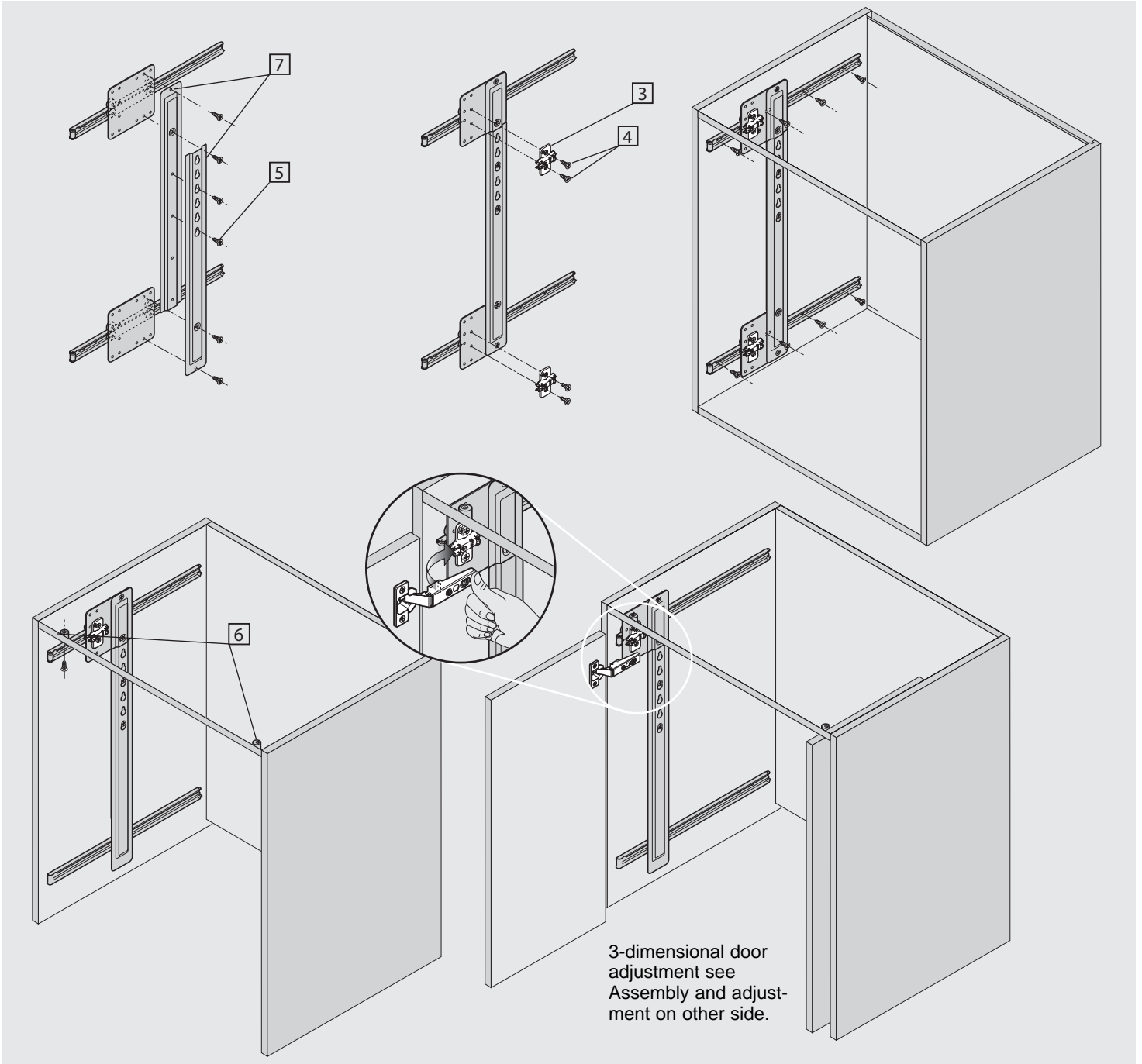
Follow strip length	Mounting distance	Min. Opening height
884 (34 $\frac{3}{16}$ ")	768 (30 $\frac{3}{4}$ ")	896 (35 $\frac{1}{4}$ ")
852 (33 $\frac{3}{16}$ ")	736 (29")	864 (34")
820 (32 $\frac{5}{8}$ ")	704 (27 $\frac{1}{16}$ ")	832 (32 $\frac{1}{4}$ ")
788 (31")	672 (26 $\frac{5}{16}$ ")	800 (31 $\frac{1}{2}$ ")
756 (29 $\frac{3}{4}$ ")	640 (25 $\frac{5}{16}$ ")	768 (30 $\frac{3}{4}$ ")
724 (28 $\frac{1}{2}$ ")	608 (23 $\frac{15}{16}$ ")	736 (29")
692 (27 $\frac{1}{4}$ ")	576 (22 $\frac{1}{16}$ ")	704 (27 $\frac{1}{16}$ ")
660 (26")	544 (21 $\frac{1}{16}$ ")	672 (26 $\frac{5}{16}$ ")
628 (24 $\frac{3}{4}$ ")	512 (20 $\frac{5}{16}$ ")	840 (25 $\frac{5}{16}$ ")

POCKET DOOR assembly and installation

1. Assemble follow strip and attach to carriage plates with panhead machine screws.

2. Attach mounting plates (and spacers if applicable) to carriage plates with flat-head machine screws.

3. Attach assembly to cabinet with wood #6 flathead or system screws. (Purchased separately.)

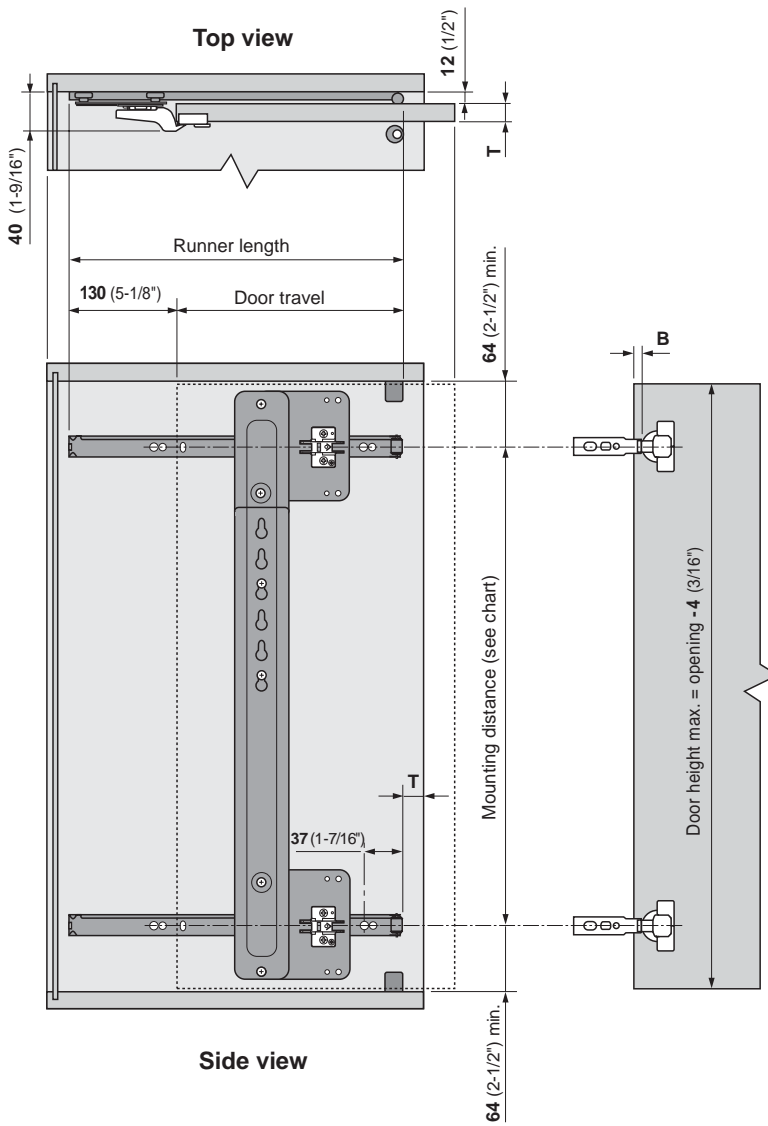


4. Attach door guides to top and bottom of cabinet with 606N or 606P screws.

5. Attach hinges to mounting plates.

POCKET DOOR

Installation dimensions

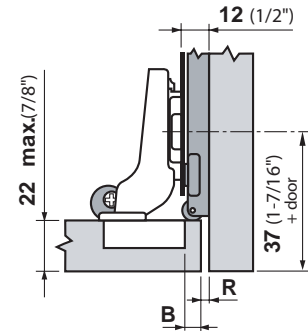


Maximum door weight for all applications is 6 kg (13.2 lbs.)

Inset applications

For 16 (5/8") to 22 (7/8") door thickness

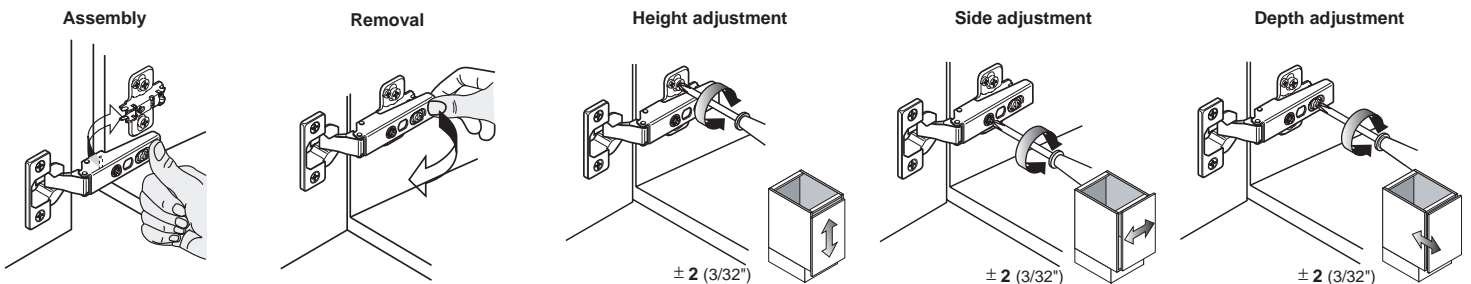
- 2 - Hinge 71M9680
- 3 - Mounting plate 173H9100



Reveal Table				
B Bore Distance	5	6	7	8
R Reveal	5.5	4.5	3.5	2.5

Reveal can be adjusted +/- 2mm

Hinge assembly and adjustment



All dimensions in millimeters. (Inch equivalents as noted.)