

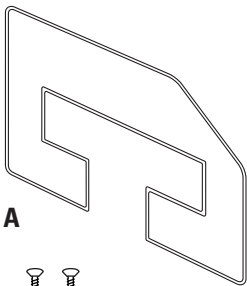
TRAY DIVIDERS

Installation Instructions

Inspect all parts and read all instructions prior to beginning assembly and installation.

Parts Included

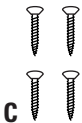
- A. Tray Divider
- B. Mounting Clips (4)
- C. Mounting Screw Package



A



B



C

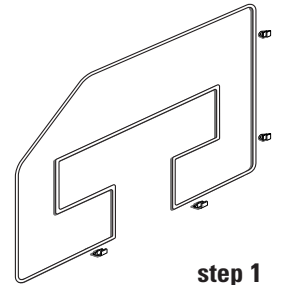
Tools Required

- Phillips Screwdriver
- Measuring Tape
- Pencil
- Carpenter Square
- Drill with 1/16" bit for pilot holes (optional)

Product Assemblies

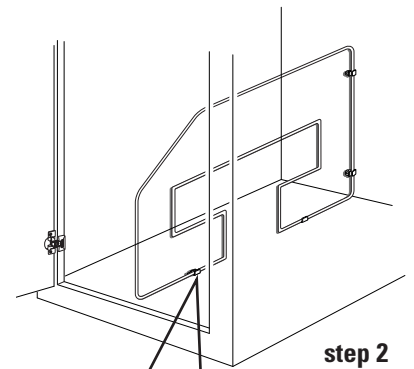
- TD-12-A
- TD-18-A
- TD-12-W
- TD-18-W
- TD-12-R-W
- TD-18-R-W

Step 1 Fit the clips onto divider as shown. Take care to position clips so that the mounting hole is on the same side of the divider for all 4 clips.



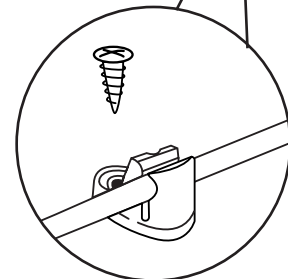
step 1

Step 2 Install tray divider vertical and parallel with inside cabinet sidewall. For most applications, the divider will equally divide the cabinet space. If using more than one divider per cabinet, measure the opening and draw lines on the cabinet floor to position the dividers equally.



step 2

Step 3 Fasten in dividers place using mounting screws (provided) through the hole in the mounting clips into the cabinet floor and back panel. Installation is now complete.



step 3



Real Solutions
For Real Life.™

KNAPE & VOGT MANUFACTURING COMPANY

P.O. Box 191, Muncie, IN 47308

0.899.6535 • 765.288.8730 • Fax 765.288.0851 • www.kv.com

RN-233EFS 03/03